



VAPORMASTER® 6.5 CU. FT. ABRASIVE BLASTING POT



BUILT MARCO
TOUGH
MARCO MANUFACTURED

PART NUMBERS AND SCHEMATICS GUIDE

Company Profile

Since 1944, Marco has developed a strong tradition of providing innovative and reliable products and services to the surface preparation and protective coatings industries. We are the world's premier provider of Abrasives, Blasting, Coating, Dust Collectors, Engineered Systems, Rental, Safety, Service, Repair, & Modernization, and Vacuums.

Through innovative designs and a total commitment to quality, Marco manufactures products that increase production rates, create a safer workplace, and reduce maintenance costs. Marco's industry experience, manufacturing capabilities, legendary customer service, product availability, logistics services, and technology leadership is your assurance that we deliver high quality products and services, providing the best value to you, our customer.

The Marco Difference

- **Industry Experience** – With Marco on your team, you have access to expertise which can only come from decades of industry leadership. We have organized our engineering department, production specialists, customer operations, and safety support into a “Center of Competence.” As a Marco customer, you have access to hundreds of years of cumulative experience related to your operations.
- **Manufacturing Excellence** – Marco is a manufacturer of equipment for the Surface Preparation and Protective Coatings industries. Marco's engineers benchmark the industry to ensure that we design and manufacture superior products that set the “Gold Standard” for performance, safety, and quality.
- **Legendary Customer Service** – Marco's legendary customer service team is staffed by friendly, highly-trained individuals who are focused on providing the highest level of product support, order accuracy, and customer satisfaction.
- **Product Availability** – We stock over 10,000 SKU's and have more than 45 shipping locations to serve North American and International markets for all major brands of blasting and coating equipment. As the largest provider of surface preparation and protective coatings equipment in the world, our inventory levels and product availability are unmatched.
- **Logistics Services** – Marco's in-house logistics team is dedicated to moving your shipment anywhere in the world. We move more than 14,000 truckloads every year, allowing you to save on freight costs by leveraging our buying power. Lower your process costs with a single invoice, which includes product and freight.
- **Technology Leadership** – Our website provides: Operator's Manuals, Part Numbers and Schematics Guides, SDS information, and Features & Specifications Guides, providing access to information 24/7. Our Extranet application allows you to receive quotes and place orders online. Our Intranet maintains a complete record of your purchase history to assist with ongoing support of your existing equipment and future purchasing decisions.

Vision Statement

Marco is the world's premier provider of Abrasives, Blasting, Coating, Dust Collectors, Engineered Systems, Rental, Safety, Service, Repair, & Modernization, and Vacuums.

Mission Statement

Marco provides strong leadership and innovation to the surface preparation and protective coatings industries. We dedicate our efforts to the continuous improvement of our products, services, processes, people, and most importantly, the quality of our customer's experience.

Quality Statement

Marco is committed to providing superior quality in the design, manufacturing, distribution, rental, service, and repair of our products. Continuous improvement of our processes and supply chain Integration comprise the core of our business strategy for delivering exceptional quality and value in all Marco products and services.

Management Philosophy

We are a company dedicated to the success of every customer and associate. We discuss, debate, challenge, measure, and test our ideas. We will be boundless and limitless in our passion to improve. Through sound leadership and dedicated associates, we will ensure a long term, profitable future for Marco, our associates, customers, and suppliers.

TABLE OF CONTENTS

Company Profile	2
Table of Contents	3
Part Numbers	4
Assembly Part Numbers and Schematics	6
Inspection Door Assembly	6
Pop-up Assembly	7
Vapormaster® 6.5 Cu. Ft. Abrasive Blasting Pot	8
Control Box - Primary Components	10
Control Box - Sub Components	12
Control Box - Outer Components - Front and Rear	14
Control Box - Outer Components - Right Side	16
1/2" Water Lines Schematic	17
Control Box - 1/2" Air Lines Schematic	18
Control Box - Electrical Lines Schematic	19
Control Box - 4mm Air Lines Schematic	20
Control Box - 1/4" Air Lines Schematic	22
OPTIONAL ACCESSORIES	24

PART NUMBERS

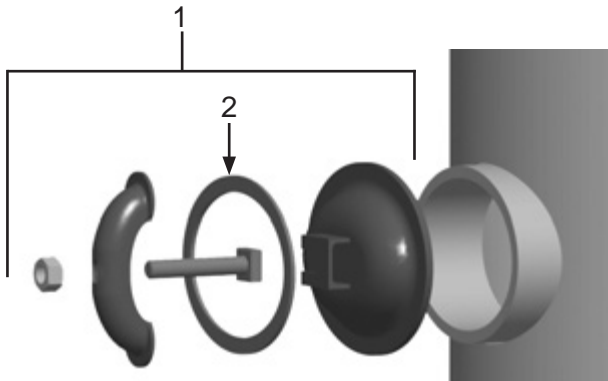
VAPORMASTER® 6.5 CU. FT. ABRASIVE BLASTING POT						
Part Numbers	Blastmaster® Remote Control Switch	Blast Nozzle	1-1/4" Super-Flex Blast Hose <i>(Includes remote control switch, coupled hose, and remote control line)</i>	6.5 Cu. Ft. Abrasive Blasting Pot	120 Gallon Water Tank	Abrasive Blasting Pot Frame
10105582	—	—	—	X	X	X
10106954	152P	#8 XL – Tungsten Carbide Liner	50'	X	X	X
10106955	151E	#8 XL – Tungsten Carbide Liner	50'	X	X	X

PART NUMBERS



ASSEMBLY PART NUMBERS AND SCHEMATICS

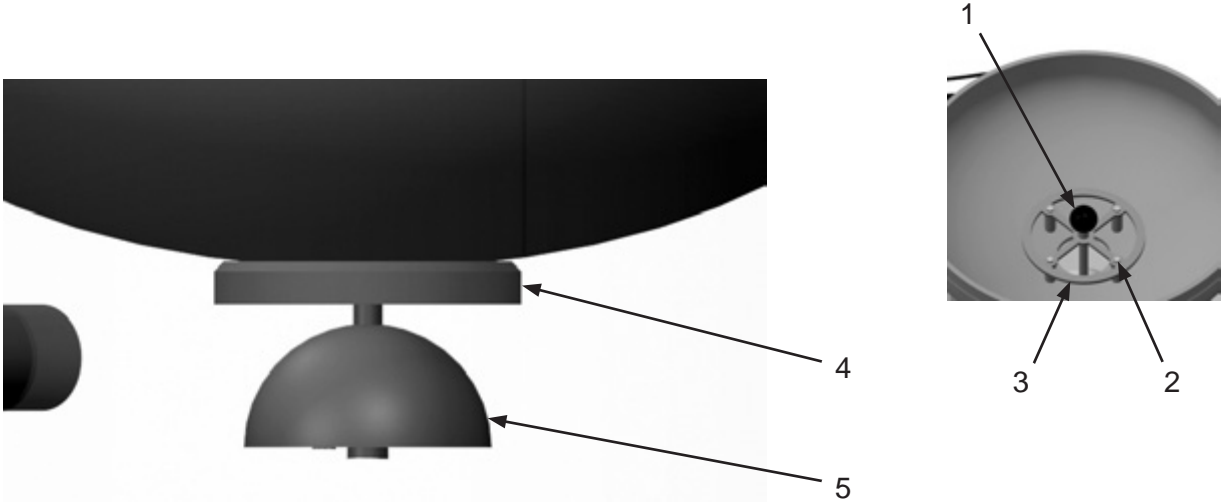
Figure 1: Inspection Door Assembly



Item #	Part #	Description
Fig. 1		
1	1006200	6" x 8" Inspection Door Assembly
2	1006201	Gasket

PART NUMBERS AND SCHEMATICS

Figure 2: Pop-up Assembly



Item #	Part #	Description
--------	--------	-------------

Fig. 2

1	10105722	Knob
2	20100959	1/4-20 X 5/8" Bolt (<i>Four Required</i>)
3	10105346	Pop-up Spindle
4	1006040	Valve Seat
5	10107394	Urethane Pop Up Assembly

PART NUMBERS AND SCHEMATICS

Vapormaster® 6.5 Cu. Ft. Abrasive Blasting Pot

Item #	Part #	Description
Fig. 3		
—	10105582	Vapormaster® 6.5 Cu. Ft. Abrasive Blasting Pot
1	10106433	Slurry Pot Frame Weldment
2	10105633	Water Tank - Poly 120 Gallon
3	10105235	6.5 Cu. Ft. Blast Pot
4	10106171	ASME Pressure Relief Valve
5	10106139	Blast Enclosure - Complete
6	10105685	1/2" Nylon Tubing - Black
7	10106143	1-1/4" Clear PVC Tubing
8	10106195	1-1/2" Male NPT X Male Adapter <i>(Two Required)</i>
9	10106192	1-1/2" Hose Barb <i>(Two Required)</i>
10	10106144	3/4" Clear PVC Tubing
11	10106983	1-1/2" I.D Material Handling Hose (Per Foot)
12	10105901	1" PVC Hose Barb <i>(Two Required)</i>
13	1011801	1" Street Elbow - Galvanized
14	10105672	3/4" Street Elbow <i>(Two Required)</i>
15	10106145	1" Reinforced PVC Tubing
16	10106194	1-1/2" 45° Elbow
17	10106136	2" x 1" PVC Bushing
18	10106137	1" PVC Close Nipple
19	10106138	1" PVC Ball Valve
20	10104234	3/8-16 x 1-1/4 Hex Bolt Zinc <i>(Eight Required)</i>
21	1014241	3/8 SAE Flat Washer Zinc <i>(16 Required)</i>
22	10101936	3/8" Lock Washer - Zinc <i>(Eight Required)</i>
23	20100138	3/8"-16 Hex Lock Nut Zinc <i>(Eight Required)</i>
24	10AHCL1	Band Clamp Up To 1-1/2" O.D.
25	10106197	1-1/2" Socket x Notched Shank
26	10106134	1-1/2" Ball Valve
27	10106196	1-1/2" Socket x Male NPT
28	10106333	1/4" Street Elbow
29	10105688	1/4" NPT Elbow
30	10105683	1/4" Nylon Tubing
31	10105671	3/4" Close Nipple

Item #	Part #	Description
32	10105700	1/4" Bulkhead Union
33	10105701	1/2" Bulkhead Union
34	1017019	1/4" M NPTF Hollow Hex Plug
35	10105709	1/4" NPT (F) Bulkhead
36	10105622	1/4" Mini Brass Ball Valve
37	10105606	1-1/4" Street Elbow
38	10105618	1-1/4" Ball Valve
39	10106135	1-1/4" Hose Barb
40	10105602	Close Nipple - 1-1/4"
41	10105674	3/4" Male Hose Barb
42	10105673	3/4" Ball Valve
43	10105675	1/2" Street Elbow
44	10105695	1/2" NPT Elbow <i>(Three Required)</i>
45	10105354	Water Tank Bracket
46	10106437	1" PVC Tee
47	10105637	1/4" NPT x 1/2" Elbow
48	10103396	Hose Clamp 1-1/16"—2" <i>(Two Required)</i>
49	10106546	Hose Clamp 11/16"—1-1/4"
50	10107510	120 Gallon Tank Lid
51	10108374	1-1/2" Cam and Groove Gasket
52	10106490	1" x 3" PVC Pipe Nipple
53	10109460	1" x 3/4" PVC Bushing
54	10109461	3/4" PVC Hex Nipple
55	10109462	3/4" NPT x 1" PVC Hose Barb
56	10109455	3/4" Inline Filter
—	106M131	Part Numbers & Schematics Guide – Vapormaster® 6.5 Cu. Ft. Abrasive Blasting Pot
—	1090131	Operators Manual - Vapormaster® 6.5 Cu. Ft. Abrasive Blasting Pot

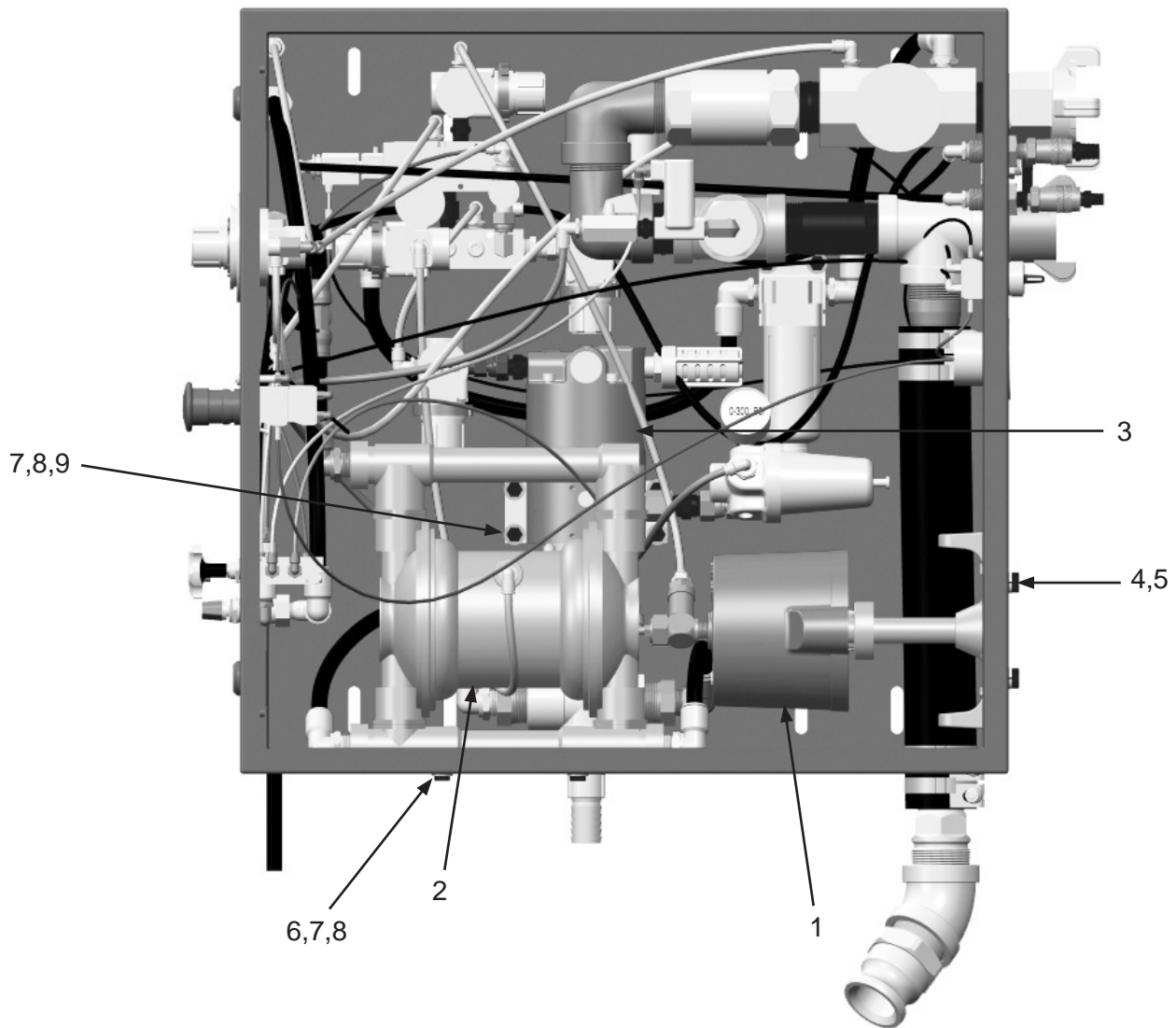
PART NUMBERS AND SCHEMATICS

Control Box - Primary Components

Item #	Part #	Description
Fig. 4		
1	10PV400	Blastmaster® PV400 Remote Control Valve
2	10105624	Diaphragm Pump
3	10105623	5:1 Pump
4	10103400	3/8-16 x 3/4" Bolt
5	10101936	3/8" Lock Washer - Zinc
6	20100125	1/4-20 x 3/4" Zinc Hex Bolt
7	1012323	1/4-20 Zinc Lock Nut With Nylon Insert
8	1014017	1/4" Flat Washer
9	1012154	1/4-20 x 1" Hex Bolt
—	106M009	Part Numbers & Schematics Guide – Blastmaster® PV400 Remote Control Valve
—	1090009	Operator's Manual – Blastmaster® PV400 Remote Control Valve

PART NUMBERS AND SCHEMATICS

Figure 4: Control Box - Primary Components



PART NUMBERS AND SCHEMATICS

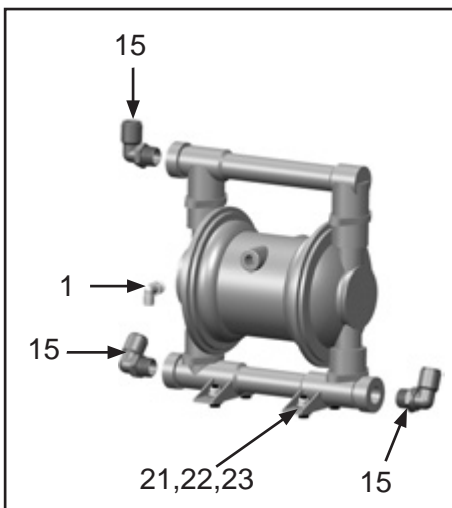
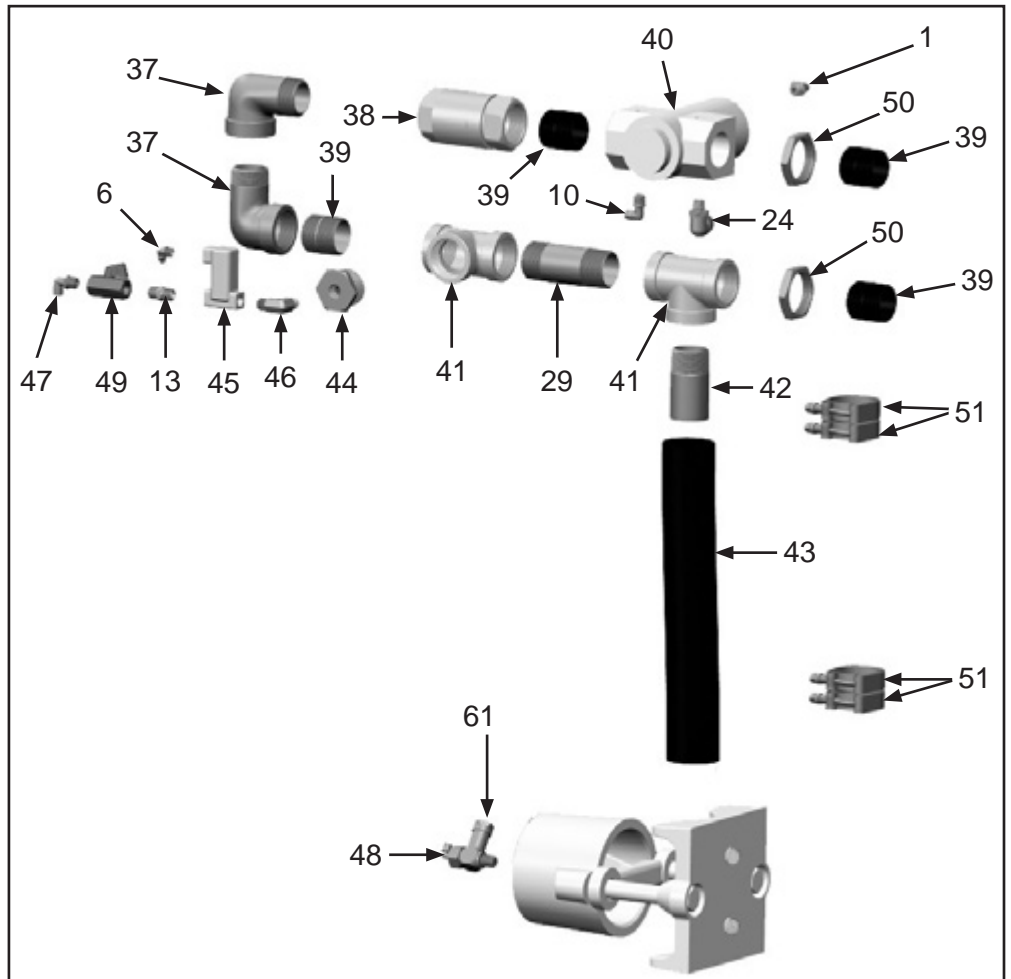
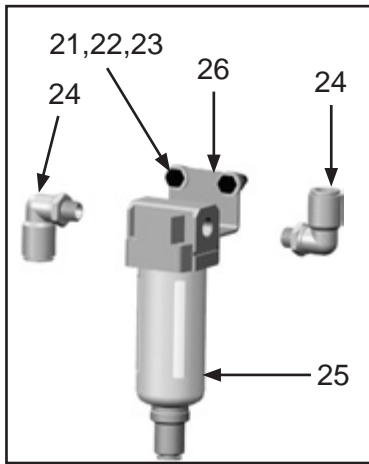
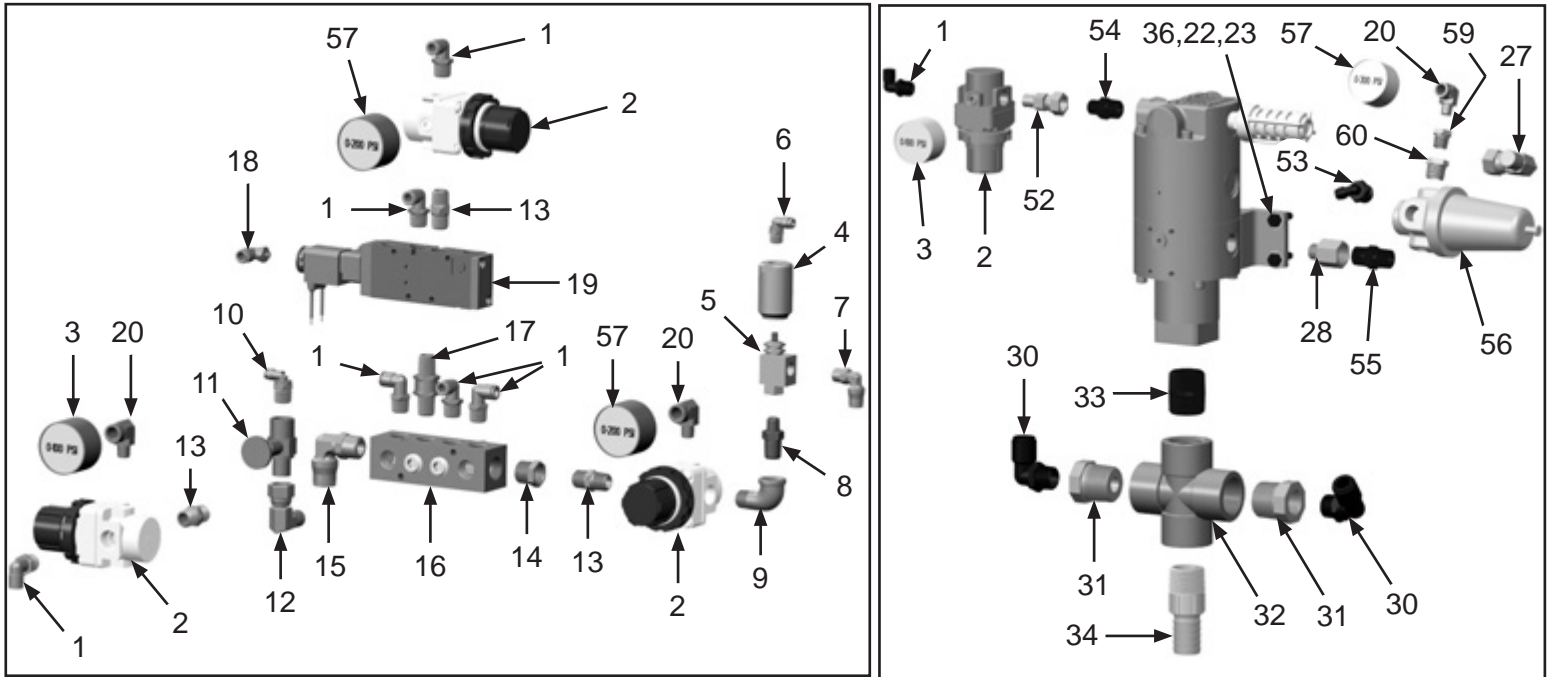
Control Box - Sub Components

Item #	Part #	Description
Fig. 5		
1	10105688	1/4" Elbow <i>(Nine Req.)</i>
2	10105588	Regulator <i>(Three Req.)</i>
3	10105628	Pressure Gauge 0-100 psi
4	10105593	Wash Down Switch
5	10105932	2-Way Valve
6	10105691	1/8" Elbow <i>(Two Req.)</i>
7	10105687	1/8" Elbow
8	10105716	1/4" x 1/8" Hex Nipple
9	10105935	1/4" 90° Street Elbow
10	10105692	1/4" NPT Elbow (M) <i>(Two Required)</i>
11	10103292	1/4" Needle Valve
12	1012326	1/4" x 1/4" 90° Swivel
13	1017019	Hex Nipple 1/4" x 1/4" <i>(Two Req.)</i>
14	10105711	3/8" (M) x 1/4" (F) Hex Reducer Bushing
15	10105694	3/8" x 1/2" Tube Elbow <i>(Four Req.)</i>
16	10105635	Manifold
17	10105906	1/4" (M) x 1/4" (M) Check Valve
18	10106334	1/4" Elbow
19	10105626	1/4" Valve 12-Volt DC
20	1012113	1/8" Elbow <i>(Two Required)</i>
21	20100125	1/4-20 x 3/4" Hex Bolt <i>(Six Req.)</i>
22	1014017	1/4" Flat Washer <i>(20 Req.)</i>
23	1012323	1/4-20 lock nut <i>(10 Req.)</i>
24	10105637	1/4" x 1/2" Elbow <i>(Two Req.)</i>
25	10105625	Lubricating Air Filter
26	10105965	Airline Filter Bracket
27	20PFHA60UA0606	3/8" (M) x 3/8" (F) 90° Swivel
28	10107408	Adapter
29	10105611	1-1/4" x 3" Pipe Nipple
30	10105695	1/2" x 1/2" Tube Elbow <i>(Two Req.)</i>

Item #	Part #	Description
31	10105900	1" x 1/2" PVC Reducer <i>(Two Req.)</i>
32	10105899	1" PVC Cross
33	10105898	1" x 1" Close Nipple
34	10105901	1" Hose Barb
35	10105706	1/2" Connector
36	1012154	1/4-20 x 1" Hex Bolt <i>(Four Req.)</i>
37	10105606	1-1/4" Elbow <i>(Two Req.)</i>
38	10105605	1-1/4" Check Valve
39	10105602	1-1/4" Close Nipple <i>(Four Req.)</i>
40	10105603	Regulator
41	10105609	1-1/4" Tee <i>(Two Req.)</i>
42	10107222	1-1/4"NPT x 1-1/2" Hose Barb
43	10106983	Hose - 1-1/2"
44	10105608	1-1/4" x 1/4" Bushing
45	10105621	1/4" Air Valve
46	20PFHA25UA0404	1/4" 90° Elbow
47	10105688	1/4" Connector
48	10105707	Pilot Check Valve
49	10105622	1/4" Brass Ball Valve
50	10105979	1-1/4" Lock Nut <i>(Two Req.)</i>
51	10103738	T-Bolt Clamp <i>(Four Req.)</i>
52	10SME025	1/4" NPT x 1/4" F Straight Swivel
53	10105689	3/8" Elbow
54	10106766	3/8" x 1/4" Hex Nipple
55	1028610	3/8" Hex Nipple
56	10106765	3/8" 75-200 PSI Regulator
57	10105627	Pressure Gauge 0-200 psi <i>(Three Req.)</i>
58	10106394	Parker Valve Endcap
59	1011212	1/4" x 1/8" Bushing
60	10105711	3/8" x 1/4" Bushing
61	10105703	1/4" Connector
62	10107400	Pressure Gauge 0-300 psi

PART NUMBERS AND SCHEMATICS

Figure 5: Control Box - Sub Components



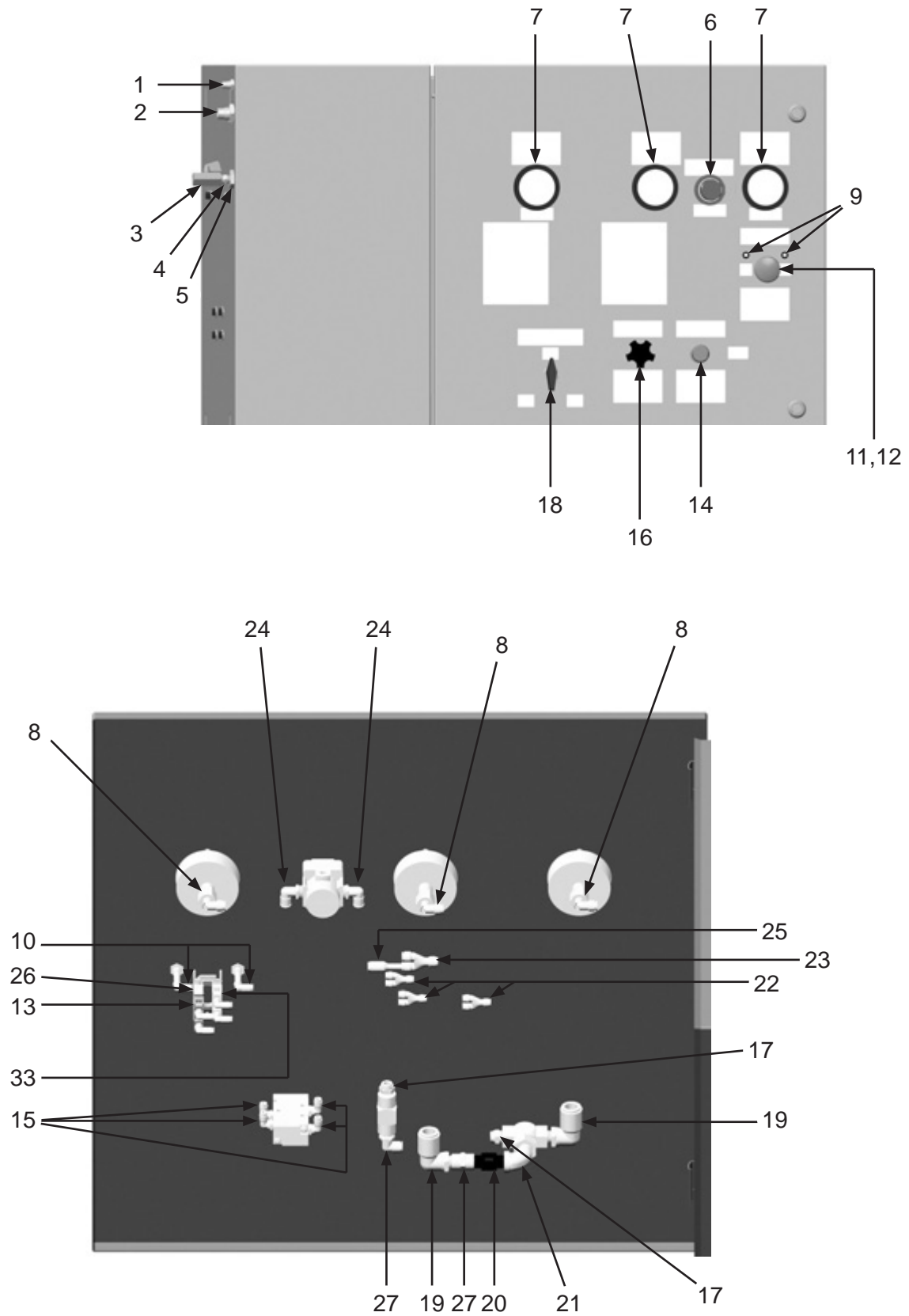
PART NUMBERS AND SCHEMATICS

Control Box - Outer Components - Front and Rear

Item #	Part #	Description
Fig. 6		
1	10105700	1/4" Bulkhead Union
2	10105701	1/2" Bulkhead Union
3	10105622	1/4" Mini Brass Ball Valve
4	10105714	1/8" (M) NPTF Hollow Hex Pipe Plug
5	10105709	1/8" Bulkhead Union
6	10105588	Regulator
7	10105587	Pressure Gauge <i>(Three Required)</i>
8	10105698	1/4" NPT Elbow <i>(Three Required)</i>
9	10106207	Pneumatic Pressure Indicator <i>(Two Required)</i>
10	10105690	10-32 Elbow <i>(Two Required)</i>
11	10105589	Emergency Stop Switch
12	10105962	Mounting Ring <i>(Two Required)</i>
13	10105591	Switch Valve - Swivel <i>(Two Required)</i>
14	10105593	Wash Down Switch
15	10105691	1/8" Elbow <i>(Four Required)</i>
16	10105594	Adjustment Knob
17	10105703	1/4" Connector <i>(Two Required)</i>
18	10105595	1/4" Three Way Ball Valve
19	10105637	1/4" x 1/2" Tube Elbow <i>(Two Required)</i>
20	10105906	1/4"M x 1/4"M Brass Check Valve
21	1011824	1/4" Street Elbow - Galvanized
22	10105697	5/32" Y Splitter <i>(Three Required)</i>
23	10105696	1/4" Y Splitter
24	10105688	1/4" Elbow <i>(Two Required)</i>
25	10105702	5/32" x 1/4" Tube End Reducer
26	10105590	Electrical Contact Block <i>(Two Required)</i>
27	20PFHA24SJ04	1/4" Female Coupling

PART NUMBERS AND SCHEMATICS

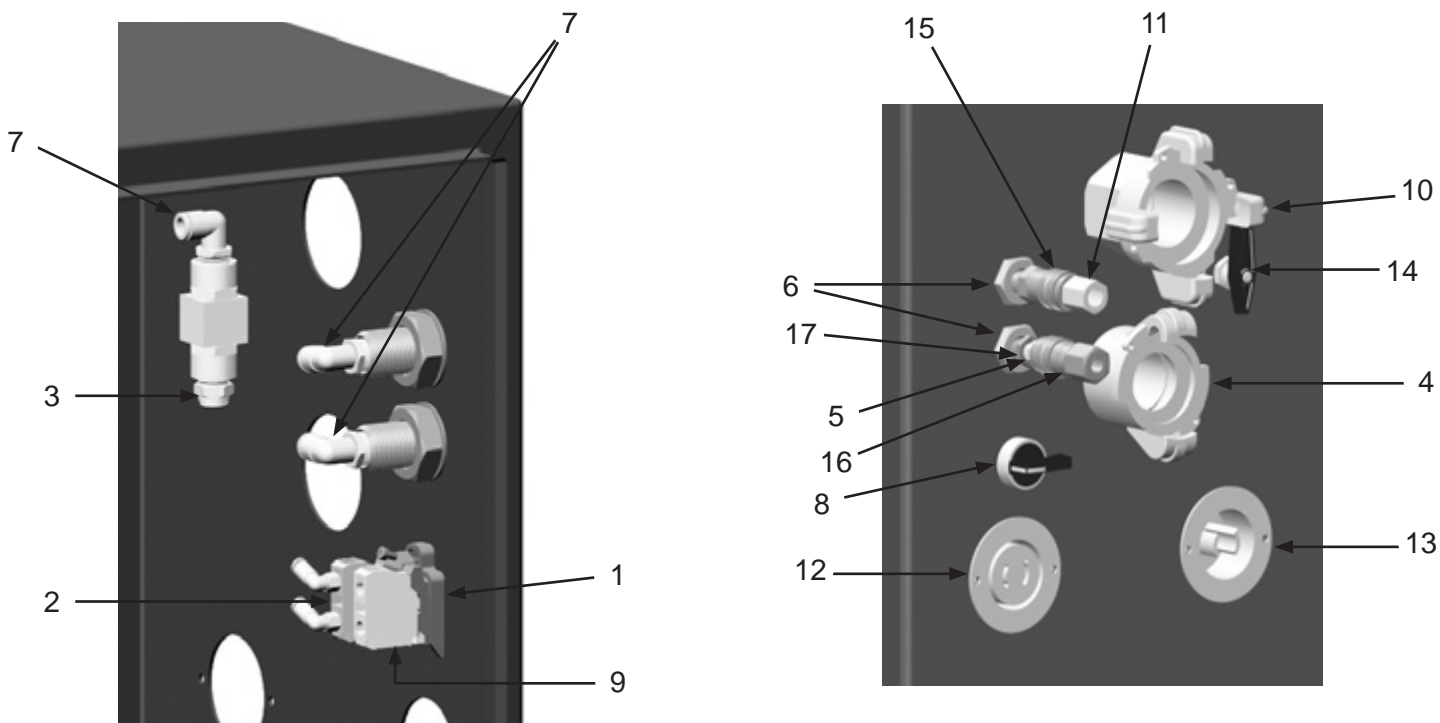
Figure 6: Control Box - Outer Components - Front and Rear



PART NUMBERS AND SCHEMATICS

Figure 7: Control Box - Outer Components - Right Side

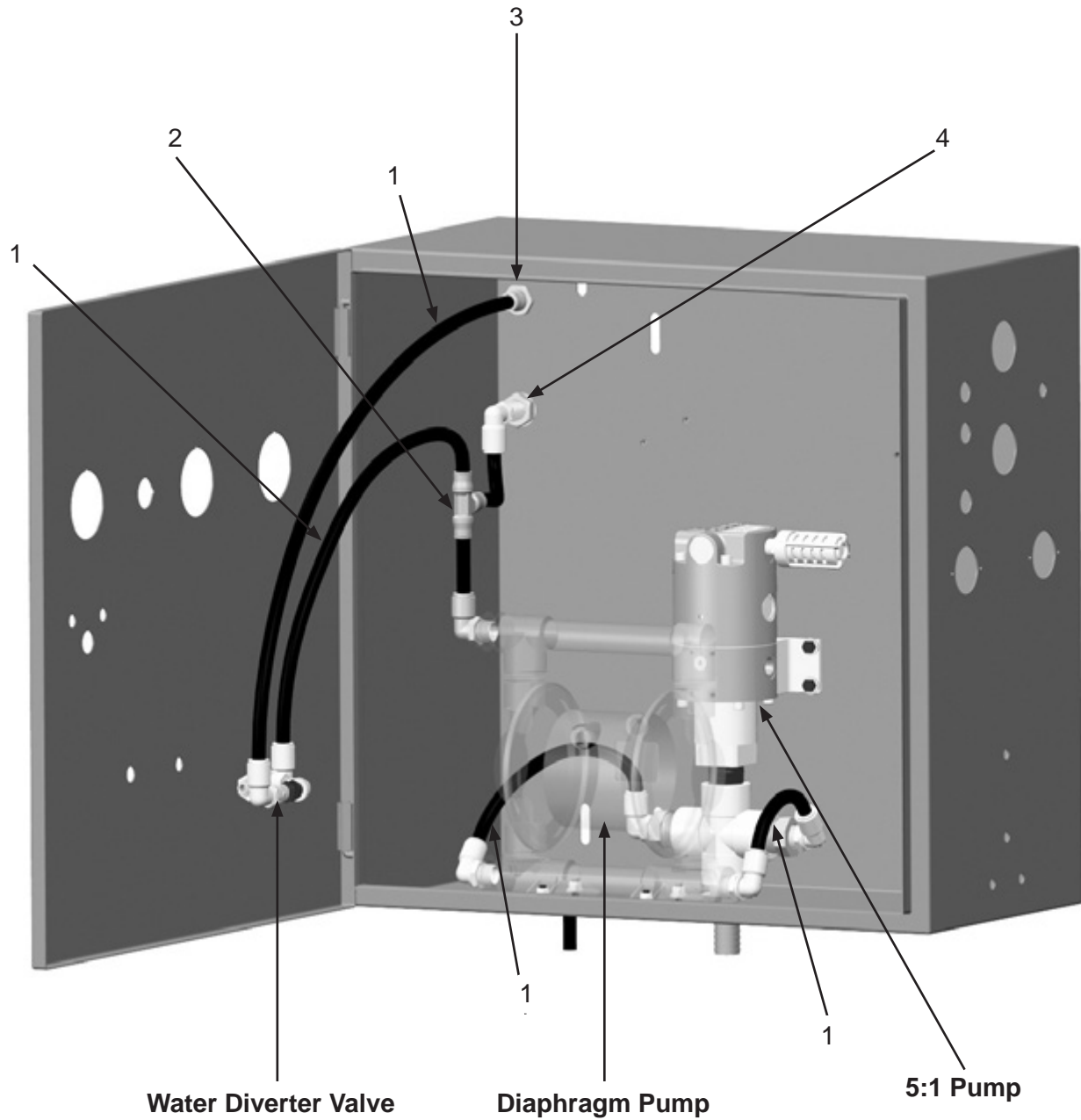
Item #	Part #	Description
Fig. 7		
1	10105962	Mounting Ring
2	10105591	Switch Valve - Swivel (<i>Two Required</i>)
3	10105703	1/4" Connector (<i>Two Required</i>)
4	10SB1	1-1/4" Brass Tank Coupling
5	10DXDCP2101	1/8" (M THRD) x 1/4" (M) Quick Disconnect
6	10105709	1/8" (F) Bulkhead Union (<i>Two Required</i>)
7	10105688	1/4" Elbow (<i>Three Required</i>)
8	10105631	Selector Switch
9	10105590	Electrical Contact Block (<i>Two Required</i>)
10	10ME3	1-1/4" 4 Lug Female Coupling
11	20DXDCP20	1/4" Quick Connect Coupler Male
12	1015557	Two Prong Female Receptacle
13	10106026	Two Prong Male Receptacle
14	10105632	1/4" Panel Mount Brass Ball Valve
15	10DXDC21	1/4" x 1/4" (M) NPT Quick Disconnect Coupler Brass
16	10DXDCP2021	1/8" (F THRD) x 1/4" Male Quick Disconnect
17	20PFHA24SB0402	1/4" x 1/8" Reducing Bushing



PART NUMBERS AND SCHEMATICS

Figure 8: 1/2" Water Lines Schematic

Item #	Part #	Description
Fig. 8		
1	10105685	1/2" Nylon Tubing - Black (<i>Per Foot</i>)
2	10105686	1/2" Union Tee
3	10105701	1/2" Union
4	10105637	1/4" NPT x 1/2" Tube Elbow



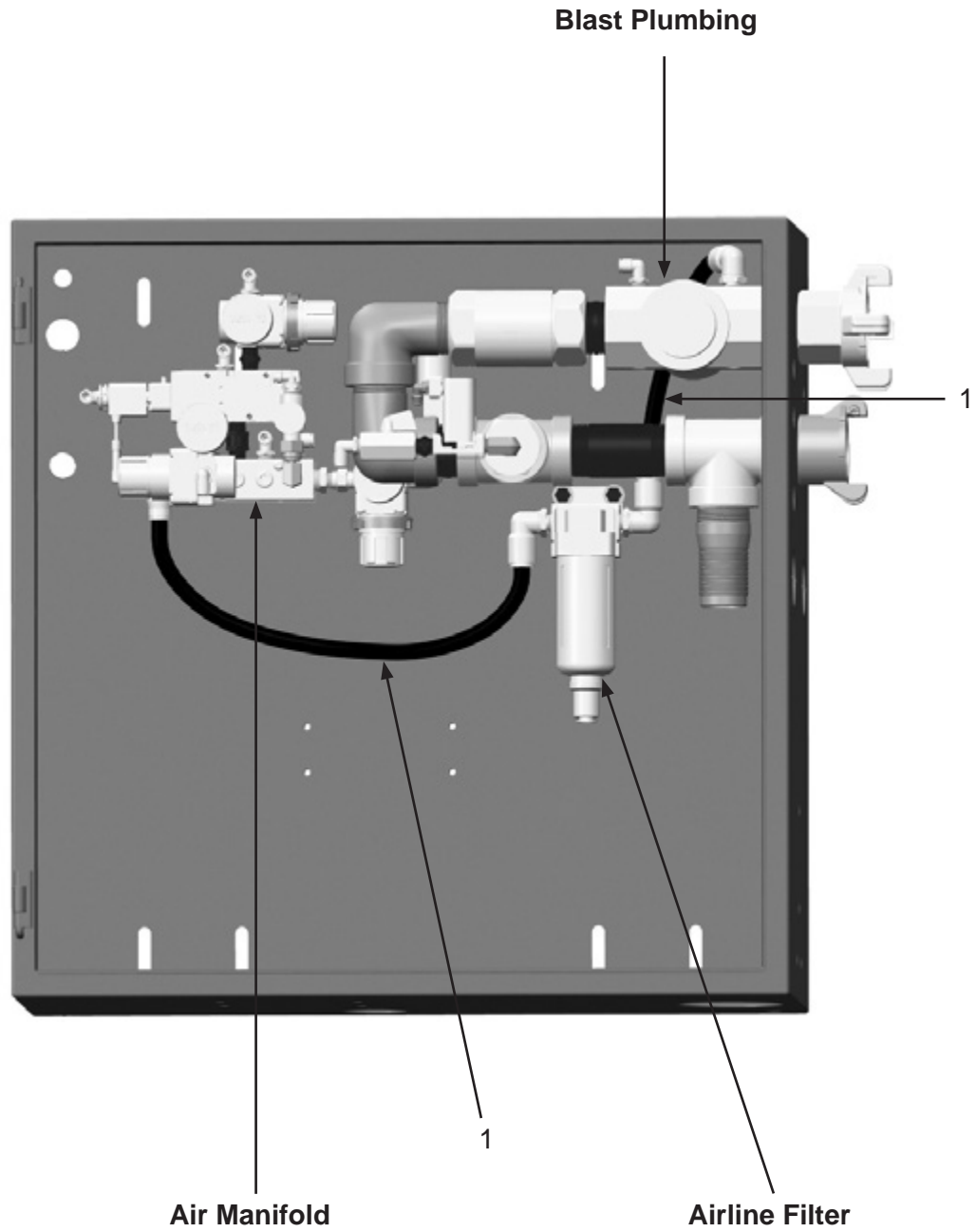
PART NUMBERS AND SCHEMATICS

Figure 9: Control Box - 1/2" Air Lines Schematic

Item #	Part #	Description
--------	--------	-------------

Fig. 9

1	10105685	1/2" Nylon Tubing - Black (<i>Per Foot</i>)
---	----------	---



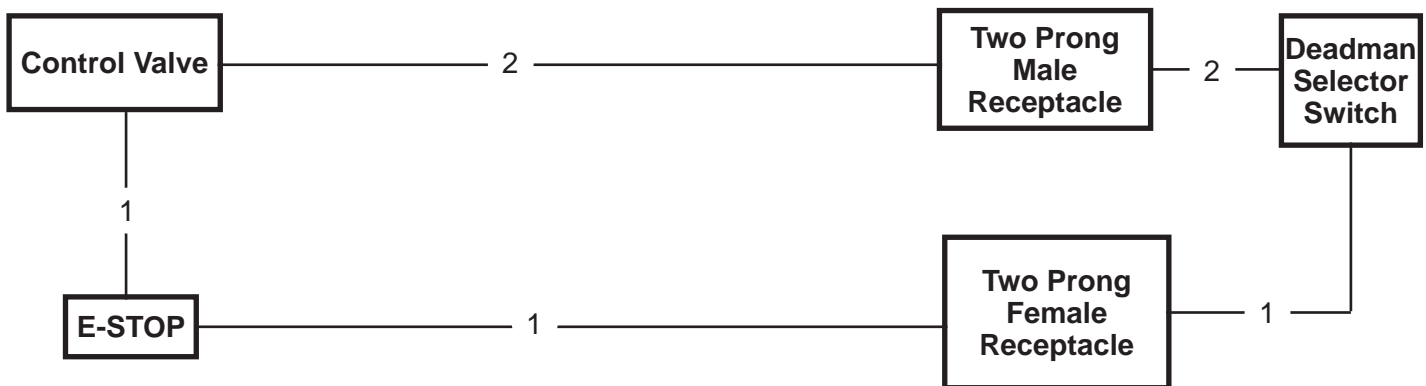
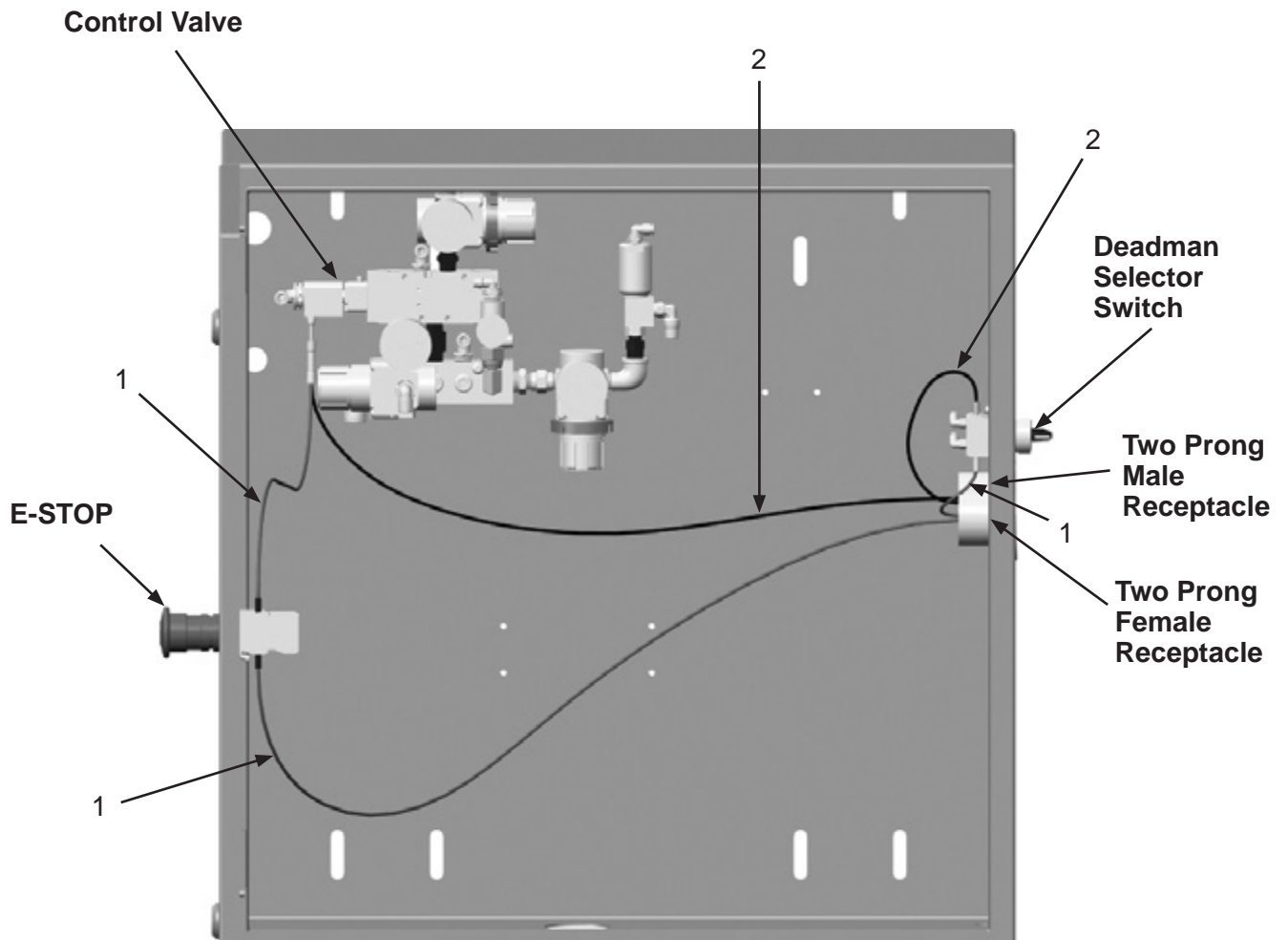
PART NUMBERS AND SCHEMATICS

Figure 10: Control Box - Electrical Lines Schematic

Item #	Part #	Description
--------	--------	-------------

Fig. 10

1	10103622	16 AWG Stranded Wire Red (Per Foot)
2	10103621	16 AWG Stranded Wire Black (Per Foot)



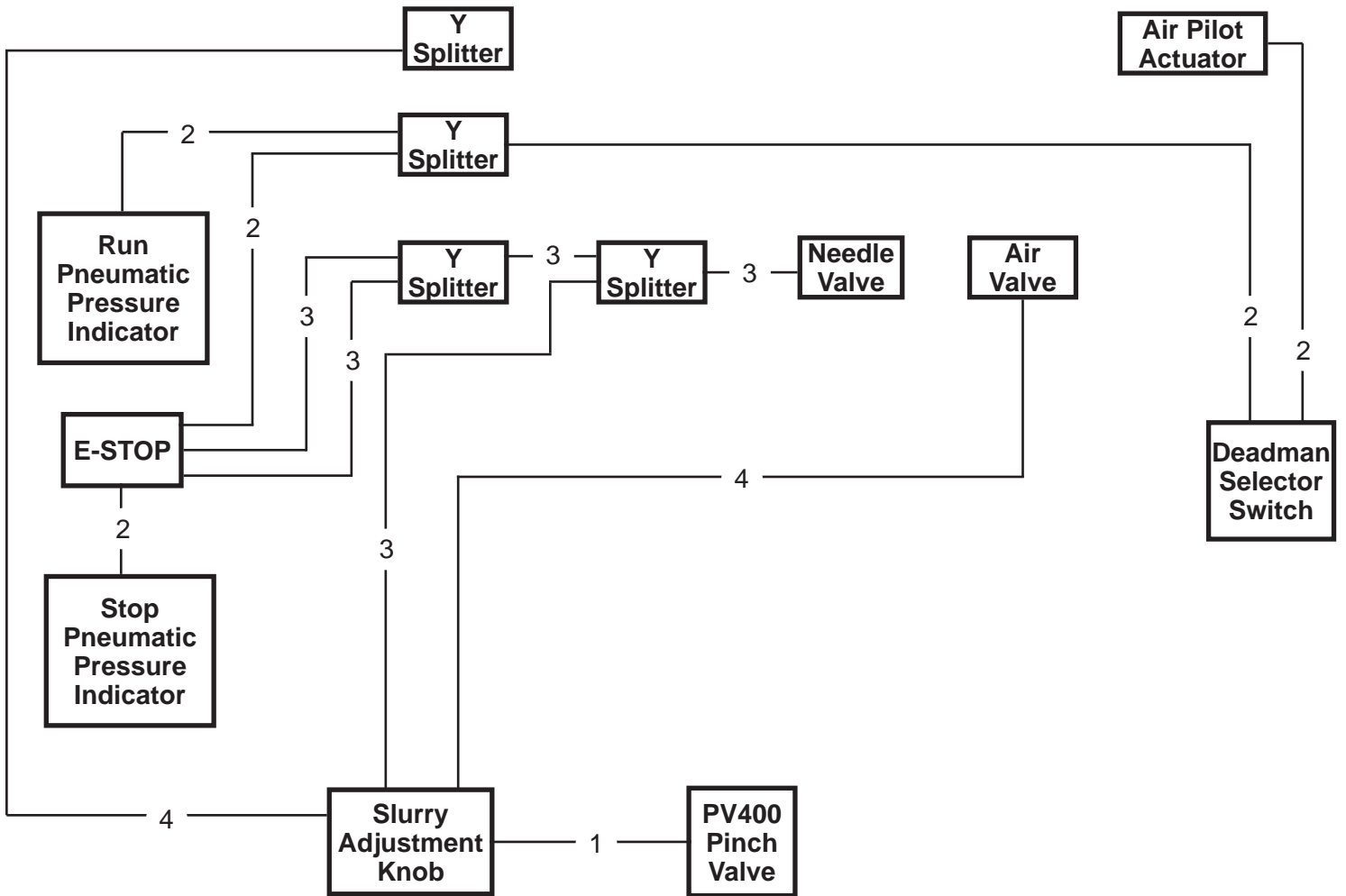
PART NUMBERS AND SCHEMATICS

Control Box - 4mm Air Lines Schematic

Item #	Part #	Description
--------	--------	-------------

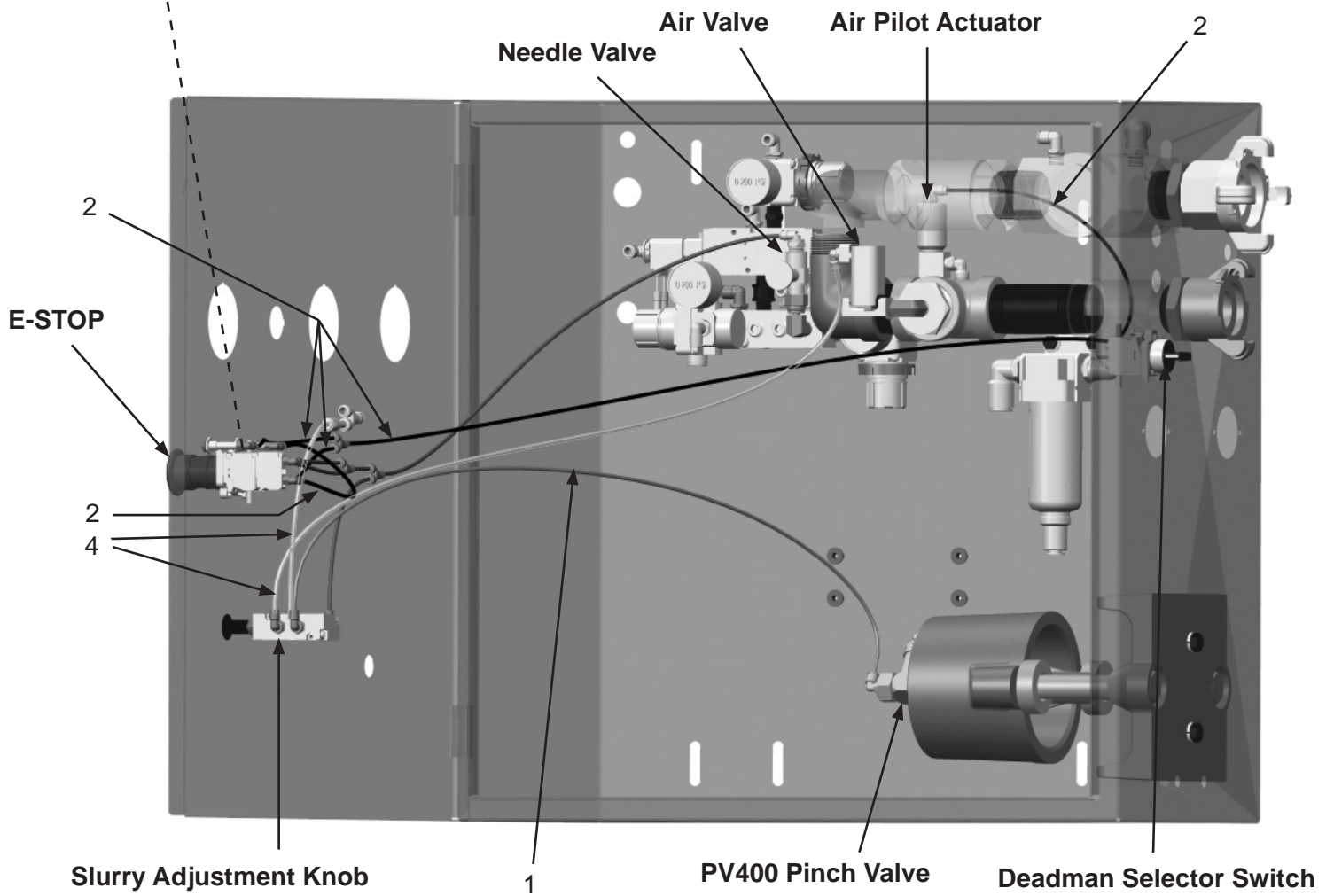
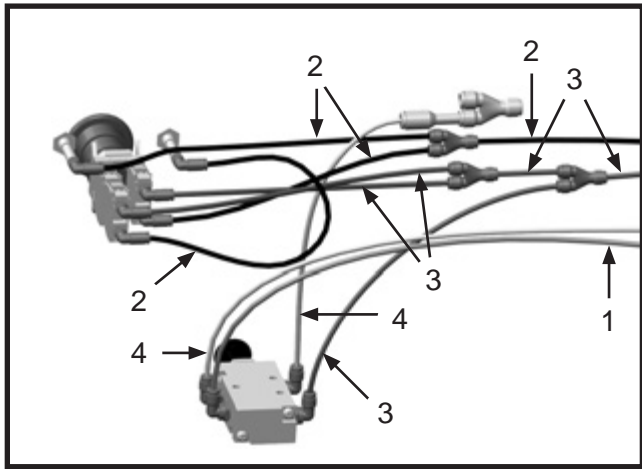
Fig. 11

1	10105677	4MM Nylon Tubing - Yellow (Per Foot)
2	10105678	4MM Nylon Tubing - Black (Per Foot)
3	10105679	4MM Nylon Tubing - Red (Per Foot)
4	10105680	4MM Nylon Tubing - Blue (Per Foot)



PART NUMBERS AND SCHEMATICS

Figure 11: Control Box - 4mm Air Lines Schematic



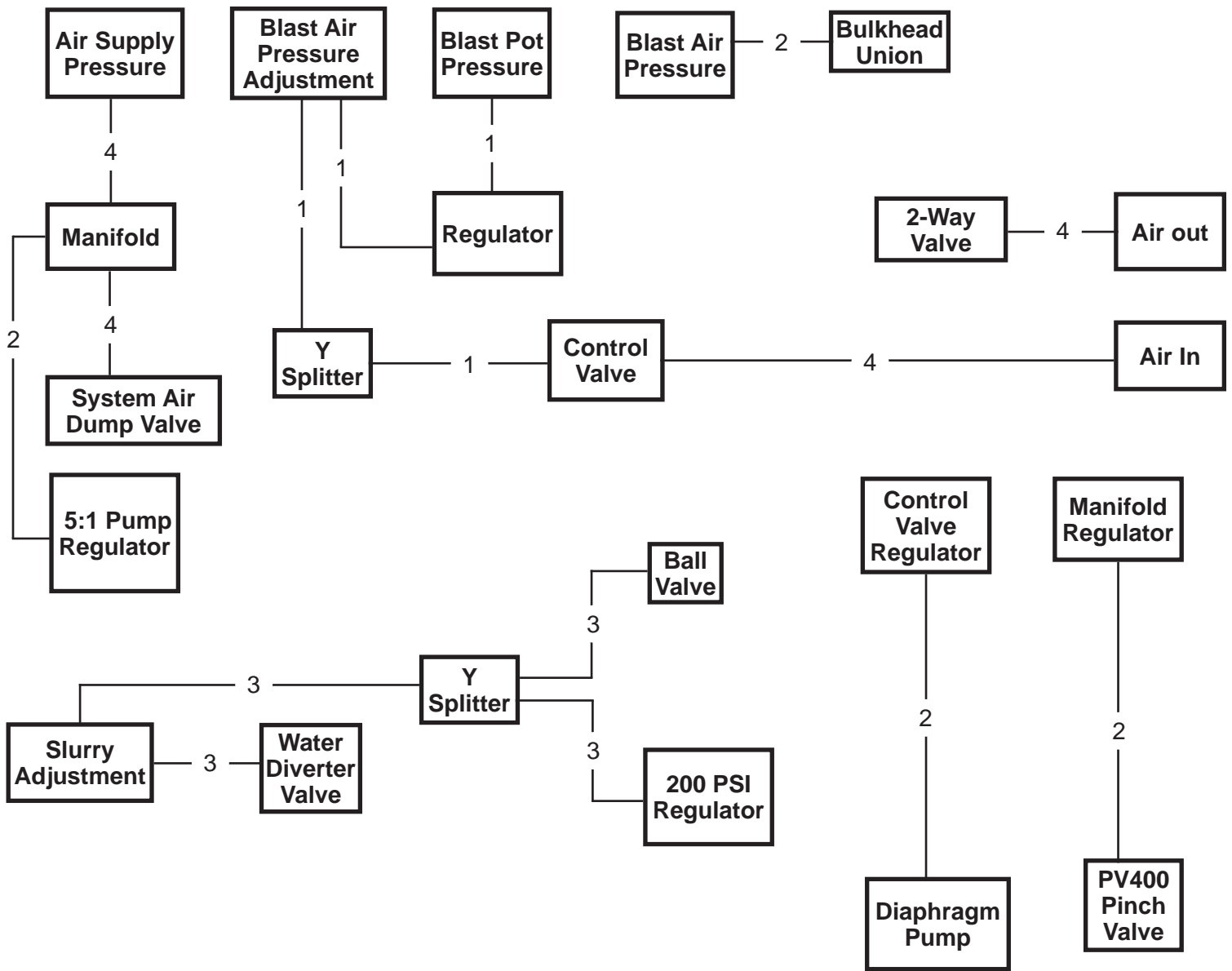
PART NUMBERS AND SCHEMATICS

Control Box - 1/4" Air Lines Schematic

Item #	Part #	Description
--------	--------	-------------

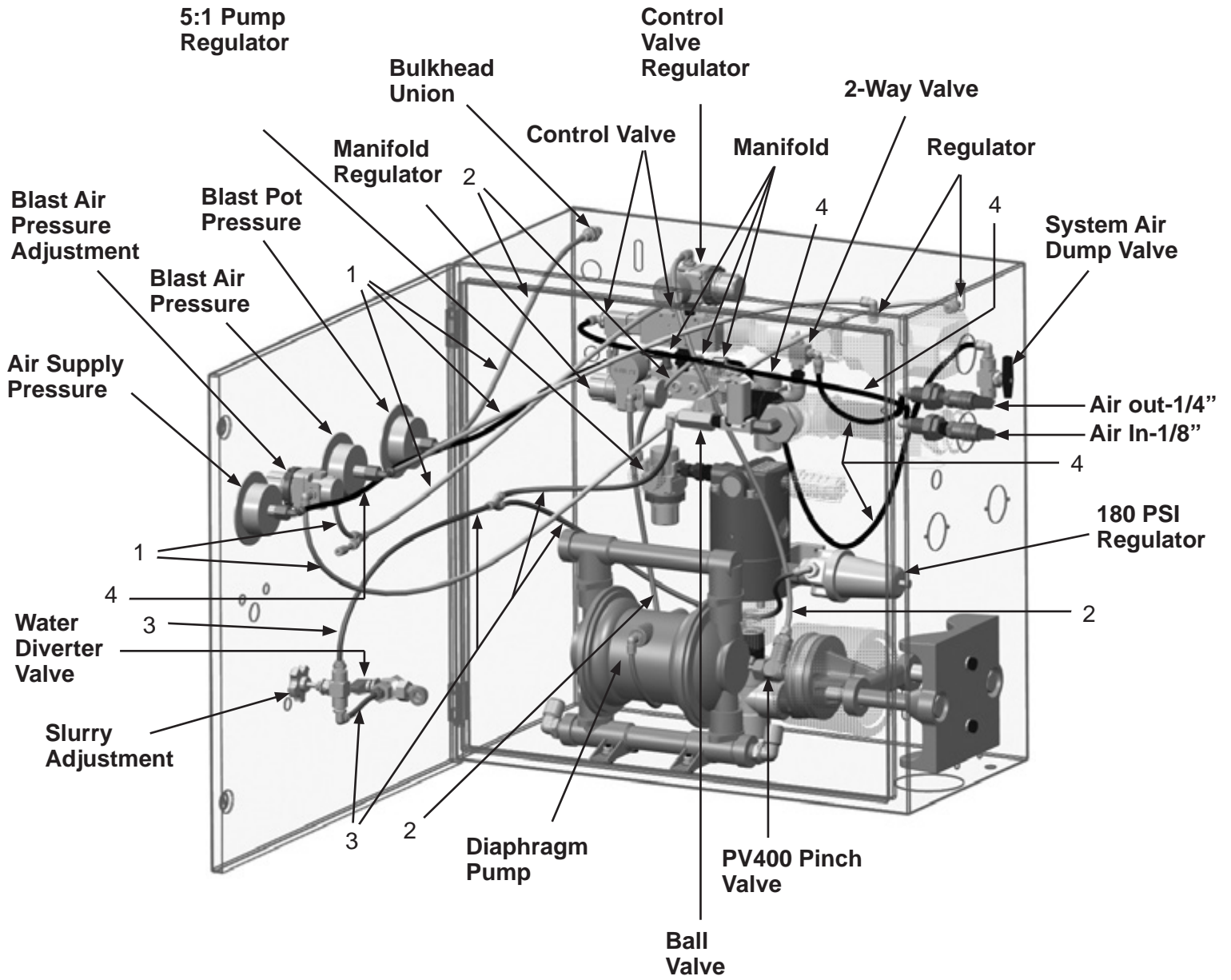
Fig. 12

1	10105682	1/4" Nylon Tubing - Yellow (Per Foot)
2	10105683	1/4" Nylon Tubing - Green (Per Foot)
3	10105684	1/4" Nylon Tubing - White (Per Foot)
4	10106332	1/4" Nylon Tubing - Black (Per Foot)



PART NUMBERS AND SCHEMATICS

Figure 12: Control Box - 1/4" Air Lines Schematic




OPTIONAL ACCESSORIES


ELECTRIC BLAST HOSE WITH CONTROL LINE ASSEMBLIES

Part Numbers	Blast Hose I.D.	Hose	Blast Hose Length	Power Cord with 2-Prong Plugs	Coupling	Nozzle Holder
10105763	1-1/4"	10SH114	50'	50'	10QNY2	10NHN250
10105764	1-1/4"	10SH114	50'	50'	10QNY2 <i>(Quantity of Two)</i>	—
10105765	1-1/4"	10SH1141	100'	100'	10QNY2 <i>(Quantity of Two)</i>	—

XTREME-DUTY® ELECTRIC CORD


Part Numbers	Gauge	# of Wires	Color	Type	Cover Material	U.O.M.
 1015540	16	2	Red	Xtreme-Duty®	Polyurethane	Per Foot

ELECTRIC CORD


Part Numbers	Gauge	# of Wires	Color	Type	Cover Material	U.O.M.
 10106833	16	2	Black	Economy	Thermoplastic Elastomer	Per Foot
1030013	14	2	Black	Economy	Thermoplastic Elastomer	Per Foot
1015550	14	3	Black	Economy	Thermoplastic Elastomer	Per Foot

OPTIONAL ACCESSORIES




XTREME-DUTY® ELECTRIC CONTROL LINE WITH PLUGS


	Part Numbers	Gauge	# of Wires	Color	Type	Cover Material	2-Prong Male Twist-Lock Plug	2-Prong Female Twist-Lock Plug	U.O.M.
	1015543	16	2	Red	Xtreme-Duty®	Polyurethane	1015551	1015552	25 Ft.
1015542	16	2	Red	Xtreme-Duty®	Polyurethane	1015551	1015552	50 Ft.	
10105953	16	2	Red	Xtreme-Duty®	Polyurethane	1015551	1015552	100 Ft.	

ELECTRIC CONTROL LINE WITH PLUGS

	Part Numbers	Gauge	# of Wires	Color	Type	Cover Material	2-Prong Male Twist-Lock Plug	2-Prong Female Twist-Lock Plug	U.O.M.
	10106867	16	2	Black	Economy	Thermoplastic Elastomer	1015551	1015552	25 Ft.
10106866	16	2	Black	Economy	Thermoplastic Elastomer	1015551	1015552	50 Ft.	
10106865	16	2	Black	Economy	Thermoplastic Elastomer	1015551	1015552	100 Ft.	










OPTIONAL ACCESSORIES

		ELECTRIC CONTROL LINE PLUGS	
Part Numbers		Prong Style	Plug Style
	1015551	2-Prong Male	Twist-Lock
	1015552	2-Prong Female	Twist-Lock
	1015555	3-Prong Male	Twist-Lock


		ELECTRIC REMOTE CONTROL SWITCH
Part Numbers	Description	
	1015100	Blastmaster® 151E Remote Control Switch


OPTIONAL ACCESSORIES

PNEUMATIC BLAST HOSE ASSEMBLIES						
Part Numbers	Blast Hose I.D.	Hose	Blast Hose Length	Remote Control Line Length	Coupling	Nozzle Holder
10105772	1-1/4"	10SH114	50'	55'	10QBR2 <i>(Quantity of Two)</i>	—
10105771	1-1/4"	10SH114	50'	55'	10QNY2	10NHN250
10105769	1-1/4"	10SH114	50'	55'	10QNY2 <i>(Quantity of Two)</i>	—
10105773	1-1/4"	10SH1141	100'	110'	10QBR2 <i>(Quantity of Two)</i>	—
10105770	1-1/4"	10SH1141	100'	110'	10QNY2 <i>(Quantity of Two)</i>	—










Part Numbers		COUPLING SAFETY PINS, COUPLINGS, AND GASKETS
		Description
	1018000	Safety Cable
	1018002	Coupling Lock Pins, Pack of 25
	10QNY2	Nylon Universal Coupling
	10QBR2	Brass Universal Coupling
	10SB1	1-1/4" Brass Tank Coupling
	10SBG	Coupling Gaskets, Pack of 10 <i>(For Aluminum and Brass Couplings)</i>
	10SBGNY2	Coupling Gaskets, Pack of 10
	10NHN250	Nylon Nozzle Holder, 50mm Threads
	10NW50	Nozzle Washers for 50mm Nozzle Holder, Pack of 10



OPTIONAL ACCESSORIES

		PNEUMATIC CONTROL LINE							
		Hose Length (feet)	Working Pressure	Hose I.D.	Hose O.D.	1017012	1017013	1017014	1017015
	Part Numbers								
	1016002	7'	150 psi	3/16"	7/16"	X	X	X	X
	1016000	55'	150 psi	3/16"	7/16"	X	X	X	X
	1016001	110'	150 psi	3/16"	7/16"	X	X	X	X
	10TLBK	Per Foot	150 psi	3/16"	7/16"	—	—	—	—

		PNEUMATIC REMOTE CONTROL SWITCH
		Description
	Part Numbers	1015200
		Blastmaster® 152P Remote Control Switch

OPTIONAL ACCESSORIES

		PNEUMATIC CONTROL LINE FITTINGS		
	Part Numbers	Description	Hose I.D.	Hose O.D.
	1017012	1/8" Female Nut & Barb	3/16"	7/16"
	1017013	1/4" Female Nut & Barb	3/16"	7/16"
	1017014	1/8" Male Threaded Barb	3/16"	7/16"
	1017015	1/4" Male Threaded Barb	3/16"	7/16"
	1017010	Hose Splicer	3/16"	7/16"
	1017017	Hose Ferrule	3/16"	7/16"
	1017011	Oetiker® Clamp	3/16"	7/16"
	1017018	1/8" x 1/8" Hex Nipple	3/16"	7/16"
	1017019	1/4" x 1/4" Hex Nipple	3/16"	7/16"

		PNEUMATIC CONTROL LINE FITTINGS ACCESSORIES
	Part Numbers	Description
	10DX855A	Ferrule Crimping Tool
	10DX1098	Oetiker® Clamp Tool

Oetiker® is a registered trademark of Dixon Valve & Coupling Co.

OPTIONAL ACCESSORIES



Part Numbers

XL BLAST NOZZLES									
Size	Orifice Size	Nozzle Entry	Thread Size	Overall Length	Jacket Material	Thread Material	Liner Material	Nozzle Type	
10BDSN159650XL12	6	3/8"	1-1/4"	50MM	12"	Aluminum	Aluminum	Sialon	Venturi
10BDSN159750XL12	7	7/16"	1-1/4"	50MM	12"	Aluminum	Aluminum	Sialon	Venturi
10BDSN159850XL12	8	1/2"	1-1/4"	50MM	12"	Aluminum	Aluminum	Sialon	Venturi
10BDT159850PXL12	8	1/2"	1-1/4"	50MM	12"	Aluminum	Aluminum	Tungsten Carbide	Venturi
10BDSN1591050XL12	10	5/8"	1-1/4"	50MM	12"	Aluminum	Aluminum	Sialon	Venturi



Part Numbers


SILVER TIP BLAST NOZZLES									
Size	Orifice Size	Nozzle Entry	Thread Size	Overall Length	Jacket Material	Thread Material	Liner Material	Nozzle Type	
10TCW750AN	7	7/16"	1-1/4"	50MM	8"	Aluminum	Aluminum	Tungsten Carbide	Venturi
10TCW850AN	8	1/2"	1-1/4"	50MM	9"	Aluminum	Aluminum	Tungsten Carbide	Venturi



Part Numbers

BLAST HOSES							
Part Numbers	Blast Hose I.D.	Length	Coupling	Nozzle Holder	Working Pressure	Fabric Reinforcement	
10SH100	1"	50'	—	—	175 psi	2-Ply	
1081213	1-1/4"	50'	10QNY2	10NHN250	175 psi	2-Ply	
10SH114	1-1/4"	50'	—	—	175 psi	2-Ply	
10SH1141	1-1/4"	100'	—	—	175 psi	2-Ply	

OPTIONAL ACCESSORIES

		RUST INHIBITOR	
Part Numbers		Description	
	2070089	Hold*Blast Rust Inhibitor – 5 gal	

CONTACT CENTER

- 3425 East Locust Street
Davenport, IA 52803

ph: 800.BLAST.IT (800.252.7848)

ph: 563.324.2519

fax: 563.324.6258

REGIONAL BRANCH OFFICES

- **Iowa**
Davenport
- **Louisiana**
Gonzales
Lafayette
- **Ohio**
Youngstown
- **Texas**
Beaumont
Corpus Christi
Deer Park



ABRASIVES

BLASTING

COATING

DUST COLLECTION

RENTAL & SERVICE

SAFETY

VACUUMS

40+ NATIONWIDE SHIPPING LOCATIONS



★ Marco Regional Branch Offices
and Shipping Locations

● Direct Shipping Locations

CONTACT MARCO

800.BLAST.IT

(800.252.7848)

563.324.2519

FAX: 563.324.6258

WWW.MARCO.US

SALES@MARCO.US