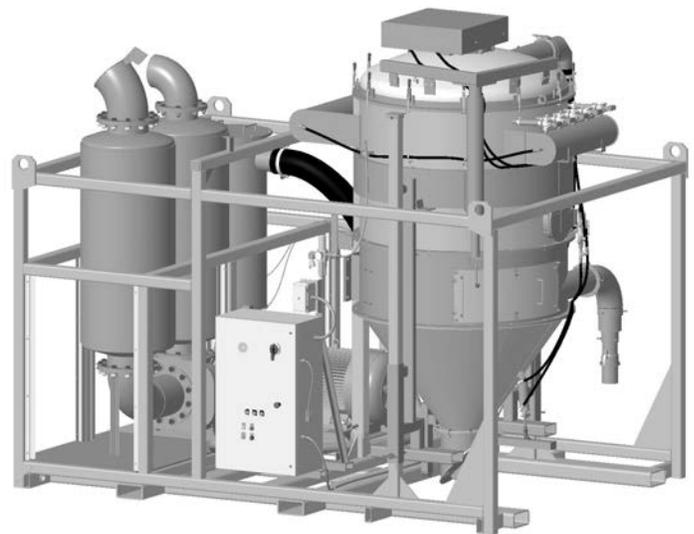
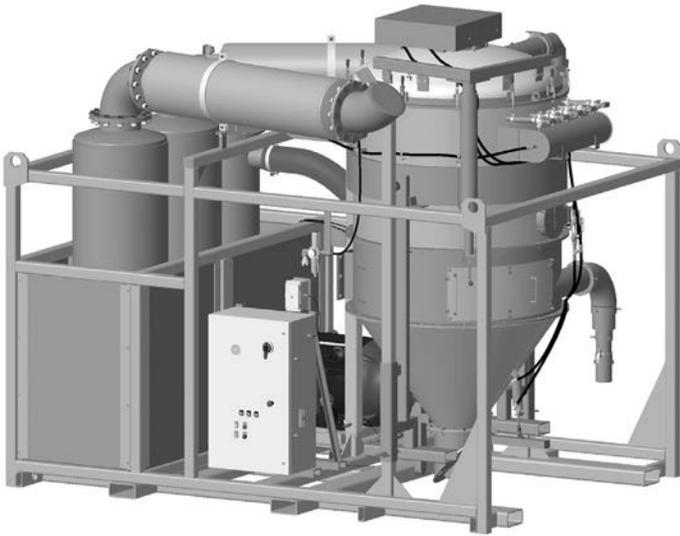




VACMASTER® 8T ELECTRIC ABRASIVE VACUUMS



BUILT MARCO
TOUGH
MARCO MANUFACTURED

PART NUMBERS AND SCHEMATICS GUIDE

Company Profile

Since 1944, Marco has developed a strong tradition of providing innovative and reliable products and services to the surface preparation and protective coatings industries. We are the world's premier provider of Abrasives, Blasting, Coating, Dust Collectors, Engineered Systems, Rental, Safety, Service, Repair, & Modernization, and Vacuums.

Through innovative designs and a total commitment to quality, Marco manufactures products that increase production rates, create a safer workplace, and reduce maintenance costs. Marco's industry experience, manufacturing capabilities, legendary customer service, product availability, logistics services, and technology leadership is your assurance that we deliver high quality products and services, providing the best value to you, our customer.

The Marco Difference

- **Industry Experience** – With Marco on your team, you have access to expertise which can only come from decades of industry leadership. We have organized our engineering department, production specialists, customer operations, and safety support into a “Center of Competence.” As a Marco customer, you have access to hundreds of years of cumulative experience related to your operations.
- **Manufacturing Excellence** – Marco is a U.S. based, ISO 9001:2008 certified manufacturer of equipment for the Surface Preparation and Protective Coatings industries. Marco's engineers benchmark the industry to ensure that we design and manufacture superior products that set the “Gold Standard” for performance, safety, and quality.
- **Legendary Customer Service** – Marco's legendary customer service team is staffed by friendly, highly-trained individuals who are focused on providing the highest level of product support, order accuracy, and customer satisfaction.
- **Product Availability** – We stock over 10,000 SKU's and have more than 45 shipping locations to serve North American and International markets for all major brands of blasting and coating equipment. As the largest provider of surface preparation and protective coatings equipment in the world, our inventory levels and product availability are unmatched.
- **Logistics Services** – Marco's in-house logistics team is dedicated to moving your shipment anywhere in the world. We move more than 14,000 truckloads every year, allowing you to save on freight costs by leveraging our buying power. Lower your process costs with a single invoice, which includes product and freight.
- **Technology Leadership** – Our website provides: Operator's Manuals, Part Numbers and Schematics Guides, SDS information, and Features & Specifications Guides, providing access to information 24/7. Our Extranet application allows you to receive quotes and place orders online. Our Intranet maintains a complete record of your purchase history to assist with ongoing support of your existing equipment and future purchasing decisions.

Vision Statement

Marco is the world's premier provider of Abrasives, Blasting, Coating, Dust Collectors, Engineered Systems, Rental, Safety, Service, Repair, & Modernization, and Vacuums.

Mission Statement

Marco provides strong leadership and innovation to the surface preparation and protective coatings industries. We dedicate our efforts to the continuous improvement of our products, services, processes, people, and most importantly, the quality of our customer's experience.

Quality Statement

Marco is committed to providing superior quality in the design, manufacturing, distribution, rental, service, and repair of our products. Our ISO 9001:2008 certification extends throughout all operations in all locations. Continuous improvement of our processes and supply chain Integration comprise the core of our business strategy for delivering exceptional quality and value in all Marco products and services.

Management Philosophy

We are a company dedicated to the success of every customer and associate. We discuss, debate, challenge, measure, and test our ideas. We will be boundless and limitless in our passion to improve. Through sound leadership and dedicated associates, we will ensure a long term, profitable future for Marco, our associates, customers, and suppliers.

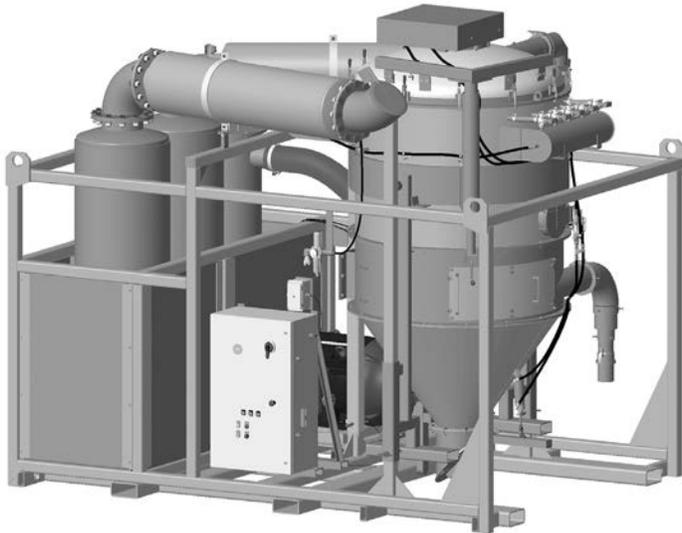
TABLE OF CONTENTS

Company Profile	1
Part Numbers	3
Specifications	4
Front Assembly with Sound Reduction Package	5
Top Assembly	7
Rear Assembly	9
Left Side Assembly	11
Right Side Assembly	13
Pneumatic Piston Vibrators	15
Filter Bag Pulsers	16
Pulser System Assembly	17
Wear Plates and Baffles	19
Sound Panels and Straps (Optional)	21
Emergency-Stop Station	22
Hazard Identification Decals	23
Optional Accessories	28
Literature References	30

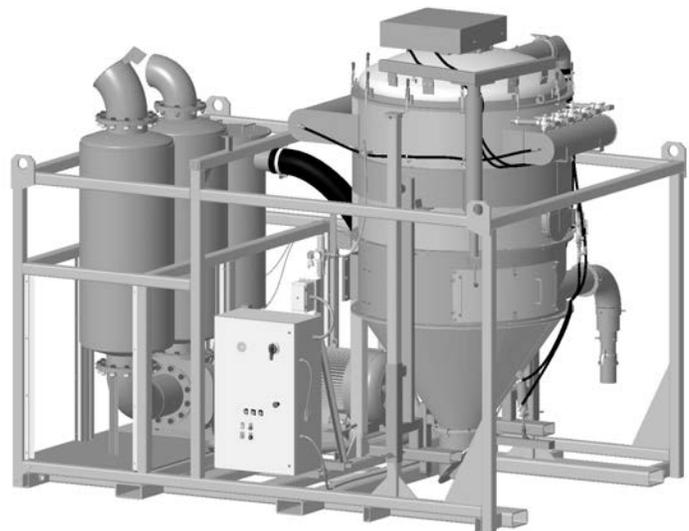
PART NUMBERS

VACMASTER® 8T ELECTRIC ABRASIVE VACUUMS

Part Numbers	Sound Reduction	100 Horsepower Electric Motor	Acrylic-Coated Filter Bags	Filter Cartridge Quantity
10109445	X	X	X	37
10106731		X	X	37



(10109445)



(10106731)

SPECIFICATIONS

Performance:	MAX 1355 CFM
Filter Cartridge Style:	Acrylic-Coated Filter Bags 37 Required
Filter Cleaning:	Pulse System, 25–30 second intervals. Pulse Duration: 200–350 millisecond
Vacuum	24" Hg
Ducting Connections:	6" I.D. Inlet with 4" adapter
Inspection Ports:	One 10" Viewable to Filters with access ports to hopper
Material Removal:	Automatic Direct Dump
Blower:	Rotary lobe, positive displacement with jet inlet
Motor:	100 Horsepower Electric 3-Phase
Electrical System:	460 V, 60 Hz 112.5 FLA
Air Requirements:	Clean, Dry, Compressed Air 24 CFM @ 90 PSI
Motor Protection:	Motors are fused in control box.
Fluid Specifications:	Grease/Lubricator: Mobil Polyrex EM or equivalent Vibrator Lubricator: 4 oz. pneumatic air tool oil Blower Oil: ROOTS™ synthetic lubricating oil
Unit Dimensions:	Weight: 10,500 pounds (empty) Length: 12' Width: 8' 6" Height: 10' 5" Raised Height: 15' 8" Dump Clearance: 7' 9"
Unit Dimensions with Sound Reduction Package:	Weight: 9,500 pounds (empty) Length: 12' Width: 8' 6" Height: 10' 5" Raised Height: 15' 8" Dump Clearance: 7' 9"

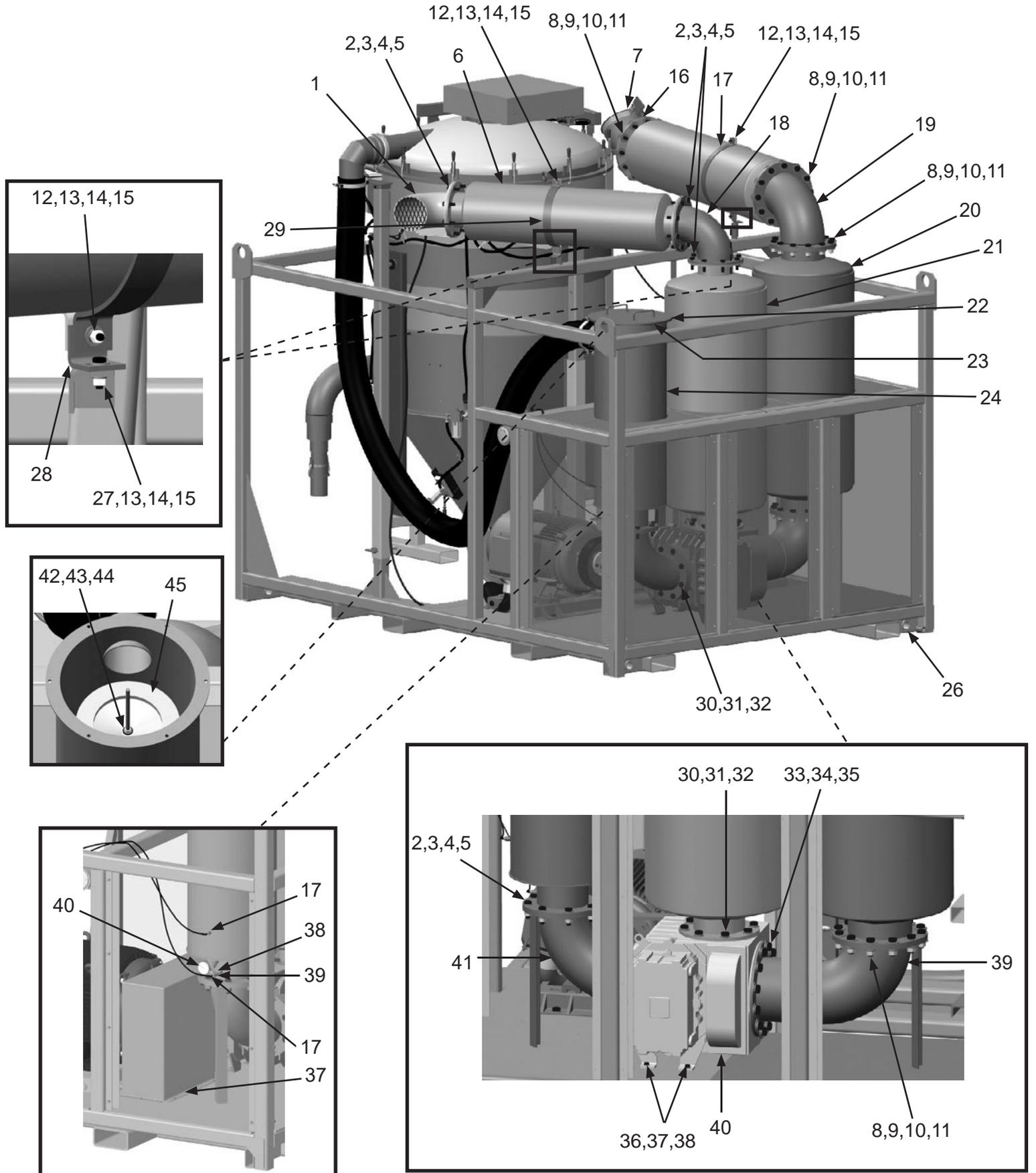
PART NUMBERS AND SCHEMATICS

Front Assembly with Sound Reduction Package

Item #	Part #	Description	Item #	Part #	Description
Fig. 1			27	10104234	3/8-16 x 1-1/4" Hex Bolt Zinc (<i>Two Required</i>)
1	10106385	Jet Port Inlet Flange	28	10106313	Silencer Support Angle
2	10100701	3/4-10 x 2-1/2" Hex Bolt (<i>32 Required</i>)	29	10106311	8" Silencer Strap (<i>Two Required</i>)
3	10100704	3/4" Flat Washer (<i>64 Required</i>)	30	10104714	3/4-10 x 1-5/8" Grade 5 Zinc Bolt (<i>20 Required</i>)
4	10100596	3/4" Lock Washer (<i>32 Required</i>)	31	10100596	3/4" Lock Washer (<i>20 Required</i>)
5	10100595	3/4-10 Hex Nut (<i>32 Required</i>)	32	10100704	3/4" Flat Washer (<i>20 Required</i>)
6	10106293	8" Secondary Jet Port Silencer	33	10104715	7/8-9 x 2" Grade 5 Zinc Bolt (<i>12 Required</i>)
7	10104639	10" Raincap	34	10104716	7/8" Flat Washer - Zinc (<i>12 Required</i>)
8	10106283	7/8-9 x 2-1/2" Grade 5 Zinc Bolt (<i>44 Required</i>)	35	10104717	7/8" Lock Washer - Zinc (<i>12 Required</i>)
9	10104716	7/8" Flat Washer - Zinc (<i>88 Required</i>)	36	10104710	1/2-13 x 2" Grade 8 Bolt (<i>Four Required</i>)
10	10104717	7/8" Lock Washer - Zinc (<i>44 Required</i>)	37	10104711	1/2" Grade 8 Flat Washer (<i>Eight Required</i>)
11	10104822	7/8-8 Grade 5 Zinc Nut (<i>44 Required</i>)	38	10104712	1/2" Grade 8 Lock Washer (<i>Four Required</i>)
12	1028617	3/8-16 x 1-3/4" Shoulder Bolt (<i>Four Required</i>)	39	10106280R	10" Discharge Elbow
13	10101942	3/8" Flat Washer Galvanized (<i>10 Required</i>)	40	10104456	616 Blower, Top Shaft Left Discharge
14	10101936	3/8" Lock Washer - Zinc (<i>Six Required</i>)	41	10106284	8" Inlet Elbow Weldment
15	1012318	3/8-16 Hex Nut (<i>Six Required</i>)	42	10101941	1/2-10 Hex Nut
16	10106309	10" Exhaust Silencer End	43	10100674	1/2" Flat Washer
17	10106312	10" Silencer Support Strap (<i>Two Required</i>)	44	10102005	Rubber Washer 1-1/4" O.D. x 3/8" I.D. x 1/8"
18	10106273	8" Jet Port Inlet Elbow	45	10102253	Filter Cartridge 12.75" x 8.38" x 36" - Flange - .54"
19	10106276	10" Exhaust Elbow	—	10106896	Blower Oil 100 <i>For below 0° F</i>
20	10106292	10" Discharge Silencer	—	10106897	Blower Oil 150 <i>For 0 – 32° F</i>
21	10106291	8" Jet Port Silencer	—	10105254	Blower Oil 220 <i>For 32 – 90° F</i>
22	10106508	Intake Filter Housing Cap	—	10106898	Blower Oil 320 <i>For above 90° F</i>
23	10104727	Air Filter Housing Gasket			
24	10106279	Intake Filter Housing			
25	20PFBA31095614	1/4" Tube x 1/4" NPT 90° (<i>Two Required</i>)			
26	10106226	Electric Vacuum Skid Frame			

PART NUMBERS AND SCHEMATICS

Figure 1: Front Assembly with Sound Reduction Package



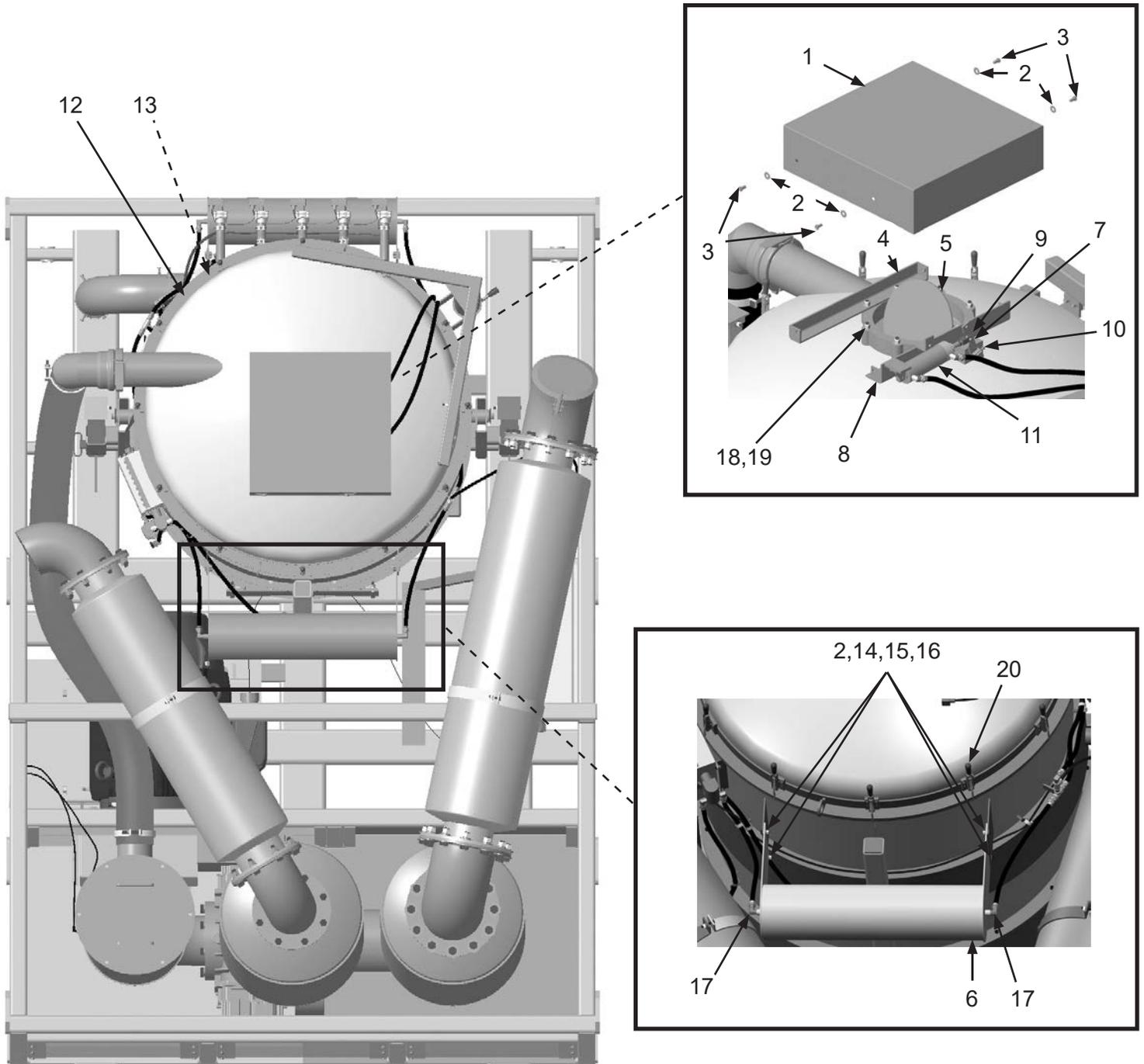
PART NUMBERS AND SCHEMATICS

Top Assembly

Item #	Part #	Description
Fig. 2		
1	10104559	Vacuum Butterfly Cover
2	10101942	3/8" Flat Washer - Galvanized (<i>13 Required</i>)
3	10103400	3/8-16 x 3/4" Bolt (<i>Four Required</i>)
4	10104554	Butterfly Cover Mount Weldment
5	10104537	12" Butterfly
6	10106288	Auxiliary Header
7	10104668	Piston Rod Clevis
8	10104538	Vacuum Butterfly Cylinder Weldment
9	10104543	Butterfly Actuating Arm
10	20100125	1/4-20 x 3/4" Zinc Hex Bolt
11	10104667	2.5" Pneumatic Cylinder
12	10104479	Vacuum Lid Weldment
13	10104426	Vacuum Hopper Section Gasket
14	1011747	3/8-16 x 1" Bolt (<i>Four Required</i>)
15	10101936	3/8" Lock Washer - Zinc (<i>Four Required</i>)
16	10101938	3/8-16 Hex nut (<i>Four Required</i>)
17	20PFHA60UA0606	3/8" (M) x 3/8" (F) 90° Swivel (<i>Two Required</i>)
18	10100674	1/2" Flat Washer (<i>Eight Required</i>)
19	20100124	1/2-13 Hex Lock Nut (<i>Eight Required</i>)
20	10104486	Over Center Clamp (<i>12 Required</i>)

PART NUMBERS AND SCHEMATICS

Figure 2: Top Assembly



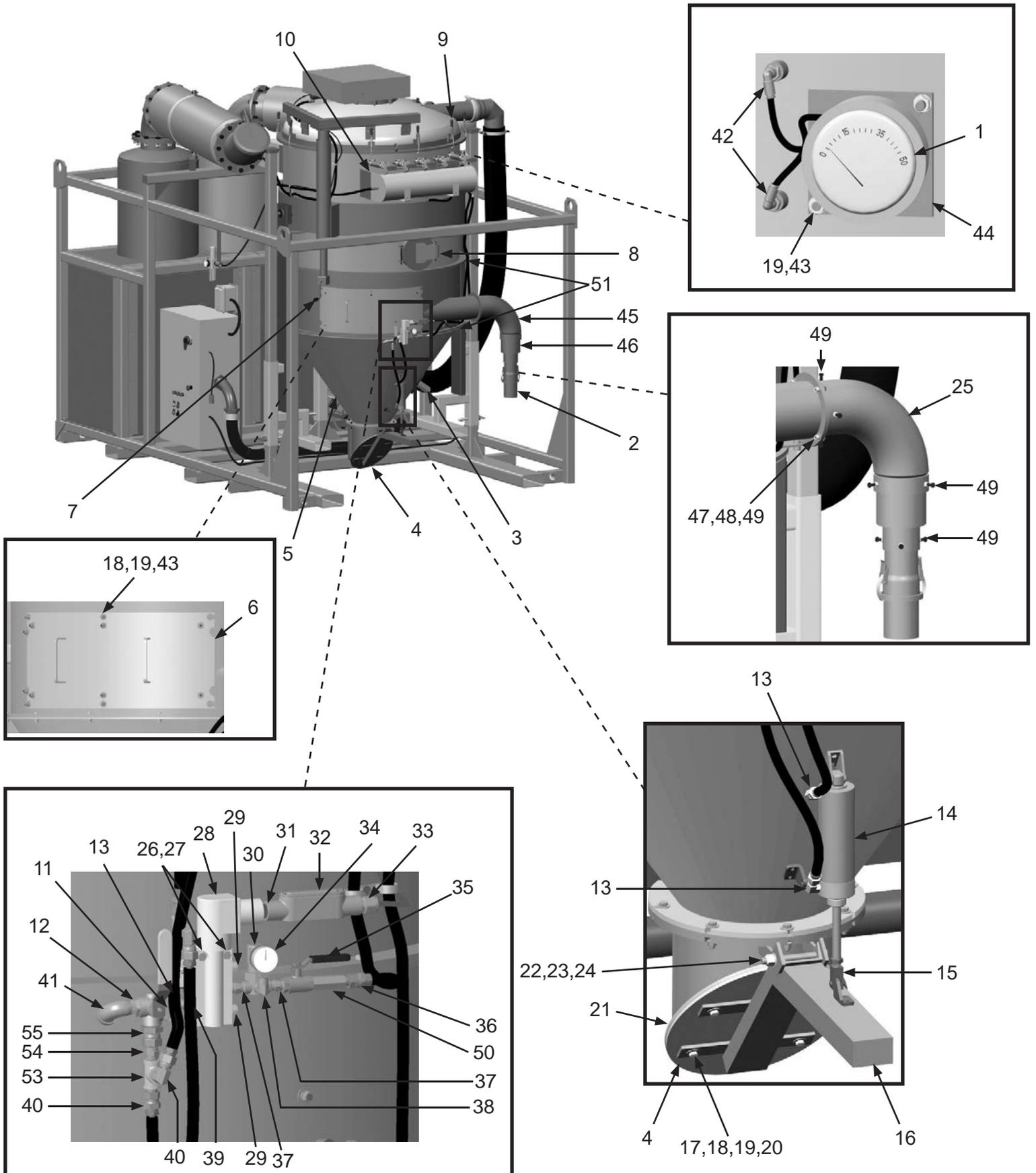
PART NUMBERS AND SCHEMATICS

Rear Assembly

Item #	Part #	Description	Item #	Part #	Description
Fig. 3			27	1012323	1/4-20 Zinc Lock Nut with Nylon Insert <i>(Two Required)</i>
1	10104673	0-50" Differential Pressure Gauge	28	10104670	Solenoid
2	10107797	4" Quick Disconnect Coupling	29	1019024	Breather Vent
3	10104665	APV Series Piston Vibrator <i>(See figure 6)</i>	30	10104676	Series MPR Mini Pressure Regulator
4	10104506	Dump Door	31	10L803035	1/2" Close Nipple
5	10104411	Vacuum Hopper Cone	32	1019025	1/2" Straight Conduit Body
6	10106511	Vacuum Wear Door	33	10104703	Cord Grip, 1/2" Nylon .2-.47 Diameter
	10105190	Wear Door Only	34	10104678	1/8" Pressure Gauge 100 PSI
	10105189	Wear Door Liner Only	35	1080050	1/4" Ball Valve
7	10104638	Bulldog Trailer Jack	36	20PFHA60SG0406	1/4" (F) x 3/8" (F) Swivel Union <i>(Two Required)</i>
8	10104439	Hatch	37	20PFHA24SA0404	1/4" Hex Nipple <i>(Three Required)</i>
9	10104486	Vacuum Lid Overcenter Clamp <i>(12 Required)</i>	38	1014239	1/8" x 1/8" 90° Fitting
10	10104498	Vacuum Header	39	1011210	1/4" NPT x 1 1/2" Nipple
11	1011818	1/2" x 1/4" Galvanized Bushing	40	20PFHA60SA0806	1/2" (M) x 3/8" (F) Swivel Union
12	20100571	1/2" NPT 3-Way Brass Ball Valve	41	1011819	1/2" Street Elbow
13	20PFHA60UA0406	1/4" (M) x 3/8" (F) 90° Swivel <i>(Two Required)</i>	42	20PFBA31095614	1/4" Tube x 1/4" NPT 90°
14	10104667	2.5" Pneumatic Cylinder	43	10101938	3/8-16 Hex Nut <i>(14 Required)</i>
15	10104668	Piston Rod Clevis	44	10103608	Magnehelic Mount
16	10104507	Dump Arm	45	10104546	Inlet Elbow Weldment
17	10104234	3/8-16 x 1-1/4" Hex Bolt Zinc <i>(Four Required)</i>	46	10104550	Inlet Adapter Weldment
18	10101942	3/8" Flat Washer <i>(22 Required)</i>	47	10101942	3/8" Flat Washer - Galvanized <i>(Eight Required)</i>
19	10101936	3/8" Lock Washer - Zinc <i>(16 Required)</i>	48	10101938	3/8 -16 Hex Nut Galvanized <i>(Four Required)</i>
20	1012318	3/8-16 Hex Nut <i>(Four Required)</i>	49	1011747	3/8-16 x 1" Bolt - Zinc <i>(13 Required)</i>
21	10104512	Dump Door Gasket	50	10109020	1/4" NPT Inline Air Filter
—	10104511	Dump Door Internal Plate	51	10104426	Vacuum Hopper Section Gasket
22	20100160	1/2-13 x 4-1/2" Hex Bolt			
23	10100674	1/2" Flat Washer <i>(Two Required)</i>			
24	20100124	1/2-13 Hex Lock Nut			
25	10108921	Inlet Elbow Weldment			
26	1019044	1/4-20 x 1-3/4" Zinc Bolt <i>(Two Required)</i>			

PART NUMBERS AND SCHEMATICS

Figure 3: Rear Assembly



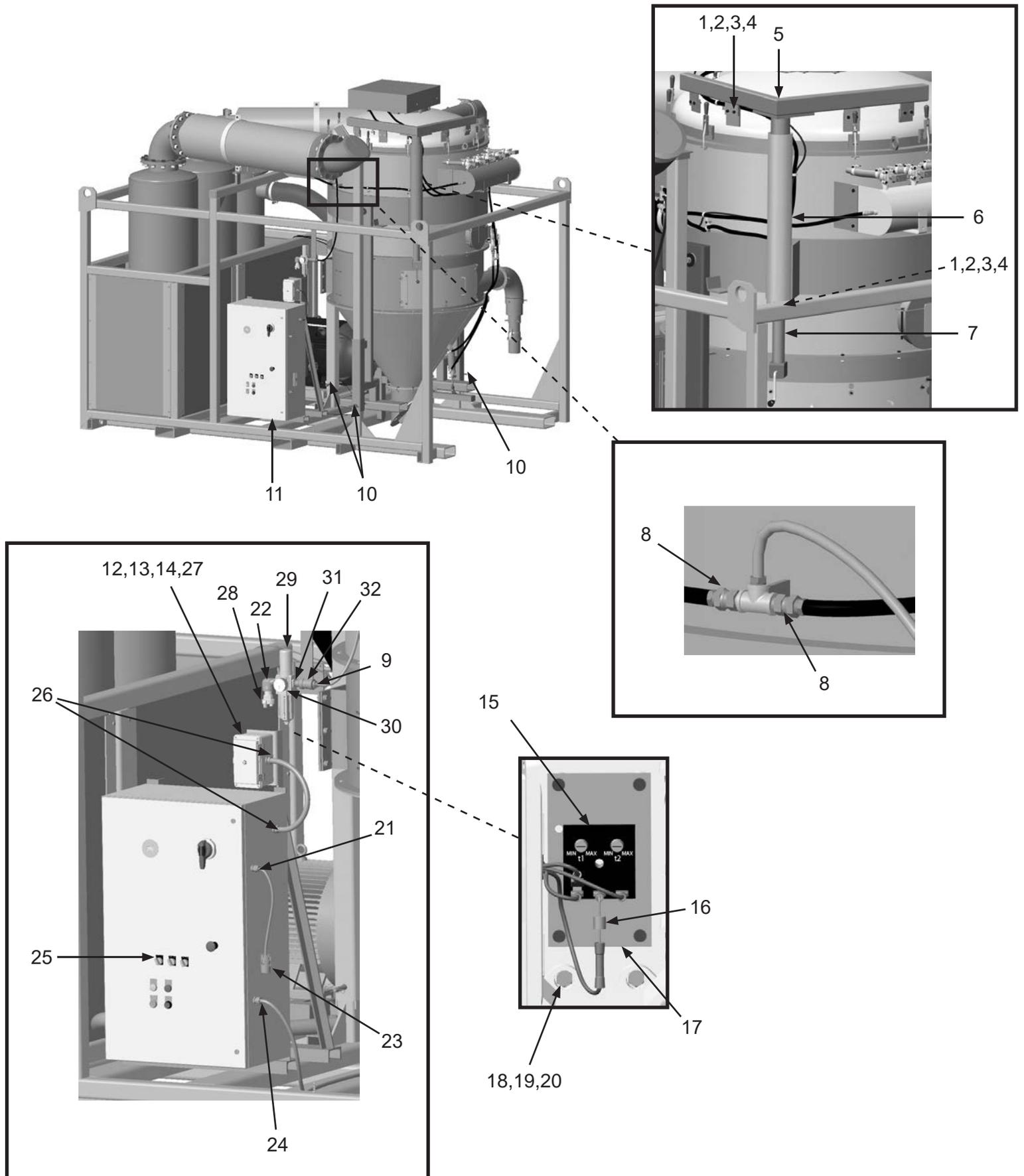
PART NUMBERS AND SCHEMATICS

Left Side Assembly

Item #	Part #	Description
Fig. 4		
1	10104234	3/8-16 x 1-1/4" Hex Bolt Zinc <i>(Eight Required)</i>
2	10101942	3/8" Flat Washer - Galvanized <i>(40 Required)</i>
3	10101936	3/8" Lock Washer - Zinc <i>(11 Required)</i>
4	1012318	3/8-16 Hex Nut <i>(11 Required)</i>
5	10104472	Vacuum Lid Lift
6	10104434	Vacuum Top Section
7	10104638	Bulldog Trailer Jack
8	20PFHA60SA0606	Union Swivel 3/8" (M) x 3/8" (F) <i>(Two Required)</i>
9	20PFHA24SB1206	3/4" x 3/8" Reducing Bushing
10	10103788	Hitch Pin - 3/4" x 6 1/2" Long
11	10106295	Vacuum Control Panel
12	1012154	1/4-20 x 1 Hex Bolt
13	10101940	1/4" Flat Washer - Galvanized
14	10101939	1/4-20 Stainless Steel Lock Nut With Nylon Insert
15	10106818	Vacuum Control Timer
16	10104109	6 Amp 50-Volt Rectifier
17	10105193	Enclosure Panel
18	20100125	1/4-20 x 3/4" Zinc Hex Bolt <i>(Eight Required)</i>
19	10101940	1/4" Flat Washer - Galvanized <i>(Four Required)</i>
20	10101939	1/4-20 Stainless Steel Lock Nut with Nylon Insert <i>(Four Required)</i>
21	10104703	Cord Grip Nylon 1/2"-NPT .2-.47 Diameter
22	10102479	3/4" 90 Degree Street Elbow
23	1015556	Female Twist Plug 3 Prong
24	20RCG5050	Cord Grip, 1/2"-NPT .5-.625 Diameter
25	10103305	Selector Switch - 2-Way <i>(Three Required)</i>
26	20RST50	Straight Liquid Tite Connector Fitting
27	10104615	8" x 4" x 5" Fiberglass Latch Enclosure
28	10ME1	X Coupling 2-Lug Male 3/4"
29	10103257	74 Series Filter / Regulator
30	1028606	1/4" Pressure Gauge 160 PSI
31	10103317	3/4" x 2" Nipple
32	10106366	3/4" NPT Coupling

PART NUMBERS AND SCHEMATICS

Figure 4: Left Side Assembly



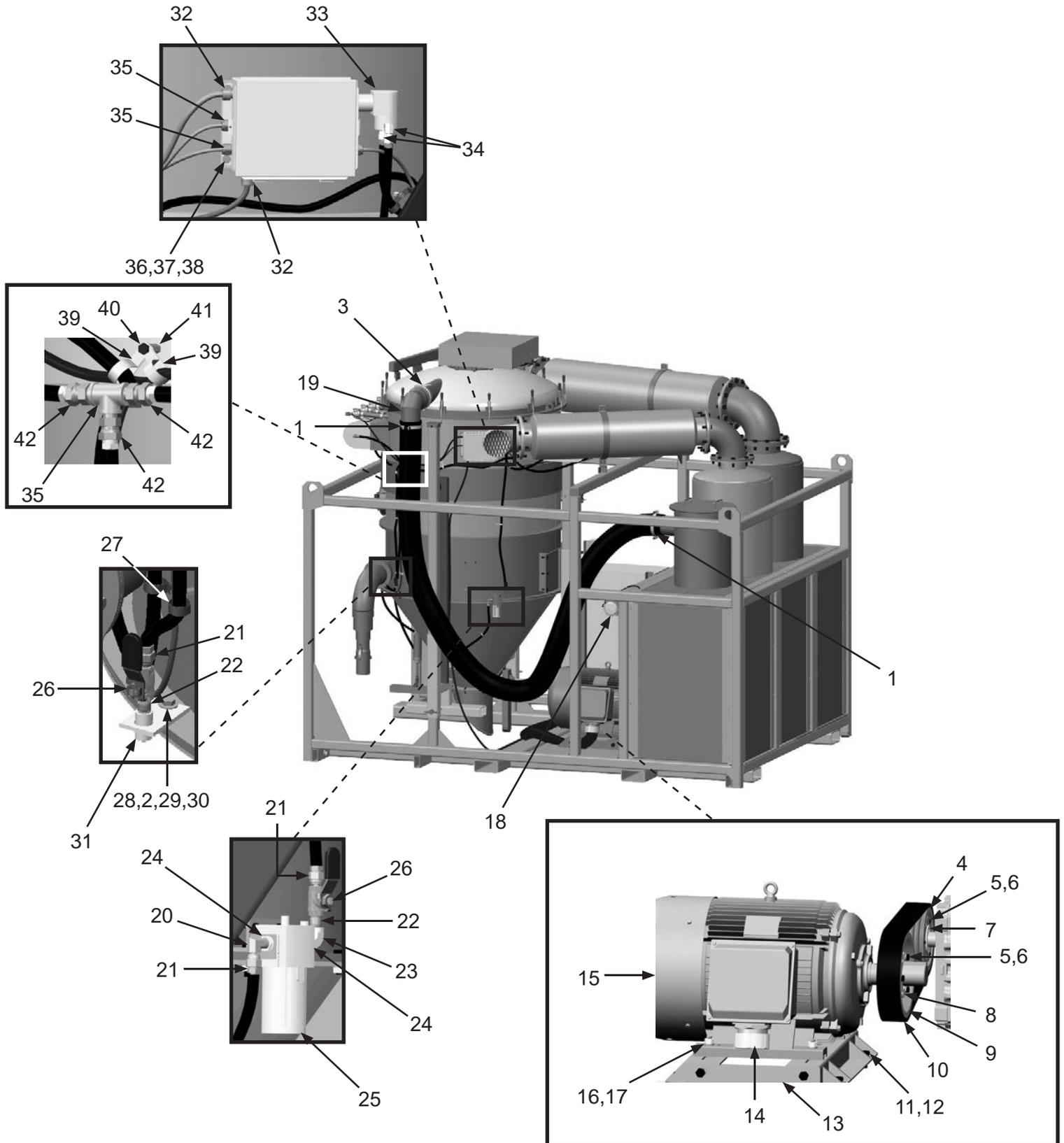
PART NUMBERS AND SCHEMATICS

Right Side Assembly

Item #	Part #	Description	Item #	Part #	Description
Fig. 5			27	10103624	1" Rubber Cushioned Loop Clamp
1	10104640	6" Double Bolt Clamp <i>(Two Required)</i>	28	1028617	3/8-16 x 1-3/4" Shoulder Bolt
2	10101942	3/8" Flat Washer <i>(Five Required)</i>	29	10101936	3/8" Lock Washer - Zinc
3	10104637	6" Bandlock Clamp	30	1012318	3/8 -16 Hex Nut
4	10106258	4/5V 8.50" Sheave	31	10104597	Airline Drain
5	10102820	1/2-13 x 2-3/4" Bolt <i>(Six Required)</i>	32	20RCG5050	1/2" Npt x .5—.625 Diameter Cord Grip <i>(Two Required)</i>
6	10100675	1/2" Lock Washer <i>(Six Required)</i>	33	10104671	Vibrator Solenoid
7	10104643	Bushing 2" Bore	34	20PFHA60UA0406	1/4" (M) x 3/8" (F) 90° Swivel <i>(Two Required)</i>
8	10106260	Bushing 2-7/8" Bore	35	1011809	3/8" NPT Tee
9	10106257	4/5V 11.3" Sheave	36	10101939	1/4-20 Stainless Steel Lock Nut with Nylon Insert <i>(Four Required)</i>
10	10106259	4 Strand 5V Belt - 63"	37	10101940	1/4" Flat Washer - Galvanized <i>(Four Required)</i>
11	10103417	3/4-10 Unc x 1-3/4" Bolt <i>(Four Required)</i>	38	20100125	1/4-20 x 3/4" Zinc Hex Bolt <i>(Four Required)</i>
12	10103418	3/4" Washer <i>(Four Required)</i>	39	10103624	1" Rubber Cushioned Loop Clamp <i>(10 Required)</i>
13	10106256	100 HP Motor Base	40	10L805302	Jr & Sr Spindle Bolt <i>(10 Required)</i>
14	10106129	3" Straight Conduit Hub	41	10102387	1/4-28 Coupling Nut <i>(10 Required)</i>
15	10106255	100 HP 3 Phase Electric Motor	42	20PFHA60SA0606	Union Swivel 3/8" (M) x 3/8" (F) <i>(Three Required)</i>
16	10103420	3/4-10 UNC Nut <i>(Four Required)</i>			
17	10103419	3/4" Lock Washer <i>(Four Required)</i>			
18	10109021	0-80" Differential Pressure Gauge			
19	10104636	6" 90° Elbow Non-Plated			
20	20PFHA60UA0606	3/8" (M) x 3/8" (F) 90° Swivel Union			
21	20PFHA60SA0606	Union Swivel 3/8" (M) x 3/8" (F) <i>(Three Required)</i>			
22	1011209	3/8" NPT Close Nipple			
23	20PFHA25UG0606	3/8" Street Elbow			
24	20PFHA24SB0806	1/2" x 3/8" Reducing Bushing <i>(Two Required)</i>			
25	10104674	Lubricator, 1/2" NPT 156 CFM			
26	1080060	3/8" NPT Full Port Brass Ball Valve <i>(Two Required)</i>			

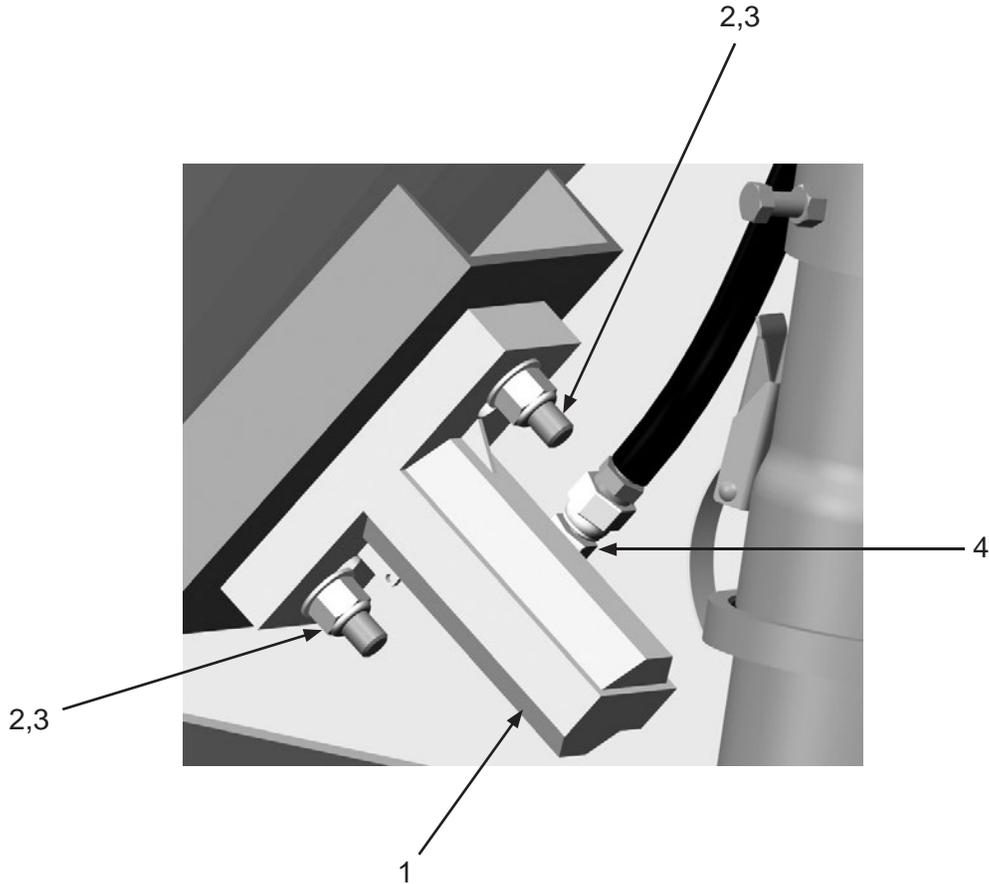
PART NUMBERS AND SCHEMATICS

Figure 5: Right Side Assembly



PART NUMBERS AND SCHEMATICS

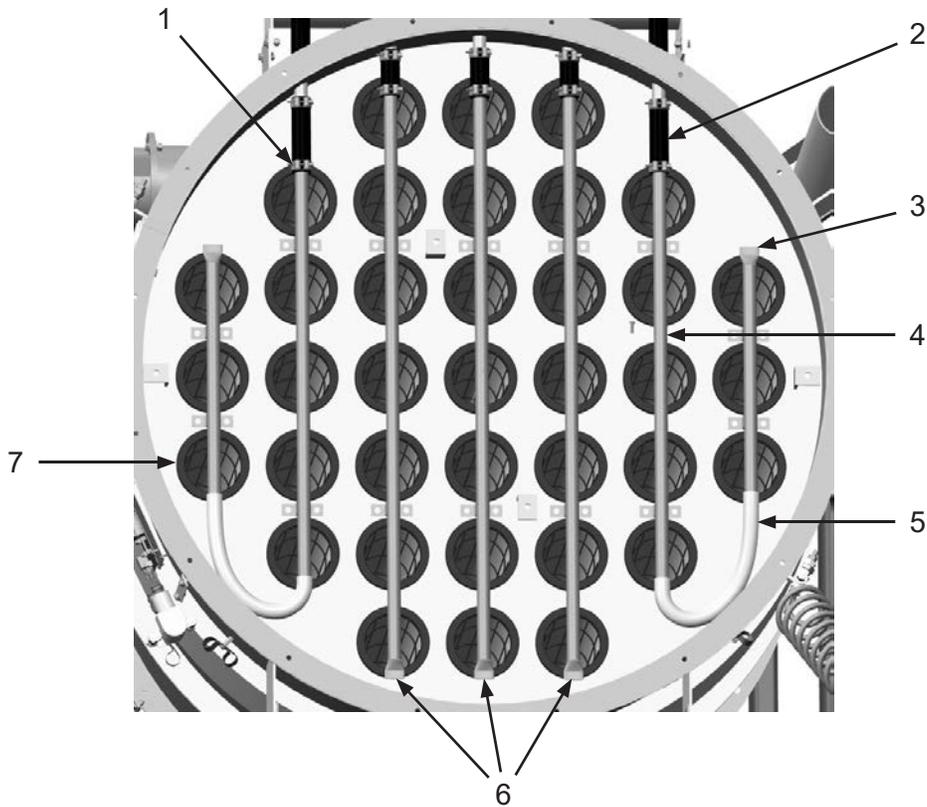
Figure 6: Pneumatic Piston Vibrators



Item #	Part #	Description
Fig. 6		
1	10104665	APV Series Piston Vibrator
2	20100124	1/2-13 Hex Lock Nut - Zinc (<i>Two Required</i>)
3	10100674	1/2" Flat Washer (<i>Two Required</i>)
4	20PFHA60UA0406	1/4" (M) x 3/8" (F) 90° Swivel Union

PART NUMBERS AND SCHEMATICS

Figure 7: Filter Bag Pulsers



Item #	Part #	Description
--------	--------	-------------

Fig. 7

1	10103736	T-Bolt Hose Clamp For 1" I.D. (10 Required)
2	10106509	1" 75W Marine Hose - 100 PSI (Five Required)
3	10104562	Pulser System Short Blowpipe (Two Required)
4	10104565	Pulser System Medium Blowpipe (Two Required)
5	10104680	1" Flexible Tubing For Blowpipes (Two Required)
6	10104567	Pulser System Long Blowpipe (Three Required)
7	10104633	Vacuum Baghouse Filter (37 Required)
—	10104634	Vacuum Baghouse Filter Cage (37 Required)

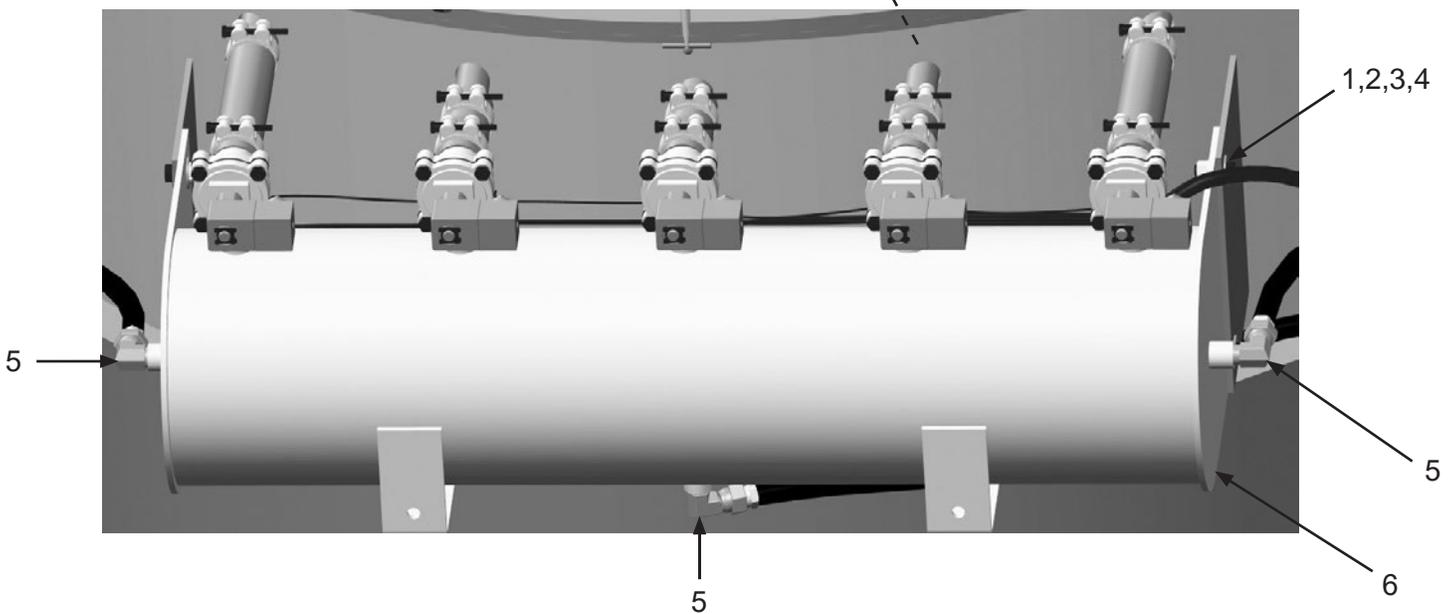
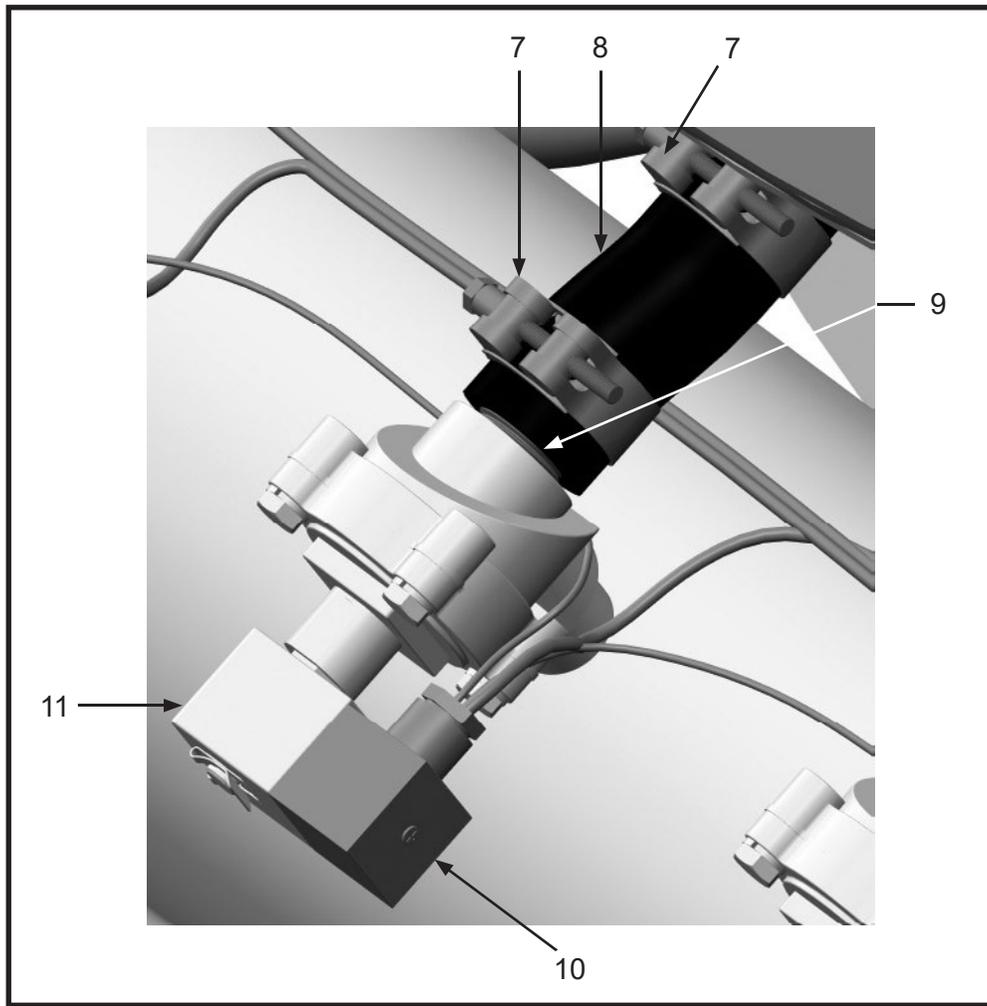
PART NUMBERS AND SCHEMATICS

Pulser System Assembly

Item #	Part #	Description
Fig. 8		
1	10101942	3/8" Flat Washer - Galvanized (<i>Eight Required</i>)
2	10101936	3/8" Lock Washer - Zinc (<i>Four Required</i>)
3	1011747	3/8-16 x 1" Bolt (<i>Four Required</i>)
4	10101938	3/8-16 Hex Nut (<i>Four Required</i>)
5	20PFHA60UA0606	3/8" (M) x 3/8" (F) 90° Swivel Union
6	10104498	Vacuum Header
7	10103736	T-Bolt Hose Clamp For 1" I.D. (<i>10 Required</i>)
8	10106509	1" 75W Marine Hose - 100 PSI (<i>Five Required</i>)
9	10104500	3/4" NPT x 1-1/2" Toe Nipple (<i>Five Required</i>)
10	10105287	Din Connector (<i>Included with Item #16</i>) (<i>Five Required</i>)
11	10104666	3/4" Diaphragm Valve with Solenoid (<i>Five Required</i>)
—	10107192	Pilot Valve Repair Kit
—	10107193	Diaphragm Repair Kit

PART NUMBERS AND SCHEMATICS

Figure 8: Pulser System Assembly



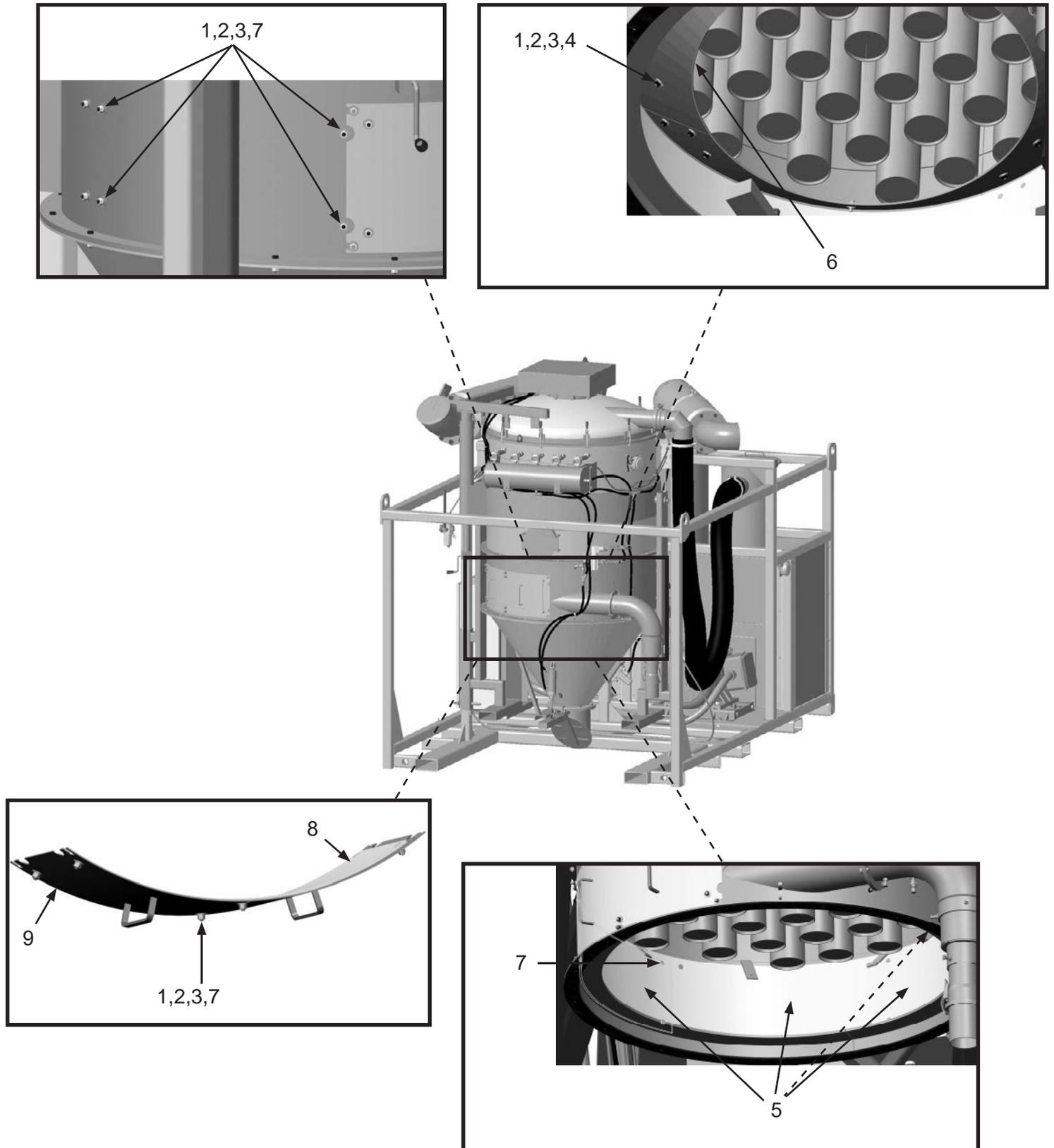
PART NUMBERS AND SCHEMATICS

Wear Plates and Baffles

Item #	Part #	Description
Fig. 9		
1	10101942	3/8" Flat Washer - Galvanized (22 Required)
2	10101936	3/8" Lock Washer - Zinc (22 Required)
3	10101938	3/8-16 Hex Nut (22 Required)
4	1011747	3/8-16 x 1" Bolt (22 Required)
5	10104489	Vacuum Wear Plates (Four Required)
6	10104490	Vacuum Baffle (Three Required)
7	10104705	3/8-16 x 1" Bolt Zinc (22 Required)
8	10105189	Wear Door Liner
9	10105190	Wear Door

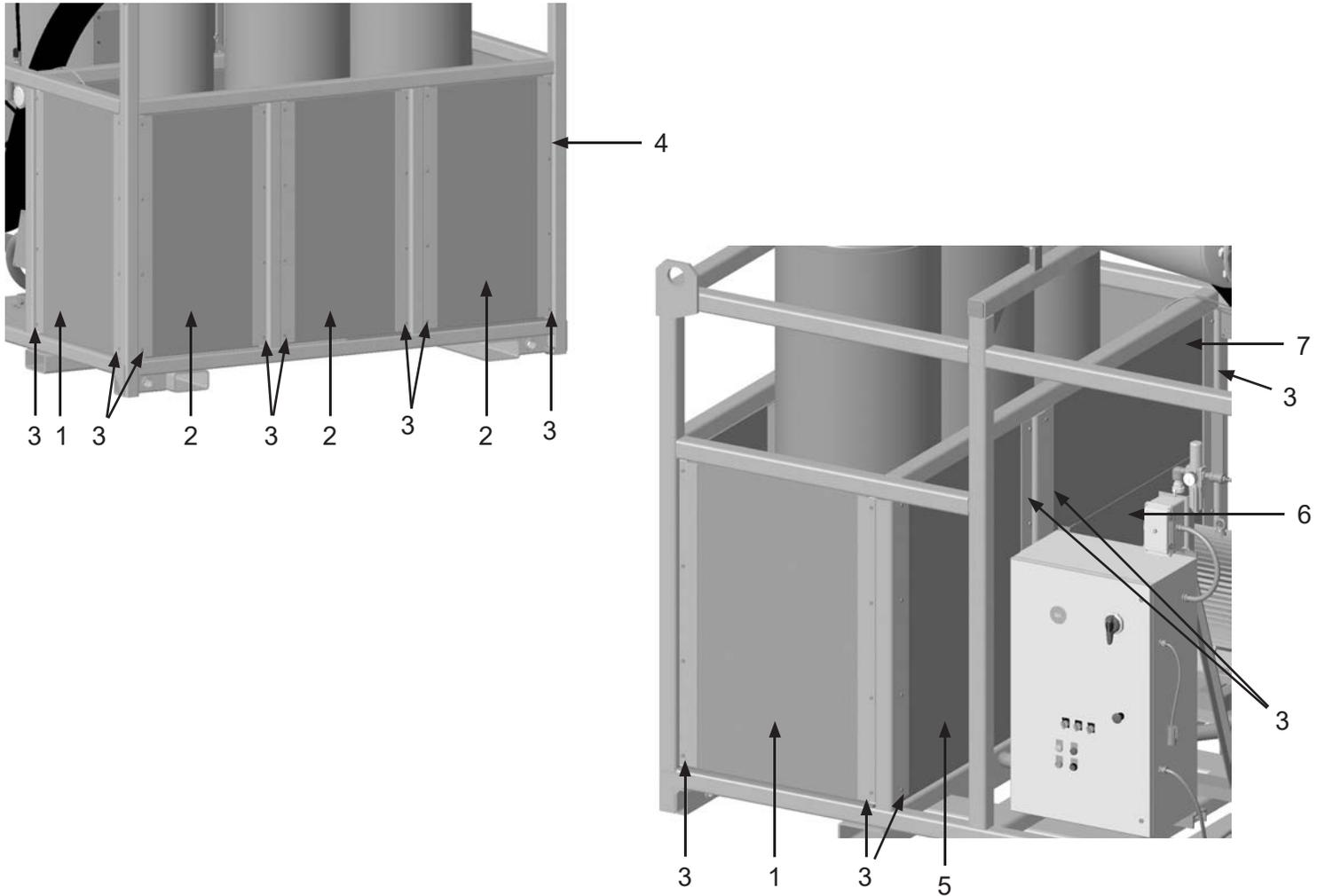
PART NUMBERS AND SCHEMATICS

Figure 9: Wear Plates and Baffles



PART NUMBERS AND SCHEMATICS

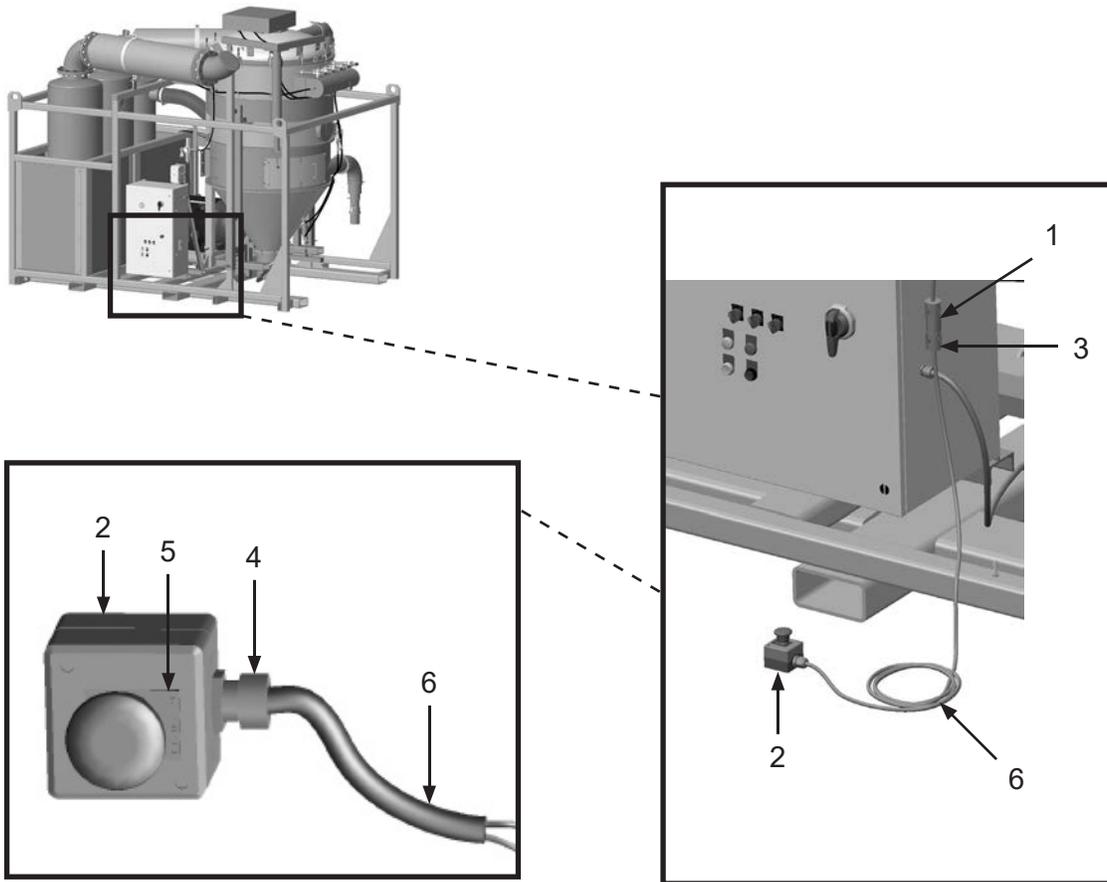
Figure 10: Sound Panels and Straps (Optional)



Item #	Part #	Description
Fig. 10		
1	10106301	Sound Panel (<i>Two Required</i>)
2	10106300	Sound Panel (<i>Three Required</i>)
3	10106305	Panel Hold On's (<i>Four Required</i>)
4	10103400	3/8-16 x 3/4" Bolt (<i>72 Required</i>)
5	10106302	Sound Panel 3
6	10106303	Sound Panel 4
7	10106304	Sound Panel 5

PART NUMBERS AND SCHEMATICS

Figure 11: Emergency-Stop Station



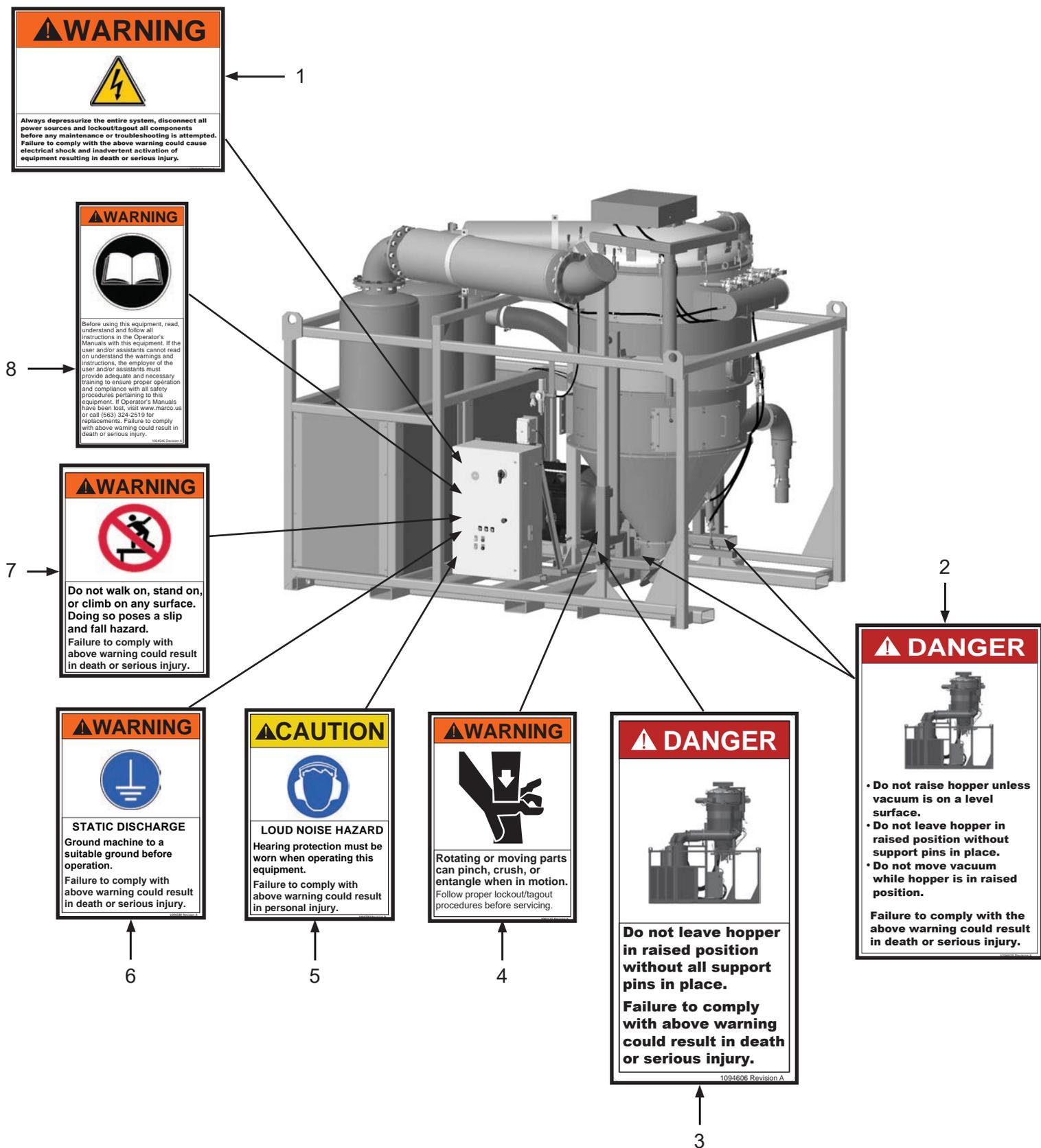
Item #	Part #	Description
--------	--------	-------------

Fig. 11

—	10107200	Remote Emergency-Stop Station (Includes Item #'s: 2, 4, 5, and 6 (100'))
1	1015552	Female Twist Lock Plug Two Prong
2	10104071	E-Stop Control Station
3	1015551	Male Twist Lock Plug Two Prong
4	10104703	Cord Grip, Nylon 1/2"-NPT .2-.47 Diameter
5	10104063	Legend Plate - Emergency Stop
6	1015540	16/2 Xtreme Duty Power Cord - Red
—	1015009	8-32 x 1" Pan Head Phillips Screw (Four Required)
—	20000021	8-32 Zinc Nut (Four Required)
—	20000018	#8 Zinc Lock Washer (Four Required)
—	20000019	#8 Zinc Flat Washer (Four Required)

PART NUMBERS AND SCHEMATICS

Figure 12: Hazard Identification Decals (cont.)



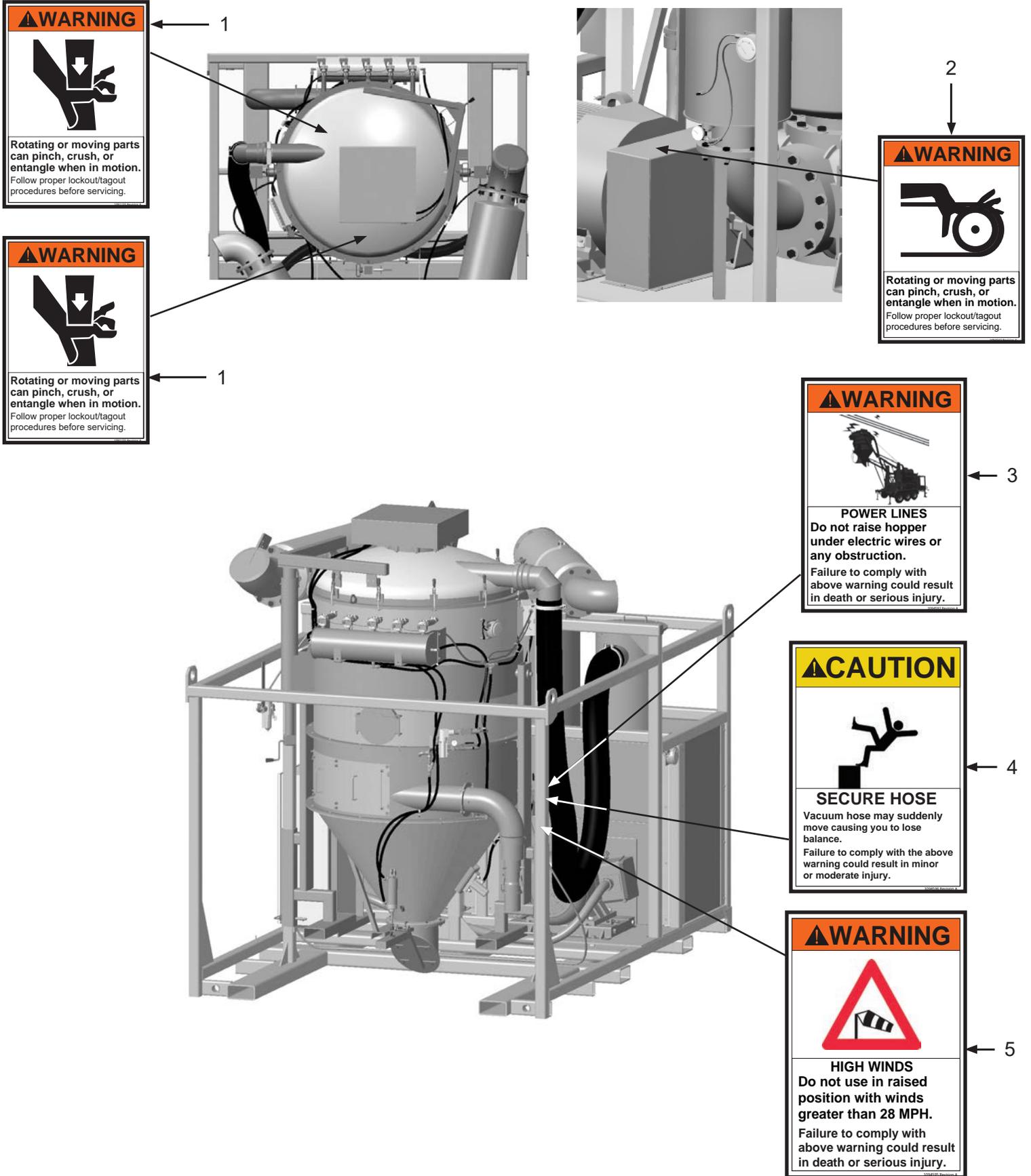
PART NUMBERS AND SCHEMATICS

Figure 12: Hazard Identification Decals (Cont.)

Item #	Part #	Description
Fig. 12		
1	1094556	Lockout/Tagout Warning Decal
2	1094608	Hopper Danger Decal
3	1094606	Hopper Position Danger Decal
4	1091135	Rotating or Moving Parts Warning Decal
5	1094590	Loud Noise Hazard Warning Decal
6	1094589	Static Discharge Warning Decal
7	1094591	Do Not Climb On Warning Decal
8	1094546	Read Manual Warning Decal

PART NUMBERS AND SCHEMATICS

Figure 13: Hazard Identification Decals (cont.)



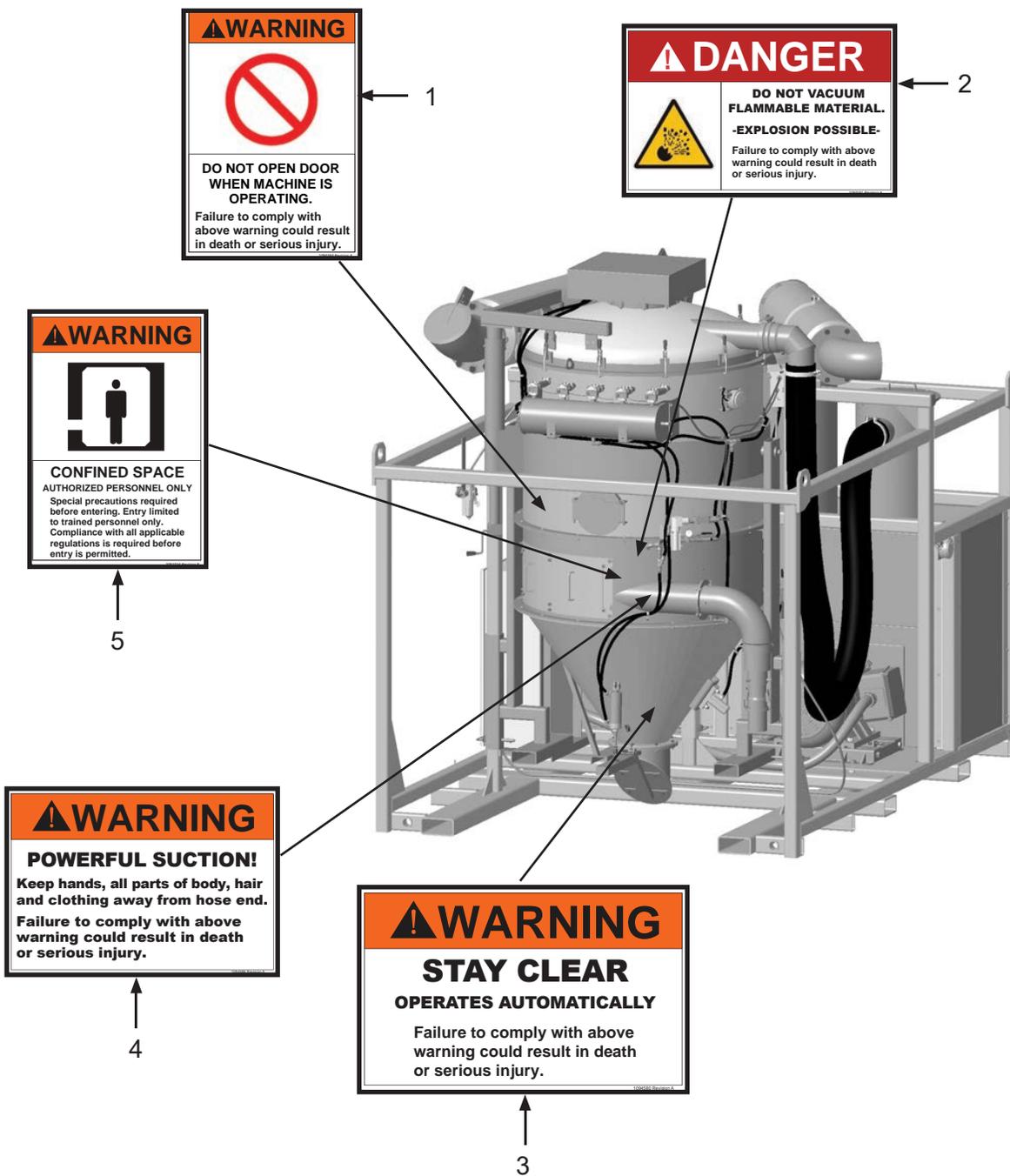
PART NUMBERS AND SCHEMATICS

Figure 13: Hazard Identification Decals (Cont.)

Item #	Part #	Description
Fig. 13		
1	1091135	Rotating or Moving Parts Warning Decal
2	1094543	Rotating or Moving Parts Warning Decal
3	1094592	Power Line Warning Decal
4	1094596	Secure Hose Caution Decal
5	1094595	High WindsWarning Decal

PART NUMBERS AND SCHEMATICS

Figure 14: Hazard Identification Decals



Item #	Part #	Description
--------	--------	-------------

Fig. 15

1	1094594	Do Not Open Door Warning Decal
2	1094581	No Not Vacuum Flammable Material Danger Decal
3	1094580	Stay Clear Warning Decal
4	1094586	Powerful Suction Warning Decal
5	1091054	Confined Space Warning Decal

OPTIONAL ACCESSORIES



Part Numbers

VACUUM HOSE							
Part Numbers	Vacuum Hose I.D.	Length	Vacuum HG	Cover Material	Reinforcement Material	Liner	Hose Color
10VH11250	1-1/2"	50 Ft.	29"	Pliovic®	Pliovic® PVC Helix	Polyurethane	Black
10VH225	2"	25 Ft.	29"	Pliovic®	Pliovic® PVC Helix	Polyurethane	Blue
10VH250	2"	50 Ft.	29"	Pliovic®	Pliovic® PVC Helix	Polyurethane	Blue
10VH200	2"	100 Ft.	29"	Pliovic®	Pliovic® PVC Helix	Polyurethane	Blue
10VH2550	2-1/2"	50 Ft.	29"	Pliovic®	Pliovic® PVC Helix	Polyurethane	Blue
10VH325	3"	25 Ft.	29"	Pliovic®	Pliovic® PVC Helix	Polyurethane	Blue
10VH350	3"	50 Ft.	29"	Pliovic®	Pliovic® PVC Helix	Polyurethane	Blue
10VH300	3"	100 Ft.	29"	Pliovic®	Pliovic® PVC Helix	Polyurethane	Blue
10VH425	4"	25 Ft.	29"	Pliovic®	Pliovic® PVC Helix	Polyurethane	Blue
10VH450	4"	50 Ft.	29"	Pliovic®	Pliovic® PVC Helix	Polyurethane	Blue
10VH400	4"	100 Ft.	29"	Pliovic®	Pliovic® PVC Helix	Polyurethane	Blue
10VH525	5"	25 Ft.	29"	Pliovic®	Pliovic® PVC Helix	Polyurethane	Blue
10VH550	5"	50 Ft.	29"	Pliovic®	Pliovic® PVC Helix	Polyurethane	Blue
10VH500	5"	100 Ft.	29"	Pliovic®	Pliovic® PVC Helix	Polyurethane	Blue
10VH625	6"	25 Ft.	25"	Pliovic®	Pliovic® PVC Helix	Polyurethane	Blue
10VH650	6"	50 Ft.	25"	Pliovic®	Pliovic® PVC Helix	Polyurethane	Blue
10VH600	6"	100 Ft.	25"	Pliovic®	Pliovic® PVC Helix	Polyurethane	Blue
10VH825	8"	25 Ft.	25"	Pliovic®	Pliovic® PVC Helix	Polyurethane	Blue
10VH850	8"	50 Ft.	25"	Pliovic®	Pliovic® PVC Helix	Polyurethane	Blue

OPTIONAL ACCESSORIES

		VACUUM HOSE REDUCERS	
		Part Numbers	Size
	10106712	8" x 4"	
	10106716	6" x 4"	
	10106872	6" x 5"	

		WYE ADAPTERS	
		Part Numbers	Size
	10106719	4" x 2" x 2"	
	10107485	6" x 2" x 2"	
	10106723	6" x 4" x 4"	
	10106727	8" x 4" x 4"	

		VACUUM HOSE MENDERS			
		Part Numbers	Vacuum Hose I.D.	Mender Length	Thickness
	10HM2	2"	8"	1/8"	Steel
	10HM3	3"	9"	1/8"	Steel
	10HM4	4"	10"	1/8"	Steel
	10HM5	5"	11"	1/8"	Steel
	10HM6	6"	12"	1/8"	Steel
	10HM8	8"	14"	1/8"	Steel

OPTIONAL ACCESSORIES

	Part Numbers	VACUUM HOSE INSERTS
		Size
	10104831	4"
	10104828	5"
	10104825	6"

LITERATURE REFERENCES

Vacmaster® 8T Electric Abrasive Vacuums

106M155	Part Numbers & Schematics Guide – Vacmaster® 8T Electric Abrasive Vacuums
1091155	Operator's Manual – Vacmaster® 8T Electric Abrasive Vacuums
109V521	Operator's Manual - Blower
109V563	Operator's Manual – WEG Electric Motor Manual

CONTACT CENTER

- 3425 East Locust Street
Davenport, IA 52803

ph: 800.BLAST.IT (800.252.7848)
ph: 563.324.2519
fax: 563.324.6258

REGIONAL BRANCH OFFICES

- **Iowa**
Davenport
- **Louisiana**
Gonzales
Lafayette
- **Ohio**
Youngstown
- **Texas**
Beaumont
Corpus Christi
Deer Park



ABRASIVES
BLASTING
COATING
DUST COLLECTION
RENTAL & SERVICE
SAFETY
VACUUMS

40+ NATIONWIDE SHIPPING LOCATIONS



★ Marco Regional Branch Offices and Shipping Locations ● Direct Shipping Locations

CONTACT MARCO

800.BLAST.IT
(800.252.7848)
563.324.2519
FAX: 563.324.6258

WWW.MARCO.US
SALES@MARCO.US