



VACMASTER® 23T ELECTRIC ABRASIVE VACUUMS



Powered by **ALLREDI**.

PART NUMBERS AND SCHEMATICS GUIDE

Company Profile

Allredi was formed in the early 2020, when two of the largest distributors in the blasting, coating, safety, and environmental industry, APE Companies and Marco Group International, joined forces. While the qualities both companies are known for have not changed, a lot about our business is new. New abilities. New agilities. New ways to help you win. This calls for a new name, Allredi.

This name exemplifies what we have become. It is completely oriented to the needs of our customers. To your needs. It says that when you call us for anything – products, service, expert advice, anything – you can consider it done. Or even better, Allredi done.

We are your right-now supplier. From skills to SKUs, we deliver the goods fast. So you can be more agile every minute, every day. This is who we are. This is what our new name means. Go ahead and expect excellence, because we're bringing it.

Our Mission and Vision

To be the industry's preferred partner in surface preparation solutions through unrivaled technical expertise, customer experience, product availability, and tailored service offerings.

The Allredi Difference

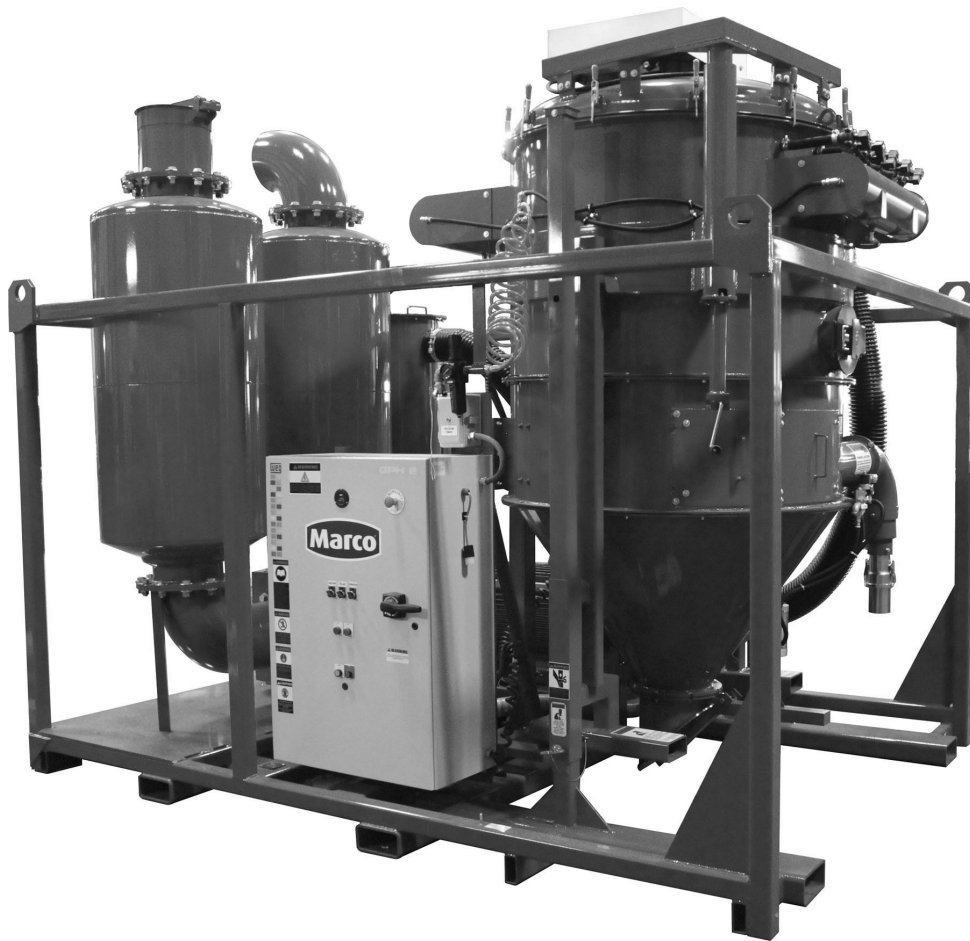
- **Industry Experience** – With Allredi on your team, you have access to expertise which can only come from decades of industry leadership. We have organized our engineering department, production specialists, customer operations, and safety support into a "Center of Competence." As an Allredi customer, you have access to hundreds of years of cumulative experience related to your operations.
- **Manufacturing Excellence** – Allredi is a U.S. based manufacturer of equipment for the Surface Preparation and Protective Coatings industries. Allredi's engineers benchmark the industry to ensure that we design and manufacture superior products that set the "Gold Standard" for performance, safety, and quality.
- **Legendary Customer Service** – Allredi's legendary customer service team is staffed by friendly, highly-trained individuals who are focused on providing the highest level of product support, order accuracy, and customer satisfaction.
- **Product Availability** – We stock over 10,000 SKU's and have over 45 shipping locations to serve North American and International markets for all major brands of blasting, coating, environmental, and safety equipment. Allredi is your right-now supplier, so you can keep your projects moving. From our foundation of strong relationships, we have built a nationwide network that puts vast inventory and ready service close to our customers. We provide advanced expertise, and we deliver the goods fast – so you can easily access the products and services you need to me more agile every minute, every day.
- **Technology Leadership** – Our website provides: Operator's Manuals, Part Numbers and Schematics Guides, SDS information, and key product features and specifications, providing access to information 24/7.

TABLE OF CONTENTS

Company Profile	1
Part Numbers	3
Specifications	4
Assembly Part Numbers and Schematics	5
Front Assembly	5
Top Assembly	7
Rear Assembly	9
Left Side Assembly	11
Right Side Assembly	13
Pneumatic Piston Vibrators	15
Filter Bag Pulsers	16
Pulser System Assembly	17
Wear Plates and Baffles	19
Emergency-Stop Station	21
Hazard Identification Decals	22
Optional Accessories	26

PART NUMBERS

Part Numbers	VACMASTER® 23T ELECTRIC ABRASIVE VACUUMS		
	200 Horsepower Electric Motor	Acrylic-Coated Filter Bags	Filter Cartridge Quantity
10106413	X	X	37



SPECIFICATIONS

Performance:	MAX 3658 CFM
Filter Cartridge Style:	Acrylic-Coated Filter Bags 37 Required
Filter Cleaning:	Pulse System, 25–30 second intervals. Pulse Duration: 200–350 millisecond
Vacuum	27" Hg
Ducting Connections:	6" I.D. Inlet with 4" adapter
Inspection Ports:	One 10" Viewable to Filters with access ports to hopper
Material Removal:	Automatic Direct Dump
Blower:	Rotary lobe, positive displacement with jet inlet
Motor:	200 Horsepower Electric 3-Phase
Electrical System:	460 V, 60 Hz 219 FLA
Air Requirements:	Clean, Dry, Compressed Air 24 CFM @ 90 PSI
Motor Protection:	Motors are fused in control box.
Fluid Specifications:	Grease/Lubricator: Mobil Polyrex EM or equivalent Vibrator Lubricator: 4 oz. pneumatic air tool oil Blower Oil: ROOTS™ synthetic lubricating oil
Unit Dimensions:	Weight: 12,000 pounds (empty) Length: 12' Width: 8' 6" Height: 10' 5" Raised Height: 15' 8" Dump Clearance: 7' 9"

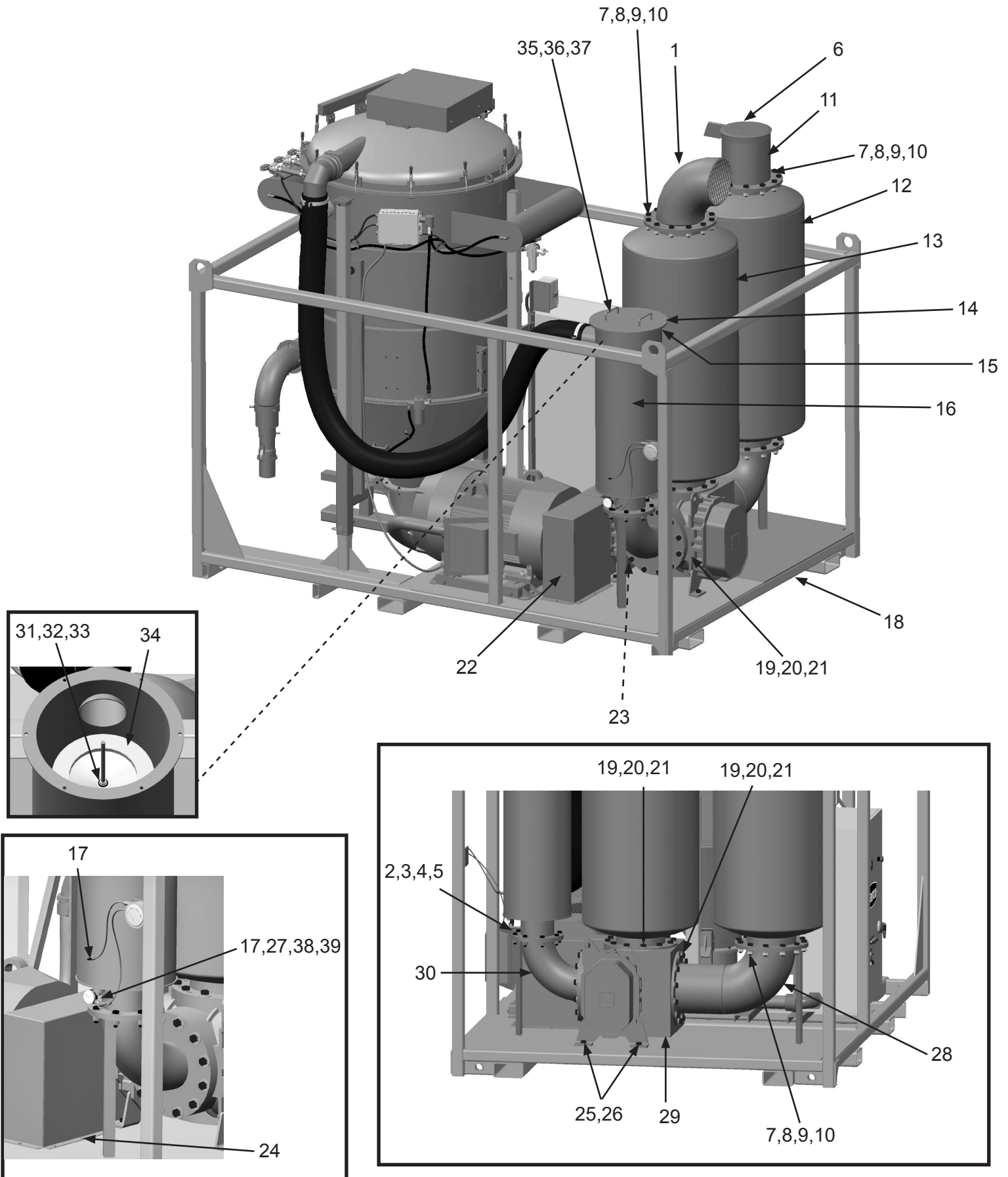
ASSEMBLY PART NUMBERS AND SCHEMATICS

Front Assembly

Item #	Part #	Description	Item #	Part #	Description
Fig. 1			28	10106389	10" Discharge Elbow
1	10106397	12" Bird Screen Elbow	29	10104777	721 Blower Top Shaft Left Discharge
2	10100701	3/4-10 x 2-1/2" Hex Bolt (16 Required)	30	10106388	8" Inlet Elbow Weldment
3	10100704	3/4" Flat Washer (32 Required)	31	10101941	1/2-10 Hex Nut
4	10100596	3/4" Lock Washer (16 Required)	32	10100674	1/2" Flat Washer
5	10100595	3/4-10 Hex Nut (16 Required)	33	10102005	Rubber Washer 1-1/4" OD x 3/8" ID x 1/8"
6	10106407	12" Raincap	34	10102253	Filter Cartridge 12.75" x 8.38" x 36" - Flange - .54" BH
7	10106283	7/8-9 x 2-1/2" Grade 5 Zinc Bolt (24 Required)	35	10104234	3/8-16 x 1-1/4" Hex Bolt Zinc (Six Required)
8	10104716	7/8" Flat Washer - Zinc (48 Required)	36	10101936	3/8" Lock Washer - Zinc (Six Required)
9	10104717	7/8" Lock Washer - Zinc (24 Required)	37	10101938	3/8-16 Hex Nut - Galvanized (Six Required)
10	10104822	7/8-8 Gr 5 Zinc Nut (24 Required)	38	10104677	Liquid Filled Vacuum Gauge, 1/4" Bottom
11	10106406	12" Exhaust Silencer End	39	1011844	1/4" Galvanized Pipe Tee
12	10106411	Discharge Silencer	—	10106896	Blower Oil 100 For below 0° F
13	10106410	Jet Port Silencer	—	10106897	Blower Oil 150 For 0 – 32° F
14	10106508	Intake Filter Housing Cap	—	10105254	Blower Oil 220 For 32 – 90° F
15	10104727	Air Filter Housing Gasket	—	10106898	Blower Oil 320 For above 90° F
16	10106279	Intake Filter Housing	—	106M158	Part Numbers & Schematics Guide – Vacmaster® 23T Electric Abrasive Vacuums
17	20PFBA31095614	1/4" Tube x 1/4" NPT 90° (Two Required)	—	1091158	Operator's Manual – Vacmaster® 23T Electric Abrasive Vacuums
18	10106350	Electric Vacuum Skid Frame			
19	10104715	7/8-9 x 2" Grade 5 Zinc Bolt (32 Required)			
20	10104717	7/8" Lock Washer (32 Required)			
21	10104716	7/8" Flat Washer (32 Required)			
22	10106400	Belt Guard			
23	10106399	Belt Guard			
24	10103400	3/8-16 x 3/4" Bolt (Eight Required)			
25	10106283	7/8-9 x 2-1/2" Grade 5 Bolt (Four Required)			
26	10104716	7/8" Zinc Flat Washer (Four Required)			
27	20PFHA24SA0404	1/4" Hex Nipple			

PART NUMBERS AND SCHEMATICS

Figure 1: Front Assembly



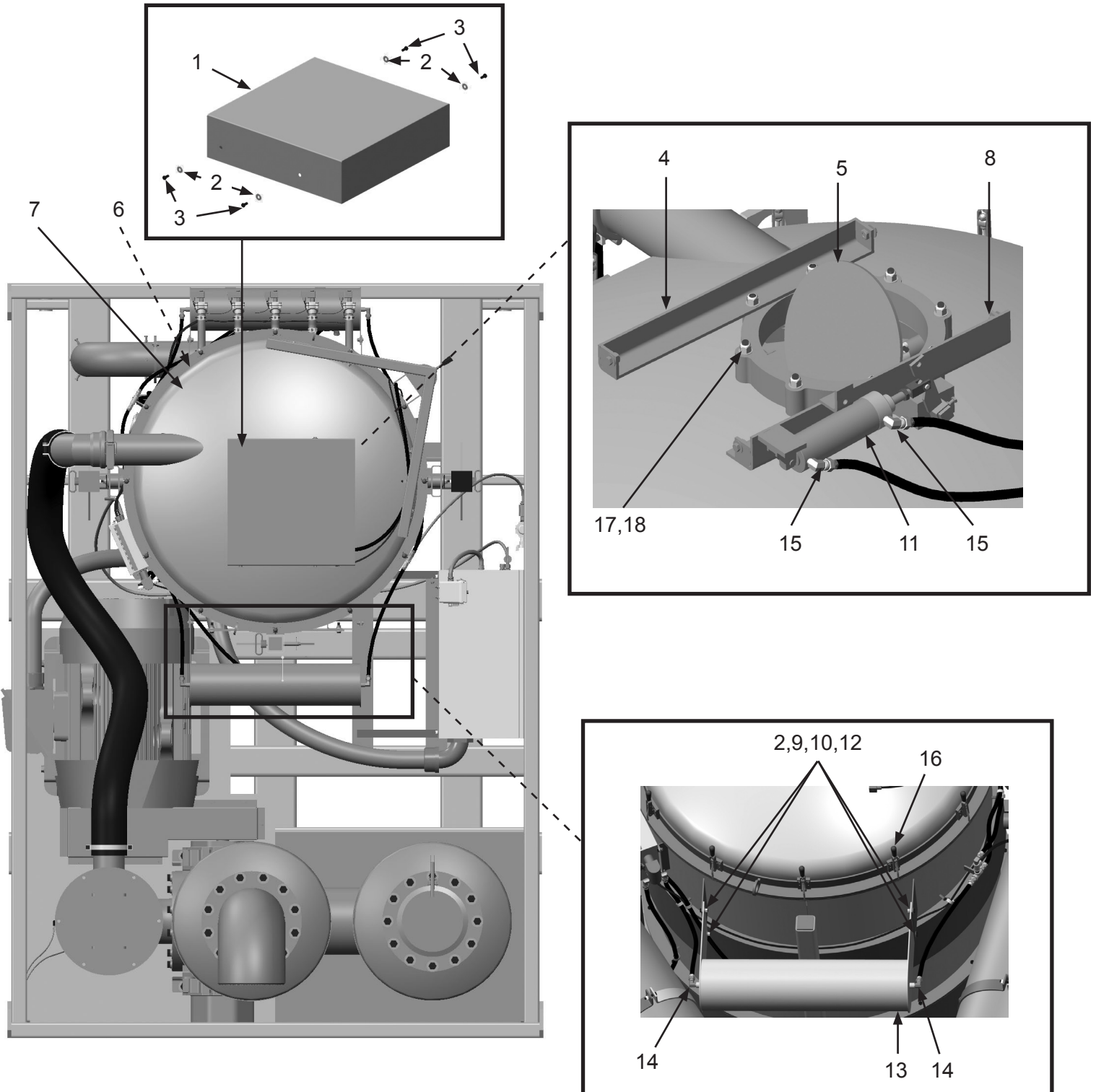
PART NUMBERS AND SCHEMATICS

Top Assembly

Item #	Part #	Description
Fig. 2		
1	10104559	Vacuum Butterfly Cover
2	10101942	3/8" Flat Washer - Galvanized (<i>13 Required</i>)
3	10103400	3/8-16 x 3/4" Bolt (<i>Four Required</i>)
4	10104554	Butterfly Cover Mount Weldment
5	10104537	Betts 12" Butterfly Valve
6	10104426	Vacuum Hopper Section Gasket
7	10104479	Vacuum Lid
8	10104538	Vacuum Butterfly Cylinder Weldment
9	1012318	3/8-16 Hex nut (<i>Four Required</i>)
10	10101936	3/8" Lock Washer - Zinc (<i>Four Required</i>)
11	10104667	2.5" Pneumatic Cylinder
12	1011747	3/8-16 x 1" Bolt (<i>Four Required</i>)
13	10106288	Auxiliary Header
14	20PFHA60UA0606	3/8" (M) x 3/8" (F) 90° Swivel (<i>Two Required</i>)
15	20PFHA60UA0406	1/4" (M) x 3/8" (F) 90° Swivel
16	10104486	Over Center Clamp (<i>12 Required</i>)
17	20100124	1/2-13 Hex Lock Nut (<i>Eight Required</i>)
18	10100674	1/2" Flat Washer (<i>Eight Required</i>)

PART NUMBERS AND SCHEMATICS

Figure 2: Top Assembly



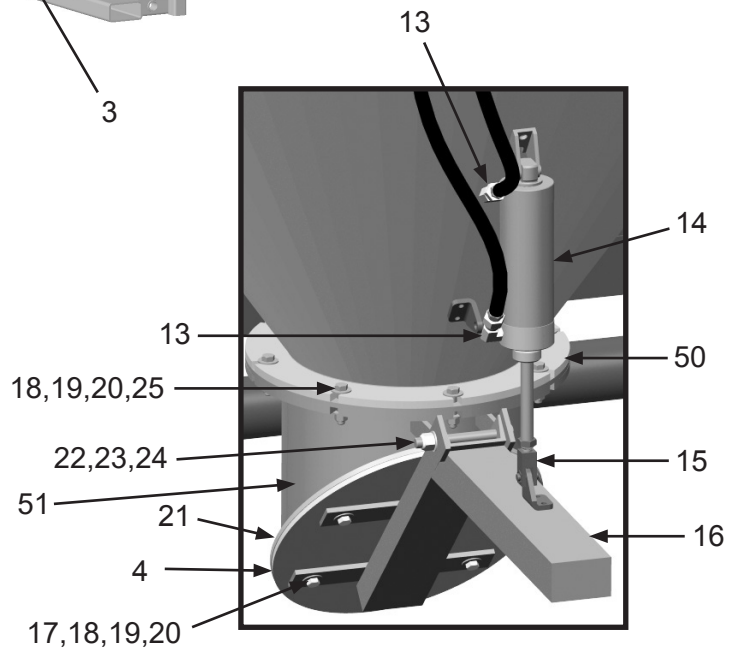
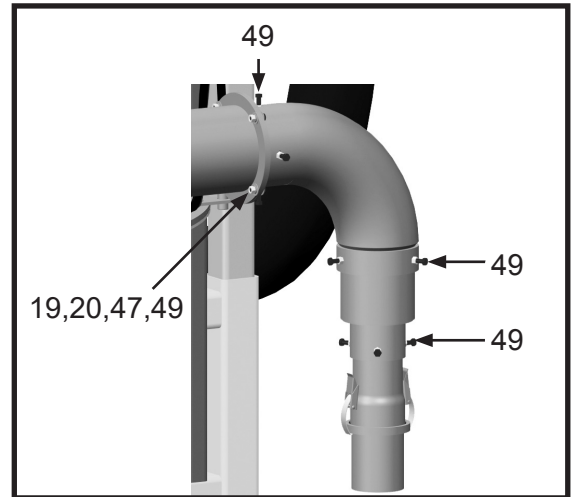
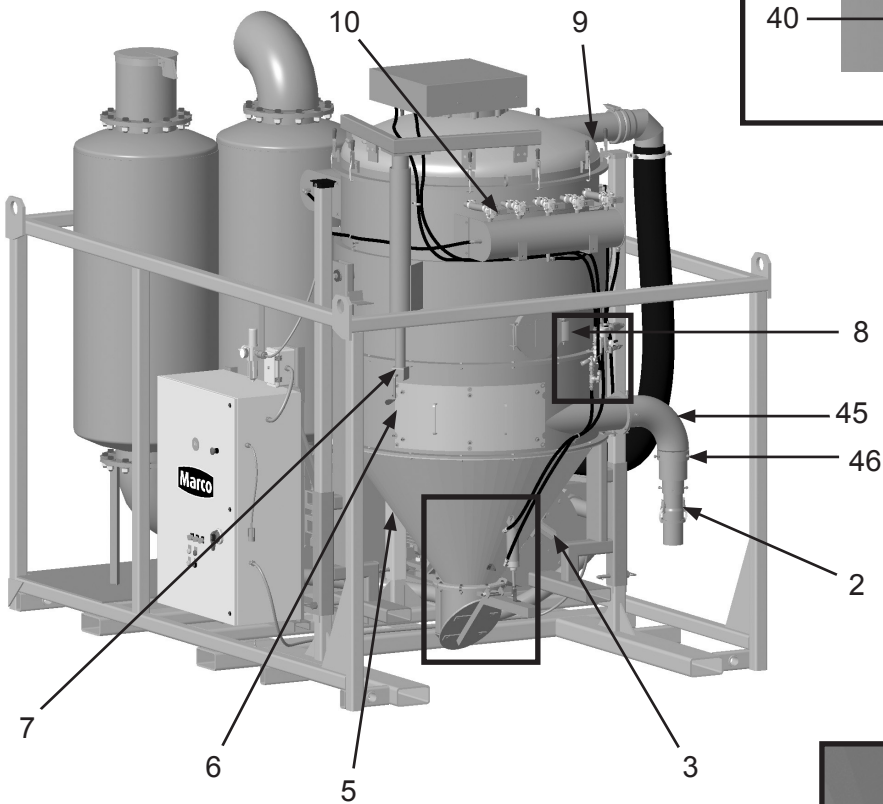
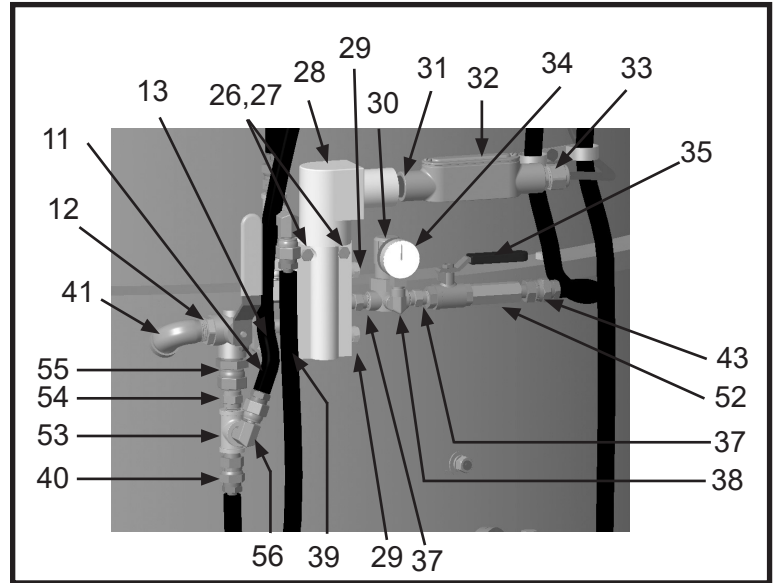
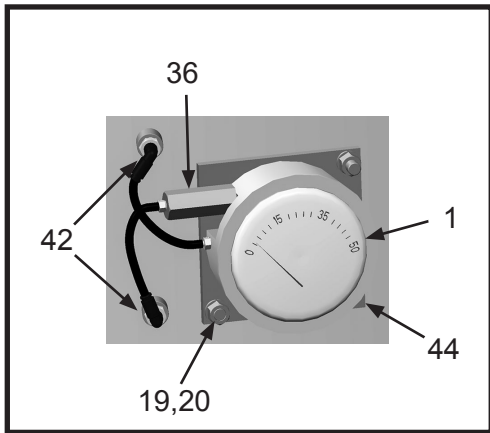
PART NUMBERS AND SCHEMATICS

Rear Assembly

Item #	Part #	Description	Item #	Part #	Description
Fig. 3			27	1012323	1/4-20 Zinc Lock Nut with Nylon Insert (Two Required)
1	10104673	0-50" Differential Pressure Gauge	28	10104670	Solenoid
2	10107797	4" Quick Disconnect Coupling	29	1019024	Breather Vent
3	10104665	APV Series Piston Vibrator (See Figure 6)	30	10104676	Series MPR Mini Pressure Regulator
4	10104506	Dump Door	31	10L803035	1/2" Close Nipple
5	10104411	Vacuum Hopper Cone	32	1019025	1/2" Straight Conduit Body
6	10106511	Vacuum Wear Door	33	10104703	Cord Grip 1/2" Nylon .2-.47 Diameter
	10105190	Wear Door Only	34	10104678	Pressure Gauge 100 Psi 1/8"
	10105189	Wear Door Liner Only	35	1080050	1/4" Ball Valve
7	10104638	Trailer Jack	36	10108373	1/8" NPT Inline Air Filter
8	10104439	Hatch	37	20PFHA24SA0404	1/4" Hex Nipple (Two Required)
9	10104486	Vacuum Lid Overcenter Clamp (12 Required)	38	1012113	1/8" x 1/8" 90° Fitting
10	10104498	Vacuum Header (See Figure 8)	39	1011210	1/4" NPT x 1 1/2" Nipple
11	1011818	1/2" x 1/4" Galvanized Bushing	40	20PFHA60SA0606	3/8"M x 3/8"F Swivel Union
12	20100571	1/2" NPT 3-Way Brass Ball Valve	41	1011819	1/2" Street Elbow
13	20PFHA60UA0406	1/4" (M) x 3/8" (F) 90° Swivel (Two Required)	42	20PFBA31095614	1/4" Tube x 1/4" NPT 90°
14	10104667	2.5" Pneumatic Cylinder	43	20PFHA60SA0406	1/4"M x 3/8"F Swivel Union
15	10104668	Piston Rod Clevis	44	10103608	Magnehelic Mount
16	10104507	Dump Arm	45	10108921	Inlet Elbow Weldment
17	10104234	3/8-16 x 1-1/4 Hex Bolt Zinc (Four Required)	46	10104550	Inlet Adapter Weldment
18	10101942	3/8" Flat Washer	47	10101942	3/8" Flat Washer - Galv. (Eight Required)
19	10101936	3/8" Lock Washer - Zinc	48	10101938	3/8 -16 Hex Nut Galv. (Four Required)
20	1012318	3/8-16 Hex Nut (Four Required)	49	1011747	3/8-16 x 1" Bolt - Zinc (13 Required)
21	10104512	Dump Door Gasket	50	10104502	Dump Section Gasket
—	10104511	Dump Door Internal Plate	51	10104503	Vacuum Discharge Tube
22	20100160	1/2-13 x 4-1/2" Hex Bolt	52	10109020	1/4" NPT Inline Air Filter
23	10100674	1/2" Flat Washer (Two Required)	53	1011809	3/8" NPT Tee
24	20100124	1/2-13 Hex Lock Nut	54	20PFHA24SA0606	3/8" SS Hex Nipple
25	1028617	3/8-16 x 1-3/4" Shoulder Bolt	55	20PFHA60SA0806	1/2"M x 3/8"F Swivel Union
26	1019044	1/4-20 x 1-3/4" Zinc Bolt (Two Required)	56	20PFHA60UA0606	3/8" (M) x 3/8" (F) 90° Swivel (Two Required)
			—	109V521	Operator's Manual - Blower

PART NUMBERS AND SCHEMATICS

Figure 3: Rear Assembly



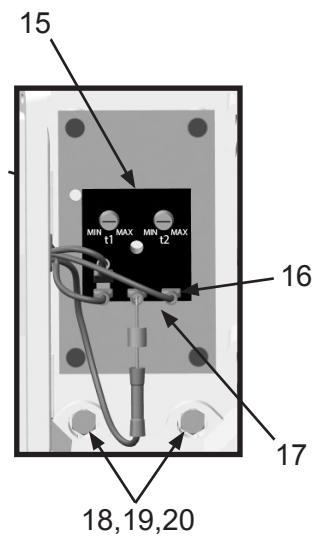
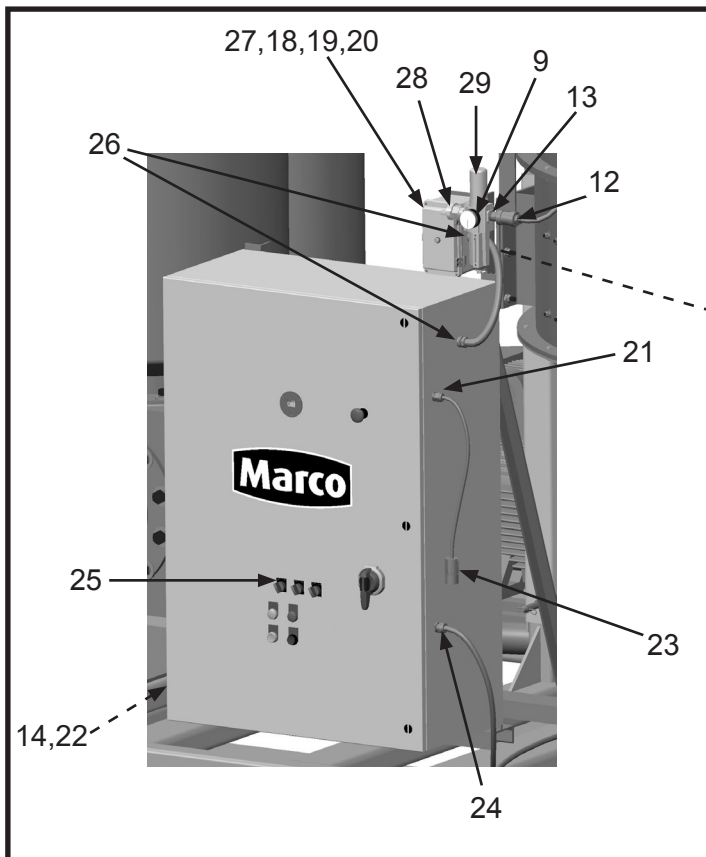
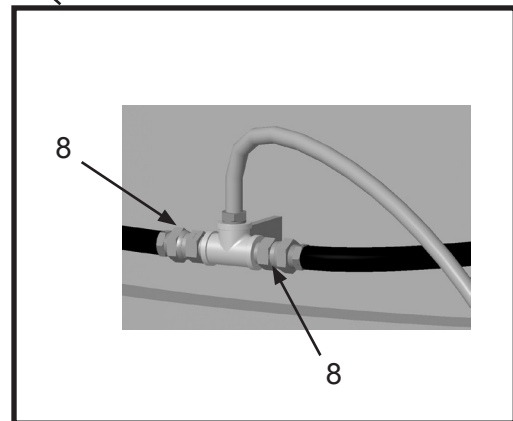
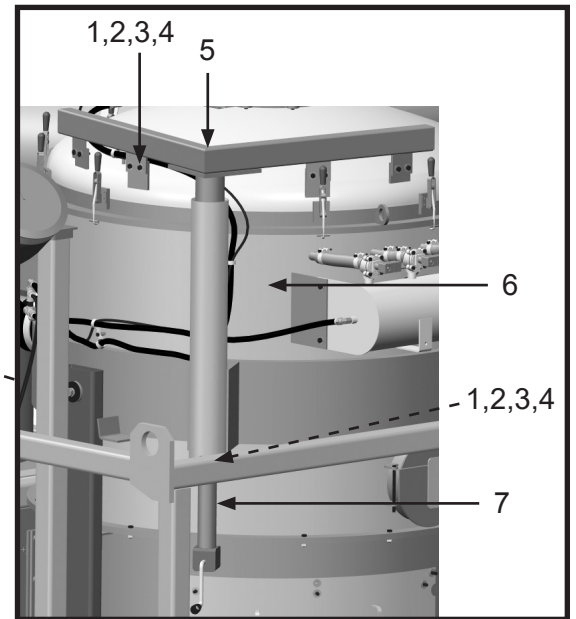
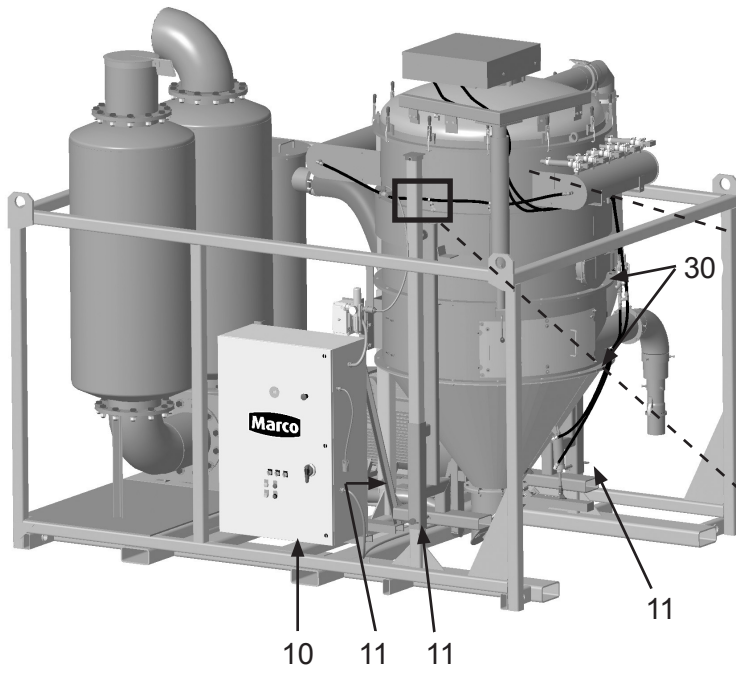
PART NUMBERS AND SCHEMATICS

Left Side Assembly

Item #	Part #	Description
Fig. 4		
1	10104234	3/8-16 x 1-1/4" Hex Bolt Zinc <i>(Eight Required)</i>
2	10101942	3/8" Flat Washer - Galvanized <i>(40 Required)</i>
3	10101936	3/8" Lock Washer - Zinc <i>(11 Required)</i>
4	1012318	3/8 -16 Hex Nut <i>(11 Required)</i>
5	10104472	Vacuum Lid Lift
6	10104434	Vacuum Top Section
7	10104638	Trailer Jack
8	20PFHA60SA0606	Union Swivel 3/8" (M) x 3/8" (F) <i>(Two Required)</i>
9	1028606	1/4" Pressure Gauge 160 Psi
10	10106295	Vacuum Control Panel
11	10103788	Hitch Pin - 3/4" x 6-1/2" Long <i>(Three Required)</i>
12	20PFHA24SB1206	3/4" x 3/8" Reducing Bushing
13	10103317	3/4" x 2" 153 Nipple
14	10106128	3" Flexible Sealtite Conduit
15	10106818	Vacuum Control Timer
16	10104109	6 Amp 50-Volt Rectifier
17	10105193	Enclosure Panel
18	1012154	1/4-20 x 1 Hex Bolt <i>(Four Required)</i>
19	10101940	1/4" Flat Washer - Galvanized <i>(Four Required)</i>
20	10101939	1/4-20 Stainless Steel Lock Nut With Nylon Insert <i>(Four Required)</i>
21	10104703	Cord Grip Nylon 1/2"-NPT .2-.47 Diameter
22	10106132	3" x 90° Conduit Hub
23	1015556	Female Twist Plug 3-Prong
24	20RCG5050	Cord Grip 1/2"-NPT .5-.625 Diameter
25	10103305	Selector Switch - 2-Way <i>(Three Required)</i>
26	20RST50	Straight Liquid Tite Connector Fitting
27	10104615	8" x 4" x 5" Fiberglass Enclosure
28	10ME1	3/4" Coupling 2-Lug Male
29	10103257	74 Series Filter / Regulator
30	10104426	Vacuum Hopper Section Gasket

PART NUMBERS AND SCHEMATICS

Figure 4: Left Side Assembly



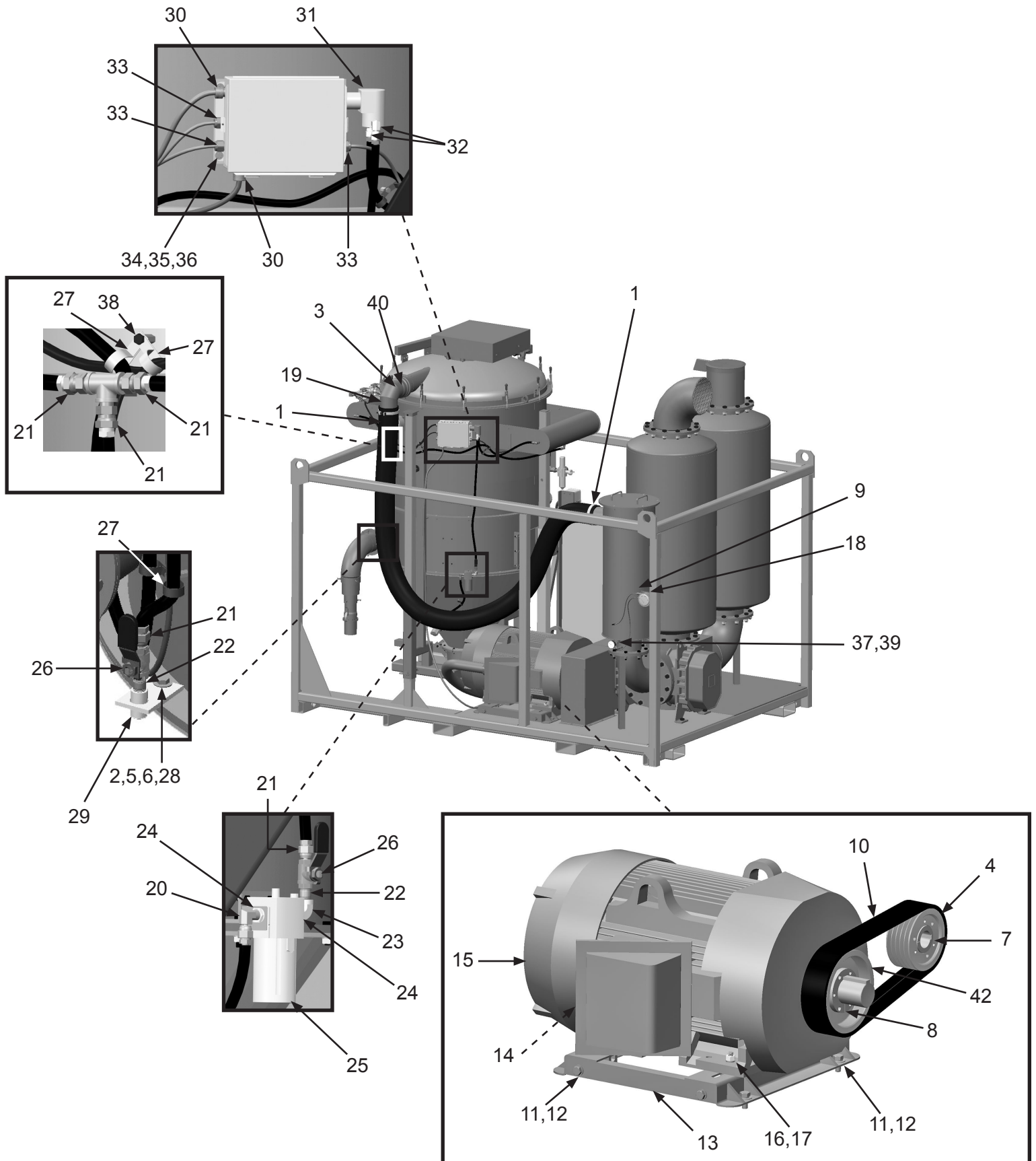
PART NUMBERS AND SCHEMATICS

Right Side Assembly

Item #	Part #	Description	Item #	Part #	Description
Fig. 5			26	1080060	3/8" NPT Full Port Brass Ball Valve <i>(Two Required)</i>
1	10104640	6" Double Bolt Clamp <i>(Two Required)</i>	27	10103624	1" Rubber Cushioned Loop Clamp
2	10101942	3/8" Flat Washer <i>(Five Required)</i>	28	1012318	3/8 -16 Hex Nut
3	10104637	6" Bandlock Clamp	29	10104597	Airline Drain
4	10106347	5/5V 8.50" Sheave	30	20RCG5050	1/2" Npt x .5—.625 Diameter Cord Grip <i>(Two Required)</i>
5	1028617	3/8-16 x 1-3/4" Shoulder Bolt <i>(Seven Required)</i>	31	10104671	Vibrator Solenoid
6	10101936	3/8" Lock Washer - Zinc <i>(Seven Required)</i>	32	20PFHA60UA0406	1/4" (M) x 3/8" (F) 90° Swivel <i>(Two Required)</i>
7	10104814	Bushing 2.375" Bore	33	10104703	1/2" Npt x .2—.47 Diameter Nylon Cord Grip <i>(Three Required)</i>
8	10106107	Bushing 2-7/8" Bore	34	10101939	1/4-20 Stainless Steel Lock Nut with Nylon Insert <i>(Four Required)</i>
9	10108373	1/8" NPT Inline Air Filter	35	10101940	1/4" Flat Washer - Galvanized <i>(Four Required)</i>
10	10106405	5 Strand 5VP670 Belt - 67"	36	20100125	1/4-20 x 3/4" Zinc Hex Bolt <i>(Four Required)</i>
11	10103417	3/4-10 UNC x 1-3/4" Bolt <i>(Two Required)</i>	37	10104677	Vacuum Gauge
12	10103418	3/4" Washer <i>(Four Required)</i>	38	10L805302	Jr & Sr Spindle Bolt <i>(10 Required)</i>
13	10106346	200 HP Motor Base	39	1011844	1/4" Galv. Pipe Tee
14	10106129	3" Straight Conduit Hub	40	10106513	6" Gasket <i>(Not Shown)</i>
15	10106345	200 HP 3 Phase Electric Motor	41	1011809	3/8" NPT Tee
16	10103420	3/4-10 UNC Nut <i>(Four Required)</i>	42	10106348	5/5V 11.3" Sheave
17	10103419	3/4" Lock Washer <i>(Four Required)</i>			
18	10109021	0-80" Differential Pressure Gauge			
19	10104636	6" x 90° Elbow Non-Plated			
20	20PFHA60UA0606	3/8"M x 3/8"F 90° Swivel Union			
21	20PFHA60SA0606	Union Swivel 3/8" (M) x 3/8" (F) <i>(Three Required)</i>			
22	1011209	3/8 NPT Close Nipple			
23	20PFHA25UG0606	3/8" Street Elbow			
24	20PFHA24SB0806	1/2" x 3/8" Reducing Bushing <i>(Two Required)</i>			
25	10104674	Lubricator 1/2" NPT 156 CFM			

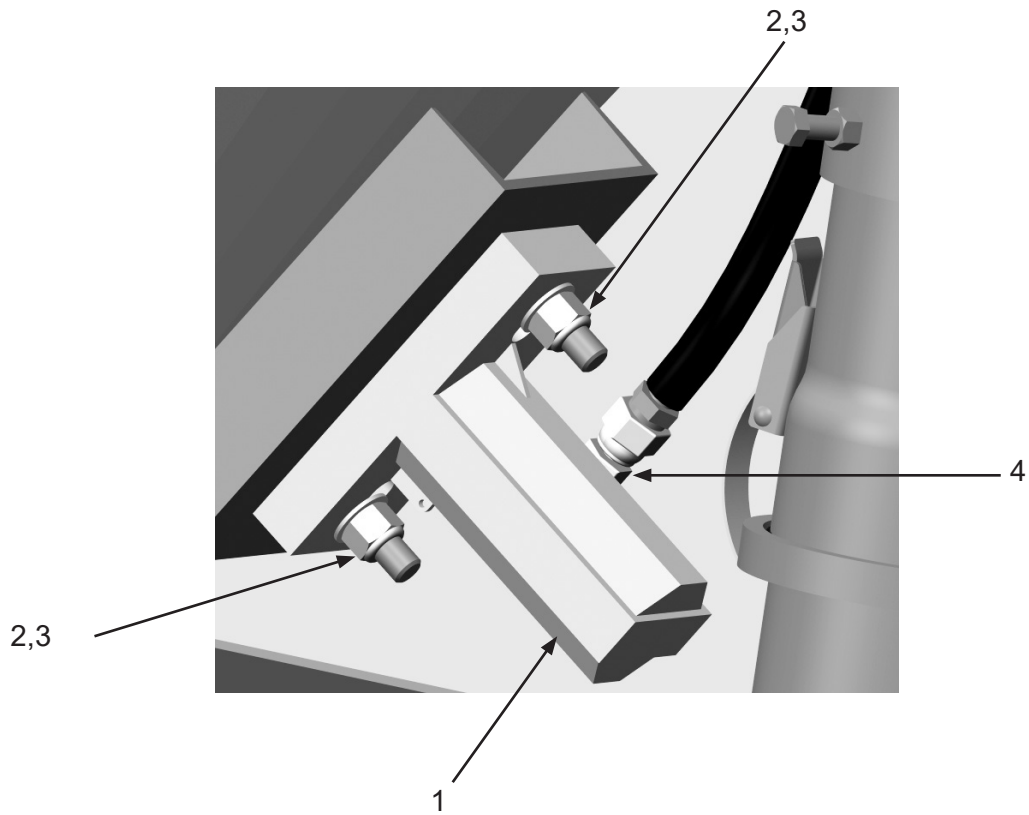
PART NUMBERS AND SCHEMATICS

Figure 5: Right Side Assembly



PART NUMBERS AND SCHEMATICS

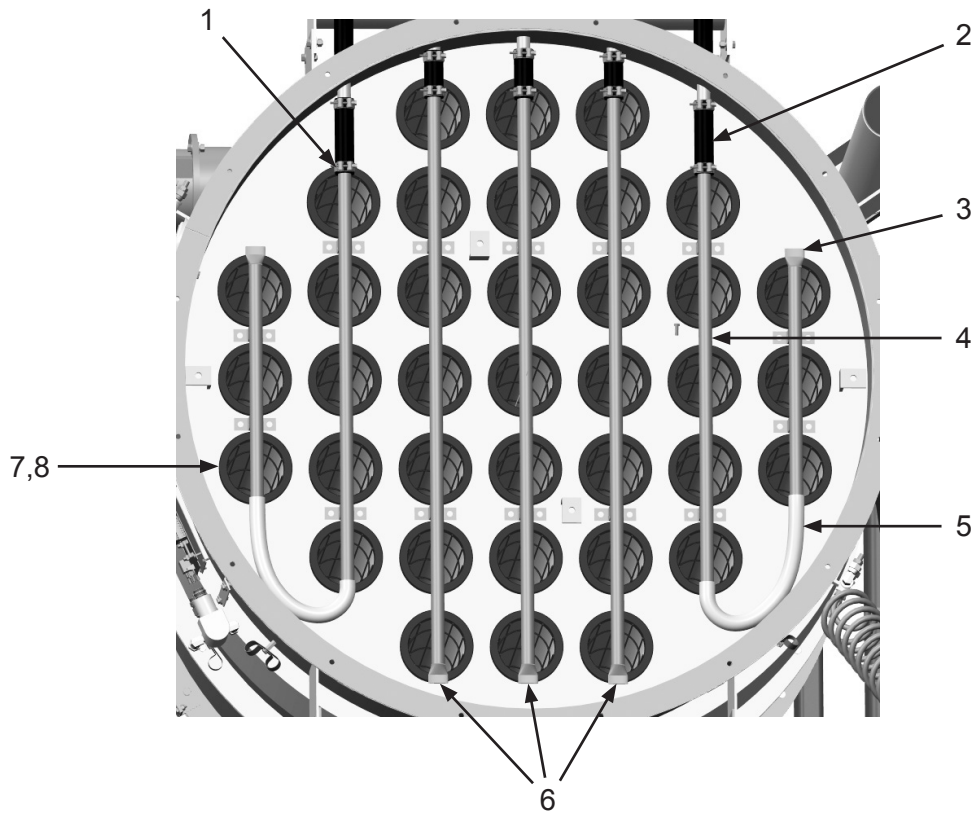
Figure 6: Pneumatic Piston Vibrators



Item #	Part #	Description
Fig. 6		
1	10104665	APV Series Piston Vibrator
2	20100124	1/2-13 Hex Lock Nut - Zinc (<i>Two Required</i>)
3	10100674	1/2" Flat Washer (<i>Two Required</i>)
4	20PFHA60UA0406	1/4" (M) x 3/8" (F) 90° Swivel Union

PART NUMBERS AND SCHEMATICS

Figure 7: Filter Bag Pulsers



Item #	Part #	Description
Fig. 7		
1	10103736	T-Bolt Hose Clamp For 1" I.D. (10 Required)
2	10106509	1" 75W Marine Hose - 100 PSI (Five Required)
3	10104562	Pulser System Short Blowpipe (Two Required)
4	10104565	Pulser System Medium Blowpipe (Two Required)
5	10104680	1" Flexible Tubing For Blowpipes (Two Required)
6	10104567	Pulser System Long Blowpipe (Three Required)
7	10104633	Vacuum Baghouse Filter (37 Required)
8	10104634	Vacuum Baghouse Filter Cage (37 Required)

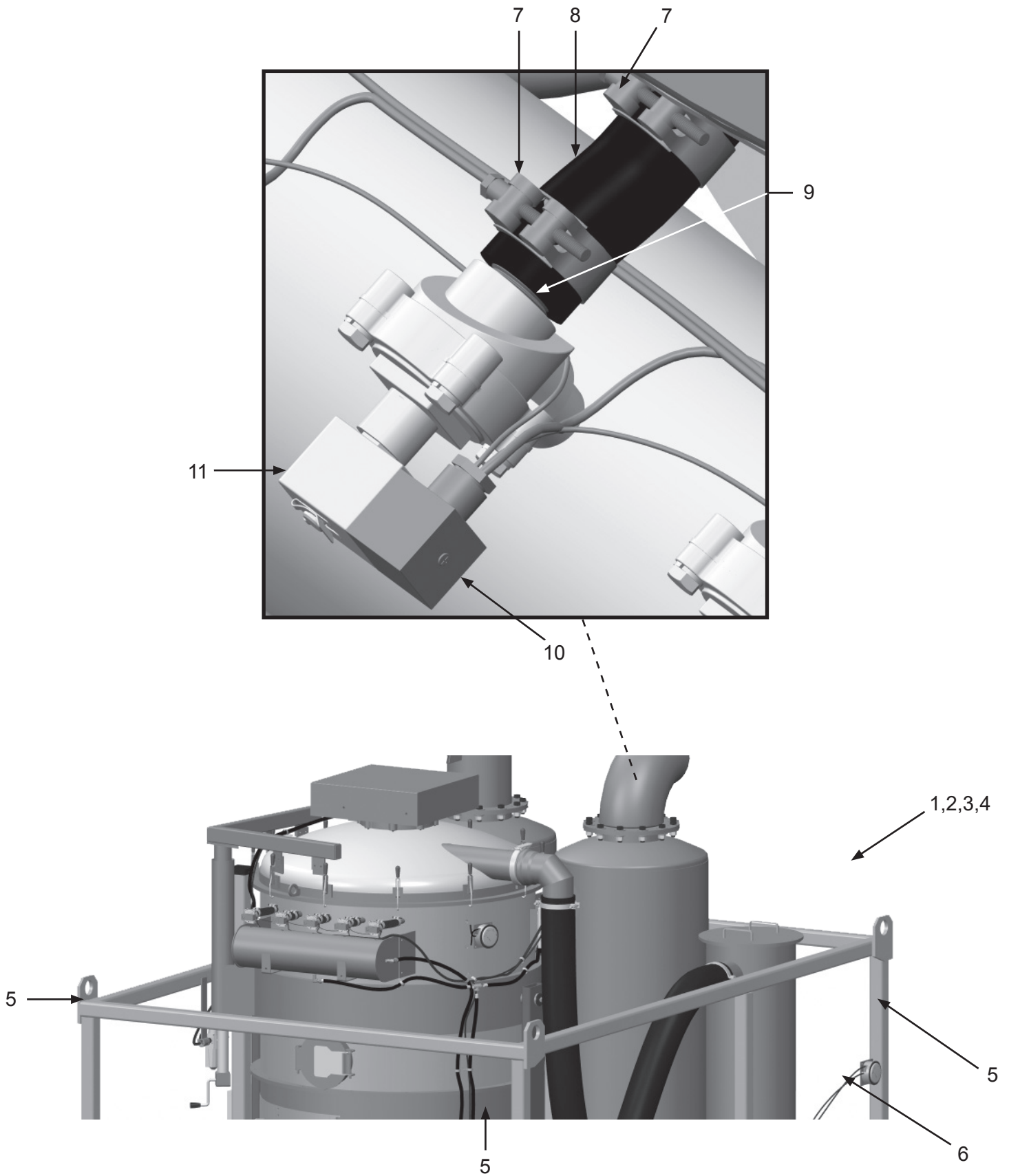
PART NUMBERS AND SCHEMATICS

Pulser System Assembly

Item #	Part #	Description
Fig. 8		
1	10101942	3/8" Flat Washer - Galvanized <i>(Eight Required)</i>
2	10101936	3/8" Lock Washer - Zinc <i>(Four Required)</i>
3	1011747	3/8-16 x 1" Bolt <i>(Four Required)</i>
4	1012318	3/8 -16 Hex Nut <i>(Four Required)</i>
5	20PFHA60UA0606	3/8"M x 3/8"F 90° Swivel Union
6	10104498	Vacuum Header
7	10103736	T-Bolt Hose Clamp For 1" I.D. <i>(10 Required)</i>
8	10106509	1" Marine Hose - 100 psi <i>(Per Foot)</i>
9	10104500	3/4" NPT x 1-1/2" Toe Nipple <i>(Five Required)</i>
10	10105287	Humphrey Din Connector <i>(Included with Item #16) (Five Required)</i>
11	10104666	3/4" Diaphragm Valve with Solenoid <i>(Five Required)</i>
—	10107192	Pilot Valve Repair Kit
—	10107193	Diaphragm Repair Kit

PART NUMBERS AND SCHEMATICS

Figure 8: Pulser System Assembly



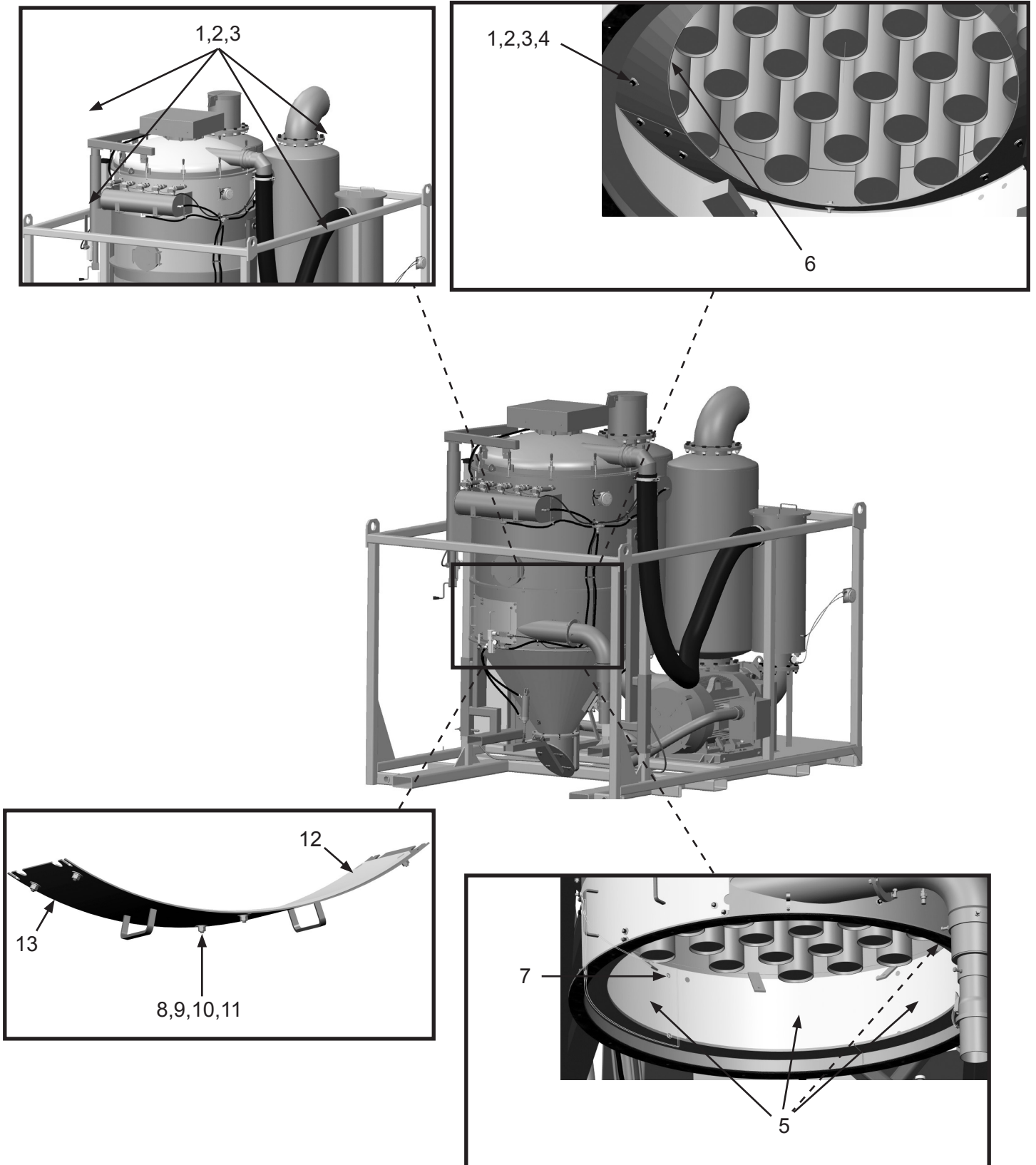
PART NUMBERS AND SCHEMATICS

Wear Plates and Baffles

Item #	Part #	Description
Fig. 9		
1	10101942	3/8" Flat Washer - Galvanized (35 Required)
2	10101936	3/8" Lock Washer - Zinc (35 Required)
3	1012318	3/8-16 Hex Nut (35 Required)
4	1011747	3/8-16 x 1" Bolt (15 Required)
5	10104489	Vacuum Wear Plates (Four Required)
6	10104490R	Vacuum Baffle (Three Required)
7	10104705	3/8-16 FH Sq Neck x 1" Bolt Zinc (16 Required)
8	10101942	3/8" Flat Washer - Galvanized (20 Required)
9	10101936	3/8" Lock Washer - Zinc (16 Required)
10	1012318	3/8 -16 Hex Nut GALV. (12 Required)
11	10104705	3/8-16 FH SQ Neck x 1" Bolt Zinc (12 Required)
12	10105189	Wear Door Liner
13	10105190	Wear Door

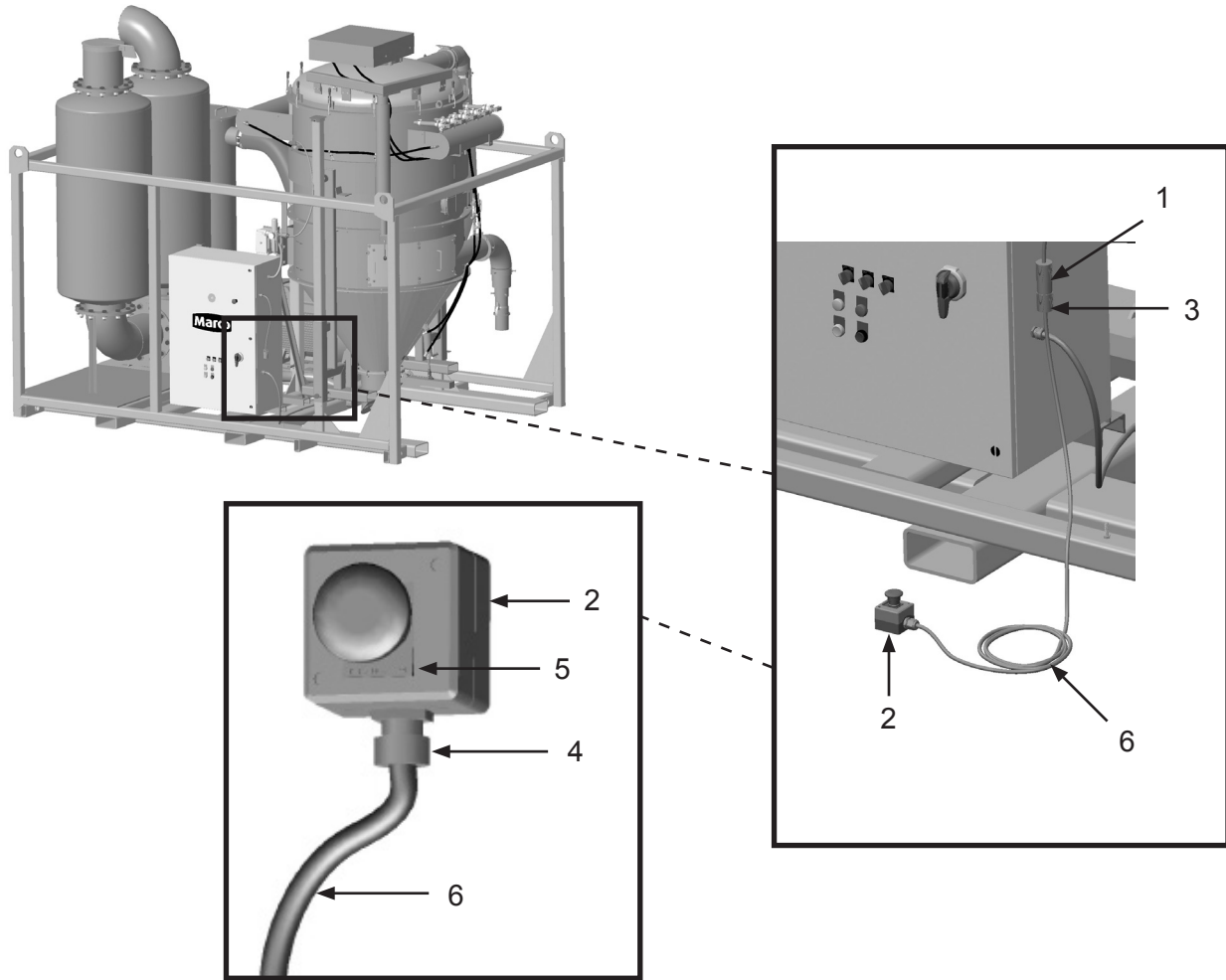
PART NUMBERS AND SCHEMATICS

Figure 9: Wear Plates and Baffles



PART NUMBERS AND SCHEMATICS

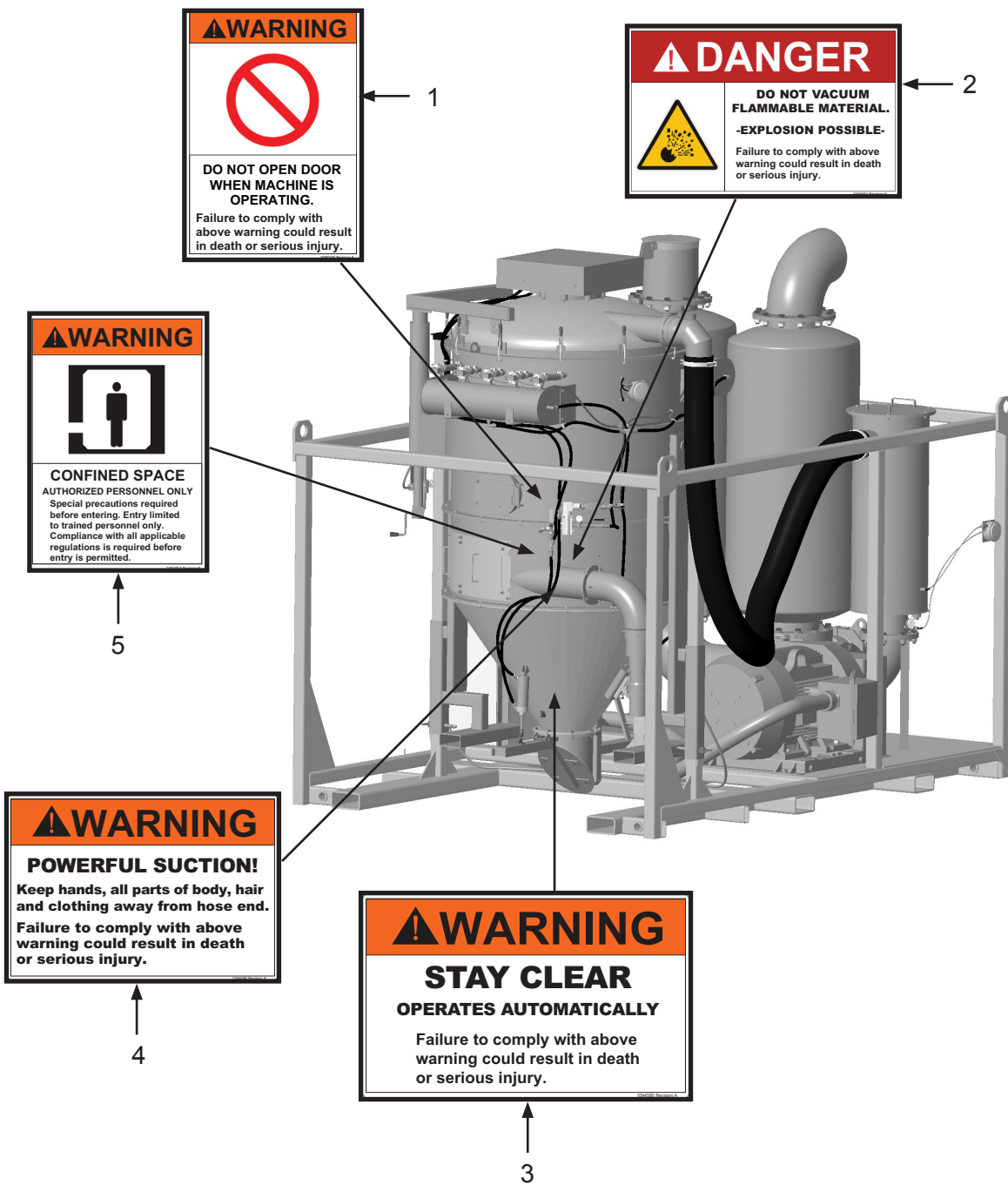
Figure 10: Emergency-Stop Station



Item #	Part #	Description
Fig. 10		
—	10107200	Remote Emergency-Stop Station <i>Includes Item #'s: 2, 3, 4, 5, and 6 (100')</i>
1	1015556	Female Twist Lock Plug – Three Prong
2	10104071	E-Stop Control Station
3	1015555	Male Twist Lock Plug – Three Prong
4	10104703	Cord Grip Nylon 1/2"-NPT .2-.47 Diameter
5	10104063	Legend Plate – Emergency Stop
6	1015540	16/2 Xtreme-Duty® Power Cord – Red (<i>Per Foot</i>)

PART NUMBERS AND SCHEMATICS

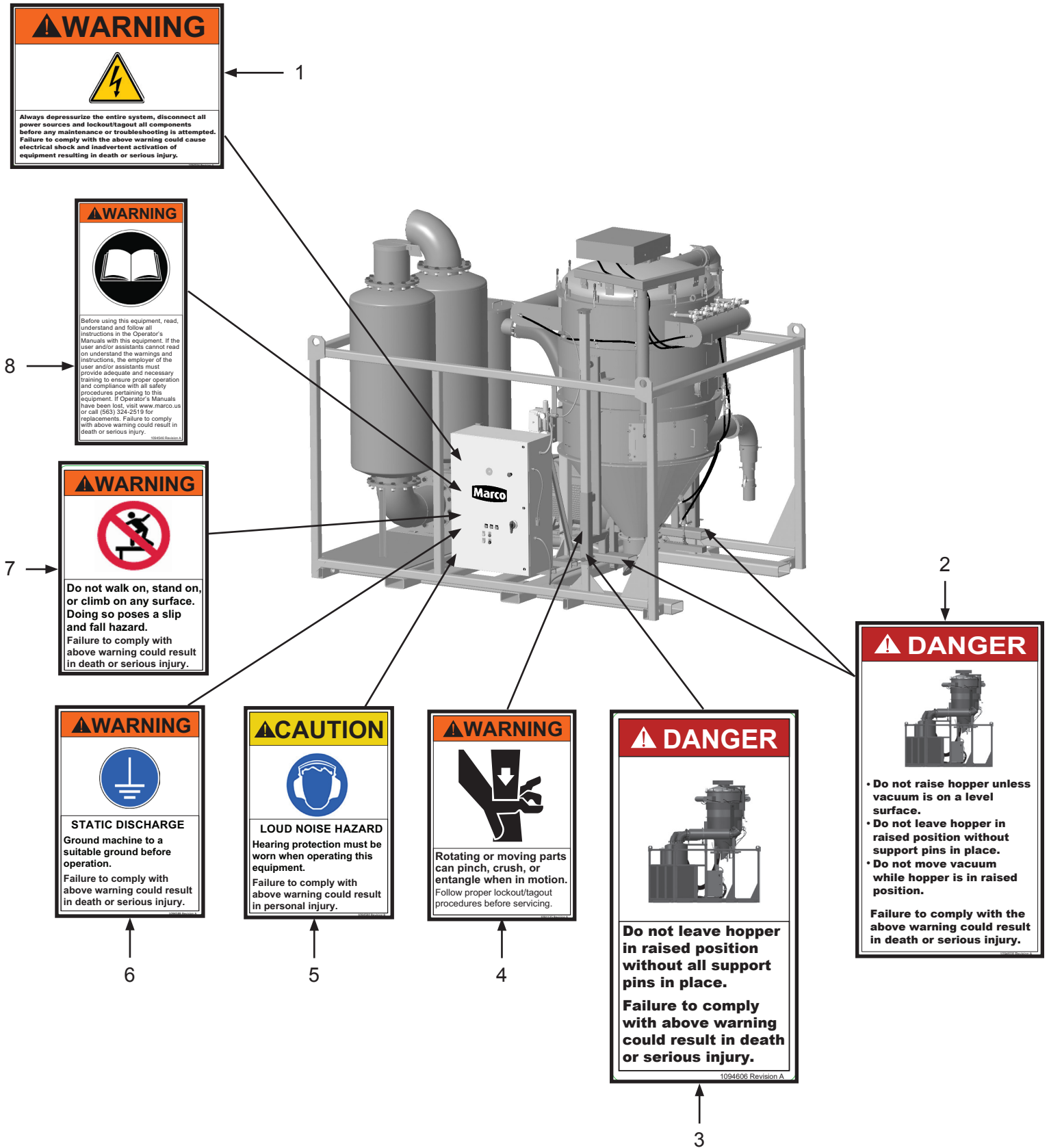
Figure 11: Hazard Identification Decals



Item #	Part #	Description
1	1094594	Do Not Open Door Warning Decal
2	1094581	No Not Vacuum Flammable Material Danger Decal
3	1094580	Stay Clear Warning Decal
4	1094586	Powerful Suction Warning Decal
5	1091054	Confined Space Warning Decal

PART NUMBERS AND SCHEMATICS

Figure 12: Hazard Identification Decals (cont.)



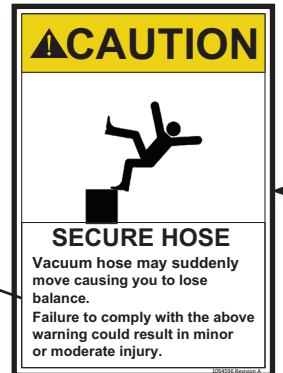
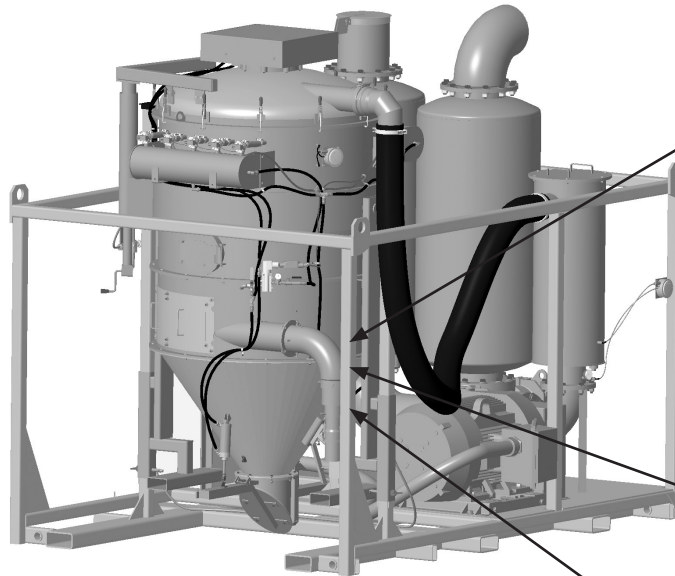
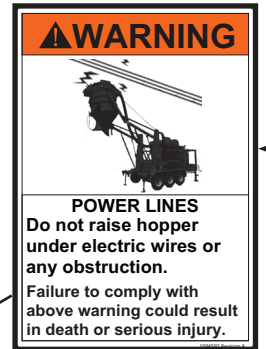
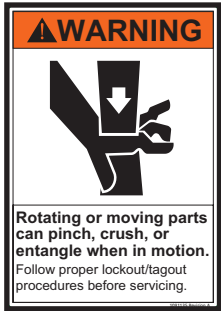
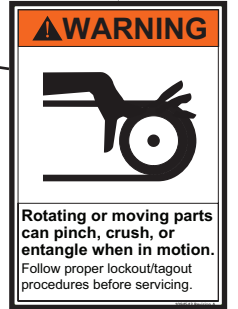
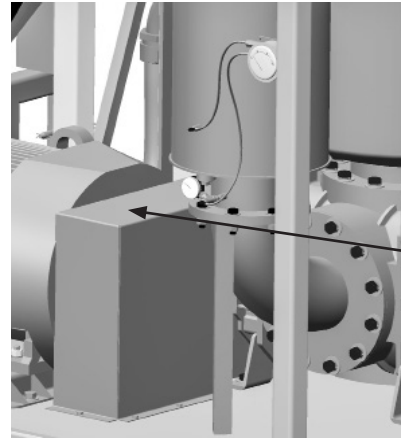
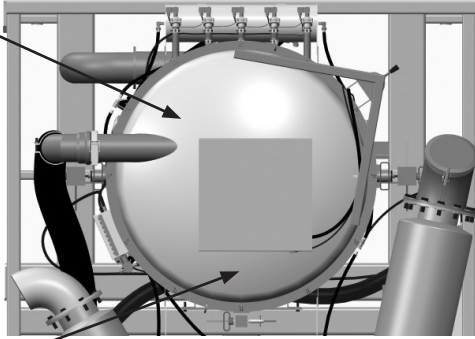
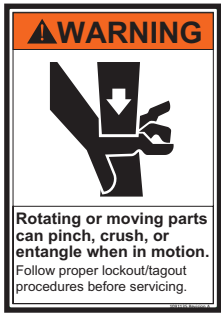
PART NUMBERS AND SCHEMATICS

Figure 12: Hazard Identification Decals (Cont.)

Item #	Part #	Description
Fig. 12		
1	1094556	Lockout/Tagout Warning Decal
2	1094608	Hopper Danger Decal
3	1094606	Hopper Position Danger Decal
4	1091135	Rotating or Moving Parts Warning Decal
5	1094590	Loud Noise Hazard Warning Decal
6	1094589	Static Discharge Warning Decal
7	1094591	Do Not Climb On Warning Decal
8	1094546	Read Manual Warning Decal

PART NUMBERS AND SCHEMATICS

Figure 13: Hazard Identification Decals (cont.)

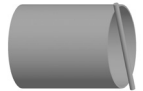




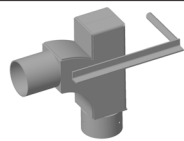
PART NUMBERS AND SCHEMATICS

Figure 13: Hazard Identification Decals (Cont.)

Item #	Part #	Description
Fig. 13		
1	1091135	Rotating or Moving Parts Warning Decal
2	1094543	Rotating or Moving Parts Warning Decal
3	1094592	Power Line Warning Decal
4	1094596	Secure Hose Caution Decal
5	1094595	High Winds Warning Decal

OPTIONAL ACCESSORIES

	Part Numbers	VACUUM HOSE INSERTS	
			Size
	10104831		4"
	10104828		5"
	10104825		6"

	Part Numbers	HOSE INLET ELBOW	
			Description
	10106732		Heavy-Duty Hose Elbow <i>(Optional)</i>

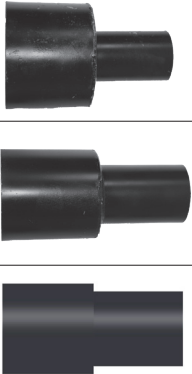
OPTIONAL ACCESSORIES

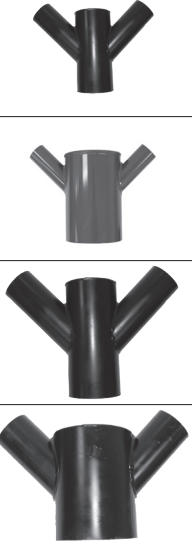


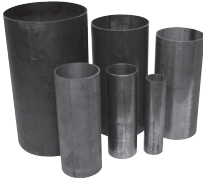
Part Numbers

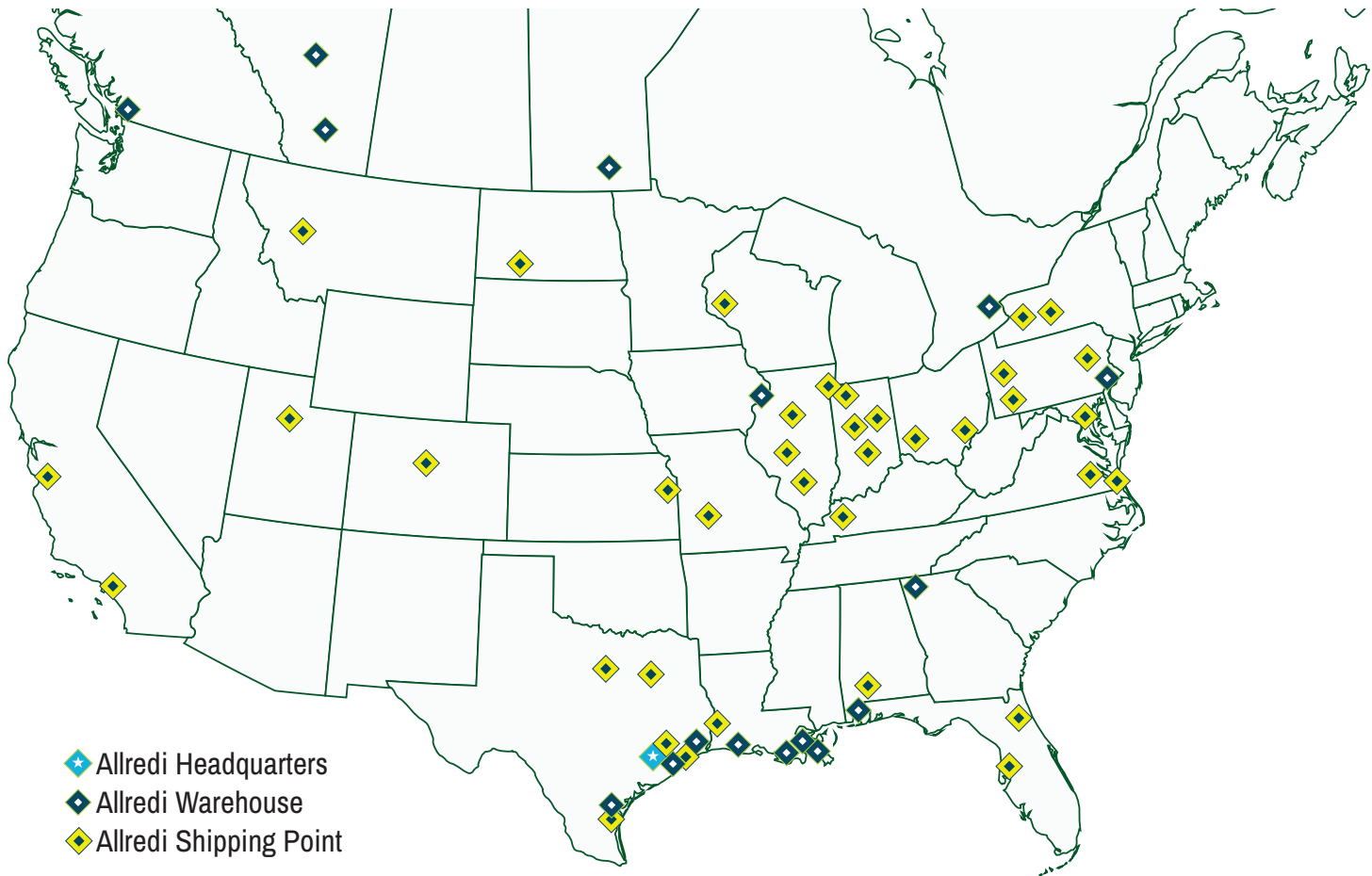
VACUUM HOSE							
Part Numbers	Vacuum Hose I.D.	Length	Vacuum HG	Cover Material	Reinforcement Material	Liner	Hose Color
10VH11250	1-1/2"	50 Ft.	29"	Pliovic®	Pliovic® PVC Helix	Polyurethane	Black
10VH225	2"	25 Ft.	29"	Pliovic®	Pliovic® PVC Helix	Polyurethane	Blue
10VH250	2"	50 Ft.	29"	Pliovic®	Pliovic® PVC Helix	Polyurethane	Blue
10VH200	2"	100 Ft.	29"	Pliovic®	Pliovic® PVC Helix	Polyurethane	Blue
10VH2550	2-1/2"	50 Ft.	29"	Pliovic®	Pliovic® PVC Helix	Polyurethane	Blue
10VH325	3"	25 Ft.	29"	Pliovic®	Pliovic® PVC Helix	Polyurethane	Blue
10VH350	3"	50 Ft.	29"	Pliovic®	Pliovic® PVC Helix	Polyurethane	Blue
10VH300	3"	100 Ft.	29"	Pliovic®	Pliovic® PVC Helix	Polyurethane	Blue
10VH425	4"	25 Ft.	29"	Pliovic®	Pliovic® PVC Helix	Polyurethane	Blue
10VH450	4"	50 Ft.	29"	Pliovic®	Pliovic® PVC Helix	Polyurethane	Blue
10VH400	4"	100 Ft.	29"	Pliovic®	Pliovic® PVC Helix	Polyurethane	Blue
10VH525	5"	25 Ft.	29"	Pliovic®	Pliovic® PVC Helix	Polyurethane	Blue
10VH550	5"	50 Ft.	29"	Pliovic®	Pliovic® PVC Helix	Polyurethane	Blue
10VH500	5"	100 Ft.	29"	Pliovic®	Pliovic® PVC Helix	Polyurethane	Blue
10VH625	6"	25 Ft.	25"	Pliovic®	Pliovic® PVC Helix	Polyurethane	Blue
10VH650	6"	50 Ft.	25"	Pliovic®	Pliovic® PVC Helix	Polyurethane	Blue
10VH600	6"	100 Ft.	25"	Pliovic®	Pliovic® PVC Helix	Polyurethane	Blue
10VH825	8"	25 Ft.	25"	Pliovic®	Pliovic® PVC Helix	Polyurethane	Blue
10VH850	8"	50 Ft.	25"	Pliovic®	Pliovic® PVC Helix	Polyurethane	Blue

OPTIONAL ACCESSORIES

		VACUUM HOSE REDUCERS	
		Part Numbers	Size
	10106712	8" x 4"	
	10106716	6" x 4"	
	10106872	6" x 5"	

		WYE ADAPTERS	
		Part Numbers	Size
	10106719	4" x 2" x 2"	
	10107485	6" x 2" x 2"	
	10106723	6" x 4" x 4"	
	10106727	8" x 4" x 4"	

		VACUUM HOSE MENDERS			
		Part Numbers	Vacuum Hose I.D.	Mender Length	Thickness
	10HM2	2"	8"	1/8"	Steel
	10HM3	3"	9"	1/8"	Steel
	10HM4	4"	10"	1/8"	Steel
	10HM5	5"	11"	1/8"	Steel
	10HM6	6"	12"	1/8"	Steel
	10HM8	8"	14"	1/8"	Steel



ALLREDI THERE

Serving these industries: Bridge, Pipeline, Tank & Tower, Concrete Services, Rail, Shipyard & Marine, Pools & Fountains, and Foundry

UNITED STATES

Pasadena, TX (*Headquarters*)
844.361.7038

Beaumont, TX
409.722.1284

Bristol, PA
215.826.8080

Corpus Christi, TX
361.887.2038

Davenport, IA
563.324.2519

Deer Park, TX
(*Service & Rental Location*)
281.930.0905

Duluth, GA
800.535.4564

Gonzales, LA
225.647.7575

Harvey, LA
504.367.8090

Houma, LA
985.580.4273

Lafayette, LA
337.267.1440

Theodore, AL
251.338.7525

CANADA

Calgary, Alberta
403.279.1924

Coquitlam, BC
604.464.6979

Edmonton, Alberta
780.468.2588 (Manus)
780.425.5510 (Mod-U-Blast)

Hamilton, Ontario
905.527.6000 / 888.794.5665

Mississauga, Ontario
905.890.5837

Winnipeg, Manitoba
204.256.3324

WWW.ALLREDI-US.COM / 800.252.7848

WWW.ALLREDI-CA.COM / 800.661.3842

Allredi™ and Marco® are registered trademarks of Allredi, LLC.
Mod-U-Blast® is a registered trademark of Allredi Blast & Abrasives Canada, Inc.
All other brand names or marks are used for identification purposes and are trademarks of their respective owners.

ALLREDI™

Literature #106M158_4/1/2025