



VACMASTER® 15T TIER III DIESEL ABRASIVE VACUUMS



Powered by **ALLREDI**.

PART NUMBERS AND SCHEMATICS GUIDE

Company Profile

Allredi was formed in the early 2020, when two of the largest distributors in the blasting, coating, safety, and environmental industry, APE Companies and Marco Group International, joined forces. While the qualities both companies are known for have not changed, a lot about our business is new. New abilities. New agilities. New ways to help you win. This calls for a new name, Allredi.

This name exemplifies what we have become. It is completely oriented to the needs of our customers. To your needs. It says that when you call us for anything – products, service, expert advice, anything – you can consider it done. Or even better, Allredi done.

We are your right-now supplier. From skills to SKUs, we deliver the goods fast. So you can be more agile every minute, every day. This is who we are. This is what our new name means. Go ahead and expect excellence, because we're bringing it.

Our Mission and Vision

To be the industry's preferred partner in surface preparation solutions through unrivaled technical expertise, customer experience, product availability, and tailored service offerings.

The Allredi Difference

- **Industry Experience** – With Allredi on your team, you have access to expertise which can only come from decades of industry leadership. We have organized our engineering department, production specialists, customer operations, and safety support into a "Center of Competence." As an Allredi customer, you have access to hundreds of years of cumulative experience related to your operations.
- **Manufacturing Excellence** – Allredi is a U.S. based manufacturer of equipment for the Surface Preparation and Protective Coatings industries. Allredi's engineers benchmark the industry to ensure that we design and manufacture superior products that set the "Gold Standard" for performance, safety, and quality.
- **Legendary Customer Service** – Allredi's legendary customer service team is staffed by friendly, highly-trained individuals who are focused on providing the highest level of product support, order accuracy, and customer satisfaction.
- **Product Availability** – We stock over 10,000 SKU's and have over 45 shipping locations to serve North American and International markets for all major brands of blasting, coating, environmental, and safety equipment. Allredi is your right-now supplier, so you can keep your projects moving. From our foundation of strong relationships, we have built a nationwide network that puts vast inventory and ready service close to our customers. We provide advanced expertise, and we deliver the goods fast – so you can easily access the products and services you need to me more agile every minute, every day.
- **Technology Leadership** – Our website provides: Operator's Manuals, Part Numbers and Schematics Guides, SDS information, and key product features and specifications, providing access to information 24/7.

TABLE OF CONTENTS

Company Profile	2
Table of Contents	3
Part Numbers	4
Specifications	5
Assembly Part Numbers and Schematics	6
Front Assembly	6
Rear Assembly	8
Right Side Front Assembly	10
Right Side Center Assembly	12
Right Side Rear Assembly	14
Left Side Front Assembly	16
Left Side Center Assembly	18
Left Side Rear Assembly	20
Double Lock Valve Assembly	22
Fuel Tank	23
Fan Belt Assembly	24
Intake Filter Housing	25
Vacuum Light Bar	26
Pneumatic Piston Vibrators	27
Pulser System Assembly	28
Filter Bag Pulsers	30
Emergency-Stop Stations	31
Compressor Assembly	32
Compressor Governor	34
Vacuum Hose Support Bracket	35
Trailer	36
Wear Plates and Baffles	38
Hydraulic Hoses	40
Literature References	43



Complete unit with tier III diesel engine no longer available. See Tier 4 options.

SPECIFICATIONS

Performance:	MAX 2367 CFM
Filter Cartridge Style:	Acrylic-Coated Filter Bags 37 Required
Filter Cleaning:	Pulse System, 25–30 second intervals. Pulse Duration: 200–350 millisecond
Vacuum	27" Hg
Ducting Connections:	6" I.D. Inlet with 4" adapter
Inspection Ports:	One 10" Viewable to Filters with access ports to hopper
Material Removal:	Automatic Direct Dump
Blower:	Rotary lobe, positive displacement with jet inlet
Engine:	Diesel, Tier III, 174 Horsepower
Fuel Capacity:	Capacity: 116 Gallons Type: Diesel
Air Compressor:	On Board 13 CFM
Electrical System:	12-Volt DC
Engine Protection:	Engine Monitoring System with automatic shutdown
Fluid Specifications:	Hydraulic Oil: H46 or equivalent, 2 gallon capacity Diesel Fuel: See Engine Operator's Manual for type Grease/Lubricator: Shell Alvania Grease EP or equivalent Alcohol Evaporator: Alcohol 99 Isopropyl, 32 oz. capacity Vibrator Lubricator: 4 oz. pneumatic air tool oil Blower Oil: ROOTS™ synthetic lubricating oil
Unit Dimensions:	Weight: 11,250 pounds (empty) Length: 19' 7" Width: 7' 10" Height: 11' 6" Raised Height: 19' Dump Clearance: 8'

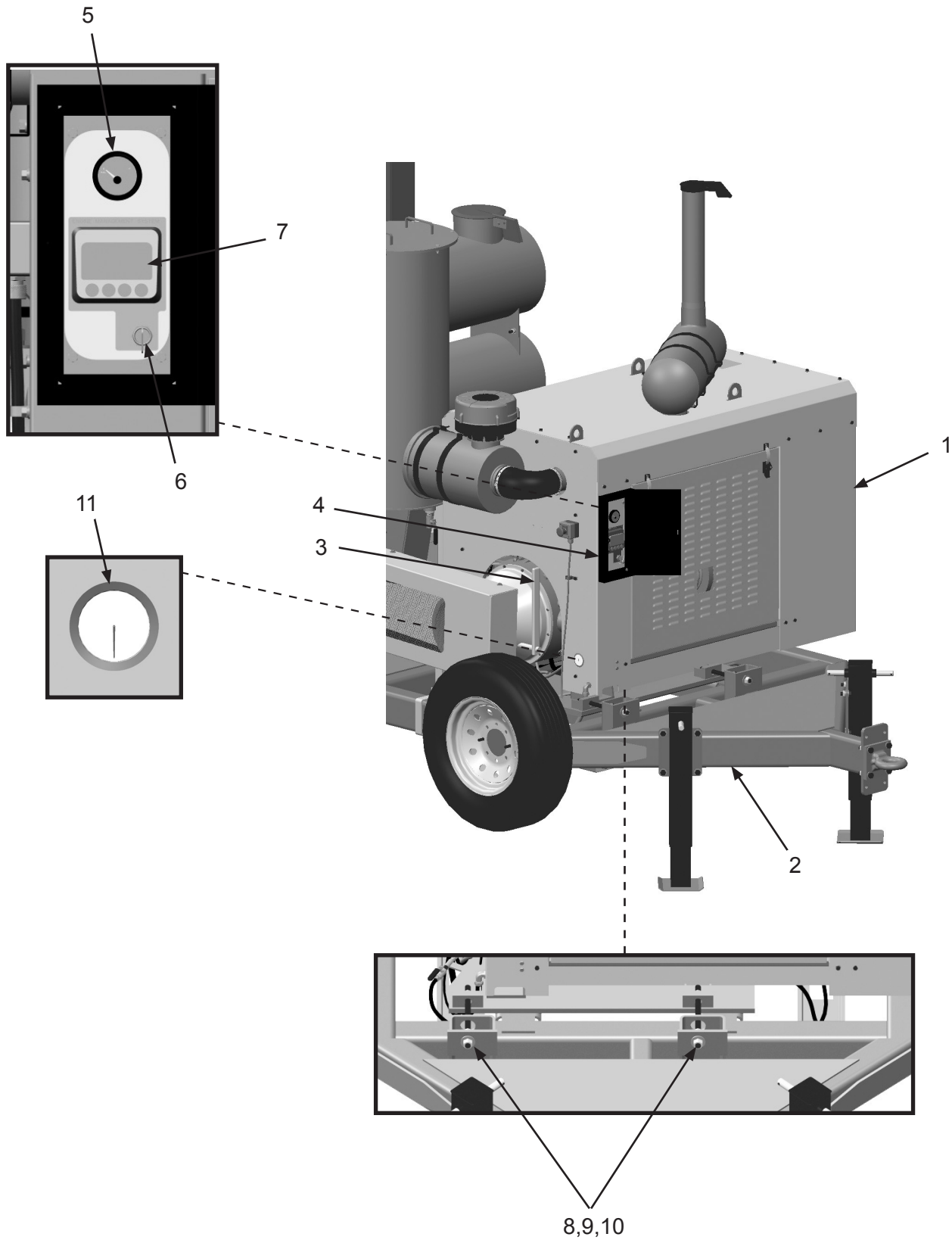
ASSEMBLY PART NUMBERS AND SCHEMATICS

Front Assembly

Item #	Part #	Description
Fig. 1		
1	10103494	Perkins Engine 174 Hp Tier III
2	10104455	Trailer
3	10103986	Clutch
4	10103972	Engine Control Panel
5	10104821	Wema Analog Fuel Level Gauge
6	10103974	Key Switch
—	10103970	Perkins Key
7	10103969	Murphy PowerView
8	10103440R	3/4-10 UNC Grade 8 Draw Bolt <i>(Two Required)</i>
9	10103418	3/4" Washer - Grade 8 <i>(Four Required)</i>
10	10103420	3/4-10 UNC Grade 8 Nut <i>(Four Required)</i>
11	10104820	Pressure Gauge
—	10104126	Oil Filter
—	10103958	Primary Fuel Filter
—	10104117	Secondary Fuel Filter
—	10106547	Fuel Filter Water Bowl
—	10104130	Outer Air Filter
—	10104131	Inner Air Filter
—	1091147	Vacmaster® Abrasive Vacuum Label Sheets

PART NUMBERS AND SCHEMATICS

Figure 1: Front Assembly



PART NUMBERS AND SCHEMATICS

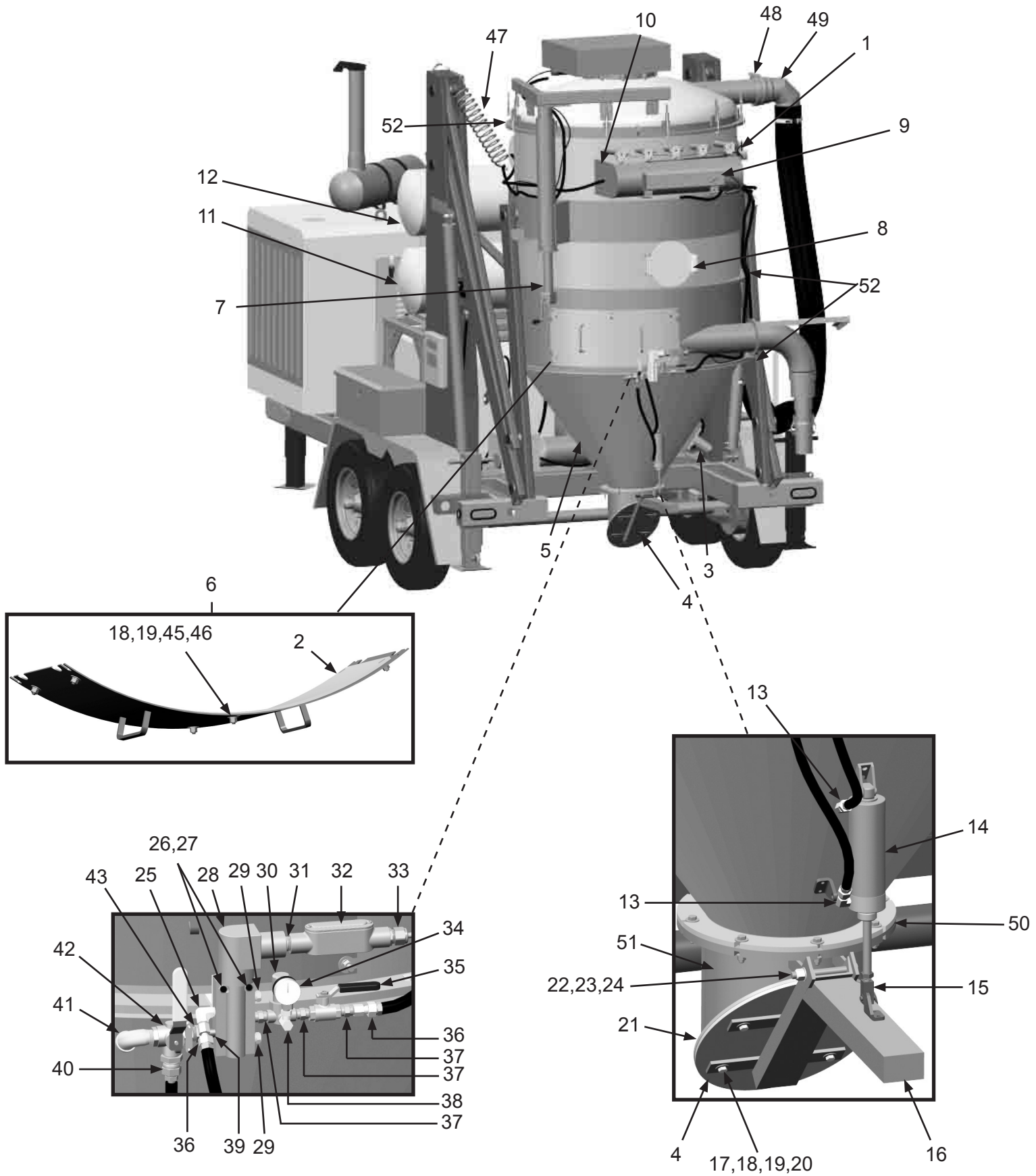
Rear Assembly

Item #	Part #	Description
Fig. 2		
1	10104673	0-50" Differential Pressure Gauge
2	10105189	Wear Door Liner
3	10104665	APV Series Piston Vibrator
4	10104506	Dump Door
5	10104411	Vacuum Hopper Cone
6	10106511	Vacuum Wear Door Assembly <i>(Includes Item #'s: 18, 19, 48, 49, and 50)</i>
7	10104638	Bulldog Trailer Jack
8	10104439	Hatch
9	10105334	Vacuum Light Bar
10	10104498	Vacuum Header
11	10104459	Blower Exhaust Silencer
12	10104461	Blower Intake Silencer
13	20PFHA60UA0406	1/4" (M) x 3/8" (F) 90° Swivel <i>(Two Required)</i>
14	10104667	2.5" Pneumatic Cylinder
15	10104668	Piston Rod Clevis
16	10104507	Dump Arm
17	10104234	3/8-16 x 1-1/4" Hex Bolt Zinc <i>(Four Required)</i>
18	10101942	3/8" Flat Washer – Galvanized <i>(10 Required)</i>
19	10101936	3/8" Lock Washer – Zinc <i>(10 Required)</i>
20	1012318	3/8-16 Hex Nut <i>(Four Required)</i>
21	10104512	Dump Door Gasket
—	10104511	Dump Door Internal Plate
22	20100160	1/2-13 x 4-1/2" Zinc Hex Bolt
23	10100674	1/2" Flat Washer <i>(Two Required)</i>
24	20100124	1/2-13 Hex Lock Nut – Zinc
25	20PFHA25UA0404	1/4" Male 90° Elbow
26	1019044	1/4-20 x 1-3/4" Zinc Bolt <i>(Two Required)</i>

Item #	Part #	Description
27	1012323	1/4-20 Zinc Lock Nut with Nylon Insert <i>(Two Required)</i>
28	10104670	Solenoid
29	1019024	Breather Vent
30	10104676	Series MPR Mini Pressure Relief
31	10L803035	1/2" Close Nipple
32	1019025	1/2" Straight Conduit Body
33	10104703	Cord Grip, 1/2" Nylon .2-.47 Diameter
34	10104678	1/8" Pressure Gauge 100 PSI
35	1080050	1/4" Ball Valve
36	20PFHA60SG0406	1/4" (F) x 3/8" (F) Swivel Union <i>(Two Required)</i>
37	20PFHA24SA0404	1/4" Hex Nipple <i>(Three Required)</i>
38	1014239	1/8" x 1/8" 90° Fitting
39	1011210	1/4" NPT x 1 1/2" Nipple
40	20PFHA60SA0806	1/2" (M) x 3/8" (F) Swivel Union
41	1011819	1/2" Street Elbow
42	20100571	1/2" NPT 3-Way Brass Ball Valve
43	1011818	1/2" x 1/4" Galvanized Bushing
44	10104486	Vacuum Lid Overcenter Clamp <i>(12 Required)</i>
45	10101938	3/8-16 Hex Nut – Galvanized <i>(Six Required)</i>
46	10104705	3/8-16 FH SQ Neck x 1" Bolt Zinc <i>(Six Required)</i>
47	10104679	3/8" (M) Swivel Recoil AH 225 psi
48	10104637	6" Bandlock Clamp
49	10104636	6" 90° Elbow
50	10104502	Dump Section Gasket
51	10104503	Vacuum Discharge Tube
52	10104426	Vacuum Hoppe Section Gasket
—	10106513	6" Gasket

PART NUMBERS AND SCHEMATICS

Figure 2: Rear Assembly



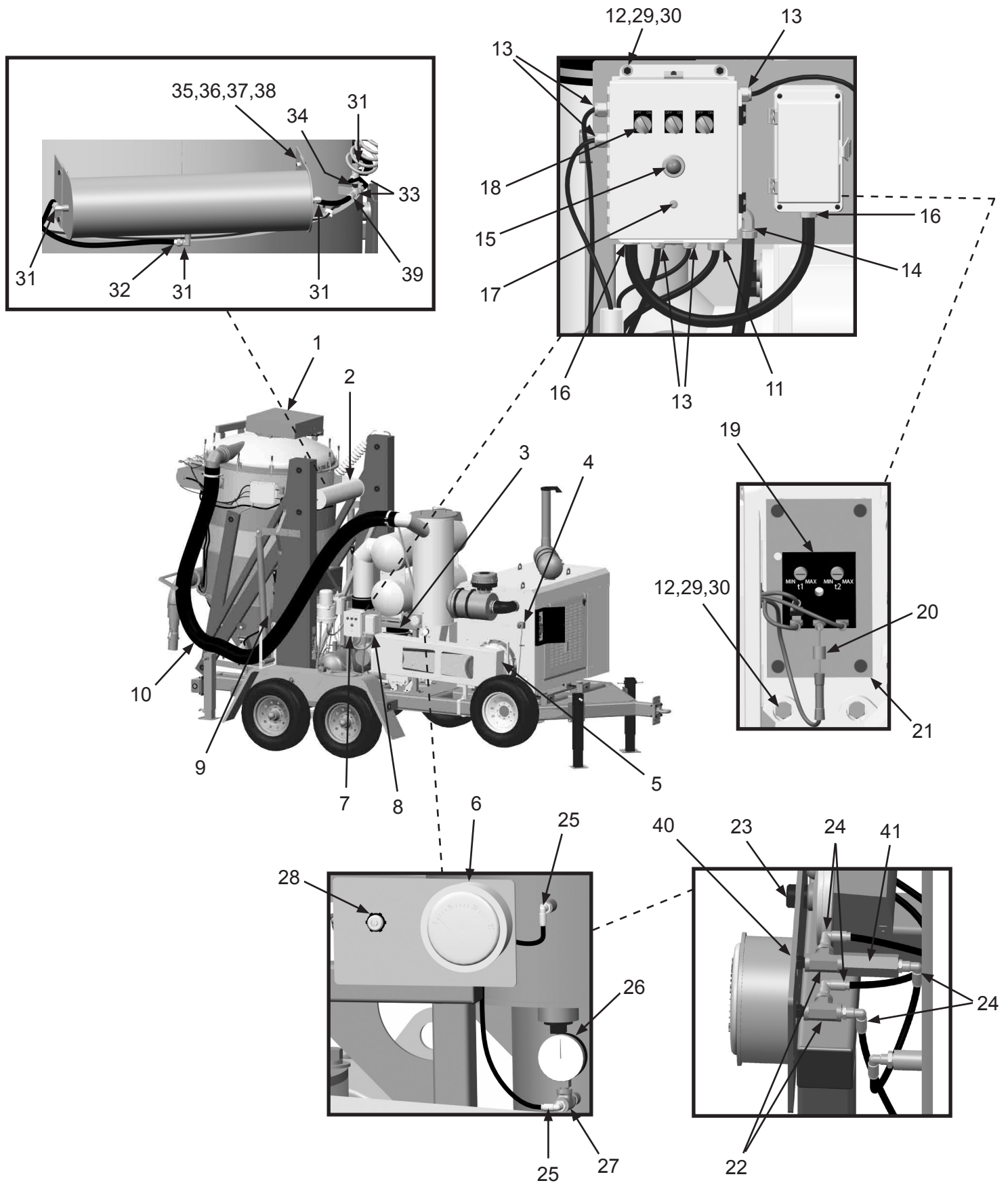
PART NUMBERS AND SCHEMATICS

Right Side Front Assembly

Item #	Part #	Description
Fig. 3		
1	10104559	Vacuum Butterfly Cover
2	10104493	Vacuum Aux Header
3	10104456	Blower Top Shaft Left Discharge
4	10104071	E-Stop Control Station
5	10104579	Vacuum Belt Guard Cover
6	10104673	0–50" Differential Pressure
7	10104614	10" x 8" x 4" Nema 4 Enclosure
8	10104615	8" x 4" x 5" Fiberglass Latch Enclosure
9	10104674	Lubricator 1/2" NPT 156 CFM <i>(See Figure 5)</i>
10	10VH620B	6" I.D. Vacuum Hose 20' Section
11	20RCG5050	1/2" NPT x .5–.625 Diameter Cord Grip
12	20100125	1/4-20 x 3/4" Zinc Hex Bolt <i>(Eight Required)</i>
13	10104703	1/2" NPT x .2–.47 Diameter Nylon Cord Grip <i>(Three Required)</i>
14	20RST9050	90° Liquid Tite Connection Fitting
15	10104692	12-Volt Pilot Light – Red
16	20RST50	Straight Liquid Tite Connection Fitting <i>(Two Required)</i>
17	10104686	10 Amp Circuit Breaker
18	10103305	Selector Switch – 2-Way <i>(Three Required)</i>
19	10106818	Vacuum Control Timer
20	10104109	6 Amp 50-Volt Rectifier
21	10105193	Enclosure Panel
22	20PFHA25VJ02	1/8" Female Tee <i>(Two Required)</i>
23	10104672	Differential Pressure Switch
24	20100579	1/4" O.D. Tube x 1/8" NPT PTC Swivel <i>(Four Required)</i>
25	20PFBA31095614	1/4" Tube x 1/4" NPT 90° Fitting <i>(Two Required)</i>
26	10104677	Liquid Filled Vacuum Gauge
27	1011844	1/4" Pipe Tee – Galvanized
28	10104073	Panel Lock Nut – 1/2"
29	10101940	1/4" Flat Washer – Galvanized <i>(Eight Required)</i>
30	10101939	1/4-20 Stainless Steel Lock Nut with Nylon Insert <i>(Eight Required)</i>
31	20PFHA60UA0606	3/8" (M) x 3/8" (F) 90° Swivel Union <i>(Four Required)</i>
32	10103631	3/8" Barb x 3/8" NPTF Brass <i>(Seven Required)</i>
33	1011809	3/8" NPT Tee <i>(Two Required)</i>
34	1011209	3/8 NPT Close Nipple
35	1011747	3/8-16 x 1" Bolt – Zinc <i>(Four Required)</i>
36	10101942	3/8" Flat Washer – Galvanized <i>(Four Required)</i>
37	10101936	3/8" Lock Washer – Zinc <i>(Four Required)</i>
38	10101938	3/8-16 Hex Nut – Galvanized <i>(Four Required)</i>
39	20PFHA60SA0606	Union Swivel 3/8" (M) x 3/8" (F) <i>(Two Required)</i>
40	10104048	6-32 x 3/8" L Pan Head Machine Screw <i>(Three Required)</i>
41	10108373	1/8" Inline Air Filter
10	Vacmaster® 15T Tier III Diesel Abrasive Vacuums	

PART NUMBERS AND SCHEMATICS

Figure 3: Right Side Front Assembly



PART NUMBERS AND SCHEMATICS

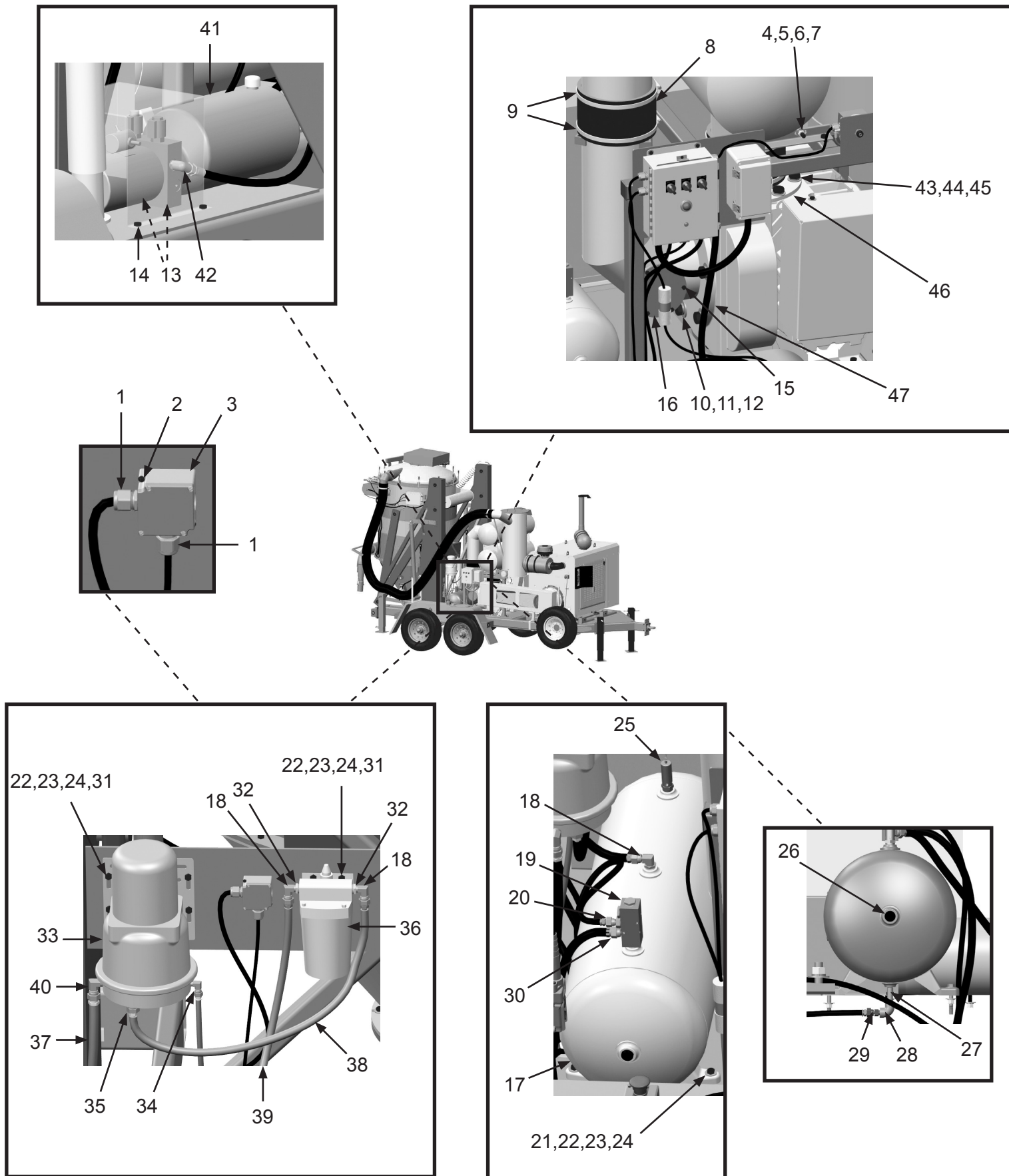
Right Side Center Assembly

Item #	Part #	Description
Fig. 4		
1	10104703	Nylon Cord Grip <i>(Two Required)</i>
2	20000031	8-32 x 1-1/2" Machine Screw <i>(Two Required)</i>
3	10105897	Terminal Box
4	10101943	1/2-13 x 1-3/4" Hex Bolt <i>(Eight Required)</i>
5	10100674	1/2" Flat Washer <i>(16 Required)</i>
6	10100675	1/2" Lock Washer <i>(Eight Required)</i>
7	10101941	1/2-13 Hex Nut <i>(Eight Required)</i>
8	10104774	10-3/4 I.D. Hose <i>(Two Required)</i>
9	10103416	Banding Clamp <i>(Four Required)</i>
10	10104715	7/8-9 X 2" Grade 5 Bolt
11	10104716	7/8" Flat Washer - Zinc
12	10104717	7/8" Lock Washer - Zinc
13	20100195	3/8-16 X 1" Bolt <i>(Two Required)</i>
14	10103400	3/8-16 X 3/4" Bolt <i>(Four Required)</i>
15	1035045	5/16-18 x 1" Bolt <i>(Six Required)</i>
16	10103235	Cover
17	10104610	Compressed Air Tank
18	20PFHA60UA0606	3/8" (M) x 3/8" (F) 90° Swivel Union <i>(Three Req)</i>
19	10104618	Pressure Manifold
20	20PFHA60SA0604	3/8" (M) x 1/4" (F) Swivel Union <i>(Two Required)</i>
21	1028617	3/8-16 x 1-3/4" Shoulder Bolt <i>(Four Required)</i>
22	10101942	3/8" Flat Washer <i>(48 Required)</i>
23	10101936	3/8" Lock Washer - Zinc <i>(15 Required)</i>
24	1012318	3/8-16 Hex nut <i>(15 Required)</i>
25	10104681	1/2" NPT Pressure Relief Valve
26	10DSHP75	3/4" Square Head Pipe Plug <i>(Two Required)</i>

Item #	Part #	Description
27	1011217	1/4" x 2" Nipple
28	1011832	1/4" 90° Elbow
29	10SME025	1/4" NPT x 1/4" (F) Straight Swivel
30	20PFHA60SA0606	3/8" (M) x 3/8" (F) Swivel Union
31	20100195	3/8-16 x 1" Bolt <i>(12 Required)</i>
32	20PFHA24SB0806	1/2" x 3/8" Reducing Bushing <i>(Three Required)</i>
33	10104611	Air Dryer
34	1012326	1/4" (M) x 1/4" (F) 90° Swivel Union
35	20PFHA60SA0806	1/2" (M) x 3/8" (F) Swivel Union
36	10104612	Alcohol Evaporator
37	10105838	1/2" x 168" Stainless Steel Braided Hose Assembly with 1/2" (M) NPT Ends
38	10104684	3/8" x 2' Braided Hose
39	10104683	3/8" x 4-1/2' Braided Hose
40	20PFHA60UA0808	1/2" (M) x 1/2" (F) 90° Swivel Union
41	10105779	Hydraulic Power Unit
42	10105782	SAE 6 x JIC 8 Elbow <i>(Two Required)</i>
43	10104714	3/4-10 x 1-5/8" Bolt <i>(Eight Required)</i>
44	10100596	3/4" Lock Washer <i>(Eight Required)</i>
45	10100704	3/4" Flat Washer <i>(Eight Required)</i>
46	10107990	Blower Intake Silencer Adapter
47	10107985	Silencer Exhaust Elbow
—	10106896	Blower Oil 100 <i>For below 0° F</i>
—	10106897	Blower Oil 150 <i>For 0 – 32° F</i>
—	10105254	Blower Oil 220 <i>For 32 – 90° F</i>
—	10106898	Blower Oil 320 <i>For above 90° F</i>
—	10105292	Alcohol 99 Isopropyl
—	10106512	Desiccant Element Kit

PART NUMBERS AND SCHEMATICS

Figure 4: Right Side Center Assembly



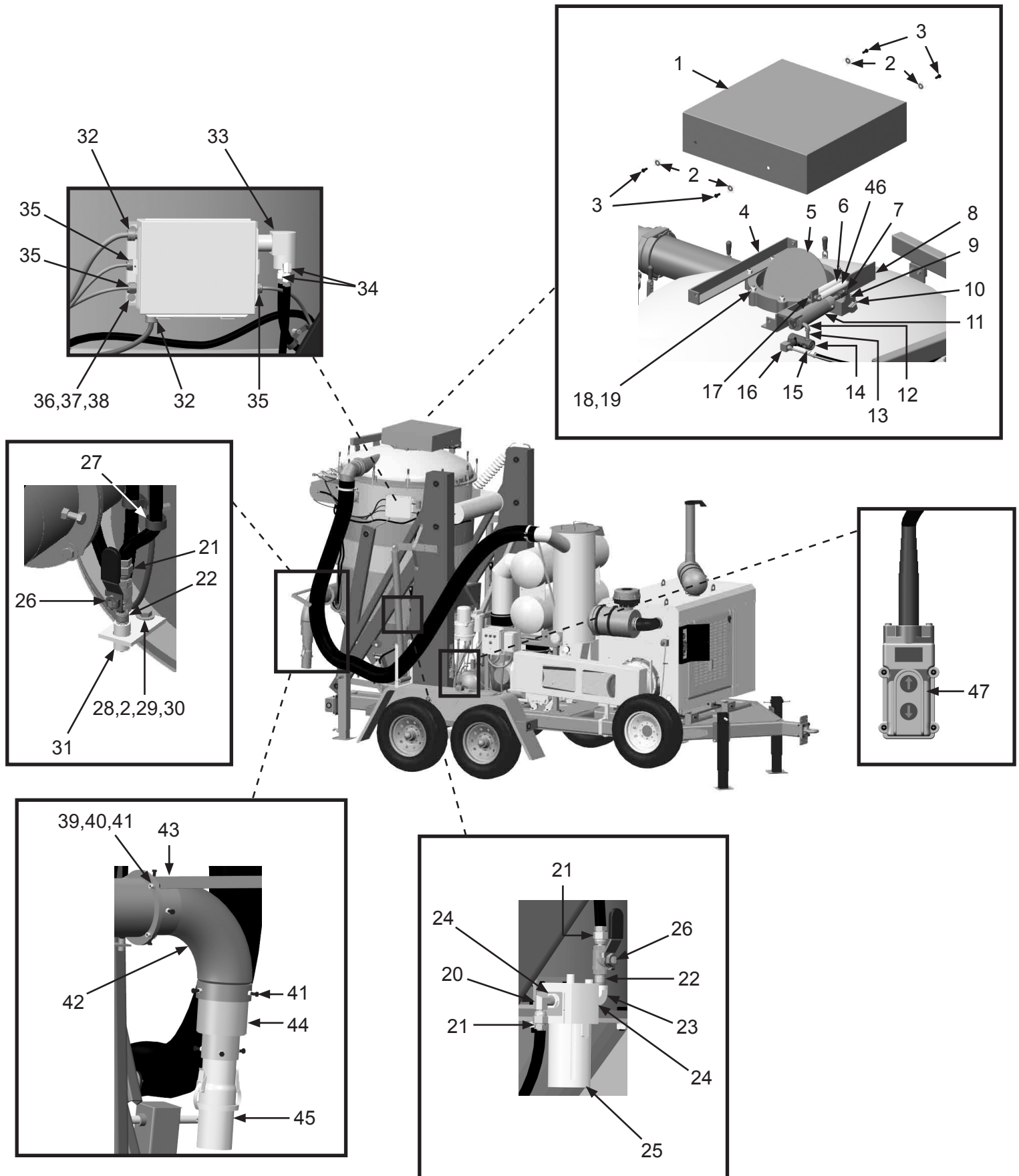
PART NUMBERS AND SCHEMATICS

Right Side Rear Assembly

Item #	Part #	Description	Item #	Part #	Description
Fig. 5			27	10103624	1" Rubber Cushioned Loop Clamp
1	10104559	Vacuum Butterfly Cover	28	1028617	3/8-16 x 1-3/4" Shoulder Bolt
2	10101942	3/8" Flat Washer - Galvanized (Five Required)	29	10101936	3/8" Lock Washer - Zinc
3	10103400	3/8-16 x 3/4" Bolt (Four Required)	30	1012318	3/8-16 Hex Nut
4	10104554	Butterfly Cover Mount Weldment	31	10104597	Airline Drain
5	10104537	12" Butterfly	32	20RCG5050	1/2" Npt x .5—.625 Diameter Cord Grip (Two Required)
6	10107175	6.5" Extension Spring	33	10104671	Vibrator Solenoid
7	10104668	Piston Rod Clevis	34	20PFHA60UA0406	1/4" (M) x 3/8" (F) 90° Swivel (Two Required)
8	10104538	Vacuum Butterfly Cylinder Weldment	35	10104703	1/2" Npt x .2—.47 Diameter Nylon Cord Grip (Three Required)
9	10104543	Butterfly Actuating Arm	36	10101939	1/4-20 Stainless Steel Lock Nut with Nylon Insert (Four Required)
10	20100125	1/4-20 x 3/4" Zinc Hex Bolt	37	10101940	1/4" Flat Washer - Galvanized (Four Required)
11	10104667	2.5" Pneumatic Cylinder	38	20100125	1/4-20 x 3/4" Zinc Hex Bolt (Four Required)
12	1011824	1/4" Street Elbow	39	10101942	3/8" Flat Washer - Galvanized (Eight Required)
13	1011217	Galvanized 1/4" x 2" Nipple	40	10101938	3/8 -16 Hex Nut Galvanized (Four Required)
14	10104669	Solenoid For Butterfly	41	1011747	3/8-16 x 1" Bolt - Zinc (13 Required)
15	20PFHA60UA0406	1/4" (M) x 3/8" (F) 90° Swivel	42	10104546	Vacuum Inlet Elbow
16	10105287	Humphrey Din Connector	43	10104496	Vacuum Inlet Insert
17	10104706	3/8-16 x 2-1/2" Thread Stud	44	10104550	Vac Inlet Adapter
18	10100674	1/2" Flat Washer (Eight Required)	45	10107797	4" Quick Disconnect Coupling Assy
19	20100124	1/2-13 Hex Lock Nut (Eight Required)	46	10107176	6.5" Long Extension Spring - Zinc
20	20PFHA60UA0606	3/8" (M) x 3/8" (F) 90° Swivel Union	47	10107204	Remote Control Pendant
21	20PFHA60SA0606	Union Swivel 3/8" (M) x 3/8" (F) (Three Required)			
22	1011209	3/8 NPT Close Nipple			
23	20PFHA25UG0606	3/8" Street Elbow			
24	20PFHA24SB0806	1/2" x 3/8" Reducing Bushing (Two Required)			
25	10104674	Lubricator, 1/2" NPT 156 CFM			
26	1080060	3/8" NPT Full Port Brass Ball Valve (Two Required)			

PART NUMBERS AND SCHEMATICS

Figure 5: Right Side Rear Assembly



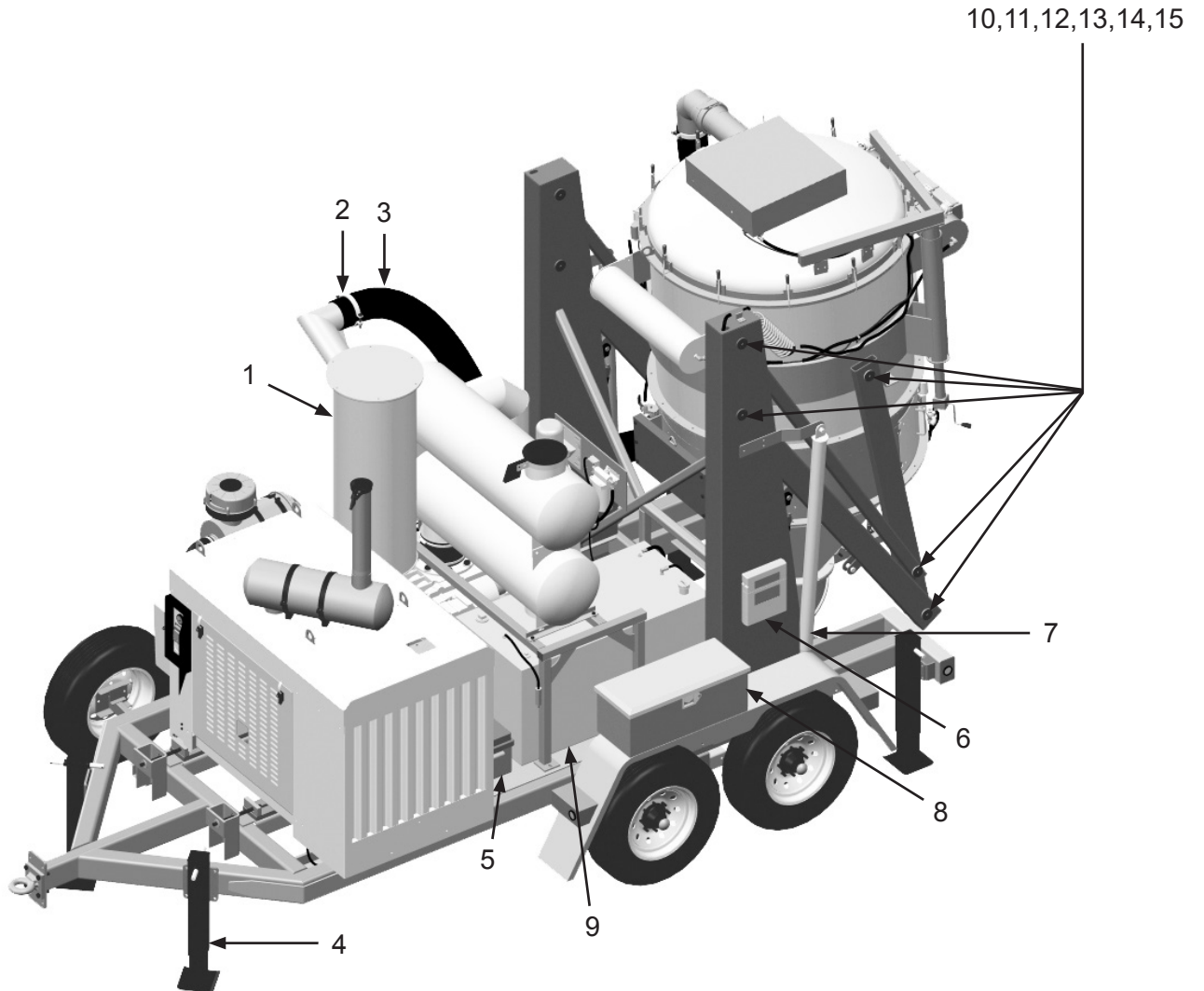
PART NUMBERS AND SCHEMATICS

Left Side Front Assembly

Item #	Part #	Description
Fig. 6		
1	10104457	Intake Filter Housing (<i>See Figure 12</i>)
2	10104640	6" Double Bolt Clamp
3	10VH620B	6" I.D. x 20' Vacuum Hose
4	10104082	Jack Stand (<i>Four Required</i>)
5	10103342	Battery Box
6	10104273	Document Holder
7	10104608	Support Arm
8	10105896	Tool Box
9	10104704	116 Gallon Rectangle Fuel Tank (<i>See Figure 10</i>)
10	10104708	Straight Grease Zerk - 1/4"-28
11	10106402	5/8-11 Grease Zerk Thru Bolt
12	10106403	3/16" x 5/8" Dowel Pin
13	10101061	5/8" Lock Washer
14	10104600	Vacuum Pin Cap
15	10104602	Vacuum Shoulder Pin
—	10103343	Battery Cables, 156" Long
—	10103341	Battery (<i>not shown</i>)

PART NUMBERS AND SCHEMATICS

Figure 6: Left Side Front Assembly



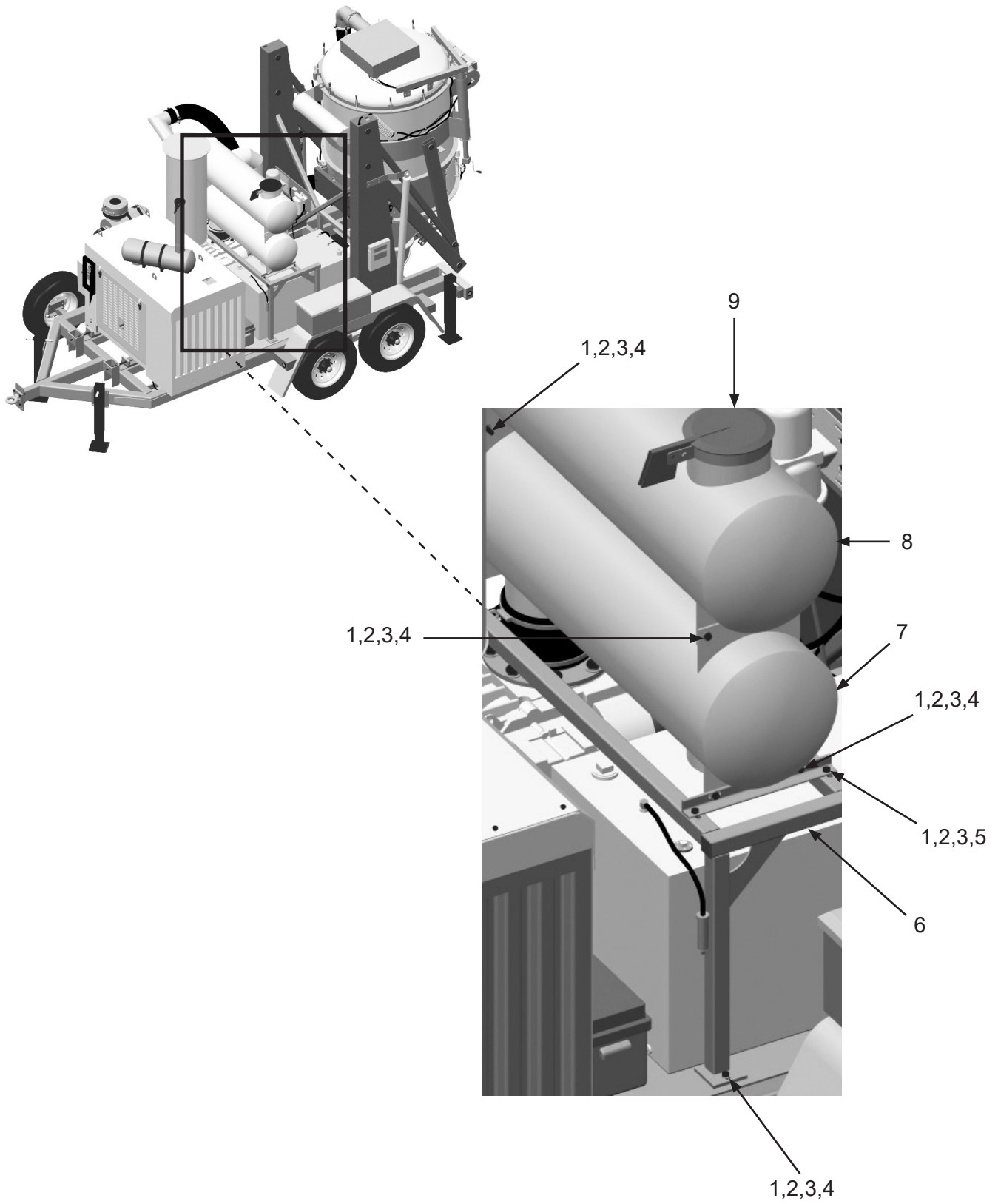
PART NUMBERS AND SCHEMATICS

Left Side Center Assembly

Item #	Part #	Description
Fig. 7		
1	10101943	1/2-13 x 1-3/4" Hex Bolt <i>(12 Required)</i>
2	10100674	1/2" Flat Washer <i>(24 Required)</i>
3	10100675	1/2" Lock Washer <i>(12 Required)</i>
4	10101941	1/2-13 Hex Nut - <i>(12 Required)</i>
5	10101927	1/2-13 x 3" Galvanized Hex Bolt <i>(Four Required)</i>
6	10104584	Silencer Mount Weldment
7	10104461	Blower Intake Silencer
8	10104459	Blower Exhaust Silencer
9	10104824	8" Raincap

PART NUMBERS AND SCHEMATICS

Figure 7: Left Side Center Assembly



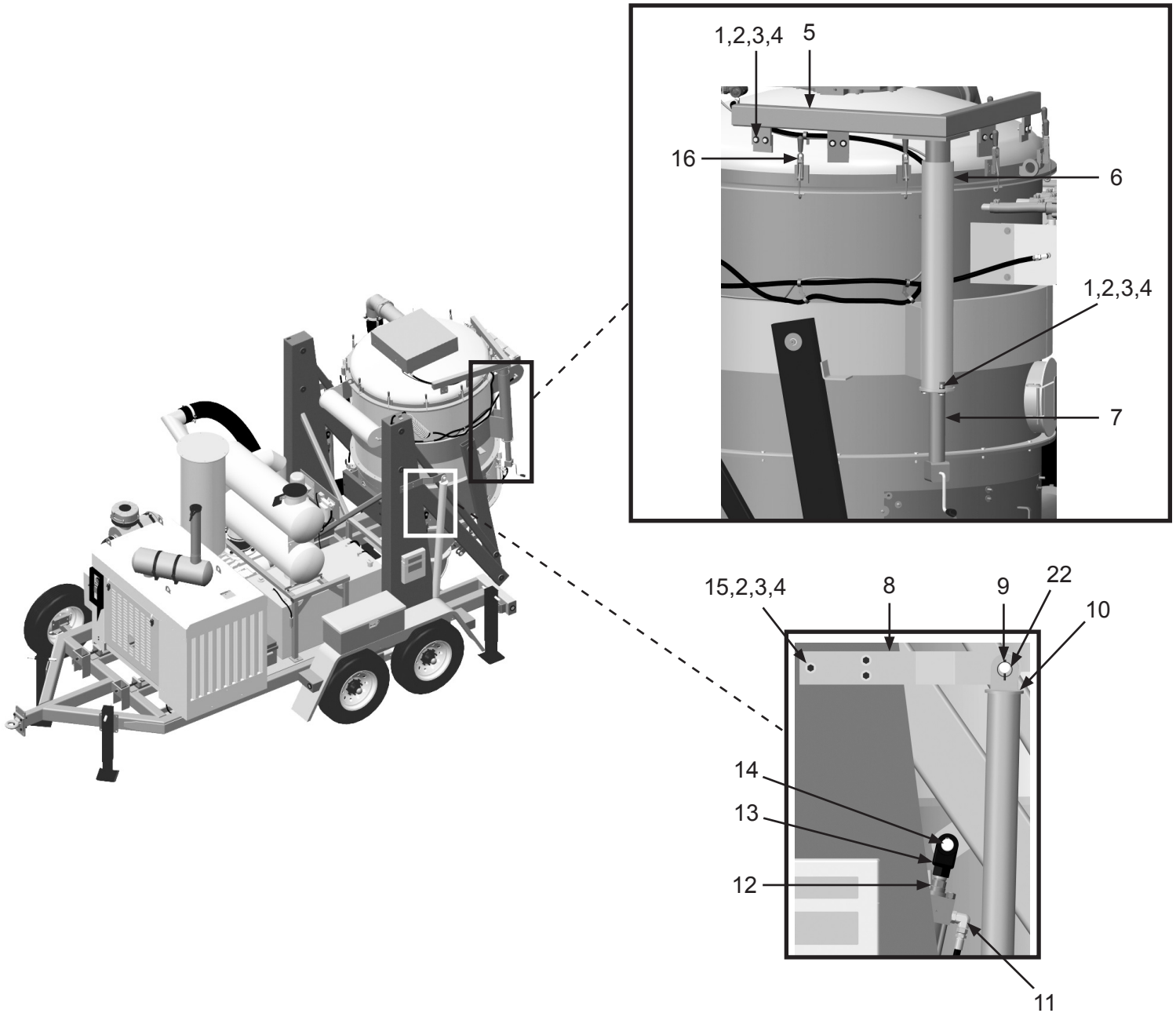
PART NUMBERS AND SCHEMATICS

Left Side Rear Assembly

Item #	Part #	Description
Fig. 8		
1	10104234	3/8-16 x 1-1/4" Hex Bolt Zinc <i>(Eight Required)</i>
2	10101942	3/8" Flat Washer - Galvanized <i>(40 Required)</i>
3	10101936	3/8" Lock Washer - Zinc <i>(11 Required)</i>
4	1012318	3/8 -16 Hex Nut <i>(11 Required)</i>
5	10104472	Vacuum Lid Lift
6	10104434	Vacuum Top Section
7	10104638	Bulldog Trailer Jack
8	10104728	Lift Arm Support Bracket <i>(Two Required)</i>
9	10104729	Lift Arm Support Bracket Pin <i>(Two Required)</i>
10	10104608	Support Arm Outer <i>(Two Required)</i>
—	10104605	Support Arm Inner <i>(Two Required) (not shown)</i>
11	10103308	Elbow - 90° - JIC 8 x SAE 10 <i>(Four Required)</i>
12	10104645	Hopper Lift Cylinders <i>(Two Required)</i>
13	10104646	Lift Cylinder Clevis <i>(Two Required)</i>
14	10104647	1" x 3-1/8" Pin <i>(Two Required)</i>
15	10105290	3/16" x 1-5/8" Pin
16	10104486	Over Center Clamp <i>(12 Required)</i>

PART NUMBERS AND SCHEMATICS

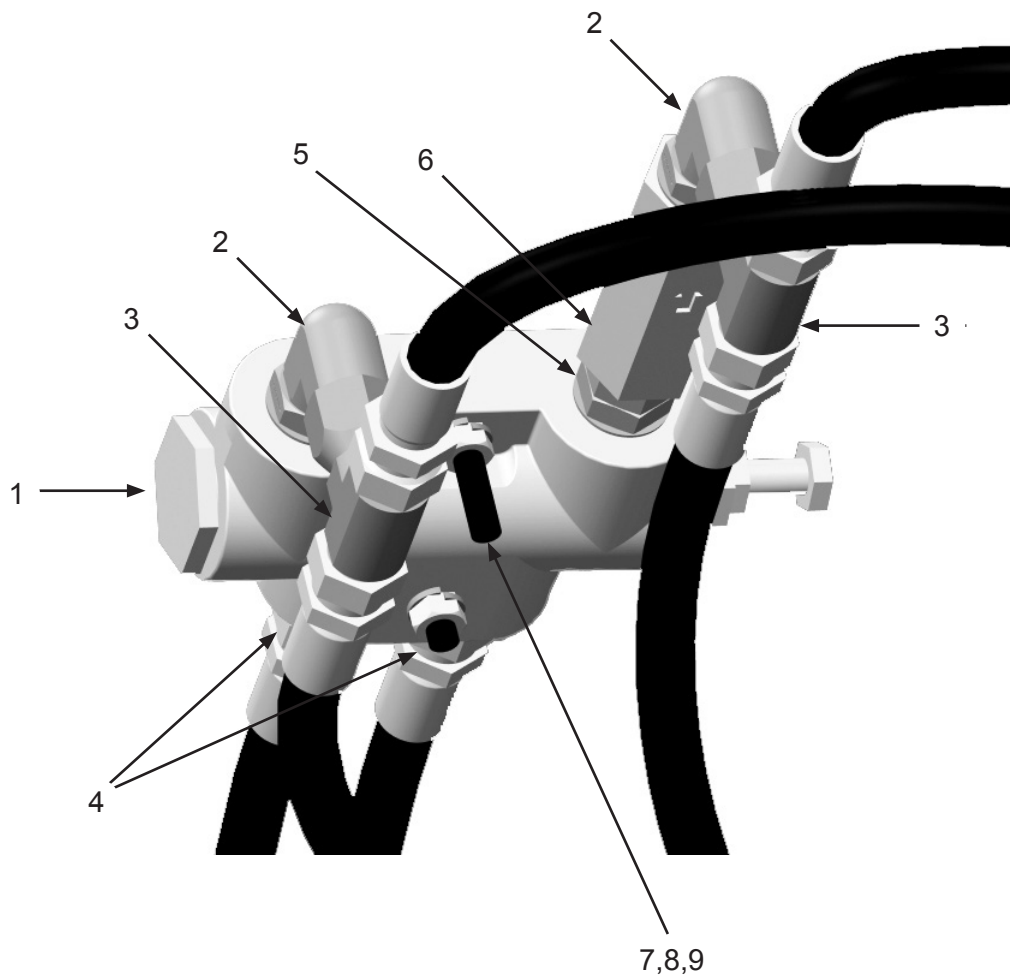
Figure 8: Left Side Rear Assembly



PART NUMBERS AND SCHEMATICS

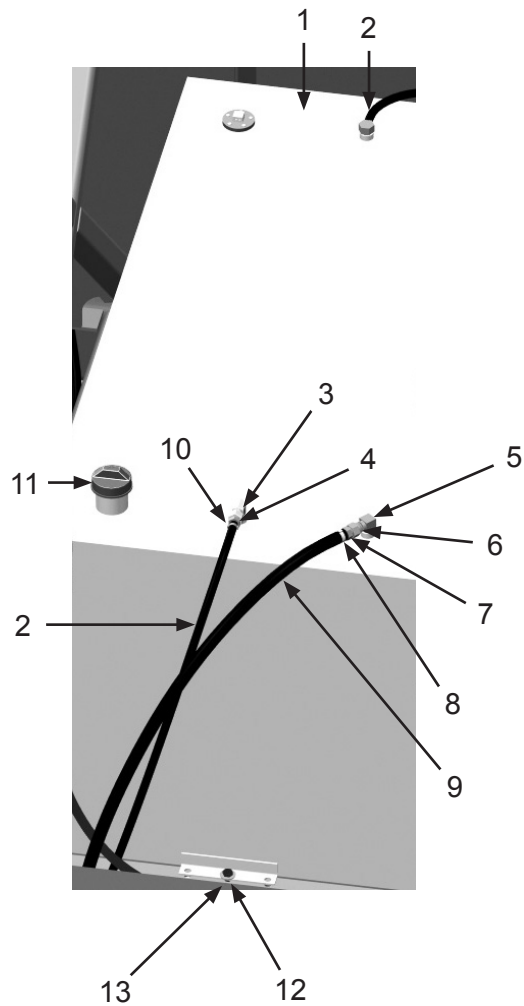
Figure 9: Double Lock Valve Assembly

Item #	Part #	Description
Fig. 9		
1	10104650	Double Lock Valve
2	10103309	Elbow - 90° - JIC 8 x SAE 8 (<i>Two Required</i>)
3	10105081	JIC 8 Tee (<i>Two Required</i>)
4	10104651	Union - Straight SAE 8 x JIC 8 (<i>Two Required</i>)
5	10103613	Union - Straight SAE 8 x SAE 8
6	10105288	Flow Restrictor SAE 8
7	10105286	5/16-18 x 2-1/2" Grade 5 Zinc Bolt (<i>Two Required</i>)
8	10L805014	5/16" Lock Washer (<i>Two Required</i>)
9	1035046	5/16-18 Nut (<i>Two Required</i>)



PART NUMBERS AND SCHEMATICS

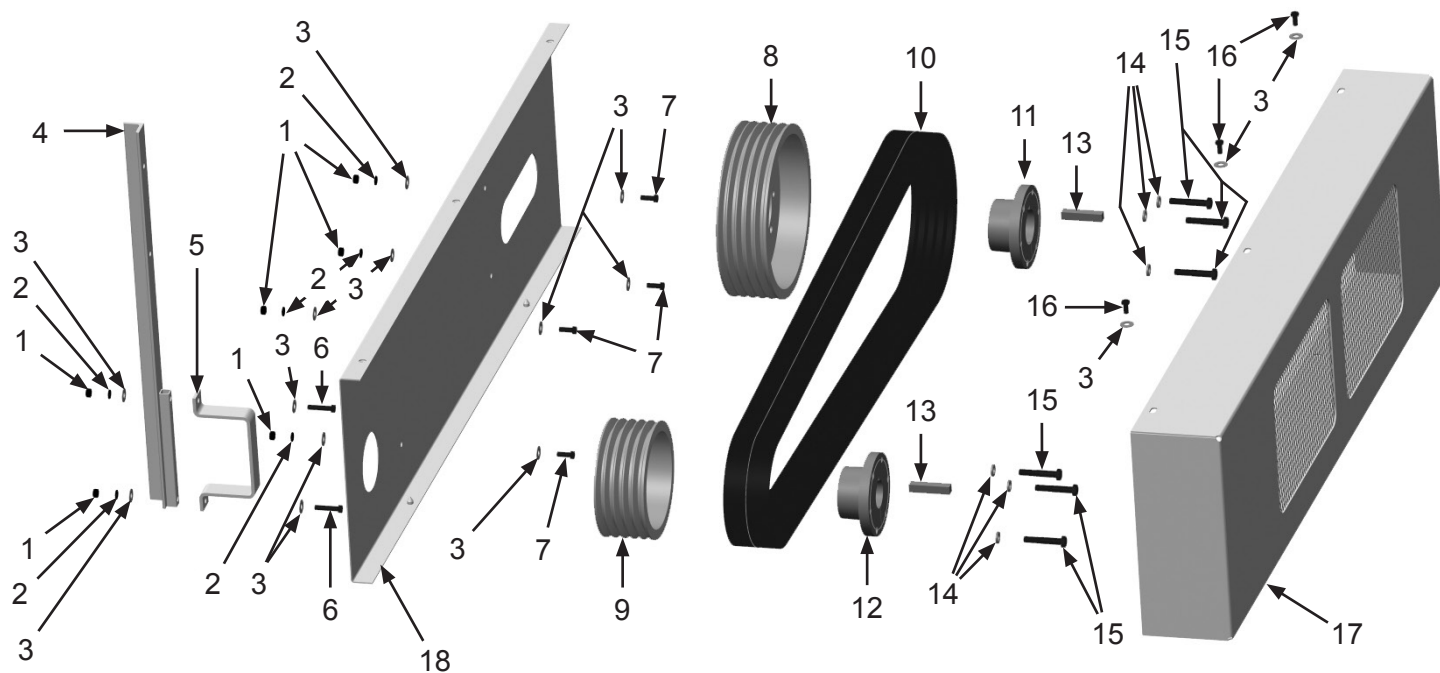
Figure 10: Fuel Tank



Item #	Part #	Description
Fig. 10		
1	10104704	116 Gallon Rectangle Fuel Tank
2	10103423	3/8" I.D. Fuel Hose (<i>Per Foot</i>)
3	20PFHA60UA0606	3/8" (M) x 3/8" (F) 90° Swivel Union
4	10103631	3/8" Barb x 3/8" NPT Brass Female Fitting
5	10103617	Withdraw Tube - 16"
6	20PFHA60SA0606	3/8" (M) x 3/8" (F) Swivel Union
7	10103618	Straight - 3/8" NPT x 1/2"
8	10104064	Oetiker Clamp For 1/2" Hose
9	10103619	1/2" Flexible Fuel Line (<i>Per Foot</i>)
10	10104065	Oetiker Clamp - 3/8" I.D. Hose
11	10103968	Locking Fuel Cap with Keys
12	10104234	3/8-16 x 1-1/4" Hex Bolt Zinc (<i>Two Required</i>)
13	10101942	3/8" Flat Washer - Galvanized (<i>Two Required</i>)
—	10104631	Fuel Tank Rubber Cushioning Pad (<i>not shown</i>)
—	10103620	3/8" Inline Filter (<i>not shown</i>)

PART NUMBERS AND SCHEMATICS

Figure 11: Fan Belt Assembly



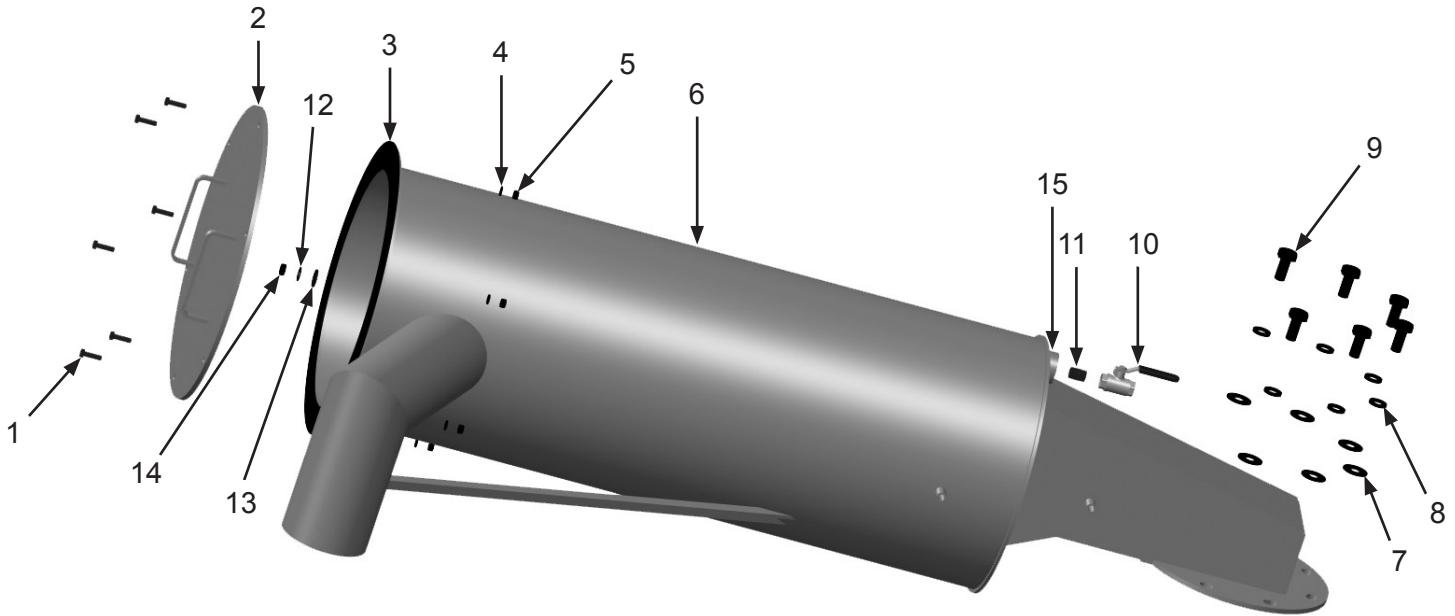
Item #	Part #	Description
--------	--------	-------------

Fig. 11

1	1012318	3/8" Galvanized Hex Nut <i>(Four Required)</i>
2	10101936	3/8" Zinc Lock Washer <i>(Four Required)</i>
3	10101942	3/8" Galvanized Flat Washer <i>(15 Required)</i>
4	10104573	Vacuum Belt Guard Mount
5	10104576	Belt Guard Clamp
6	1028617	3/8-16 x 1-3/4" Shoulder Bolt <i>(Two Required)</i>
7	1011747	3/8-16 x 1" Bolt <i>(Four Required)</i>
8	10104641	12.5" 5V 5 Groove Sheave
9	10104642	8.5" 5V 5 Groove Sheave
10	10104644	5VX 1180 Banded Belt
11	10103485	Bushing 2.5" Bore
12	10104643	Bushing 2" Bore
13	10103643	5/8" Key Cut <i>(Two Required)</i>
14	10100675	1/2" Lock Washer <i>(Six Required) (Included with Item 12)</i>
15	10102820	1/2-13 x 2-3/4" Grade 5 Bolt <i>(Six Required) (Included with Item 12)</i>
16	10103400	3/8-16 x 3/4" Bolt <i>(Three Required)</i>
17	10104579	Belt Guard Cover
18	10104577	Belt Guard Back

PART NUMBERS AND SCHEMATICS

Figure 12: Intake Filter Housing



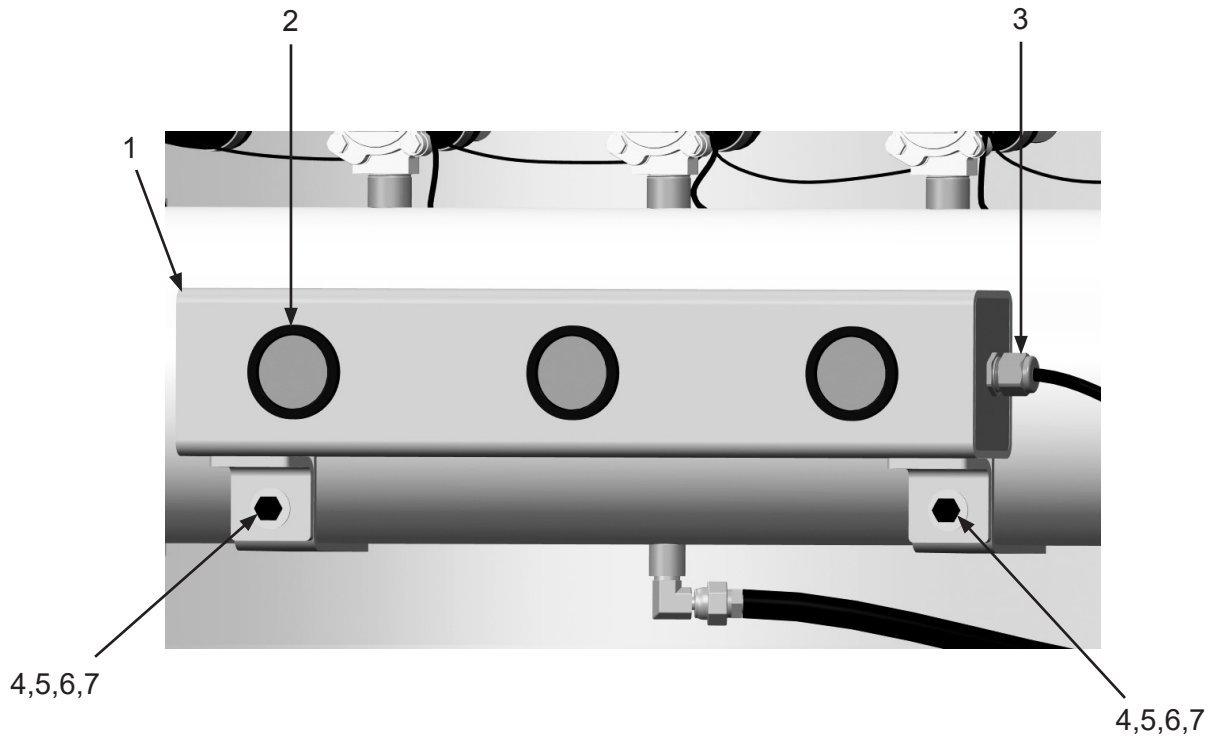
Item #	Part #	Description
--------	--------	-------------

Fig. 12

1	10104234	3/8-16 x 1-1/4" Hex Bolt Zinc <i>(Six Required)</i>
2	10106508	Intake Filter Housing Cap
3	10104727	Air Filter Housing Gasket
4	10101936	3/8" Lock Washer - Zinc <i>(Four Required)</i>
5	10101938	3/8-16 Hex Nut - Galvanized <i>(Four Required)</i>
6	10107984	Intake Filter Housing
7	10100704	3/4" Flat Washer <i>(Six Required)</i>
8	10100596	3/4" Lock Washer <i>(Six Required)</i>
9	10104714	3/4-10 x 1-5/8" Zinc Bolt <i>(Six Required)</i>
10	10L363	1/2" Npt Full Port Ball Valve
11	10L803035	Galvanized 1/2" Close Nipple
12	10100674	1/2" Flat Washer
13	10102005	Rubber Washer 1.25 O.D. x .375 I.D. x .13
14	10101941	1/2-13 Hex Nut - Galvanized
15	1011820	1-1/4" x 1/2" Bushing - Galvanized
—	10102253	Filter Cartridge

PART NUMBERS AND SCHEMATICS

Figure 13: Vacuum Light Bar



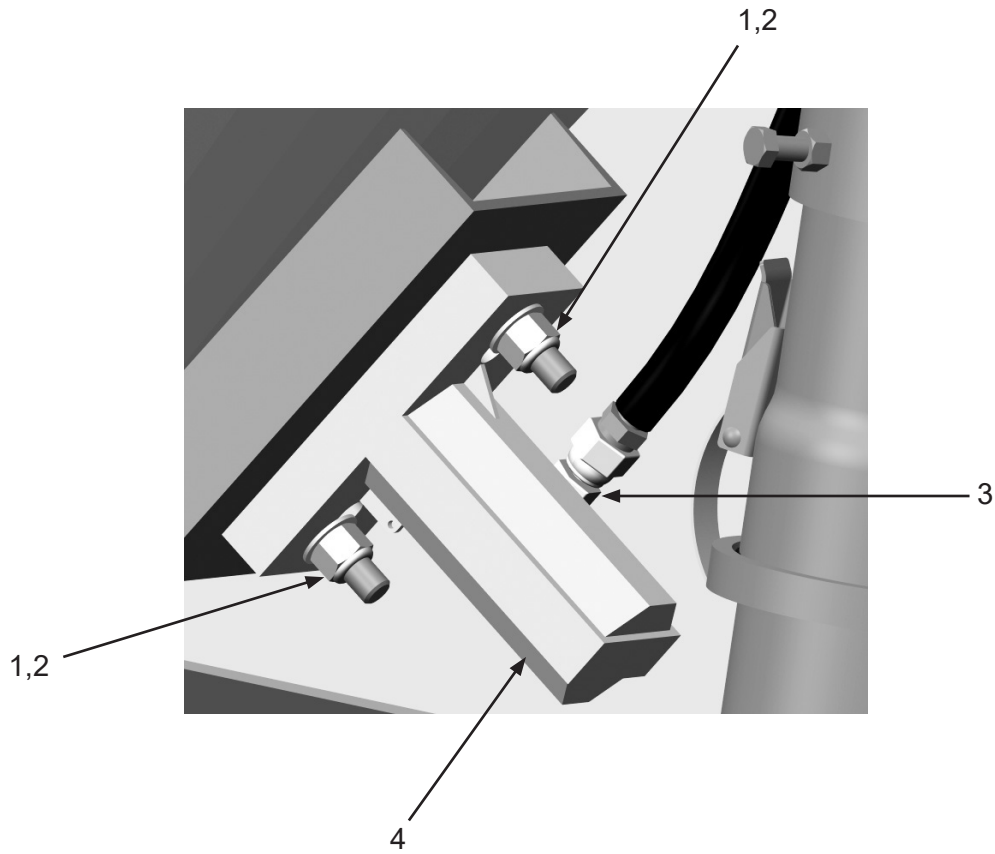
Item #	Part #	Description
--------	--------	-------------

Fig. 13

1	10105334	Vacuum Light Bar (Includes Item #2)
2	10104086	2" Round LED Red Clearance Light (Three Required)
3	10104703	Cord Grip, Nylon 1/2" NPT .2-.47 Diameter
4	10101942	3/8" Flat Washer - Galvanized (Four Required)
5	10101936	3/8" Lock Washer - Zinc (Two Required)
6	1011747	3/8-16 x 1" Bolt (Two Required)
7	1012318	3/8-16 Hex Nut (Two Required)

PART NUMBERS AND SCHEMATICS

Figure 14: Pneumatic Piston Vibrators



Item #	Part #	Description
--------	--------	-------------

Fig. 14

1	20100124	1/2-13 Hex Lock Nut - Zinc <i>(Two Required)</i>
2	10100674	1/2" Flat Washer <i>(Two Required)</i>
3	20PFHA60UA0406	1/4" (M) x 3/8" (F) 90° Swivel Union
4	10104665	APV Series Piston Vibrator

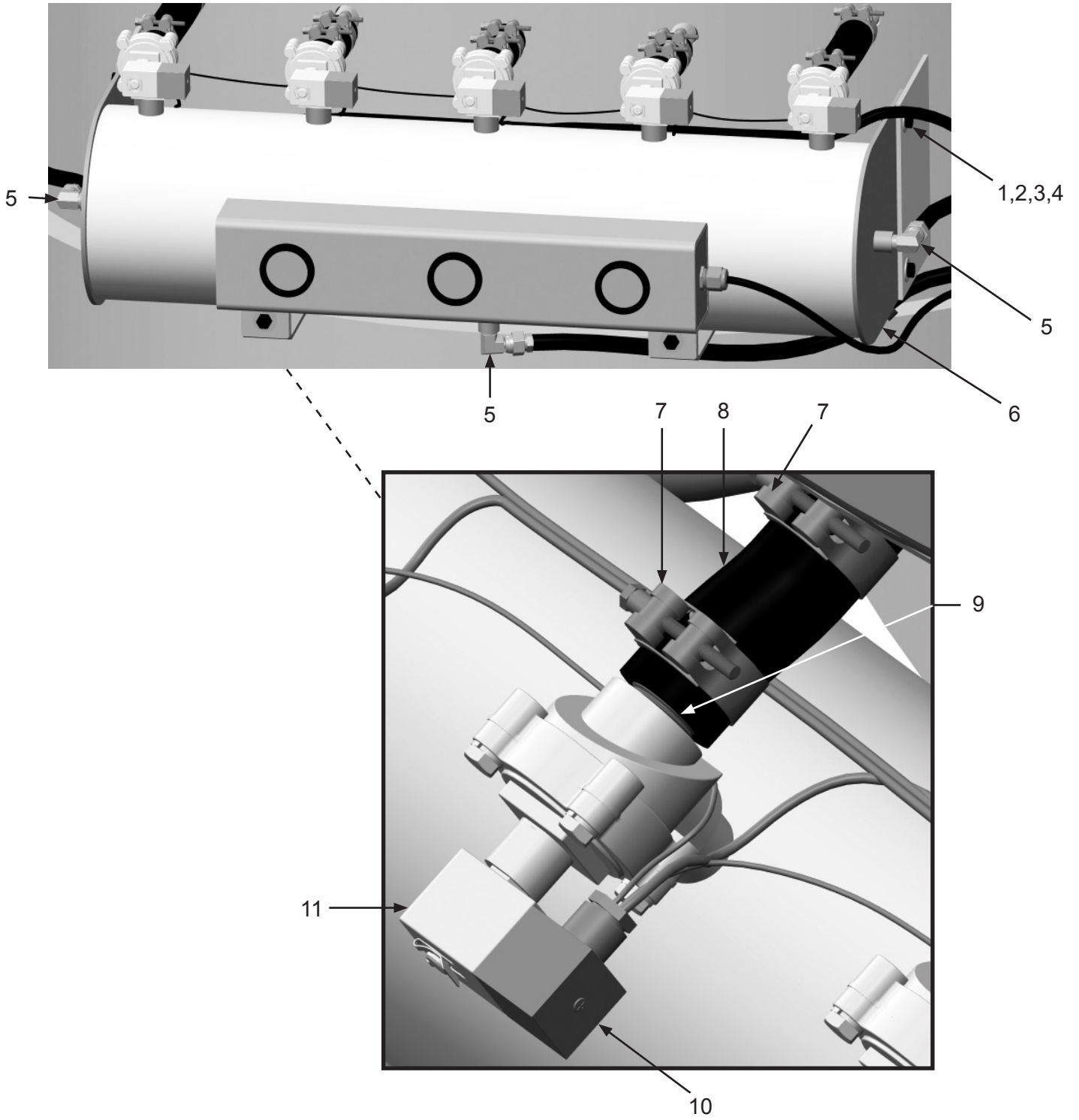
PART NUMBERS AND SCHEMATICS

Pulser System Assembly

Item #	Part #	Description
Fig. 15		
1	10101942	3/8" Flat Washer - Galvanized <i>(Eight Required)</i>
2	10101936	3/8" Lock Washer - Zinc <i>(Four Required)</i>
3	1011747	3/8-16 x 1" Bolt <i>(Four Required)</i>
4	10101938	3/8-16 Hex Nut <i>(Four Required)</i>
5	20PFHA60UA0606	3/8" (M) x 3/8" (F) 90° Swivel Union
6	10104498	Vacuum Header
7	10103736	T-Bolt Hose Clamp For 1" I.D. <i>(10 Required)</i>
8	10106509	Air Hose 1" I.D. 200 PSI- Red
9	10104500	3/4" NPT x 1-1/2" Toe Nipple <i>(Five Required)</i>
10	10105287	Din Connector <i>(Included with Item #16) (Five Required)</i>
11	10104666	3/4" Diaphragm Valve with Solenoid <i>(Five Required)</i>
—	10107192	Pilot Valve Repair Kit
—	10107193	Diaphragm Repair Kit

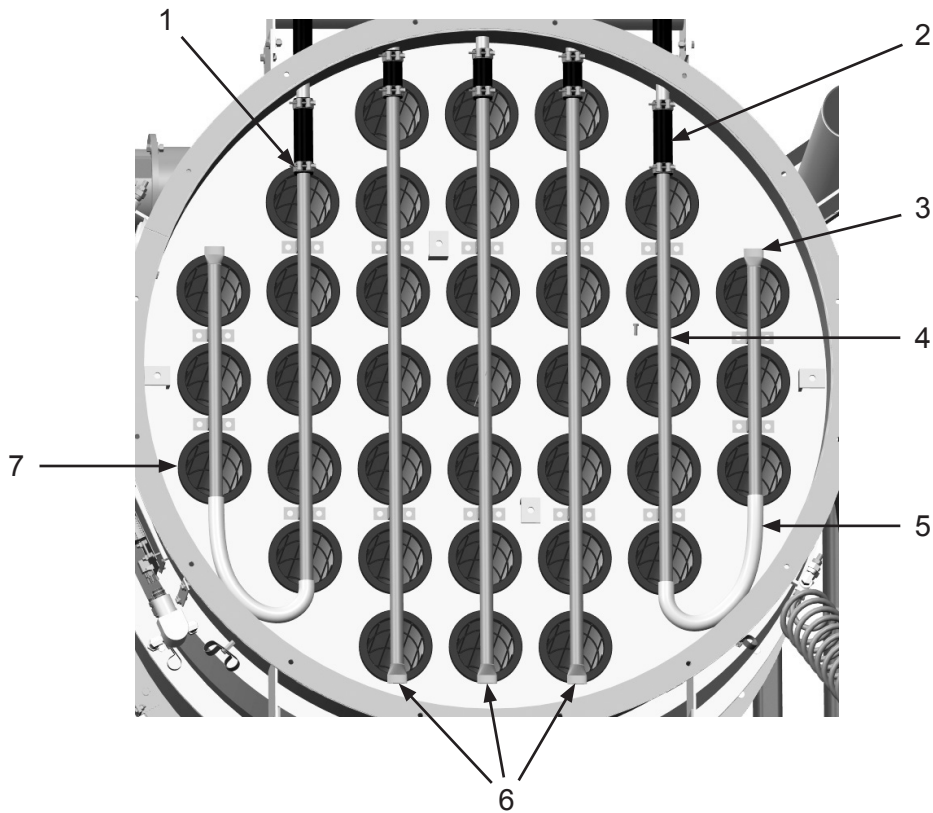
PART NUMBERS AND SCHEMATICS

Figure 15: Pulser System Assembly



PART NUMBERS AND SCHEMATICS

Figure 16: Filter Bag Pulsers



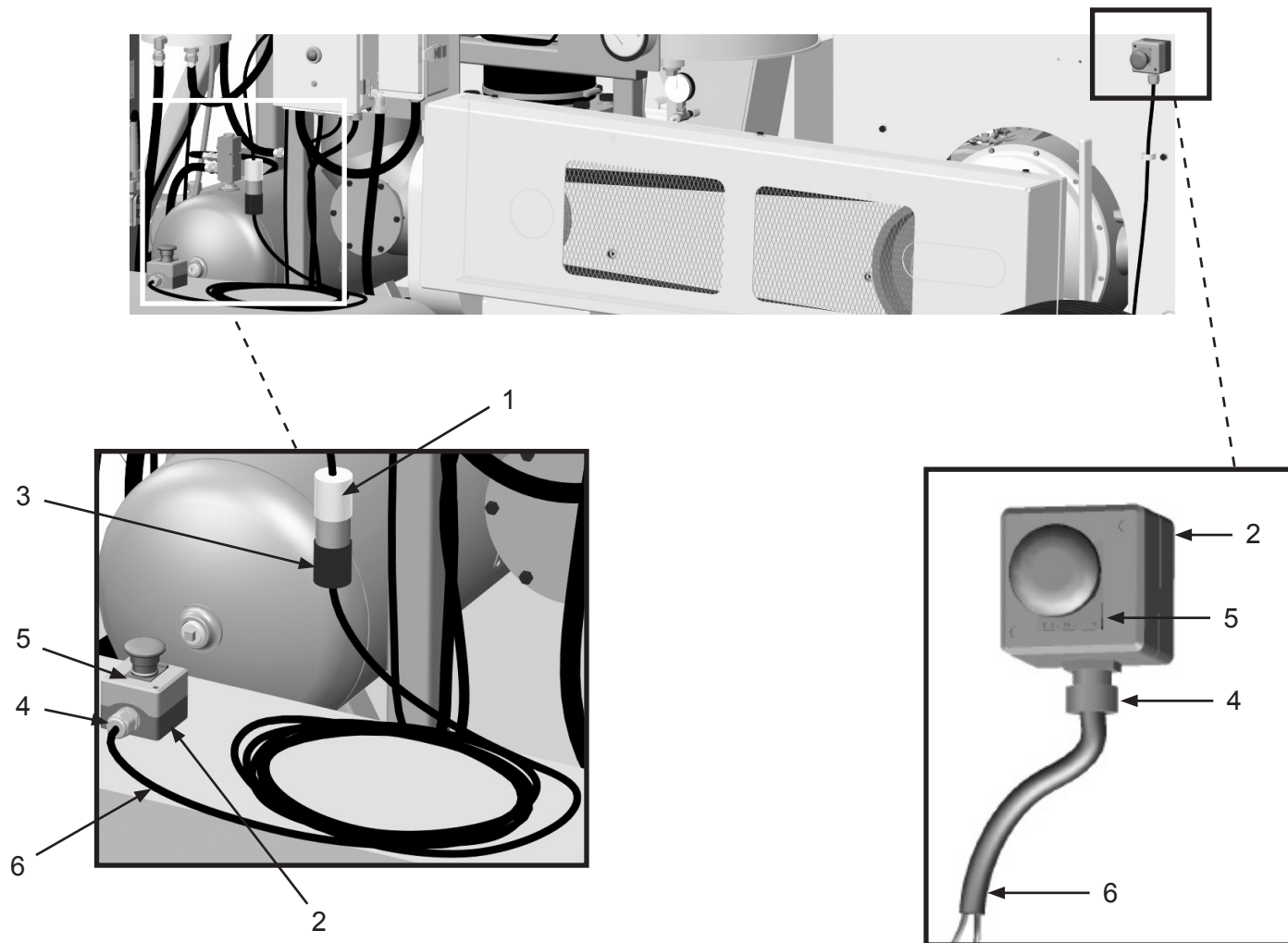
Item #	Part #	Description
--------	--------	-------------

Fig. 16

1	10103736	T-Bolt Hose Clamp For 1" I.D. (10 Required)
2	10106509	1" 75W Marine Hose - 100 PSI (Five Required)
3	10104562	Pulsar System Short Blowpipe (Two Required)
4	10104565	Pulsar System Medium Blowpipe (Two Required)
5	10104680	1" Flexible Tubing For Blowpipes (Two Required)
6	10104567	Pulsar System Long Blowpipe (Three Required)
7	10104633	Vacuum Baghouse Filter (37 Required)
—	10104634	Vacuum Baghouse Filter Cage (37 Required)

PART NUMBERS AND SCHEMATICS

Figure 17: Emergency-Stop Stations



Item #	Part #	Description
--------	--------	-------------

Fig. 17

—	10107200	Remote Emergency-Stop Station <i>(Includes Item #'s: 2, 4, 5, and 6 (100'))</i>
1	1015552	Female Twist Lock Plug Two Prong
2	10104071	E-Stop Control Station
3	1015551	Male Twist Lock Plug Two Prong
4	10104703	Cord Grip, Nylon 1/2"-NPT .2-.47 Diameter
5	10104063	Legend Plate - Emergency Stop
6	1015540	16/2 Xtreme Duty Power Cord - Red
—	1015009	8-32 x 1" Pan Head Phillips Screw <i>(Four Required)</i>
—	20000021	8-32 Zinc Nut <i>(Four Required)</i>
—	20000018	#8 Zinc Lock Washer <i>(Four Required)</i>
—	20000019	#8 Zinc Flat Washer <i>(Four Required)</i>

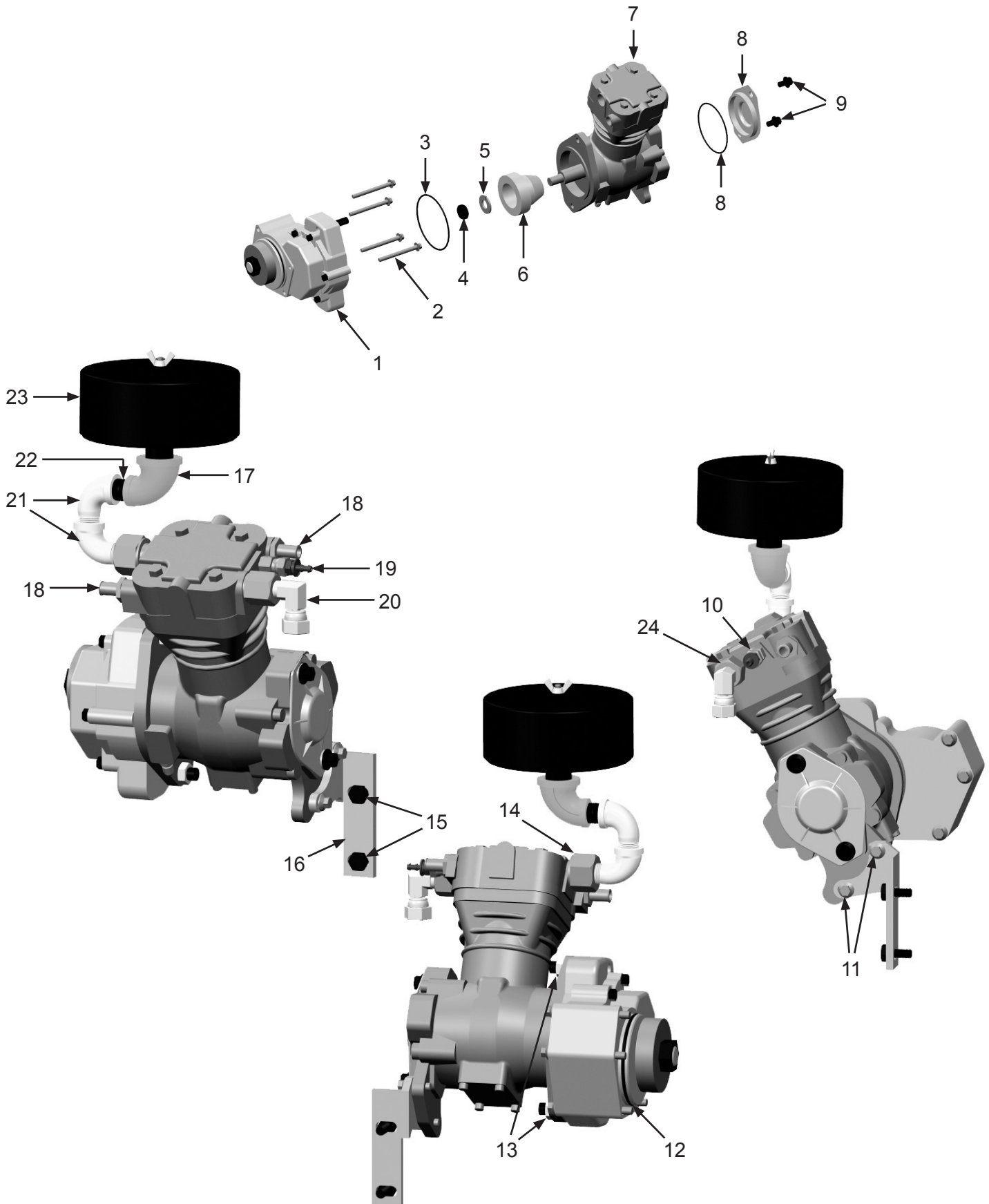
PART NUMBERS AND SCHEMATICS

Compressor Assembly

Item #	Part #	Description
Fig. 18		
—	10105814	Compressor 3054 Kit
1	10106030	Compressor to PTO Adapter
2	10106031	M8 x 80 Bolt <i>(Four Required)</i>
3	10106032	SAE A O-Ring
4	10101062	5/8-11 Hex Nut
5	10101061	5/8" Lock Washer
6	10106033	Compressor Gear
7	10106034	Compressor
8	10106035	SAE A 2-Bolt Cover with O-Ring
9	10106036	M8 x 16MM Bolt <i>(Two Required)</i>
10	20PFHA60SA0204	1/8" (M) x 1/4" (F) Swivel Union
11	10106037	M8 x 25MM Bolt <i>(Two Required)</i>
12	10106042	PTO O-Ring
13	10101941	1/2-13 Hex Nut <i>(Two Required)</i>
14	10106038	Metric Straight to NPT
15	10103615	M10 x 25MM Zinc Bolt <i>(Two Required)</i>
16	10106039	Compressor Bracket
17	10101002	1/2" x 1" 90° Elbow
18	10106040	Metric Straight to 1/2" Hose Barb <i>(Two Required)</i>
19	10PAF025	1/4" x 1/4" Push-On Fitting
20	20PFHA60UA0808	1/2" (M) x 1/2" (F) 90° Swivel Union
21	10000057	1/2" x 1/2" Street Elbow <i>(Two Required)</i>
22	10L803035	1/2" Close Nipple
23	10105870	Filter Assembly <i>(Includes 10106362)</i>
24	10106041	Metric Straight to NPT
—	10106362	5 Micron Filter Element <i>(Replacement Filter for 10105870)</i>
—	10108485	Crank Case Back Cover
—	10108487	Cylinder Head Kit
—	10108489	Valve Plate Kit <i>(Includes: Inlet Reed, Cylinder Head Gasket, Delivery Reeds, Delivery Bridges, Nuts)</i>
—	10108490	Piston Connecting Rod <i>(Includes: Connecting Rod, Bolts)</i>
—	10108491	Piston Kit <i>(Includes: Tapered Scraper Rings, Scraper Ring, Circlips, Piston, Piston Pin)</i>
—	10108492	Gasket Kit <i>(Includes: Inlet Reed, Cylinder Head Gasket, Sump Gasket, O-Rings, Delivery Reed)</i>
—	10108493	General Service Kit <i>(Includes: Inlet Reed, Cylinder Head Gasket, Sump Gasket, O-Rings, Delivery Reeds, Complete Cylinder Head)</i>

PART NUMBERS AND SCHEMATICS

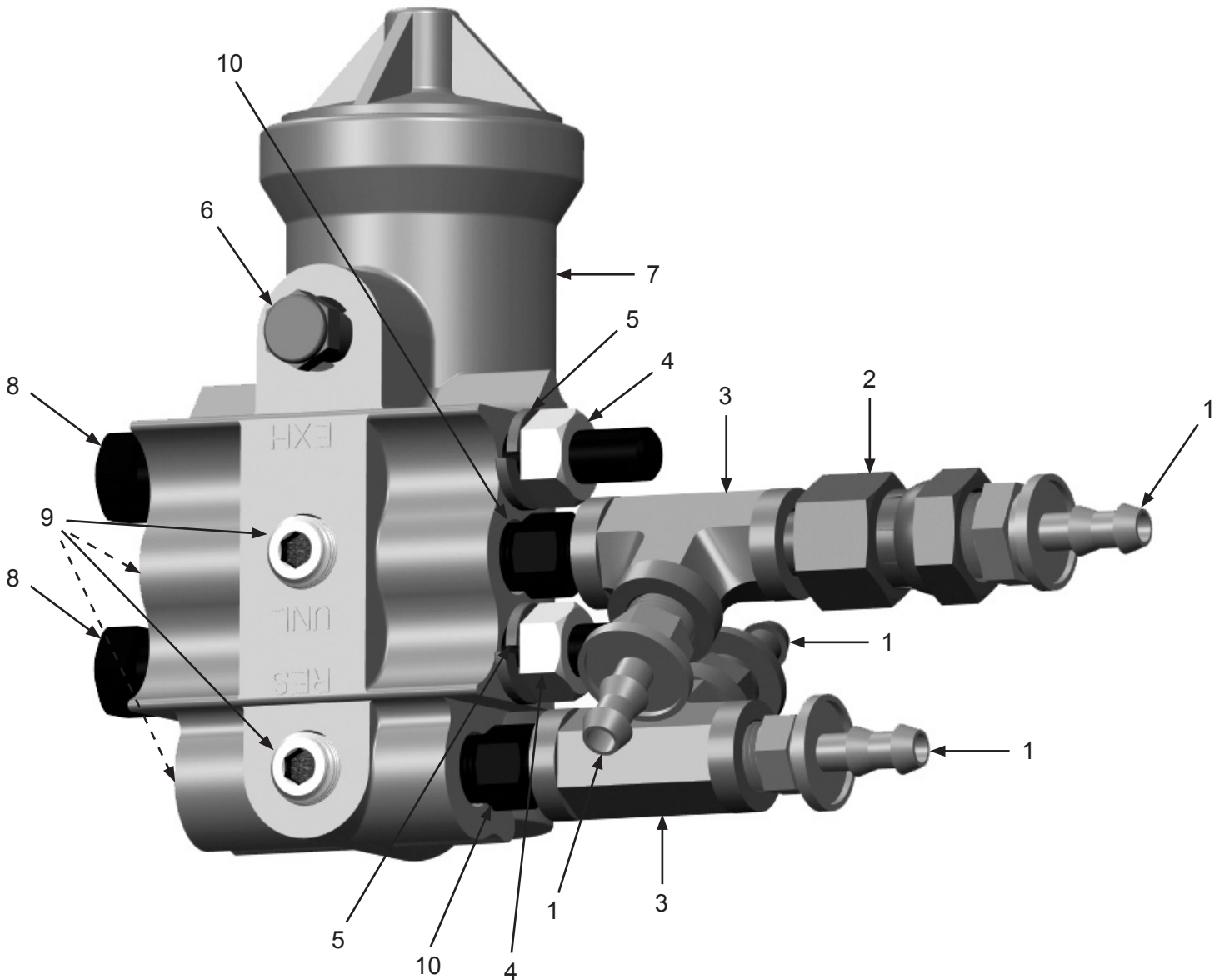
Figure 18: Compressor Assembly



PART NUMBERS AND SCHEMATICS

Figure 19: Compressor Governor

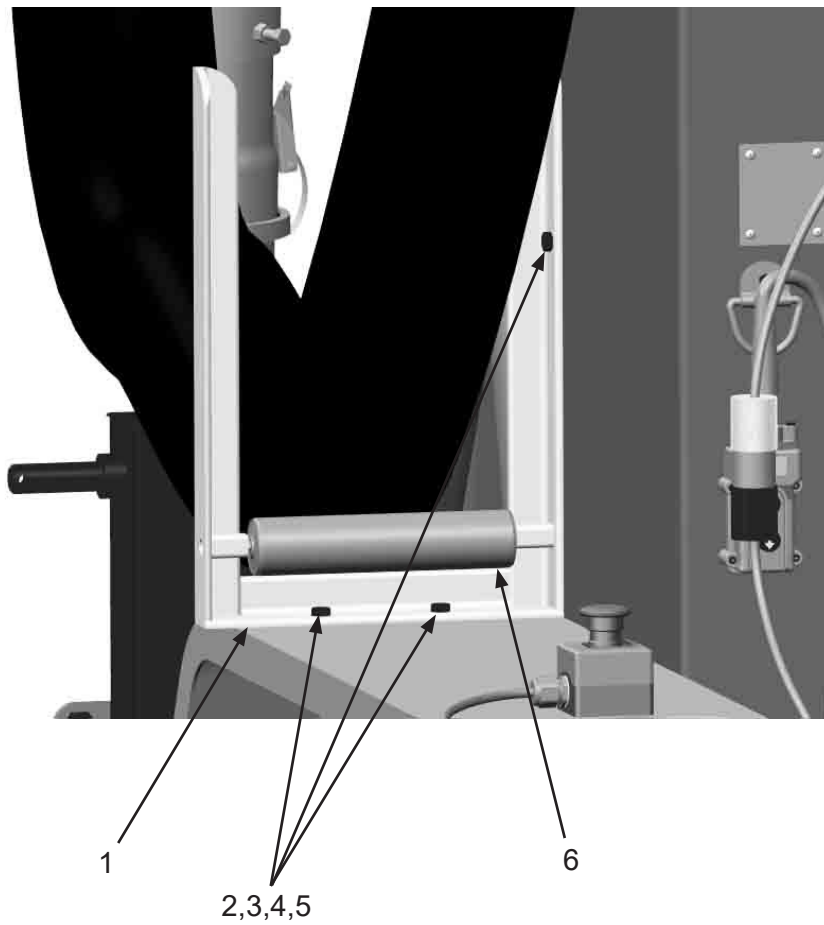
Item #	Part #	Description
Fig. 19		
1	10PAF025	1/4" x 1/4" Push on Fitting (<i>Four Required</i>)
2	20PFHA60SA0204	1/8" (M) x 1/4" (F) Swivel Union
3	20PFHA25VJ02	1/8" Female Tee (<i>Two Required</i>)
4	1035046	5/16-18 Nut (<i>Two Required</i>)
5	10L805014	5/16" Lock Washer (<i>Two Required</i>)
6	1012905	1/8" Breather Muffler
7	10105816	Compressor Governor
8	1014112	5/16-18 x 3-1/4" Hex Bolt (<i>Two Required</i>)
9	10105717	1/8" Hollow Hex Pipe Plug Male (<i>Four Required</i>)
10	20PFHA24SA0202	1/8" Hex Nipple (<i>Two Required</i>)



PART NUMBERS AND SCHEMATICS

Figure 20: Vacuum Hose Support Bracket

Item #	Part #	Description
Fig. 20		
1	10105264	Vacuum Hose Bracket
2	1011747	3/8-16 x 1" Bolt - Zinc
3	10101942	3/8" Flat Washer - Galvanized
4	10101936	3/8" Lock Washer - Zinc
5	10101938	3/8-16 Hex Nut - Galvanized
6	10106374	1.9" Diameter Conveyor Roller - 9" Long



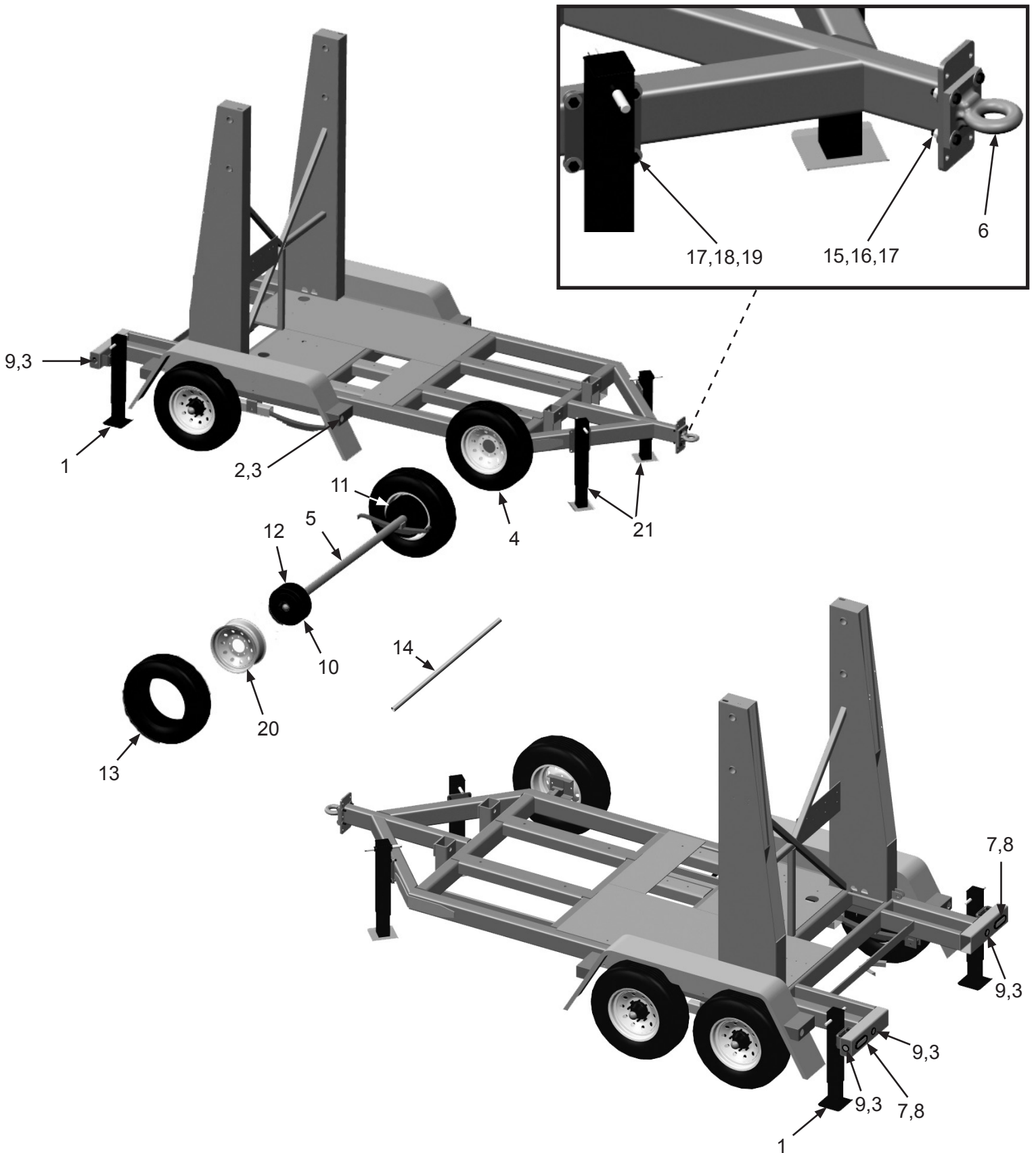
PART NUMBERS AND SCHEMATICS

Trailer

Item #	Part #	Description
Fig. 21		
—	10104455	7 Ton Double Axle Trailer
1	10106418	10,000# Heavy Spring Loaded Jack <i>(Two Required)</i>
2	10104087	2" Round LED Amber Clearance Light <i>(Two Required)</i>
3	10104088	2" Round Rubber Grommet <i>(Six Required)</i>
4	10104089	16" - 8 Hole Pattern Rim with Tire <i>(Five Required)</i>
5	10106084	7,000# Axle With Electric Brakes, Complete With Hubs And Springs 89" HF x 71" SC
6	10104079	Pintle Hitch with Flat Plate
7	10104085	Oval Rubber Grommet <i>(Two Required)</i>
8	10104084	Oval LED Red Tail Light <i>(Two Required)</i>
9	10104086	2" Round LED Red Clearance Light <i>(Four Required)</i>
10	10106086	Axle Hub Only - No Bearings or Seal <i>(Two Required)</i>
11	10106087	Left-Hand Electric Brake Assembly <i>(Two Required)</i>
12	10106088	Right-Hand Electric Brake Assembly <i>(Two Required)</i>
13	10104096	Tire - ST235/80R/16 - 10-ply <i>(Five Required)</i>
14	10106085	Axle Beam/Tube Only
15	10105746	5/8 x 2-1/2" Grade 8 Bolt <i>(16 Required)</i>
16	10105747	5/8 Reverse Lock Nut <i>(16 Required)</i>
17	10103398	5/8" Flat Washer <i>(40 Required)</i>
18	10103397	5/8 x 2" Grade 8 Bolt <i>(4 Required)</i>
19	10103393	5/8 Reverse Lock Nut <i>(4 Required)</i>
20	10107126	16" x 6" - 8-Hole White Rim
21	10109737	Front Trailer Jack <i>(Two Required)</i>
—	10105826	Redline 12V - 5AH Battery Sealed
—	10104081	Breakaway Kit
—	10104142	Wire Harness - Complete <i>(Front, Middle & Rear)</i>
—	10105827	Breakaway Switch with Pin
—	10104769	3/8" x 41" Safety Chain with Hook
—	10103879	2" x 6" x 6" Red/White Conspicuity Tape
—	10105829	Cable With Plug
—	10105826	Redline 12V - 5AH Battery Sealed

PART NUMBERS AND SCHEMATICS

Figure 21: Trailer



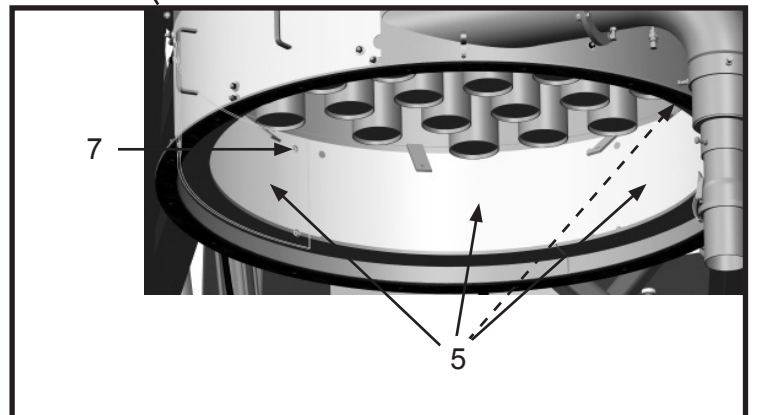
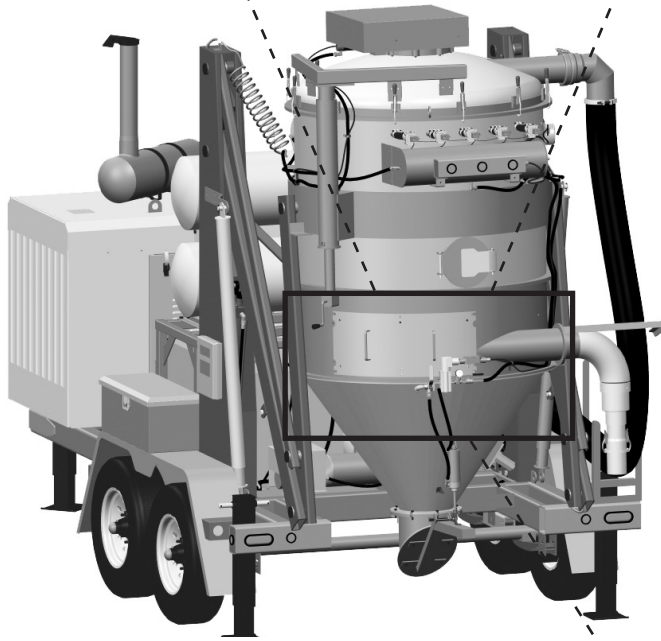
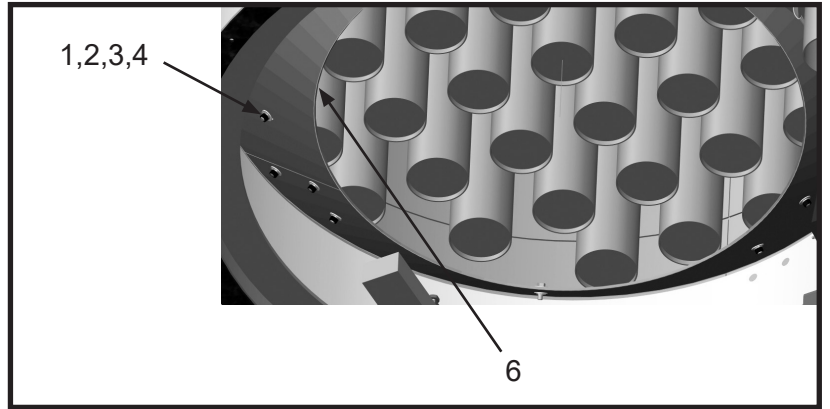
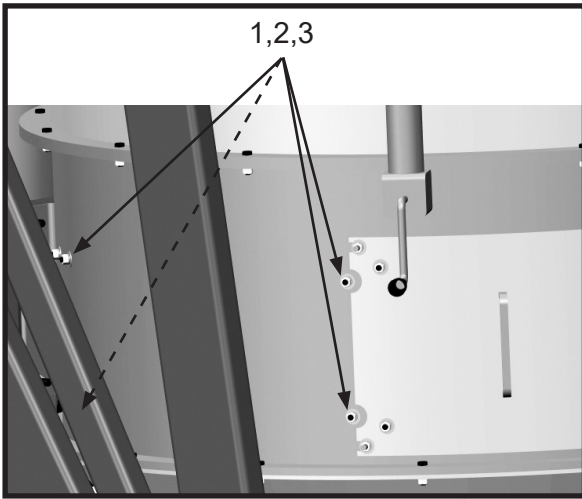
PART NUMBERS AND SCHEMATICS

Wear Plates and Baffles

Item #	Part #	Description
Fig. 22		
1	10101942	3/8" Flat Washer – Galvanized <i>(12 Required)</i>
2	10101936	3/8" Lock Washer – Zinc <i>(12 Required)</i>
3	10101938	3/8-16 Hex Nut <i>(12 Required)</i>
4	1011747	3/8-16 x 1" Bolt <i>(15 Required)</i>
5	10104489	Vacuum Wear Plates <i>(Four Required)</i>
6	10104490	Vacuum Baffle <i>(Three Required)</i>
7	10104705	3/8-16 x 1" Bolt Zinc <i>(16 Required)</i>

PART NUMBERS AND SCHEMATICS

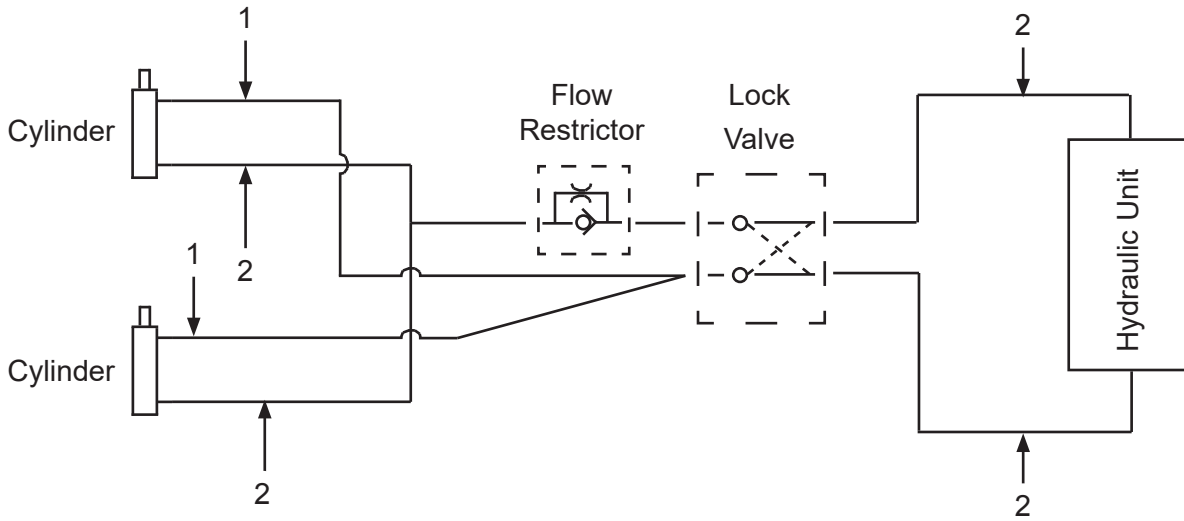
Figure 22: Wear Plates and Baffles



PART NUMBERS AND SCHEMATICS

Figure 23: Hydraulic Hoses

Item #	Part #	Description
1	10104664	3/8" X 8' - 2600 PSI Hydraulic Hose
2	10104663	3/8" X 5' - 2600 PSI Hydraulic Hose



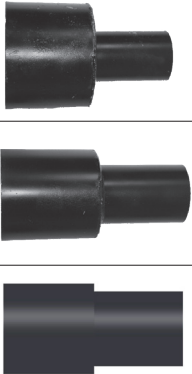
OPTIONAL ACCESSORIES

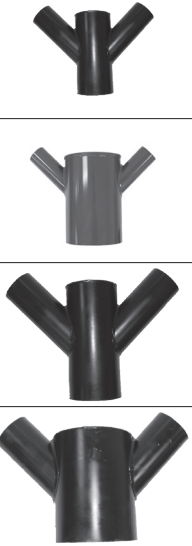



Part Numbers

VACUUM HOSE							
Part Numbers	Vacuum Hose I.D.	Length	Vacuum HG	Cover Material	Reinforcement Material	Liner	Hose Color
10VH11250	1-1/2"	50 Ft.	29"	Pliovic®	Pliovic® PVC Helix	Polyurethane	Black
10VH225	2"	25 Ft.	29"	Pliovic®	Pliovic® PVC Helix	Polyurethane	Blue
10VH250	2"	50 Ft.	29"	Pliovic®	Pliovic® PVC Helix	Polyurethane	Blue
10VH200	2"	100 Ft.	29"	Pliovic®	Pliovic® PVC Helix	Polyurethane	Blue
10VH2550	2-1/2"	50 Ft.	29"	Pliovic®	Pliovic® PVC Helix	Polyurethane	Blue
10VH325	3"	25 Ft.	29"	Pliovic®	Pliovic® PVC Helix	Polyurethane	Blue
10VH350	3"	50 Ft.	29"	Pliovic®	Pliovic® PVC Helix	Polyurethane	Blue
10VH300	3"	100 Ft.	29"	Pliovic®	Pliovic® PVC Helix	Polyurethane	Blue
10VH425	4"	25 Ft.	29"	Pliovic®	Pliovic® PVC Helix	Polyurethane	Blue
10VH450	4"	50 Ft.	29"	Pliovic®	Pliovic® PVC Helix	Polyurethane	Blue
10VH400	4"	100 Ft.	29"	Pliovic®	Pliovic® PVC Helix	Polyurethane	Blue
10VH525	5"	25 Ft.	29"	Pliovic®	Pliovic® PVC Helix	Polyurethane	Blue
10VH550	5"	50 Ft.	29"	Pliovic®	Pliovic® PVC Helix	Polyurethane	Blue
10VH500	5"	100 Ft.	29"	Pliovic®	Pliovic® PVC Helix	Polyurethane	Blue
10VH625	6"	25 Ft.	25"	Pliovic®	Pliovic® PVC Helix	Polyurethane	Blue
10VH650	6"	50 Ft.	25"	Pliovic®	Pliovic® PVC Helix	Polyurethane	Blue
10VH600	6"	100 Ft.	25"	Pliovic®	Pliovic® PVC Helix	Polyurethane	Blue
10VH825	8"	25 Ft.	25"	Pliovic®	Pliovic® PVC Helix	Polyurethane	Blue
10VH850	8"	50 Ft.	25"	Pliovic®	Pliovic® PVC Helix	Polyurethane	Blue

OPTIONAL ACCESSORIES

		VACUUM HOSE REDUCERS	
		Part Numbers	Size
	10106712	8" x 4"	
	10106716	6" x 4"	
	10106872	6" x 5"	

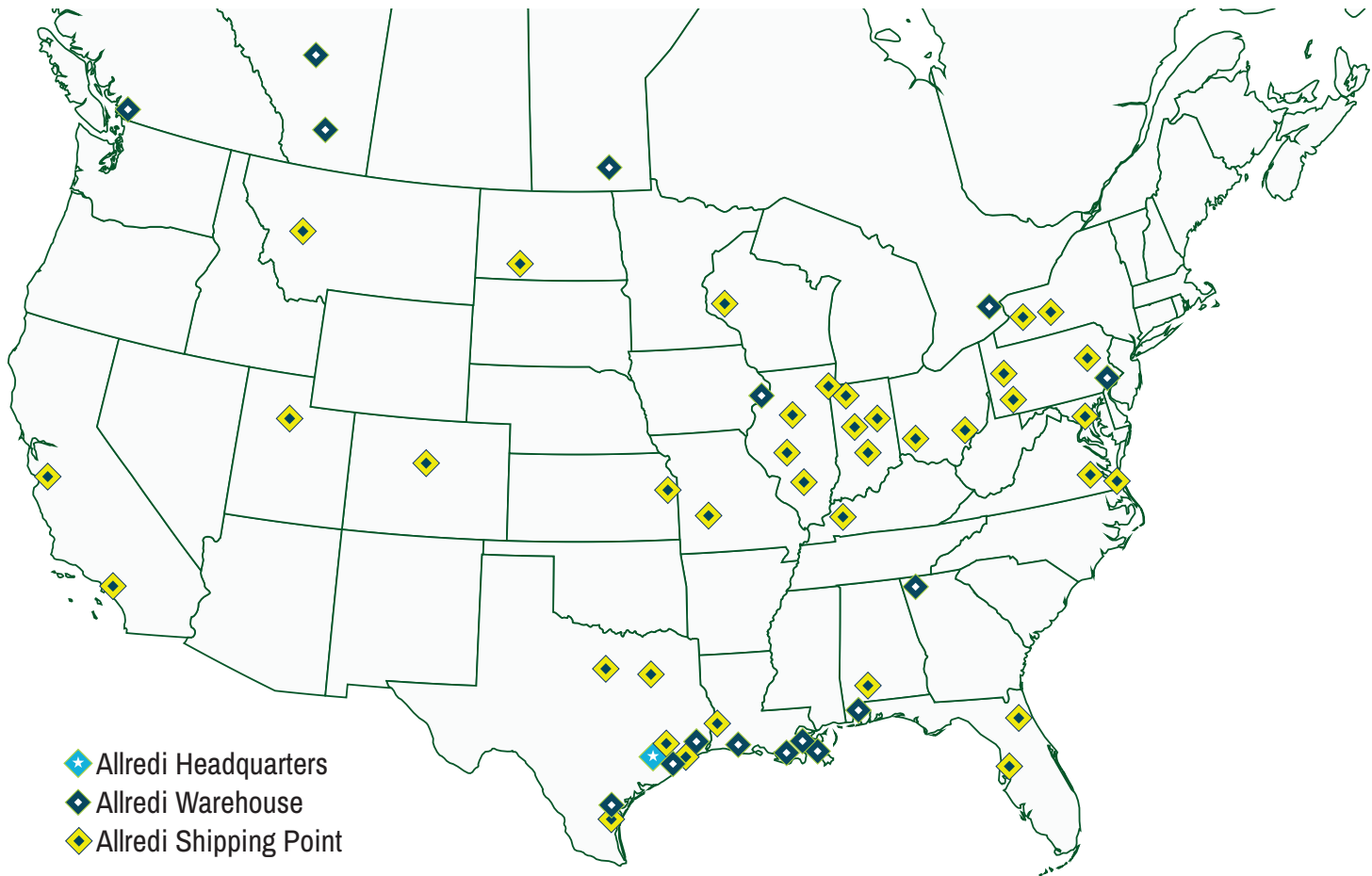
		WYE ADAPTERS	
		Part Numbers	Size
	10106719	4" x 2" x 2"	
	10107485	6" x 2" x 2"	
	10106723	6" x 4" x 4"	
	10106727	8" x 4" x 4"	

		VACUUM HOSE MENDERS			
		Part Numbers	Vacuum Hose I.D.	Mender Length	Thickness
	10HM2	2"	8"	1/8"	Steel
	10HM3	3"	9"	1/8"	Steel
	10HM4	4"	10"	1/8"	Steel
	10HM5	5"	11"	1/8"	Steel
	10HM6	6"	12"	1/8"	Steel
	10HM8	8"	14"	1/8"	Steel

LITERATURE REFERENCES

Vacmaster® 15T Tier III Diesel Abrasive Vacuums

105M132	Features & Specifications Guide – Vacmaster® 15T Tier III Diesel Abrasive Vacuums
106M132	Part Numbers & Schematics Guide – Vacmaster® 15T Tier III Diesel Abrasive Vacuums
1090132	Operator's Manual – Vacmaster® 15T Tier III Diesel Abrasive Vacuums
109V044	Operator's Manual - Perkins® Engine
109V039	Operator's Manual - Murphy PowerView®
109V521	Operator's Manual - Blower
109V582	Operator's Manual - Behnke Trailer



ALLREDI THERE

Serving these industries: Bridge, Pipeline, Tank & Tower, Concrete Services, Rail, Shipyard & Marine, Pools & Fountains, and Foundry

UNITED STATES

Pasadena, TX (*Headquarters*)
844.361.7038

Beaumont, TX
409.722.1284

Bristol, PA
215.826.8080

Corpus Christi, TX
361.887.2038

Davenport, IA
563.324.2519

Deer Park, TX
(*Service & Rental Location*)
281.930.0905

Duluth, GA
800.535.4564

Gonzales, LA
225.647.7575

Harvey, LA
504.367.8090

Houma, LA
985.580.4273

Lafayette, LA
337.267.1440

Theodore, AL
251.338.7525

CANADA

Calgary, Alberta
403.279.1924

Coquitlam, BC
604.464.6979

Edmonton, Alberta
780.468.2588 (Manus)
780.425.5510 (Mod-U-Blast)

Hamilton, Ontario
905.527.6000 / 888.794.5665

Mississauga, Ontario
905.890.5837

Winnipeg, Manitoba
204.256.3324

WWW.ALLREDI-US.COM / 800.252.7848

WWW.ALLREDI-CA.COM / 800.661.3842

Allredi™ and Marco® are registered trademarks of Allredi, LLC.
Mod-U-Blast® is a registered trademark of Allredi Blast & Abrasives Canada, Inc.
All other brand names or marks are used for identification purposes and are trademarks of their respective owners.

ALLREDI™

Literature #106M132_5/30/2024