



TOTE MIXERS



PART NUMBERS AND SCHEMATICS GUIDE

Company Profile

Since 1944, Marco has developed a strong tradition of providing innovative and reliable products and services to the surface preparation and protective coatings industries. We are the world's premier provider of Abrasives, Blasting, Coating, Dust Collectors, Engineered Systems, Rental, Safety, Service, Repair, & Modernization, and Vacuums.

Through innovative designs and a total commitment to quality, Marco manufactures products that increase production rates, create a safer workplace, and reduce maintenance costs. Marco's industry experience, manufacturing capabilities, legendary customer service, product availability, logistics services, and technology leadership is your assurance that we deliver high quality products and services, providing the best value to you, our customer.

The Marco Difference

- **Industry Experience** – With Marco on your team, you have access to expertise which can only come from decades of industry leadership. We have organized our engineering department, production specialists, customer operations, and safety support into a “Center of Competence.” As a Marco customer, you have access to hundreds of years of cumulative experience related to your operations.
- **Manufacturing Excellence** – Marco is a U.S. based, ISO 9001:2008 certified manufacturer of equipment for the Surface Preparation and Protective Coatings industries. Marco's engineers benchmark the industry to ensure that we design and manufacture superior products that set the “Gold Standard” for performance, safety, and quality.
- **Legendary Customer Service** – Marco's legendary customer service team is staffed by friendly, highly-trained individuals who are focused on providing the highest level of product support, order accuracy, and customer satisfaction.
- **Product Availability** – We stock over 10,000 SKU's and have more than 45 shipping locations to serve North American and International markets for all major brands of blasting and coating equipment. As the largest provider of surface preparation and protective coatings equipment in the world, our inventory levels and product availability are unmatched.
- **Logistics Services** – Marco's in-house logistics team is dedicated to moving your shipment anywhere in the world. We move more than 14,000 truckloads every year, allowing you to save on freight costs by leveraging our buying power. Lower your process costs with a single invoice, which includes product and freight.
- **Technology Leadership** – Our website provides: Operator's Manuals, Part Numbers and Schematics Guides, SDS information, and Features & Specifications Guides, providing access to information 24/7. Our Extranet application allows you to receive quotes and place orders online. Our Intranet maintains a complete record of your purchase history to assist with ongoing support of your existing equipment and future purchasing decisions.

Vision Statement

Marco is the world's premier provider of Abrasives, Blasting, Coating, Dust Collectors, Engineered Systems, Rental, Safety, Service, Repair, & Modernization, and Vacuums.

Mission Statement

Marco provides strong leadership and innovation to the surface preparation and protective coatings industries. We dedicate our efforts to the continuous improvement of our products, services, processes, people, and most importantly, the quality of our customer's experience.

Quality Statement

Marco is committed to providing superior quality in the design, manufacturing, distribution, rental, service, and repair of our products. Our ISO 9001:2008 certification extends throughout all operations in all locations. Continuous improvement of our processes and supply chain Integration comprise the core of our business strategy for delivering exceptional quality and value in all Marco products and services.

Management Philosophy

We are a company dedicated to the success of every customer and associate. We discuss, debate, challenge, measure, and test our ideas. We will be boundless and limitless in our passion to improve. Through sound leadership and dedicated associates, we will ensure a long term, profitable future for Marco, our associates, customers, and suppliers.

TABLE OF CONTENTS

Company Profile	1
Table of Contents	2
Part Numbers	3
Tote Mixers	4-6
1-1/2 Hp Air Motor	4
1-1/2 Hp Tote Mixer	5-6

PART NUMBERS AND SCHEMATICS GUIDE

TOTE MIXERS					
Part Numbers	1-1/2 Hp Motor	Air Requirements	Application	Mounting Frame Width	Shaft
2070035	Air Motor	100 psi @ 70 CFM	Standard	Adjustable 34" to 48"	3/4" x 36" Stainless Steel
2070352	115/230 Volt AC, Electric Motor		Standard	Adjustable 34" to 48"	3/4" x 36" Stainless Steel
2070353	115/230 Volt AC, Electric Motor		Hazardous-Location	Adjustable 34" to 48"	3/4" x 36" Stainless Steel



PART NUMBERS AND SCHEMATICS GUIDE

Figure 1: 1-1/2 Hp Air Motor



Item #	Part #	Description
Fig. 1		
—	1011780	Air Motor - 1.5 Hp Face Mount, Bi-rotational
—	20PFHA24SA0404	1/4" Steel Close Nipple
—	10101784	Muffler
—	10101781	Repair Kit
—	209V710	Data Sheet - Air Motor

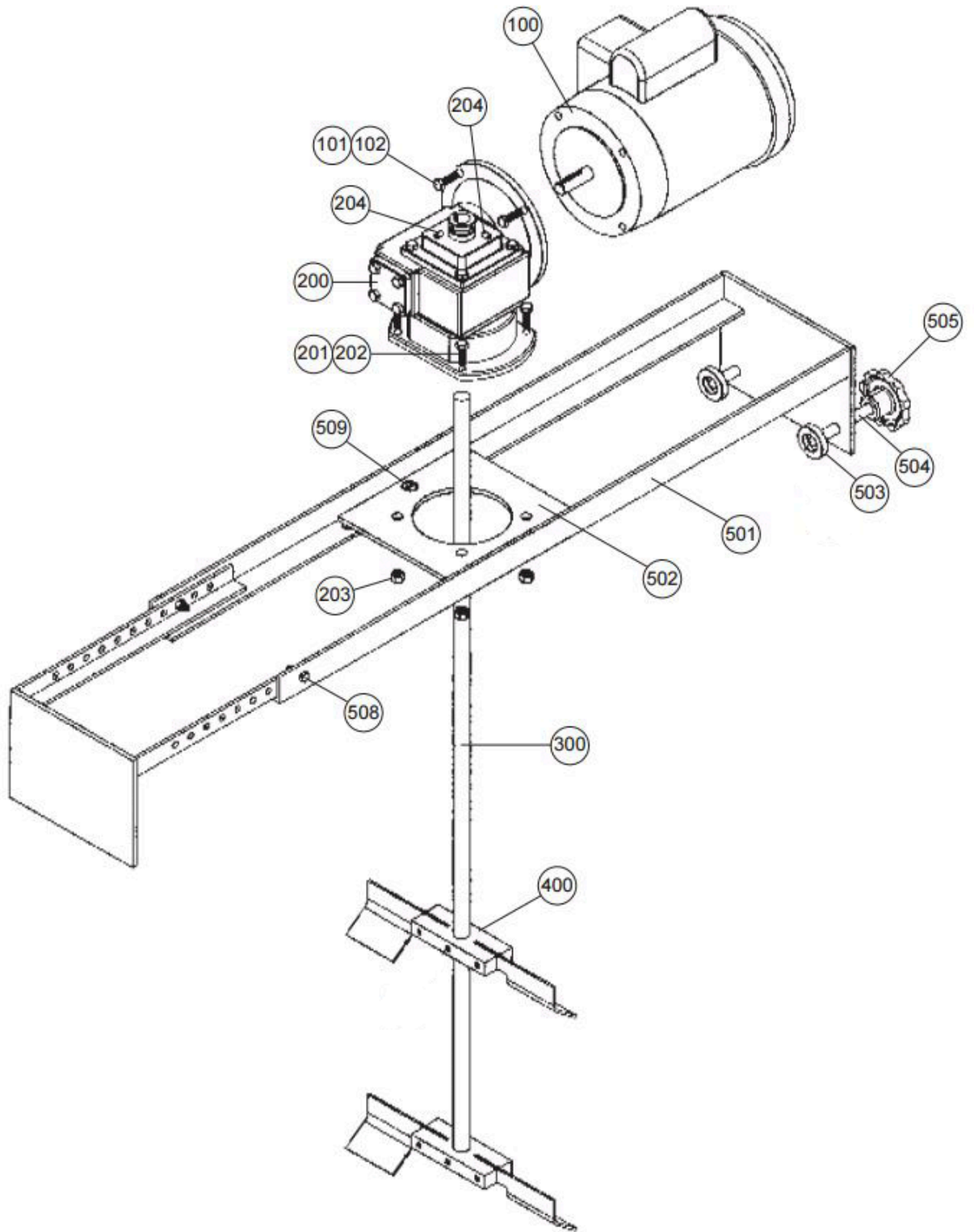
PART NUMBERS AND SCHEMATICS GUIDE

1-1/2 Hp Tote Mixer

Item #	Part #	Description
Fig. 2		
—	2070035	Tote Mixer – 1-1/2 Hp Air Gear Drive, Adjustable Bracket
—	2070352	Tote Mixer - 1-1/2 Hp Electric, Adjustable Bracket
—	2070353	Tote Mixer - 1-1/2 Hp Electric, Haz Location, Adjustable Bracket
100	1011780	Motor – Air
—	2070354	Motor – Electric
—	2070355	Motor – Electric (Hazardous-Location)
101	1011747	3/8-16 x 1" Bolt (<i>Four Required</i>)
102	10101936	3/8" Lock Washer (<i>Four Required</i>)
200	2070356	Gear Reducer – 7.5:1 ratio
201	1011747	3/8-16 x 1" Bolt (<i>Four Required</i>)
202	10101936	3/8" Lock Washer (<i>Four Required</i>)
203	1012318	3/8" Nut (<i>Four Required</i>)
204	20100150	1/4-20 Set Screw (<i>Two Required</i>)
300	2070357	3/4" x 43" Stainless Steel Impeller Shaft
400	2070358	3/4" x 10" Stainless Steel Folding Impeller (<i>Two Required</i>)
—	2070359	3/4" x 12" Stainless Steel Folding Impeller (<i>Two Required</i>)
—	2070360	3/4" x 14" Stainless Steel Folding Impeller (<i>Two Required</i>)
500	2070361	Bracket Assembly - Complete <i>Includes Item #'s: 501–507</i>
501	2070362	Adjustable Bracket Frame
502	2070363	Motor Mount Plate – 8" x 8" with 56C Mounting Pattern
503	2070364	Swivel Pad (<i>Two Required</i>)
504	2070365	1/2" x 4" Threaded Rod (<i>Two Required</i>)
505	2070366	Hand Knob, Cast Aluminum (<i>Two Required</i>)
508	1012154	1/4-20 x 1" Bolt (<i>Two Required</i>)
508	1012153	1/4" Lock Washer (<i>Two Required</i>)
508	10101347	1/4-20 Nut (<i>Two Required</i>)
—	206M637	Part Numbers and Schematics Guide - Tote Mixer
—	209V637	Operators Manual - Bracket Mount Mixers

PART NUMBERS AND SCHEMATICS GUIDE

Figure 2: 1-1/2 Hp Tote Mixer



GLOBAL HEADQUARTERS

- 3425 East Locust Street
Davenport, IA 52803

ph: 800.BLAST.IT (800.252.7848)
ph: 563.324.2519
fax: 563.324.6258

REGIONAL BRANCH OFFICES

- **Iowa**
Davenport
- **Louisiana**
Gonzales
Harvey
Lafayette
- **Ohio**
Youngstown
- **Texas**
Beaumont
Corpus Christi
Deer Park



ABRASIVES
BLASTING
COATING
DUST COLLECTORS
ENGINEERED SYSTEMS
RENTAL
SAFETY
SERVICE, REPAIR, & MODERNIZATION
VACUUMS

40+ NATIONWIDE SHIPPING LOCATIONS



★ Marco Regional Branch Offices and Shipping Locations ● Direct Shipping Locations

CONTACT MARCO

800.BLAST.IT
(800.252.7848)
563.324.2519
FAX: 563.324.6258

WWW.MARCO.US
SALES@MARCO.US