



TEXAS PNEUMATIC POWER TOOLS



PART NUMBERS AND SCHEMATIC GUIDE

Company Profile

Allredi was formed in the early 2020, when two of the largest distributors in the blasting, coating, safety, and environmental industry, APE Companies and Marco Group International, joined forces. While the qualities both companies are known for have not changed, a lot about our business is new. New abilities. New agilities. New ways to help you win. This calls for a new name, Allredi.

This name exemplifies what we have become. It is completely oriented to the needs of our customers. To your needs. It says that when you call us for anything – products, service, expert advice, anything – you can consider it done. Or even better, Allredi done.

We are your right-now supplier. From skills to SKUs, we deliver the goods fast. So you can be more agile every minute, every day. This is who we are. This is what our new name means. Go ahead and expect excellence, because we're bringing it.

Our Mission and Vision

To be the industry's preferred partner in surface preparation solutions through unrivaled technical expertise, customer experience, product availability, and tailored service offerings.

The Allredi Difference

- **Industry Experience** – With Allredi on your team, you have access to expertise which can only come from decades of industry leadership. We have organized our engineering department, production specialists, customer operations, and safety support into a "Center of Competence." As an Allredi customer, you have access to hundreds of years of cumulative experience related to your operations.
- **Manufacturing Excellence** – Allredi is a U.S. based manufacturer of equipment for the Surface Preparation and Protective Coatings industries. Allredi's engineers benchmark the industry to ensure that we design and manufacture superior products that set the "Gold Standard" for performance, safety, and quality.
- **Legendary Customer Service** – Allredi's legendary customer service team is staffed by friendly, highly-trained individuals who are focused on providing the highest level of product support, order accuracy, and customer satisfaction.
- **Product Availability** – We stock over 10,000 SKU's and have over 45 shipping locations to serve North American and International markets for all major brands of blasting, coating, environmental, and safety equipment. Allredi is your right-now supplier, so you can keep your projects moving. From our foundation of strong relationships, we have built a nationwide network that puts vast inventory and ready service close to our customers. We provide advanced expertise, and we deliver the goods fast – so you can easily access the products and services you need to me more agile every minute, every day.
- **Technology Leadership** – Our website provides: Operator's Manuals, Part Numbers and Schematics Guides, SDS information, and key product features and specifications, providing access to information 24/7.

TABLE OF CONTENTS

Company Profile	2
Table of Contents	3
Texas Pneumatic Power Tools	4-11
Lever Throttle Needle Scaler	4-7
Part Numbers	4-5
Part Numbers & Schematics	6-7
Long Reach Chisel Scaler	8-11
Part Numbers	8-9
Part Numbers & Schematics	10-11
Replacement Needles & Chisels	12
Maintenance Notes	13-15

PART NUMBER

TEXAS PNEUMATIC LEVER THROTTLE NEEDLE SCALER

Part Number	Model	Needle Diameter (mm)	Needle Quantity	Length (Inches)
10TX1BLTNS	TX-1-BLTNS	.125	19	17

PART NUMBER

Texas Pneumatic Lever Throttle Needle Scaler



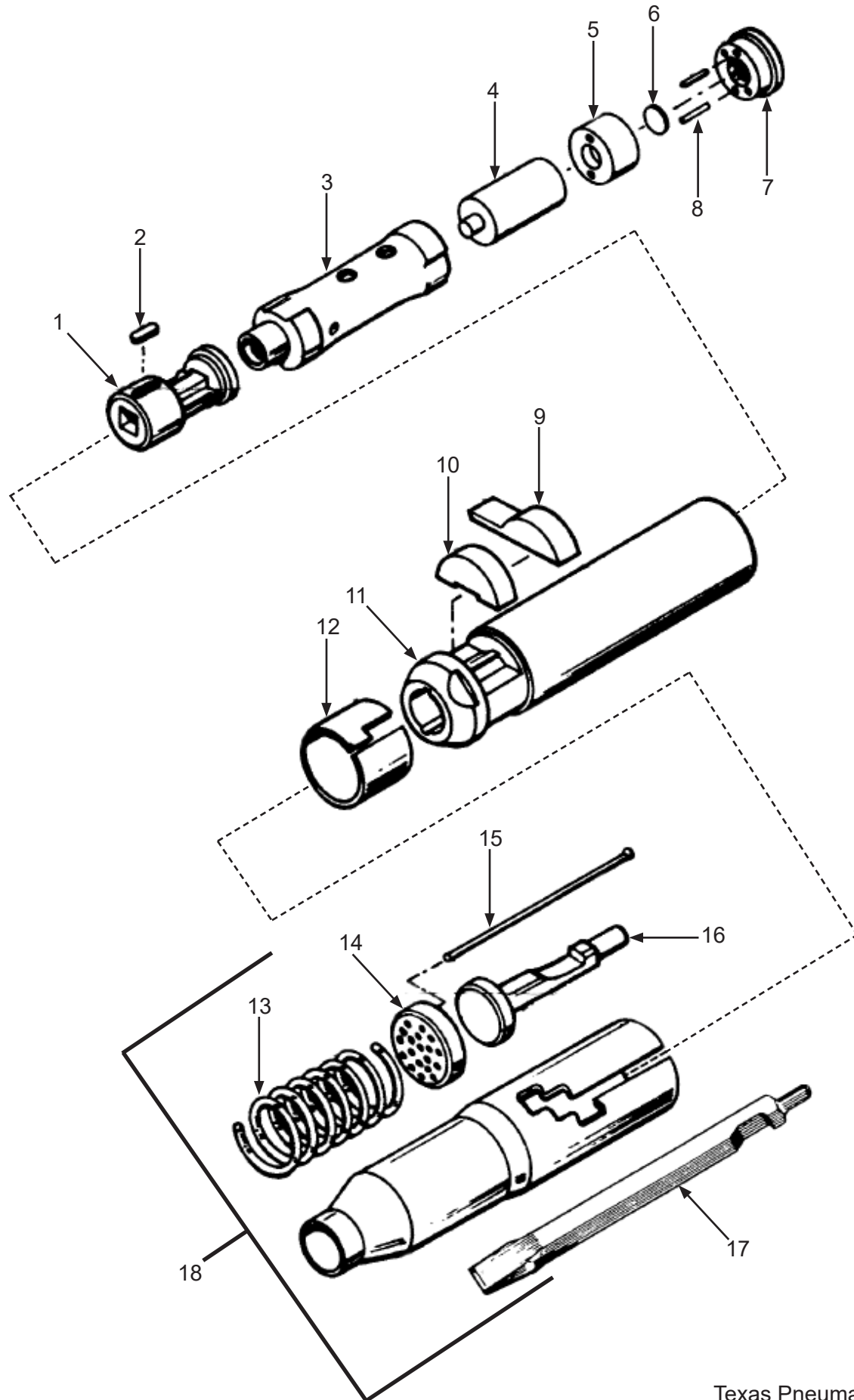
PART NUMBERS & SCHEMATICS

Texas Pneumatic Lever Throttle Needle Scaler

Item#	Part#	Description
Fig. 1		
—	10TX1BLTNS	Texas Pneumatic Lever Throttle Needle Scaler – Complete
1	10TX00963	Tool Nose
2	10TX00801	Tool Nose Key
3	10TX00700	Cylinder Sleeve
4	10TX00373	Plunger
5	10TX00508	Valve Block
6	10TX00196	Flutter Valve
7	10TX00173	Valve Block Button
8	10TX00126	Valve Block Dowel Pin
9	10TX00956	Retainer
10	10TX00527	Retainer Buffer
11	10TX00313	Scaler Barrel
12	10TX00554	Retainer Clip
13	10TX00044	Needle Spring
14	10TX00046	Needle Holder
15	—	Needle (<i>See Page 12</i>)
16	10TX00779	Needle Tube
17	—	Chisel (<i>See Page 12</i>)
18	10TX00322	Needle Attachment
—	10TX1BNSRK	Needle Gun Repair Kit
—	106M401	Part Numbers and Schematics Guide – Ingersoll Rand Power Tools
—	109V006	Operator's Manual – Air Die Grinders

PART NUMBERS & SCHEMATICS

Figure 1: Texas Pneumatic Lever Throttle Needle Scaler



PART NUMBERS

TEXAS PNEUMATIC LONG REACH CHISEL SCALER			
Part Numbers	Model	Chisel Width	Length (Inches)
10TX2LRCS	TX-2-LRCS	3"	48*

*extends to 60"

PART NUMBERS

Texas Pneumatic Long Reach Chisel Scaler

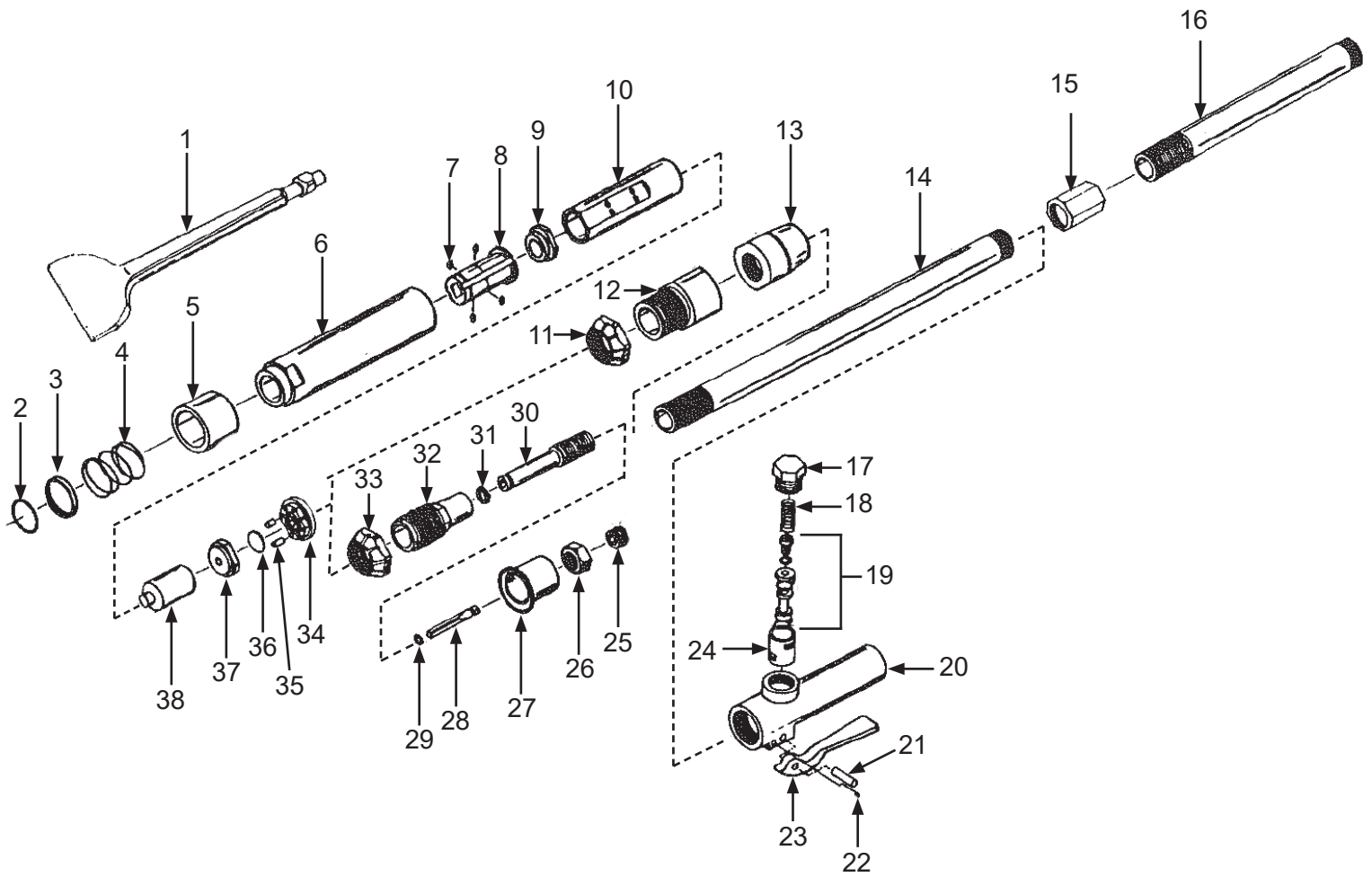


PART NUMBERS & SCHEMATICS

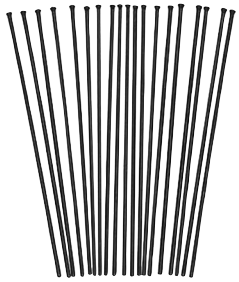
Item #	Part #	Description
Fig. 2		
—	10TX2LRCS	Texas Pneumatic Long Reach Chisel Scaler – Complete
1	—	Chisel (<i>See Page 12</i>)
2	10TX20001	Retainer clip
3	10TX20002	Retainer Washer
4	10TX20003	Retainer Spring
5	10TX20004	Retainer
6	10TX20005	Barrel
7	10TX20006	5/16" Steel Balls (<i>Quantity of Four</i>)
8	10TX20007	Tool Nose
9	10TX20008	Sleeve Nose
10	10TX20009	Liner
11	10TX20015	Backhead Lock Ring
12	10TX20016	Backhead Block
13	10TX20017	Backhead Locking Pipe Nut
14	10TX20018	2' Pipe Extension
15	10TX20019	Extension Coupling
16	10TX20020	1' Pipe Extension
17	10TX20021	Throttle Valve Cap
18	10TX20022	Throttle Valve Spring
19	10TX20023	Throttle Valve Assembly (<i>Includes: Screw, Lock Washer, TV Cap, O-ring Body, Stem O-ring</i>)
20	10TX20025	Live Handle Body
21	10TX20027	Stop Pin
22	10TX20028	Lever Pin
23	10TX20026	Throttle Lever
24	10TX20024	Throttle Valve Bushing
25	10TX20037	Valve Retainer
26	10TX20036	Locking Nut
27	10TX20035	Control Valve Handle
28	10TX20034	Throttle Valve
29	10TX20033	O-ring
30	10TX20032	Throttle Valve Casing
31	10TX20031	C-Clip Retainer
32	10TX20030	Push-Type Backhead
33	10TX20029	Backhead Lock Ring
34	10TX20017	Backhead Locking Pipe Nut
35	10TX20013	1/8" x 7/16" Dowel Pins (<i>Quantity of Two</i>)
36	10TX20012	Flutter Valve
37	10TX20011	Lower Valve Block
38	10TX20010	Piston
—	106M468	Part Numbers and Schematics Guide – Texas Pneumatic Power Tools

PART NUMBERS & SCHEMATICS

Figure 2: Texas Pneumatic Long Reach Chisel Scaler



OPTIONAL ACCESSORIES





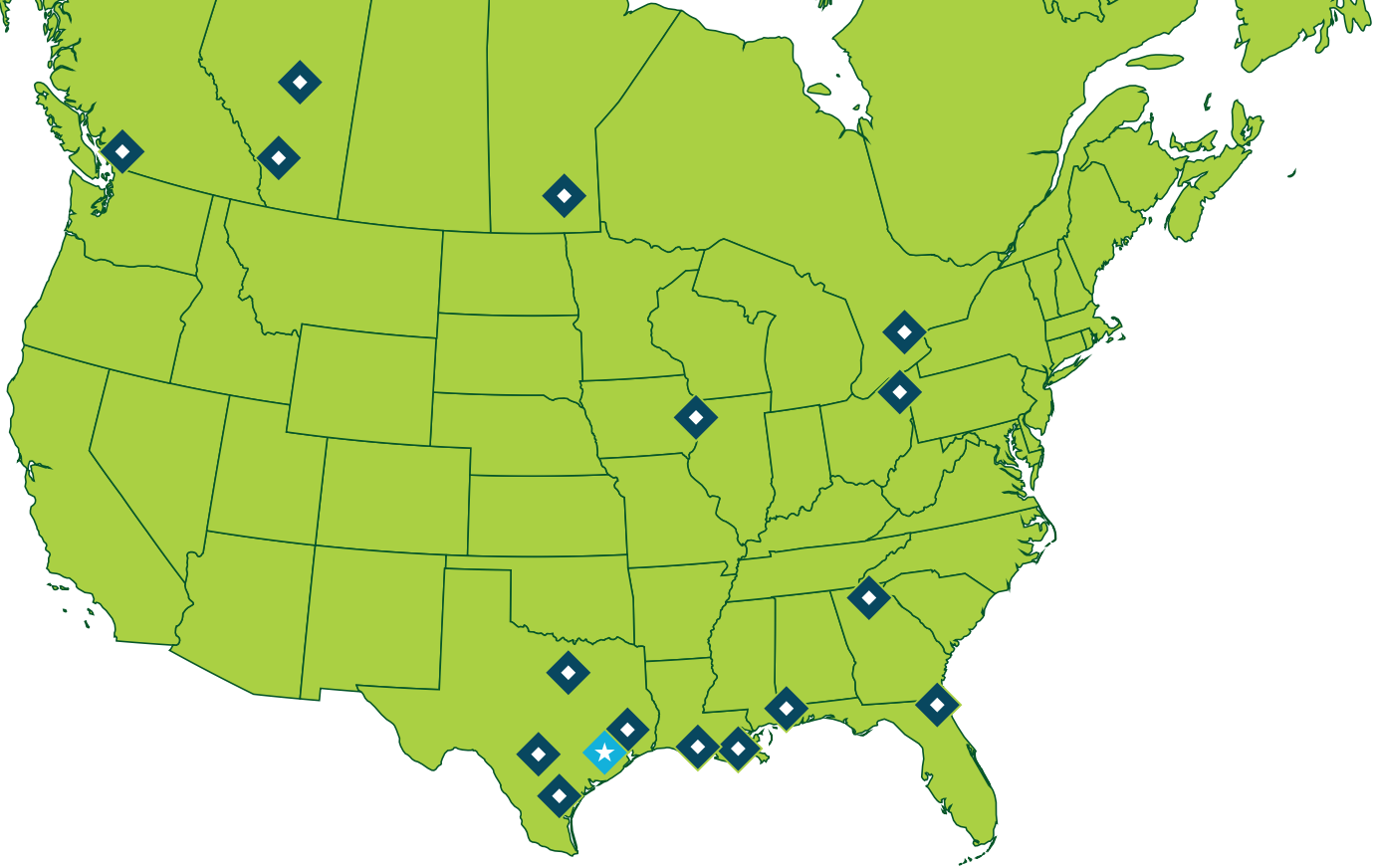
Part Numbers

NEEDLE SCALERS REPLACEMENT NEEDLES											
7 Inch Length	Carbon Steel	Beryllium Copper	Flat Tip	Chisel Tip	Rivet Head	Non-Sparking	Needle Diameter	Needle Diameter	Needle Diameter	Package Quantity	
X	X		X				2mm			One Each	
X	X		X					3mm		One Each	
X	X		X						4mm	One Each	
X	X			X				3mm		One Each	
X	X			X	X			3mm		One Each	
X	X			X	X				4mm	One Each	
X		X	X					3mm		One Each	
X		X	X			X		3mm		One Each	

REPLACEMENT CHISELS

Part Numbers

	Chisel Length <i>(Inches)</i>	Chisel Width <i>(Inches)</i>	Package Quantity
	7	3/4	One Each
	7	2	One Each



ALLREDI THERE

Serving these industries: Bridge, Pipeline, Tank & Tower, Concrete Services, Rail, Shipyard & Marine, Pools & Fountains and Foundry

UNITED STATES

Pasadena, TX (Headquarters)

844.361.7038

Beaumont, TX

409.722.1284

Bristol, PA

215.826.8080

Corpus Christi, TX

361.887.2038

Davenport, IA

563.324.2519

Deer Park, TX

(Service & Rental Location)

281.930.0905

Duluth, GA

800.535.4564

Gonzales, LA

225.647.7575

Harvey, LA

504.367.8090

Houma, LA

985.580.4273

Jacksonville, FL

904.262.2120

Lafayette, LA

337.267.1440

Theodore, AL

251.338.7525

Youngstown, OH

330.448.6267

CANADA

Calgary, Alberta

403.279.1924

Coquitlam, BC

604.464.6979

Edmonton, Alberta

780.468.2588 (Manus)

780.425.5510 (Mod-U-Blast)

Hamilton, Ontario

905.527.6000 / 888.794.5665

Mississauga, Ontario

905.890.5837

Winnipeg, Manitoba

204.256.3324