



# MARCO® ELEVATOR AGITATOR 55 GALLON (220 LITER) DRUM



**PART NUMBERS AND SCHEMATICS GUIDE**

## Company Profile

Allredi was formed in the early 2020, when two of the largest distributors in the blasting, coating, safety, and environmental industry, APE Companies and Marco Group International, joined forces. While the qualities both companies are known for have not changed, a lot about our business is new. New abilities. New agilities. New ways to help you win. This calls for a new name, Allredi.

This name exemplifies what we have become. It is completely oriented to the needs of our customers. To your needs. It says that when you call us for anything – products, service, expert advice, anything – you can consider it done. Or even better, Allredi done.

We are your right-now supplier. From skills to SKUs, we deliver the goods fast. So you can be more agile every minute, every day. This is who we are. This is what our new name means. Go ahead and expect excellence, because we're bringing it.

## The Allredi Difference

- **Industry Experience** – With Allredi on your team, you have access to expertise which can only come from decades of industry leadership. We have organized our engineering department, production specialists, customer operations, and safety support into a "Center of Competence." As an Allredi customer, you have access to hundreds of years of cumulative experience related to your operations.
- **Manufacturing Excellence** – Allredi is a U.S. based manufacturer of equipment for the Surface Preparation and Protective Coatings industries. Allredi's engineers benchmark the industry to ensure that we design and manufacture superior products that set the "Gold Standard" for performance, safety, and quality.
- **Legendary Customer Service** – Allredi's legendary customer service team is staffed by friendly, highly-trained individuals who are focused on providing the highest level of product support, order accuracy, and customer satisfaction.
- **Product Availability** – We stock over 10,000 SKU's and have over 45 shipping locations to serve North American and International markets for all major brands of blasting, coating, environmental, and safety equipment. Allredi is your right-now supplier, so you can keep your projects moving. From our foundation of strong relationships, we have built a nationwide network that puts vast inventory and ready service close to our customers. We provide advanced expertise, and we deliver the goods fast – so you can easily access the products and services you need to me more agile every minute, every day.
- **Technology Leadership** – Our website provides: Operator's Manuals, Part Numbers and Schematics Guides, SDS information, and key product features and specifications, providing access to information 24/7.

# TABLE OF CONTENTS

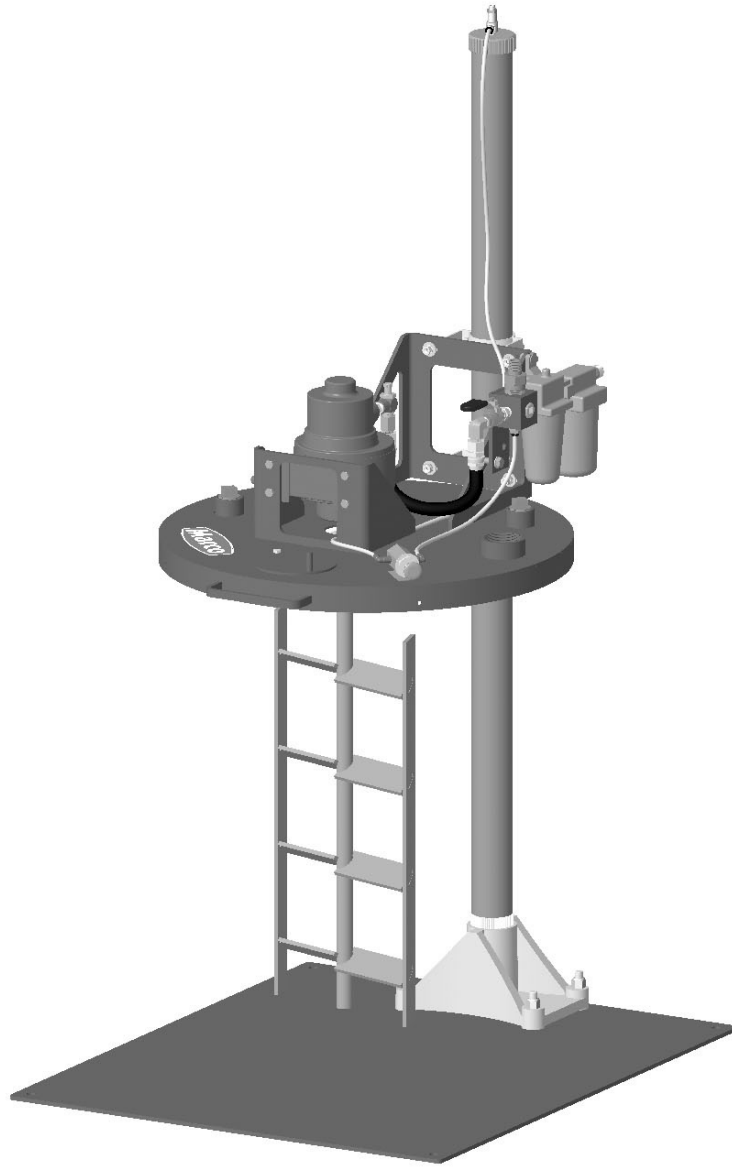
<b>Part Numbers</b> .....	<b>3</b>
<b>Part Numbers And Schematics Guide</b> .....	<b>5</b>
Marco® Elevator Agitator – 55 Gallon (220 Liter) Drum <i>Units built after January 2022</i> .....	<b>5</b>
Marco® Elevator Agitator – 55 Gallon (220 Liter) Drum <i>Units built before January 2022</i> .....	<b>7</b>
<b>Optional Accessories</b> .....	<b>9</b>

# PART NUMBERS

## MARCO® ELEVATOR AGITATOR – 55 GALLON (220 LITER) DRUM

<b>Part Numbers</b>	<b>Air Motor</b>	<b>Gear Box 15:1 Reducer</b>	<b>Stationary Elevator</b>	<b>Agitator Blade</b>
20101153	4 Horsepower	X	X	X

# PART NUMBERS



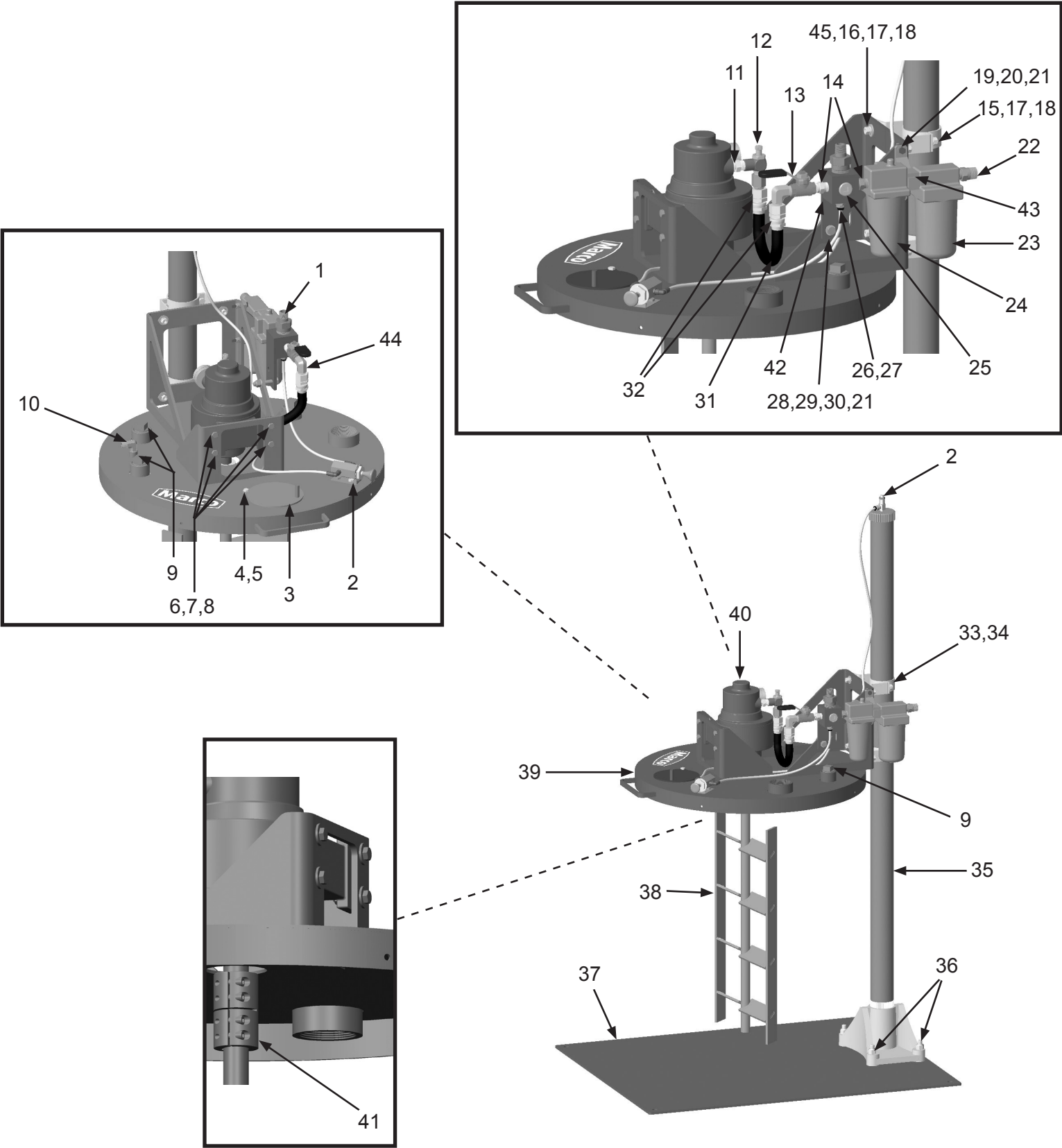
# PART NUMBERS AND SCHEMATICS GUIDE

## Marco® Elevator Agitator – 55 Gallon (220 Liter) Drum - Units built after January 2022

Item #	Part #	Description	Item #	Part #	Description
<b>Fig. 1</b>			31	10AH038	Air Hose 3/8"
1	20PFHA24SA1208	1/2" x 3/4" Hex Nipple	32	2080020	3/8" Air / Fluid Hose Fitting <i>(Two Required)</i>
2	20G237579	Air Conrol Kit	33	20G190181	Riser Tube Bracket <i>(Two Required)</i>
3	20100558	Lid Door Weldment	34	20G190187	Riser Tube support Bracket <i>(Two Required)</i>
4	20100125	1/4-20 x 3/4" Zinc Hex Bolt	35	20G207408	Elevator Stationary
5	1012323	1/4-20 Zinc Lock Nut	36	20100124	1/2"-13 Hex Locknut <i>(Four Required)</i>
6	1014019	5/16-18 x 1-1/4" Hex Bolt <i>(Four Required)</i>	37	20100535	Drum Agitator Base
7	10L805003	5/16" Flat Washer - Zinc <i>(Eight Required)</i>	38	20101104	Agitator
8	20100900	5/16-18 Nylon Locknut <i>(Four Required)</i>	39	20101051	Elevator Lid Weldment
9	1011901	1" Square Head Pipe Plug <i>(Three Required)</i>	40	20100827	15:1 Mixer Gear Drive
10	20PFHA25UA0404	1/4" Male 90° Elbow	41	20100843	1" to 1" Shaft Coupling
11	20PFHA24SA0604	1/4" x 3/8" Hex Nipple	42	20100094	Air Inlet Manifold
12	20DHAV500	Air Adjusting Valve	43	20101192	Lubricator & Filter Spacer
13	1080060	3/8" NPT Full Port Brass Ball Valve	44	20PFHA25UA0606	3/8" Male 90° Elbow
14	20PFHA24SA0606	3/8" Hex Nipple <i>(Two Required)</i>	45	1035045	5/16-18 x 1" Hex Bolt <i>(Four Required)</i>
15	10101346	5/16-18 x 3/4" Hex Bolt <i>(Four Required)</i>	—	20101278	Filter Element
16	10L805003	5/16" Flat Washer - Zinc <i>(Eight Required)</i>	—	20101279	Semi-Auto Drain Bowl
17	10L805014	5/16" Lock Washer <i>(Eight Required)</i>	—	20101280	Oil Drip Dome
18	1035046	5/16-18 Hex Nut <i>(Eight Required)</i>	—	1091130	Hazard Decal Hazard Decal
19	1011747	3/8-16 x 1" Hex Bolt <i>(Four Required)</i>	—	1091135	Pinch Point Hazard Decal
20	1014241	3/8" Flat Washer <i>(Four Required)</i>	—	1091017	Hazard Tag
21	20100138	3/8"-16 Hex Locknut <i>(Four Required)</i>	—	206M109	Part Numbers & Schematics Guide – Marco® Elevator Agitator-55 Gallon Drum
22	20PFHA24SA0806	3/8" x 1/2" Hex Nipple	—	2090109	Operator's Manual – Marco® Elevator Agitator-55 Gallon Drum
23	20101190	3/8" NPT 25 Micron Filter			
24	20101191	3/8" NPT Lubricator			
25	20PRLG75R	3/4" Recessed Plug			
26	20PFHA24SB0604	3/8" x 1/4" Reducing Bushing			
27	20PFBA31755614	1/4" Tube x 1/4" NPT Straight			
28	10102252	3/8-16 x 2" Bolt			
29	20101170	3/8" ID X 3/4" OD X 3/8" L Spacer			
30	1014241	3/8 SAE Flat Washer Zinc <i>(Two Required)</i>			

# PART NUMBERS AND SCHEMATICS GUIDE

**Figure 1:**  
**Marco® Elevator Agitator – 55 Gallon (220 Liter) Drum - Units built after January 2022**



## PART NUMBERS AND SCHEMATICS GUIDE

**Marco® Elevator Agitator – 55 Gallon (220 Liter) Drum - Units built before January 2022**

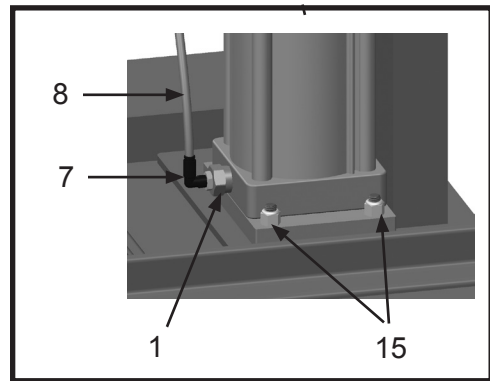
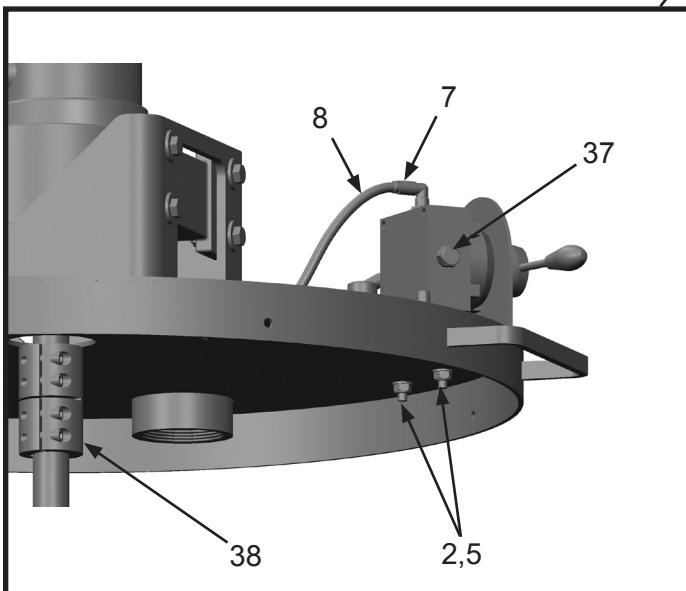
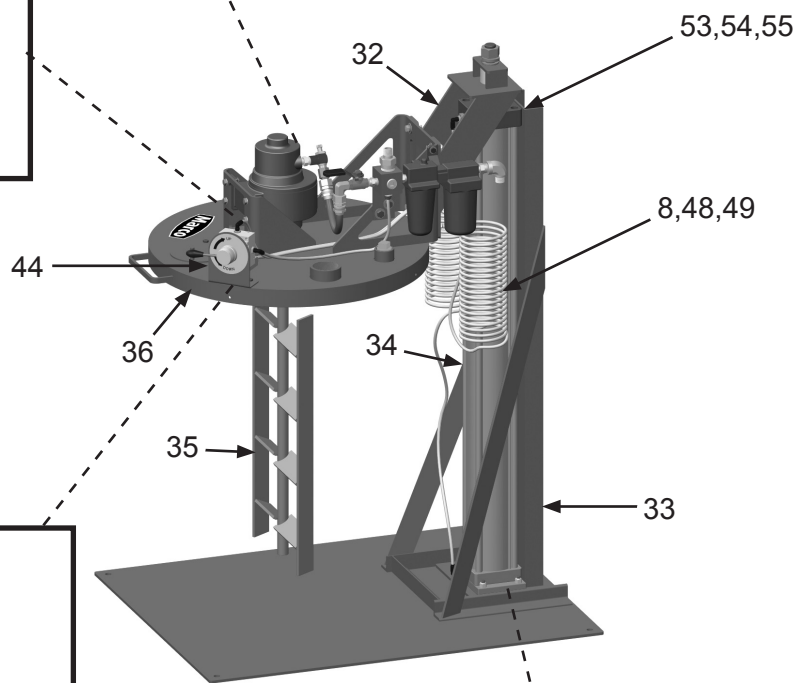
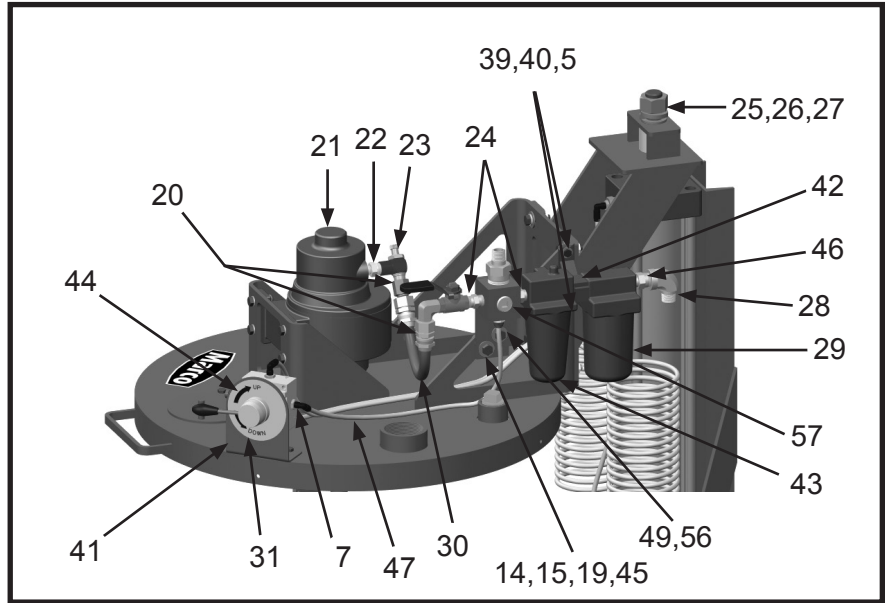
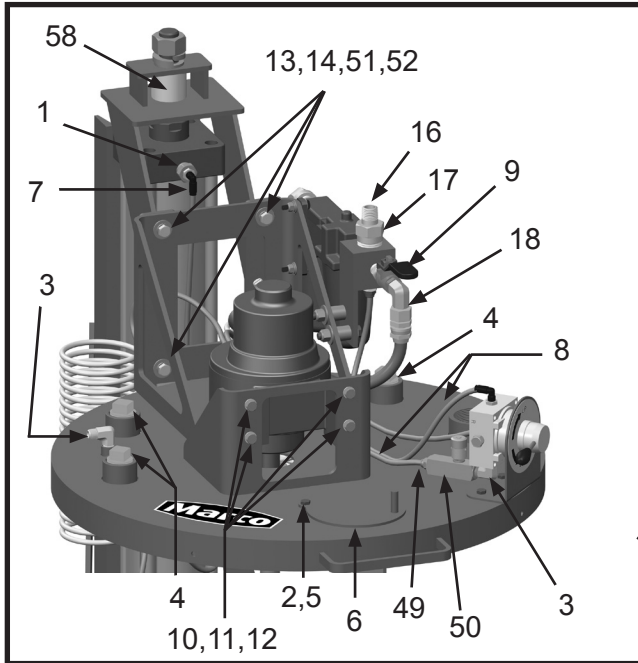
Item #	Part #	Description	Item #	Part #	Description
<b>Fig. 1</b>			32	20101164	Agitator Cylinder Bracket
1	20PFHA24SB0804	1/2" (M) x 1/4" (F) Bushing ( <i>Two Required</i> )	33	20101154	Drum Agitator Base
2	20100125	1/4-20 x 3/4" Zinc Hex Bolt ( <i>Three Required</i> )	34	20101167	Cylinder 4" x 35" Double Acting Piston
3	20PFHA25UA0404	1/4" Male 90° Elbow ( <i>Two Required</i> )	35	20101104	Agitator
4	1011901	1" Square Head Pipe Plug ( <i>Three Required</i> )	36	20101051	Elevator Lid Weldment
5	1012323	1/4-20 Zinc Lock Nut ( <i>Five Required</i> )	37	1019024	1/4" Breather Vent
6	20100558	Lid Door Weldment	38	20100843	1" to 1" Shaft Coupling
7	20PFBA31095614	1/4" Tube x 1/4" NPT 90° ( <i>Four Required</i> )	39	10105903	1/4-20 x 1-1/4" Zinc Bolt ( <i>Two Required</i> )
8	20101277	1/4" (M) 12' Coiled Air Hose ( <i>Two Required</i> )	40	1014017	1/4" Flat Washer ( <i>Four Required</i> )
9	1080060	3/8" NPT Full Port Brass Ball Valve	41	20101169	Cylinder Lift Control Panel
10	1014019	5/16-18 x 1-1/4" Hex Bolt ( <i>Four Required</i> )	42	20101192	Lubricator & Filter Spacer
11	10L805003	5/16" Flat Washer - Zinc ( <i>Eight Required</i> )	43	20101191	3/8" NPT Lubricator
12	20100900	5/16-18 Nylon Locknut ( <i>Four Required</i> )	44	1091139	Lift Control Decal
13	10104234	3/8-16 x 1-1/4" Zinc Bolt ( <i>Four Required</i> )	45	20101170	3/8" ID X 3/4" OD X 3/8" L Spacer ( <i>Two Required</i> )
14	1014241	3/8 SAE Flat Washer Zinc ( <i>12 Required</i> )	46	20PFHA24SA0806	3/8" x 1/2" Hex Nipple
15	20100138	3/8-16 Hex Lock Nut Zinc ( <i>Six Required</i> )	47	20SUTR10805CLT500	1/4" Clear Tubing
16	20PFHA24SA1208	1/2" x 3/4" Hex Nipple	48	20PFHA24SJ04	1/4" Female Coupling ( <i>Four Required</i> )
17	20100094	Air Inlet Manifold	49	20PFBA31755614	1/4" Tube x 1/4" NPT Straight Fitting ( <i>Six Req</i> )
18	20PFHA25UA0606	3/8" Male 90° Elbow	50	20101352	1/4" Flow Control Valve
19	10102252	3/8-16 x 2" Bolt ( <i>Two Req</i> )	51	10101936	3/8" Zinc Lock Washer ( <i>Four Required</i> )
20	2080020	3/8" Air / Fluid Hose Fitting ( <i>Two Required</i> )	52	1012318	3/8"-16 Hex Nut ( <i>Four Required</i> )
21	20100827	15:1 Mixer Gear Drive	53	10104603	1/2-13 x 1-1/4" Zinc Bolt ( <i>Two Required</i> )
22	20PFHA24SA0604	1/4" x 3/8" Hex Nipple	54	10100675	1/2" Lock Washer ( <i>Two Required</i> )
23	20101193	3/8" NPT Needle Valve	55	10100674	1/2" Flat Washer ( <i>Two Req</i> )
24	20PFHA24SA0606	3/8" Hex Nipple ( <i>Two Req</i> )	56	20PFHA24SB0604	3/8" x 1/4" Reducing Bushing
25	20101247	1-14 Hex Nut	57	20PRLG75R	3/4" Recessed Plug
26	20101248	1" Lock Washer	58	20101246	1-3/8" Press Fit Bushing
27	20100148	1" Flat Washer	—	20101278	Filter Element
28	20PFHA25UG0808	1/2" (M) x 1/2" (F) 90° Elbow	—	20101279	Semi-Auto Drain Bowl
29	20101190	3/8" NPT 25 Micron Filter	—	20101280	Oil Drip Dome
30	10AH038	Air Hose 3/8"	—	2090119	Hazard Decals
31	20101044	4 Way 3 Position 1/4" NPT Rotary Valve	—	1091017	Hazard Tag
			—	206M109	Part Numbers & Schematics Guide – Marco® Elevator Agitator-55 Gallon Drum
			—	2090109	Operator's Manual – Marco® Elevator Agitator-55 Gallon Drum




# PART NUMBERS AND SCHEMATICS GUIDE



Figure 1:

Marco® Elevator Agitator – 55 Gallon (220 Liter) Drum - Units built before January 2022



## OPTIONAL ACCESSORIES

		<b>POWERBLANKET®</b>		
<b>Part Numbers</b>		<b>Size</b>	<b>Voltage</b>	<b>Series</b>
	<b>2070021</b>	55 Gallon	120-Volt	Standard
	<b>2070022</b>	55 Gallon	120-Volt	Pro
	<b>2070023</b>	55 Gallon	240-Volt	Pro

		<b>ACCESSORIES</b>
<b>Part Numbers</b>		<b>Description</b>
	<b>10IVDT1008</b>	55 Gallon Drum Dolly
	<b>1098036</b>	55 Gallon Steel Drum





## ALLREDI THERE

Serving these industries: Bridge, Pipeline, Tank & Tower, Concrete Services, Rail, Shipyard & Marine, Pools & Fountains and Foundry

### UNITED STATES

**Pasadena, TX** (*Headquarters*)

844.361.7038

**Beaumont, TX**

409.722.1284

**Bristol, PA**

215.826.8080

**Corpus Christi, TX**

361.887.2038

**Davenport, IA**

563.324.2519

**Deer Park, TX**

(*Service & Rental Location*)

281.930.0905

**Duluth, GA**

800.535.4564

**Gonzales, LA**

225.647.7575

**Harvey, LA**

504.367.8090

**Houma, LA**

985.580.4273

**Jacksonville, FL**

904.262.2120

**Lafayette, LA**

337.267.1440

**Theodore, AL**

251.338.7525

**Youngstown, OH**

330.448.6267

### CANADA

**Calgary, Alberta**

403.279.1924

**Coquitlam, BC**

604.464.6979

**Edmonton, Alberta**

780.468.2588 (Manus)

780.425.5510 (Mod-U-Blast)

**Hamilton, Ontario**

905.527.6000 / 888.794.5665

**Mississauga, Ontario**

905.890.5837

**Winnipeg, Manitoba**

204.256.3324

**800-252-7848 / WWW.ALLREDI-US.COM**

Allredi™ and Marco® are registered trademarks of Allredi, LLC.

All other brand names or marks are used for identification purposes and are trademarks of their respective owners.



Literature #206M109\_2/24/22