



NOVATEK™ POWER TOOLS



PART NUMBERS AND SCHEMATICS GUIDE

Company Profile

Since 1944, Marco has developed a strong tradition of providing innovative and reliable products and services to the surface preparation and protective coatings industries. We are the world's premier provider of Abrasives, Blasting, Coating, Dust Collectors, Engineered Systems, Rental, Safety, Service, Repair, & Modernization, and Vacuums.

Through innovative designs and a total commitment to quality, Marco manufactures products that increase production rates, create a safer workplace, and reduce maintenance costs. Marco's industry experience, manufacturing capabilities, legendary customer service, product availability, logistics services, and technology leadership is your assurance that we deliver high quality products and services, providing the best value to you, our customer.

The Marco Difference

- **Industry Experience** – With Marco on your team, you have access to expertise which can only come from decades of industry leadership. We have organized our engineering department, production specialists, customer operations, and safety support into a “Center of Competence.” As a Marco customer, you have access to hundreds of years of cumulative experience related to your operations.
- **Manufacturing Excellence** – Marco is a U.S. based, ISO 9001:2008 certified manufacturer of equipment for the Surface Preparation and Protective Coatings industries. Marco's engineers benchmark the industry to ensure that we design and manufacture superior products that set the “Gold Standard” for performance, safety, and quality.
- **Legendary Customer Service** – Marco's legendary customer service team is staffed by friendly, highly-trained individuals who are focused on providing the highest level of product support, order accuracy, and customer satisfaction.
- **Product Availability** – We stock over 10,000 SKU's and have more than 45 shipping locations to serve North American and International markets for all major brands of blasting and coating equipment. As the largest provider of surface preparation and protective coatings equipment in the world, our inventory levels and product availability are unmatched.
- **Logistics Services** – Marco's in-house logistics team is dedicated to moving your shipment anywhere in the world. We move more than 14,000 truckloads every year, allowing you to save on freight costs by leveraging our buying power. Lower your process costs with a single invoice, which includes product and freight.
- **Technology Leadership** – Our website provides: Operator's Manuals, Part Numbers and Schematics Guides, SDS information, and Features & Specifications Guides, providing access to information 24/7. Our Extranet application allows you to receive quotes and place orders online. Our Intranet maintains a complete record of your purchase history to assist with ongoing support of your existing equipment and future purchasing decisions.

Vision Statement

Marco is the world's premier provider of Abrasives, Blasting, Coating, Dust Collectors, Engineered Systems, Rental, Safety, Service, Repair, & Modernization, and Vacuums.

Mission Statement

Marco provides strong leadership and innovation to the surface preparation and protective coatings industries. We dedicate our efforts to the continuous improvement of our products, services, processes, people, and most importantly, the quality of our customer's experience.

Quality Statement

Marco is committed to providing superior quality in the design, manufacturing, distribution, rental, service, and repair of our products. Our ISO 9001:2008 certification extends throughout all operations in all locations. Continuous improvement of our processes and supply chain Integration comprise the core of our business strategy for delivering exceptional quality and value in all Marco products and services.

Management Philosophy

We are a company dedicated to the success of every customer and associate. We discuss, debate, challenge, measure, and test our ideas. We will be boundless and limitless in our passion to improve. Through sound leadership and dedicated associates, we will ensure a long term, profitable future for Marco, our associates, customers, and suppliers.

TABLE OF CONTENTS

Company Profile	2
Table of Contents	3
Novatek™ Power Tools	4-31
Novatek™ Needle and Chisel Scalers	4-17
Needle Scaler Part Numbers	4
Chisel Scaler Part Numbers	4
Needle and Chisel Scaler Kits	5
Part Numbers & Schematics	6-17
Model 1B	6-7
Model 2B	8-9
Model 3B	10-11
Model 4B	12-13
Model 2BPG	14-15
Model 3BPG	16-17
Novatek™ Vacuum Shrouded Needle Scalers	18-25
Shrouded Needle Scaler Part Numbers	18
Shrouded Needle Scaler Kits	19
Part Numbers & Schematics	20-25
Model 2B	20-21
Model 2BPG	22-23
Model 3BPG	24-25
Replacement Needles	26
Replacement Chisels	27
Novatek™ Peening Preparation Tools	28-31
Peening Preparation Tools	28
Peening Preparation Tool Kits	28
Replacement Cutters	29
Part Numbers & Schematics	30-31
Novatek™ Vacuums	32-38
Part Numbers	32
3.3 Gallon Backpack Vacuum Head	33
3.3 Gallon Backpack Vacuum Filters & Canister	34
15 Gallon Floor & 55 Gallon Drum Vacuum Head	35
15 Gallon Floor Vacuum Filters & Canister ..	36
55 Gallon Drum Vacuum – Top	37
Optional Accessories	38
Maintenance Notes	39

PART NUMBERS



NOVATEK™ NEEDLE SCALERS

Part Numbers	Model	Needle Diameter (mm)	Needle Quantity	Length (Inches)
10TR1111099	1B	3	12	13.5
10TR1212099	2B	3	19	14.8
10TR1313099	3B	3	28	18.3
10TR1333199	3BPG	3	28	13.5
10TR1414099	4B	4	35	19
10TR1232199	19PG	3	19	12.4



NOVATEK™ CHISEL SCALERS

Part Numbers	Model	Chisel Holder	Length (Inches)
10TR1141299	1B	1/2" Square	12.3
10TR1242299	2B	1/2" Square	13.5
10TR1252399	2BPG	1/2" Square	10.2
10TR1343299	3B	1/2" Square	16.8
10TR1353399	3BPG	1/2" Square	13.3
10TR1353395	3BPG	5/8" Hexagon	13.3
10TR1444299	4B	1/2" Square	17.3

PART NUMBERS

NOVATEK™ NEEDLE AND CHISEL SCALER KITS										
Part Numbers	Model	Front Tube	Chisel Holder (Inches)	Replacement Chisels (Inches)	Needle Holders	Replacement Needles	Compression Spring	Anvil	Tool Box	3/8" X 25 Ft. Air Hose
10TR1101099	1B	Straight	1/2 Square	3/4-1/2 Square Shank 2-1/2 Square Shank 1-3/8 Cranked - 1/2 Square	2B 2mm 1B 3mm	Flat Tip 2mm Chisel Tip 3mm	X	X	X	X
10TR1212099	2B	Round	1/2 Square	3/4-1/2 Square Shank 2-1/2 Square Shank 1-3/8 Cranked - 1/2 Square	2B 2mm 2B 3mm	Flat Tip 2mm Chisel Tip 3mm	X	X	X	N/A
10TR1222199	2BPG	Round	1/2 Square	3/4"-1/2" Square Shank 2-1/2" Square Shank 1-3/8 Cranked - 1/2 Square	2B 2mm 2B 3mm	Flat Tip 2mm Chisel Tip 3mm	X	X	X	N/A
10TR1323199	3BPG	Round	1/2 Square	3/4-1/2 Square Shank 2-1/2 Square Shank 1-3/8 Cranked - 1/2 Square	3B 2mm 3B 3mm	Flat Tip 2mm Chisel Tip 3mm	X	X	X	N/A
10TR1353199	3BPG	Round	5/8 Hexagon	1 Steel – 5/8 Hex 2 Steel – 5/8 Hex 4 Steel – 5/8 Hex	3B 2mm 3B 3mm	Flat Tip 2mm Chisel Tip 3mm	X	X	X	N/A
10TR1303099	3B	Round	1/2 Square	3/4-1/2 Square Shank 2-1/2 Square Shank 1-3/8 Cranked - 1/2 Square	3B 2mm 3B 3mm	Flat Tip 2mm Chisel Tip 3mm	X	X	X	N/A
10TR1404099	4B	Round	1/2 Square	3/4-1/2 Square Shank 2-1/2 Square Shank 1-3/8 Cranked - 1/2 Square	4B 3mm 4B 4mm	Flat Tip 4mm Chisel Tip 3mm	X	X	X	X



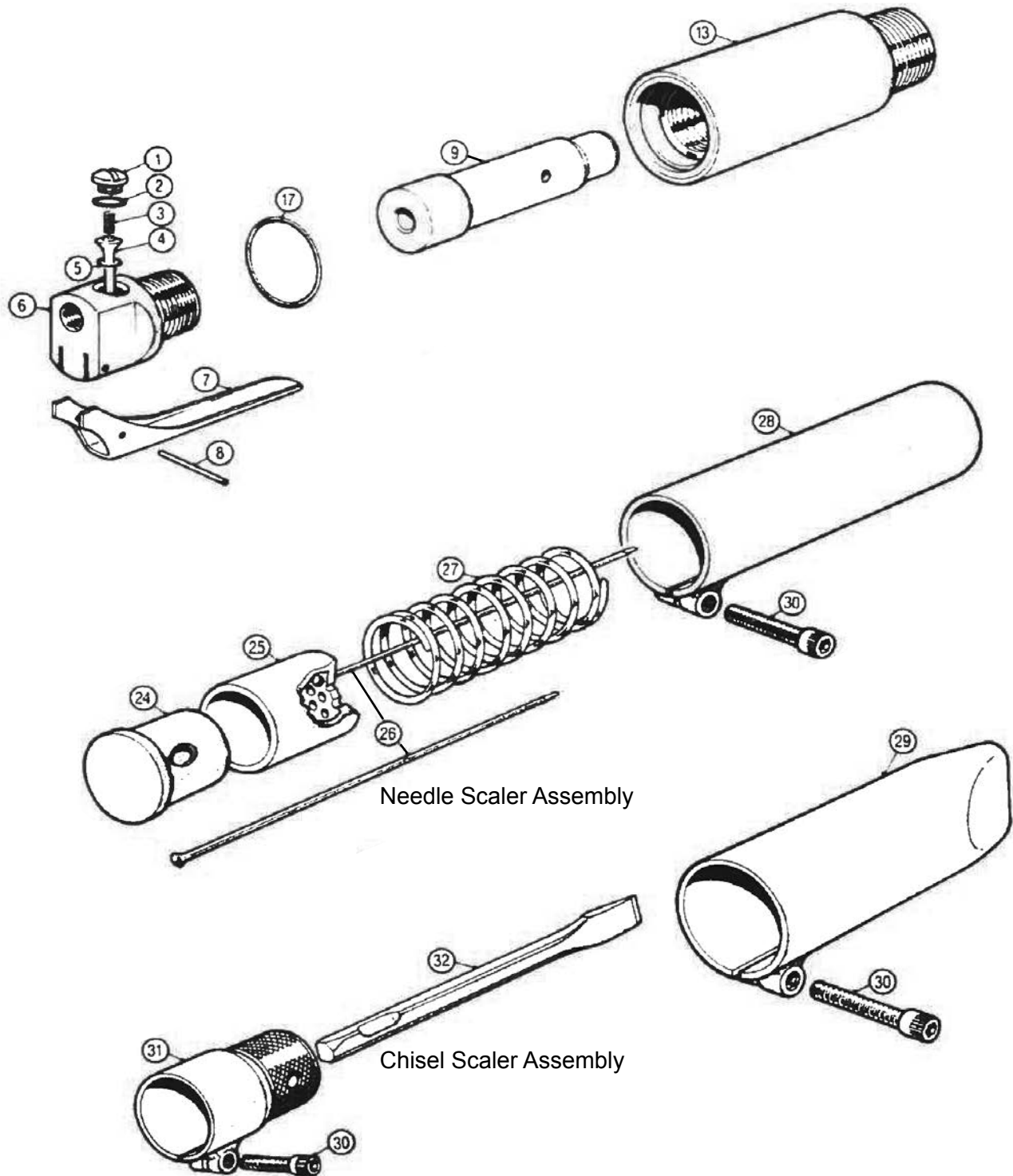
PART NUMBERS & SCHEMATICS

Novatek™ Needle and Chisel Scalers – Model 1B

Item #	Part #	Description
Fig. 1		
1	10TR6153021	Valve Cap
2	10TR8090139	Valve Cap O-Ring (<i>Quantity of 10</i>)
3	10TR7123022	Valve Spring
4	10TR6183022	Valve Stem
5	10TR8090089	Valve Stem O-Ring (<i>Quantity of 10</i>)
6	10TR4241521	Valve Body
6A	10TR4231521	Valve Body Assembly <i>Includes Item #'s: 1–8</i>
7	—	Throttle Lever
8	10TR8130108	Roll Pin (<i>Quantity of 10</i>)
9	10TR6121001	Piston
13	10TR4111002	Body
17	10TR8090219	O-Ring (<i>Quantity of 10</i>)
24	10TR6102001	Anvil
25	10TR6011002	2mm Needle Holder
—	10TR6011003	3mm Needle Holder
26	—	Needles (<i>See Page 26</i>)
27	10TR7121001	Compression Spring
28	10TR4161032	Intermediate Tube (<i>Includes Item #30</i>)
29	10TR4171032	Straight Front Tube (<i>Includes Item #30</i>)
—	10TR4181032	Round Front Tube (<i>Includes Item #30</i>)
30	10TR8060825	Cap Head Screw (<i>Quantity of 10</i>)
31	10TR4191241	Chisel Holder Assembly (<i>Includes Item #30</i>)
32	—	Chisel (<i>See Page 27</i>)
—	106M401	Part Numbers and Schematics Guide – Novatek™ Power Tools
—	109V012	Operator's Manual – Novatek™ Needle and Chisel Scalers

PART NUMBERS & SCHEMATICS

Figure 1: Novatek™ Needle and Chisel Scalers – Model 1B



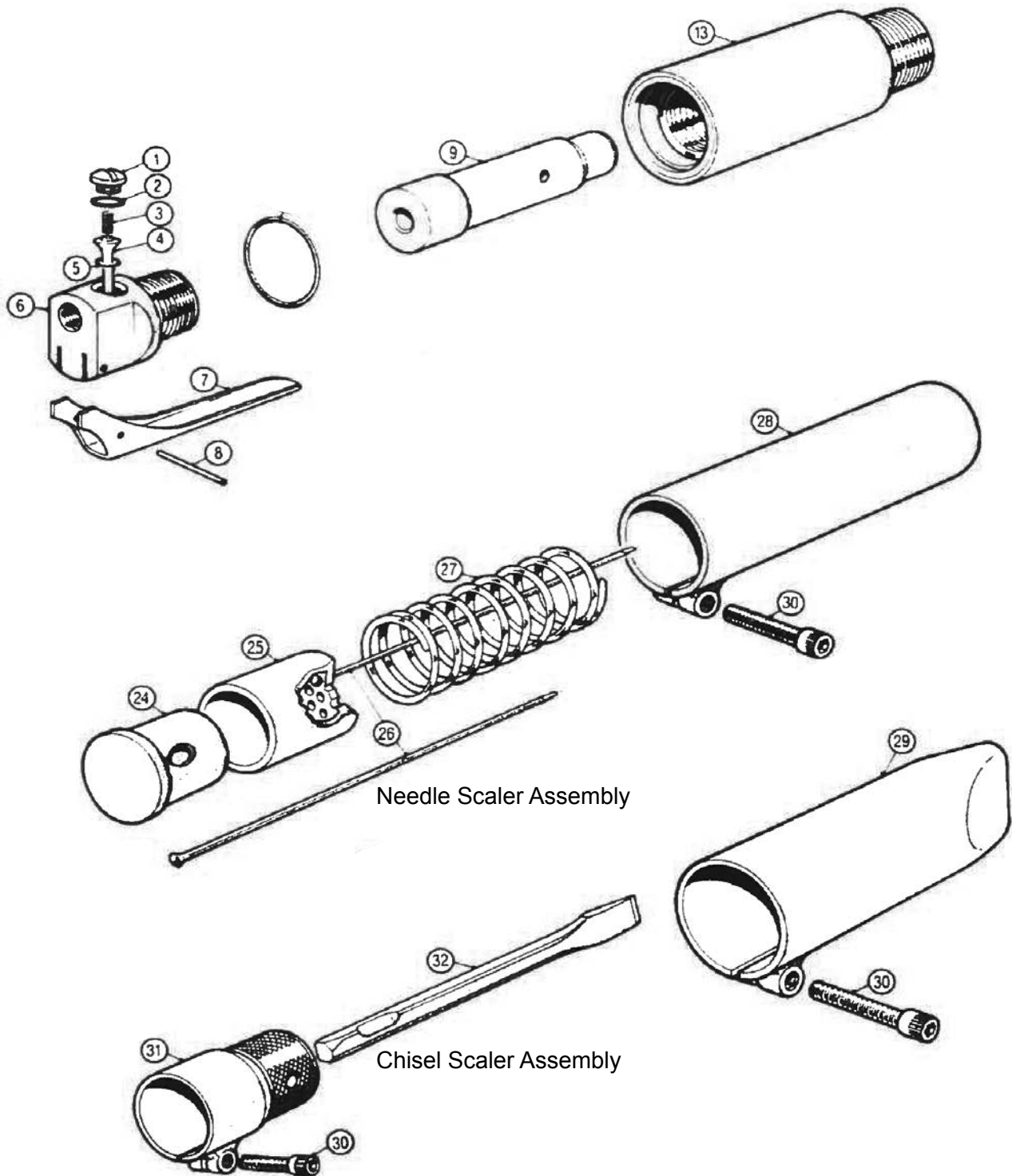
PART NUMBERS & SCHEMATICS

Novatek™ Needle and Chisel Scalers – Model 2B

Item #	Part #	Description
Fig. 2		
1	10TR6153021	Valve Cap
2	10TR8090139	Valve Cap O-ring (<i>Quantity of 10</i>)
3	10TR7123022	Valve Spring
4	10TR6183022	Valve Stem
5	10TR8090089	Valve Stem O-ring (<i>Quantity of 10</i>)
6	10TR4241521	Valve Body
6A	10TR4232521	Valve Body Assembly <i>Includes Item #'s: 1–8</i>
7	—	Throttle Lever
8	10TR8130108	Roll Pin (<i>Quantity of 10</i>)
9	10TR6122001	Piston
13	10TR4112002	Body
24	10TR6102001	Anvil
25	10TR6012002	2mm Needle Holder
—	10TR6012003	3mm Needle Holder
26	—	Needles (<i>See Page 26</i>)
27	10TR7122001	Compression Spring
28	10TR4162032	Intermediate Tube (<i>Includes Item #30</i>)
29	10TR4172032	Straight Front Tube (<i>Includes Item #30</i>)
—	10TR4082032	Round Front Tube (<i>Includes Item #30</i>)
30	10TR8060830	Cap Head Screw (<i>Quantity of 10</i>)
31	10TR4192241	Chisel Holder Assembly (<i>Includes Item #30</i>)
32	—	Chisel (<i>See Page 27</i>)
—	106M401	Part Numbers and Schematics Guide – Novatek™ Power Tools
—	109V012	Operator's Manual – Novatek™ Needle and Chisel Scalers

PART NUMBERS & SCHEMATICS

Figure 2: Novatek™ Needle and Chisel Scalers – Model 2B



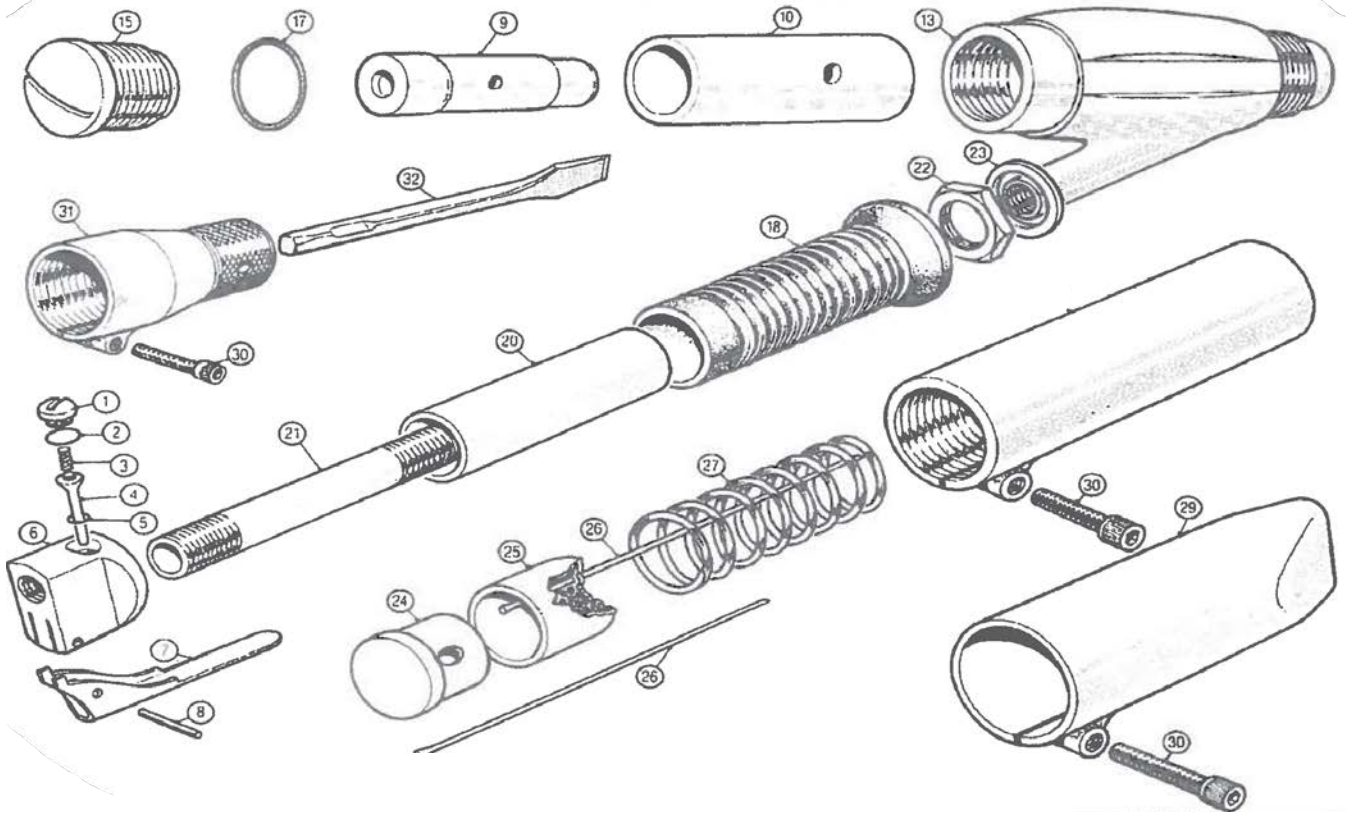
PART NUMBERS & SCHEMATICS

Novatek™ Needle and Chisel Scalers – Model 3B

Item #	Part #	Description
Fig. 3		
1	10TR6153021	Valve Cap
2	10TR8090139	Valve Cap O-ring (<i>Quantity of 10</i>)
3	10TR7123022	Valve Spring
4	10TR6183022	Valve Stem
5	10TR8090089	Valve Stem O-ring (<i>Quantity of 10</i>)
6	10TR4241521	Valve Body
6A	—	Valve Body Assembly (<i>Includes Item #'s: 1–8</i>)
7	—	Throttle Lever
8	10TR8130108	Roll Pin (<i>Quantity of 10</i>)
9	10TR6123001	Piston
10	10TR6133001	Cylinder
13	10TR6113002	Body
15	10TR6153001	End Cap
17	10TR8090269	O-ring (<i>Quantity of 10</i>)
18	10TR7173011	Rubber Handle Grip
20	10TR6243001	Handle Tube
21	10TR6233001	Center Tube
22	10TR6253001	Locknut
23	10TR8109000	Sealing Washer (<i>Quantity of 10</i>)
24	10TR6103001	Anvil
25	10TR6013002	2mm Needle Holder
—	10TR6013003	3mm Needle Holder
26	—	Needles (<i>See Page 26</i>)
27	10TR7123001	Compression Spring
28	10TR4163032	Intermediate Tube (<i>Includes Item #30</i>)
29	10TR4173032	Straight Front Tube (<i>Includes Item #30</i>)
30	10TR8060830	Cap Head Screw (<i>Quantity of 10</i>)
31	10TR4193241	Chisel Holder Assembly (<i>Includes Item: #30</i>)
32	—	Chisel (<i>See Page 27</i>)
—	106M401	Part Numbers and Schematics Guide – Novatek™ Power Tools
—	109V012	Operator's Manual - Needle and Chisel Scalers

PART NUMBERS & SCHEMATICS

Figure 3: Novatek™ Needle and Chisel Scalers – Model 3B



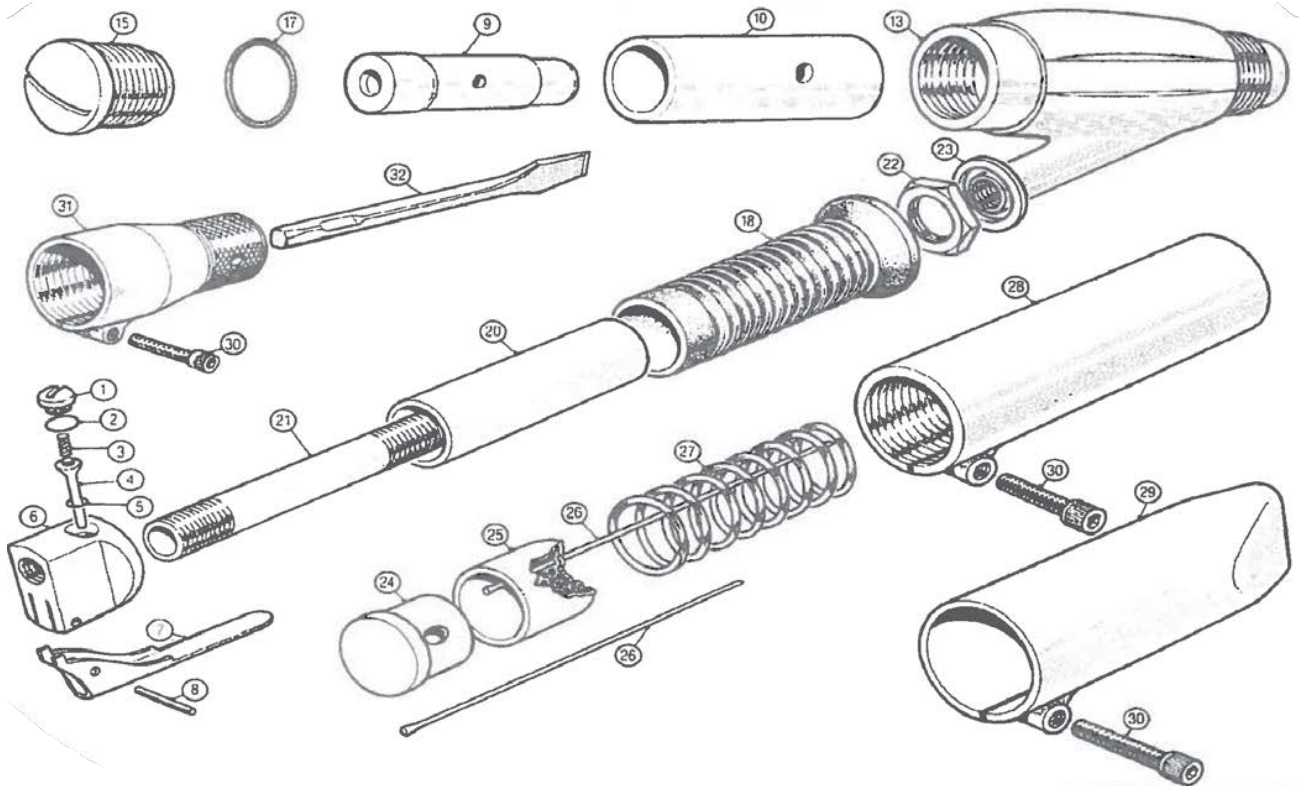
PART NUMBERS & SCHEMATICS

Novatek™ Needle and Chisel Scalers – Model 4B

Item #	Part #	Description
Fig. 4		
1	10TR6153021	Valve Cap
2	10TR8090139	Valve Cap O-ring (<i>Quantity of 10</i>)
3	10TR7123022	Valve Spring
4	10TR6183022	Valve Stem
5	10TR8090089	Valve Stem O-ring (<i>Quantity of 10</i>)
6	10TR4241521	Valve Body
6A	—	Valve Body Assembly (<i>Includes Item #'s: 1–8</i>)
7	—	Throttle Lever
8	10TR8130108	Roll Pin (<i>Quantity of 10</i>)
9	10TR6124001	Piston
10	10TR6134001	Cylinder
13	10TR4114002	Body
15	10TR6154001	End Cap
17	10TR8090299	O-ring (<i>Quantity of 10</i>)
18	10TR7173011	Rubber Handle Grip
20	10TR6243001	Handle Tube
21	10TR6233001	Center Tube
22	10TR6253001	Locknut
23	10TR8109000	Sealing Washer (<i>Quantity of 10</i>)
24	10TR6104001	Anvil
25	10TR6014004	4mm Needle Holder
26	—	Needles (<i>See Page 26</i>)
27	10TR7124001	Compression Spring
28	10TR4164032	Intermediate Tube (<i>Includes Item: #30</i>)
29	10TR4174032	Straight Front Tube (<i>Includes Item: #30</i>)
—	10TR4184032	Round Front Tube (<i>Includes Item: #30</i>)
30	10TR8060835	Cap Head Screw (<i>Quantity of 10</i>)
31	10TR4194241	Chisel Holder Assembly (<i>Includes Item: #30</i>)
32	—	Chisel (<i>See Page 27</i>)
—	106M401	Part Numbers and Schematics Guide – Novatek™ Power Tools
—	109V012	Operator's Manual - Needle and Chisel Scalers

PART NUMBERS & SCHEMATICS

Figure 4: Novatek™ Needle and Chisel Scalers – Model 4B



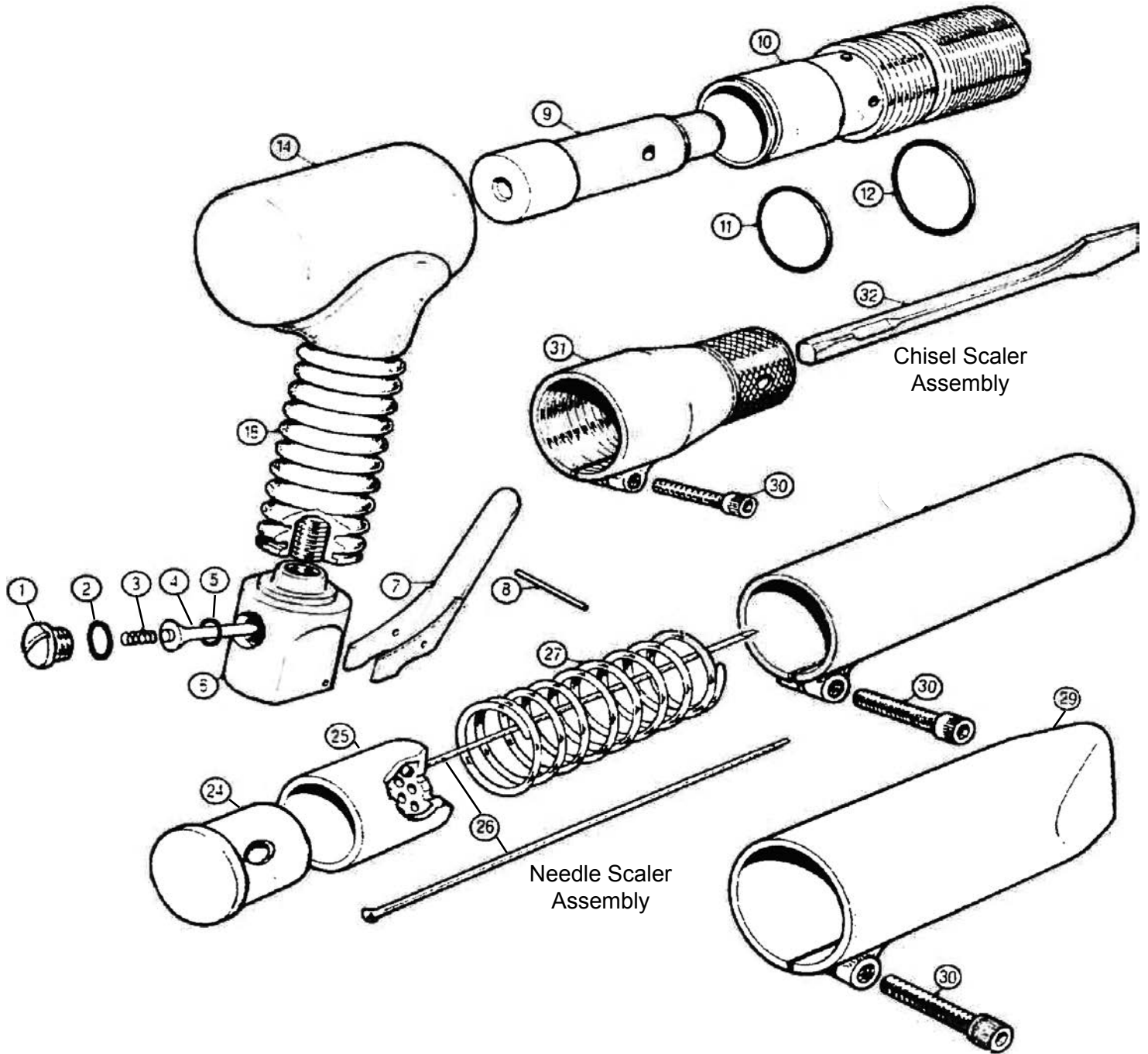
PART NUMBERS & SCHEMATICS

Novatek™ Needle and Chisel Scalers – Model 2BPG

Item #	Part #	Description
Fig. 5		
1	10TR6153021	Valve Cap
2	10TR8090139	Valve Cap O-ring (<i>Quantity of 10</i>)
3	10TR7123022	Valve Spring
4	10TR6183022	Valve Stem
5	10TR8090089	Valve Stem O-ring (<i>Quantity of 10</i>)
6	—	Valve Body
6A	—	Valve Body Assembly (<i>Includes Item #'s: 1–8</i>)
7	—	Throttle Lever
8	10TR8130108	Roll Pin (<i>Quantity of 10</i>)
9	10TR6122001	Piston
10	10TR6132101	Cylinder
11	10TR8090249	O-ring (<i>Quantity of 10</i>)
12	10TR8090269	O-ring (<i>Quantity of 10</i>)
14	10TR4252100	Cover Assembly
18	10TR7173101	Rubber Handle Grip
24	10TR6102001	Anvil
25	10TR6012002	2mm Needle Holder
—	10TR6012003	3mm Needle Holder
26	—	Needles (<i>See Page 26</i>)
27	10TR7122001	Compression Spring
28	10TR4162032	Intermediate Tube (<i>Includes Item: #30</i>)
29	10TR4172032	Straight Front Tube (<i>Includes Item: #30</i>)
30	10TR8060830	Cap Head Screw (<i>Quantity of 10</i>)
31	10TR4192241	Chisel Holder Assembly 1/2" Square (<i>Includes Item: #30</i>)
32	—	Chisel (<i>See Page 27</i>)
—	106M401	Part Numbers and Schematics Guide – Novatek™ Power Tools
—	109V012	Operator's Manual – Novatek™ Needle and Chisel Scalers

PART NUMBERS & SCHEMATICS

Figure 5: Novatek™ Needle and Chisel Scalers – Model 2BPG



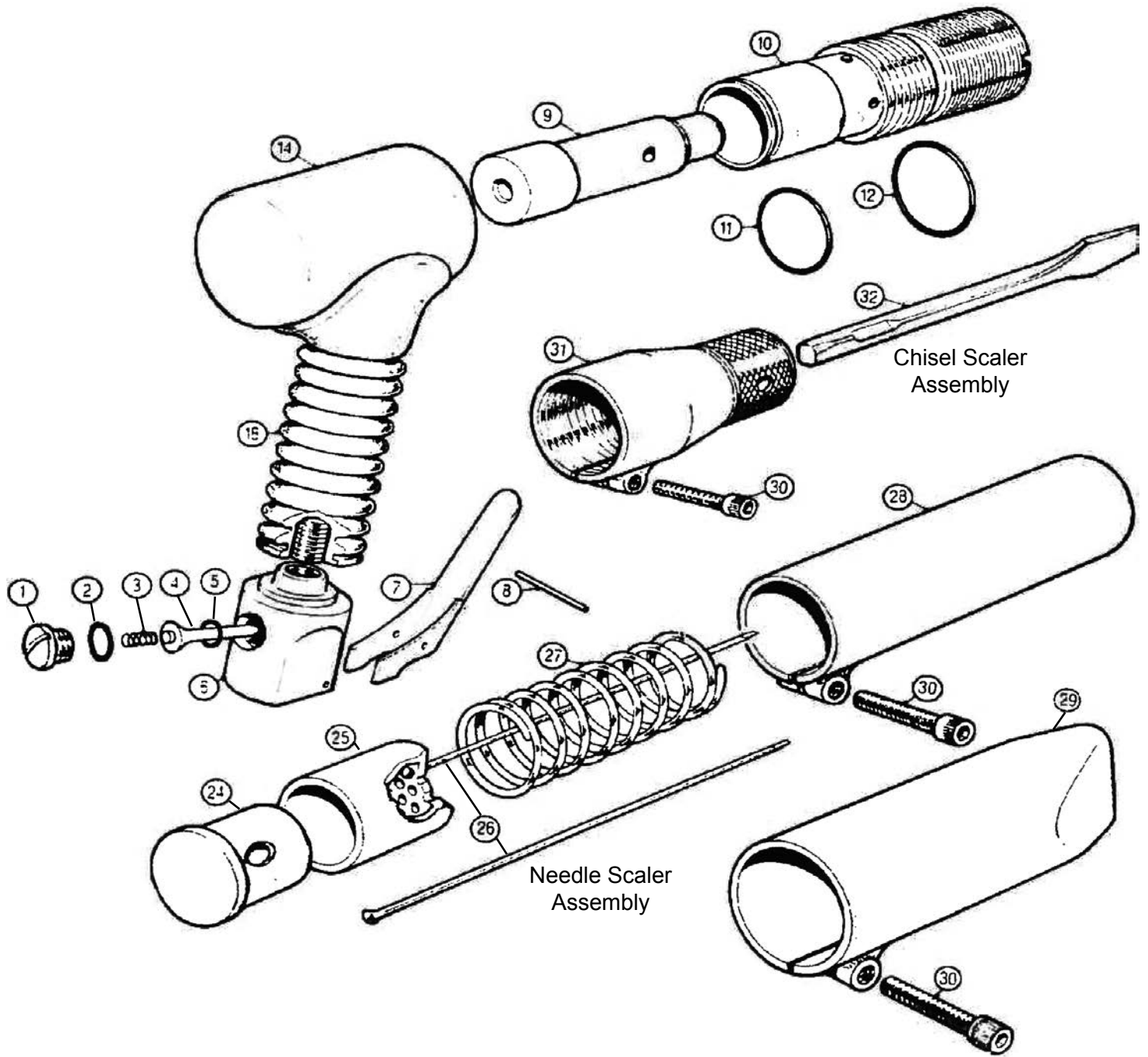
PART NUMBERS & SCHEMATICS

Novatek™ Needle and Chisel Scalers – Model 3BPG

Item #	Part #	Description
Fig. 6		
1	10TR6153021	Valve Cap
2	10TR8090139	Valve Cap O-ring (<i>Quantity of 10</i>)
3	10TR7123022	Valve Spring
4	10TR6183022	Valve Stem
5	10TR8090089	Valve Stem O-ring (<i>Quantity of 10</i>)
6	—	Valve Body
6A	—	Valve Body Assembly (<i>Includes Item #'s: 1–8</i>)
7	—	Throttle Lever
8	10TR8130108	Roll Pin (<i>Quantity of 10</i>)
9	10TR6123001	Piston
10	10TR6133101	Cylinder
11	10TR8090289	O-ring (<i>Quantity of 10</i>)
12	10TR8090299	O-ring (<i>Quantity of 10</i>)
14	10TR4253100	Cover Assembly
18	10TR7173101	Rubber Handle Grip
24	10TR6103001	Anvil
25	10TR6013002	2mm Needle Holder
—	10TR6013003	3mm Needle Holder
26	—	Needles (<i>See Page 26</i>)
27	10TR7123001	Compression Spring
28	10TR4163132	Intermediate Tube (<i>Includes Item: #30</i>)
29	10TR4173032	Straight Front Tube (<i>Includes Item: #30</i>)
—	10TR4083032	Round Front Tube (<i>Includes Item: #30</i>)
30	10TR8060830	Cap Head Screw (<i>Quantity of 10</i>)
31	10TR4193341	Chisel Holder Assembly 1/2" Square (<i>Includes Item: #30</i>)
—	10TR4193541	Chisel Holder Assembly 5/3" Hexagon (<i>Includes Item: #30</i>)
32	—	Chisel (<i>See Page 27</i>)
—	106M401	Part Numbers and Schematics Guide – Novatek™ Power Tools
—	109V012	Operator's Manual – Novatek™ Needle and Chisel Scalers

PART NUMBERS & SCHEMATICS

Figure 6: Novatek™ Needle and Chisel Scalers – Model 3BPG



PART NUMBERS

NOVATEK™ VACUUM SHROUDED NEEDLE SCALERS						
Part Numbers	Model	Needle Diameter (mm)	Needle Quantity	Length	Air Consumption	Blows Per Minute
10TR1392007	2B	3	19	18.5"	5.5 CFM	3,000
10TR1392107	2BPG	3	19	12.4"	5.5 CFM	3,000
10TR1393107	3BPG	3	28	13.5"	8 CFM	2,200



PART NUMBERS

NOVATEK™ VACUUM SHROUDED NEEDLE SCALER KITS

Part Numbers	Needle Scaler Model	Heavy-Duty Tool Box	Anvil	Compression Springs	Needle Holder (2mm)	Needle Holder (3mm)	Flat Tip Needles (2mm)	Chisel Tip Needles (3mm)	Flat Cuffs	Corner Cuffs	Edge Cuffs
10TR1392000	2B	1	1	2	1	1	250	100	3	2	N/A
10TR1392100	2BPG	1	1	2	1	1	250	100	3	2	N/A
10TR1393100	3BPG	1	1	2	1	1	250	100	3	2	2



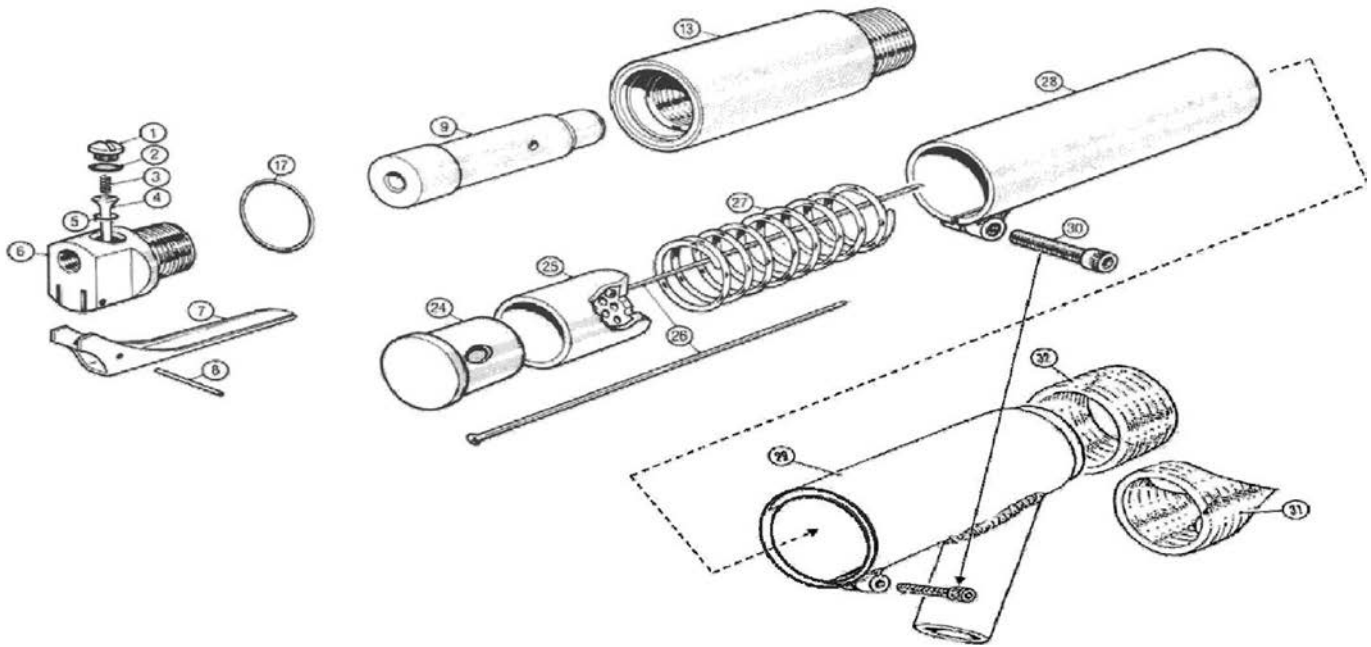
PART NUMBERS & SCHEMATICS

Novatek™ Vacuum Shrouded Needle Scaler – Model 2B

Item #	Part #	Description
Fig. 7		
1	10TR6153021	Valve Cap
2	10TR8090139	Valve Cap O-ring
3	10TR7123022	Valve Spring
4	10TR6183022	Valve Stem
5	10TR8090089	Valve Seat O-ring (<i>Quantity of 10</i>)
6	—	Valve Body
6A	—	Valve Body Assembly (<i>Includes Item #'s: 1–8</i>)
7	—	Throttle Lever
8	10TR8130108	Roll Pin (<i>Quantity of 10</i>)
9	10TR6122001	Piston
13	10TR4112002	Body
17	10TR8090249	O-ring (<i>Quantity of 10</i>)
24	10TR6102091	Anvil
25A	10TR6012093	3mm Needle Holder
25B	10TR6012092	2mm Needle Holder
26	—	Needles (<i>See Page 26</i>)
27	10TR7122001	Compression Spring
28	10TR4162099	Intermediate Tube (<i>Includes Item #30</i>)
29	10TR4182199	Front Tube with Vacuum Takeoff (<i>Includes Item #30</i>)
30	10TR8060830	Cap Head Screw (<i>Quantity of 10</i>)
31	10TR7312101	Inside Corner-Front Cuff
32	10TR7312103	Flat Edge-Front Cuff
—	106M401	Part Numbers and Schematics Guide – Novatek™ Power Tools
—	109V013	Operator's Manual – Novatek™ Vacuum Shrouded Needle Scalers

PART NUMBERS & SCHEMATICS

Figure 7: Novatek™ Vacuum Shrouded Needle Scaler – Model 2B



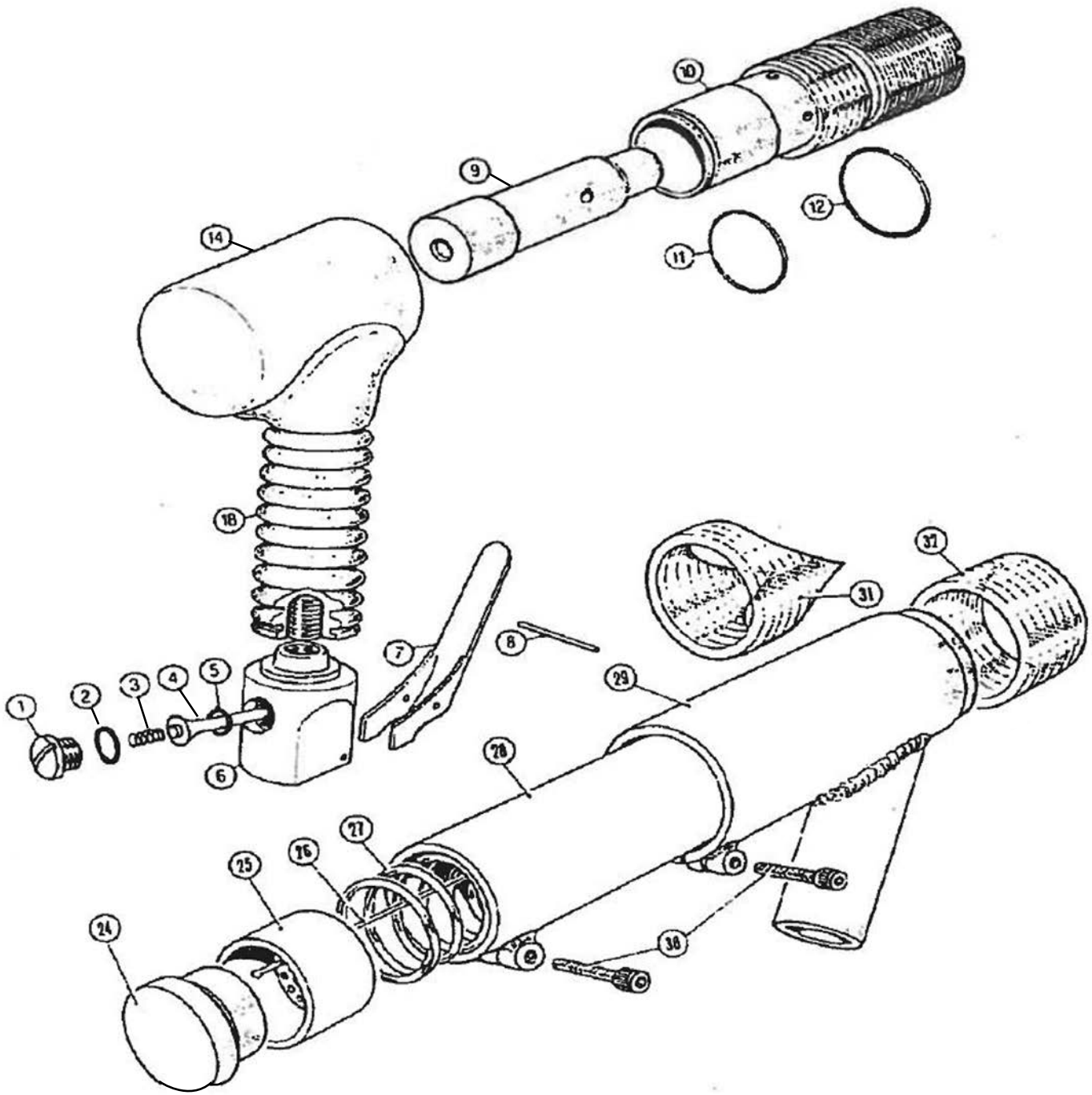
PART NUMBERS & SCHEMATICS

Novatek™ Vacuum Shrouded Needle Scaler – Model 2BPG

Item#	Part#	Description
Fig. 8		
1	10TR6153021	Valve Cap
2	10TR8090139	Valve Cap O-ring
3	10TR7123022	Valve Spring
4	10TR6183022	Valve Stem
5	10TR8090089	Valve Seat O-ring (<i>Quantity of 10</i>)
6	—	Valve Body
6A	—	Valve Body Assembly (<i>Includes Item #'s: 1–8</i>)
7	—	Throttle Lever
8	10TR8130108	Roll Pin (<i>Quantity of 10</i>)
9	10TR6122001	Piston
10	10TR6132138	Cylinder
11	10TR8090249	O-ring (<i>Quantity of 10</i>)
12	10TR8090269	O-ring (<i>Quantity of 10</i>)
14	10TR4252138	Cover Assembly
18	10TR7173101	Rubber Handle Grip
24	10TR6102091	Anvil
25A	10TR6012093	3mm Needle Holder
25B	10TR6012092	2mm Needle Holder
26	—	Needles (<i>See Page 26</i>)
27	10TR7122001	Compression Spring
28	10TR4162099	Intermediate Tube (<i>Includes Item #30</i>)
29	10TR4182199	Front Tube with Vacuum Takeoff (<i>Includes Item #30</i>)
30	10TR8060830	Cap Head Screw (<i>Quantity of 10</i>)
31	10TR7312101	Inside Corner – Front Cuff
32	10TR7312103	Flat Edge – Front Cuff
—	106M401	Part Numbers and Schematics Guide – Novatek™ Power Tools
—	109V013	Operator's Manual – Novatek™ Vacuum Shrouded Needle Scalers

PART NUMBERS & SCHEMATICS

Figure 8: Novatek™ Vacuum Shrouded Needle Scaler – Model 2BPG



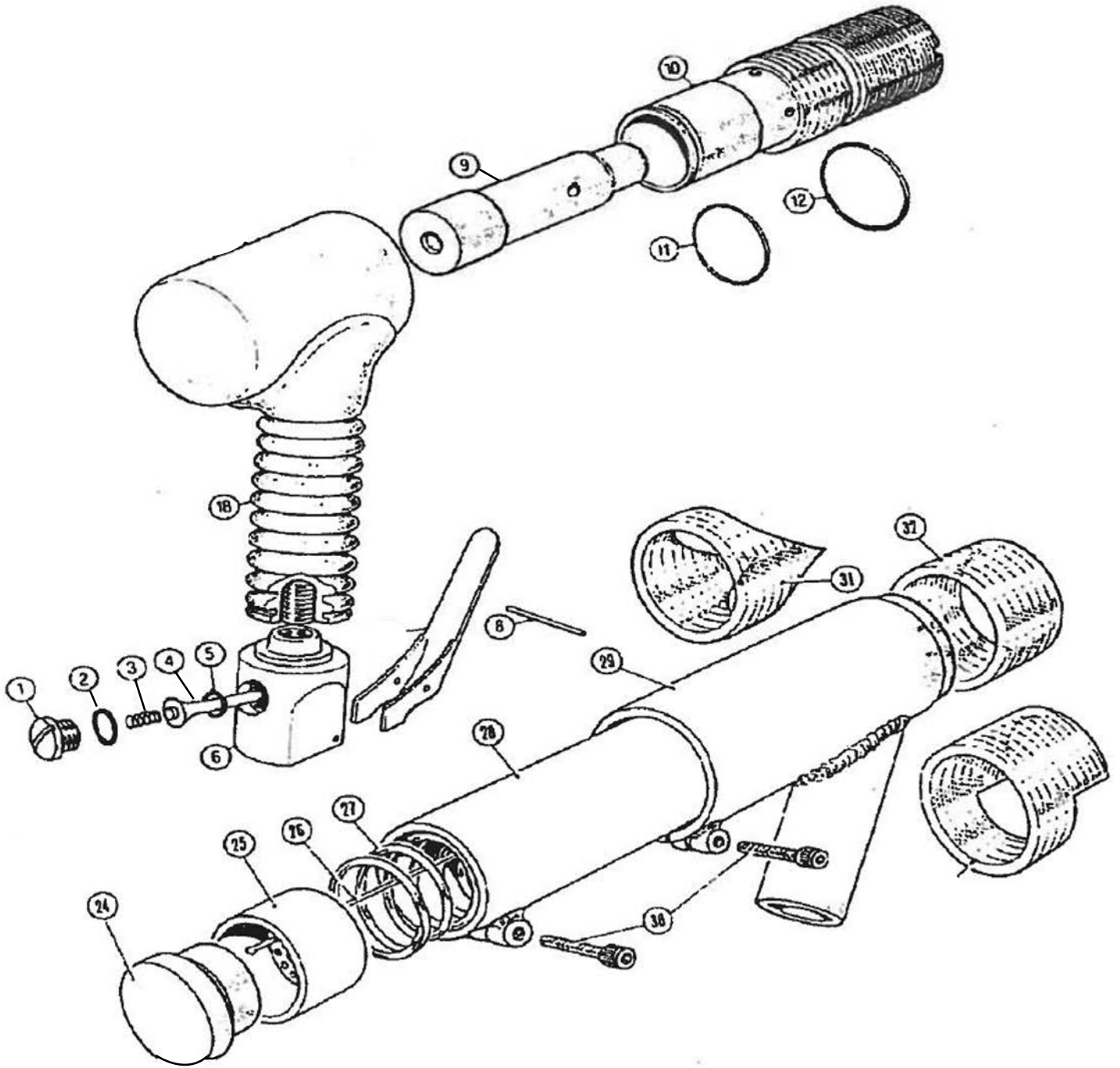
PART NUMBERS & SCHEMATICS

Novatek™ Vacuum Shrouded Needle Scaler – Model 3BPG

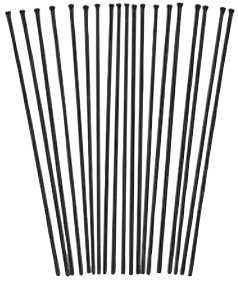
Item#	Part#	Description
Fig. 9		
1	10TR6153021	Valve Cap
2	10TR8090139	Valve Cap O-ring
3	10TR7123022	Valve Spring
4	10TR6183022	Valve Stem
5	10TR8090089	Valve Seat O-ring (<i>Quantity of 10</i>)
6	—	Valve Body
6A	—	Valve Body Assembly (<i>Includes Items: #1–#8</i>)
8	10TR8130108	Roll Pin (<i>Quantity of 10</i>)
9	10TR6123001	Piston
10	10TR6133138	Cylinder
11	10TR8090289	O-ring (<i>Quantity of 10</i>)
12	10TR8090299	O-ring (<i>Quantity of 10</i>)
18	10TR7173101	Rubber Handle Grip
24	10TR6103011	Anvil
25A	10TR6013013	3mm Needle Holder
25B	10TR6013012	2mm Needle Holder
26	—	Needles (<i>See Page 26</i>)
27	10TR7123001	Compression Spring
28	10TR4163138	Intermediate Tube (<i>Includes Item #30</i>)
29	10TR4183039	Front Tube with Vacuum Takeoff (<i>Includes Item: #30</i>)
30	10TR8060830	Cap Head Screw (<i>Quantity of 10</i>)
31	10TR7314101	Inside Corner – Front Cuff
32	—	Flat Edge – Front Cuff
—	106M401	Part Numbers and Schematics Guide – Novatek™ Power Tools
—	109V013	Operator's Manual – Novatek™ Vacuum Shrouded Needle Scalers

PART NUMBERS & SCHEMATICS

Figure 9: Novatek™ Vacuum Shrouded Needle Scaler – Model 3BPG





PART NUMBERS



Part Numbers

NEEDLE SCALERS REPLACEMENT NEEDLES											
Part Numbers	7 Inch Length	Carbon Steel	Beryllium Copper	Flat Tip	Chisel Tip	Rivet Head	Non-Sparking	Needle Diameter	Needle Diameter	Needle Diameter	Package Quantity
10TX00057	X	X		X				2mm			One Each
10TX00058	X	X		X					3mm		One Each
10TX00059	X	X		X						4mm	One Each
10TX00058CP	X	X			X				3mm		One Each
10TX700190	X	X			X	X			3mm		One Each
10TC700191	X	X			X	X				4mm	One Each
10TX00120	X		X	X					3mm		One Each
1070787	X		X	X			X		3mm		One Each

PART NUMBERS

NOVATEK CARBON STEEL REPLACEMENT CHISELS				
	Part Numbers	Chisel Length (Inches)	Chisel Width (Inches)	Package Quantity
	10TR7041101	7	3/4	One Each
	10TR7041103	7	2	One Each




PART NUMBERS

NOVATEK™ PEENING PREPARATION TOOLS						
Part Numbers	Work Head Width (Inches)	Electric Voltage	Length (Inches)	Width (Inches)	Height (Inches)	Cutter Style
10TR1940205	2	N/A	14	6.25	6	Flaps
10TR194C205	2	N/A	14	6.25	6	Cutters
10TR1940405	4	N/A	14	7.8	6	Flaps
10TR194C405	4	N/A	14	7.8	6	Cutters
10TR1940215	2	120	20	6.25	6	Flaps
10TR194C215	2	120	20	6.25	6	Cutters
10TR1940415	4	120	20	7.85	6	Flaps

NOVATEK™ PEENING PREPARATION TOOL KITS		
Part Numbers	Work Head Width (Inches)	Electric Voltage
10TR1390205	2	N/A
10TR1390405	4	N/A
10TR1390215	2	120



PART NUMBERS

NOVATEK™ PEENING PREPARATION TOOL REPLACEMENT CUTTERS					
	Part Numbers	Style	Quantity Required for 2 Inch Tool	Quantity Required for 4 Inch Tool	Package Quantity
	10TR312S200	Star	80	160	One Each
	10TR312R200	Beam	80	160	One Each
	10TR312MRPC	C Flap	6	12	One Each

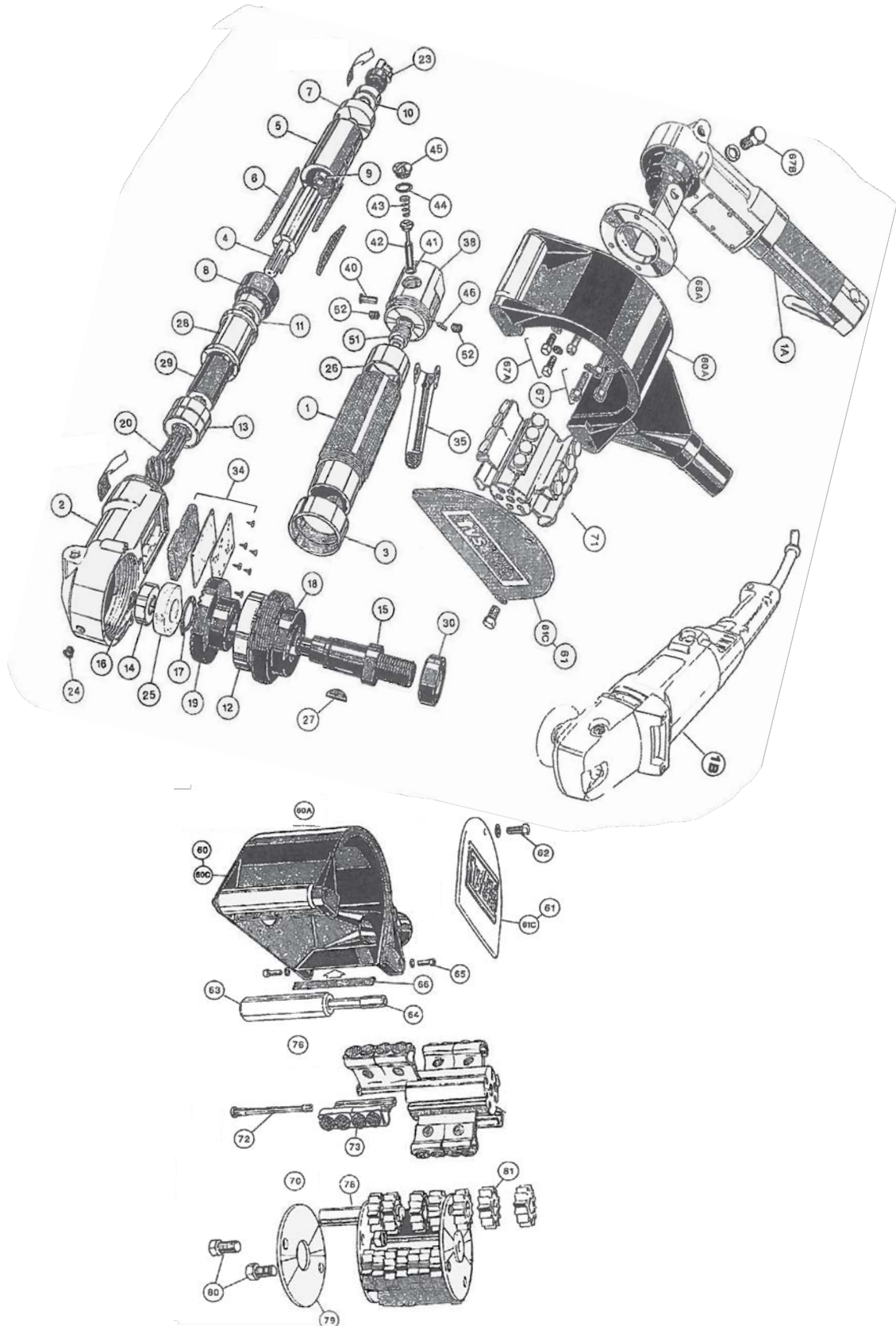
PART NUMBERS & SCHEMATICS

Novatek™ Peening Preparation Tool

Item #	Part #	Description	Item #	Part #	Description
Fig.10			46	10TR312A177	Lever Return Spring
1	10TR312A735	Motor Housing	51	10TR312A105	Jet
1A	10TR312ARA4	Pneumatic Motor Complete	52	10TR312A108	Jet Locking Screw
1B	10TR3121845	Electric Motor Complete	60A	—	2" Pneumatic Shroud Assembly
2	10TR312A930	Angle Head	60B	10TR4370405	4" Pneumatic Shroud Assembly
3	10TR312A685	Lock Ring	60C	10TR4370215	2" Electric Shroud Assembly
4	10TR312A686	Rotor	60D	10TR4370415	4" Electric Shroud Assembly
5	10TR312A451	Cylinder	61C	10TR312C211	Cast Shroud End Plate
6	10TR312A421	Vanes (<i>Five Required</i>)	62	10TR508D215	Shroud Cover Plate Hardware
7	10TR312A415	Rear Bearing Housing	63A	10TR312G200	2" Shroud Positioning Roller (Qty of 2)
8	10TR312A346	Front Bearing Housing	63B	10TR312G400	4" Shroud Positioning Roller (Qty of 2)
9	10TR312A101	Rotor Spacer	64A	10TR312D201	2" Roller Axles (<i>Quantity of Two</i>)
10	10TR312A604	Bearing	64B	10TR312D401	4" Roller Axles (<i>Quantity of Two</i>)
11	10TR312A689	Bearing	65	10TR508D217	Roller Hardware Set
12	10TR312A722	Bearing	66A	—	2" Peening Tool Gasket
13	10TR312A723	Bearing	66B	10TR312D415	4" Peening Tool Gasket
14	10TR312A605	Bearing	67A	10TR508D215	Air Motor to Shroud Hardware
15	10TR312A725	Spindle	67B	10TR5080205	Collar to Shroud Hardware
16	—	Circlip	67C	10TR5080221	Collar to Motor Hardware
17	10TR312A142	Circlip	68A	—	Pneumatic Collar
18	10TR312A724	Bearing Housing	68B	10TR312E200	Electric Collar
19/20	10TR312A727	Gear Wheel/Pinion Set	70A	10TR4380209	2" Star Cutter Hub Assembly
21	10TR312A612	Wrench - Open End (19mm)	70B	10TR4380409	4" Star Cutter Hub Assembly
22	10TR8180255	1/4" NPT x 3/8" MQC Plug	72A	10TR312D213	2" Pin-Flat Retainer (<i>Quantity of Six</i>)
23	10TR312A102	Governor	72B	10TR312D413	4" Pin-Flat Retainer (<i>Quantity of Six</i>)
24	10TR312A249	Oiling Screw	76A	10TR4380205	2" RotoPeen Flabs Hub Assembly
—	10TR312A254	Oiler - Gear Lube	76B	10TR4380405	4" RotoPeen Flabs Hub Assembly
26	10TR312A626	Rear Spacer	78A	10TR312D210	2" Star Hub Axle (<i>Quantity of Four</i>)
27	10TR612A172	Wood Ruff Key	78B	10TR312D410	4" Star Hub Axle (<i>Quantity of Four</i>)
28	10TR312A728	Front Spacer	79	10TR312D211	Plate Axle Retainer
29	10TR312A729	Coupling	80	10TR508D212	Plate Axle Star Hub Hardware
30	10TR312A730	Back Flange	—	106M401	Part Numbers and Schematics Guide – Novatek™ Power Tools
34	10TR312A732	Silencer Cover and Screws	—	109V011	Operator's Manual – Novatek™ Peening Preparation Tools
35	10TR312A342	Lever			
38	—	Throttle Housing			
40	10TR312A141	Lever Pin			
41	10TR312A330	O-ring			
42	10TR312A143	Throttle Valve Stem			
43	—	Valve Spring			
44	10TR312A113	O-ring			
45	—	Throttle Plug			





PART NUMBERS & SCHEMATICS

Figure 10: Novatek™ Peening Preparation Tool



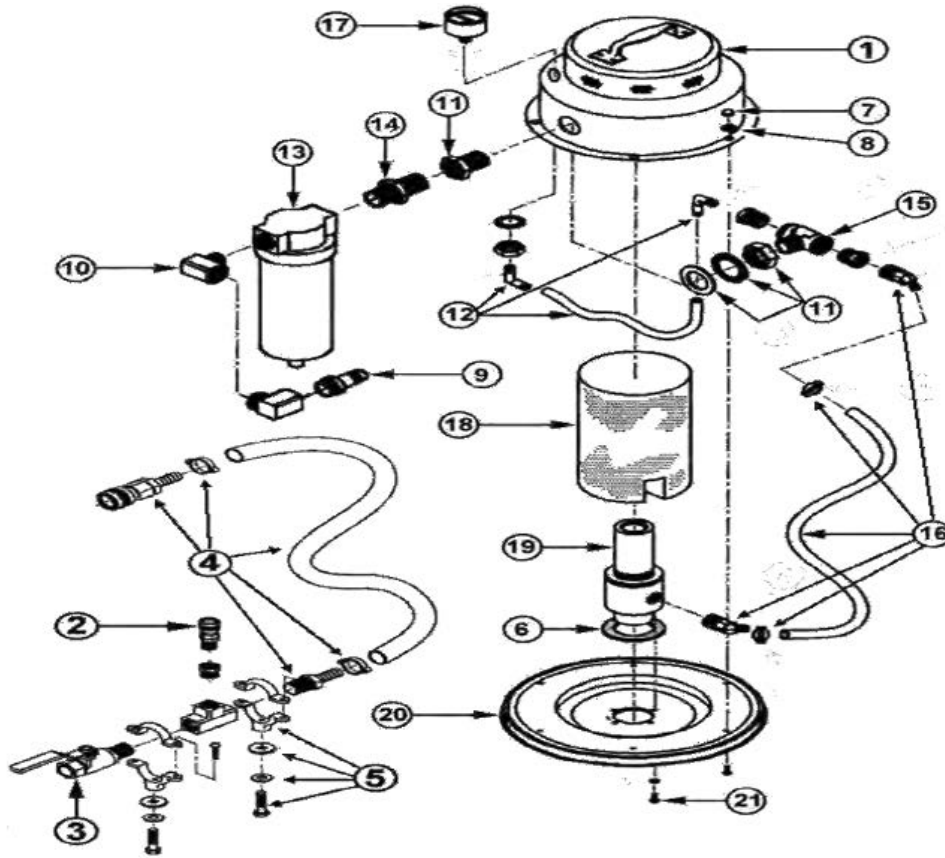
PART NUMBERS

NOVATEK™ HEPA FILTERED VACUUMS

	Part Numbers	Model	Power Source	Capacity (Gallons)	Tank Material
	10TR3053100	Backpack	Pneumatic	3.3	Stainless Steel
	10TR3053150	Backpack	Electric	3.3	Stainless Steel
	10TR3073100	Floor	Pneumatic	15	Stainless Steel
	10TR3073350	Floor	Electric	15	Steel

PART NUMBER

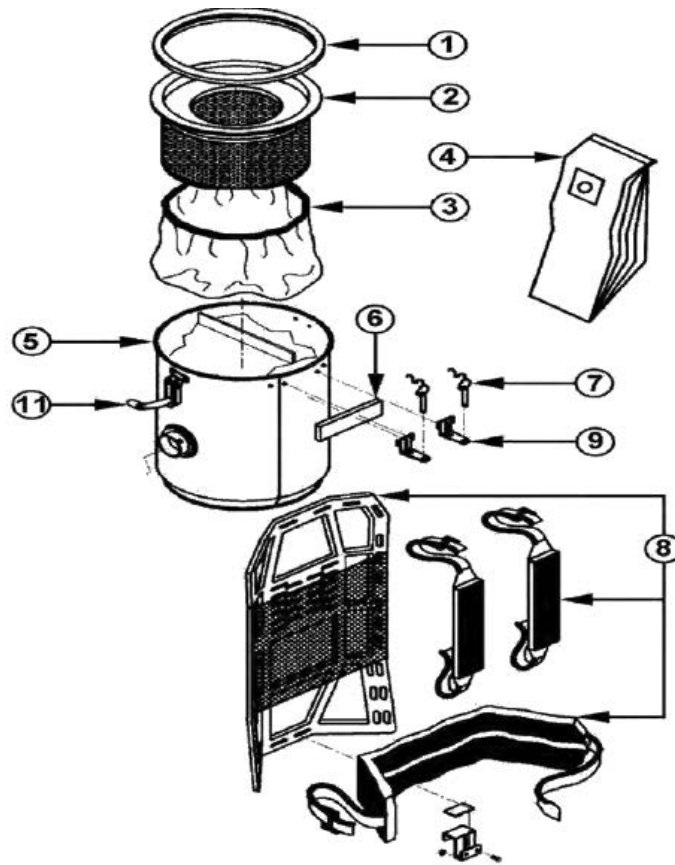
Figure 11: Novatek™ 3.3 Gallon Backpack Vacuum Head



Item #	Part #	Description
Fig. 11		
1	10TR3100302	Dome Assembly with Handle
2	10TR3100325	T-Connector External Assembly
3	10TR3100324	Ball Valve
4	10TR3100304	Hose Assembly External
5	10TR3100323	Hose Clamp
6	10TR3100317	Screws (<i>Quantity of 10</i>)
7	10TR3100319	Acorn Nuts (<i>Quantity of 10</i>)
8	10TR3100318	Hex Nut (<i>Quantity of 10</i>)
9	10TR3100330	1/2" Quick Connect
10	10TR3100331	Brass Elbow
11	10TR3100332	Bulk Head
12	10TR3100333	Tubing
13	10TR3100346	Air Dryer/Filter Bowl – Complete
14	10TR3100348	1/2" Brass Nipple
15	—	T-Connector Internal Assembly
16	10TR3100305	Hose Assembly Internal
17	10TR3100335	Pressure Gauge
18	10TR3100322	Muffler
19	—	Venturi
20	10TR3100320	Outer Can Cover
21	—	Screws (<i>Quantity of 10</i>)
—	106M405	Part Numbers and Schematics Guide – Novatek™ Power Tools
—	109V111	Operator's Manual – Novatek™ Vacuums

PART NUMBERS & SCHEMATICS

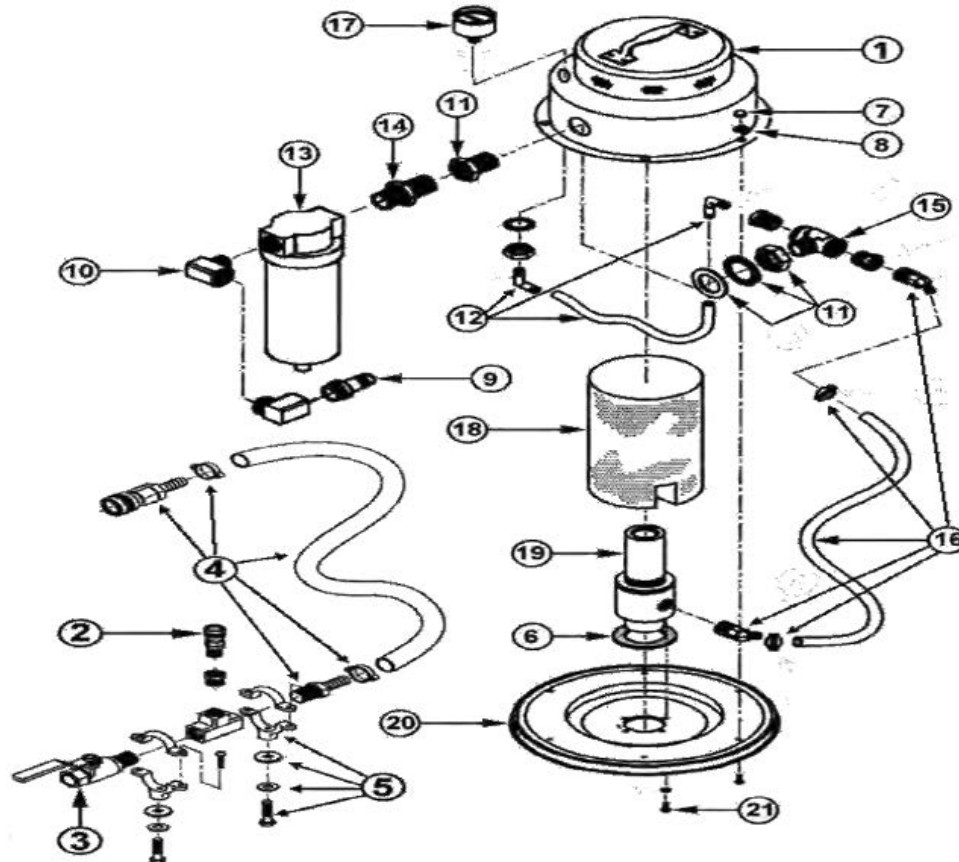
Figure 12: Novatek™ 3.3 Gallon Backpack Vacuum – Filters & Canister



Item #	Part #	Description
Fig. 12		
1	10TR3100342	HEPA Filter Gasket
2	10TR3053133	HEPA Filter with Gasket – 12" Diameter
3	10TR3100310	Pre-Filter – 12" Diameter (<i>Quantity of Two</i>)
4	10TR3053120	3.3 Gallon Disposable Bags (<i>Quantity of Five</i>)
5	10TR3100303	Stainless Steel Can Assembly
6	10TR3100341	14" Gasket
7	10TR3100340	Speed Pin (<i>Quantity of Two</i>)
8	10TR3100301	Frame – Complete <i>Includes Shoulder and Waist Harness</i>
9	10TR3100343	Mounting Clip
11	10TR3100337	Head Retaining Clip
—	106M405	Part Numbers and Schematics Guide – Novatek™ Power Tools
—	109V111	Operator's Manual – Novatek™ Vacuums

PART NUMBERS & SCHEMATICS

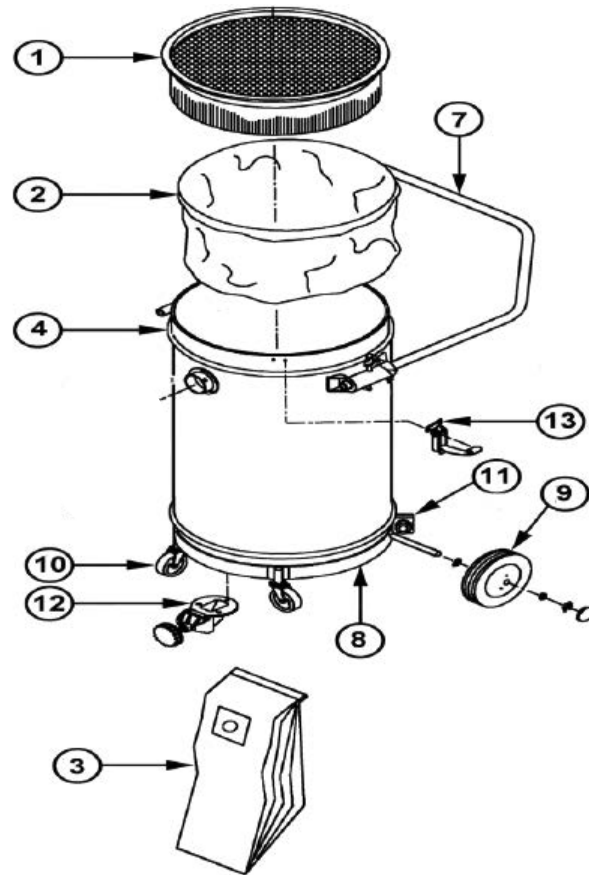
Figure 13: Novatek™ 15 Gallon Floor and 55 Gallon Drum Vacuum Head



Item #	Part #	Description
Fig. 13		
1	10TR3100302	Dome Assembly with Handle
2	10TR3100325	T-Connector External Assembly
3	10TR3100324	Ball Valve
4	10TR3100319	Acorn Nuts (<i>Quantity of 10</i>)
5	10TR3100318	Hex Nut (<i>Quantity of 10</i>)
6	10TR3100332	Bulk Head
7	10TR3100333	Tubing
8	10TR3100346	Air Dryer/Filter Bowl – Complete
—	10TR3100347	Cartridge for Air Dryer/Filter Bowl
9	10TR3100348	1/2" Brass Nipple
10	—	T-Connector Internal Assembly
11	10TR3100305	Hose Assembly Internal
12	10TR3100335	Pressure Gauge
13	10TR3100322	Muffer
14	—	Venturi
15	10TR3101016	16" Cover Assembly
16	10TR3101017	Mounting Plate
17	10TR3101018	Screws (<i>Quantity of 10</i>)
18	—	Screws (<i>Quantity of 10</i>)
19	10TR3101019	Gasket
20	10TR3100330	1/2" Quick Connect
21	10TR3200328	Air-Relief Valve
—	10TR3083570	Wet/Dry Conversion Kit Adapter
—	106M405	Part Numbers and Schematics Guide – Novatek™ Power Tools
—	109V111	Operator's Manual – Novatek™ Vacuums

PART NUMBERS & SCHEMATICS

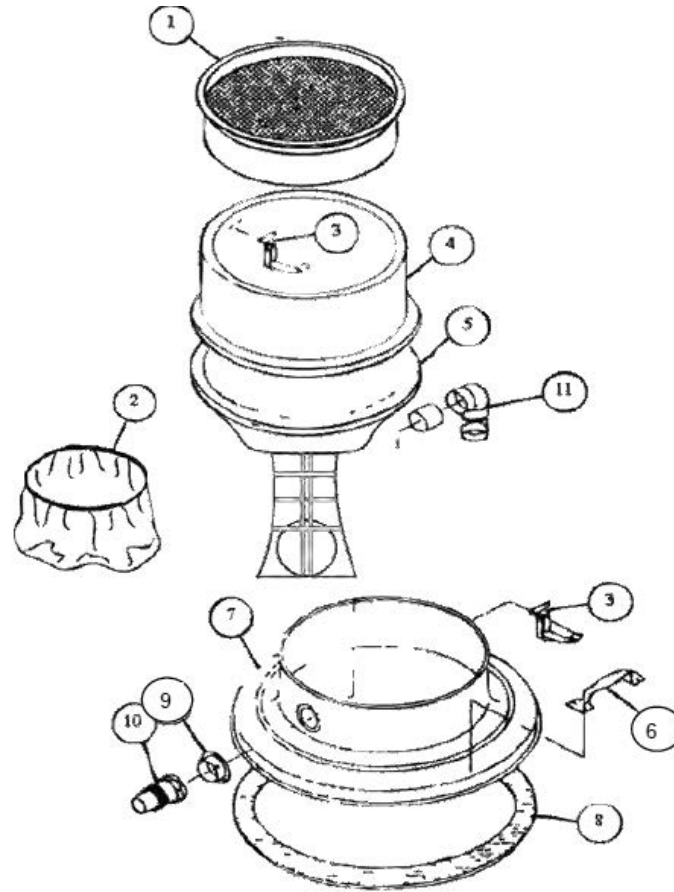
Figure 14: Novatek™ 15 Gallon Floor Vacuum – Filters & Canister



Item #	Part #	Description
Fig. 14		
1	10TR3101011	HEPA Filter/Gasket Assembly – 14" Diameter
2	10TR3101010	Pre-Filter – 14" Diameter (Quantity of Two)
3	10TR3101012	Paper Disposable Bags (Quantity of Five)
4	10TR3101520	15 Gallon Stainless Steel Can Assembly
	10TR3101521	15 Gallon Steel Can Assembly
7	10TR3101514	Push Handle
8	10TR3101515	Glide Mobile Dolly Base
9	10TR3101517	Rear Wheel & Hub Cap
10	10TR3101015	Ball Bearing caster
11	10TR3101519	Fastener Set
12	10TR3100338	Drain Valve Assembly
13	10TR3100337	Head Retaining Clip
—	106M405	Part Numbers and Schematics Guide – Novatek™ Power Tools
—	109V111	Operator's Manual – Novatek™ Vacuums

PART NUMBERS & SCHEMATICS



Figure 15: Novatek™ 55 Gallon Vacuum Drum – Top




Item #	Part #	Description
Fig. 15		
1	10TR3101011	HEPA Filter/Gasket Assembly – 14" Diameter
—	10TR3101099	Cloth Filter
2	10TR3101010	Pre-Filter – 14" Diameter (<i>Quantity of Two</i>)
3	10TR3100337	Head Retaining clip
4	10TR3083450	Wet/Dry Adapter Section – 16"
5	10TR3083470	Float, Wet/Dry Adapter
6	10TR3085502	Lift Handles (<i>Two Required</i>)
7	10TR3083459	Drum Adapter – 1 Port
—	10TR3083469	Drum Adapter – 3 Port
8	10TR3080559	Gasket
9	10TR3085475	Inlet Fitting Assembly
10	10TR3089445	1-1/2" Hose Connector
11	10TR3080613	Elbow Diverter Assembly
—	10TR3100336	55 Gallon PolySafety Disposal Bags (<i>Quantity of Five</i>)
—	10TR3083570	Wet/Dry Conversion Kit Adapter
—	106M405	Part Numbers and Schematics Guide – Novatek™ Power Tools

OPTIONAL ACCESSORIES

1-1/2" I.D. VACUUM HOSE		
Part Numbers	Vacuum Hose I.D.	Length
10VH11250	1-1/2"	50 Ft.
10TR7193150	1-1/2"	Per Foot

1-1/2" I.D. VACUUM HOSE ACCESSORIES		
Part Numbers	Description	
	10TR8283150	1-1/2" I.D. Vacuum Hose Cuff
	10TR8383100	1-1/2" I.D. Vacuum Hose Union

55 GALLON DRUM		
Part Numbers	Description	
	1070056	55 Gallon Steel Drum with Lid

GLOBAL HEADQUARTERS

- 3425 East Locust Street
Davenport, IA 52803

ph: 800.BLAST.IT (800.252.7848)
ph: 563.324.2519
fax: 563.324.6258

REGIONAL BRANCH OFFICES

- **Iowa**
Davenport
- **Louisiana**
Gonzales
Harvey
Lafayette
- **Ohio**
Youngstown
- **Texas**
Beaumont
Corpus Christi
Deer Park

40+ NATIONWIDE SHIPPING LOCATIONS



★ Marco Regional Branch Offices and Shipping Locations ● Direct Shipping Locations



ABRASIVES
BLASTING
COATING
DUST COLLECTORS
ENGINEERED SYSTEMS
RENTAL
SAFETY
SERVICE, REPAIR, & MODERNIZATION
VACUUMS

CONTACT MARCO

800.BLAST.IT
(800.252.7848)
563.324.2519
FAX: 563.324.6258

WWW.MARCO.US
SALES@MARCO.US