



# MARCO® 0.75 CU. FT. SUCTION POT



Powered by **ALLREDI**.

# PART NUMBERS AND SCHEMATICS GUIDE

## Company Profile

Allredi was formed in the early 2020, when two of the largest distributors in the blasting, coating, safety, and environmental industry, APE Companies and Marco Group International, joined forces. While the qualities both companies are known for have not changed, a lot about our business is new. New abilities. New agilities. New ways to help you win. This calls for a new name, Allredi.

This name exemplifies what we have become. It is completely oriented to the needs of our customers. To your needs. It says that when you call us for anything – products, service, expert advice, anything – you can consider it done. Or even better, Allredi done.

We are your right-now supplier. From skills to SKUs, we deliver the goods fast. So you can be more agile every minute, every day. This is who we are. This is what our new name means. Go ahead and expect excellence, because we're bringing it.

## Our Mission and Vision

To be the industry's preferred partner in surface preparation solutions through unrivaled technical expertise, customer experience, product availability, and tailored service offerings.

## The Allredi Difference

- **Industry Experience** – With Allredi on your team, you have access to expertise which can only come from decades of industry leadership. We have organized our engineering department, production specialists, customer operations, and safety support into a "Center of Competence." As an Allredi customer, you have access to hundreds of years of cumulative experience related to your operations.
- **Manufacturing Excellence** – Allredi is a U.S. based manufacturer of equipment for the Surface Preparation and Protective Coatings industries. Allredi's engineers benchmark the industry to ensure that we design and manufacture superior products that set the "Gold Standard" for performance, safety, and quality.
- **Legendary Customer Service** – Allredi's legendary customer service team is staffed by friendly, highly-trained individuals who are focused on providing the highest level of product support, order accuracy, and customer satisfaction.
- **Product Availability** – We stock over 10,000 SKU's and have over 45 shipping locations to serve North American and International markets for all major brands of blasting, coating, environmental, and safety equipment. Allredi is your right-now supplier, so you can keep your projects moving. From our foundation of strong relationships, we have built a nationwide network that puts vast inventory and ready service close to our customers. We provide advanced expertise, and we deliver the goods fast – so you can easily access the products and services you need to me more agile every minute, every day.
- **Technology Leadership** – Our website provides: Operator's Manuals, Part Numbers and Schematics Guides, SDS information, and key product features and specifications, providing access to information 24/7.

# TABLE OF CONTENTS

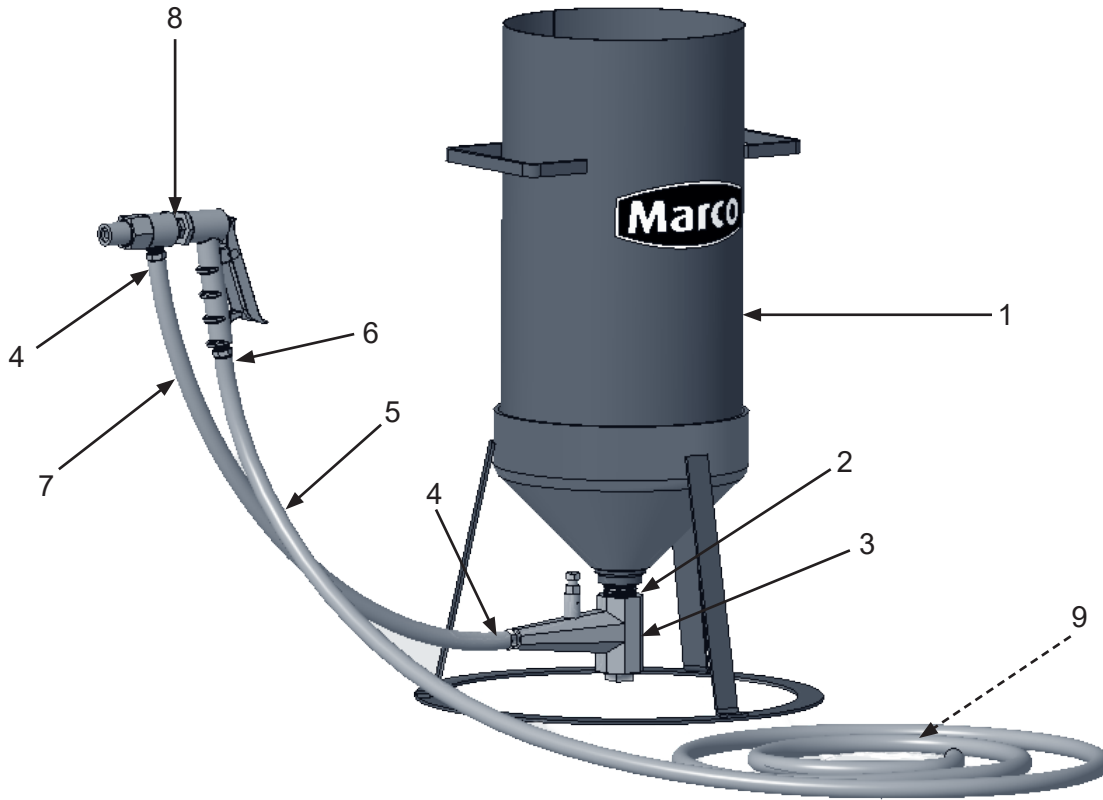
<b>Company Profile</b> .....	<b>1</b>
<b>Table of Contents</b> .....	<b>2</b>
<b>Marco® 0.75 Cu. Ft. Suction Pot</b> .....	<b>3-6</b>
Part Numbers .....	3
Part Numbers & Schematics .....	4
Marco® 0.75 Cu. Ft. Suction Pot .....	4
Optional Accessories .....	5-6
Suction Gun .....	5
Screen and Screen Frame .....	6

# PART NUMBERS

<b>MARCO® 0.75 CU. FT. SUCTION POT</b>						
<b>Part Numbers</b>	<b>Power Source</b>	<b>Suction Gun</b>	<b>Nozzle</b>	<b>Air Hose</b>	<b>Blast Hose</b>	<b>Lid &amp; Screen</b>
10110060	Suction	X	5/16" ID (Qty 1)	1/2" ID x 10'	1/2" ID x 10'	X

# PART NUMBERS & SCHEMATICS

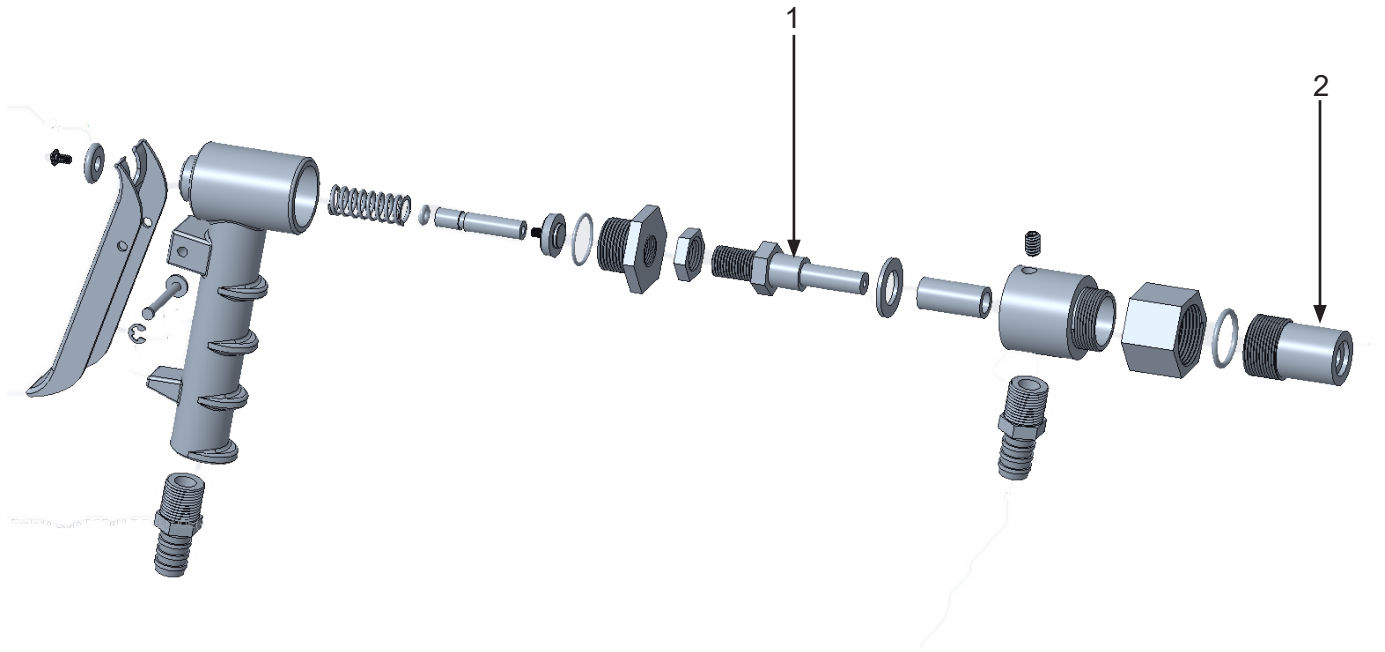
Figure 1: Marco® 0.75 Cu. Ft. Suction Pot



Item #	Part #	Description
<b>Fig. 1</b>		
—	<b>10110060</b>	<b>Marco® 0.75 Cu. Ft. Suction Pot – Complete</b>
1	10110059	0.75 Suction Pot Vessel
2	10109833	1" NPT Close Nipple - Galvanized
3	10MAN16025	Suction Pot Metering Valve
4	10103396	Hose Clamp 1-1/16" – 2" (Two Required)
5	10AH012	1/2" ID Air Hose (Per Foot, 10' Required)
6	10103425	Hose Clamp 7/16" – 25/32" (Two Required)
7	10BH0122CF	1/2" ID Blast Hose (Per Foot, 10' Required)
8	10110139	Suction Gun (See Figure 2)
9	10HE012	1/2" ID Air Hose Coupling (not shown)
—	106M077	Part Numbers and Schematics Guide – Marco® 0.75 Cu. Ft. Suction Pot
—	1090077	Operator's Manual – Marco® 0.75 Cu. Ft. Suction Pot

# PART NUMBERS & SCHEMATICS

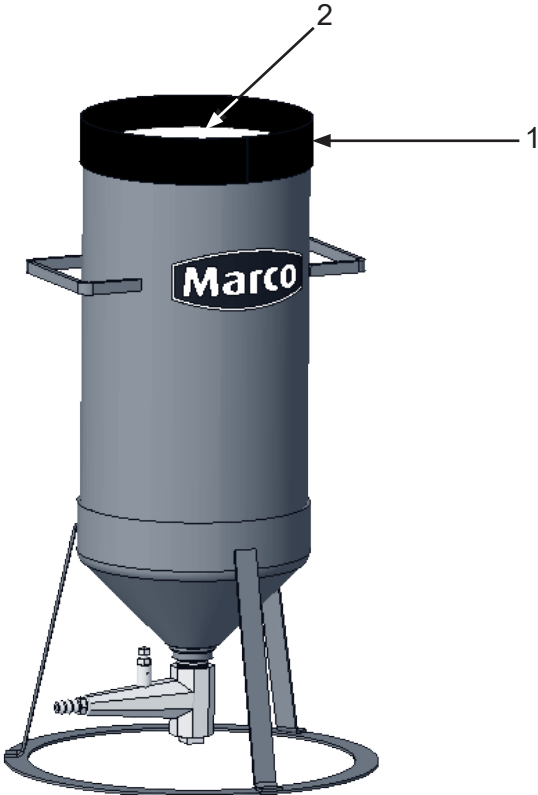
Figure 2: Suction Gun



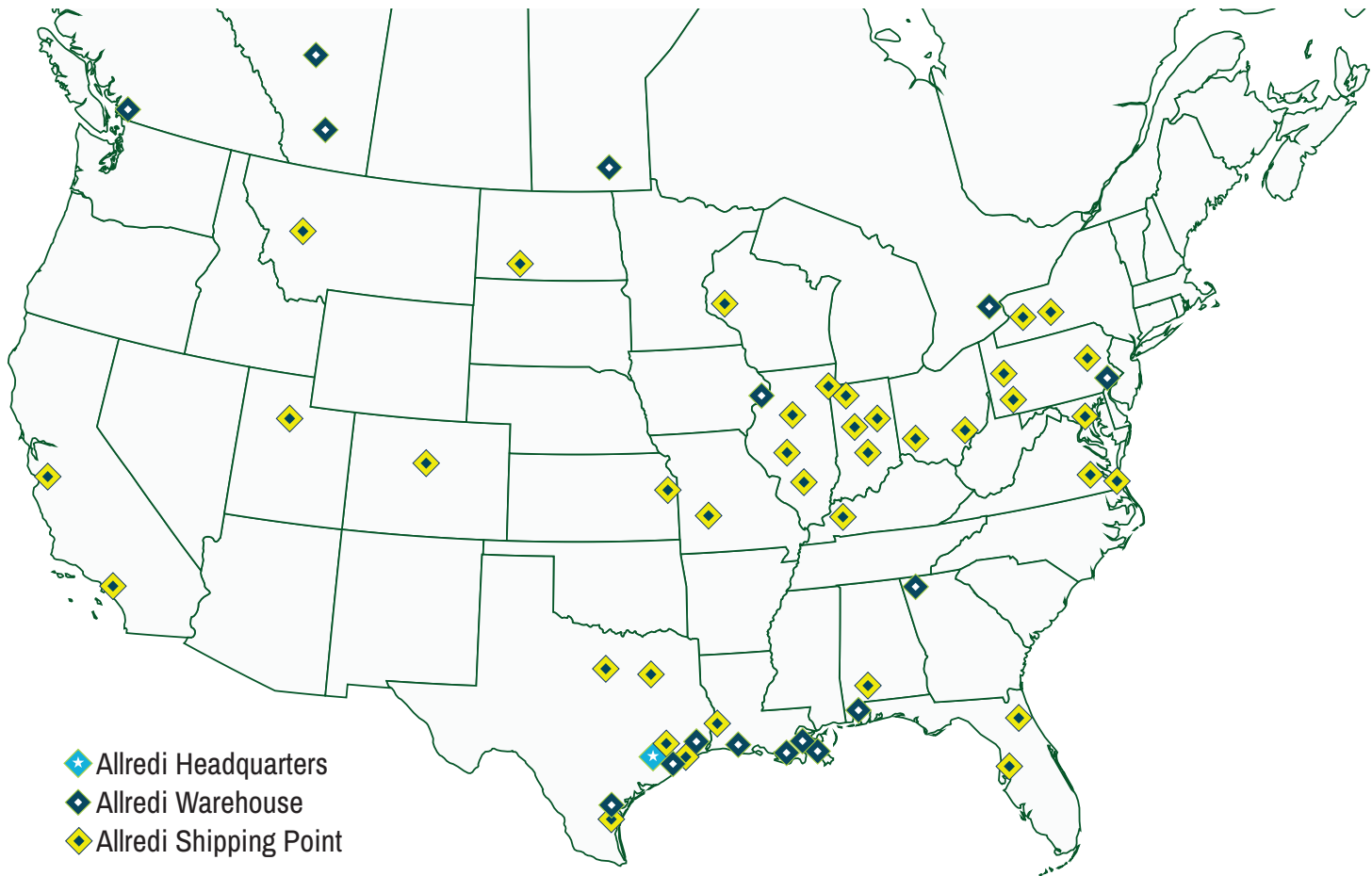
Item #	Part #	Description
<b>Fig. 2</b>		
—	10110139	Suction Gun - Complete
1	10110294	1/8" Air Jet
2	10110295	Nozzle, 5/16"

# OPTIONAL ACCESSORIES

Figure 3: Screen Frame & Screen



Item #	Part #	Description
Fig. 3		
1	10110264	Screen Frame for Suction Pot
2	10110265	Suction Pot Screen



## ALLREDI THERE

Serving these industries: Bridge, Pipeline, Tank & Tower, Concrete Services, Rail, Shipyard & Marine, Pools & Fountains, and Foundry

### UNITED STATES

**Pasadena, TX** (*Headquarters*)  
844.361.7038

**Beaumont, TX**  
409.722.1284

**Bristol, PA**  
215.826.8080

**Corpus Christi, TX**  
361.887.2038

**Davenport, IA**  
563.324.2519

**Deer Park, TX**  
(*Service & Rental Location*)  
281.930.0905

**Duluth, GA**  
800.535.4564

**Gonzales, LA**  
225.647.7575

**Harvey, LA**  
504.367.8090

**Houma, LA**  
985.580.4273

**Lafayette, LA**  
337.267.1440

**Theodore, AL**  
251.338.7525

### CANADA

**Calgary, Alberta**  
403.279.1924

**Coquitlam, BC**  
604.464.6979

**Edmonton, Alberta**  
780.468.2588 (Manus)  
780.425.5510 (Mod-U-Blast)

**Hamilton, Ontario**  
905.527.6000 / 888.794.5665

**Mississauga, Ontario**  
905.890.5837

**Winnipeg, Manitoba**  
204.256.3324

**WWW.ALLREDI-US.COM / 800.252.7848**

**WWW.ALLREDI-CA.COM / 800.661.3842**

Allredi™ and Marco® are registered trademarks of Allredi, LLC.  
Mod-U-Blast® is a registered trademark of Allredi Blast & Abrasives Canada, Inc.  
All other brand names or marks are used for identification purposes and are trademarks of their respective owners.

**ALLREDI™**

Literature #106M077\_12/3/2024