



The Best in Blast!®

BLASTING

**MARCO® MANUFACTURED
REPAIR PARTS**

**Airline Filters • Blast Pots • Carbon Monoxide Monitors • Lighting • Metering Valves
Moisture Management • Pipe Blasting • Remote Control Switches • Remote Control Systems**

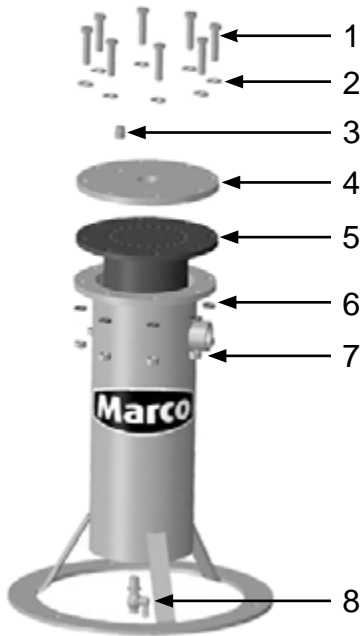
Table of Contents

| | |
|-----------------------------------------------------------|-----|
| Airline Filters..... | 3 |
| Blast Pots • Product Overview..... | 4 |
| Blast Pots • Internal Fittings..... | 25 |
| Blast Pots • External Fittings..... | 29 |
| Blast Pots • Components..... | 63 |
| Carbon Monoxide Monitors..... | 80 |
| Lighting..... | 81 |
| Metering Valves..... | 86 |
| Moisture Management • 12-Volt CD Aftercoolers..... | 95 |
| Moisture Management • Aftercoolers w/Coalescing Tank..... | 97 |
| Moisture Management • Cart-Mounted Aftercoolers..... | 116 |
| Moisture Management • Air Dryers..... | 126 |
| Moisture Management • Moisture Separators..... | 138 |
| Moisture Management • Components..... | 140 |
| Pipe Blasting..... | 161 |
| Remote Control Switches..... | 165 |
| Remote Control Systems..... | 171 |
| Remote Control Systems • Components..... | 184 |

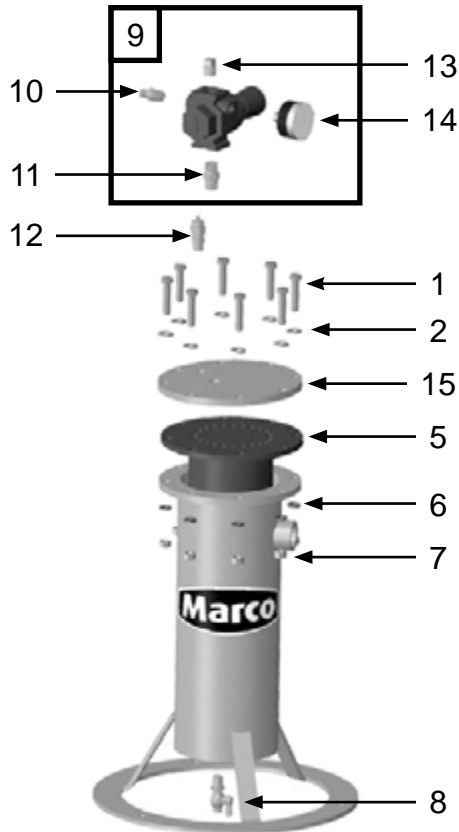
Airline Filters

1-Outlet | 2-Outlet | 6-Outlet

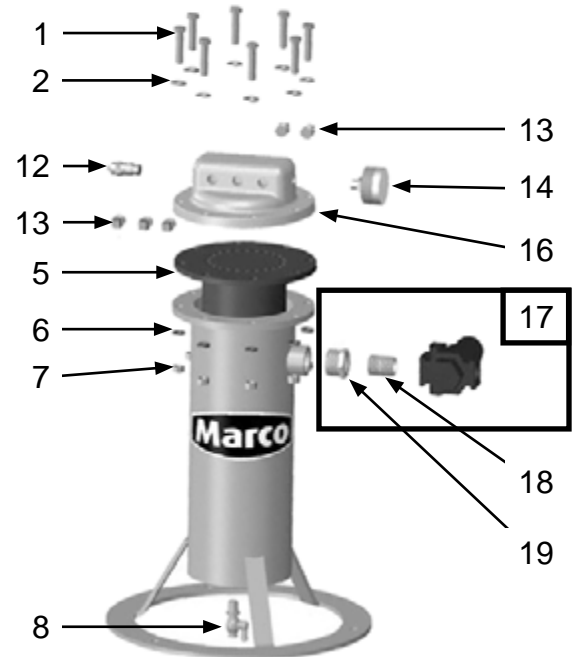
1-Outlet



2-Outlet



3-Outlet



| Part # | Description |
|--------|---------------------------------------------------------------|
| 1 | 10102252 Bolt – 3/8-16 x 2" |
| 2 | 10101942 Washer – 3/8" |
| 3 | 1012052 Pipe Plug – 1/4" NPT – Galvanized |
| 4 | 1028620 Airline Filter Lid • 1-Outlet |
| 5 | 1028633 Filter Cartridge |
| 6 | 10101936 Lock Washer – 3/8" |
| 7 | 1028619 Nut – 3/8-16 |
| 8 | 1012101 Petcock – 1/4" NPT |
| 9 | 1028614 Pressure Regulator Assembly • 2-Outlet Airline Filter |
| 10 | 1028611 Adapter – 1/4" NPT x 5/8 Flare |
| 11 | 1028610 Hex Nipple – 3/8" NPT |
| 12 | 1028607 Pressure Relief Valve – 1/4" NPT – 125 psi |
| 13 | 1028615 3/8" NPT Pipe Plug |
| 14 | 1028606 Pressure Gauge – 1/4" NPT – Back-Mount – 160 psi |
| 15 | 1028605 Airline Filter Lid • 2-Outlet |
| 16 | 10101243 Airline Filter Lid • 6-Outlet |
| 17 | 1028613 Pressure Regulator Assembly • 6-Outlet Airline Filter |
| 18 | 1011213 Close Nipple – 3/4" NPT |
| 19 | 1011505 Bushing – 1" NPT (M) x 3/4" NPT (M) |
| - | 1028603 2-Outlet Manifold Assembly (Items: 1,2,6,7,9,15) |
| - | 1028631 6-Outlet Conversion Kit (Items: 1,2,6,7,13,14,16,17) |



Internal Fittings

Inlet / Outlet Tubes

External Fittings

Air Inlet & Media Outlet

Moisture Separator

Ladder, Camlock, & Clean-out Port

Mounting Options

Highway & Yard Trailer

Highway Trailer (specific)

3" Exhaust Muffler

KwikStop Depressurization System

Components

Part #

Inspection Door Assembly • 12" x 16"

10100702

Camlock Closure Lockout Device

10102326

RC System • Pneumatic

Part #

130P Remote Control System

10103834

152P Remote Control Switch

1015200

1-1/2" High-flow Gatekeeper

1013600

190 Pneumatic Solenoid

1019000

RC System • 12-Volt DC

Part #

130E Remote Control System • 12-Volt DC

10103835

151E Remote Control Switch

1015100

1-1/2" High-flow Gatekeeper

1013600

12-Volt DC 190 Electric Control Assembly • 3-Prong

1019051

12-Volt DC 190 Electric Solenoid

1019010

RC System • 120-Volt AC

Part #

130E Remote Control System • 120-Volt AC

XXXXX

151E Remote Control Switch

1015100

1-1/2" High-flow Gatekeeper

1013600

12-Volt AC 190 Electric Control Assembly • 3-Prong

1019052

12-Volt AC 190 Electric Solenoid

1019011

120-Volt AC to 12-Volt AC Converter Box • 3 Amp

10100713

Power Distribution Boxes

-

2-Outlet Configuration

10100559

3-Outlet Configuration

10100560

4-Outlet Configuration

10100561

Metering Valves

Part #

1-1/2" Maxum III • Tungsten Carbide Sleeve

10101950

1-1/2" Maxum III • Urethane Sleeve

10101946



Internal Fittings

Inlet / Outlet Tubes

External Fittings

Air Inlet & Media Outlet

Moisture Separator

Ladder, Camlock, & Clean-out Port

Mounting Options

Highway & Yard Trailer

Highway Trailer (specific)

3" Exhaust Muffler

KwikStop Depressurization System

Components

Part #

Inspection Door Assembly • 12" x 16"

10100702

Camlock Closure Lockout Device

10102326

RC System • Pneumatic

Part #

130P Remote Control System

10103834

152P Remote Control Switch

1015200

1-1/2" High-flow Gatekeeper

1013600

190 Pneumatic Solenoid

1019000

RC System • 12-Volt DC

Part #

130E Remote Control System • 12-Volt DC

10103835

151E Remote Control Switch

1015100

1-1/2" High-flow Gatekeeper

1013600

12-Volt DC 190 Electric Control Assembly • 3-Prong

1019051

12-Volt DC 190 Electric Solenoid

1019010

RC System • 120-Volt AC

Part #

130E Remote Control System • 120-Volt AC

XXXXX

151E Remote Control Switch

1015100

1-1/2" High-flow Gatekeeper

1013600

12-Volt AC 190 Electric Control Assembly • 3-Prong

1019052

12-Volt AC 190 Electric Solenoid

1019011

120-Volt AC to 12-Volt AC Converter Box • 3 Amp

10100713

Power Distribution Boxes

-

2-Outlet Configuration

10100559

3-Outlet Configuration

10100560

4-Outlet Configuration

10100561

Metering Valves

Part #

1-1/2" Maxum III • Tungsten Carbide Sleeve

10101950

1-1/2" Maxum III • Urethane Sleeve

10101946



Internal Fittings

Inlet / Outlet Tubes

External Fittings

Air Inlet & Media Outlet

Moisture Separator

Ladder, Camlock, & Clean-out Port

Mounting Options

3" Exhaust Muffler

Components

Part #

Inspection Door Assembly • 12" x 16"

10100702

Camlock Closure Lockout Device

10102326

RC System • Pneumatic

Part #

130P Remote Control System

10103834

152P Remote Control Switch

1015200

1-1/2" High-flow Gatekeeper

1013600

190 Pneumatic Solenoid

1019000

RC System • 12-Volt DC

Part #

130E Remote Control System • 12-Volt DC

10103835

151E Remote Control Switch

1015100

1-1/2" High-flow Gatekeeper

1013600

12-Volt DC 190 Electric Control Assembly • 3-Prong

1019051

12-Volt DC 190 Electric Solenoid

1019010

RC System • 120-Volt AC

Part #

130E Remote Control System • 120-Volt AC

XXXXX

151E Remote Control Switch

1015100

1-1/2" High-flow Gatekeeper

1013600

12-Volt AC 190 Electric Control Assembly • 3-Prong

1019052

12-Volt AC 190 Electric Solenoid

1019011

120-Volt AC to 12-Volt AC Converter Box • 3 Amp

10100713

Power Distribution Boxes

-

2-Outlet Configuration

10100559

3-Outlet Configuration

10100560

4-Outlet Configuration

10100561

Metering Valves

Part #

1-1/2" Maxum III • Tungsten Carbide Sleeve

10101950

1-1/2" Maxum III • Urethane Sleeve

10101946



Internal Fittings

Pop-Up Valve • Stem-Style

External Fittings

Air Exhaust & Media Outlet • All Configurations

Air Inlet • Single Operator Configuration

Air Inlet • Dual Operator Configuration

Air Inlet • Dual Operator w/ 800 CFM Moisture Separator

Moisture Separator Mounting Assembly

Components

Inspection Door Assembly • 6" x 8"

Part #

1006200

Pusher Line Assembly • 1-1/2"

1006312

RC System • Pneumatic

Part #

130P Remote Control System

10103834

152P Remote Control Switch

1015200

1-1/2" High-flow Gatekeeper

1013600

190 Pneumatic Solenoid

1019000

RC System • 12-Volt DC

Part #

130E Remote Control System • 12-Volt DC

10103835

151E Remote Control Switch

1015100

1-1/2" High-flow Gatekeeper

1013600

12-Volt DC 190 Electric Control Assembly • 3-Prong

1019051

12-Volt DC 190 Electric Solenoid

1019010

RC System • 120-Volt AC

Part #

130E Remote Control System • 120-Volt AC

XXXXX

151E Remote Control Switch

1015100

1-1/2" High-flow Gatekeeper

1013600

12-Volt AC 190 Electric Control Assembly • 3-Prong

1019052

12-Volt AC 190 Electric Solenoid

1019011

120-Volt AC to 12-Volt AC Converter Box • 3 Amp

10100713

Power Distribution Boxes

-

2-Outlet Configuration

10100559

Metering Valves

Part #

1-1/2" Maxum III • Tungsten Carbide Sleeve

10101950

1-1/2" Maxum III • Urethane Sleeve

10101946

Blast Pots • Product Overview

10 Cu. Ft. (Pressure-Hold / 130 RC)



Internal Fittings

Pop-Up Valve • Stem-Style

External Fittings

Air Exhaust & Media Outlet • All Configurations

Air Inlet • Pressure Hold / 130 RC System

Components

Part #

Inspection Door Assembly • 6" x 8"

1006200

Pusher Line Assembly • 1-1/2"

1006312

Moisture Separator • 1-1/2" Extractor

10101313

Exhaust Muffler • 1"

1011100

RC System • Pneumatic

Part #

130P Remote Control System

10103834

152P Remote Control Switch

1015200

1-1/2" High-flow Gatekeeper

1013600

190 Pneumatic Solenoid

1019000

RC System • 12-Volt DC

Part #

130E Remote Control System • 12-Volt DC

10103835

151E Remote Control Switch

1015100

1-1/2" High-flow Gatekeeper

1013600

12-Volt DC 190 Electric Control Assembly • 3-Prong

1019051

12-Volt DC 190 Electric Solenoid

1019010

RC System • 120-Volt AC

Part #

130E Remote Control System • 120-Volt AC

XXXXX

151E Remote Control Switch

1015100

1-1/2" High-flow Gatekeeper

1013600

12-Volt AC 190 Electric Control Assembly • 3-Prong

1019052

12-Volt AC 190 Electric Solenoid

1019011

120-Volt AC to 12-Volt AC Converter Box • 2 Amp

1030020

Metering Valves

Part #

1-1/2" Maxum III • Tungsten Carbide Sleeve

10101950

1-1/2" Maxum III • Urethane Sleeve

10101946

10 Cu. Ft. (Pressure-Release / 123 RC)



Internal Fittings

Pop-Up Valve • Stem-Style

External Fittings

Air Exhaust & Media Outlet • All Configurations

Air Inlet • Pressure-Release / 123 RC System

Components

Part #

Inspection Door Assembly • 6" x 8"

1006200

Pusher Line Assembly • 1-1/2"

1006312

Moisture Separator • 1-1/4" Extractor

1011740

Exhaust Muffler • 1"

1011100

RC System • Pneumatic

Part #

123P Remote Control System

1012351

152P Remote Control Switch

1015200

Tandem Valve

1012300

RC System • 12-Volt DC

Part #

123E Remote Control System • 12-Volt DC

1012352

151E Remote Control Switch

1015100

Tandem Valve

1012300

12-Volt DC 190 Electric Control Assembly • 3-Prong

1019051

12-Volt DC 190 Electric Solenoid

1019010

RC System • 120-Volt AC

Part #

123E Remote Control System • 120-Volt AC

1012353

151E Remote Control Switch

1015100

Tandem Valve

1012300

12-Volt AC 190 Electric Control Assembly • 3-Prong

1019052

12-Volt AC 190 Electric Solenoid

1019011

120-Volt AC to 12-Volt AC Converter Box • 2 Amp

1030020

Metering Valves

Part #

1-1/2" Bantam

1014102

6.5 Cu. Ft. E-Series (Pressure-Hold / 130 RC)



Internal Fittings

Pop-Up Valve • Sleeve-Style

External Fittings

Air Inlet, Exhaust & Media Outlet

Components

| Components | Part # |
|---------------------------------------|----------|
| Inspection Door Assembly • 6" x 8" | 1006200 |
| Pusher Line Assembly • 1-1/2" | 1006312 |
| Moisture Separator • 1-1/2" Extractor | 10101313 |
| Exhaust Muffler • 1" | 1011100 |

RC System • Pneumatic

| RC System • Pneumatic | Part # |
|-----------------------------|----------|
| 130P Remote Control System | 10103834 |
| 152P Remote Control Switch | 1015200 |
| 1-1/2" High-flow Gatekeeper | 1013600 |
| 190 Pneumatic Solenoid | 1019000 |

RC System • 12-Volt DC

| RC System • 12-Volt DC | Part # |
|----------------------------------------------------|----------|
| 130E Remote Control System • 12-Volt DC | 10103835 |
| 151E Remote Control Switch | 1015100 |
| 1-1/2" High-flow Gatekeeper | 1013600 |
| 12-Volt DC 190 Electric Control Assembly • 3-Prong | 1019051 |
| 12-Volt DC 190 Electric Solenoid | 1019010 |

RC System • 120-Volt AC

| RC System • 120-Volt AC | Part # |
|----------------------------------------------------|----------|
| 130E Remote Control System • 120-Volt AC | 10103836 |
| 151E Remote Control Switch | 1015100 |
| 1-1/2" High-flow Gatekeeper | 1013600 |
| 12-Volt AC 190 Electric Control Assembly • 3-Prong | 1019052 |
| 12-Volt AC 190 Electric Solenoid | 1019011 |
| 120-Volt AC to 12-Volt AC Converter Box • 2 Amp | 1030020 |

Metering Valves

| Metering Valves | Part # |
|------------------------------------|----------|
| Automatic Easy-Flow Metering Valve | 10105102 |

6.5 Cu. Ft. E-Series (Pressure-Release / 125 RC)



Internal Fittings

Pop-Up Valve • Sleeve-Style

External Fittings

Air Inlet, Exhaust & Media Outlet

Components

| Components | Part # |
|---------------------------------------|----------|
| Inspection Door Assembly • 6" x 8" | 1006200 |
| Pusher Line Assembly • 1-1/2" | 1006312 |
| Moisture Separator • 1-1/2" Extractor | 10101313 |
| Exhaust Muffler • 1" | 1011100 |

RC System • Pneumatic

| | Part # |
|----------------------------|---------|
| 125P Remote Control System | 1012500 |
| 150P Remote Control Switch | 1015000 |
| Abrasive Trap | 1012000 |
| Outlet Valve • 1" | 1012050 |
| Inlet Valve • 1-1/2" | 1012200 |

RC System • 12-Volt DC

| | Part # |
|----------------------------------------------------|---------|
| 125E Remote Control System • 12-Volt DC | 1012551 |
| 151E Remote Control Switch | 1015100 |
| Abrasive Trap | 1012000 |
| Outlet Valve • 1" | 1012050 |
| Inlet Valve • 1-1/2" | 1012200 |
| 12-Volt DC 190 Electric Control Assembly • 2-Prong | 1019001 |
| 12-Volt DC 190 Electric Solenoid | 1019010 |

RC System • 120-Volt AC

| | Part # |
|----------------------------------------------------|---------|
| 125E Remote Control System • 120-Volt AC | 1012552 |
| 151E Remote Control Switch | 1015100 |
| Abrasive Trap | 1012000 |
| Outlet Valve • 1" | 1012050 |
| Inlet Valve • 1-1/2" | 1012200 |
| 12-Volt AC 190 Electric Control Assembly • 2-Prong | 1019002 |
| 12-Volt AC 190 Electric Solenoid | 1019011 |
| 120-Volt AC to 12-Volt AC Converter Box • 2 Amp | 1030020 |

Metering Valves

| | Part # |
|---------------------------------|----------|
| Manual Easy-Flow Metering Valve | 10105103 |

6.5 Cu. Ft. HP-Series



Internal Fittings

Pop-Up Valve • Stem-Style

External Fittings

Air Inlet, Exhaust, & Media Outlet

Components

Part #

Inspection Door Assembly • 6" x 8"

1006200

Pusher Line Assembly • 1-1/2"

1006312

Moisture Separator • 1-1/2" Extractor

10101313

Exhaust Muffler • 1"

1011100

Loading Skid

1065040

RC System • Pneumatic

Part #

130P Remote Control System

10103834

152P Remote Control Switch

1015200

1-1/2" High-flow Gatekeeper

1013600

190 Pneumatic Solenoid

1019000

RC System • 12-Volt DC

Part #

130E Remote Control System • 12-Volt DC

10103835

151E Remote Control Switch

1015100

1-1/2" High-flow Gatekeeper

1013600

12-Volt DC 190 Electric Control Assembly • 3-Prong

1019051

12-Volt DC 190 Electric Solenoid

1019010

RC System • 120-Volt AC

Part #

130E Remote Control System • 120-Volt AC

10103836

151E Remote Control Switch

1015100

1-1/2" High-flow Gatekeeper

1013600

12-Volt AC 190 Electric Control Assembly • 3-Prong

1019052

12-Volt AC 190 Electric Solenoid

1019011

120-Volt AC to 12-Volt AC Converter Box • 2 Amp

1030020

Metering Valves

Part #

1-1/2" Maxum III • Tungsten Carbide Sleeve

10101950

1-1/2" Maxum III • Urethane Sleeve

10101946

Blast Pots • Product Overview

6.5 Cu. Ft. M-Series



Internal Fittings

Pop-Up Valve • Sleeve-Style

External Fittings

Air Inlet, Exhaust, & Media Outlet

Components

| Components | Part # |
|---------------------------------------|----------|
| Inspection Door Assembly • 6" x 8" | 1006200 |
| Pusher Line Assembly • 1-1/4" | 1006311 |
| Pusher Line Assembly • 1-1/2" | 1006312 |
| Moisture Separator • 1-1/4" Extractor | 1011740 |
| Moisture Separator • 1-1/2" Extractor | 10101313 |
| Exhaust Muffler • 1" | 1011100 |
| Loading Skid | 1065040 |

RC System • Pneumatic

| | Part # |
|----------------------------|---------|
| 125P Remote Control System | 1012500 |
| 150P Remote Control Switch | 1015000 |
| Abrasive Trap | 1012000 |
| Outlet Valve • 1" | 1012050 |
| Inlet Valve • 1-1/2" | 1012200 |

RC System • 12-Volt DC

| | Part # |
|----------------------------------------------------|---------|
| 125E Remote Control System • 12-Volt DC | 1012551 |
| 151E Remote Control Switch | 1015100 |
| Abrasive Trap | 1012000 |
| Outlet Valve • 1" | 1012050 |
| Inlet Valve • 1-1/2" | 1012200 |
| 12-Volt DC 190 Electric Control Assembly • 2-Prong | 1019001 |
| 12-Volt DC 190 Electric Solenoid | 1019010 |

RC System • 120-Volt AC

| | Part # |
|----------------------------------------------------|---------|
| 125E Remote Control System • 120-Volt AC | 1012552 |
| 151E Remote Control Switch | 1015100 |
| Abrasive Trap | 1012000 |
| Outlet Valve • 1" | 1012050 |
| Inlet Valve • 1-1/2" | 1012200 |
| 12-Volt AC 190 Electric Control Assembly • 2-Prong | 1019002 |
| 12-Volt AC 190 Electric Solenoid | 1019011 |
| 120-Volt AC to 12-Volt AC Converter Box • 2 Amp | 1030020 |

Metering Valves

| | Part # |
|---------------|---------|
| 1-1/4" Bantam | 1014101 |
| 1-1/2" Bantam | 1014102 |

6.5 Cu. Ft. S-Series



Internal Fittings

Pop-Up Valve • Stem-Style

External Fittings

Air Inlet, Exhaust & Media Outlet

Components

Part #

Inspection Door Assembly • 6" x 8"

1006200

Pusher Line Assembly • 1-1/4"

1006311

Pusher Line Assembly • 1-1/2"

1006312

Moisture Separator • 1-1/4" Extractor

1011740

Exhaust Muffler • 1"

1011100

Loading Skid

1065040

RC System • Pneumatic

Part #

123P Remote Control System

1012351

152P Remote Control Switch

1015200

Tandem Valve

1012300

RC System • 12-Volt DC

Part #

123E Remote Control System • 12-Volt DC

1012352

151E Remote Control Switch

1015100

Tandem Valve

1012300

12-Volt DC 190 Electric Control Assembly • 3-Prong

1019051

12-Volt DC 190 Electric Solenoid

1019010

RC System • 120-Volt AC

Part #

123E Remote Control System • 120-Volt AC

1012353

151E Remote Control Switch

1015100

Tandem Valve

1012300

12-Volt AC 190 Electric Control Assembly • 3-Prong

1019052

12-Volt AC 190 Electric Solenoid

1019011

120-Volt AC to 12-Volt AC Converter Box • 2 Amp

1030020

Metering Valves

Part #

1-1/4" Bantam

1014101

1-1/2" Bantam

1014102

Blast Pots • Product Overview

6.0 Cu. Ft. C-Series



| | |
|---------------------------------------|---------------|
| Internal Fittings | |
| Pop-Up Valve • Sleeve-Style | |
| External Fittings | |
| Air Inlet, Exhaust & Media Outlet | |
| Components | Part # |
| Inspection Door Assembly • 6" x 8" | 1006200 |
| Pusher Line Assembly • 1-1/2" | 1006312 |
| Moisture Separator • 1-1/2" Extractor | 10101313 |
| Exhaust Muffler • 1" | 1011100 |

| | |
|----------------------------------------------------|---------------|
| RC System • Pneumatic | Part # |
| 125P Remote Control System | 1012500 |
| 150P Remote Control Switch | 1015000 |
| Abrasive Trap | 1012000 |
| Outlet Valve • 1" | 1012050 |
| Inlet Valve • 1-1/2" | 1012200 |
| RC System • 12-Volt DC | Part # |
| 125E Remote Control System • 12-Volt DC | 1012551 |
| 151E Remote Control Switch | 1015100 |
| Abrasive Trap | 1012000 |
| Outlet Valve • 1" | 1012050 |
| Inlet Valve • 1-1/2" | 1012200 |
| 12-Volt DC 190 Electric Control Assembly • 2-Prong | 1019001 |
| 12-Volt DC 190 Electric Solenoid | 1019010 |
| RC System • 120-Volt AC | Part # |
| 125E Remote Control System • 120-Volt AC | 1012552 |
| 151E Remote Control Switch | 1015100 |
| Abrasive Trap | 1012000 |
| Outlet Valve • 1" | 1012050 |
| Inlet Valve • 1-1/2" | 1012200 |
| 12-Volt AC 190 Electric Control Assembly • 2-Prong | 1019002 |
| 12-Volt AC 190 Electric Solenoid | 1019011 |
| 120-Volt AC to 12-Volt AC Converter Box • 2 Amp | 1030020 |
| Metering Valves | Part # |
| Regulator Metering Valve | 1014000 |

3.5 Cu. Ft. HP-Series



Internal Fittings

Pop-Up Valve • Stem-Style

External Fittings

Air Inlet, Exhaust, & Media Outlet

Components

Part #

Inspection Door Assembly • 6" x 8"

1006200

Pusher Line Assembly • 1-1/2"

1006312

Moisture Separator • 1-1/4" Jr. Extractor

10101314

Exhaust Muffler • 1"

1011100

Loading Skid

1035040

RC System • Pneumatic

Part #

130P Remote Control System

10103834

152P Remote Control Switch

1015200

1-1/2" High-flow Gatekeeper

1013600

190 Pneumatic Solenoid

1019000

RC System • 12-Volt DC

Part #

130E Remote Control System • 12-Volt DC

10103835

151E Remote Control Switch

1015100

1-1/2" High-flow Gatekeeper

1013600

12-Volt DC 190 Electric Control Assembly • 3-Prong

1019051

12-Volt DC 190 Electric Solenoid

1019010

RC System • 120-Volt AC

Part #

130E Remote Control System • 120-Volt AC

10103836

151E Remote Control Switch

1015100

1-1/2" High-flow Gatekeeper

1013600

12-Volt AC 190 Electric Control Assembly • 3-Prong

1019052

12-Volt AC 190 Electric Solenoid

1019011

120-Volt AC to 12-Volt AC Converter Box • 2 Amp

1030020

Metering Valves

Part #

1-1/2" Maxum III • Tungsten Carbide Sleeve

10101950

1-1/2" Maxum III • Urethane Sleeve

10101946

Blast Pots • Product Overview

3.5 Cu. Ft. M-Series



| | |
|-------------------------------------------|---------------|
| Internal Fittings | |
| Pop-Up Valve • Sleeve-Style | |
| External Fittings | |
| Air Inlet, Exhaust, & Media Outlet | |
| Components | Part # |
| Inspection Door Assembly • 6" x 8" | 1006200 |
| Pusher Line Assembly • 1-1/4" | 1006311 |
| Pusher Line Assembly • 1-1/2" | 1006312 |
| Moisture Separator • 1-1/4" Jr. Extractor | 10101314 |
| Exhaust Muffler • 1" | 1011100 |
| Loading Skid | 1035040 |

| | |
|----------------------------------------------------|---------------|
| RC System • Pneumatic | Part # |
| 125P Remote Control System | 1012500 |
| 150P Remote Control Switch | 1015000 |
| Abrasive Trap | 1012000 |
| Outlet Valve • 1" | 1012050 |
| Inlet Valve • 1-1/2" | 1012200 |
| RC System • 12-Volt DC | Part # |
| 125E Remote Control System • 12-Volt DC | 1012551 |
| 151E Remote Control Switch | 1015100 |
| Abrasive Trap | 1012000 |
| Outlet Valve • 1" | 1012050 |
| Inlet Valve • 1-1/2" | 1012200 |
| 12-Volt DC 190 Electric Control Assembly • 2-Prong | 1019001 |
| 12-Volt DC 190 Electric Solenoid | 1019010 |
| RC System • 120-Volt AC | Part # |
| 125E Remote Control System • 120-Volt AC | 1012552 |
| 151E Remote Control Switch | 1015100 |
| Abrasive Trap | 1012000 |
| Outlet Valve • 1" | 1012050 |
| Inlet Valve • 1-1/2" | 1012200 |
| 12-Volt AC 190 Electric Control Assembly • 2-Prong | 1019002 |
| 12-Volt AC 190 Electric Solenoid | 1019011 |
| 120-Volt AC to 12-Volt AC Converter Box • 2 Amp | 1030020 |
| Metering Valves | Part # |
| 1-1/4" Bantam | 1014101 |
| 1-1/2" Bantam | 1014102 |

Blast Pots • Product Overview

3.5 Cu. Ft. S-Series



| | |
|-------------------------------------------|----------|
| Internal Fittings | |
| Pop-Up Valve • Stem-Style | |
| External Fittings | |
| Air Inlet, Exhaust & Media Outlet | |
| Components | Part # |
| Inspection Door Assembly • 6" x 8" | 1006200 |
| Pusher Line Assembly • 1-1/4" | 1006311 |
| Pusher Line Assembly • 1-1/2" | 1006312 |
| Moisture Separator • 1-1/4" Jr. Extractor | 10101314 |
| Exhaust Muffler • 1" | 1011100 |
| Loading Skid | 1035040 |

| | |
|----------------------------------------------------|---------|
| RC System • Pneumatic | Part # |
| 123P Remote Control System | 1012351 |
| 152P Remote Control Switch | 1015200 |
| Tandem Valve | 1012300 |
| RC System • 12-Volt DC | Part # |
| 123E Remote Control System • 12-Volt DC | 1012352 |
| 151E Remote Control Switch | 1015100 |
| Tandem Valve | 1012300 |
| 12-Volt DC 190 Electric Control Assembly • 3-Prong | 1019051 |
| 12-Volt DC 190 Electric Solenoid | 1019010 |
| RC System • 120-Volt AC | Part # |
| 123E Remote Control System • 120-Volt AC | 1012353 |
| 151E Remote Control Switch | 1015100 |
| Tandem Valve | 1012300 |
| 12-Volt AC 190 Electric Control Assembly • 3-Prong | 1019052 |
| 12-Volt AC 190 Electric Solenoid | 1019011 |
| 120-Volt AC to 12-Volt AC Converter Box • 2 Amp | 1030020 |
| Metering Valves | Part # |
| 1-1/4" Bantam | 1014101 |
| 1-1/2" Bantam | 1014102 |

Blast Pots • Product Overview

3.0 Cu. Ft. C-Series



Internal Fittings

Pop-Up Valve • Sleeve-Style

External Fittings

Air Inlet, Exhaust & Media Outlet

Components

| Components | Part # |
|-------------------------------------------|----------|
| Inspection Door Assembly • 6" x 8" | 1006200 |
| Pusher Line Assembly • 1-1/2" | 1006312 |
| Moisture Separator • 1-1/4" Jr. Extractor | 10101314 |
| Exhaust Muffler • 1" | 1011100 |

RC System • Pneumatic

| | Part # |
|----------------------------|---------|
| 125P Remote Control System | 1012500 |
| 150P Remote Control Switch | 1015000 |
| Abrasive Trap | 1012000 |
| Outlet Valve • 1" | 1012050 |
| Inlet Valve • 1-1/2" | 1012200 |

RC System • 12-Volt DC

| | Part # |
|----------------------------------------------------|---------|
| 125E Remote Control System • 12-Volt DC | 1012551 |
| 151E Remote Control Switch | 1015100 |
| Abrasive Trap | 1012000 |
| Outlet Valve • 1" | 1012050 |
| Inlet Valve • 1-1/2" | 1012200 |
| 12-Volt DC 190 Electric Control Assembly • 2-Prong | 1019001 |
| 12-Volt DC 190 Electric Solenoid | 1019010 |

RC System • 120-Volt AC

| | Part # |
|----------------------------------------------------|---------|
| 125E Remote Control System • 120-Volt AC | 1012552 |
| 151E Remote Control Switch | 1015100 |
| Abrasive Trap | 1012000 |
| Outlet Valve • 1" | 1012050 |
| Inlet Valve • 1-1/2" | 1012200 |
| 12-Volt AC 190 Electric Control Assembly • 2-Prong | 1019002 |
| 12-Volt AC 190 Electric Solenoid | 1019011 |
| 120-Volt AC to 12-Volt AC Converter Box • 2 Amp | 1030020 |

Metering Valves

| | Part # |
|--------------------------|---------|
| Regulator Metering Valve | 1014000 |

Blast Pots • Product Overview

3.0 Cu. Ft. E-Series (Pressure-Hold / 130 RC)



Internal Fittings

Pop-Up Valve • Sleeve-Style

External Fittings

Air Inlet, Exhaust & Media Outlet

Components

| Components | Part # |
|---------------------------------------|----------|
| Inspection Door Assembly • 6" x 8" | 1006200 |
| Pusher Line Assembly • 1-1/2" | 1006312 |
| Moisture Separator • 1-1/2" Extractor | 10101313 |
| Exhaust Muffler • 1" | 1011100 |

RC System • Pneumatic

Part #

| | |
|-----------------------------|----------|
| 130P Remote Control System | 10103834 |
| 152P Remote Control Switch | 1015200 |
| 1-1/2" High-flow Gatekeeper | 1013600 |
| 190 Pneumatic Solenoid | 1019000 |

RC System • 12-Volt DC

Part #

| | |
|----------------------------------------------------|----------|
| 130E Remote Control System • 12-Volt DC | 10103835 |
| 151E Remote Control Switch | 1015100 |
| 1-1/2" High-flow Gatekeeper | 1013600 |
| 12-Volt DC 190 Electric Control Assembly • 3-Prong | 1019051 |
| 12-Volt DC 190 Electric Solenoid | 1019010 |

RC System • 120-Volt AC

Part #

| | |
|----------------------------------------------------|----------|
| 130E Remote Control System • 120-Volt AC | 10103836 |
| 151E Remote Control Switch | 1015100 |
| 1-1/2" High-flow Gatekeeper | 1013600 |
| 12-Volt AC 190 Electric Control Assembly • 3-Prong | 1019052 |
| 12-Volt AC 190 Electric Solenoid | 1019011 |
| 120-Volt AC to 12-Volt AC Converter Box • 2 Amp | 1030020 |

Metering Valves

Part #

| | |
|------------------------------------|----------|
| Automatic Easy-Flow Metering Valve | 10105102 |
|------------------------------------|----------|

Blast Pots • Product Overview

3.0 Cu. Ft. E-Series (Pressure-Release / 125 RC)



Internal Fittings

Pop-Up Valve • Sleeve-Style

External Fittings

Air Inlet, Exhaust & Media Outlet

Components

| Components | Part # |
|-------------------------------------------|----------|
| Inspection Door Assembly • 6" x 8" | 1006200 |
| Pusher Line Assembly • 1-1/2" | 1006312 |
| Moisture Separator • 1-1/4" Jr. Extractor | 10101314 |
| Exhaust Muffler • 1" | 1011100 |

RC System • Pneumatic

| | Part # |
|----------------------------|---------|
| 125P Remote Control System | 1012500 |
| 150P Remote Control Switch | 1015000 |
| Abrasive Trap | 1012000 |
| Outlet Valve • 1" | 1012050 |
| Inlet Valve • 1-1/2" | 1012200 |

RC System • 12-Volt DC

| | Part # |
|----------------------------------------------------|---------|
| 125E Remote Control System • 12-Volt DC | 1012551 |
| 151E Remote Control Switch | 1015100 |
| Abrasive Trap | 1012000 |
| Outlet Valve • 1" | 1012050 |
| Inlet Valve • 1-1/2" | 1012200 |
| 12-Volt DC 190 Electric Control Assembly • 2-Prong | 1019001 |
| 12-Volt DC 190 Electric Solenoid | 1019010 |

RC System • 120-Volt AC

| | Part # |
|----------------------------------------------------|---------|
| 125E Remote Control System • 120-Volt AC | 1012552 |
| 151E Remote Control Switch | 1015100 |
| Abrasive Trap | 1012000 |
| Outlet Valve • 1" | 1012050 |
| Inlet Valve • 1-1/2" | 1012200 |
| 12-Volt AC 190 Electric Control Assembly • 2-Prong | 1019002 |
| 12-Volt AC 190 Electric Solenoid | 1019011 |
| 120-Volt AC to 12-Volt AC Converter Box • 2 Amp | 1030020 |

Metering Valves

| | Part # |
|---------------------------------|----------|
| Manual Easy-Flow Metering Valve | 10105103 |

2.0 Cu. Ft. M-Series



Internal Fittings

Pop-Up Valve • Stem-Style

External Fittings

Air Inlet, Exhaust, & Media Outlet

Components

Part #

Inspection Door Assembly • 4" x 6"

10101752

Pusher Line Assembly • 1-1/4"

1006311

Pusher Line Assembly • 1-1/2"

1006312

Moisture Separator • 1-1/4" Jr. Extractor

10101314

Exhaust Muffler • 1"

1011100

RC System • Pneumatic

Part #

125P Remote Control System

1012500

150P Remote Control Switch

1015000

Abrasive Trap

1012000

Outlet Valve • 1"

1012050

Inlet Valve • 1-1/2"

1012200

RC System • 12-Volt DC

Part #

125E Remote Control System • 12-Volt DC

1012551

151E Remote Control Switch

1015100

Abrasive Trap

1012000

Outlet Valve • 1"

1012050

Inlet Valve • 1-1/2"

1012200

12-Volt DC 190 Electric Control Assembly • 2-Prong

1019001

12-Volt DC 190 Electric Solenoid

1019010

RC System • 120-Volt AC

Part #

125E Remote Control System • 120-Volt AC

1012552

151E Remote Control Switch

1015100

Abrasive Trap

1012000

Outlet Valve • 1"

1012050

Inlet Valve • 1-1/2"

1012200

12-Volt AC 190 Electric Control Assembly • 2-Prong

1019002

12-Volt AC 190 Electric Solenoid

1019011

120-Volt AC to 12-Volt AC Converter Box • 2 Amp

1030020

Metering Valves

Part #

1-1/4" Bantam

1014101

1-1/2" Bantam

1014102

Blast Pots • Product Overview

2.0 Cu. Ft. L-Series



Internal Fittings

Pop-Up Valve • Manual-Style

External Fittings

Air Inlet & Media Outlet

Components

Part #

Pusher Line Assembly • 1"

1006310

Moisture Separator • 1" Jr. Extractor

1011750

RC System

Part #

153 Remote Control Valve

10L66EVD

Metering Valves

Part #

1/2" Bantam

1014103

1.5 Cu. Ft. L-Series



Internal Fittings

Pop-Up Valve • Manual-Style

External Fittings

Part #

Air Inlet & Media Outlet

Moisture Separator • 1/2"

10L100129

RC System

Part #

153 Remote Control Valve

10L66EVD

Metering Valves

Part #

2-Hole Junior

10L100197

1.0 Cu. Ft.



Internal Fittings

Pop-Up Valve • Stem-Style

External Fittings

Part #

Air Inlet, Exhaust, & Media Outlet

Moisture Separator • 1/2" NPT

10102251

Components

Part #

Inspection Door Assembly • 4" x 6"

10101752

Exhaust Muffler • 1"

1011100

RC System • Pneumatic

Part #

152P Remote Control Switch

1015200

1" Gatekeeper Air Valve

1012000

1" Diaphragm Outlet Valve

1012150

190 Pneumatic Solenoid

1019000

Metering Valves

Part #

1" Bantam

1014100

Blast Pots • Product Overview

0.35 Cu. Ft. L-Series



Internal Fittings

Pop-Up Valve • Manual-Style

External Fittings

Part #

Air Inlet & Media Outlet

Moisture Separator • 1/2"

10L100129

RC System

Part #

153 Remote Control Valve

10L66EVD

Metering Valves

Part #

2-Hole Junior

10L100197

0.20 Cu. Ft. Suction Blaster



External Fittings

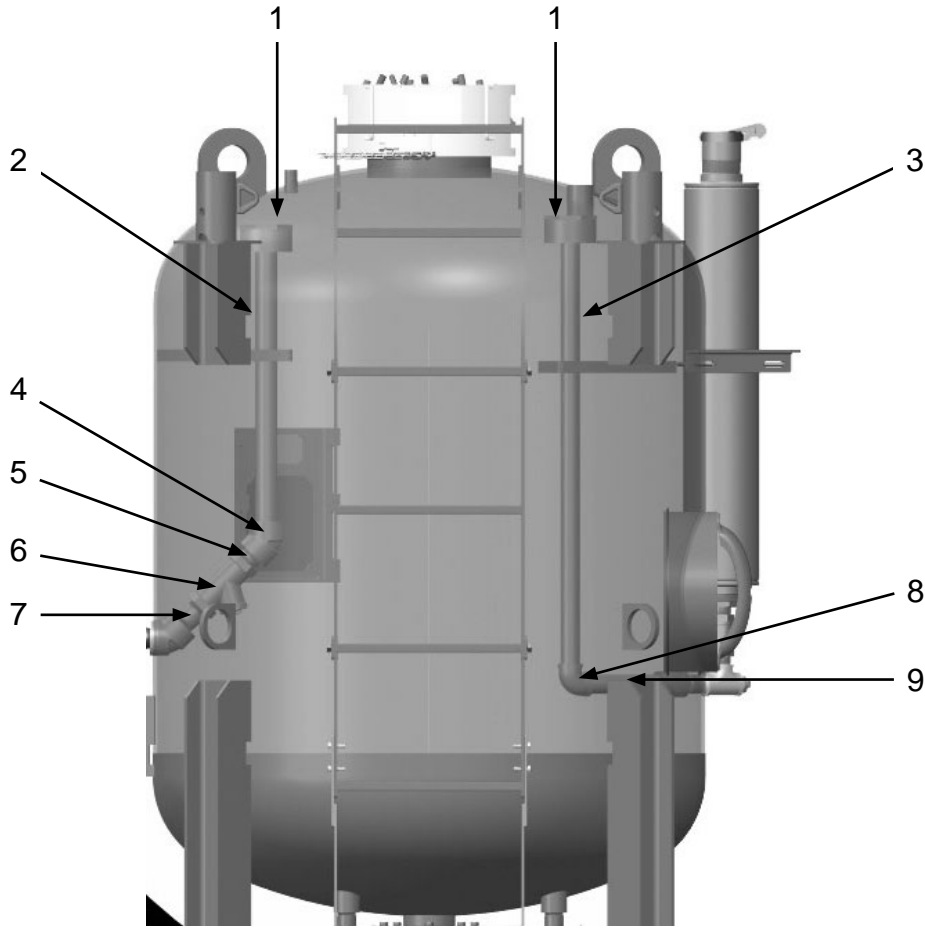
Part #

Air Inlet & Media Outlet

1600 Series Suction Gun Package

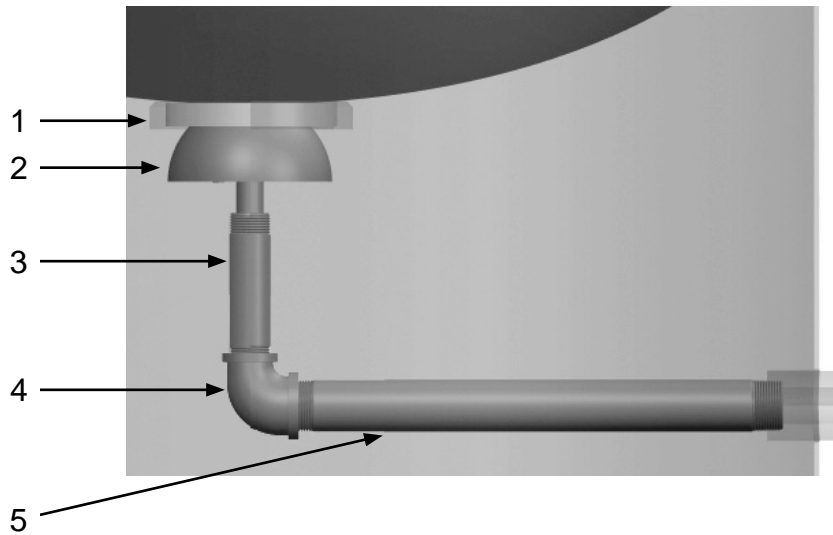
1001600

Blast Pots • Internal Fittings
Inlet / Outlet Tubes (60,120,160)



| Part # | Description | Compatible Blast Pots |
|--------|-------------------------------------------------------|-----------------------|
| 1a | 10000349 Internal Media Deflector | 60 Cube |
| 2a | 10107971 TOE Pipe Nipple • 1-1/4" x 25" | 60 Cube |
| 3a | 10107972 TOE Pipe Nipple • 1-1/4" x 38" | 60 Cube |
| Part # | Description | Compatible Blast Pots |
| 2b | 10105386 Inlet Tube w/ Media Deflector | 120 Cube |
| 3b | 10105385 Outlet Tube w/ Media Deflector | 120 Cube |
| Part # | Description | Compatible Blast Pots |
| 2c | 10100682 Inlet Tube w/ Media Deflector | 160 Cube |
| 3c | 10105384 Outlet Tube w/ Media Deflector | 160 Cube |
| Part # | Description | Compatible Blast Pots |
| 4 | 10000328 45° Coupling • 1-1/2" | 60 120 160 Cube |
| 5 | 1014015 Close Nipple • 1-1/2" | 60 120 160 Cube |
| 6 | 1011841 Y-Strainer • 1-1/2" | 60 120 160 Cube |
| 7 | 1011203 Pipe Nipple • 1-1/2" x 3" Nipple – Galvanized | 60 120 160 Cube |
| 8 | 1006204 90° Elbow • 1-1/4" x 1-1/4" | 60 120 160 Cube |
| 9 | 1006207 Pipe Nipple • 1-1/4" x 8" | 60 120 160 Cube |

Stem-Style Pop-Up Valve



| | Part # | Description | Compatible Blast Pots |
|---|-----------|-----------------------------|-----------------------|
| 1 | 10101132 | Pop-Up Valve Seat | 1.0 Cube |
| 2 | 10101133 | Stem-Style Pop-Up Valve | 1.0 Cube |
| 3 | 10L803057 | Pipe Nipple • 1/2" x 7-1/2" | 1.0 Cube |

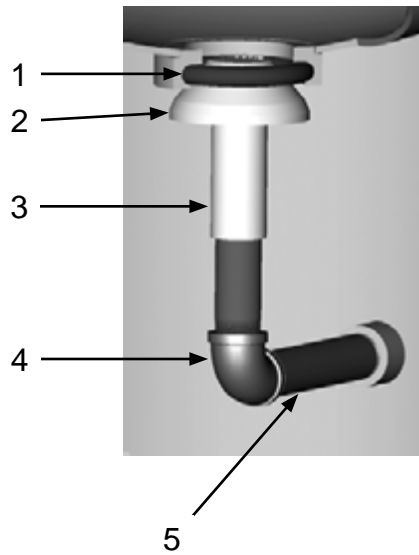
| | Part # | Description | Compatible Blast Pots (14" Diameter) |
|---|----------|---------------------------|--------------------------------------|
| 1 | 10101110 | Pop-Up Valve Seat | 2.0 M-Series |
| 2 | 10101133 | Stem-Style Pop-Up Valve | 2.0 M-Series |
| 3 | 10108188 | Pipe Nipple • 1/2" x 4" | 2.0 M-Series |
| 4 | 10101141 | Elbow • 1-1/4" x 1/2" | 2.0 M-Series |
| 5 | 1014014 | Pipe Nipple • 1-1/4" x 5" | 2.0 M-Series |

| | Part # | Description | Compatible Blast Pots (18" Diameter) |
|---|---------|---------------------------|--------------------------------------|
| 1 | 1006040 | Pop-Up Valve Seat | 3.5 HP-Series 3.5 S-Series |
| 2 | 1006030 | Stem-Style Pop-Up Valve | 3.5 HP-Series 3.5 S-Series |
| 3 | 1011815 | Pipe Nipple • 1-1/4" x 5" | 3.5 HP-Series 3.5 S-Series |
| 4 | 1006210 | Elbow • 1-1/4" x 1" | 3.5 HP-Series 3.5 S-Series |
| 5 | 1011200 | Pipe Nipple • 1-1/4" x 7" | 3.5 HP-Series 3.5 S-Series |

| | Part # | Description | Compatible Blast Pots (24" Diameter) |
|---|---------|----------------------------|----------------------------------------|
| 1 | 1006040 | Pop-Up Valve Seat | 6.5 HP-Series 6.5 S-Series 10 Cube |
| 2 | 1006030 | Stem-Style Pop-Up Valve | 6.5 HP-Series 6.5 S-Series 10 Cube |
| 3 | 1011815 | Pipe Nipple • 1-1/4" x 5" | 6.5 HP-Series 6.5 S-Series 10 Cube |
| 4 | 1006210 | Elbow • 1-1/4" x 1" | 6.5 HP-Series 6.5 S-Series 10 Cube |
| 5 | 1011214 | Pipe Nipple • 1-1/4" x 10" | 6.5 HP-Series 6.5 S-Series 10 Cube |

| | Part # | Description | Compatible Blast Pots (36" Diameter) |
|---|----------|----------------------------|--------------------------------------|
| 1 | 1006040 | Pop-Up Valve Seat | 20 Cube |
| 2 | 1006030 | Stem-Style Pop-Up Valve | 20 Cube |
| 3 | 1011815 | Pipe Nipple • 1-1/4" x 5" | 20 Cube |
| 4 | 1006210 | Elbow • 1-1/4" x 1" | 20 Cube |
| 5 | 10106848 | Pipe Nipple • 1-1/4" x 16" | 20 Cube |

Sleeve-Style Pop-Up Valve

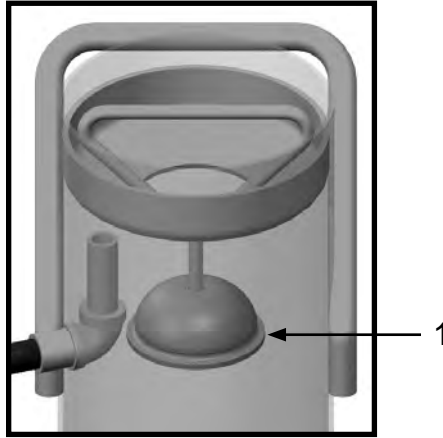


| | Part # | Description | Compatible Blast Pots |
|---|---------|-----------------------------------|-----------------------------|
| 1 | 1006050 | Pop-Up Valve Seat | 3.0 C-Series 3.0 E-Series |
| 2 | 1006020 | Sleeve-Style Pop-Up Valve | 3.0 C-Series 3.0 E-Series |
| 3 | 1006206 | TOE Pipe Nipple • 1-1/4" x 5" | 3.0 C-Series 3.0 E-Series |
| 4 | 1006204 | Elbow • 1-1/4" x 1-1/4" 90° Elbow | 3.0 C-Series 3.0 E-Series |
| 5 | 1011202 | Pipe Nipple • 1-1/4" x 6" | 3.0 C-Series 3.0 E-Series |

| | Part # | Description | Compatible Blast Pots (18" Diameter) |
|---|---------|-------------------------------|--------------------------------------|
| 1 | 1006050 | Pop-Up Valve Seat | 3.5 M-Series |
| 2 | 1006020 | Sleeve-Style Pop-Up Valve | 3.5 M-Series |
| 3 | 1011207 | TOE Pipe Nipple • 1-1/4" x 4" | 3.5 M-Series |
| 4 | 1006204 | Elbow • 1-1/4" x 1-1/4" | 3.5 M-Series |
| 5 | 1011200 | Pipe Nipple • 1-1/4" x 7" | 3.5 M-Series |

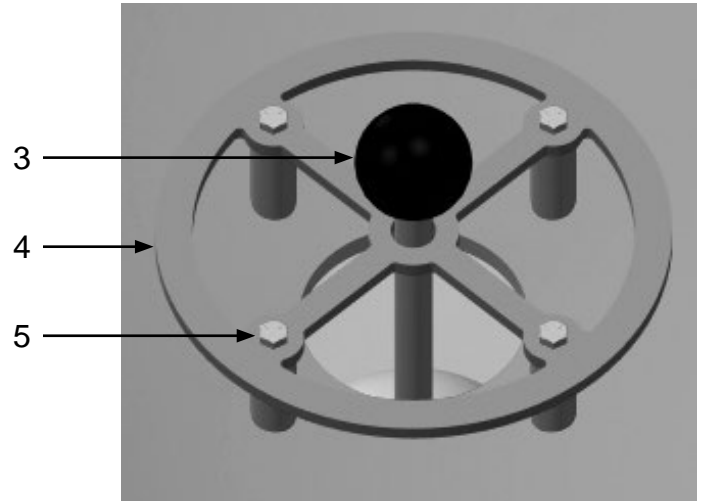
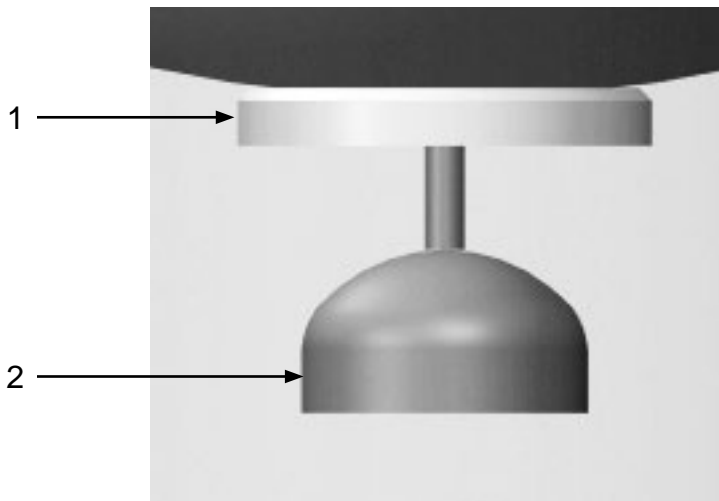
| | Part # | Description | Compatible Blast Pots (24" Diameter) |
|---|---------|-------------------------------|--------------------------------------------|
| 1 | 1006050 | Pop-Up Valve Seat | 6.0 C-Series 6.5 E-Series 6.5 M-Series |
| 2 | 1006020 | Sleeve-Style Pop-Up Valve | 6.0 C-Series 6.5 E-Series 6.5 M-Series |
| 3 | 1011200 | TOE Pipe Nipple • 1-1/4" x 7" | 6.0 C-Series 6.5 E-Series 6.5 M-Series |
| 4 | 1006204 | Elbow • 1-1/4" x 1-1/4" | 6.0 C-Series 6.5 E-Series 6.5 M-Series |
| 5 | 1011214 | Pipe Nipple • 1-1/4" x 10" | 6.0 C-Series 6.5 E-Series 6.5 M-Series |

Blast Pots • Internal Fittings
Manual-Style Pop-Up Valve

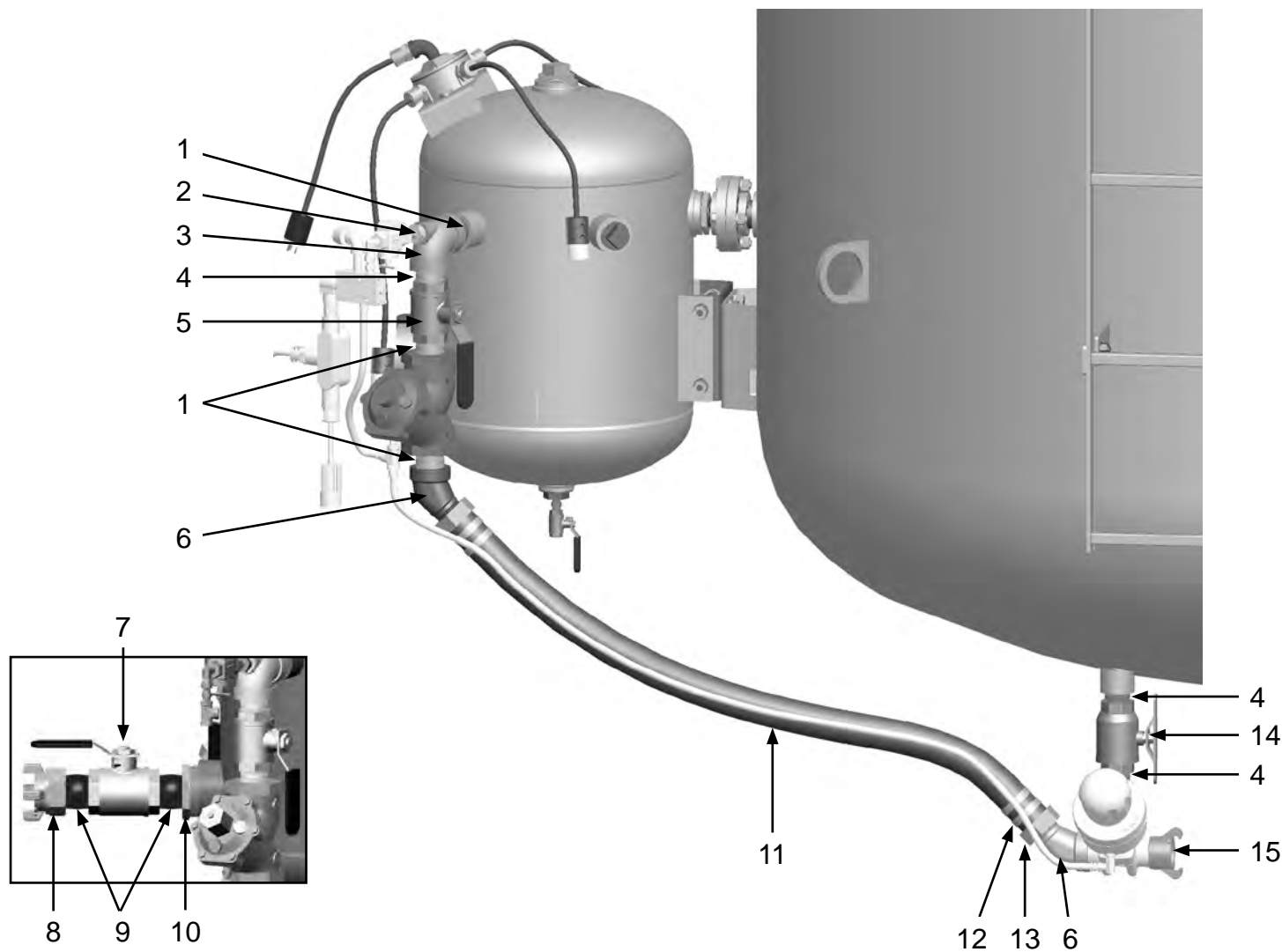


| | Part # | Description | Compatible Blast Pots |
|---|---------|--------------------|---------------------------------------------|
| 1 | 10L650R | Filler Plug O-Ring | 0.35 L-Series 1.5 L-Series 2.0 L-Series |

Spindle-Style Pop-Up Valve (Wet Blast Systems)



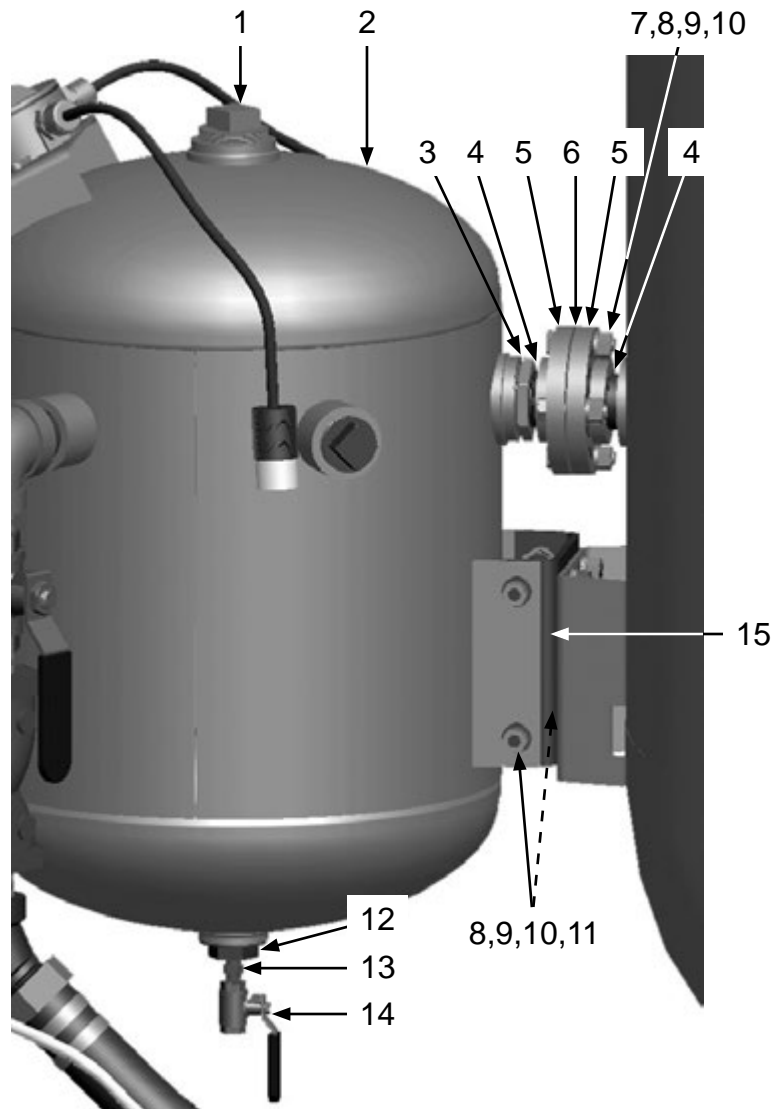
| | Part # | Description | Compatible Wet Blast Pots |
|---|----------|---------------------------------|---------------------------|
| 1 | 1006040 | Pop-Up Valve Seat | 3.5 6.5 Cube |
| 2 | 10105720 | Pop-Up Valve | 3.5 6.5 Cube |
| 3 | 10105722 | Knob • 1-7/8" OD 5/8"-18 Thread | 3.5 6.5 Cube |
| 4 | 10105346 | Pop-Up Spindle | 3.5 6.5 Cube |
| 5 | 20100959 | Bolt • 1/4"-20 x 5/8" | 3.5 6.5 Cube |



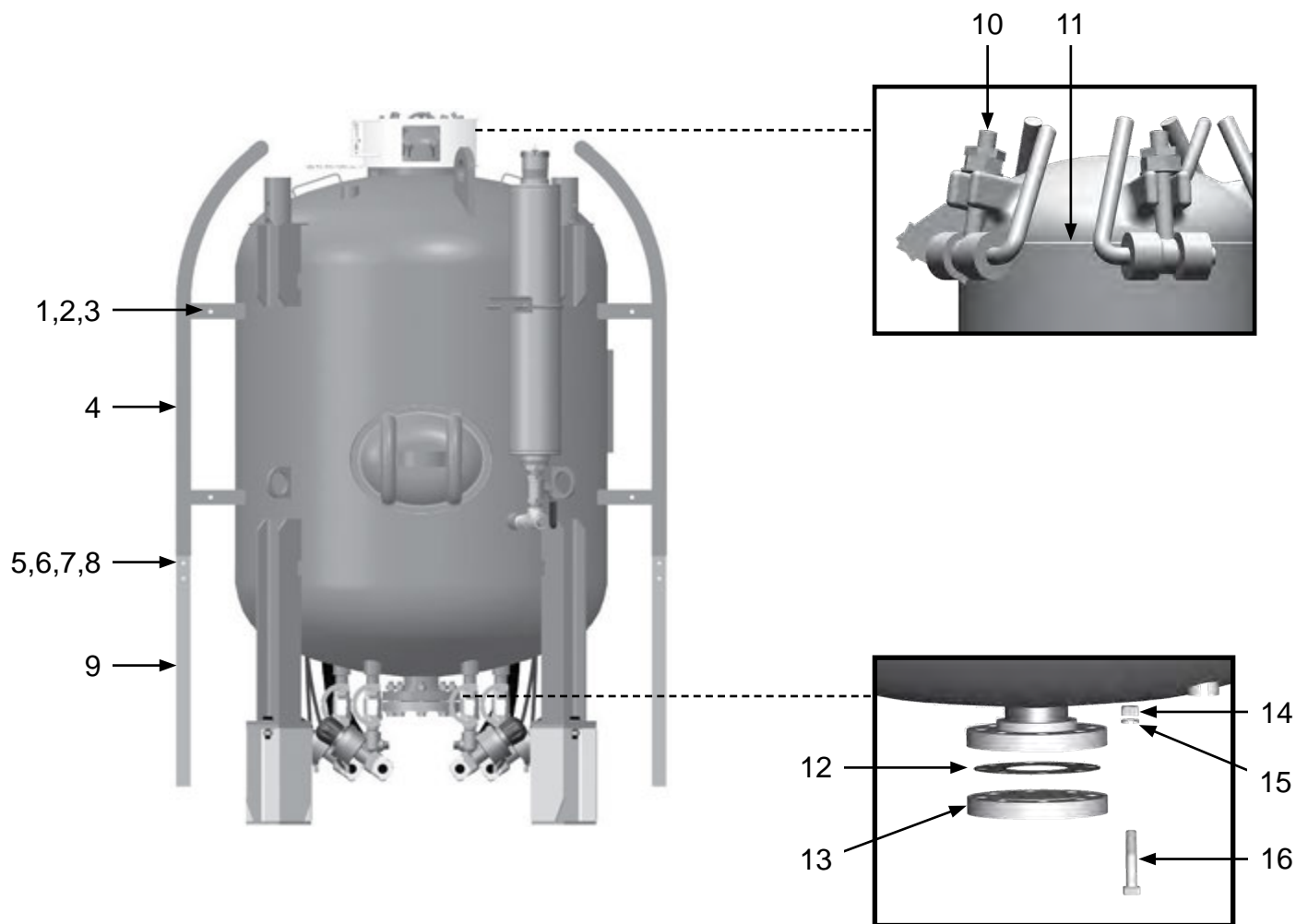
| Part # | Description | Compatible Blast Pot Sizes |
|--------|--------------------------------------------------|----------------------------|
| 1 | 1014015 1-1/2" Close Nipple | 60 120 160 Cube |
| 2 | 10100524 3/4" x 1/4" Galvanized Bushing | 60 120 160 Cube |
| 3 | 1011829 1-1/2" x 3/4" x 1-1/2" Reducing Tee | 60 120 160 Cube |
| 4 | 1011201 1-1/4" NPT Close Nipple | 60 120 160 Cube |
| 5 | 1011603 1-1/2" NPT Full Port Brass Ball Valve | 60 120 160 Cube |
| 6 | 1011805 1-1/2" NPT 45° Street Elbow | 60 120 160 Cube |
| 7 | 1011604 2" NPT Full Port Brass Ball Valve | 60 120 160 Cube |
| 8 | 10ME5 2" 4-Lug Female NPT Coupling | 60 120 160 Cube |
| 9 | 1001806 2" NPT Close Nipple | 60 120 160 Cube |
| 10 | 10101183 3" MNPT x 2" FNPT Bushing | 60 120 160 Cube |
| 11 | 10AH112B 1-1/2" I.D. Air Hose – Per Foot | 60 120 160 Cube |
| 12 | 10AHCL3 Band Clamp | 60 120 160 Cube |
| 13 | 10SFE4 1-1/2" NPT Swivel Female Air Hose Fitting | 60 120 160 Cube |
| 14 | 1011606A 1-1/4" Union End Brass Ball Valve | 60 120 160 Cube |
| 15 | 10SB2S 1-1/2" NPT Brass Tank Coupling | 60 120 160 Cube |

Blast Pots • External Fittings

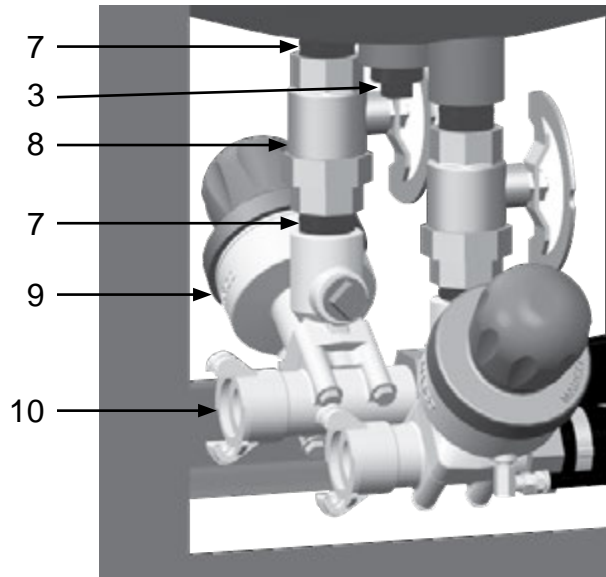
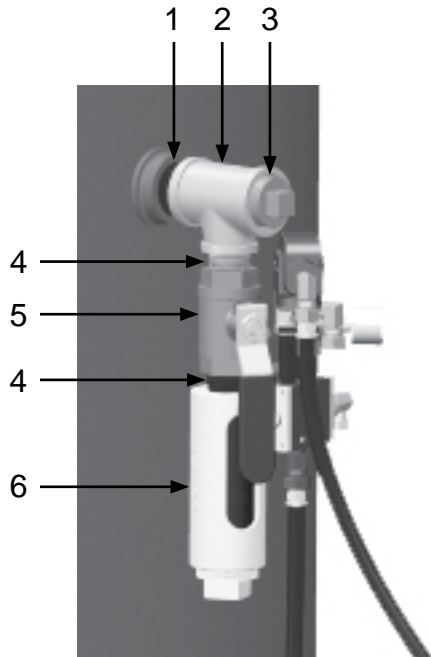
Bulk Pots (60,120,160) • Moisture Separator



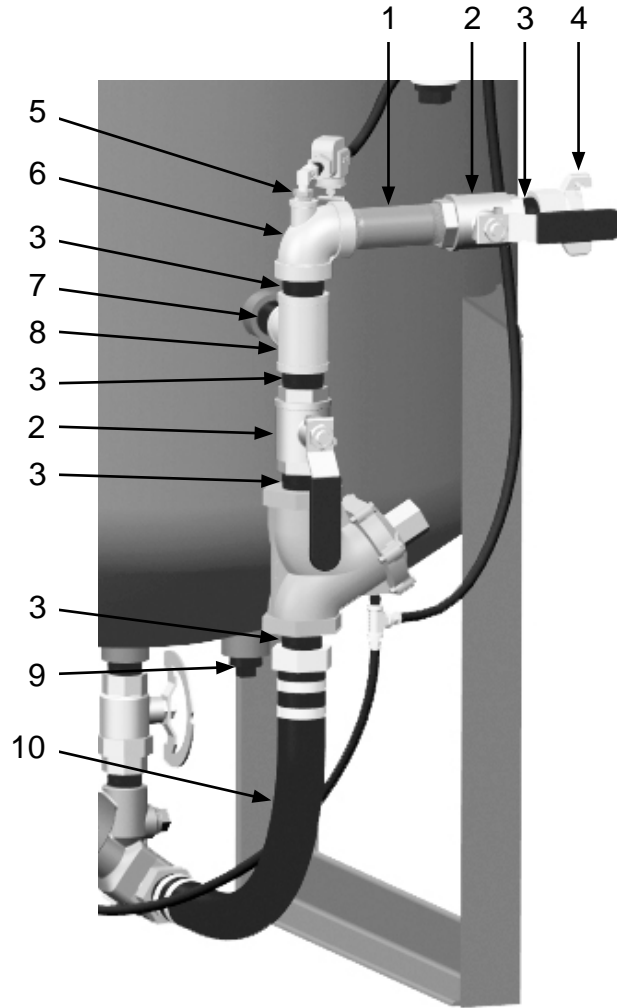
| Part # | Description | Compatible Blast Pot Sizes |
|--------|----------------------------------------------|----------------------------|
| 1 | 2" Pipe Plug | 60 120 160 Cube |
| 2 | 1600 CFM Moisture Separator | 60 120 160 Cube |
| 3 | 2" x 1-1/2" Bushing | 60 120 160 Cube |
| 4 | 1-1/2" Close Nipple | 60 120 160 Cube |
| 5 | 1-1/2" Flange | 60 120 160 Cube |
| 6 | 1-1/2" Flange Gasket | 60 120 160 Cube |
| 7 | 1/2" UNC x 2-1/4" Hex Bolt | 60 120 160 Cube |
| 8 | 1/2" Lock Washer | 60 120 160 Cube |
| 9 | 1/2" Flat Washer | 60 120 160 Cube |
| 10 | 1/2-13 Hex Nut | 60 120 160 Cube |
| 11 | 1/2-13 x 1-1/4" UNC Hex Bolt | 60 120 160 Cube |
| 12 | 1-1/2" (M) NPT x 1/4" (F) NPT Bushing | 60 120 160 Cube |
| 13 | 1/4" x 1/4" NPT Hex Nipple | 60 120 160 Cube |
| 14 | 1/4" NPT Full Port Brass Ball Valve | 60 120 160 Cube |
| 15 | Bulk Pot Moisture Separator Mounting Bracket | 60 120 160 Cube |



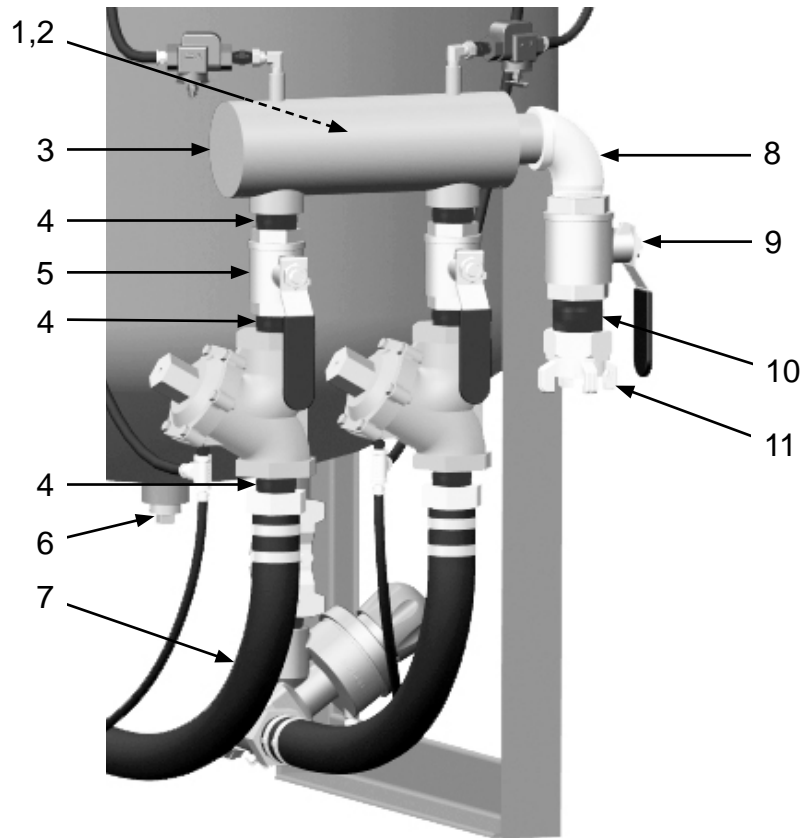
| Part # | Description | Compatible Blast Pot Sizes |
|--------|---------------------------------------|----------------------------|
| 1 | 10100597 1/2-13 x 1-1/4" UNC Hex Bolt | 60 120 160 Cube |
| 2 | 10100598 1/2-13 Hex Nut | 60 120 160 Cube |
| 3 | 10100599 1/2" Washer | 60 120 160 Cube |
| 4 | 10000343 Ladder Kit | 60 120 160 Cube |
| 5 | 10101938 3/8"-16 Hex Nut | 60 120 160 Cube |
| 6 | 10101936 3/8" Lock Washer | 60 120 160 Cube |
| 7 | 10101942 3/8" Flat Washer | 60 120 160 Cube |
| 8 | 10101059 3/8-16 x 1-1/4" A307 Bolt | 60 120 160 Cube |
| 9 | 10103915 Ladder Extension with Tape | 60 120 160 Cube |
| 10 | 10100698 Camlock | 60 120 160 Cube |
| 11 | 10100697 10" Hatch O-Ring | 60 120 160 Cube |
| 12 | 10000501 4" Flange Gasket | 60 120 160 Cube |
| 13 | 10000498 4" Blind Flange | 60 120 160 Cube |
| 14 | 10100595 3/4-10 Hex Nut | 60 120 160 Cube |
| 15 | 10100596 3/4" Lock Washer | 60 120 160 Cube |
| 16 | 10100594 3/4-10 x 4" Hex Bolt | 60 120 160 Cube |



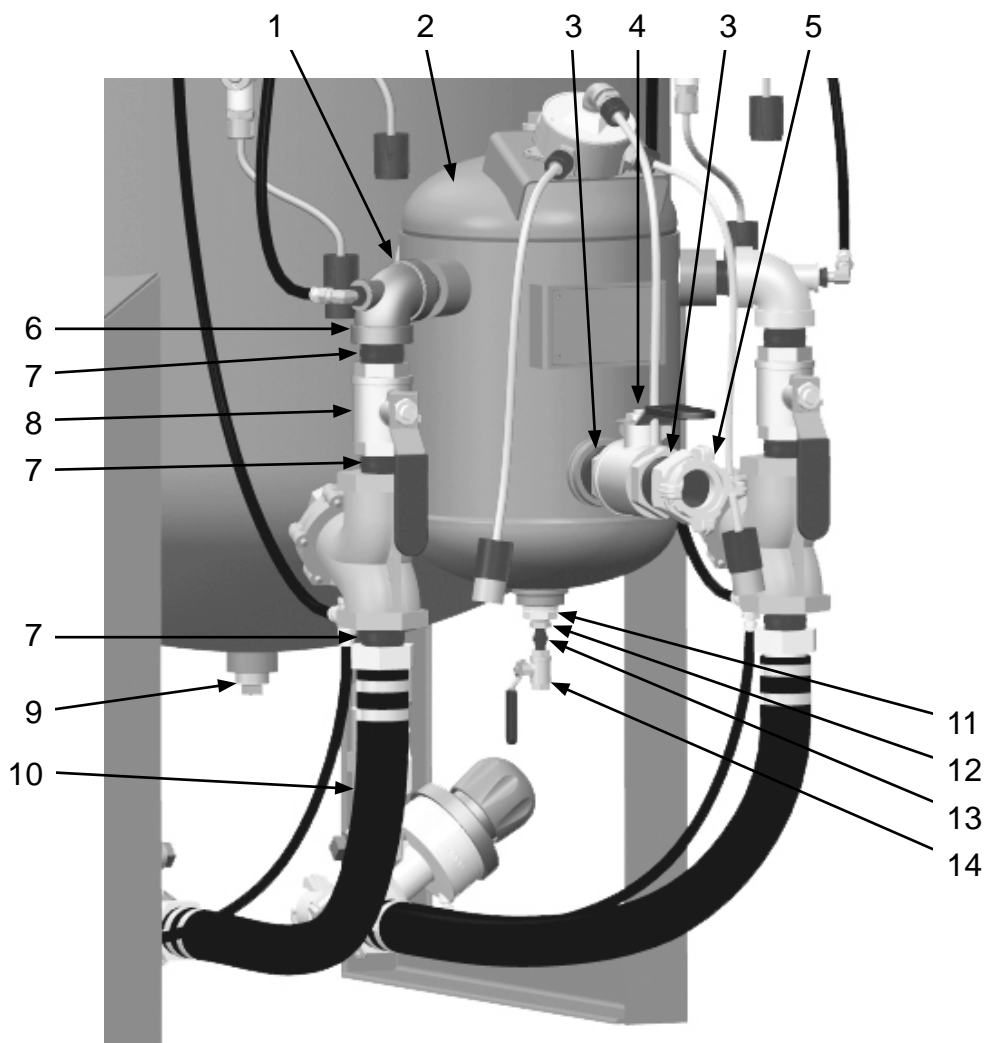
| Part # | Description |
|--------|--------------------------------------------------------------------------------------|
| 1 | 1011201 1-1/4" NPT Close Nipple |
| 2 | 1011817 1-1/4" x 1-1/4" x 1" Pipe Tee |
| 3 | 1011902 1-1/4" Square Head Plug |
| 4 | 1012151 1" Galvanized Close Nipple |
| 5 | 1011601 1" NPT Full Port Brass Ball Valve |
| 6 | 1011100 1" Exhaust Muffler |
| 7 | 1011201 1-1/4" Close Nipple |
| 8 | 1011606A 1-1/4" Union End Ball Valve |
| 9a | 10101950 1-1/2" Maxum III Metering Valve (w/Tungsten Carbide Sleeve) |
| 9b | 10101946 1-1/2" Maxum III Metering Valve (w/Urethane Sleeve) |
| 10 | 10SB2S 1-1/2" Straight Thread Coupling |



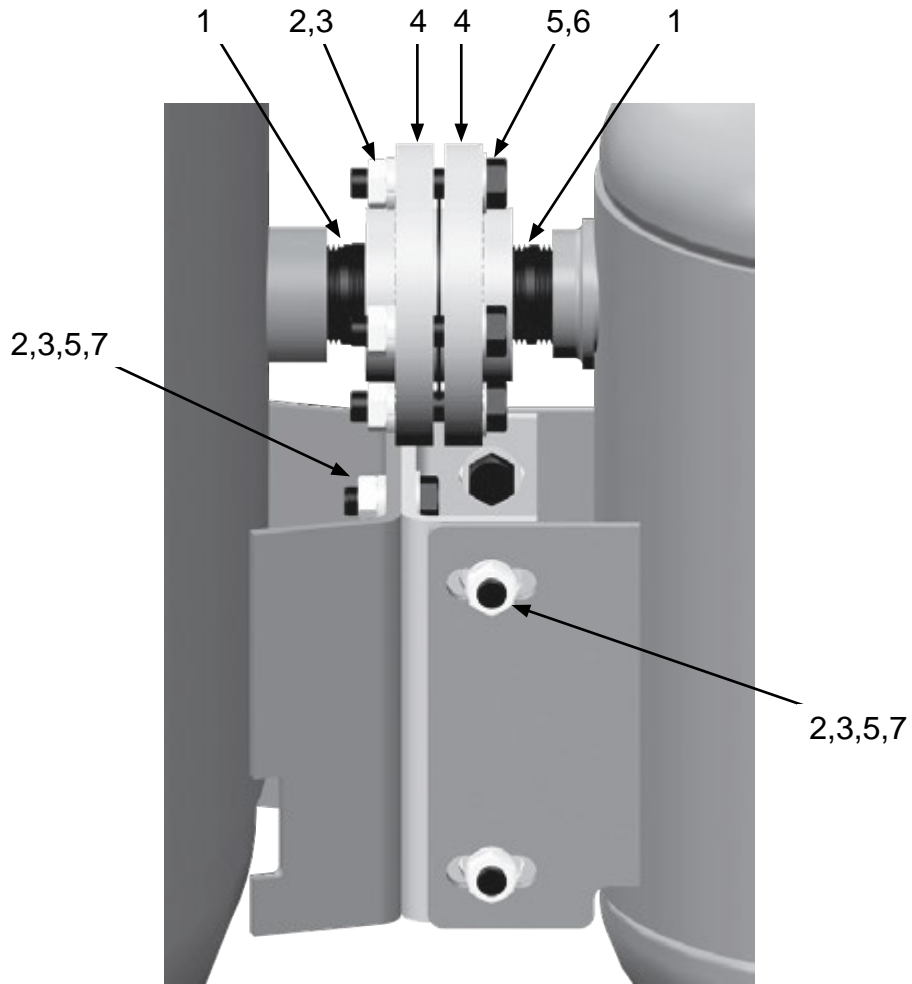
| Part # | Description |
|--------|-----------------------------------------------|
| 1 | 1011211 1-1/2" NPT x 5-1/2" Nipple |
| 2 | 1011603 1-1/2" NPT Full Port Brass Ball Valve |
| 3 | 1014015 1-1/2" Close Nipple |
| 4 | 10ME4 1-1/2" NPT (F) 4-Lug Air Hose Coupling |
| 5 | 1011818 1/2" x 1/4" Galvanized Bushing |
| 6 | 1011828 1-1/2" 90° Elbow with 1/2" Out |
| 7 | 1011204 1-1/4" x 3" Nipple – Galvanized |
| 8 | 1011836 1-1/2" x 1-1/2" x 1-1/4" Pipe Tee |
| 9 | 1011902 1-1/4" Plug |
| 10 | 1006312 1-1/2" I.D. Pusher Line Assembly |



| Part # | Description |
|--------|----------------------------------------------------------|
| 1 | 1011201 1-1/4" Close Nipple |
| 2 | 1006502 1-1/4" Female Pipe Union |
| 3 | 10106863 20 Cube Dual Operator Manifold |
| 4 | 1014015 1-1/2" Close Nipple |
| 5 | 1011603 1-1/2" NPT Full Port Brass Ball Valve |
| 6 | 1011902 1-1/4" Plug |
| 7 | 1006312 1-1/2" I.D. Pusher Line Assembly |
| 8 | 10101265 2" x 90° Elbow |
| 9 | 1011604 2" NPT Full Port Brass Ball Valve |
| 10 | 1001806 2" Close Nipple |
| 11 | 10ME5 2" NPT (F) 4-Lug Air Hose Coupling |

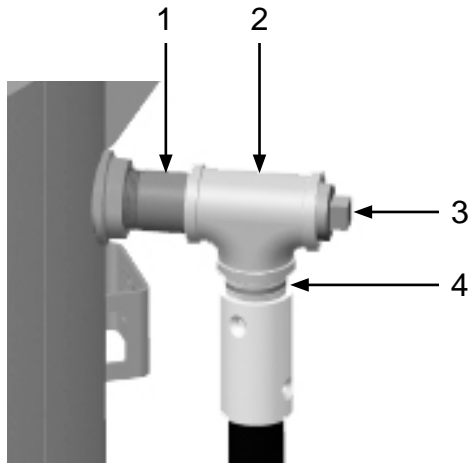


| Part # | Description |
|--------|----------------------------------------------------------|
| 1 | 1011201 1-1/4" Close Nipple – Galvanized |
| 2 | 10106851 800 CFM Moisture Separator |
| 3 | 1001806 2" Close Nipple |
| 4 | 1011604 2" NPT Full Port Brass Ball Valve |
| 5 | 10ME5 2" NPT (F) 4-Lug Air Hose Coupling |
| 6 | 1011828 1-1/2" 90° Elbow with 1/2" Out |
| 7 | 1014015 1-1/2" Close Nipple |
| 8 | 1011603 1-1/2" NPT Full Port Brass Ball Valve |
| 9 | 1011902 1-1/4" Plug |
| 10 | 1006312 1-1/2" I.D. Pusher Line Assembly |
| 11 | 1011820 1-1/4" x 1/2" Bushing – Galvanized |
| 12 | 1011818 1/2" x 1/4" Galvanized Bushing |
| 13 | 1017019 Hex Nipple 1/4" x 1/4" |
| 14 | 1080050 1/4" Ball Valve |

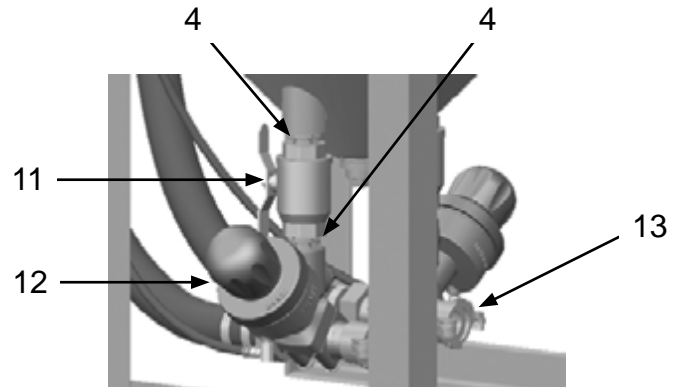
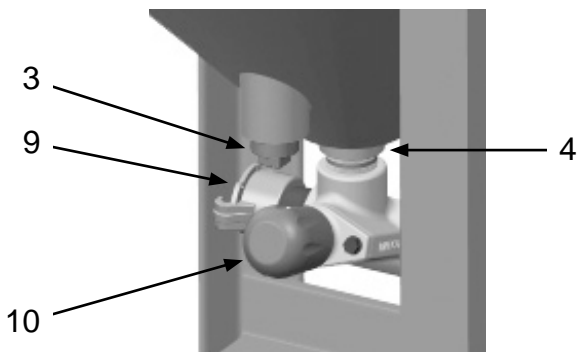
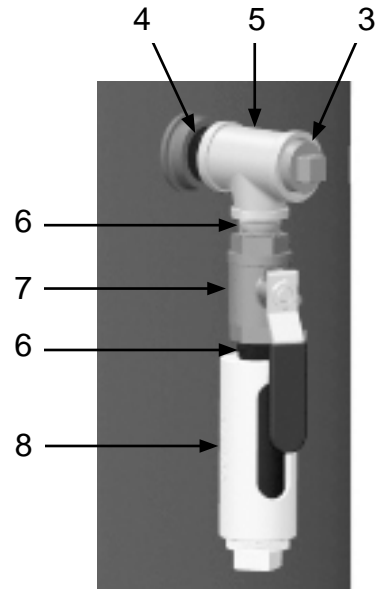


| Part # | Description |
|--------|------------------------------------------|
| 1 | 1011201 1-1/4" Close Nipple – Galvanized |
| 2 | 10101941 1/2-13 Hex Nut – Galvanized |
| 3 | 10100675 1/2" Lock Washer |
| 4 | 10108570 1-1/4" Flange |
| 5 | 10100674 1/2" Flat Washer |
| 6 | 1011786 1/2"-13 x 2-1/4" Cap Screw |
| 7 | 10100597 1/2"-13 x 1-1/4" UNC Hex Bolt |

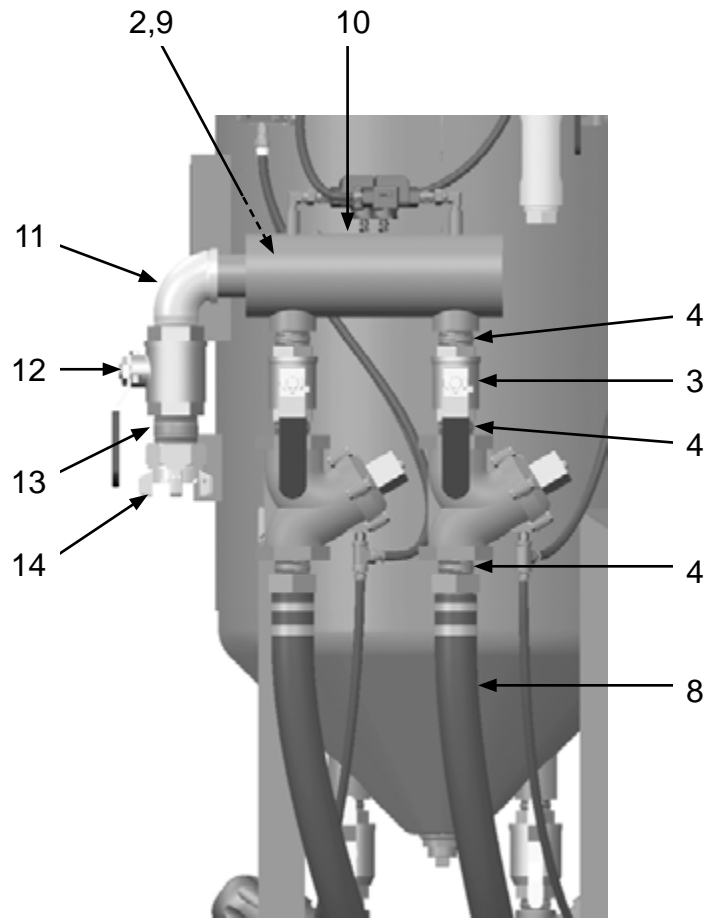
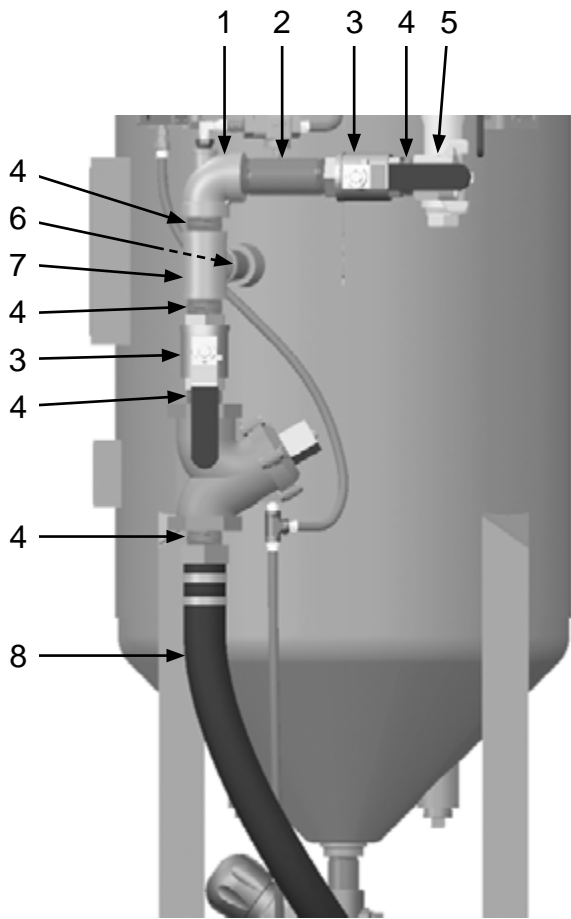
Pressure-Release



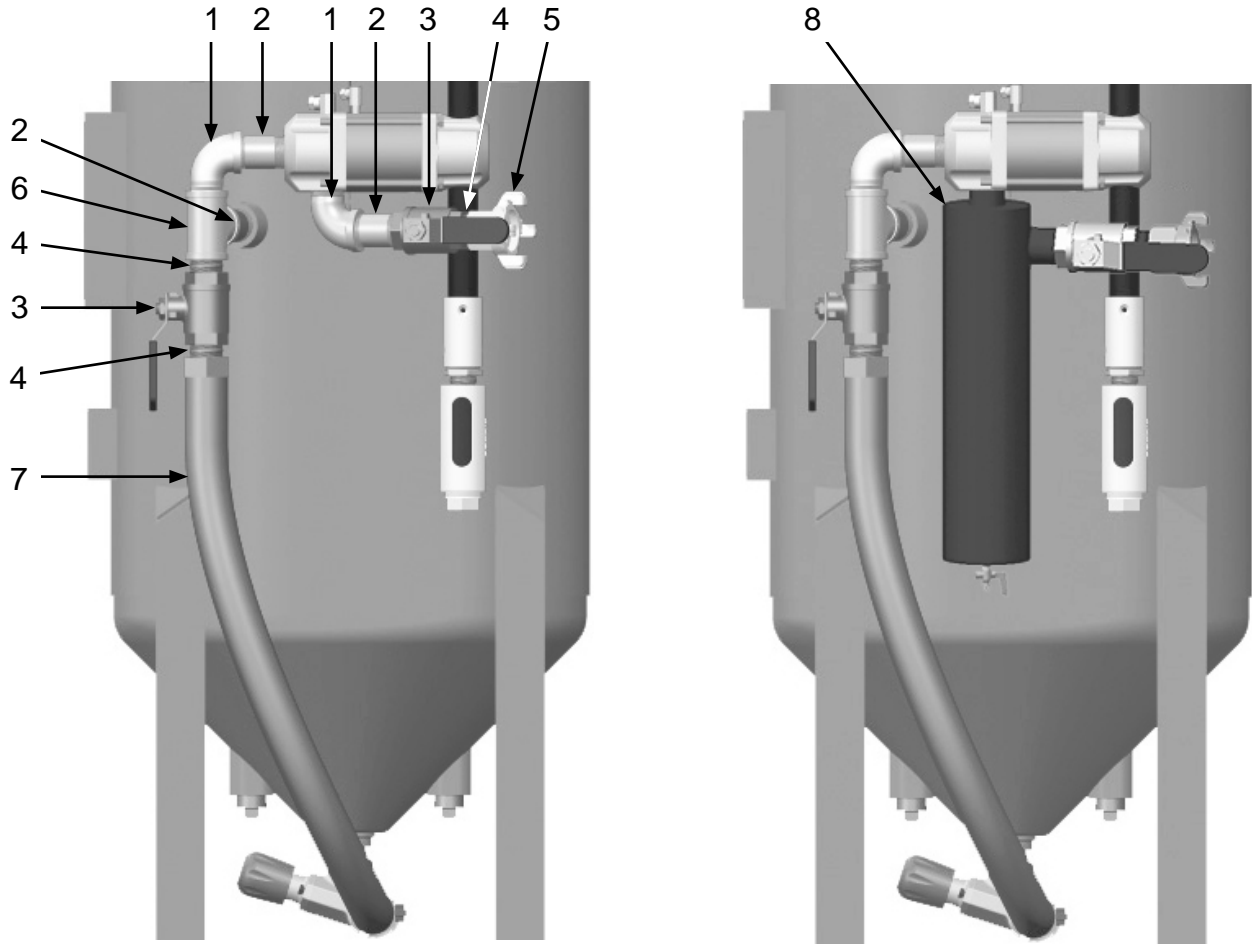
Pressure-Hold



| Part # | Description |
|--------|----------------------------------------------------------------------|
| 1 | 1011204 1-1/4" x 3" Pipe Nipple |
| 2 | 1011803 1-1/4" Pipe Tee |
| 3 | 1011902 1-1/4" Square Head Pipe Plug - Galvanized |
| 4 | 1011201 1-1/4" NPT Close Nipple |
| 5 | 1011817 1-1/4" x 1-1/4" x 1" Pipe Tee |
| 6 | 1012151 1" Galvanized Close Nipple |
| 7 | 1011601 1" NPT Full Port Brass Ball Valve |
| 8 | 1011100 1" Exhaust Muffler |
| 9 | 10SB2 1-1/2" Brass Tank Coupling, Oversized Lug Style |
| 10 | 1014102 1-1/2" Bantam Metering Valve |
| 11 | 1011606A 1-1/4" Union End Ball Valve |
| 12a | 10101950 1-1/2" Maxum III Metering Valve (w/Tungsten Carbide Sleeve) |
| 12b | 10101946 1-1/2" Maxum III Metering Valve (w/Urethane Sleeve) |
| 13 | 10SB2S 1-1/2" Brass Tank Coupling |

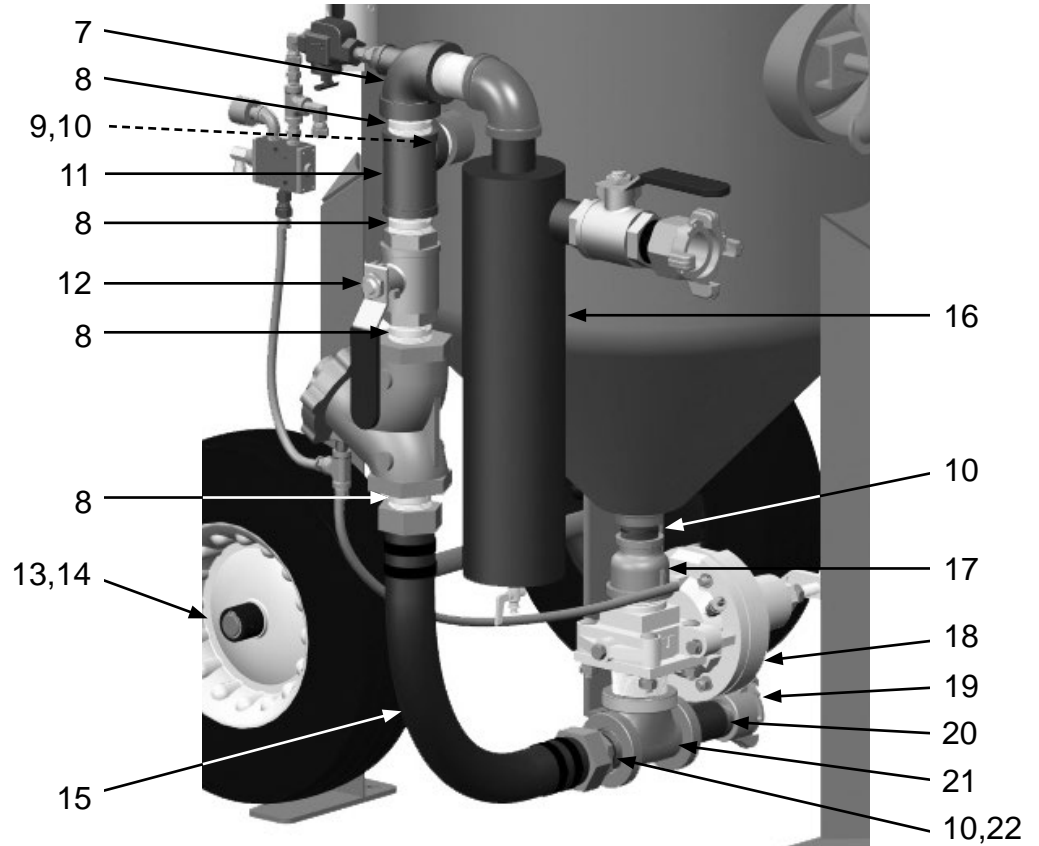
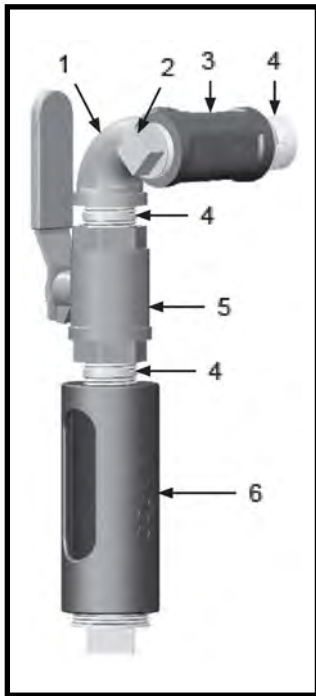


| Part # | Description |
|--------|----------------------------------------------------------|
| 1 | 1011828 1-1/2" 90° Elbow With 1/2" Out |
| 2 | 1011211 1-1/2" NPT x 5-1/2" Nipple |
| 3 | 1011603 1-1/2" NPT Full Port Brass Ball Valve |
| 4 | 1014015 1-1/2" Close Nipple |
| 5 | 10ME4 1-1/2" NPT |
| 6 | 1011204 1-1/4" x 3" Nipple – Galvanized |
| 7 | 1011836 1-1/2" x 1-1/2" x 1-1/4" Pipe Tee |
| 8 | 1006312 1-1/2" I.D. Pusher Line Assembly |
| 9 | 1011201 1-1/4" NPT Close Nipple |
| 10 | 10105642 10 Cube Dual Operator Manifold |
| 11 | 10101265 2" 90° Elbow |
| 12 | 1011604 2" NPT Full Port Brass Ball Valve |
| 13 | 1001806 2" Close Nipple |
| 14 | 10ME4 1-1/2" NPT (F) 4-Lug Air Hose Coupling |

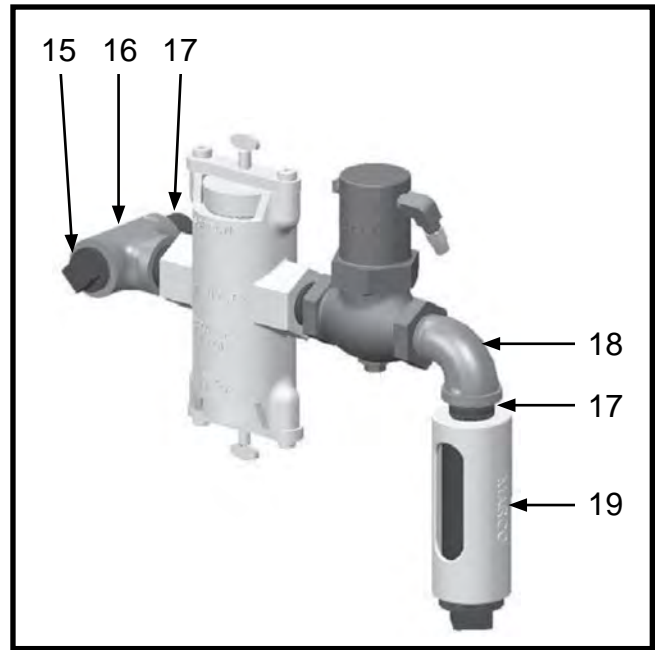
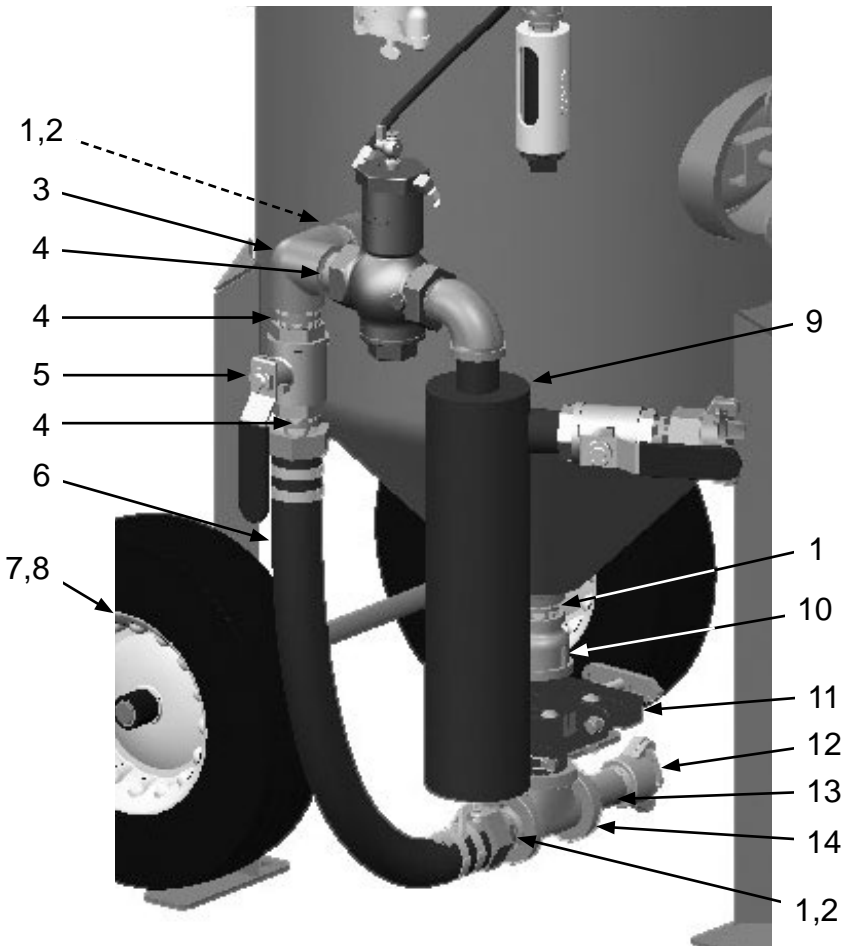


| Part # | Description |
|--------|-----------------------------------------------|
| 1 | 1011802 1-1/4" Street Elbow |
| 2 | 1011204 1-1/4" x 3" Pipe Nipple |
| 3 | 1011602 1-1/4" NPT Full Port Brass Ball Valve |
| 4 | 1011201 1-1/4" NPT Close Nipple |
| 5 | 10ME3 1-1/4" NPT (F) 4-Lug Air Hose Coupling |
| 6 | 1011803 1-1/4" Pipe Tee |
| 7 | 1006312 1-1/2" Pusher Line Assembly |
| 8 | 1011740 1-1/4" Extractor Moisture Separator |

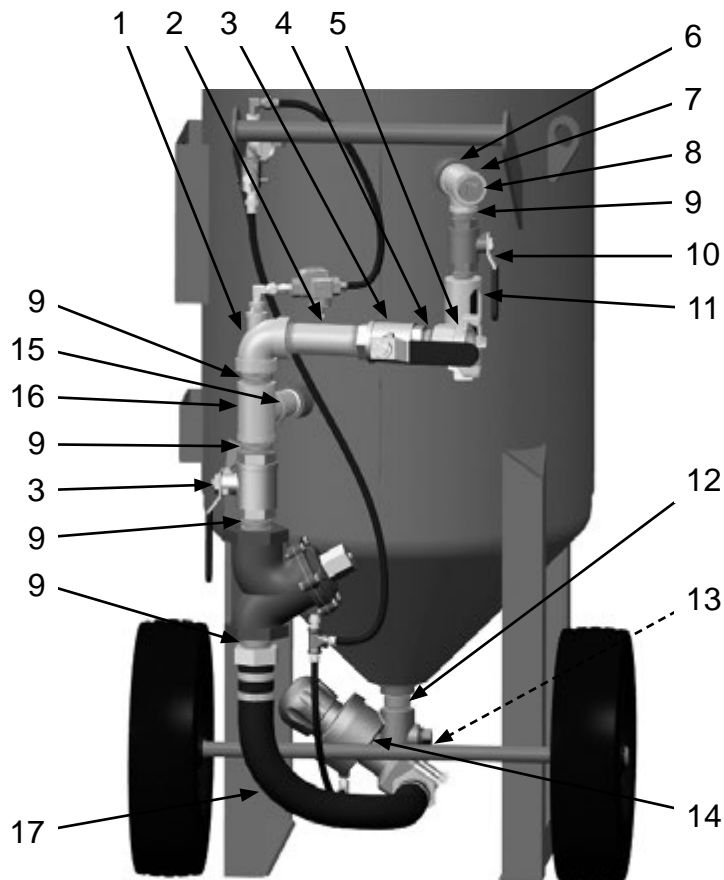
6.5 E-Series (Pressure-Hold / 130 RC) • Air Inlet, Exhaust, & Media Outlet



| Part # | Description |
|--------|-------------------------------------------------------|
| 1 | 1011801 1" Street Elbow |
| 2 | 1011901 1" Square Head Plug |
| 3 | 1011816 1" Pipe Tee - Galvanized |
| 4 | 1012151 1" Close Nipple |
| 5 | 1011601 1" Full Port Ball Valve |
| 6 | 1011100 1" Exhaust Muffler |
| 7 | 1011828 1-1/2" 90° Elbow with 1/2" Side Out |
| 8 | 1014015 1-1/2" Close Nipple |
| 9 | 1011830 1-1/4" x 45° Street Elbow |
| 10 | 1011201 1-1/4" Close Nipple |
| 11 | 1011836 1-1/2" x 1-1/2" x 1-1/4" Pipe Tee |
| 12 | 1011603 1-1/2" Full Port Ball Valve |
| 13 | 1006064 16" Tire |
| 14 | 1006205 Tire Clip |
| 15 | 1006312 1-1/2" I.D. Pusher Line Assembly |
| 16 | 10101313 1-1/2" Extractor Moisture Separator Assembly |
| 17 | 10105196 2" x 1-1/4" Bell Reducer |
| 18 | 10105102 Automatic Easy-Flow Metering Valve |
| 19 | 10SB1 1-1/4" Brass Tank Coupling |
| 20 | 1011207 1-1/4" x 4" Pipe Nipple |
| 21 | 1070390 1-1/4" x 1-1/4" x 2" Galvanized Pipe Tee |
| 22 | 1011501 1-1/2" (M) x 1-1/4" (F) Bushing |

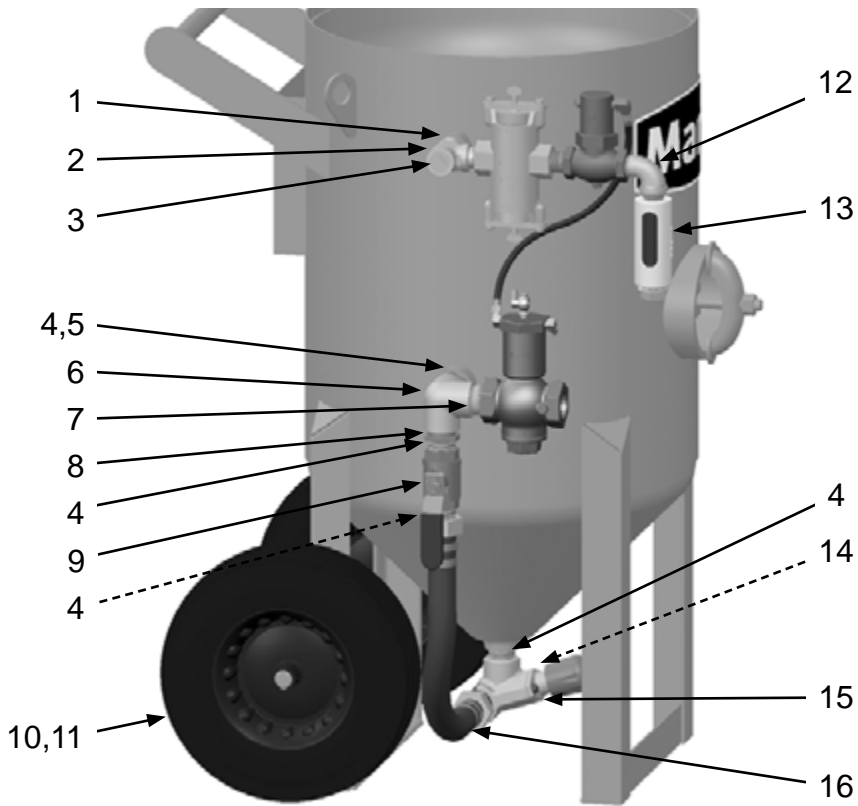


| Part # | Description |
|--------|-----------------------------------------------------------------------|
| 1 | 1011201 1-1/4" NPT Close Nipple |
| 2 | 1011501 1-1/2" (M) x 1-1/4" (F) Bushing |
| 3 | 1011804 1-1/2" 90° Elbow With Side Out |
| 4 | 1014015 1-1/2" Close Nipple |
| 5 | 1011603 1-1/2" Full Port Ball Valve |
| 6 | 1006312 1-1/2" I.D. Pusher Line Assembly |
| 7 | 1006064 16" Tire |
| 8 | 1006205 Tire Clip |
| 9 | 10101313 1-1/2" Extractor Moisture Separator Assembly |
| 10 | 10105196 2" x 1-1/4" Bell Reducer |
| 11 | 10105103 Manual Easy-Flow Metering Valve |
| 12 | 10SB1 1-1/4" Brass Tank Coupling |
| 13 | 1011207 1-1/4" x 4" Pipe Nipple |
| 14 | 1070390 1-1/4" x 1-1/4" x 2" Galvanized Pipe Tee |
| 15 | 1011901 1" Square Pipe Plug |
| 16 | 1011816 1" Pipe Tee – Galvanized |
| 17 | 1012151 1" Galvanized Close Nipple |
| 18 | 1011801 1" Street Elbow |
| 19 | 1011100 1" Exhaust Muffler |

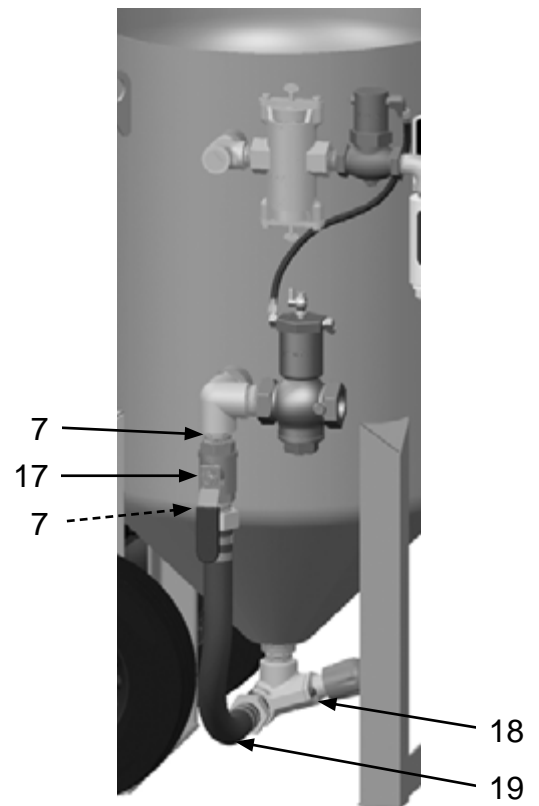


| Part # | Description |
|--------|------------------------------------------------------------------------|
| 1 | 1011828 1-1/2" NPT Elbow with 1/2" Side-out |
| 2a | 1011211 1-1/2" x 5-1/2" NPT Pipe Nipple |
| 2b | 10105823 1-1/2" x 7" NPT Pipe Nipple (for use with Moisture Separator) |
| 3 | 1011603 1-1/2" NPT Full Port Brass Ball Valve |
| 4 | 1014015 1-1/2" NPT NPT Close Nipple |
| 5 | 10ME4 1-1/2" NPT (F) 4-Lug Air Hose Fitting |
| 6 | 1011201 1-1/4" NPT Close Nipple |
| 7 | 1011817 1-1/4" x 1-1/4" x 1" NPT Pipe Tee |
| 8 | 1011902 1-1/4" NPT Pipe Plug |
| 9 | 1012151 1" NPT Close Nipple |
| 10 | 1011601 1" NPT Full Port Brass Ball Valve |
| 11 | 1011100 1" Exhaust Muffler |
| 12 | 1011813 1-1/4" x 2" NPT Pipe Nipple |
| 13 | 10SB2S 1-1/2" Brass Tank Coupling |
| 14a | 10101950 1-1/2" Maxum III Metering Valve (w/Tungsten Carbide Sleeve) |
| 14b | 10101946 1-1/2" Maxum III Metering Valve (w/Urethane Sleeve) |
| 15 | 1011204 1-1/4" x 3" Galvanized Nipple |
| 16 | 1011836 1-1/2" x 1-1/2" x 1-1/4" NPT Pipe Tee |
| 17 | 1006312 1-1/2" I.D. Pusher Line Assembly |

1-1/4" Metering Valve



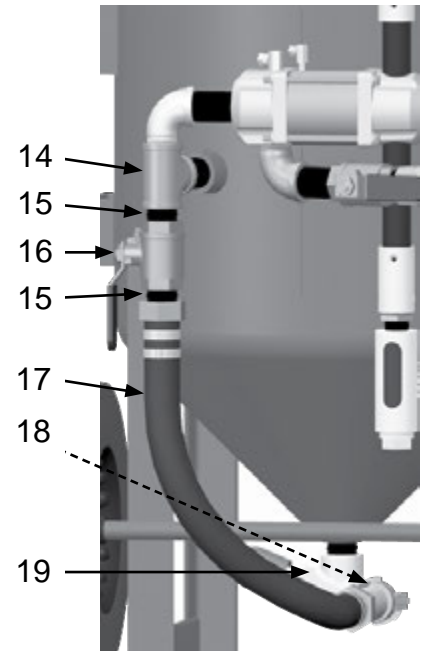
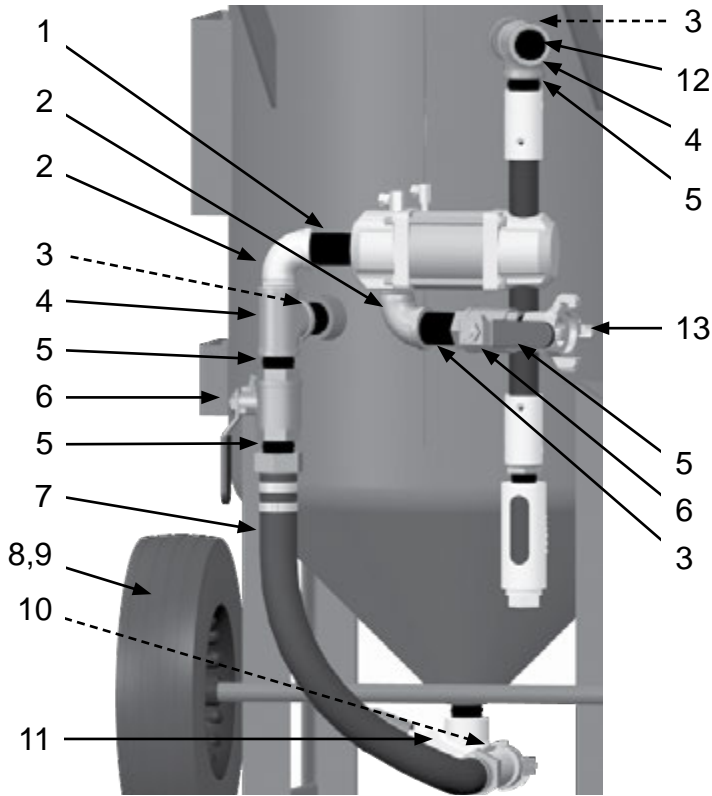
1-1/2" Metering Valve



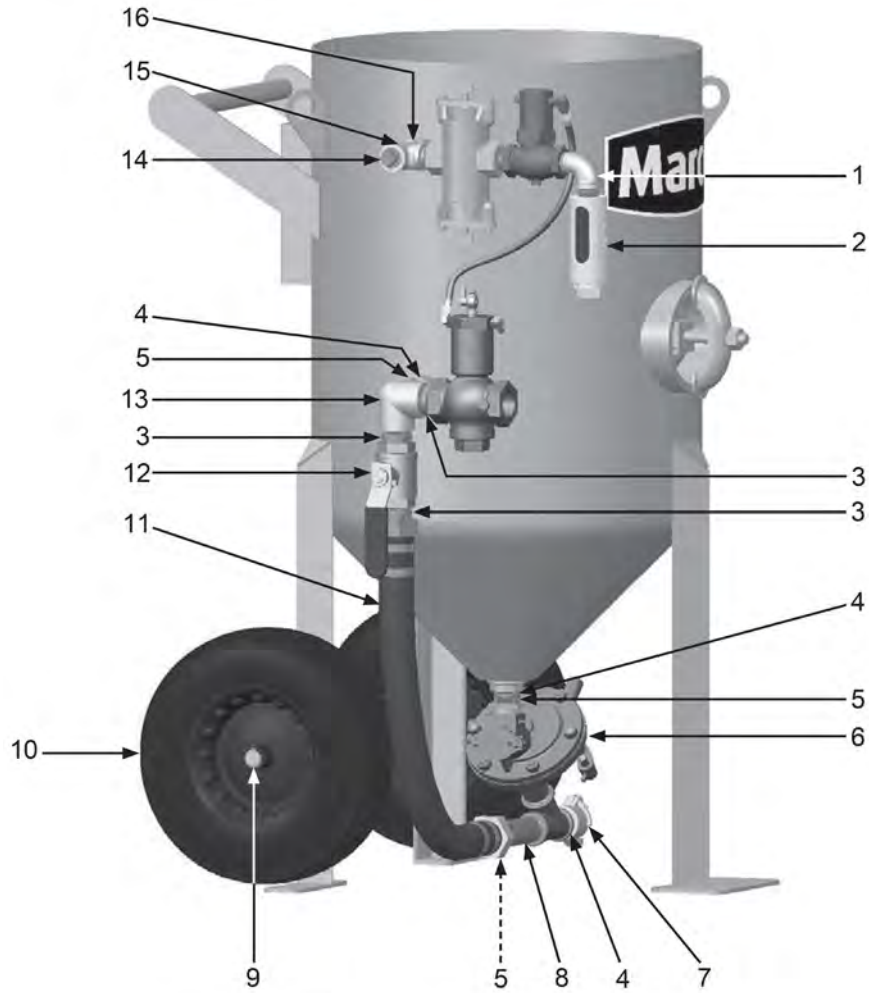
| Part # | Description |
|--------|-----------------------------------------------|
| 1 | 1012151 1" Close Nipple |
| 2 | 1011816 1" NPT Pipe Tee |
| 3 | 1011901 1" NPT Square Head Pipe Plug |
| 4 | 1011201 1-1/4" NPT Close Nipple |
| 5 | 1011501 1-1/4" x 1-1/2" NPT Bushing |
| 6 | 1011804 1-1/2" 90° Elbow with Side-out |
| 7 | 1014015 1-1/2" NPT Close Nipple |
| 8 | 1011501 1-1/4" x 1-1/2" NPT Bushing |
| 9 | 1011602 1-1/4" NPT Full Port Brass Ball Valve |
| 10 | 1006064 16" Wheel |
| 11 | 1006205 Wheel Clip |
| 12 | 1011801 1" NPT Street Elbow |
| 13 | 1011100 1" Exhaust Muffler |
| 14 | 10SB2S 1-1/2" NPS Brass Tank Coupling |
| 15 | 1014101 1-1/4" Bantam Metering Valve |
| 16 | 1006311 1-1/4" I.D. Pusher Line Assembly |
| 17 | 1011603 1-1/2" NPT Full Port Brass Ball Valve |
| 18 | 1014102 1-1/2" Bantam Metering Valve |
| 19 | 1006312 1-1/2" I.D. Pusher Line Assembly |

1-1/4" Metering Valve

1-1/2" Metering Valve



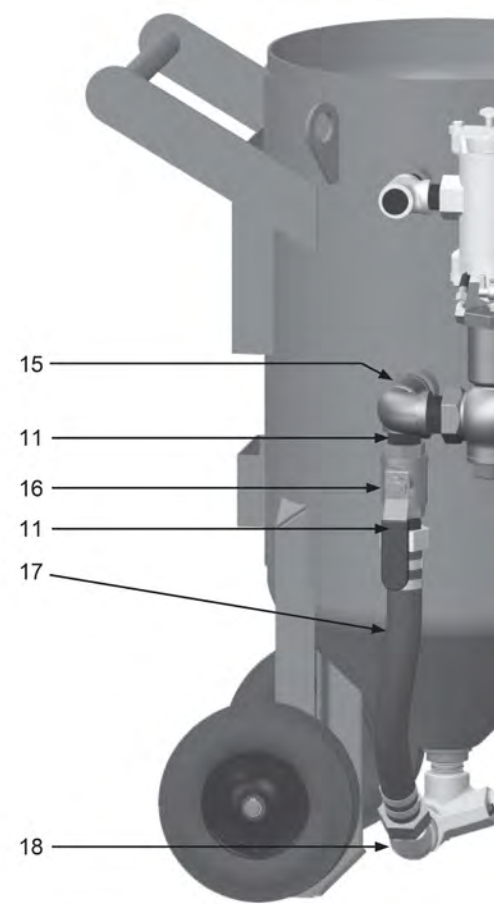
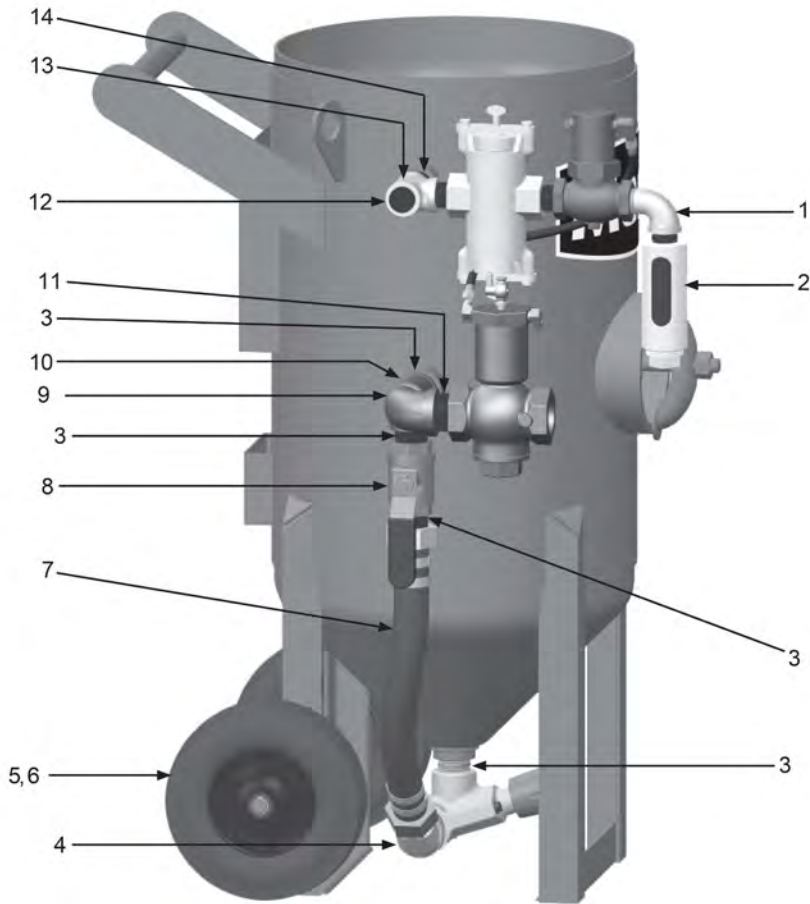
| Part # | Description |
|--------|----------------------------------------------------------|
| 1 | 1011216 1-1/4" x 3-1/2" Galvanized Nipple |
| 2 | 1011802 1-1/4" Galvanized Street Elbow |
| 3 | 1011204 1-1/4" x 3" Galvanized Nipple |
| 4 | 1011803 1-1/4" Pipe Tee |
| 5 | 1011201 1-1/4" Galvanized Close Nipple |
| 6 | 1011602 1-1/4" NPT Full Port Brass Ball Valve |
| 7 | 1006311 1-1/4" I.D. Pusher Line Assembly |
| 8 | 1006205 Wheel Clip for 16" Wheels |
| 9 | 1006064 16" Wheel |
| 10 | 10SB2S 1-1/2" NPS Brass Tank Coupling |
| 11 | 1014101 1-1/4" Bantam Metering Valve |
| 12 | 1011902 1-1/4" Galvanized Square Head Pipe Plug |
| 13 | 10ME3 1-1/4" NPT (F) Air Hose Fitting |
| 14 | 1011834 1-1/2" x 1-1/4" x 1-1/4" Galvanized Pipe Tee |
| 15 | 1014015 1-1/2" Galvanized Close Nipple |
| 16 | 1011603 1-1/2" NPT Full Port Brass Ball Valve |
| 17 | 1006312 1-1/2" I.D. Pusher Line Assembly |
| 18 | 10SB2 1-1/2" NPT Brass Tank Coupling |
| 19 | 1014102 1-1/2" Bantam Metering Valve |



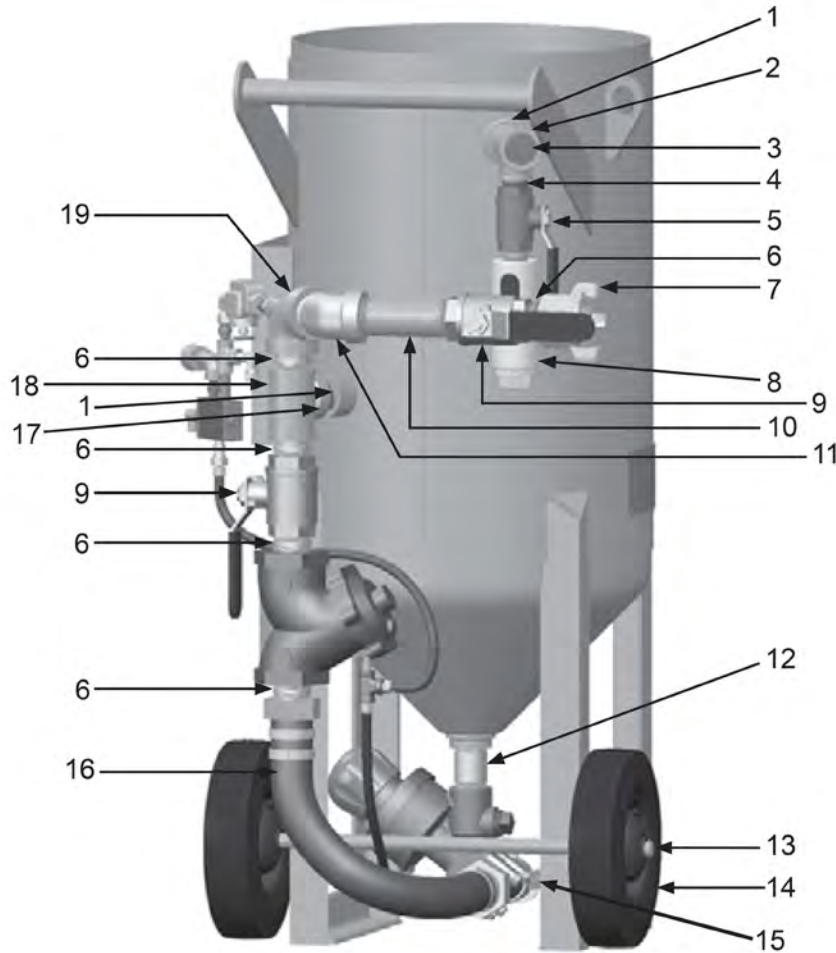
| Part # | Description |
|--------|--------------------------------------------------------|
| 1 | 1011801 1" Galvanized Street Elbow |
| 2 | 1011100 1" Exhaust Muffler |
| 3 | 1014015 1-1/2" Galvanized Close Nipple |
| 4 | 1011201 1-1/4" Galvanized Close Nipple |
| 5 | 1011501 1-1/2" (M) x 1-1/4" (F) Galvanized Hex Bushing |
| 6 | 1014000 Regulator Metering Valve |
| 7 | 10SB1 1-1/4" Brass Tank Coupling |
| 8 | 1011202 1-1/4" x 6" Galvanized Nipple |
| 9 | 1006205 1" Wheel Clip |
| 10 | 1006064 16" Wheel |
| 11 | 1006312 1-1/2" I.D. Pusher Line Assembly |
| 12 | 1011603 1-1/2" Full Port Ball Valve |
| 13 | 1011804 1-1/2" 90° Galvanized Elbow with Side-out |
| 14 | 1011901 1" Galvanized Square Head Pipe Plug |
| 15 | 1011816 1" Galvanized Pipe Tee |
| 16 | 1012151 1" Galvanized Close Nipple |

1-1/4" Metering Valve

1-1/2" Metering Valve

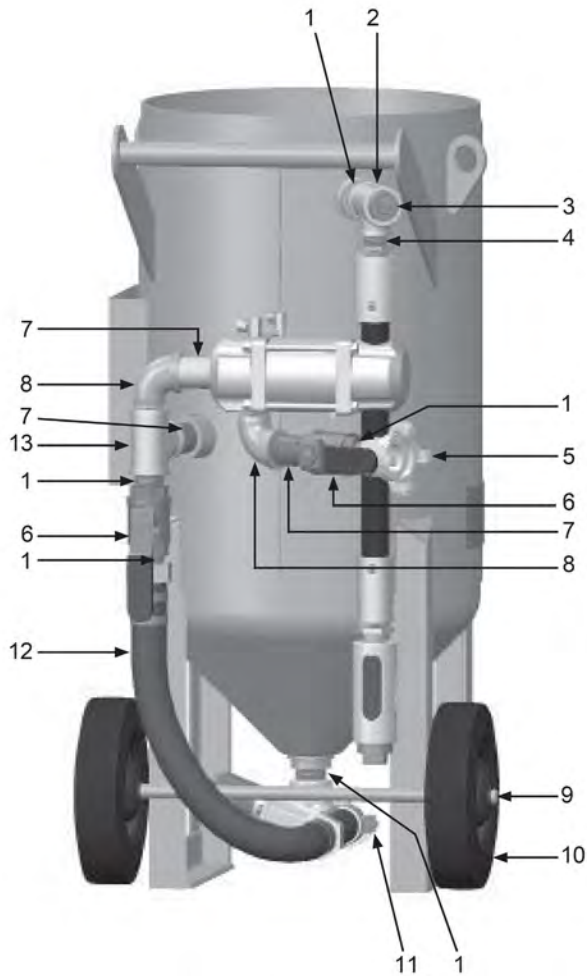


| Part # | Description |
|--------|-----------------------------------------------|
| 1 | 1011801 1" NPT Street Elbow |
| 2 | 1011100 1" Exhaust Muffler |
| 3 | 1011201 1-1/4" NPT Close Nipple |
| 4 | 1011830 1-1/4" 45° Street Elbow |
| 5 | 1006067 10" Wheel |
| 6 | 1006211 Wheel Clip |
| 7 | 1006311 1-1/4" I.D. Pusher Line Assembly |
| 8 | 1011602 1-1/4" NPT Full Port Brass Ball Valve |
| 9 | 1011839 1-1/2" NPT Street Elbow |
| 10 | 1011834 1-1/4" x 1-1/2" x 1-1/4" NPT Pipe Tee |
| 11 | 1014015 1-1/2" NPT Close Nipple |
| 12 | 1011901 1" Galvanized Square Head Pipe Plug |
| 13 | 1011816 1" Galvanized Pipe Tee |
| 14 | 1011843 1" x 2-1/2" NPT Nipple |
| 15 | 1011833 1-1/4" x 1-1/2" x 1-1/2" NPT Pipe Tee |
| 16 | 1011603 1-1/2" NPT Full Port Brass Ball Valve |
| 17 | 1006312 1-1/2" I.D. Pusher Line Assembly |
| 18 | 1011805 1-1/2" 45° Street Elbow |

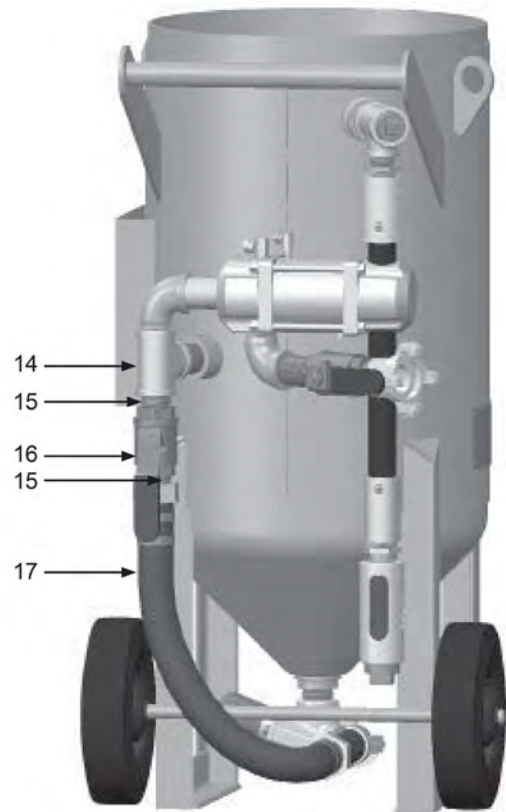


| Part # | Description |
|--------|----------------------------------------------------------|
| 1 | 1011201 1-1/4" NPT Close Nipple |
| 2 | 1011817 1-1/4" x 1-1/4" x 1" NPT Pipe Tee |
| 3 | 1011902 1" NPT Pipe Plug |
| 4 | 1012151 1" NPT Close Nipple |
| 5 | 1011601 1" NPT Full Port Brass Ball Valve |
| 6 | 1014015 1-1/2" NPT NPT Close Nipple |
| 7 | 10ME4 1-1/2" NPT (F) 4-Lug Air Hose Fitting |
| 8 | 1011100 1" Exhaust Muffler |
| 9 | 1011603 1-1/2" NPT Full Port Brass Ball Valve |
| 10 | 1011211 1-1/2" x 5-1/2" NPT Pipe Nipple |
| 11 | 1011805 1-1/2" NPT 45° Street Elbow |
| 12 | 1011813 1-1/4" x 2" NPT Pipe Nipple |
| 13 | 1006211 Wheel Clip |
| 14 | 1006067 10" Wheel |
| 15 | 10SB2S 1-1/2" Brass Tank Coupling |
| 16 | 1006312 1-1/2" I.D. Pusher Line Assembly |
| 17 | 1011830 1-1/4" 45° Street Elbow |
| 18 | 1011836 1-1/2" x 1-1/2" x 1-1/4" NPT Pipe Tee |
| 19 | 1011828 1-1/2" NPT Elbow with 1/2" Side-out |

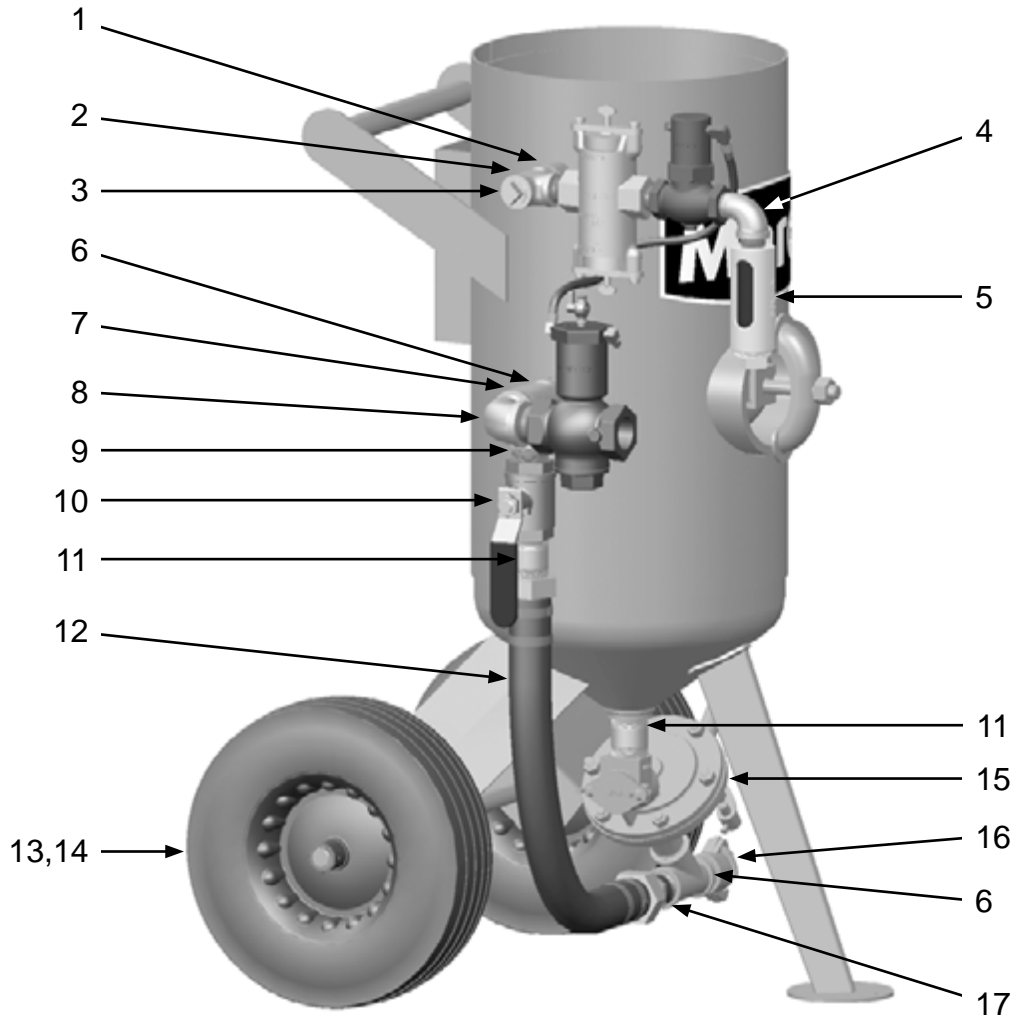
1-1/4" Metering Valve



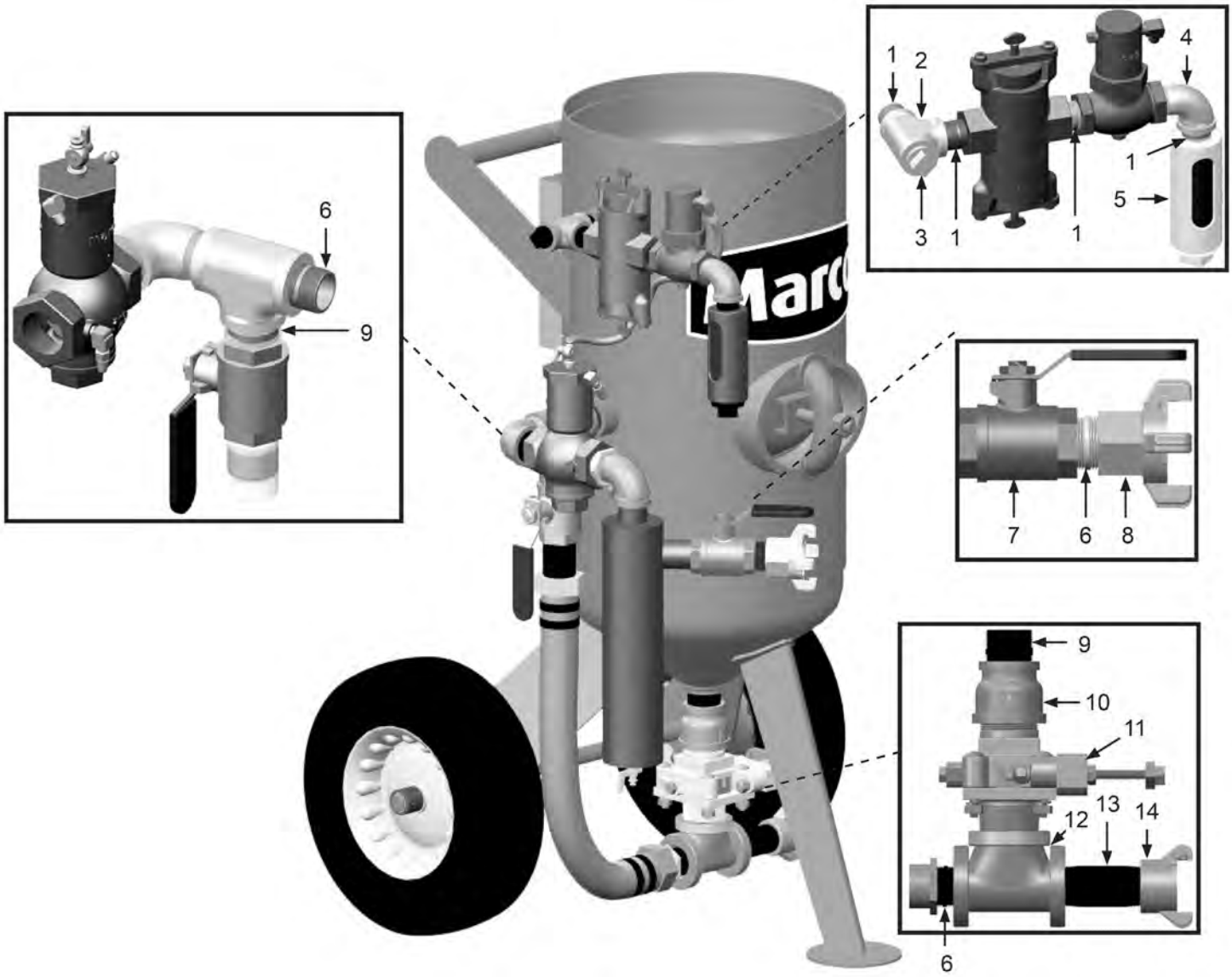
1-1/2" Metering Valve



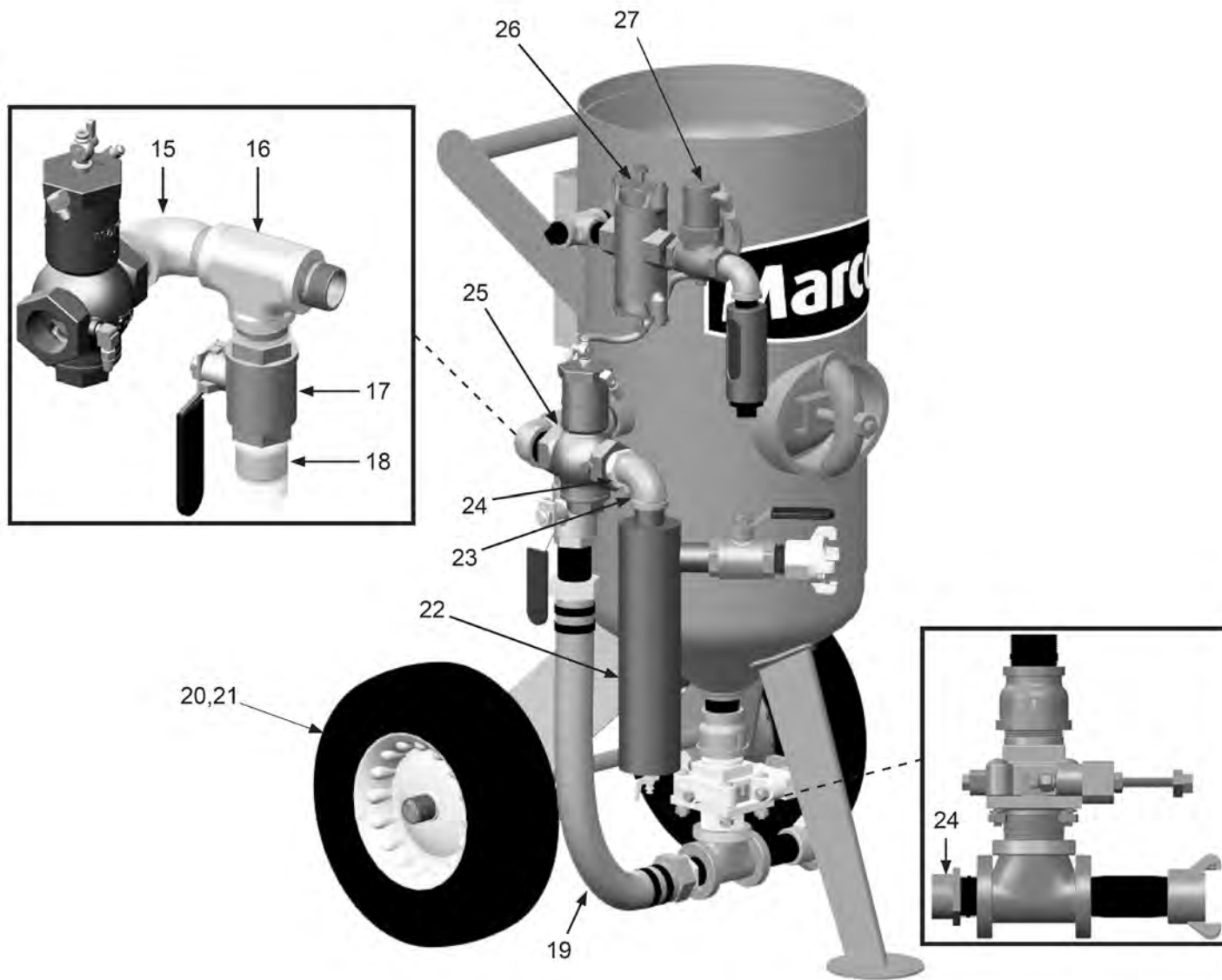
| Part # | Description |
|--------|----------------------------------------------------------|
| 1 | 1011201 1-1/4" Galvanized Close Nipple |
| 2 | 1011817 1-1/4" x 1-1/4" x 1" Pipe Tee |
| 3 | 1011902 1-1/4" Galvanized Square Head Pipe Plug |
| 4 | 1012151 1" Galvanized Close Nipple |
| 5 | 10ME3 1-1/4" NPT (F) Air Hose Fitting |
| 6 | 1011602 1-1/4" NPT Full Port Brass Ball Valve |
| 7 | 1011204 1-1/4" x 3" Galvanized Nipple |
| 8 | 1011802 1-1/4" Galvanized Street Elbow |
| 9 | 1006211 Wheel Clip for 10" Wheels |
| 10 | 1006067 10" Wheel |
| 11 | 10SB2S 1-1/2" NPT Brass Tank Coupling |
| 12 | 1006311 1-1/4" I.D. Pusher Line Assembly |
| 13 | 1011803 1-1/4" Galvanized Pipe Tee |
| 14 | 1011834 1-1/2" x 1-1/4" x 1-1/4" Galvanized Pipe Tee |
| 15 | 1014015 1-1/2" Galvanized Close Nipple |
| 16 | 1011603 1-1/2" NPT Full Port Brass Ball Valve |
| 17 | 1006312 1-1/2" I.D. Pusher Line Assembly |



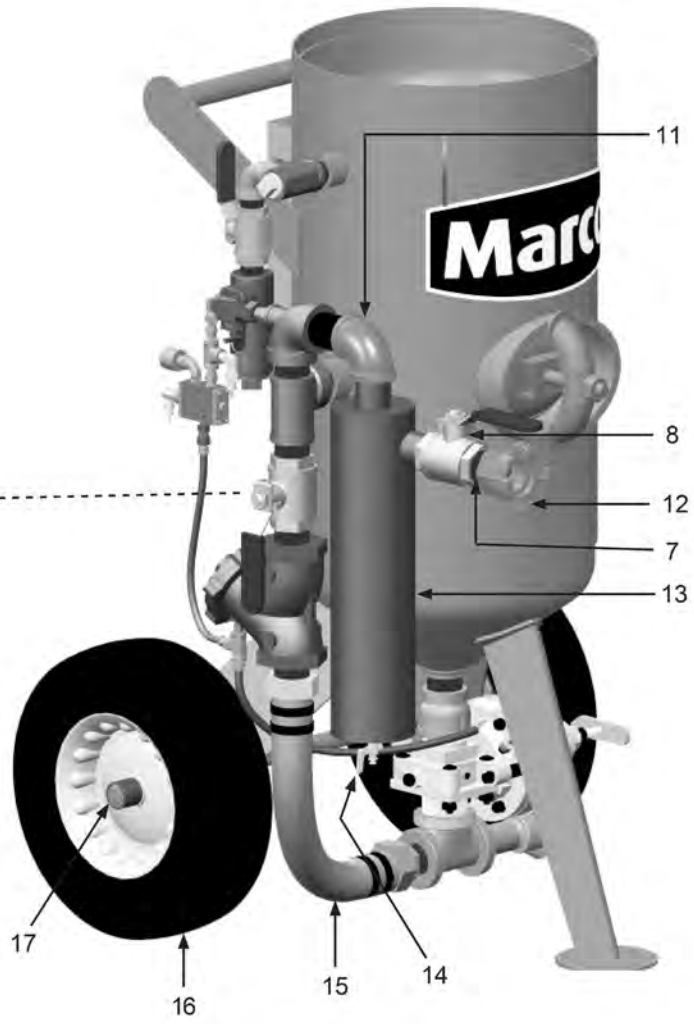
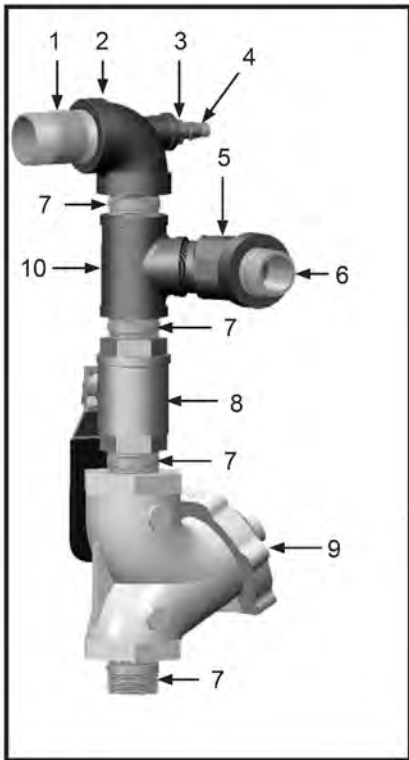
| Part # | Description |
|--------|------------------------------------------------------|
| 1 | 1012151 1" Galvanized Close Nipple |
| 2 | 1011816 1" Galvanized Pipe Tee |
| 3 | 1011901 1" Galvanized Square Head Pipe Plug |
| 4 | 1011801 1" Galvanized Street Elbow |
| 5 | 1011100 1" Exhaust Muffler |
| 6 | 1011201 1-1/4" Galvanized Close Nipple |
| 7 | 1011833 1-1/4" x 1-1/2" x 1-1/2" Galvanized Pipe Tee |
| 8 | 1011839 1-1/2" 90° Galvanized Street Elbow |
| 9 | 1014015 1-1/2" Galvanized Close Nipple |
| 10 | 1011603 1-1/2" Full Port Ball Valve |
| 11 | 1011203 1-1/2" x 3" Galvanized Nipple |
| 12 | 1006312 1-1/2" I.D. Pusher Line Assembly |
| 13 | 1006064 16" Wheel |
| 14 | 1006205 1" Wheel Clip |
| 15 | 1014000 Regulator Metering Valve |
| 16 | 10SB1 1-1/4" Brass Tank Coupling |
| 17 | 1011206 1-1/4" x 2-1/2" Galvanized Pipe Nipple |



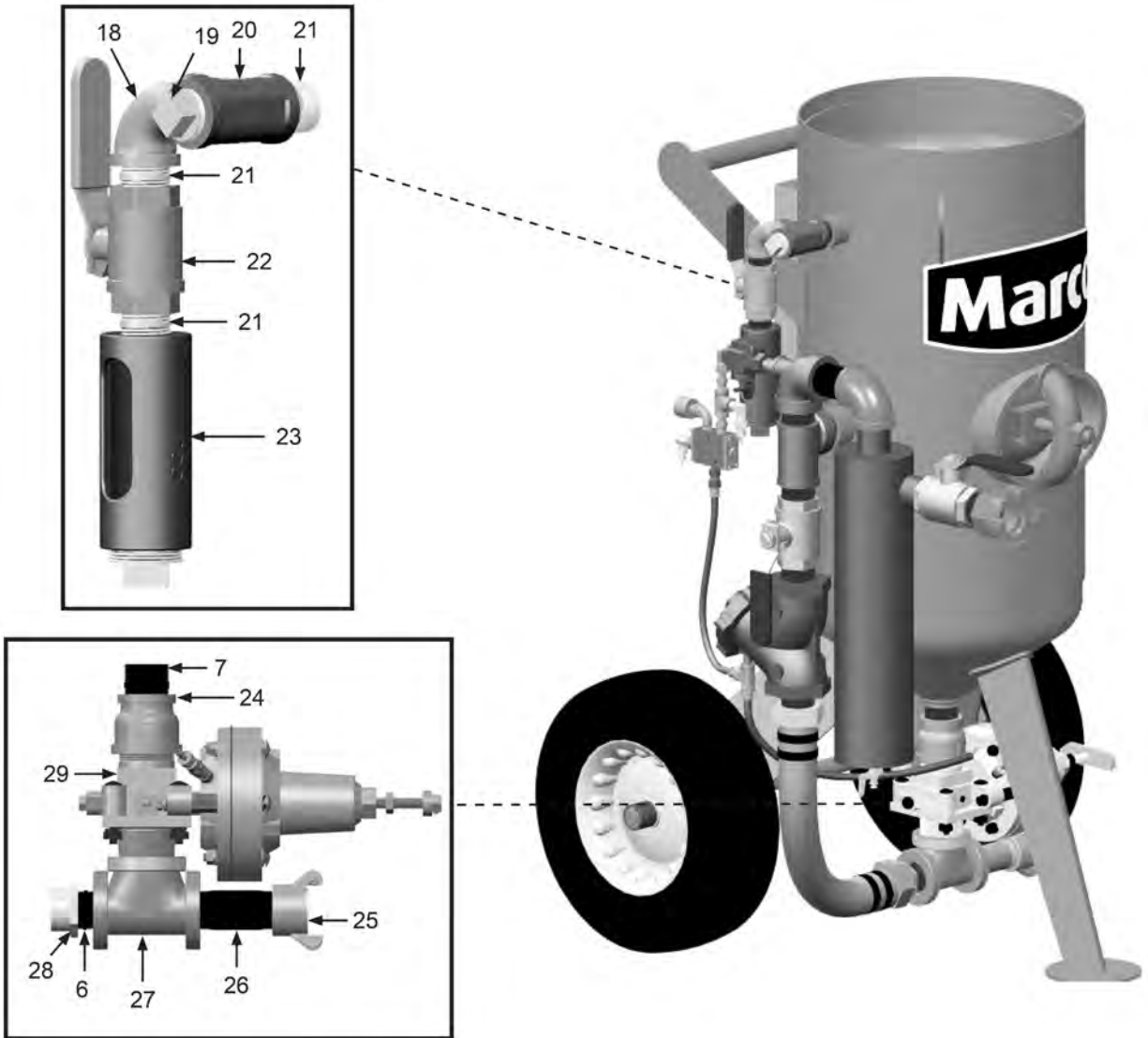
| Part # | Description |
|--------|-----------------------------------------------|
| 1 | 1012151 1" Galvanized Close Nipple |
| 2 | 1011816 1" Pipe Tee – Galvanized |
| 3 | 1011901 1" Square Head Plug Galvanized |
| 4 | 1011801 1" Street Elbow - Galvanized |
| 5 | 1011100 1" Exhaust Muffler |
| 6 | 1011201 1-1/4" NPT Close Nipple |
| 7 | 1011602 1-1/4" NPT Full Port Brass Ball Valve |
| 8 | 10ME3 1-1/4" NPT (F) 4-Lug Air Hose Coupling |
| 9 | 1014015 1-1/2" Close Nipple |
| 10 | 10105393 2" x 1-1/2" Bell Reducer |
| 11 | 10105103 Manual Easy-Flow Metering Valve |
| 12 | 1070390 Pipe Tee • 1-1/4" x 1-1/4" x 2" |
| 13 | 1011207 1-1/4" x 4" Pipe Nipple |
| 14 | 10SB1 1-1/4" Brass Tank Coupling |



| Part # | Description |
|--------|-----------------------------------------------------|
| 15 | 1011839 1-1/2" 90° Street Elbow |
| 16 | 1011833 1-1/4" x 1-1/2" x 1-1/2" Pipe Tee |
| 17 | 1011603 1-1/2" Full Port Ball Valve |
| 18 | 1011207 1-1/4" x 4" Pipe Nipple |
| 19 | 1006312 1-1/2" I.D. Pusher Line Assembly |
| 20 | 1006064 16" Tire |
| 21 | 1006205 Tire Clip |
| 22 | 10101314 1-1/4" Extractor Junior Moisture Separator |
| 23 | 1011802 1-1/4" Street Elbow |
| 24 | 1011501 1-1/2" M x 1-1/4" F Bushing |
| 25 | 1012200 1-1/2" Inlet Valve |
| 26 | 1012000 Abrasive Trap |
| 27 | 1012050 1" Outlet Valve |



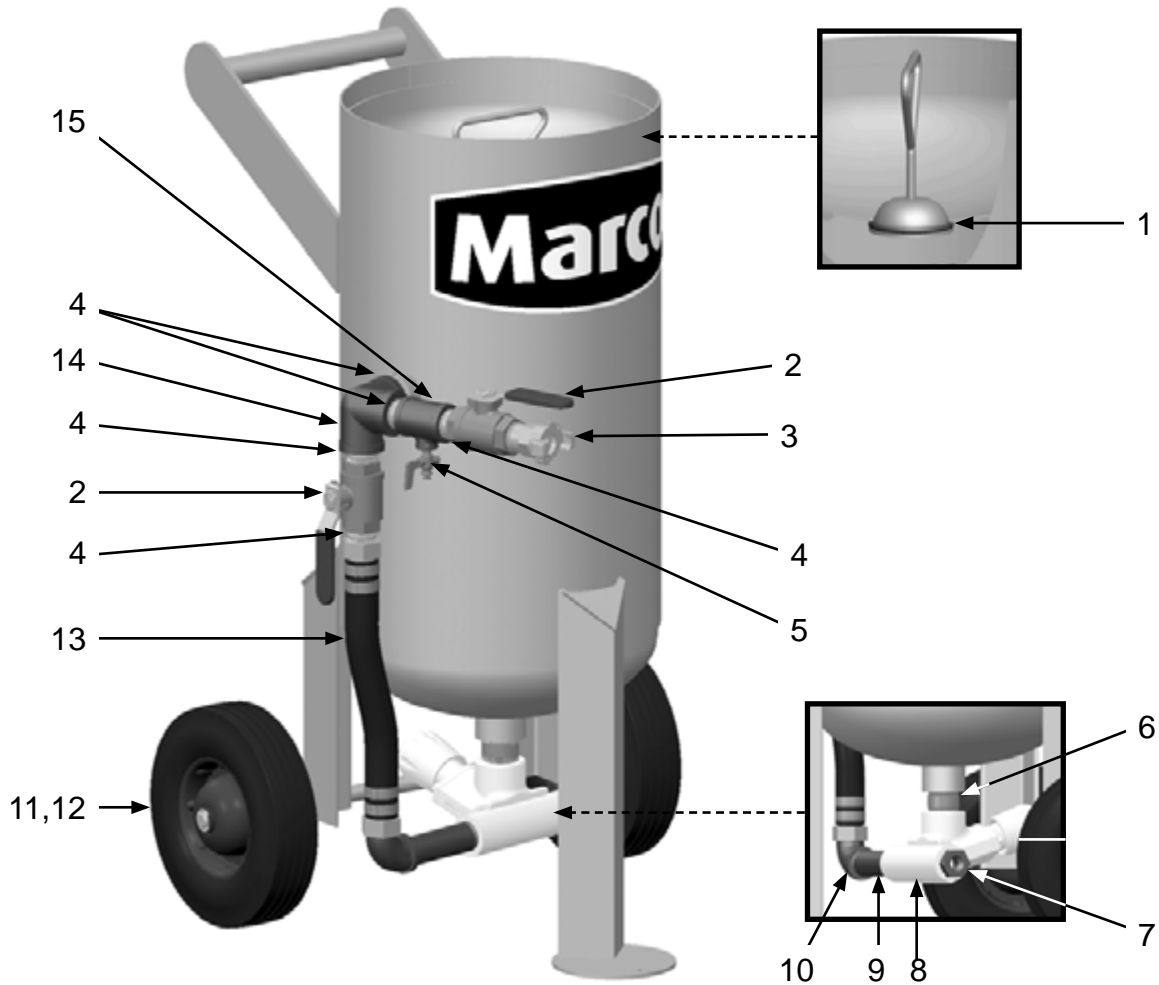
| Part # | Description |
|--------|--------------------------------------------------------------|
| 1 | 1011203 1-1/2" x 3" Nipple |
| 2 | 1011828 1-1/2" 90° Elbow |
| 3 | 1011818 1/2" x 1/4" Galvanized Bushing |
| 4 | 1017019 Hex Nipple 1/4" x 1/4" |
| 5 | 1011830 1-1/4" x 45° Street Elbow |
| 6 | 1011201 1-1/4" Close Nipple |
| 7 | 1014015 1-1/2" Close Nipple |
| 8 | 1011603 1-1/2" Full Port Ball Valve |
| 9 | 1013200 1-1/2" Gatekeeper Valve |
| 10 | 1011836 1-1/2" x 1-1/2" x 1-1/4" Pipe |
| 11 | 1011842 1-1/2" Street Elbow |
| 12 | 10ME4 Air Hose Coupling 4-Lug Female 1-1/2" |
| 13 | 10101313 1-1/2" Extractor Moisture Separator |
| 14 | 1012101 1/4" Petcock - RCS Inlet Valve |
| 15 | 1006312 1-1/2" I.D. Pusher Line Assembly |
| 16 | 1006064 16" Wheel |
| 17 | 1006205 1" Wheel Clip |



| Part # | Description |
|--------|------------------------------------|
| 6 | 1-1/4" Close Nipple |
| 7 | 1-1/2" Close Nipple |
| 18 | 1" Street Elbow |
| 19 | 1" Square Head Plug |
| 20 | 1" Pipe Tee - Galvanized |
| 21 | 1" Close Nipple |
| 22 | 1" Full Port Ball Valve |
| 23 | 1" Exhaust Muffler |
| 24 | 2" x 1-1/2" Bell Reducer |
| 25 | 1-1/4" Brass Tank Coupling |
| 26 | 1-1/4" x 4" Pipe Nipple |
| 27 | Tee - 1-1/4" x 1-1/4" x 2" |
| 28 | 1-1/2" M x 1-1/4" F Bushing |
| 29 | Automatic Easy-Flow Metering Valve |

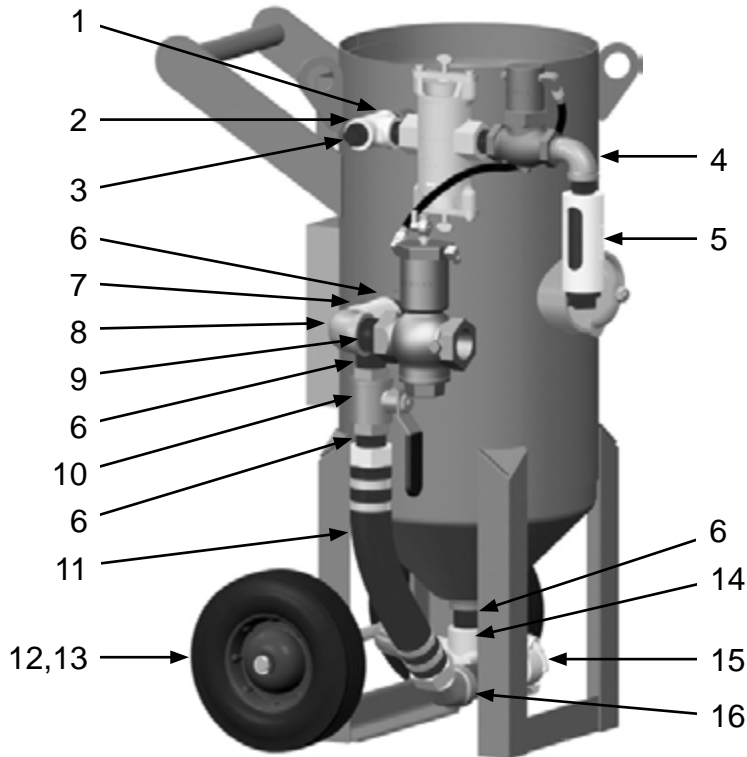
Blast Pots • External Fittings

2.0 L-Series • Air Inlet & Media Outlet

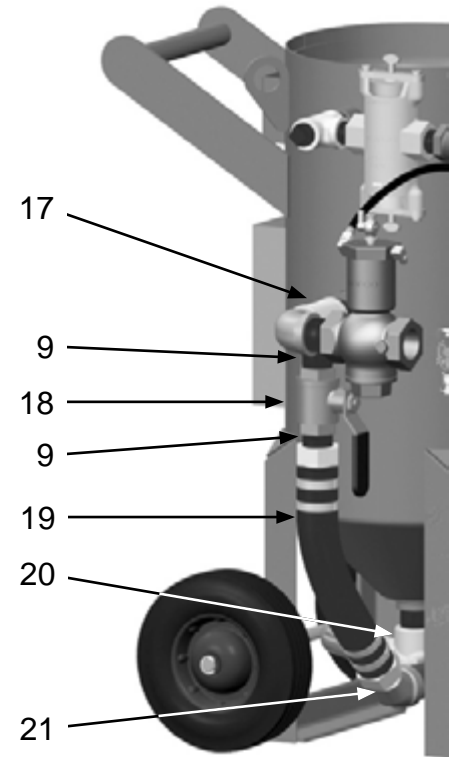


| Part # | Description |
|--------|------------------------------------------------------|
| 1 | 10L650R Filler Plug O-Ring |
| 2 | 1011601 1" Full Port Brass Ball Valve |
| 3 | 10ME2 1" NPT (M) 2-Lug Coupling |
| 4 | 1012151 1" NPT Close Nipple |
| 5 | 1012101 1/4" NPT Petcock |
| 6 | 1011813 1-1/4" NPT x 2" Pipe Nipple |
| 7 | 1011812 1" NPT (M) x 1/2" (F) Bushing |
| 8 | 1014103 1" Bantam Metering Valve |
| 9 | 1011815 1" NPT x 5" Pipe Nipple |
| 10 | 1011801 1" 90° Street Elbow |
| 11 | 1006067 10 x 2.75 Solid Wheel |
| 12 | 10101811 E-Clip |
| 13 | 1006310 1" I.D. Pusher Line Assembly |
| 14 | 1011808 1" NPT Pipe Elbow with Side-Out |
| 15 | 1011814 1" x 1" x 1/4" NPT Pipe Tee |
| - | 10L66EVD 153 Remote Control Valve |
| - | 10L66B 1/2" NPT Nozzle Holder Base |

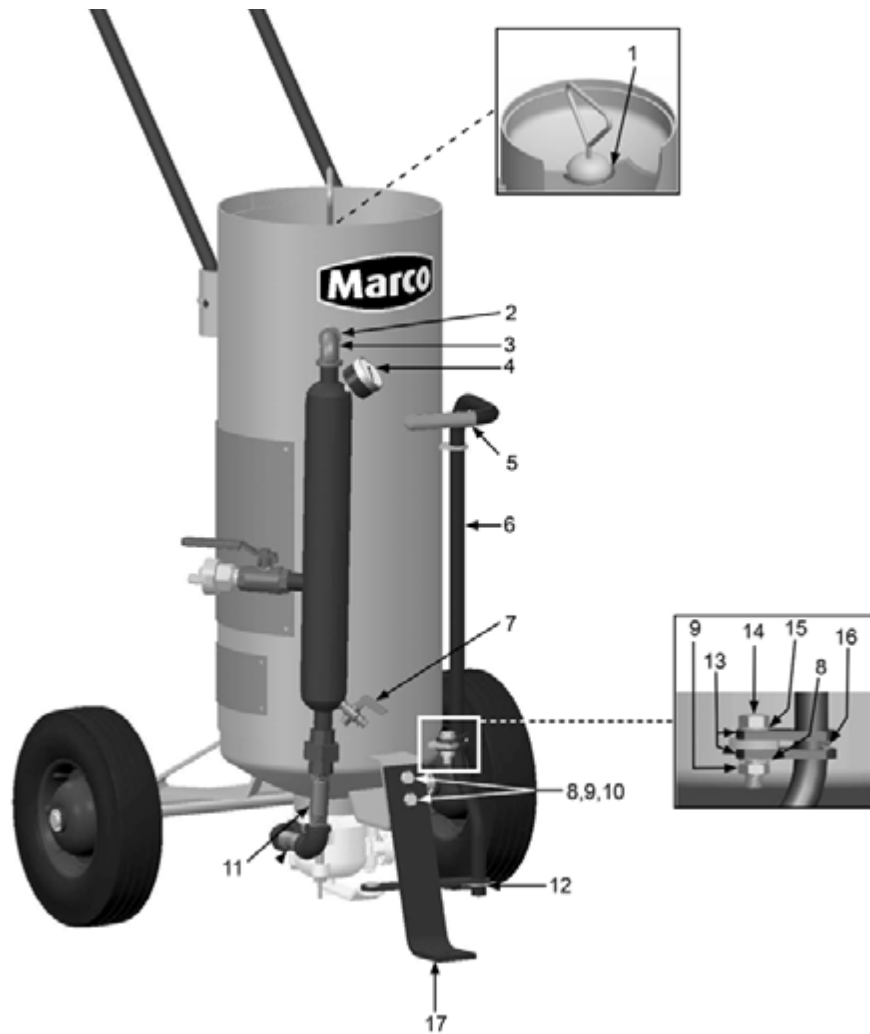
1-1/4" Metering Valve



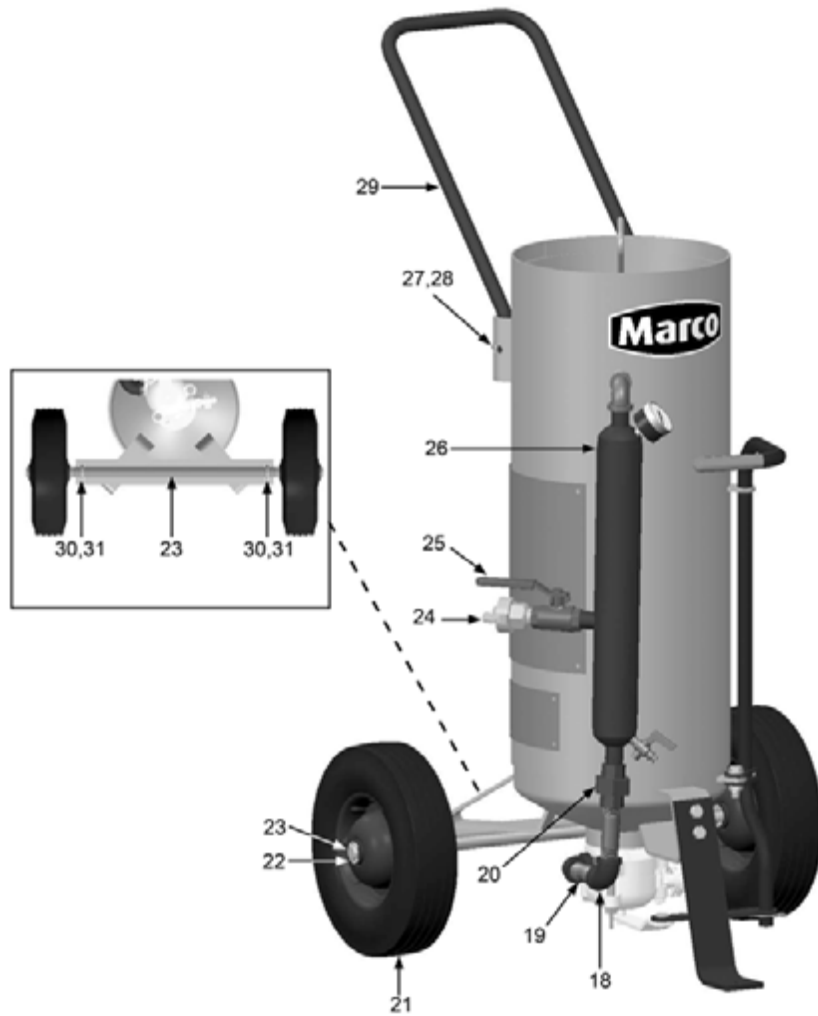
1-1/2" Metering Valve



| Part # | Description |
|--------|-----------------------------------------------|
| 1 | 1011843 1" x 2-1/2" NPT Pipe Nipple |
| 2 | 1011816 1" Galvanized Pipe Tee |
| 3 | 1011901 1" Galvanized Square Head Pipe Plug |
| 4 | 1011801 1" NPT Street Elbow |
| 5 | 1011100 1" Exhaust Muffler |
| 6 | 1011201 1-1/4" NPT Close Nipple |
| 7 | 1011834 1-1/4" x 1-1/2" x 1-1/4" NPT Pipe Tee |
| 8 | 1011839 1-1/2" NPT Street Elbow |
| 9 | 1014015 1-1/2" NPT Close Nipple |
| 10 | 1011602 1-1/4" NPT Full Port Brass Ball Valve |
| 11 | 1006311 1-1/4" I.D. Pusher Line Assembly |
| 12 | 1006067 10" Wheel |
| 13 | 1006211 Wheel Clip |
| 14 | 1014101 1-1/4" Bantam Metering Valve |
| 15 | 10SB1 1-1/4" Brass Tank Coupling |
| 16 | 1011830 1-1/4" 45° Street Elbow |
| 17 | 1011833 1-1/4" x 1-1/2" x 1-1/2" NPT Pipe Tee |
| 18 | 1011603 1-1/2" NPT Full Port Brass Ball Valve |
| 19 | 1006312 1-1/2" I.D. Pusher Line Assembly |
| 20 | 1014102 1-1/2" Bantam Metering Valve |
| 21 | 1011805 1-1/2" 45° Street Elbow |



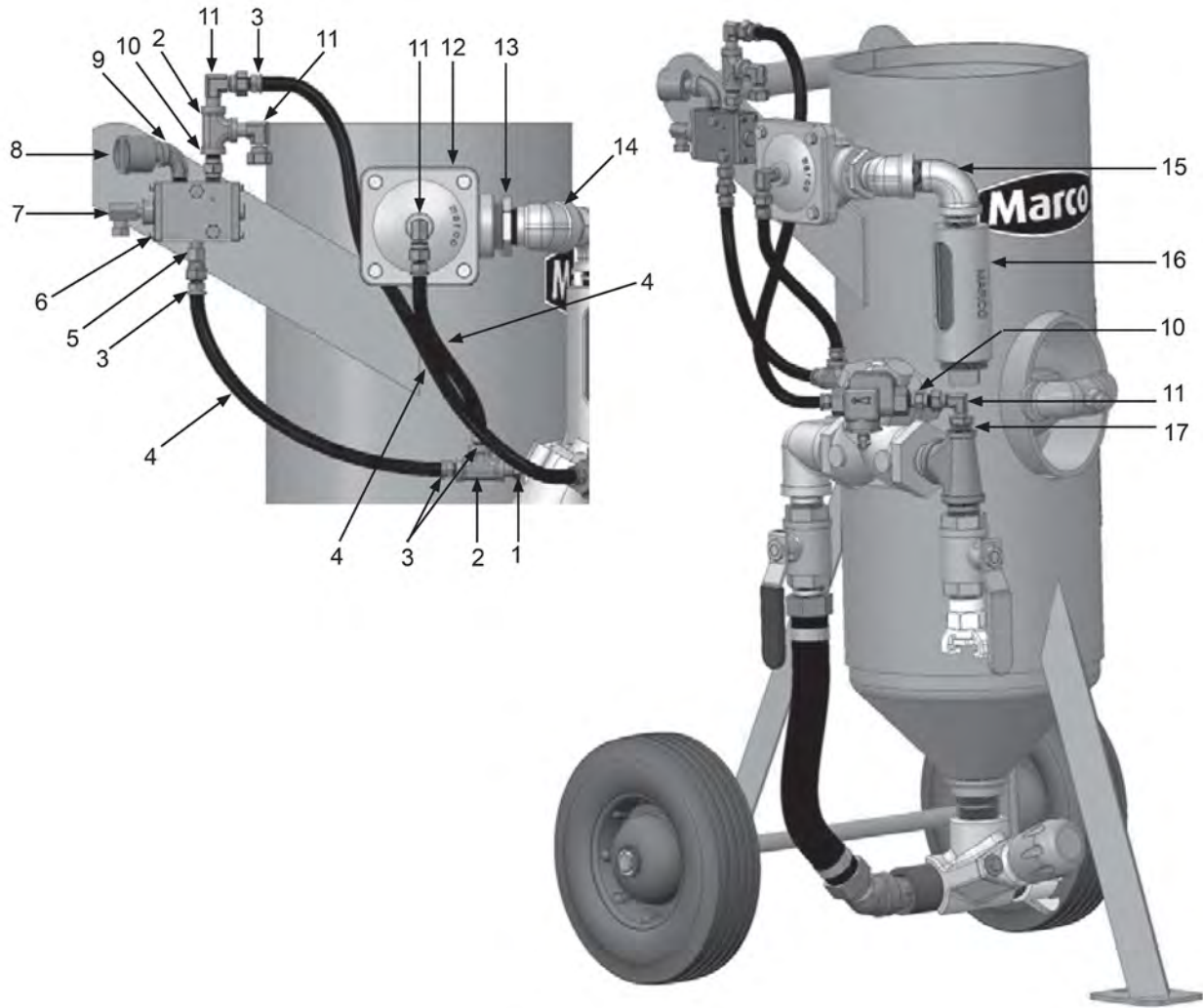
| Part # | Description |
|--------|--------------------------------------------------|
| 1 | 10L650R Filler Plug O-Ring |
| 2 | 1011209 3/8" NPT Close Nipple |
| 3 | 10L806058 1/2" NPT x 3/8" NPT 90° Reducing Elbow |
| 4 | 10L800719 Pressure Gauge |
| 5 | 10L103LG Control Lever Grip |
| 6 | 10L100268 Control Lever w/Grip & Roll Pin |
| 7 | 10L348 1/8" Petcock |
| 8 | 10L805015 3/8" Lock Washer |
| 9 | 10L804303 3/8"-24 Hex Nut |
| 10 | 10L805317 3/8"-24 x 1" Bolt |
| 11 | 10L803042 1/2" NPT x 3" Nipple |
| 12 | 10L103H Hair Spring Clip |
| 13 | 10L100058 Control Lever Bracket |
| 14 | 10L805318 3/8"-24 x 1-1/4" Bolt |
| 15 | 1014241 3/8" Flat Washer |
| 16 | 10L800085 Roll Pin, 3/16" x 1" |
| 17 | 10101868 Spring Foot |



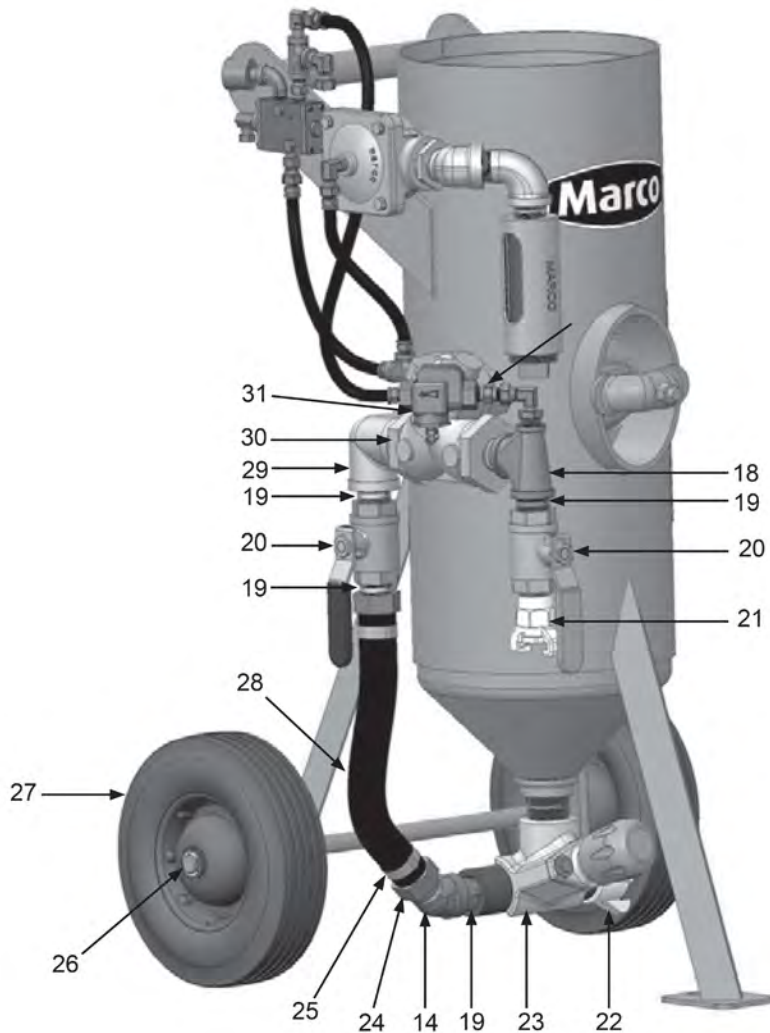
| Part # | Description |
|--------|---------------------------------------------------------|
| 18 | 10L806004 1/2" NPT 90° Elbow |
| 19 | 10L803038 1/2" NPT x 2" Nipple |
| 20 | 10L806176 1/2" NPT Union |
| 21 | 1006067 Wheel and Tire Assembly |
| 22 | 10101811 E-Clip |
| 23 | 10101934 Axle |
| 24 | 10ME122 1/2" NPT Male 2-Lug Coupling |
| 25 | 10L363 1/2" NPT Full Port Brass Ball Valve |
| 26 | 10L100129 Moisture Separator w/Petcock & Pressure Gauge |
| 27 | 10L805312 5/16"-24 x 3/4" Bolt |
| 28 | 10L805003 5/16" Flat Washer |
| 29 | 10L347 Handle |
| 30 | 10101813 1/4"-20 U-Bolt w/Nuts |
| 31 | 1012153 1/4" Lock Washer |
| - | 10L66EVD 153 Remote Control Valve |
| - | 10L66B 1/2" NPT Nozzle Holder Base |

Blast Pots • External Fittings

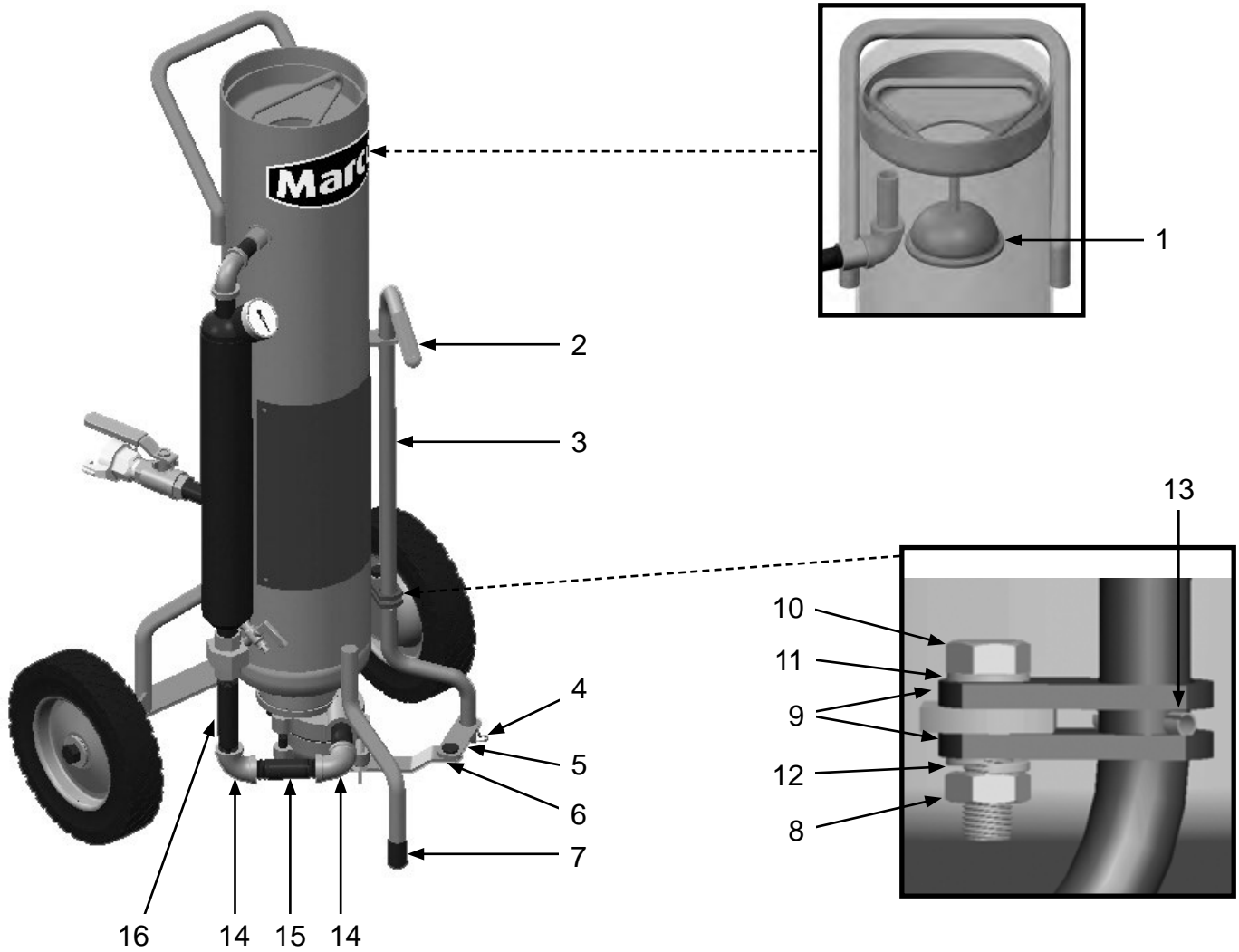
1.0 • Air Inlet, Exhaust, & Media Outlet (1 of 2)



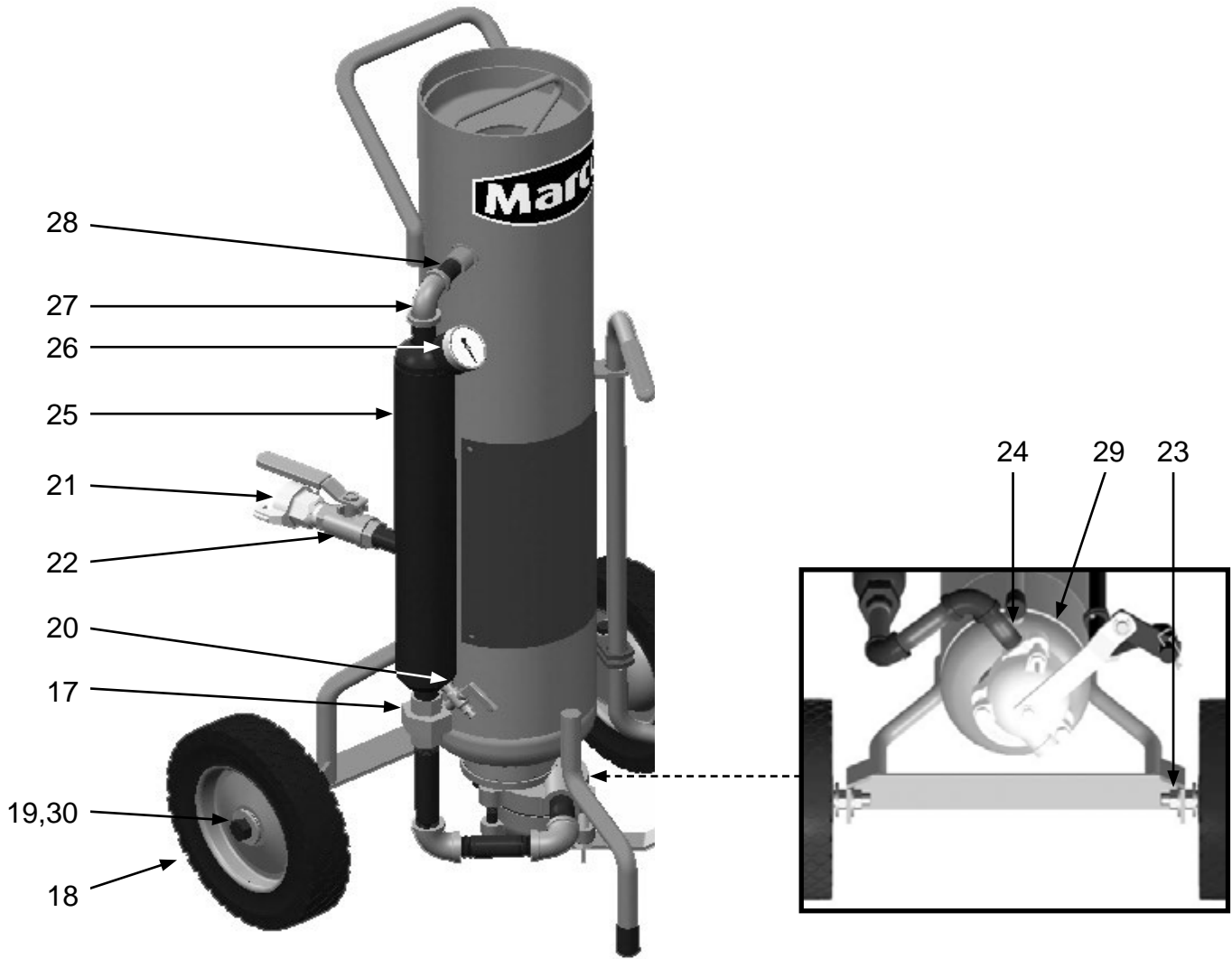
| Part # | Description |
|--------|-----------------------------------------------------|
| 1 | 10PVFIT1 1/4" x 1/8" Hex Nipple |
| 2 | 1011844 1/4" Galvanized Pipe Tee |
| 3 | 10PAF025 1/4" x 1/4" (M) Push-On Fitting |
| 4 | 10AH025 1/4" I.D. Air Hose (Per Foot) |
| 5 | 10SME025 1/4" NPT x 1/4" (F) Straight Swivel |
| 6 | 1019000 190 Pneumatic Control Valve |
| 7 | 1014239 1/8" x 1/8" x 90° Fitting |
| 8 | 10DE025 Dust Eliminator |
| 9 | 1011824 1/4" x 90° Galvanized Street Elbow |
| 10 | 1017019 1/4" x 1/4" Hex Nipple |
| 11 | 1012326 1/4" x 1/4" 90° Swivel |
| 12 | 1012150 1" Diaphragm Outlet Valve |
| 13 | 1012157 1-1/4" x 1" Bushing |
| 14 | 1011838 1" x 45° Street Elbow |
| 15 | 1011801 1" Street Elbow |
| 16 | 1011100 1" Exhaust Muffler |
| 17 | 1011818 1/2" x 1/4" Galvanized Bushing |



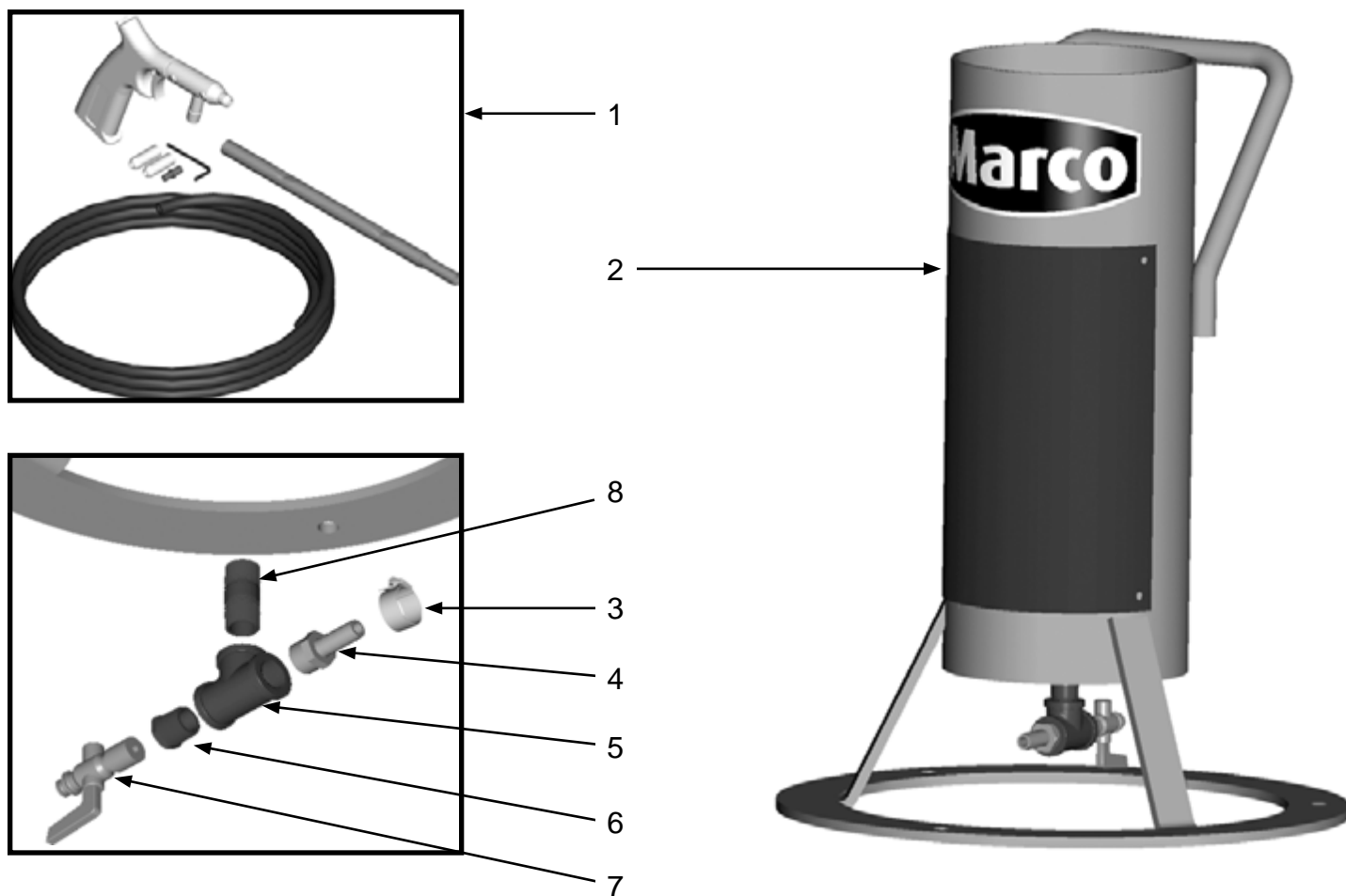
| Part # | Description |
|--------|------------------------------------------------------|
| 14 | 1011838 1" x 45° Street Elbow |
| 18 | 1011826 1" x 90° Elbow with 1/2" Out |
| 19 | 1012151 1" Galvanized Close Nipple |
| 20 | 1011601 1" Full Port Ball Valve |
| 21 | 10ME2 1" 2-Lug Coupling |
| 22 | 10SB2S 1-1/2" Straight Thread Pot Coupling |
| 23 | 1014100 1" Bantam Metering Valve |
| 24 | 10SFE2 1" (F) Swivel End |
| 25 | 10AHCL1 Band Clamp for 3/4" I.D. to 1" I.D. Air Hose |
| 26 | 10101811 E-Clip for Axle |
| 27 | 1006067 10" Wheel |
| 28 | 10AH100 1" I.D. Air Hose (Per Foot) |
| 29 | 1011808 1" x 90° Elbow with Side-Out |
| 30 | 1013000 1" GateKeeper Air Valve |
| 31 | 10WS Watts Strainer |
| | 1015200 152P Remote Control Switch |
| | 1016000 1" x 1/8" x 55' Remote Control Twinline |



| Part # | Description |
|--------|-----------------------------------------------------|
| 1 | 10L650R Filler Plug O-Ring |
| 2 | 10L103LG Control Lever Grip |
| 3 | 10L100268 Media/Air Control Lever w/Grip & Roll Pin |
| 4 | 10L103H Hair Spring Clip |
| 5 | 10LD24X Control Link |
| 6 | 10L201192 Control Link Pivot Assembly |
| 7 | 10LA55RT Rubber Leg Tip |
| 8 | 10L804303 3/8"-24 Hex Nut |
| 9 | 10L100058 Control Lever Bracket |
| 10 | 10L805318 3/8"-24 x 1-1/4" Bolt |
| 11 | 1014241 3/8" Flat Washer |
| 12 | 10L805015 3/8" Lock Washer |
| 13 | 10L800085 3/16" x 1" Roll Pin |
| 14 | 10L806004 1/2" x NPT 90° Elbow |
| 15 | 10L803041 1/2" NPT x 2-3/4" Nipple |
| 16 | 10L803047 1/2" NPT x 4-1/2" Nipple |

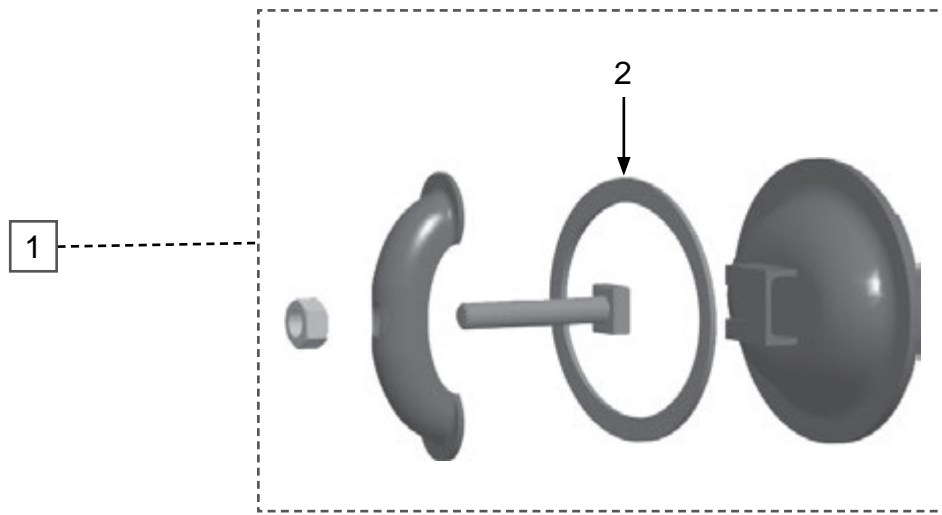


| Part # | Description |
|--------|---------------------------------------------------------|
| 17 | 10L806176 1/2" NPT Union |
| 18 | 1006065 Wheel and Tire Assembly |
| 19 | 10L805329 1/2"-20 x 3" Bolt |
| 20 | 10L348 Petcock |
| 21 | 10ME122 1/2" NPT Male 2-Lug Coupling |
| 22 | 10L363 1/2" NPT Full Port Brass Ball Valve |
| 23 | 10L804305 1/2"-20 Hex Nut |
| 24 | 10L803038 1/2" NPT x 2" Nipple |
| 25 | 10L100129 Moisture Separator w/Petcock & Pressure Gauge |
| 26 | 10L800719 Pressure Gauge |
| 27 | 10L806058 1/2" NPT x 3/8" NPT 90° Reducing Elbow |
| 28 | 1011209 3/8" NPT Close Nipple |
| 29 | 10L100197 2 Hole Jr Metering Valve |
| 30 | 10L804304 1/2" Flat Washer |
| | 10L66EVD 153 Hose-End Shutoff |
| | 10L66B 1/2" NPT Nozzle Holder Base |



| Part # | Description |
|--------|--------------------------------------------|
| 1 | 1001600 1600 Series Suction Gun Package |
| 2 | 10000092 0.20 cu. ft. Suction Blaster Tank |
| 3 | 1015504 Screw Type Hose Clamp |
| 4 | 1017020 Brass Hose Barb • 3/8" NPT x 3/8" |
| 5 | 1011809 Pipe Tee • 3/8" NPT |
| 6 | 1011506 Bushing • 3/8" x 1/4" NPT |
| 7 | 1012101 Petcock • 1/4" NPT |
| 8 | 1011209 Close Nipple • 3/8" |

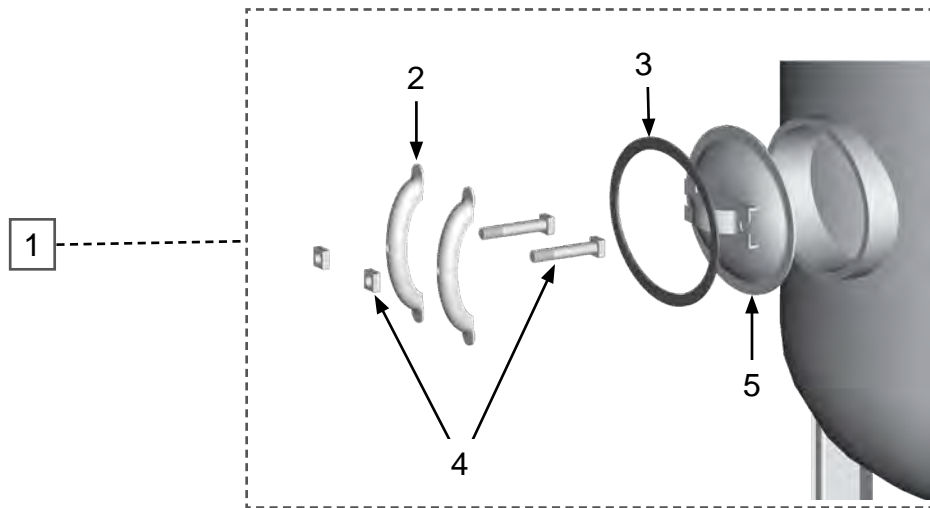
Inspection Door Assemblies (4" x 6" | 6" x 8")



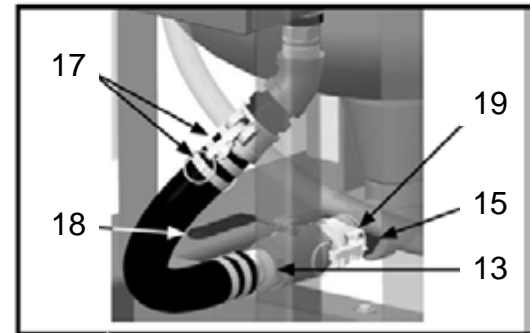
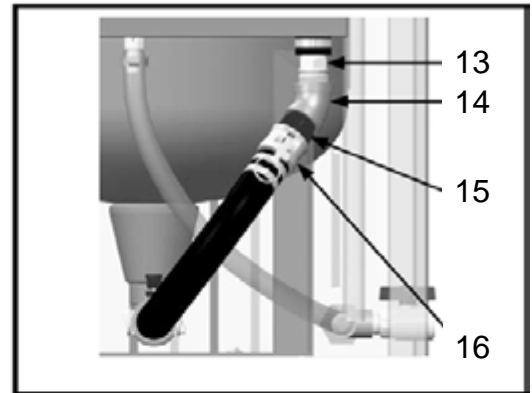
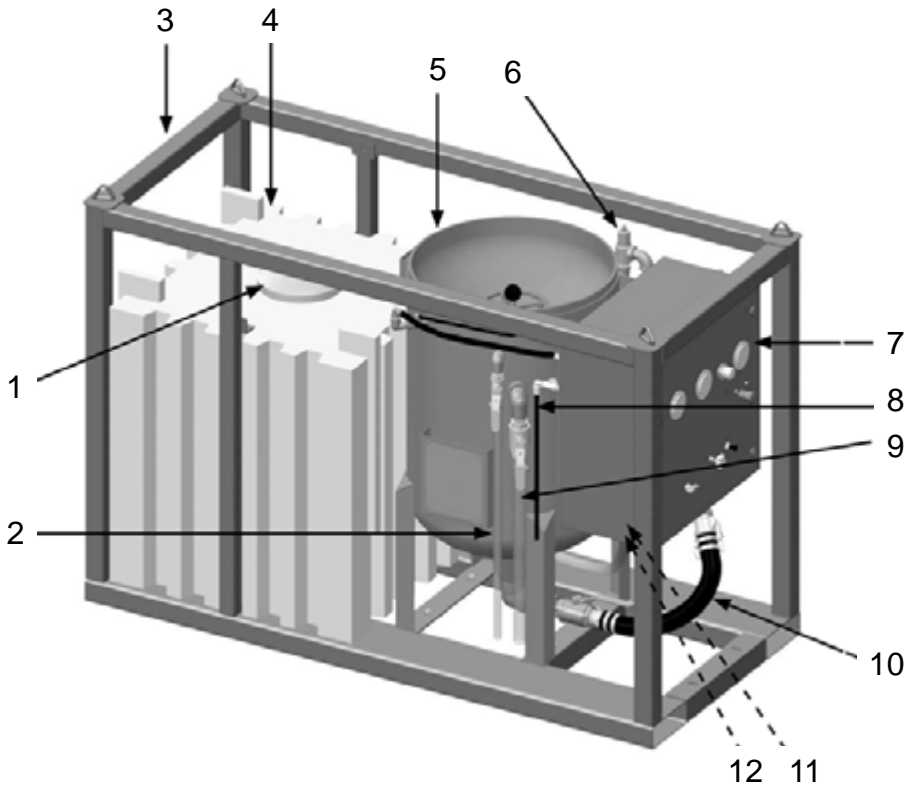
| | Part # | Description | Compatible Blast Pot Sizes |
|---|----------|----------------------------------|----------------------------|
| 1 | 10101752 | 4" x 6" Inspection Door Assembly | 2.0 1.0 Cube |
| 2 | 10101123 | 4" x 6" Inspection Door Gasket | 2.0 1.0 Cube |

| | Part # | Description | Compatible Blast Pot Sizes |
|---|---------|----------------------------------|--------------------------------------|
| 1 | 1006200 | 6" x 8" Inspection Door Assembly | 3.0 3.5 6.0 6.5 10 20 Cube |
| 2 | 1006201 | 6" x 8" Inspection Door Gasket | 3.0 3.5 6.0 6.5 10 20 Cube |

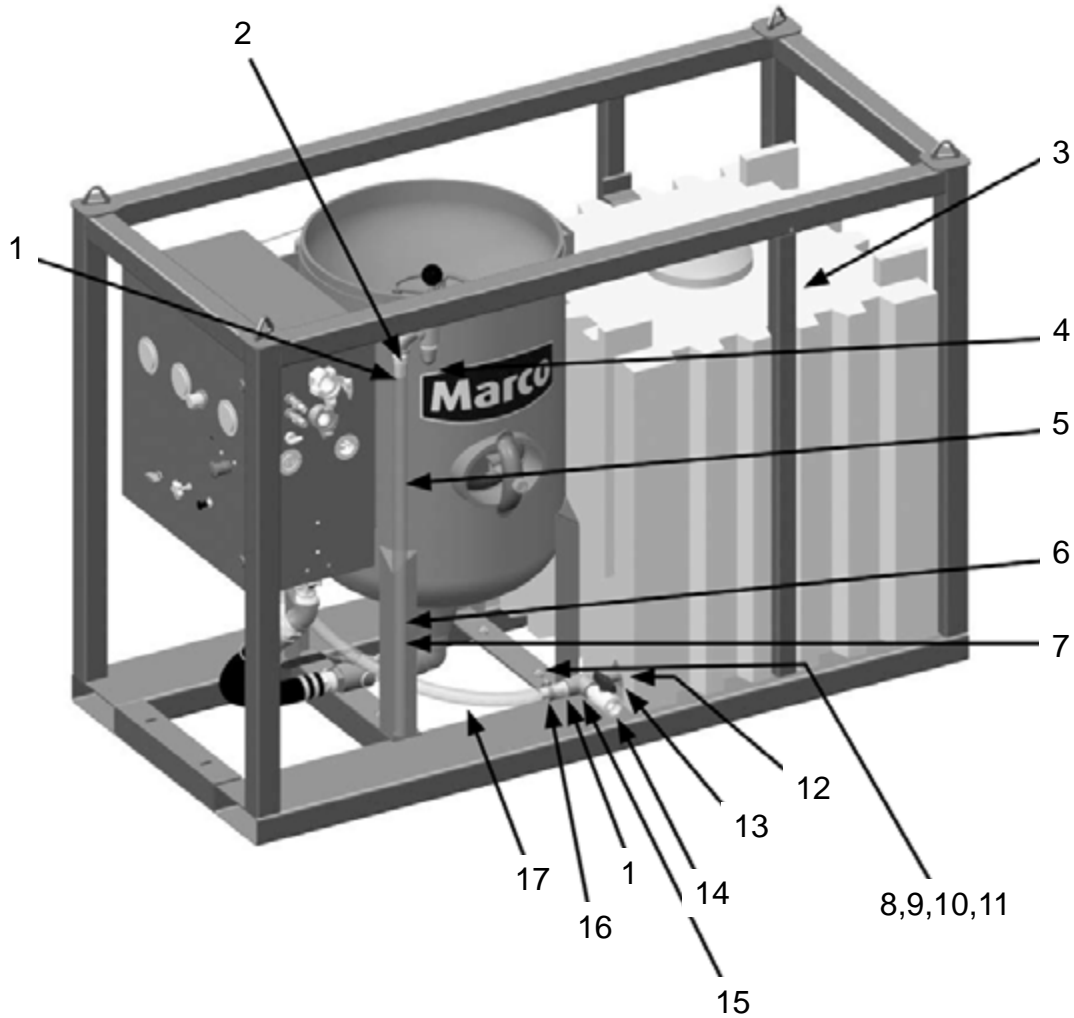
Inspection Door Assemblies (12" x 16")



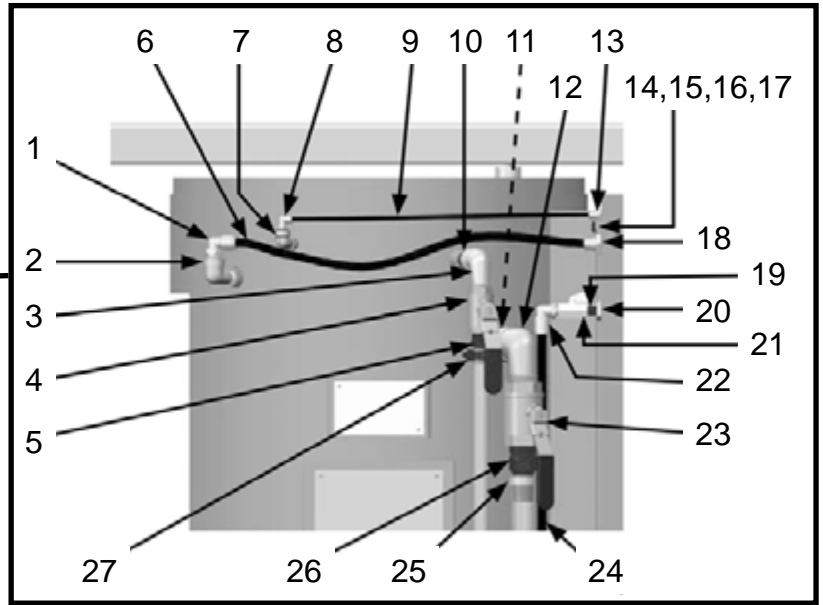
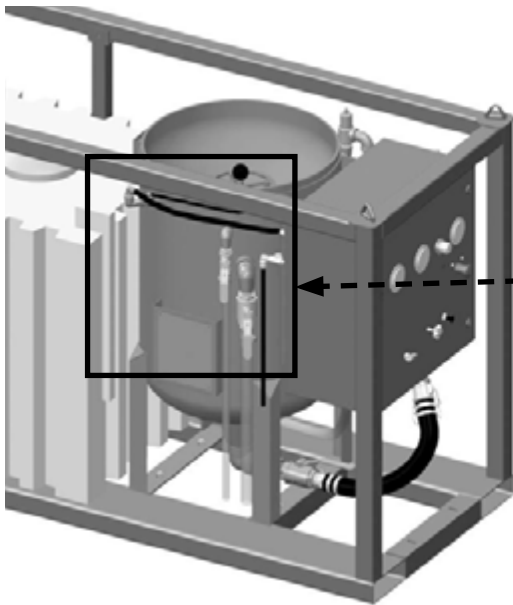
| | Part # | Description | Compatible Blast Pot Sizes |
|---|----------|-------------------------------------------|----------------------------|
| 1 | 10100702 | 12" x 16" Manway Inspection Door Assembly | 60 120 160 Cube |
| 2 | 10000365 | 12" x 16" Manway Crab | 60 120 160 Cube |
| 3 | 10100703 | 12" x 16" Manway Inspection Door Gasket | 60 120 160 Cube |
| 4 | 1011848 | 12" x 16" Manway Nut & Bolt | 60 120 160 Cube |
| 5 | 1000364 | 12" x 16" Manway Cover | 60 120 160 Cube |



| Part # | Description |
|--------|--------------------------------------------------------|
| 1 | 10105354 Water Tank Bracket |
| 2 | 10106144 3/4" Clear PVC Tubing |
| 3 | 10106433 Frame Weldment |
| 4 | 10105633 Water Tank – Poly 120 Gallons |
| 5 | 10105235 6.5 Cu.Ft. Wet Blast Pot Vessel |
| 6 | 10106171 Pressure Relief Valve |
| 7 | 10106139 Control Box Enclosure |
| 8 | 10105685 1/2" Nylon Tubing – Black |
| 9 | 10106143 1-1/4" Clear PVC Tubing |
| 10 | 10106983 1-1/2" I.D. Material Handling Hose (Per Foot) |
| 11 | 10105901 1" PVC Hose Barb |
| 12 | 10103396 Hose Clamp 1-1/16"–2" |
| 13 | 10106192 1-1/2" Cam and Groove Nipple |
| 14 | 10106194 1-1/2" 45° Elbow |
| 15 | 10106195 1-1/2" Male NPT x Male Adapter |
| 16 | 10106197 1-1/2" Socket x Notched Shank |
| 17 | 10106201 2" MNPT x 1-1/2" Cam And Groove Plug |
| 18 | 10106134 1-1/2" Ball Valve |
| 19 | 10106196 1-1/2" Socket x Male NPT |



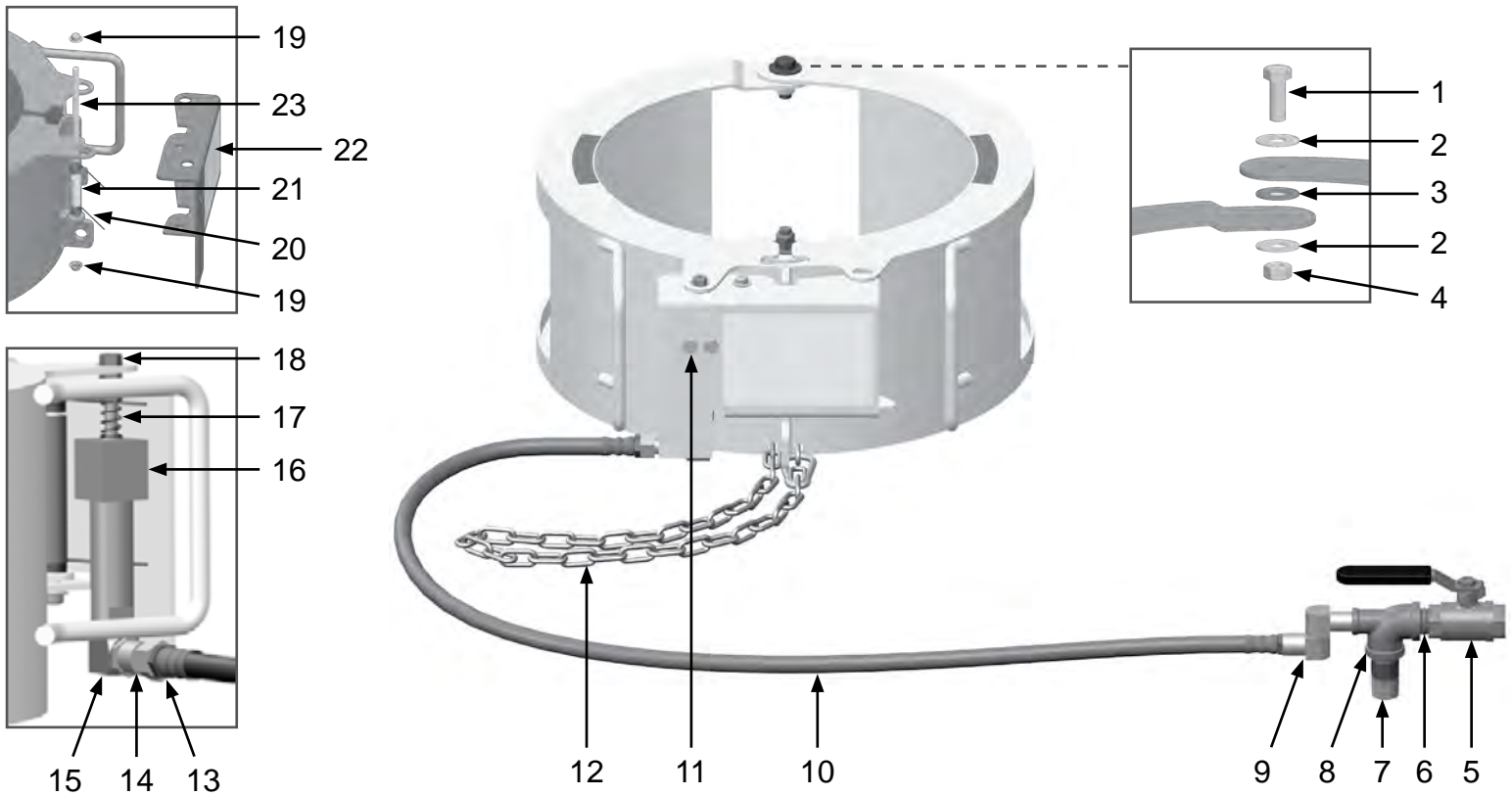
| Part # | Description |
|--------|--------------------------------------------|
| 1 | 10105901 1" PVC Hose Barb |
| 2 | 1011801 1" Street Elbow – Galvanized |
| 3 | 10106193 T-Bolt Clamp 2.125" x 2.438" O.D. |
| 4 | 10105672 3/4" Street Elbow |
| 5 | 10106145 1" Reinforced PVC Tubing |
| 6 | 10106192 1-1/2" Cam and Groove Nipple |
| 7 | 10106194 1-1/2" 45° Elbow |
| 8 | 10104234 3/8-16 x 1-1/4 Hex Bolt Zinc |
| 9 | 10102331 3/8 SAE Flat Washer Zinc |
| 10 | 10101936 3/8" Lock Washer – Zinc |
| 11 | 20100138 3/8"-16 Hex Lock Nut Zinc |
| 12 | 10106136 2" x 1" PVC Bushing |
| 13 | 10106137 1" PVC Close Nipple |
| 14 | 10106138 1" PVC Ball Valve |
| 15 | 10106437 1" PVC Tee |
| 16 | 10106194 1-1/2" 45° Elbow |
| 17 | 10106145 1" Reinforced PVC Tubing |



| Part # | Description |
|--------|------------------------------------------|
| 1 | 10105695 1/2" NPT Elbow |
| 2 | 10105675 1/2" Street Elbow |
| 3 | 10105672 3/4" Street Elbow |
| 4 | 10105673 3/4" Ball Valve |
| 5 | 10105674 3/4" Male Hose Barb |
| 6 | 10105685 1/2" Nylon Tubing – Black |
| 7 | 10106334 1/4" Tube x 10-32 UNF 90° Elbow |
| 8 | 10105688 1/4" NPT Elbow |
| 9 | 10105683 1/4" Nylon Tubing |
| 10 | 10105671 3/4" Close Nipple |
| 11 | 10105602 Close Nipple – 1-1/4" |
| 12 | 10105606 1-1/4" Street Elbow |
| 13 | 10105700 1/4" Bulkhead Union |
| 14 | 10104234 3/8-16 x 1-1/4 Hex Bolt Zinc |
| 15 | 10102331 3/8 SAE Flat Washer Zinc |
| 16 | 10101936 3/8" Lock Washer – Zinc |
| 17 | 20100138 3/8"-16 Hex Lock Nut Zinc |
| 18 | 10105701 1/2" Bulkhead Union |
| 19 | 10105714 1/8" (M) NPTF Hollow Hex Plug |
| 20 | 10105709 1/8" NPT (F) Bulkhead |
| 21 | 10105622 1/4" Mini Brass Ball Valve |
| 22 | 10105637 1/4" NPT x 1/2" Elbow |
| 23 | 10105618 1-1/4" Ball Valve |
| 24 | 10105685 1/2" Nylon Tubing – Black |
| 25 | 10103396 Hose Clamp 1-1/16"–2" |
| 26 | 10106135 1-1/4" Hose Barb |
| 27 | 10106546 Hose Clamp 11/16"–1-1/4" |

Blast Pots • Components

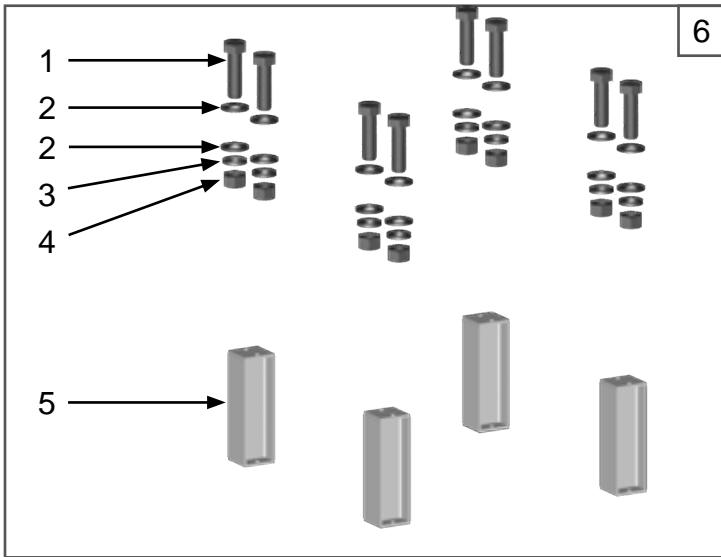
Camlock Closure Lockout Device (60,120,160)



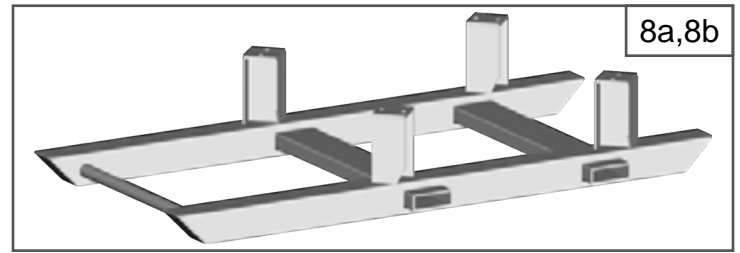
| Part # | Description | Compatible Blast Pot Sizes |
|--------|-------------------------------------------|----------------------------|
| 1 | 3/8-16 x 1" Bolt | 60 120 160 Cube |
| 2 | 3/8" Washer | 60 120 160 Cube |
| 3 | 3/8" Nylon Washer | 60 120 160 Cube |
| 4 | 3/8-16 Lock Nut | 60 120 160 Cube |
| 5 | 1/2" NPT Brass Full Port Ball Valve | 60 120 160 Cube |
| 6 | 1/2" NPT Close Nipple | 60 120 160 Cube |
| 7 | 1/2" NPT x 2" Pipe Nipple | 60 120 160 Cube |
| 8 | 1/2" NPT 90° Elbow with 1/4" NPT Side-out | 60 120 160 Cube |
| 9 | 1/4" Swivel Connector | 60 120 160 Cube |
| 10 | 1/4" x 48" Air Hose Assembly | 60 120 160 Cube |
| 11 | 1/4-20 x 1/2" Bolt | 60 120 160 Cube |
| 12 | Chain w/ 2 Split Links & Carabiner | 60 120 160 Cube |
| 13 | Male Hose Barb | 60 120 160 Cube |
| 14 | 1/4" (M) x 1/4" (F) Swivel Hose End | 60 120 160 Cube |
| 15 | 1/8" (M) X 1/4" (F) Street Elbow | 60 120 160 Cube |
| 16 | Bimba Cylinder For Hatch Lock | 60 120 160 Cube |
| 17 | Spring | 60 120 160 Cube |
| 18 | 1/4-28 Coupling Nut - Zinc | 60 120 160 Cube |
| 19 | 1/4" Cap Nut | 60 120 160 Cube |
| 20 | Torsion Spring | 60 120 160 Cube |
| 21 | 2-3/4" x 3/8" I.D. PEX Spacer | 60 120 160 Cube |
| 22 | Latch Handle | 60 120 160 Cube |
| 23 | Latch Pin | 60 120 160 Cube |

Blast Pots • Components

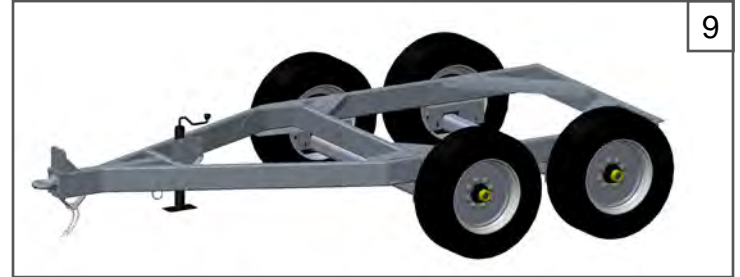
Mounting Options (60,120,160)



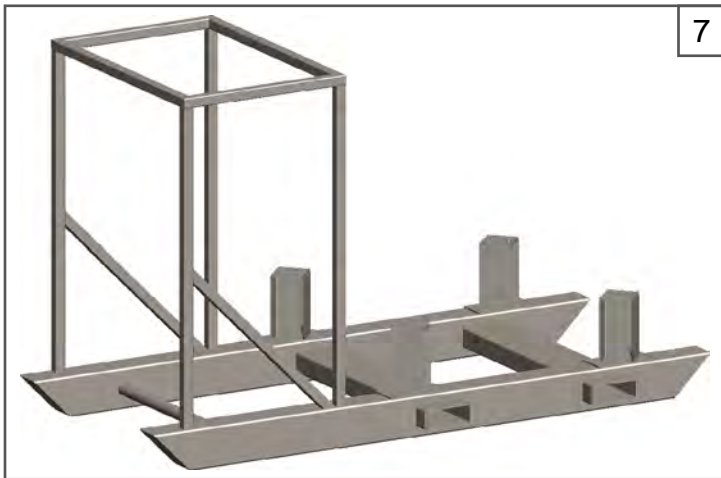
6



8a,8b



9

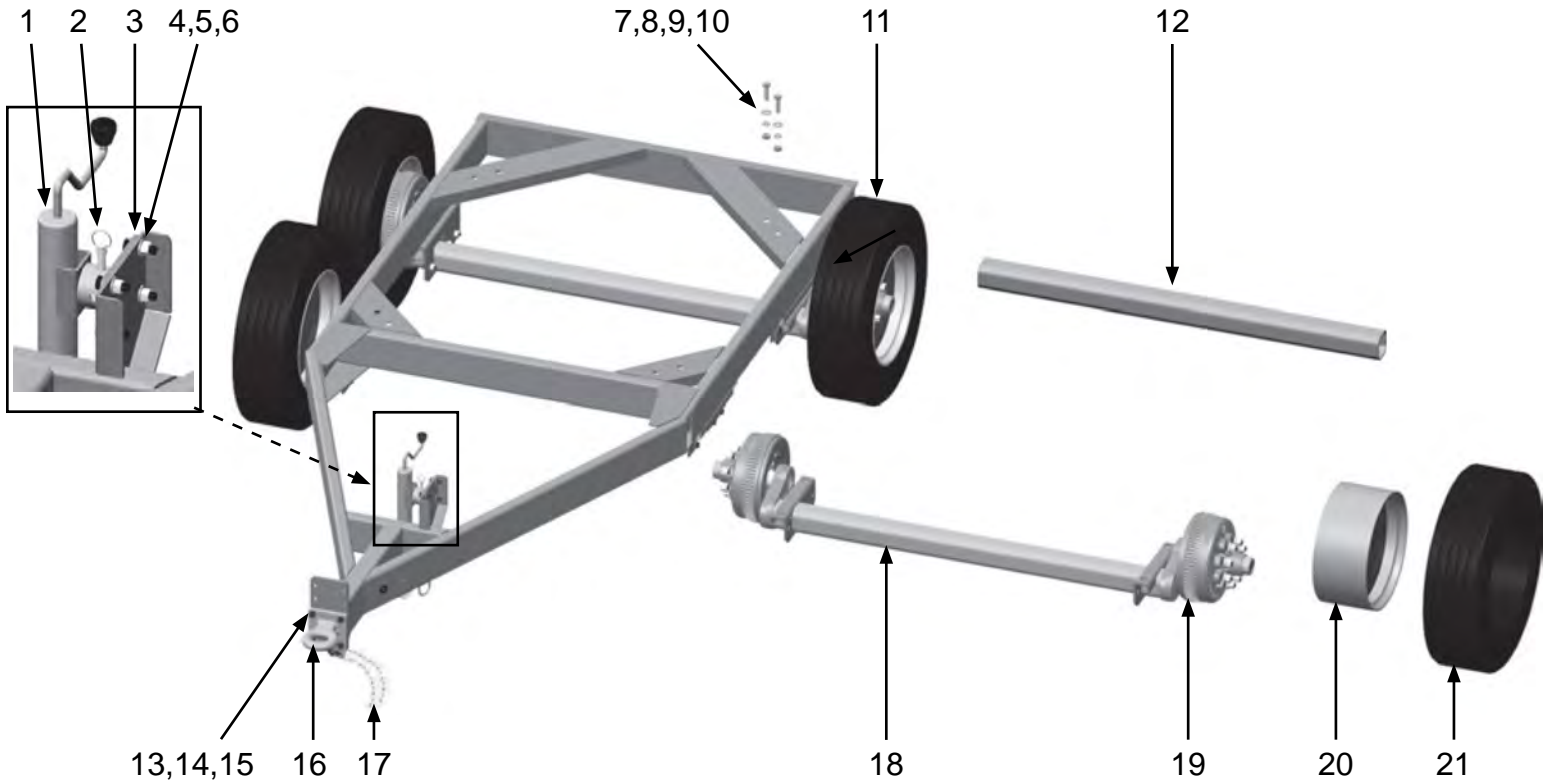


7



10

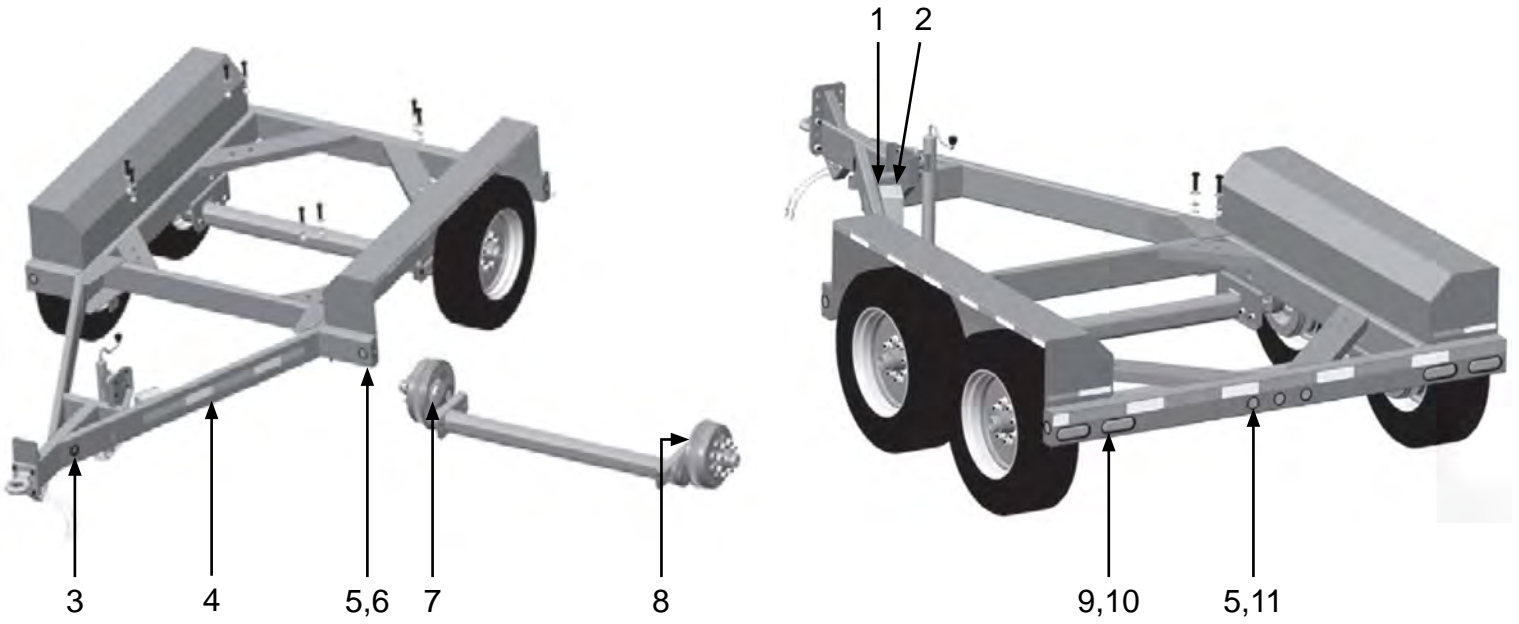
| Part # | Description | Compatible Blast Pot Sizes |
|--------|-----------------------------------------------------|--------------------------------------|
| 1 | 3/4-10 x 2-1/2" Bolt | 60 120 160 |
| 2 | 3/4" Flat Washer | 60 120 160 |
| 3 | 3/4" Lock Washer | 60 120 160 |
| 4 | 3/4" Nut | 60 120 160 |
| 5 | Stationary Leg | 60 120 160 |
| 6 | Stationary Legs Kit (w/ 4 legs & mounting hardware) | 60 120 160 |
| 7 | Offshore Skid (mounting hardware not included) | 60 120 160 |
| 8a | Fork-Pocket Skid (mounting hardware not included) | 60 120 160 |
| 8b | Fork-Pocket Skid (mounting hardware not included) | 60 120 160 |
| 9 | Yard Trailer (mounting hardware not included) | 60 120 160 |
| 10 | Highway Trailer (mounting hardware not included) | 60 120 160 |



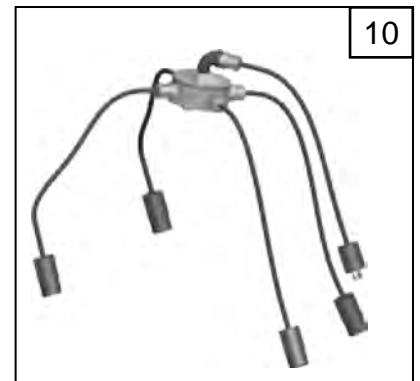
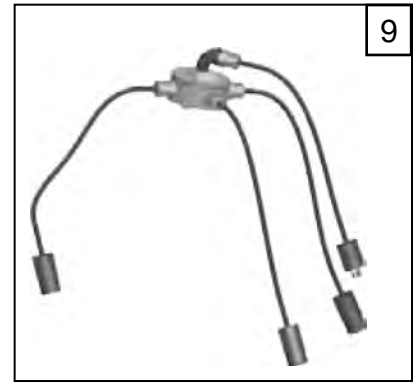
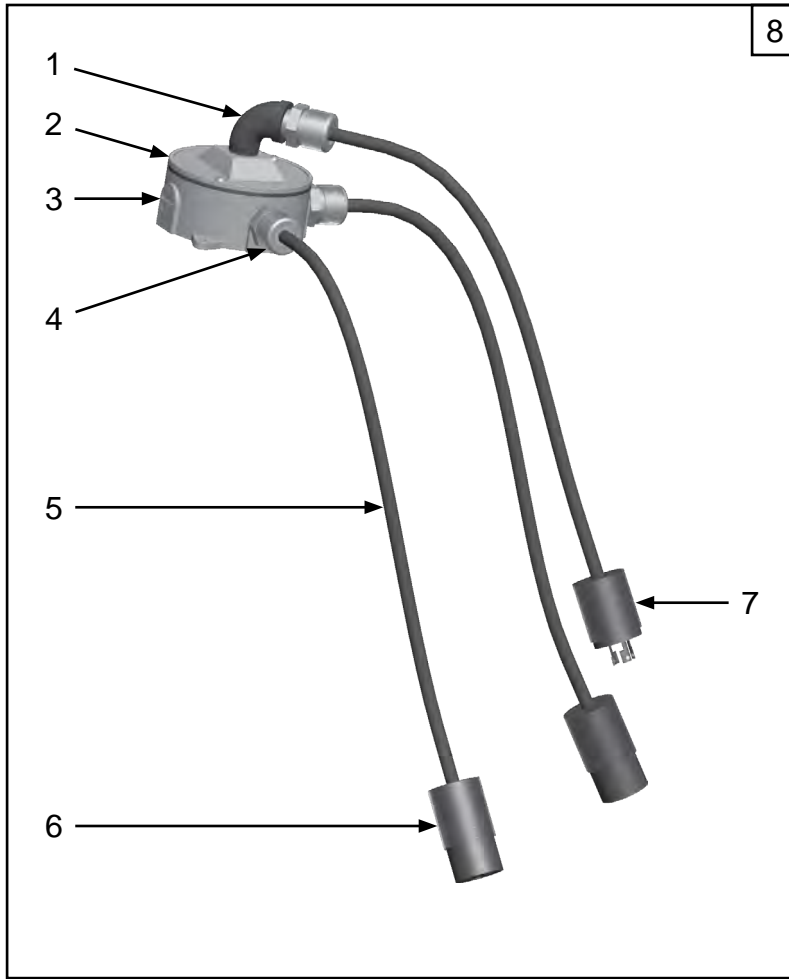
| Part # | Description | Compatible Blast Pot Sizes |
|--------|---------------------------------------------------------------|----------------------------|
| 1 | 10100482 Weld-On Pipe Mount Swivel Jack | 120 160 |
| 2 | 10104709 1/2 x 3-1/2" Pin | 120 160 |
| 3 | 10105876 Jack Plate with Four Holes | 120 160 |
| 4 | 10105874 1/2-13 x 1-1/2" Gr 5 Bolt | 120 160 |
| 5 | 10100674 1/2" Flat Washer | 120 160 |
| 6 | 20100124 1/2-13 Nylon Lock Nut | 120 160 |
| 7 | 10100701 3/4-10 x 2-1/2" Bolt | 120 160 |
| 8 | 10100704 3/4" Flat Washer | 120 160 |
| 9 | 10100596 3/4" Lock Washer | 120 160 |
| 10 | 10100595 3/4" Nut | 120 160 |
| 11 | 10104143 215/75R17.5 16-Ply Tire with 17.5" 8-Hole Mod Rim | 120 160 |
| 12 | 10104140 Axle Beam/Tube | 120 160 |
| 13 | 10105746 5/8 x 2-1/2" Gr 8 Bolt | 120 160 |
| 14 | 10103398 5/8" Flat Washer | 120 160 |
| 15 | 10105747 5/8 Reverse Lock Nut | 120 160 |
| 16 | 10104079 Pintle Hitch with Flat Plate | 120 160 |
| 17 | 10104769 3/8" x 41" Safety Chain with Hook | 120 160 |
| 18 | 10104138 8,000 # Torflex Axle, Complete With Hubs And Springs | 120 160 |
| 19 | 10105734 Axle Hub Only – No Bearings or Seal | 120 160 |
| 20 | 10105736 17.5" 8-Hole Rim | 120 160 |
| 21 | 10105735 Hercules Lt215/75R17.5 16-Ply Tire | 120 160 |

Blast Pots • Components

Mounting Options (120,160) • Highway Trailer (specific)

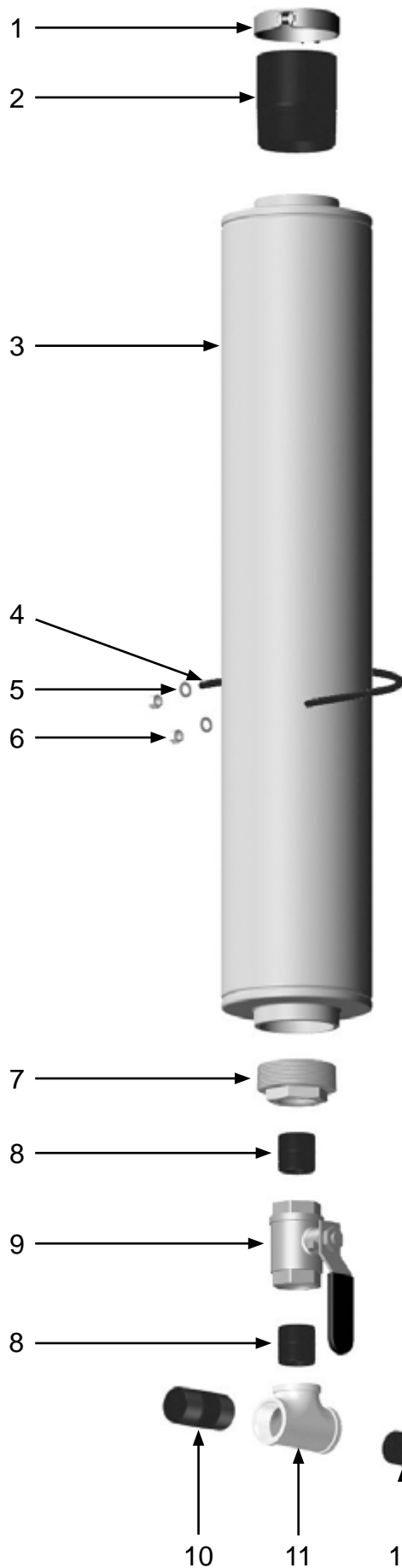


| | Part # | Description | Compatible Blast Pot Sizes |
|----|----------|------------------------------------------------|----------------------------|
| 1 | 10104081 | Breakaway Kit | 120 160 |
| 2 | 10105826 | Redline 12V - 5AH Battery Sealed | 120 160 |
| 3 | 10105825 | Electrical Break Away Grommet | 120 160 |
| 4 | 10103879 | 2" Red/White Conspicuity Tape (per ft.) | 120 160 |
| 5 | 10104088 | 2" Round Rubber Grommet | 120 160 |
| 6 | 10104087 | 2" Round LED Amber Clearance Light | 120 160 |
| 7 | 10105738 | Left-Hand Electric Brake Assembly | 120 160 |
| 8 | 10105739 | Right-Hand Electric Brake Assembly | 120 160 |
| 9 | 10104085 | Oval Rubber Grommet | 120 160 |
| 10 | 10104084 | Oval LED Red Tail Light | 120 160 |
| 11 | 10104086 | 2" Round LED Red Clearance Light | 120 160 |
| -- | 10104142 | Wire Harness - Complete (Front, Middle & Rear) | 120 160 |
| -- | 10105783 | Breakaway Switch with LED | 120 160 |
| -- | 10105784 | Breakaway Switch Replacement Pin and Cable | 120 160 |

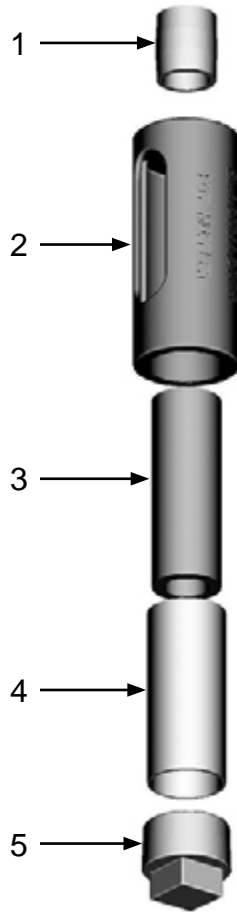


| | Part # | Description | Compatible Blast Pot Sizes |
|----|----------|-------------------------------------------|----------------------------|
| 1 | 1011819 | 1/2" Street Elbow | 20 60 120 160 |
| 2 | 10100496 | Conduit Box Cover with Gasket & Screws | 20 60 120 160 |
| 3 | 10100495 | 5-Outlet Conduit Box | 20 60 120 160 |
| 4 | 1019021 | Cord Grip | 20 60 120 160 |
| 5 | 1015540 | 16/2 SO Electric Cord (per ft.) | 20 60 120 160 |
| 6 | 1015556 | 3-Prong Female Twist-Lock Plug | 20 60 120 160 |
| 7 | 1015555 | 3-Prong Male Twist-Lock Plug | 20 60 120 160 |
| 8 | 10100559 | 2-Outlet Power Distribution Box, Complete | 20 60 120 160 |
| 9 | 10100560 | 3-Outlet Power Distribution Box, Complete | 20 60 120 160 |
| 10 | 10100561 | 4-Outlet Power Distribution Box, Complete | 20 60 120 160 |
| -- | 1030028 | Butt Splicer | 20 60 120 160 |
| -- | 10100562 | Inline Fuse Block | 20 60 120 160 |
| -- | 10100563 | 5-Amp Inline Fuse | 20 60 120 160 |

3" Exhaust Muffler (60,120,160)



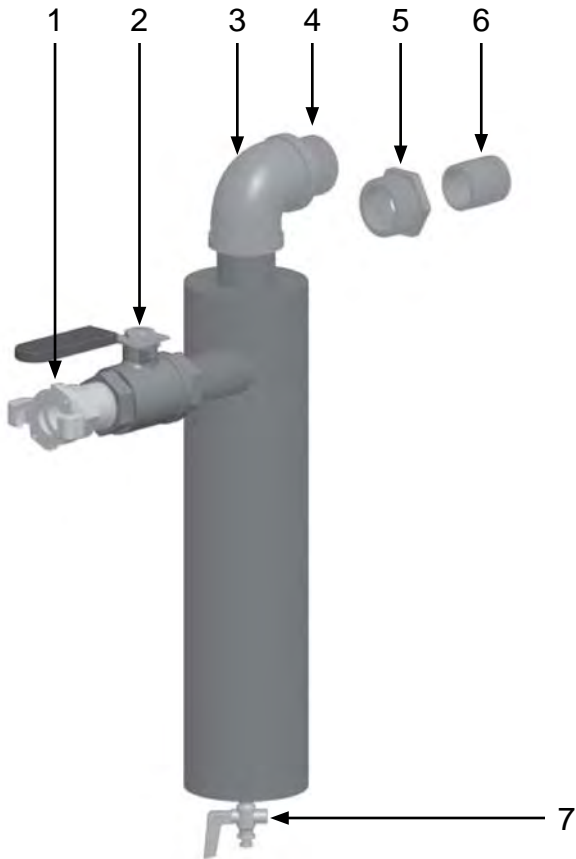
| | Part # | Description |
|----|----------|-------------------------------------|
| 1 | 10103583 | 3-1/2" Rain Cap – Painted Gray |
| 2 | 10105208 | 3" NPT x 4" Toe Nipple – Galvanized |
| 3 | 10103575 | Absorptive Silencer U5-3 Universal |
| 4 | 1070967 | U-Bolt - 3/8-16 x 6-3/4" |
| 5 | 1014241 | 3/8" I.D. x 3/4" O.D. Washer |
| 6 | 20100138 | 3/8-16 Hex Lock Nut Zinc |
| 7 | 10105045 | 3" x 1-1/4" Hex Bushing |
| 8 | 10101750 | 1-1/4" NPT Galvanized Close Nipple |
| 9 | 1011602 | 1-1/4" Full Port Ball Valve |
| 10 | 1011902 | 1-1/4" NPT Galvanized Pipe Plug |
| 11 | 1011803 | 1-1/4" NPT Galvanized Pipe Tee |
| 12 | 10105252 | 1-1/4" x 3" Nipple – Galvanized |



| | Part # | Description |
|---|---------|--------------------|
| 1 | 1012151 | Close Nipple • 1" |
| 2 | 1011102 | Muffler Body |
| 3 | 1011103 | Filter Element |
| 4 | 1011104 | Muffler Screen |
| 5 | 1011101 | Pipe Plug • 1-1/2" |

Blast Pots • Components
Junior Extractor Moisture Separators

1" Junior Extractor



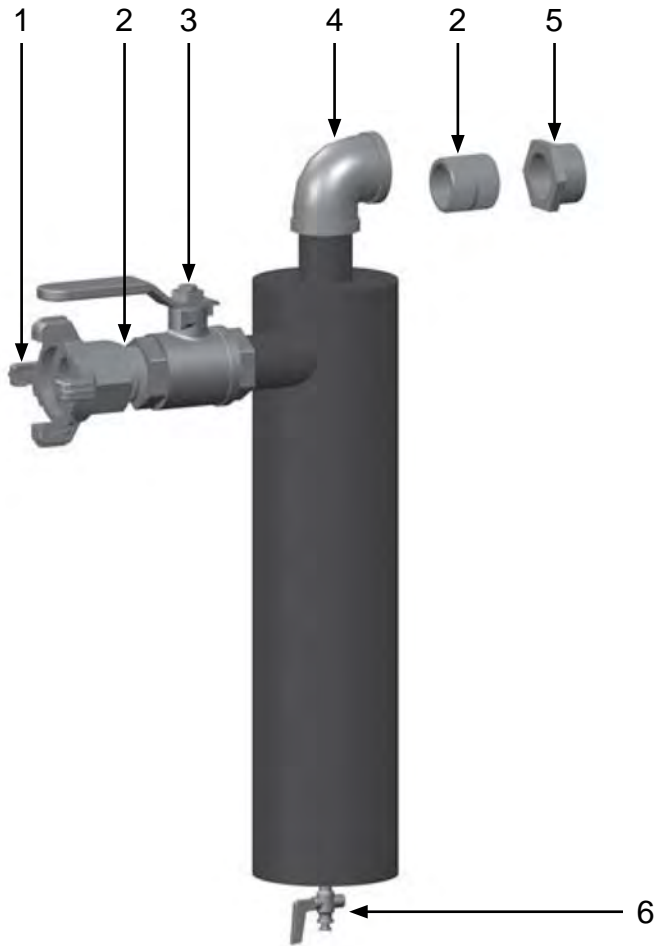
1-1/4" Junior Extractor



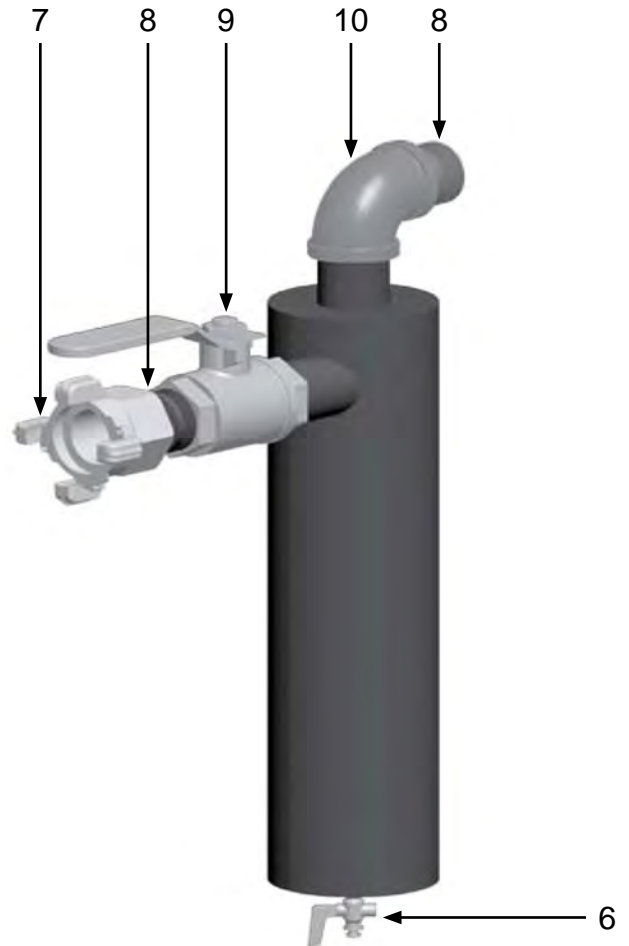
| Part # | Description |
|--------|-----------------------------------------------|
| 1 | 10ME2 2-lug Air Hose Fitting – 1" NPT (M) |
| 2 | 1011601 1" NPT Full Port Ball Valve |
| 3 | 1006204 1-1/4" NPT 90° Elbow |
| 4 | 1011201 1-1/4" NPT Close Nipple |
| 5 | 1012157 1-1/4" x 1" Bushing |
| 6 | 1012151 1" NPT Close Nipple |
| 7 | 1012101 1/4" NPT Brass Petcock |
| 8 | 10ME3 4-lug Air Hose Fitting - 1-1/4" NPT (F) |
| 9 | 1011602 1-1/4" NPT Full Port Ball Valve |
| 10 | 1011501 1-1/2" x 1-1/4" Bushing |

Blast Pots • Components
Extractor Moisture Separators

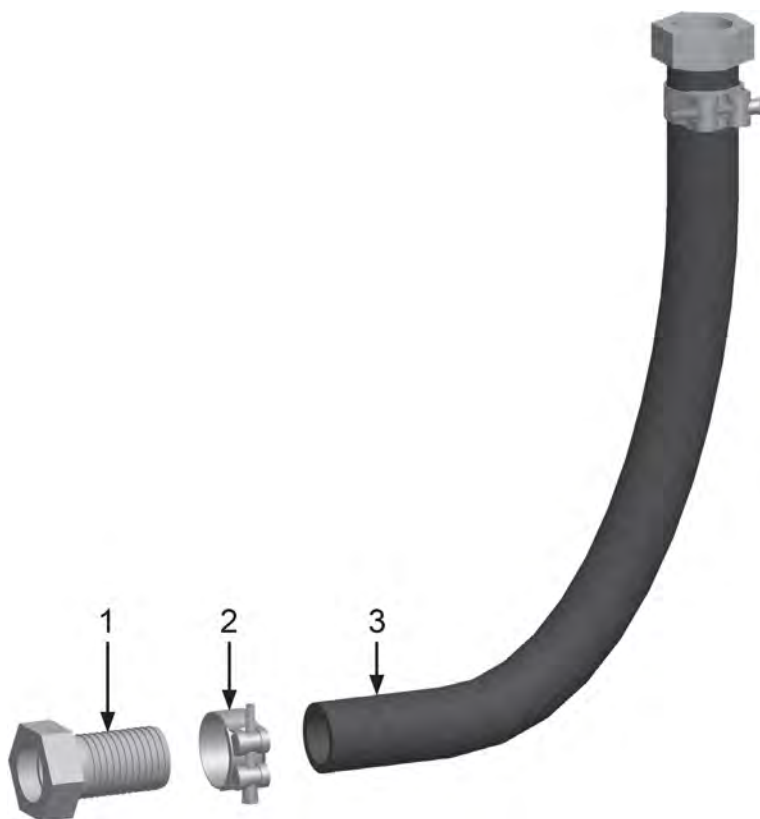
1-1/4" Extractor



1-1/2" Extractor



| Part # | Description |
|--------|-----------------------------------------------|
| 1 | 10ME3 4-lug Air Hose Fitting - 1-1/4" NPT (F) |
| 2 | 1011201 1-1/4" NPT Close Nipple |
| 3 | 1011602 1-1/4" NPT Full Port Ball Valve |
| 4 | 1006204 1-1/4" NPT 90° Elbow |
| 5 | 1011501 1-1/2" x 1-1/4" Bushing |
| 6 | 1012101 1/4" NPT Brass Petcock |
| 7 | 10ME4 4-Lug Air Hose Fitting – 1-1/2" NPT (F) |
| 8 | 1014015 1-1/2" NPT Close Nipple |
| 9 | 1011603 1-1/2" NPT Full Port Brass Ball Valve |
| 10 | 1011842 1-1/2" NPT 90° Elbow |



1" Pusher Line Assembly

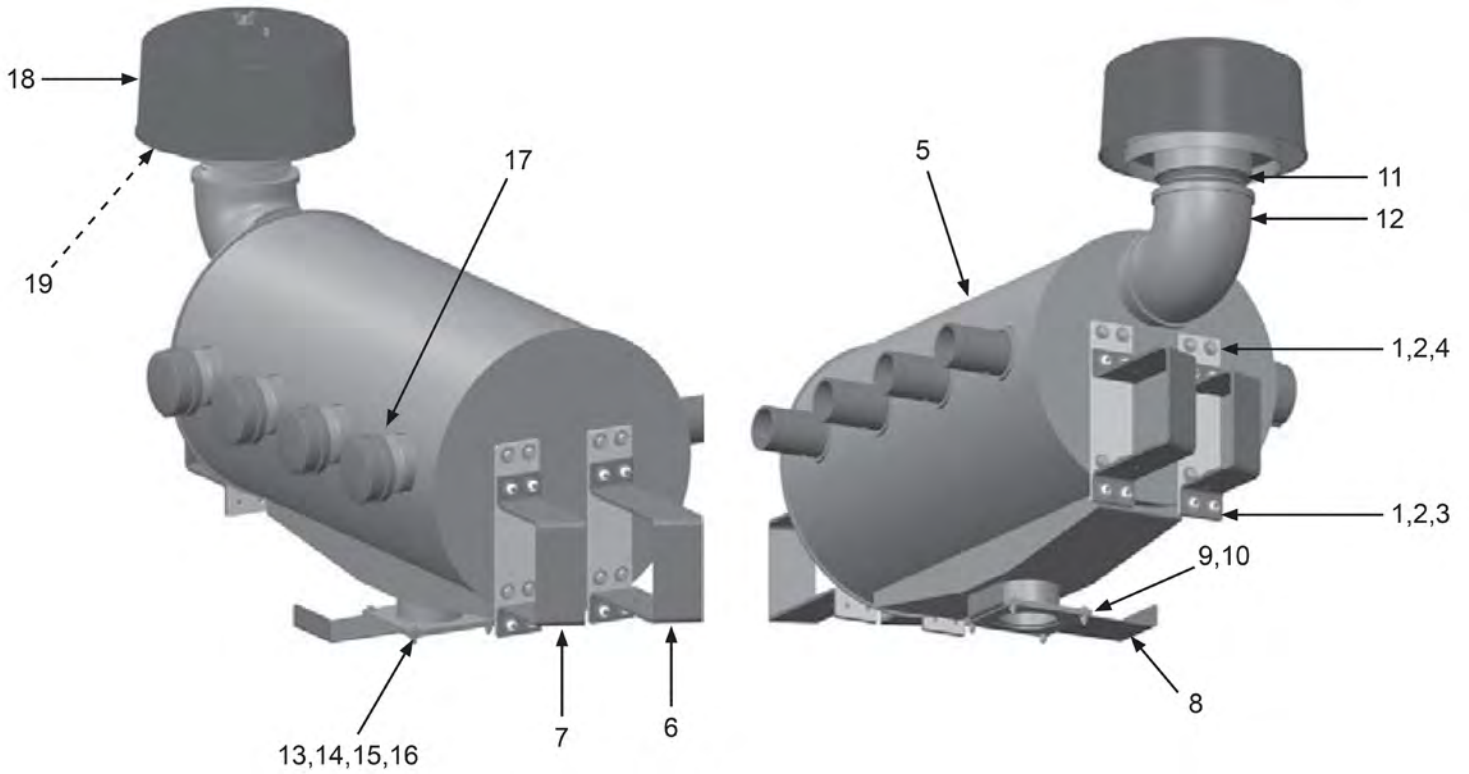
| Part # | Description |
|------------|---------------------------------------|
| 1 10SFE2 | 1" Female Swivel Air Hose End |
| 2 10103736 | 1" T-Bolt Hose Clamp |
| 3 10AH100B | 1" I.D. Air Hose |
| - 10SFE2G | Gasket for 10SFE2 Swivel Air Hose End |

1-1/4" Pusher Line Assembly

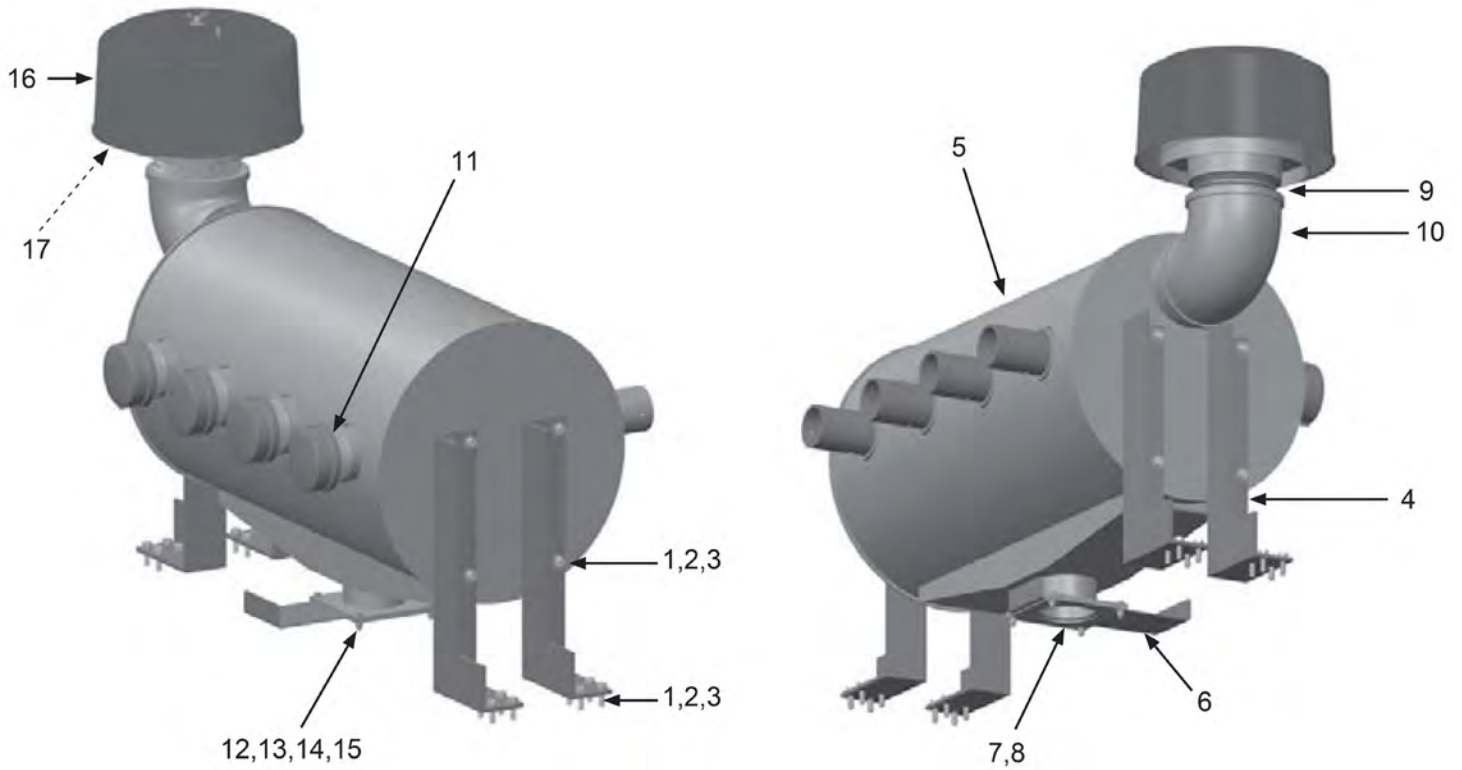
| Part # | Description |
|------------|---------------------------------------|
| 1 10SFE3 | 1-1/4" Female Swivel Air Hose End |
| 2 10103737 | 1-1/4" T-Bolt Hose Clamp |
| 3 10AH114B | 1-1/4" I.D. Air Hose |
| - 10SFE3G | Gasket for 10SFE3 Swivel Air Hose End |

1-1/2" Pusher Line Assembly

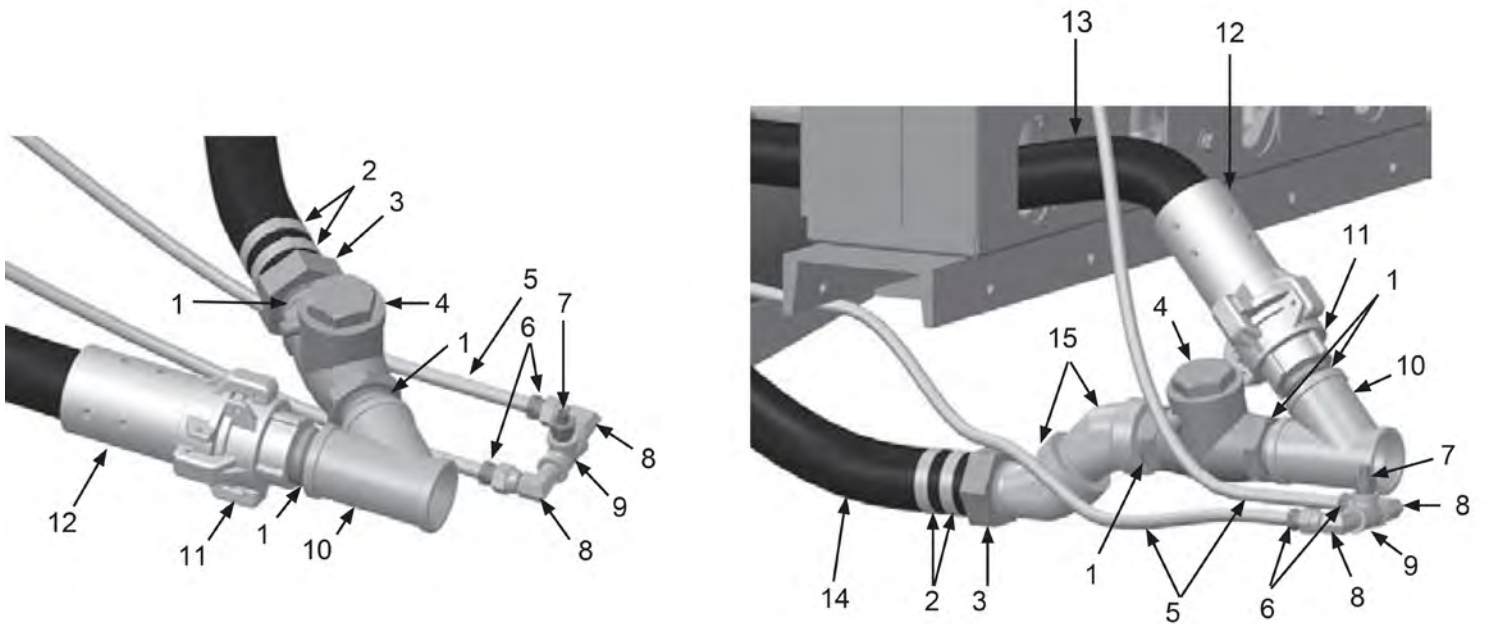
| Part # | Description |
|------------|---------------------------------------|
| 1 10SFE4 | 1-1/2" Female Swivel Air Hose End |
| 2 10103738 | 1-1/2" T-Bolt Hose Clamp |
| 3 10AH112B | 1-1/2" I.D. Air Hose |
| - 10SFE4G | Gasket for 10SFE4 Swivel Air Hose End |



| | Part # | Description |
|----|----------|---------------------------------------|
| 1 | 10101936 | 3/8" Lock Washer |
| 2 | 10102331 | 3/8" Flat Washer |
| 3 | 1012318 | 3/8-16 HD Hex Nut |
| 4 | 10104234 | 3/8-16 x 1-1/4" Hex Bolt Zinc Grade 5 |
| 5 | 10105665 | Chamber Weldment |
| 6 | 10105790 | Right Back Angle U-Bracket |
| 7 | 10105791 | Right Front Angle U-Bracket |
| 8 | 10104947 | Slide Gate |
| 9 | 10104945 | Slide Gate Bolt Plate |
| 10 | 10104946 | Slide Gate Slide Bar |
| 11 | 10106487 | 5" Close Nipple |
| 12 | 10106462 | 5" 90° Pipe Elbow |
| 13 | 1014017 | 1/4" Flat Washer |
| 14 | 1012154 | 1/4-20 x 1" Bolt |
| 15 | 1012153 | 1/4" Lock Washer |
| 16 | 10101347 | 1/4-20 Hex Nut |
| 17 | 10105656 | Chamber Body End Cap |
| 18 | 10106463 | 5" MNPT Air Exhaust Filter |
| 19 | 10106464 | Wire Mesh Element |

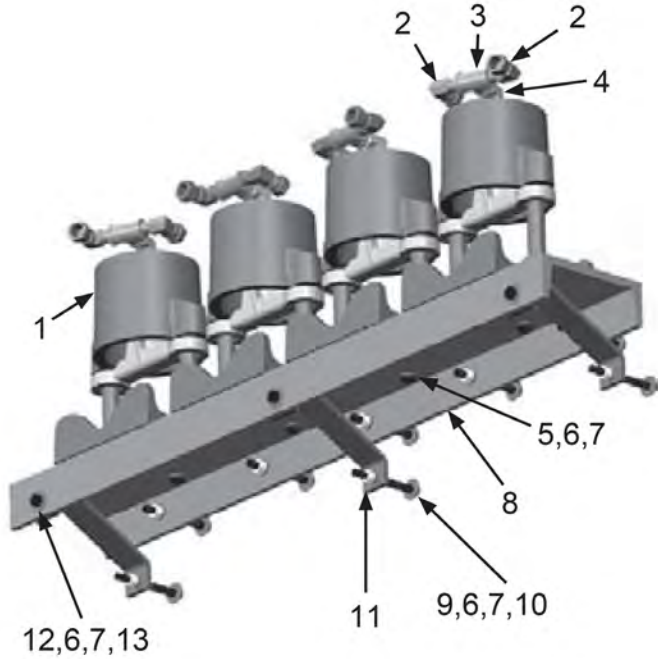


| Part # | Description |
|--------|------------------------------------------------|
| 1 | 10101936 3/8" Lock Washer |
| 2 | 10102331 3/8" Flat Washer |
| 3 | 10104234 3/8-16 x 1-1/4" Hex Bolt Zinc Grade 5 |
| 4 | 10106903 Chamber Skid Mount Weldment |
| 5 | 10105665 Chamber Weldment |
| 6 | 10104947 Slide Gate |
| 7 | 10104945 Slide Gate Bolt Plate |
| 8 | 10104946 Slide Gate Slide Bar |
| 9 | 10106487 5" Close Nipple |
| 10 | 10106462 5" 90° Pipe Elbow |
| 11 | 10105656 Chamber Body End Cap |
| 12 | 10101347 1/4-20 Hex Nut |
| 13 | 1014017 1/4" Flat Washer |
| 14 | 1012154 1/4-20 x 1" Bolt |
| 15 | 1012153 1/4" Lock Washer |
| 16 | 10106463 5" MNPT Air Exhaust Filter |
| 17 | 10106464 Wire Mesh Element |

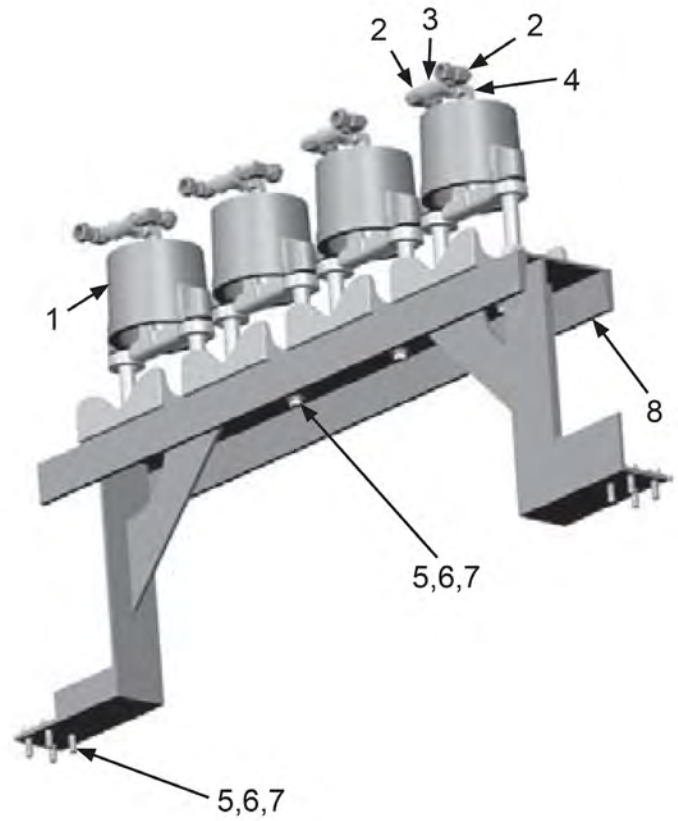


| Part # | Description |
|--------|------------------------------------------------------|
| 1 | 1011849 1-1/2" Close Nipple Schedule 80 |
| 2 | 10AHCL1 Band Clamp |
| 3 | 10SFE4 1-1/2" Swivel Female End |
| 4 | 10106486 1-1/2" Horizontal Swing Check Valve |
| 5 | 10AH038 Air Hose 3/8" I.D. 300 PSI - Black |
| 6 | 10103631 3/8" Barb x 3/8" NPTF Brass |
| 7 | 20PFHA24SA0602 1/8" x 3/8" Hex Nipple |
| 8 | 20PFHA60UA0606 3/8" (M) x 3/8" (F) 90° Swivel Union |
| 9 | 1011809 3/8" Pipe Tee |
| 10 | 10105025 1-1/2" WYE Fitting |
| 11 | 10SA3X 1-1/2" Oversized Tank Coupling |
| 12 | 10QAL4X 1-1/2" Aluminum Oversized Coupling |
| 13 | 10BH1122XR 1-1/2" Xtreme-Duty Abrasive Blasting Hose |
| 14 | 10AH112B Air Hose 1-1/2" I.D. 200 PSI - Black |
| 15 | 1011805 1-1/2" x 45° Elbow |

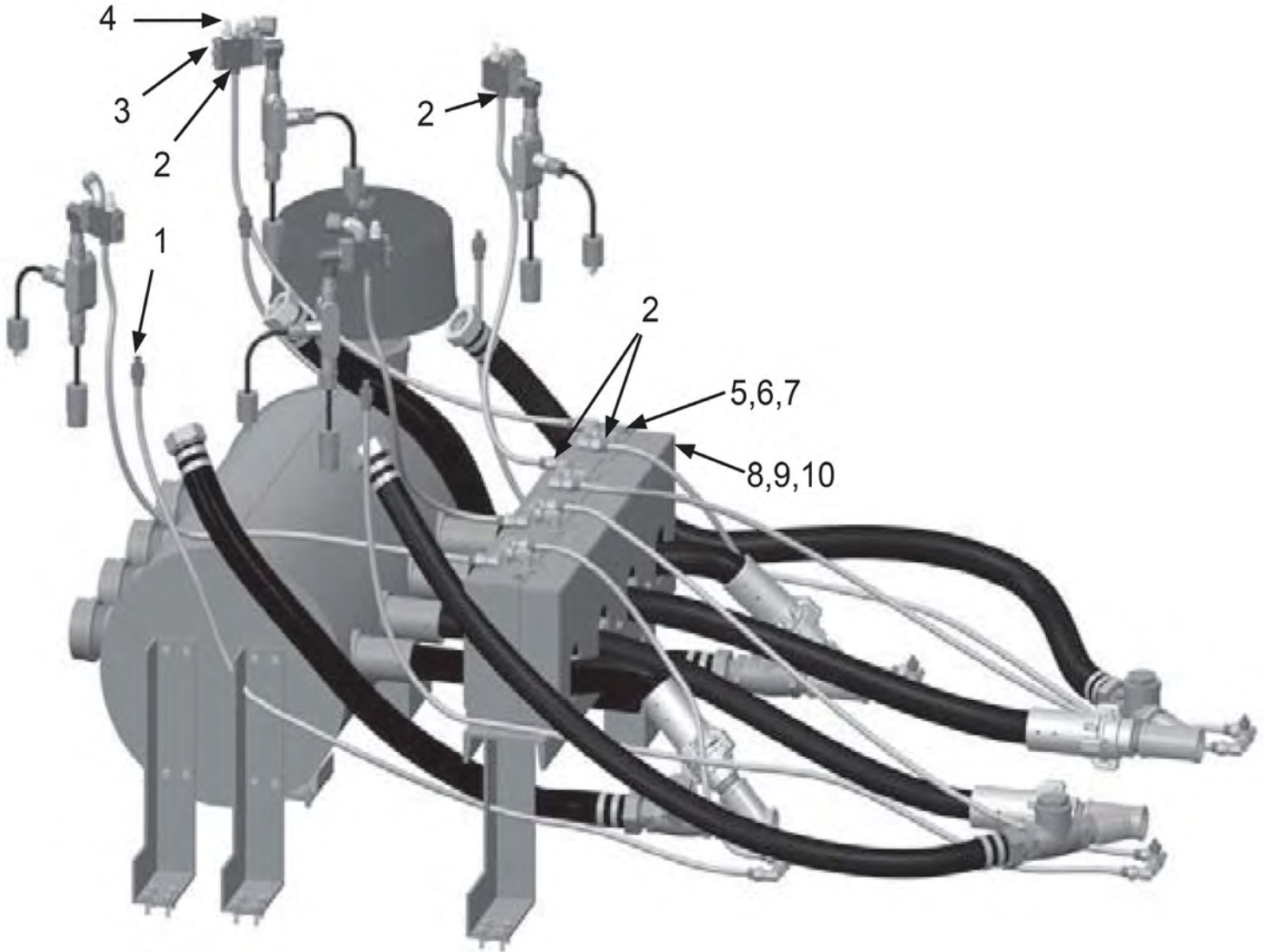
Trailer Mount



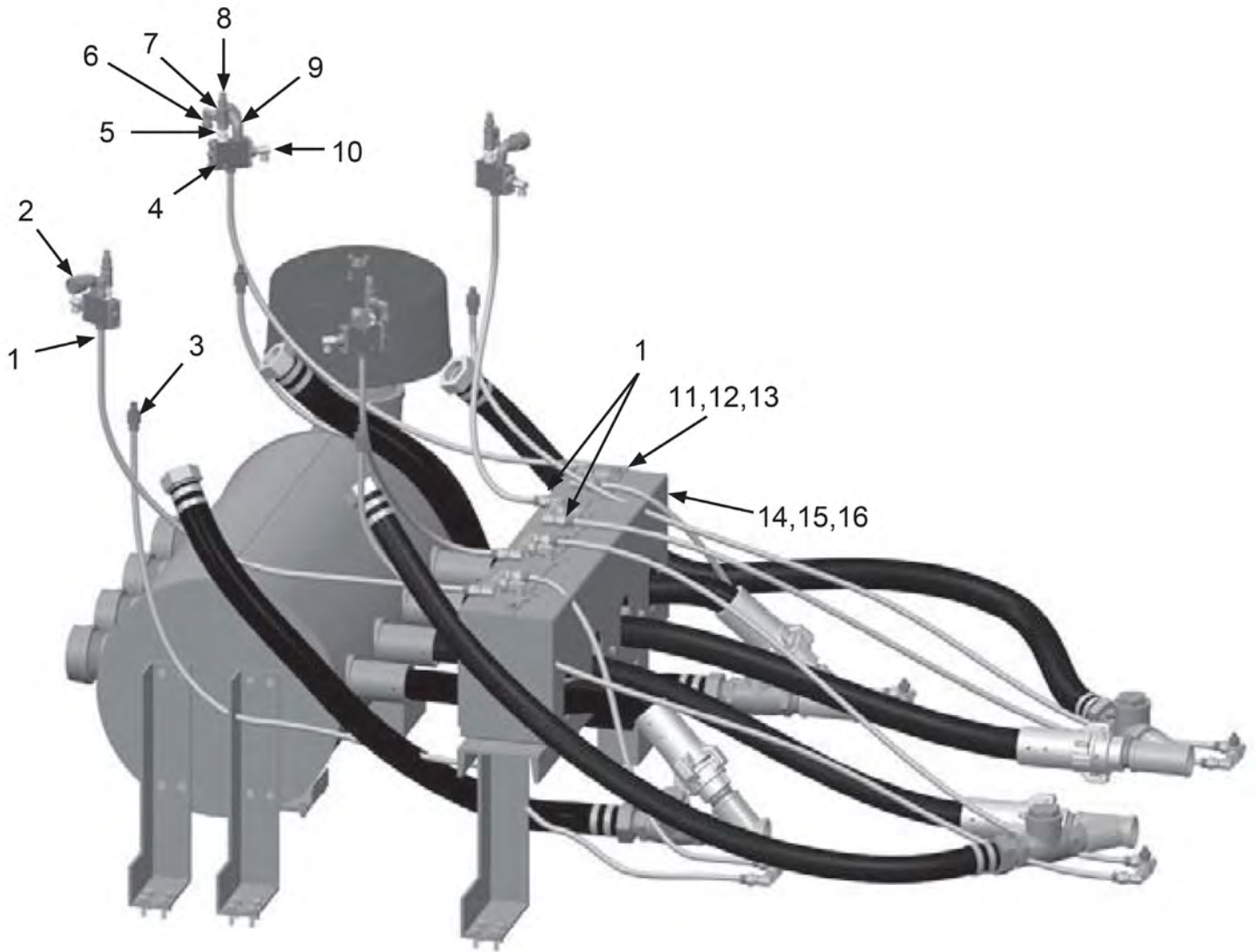
Skid Mount



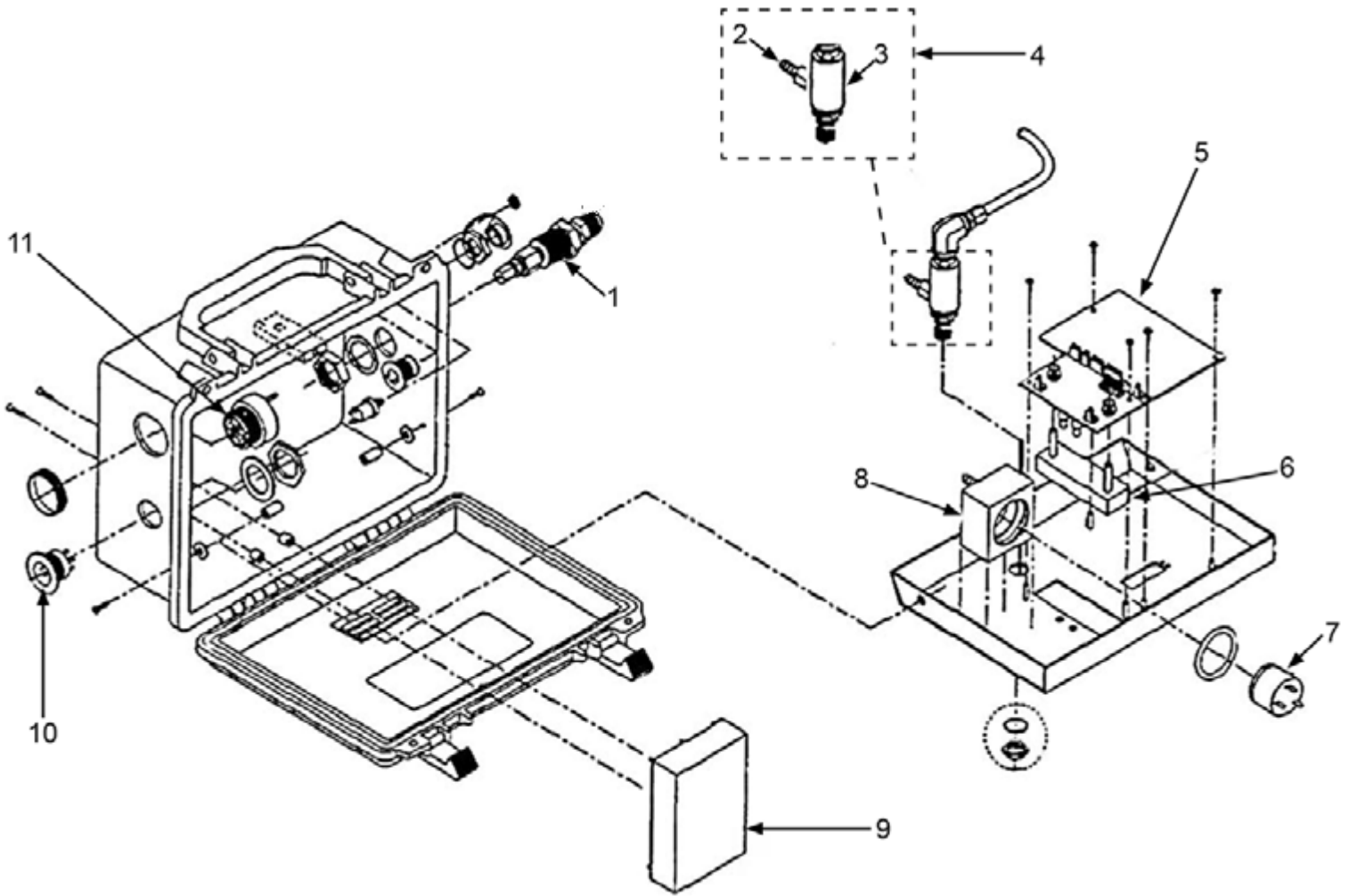
| Part # | Description |
|--------|-----------------------------------------------------|
| 1 | 10106832 3/8" PV400 Remote Control Valve |
| 2 | 20PFHA60UA0606 3/8" (M) x 3/8" (F) 90° Swivel Union |
| 3 | 1011809 3/8" Pipe Tee |
| 4 | 20PFHA25UA0606 3/8" Male 90° Elbow |
| 5 | 10104234 3/8-16 x 1-1/4" Bolt Galvanized |
| 6 | 10102331 3/8" SAE Flat Washer Zinc |
| 7 | 10101936 3/8" Lock Washer |
| 8 | 10105786 6" x 36" C-Channel |
| 9 | 10106814 3/8-16 x 3-1/2" Grade 5 Hex Bolt-Zinc |
| 10 | 1012318 3/8-16 HD Hex Nut |
| 11 | 10106787 Brace |
| 12 | 1012318 3/8-16 HD Hex Nut |
| 13 | 20101171 3/8-16 x 1-1/2" L Zinc HHCS |



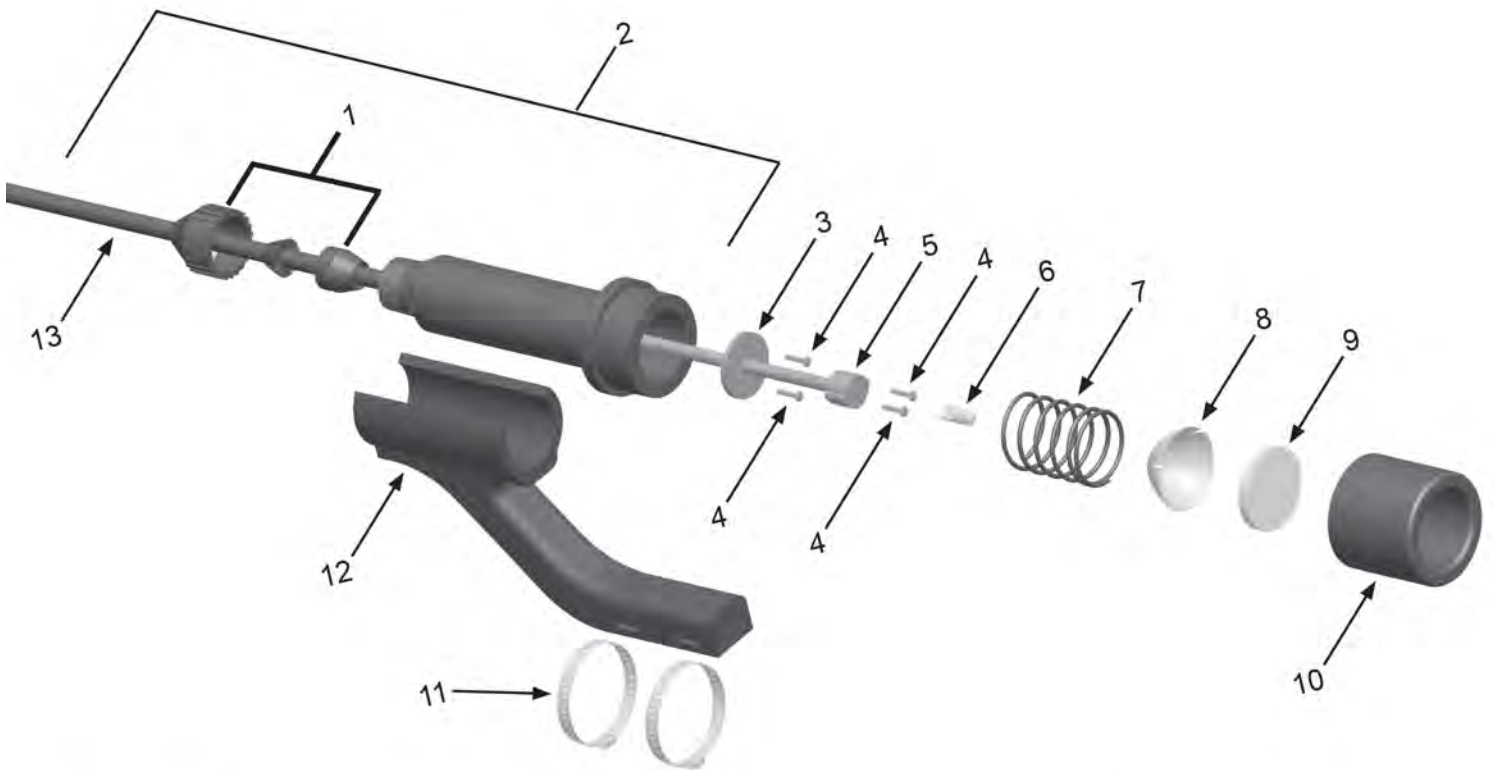
| | Part # | Description |
|----|----------------|-----------------------------|
| 1 | 20PFHA24SG0406 | 1/4" x 3/8" Hex Reducer |
| 2 | 10103631 | 3/8" Barb x 3/8" NPTF Brass |
| 3a | 10106901 | 190 12-Volt AC Assembly |
| 3b | 10106491 | 190 12-Volt DC Assembly |
| 4 | 20PFHA24SA0604 | 1/4" x 3/8" Hex Nipple |
| 5 | 10101936 | 3/8" Lock Washer |
| 6 | 10102331 | 3/8" SAE Flat Washer Zinc |
| 7 | 10103400 | 3/8-16 x 3/4" Bolt |
| 8 | 10106961 | Rear PV400 cover |
| 9 | 10106962 | Base PV400 cover |
| 10 | 10106958 | Front PV400 cover |



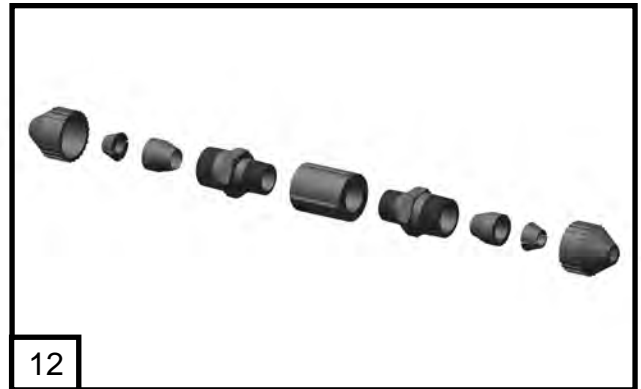
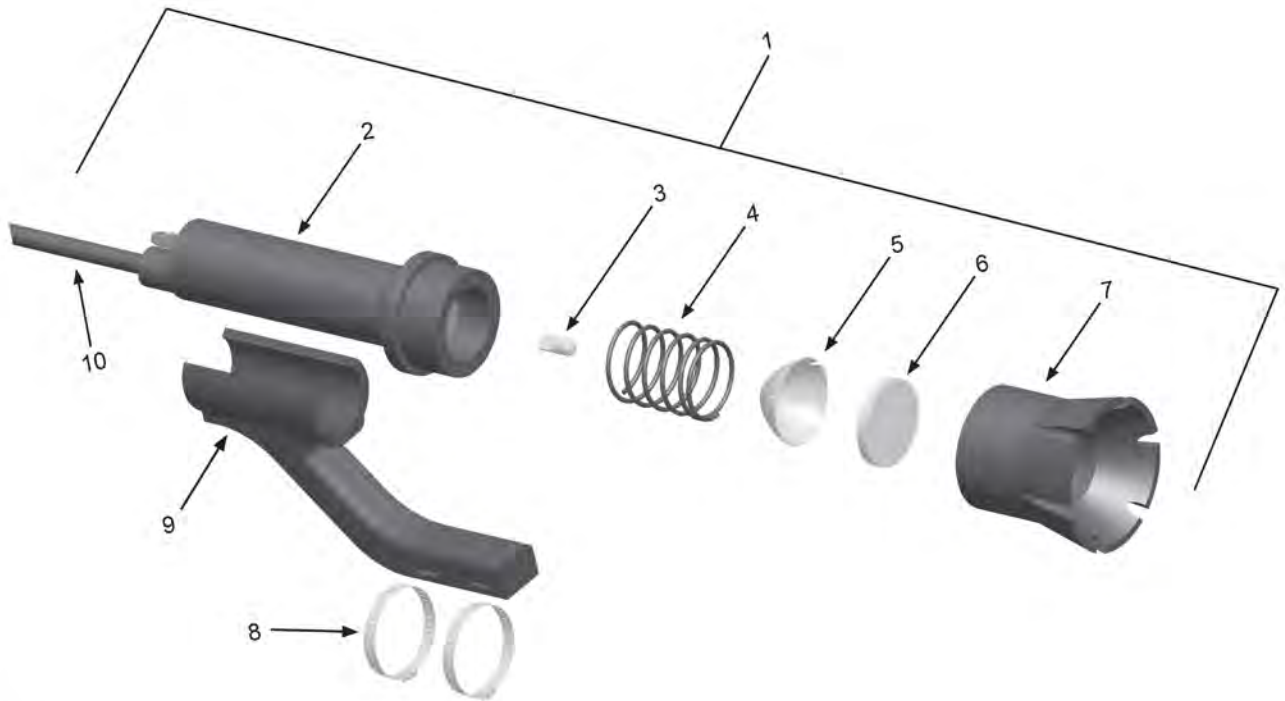
| Part # | Description |
|--------|---------------------------------------------|
| 1 | 10103631 3/8" Barb x 3/8" NPTF Brass |
| 2 | 10DE038 3/8" Dust Eliminator |
| 3 | 20PFHA24SG0406 1/4" x 3/8" Hex Reducer |
| 4 | 10106815 3/8" Ports Pneumatic Control Valve |
| 5 | 20PFHA24SA0604 1/4" x 3/8" Hex Nipple |
| 6 | 1012326 90° Swivel 1/4" x 1/4" |
| 7 | 1011844 1/4" Pipe Tee |
| 8 | 20PFHA24SA0404 1/4" Hex Nipple |
| 9 | 10000114 3/8" NPT Street Elbow |
| 10 | 1014239 1/8" x 1/8" 90° Fitting |
| 11 | 10101936 3/8" Lock Washer |
| 12 | 10102331 3/8" SAE Flat Washer Zinc |
| 13 | 10103400 3/8-16 x 3/4" Bolt |
| 14 | 10106961 Rear PV400 cover |
| 15 | 10106962 Base PV400 cover |
| 16 | 10106958 Front PV400 cover |



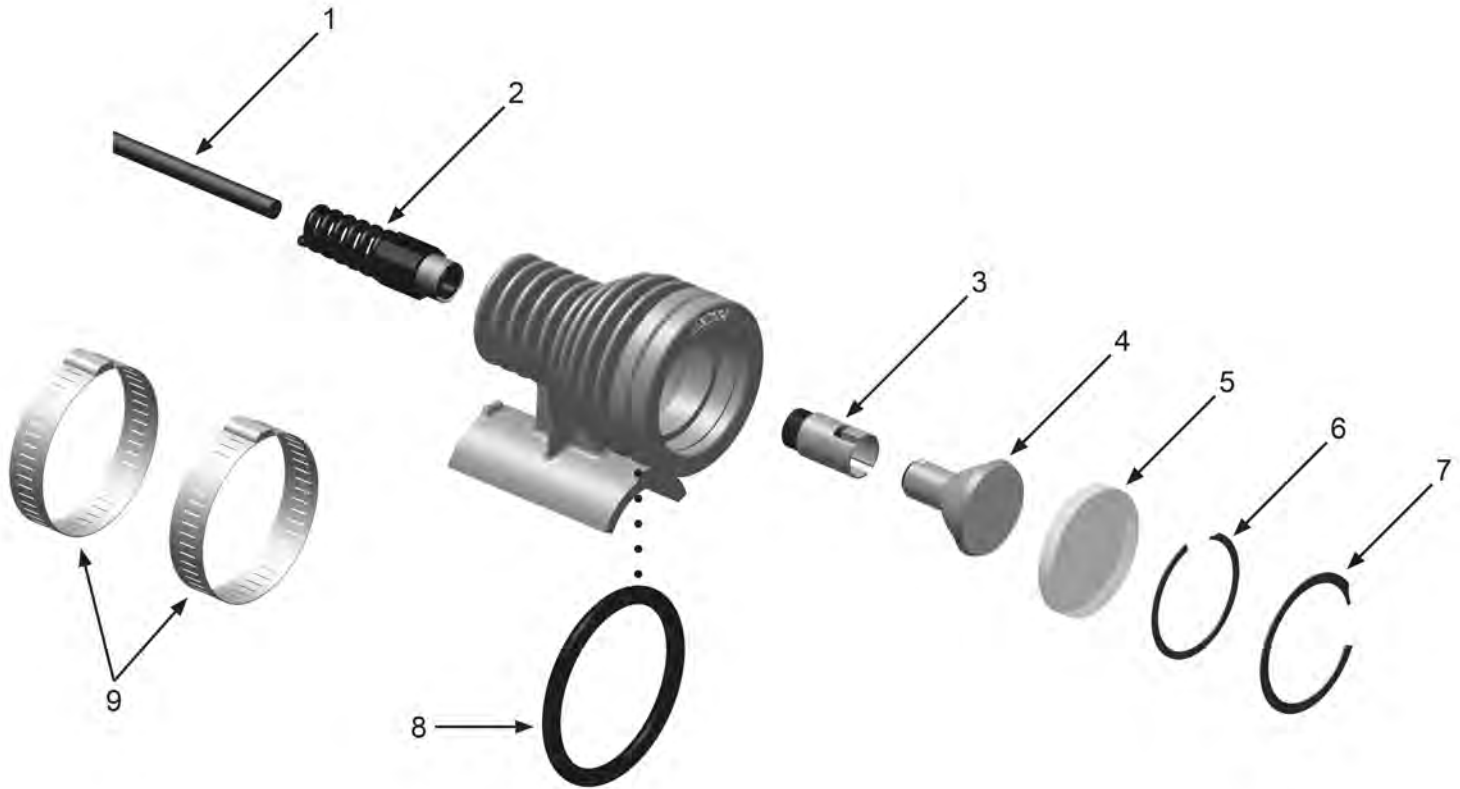
| Part # | Description |
|--------|---------------------------------------------------------------|
| 1 | 1050117 Flow Screen |
| 2 | 1050116 Flow Restrictor |
| 3 | 1050115 Pressure Regulator |
| 4 | 1050135 Regulator Kit w/ Pressure Regulator & Flow Restrictor |
| 5 | 1050119 Circuit Board |
| 6 | 1050113 Flow Meter |
| 7 | 1050108 Sensor |
| 8 | 1050112 Flow Block |
| 9 | 1050121 Power Supply with Regulator |
| 10 | 1050127 Female Plug Inlet |
| 11 | 10501021 Alarm |
| - | 1050120 Potentiometer Tool |



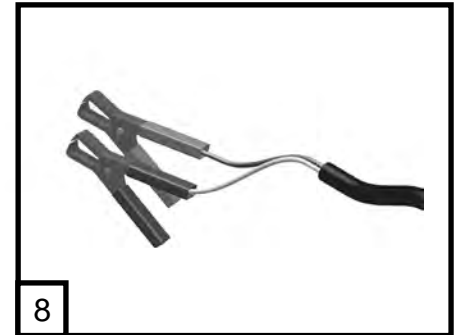
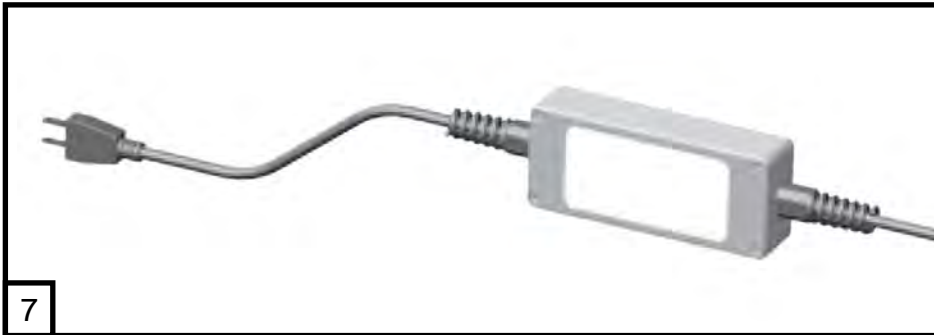
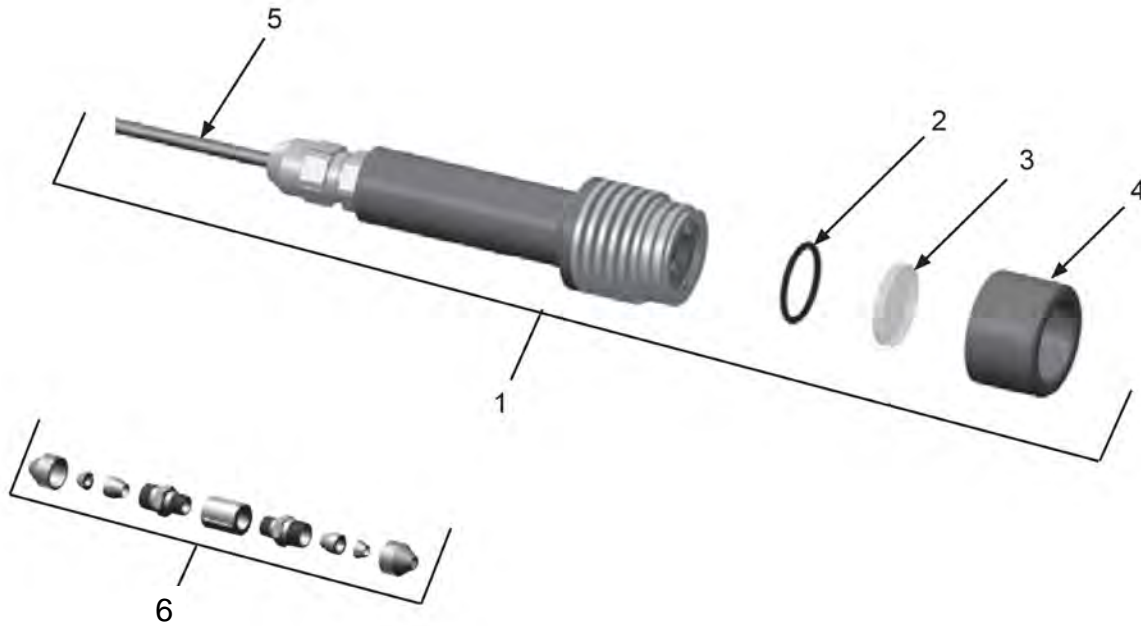
| Part # | Description |
|--------|---------------------------------------------------|
| 1 | 1030025 Strain Relief |
| 2 | 1030003 300-Series Light Body |
| 3 | 1030018 Urethane Insert |
| 4 | 1030015 #4 X 5/8" Panhead Phillips Metal Screw |
| 5 | 1030014 Light Socket |
| 6 | 1030001 Light Bulbs (Package of 10) |
| 7 | 1030016 Spring |
| 8 | 1030012 Reflector |
| 9 | 1030017 Lenses (Package of 12) |
| 10 | 1030002 Collar |
| 11 | 1015503 Hose Clamp |
| 12 | 1030011 Light Stanchion w/ 2 Hose Clamps |
| 13 | 1030013 14/2 SEOW Electric Cord (Per Foot) |
| 14 | 1030020 120-Volt AC to 12-Volt AC Power Converter |
| 15 | 1030718 Battery Clamp Set |



| Part # | Description |
|--------|----------------------------------------------------------------------|
| 1 | 301-Series Light Kit w/ 6' of Electrical Cord (Items: 2,3,4,5,6,7,9) |
| 2 | 301-Series Light Body Kit w/ 6' of Electrical Cord (Items: 2,9) |
| 3 | Light Bulbs – 35-Watt (Package of 10) |
| 4 | Spring |
| 5 | Reflector |
| 6 | Lenses (Package of 12) |
| 7 | Collar |
| 8 | Hose Clamp |
| 9 | Light Stanchion w/ 2 Hose Clamps |
| 10 | 14/2 SEOW Electric Cord (Per Foot) |
| 11 | 120-Volt AC to 17-Volt DC Power Converter |
| 12 | Three-Part Cord Connector |

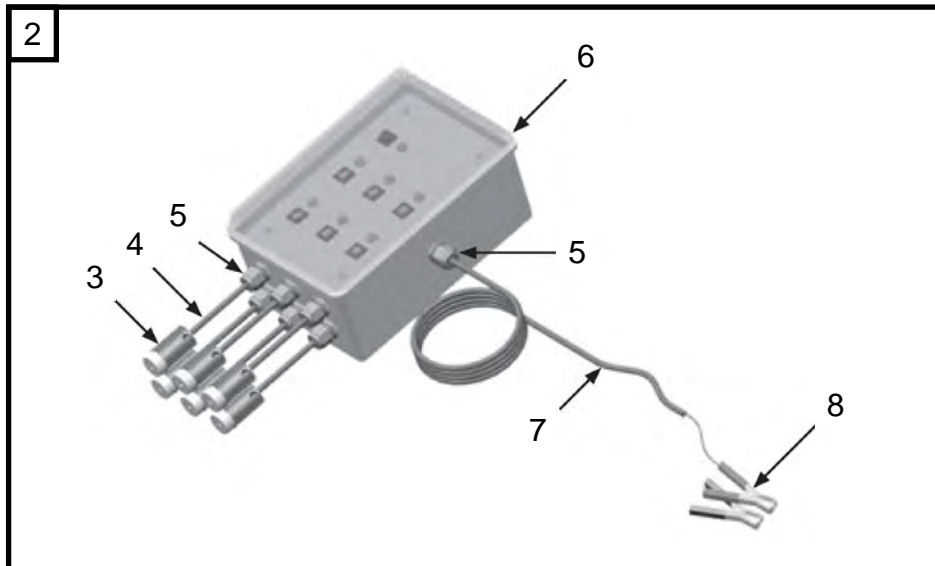
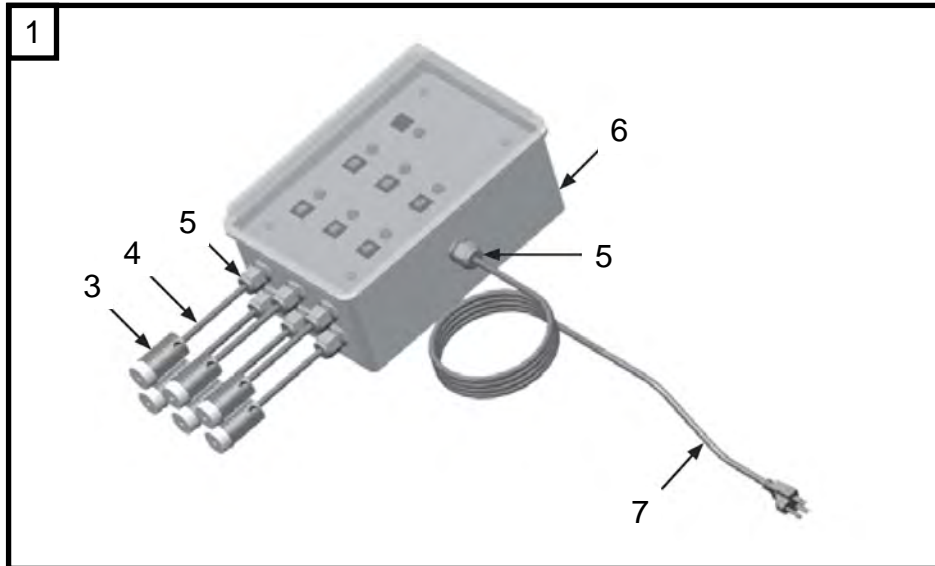


| Part # | Description |
|--------|---------------------------------------------------|
| 1 | 1015540 16/2 SJ Electric Cord – per foot |
| 2 | 1030710 Strain Relief |
| 3 | 1030708 Light Socket |
| 4 | 1030735 Light Bulb – 20-Watt – Clear |
| - | 1030706 Light Bulb – 20-Watt – Frosted |
| 5 | 1030705 Lens |
| 6 | 1030733 Lens Retainer B |
| 7 | 1030732 Lens Retainer A |
| 8 | 1030707 Bump Ring |
| 9 | 1015503 Hose Clamp |
| 10 | 1030722 120-Volt AC to 12-Volt DC Power Converter |
| 11 | 1030718 Battery Clamp Set |



| Part # | Description |
|--------|-------------------------------------------------------------|
| 1 | 1030800 308 LED Light Body with 10' of 16/2 Electrical Cord |
| 2 | 1030812 Lens O-Ring |
| 3 | 1030017 Lenses (Package of 12) |
| 4 | 1030808 Collar |
| 5 | 1015540 16/2 Xtreme Duty Power Cord (Per Foot) |
| 6 | 1030803 Three-Part Cord Connector |
| 7 | 1030802 308 LED 120-Volt AC Power Pack |
| 8 | 1030718 Battery Clamps - Pair |

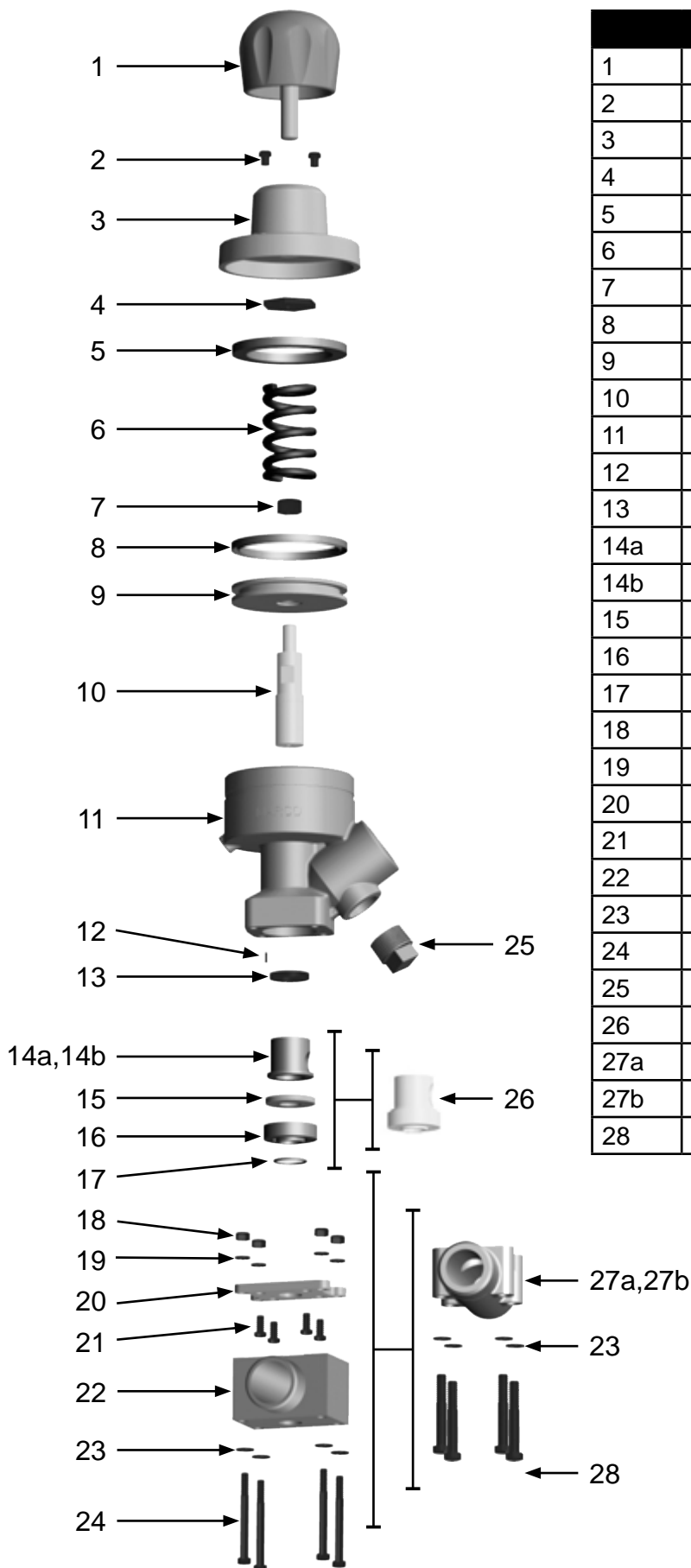
6-Outlet LED Light System



| Part # | Description |
|--------|---------------------------------------------------|
| 1 | 10106184 120-Volt AC 6-Outlet LED Light Enclosure |
| 2 | 10106183 12-Volt DC 6-Outlet LED Light Enclosure |
| 3 | 1070685 Connector |
| 4 | 1015540 16/2 Xtreme-Duty Power Cord (Per Foot) |
| 5 | 10104703 Cord Grip |
| 6 | 10105849 M5 - .8MM x 12MM Machine Screw |
| 7 | 1015701 16/3 Xtreme-Duty Power Cord (Per Foot) |
| 8 | 1030718 Battery Clamps - Pair |

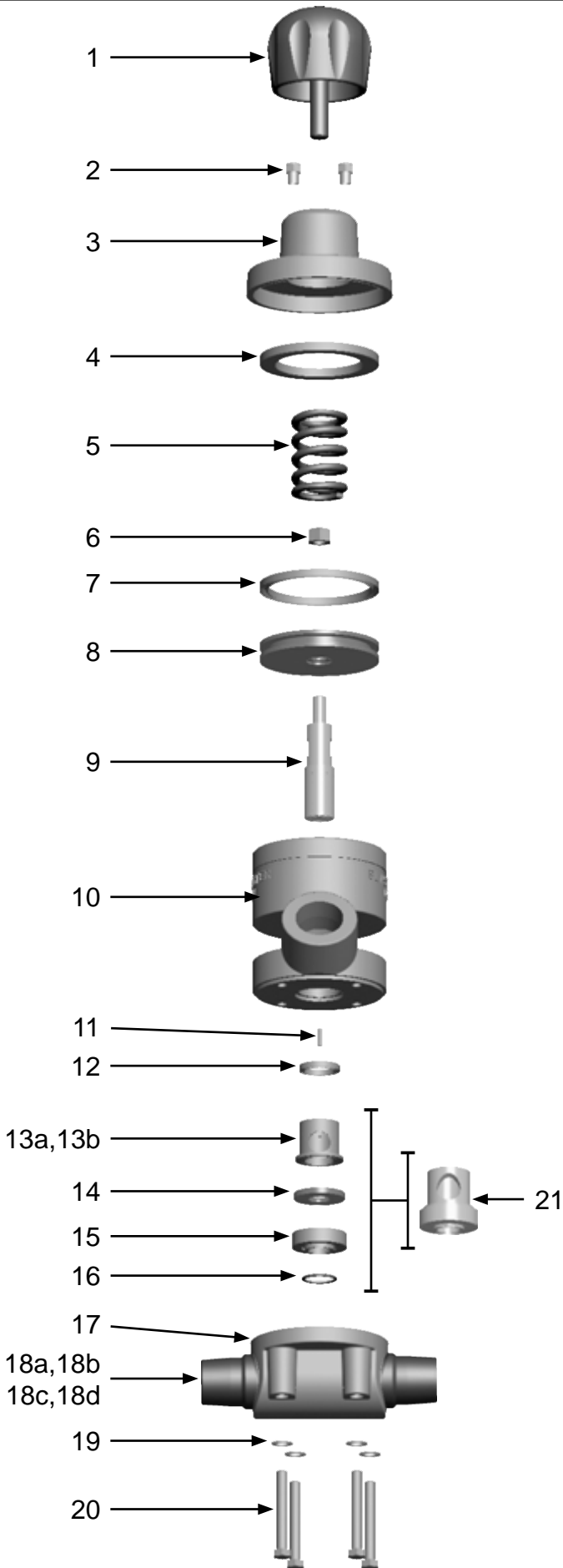
Metering Valves

Maxum III



| Part # | Description |
|--------|----------------------------------------------|
| 1 | 10101969 Knob |
| 2 | 1012905 1/8" Breather Muffler |
| 3 | 1014211 Cap |
| 4 | 10106831 Vibration Disc |
| 5 | 1014212 Bump Ring |
| 6 | 1014213 Spring |
| 7 | 1014022 1/2" 13 Hex Nut |
| 8 | 1014215 Piston Seal |
| 9 | 1014216 Piston |
| 10 | 1014217 Tungsten Carbide Plunger |
| 11 | 10101772 Maxum III Body |
| 12 | 1014240 3/32" x 3/8" Groove Pin |
| 13 | 10103977 Heavy-Duty Plunger Seal |
| 14a | 1014238 Tungsten Carbide Sleeve |
| 14b | 10102123 Carbon Steel Multi-Port Sleeve |
| 15 | 1014237 Sleeve Seat |
| 16 | 1014236 Sleeve Insert |
| 17 | 1014235 Sleeve O-ring |
| 18 | 10101938 3/8-16 Hex Nut |
| 19 | 10101936 3/8" Lock Washer |
| 20 | 10105568 Adapter Plate |
| 21 | 10105570 3/8-16 x 3/4" Socket Head Cap Screw |
| 22 | 10105567 2" Maxum III Base |
| 23 | 1014241 3/8" ID x 3/4" OD Washer |
| 24 | 10105569 3/8-16 x 3-3/4" Bolt |
| 25 | 1011901 1" Square Pipe Plug |
| 26 | 1014229 Urethane Sleeve |
| 27a | 10000229 1-1/4" Maxum III Base |
| 27b | 10000230 1-1/2" Maxum III Base |
| 28 | 10101933 3/8-16 x 2-1/2" Bolt |

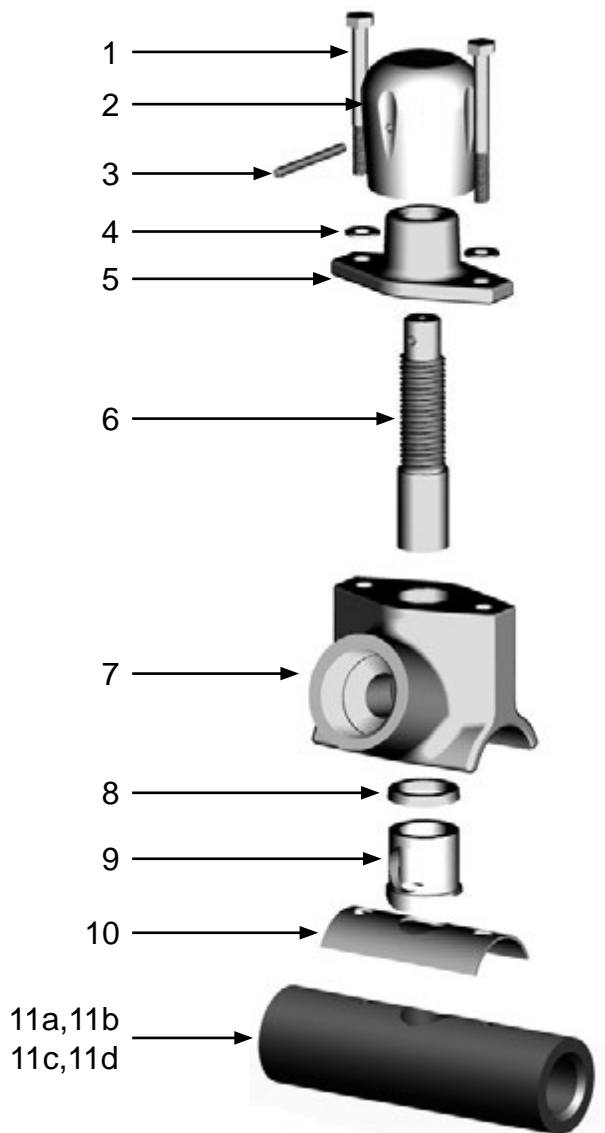
Maxum I



| Part # | Description |
|--------|-----------------------------------------|
| 1 | 1014210 Knob |
| 2 | 1012905 1/8" Breather Muffler |
| 3 | 1014211 Cap |
| 4 | 1014212 Bump Ring |
| 5 | 1014213 Spring |
| 6 | 1014022 1/2" 13 Hex Nut |
| 7 | 1014215 Piston Seal |
| 8 | 1014216 Piston |
| 9 | 1014217 Tungsten Carbide Plunger |
| 10 | 1014218 Maxum I Body |
| 11 | 1014240 3/32" x 3/8" Groove Pin |
| 12 | 1014219 Standard-Duty Plunger Seal |
| 13a | 1014238 Tungsten Carbide Sleeve |
| 13b | 10102123 Carbon Steel Multi-Port Sleeve |
| 14 | 1014237 Sleeve Seat |
| 15 | 1014236 Sleeve Insert |
| 16 | 1014235 Sleeve O-ring |
| 17 | 1014230 Maxum I Base |
| 18a | 1014232 1" Female NPT x 8" Nipple |
| 18b | 1014233 1-1/4" Male NPT x 8" Nipple |
| 18c | 1014234 1-1/2" Male NPT x 8" Nipple |
| 18d | 1014245 1-1/2" Male NPT x 36" Nipple |
| 19 | 1014241 3/8" ID x 3/4" OD Washer |
| 20 | 1014231 3/8-16 UNC 2B x 2-3/4" Bolt |
| 21 | 1014229 Urethane Sleeve |

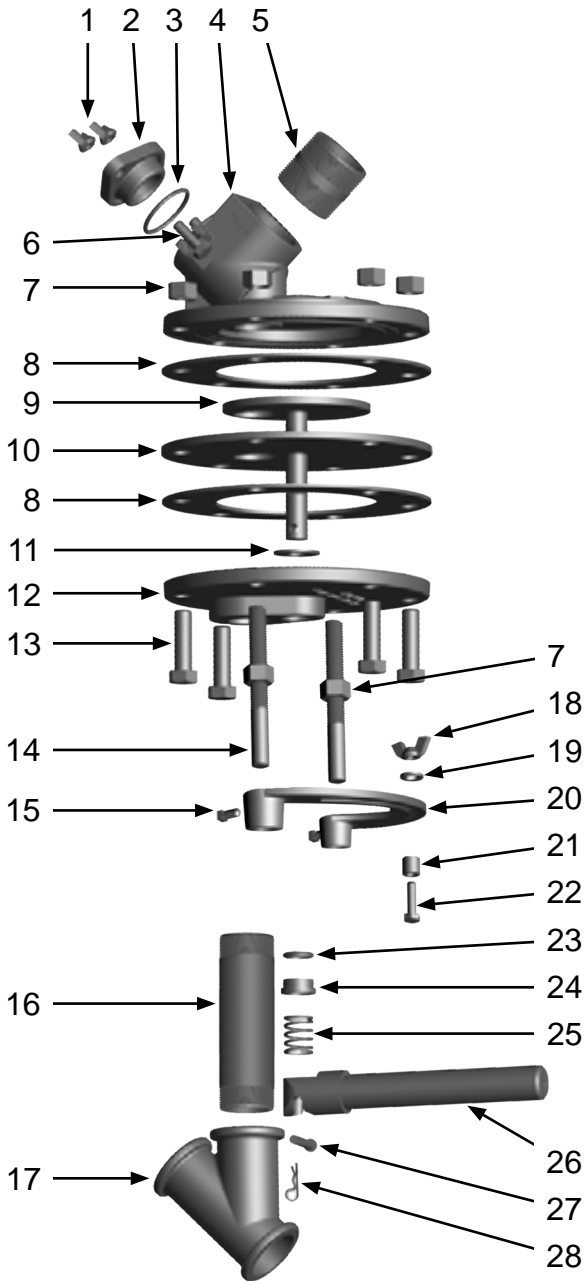
Metering Valves

Bantam



| Part # | Description | |
|--------|-------------|----------------------------------|
| 1 | 1014110 | Metering Knob |
| 2 | 1014112 | 5/16-18 x 3-1/4" Hex Bolt |
| 3 | 1014111 | Knob Pin |
| 4 | 10L805003 | 5/16" Washer |
| 5 | 1014113 | Cap |
| 6 | 1014114 | Plunger |
| 7 | 1014115 | Valve Body |
| 8 | 1014219 | Plunger Seal |
| 9 | 1014117 | Urethane Sleeve |
| 10 | 1014118 | Gasket |
| 11a | 10000135 | 1" Female x 1" Female Nipple |
| 11b | 1014119 | 1" Female x 1-1/2" Male Nipple |
| 11c | 1014120 | 1-1/4" Male x 1-1/2" Male Nipple |
| 11d | 1014121 | 1-1/2" Male x 1-1/2" Male Nipple |

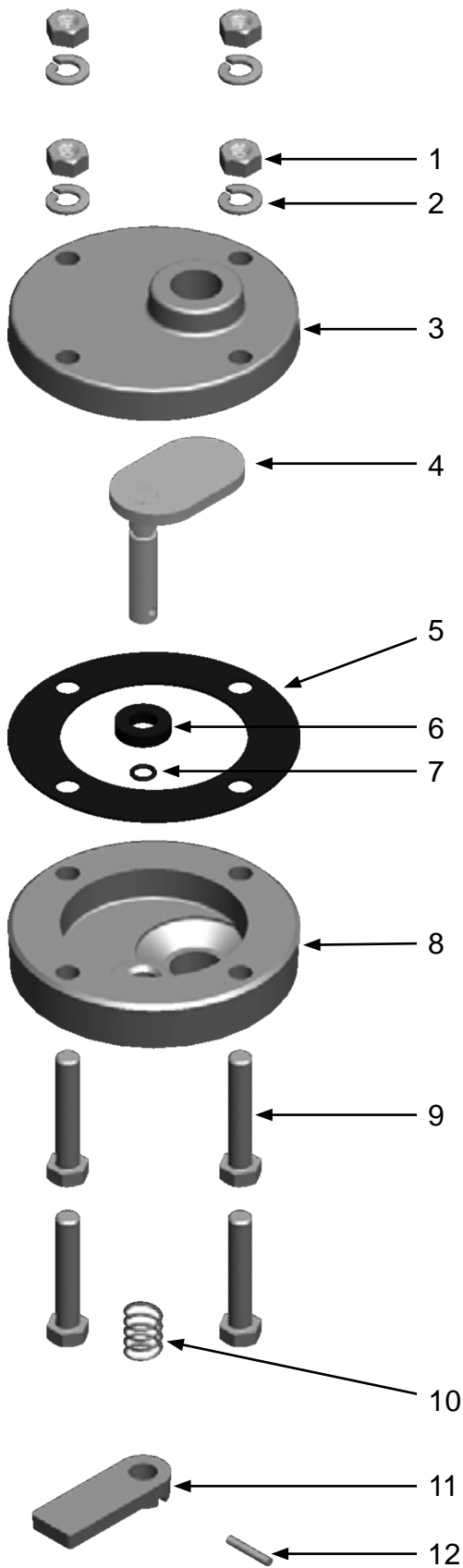
Regulator



| Part # | Description |
|--------|------------------------------------|
| 1 | 1014020 5/16" Wing Nut |
| 2 | 1014013 Regulator Inspection Plate |
| 3 | 1012112 2" O.D. x 1/8" O-ring |
| 4 | 1014001 Upper Body |
| 5 | 1014015 1-1/2" NPT Close Nipple |
| 6 | 1014019 5/16" x 1-1/4" Bolt |
| 7 | 1014022 1/2" Hex Nut |
| 8 | 1014004 Body Gasket |
| 9 | 1014003 Valve Core |
| 10 | 1014005 Stainless Disc |
| 11 | 1014012 Shaft Gasket |
| 12 | 1014002 Lower Body |
| 13 | 1014021 1/2" x 1-3/4" Hex Bolt |
| 14 | 1014010 Stud |
| 15 | 1014018 1/4" x 1/2" Set Screw |
| 16 | 1011207 1-1/4" x 4" Nipple |
| 17 | 1014024 1-1/4" Wye Fitting |
| 18 | 1014016 1/4" Wing Nut |
| 19 | 1014017 1/4" Flat Washer |
| 20 | 1014007 Gauge |
| 21 | 1014008 Spacer |
| 22 | 1012154 1/4" x 1" Hex Bolt |
| 23 | 1014023 Packing Rope |
| 24 | 1014011 Packing Gland |
| 25 | 1012105 1-11/16" Spring |
| 26 | 1014006 Handle |
| 27 | 1014026 Pin |
| 28 | 1014025 Pin Clip |

Metering Valves

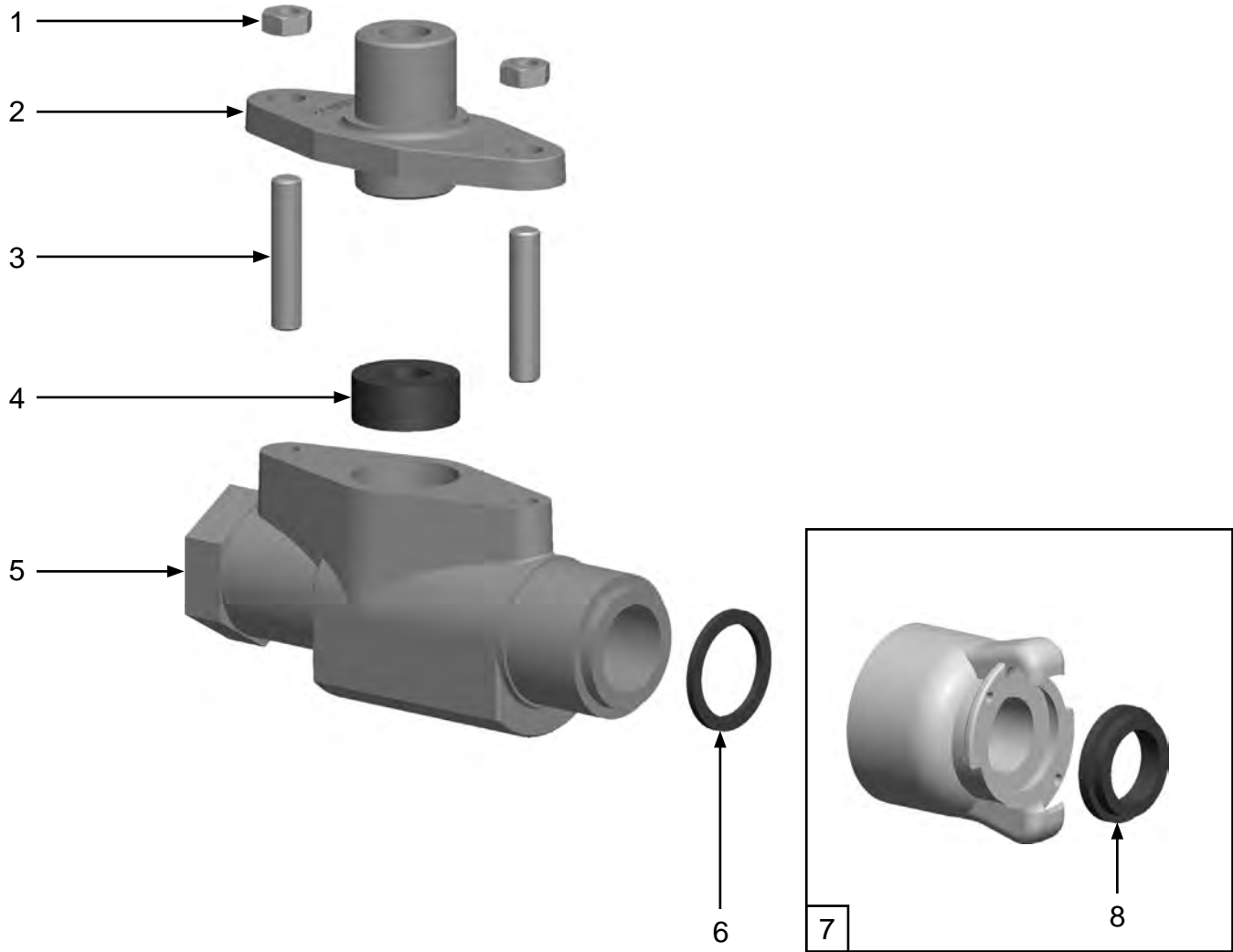
Regulator Jr.



| | Part # | Description |
|----|-----------|-----------------------|
| 1 | 1035046 | 5/16-18 Nut |
| 2 | 10L805014 | 5/16" Lock Washer |
| 3 | 10100685 | Upper Valve Body |
| 4 | 10100691 | Metering Plate |
| 5 | 10100708 | Gasket |
| 6 | 10100695 | Nylon Washer |
| 7 | 10100694 | O-ring |
| 8 | 10100687 | Lower Valve Body |
| 9 | 10100709 | 5/16-18 x 1-3/4" Bolt |
| 10 | 10100696 | Tension Spring |
| 11 | 10100689 | Control Handle |
| 12 | 10100707 | Control Handle Pin |

Metering Valves

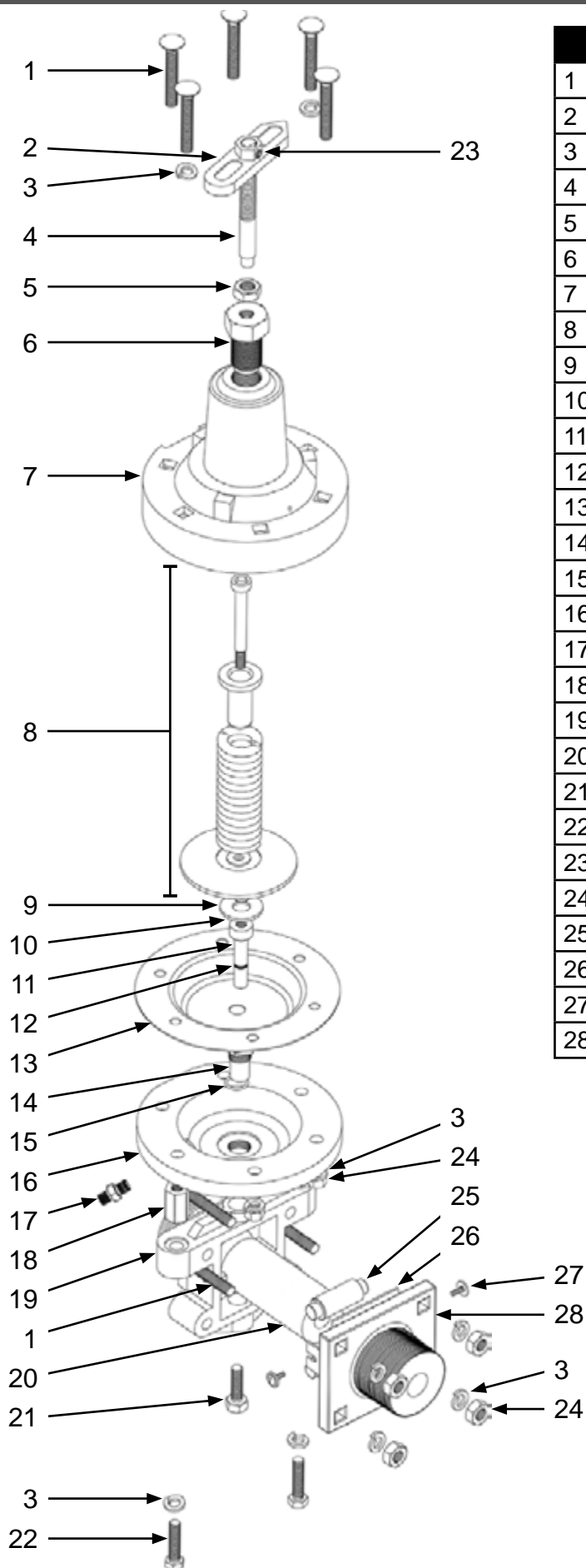
K-Series



| Part # | Description |
|--------|------------------------------------|
| 1 | 1014022 1/2" UNC Hex Nut |
| 2 | 10MV102 Top Plate 1-1/4" NPT (M) |
| 3 | 10MV109 1/2-13 x 2-3/4" NPT Stud |
| 4 | 10MV104 Metering Donut |
| 5 | 10104966 Base, 1-1/2" NPT (F) |
| 6 | 10MV11 Washer |
| 7 | 10104968 2" NPT Coupling w/ Gasket |
| 8 | 10104969 Coupling Gasket |

Metering Valves

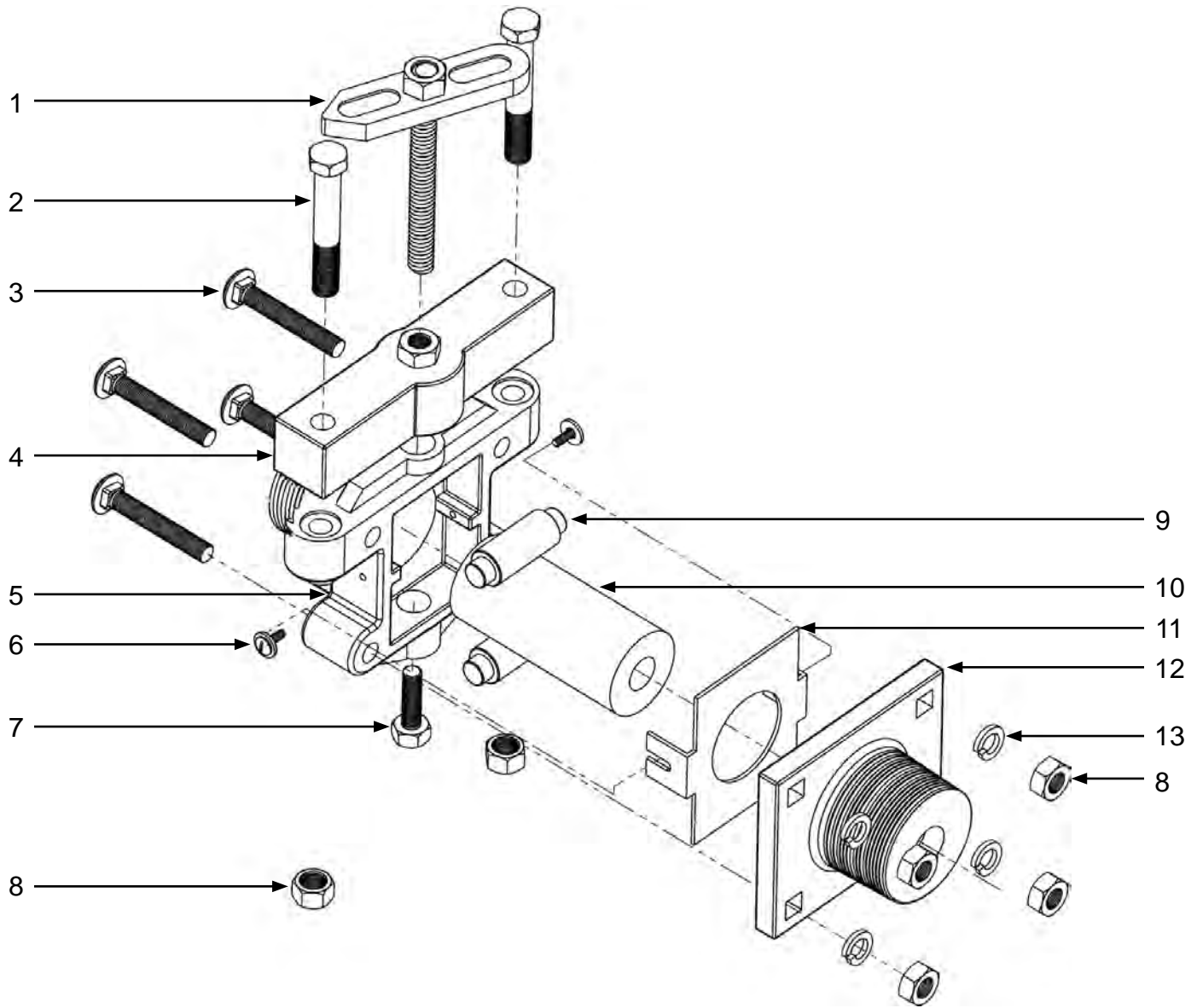
Automatic Easy-Flow



| Part # | Description |
|--------|------------------------------------------------|
| 1 | 10105115 3/8-16 x 2-1/2" Carriage Bolt |
| 2 | 10105121 1/2-13 Handle Only |
| 3 | 10101936 3/8" I.D. Lock Washer |
| 4 | 10105123 Handle Shaft |
| 5 | 10105118 1/2-13 UNC Jam Nut |
| 6 | 10105124 Spring Tensioner |
| 7 | 10105125 Spring Enclosure |
| 8 | 10105105 Spring Assembly |
| 9 | 10105131 Washer – 1/2" I.D. |
| 10 | 10105132 Diaphragm Gasket |
| 11 | 10105129 Plunger |
| 12 | 10105130 O-Ring |
| 13 | 10105133 Diaphragm |
| 14 | 10105128 Plunger Guide |
| 15 | 10105135 O-Ring for Plunger Guide |
| 16 | 10105126 Diaphragm Cover |
| 17 | 10105127 Adapter 1/4" NPT x 1/4" Ball End Hose |
| 18 | 10105120 3/8-16 UNC Extension Nut |
| 19 | 10105109 2" NPT Valve Body |
| 20 | 10105104 Metering Tube – 3/4" I.D. |
| 21 | 10105110 7/16" x 1-1/4" Bolt |
| 22 | 10101059 3/8-16 UNC Hex Bolt |
| 23 | 10105122 Grub Screw M6 |
| 24 | 10101938 3/8" UNC Hex Nut |
| 25 | 10105113 Pinch Roller |
| 26 | 10105111 Roller Stop/Holder |
| 27 | 10105112 M4 x 15mm Screw and Washer |
| 28 | 10105114 2" NPT Flange |

Metering Valves

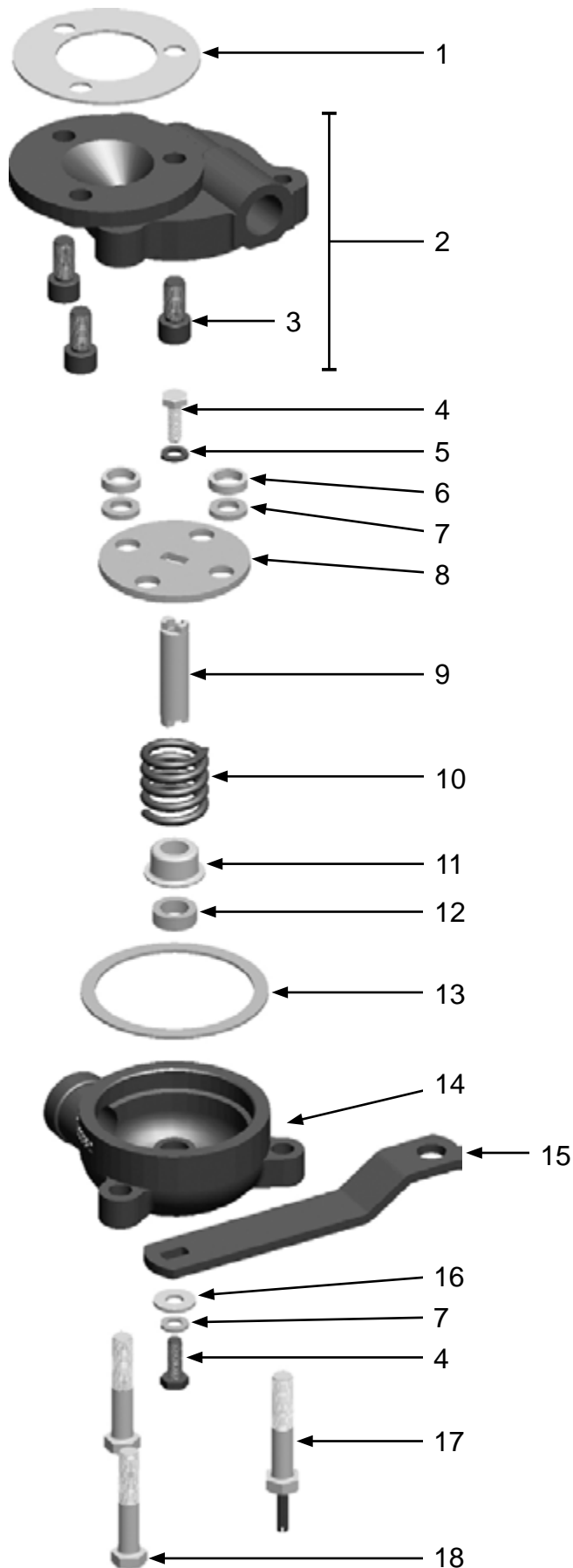
Manual Easy-Flow



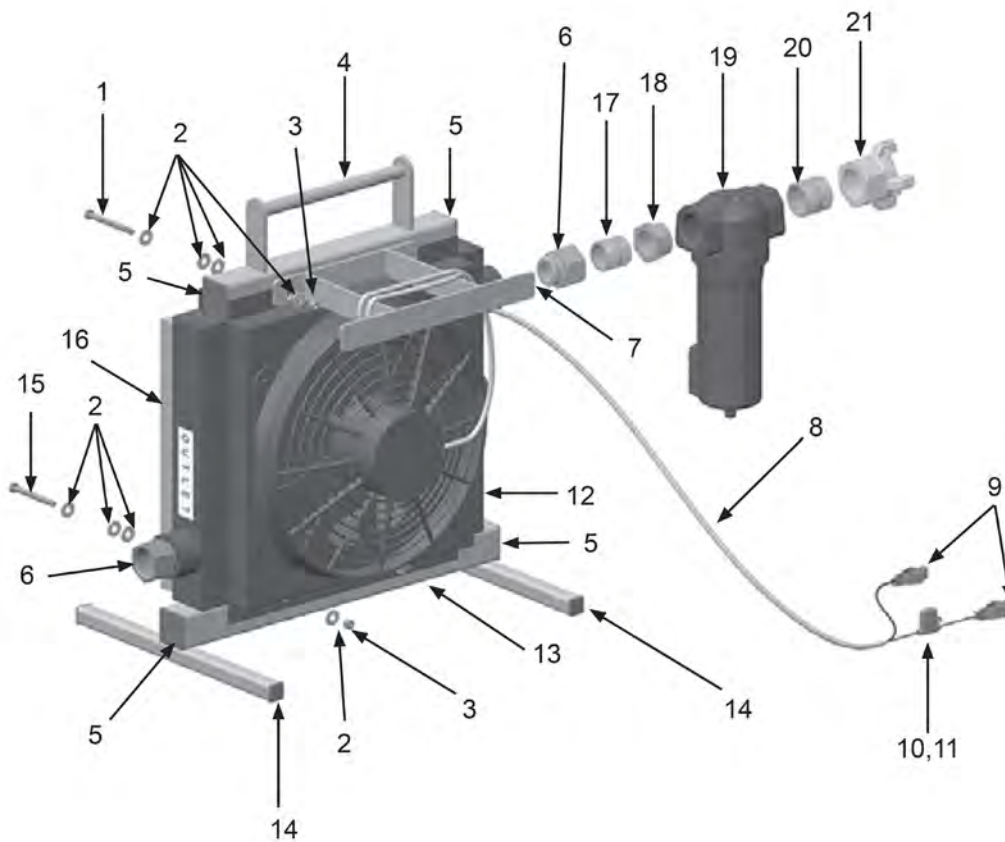
| Part # | Description |
|--------|-------------------------------------------------------|
| 1 | 10105137 Handle Assembly |
| 2 | 10101059 Hex Bolt – 3/8-16 UNC |
| 3 | 10105115 Carriage Bolt 3/8-16 x 2-1/2" |
| 4 | 10105136 Adaptor Body-Manual Easy-Flow Metering Valve |
| 5 | 10105109 Valve Body – 2" NPT |
| 6 | 10105112 M4 x 15mm Screw and washer |
| 7 | 10105110 7/16" x 1-1/4" Bolt |
| 8 | 10101059 Hex Bolt – 3/8-16 UNC |
| 9 | 10105113 Pinch Roller |
| 10 | 10105104 Metering Tube – 3/4" I.D. |
| 11 | 10105111 Roller Stop/Holder |
| 12 | 10105114 Flange – 2" NPT |
| 13 | 10101936 Lock Washer – 3/8" I.D. |

Metering Valves

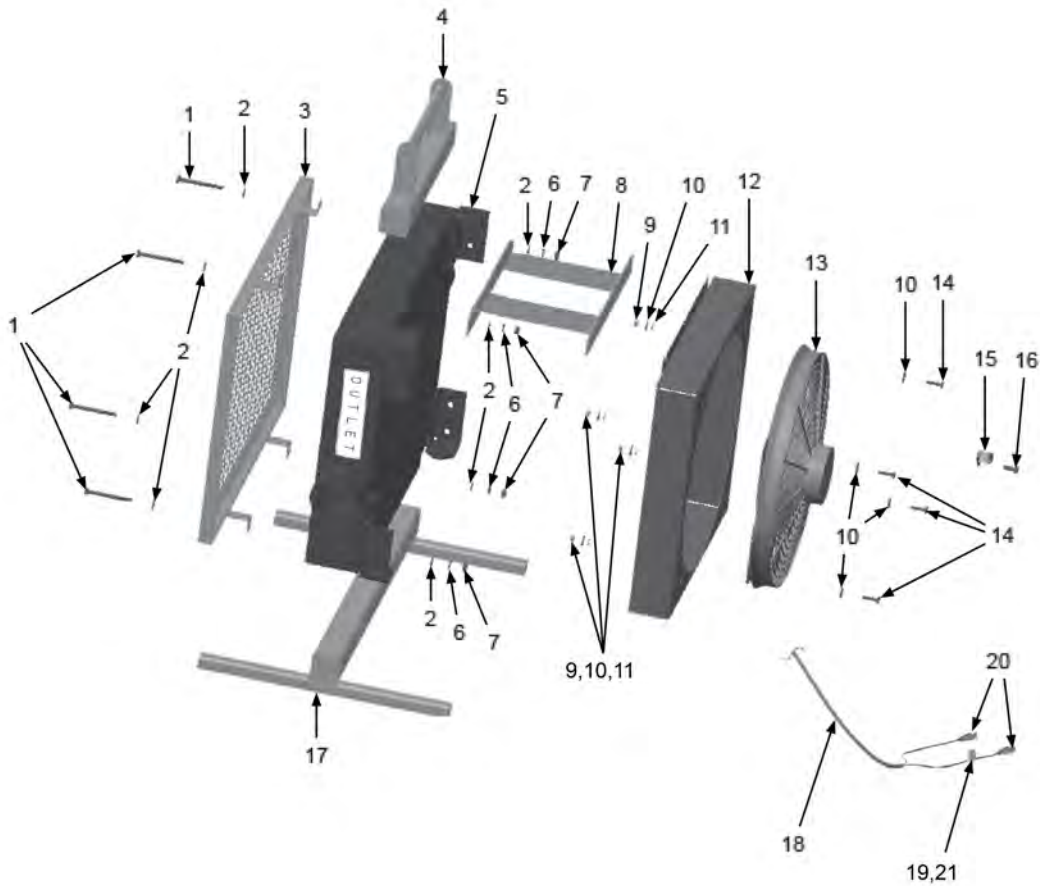
2-Hole Junior



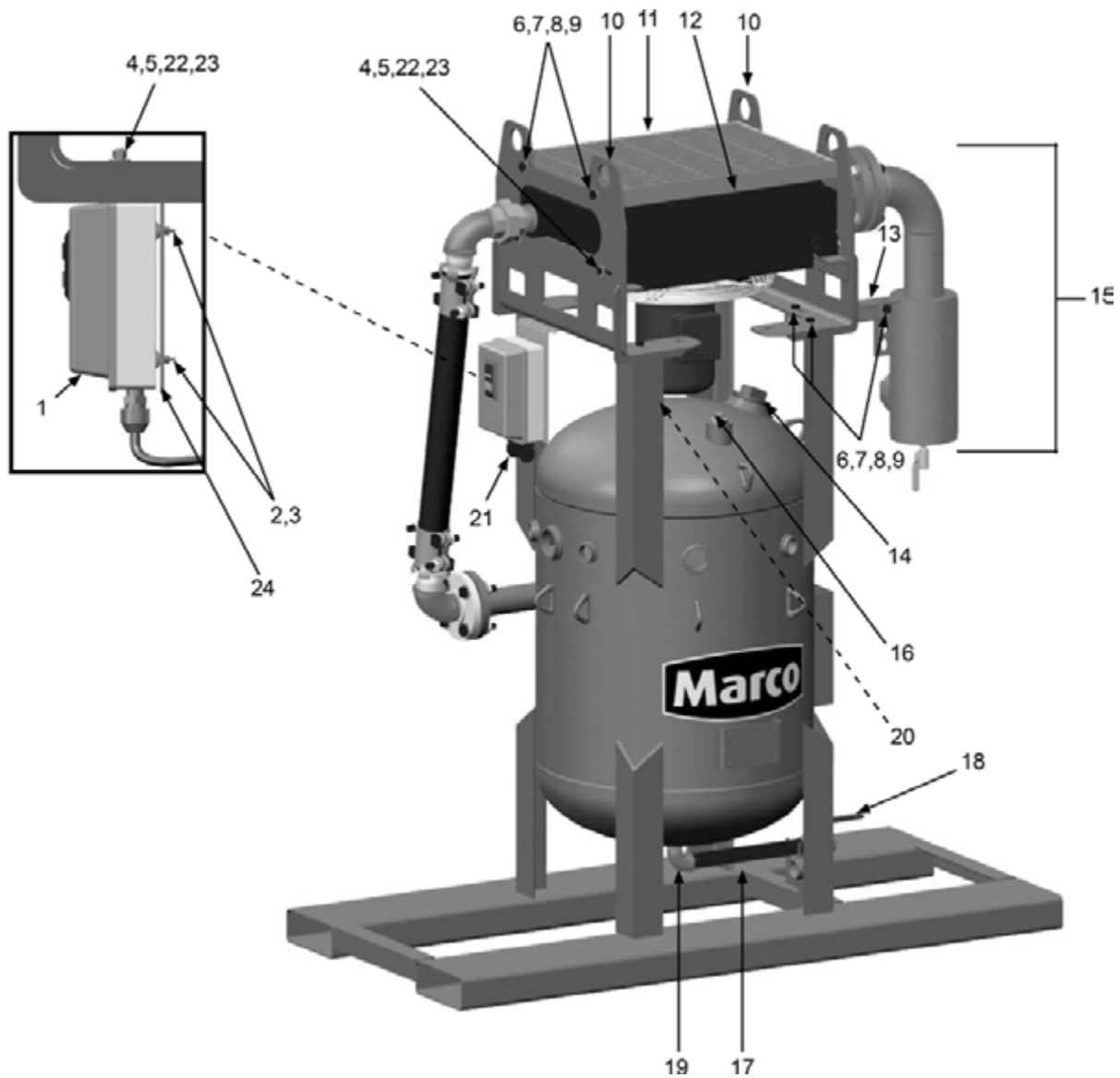
| Part # | Description |
|--------|----------------------------------|
| 1 | 10L301BG Valve Body Gasket |
| 2 | 10L100009 Valve Body w/ Screws |
| 3 | 10L805531 Socket Head Cap Screw |
| 4 | 10L805302 Spindle Bolt |
| 5 | 1012153 1/4" Lock Washer |
| 6 | 10LC25 Valve Cushion |
| 7 | 10L100019 Valve Washer |
| 8 | 10L100079 Valve Plate |
| 9 | 10L100083 Spindle |
| 10 | 10L344 Valve Spring |
| 11 | 10LC31 Spindle Packing |
| 12 | 10LC32 Packing |
| 13 | 10LC16 Cover Gasket |
| 14 | 10L100082 Valve Cover - 1/2" NPT |
| 15 | 10LC4X Valve Control Arm |
| 16 | 1014017 1/4" Flat Washer |
| 17 | 10L303CS Stop Pin Bolt |
| 18 | 10L805319 Cover Bolt |



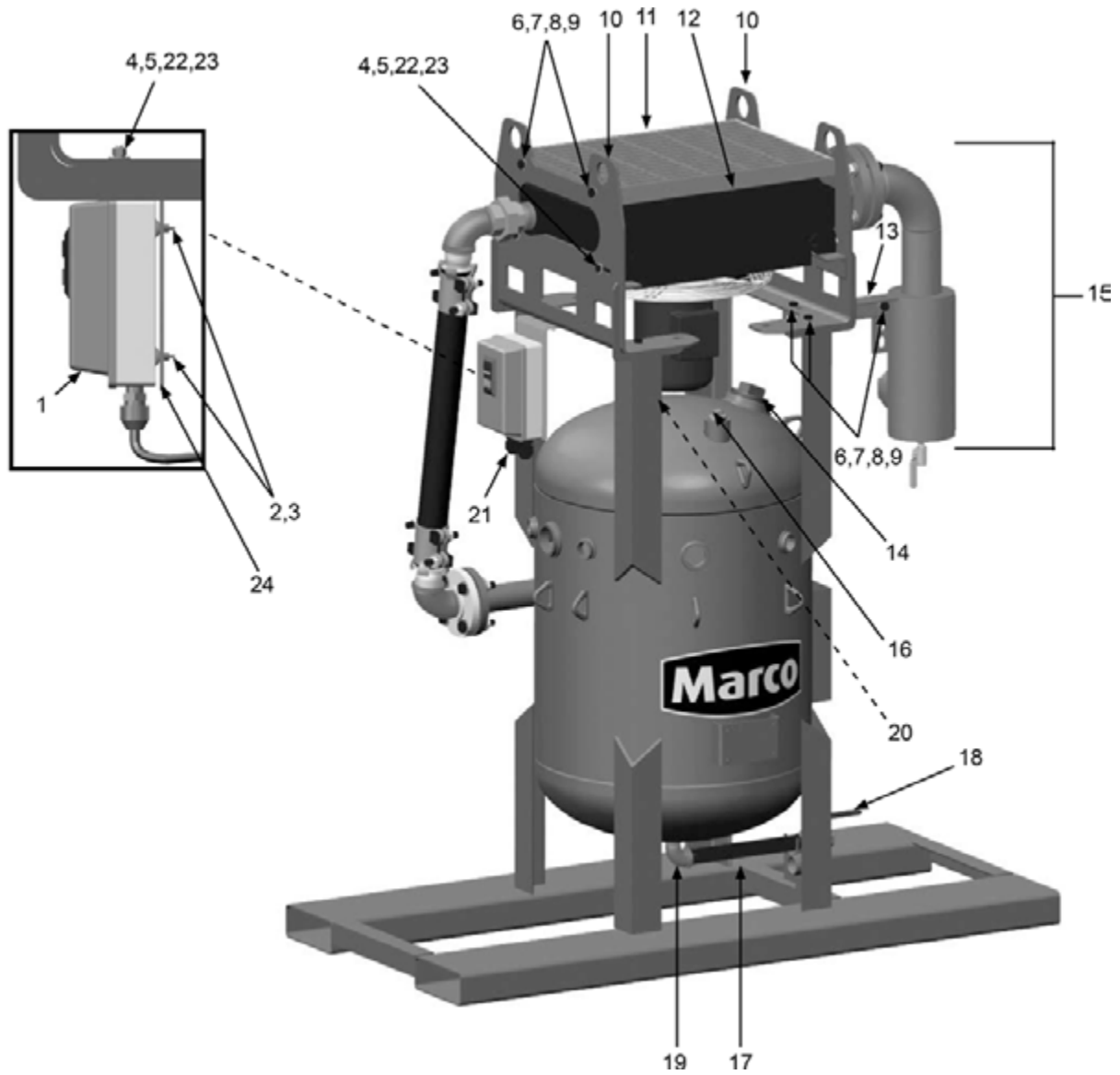
| Part # | Description |
|--------|----------------------------------------------------|
| 1 | 1014112 5/16-18 X 3-1/4" Hex Bolt |
| 2 | 10L805003 5/16" Flat Washer |
| 3 | 20100900 5/16-18 Nylon Lock Nut |
| 4 | 10108720 250 CFM 12-Volt DC Aftercooler Handle |
| 5 | 20100281 2" x 2" Plastic Cap |
| 6 | 10108831 SAE #20 x 1-1/4" NPT Adapter |
| 7 | 10108722 Cord Wrap Weldment |
| 8 | 1015540 16/2 SJ Power Cord (Per Foot) |
| 9 | 10105169 Heavy Duty Steel Battery Clamp |
| 10 | 10105167 20 Amp Fuse Blade Body Style |
| 11 | 10105170 In-Line Fuse Holder With Cover |
| 12 | 10108568 250 CFM Aftercooler Core & Fan |
| 13 | 10108718 250 CFM 12-Volt DC Aftercooler Base |
| 14 | 10108724 1" x 1" Plastic Cap |
| 15 | 10108725 5/16-18 x 3-1/2" Hex Bolt |
| 16 | 10108715 250 CFM 12-Volt DC Aftercooler Grate |
| 17 | 1011201 1-1/4" Galvanized Close Nipple |
| 18 | 1011501 1-1/2" (M) x 1-1/4" (F) Galvanized Bushing |
| 19 | 10108726 1-1/2" Airline Filter |
| 20 | 1014015 1-1/2" Galvanized Close Nipple |
| 21 | 10ME4 1-1/2" 4-Lug Female Coupling |
| 22 | 10108875 5/16" I.D. x 1/4" L Spacer |



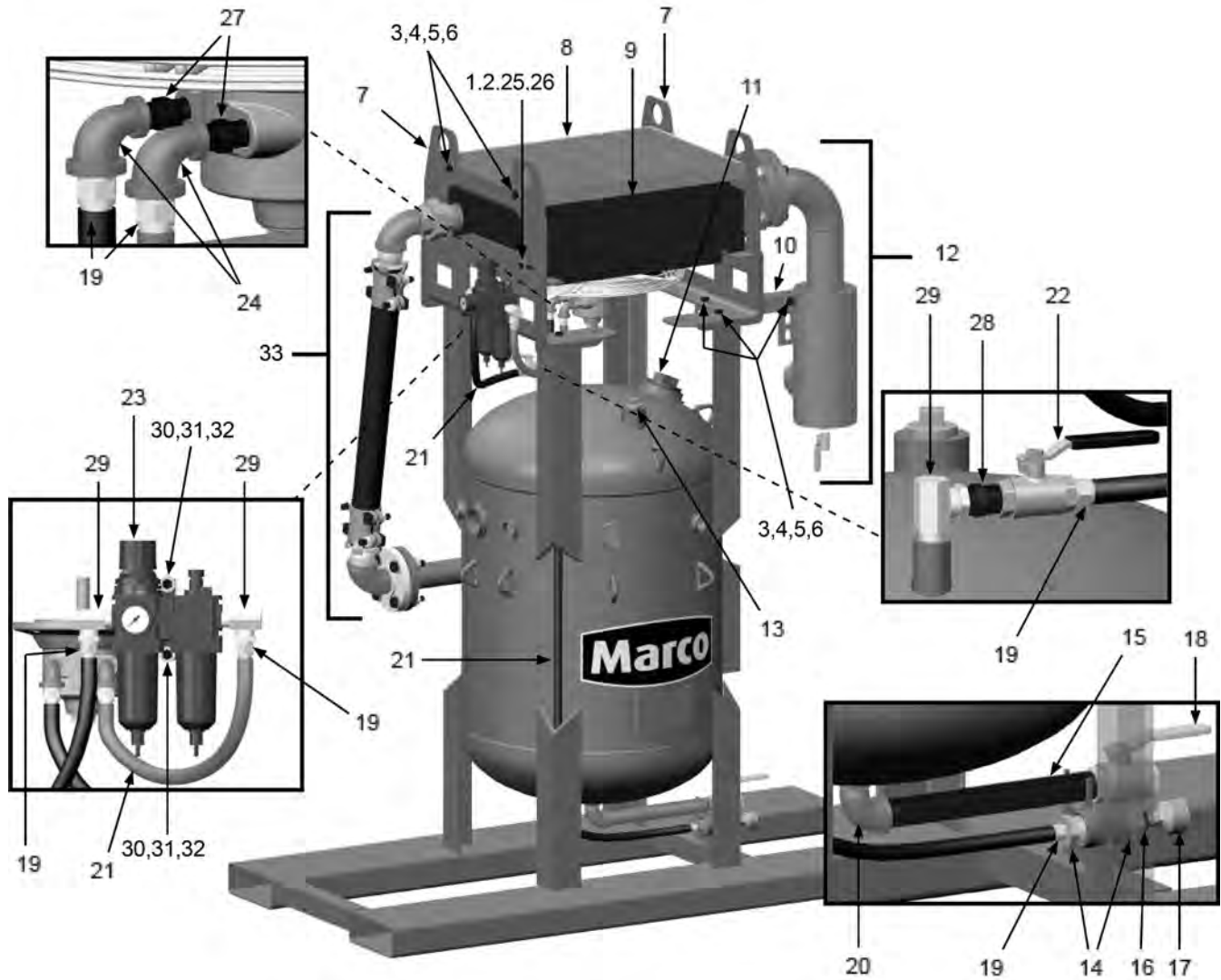
| Part # | Description |
|--------|------------------------------------------------|
| 1 | 1014112 5/16-18 x 3-1/4" Hex Bolt |
| 2 | 10101935 5/16" Flat Washer – Galvanized |
| 3 | 10104739 400 CFM 12-Volt DC Aftercooler Grate |
| 4 | 10104735 400 CFM 12-Volt DC Aftercooler Handle |
| 5 | 10101786 400 CFM Aftercooler Core Only |
| 6 | 101805014 5/16" Lock Washer |
| 7 | 1035046 5/16-18 Nut |
| 8 | 10104744 Cord Wrap Weldment |
| 9 | 10101347 1/4-20 Lock Nut |
| 10 | 10101940 1/4" Flat Washer – Galvanized |
| 11 | 1012153 1/4" Lock Washer |
| 12 | 10103983 Aftercooler Core Fan Shroud |
| 13 | 10104759 16" Electrical Fan Blade And Motor |
| 14 | 1012154 1/4-20 x 1" L Grade 5 Bolt - Zinc |
| 15 | 10105731 1/2" Rubber Cushioned Loop Clamp |
| 16 | 10101346 5/16-18 x 3/4" L Grade 5 Bolt |
| 17 | 10104732 400 CFM 12-Volt DC Aftercooler Base |
| 18 | 1015570 12/2 SJ Power Cord (Per Foot) |
| 19 | 10105168 30 Amp Fuse Blade Body Style |
| 20 | 10105169 Heavy Duty Steel Battery Clamp |
| 21 | 10105170 In-Line Fuse Holder With Cover |



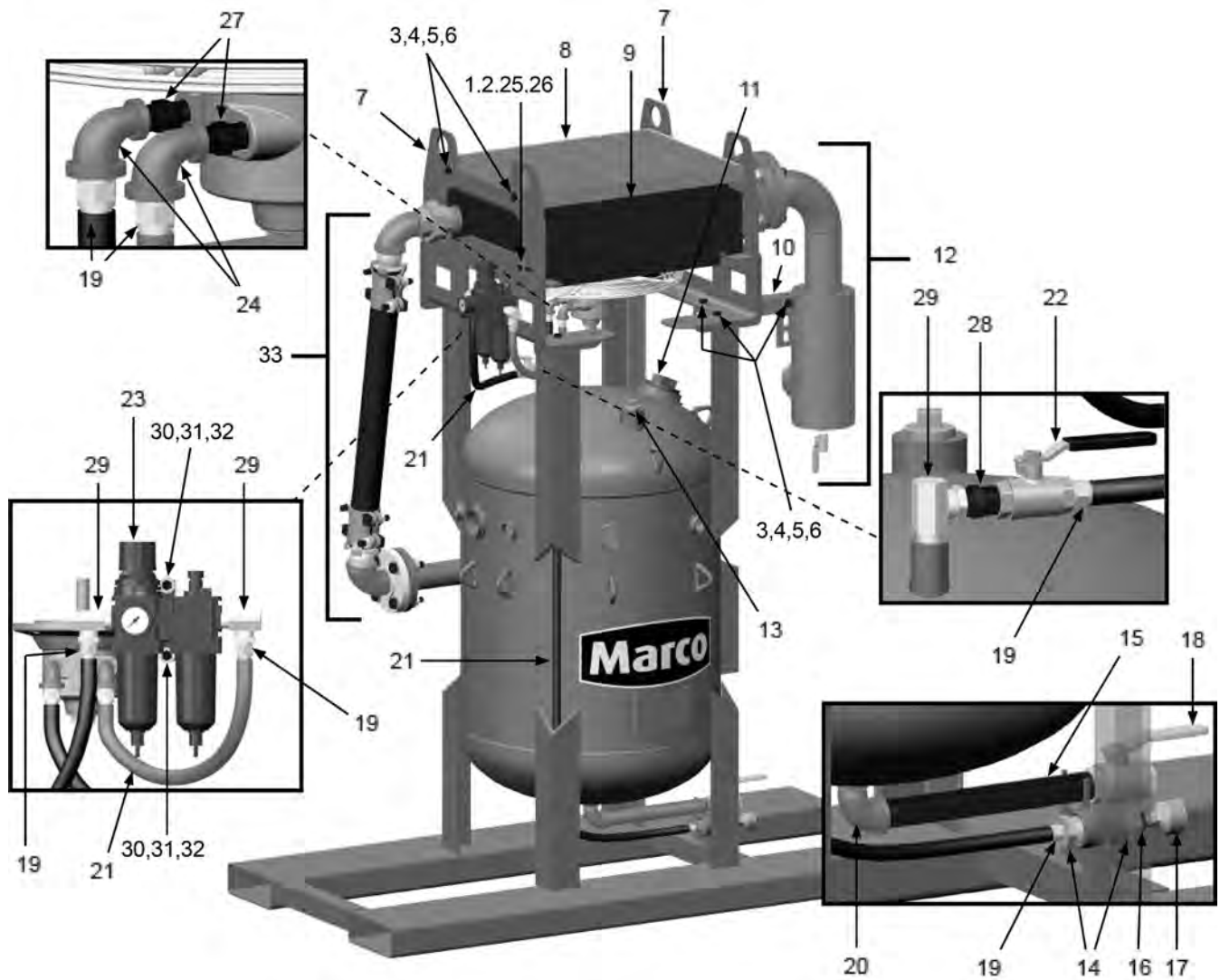
| Part # | Description |
|--------|---------------------------------------------------------------------|
| 1 | 10101760 115-Volt AC Motor Starter Box – Single Phase |
| 2 | 10101355 10-24 x 3/4" Screw |
| 3 | 10101356 10-24 Nylon Lock Nut |
| 4 | 10101059 3/8-16 x 1-1/4" Galvanized Bolt |
| 5 | 10101942 3/8" x 3/4" Washer |
| 6 | 10101943 1/2-13 x 1-3/4" Hex Bolt |
| 7 | 10100674 1/2" Flat Washer |
| 8 | 10100675 1/2" Split Lock Washer |
| 9 | 10101941 1/2" Hex Nut |
| 10 | 10101176 Mounting Bracket |
| 11 | 10101271 Heat Exchanger Protective Grate |
| 12 | 10TTAHP4005 400 CFM Aftercooler Assembly - Electric |



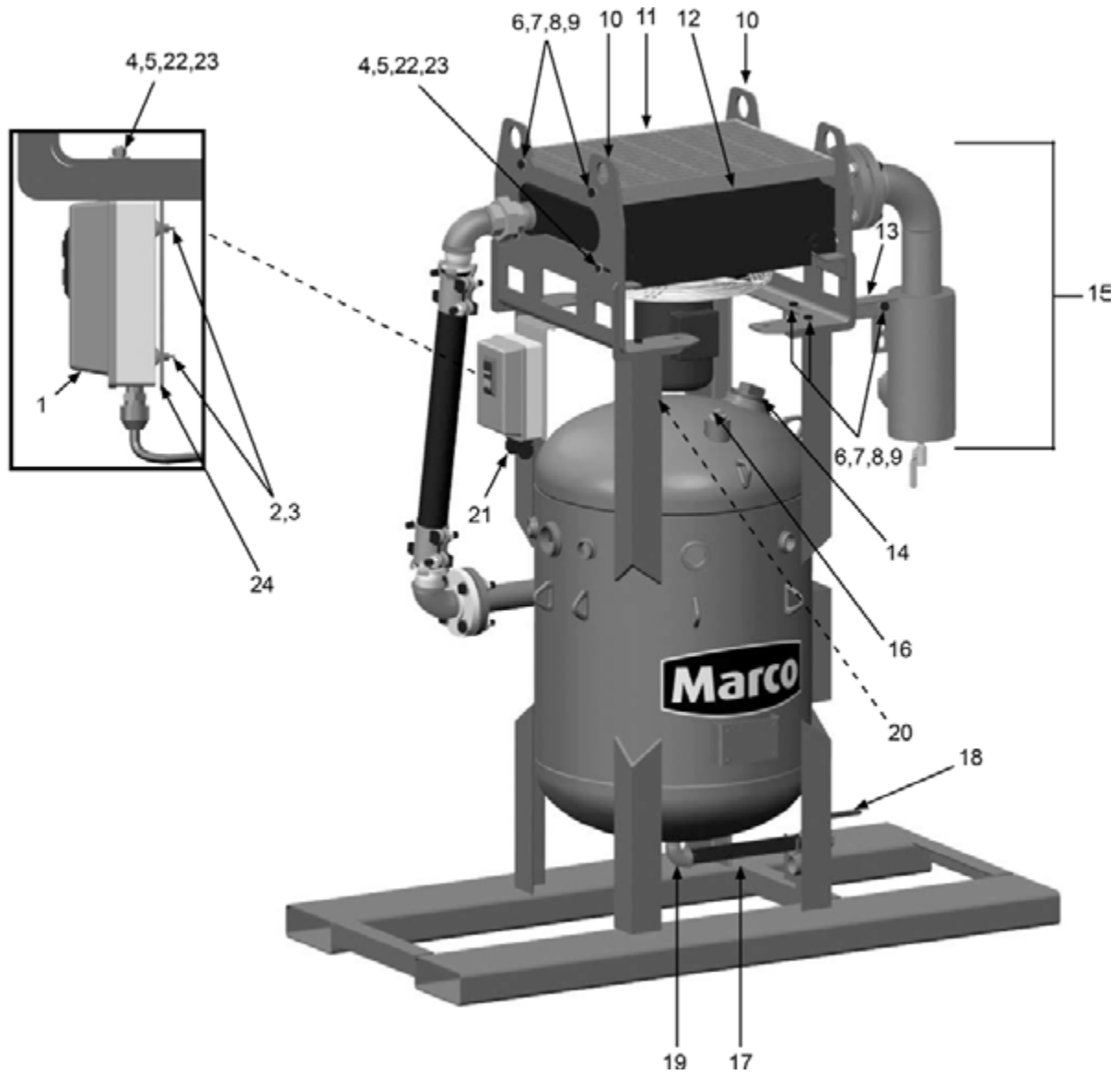
| Part # | Description |
|--------|---------------------------------------------|
| 13 | 10101170 Brace |
| 14 | 10101034 3" NPT Galvanized Pipe Plug |
| 15 | - Inlet Filter Assembly |
| 16 | 1011902 1-1/4" NPT Galvanized Pipe Plug |
| 17 | 10101064 1" x 12" NPT Pipe Nipple |
| 18 | 1011601 1" NPT Full Port Valve |
| 19 | 1011801 1" Street Elbow |
| 20 | 20G100737 1/2" NPT Pipe Plug |
| 21 | 1030025 Cord Clamp |
| 22 | 10L805015 3/8" Lock Washer |
| 23 | 10101938 3/8"-16 Hex Nut |
| 24 | 10101771 Bracket |
| - | - Transfer Hose Assembly |



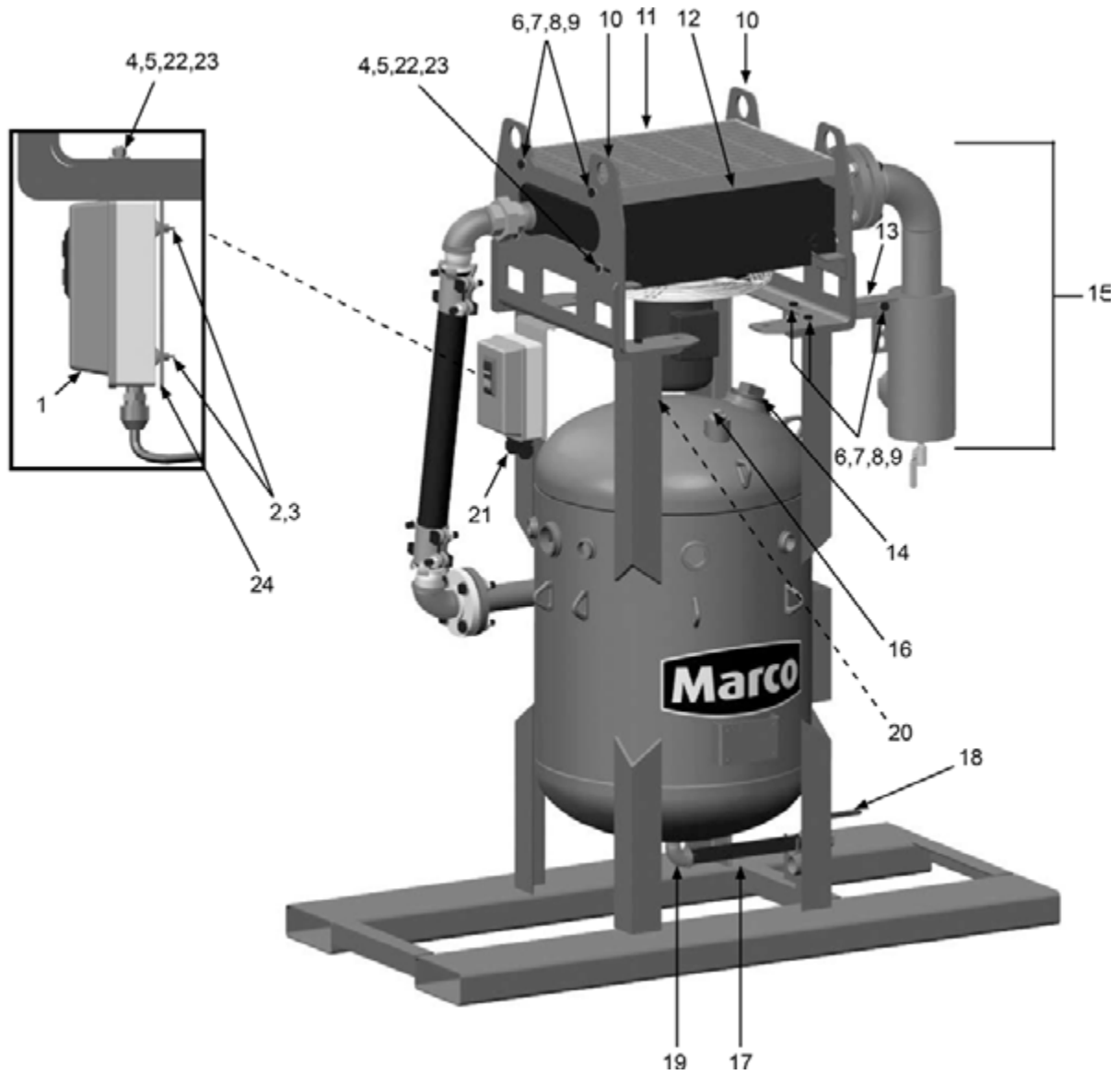
| Part # | Description |
|--------|---------------------------------------------------|
| 1 | 10101059 3/8-16 x 1-1/4" Galvanized Bolt |
| 2 | 10101942 3/8" x 3/4" Washer |
| 3 | 10101943 1/2-13 x 1-3/4" Hex Bolt |
| 4 | 10100674 1/2" Flat Washer |
| 5 | 10100675 1/2" Split Lock Washer |
| 6 | 10101941 1/2" Hex Nut |
| 7 | 10101176 Mounting Bracket |
| 8 | 10101179 Heat Exchanger Protective Grate |
| 9 | - 400 CFM Aftercooler – Pneumatic |
| 10 | 10101170 Brace |
| 11 | 10101034 3" NPT Galvanized Pipe Plug |
| 12 | - Inlet Filter Assembly |
| 13 | 1011902 1-1/4" NPT Galvanized Pipe Plug |
| 14 | 1011812 1" to 1/2" Bushing |
| 15 | 10101064 1" x 12" NPT Pipe Nipple |
| 16 | 1011818 1/2" to 1/4" Bushing |
| 17 | 10101784 Muffler |



| Part # | Description |
|--------|--------------------------------------------------------------|
| 18 | 1011601 1" NPT Full Port Valve |
| 19 | 10PAF050 1/2" Push-on Hose Fitting |
| 20 | 1011801 1" Street Elbow |
| 21 | 10AH012 1/2" I.D. Air Hose (Per Foot) |
| 22 | 10L363 1/2" NPT Full Port Ball Valve |
| 23 | 10101232 Air Filter / Regulator / Lubricator |
| 24 | 10101185 1/2" x 1/4" Reducing Elbow |
| 25 | 10L805015 3/8" Lock Washer |
| 26 | 10101938 3/8-16 Hex Nut |
| 27 | 1017019 Hex Nipple 1/4" X 1/4" |
| 28 | 20100677 Nipple 1/2" x 1/2" |
| 29 | 10SAP1290 1/2" 90° Swivel |
| 30 | 10101937 1/4-20 x 1" L GR 5 Bolt |
| 31 | 10101939 1/4-20 SS Lock Nut with Nylon Insert |
| 32 | 10101940 1/4" Flat Washer |
| 33 | - Transfer Hose Assembly |

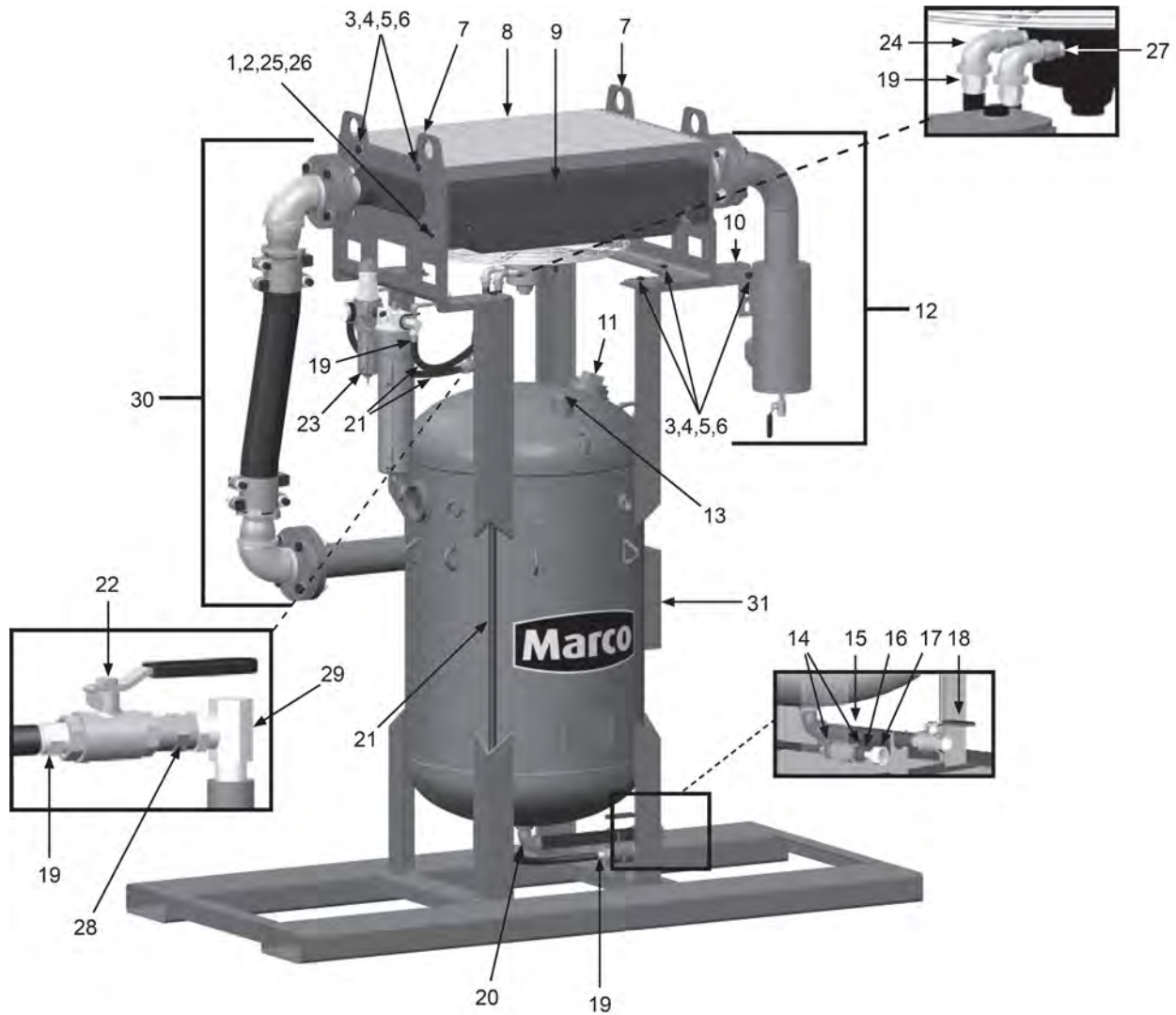


| Part # | Description |
|--------|---------------------------------------------------------------------|
| 1 | 10101760 115-Volt AC Motor Starter Box – Single Phase |
| 2 | 10101355 10-24 x 3/4" Screw |
| 3 | 10101356 10-24 Nylon Lock Nut |
| 4 | 10101059 3/8-16 x 1-1/4" Galvanized Bolt |
| 5 | 10101942 3/8" x 3/4" Washer |
| 6 | 10101943 1/2-13 x 1-3/4" Hex Bolt |
| 7 | 10100674 1/2" Flat Washer |
| 8 | 10100675 1/2" Split Lock Washer |
| 9 | 10101941 1/2" Hex Nut |
| 10 | 10101176 Mounting Bracket |
| 11 | 10101179 Heat Exchanger Protective Grate |
| 12 | 10TTAHP7252 750 CFM Aftercooler Assembly - Electric |



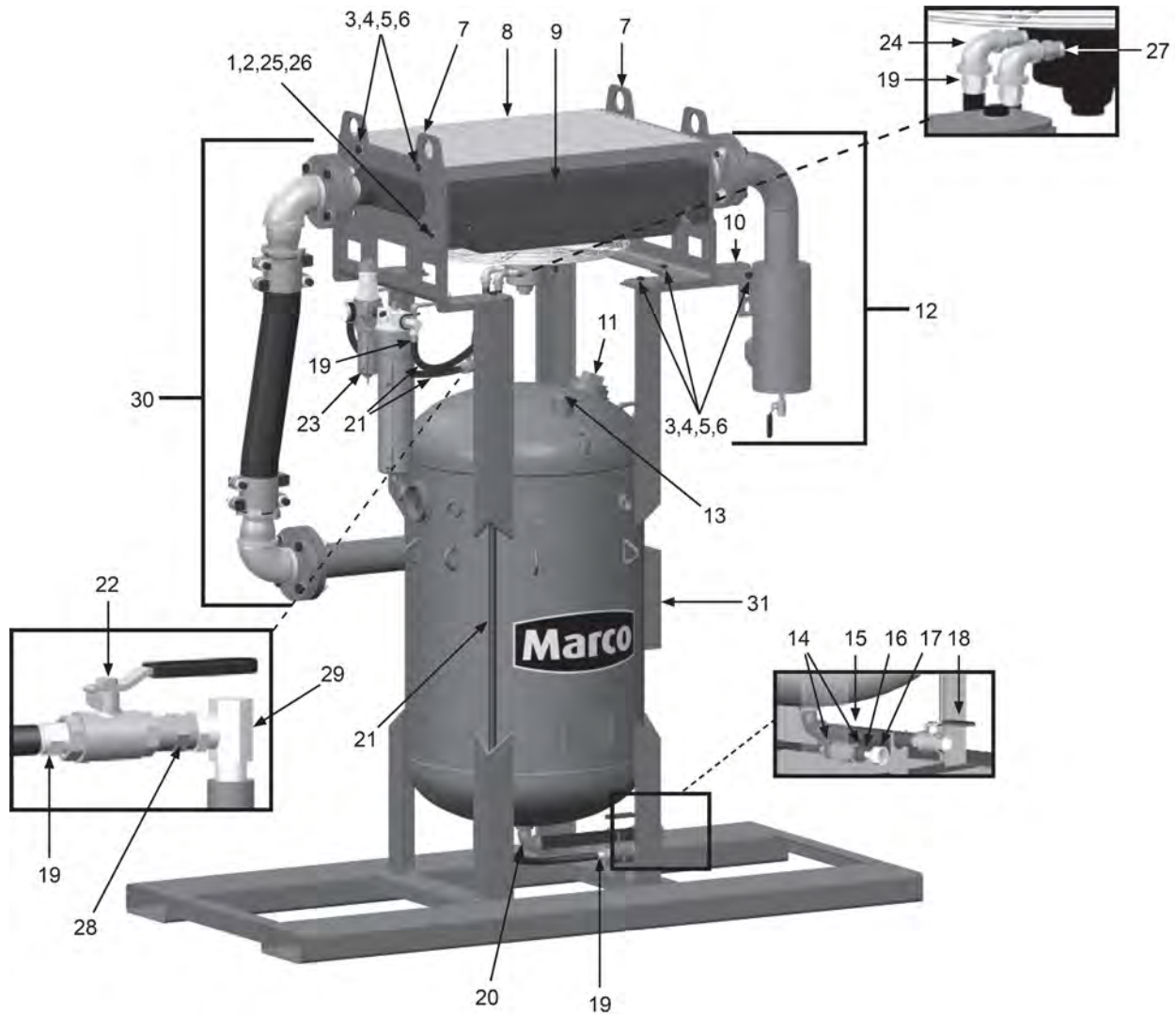
| Part # | Description |
|--------|---------------------------------------------|
| 13 | 10101170 Brace |
| 14 | 10101034 3" NPT Galvanized Pipe Plug |
| 15 | - Inlet Filter Assembly |
| 16 | 1011902 1-1/4" NPT Galvanized Pipe Plug |
| 17 | 10101064 1" x 12" NPT Pipe Nipple |
| 18 | 1011601 1" NPT Full Port Valve |
| 19 | 1011801 1" Street Elbow |
| 20 | 20G100737 1/2" NPT Pipe Plug |
| 21 | 1030025 Cord Clamp |
| 22 | 10L805015 3/8" Lock Washer |
| 23 | 10101938 3/8"-16 Hex Nut |
| 24 | 10101771 Bracket |
| - | - Transfer Hose Assembly |

750 CFM (Pneumatic) (1 of 2)

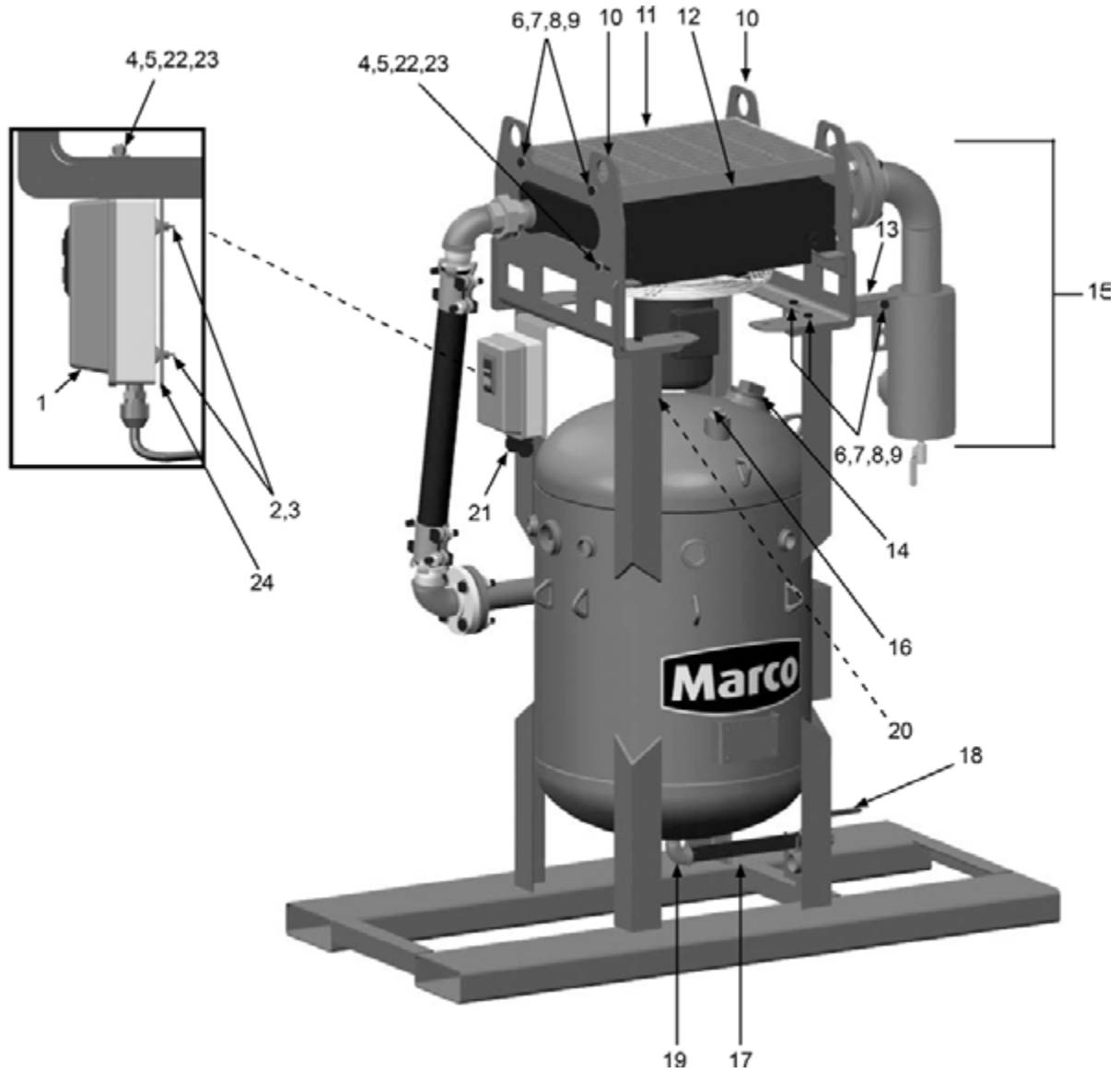


| Part # | Description |
|--------|-------------------------------------------------------------|
| 1 | 10101059 3/8-16 x 1-1/4" Galvanized Bolt |
| 2 | 10101942 3/8" x 3/4" Washer |
| 3 | 10101943 1/2-13 x 1-3/4" Hex Bolt |
| 4 | 10100674 1/2" Flat Washer |
| 5 | 10100675 1/2" Split Lock Washer |
| 6 | 10101941 1/2" Hex Nut |
| 7 | 10101176 Mounting Bracket |
| 8 | 10101179 Heat Exchanger Protective Grate |
| 9 | 10TTAHP7255 750 CFM Aftercooler - Pneumatic |
| 10 | 10101170 Brace |
| 11 | 10101034 3" NPT Galvanized Pipe Plug |
| 12 | - Inlet Filter Assembly |
| 13 | 1011902 1-1/4" NPT Galvanized Pipe Plug |
| 14 | 1011812 1" to 1/2" Bushing |
| 15 | 10101064 1" x 12" NPT Pipe Nipple |

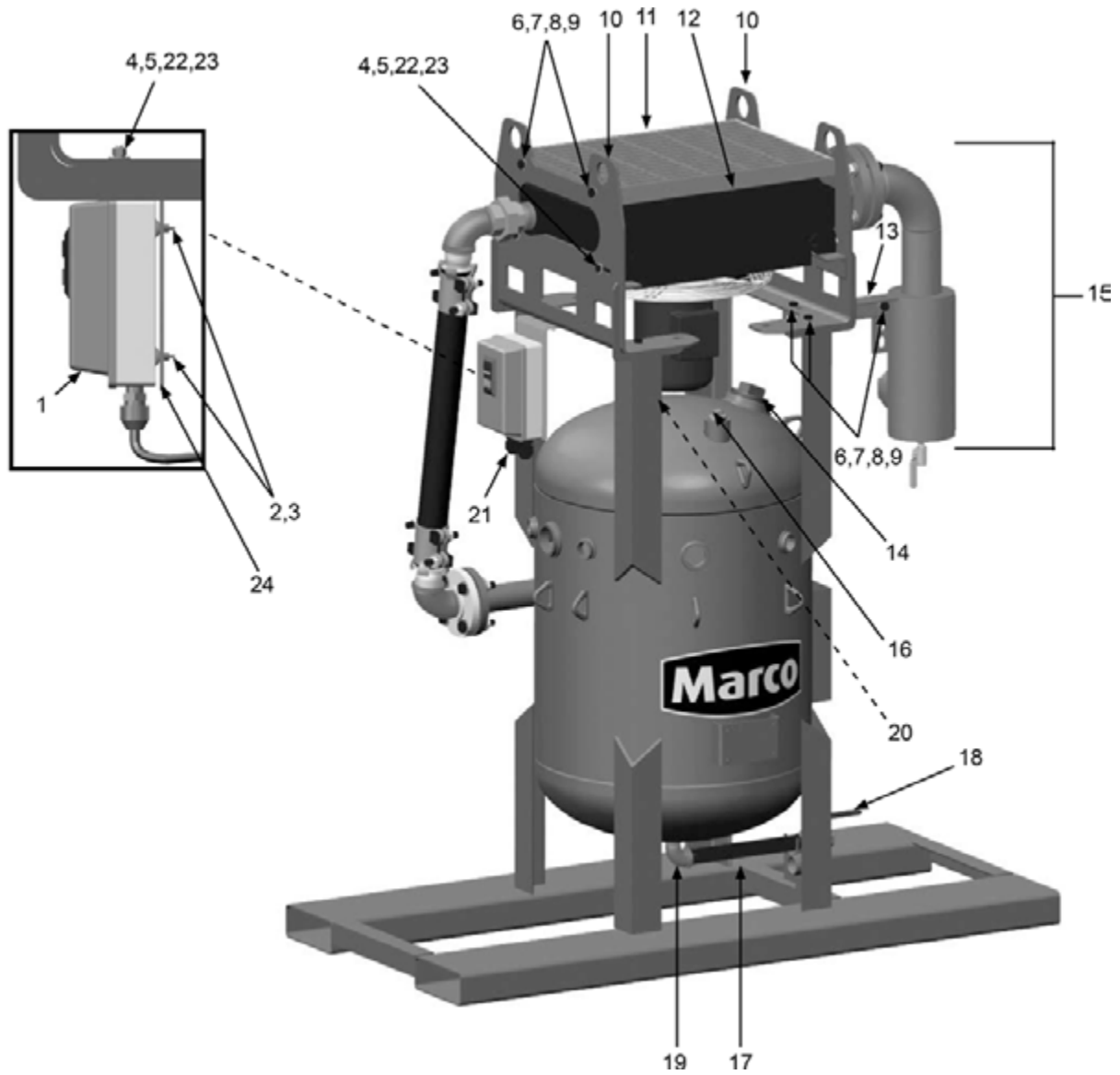
750 CFM (Pneumatic) (2 of 2)



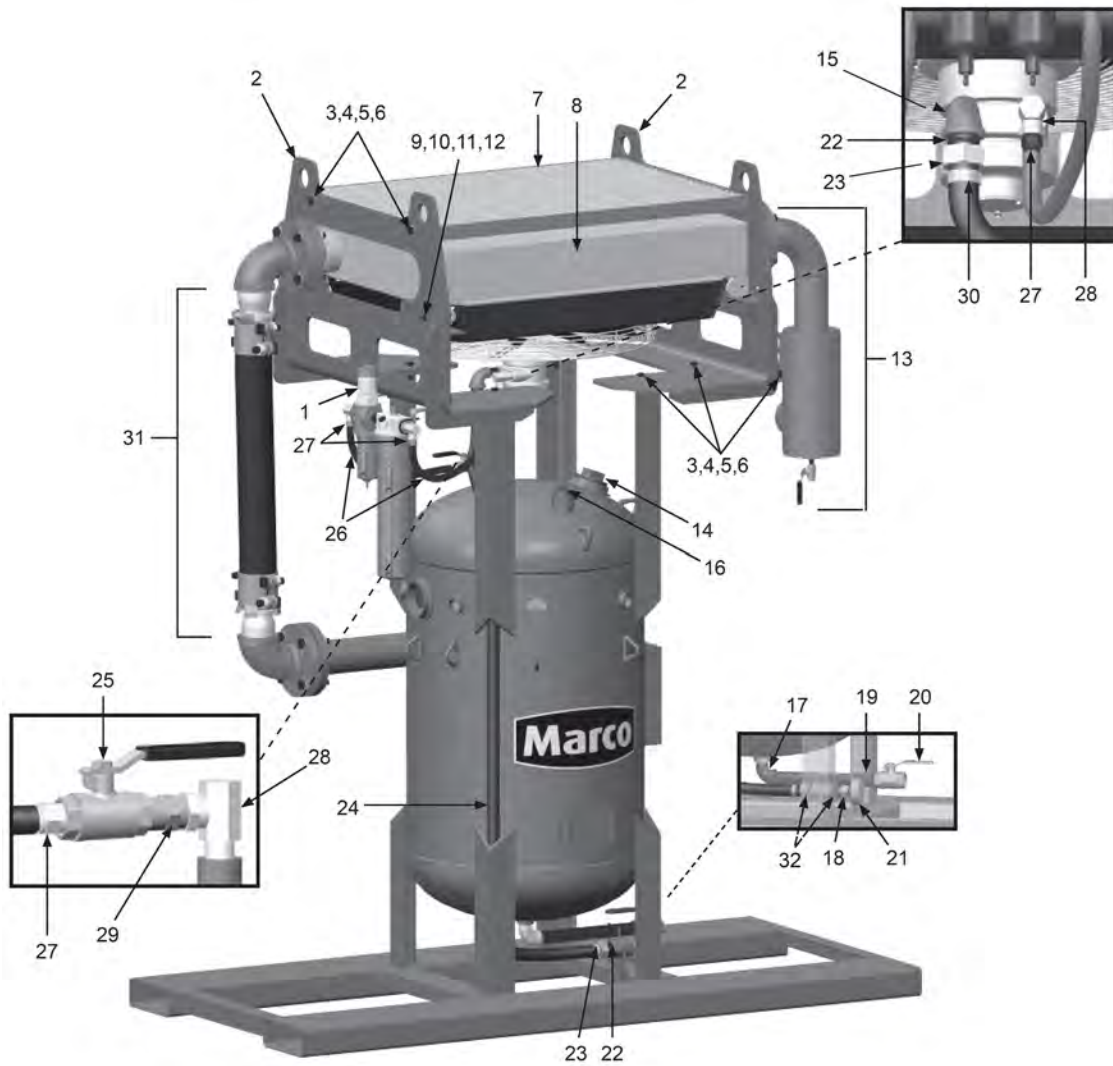
| Part # | Description |
|--------|--------------------------------------------------------------|
| 16 | 1011818 1/2" to 1/4" Bushing |
| 17 | 10101784 Muffler |
| 18 | 1011601 1" NPT Full Port Valve |
| 19 | 10PAF050 1/2" Push-on Hose Fitting |
| 20 | 1011801 1" Street Elbow |
| 21 | 10AH012 1/2" I.D. Air Hose (Per Foot) |
| 22 | 10L363 1/2" NPT Full Port Ball Valve |
| 23 | 10105890 Air Filter / Regulator / Lubricator |
| 24 | 10101185 1/2" x 1/4" Reducing Elbow |
| 25 | 10L805015 3/8" Lock Washer |
| 26 | 10101938 3/8"-16 Hex Nut |
| 27 | 1017019 Hex Nipple 1/4" X 1/4" |
| 28 | 20100677 Nipple 1/2" X 1/2" |
| 29 | 10SAP1290 1/2" 90° Swivel |
| 30 | - Transfer Hose Assembly |



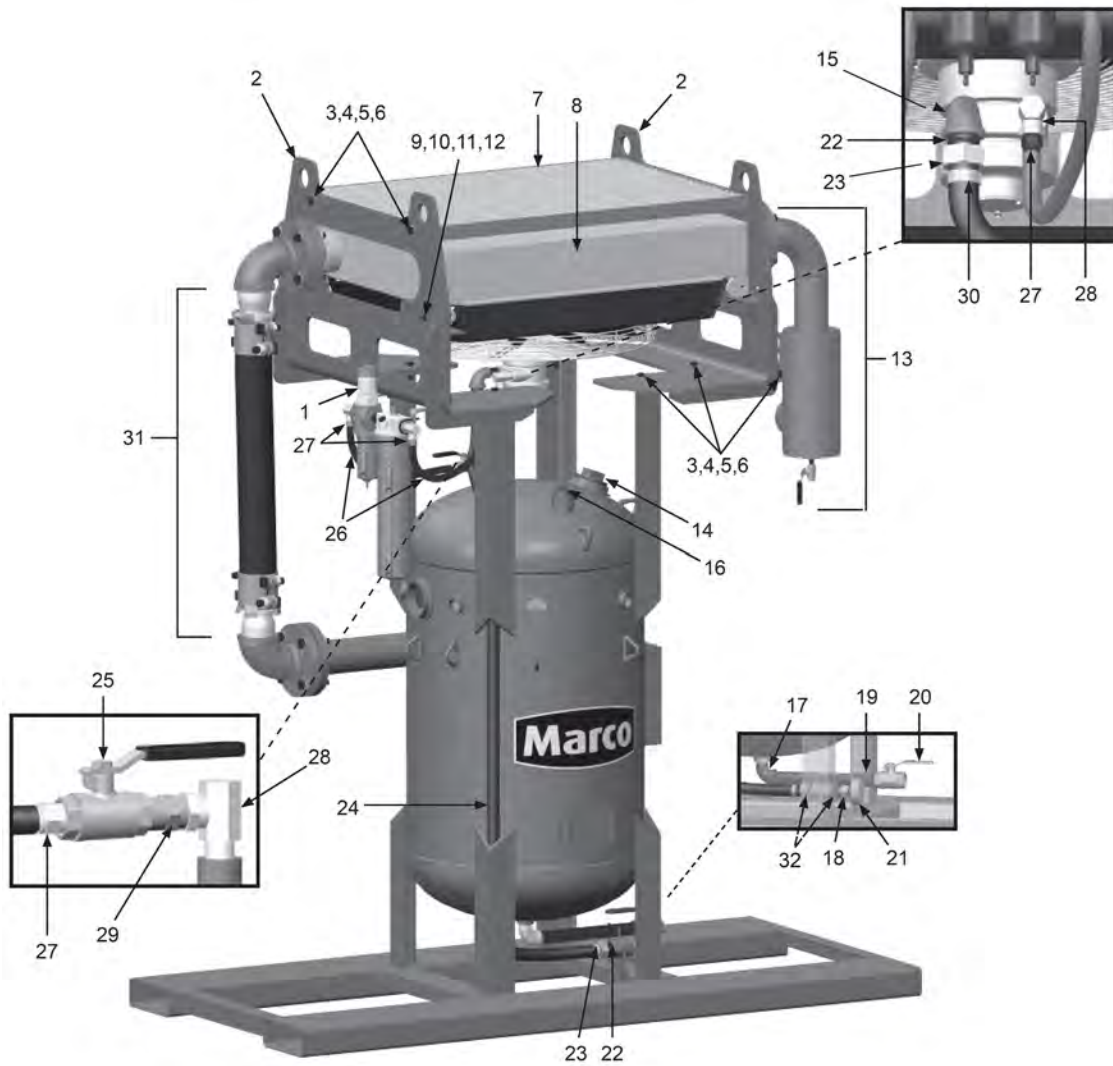
| Part # | Description |
|--------|---------------------------------------------------------------------|
| 1 | 10101760 115-Volt AC Motor Starter Box – Single Phase |
| 2 | 10101355 10-24 x 3/4" Screw |
| 3 | 10101356 10-24 Nylon Lock Nut |
| 4 | 10101059 3/8-16 x 1-1/4" Galvanized Bolt |
| 5 | 10101942 3/8" x 3/4" Washer |
| 6 | 10101943 1/2-13 x 1-3/4" Hex Bolt |
| 7 | 10100674 1/2" Flat Washer |
| 8 | 10100675 1/2" Split Lock Washer |
| 9 | 10101941 1/2" Hex Nut |
| 10 | 10101033 Mounting Bracket |
| 11 | 10101036 Heat Exchanger Protective Grate |
| 12 | 10TTAHP9502 750 CFM Aftercooler Assembly - Electric |



| Part # | Description |
|--------|---------------------------------------------|
| 13 | 10101170 Brace |
| 14 | 10101034 3" NPT Galvanized Pipe Plug |
| 15 | - Inlet Filter Assembly |
| 16 | 1011902 1-1/4" NPT Galvanized Pipe Plug |
| 17 | 10101064 1" x 12" NPT Pipe Nipple |
| 18 | 1011601 1" NPT Full Port Valve |
| 19 | 1011801 1" Street Elbow |
| 20 | 20G100737 1/2" NPT Pipe Plug |
| 21 | 1030025 Cord Clamp |
| 22 | 10L805015 3/8" Lock Washer |
| 23 | 10101938 3/8"-16 Hex Nut |
| 24 | 10101771 Bracket |
| - | - Transfer Hose Assembly |

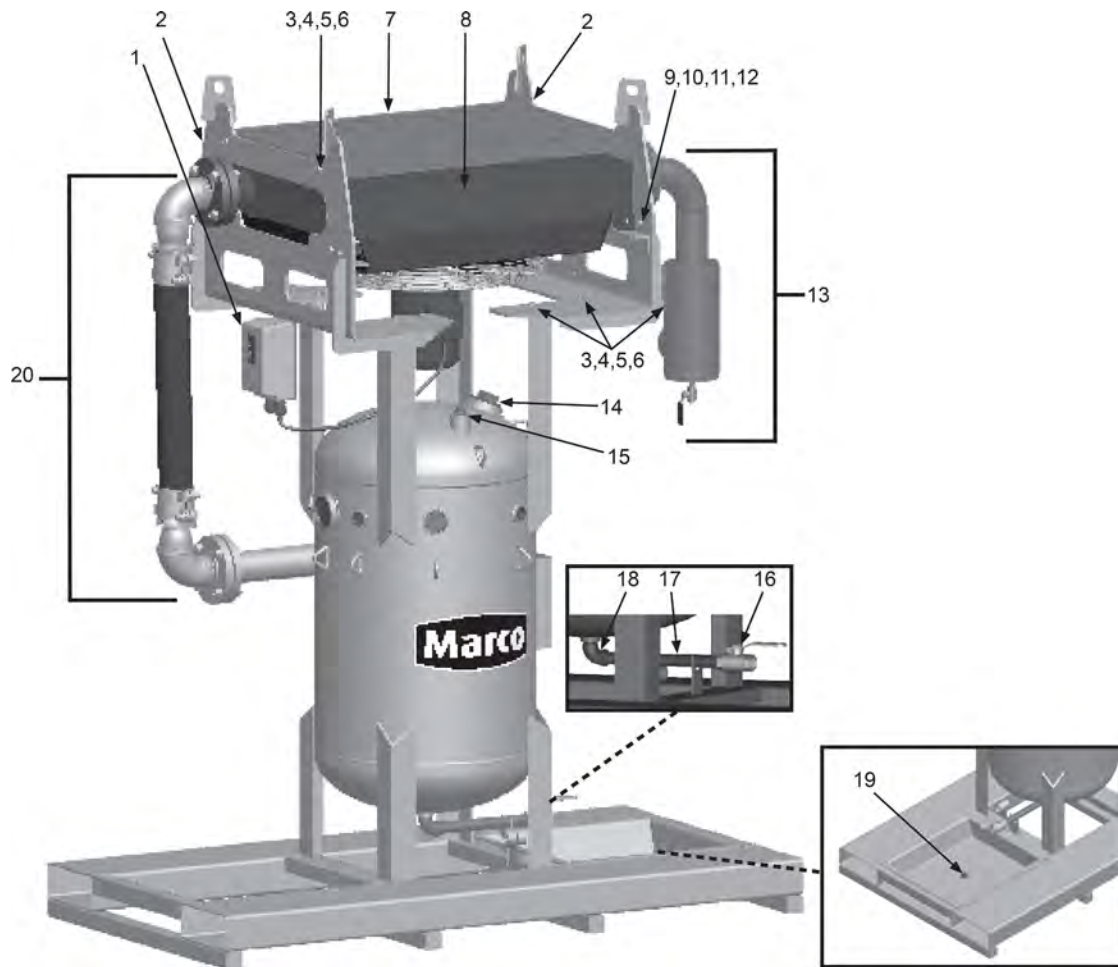


| Part # | Description |
|--------|--------------------------------------------------------------|
| 1 | 10105890 Air Filter / Regulator / Lubricator |
| 2 | 10101033 Heat Exchanger Mounting Bracket |
| 3 | 10101943 1/2-13 x 1-1/2" Bolt |
| 4 | 10100674 1/2" Flat Washer |
| 5 | 10100675 1/2" Split Lock Washer |
| 6 | 10101941 1/2" Hex Nut |
| 7 | 10101166 Heat Exchanger Protective Grate |
| 8 | 10TTAHP9505 Aftercooler Assembly |
| 9 | 10101059 3/8-16 x 1-1/4" Bolt |
| 10 | 10101942 3/8" Flat Washer |
| 11 | 10L805015 3/8" Lock Washer |
| 12 | 10101938 3/8" Hex Nut |
| 13 | - Inlet Filter Assembly |
| 14 | 10101034 3" NPT Galvanized Pipe Plug |
| 15 | 10101002 1/2" x 1" NPT Reducing Elbow |
| 16 | 1011902 1-1/4" NPT Plug |

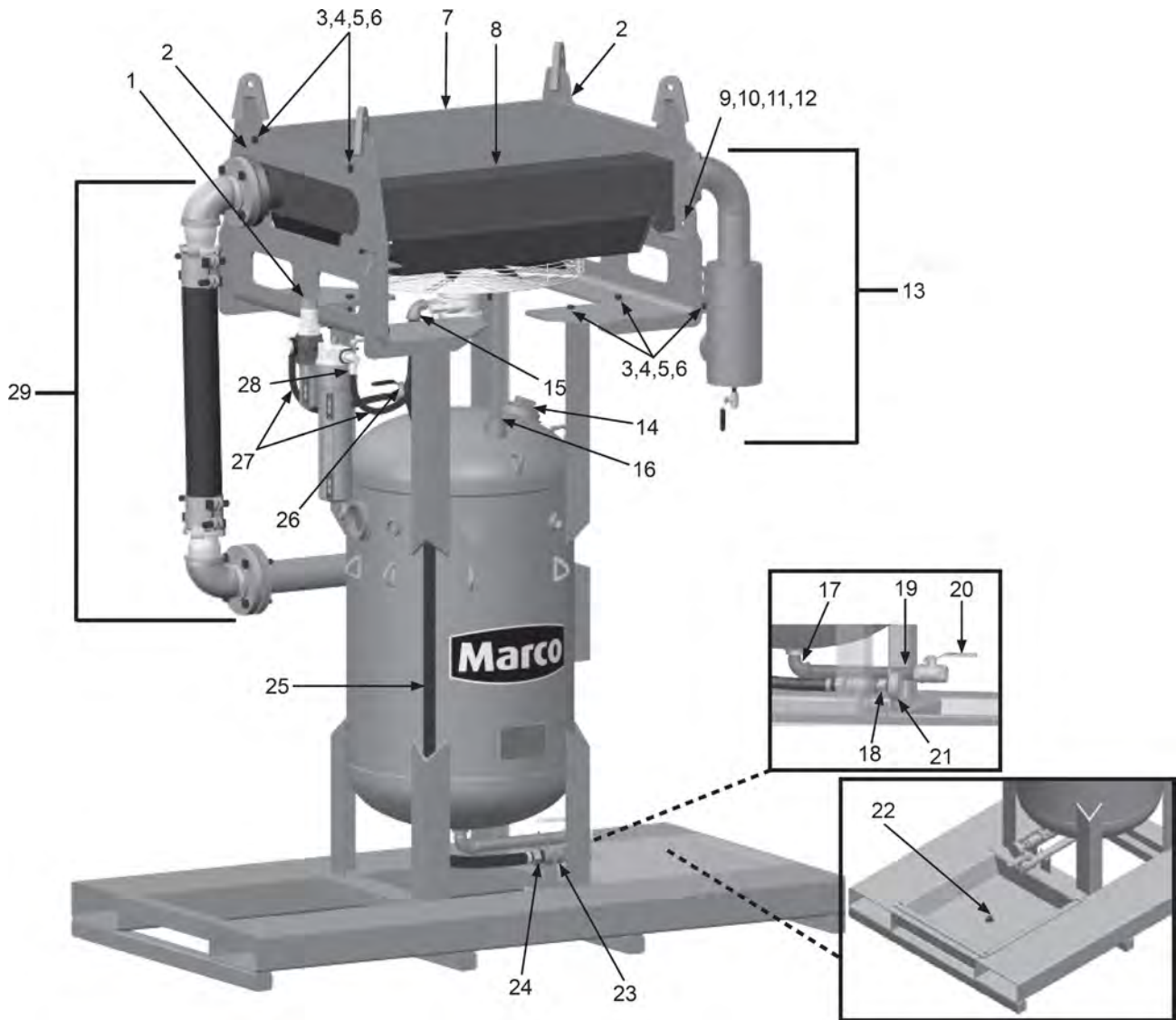


| Part # | Description |
|--------|------------------------------------------|
| 17 | 1011801 1" NPT Street Elbow |
| 18 | 1011812 1" (M) x 1/2" (F) NPT Bushing |
| 19 | 10101064 1" x 12" NPT Pipe Nipple |
| 20 | 1011601 1" NPT Full Port Ball Valve |
| 21 | 10101800 Aftercooler Exhaust Muffler |
| 22 | 1012151 1" NPT Close Nipple |
| 23 | 10SFE2 1" NPT Swivel Hose End (F) |
| 24 | 10AH100B 1" I.D. Air Hose (Per Foot) |
| 25 | 10L363 1/2" NPT Full Port Ball Valve |
| 26 | 10AH012 1/2" I.D. Air Hose (Per Foot) |
| 27 | 10PAF050 1/2" Push-on Hose Fitting |
| 28 | 10SAP1290 1/2" 90° Swivel |
| 29 | 20100677 Nipple 1/2" x 1/2" |
| 30 | 10AHCL1 Band Clamp |
| 31 | - Transfer Hose Assembly |
| 32 | 1011812 1" to 1/2" Bushing |

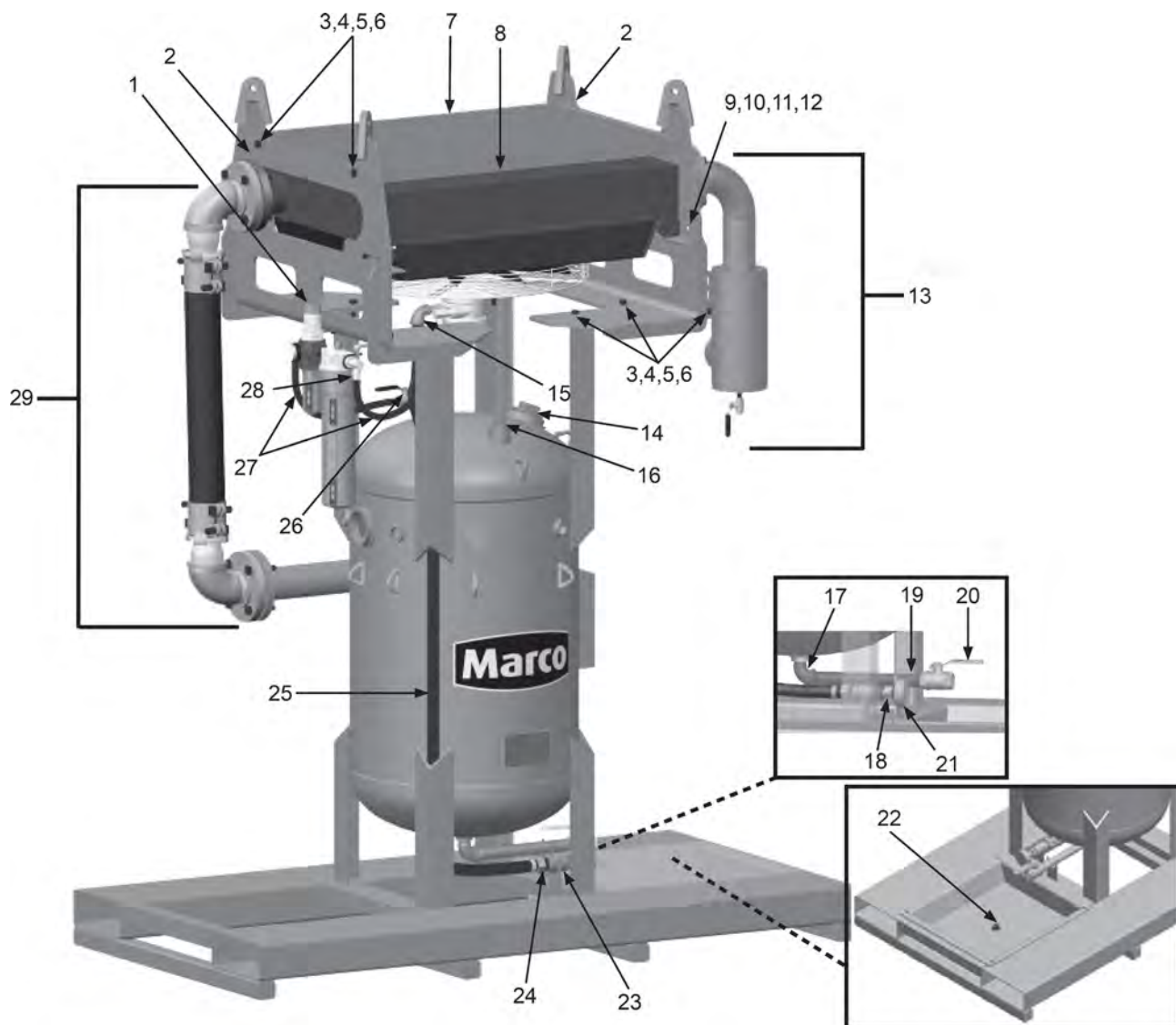
950 CFM Offshore (Electric)



| Part # | Description |
|--------|----------------------------------------------------|
| 1 | 10101760 Electric Motor Starter Box – Single Phase |
| 2 | 10102589 Offshore Heat Exchanger Mounting Bracket |
| 3 | 10101943 1/2-13 X 1-1/2" Bolt |
| 4 | 10100674 1/2" Flat Washer |
| 5 | 10100675 1/2" Split Lock Washer |
| 6 | 10101941 1/2" Hex Nut |
| 7 | 10101036 Heat Exchanger Protective Grate |
| 8 | 10TTAHP9502 Aftercooler Assembly |
| 9 | 10101059 3/8-16 X 1-1/4" Bolt |
| 10 | 10101942 3/8" Flat Washer |
| 11 | 10L805015 3/8" Lock Washer |
| 12 | 10101938 3/8" Hex Nut |
| 13 | - Inlet Filter Assembly |
| 14 | 10101034 3" NPT Galvanized Pipe Plug |
| 15 | 1011902 1-1/4" NPT Plug |
| 16 | 1011601 1" NPT Full Port Ball Valve |
| 17 | 10101064 1" X 12" NPT Pipe Nipple |
| 18 | 1011801 1" NPT Street Elbow |
| 19 | 1011901 1" Galvanized Pipe Plug |
| 20 | - Transfer Hose Assembly |

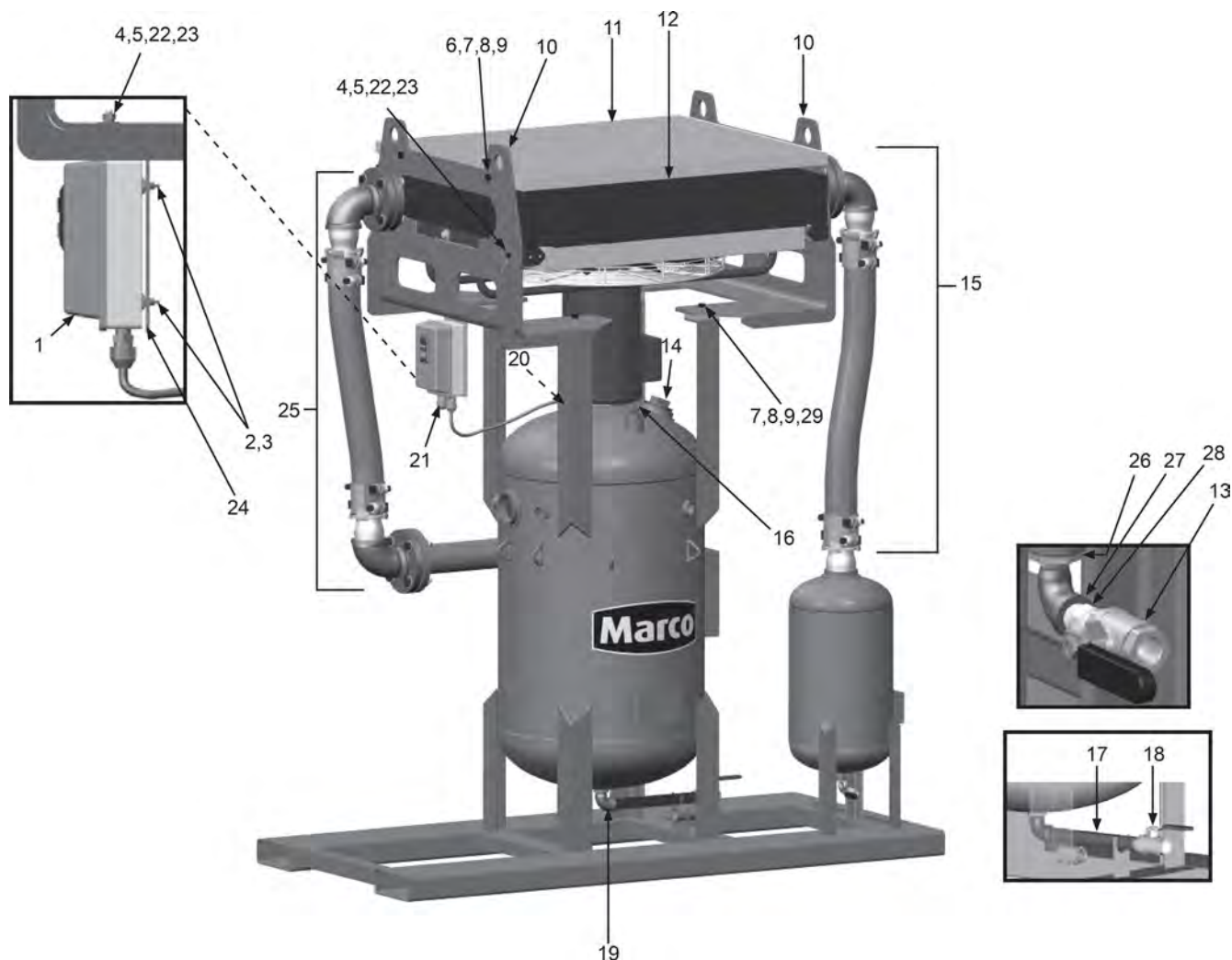


| Part # | Description |
|--------|--------------------------------------------------------------|
| 1 | 10105890 Air Filter / Regulator / Lubricator |
| 2 | 10102589 Offshore Heat Exchanger Mounting Bracket |
| 3 | 10101943 1/2-13 X 1-1/2" Bolt |
| 4 | 10100674 1/2" Flat Washer |
| 5 | 10100675 1/2" Split Lock Washer |
| 6 | 10101941 1/2" Hex Nut |
| 7 | 10101036 Heat Exchanger Protective Grate |
| 8 | 10TTHP9505 Aftercooler Assembly |
| 9 | 10101059 3/8-16 X 1-1/4" Bolt |
| 10 | 10101942 3/8" Flat Washer |
| 11 | 10L805015 3/8" Lock Washer |
| 12 | 10101938 3/8" Hex Nut |
| 13 | - Inlet Filter Assembly |
| 14 | 10101034 3" NPT Galvanized Pipe Plug |
| 15 | 10101002 1/2" X 1" NPT Reducing Elbow |

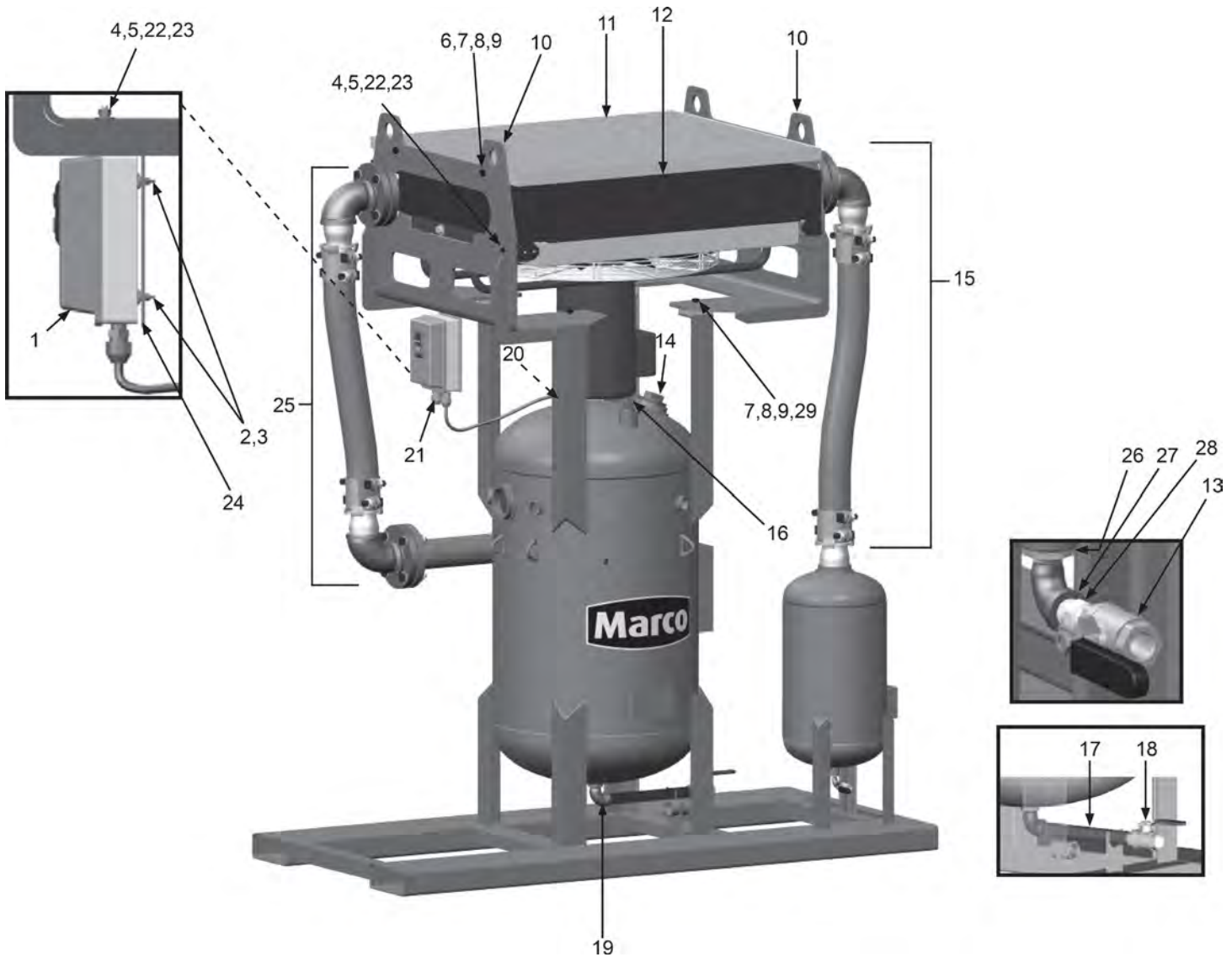


| Part # | Description |
|--------|------------------------------------------|
| 16 | 1011902 1-1/4" NPT Plug |
| 17 | 1011801 1" NPT Street Elbow |
| 18 | 1011812 1" (M) X 1/2" (F) NPT Bushing |
| 19 | 10101064 1" X 12" NPT Pipe Nipple |
| 20 | 1011601 1" NPT Full Port Ball Valve |
| 21 | 10101800 Aftercooler Exhaust Muffler |
| 22 | 1011901 1" Galvanized Pipe Plug |
| 23 | 1012151 1" NPT Close Nipple |
| 24 | 10SFE2 1" NPT Swivel Hose End (F) |
| 25 | 10AH100 1" I.D. Air Hose (Per Foot) |
| 26 | 10L363 1/2" NPT Full Port Ball Valve |
| 27 | 10AH012 1/2" I.D. Air Hose (Per Foot) |
| 28 | 10PAF050 1/2" Push-on Hose Fitting |
| 29 | - Transfer Hose Assembly |

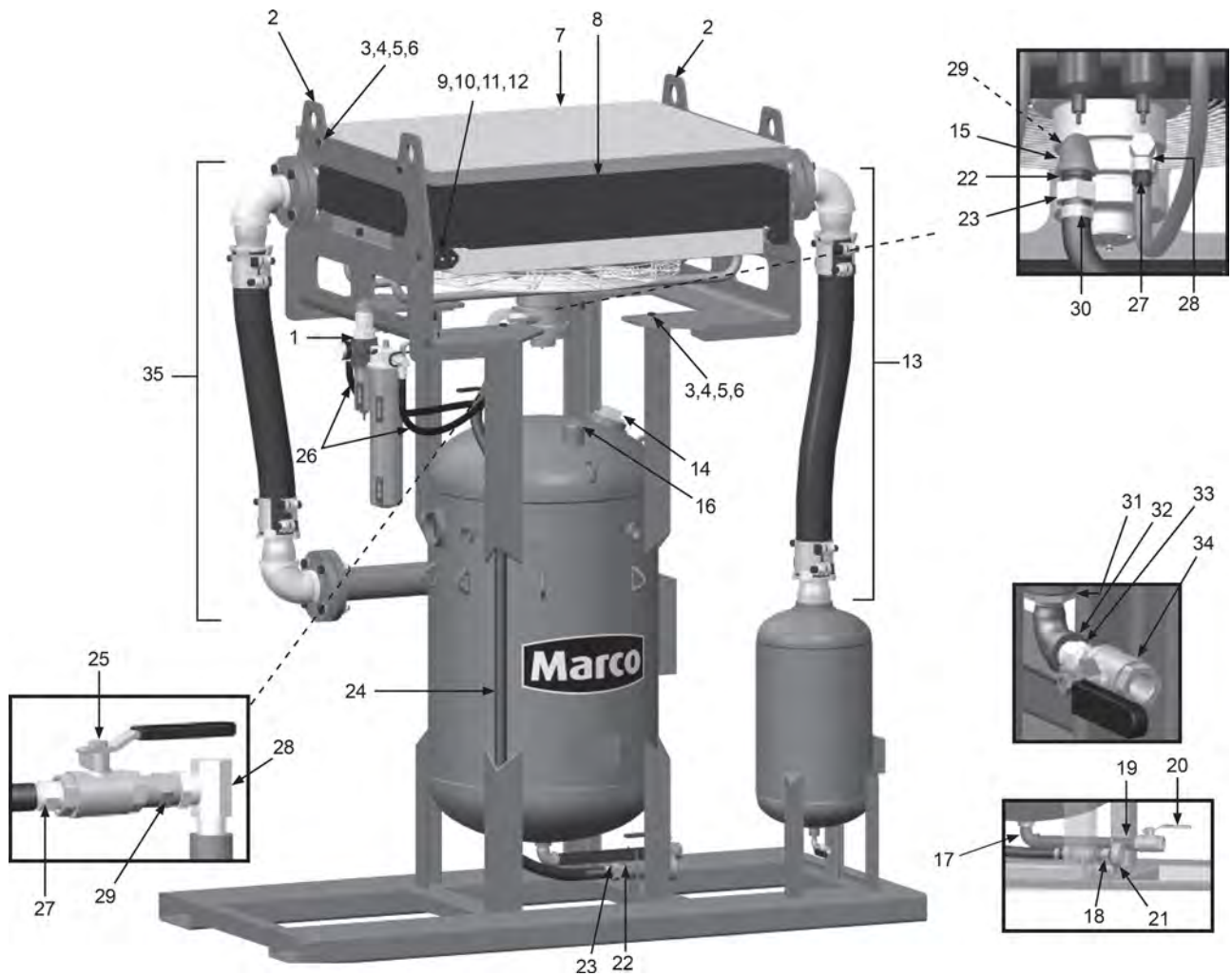
1600 CFM (Electric) (1 of 2)



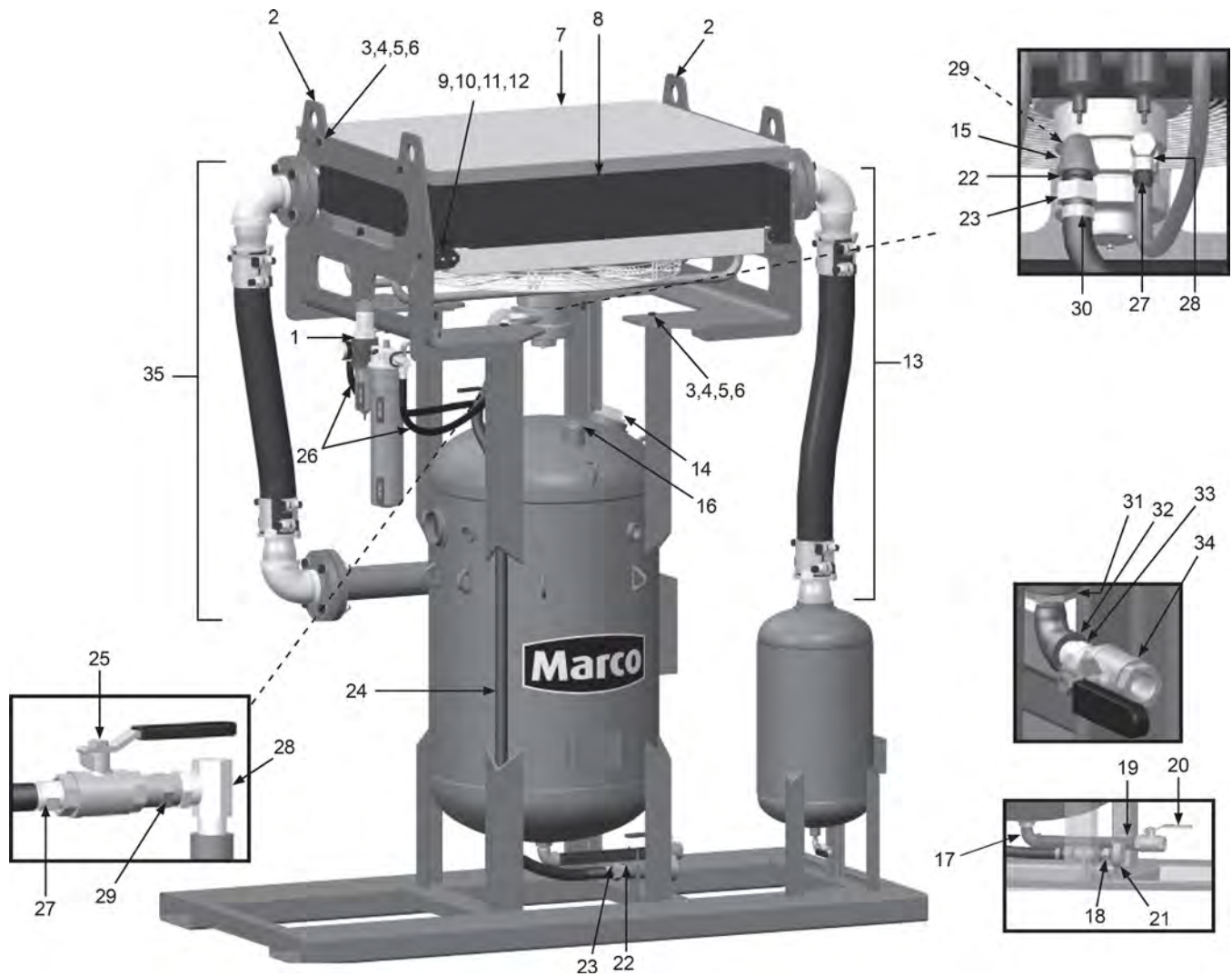
| Part # | Description |
|--------|-----------------------------------------------------------------------|
| 1 | 10101760 Single Phase Motor Starter Box – Single Phase |
| 2 | 10101355 10-24 x 3/4" Screw |
| 3 | 10101356 10-24 Nylon Lock Nut |
| 4 | 10101059 3/8-16 x 1-1/4" Galvanized Bolt |
| 5 | 10101942 3/8" x 3/4" Washer |
| 6 | 10101943 1/2-13 x 1-3/4" Hex Bolt |
| 7 | 10100674 1/2" Flat Washer |
| 8 | 10100675 1/2" Split Lock Washer |
| 9 | 10101941 1/2" Hex Nut |
| 10 | 10101033 Mounting Bracket |
| 11 | 10101166 Heat Exchanger Protective Grate |
| 12 | 10TTAHP16002 1600 CFM Aftercooler Assembly - Electric |
| 13 | 1080050 1/4" Ball Valve |
| 14 | 10101034 3" NPT Galvanized Pipe Plug |
| 15 | - Inlet Hose Assembly |



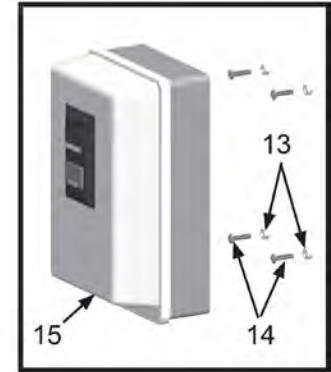
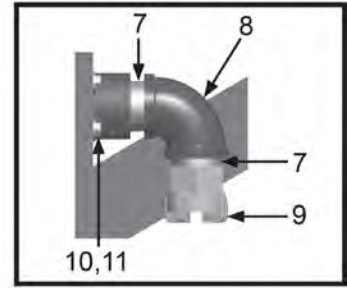
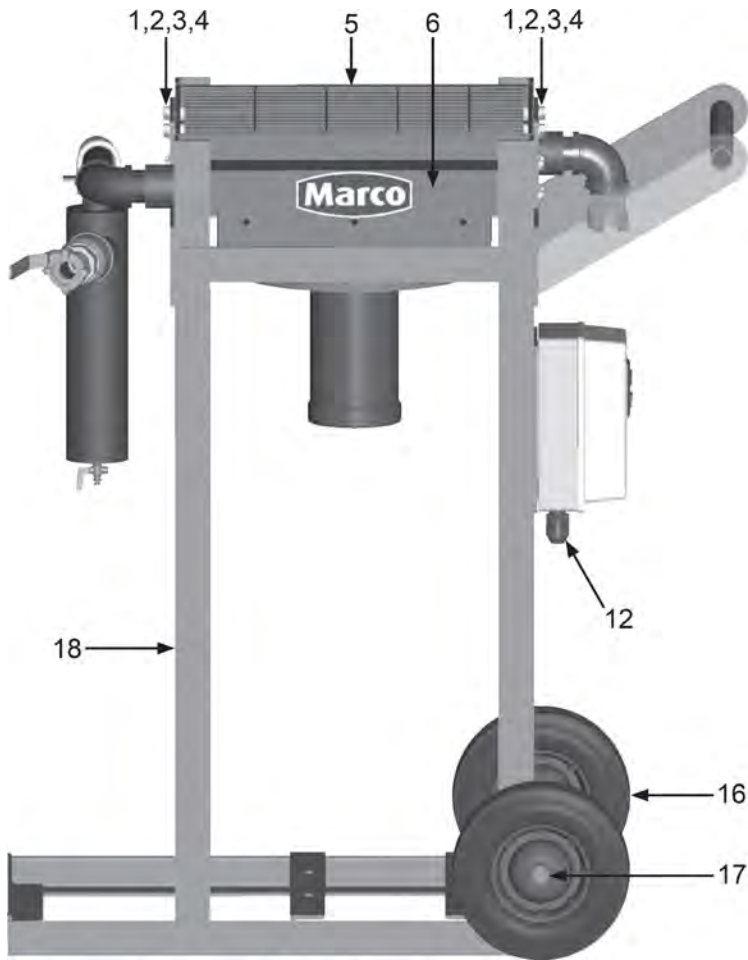
| Part # | Description |
|--------|------------------------------------------|
| 16 | 1011902 1-1/4" NPT Galvanized Pipe Plug |
| 17 | 10101064 1" x 12" NPT Pipe Nipple |
| 18 | 1011601 1" NPT Full Port Valve |
| 19 | 10101801 1" Street Elbow |
| 20 | 1011101 1/2" NPT Pipe Plug |
| 21 | 1030025 Cord Clamp |
| 22 | 10L805015 3/8" Lock Washer |
| 23 | 10101938 3/8-16 Hex Nut |
| 24 | 10101771 Bracket |
| 25 | - Transfer Hose Assembly |
| 26 | 1011818 1/2" x 1/4" Galvanized Bushing |
| 27 | 1011824 1/4" Street Elbow |
| 28 | 1017019 Hex Nipple 1/4" x 1/4" |
| 29 | 10101927 1/2-13 x 3" Hex Bolt |



| Part # | Description |
|--------|----------------------------------------------|
| 1 | 10105890 Air Filter / Regulator / Lubricator |
| 2 | 10101033 Heat Exchanger Mounting Bracket |
| 3 | 10101943 1/2-13 x 1-1/2" Bolt |
| 4 | 10100674 1/2" Flat Washer |
| 5 | 10100675 1/2" Split Lock Washer |
| 6 | 10101941 1/2" Hex Nut |
| 7 | 10101166 Heat Exchanger Protective Grate |
| 8 | 10TTAHP16005 Aftercooler Assembly |
| 9 | 10101059 3/8-16 x 1-1/4" Bolt |
| 10 | 10101942 3/8" Flat Washer |
| 11 | 10L805015 3/8" Lock Washer |
| 12 | 10101938 3/8" Hex Nut |
| 13 | - Inlet Hose Assembly |
| 14 | 10101034 3" NPT Galvanized Pipe Plug |
| 15 | 10101002 1/2" x 1" NPT Reducing Elbow |
| 16 | 1011902 1-1/4" NPT Plug |
| 17 | 1011801 1" NPT Street Elbow |
| 18 | 1011812 1" (M) x 1/2" (F) NPT Bushing |



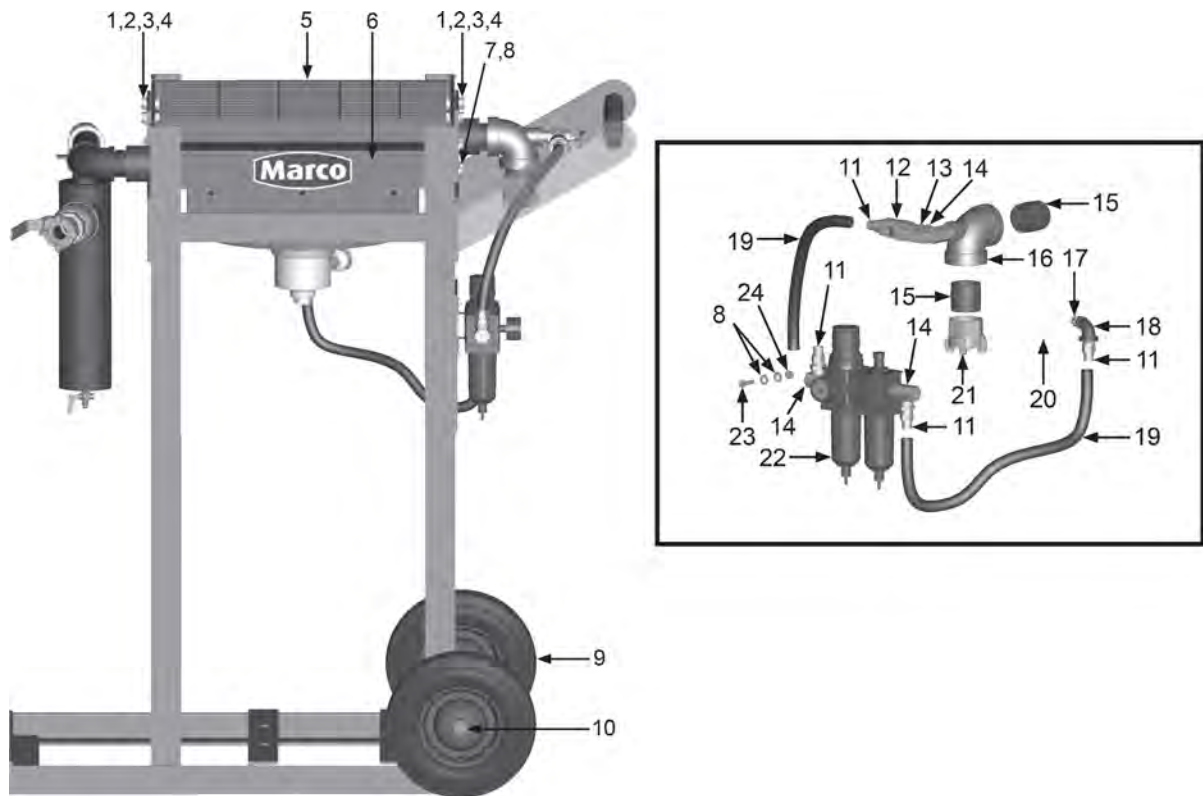
| Part # | Description |
|--------|------------------------------------------|
| 19 | 10101064 1" x 12" NPT Pipe Nipple |
| 20 | 1011601 1" NPT Full Port Ball Valve |
| 21 | 10101800 Aftercooler Exhaust Muffler |
| 22 | 1012151 1" NPT Close Nipple |
| 23 | 10SFE2 1" NPT Swivel Hose End (F) |
| 24 | 10AH100 1" I.D. Air Hose (Per Foot) |
| 25 | 10L363 1/2" NPT Full Port Ball Valve |
| 26 | 10AH012 1/2" I.D. Air Hose (Per Foot) |
| 27 | 10PAF050 1/2" Push-on Hose Fitting |
| 28 | 10SAP1290 1/2" 90° Swivel |
| 29 | 20100677 Nipple |
| 30 | 10AHCL1 Band Clamp |
| 31 | 1011818 1/2" x 1/4" Galvanized Bushing |
| 32 | 1011824 1/4" Street Elbow |
| 33 | 1017019 Hex Nipple 1/4" x 1/4" |
| 34 | 1080050 1/4" Ball Valve |
| 35 | - Transfer Hose Assembly |



| Part # | Description |
|--------|---------------------------------------------------------------------|
| 1 | 10101943 1/2-13 x 1-3/4" Hex Bolt |
| 2 | 10100674 1/2" Flat Washer |
| 3 | 10100675 1/2" Split Lock Washer |
| 4 | 10101941 1/2-13 Hex Nut |
| 5 | 10101334 250 CFM Aftercooler Protective Grate |
| 6 | 10AKGCC2001 250 CFM Aftercooler—Electric |
| 7 | 1014015 1-1/2" NPT Close Nipple |
| 8 | 1011842 1-1/2" NPT 90° Elbow |
| 9 | 10ME4 1-1/2" Four-Lug Air Fitting |
| 10 | 10106878 M8 x 1.25 x 20MM HHCS Zinc |
| 11 | 1014017 1/4" Flat Washer |
| 12 | 1030025 Cord Clamp |
| 13 | 10101356 10-24 Nylon Lock Nut |
| 14 | 10101355 10-24 x 3/4" Screw |
| 15 | 10101760 115-Volt AC Motor Starter Box – Single Phase |
| 16 | 1006067 Wheel |
| 17 | 1006211 Wheel Clip |
| 18 | 10101323 Frame |
| - | 10101314 1-1/4" Junior Extractor Moisture Separator |

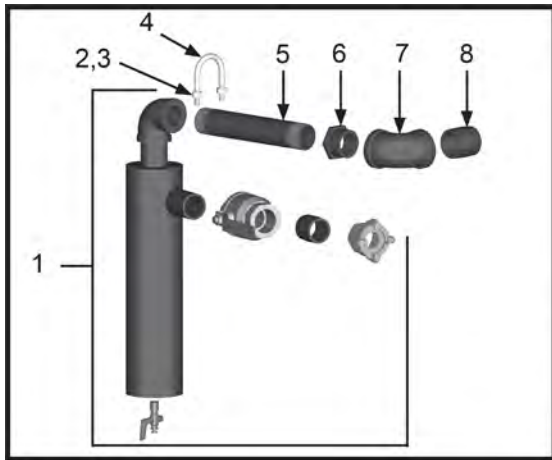
Moisture Management • Cart-Mounted Aftercoolers

250 CFM (Pneumatic)



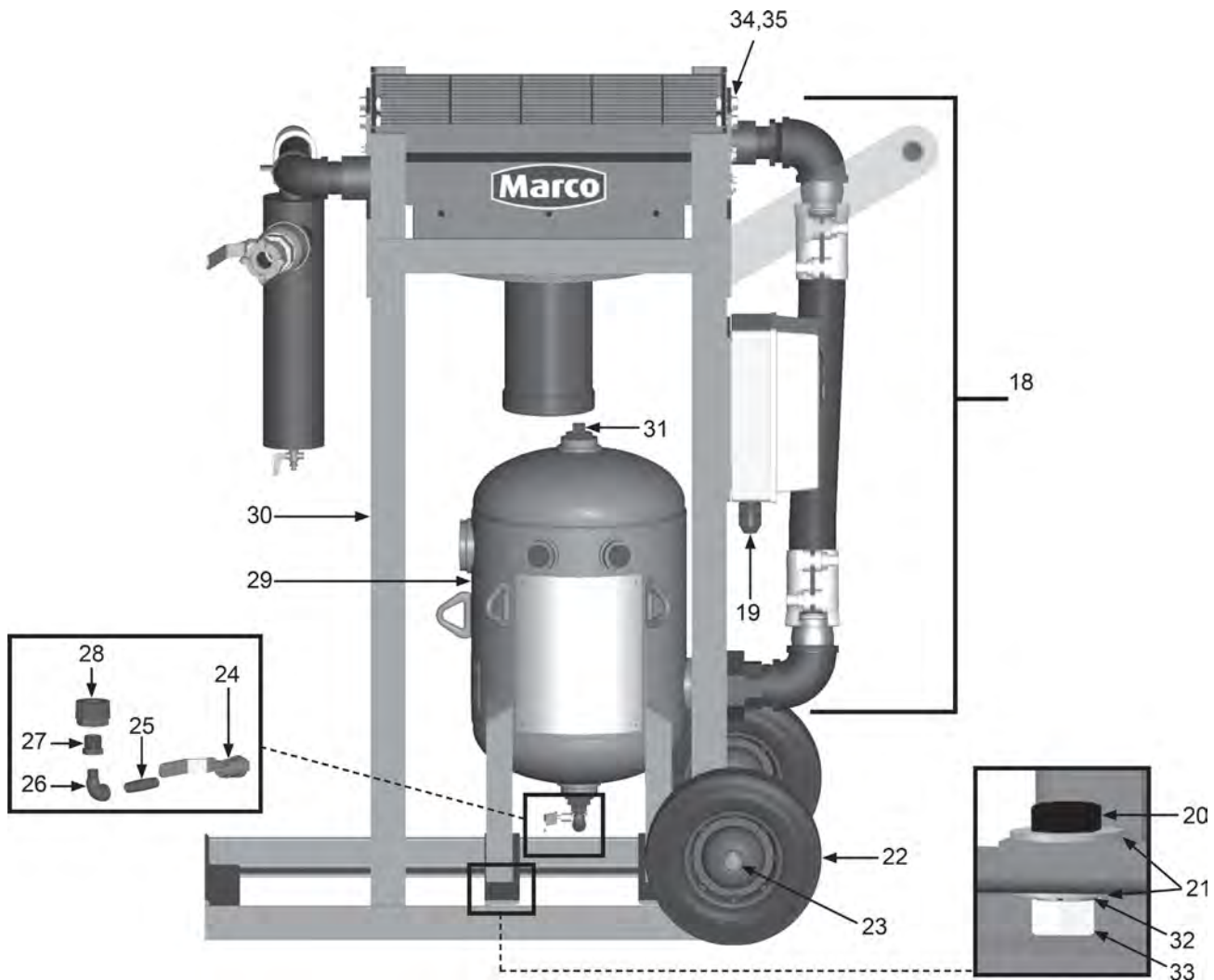
| Part # | Description |
|--------|--------------------------------------------------------------|
| 1 | 10101943 1/2-13 x 1-3/4" Hex Bolt |
| 2 | 10100674 1/2" Flat Washer |
| 3 | 10100675 1/2" Split Lock Washer |
| 4 | 10101941 1/2-13 Hex Nut |
| 5 | 10101334 250 CFM Aftercooler Protective Grate |
| 6 | 10AKGCC2002 250 CFM Aftercooler - Pneumatic |
| 7 | 10106878 M8 x 1.25 x 20MM HHCS Zinc |
| 8 | 1014017 1/4" Flat Washer |
| 9 | 1006067 Wheel |
| 10 | 1006211 Wheel Clip |
| 11 | 10PAF050 1/2" Push-on Air Hose Fitting |
| 12 | 10L363 1/2" NPT Full Port Ball Valve |
| 13 | 20100677 1/2" NPT Hex Nipple |
| 14 | 10SAP1290 1/2" NPT 90° Swivel |
| 15 | 1014015 1-1/2" NPT Close Nipple |
| 16 | 1011828 1-1/2" NPT Elbow with 1/2" Port |
| 17 | 1017019 1/4" NPT Hex Nipple |
| 18 | 10101185 1/2" x 1/4" NPT 90° Elbow |
| 19 | 10AH012 1/2" I.D. Air Hose (Per Foot) |
| 20 | 10101784 Muffler |
| 21 | 10ME4 1-1/2" Four-lug Air Fitting |
| 22 | 10101232 Air Filter / Regulator / Lubricator |
| 23 | 1012154 1/4-20 x 1" Hex Bolt |
| 24 | 10101939 1/4-20 Hex Lock Nut |

Moisture Management • Cart-Mounted Aftercoolers
 250 CFM w/ Moisture Separator (Electric) (1 of 2)



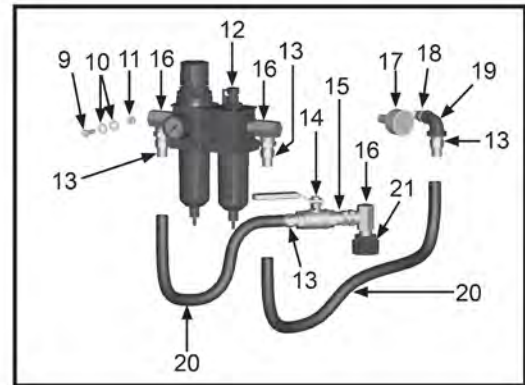
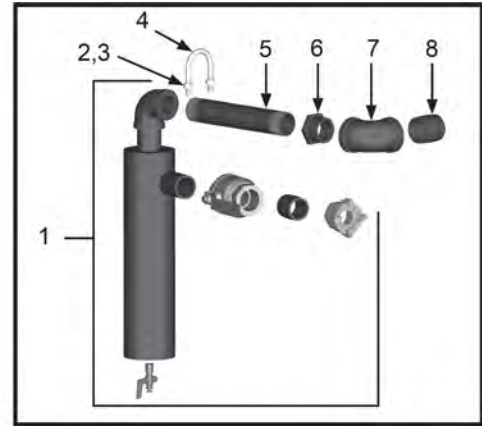
| Part # | Description |
|--------|-----------------------------------------------------|
| 1 | 10101314 1-1/4" Junior Extractor Moisture Separator |
| 2 | 10L805015 3/8" Lock Washer |
| 3 | 10101938 3/8-16 Hex Nut |
| 4 | 10101338 1-1/4" Galvanized U-Bolt |
| 5 | 1006203 1-1/4" x 9-1/2" NPT Nipple |
| 6 | 1011501 1-1/2" to 1-1/4" NPT Bushing |
| 7 | 1011842 1-1/2" NPT 90° Elbow |
| 8 | 1014015 1-1/2" NPT Close Nipple |
| 9 | 10101943 1/2-13 x 1-3/4" Hex Bolt |
| 10 | 10100674 1/2" Flat Washer |
| 11 | 10100675 1/2" Split Lock Washer |
| 12 | 10101941 1/2-13 Hex Nut |
| 13 | 10AKGCC2001 250 CFM Aftercooler - Electric |
| 14 | 10101334 250 CFM Aftercooler Protective Grate |
| 15 | 10101760 115-Volt AC Motor Starter Box—Single Phase |
| 16 | 10101355 10-24 x 3/4" Screw |
| 17 | 10101356 10-24 Nylon Lock Nut |

Moisture Management • Cart-Mounted Aftercoolers
 250 CFM w/ Moisture Separator (Electric) (2 of 2)



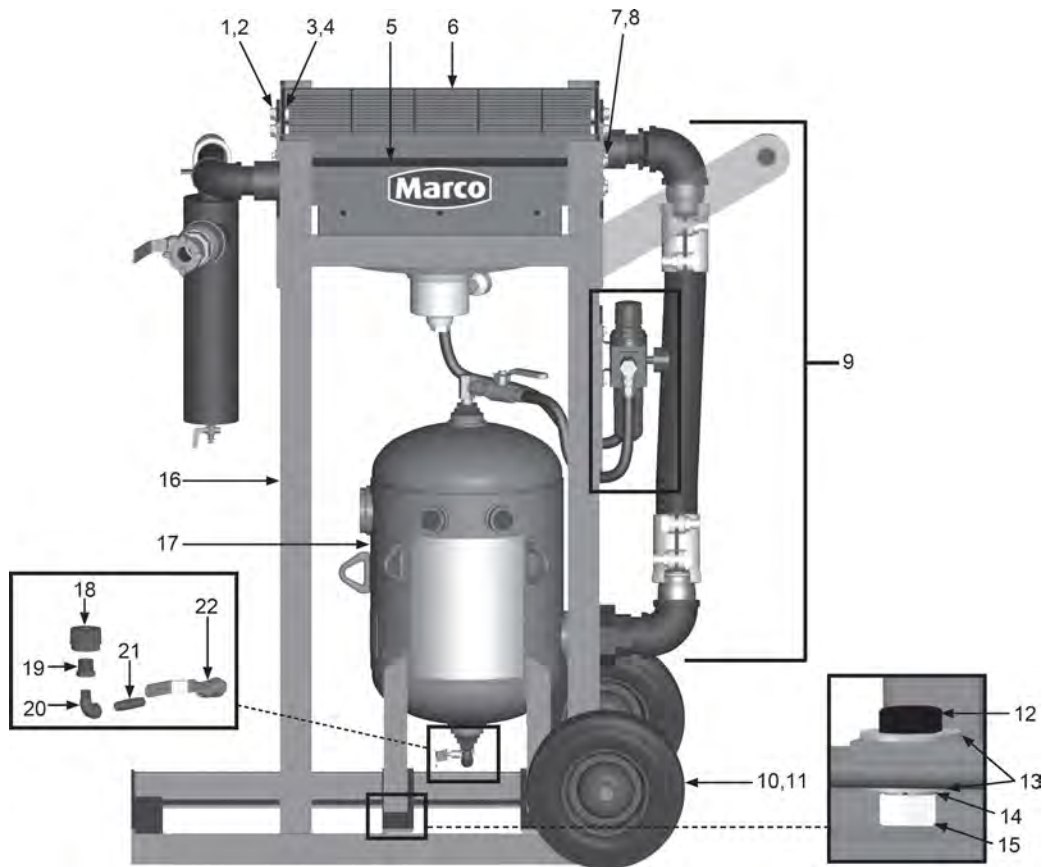
| Part # | Description |
|--------|------------------------------------------|
| 18 | - Transfer Hose Assembly |
| 19 | 1030025 Cord Clamp |
| 20 | 10101059 3/8-6 x 1-1/4" Galvanized Bolt |
| 21 | 10101942 3/8" Galvanized Flat Washer |
| 22 | 1006067 Wheel |
| 23 | 1006211 Wheel Clip |
| 24 | 1080050 1/4" NPT Full Port Ball Valve |
| 25 | 1011217 1/4" x 2" NPT Nipple |
| 26 | 1011824 1/4" NPT 90° Street Elbow |
| 27 | 1011818 1/2" to 1/4" NPT Bushing |
| 28 | 1011820 1-1/4" to 1/2" NPT Bushing |
| 29 | 10101320 Moisture Separator |
| 30 | 10101323 Frame |
| 31 | 1011902 1-1/4" NPT Square Head Pipe Plug |
| 32 | 10L805015 3/8" Lock Washer |
| 33 | 10101938 3/8-16 Hex Nut |
| 34 | 10101757 M8 X 16 X 1.25 Screw |
| 35 | 10101940 5/16" Flat Washer |

Moisture Management • Cart-Mounted Aftercoolers
250 CFM w/ Moisture Separator (Pneumatic) (1 of 2)



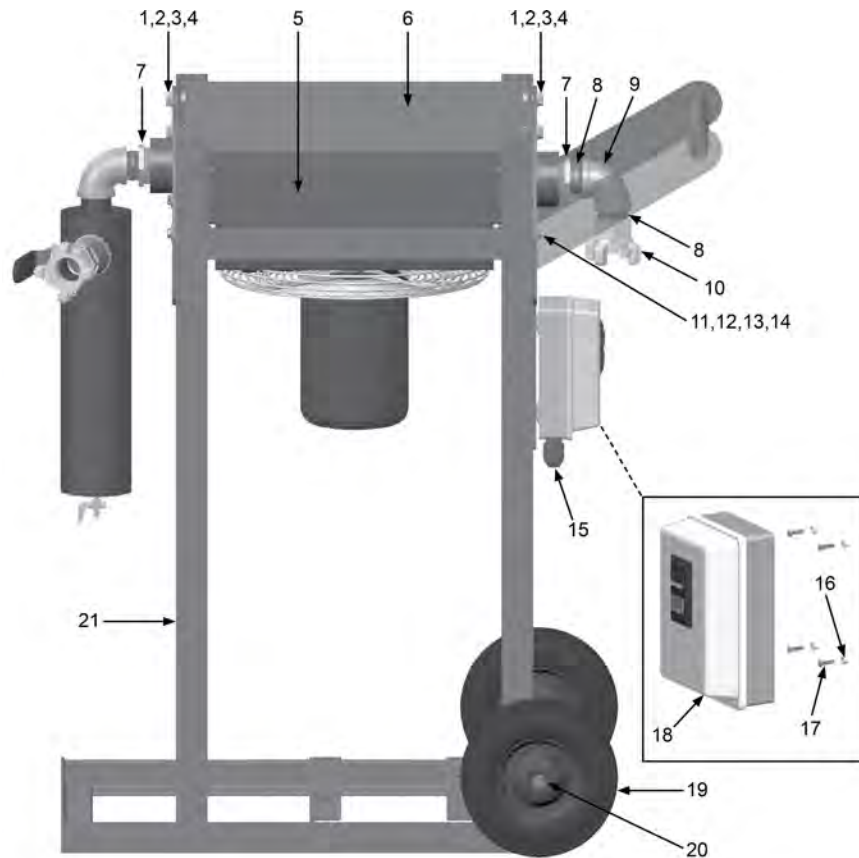
| Part # | Description |
|--------|-----------------------------------------------------|
| 1 | 10101314 1-1/4" Junior Extractor Moisture Separator |
| 2 | 10L805015 3/8" Lock Washer |
| 3 | 10101938 3/8-16 Hex Nut |
| 4 | 10101338 1-1/4" Galvanized U-Bolt |
| 5 | 1006203 1-1/4" x 9-1/2" NPT Nipple |
| 6 | 1011501 1-1/2" to 1-1/4" NPT Bushing |
| 7 | 1011842 1-1/2" NPT 90° Elbow |
| 8 | 1014015 1-1/2" NPT Close Nipple |
| 9 | 10101937 1/4-20 x 1" Hex Bolt |
| 10 | 10101940 1/4" Flat Washer |
| 11 | 10101939 1/4-20 Nylon Insert Lock Nut |
| 12 | 10101232 Air Filter / Regulator / Lubricator |
| 13 | 10PAF050 1/2" Push-on Air Hose Fitting |
| 14 | 10L363 1/2" NPT Full Port Ball Valve |
| 15 | 20100677 1/2" NPT Hex Nipple |
| 16 | 10SAP1290 1/2" NPT 90° Swivel |
| 17 | 10101784 Muffler |
| 18 | 1017019 1/4" NPT Hex Nipple |
| 19 | 10101185 1/2" x 1/4" NPT 90° Elbow |
| 20 | 10AH012 1/2" I.D. Air Hose |
| 21 | 1011820 1-1/4" to 1/2" NPT Bushing |

Moisture Management • Cart-Mounted Aftercoolers
250 CFM w/ Moisture Separator (Pneumatic) (2 of 2)



| Part # | Description |
|--------|-------------------------------------------------------------|
| 1 | 10101943 1/2-13 x 1-3/4" Hex Bolt |
| 2 | 10100674 1/2" Flat Washer |
| 3 | 10100675 1/2" Split Lock Washer |
| 4 | 10101941 1/2-13 Hex Nut |
| 5 | 10AKGCC2002 250 CFM Aftercooler - Pneumatic |
| 6 | 10101334 250 CFM Aftercooler Protective Grate |
| 7 | 10101757 M8 X 16 X 1.25 Screw |
| 8 | 10101940 1/4" Flat Washer |
| 9 | - Transfer Hose Assembly |
| 10 | 1006067 Wheel |
| 11 | 1006211 Wheel Clip |
| 12 | 10101059 3/8-6 x 1-1/4" Galvanized Bolt |
| 13 | 10101942 3/8" Galvanized Flat Washer |
| 14 | 10L805015 3/8" Lock Washer |
| 15 | 10101938 3/8-16 Hex Nut |
| 16 | 10101323 Frame |
| 17 | 10101320 Moisture Separator |
| 18 | 1011820 1-1/4" to 1/2" NPT Bushing |
| 19 | 1011818 1/2" to 1/4" NPT Bushing |
| 20 | 1011824 1/4" NPT 90° Street Elbow |
| 21 | 1011217 1/4" x 2" NPT Nipple |
| 22 | 1080050 1/4" NPT Full Port Ball Valve |

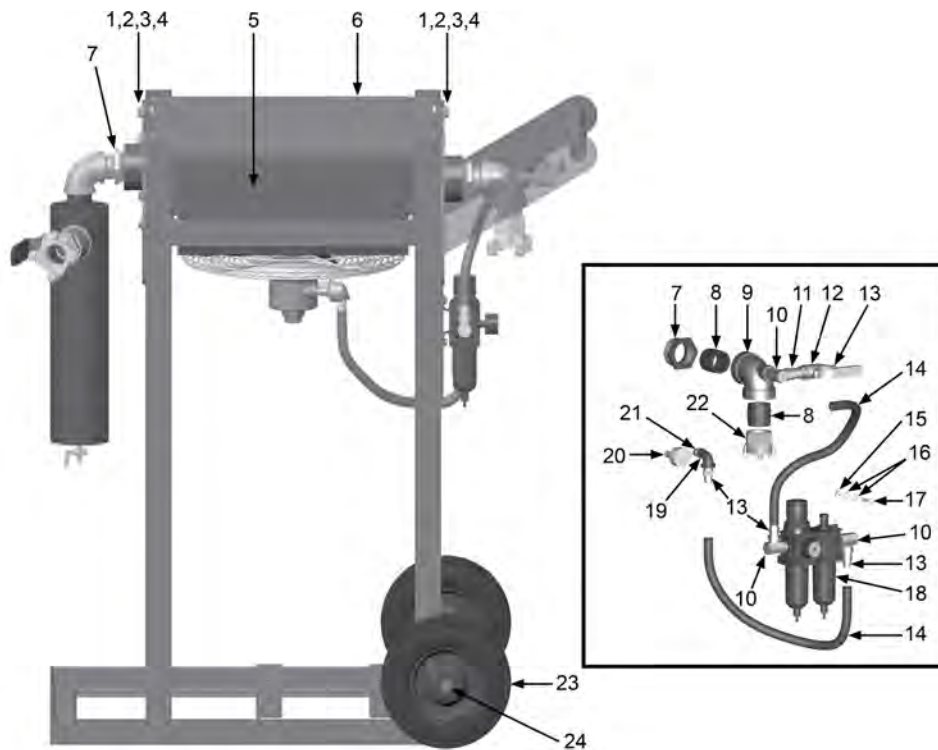
400 CFM (Electric)



| Part # | Description |
|--------|--------------------------------------------------------------|
| 1 | 10101943 1/2-13 x 1-3/4" Hex Bolt |
| 2 | 10100674 1/2" Flat Washer |
| 3 | 10100675 1/2" Split Lock Washer |
| 4 | 10101941 1/2-13 Hex Nut |
| 5 | 10TTAHP4002 400 CFM Aftercooler |
| 6 | 10101271 400 CFM Aftercooler Protective Grate |
| 7 | 1001868 2" x 1-1/2" NPT Bushing |
| 8 | 1014015 1-1/2" NPT Close Nipple |
| 9 | 1011842 1-1/2" NPT 90° Elbow |
| 10 | 10ME4 1-1/2" NPT Four-Lug Air Fitting |
| 11 | 10101059 3/8-16 x 1-1/4" Hex Bolt |
| 12 | 10101942 3/8" Flat Washer |
| 13 | 10L805015 3/8" Lock Washer |
| 14 | 10101938 3/8-16 Hex Nut |
| 15 | 1030025 Cord Clamp |
| 16 | 10101356 10-24 Nylon Lock Nut |
| 17 | 10101355 10-24 x 3/4" Screw |
| 18 | 10101760 115-Volt AC Motor Starter Box – Single Phase |
| 19 | 1006067 Wheel |
| 20 | 1006211 Wheel Clip |
| 21 | 10101733 Frame |
| - | 10101313 1-1/2" Extractor Moisture Separator |

Moisture Management • Cart-Mounted Aftercoolers

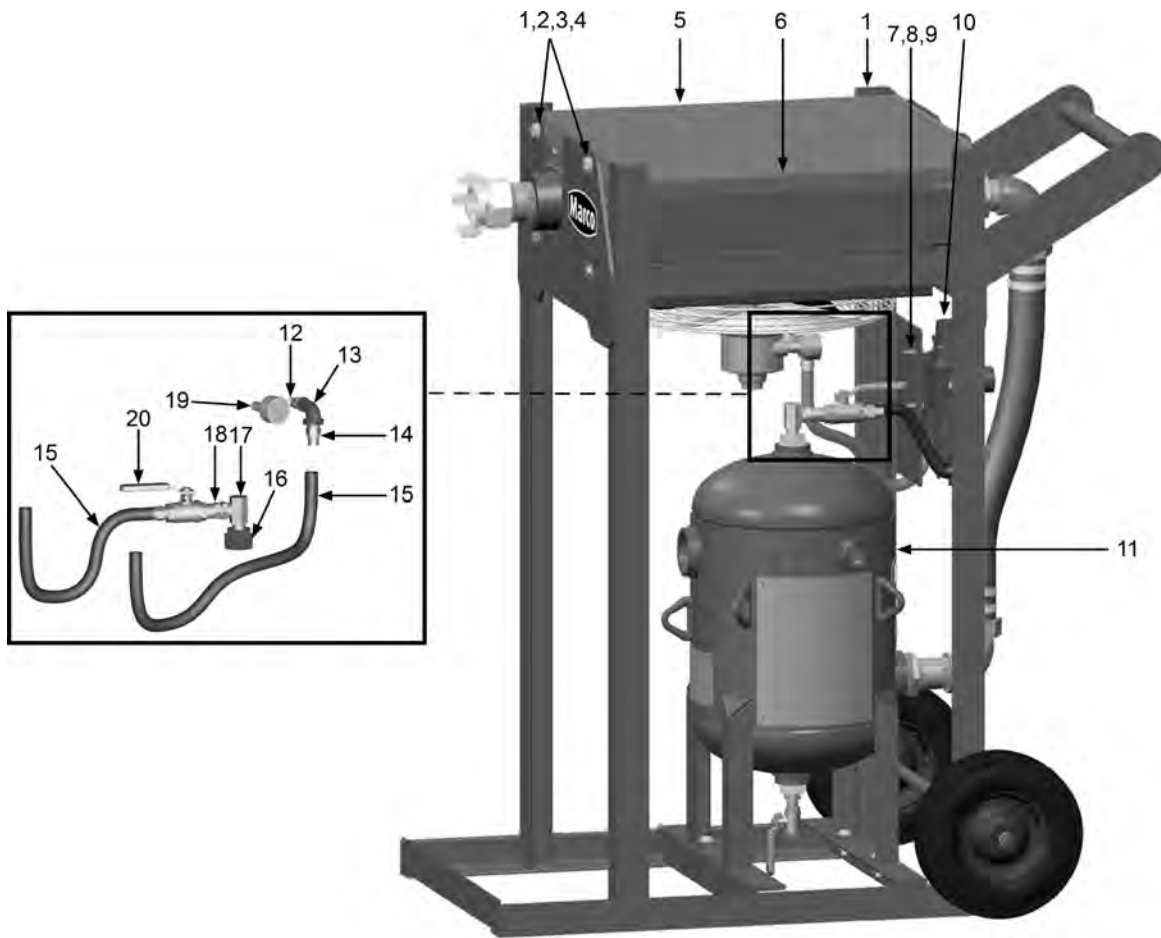
400 CFM (Pneumatic)



| Part # | Description |
|--------|--------------------------------------------------------------|
| 1 | 10101943 1/2-13 x 1-3/4" Hex Bolt |
| 2 | 10100674 1/2" Flat Washer |
| 3 | 10100675 1/2" Split Lock Washer |
| 4 | 10101941 1/2-13 Hex Nut |
| 5 | 10TTAHP4005 400 CFM Aftercooler |
| 6 | 10101271 400 CFM Aftercooler Protective Grate |
| 7 | 1001868 2" x 1-1/2" NPT Bushing |
| 8 | 1014015 1-1/2" NPT Close Nipple |
| 9 | 1011828 1-1/2" NPT 90° Elbow with 1/2" Port |
| 10 | 10SAP1290 1/2" NPT 90° Swivel |
| 11 | 20100677 1/2" NPT Hex Nipple |
| 12 | 10L363 1/2" NPT Full Port Ball Valve |
| 13 | 10PAF050 1/2" Push-on Air Hose Fitting |
| 14 | 10AH012 1/2" I.D. Air Hose (per foot) |
| 15 | 10101939 1/4-20 Hex Nylon Lock Nut |
| 16 | 10101940 1/4" Flat Washer |
| 17 | 10101937 1/4-20 x 1" Hex Bolt |
| 18 | 10101232 Air Filter / Regulator / Lubricator |
| 19 | 10101185 1/2" x 1/4" Reducing Elbow |
| 20 | 10101784 Muffler |
| 21 | 1017019 1/4" NPT Hex Nipple |
| 22 | 10ME4 1-1/2" NPT Four-Lug Air Fitting |
| 23 | 1006067 Wheel |
| 24 | 1006211 Wheel Clip |
| - | 10101313 1-1/2" Extractor Moisture Separator |

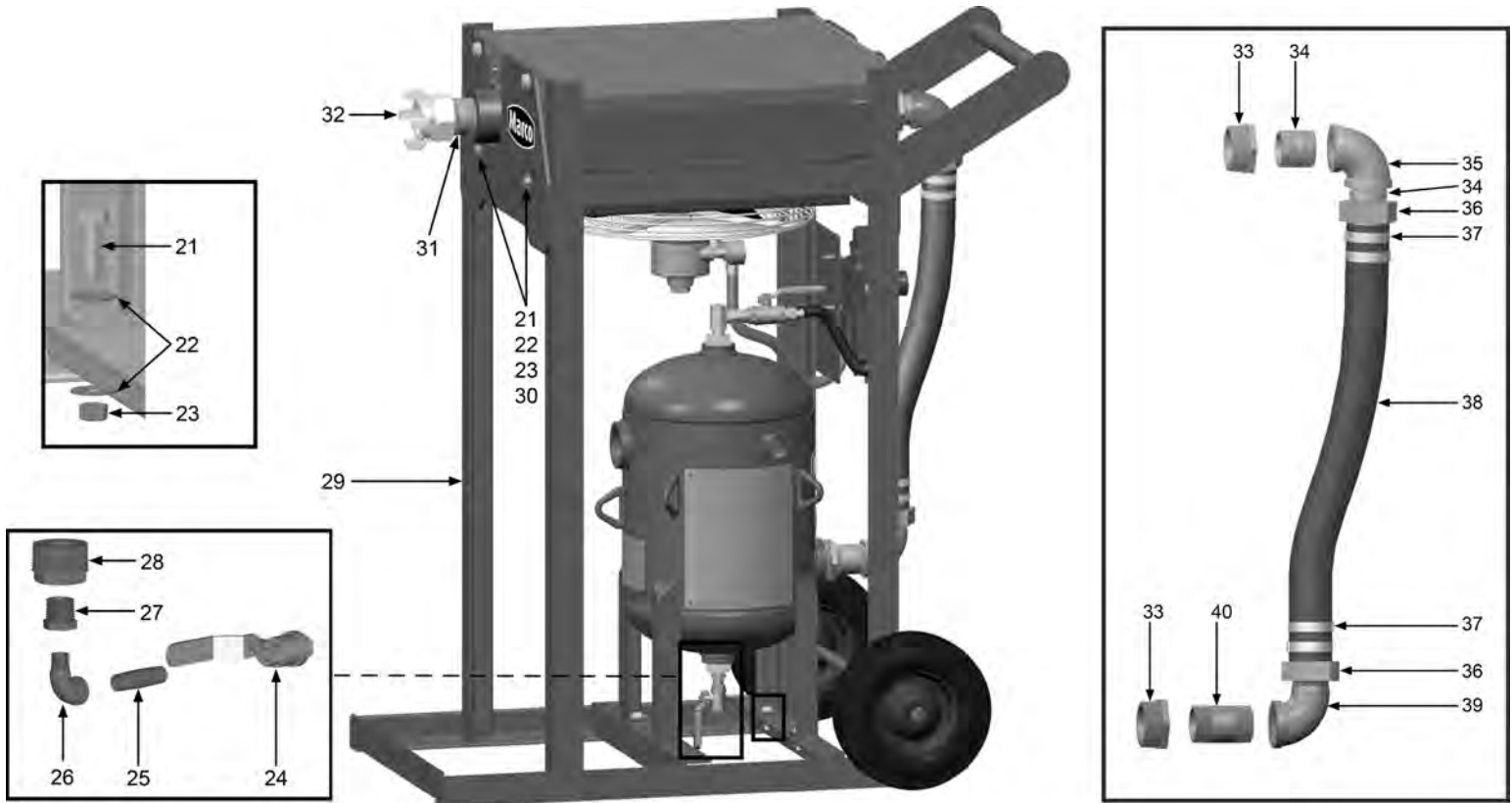
Moisture Management • Cart-Mounted Aftercoolers

400 CFM w/ Moisture Separator (1 of 2)



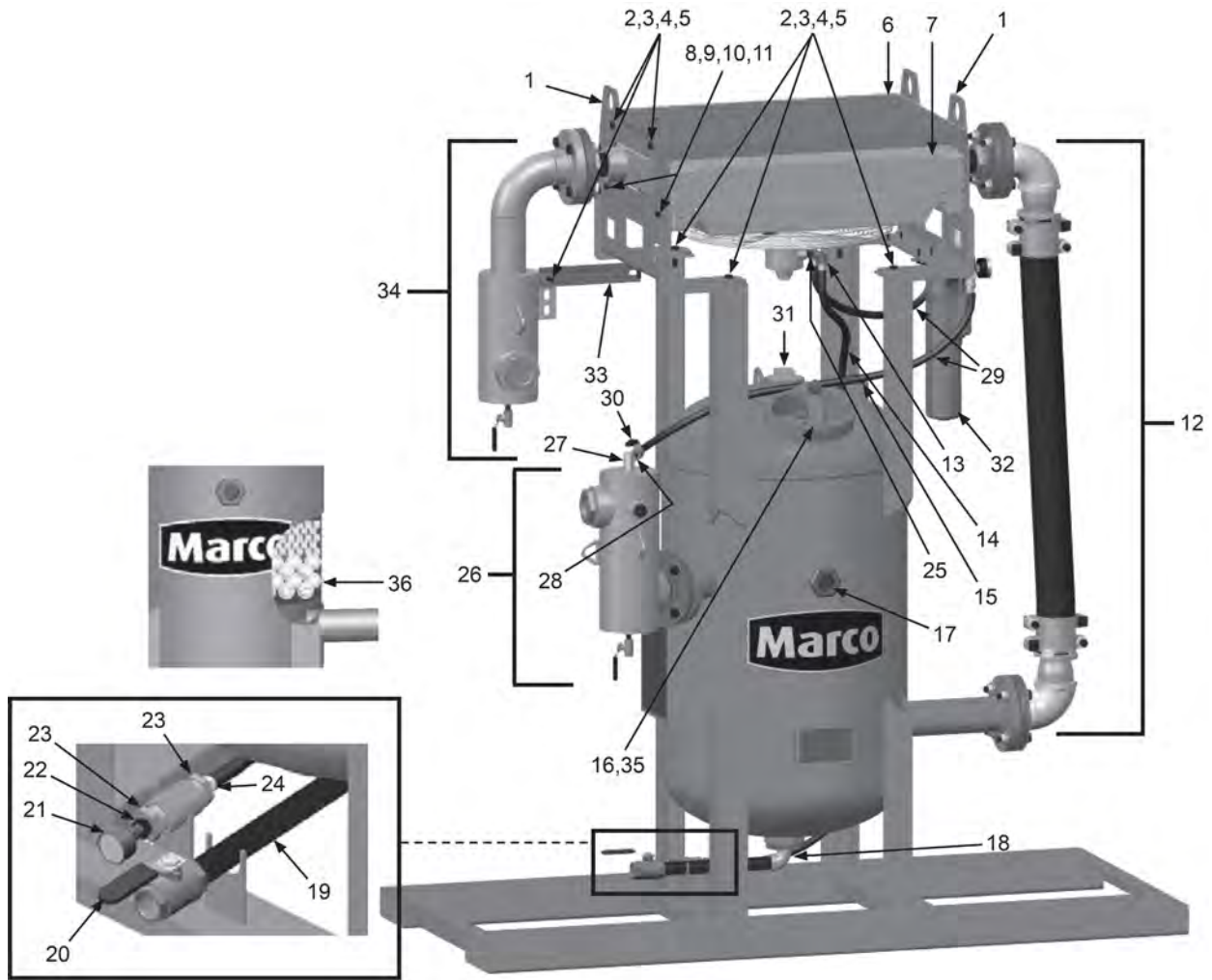
| Part # | Description |
|--------|--------------------------------------------------------------|
| 1 | 1014021 1/2-13 x 1-3/4" Hex Bolt |
| 2 | 10100674 1/2" Flat Washer |
| 3 | 10100675 1/2" Lock Washer |
| 4 | 1014022 1/2-13 Hex Nut |
| 5 | 10101271 Heat Exchanger Protective Grate |
| 6 | 10TTAHP4005 400 CFM Aftercooler |
| 7 | 10101939 1/4" Nylon Insert Lock Nut |
| 8 | 10101940 1/4" Flat Washer |
| 9 | 10101937 1/4-20 X 1" Bolt |
| 10 | 10101232 Air Filter / Regulator / Lubricator |
| 11 | 10101320 6-Outlet Moisture Separator Tank |
| 12 | 1017019 1/4" NPT Hex Nipple |
| 13 | 10101185 1/2" x 1/4" NPT 90° Reducing Elbow |
| 14 | 10PAF050 1/2" Push-on Air Hose Fitting |
| 15 | 10AH012 1/2" I.D. Air Hose (Per Foot) |
| 16 | 1011820 1-1/4" x 1/2" NPT Bushing |
| 17 | 10SAP1290 1/2" NPT 90° Swivel |
| 18 | 20G158491 1/2" x 1/2" Nipple |
| 19 | 10101784 Aftercooler Muffler |
| 20 | 10L363 1/2" Full Port Ball Valve |

Moisture Management • Cart-Mounted Aftercoolers
400 CFM w/ Moisture Separator (2 of 2)

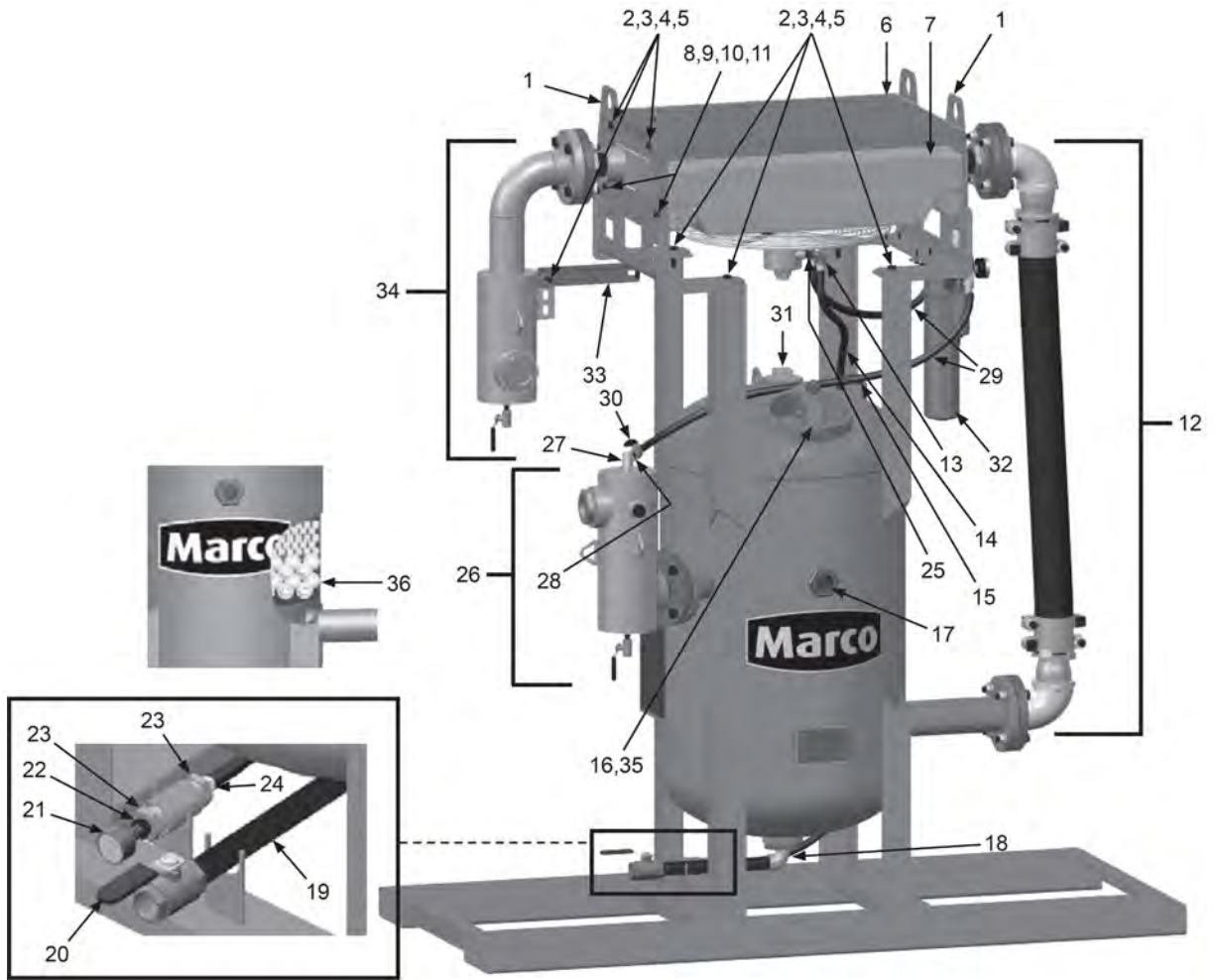


| Part # | Description |
|--------|---------------------------------------------------|
| 21 | 10101059 3/8-6 x 1-1/4" Galvanized Bolt |
| 22 | 10101942 3/8" Galvanized Flat Washer |
| 23 | 10101938 3/8-16 Galvanized Hex Nut |
| 24 | 1080050 1/4" NPT Full Port Ball Valve |
| 25 | 1011217 1/4" x 2" NPT Nipple |
| 26 | 1011824 1/4" NPT 90° Street Elbow |
| 27 | 1011818 1/2" x 1/4" NPT Bushing |
| 28 | 1011820 1-1/4" x 1/2" NPT Bushing |
| 29 | 10101733 Aftercooler Frame |
| 30 | 10L805015 3/8" Galvanized Lock Washer |
| 31 | 1001806 2" Galvanized Close Nipple |
| 32 | 10ME5 2" 4-Lug Female Threaded Metal End Coupling |
| 33 | 1001868 2" x 1-1/2" Galvanized Hex Bushing |
| 34 | 1014015 1-1/2" Galvanized Close Nipped |
| 35 | 1011842 1-1/2" 90° Galvanized Elbow |
| 36 | 10SFE4 1-1/2" Female Swivel End |
| 37 | 10AHCL3 Band Clamp for 1-1/2" I.D. Air Hose |
| 38 | 10AH112B 1-1/2" I.D. Air Hose |
| 39 | 1011839 1-1/2" 90° Galvanized Street Elbow |
| 40 | 1011203 1-1/2" x 3" Galvanized Nipple |

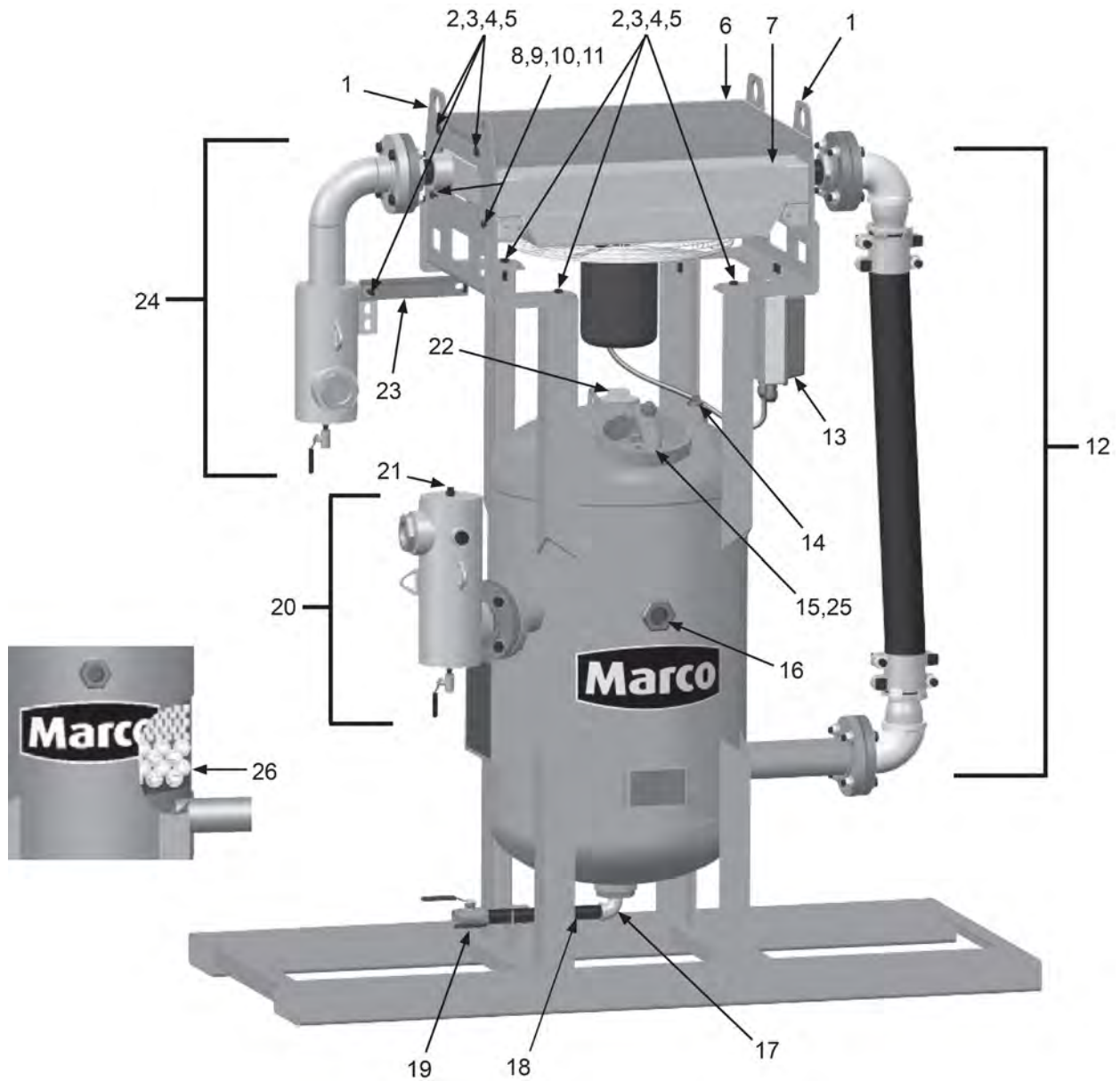
Moisture Management • Air Dryers
750 CFM (Pneumatic) (1 of 2)



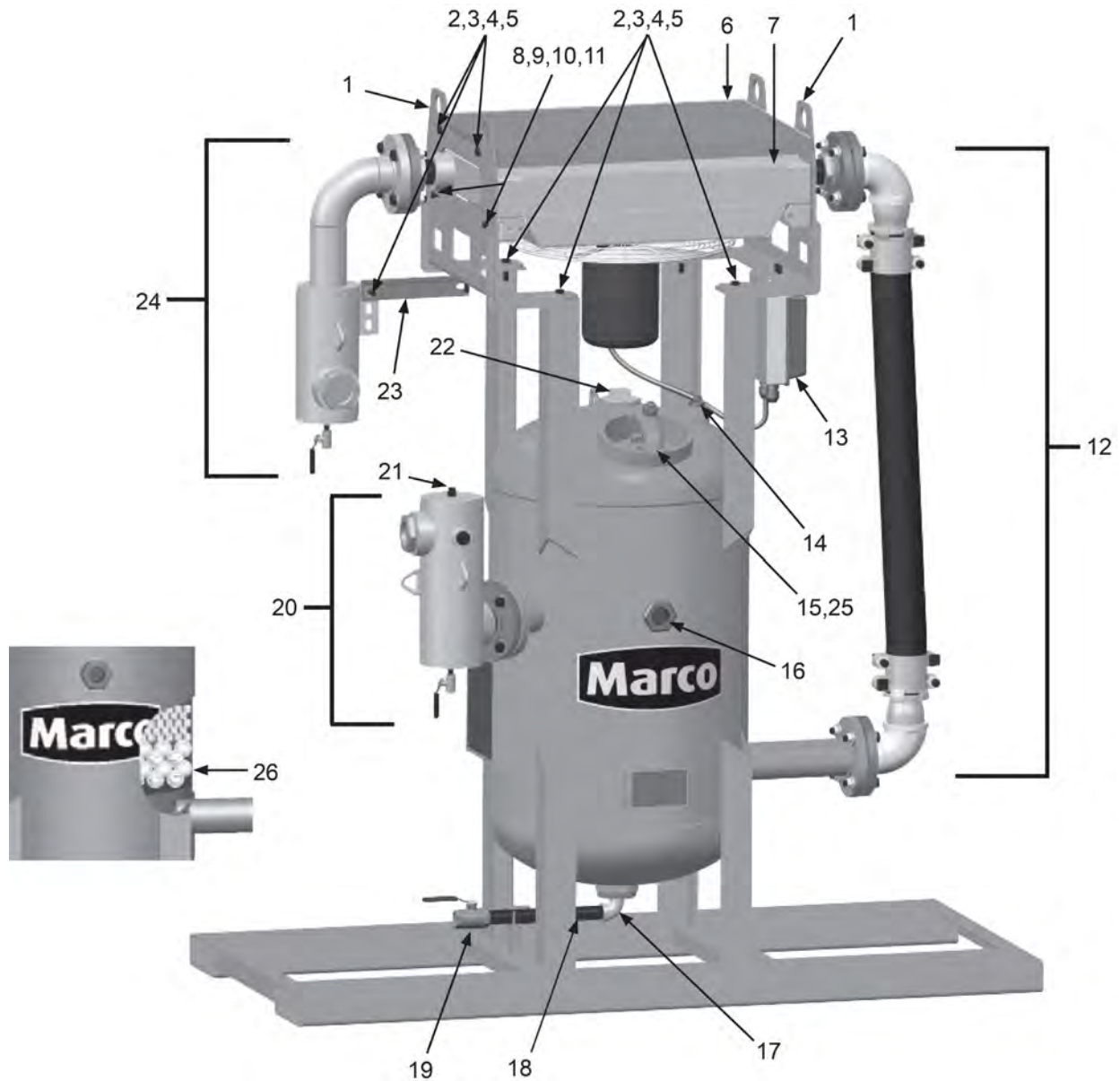
| Part # | Description |
|--------|-------------------------------------------------------------|
| 1 | 10101176 Heat Exchanger Mounting Bracket |
| 2 | 10101943 1/2-13 x 1-3/4" Hex Bolt |
| 3 | 10100674 1/2" Flat Washer |
| 4 | 10100675 1/2" Split Lock Washer |
| 5 | 10101941 1/2" Hex Nut |
| 6 | 10101179 Heat Exchanger Protective Grate |
| 7 | 10TTAHP7255 750 CFM Aftercooler (Pneumatic) |
| 8 | 10101059 3/8-16 x 1-1/4" Bolt |
| 9 | 1014241 3/8" Flat Washer |
| 10 | 10L805015 3/8" Lock Washer |
| 11 | 1012318 3/8 -16 Hex Nut |
| 12 | - Transfer Hose Assembly |
| 13 | 10101185 1/2" x 1/4" 90° Reducing Elbow |
| 14 | 10AH012 1/2" I.D. Air Hose (Per Foot) |
| 15 | 1011902 1-1/4" NPT Plug |
| 16 | 10106105 Inspection Door Assembly |
| 17 | 10101688 2" NPT Sight Glass |
| 18 | 1011801 1" NPT Street Elbow |



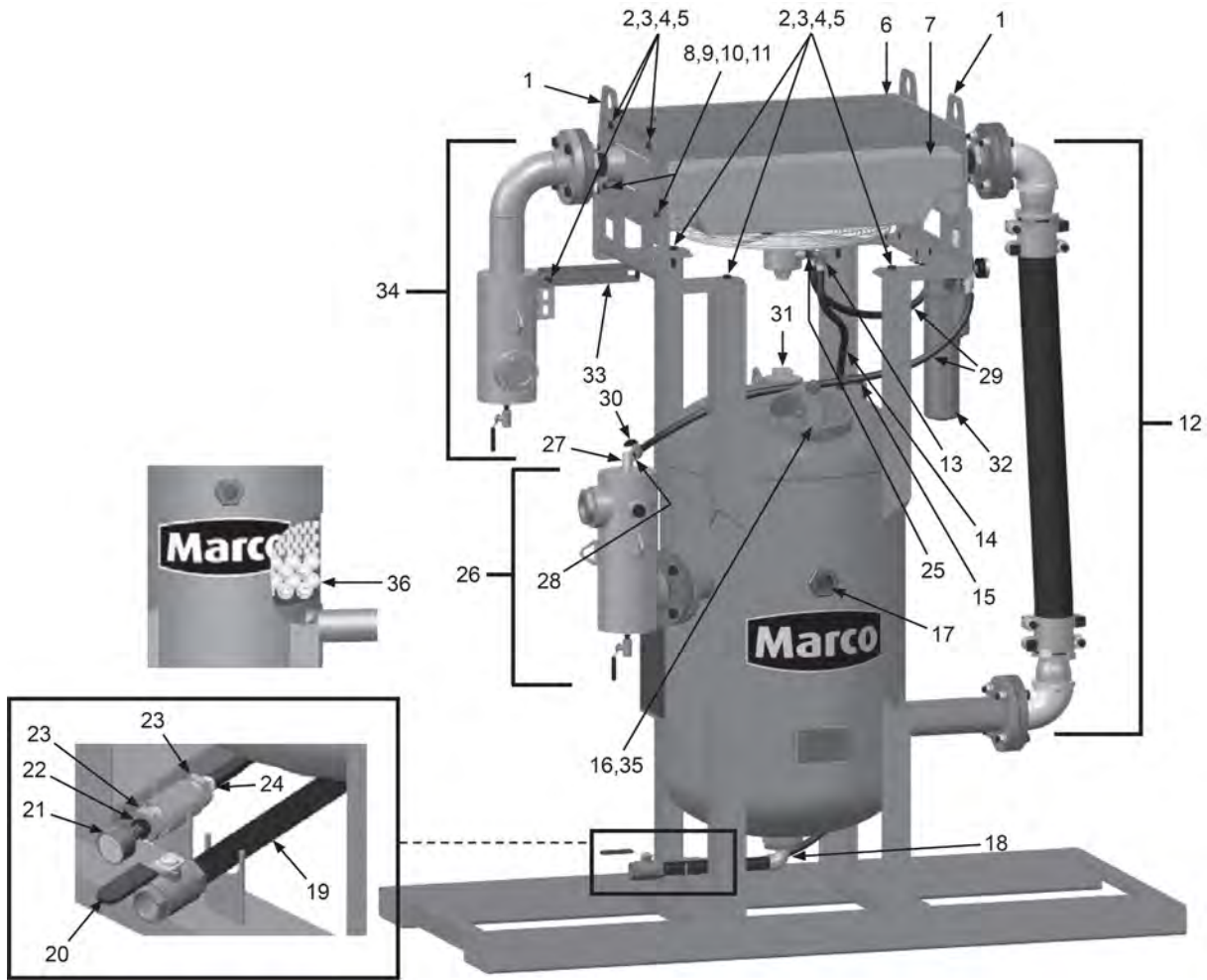
| Part # | Description |
|--------|--------------------------------------------------------------|
| 19 | 10101064 1" X 12" NPT Pipe Nipple |
| 20 | 1011601 1" NPT Full Port Ball Valve |
| 21 | 10101784 Aftercooler Exhaust Muffler |
| 22 | 1011818 1/2" x 1/4" Galvanized Bushing |
| 23 | 1011812 1" Male x 1/2" Female Bushing |
| 24 | 10PAF050 1/2" Push on Air Hose Fitting |
| 25 | 1017019 1/4" x 1/4" Hex Nipple |
| 26 | - Outlet Filter Assembly |
| 27 | 10SAP1290 1/2" 90° Swivel |
| 28 | 20100677 1/2" (F) NPT X 1/2" (F) NPT Nipple |
| 29 | 10AH012 1/2" I.D. Air Hose (Per Foot) |
| 30 | 10L363 Ball Valve |
| 31 | 10101034 3" NPT Galvanized Pipe Plug |
| 32 | 10105890 Air Filter / Regulator / Lubricator |
| 33 | 10101170 Moisture Separator Brace |
| 34 | - Inlet Filter Assembly |
| 35 | 1006201 Inspection Door Gasket |
| 36 | 10103922 Spherical Tower Packing |



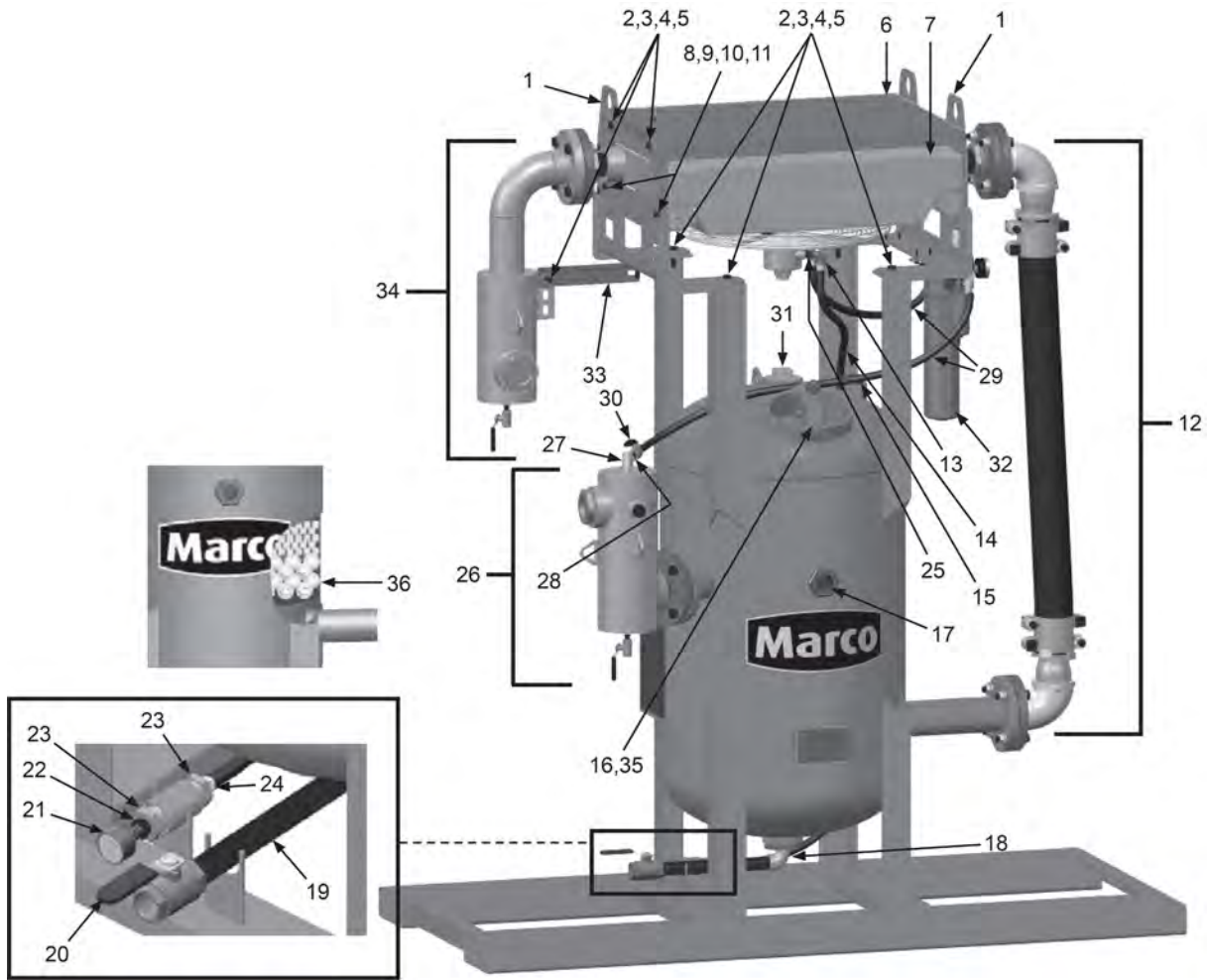
| Part # | Description |
|--------|------------------------------------------------------------|
| 1 | 10101176 Heat Exchanger Mounting Bracket |
| 2 | 10101943 1/2-13 x 1-3/4" Hex Bolt |
| 3 | 10100674 1/2" Flat Washer |
| 4 | 10100675 1/2" Split Lock Washer |
| 5 | 10101941 1/2" Hex Nut |
| 6 | 10101179 Heat Exchanger Protective Grate |
| 7 | 10TTAHP7255 750 CFM Aftercooler (Electric) |
| 8 | 10101059 3/8-16 x 1-1/4" Bolt |
| 9 | 1014241 3/8" Flat Washer |
| 10 | 10L805015 3/8" Lock Washer |
| 11 | 1012318 3/8-16 Hex Nut |
| 12 | - Transfer Hose Assembly |
| 13 | 10101760 115-Volt AC Motor Starter Box – Single Phase |



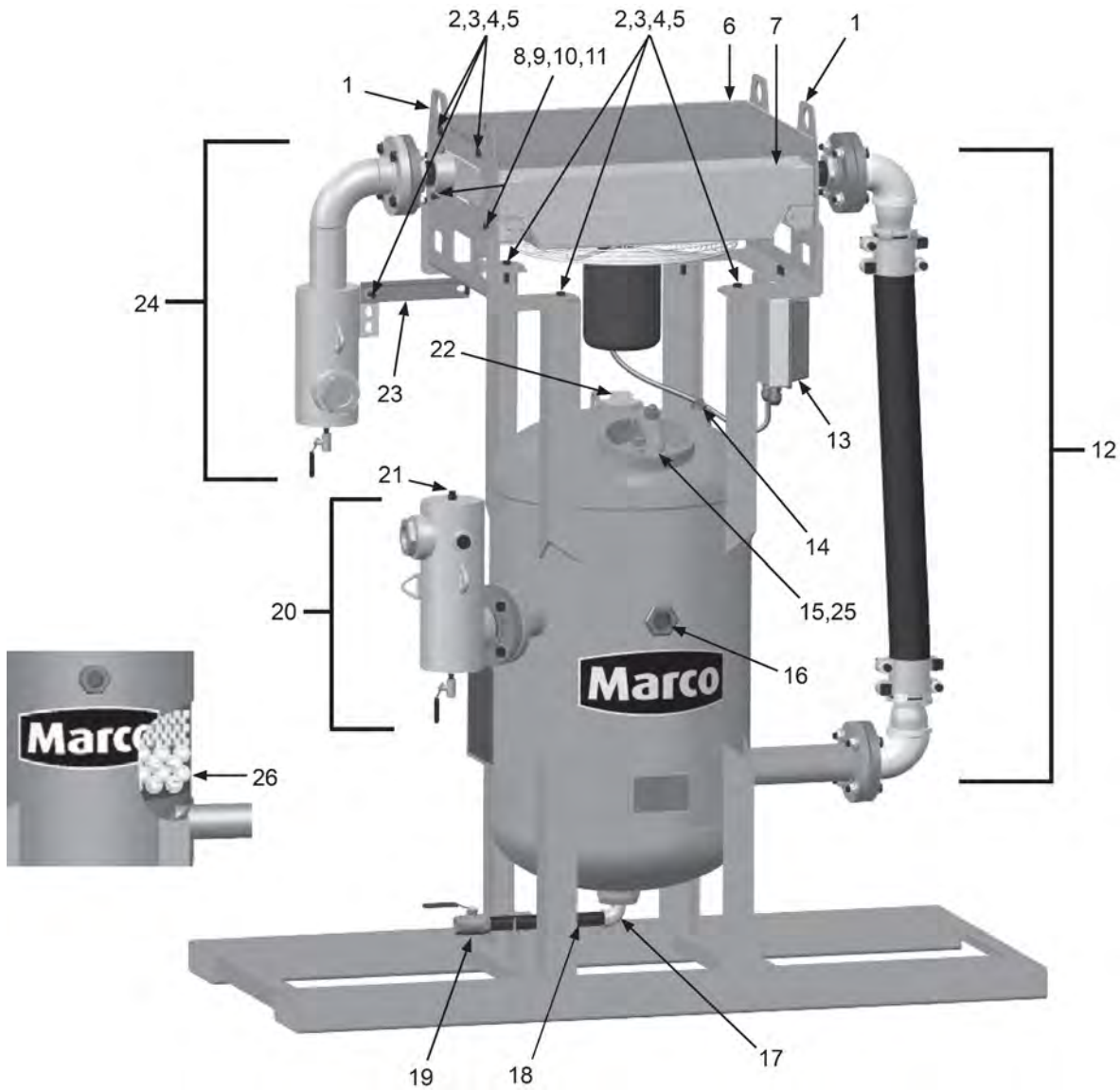
| Part # | Description |
|--------|------------------------------------------|
| 14 | 1011902 1-1/4" NPT Plug |
| 15 | 10106105 Inspection Door Assembly |
| 16 | 10101688 2" NPT Sight Glass |
| 17 | 1011801 1" NPT Street Elbow |
| 18 | 10101064 1" x 12" NPT Pipe Nipple |
| 19 | 1011601 1" NPT Full Port Ball Valve |
| 20 | - Outlet Filter Assembly |
| 21 | 20G100737 1/2" NPT Pipe Plug |
| 22 | 10101034 3" NPT Galvanized Pipe Plug |
| 23 | 10101170 Moisture Separator Brace |
| 24 | - Inlet Filter Assembly |
| 25 | 1006201 Inspection Door Gasket |
| 26 | 10103922 Spherical Tower Packing |



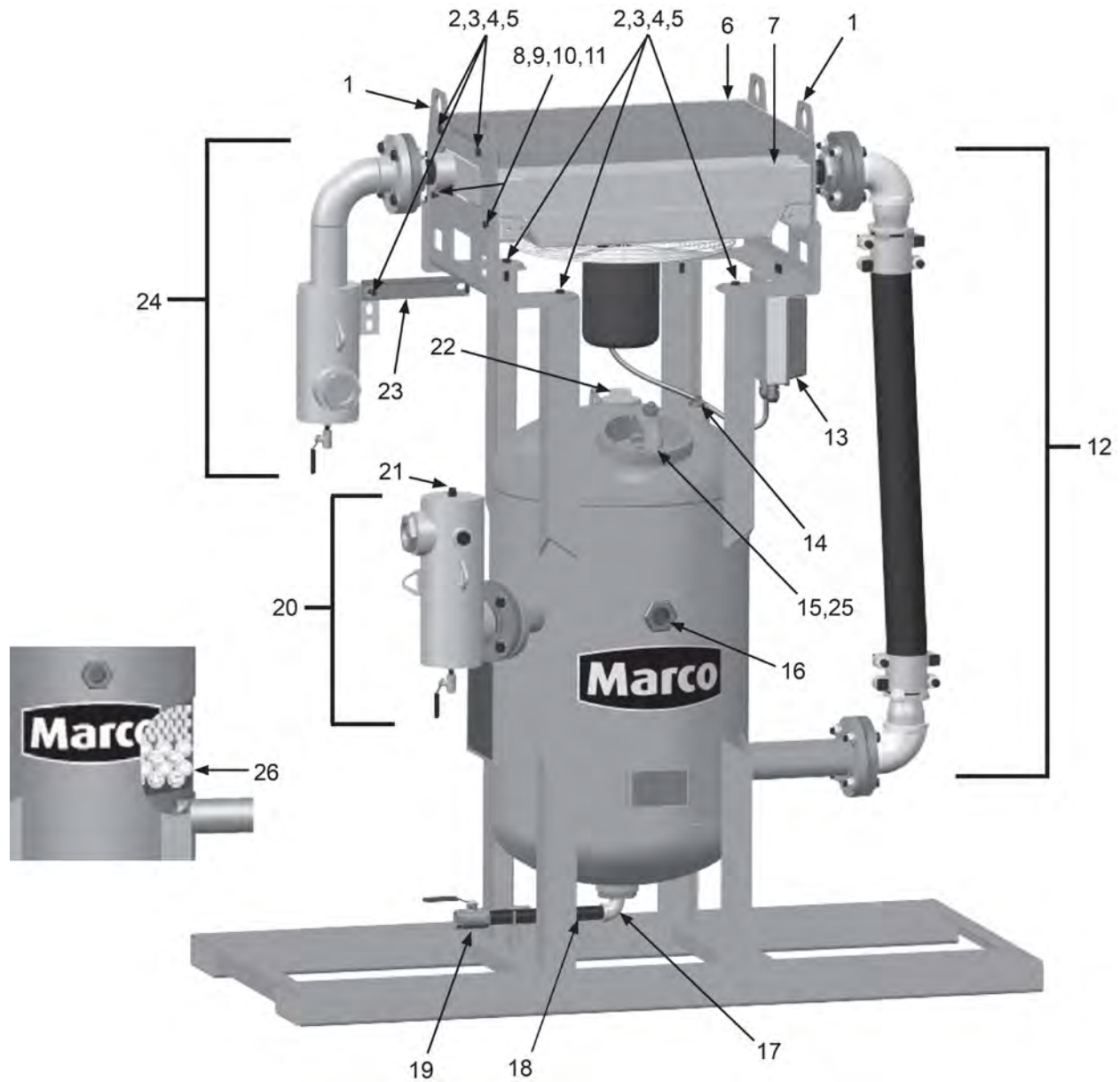
| Part # | Description |
|--------|------------------------------------------|
| 1 | 10101033 Heat Exchanger Mounting Bracket |
| 2 | 1014021 1/2-13 x 1-3/4" Bolt |
| 3 | 10100674 1/2" Flat Washer |
| 4 | 10100675 1/2" Split Lock Washer |
| 5 | 1014022 1/2-13 Hex Nut |
| 6 | 10101036 Heat Exchanger Protective Grate |
| 7 | 10TTAHP9505 Aftercooler Core Assembly |
| 8 | 10101059 3/8-16 x 1-1/4" Bolt |
| 9 | 1014241 3/8" Flat Washer |
| 10 | 10L805015 3/8" Lock Washer |
| 11 | 1012318 3/8 -16 Hex Nut |
| 12 | - Transfer Hose Assembly |
| 13 | 10101002 1/2" x 1" NPT Reducing Elbow |
| 14 | 10AH100 1" I.D. Air Hose (Per Foot) |
| 15 | 1011902 1-1/4" NPT Plug |
| 16 | 10106105 Inspection Door Assembly |
| 17 | 10101688 2" NPT Sight Glass |
| 18 | 1011801 1" NPT Street Elbow |



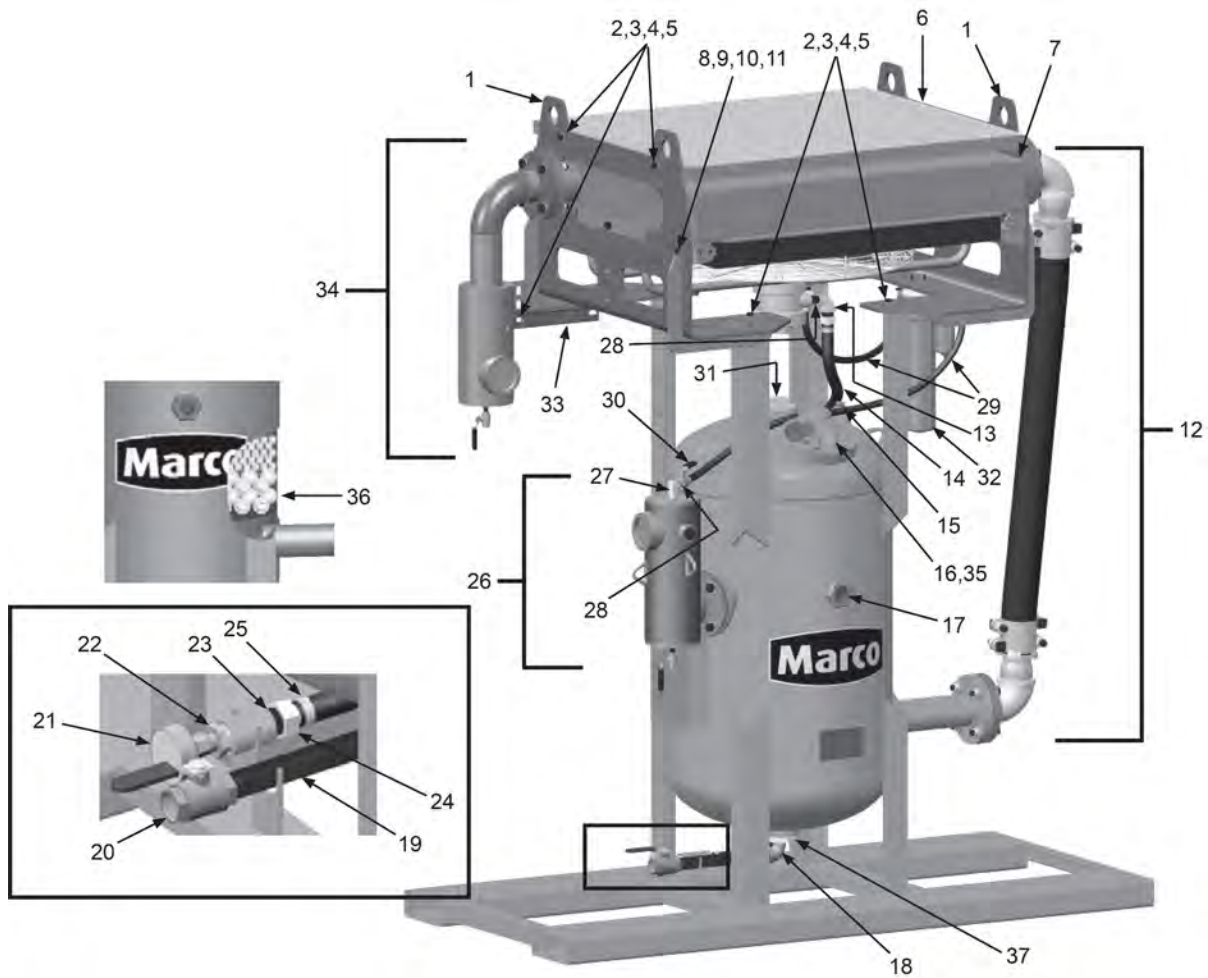
| Part # | Description |
|--------|-----------------------------------------------------------------|
| 19 | 10101064 1" X 12" NPT Pipe Nipple |
| 20 | 1011601 1" NPT Full Port Ball Valve |
| 21 | 10101800 Aftercooler Exhaust Muffler |
| 22 | 1011812 1" Male x 1/2" Female Bushing |
| 23 | 1012151 1" Galvanized Close Nipple |
| 24 | 10SFE2 1" Female Swivel |
| 25 | 20PFHA24SA0808 1/2" Hex Nipple |
| 26 | - Outlet Filter Assembly |
| 27 | 10SAP1290 1/2" 90° Swivel |
| 28 | 20100677 1/2" (F) NPT X 1/2" (F) NPT Nipple |
| 29 | 10AH012 1/2" I.D. Air Hose (Per Foot) |
| 30 | 10L363 Ball Valve |
| 31 | 10101034 3" NPT Galvanized Pipe Plug |
| 32 | 10105890 Air Filter / Regulator / Lubricator |
| 33 | 10101170 Moisture Separator Brace |
| 34 | - Inlet Filter Assembly |
| 35 | 1006201 Inspection Door Gasket |
| 36 | 10103922 Spherical Tower Packing |



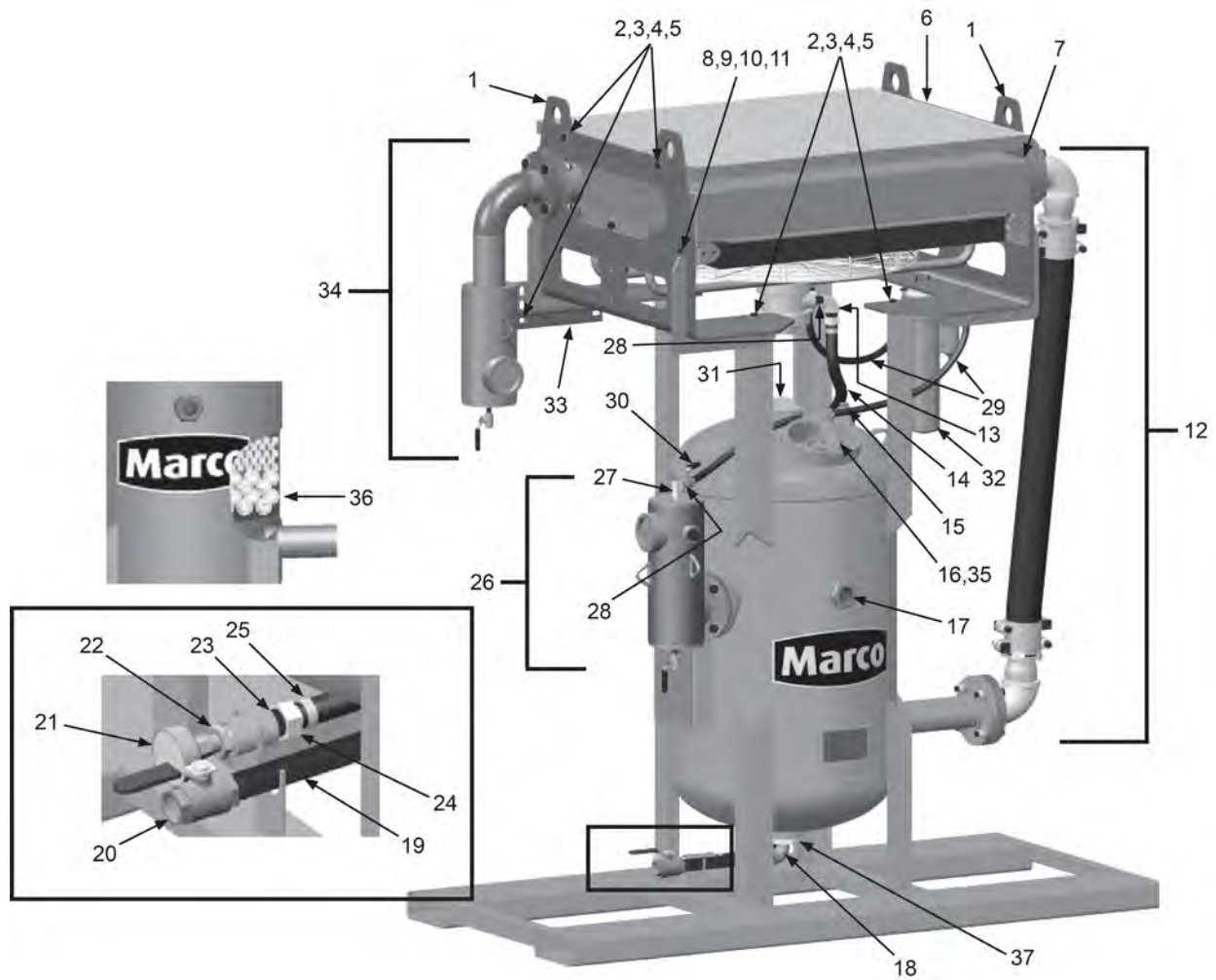
| Part # | Description |
|--------|-------------------------------------------------------|
| 1 | 10101033 Heat Exchanger Mounting Bracket |
| 2 | 1014021 1/2-13 x 1-3/4" Bolt |
| 3 | 10100674 1/2" Flat Washer |
| 4 | 10100675 1/2" Split Lock Washer |
| 5 | 1014022 1/2-13 Hex Nut |
| 6 | 10101036 Heat Exchanger Protective Grate |
| 7 | 10TTAHP9502 Aftercooler Core Assembly |
| 8 | 10101059 3/8-16 x 1-1/4" Bolt |
| 9 | 10101942 3/8" Flat Washer |
| 10 | 10L805015 3/8" Lock Washer |
| 11 | 10101938 3/8" Hex Nut |
| 12 | - Transfer Hose Assembly |
| 13 | 10101760 115-Volt AC Motor Starter Box – Single Phase |



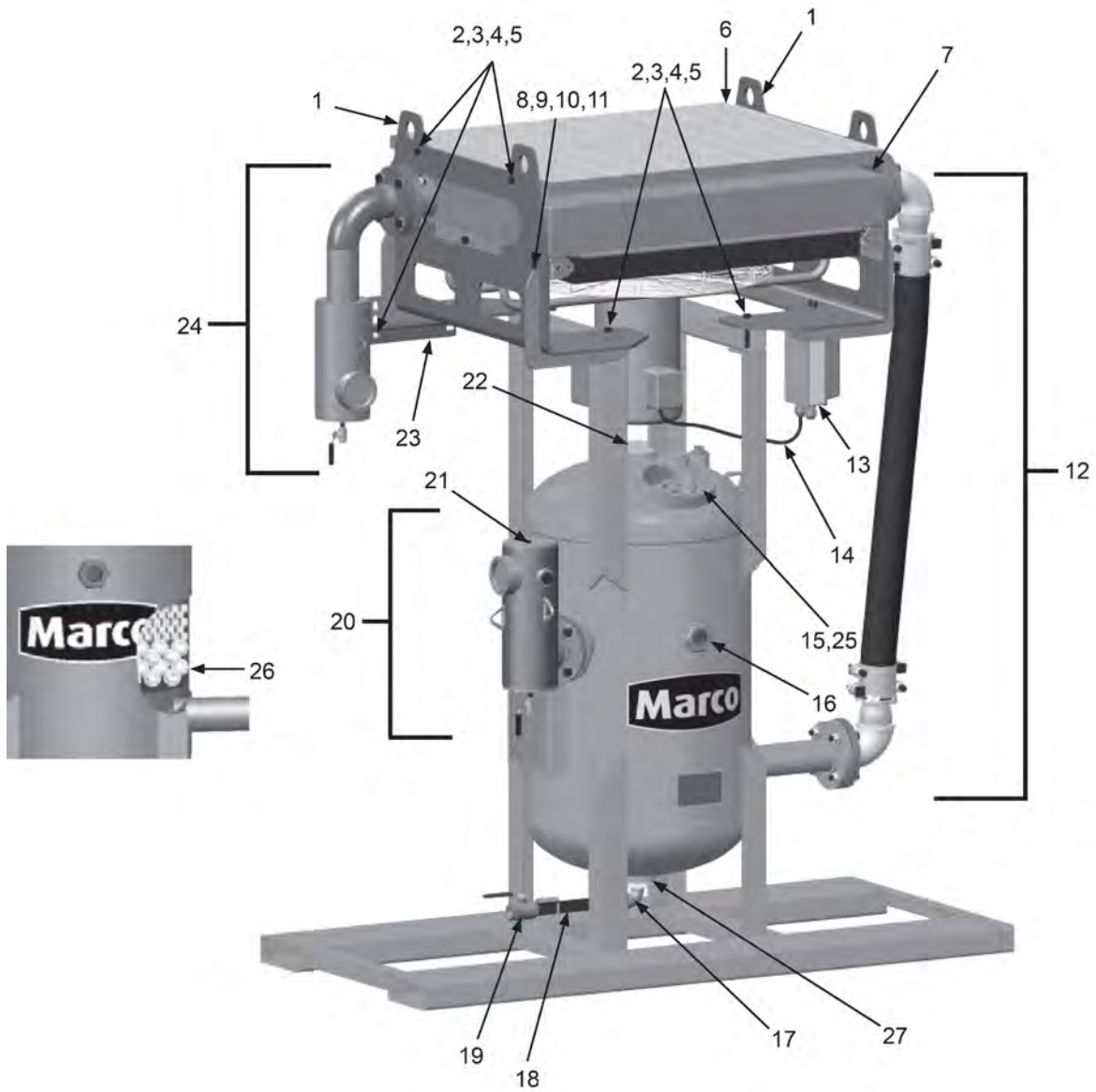
| Part # | Description |
|--------|------------------------------------------|
| 14 | 1011902 1-1/4" NPT Plug |
| 15 | 10106105 Inspection Door Assembly |
| 16 | 10101688 2" NPT Sight Glass |
| 17 | 1011801 1" NPT Street Elbow |
| 18 | 10101064 1" x 12" NPT Pipe Nipple |
| 19 | 1011601 1" NPT Full Port Ball Valve |
| 20 | - Outlet Filter Assembly |
| 21 | 20G100737 1/2" NPT Pipe Plug |
| 22 | 10101034 3" NPT Galvanized Pipe Plug |
| 23 | 10101170 Moisture Separator Brace |
| 24 | - Inlet Filter Assembly |
| 25 | 1006201 Inspection Door Gasket |
| 26 | 10103922 Spherical Tower Packing |



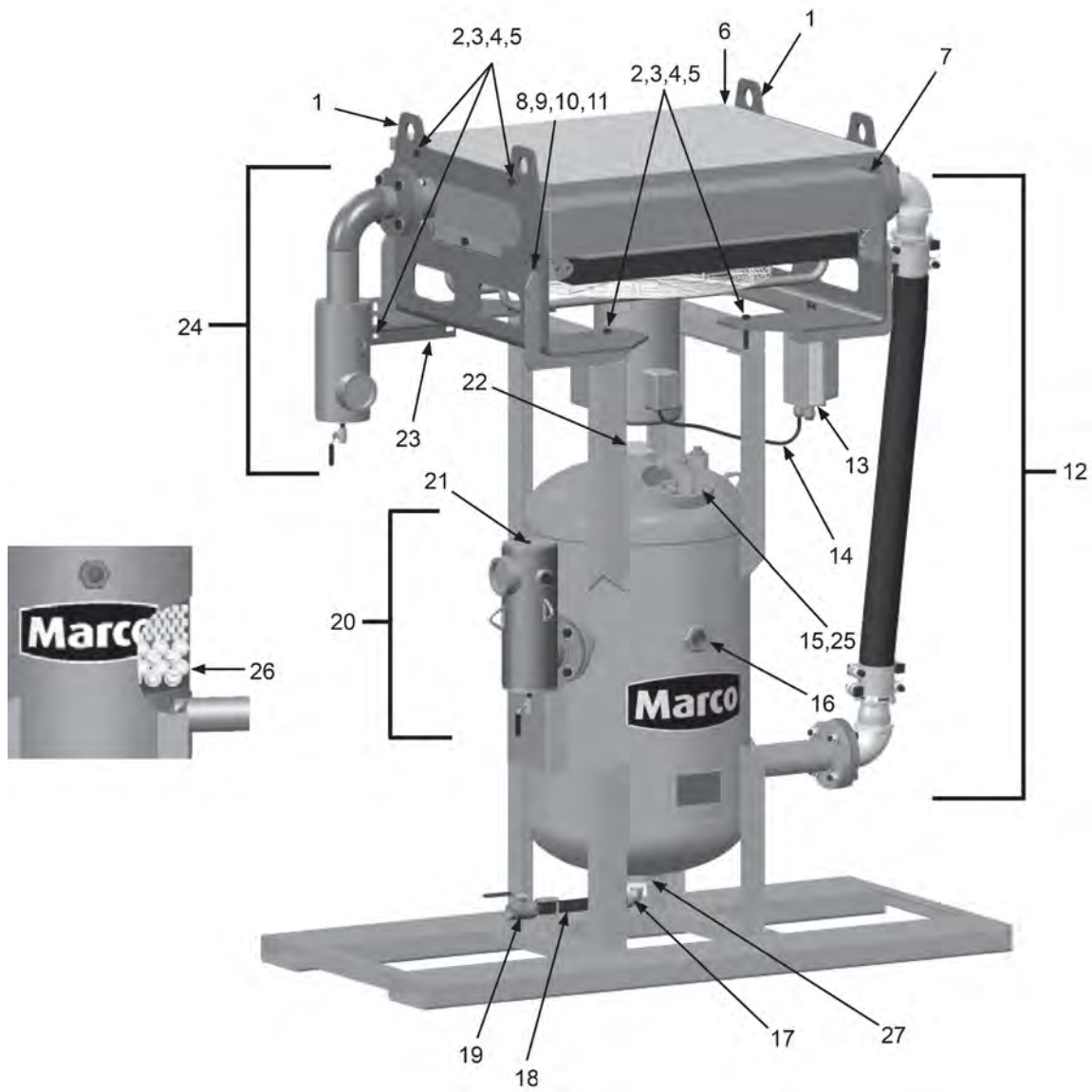
| Part # | Description |
|--------|------------------------------------------|
| 1 | 10101033 Heat Exchanger Mounting Bracket |
| 2 | 1014021 1/2-13 x 1-3/4" Bolt |
| 3 | 10100674 1/2" Flat Washer |
| 4 | 10100675 1/2" Split Lock Washer |
| 5 | 1014022 1/2-13 Hex Nut |
| 6 | 10101166 Heat Exchanger Protective Grate |
| 7 | 10TTAHP16005 Aftercooler Core Assembly |
| 8 | 1014021 1/2-13 x 1-3/4" Bolt |
| 9 | 10100674 1/2" Flat Washer |
| 10 | 10100675 1/2" Split Lock Washer |
| 11 | 1014022 1/2-13 Hex Nut |
| 12 | - Transfer Hose Assembly |
| 13 | 10101002 1/2" x 1" NPT Reducing Elbow |
| 14 | 10AH100 1" I.D. Air Hose (Per Foot) |
| 15 | 1011902 1-1/4" NPT Plug |
| 16 | 10106105 Inspection Door Assembly |
| 17 | 10101688 2" NPT Sight Glass |
| 18 | 1011801 1" NPT Street Elbow |
| 19 | 10101064 1" x 12" NPT Pipe Nipple |



| Part # | Description |
|--------|--------------------------------------------------------------|
| 20 | 1011601 1" NPT Full Port Ball Valve |
| 21 | 10101800 Aftercooler Exhaust Muffler |
| 22 | 1011812 1" Male x 1/2" Female Bushing |
| 23 | 1012151 1" Galvanized Close Nipple |
| 24 | 10SFE2 1" Female Swivel |
| 25 | 10AHCL1 Band Clamp |
| 26 | - Outlet Filter Assembly |
| 27 | 10SAP1290 1/2" 90° Swivel |
| 28 | 20100677 1/2" (F) NPT x 1/2" (F) NPT Nipple |
| 29 | 10AH012 1/2" I.D. Air Hose (Per Foot) |
| 30 | 10L363 Ball Valve |
| 31 | 10101034 3" NPT Galvanized Pipe Plug |
| 32 | 10105890 Air Filter / Regulator / Lubricator |
| 33 | 10101170 Moisture Separator Brace |
| 34 | - Inlet Filter Assembly |
| 35 | 1006201 Inspection Door Gasket |
| 36 | 10103922 Spherical Tower Packing |
| 37 | 10101844 3" NPTM x 1" NPTF Bushing |

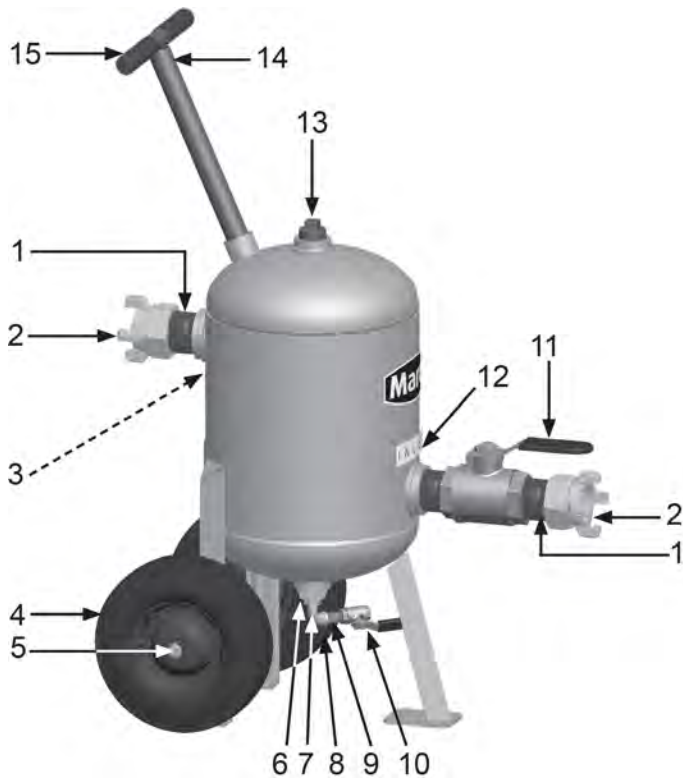


| Part # | Description |
|--------|---------------------------------------------------|
| 1 | 10101033 Heat Exchanger Mounting Bracket |
| 2 | 10101943 1/2-13 x 1-1/2" Bolt |
| 3 | 10100674 1/2" Flat Washer |
| 4 | 10100675 1/2" Split Lock Washer |
| 5 | 10101941 1/2" Hex Nut |
| 6 | 10101036 Heat Exchanger Protective Grate |
| 7 | 10TTAHP16002 1600 CFM Aftercooler Core Assembly |
| 8 | 10101059 3/8-16 x 1-1/4" Bolt |
| 9 | 10101942 3/8" Flat Washer |
| 10 | 10L805015 3/8" Lock Washer |
| 11 | 10101938 3/8" Hex Nut |
| 12 | - Transfer Hose Assembly |
| 13 | 10101760 115-Volt AC Motor Starter – Single Phase |
| 14 | 1011902 1-1/4" NPT Plug |

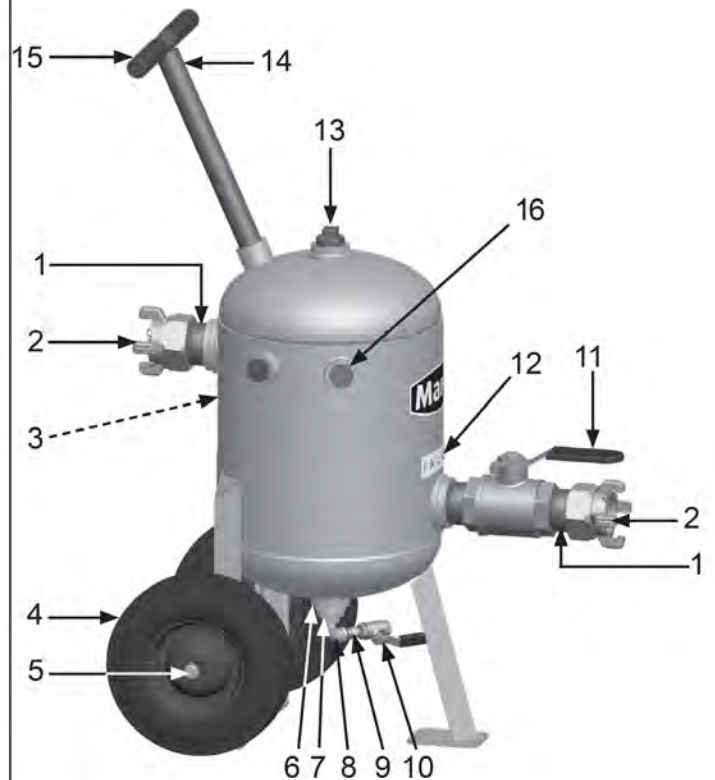


| Part # | Description |
|--------|------------------------------------------|
| 15 | 10106105 Inspection Door Assembly |
| 16 | 10101688 2" NPT Sight Glass |
| 17 | 1011801 1" NPT Street Elbow |
| 18 | 10101064 1" x 12" NPT Pipe Nipple |
| 19 | 1011601 1" NPT Full Port Ball Valve |
| 20 | - Outlet Filter Assembly |
| 21 | 20G100737 1/2" NPT Pipe Plug |
| 22 | 10101034 3" NPT Galvanized Pipe Plug |
| 23 | 10101170 Moisture Separator Brace |
| 24 | - Inlet Filter Assembly |
| 25 | 1006201 Inspection Door Gasket |
| 26 | 10103922 Spherical Tower Packing |
| 27 | 10101844 3" NPTM x 1" NPTF Bushing |

2-Outlet

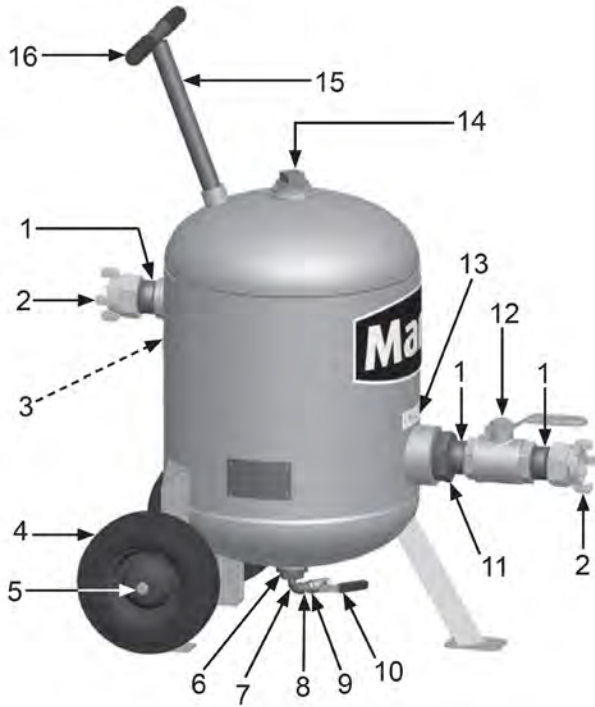


6-Outlet

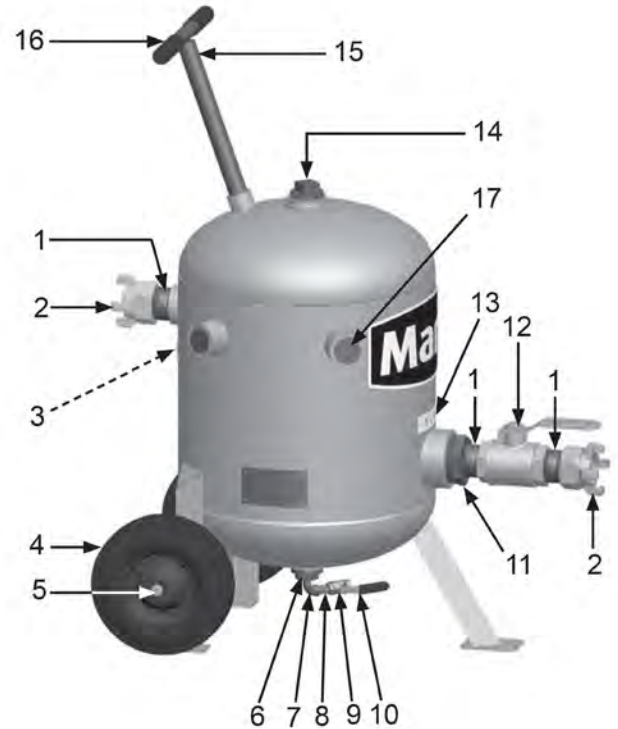


| Part # | Description |
|--------|-----------------------------------------------------|
| 1 | 1001806 2" NPT Close Nipple |
| 2 | 10ME5 4-Lug Air Hose Fitting – 2" NPT (F) |
| 3 | 1091049 Sticker - OUTLET |
| 4 | 1006067 10" Wheel |
| 5 | 1006211 Wheel Clip |
| 6 | 1011820 1-1/4" (M) NPT x 1/2" (F) NPT Bushing |
| 7 | 1011818 1/2" (M) NPT x 1/4" (F) NPT Bushing |
| 8 | 1011824 1/4" 90° Street Elbow |
| 9 | 1017019 1/4" NPT Hex Nipple |
| 10 | 1080050 1/4" Full Port Brass Ball Valve |
| 11 | 1011604 2" NPT Full Port Brass Ball Valve |
| 12 | 1091048 Sticker - INLET |
| 13 | 1011902 1-1/4" NPT Galvanized Square Head Pipe Plug |
| 14 | 1011765 Tee Handle with Grips |
| 15 | 1011766 Grip for Tee Handle |
| 16 | 1011901 1" NPT Pipe Plug |

2-Outlet

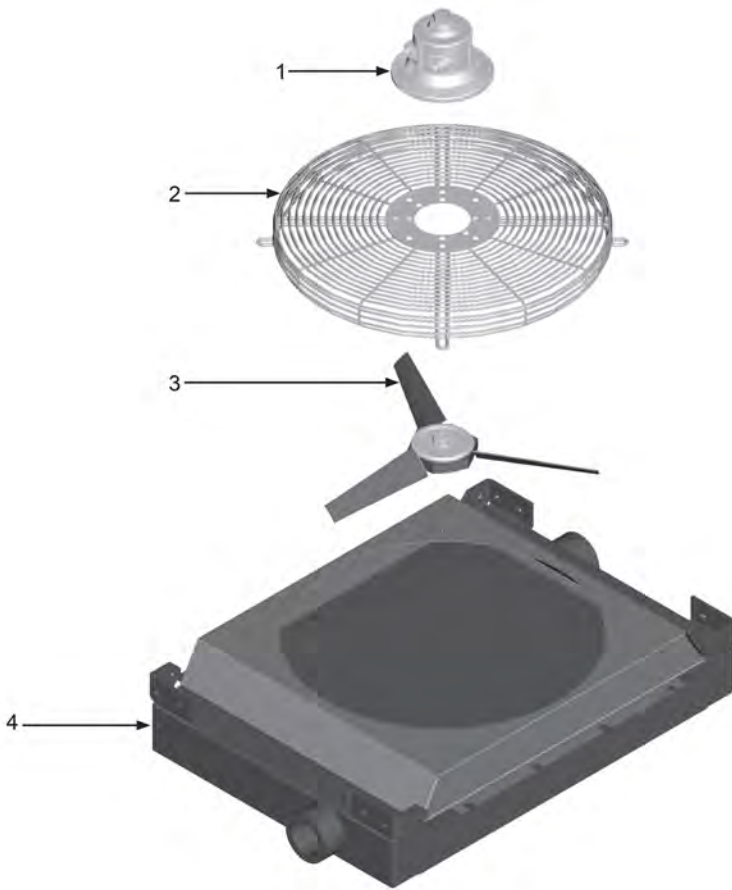


6-Outlet

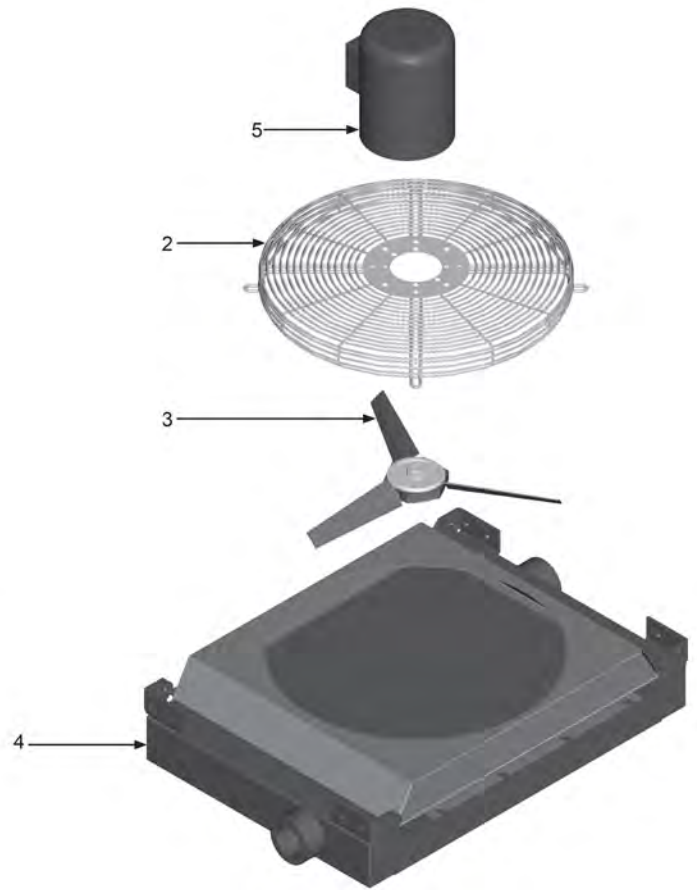


| Part # | Description |
|--------|-----------------------------------------------|
| 1 | 1001806 2" NPT Close Nipple |
| 2 | 10ME5 4-Lug Air Hose Fitting – 2" NPT (F) |
| 3 | 1091049 Sticker - OUTLET |
| 4 | 1006067 10" Wheel |
| 5 | 1006211 Wheel Clip |
| 6 | 1011822 1-1/2" (M) NPT x 1/2" (F) NPT Bushing |
| 7 | 1011818 1/2" (M) NPT x 1/4" (F) NPT Bushing |
| 8 | 1011824 1/4" 90° Street Elbow |
| 9 | 1017019 1/4" NPT Hex Nipple |
| 10 | 1080050 1/4" Full Port Brass Ball Valve |
| 11 | 10101183 3" x 2" Bushing |
| 12 | 1011604 2" Full Port Brass Ball Valve |
| 13 | 1091048 Sticker - INLET |
| 14 | 1011823 2" NPT Square Head Pipe Plug |
| 15 | 1011765 Tee Handle with Grips |
| 16 | 1011766 Grip for Tee Handle |
| 17 | 1011101 1-1/2" NPT Square Head Pipe Plug |

Pneumatic

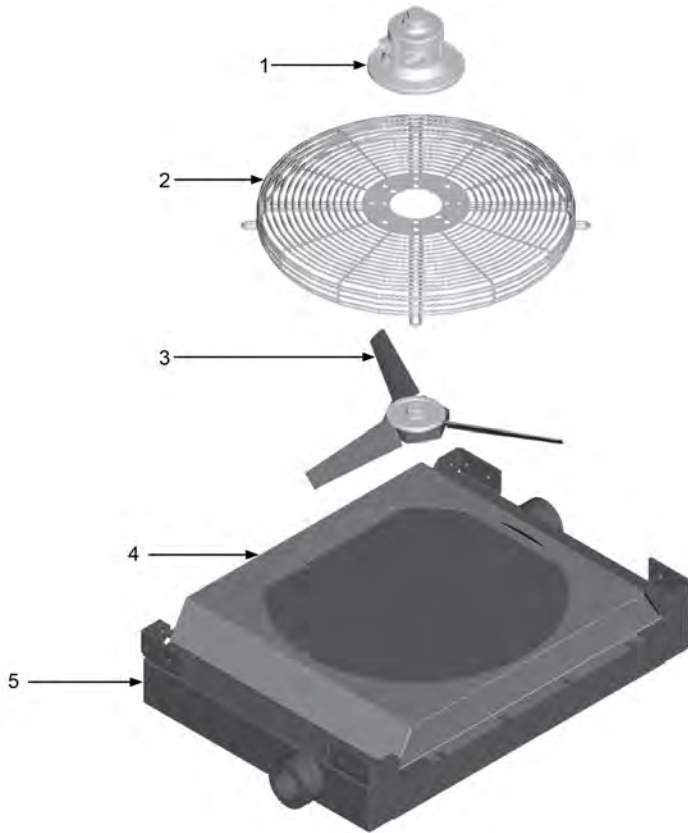


Electric

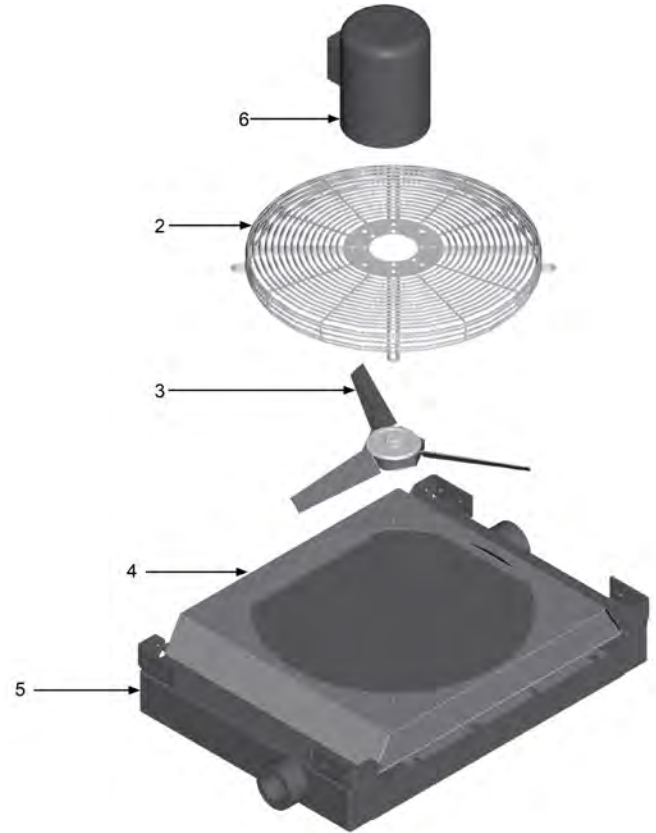


| Part # | Description |
|--------|---------------------------------------------------------------------|
| 1 | 10101780 Air Motor |
| 2 | 10101783 Fan Guard |
| 3 | 10101782 Fan Blade Assembly |
| 4 | 10101779 Aftercooler Core |
| 5 | 10101785 Electric Motor – (115 Volt to 208-230 Volt) – Single Phase |
| - | 10101784 Muffler for Air Motor |
| - | 10101781 Air Motor Service Kit |

Pneumatic

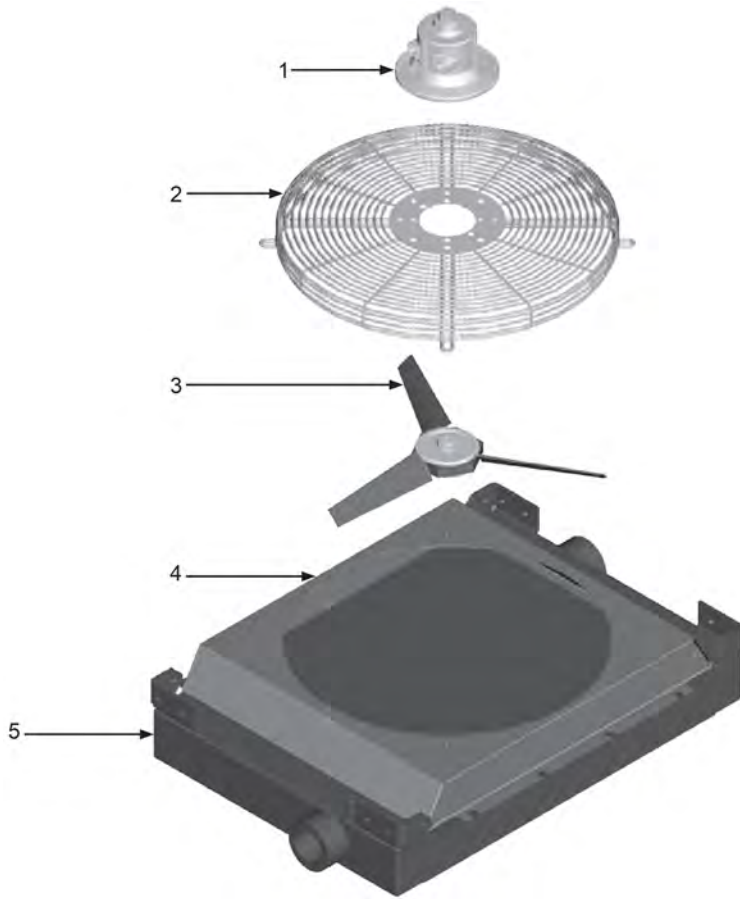


Electric

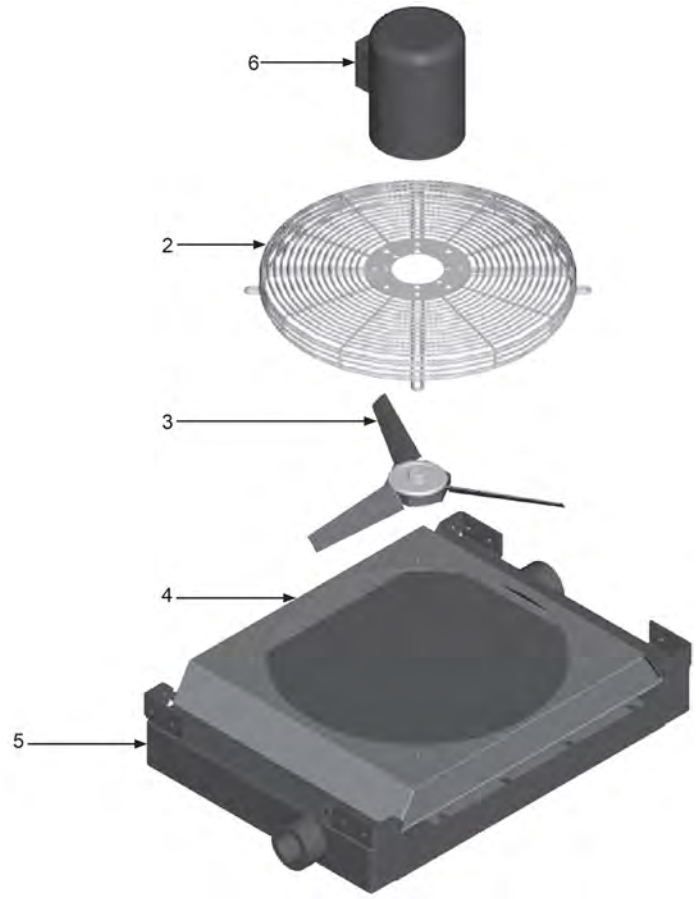


| Part # | Description |
|--------|---------------------------------------------------------------------|
| 1 | 10101780 Air Motor |
| 2 | 10101788 Fan Guard |
| 3 | 10101787 Fan Blade Assembly |
| 4 | 10103983 Fan Shroud |
| 5 | 10101786 Aftercooler Core |
| 6 | 10101789 Electric Motor – (115 Volt to 208-230 Volt) – Single Phase |
| - | 10101784 Muffler for Air Motor |
| - | 10101781 Air Motor Service Kit |

Pneumatic

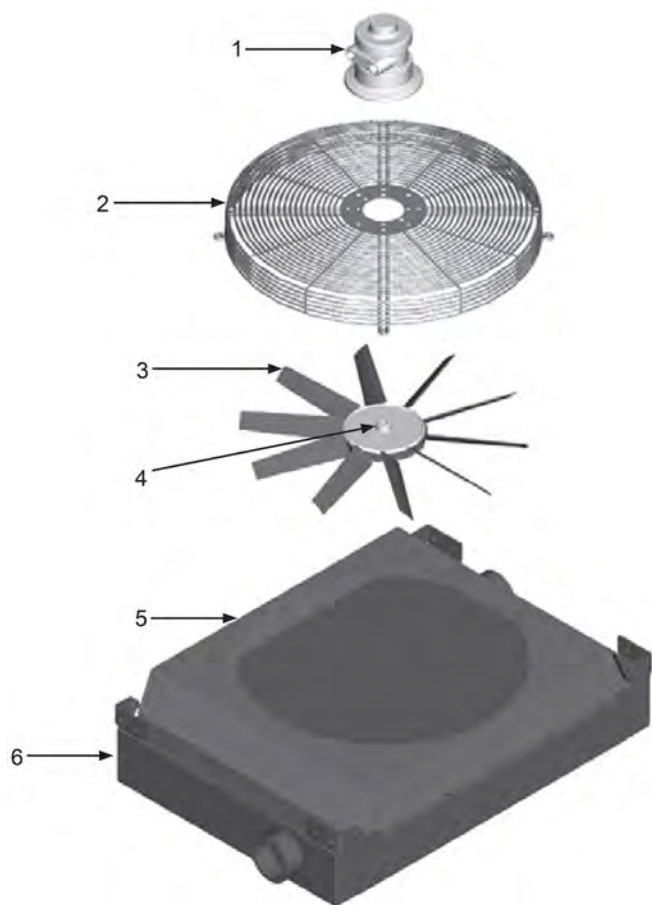


Electric

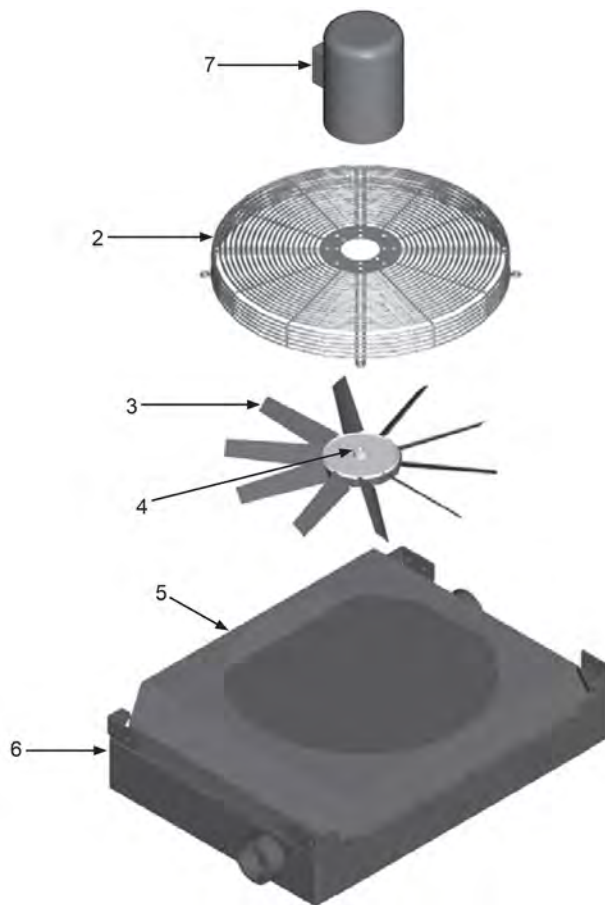


| Part # | Description |
|--------|---------------------------------------------------------------------|
| 1 | 10101780 Air Motor |
| 2 | 10101792 Fan Guard |
| 3 | 10101791 Fan Blade Assembly (Includes Blades and Hub) |
| 4 | 10104171 Aftercooler Shroud |
| 5 | 10101790 Aftercooler Core |
| 6 | 10101793 Electric Motor – (115 Volt to 208-230 Volt) – Single Phase |
| - | 10101781 Air Motor Service Kit |

Pneumatic

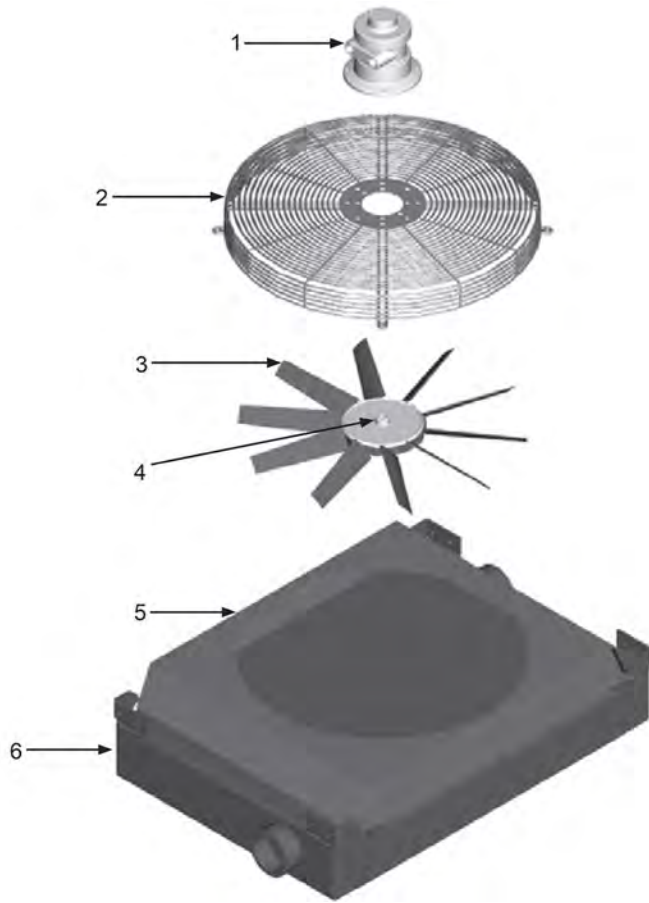


Electric

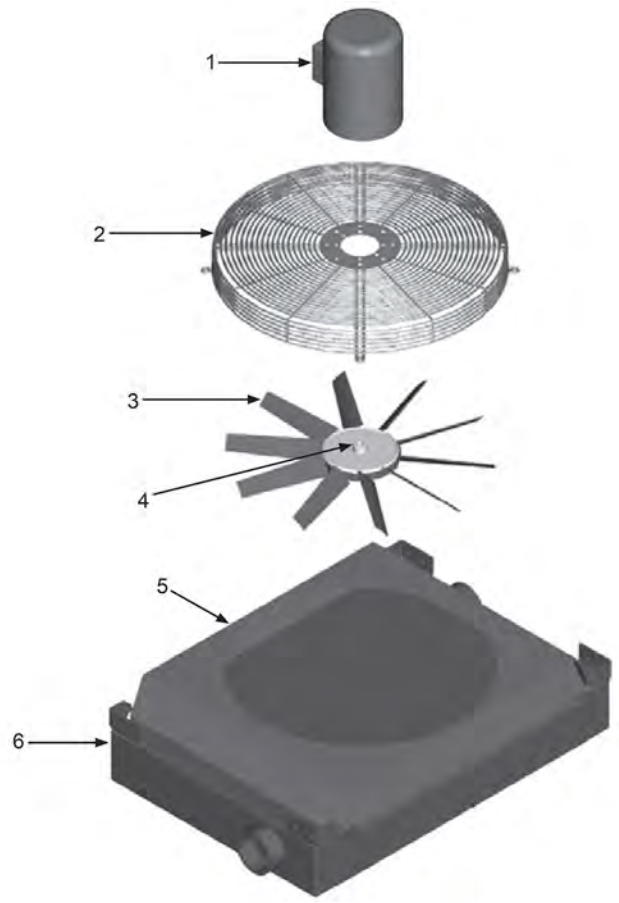


| Part # | Description |
|--------|------------------------------------------------------|
| 1 | 10101795 Air Motor |
| 2 | 10101799 Fan Guard |
| 3 | 10101797 Fan Blades (Includes Blades and Hub) |
| 4 | 10101798 Fan Bushing |
| 5 | 10102957 Fan Shroud |
| 6 | 10101794 Aftercooler Core |
| 7 | 10101801 Electric Motor – 230-Volt AC – Single Phase |
| - | 1070517 Pneumatic Tool Oil - 32 oz. |
| - | 10101796 Air Motor Service Kit |

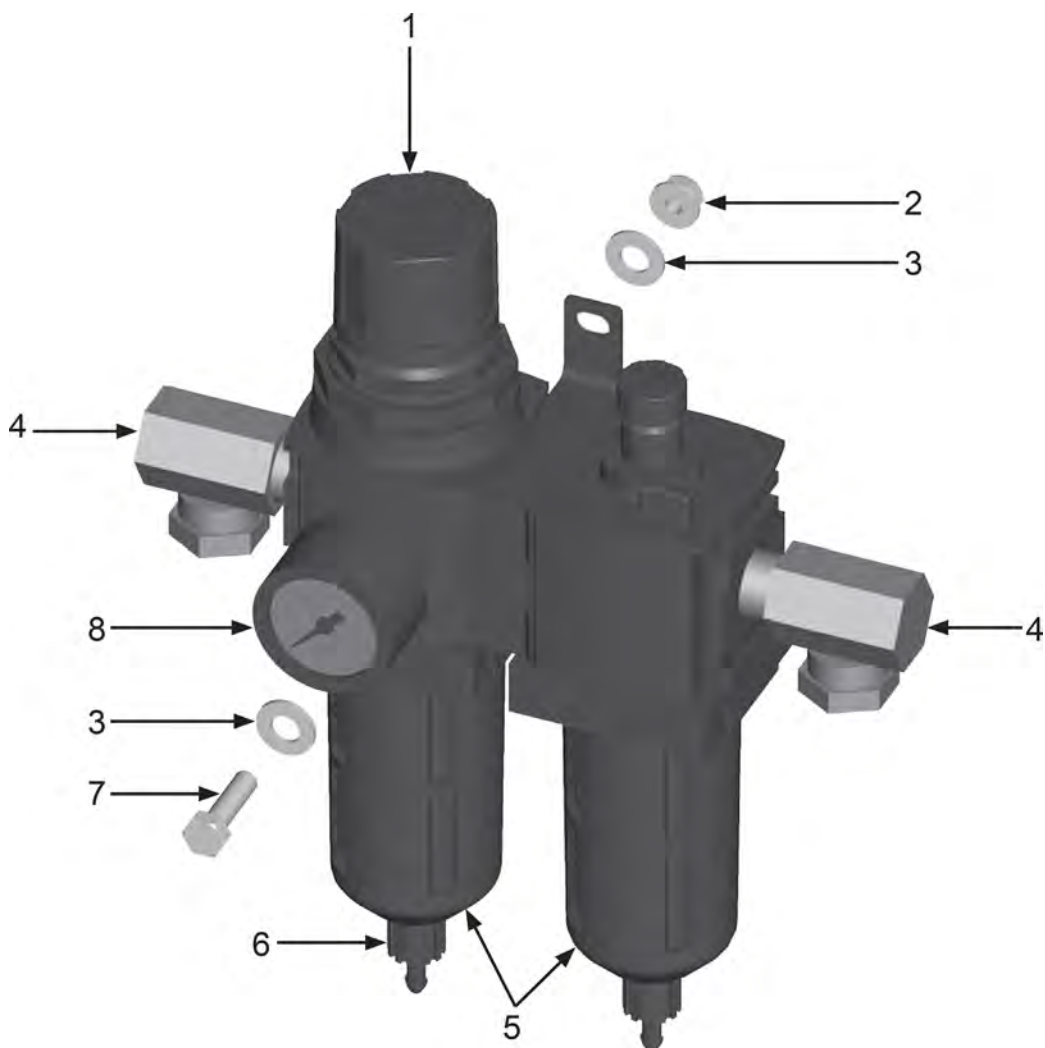
Pneumatic



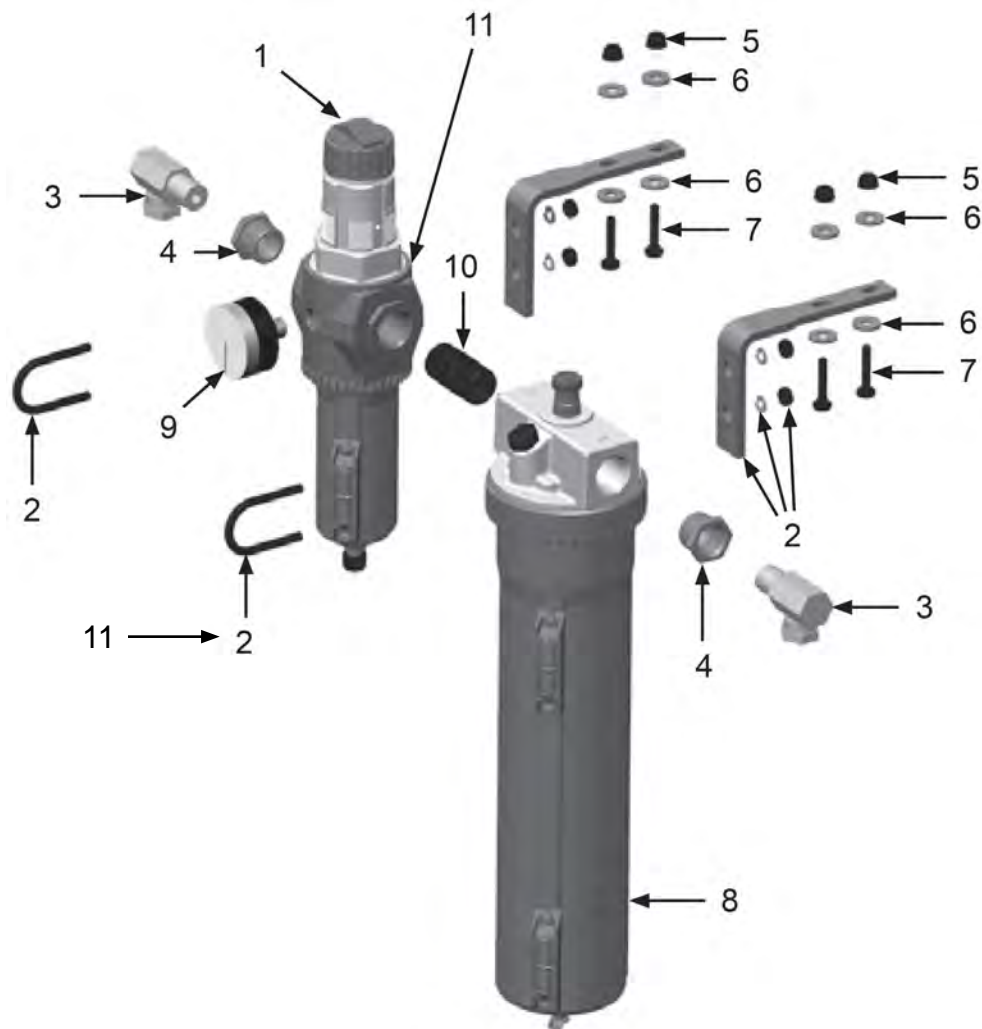
Electric



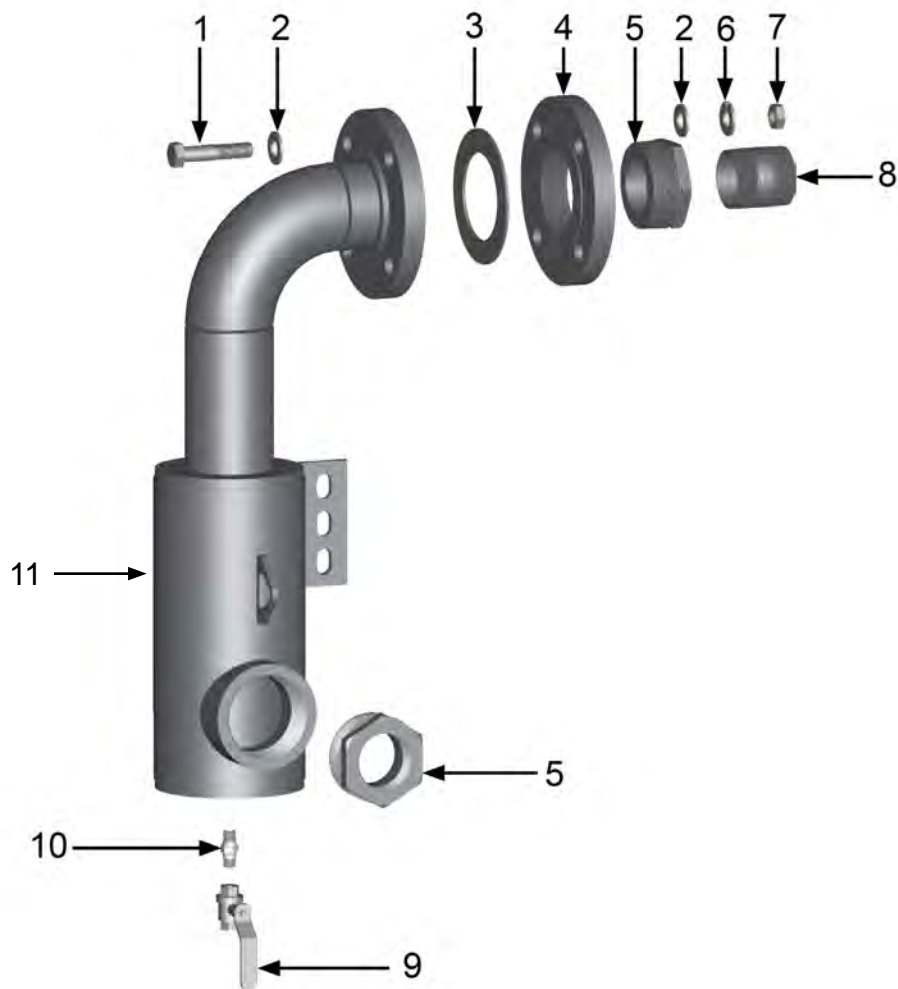
| Part # | Description |
|--------|------------------------------------------------------|
| 1 | 10101804 Air Motor |
| 2 | 10101808 Fan Guard |
| 3 | 10101806 Fan Blades |
| 4 | 10101807 Fan Bushing |
| 5 | 10104172 Fan Shroud |
| 6 | 10101803 Aftercooler Core |
| 7 | 10101809 Electric Motor – 230-Volt AC – Single Phase |
| - | 10101800 Muffler for Air Motor |
| - | 10101805 Air Motor Service Kit |



| Part # | Description |
|--------|----------------------------------------------------------|
| 1 | 10101232 Filter/Regulator/Lubricator with Pressure Gauge |
| 2 | 10101939 1/4" Nylon Insert Lock Nut |
| 3 | 10101940 1/4" Flat Washer |
| 4 | 10SAP1290 1/2" 90° Swivel |
| 5 | 10101235 Polycarbonate Bowl |
| 6 | 10101234 Manual Drain |
| 7 | 10101937 1/4-20 X 1" Bolt |
| 8 | 1028606 Pressure Gauge – 0-160 PSI 1/4" – Back Mount |
| - | 10101233 Filter Element |

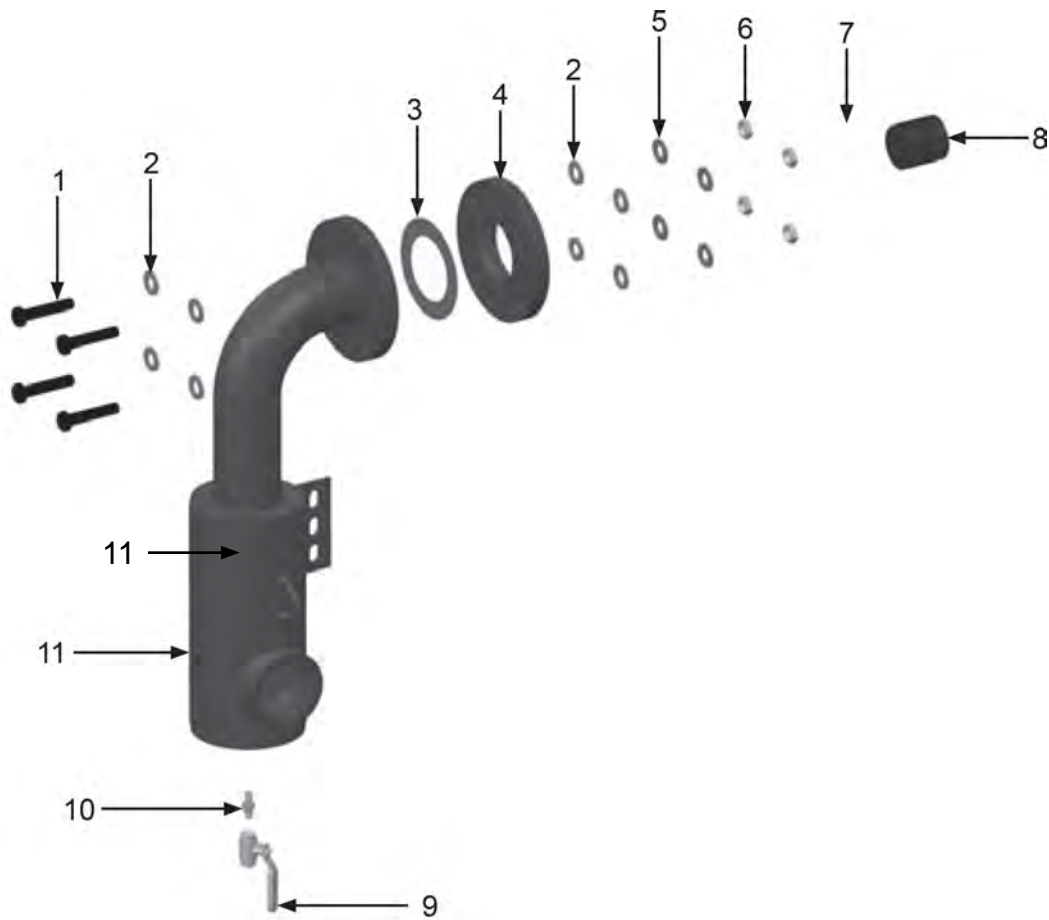


| Part # | Description |
|--------|------------------------------------------------------------|
| 1 | 10105891 Filter/Regulator |
| 2 | 10105889 Mounting Bracket and U-bolt Kit |
| 3 | 10SAP1290 1/2" 90° Swivel |
| 4 | 10105895 Coupler With 3/4" x 1/2" Reducing Bushing |
| 5 | 10101939 1/4-20 Stainless Steel Lock Nut with Nylon Insert |
| 6 | 10101940 1/4" Flat Washer |
| 7 | 10105903 1/4-20 x 1-1/4" Grade 5 Hex Bolt |
| 8 | 10105892 1.5-Litre Lubricator Bowl |
| 9 | 1028606 Pressure Gauge – 0-160 PSI 1/4" – Back Mount |
| 10 | 10105894 3/4" x 2" Pipe Nipple |
| 11 | 10106432 Large O-ring - Lubricator |
| - | 1070517 Pneumatic Tool Oil - 32 oz. |
| - | 10106504 Diaphragm Kit for Filter/Regulator |
| - | 10106505 Bowl, O-Ring and Site Gauge Kit |
| - | 10106506 Cartridge Kit for 1 Liter Bowl-Lubricator |
| - | 10106507 Lubricator Extension Metal Bowl Kit |

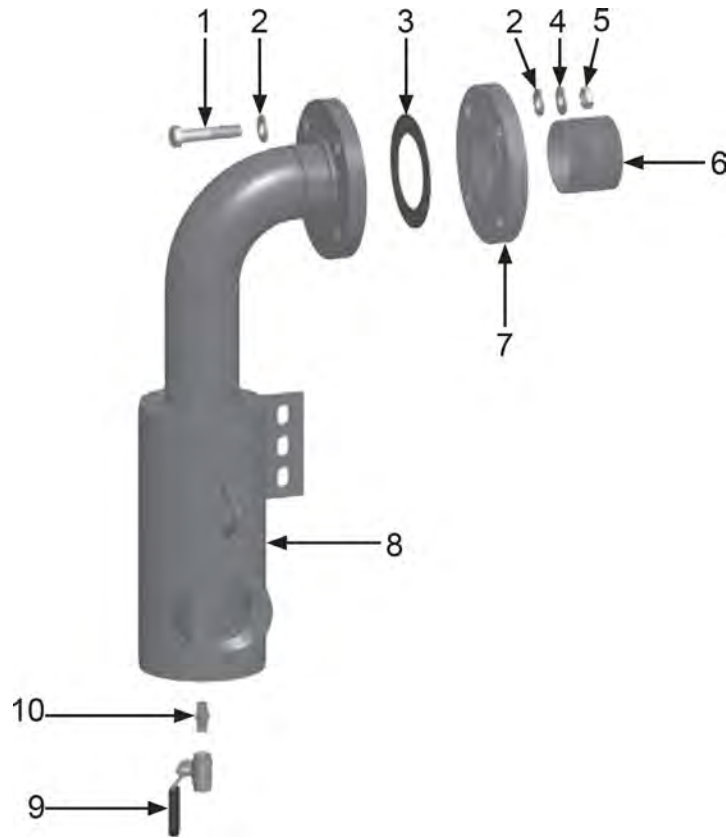


| Part # | Description |
|--------|---------------------------------------|
| 1 | 10101058 5/8-11 X 3" Bolt |
| 2 | 10101060 5/8" Flat Washer |
| 3 | 10101047 3" Flange Gasket |
| 4 | 10101041 3" NPT Threaded Flange |
| 5 | 10101183 3" to 2" Bushing |
| 6 | 10101061 5/8" Split Washer |
| 7 | 10101062 5/8" Hex Nut |
| 8 | 1001806 2" NPT Close Nipple |
| 9 | 1080050 1/4" NPT Full Port Ball Valve |
| 10 | 1017019 1/4" NPT Hex Nipple |
| 11 | 10101049 Inlet Moisture Separator |

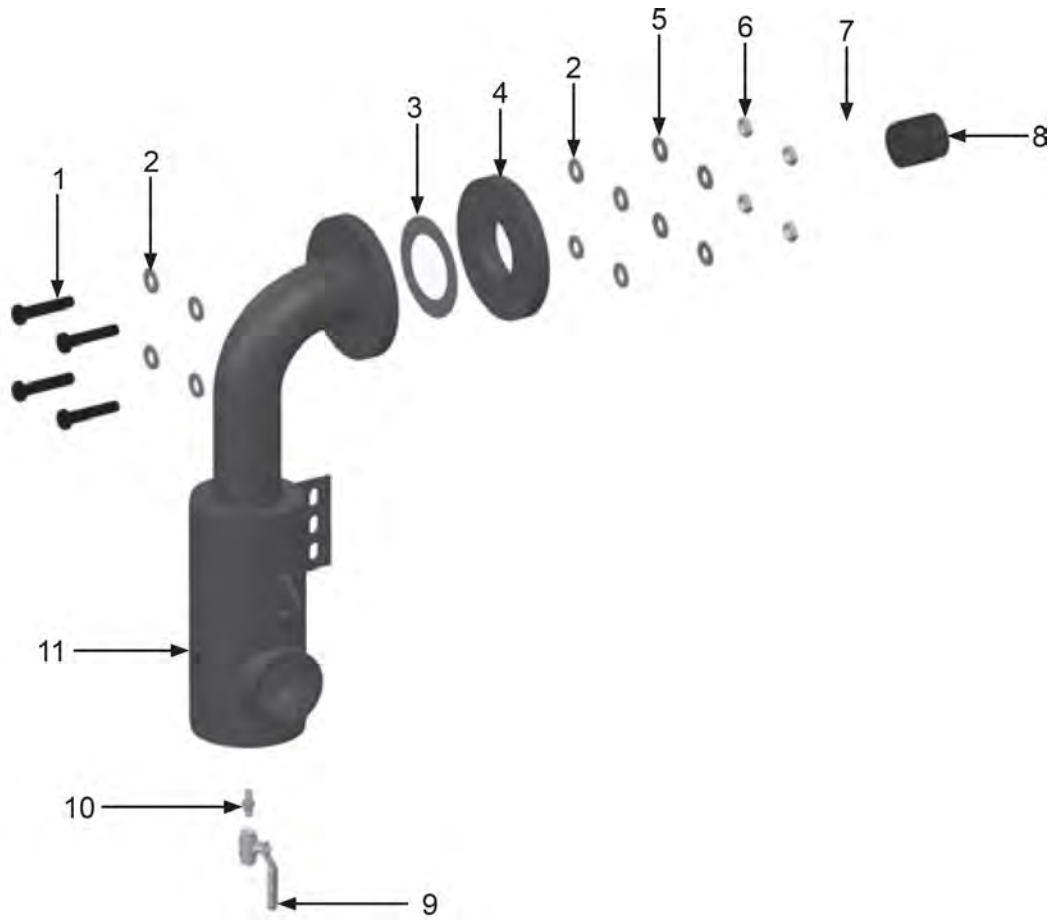
Inlet Filter Assembly • 750 CFM Aftercooler w/Coalescing Tank



| Part # | Description |
|--------|---------------------------------------|
| 1 | 10101058 5/8-11 X 3" Bolt |
| 2 | 10101060 5/8" Flat Washer |
| 3 | 10101047 Flange Gasket |
| 4 | 10101041 3" NPT Threaded Flange |
| 5 | 10101061 5/8" Split Lock Washer |
| 6 | 10101062 5/8" Hex Nut |
| 7 | 10101183 3" to 2" Bushing |
| 8 | 1001806 2" NPT Close Nipple |
| 9 | 1080050 1/4" NPT Full Port Ball Valve |
| 10 | 1017019 1/4" NPT Hex Nipple |
| 11 | 10101049 Inlet Moisture Separator |

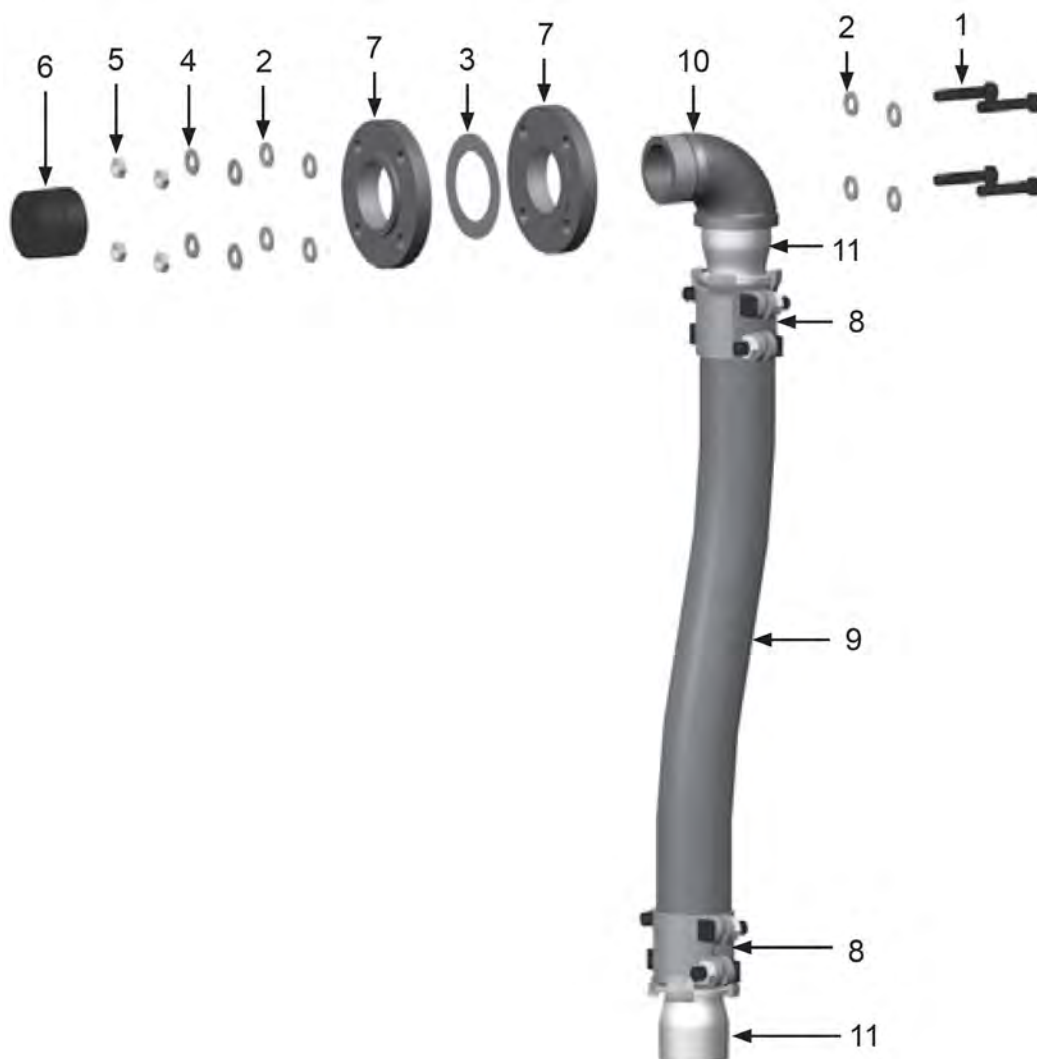


| Part # | Description |
|--------|---------------------------------------|
| 1 | 10101058 5/8-11 x 3" Bolt |
| 2 | 10101060 5/8" Flat Washer |
| 3 | 10101047 Flange Gasket |
| 4 | 10101061 5/8" Split Lock Washer |
| 5 | 10101062 5/8" Hex Nut |
| 6 | 10101040 3" NPT Close Nipple |
| 7 | 10101041 3" NPT Threaded Flange |
| 8 | 10101049 Inlet Filter |
| 9 | 1080050 1/4" NPT Full Port Ball Valve |
| 10 | 1017019 1/4" NPT Hex Nipple |

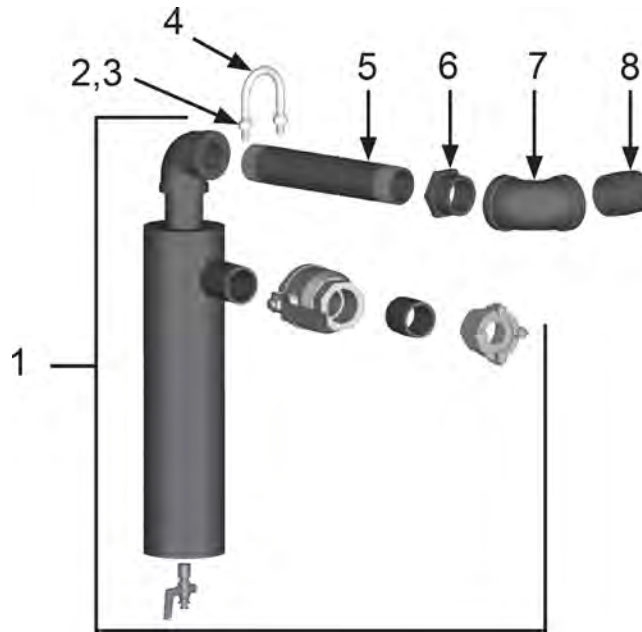


| Part # | Description |
|--------|---------------------------------------|
| 1 | 10101058 5/8-11 x 3" Bolt |
| 2 | 10101060 5/8" Flat Washer |
| 3 | 10101047 Flange Gasket |
| 4 | 10101041 3" NPT Threaded Flange |
| 5 | 10101061 5/8" Split Lock Washer |
| 6 | 10101062 5/8" Hex Nut |
| 7 | 10101183 3" to 2" Bushing |
| 8 | 1001806 2" NPT Close Nipple |
| 9 | 1080050 1/4" NPT Full Port Ball Valve |
| 10 | 1017019 1/4" NPT Hex Nipple |
| 11 | 10101049 Inlet Moisture Separator |

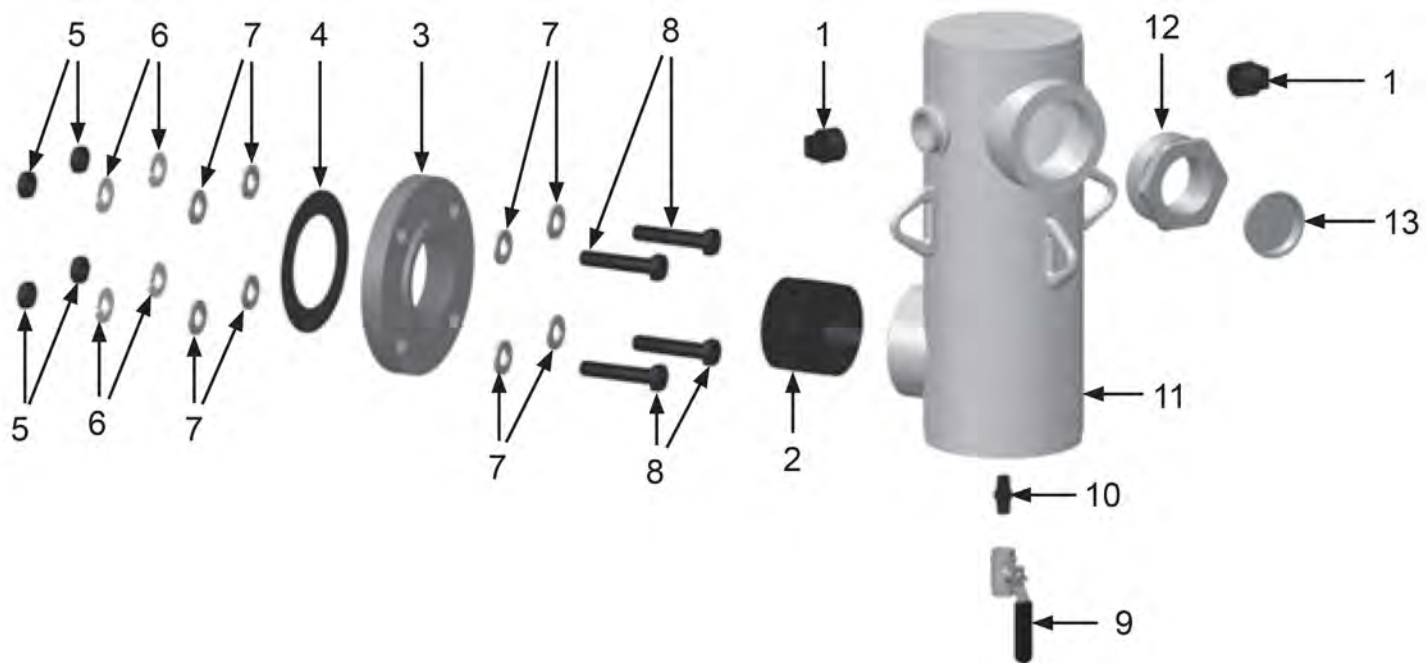
Inlet Hose Assembly • 1600 CFM Aftercooler w/Coalescing Tank



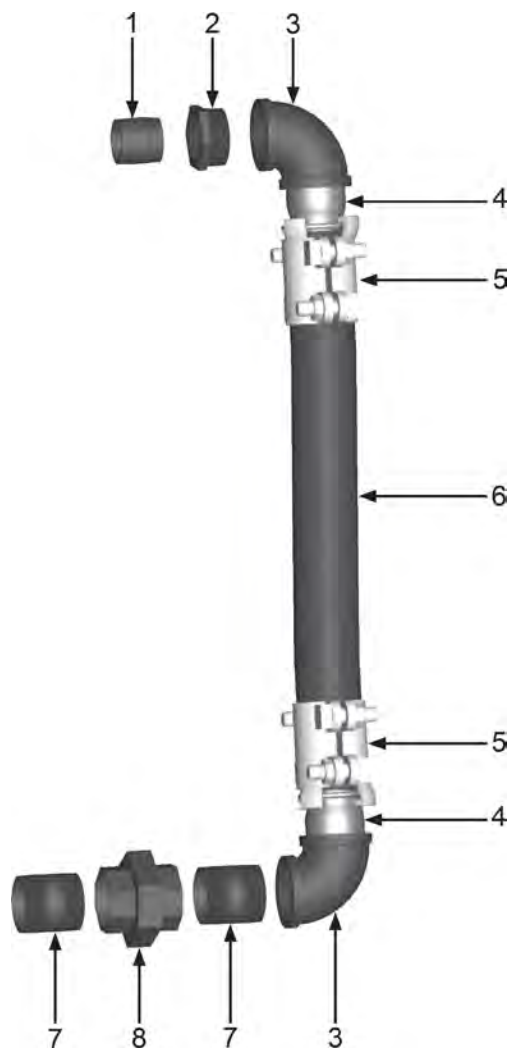
| Part # | Description |
|--------|-----------------------------------------------------------|
| 1 | 10101058 5/8-11 x 3" Bolt |
| 2 | 10101060 5/8" Flat Washer |
| 3 | 10101047 Flange Gasket |
| 4 | 10101061 5/8" Split Lock Washer |
| 5 | 10101062 5/8" Hex Nut |
| 6 | 10101040 3" NPT Close Nipple |
| 7 | 10101041 3" NPT Threaded Flange |
| 8 | 10BU35 3" Boss Clamp |
| 9 | 10101045 3" x 2-1/2' Steel Reinforced Air Hose (Per Foot) |
| 10 | 10101148 3" NPT Street Elbow |
| 11 | 10101754 3" NPT Hose Stem |



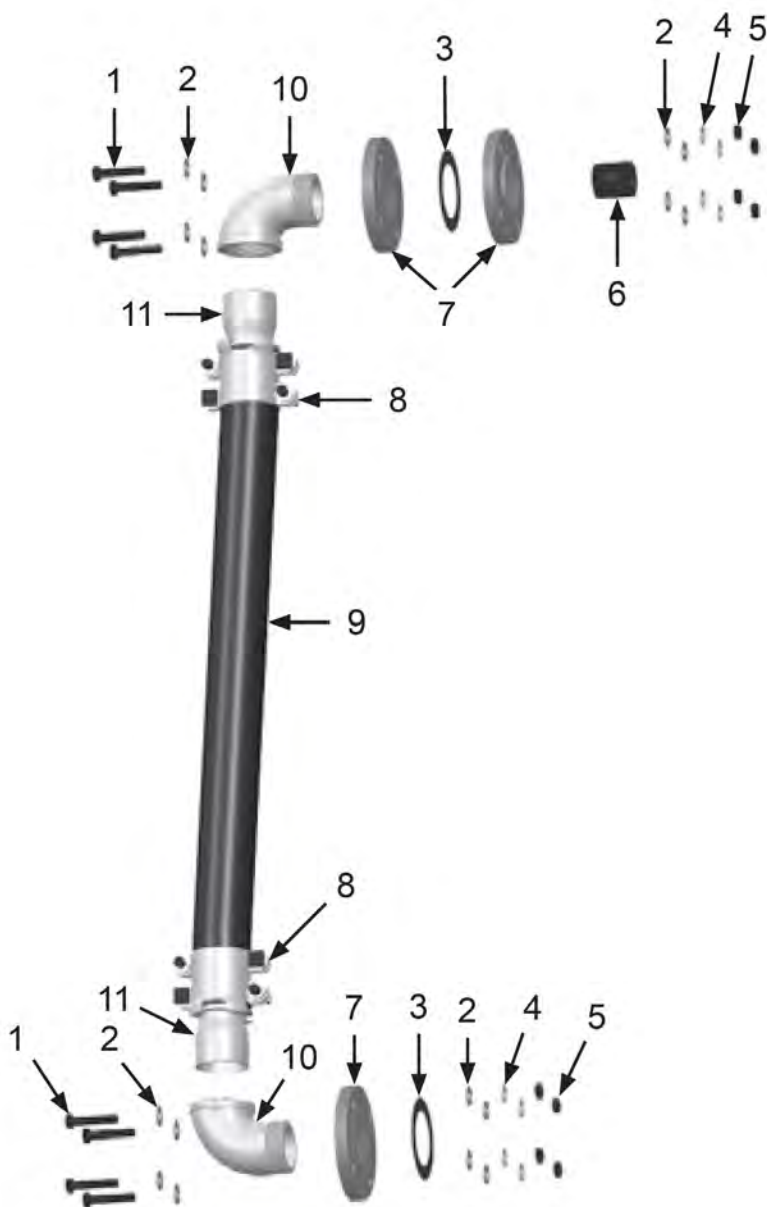
| Part # | Description |
|--------|-----------------------------------------------------|
| 1 | 10101314 1-1/4" Junior Extractor Moisture Separator |
| 2 | 10L805015 3/8" Lock Washer |
| 3 | 10101938 3/8-16 Hex Nut |
| 4 | 10101338 1-1/4" Galvanized U-Bolt |
| 5 | 1006203 1-1/4" x 9-1/2" NPT Nipple |
| 6 | 1011501 1-1/2" to 1-1/4" NPT Bushing |
| 7 | 1011842 1-1/2" NPT 90° Elbow |
| 8 | 1014015 1-1/2" NPT Close Nipple |



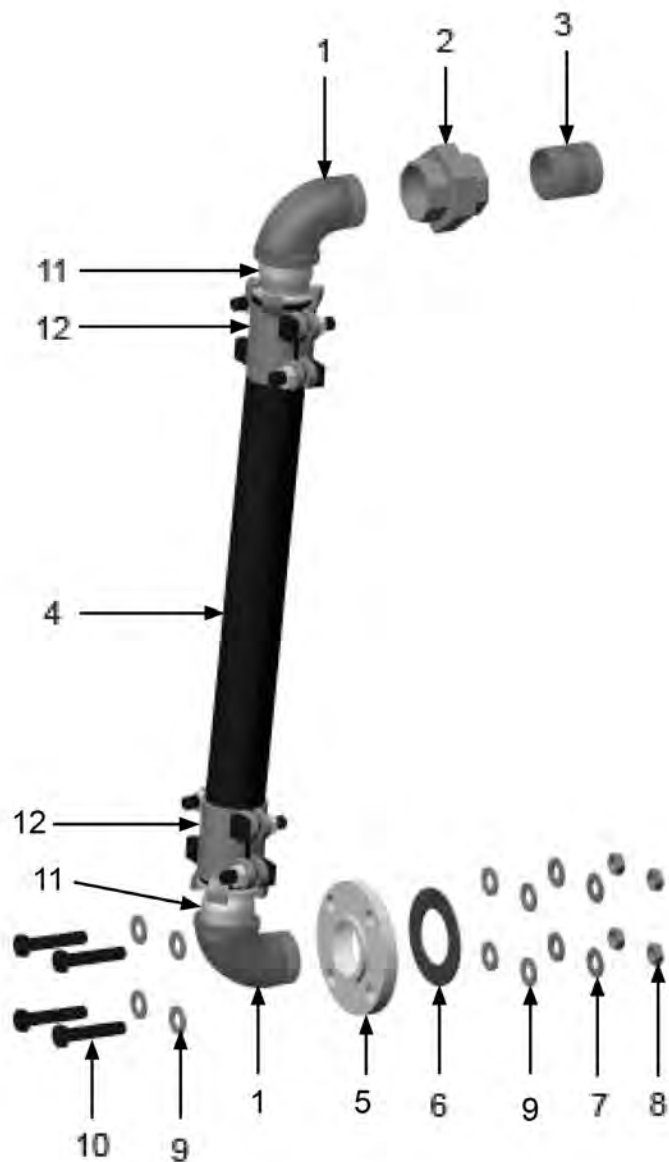
| Part # | Description |
|--------|-----------------------------------------------------|
| 1 | 1011901 1" Galvanized Square Head Pipe Plug |
| 2 | 10101040 3" Galvanized Close Nipple |
| 3 | 10101041 Flange |
| 4 | 10101047 Flange Gasket |
| 5 | 10101062 5/8-11 Hex Nut |
| 6 | 10101061 5/8" Lock Washer |
| 7 | 10101060 5/8" x 1-5/16" Stainless Steel Flat Washer |
| 8 | 10101058 5/8-11 x 3" Bolt |
| 9 | 1080050 1/4" Ball Valve |
| 10 | 1017019 1/4" x 1/4" Hex Nipple |
| 11 | 10101686 Outlet Filter Body |
| 12 | 10101183 3" (M) x 2" (F) Bushing |
| 13 | 10101237 Transport Lug |



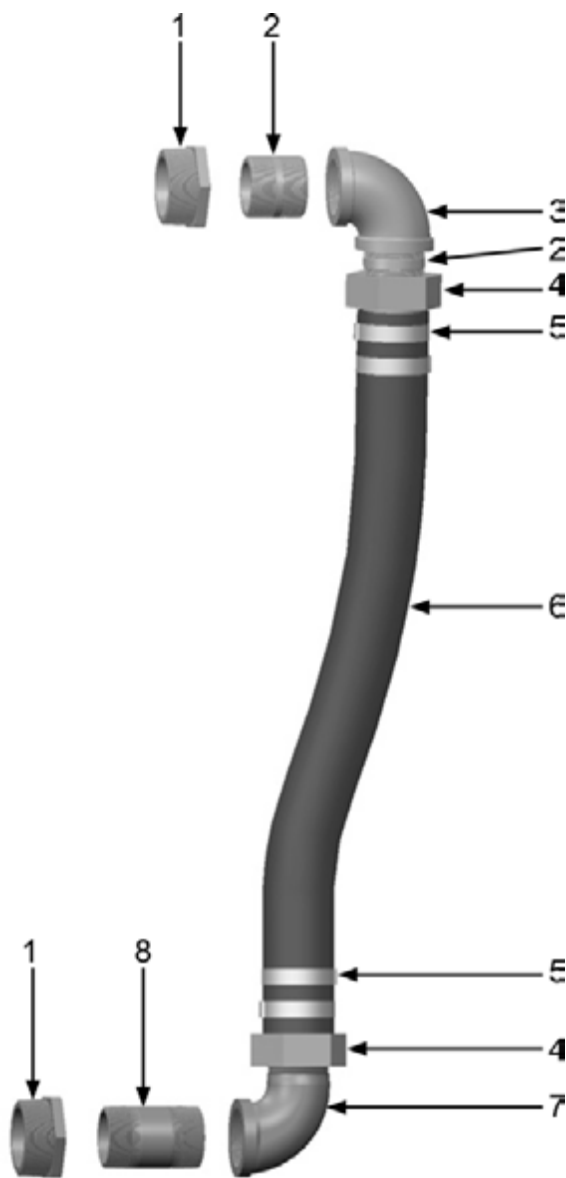
| Part # | Description |
|--------|-------------------------------------------------------|
| 1 | 1014015 1-1/2" NPT Close Nipple |
| 2 | 1001868 2" x 1-1/2" NPT Bushing |
| 3 | 10101339 2" NPT 90° Elbow |
| 4 | 10101268 2" NPT Male Hose Stem |
| 5 | 10BU28 2" Boss Clamp |
| 6 | 10101269 2" I.D. Steel Reinforced Air Hose (Per Foot) |
| 7 | 1001806 2" NPT Close Nipple |
| 8 | 10101267 2" NPT Union |



| Part # | Description |
|--------|------------------------------------------------|
| 1 | 10101058 5/8-11 x 3" Bolt |
| 2 | 10101060 5/8" Flat Washer |
| 3 | 10101047 Flange Gasket |
| 4 | 10101061 5/8" Split Lock Washer |
| 5 | 10101062 5/8" Hex Nut |
| 6 | 10101040 3" NPT Close Nipple |
| 7 | 10101041 3" NPT Threaded Flange |
| 8 | 10BU35 3" Boss Clamp |
| 9 | 10101045 3" x 2-1/2' Steel Reinforced Air Hose |
| 10 | 10101148 3" NPT Street Elbow |
| 11 | 10101754 3" NPT Hose Stem |

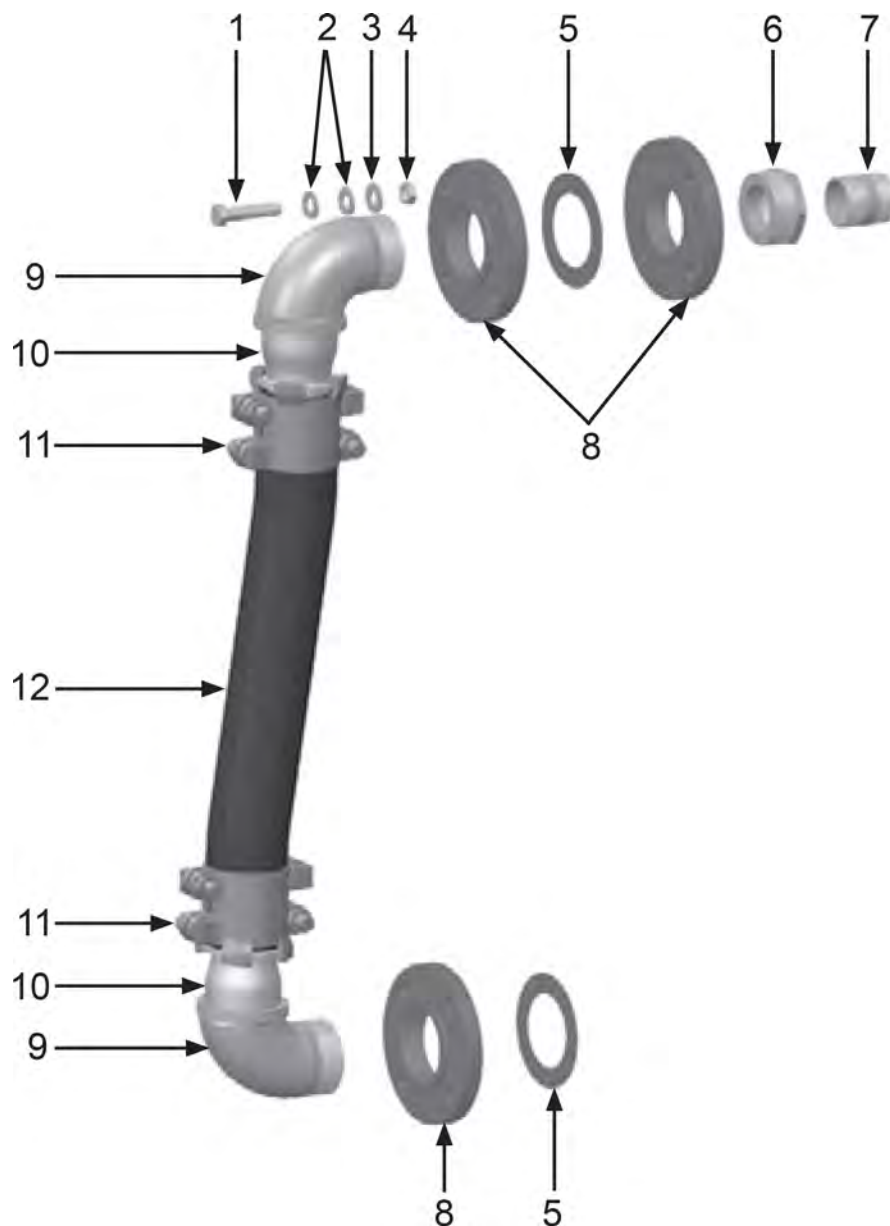


| Part # | Description |
|--------|-----------------------------------------------------------|
| 1 | 10101265 2" NPT 90° Street Elbow |
| 2 | 10101267 2" Bushing NPT Union |
| 3 | 1001806 2" NPT Close Nipple |
| 4 | 10101269 2" x 2-1/2" Steel Reinforced Air Hose (Per Foot) |
| 5 | 10101270 2" NPT Threaded Flange |
| 6 | 10101266 2" Flange Gasket |
| 7 | 10101061 5/8" Split Washer |
| 8 | 10101062 5/8" Hex Nut |
| 9 | 10101060 5/8" Flat Washer |
| 10 | 10101058 5/8-11 x 3" Bolt |
| 11 | 10101268 2" NPT Hose End |
| 12 | 10BU28 2" Boss Clamp |



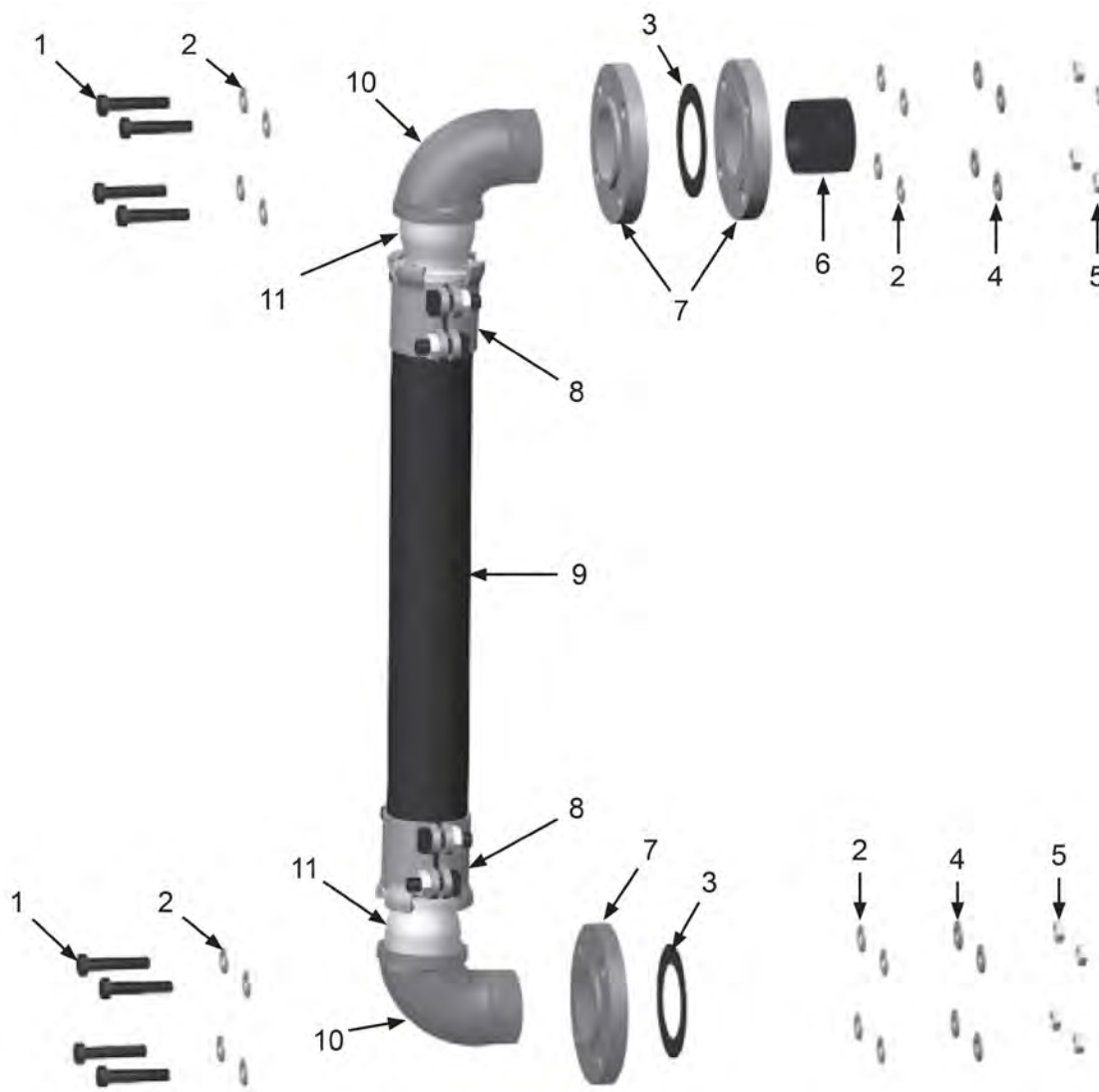
| Part # | Description |
|--------|---------------------------------------------|
| 1 | 1001868 2" x 1-1/2" Galvanized Hex Bushing |
| 2 | 1014015 1-1/2" Galvanized Close Nippled |
| 3 | 1011842 1-1/2" 90° Galvanized Elbow |
| 4 | 10SFE4 1-1/2" Female Swivel End |
| 5 | 10AHCL3 Band Clamp for 1-1/2" I.D. Air Hose |
| 6 | 10AH112B 1-1/2" I.D. Air Hose |
| 7 | 1011839 1-1/2" 90° Galvanized Street Elbow |
| 8 | 1011203 1-1/2" x 3" Galvanized Nipple |

Transfer Hose Assembly • 750 CFM Aftercooler w/Coalescing Tank



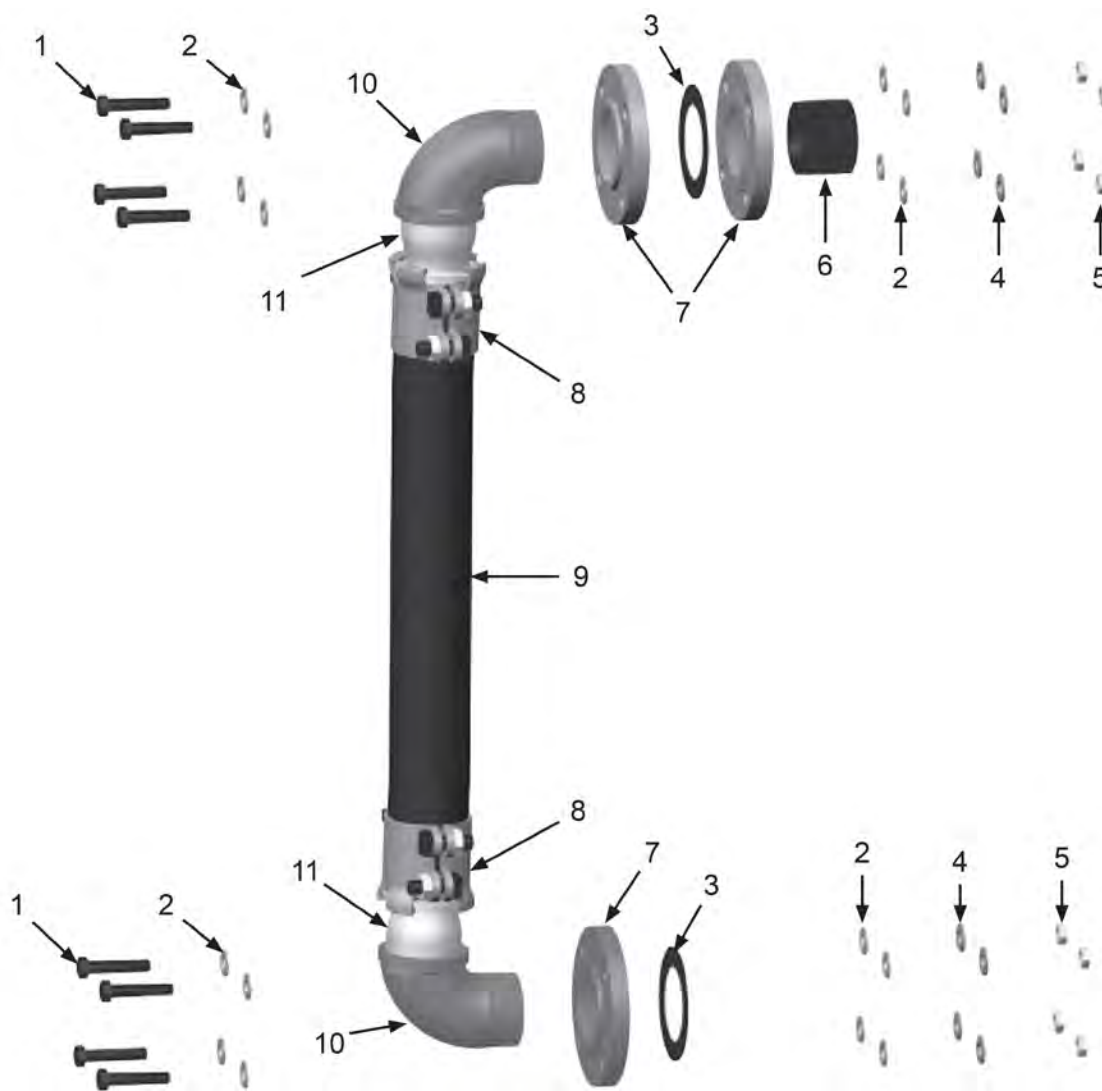
| Part # | Description |
|--------|-------------------------------------------------------|
| 1 | 10101058 5/8"-11 X 3" Bolt |
| 2 | 10101060 5/8" Flat Washer |
| 3 | 10101061 5/8" Split Lock Washer |
| 4 | 10101062 5/8" Hex Nut |
| 5 | 10101047 Flange Gasket |
| 6 | 10101183 3" to 2" Bushing |
| 7 | 1001806 2" NPT Close Nipple |
| 8 | 10101041 3" NPT Threaded Flange |
| 9 | 10101148 3" NPT Street Elbow |
| 10 | 10101754 3" NPT Hose Stem |
| 11 | 10BU35 3" Boss Clamp |
| 12 | 10101045 3" I.D. Steel Reinforced Air Hose (Per Foot) |

Transfer Hose Assembly • 950 CFM Aftercooler w/Coalescing Tank



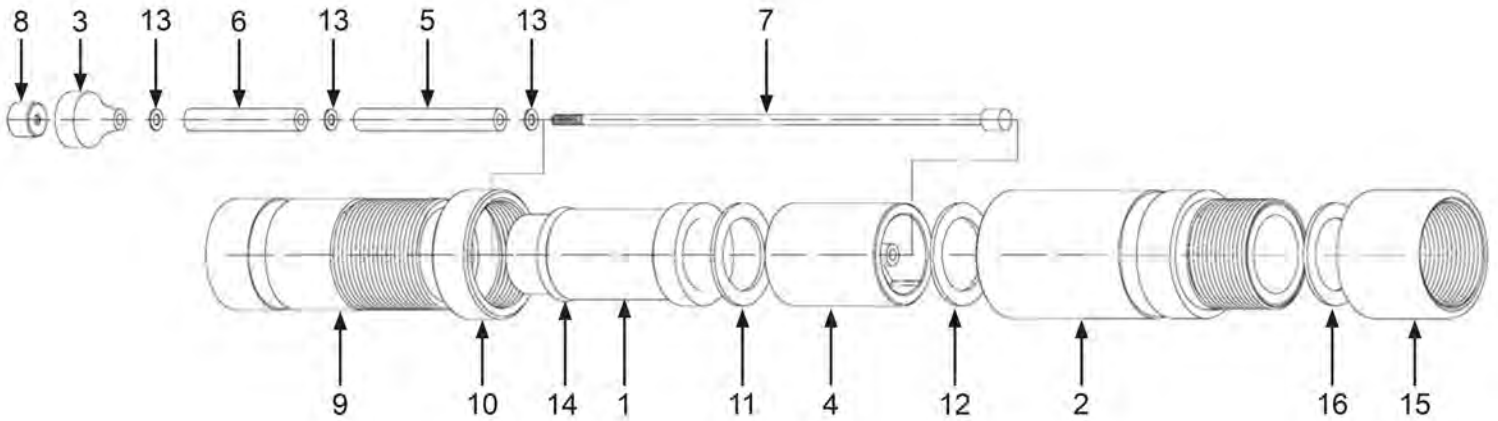
| Part # | Description |
|--------|-----------------------------------------------------------|
| 1 | 10101058 5/8-11 x 3" Bolt |
| 2 | 10101060 5/8" Flat Washer |
| 3 | 10101047 Flange Gasket |
| 4 | 10101061 5/8" Split Lock Washer |
| 5 | 10101062 5/8" Hex Nut |
| 6 | 10101040 3" NPT Close Nipple |
| 7 | 10101041 3" NPT Threaded Flange |
| 8 | 10BU35 3" Boss Clamp |
| 9 | 10101045 3" x 2-1/2' Steel Reinforced Air Hose (Per Foot) |
| 10 | 10101148 3" NPT Street Elbow |
| 11 | 10101754 3" NPT Hose Stem |

Transfer Hose Assembly • 1600 CFM Aftercooler w/Coalescing Tank



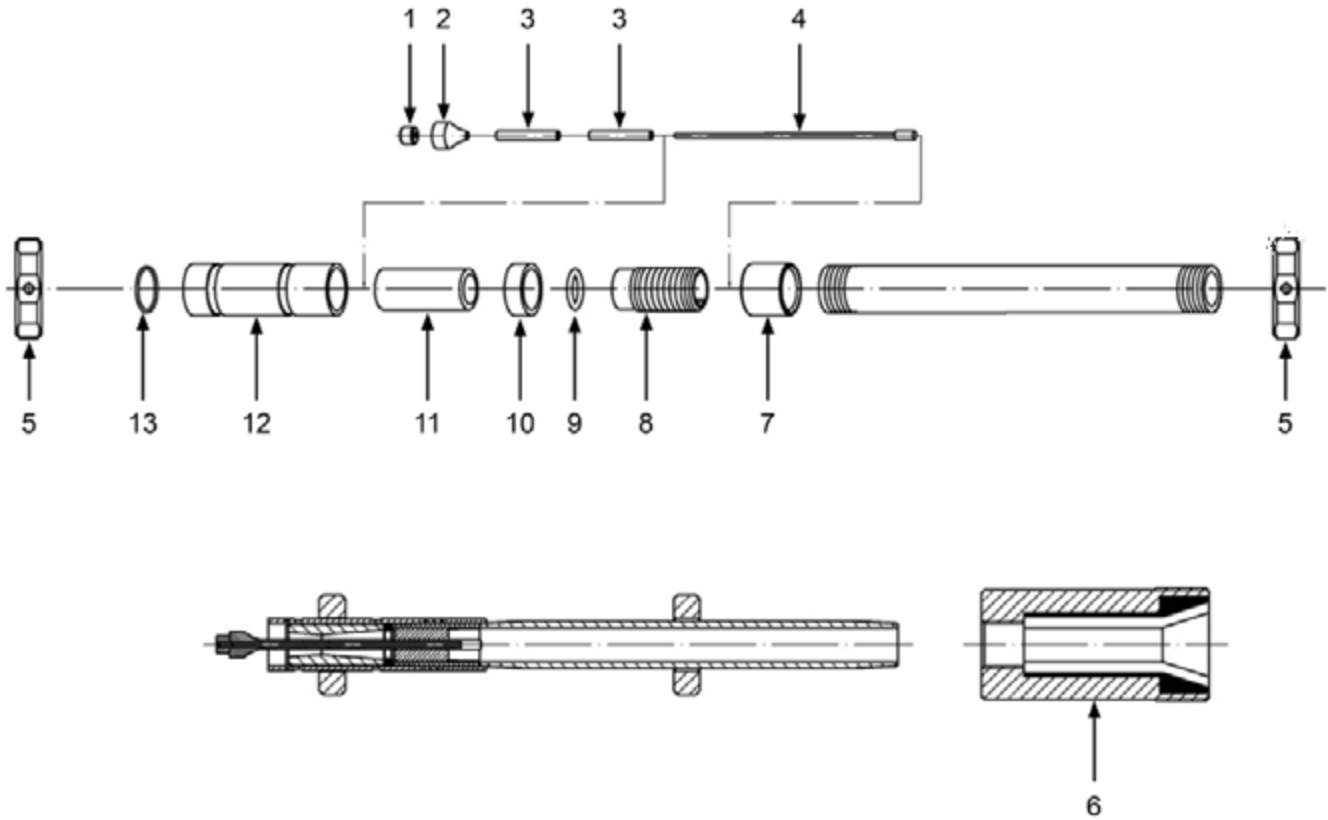
| Part # | Description |
|--------|------------------------------------------------|
| 1 | 10101058 5/8-11 x 3" Bolt |
| 2 | 10101060 5/8" Flat Washer |
| 3 | 10101047 Flange Gasket |
| 4 | 10101061 5/8" Split Lock Washer |
| 5 | 10101062 5/8" Hex Nut |
| 6 | 10101040 3" NPT Close Nipple |
| 7 | 10101041 3" NPT Threaded Flange |
| 8 | 10BU35 3" Boss Clamp |
| 9 | 10101045 3" x 2-1/2' Steel Reinforced Air Hose |
| 10 | 10101148 3" NPT Street Elbow |
| 11 | 10101754 3" NPT Hose Stem |

Pipe Blasting Coneblast

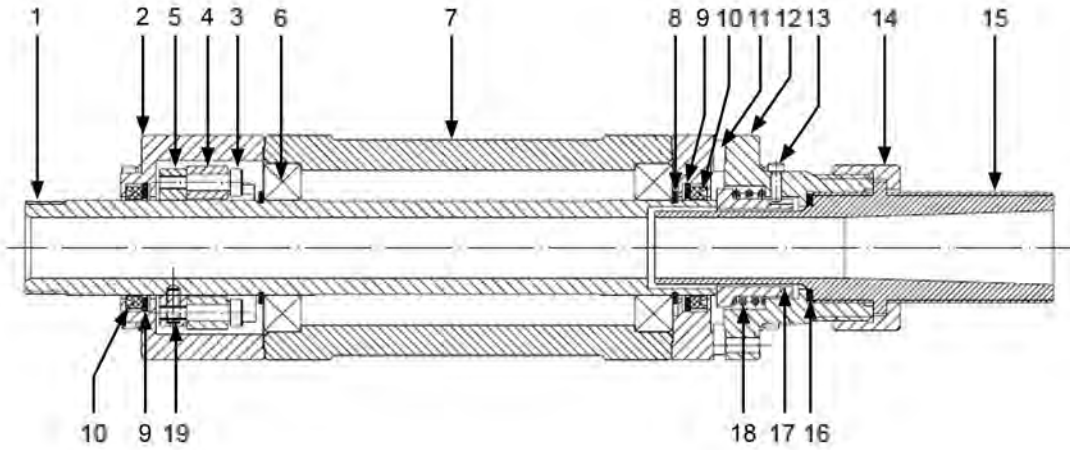


| | Part # | Description |
|----|---------|-----------------------------------------------------|
| 1 | 1084038 | Coneblast #8 Nozzle |
| 2 | 1084032 | Tool Holder |
| 3 | 1084021 | Tungsten Carbide Deflection Tip |
| 4 | 1084023 | Stem Support Assembly (w Specialty Tip Holding Nut) |
| 5 | 1084025 | Throat Sleeve |
| 6 | 1084024 | Stem Extension Sleeve |
| 7 | 1084026 | Throat Rod and Tip |
| 8 | 1084022 | Specialty Tip Holding Nut |
| 9 | 1084033 | Tip Protection Sleeve |
| 10 | 1084035 | Knurled Lock Nut |
| 11 | 1084028 | Front Stem Support Gasket, Wide |
| 12 | 1084029 | Rear Stem Support Gasket, Narrow |
| 13 | 1084027 | Brass Washer |
| 14 | 1084030 | 1-1/8" Nominal I.D. O-Ring |
| 15 | 1084037 | Rear Coupling |
| 16 | 10NW | Nozzle Washer (Qty. 10) |
| - | 1084031 | Coneblast Adjustable Scissor Carriage |
| - | 1084067 | Coneblast Collar & Button Carriage System |

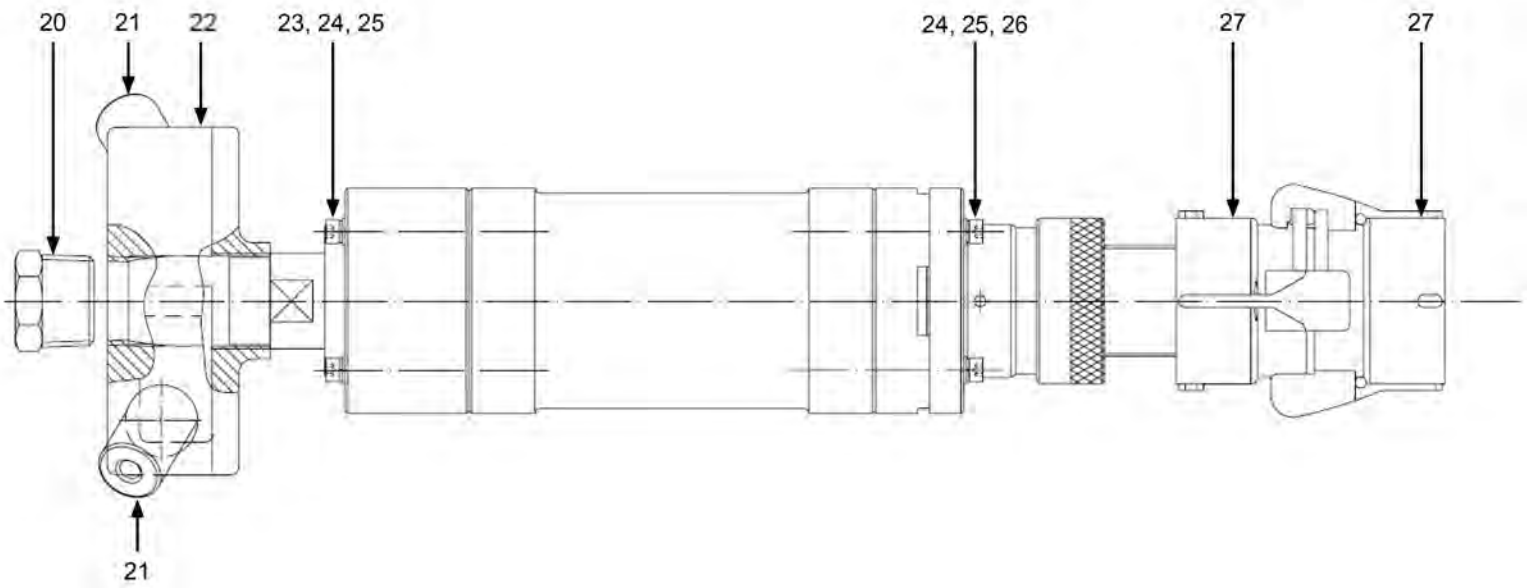
Pipe Blasting Coneblast Junior



| Part # | Description |
|--------|-------------------------------------------------------------------------|
| 1 | 1084002 Holding Nut |
| 2 | 1084003 Deflection Tip |
| 3 | 1084004 Tungsten Stem Sleeve |
| 4 | 1084005 Throat Rod & Tip |
| 5 | 1084001 Centering Collar Set (for 1", 1-1/4", 1-1/2", and 2" I.D. Pipe) |
| 6 | 1084006 Nozzle Reducer |
| 7 | 1084007 3/8" Coupling |
| 8 | 1084008 Stem Support Assembly (w Throat Rod & Tip) |
| 9 | 1084013 Nozzle Gasket |
| 10 | 1084009 Knurled Lock Nut |
| 11 | 1084010 9/32" Tungsten Carbide Nozzle |
| 12 | 1084011 Body |
| 13 | 1084012 Retaining Ring |



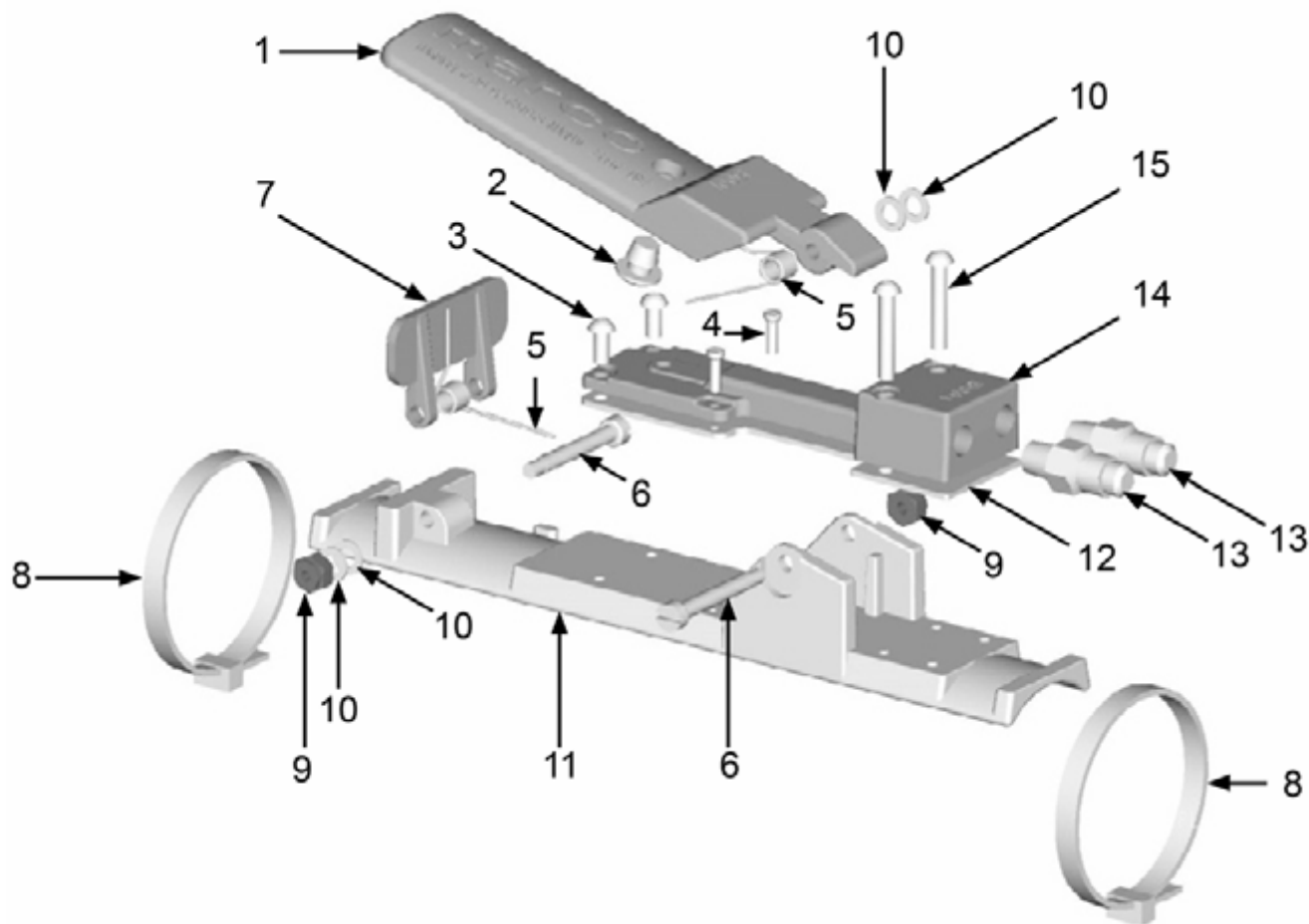
| Part # | Description |
|--------|--------------------------------------------|
| 1 | 1084082 Tube Casting |
| 2 | 1084086 Brake Housing |
| 3 | 1084089 Locking Pin |
| 4 | 1084087 Specialty Brake with Lining |
| 5 | 1084093 Support Ring |
| 6 | 1084080 Double Seal Light Bearing |
| 7 | 1084081 Main Body |
| 8 | 1084088 Locking Ring |
| 9 | 1084094 Felt Seal |
| 10 | 1084095 U Seal |
| 11 | 1084085 Seal Retainer |
| 12 | 1084096 Base Assembly (Includes Dowel Pin) |
| 13 | - Dowel Pin |
| 14 | 1084078 End Locking Nut |
| 15 | 1084083 Entry Nozzle |
| 16 | 1084084 Bearing Seal |
| 17 | 1084097 Wear Sleeve |
| 18 | 1084098 Spring |
| 19 | 1084099 Screw |



| Part # | Description |
|--------|------------------------------------------------------------------------|
| 20 | 1084100 NPT Plug |
| 21 | 10AT4 #4 Straight Bore Nozzle, Tungsten Carbide Liner, Aluminum Jacket |
| 22 | 1084071 Rotating Nozzle Head |
| 23 | 1084090 2-1/2" Round Head Screw |
| 24 | 1084102 Flat Washer |
| 25 | 1084103 Spring Washer |
| 26 | 1084104 Screw |
| 27 | 1084105 NTC-1 Nylon Threaded Tank Coupling |
| - | 1084072 Tornado Scissor Carriage for 8"–17" I.D. |
| - | 1084073 Tornado Pipe and Wheel Carriage for 12" – 36" I.D. Pipe |
| - | 1084107 Tornado Pipe and Wheel Carriage for 40" – 60" I.D. Pipe |
| - | 1084101 2" Tornado Large Rotating Head Assembly |

Remote Control Switches

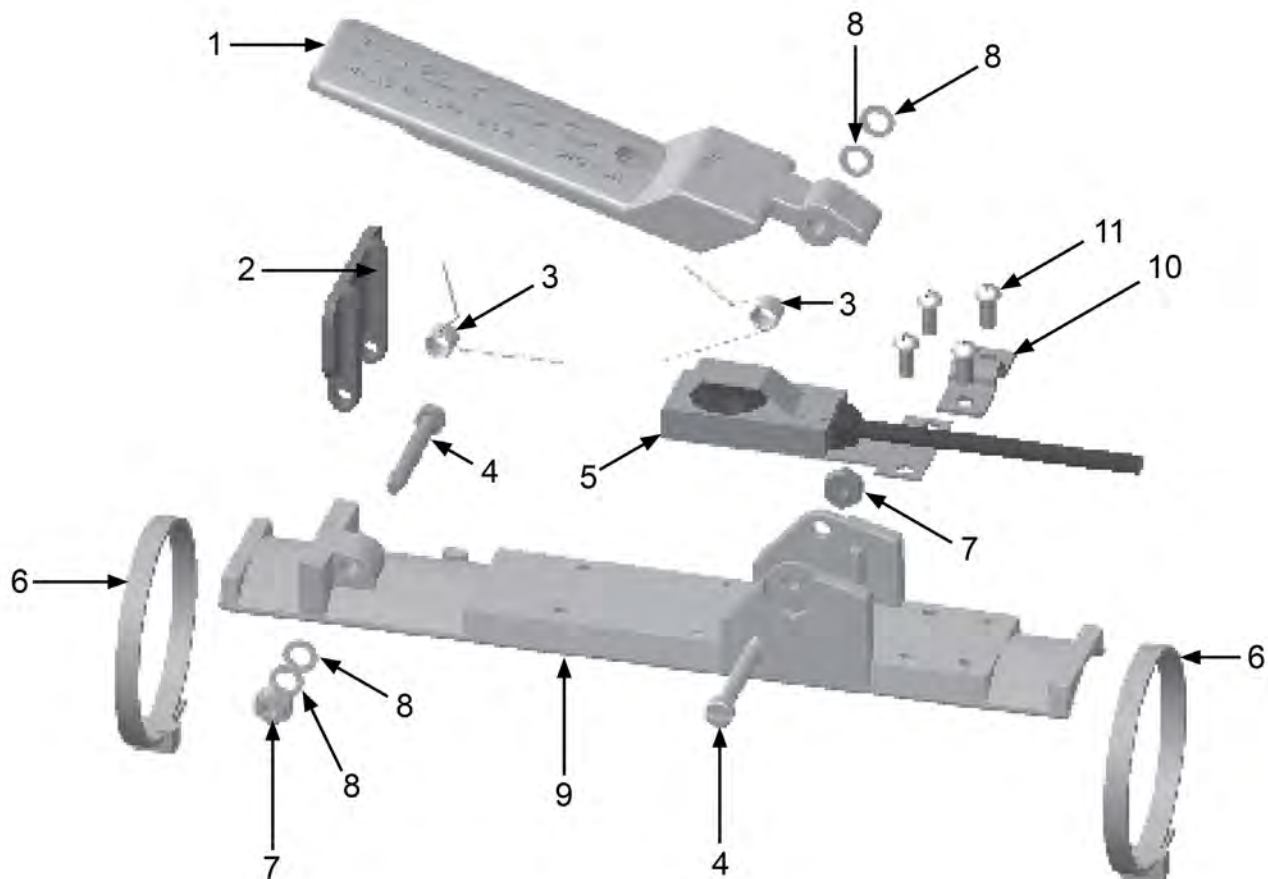
150P (Pneumatic)



| Part # | Description |
|--------|-----------------------------------------------------------------------------------------|
| 1 | 1015001 Handle |
| 2 | 1015011 Rubber Button Bumper |
| 3 | 1015014 8-32 x 3/8" Phillips Head Screw (Two Required) |
| 4 | 1015010 4-40 x 3/8" Fillister Screw (Two Required) |
| 5 | 1015005 Spring (Two Required) |
| 6 | 1015008 Shoulder Screw (Two Required) |
| 7 | 1015003 Safety Tab |
| 8 | 1015015 Nylon Zip Tie – White (Two Required) |
| 9 | 1015006 8-32 UNC-2B Nylon Insert Lock Nut (Two Required) |
| 10 | 1015007 3/8" O.D. x 7/16" I.D. Washer (Four Required) |
| 11 | 1015002 Body |
| 12 | 1015012 Adapter Block Gasket |
| 13 | 1012903 1/8" NPT x 7/16-20 JIC Fitting (Two Required) |
| 14 | 1015004 Adapter Block |
| 15 | 1015009 8-32 x 1" Phillips Head Screw (Two Required) |
| | 1015013 150P Repair Kit (Item #'s: {1x: 7,12} {2x: 3, 4, 5, 6, 9, 15} {3x: 2} {4x: 10}) |

Remote Control Switches

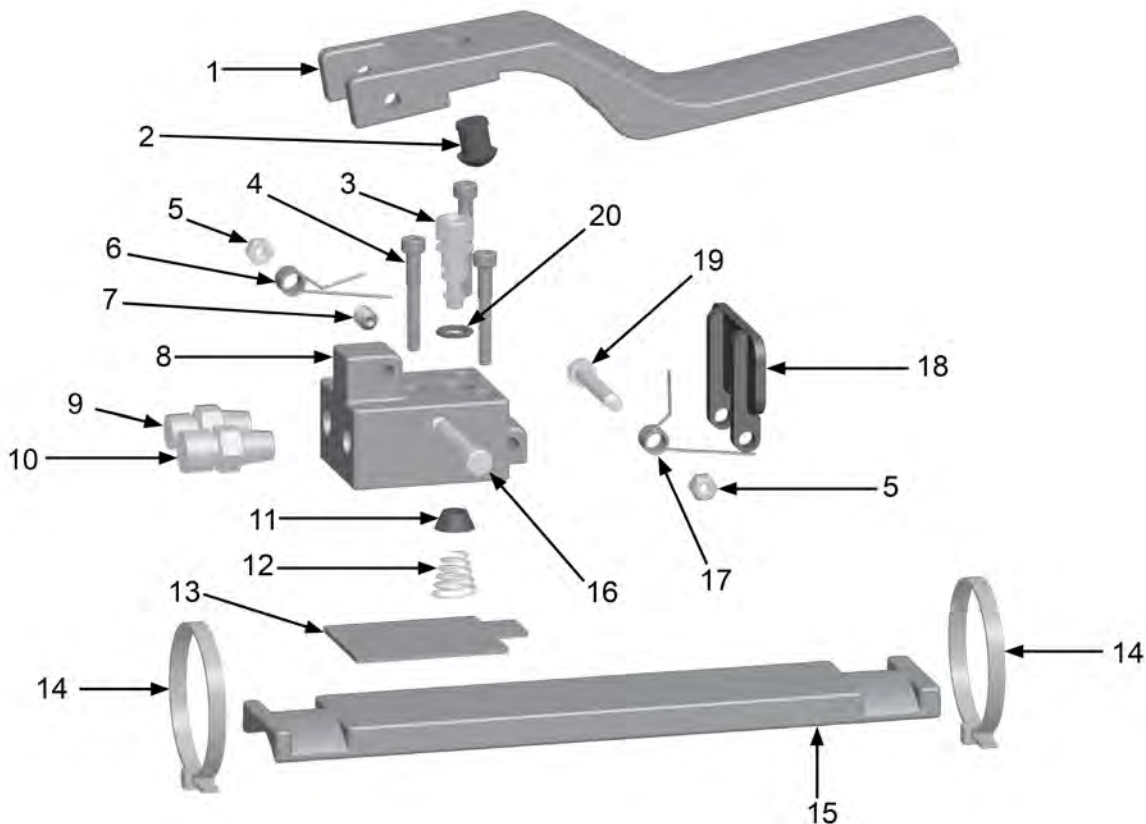
151E (Electric)



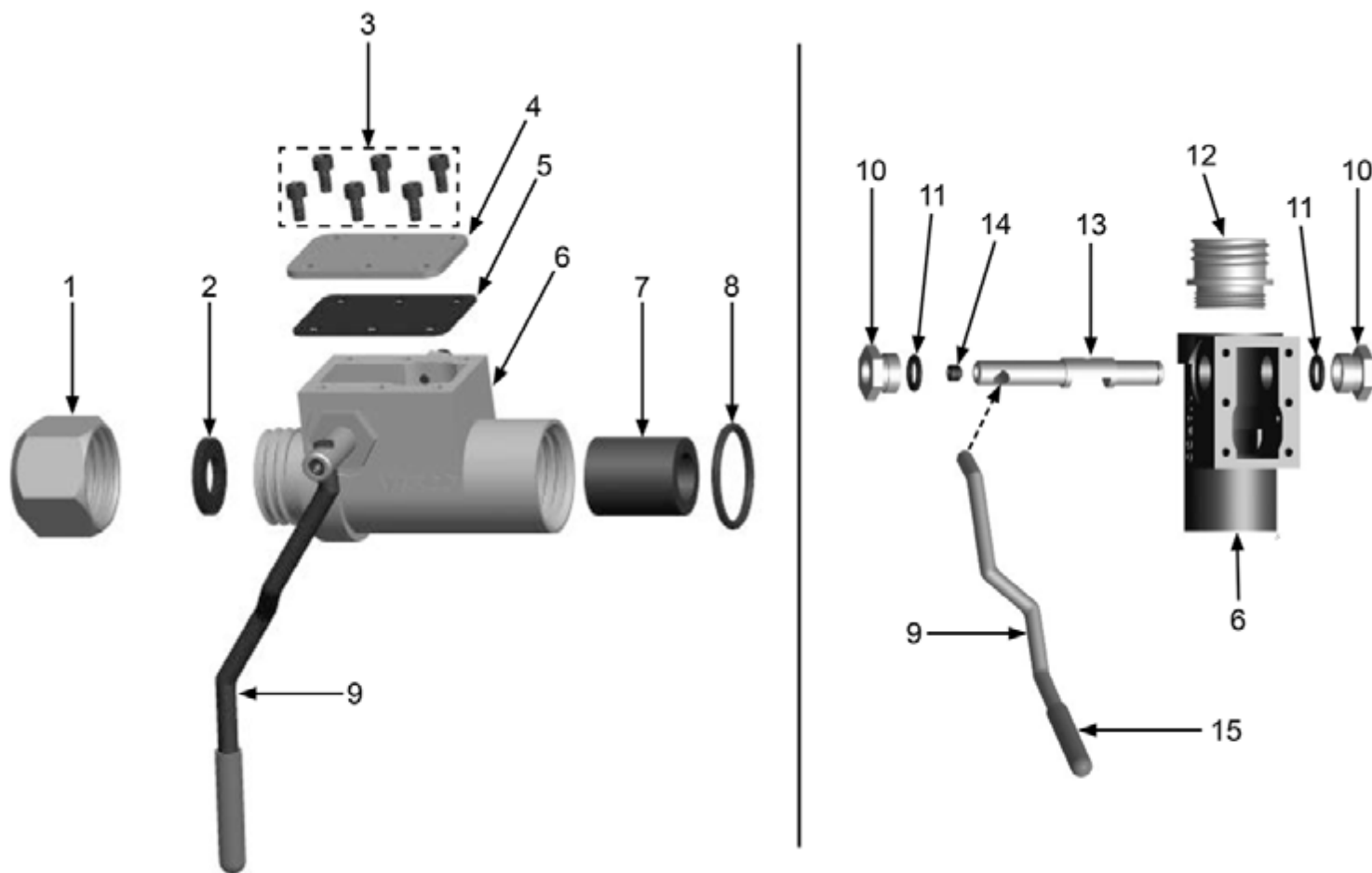
| Part # | Description | |
|--------|-------------|-----------------------------------|
| 1 | 1015001 | Handle |
| 2 | 1015003 | Safety Tab |
| 3 | 1015005 | Spring |
| 4 | 1015008 | Shoulder Screw |
| 5 | 10104268 | Switch with Cord |
| 6 | 1015015 | Nylon Zip Tie – White |
| 7 | 1015006 | 8-32 UNC-2B Nylon Insert Lock Nut |
| 8 | 1015007 | 3/8" O.D. x 7/16" I.D. Washer |
| 9 | 1015002 | 151E Body |
| 10 | 1015101 | Electric Cord Clamp |
| 11 | 1015014 | 8-32 x 3/8" Phillips Head Screw |

Remote Control Switches

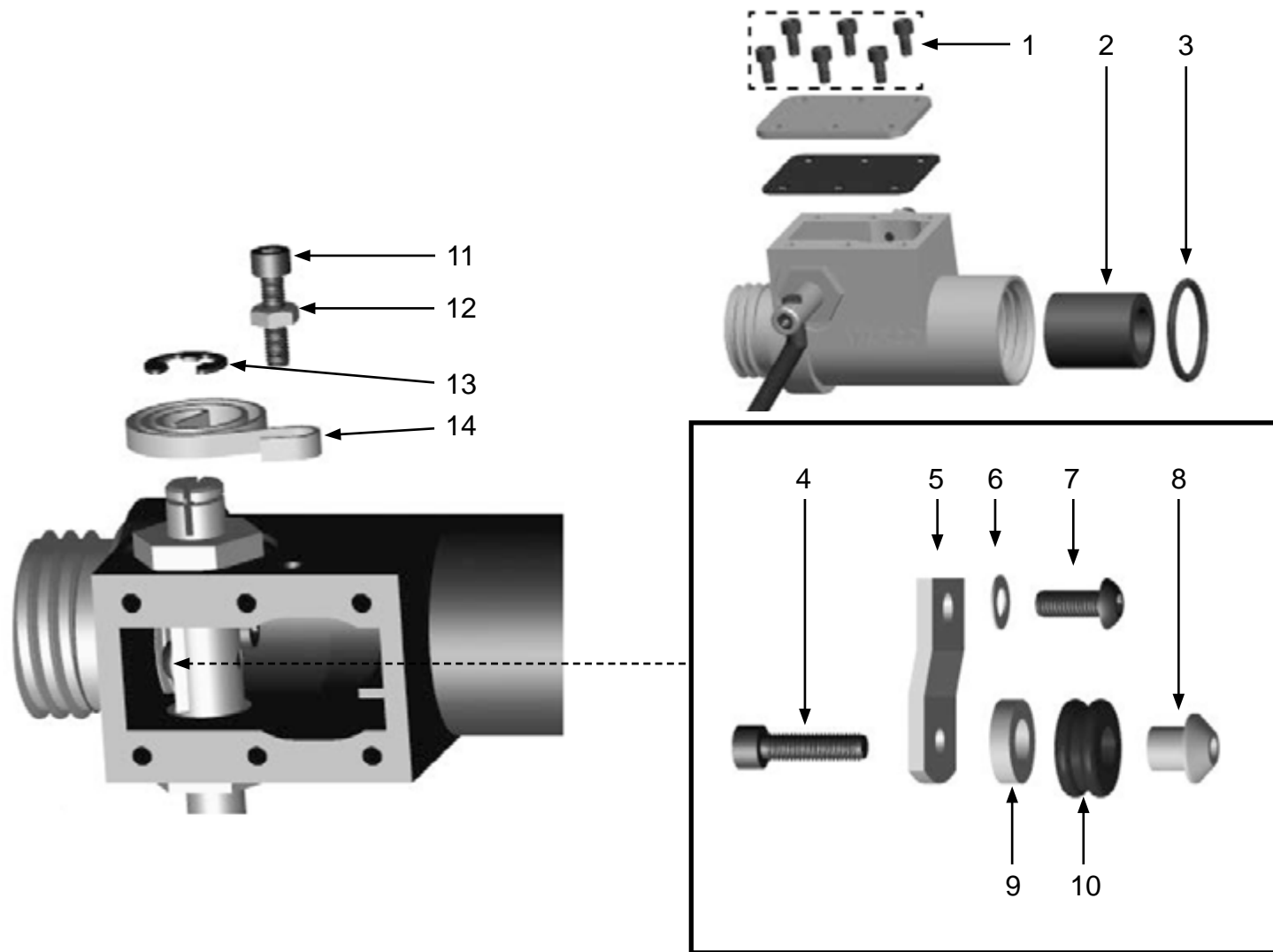
152P (Pneumatic)



| Part # | Description |
|--------|-----------------------------------------------------------------------------------------|
| 1 | 10102171 Handle |
| 2 | 10102181 Button Bumper |
| 3 | 10102175 Air Valve Stem |
| 4 | 10102178 M4 x 30 Socket Head Cap Screw (Three Required) |
| 5 | 10102184 M4 Lock Nut (Two Required) |
| 6 | 10102179 Spring |
| 7 | 10102182 M6 Set Screw |
| 8 | 10102172 Manifold |
| 9 | 10102187 1/8" NPSL x 1/8" NPT Fitting |
| 10 | 10102186 1/4" NPSL x 1/8" NPT Fitting |
| 11 | 10102176 Air Valve Packing |
| 12 | 10102183 Valve Stem Spring |
| 13 | 10102173 Manifold Gasket |
| 14 | 1015015 Nylon Zip Tie – White (Two Required) |
| 15 | 10102170 Base Plate |
| 16 | 10102180 M4 x 48.9 Shoulder Screw |
| 17 | 10102241 Safety Tab Spring |
| 18 | 10102174 Safety Tab |
| 19 | 10102185 M4 x 42 Shoulder Screw |
| 20 | 10102177 O-Ring |
| - | 10102169 152P Remote Control Switch Repair Kit (Item #s: {1x: 3,7,8,11,12,20} {2x: 15}) |



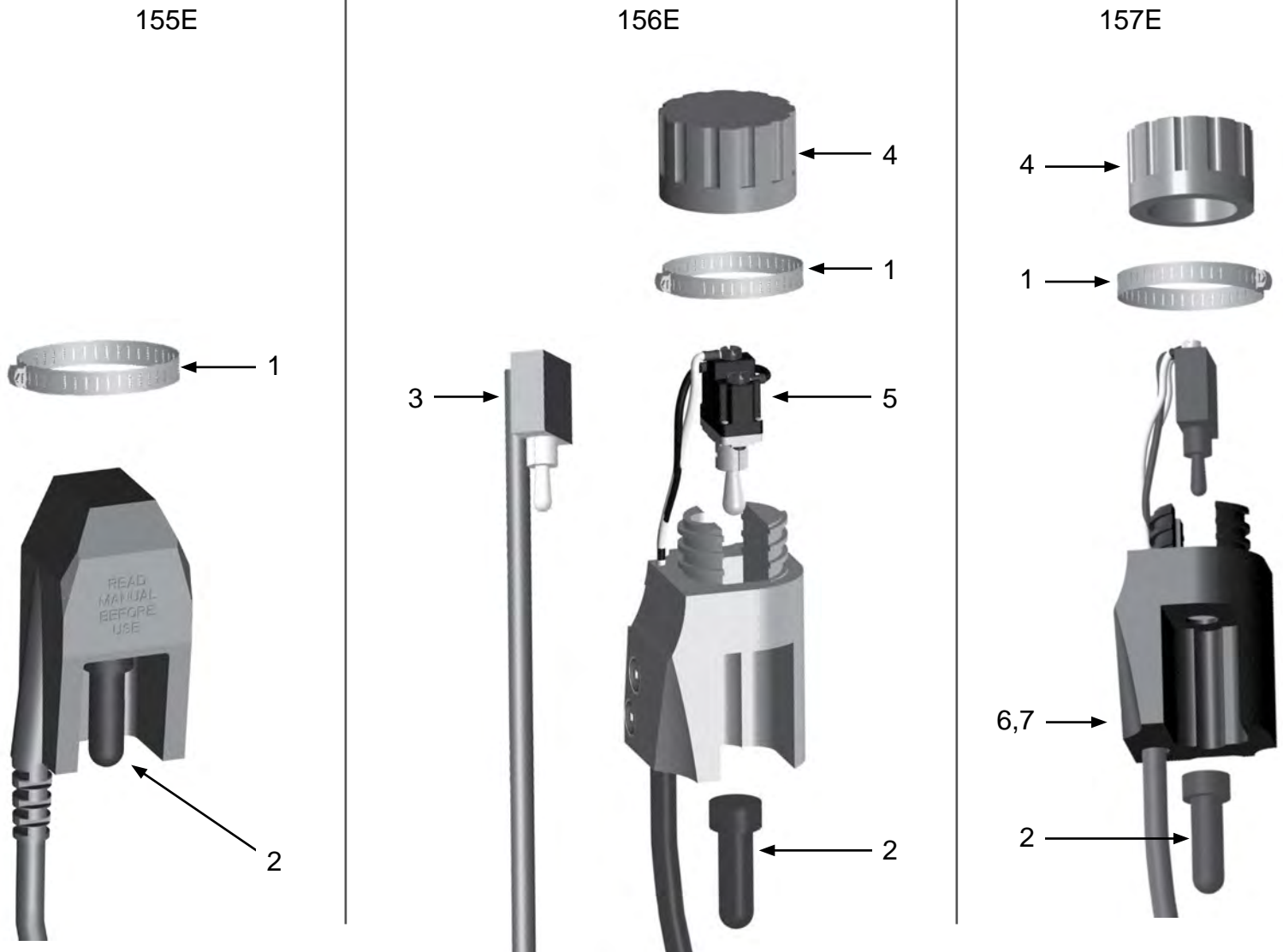
| Part # | Description |
|--------|-----------------------------------------------------------|
| 1 | 10L100164 Nozzle Cap (Use with Type I Ceramic Nozzles) |
| 2 | 10L66CHW Nozzle Washer for Ceramic Nozzle |
| 3 | 10L805531 10-32 x 3/8" Socket Cap Screw |
| 4 | 10L100170 Cover |
| 5 | 10L66EVG Cover Gasket |
| 6 | 10L100018 Valve Body |
| 7 | 10L800236 Rubber Liner – 3/4" I.D. Abrasive Blasting Hose |
| 8 | 10L66RR O-Ring |
| 9 | 10L66VHD Valve Lever w/ Grip |
| 10 | 10L66TB Spindle Bushing |
| 11 | 10L15300 Spindle O-Ring |
| 12 | 10L100134 Valve Insert |
| 13 | 10L100070 Valve Spindle |
| 14 | 10L800217 5/16-24 x 1/4" Spindle Set Screw |
| 15 | 10L800338 Lever Grip |



| Part # | Description |
|--------|----------------------------------------------------------------------------------|
| 1 | 10L805531 10-32 x 3/8" Socket Cap Screw (Six Required) |
| 2 | 10L800236 Rubber Liner – 3/4" I.D. Abrasive Blasting Hose (See Figure 2) |
| 3 | 10L66RR O-Ring |
| 4 | 10L66TB Spindle Bushing (Two Required) |
| 5 | 10L15300 Spindle O-Ring (Two Required) |
| 6 | 10L805034 Star Washer |
| 7 | 10L800218 10-32 x 1/2" Hex Screw |
| 8 | 10L66EVST Valve Disc Stem |
| 9 | 10L66VW Steel Shut-off Washer |
| 10 | 10L66RW Rubber Valve Washer |
| 11 | 10L805533 10-32 x 3/4" Hex Head Screw (Two Required) |
| 12 | 10L804322 10-32 Nut |
| 13 | 10L800149 Spindle E-Clip |
| 14 | 10L66VSS Torsion Spring |
| - | 10L66EVDR 153 RC Valve Service Kit (Items: {6x: 1}{1x: 2,3,5,6,7,8,9,10}{2x: 4}) |

Remote Control Switches

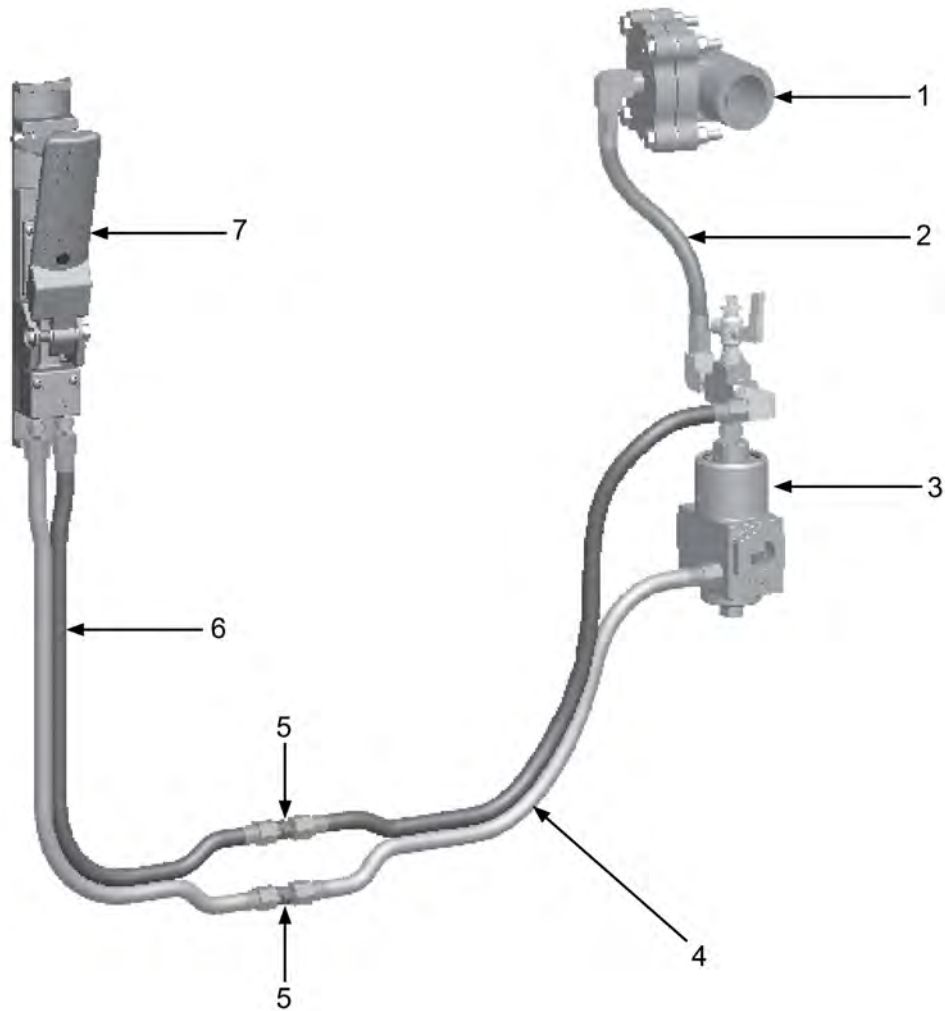
155E, 156E, 157E (Electric)



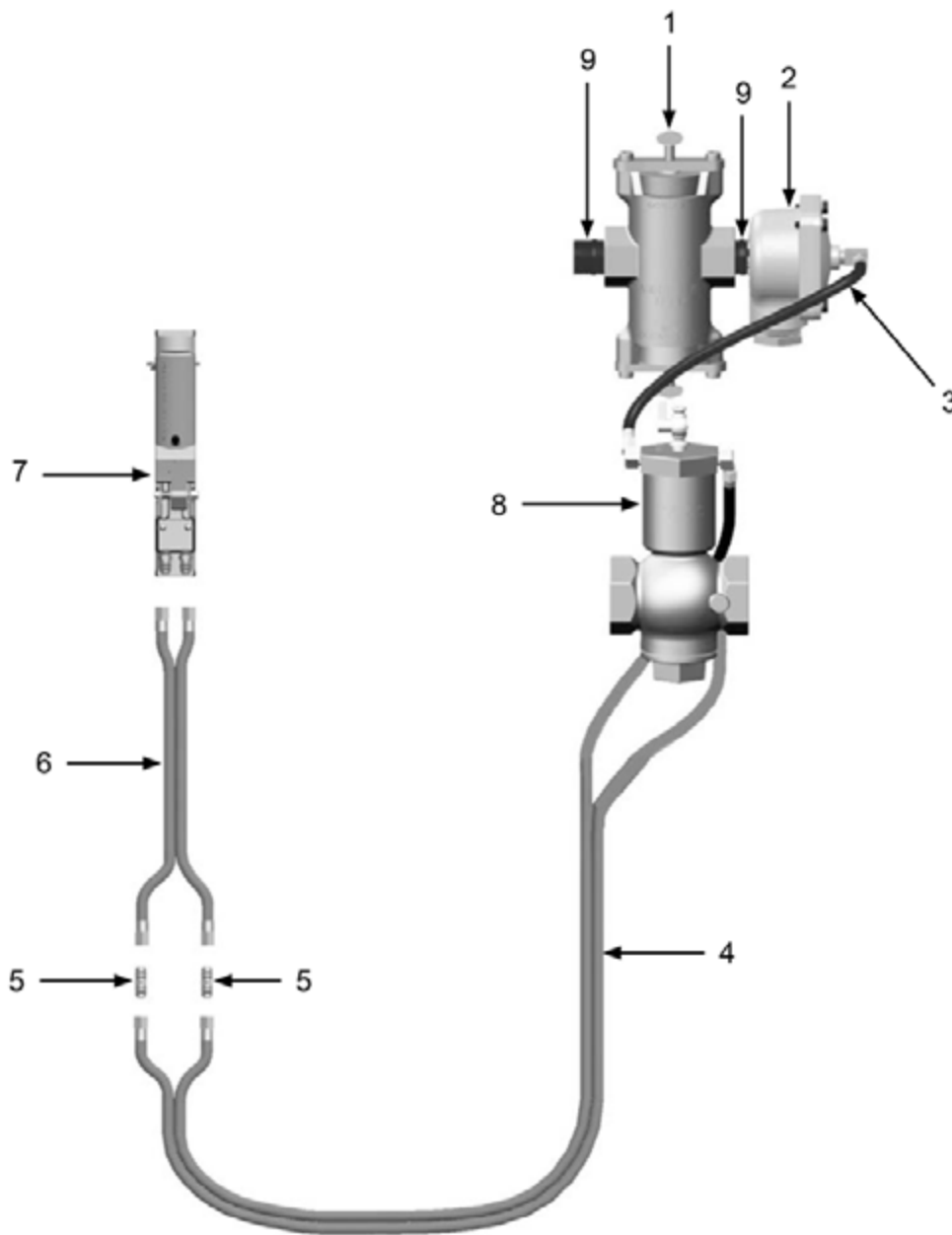
| Part # | Description |
|--------|------------------------------------------------------------------------------|
| 1 | 1015503 Hose Clamp |
| 2 | 1015501 Toggle Boot |
| 3 | 1015602 156E KwikChange Repair Kit • Pre-Wired Switch & 10' of Power Cord |
| 4 | 1015601 RC Switch Cap • 156E 157E |
| 5 | 1015704 Toggle Switch • 156E |
| 6 | 10106524 #8 Countersunk Washer |
| 7 | 10106525 #8 x 1" Large Flat-Head Drive Screw |
| 8 | 1015604 156E Repair Kit • Toggle Switch/Boot & 4' of 16/2 Cord |
| 9 | 1015705 157E Repair Kit • Toggle Switch/Boot & 4' of Electrical Cord |

Remote Control Systems

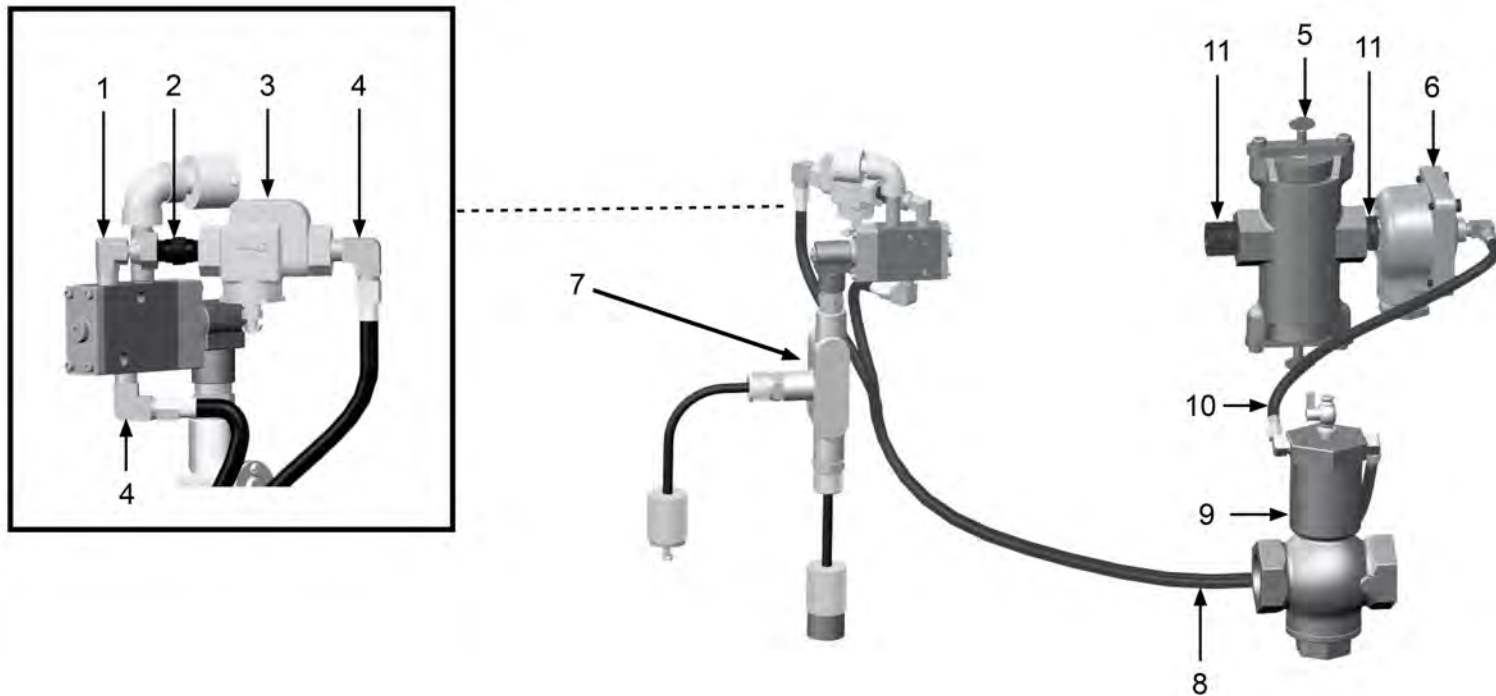
120P (Pneumatic)



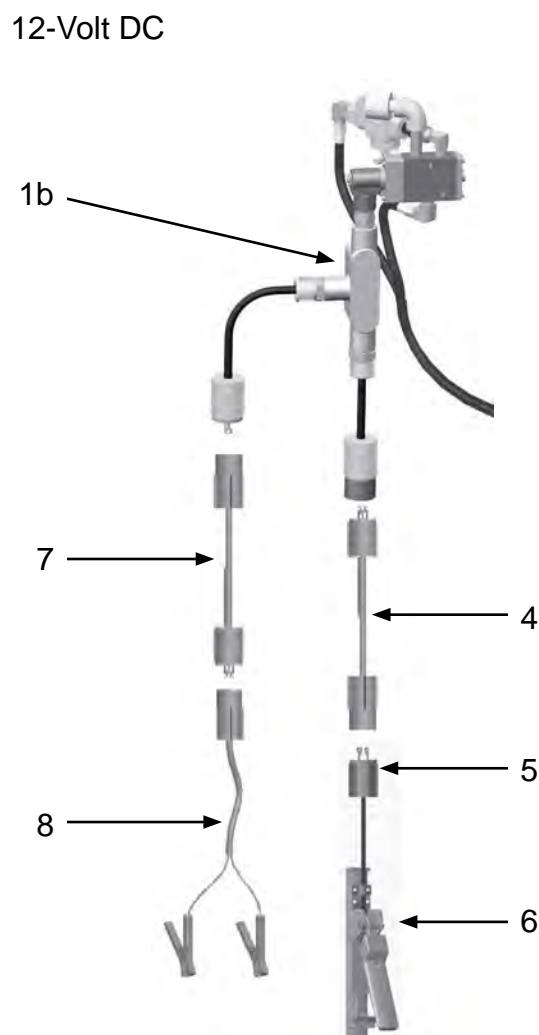
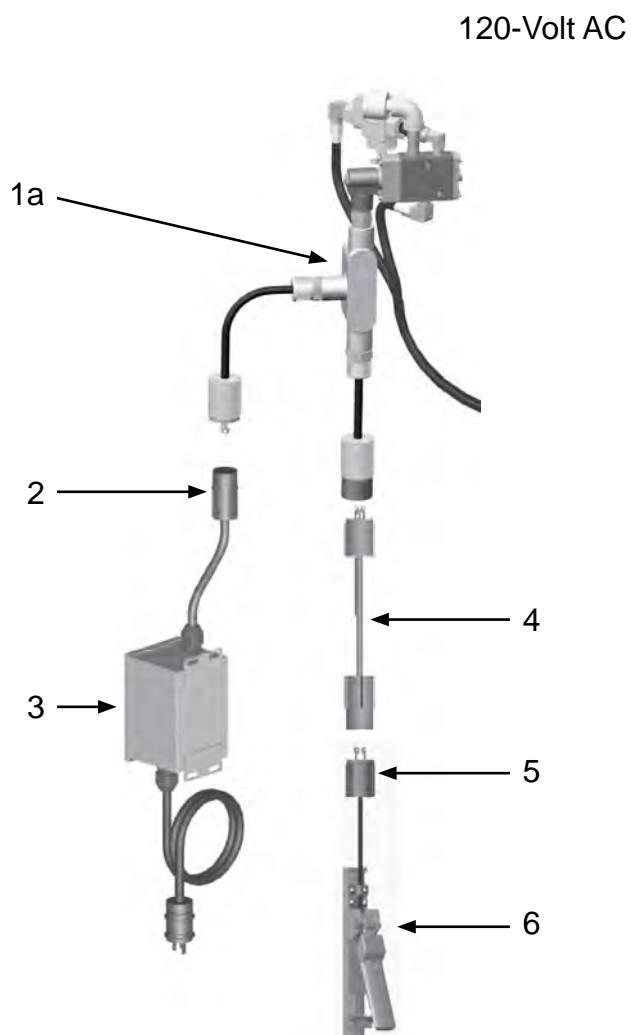
| Part # | Description |
|--------|------------------------------------------------------|
| 1 | 10100676 1/2" Diaphragm Outlet Valve |
| 2 | 10CL6 Pneumatic Control Line – 6 Inches |
| 3 | 10100534 1/2" Inlet Valve |
| 4 | 10TL3 Pneumatic Control Line – 3 Feet |
| 5 | 1017001 3/16" Hose Union |
| 6 | 10TL25 Pneumatic Control Line – 25 Feet |
| 7 | 1015000 150P Remote Control Switch |



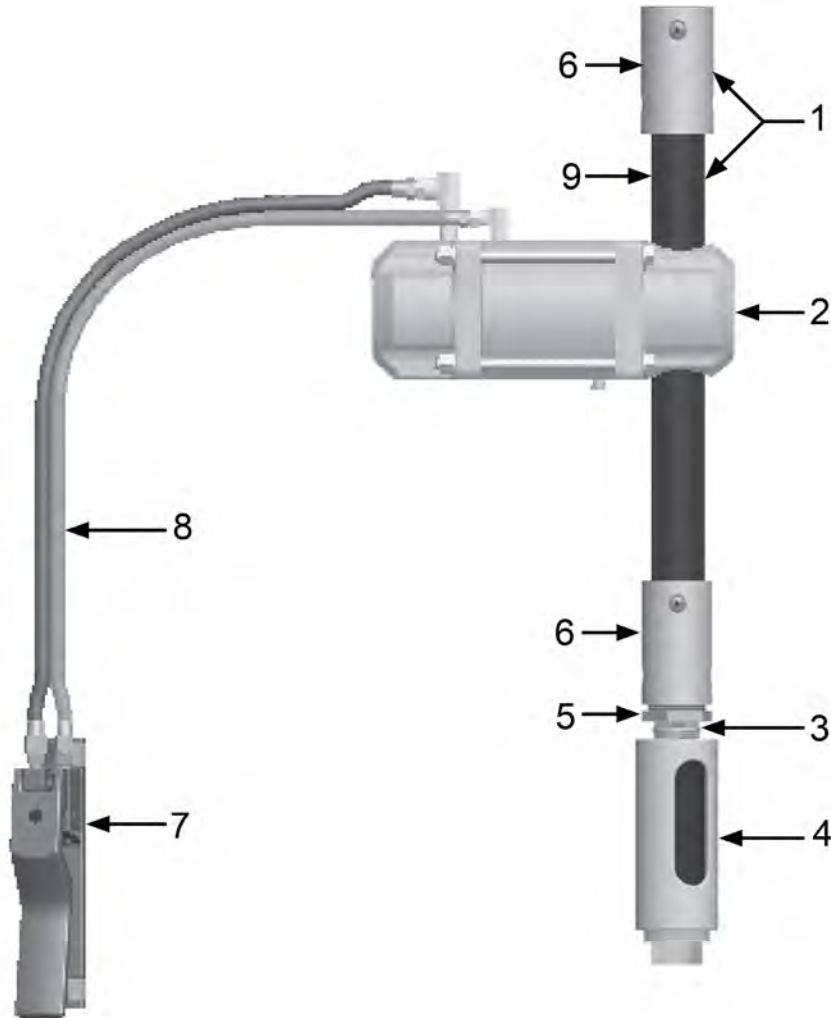
| Part # | Description |
|--------|----------------------------------------------------|
| 1 | 1012000 Abrasive Trap |
| 2 | 1012150 1" Diaphragm Outlet Valve |
| 3 | 10CL18 Coupled Pneumatic Control Line – 18 Inches |
| 4 | 10TL5 Coupled Pneumatic Control Line – 5 Feet |
| 5 | 1017001 3/16" Control Line Union |
| 6 | 10TL50 Coupled Pneumatic Control Line – 50 Feet |
| 7 | 1015000 150P Remote Control Switch |
| 8 | 1012200 1-1/2" Inlet Valve |
| 9 | 1012151 1" Close Nipple |
| - | 1011501 1-1/2" NPT (M) x 1-1/4" NPT (F) Bushing |



| Part # | Description |
|--------|------------------------------------------------------------|
| 1 | 1012326 1/4" NPT 90° Swivel Fitting |
| 2 | 1017019 1/4" x 1/4" Hex Nipple |
| 3 | 10WS Watts Strainer |
| 4 | 1012051 1/4" NPT Brass Elbow |
| 5 | 1012000 Abrasive Trap |
| 6 | 1012150 1" Diaphragm Outlet Valve |
| 7a | 1019002 12-Volt AC 190 Electric Control Assembly • 2-Prong |
| 7b | 1019001 12-Volt DC 190 Electric Control Assembly • 2-Prong |
| 8 | 10TL5 Coupled Pneumatic Twinline Hose – 5 Feet |
| 9 | 1012200 1-1/2" Inlet Valve |
| 10 | 10CL18 Coupled Pneumatic Control Line – 18 Inches |
| 11 | 1012151 1" Close Nipple |



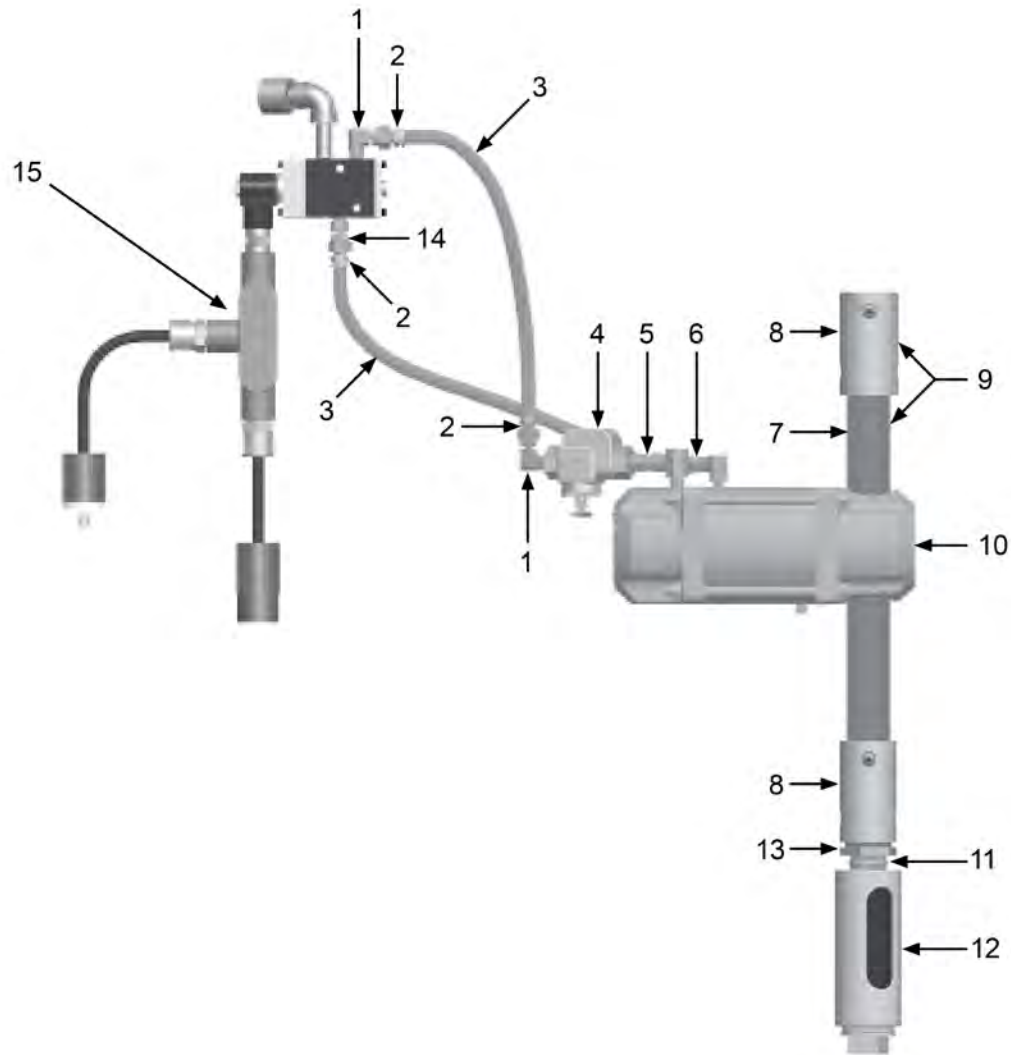
| Part # | Description |
|--------|--------------------------------------------------------------------------------|
| 1a | 1019002 12-Volt AC 190 Electric Control Assembly • 2-Prong |
| 1b | 1019001 12-Volt DC 190 Electric Control Assembly • 2-Prong |
| 2 | 1015552 2-Prong Twist-Lock Plug – Female |
| 3 | 1030020 120-Volt AC to 12-Volt AC Power Converter |
| 4 | 1015542 50 Feet of Electric Control Line with Male and Female Twist-Lock Plugs |
| 5 | 1015551 2-Prong Twist-Lock Plug – Male |
| 6 | 1015100 151E Remote Control Switch |
| 7 | 1015543 25 Feet of Electric Control Line with Male and Female Twist-Lock Plugs |
| 8 | 1015541 Battery Clamp Kit • 2-Prong |



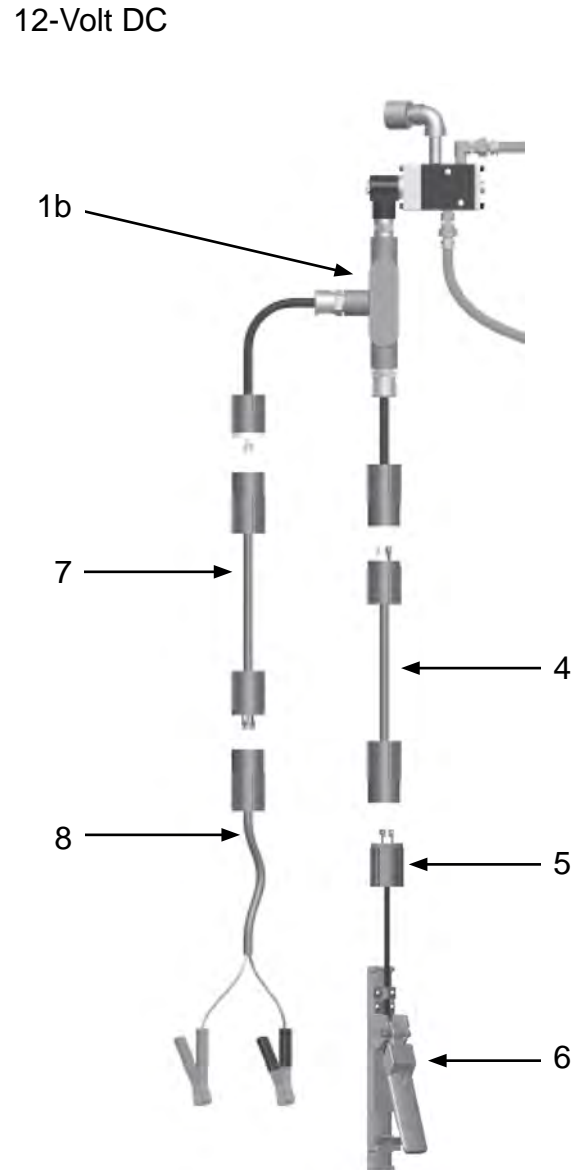
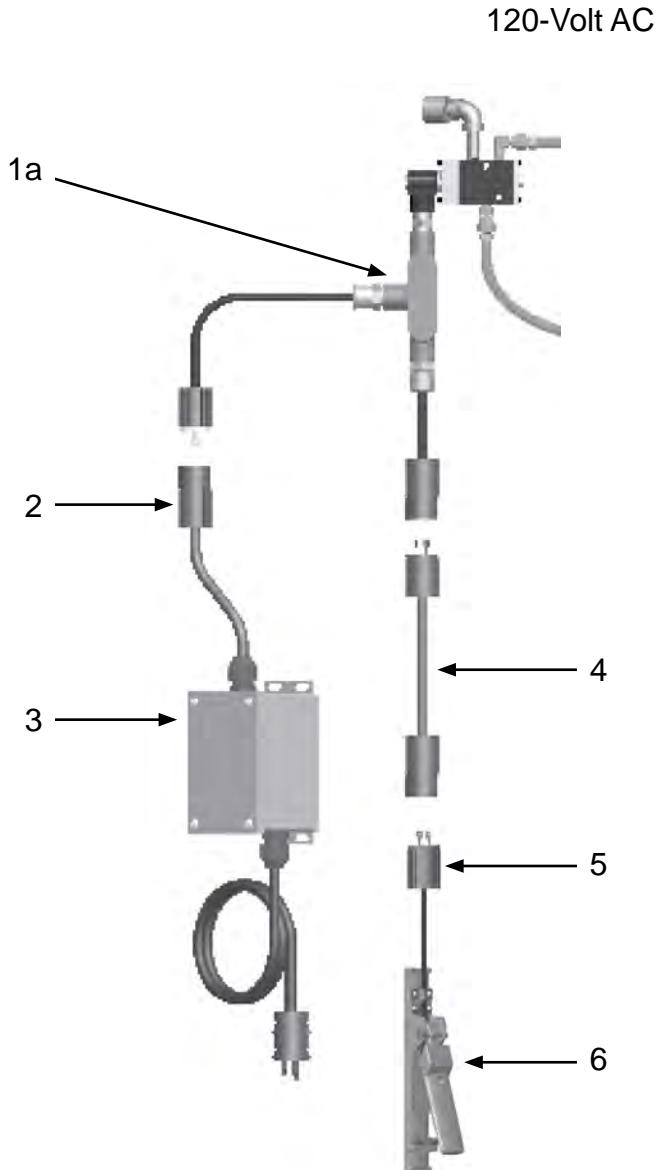
| Part # | Description |
|--------|---------------------------------------------------------------------|
| 1 | 1012350 Blowdown Hose Assembly |
| 2 | 1012300 Tandem Valve |
| 3 | 1012151 1" Close Nipple |
| 4 | 1011100 1" Exhaust Muffler |
| 5 | 1012157 1-1/4" x 1" Bushing |
| 6 | 10NHA1 1-1/4" Aluminum Nozzle Holder |
| 7 | 1015200 152P Remote Control Switch |
| 8 | 1016000 55 Feet of Coupled Control Line with 1/4" and 1/8" Fittings |
| 9 | 10BH0342BR 3/4" I.D. Abrasive Blasting Hose (per foot) |

Remote Control Systems

123E (Electric) (1 of 2)



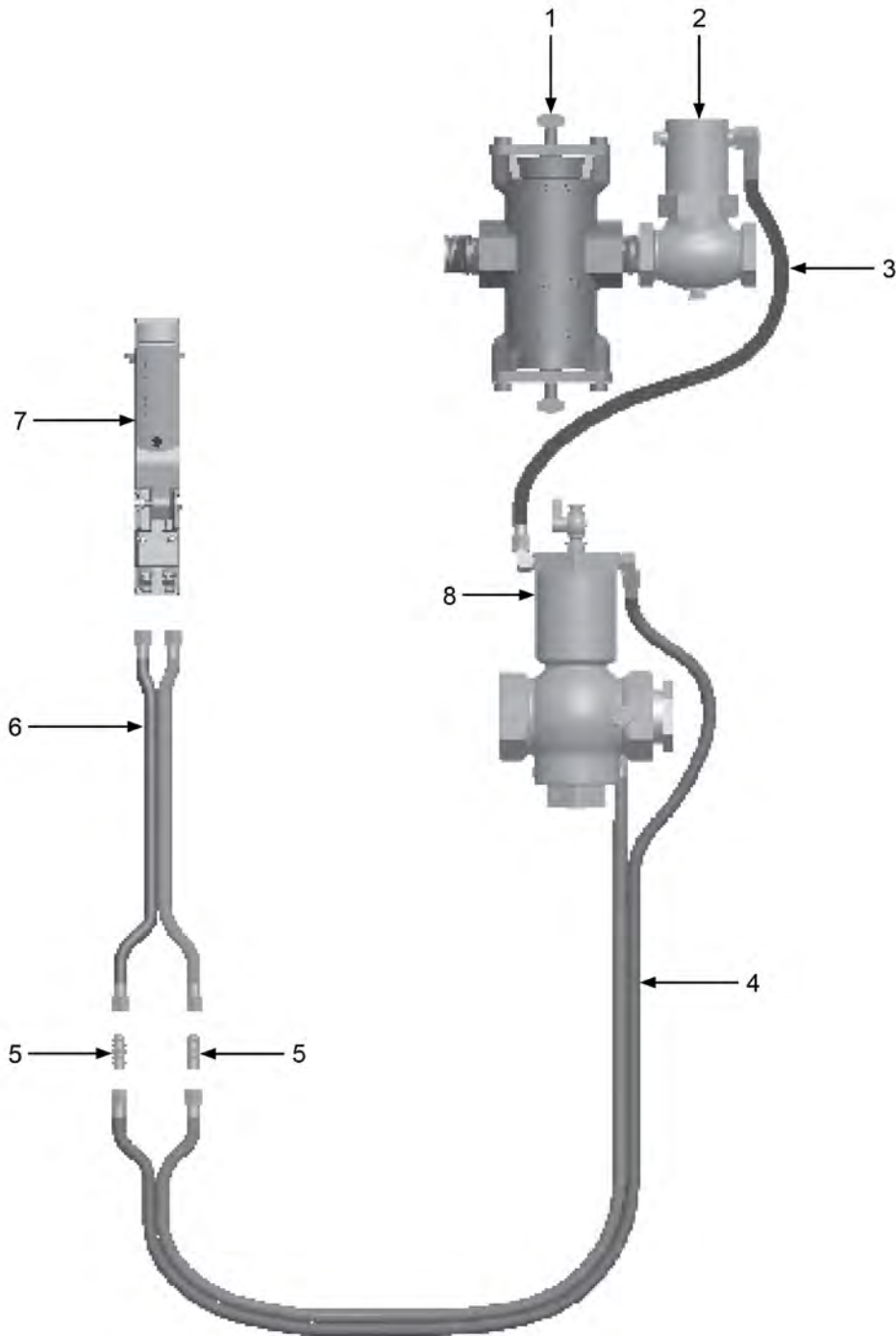
| Part # | Description |
|--------|--------------------------------------------------------------------------------|
| 1 | 1012326 1/4" 90° Swivel Fitting |
| 2 | 10PAF025 1/4" NPT x 1/4" Barb Push-on Air Hose Fitting |
| 3 | 10AH025 1/4" I.D. Push-on Air Hose |
| 4 | 10WS Watts Strainer |
| 5 | 1017019 1/4" Hex Nipple |
| 6 | 10PAF0125 1/8" NPT x 1/4" Barb Push-on Air Hose Fitting |
| 7 | 10BH0342BR 3/4" I.D. Abrasive Blasting Hose (Per Foot) |
| 8 | 10NHA1 1-1/4" Aluminum Nozzle Holder |
| 9 | 1012350 Blowdown Hose Assembly (Includes 2' of blast hose & one nozzle holder) |
| 10 | 1012300 Tandem Valve |
| 11 | 1012151 1" Close Nipple |
| 12 | 1011100 1" Exhaust Muffler |
| 13 | 1012157 1-1/4" x 1" Bushing |
| 14 | 10SME025 1/4" Straight Swivel Fitting |
| 15a | 1019052 12-Volt AC 190 Electric Control System • 3-Prong |
| 15b | 1019051 12-Volt DC 190 Electric Control Assembly • 3-Prong |



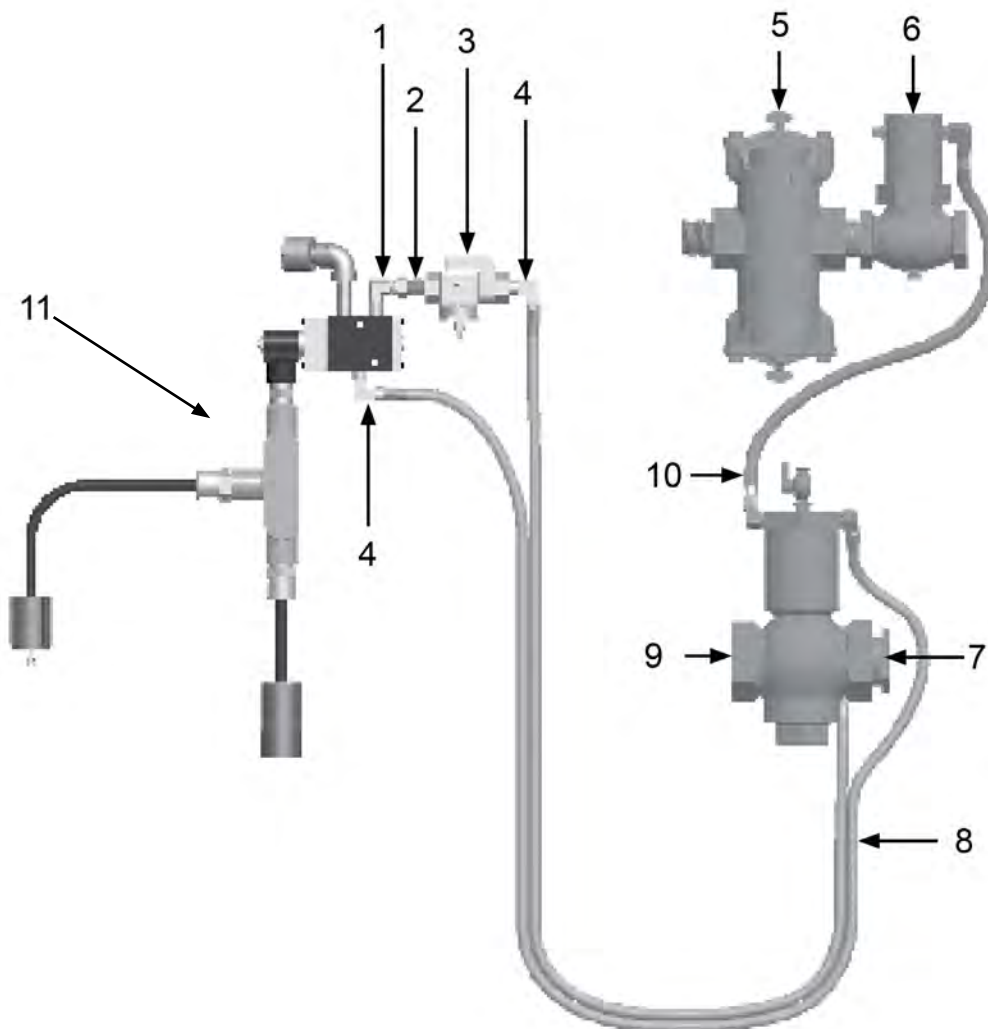
| Part # | Description | |
|--------|-------------|---------------------------------------------------------------------|
| 1a | 1019052 | 12-Volt AC 190 Electric Control System • 3-Prong |
| 1b | 1019051 | 12-Volt DC 190 Electric Control Assembly • 3-Prong |
| 2 | 1015556 | 3-prong Twist Lock Plug – Female |
| 3 | 1030020 | 120-Volt AC to 12-Volt AC Power Converter |
| 4 | 1015545 | 50 Feet of Control Line with Male and Female Twist-Lock Plugs |
| 5 | 1015555 | 3-prong Twist-Lock Plug – Male |
| 6 | 1015100 | 151E Remote Control Switch |
| 7 | 1015546 | 25 Feet of Power Cord with Male and Female 3-prong Twist-Lock Plugs |
| 8 | 1015544 | Battery Clamp Kit • 3-Prong |

Remote Control Systems

125P (Pneumatic)



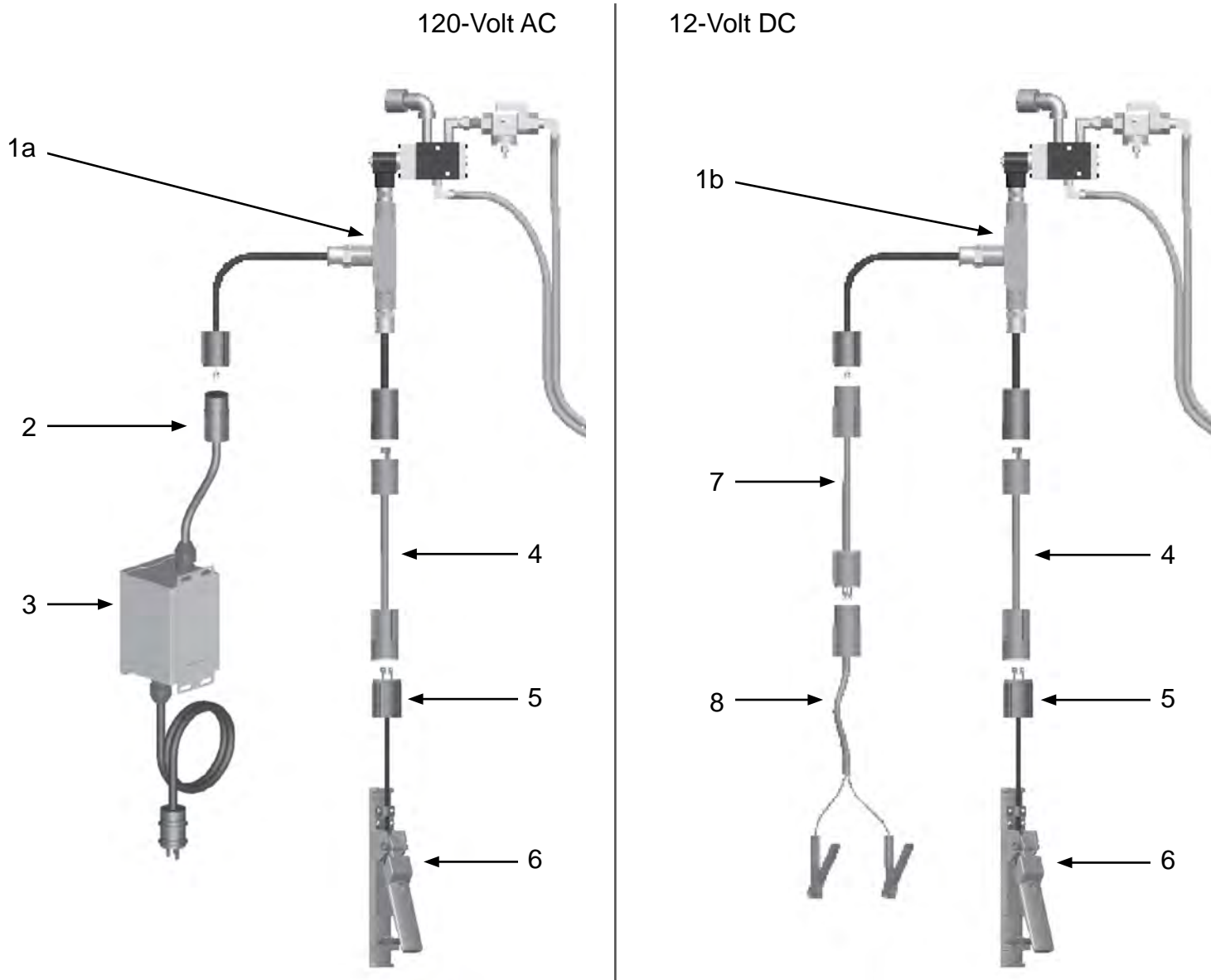
| Part # | Description |
|--------|----------------------------------------------------|
| 1 | 1012000 Abrasive Trap |
| 2 | 1012050 1" Outlet Valve |
| 3 | 10CL18 Coupled Pneumatic Control Line – 18 Inches |
| 4 | 10TL5 Coupled Pneumatic Control Line – 5 Feet |
| 5 | 1017001 3/16" Pneumatic Control Line Union |
| 6 | 10TL50 Coupled Pneumatic Control Line – 50 Feet |
| 7 | 1015000 150P Remote Control Switch |
| 8 | 1012200 1-1/2" Inlet Valve |



| Part # | Description |
|--------|------------------------------------------------------------|
| 1 | 1012326 1/4" NPT 90° Swivel Fitting |
| 2 | 1017019 1/4" X 1/4" Hex Nipple |
| 3 | 10WS Watts Strainer |
| 4 | 1012051 1/4" NPT Brass Elbow |
| 5 | 1012000 Abrasive Trap |
| 6 | 1012050 1" Outlet Valve |
| 7 | 1011501 1-1/2" NPT (M) x 1-1/4" NPT (F) Bushing |
| 8 | 10TL5 Coupled Pneumatic Control Line – 5 Feet |
| 9 | 1012200 1-1/2" Inlet Valve |
| 10 | 10CL18 Coupled Pneumatic Control Line – 18 inches |
| 11a | 1019002 12-Volt AC 190 Electric Control Assembly • 2-Prong |
| 11b | 1019001 12-Volt DC 190 Electric Control Assembly • 2-Prong |

Remote Control Systems

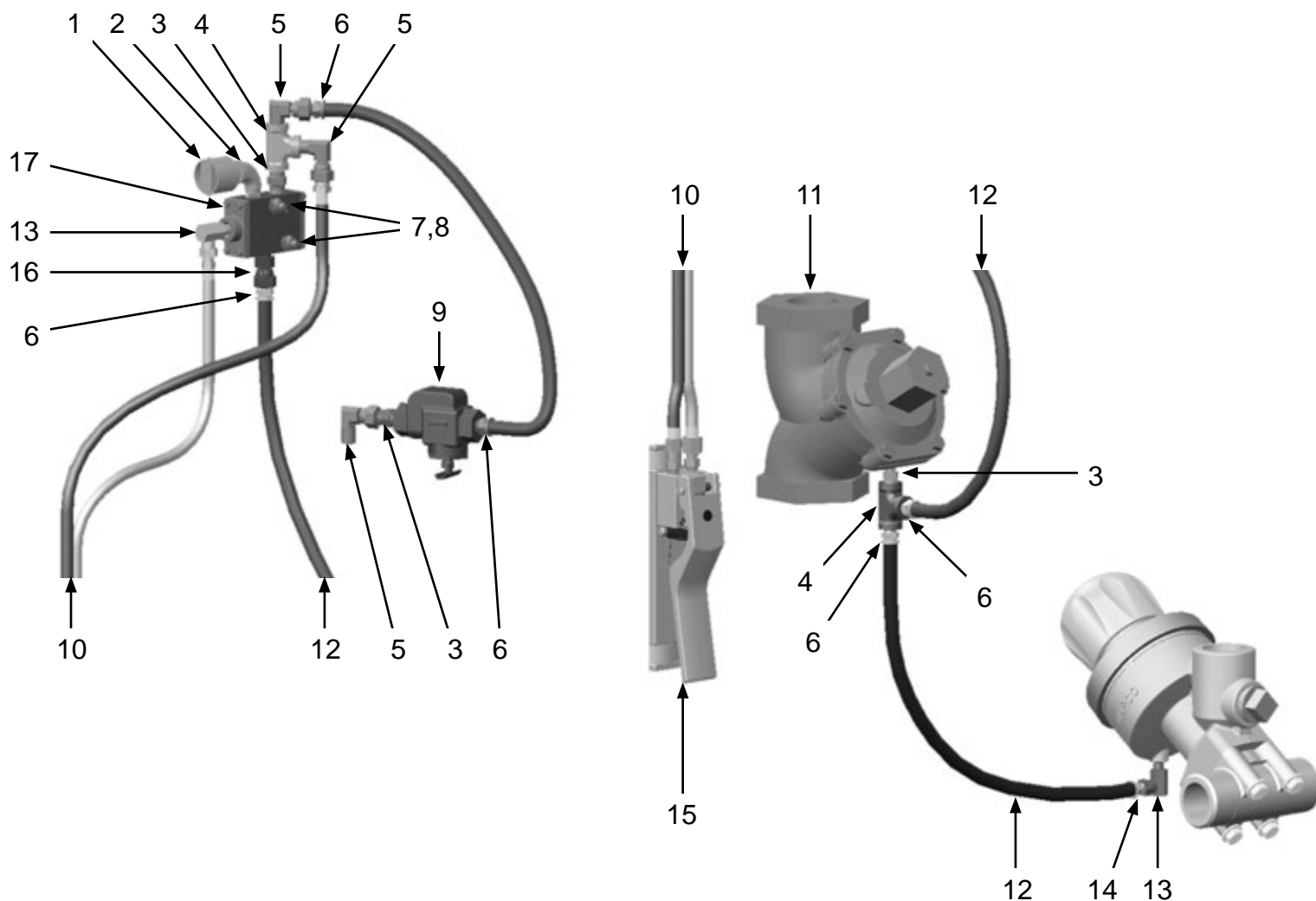
125E (Electric) (1 of 2)



| Part # | Description |
|--------|--------------------------------------------------------------------------------|
| 1a | 1019002 12-Volt AC 190 Electric Control Assembly • 2-Prong |
| 1b | 1019001 12-Volt DC 190 Electric Control Assembly • 2-Prong |
| 2 | 1015552 2-Prong Twist-Lock Plug – Female |
| 3 | 1030020 120-Volt AC to 12-Volt AC Power Converter |
| 4 | 1015542 50 Feet of Electric Control Line with Male and Female Twist-Lock Plugs |
| 5 | 1015551 2-Prong Twist-Lock Plug – Male |
| 6 | 1015100 151E Remote Control Switch |
| 7 | 1015543 25 Feet of Electric Control Line with Male and Female Twist-Lock Plugs |
| 8 | 1015541 Battery Clamp Kit • 2-Prong |

Remote Control Systems

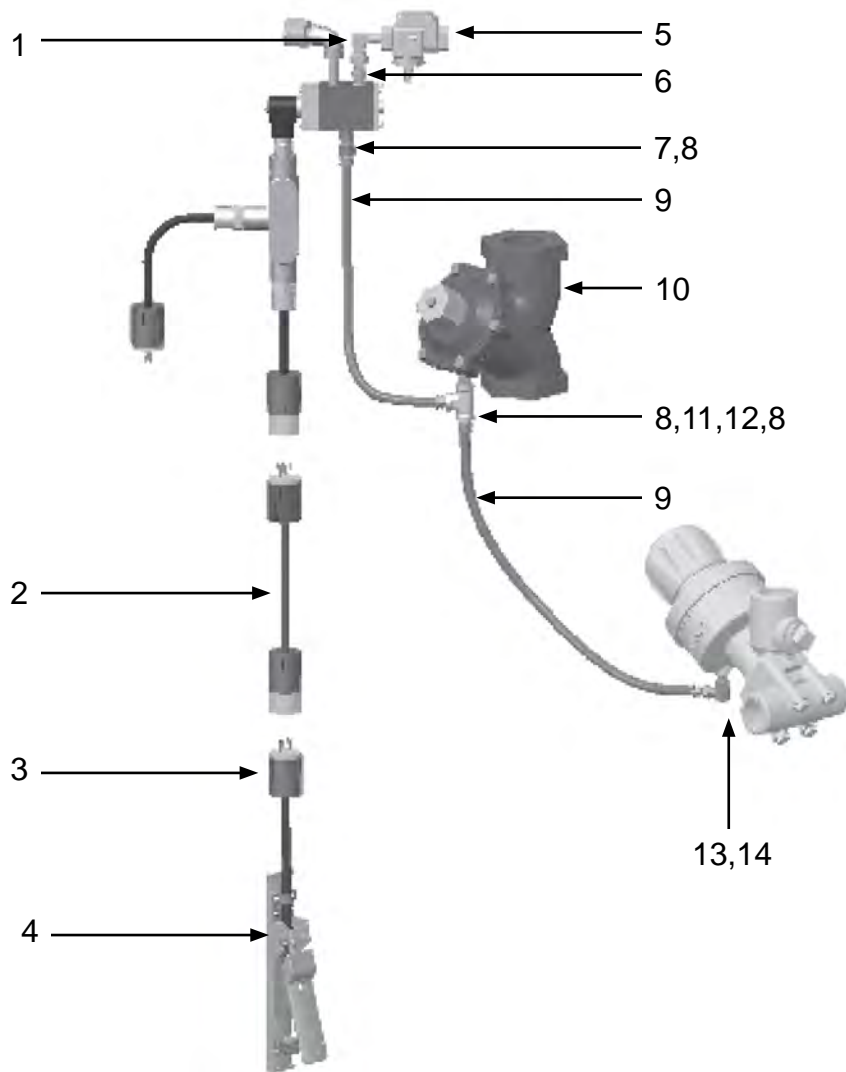
130P (Pneumatic)



| Part # | Description |
|--------|-----------------------------------------------------|
| 1 | 10DE025 1/4" NPT Dust Eliminator |
| 2 | 1011824 1/4" Street Elbow |
| 3 | 1017019 1/4" x 1/4" Hex Nipple |
| 4 | 1011844 1/4" NPT Pipe Tee |
| 5 | 1012326 1/4" Swivel 90° Fitting |
| 6 | 10PAF025 1/4" Push-On Hose Fitting |
| 7 | 1019044 1/4-20 x 1-3/4" Zinc Bolt |
| 8 | 1012323 1/4-20 Zinc Lock Nut with Nylon |
| 9 | 10WS Watts Strainer |
| 10 | 1016000 Pneumatic Control Line • Coupled • 55' |
| 11 | 1013600 1-1/2" High-flow Gatekeeper |
| 12 | 10AH025 1/4" Push-On Air Hose (Per Foot) |
| 13 | 1014239 1/8" 90° Swivel Fitting |
| 14 | 10PAF0125 1/8" Push-On Air Hose Fitting |
| 15 | 1015200 152P Remote Control Switch |
| 16 | 10SME025 1/4" Straight Swivel |
| 17 | 1019000 190 Pneumatic Solenoid |

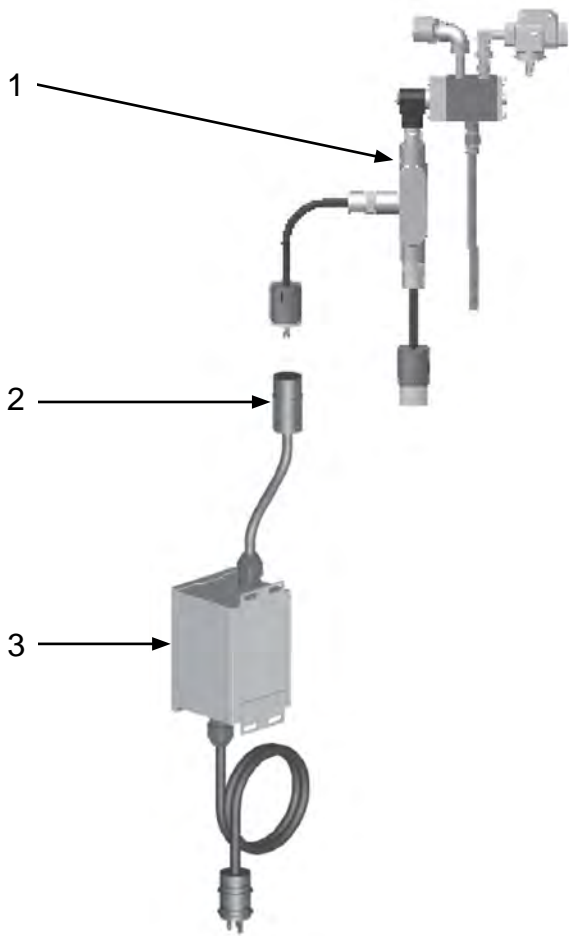
Remote Control Systems

130E (Electric) (1 of 2)

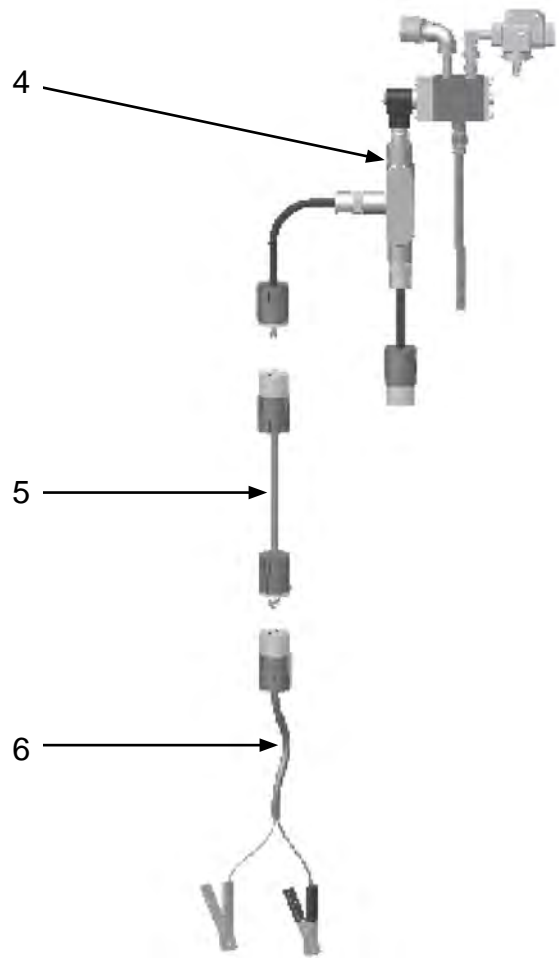


| Part # | Description |
|--------|-------------------------------------------------------------------|
| 1 | 1012326 1/4" NPT Swivel 90o Fitting |
| 2 | 1015545 50' of 16/2 SJ Power Cord with 3-prong Twist-Lock Plugs |
| 3 | 1015555 3-prong Twist-Lock Plug – Male |
| 4 | 1015100 151E Remote Control Switch |
| 5 | 10WS Watts Strainer |
| 6 | 1017019 1/4" NPT Hex Nipple |
| 7 | 10SME025 1/4" Straight Swivel |
| 8 | 10PAF025 1/4" NPT x 1/4" Barb Push-On Hose Fitting |
| 9 | 10AH025 1/4" Push-On Air Hose (Per Foot) |
| 10a | 1013200 1-1/2" GateKeeper |
| 10b | 1013600 1-1/2" High-flow Gatekeeper |
| 11a | 10PVFIT1 1/4" x 1/8" Hex Union |
| 11b | 1017019 1/4" NPT x 1/4" NPT Hex Nipple (for High-flow GateKeeper) |
| 12 | 1011844 1/4" NPT Pipe Tee |
| 13 | 10PAF0125 1/8" NPT x 1/4" Barb Push-On Air Hose Fitting |
| 14 | 1014239 1/8" 90° Swivel Fitting |

120-Volt AC



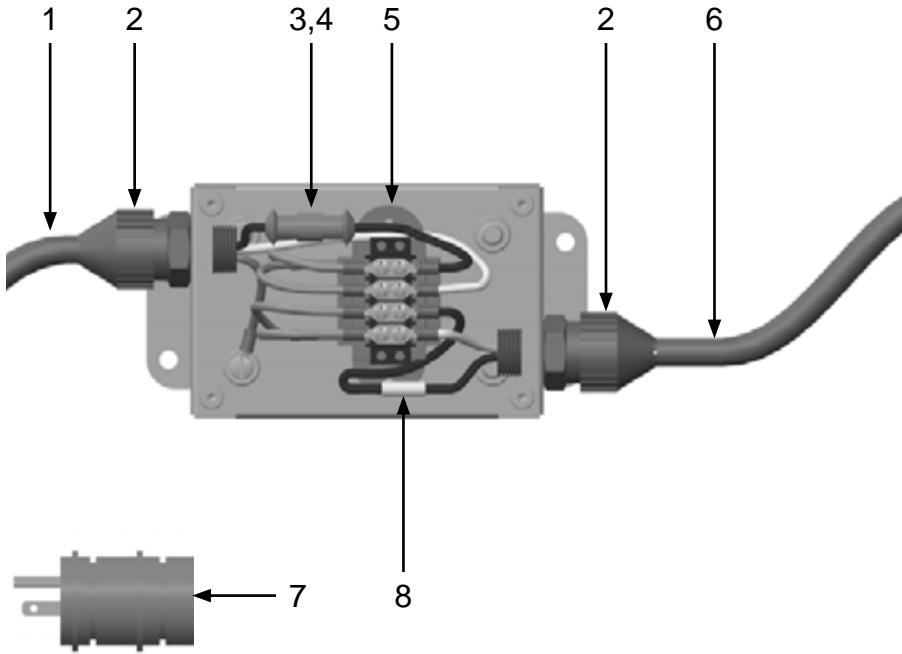
12-Volt DC



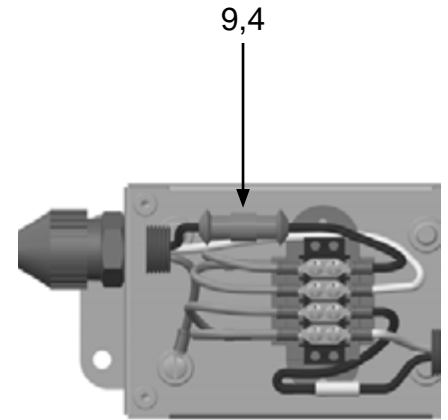
| Part # | Description |
|--------|--------------------------------------------------------------------|
| 1 | 1019052 12-Volt AC 190 Electric Control System • 3-Prong |
| 2 | 1015556 3-Prong Twist-Lock Plug – Female |
| 3 | 10100713 120-Volt AC to 12-Volt AC Power Converter |
| 4 | 1019051 12-Volt DC 190 Electric Control Assembly • 3-Prong |
| 5 | 1015546 16/2 SJ Power Cord with 3-prong Twist-Lock Plugs Installed |
| 6 | 1015544 Battery Clamp Kit with 3-prong Twist-Lock Plug Installed |

Remote Control Systems • Components
 120-Volt AC to 12-Volt AC Power Converter

Single Outlet Configuration



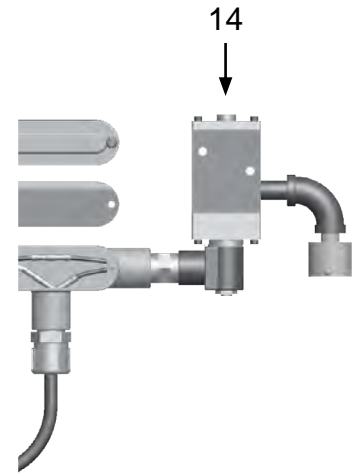
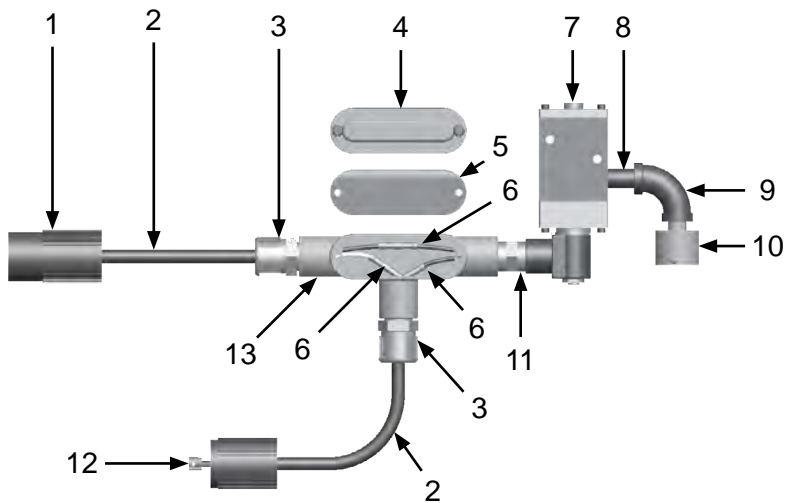
Multiple Outlet Configuration



| Part # | Description |
|--------|----------------------------------------------|
| 1 | 1015550 14/3 SEOW Electrical Cord (Per Foot) |
| 2 | 1030025 Strain Relief |
| 3 | 1030024 2 Amp Fuse |
| 4 | 1030023 In-Line Fuse Holder |
| 5 | 1030022 Transformer |
| 6 | 1030013 14/2 SEOW Electric Cord (Per Foot) |
| 7 | 1030026 3-Prong, 120-Volt AC Plug – Male |
| 8 | 1030021 Resistor |
| 9 | 1030123 3 Amp Fuse |

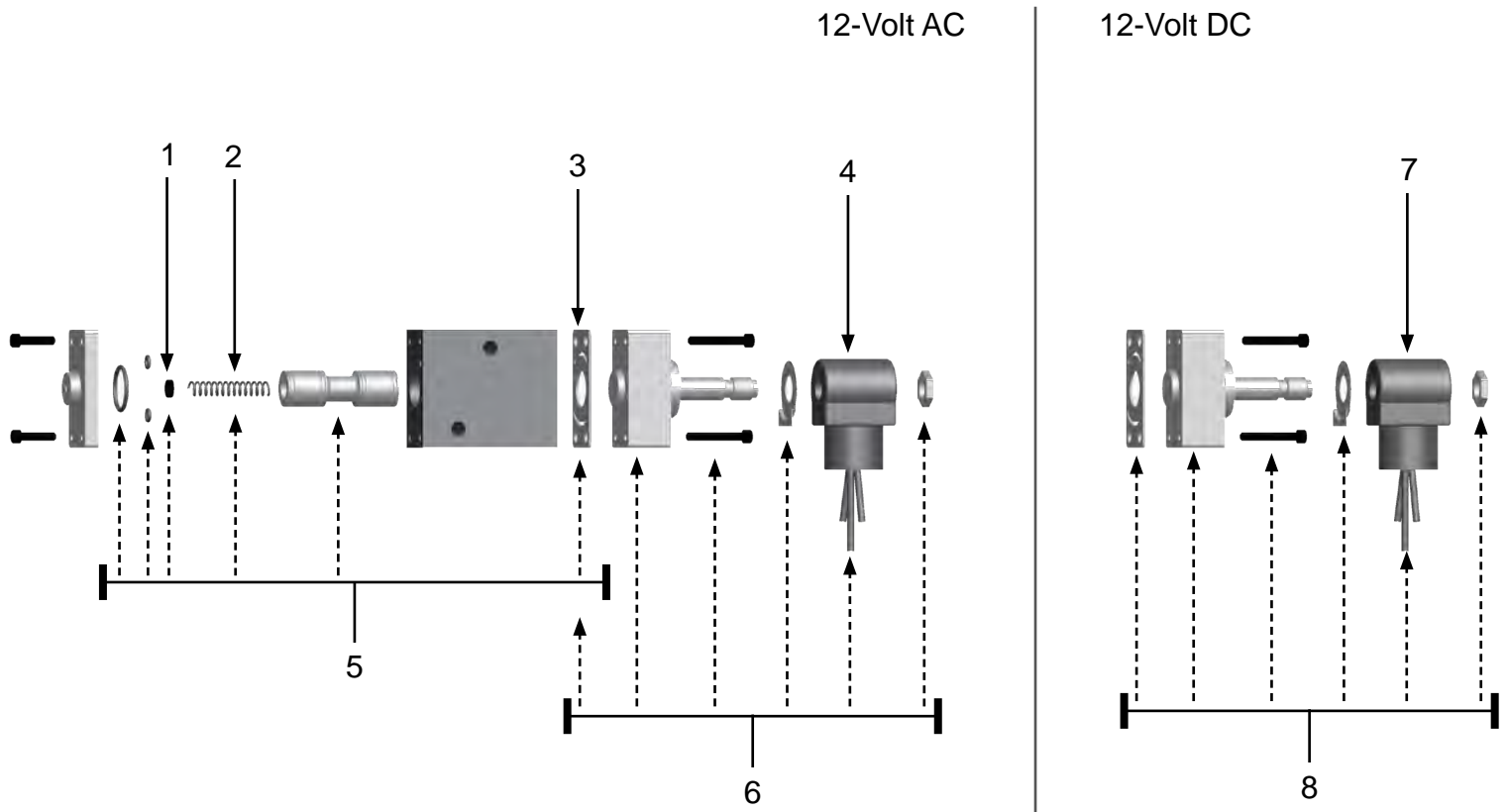
12-Volt AC

12-Volt DC



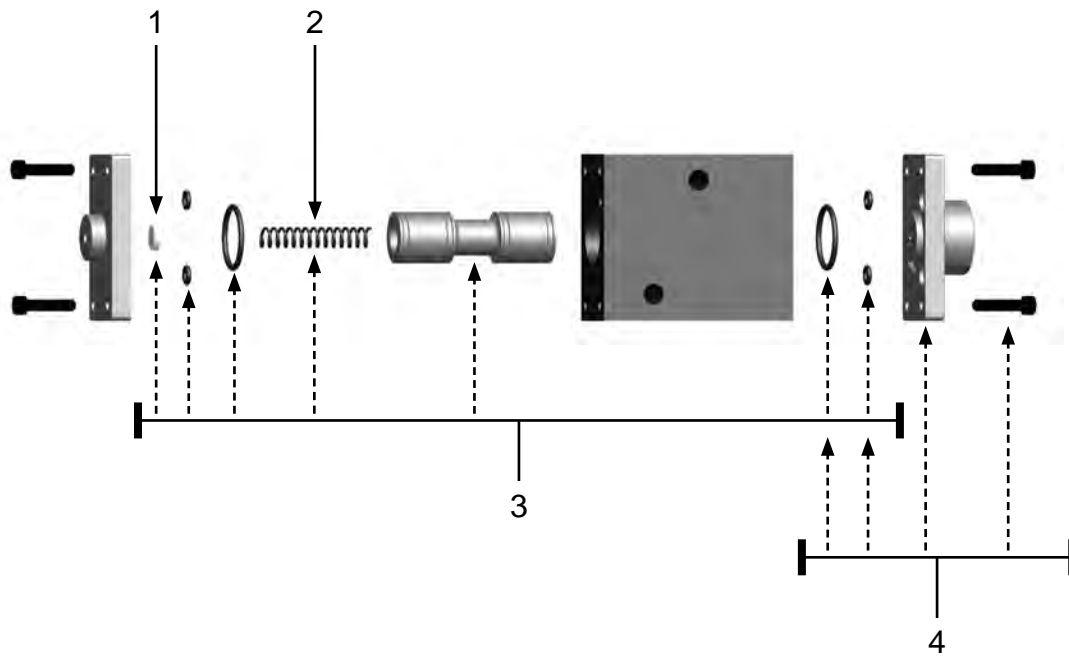
| Part # | Description |
|--------|----------------------------------------------------------|
| 1a | 1015552 2-Prong Twist-Lock Plug – Female |
| 1b | 1015556 3-Prong Twist-Lock Plug – Female |
| 2 | 1015540 16/2 SJ Power Cord – Per Foot |
| 3 | 1019021 Cord Grip |
| 4 | 1019022 Conduit Box Cover |
| 5 | 1019023 Conduit Box Cover Gasket |
| 6 | 1030028 Butt Splicer |
| 7 | 1019011 12-Volt AC 190 Electric Solenoid |
| 8 | 1011217 1/4" x 2" Pipe Nipple |
| 9 | 1011832 1/4" NPT 90° Pipe Nipple |
| 10 | 10DE025 Dust Eliminator |
| 11 | 20100677 1/2" x 1/2" NPT Hex Nipple |
| 12a | 1015551 2-Prong Twist-Lock Plug – Male |
| 12b | 1015555 3-Prong Twist-Lock Plug – Male |
| 13 | 1019020 1/2" Tee Conduit Box |
| 14 | 1019010 12-Volt DC 190 Electric Solenoid |

190 Electric Solenoid



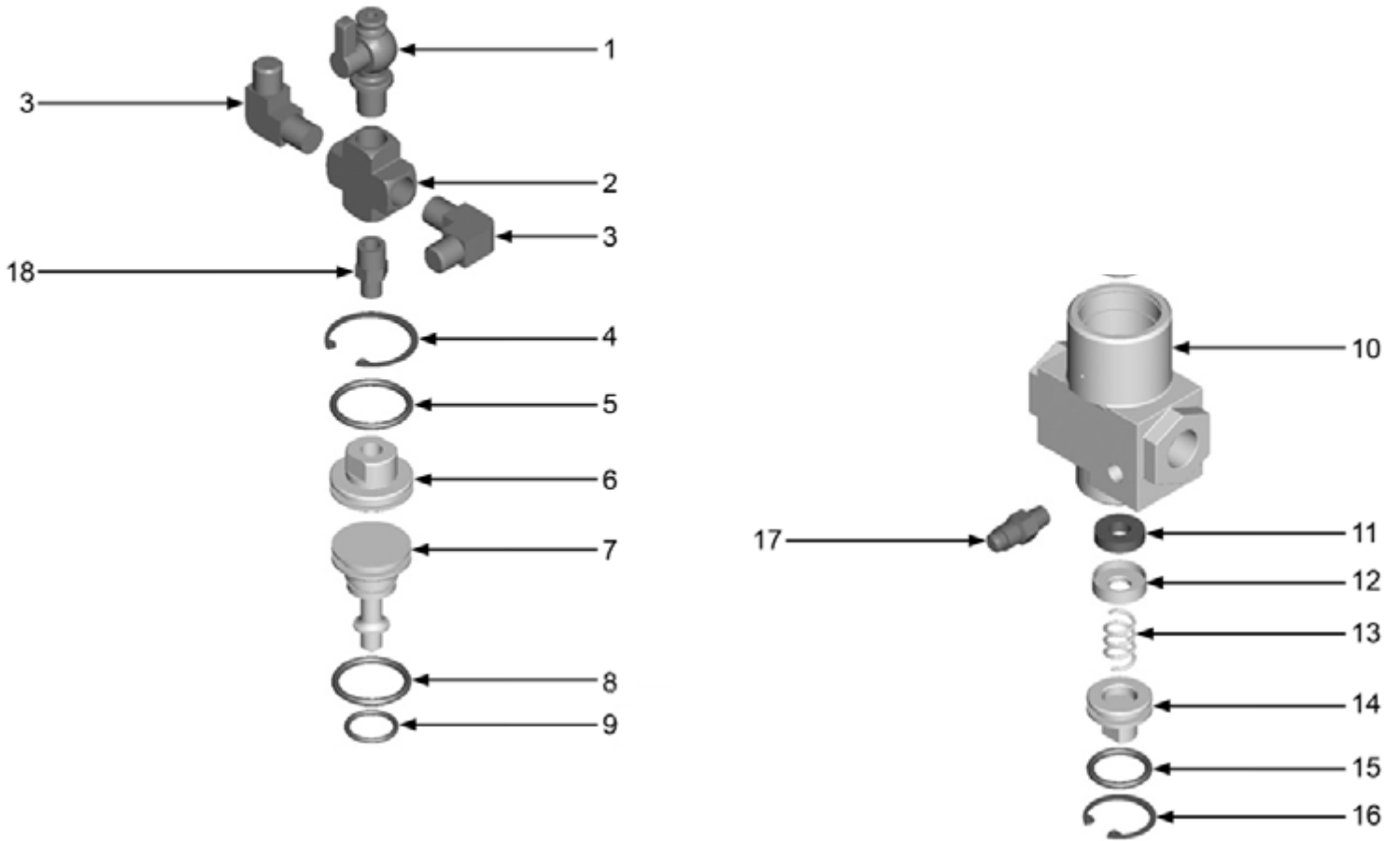
| Part # | Description |
|--------|----------------------------------------------------------------|
| 1 | 1019029 Felt Filter |
| 2 | 1019032 Spring |
| 3 | 1019033 Gasket |
| 4 | 1019040 12-Volt AC Coil |
| 5 | 1019030 Electric Solenoid Repair Kit (#1, #2, #3, C, D, and E) |
| 6 | 1019035 12-Volt AC Electric Operator Assembly |
| 7 | 1019039 12-Volt DC Coil |
| 8 | 1019034 12-Volt DC Operator Assembly |

190 Pneumatic Solenoid



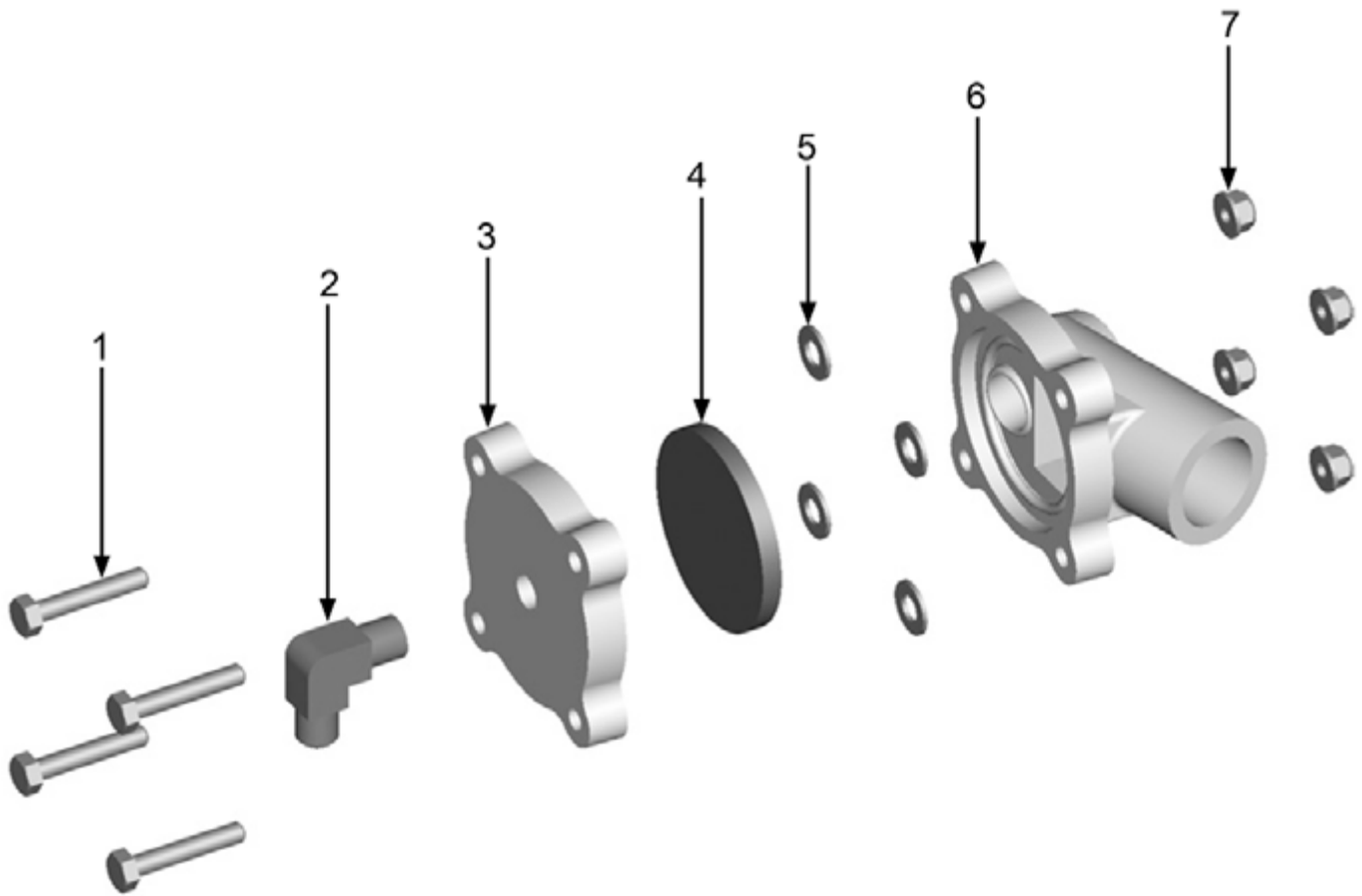
| Part # | Description |
|--------|----------------------------------------------|
| 1 | 1019029 Felt Filter |
| 2 | 1019032 Spring |
| 3 | 1019028 Pneumatic Solenoid Repair Kit |
| 4 | 1019027 Pneumatic Solenoid Operator Assembly |

1/2" Inlet Valve



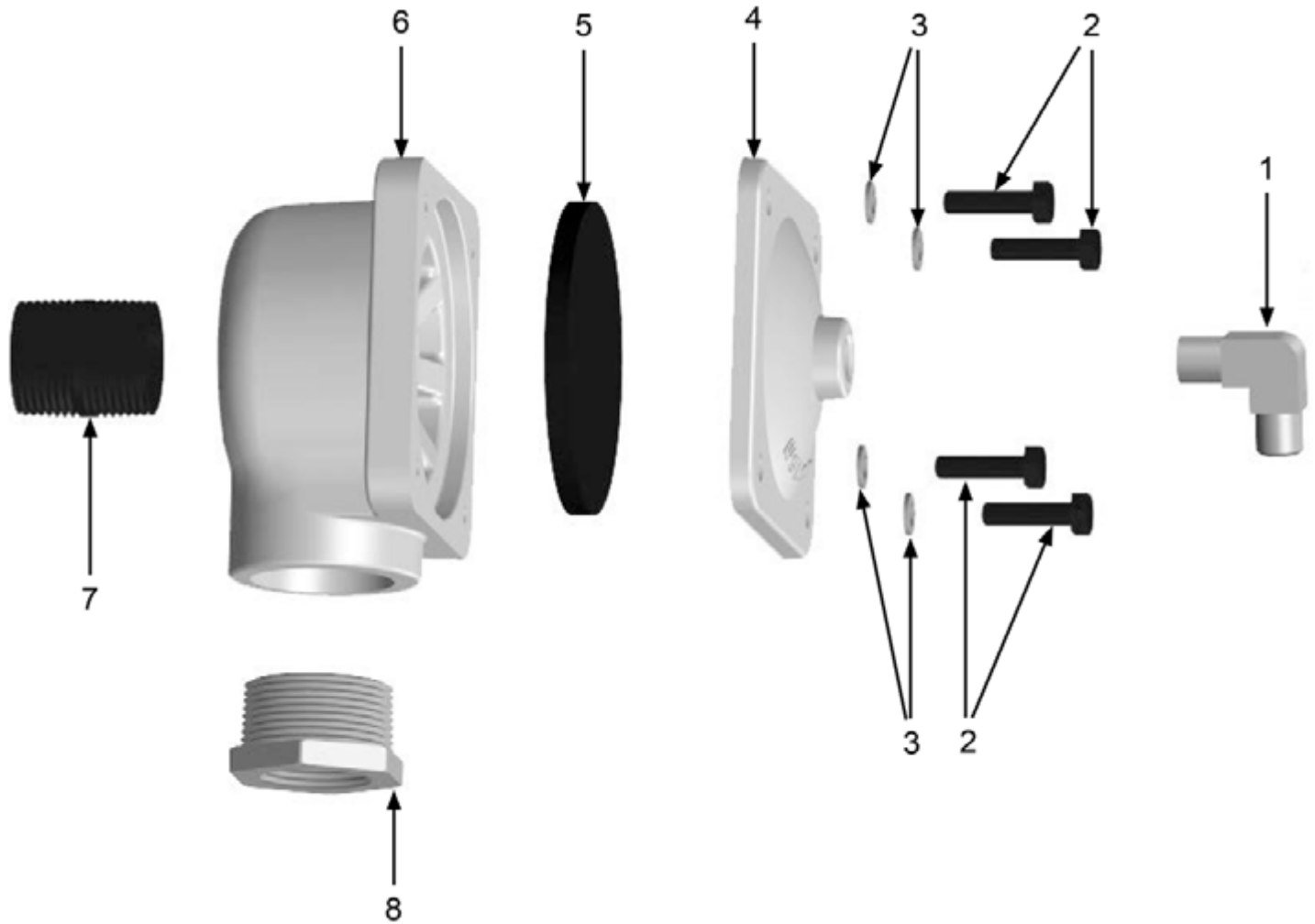
| Part # | Description |
|--------|-----------------------------------------------------------------|
| 1 | 1012101 1/4" Petcock |
| 2 | 10101143 1/4" NPT Brass Cross |
| 3 | 1012051 1/4" NPT x 7/16-20 Elbow |
| 4 | 10100538 Top Snap Ring |
| 5 | 10100545 Top Seal O-ring |
| 6 | 10100537 Top Seal Retainer |
| 7 | 10100541 Piston |
| 8 | 10100548 Upper O-ring |
| 9 | 10100547 Lower O-ring |
| 10 | 10100535 Valve Body |
| 11 | 10100543 Plug Washer |
| 12 | 10100542 Valve Washer Cup |
| 13 | 10100544 Spring |
| 14 | 10100539 Bottom Seal Retainer |
| 15 | 10100546 Bottom Seal O-ring |
| 16 | 10100540 Bottom Snap Ring |
| 17 | 1012103 1/8" NPT x 7/16-20 Fitting |
| 18 | 10PVFIT 1/4" x 1/8" Hex Union |
| | 10101815 Service Kit (Item #'s: 4, 5, 8, 9, 11, 12, 13, 15, 16) |

1/2" Diaphragm Outlet Valve



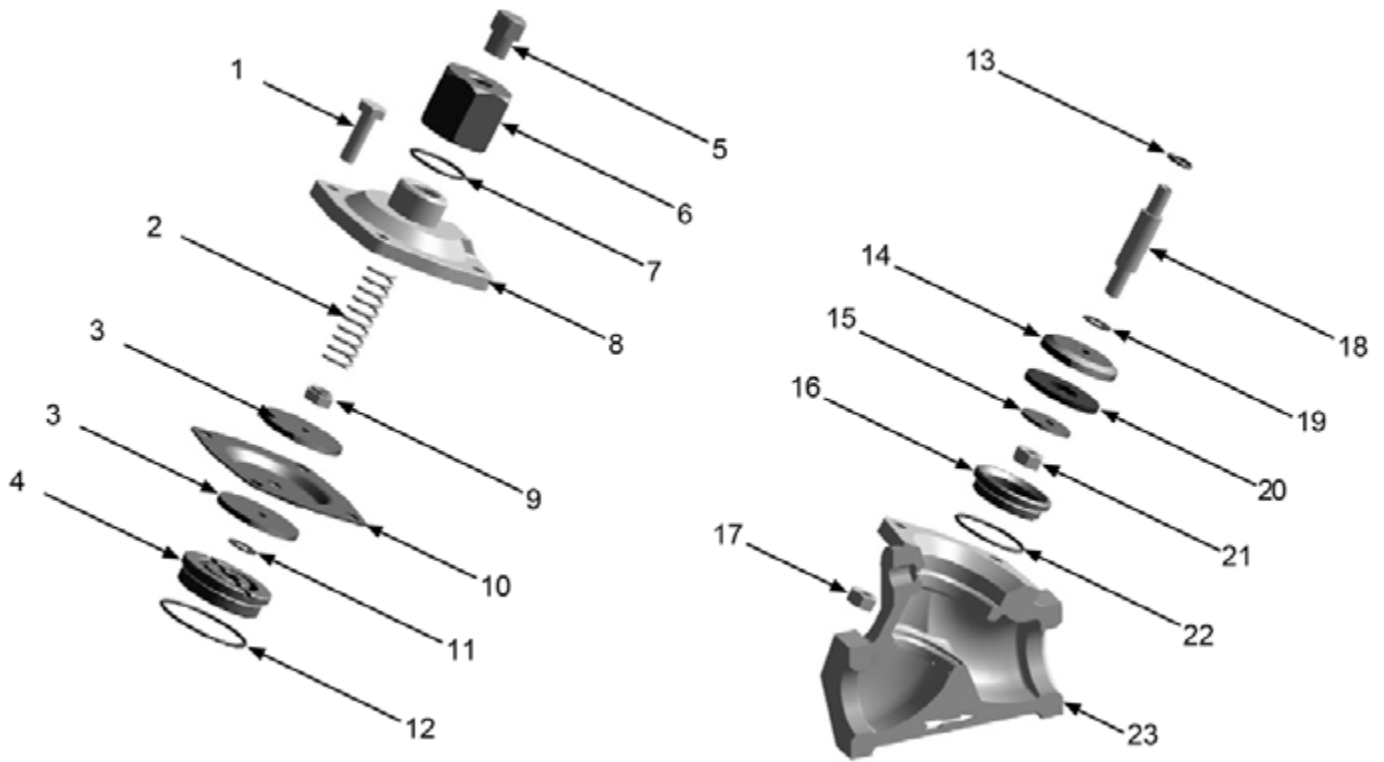
| Part # | Description |
|--------|----------------------------------|
| 1 | 1019044 1/4-20 x 1-1/2" Bolt |
| 2 | 1012051 1/4" NPT x 7/16-20 Elbow |
| 3 | 10100677 Valve Cap |
| 4 | 10100681 Diaphragm |
| 5 | 1014017 1/4" Flat Washer |
| 6 | 10100679 Valve Body |
| 7 | 1012323 1/4-20 Nylon Lock Nut |

1" Diaphragm Outlet Valve



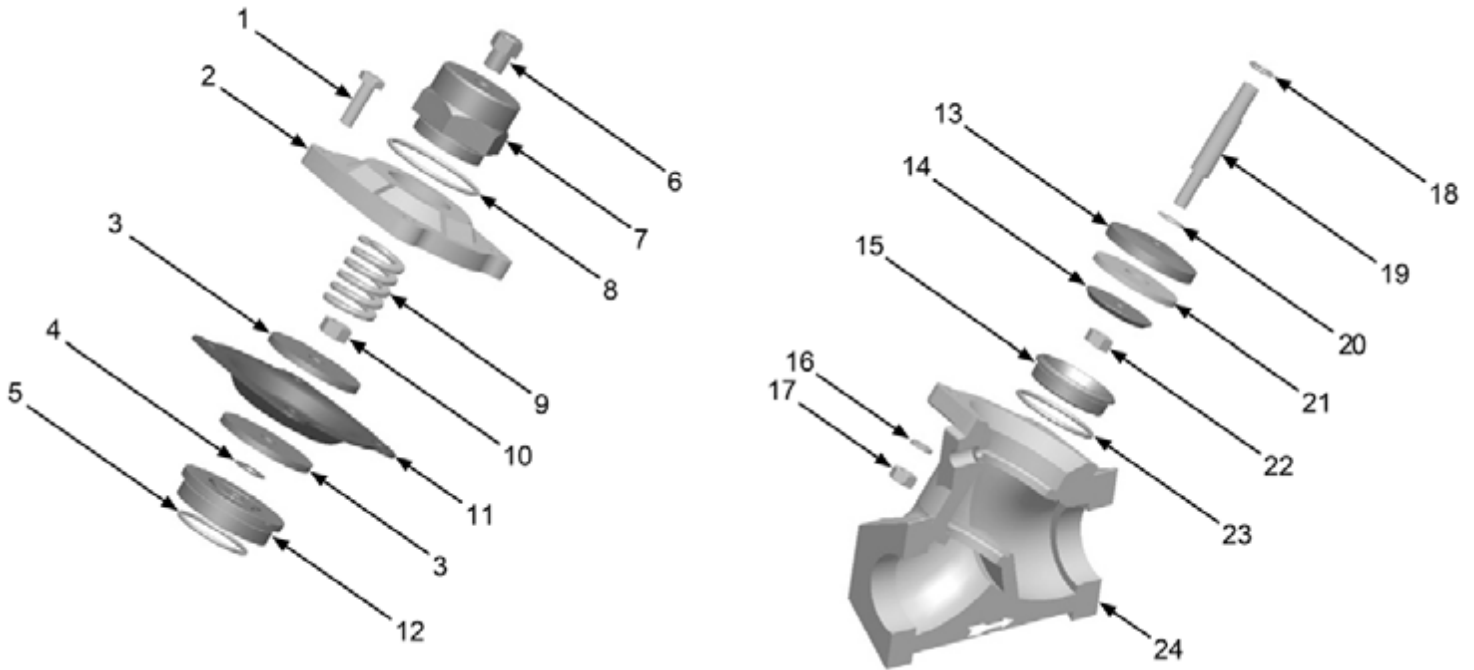
| Part # | Description |
|--------|--------------------------------------|
| 1 | 1012051 Elbow 1/4" NPT x 7/16-20 Tap |
| 2 | 1012154 1/4"-20 x 1 Hex Bolt |
| 3 | 1012153 1/4" Lock Washer |
| 4 | 1012155 Diaphragm Outlet Valve Cap |
| 5 | 1012152 Diaphragm |
| 6 | 1012156 Diaphragm Outlet Valve Body |
| 7 | 1012151 1" Galvanized Close Nipple |
| 8 | 1012157 1-1/4" x 1" Bushing |

1" GateKeeper Air Valve



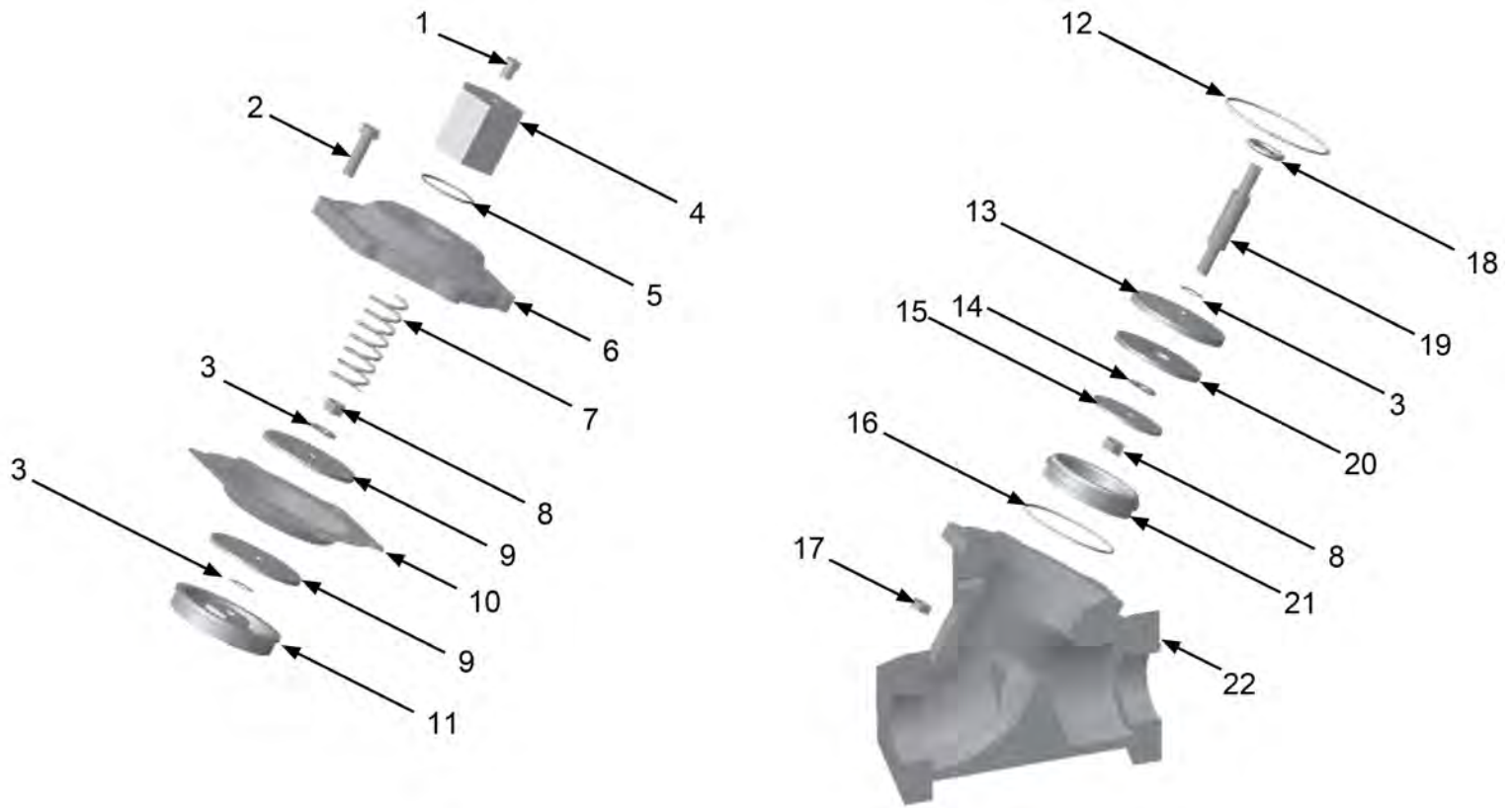
| Part # | Description |
|--------|----------------------------------|
| 1 | 1013014 Bolt |
| 2 | 1013023 Spring |
| 3 | 1013015 Diaphragm Plate |
| 4 | 1013005 Retainer Bushing |
| 5 | 1012905 1/8" Breather Muffler |
| 6 | 1013022 Spring Retainer |
| 7 | 1013021 Spring Retainer O-ring |
| 8 | 1013012 Cap |
| 9 | 1013013 1/4-28 Hex Nut |
| 10 | 1013003 Diaphragm |
| 11 | 1013002 Gasket |
| 12 | 1013004 O-ring |
| 13 | 1013006 O-ring - 3/8" I.D. |
| 14 | 1013007 Disc Retainer |
| 15 | 1013010 Disc Plate |
| 16 | 1013009 Seat |
| 17 | 1013016 Hex Nut |
| 18 | 1013018 Shaft |
| 19 | 1013019 Gasket |
| 20 | 1013020 Disc |
| 21 | 1013011 Lock Nut |
| 22 | 1013008 Seat O-ring |
| 23 | 1013017 Body |
| - | 1013001 1" GateKeeper Repair Kit |

1-1/4" | 1-1/2" GateKeeper Air Valve



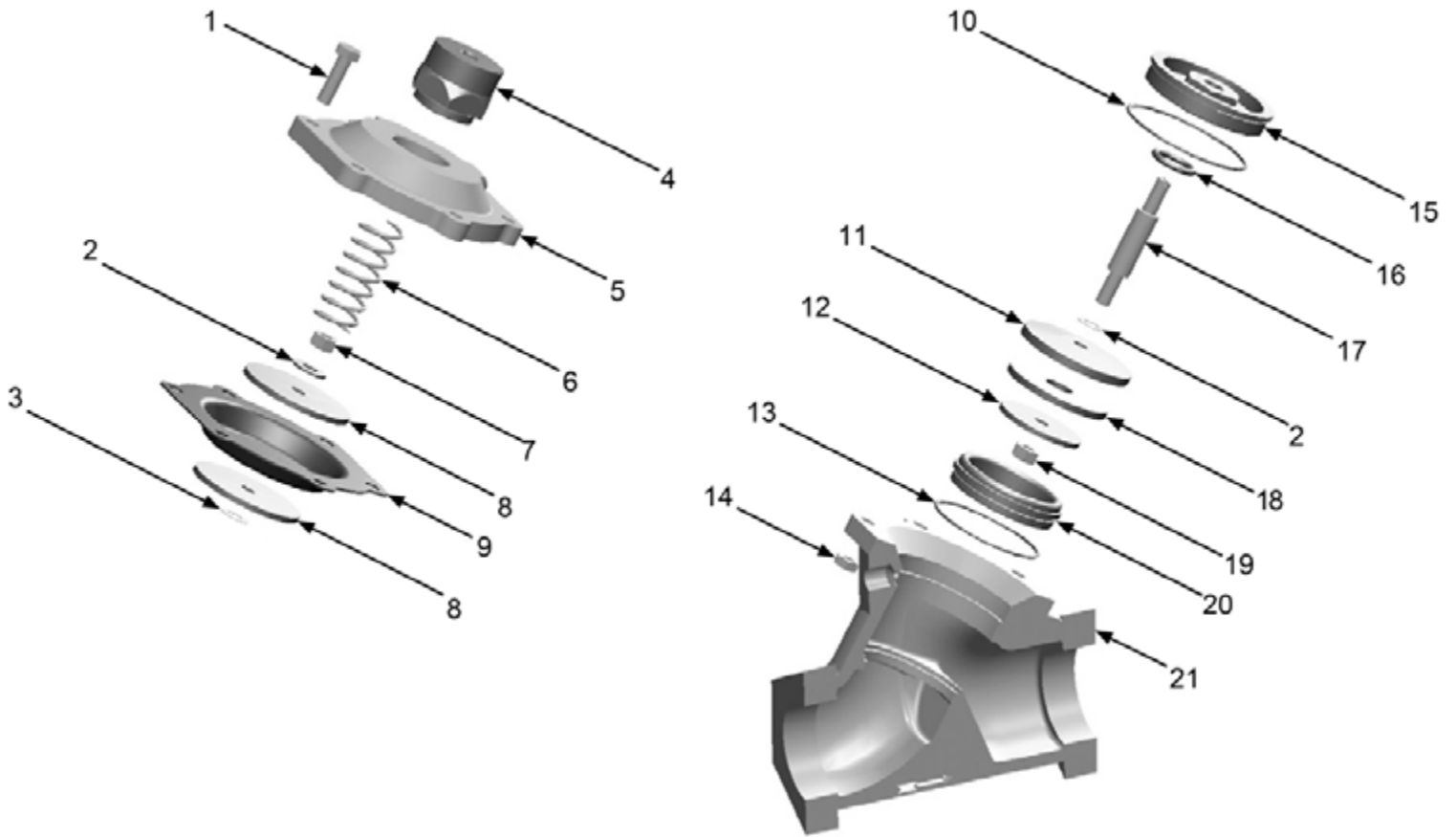
| Part # | Description |
|--------|--------------------------------------------|
| 1 | 1013114 Bolt |
| 2 | 1013112 Cap |
| 3 | 1013115 Diaphragm Plate |
| 4 | 1013102 Gasket |
| 5 | 1013104 O-ring |
| 6 | 1012905 1/8" Breather Muffler |
| 7 | 1013122 Spring Retainer |
| 8 | 1013121 Spring Retainer O-ring |
| 9 | 1013123 Spring |
| 10 | 1013113 5/16-24 Hex Nut |
| 11 | 1013103 Diaphragm |
| 12 | 1013105 Retainer Bushing |
| 13 | 1013107 Disc Retainer |
| 14 | 1013110 Disc Plate |
| 15 | 1013109 Seat |
| 16 | 1012153 Lock Washer |
| 17 | 1013116 Hex Nut |
| 18 | 1013106 Retainer Bushing O-ring |
| 19 | 1013118 Shaft |
| 20 | 1013119 Shaft Gasket |
| 21 | 1013120 Disc |
| 22 | 1013111 Lock Nut |
| 23 | 1013108 Seat O-ring |
| 24a | 1013117 Body – 1-1/4" GateKeeper Air Valve |
| 25b | 1013202 Body – 1-1/2" GateKeeper Air Valve |
| - | 1013101 GateKeeper Repair Kit |

1-1/2" NPT High-flow GateKeeper Air Valve



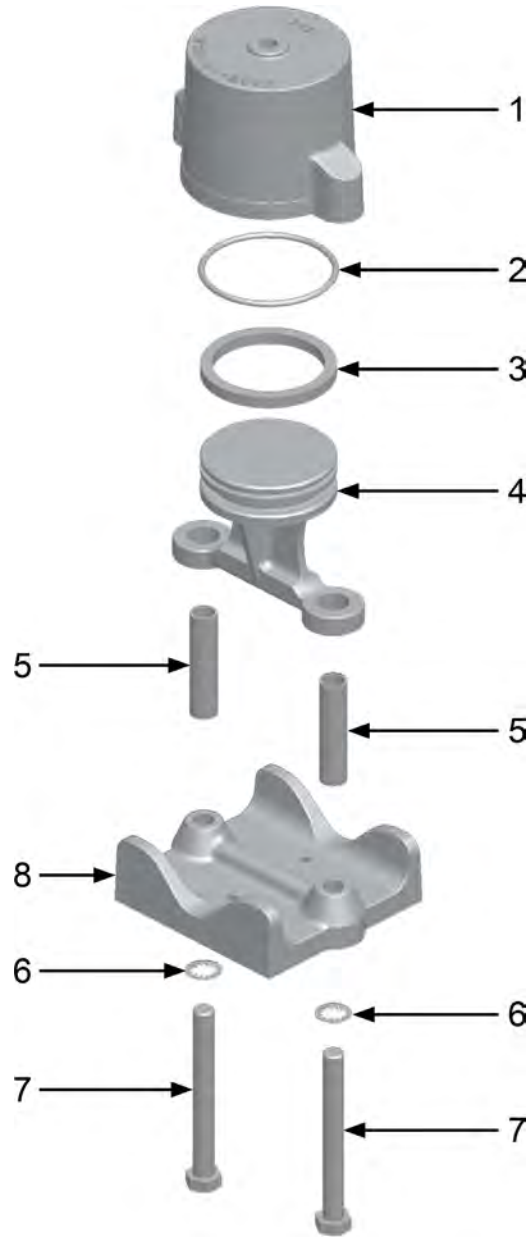
| Part # | Description |
|--------|---------------------------------------------------------------|
| 1 | 1012905 1/8" Breather Muffler |
| 2 | 1013314 Cap Screw |
| 3 | 1013302 Gasket |
| 4 | 1013322 Spring Retainer |
| 5 | 1013326 O-ring |
| 6 | 1013312 Cap |
| 7 | 1013323 Spring |
| 8 | 1013313 Lock Nut |
| 9 | 1013315 Diaphragm Plate |
| 10 | 1013303 Diaphragm |
| 11 | 1013305 Retainer Bushing |
| 12 | 1013304 O-ring |
| 13 | 1013307 Disc Retainer |
| 14 | 1013327 Brass Washer |
| 15 | 1013310 Disc Plate |
| 16 | 1013308 Seat O-Ring |
| 17 | 1013316 Nut |
| 18 | 1013306 O-ring |
| 19 | 1013318 Shaft |
| 20 | 1013320 Disc |
| 21 | 1013309 Seat |
| 22 | 1013328 Body |
| - | 1013301 1-1/2" NPT High-flow GateKeeper Air Valve Service Kit |

2" GateKeeper Air Valve



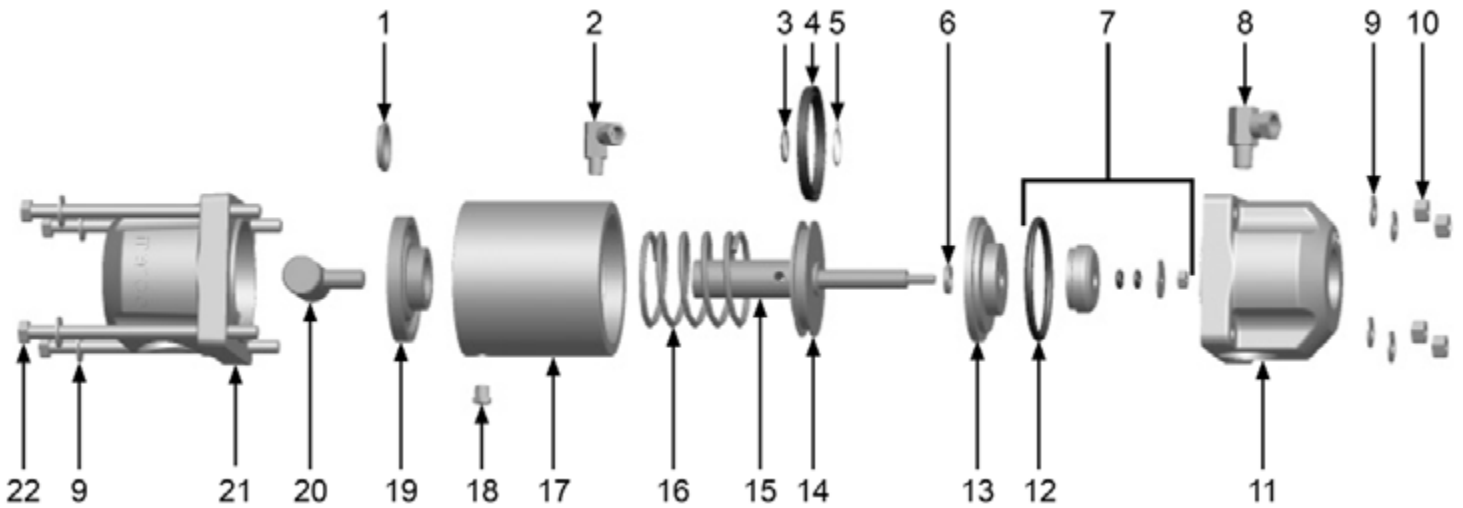
| Part # | Description |
|--------|-------------------------------|
| 1 | 1013314 Bolt |
| 2 | 1013319 Shaft Gasket |
| 3 | 1013302 Gasket |
| 4 | 1013322 Spring Retainer |
| 5 | 1013312 Cap |
| 6 | 1013323 Spring |
| 7 | 1013313 Lock Nut |
| 8 | 1013315 Diaphragm Plate |
| 9 | 1013303 Diaphragm |
| 10 | 1013304 O-ring |
| 11 | 1013307 Disc Retainer |
| 12 | 1013310 Disc Plate |
| 13 | 1013308 Seat O-Ring |
| 14 | 1013316 Hex Nut |
| 15 | 1013305 Retainer Bushing |
| 16 | 1013306 O-ring |
| 17 | 1013318 Shaft |
| 18 | 1013320 Disc |
| 19 | 1013311 Lock Nut |
| 20 | 1013309 Seat |
| 21 | 1013317 Body |
| - | 1013301 GateKeeper Repair Kit |

PV400 Remote Control Valve



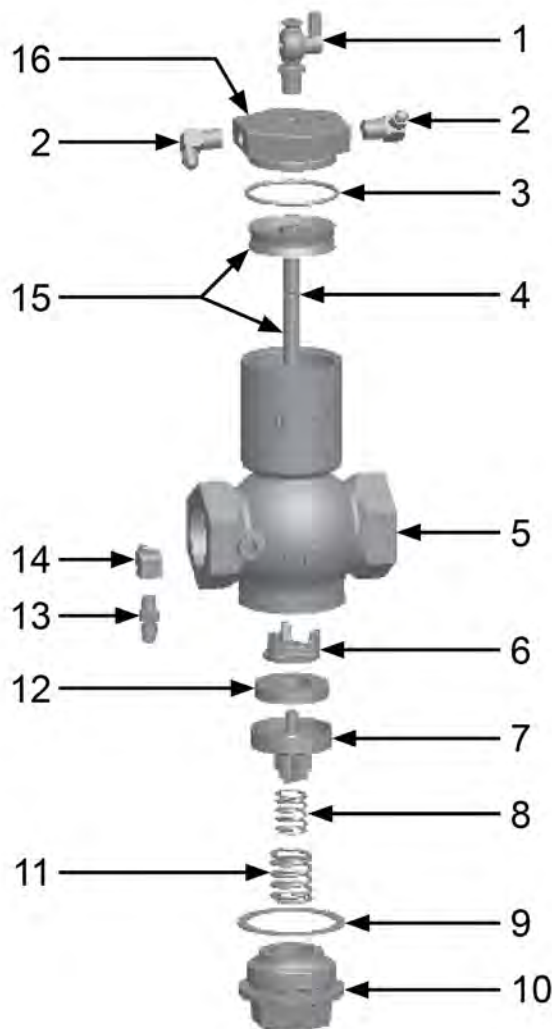
| Part # | Description |
|--------|------------------------------------------------|
| 1 | 10PV34 Cylinder |
| 2 | 10PV38 O-Ring – 4" I.D. |
| 3 | 10PV37 U-Cup Gasket |
| 4 | 10PV33 Piston (includes O-Ring & U-Cup Gasket) |
| 5 | 10PV36 Sleeve |
| 6 | 10PV40 Lock Washer |
| 7 | 10PV39 Bolt – 5/8" x 5-1/2" |
| 8 | 10PV35 Base |

Tandem Valve



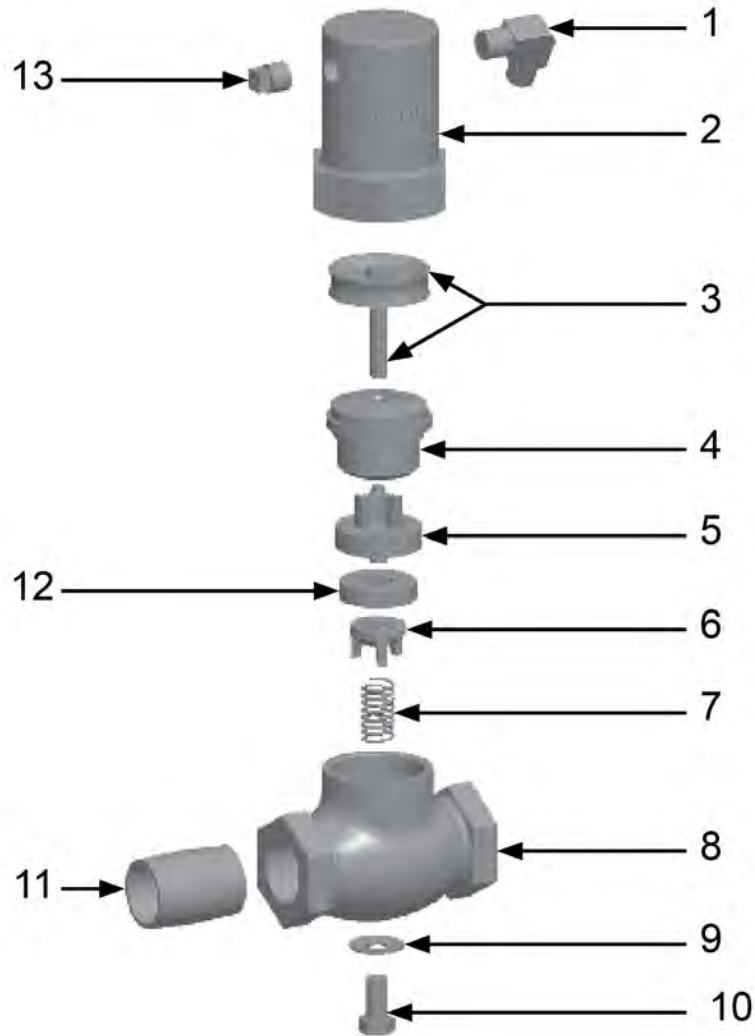
| Part # | Description |
|--------|---------------------------------------------------------------------|
| 1 | 1012308 Seal – Upper Rod Guide |
| 2 | 1014239 1/8" 90° Swivel Fitting |
| 3 | 1012312 O-ring – Shaft |
| 4 | 1012317 Seal – Piston |
| 5 | 1012313 13/16" External Snap Ring |
| 6 | 1012314 Seal – Lower Rod Guide |
| 7 | 1012322 Valve Plug Assembly |
| 8 | 1012326 1/4" 90° Swivel Fitting |
| 9 | 1014241 3/8" Washer |
| 10 | 1012318 3/8-16 Nut |
| 11 | 1012321 Base |
| 12 | 1012320 O-ring – Lower Rod Guide |
| 13 | 1012319 Lower Rod Guide |
| 14 | 1012315 Piston |
| 15 | 1012316 Shaft |
| 16 | 1012309 Spring |
| 17 | 1012311 Cylinder |
| 18 | 1012905 1/8" Breather Muffler |
| 19 | 1012307 Upper Rod Guide |
| 20 | 1012306 Pinch Ram |
| 21 | 1012305 Cap |
| 22 | 1012310 3/8-16 x 6" Bolt |
| - | 1012301 Tandem Remote Control Valve Repair Kit (Item #'s: 1,3-7,12) |

1-1/2" Inlet Valve



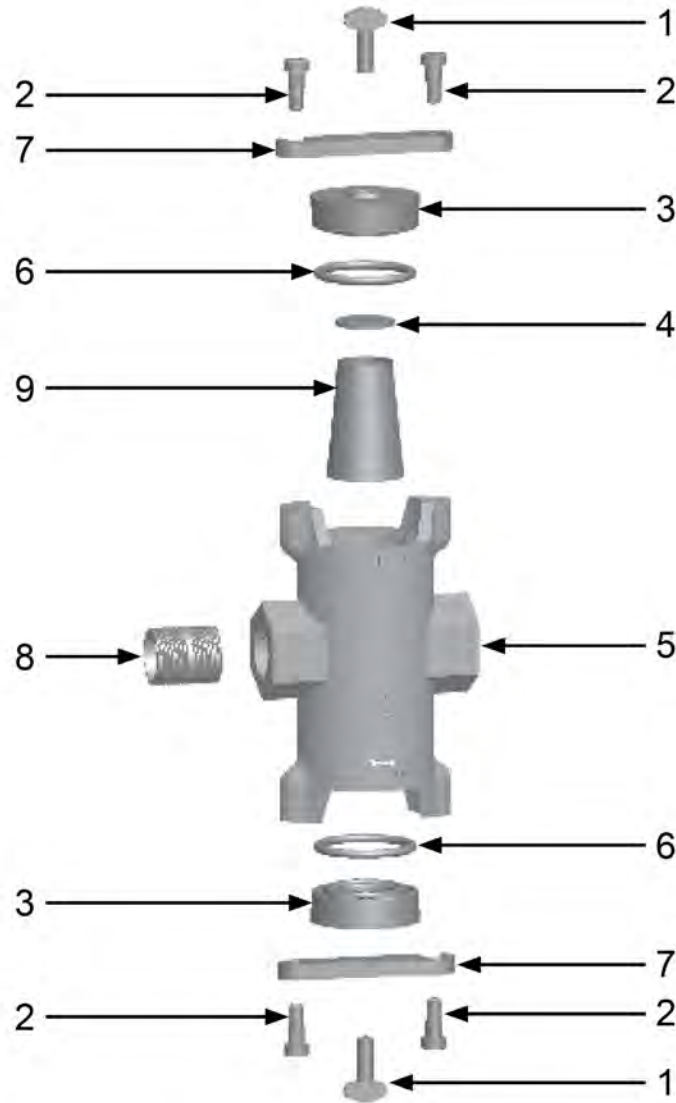
| Part # | Description |
|--------|-----------------------------------------------------------------------------|
| 1 | 1012101 1/4" NPT Petcock |
| 2 | 1012051 1/4" NPT Brass Elbow |
| 3 | 1012213 1/8" x 2-1/2" O-ring |
| 4 | 1012208 1/16" x 7/16" O-ring |
| 5 | 1012204 1-1/2" Body |
| 6 | 1012207 1-1/2" Plug Washer Retainer |
| 7 | 1012205 1-1/2" Plug |
| 8 | 1012105 5/8" x 1-11/16" Inner Spring |
| 9 | 1012202 1-1/2" Bottom Cap Gasket |
| 10 | 1012201 1-1/2" Bottom Cap |
| 11 | 1012203 7/8" x 2-1/16" Outer Spring |
| 12 | 1012206 1-1/2" Plug Washer |
| 13 | 1012103 1/8" Adapter with 1/16" Restrictor Port |
| 14 | 1012113 1/8" Street Elbow |
| 15 | 1012209 Piston and Rod Assembly |
| 16 | 1012214 1-1/2" Cylinder Cap |
| - | 1012215 1-1/2" Inlet Valve Repair Kit (Item #'s: {1x: 3,4,8,9,11} {2x: 12}) |

1" Outlet Valve



| Part # | Description |
|--------|--------------------------------------------------------------------------|
| 1 | 1012051 1/4" x 1/4" Brass Elbow |
| 2 | 1012053 Bonnet |
| 3 | 1012054 Piston and Rod Assembly |
| 4 | 1012058 Plug and Spindle Guide |
| 5 | 1012059 Plug |
| 6 | 1012061 Plug Washer Retainer |
| 7 | 1012063 7/16" x 1-5/8" Spring |
| 8 | 1012062 Body |
| 9 | 1012064 3/8" Nylon Washer |
| 10 | 1012065 3/8" x 3/4" Bolt |
| 11 | 1012151 1" NPT Close Nipple |
| 12 | 1012060 Plug Washer |
| 13 | 1012052 1/4" NPT Pipe Plug |
| - | 1012066 1" Outlet Valve Repair Kit (Item #'s: {1x: 5,6,7,9,10} {2x: 12}) |

Abrasive Trap



| Part # | Description |
|--------|-------------------------------------------------------------------------|
| 1 | 1012006 Thumb Screw (Two Required) |
| 2 | 1012007 3/8" x 3/8" Shoulder Bolt (Four Required) |
| 3 | 1012003 Abrasive Trap Cap (Two Required) |
| 4 | 1012008 Abrasive Trap Screen Gasket |
| 5 | 1012004 Abrasive Trap Body |
| 6 | 1012002 Abrasive Trap O-ring (Two Required) |
| 7 | 1012005 Cap Lock Bar (Two Required) |
| 8 | 1012151 1" NPT Close Nipple |
| 9 | 1012001 Abrasive Trap Screen |
| - | 1012009 Abrasive Trap Repair Kit (Item #'s: {1x: 4} {2x: 6} {3x: 9}) |

