



PARTS GUIDE

AUGUST 2017

PART NUMBERS

BLASTMASTER® 725 CU. FT. ABRASIVE STORAGE HOPPER*

Part Numbers	Capacity	Caged Ladder	Clean-Out Port	Guardrail System	Rain Guards	Painted	F.O.B. Point
10HOPPER725P	725 Cu. Ft.	X	4"	X	X	Yes – Red	Deer Park, TX
15HOPPER725P+	725 Cu. Ft.	X	4"	X	X	Yes – Red	Lockport, LA
15HOPPER725U+	725 Cu. Ft.	X	4"	X	X	No	Lockport, LA

*See Blastmaster® 725 Cu. Ft. Abrasive Storage Hopper Operator's Manual for specifications and installation requirements

* Approximate 90 day lead time.

SPECIFICATIONS

Figure 1: Blastmaster® 725 Cu. Ft. Abrasive Storage Hopper



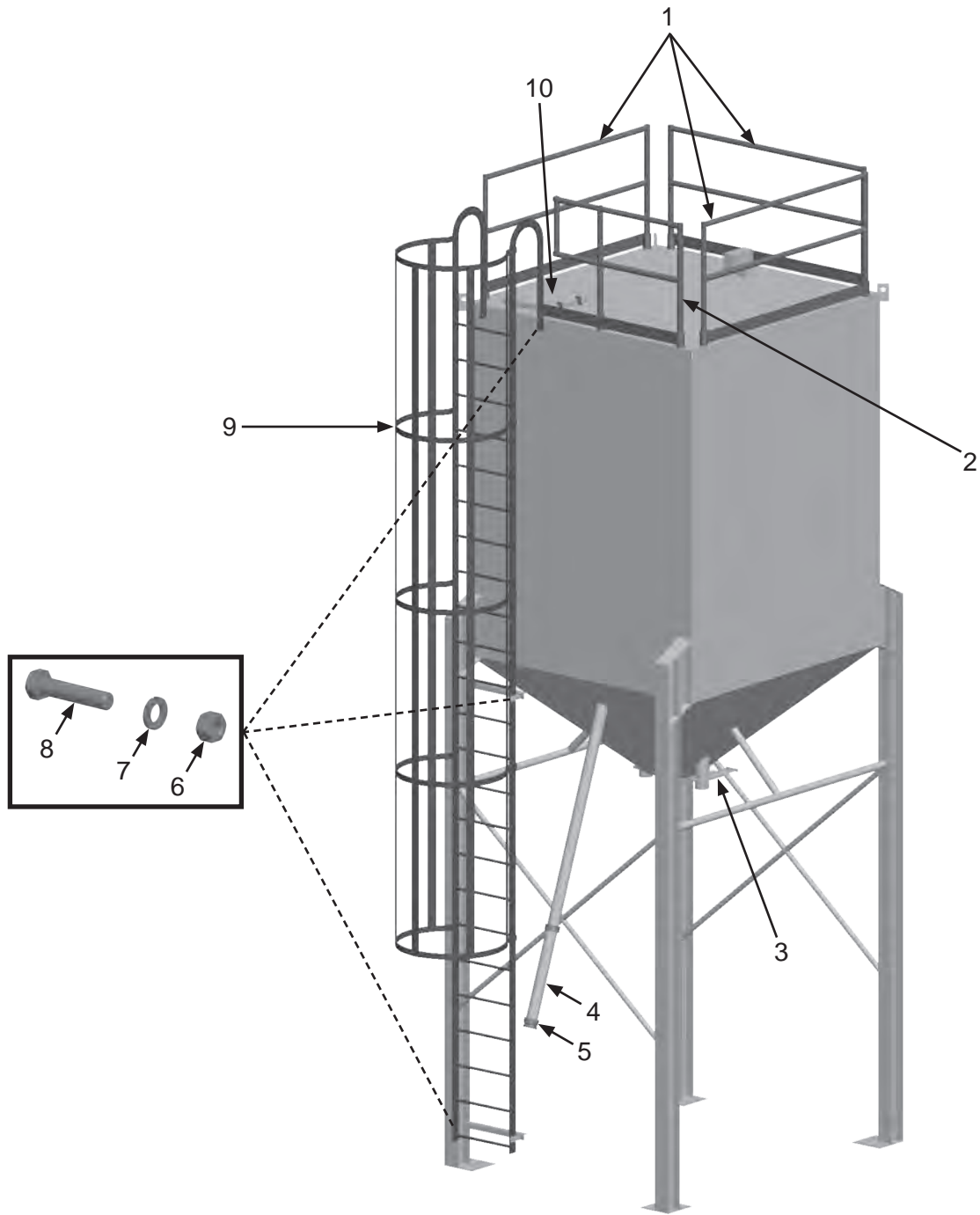
PART NUMBERS & SCHEMATICS

Blastmaster® 725 Cu. Ft. Abrasive Storage Hopper


Item #	Part #	Description
Fig. 2		
1	10BQ725HRL	Hand Rail – Long (<i>Three Required</i>)
2	10BQ725HRS	Hand Rail – Short
3	10BQ725GVS	Slide – Gate Valve (<i>Two Required</i>)
4	10BQ725FTE	Fill Tube Extension
5	10DX400AAL	Camlock – 4" Female Threads
6	1028619	3/8" Nut (<i>Six Required</i>)
7	10102331	3/8" Washer (<i>Six Required</i>)
8	1028617	3/8" x 1-3/4" Bolt (<i>Six Required</i>)
9	10BQ725LWC	Ladder with Cage
10	10BQ725HC	Hatch Cover
—	1051031	Features & Specifications Guide – Blastmaster® 725 Cu. Ft. Abrasive Storage Hopper
—	106M031	Part Numbers & Schematics Guide – Blastmaster® 725 Cu. Ft. Abrasive Storage Hopper
—	1090098	Operator's Manual – Blastmaster® 725 Cu. Ft. Abrasive Storage Hopper


PART NUMBERS & SCHEMATICS




Figure 2: Blastmaster® 725 Cu. Ft. Abrasive Storage Hopper




1/4" I.D. AIR HOSE


		1/4" I.D. X 1/2" O.D. AIR HOSE				
Part Numbers		Working Pressure	Hose Cover Color	Length	Hose I.D.	Hose O.D.
	10AH014	250 PSI	Black	Per Ft.	1/4"	1/2"



		1/4" I.D. X 1/2" O.D. AIR HOSE WITH COUPLINGS INSTALLED					
Part Numbers		Length	Working Pressure	Hose Cover Color	Hose I.D.	Hose O.D.	Couplings
	10AH01425AC	25'	250 PSI	Black	1/4"	1/2"	1080030
	10AH01450AC	50'	250 PSI	Black	1/4"	1/2"	1080030

		COUPLING AND HEX NIPPLE FOR 1/4" I.D. AIR HOSE	
Part Numbers		Thread Style	Working Pressure
	1080030	1/4" Female Air Hose Coupling	750 PSI
	10PAF025	1/4" NPT x 1/4" Male Hose Barb	350 PSI
	20PFHA24SA0404	1/4" Male x 1/4" Male Air Hose Hex Nipple	6,000 PSI


5/16" I.D. AIR HOSE


		5/16" I.D. X 59/100" O.D AIR HOSE				
Part Numbers		Working Pressure	Hose Cover Color	Length	Hose I.D.	Hose O.D.
	20AH0516	200 PSI	Red	5'	5/16"	59/100"

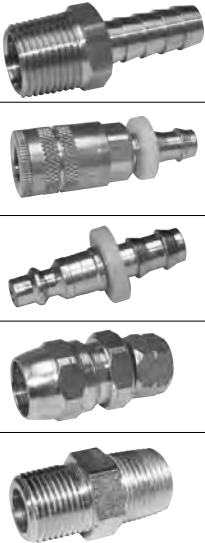
		5/16" I.D. X 5/8" O.D. AIR HOSE WITH COUPLINGS INSTALLED					
Part Numbers		Length	Working Pressure	Hose Cover Color	Hose I.D.	Hose O.D.	Couplings
	20AH051625AC	25'	200 PSI	Red	5/16"	5/8"	2080010
	20AH051650AC	50'	200 PSI	Red	5/16"	5/8"	2080010

		COUPLING AND HEX NIPPLE FOR 5/16" I.D. AIR HOSE		
Part Numbers		Thread Style		Working Pressure
	2080010	5/16" Female x 1/4" Female NPT Air Hose Coupling		250 PSI
	20PFHA24SA0404	1/4" Male x 1/4" Male Air Hose Hex Nipple		6,000 PSI


3/8" I.D. AIR HOSE



		3/8" I.D. X 3/5" O.D. AIR HOSE				
	Part Numbers	Working Pressure	Hose Cover Color	Length	Hose I.D.	Hose O.D.
	10AH038	300 PSI	Black	Per Ft.	3/8"	3/5"


		3/8" I.D. X 3/5" O.D. AIR HOSE WITH COUPLINGS INSTALLED					
	Part Numbers	Length	Working Pressure	Hose Cover Color	Hose I.D.	Hose O.D.	Coupling
	1001000	25'	300 PSI	Black	3/8"	3/5"	2080020
	10AH03850AC	50'	300 PSI	Black	3/8"	3/5"	2080020

		COUPLINGS AND HEX NIPPLE FOR 3/8" I.D. AIR HOSE	
	Part Numbers	Thread Style	Working Pressure
	1017020	3/8" NPT x 3/8" Male Brass Hose Barb	250 PSI
	1080029	3/8" Push-On Insert Female Quick-Disconnect	300 PSI
	1080028	3/8" Push-On Insert Male Quick-Disconnect	300 PSI
	2080020	3/8" Female Air and Fluid Hose Coupling	500 PSI
	1028610	3/8" Male x 3/8" Male Air and Fluid Hose Hex Nipple	6,000 PSI


1/2" I.D. AIR HOSE


		1/2" I.D. X 39/50" O.D. AIR HOSE				
Part Numbers		Working Pressure	Hose Cover Color	Length	Hose I.D.	Hose O.D.
	10AH012	300 PSI	Red	Per Ft.	1/2"	39/50"


		COUPLING AND HEX NIPPLE FOR 1/2" I.D. AIR HOSE		
Part Numbers		Thread Style	Working Pressure	
	1080040	1/2" Female Air and Fluid Hose Coupling	750 PSI	
	20PFHA24SA0808	1/2" Male x 1/2" Male Air and Fluid Hose Hex Nipple	6,000 PSI	


		MALE HOSE END COUPLING AND GASKET FOR 1/2" I.D. AIR HOSE					
Part Numbers		Hose I.D.	Material	Coupling Style	GASKET		
					Rubber Gasket	Gasket I.D.	Gasket O.D.
	10HE012	1/2"	Plated Iron	2-Lug	10UG2	3/4"	1-3/8"

3/4" I.D. AIR HOSE


		3/4" I.D. X 1-1/4" O.D. AIR HOSE				
Part Numbers		Working Pressure	Hose Cover Color	Length	Hose I.D.	Hose O.D.
	10AH034	200 PSI	Red	Per Ft.	3/4"	1-1/4"


		3/4" I.D. X 1-1/4" O.D. AIR HOSE WITH COUPLINGS INSTALLED					
Part Numbers		Working Pressure	Hose Cover Color	Length	Hose I.D.	Hose O.D.	Couplings
	10AH034AC	200 PSI	Red	50 Ft.	3/4"	1-1/4"	2-Lug Crimped On


		MALE HOSE END COUPLING AND GASKET FOR 3/4" I.D. AIR HOSE					
Part Numbers		Hose I.D.	Material	Coupling Style	GASKET		
					Rubber Gasket	Gasket I.D.	Gasket O.D.
	10HE1	3/4"	Plated Iron	2-Lug	10UG2	3/4"	1-3/8"


		BOSS® CLAMP FOR 3/4" I.D. AIR HOSE		
Part Numbers		Hose I.D.	Hose O.D. Range	Material
	10A9	3/4"	1-8/64" – 1-20/64"	Plated Steel


1" I.D. AIR HOSE

		1" I.D. X 1-1/2" O.D. AIR HOSE				
Part Numbers		Hose Cover Color	Working Pressure	Length	Hose I.D.	Hose O.D.
	10AH100B	Black	200 PSI	Per Ft.	1"	1-1/2"
	10AH100	Red	200 PSI	Per Ft.	1"	1-1/2"


		1" I.D. X 1-1/2" O.D. AIR HOSE WITH COUPLINGS INSTALLED					
Part Numbers		Working Pressure	Hose Cover Color	Length	Hose I.D.	Hose O.D.	Couplings
	10AH100AC	200 PSI	Red	50 Ft.	1"	1-1/2"	2-Lug Crimped On


		MALE HOSE END COUPLING AND GASKET FOR 1" I.D. AIR HOSE					
Part Numbers		Hose I.D.	Material	Coupling Style	GASKET		
					Rubber Gasket	Gasket I.D.	Gasket O.D.
	10HE2	1"	Plated Iron	2-Lug	10UG2	3/4"	1-3/8"


		HAMMER-LOCK GROUND JOINT FITTING FOR 1" I.D. AIR HOSE	
Part Numbers		Hose I.D.	Material
	10DXGF36	1"	Plated Steel


		BOSS® CLAMP FOR 1" I.D. AIR HOSE		
Part Numbers		Hose I.D.	Hose O.D. Range	Material
	10A14	1"	1-32/64" – 1-52/64"	Plated Steel


1-1/4" I.D. AIR HOSE

		1-1/4" I.D. X 1-13/16" O.D. AIR HOSE				
Part Numbers		Hose Cover Color	Working Pressure	Length	Hose I.D.	Hose O.D.
	10AH114B	Black	200 PSI	Per Ft.	1-1/4"	1-13/16"
	10AH114	Red	200 PSI	Per Ft.	1-1/4"	1-13/16"


		1-1/4" I.D. X 1-13/16 O.D. AIR HOSE WITH COUPLINGS INSTALLED						
Part Numbers		Working Pressure	Hose Cover Color	Length	Hose I.D.	Hose O.D.	Coupling	Band Clamps
	10AH114AC	200 PSI	Red	50'	1-1/4"	1-13/16"	10HE3	10AHCL2


		MALE HOSE END COUPLING AND GASKET FOR 1-1/4" I.D. AIR HOSE					
Part Numbers		Hose I.D.	Material	Coupling Style	GASKET		
					Rubber Gasket	Gasket I.D.	Gasket O.D.
	10HE3	1-1/4"	Plated Iron	4-Lug	10UG4	1-1/2"	2-3/8"


		HAMMER-LOCK GROUND JOINT FITTING FOR 1-1/4" I.D. AIR HOSE	
Part Numbers		Hose I.D.	Material
	10DXGF51	1-1/4"	Plated Steel


		BOSS® CLAMP FOR 1-1/4" I.D. AIR HOSE		
Part Numbers		Hose I.D.	Hose O.D. Range	Material
	10BU18	1-1/4"	1-32/64" – 1-50/64"	Plated Iron


1-1/2" I.D. AIR HOSE

		1-1/2" I.D. X 2" O.D. AIR HOSE				
Part Numbers		Hose Cover Color	Working Pressure	Length	Hose I.D.	Hose O.D.
	10AH112B	Black	200 PSI	Per Ft.	1-1/2"	2"
	10AH112	Red	200 PSI	Per Ft.	1-1/2"	2"


		1-1/2" I.D. X 2" O.D. AIR HOSE WITH COUPLINGS INSTALLED						
Part Numbers		Working Pressure	Hose Cover Color	Length	Hose I.D.	Hose O.D.	Coupling	Band Clamps
	10AH112AC	200 PSI	Red	50'	1-1/2"	2"	10HE4	10AHCL3


		MALE HOSE END COUPLING AND GASKET FOR 1-1/2" I.D. AIR HOSE					
Part Numbers		Hose I.D.	Material	Coupling Style	GASKET		
					Rubber Gasket	Gasket I.D.	Gasket O.D.
	10HE4	1-1/2"	Plated Iron	4-Lug	10UG4	1-1/2"	2-3/8"


		HAMMER-LOCK GROUND JOINT FITTING FOR 1-1/2" I.D. AIR HOSE	
Part Numbers		Hose I.D.	Material
	10DXGF61	1-1/2"	Plated Steel


		BOSS® CLAMPS FOR 1-1/2" I.D. AIR HOSE		
Part Numbers		Hose I.D.	Hose O.D. Range	Material
	10B22	1-1/2"	2" – 2-14/64"	Plated Iron
	10BU22	1-1/2"	1-52/64" – 2"	Plated Iron


2" I.D. AIR HOSE

		2" I.D. AIR HOSE					
Part Numbers		Working Pressure	Steel Reinforced	Hose Cover Color	Length	Hose I.D.	Hose O.D.
	10AH200	300 PSI	No	Yellow	Per Ft.	2"	2-1/2"
	10AH200SR	600 PSI	Yes	Yellow	Per Ft.	2"	2-5/8"


		2" I.D. X 2-1/2" O.D. AIR HOSE WITH COUPLINGS INSTALLED					
Part Numbers		Length	Working Pressure	Hose Cover Color	Hose I.D.	Hose O.D.	Couplings
	10AH225AC	25'	300 PSI	Yellow	2"	2-1/2"	10HE5 & 10BU28
	10AH200AC	50'	300 PSI	Yellow	2"	2-1/2"	10HE5 & 10BU28


		MALE HOSE END COUPLING AND GASKET FOR 2" I.D. AIR HOSE					
Part Numbers		Hose I.D.	Material	Coupling Style	GASKET		
					Rubber Gasket	Gasket I.D.	Gasket O.D.
	10HE5	2"	Plated Iron	4-Lug	10UG4	1-1/2"	2-3/8"


		HAMMER-LOCK GROUND JOINT FITTING FOR 2" I.D. AIR HOSE	
Part Numbers		Hose I.D.	Material
	10GF81	2"	Plated Iron

		BOSS® CLAMPS FOR 2" I.D. AIR HOSE		
Part Numbers		Hose I.D.	Hose O.D. Range	Material
	10BU28	2"	2-11/32" – 2-17/32"	Plated Iron
	10BU29	2"	2-1/2" – 2-25/32"	Plated Iron


3" I.D. AIR HOSE


		3" I.D. AIR HOSE					
Part Numbers		Working Pressure	Reinforcement	Hose Cover Color	Length	Hose I.D.	Hose O.D.
	10AH300	300 PSI	Fabric	Yellow	50'	3"	3-7/10"
	10AH3001	300 PSI	Fabric	Yellow	100'	3"	3-7/10"
	10AH300SR	500 PSI	Steel	Yellow	50'	3"	3-4/5"


		HAMMER-LOCK GROUND JOINT FITTING FOR 3" I.D. AIR HOSE	
Part Numbers		Hose I.D.	Material
	10GF111	3"	Plated Iron

		BOSS® CLAMP FOR 3" I.D. AIR HOSE		
Part Numbers		Hose I.D.	Hose O.D. Range	Material
	10BU35	3"	3-1/2" – 3-15/16"	Plated Iron



4" I.D. AIR HOSE


		4" I.D. AIR HOSE					
	Part Numbers	Working Pressure	Steel Reinforced	Hose Cover Color	Length	Hose I.D.	Hose O.D.
	10AH400SR	450 PSI	Yes	Yellow	50'	4"	4-13/20"


		HAMMER-LOCK GROUND JOINT FITTING FOR 4" I.D. AIR HOSE	
	Part Numbers	Hose I.D.	Material
	10DXGF141	4"	Plated Iron

		BOSS® CLAMP FOR 4" I.D. AIR HOSE		
	Part Numbers	Hose I.D.	Hose O.D. Range	Material
	10B45	4"	3-1/2" – 3-15/16"	Plated Iron

HOSE ACCESSORIES

MALE HOSE END COUPLINGS AND GASKETS							
Part Numbers	Coupling Style	Hose I.D.	GASKET OPTIONS			Material	
			Gasket I.D.	Gasket O.D.	Rubber Gasket		
	10HE012	2-Lug	1/2"	3/4"	1-3/8"	10UG2	Plated Iron
	10HE1	2-Lug	3/4"	3/4"	1-3/8"	10UG2	Plated Iron
	10HE2	2-Lug	1"	3/4"	1-3/8"	10UG2	Plated Iron
	10HE3	4-Lug	1-1/4"	1-1/2"	2-3/8"	10UG4	Plated Iron
	10HE4	4-Lug	1-1/2"	1-1/2"	2-3/8"	10UG4	Plated Iron
	10HE5	4-Lug	2"	1-1/2"	2-3/8"	10UG4	Plated Iron

SWIVEL COUPLINGS AND GASKETS						
Part Numbers	Hose I.D.	GASKET OPTIONS			Material	
		Gasket I.D.	Gasket O.D.	Rubber Gasket		
	10SFE34	3/4"	N/A	N/A	N/A	Plated Iron
	10SFE2	1"	1-13/16"	1-1/16"	10SFE2G	Plated Iron
	10SFE3	1-1/4"	1-1/8"	1-5/8"	10SFE3G	Plated Iron
	10SFE4	1-1/2"	1-3/8"	1-7/8"	10SFE4G	Plated Iron
	10SFE5	2"	1-5/8"	2-1/8"	10SFE5G	Plated Iron



BOSS® CLAMPS				
Part Numbers	Hose I.D.	Hose O.D. Range	Material	
	10A9	3/4"	1-1/8" – 1-5/16"	Plated Steel
	10A14	1"	1-1/2" – 1-13/16"	Plated Steel
	10BU18	1-1/4"	1-1/2" – 1-25/32"	Plated Iron
	10B22	1-1/2"	2" – 2-7/32"	Plated Iron
	10BU22	1-1/2"	1-13/16" – 2"	Plated Iron
	10BU28	2"	2-11/32" – 2-17/32"	Plated Iron
	10BU29	2"	2-1/2" – 2-25/32"	Plated Iron
	10BU35	3"	3-1/2" – 3-15/16"	Plated Iron
	10B45	4"	3-1/2" – 3-15/16"	Plated Iron

HOSE ACCESSORIES


MALE THREADED METAL END COUPLINGS AND GASKETS

	Part Numbers	Thread Size	GASKET OPTIONS			Coupling Style	Material
			Gasket I.D.	Gasket O.D.	Rubber Gasket		
	10ME14	1/4"	3/4"	1-3/8"	10UG2	2-Lug	Plated Iron
	10ME38	3/8"	3/4"	1-3/8"	10UG2	2-Lug	Plated Iron
	10ME122	1/2"	3/4"	1-3/8"	10UG2	2-Lug	Plated Iron
	10ME1	3/4"	3/4"	1-3/8"	10UG2	2-Lug	Plated Iron
	10ME2	1"	3/4"	1-3/8"	10UG2	2-Lug	Plated Iron


FEMALE THREADED METAL END COUPLINGS AND GASKETS


	Part Numbers	Coupling Style	Thread Size	GASKET OPTIONS			Material
				Gasket I.D.	Gasket O.D.	Rubber Gasket	
	10FE1	2-Lug	3/4"	3/4"	1-3/8"	10UG2	Plated Iron
	10FE2	2-Lug	1"	3/4"	1-3/8"	10UG2	Plated Iron
	10ME3	4-Lug	1-1/4"	1-1/2"	2-3/8"	10UG4	Plated Iron
	10ME4	4-Lug	1-1/2"	1-1/2"	2-3/8"	10UG4	Plated Iron
	10ME5	4-Lug	2"	1-1/2"	2-3/8"	10UG4	Plated Iron


3-WAY CONNECTOR AIR HOSE COUPLING

Part Numbers	Coupling Style	Working Pressure	Material
 10BAM10	2-Lug	150 PSI	Plated Zinc


HOSE ACCESSORIES


HAMMER-LOCK GROUND JOINT FITTINGS			
Part Numbers	Hose I.D.	Material	
	10DXGF36	1"	Plated Steel
	10DXGF51	1-1/4"	Plated Steel
	10DXGF61	1-1/2"	Plated Steel
	10GF81	2"	Plated Iron
	10GF111	3"	Plated Iron
	10DXGF141	4"	Plated Iron


HAMMER-LOCK GROUND JOINT WING NUTS			
Part Numbers	Hose I.D.	Material	
	10DXB12	1"	Plated Iron
	10DXB17	1-1/4"	Plated Iron
	10DXB17	1-1/2"	Plated Iron
	10DXB27	2"	Plated Iron
	10DXB32	2-1/2"	Plated Iron
	10DXB37	3"	Plated Iron
	10DXB47	4"	Plated Iron

HAMMER-LOCK GROUND JOINT STEMS			
Part Numbers	Hose I.D.	Material	
	10GB11	1"	Plated Iron
	10GB16	1-1/4"	Plated Iron
	10GB21	1-1/2"	Plated Iron
	10GB26	2"	Plated Iron
	10GB31	2-1/2"	Plated Iron
	10GB36	3"	Plated Iron
	10GB46	4"	Plated Iron


HOSE ACCESSORIES


		FEMALE SPUDS (HOSE TO PIPE)		
		Size	Description	Material
	Part Numbers			
	10DXGB13	1"	Connects to Males NPT	Plated Iron
	10DXGB23	1-1/2"	Connects to Male NPT	Plated Iron
	10GB28	2"	Connects to Male NPT	Plated Iron
	10DXB33	2-1/2"	Connects to Male NPT	Plated Iron
10GB38	3"	Connects to Male NPT	Plated Iron	


		MALE SPUDS (HOSE TO PIPE)		
		Size	Description	Material
	Part Numbers			
	10DXGM13	1"	Connects to Female NPT	Plated Iron
	10DXGM23	1-1/2"	Connects to Female NPT	Plated Iron
	10GM28	2"	Connects to Female NPT	Plated Iron
10GM38	3"	Connects to Female NPT	Plated Iron	

		DOUBLE SPUDS (HOSE TO HOSE)			
		Size	Type	Description	Material
	Part Numbers				
	10DXGDB13	1"	Double	Connects Hose to Hose	Plated Iron
	10DXGDB23	1-1/2"	Double	Connects Hose to Hose	Plated Iron
	10GDB28	2"	Double	Connects Hose to Hose	Plated Iron
10GDB38	3"	Double	Connects Hose to Hose	Plated Iron	



HOSE ACCESSORIES



2-LUG AIR HOSE GASKETS					
	Part Numbers	Coupling Style	Gasket I.D.	Gasket O.D.	U.O.M.
	10UG2	2-Lug	11/16"	1-3/8"	10/Package


4-LUG AIR HOSE GASKETS					
	Part Numbers	Coupling Style	Gasket I.D.	Gasket O.D.	U.O.M.
	10UG4	4-Lug	1-7/8"	2-5/16"	10/Package


SWIVEL AIR HOSE GASKETS					
	Part Numbers	Coupling Style	Gasket I.D.	Gasket O.D.	U.O.M.
	10SFE34G	10SFE34	5/8"	1-1/16"	One Each
	10SFE2G	10SFE2	13/16"	1-5/16"	One Each
	10SFE3G	10SFE3	1-1/8"	1-5/8"	One Each
	10SFE4G	10SFE4	1-3/8"	1-7/8"	One Each
	10SFE5G	10SFE5	1-5/8"	2-1/8"	One Each

HOSE ACCESSORIES




Part Numbers		WHIP CHECK SAFETY CABLES FOR AIR HOSE
	1018000	For Hose I.D. Ranging From 1/2" To 1-1/4"
	1018001	For Hose I.D. Ranging From 1-1/2" To 3"
	1070810	36" Nylon Whip Check

Part Numbers		COUPLING SAFETY PINS
	1018002	Coupling Safety Pins
	1070095	Oversized Coupling Safety Pin

Part Numbers		BAND CLAMPS FOR AIR HOSE
	10AHCL1	For Hose O.D. up to 1-1/2" O.D.
	10AHCL2	For Hose O.D. Ranging from 1" to 2"
	10AHCL3	For Hose O.D. Ranging from 2" to 2-1/2"

Part Numbers		BAND CLAMP TOOL
	10DXF100	For 3/8" and 5/8" Band Clamps

HOSE ACCESSORIES

		STEEL WIRE ROLLS			
Part Numbers		Steel Material	Gauge	Description	Weight
	1070483	Carbon	9	Coated	100 lbs.
	1070078	Carbon	16	Coated	3.5 lbs.
	10DPL081067	Stainless	16	Uncoated	3.5 lbs.

PART NUMBERS & SCHEMATICS GUIDE

EMPIRE® ECONO-FINISH® BLAST CABINETS							
Part Numbers	Cabinet Style	Interior Dimensions	Overall Dimensions	Door Opening Height	Door Opening Width	Door Style	Dust Collector
10EM116011	Suction	24" x 48" x 23"	24" x 48" x 65"	23"	47"	Double	30 Gal.

Empire® and Econo-Finish® are registered trademarks of Empire Abrasive Equipment.

PART NUMBERS & SCHEMATICS GUIDE

Empire® Econo-Finish® Blast Cabinets



PART NUMBERS & SCHEMATICS GUIDE

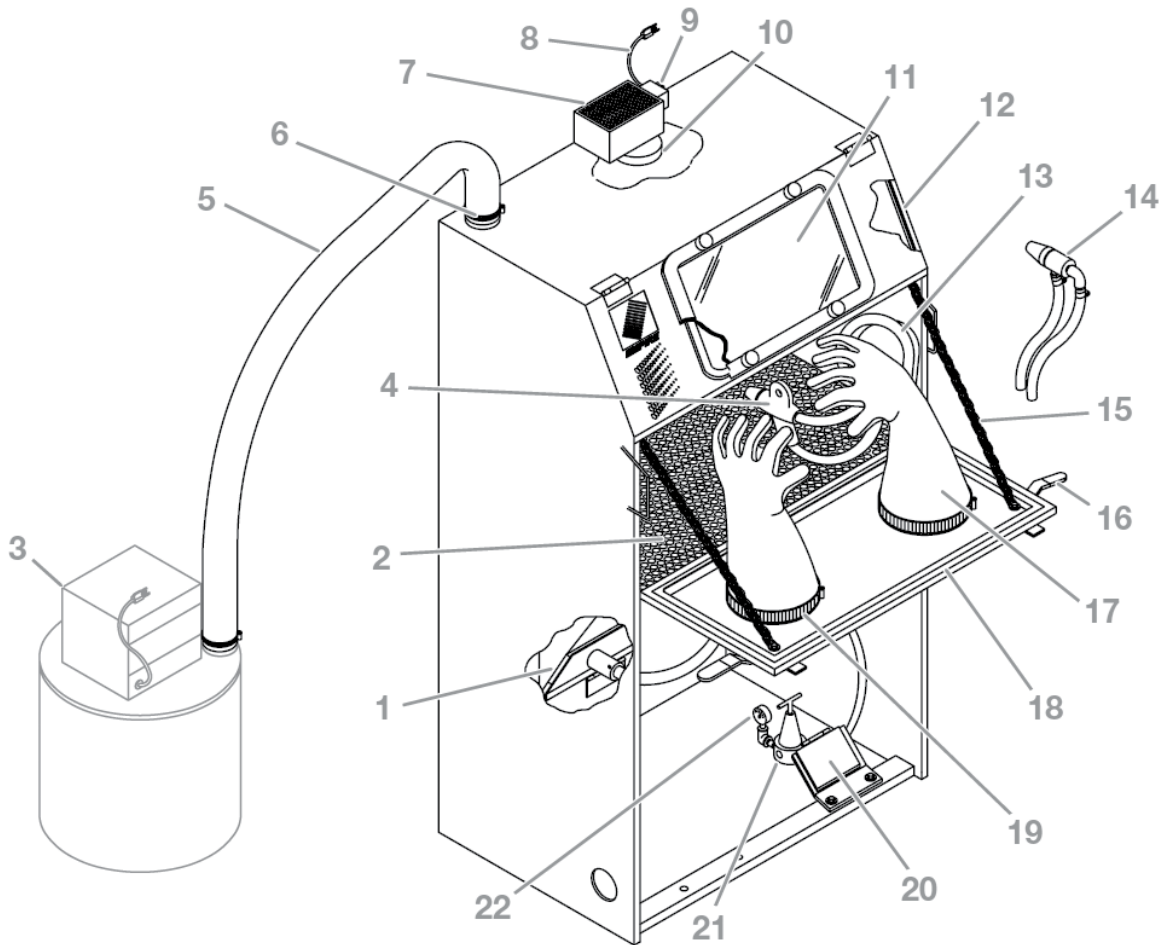
Empire® Econo-Finish® Blast Cabinet Assembly

Item #	Part #	Description	Item #	Part #	Description
Fig. 1			18	10EM524441	3/4" x 3/4" Lower Door Gasket for Sides and Bottom (<i>Per Foot</i>) (<i>Seven Feet Required</i>)
1	10EM580081	Clean-Out Door Gasket	—	10EM523622	1/4" x 1" Lower Door Gasket for Top Lip (<i>Per Foot</i>) (<i>Four Feet Required</i>)
2	10EM771741	Floor	19	10EM520561	Clamps for Gloves (<i>Quantity of Two</i>)
3	—	Dust Collector (<i>See Fig. 2</i>)	—	10EM555016	Glove Hole Flange - Plastic
4	—	Blast Gun MH-2A (<i>See Fig. 3</i>)	20	10EM140718	Foot-Treadle Assembly with Regulator
5	10EM515941	3" I.D. x 6 ft. Dust Hose	—	10EM517031	Foot-Treadle Valve
6	10EM520521	Clamps for 3" I.D. Dust Hose	21	10EM517301	Regulator
7	10EM510495	Filter	—	10EM508201	Regulator Repair Kit
—	10EM510481	Retaining Screen	22	10EM550242	Gauge
8	10EM529601	Line Cord with Plug	—	105V474	<i>Brochure – Empire® Econo-Finish® Blast Cabinets</i>
9	10EM534421	20 Amp Switch	—	106M469	<i>Part Numbers & Schematics Guide – Abrasive Blasting Cabinets</i>
10	10EM532701	90 Watt Floodlight	—	109V474	<i>Operator's Manual – Empire® Econo-Finish® Blast Cabinets</i>
—	10EM580191	Gasket for Spotlight			
—	10EM531711	Light Fixture with Gasket			
—	10EM141468	Light Box Assembly <i>Includes Item #'s 7 and 8</i>			
11	10EM140554	Window Assembly – Complete			
—	10EM525931	Window Spacers (<i>Four Required</i>)			
—	10EM510461	Window Knobs (<i>Four Required</i>)			
—	10EM760291	Window Frame			
—	10EM524451	6 ft. Window Gasket			
—	10EM510401	Window Safety Glass			
12	10EM524441	3/4" x 3/4" Upper Door Gasket (<i>Per Foot</i>) (<i>Seven Feet Required</i>)			
13	10BH012E	1/2" I.D. x 1-1/8" O.D. Abrasive Blasting Hose (<i>Per Foot</i>) (<i>Seven Feet Required</i>)			
—	10AH012	1/2" I.D. Air Hose (<i>Per Foot</i>) (<i>Seven Feet Required</i>)			
—	10AHCL1	Clamp for 1/2" I.D. Air Hose (<i>Two Required</i>)			
—	10EM523921	Grommet for 1/2" I.D. Hose (<i>Two Required</i>)			
14	—	Blast Gun MH-2A (<i>See Fig. 3</i>)			
15	10EM770691	21" Chain (<i>Two Required</i>)			
16	10EM771641	Door Handle (<i>Two Required</i>) (<i>Specify Right or Left</i>)			
—	10EM509571	Handle Cover (<i>Two Required</i>) (<i>Specify Right or Left</i>)			
17	10EM509891	Rubber Gloves (<i>Pair</i>)			
—	10EM510821	Rubber Glove (<i>Left Hand</i>)			

Empire® and Econo-Finish® are registered trademarks of Empire Abrasive Equipment.

PART NUMBERS & SCHEMATICS GUIDE

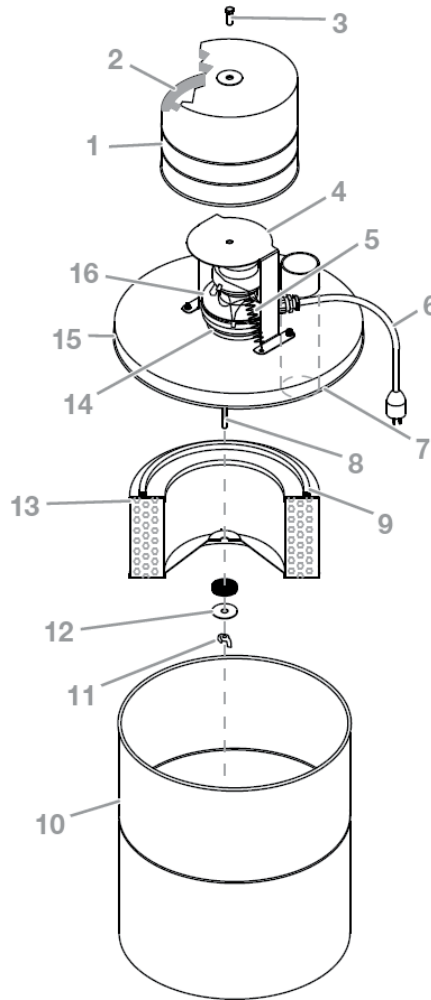
Figure 1: Empire® Pro-Finish® Blast Cabinet Assembly



Empire® and Econo-Finish® are registered trademarks of Empire Abrasive Equipment.

PART NUMBERS & SCHEMATICS GUIDE

Figure 3: Empire® Econo-Finish® DC-30 Dust Collector

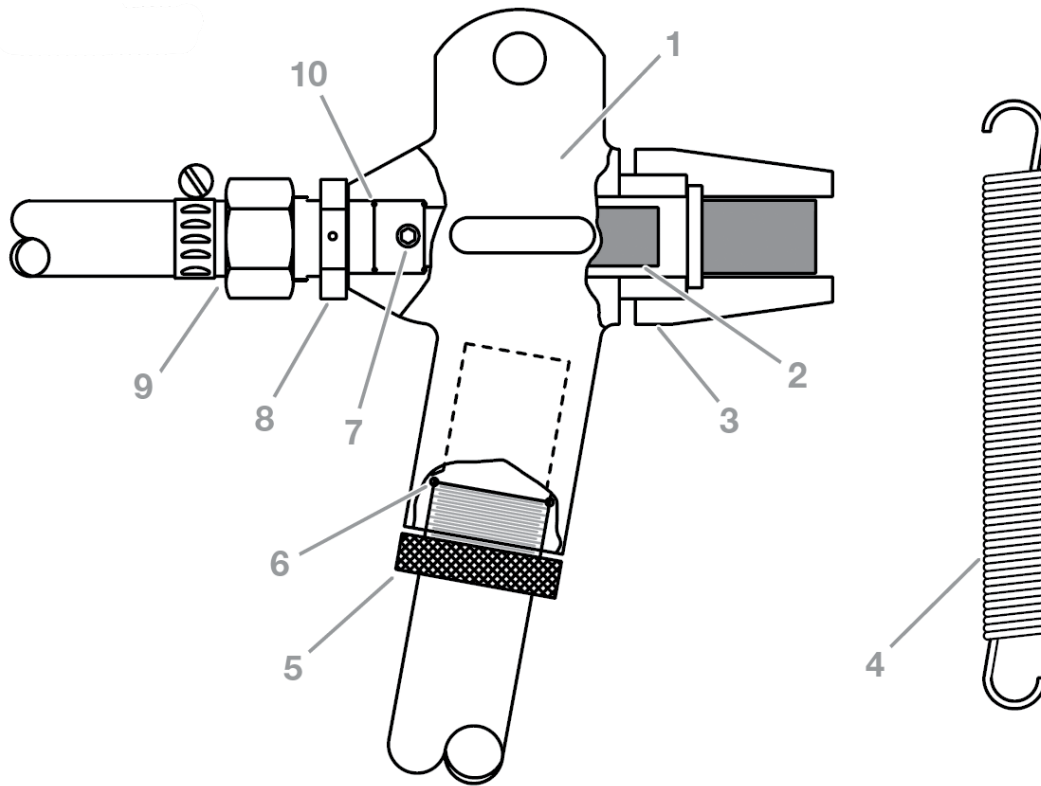


Item #	Part #	Description
Fig. 3		
—	10EM117230	DC-30 Dust Collector – Complete
1	10EM770962	Sound Attenuator Cover
2	10EM525051	1/2" x 7" x 8-1/4" Hush Cloth (Five Pieces)
3	10EM551852	3/8-16 x 1-1/4" Hex Head Bolt
4	10EM771356	Sound Attenuator Bracket
5	10EM515741	Spring Extension
6	10EM529601	120-Volt Line Cord
7	10EM800166	3 ft. Lid Gasket Tape
8	10EM770067	Threaded Rod
9	10EM523341	Gasket
10	10EM504016	16 gallon Drum
11	10EM553992	3/8-16 Wing Nut
12	10EM552892	3/8" Flat Washer
13	10EM504771	Filter Cartridge
14	10EM524362	Fan Gasket (Two Required)
15	10EM770684	Lid Weldment
16	10EM515761	120-Volt, 60 Hz, Single Phase 133 CFM Blower

Empire® and Econo-Finish® are registered trademarks of Empire Abrasive Equipment.

PART NUMBERS & SCHEMATICS GUIDE

Figure 4: Empire® Econo-Finish® MH-2A Suction Blast Guns



Item #	Part #	Description
Fig. 4		
—	10EM140700	MH-2A Gun, Common Components
—	10EM140701	MH-2A Gun with 1/4" Di-Carb™ Nozzle and 1/8" Air Jet
—	10EM140702	MH-2A Gun with 1/4" Ceramic Nozzle and 1/8" Air Jet
—	10EM140703	MH-2A Gun with 7/16" Di-Carb™ Nozzle and 7/32" Air Jet
—	10EM140704	MH-2A Gun with 1/4" Boron Nozzle and 1/8" Air Jet
—	10EM140705	MH-2A Gun with 5/16" Boron Nozzle and 5/32" Air Jet
—	10EM140706	MH-2A Gun with 7/16" Boron Nozzle and 7/32" Air Jet
—	10EM140708	MH-2A Gun with 5/16" Ceramic Nozzle and 5/32" Air Jet
1	10EM735551	Gun Body with Long Handle
2	10EM505671	5/32" Air Jet – Green
3	10EM505641	Nozzle Adapter – Plastic
4	10EM511251	Suction-Gun Assist Spring
5	10EM520081	Hose Clamp Nut
6	10EM523881	1-1/16" I.D. x 1-5/16" O.D. O-ring
7	10EM551052	1/4-20 x 3/8" Set Screw
8	10EM505631	MH-2 Connector
9	10EM520402	1/2" FPT x 1/2" Hose Barb
10	10EM523912	1/2" I.D. x 5/8" O.D. O-ring (<i>Two Required</i>)

Empire®, Econo-Finish®, and Di-Carb™ are registered trademarks or trademarks of Empire Abrasive Equipment.

PART NUMBERS & SCHEMATICS GUIDE

EMPIRE® PRO-FINISH® BLAST CABINETS									
Part Numbers	Model	Interior Dimensions	Overall Dimensions	Door Opening Height	Door Opening Width	Number of Doors	Dust Bag	Reclaimer	Pressure Vessel
10EM103100	PRC Pressure	23" x 48" x 26"	38" x 54" x 72"	32"	29"	2	X	X	1.0 Cu. Ft.

Empire® and Pro-Finish® are registered trademarks of Empire Abrasive Equipment.

PART NUMBERS & SCHEMATICS GUIDE

Empire® Pro-Finish® Blast Cabinet



Empire® and Pro-Finish® are registered trademarks of Empire Abrasive Equipment.

PART NUMBERS & SCHEMATICS GUIDE

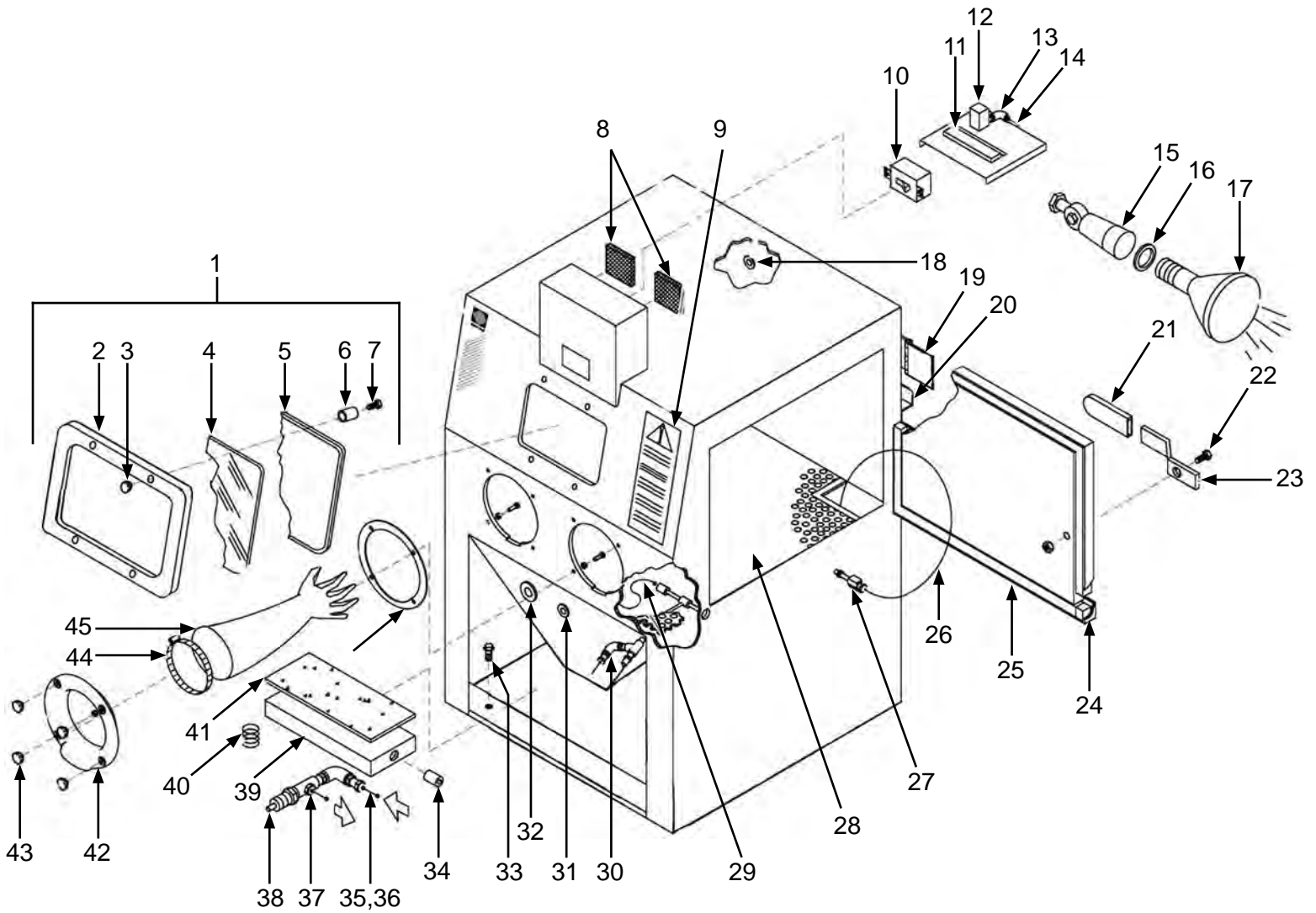
Empire® Pro-Finish® Blast Cabinet Assembly

Item #	Part #	Description	Item #	Part #	Description
Fig. 5			32	10EM523921	3/4" x 1-1/16" Suction Air Hose Grommet
1	10EM140544	Window Kit <i>Includes Items #'s: 4 – 7</i>	—	10EM536391	Hole Seal
2	10EM760291	Window Frame	33	10EM551742	3/8-16 x 2" Leveling Bolt <i>(Four Required)</i>
3	10EM510461	3/8-16 Knob <i>(Four Required)</i>	34	10EM510501	Brush Bushing Treadle <i>(Two Required)</i>
4	10EM510401	14" x 22" Safety Glass	35	10EM510451	1/4" O.D. Tubing <i>(Per Foot)</i>
5	10EM524451	Window Gasket <i>(Quantity of Six Feet)</i>	36	10EM520252	1/8" MPT x 1/4" Tube Connector
6	10EM525931	Window Spacer <i>(Four Required)</i>	37	10EM543822	1/8" Elbow
7	10EM551852	3/8-16 x 1-1/4" Bolt <i>(Four Required)</i>	38	10EM521101	1/4" Tube x 10-32 Barbed PTC
8	10EM510491	Filter, Kleensweep™ Inlet <i>(Two Required)</i>	39	10EM517221	3" Valve Foot Treadle <i>Includes Item #38</i>
9	10EM567391	Instructions/Warning Decal	40	10EM510421	Treadle Return Spring <i>(Two Required)</i>
10	10EM534561	20 amp On/Off Switch	41	10EM524391	Treadle Grip Cover
11	10EM533611	15 Pole Terminal Strip	42	10EM555036	Glove Flange
12	10EM519001	Solenoid Valve, Standard and CSA	43	10EM510461	3/8-16 Knob <i>(Four Required)</i>
13	10EM520432	1/4" Tube x 1/8" MPT 90° Adapter	44	10EM520561	8" Glove Clamp
14	10EM510541	1/4" O.D. Tubing <i>(Per Foot)</i>	45	10EM509891	Gloves <i>(Pair)</i>
15	10EM532711	Light Fixture	—	10EM510821	Glove <i>(Left Hand)</i>
16	10EM580191	Light Bulb Gasket	—	105V469	<i>Brochure – Empire® Pro-Finish® Blast Cabinets</i>
17	10EM532701	Floodlight Bulb	—	106M469	<i>Part Numbers & Schematics Guide – Abrasive Blasting Cabinets</i>
18	10EM532931	1" x 1-3/8" Blast Hose Grommet	—	109V469	<i>Operator's Manual – Empire® Pro-Finish® Blast Cabinets</i>
19	10EM509531	3" Hinge			
20	10EM760161	Z-strip			
21	10EM509571	Handle Cover			
22	10EM552151	3/8-16 x 2" SHCS Door Bolt			
—	10EM553952	3/8-16 WSNA Nut			
23	10EM760361	Door Handle			
24	10EM525041	Urethane Bumper			
—	10EM525681	3/4" x 3/4" Gasket			
25	10EM524441	3/4" x 3/4" Gasket <i>(Per Foot)</i>			
26	10EM522641	Dust-off Gun and Hose with Fittings			
27	10EM509821	Dust-off Gun			
—	10EM511251	Spring <i>(Not Shown)</i>			
28	10EM760551	Floor Sectionc <i>(Two Required)</i>			
29	10EM520003	Interlock Hose Assembly: 3/8" I.D. Air Hose with Clamps			
30	10EM520432	1/4" x 1/8" MPT 90° Adapter			
31	10EM523951	1/4" x 5/8" x 7/8" Dust-off Hose Grommet			

Empire®, Pro-Finish®, and Kleensweep™ are registered trademarks or trademarks of Empire Abrasive Equipment.

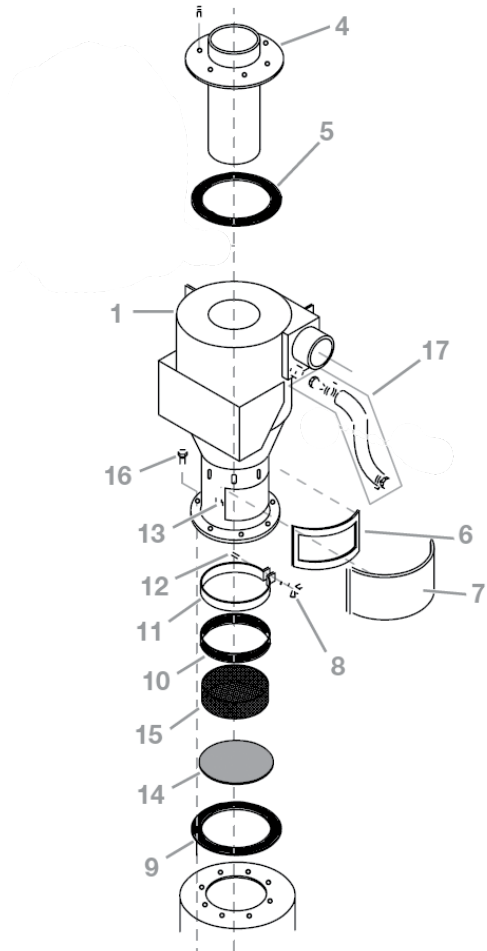
PART NUMBERS & SCHEMATICS GUIDE

Figure 5: Empire® Pro-Finish® Blast Cabinet Assembly



PART NUMBERS & SCHEMATICS GUIDE

Figure 6: Empire® Pro-Finish® Blast Cabinet 600 CFM Reclaimer

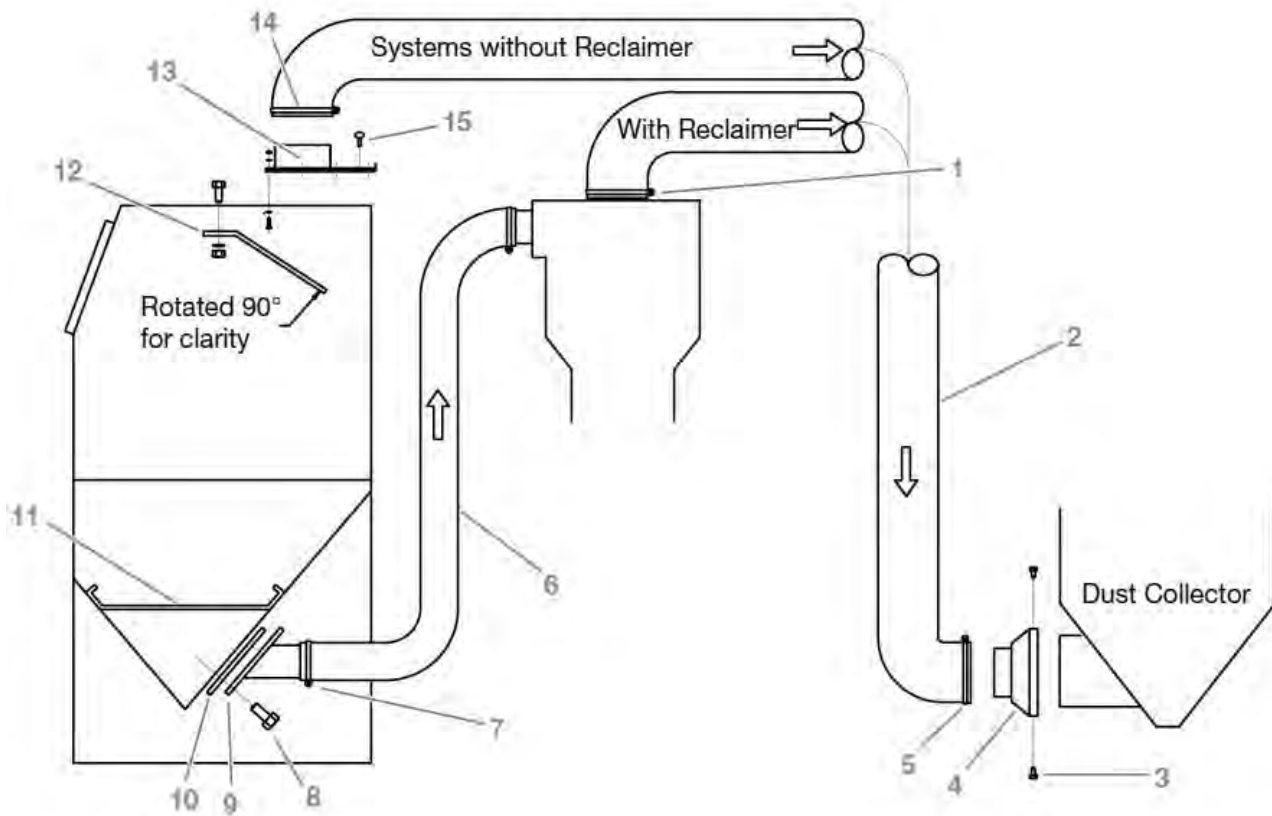


Item #	Part #	Description
Fig. 6		
1	10EM14044	Reclaimer Body Assembly <i>Includes Item #'s: 4 – 13</i>
4	10EM766741	Removable Top
5	10EM524371	Reclaimer to Storage Hopper and Outlet Flange Gasket
6	10EM524331	Reclaimer Door Gasket
7	10EM760721	Reclaimer Door
8	10EM552392	1/4-20 Wing Nut
9	10EM524371	Reclaimer to Storage Hopper and Outlet Flange Gasket
10	10EM524342	Tuning Band Gasket – Solid
—	10EM524341	Tuning Band Gasket – with Slots
11	10EM767581	Tuning Band (Steel Part Only) – Solid
—	10EM760701	Tuning Band (Steel Part Only) – with Slots
12	10EM551782	1/4-20 x 2" Bolt
13	10EM509581	Latch & Keeper <i>(requires welding)</i>
14	10EM760711	5/16" x 13" O.D. Flat Screen
15	10EM736041	11-1/2" O.D., 8 Mesh (Fine) Screen
—	10EM739051	11-1/2" O.D., 4 Mesh Screen
16	10EM551852	3/8-16 x 1" Bolt <i>(Eight Required)</i>
17	10EM522611	Exhaust Hose Assembly

Empire® and Pro-Finish® are registered trademarks of Empire Abrasive Equipment.

PART NUMBERS & SCHEMATICS GUIDE

Figure 7: Empire® Pro-Finish® Ducting, Hoses and Adapters

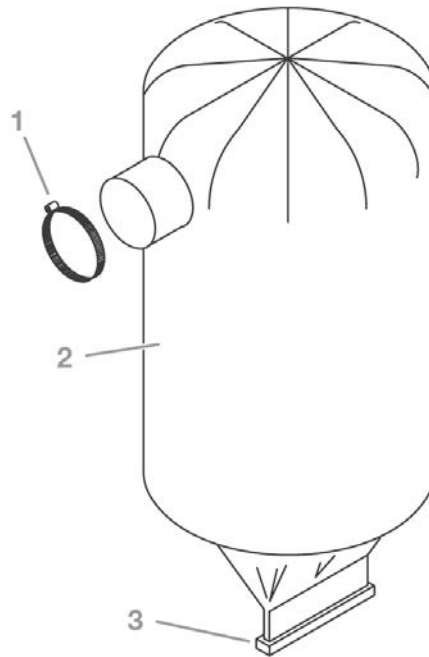


Item #	Part #	Description
--------	--------	-------------

Item #	Part #	Description
1	10EM520551	Dust Hose Clamp
2	10EM516101	6" I.D. x 11 ft. Dust Hose
3	10EM551522	10-32 x 1/2" Screw (Two Required)
4	10EM515631	Dust Hose Adapter
5	10EM520551	Dust Hose Clamp
6	10EM522351	4" I.D. x 8 ft. Conveying Hose, Standard Duty, without Clamps
—	10EM140338	4" I.D. x 9 ft. Conveying Hose, Heavy-Duty, with Clamps (Factory Upgrade)
—	10EM140354	4" I.D. x 9 ft. Conveying Hose, Heavy-Duty, with Clamps (Customer Install)
—	10EM515911	4" I.D. Conveying Hose, Heavy-Duty (Per Foot)
—	10EM515921	6" I.D. Conveying Hose, Heavy-Duty (Per Foot)
7	10105038	Hose Clamp for Standard Duty Conveying Hose
—	10EM522953	Hose Clamp for Heavy-Duty Conveying Hose
8	10EM551212	1/4-20 x 1" Bolt (Four Required)
9	10EM760421	Cabinet Outlet Adapter
10	10EM524381	Cabinet Outlet Gasket
11	10EM766771	Screen

PART NUMBERS & SCHEMATICS GUIDE

Figure 8: Empire® Pro-Finish® Dust Bag

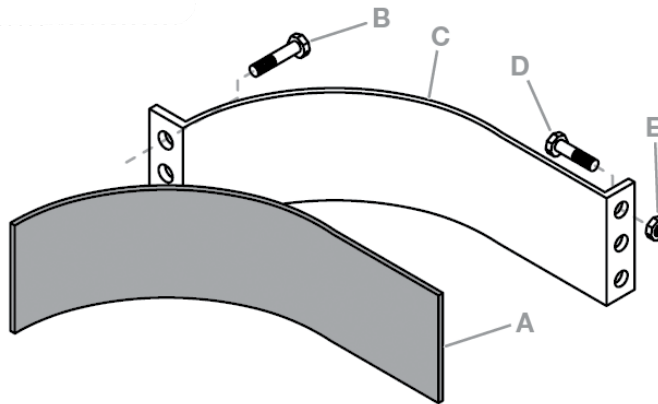


Item #	Part #	Description
--------	--------	-------------

Fig. 8

1	10EM515841	4" Adjustable Clamp
2	10EM515765	30 sq. ft. Dust Bag with 4" Inlet
3	10EM520461	Closure Clamp

Figure 9: Empire® Pro-Finish® Reclaimer Wear Plate



Item #	Part #	Description
--------	--------	-------------

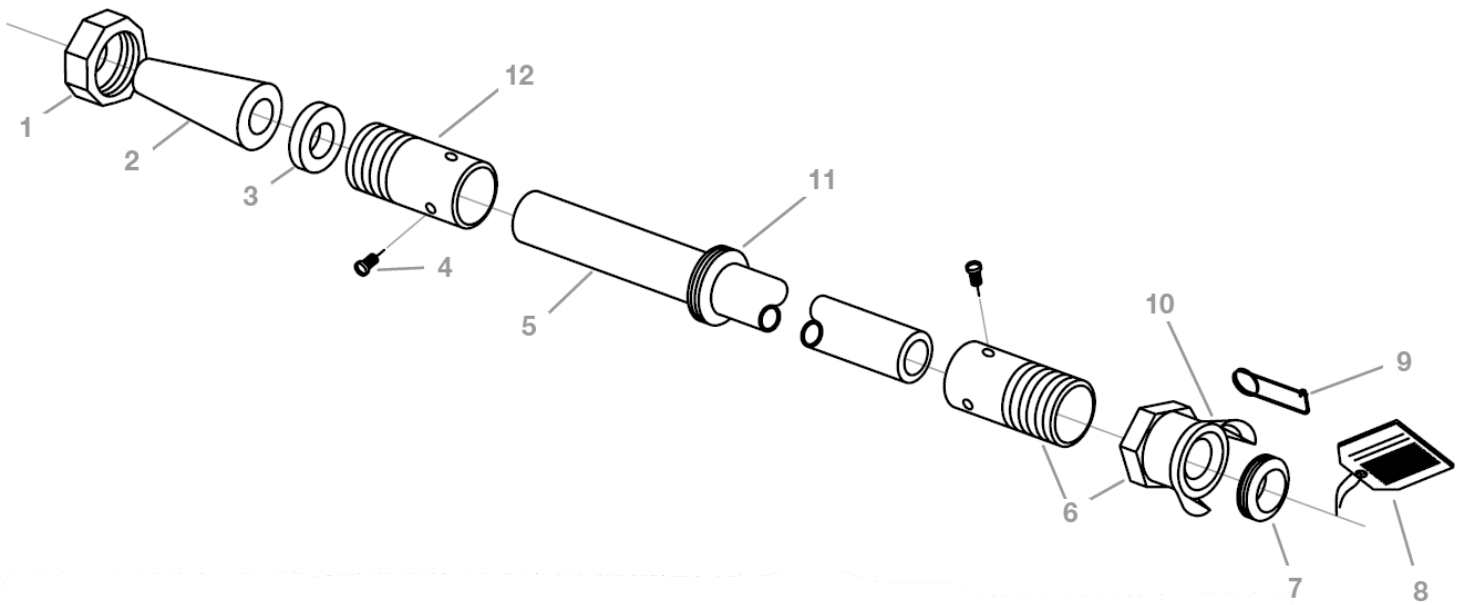
Fig. 9

—	10EM514481	Inlet Wear Plate – Complete (<i>Factory Installed</i>)
—	10EM514511	Inlet Wear Plate – Complete (<i>Customer Installed</i>)
A	10EM524881	Rubber Band
B	10EM553892	3/8-16 x 2" Bolt (<i>Three Required</i>)
C	10EM761611	Metal Band
D	10EM551262	3/8-16 x 1-1/2" Bolt (<i>Three Required</i>)
E	10EM552542	3/8-16 Nut

Empire® and Pro-Finish® are registered trademarks of Empire Abrasive Equipment.

PART NUMBERS & SCHEMATICS GUIDE

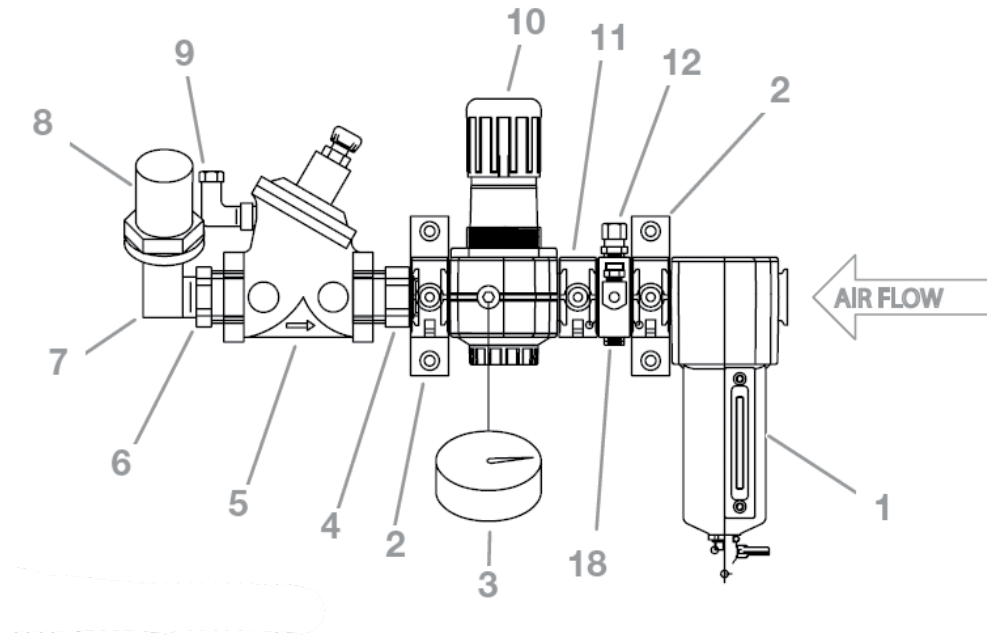
Figure 10: Empire® Pro-Finish® Blast Hose Assembly



Item #	Part #	Description
Fig. 10		
1	10EM504912	Nozzle Adapter
2	10EM502362	3/16" Ceramic Nozzle
3	10EM524041	5/8" I.D. Nozzle Washer (For Use with Ceramic Nozzles) (Pack of 10)
—	10EM524052	1/2" I.D. Nozzle Washer (For Use with Di-Carb/Boron Nozzles) (Pack of 10)
4	10EM554242	Screws (Pack of Four)
5	10BH012E	1/2" I.D. Abrasive Blasting Hose (Per Foot)
6	10EM505222	Quick Coupling Includes Item #'s 4 and 7 (Pack of 10)
7	10SBG	Coupling Washers (Pack of 10)
8	10EM564822	Screw/Coupling Safety Tag
9	10EM510511	Safety Pin
10	10EM505782	1" FPT with AHCW Tank Coupling
11	10EM523931	Blast Hose Grommet
12	10EM505232	Nozzle Coupling

PART NUMBERS & SCHEMATICS GUIDE

Figure 11: Empire® Pro-Finish® 1/2" Pipe String Assemblies



Item #	Part #	Description
--------	--------	-------------

Fig. 11

— **10EM140279** 1/2" Pipe String Assembly for One-Gun Suction

1 10EM504652 Norgren Air Filter

— 10EM508012 Norgren Air Filter Element

— 10EM508112 O-ring and Gasket Kit for Norgren Air Filter

2 10EM522155 Mounting Feet/Quick Clamp

3 10EM550232 Gauge

4 10EM522156 Adapter

5 1013000 Blastmaster® 1" GateKeeper Air Valve (Normally-Open)

6 10EM544497 1" x 1/2" Brass Bushing

7 10EM543533 1/2" x 90° Elbow

8 10EM520362 1/2" Hose Barb

9 10EM520432 1/4" Tube x 1/4" NPT 90° Adapter

10 10EM517141 Norgren Air Pressure Regulator

— 10EM508102 Diaphragm and O-ring Kit for Norgren Regulator

11 10EM522154 Quick Clamp

12 10EM520222 1/4" x 1/4" Hose Adapter

16 10EM523261 Vent

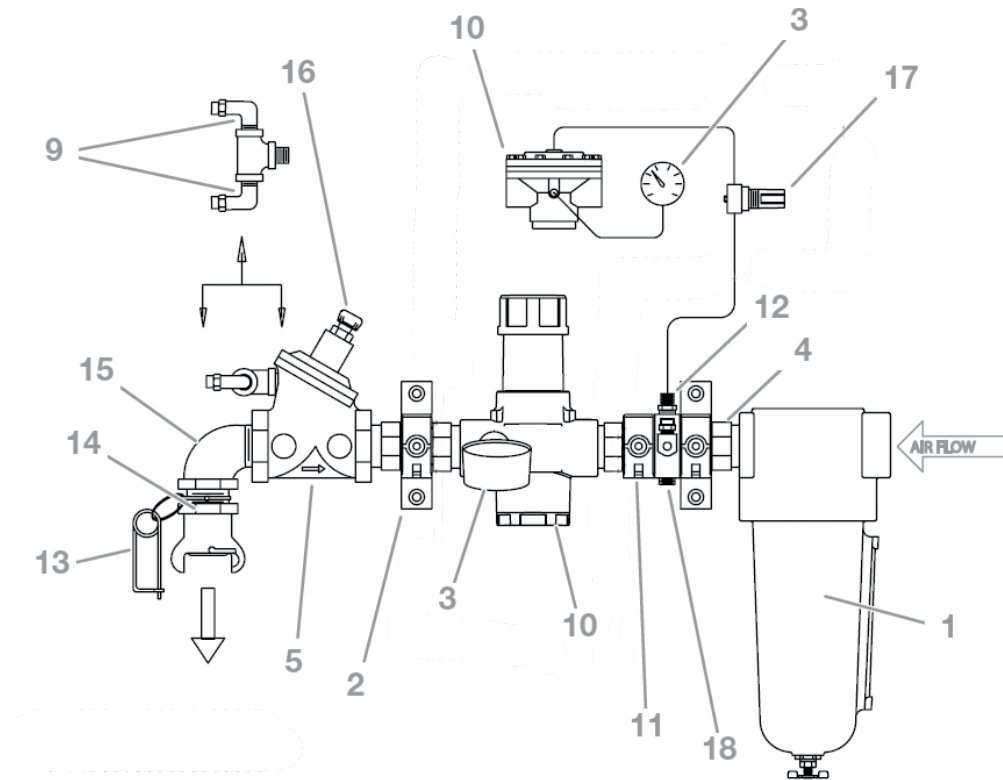
18 10EM522157 Porting Block

— 106M423 Part Numbers & Schematics Guide – Blastmaster® 1" GateKeeper Air Valve

Empire® and Pro-Finish® are registered trademarks of Empire Abrasive Equipment. Blastmaster® is a registered trademark of Marco Group International.

PART NUMBERS & SCHEMATICS GUIDE

Figure 12: Empire® Pro-Finish® 1" Pipe String Assemblies



Item #	Part #	Description
--------	--------	-------------

Fig. 12

—	10EM140280	1" Pipe String Assembly for Pressure & Multi-Gun Suction
1	10EM517271	Norgren Air Filter
—	10EM508002	Norgren Air Filter Element
—	10EM505161	O-ring and Gasket Kit for Norgren Air Filter
2	10EM522155	Mounting Feet/Quick Clamp
3	10EM550232	Gauge
4	10EM522156	Adapter
5	1013000	Blastmaster® 1" GateKeeper Air Valve (Normally-Open)
9	10EM520432	1/4" Tube x 1/4" NPT 90° Adapter
10	10EM517251	Norgren Air Pressure Regulator
—	10EM508161	Diaphragm and O-ring Kit for Norgren Regulator
11	10EM522154	Quick Clamp
12	10EM520222	1/4" x 1/4" Hose Adapter
13	10EM510511	Safety Pin
14	10EM505782	1" FPT, UF-100 Coupling
15	10EM543542	1" NPT Street Elbow
16	10EM523261	Vent
18	10EM522157	Porting Block
—	106M423	Part Numbers & Schematics Guide – Blastmaster® 1" GateKeeper Air Valve

PART NUMBERS & SCHEMATICS GUIDE

Empire® Pro-Finish® Dust Collector Motor Assembly

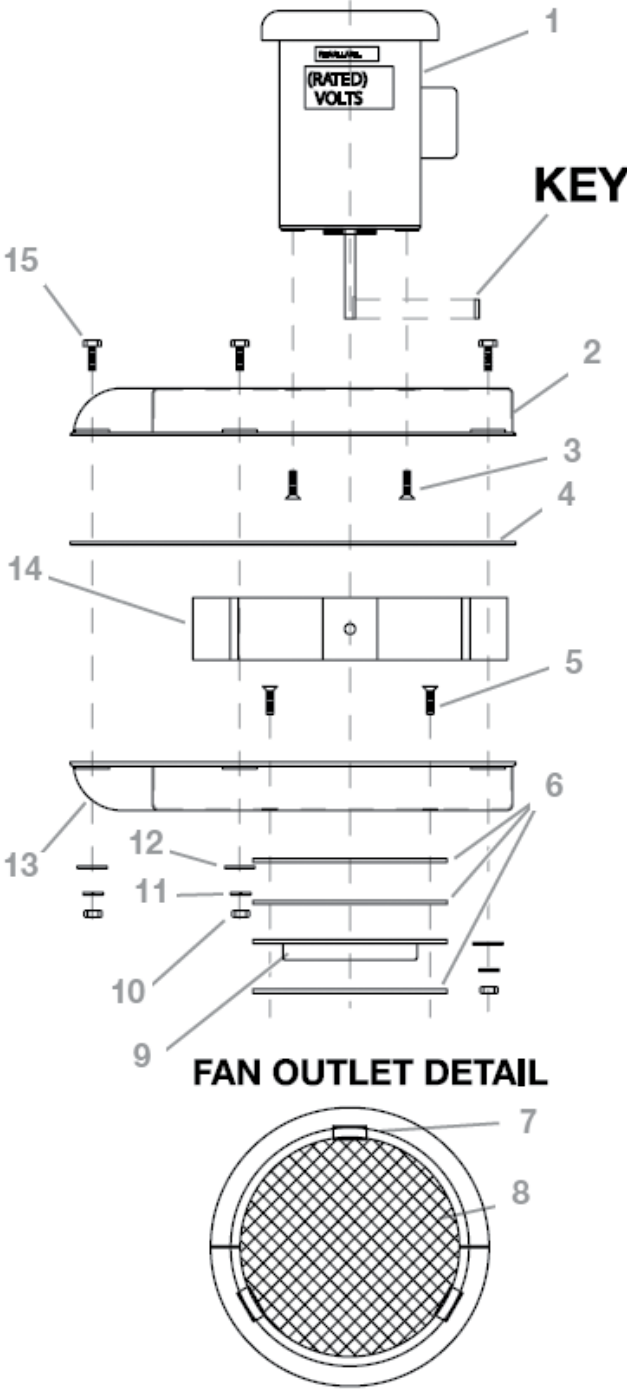
Item #	Part #	Description
--------	--------	-------------

Fig. 13

1	10EM549531	115-230-Volt Motor, 60Hz, Single Phase (<i>Standard</i>)
—	10EM549701	220-480-Volt Motor, 60 Hz, 3 Phase
—	10EM549731	550-600-Volt Motor, 60 Hz, 3 Phase
—	10EM569761	110-220-Volt Motor, 50 Hz, Single Phase
2	10EM753511	Housing, Fan, Top
3	10EM553271	3/8-16 x 1" Flat Head Screw
4	10EM523251	1/8" x 1/4" Fan Housing Gasket (<i>Quantity of Five Feet</i>)
5	10EM553183	3/8-16 x 2-1/4" Flat Head Screw
6	10EM524361	Mounting Gasket (<i>Three Required</i>)
7	10EM554431	Fan Guard Clip (<i>Four Required</i>)
8	10EM739011	Fan Outlet Guard
9	10EM751501	Outlet Flange
10	10EM552522	1/4-20 Hex Nut
11	10EM552752	1/4" Lock Washer
12	10EM552882	1/4" Flat Washer
13	10EM753521	Fan Housing Bottom
14	10EM753021	10-5/8 Diameter x 5/8" I.D. Impeller
15	10EM552131	1/4-20 x 1" Bolt

PART NUMBERS & SCHEMATICS GUIDE

Figure 13: Empire® Pro-Finish® Dust Collector Motor Assembly



Empire® and Pro-Finish® are registered trademarks of Empire Abrasive Equipment.

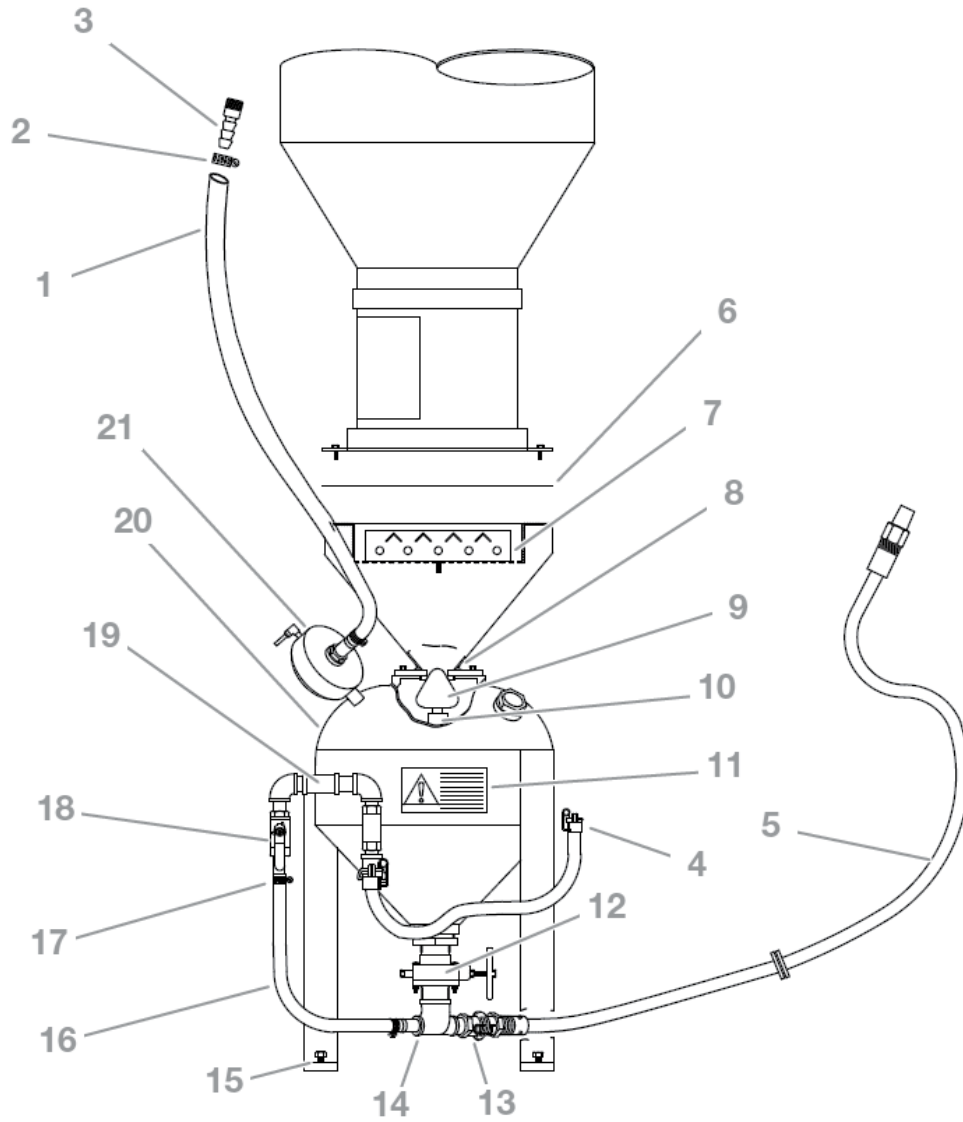
PART NUMBERS & SCHEMATICS GUIDE

Empire® Pro-Finish® 1.0 cu. ft. Pressure Vessel Assembly

Item #	Part #	Description
Fig. 14		
1	10EM522611	Exhaust Hose with 1" NPT Barb Ends (<i>Quantity of 5' 7"</i>)
—	10EM520822	1" I.D. Exhaust Hose (<i>Per Foot</i>)
2	10AHCL2	2" Hose Clamp (<i>Two Required</i>)
3	10L466HE	Hose Barb for 1" NPT x 1" I.D. Hose (<i>Two Required</i>)
4	10AH100	1" I.D. Air Hose Assembly (<i>Per Foot</i>) (<i>Five Feet Required</i>)
5	10BH012E	1/2" I.D. x 1/1/8" O.D. Abrasive Blasting Hose Assembly
6	10EM524371	Reclaimer to Hopper Gasket
7	10EM760741	Hopper
8	10EM523942	2-1/8" I.D. Rubber Sealing Ring
9	10EM510431	PVC Coated Plunger Sealing
10	10EM546072	1/2" NPT x 3-1/2" Nipple Plunger Guide
11	10EM567332	Label, WARNING, "Do not disassemble..."
—	10EM567312	Label, WARNING, "Flange above..."
12	10EM290383	Sure-Flo Media Regulator (<i>See Fig. 15</i>)
13	10EM505782	Tank Coupling
14	10EM545822	1" x 1" x 2" NPT Bullhead Tee
15	10EM551902	3/8-16 x 3" Leveling Bolt
16	10EM520912	1" I.D. Hopse (<i>18 Inches Required</i>)
17	10AHCL1	Hose Clamp for 1" I.D. Hose (<i>Two Required</i>)
18	1011601	1" NPT Ball Valve
19	10EM545702	1" x 1" x 1/2" NPT Tee
20	10EM760811	Pressure Vessel Only
21	10EM290182	MG-78 Exhaust Valve
—	10EM140300	Pressure Vessel Assembly <i>Includes Item #'s: 1–3 and 8–22</i>

PART NUMBERS & SCHEMATICS GUIDE

Figure 14: Empire® Pro-Finish® 1.0 cu. ft. Pressure Vessel Assembly



PART NUMBERS & SCHEMATICS GUIDE

Empire® Manual Sure-Flo Abrasive Metering Valve

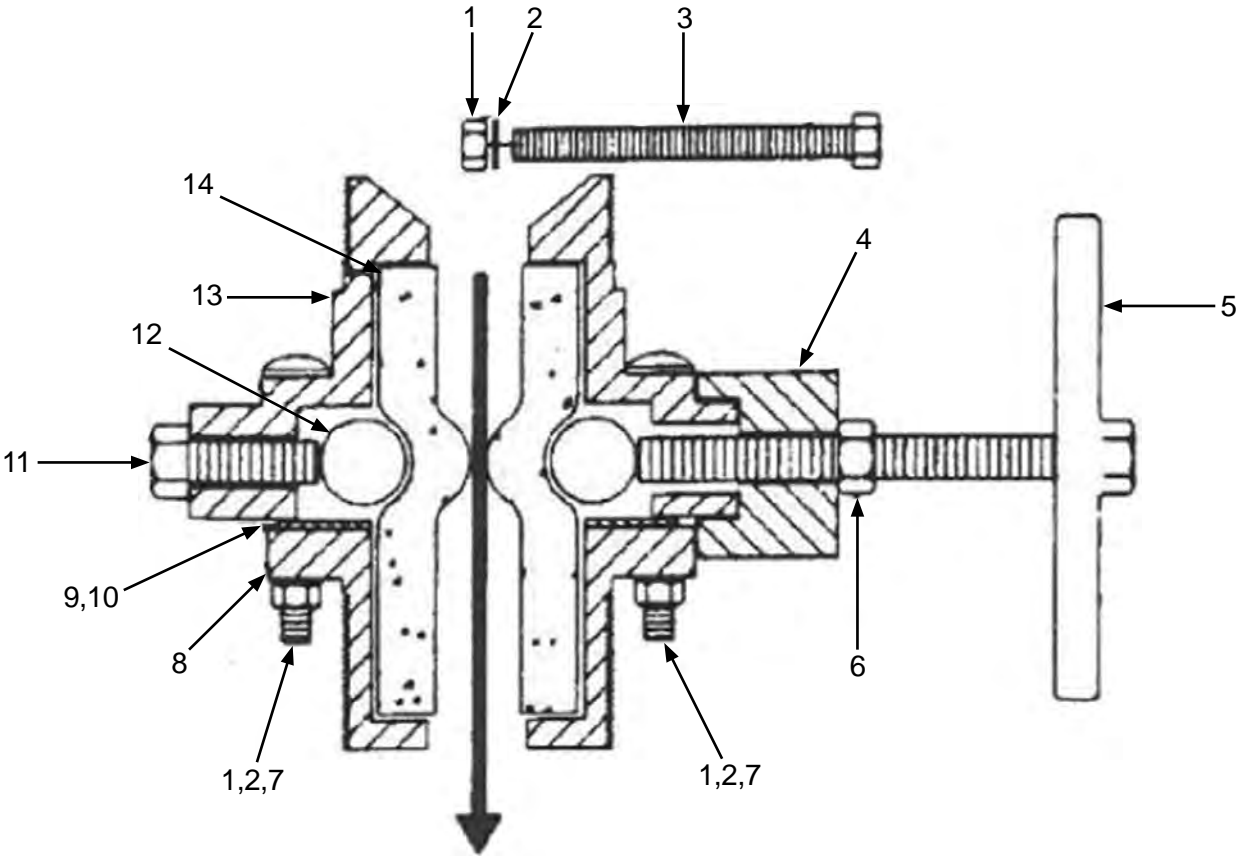
Item # Part #

Fig. 15		
—	10EM290383	Empire® Manual Sure-Flo Abrasive Metering Valve – Complete
1	10EM552542	3/8-16 Hex Nut <i>(Six Required)</i>
2	10EM552762	3/8" I.D. Lock Washer <i>(Six Required)</i>
3	10EM551902	3/8-16 x 3" Bolt <i>(Two Required)</i>
4	10EM753372	Manual Body Adapter
5	10EM290384	1/2-13 x 4" Handle Assembly
6	10EM552672	1/2" Jam Nut
7	10EM552052	3/8-16 x 2-1/2" Carriage Bolt <i>(Four Required)</i>
8	10EM753292	2" MPT Flange
9	10EM753092	Roller Stop/Holder
10	10EM551352	8-32 x 1/2" Screw <i>(Two Required)</i>
11	10EM552222	7/16-14 x 1-1/4" Bolt
12	10EM753632	Pinch Roller <i>(Two Required)</i>
13	10EM753692	2" MPT Valve Body
14a	10EM525451	3/8" I.D. Metering Tube for Fine Grit Abrasives
14b	10EM523592	3/4" I.D. Metering Tube for Medium Grit Abrasives
14c	10EM523512	3/4" I.D. Metering Tube (red) for Medium Grit Abrasives, Conditions Below 32° F
14d	10EM525792	5/8" I.D. Metering Tube for Medium to Coarse Abrasives
14e	10EM525802	7/8" I.D. Metering Tube for Coarse Abrasives
—	106M453	Part Numbers and Schematics Guide – Empire™ Manual Sure-Flo Abrasive Metering Valve

Empire® and Pro-Finish® are registered trademarks of Empire Abrasive Equipment.


PART NUMBERS & SCHEMATICS GUIDE



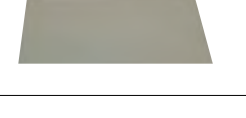
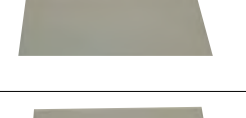

Figure 15: Empire® Manual Sure-Flo Abrasive Metering Valve








Empire® and Pro-Finish® are registered trademarks of Empire Abrasive Equipment.

OPTIONAL ACCESSORIES


		CABINET WINDOWS			
	Part Numbers	Length	Width	Material	U.O.M.
	10EM509631	8"	14"	Glass	1 Each
	10EM509661	30-1/2"	12-3/4"	Glass	1 Each
	10EM510401	14"	22"	Glass	1 Each
	10EM510401B	14"	22"	Glass	1 Each




		CABINET WINDOW PROTECTIVE COVERS				
	Part Numbers	Length	Width	Material	Brand	U.O.M.
	10EM509191	14"	22"	PETG	Empire	1 Each
	10EM509201	14"	22"	Wire Screen	Empire	1 Each
	10C06190B	19-1/2"	11-1/16"	PETG	Alternate	5/Pkg
	10C06190	19-1/2"	11-1/16"	PETG	Clemco	5/Pkg
	10C23232	20"	30"	PETG	Clemco	5/Pkg

OPTIONAL ACCESSORIES


		BLAST CABINET GLOVES			
Part Numbers		Gauntlet	Length	Glove	Opening
	10EM509891	X	31"	Pair	12"
	10EM509891B	X	31"	Pair	12"
	10C00312	X	29"	Pair	9-1/2"
	10C11215		31"	Pair	8"
	10C00313		29"	Pair	9-1/2"

L-SERIES ABRASIVE BLASTING HOSE

L-SERIES ABRASIVE BLASTING HOSE								
Part Numbers	Hose I.D.	Hose O.D.	Fabric Reinforcement	Length (feet)	Working Pressure	Liner Thickness	Hose Layline Color	
			2-Ply			1/4" Heavy-Duty	White	
	10BH0384BR	3/8"	47/64"	X	Per Foot	150 psi	X	X

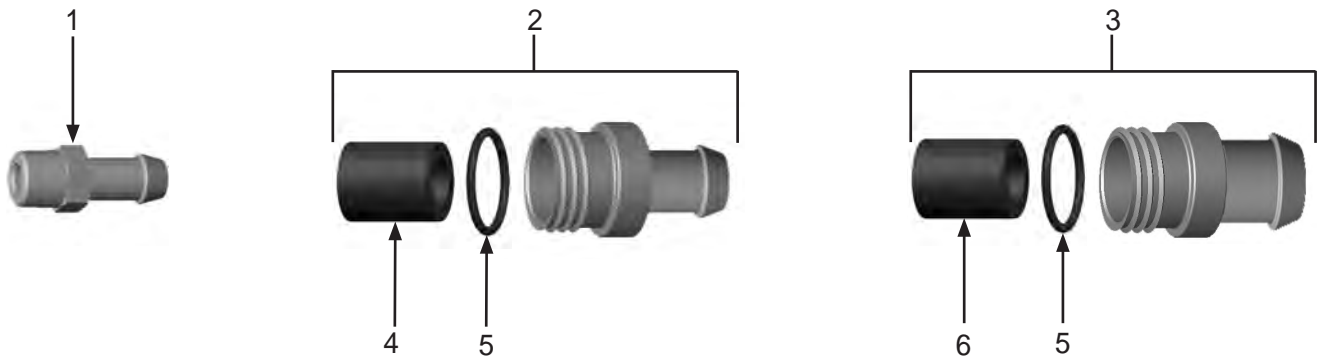
L-SERIES ABRASIVE BLASTING HOSE WITH COUPLINGS INSTALLED										
Part Numbers	Hose I.D.	Hose O.D.	Length (feet)	Fabric Reinforcement	Working Pressure (psi)	Liner Thickness	Hose Layline Color	Coupling(s)		
				2-Ply		1/4"	White	Aluminum	Steel	
	10BH038B10AC	3/8"	47/64"	10'	X	150	X	X	X	X
	10L850119	1/2"	1-3/16"	10'	X	150	X	X	X	X
	1081226	1/2"	1-3/16"	25'	X	150	X	X	X	X
	10L850120	1/2"	1-3/16"	25'	X	150	X	X	X	X
	10L850125	1/2"	1-3/16"	50'	X	150	X	X	X	X
	10L850122	3/4"	1-1/2"	25'	X	150	X	X	X	X
	10L850123	3/4"	1-1/2"	50'	X	150	X	X	X	X

L-SERIES ABRASIVE BLASTING HOSE

	Part Numbers	INTERNAL HOSE END FITTING FOR 47/64" O.D. ABRASIVE BLASTING HOSE
	1017021	Steel


	Part Numbers	HOSE END FITTING FOR 1/2" I.D. ABRASIVE BLASTING HOSE
	10L174	Steel

L-SERIES ABRASIVE BLASTING POT HOSE END ASSEMBLY








Item #	Part #	Description
1	10L174	Hose End for 1/2" I.D. Abrasive Blasting Hose
2	10L366HE	Hose End for 3/4" I.D. Abrasive Blasting Hose (Includes Item #'s: 4 and 5)
3	10L466HE	Hose End for 1" I.D. Abrasive Blasting Hose (Includes Item #'s: 5 and 6)
4	10L800236	Rubber Liner for 3/4" I.D. Abrasive Blasting Hose
5	10L66RR	O-ring
6	10L800237	Rubber Liner for 1" I.D. Abrasive Blasting Hose

BLASTMASTER® 1/2" I.D. ABRASIVE BLASTING HOSE


		1/2" I.D. ABRASIVE BLASTING HOSE					
		O.D.	Length (feet)	Fabric Reinforcement	Working Pressure	Liner Thickness	Hose Layline Color
Part Numbers				2-Ply		1/4" Heavy-Duty	White
	10BH012B	1-1/16"	50'	X	150 psi	X	X
	10BH012E	1-1/8"	50'	X	150 psi	X	X
	10BH0122CR	1-3/16"	Per Foot	X	150 psi	X	X
	10BH012C	1-3/16"	50'	X	150 psi	X	X
	10BH0124C	1-3/16"	400'	X	150 psi	X	X

BLASTMASTER® 1/2" I.D. ABRASIVE BLASTING HOSE


		COUPLINGS FOR 1/2" I.D. ABRASIVE BLASTING HOSE						
Part Numbers		Hose O.D.	Material	Lug Style		Gasket Options		
				Standard	Oversized	Rubber	Urethane	Gasket I.D.
	10QAL050	1-1/16"	Aluminum	X		10SBG	10USBG	1-1/4"
	10EM505222	1/1/8"	Steel	X		10SBG	10USBG	1-1/4"
	10QAL12	1-3/16"	Aluminum	X		10SBG	10USBG	1-1/4"

		NOZZLE HOLDERS FOR 1/2" I.D. ABRASIVE BLASTING HOSE			
Part Numbers		Hose O.D.	Material	Thread Style	Nozzle Washer
	10NHA050	1-1/16"	Aluminum	3/4" NPS	10NW1
	10NHA12	1-3/16"	Aluminum	3/4" NPS	10NW1





BLASTMASTER® 3/4" I.D. ABRASIVE BLASTING HOSE

		3/4" I.D. X 1-1/2" O.D. ABRASIVE BLASTING HOSE					
		Fabric Reinforcement		Length (feet)	Working Pressure	Liner Thickness	Hose Layline Color
	Part Numbers	2-Ply	4-Ply				
	10BH0342BR	X		Per Foot	150 psi	X	X
	10BH034B	X		50'	150 psi	X	X
	10BH0344B	X		400'	150 psi	X	X
	10BH034B4P			X	50'	150 psi	X

BLASTMASTER® 3/4" I.D. ABRASIVE BLASTING HOSE







		3/4" I.D. X 1-1/2" O.D. ABRASIVE BLASTING HOSE WITH COUPLING AND NOZZLE HOLDER INSTALLED												
		Fabric Reinforcement		Length (feet)	Working Pressure	Liner Thickness	Hose Layline Color	Coupling(s)				Nozzle Holder		
		2-Ply	1/4" Heavy-Duty			White	Aluminum	Brass	Iron	Nylon	Aluminum	Brass	Nylon	
Part Numbers														
	1081214	X	10'	150 psi	X	X	X				X			
	1081216	X	10'	150 psi	X	X		X				X		
	1081224	X	10'	150 psi	X	X		X			X			
	1081215	X	12.5'	150 psi	X	X	X				X			
	1081217	X	12.5'	150 psi	X	X		X				X		
	1081228	X	25'	150 psi	X	X	X				X			
	1081225	X	25'	150 psi	X	X				X			X	

BLASTMASTER® 3/4" I.D. ABRASIVE BLASTING HOSE


		COUPLINGS FOR 1-1/2" O.D. ABRASIVE BLASTING HOSE						
Part Numbers	Material	Lug Style		Gasket Options			Hose O.D.	
		Standard	Oversized	Rubber	Urethane	Gasket I.D.		
	10QAL1	Aluminum	X		10SBG	10USBG	1-1/4"	1-1/2"
	10QBR1	Brass	X		10SBG	10USBG	1-1/4"	1-1/2"
	10QIR1	Iron	X		10SBG	10USBG	1-1/4"	1-1/2"
	10QNY1	Nylon	X		10SBGNY1	—	3/4"	1-1/2"





BLASTMASTER® 3/4" I.D. ABRASIVE BLASTING HOSE

NOZZLE HOLDERS FOR 1-1/2" O.D. ABRASIVE BLASTING HOSE

	Part Numbers	Material	Thread Style	Nozzle Washer	Hose O.D.
	10NHA1	Aluminum	1-1/4" NPS	10NW	1-1/2"
	10NHA150	Aluminum	50MM	—	1-1/2"
	10NHB1	Brass	1-1/4" NPS	10NW	1-1/2"
	10NHB150	Brass	50MM	—	1-1/2"
	10NHN1	Nylon	1-1/4" NPS	10NW	1-1/2"
	10NHN150	Nylon	50MM	10NW50	1-1/2"







BLASTMASTER® 1" I.D. SUPER-FLEX ABRASIVE BLASTING HOSE

		1" I.D. X 1-1/2" O.D. SUPER-FLEX ABRASIVE BLASTING HOSE				
		Fabric Reinforcement	Length (feet)	Working Pressure	Liner Thickness	Hose Layline Color
Part Numbers		2-Ply			1/8"	Tan
	10SH100	X	50'	175 psi	X	X



		COUPLINGS FOR 1-1/2" O.D. ABRASIVE BLASTING HOSE						
		Material	Lug Style		Gasket Options			Hose O.D.
Part Numbers			Standard	Oversized	Rubber	Urethane	Gasket I.D.	
	10QAL1	Aluminum	X		10SBG	10USBG	1-1/4"	1-1/2"
	10QBR1	Brass	X		10SBG	10USBG	1-1/4"	1-1/2"
	10QIR1	Iron	X		10SBG	10USBG	1-1/4"	1-1/2"
	10C21088	Nylon	X		10SBGNY2	—	1-1/4"	1-1/2"

BLASTMASTER® 1" I.D. SUPER-FLEX ABRASIVE BLASTING HOSE



NOZZLE HOLDERS FOR 1-1/2" O.D. ABRASIVE BLASTING HOSE



	Part Numbers	Material	Thread Style	Nozzle Washer	Hose O.D.
	10NHA1	Aluminum	1-1/4" NPS	10NW	1-1/2"
	10NHA150	Aluminum	50MM	—	1-1/2"
	10NHB1	Brass	1-1/4" NPS	10NW	1-1/2"
	10NHB150	Brass	50MM	—	1-1/2"
	10NHN1	Nylon	1-1/4" NPS	10NW	1-1/2"
	10NHN150	Nylon	50MM	10NW50	1-1/2"

BLASTMASTER® 1" I.D. ABRASIVE BLASTING HOSE







		1" I.D. X 1-7/8" O.D. ABRASIVE BLASTING HOSE						
		Liner Thickness		Length (Ft.)	Fabric Reinforcement		Hose Layline Color	
Part Numbers	Image	1/4" Heavy-Duty	5/16" Xtreme-Duty®		4-Ply	Working Pressure	White	Red
			10BH1002BR	X				Per Foot
10BH100B	X			50'	X	150 psi	X	
	10BH1002XR		X	Per Foot	X	150 psi		X
	10BH100X		X	50'	X	150 psi		X
	10BH1004X		X	400'	X	150 psi		X

BLASTMASTER® 1" I.D. ABRASIVE BLASTING HOSE

		1" I.D. X 1-7/8" O.D. ABRASIVE BLASTING HOSE WITH COUPLING AND NOZZLE HOLDER INSTALLED													
		Liner Thickness		Length (feet)	Fabric Reinforcement	Working Pressure	Hose Layline Color		Coupling(s)			Nozzle Holder			
		1/4" Heavy-Duty	5/16" Xtreme-Duty®		4-Ply		White	Red	Aluminum	Brass	Iron	Nylon	Aluminum	Brass	Nylon
Part Numbers															
	1081218	X		10'	X	150 psi	X		X				X		
	1081210	X		10'	X	150 psi	X			X				X	
	1081219	X		12.5'	X	150 psi	X		X				X		
	1081211	X		12.5'	X	150 psi	X			X				X	
	1081220	X		50'	X	150 psi	X		X				X		
	1081212	X		50'	X	150 psi	X					X			X
	1081300		X	10'	X	150 psi		X	X				X		
	1081301		X	10'	X	150 psi		X		X				X	
	1081302		X	12.5'	X	150 psi		X	X				X		
	1081303		X	12.5'	X	150 psi		X		X				X	





		1" I.D. X 1-7/8" O.D. ABRASIVE BLASTING HOSE WITH COUPLINGS INSTALLED												
		Liner Thickness		Length (feet)	Fabric Reinforcement	Working Pressure	Hose Layline Color		Coupling(s)					
		1/4" Heavy-Duty	5/16" Xtreme-Duty®		4-Ply		White	Red	Aluminum	Brass	Iron	Nylon	Steel	
Part Numbers														
	10BH100BAC	X		50'	X	150 psi	X		X					
	10BH100XAC		X	50'	X	150 psi		X	X					

BLASTMASTER® 1" I.D. ABRASIVE BLASTING HOSE


		COUPLINGS FOR 1-7/8" O.D. ABRASIVE BLASTING HOSE						
Part Numbers	Material	Lug Style		Gasket Options			Hose O.D.	
		Standard	Oversized	Rubber	Urethane	Gasket I.D.		
	10QAL2	Aluminum	X		10SBG	10USBG	1-1/4"	1-7/8"
	10QAL2X	Aluminum		X	10SBG2	—	1-3/4"	1-7/8"
	10QBR2	Brass	X		10SBG	10USBG	1-1/4"	1-7/8"
	10QBR2X	Brass		X	10SBG2	—	1-3/4"	1-7/8"
	10QIR2	Iron	X		10SBG	10USBG	1-1/4"	1-7/8"
	10QNY2	Nylon	X		10SBGNY2	—	1-1/4"	1-7/8"

BLASTMASTER® 1" I.D. ABRASIVE BLASTING HOSE


NOZZLE HOLDERS FOR 1-7/8" O.D. ABRASIVE BLASTING HOSE

	Part Numbers	Material	Thread Style	Nozzle Washer	Hose O.D.
	10NHA2	Aluminum	1-1/4" NPS	10NW	1-7/8"
	10NHA250	Aluminum	50MM	—	1-7/8"
	10NHB2	Brass	1-1/4" NPS	10NW	1-7/8"
	10NHB250	Brass	50MM	—	1-7/8"
	10NHN2	Nylon	1-1/4" NPS	10NW	1-7/8"
	10NHN250	Nylon	50MM	10NW50	1-7/8"







BLASTMASTER® 1-1/4" I.D. SUPER-FLEX ABRASIVE BLASTING HOSE

1-1/4" I.D. X 1-7/8 O.D. SUPER-FLEX ABRASIVE BLASTING HOSE						
		Fabric Reinforcement			Liner Thickness	Hose Layline Color
Part Numbers		2-Ply	Length (feet)	Working Pressure	1/4"	Tan
	10SH1142R	X	Per Foot	175 psi	X	X
	10SH114	X	50'	175 psi	X	X
	10SH1141	X	100'	175 psi	X	X
	10SH1144	X	400'	175 psi	X	X

BLASTMASTER® 1-1/4" I.D. SUPER-FLEX ABRASIVE BLASTING HOSE







		1-1/4" I.D. X 1-7/8" O.D. SUPER-FLEX ABRASIVE BLASTING HOSE WITH COUPLING AND NOZZLE HOLDER INSTALLED											
		Fabric Reinforcement		Working Pressure	Liner Thickness	Hose Layline Color	Coupling(s)				Nozzle Holder		
	Part Numbers	2-Ply	Length (feet)		1/4"	Tan	Aluminum	Brass	Iron	Nylon	Aluminum	Brass	Nylon
	1081204	X	10'	175 psi	X	X	X				X		
	1081206	X	10'	175 psi	X	X		X				X	
	1081207	X	12.5'	175 psi	X	X	X				X		
	1081208	X	12.5'	175 psi	X	X		X				X	
	1081221	X	50'	175 psi	X	X	X				X		
	1081229	X	50'	175 psi	X	X				X			1-1/4"
	1081213	X	50'	175 psi	X	X				X			50MM

BLASTMASTER® 1-1/4" I.D. SUPER-FLEX ABRASIVE BLASTING HOSE



		COUPLINGS FOR 1-7/8" O.D. ABRASIVE BLASTING HOSE						
Part Numbers	Material	Lug Style		Gasket Options			Gasket I.D.	Hose O.D.
		Standard	Oversized	Rubber	Urethane			
	10QAL2	Aluminum	X		10SBG	10USBG	1-1/4"	1-7/8"
	10QAL2X	Aluminum		X	10SBG2	—	1-3/4"	1-7/8"
	10QBR2	Brass	X		10SBG	10USBG	1-1/4"	1-7/8"
	10QBR2X	Brass		X	10SBG2	—	1-3/4"	1-7/8"
	10QIR2	Iron	X		10SBG	10USBG	1-1/4"	1-7/8"
	10QNY2	Nylon	X		10SBGNY2	—	1-1/4"	1-7/8"

BLASTMASTER® 1-1/4" I.D. SUPER-FLEX ABRASIVE BLASTING HOSE



NOZZLE HOLDERS FOR 1-7/8" O.D. ABRASIVE BLASTING HOSE

	Part Numbers	Material	Thread Style	Nozzle Washer	Hose O.D.
	10NHA2	Aluminum	1-1/4" NPS	10NW	1-7/8"
	10NHA250	Aluminum	50MM	—	1-7/8"
	10NHB2	Brass	1-1/4" NPS	10NW	1-7/8"
	10NHB250	Brass	50MM	—	1-7/8"
	10NHN2	Nylon	1-1/4" NPS	10NW	1-7/8"
	10NHN250	Nylon	50MM	10NW50	1-7/8"







BLASTMASTER® 1-1/4" I.D. ABRASIVE BLASTING HOSE

		1-1/4" I.D. X 2-5/32" O.D. ABRASIVE BLASTING HOSE						
		Liner Thickness		Length (feet)	Fabric Reinforcement	Working Pressure	Hose Layline Color	
		1/4" Heavy-Duty	5/16" Xtreme-Duty®		4-Ply		White	Red
Part Numbers								
	10BH1142BR	X		Per Foot	X	150 psi	X	
	10BH114B	X		50'	X	150 psi	X	
	10BH1141B	X		100'	X	150 psi	X	
	10BH1142XR		X	Per Foot	X	150 psi		X
	10BH114X		X	50'	X	150 psi		X
	10BH1141X		X	100'	X	150 psi		X
	10BH1144X		X	400'	X	150 psi		X

BLASTMASTER® 1-1/4" I.D. ABRASIVE BLASTING HOSE







Part Numbers		1-1/4" I.D. X 2-5/32" O.D. ABRASIVE BLASTING HOSE WITH COUPLINGS INSTALLED										
		Liner Thickness		Length (feet)	Fabric Reinforcement	Working Pressure	Hose Layline Color		Coupling(s)			
		1/4" Heavy-Duty	5/16" Xtreme-Duty®		4-Ply		White	Red	Aluminum	Brass	Iron	Nylon
	10BH114BAC	X		50'	X	150 psi	X		X			
	10BH114BBC	X		50'	X	150 psi	X			X		
	10BH114XAC		X	50'	X	150 psi		X	X			
	10BH114XBC		X	50'	X	150 psi		X		X		

BLASTMASTER® 1-1/4" I.D. ABRASIVE BLASTING HOSE



		COUPLINGS FOR 2-5/32" O.D. ABRASIVE BLASTING HOSE						
Part Numbers	Material	Lug Style		Gasket Options			Hose O.D.	
		Standard	Oversized	Rubber	Urethane	Gasket I.D.		
	10QAL3	Aluminum	X		10SBG	10USBG	1-1/4"	2-5/32"
	10QAL3X	Aluminum		X	10SBG2	—	1-3/4"	2-5/32"
	10QBR3	Brass	X		10SBG	10USBG	1-1/4"	2-5/32"
	10QBR3X	Brass		X	10SBG2	—	1-3/4"	2-5/32"
	10QIR3	Iron	X		10SBG	10USBG	1-1/4"	2-5/32"
	10QNY3	Nylon	X		10SBGNY2	—	1-1/4"	2-5/32"

BLASTMASTER® 1-1/4" I.D. ABRASIVE BLASTING HOSE



NOZZLE HOLDERS FOR 2-5/32" O.D. ABRASIVE BLASTING HOSE

	Part Numbers	Material	Thread Style	Nozzle Washer	Hose O.D.
	10NHA3	Aluminum	1-1/4" NPS	10NW	2-5/32"
	10NHA350	Aluminum	50MM	—	2-5/32"
	10NHB3	Brass	1-1/4" NPS	10NW	2-5/32"
	10NHB350	Brass	50MM	—	2-5/32"
	10NHN3	Nylon	1-1/4" NPS	10NW	2-5/32"
	10NHN350	Nylon	50MM	10NW50	2-5/32"






BLASTMASTER® 1-1/2" I.D. ABRASIVE BLASTING HOSE

		1-1/2" I.D. X 2-3/8" O.D. ABRASIVE BLASTING HOSE						
		Liner Thickness		Length (feet)	Fabric Reinforcement	Working Pressure	Hose Layline Color	
		1/4" Heavy-Duty	5/16" Xtreme-Duty®		4-Ply		White	Red
Part Numbers								
	10BH1122BR	X		Per Foot	X	150 psi	X	
	10BH112B	X		50'	X	150 psi	X	
	10BH1121B	X		100'	X	150 psi	X	
	10BH1122XR		X	Per Foot	X	150 psi		X
	10BH112X		X	50'	X	150 psi		X
	10BH1121X		X	100'	X	150 psi		X
	10BH1124X		X	400'	X	150 psi		X

BLASTMASTER® 1-1/2" I.D. ABRASIVE BLASTING HOSE





Part Numbers		1-1/2" I.D. X 2-3/8" O.D. ABRASIVE BLASTING HOSE WITH COUPLINGS INSTALLED										
		Liner Thickness		Length (feet)	Fabric Reinforcement	Working Pressure	Hose Layline Color		Coupling(s)			
		1/4" Heavy-Duty	5/16" Xtreme-Duty®		4-Ply		White	Red	Aluminum	Brass	Iron	Nylon
	10BH112BAC	X		50'	X	150 psi	X		X			
	10BH112BBC	X		50'	X	150 psi	X			X		
	10BH112XAC		X	50'	X	150 psi		X	X			
	10BH112XBC		X	50'	X	150 psi		X		X		

BLASTMASTER® 1-1/2" I.D. ABRASIVE BLASTING HOSE


		COUPLINGS FOR 2-3/8" O.D. ABRASIVE BLASTING HOSE						
Part Numbers	Material	Lug Style		Gasket Options			Hose O.D.	
		Standard	Oversized	Rubber	Urethane	Gasket I.D.		
	10QAL4	Aluminum	X		10SBG	10USBG	1-1/4"	2-3/8"
	10QAL4X	Aluminum		X	10SBG2	—	1-3/4"	2-3/8"
	10QBR4	Brass	X		10SBG	10USBG	1-1/4"	2-3/8"
	10QBR4X	Brass		X	10SBG2	—	1-3/4"	2-3/8"
	10QIR4	Iron	X		10SBG	10USBG	1-1/4"	2-3/8"
	10QNY4	Nylon	X		10SBGNY2	—	1-1/4"	2-3/8"

BLASTMASTER® 1-1/2" I.D. ABRASIVE BLASTING HOSE



NOZZLE HOLDERS FOR 2-3/8" O.D. ABRASIVE BLASTING HOSE

	Part Numbers	Material	Thread Style	Nozzle Washer	Hose O.D.
	10NHA4	Aluminum	1-1/2"	10NW	2-3/8"
	10NHA450	Aluminum	50MM	—	2-3/8"
	10NHB4	Brass	1-1/2"	10NW	2-3/8"
	10NHB450	Brass	50MM	—	2-3/8"











BLASTMASTER® 2" I.D. ABRASIVE BLASTING HOSE

		2" I.D. X 2-7/8" O.D. ABRASIVE BLASTING HOSE				
		Fabric Reinforcement			Liner Thickness	Hose Layline Color
Part Numbers		4-Ply	Working Pressure	Length (feet)	1/4" Heavy-Duty	White
	10BH200B	X	150 psi	50'	X	X
	10BH2001B	X	150 psi	100'	X	X
	10BH2001B300P	X	300 psi	100'	X	X

BLASTMASTER® 2" I.D. ABRASIVE BLASTING HOSE

		COUPLINGS FOR 2-7/8" O.D. ABRASIVE BLASTING HOSE						
		Material	Lug Style		Gasket Options			Hose O.D.
Part Numbers			Standard	Oversized	Rubber	Urethane	Gasket I.D.	
	10QAL6X	Aluminum		X	10SBG2	—	1-3/4"	2-7/8"
	10QBR6X	Brass		X	10SBG2	—	1-3/4"	2-7/8"


ABRASIVE BLASTING HOSE ACCESSORIES

Part Numbers		COUPLINGS AND GASKETS						
		Material	Lug Style		Gasket Options			Hose O.D.
			Standard	Oversized	Rubber	Urethane	Gasket I.D.	
	10QAL050	Aluminum	X		10SBG	10USBG	1-1/4"	1-1/16"
	10QAL12	Aluminum	X		10SBG	10USBG	1-1/4"	1-3/16"
	10QAL1	Aluminum	X		10SBG	10USBG	1-1/4"	1-1/2"
	10QAL2	Aluminum	X		10SBG	10USBG	1-1/4"	1-7/8"
	10QAL3	Aluminum	X		10SBG	10USBG	1-1/4"	2-5/32"
	10QAL4	Aluminum	X		10SBG	10USBG	1-1/4"	2-3/8"
	10QAL2X	Aluminum		X	10SBG2	—	1-3/4"	1-7/8"
	10QAL3X	Aluminum		X	10SBG2	—	1-3/4"	2-5/32"
	10QAL4X	Aluminum		X	10SBG2	—	1-3/4"	2-3/8"
	10QAL6X	Aluminum		X	10SBG2	—	1-3/4"	2-7/8"

ABRASIVE BLASTING HOSE ACCESSORIES






	Part Numbers	COUPLINGS AND GASKETS						
		Material	Hose O.D.	Lug Style		Gasket Options		
				Standard	Oversized	Rubber	Urethane	Gasket I.D.
	10QBR1	Brass	1-1/2"	X		10SBG	10USBG	1-1/4"
	10QBR2	Brass	1-7/8"	X		10SBG	10USBG	1-1/4"
	10QBR3	Brass	2-5/32"	X		10SBG	10USBG	1-1/4"
	10QBR4	Brass	2-3/8"	X		10SBG	10USBG	1-1/4"
	10QBR2X	Brass	1-7/8"		X	10SBG2	—	1-3/4"
	10QBR3X	Brass	2-5/32"		X	10SBG2	—	1-3/4"
	10QBR4X	Brass	2-3/8"		X	10SBG2	—	1-3/4"
	10QBR6X	Brass	2-7/8"		X	10SBG2	—	1-3/4"




ABRASIVE BLASTING HOSE ACCESSORIES

Part Numbers		COUPLINGS AND GASKETS						
		Material	Hose O.D.	Lug Style		Gasket Options		
				Standard	Oversized	Rubber	Urethane	Gasket I.D.
	10QIR1	Iron	1-1/2"	X		10SBG	10USBG	1-1/4"
	10QIR2	Iron	1-7/8"	X		10SBG	10USBG	1-1/4"
	10QIR3	Iron	2-5/32"	X		10SBG	10USBG	1-1/4"
	10QIR4	Iron	2-3/8"	X		10SBG	10USBG	1-1/4"
	10QNY1	Nylon	1-1/2"	X		10SBGNY1	—	1-1/4"
	10C21088*	Nylon	1-1/2"	X		10SNGNY2	—	1-1/4"
	10QNY2	Nylon	1-7/8"	X		10SBGNY2	—	1-1/4"
	10QNY3	Nylon	2-5/32"	X		10SBGNY2	—	1-1/4"
	10QNY4	Nylon	2-3/8"	X		10SBGNY2	—	1-1/4"
	1017021	Steel	—			—	—	—
	10EM505222	Steel	1-1/8"	X		10SBG	10USBG	1-1/4"











*For use with 10SH100 only.

ABRASIVE BLASTING HOSE ACCESSORIES






		COUPLING GASKETS			
Part Numbers		Coupling Material	Coupling Style	Gasket I.D.	U.O.M.
	10SBG	Metal	2-Lug	1-1/4"	10/Package
	10USBG	Metal	2-Lug	1-1/4"	10/Package
	10SBG2	Metal	Oversized	1-3/4"	10/Package
	10SBGNY1	Nylon	2-Lug	3/4" – 1-1/4"	10/Package
	10SBGNY2	Nylon	2-Lug	1-1/4"	10/Package






		WHIP CHECK SAFETY CABLES	
Part Numbers		Description	U.O.M.
	1018000	For Hose O.D. ranging from 15/16" to 2-5/32"	One Each
	1018001	For Hose O.D. ranging from 2-1/32" to 3-5/8"	One Each
	1070810	36" Nylon Whip Check	One Each

ABRASIVE BLASTING HOSE ACCESSORIES

		TANK COUPLINGS			
		Material	Lug Style		Threads
			Standard	Oversized	
Part Numbers					
	10SA3X	Aluminum		X	1-1/2" NPT
	10SA4X	Aluminum		X	2" NPT
	10SB1S	Brass	X		1-1/4" NPS
	10SB1	Brass	X		1-1/4" NPT
	10SB2S	Brass	X		1-1/2" NPS
	10SB2	Brass	X		1-1/2" NPT
	10SB3X	Brass		X	1-1/2" NPT
	10SB4X	Brass		X	2" NPT
	10IRSB1	Iron	X		1-1/4" NPT
	10IRSB2	Iron	X		1-1/2" NPT

ABRASIVE BLASTING HOSE ACCESSORIES







		QUICK DISCONNECT NOZZLE HOLDERS		
	Part Numbers	Material	Thread Style	Standard Lugs
	10NHAQ	Aluminum	1-1/4"	X
	10NHAQF	Aluminum	Flanged	X
	10NHBQF	Brass	Flanged	X
	10C07716	Nylon	1-1/4"	X
	10C07719	Nylon	50MM	X

		COUPLING GASKETS			
	Part Numbers	Coupling Material	Coupling Style	Gasket I.D.	U.O.M.
	10SBG	Metal	2-Lug	1-1/4"	10/Package
	10USBG	Metal	2-Lug	1-1/4"	10/Package
	10SBG2	Metal	Oversized	1-3/4"	10/Package
	10SBGNY1	Nylon	2-Lug	3/4" – 1-1/4"	10/Package
	10SBGNY2	Nylon	2-Lug	1-1/4"	10/Package







ABRASIVE BLASTING HOSE ACCESSORIES




		NOZZLE HOLDERS & NOZZLE WASHERS			
		Material	Thread Style	Nozzle Washer	Hose O.D.
Part Numbers					
	10NHA050	Aluminum	3/4"	10NW1	1-1/16"
	10NHA12	Aluminum	3/4"	10NW1	1-3/16"
	10NHA1	Aluminum	1-1/4"	10NW	1-1/2"
	10NHA2	Aluminum	1-1/4"	10NW	1-7/8"
	10NHA3	Aluminum	1-1/4"	10NW	2-5/32"
	10NHA4	Aluminum	1-1/4"	10NW	2-3/8"
	10NHA150	Aluminum	50MM	—	1-1/2"
	10NHA250	Aluminum	50MM	—	1-7/8"
	10NHA350	Aluminum	50MM	—	2-5/32"
	10NHA450	Aluminum	50MM	—	2-3/8"

ABRASIVE BLASTING HOSE ACCESSORIES




		NOZZLE HOLDERS & NOZZLE WASHERS			
Part Numbers		Material	Thread Style	Nozzle Washer	Hose O.D.
	10NHB1	Brass	1-1/4"	10NW	1-1/2"
	10NHB2	Brass	1-1/4"	10NW	1-7/8"
	10NHB3	Brass	1-1/4"	10NW	2-5/32"
	10NHB4	Brass	1-1/4"	10NW	2-3/8"
	10NHB150	Brass	50MM	—	1-1/2"
	10NHB250	Brass	50MM	—	1-7/8"
	10NHB350	Brass	50MM	—	2-5/32"
	10NHB450	Brass	50MM	—	2-3/8"



ABRASIVE BLASTING HOSE ACCESSORIES




		NOZZLE HOLDERS & NOZZLE WASHERS			
Part Numbers		Material	Thread Style	Nozzle Washer	Hose O.D.
	10NHN1	Nylon	1-1/4"	10NW	1-1/2"
	10NHN2	Nylon	1-1/4"	10NW	1-7/8"
	10NHN3	Nylon	1-1/4"	10NW	2-5/32"
	10NHN150	Nylon	50MM	10NW50	1-1/2"
	10NHN250	Nylon	50MM	10NW50	1-7/8"
	10NHN350	Nylon	50MM	10NW50	2-5/32"

		NOZZLE WASHERS	
Part Numbers		Gasket I.D.	Amount
	10NW1	3/4"	10/Package
	10NW	1"	10/Package
	10NW50	1-1/4"	10/Package

ABRASIVE BLASTING HOSE ACCESSORIES

		COUPLING SCREWS			
Part Numbers		Type	Drive	Length	U.O.M.
	10HCS	Flat Head	Phillips	1/2"	50/Package
	10RHCS	Round Head	Phillips	1/2"	50/Package
	10HCSX	Round Head	Phillips	3/4"	50/Package

		COUPLING SAFETY PINS	
Part Numbers		Description	U.O.M.
	1018002	Coupling Safety Pins	25/Package
	1070095	Oversized Coupling Safety Pin	One Each

		STEEL WIRE ROLLS					
Part Numbers		Steel Material	Description	Gauge	Length (Approximate)	Weight	U.O.M.
	1070483	Carbon	Coated	9	1,700 Ft	100 lbs.	One Each
	1070078	Carbon	Coated	16	336 Ft.	3.5 lbs.	One Each
	10DPL081067	Stainless	Uncoated	16	330 Ft.	3.5 lbs.	One Each

PRODUCT BENEFITS

Increase Production Rates Up to 15%

A 15% production increase can be achieved by maintaining a consistent 1-1/4" I.D. abrasive path from the Abrasive Blasting Pot to the Abrasive Blasting Nozzle.

A 1-1/4" Wide-Entry Abrasive Blasting Nozzle features a 25% larger entry port than a 1" entry nozzle, allowing abrasive to smoothly flow from the abrasive blasting hose into the abrasive blasting nozzle without restrictions.



1-1/4" I.D. Super-Flex® Abrasive Blasting Hose

1" I.D. Abrasive Blasting Hose

Blastmaster® Super-Flex® Abrasive Blasting Hose has a 1-1/4" inner diameter with an outer diameter of 1-7/8". This hose construction provides greater flexibility and reduced weight to reduce operator fatigue and increase production rates.

Using 1-1/4" I.D. Blastmaster® Super-Flex® Abrasive Blasting Hose with a 1-1/4" Wide-Entry Abrasive Blasting Nozzle maintains a consistent path for the air and abrasive mixture into the abrasive blasting nozzle. Eliminating restrictions reduces turbulence and particle rebound at the nozzle entry, providing maximum abrasive velocity and production rates.



BLASTMASTER® 1-1/4" I.D. SUPER-FLEX® ABRASIVE BLASTING HOSE

1-1/4" I.D. X 1-7/8 O.D. SUPER-FLEX® ABRASIVE BLASTING HOSE

Part Numbers	Fabric Reinforcement	Working Pressure	Liner Thickness	Hose Layline Color	Length (Ft.)
	2-Ply		1/4"	Tan	
10SH1142R	X	175 PSI	X	X	Per Foot
10SH114	X	175 PSI	X	X	50
10SH1141	X	175 PSI	X	X	100
10SH1144	X	175 PSI	X	X	400

1-1/4" I.D. X 1-7/8" O.D. SUPER-FLEX® ABRASIVE BLASTING HOSE WITH COUPLING AND NOZZLE HOLDER INSTALLED

Part Numbers	Fabric Reinforcement	Working Pressure	Liner Thickness	Hose Layline Color	Length (Ft.)	Coupling(s)					Nozzle Holder		
	2-Ply		1/4"	Tan		Aluminum	Brass	Iron	Nylon	Steel	Aluminum	Brass	Nylon
1081204	X	175 PSI	X	X	10	X					1-1/4"		
1081206	X	175 PSI	X	X	10		X					1-1/4"	
1081207	X	175 PSI	X	X	12.5	X					1-1/4"		
1081208	X	175 PSI	X	X	12.5		X					1-1/4"	
1081221	X	175 PSI	X	X	50	X					1-1/4"		
1081229	X	175 PSI	X	X	50				X				1-1/4"
1081213	X	175 PSI	X	X	50				X				50MM

BLASTMASTER® 1-1/4" I.D. SUPER-FLEX® ABRASIVE BLASTING HOSE

NOZZLE HOLDERS FOR 1-7/8" O.D. ABRASIVE BLASTING HOSE

Part Numbers	Material	Thread Style	Nozzle Washer
10NHA250	Aluminum	50MM	—
10NHB2	Brass	1-1/4"	10NW
10NHB250	Brass	50MM	10NW50
10NHN2	Nylon	1-1/4"	10NW
10NHN250	Nylon	50MM	10NW50

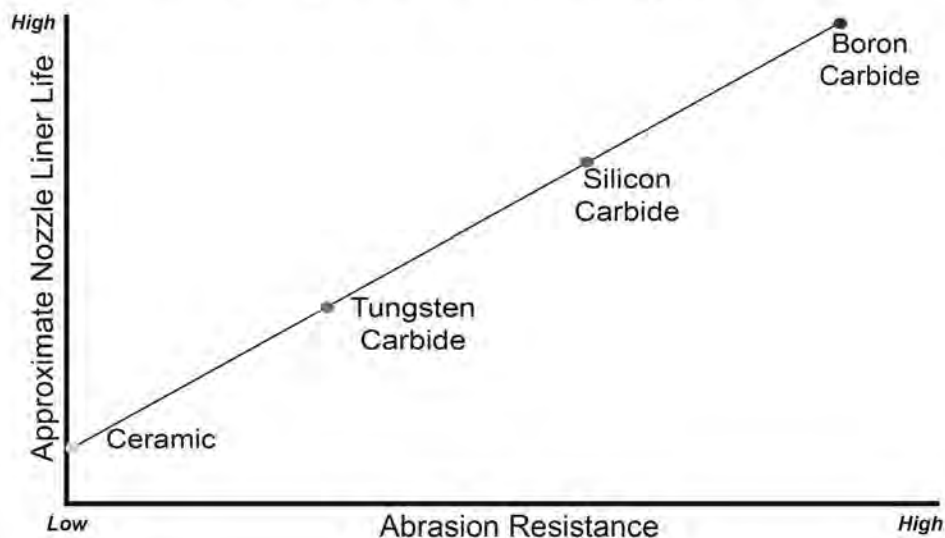
COUPLINGS FOR 1-7/8" O.D. ABRASIVE BLASTING HOSE

Part Numbers	Material	Lugs	GASKET OPTIONS		
			Rubber	Urethane	Gasket I.D.
			10QAL2	Aluminum	Two
10QAL2X	Aluminum	Oversized	10SBG2	—	1-3/4"
10QBR2	Brass	Two	10SBG	10USBG	1-1/4"
10QBR2X	Brass	Oversized	10SBG2	—	1-3/4"
10QIR2	Iron	Two	10SBG	10USBG	1-1/4"
10QNY2	Nylon	Two	10SBGNY2	—	1-1/4"

AIR & ABRASIVE CONSUMPTION CHART

NOZZLE ORIFICE	PRESSURE AT THE NOZZLE (PSI)								AIR IN CFM ABRASIVE & HP REQUIREMENTS
	50	60	70	80	90	100	125	140	
No. 5 (5/16")	77	89	101	113	126	137	168	188	AIR (CFM)
	468	534	604	672	740	812	982	1100	ABRASIVES (LBS./HR.)
	18	20	23	26	28	31	37	41	COMPRESSOR (HP)
No. 6 (3/8")	108	126	143	161	173	196	237	265	AIR (CFM)
	668	764	864	960	1052	1152	1393	1560	ABRASIVES (LBS./HR.)
	24	28	32	36	39	44	52	58	COMPRESSOR (HP)
No. 7 (7/16")	147	170	194	217	240	254	314	352	AIR (CFM)
	896	1032	1176	1312	1448	1584	1931	2163	ABRASIVES (LBS./HR.)
	33	38	44	49	54	57	69	77	COMPRESSOR (HP)
No. 8 (1/2")	195	224	252	280	309	338	409	458	AIR (CFM)
	1160	1336	1512	1680	1856	2024	2459	2754	ABRASIVES (LBS./HR.)
	44	50	56	63	69	75	90	101	COMPRESSOR (HP)
No. 10 (5/8")	308	356	404	452	504	548	663	742	AIR (CFM)
	1875	2140	2422	2690	2973	3250	3932	4405	ABRASIVES (LBS./HR.)
	65.8	79.5	90	100.5	112	122	146	165	COMPRESSOR (HP)
No. 12 (3/4")	432	504	572	644	692	784	948	1062	AIR (CFM)
	2672	2056	3456	3840	4208	4608	5570	6238	ABRASIVES (LBS./HR.)
	96	112	127	143	154	174.5	209	236	COMPRESSOR (HP)

Nozzle Liner Abrasion Resistance



BLASTMASTER® SILICON CARBIDE ALL POLY NOZZLES

BLASTMASTER® SILICON CARBIDE ALL POLY NOZZLES

Part Numbers	Size	Orifice Size	Nozzle Entry	Thread Size	Overall Length	Jacket Material	Thread Material	Liner Material	Nozzle Type
10SN550UN	5	5/16"	1-1/4"	50MM	6"	Polyurethane	Polyurethane	Silicon Carbide	Long Venturi
10SN650UN	6	3/8"	1-1/4"	50MM	7"	Polyurethane	Polyurethane	Silicon Carbide	Long Venturi
10SN750UN	7	7/16"	1-1/4"	50MM	8"	Polyurethane	Polyurethane	Silicon Carbide	Long Venturi
10SN850UN	8	1/2"	1-1/4"	50MM	9"	Polyurethane	Polyurethane	Silicon Carbide	Long Venturi



BLASTMASTER® TUNGSTEN CARBIDE BRASS POLY NOZZLES

BLASTMASTER® TUNGSTEN CARBIDE BRASS POLY NOZZLES									
Part Numbers	Size	Orifice Size	Nozzle Entry	Thread Size	Overall Length	Jacket Material	Thread Material	Liner Material	Nozzle Type
10TCW5BP	5	5/16"	1-1/4"	1-1/4"	5-3/4"	Polyurethane	Brass	Tungsten Carbide	Long Venturi
10TCW6BP	6	3/8"	1-1/4"	1-1/4"	6-3/4"	Polyurethane	Brass	Tungsten Carbide	Long Venturi
10TCW7BP	7	7/16"	1-1/4"	1-1/4"	8"	Polyurethane	Brass	Tungsten Carbide	Long Venturi
10TCW8BP	8	1/2"	1-1/4"	1-1/4"	9"	Polyurethane	Brass	Tungsten Carbide	Long Venturi



BLASTMASTER® TUNGSTEN CARBIDE LINER WITH POLYURETHANE JACKET NOZZLES

BLASTMASTER® TUNGSTEN CARBIDE ALL POLY NOZZLES

Part Numbers	Size	Orifice Size	Nozzle Entry	Thread Size	Overall Length	Jacket Material	Thread Material	Liner Material	Nozzle Type
10TCW550UN	5	5/16"	1-1/4"	50MM	5-3/4"	Polyurethane	Polyurethane	Tungsten Carbide	Long Venturi
10TCW650UN	6	3/8"	1-1/4"	50MM	6-3/4"	Polyurethane	Polyurethane	Tungsten Carbide	Long Venturi
10TCW750UN	7	7/16"	1-1/4"	50MM	8"	Polyurethane	Polyurethane	Tungsten Carbide	Long Venturi
10TCW850UN	8	1/2"	1-1/4"	50MM	9"	Polyurethane	Polyurethane	Tungsten Carbide	Long Venturi



SILVER TIP NOZZLES

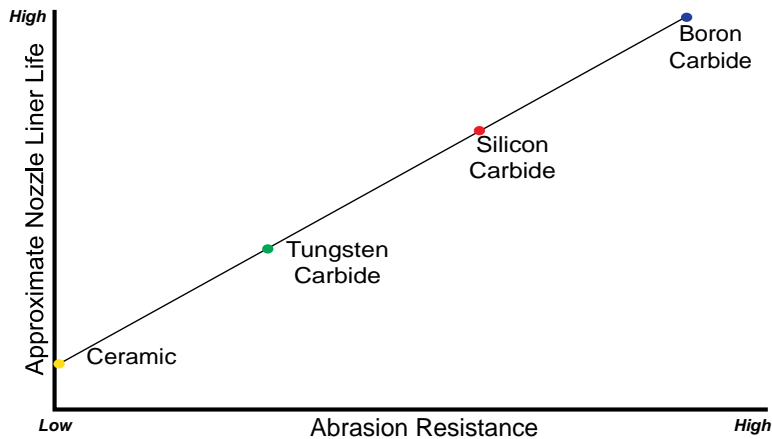
SILVER TIP NOZZLES									
Part Numbers	Size	Orifice Size	Nozzle Entry	Thread Size	Overall Length	Jacket Material	Thread Material	Liner Material	Nozzle Type
10TCW750AN	7	7/16"	1-1/4"	50MM	8"	Aluminum	Aluminum	Tungsten Carbide	Long Venturi
10TCW850AN	8	1/2"	1-1/4"	50MM	9"	Aluminum	Aluminum	Tungsten Carbide	Long Venturi
10TCW1050AN	10	5/8"	1-1/4"	50MM	9"	Aluminum	Aluminum	Tungsten Carbide	Long Venturi
10TCW1250AN	12	3/4"	1-1/4"	50MM	9"	Aluminum	Aluminum	Tungsten Carbide	Long Venturi



AIR & ABRASIVE CONSUMPTION CHART

NOZZLE ORIFICE	PRESSURE AT THE NOZZLE (PSI)								AIR IN CFM ABRASIVE & HP REQUIREMENTS
	50	60	70	80	90	100	125	140	
No. 2 (1/8")	11	13	15	17	18	20	25	28	AIR (CFM)
	67	77	88	101	112	123	152	170	ABRASIVES (LBS./HR.)
	2.5	3	3.5	4	4.5	5	5.5	6.2	COMPRESSOR (HP)
No. 3 (3/16")	26	30	33	38	41	45	55	62	AIR (CFM)
	150	171	196	216	238	264	319	357	ABRASIVES (LBS./HR.)
	6	7	8	9	10	10	12	13	COMPRESSOR (HP)
No. 4 (1/4")	47	54	61	68	74	81	98	110	AIR (CFM)
	268	312	354	408	448	494	608	681	ABRASIVES (LBS./HR.)
	11	12	14	16	17	18	22	25	COMPRESSOR (HP)
No. 5 (5/16")	77	89	101	113	126	137	168	188	AIR (CFM)
	468	534	604	672	740	812	982	1100	ABRASIVES (LBS./HR.)
	18	20	23	26	28	31	37	41	COMPRESSOR (HP)
No. 6 (3/8")	108	126	143	161	173	196	237	265	AIR (CFM)
	668	764	864	960	1052	1152	1393	1560	ABRASIVES (LBS./HR.)
	24	28	32	36	39	44	52	58	COMPRESSOR (HP)
No. 7 (7/16")	147	170	194	217	240	254	314	352	AIR (CFM)
	896	1032	1176	1312	1448	1584	1931	2163	ABRASIVES (LBS./HR.)
	33	38	44	49	54	57	69	77	COMPRESSOR (HP)
No. 8 (1/2")	195	224	252	280	309	338	409	458	AIR (CFM)
	1160	1336	1512	1680	1856	2024	2459	2754	ABRASIVES (LBS./HR.)
	44	50	56	63	69	75	90	101	COMPRESSOR (HP)
No. 10 (5/8")	308	356	404	452	504	548	663	742	AIR (CFM)
	1875	2140	2422	2690	2973	3250	3932	4405	ABRASIVES (LBS./HR.)
	65.8	79.5	90	100.5	112	122	146	165	COMPRESSOR (HP)
No. 12 (3/4")	432	504	572	644	692	784	948	1062	AIR (CFM)
	2672	2056	3456	3840	4208	4608	5570	6238	ABRASIVES (LBS./HR.)
	96	112	127	143	154	174.5	209	236	COMPRESSOR (HP)

Nozzle Liner Abrasion Resistance



BLASTMASTER® SILICON CARBIDE ALL POLY NOZZLES

BLASTMASTER® SILICON CARBIDE ALL POLY NOZZLES

Part Numbers	Size	Orifice Size	Nozzle Entry	Thread Size	Overall Length	Jacket Material	Thread Material	Liner Material	Nozzle Type
10SN4UN	4	1/4"	1"	1-1/4"	5-1/2"	Polyurethane	Polyurethane	Silicon Carbide	Long Venturi
10SN5UN	5	5/16"	1"	1-1/4"	6"	Polyurethane	Polyurethane	Silicon Carbide	Long Venturi
10SN6UN	6	3/8"	1"	1-1/4"	7"	Polyurethane	Polyurethane	Silicon Carbide	Long Venturi
10SN7UN	7	7/16"	1"	1-1/4"	8"	Polyurethane	Polyurethane	Silicon Carbide	Long Venturi
10SN8UN	8	1/2"	1"	1-1/4"	9"	Polyurethane	Polyurethane	Silicon Carbide	Long Venturi
10SN450UN	4	1/4"	1"	50MM	5-1/2"	Polyurethane	Polyurethane	Silicon Carbide	Long Venturi
10SN550UN	5	5/16"	1-1/4"	50MM	6"	Polyurethane	Polyurethane	Silicon Carbide	Long Venturi
10SN650UN	6	3/8"	1-1/4"	50MM	7"	Polyurethane	Polyurethane	Silicon Carbide	Long Venturi
10SN750UN	7	7/16"	1-1/4"	50MM	8"	Polyurethane	Polyurethane	Silicon Carbide	Long Venturi
10SN850UN	8	1/2"	1-1/4"	50MM	9"	Polyurethane	Polyurethane	Silicon Carbide	Long Venturi



BLASTMASTER® TUNGSTEN CARBIDE BRASS POLY NOZZLES

BLASTMASTER® TUNGSTEN CARBIDE BRASS POLY NOZZLES									
Part Numbers	Size	Orifice Size	Nozzle Entry	Thread Size	Overall Length	Jacket Material	Thread Material	Liner Material	Nozzle Type
10TC3BP	3	3/16"	1"	1-1/4"	4-3/8"	Polyurethane	Brass	Tungsten Carbide	Long Venturi
10TC4BP	4	1/4"	1"	1-1/4"	5-1/4"	Polyurethane	Brass	Tungsten Carbide	Long Venturi
10TC5BP	5	5/16"	1"	1-1/4"	5-3/4"	Polyurethane	Brass	Tungsten Carbide	Long Venturi
10TC6BP	6	3/8"	1"	1-1/4"	6-1/2"	Polyurethane	Brass	Tungsten Carbide	Long Venturi
10TC7BP	7	7/16"	1"	1-1/4"	8"	Polyurethane	Brass	Tungsten Carbide	Long Venturi
10TC8BP	8	1/2"	1"	1-1/4"	8-3/4"	Polyurethane	Brass	Tungsten Carbide	Long Venturi
10TCW5BP	5	5/16"	1-1/4"	1-1/4"	5-3/4"	Polyurethane	Brass	Tungsten Carbide	Long Venturi
10TCW6BP	6	3/8"	1-1/4"	1-1/4"	6-3/4"	Polyurethane	Brass	Tungsten Carbide	Long Venturi
10TCW7BP	7	7/16"	1-1/4"	1-1/4"	8"	Polyurethane	Brass	Tungsten Carbide	Long Venturi
10TCW8BP	8	1/2"	1-1/4"	1-1/4"	9"	Polyurethane	Brass	Tungsten Carbide	Long Venturi



BLASTMASTER® TUNGSTEN CARBIDE ALUMINUM ALLOY POLY NOZZLES

BLASTMASTER® TUNGSTEN CARBIDE ALUMINUM ALLOY POLY NOZZLES									
Part Numbers	Size	Orifice Size	Nozzle Entry	Thread Size	Overall Length	Jacket Material	Thread Material	Liner Material	Nozzle Type
10TC3AU	3	3/16"	1"	1-1/4"	4-3/8"	Polyurethane	Aluminum Alloy	Tungsten Carbide	Long Venturi
10TC4AU	4	1/4"	1"	1-1/4"	5-1/4"	Polyurethane	Aluminum Alloy	Tungsten Carbide	Long Venturi
10TC5AU	5	5/16"	1"	1-1/4"	5-3/4"	Polyurethane	Aluminum Alloy	Tungsten Carbide	Long Venturi
10TC6AU	6	3/8"	1"	1-1/4"	6-1/2"	Polyurethane	Aluminum Alloy	Tungsten Carbide	Long Venturi
10TC7AU	7	7/16"	1"	1-1/4"	8"	Polyurethane	Aluminum Alloy	Tungsten Carbide	Long Venturi
10TC8AU	8	1/2"	1"	1-1/4"	8-3/4"	Polyurethane	Aluminum Alloy	Tungsten Carbide	Long Venturi
10TCW5AU	5	5/16"	1-1/4"	1-1/4"	5-3/4"	Polyurethane	Aluminum Alloy	Tungsten Carbide	Long Venturi
10TCW6AU	6	3/8"	1-1/4"	1-1/4"	6-3/4"	Polyurethane	Aluminum Alloy	Tungsten Carbide	Long Venturi
10TCW7AU	7	7/16"	1-1/4"	1-1/4"	8"	Polyurethane	Aluminum Alloy	Tungsten Carbide	Long Venturi
10TCW8AU	8	1/2"	1-1/4"	1-1/4"	9"	Polyurethane	Aluminum Alloy	Tungsten Carbide	Long Venturi



BLASTMASTER® TUNGSTEN CARBIDE LINER WITH POLYURETHANE JACKET NOZZLES

BLASTMASTER® TUNGSTEN CARBIDE ALL POLY NOZZLES

Part Numbers	Size	Orifice Size	Nozzle Entry	Thread Size	Overall Length	Jacket Material	Thread Material	Liner Material	Nozzle Type
10TC3UN	3	3/16"	1"	1-1/4"	4-1/2"	Polyurethane	Polyurethane	Tungsten Carbide	Long Venturi
10TC4UN	4	1/4"	1"	1-1/4"	5-1/4"	Polyurethane	Polyurethane	Tungsten Carbide	Long Venturi
10TC5UN	5	5/16"	1"	1-1/4"	5-3/4"	Polyurethane	Polyurethane	Tungsten Carbide	Long Venturi
10TC6UN	6	3/8"	1"	1-1/4"	6-3/4"	Polyurethane	Polyurethane	Tungsten Carbide	Long Venturi
10TC7UN	7	7/16"	1"	1-1/4"	8"	Polyurethane	Polyurethane	Tungsten Carbide	Long Venturi
10TC8UN	8	1/2"	1"	1-1/4"	9"	Polyurethane	Polyurethane	Tungsten Carbide	Long Venturi
10TCW550UN	5	5/16"	1-1/4"	50MM	5-3/4"	Polyurethane	Polyurethane	Tungsten Carbide	Long Venturi
10TCW650UN	6	3/8"	1-1/4"	50MM	6-3/4"	Polyurethane	Polyurethane	Tungsten Carbide	Long Venturi
10TCW750UN	7	7/16"	1-1/4"	50MM	8"	Polyurethane	Polyurethane	Tungsten Carbide	Long Venturi
10TCW850UN	8	1/2"	1-1/4"	50MM	9"	Polyurethane	Polyurethane	Tungsten Carbide	Long Venturi



SILVER TIP NOZZLES

SILVER TIP NOZZLES									
Part Numbers	Size	Orifice Size	Nozzle Entry	Thread Size	Overall Length	Jacket Material	Thread Material	Liner Material	Nozzle Type
10TCW750AN	7	7/16"	1-1/4"	50MM	8"	Aluminum	Aluminum	Tungsten Carbide	Long Venturi
10TCW850AN	8	1/2"	1-1/4"	50MM	9"	Aluminum	Aluminum	Tungsten Carbide	Long Venturi
10TCW1050AN	10	5/8"	1-1/4"	50MM	9"	Aluminum	Aluminum	Tungsten Carbide	Long Venturi
10TCW1250AN	12	3/4"	1-1/4"	50MM	9"	Aluminum	Aluminum	Tungsten Carbide	Long Venturi



FLANGED NOZZLES

FLANGED NOZZLES									
Part Numbers	Size	Orifice Size	Nozzle Entry	Thread Size	Overall Length	Jacket Material	Thread Material	Liner Material	Nozzle Type
10TCW5FN	5	5/16"	1-1/4"	Flanged	5-3/4"	Aluminum	—	Tungsten Carbide	Long Venturi
10TCW6FN	6	3/8"	1-1/4"	Flanged	6-1/2"	Polyurethane	—	Tungsten Carbide	Long Venturi
10TCW7FN	7	7/16"	1-1/4"	Flanged	7-3/4"	Polyurethane	—	Tungsten Carbide	Long Venturi
10TCW8FN	8	1/2"	1-1/4"	Flanged	8"	Polyurethane	—	Tungsten Carbide	Long Venturi
10TCW10FN	10	5/8"	1-1/4"	Flanged	9"	Aluminum	—	Tungsten Carbide	Long Venturi
10TCW12FN	12	3/4"	1-1/4"	Flanged	9"	Aluminum	—	Tungsten Carbide	Long Venturi



DOUBLE VENTURI NOZZLES

DOUBLE VENTURI NOZZLES									
Part Numbers	Size	Orifice Size	Nozzle Entry	Thread Size	Overall Length	Jacket Material	Thread Material	Liner Material	Nozzle Type
10TC4DV	4	1/4"	1"	1-1/4"	5-3/4"	Aluminum	Aluminum	Tungsten Carbide	Double Venturi
10TC5DV	5	5/16"	1"	1-1/4"	6-1/2"	Aluminum	Aluminum	Tungsten Carbide	Double Venturi
10TC6DV	6	3/8"	1"	1-1/4"	7"	Aluminum	Aluminum	Tungsten Carbide	Double Venturi
10TC7DV	7	7/16"	1"	1-1/4"	8-1/2"	Aluminum	Aluminum	Tungsten Carbide	Double Venturi
10TC8DV	8	1/2"	1"	1-1/4"	9-1/4"	Aluminum	Aluminum	Tungsten Carbide	Double Venturi



BLASTMASTER® SHORT VENTURI NOZZLES

BLASTMASTER® SHORT VENTURI NOZZLES									
Part Numbers	Size	Orifice Size	Nozzle Entry	Thread Size	Overall Length	Jacket Material	Thread Material	Liner Material	Nozzle Type
10TC3SV	3	3/16"	1"	1-1/4"	3-1/2"	Polyurethane	Polyurethane	Tungsten Carbide	Short Venturi
10TC4SV	4	1/4"	1"	1-1/4"	3-1/2"	Polyurethane	Polyurethane	Tungsten Carbide	Short Venturi
10TC5SV	5	5/16"	1"	1-1/4"	3-1/2"	Polyurethane	Polyurethane	Tungsten Carbide	Short Venturi
10TC6SV	6	3/8"	1"	1-1/4"	3-1/2"	Polyurethane	Polyurethane	Tungsten Carbide	Short Venturi
10TC7SV	7	7/16"	1"	1-1/4"	3-1/2"	Polyurethane	Polyurethane	Tungsten Carbide	Short Venturi
10TC8SV	8	1/2"	1"	1-1/4"	3-1/2"	Polyurethane	Polyurethane	Tungsten Carbide	Short Venturi



STRAIGHT BORE NOZZLES

STRAIGHT BORE NOZZLES									
Part Numbers	Size	Orifice Size	Nozzle Entry	Thread Size	Overall Length	Jacket Material	Thread Material	Liner Material	Nozzle Type
10AT2	2	1/8"	1/2"	3/4"	1-3/4"	Steel	Steel	Tungsten Carbide	Straight Bore
10AT3	3	3/16"	1/2"	3/4"	1-3/4"	Steel	Steel	Tungsten Carbide	Straight Bore
10AT4	4	1/4"	1/2"	3/4"	1-3/4"	Steel	Steel	Tungsten Carbide	Straight Bore
10AT5	5	5/16"	1/2"	3/4"	1-3/4"	Steel	Steel	Tungsten Carbide	Straight Bore
10AT6	6	3/8"	1/2"	3/4"	1-3/4"	Steel	Steel	Tungsten Carbide	Straight Bore
10AT8	8	1/2"	1/2"	3/4"	1-3/4"	Steel	Steel	Tungsten Carbide	Straight Bore



BLASTMASTER® 45° ANGLE NOZZLES

BLASTMASTER® 45° ANGLE NOZZLES – SINGLE OUTLET

Part Numbers	Size	Orifice Size	Nozzle Entry	Thread Size	Overall Length	Jacket Material	Thread Material	Liner Material	Nozzle Type
10TC4A145	4	1/4"	1"	1-1/4"	3-1/2"	—	Brass	Tungsten Carbide	Straight Bore
10TC5A145	5	5/16"	1"	1-1/4"	3-1/2"	—	Brass	Tungsten Carbide	Straight Bore
10TC6A145	6	3/8"	1"	1-1/4"	3-1/2"	—	Brass	Tungsten Carbide	Straight Bore



BLASTMASTER® 45° ANGLE NOZZLES – TRIPLE OUTLET

Part Numbers	Size	Orifice Size	Nozzle Entry	Thread Size	Overall Length	Jacket Material	Thread Material	Liner Material	Nozzle Type
10TC4A345	4	1/4"	1"	1-1/4"	3-1/2"	—	Brass	Tungsten Carbide	Straight Bore
10TC5A345	5	5/16"	1"	1-1/4"	3-1/2"	—	Brass	Tungsten Carbide	Straight Bore
10TC6A345	6	3/8"	1"	1-1/4"	3-1/2"	—	Brass	Tungsten Carbide	Straight Bore



90° ANGLE NOZZLES

90° ANGLE NOZZLES – SINGLE OUTLET

Part Numbers	Size	Orifice Size	Nozzle Entry	Thread Size	Overall Length	Jacket Material	Thread Material	Liner Material	Nozzle Type
10BDT0903	3	3/16"	1"	1-1/4"	3-1/2"	—	Brass	Tungsten Carbide	Straight Bore
10BDT0905	5	5/16"	1"	1-1/4"	3-1/2"	—	Brass	Tungsten Carbide	Straight Bore
10BDT09060	6	3/8"	1"	1-1/4"	3-1/2"	—	Brass	Tungsten Carbide	Straight Bore
10BDT0908	8	1/2"	1"	1-1/4"	3-1/2"	—	Brass	Tungsten Carbide	Straight Bore



90° ANGLE NOZZLES – TRIPLE OUTLET

Part Numbers	Size	Orifice Size	Nozzle Entry	Thread Size	Overall Length	Jacket Material	Thread Material	Liner Material	Nozzle Type
10BDT09033	3	3/16"	1"	1-1/4"	3-1/2"	—	Brass	Tungsten Carbide	Straight Bore
10BDT09043	4	1/4"	1"	1-1/4"	3-1/2"	—	Brass	Tungsten Carbide	Straight Bore
10BDT09053	5	5/16"	1"	1-1/4"	3-1/2"	—	Brass	Tungsten Carbide	Straight Bore
10BDT09063	6	3/8"	1"	1-1/4"	3-1/2"	—	Brass	Tungsten Carbide	Straight Bore



125° REVERSE ANGLE NOZZLES

125° ANGLE NOZZLES – SINGLE OUTLET

Part Numbers	Size	Orifice Size	Nozzle Entry	Thread Size	Overall Length	Jacket Material	Thread Material	Liner Material	Nozzle Type
10BD1904530R	3	3/16"	1"	1-1/4"	3-1/2"	—	Brass	Tungsten Carbide	Straight Bore
10BD1904540R	4	1/4"	1"	1-1/4"	3-1/2"	—	Brass	Tungsten Carbide	Straight Bore
10BD1904560R	6	3/8"	1"	1-1/4"	3-1/2"	—	Brass	Tungsten Carbide	Straight Bore
10BD1904580R	8	1/2"	1"	1-1/4"	3-1/2"	—	Brass	Tungsten Carbide	Straight Bore



125° ANGLE NOZZLES – TRIPLE OUTLET

Part Numbers	Size	Orifice Size	Nozzle Entry	Thread Size	Overall Length	Jacket Material	Thread Material	Liner Material	Nozzle Type
10BD1904543R	4	1/4"	1"	1-1/4"	3-1/2"	—	Brass	Tungsten Carbide	Straight Bore
10BD1904553R	5	5/16"	1"	1-1/4"	3-1/2"	—	Brass	Tungsten Carbide	Straight Bore



135° REVERSE ANGLE NOZZLE & BANANA NOZZLES

Part Numbers	135° ANGLE NOZZLE – SINGLE OUTLET								
	Size	Orifice Size	Nozzle Entry	Thread Size	Overall Length	Jacket Material	Thread Material	Liner Material	Nozzle Type
10BDBA1914460R	6	3/8"	3/4"	3/8"	3-1/8"	Steel	Steel	Tungsten Carbide	Straight Bore



Part Numbers	BANANA NOZZLES								
	Size	Orifice Size	Nozzle Entry	Thread Size	Overall Length	Jacket Material	Thread Material	Liner Material	Nozzle Type
10BDBA23099A	4	1/4"	1/2"	3/4"	4-1/2"	Steel	Aluminum	Boron Carbide	—
10BDBA23099B	5	5/16"	1/2"	3/4"	4-1/2"	Steel	Aluminum	Boron Carbide	—
10BDBA23099C	6	3/8"	1/2"	3/4"	4-1/2"	Steel	Aluminum	Boron Carbide	—
10BDBA25064C*	—	—	—	1-1/4"	—	—	—	—	—

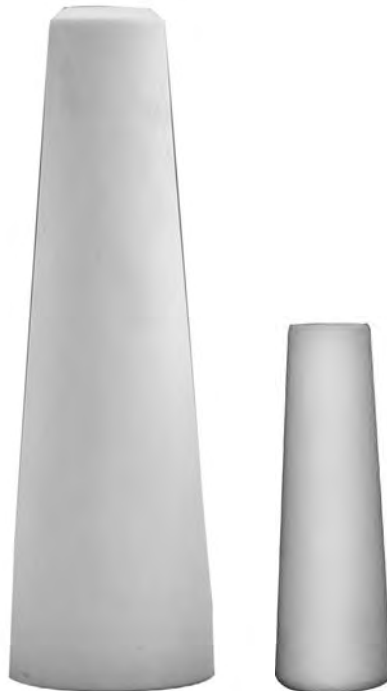
* Banana Nozzle Adapter



CERAMIC NOZZLES

CERAMIC NOZZLES									
Part Numbers	Size	Orifice Size	Nozzle Entry	Thread Size	Overall Length	Jacket Material	Thread Material	Liner Material	Nozzle Type
10CN051T2*	0	3/32"	5/16"	—	1-1/4"	—	—	Ceramic	Type 2
10CN151T2*	1	7/64"	5/16"	—	1-1/4"	—	—	Ceramic	Type 2
10CN051	1	3/32"	5/8"	—	3-3/4"	—	—	Ceramic	Type 1
10CN251	2	1/8"	5/8"	—	3-3/4"	—	—	Ceramic	Type 1
10CN21251	2-1/2	5/32"	5/8"	—	3-3/4"	—	—	Ceramic	Type 1
10CN351	3	3/16"	5/8"	—	3-3/4"	—	—	Ceramic	Type 1
10CN451	4	1/4"	5/8"	—	3-3/4"	—	—	Ceramic	Type 1
10CN551	5	5/16"	5/8"	—	3-3/4"	—	—	Ceramic	Type 1
10CN651	6	3/8"	5/8"	—	3-3/4"	—	—	Ceramic	Type 1

*Type 2 Ceramic Nozzle for use with KwikFire 154 Remote Control Switch Only



XL NOZZLES

XL NOZZLES									
Part Numbers	Size	Orifice Size	Nozzle Entry	Thread Size	Overall Length	Jacket Material	Thread Material	Liner Material	Nozzle Type
10BDSN159650XL12	6	3/8"	1-1/4"	50MM	12"	Aluminum	Aluminum	Sialon	Venturi
10BDSN15970XL12	7	7/16"	1-1/4"	1-1/4"	12"	Aluminum	Aluminum	Sialon	Venturi
10BDSN159750XL12	7	7/16"	1-1/4"	50MM	12"	Aluminum	Aluminum	Sialon	Venturi
10BDSN1598XL12	8	1/2"	1-1/4"	1-1/4"	12"	Aluminum	Aluminum	Sialon	Venturi
10BDSN159850XL12	8	1/2"	1-1/4"	50MM	12"	Aluminum	Aluminum	Sialon	Venturi
10BDT159850PXL12	8	1/2"	1-1/4"	50MM	12"	Aluminum	Aluminum	Tungsten Carbide	Venturi
10BDSN1591050XL12	10	5/8"	1-1/4"	50MM	12"	Aluminum	Aluminum	Sialon	Venturi



BLASTMASTER® WATER RING & WATER INDUCTION (W.I.N) NOZZLES

Part Numbers

BLASTMASTER® WATER RING

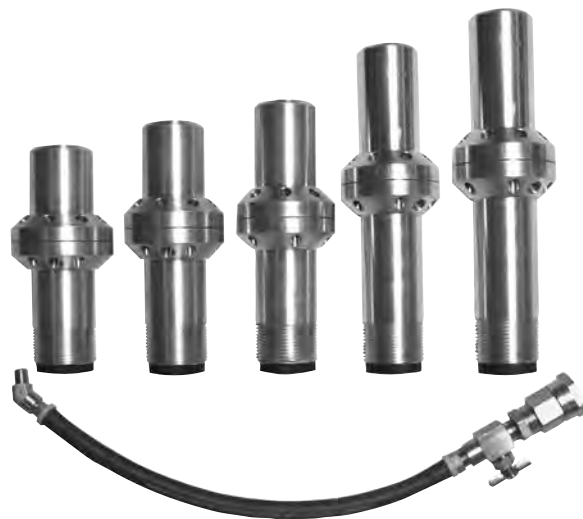
10100720

Blastmaster® Water Ring














WATER INDUCTION NOZZLE (WIN®)








Part Numbers	Size	Orifice Size	Nozzle Entry	Thread Size	Overall Length	Jacket Material	Thread Material	Liner Material	Nozzle Type
10WIN4	4	1/4"	1"	1-1/4"	5-3/4"	Aluminum	Aluminum	Tungsten Carbide	Double Venturi
10WIN5	5	5/16"	1"	1-1/4"	6-1/4"	Aluminum	Aluminum	Tungsten Carbide	Double Venturi
10WIN6	6	3/8"	1"	1-1/4"	6-3/4"	Aluminum	Aluminum	Tungsten Carbide	Double Venturi
10WIN7	7	7/16"	1"	1-1/4"	8-1/4"	Aluminum	Aluminum	Tungsten Carbide	Double Venturi
10WIN8	8	1/2"	1"	1-1/4"	9"	Aluminum	Aluminum	Tungsten Carbide	Double Venturi



OPTIONAL ACCESSORIES

NOZZLE HOLDERS & NOZZLE WASHERS					
	Part Numbers	Hose O.D.	Thread Style	Material	Nozzle Washer
	10NHA12	1-3/16"	3/4"	Aluminum	10NW1
	10NHA1	1-1/2"	1-1/4"	Aluminum	10NW
	10NHB1	1-1/2"	1-1/4"	Brass	10NW
	10NHN1	1-1/2"	1-1/4"	Nylon	10NW
	10NHA150	1-1/2"	50MM	Aluminum	—
<i>No Image Available</i>	10NHB150	1-1/2"	50MM	Brass	—
	10NHN150	1-1/2"	50MM	Nylon	10NW50
	10NHA2	1-7/8"	1-1/4"	Aluminum	10NW
	10NHB2	1-7/8"	1-1/4"	Brass	10NW
	10NHN2	1-7/8"	1-1/4"	Nylon	10NW
	10NHA250	1-7/8"	50MM	Aluminum	—
<i>No Image Available</i>	10NHB250	1-7/8"	50MM	Brass	—
	10NHN250	1-7/8"	50MM	Nylon	10NW50

OPTIONAL ACCESSORIES

		NOZZLE HOLDERS & NOZZLE WASHERS			
	Part Numbers	Hose O.D.	Thread Style	Material	Nozzle Washer
	10NHA3	2-5/32"	1-1/4"	Aluminum	10NW
	10NHB3	2-5/32"	1-1/4"	Brass	10NW
	10NHA350	2-5/32"	50MM	Aluminum	—
<i>No Image Available</i>	10NHB350	2-5/32"	50MM	Brass	—
	10NHN350	2-5/32"	50MM	Nylon	10NW50
	10NHA4	2-3/8"	1-1/4"	Aluminum	10NW
	10NHB4	2-3/8"	1-1/4"	Brass	10NW
	10NHA450	2-3/8"	50MM	Aluminum	—
<i>No Image Available</i>	10NHB450	2-3/8"	50MM	Brass	—

OPTIONAL ACCESSORIES

QUICK DISCONNECT NOZZLE HOLDERS			
Part Numbers	Thread Style	Material	Coupling Gasket
10NHAQ	1-1/4"	Aluminum	10SBG
10C07716	1-1/4"	Nylon	10USBG
10SB1S	1-1/4"	Brass	10SBG
10C07719	50MM	Nylon	10USBG
10NHAQF	Flanged	Aluminum	10SBG
10NHBQF	Flanged	Brass	10SBG

PART NUMBERS AND SCHEMATICS GUIDE

BLASTMASTER® ABRASIVE CUT-OFF SYSTEM – PNEUMATIC

Part Numbers	Small Pot Manifold <i>(10 Cu. Ft. and smaller)</i>	Bulk Pot Manifold	Complete System	Parts Plus Kit <i>(For systems with existing controls)</i>	Blastmaster® Remote Control Switch	Pneumatic
10101384	X		X		150P	X
10101385	X			X	150P	X
10101363		X	X		150P	X
10101364		X		X	150P	X

PART NUMBERS AND SCHEMATICS GUIDE



(Pneumatic System)

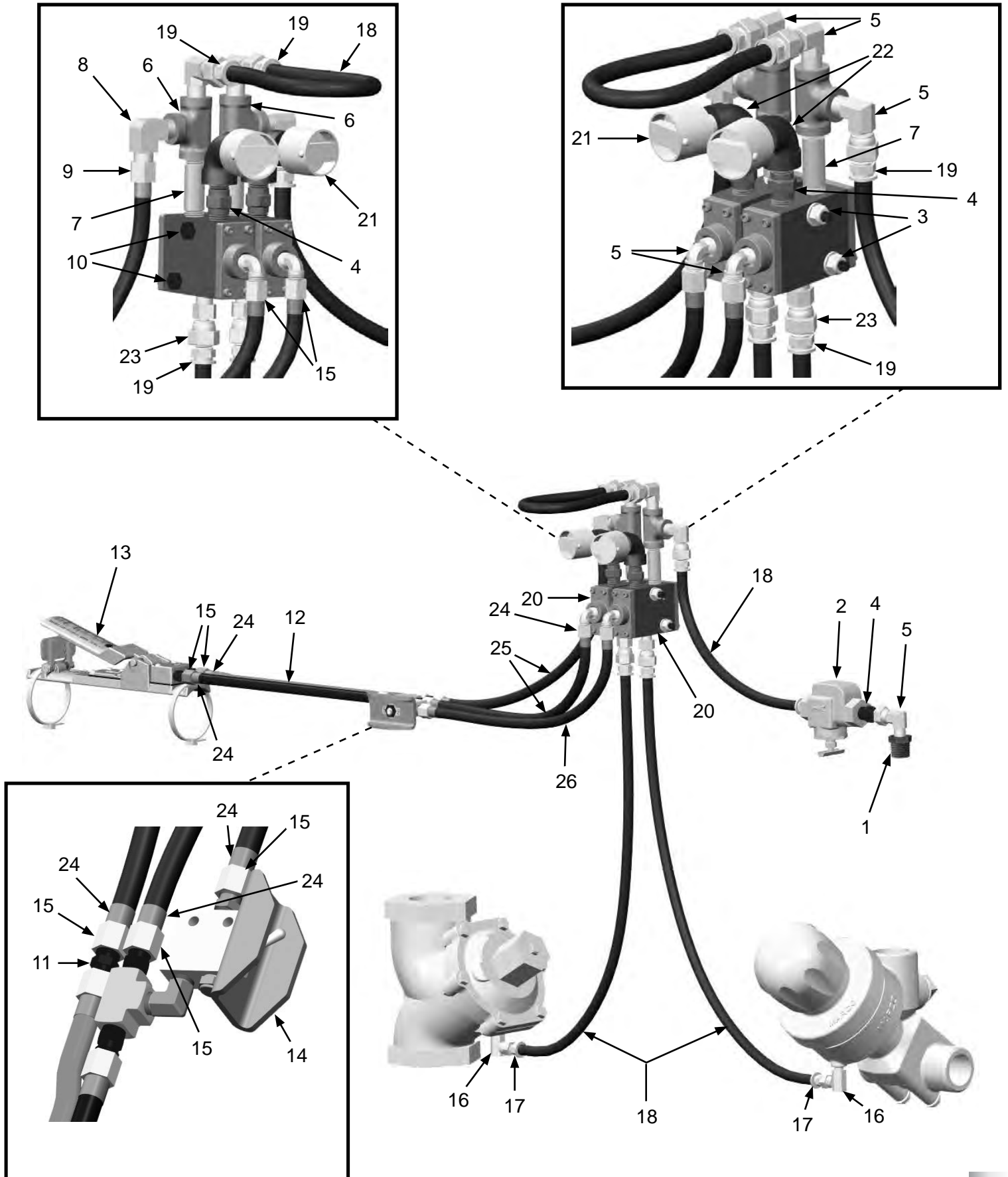
PART NUMBERS AND SCHEMATICS GUIDE

Blastmaster® Abrasive Cut-Off System – Pneumatic – Small Pot Manifold – Complete

Item #	Part #	Description
Fig. 1		
—	10101384	Small Pot Abrasive Cut-Off Switch Control System – Pneumatic – Complete
1	1011818	1/2" x 1/4" Galvanized Bushing
2	10WS	1/4" Watts Strainer
3	1012323	1/4-20 Zinc Lock Nut With Nylon Insert
4	1017019	1/4" x 1/4" NPT Hex Nipple (<i>Three Required</i>)
5	10101142	1/8" NPT x 7/16" JIC Elbow
6	1011844	1/4" NPT Pipe Tee (<i>Two Required</i>)
7	1011217	1/4" x 2" NPT Pipe Nipple (<i>Two Required</i>)
8	1012051	1/4" JIC x 1/4" NPT 90° Brass Elbow
9	1017013	1/4" Female Nut & Barb
10	10101706	1/4-20 x 2-3/4" Grade 5 Hex Bolt
11	1017001	3/16" I.D. Hose Union
12	10TL3	Twinline Hose – 3 Feet
13	1015000	Blastmaster® 150P Remote Control Switch
14	1012900	Pneumatic Abrasive Cut-Off Switch – Complete (<i>See Figure 5</i>)
15	1017016	3/16" Female Nut & Barb (<i>Six Required</i>)
16	1014239	1/8" NPT 90° Swivel Fitting (<i>Two Required</i>)
17	10PAF0125	1/8" Push-On Hose Fitting (<i>Two Required</i>)
18	10AH025	1/4" Push-On Air Hose
19	10PAF025	1/4" Push-On Hose Fitting (<i>Two Required</i>)
20	1019000	Pneumatic Pilot Valve – Normally Closed (<i>Two Required</i>) (<i>See Figure 6</i>)
21	10DE025	1/4" Dust Eliminator (<i>Two Required</i>)
22	1011832	1/4" NPT 90° Elbow (<i>Two Required</i>)
23	10SME025	1/4" NPT x 1/4" (F) Straight Swivel (<i>Two Required</i>)
24	1017017	Twinline Hose Ferrule (<i>Six Required</i>)
25	10TL50	Twinline Hose – 50 Feet
26	10101764	Control Line ACS Pneumatic – 50 Feet
—	1091045	Hazard Identification Tag
—	105M023	Features and Specifications Guide – Blastmaster® 150P Remote Control Switch
—	105M090	Features and Specifications Guide – Blastmaster® Abrasive Cut-Off System
—	106M023	Part Numbers and Schematics Guide – Blastmaster® 150P Remote Control Switch
—	106M090	Part Numbers and Schematics Guide – Blastmaster® Abrasive Cut-Off System
—	1090023	Operator's Manual – Blastmaster® 150P Remote Control Switch
—	1090090	Operator's Manual – Blastmaster® Abrasive Cut-Off System

PART NUMBERS AND SCHEMATICS GUIDE

Figure 1: Blastmaster® Abrasive Cut-Off System – Pneumatic – Small Pot Manifold – Complete



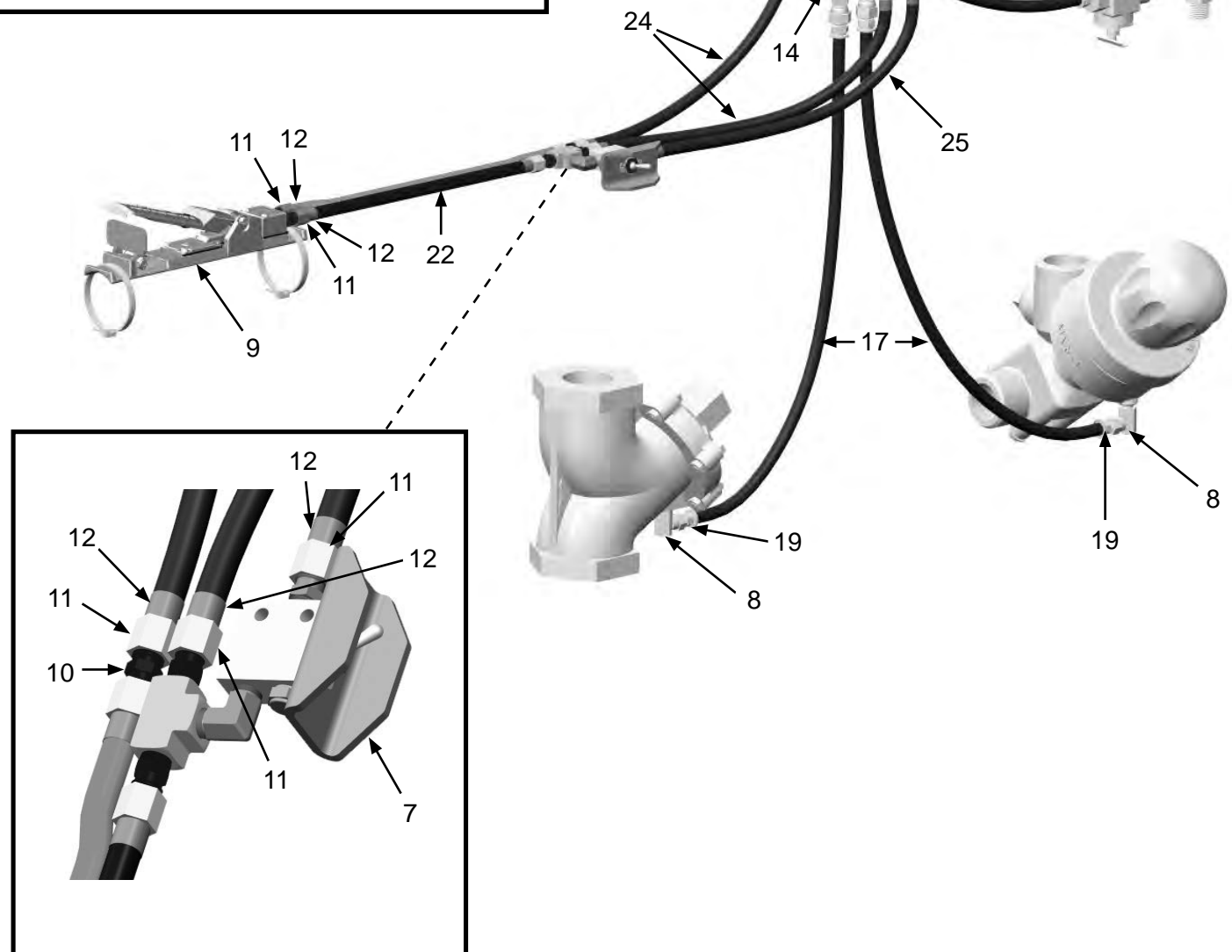
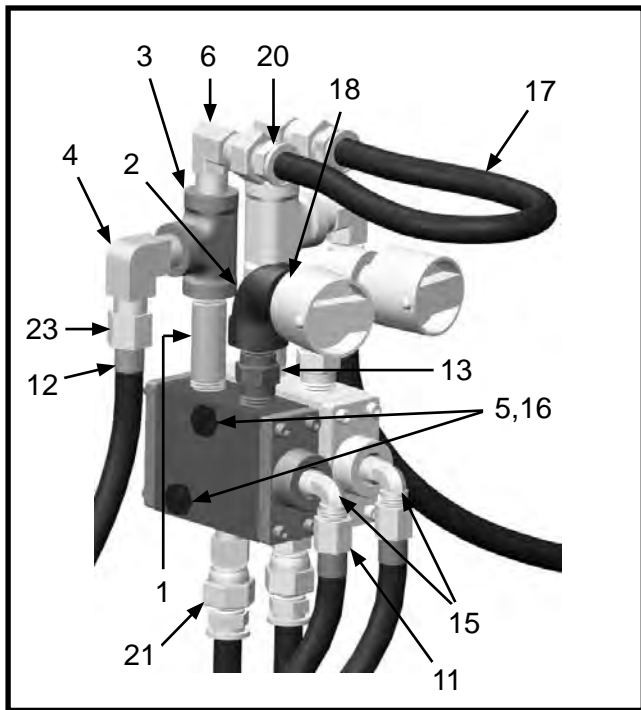
PART NUMBERS AND SCHEMATICS GUIDE

Blastmaster® Abrasive Cut-Off System – Pneumatic – Small Pot Manifold – Parts Plus Kit

Item #	Part #	Description
Fig. 2		
—	10101385	Small Pot Abrasive Cut-Off Switch Control System – Pneumatic – Parts Plus Kit <i>(For systems with existing controls)</i>
1	1011217	1/4" x 2" NPT Pipe Nipple
2	1011832	Galvanized 1/4" 90° Elbow
3	1011844	1/4" NPT Pipe Tee
4	1012051	1/4" JIC x 1/4" NPT 90° Brass Elbow
5	1012323	1/4"-20 Zinc Lock Nut With Nylon <i>(Two Required)</i>
6	1012326	1/4" NPT 90° Swivel Fitting
7	1012900	Pneumatic Abrasive Cut-Off Switch – Complete <i>(See Figure 5)</i>
8	1014239	1/8" NPT 90° Swivel Fitting
9	1015000	Blastmaster® 150P Remote Control Switch
10	1017001	3/16" I.D. Hose Union
11	1017016	3/16" Female Nut & Barb <i>(Six Required)</i>
12	1017017	Twinline Hose Ferrule <i>(Six Required)</i>
13	1017019	1/4" x 1/4" NPT Hex Nipple
14	1019000	Pneumatic Pilot Valve – Normally Closed <i>(See Figure 6)</i>
15	10101142	1/8" NPT x 7/16" JIC Elbow <i>(Two Required)</i>
16	10101706	1/4-20 x 2-3/4" Grade 5 Hex <i>(Two Required)</i>
17	10AH025	1/4" Push-On Air Hose
18	10DE025	1/4" Dust Eliminator
19	10PAF0125	1/8" Push-On Hose Fitting
20	10PAF025	1/4" Push-On Hose Fitting
21	10SME025	1/4" NPT x 1/4" (F) Straight Swivel
22	10TL3	Twinline Hose – 3 Feet
23	1017013	1/4" Female Nut & Barb
24	10TL50	Twinline Hose – 50 Feet
25	10101764	Control Line ACS Pneumatic – 50 Feet
—	1091045	Hazard Identification Tag
—	105M023	Features and Specifications Guide – Blastmaster® 150P Remote Control Switch
—	105M090	Features and Specifications Guide – Blastmaster® Abrasive Cut-Off System
—	106M023	Part Numbers and Schematics Guide – Blastmaster® 150P Remote Control Switch
—	106M090	Part Numbers and Schematics Guide – Blastmaster® Abrasive Cut-Off System
—	1090023	Operator's Manual – Blastmaster® 150P Remote Control Switch
—	1090090	Operator's Manual – Blastmaster® Abrasive Cut-Off System

PART NUMBERS AND SCHEMATICS GUIDE

Figure 2: Blastmaster® Abrasive Cut-Off System – Pneumatic – Small Pot Manifold – Parts Plus Kit



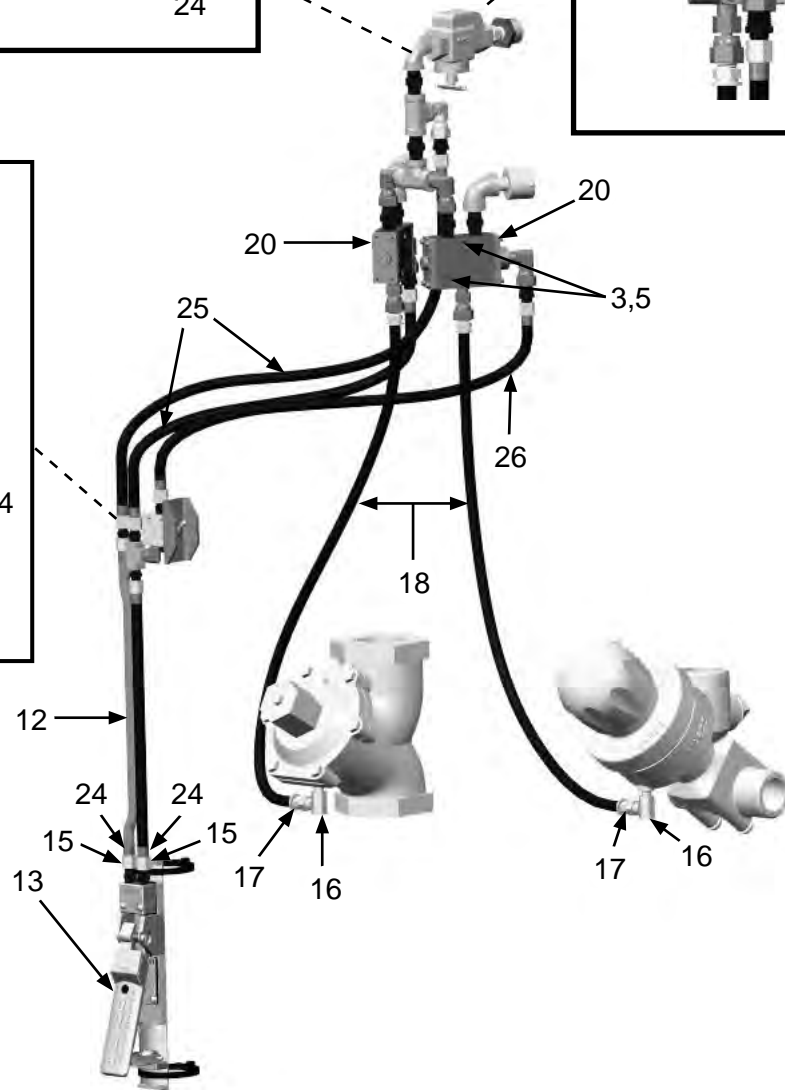
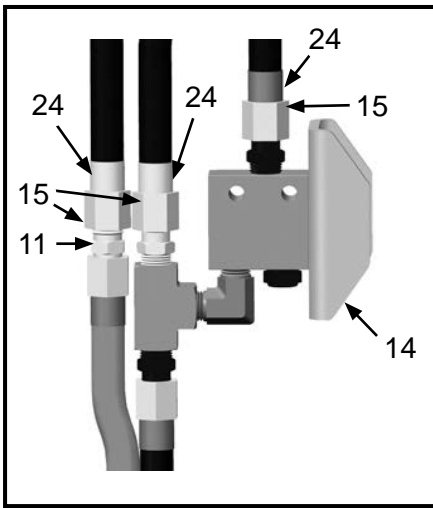
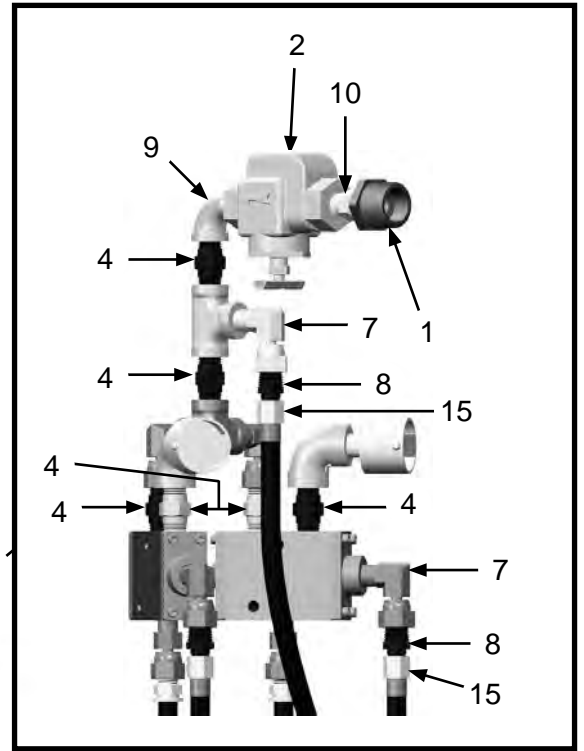
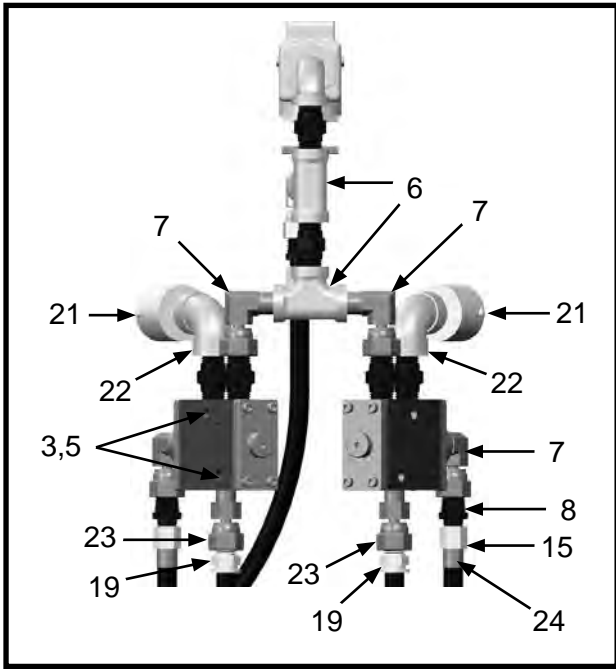
PART NUMBERS AND SCHEMATICS GUIDE

Blastmaster® Abrasive Cut-Off System – Pneumatic – Bulk Pot Manifold – Complete

Item #	Part #	Description
Fig. 3		
—	10101363	Bulk Pot Abrasive Cut-Off Switch Control System – Pneumatic – Complete
1	1011818	1/2" x 1/4" Galvanized Bushing
2	10WS	1/4" Watts Strainer
3	1019044	1/4-20 x 1-3/4" Zinc Bolt <i>(Four Required)</i>
4	1017019	1/4" x 1/4" NPT Hex Nipple <i>(Six Required)</i>
5	1012323	1/4-20 Zinc Lock Nut With Nylon Insert <i>(Four Required)</i>
6	1011844	1/4" NPT Pipe Tee <i>(Two Required)</i>
7	1012326	90° Swivel 1/4" x 1/4" <i>(Five Required)</i>
8	10101140	1/4" NPT x 7/16-20 Tapered Adapter <i>(Two Required)</i>
9	1011824	1/4" Street Elbow – Galvanized
10	10100523	1/4" x 1/4" Stainless Steel Hex Nipple
11	1017001	3/16" I.D. Hose Union
12	10TL3	Twinline Hose – 3 Feet
13	1015000	Blastmaster® 150P Remote Control Switch
14	1012900	Pneumatic Abrasive Cut-Off Switch – Complete <i>(See Figure 5)</i>
15	1017016	3/16" Female Nut & Barb <i>(Six Required)</i>
16	1014239	1/8" NPT 90° Swivel Fitting <i>(Two Required)</i>
17	10PAF0125	1/8" Push-On Hose Fitting <i>(Two Required)</i>
18	10AH025	1/4" Push-On Air Hose
19	10PAF025	1/4" Push-On Hose Fitting <i>(Two Required)</i>
20	1019000	Pneumatic Pilot Valve – Normally Closed <i>(Two Required) (See Figure 6)</i>
21	10DE025	1/4" Dust Eliminator <i>(Two Required)</i>
22	1011832	1/4" NPT 90° Elbow <i>(Two Required)</i>
23	10SME025	1/4" NPT x 1/4" (F) Straight Swivel <i>(Two Required)</i>
24	1017017	Twinline Hose Ferrule <i>(Ten Required)</i>
25	10TL50	Twinline Hose – 50 Feet
26	10101764	Control Line ACS Pneumatic – 50 Feet
—	1091045	Hazard Identification Tag
—	105M023	Features and Specifications Guide – Blastmaster® 150P Remote Control Switch
—	105M090	Features and Specifications Guide – Blastmaster® Abrasive Cut-Off System
—	106M023	Part Numbers and Schematics Guide – Blastmaster® 150P Remote Control Switch
—	106M090	Part Numbers and Schematics Guide – Blastmaster® Abrasive Cut-Off System
—	1090023	Operator's Manual – Blastmaster® 150P Remote Control Switch
—	1090090	Operator's Manual – Blastmaster® Abrasive Cut-Off System

PART NUMBERS AND SCHEMATICS GUIDE

Figure 3: Blastmaster® Abrasive Cut-Off System – Pneumatic – Bulk Pot Manifold – Complete



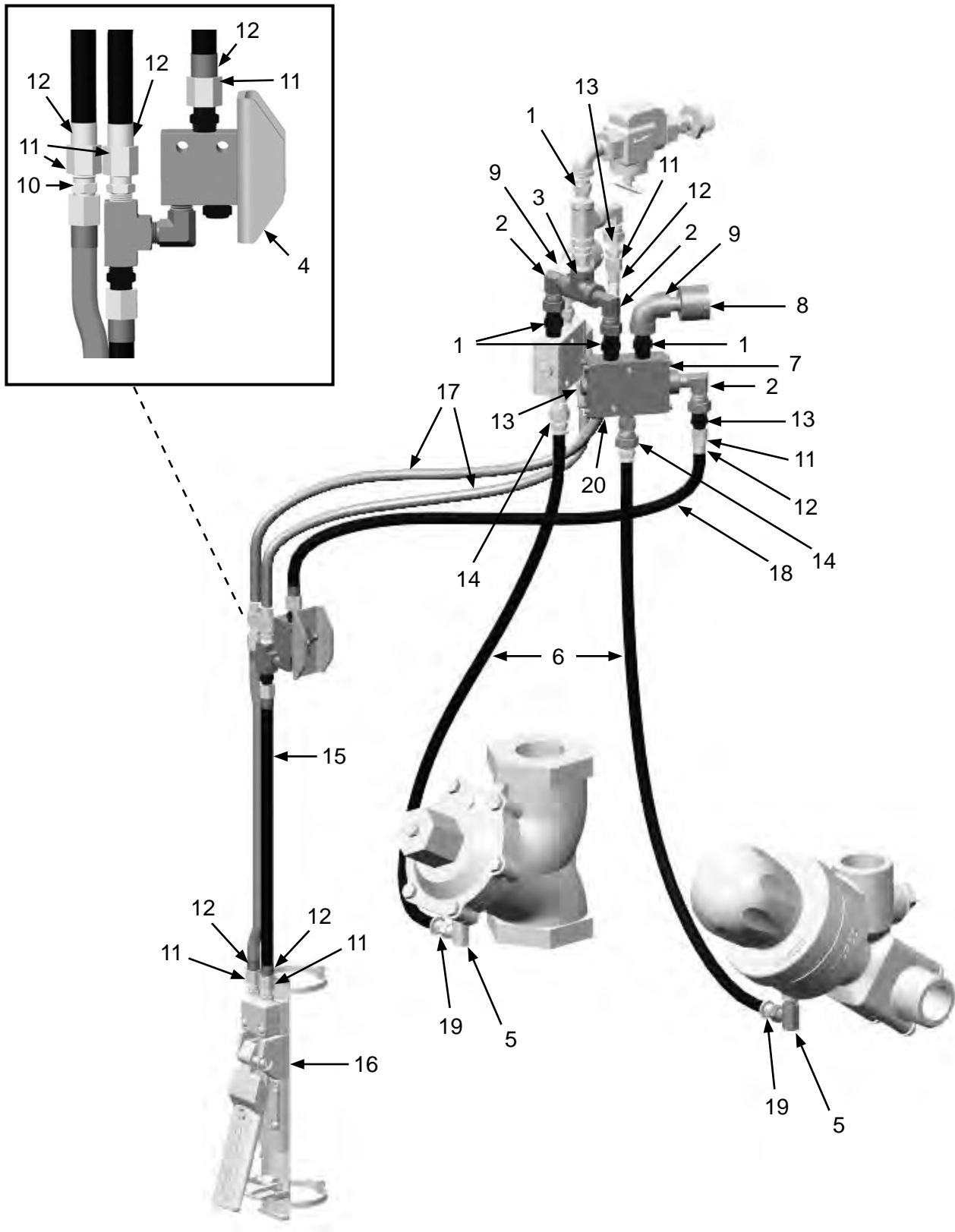
PART NUMBERS AND SCHEMATICS GUIDE

Blastmaster® Abrasive Cut-Off System – Pneumatic – Bulk Pot Manifold – Parts Plus Kit

Item #	Part #	Description
Fig. 4		
—	10101364	Bulk Pot Abrasive Cut-Off Switch Control System – Pneumatic – Parts Plus Kit <i>(For systems with existing controls)</i>
1	1017019	1/4" x 1/4" NPT Hex Nipple <i>(Four Required)</i>
2	1012326	1/4" NPT 90° Swivel Fitting <i>(Three Required)</i>
3	1011844	1/4" NPT Pipe Tee
4	1012900	Pneumatic Abrasive Cut-Off Switch – Complete <i>(See Figure 5)</i>
5	1014239	1/8" NPT 90° Swivel Fitting
6	10AH025	1/4" Push-On Air Hose
7	1019000	Pneumatic Pilot Valve – Normally Closed <i>(See Figure 6)</i>
8	10DE025	1/4" Dust Eliminator
9	1011832	Galvanized 1/4" 90° Elbow <i>(Two Required)</i>
10	1017001	3/16" I.D. Hose Union
11	1017016	3/16" Female Nut & Barb <i>(Six Required)</i>
12	1017017	Twinline Hose Ferrule <i>(Six Required)</i>
13	10101140	1/4" NPT x 7/16-20 Tapered Adapter <i>(Three Required)</i>
14	10SME025	1/4" NPT x 1/4" (F) Straight <i>(Two Required)</i>
15	10TL3	Twinline Hose – 3 Feet
16	1015000	Blastmaster® 150P Remote Control Switch
17	10TL50	Twinline Hose – 50 Feet
18	10101764	Control Line ACS Pneumatic – 50 Feet
19	10PAF0125	1/8" Push-On Hose Fitting <i>(Two Required)</i>
20	10PAF025	1/4" Push-On Hose Fitting <i>(Two Required)</i>
—	1091045	Hazard Identification Tag
—	105M023	Features and Specifications Guide – Blastmaster® 150P Remote Control Switch
—	105M090	Features and Specifications Guide – Blastmaster® Abrasive Cut-Off System
—	106M023	Part Numbers and Schematics Guide – Blastmaster® 150P Remote Control Switch
—	106M090	Part Numbers and Schematics Guide – Blastmaster® Abrasive Cut-Off System
—	1090023	Operator's Manual – Blastmaster® 150P Remote Control Switch
—	1090090	Operator's Manual – Blastmaster® Abrasive Cut-Off System

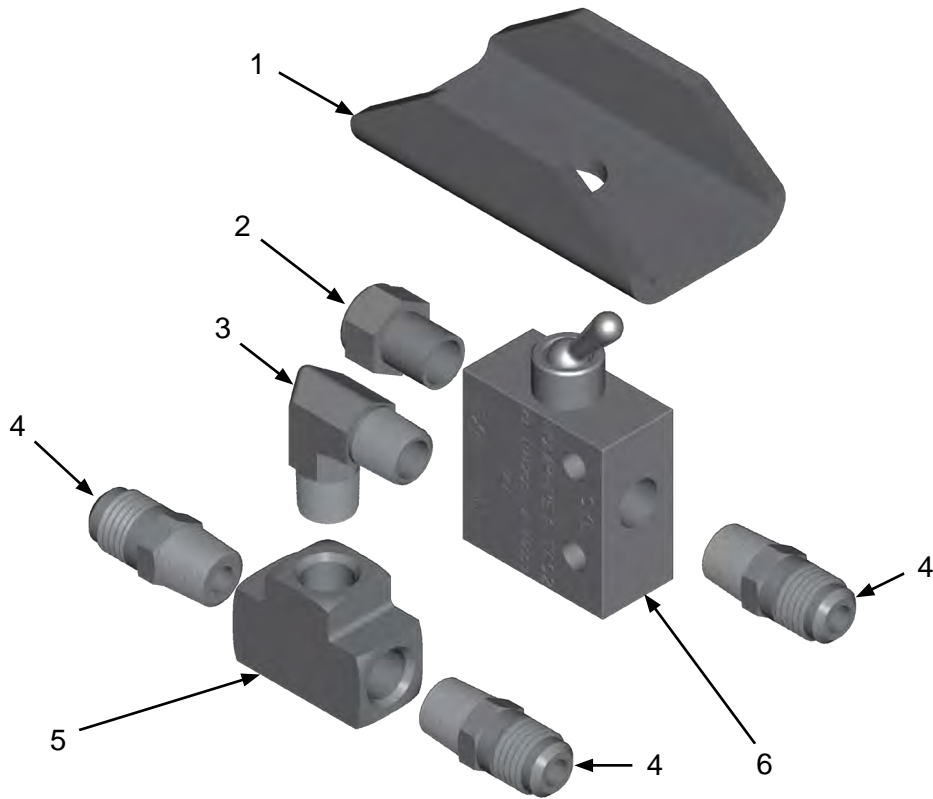
PART NUMBERS AND SCHEMATICS GUIDE

Figure 4: Blastmaster® Abrasive Cut-Off System – Pneumatic – Bulk Pot Manifold – Parts Plus Kit



PART NUMBERS AND SCHEMATICS GUIDE

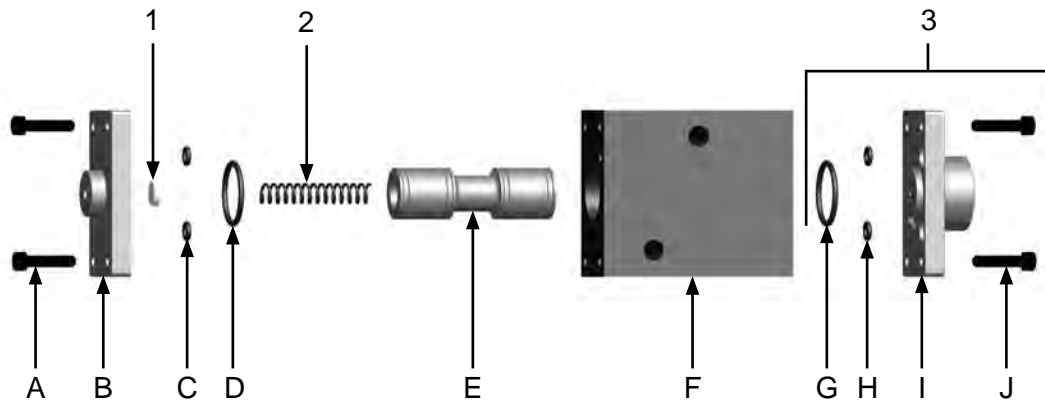
Figure 5: Pneumatic Abrasive Cut-Off Switch



Item #	Part #	Description
—	1012900	Pneumatic Abrasive Cut-Off Switch – Complete
1	1012909	Toggle Switch Guard
2	1012905	1/8" NPT Breather Muffler
3	1012904	1/8" 90° Brass Elbow
4	1012903	7/16" JIC x 1/8" NPT Brass Fitting (<i>Three Required</i>)
5	1012902	1/8" NPT Brass Tee
6	1012901	Pneumatic Toggle Switch

PART NUMBERS AND SCHEMATICS GUIDE

Figure 6: Pneumatic Control Valve



Item #	Part #	Description
--------	--------	-------------

Fig. 6

—	1019000	Pneumatic Control Valve – Complete
---	----------------	---

1	1019029	Felt Filter
---	---------	-------------




2	1019032	Spring
---	---------	--------



3	1019027	Pneumatic Pilot Valve Operator Assembly <i>(Includes G, H, I and J)</i>
---	---------	---

—	1019028	Service Kit for Pneumatic Pilot Valve <i>(Includes 1, 2, C, D, E, G and H)</i>
---	---------	--

**Items A through J are not available individually*







OPTIONAL ACCESSORIES

		PNEUMATIC CONTROL LINE				
		Hose Length	Working Pressure	Hose I.D.	Hose O.D.	Fittings
Part Numbers						
	10TL3	3 Feet	200 psi	3/16"	7/16"	(4) 1017016
	10TL5	5 Feet	200 psi	3/16"	7/16"	(4) 1017016
	10TL25	25 Feet	200 psi	3/16"	7/16"	(4) 1017016
	10TL50	50 Feet	200 psi	3/16"	7/16"	(4) 1017016
	10TL100	100 Feet	200 psi	3/16"	7/16"	(4) 1017016
	10TLBK	Per Foot	200 psi	3/16"	7/16"	None

		PNEUMATIC CONTROL LINE FITTINGS ACCESSORIES
		Description
Part Numbers		
	10DX855A	Ferrule Crimping Tool
	10DX1098	Oetiker® Clamp Tool

Oetiker® is a registered trademark of Dixon Valve & Coupling Co.

OPTIONAL ACCESSORIES

	Part Numbers	PNEUMATIC CONTROL LINE FITTINGS
		Description
	1017016	3/16" Female Nut & Barb
	1017000	3/16" Female Reusable Hose End
	1017017	Pneumatic Control Line Hose Ferrule
	1017011	Pneumatic Control Line Oteiker Clamp
	1017001	3/16" Male x Male Hose Union
	1017010	Hose Splicer

PART NUMBERS AND SCHEMATICS GUIDE

BLASTMASTER® ABRASIVE CUT-OFF SYSTEM – ELECTRIC

Part Numbers	Blastmaster® Remote Control Switch	Small Pot Manifold <i>(10 Cu. Ft. and smaller)</i>	Bulk Pot Manifold	Complete System	Parts Plus Kit <i>(For systems with existing controls)</i>	12-Volt DC Electric
10101380	151E	X		X		X
10101381	151E	X			X	X
10101361	151E		X	X		X
10101362	151E		X		X	X
10106860	157E	X		X		X
10106861	157E	X			X	X
10106858	157E		X	X		X
10106859	157E		X		X	X

PART NUMBERS AND SCHEMATICS GUIDE



(Electric System with 157E)



(Electric System with 151E)

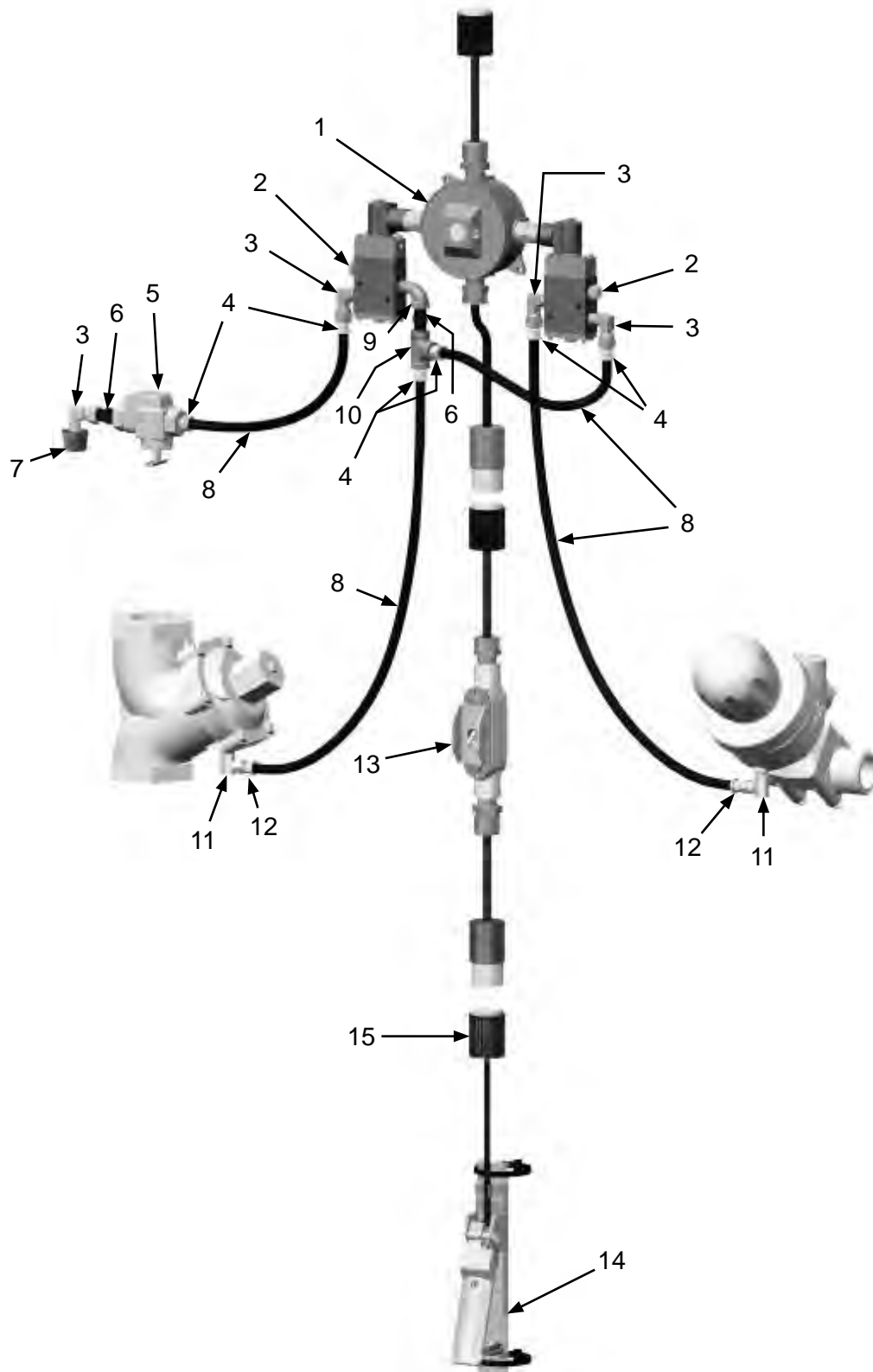
PART NUMBERS AND SCHEMATICS GUIDE

Blastmaster® Abrasive Cut-Off System – Electric – Small Pot Manifold – 151E Switch – Complete

Item #	Part #	Description
Fig. 7		
—	10101380	Small Pot Abrasive Cut-Off Switch Control System – Electric – Complete
1	10101763	Control Box <i>(See Figure 17)</i>
2	1019024	1/4" NPT Breather Vent <i>(Two Required)</i>
3	1012326	1/4" NPT 90° Swivel Fitting <i>(Four Required)</i>
4	10PAF025	1/4" Push-On Hose Fitting <i>(Six Required)</i>
5	10WS	1/4" Watts Strainer
6	1017019	1/4" x 1/4" Hex Nipple
7	1011818	1/2" to 1/4" NPT Bushing
8	10AH025	1/4" Push-On Air Hose
9	1011824	1/4" NPT 90° Street Elbow
10	1011844	1/4" NPT Tee
11	1014239	1/8" NPT 90° Swivel Fitting <i>(Two Required)</i>
12	10PAF0125	1/8" Push-On Hose Fitting <i>(Two Required)</i>
13	10101753	Electric Abrasive Cut-Off Switch Assembly <i>(See Figure 15)</i>
14	1015100	Blastmaster® 151E Remote Control Switch
15	1015551	2-Prong Twist-Lock Plug – Male
—	1015745	50 Feet of 16/3 SJ Power Cord with 3-Prong Twist Lock Plugs
—	1091045	Hazard Identification Tag
—	105M063	Features and Specifications Guide – Blastmaster® 151E Remote Control Switch
—	105M090	Features and Specifications Guide – Blastmaster® Abrasive Cut-Off System
—	106M063	Part Numbers and Schematics Guide – Blastmaster® 151E Remote Control Switch
—	106M090	Part Numbers and Schematics Guide – Blastmaster® Abrasive Cut-Off System
—	1090063	Operator's Manual – Blastmaster® 151E Remote Control Switch
—	1090090	Operator's Manual – Blastmaster® Abrasive Cut-Off System

PART NUMBERS AND SCHEMATICS GUIDE

Figure 7: Blastmaster® Abrasive Cut-Off System – Electric – Small Pot Manifold – 151E Switch – Complete



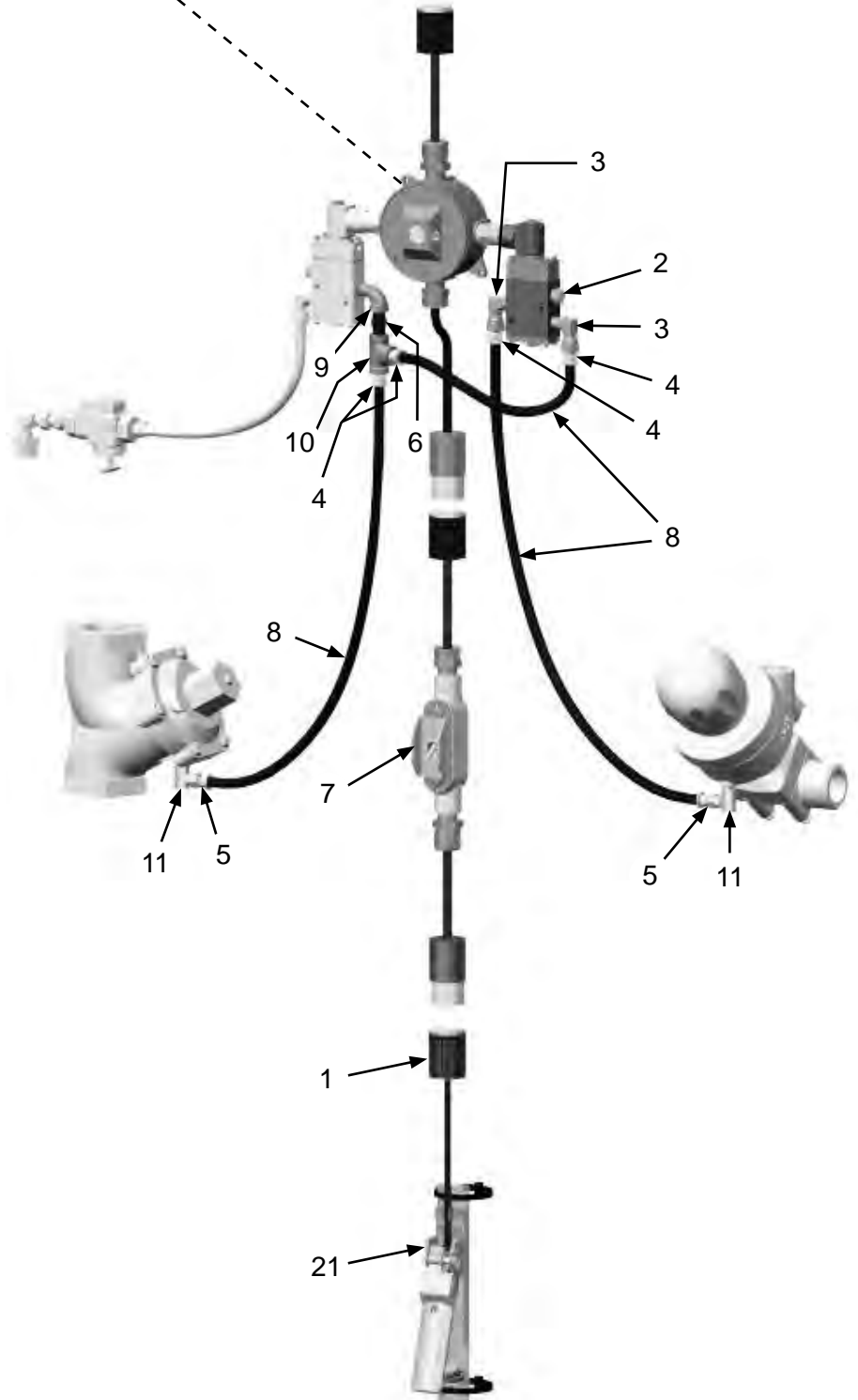
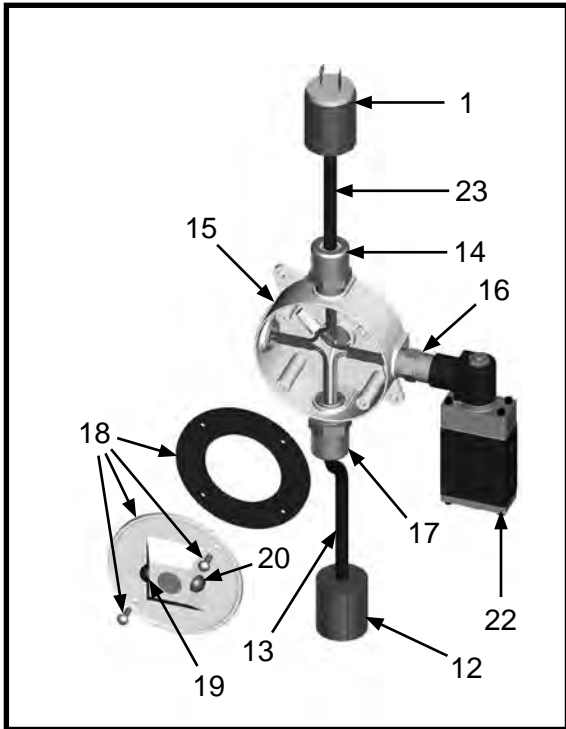
PART NUMBERS AND SCHEMATICS GUIDE

Blastmaster® Abrasive Cut-Off System – Electric – Small Pot Manifold – 151E Switch – Parts Plus Kit

Item #	Part #	Description
Fig. 8		
—	10101381	Small Pot Abrasive Cut-Off Switch Control System – Electric – Parts Plus Kit <i>(For systems with existing controls)</i>
1	1015551	2-Prong Twist-Lock Plug – Male
2	1019024	1/4" NPT Breather Vent
3	1012326	1/4" NPT 90° Swivel Fitting <i>(Two Required)</i>
4	10PAF025	1/4" Push-On Hose Fitting <i>(Four Required)</i>
5	10PAF0125	1/8" Push-On Hose Fitting <i>(Two Required)</i>
6	1017019	1/4" x 1/4" NPT Hex Nipple <i>(Two Required)</i>
7	10101753	Electric Abrasive Cut-Off Switch Assembly <i>(See Figure 15)</i>
8	10AH025	1/4" Push-On Air Hose
9	1011824	1/4" NPT 90° Street Elbow
10	1011844	1/4" NPT Tee
11	1014239	1/8" NPT 90° Swivel Fitting <i>(Two Required)</i>
12	1015556	3-Prong Twist-Lock Plug – Female
13	1015701	16/3 SO Power Cord
14	1019021	Cord Grip – 1/2" NPT – .178–.312 Diameter
15	10100495	Conduit Box
16	20100677	Nipple 1/2" x 1/2" 6000 psi
17	1019048	Cord Grip – 1/2" NPT – .312–.437 Diameter
18	10100496	Conduit Box Cover with Gasket and Screws
19	10101354	Indicator Light – Blue
20	10101353	Indicator Light – Red
21	1015100	Blastmaster® 151E Remote Control Switch
22	1019010	Electric Control Valve – 12-Volt DC <i>(See Figure 16)</i>
23	1015540	16/2 Xtreme-Duty® Electric Cord
—	1015745	50 Feet of 16/3 SJ Power Cord with 3-Prong Twist Lock Plugs
—	1091045	Hazard Identification Tag
—	105M063	Features and Specifications Guide – Blastmaster® 151E Remote Control Switch
—	105M090	Features and Specifications Guide – Blastmaster® Abrasive Cut-Off System
—	106M063	Part Numbers and Schematics Guide – Blastmaster® 151E Remote Control Switch
—	106M090	Part Numbers and Schematics Guide – Blastmaster® Abrasive Cut-Off System
—	1090063	Operator's Manual – Blastmaster® 151E Remote Control Switch
—	1090090	Operator's Manual – Blastmaster® Abrasive Cut-Off System

PART NUMBERS AND SCHEMATICS GUIDE

Figure 8: Blastmaster® Abrasive Cut-Off System – Electric – Small Pot Manifold – 151E Switch – Parts Plus Kit



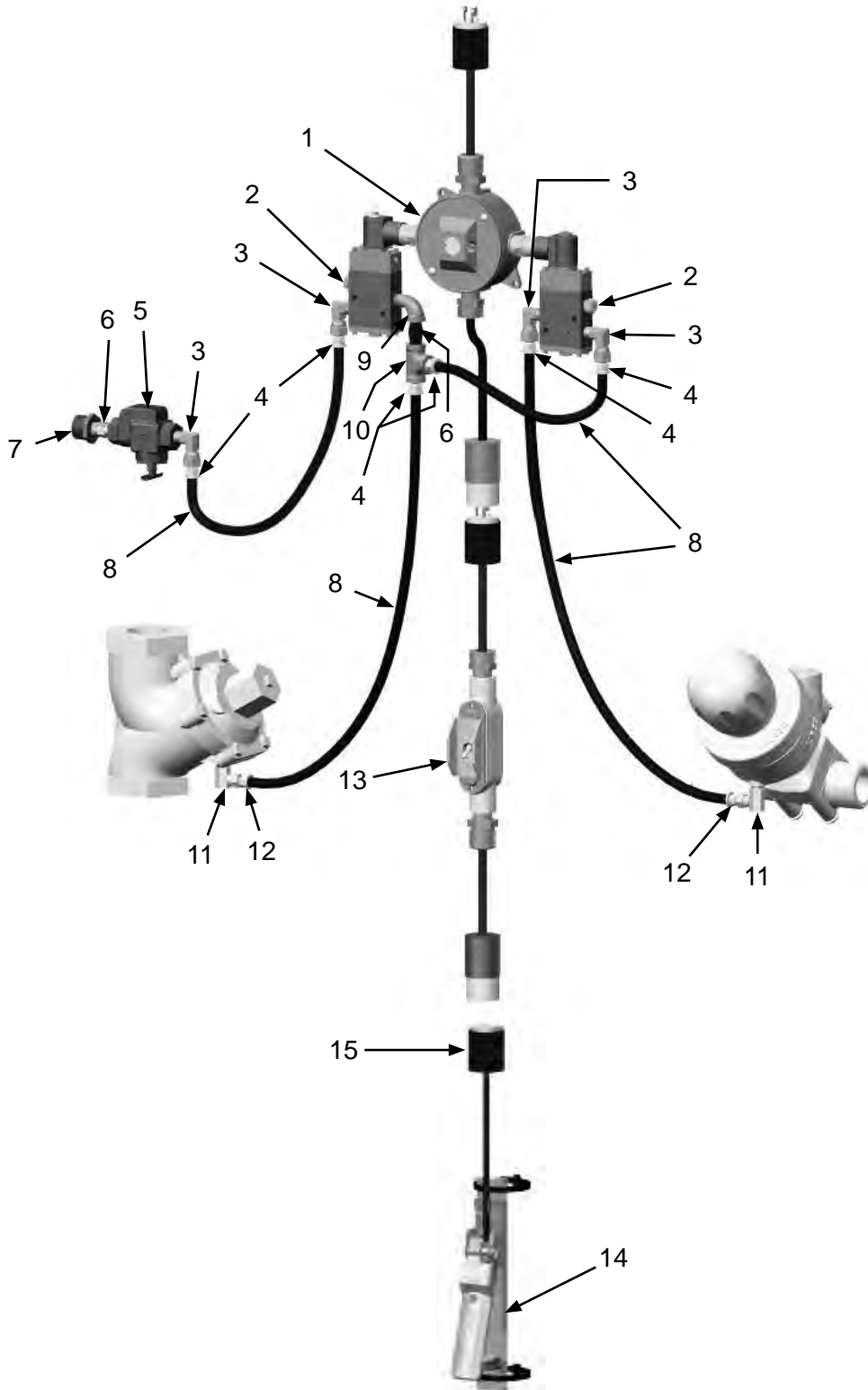
PART NUMBERS AND SCHEMATICS GUIDE

Blastmaster® Abrasive Cut-Off System – Electric – Bulk Pot Manifold – 151E Switch – Complete

Item #	Part #	Description
Fig. 9		
—	10101361	Bulk Pot Abrasive Cut-Off Switch Control System – Electric – Complete
1	10101763	Control Box <i>(See Figure 17)</i>
2	1019024	1/4" NPT Breather Vent <i>(Two Required)</i>
3	1012326	1/4" NPT 90° Swivel Fitting <i>(Four Required)</i>
4	10PAF025	1/4" Push-On Hose Fitting <i>(Six Required)</i>
5	10WS	1/4" Watts Strainer
6	1017019	1/4" x 1/4" Hex Nipple
7	1011818	1/2" to 1/4" NPT Bushing
8	10AH025	1/4" Push-On Air Hose
9	1011824	1/4" NPT 90° Street Elbow
10	1011844	1/4" NPT Tee
11	1014239	1/8" NPT 90° Swivel Fitting <i>(Two Required)</i>
12	10PAF0125	1/8" Push-On Hose Fitting <i>(Two Required)</i>
13	10101753	Electric Abrasive Cut-Off Switch Assembly <i>(See Figure 14)</i>
14	1015100	Blastmaster® 151E Remote Control Switch
15	1015551	2-Prong Twist-Lock Plug – Male
—	1015747	110 Feet of 16/3 Power Cord with Male and Female Twist Lock Plugs
—	1091045	Hazard Identification Tag
—	10101371	Abrasive Cut-Off System Bulk Pot Bracket <i>(Optional) (See Figure 18)</i>
—	105M063	Features and Specifications Guide – Blastmaster® 151E Remote Control Switch
—	105M090	Features and Specifications Guide – Blastmaster® Abrasive Cut-Off System
—	106M063	Part Numbers and Schematics Guide – Blastmaster® 151E Remote Control Switch
—	106M090	Part Numbers and Schematics Guide – Blastmaster® Abrasive Cut-Off System
—	1090063	Operator's Manual – Blastmaster® 151E Remote Control Switch
—	1090090	Operator's Manual – Blastmaster® Abrasive Cut-Off System

PART NUMBERS AND SCHEMATICS GUIDE

Figure 9: Blastmaster® Abrasive Cut-Off System – Electric – Bulk Pot Manifold – 151E Switch – Complete



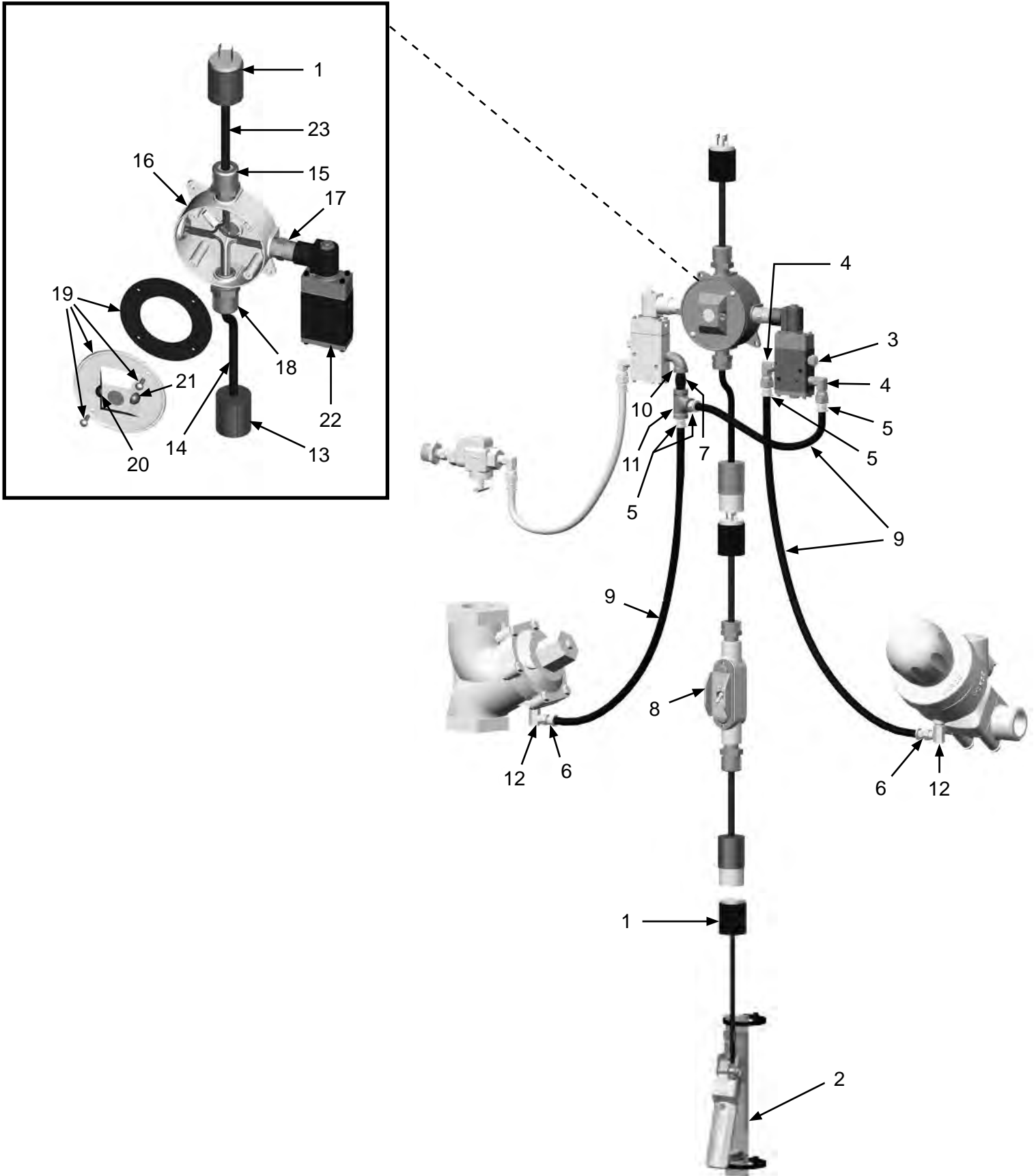
PART NUMBERS AND SCHEMATICS GUIDE

Blastmaster® Abrasive Cut-Off System – Electric – Bulk Pot Manifold – 151E Switch – Parts Plus Kit

Item #	Part #	Description
Fig. 10		
—	10101362	Bulk Pot Abrasive Cut-Off Switch Control System – Electric – Parts Plus Kit <i>(For systems with existing controls)</i>
1	1015551	2-Prong Twist-Lock Plug – Male
2	1015100	Blastmaster® 151E Remote Control Switch
3	1019024	1/4" NPT Breather Vent
4	1012326	1/4" NPT 90° Swivel Fitting <i>(Two Required)</i>
5	10PAF025	1/4" Push-On Hose Fitting <i>(Four Required)</i>
6	10PAF0125	1/8" Push-On Hose Fitting <i>(Two Required)</i>
7	1017019	1/4" x 1/4" NPT Hex Nipple
8	10101753	Electric Abrasive Cut-Off Switch Assembly <i>(See Figure 15)</i>
9	10AH025	1/4" Push-On Air Hose
10	1011824	1/4" NPT 90° Street Elbow
11	1011844	1/4" NPT Tee
12	1014239	1/8" NPT 90° Swivel Fitting <i>(Two Required)</i>
13	1015556	3-Prong Twist-Lock Plug – Female
14	1015701	16/3 SO Power Cord
15	1019021	Cord Grip – 1/2" NPT – .178–.312 Diameter
16	10100495	Conduit Box
17	20100677	Nipple 1/2" x 1/2" 6000 psi
18	1019048	Cord Grip – 1/2" NPT – .312–.437 Diameter
19	10100496	Conduit Box Cover with Gasket and Screws
20	10101354	Indicator Light – Blue
21	10101353	Indicator Light – Red
22	1019010	Electric Control Valve – 12-Volt DC <i>(See Figure 16)</i>
23	1015540	16/2 Xtreme-Duty® Electric Cord
—	1015747	110 Feet of 16/3 Power Cord with Male and Female Twist Lock Plugs
—	1091045	Hazard Identification Tag
—	10101371	Abrasive Cut-Off System Bulk Pot Bracket <i>(Optional)</i> <i>(See Figure 18)</i>
—	105M063	Features and Specifications Guide – Blastmaster® 151E Remote Control Switch
—	105M090	Features and Specifications Guide – Blastmaster® Abrasive Cut-Off System
—	106M063	Part Numbers and Schematics Guide – Blastmaster® 151E Remote Control Switch
—	106M090	Part Numbers and Schematics Guide – Blastmaster® Abrasive Cut-Off System
—	1090063	Operator's Manual – Blastmaster® 151E Remote Control Switch
—	1090090	Operator's Manual – Blastmaster® Abrasive Cut-Off System

PART NUMBERS AND SCHEMATICS GUIDE

Figure 10: Blastmaster® Abrasive Cut-Off System – Electric – Bulk Pot Manifold – 151E Switch – Parts Plus Kit



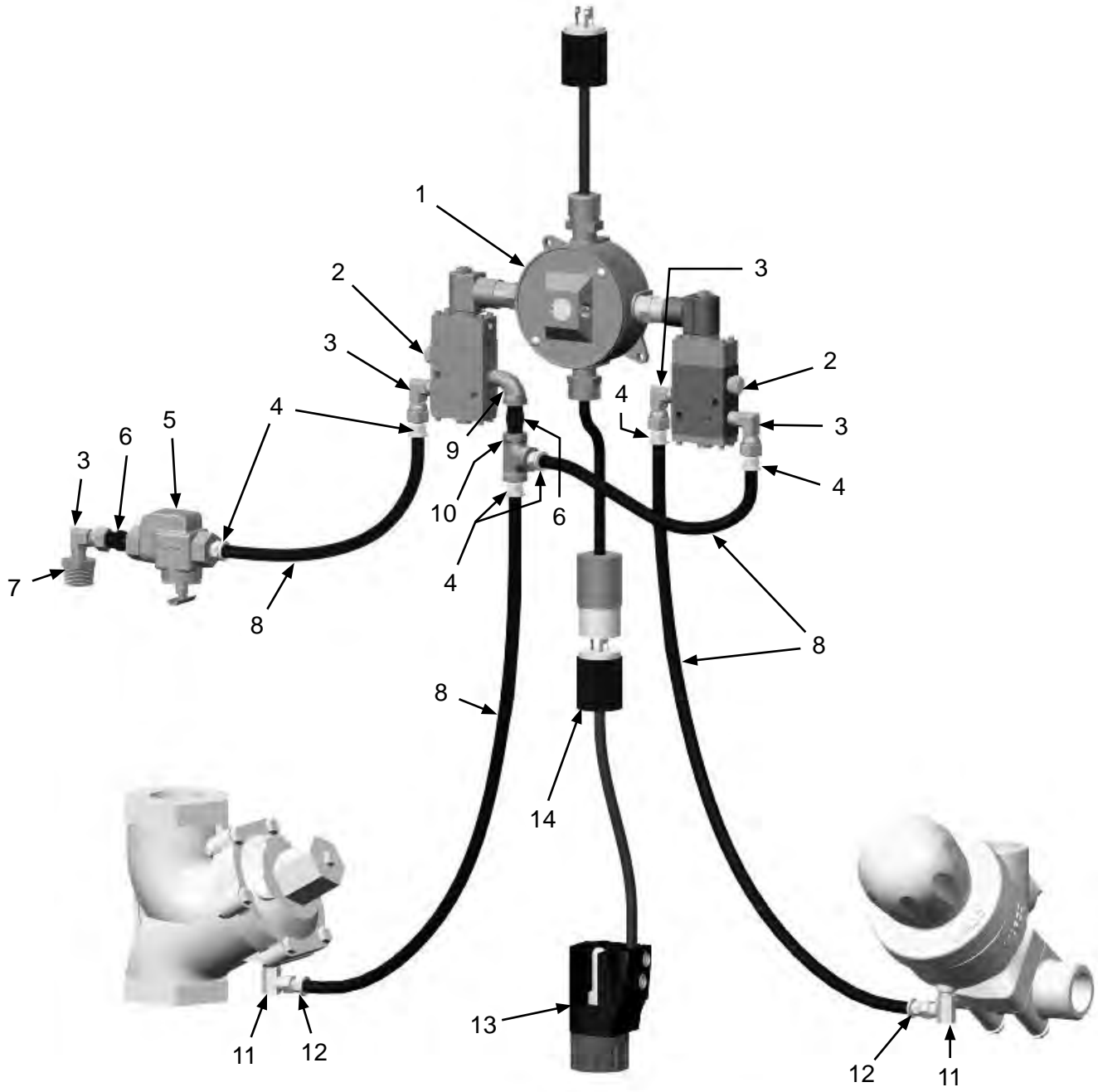
PART NUMBERS AND SCHEMATICS GUIDE

Blastmaster® Abrasive Cut-Off System – Electric – Small Pot Manifold – 157E Switch – Complete

Item #	Part #	Description
Fig. 11		
—	10106860	Small Pot Abrasive Cut-Off Switch Control System – Electric – Complete
1	10101763	Control Box <i>(See Figure 17)</i>
2	1019024	1/4" NPT Breather Vent <i>(Two Required)</i>
3	1012326	1/4" NPT 90° Swivel Fitting <i>(Four Required)</i>
4	10PAF025	1/4" Push-On Hose Fitting <i>(Six Required)</i>
5	10WS	1/4" Watts Strainer
6	1017019	1/4" x 1/4" Hex Nipple
7	10100524	3/4" x 1/4" Bushing – Galvanized
8	10AH025	1/4" Push-On Air Hose
9	1011824	1/4" NPT 90° Street Elbow
10	1011844	1/4" NPT Tee
11	1014239	1/8" NPT 90° Swivel Fitting <i>(Two Required)</i>
12	10PAF0125	1/8" Push-On Hose Fitting <i>(Two Required)</i>
13	1015700	Blastmaster® 157E Remote Control Switch
14	1015555	3-Prong Twist-Lock Plug – Male
—	1015745	50 Feet of 16/3 SJ Power Cord with 3-Prong Twist Lock Plugs
—	1091045	Hazard Identification Tag
—	105M090	Features and Specifications Guide – Blastmaster® Abrasive Cut-Off System
—	105M140	Features and Specifications Guide – Blastmaster® 157E Remote Control Switch
—	106M090	Part Numbers and Schematics Guide – Blastmaster® Abrasive Cut-Off System
—	106M140	Part Numbers and Schematics Guide – Blastmaster® 157E Remote Control Switch
—	1090090	Operator's Manual – Blastmaster® Abrasive Cut-Off System
—	1090140	Operator's Manual – Blastmaster® 157E Remote Control Switch

PART NUMBERS AND SCHEMATICS GUIDE

Figure 11: Blastmaster® Abrasive Cut-Off System – Electric – Small Pot Manifold – 157E Switch – Complete



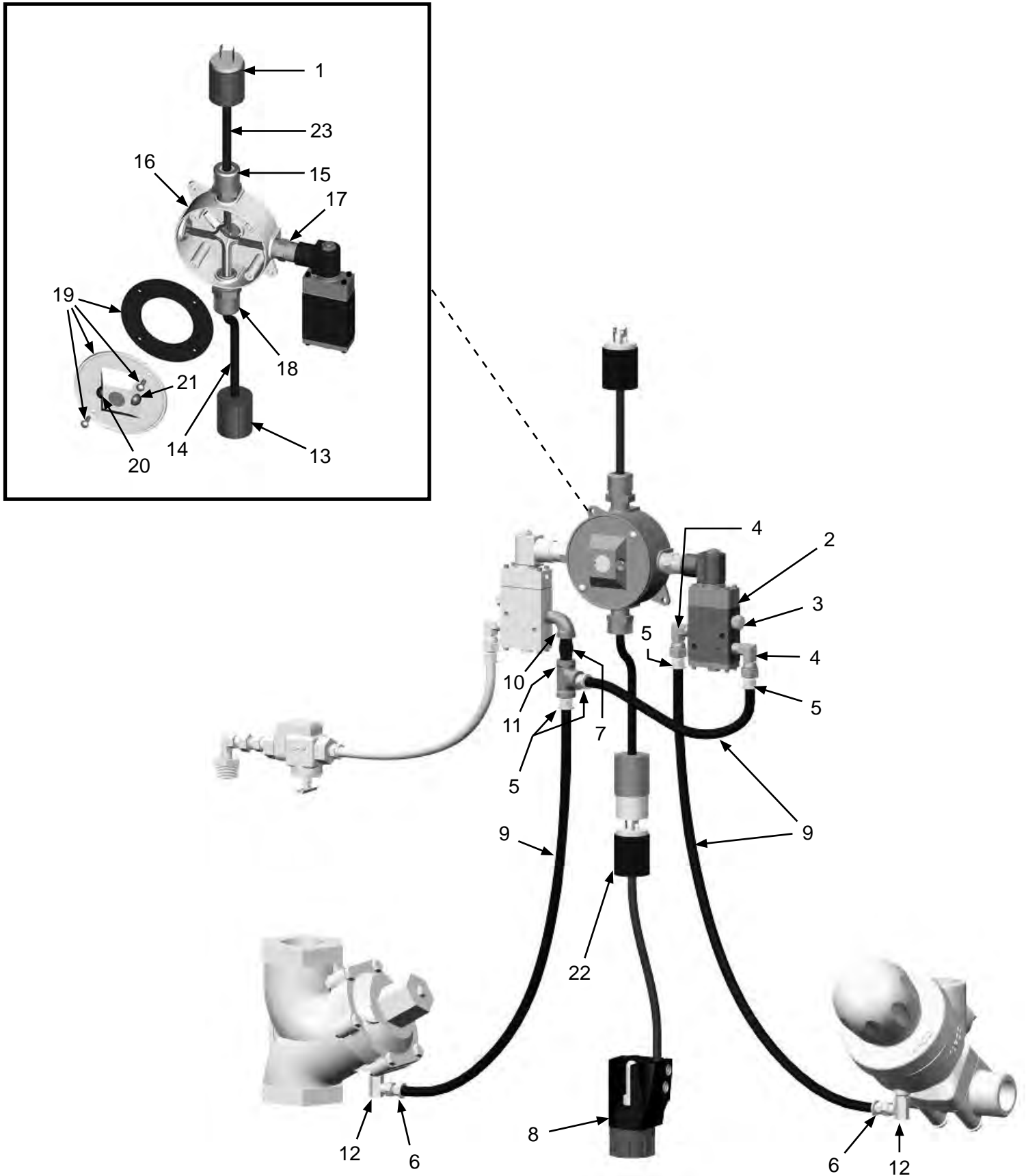
PART NUMBERS AND SCHEMATICS GUIDE

Blastmaster® Abrasive Cut-Off System – Electric – Small Pot Manifold – 157E Switch – Parts Plus Kit

Item #	Part #	Description
Fig. 12		
—	10106861	Small Pot Abrasive Cut-Off Switch Control System – Electric – Parts Plus Kit <i>(For systems with existing control valve, Watts strainer, and attaching components)</i>
1	1015551	2-Prong Twist-Lock Plug – Male
2	1019010	Electric Control Valve – 12-Volt DC <i>(See Figure 16)</i>
3	1019024	1/4" NPT Breather Vent <i>(Two Required)</i>
4	1012326	1/4" NPT 90° Swivel Fitting <i>(Two Required)</i>
5	10PAF025	1/4" Push-On Hose Fitting <i>(Four Required)</i>
6	10PAF0125	1/8" Push-On Hose Fitting <i>(Two Required)</i>
7	1017019	1/4" x 1/4" NPT Hex Nipple
8	1015700	Blastmaster® 157E Remote Control Switch
9	10AH025	1/4" Push-On Air Hose
10	1011824	1/4" NPT 90° Street Elbow
11	1011844	1/4" NPT Tee
12	1014239	1/8" NPT 90° Swivel Fitting <i>(Two Required)</i>
13	1015556	3-Prong Twist-Lock Plug – Female
14	1015701	16/3 SO Power Cord
15	1019021	Cord Grip – 1/2" NPT – .178–.312 Diameter
16	10100495	Conduit Box
17	20100677	Nipple 1/2" x 1/2" 6000 psi
18	1019048	Cord Grip – 1/2" NPT – .312–.437 Diameter
19	10100496	Conduit Box Cover with Gasket and Screws
20	10101354	Indicator Light – Blue
21	10101353	Indicator Light – Red
22	1015555	3-Prong Twist-Lock Plug – Male
23	1015540	16/2 Xtreme-Duty® Electric Cord
—	1015745	50 Feet of 16/3 SJ Power Cord with 3-Prong Twist Lock Plugs
—	1091045	Hazard Identification Tag
—	105M090	Features and Specifications Guide – Blastmaster® Abrasive Cut-Off System
—	105M140	Features and Specifications Guide – Blastmaster® 157E Remote Control Switch
—	106M090	Part Numbers and Schematics Guide – Blastmaster® Abrasive Cut-Off System
—	106M140	Part Numbers and Schematics Guide – Blastmaster® 157E Remote Control Switch
—	1090090	Operator's Manual – Blastmaster® Abrasive Cut-Off System
—	1090140	Operator's Manual – Blastmaster® 157E Remote Control Switch

PART NUMBERS AND SCHEMATICS GUIDE

Figure 12: Blastmaster® Abrasive Cut-Off System – Electric – Small Pot Manifold – 157E Switch – Parts Plus Kit



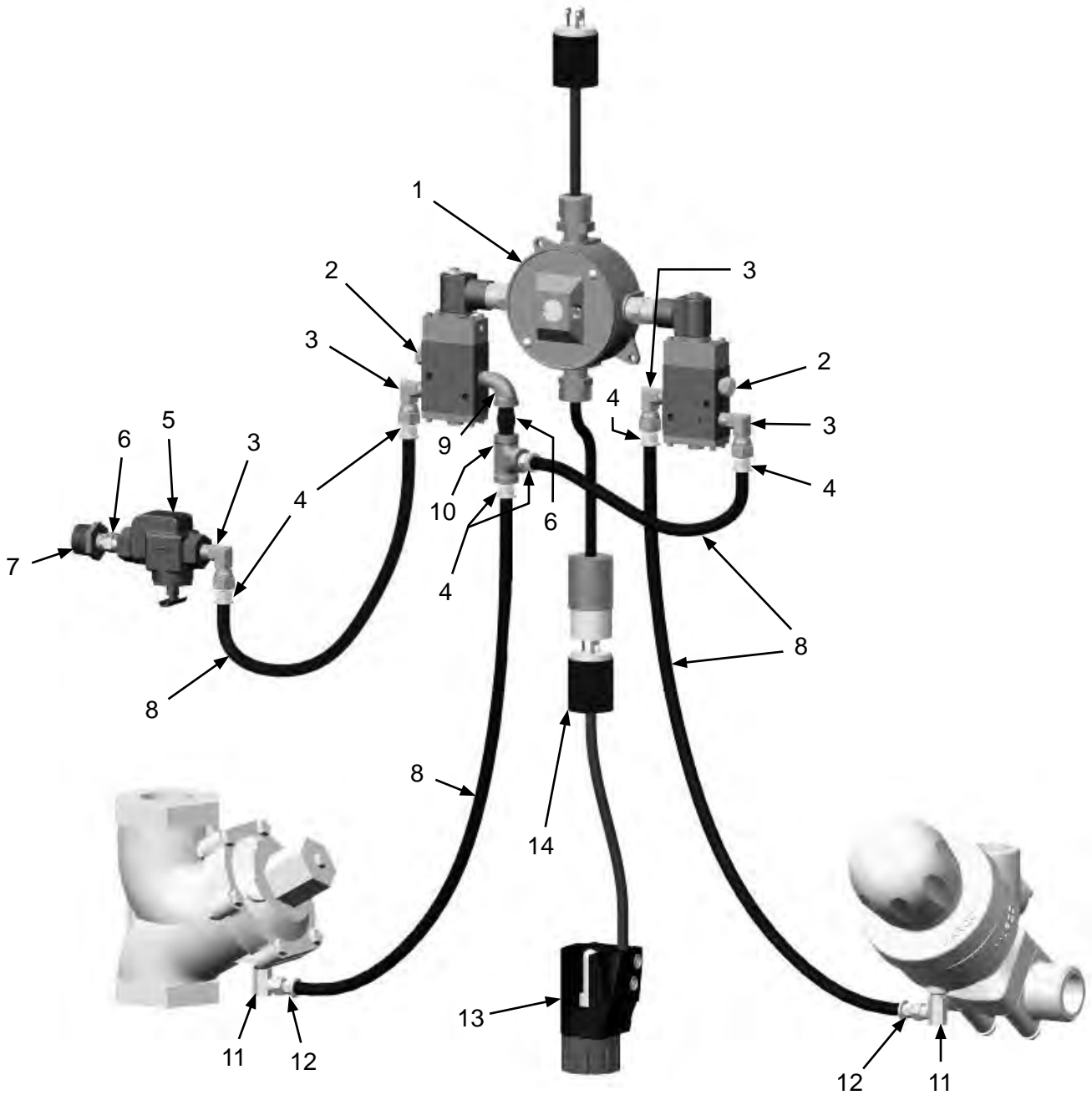
PART NUMBERS AND SCHEMATICS GUIDE

Blastmaster® Abrasive Cut-Off System – Electric – Bulk Pot Manifold – 157E Switch – Complete

Item #	Part #	Description
Fig. 13		
—	10106858	Bulk Pot Abrasive Cut-Off Switch Control System – Electric – Complete
1	10101763	Control Box <i>(See Figure 17)</i>
2	1019024	1/4" NPT Breather Vent <i>(Two Required)</i>
3	1012326	1/4" NPT 90° Swivel Fitting <i>(Four Required)</i>
4	10PAF025	1/4" Push-On Hose Fitting <i>(Six Required)</i>
5	10WS	1/4" Watts Strainer
6	10100523	1/4" x 1/4" Stainless Steel Hex Nipple
7	1011818	1/2" to 1/4" NPT Bushing
8	10AH025	1/4" Push-On Air Hose
9	1011824	1/4" NPT 90° Street Elbow
10	1011844	1/4" NPT Tee
11	1014239	1/8" NPT 90° Swivel Fitting <i>(Two Required)</i>
12	10PAF0125	1/8" Push-On Hose Fitting <i>(Two Required)</i>
13	1015700	Blastmaster® 157E Remote Control Switch
14	1015555	3-Prong Twist-Lock Plug – Male
—	1015747	110 Feet of 16/3 Power Cord with Male and Female Twist Lock Plugs
—	1091045	Hazard Identification Tag
—	10101371	Abrasive Cut-Off System Bulk Pot Bracket <i>(Optional) (See Figure 18)</i>
—	105M090	Features and Specifications Guide – Blastmaster® Abrasive Cut-Off System
—	105M140	Features and Specifications Guide – Blastmaster® 157E Remote Control Switch
—	106M090	Part Numbers and Schematics Guide – Blastmaster® Abrasive Cut-Off System
—	106M140	Part Numbers and Schematics Guide – Blastmaster® 157E Remote Control Switch
—	1090090	Operator's Manual – Blastmaster® Abrasive Cut-Off System
—	1090140	Operator's Manual – Blastmaster® 157E Remote Control Switch

PART NUMBERS AND SCHEMATICS GUIDE

Figure 13: Blastmaster® Abrasive Cut-Off System – Electric – Bulk Pot Manifold – 157E Switch – Complete



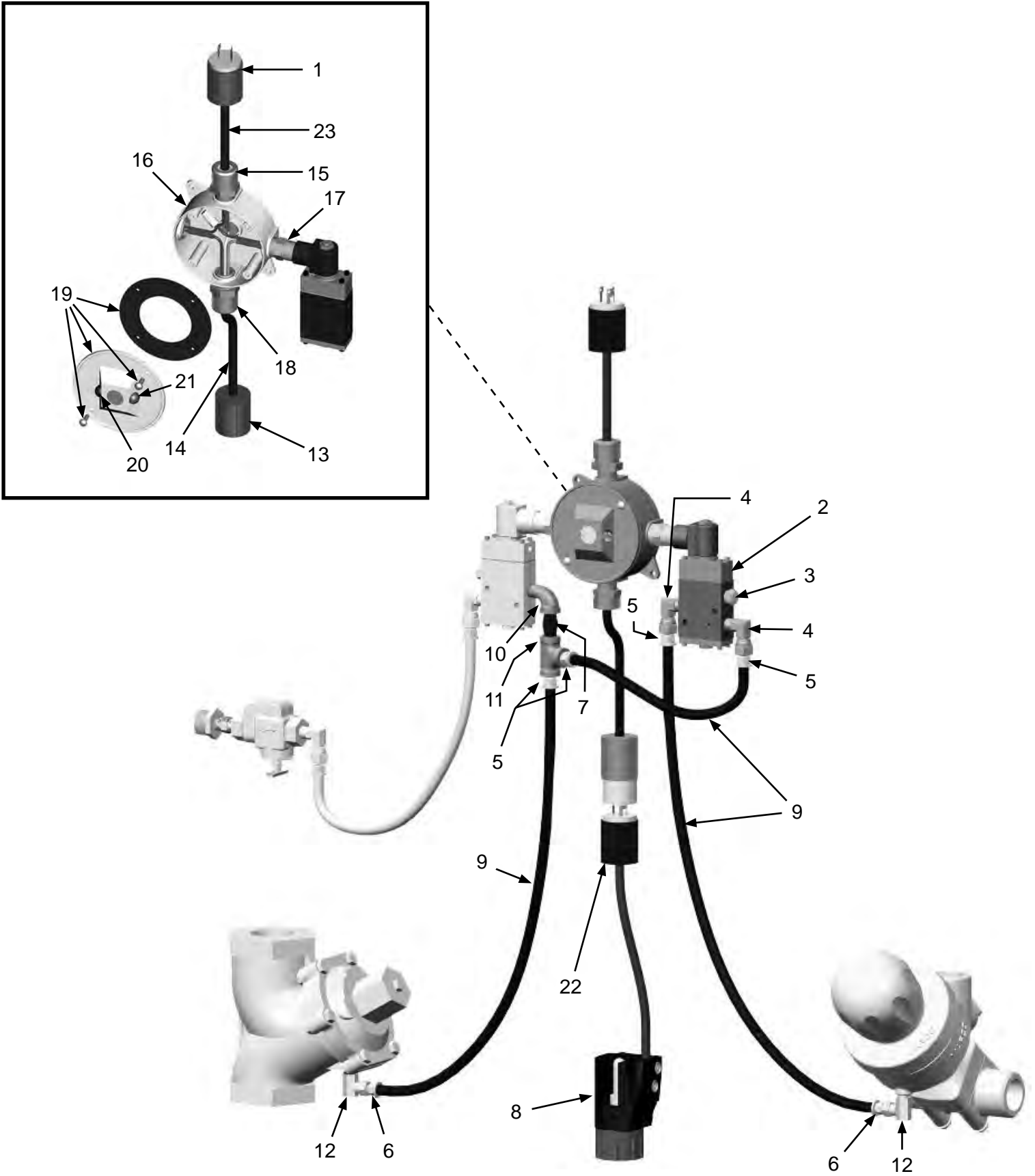
PART NUMBERS AND SCHEMATICS GUIDE

Blastmaster® Abrasive Cut-Off System – Electric – Bulk Pot Manifold – 157E Switch – Parts Plus Kit

Item #	Part #	Description
Fig. 14		
—	10106859	Bulk Pot Abrasive Cut-Off Switch Control System – Electric – Parts Plus Kit <i>(For systems with existing control valve, Watts strainer, and attaching components)</i>
1	1015551	2-Prong Twist-Lock Plug – Male
2	1019010	Electric Control Valve – 12-Volt DC <i>(See Figure 16)</i>
3	1019024	1/4" NPT Breather Vent <i>(Two Required)</i>
4	1012326	1/4" NPT 90° Swivel Fitting <i>(Two Required)</i>
5	10PAF025	1/4" Push-On Hose Fitting <i>(Four Required)</i>
6	10PAF0125	1/8" Push-On Hose Fitting <i>(Two Required)</i>
7	1017019	1/4" x 1/4" NPT Hex Nipple
8	1015700	Blastmaster® 157E Remote Control Switch
9	10AH025	1/4" Push-On Air Hose
10	1011824	1/4" NPT 90° Street Elbow
11	1011844	1/4" NPT Tee
12	1014239	1/8" NPT 90° Swivel Fitting <i>(Two Required)</i>
13	1015556	3-Prong Twist-Lock Plug – Female
14	1015701	16/3 SO Power Cord
15	1019021	Cord Grip – 1/2" NPT – .178–.312 Diameter
16	10100495	Conduit Box
17	20100677	Nipple 1/2" x 1/2" 6000 psi
18	1019048	Cord Grip – 1/2" NPT – .312–.437 Diameter
19	10100496	Conduit Box Cover with Gasket and Screws
20	10101354	Indicator Light – Blue
21	10101353	Indicator Light – Red
22	1015555	3-Prong Twist-Lock Plug – Male
23	1015540	16/2 Xtreme-Duty® Electric Cord
—	1015747	110 Feet of 16/3 Power Cord with Male and Female Twist Lock Plugs
—	1091045	Hazard Identification Tag
—	10101371	Abrasive Cut-Off System Bulk Pot Bracket <i>(Optional)</i> <i>(See Figure 18)</i>
—	105M090	Features and Specifications Guide – Blastmaster® Abrasive Cut-Off System
—	105M140	Features and Specifications Guide – Blastmaster® 157E Remote Control Switch
—	106M090	Part Numbers and Schematics Guide – Blastmaster® Abrasive Cut-Off System
—	106M140	Part Numbers and Schematics Guide – Blastmaster® 157E Remote Control Switch
—	1090090	Operator's Manual – Blastmaster® Abrasive Cut-Off System
—	1090140	Operator's Manual – Blastmaster® 157E Remote Control Switch

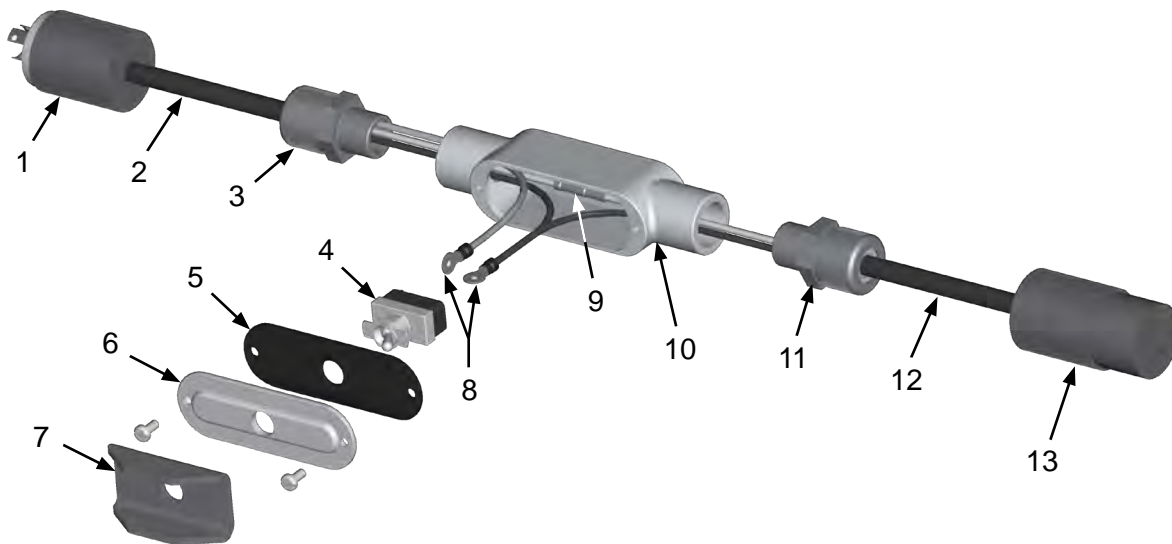
PART NUMBERS AND SCHEMATICS GUIDE

Figure 14: Blastmaster® Abrasive Cut-Off System – Electric – Bulk Pot Manifold – 157E Switch – Parts Plus Kit



PART NUMBERS AND SCHEMATICS GUIDE

Figure 15: Electric Abrasive Cut-Off Switch



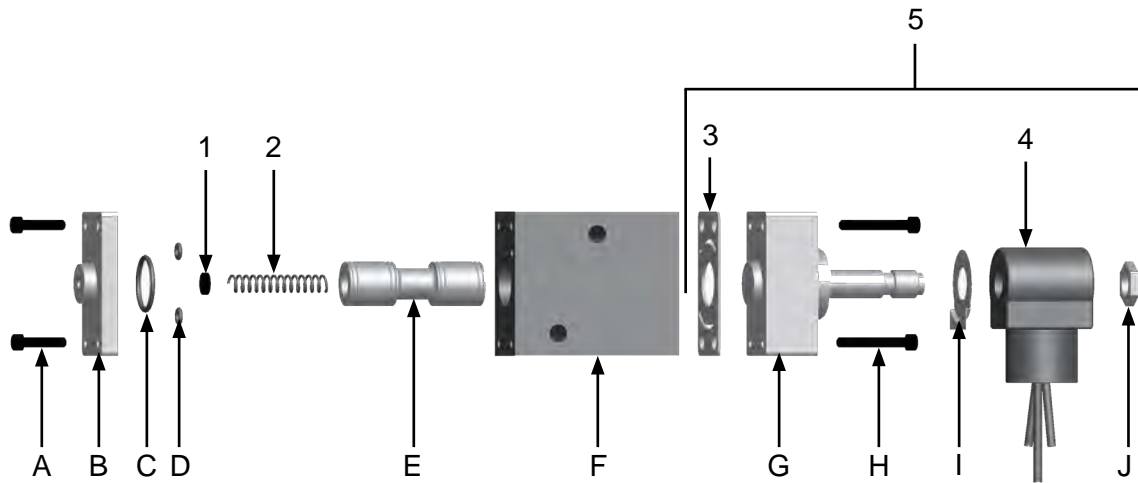
Item #	Part #	Description
--------	--------	-------------

Fig. 15

—	10101753	Electric Abrasive Cut-Off Switch – Complete
1	1015555	3-Prong Twist-Lock Plug – Male
2	1015701	16/3 Power Cord (<i>Two Feet</i>)
3	1019048	Cord Grip – 1/2" NPT – .312–.437 Diameter
4	1019026	Abrasive Cut-Off System Toggle Switch
5	1019023	Conduit Cover Gasket
6	1019022	Conduit Box Cover Plate – Blank
7	1012909	Toggle Switch Guard
8	10101741	16/14 GA Ring Terminal – #6 Hole – Insulated
9	1030028	16 Gauge Crimp Style Butt Connector
10	1019025	1/2" NPT Straight Conduit Box
11	1019021	Cord Grip – 1/2" NPT – .178–.312 Diameter
12	1015540	16/2 Xtreme-Duty® Electric Cord (<i>Two Feet</i>)
13	1015552	2-Prong Twist-Lock Plug – Female

PART NUMBERS AND SCHEMATICS GUIDE

Figure 16: 12-Volt DC Electric Control Valve

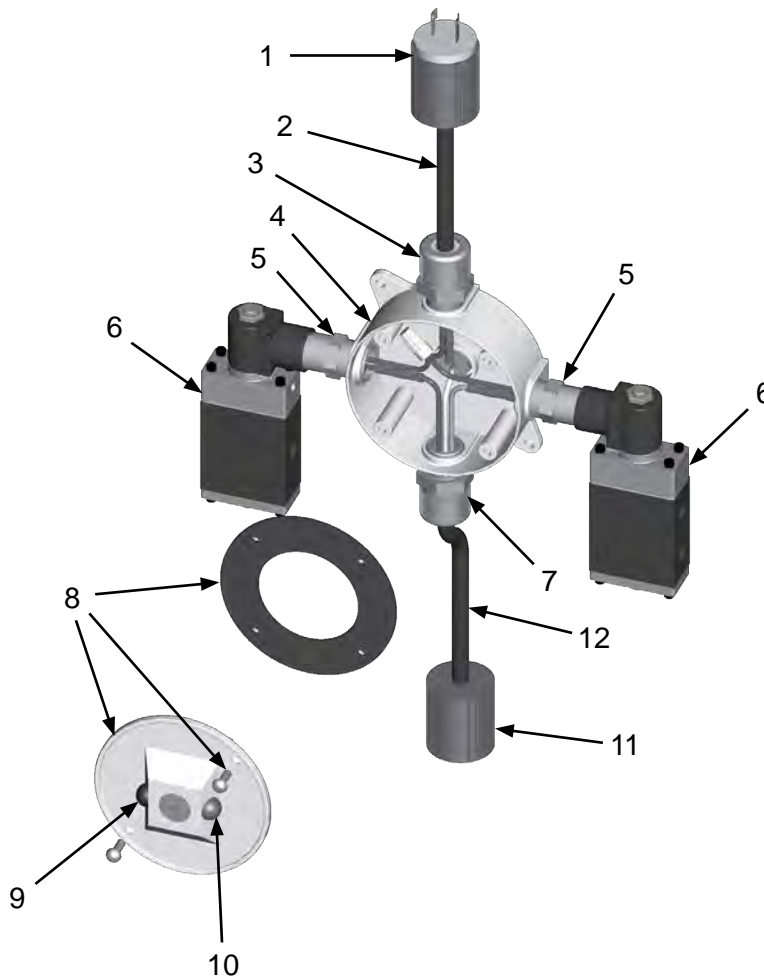


Item #	Part #	Description
Fig. 16		
—	1019010	12-Volt DC Electric Control Valve – Complete
1	1019029	Felt Filter
2	1019032	Spring
3	1019033	Gasket
4	1019039	12-Volt DC Coil
5	1019034	Solenoid Pilot Assembly 12-Volt DC <i>(Includes Items #3, #4, G, H, I, and J)</i>

**Items A through J are not available individually*

PART NUMBERS AND SCHEMATICS GUIDE

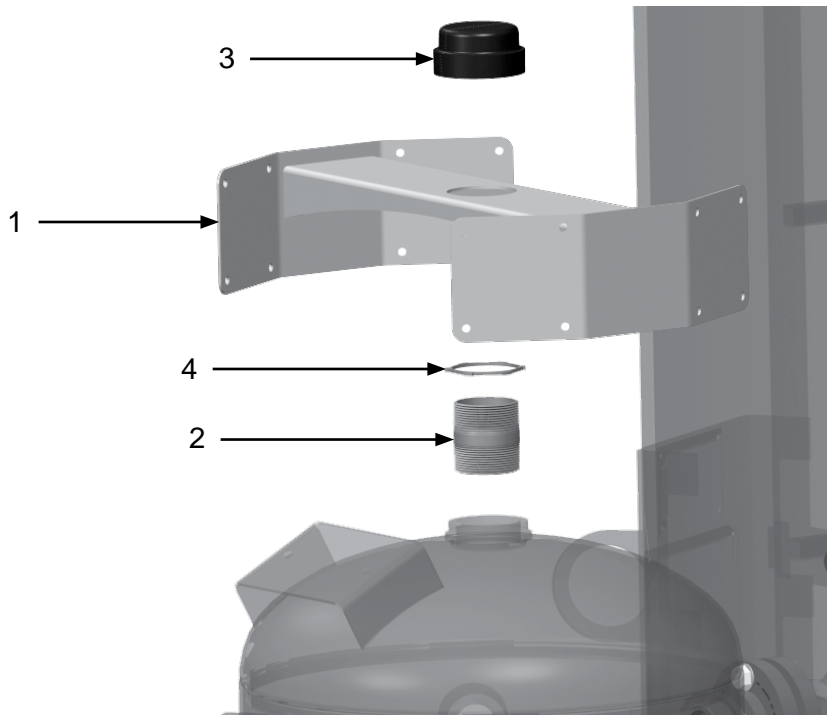
Figure 17: Abrasive Cut-Off Switch Control Box



Item #	Part #	Description
Fig. 17		
—	10101763	Control Box 12-Volt DC – Complete
1	1015551	2-Prong Twist-Lock Plug – Male
2	1015540	16/2 Xtreme-Duty® Electric Cord
3	1019021	Cord Grip – 1/2" NPT – .178–.312 Diameter
4	10100495	Conduit Box
5	20100677	Nipple 1/2" x 1/2" 6000 psi
6	1019010	Electric Control Valve – 12-Volt DC
7	1019048	Cord Grip – 1/2" NPT – .312–.437 Diameter
8	10100496	Conduit Box Cover with Gasket and Screws
9	10101354	Indicator Light – Blue
10	10101353	Indicator Light – Red
11	1015556	3-Prong Twist-Lock Plug – Female
12	1015701	16/3 SO Power Cord
—	10101355	10-24 x 3/4" Screw
—	10101356	10-24 Nylon Lock Nut

PART NUMBERS AND SCHEMATICS GUIDE

Figure 18: Abrasive Cut-Off System Bulk Pot Bracket



Item #	Part #	Description
Fig. 18		
—	10101371	Abrasive Cut-Off System Bulk Pot Bracket – Electric – Complete
1	10101319	Attachment Bracket Weldment
2	1001806	2" Close Nipple – Galvanized
3	1011846	2" Pipe Cap
4	10101344	2" NPT Conduit Locknut

OPTIONAL ACCESSORIES



Part Numbers

ELECTRIC CORD						
Part Numbers	Gauge	# of Wires	Color	Type	Cover Material	U.O.M.
1015701	16	3	Black	SJEOOW	Thermoplastic Elastomer	Per Foot
1015550	14	3	Black	SEOOW	Thermoplastic Elastomer	Per Foot
1015571	12	3	Black	SJEOOW	Thermoplastic Elastomer	Per Foot
1015581	10	3	Black	SEOOW	Thermoplastic Elastomer	Per Foot
1015591	8	3	Black	SEOOW	Thermoplastic Elastomer	Per Foot
1015595	6	3	Black	SEOOW	Thermoplastic Elastomer	Per Foot







Part Numbers

ELECTRIC CONTROL LINE WITH 3-PRONG PLUGS								
Part Numbers	Gauge	# of Wires	Color	Type	Cover Material	3-Prong Male Twist-Lock Plug	3-Prong Female Twist-Lock Plug	U.O.M.
1015748	16	3	Black	SJEOW	Thermoplastic Elastomer	1015555	1015556	13 Ft.
1015745	16	3	Black	SJEOW	Thermoplastic Elastomer	1015555	1015556	50 Ft.
1015747	16	3	Black	SJEOW	Thermoplastic Elastomer	1015555	1015556	110 Ft.

OPTIONAL ACCESSORIES

ELECTRIC CONTROL LINE PLUGS

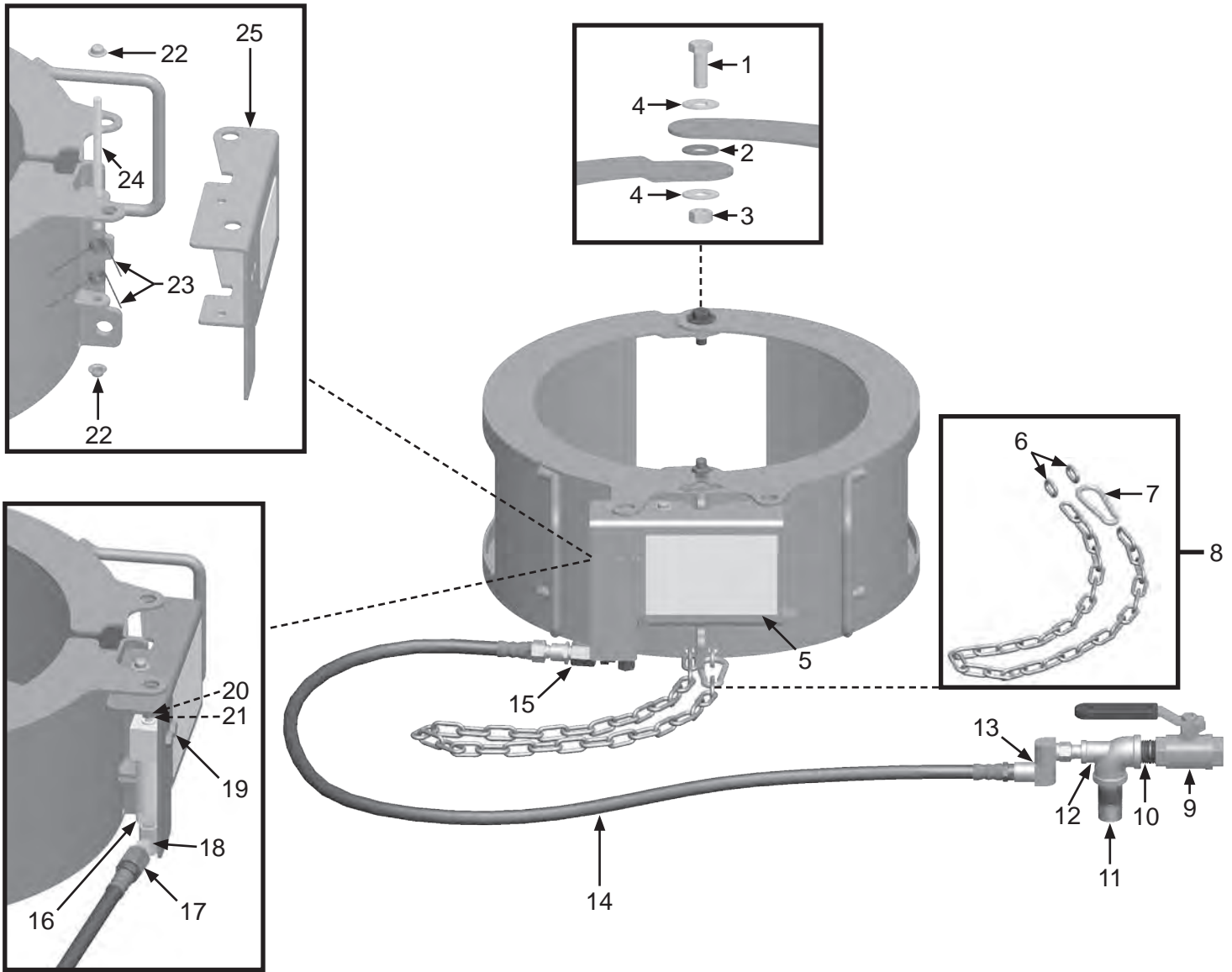
	Part Numbers	Prong Style	Plug Style
	1015551	2-Prong Male	Twist-Lock
	1015552	2-Prong Female	Twist-Lock
	1015555	3-Prong Male	Twist-Lock
	1015556	3-Prong Female	Twist-Lock

PNEUMATIC CLOSURE LOCKOUT DEVICE					
Part Numbers	Pneumatic Locking Piston	Spring-Loaded Latch Handle	1/4" I.D. Air Hose Assembly	Retention Chain	Handles
10102326	X	X	X	X	Two

Item#	Part#	Description
Fig. 1		
—	10102326	Pneumatic Closure Lockout Device – Complete
1	1011747	3/8-16 x 1" Bolt <i>(Two Required)</i>
2	10102327	3/8" Nylon Washer <i>(Two Required)</i>
3	10102329	3/8-16 Lock Nut <i>(Two Required)</i>
4	10102331	3/8" Washer <i>(Four Required)</i>
5	1091106	Hazard Identification Decal
6	10102338	Split Link <i>(Two Required)</i>
7	10102410	Carabiner
8	10102419	Chain Assembly <i>Includes Items: #6 (Quantity of Two), #7, and Chain</i>
9	10L363	1/2" NPT Brass Full Port Ball Valve
10	10L803035	1/2" NPT Close Nipple
11	10L803038	1/2" NPT x 2" Pipe Nipple
12	10102337	1/2" NPT 90° Elbow with 1/4" NPT Side-out
13	10102576	1/4" Swivel Connector
14	10102336	1/4" I.D. Air Hose Assembly
15	10102575	1/4" (M) x 1/4" (F) Swivel Hose End
16	10102529	Pneumatic Locking Piston <i>Includes Item #'s: 16, 18, 19 (Quantity of Two), 20, and 21</i>
17	10102335	1/4" NPT (F) x 1/8" NPT (M) Reducing Fitting
18	1014239	1/8" X 1/8" 90° Fitting
19	10102391	1/4-20 x 1/2" Bolt <i>(Two Required)</i>
20	10102411	Air Cylinder Retarder Spring
21	10102387	1/4-28 Coupling Nut Zinc
22	10102325	1/4" Cap Nut <i>(Two Required)</i>
23	10102324	Torsion Spring <i>(Two Required)</i>
24	10102323	Latch Pin
25	10102320	Latch Handle
—	105M095	Features, Advantages & Benefits Guide – Pneumatic Closure Lockout Device
—	106M095	Part Numbers & Schematics Guide – Pneumatic Closure Lockout Device
—	1090095	Operator's Manual – Pneumatic Closure Lockout Device

Pneumatic Closure Lockout Device

Figure 1



PART NUMBER

Part Numbers

BLASTMASTER® ABRASIVE BLASTING POT MUFFLERS

10103651

Blastmaster® Abrasive Blasting Pot Muffler for 120 Cu. Ft. and 160 Cu. Ft. Abrasive Blasting Pots



PART NUMBER

Part Numbers

BLASTMASTER® ABRASIVE BLASTING POT MUFFLERS

1011100

Blastmaster® Abrasive Blasting Pot Muffler for 6.5 Cu. Ft. and Smaller Abrasive Blasting Pots



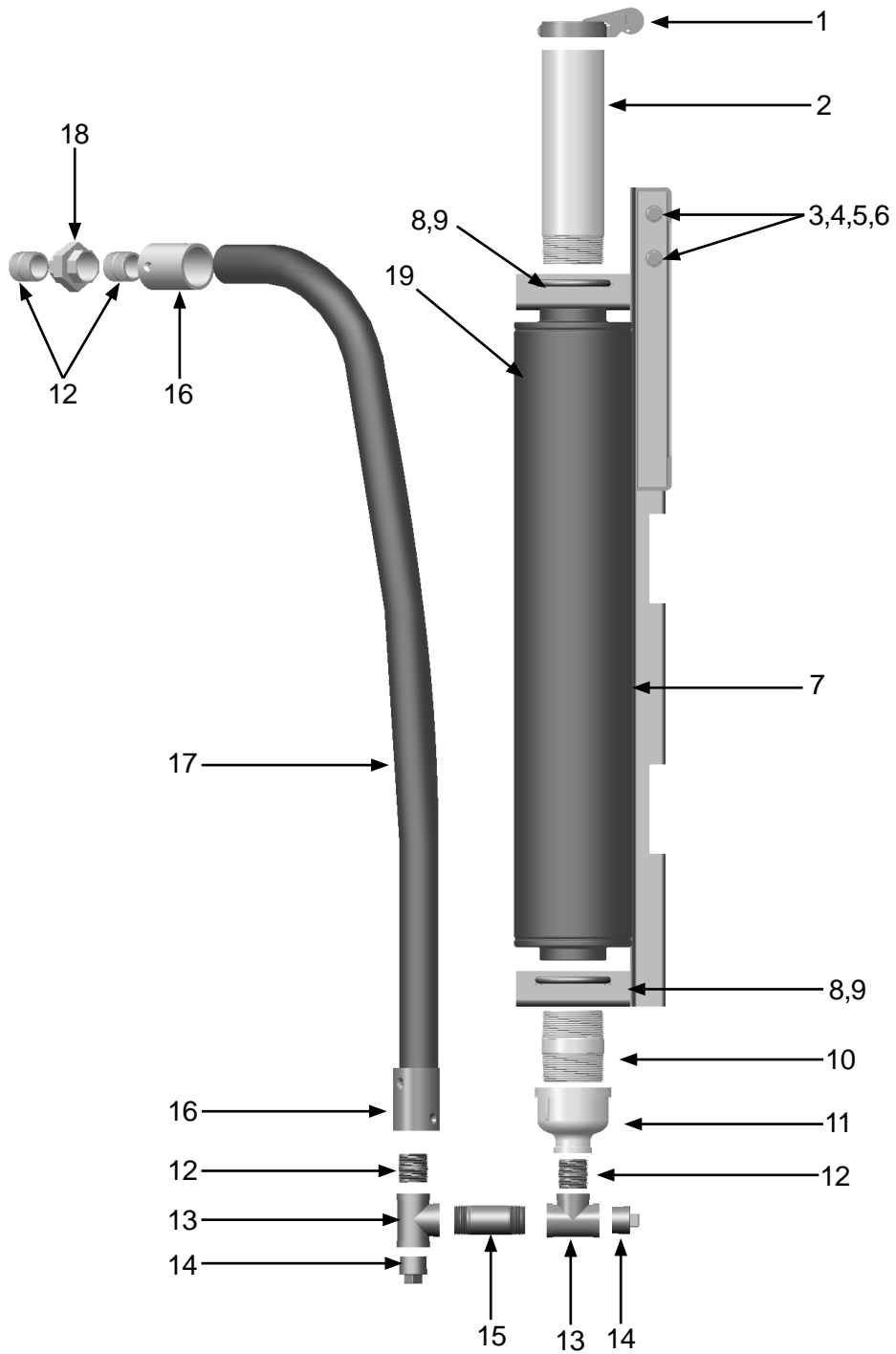
PART NUMBERS & SCHEMATICS

Blastmaster® Abrasive Blasting Pot Muffler for 120 Cu. Ft. and 160 Cu. Ft. Abrasive Blasting Pots

Item #	Part #	Description
Fig. 1		
—	10103651	Blastmaster® Abrasive Blasting Pot Muffler – Complete
1	10103587	3" Aluminized Rain Cap
2	10103580	3" x 12" Toe Nipple
3	10101943	1/2-13 x 1-3/4" NPT Galvanized Hex Bolt <i>(Two Required)</i>
4	10100674	1/2" Flat Washer <i>(Two Required)</i>
5	10100675	1/2" Lock Washer <i>(Two Required)</i>
6	1014022	1/2" Hex Nut <i>(Two Required)</i>
7	10103584	Muffler Assembly Bracket
8	10103581	3" x 3/8" U-Bolt <i>(Two Required)</i>
9	10103582	3/8" Lock Nut <i>(Four Required)</i>
10	10103579	3" x 4" NPT Pipe Nipple
11	10103578	3" to 1-1/4" Bell Reducer
12	1011201	1-1/4" NPT Galvanized Close Nipple <i>(Four Required)</i>
13	1011803	1-1/4" NPT Galvanized Pipe Tee <i>(Two Required)</i>
14	1011902	1-1/4" NPT Galvanized Pipe Plug <i>(Two Required)</i>
15	1011207	1-1/4" x 4" Galvanized Pipe Nipple
16	10NHA3	1-1/4" NPS Aluminum Nozzle Holder <i>(Two Required)</i>
17	10BH1142XR	1-1/4" Xtreme-Duty® Abrasive Blasting Hose <i>(Five Feet Required)</i>
18	1006502	1-1/4" Female Pipe Union
19	10103575	Silencer
—	105M347	Features and Specifications Guide – Blastmaster® Abrasive Blasting Pot Mufflers
—	106M347	Part Numbers and Schematics Guide – Blastmaster® Abrasive Blasting Pot Mufflers
—	1090108	Hazard Identification Decal

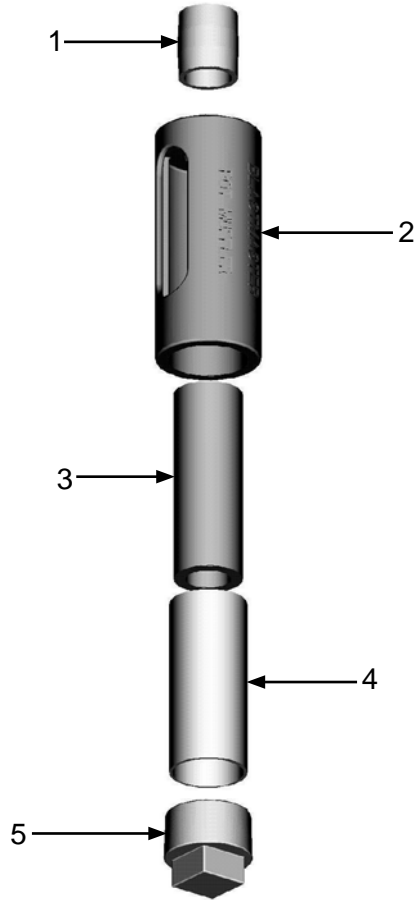
PART NUMBERS & SCHEMATICS

Figure 1: Blastmaster® Abrasive Blasting Pot Muffler for 120 Cu. Ft. and 160 Cu. Ft. Abrasive Blasting Pots



PART NUMBERS & SCHEMATICS

Figure 2: Blastmaster® Abrasive Blasting Pot Muffler for 6.5 Cu. Ft. and Smaller Abrasive Blasting Pots



Item #	Part #	Description
Fig. 2		
—	1011100	Blastmaster® Abrasive Blasting Pot Muffler – Complete
1	1012151	1" Close Nipple
2	1011102	Body
3	1011103	Filter Element
4	1011104	Screen
5	1011101	1-1/2" Pipe Plug
—	1011105	Blastmaster® Abrasive Blasting Pot Muffler Service Kit <i>Includes Item #'s: 3 (Quantity of Three), 4, and 5</i>
—	105M347	Features and Specifications Guide – Blastmaster® Abrasive Blasting Pot Mufflers
—	106M347	Part Numbers and Schematics Guide – Blastmaster® Abrasive Blasting Pot Mufflers

PART NUMBERS

Part Numbers	BLASTMASTER® EXTRACTOR MOISTURE SEPARATORS		
	Inlet	Outlet	Body Length
1011750	1"	1-1/4"	15-3/4"
10101314	1-1/4"	1-1/4"	15-3/4"
1011740	1-1/4"	1-1/4"	20"
10101313	1-1/2"	1-1/2"	20"

BLASTMASTER® EXTRACTOR MOISTURE SEPARATORS



1011750



10101314



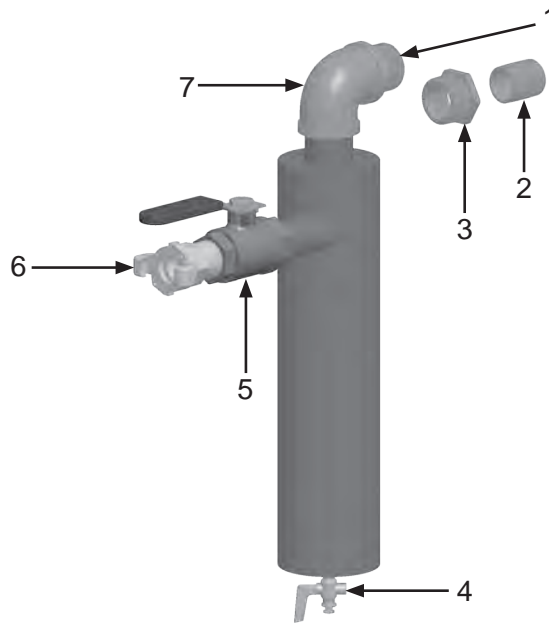
1011740



10101313

PART NUMBERS & SCHEMATICS

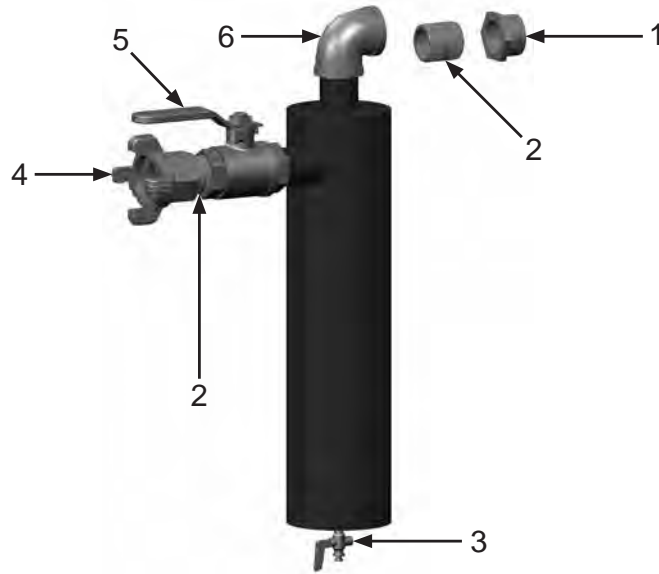
Figure 1: Blastmaster® 1" Junior Extractor Moisture Separator



Item #	Part #	Description
Fig. 1		
—	1011750	Blastmaster® 1" Junior Extractor Moisture Separator
1	1011201	1-1/4" NPT Close Nipple
2	1012151	1" NPT Close Nipple
3	1012157	1-1/4" x 1" Bushing
4	1012101	1/4" NPT Brass Petcock
5	1011601	1" NPT Full Port Ball Valve
6	10ME2	2-lug Air Hose Fitting – 1" NPT (M)
7	1006204	1-1/4" NPT 90° Elbow
—	105M039	Features and Specifications Guide – Blastmaster® Extractor Moisture Separators
—	106M349	Part Numbers and Schematics Guide – Blastmaster® Extractor Moisture Separators

PART NUMBERS & SCHEMATICS

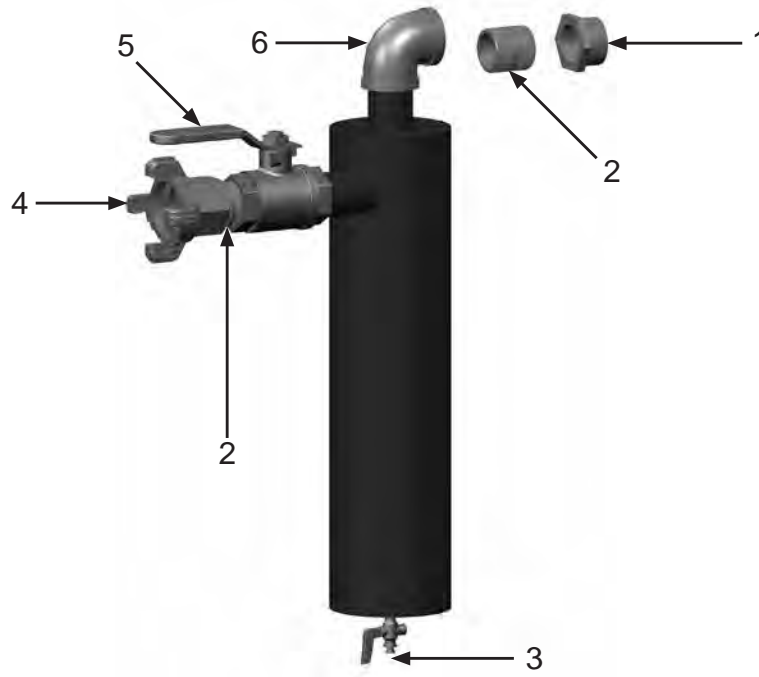
Figure 2: Blastmaster® 1-1/4" Junior Extractor Moisture Separator



Item #	Part #	Description
Fig. 2		
—	10101314	Blastmaster® 1-1/4" Junior Extractor Moisture Separator
1	1011501	1-1/2" x 1-1/4" Bushing
2	1011201	1-1/4" NPT Close Nipple (<i>Two Required</i>)
3	1012101	1/4" NPT Brass Petcock
4	10ME3	4-lug Air Hose Fitting - 1-1/4" NPT (F)
5	1011602	1-1/4" NPT Full Port Ball Valve
6	1006204	1-1/4" NPT 90° Elbow
—	105M039	Features, Advantages, and Benefits Guide – Blastmaster® Extractor Moisture Separators
—	106M349	Part Numbers and Schematics Guide – Blastmaster® Extractor Moisture Separators

PART NUMBERS & SCHEMATICS

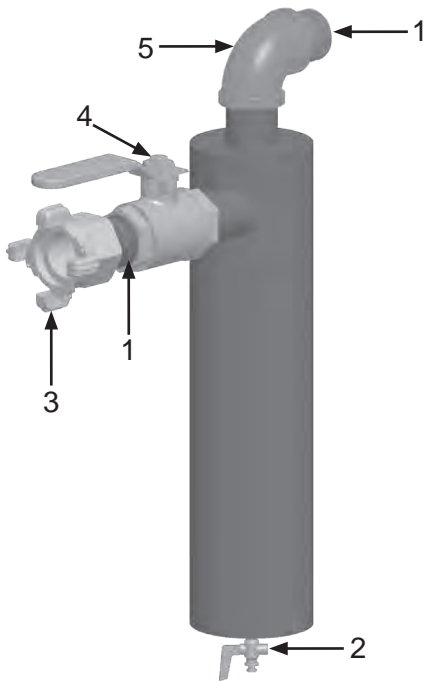
Figure 3: Blastmaster® 1-1/4" Extractor Moisture Separator



Item #	Part #	Description
Fig. 3		
—	1011740	Blastmaster® 1-1/4" Extractor Moisture Separator
1	1011501	1-1/2" x 1-1/4" Bushing
2	1011201	1-1/4" NPT Close Nipple (<i>Two Required</i>)
3	1012101	1/4" NPT Brass Petcock
4	10ME3	4-Lug Air Hose Fitting – 1-1/4" NPT (F)
5	1011602	1-1/4" NPT Full Port Brass Ball Valve
6	1006204	1-1/4" NPT 90° Elbow
—	105M039	Features and Specifications Guide – Blastmaster® Extractor Moisture Separators
—	106M349	Part Numbers and Schematics Guide – Blastmaster® Extractor Moisture Separators

PART NUMBERS & SCHEMATICS

Figure 4: Blastmaster® 1-1/2" Extractor Moisture Separator



Item #	Part #	Description
Fig. 4		
–	10101313	Blastmaster® 1-1/2" Extractor Moisture Separator
1	1014015	1-1/2" NPT Close Nipple (<i>Two Required</i>)
2	1012101	1/4" NPT Brass Petcock
3	10ME4	4-Lug Air Hose Fitting – 1-1/2" NPT (F)
4	1011603	1-1/2" NPT Full Port Brass Ball Valve
5	1011842	1-1/2" NPT 90° Elbow
—	105M039	Features, Advantages, and Benefits Guide – Blastmaster® Extractor Moisture Separators
—	106M349	Part Numbers and Schematics Guide – Blastmaster® Extractor Moisture Separators

PART NUMBER

Part Number	BLASTMASTER® SMART BOX™
	Description
10102428	Blastmaster® Smart Box™

BLASTMASTER® SMART BOX™



PART NUMBERS AND SCHEMATICS GUIDE

Figure 1: Blastmaster® Smart Box™ Production Management System



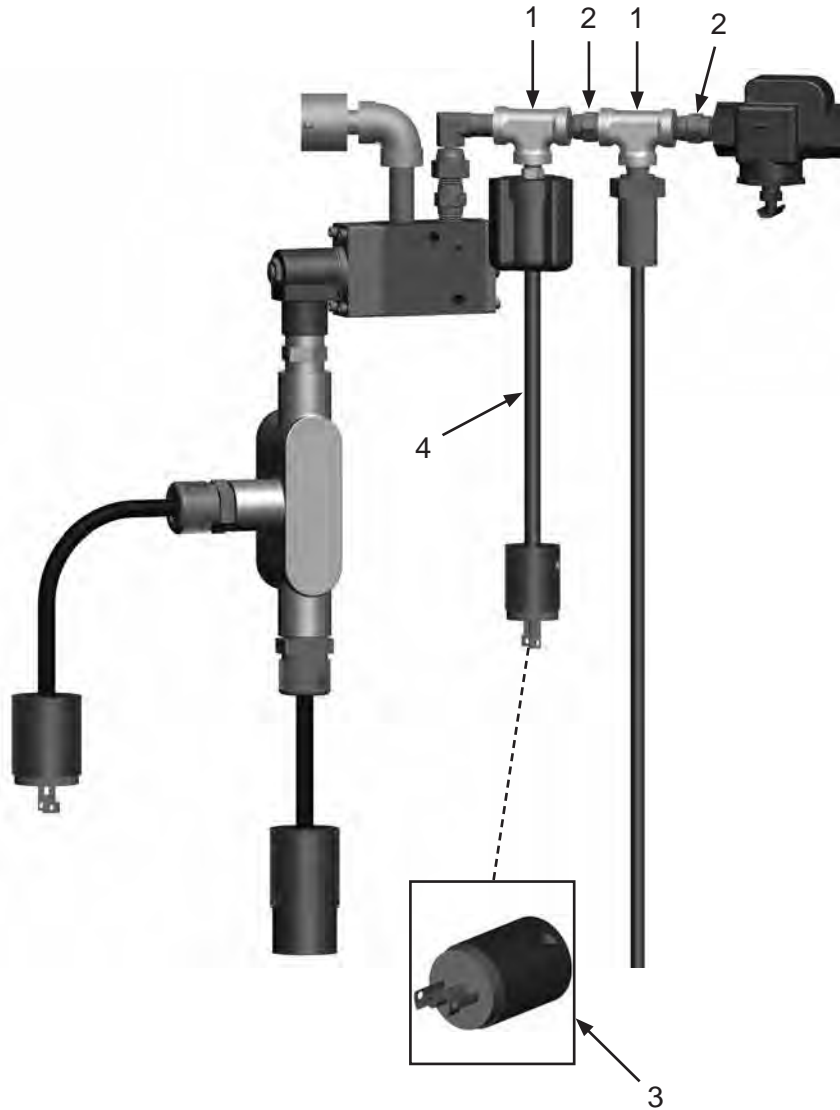
Item #	Part #	Description
--------	--------	-------------

Fig. 1

—	10102428	Blastmaster® Smart Box™ Production Management System
1	10104314	2GB SD Card
2	1015551	2 Prong Male Twist Lock Plug
—	10104348	Replacement Key <i>(not shown)</i>
—	105M104	Features and Specifications Guide – Blastmaster® Smart Box™
—	106M104	Part Numbers and Schematics Guide – Blastmaster® Smart Box™
—	1090104	Operator's Manual – Blastmaster® Smart Box™
—	1091045	Hazard Identification Tag

PART NUMBERS AND SCHEMATICS GUIDE

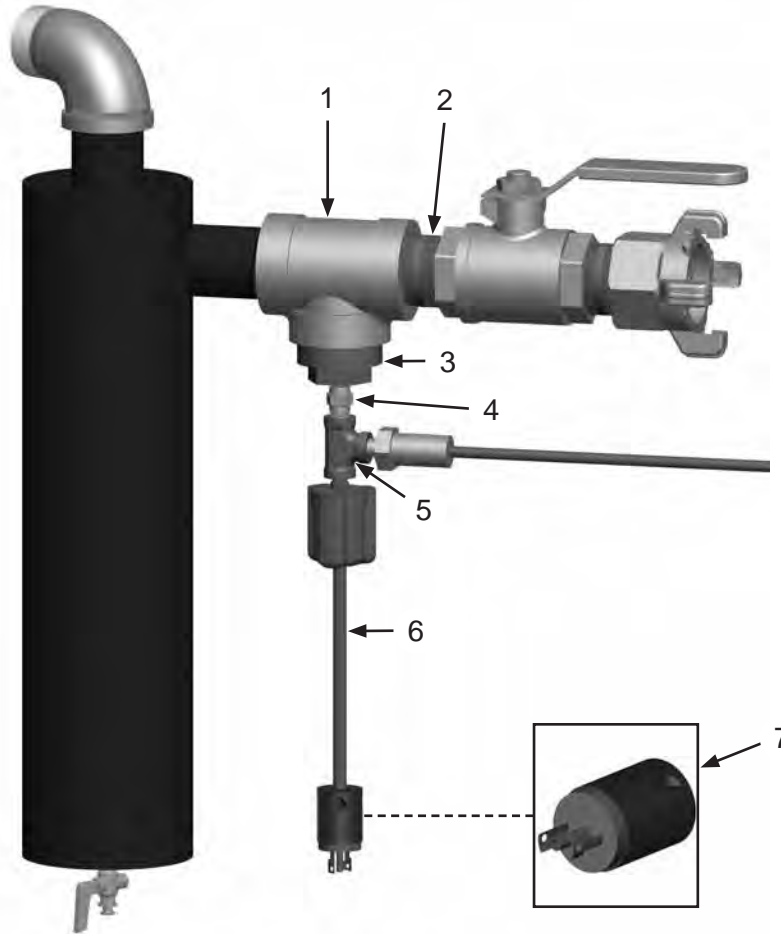
Figure 2: Abrasive Blasting Pot Sensor Integration Kit - 120 cu. ft. Abrasive Blasting Pots and Larger



Item #	Part #	Description
Fig. 2		
—	10104337	Abrasive Blasting Pot Sensor Integration Kit - 120 cu. ft. abrasive blasting pots and larger
1	1011844	1/4" Pipe Tee (Two Required)
2	1017019	1/4" x 1/4" Hex Nipple (Two Required)
3	10103194	3 Prong Male Twist Lock Plug
4	10104349	Pressure Sensor Assembly

PART NUMBERS AND SCHEMATICS GUIDE

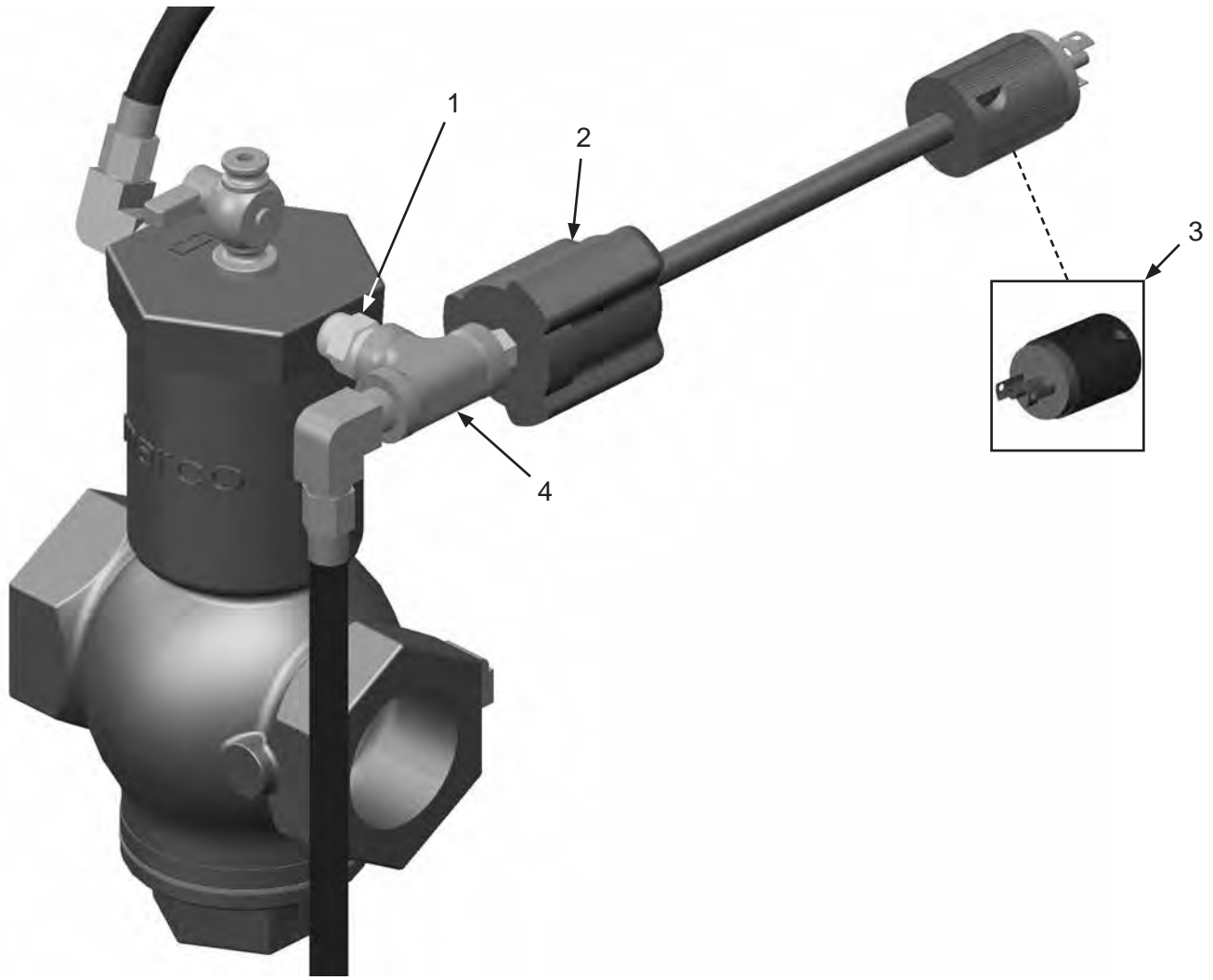
Figure 3: Abrasive Blasting Pot Sensor Integration Kit - 6.5 cu. ft. Abrasive Blasting Pots and Smaller



Item #	Part #	Description
Fig. 3		
—	10104338	Abrasive Blasting Pot Sensor Integration Kit - 6.5 cu. ft. abrasive blasting pots and smaller
1	1011837	1-1/2" Pipe Tee
2	1014015	1-1/2" Close Nipple
3	1011822	1-1/2" x 1/4" Bushing
4	1017019	1/4" x 1/4" Hex Nipple
5	1011844	1/4" Pipe Tee
6	10104349	Pressure Sensor Assembly
7	10103194	3 Prong Male Twist Lock Plug

PART NUMBERS AND SCHEMATICS GUIDE

Figure 4: Blastmaster 125E & 125P Remote Control System Pressure Switch Kit



Item #	Part #	Description
--------	--------	-------------

Fig. 4

—	10104339	Blastmaster 125E & 125P Remote Control System Pressure Switch Kit
---	----------	---

1	1017019	1/4" x 1/4" Hex Nipple
---	---------	------------------------

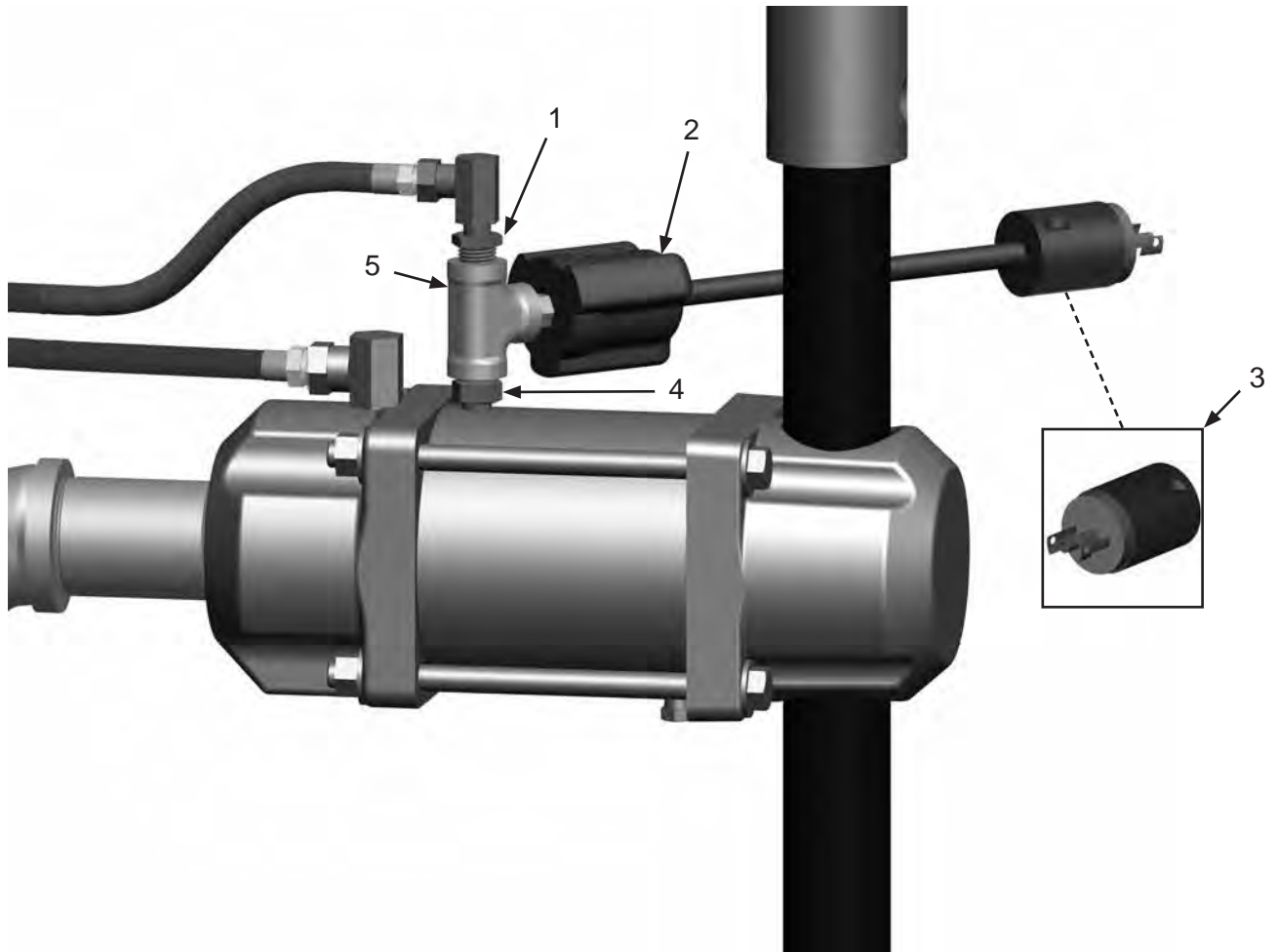
2	10104310	Pressure Switch Assembly
---	----------	--------------------------

3	10103194	3 Prong Male Twist Lock Plug
---	----------	------------------------------

4	1011844	1/4" Pipe Tee
---	---------	---------------

PART NUMBERS AND SCHEMATICS GUIDE

Figure 5: Blastmaster 123E & 123P Remote Control System Pressure Switch Kit



Item #	Part #	Description
--------	--------	-------------

Fig. 5

—	10104340	Blastmaster 123E & 123P Remote Control System Pressure Switch Kit
---	----------	---

1	1011212	1/4" x 1/8" Reducer Bushing
---	---------	-----------------------------

2	10104310	Pressure Switch Assembly
---	----------	--------------------------

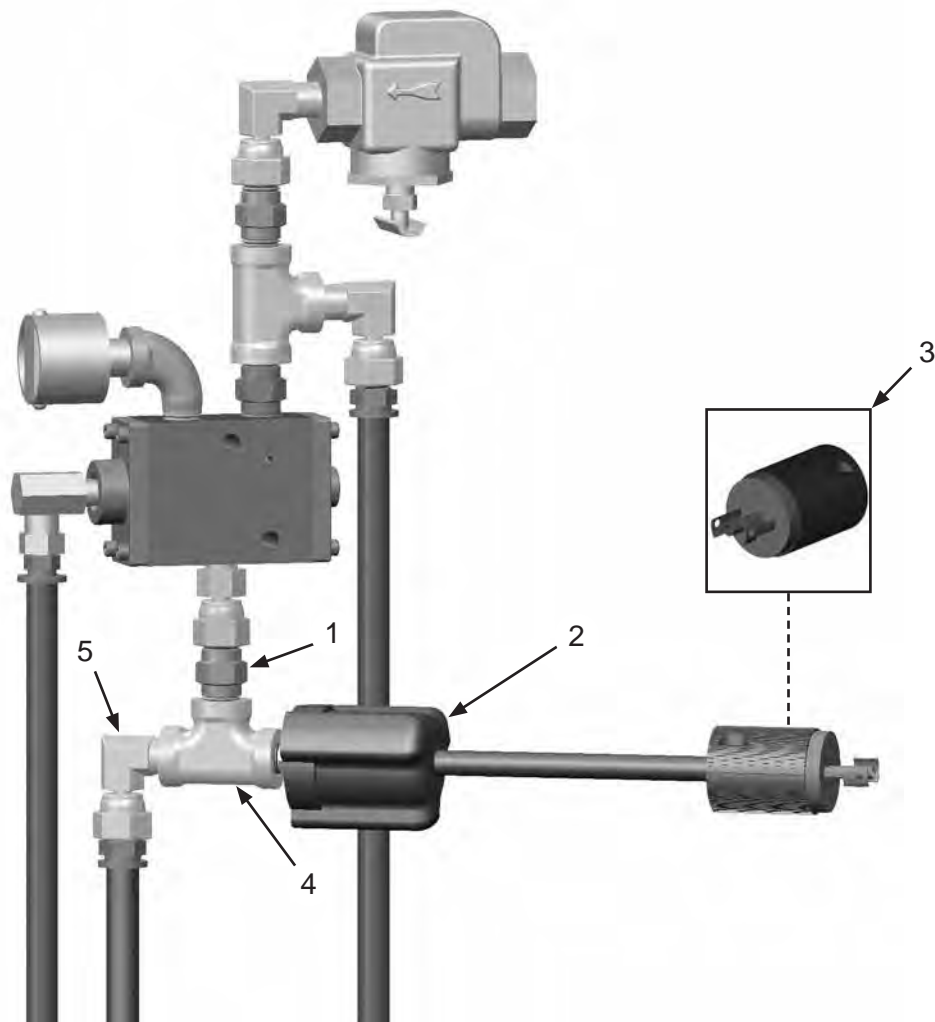
3	10103194	3 Prong Male Twist Lock Plug
---	----------	------------------------------

4	10PVFIT1	1/4" x 1/8" Hex Nipple
---	----------	------------------------

5	1011844	1/4" Pipe Tee
---	---------	---------------

PART NUMBERS AND SCHEMATICS GUIDE

Figure 6: Blastmaster 130P Remote Control System Pressure Switch Kit



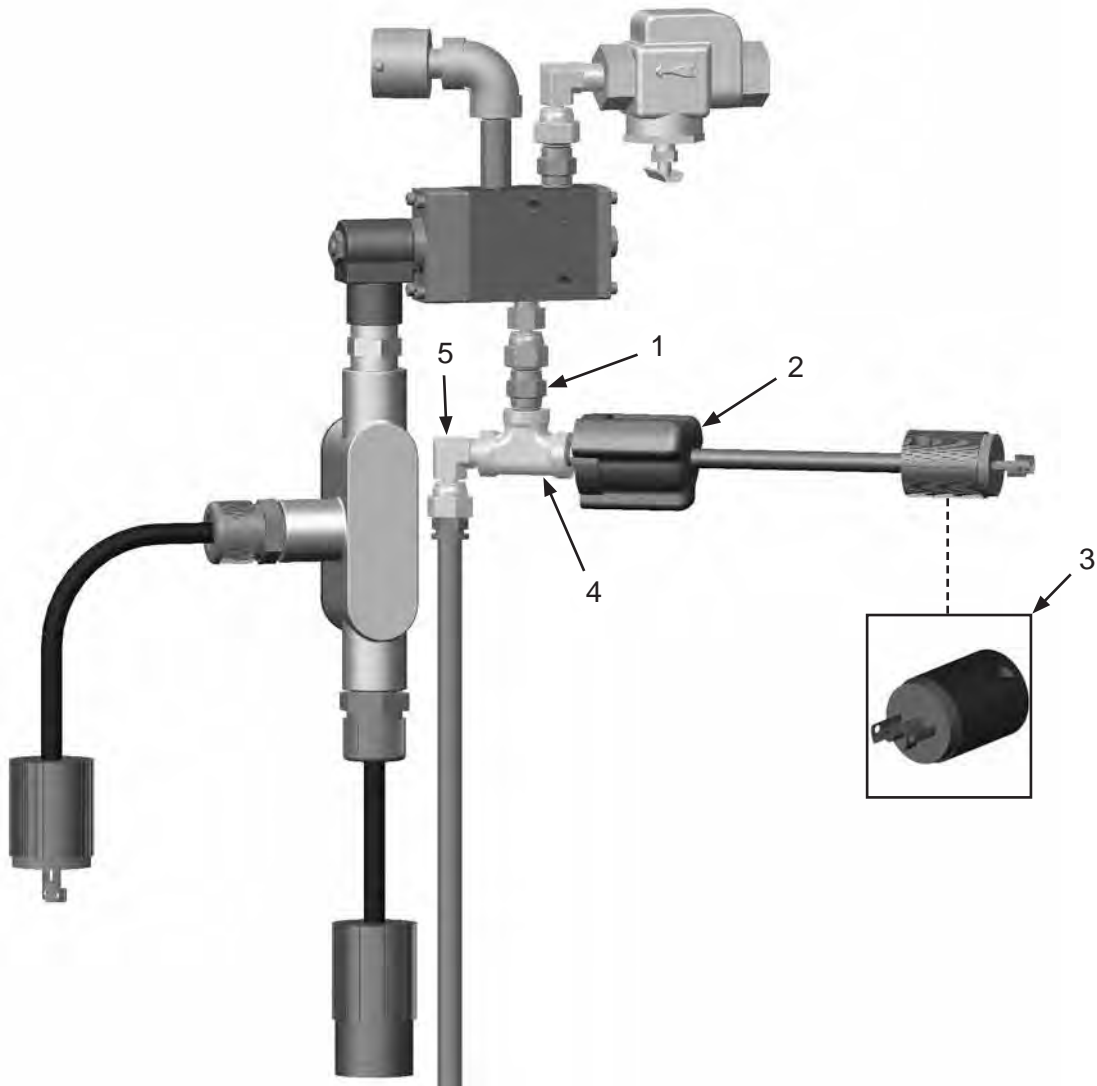
Item #	Part #	Description
--------	--------	-------------

Fig. 6

—	10104341	Blastmaster 130P Remote Control System Pressure Switch Kit
1	1017019	1/4" x 1/4" Hex Nipple
2	10104310	Pressure Switch Assembly
3	10103194	3 Prong Male Twist Lock Plug
4	1011844	1/4" Pipe Tee
5	1012326	1/4" NPT 90° Swivel Fitting

PART NUMBERS AND SCHEMATICS GUIDE

Figure 7: Blastmaster 130E Remote Control System Pressure Switch Kit



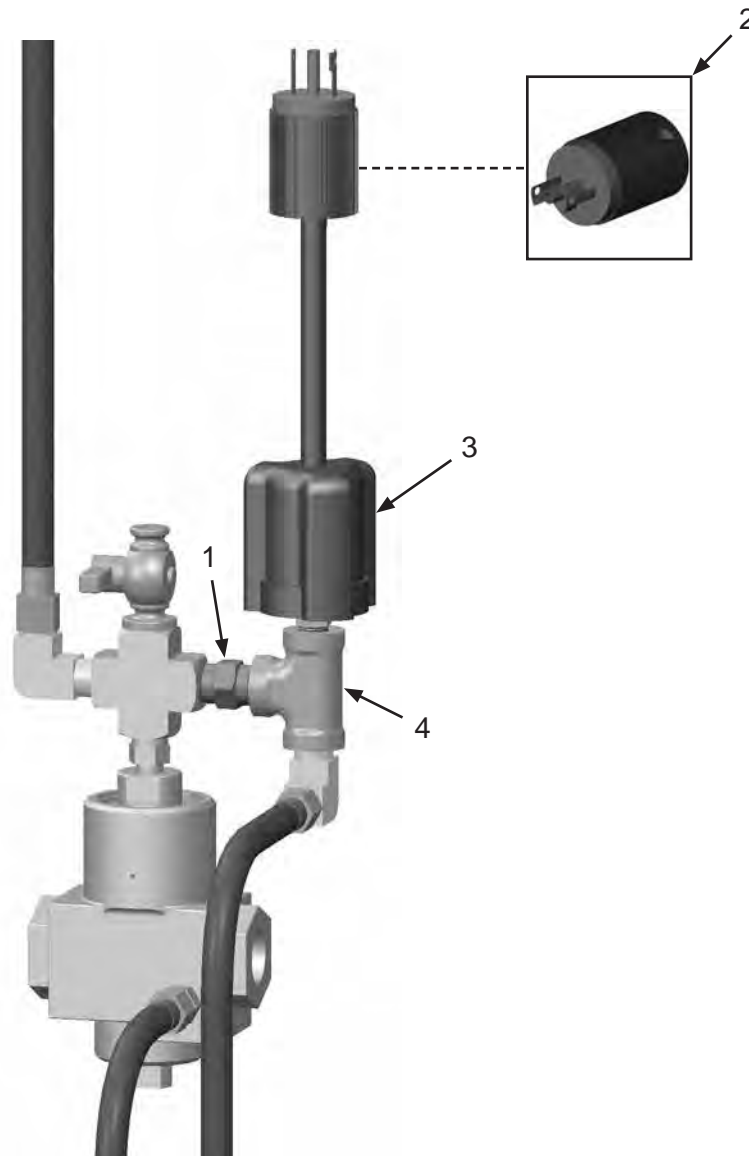
Item #	Part #	Description
--------	--------	-------------

Fig. 7

—	10104342	Blastmaster 130E Remote Control System Pressure Switch Kit
1	1017019	1/4" x 1/4" Hex Nipple
2	10104310	Pressure Switch Assembly
3	10103194	3 Prong Male Twist Lock Plug
4	1011844	1/4" Pipe Tee
5	1012326	1/4" NPT 90° Swivel Fitting

PART NUMBERS AND SCHEMATICS GUIDE

Figure 8: Blastmaster 120E & 120P Remote Control System Pressure Switch Kit



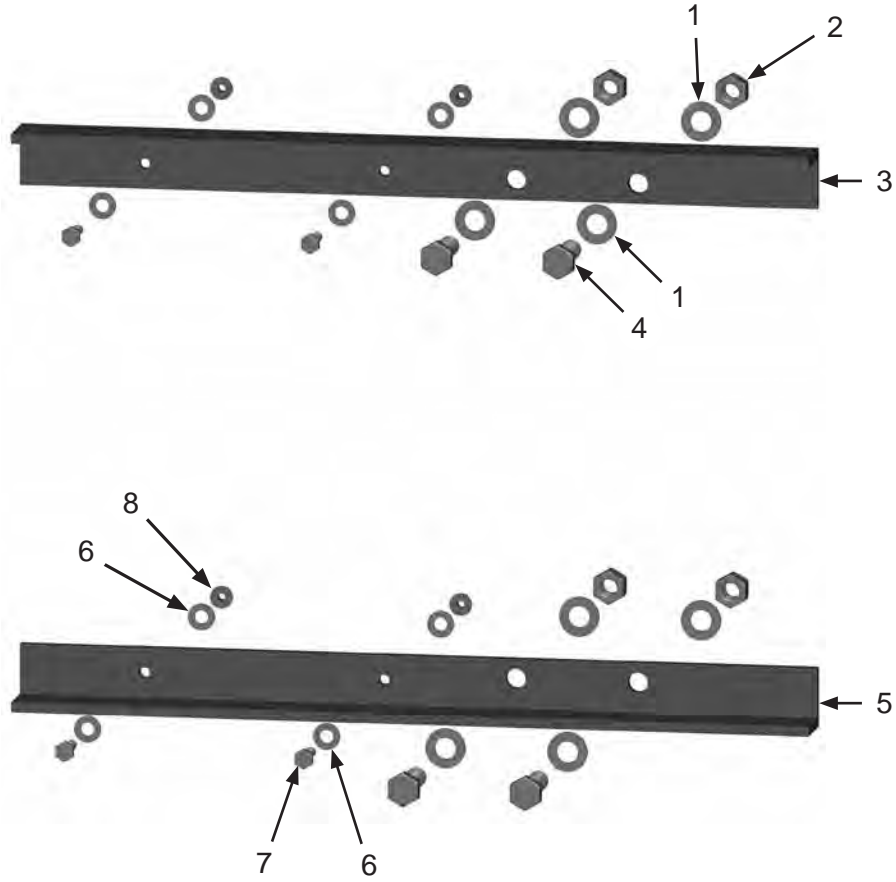
Item #	Part #	Description
--------	--------	-------------

Fig. 8

—	10104343	Blastmaster 120E & 120P Remote Control System Pressure Switch Kit
1	1017019	1/4" x 1/4" Hex Nipple
2	10103194	3 Prong Male Twist Lock Plug
3	10104310	Pressure Switch Assembly
4	1011844	1/4" Pipe Tee

OPTIONAL ACCESSORIES

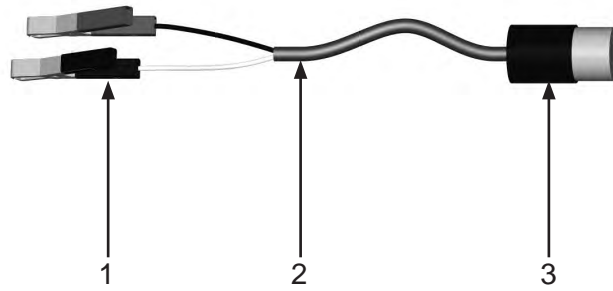
Figure 9: Mounting Bracket Assembly



Item #	Part #	Description
Fig. 9		
—	10104311	Mounting Bracket Assembly
1	10100674	1/2" Flat Washer (<i>Eight Required</i>)
2	20100124	1/2-13 Hex Nylon Lock Nut (<i>Four Required</i>)
3	10104312	Upper Mounting Bracket
4	10101943	1/2-13 x 1-3/4" Hex Bolt (<i>Four Required</i>)
5	10104313	Lower Mounting Bracket
6	1014017	1/4" Flat Washer (<i>Eight Required</i>)
7	10101937	1/4-20 x 1" Hex Bolt (<i>Four Required</i>)
8	1012323	1/4-20 Hex Nylon Lock Nut (<i>Four Required</i>)

OPTIONAL ACCESSORIES

Figure 10: Battery Clamp Assembly





Item #	Part #	Description
Fig. 10		
—	1015541	Battery Clamp Kit Assembly
1	1030718	Battery Clamps
2	1015540	16/2 SJ Power Cord Per Foot
3	1015552	Two Prong Female Twist Lock Plug



Part Numbers

ELECTRIC CONTROL LINE				
	Gauge	# of Wires	Type	Length
1015540	16	2	SJ	Per Foot

ELECTRIC CONTROL LINE PLUGS

	Part Numbers	Prong Style	Plug Style
	1015551	2-Prong Male	Twist-Lock
	1015552	2-Prong Female	Twist-Lock

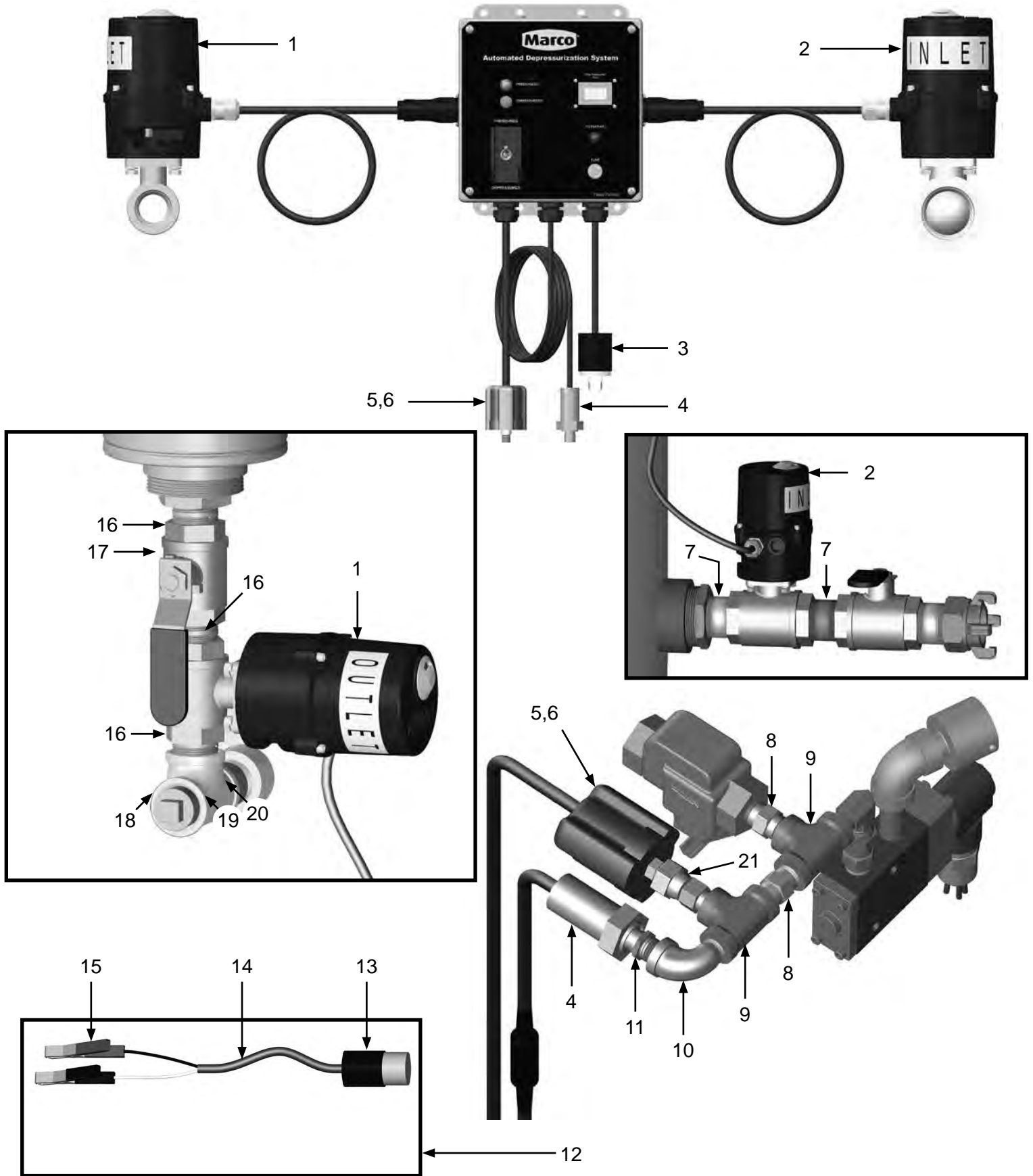
PART NUMBERS & SCHEMATICS GUIDE

Blastmaster® Automated Depressurization System


Item #	Part #	Description
Fig. 1		
—	10102550	Blastmaster® Automated Depressurization System – Complete
1	10104514	1-1/4" Electronic Ball Valve with 17 feet of 16/4 Electric Cord and Connector
2	10104513	2" Electronic Ball Valve with 8 feet of 16/4 Electric Cord and Connector
3	1015551	Twist-Lock Plug – 2-Prong – Male
4	10104620	High Pressure Transducer Fitting
5	10103200	Pressure Switch
6	10103201	Pressure Switch Weatherproof Cover
7	1001806	2" NPT Close Nipple (<i>Two Required</i>)
8	1017019	1/4" x 1/4" Hex Nipple (<i>Two Required</i>)
9	1011844	1/4" Pipe Tee (<i>Two Required</i>)
10	1011824	1/4" 90° Street Elbow
11	20PFHA24B0402	1/4" x 1/8" Reducing Bushing
12	1015541	Battery Clamp Kit – 2-Prong
13	1015552	Twist-Lock Plug – 2-Prong – Female
14	1015540	16/2 SJ Power Cord (<i>Per Foot</i>)
15	1030718	Battery Clamps
16	1011201	1-1/4" Close Nipple (<i>Three Required</i>)
17	1011602	1-1/4" Ball Valve
18	1011902	1-1/4" NPT Square Head Pipe Plug
19	1011803	1-1/4" Tee
20	10105252	1-1/4" x 3" Nipple
21	10SME025	1/4" NPT x 1/4" Swivel Nipple
—	1091017	Hazard Identification Tag
—	105M118	Features and Specifications Guide – Blastmaster® Automated Depressurization System
—	106M118	Part Numbers and Schematics Guide – Blastmaster® Automated Depressurization System
—	1090118	Operator's Manual – Blastmaster® Automated Depressurization System



PART NUMBERS & SCHEMATICS GUIDE

Figure 1: Blastmaster® Automated Depressurization System



OPTIONAL ACCESSORIES

ELECTRIC CORDS						
	Part Numbers	Gauge	# of Wires	2-Prong Male Twist-Lock Plug	2-Prong Female Twist-Lock Plug	Length
	1015543	16	2	1015551	1015552	25 Feet
	1015542	16	2	1015551	1015552	50 Feet

ELECTRIC CORD PLUGS			
	Part Numbers	Prong Style	Plug Style
	1015551	2-Prong Male	Twist-Lock
	1015552	2-Prong Female	Twist-Lock

PART NUMBERS AND SCHEMATICS GUIDE

Part Numbers	BLASTMASTER® BULK BAG RACKS
	Description
10104768	Blastmaster® Heavy-Duty Bulk Bag Rack with Swing Gate, with Tapered Support Panels
10102133	Bulk Bag Rack with Grid Support, 2.25" I.D. Lifting Eye
10103271	Bulk Bag Rack with Grid Support, .704" I.D. Lifting Eye



(10104768)



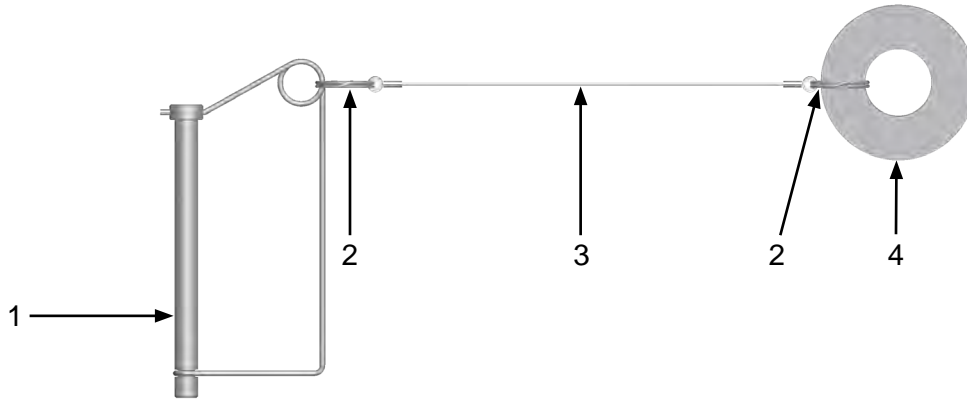
(10102133)



(10103271)

OPTIONAL ACCESSORIES

Figure 1: Locking Pin Assembly – Complete



Item #	Part #	Description
Fig. 1		
—	10103386	Locking Pin Assembly – Complete
1	10103387	3/8" x 4" Locking Pin
2	10103388	Split Ring (<i>Two Required</i>)
3	10103390	7" Lanyard with Eyelets
4	10103389	2-1/4" O.D. x 1-1/4" I.D. Flat Washer
—	1090101	Operator's Manual – Blastmaster® Bulk Bag Racks

PART NUMBERS AND SCHEMATICS GUIDE

BLASTMASTER® BULK BAG RACK STAND – COMPLETE

Part Numbers	3.0 Cu. Ft	3.5 Cu. Ft	6.0 Cu. Ft	6.5 Cu. Ft	10.0 Cu. Ft	20.0 Cu. Ft
10105035	X	X	X	X		
10106862	X	X	X	X	X	X
10105036	X	X	X	X		
10105566	X	X	X	X	X	X

PART NUMBERS AND SCHEMATICS GUIDE

Figure 1: Blastmaster® Bulk Bag Rack Stand – Complete



Heavy-Duty



Standard-Duty

Item #	Part #	Description
Fig. 1		
—	10105035	Blastmaster® Bulk Bag Rack Stand with Heavy-Duty Bulk Bag Rack – Complete
—	10106862	Blastmaster® Tall Bulk Bag Rack Stand with Heavy-Duty Bulk Bag Rack – Complete
—	10105036	Blastmaster® Bulk Bag Rack Stand with Standard Duty Bulk Bag Rack – Complete
—	10105566	Blastmaster® Tall Bulk Bag Rack Stand with Standard Duty Bulk Bag Rack – Complete
—	10104909	Blastmaster® Bulk Bag Rack Stand with Funnel – Complete
—	10106871	Blastmaster® Tall Bulk Bag Rack Stand with Funnel – Complete
—	105M121	Features and Specifications Guide – Blastmaster® Bulk Bag Rack Stand
—	106M121	Part Numbers and Schematics Guide – Blastmaster® Bulk Bag Rack Stand
—	1090121	Operator's Manual – Blastmaster® Bulk Bag Rack Stand

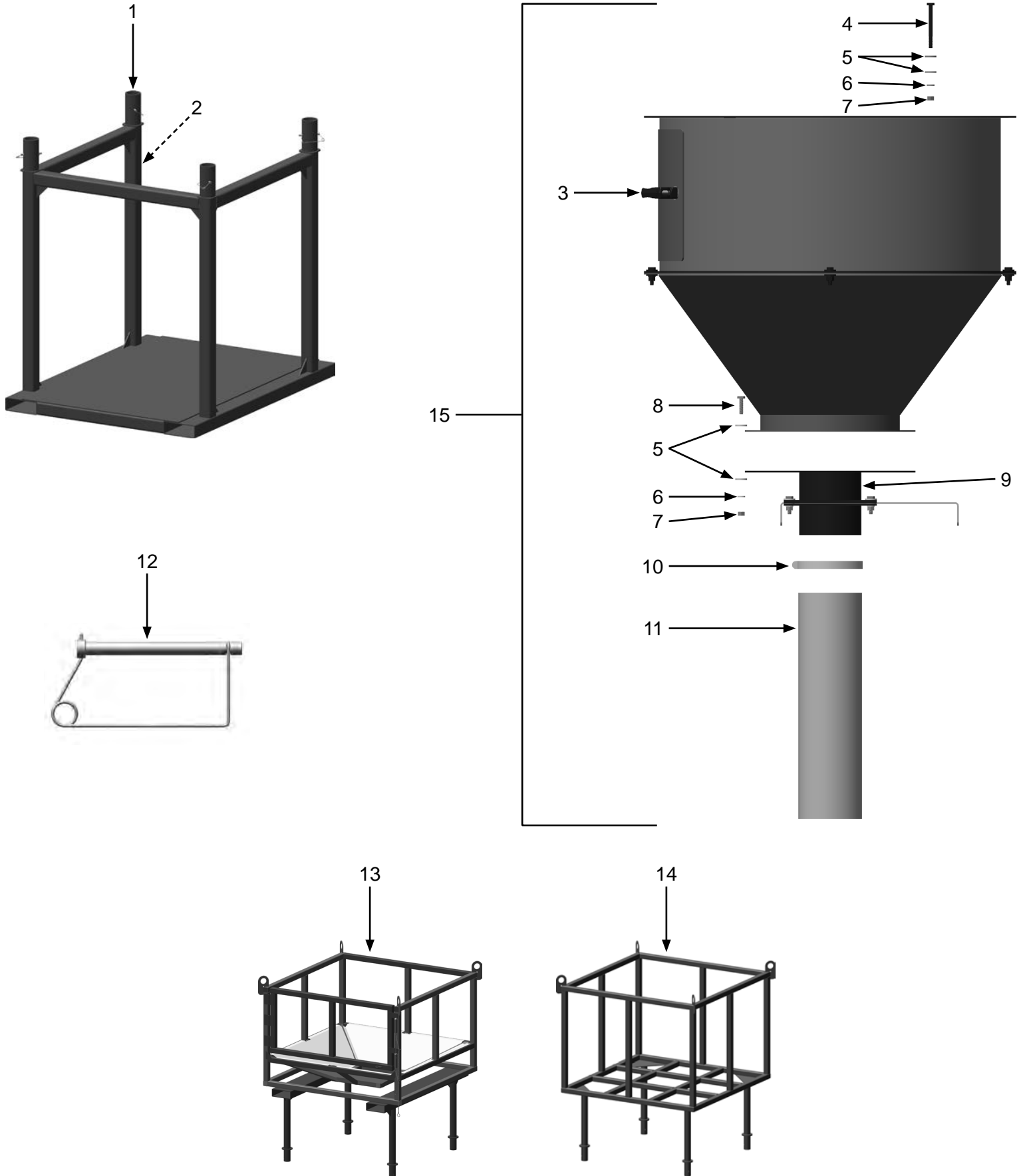
PART NUMBERS AND SCHEMATICS GUIDE

Blastmaster® Bulk Bag Rack Stand

Item #	Part #	Description
Fig. 2		
1	10104621	Blastmaster® Bulk Bag Rack Stand
—	10105565	Blastmaster® Tall Bulk Bag Rack Stand
2	1090120	Hazard Identification Decals (<i>Sheet</i>)
3	10104957	Latch Assembly
4	10101706	1/4-20 X 2-3/4" Grade 5 Hex Bolt
5	10101940	1/4" Flat Washer
6	1012153	1/4" Lock Washer
7	10101347	1/4-20" Hex Nut
8	10101937	1/4-20 X 1" Grade 5 Bolt
9	10105061	Slide Gate Assembly
10	10105038	4" Hose Clamp
11	20KVSL400X300	4" Layflat Hose (<i>per foot</i>)
12	10103387	3/8" x 4" Locking Pin
13	10104768	Blastmaster® Heavy-Duty Bulk Bag Rack with Tapered Support Panels with Four Locking Pin Assemblies
14	10102133	Standard Bulk Bag Rack with Grid Support
15	10104950	Funnel Assembly (Includes Item #'s: 3, 4 (Quantity of Four), 5 (Quantity of 22), 6 (Quantity of 15), 7 (Quantity of 15), 8 (Quantity of 11), 9, 10, & 11)

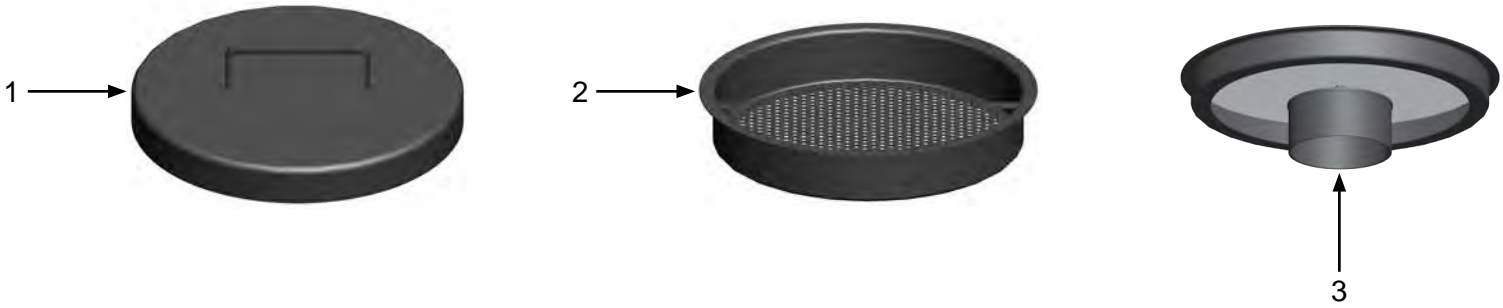
PART NUMBERS AND SCHEMATICS GUIDE

Figure 2: Blastmaster® Bulk Bag Rack Stand



OPTIONAL ACCESSORIES

Figure 3: Lids and Screens



Item #	Part #	Description
Fig. 3		
1	1006101	24" Lid
—	1035060	18" Lid
—	1003101	16" Lid
—	1002101	14" Lid
2	1006102	24" Screen
—	1035061	18" Screen
—	1003102	16" Screen
—	1002102	14" Screen
3	10100732	Abrasive Umbrella (Screen Not Included)

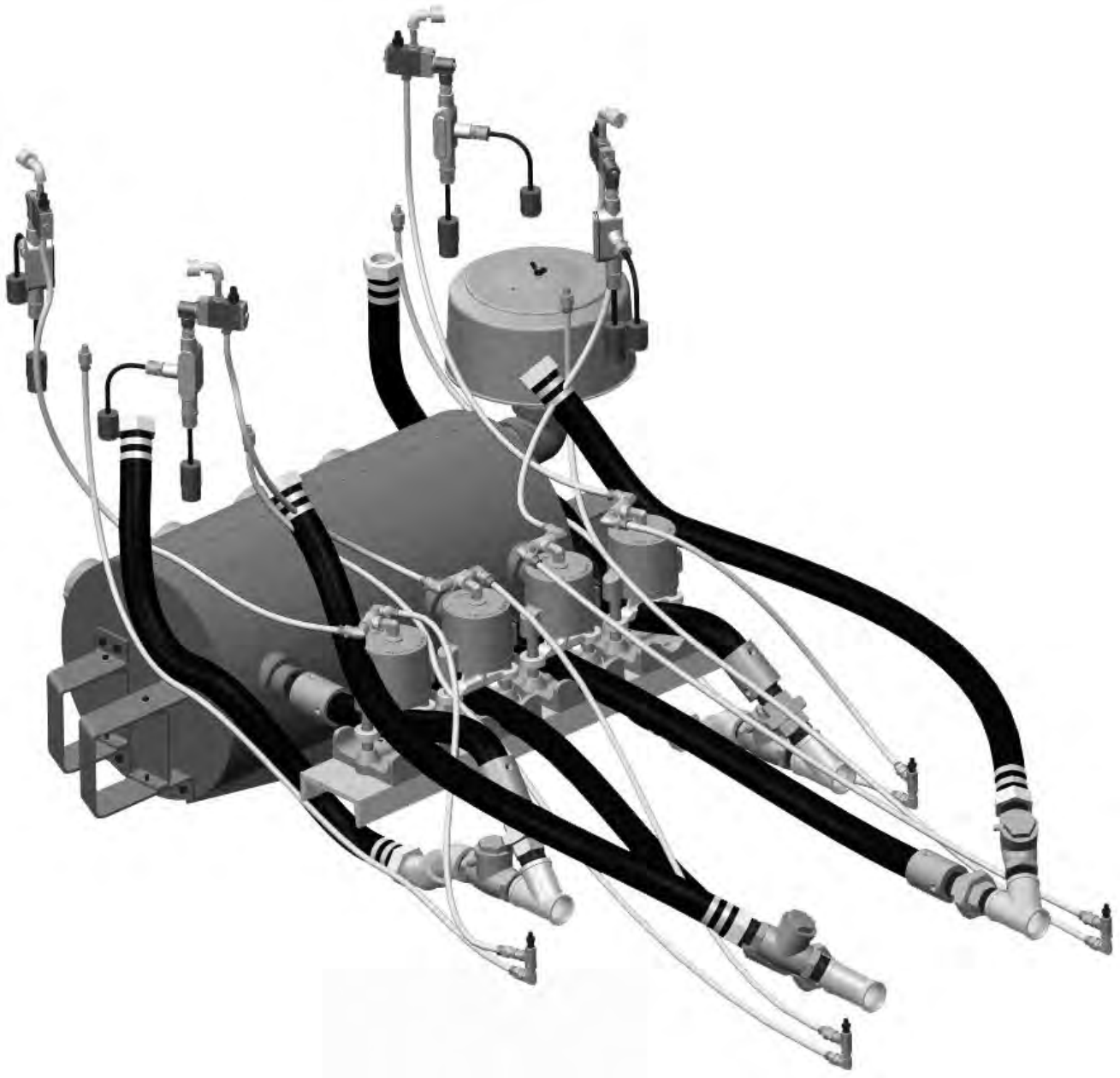
PART NUMBERS AND SCHEMATICS GUIDE

BLASTMASTER® KWIK STOP DEPRESSURIZATION SYSTEM				
Part Numbers	12-Volt DC 190 Electric Control Assembly	12-Volt AC 190 Electric Control Assembly	190 Pneumatic Control Valve	Number of Outlets
10106779	X			2
10106778	X			3
10105669	X			4
10106782		X		2
10106781		X		3
10106780		X		4
10106785			X	2
10106784			X	3
10106783			X	4

All Blastmaster® Kwik Stop Depressurization Systems include:

- Blastmaster® PV400 Remote Control Valves
- Chamber Assembly with Hoses
- Air Exhaust Filter

PART NUMBERS AND SCHEMATICS GUIDE



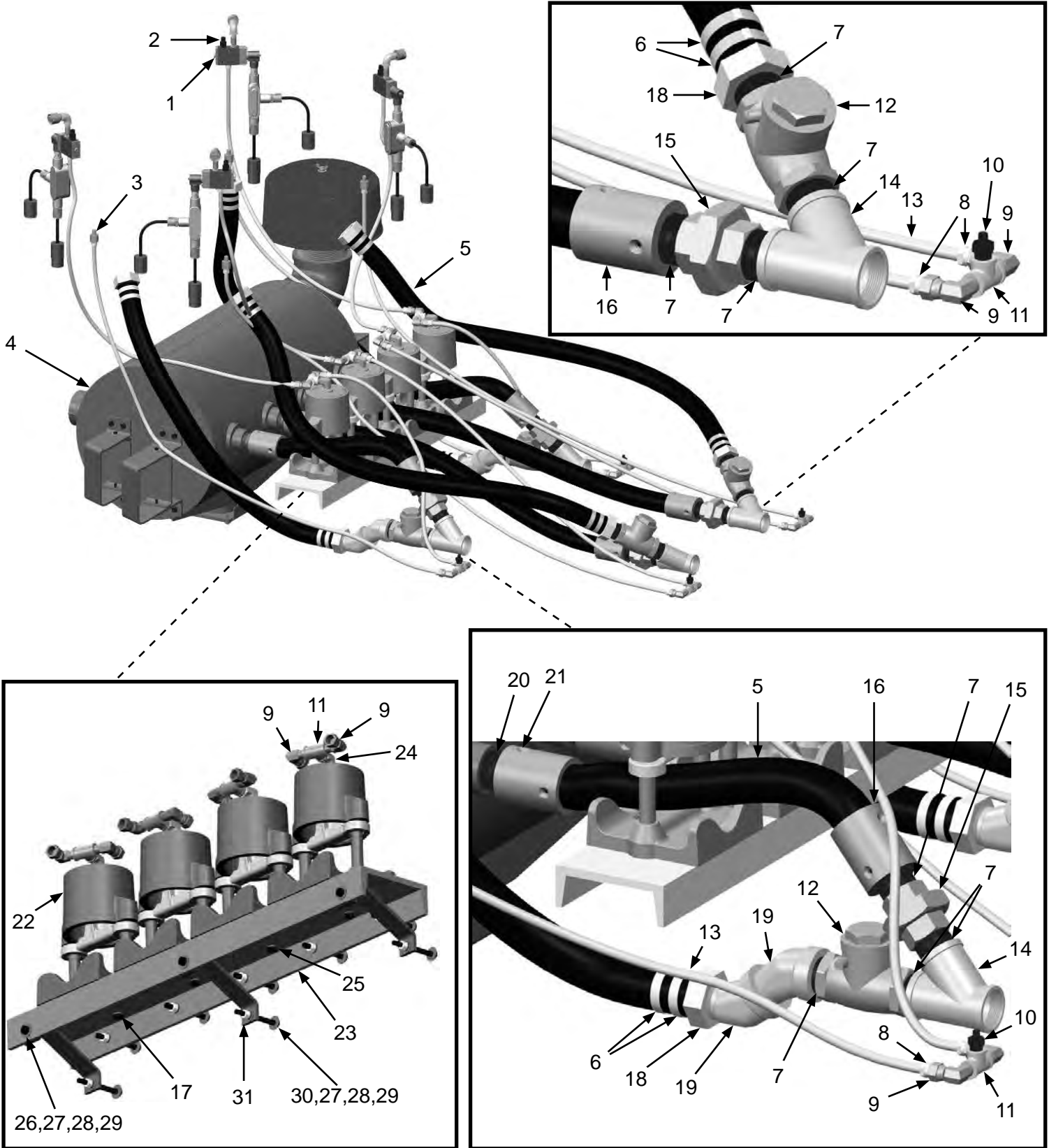
PART NUMBERS AND SCHEMATICS GUIDE

Kwik Stop Depressurization System Assembly – 12-Volt DC 190 Electric Control Assembly

Item #	Part #	Description
Fig. 1		
—	10106779	Blastmaster® Kwik Stop – 12-Volt DC 190 – 2-Port – Complete
—	10106778	Blastmaster® Kwik Stop – 12-Volt DC 190 – 3-Port – Complete
—	10105669	Blastmaster® Kwik Stop – 12-Volt DC 190 – 4-Port – Complete
1	10106491	12-Volt DC 190 Electric Control Assembly <i>(Four Required Per Outlet)</i>
2	20PFHA24SA0604	1/4" x 3/8" Hex Nipple <i>(Four Required Per Outlet)</i>
3	20PFHA24SG0604	1/4" x 3/8" Hex Reducer <i>(Four Required Per Outlet)</i>
4	10105665	Chamber Assembly <i>(See Figure 4)</i>
5	10AH114B	Air Hose 1-1/4" I.D. 200 PSI – Black <i>(Per Foot)</i>
6	10AHCL1	Band Clamp <i>(16 Required)</i>
7	1014015	1-1/2" Close Nipple <i>(Four Required Per Outlet)</i>
8	10103631	3/8" Barb x 3/8" NPTF Brass <i>(Four Required Per Outlet)</i>
9	20PFHA60UA0606	3/8" (M) x 3/8" (F) 90° Swivel Union <i>(Four Required Per Outlet)</i>
10	20PFHA24SA0602	1/8" x 3/8" Hex Nipple <i>(One Required Per Outlet)</i>
11	1011809	3/8" Pipe Tee <i>(Two Required Per Outlet)</i>
12	10106486	1-1/2" Horizontal Swing Check Valve <i>(One Required Per Outlet)</i>
13	10AH038	Air Hose 3/8" IS 300 – Black <i>(Per Foot)</i>
14	10105025	1-1/2" WYE Fitting <i>(One Required Per Outlet)</i>
15	10102398	1-1/2" NPT Pipe Union <i>(One Required Per Outlet)</i>
16	10105822	Aluminum Nozzle 1-1/2" Threads <i>(One Required Per Outlet)</i>
17	10101059	3/8-16 x 1-1/4" Bolt Galvanized <i>(Two Required Per Outlet)</i>
18	10SFE4	1-1/2" Swivel Female End <i>(Two Required Per Outlet)</i>
19	1011805	1-1/2" x 45° Elbow <i>(Four Required)</i>
20	10106199	1-1/2" x 2" Pipe Nipple <i>(One Required Per Outlet)</i>
21	10NHA4	1-1/2" Aluminum Nozzle Holder NPS <i>(One Required Per Outlet)</i>
22	10106832	Blastmaster® 3/8" PV400 Remote Control Valve <i>(One Required Per Outlet)</i>
23	10105786	PV400 Mounting Channel
24	20PFHA25UA0606	3/8" Male 90° Elbow <i>(One Required Per Outlet)</i>
25	10101936	3/8" Lock Washer <i>(Two Required Per Outlet)</i>
26	20101171	3/8-16 x 1-1/2" L Zinc HHCS <i>(Three Required)</i>
27	10102331	3/8" SAE Flat Washer Zinc <i>(17 Required)</i>
28	10101936	3/8" Lock Washer - Zinc <i>(Three Required)</i>
29	1012318	3/8-16 HD Hex Nut <i>(Three Required)</i>
30	10106814	3/8-16 x 3-1/2" Grade 5 Hex Bolt-Zinc <i>(Eight Required)</i>
31	10106787	Brace
—	105M137	Features and Specifications Guide – Blastmaster® Kwik Stop Depressurization System
—	106M137	Part Numbers & Schematics Guide – Blastmaster® Kwik Stop Depressurization System
—	1090137	Operator's Manual – Blastmaster® Kwik Stop Depressurization System

PART NUMBERS AND SCHEMATICS GUIDE

Figure 1: Kwik Stop Depressurization System Assembly – 12-Volt DC 190 Electric Control Assembly



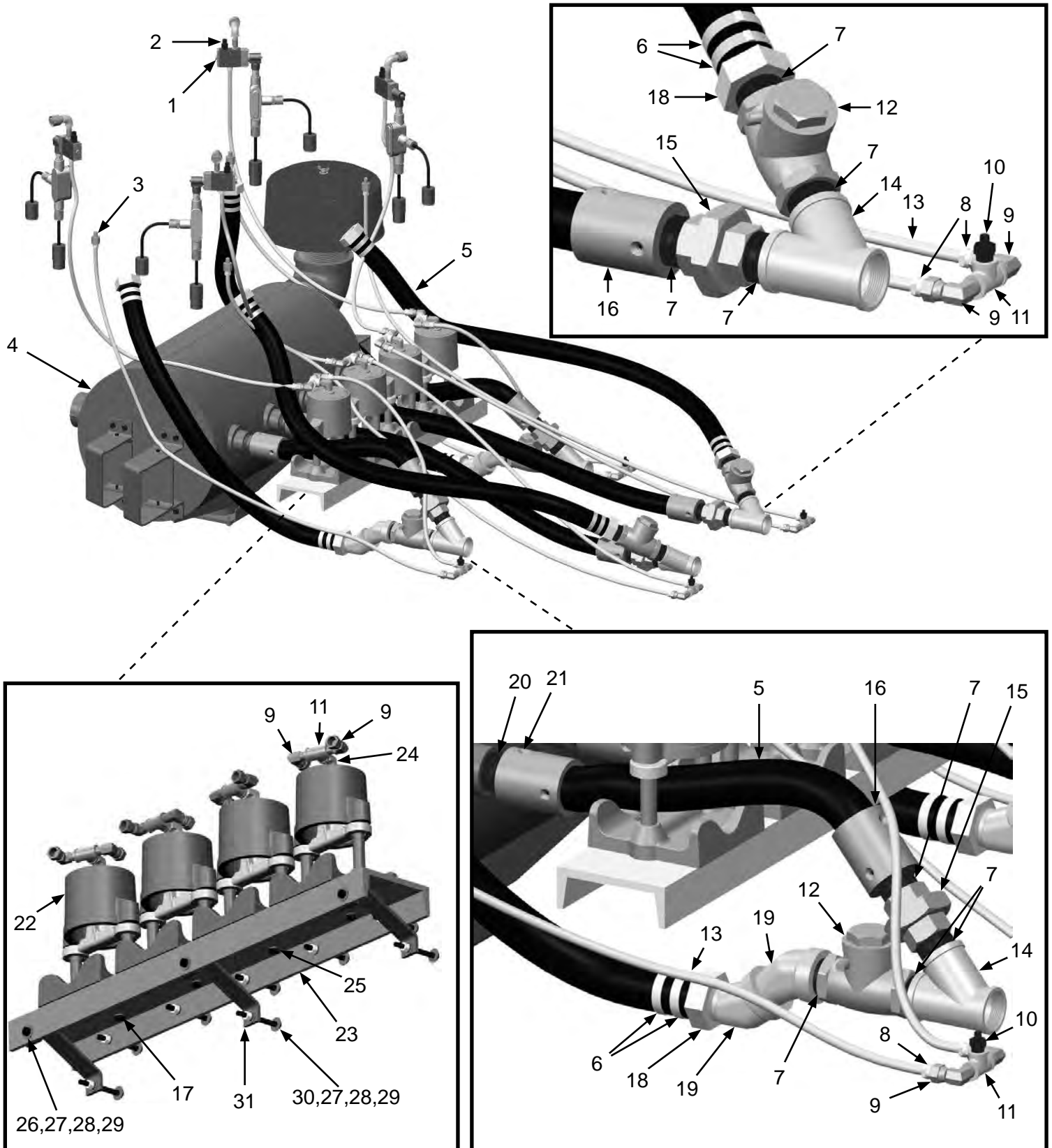
PART NUMBERS AND SCHEMATICS GUIDE

Kwik Stop Depressurization System Assembly – 12-Volt AC 190 Electric Control Assembly

Item #	Part #	Description
Fig. 2		
—	10106782	Blastmaster® Kwik Stop – 12-Volt AC 190 – 2-Port – Complete
—	10106781	Blastmaster® Kwik Stop – 12-Volt AC 190 – 3-Port – Complete
—	10106780	Blastmaster® Kwik Stop – 12-Volt AC 190 – 4-Port – Complete
1	10106491	12-Volt AC 190 Electric Control Assembly <i>(Four Required Per Outlet)</i>
2	20PFHA24SA0604	1/4" x 3/8" Hex Nipple <i>(Four Required Per Outlet)</i>
3	20PFHA24SG0604	1/4" x 3/8" Hex Reducer <i>(Four Required Per Outlet)</i>
4	10105665	Chamber Assembly <i>(See Figure 4)</i>
5	10AH114B	Air Hose 1-1/4" I.D. 200 PSI – Black <i>(Per Foot)</i>
6	10AHCL1	Band Clamp <i>(16 Required)</i>
7	1014015	1-1/2" Close Nipple <i>(Four Required Per Outlet)</i>
8	10103631	3/8" Barb x 3/8" NPTF Brass <i>(Four Required Per Outlet)</i>
9	20PFHA60UA0606	3/8" (M) x 3/8" (F) 90° Swivel Union <i>(Four Required Per Outlet)</i>
10	20PFHA24SA0602	1/8" x 3/8" Hex Nipple <i>(One Required Per Outlet)</i>
11	1011809	3/8" Pipe Tee <i>(Two Required Per Outlet)</i>
12	10106486	1-1/2" Horizontal Swing Check Valve <i>(One Required Per Outlet)</i>
13	10AH038	Air Hose 3/8" IS 300 – Black <i>(Per Foot)</i>
14	10105025	1-1/2" WYE Fitting <i>(One Required Per Outlet)</i>
15	10102398	1-1/2" NPT Pipe Union <i>(One Required Per Outlet)</i>
16	10105822	Aluminum Nozzle 1-1/2" Threads <i>(One Required Per Outlet)</i>
17	10101059	3/8-16 x 1-1/4" Bolt Galvanized <i>(Two Required Per Outlet)</i>
18	10SFE4	1-1/2" Swivel Female End <i>(Two Required Per Outlet)</i>
19	1011805	1-1/2" x 45° Elbow <i>(Four Required)</i>
20	10106199	1-1/2" x 2" Pipe Nipple <i>(One Required Per Outlet)</i>
21	10NHA4	1-1/2" Aluminum Nozzle Holder NPS <i>(One Required Per Outlet)</i>
22	10106832	Blastmaster® 3/8" PV400 Remote Control Valve <i>(One Required Per Outlet)</i>
23	10105786	PV400 Mounting Channel
24	20PFHA25UA0606	3/8" Male 90° Elbow <i>(One Required Per Outlet)</i>
25	10101936	3/8" Lock Washer <i>(Two Required Per Outlet)</i>
26	20101171	3/8-16 x 1-1/2" L Zinc HHCS <i>(Three Required)</i>
27	10102331	3/8" SAE Flat Washer Zinc <i>(17 Required)</i>
28	10101936	3/8" Lock Washer - Zinc <i>(Three Required)</i>
29	1012318	3/8-16 HD Hex Nut <i>(Three Required)</i>
30	10106814	3/8-16 x 3-1/2" Grade 5 Hex Bolt-Zinc <i>(Eight Required)</i>
31	10106787	Brace

PART NUMBERS AND SCHEMATICS GUIDE

Figure 2: Kwik Stop Depressurization System Assembly – 12-Volt AC 190 Electric Control Assembly



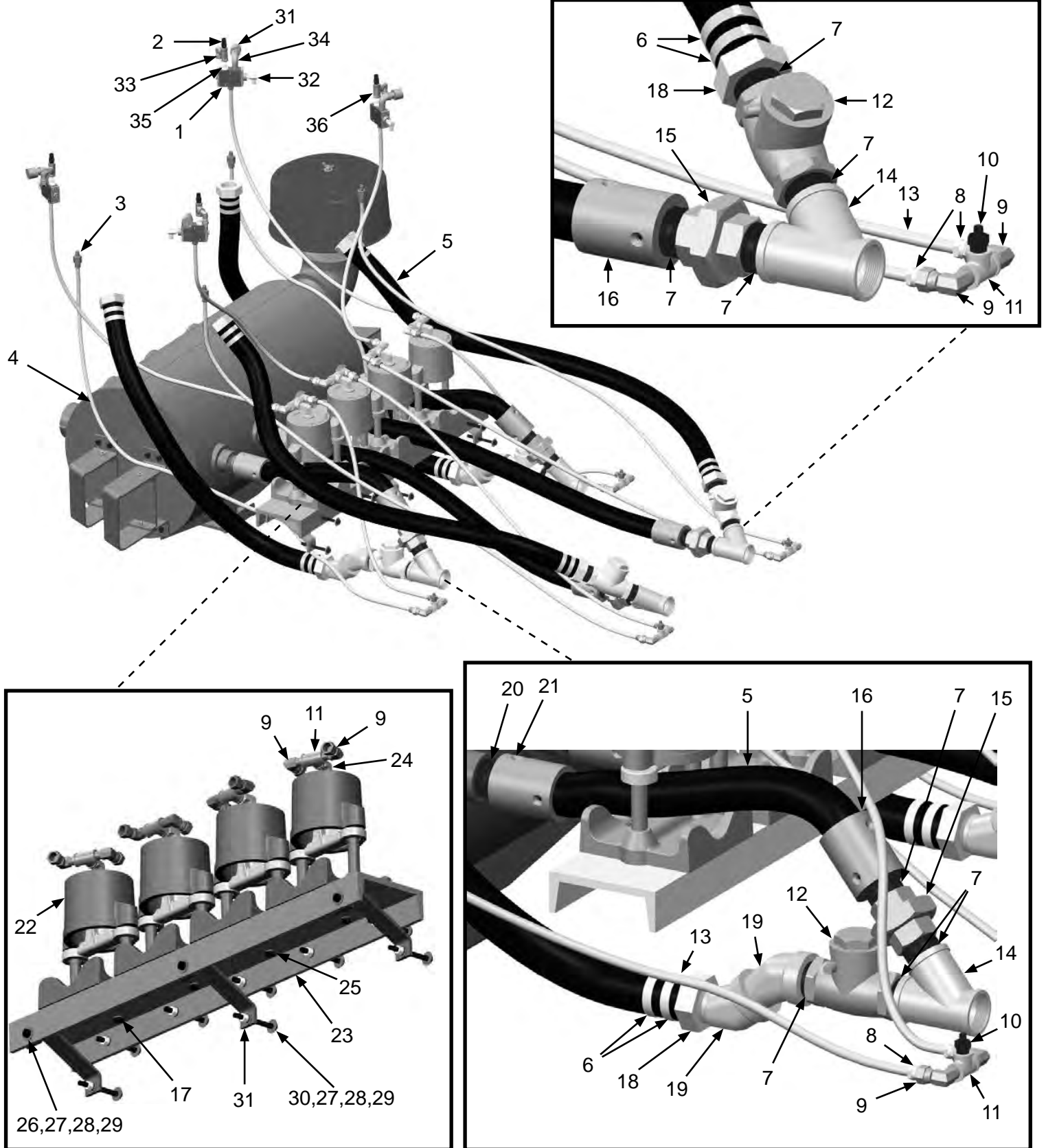
PART NUMBERS AND SCHEMATICS GUIDE

Kwik Stop Depressurization System Assembly – 190 Pneumatic Control Valve

Item #	Part #	Description
Fig. 3		
—	10106785	Blastmaster® Kwik Stop – Pneumatic – 2-Port – Complete
—	10106784	Blastmaster® Kwik Stop – Pneumatic – 3-Port – Complete
—	10106783	Blastmaster® Kwik Stop – Pneumatic – 4-Port – Complete
1	10106815	3/8" Ports Pneumatic Control Valve <i>(Four Required)</i>
2	20PFHA24SA0604	1/4" x 3/8" Hex Nipple <i>(Four Required Per Outlet)</i>
3	20PFHA24SG0604	1/4" x 3/8" Hex Reducer <i>(Four Required Per Outlet)</i>
4	10105665	Chamber Assembly <i>(See Figure 4)</i>
5	10AH114B	Air Hose 1-1/4" I.D. 200 PSI – Black <i>(Per Foot)</i>
6	10AHCL1	Band Clamp <i>(16 Required)</i>
7	1014015	1-1/2" Close Nipple <i>(Four Required Per Outlet)</i>
8	10103631	3/8" Barb x 3/8" NPTF Brass <i>(Four Required Per Outlet)</i>
9	20PFHA60UA0606	3/8" (M) x 3/8" (F) 90° Swivel Union <i>(Four Required Per Outlet)</i>
10	20PFHA24SA0602	1/8" x 3/8" Hex Nipple <i>(One Required Per Outlet)</i>
11	1011809	3/8" Pipe Tee <i>(Two Required Per Outlet)</i>
12	10106486	1-1/2" Horizontal Swing Check Valve <i>(One Required Per Outlet)</i>
13	10AH038	Air Hose 3/8" IS 300 – Black <i>(Per Foot)</i>
14	10105025	1-1/2" WYE Fitting <i>(One Required Per Outlet)</i>
15	10102398	1-1/2" NPT Pipe Union <i>(One Required Per Outlet)</i>
16	10105822	Aluminum Nozzle 1-1/2" Threads <i>(One Required Per Outlet)</i>
17	10101059	3/8-16 x 1-1/4" Bolt Galvanized <i>(Two Required Per Outlet)</i>
18	10SFE4	1-1/2" Swivel Female End <i>(Two Required Per Outlet)</i>
19	1011805	1-1/2" x 45° Elbow <i>(Four Required)</i>
20	10106199	1-1/2" x 2" Pipe Nipple <i>(One Required Per Outlet)</i>
21	10NHA4	1-1/2" Aluminum Nozzle Holder NPS <i>(One Required Per Outlet)</i>
22	10106832	Blastmaster® 3/8" PV400 Remote Control Valve <i>(One Required Per Outlet)</i>
23	10105786	PV400 Mounting Channel
24	20PFHA25UA0606	3/8" Male 90° Elbow <i>(One Required Per Outlet)</i>
25	10101936	3/8" Lock Washer <i>(Two Required Per Outlet)</i>
26	20101171	3/8-16 x 1-1/2" L Zinc HHCS <i>(Three Required)</i>
27	10102331	3/8" SAE Flat Washer Zinc <i>(17 Required)</i>
28	10101936	3/8" Lock Washer – Zinc <i>(Three Required)</i>
29	1012318	3/8-16 HD Hex Nut <i>(Three Required)</i>
30	10106814	3/8-16 x 3-1/2" Grade 5 Hex Bolt-Zinc <i>(Eight Required)</i>
31	10106787	Brace
32	10DE038	3/8" Dust Eliminator <i>(Four Required)</i>
33	1014239	1/8" x 1/8" 90° Fitting <i>(Four Required)</i>
34	1012326	90° Swivel 1/4" x 1/4" <i>(Four Required)</i>
35	10000114	3/8" NPT Street Elbow <i>(Four Required)</i>
36	20PFHA24SA0604	1/4" x 3/8" Hex Nipple <i>(Four Required)</i>
37	1011844	1/4" Pipe Tee – Galvanized <i>(Four Required)</i>

PART NUMBERS AND SCHEMATICS GUIDE

Figure 3: Kwik Stop Depressurization System Assembly – 190 Pneumatic Control Valve



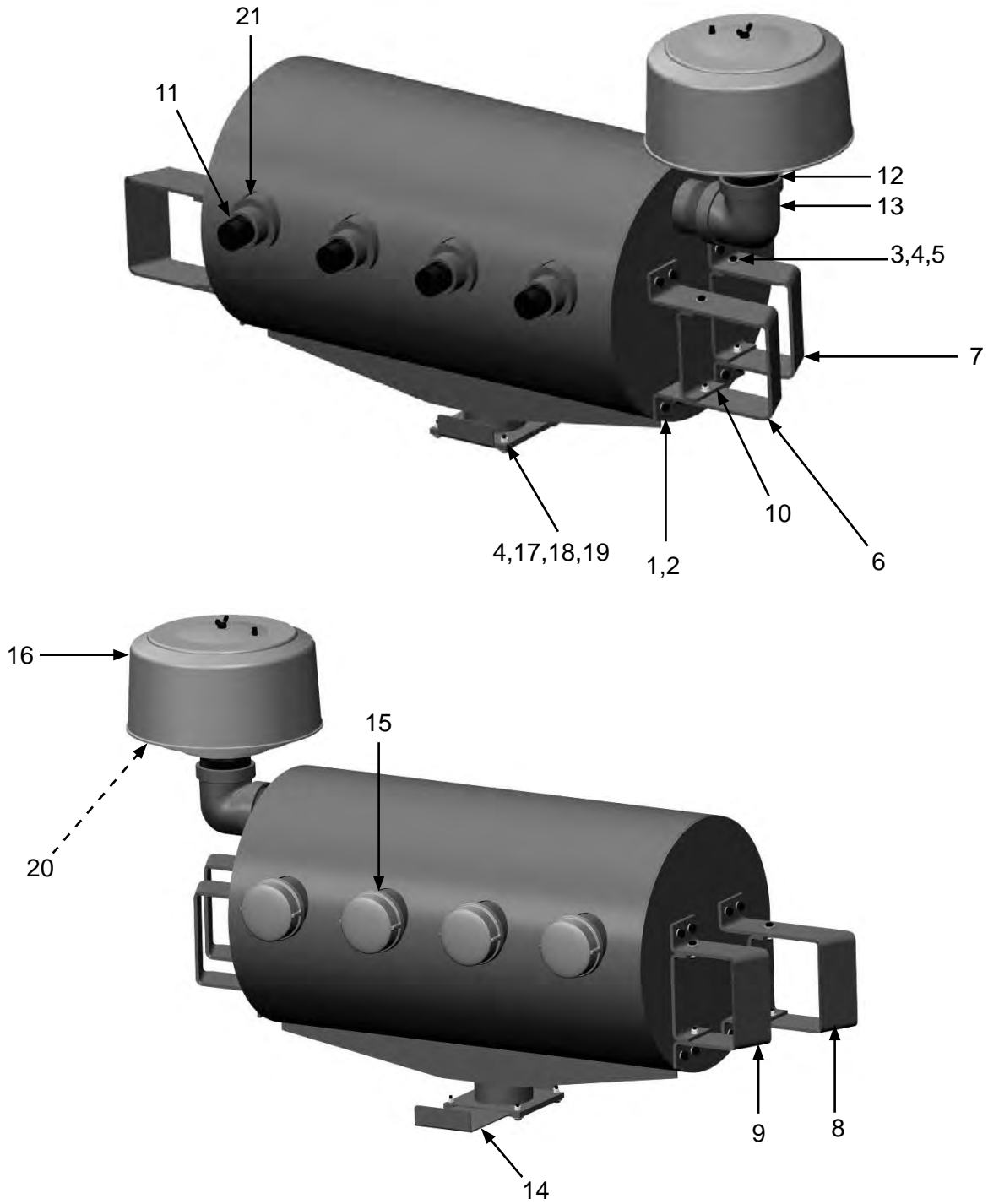
PART NUMBERS AND SCHEMATICS GUIDE

Chamber Assembly

Item #	Part #	Description
Fig. 4		
—	10105665	Chamber Assembly
1	10101936	3/8" Lock Washer (<i>16 Required</i>)
2	10101059	3/8-16 x 1-1/4" Bolt (<i>16 Required</i>)
3	1012154	1/4-20 x 1" Hex Bolt (<i>Eight Required</i>)
4	10101940	1/4" Flat Washer (<i>12 Required</i>)
5	10101939	1/4-20 Stainless Steel Lock Nut with Nylon Insert (<i>Eight Required</i>)
6	10105790	Right Back Angle U-Bracket
7	10105791	Right Front Angle U-Bracket
8	10105792	Left Back Angle U-Bracket
9	10105793	Left Front Angle U-Bracket
10	10105789	U-Support Bracket (<i>Four Required</i>)
11	10106199	1-1/2" x Pipe Nipple (<i>Four Required</i>)
12	10106487	5" Close Nipple
13	10106462	5" 90° Pipe Elbow
14	10105664	Cleanout Panel Assembly
15	10105656	Chamber Body End Cap (<i>Four Required</i>)
16	10106463	5" MNPT Air Exhaust Filter
17	10101937	1/4-20 x 1" Bolt (<i>Four Required</i>)
18	1012153	1/4" Lock Washer (<i>Four Required</i>)
19	10101347	1/4-20 Hex Nut (<i>Four Required</i>)
20	10106464	Wire Mesh Element
21	10105653	3" Muffler Assembly (<i>Four Required</i>)

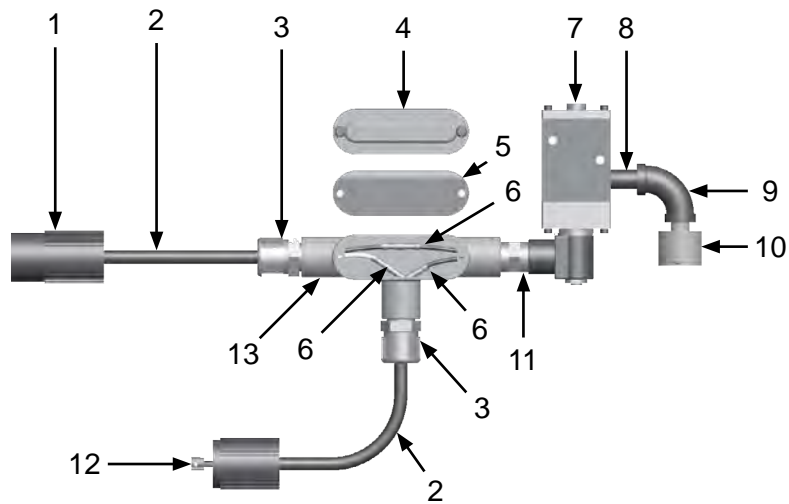
PART NUMBERS AND SCHEMATICS GUIDE

Figure 4: Chamber Assembly



PART NUMBERS AND SCHEMATICS GUIDE

Figure 5: 12-Volt DC 190 Electric Control Assembly



Item #	Part #	Description
--------	--------	-------------

Fig. 5

—	10106491	12-Volt DC 190 Electric Control Assembly – Complete
---	----------	---

1	1015552	2-Prong Twist-Lock Plug – Female
---	---------	----------------------------------

2	1015540	16/2 SJ Electric Cord – Per Foot
---	---------	----------------------------------

3	1019021	Cord Grip (<i>Two Required</i>)
---	---------	-----------------------------------

4	1019022	Conduit Box Cover
---	---------	-------------------

5	1019023	Conduit Box Cover Gasket
---	---------	--------------------------

6	1030028	Butt Splicer
---	---------	--------------

7	10106460	12-Volt DC Electric Control Valve – Complete
---	----------	--

8	10106522	3/8" x 2" Pipe Nipple
---	----------	-----------------------

9	10106523	3/8" NPT 90° Elbow
---	----------	--------------------

10	10DE038	Dust Eliminator
----	---------	-----------------

11	20100677	1/2" x 1/2" NPT Hex Nipple
----	----------	----------------------------

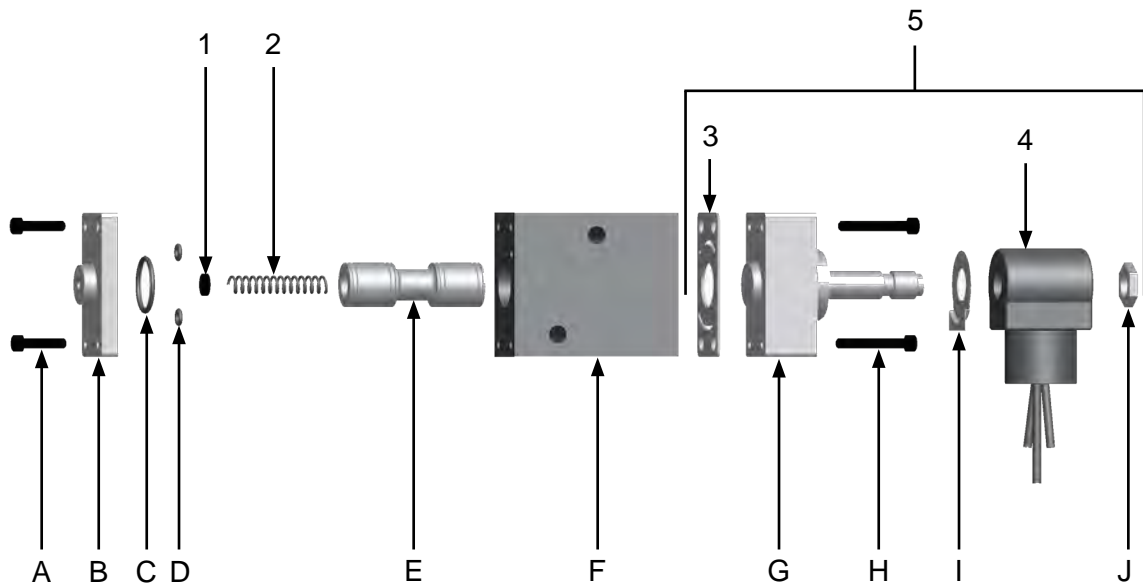
12	1015551	2-Prong Twist-Lock Plug – Male
----	---------	--------------------------------

13	1019020	1/2" Tee Conduit Box
----	---------	----------------------

—	1091045	Hazard Identification Tag
---	---------	---------------------------

PART NUMBERS AND SCHEMATICS GUIDE

Figure 6: 12-Volt DC 190 Electric Control Valve

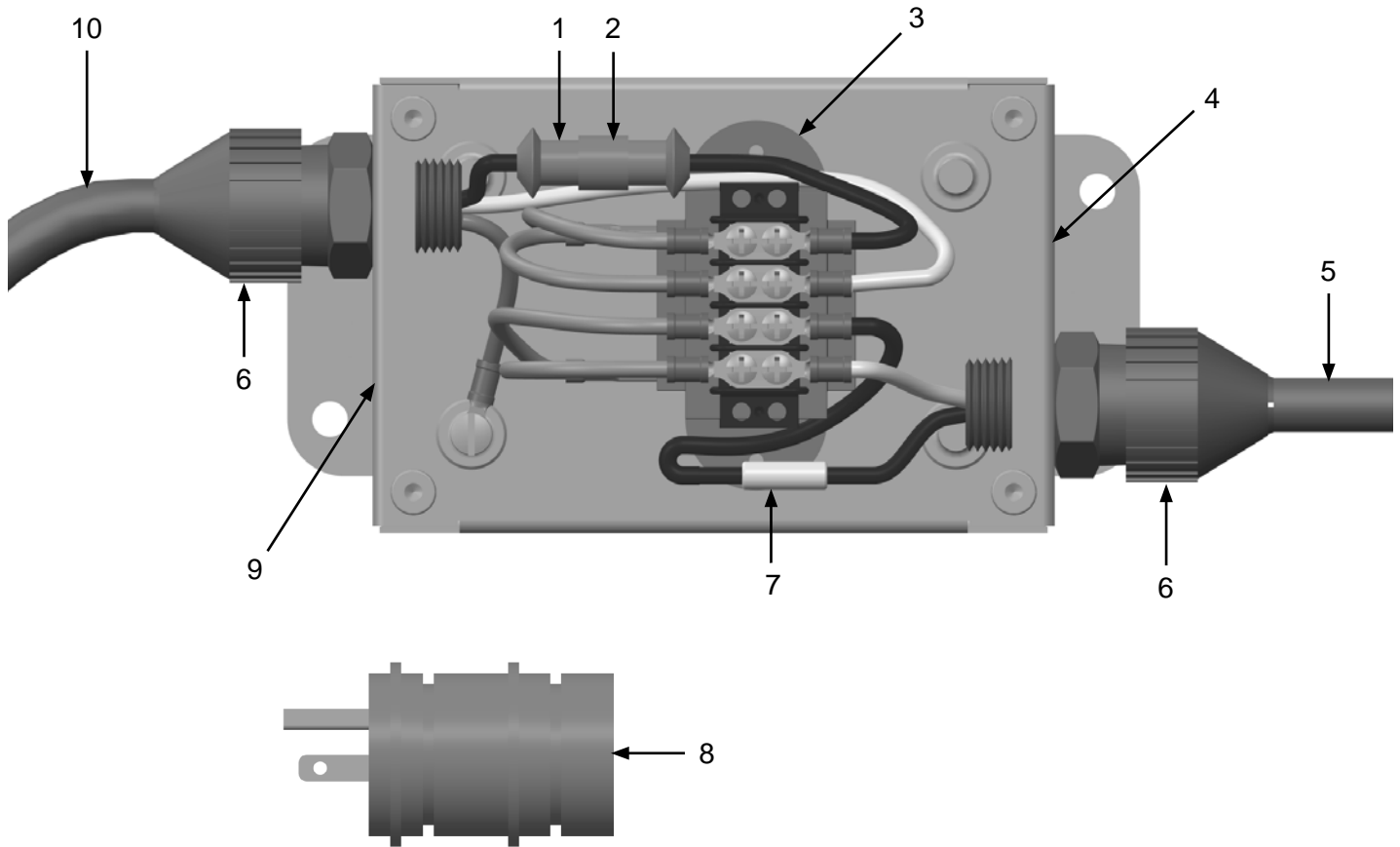


Item #	Part #	Description
—	10106460	12-Volt DC 190 Electric Control Valve – Complete
1	1019029	Felt Filter
2	1019032	Spring
3	1019033	Gasket
4	1019039	12-Volt DC Coil
5	1019034	12-Volt DC Operator Assembly (Includes Items #'s: 3, 4, G, H, I, and J)
—	1019030	Electric Control Valve Repair Kit (Includes Items #'s: 1, 2, 3, C, D, and E)

* Items A–J are not available individually

PART NUMBERS AND SCHEMATICS GUIDE

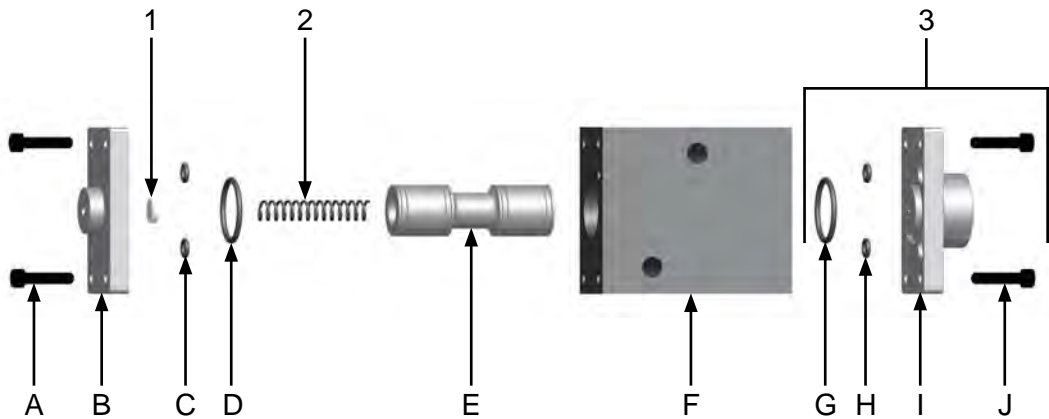
Figure 7: 120-Volt AC to 12-Volt AC Power Converter



Item #	Part #	Description
Fig. 7		
—	1030020	Blastmaster® 120-Volt AC to 12-Volt AC Power Converter with 3 ft. of 14/2 Electric Cord and Plug – Complete
1	1030123	3 Amp Fuse
2	1030023	In-Line Fuse Holder
3	1030022	Transformer – Blastmaster 120-Volt AC to 12-Volt AC Power Converter
4	1091067	Power-Out Decal (<i>Not Shown</i>)
5	1030013	14/2 SEOW Electric Cord (<i>Per Foot</i>)
6	1030025	Strain Relief (<i>Two Required</i>)
7	1030021	Resistor
8	1030026	3-Prong, 120-Volt AC Plug – Male
9	1092014	Power-In Decal (<i>Not Shown</i>)
10	1015550	14/3 SEOW Electric Cord (<i>Per Foot</i>)
—	1091063	Hazard Identification Decal

PART NUMBERS AND SCHEMATICS GUIDE

Figure 8: 190 Pneumatic Control Valve



Item #	Part #	Description
--------	--------	-------------

Fig. 8

—	1019000	190 Pneumatic Control Valve – Normally-Closed – Complete
---	---------	--

1	1019029	Felt Filter
---	---------	-------------

2	1019032	Spring
---	---------	--------

3	1019027	Pneumatic Control Valve Operator Assembly (Includes Items #'s: G, H, I, and J)
---	---------	---

4	1019028	Pneumatic Control Valve Service Kit (Includes Items #'s: 1, 2, C, D, E, G, and H)
---	---------	--

* Items A–J are not available individually

PART NUMBERS & SCHEMATICS GUIDE

BLASTMASTER® MAXUM I ABRASIVE METERING VALVES

Part Numbers	Pipe Nipple Type	Tungsten Carbide Sleeve	Urethane Sleeve
1014200	1" (F) x 1-1/2" (M)	X	
1014201	1" (F) x 1-1/2" (M)		X
1014202	1-1/4" (M) x 1-1/4" (M)	X	
1014203	1-1/4" (M) x 1-1/4" (M)		X
1014204	1-1/2" (M) x 1-1/2" (M)	X	
1014205	1-1/2" (M) x 1-1/2" (M)		X

PART NUMBERS & SCHEMATICS GUIDE



1014200



1014201



1014202



1014203



1014204



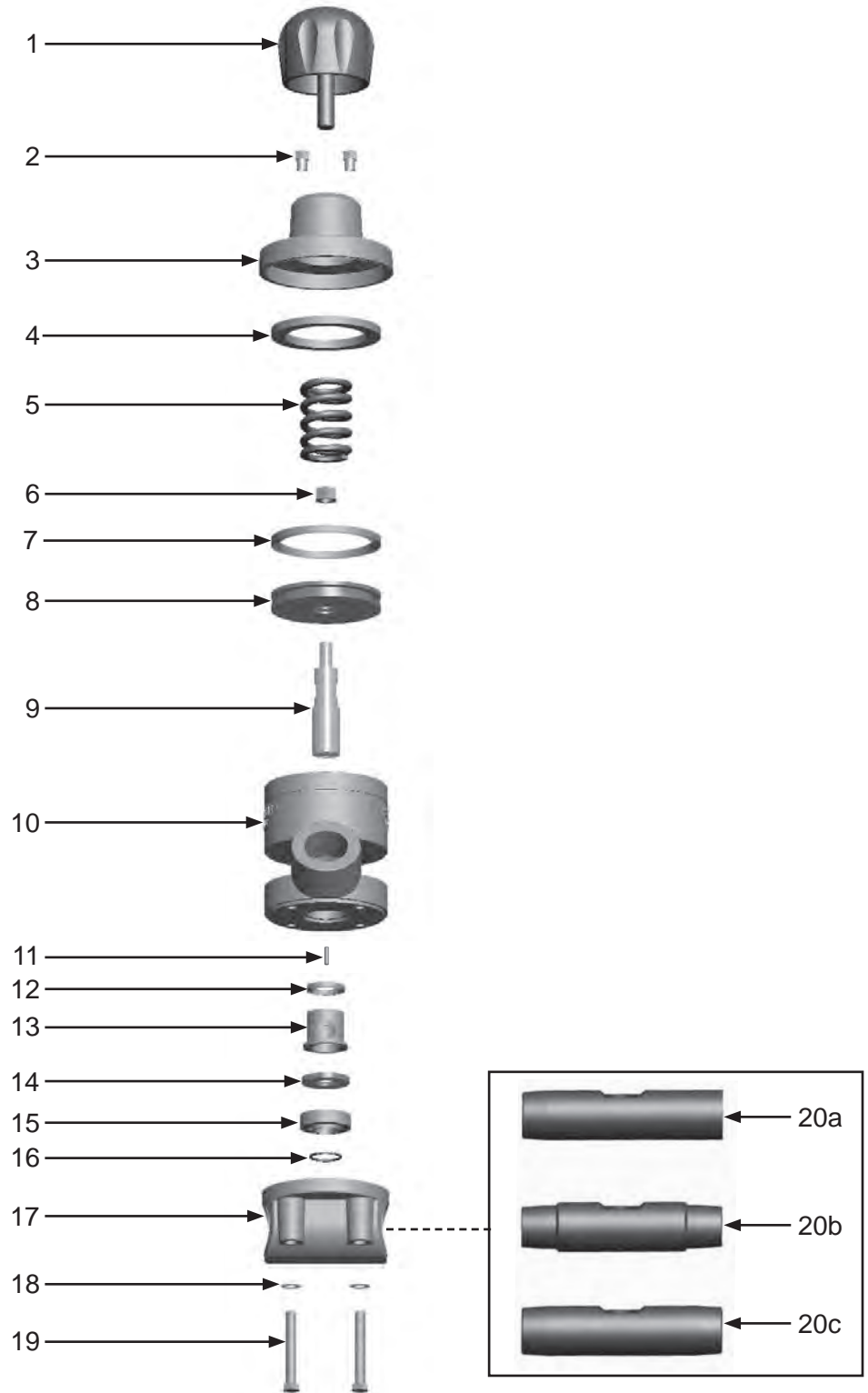
1014205

PART NUMBERS & SCHEMATICS GUIDE

Item #	Part #	
Fig. 1		
—	1014200	1" Blastmaster® Maxum I Abrasive Metering Valve—Tungsten Carbide Sleeve – Complete
—	1014202	1-1/4" Blastmaster® Maxum I Abrasive Metering Valve—Tungsten Carbide Sleeve– Complete
—	1014204	1-1/2" Blastmaster® Maxum I Abrasive Metering Valve—Tungsten Carbide Sleeve– Complete
1	1014210	Knob
2	1012905	1/8" Breather Muffler <i>(Two Required)</i>
3	1014211	Cap
4	1014212	Bump Ring
5	1014213	Spring
6	1014022	1/2–13 UNC 2B Nut
7	1014215	Piston Seal
8	1014216	Piston
9	1014217	Tungsten Carbide Plunger
10	1014218	Body
11	1014240	3/32" x 3/8" Groove Pin
12	1014219	Standard-Duty Plunger Seal
—	10103977	Heavy-Duty Plunger Seal
13	1014238	Tungsten Carbide Sleeve
—	10102123	Stainless Steel Sleeve- Multi-Port <i>(Metering orifice sizes: 0.178", 0.218", 0.278" and 0.343")</i>
14	1014237	Seat for Tungsten Carbide Sleeve
15	1014236	Insert for Tungsten Carbide Sleeve
16	1014235	O-ring for Tungsten Carbide Sleeve
17	1014230	Base
18	1014241	3/8" Washer <i>(Four Required)</i>
19	1014231	3/8–16 UNC 2B x 2-3/4" Bolt <i>(Four Required)</i>
20a	1014232	1" Female NPT x 8" Nipple <i>(For use with 1014200)</i>
20b	1014233	1-1/4" Male NPT x 8" Nipple <i>(For use with 1014202)</i>
20c	1014234	1-1/2" Male NPT x 8" Nipple <i>(For use with 1014204)</i>
—	1014245	1-1/2" Male NPT x 36" Nipple <i>(Optional) (Not Shown)</i>
—	1014243	Repair Kit with Tungsten Carbide Sleeve <i>(Includes Item #'s: 7, 9, 12 (standard-duty), 13, 14, 15, and 16)</i>
—	1014221	Soft Seal Kit <i>(Includes Item #'s: 7, 12 (standard-duty), 14, and 16)</i>
—	105M011	Features and Specifications Guide – Blastmaster® Maxum I Abrasive Metering Valve
—	106M011	Part Numbers and Schematics Guide – Blastmaster® Maxum I Abrasive Metering Valve
—	1090011	Operator's Manual – Blastmaster® Maxum I Abrasive Metering Valve
—	1091045	Hazard Identification Tag

PART NUMBERS & SCHEMATICS GUIDE

Figure 1: Blastmaster® Maxum I Abrasive Metering Valve – Tungsten Carbide Sleeve



PART NUMBERS & SCHEMATICS GUIDE

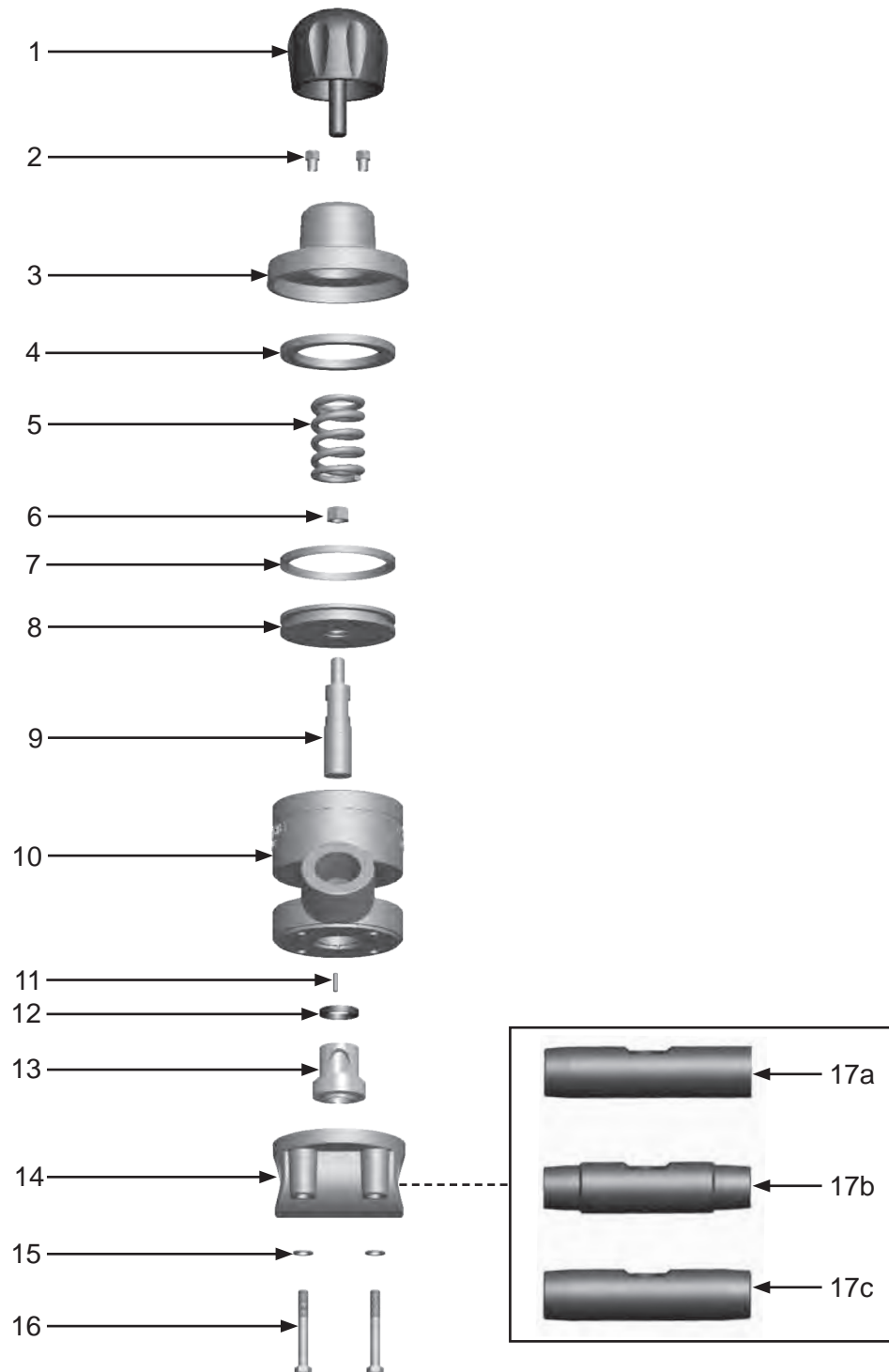
Item # Part

Fig. 2

—	1014201	1" Blastmaster® Maxum I Abrasive Metering Valve—Urethane Sleeve – Complete
—	1014203	1-1/4" Blastmaster® Maxum I Abrasive Metering Valve—Urethane Sleeve – Complete
—	1014205	1-1/2" Blastmaster® Maxum I Abrasive Metering Valve—Urethane Sleeve – Complete
1	1014210	Knob
2	1012905	1/8" Breather Muffler <i>(Two Required)</i>
3	1014211	Cap
4	1014212	Bump Ring
5	1014213	Spring
6	1014022	1/2–13 UNC 2B Nut
7	1014215	Piston Seal
8	1014216	Piston
9	1014217	Tungsten Carbide Plunger
10	1014218	Body
11	1014240	3/32" x 3/8" Groove Pin
12	1014219	Standard-Duty Plunger Seal
—	10103977	Heavy-Duty Plunger Seal
13	1014229	Urethane Sleeve
14	1014230	Base
15	1014241	3/8" Washer <i>(Four Required)</i>
16	1014231	3/8–16 UNC 2B x 2-3/4" Bolt <i>(Four Required)</i>
17a	1014232	1" Female NPT x 8" Nipple <i>(For use with 1014201)</i>
17b	1014233	1-1/4" Male NPT x 8" Nipple <i>(For use with 1014203)</i>
17c	1014234	1-1/2" Male NPT x 8" Nipple <i>(For use with 1014205)</i>
—	1014245	1-1/2" Male NPT x 36" Nipple <i>(Optional) (Not Shown)</i>
—	1014244	Repair Kit with Urethane Sleeve <i>(Includes Item #'s: 7, 9, 12 (standard-duty), and 13)</i>
—	1014222	Soft Seal Kit <i>(Includes Item #'s: 7, 12 (standard-duty), and 13)</i>
—	105M011	Features and Specifications Guide – Blastmaster® Maxum I Abrasive Metering Valve
—	106M011	Part Numbers and Schematics Guide – Blastmaster® Maxum I Abrasive Metering Valve
—	1090011	Operator's Manual – Blastmaster® Maxum I Abrasive Metering Valve
—	1091045	Hazard Identification Tag

PART NUMBERS & SCHEMATICS GUIDE

Figure 2: Blastmaster® Maxum I Abrasive Metering Valve – Urethane Sleeve



PART NUMBERS AND SCHEMATICS GUIDE

BLASTMASTER® MAXUM III ABRASIVE METERING VALVES				
Part Numbers	Base Thread Size	Tungsten Carbide Sleeve	Urethane Sleeve	Multi-Port Sleeve
10101949	1-1/4" (M) x 1-1/4" (M)	X		
10101945	1-1/4" (M) x 1-1/4" (M)		X	
10105907	1-1/4" (M) x 1-1/4" (M)			X
10101950	1-1/2" (M) x 1-1/2" (M)	X		
10101946	1-1/2" (M) x 1-1/2" (M)		X	
10105908	1-1/2" (M) x 1-1/2" (M)			X
10105872	2" (M) x 2" (M)	X		
10105573	2" (M) x 2" (M)		X	

PART NUMBERS AND SCHEMATICS GUIDE



10101949
10101945
10105907



10101950
10101946
10105908



10105872
10105573

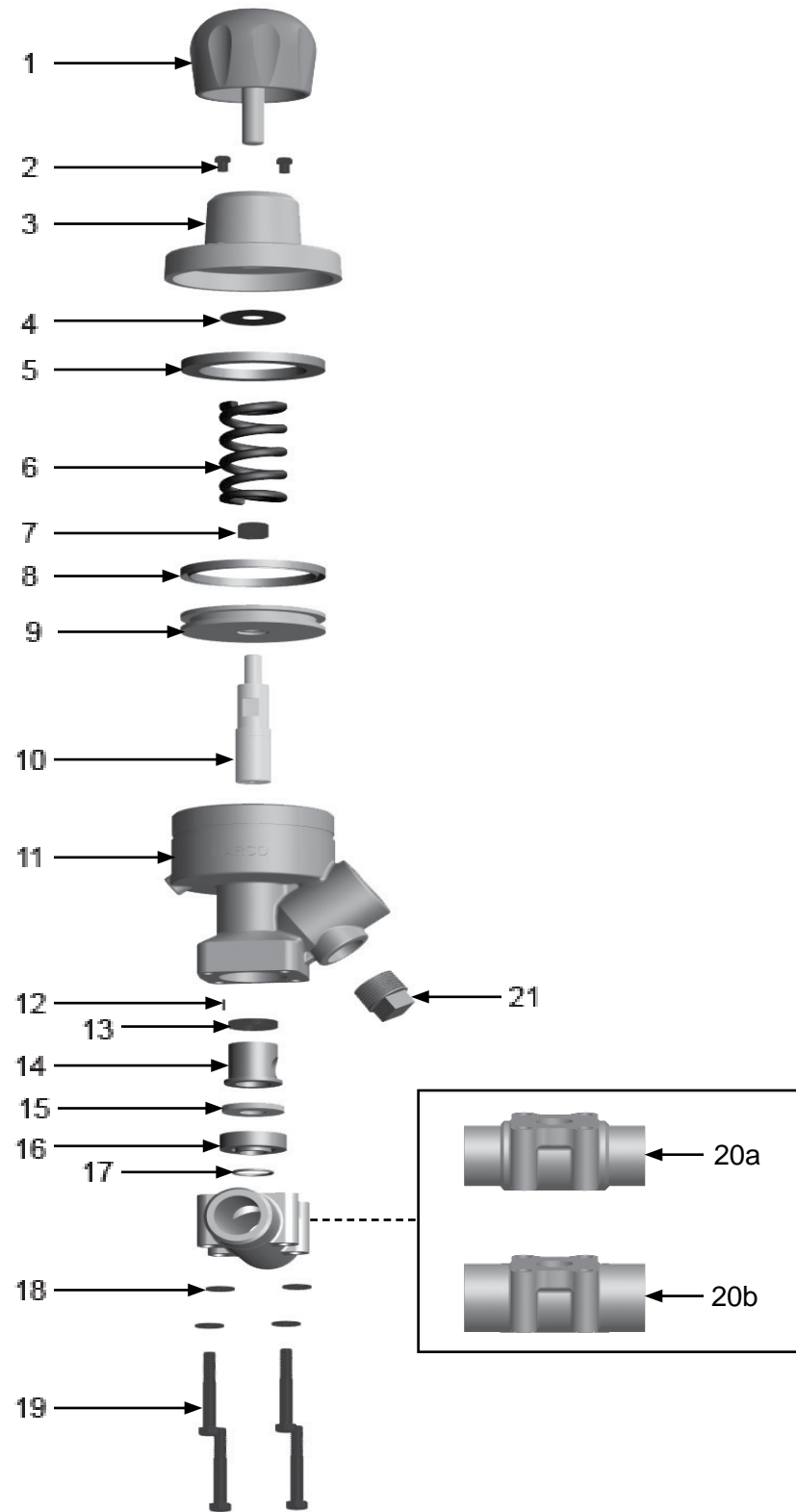
PART NUMBERS AND SCHEMATICS GUIDE

Blastmaster® Maxum III Abrasive Metering Valve – Tungsten Carbide and Multi-Port Sleeve

Item #	Part #	Description
Fig. 1		
—	10101949	1-1/4" Blastmaster® Maxum III Abrasive Metering Valve – Tungsten Carbide Sleeve – Complete
—	10105907	1-1/4" Blastmaster® Maxum III Abrasive Metering Valve – Multi-port Sleeve – Complete
—	10101950	1-1/2" Blastmaster® Maxum III Abrasive Metering Valve – Tungsten Carbide Sleeve – Complete
—	10105908	1-1/2" Blastmaster® Maxum III Abrasive Metering Valve – Multi-port Sleeve – Complete
1	10101969	Knob
2	1012905	1/8" Breather Muffler <i>(Two Required)</i>
3	1014211	Cap
4	10106831	Vibration Disc
5	1014212	Bump Ring
6	1014213	Spring
7	1014022	1/2-13 Nut
8	1014215	Piston Seal
9	1014216	Piston
10	1014217	Tungsten Carbide Plunger
11	10101772	Body
12	1014240	3/32" x 3/8" Groove Pin
13	10103977	Heavy-Duty Plunger Seal
14	1014238	Tungsten Carbide Sleeve
—	10102123	Carbon Steel Sleeve – Multi-Port – <i>Optional (Orifice sizes: 0.178", 0.218", 0.278" and 0.343")</i>
15	1014237	Seat for Tungsten Carbide Sleeve
16	1014236	Insert for Tungsten Carbide Sleeve
17	1014235	O-Ring for Tungsten Carbide Sleeve
18	1014241	3/8" Washer <i>(Four Required)</i>
19	10101933	3/8-16 x 2-1/2" Bolt <i>(Four Required)</i>
20a	10000229	1-1/4" Base, Through Hardened <i>(For use with 10101949 and 10105907)</i>
20b	10000230	1-1/2" Base, Through Hardened <i>(For use with 10101950 and 10105908)</i>
21	1011901	1" Square Pipe Plug
—	1014243	Repair Kit with Tungsten Carbide Sleeve <i>(Includes Item #'s: 8, 10, 13, 14, 15, 16, and 17)</i>
—	10105909	Repair Kit with Carbon Steel Multi-port Sleeve <i>(Includes Item #'s: 8, 10, 13, 14, 15, 16, and 17)</i>
—	1014221	Soft Seal Kit <i>(Includes Item #'s: 8, 13, 15 and 17)</i>
—	1091045	Hazard Identification Tag
—	105M069	Features and Specifications Guide – Blastmaster® Maxum III Abrasive Metering Valve
—	106M069	Part Numbers and Schematics Guide – Blastmaster® Maxum III Abrasive Metering Valve
—	1090069	Operator's Manual – Blastmaster® Maxum III Abrasive Metering Valve

PART NUMBERS AND SCHEMATICS GUIDE

Figure 1: Blastmaster® Maxum III Abrasive Metering Valve – Tungsten Carbide and Multi-Port Sleeve



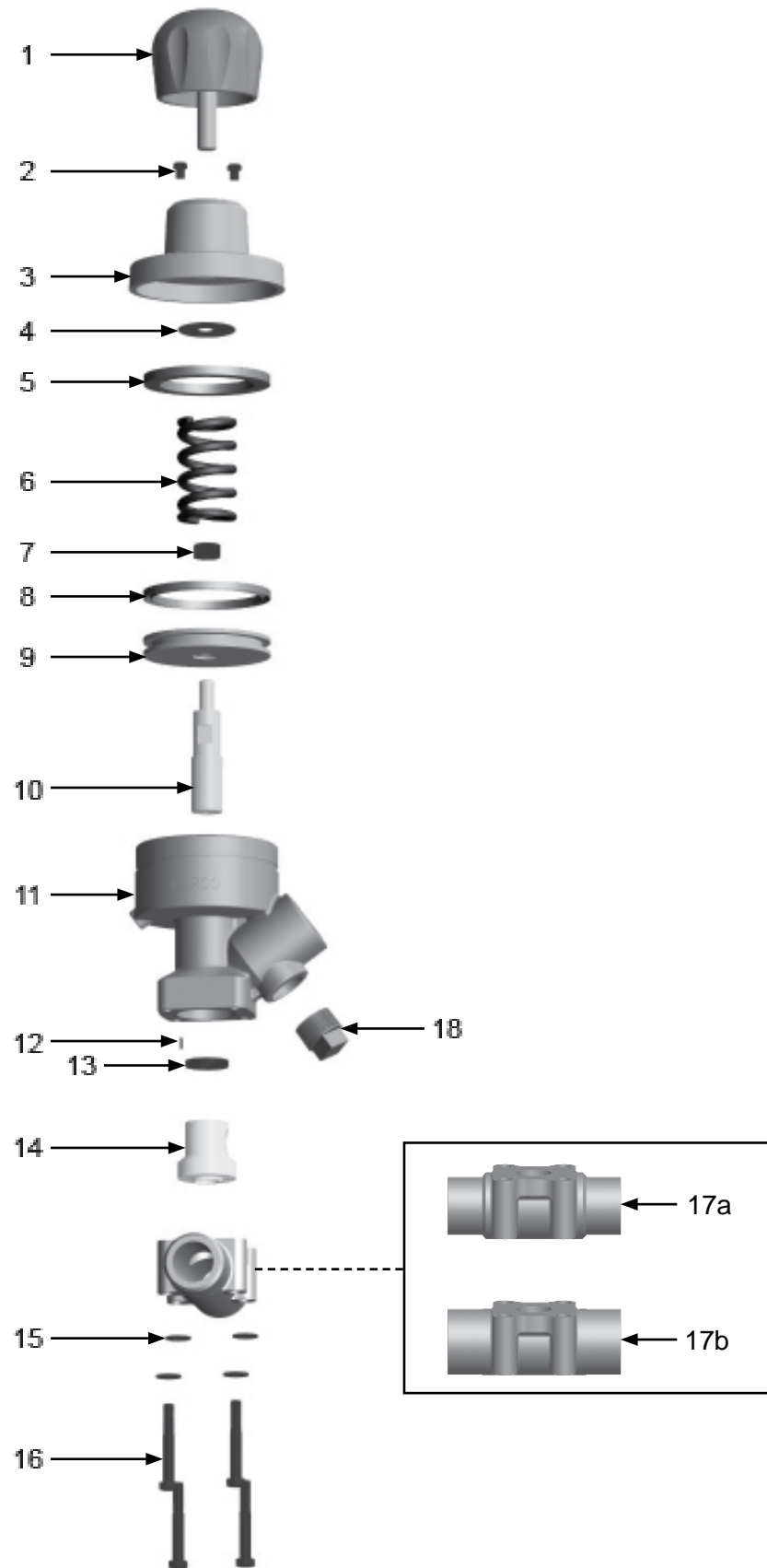
PART NUMBERS AND SCHEMATICS GUIDE

Blastmaster® Maxum III Abrasive Metering Valve – Urethane Sleeve

Item #	Part #	Description
Fig. 2		
—	10101945	1-1/4" Blastmaster® Maxum III Abrasive Metering Valve – Urethane Sleeve – Complete
—	10101946	1-1/2" Blastmaster® Maxum III Abrasive Metering Valve – Urethane Sleeve – Complete
1	10101969	Knob
2	1012905	1/8" Breather Muffler <i>(Two Required)</i>
3	1014211	Cap
4	10106831	Vibration Disc
5	1014212	Bump Ring
6	1014213	Spring
7	1014022	1/2-13 Nut
8	1014215	Piston Seal
9	1014216	Piston
10	1014217	Tungsten Carbide Plunger
11	10101772	Body
12	1014240	3/32" x 3/8" Groove Pin
13	10103977	Heavy-Duty Plunger Seal
14	1014229	Urethane Sleeve
15	1014241	3/8" Washer <i>(Four Required)</i>
16	10101933	3/8-16 x 2-1/2" Bolt <i>(Four Required)</i>
17a	10000229	1-1/4" Base, Through Hardened <i>(For use with 10101945)</i>
17b	10000230	1-1/2" Base, Through Hardened <i>(For use with 10101946)</i>
18	1011901	1" Square Pipe Plug
—	1014244	Repair Kit with Urethane Sleeve <i>(Includes Item #'s: 8, 10, 13 and 14)</i>
—	1014222	Soft Seal Kit <i>(Includes Item #'s: 8, 13, and 14)</i>
—	1091045	Hazard Identification Tag
—	105M069	Features and Specifications Guide – Blastmaster® Maxum III Abrasive Metering Valve
—	106M069	Part Numbers and Schematics Guide – Blastmaster® Maxum III Abrasive Metering Valve
—	1090069	Operator's Manual – Blastmaster® Maxum III Abrasive Metering Valve

PART NUMBERS AND SCHEMATICS GUIDE

Figure 2: Blastmaster® Maxum III Abrasive Metering Valve – Urethane Sleeve



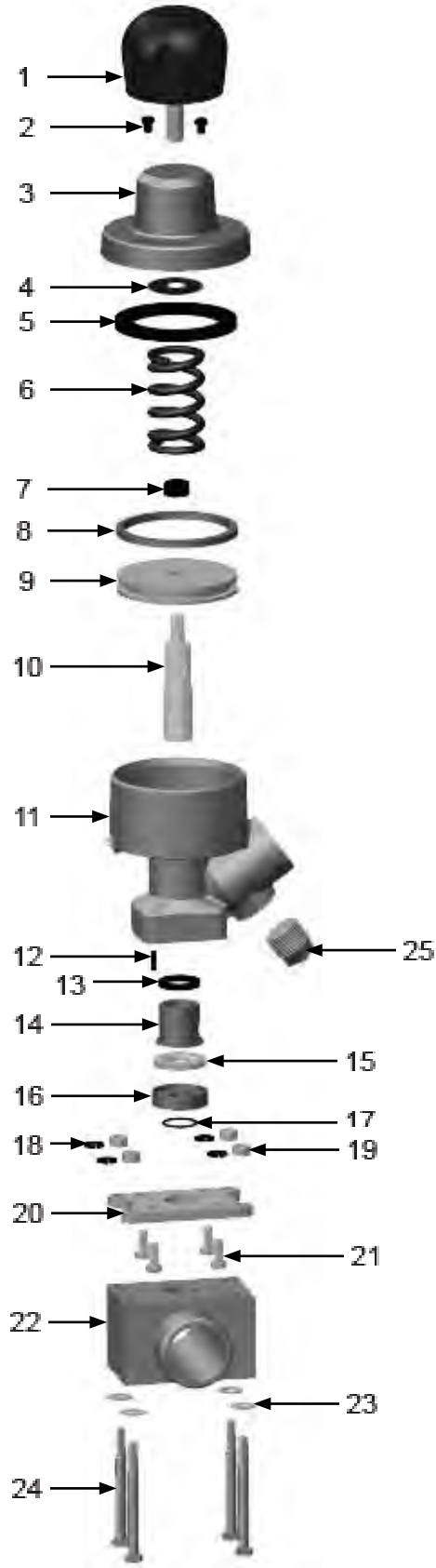
PART NUMBERS AND SCHEMATICS GUIDE

Blastmaster® Maxum III Abrasive Metering Valve – Tungsten Carbide Sleeve – 2"

Item #	Part #	Description
Fig. 3		
—	10105872	2" Blastmaster® Maxum III Abrasive Metering Valve – Tungsten Carbide Sleeve – Complete
1	10101969	Knob
2	1012905	1/8" Breather Muffler <i>(Two Required)</i>
3	1014211	Cap
4	10106831	Vibration Disc
5	1014212	Bump Ring
6	1014213	Spring
7	1014022	1/2-13 Nut
8	1014215	Piston Seal
9	1014216	Piston
10	1014217	Tungsten Carbide Plunger
11	10101772	Body
12	1014240	3/32" x 3/8" Groove Pin
13	10103977	Heavy-Duty Plunger Seal
14	1014238	Tungsten Carbide Sleeve
15	1014237	Seat for Tungsten Carbide Sleeve
16	1014236	Insert for Tungsten Carbide Sleeve
17	1014235	O-Ring for Tungsten Carbide Sleeve
18	10101936	3/8" Washer <i>(Four Required)</i>
19	10101938	3/8-16 Hex Nut <i>(Four Required)</i>
20	10105568	Adapter Plate
21	10105570	3/8-16 x 3/4" Socket Head Cap Screw <i>(Four Required)</i>
22	10105567	2" Base, Through Hardened <i>(For use with 10105573)</i>
23	1014241	3/8" Washer <i>(Four Required)</i>
24	10105569	3/8-16 x 3-3/4" Bolt <i>(Four Required)</i>
25	1011901	1" Square Pipe Plug
—	1014243	Repair Kit with Tungsten Carbide Sleeve <i>(Includes Item #'s: 8, 10, 13, 14, 15, 16, and 17)</i>
—	1014221	Soft Seal Kit <i>(Includes Item #'s: 8, 13, 15 and 17)</i>
—	1091045	Hazard Identification Tag
—	105M069	Features and Specifications Guide – Blastmaster® Maxum III Abrasive Metering Valve
—	106M069	Part Numbers and Schematics Guide – Blastmaster® Maxum III Abrasive Metering Valve
—	1090069	Operator's Manual – Blastmaster® Maxum III Abrasive Metering Valve

PART NUMBERS AND SCHEMATICS GUIDE

Figure 3: Blastmaster® Maxum III Abrasive Metering Valve – Tungsten Carbide Sleeve – 2"



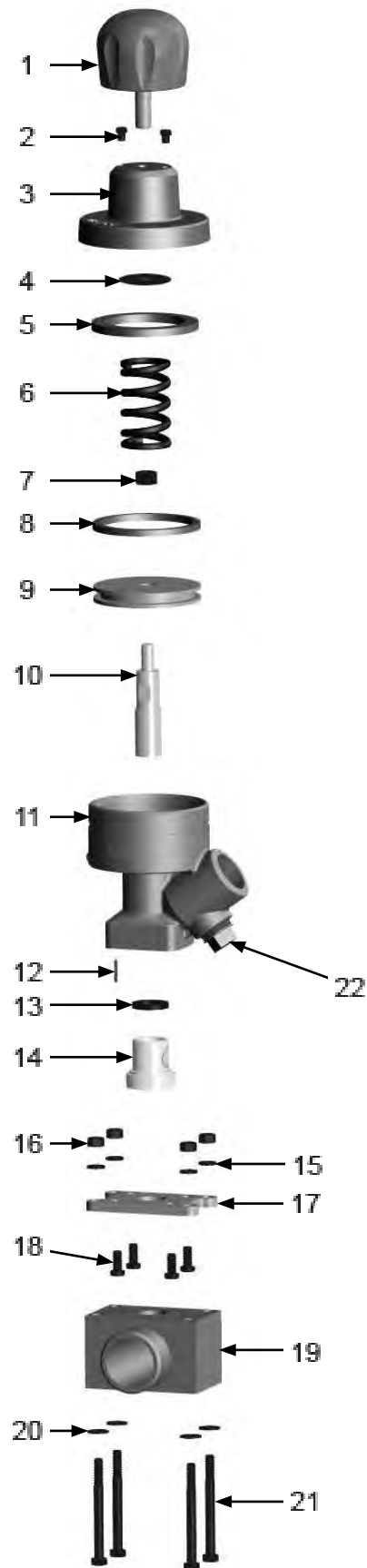
PART NUMBERS AND SCHEMATICS GUIDE

Blastmaster® Maxum III Abrasive Metering Valve – Urethane Sleeve – 2"











Item #	Part #	Description
Fig. 4		
—	10105573	2" Blastmaster® Maxum III Abrasive Metering Valve – Urethane Sleeve – Complete
1	10101969	Knob
2	1012905	1/8" Breather Muffler <i>(Two Required)</i>
3	1014211	Cap
4	10106831	Vibration Disc
5	1014212	Bump Ring
6	1014213	Spring
7	1014022	1/2-13 Nut
8	1014215	Piston Seal
9	1014216	Piston
10	1014217	Tungsten Carbide Plunger
11	10101772	Body
12	1014240	3/32" x 3/8" Groove Pin
13	10103977	Heavy-Duty Plunger Seal
14	1014229	Urethane Sleeve
15	10101936	3/8" Washer <i>(Four Required)</i>
16	10101938	3/8-16 Hex Nut <i>(Four Required)</i>
17	10105568	Adapter Plate
18	10105570	3/8-16 x 3/4" Socket Head Cap Screw <i>(Four Required)</i>
19	10105567	2" Base, Through Hardened <i>(For use with 10105573)</i>
20	1014241	3/8" Washer <i>(Four Required)</i>
21	10105569	3/8-16 x 3-3/4" Bolt <i>(Four Required)</i>
22	1011901	1" Square Pipe Plug
—	1014244	Repair Kit with Urethane Sleeve <i>(Includes Item #'s: 8, 10, 13 and 14)</i>
—	1014222	Soft Seal Kit <i>(Includes Item #'s: 8, 13, and 14)</i>
—	1091045	Hazard Identification Tag
—	105M069	Features and Specifications Guide – Blastmaster® Maxum III Abrasive Metering Valve
—	106M069	Part Numbers and Schematics Guide – Blastmaster® Maxum III Abrasive Metering Valve
—	1090069	Operator's Manual – Blastmaster® Maxum III Abrasive Metering Valve

PART NUMBERS AND SCHEMATICS GUIDE

Figure 4: Blastmaster® Maxum III Abrasive Metering Valve – Urethane Sleeve – 2"



OPTIONAL ACCESSORIES

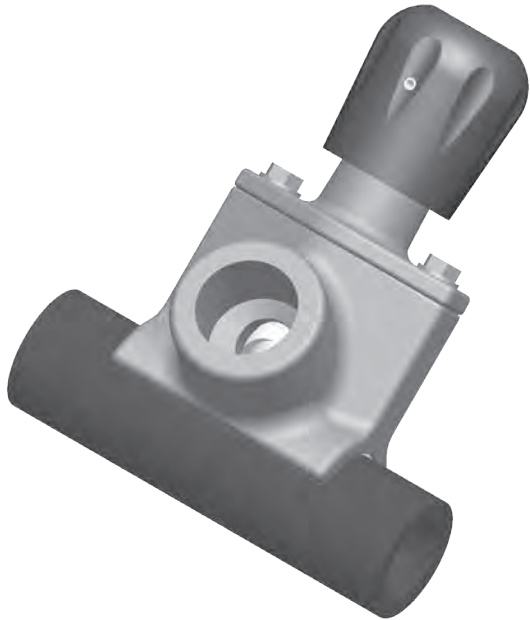
		TANK COUPLINGS		
Part Numbers		Threads	Material	Coupling Style
	10SB1S	1-1/4" NPS	Brass	Standard
	10SB1	1-1/4" NPT	Brass	Standard
	10IRSB1	1-1/4" NPT	Iron	Standard
	10SB2S	1-1/2" NPS	Brass	Standard
	10SB2	1-1/2" NPT	Brass	Standard
	10IRSB2	1-1/2" NPT	Iron	Standard
	10SA3X	1-1/2" NPT	Aluminum	Oversized
	10SB3X	1-1/2" NPT	Brass	Oversized
	10SA4X	2" NPT	Aluminum	Oversized
	10SB4X	2" NPT	Brass	Oversized

PART NUMBERS

BLASTMASTER® BANTAM ABRASIVE METERING VALVE

Part Numbers	Nipple Thread Size	Sleeve Material
1014103	1" (Female) x 1" (Female)	Urethane
1014100	1" (Female) x 1-1/2" (Male)	Urethane
1014101	1-1/4" (Male) x 1-1/2" (Male)	Urethane
1014102	1-1/2" (Male) x 1-1/2" (Male)	Urethane

BLASTMASTER® BANTAM ABRASIVE METERING VALVE



1014103



1014100



1014101



1014102

PART NUMBERS & SCHEMATICS

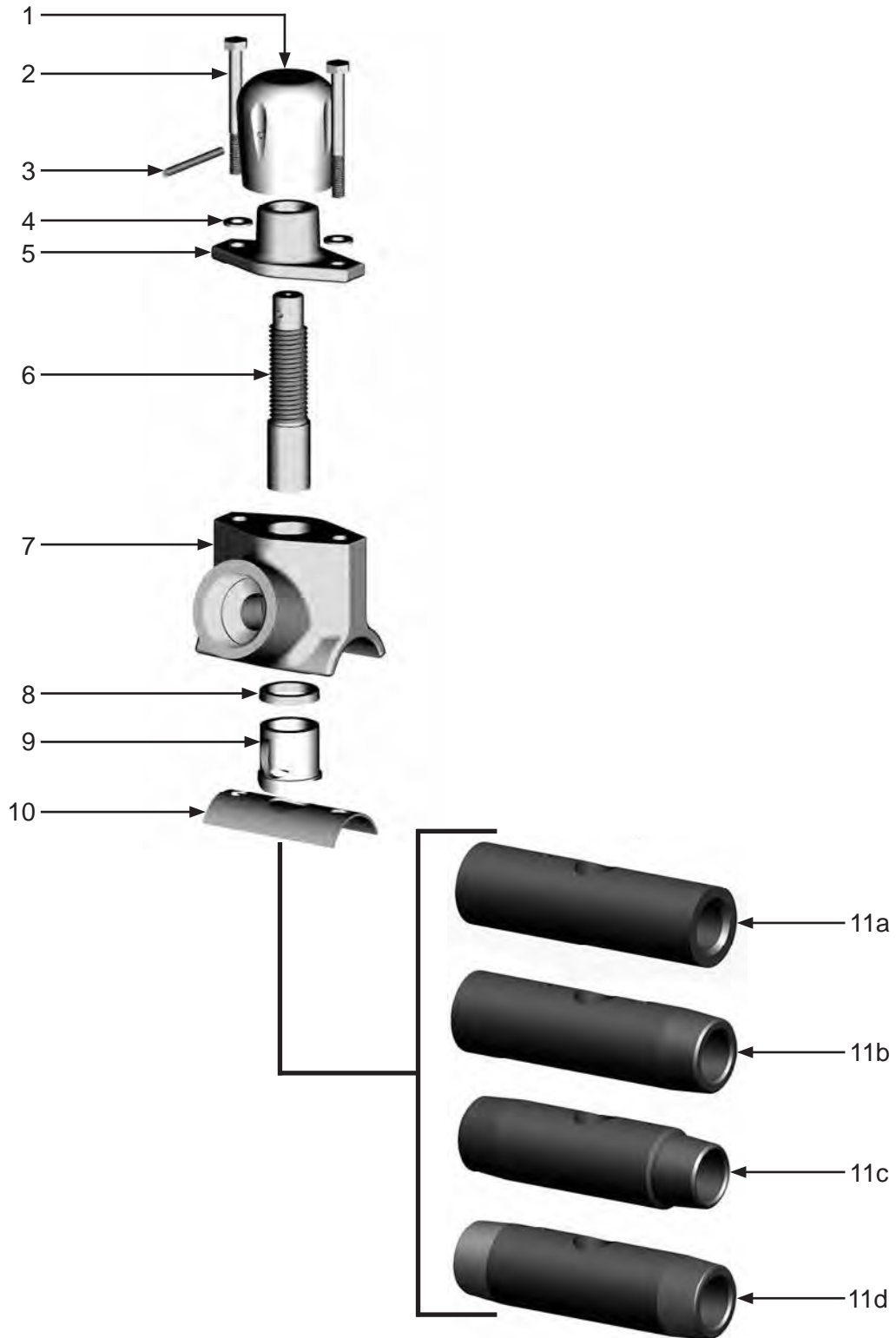
Item # Part #

Fig. 2

—	1014103	1" Female x 1" Female Blastmaster® Bantam Abrasive Metering Valve – Complete <i>(For use with 1/2" I.D. Abrasive Blasting Hose)</i>
—	1014100	1" Blastmaster® Bantam Abrasive Metering Valve – Complete
—	1014101	1-1/4" Blastmaster® Bantam Abrasive Metering Valve – Complete
—	1014102	1-1/2" Blastmaster® Bantam Abrasive Metering Valve – Complete
1	1014110	Metering Knob
2	1014112	5/16-18 x 3-1/4" Hex Bolt <i>(Two Required)</i>
3	1014111	Knob Pin
4	10L805003	5/16" Washer <i>(Two Required)</i>
5	1014113	Cap
6	1014114	Plunger
7	1014115	Valve Body
8	1014219	Plunger Seal
9	1014117	Urethane Sleeve
10	1014118	Gasket
11a	10000135	1" Female x 1" Female Nipple
11b	1014119	1" Female x 1-1/2" Male Nipple
11c	1014120	1-1/4" Male x 1-1/2" Male Nipple
11d	1014121	1-1/2" Male x 1-1/2" Male Nipple
—	1014123	Repair Kit <i>(Includes Item #'s: 2,6,8,9, and 10)</i>
—	1014116	Soft Seal Kit <i>(Includes Item #'s: 8, 9, and 10)</i>
—	1011812	1" Male x 1/2" Female NPT Bushing <i>(For use with 1014103)</i>
—	10SB2S	1-1/2" NPS Brass Tank Coupling <i>(For use with 1014100, 1014101, 1014102)</i>
—	105M022	Features and Specifications Guide – Blastmaster® Bantam Abrasive Metering Valve
—	106M022	Part Numbers and Schematics Guide – Blastmaster® Bantam Abrasive Metering Valve
—	1090022	Operator's Manual – Blastmaster® Bantam Abrasive Metering Valve
—	1091045	Warning Tag

PART NUMBERS & SCHEMATICS

Figure 2: Blastmaster® Bantam Abrasive Metering Valve



PART NUMBERS

Part Numbers

BLASTMASTER® REGULATOR ABRASIVE METERING VALVE

1014000

Blastmaster® Regulator Abrasive Metering Valve – Complete

BLASTMASTER® REGULATOR ABRASIVE METERING VALVE



PART NUMBERS & SCHEMATICS

Blastmaster® Regulator Abrasive Metering Valve

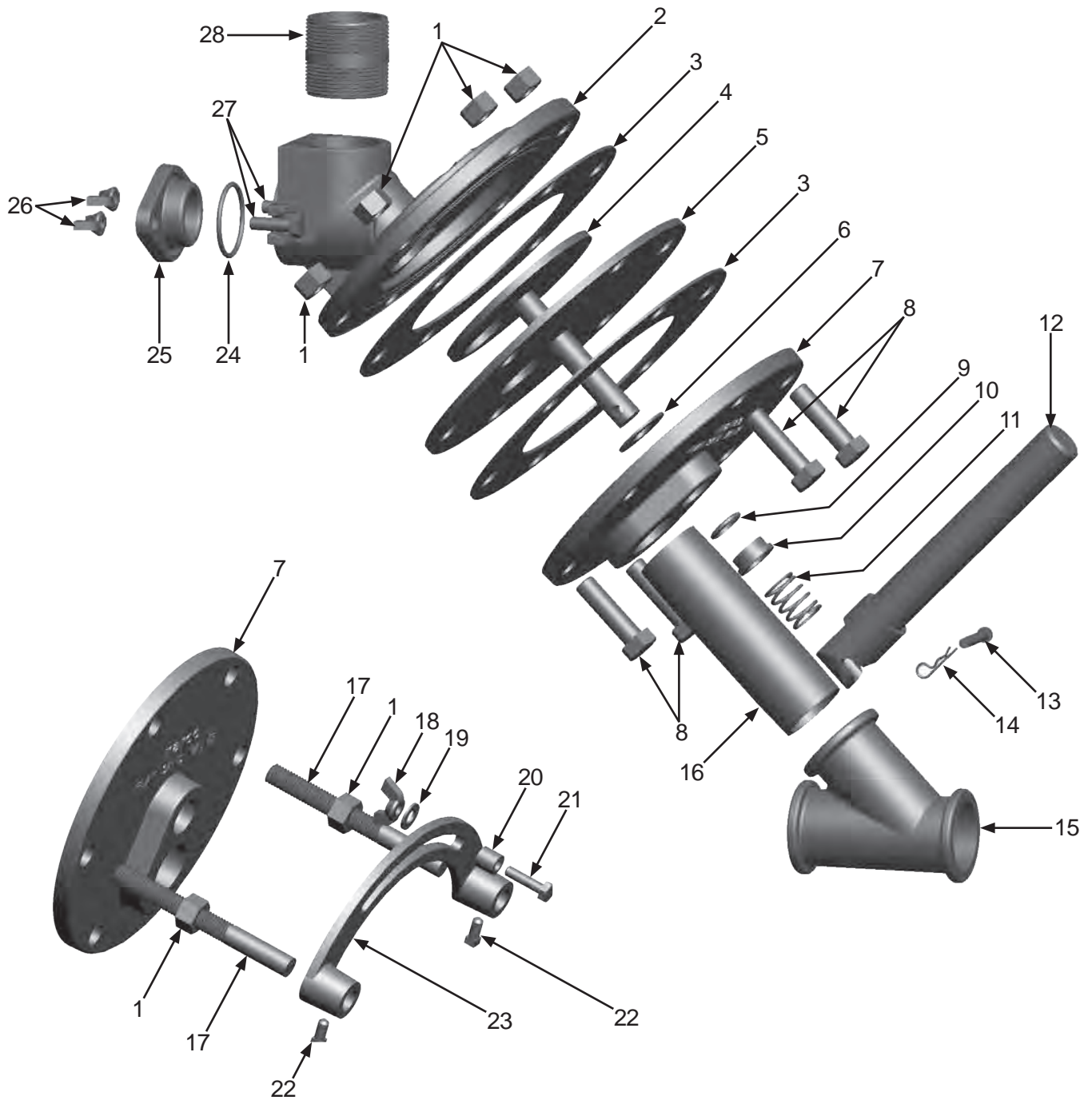
Item # Part

Fig. 1

1	1014022	1/2" Hex Nut (<i>Eight Required</i>)
2	1014001	Upper Body
3	1014004	Body Gasket (<i>Two Required</i>)
4	1014003	Valve Core
5	1014005	Stainless Disc
6	1014012	Shaft Gasket
7	1014002	Lower Body
8	1014021	1/2" x 1-3/4" Hex Bolt (<i>Four Required</i>)
9	1014023	Packing Rope
10	1014011	Packing Gland
11	1012105	Spring (1-11/16" Long)
12	1014006	Heavy-Duty Handle
13	1014026	Pin
14	1014025	Pin Clip
15	1014024	1-1/4" "Y" Fitting
16	1011207	1-1/4" x 4" Nipple
17	1014010	Stud (<i>Two Required</i>)
18	1014016	1/4" Wing Nut
19	1014017	1/4" Flat Washer
20	1014008	Spacer
21	1012154	1/4" x 1" Hex Bolt
22	1014018	1/4" x 1/2" Set Screw (<i>Two Required</i>)
23	1014007	Gauge
24	1012112	2" O.D. x 1/8" O-ring
25	1014013	Inspection Plate
26	1014020	5/16" Wing Nut (<i>Two Required</i>)
27	1014019	5/16" x 1-1/4" Bolt (<i>Two Required</i>)
28	1014015	1-1/2" NPT Close Nipple
—	105M021	Features and Specifications Guide – Blastmaster® Regulator Abrasive Metering Valve
—	106M021	Part Numbers and Schematics Guide – Blastmaster® Regulator Abrasive Metering Valve
—	1090021	Operator's Manual – Blastmaster® Regulator Abrasive Metering Valve
—	1091045	Hazard Identification Tag

PART NUMBERS & SCHEMATICS

Figure 1: Blastmaster® Regulator Abrasive Metering Valve



PART NUMBER

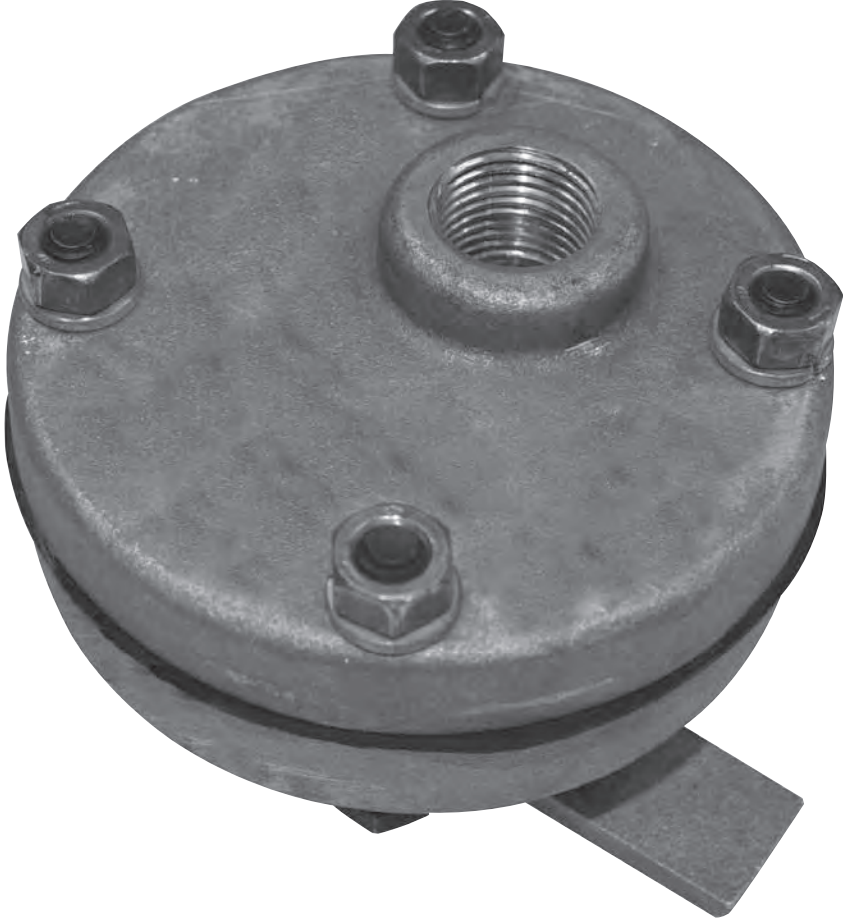
**Part
Number**

BLASTMASTER® REGULATOR JR. ABRASIVE METERING VALVE

10100684

Blastmaster® Regulator Jr. Abrasive Metering Valve – Complete

BLASTMASTER® REGULATOR JR. ABRASIVE METERING VALVE



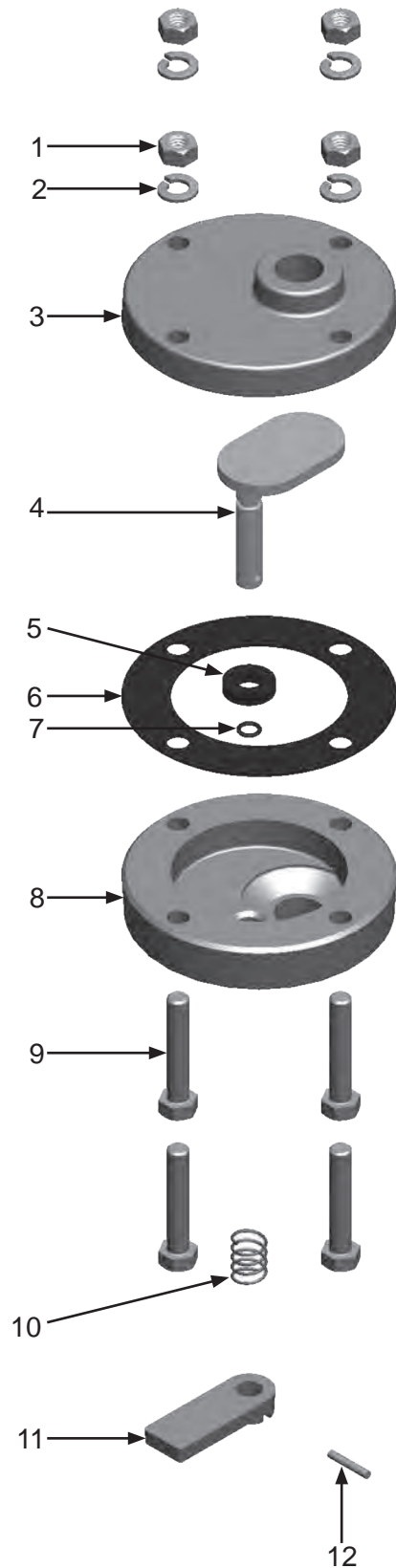
PART NUMBERS & SCHEMATICS

Blastmaster® Regulator Jr. Abrasive Metering Valve

Item #	Part #	Description
Fig. 1		
1	1035046	5/16-18 Nut (<i>Four Required</i>)
2	10L805014	5/16" Lock Washer (<i>Four Required</i>)
3	10100685	Upper Valve Body
4	10100691	Metering Plate
5	10100695	Nylon Washer
6	10100708	Gasket
7	10100694	O-ring
8	10100687	Lower Valve Body
9	10100709	5/16-18 x 1-3/4" Bolt (<i>Four Required</i>)
10	10100696	Tension Spring
11	10100689	Control Handle
12	10100707	Control Handle Pin
—	105M160	Features and Schematics Guide – Blastmaster® Regulator Jr. Abrasive Metering Valve
—	106M160	Part Numbers and Schematics Guide – Blastmaster® Regulator Jr. Abrasive Metering Valve
—	1091060	Operator's Manual – Blastmaster® Regulator Jr. Abrasive Metering Valve
—	1091045	Warning Tag

PART NUMBERS & SCHEMATICS

Figure 1: Blastmaster® Regulator Jr. Abrasive Metering Valve



PART NUMBERS & SCHEMATICS

**Part
Number**

K-SERIES ABRASIVE METERING VALVE

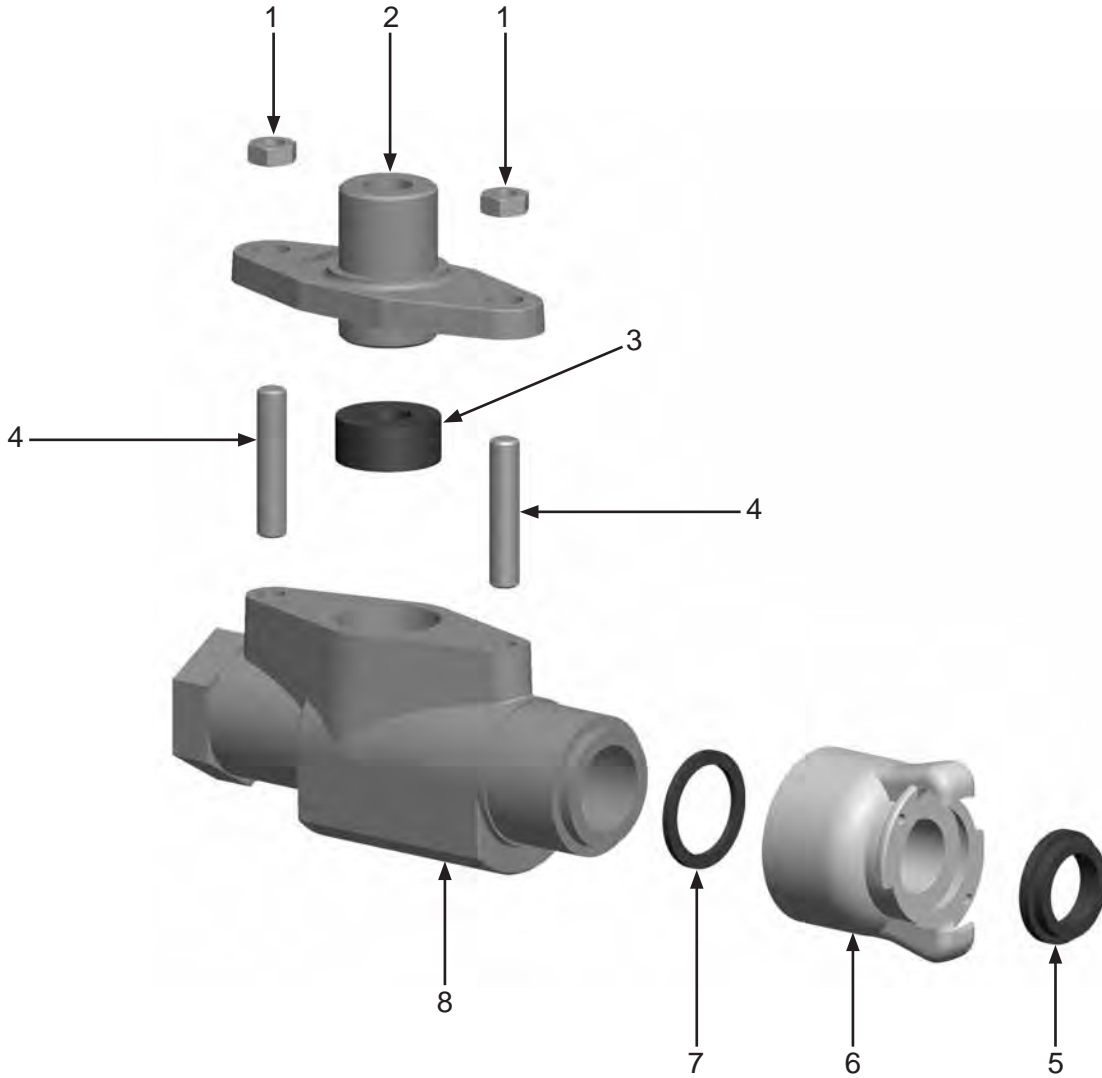
10104965

K-Series Abrasive Metering Valve – Complete



PART NUMBERS & SCHEMATICS

Figure 1: K-Series Abrasive Metering Valve



Item #	Part #	Description
Fig. 1		
1	1014022	1/2" UNC Hex Nut <i>(Two Required)</i>
2	10MV102	Top Plate 1-1/4" NPT (M)
3	10MV104	Metering Donut
4	10MV109	1/2-13 x 2-3/4" NPT Stud <i>(Two Required)</i>
5	10104969	Coupling Gasket
6	10104968	2" NPT Coupling <i>(Includes Item #5, Quantity of One)</i>
7	10MV11	Washer
8	10104966	Base, 1-1/2" NPT (F)
—	105M012	Features and Specifications Guide – K-Series Abrasive Metering Valve
—	106M012	Part Numbers and Schematics Guide – K-Series Abrasive Metering Valve

PART NUMBERS & SCHEMATICS GUIDE

Part Numbers	AUTOMATIC EASY-FLOW ABRASIVE METERING VALVE
	Description
10105102	Automatic Easy-Flow Abrasive Metering Valve

PART NUMBERS & SCHEMATICS GUIDE



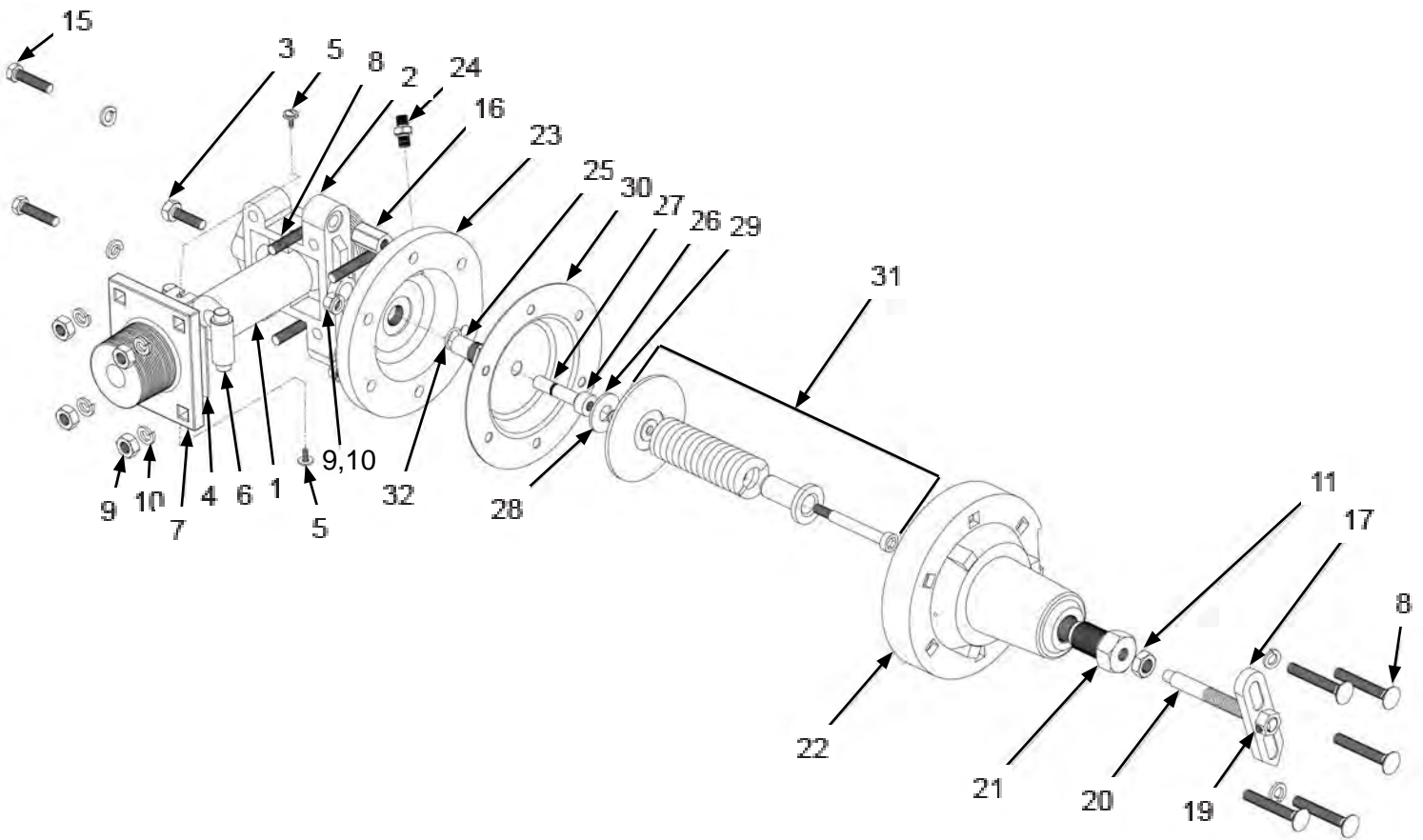
PART NUMBERS & SCHEMATICS GUIDE

Automatic Easy-Flow Metering Valve

Item #	Part#	Description
Fig. 1		
—	10105102	Automatic Easy-Flow Abrasive Metering Valve
1	10105104	Metering Tube – 3/4" inner diameter
2	10105109	2" NPT Valve Body
3	10105110	7/16" x 1-1/4" Bolt
4	10105111	Roller Stop/ Holder
5	10105112	M4 x 15mm Screw and washer
6	10105113	Pinch Roller
7	10105114	2" NPT Flange
8	10105115	3/8-16 x 2-1/2" Carriage Bolt
9	10101938	3/8" UNC Hex Nut
10	10101936	3/8" I.D. Lock Washer
11	10105118	1/2-13 UNC Jam Nut
15	10101059	3/8-16 UNC Hex Bolt
16	10105120	3/8-16 UNC Extension Nut
17	10105121	1/2-13 Handle Only
19	10105122	Grub Screw M6 (Set Screw 1/2"-13 x 1/2")
20	10105123	Handle Shaft
21	10105124	Spring Tensioner
22	10105125	Spring Enclosure
23	10105126	Diaphragm Cover
24	10105127	Adapter 1/4" NPT x 1/4" Ball End Hose
25	10105128	Plunger Guide
26	10105129	Plunger
27	10105130	O-Ring
28	10105131	Washer – 1/2" I.D.
29	10105132	Diaphragm Gasket
30	10105133	Diaphragm
31	10105105	Spring Assembly
32	10105135	O-Ring for Plunger Guide
—	10105196	2" x 1-1/4" Galvanized Bell Reducer
—	1070390	1-1/4" x 1-1/4" x 2" Pipe Tee
—	106M541	Part Numbers and Schematics Guide — Automatic Easy-Flow Metering Valve

PART NUMBERS & SCHEMATICS GUIDE

Figure 1: Automatic Easy-Flow Metering Valve



PART NUMBERS & SCHEMATICS GUIDE

Part Numbers	MANUAL EASY-FLOW METERING VALVE
	Description
10105103	Manual Easy-Flow Metering Valve

PART NUMBERS & SCHEMATICS GUIDE



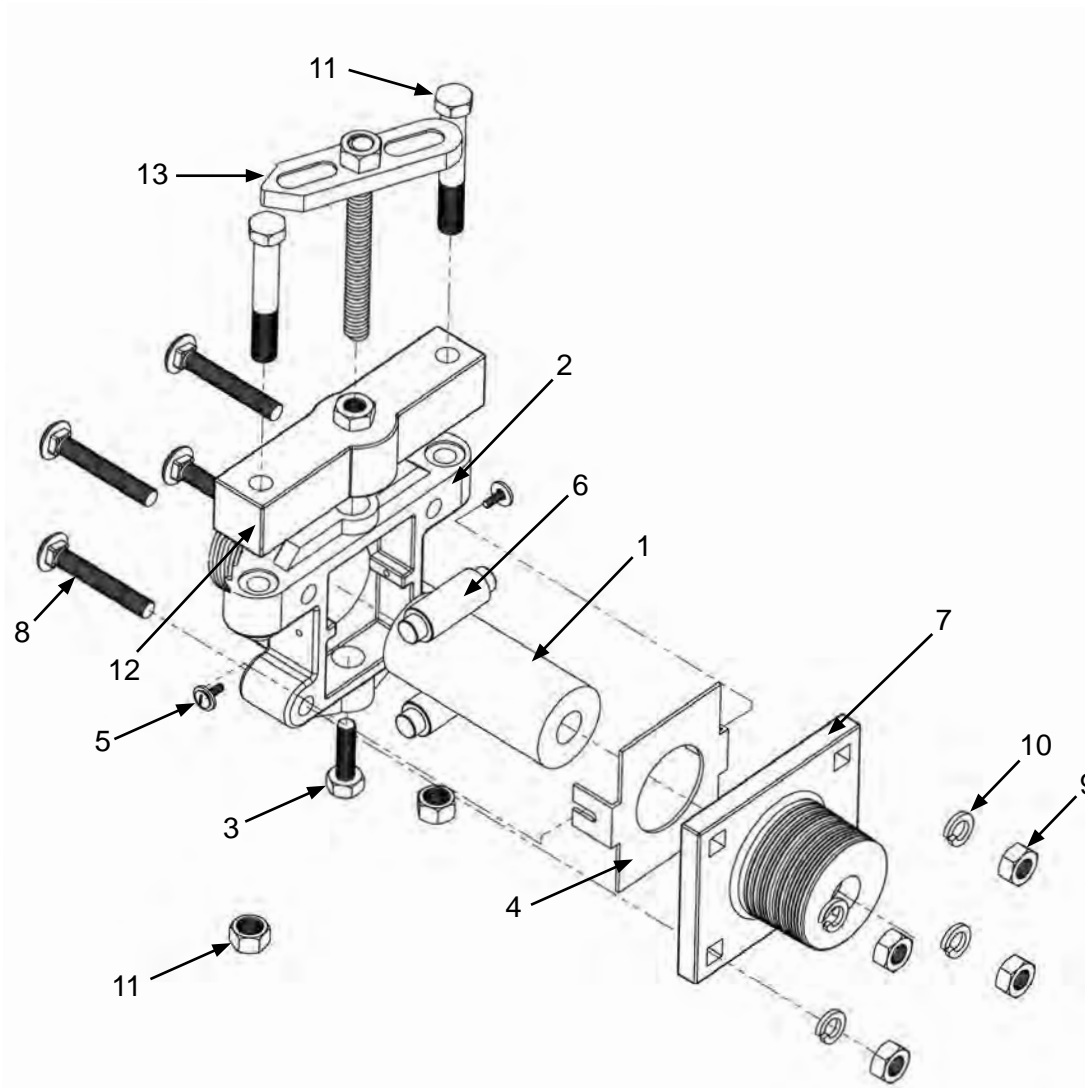
PART NUMBERS & SCHEMATICS GUIDE

Manual Easy-Flow Metering Valve

Item #	Part #	Description
Fig. 1		
1	10105104	Metering Tube – 3/4" I.D.
2	10105109	Valve Body – 2" NPT
3	10105110	7/16" x 1-1/4" Bolt
4	10105111	Roller Stop/ Holder
5	10105112	M4 x 15mm Screw and washer
6	10105113	Pinch Roller
7	10105114	Flange – 2" NPT
8	10105115	Carriage Bolt 3/8-16 x 2-1/2"
9	10101938	Hex Nut – 3/8" UNC
10	10101936	Lock Washer – 3/8" I.D.
11	10101059	Hex Bolt – 3/8-16 UNC
12	10105136	Adaptor Body-Manual Easy-Flow Metering Valve
13	10105137	Handle Assembly
—	10105118	Jam Nut – 1/2-13 UNC
—	1070390	1-1/4" x 1-1/4" x 2" Pipe Tee
—	10105196	2" x 1-1/4" Galvanized Bell Reducer
—	106M542	Part Numbers and Schematics Guide – Manual Easy-Flow Metering Valve

PART NUMBERS & SCHEMATICS GUIDE

Figure 1: Manual Easy-Flow Metering Valve



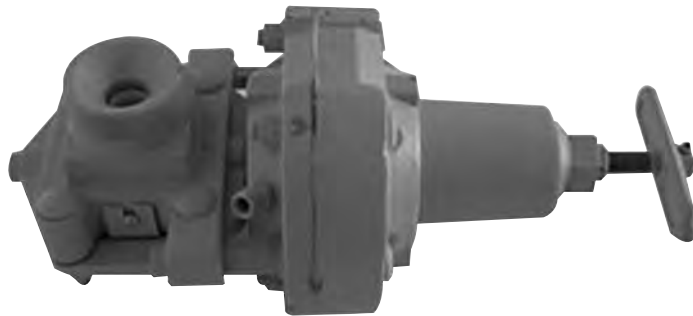
PART NUMBER

Part Numbers	EMPIRE™ MANUAL SURE-FLO ABRASIVE METERING VALVES
	Description
10EM290383	Empire™ Manual Sure-Flo Abrasive Metering Valve



PART NUMBER

Part Numbers	EMPIRE™ AUTOMATIC SURE-FLO ABRASIVE METERING VALVES
	Description
10EM290215	Empire™ Automatic Sure-Flo Abrasive Metering Valve



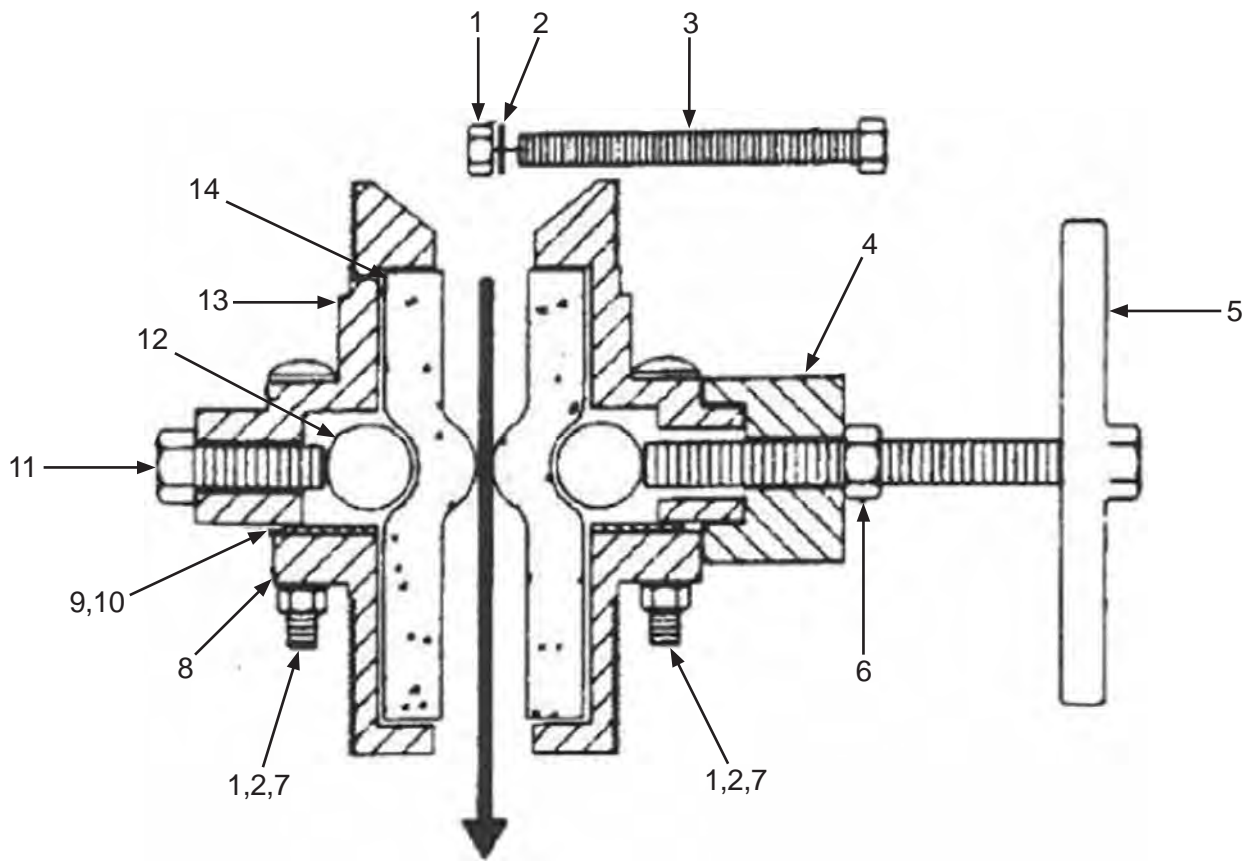
PART NUMBERS & SCHEMATICS

Empire™ Manual Sure-Flo Abrasive Metering Valve

Item #	Part #	
Fig. 1		
—	10EM290383	Empire™ Manual Sure-Flo Abrasive Metering Valve – Complete
1	10EM552542	3/8-16 Hex Nut <i>(Six Required)</i>
2	10EM552762	3/8" I.D. Lock Washer <i>(Six Required)</i>
3	10EM551902	3/8-16 x 3" Bolt <i>(Two Required)</i>
4	10EM753372	Manual Body Adapter
5	10EM290384	1/2-13 x 4" Handle Assembly
6	10EM552672	1/2" Jam Nut
7	10EM552052	3/8-16 x 2-1/2" Carriage Bolt <i>(Four Required)</i>
8	10EM753292	2" MPT Flange
9	10EM753092	Roller Stop/Holder
10	10EM551352	8-32 x 1/2" Screw <i>(Two Required)</i>
11	10EM552222	7/16-14 x 1-1/4" Bolt
12	10EM753632	Pinch Roller <i>(Two Required)</i>
13	10EM753692	2" MPT Valve Body
14a	10EM525451	3/8" I.D. Metering Tube for Fine Grit Abrasives
14b	10EM523592	3/4" I.D. Metering Tube for Medium Grit Abrasives
14c	10EM523512	3/4" I.D. Metering Tube (red) for Medium Grit Abrasives, Conditions Below 32° F
14d	10EM525792	5/8" I.D. Metering Tube for Medium to Coarse Abrasives
14e	10EM525802	7/8" I.D. Metering Tube for Coarse Abrasives
—	106M011	Part Numbers and Schematics Guide – Empire™ Manual Sure-Flo Abrasive Metering Valve

PART NUMBERS & SCHEMATICS

Figure 1: Empire™ Manual Sure-Flo Abrasive Metering Valve



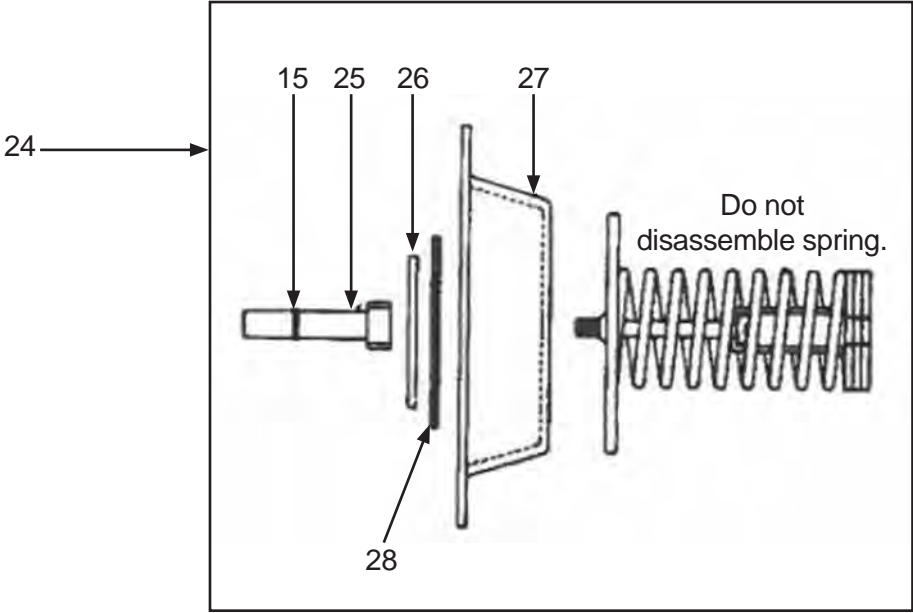
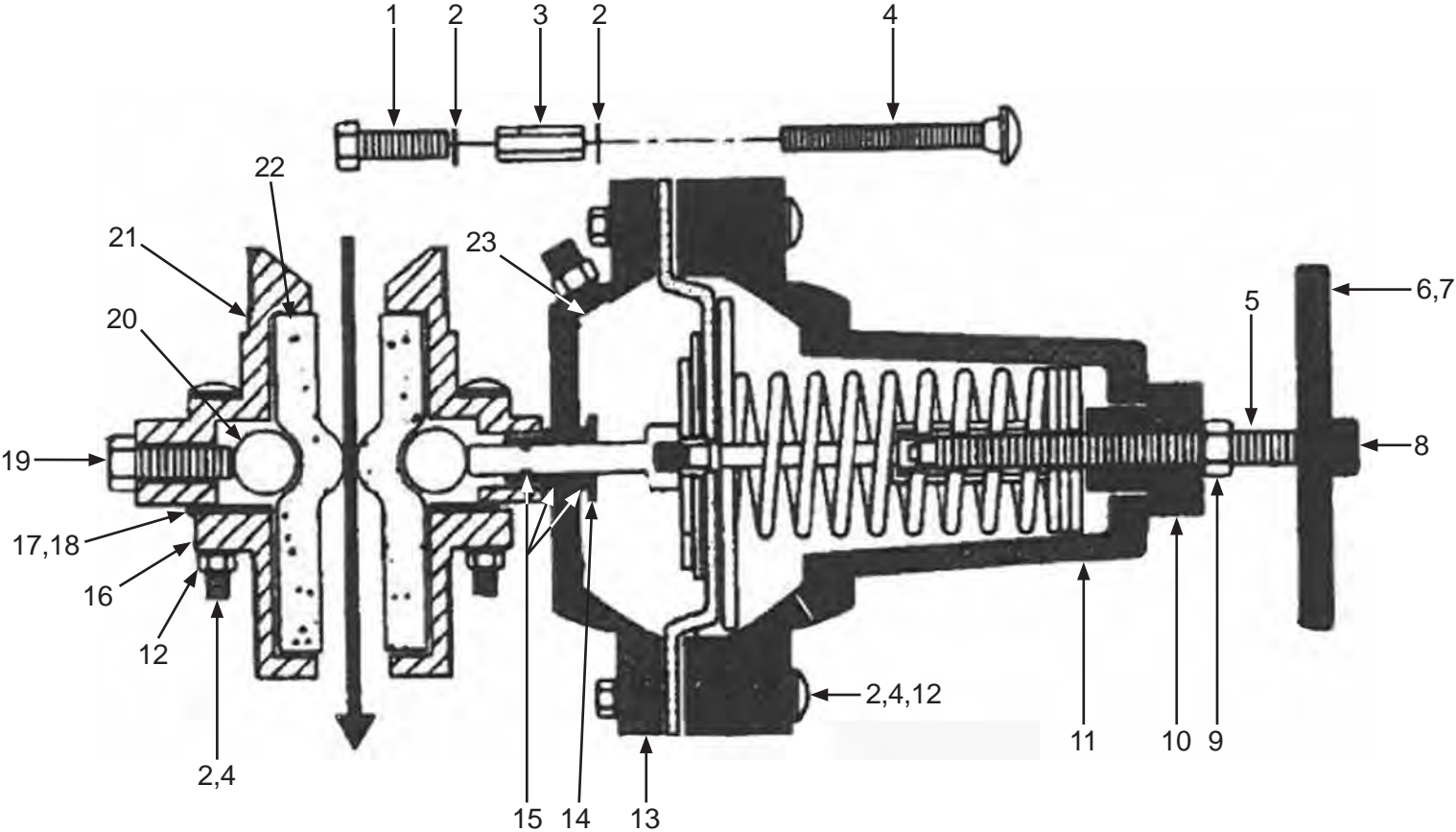
PART NUMBERS & SCHEMATICS

Empire™ Automatic Sure-Flo Abrasive Metering Valve

Item #	Part #	
Fig. 2		
—	10EM290215	Empire™ Automatic Sure-Flo Abrasive Metering Valve – Complete
1	10EM551852	3/8-16 x 1-1/4" Bolt (<i>Two Required</i>)
2	10EM552762	3/8" I.D. Lock Washer (<i>12 Required</i>)
3	10EM552662	3/8-16 Nut Extension (<i>Two Required</i>)
4	10EM552052	3/8-16 x 2-1/2" Carriage Bolt (<i>10 Required</i>)
5	10EM505802	Shaft Handle
6a	10EM290271	1/2-13 Handle Assembly
6b	10EM290211	7/16-14 x 4" Handle Assembly
7	10EM753622	1/2-13 Handle
8	10EM551732	1/2-13 x 1/2" Nyloc Set Screw
9	10EM552672	1/2-13 Jam Nut
10	10EM505822	Spring Tensioner
11	10EM753682	Spring Enclosure
12	10EM552542	3/8-16 Hex Nut (<i>Eight Required</i>)
13	10EM753112	Diaphragm Cover
14	10EM753462	Plunger Guide
15	10EM561422	O-ring Kit (<i>Three Required</i>)
16	10EM753292	2" MPT Flange
17	10EM753092	Roller Stop/Holder
18	10EM551352	8-32 x 1/2" Screw (<i>Two Required</i>)
19	10EM55222	7/16-14 x 1-1/4" Bolt
20	10EM753632	Pinch Roller (<i>Two Required</i>)
21	10EM753692	2" MPT Valve Body
22a	10EM525451	3/8" I.D. Metering Tube for Fine Grit Abrasives
22b	10EM523592	3/4" I.D. Metering Tube for Medium Grit Abrasives
22c	10EM523512	3/4" I.D. Metering Tube (red) for Medium Grit Abrasives, Conditions Below 32° F
22d	10EM525792	5/8" I.D. Metering Tube for Medium to Coarse Abrasives
22e	10EM525802	7/8" I.D. Metering Tube for Coarse Abrasives
23	10EM52108	1/4" NPT x 1/4" Ball End Hose Adapter
24	10EM290296	Spring Assembly (<i>Includes Item #'s: 25 – 28</i>)
25	10EM505872	Plunger with O-ring
26	10EM552842	1/2" I.D. Washer
27	10EM525012	Diaphragm
28	10EM525002	Diaphragm Gasket
—	106M453	Part Numbers and Schematics Guide – Empire™ Automatic Sure-Flo Abrasive Metering Valve

PART NUMBERS & SCHEMATICS

Figure 2: Empire™ Automatic Sure-Flo Abrasive Metering Valve



PART NUMBERS & SCHEMATICS GUIDE

SCHMIDT® THOMPSON VALVE® II ABRASIVE METERING VALVES			
Part Numbers	Base Size	Sleeve Style	Sleeve Material
10S2152006	1"	Standard	Tungsten Carbide
10S2152106	1"	Standard	Urethane
10S2152007	1-1/4"	Standard	Tungsten Carbide
10S2152107	1-1/4"	Standard	Urethane
10S2152217	1-1/4"	Slotted	Tungsten Carbide
10S2152307	1-1/4"	Direct Down	Tungsten Carbide
10S2152407	1-1/4"	Multiport	Stainless Steel
10S2152437	1-1/4"	Multiport Range III	Stainless Steel
10S2152008	1-1/2"	Standard	Tungsten Carbide
10S2152108	1-1/2"	Standard	Urethane
10S2152218	1-1/2"	Slotted	Tungsten Carbide
10S2152408	1-1/2"	Multiport	Stainless Steel
10S2152438	1-1/2"	Multiport Range III	Stainless Steel

PART NUMBERS & SCHEMATICS GUIDE



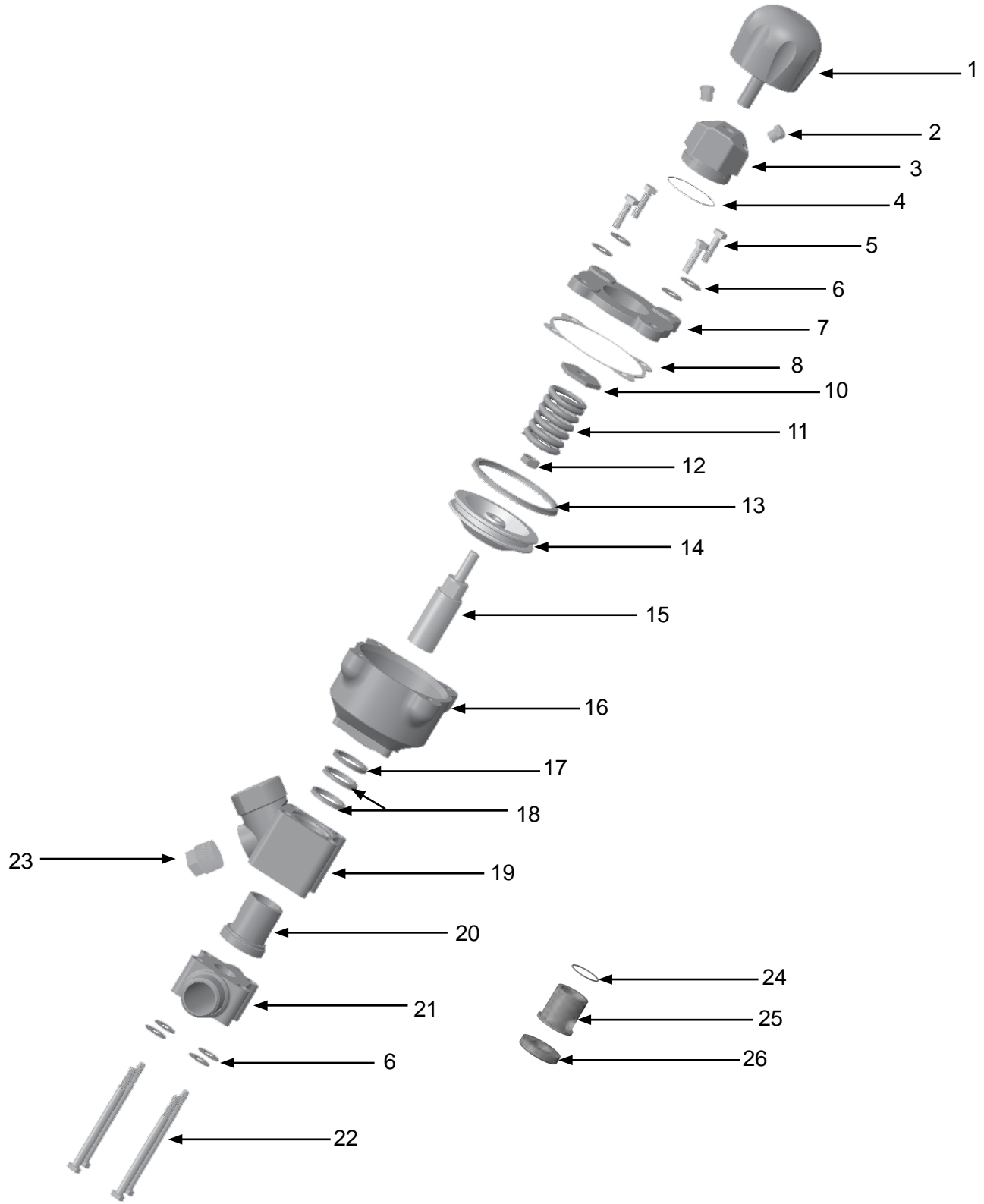
PART NUMBERS & SCHEMATICS GUIDE

Schmidt® Thompson Valve® II Abrasive Metering Valve

Item #	Part #	Description	Item #	Part #	Description
Fig. 1			25	10104404	Sleeve (standard), Tungsten Carbide <i>(Alternative)</i>
1	10S215200001	Knob		10S215200013	Sleeve (standard), Tungsten Carbide Sleeve
2	1019024	Breather Vent <i>(Two Required)</i> <i>(Alternative)</i>	26	10104405	Urethane Seat <i>(Alternative)</i>
	10S215200017	Breather Vent		10S215200010	Urethane Seat
3	10S215200012	Spring Retainer	—	10105259	Replacement Parts Kit - Tungsten Carbide
4	10000218	O-ring <i>(Alternative)</i>			<i>Includes Item #'s: 4, 8, 13, 15, 17, 18, 24, 25 and 26 (Alternative)</i>
	10S215200018	O-ring	—	10S215200099	Replacement Parts Kit - Tungsten Carbide
5	10104234	3/8" UNC x 1-1/4" Hex Bolt <i>(Alternative)</i>			<i>Includes Item #'s: 4, 8, 13, 15, 17, 18, 24, 25 and 26</i>
	10101059	3/8" UNC x 1-1/4" Hex Bolt	—	10105260	Replacement Parts Kit - Urethane
6	1014241	3/8" Washer			<i>Includes Item #'s: 4, 8, 13, 15, 17, 18, and 20 (Alternative)</i>
7	10S215200002	Cap Plate	—	10S215210099	Replacement Parts Kit - Urethane
8	10000219	Cap Gasket <i>(Alternative)</i>			<i>Includes Item #'s: 4, 8, 13, 15, 17, 18, and 20</i>
	10S215200016	Cap Gasket	—	10105261	Replacement Seals Kit - Tungsten Carbide
10	10104406	Vibration Disc <i>(Alternative)</i>			<i>Includes Item #'s: 4, 8, 13, 17, 18, 24, 26 (Alternative)</i>
	10S215200025	Vibration Disc	—	10S215200098	Replacement Seals Kit - Tungsten Carbide
11	10000255	Spring <i>(Alternative)</i>			<i>Includes Item #'s: 4, 8, 13, 17, 18, 24, 26</i>
	10S215200003	Spring	—	10105262	Replacement Seals Kit - Urethane
12	1014022	1/2-13 Nut			<i>Includes Item #'s: 4, 8, 13, 17, 18, 20 (Alternative)</i>
13	1014215	Piston Seal	—	10S215210098	Replacement Seals Kit - Urethane
14	10S215200005	Piston			<i>Includes Item #'s: 4, 8, 13, 17, 18, 20</i>
15	10104403	Tungsten Carbide Plunger <i>(Alternative)</i>	—	10S215220013	Sleeve, Tungsten Carbide, 2-Stage Slotted
	10S215200007	Tungsten Carbide Plunger			
16	10S215200009	Cylinder	—	10S215232020	Sleeve, Stainless, Multiport
17	10000226	Plunger Seal <i>(purple urethane)</i> <i>(Alternative)</i>		10S215232022	Sleeve, Stainless, Multiport, Range III
	10S215200006	Plunger Seal <i>(purple urethane)</i>	—	10S215232022XL	Sleeve, Tungsten Carbide, Multiport, Range III
18	10000226	Plunger Seal <i>(purple urethane; Two Required)</i> <i>(Alternative)</i>			
	10S215200006	Plunger Seal <i>(purple urethane; Two Required)</i>	—	106M527	Part Numbers and Schematics Guide – Schmidt® Thompson Valve® II Abrasive Metering Valve
19	10S215200014	Body			
20	10105095	Sleeve (standard), Urethane <i>(Alternative)</i>	—	109V527	Operator's Manual – Schmidt® Thompson Valve® II Abrasive Metering Valve
	10S215210013	Sleeve (standard), Urethane			
21	10S215200019	Base 1" NPT (F) x 1-1/2" NPT			
—	10000229	Base 1-1/4" Through Hardened <i>(Alternative)</i>			
—	10000230	Base 1-1/2" Through Hardened <i>(Alternative)</i>			
—	10S215200011	Base 1-1/2"			
22	10105215	3/8" UNC x 4-3/4" Hex Bolt <i>(Alternative)</i>			
	10S701050795	3/8" UNC x 4-3/4" Hex Bolt			
23	1011901	1" Plug <i>(Alternative)</i>			
	10S3014806	1" Plug			
24	10000234	O-Ring <i>(Alternative)</i>			
	10S215200021	O-Ring			

PART NUMBERS & SCHEMATICS GUIDE

Figure 1: Schmidt® Thompson Valve® II Abrasive Metering Valve



PART NUMBERS & SCHEMATICS GUIDE

SCHMIDT® MV2 VALVE®		
Part Numbers	Base Size	Sleeve Material
10S2127107	1-1/4"	Urethane
10S2127108	1-1/2"	Urethane

PART NUMBERS & SCHEMATICS GUIDE



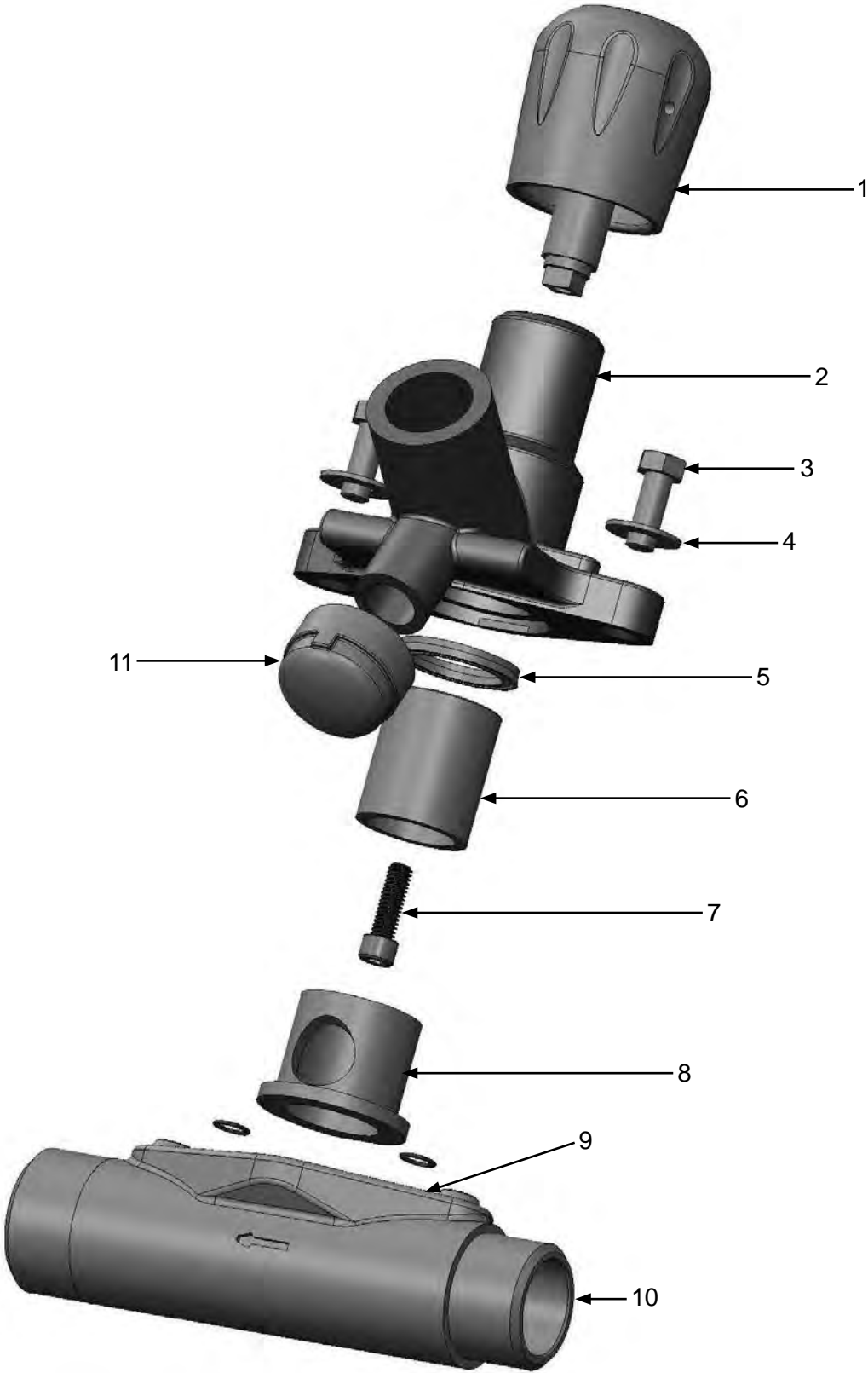
PART NUMBERS & SCHEMATICS GUIDE

Schmidt® MV2 Valve®

Item #	Part #	Description
Fig. 1		
1	10S212700001	Knob
2	10S212700006	Body
3	10105177	3/8" x 1" Hex Bolt (<i>Alternative</i>)
	10S701050706	3/8" x 1" Hex Bolt
4	1014241	3/8" Flat Washer
5	10103977	Plunger Seal (<i>Alternative</i>)
	10S214950006	Plunger Seal
6	10105176	Plunger (<i>Alternative</i>)
	10S212700005	Plunger
7	10105379	5/16" x 1" Self Sealing Socket Head Cap Screw (<i>Alternative</i>)
	10S701100506	5/16" x 1" Self Sealing Socket Head Cap Screw
8	10105175	Polyurethane Sleeve (<i>Alternative</i>)
	10S212710008	Polyurethane Sleeve
9	10105380	Gasket (<i>Alternative</i>) (4-Pack)
	10S212700015	Gasket
10	10S212700710	1-1/4" Base
	10S212700810	1-1/2" Base
11	10S3037105	3/4" Galvanized Pipe Cap
—	10105369	Replacement Parts Kit <i>Includes Item #'s: 5, 6, 7, 8, 9, and Ball (Alternative)</i>
	10S212710099	Replacement Parts Kit <i>Includes Item #'s: 5, 6, 7, 8, 9, and Ball</i>
—	10105370	Replacement Seals Kit <i>Includes Item #'s: 5, 8, 9, and Ball (Alternative)</i>
	10S212710098	Replacement Seals Kit <i>Includes Item #'s: 5, 8, 9, and Ball</i>
—	10S212700012	Ball
—	10S212700013	Orifice Indicator Decal
—	106M531	Part Numbers and Schematics Guide – Schmidt® MV2 Valve®
—	109V531	Operator's Manual – Schmidt® MV2 Valve®

PART NUMBERS & SCHEMATICS GUIDE

Figure 1: Schmidt® MV2 Valve®



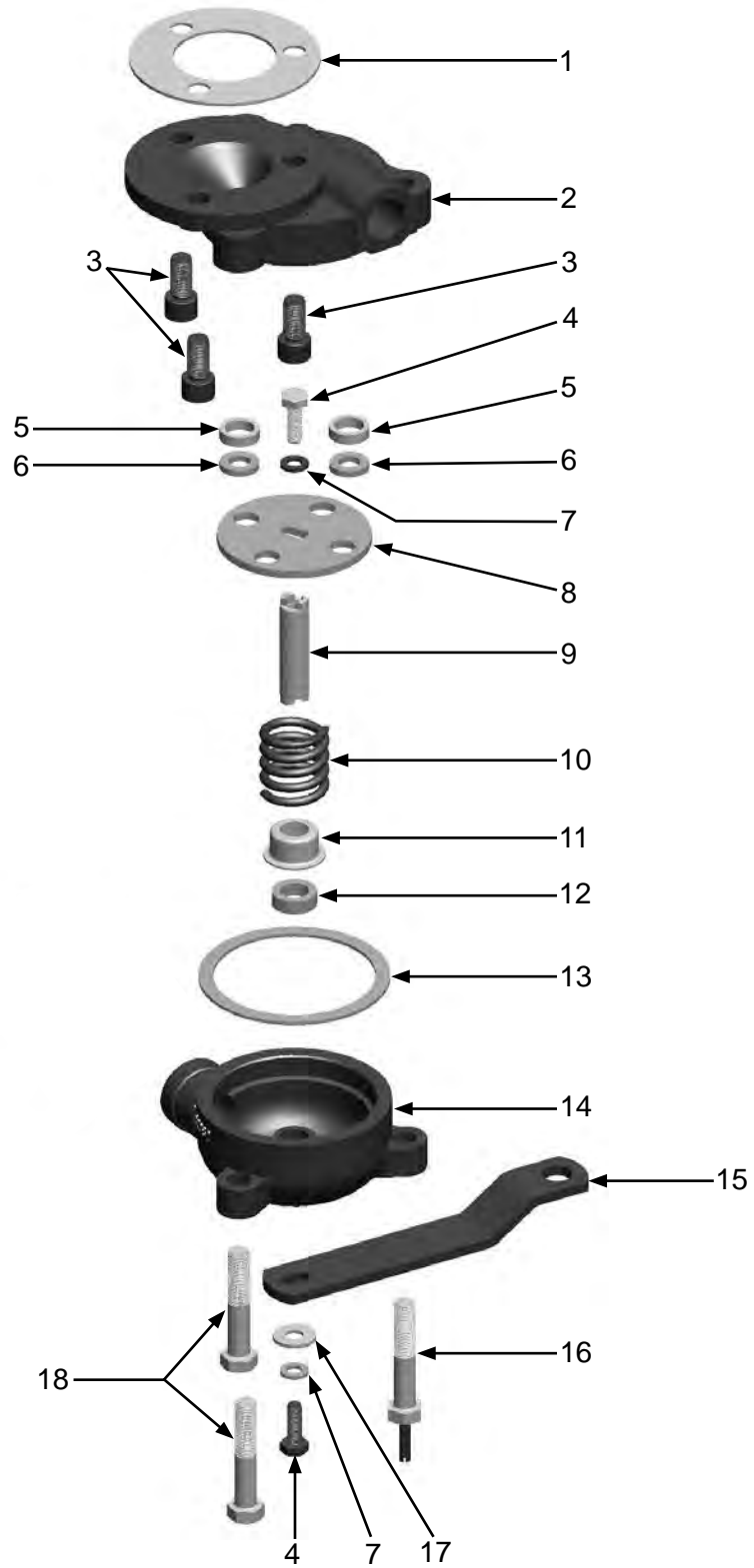
PART NUMBERS AND SCHEMATICS GUIDE

Blastmaster® 2-Hole Junior Abrasive Mixing Valve – Complete

Item #	Part #	Description
Fig. 1		
—	10L100197	Blastmaster® 2-Hole Junior Abrasive Mixing Valve – Complete
1	10L301BG	Valve Body Gasket
2	10L100009	Valve Body <i>(Includes Item #3 (Quantity of Three))</i>
3	10L805531	Socket Head Cap Screw <i>(Three Required)</i>
4	10L805302	Spindle Bolt <i>(Two Required)</i>
5	10LC25	Valve Cushion <i>(Two Required)</i>
6	10L100019	Valve Washer <i>(Two Required)</i>
7	1012153	1/4" Lock Washer <i>(Two Required)</i>
8	10L100079	Valve Plate
9	10L100083	Spindle
10	10L344	Valve Spring
11	10LC31	Spindle Packing
12	10LC32	Packing
13	10LC16	Cover Gasket
14	10L100082	Valve Cover - 1/2" NPT
15	10LC4X	Valve Control Arm
16	10L303CS	Stop Pin Bolt
17	1014017	1/4" Flat Washer
18	10L805319	Cover Bolt
—	10L336A	Blastmaster® 2-Hole Junior Abrasive Mixing Valve Service Kit <i>Includes Item #'s: 1, 4 (Quantity of Two), 5 (Quantity of Two), 6 (Quantity of Two), 7 (Quantity of Two), 8, 9, 10, 11, 12, 13, 17</i>
—	1091045	Hazard Identification Tag
—	105M431	Features and Specifications Guide – Blastmaster® 2-Hole Junior Abrasive Mixing Valve
—	106M431	Part Numbers and Schematics Guide – Blastmaster® 2-Hole Junior Abrasive Mixing Valve
—	1090030	Operator's Manual – Blastmaster® 2-Hole Junior Abrasive Mixing Valve

PART NUMBERS AND SCHEMATICS GUIDE


Figure 1: Blastmaster® 2-Hole Junior Abrasive Mixing Valve – Complete



OPTIONAL ACCESSORIES

1/2" I.D. ABRASIVE BLASTING HOSE						
Part Numbers	O.D.	Fabric Reinforcement	Working Pressure	Liner Thickness	Hose Cover Color	Length (Ft.)
		2-Ply		1/4" Heavy-Duty	Black	
10BH012C	1-3/16"	X	150 PSI	X	X	50

1/2" I.D. ABRASIVE BLASTING HOSE WITH COUPLINGS INSTALLED								
Part Numbers	I.D.	1-3/16" O.D.	Fabric Reinforcement	Working Pressure	Liner Thickness	Hose Cover Color	Length (Ft.)	Steel Couplings
			2-Ply		1/4"	Black		
10L850119	1/2"	X	X	150 PSI	X	X	10	X
10L850125	1/2"	X	X	150 PSI	X	X	50	X
10L850120	1/2"	X	X	150 PSI	X	X	25	X

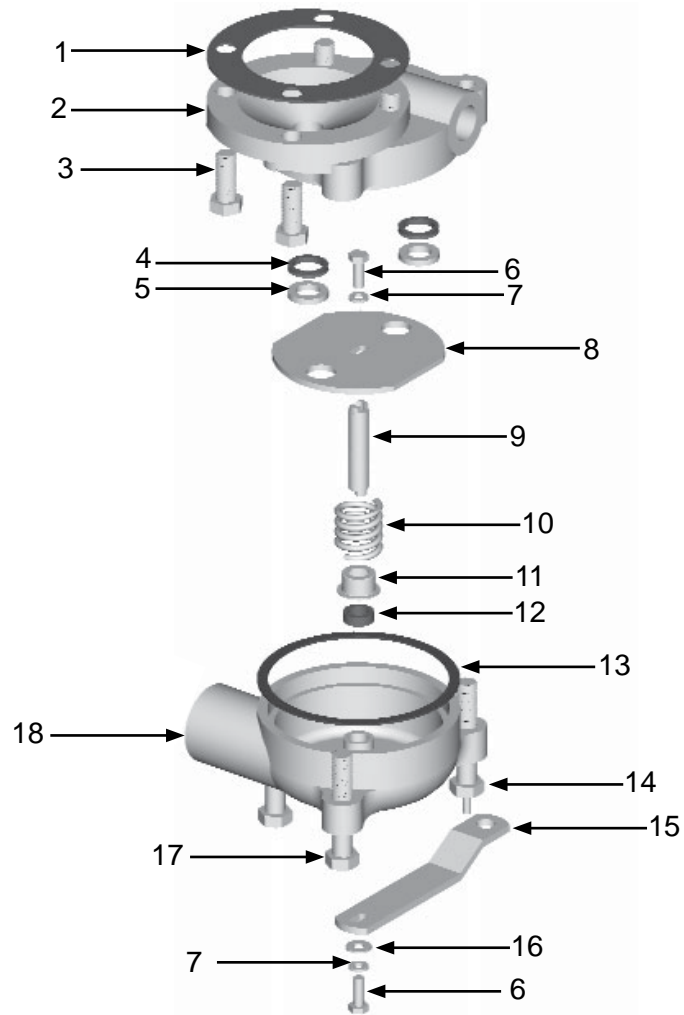
COUPLINGS		
Part Numbers	Description	
	10L174	Coupling for 1/2" I.D. Abrasive Blasting Hose

PART NUMBERS AND SCHEMATICS GUIDE

Item #	Part #	Description
Fig. 1		
1	10L701BG	Valve Body Gasket
2	10L701B	Valve Body <i>(Includes Item #3 (Quantity of Four))</i>
3	10L805326	Valve Body Bolt <i>(Four Required)</i>
4	10L800001	Valve Cushion Quad-Ring <i>(Two Required)</i>
5	10L100015	5/8" Valve Washer <i>(Two Required)</i>
6	10L805302	1/4-28 x 3/4" Spindle Bolt <i>(Two Required)</i>
7	1012153	1/4" Lock Washer <i>(Two Required)</i>
8	10L736	Valve Plate
9	10L100084	Valve Spindle
10	10L344	Valve Spring
11	10LC31	Spindle Packing Gland
12	10LC32	Spindle Packing
13	10L716CG	Valve Cover Gasket
14	10L703CS	Cover Bolt with Pin
15	10LC4X	Valve Spindle Arm
16	1014017	1/4" Flat Washer
17	10L805328	Cover Bolt without Pin <i>(Two Required)</i>
18	—	Cover <i>(No Longer Available)</i>
—	106M036	Part Numbers and Schematics Guide – Blastmaster® 2-Hole Senior Abrasive Mixing Valve

PART NUMBERS AND SCHEMATICS GUIDE

Figure 1: Blastmaster® 2-Hole Senior Abrasive Mixing Valve

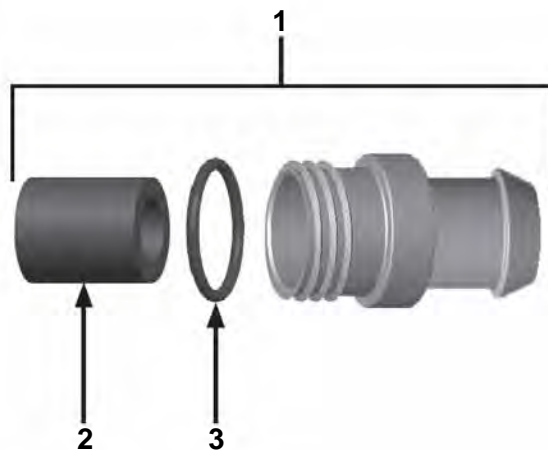


OPTIONAL ACCESSORIES

1" I.D. x 1-7/8" O.D. ABRASIVE BLASTING HOSE						
Part Numbers	Fabric Reinforcement	Working Pressure	Liner Thickness		Hose Cover Color	Length (Ft.)
	4-Ply		1/4" Heavy-Duty	Black		
10BH100B	X	150 PSI	X		X	50

1" I.D. x 1-7/8" O.D. ABRASIVE BLASTING HOSE WITH COUPLINGS INSTALLED							
Part Numbers	Fabric Reinforcement	Working Pressure	Liner Thickness		Hose Cover Color	Length (Ft.)	Aluminum Couplings
	4-Ply		5/16" Xtreme-Duty®	1/4" Heavy-Duty	Black		
10BH100XAC	X	150 PSI	X		X	50	X
10BH100BAC	X	150 PSI		X	X	50	X

Figure 2: Coupling Assemblies



Item #	Part #	Description
--------	--------	-------------

Fig. 2

1	10L466HE	Coupling for 1" I.D. Abrasive Blasting Hose (Includes Item #'s: 2 and 3)
2	10L800237	Rubber Liner for 1" I.D. Abrasive Blasting Hose
3	10L66RR	O-Ring

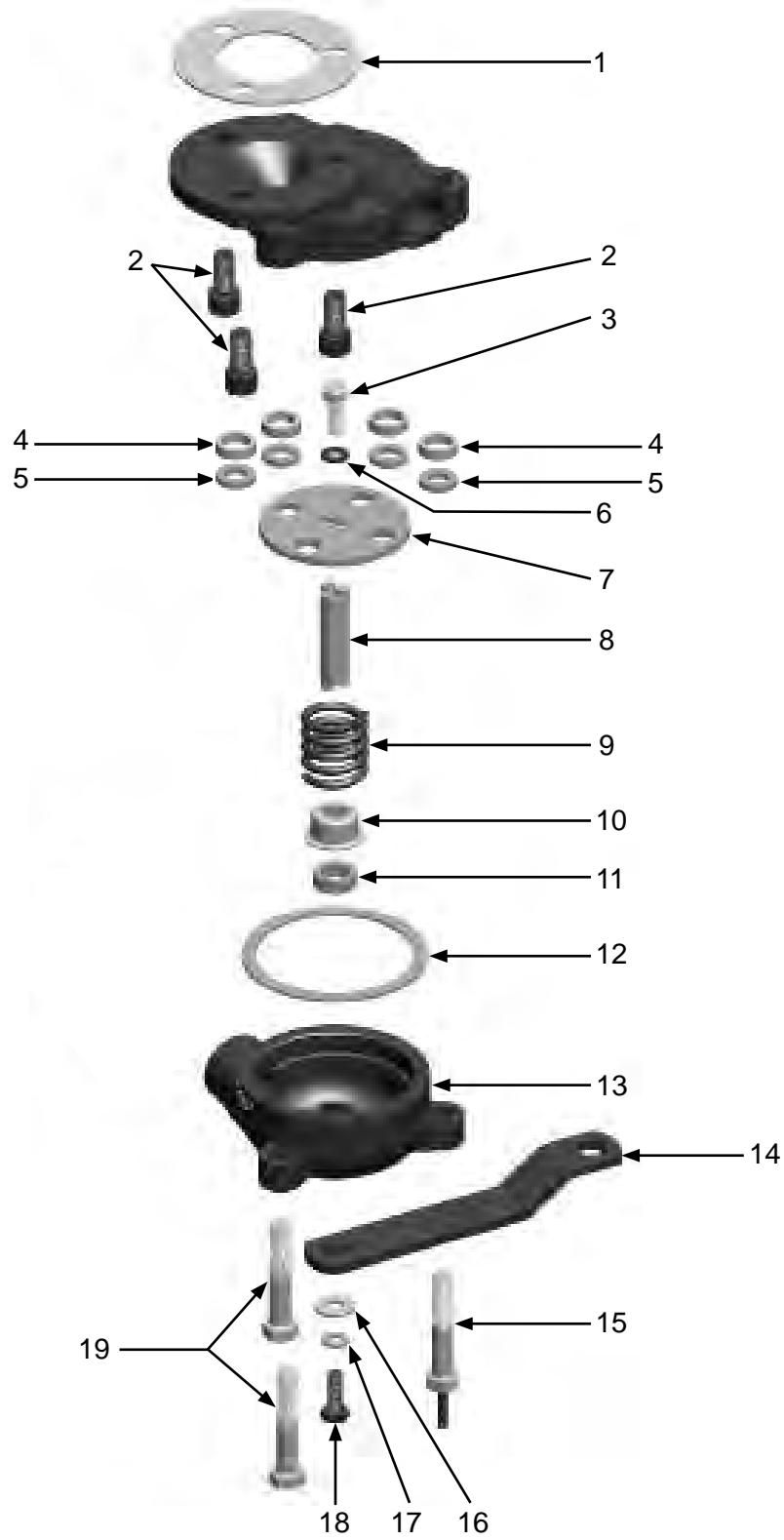
PART NUMBERS AND SCHEMATICS GUIDE

Blastmaster® 4-Hole Junior Abrasive Mixing Valve

Item #	Part #	Description
Fig. 1		
1	10L301BG	Valve Body Gasket
2	10L805531	Socket Head Cap Screw (<i>Three Required</i>)
3	10L805302	Spindle Bolt (<i>Two Required</i>)
4	10LC25	Valve Cushion (<i>Four Required</i>)
5	10L100020	Valve Washer (<i>Four Required</i>)
6	1012153	1/4" Lock Washer (<i>Two Required</i>)
7	10L100079	Valve Plate
8	10L100083	Spindle
9	10L344	Valve Spring
10	10LC31	Spindle Packing
11	10LC32	Packing
12	10LC16	Cover Gasket
13	—	Valve Cover – 1/2" NPT (<i>No Longer Available</i>)
14	10LC4X	Valve Control Arm
15	10L303CS	Stop Pin Bolt
16	1014017	1/4" Flat Washer
17	10L805319	Cover Bolt
—	1091045	Hazard Identification Tag
—	105M032	Features and Specifications Guide – Blastmaster® 4-Hole Junior Abrasive Mixing Valve
—	106M032	Part Numbers and Schematics Guide – Blastmaster® 4-Hole Junior Abrasive Mixing Valve
—	1090032	Operator's Manual – Blastmaster® 4-Hole Junior Abrasive Mixing Valve

PART NUMBERS AND SCHEMATICS GUIDE

Figure 1: Blastmaster® 4-Hole Junior Abrasive Mixing Valve

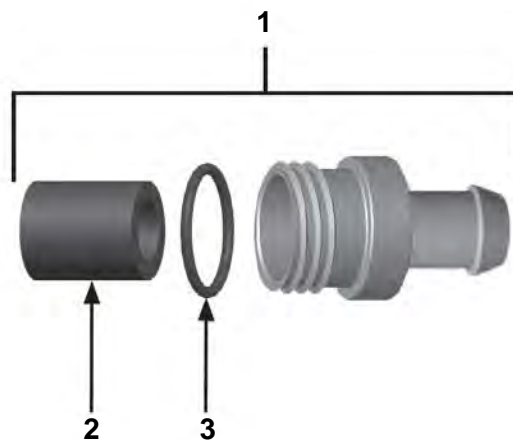


OPTIONAL ACCESSORIES

3/4" I.D. x 1-1/2" O.D. ABRASIVE BLASTING HOSE					
Part Numbers	Fabric Reinforcement	Working Pressure	Liner Thickness	Hose Cover Color	Length (Ft.)
	2-Ply		1/4" Heavy-Duty	Black	
10BH034B	X	150 PSI	X	X	50

3/4" I.D. x 1-1/2" O.D. ABRASIVE BLASTING HOSE WITH COUPLINGS INSTALLED						
Part Numbers	Fabric Reinforcement	Working Pressure	Liner Thickness	Hose Cover Color	Length (Ft.)	Steel Couplings
	2-Ply		1/4" Heavy-Duty	Black		
10L850122	X	150 PSI	X	X	25	X
10L850123	X	150 PSI	X	X	50	X

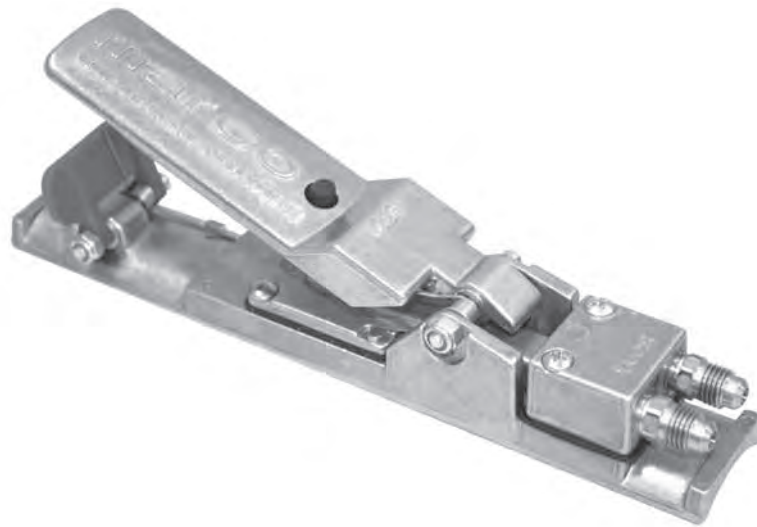
Figure 2: Coupling Assemblies



Item #	Part #	Description
Fig. 2		
1	10L366HE	Coupling for 3/4" I.D. Abrasive Blasting Hose <i>(Includes Item #'s: 2 and 3)</i>
2	10L800236	Rubber Liner for 3/4" I.D. Abrasive Blasting Hose
3	10L66RR	O-Ring

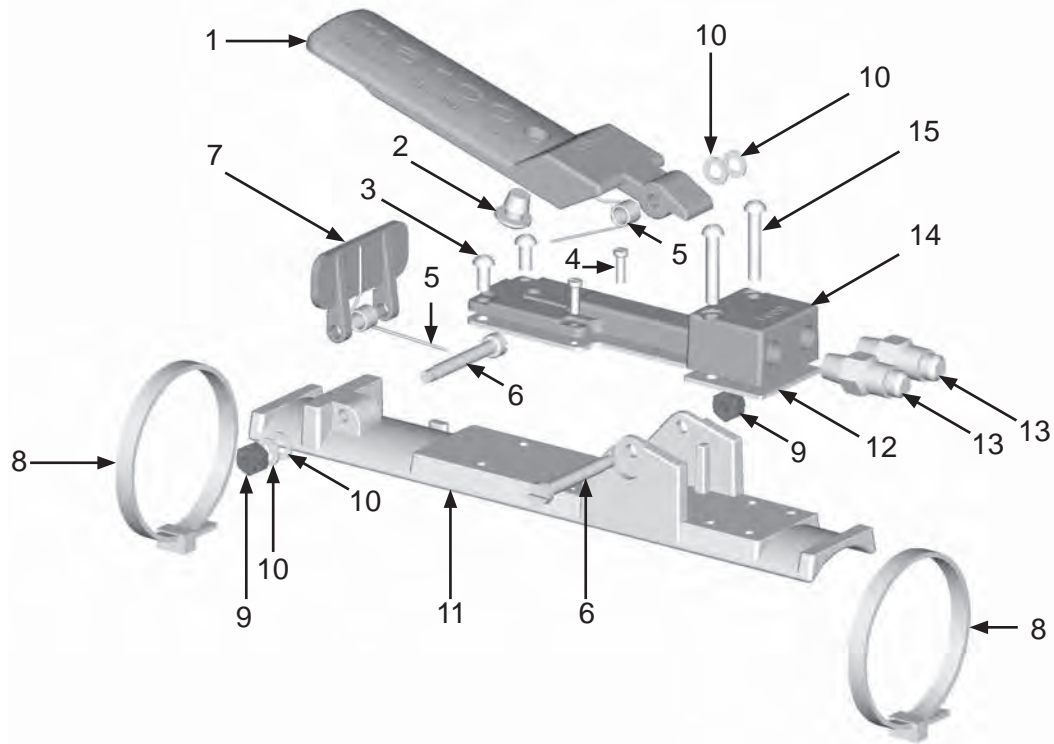
PART NUMBER

BLASTMASTER® 150P REMOTE CONTROL SWITCH			
Part Number	Body Material	Repairable	Pneumatic Control Line Fittings
1015000	Aluminum	Yes	3/16"



PART NUMBERS AND SCHEMATIC

Figure 1: Blastmaster® 150P Remote Control Switch



Item #	Part #	Description
--------	--------	-------------

Fig. 1

—	1015000	Blastmaster® 150P Remote Control Switch – Complete
1	1015001	Handle
2	1015011	Rubber Button Bumper
3	1015014	8-32 x 3/8" Phillips Head Screw <i>(Two Required)</i>
4	1015010	4-40 x 3/8" Fillister Screw <i>(Two Required)</i>
5	1015005	Spring <i>(Two Required)</i>
6	1015008	Shoulder Screw <i>(Two Required)</i>
7	1015003	Safety Tab
8	1015015	Nylon Zip Tie – White <i>(Two Required)</i>
9	1015006	8-32 UNC-2B Nylon Insert Lock Nut <i>(Two Required)</i>
10	1015007	3/8" O.D. x 7/16" I.D. Washer <i>(Four Required)</i>
11	1015002	Body
12	1015012	Adapter Block Gasket
13	1012903	1/8" NPT x 7/16-20 JIC Fitting <i>(Two Required)</i>
14	1015004	Adapter Block
15	1015009	8-32 x 1" Phillips Head Screw <i>(Two Required)</i>
—	1015013	Blastmaster® 150P Remote Control Switch Repair Kit <i>(Includes Item #'s: 7,12; two each of 3, 4, 5, 6, 9 and 15; three each of 2; and four each of 10)</i>
—	105M023	Features and Specifications Guide – Blastmaster® 150P Remote Control Switch
—	106M023	Part Numbers and Schematics Guide – Blastmaster® 150P Remote Control Switch
—	1090023	Operator's Manual – Blastmaster® 150P Remote Control Switch
—	1091032	Hazard Identification Tag

OPTIONAL ACCESSORIES

Part Numbers	PNEUMATIC CONTROL LINE	
	Length	Fittings
10TL3	3 Feet	(4) 1017016
10TL5	5 Feet	(4) 1017016
10TL25	25 Feet	(4) 1017016
10TL50	50 Feet	(4) 1017016
10TL100	100 Feet	(4) 1017016
10TLBK	Per Feet	None



10TL3
10TL5











10TL25
10TL50
10TL100



10TLBK

OPTIONAL ACCESSORIES

Part Numbers	PNEUMATIC CONTROL LINE FITTINGS	
	1017016	3/16" Female Nut & Barb
	1017000	3/16" Female Reusable Hose End
	1017017	Pneumatic Control Line Hose Ferrule
	1017011	Pneumatic Control Line Oetiker Clamp
	1017001	3/16" Male x Male Hose Union
	1017010	Hose Splicer

Part Numbers	PNEUMATIC CONTROL LINE FITTINGS ACCESSORIES	
	10DX855A	Ferrule Crimping Tool
	10DX1098	Oetiker® Clamp Tool

Oetiker® is a registered trademark of Dixon Valve & Coupling Co.

PART NUMBERS AND SCHEMATICS GUIDE

BLASTMASTER® 151E REMOTE CONTROL SWITCH				
Part Numbers	Body Material	Replaceable Switch	Electric Control Line Length	Plug
1015100	Aluminum	Yes	1.5 Ft.	None

PART NUMBERS AND SCHEMATICS GUIDE

Blastmaster® 151E Remote Control Switch



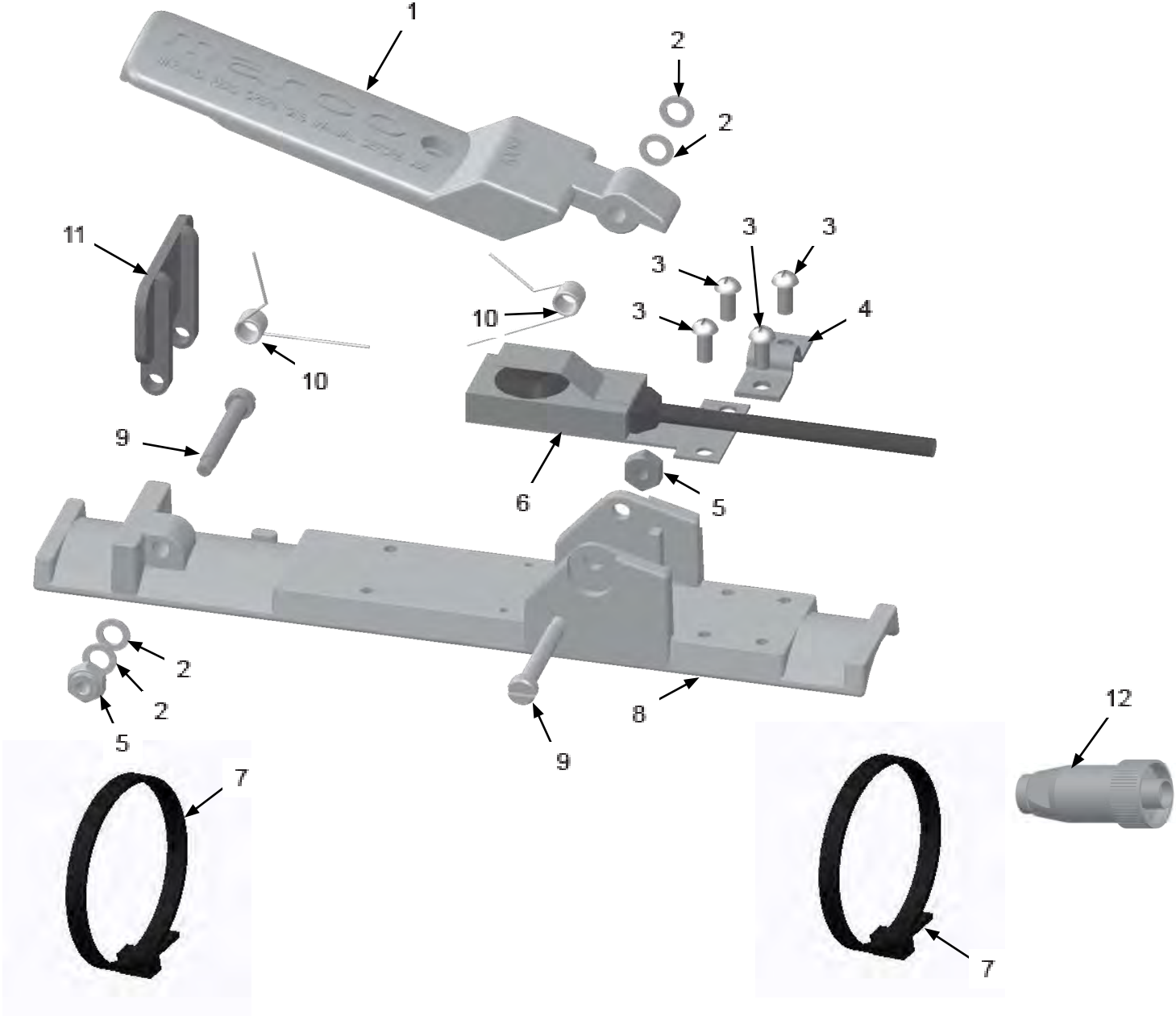
PART NUMBERS AND SCHEMATICS GUIDE

Blastmaster® 151E Remote Control Switch

Item #	Part #	Description
Fig. 1		
—	1015100	Blastmaster® 151E Remote Control Switch – Complete
1	1015001	Handle
2	1015007	3/8" O.D. x 7/16" I.D. Washer (<i>Four Required</i>)
3	1015014	8-32 x 3/8" Phillips Head Screw (<i>Four Required</i>)
4	1015101	Electric Cord Clamp
5	1015006	8-32 UNC-2B Nylon Insert Lock Nut (<i>Two Required</i>)
6	10104268	Micro Switch
7	1015015	Nylon Band - White (<i>Two Required</i>)
8	1015002	Body
9	1015008	Shoulder Screw (<i>Two Required</i>)
10	1015005	Spring (<i>Two Required</i>)
11	1015003	Safety Tab
12	1015127	Female Low Profile 4-Pin Plug (<i>Optional</i>)
—	105M063	Features and Specifications Guide – Blastmaster® 151E Remote Control Switch
—	106M063	Part Numbers and Schematics Guide – Blastmaster® 151E Remote Control Switch
—	1090063	Operator's Manual — Blastmaster® 151E Remote Control Switch
—	1091045	Hazard Identification Tag

OPTIONAL ACCESSORIES

Figure 1: Blastmaster® 151E Remote Control Switch



OPTIONAL ACCESSORIES











**Part
Numbers**







ELECTRIC CONTROL LINE

	Gauge	# of Wires	Type	Length
1015540	16	2	SJEOOW	Per Foot
1015701	16	3	SJEOOW	Per Foot
1030013	14	2	SEOOW	Per Foot
1015550	14	3	SEOOW	Per Foot
1015554	14	4	SEOOW	Per Foot
1015570	12	2	SOOW	Per Foot
1015571	12	3	SJEOOW	Per Foot
1015581	10	3	SEOOW	Per Foot
1015580	10	4	SEOOW	Per Foot
1015591	8	3	SEOOW	Per Foot
1015590	8	4	SEOOW	Per Foot
1015595	6	3	SEOOW	Per Foot

OPTIONAL ACCESSORIES

		ELECTRIC CONTROL LINE WITH PLUGS						
Part Numbers	Gauge	# of Wires	2-Prong Male Twist-Lock Plug	2-Prong Female Twist-Lock Plug	3-Prong Male Twist-Lock Plug	3-Prong Female Twist-Lock Plug	Length	
 1015543	16	2	1015551	1015552	—	—	25 Feet	
 1015542	16	2	1015551	1015552	—	—	50 Feet	
 1015546	16	2	—	—	1015555	1015556	25 Feet	
 1015545	16	2	—	—	1015555	1015556	50 Feet	
 1015547	16	2	—	—	1015555	1015556	100 Feet	
 1015748	16	3	—	—	1015555	1015556	13 Feet	
 1015745	16	3	—	—	1015555	1015556	50 Feet	
 1015747	16	3	—	—	1015555	1015556	110 Feet	

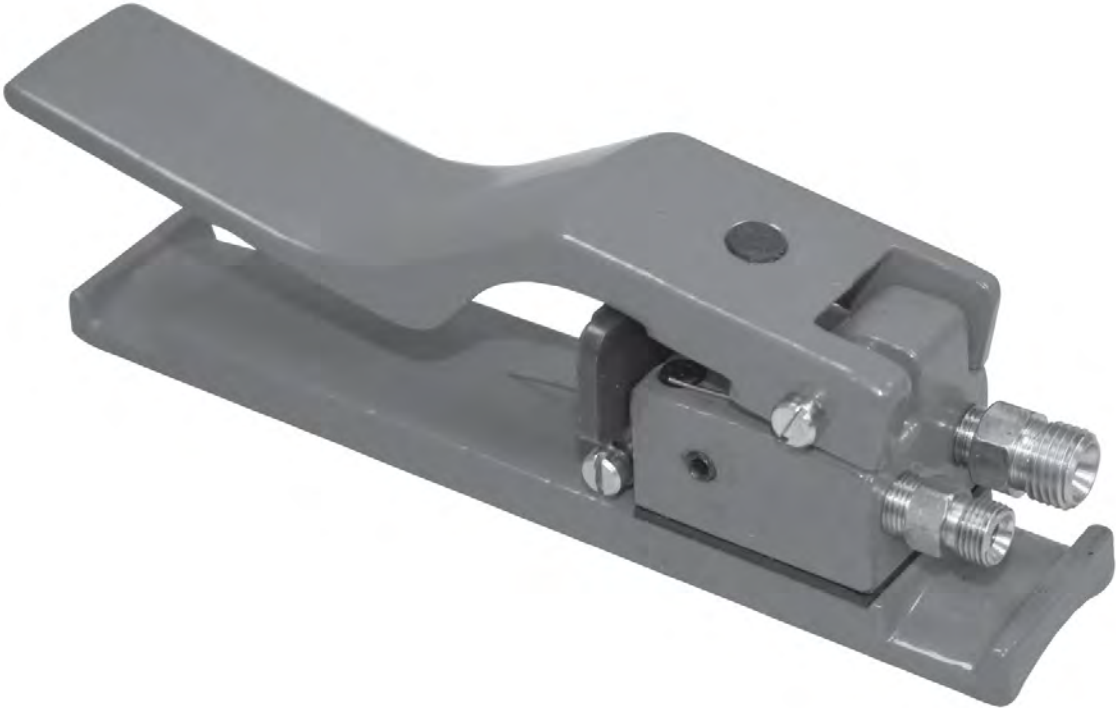
OPTIONAL ACCESSORIES

		ELECTRIC CONTROL LINE PLUGS	
Part Numbers		Prong Style	Plug Style
	1015551	2-Prong Male	Twist-Lock
	1015552	2-Prong Female	Twist-Lock
	1015555	3-Prong Male	Twist-Lock
	1015556	3-Prong Female	Twist-Lock
	1015126	4-Pin Male	Low-Profile
	1015127	4-Pin Female	Low-Profile

PART NUMBER

BLASTMASTER® 152P REMOTE CONTROL SWITCHES			
Part Numbers	Body Material	Repairable	Pneumatic Control Line Fittings
1015200	Aluminum	Yes	1/4" & 1/8" NPT

BLASTMASTER® 152P REMOTE CONTROL SWITCH

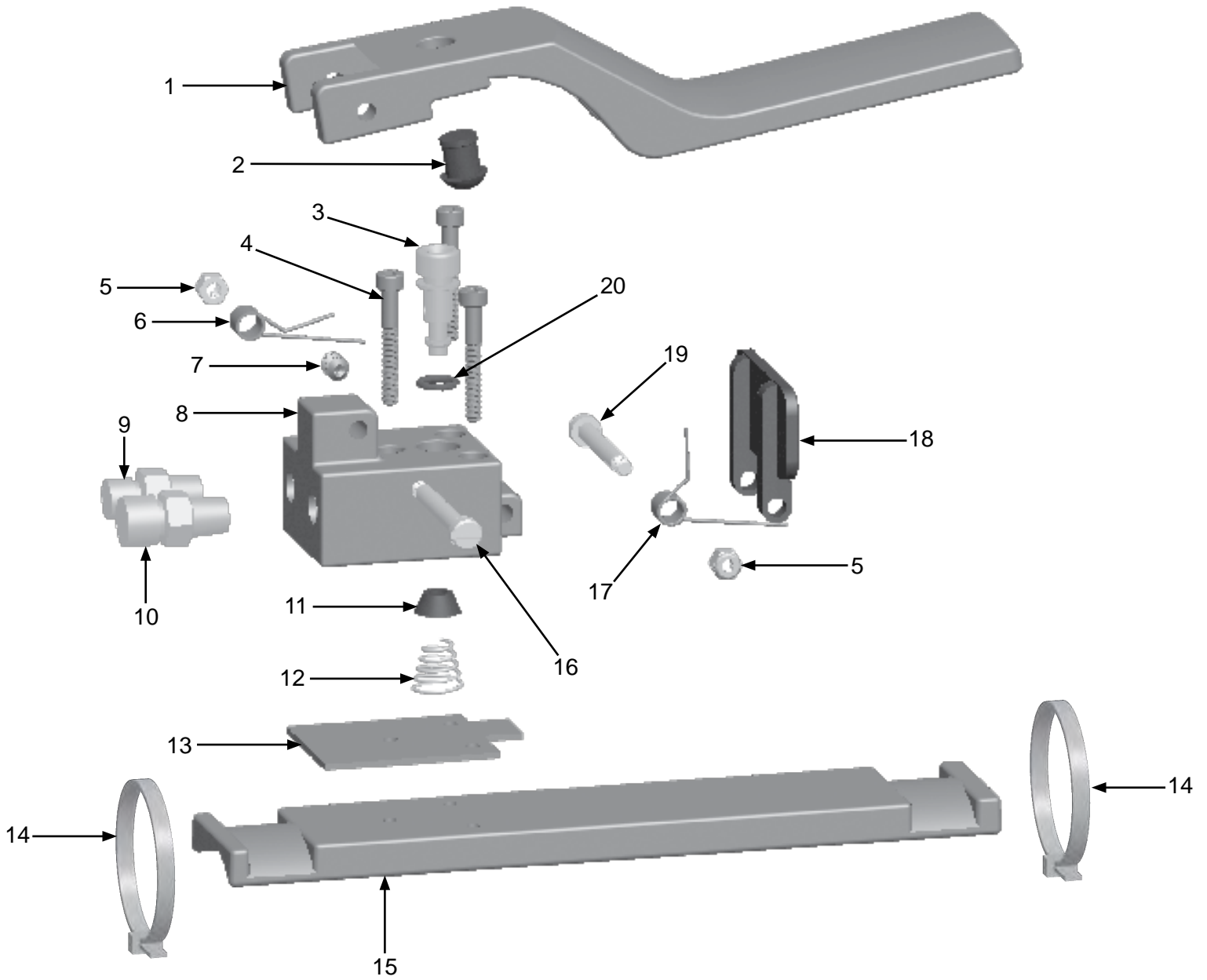


PART NUMBERS & SCHEMATICS





Item #	Part #	Description
Fig. 1		
—	1015200	Blastmaster® 152P Remote Control Switch – Complete
1	10102171	Handle
2	10102181	Button Bumper
3	10102175	Air Valve Stem
4	10102178	M4 x 30 Socket Head Cap Screw <i>(Three Required)</i>
5	10102184	M4 Lock Nut <i>(Two Required)</i>
6	10102179	Spring
7	10102182	M6 Set Screw
8	10102172	Manifold <i>(Includes Item #'s: 3, 7, 11, 12, 13 and 20)</i>
9	10102187	1/8" NPSL x 1/8" NPT Control Line Fitting
10	10102186	1/4" NPSL x 1/8" NPT Control Line Fitting
11	10102176	Air Valve Packing
12	10102183	Valve Stem Spring
13	10102173	Manifold Gasket
14	1015015	Nylon Zip Tie - White <i>(Two Required)</i>
15	10102170	Base Plate
16	10102180	M4 x 48.9 Shoulder Screw
17	10102241	Safety Tab Spring
18	10102174	Safety Tab
19	10102185	M4 x 42 Shoulder Screw
20	10102177	O-Ring
—	10102169	Blastmaster® 152P Remote Control Switch Repair Kit <i>(Includes Item #'s: 3, 7, 8, 11, 12, and 20; and two each of 14)</i>
—	105M068	Features and Specifications Guide – Blastmaster® 152P Remote Control Switch
—	106M068	Part Numbers and Schematics Guide – Blastmaster® 152P Remote Control Switch
—	1090068	Operator's Manual – Blastmaster® 152P Remote Control Switch
—	1091045	Hazard Identification Tag

PART NUMBERS & SCHEMATICS










Figure 1: Blastmaster® 152P Remote Control Switch





OPTIONAL ACCESSORIES

		PNEUMATIC CONTROL LINE							
		Hose Length	Working Pressure	Hose I.D.	Hose O.D.	1017012	1017013	1017014	1017015
Part Numbers									
	1016002	7 Feet	200 psi	3/16"	7/16"	X	X	X	X
	1016000	55 Feet	200 psi	3/16"	7/16"	X	X	X	X
	1016001	110 Feet	200 psi	3/16"	7/16"	X	X	X	X
	10TLBK	Per Foot	200 psi	3/16"	7/16"				

OPTIONAL ACCESSORIES

		PNEUMATIC CONTROL LINE FITTINGS		
	Part Numbers	Description	Hose I.D.	Hose O.D.
	1017012	1/8" Female Nut & Barb	3/16"	7/16"
	1017013	1/4" Female Nut & Barb	3/16"	7/16"
	1017014	1/8" Male Threaded Barb	3/16"	7/16"
	1017015	1/4" Male Threaded Barb	3/16"	7/16"
	1017010	Hose Splicer	3/16"	7/16"
	1017017	Hose Ferrule	3/16"	7/16"
	1017011	Oetiker® Clamp	3/16"	7/16"
	1017018	1/8" x 1/8" Hex Nipple	3/16"	7/16"
	1017019	1/4" x 1/4" Hex Nipple	3/16"	7/16"

	Part Numbers	PNEUMATIC CONTROL LINE FITTINGS ACCESSORIES	
	10DX855A	Ferrule Crimping Tool	
	10DX1098	Oetiker® Clamp Tool	

Oetiker® is a registered trademark of Dixon Valve & Coupling Co.

PART NUMBER

Part Numbers	BLASTMASTER® 153 REMOTE CONTROL VALVE		
	Valve Body Material	Repairable	Nozzle Cap
10L66EVD	Cast Iron	Yes	Yes

BLASTMASTER® 153 REMOTE CONTROL VALVE



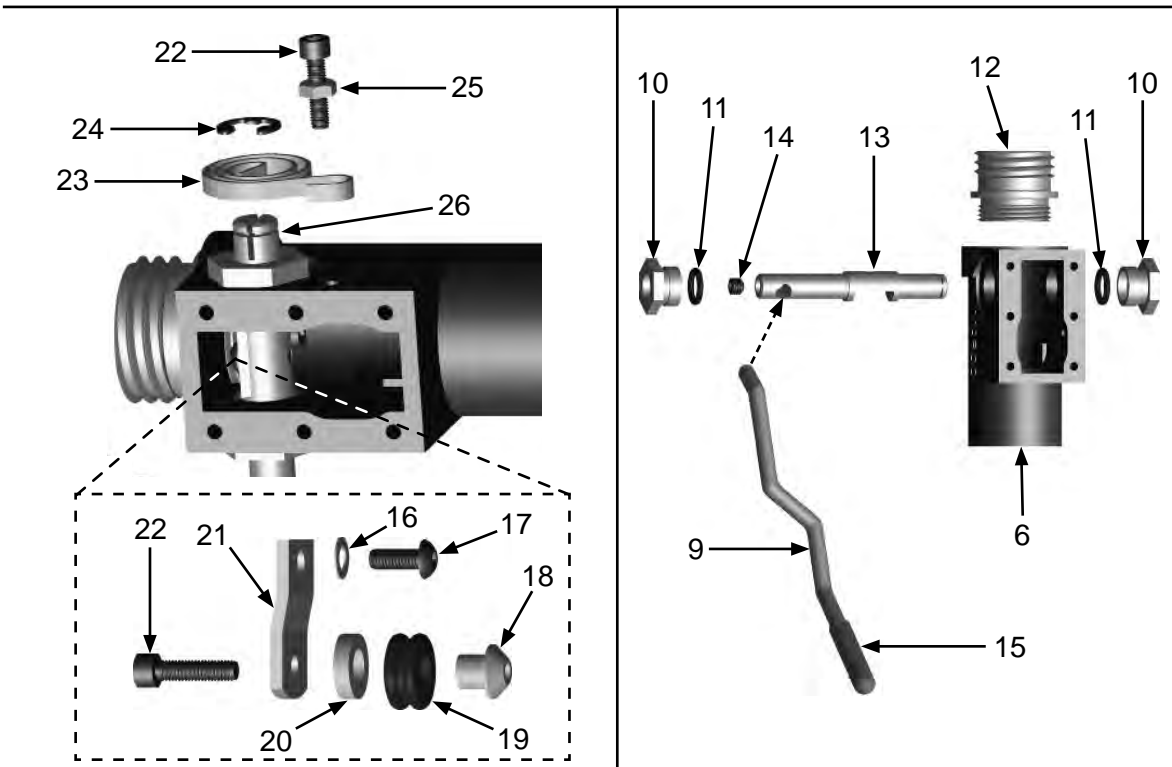
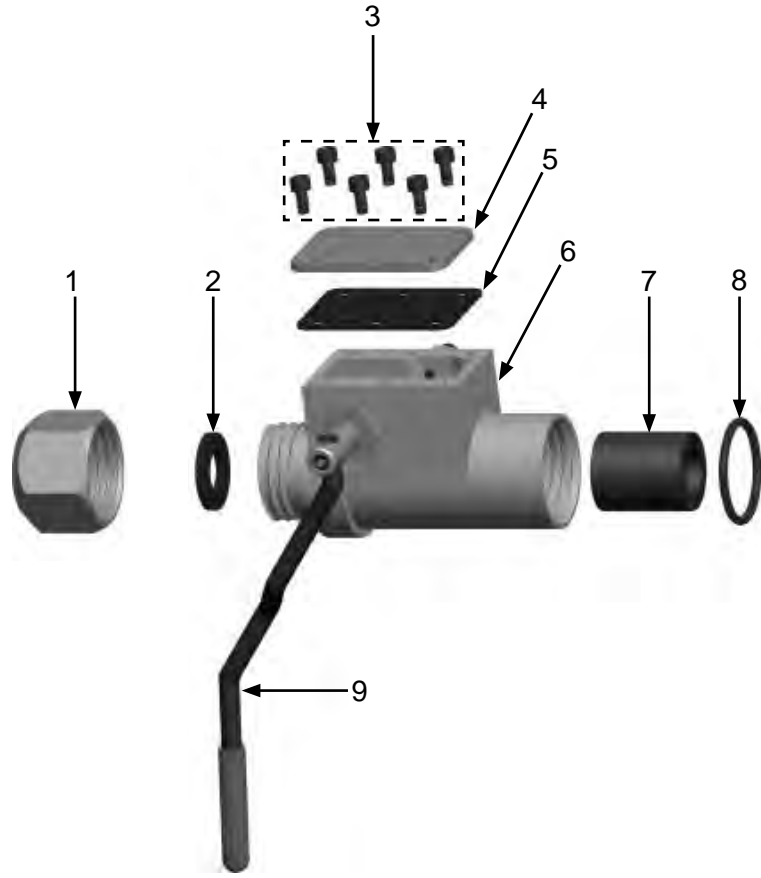
PART NUMBERS & SCHEMATICS

Blastmaster® 153 Remote Control Valve

Item #	Part #	Description
Fig. 1		
—	10L66EVD	Blastmaster® 153 Remote Control Valve – Complete
1	10L100164	Nozzle Cap <i>(Use with Type I Ceramic Nozzles) (See Figure 3)</i>
2	10L66CHW	Nozzle Washer for Ceramic Nozzle
3	10L805531	10-32 x 3/8" Socket Cap Screw <i>(Six Required)</i>
4	10L100170	Cover
5	10L66EVG	Cover Gasket
6	10L100018	Valve Body
7	10L800236	Rubber Liner – 3/4" I.D. Abrasive Blasting Hose <i>(See Figure 2)</i>
8	10L66RR	O-Ring
9	10L66VHD	Valve Lever <i>(Includes Item #15)</i>
10	10L66TB	Spindle Bushing <i>(Two Required)</i>
11	10L15300	Spindle O-Ring <i>(Two Required)</i>
12	10L100134	Valve Insert
13	10L100070	Valve Spindle
14	10L800217	5/16-24 x 1/4" Spindle Set Screw
15	10L800338	Lever Grip
16	10L805034	Star Washer
17	10L800218	10-32 x 1/2" Hex Screw
18	10L66EVST	Valve Disc Stem
19	10L66RW	Rubber Valve Washer
20	10L66VW	Steel Shut-off Washer
21	10L100041	Shut-off Arm
22	10L805533	10-32 x 3/4" Hex Head Screw <i>(Two Required)</i>
23	10L66VSS	Torsion Spring
24	10L800149	Spindle E-Clip
25	10L804322	10-32 Nut
—	10L66EVDR	Blastmaster® 153 Remote Control Valve Service Kit <i>(Includes Item #'s: 3, 6, 7, 8, 16–19 (Quantity of Six), 20, 21, and 22 (Quantity of Two))</i>
—	105M034	Features and Specifications Guide – Blastmaster® 153 Remote Control Valve
—	106M034	Part Numbers and Schematics Guide – Blastmaster® 153 Remote Control Valve
—	1090034	Operator's Manual – Blastmaster® 153 Remote Control Valve
—	1091033	Cover Sticker
—	1091045	Hazard Identification Tag

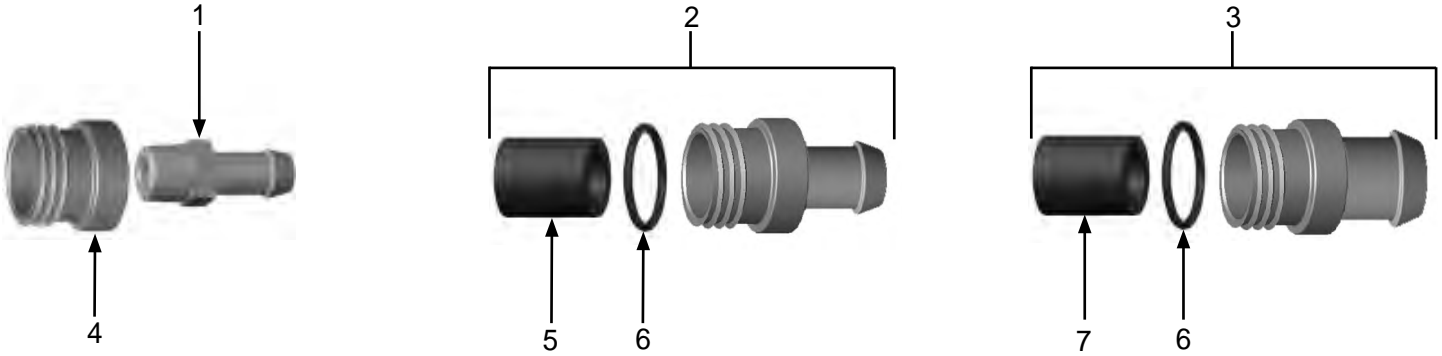
PART NUMBERS & SCHEMATICS

Figure 1: Blastmaster® 153 Remote Control Valve



OPTIONAL ACCESSORIES

Figure 2: Hose End Assemblies



Item #	Part #	Description
--------	--------	-------------

Item #	Part #	Description
Fig. 2		
1	10L174	Hose End for 1/2" I.D. Abrasive Blasting Hose
2	10L366HE	Hose End for 3/4" I.D. Abrasive Blasting Hose <i>(Includes Item #'s: 5 and 6)</i>
3	10L466HE	Hose End for 1" I.D. Abrasive Blasting Hose <i>(Includes Item #'s: 6 and 7)</i>
4	10L66B	Nozzle Holder Base
5	10L800236	Rubber Liner for 3/4" I.D. Abrasive Blasting Hose
6	10L66RR	O-Ring
7	10L800237	Rubber Liner for 1" I.D. Abrasive Blasting Hose

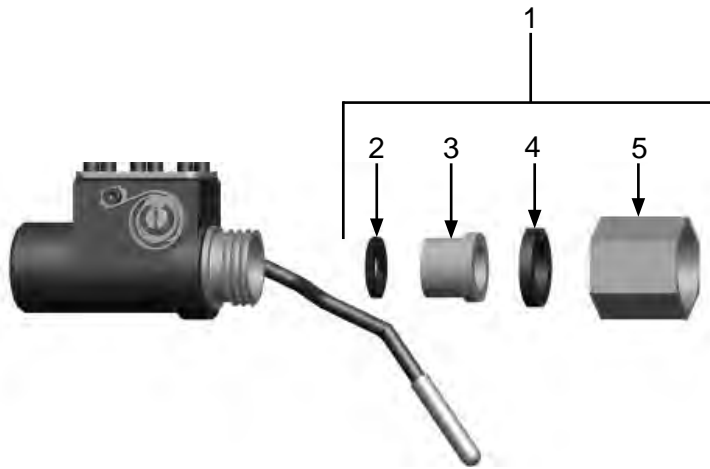
Figure 3: Type I Ceramic Nozzles



TYPE I CERAMIC NOZZLES					
Part Numbers	Size	Orifice Size	Nozzle Entry	Overall Length	Abrasive Mesh Size
10CN051	1	3/32"	5/8"	3-3/4"	100 Mesh or Finer
10CN251	2	1/8"	5/8"	3-3/4"	60 Mesh or Finer
10CN21251	2-1/2	5/32"	5/8"	3-3/4"	50 Mesh or Finer
10CN351	3	3/16"	5/8"	3-3/4"	50 Mesh or Finer
10CN451	4	1/4"	5/8"	3-3/4"	40 Mesh or Finer
10CN551	5	5/16"	5/8"	3-3/4"	20 Mesh or Finer
10CN651	6	3/8"	5/8"	3-3/4"	12 Mesh or Finer

OPTIONAL ACCESSORIES

Figure 4: Threaded Nozzle Conversion Kit



Item #	Part #	Description
--------	--------	-------------

Fig. 4

1	10L100222	Threaded Nozzle Conversion Kit <i>(Includes Item #'s: 2, 3, 4, and 5)</i>
---	-----------	---

2	10L66CHW	Nozzle Washer
---	----------	---------------

3	10L66HS	Spacer
---	---------	--------

4	10L850008	Nozzle Washer
---	-----------	---------------

5	10L66NCNV	Threaded Adapter
---	-----------	------------------

—	—	Threaded Nozzle <i>(Not Included. Contact Marco for details)</i>
---	---	--

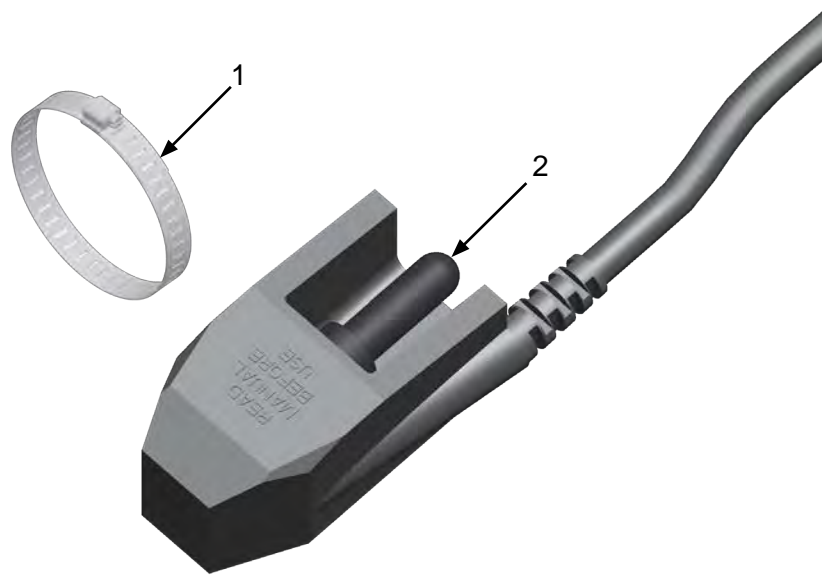
PART NUMBERS AND SCHEMATICS GUIDE

BLASTMASTER® 155E REMOTE CONTROL SWITCH			
Part Numbers	Material of Construction	Replaceable Switch	Electric Control Line Length
1015500	Urethane	No	10 Ft.



PART NUMBERS AND SCHEMATICS GUIDE

Figure 1: Blastmaster® 155E Remote Control Switch



Item #	Part #	Description
Fig. 1		
—	1015500	Blastmaster® 155E Remote Control Switch with 10 Feet of Power Cord – Complete
1	1015503	Hose Clamp
2	1015501	Toggle Boot
—	105M001	Features and Specifications Guide – Blastmaster® 155E Remote Control Switch
—	106M001	Part Numbers and Schematics Guide – Blastmaster® 155E Remote Control Switch
—	1090138	Operator's Manual – Blastmaster® 155E Remote Control Switch
—	1091045	Hazard Identification Tag







OPTIONAL ACCESSORIES





ELECTRIC CONTROL LINES

Part Numbers	Gauge	# of Wires	Type	Length
1015540	16	2	SJEOOW	Per Foot
1015701	16	3	SJEOOW	Per Foot
1030013	14	2	SEOOW	Per Foot
1015550	14	3	SEOOW	Per Foot
1015554	14	4	SEOOW	Per Foot
1015570	12	2	SOOW	Per Foot
1015571	12	3	SJEOOW	Per Foot
1015581	10	3	SEOOW	Per Foot
1015580	10	4	SEOOW	Per Foot
1015591	8	3	SEOOW	Per Foot
1015590	8	4	SEOOW	Per Foot
1015595	6	3	SEOOW	Per Foot

OPTIONAL ACCESSORIES

		ELECTRIC CONTROL LINES WITH PLUGS				
	Part Numbers	Gauge	# of Wires	3-Prong Male Twist-Lock Plug	3-Prong Female Twist-Lock Plug	Length
	1015546	16	2	1015555	1015556	25 Feet
	1015545	16	2	1015555	1015556	50 Feet
	1015547	16	2	1015555	1015556	100 Feet
	1015748	16	3	1015555	1015556	13 Feet
	1015745	16	3	1015555	1015556	50 Feet
	1015747	16	3	1015555	1015556	110 Feet

		ELECTRIC CONTROL LINE PLUGS	
	Part Numbers	Prong Style	Plug Style
	1015555	3-Prong Male	Twist-Lock
	1015556	3-Prong Female	Twist-Lock

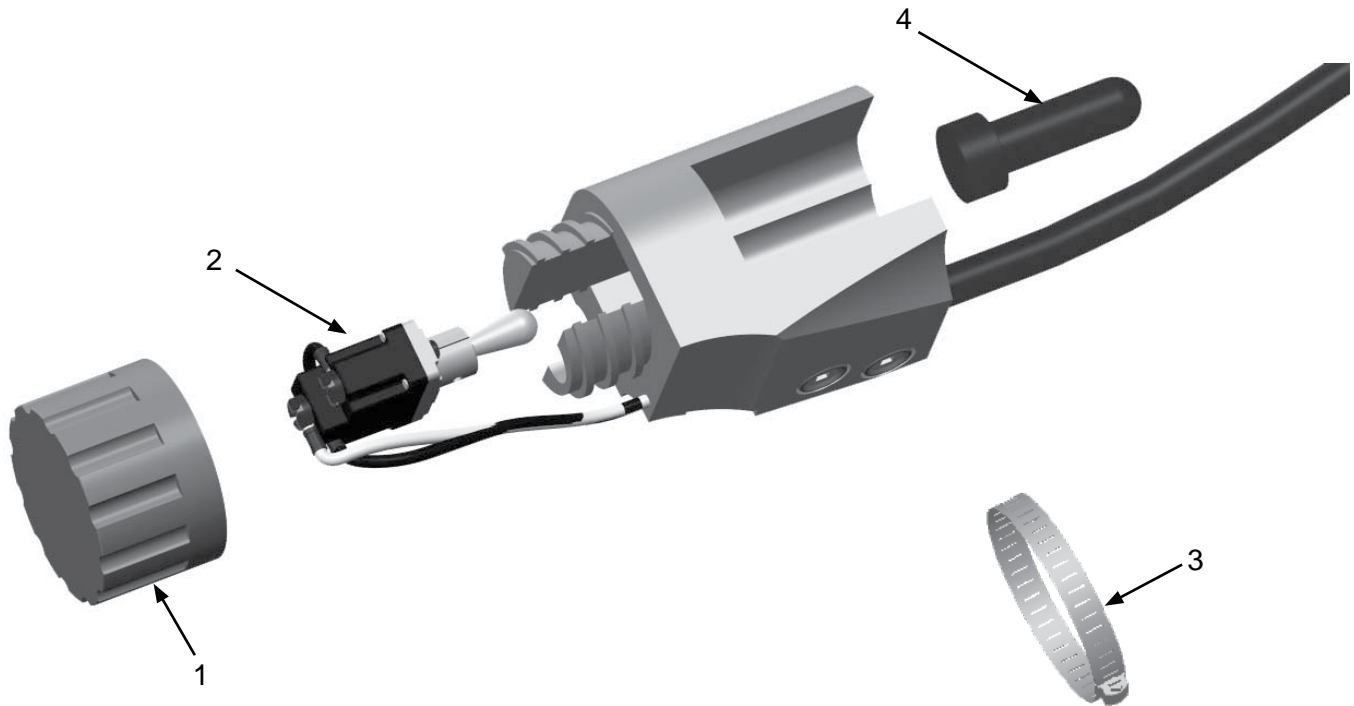
PART NUMBERS AND SCHEMATICS GUIDE

BLASTMASTER® 156E REMOTE CONTROL SWITCH			
Part Numbers	Material of Construction	Replaceable Switch	Electric Control Line Length
1015600	Urethane	Yes	10 Ft.



PART NUMBERS AND SCHEMATICS GUIDE

Figure 1: Blastmaster® 156E Remote Control Switch



Item #	Part #	Description
--------	--------	-------------

Fig. 1

—	1015600	Blastmaster® 156E Remote Control Switch – Complete
1	1015601	Cap
2	1015704	Toggle Switch
3	1015503	Hose Clamp
4	1015501	Toggle Boot
—	1015604	Repair Kit <i>(Includes Item # 2,4 and 4' of 16/2 cord)</i>
—	1091045	Hazard Identification Tag
—	105M139	Features and Specifications Guide – Blastmaster® 156E Remote Control Switch
—	106M002	Part Numbers and Schematics Guide – Blastmaster® 156E Remote Control Switch
—	1090139	Operator's Manual – Blastmaster® 156E and Remote Control Switch

PART NUMBERS AND SCHEMATICS GUIDE

Blastmaster® 156E Remote Control Switch – Kwikchange

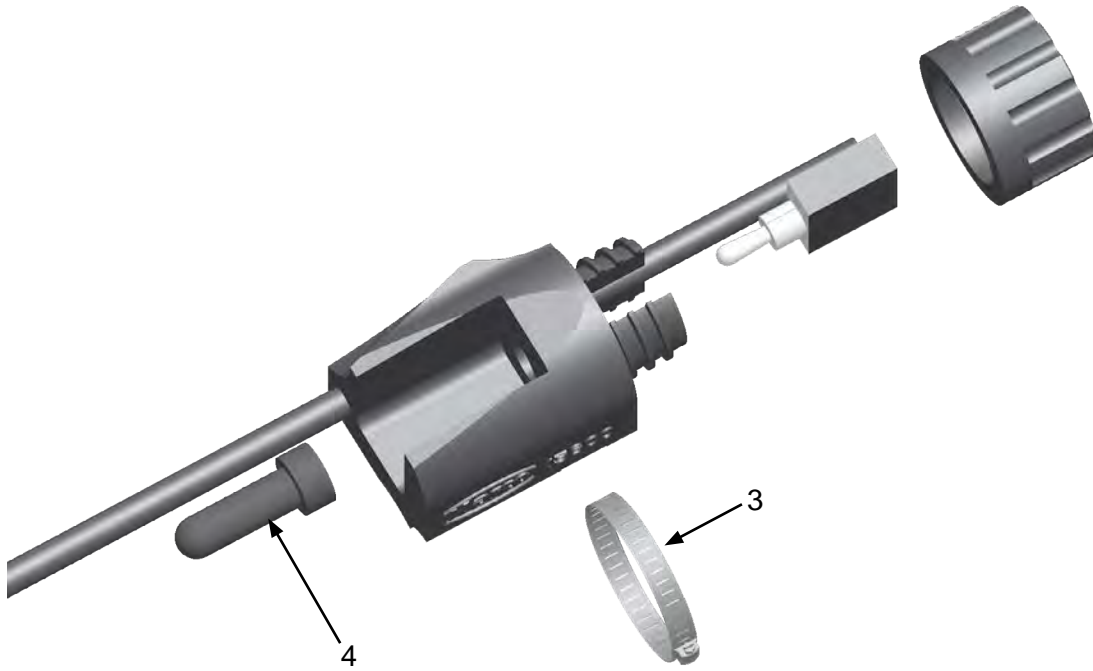
Item #	Part #	Description
--------	--------	-------------

Fig. 2

—	1015600	Blastmaster® 156E Remote Control Switch with 10 Feet of Power Cord – Complete
1	1015601	Cap
2	1015602	KwikChange Repair Kit <i>(Includes: Pre-Wired Switch with 10 Feet of Power Cord)</i>
3	1015503	Hose Clamp
4	1015501	Toggle Boot
—	105M430	Features and Specifications Guide – Blastmaster® 156E Remote Control Switch
—	106M002	Part Numbers and Schematics Guide – Blastmaster® 156E Remote Control Switches
—	1090139	Operator's Manual – Blastmaster® 156E Remote Control Switches
—	1091045	Hazard Identification Tag

PART NUMBERS AND SCHEMATICS GUIDE

Figure 2: Blastmaster® 156E Remote Control Switch – Kwikchange









OPTIONAL ACCESSORIES





ELECTRIC CONTROL LINES

Part Numbers	Gauge	# of Wires	Type	Length
1015540	16	2	SJEOOW	Per Foot
1015701	16	3	SJEOOW	Per Foot
1030013	14	2	SEOOW	Per Foot
1015550	14	3	SEOOW	Per Foot
1015554	14	4	SEOOW	Per Foot
1015570	12	2	SOOW	Per Foot
1015571	12	3	SJEOOW	Per Foot
1015581	10	3	SEOOW	Per Foot
1015580	10	4	SEOOW	Per Foot
1015591	8	3	SEOOW	Per Foot
1015590	8	4	SEOOW	Per Foot
1015595	6	3	SEOOW	Per Foot

OPTIONAL ACCESSORIES

		ELECTRIC CONTROL LINES WITH PLUGS				
	Part Numbers	Gauge	# of Wires	3-Prong Male Twist-Lock Plug	3-Prong Female Twist-Lock Plug	Length
	1015546	16	2	1015555	1015556	25 Feet
	1015545	16	2	1015555	1015556	50 Feet
	1015547	16	2	1015555	1015556	100 Feet
	1015748	16	3	1015555	1015556	13 Feet
	1015745	16	3	1015555	1015556	50 Feet
	1015747	16	3	1015555	1015556	110 Feet

		ELECTRIC CONTROL LINE PLUGS	
	Part Numbers	Prong Style	Plug Style
	1015555	3-Prong Male	Twist-Lock
	1015556	3-Prong Female	Twist-Lock

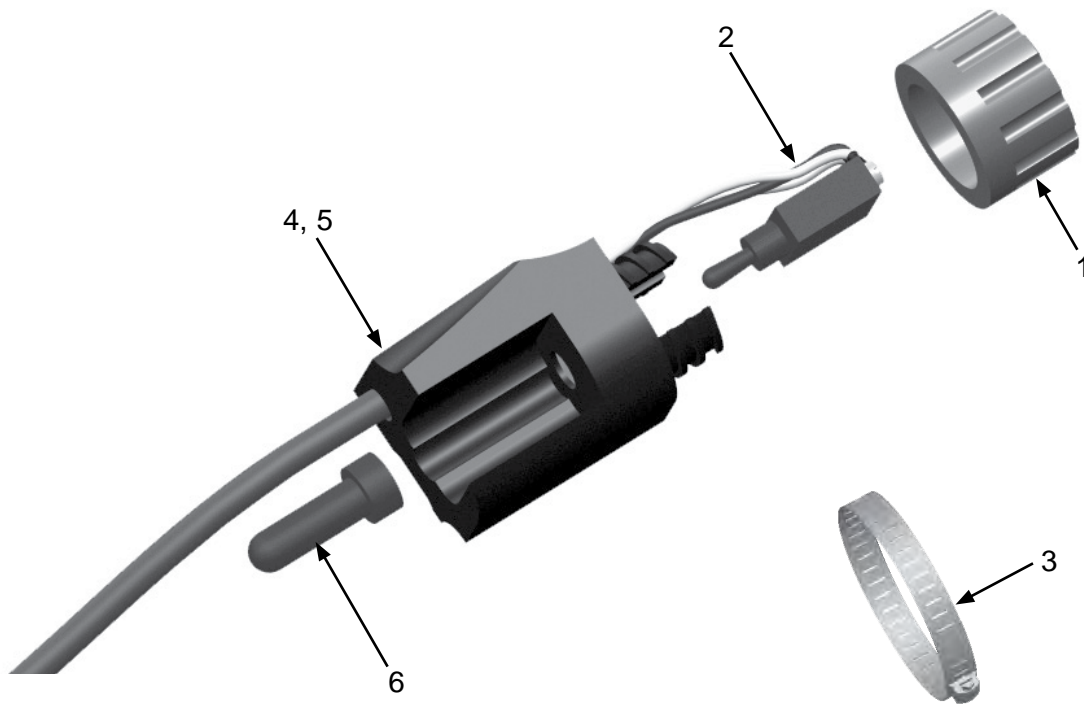
PART NUMBERS AND SCHEMATICS GUIDE

BLASTMASTER® 157E REMOTE CONTROL SWITCH				
Part Numbers	Material of Construction	Replaceable Switch	Hose Clamp	16/3 Electrical Cord Length
1015700	Urethane	X	X	4 Ft.



PART NUMBERS AND SCHEMATICS GUIDE

Figure 1: Blastmaster® 157E Remote Control Switch



Item #	Part #	Description
Fig. 1		
—	1015700	Blastmaster® 157E Remote Control Switch with 4 Feet of Power Cord – Complete
1	1015601	Cap
2	1015705	Repair Kit <i>(Includes Item #6 and Pre-Wired Switch with 4 Feet of Electrical Cord)</i>
3	1015503	Hose Clamp
4	10106524	#8 Countersunk Washer <i>(Quantity of Two)</i>
5	10106525	#8 x 1" Large Flat-Head Drive Screw <i>(Quantity of Two)</i>
6	1015501	Toggle Boot
—	1091045	Hazard Identification Tag
—	105M140	Features and Specifications Guide – Blastmaster® 157E Remote Control Switch
—	106M140	Part Numbers & Schematics Guide – Blastmaster® 157E Remote Control Switch
—	1090140	Operator's Manual – Blastmaster® 157E Remote Control Switch




OPTIONAL ACCESSORIES





Part Numbers

ELECTRICAL CORD				
	Gauge	# of Wires	Type	Length
1015701	16	3	SJEOOW	Per Foot
1015550	14	3	SEOOW	Per Foot
1015571	12	3	SJEOOW	Per Foot
1015581	10	3	SEOOW	Per Foot
1015591	8	3	SEOOW	Per Foot
1015595	6	3	SEOOW	Per Foot

ELECTRIC CONTROL LINES WITH PLUGS

	Part Numbers	Gauge	# of Wires	3-Prong Male Twist-Lock Plug	3-Prong Female Twist-Lock Plug	Length
	1015748	16	3	1015555	1015556	13 Feet
	1015745	16	3	1015555	1015556	50 Feet
	1015747	16	3	1015555	1015556	110 Feet

OPTIONAL ACCESSORIES

		ELECTRIC CONTROL LINE PLUGS	
Part Numbers		Prong Style	Plug Style
	1015555	3-Prong Male	Twist-Lock
	1015556	3-Prong Female	Twist-Lock

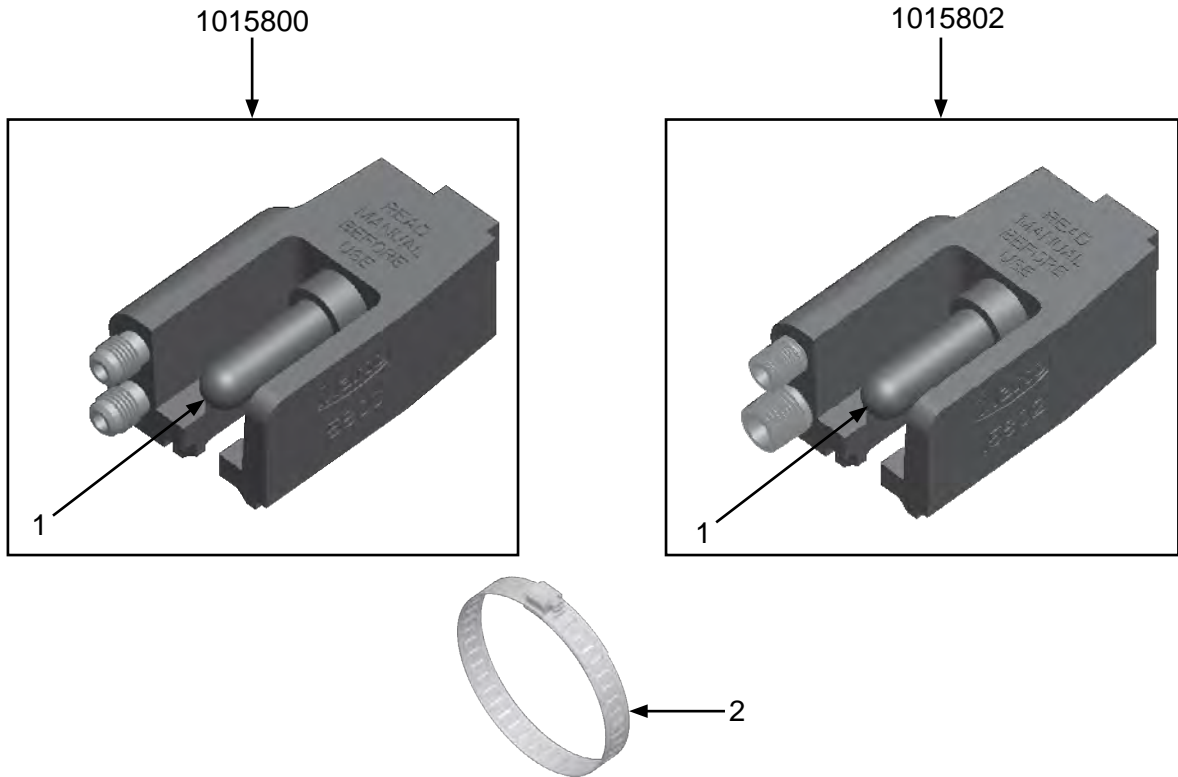
PART NUMBERS

BLASTMASTER® 158P REMOTE CONTROL SWITCHES		
Part Numbers	Body Material	Control Line Fittings
1015800	Polyurethane	3/16" Tapered
1015802	Polyurethane	1/4" and 1/8" NPT



PART NUMBERS & SCHEMATICS

Figure 1: Blastmaster® 158P Remote Control Switches



Item #	Part #	Description
Fig. 1		
—	1015800	Blastmaster® 158P Remote Control Switch – 3/16" Tapered Fittings – Complete
—	1015802	Blastmaster® 158P Remote Control Switch – 1/4" & 1/8" NPT Male Fittings – Complete
1	1015501	Toggle Boot
2	1015503	Hose Clamp
—	105M003	Features and Specifications Guide – Blastmaster® 158P Remote Control Switch
—	106M003	Part Numbers and Schematics Guide – Blastmaster® 158P Remote Control Switch
—	1090003	Operator's Manual – Blastmaster® 158P Remote Control Switch
—	1091045	Hazard Identification Tag

OPTIONAL ACCESSORIES

PNEUMATIC CONTROL LINE WITH 1/4" AND 1/8" NPT THREADS FOR USE WITH 1015802 SWITCH

Part Numbers	Hose Length	Working Pressure	Hose I.D.	Hose O.D.	1017012	1017013	1017014	1017015
1016002	7 Feet	200 psi	3/16"	7/16"	X	X	X	X
1016000	55 Feet	200 psi	3/16"	7/16"	X	X	X	X
1016001	110 Feet	200 psi	3/16"	7/16"	X	X	X	X
10TLBK	Per Foot	200 psi	3/16"	7/16"	—	—	—	—



1016002
1016000
1016001



10TLBK

OPTIONAL ACCESSORIES

PNEUMATIC CONTROL LINE WITH 3/16" TAPERED THREADS FOR USE WITH 1015800 SWITCH

Part Numbers	Hose Length	Working Pressure	Hose I.D.	Hose O.D.	Fittings
10TL3	3 Feet	200 psi	3/16"	7/16"	(4) 1017016
10TL5	5 Feet	200 psi	3/16"	7/16"	(4) 1017016
10TL25	25 Feet	200 psi	3/16"	7/16"	(4) 1017016
10TL50	50 Feet	200 psi	3/16"	7/16"	(4) 1017016
10TL100	100 Feet	200 psi	3/16"	7/16"	(4) 1017016
10TLBK	Per Foot	200 psi	3/16"	7/16"	None



10TL3
10TL5












10TL25
10TL50
10TL100










10TLBK

OPTIONAL ACCESSORIES

		1/4" AND 1/8" NPT PNEUMATIC CONTROL LINE FITTINGS FOR USE WITH 1015802 SWITCH		
Part Numbers		Description	Hose I.D.	Hose O.D.
	1017012	1/8" Female Nut & Barb	3/16"	7/16"
	1017013	1/4" Female Nut & Barb	3/16"	7/16"
	1017014	1/8" Male Threaded Barb	3/16"	7/16"
	1017015	1/4" Male Threaded Barb	3/16"	7/16"
	1017010	Hose Splicer	3/16"	7/16"
	1017017	Hose Ferrule	3/16"	7/16"
	1017011	Oetiker® Clamp	3/16"	7/16"
	1017018	1/8" x 1/8" Hex Nipple	3/16"	7/16"
	1017019	1/4" x 1/4" Hex Nipple	3/16"	7/16"

OPTIONAL ACCESSORIES

Part Numbers	3/16" TAPARED PNEUMATIC CONTROL LINE FITTINGS FOR USE WITH 1015800 SWITCH	
	1017016	3/16" Female Nut & Barb
	1017000	3/16" Female Reusable Hose End
	1017017	Pneumatic Control Line Hose Ferrule
	1017011	Pneumatic Control Line Oetiker Clamp
	1017001	3/16" Male x Male Hose Union

Part Numbers	PNEUMATIC CONTROL LINE FITTINGS ACCESSORIES	
	10DX855A	Ferrule Crimping Tool
	10DX1098	Oetiker® Clamp Tool

Oetiker® is a registered trademark of Dixon Valve & Coupling Co.

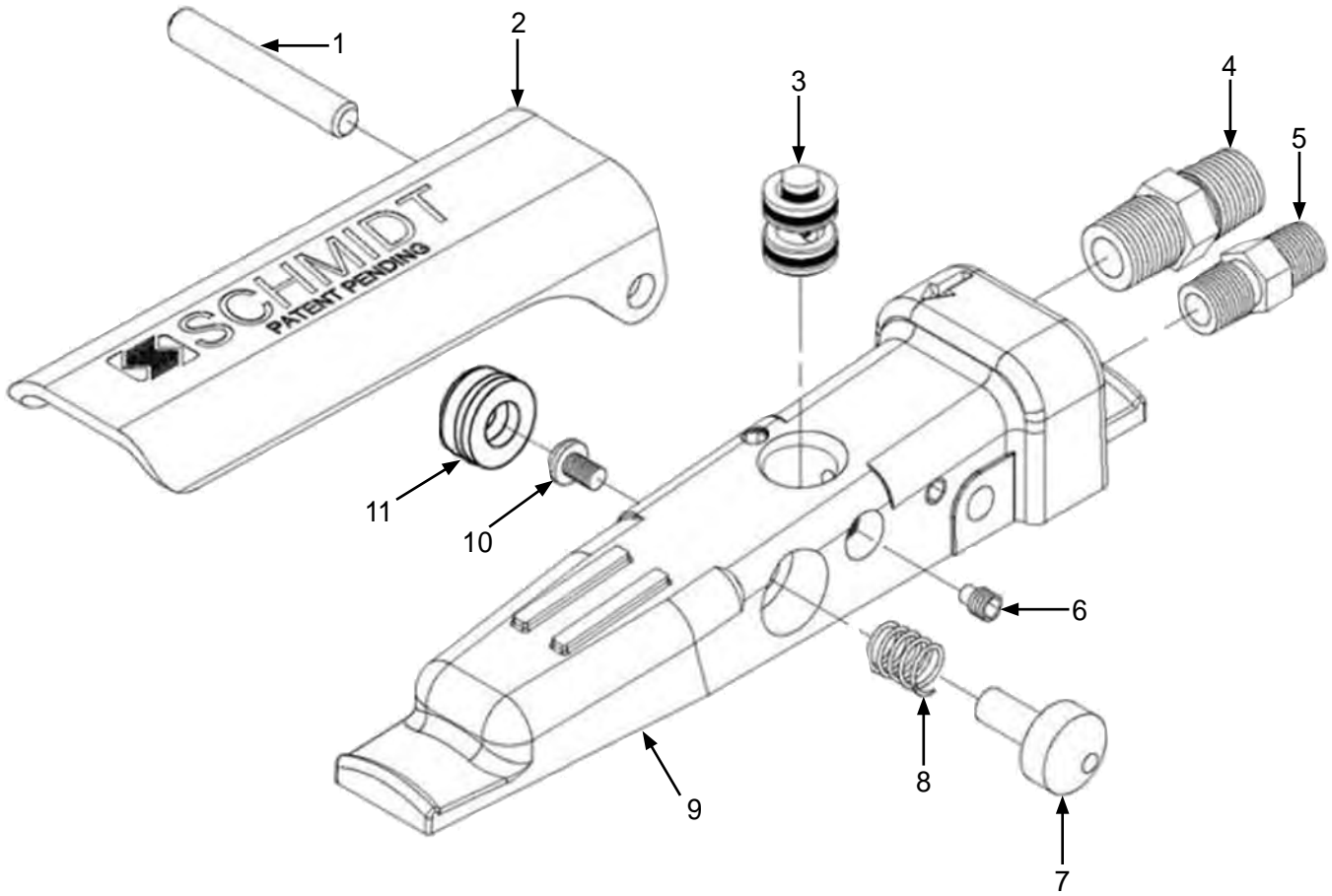
G2 PNEUMATIC REMOTE CONTROL SWITCH

G2 PNEUMATIC REMOTE CONTROL SWITCH			
Part Numbers	Body Material	Repairable	Pneumatic Control Line Fittings
10S2263002	Aluminum	Yes	1/4" & 1/8" NPT







PART NUMBERS & SCHEMATICS GUIDE

Figure 1: Axxiom G2 Pneumatic Remote Control Switch














Item #	Part #	Description
Fig. 1		
—	10S2263002	Axxiom G2 Pneumatic Remote Control Switch
1	10S226300204	Hinge Pin
2	10S226300201	Lever
3	10S226300203	Cartridge Assembly
4	10S303130202	1/4" x 1/4" Hex Nipple with Ball Seat
5	1017018	1/8" x 1/8" Hex Nipple with Ball Seat
6	10S226300205	Cartridge Set Screw
7	10S226300206	Button (<i>Quantity of Four</i>)
8	10S226300207	Spring
9	10S226300202	Body
10	10S226300008	Screw for Button
11	10S226300210	Dust Plug
—	10S226300299	G2 Service Kit (<i>Includes Item #'s: 3, 5, 8, 10</i>)
—	106M446	Part Numbers and Schematics Guide – Axxiom G2 & G2E Remote Control Switches

OPTIONAL ACCESSORIES

		PNEUMATIC CONTROL LINE							
		Hose Length	Working Pressure	Hose I.D.	Hose O.D.	1017012	1017013	1017014	1017015
Part Numbers									
	1016002	7 Feet	200 psi	3/16"	7/16"	X	X	X	X
	1016000	55 Feet	200 psi	3/16"	7/16"	X	X	X	X
	1016001	110 Feet	200 psi	3/16"	7/16"	X	X	X	X
	10TLBK	Per Foot	200 psi	3/16"	7/16"				

OPTIONAL ACCESSORIES

		PNEUMATIC CONTROL LINE FITTINGS		
	Part Numbers	Description	Hose I.D.	Hose O.D.
	1017012	1/8" Female Nut & Barb	3/16"	7/16"
	1017013	1/4" Female Nut & Barb	3/16"	7/16"
	1017014	1/8" Male Threaded Barb	3/16"	7/16"
	1017015	1/4" Male Threaded Barb	3/16"	7/16"
	1017010	Hose Splicer	3/16"	7/16"
	1017017	Hose Ferrule	3/16"	7/16"
	1017011	Oetiker® Clamp	3/16"	7/16"
	1017018	1/8" x 1/8" Hex Nipple	3/16"	7/16"
	1017019	1/4" x 1/4" Hex Nipple	3/16"	7/16"

	Part Numbers	PNEUMATIC CONTROL LINE FITTINGS ACCESSORIES	
	10DX855A	Ferrule Crimping Tool	
	10DX1098	Oetiker® Clamp Tool	

Oetiker® is a registered trademark of Dixon Valve & Coupling Co.

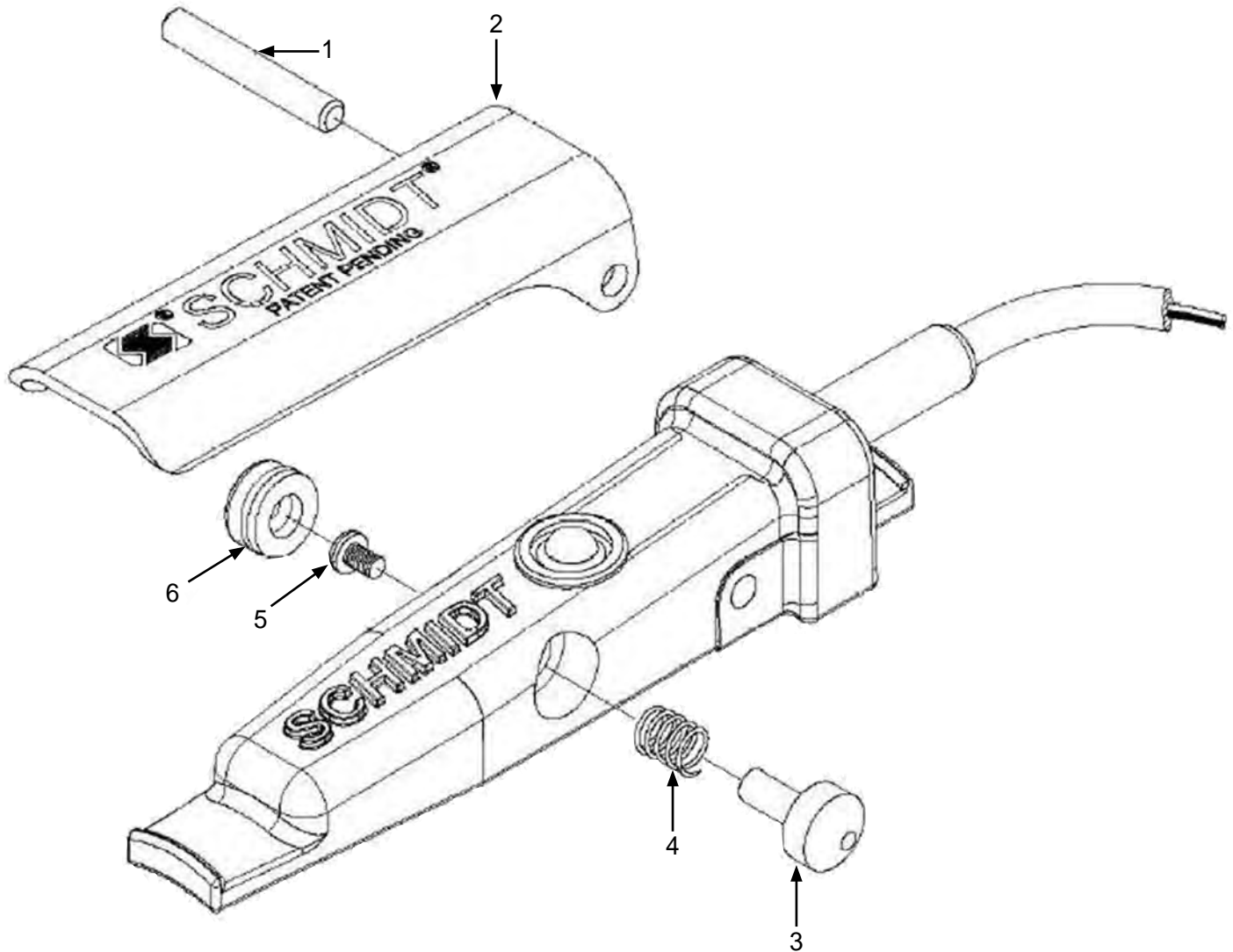
G2E ELECTRIC REMOTE CONTROL SWITCH

G2E ELECTRIC REMOTE CONTROL SWITCH				
Part Numbers	Body Material	Replaceable Switch	Electric Control Line Length	Plug
10S2263402	Aluminum	No	2 Feet	None




PART NUMBERS & SCHEMATICS GUIDE

Figure 2: Axxiom G2E Electric Remote Control Switch









Item #	Part #	Description
Fig. 2		
—	10S2263402	Axxiom G2E Electric Remote Control Switch
1	10S226300204	Hinge Pin
2	10S226300201	Lever
3	10S226300206	Button (<i>Quantity of Four</i>)
4	10S226300207	Spring
5	10S226300008	Screw for Button
6	10S226300210	Dust Plug
—	106M446	Part Numbers and Schematics Guide – Axxiom G2 & G2E Remote Control Switches

OPTIONAL ACCESSORIES

		ELECTRIC CONTROL LINE WITH PLUGS						
		Gauge	# of Wires	2-Prong Male Twist-Lock Plug	2-Prong Female Twist-Lock Plug	3-Prong Male Twist-Lock Plug	3-Prong Female Twist-Lock Plug	Length
	Part Numbers							
	1015543	16	2	1015551	1015552	—	—	25 Feet
	1015542	16	2	1015551	1015552	—	—	50 Feet
	1015546	16	2	—	—	1015555	1015556	25 Feet
	1015545	16	2	—	—	1015555	1015556	50 Feet
	1015547	16	2	—	—	1015555	1015556	100 Feet
	1015748	16	3	—	—	1015555	1015556	13 Feet
	1015745	16	3	—	—	1015555	1015556	50 Feet
	1015747	16	3	—	—	1015555	1015556	110 Feet

OPTIONAL ACCESSORIES

		ELECTRIC CONTROL LINE PLUGS	
Part Numbers		Prong Style	Plug Style
	1015551	2-Prong Male	Twist-Lock
	1015552	2-Prong Female	Twist-Lock
	1015555	3-Prong Male	Twist-Lock
	1015556	3-Prong Female	Twist-Lock
	1015126	4-Pin Male	Low-Profile
	1015127	4-Pin Female	Low-Profile

PART NUMBER

PAULI SYSTEMS AUTOLOK FEATHERTOUCH™ REMOTE CONTROL SWITCH

Part Numbers	Body Material	Repairable	Pneumatic Control Line Fittings
10PG62010018	Aluminum	Yes	1/4" & 1/8" NPT

PAULI SYSTEMS AUTOLOK FEATHERTOUCH™ REMOTE CONTROL SWITCH



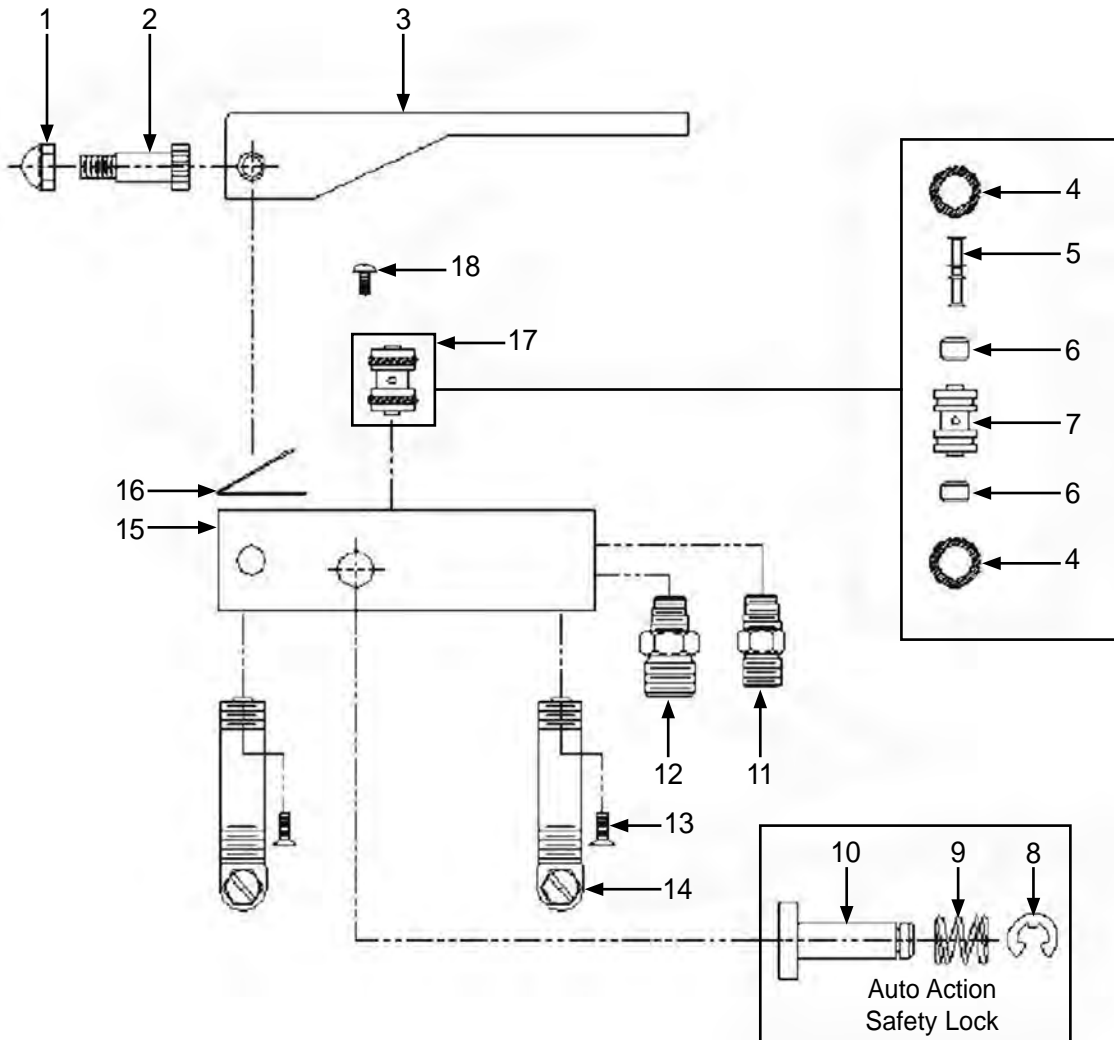
PART NUMBERS & SCHEMATICS

Pauli Systems AutoLok Feathertouch™ Remote Control Switch





Item #	Part #	Description
Fig. 1		
—	10PG62010018	Pauli Systems AutoLok Feathertouch™ Remote Control Switch – Complete
1	10PG22610103	10-24 Acorn Nut
2	10PG22606018	1/4" x 3/4" Shoulder Screw
3	10PG27606024	Handle
4	10PG47003005	O-Ring <i>(Two Required)</i>
5	10PG62015084	Control Valve Stem
6	10PG62015216	Stem Button <i>(Two Required)</i>
7	10PG62015211	Control Valve Spool
8	10PG22612509	Retaining Ring
9	10PG54503003	Safety Spring
10	10PG49003012	Safety Lock Pin
11	10102187	1/8" NPS x 1/8" NPT Adapter
12	10102186	1/4" NPS x 1/8" NPT Adapter
13	10PG22606802	10-32 x 3/8" Screw <i>(Two Required)</i>
14	10PG23025039	Clamp <i>(Two Required)</i>
15	10PG62015004	Body
16	10PG54503102	Handle Spring
17	10PG62010026	Control Valve Assembly <i>(Includes Item #'s: 4–7)</i>
18	10PG22607822	8-32 x 3/8" Stainless Steel Screw
—	10PG36003006	Autolok Feathertouch™ Remote Control Switch Service Kit <i>(Includes Item #'s: 1, 8, 9, 11, 12, 13, 18, and 17)</i>
—	106M320	Part Numbers and Schematics Guide – Pauli Systems Autolok Feathertouch™ Remote Control Switch

PART NUMBERS & SCHEMATICS








Figure 2: Pauli Systems AutoLok Feathertouch™ Remote Control Switch





OPTIONAL ACCESSORIES

		PNEUMATIC CONTROL LINE					
Part Numbers		Hose Length	Working Pressure	Hose I.D.	Hose O.D.	1017012 <i>Quantity of Two</i>	1017013 <i>Quantity of Two</i>
	10TL10PG	10 Feet	200 psi	3/16"	7/16"	X	X
	10TL50PG	50 Feet	200 psi	3/16"	7/16"	X	X
	10TL100PG	100 Feet	200 psi	3/16"	7/16"	X	X
	10TLBK	Per Foot	200 psi	3/16"	7/16"		

OPTIONAL ACCESSORIES

		PNEUMATIC CONTROL LINE FITTINGS		
	Part Numbers	Description	Hose I.D.	Hose O.D.
	1017012	1/8" Female Nut & Barb	3/16"	7/16"
	1017013	1/4" Female Nut & Barb	3/16"	7/16"
	1017010	Hose Splicer	3/16"	7/16"
	1017017	Hose Ferrule	3/16"	7/16"
	1017011	Oetiker® Clamp	3/16"	7/16"
	1017026	1/8" x 1/8" Hose Union	3/16"	7/16"
	1017027	1/4" x 1/4" Hose Union	3/16"	7/16"

	Part Numbers	PNEUMATIC CONTROL LINE FITTINGS ACCESSORIES	
	10DX855A	Ferrule Crimping Tool	
	10DX1098	Oetiker® Clamp Tool	

Oetiker® is a registered trademark of Dixon Valve & Coupling Co.

PART NUMBERS

EMPIRE SAF-STOP II PNEUMATIC REMOTE CONTROL SWITCHES

Part Numbers	Body Material	Repairable	Pneumatic Control Line Fittings
10EM290164	Aluminum	Yes	1/4" & 1/8" NPT

EMPIRE SAF-STOP II ELECTRIC REMOTE CONTROL SWITCH

Part Numbers	Body Material	Replaceable Switch	Electric Control Line Length	Plug
10EM290354	Aluminum	Yes	3 Feet	2-Prong Male

EMPIRE SAF-STOP II REMOTE CONTROL SWITCHES

Figure 1a: Empire Saf-Stop II Pneumatic Remote Control Switch



Figure 2: Empire Saf-Stop II Electric Remote Control Switch

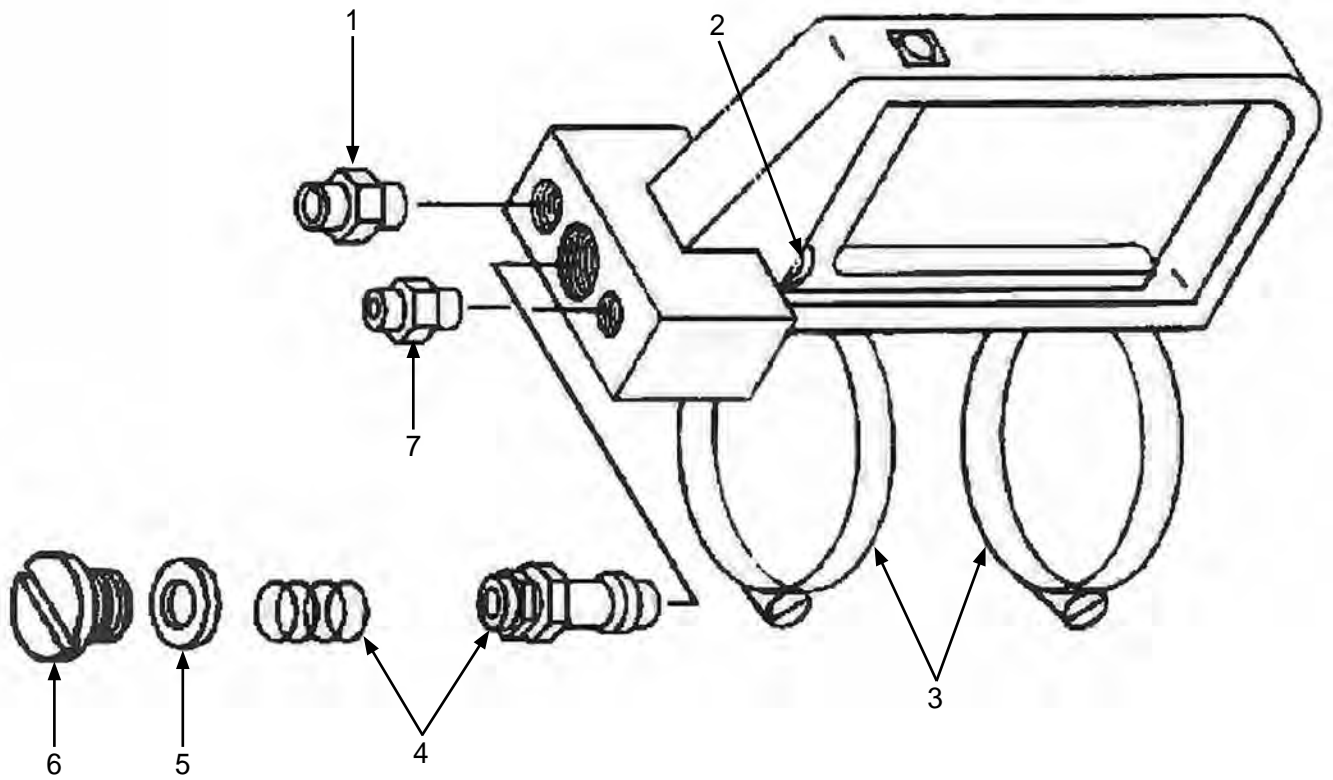


PART NUMBERS & SCHEMATICS

Item #	Part #	Description
Fig. 3		
—	10EM290164	Empire Saf-Stop II Pneumatic Remote Control Switch – Complete
1	10EM520222	1/4" x 1/4" Hose Adapter
2	10EM525112	Urethane Disc
3	10EM520521	3" Adjustable Clamp (<i>Two Required</i>)
4	10EM290224	Empire Saf-Stop II Plunger Kit <i>Includes: Push Rod, Nut, Spring, Washer, O-ring</i>
5	10EM290225	Empire Saf-Stop II Parts Kit <i>Includes: Washer, O-ring (Quantity of Two), Urethane Disc</i>
6	10EM620122	Empire Saf-Stop II Brass Plug
7	10EM520212	1/8" x 1/8" Hose Adapter
—	106M459	Part Numbers and Schematics Guide – Empire Saf-Stop II Remote Control Switch





PART NUMBERS & SCHEMATICS

Figure 3: Empire Saf-Stop II Pneumatic Remote Control Switch












OPTIONAL ACCESSORIES

PNEUMATIC CONTROL LINE

	Part Numbers	Hose Length	Working Pressure	Hose I.D.	Hose O.D.	1017012 <i>Quantity of Two</i>	1017013 <i>Quantity of Two</i>
	10TL10PG	10 Feet	200 psi	3/16"	7/16"	X	X
	10TL50PG	50 Feet	200 psi	3/16"	7/16"	X	X
	10TL100PG	100 Feet	200 psi	3/16"	7/16"	X	X
	10TLBK	Per Foot	200 psi	3/16"	7/16"		

OPTIONAL ACCESSORIES

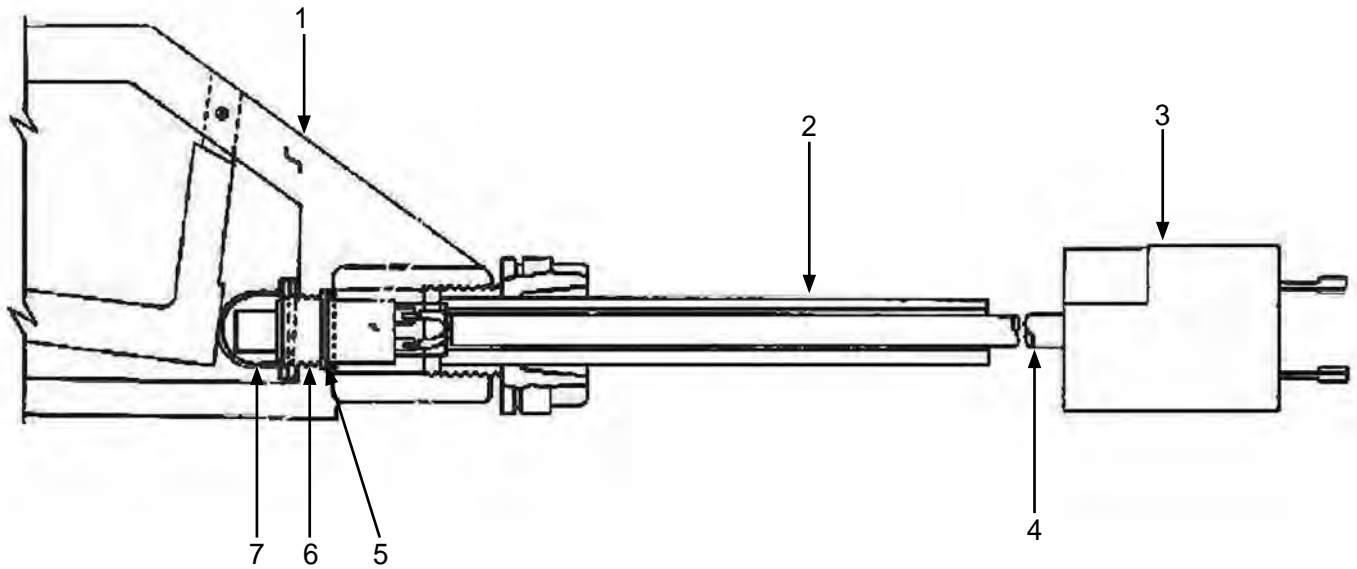
		PNEUMATIC CONTROL LINE FITTINGS		
Part Numbers	Description	Hose I.D.	Hose O.D.	
	1017012	1/8" Female Nut & Barb	3/16"	7/16"
	1017013	1/4" Female Nut & Barb	3/16"	7/16"
	1017010	Hose Splicer	3/16"	7/16"
	1017017	Hose Ferrule	3/16"	7/16"
	1017011	Oetiker® Clamp	3/16"	7/16"
	1017026	1/8" x 1/8" Hose Union	3/16"	7/16"
	1017027	1/4" x 1/4" Hose Union	3/16"	7/16"

Part Numbers	PNEUMATIC CONTROL LINE FITTINGS ACCESSORIES	
	10DX855A	Ferrule Crimping Tool
	10DX1098	Oetiker® Clamp Tool

Oetiker® is a registered trademark of Dixon Valve & Coupling Co.



PART NUMBERS & SCHEMATICS



Figure 4: Empire Saf-Stop II Electric Remote Control Switch



Item #	Part #	Description
Fig. 4		
—	10EM290354	Empire Saf-Stop II Electric Remote Control Switch with 3' Electric Cord and Plug – Complete
1	10EM753672	Handle with Trigger
2	10EM290353	Electric Saf-Stop Cord with Fittings
3	1015551	Male 2-Prong Twist-Lock Male Plug
4	—	Electric Cord (<i>See Optional Accessories</i>)
5	10EM523972	O-ring
6	10EM534531	Push Button
7	10EM534541	Push Button Foot
—	106M459	Part Numbers and Schematics Guide – Empire Saf-Stop II Remote Control Switches

OPTIONAL ACCESSORIES

		ELECTRIC CONTROL LINE WITH PLUGS						
	Part Numbers	Gauge	# of Wires	2-Prong Male Twist-Lock Plug	2-Prong Female Twist-Lock Plug	3-Prong Male Twist-Lock Plug	3-Prong Female Twist-Lock Plug	Length
	1015543	16	2	1015551	1015552	—	—	25 Feet
	1015542	16	2	1015551	1015552	—	—	50 Feet

		ELECTRIC CONTROL LINE PLUGS	
	Part Numbers	Prong Style	Plug Style
	1015551	2-Prong Male	Twist-Lock
	1015552	2-Prong Female	Twist-Lock

PART NUMBERS

12-VOLT DC BLASTMASTER® 120E REMOTE CONTROL SYSTEM

Part Number	Power Source	Battery Clamp Kit	190 Electric Control Assembly	Electric Control Lines	1/2" Inlet Valve	1/2" Diaphragm Outlet Valve	Remote Control Switch	Watts Strainer
10103905	12-Volt DC	1015541	12-Volt DC	25 Ft.	10100534	10100676	1015100	10WS



PART NUMBERS

120-VOLT AC BLASTMASTER® 120E REMOTE CONTROL SYSTEM

Part Number	Power Source	120-Volt AC to 12-Volt AC Power Converter	190 Electric Control Assembly	Electric Control Line	1/2" Inlet Valve	1/2" Diaphragm Outlet Valve	Remote Control Switch	Watts Strainer
10103906	120-Volt AC	1030020	12-Volt AC	25 Feet	10100534	10100676	1015100	10WS



PART NUMBERS & SCHEMATICS

12-Volt DC Blastmaster® 120E Remote Control System

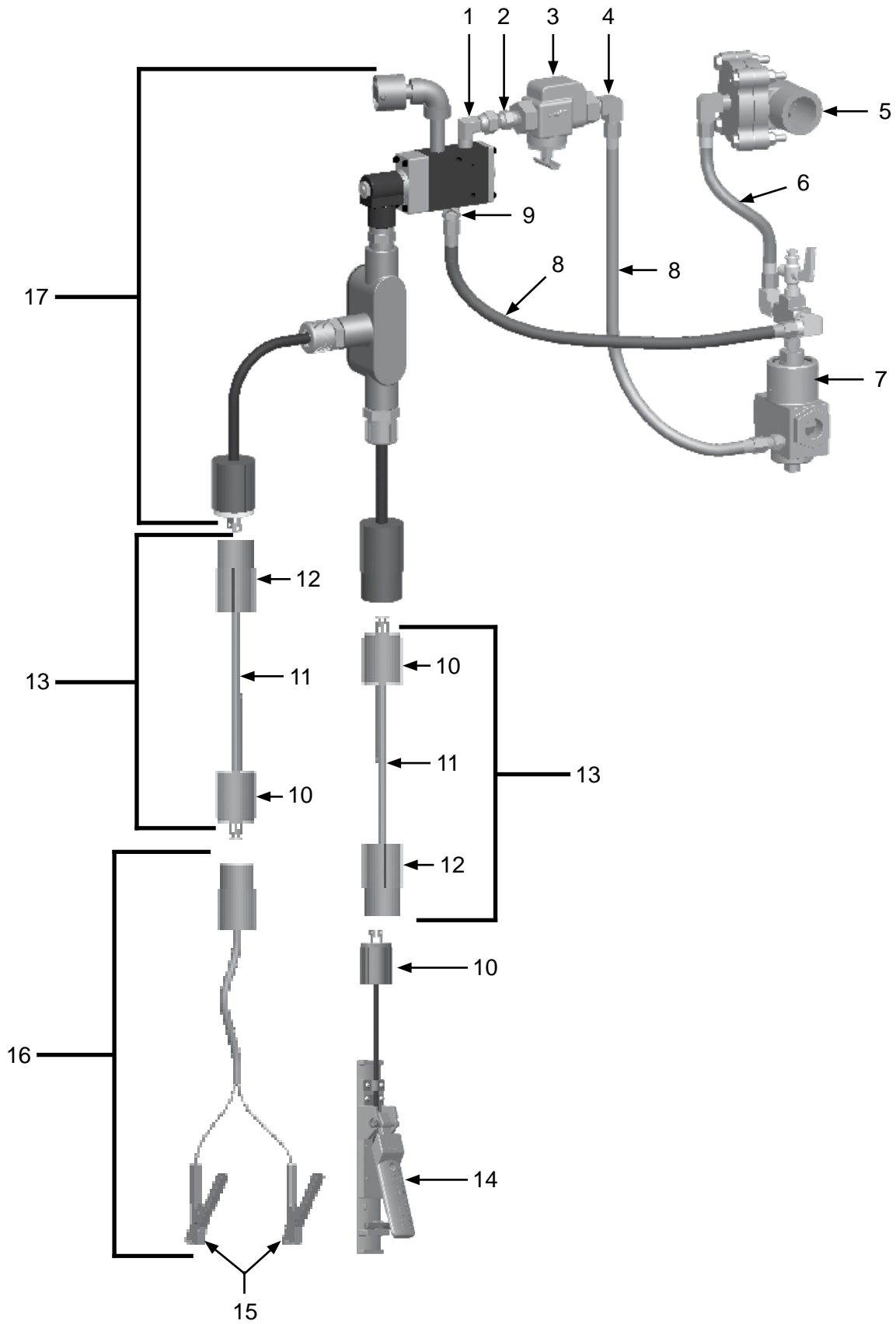
Item #	Part #	Description
--------	--------	-------------

Fig. 1

—	10103905	12-Volt DC Blastmaster® 120E Remote Control System – Complete
1	1012326	1/4" NPT 90 Swivel Fitting
2	1017019	1/4" x 1/4" Hex Nipple
3	10WS	Watts Strainer
4	1012051	1/4" NPT Brass Elbow
5	10100676	1/2" Diaphragm Outlet Valve <i>(See Fig. 9)</i>
6	10CL6	Pneumatic Control Line – 6 Inches
7	10100534	1/2" Inlet Valve <i>(See Fig. 8)</i>
8	10CL18	Pneumatic Control Line – 18 Inches <i>(Two Required)</i>
9	10101140	1/4" NPT x 7/16-20 Tapered Adapter
10	1015551	2-prong Twist-Lock Plug – Male
11	1015540	16/2 SJ Power Cord – per foot
12	1015552	2-prong Twist-Lock Plug – Female
13	1015543	25 Feet of Electric Control Line with Male and Female Twist-Lock Plugs <i>(Includes Item #'s: 9,10, and 11 (Quantity of 25 Feet))</i>
14	1015100	Blastmaster® 151E Remote Control Switch – Complete <i>(See Fig. 10)</i>
15	1030718	Battery Clamps (pair)
16	1015541	Battery Clamp Kit <i>(Includes Item #'s: 13,14 (Quantity of Two Feet), and 16)</i>
17	1019001	12-Volt DC 190 Electric Control Assembly <i>(See Fig. 2)</i>
—	105M105	Features and Specifications Guide – Blastmaster® 120E Remote Control System
—	105M063	Features and Specifications Guide – Blastmaster® 151E Remote Control Switch
—	106M105	Part Numbers & Schematics Guide – Blastmaster® 120E Remote Control System
—	106M063	Part Numbers & Schematics Guide – Blastmaster® 151E Remote Control Switch
—	1090105	Operator's Manual – Blastmaster® 120E Remote Control System
—	1090063	Operator's Manual – Blastmaster® 151E Remote Control Switch
—	1091045	Hazard Identification Tag

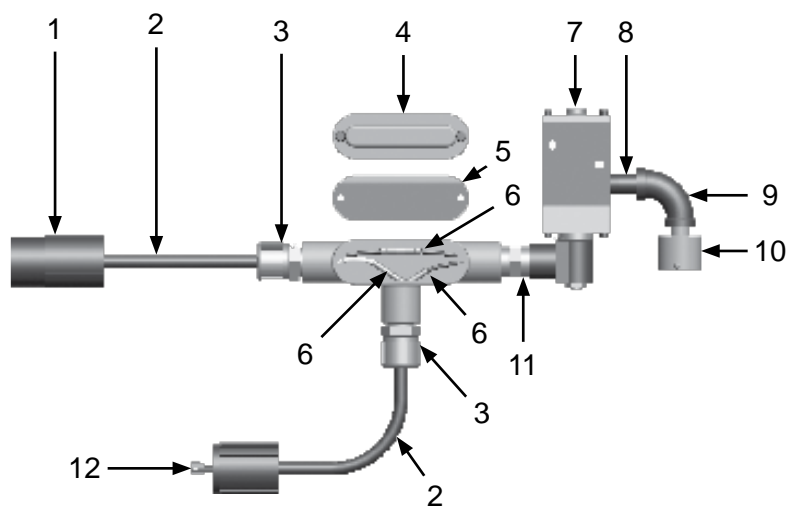
PART NUMBERS & SCHEMATICS

Figure 1: 12-Volt DC Blastmaster® 120E Remote Control System



PART NUMBERS & SCHEMATICS

Figure 2: 12-Volt DC 190 Electric Control Assembly



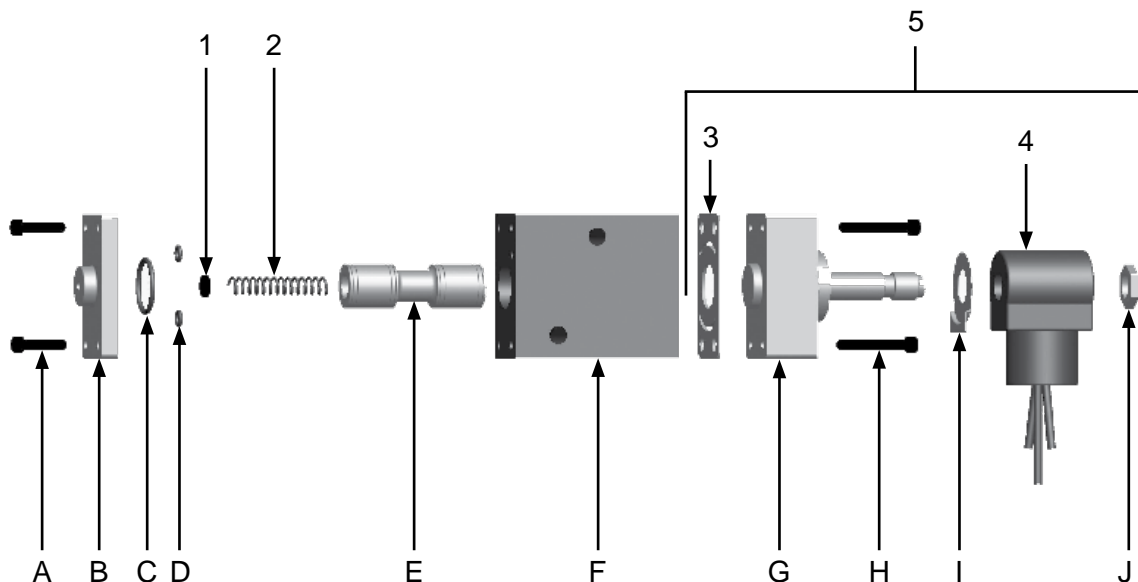
Item #	Part #	Description
--------	--------	-------------

Fig. 2

—	1019001	12-Volt DC 190 Electric Control Assembly – Complete
1	1015552	2-prong Twist-Lock Plug – Female
2	1015540	16/2 SJ Electric Cord – per foot
3	1019021	Cord Grip (<i>Two Required</i>)
4	1019022	Conduit Box Cover
5	1019023	Conduit Box Cover Gasket
6	1030028	Butt Splicer
7	1019010	12-Volt DC Electric Solenoid – Complete (<i>see Figure 3</i>)
8	1011217	1/4" x 2" Pipe Nipple
9	1011832	1/4" NPT 90° Pipe Nipple
10	10DE025	Dust Eliminator
11	20100677	1/2" x 1/2" NPT Hex Nipple
12	1015551	2-prong Twist-Lock Plug – Male
—	1091045	Hazard Identification Tag

PART NUMBERS & SCHEMATICS

Figure 3: 12-Volt DC 190 Electric Solenoid



Item #	Part #	Description
--------	--------	-------------

Fig. 3

—	1019010	12-Volt DC 190 Electric Solenoid – Complete
---	----------------	--

1	1019029	Felt Filter
---	---------	-------------

2	1019032	Spring
---	---------	--------

3	1019033	Gasket
---	---------	--------

4	1019039	12-Volt DC Coil
---	---------	-----------------

5	1019034	12-Volt DC Operator Assembly (Includes Items: #3, #4, G, H, I, and J)
---	---------	--

—	1019030	Electric Solenoid Repair Kit (Includes Items: #1, #2, #3, C, D, and E)
---	---------	---

* Items A–J are not available individually

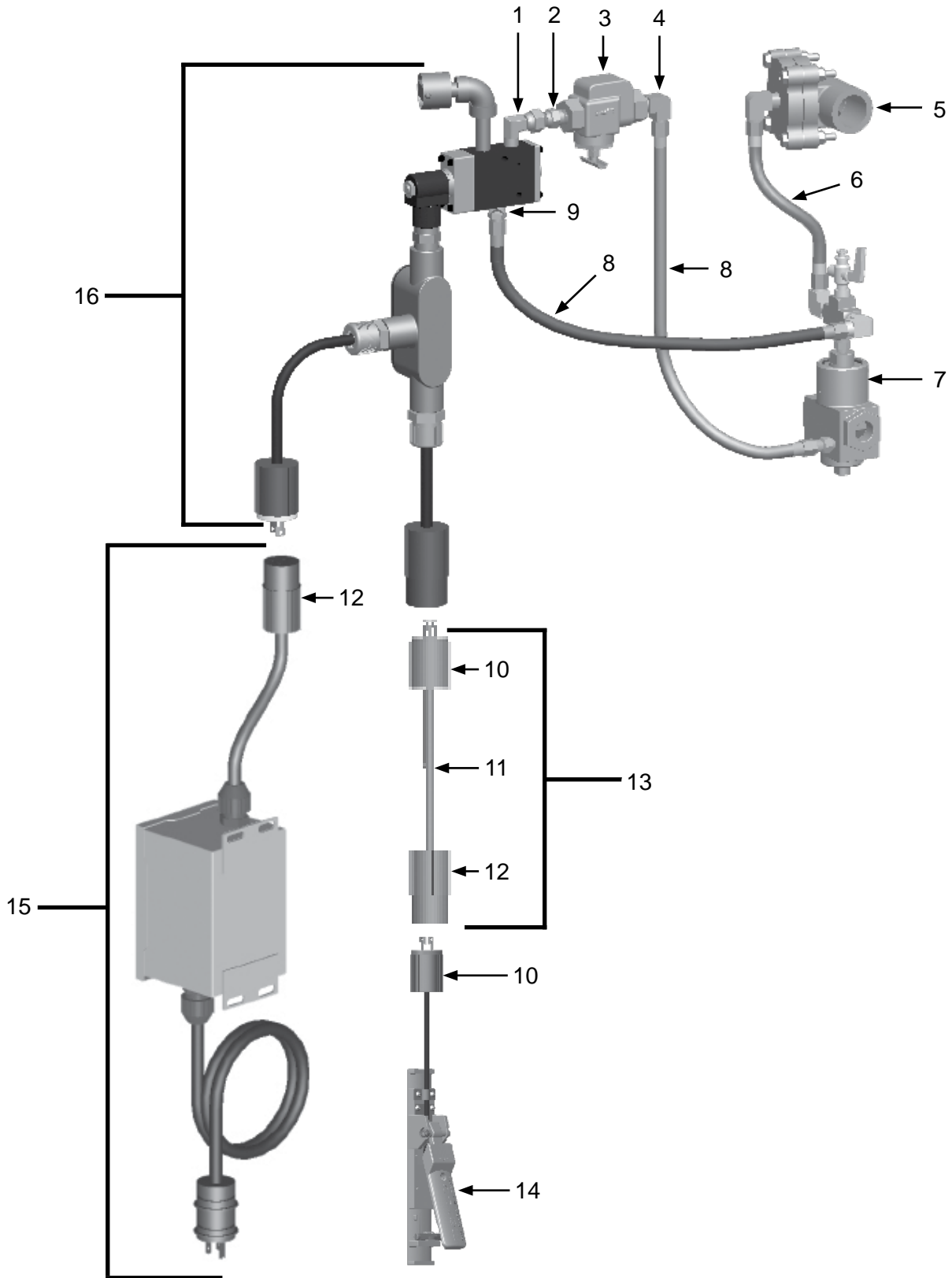
PART NUMBERS & SCHEMATICS

120-Volt AC Blastmaster® 120E Remote Control System

Item #	Part #	Description
Fig. 4		
—	10103906	120-Volt AC Blastmaster® 120E Remote Control System – Complete
1	1012326	1/4" NPT 90 Swivel Fitting
2	1017019	1/4" x 1/4" Hex Nipple
3	10WS	Watts Strainer
4	1012051	1/4" NPT Brass Elbow
5	10100676	1/2" Diaphragm Outlet Valve <i>(See Fig. 9)</i>
6	10CL6	Pneumatic Control Line – 6 Inches
7	10100534	1/2" Inlet Valve <i>(See Fig. 8)</i>
8	10CL18	Pneumatic Control Line – 18 Inches <i>(Two Required)</i>
9	10101140	1/4" NPT x 7/16-20 Tapered Adapter
10	1015551	2-prong Twist-Lock Plug – Male
11	1015540	16/2 SJ Power Cord – per foot
12	1015552	2-prong Twist-Lock Plug – Female
13	1015543	25 Feet of Electric Control Line with Male and Female Twist-Lock Plugs <i>(Includes Item #'s: 9, 10, and 11 (Quantity of 25 Feet))</i>
14	1015100	Blastmaster® 151E Remote Control Switch – Complete <i>(See Fig. 10)</i>
15	1030020	Marco 120-Volt AC to 12-Volt AC Power Converter <i>(See Fig. 7)</i>
16	1019002	12-Volt AC 190 Electric Control Assembly <i>(See Fig. 5)</i>
—	105M105	Features and Specifications Guide – Blastmaster® 120E Remote Control System
—	105M063	Features and Specifications Guide – Blastmaster® 151E Remote Control Switch
—	106M105	Part Numbers & Schematics Guide – Blastmaster® 120E Remote Control System
—	106M063	Part Numbers & Schematics Guide – Blastmaster® 151E Remote Control Switch
—	1090105	Operator's Manual – Blastmaster® 120E Remote Control System
—	1090063	Operator's Manual – Blastmaster® 151E Remote Control Switch
—	1091045	Hazard Identification Tag

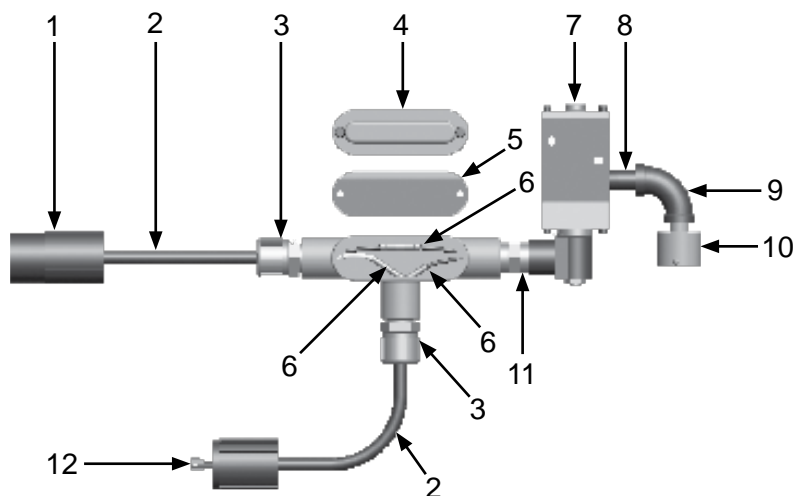
PART NUMBERS & SCHEMATICS

Figure 4: 120-Volt AC Blastmaster® 120E Remote Control System



PART NUMBERS & SCHEMATICS

Figure 5: 12-Volt AC 190 Electric Control Assembly



Item #	Part #	Description
--------	--------	-------------

Fig. 5

—	1019002	12-Volt AC 190 Electric Control Assembly – Complete
---	---------	---

1	1015552	2-prong Twist-Lock Plug – Female
---	---------	----------------------------------

2	1015540	16/2 SJ Power Cord – per foot
---	---------	-------------------------------

3	1019021	Cord Grip (<i>Two Required</i>)
---	---------	-----------------------------------

4	1019022	Conduit Box Cover
---	---------	-------------------

5	1019023	Conduit Box Cover Gasket
---	---------	--------------------------

6	1030028	Butt Splicer
---	---------	--------------

7	1019011	12-Volt AC Electric Solenoid – Complete (<i>see Figure 6</i>)
---	---------	---

8	1011217	1/4" x 2" Pipe Nipple
---	---------	-----------------------

9	1011832	1/4" NPT 90° Pipe Nipple
---	---------	--------------------------

10	10DE025	Dust Eliminator
----	---------	-----------------

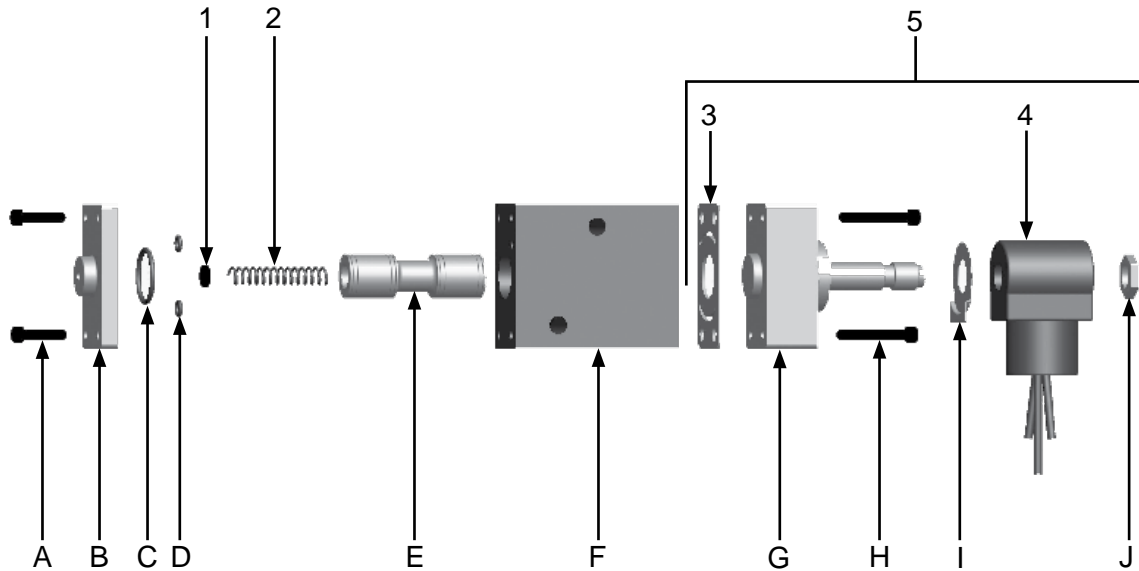
11	20100677	1/2" x 1/2" NPT Hex Nipple
----	----------	----------------------------

12	1015551	2-prong Twist-Lock Plug – Male
----	---------	--------------------------------

—	1091045	Hazard Identification Tag
---	---------	---------------------------

PART NUMBERS & SCHEMATICS

Figure 6: 12-Volt AC 190 Electric Solenoid



Item #	Part #	Description
Fig. 6		
—	1019011	12-Volt AC 190 Electric Solenoid – Complete
1	1019029	Felt Filter
2	1019032	Spring
3	1019033	Gasket
4	1019040	12-Volt AC Coil
5	1019035	12-Volt AC Electric Operator Assembly (Includes Items: #3, #4, G, H, I, and J)
—	1019030	12-Volt AC Electric Solenoid Repair Kit (Includes Items: #1, #2, #3, C, D, and E)

* Items A–J are not available individually

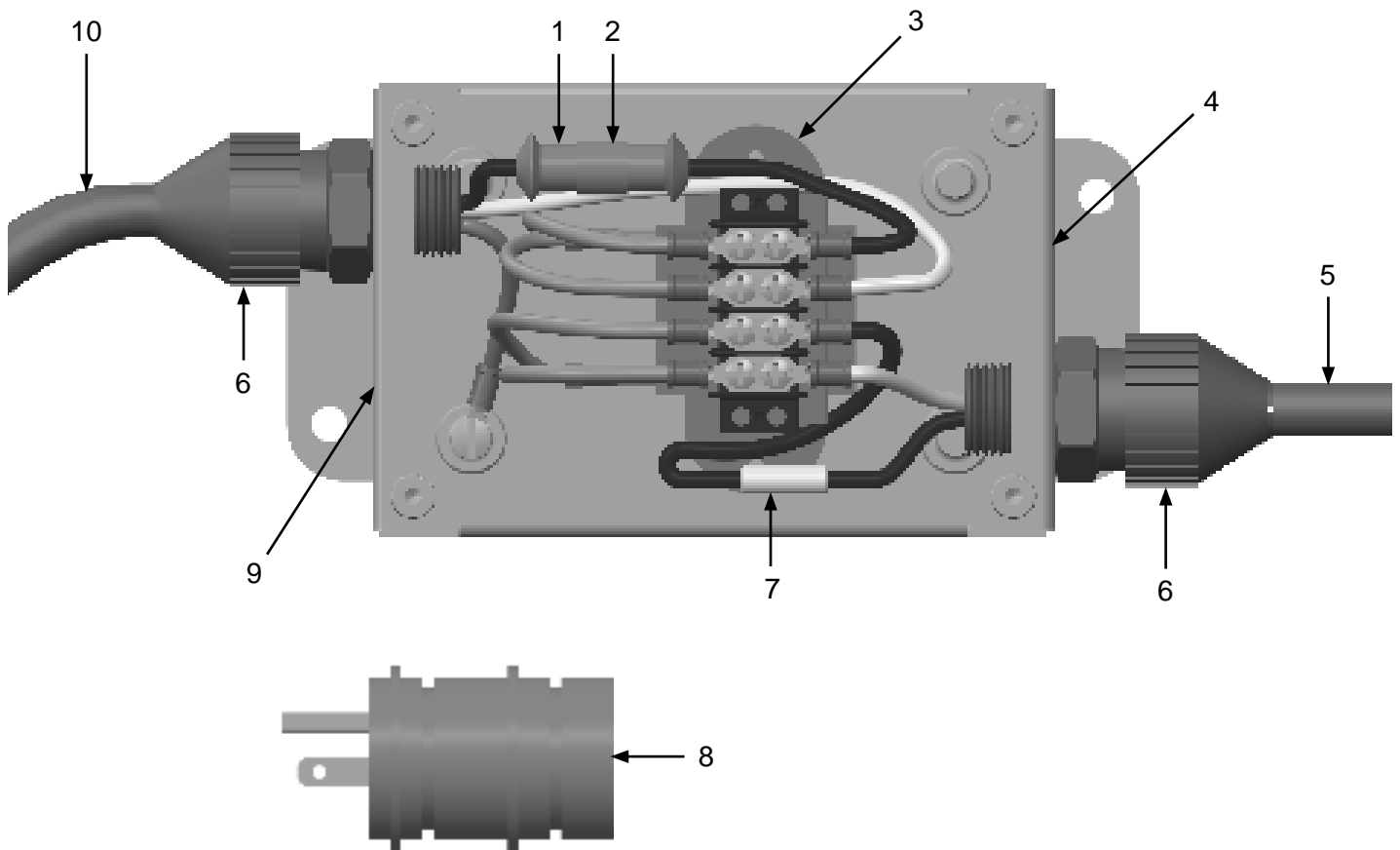
PART NUMBERS & SCHEMATICS

120-Volt AC to 12-Volt AC Power Converter

Item #	Part #	Description
Fig. 7		
—	1030020	Blastmaster® 120-Volt AC to 12-Volt AC Power Converter with 3 feet of 14/2 Electric Cord and Plug – Complete
1	1030123	3 Amp Fuse
2	1030023	In-Line Fuse Holder
3	1030022	Transformer – Blastmaster 120-Volt AC to 12-Volt AC Power Converter
4	1091067	Power-Out Decal (<i>Not Shown</i>)
5	1030013	14/2 SEOW Electric Cord (<i>Per Foot</i>)
6	1030025	Strain Relief (<i>Two Required</i>)
7	1030021	Resistor
8	1030026	3-prong, 120-Volt AC Plug – Male
9	1092014	Power-In Decal (<i>Not Shown</i>)
10	1015550	14/3 SEOW Electric Cord (<i>Per Foot</i>)
—	1091063	Hazard Identification Decal

PART NUMBERS & SCHEMATICS

Figure 7: 120-Volt AC to 12-Volt AC Power Converter



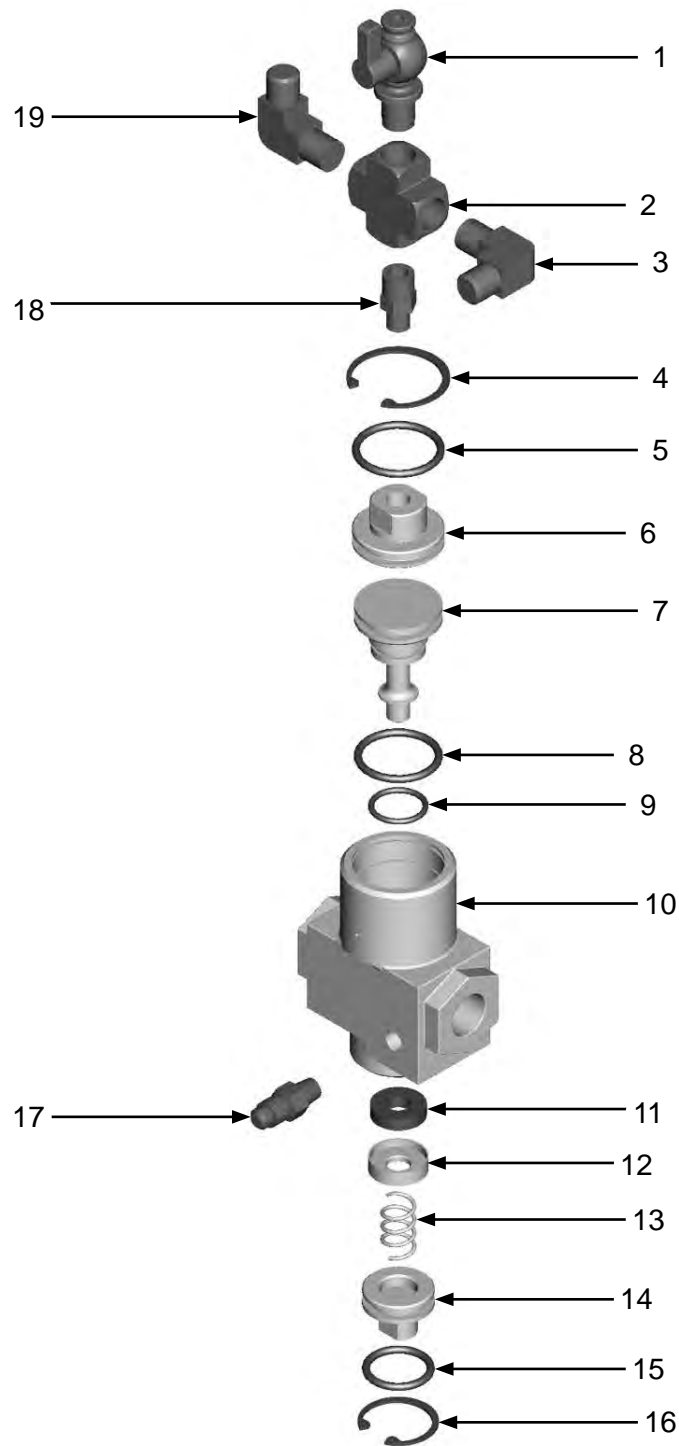
PART NUMBERS & SCHEMATICS

1/2" Inlet Valve

Item #	Part #	Description
Fig. 8		
—	10100534	1/2" Inlet Valve – Complete
1	1012101	1/4" Petcock
2	10101143	1/4" NPT Brass Cross
3	1012051	1/4" NPT x 7/16-20 Elbow <i>(Two Required)</i>
4	10100538	Top Snap Ring
5	10100545	Top Seal O-ring
6	10100537	Top Seal Retainer
7	10100541	Piston
8	10100548	Upper O-ring
9	10100547	Lower O-ring
10	10100535	Valve Body
11	10100543	Plug Washer
12	10100542	Valve Washer Cup
13	10100544	Spring
14	10100539	Bottom Seal Retainer
15	10100546	Bottom Seal O-ring
16	10100540	Bottom Snap Ring
17	1012103	1/8" NPT x 7/16-20 Fitting
18	10PVFIT	1/4" x 1/8" Hex Union
—	105M105	Features, Advantages, and Benefits Guide – Blastmaster® 120E Remote Control System
—	106M105	Part Numbers and Schematics Guide – Blastmaster® 120E Remote Control System
—	1090105	Operator's Manual – Blastmaster® 120E Remote Control System
—	1091045	Hazard Identification Tag

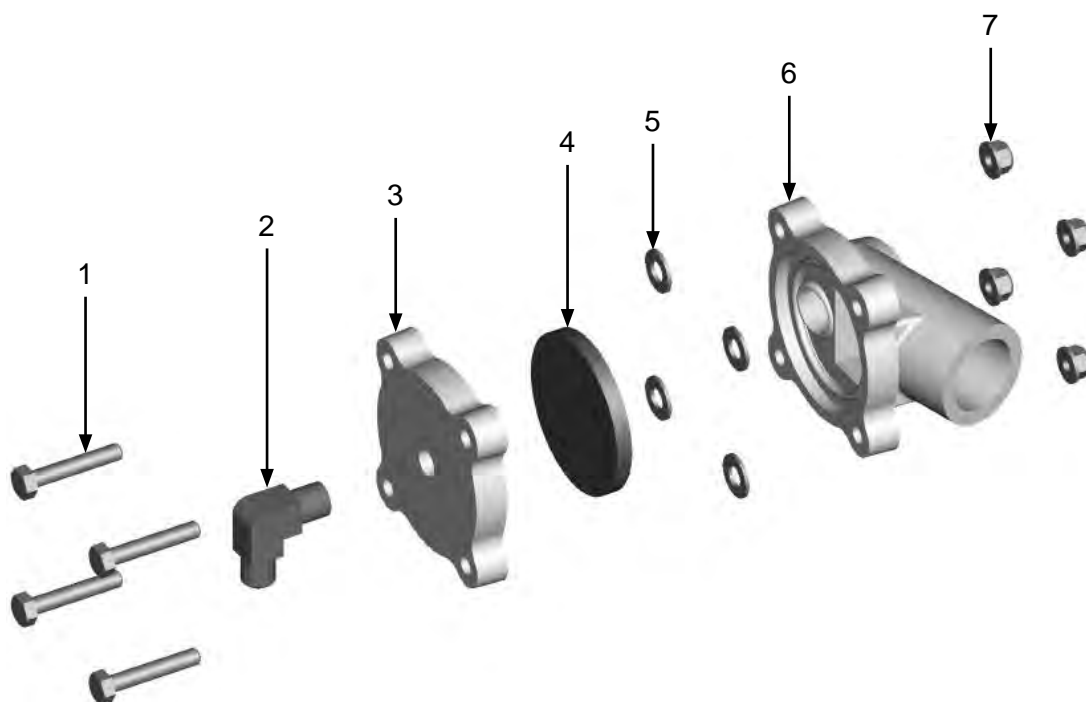
PART NUMBERS & SCHEMATICS

Figure 8: 1/2" Inlet Valve



PART NUMBERS & SCHEMATICS

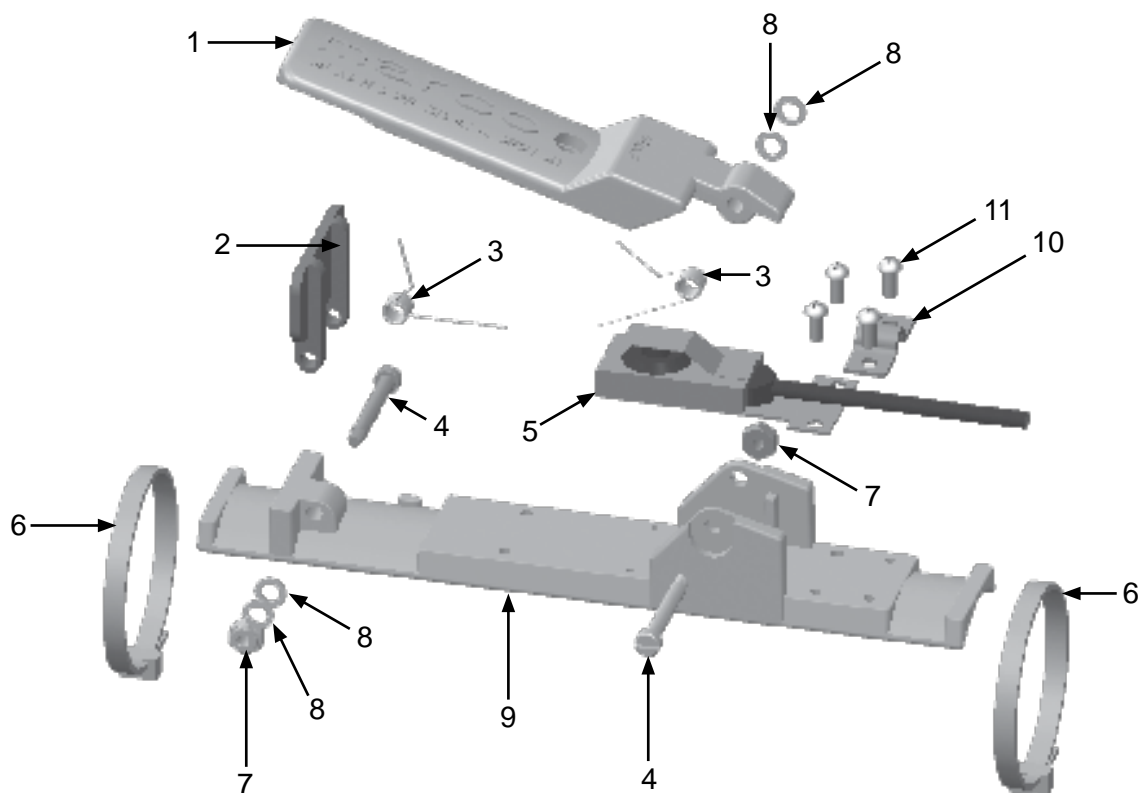
Figure 9: 1/2" Diaphragm Outlet Valve



Item #	Part #	Description
Fig. 9		
—	10100676	1/2" Diaphragm Outlet Valve – Complete
1	1019044	1/4-20 x 1-1/2" Bolt (<i>Four Required</i>)
2	1012051	1/4" NPT x 7/16-20 Elbow
3	10100677	Valve Cap
4	10100681	Diaphragm
5	1014017	1/4" Flat Washer (<i>Four Required</i>)
6	10100679	Valve Body
7	1012323	1/4-20 Nylon Lock Nut (<i>Four Required</i>)
—	105M105	Features, Advantages, and Benefits Guide – Blastmaster® 120E Remote Control System
—	106M105	Part Numbers and Schematics Guide – Blastmaster® 120E Remote Control System
—	1090105	Operator's Manual – Blastmaster® 120E Remote Control System
—	1091045	Hazard Identification Tag

PART NUMBERS & SCHEMATICS

Figure 10: Blastmaster® 151E Remote Control Switch



Item #	Part #	Description
--------	--------	-------------

Fig. 10

—	1015100	Blastmaster® 151E Remote Control Switch – Complete
1	1015001	Handle
2	1015003	Safety Tab
3	1015005	Spring (Two Required)
4	1015008	Shoulder Screw (Two Required)
5	10104268	Switch with Cord
6	1015015	Nylon Zip Tie - White (Two Required)
7	1015006	8-32 UNC-2B Nylon Insert Lock Nut (Two Required)
8	1015007	3/8" O.D. x 7/16" I.D. Washer (Four Required)
9	1015002	Body
10	1015101	Electric Cord Clamp
11	1015014	8-32 x 3/8" Phillips Head Screw (Four Required)
—	105M063	Features and Specifications Guide – Blastmaster® 151E Remote Control Switch
—	106M063	Part Numbers and Schematics Guide – Blastmaster® 151E Remote Control Switch
—	1090063	Operator's Manual — Blastmaster® 151E Remote Control Switch
—	1091045	Hazard Identification Tag









OPTIONAL ACCESSORIES



Part Numbers




ELECTRIC CONTROL LINE				
Part Numbers	Gauge	# of Wires	Type	Length
1015540	16	2	SJEOOW	Per Foot
1015701	16	3	SJEOOW	Per Foot
1030013	14	2	SEOOW	Per Foot
1015550	14	3	SEOOW	Per Foot
1015554	14	4	SEOOW	Per Foot
1015570	12	2	SOOW	Per Foot
1015571	12	3	SJEOOW	Per Foot
1015581	10	3	SEOOW	Per Foot
1015580	10	4	SEOOW	Per Foot
1015591	8	3	SEOOW	Per Foot
1015590	8	4	SEOOW	Per Foot
1015595	6	3	SEOOW	Per Foot

OPTIONAL ACCESSORIES

		ELECTRIC CONTROL LINE WITH PLUGS						
Part Numbers	Gauge	# of Wires	2-Prong Male Twist-Lock Plug	2-Prong Female Twist-Lock Plug	3-Prong Male Twist-Lock Plug	3-Prong Female Twist-Lock Plug	Length	
	1015543	16	2	1015551	1015552	—	—	25 Feet
	1015542	16	2	1015551	1015552	—	—	50 Feet
	1015546	16	2	—	—	1015555	1015556	25 Feet
	1015545	16	2	—	—	1015555	1015556	50 Feet
	1015547	16	2	—	—	1015555	1015556	100 Feet
	1015748	16	3	—	—	1015555	1015556	13 Feet
	1015745	16	3	—	—	1015555	1015556	50 Feet
	1015747	16	3	—	—	1015555	1015556	110 Feet

OPTIONAL ACCESSORIES

ELECTRIC CONTROL LINE PLUGS

	Part Numbers	Prong Style	Plug Style
	1015551	2-Prong Male	Twist-Lock
	1015552	2-Prong Female	Twist-Lock
	1015555	3-Prong Male	Twist-Lock
	1015556	3-Prong Female	Twist-Lock
	1030026	3-Prong Male	Standard

PART NUMBERS AND SCHEMATICS GUIDE

PNEUMATIC TO 12-VOLT DC ELECTRIC CONVERSION KIT

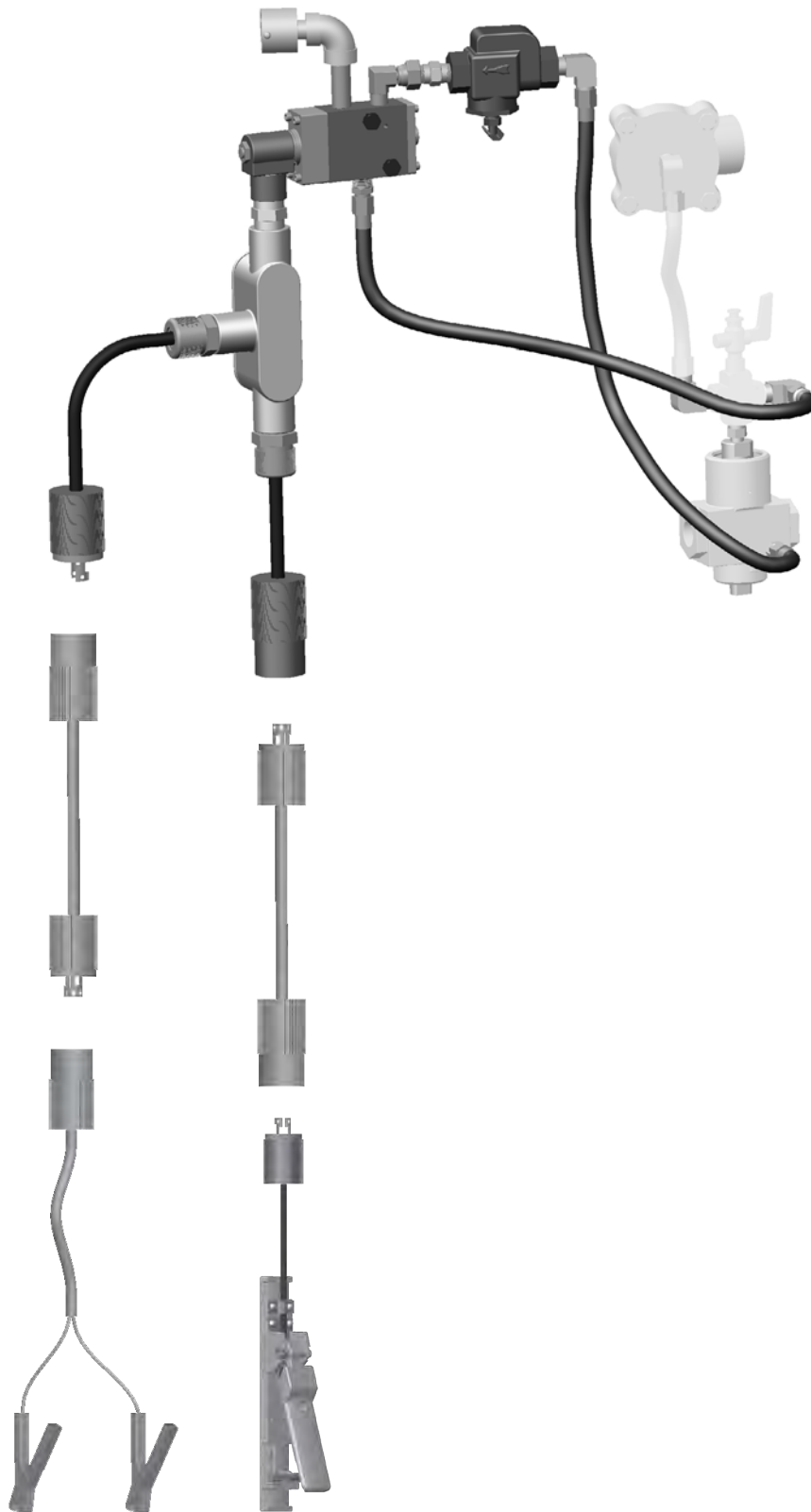
Part Numbers	Marco® 190 12-Volt DC Electric Control Assembly	Blastmaster® 151E Remote Control Switch	Power Cord (Includes Connectors)	Battery Clamps
10106430	X	X	25 Ft.	X

For converting Pneumatic to 12-Volt DC Electric Conversion Kit

Includes: Marco® 190 12-Volt DC Electric Control Assembly, Blastmaster® 151E Remote Control Switch, Electric Control Line, Battery Clamp, and various pipe fittings

Note that due to the wide variety of blast pots you may need to purchase additional fittings, bushing, etc.

PART NUMBERS AND SCHEMATICS GUIDE



PART NUMBERS AND SCHEMATICS GUIDE

Pneumatic to 12-Volt DC Electric Conversion Kit

Item #	Part #	Description
Fig. 1		
—	10106430	Pneumatic to 12-Volt DC Electric Conversion Kit
1	1012326	1/4" NPT 90° Swivel Fitting
2	1017019	1/4" x 1/4" Hex Nipple
3	10WS	Watts Strainer
4	1012051	1/4" NPT Brass Elbow
5	10CL18	Pneumatic Control Line – 18" <i>(Two Required)</i>
6	10101140	1/4" NPT x 7/16-20 Tapered Adapter
7	10DE025	1/4" NPT Dust Eliminator
8	1011832	1/4" NPT 90° Elbow
9	1011217	1/4" x 2" Pipe Nipple
10	1015552	2-Prong Twist-Lock Plug – Female
11	1015540	16/2 SJ Power Cord – Per Foot
12	1015551	2-Prong Twist-Lock Plug – Male
13	1015100	Blastmaster® 151E Remote Control Switch – Complete
14	1030718	Battery Clamps <i>(Pair)</i>
15	1019001	Marco® 190 12-Volt DC Electric Control Assembly – Complete
16	1015543	25' of 16/2 SO Power Cord with 2-Prong Twist-Lock Plugs Installed <i>(Includes Item #'s: 10, 11, and 12) (Quantity of Two)</i>
17	1015541	Battery Clamp Kit <i>(Includes Item #'s: 10 and 14)</i>

See page 21 for product literature

PART NUMBERS AND SCHEMATICS GUIDE

PNEUMATIC TO 120-VOLT AC ELECTRIC CONVERSION KIT

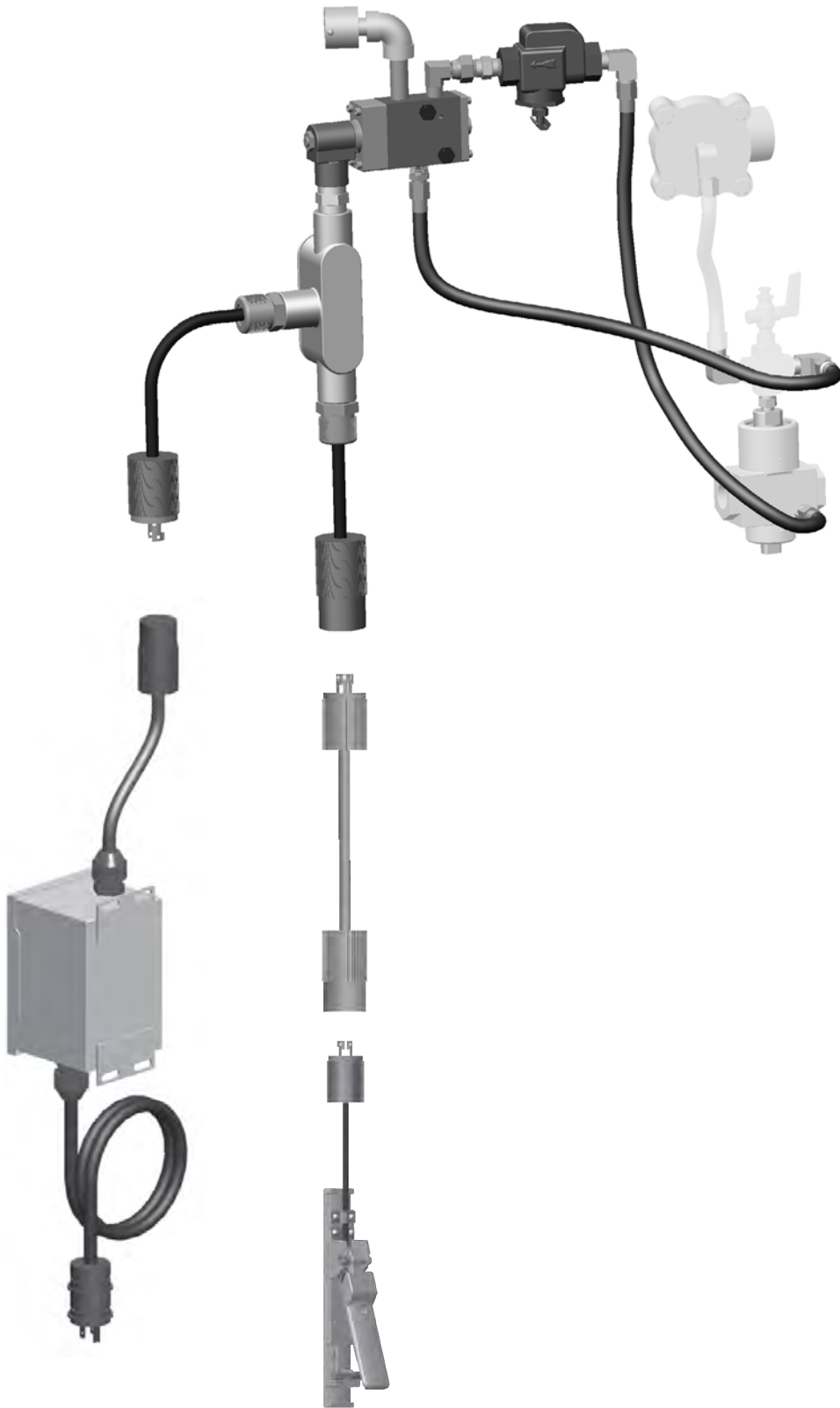
Part Numbers	Marco® 190 12-Volt AC Electric Control Assembly	Blastmaster® 151E Remote Control Switch	Blastmaster® 120-Volt AC to 12-Volt AC Power Converter	Power Cord <i>(Includes Connectors)</i>
10106431	X	X	X	25 Ft.

For converting Pneumatic to 120-Volt AC Electric Conversion Kit

Includes: Marco® 190 12-Volt AC Electric Control Assembly, Blastmaster® 151E Remote Control Switch, Electric Control Line, Power Converter, and various pipe fittings

Note that due to the wide variety of blast pots you may need to purchase additional fittings, bushing, etc.

PART NUMBERS AND SCHEMATICS GUIDE



PART NUMBERS AND SCHEMATICS GUIDE

Pneumatic to 120-Volt AC Electric Conversion Kit

Item #	Part #	Description
Fig. 2		
—	10106431	Pneumatic to 120-Volt AC Electric Conversion Kit
1	1012326	1/4" NPT 90° Swivel Fitting
2	1017019	1/4" x 1/4" Hex Nipple
3	10WS	Watts Strainer
4	1012051	1/4" NPT Brass Elbow
5	10CL18	Pneumatic Control Line – 18" <i>(Two Required)</i>
6	10101140	1/4" NPT x 7/16-20 Tapered Adapter
7	10DE025	1/4" NPT Dust Eliminator
8	1011832	1/4" NPT 90° Elbow
9	1011217	1/4" x 2" Pipe Nipple
10	1015552	2-Prong Twist-Lock Plug – Female
11	1015540	16/2 SJ Power Cord – Per Foot
12	1015551	2-Prong Twist-Lock Plug – Male
13	1015100	Blastmaster® 151E Remote Control Switch – Complete
14	1019002	Marco® 190 12-Volt AC Electric Control Assembly – Complete
15	1015543	25' of 16/2 SO Power Cord with 2-Prong Twist-Lock Plugs Installed <i>(Includes Item #'s: 10, 11, and 12)</i>
16	1030020	Blastmaster® 120-Volt AC to 12-Volt AC Power Converter

See page 21 for product literature

PART NUMBERS AND SCHEMATICS GUIDE

COMPLETE 12-VOLT DC ELECTRIC CONVERSION KIT – 1.0 CU. FT. ABRASIVE BLASTING POT

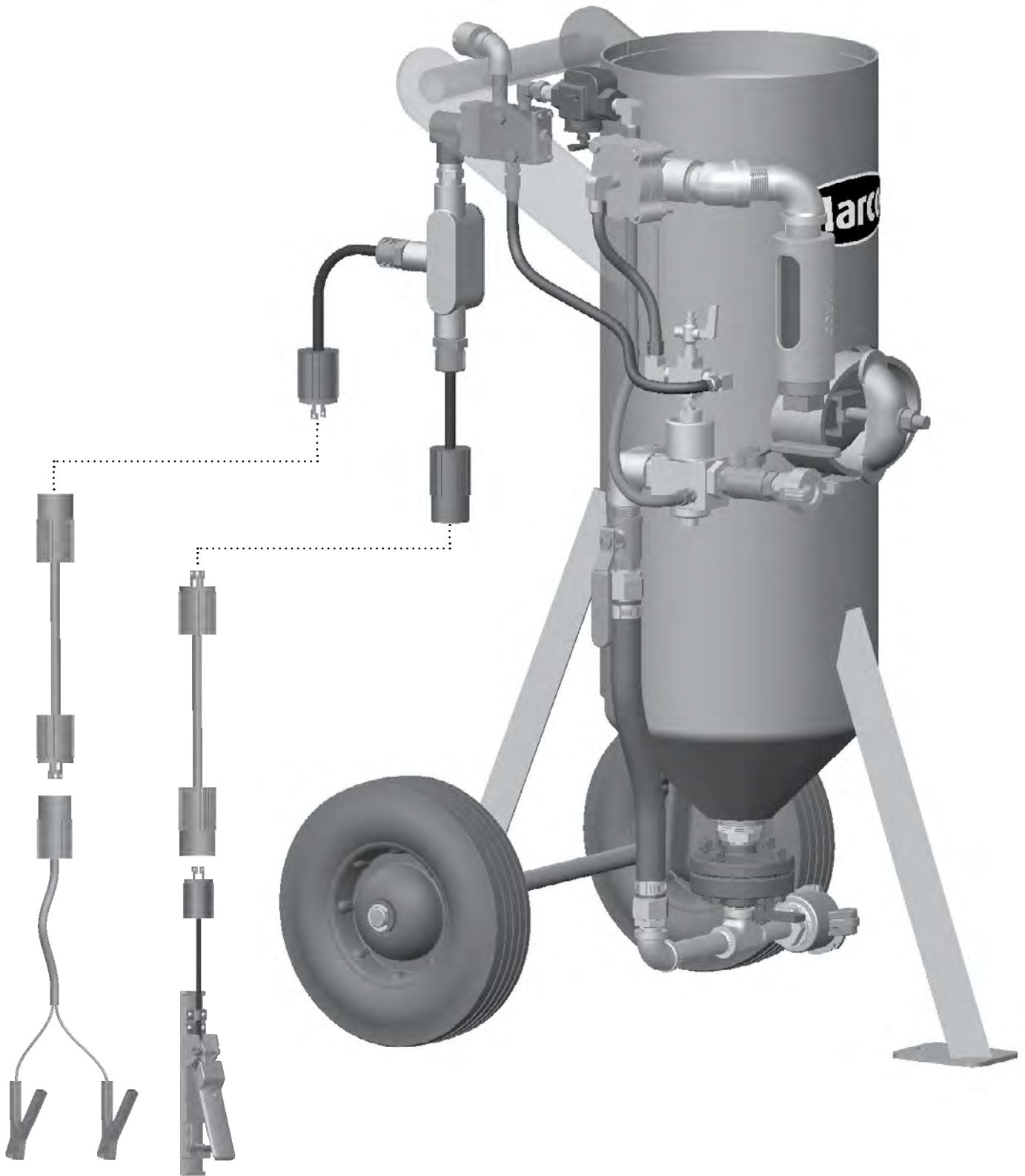
Part Numbers	Marco® 190 12-Volt DC Electric Control Assembly	Blastmaster® Regulator Jr. Abrasive Metering Valve	Blastmaster® 151E Remote Control Switch	Power Cord (Includes Connectors)	Battery Clamps	Abrasive Blasting Pot Muffler
10106164	X	X	X	25 Ft.	X	X

For converting bare pot to electric remote control system

Includes: Marco® 190 12-Volt DC Electric Control Assembly, Blastmaster® Regulator Jr. Abrasive Metering Valve, Blastmaster® 151E Remote Control Switch, Electric Control Line, Battery Clamp, Inlet Valve, Outlet Valve, and various pipe fittings

Note that due to the wide variety of blast pots you may need to purchase additional fittings, bushing, etc.

PART NUMBERS AND SCHEMATICS GUIDE



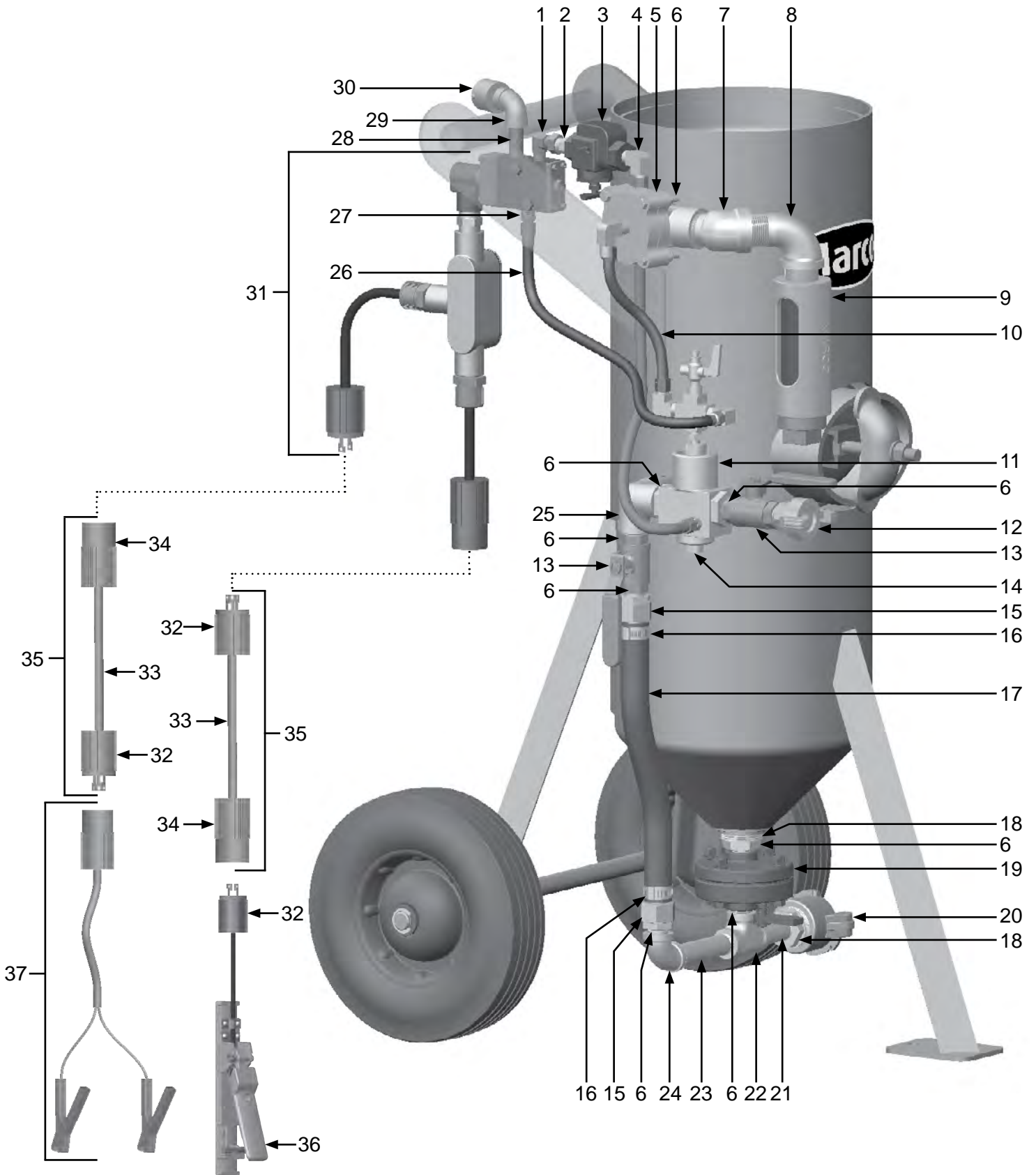
PART NUMBERS AND SCHEMATICS GUIDE

Complete 12-Volt DC Electric Conversion Kit – 1.0 Cu. Ft. Abrasive Blasting Pot

Item #	Part #	Description	Item #	Part #	Description
Fig. 3			35	1015543	25' of 16/2 SO Power Cord with 2-Prong Twist-Lock Plugs Installed <i>(Includes Item #'s: 32, 33, and 34)</i> <i>(Quantity of Two)</i>
—	10106164	Complete 12-Volt DC Electric Conversion Kit – 1.0 Cu. Ft. Abrasive Blasting Pot	36	1015100	Blastmaster® 151E Remote Control Switch
1	1012326	1/4" NPT 90° Swivel Fitting	37	1015541	Battery Clamp Kit with 2-Prong Twist-Lock Plug Installed
2	1017019	1/4" x 1/4" Hex Nipple	<i>See page 21 for product literature</i>		
3	10WS	Watts Strainer			
4	1012051	1/4" NPT Brass Elbow			
5	10100676	1/2" Diaphragm Outlet Valve			
6	10L803035	1/2" NPT Close Pipe Nipple <i>(Eight Required)</i>			
7	1011838	1" NPT 45° Street Elbow			
8	1011801	1" NPT 90° Street Elbow			
9	1011100	Abrasive Blasting Pot Muffler			
10	10CL6	3/8" x 6" Control Line			
11	10100534	1/2" Inlet Valve			
12	10ME122	1/2" NPT 2-Lug Coupling (M)			
13	10L363	1/2" NPT Full Port Brass Ball Valve <i>(Two Required)</i>			
14	10100535	1/2" Inlet Valve Machined Casting			
15	10SFE34	Swivel Air Hose End – 3/4" NPT <i>(Two Required)</i>			
16	10L800034	Screw Type Hose Clamp <i>(Two Required)</i>			
17	10AH034	3/4" I.D. Air Hose – Four Feet			
18	1011820	1-1/4" x 1/2" NPT Bushing <i>(Two Required)</i>			
19	10100684	1/2" Regulator Jr. Metering Valve			
20	10SB1	1-1/4" NPT Brass Tank Coupling			
21	10L803041	1/2" x 2-3/4" NPT Pipe Nipple			
22	1011821	1/2" Pipe Tee			
23	10L803047	1/2" x 4-1/2" NPT Pipe Nipple			
24	10L806004	1/2" NPT 90° Elbow			
25	10101138	1/2" NPT 90° Elbow with Side-Out			
26	10CL18	3/8" x 18" Control Line			
27	10SME025	1/4" Straight Swivel			
28	1011217	1/4" x 2" Pipe Nipple			
29	1011832	1/4" NPT 90° Elbow			
30	10DE025	1/4" NPT Dust Eliminator			
31	1019001	Marco® 190 12-Volt DC Electric Control Assembly – Complete			
32	1015551	2-Prong Twist-Lock Plug – Male			
33	1015540	16/2 SJ Power Cord – Per Foot			
34	1015552	2-Prong Twist-Lock Plug – Female			

PART NUMBERS AND SCHEMATICS GUIDE

Figure 3: Complete 12-Volt DC Electric Conversion Kit – 1.0 Cu. Ft. Abrasive Blasting Pot



PART NUMBERS AND SCHEMATICS GUIDE

COMPLETE 120-VOLT AC ELECTRIC CONVERSION KIT – 1.0 CU. FT. ABRASIVE BLASTING POT

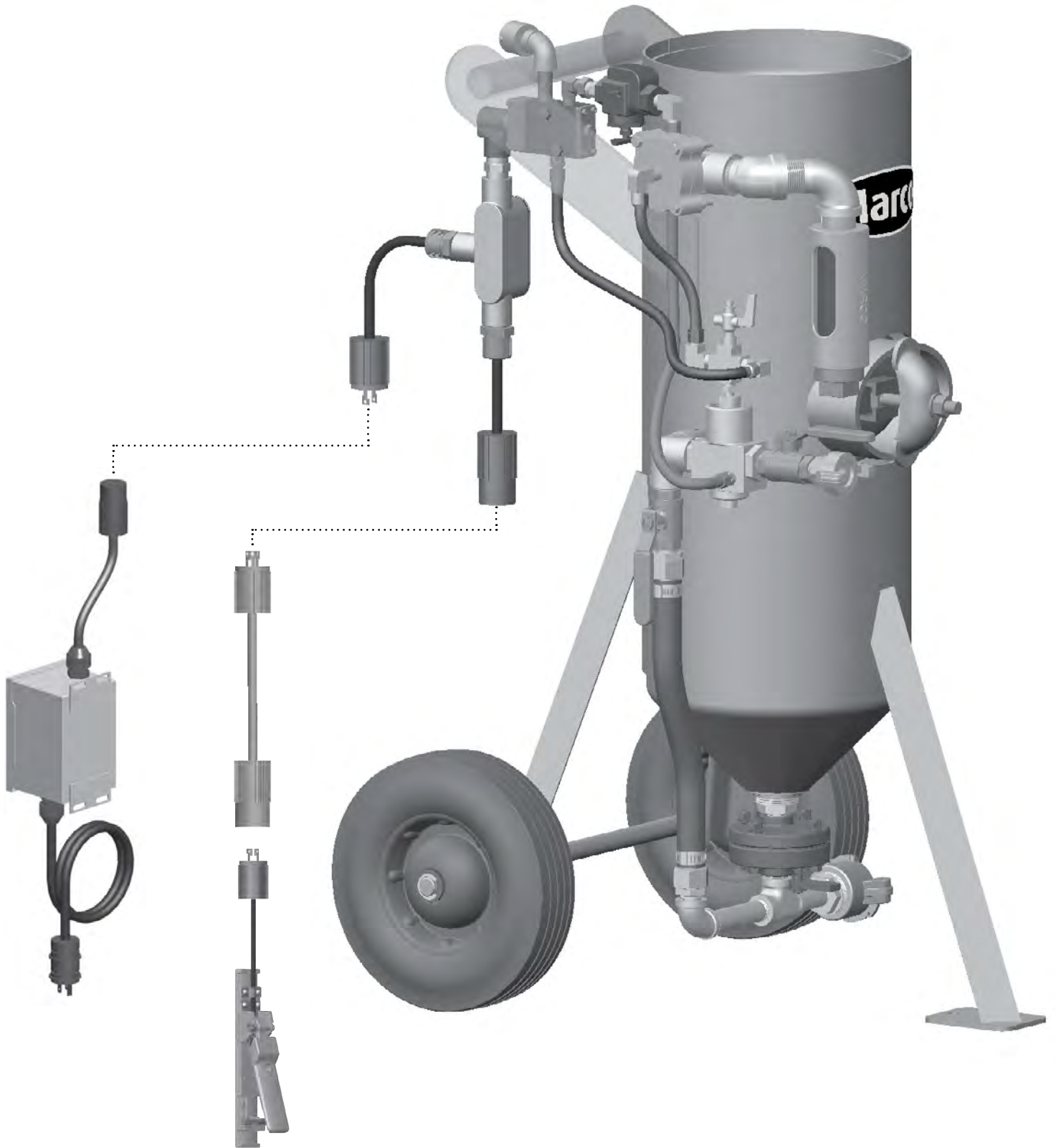
Part Numbers	Marco® 190 12-Volt AC Electric Control Assembly	Blastmaster® Regulator Jr. Abrasive Metering Valve	Blastmaster® 151E Remote Control Switch	Blastmaster® 120-Volt AC to 12-Volt AC Power Converter	Electric Control Line <i>(Includes Connectors)</i>	Abrasive Blasting Pot Muffler
10106165	X	X	X	X	25 Ft.	X

For converting bare pot to electric remote control system

Includes: Marco® 190 12-Volt AC Electric Control Assembly, Blastmaster® Regulator Jr. Abrasive Metering Valve, Blastmaster® 151E Remote Control Switch, Electric Control Line, Power Converter, Inlet Valve, Outlet Valve, and various pipe fittings

Note that due to the wide variety of blast pots you may need to purchase additional fittings, bushing, etc.

PART NUMBERS AND SCHEMATICS GUIDE



PART NUMBERS AND SCHEMATICS GUIDE

Complete 120-Volt AC Electric Conversion Kit – 1.0 Cu. Ft. Abrasive Blasting Pot

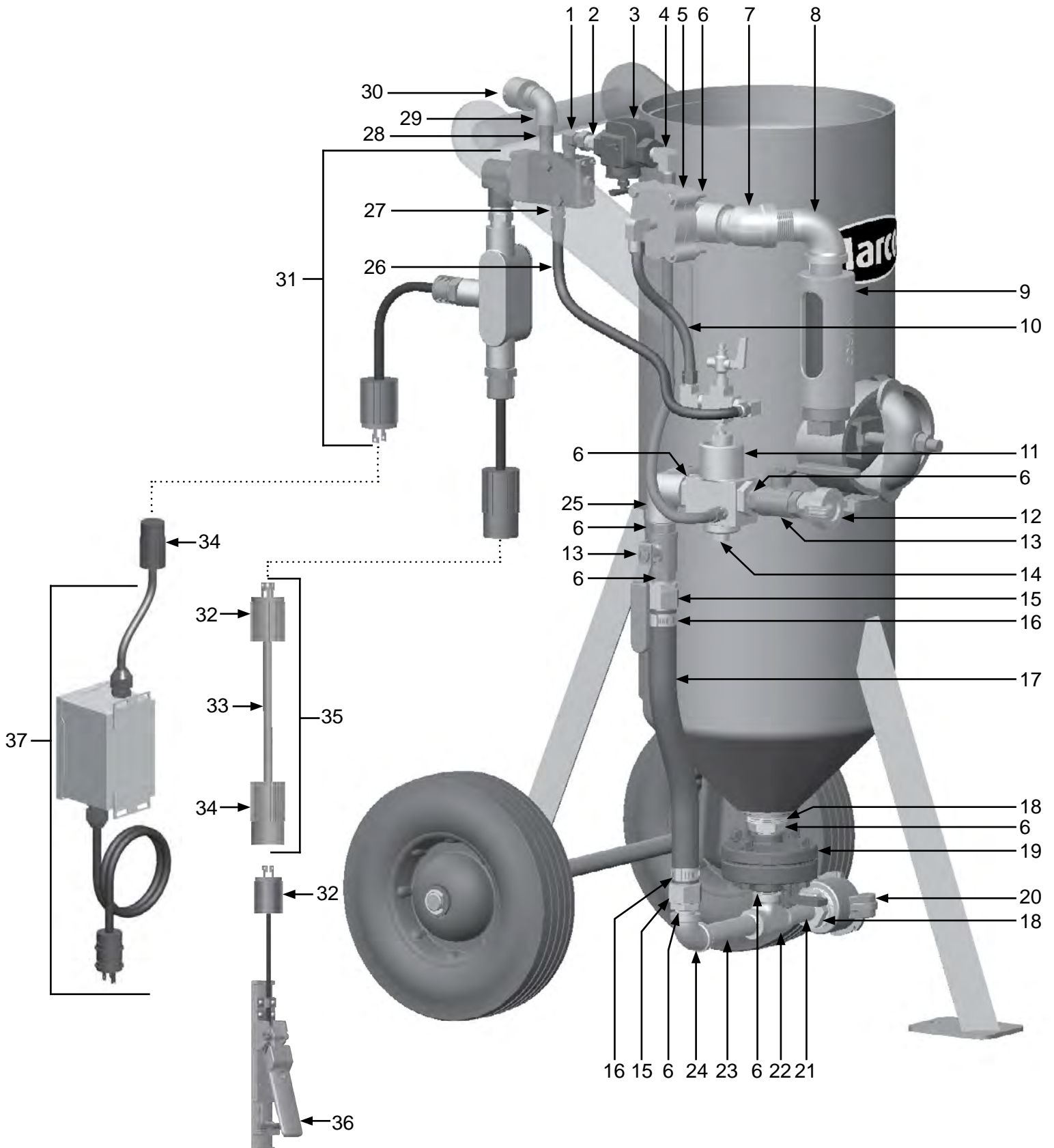
Item #	Part #	Description
Fig. 4		
—	10106165	Complete 120-Volt AC Electric Conversion Kit – 1.0 Cu. Ft. Abrasive Blasting Pot
1	1012326	1/4" NPT 90° Swivel Fitting
2	1017019	1/4" x 1/4" Hex Nipple
3	10WS	Watts Strainer
4	1012051	1/4" NPT Brass Elbow
5	10100676	1/2" Diaphragm Outlet Valve
6	10L803035	1/2" NPT Close Pipe Nipple <i>(Eight Required)</i>
7	1011838	1" NPT 45° Street Elbow
8	1011801	1" NPT 90° Street Elbow
9	1011100	Abrasive Blasting Pot Muffler
10	10CL6	3/8" x 6" Control Line
11	10100534	1/2" Inlet Valve
12	10ME122	1/2" NPT 2-Lug Coupling (M)
13	10L363	1/2" NPT Full Port Brass Ball Valve <i>(Two Required)</i>
14	10100535	1/2" Inlet Valve Machined Casting
15	10SFE34	Swivel Air Hose End – 3/4" NPT <i>(Two Required)</i>
16	10L800034	Screw Type Hose Clamp <i>(Two Required)</i>
17	10AH034	3/4" I.D. Air Hose – Four Feet
18	1011820	1-1/4" x 1/2" NPT Bushing <i>(Two Required)</i>
19	10100684	1/2" Regulator Jr. Metering Valve
20	10SB1	1-1/4" NPT Brass Tank Coupling
21	10L803041	1/2" x 2-3/4" NPT Pipe Nipple
22	1011821	1/2" Pipe Tee
23	10L803047	1/2" x 4-1/2" NPT Pipe Nipple
24	10L806004	1/2" NPT 90° Elbow
25	10101138	1/2" NPT 90° Elbow with Side-Out
26	10CL18	3/8" x 18" Control Line
27	10SME025	1/4" Straight Swivel
28	1011217	1/4" x 2" Pipe Nipple
29	1011832	1/4" NPT 90° Elbow
30	10DE025	1/4" NPT Dust Eliminator
31	1019002	Marco® 190 12-Volt AC Electric Control Assembly – Complete
32	1015551	2-Prong Twist-Lock Plug – Male
33	1015540	16/2 SJ Power Cord – Per Foot
34	1015552	2-Prong Twist-Lock Plug – Female

Item #	Part #	Description
35	1015543	25' of 16/2 SO Power Cord with 2-Prong Twist-Lock Plugs Installed <i>(Includes Item #'s: 32, 33, and 34)</i>
36	1015100	Blastmaster® 151E Remote Control Switch
37	1030020	Blastmaster® 120-Volt AC to 12-Volt AC Power Converter


See page 21 for product literature



PART NUMBERS AND SCHEMATICS GUIDE



Figure 4: Complete 120-Volt AC Electric Conversion Kit – 1.0 Cu. Ft. Abrasive Blasting Pot



OPTIONAL ACCESSORIES

		ELECTRIC CORD			
Part Numbers		Gauge	# of Wires	Type	Length
	1015540	16	2	SJEOOW	Per Foot
	1030013	14	2	SEOOW	Per Foot
	1015550	14	3	SEOOW	Per Foot

		ELECTRIC CONTROL LINE WITH PLUGS				
Part Numbers		Gauge	# of Wires	2-Prong Male Twist-Lock Plug	2-Prong Female Twist-Lock Plug	Length
	1015543	16	2	1015551	1015552	25 Ft.
	1015542	16	2	1015551	1015552	50 Ft.

		ELECTRIC CONTROL LINE PLUGS	
Part Numbers		Prong Style	Plug Style
	1015551	2-Prong Male	Twist-Lock
	1015552	2-Prong Female	Twist-Lock

LITERATURE REFERENCES

Remote Control System

105M105	Features and Specifications Guide – Blastmaster® 120E Remote Control System
106M105	Part Numbers and Schematics Guide – Blastmaster® 120E Remote Control System
1090105	Operator's Manual – Blastmaster® 120E Remote Control System

Remote Control Switch

105M063	Features and Specifications Guide – Blastmaster® 151E Remote Control Switch
106M063	Part Numbers and Schematics Guide – Blastmaster® 151E Remote Control Switch
1090063	Operator's Manual – Blastmaster® 151E Remote Control Switch

Abrasive Metering Valve

105M160	Features and Specifications Guide – Blastmaster® Regulator Jr. Abrasive Metering Valve
106M160	Part Numbers and Schematics Guide – Blastmaster® Regulator Jr. Abrasive Metering Valve
1091060	Operator's Manual – Blastmaster® Regulator Jr. Abrasive Metering Valve

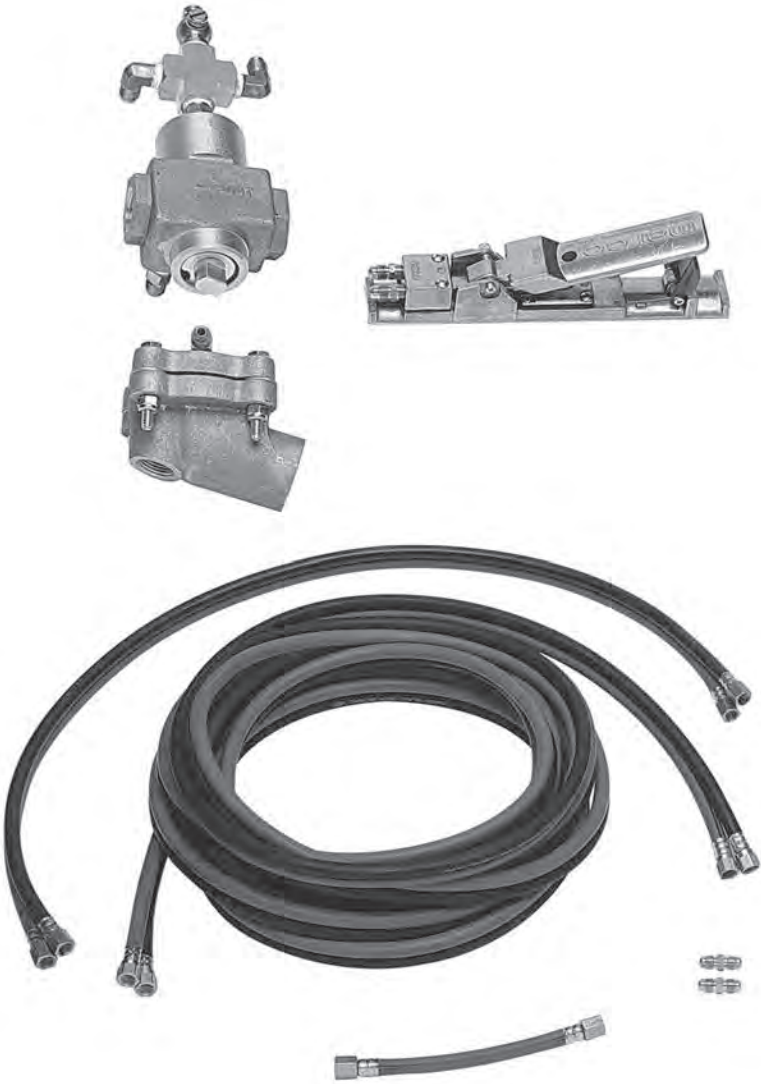
Abrasive Blasting Pot Muffler

106M347	Part Numbers and Schematics Guide – Abrasive Blasting Pot Muffler
---------	---

PART NUMBER

BLASTMASTER® 120P REMOTE CONTROL SYSTEM						
Part Number	1/2" Inlet Valve	1/2" Diaphragm Outlet Valve	Remote Control Switch	25 Feet of Pneumatic Control Line – Coupled	3 Feet of Pneumatic Control Line – Coupled	6 Inches of Feet of Pneumatic Control Line – Coupled
10101775	10100534	10100676	1015000	10TL25	10TL3	10CL6

BLASTMASTER® 120P REMOTE CONTROL SYSTEM

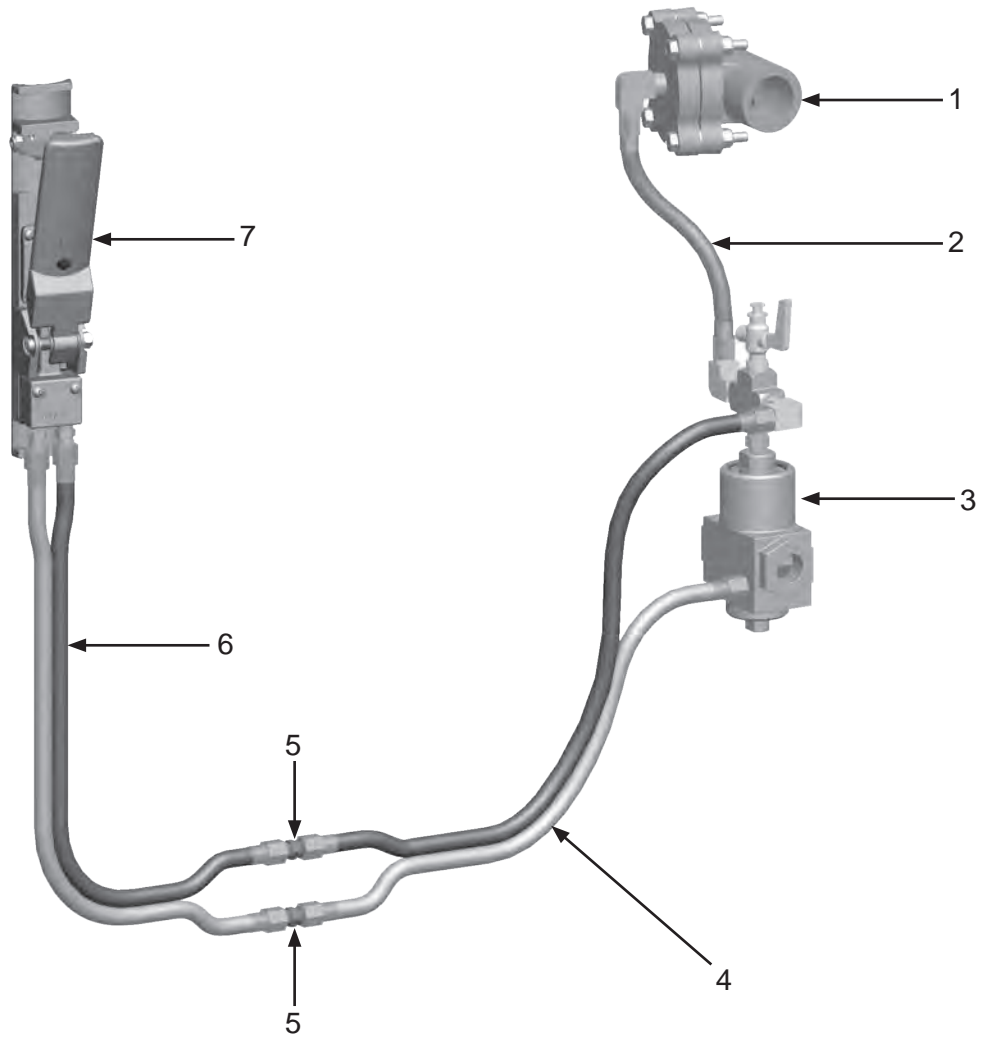


PART NUMBERS & SCHEMATICS

Item #	Part #	Description
Fig. 1		
—	10101775	Blastmaster® 120P Remote Control System – Complete
1	10100676	1/2" Diaphragm Outlet Valve <i>(See Fig. 3)</i>
2	10CL6	Pneumatic Control Line – 6 Inches
3	10100534	1/2" Inlet Valve <i>(See Fig. 2)</i>
4	10TL3	Pneumatic Control Line – 3 Feet
5	1017001	3/16" Hose Union <i>(Two Required)</i>
6	10TL25	Pneumatic Control Line – 25 Feet
7	1015000	Blastmaster® 150P Remote Control Switch
—	105M100	Features and Specifications Guide – Blastmaster® 120P Remote Control System
—	105M023	Features and Specifications Guide – Blastmaster® 150P Remote Control Switch
—	106M100	Part Numbers & Schematics Guide – Blastmaster® 120P Remote Control System
—	106M023	Part Numbers & Schematics Guide – Blastmaster® 150P Remote Control Switch
—	1090100	Operator's Manual – Blastmaster® 120P Remote Control System
—	1090023	Operator's Manual – Blastmaster® 150P Remote Control Switch
—	1091045	Hazard Identification Tag

PART NUMBERS & SCHEMATICS

Figure 1: Blastmaster® 120P Remote Control System



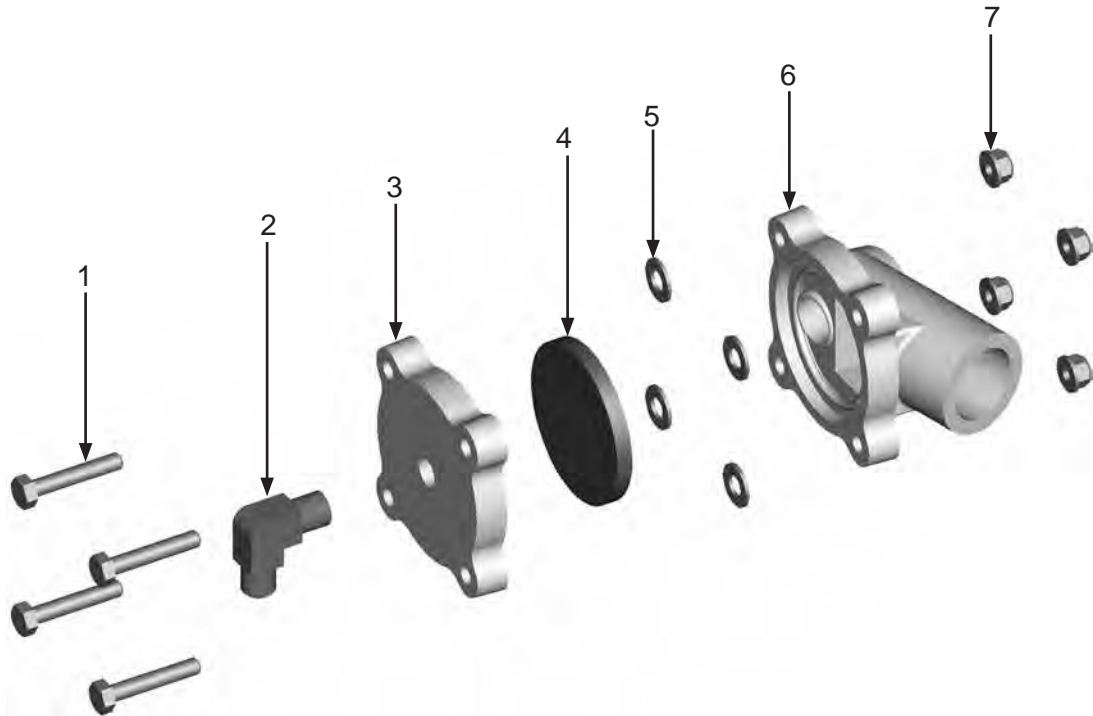
PART NUMBERS & SCHEMATICS

1/2" Inlet Valve

Item #	Part #	Description
Fig. 2		
—	10100534	1/2" Inlet Valve – Complete
1	1012101	1/4" Petcock
2	10101143	1/4" NPT Brass Cross
3	1012051	1/4" NPT x 7/16-20 Elbow <i>(Two Required)</i>
4	10100538	Top Snap Ring
5	10100545	Top Seal O-ring
6	10100537	Top Seal Retainer
7	10100541	Piston
8	10100548	Upper O-ring
9	10100547	Lower O-ring
10	10100535	Valve Body
11	10100543	Plug Washer
12	10100542	Valve Washer Cup
13	10100544	Spring
14	10100539	Bottom Seal Retainer
15	10100546	Bottom Seal O-ring
16	10100540	Bottom Snap Ring
17	1012103	1/8" NPT x 7/16-20 Fitting
18	10PVFIT	1/4" x 1/8" Hex Union
—	10101815	Service Kit <i>(Includes Item #'s: 4, 5, 8, 9, 11, 12, 13, 15, and 16)</i>
—	105M100	Features and Specifications Guide – Blastmaster® 120P Remote Control System
—	106M100	Part Numbers and Schematics Guide – Blastmaster® 120P Remote Control System
—	1090100	Operator's Manual – Blastmaster® 120P Remote Control System

PART NUMBERS & SCHEMATICS

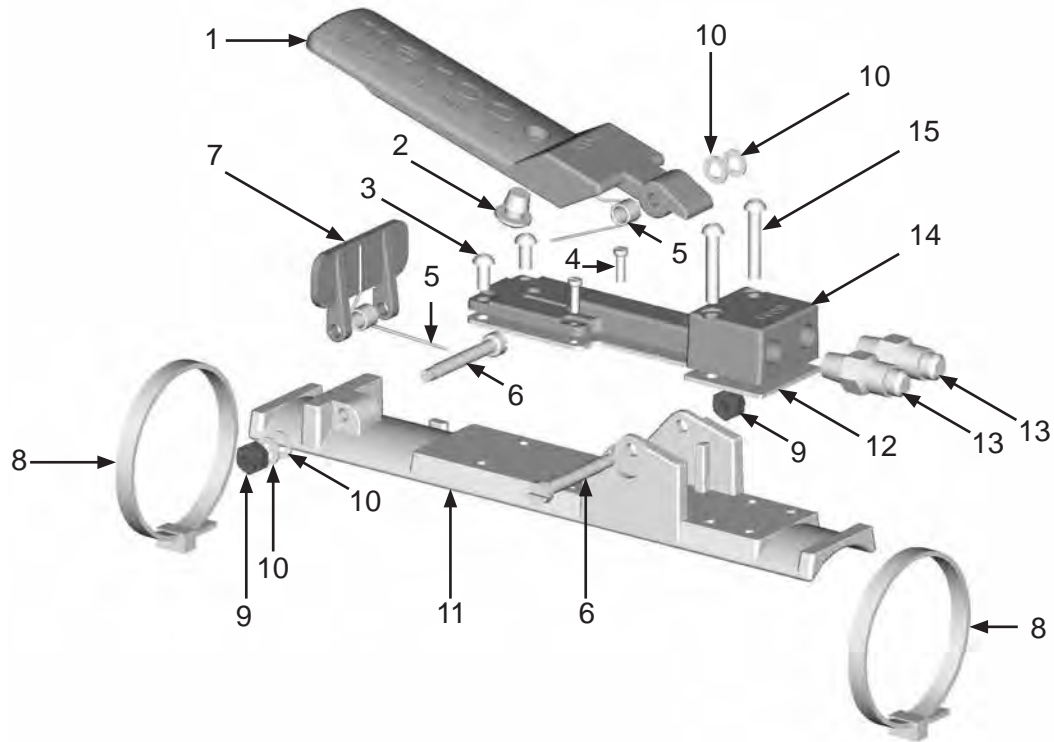
Figure 3: 1/2" Diaphragm Outlet Valve



Item #	Part #	Description
Fig. 3		
—	10100676	1/2" Diaphragm Outlet Valve – Complete
1	1019044	1/4-20 x 1-1/2" Bolt (<i>Four Required</i>)
2	1012051	1/4" NPT x 7/16-20 Elbow
3	10100677	Valve Cap
4	10100681	Diaphragm
5	1014017	1/4" Flat Washer (<i>Four Required</i>)
6	10100679	Valve Body
7	1012323	1/4-20 Nylon Lock Nut (<i>Four Required</i>)
—	105M100	Features and Specifications Guide – Blastmaster® 120P Remote Control System
—	106M100	Part Numbers and Schematics Guide – Blastmaster® 120P Remote Control System
—	1090100	Operator's Manual – Blastmaster® 120P Remote Control System

PART NUMBERS & SCHEMATICS

Figure 4: Blastmaster® 150P Remote Control Switch



Item #	Part #	Description
--------	--------	-------------

Fig. 4

—	1015000	Blastmaster® 150P Remote Control Switch – Complete
1	1015001	Handle
2	1015011	Rubber Button Bumper
3	1015014	8-32 x 3/8" Phillips Head Screw <i>(Two Required)</i>
4	1015010	4-40 x 3/8" Fillister Screw <i>(Two Required)</i>
5	1015005	Spring <i>(Two Required)</i>
6	1015008	Shoulder Screw <i>(Two Required)</i>
7	1015003	Safety Tab
8	1015015	Nylon Zip Tie – White <i>(Two Required)</i>
9	1015006	8-32 UNC-2B Nylon Insert Lock Nut <i>(Two Required)</i>
10	1015007	3/8" O.D. x 7/16" I.D. Washer <i>(Four Required)</i>
11	1015002	Body
12	1015012	Adapter Block Gasket
13	1012903	1/8" NPT x 7/16-20 JIC Fitting <i>(Two Required)</i>
14	1015004	Adapter Block
15	1015009	8-32 x 1" Phillips Head Screw <i>(Two Required)</i>
—	1015013	Blastmaster® 150P Remote Control Switch Repair Kit <i>(Includes Item #'s: 7,12; two each of 3, 4, 5, 6, 9 and 15; three each of 2; and four each of 10)</i>
—	105M023	Features and Specifications Guide – Blastmaster® 150P Remote Control Switch
—	106M023	Part Numbers and Schematics Guide – Blastmaster® 150P Remote Control Switch
—	1090023	Operator's Manual – Blastmaster® 150P Remote Control Switch
—	1091032	Hazard Identification Tag

OPTIONAL ACCESSORIES

Part Numbers	PNEUMATIC CONTROL LINE	
	Length	Fittings
10TL3	3 Feet	(4) 1017016
10TL5	5 Feet	(4) 1017016
10TL25	25 Feet	(4) 1017016
10TL50	50 Feet	(4) 1017016
10TL100	100 Feet	(4) 1017016
10TLBK	Per Foot	None



10TL3
10TL5










10TL25
10TL50
10TL100



10TLBK

OPTIONAL ACCESSORIES

Part Numbers	PNEUMATIC CONTROL LINE FITTINGS	
	1017016	3/16" Female Nut & Barb
	1017000	3/16" Female Reusable Hose End
	1017017	Pneumatic Control Line Hose Ferrule
	1017011	Pneumatic Control Line Oetiker Clamp
	1017001	3/16" Male x Male Hose Union

Part Numbers	PNEUMATIC CONTROL LINE FITTINGS ACCESSORIES	
	10DX855A	Ferrule Crimping Tool
	10DX1098	Oetiker® Clamp Tool

Oetiker® is a registered trademark of Dixon Valve & Coupling Co.

PART NUMBERS AND SCHEMATICS GUIDE

PNEUMATIC REMOTE CONTROL SYSTEM CONVERSION KIT – 1.0 CU. FT.

Part Numbers	Blastmaster® Regulator Jr. Abrasive Metering Valve	Blastmaster® 150P Remote Control Switch	1/2" Inlet Valve	1/2" Outlet Valve	Twinline	Abrasive Blasting Pot Muffler
10106189	X	X	X	X	25 Ft.	X

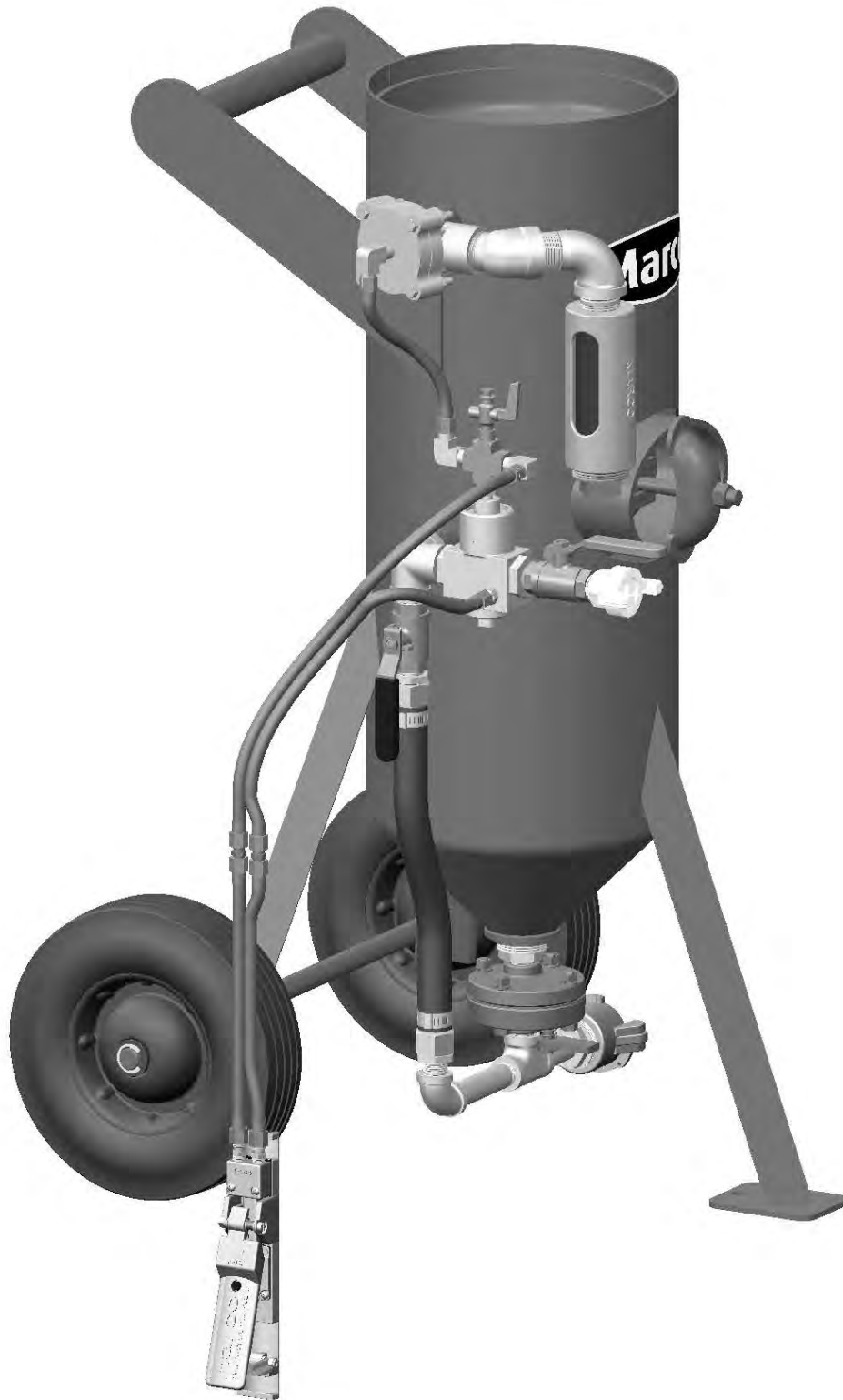
For converting bare pot to pneumatic remote control system.

This system is only for a single outlet pot with 1/2" piping.

Includes: Blastmaster® Regulator Jr. Abrasive Metering Valve, Blastmaster® 150P Remote Control Switch, 1/2" Inlet Valve, 1/2" Outlet Valve, Twinline, Abrasive Blasting Pot Muffler, and various pipe fittings

Note that due to the wide variety of blast pots you may need to purchase additional fittings, bushing, etc.

PART NUMBERS AND SCHEMATICS GUIDE



PART NUMBERS AND SCHEMATICS GUIDE

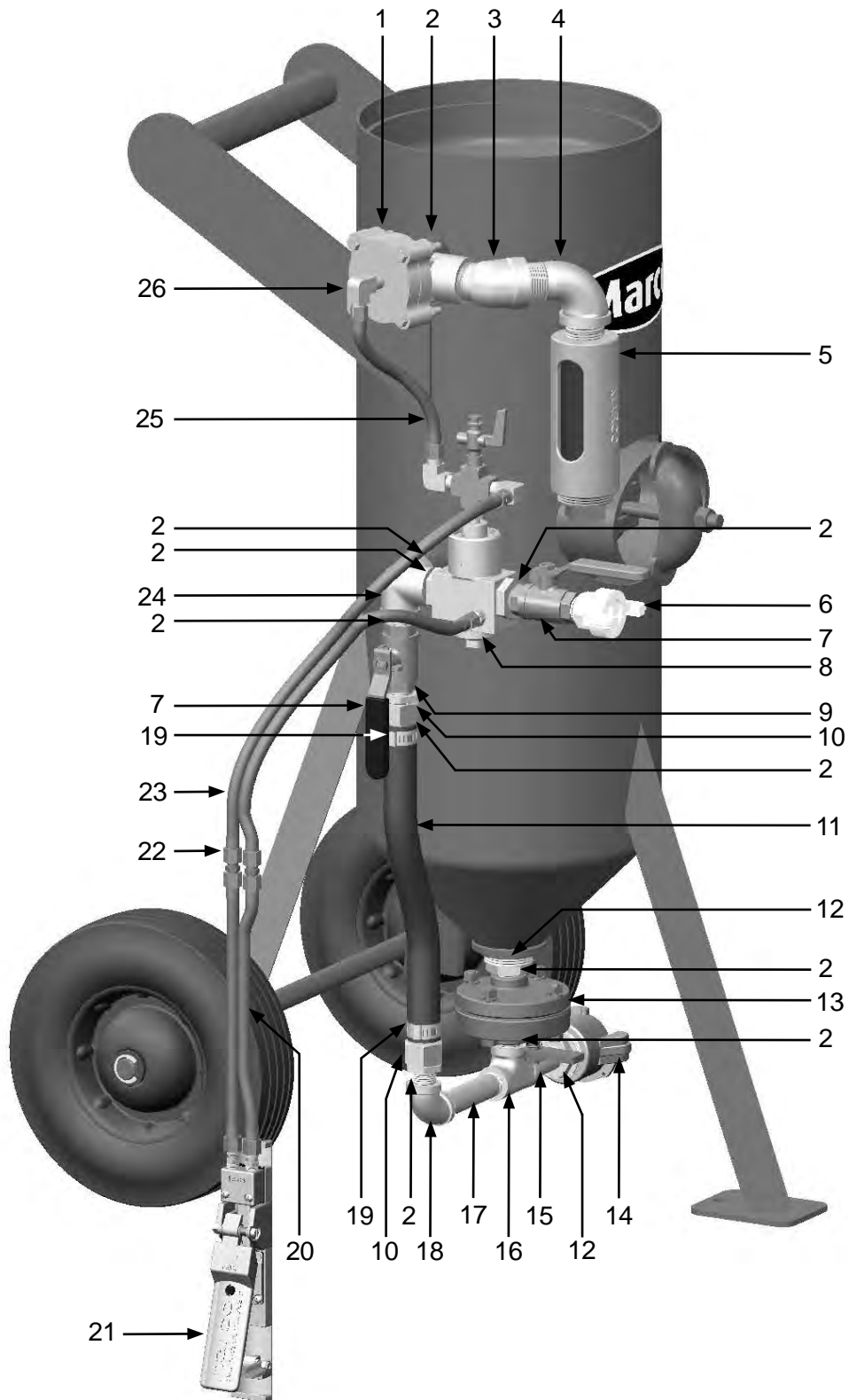
Pneumatic Conversion Kit – 1.0 Cu. Ft.

Item #	Part #	Description
Fig. 1		
—	10106189	Pneumatic Conversion Kit – 1.0 Cu. Ft.
1	10100676	1/2" Outlet Valve
2	10L803035	1/2" NPT Close Pipe Nipple (<i>Nine Required</i>)
3	1011838	1" NPT 45° Street Elbow
4	1011801	1" NPT 90° Street Elbow
5	1011100	Blastmaster® Abrasive Blasting Pot Muffler
6	10ME122	1/2" NPT 2-Lug Coupling (M)
7	10L363	1/2" NPT Full Port Brass Ball Valve (<i>Two Required</i>)
8	10100534	1/2" Inlet Valve
9	10102215	3/4" x 1/2" NPT Bushing (<i>Two Required</i>)
10	10SFE34	3/4" NPT Swivel Air Hose End (<i>Two Required</i>)
11	10AH034	3/4" I.D. Air Hose (<i>Per Foot</i>)
12	1011820	1-1/4" x 1/2" NPT Bushing (<i>Two Required</i>)
13	10100684	Blastmaster® Regulator Jr. Metering Valve
14	10SB1	1-1/4" NPT Brass Tank Coupling
15	10L803041	1/2" x 2-3/4" NPT Pipe Nipple
16	1011821	1/2" NPT Pipe Tee
17	10L803047	1/2" x 4-1/2" NPT Pipe Nipple
18	10L806004	1/2" NPT 90° Elbow
19	10L800034	Hose Clamp (<i>Two Required</i>)
20	10TL25	Pneumatic Control Line – 25 Feet
21	1015000	Blastmaster® 150P Remote Control Switch
22	1017001	3/16" I.D. Hose Union (<i>Two Required</i>)
23	10TL3	Pneumatic Control Line – 3 Feet
24	10101138	1/2" NPT 90° Elbow with Side-Out
25	10CL6	3/16" I.D. x 6" Control Line
26	1012051	1/4" NPT 90° Brass Elbow

See page 10 for product literature

PART NUMBERS AND SCHEMATICS GUIDE

Figure 1: Pneumatic Conversion Kit – 1.0 Cu. Ft.



OPTIONAL ACCESSORIES

Part Numbers	PNEUMATIC CONTROL LINE	
	Length	Fittings
10TL3	3 Feet	1017016 <i>(Quantity of Four)</i>
10TL5	5 Feet	1017016 <i>(Quantity of Four)</i>
10TL25	25 Feet	1017016 <i>(Quantity of Four)</i>
10TL50	50 Feet	1017016 <i>(Quantity of Four)</i>
10TL100	100 Feet	1017016 <i>(Quantity of Four)</i>
10TLBK	Per Feet	None



10TL3
10TL5










10TL25
10TL50
10TL100



10TLBK

OPTIONAL ACCESSORIES

		PNEUMATIC CONTROL LINE FITTINGS	
Part Numbers		Description	
	1017016	3/16" Female Nut & Barb	
	1017000	3/16" Female Reusable Hose End	
	1017017	Pneumatic Control Line Hose Ferrule	
	1017011	Pneumatic Control Line Oetiker® Clamp	
	1017001	3/16" Male x Male Hose Union	

		PNEUMATIC CONTROL LINE FITTINGS ACCESSORIES	
Part Numbers		Description	
	10DX855A	Ferrule Crimping Tool	
	10DX1098	Oetiker® Clamp Tool	

LITERATURE REFERENCES

Remote Control System

105M100	Features and Specifications Guide – Blastmaster® 120P Remote Control System
106M100	Part Numbers and Schematics Guide – Blastmaster® 120P Remote Control System
1090100	Operator's Manual – Blastmaster® 120P Remote Control System

Remote Control Switch

105M023	Features and Specifications Guide – Blastmaster® 150P Remote Control Switch
106M023	Part Numbers and Schematics Guide – Blastmaster® 150P Remote Control Switch
1090023	Operator's Manual – Blastmaster® 150P Remote Control Switch

Abrasive Metering Valve

105M160	Features and Specifications Guide – Blastmaster® Regulator Jr. Abrasive Metering Valve
106M160	Part Numbers and Schematics Guide – Blastmaster® Regulator Jr. Abrasive Metering Valve
1091060	Operator's Manual – Blastmaster® Regulator Jr. Abrasive Metering Valve

Abrasive Blasting Pot Muffler

105M347	Features and Specifications Guide – Abrasive Blasting Pot Muffler
106M347	Part Numbers and Schematics Guide – Abrasive Blasting Pot Muffler

PART NUMBERS AND SCHEMATICS GUIDE

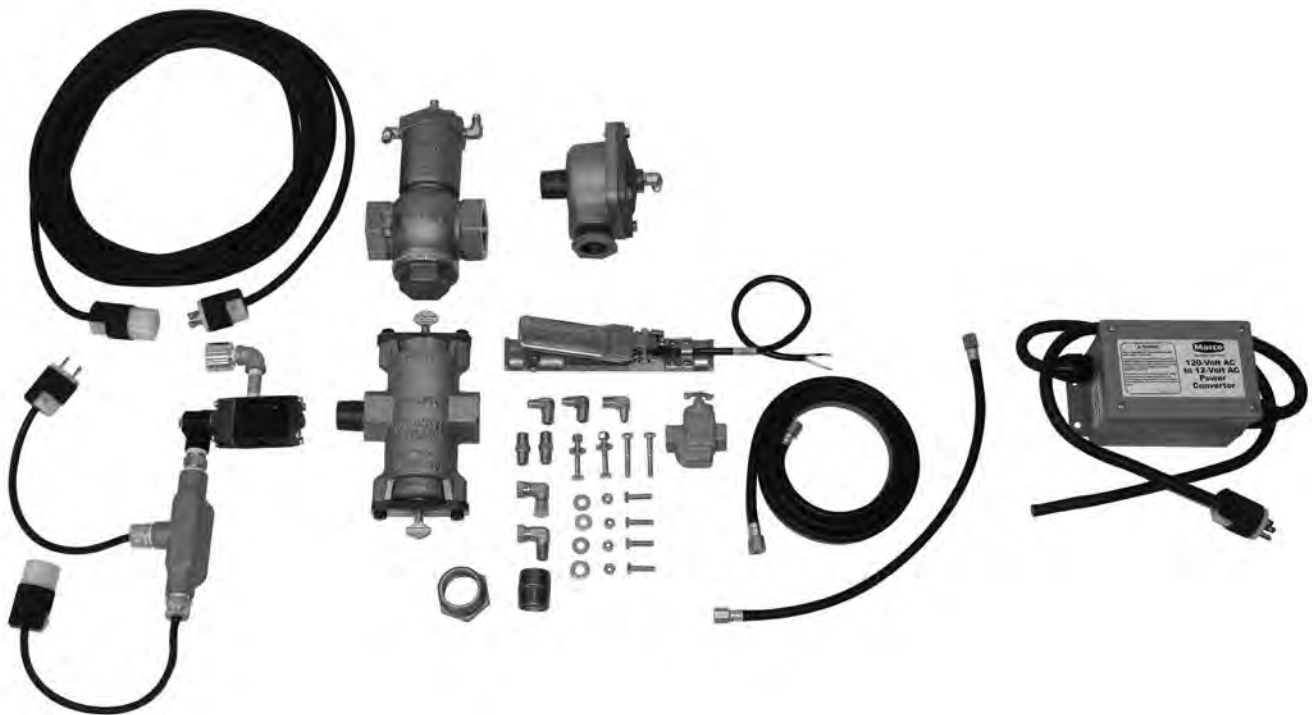
12-VOLT DC BLASTMASTER® 121E REMOTE CONTROL SYSTEM									
Part Numbers	Power Source	Battery Clamp Kit	190 Electric Control Assembly	Electric Control Line	1-1/2" Inlet Valve	Abrasive Trap	1" Diaphragm Outlet Valve	Remote Control Switch	Watts Strainer
10106737	12-Volt DC	1015541	12-Volt DC	25 Feet & 50 Feet	1012200	1012000	1012150	1015100	10WS



PART NUMBERS AND SCHEMATICS GUIDE

120-VOLT AC BLASTMASTER® 121E REMOTE CONTROL SYSTEM

Part Numbers	Power Source	120-Volt AC to 12-Volt AC Power Converter	190 Electric Control Assembly	Electric Control Line	1-1/2" Inlet Valve	Abrasive Trap	1" Diaphragm Outlet Valve	Remote Control Switch	Watts Strainer
10106738	120-Volt AC	1030020	12-Volt AC	50 Feet	1012200	1012000	1012150	1015100	10WS



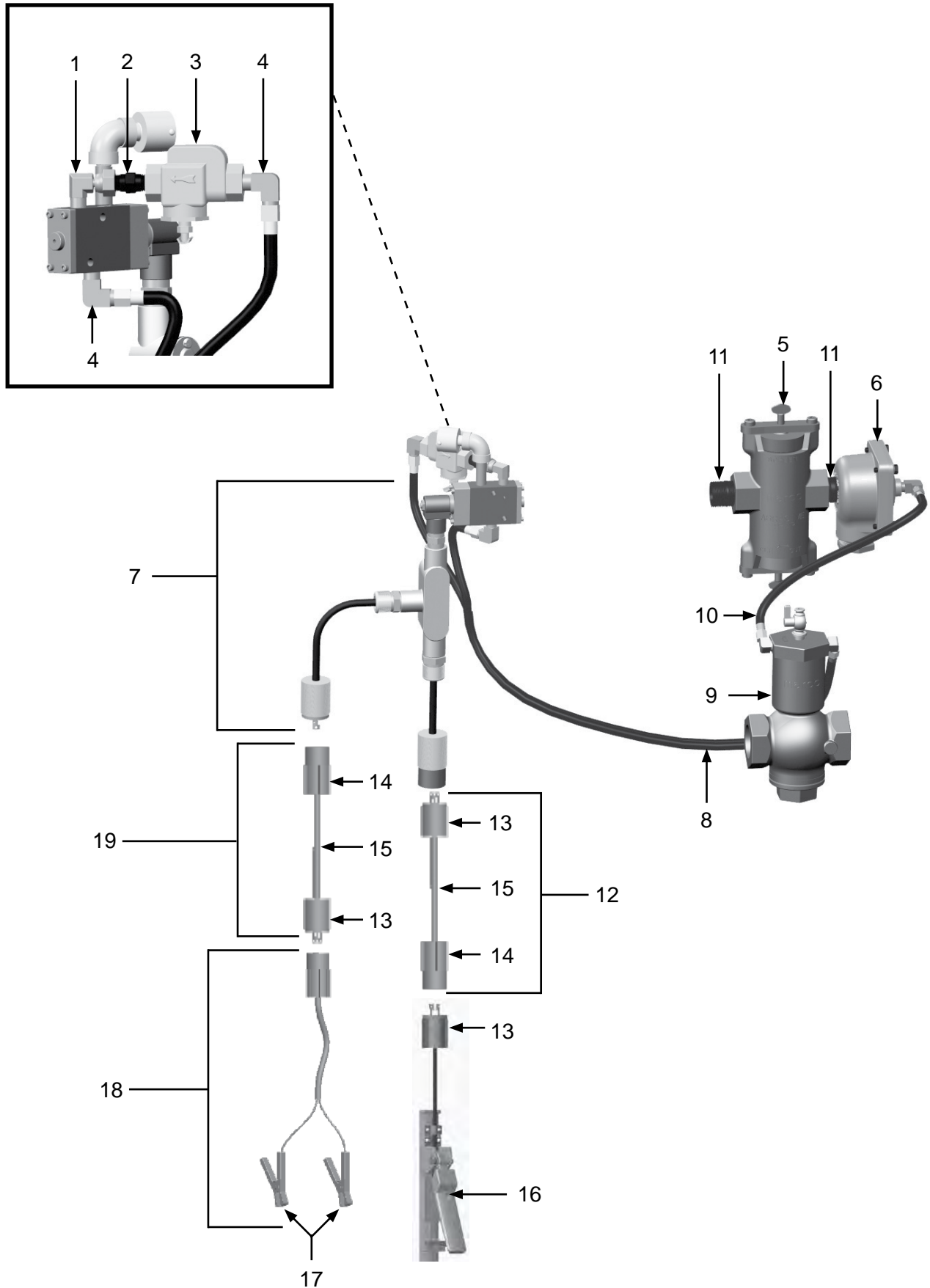
PART NUMBERS AND SCHEMATICS GUIDE

12-Volt DC Blastmaster® 121E Remote Control System

Item #	Part #	Description
Fig. 1		
—	10106737	12-Volt DC Blastmaster® 121E Remote Control System – Complete
1	1012326	1/4" NPT 90° Swivel Fitting
2	1017019	1/4" x 1/4" Hex Nipple
3	10WS	Watts Strainer
4	1012051	1/4" NPT Brass Elbow <i>(Two Required)</i>
5	1012000	Abrasive Trap <i>(See Figure 10)</i>
6	1012150	1" Diaphragm Outlet Valve <i>(See Figure 9)</i>
7	1019001	12-Volt DC 190 Electric Control Assembly <i>(See Figure 2)</i>
8	10TL5	Coupled Pneumatic Twinline Hose – 5 Feet
9	1012200	1-1/2" Inlet Valve – Complete <i>(See Figure 8)</i>
10	10CL18	Coupled Pneumatic Control Line – 18 Inches
11	1012151	1" Close Nipple <i>(Two Required)</i>
12	1015542	50 Feet of Electric Control Line with Male and Female Twist-Lock Plugs <i>(Includes Item #'s: 12, 13, and 14 (Quantity of 50 Feet))</i>
13	1015551	2-Prong Twist-Lock Plug – Male
14	1015552	2-Prong Twist-Lock Plug – Female
15	1015540	16/2 SJ Power Cord – Per Foot
16	1015100	Blastmaster® 151E Remote Control Switch – Complete <i>(See Figure 11)</i>
17	1030718	Battery Clamps <i>(Pair)</i>
18	1015541	Battery Clamp Kit <i>(Includes Item #'s: 13, 14 (Quantity of Two Feet), and 16)</i>
19	1015543	25 Feet of Electric Control Line with Male and Female Twist-Lock Plugs <i>(Includes Item #'s: 12, 13, and 14 (Quantity of 25 Feet))</i>
—	105M063	Features and Specifications Guide – Blastmaster® 151E Remote Control Switch
—	105M141	Features and Specifications Guide – Blastmaster® 121E Remote Control System
—	106M063	Part Numbers & Schematics Guide – Blastmaster® 151E Remote Control Switch
—	106M141	Part Numbers & Schematics Guide – Blastmaster® 121E Remote Control System
—	1090063	Operator's Manual – Blastmaster® 151E Remote Control Switch
—	1090141	Operator's Manual – Blastmaster® 121E Remote Control System

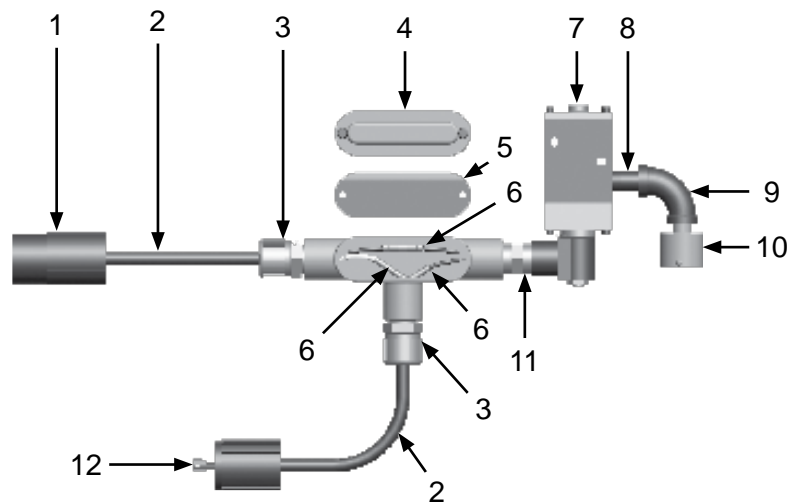
PART NUMBERS AND SCHEMATICS GUIDE

Figure 1: 12-Volt DC Blastmaster® 121E Remote Control System



PART NUMBERS AND SCHEMATICS GUIDE

Figure 2: 12-Volt DC 190 Electric Control Assembly



Item #	Part #	Description
--------	--------	-------------

Fig. 2

—	1019001	12-Volt DC 190 Electric Control Assembly – Complete
---	----------------	--

1	1015552	2-Prong Twist-Lock Plug – Female
---	---------	----------------------------------

2	1015540	16/2 SJ Electric Cord – Per Foot
---	---------	----------------------------------

3	1019021	Cord Grip (<i>Two Required</i>)
---	---------	-----------------------------------

4	1019022	Conduit Box Cover
---	---------	-------------------

5	1019023	Conduit Box Cover Gasket
---	---------	--------------------------

6	1030028	Butt Splicer
---	---------	--------------

7	1019010	12-Volt DC Electric Solenoid – Complete
---	---------	---

8	1011217	1/4" x 2" Pipe Nipple
---	---------	-----------------------

9	1011832	1/4" NPT 90° Pipe Nipple
---	---------	--------------------------

10	10DE025	Dust Eliminator
----	---------	-----------------

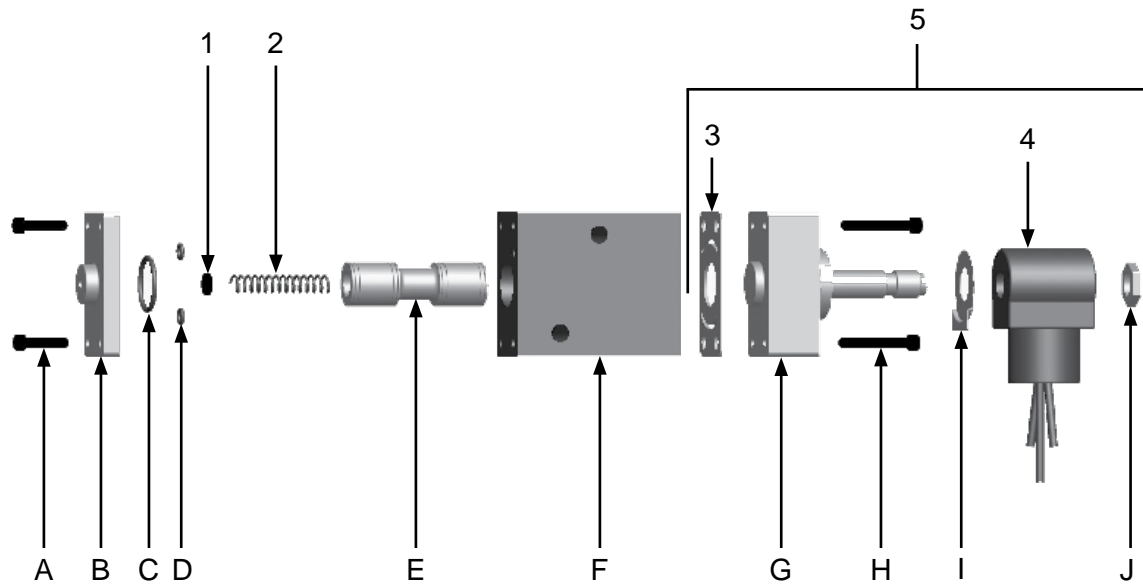
11	20100677	1/2" x 1/2" NPT Hex Nipple
----	----------	----------------------------

12	1015551	2-Prong Twist-Lock Plug – Male
----	---------	--------------------------------

—	1091045	Hazard Identification Tag
---	---------	---------------------------

PART NUMBERS AND SCHEMATICS GUIDE

Figure 3: 12-Volt DC 190 Electric Solenoid



Item #	Part #	Description
--------	--------	-------------

Fig. 3

—	1019010	12-Volt DC 190 Electric Solenoid – Complete
---	----------------	--

1	1019029	Felt Filter
---	---------	-------------

2	1019032	Spring
---	---------	--------

3	1019033	Gasket
---	---------	--------

4	1019039	12-Volt DC Coil
---	---------	-----------------

5	1019034	12-Volt DC Operator Assembly (Includes Item #'s: 3, 4, G, H, I, and J)
---	---------	---

—	1019030	Electric Solenoid Repair Kit (Includes Items #'s: 1, 2, 3, C, D, and E)
---	---------	--

* Items A–J are not available individually

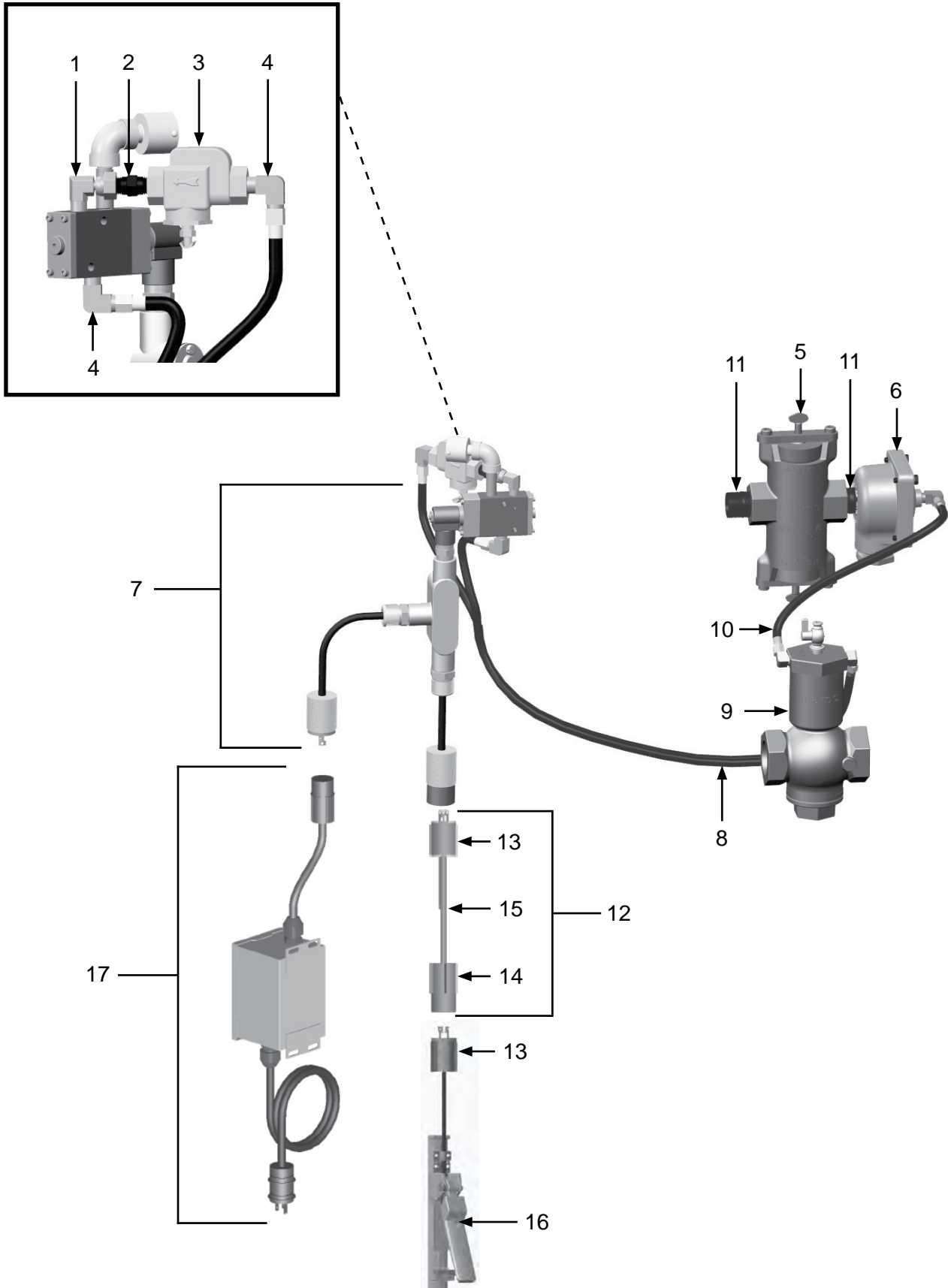
PART NUMBERS AND SCHEMATICS GUIDE

120-Volt AC Blastmaster® 121E Remote Control System

Item #	Part #	Description
Fig. 4		
—	10106738	120-Volt AC Blastmaster® 121E Remote Control System – Complete
1	1012326	1/4" NPT 90° Swivel Fitting
2	1017019	1/4" x 1/4" Hex Nipple
3	10WS	Watts Strainer
4	1012051	1/4" NPT Brass Elbow <i>(Two Required)</i>
5	1012000	Abrasive Trap <i>(See Figure 10)</i>
6	1012150	1" Diaphragm Outlet Valve <i>(See Figure 9)</i>
7	1019002	12-Volt AC 190 Electric Control Assembly <i>(See Figure 5)</i>
8	10TL5	Coupled Pneumatic Twinline Hose – 5 Feet
9	1012200	1-1/2" Inlet Valve – Complete <i>(See Figure 8)</i>
10	10CL18	Coupled Pneumatic Control Line – 18 Inches
11	1012151	1" Close Nipple <i>(Two Required)</i>
12	1015542	50 Feet of Electric Control Line with Male and Female Twist-Lock Plugs <i>(Includes Item #'s: 12, 13, and 14 (Quantity of 50 Feet))</i>
13	1015551	2-Prong Twist-Lock Plug – Male
14	1015552	2-Prong Twist-Lock Plug – Female
15	1015540	16/2 SJ Power Cord – Per Foot
16	1015100	Blastmaster® 151E Remote Control Switch – Complete <i>(See Figure 11)</i>
17	1030020	Blastmaster® 120-Volt AC to 12-Volt AC Power Converter – Complete <i>(See Figure 7)</i>
—	105M063	Features and Specifications Guide – Blastmaster® 151E Remote Control Switch
—	105M141	Features and Specifications Guide – Blastmaster® 121E Remote Control System
—	106M063	Part Numbers & Schematics Guide – Blastmaster® 151E Remote Control Switch
—	106M141	Part Numbers & Schematics Guide – Blastmaster® 121E Remote Control System
—	1090063	Operator's Manual – Blastmaster® 151E Remote Control Switch
—	1090141	Operator's Manual – Blastmaster® 121E Remote Control System

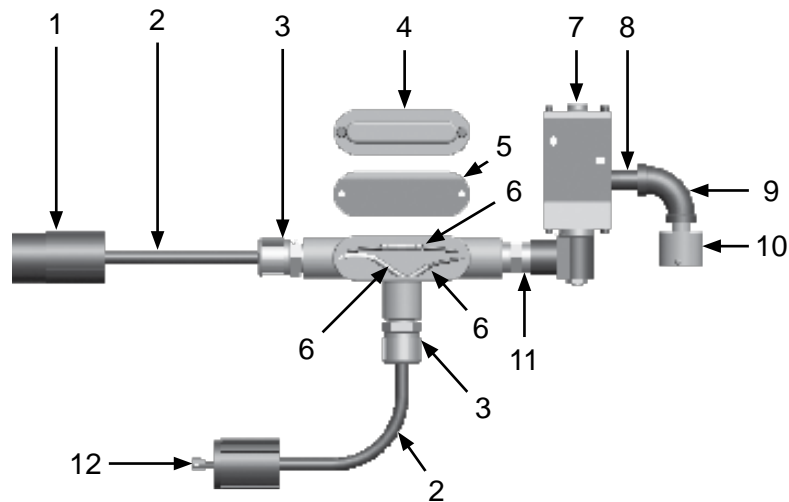
PART NUMBERS AND SCHEMATICS GUIDE

Figure 4: 120-Volt AC Blastmaster® 121E Remote Control System



PART NUMBERS AND SCHEMATICS GUIDE

Figure 5: 12-Volt AC 190 Electric Control Assembly



Item #	Part #	Description
--------	--------	-------------

Fig. 5

—	1019002	12-Volt AC 190 Electric Control Assembly – Complete
---	---------	---

1	1015552	2-Prong Twist-Lock Plug – Female
---	---------	----------------------------------

2	1015540	16/2 SJ Power Cord – Per Foot
---	---------	-------------------------------

3	1019021	Cord Grip (<i>Two Required</i>)
---	---------	-----------------------------------

4	1019022	Conduit Box Cover
---	---------	-------------------

5	1019023	Conduit Box Cover Gasket
---	---------	--------------------------

6	1030028	Butt Splicer
---	---------	--------------

7	1019011	12-Volt AC Electric Solenoid – Complete
---	---------	---

8	1011217	1/4" x 2" Pipe Nipple
---	---------	-----------------------

9	1011832	1/4" NPT 90° Pipe Nipple
---	---------	--------------------------

10	10DE025	Dust Eliminator
----	---------	-----------------

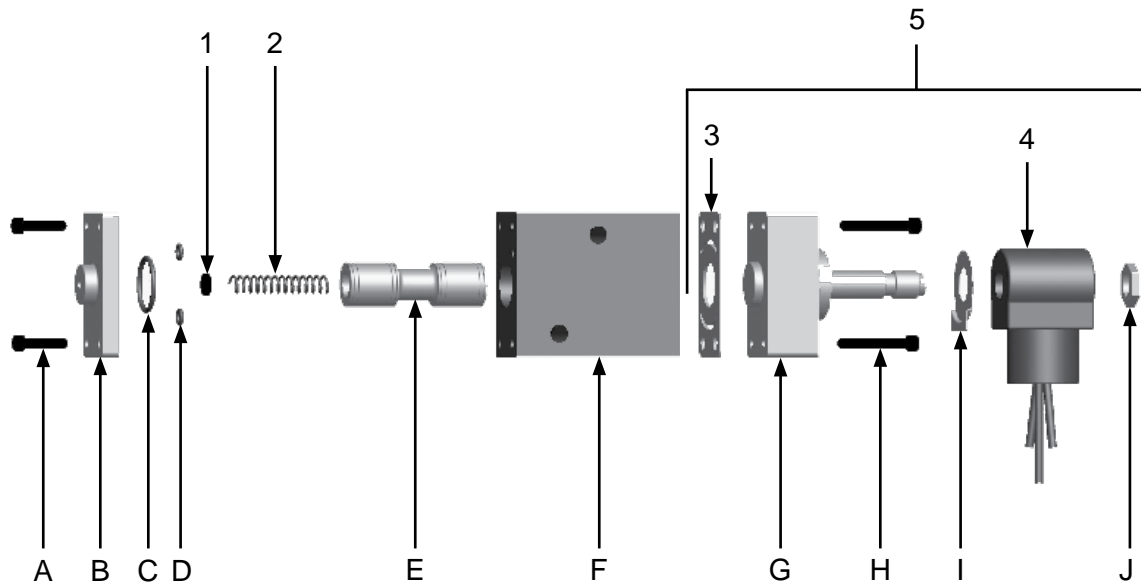
11	20100677	1/2" x 1/2" NPT Hex Nipple
----	----------	----------------------------

12	1015551	2-Prong Twist-Lock Plug – Male
----	---------	--------------------------------

—	1091045	Hazard Identification Tag
---	---------	---------------------------

PART NUMBERS AND SCHEMATICS GUIDE

Figure 6: 12-Volt AC 190 Electric Solenoid



Item #	Part #	Description
--------	--------	-------------

Fig. 6

—	1019011	12-Volt AC 190 Electric Solenoid – Complete
---	---------	---

1	1019029	Felt Filter
---	---------	-------------

2	1019032	Spring
---	---------	--------

3	1019033	Gasket
---	---------	--------

4	1019040	12-Volt AC Coil
---	---------	-----------------

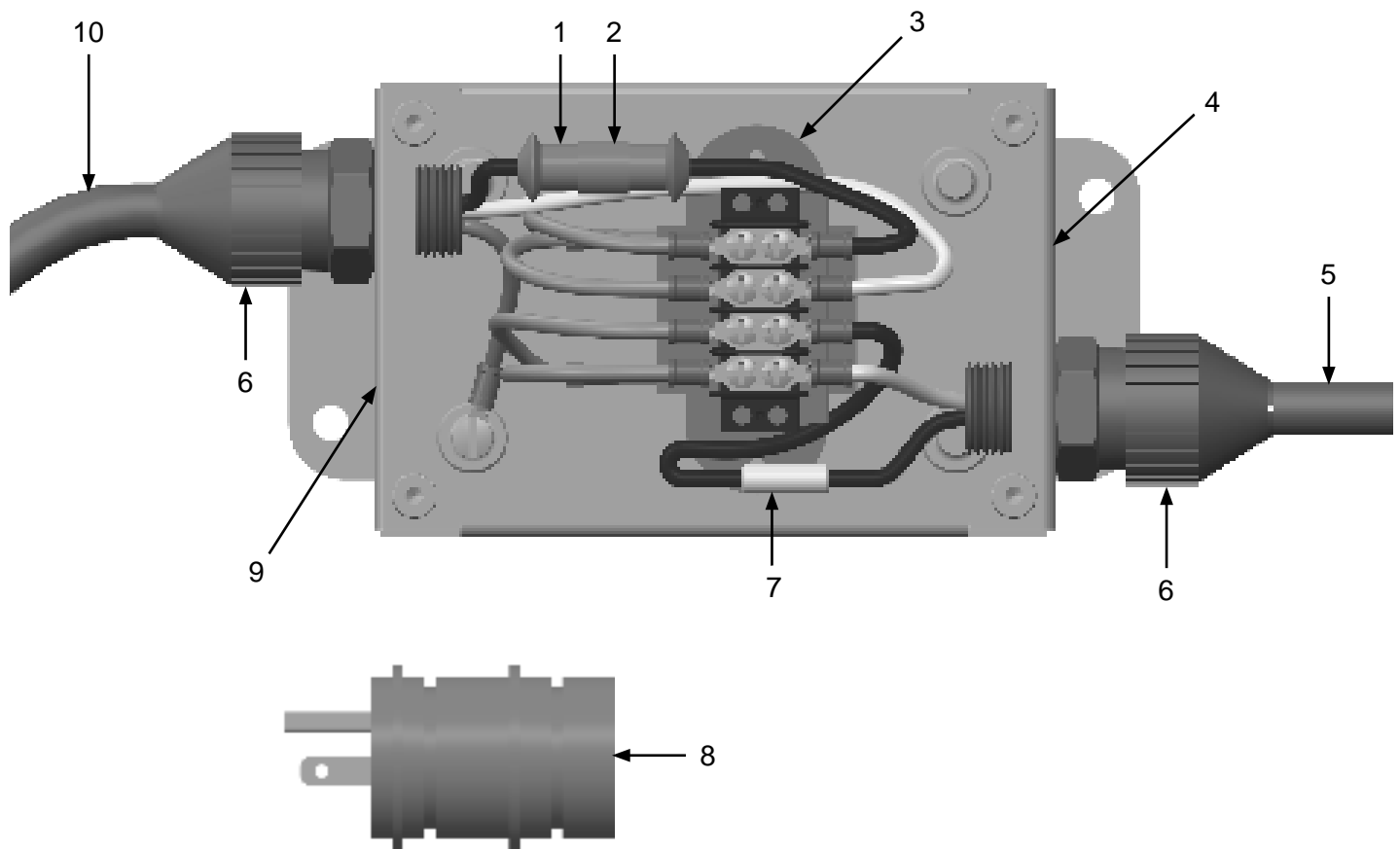
5	1019035	12-Volt AC Electric Operator Assembly (Includes Item #'s: 3, 4, G, H, I, and J)
---	---------	--

—	1019030	12-Volt AC Electric Solenoid Repair Kit (Includes Item #'s: 1, 2, 3, C, D, and E)
---	---------	--

* Items A–J are not available individually

PART NUMBERS AND SCHEMATICS GUIDE

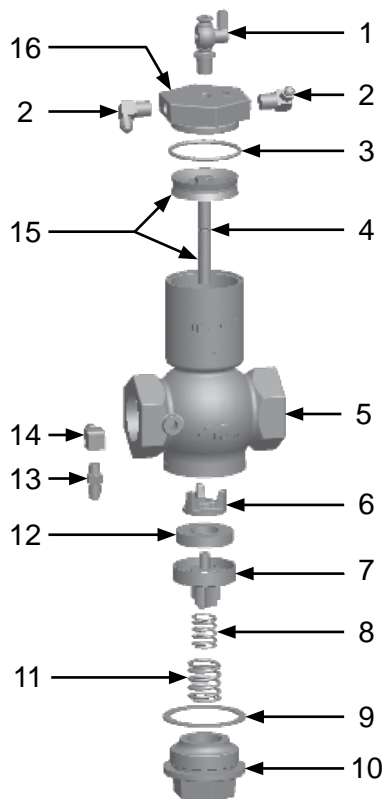
Figure 7: 120-Volt AC to 12-Volt AC Power Converter



Item #	Part #	Description
Fig. 7		
—	1030020	Blastmaster® 120-Volt AC to 12-Volt AC Power Converter with 3 Feet of 14/2 Electric Cord and Plug – Complete
1	1030024	2 Amp Fuse
2	1030023	In-Line Fuse Holder
3	1030022	Transformer – Blastmaster 120-Volt AC to 12-Volt AC Power Converter
4	1091067	Power-Out Decal (<i>Not Shown</i>)
5	1030013	14/2 SEOW Electric Cord (<i>Per Foot</i>)
6	1030025	Strain Relief (<i>Two Required</i>)
7	1030021	Resistor
8	1030026	3-Prong, 120-Volt AC Plug – Male
9	1092014	Power-In Decal (<i>Not Shown</i>)
10	1015550	14/3 SEOW Electric Cord (<i>Per Foot</i>)
—	1091063	Hazard Identification Decal

PART NUMBERS AND SCHEMATICS GUIDE

Figure 8: 1-1/2" Inlet Valve



Item #	Part #	Description
--------	--------	-------------

Fig. 8

—	1012200	1-1/2" Inlet Valve – Complete
---	---------	-------------------------------

1	1012101	1/4" NPT Petcock
---	---------	------------------

2	1012051	1/4" NPT Brass Elbow (Two Required)
---	---------	-------------------------------------

3	1012213	1/8" x 2-1/2" O-Ring
---	---------	----------------------

4	1012208	1/16" x 7/16" O-Ring
---	---------	----------------------

5	1012204	1-1/2" Body
---	---------	-------------

6	1012207	1-1/2" Plug Washer Retainer
---	---------	-----------------------------

7	1012205	1-1/2" Plug
---	---------	-------------

8	1012105	5/8" x 1-11/16" Inner Spring
---	---------	------------------------------

9	1012202	1-1/2" Bottom Cap Gasket
---	---------	--------------------------

10	1012201	1-1/2" Bottom Cap
----	---------	-------------------

11	1012203	7/8" x 2-1/16" Outer Spring
----	---------	-----------------------------

12	1012206	1-1/2" Plug Washer
----	---------	--------------------

13	1012103	1/8" Adapter with 1/16" Restrictor Port
----	---------	---

14	1012113	1/8" Street Elbow
----	---------	-------------------

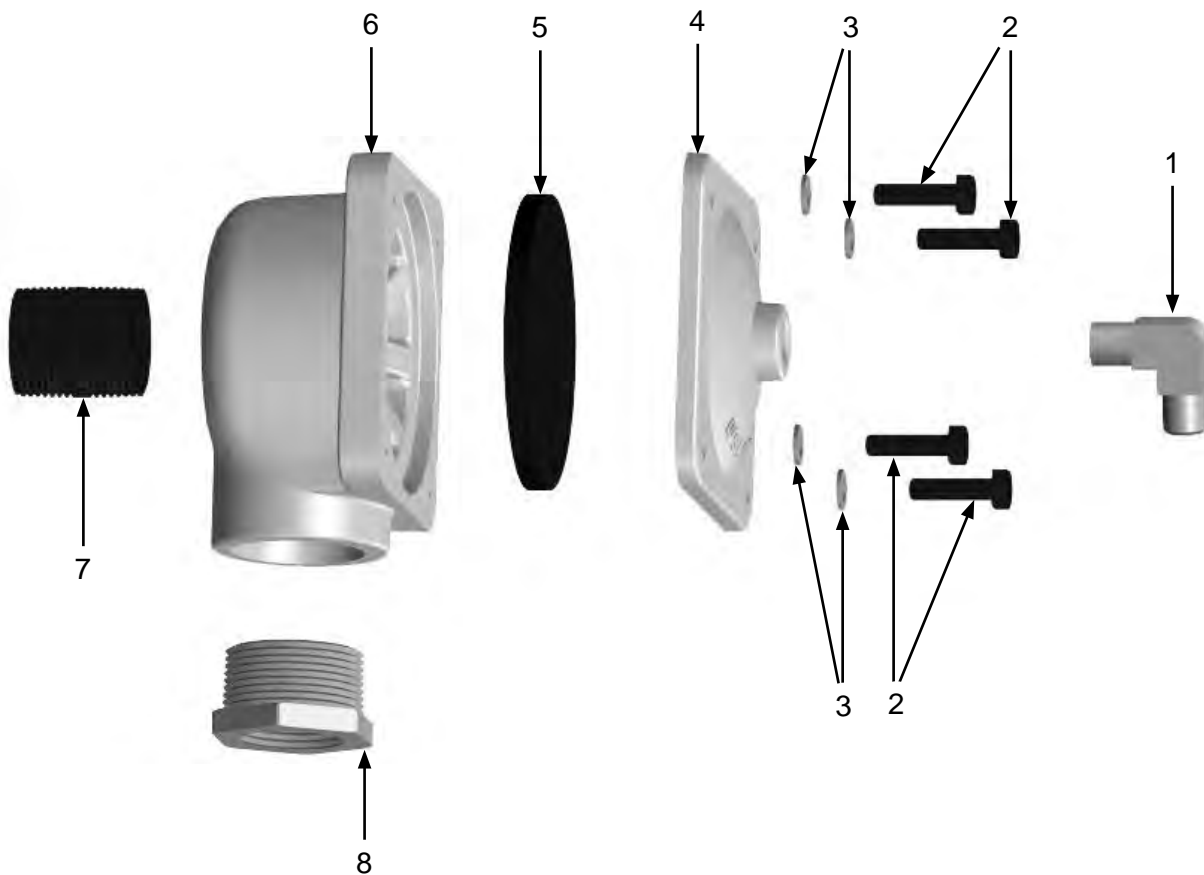
15	1012209	Piston and Rod Assembly
----	---------	-------------------------

16	1012214	1-1/2" Cylinder Cap
----	---------	---------------------

—	1012215	1-1/2" Inlet Valve Repair Kit (Includes Item #'s: 3, 4, 8, 9, 11, and 12 (Quantity of Two))
---	---------	--

PART NUMBERS AND SCHEMATICS GUIDE

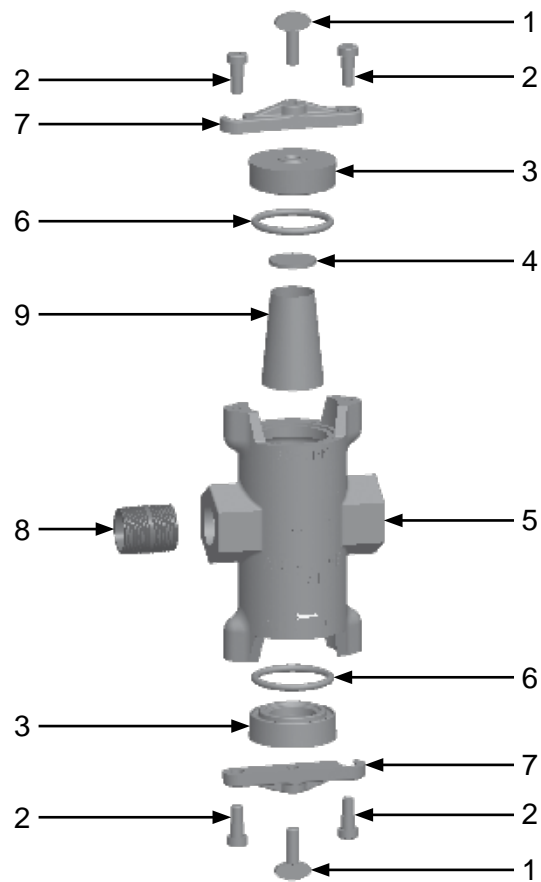
Figure 9: 1" Diaphragm Outlet Valve



Item #	Part #	Description
Fig. 9		
—	1012150	1" Diaphragm Outlet Valve – Complete
1	1012051	Elbow 1/4" NPT x 7/16-20 Tap
2	1012154	1/4-20 x 1 Hex Bolt (<i>Four Required</i>)
3	1012153	1/4" Lock Washer (<i>Four Required</i>)
4	1012155	Cap Diaphragm Outlet Valve
5	1012152	Diaphragm Only
6	1012156	Body Diaphragm Outlet Valve
7	1012151	1" Galvanized Close Nipple
8	1012157	1-1/4" x 1" Bushing
—	1091045	Hazard Identification Tag

PART NUMBERS AND SCHEMATICS GUIDE

Figure 10: Abrasive Trap



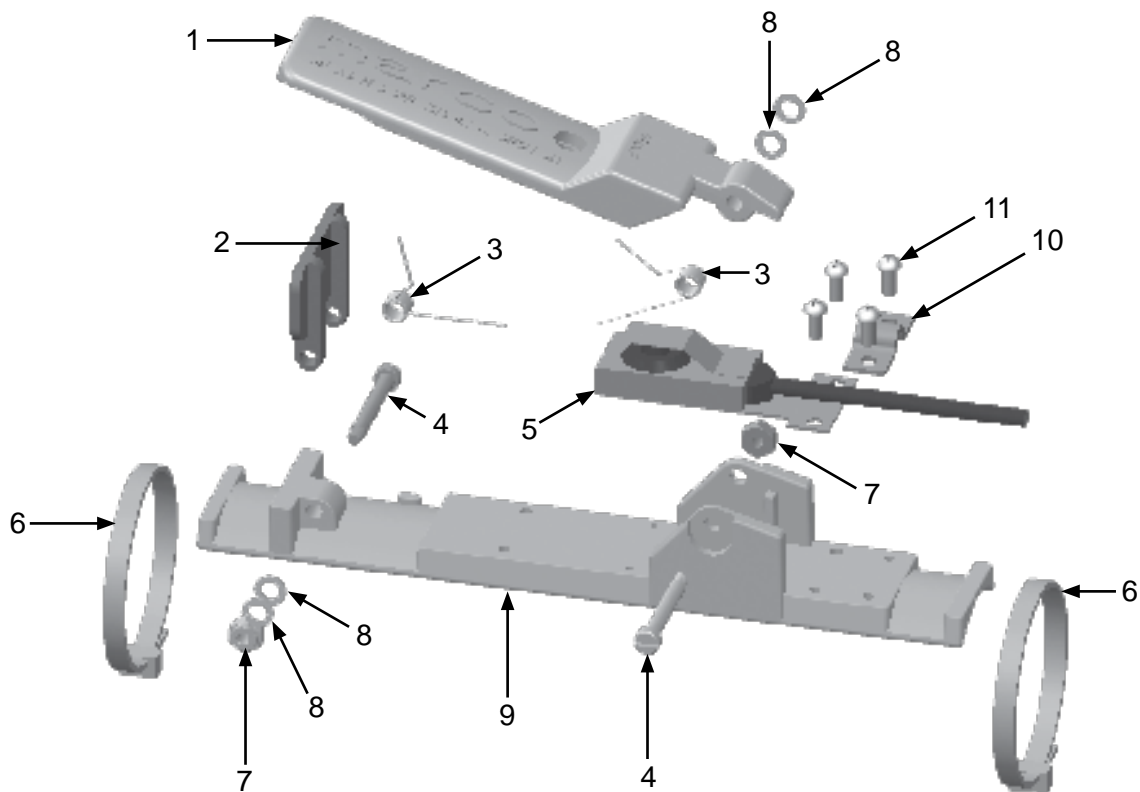
Item #	Part #	Description
--------	--------	-------------

Fig. 10

—	1012000	Abrasive Trap – Complete
1	1012006	Thumb Screw <i>(Two Required)</i>
2	1012007	3/8" x 3/8" Shoulder Bolt <i>(Four Required)</i>
3	1012003	Abrasive Trap Cap <i>(Two Required)</i>
4	1012008	Abrasive Trap Screen Gasket
5	1012004	Abrasive Trap Body
6	1012002	Abrasive Trap O-Ring <i>(Two Required)</i>
7	1012005	Cap Lock Bar <i>(Two Required)</i>
8	1012151	1" NPT Close Nipple
9	1012001	Abrasive Trap Screen
—	1012009	Abrasive Trap Repair Kit <i>(Includes Item #'s: 4, 6 (Quantity of Two), and 9 (Quantity of Three))</i>

PART NUMBERS AND SCHEMATICS GUIDE

Figure 11: Blastmaster® 151E Remote Control Switch






Item #	Part #	Description
--------	--------	-------------



Fig. 10

—	1015100	Blastmaster® 151E Remote Control Switch – Complete
1	1015001	Handle
2	1015003	Safety Tab
3	1015005	Spring (<i>Two Required</i>)
4	1015008	Shoulder Screw (<i>Two Required</i>)
5	10104268	Switch with Cord
6	1015015	Nylon Zip Tie – White (<i>Two Required</i>)
7	1015006	8-32 UNC-2B Nylon Insert Lock Nut (<i>Two Required</i>)
8	1015007	3/8" O.D. x 7/16" I.D. Washer (<i>Four Required</i>)
9	1015002	Body
10	1015101	Electric Cord Clamp
11	1015014	8-32 x 3/8" Phillips Head Screw (<i>Four Required</i>)
—	1091045	Hazard Identification Tag
—	105M063	Features and Specifications Guide – Blastmaster® 151E Remote Control Switch
—	106M063	Part Numbers and Schematics Guide – Blastmaster® 151E Remote Control Switch
—	1090063	Operator's Manual – Blastmaster® 151E Remote Control Switch

OPTIONAL ACCESSORIES

ELECTRIC CONTROL LINE					
	Part Numbers	Gauge	# of Wires	Type	Length
	1015540	16	2	SJEOOW	Per Foot
	1030013	14	2	SEOOW	Per Foot
	1015570	12	2	SOOW	Per Foot

ELECTRIC CONTROL LINE WITH PLUGS						
	Part Numbers	Gauge	# of Wires	2-Prong Male Twist-Lock Plug	2-Prong Female Twist-Lock Plug	Length
	1015543	16	2	1015551	1015552	25 Feet
	1015542	16	2	1015551	1015552	50 Feet

ELECTRIC CONTROL LINE PLUGS			
	Part Numbers	Prong Style	Plug Style
	1015551	2-Prong Male	Twist-Lock
	1015552	2-Prong Female	Twist-Lock

PART NUMBERS AND SCHEMATICS GUIDE

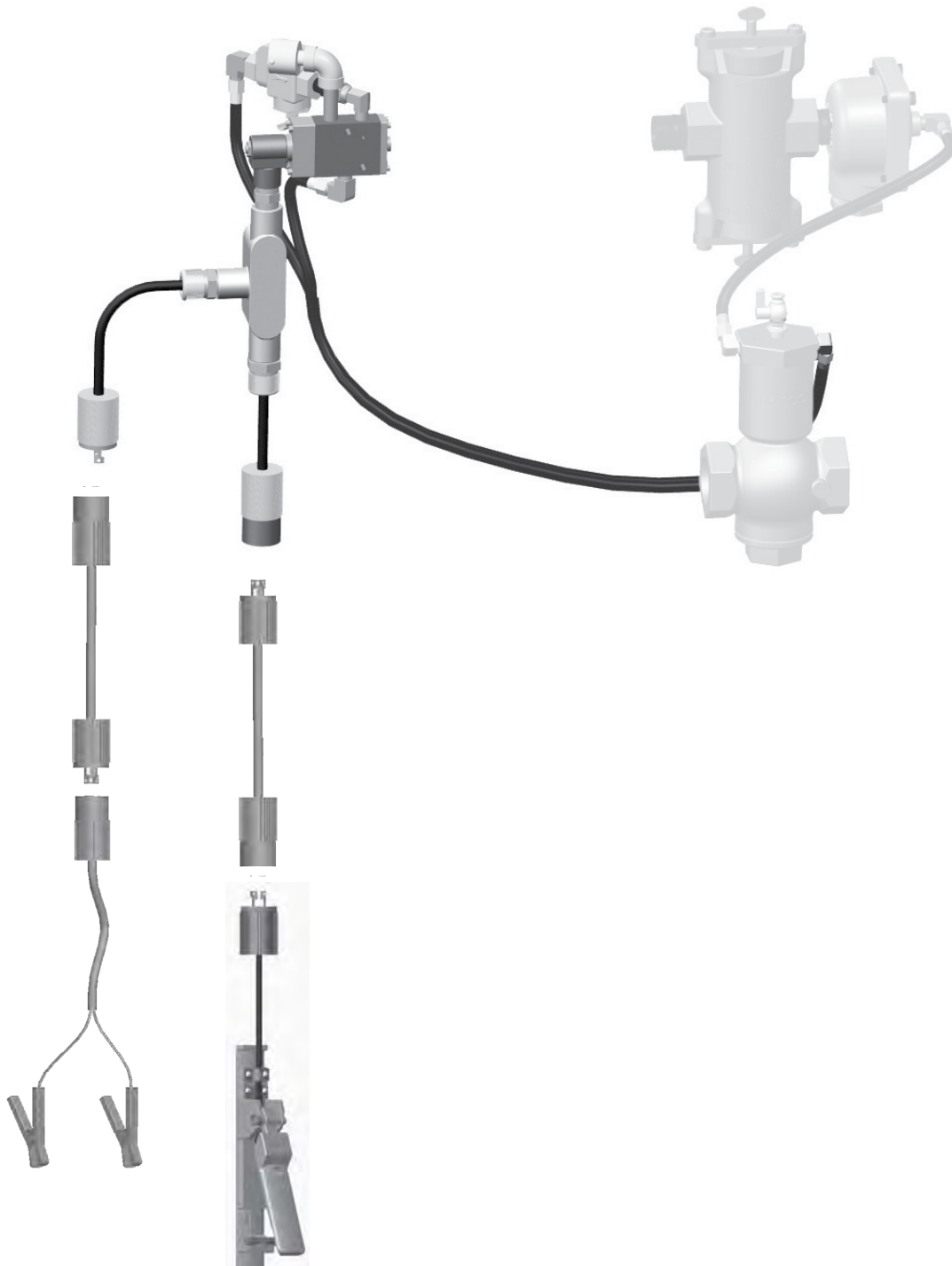
PNEUMATIC TO 12-VOLT DC ELECTRIC CONVERSION KIT

Part Numbers	12-Volt DC 190 Electric Control Assembly	Blastmaster® 151E Remote Control Switch	Xtreme-Duty® Power Cord – 25 Ft. (to power source)	Xtreme-Duty® Power Cord – 50 Ft. (to remote control switch)	Battery Clamps
1019061	X	X	1015543	1015542	X

For converting Pneumatic to 12-Volt DC Electric Conversion Kit

Includes: 12-Volt DC 190 Electric Control Assembly, Blastmaster® 151E Remote Control Switch, Xtreme-Duty® Power Cord, Battery Clamps, and various pipe fittings

PART NUMBERS AND SCHEMATICS GUIDE



PART NUMBERS AND SCHEMATICS GUIDE

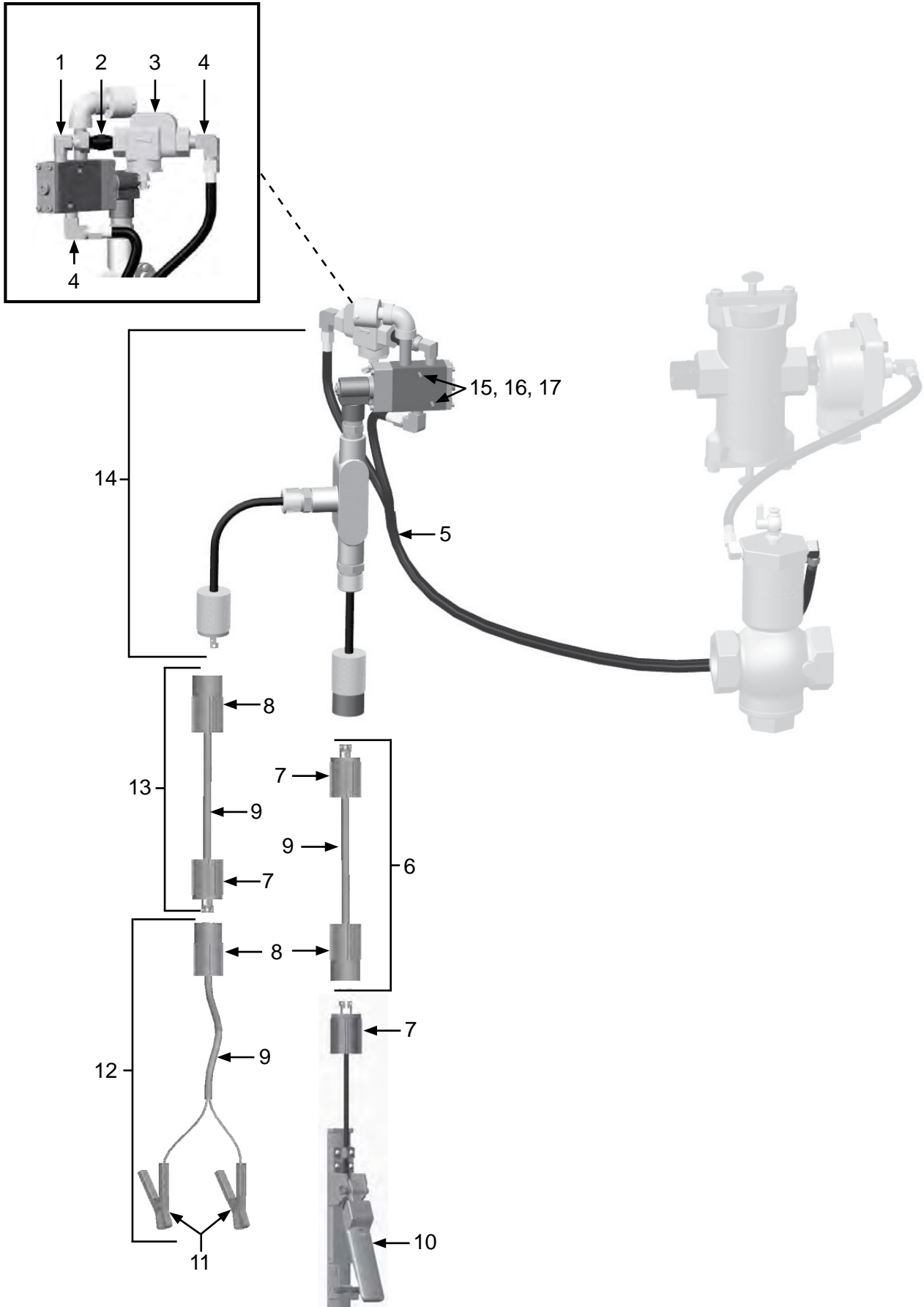
Pneumatic to 12-Volt DC Electric Conversion Kit

Item #	Part #	Description
Fig. 1		
—	1019061	Pneumatic to 12-Volt DC Electric Conversion Kit
1	1012326	1/4" NPT 90° Swivel Fitting
2	1017019	1/4" x 1/4" Hex Nipple
3	10WS	Watts Strainer
4	1012051	1/4" NPT Brass Elbow <i>(Two Required)</i>
5	10TL040	Coupled Pneumatic Control Line – 40 Inches
6	1015542	50' of Xtreme-Duty® Power Cord with Male and Female Twist Lock Plugs <i>(Includes Item #'s: 7, 8, and 9 (Quantity of 50'))</i>
7	1015551	Two-Prong Twist-Lock Plug – Male
8	1015552	Two-Prong Twist-Lock Plug – Female
9	1015540	16/2 Xtreme-Duty® Electric Cord – Per Foot
10	1015100	Blastmaster® 151E Remote Control Switch
11	1030718	Battery Clamps – Pair
12	1015541	Battery Clamp Kit <i>(Includes Item #'s: 8, 9 (Quantity of 2'), and 11)</i>
13	1015543	25' of Xtreme-Duty® Power Cord with Male and Female Twist Lock Plugs <i>(Includes Item #'s: 7, 8, and 9 (Quantity of 25'))</i>
14	1019001	12-Volt DC 190 Electric Control Assembly – Complete
15	1019044	1/4-20 x 1-3/4" Zinc Bolt <i>(Quantity of Two)</i>
16	1014017	1/4" Flat Washer <i>(Quantity of Two)</i>
17	1012323	1/4-20 Zinc Lock Nut with Nylon Insert <i>(Quantity of Two)</i>

See page 38 for product literature

PART NUMBERS AND SCHEMATICS GUIDE

Figure 1: Pneumatic to 12-Volt DC Electric Conversion Kit



PART NUMBERS AND SCHEMATICS GUIDE

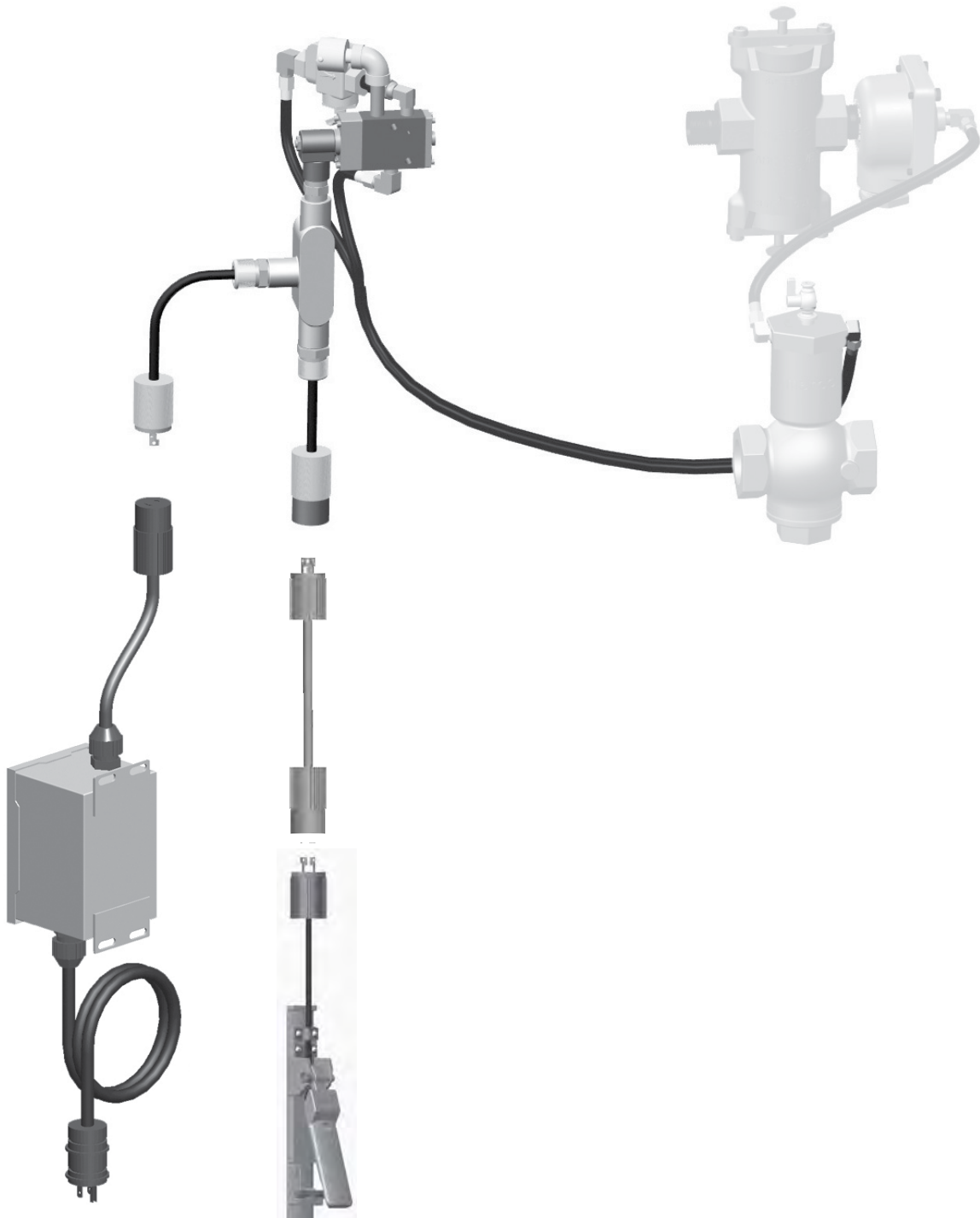
PNEUMATIC TO 120-VOLT AC ELECTRIC CONVERSION KIT

Part Numbers	12-Volt AC 190 Electric Control Assembly	Blastmaster® 151E Remote Control Switch	Xtreme-Duty® Power Cord – 50 Ft. <i>(to remote control switch)</i>	Blastmaster® 120-Volt AC to 12-Volt AC Power Converter
1019062	X	X	1015542	X

For converting Pneumatic to 120-Volt AC Electric Conversion Kit

Includes: 12-Volt AC 190 Electric Control Assembly, Blastmaster® 151E Remote Control Switch, Xtreme-Duty® Power Cord, Power Converter, and various pipe fittings

PART NUMBERS AND SCHEMATICS GUIDE



PART NUMBERS AND SCHEMATICS GUIDE

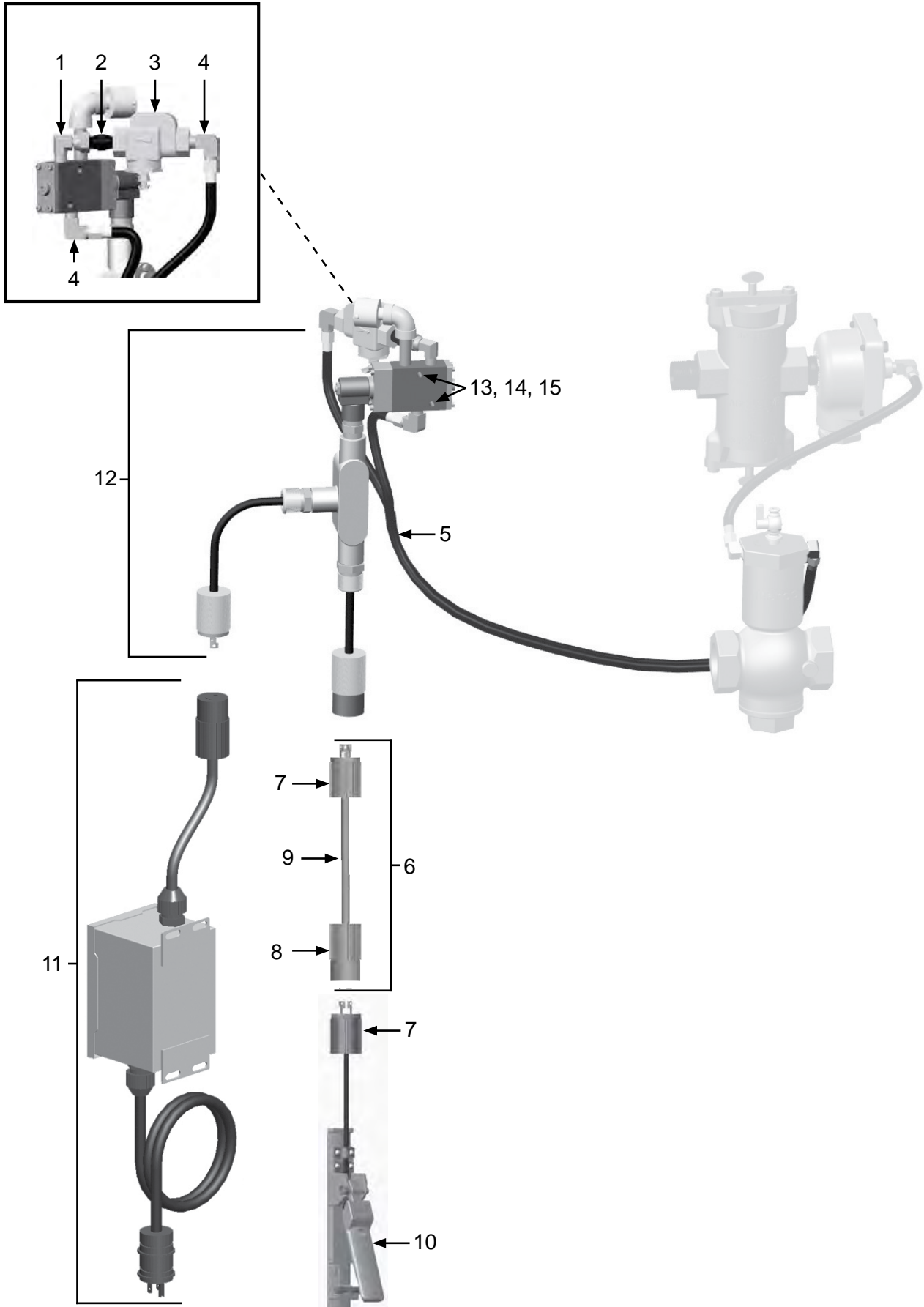
Pneumatic to 120-Volt AC Electric Conversion Kit

Item #	Part #	Description
Fig. 2		
—	1019062	Pneumatic to 120-Volt AC Electric Conversion Kit
1	1012326	1/4" NPT 90° Swivel Fitting
2	1017019	1/4" x 1/4" Hex Nipple
3	10WS	Watts Strainer
4	1012051	1/4" NPT Brass Elbow <i>(Two Required)</i>
5	10TL040	Coupled Pneumatic Control Line – 40 Inches
6	1015542	50' of Xtreme-Duty® Power Cord with Male and Female Twist Lock Plugs <i>(Includes Item #'s: 7, 8, and 9 (Quantity of 50'))</i>
7	1015551	Two-Prong Twist-Lock Plug – Male
8	1015552	Two-Prong Twist-Lock Plug – Female
9	1015540	16/2 Xtreme-Duty® Electric Cord – Per Foot
10	1015100	Blastmaster® 151E Remote Control Switch
11	1030020	Blastmaster® 120-Volt AC to 12-Volt AC Power Converter
12	1019002	12-Volt AC 190 Electric Control Assembly – Complete
13	1019044	1/4-20 x 1-3/4" Zinc Bolt <i>(Quantity of Two)</i>
14	1014017	1/4" Flat Washer <i>(Quantity of Two)</i>
15	1012323	1/4-20 Zinc Lock Nut with Nylon Insert <i>(Quantity of Two)</i>

See page 38 for product literature

PART NUMBERS AND SCHEMATICS GUIDE

Figure 2: Pneumatic to 120-Volt AC Electric Conversion Kit



PART NUMBERS AND SCHEMATICS GUIDE

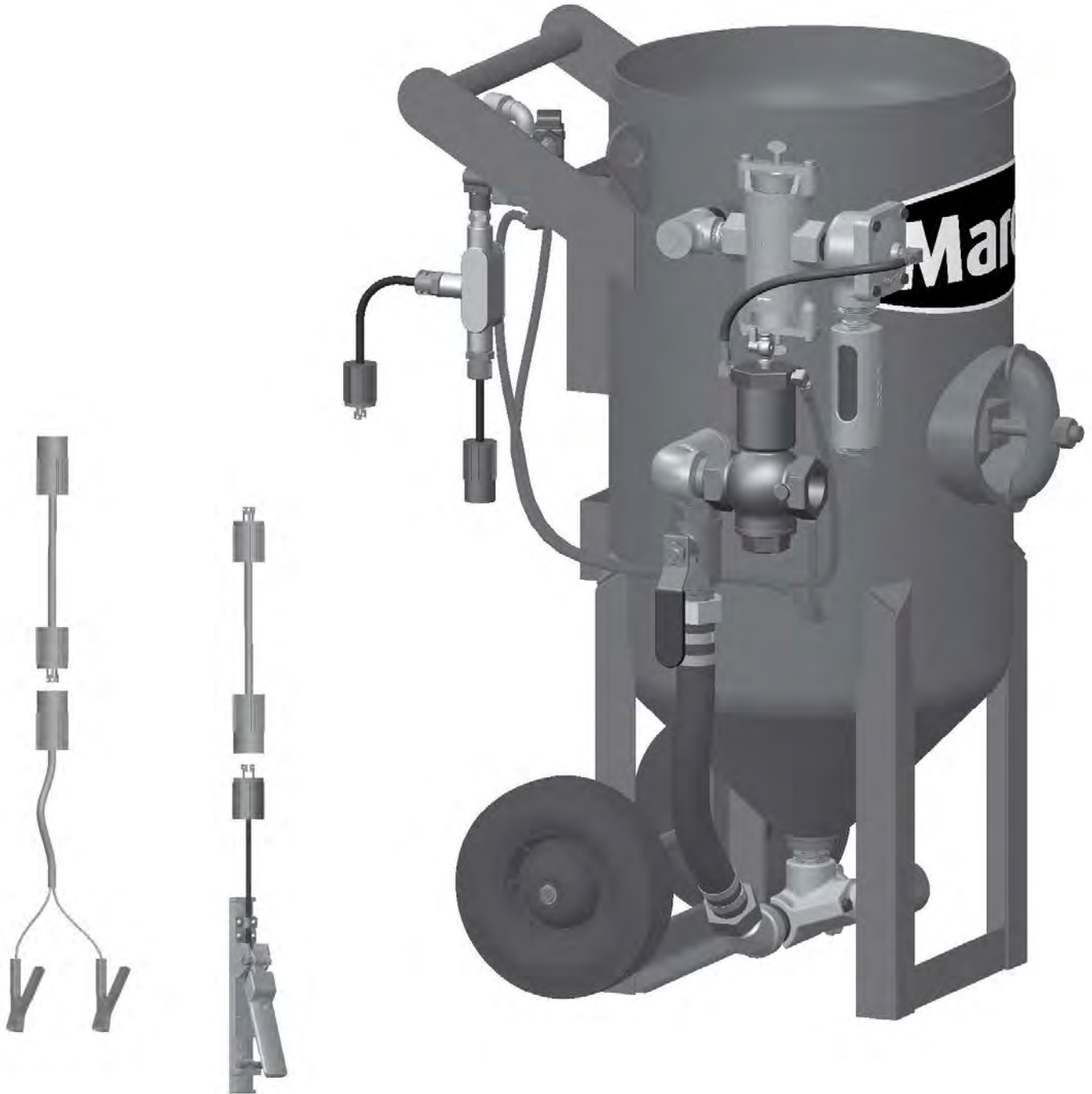
COMPLETE 12-VOLT DC ELECTRIC CONVERSION KITS – 3.0 THROUGH 3.5 CU. FT. BLAST POTS

Part Numbers	Blastmaster® 1-1/4" Bantam Abrasive Metering Valve	Blastmaster® 1-1/2" Bantam Abrasive Metering Valve	12-Volt DC 190 Electric Control Assembly	Blastmaster® 151E Remote Control Switch	1-1/2" Inlet Valve	1" Diaphragm Outlet Valve	Abrasive Trap	Xtreme-Duty® Power Cord – 25 Ft. (to power source)	Xtreme-Duty® Power Cord – 50 Ft. (to remote control switch)	Battery Clamps
10107261	X		X	X	X	X	X	1015543	1015542	X
10107262		X	X	X	X	X	X	1015543	1015542	X

For converting bare pot to electric remote control system

Includes: 12-Volt DC 190 Electric Control Assembly, Blastmaster® Bantam Abrasive Metering Valve, Blastmaster® 151E Remote Control Switch, Xtreme-Duty® Power Cord, Battery Clamp, Inlet Valve, Diaphragm Outlet Valve, and various pipe fittings

PART NUMBERS AND SCHEMATICS GUIDE



PART NUMBERS AND SCHEMATICS GUIDE

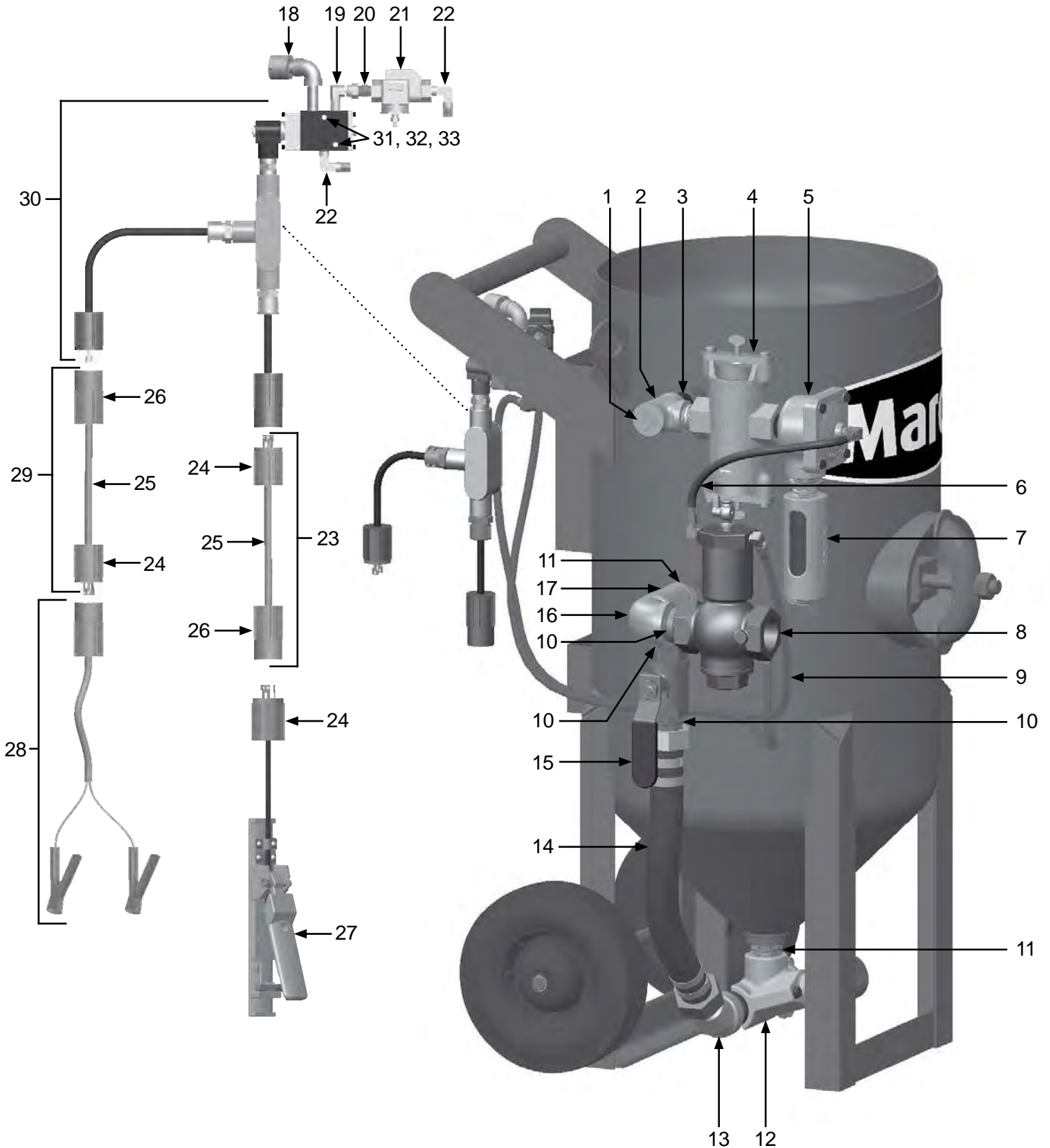
Complete 12-Volt DC Electric Conversion Kit – 3.0 through 3.5 Cu. Ft. Blast Pots – 1-1/4" Metering Valve

Item #	Part #	Description
Fig. 3		
—	10107261	Complete 12-Volt DC Electric Conversion Kit – 1-1/4" Bantam Abrasive Metering Valve
1	1011901	1" NPT Square Head Pipe Plug
2	1011816	1" NPT Pipe Tee
3	1011843	1" x 2-1/2" NPT Close Nipple
4	1012000	Abrasive Trap – Complete
5	1012150	1" Diaphragm Outlet Valve
6	10CL18	Coupled Pneumatic Control Line – 18 Inches
7	1011100	Abrasive Blasting Pot Muffler – Complete
8	1012200	1-1/2" Inlet Valve – Complete
9	10TL040	Coupled Pneumatic Twinline Hose – 40 Inches
10	1014015	1-1/2" NPT Close Nipple <i>(Three Required)</i>
11	1011201	1-1/4" Galvanized Close Nipple <i>(Two Required)</i>
12	1014101	Blastmaster® 1-1/4" Bantam Abrasive Metering Valve – Complete
13	1011830	1-1/4" 45° Street Elbow
14	1006311	1-1/4" I.D. Pusher Line Assembly
15	1011602	1-1/4" NPT Full Port Ball Valve
16	1011839	1-1/2" NPT Street Elbow
17	1011834	1-1/4" x 1-1/2" x 1-1/4" NPT Pipe Tee
18	10DE025	1/4" Dust Eliminator
19	1012326	1/4" NPT 90° Swivel
20	1017019	1/4" x 1/4" Hex Nipple
21	10WS	Watts Strainer
22	1012051	1/4" NPT Brass Elbow <i>(Two Required)</i>
23	1015542	50' of Xtreme-Duty® Power Cord with Male and Female Twist-Lock Plugs <i>(Includes Item #'s: 24, 25, and 26)</i>
24	1015551	Two-Prong Twist Lock Plug – Male
25	1015540	16/2 Xtreme-Duty® Electric Cord – Per Foot
26	1015552	Two-Prong Twist Lock Plug – Female
27	1015100	Blastmaster® 151E Remote Control Switch
28	1015541	Battery Clamps with 2' 16/2 Xtreme-Duty® Electric Cord
29	1015543	25' of Xtreme-Duty® Power Cord with Male and Female Twist-Lock Plugs <i>(Includes Item #'s: 24, 25, and 26)</i>
30	1019001	12-Volt DC 190 Electric Control Assembly – Complete
31	1019044	1/4-20 x 1-3/4" Zinc Bolt <i>(Quantity of Two)</i>
32	1014017	1/4" Flat Washer <i>(Quantity of Two)</i>
33	1012323	1/4"-20 Zinc Lock Nut with Nylon Insert <i>(Quantity of Two)</i>

See page 38 for product literature

PART NUMBERS AND SCHEMATICS GUIDE

Figure 3: Complete 12-Volt DC Electric Conversion Kit – 3.0 through 3.5 Cu. Ft. Blast Pots – 1-1/4" Metering Valve



PART NUMBERS AND SCHEMATICS GUIDE

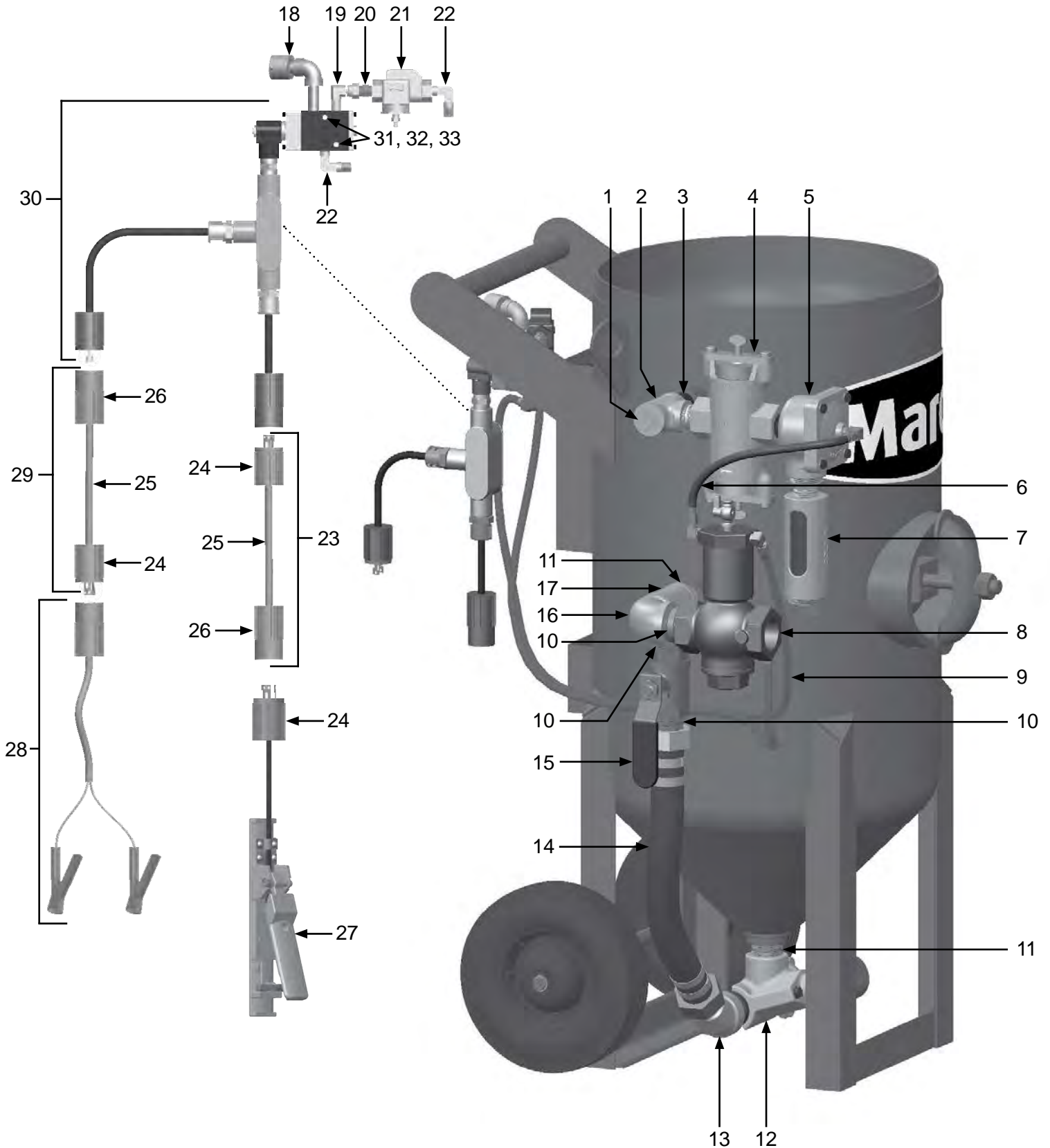
Complete 12-Volt DC Electric Conversion Kit – 3.0 through 3.5 Cu. Ft. Blast Pots – 1-1/2" Metering Valve

Item #	Part #	Description
Fig. 4		
—	10107262	Complete 12-Volt DC Electric Conversion Kit – 1-1/2" Bantam Abrasive Metering Valve
1	1011901	1" NPT Square Head Pipe Plug
2	1011816	1" NPT Pipe Tee
3	1011843	1" x 2-1/2" NPT Close Nipple
4	1012000	Abrasive Trap – Complete
5	1012150	1" Diaphragm Outlet Valve
6	10CL18	Coupled Pneumatic Control Line – 18 Inches
7	1011100	Abrasive Blasting Pot Muffler – Complete
8	1012200	1-1/2" Inlet Valve – Complete
9	10TL040	Coupled Pneumatic Twinline Hose – 40 Inches
10	1014015	1-1/2" NPT Close Nipple <i>(Three Required)</i>
11	1011201	1-1/4" Galvanized Close Nipple <i>(Two Required)</i>
12	1014102	Blastmaster® 1-1/2" Bantam Abrasive Metering Valve – Complete
13	1011805	1-1/2" 45° Street Elbow
14	1006312	1-1/2" I.D. Pusher Line Assembly
15	1011603	1-1/2" NPT Full Port Ball Valve
16	1011839	1-1/2" NPT Street Elbow
17	1011833	1-1/4" x 1-1/2" x 1-1/2" NPT Pipe Tee
18	10DE025	1/4" Dust Eliminator
19	1012326	1/4" NPT 90° Swivel
20	1017019	1/4" x 1/4" Hex Nipple
21	10WS	Watts Strainer
22	1012051	1/4" NPT Brass Elbow <i>(Two Required)</i>
23	1015542	50' of Xtreme-Duty® Power Cord with Male and Female Twist-Lock Plugs <i>(Includes Item #'s: 24, 25, and 26)</i>
24	1015551	Two-Prong Twist Lock Plug – Male
25	1015540	16/2 Xtreme-Duty® Electric Cord – Per Foot
26	1015552	Two-Prong Twist Lock Plug – Female
27	1015100	Blastmaster® 151E Remote Control Switch
28	1015541	Battery Clamps with 2' 16/2 Xtreme-Duty® Electric Cord
29	1015543	25' of Xtreme-Duty® Power Cord with Male and Female Twist-Lock Plugs <i>(Includes Item #'s: 24, 25, and 26)</i>
30	1019001	12-Volt DC 190 Electric Control Assembly – Complete
31	1019044	1/4-20 x 1-3/4" Zinc Bolt <i>(Quantity of Two)</i>
32	1014017	1/4" Flat Washer <i>(Quantity of Two)</i>
33	1012323	1/4"-20 Zinc Lock Nut with Nylon Insert <i>(Quantity of Two)</i>

See page 38 for product literature

PART NUMBERS AND SCHEMATICS GUIDE

Figure 4: Complete 12-Volt DC Electric Conversion Kit – 3.0 through 3.5 Cu. Ft. Blast Pots – 1-1/2" Metering Valve



PART NUMBERS AND SCHEMATICS GUIDE

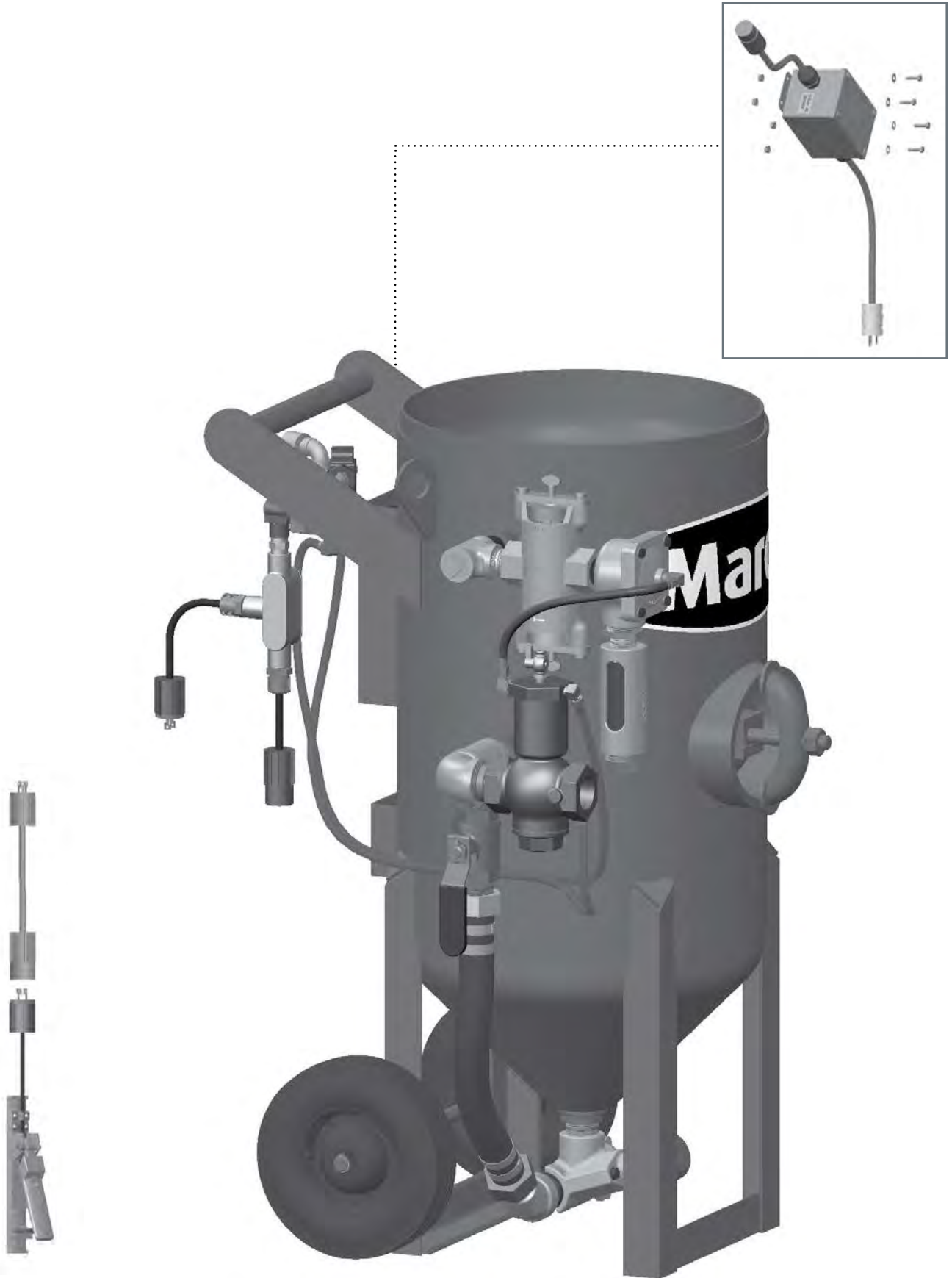
COMPLETE 120-VOLT AC ELECTRIC CONVERSION KITS – 3.0 THROUGH 3.5 CU. FT. BLAST POTS

Part Numbers	Blastmaster® 1-1/4" Bantam Abrasive Metering Valve	Blastmaster® 1-1/2" Bantam Abrasive Metering Valve	12-Volt AC 190 Electric Control Assembly	Blastmaster® 151E Remote Control Switch	1-1/2" Inlet Valve	1" Diaphragm Outlet Valve	Abrasive Trap	Xtreme-Duty® Power Cord – 50 Ft. (to remote control switch)	Blastmaster® 120-Volt AC to 12-Volt AC Power Converter
10107265	X		X	X	X	X	X	1015542	X
10107266		X	X	X	X	X	X	1015542	X

For converting bare pot to electric remote control system

Includes: 12-Volt AC 190 Electric Control Assembly, Blastmaster® Bantam Abrasive Metering Valve, Blastmaster® 151E Remote Control Switch, Xtreme-Duty® Power Cord, Power Converter, Inlet Valve, Diaphragm Outlet Valve, and various pipe fittings

PART NUMBERS AND SCHEMATICS GUIDE



PART NUMBERS AND SCHEMATICS GUIDE

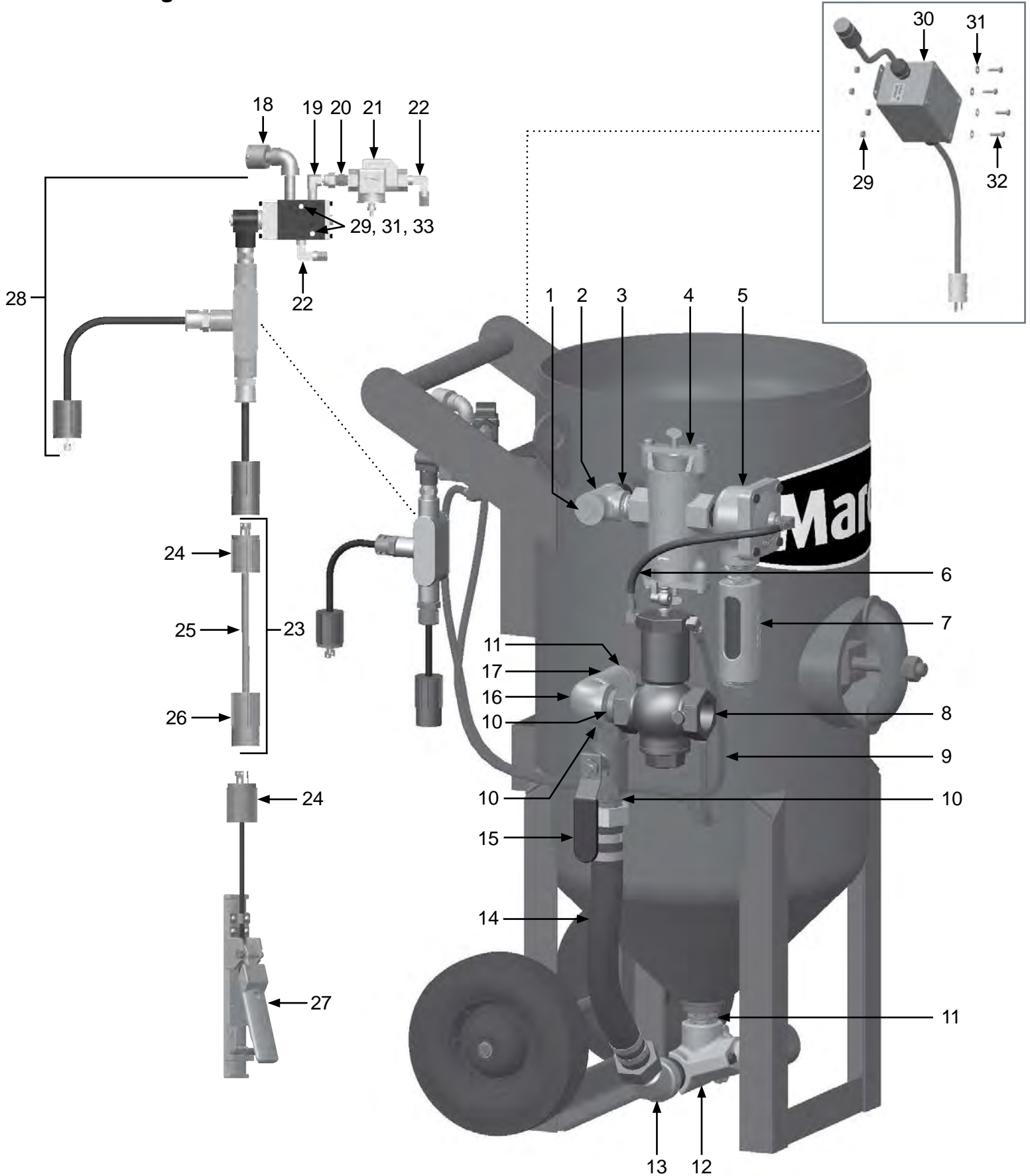
Complete 120-Volt AC Electric Conversion Kit – 3.0 through 3.5 Cu. Ft. Blast Pots – 1-1/4" Metering Valve

Item #	Part #	Description
Fig. 5		
—	10107265	Complete 120-Volt AC Electric Conversion Kit – 1-1/4" Bantam Abrasive Metering Valve
1	1011901	1" NPT Square Head Pipe Plug
2	1011816	1" NPT Pipe Tee
3	1011843	1" x 2-1/2" NPT Close Nipple
4	1012000	Abrasive Trap – Complete
5	1012150	1" Diaphragm Outlet Valve
6	10CL18	Coupled Pneumatic Control Line – 18 Inches
7	1011100	Abrasive Blasting Pot Muffler – Complete
8	1012200	1-1/2" Inlet Valve – Complete
9	10TL040	Coupled Pneumatic Twinline Hose – 40 Inches
10	1014015	1-1/2" NPT Close Nipple <i>(Three Required)</i>
11	1011201	1-1/4" Galvanized Close Nipple <i>(Two Required)</i>
12	1014101	Blastmaster® 1-1/4" Bantam Abrasive Metering Valve – Complete
13	1011830	1-1/4" 45° Street Elbow
14	1006311	1-1/4" I.D. Pusher Line Assembly
15	1011602	1-1/4" NPT Full Port Ball Valve
16	1011839	1-1/2" NPT Street Elbow
17	1011834	1-1/4" x 1-1/2" x 1-1/4" NPT Pipe Tee
18	10DE025	1/4" Dust Eliminator
19	1012326	1/4" NPT 90° Swivel
20	1017019	1/4" x 1/4" Hex Nipple
21	10WS	Watts Strainer
22	1012051	1/4" NPT Brass Elbow <i>(Two Required)</i>
23	1015542	50' of Xtreme-Duty® Power Cord with Male and Female Twist-Lock Plugs <i>(Includes Item #'s: 24, 25, and 26)</i>
24	1015551	Two-Prong Twist Lock Plug – Male
25	1015540	16/2 Xtreme-Duty® Electric Cord – Per Foot
26	1015552	Two-Prong Twist Lock Plug – Female
27	1015100	Blastmaster® 151E Remote Control Switch
28	1019002	12-Volt AC 190 Electric Control Assembly – Complete
29	1012323	1/4–20 Zinc Lock Nut with Nylon Insert
30	1030020	Blastmaster® 120-Volt AC to 12-Volt AC Power Converter
31	1014017	1/4" Flat Washer
32	1012154	1/4–20 x 1" Hex Bolt
33	1019044	1/4-20 x 1-3/4" Zinc Bolt

See page 38 for product literature

PART NUMBERS AND SCHEMATICS GUIDE

Figure 5: Complete 120-Volt AC Electric Conversion Kit – 3.0 through 3.5 Cu. Ft. Blast Pots – 1-1/4" Metering Valve



PART NUMBERS AND SCHEMATICS GUIDE

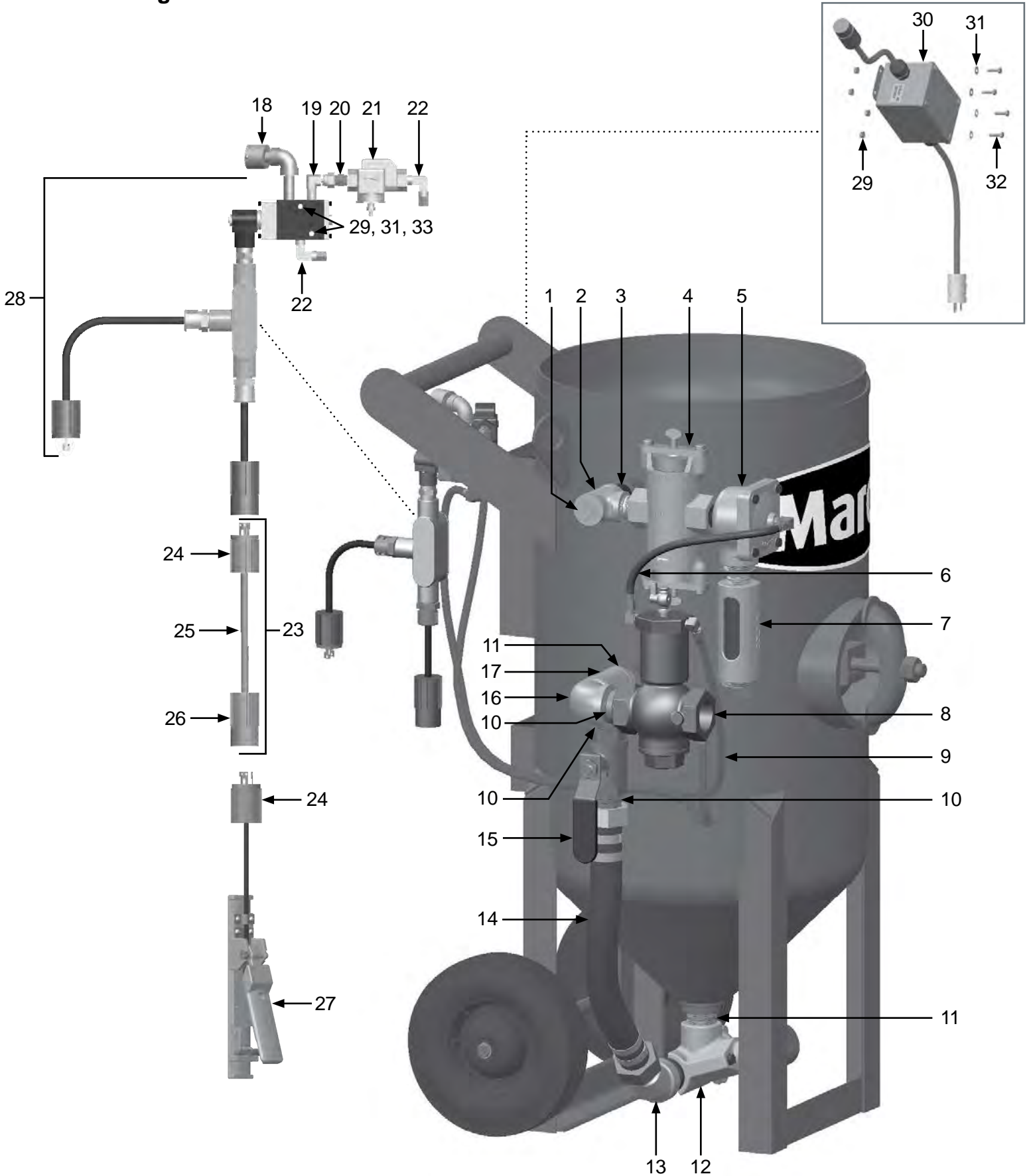
Complete 120-Volt AC Electric Conversion Kit – 3.0 through 3.5 Cu. Ft. Blast Pots – 1-1/2" Metering Valve

Item #	Part #	Description
Fig. 6		
—	10107266	Complete 120-Volt AC Electric Conversion Kit – 1-1/2" Bantam Abrasive Metering Valve
1	1011901	1" NPT Square Head Pipe Plug
2	1011816	1" NPT Pipe Tee
3	1011843	1" x 2-1/2" NPT Close Nipple
4	1012000	Abrasive Trap – Complete
5	1012150	1" Diaphragm Outlet Valve
6	10CL18	Coupled Pneumatic Control Line – 18 Inches
7	1011100	Abrasive Blasting Pot Muffler – Complete
8	1012200	1-1/2" Inlet Valve – Complete
9	10TL040	Coupled Pneumatic Twinline Hose – 40 Inches
10	1014015	1-1/2" NPT Close Nipple <i>(Three Required)</i>
11	1011201	1-1/4" Galvanized Close Nipple <i>(Two Required)</i>
12	1014102	Blastmaster® 1-1/2" Bantam Abrasive Metering Valve – Complete
13	1011805	1-1/2" 45° Street Elbow
14	1006312	1-1/2" I.D. Pusher Line Assembly
15	1011603	1-1/2" NPT Full Port Ball Valve
16	1011839	1-1/2" NPT Street Elbow
17	1011833	1-1/4" x 1-1/2" x 1-1/2" NPT Pipe Tee
18	10DE025	1/4" Dust Eliminator
19	1012326	1/4" NPT 90° Swivel
20	1017019	1/4" x 1/4" Hex Nipple
21	10WS	Watts Strainer
22	1012051	1/4" NPT Brass Elbow <i>(Two Required)</i>
23	1015542	50' of Xtreme-Duty® Power Cord with Male and Female Twist-Lock Plugs <i>(Includes Item #'s: 24, 25, and 26)</i>
24	1015551	Two-Prong Twist Lock Plug – Male
25	1015540	16/2 Xtreme-Duty® Electric Cord – Per Foot
26	1015552	Two-Prong Twist Lock Plug – Female
27	1015100	Blastmaster® 151E Remote Control Switch
28	1019002	12-Volt AC 190 Electric Control Assembly – Complete
29	1012323	1/4–20 Zinc Lock Nut with Nylon Insert
30	1030020	Blastmaster® 120-Volt AC to 12-Volt AC Power Converter
31	1014017	1/4" Flat Washer
32	1012154	1/4–20 x 1" Hex Bolt
33	1019044	1/4-20 x 1-3/4" Zinc Bolt

See page 38 for product literature

PART NUMBERS AND SCHEMATICS GUIDE

Figure 6: Complete 120-Volt AC Electric Conversion Kit – 3.0 through 3.5 Cu. Ft. Blast Pots – 1-1/2" Metering Valve



PART NUMBERS AND SCHEMATICS GUIDE

COMPLETE 12-VOLT DC ELECTRIC CONVERSION KITS – 6.0 THROUGH 6.5 CU. FT. BLAST POTS

Part Numbers	Blastmaster® 1-1/4" Bantam Abrasive Metering Valve	Blastmaster® 1-1/2" Bantam Abrasive Metering Valve	12-Volt DC 190 Electric Control Assembly	Blastmaster® 151E Remote Control Switch	1-1/2" Inlet Valve	1" Diaphragm Outlet Valve	Abrasive Trap	Xtreme-Duty® Power Cord – 25 Ft. (to power source)	Xtreme-Duty® Power Cord – 50 Ft. (to remote control switch)	Battery Clamps
10107259	X		X	X	X	X	X	1015543	1015542	X
10107260		X	X	X	X	X	X	1015543	1015542	X

For converting bare pot to electric remote control system

Includes: 12-Volt DC 190 Electric Control Assembly, Blastmaster® Bantam Abrasive Metering Valve, Blastmaster® 151E Remote Control Switch, Xtreme-Duty® Power Cord, Battery Clamp, Inlet Valve, Diaphragm Outlet Valve, and various pipe fittings

PART NUMBERS AND SCHEMATICS GUIDE



PART NUMBERS AND SCHEMATICS GUIDE

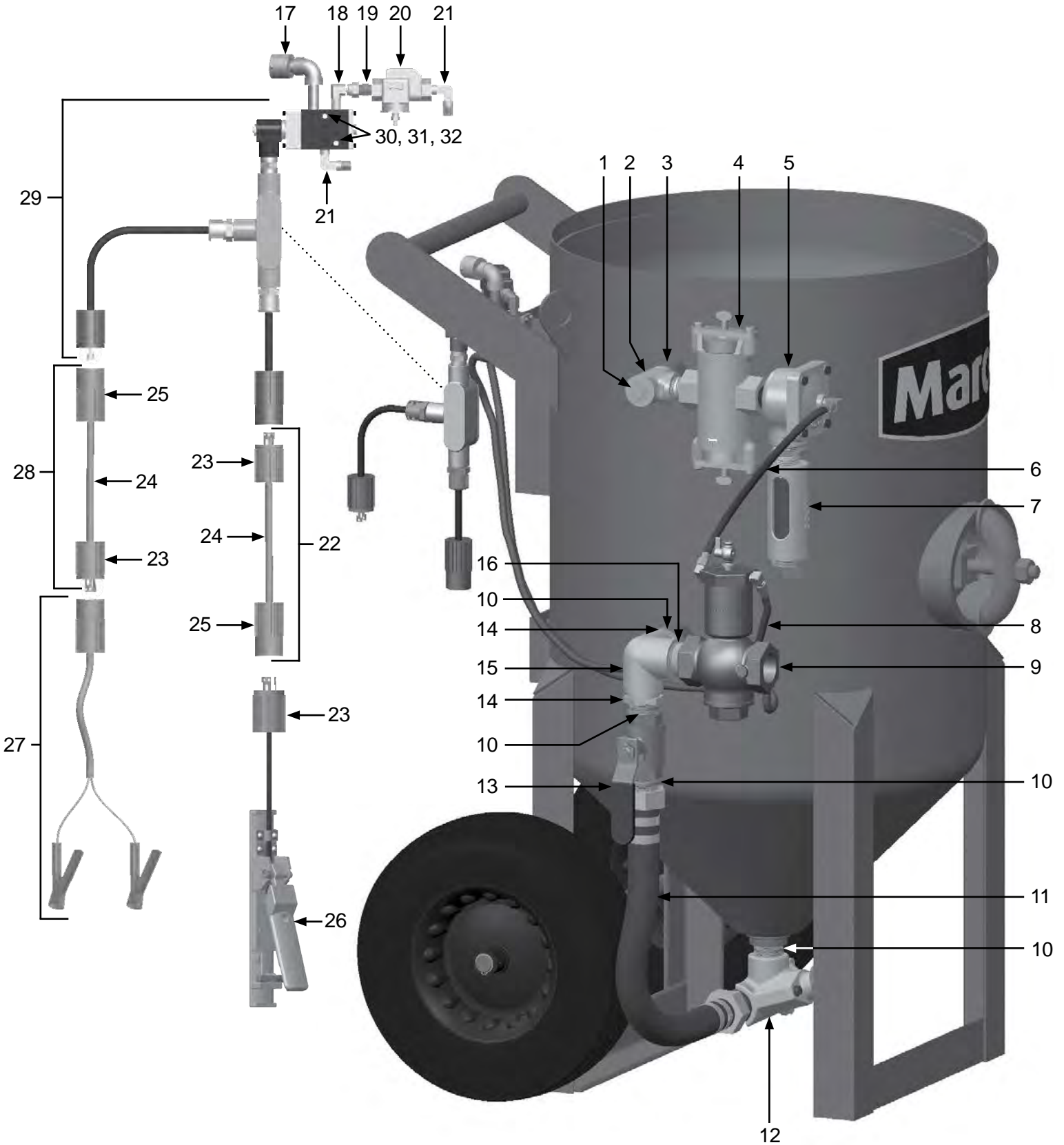
Complete 12-Volt DC Electric Conversion Kit – 6.0 through 6.5 Cu. Ft. Blast Pots – 1-1/4" Metering Valve

Item #	Part #	Description
Fig. 7		
—	10107259	Complete 12-Volt DC Electric Conversion Kit – 1-1/4" Bantam Abrasive Metering Valve
1	1011901	1" NPT Square Head Pipe Plug
2	1011816	1" NPT Pipe Tee
3	1011843	1" x 2-1/2" NPT Close Nipple
4	1012000	Abrasive Trap – Complete
5	1012150	1" Diaphragm Outlet Valve
6	10CL18	Coupled Pneumatic Control Line – 18 Inches
7	1011100	Abrasive Blasting Pot Muffler – Complete
8	10TL5	Coupled Pneumatic Twinline Hose – 5 Feet
9	1012200	1-1/2" Inlet Valve – Complete
10	1011201	1-1/4" Galvanized Close Nipple <i>(Four Required)</i>
11	1006311	1-1/4" I.D. Pusher Line Assembly
12	1014101	Blastmaster® 1-1/4" Bantam Abrasive Metering Valve – Complete
13	1011602	1-1/4" NPT Full Port Brass Ball Valve
14	1011501	1-1/4" x 1-1/2" NPT Bushing <i>(Two Required)</i>
15	1011804	1-1/2" 90° Elbow with Side-Out
16	1014015	1-1/2" NPT Close Nipple
17	10DE025	1/4" Dust Eliminator
18	1012326	1/4" NPT 90° Swivel
19	1017019	1/4" x 1/4" Hex Nipple
20	10WS	Watts Strainer
21	1012051	1/4" NPT Brass Elbow <i>(Two Required)</i>
22	1015542	50' of Xtreme-Duty® Power Cord with Male and Female Twist-Lock Plugs <i>(Includes Item #'s: 23, 24, and 25)</i>
23	1015551	Two-Prong Twist Lock Plug – Male
24	1015540	16/2 Xtreme-Duty® Electric Cord – Per Foot
25	1015552	Two-Prong Twist Lock Plug – Female
26	1015100	Blastmaster® 151E Remote Control Switch
27	1015541	Battery Clamps with 2' 16/2 Xtreme-Duty® Electric Cord
28	1015543	25' of Xtreme-Duty® Power Cord with Male and Female Twist-Lock Plugs <i>(Includes Item #'s: 23, 24, and 25)</i>
29	1019001	12-Volt DC 190 Electric Control Assembly – Complete
30	1019044	1/4-20 x 1-3/4" Zinc Bolt <i>(Quantity of Two)</i>
31	1014017	1/4" Flat Washer <i>(Quantity of Two)</i>
32	1012323	1/4"-20 Zinc Lock Nut with Nylon Insert <i>(Quantity of Two)</i>

See page 38 for product literature

PART NUMBERS AND SCHEMATICS GUIDE

Figure 7: Complete 12-Volt DC Electric Conversion Kit – 6.0 through 6.5 Cu. Ft. Blast Pots – 1-1/4" Metering Valve



PART NUMBERS AND SCHEMATICS GUIDE

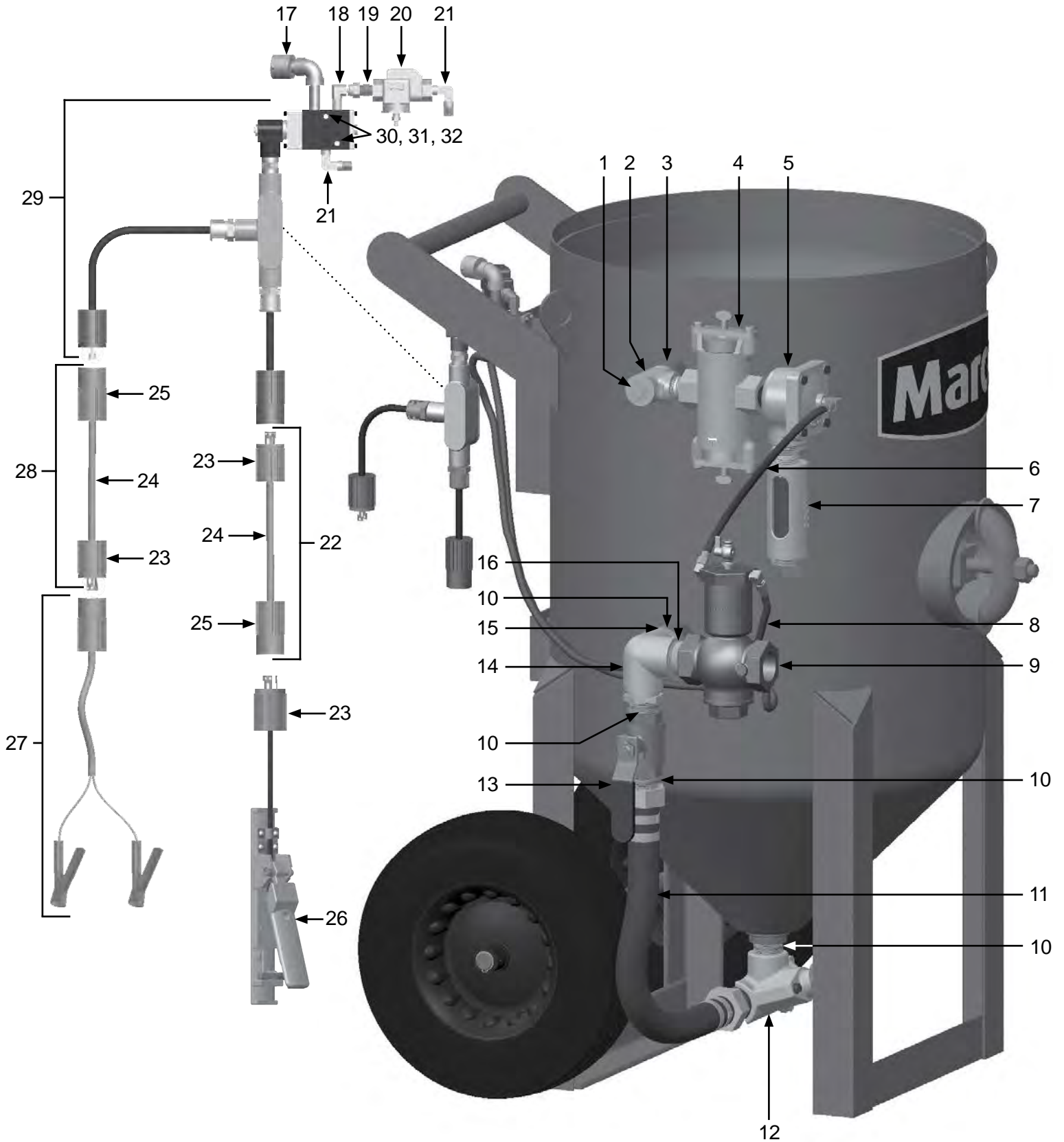
Complete 12-Volt DC Electric Conversion Kit – 6.0 through 6.5 Cu. Ft. Blast Pots – 1-1/2" Metering Valve

Item #	Part #	Description
Fig. 8		
—	10107260	Complete 12-Volt DC Electric Conversion Kit – 1-1/2" Bantam Abrasive Metering Valve
1	1011901	1" NPT Square Head Pipe Plug
2	1011816	1" NPT Pipe Tee
3	1011843	1" x 2-1/2" NPT Close Nipple
4	1012000	Abrasive Trap – Complete
5	1012150	1" Diaphragm Outlet Valve
6	10CL18	Coupled Pneumatic Control Line – 18 Inches
7	1011100	Abrasive Blasting Pot Muffler – Complete
8	10TL5	Coupled Pneumatic Twinline Hose – 5 Feet
9	1012200	1-1/2" Inlet Valve – Complete
10	1011201	1-1/4" Galvanized Close Nipple <i>(Four Required)</i>
11	1006312	1-1/2" I.D. Pusher Line Assembly
12	1014102	Blastmaster® 1-1/2" Bantam Abrasive Metering Valve – Complete
13	1011603	1-1/2" NPT Full Port Brass Ball Valve
14	1011804	1-1/2" 90° Elbow with Side-Out
15	1011501	1-1/4" x 1-1/2" NPT Bushing
16	1014015	1-1/2" NPT Close Nipple
17	10DE025	1/4" Dust Eliminator
18	1012326	1/4" NPT 90° Swivel
19	1017019	1/4" x 1/4" Hex Nipple
20	10WS	Watts Strainer
21	1012051	1/4" NPT Brass Elbow <i>(Two Required)</i>
22	1015542	50' of Xtreme-Duty® Power Cord with Male and Female Twist-Lock Plugs <i>(Includes Item #'s: 23, 24, and 25)</i>
23	1015551	Two-Prong Twist Lock Plug – Male
24	1015540	16/2 Xtreme-Duty® Electric Cord – Per Foot
25	1015552	Two-Prong Twist Lock Plug – Female
26	1015100	Blastmaster® 151E Remote Control Switch
27	1015541	Battery Clamps with 2' 16/2 Xtreme-Duty® Electric Cord
28	1015543	25' of Xtreme-Duty® Power Cord with Male and Female Twist-Lock Plugs <i>(Includes Item #'s: 23, 24, and 25)</i>
29	1019001	12-Volt DC 190 Electric Control Assembly – Complete
30	1019044	1/4-20 x 1-3/4" Zinc Bolt <i>(Quantity of Two)</i>
31	1014017	1/4" Flat Washer <i>(Quantity of Two)</i>
32	1012323	1/4"-20 Zinc Lock Nut with Nylon Insert <i>(Quantity of Two)</i>

See page 38 for product literature

PART NUMBERS AND SCHEMATICS GUIDE

Figure 8: Complete 12-Volt DC Electric Conversion Kit – 6.0 through 6.5 Cu. Ft. Blast Pots – 1-1/2" Metering Valve



PART NUMBERS AND SCHEMATICS GUIDE

COMPLETE 120-VOLT AC ELECTRIC CONVERSION KITS – 6.0 THROUGH 6.5 CU. FT. BLAST POTS

Part Numbers	Blastmaster® 1-1/4" Bantam Abrasive Metering Valve	Blastmaster® 1-1/2" Bantam Abrasive Metering Valve	12-Volt AC 190 Electric Control Assembly	Blastmaster® 151E Remote Control Switch	1-1/2" Inlet Valve	1" Diaphragm Outlet Valve	Abrasive Trap	Xtreme-Duty® Power Cord – 50 Ft. (to remote control switch)	Blastmaster® 120-Volt AC to 12-Volt AC Power Converter
10107263	X		X	X	X	X	X	1015542	X
10107264		X	X	X	X	X	X	1015542	X

For converting bare pot to electric remote control system

Includes: 12-Volt AC 190 Electric Control Assembly, Blastmaster® Bantam Abrasive Metering Valve, Blastmaster® 151E Remote Control Switch, Xtreme-Duty® Power Cord, Power Converter, Inlet Valve, Diaphragm Outlet Valve, and various pipe fittings

PART NUMBERS AND SCHEMATICS GUIDE



PART NUMBERS AND SCHEMATICS GUIDE

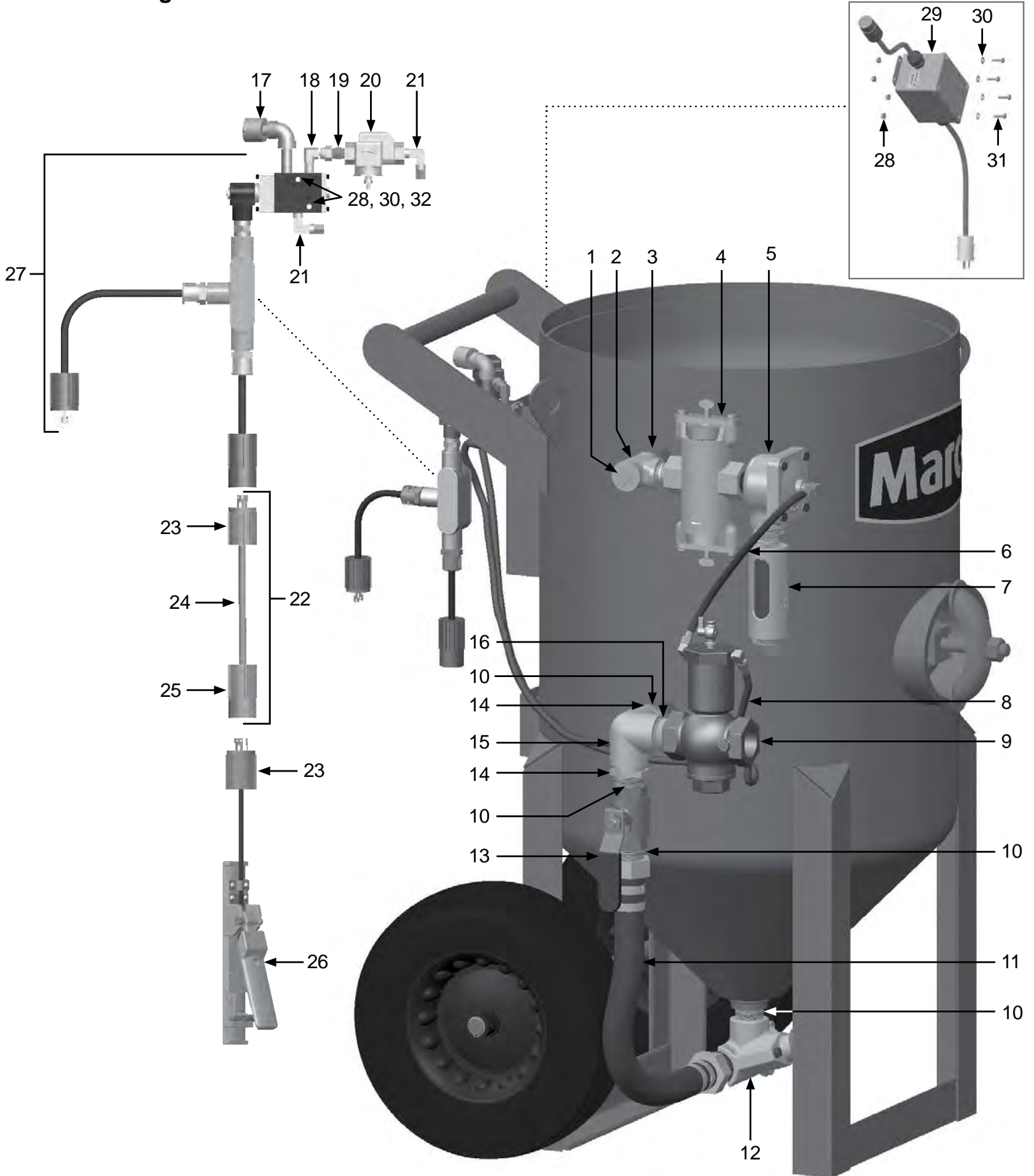
Complete 120-Volt AC Electric Conversion Kit – 6.0 through 6.5 Cu. Ft. Blast Pots – 1-1/4" Metering Valve

Item #	Part #	Description
Fig. 9		
—	10107263	Complete 120-Volt AC Electric Conversion Kit – 1-1/4" Bantam Abrasive Metering Valve
1	1011901	1" NPT Square Head Pipe Plug
2	1011816	1" NPT Pipe Tee
3	1011843	1" x 2-1/2" NPT Close Nipple
4	1012000	Abrasive Trap – Complete
5	1012150	1" Diaphragm Outlet Valve
6	10CL18	Coupled Pneumatic Control Line – 18 Inches
7	1011100	Abrasive Blasting Pot Muffler – Complete
8	10TL5	Coupled Pneumatic Twinline Hose – 5 Feet
9	1012200	1-1/2" Inlet Valve – Complete
10	1011201	1-1/4" Galvanized Close Nipple <i>(Four Required)</i>
11	1006311	1-1/4" I.D. Pusher Line Assembly
12	1014101	Blastmaster® 1-1/4" Bantam Abrasive Metering Valve – Complete
13	1011602	1-1/4" NPT Full Port Brass Ball Valve
14	1011501	1-1/4" x 1-1/2" NPT Bushing <i>(Two Required)</i>
15	1011804	1-1/2" 90° Elbow with Side-Out
16	1014015	1-1/2" NPT Close Nipple
17	10DE025	1/4" Dust Eliminator
18	1012326	1/4" NPT 90° Swivel
19	1017019	1/4" x 1/4" Hex Nipple
20	10WS	Watts Strainer
21	1012051	1/4" NPT Brass Elbow <i>(Two Required)</i>
22	1015542	50' of Xtreme-Duty® Power Cord with Male and Female Twist-Lock Plugs <i>(Includes Item #'s: 23, 24, and 25)</i>
23	1015551	Two-Prong Twist Lock Plug – Male
24	1015540	16/2 Xtreme-Duty® Electric Cord – Per Foot
25	1015552	Two-Prong Twist Lock Plug – Female
26	1015100	Blastmaster® 151E Remote Control Switch
27	1019002	12-Volt AC 190 Electric Control Assembly – Complete
28	1012323	1/4–20 Zinc Lock Nut with Nylon Insert
29	1030020	Blastmaster® 120-Volt AC to 12-Volt AC Power Converter
30	1014017	1/4" Flat Washer
31	1012154	1/4–20 x 1" Hex Bolt
32	1019044	1/4-20 x 1-3/4" Zinc Bolt

See page 38 for product literature

PART NUMBERS AND SCHEMATICS GUIDE

Figure 9: Complete 120-Volt AC Electric Conversion Kit – 6.0 through 6.5 Cu. Ft. Blast Pots – 1-1/4" Metering Valve



PART NUMBERS AND SCHEMATICS GUIDE

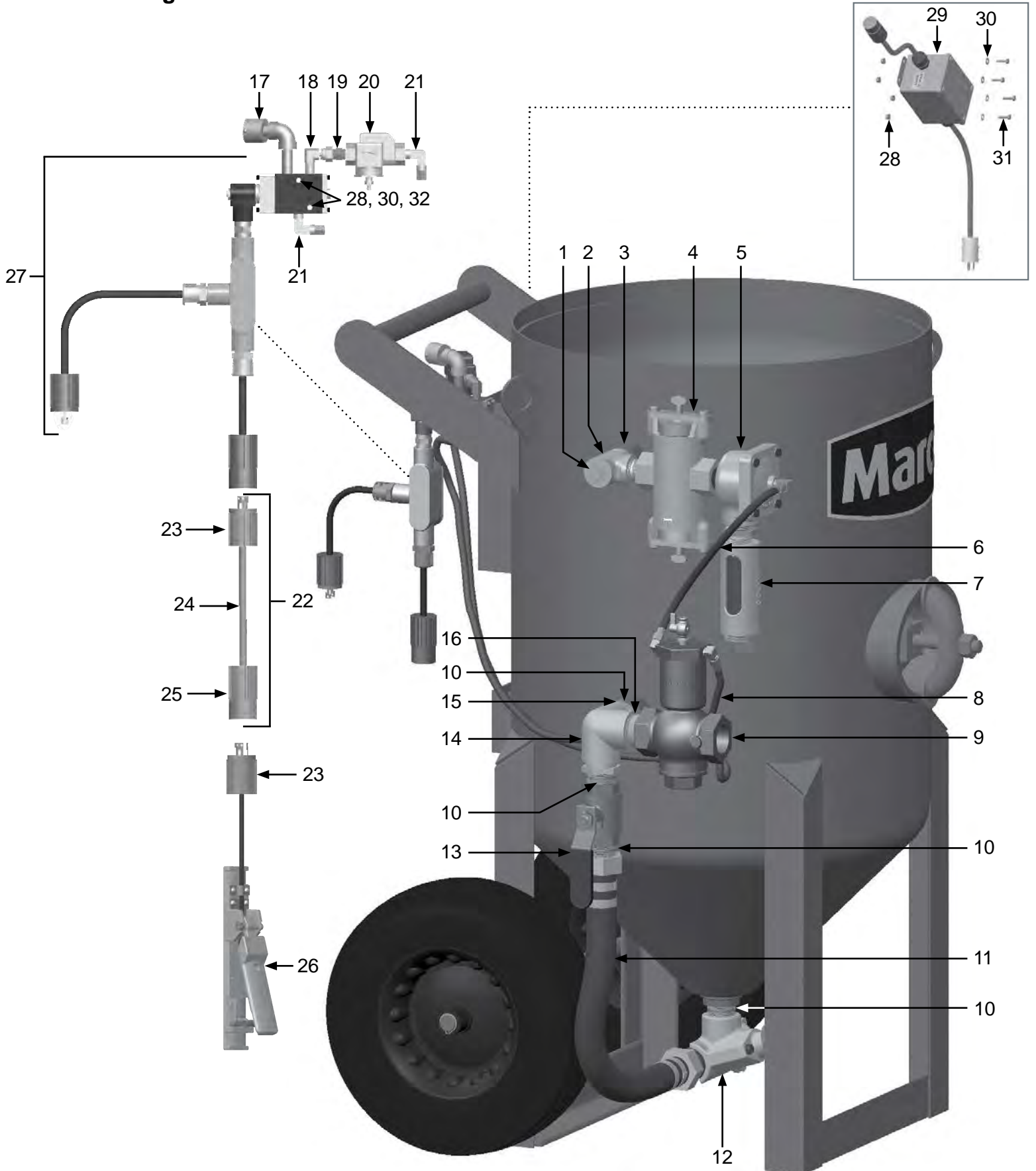
Complete 120-Volt AC Electric Conversion Kit – 6.0 through 6.5 Cu. Ft. Blast Pots – 1-1/2" Metering Valve

Item #	Part #	Description
Fig. 10		
—	10107264	Complete 120-Volt AC Electric Conversion Kit – 1-1/2" Bantam Abrasive Metering Valve
1	1011901	1" NPT Square Head Pipe Plug
2	1011816	1" NPT Pipe Tee
3	1011843	1" x 2-1/2" NPT Close Nipple
4	1012000	Abrasive Trap – Complete
5	1012150	1" Diaphragm Outlet Valve
6	10CL18	Coupled Pneumatic Control Line – 18 Inches
7	1011100	Abrasive Blasting Pot Muffler – Complete
8	10TL5	Coupled Pneumatic Twinline Hose – 5 Feet
9	1012200	1-1/2" Inlet Valve – Complete
10	1011201	1-1/4" Galvanized Close Nipple <i>(Four Required)</i>
11	1006312	1-1/2" I.D. Pusher Line Assembly
12	1014102	Blastmaster® 1-1/2" Bantam Abrasive Metering Valve – Complete
13	1011603	1-1/2" NPT Full Port Brass Ball Valve
14	1011804	1-1/2" 90° Elbow with Side-Out
15	1011501	1-1/4" x 1-1/2" NPT Bushing
16	1014015	1-1/2" NPT Close Nipple
17	10DE025	1/4" Dust Eliminator
18	1012326	1/4" NPT 90° Swivel
19	1017019	1/4" x 1/4" Hex Nipple
20	10WS	Watts Strainer
21	1012051	1/4" NPT Brass Elbow <i>(Two Required)</i>
22	1015542	50' of Xtreme-Duty® Power Cord with Male and Female Twist-Lock Plugs <i>(Includes Item #'s: 23, 24, and 25)</i>
23	1015551	Two-Prong Twist Lock Plug – Male
24	1015540	16/2 Xtreme-Duty® Electric Cord – Per Foot
25	1015552	Two-Prong Twist Lock Plug – Female
26	1015100	Blastmaster® 151E Remote Control Switch
27	1019002	12-Volt AC 190 Electric Control Assembly – Complete
28	1012323	1/4–20 Zinc Lock Nut with Nylon Insert
29	1030020	Blastmaster® 120-Volt AC to 12-Volt AC Power Converter
30	1014017	1/4" Flat Washer
31	1012154	1/4–20 x 1" Hex Bolt
32	1019044	1/4-20 x 1-3/4" Zinc Bolt


See page 38 for product literature


PART NUMBERS AND SCHEMATICS GUIDE


Figure 10: Complete 120-Volt AC Electric Conversion Kit – 6.0 through 6.5 Cu. Ft. Blast Pots – 1-1/2" Metering Valve




OPTIONAL ACCESSORIES




		XTREME-DUTY® ELECTRIC CORD						
Part Numbers		Gauge	# of Wires	Color	Type	Cover Material	U.O.M.	
	1015540	16	2	Red	Xtreme-Duty®	Polyurethane	Per Foot	

		ELECTRIC CORD						
Part Numbers		Gauge	# of Wires	Color	Type	Cover Material	U.O.M.	
	10106833	16	2	Black	Economy	Thermoplastic Elastomer	Per Foot	
	1030013	14	2	Black	Economy	Thermoplastic Elastomer	Per Foot	
	1015550	14	3	Black	Economy	Thermoplastic Elastomer	Per Foot	

		XTREME-DUTY® ELECTRIC CONTROL LINE WITH PLUGS							
Part Numbers		Gauge	# of Wires	Color	Type	Cover Material	2-Prong Male Twist-Lock Plug	2-Prong Female Twist-Lock Plug	U.O.M.
	1015543	16	2	Red	Xtreme-Duty®	Polyurethane	1015551	1015552	25 Ft.
	1015542	16	2	Red	Xtreme-Duty®	Polyurethane	1015551	1015552	50 Ft.
	10105953	16	2	Red	Xtreme-Duty®	Polyurethane	1015551	1015552	100 Ft.

OPTIONAL ACCESSORIES

ELECTRIC CONTROL LINE WITH PLUGS									
	Part Numbers	Gauge	# of Wires	Color	Type	Cover Material	2-Prong Male Twist-Lock Plug	2-Prong Female Twist-Lock Plug	U.O.M.
	10106867	16	2	Black	Economy	Thermoplastic Elastomer	1015551	1015552	25 Ft.
	10106866	16	2	Black	Economy	Thermoplastic Elastomer	1015551	1015552	50 Ft.
	10106865	16	2	Black	Economy	Thermoplastic Elastomer	1015551	1015552	100 Ft.

ELECTRIC CONTROL LINE PLUGS			
	Part Numbers	Prong Style	Plug Style
	1030026	3-Prong Male	Standard
	1015551	2-Prong Male	Twist-Lock
	1015552	2-Prong Female	Twist-Lock

LITERATURE REFERENCES

Remote Control System

105M141	Features and Specifications Guide – Blastmaster® 121E Remote Control System
106M141	Part Numbers and Schematics Guide – Blastmaster® 121E Remote Control System
1090141	Operator's Manual – Blastmaster® 121E Remote Control System

Remote Control Switch

105M063	Features and Specifications Guide – Blastmaster® 151E Remote Control Switch
106M063	Part Numbers and Schematics Guide – Blastmaster® 151E Remote Control Switch
1090063	Operator's Manual – Blastmaster® 151E Remote Control Switch

Abrasive Metering Valves

105M022	Features and Specifications Guide – Blastmaster® Bantam Abrasive Metering Valve
106M022	Part Numbers and Schematics Guide – Blastmaster® Bantam Abrasive Metering Valve
1090022	Operator's Manual – Blastmaster® Bantam Abrasive Metering Valve

Abrasive Blasting Pot Muffler

105M347	Features and Specifications Guide – Abrasive Blasting Pot Muffler
106M347	Part Numbers and Schematics Guide – Abrasive Blasting Pot Muffler

PART NUMBERS AND SCHEMATICS GUIDE

BLASTMASTER® 121P REMOTE CONTROL SYSTEM							
Part Numbers	1-1/2" Inlet Valve	1" Diaphragm Outlet Valve	Abrasive Trap	Remote Control Switch	50 Feet of Pneumatic Control Line – Coupled	5 Feet of Pneumatic Control Line – Coupled	18 Inches of Feet of Pneumatic Control Line – Coupled
10106736	1012200	1012150	1012000	1015000	10TL50	10TL5	10CL18

PART NUMBERS AND SCHEMATICS GUIDE



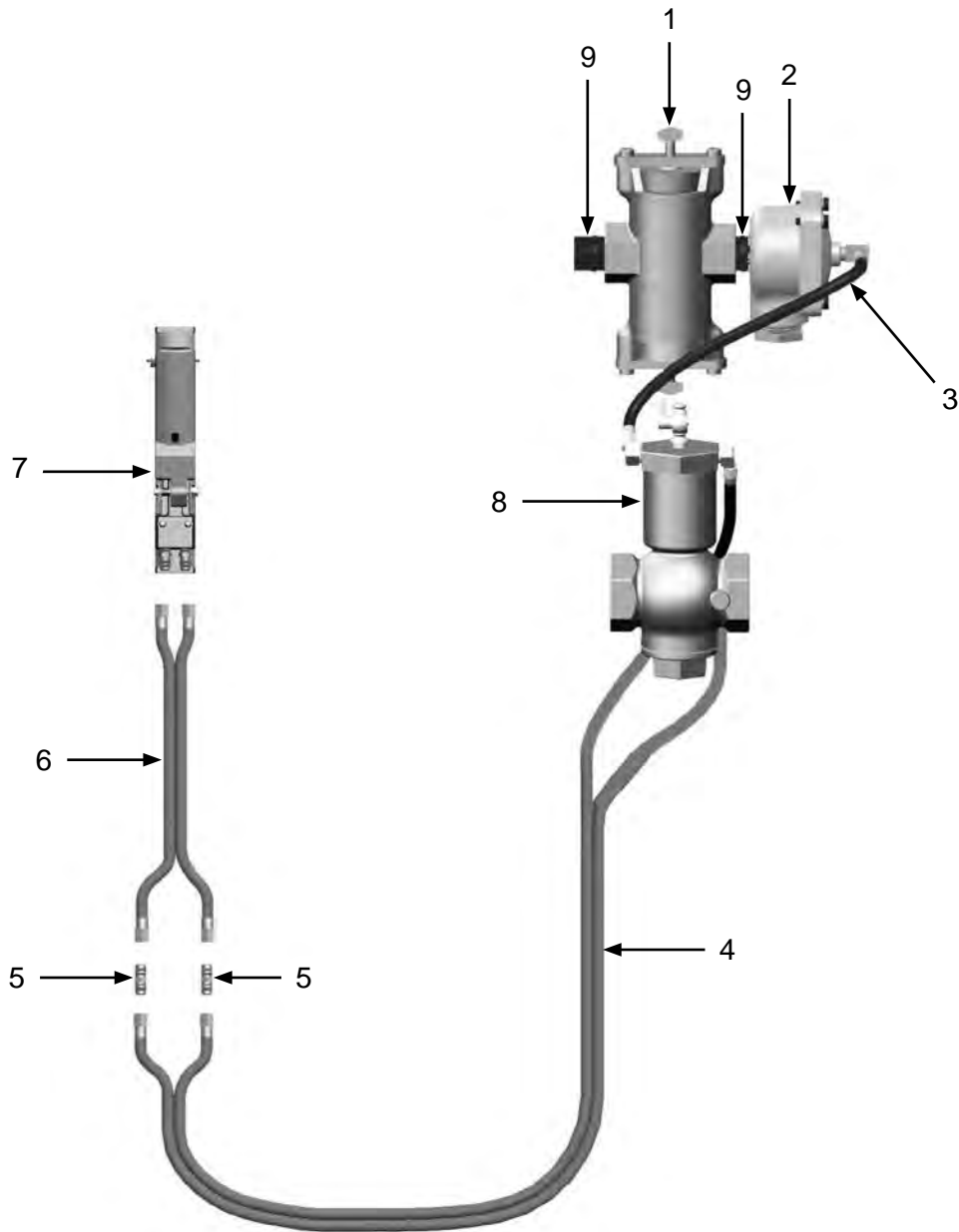
PART NUMBERS AND SCHEMATICS GUIDE

Blastmaster® 121P Remote Control System

Item #	Part #	Description
Fig. 1		
—	10106736	Blastmaster® 121P Remote Control System – Complete
1	1012000	Abrasive Trap – Complete <i>(See Figure 4)</i>
2	1012150	1" Diaphragm Outlet Valve <i>(See Figure 3)</i>
3	10CL18	Coupled Pneumatic Control Line – 18 Inches
4	10TL5	Coupled Pneumatic Control Line – 5 Feet
5	1017001	3/16" Control Line Union <i>(Two Required)</i>
6	10TL50 10TL100	Coupled Pneumatic Control Line – 50 Feet Coupled Pneumatic Control Line – 100 Feet <i>(Optional)</i>
7	1015000	Blastmaster® 150P Remote Control Switch – Complete <i>(See Figure 5)</i>
8	1012200	1-1/2" Inlet Valve – Complete <i>(See Figure 2)</i>
9	1012151	1" Close Nipple <i>(Two Required)</i>
—	1011501	1-1/2" NPT (M) x 1-1/4" NPT (F) Bushing <i>(Not Shown)</i>
—	105M142	Features & Specifications Guide – Blastmaster® 121P Remote Control System
—	105M023	Features & Specifications Guide – Blastmaster® 150P Remote Control Switch
—	106M142	Part Numbers & Schematics Guide – Blastmaster® 121P Remote Control System
—	106M023	Part Numbers & Schematics Guide – Blastmaster® 150P Remote Control Switch
—	1090142	Operator's Manual – Blastmaster® 121P Remote Control System
—	1090023	Operator's Manual – Blastmaster® 150P Remote Control Switch

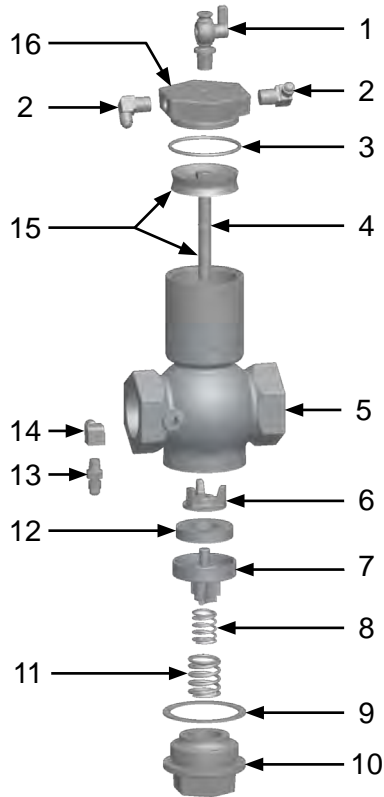
PART NUMBERS AND SCHEMATICS GUIDE

Figure 1: Blastmaster® 121P Remote Control System



PART NUMBERS AND SCHEMATICS GUIDE

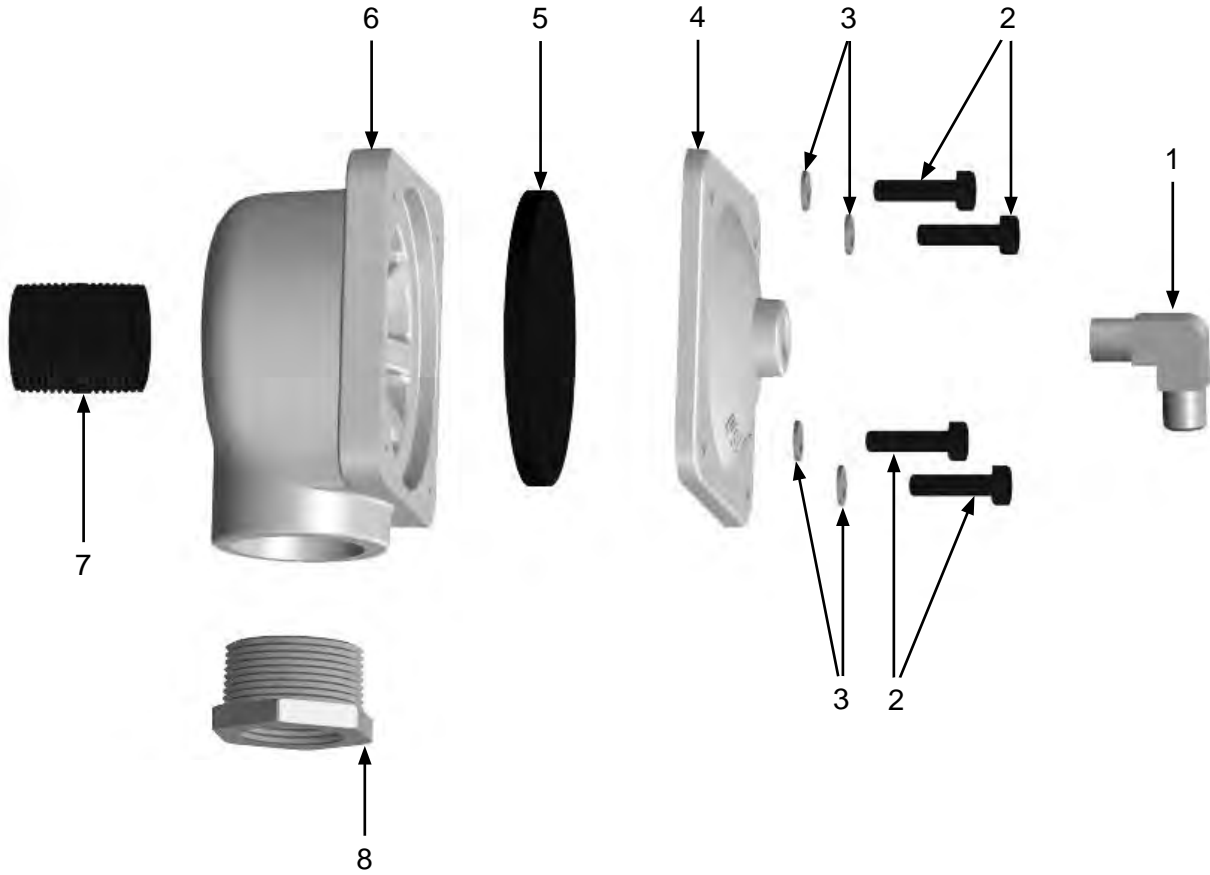
Figure 2: 1-1/2" Inlet Valve



Item #	Part #	Description
Fig. 2		
—	1012200	1-1/2" Inlet Valve – Complete
1	1012101	1/4" NPT Petcock
2	1012051	1/4" NPT Brass Elbow <i>(Two Required)</i>
3	1012213	1/8" x 2-1/2" O-Ring
4	1012208	1/16" x 7/16" O-Ring
5	1012204	1-1/2" Body
6	1012207	1-1/2" Plug Washer Retainer
7	1012205	1-1/2" Plug
8	1012105	5/8" x 1-11/16" Inner Spring
9	1012202	1-1/2" Bottom Cap Gasket
10	1012201	1-1/2" Bottom Cap
11	1012203	7/8" x 2-1/16" Outer Spring
12	1012206	1-1/2" Plug Washer
13	1012103	1/8" Adapter with 1/16" Restrictor Port
14	1012113	1/8" Street Elbow
15	1012209	Piston and Rod Assembly
16	1012214	1-1/2" Cylinder Cap
—	1012215	1-1/2" Inlet Valve Repair Kit <i>(Includes Item #'s: 3, 4, 8, 9, 11, and 12 (Quantity of Two))</i>

PART NUMBERS AND SCHEMATICS GUIDE

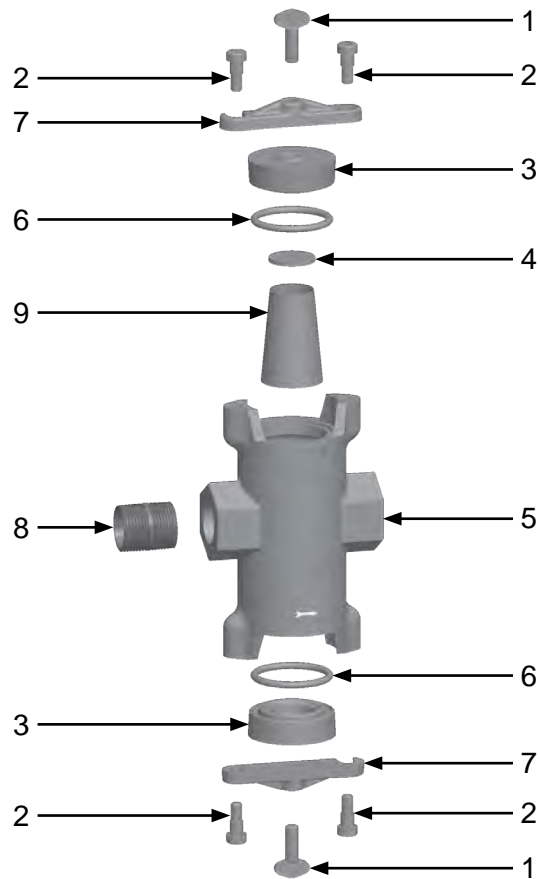
Figure 3: 1" Diaphragm Outlet Valve



Item #	Part #	Description
Fig. 3		
—	1012150	1" Diaphragm Outlet Valve Complete
1	1012051	Elbow 1/4" NPT x 7/16-20 Tap
2	1012154	1/4-20 x 1 Hex Bolt <i>(Four Required)</i>
3	1012153	1/4" Lock Washer <i>(Four Required)</i>
4	1012155	Cap Diaphragm Outlet Valve
5	1012152	Diaphragm Only
6	1012156	Body Diaphragm Outlet Valve
7	1012151	1" Galvanized Close Nipple
8	1012157	1-1/4" x 1" Bushing
—	1091045	Hazard Identification Tag

PART NUMBERS AND SCHEMATICS GUIDE

Figure 4: Abrasive Trap



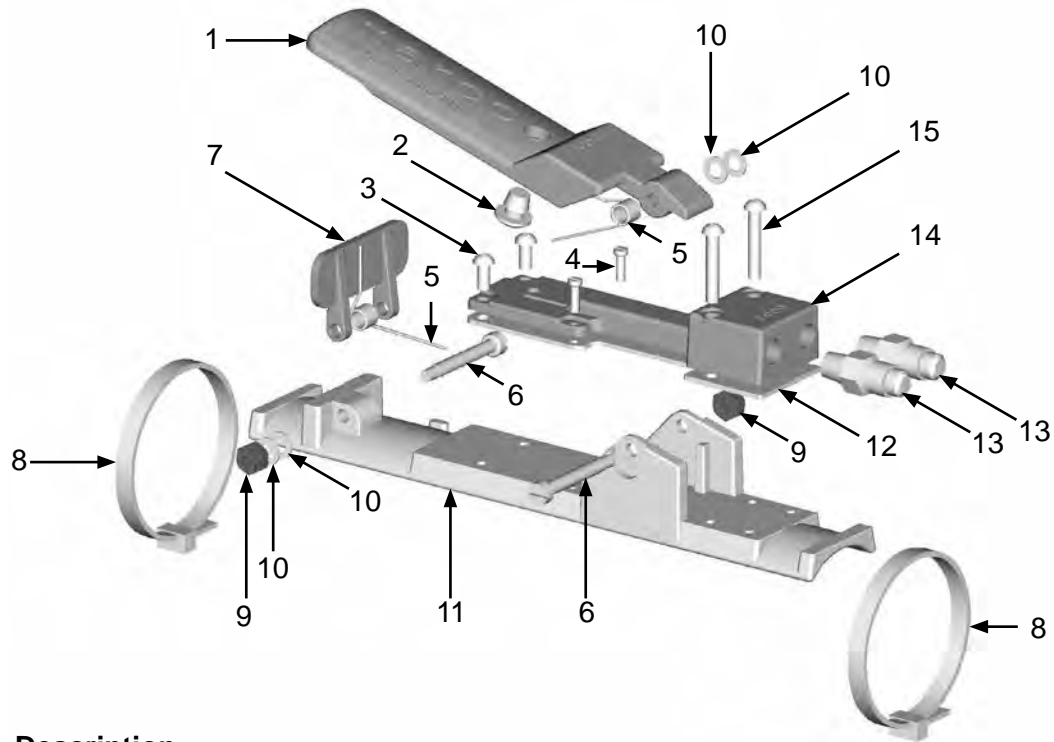
Item #	Part #	Description
--------	--------	-------------

Fig. 4

—	1012000	Abrasive Trap – Complete
1	1012006	Thumb Screw <i>(Two Required)</i>
2	1012007	3/8" x 3/8" Shoulder Bolt <i>(Four Required)</i>
3	1012003	Abrasive Trap Cap <i>(Two Required)</i>
4	1012008	Abrasive Trap Screen Gasket
5	1012004	Abrasive Trap Body
6	1012002	Abrasive Trap O-Ring <i>(Two Required)</i>
7	1012005	Cap Lock Bar <i>(Two Required)</i>
8	1012151	1" NPT Close Nipple
9	1012001	Abrasive Trap Screen
—	1012009	Abrasive Trap Repair Kit <i>(Includes Item #'s: 4, 6 (Quantity of Two), and 9 (Quantity of Three))</i>

PART NUMBERS AND SCHEMATICS GUIDE

Figure 5: Blastmaster® 150P Remote Control Switch



Item #	Part #	Description
--------	--------	-------------

Fig. 5

—	1015000	Blastmaster® 150P Remote Control Switch – Complete
1	1015001	Handle
2	1015011	Rubber Button Bumper
3	1015014	8-32 x 3/8" Phillips Head Screw <i>(Two Required)</i>
4	1015010	4-40 x 3/8" Fillister Screw <i>(Two Required)</i>
5	1015005	Spring <i>(Two Required)</i>
6	1015008	Shoulder Screw <i>(Two Required)</i>
7	1015003	Safety Tab
8	1015015	Nylon Zip Tie – White <i>(Two Required)</i>
9	1015006	8-32 UNC-2B Nylon Insert Lock Nut <i>(Two Required)</i>
10	1015007	3/8" O.D. x 7/16" I.D. Washer <i>(Four Required)</i>
11	1015002	Body
12	1015012	Adapter Block Gasket
13	1012903	1/8" NPT x 7/16-20 JIC Fitting <i>(Two Required)</i>
14	1015004	Adapter Block
15	1015009	8-32 x 1" Phillips Head Screw <i>(Two Required)</i>
—	1015013	Blastmaster® 150P Remote Control Switch Repair Kit <i>(Includes Item #'s: 2 (Quantity of Three), 3 (Quantity of Two), 4, 5, 6, 7, 9, 10 (Quantity of Four), 12, and 15)</i>
—	1091032	Hazard Identification Tag
—	105M023	Features and Specifications Guide – Blastmaster® 150P Remote Control Switch
—	106M023	Part Numbers and Schematics Guide – Blastmaster® 150P Remote Control Switch
—	1090023	Operator's Manual – Blastmaster® 150P Remote Control Switch

OPTIONAL ACCESSORIES

Part Numbers	PNEUMATIC CONTROL LINE	
	Length	Fittings
10TL3	3 Feet	(4) 1017016
10TL5	5 Feet	(4) 1017016
10TL25	25 Feet	(4) 1017016
10TL50	50 Feet	(4) 1017016
10TL100	100 Feet	(4) 1017016
10TLBK	Per Foot	None



10TL3
10TL5










10TL25
10TL50
10TL100



10TLBK

OPTIONAL ACCESSORIES

	Part Numbers	PNEUMATIC CONTROL LINE FITTINGS ACCESSORIES	
		Description	
	1017016	3/16" Female Nut & Barb	
	1017000	3/16" Female Reusable Hose End	
	1017017	Pneumatic Control Line Hose Ferrule	
	1017011	Pneumatic Control Line Oetiker Clamp	
	1017001	3/16" Male x Male Hose Union	

	Part Numbers	PNEUMATIC CONTROL LINE FITTINGS ACCESSORIES	
		Description	
	10DX855A	Ferrule Crimping Tool	
	10DX1098	Oetiker® Clamp Tool	

PART NUMBERS AND SCHEMATICS GUIDE

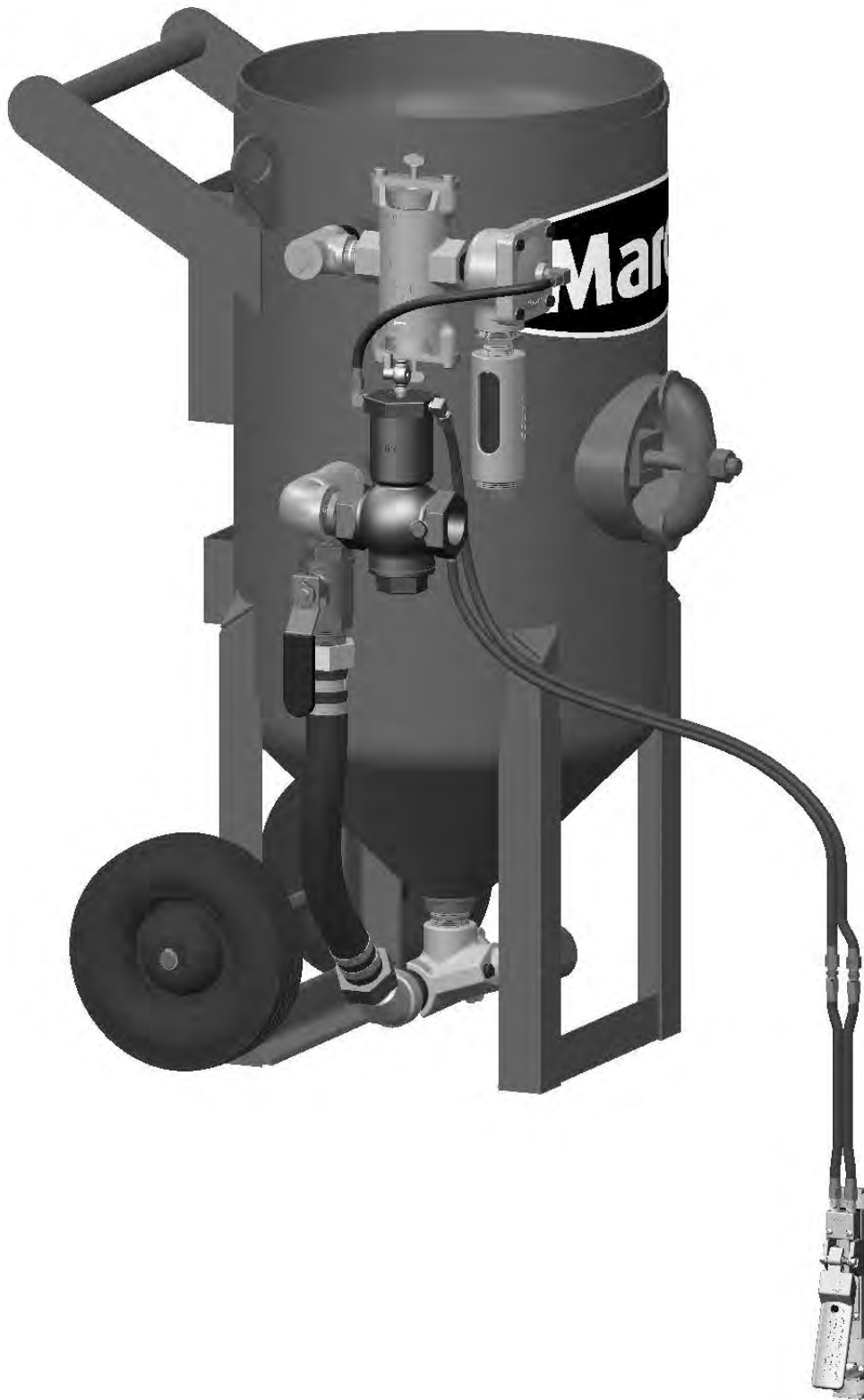
PNEUMATIC REMOTE CONTROL SYSTEM KITS – 3.5 CU. FT. M-SERIES ABRASIVE BLASTING POT

Part Numbers	Blastmaster® 1-1/4" Bantam Abrasive Metering Valve	Blastmaster® 1-1/2" Bantam Abrasive Metering Valve	Blastmaster® 150P Remote Control Switch	1" Diaphragm Outlet Valve	1/2" Inlet Valve	Twinline	Pusher Line Assembly	Abrasive Blasting Pot Muffler
10107257	X		X	X	X	50 Ft.	X	X
10107258		X	X	X	X	50 Ft.	X	X

For converting a bare pot to pneumatic remote control system.

Includes: Blastmaster® Bantam Abrasive Metering Valve, Blastmaster® 150P Remote Control Switch, Twinline, Air Hose Pusher Line, Inlet Valve, Diaphragm Outlet Valve, Abrasive Blasting Pot Muffler, and various pipe fittings

PART NUMBERS AND SCHEMATICS GUIDE



PART NUMBERS AND SCHEMATICS GUIDE

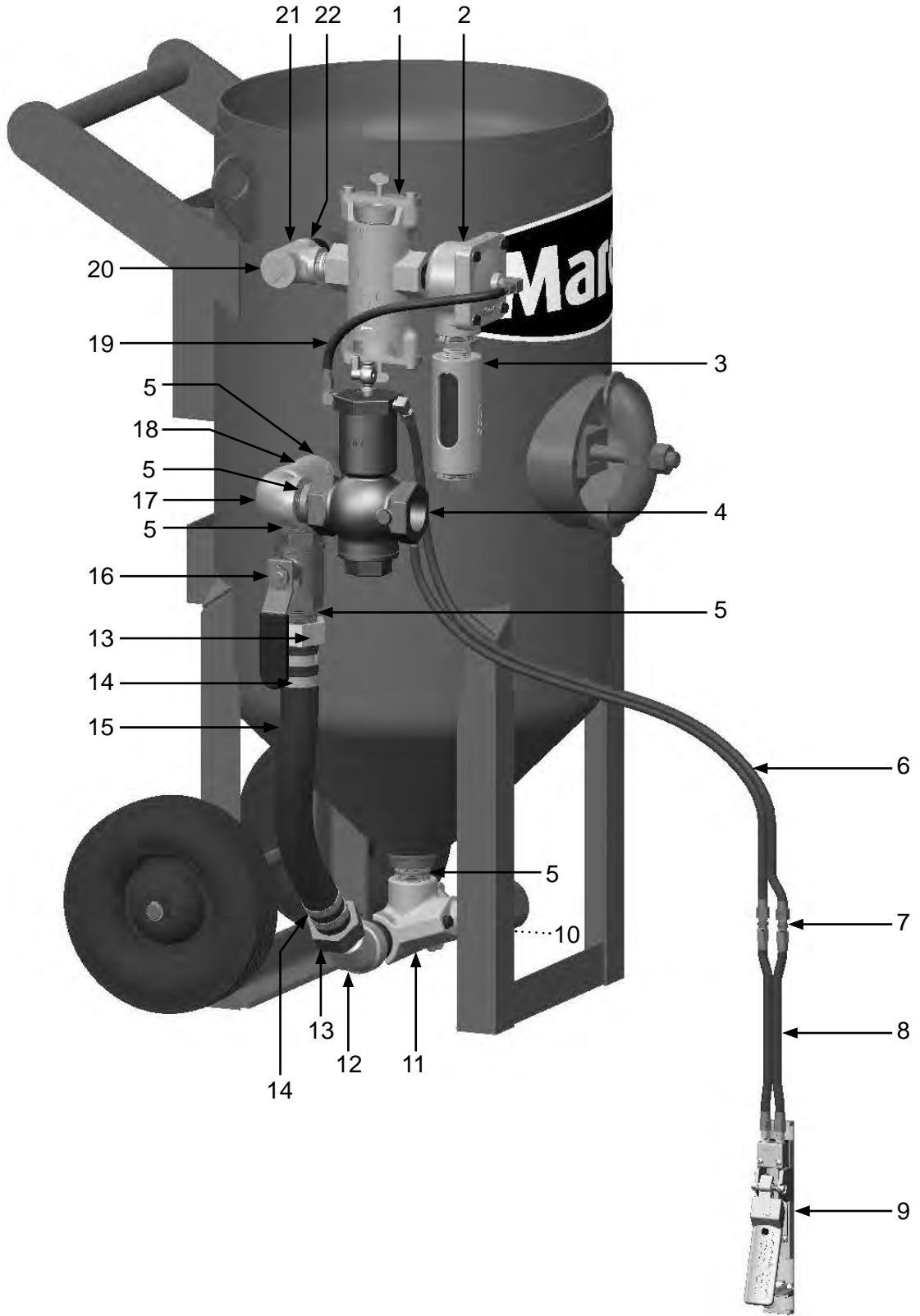
121P Pneumatic Conversion Kit – 3.5 Cu. Ft. M-Series Abrasive Blasting Pot

Item #	Part #	Description
Fig. 1		
—	10107257	121P Pneumatic Conversion Kit – 1-1/4" Bantam Abrasive Metering Valve – 3.5 Cu. Ft. Pot
—	10107258	121P Pneumatic Conversion Kit – 1-1/2" Bantam Abrasive Metering Valve – 3.5 Cu. Ft. Pot
1	1012000	Abrasive Trap
2	1012150	1" Diaphragm Outlet Valve
3	1011100	Abrasive Blasting Pot Muffler
4	1012200	1-1/2" Inlet Valve
5	1011201	1-1/4" Close Nipple (<i>Quantity of Four with 10107257, Quantity of Two with 10107258</i>)
	1014015	1-1/2" Close Nipple (<i>Quantity of One with 10107257, Quantity of Three with 10107258</i>)
6	10TL5	Coupled Pneumatic Control Line – 5 Feet
7	1017001	3/16" I.D. Hose Union (<i>Quantity of Two</i>)
8	10TL50	Coupled Pneumatic Control Line – 50 Feet
9	1015000	Blastmaster® 150P Remote Control Switch
10	10SB2S	1-1/2" Straight Thread Pot Coupling
11	1014101	1-1/4" Bantam Abrasive Metering Valve (<i>For use with 10107257</i>)
	1014102	1-1/2" Bantam Abrasive Metering Valve (<i>For use with 10107258</i>)
12	1011830	1-1/4" 45° Street Elbow (<i>For use with 10107257</i>)
	1011805	1-1/2" 45° Street Elbow (<i>For use with 10107258</i>)
13	10SFE3	1-1/4" Female Swivel Air Hose End (<i>Quantity of Two</i>) (<i>For use with 10107257</i>)
	10SFE4	1-1/2" Female Swivel Air Hose End (<i>Quantity of Two</i>) (<i>For use with 10107258</i>)
14	10103737	1-1/4" I.D. T-Bolt Hose Clamp (<i>Quantity of Two</i>) (<i>For use with 10107257</i>)
	10103738	1-1/2" I.D. T-Bolt Hose Clamp (<i>Quantity of Two</i>) (<i>For use with 10107258</i>)
15	10AH114B	1-1/4" I.D. Air Hose – Per Foot (<i>Three Feet Required</i>) (<i>For use with 10107257</i>)
	10AH112B	1-1/2" I.D. Air Hose – Per Foot (<i>Three Feet Required</i>) (<i>For use with 10107258</i>)
16	1011602	1-1/4" Full Port Ball Valve (<i>For use with 10107257</i>)
	1011603	1-1/2" Full Port Ball Valve (<i>For use with 10107258</i>)
17	1011839	1-1/2" 90° Street Elbow
18	1011834	1-1/2" x 1-1/4" x 1-1/4" Pipe Tee (<i>For use with 10107257</i>)
	1011833	1-1/4" x 1-1/2" x 1-1/2" Pipe Tee (<i>For use with 10107258</i>)
19	10CL18	Coupled Pneumatic Control Line – 18 Inches
20	1011901	1" Square Head Pipe Plug
21	1011816	1" Pipe Tee
22	1011843	1" x 2-1/2" Close Nipple
—	1091045	Hazard Identification Tag (<i>Quantity of Four</i>) (<i>Not Shown</i>)

See page 14 for product literature

PART NUMBERS AND SCHEMATICS GUIDE

Figure 1: 121P Pneumatic Conversion Kit – 3.5 Cu. Ft. M-Series Abrasive Blasting Pot



PART NUMBERS AND SCHEMATICS GUIDE

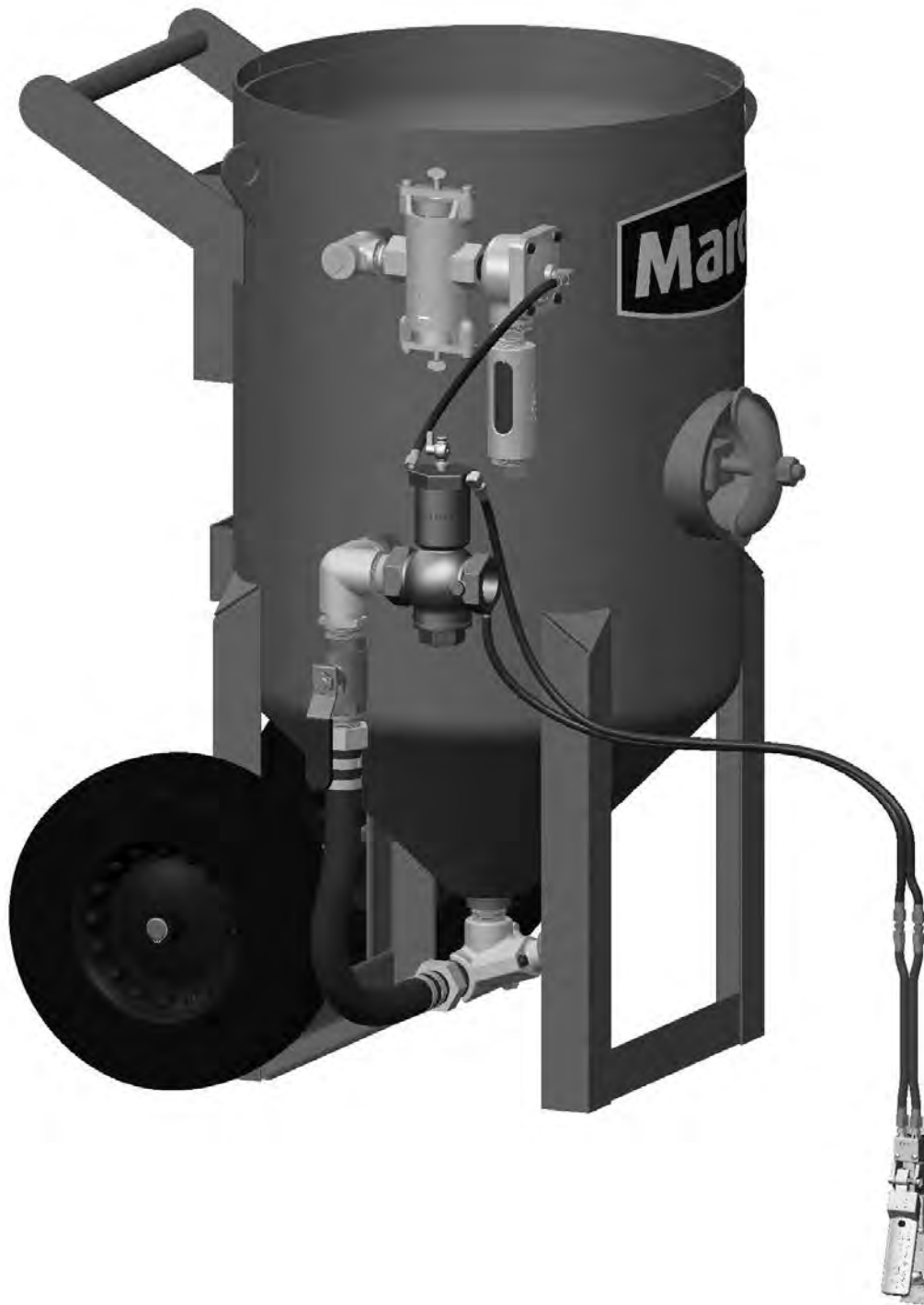
PNEUMATIC REMOTE CONTROL SYSTEM KITS – 6.5 CU. FT. M-SERIES ABRASIVE BLASTING POT

Part Numbers	Blastmaster® 1-1/4" Bantam Abrasive Metering Valve	Blastmaster® 1-1/2" Bantam Abrasive Metering Valve	Blastmaster® 150P Remote Control Switch	1" Diaphragm Outlet Valve	1/2" Inlet Valve	Twinline	Pusher Line Assembly	Abrasive Blasting Pot Muffler
10107255	X		X	X	X	50 Ft.	X	X
10107256		X	X	X	X	50 Ft.	X	X

For converting bare pot to pneumatic remote control system.

Includes: Blastmaster® Bantam Abrasive Metering Valve, Blastmaster® 150P Remote Control Switch, Twinline, Air Hose Pusher Line, Inlet Valve, Diaphragm Outlet Valve, Abrasive Blasting Pot Muffler, and various pipe fittings

PART NUMBERS AND SCHEMATICS GUIDE



PART NUMBERS AND SCHEMATICS GUIDE

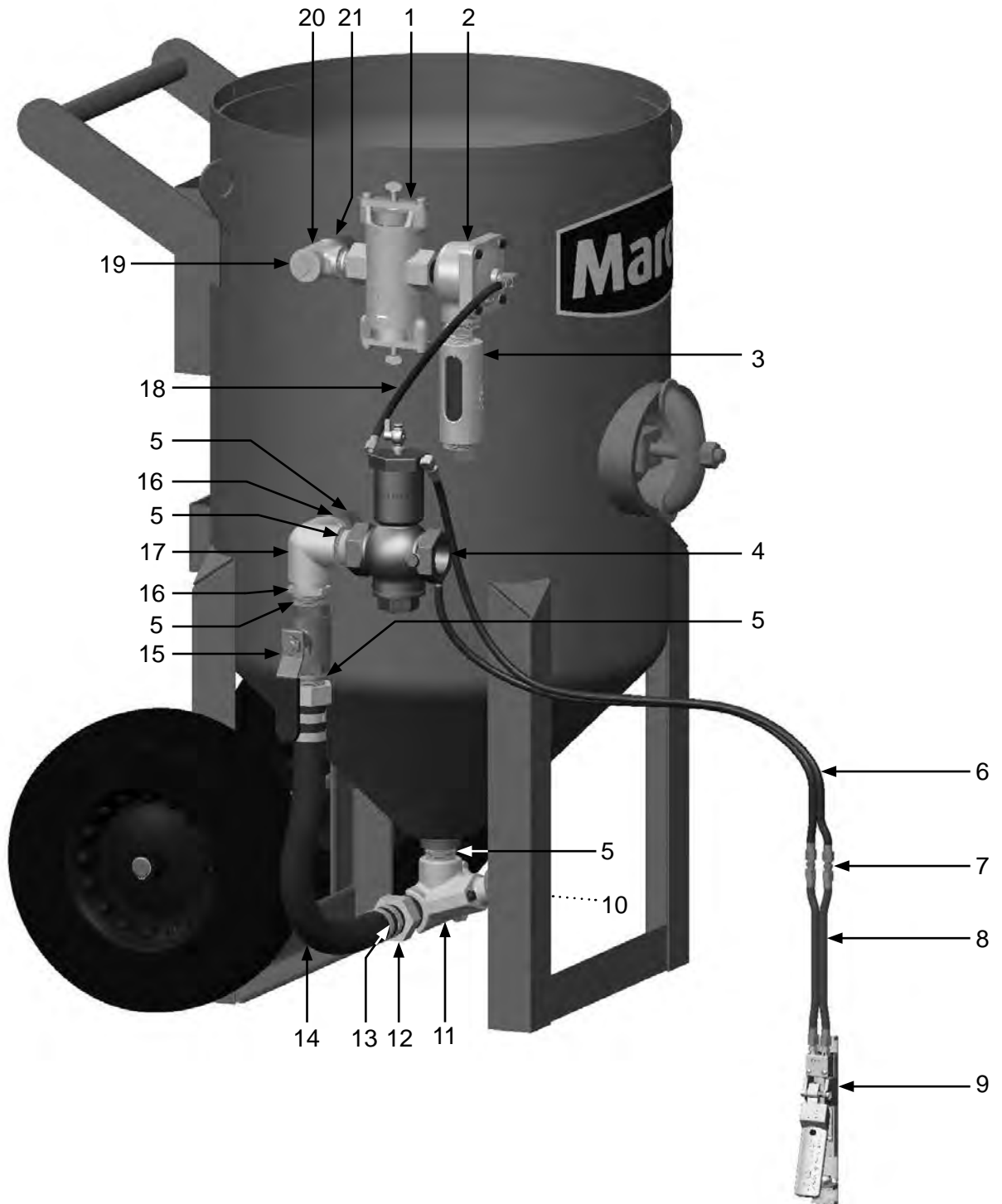
121P Pneumatic Conversion Kit – 6.5 Cu. Ft. M-Series Abrasive Blasting Pot

Item #	Part #	Description
Fig. 2		
—	10107255	121P Pneumatic Conversion Kit – 1-1/4" Bantam Abrasive Metering Valve – 6.5 Cu. Ft. Pot
—	10107256	121P Pneumatic Conversion Kit – 1-1/2" Bantam Abrasive Metering Valve – 6.5 Cu. Ft. Pot
1	1012000	Abrasive Trap
2	1012150	1" Diaphragm Outlet Valve
3	1011100	Abrasive Blasting Pot Muffler
4	1012200	1-1/2" Inlet Valve
5	1011201	1-1/4" Close Nipple (<i>Quantity of Four with 10107255, Quantity of Two with 10107256</i>)
	1014015	1-1/2" Close Nipple (<i>Quantity of One with 10107255, Quantity of Three with 10107256</i>)
6	10TL5	Coupled Pneumatic Control Line – 5 Feet
7	1017001	3/16" I.D. Hose Union (<i>Quantity of Two</i>)
8	10TL50	Coupled Pneumatic Control Line – 50 Feet
9	1015000	Blastmaster® 150P Remote Control Switch
10	10SB2S	1-1/2" Straight Thread Pot Coupling
11	1014101	1-1/4" Bantam Abrasive Metering Valve (<i>For use with 10107255</i>)
	1014102	1-1/2" Bantam Abrasive Metering Valve (<i>For use with 10107256</i>)
12	10SFE3	1-1/4" Female Swivel Air Hose End (<i>Quantity of Two</i>) (<i>For use with 10107255</i>)
	10SFE4	1-1/2" Female Swivel Air Hose End (<i>Quantity of Two</i>) (<i>For use with 10107256</i>)
13	10103737	1-1/4" I.D. T-Bolt Hose Clamp (<i>Quantity of Two</i>) (<i>For use with 10107255</i>)
	10103738	1-1/2" I.D. T-Bolt Hose Clamp (<i>Quantity of Two</i>) (<i>For use with 10107256</i>)
14	10AH114B	1-1/4" I.D. Air Hose – Per Foot (<i>Three Feet Required</i>) (<i>For use with 10107255</i>)
	10AH112B	1-1/2" I.D. Air Hose – Per Foot (<i>Three Feet Required</i>) (<i>For use with 10107256</i>)
15	1011602	1-1/4" Full Port Ball Valve (<i>For use with 10107255</i>)
	1011603	1-1/2" Full Port Ball Valve (<i>For use with 10107256</i>)
16	1011501	1-1/2" (M) x 1-1/4" (F) Bushing (<i>Quantity of Two with 10107255, Quantity of One with 10107256</i>)
17	1011804	1-1/2" 90° Elbow with Side-Out
18	10CL18	Coupled Pneumatic Control Line – 18 Inches
19	1011901	1" Square Head Pipe Plug
20	1011816	1" Pipe Tee
21	1012151	1" Close Nipple
—	1091045	Hazard Identification Tag (<i>Quantity of Four</i>) (<i>Not Shown</i>)

See page 14 for product literature

PART NUMBERS AND SCHEMATICS GUIDE

Figure 2: 121P Pneumatic Conversion Kit – 6.5 Cu. Ft. M-Series Abrasive Blasting Pot



OPTIONAL ACCESSORIES

PNEUMATIC CONTROL LINE		
Part Numbers	Length	Fittings
10TL3	3 Feet	1017016 <i>(Quantity of Four)</i>
10TL5	5 Feet	1017016 <i>(Quantity of Four)</i>
10TL25	25 Feet	1017016 <i>(Quantity of Four)</i>
10TL50	50 Feet	1017016 <i>(Quantity of Four)</i>
10TL100	100 Feet	1017016 <i>(Quantity of Four)</i>
10TLBK	Per Foot	None



10TL3
10TL5










10TL25
10TL50
10TL100



10TLBK

OPTIONAL ACCESSORIES

	Part Numbers	PNEUMATIC CONTROL LINE FITTINGS
	1017016	3/16" Female Nut & Barb
	1017000	3/16" Female Reusable Hose End
	1017017	Pneumatic Control Line Hose Ferrule
	1017011	Pneumatic Control Line Oetiker® Clamp
	1017001	3/16" Male x Male Hose Union

	Part Numbers	PNEUMATIC CONTROL LINE FITTINGS ACCESSORIES
	10DX855A	Ferrule Crimping Tool
	10DX1098	Oetiker® Clamp Tool

LITERATURE REFERENCES

Remote Control System

105M142	Features and Specifications Guide – Blastmaster® 121P Remote Control System
106M142	Part Numbers and Schematics Guide – Blastmaster® 121P Remote Control System
1090142	Operator's Manual – Blastmaster® 121P Remote Control System

Remote Control Switch

105M023	Features and Specifications Guide – Blastmaster® 150P Remote Control Switch
106M023	Part Numbers and Schematics Guide – Blastmaster® 150P Remote Control Switch
1090023	Operator's Manual – Blastmaster® 150P Remote Control Switch

Abrasive Metering Valve

105M022	Features and Specifications Guide – Blastmaster® Bantam Abrasive Metering Valve
106M022	Part Numbers and Schematics Guide – Blastmaster® Bantam Abrasive Metering Valve
1090022	Operator's Manual – Blastmaster® Bantam Abrasive Metering Valve

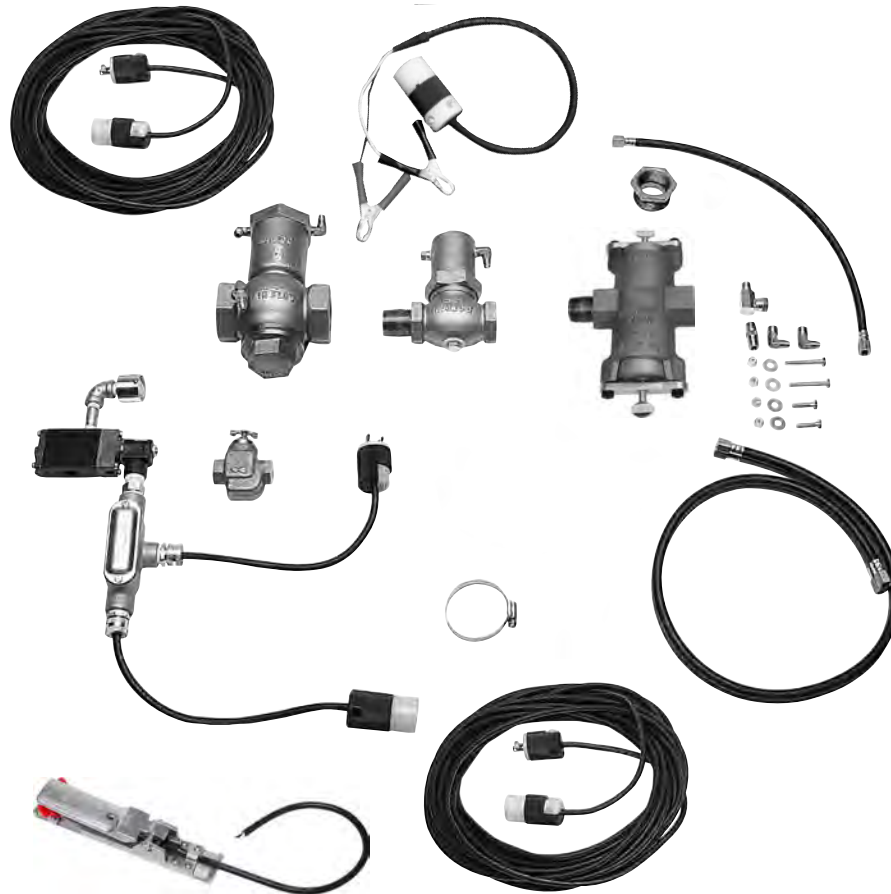
Abrasive Blasting Pot Muffler

105M347	Features and Specifications Guide – Abrasive Blasting Pot Muffler
106M347	Part Numbers and Schematics Guide – Abrasive Blasting Pot Muffler

PART NUMBERS

12-VOLT DC BLASTMASTER® 125E REMOTE CONTROL SYSTEM

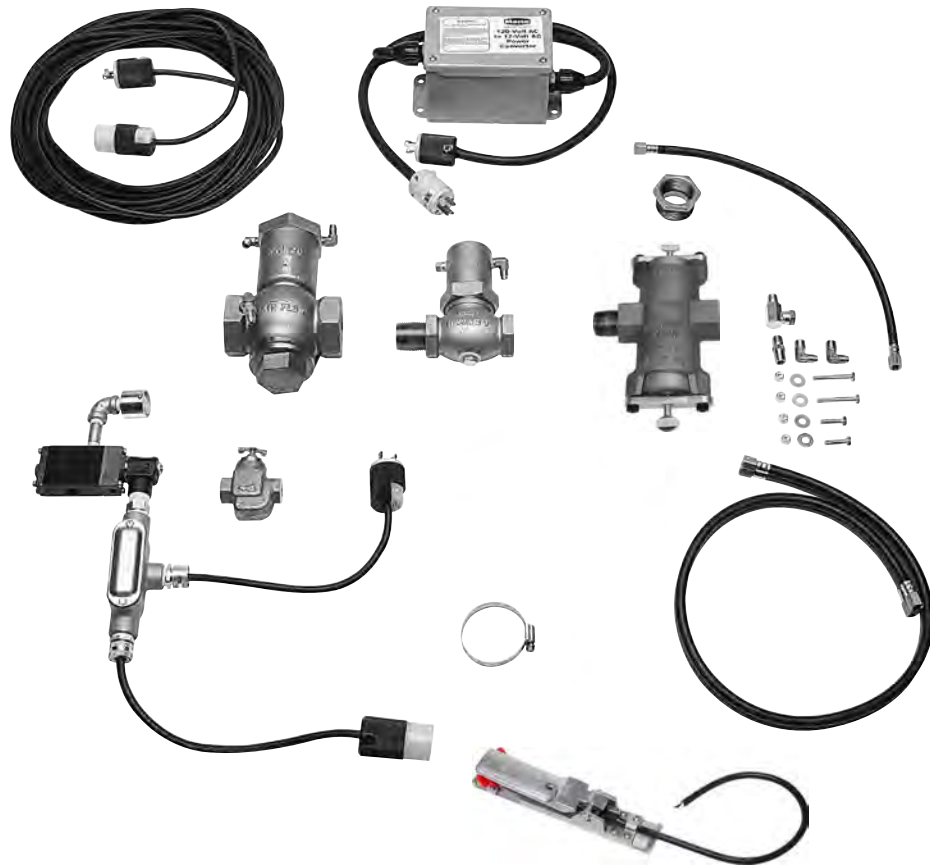
Part Number	Power Source	Battery Clamp Kit	190 Electric Control Assembly	Electric Control Lines	1-1/2" Inlet Valve	1" Outlet Valve	Abrasive Trap	Remote Control Switch	Watts Strainer
1012551	12-Volt DC	1015541	12-Volt DC	25 & 50 Feet	1012200	1012050	1012000	1015100	10WS



PART NUMBERS

120-VOLT AC BLASTMASTER® 125E REMOTE CONTROL SYSTEM

Part Number	Power Source	120-Volt AC to 12-Volt AC Power Converter	190 Electric Control Assembly	Electric Control Line	1-1/2" Inlet Valve	1" Outlet Valve	Abrasive Trap	Remote Control Switch	Watts Strainer
1012552	120-Volt AC	1030020	12-Volt AC	50 Feet	1012200	1012050	1012000	1015100	10WS



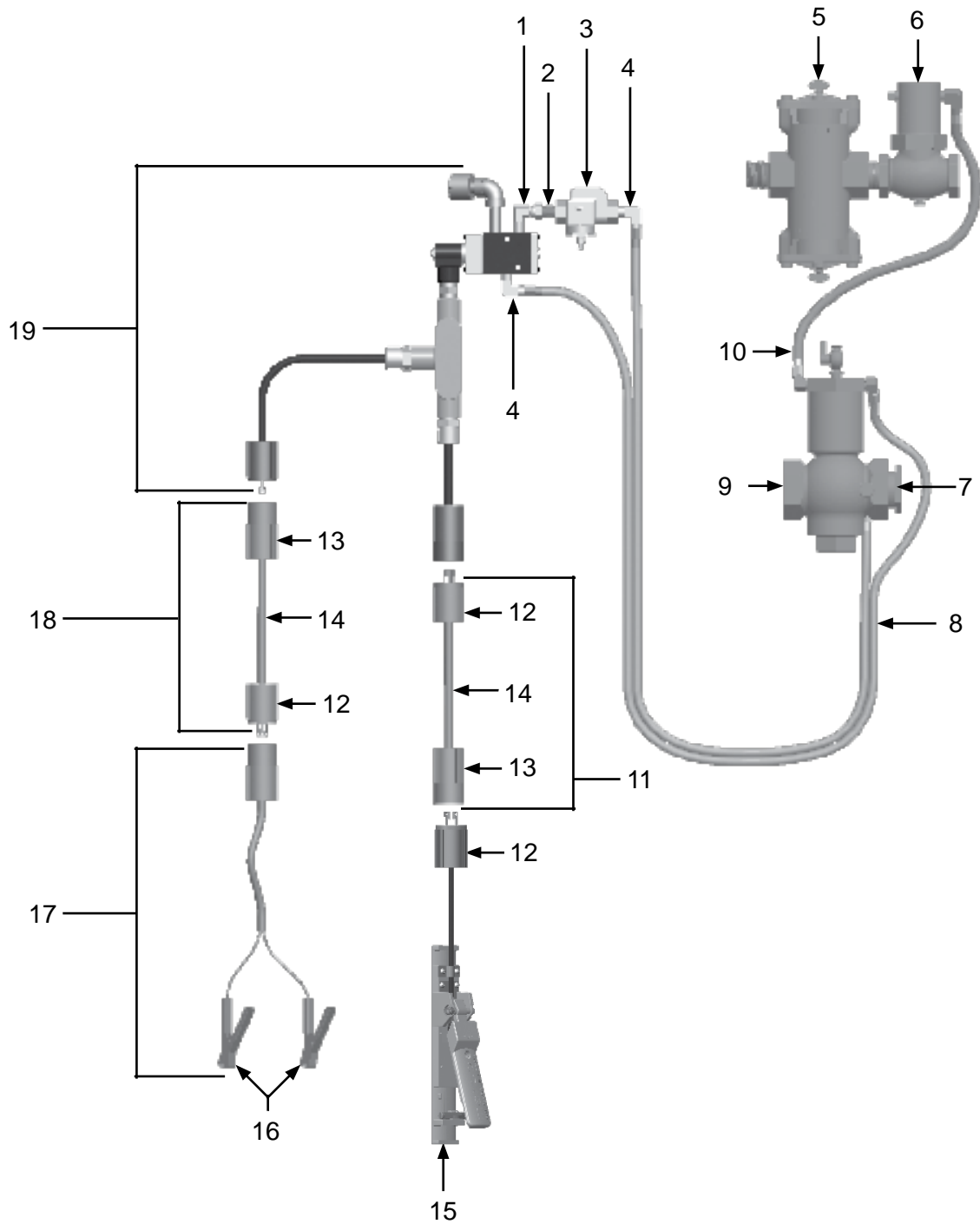
PART NUMBERS & SCHEMATICS

12-Volt DC Blastmaster® 125E Remote Control System

Item #	Part #	Description
Fig. 1		
—	1012551	12-Volt DC Blastmaster® 125E Remote Control System – Complete
1	1012326	1/4" NPT 90° Swivel Fitting
2	1017019	1/4" X 1/4" Hex Nipple
3	10WS	Watts Strainer
4	1012051	1/4" NPT Brass Elbow <i>(Two Required)</i>
5	1012000	Abrasive Trap – Complete <i>(see Figure 10)</i>
6	1012050	1" Outlet Valve – Complete <i>(see Figure 9)</i>
7	1011501	1-1/2" NPT (M) x 1-1/4" NPT (F) Bushing
8	10TL5	Coupled Pneumatic Control Line – 5 Feet
9	1012200	1-1/2" Inlet Valve – Complete <i>(see Figure 8)</i>
10	10CL18	Coupled Pneumatic Control Line – 18 inches
11	1015542	50 Feet of Electric Control Line with Male and Female Twist Lock Plugs <i>(Includes Item #'s: 12, 13, and 14 (Quantity of 50 Feet))</i>
12	1015551	2-prong Twist-Lock Plug – Male
13	1015552	2-prong Twist-Lock Plug – Female
14	1015540	16/2 SJ Electric Cord – per foot
15	1015100	Blastmaster® 151E Remote Control Switch – Complete <i>(see Figure 11)</i>
16	1030718	Battery Clamps (pair)
17	1015541	Battery Clamp Kit <i>(Includes Item #'s: 13, 14 (Quantity of Two Feet), and 16)</i>
18	1015543	25 Feet of Power Cord with Male and Female Twist-Lock Plugs <i>(Includes Item #'s: 12, 13, and 14 (Quantity of 25 Feet))</i>
19	1019001	12-Volt DC 190 Electric Control Assembly <i>(See Figure 2)</i>
—	105M088	Features and Specifications Guide – Blastmaster® 125E Remote Control System
—	105M063	Features and Specifications Guide – Blastmaster® 151E Remote Control Switch
—	106M063	Part Numbers & Schematics Guide – Blastmaster® 151E Remote Control Switch
—	106M088	Part Numbers & Schematics Guide – Blastmaster® 125E Remote Control System
—	1090063	Operator's Manual – Blastmaster® 151E Remote Control Switches
—	1090088	Operator's Manual – Blastmaster® 125E Remote Control System

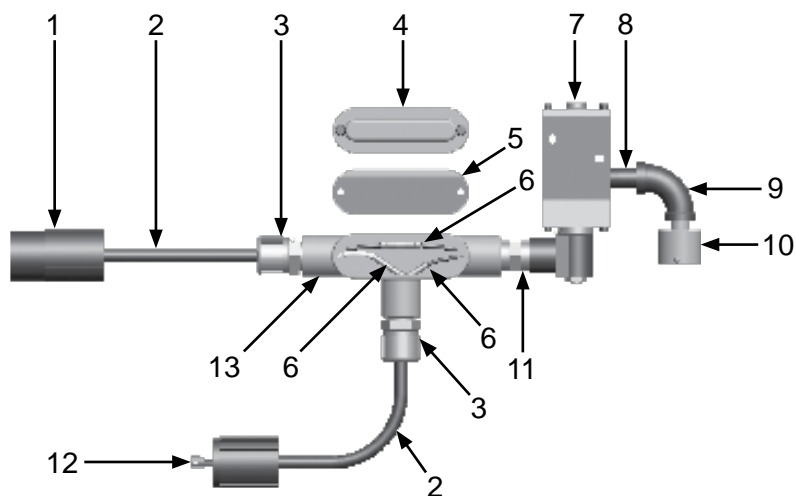
PART NUMBERS & SCHEMATICS

Figure 1: 12-Volt DC Blastmaster® 125E Remote Control System



PART NUMBERS & SCHEMATICS

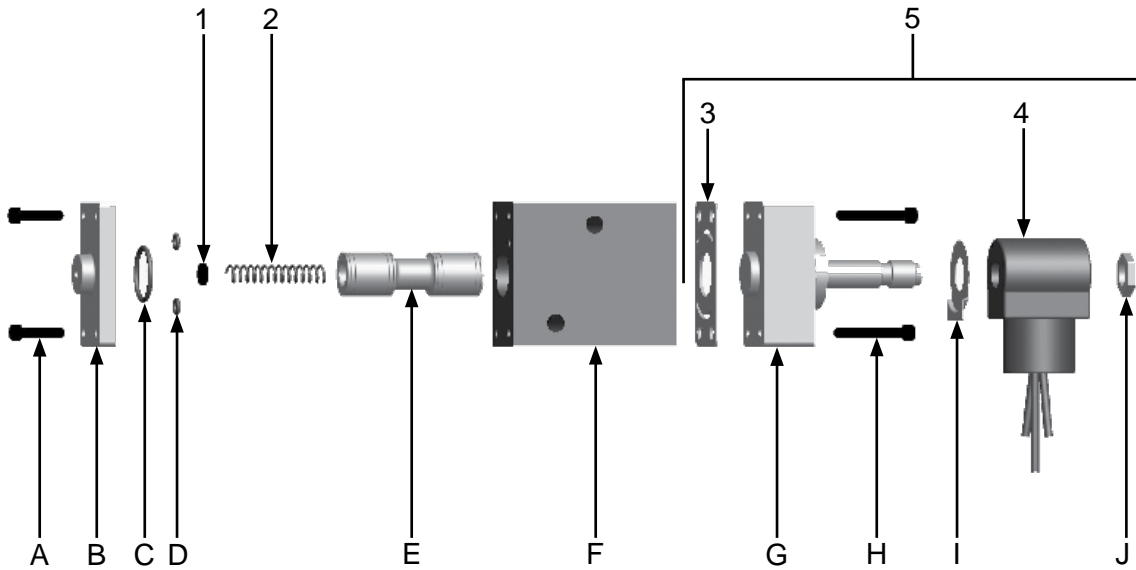
Figure 2: 12-Volt DC 190 Electric Control Assembly



Item #	Part #	Description
Fig. 2		
—	1019051	12-Volt DC 190 Electric Control Assembly – Complete
1	1015556	3-Prong Twist-Lock Plug – Female
2	1015540	16/2 SJ Power Cord – Per Foot
3	1019021	Cord Grip (<i>Two Required</i>)
4	1019022	Conduit Box Cover
5	1019023	Conduit Box Cover Gasket
6	1030028	Butt Splicer (<i>Four Required</i>)
7	1019010	12-Volt DC 190 Electric Solenoid – Complete (<i>see Figure 3</i>)
8	1011217	1/4" x 2" Pipe Nipple
9	1011832	1/4" NPT 90° Pipe Nipple
10	10DE025	Dust Eliminator
11	20100677	1/2" x 1/2" NPT Hex Nipple
12	1015555	3-Prong Twist-Lock Plug – Male
13	1019020	1/2" Tee Conduit Box

PART NUMBERS & SCHEMATICS

Figure 3: 12-Volt DC 190 Electric Solenoid



Item #	Part #	Description
Fig. 3		
—	1019010	12-Volt DC 190 Electric Solenoid – Complete
1	1019029	Felt Filter
2	1019032	Spring
3	1019033	Gasket
4	1019039	12-Volt DC Coil
5	1019034	12-Volt DC Operator Assembly (Includes Items: #3, #4, G, H, I, and J)
—	1019030	Electric Solenoid Repair Kit (Includes Items: #1, #2, #3, C, D, and E)

* Items A–J are not available individually

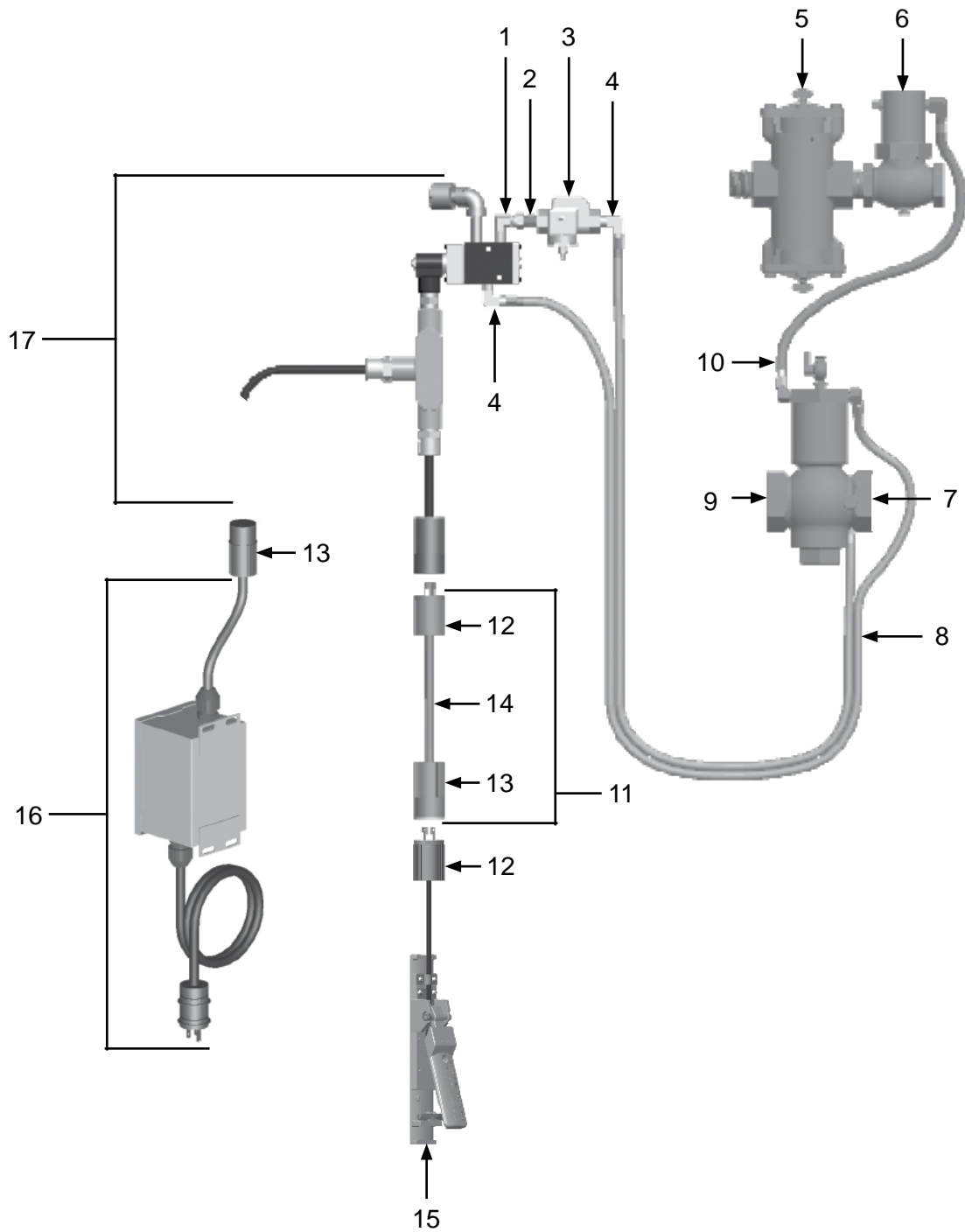
PART NUMBERS & SCHEMATICS

120-Volt AC Blastmaster® 125E Remote Control System

Item #	Part #	Description
Fig. 4		
—	1012552	120-Volt AC Blastmaster® 125E Remote Control System – Complete
1	1012326	1/4" NPT 90° Swivel Fitting
2	1017019	1/4" X 1/4" Hex Nipple
3	10WS	Watts Strainer
4	1012051	1/4" NPT Brass Elbow <i>(Two Required)</i>
5	1012000	Abrasive Trap – Complete <i>(see Figure 10)</i>
6	1012050	1" Outlet Valve – Complete <i>(see Figure 9)</i>
7	1011501	1-1/2" NPT (M) x 1-1/4" NPT (F) Bushing
8	10TL5	Coupled Pneumatic Control Line – 5 Feet
9	1012200	1-1/2" Inlet Valve – Complete <i>(see Figure 8)</i>
10	10CL18	Coupled Pneumatic Control Line – 18 inches
11	1015542	50 Feet of Electric Control Line with Male and Female Twist-Lock Plugs <i>(Includes Item #'s: 12, 13, and 14 (Quantity of 50 Feet))</i>
12	1015551	2-prong Twist-Lock Plug – Male
13	1015552	2-prong Twist-Lock Plug – Female
14	1015540	16/2 SJ Electric Control Line – per foot
15	1015100	Blastmaster® 151E Remote Control Switch – Complete
16	1030020	Marco 120-Volt AC to 12-Volt AC Power Converter <i>(see Figure 7)</i>
17	1019002	12-Volt AC 190 Electric Control Assembly <i>(see Figure 5)</i>
—	105M088	Features and Specifications Guide – Blastmaster® 125E Remote Control System
—	105M063	Features and Specifications Guide – Blastmaster® 151E Remote Control Switch
—	106M063	Part Numbers & Schematics Guide – Blastmaster® 151E Remote Control Switch
—	106M088	Part Numbers & Schematics Guide – Blastmaster® 125E Remote Control System
—	1090063	Operator's Manual – Blastmaster® 151E Remote Control Switches
—	1090088	Operator's Manual – Blastmaster® 125E Remote Control System

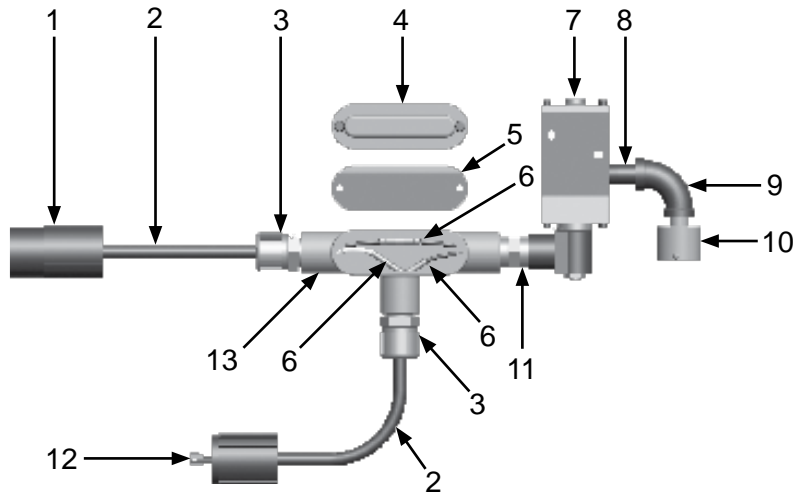
PART NUMBERS & SCHEMATICS

Figure 4: 120-Volt AC Blastmaster® 125E Remote Control System



PART NUMBERS & SCHEMATICS

Figure 5: 12-Volt AC 190 Electric Control Assembly



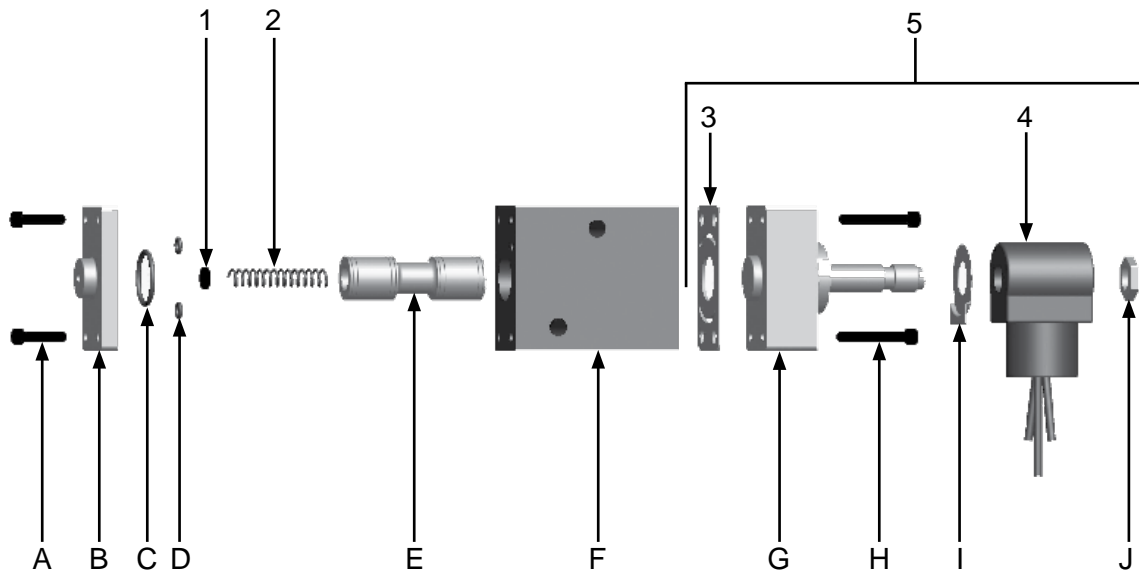
Item #	Part #	Description
--------	--------	-------------

Fig. 5

—	1019052	12-Volt AC 190 Electric Control Assembly – Complete
1	1015556	3-Prong Twist-Lock Plug – Female
2	1015540	16/2 SJ Power Cord – Per Foot
3	1019021	Cord Grip (<i>Two Required</i>)
4	1019022	Conduit Box Cover
5	1019023	Conduit Box Cover Gasket
6	1030028	Butt Splicer (<i>Four Required</i>)
7	1019011	12-Volt AC 190 Electric Solenoid – Complete (<i>see Figure 6</i>)
8	1011217	1/4" x 2" Pipe Nipple
9	1011832	1/4" NPT 90° Pipe Nipple
10	10DE025	Dust Eliminator
11	20100677	1/2" x 1/2" NPT Hex Nipple
12	1015555	3-Prong Twist-Lock Plug – Male
13	1019020	190 1/2" Tee Conduit Box

PART NUMBERS & SCHEMATICS

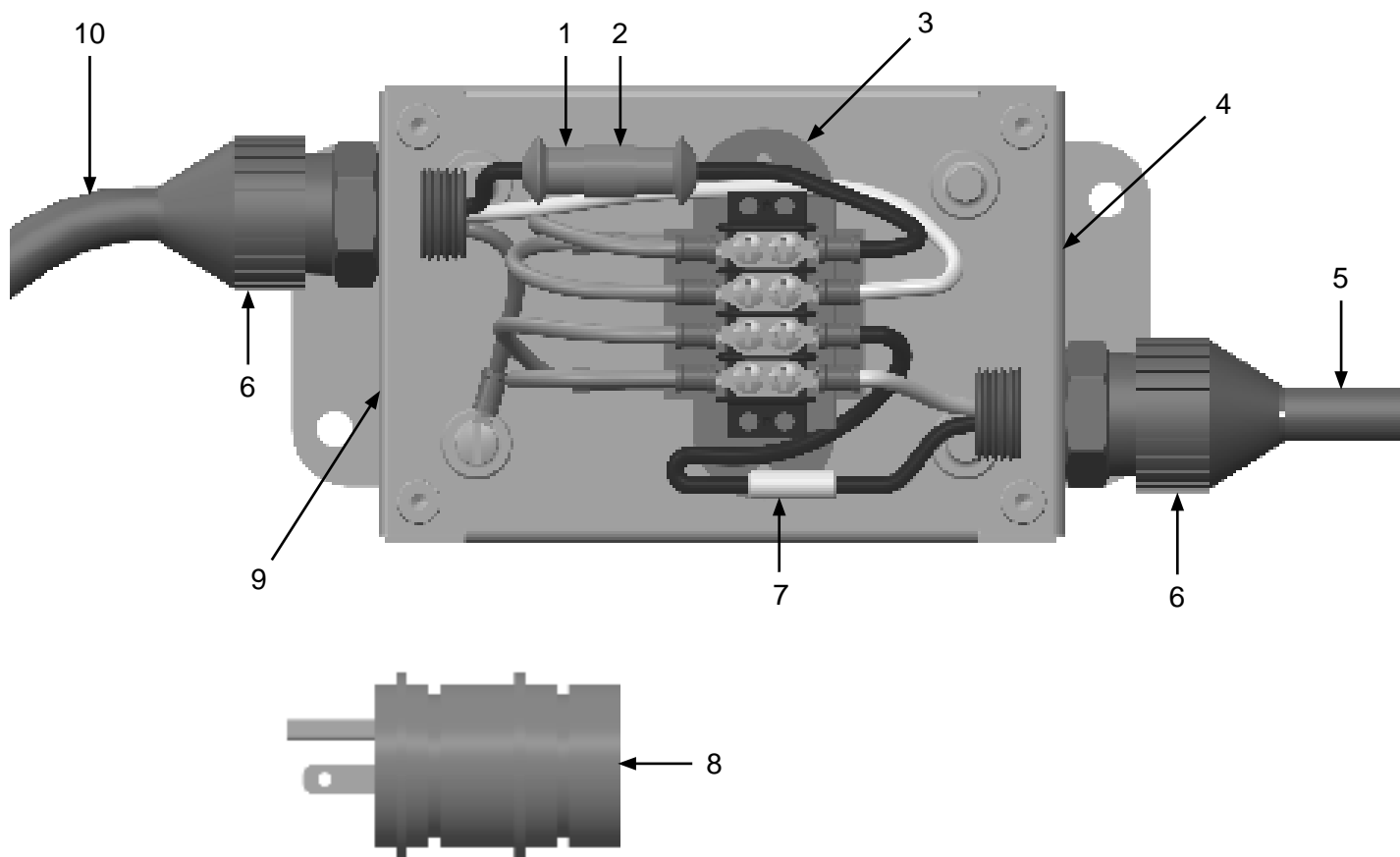
Figure 6: 12-Volt AC 190 Electric Solenoid



Item #	Part #	Description
Fig. 6		
—	1019011	12-Volt AC 190 Electric Solenoid – Complete
1	1019029	Felt Filter
2	1019032	Spring
3	1019033	Gasket
4	1019040	12-Volt AC Coil
5	1019035	12-Volt AC Electric Operator Assembly <i>(Includes Items: #3, #4, G, H, I, and J)</i>
—	1019030	12-Volt AC Electric Solenoid Repair Kit <i>(Includes Items: #1, #2, #3, C, D, and E)</i>
* Items A–J are not available individually		

PART NUMBERS & SCHEMATICS

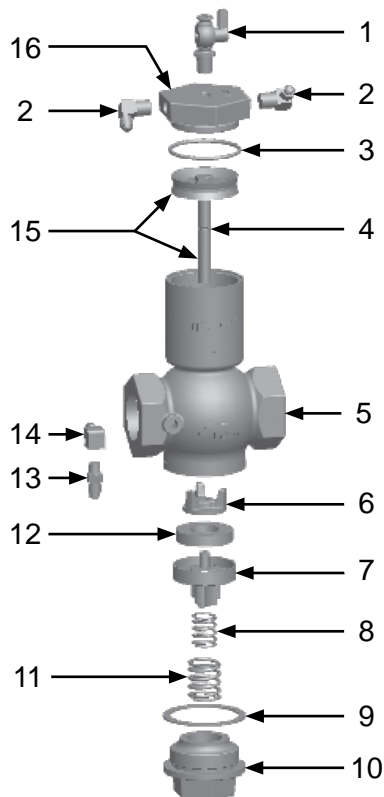
Figure 7: 120-Volt AC to 12-Volt AC Power Converter



Item #	Part #	Description
Fig. 7		
—	1030020	Blastmaster® 120-Volt AC to 12-Volt AC Power Converter with 3 feet of 14/2 Electric Cord and Plug – Complete
1	1030123	3 Amp Fuse
2	1030023	In-Line Fuse Holder
3	1030022	Transformer – Blastmaster 120-Volt AC to 12-Volt AC Power Converter
4	1091067	Power-Out Decal (<i>Not Shown</i>)
5	1030013	14/2 SEOW Electric Cord (<i>Per Foot</i>)
6	1030025	Strain Relief (<i>Two Required</i>)
7	1030021	Resistor
8	1030026	3-prong, 120-Volt AC Plug – Male
9	1092014	Power-In Decal (<i>Not Shown</i>)
10	1015550	14/3 SEOW Electric Cord (<i>Per Foot</i>)
—	1091063	Hazard Identification Decal

PART NUMBERS & SCHEMATICS

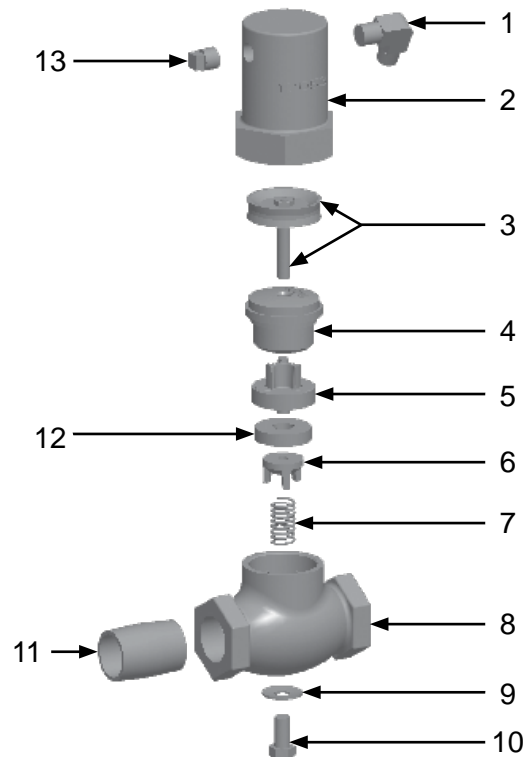
Figure 8: 1-1/2" Inlet Valve



Item #	Part #	Description
Fig. 8		
—	1012200	1-1/2" Inlet Valve – Complete
1	1012101	1/4" NPT Petcock
2	1012051	1/4" NPT Brass Elbow <i>(Two Required)</i>
3	1012213	1/8" x 2-1/2" O-ring
4	1012208	1/16" x 7/16" O-ring
5	1012204	1-1/2" Body
6	1012207	1-1/2" Plug Washer Retainer
7	1012205	1-1/2" Plug
8	1012105	5/8" x 1-11/16" Inner Spring
9	1012202	1-1/2" Bottom Cap Gasket
10	1012201	1-1/2" Bottom Cap
11	1012203	7/8" x 2-1/16" Outer Spring
12	1012206	1-1/2" Plug Washer
13	1012103	1/8" Adapter with 1/16" Restrictor Port
14	1012113	1/8" Street Elbow
15	1012209	Piston and Rod Assembly
16	1012214	1-1/2" Cylinder Cap
—	1012215	1-1/2" Inlet Valve Repair Kit <i>(Includes Item #'s: 3,4,8,9,11, and 12 (Quantity of Two))</i>

PART NUMBERS & SCHEMATICS

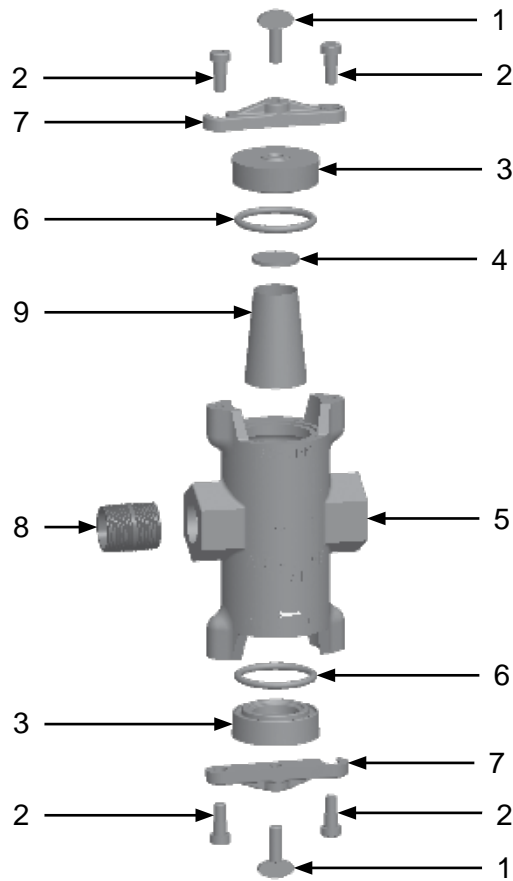
Figure 9: 1" Outlet Valve



Item #	Part #	Description
Fig. 9		
—	1012050	1" Outlet Valve – Complete
1	1012051	1/4" x 1/4" Brass Elbow
2	1012053	Bonnet
3	1012054	Piston and Rod Assembly
4	1012058	Plug and Spindle Guide
5	1012059	Plug
6	1012061	Plug Washer Retainer
7	1012063	7/16" x 1-5/8" Spring
8	1012062	Body
9	1012064	3/8" Nylon Washer
10	1012065	3/8" x 3/4" Bolt
11	1012151	1" NPT Close Nipple
12	1012060	Plug Washer
13	1012052	1/4" NPT Pipe Plug
—	1012066	1" Outlet Valve Repair Kit (Includes Item #'s: 5,6,7,9,10, and 12 (Quantity of Two))

PART NUMBERS & SCHEMATICS

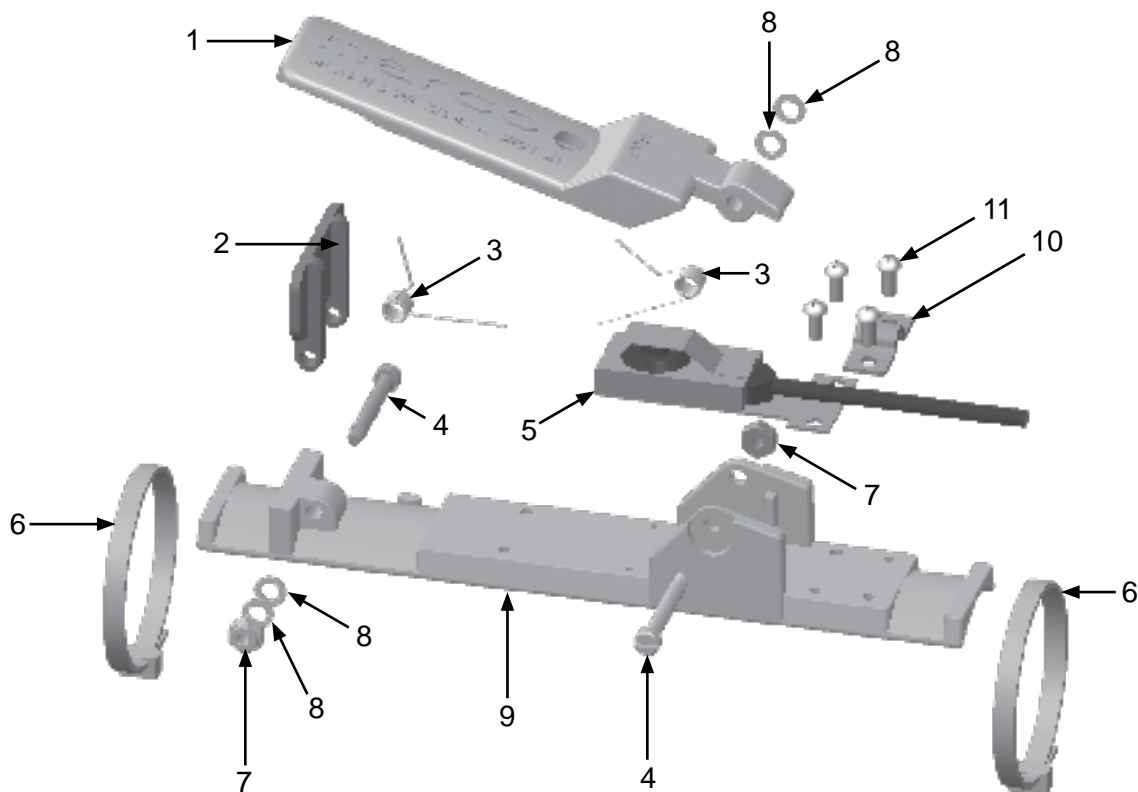
Figure 10: Abrasive Trap



Item #	Part #	Description
Fig. 10		
—	1012000	Abrasive Trap – Complete
1	1012006	Thumb Screw <i>(Two Required)</i>
2	1012007	3/8" x 3/8" Shoulder Bolt <i>(Four Required)</i>
3	1012003	Abrasive Trap Cap <i>(Two Required)</i>
4	1012008	Abrasive Trap Screen Gasket
5	1012004	Abrasive Trap Body
6	1012002	Abrasive Trap O-ring <i>(Two Required)</i>
7	1012005	Cap Lock Bar <i>(Two Required)</i>
8	1012151	1" NPT Close Nipple
9	1012001	Abrasive Trap Screen
—	1012009	Abrasive Trap Repair Kit <i>(Includes Item #'s: 4,6 (Quantity of Two), and 9 (Quantity of Three))</i>

PART NUMBERS & SCHEMATICS

Figure 11 Blastmaster® 151E Remote Control Switch



Item #	Part #	Description
--------	--------	-------------

Fig. 11

—	1015100	Blastmaster® 151E Remote Control Switch – Complete
---	----------------	---

1	1015001	Handle
---	---------	--------

2	1015003	Safety Tab
---	---------	------------

3	1015005	Spring <i>(Two Required)</i>
---	---------	------------------------------

4	1015008	Shoulder Screw <i>(Two Required)</i>
---	---------	--------------------------------------

5	10104268	Switch with Cord
---	----------	------------------

6	1015015	Nylon Zip Tie - White <i>(Two Required)</i>
---	---------	---

7	1015006	8-32 UNC-2B Nylon Insert Lock Nut <i>(Two Required)</i>
---	---------	---

8	1015007	3/8" O.D. x 7/16" I.D. Washer <i>(Four Required)</i>
---	---------	--

9	1015002	Body
---	---------	------

10	1015101	Electric Cord Clamp
----	---------	---------------------

11	1015014	8-32 x 3/8" Phillips Head Screw <i>(Four Required)</i>
----	---------	--

—	105M063	Features and Specifications Guide – Blastmaster® 151E Remote Control Switch
---	---------	---

—	106M063	Part Numbers and Schematics Guide – Blastmaster® 151E Remote Control Switch
---	---------	---

—	1090063	Operator's Manual — Blastmaster® 151E Remote Control Switch
---	---------	---

—	1091045	Hazard Identification Tag
---	---------	---------------------------









OPTIONAL ACCESSORIES








Part Numbers

ELECTRIC CONTROL LINE				
Part Numbers	Gauge	# of Wires	Type	Length
1015540	16	2	SJEOOW	Per Foot
1015701	16	3	SJEOOW	Per Foot
1030013	14	2	SEOOW	Per Foot
1015550	14	3	SEOOW	Per Foot
1015554	14	4	SEOOW	Per Foot
1015570	12	2	SOOW	Per Foot
1015571	12	3	SJEOOW	Per Foot
1015581	10	3	SEOOW	Per Foot
1015580	10	4	SEOOW	Per Foot
1015591	8	3	SEOOW	Per Foot
1015590	8	4	SEOOW	Per Foot
1015595	6	3	SEOOW	Per Foot

OPTIONAL ACCESSORIES

		ELECTRIC CONTROL LINE WITH PLUGS						
Part Numbers	Gauge	# of Wires	2-Prong Male Twist-Lock Plug	2-Prong Female Twist-Lock Plug	3-Prong Male Twist-Lock Plug	3-Prong Female Twist-Lock Plug	Length	
	1015543	16	2	1015551	1015552	—	—	25 Feet
	1015542	16	2	1015551	1015552	—	—	50 Feet
	1015546	16	2	—	—	1015555	1015556	25 Feet
	1015545	16	2	—	—	1015555	1015556	50 Feet
	1015547	16	2	—	—	1015555	1015556	100 Feet
	1015748	16	3	—	—	1015555	1015556	13 Feet
	1015745	16	3	—	—	1015555	1015556	50 Feet
	1015747	16	3	—	—	1015555	1015556	110 Feet

OPTIONAL ACCESSORIES

		ELECTRIC CONTROL LINE PLUGS	
Part Numbers		Prong Style	Plug Style
	1015551	2-Prong Male	Twist-Lock
	1015552	2-Prong Female	Twist-Lock
	1015555	3-Prong Male	Twist-Lock
	1015556	3-Prong Female	Twist-Lock
	1030026	3-Prong Male	Standard

PART NUMBERS AND SCHEMATICS GUIDE

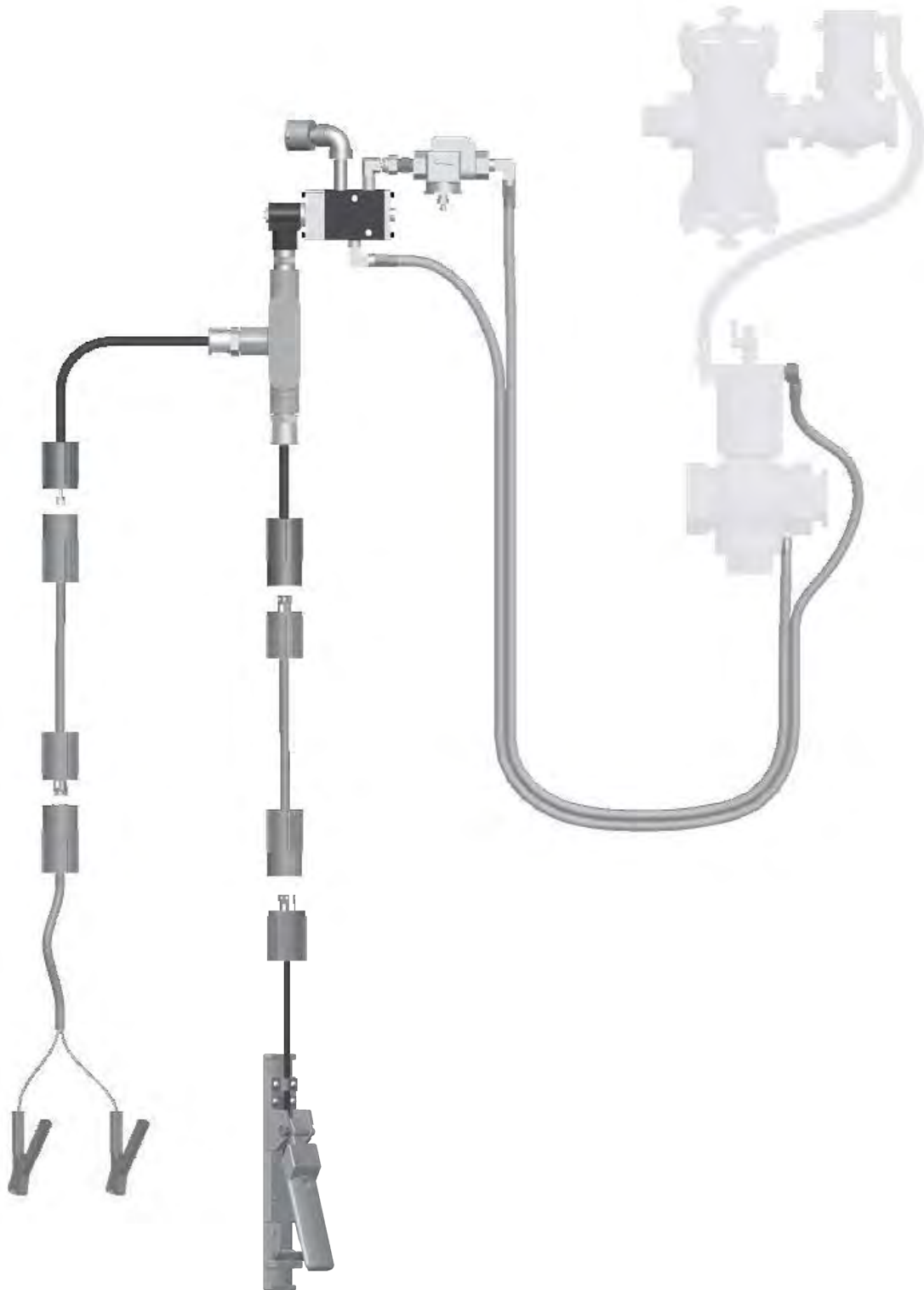
PNEUMATIC TO 12-VOLT DC ELECTRIC CONVERSION KIT

Part Numbers	12-Volt DC 190 Electric Control Assembly	Blastmaster® 151E Remote Control Switch	Power Cord - 25 Ft. <i>(to power source)</i>	Power Cord - 50 Ft. <i>(to remote control switch)</i>	Battery Clamps
1019061	X	X	1015543	1015542	X

For converting Pneumatic to 12-Volt DC Electric Conversion Kit

Includes: 12-Volt DC 190 Electric Control Assembly, Blastmaster® 151E Remote Control Switch, Power Cord, Battery Clamps, and various pipe fittings

PART NUMBERS AND SCHEMATICS GUIDE



PART NUMBERS AND SCHEMATICS GUIDE

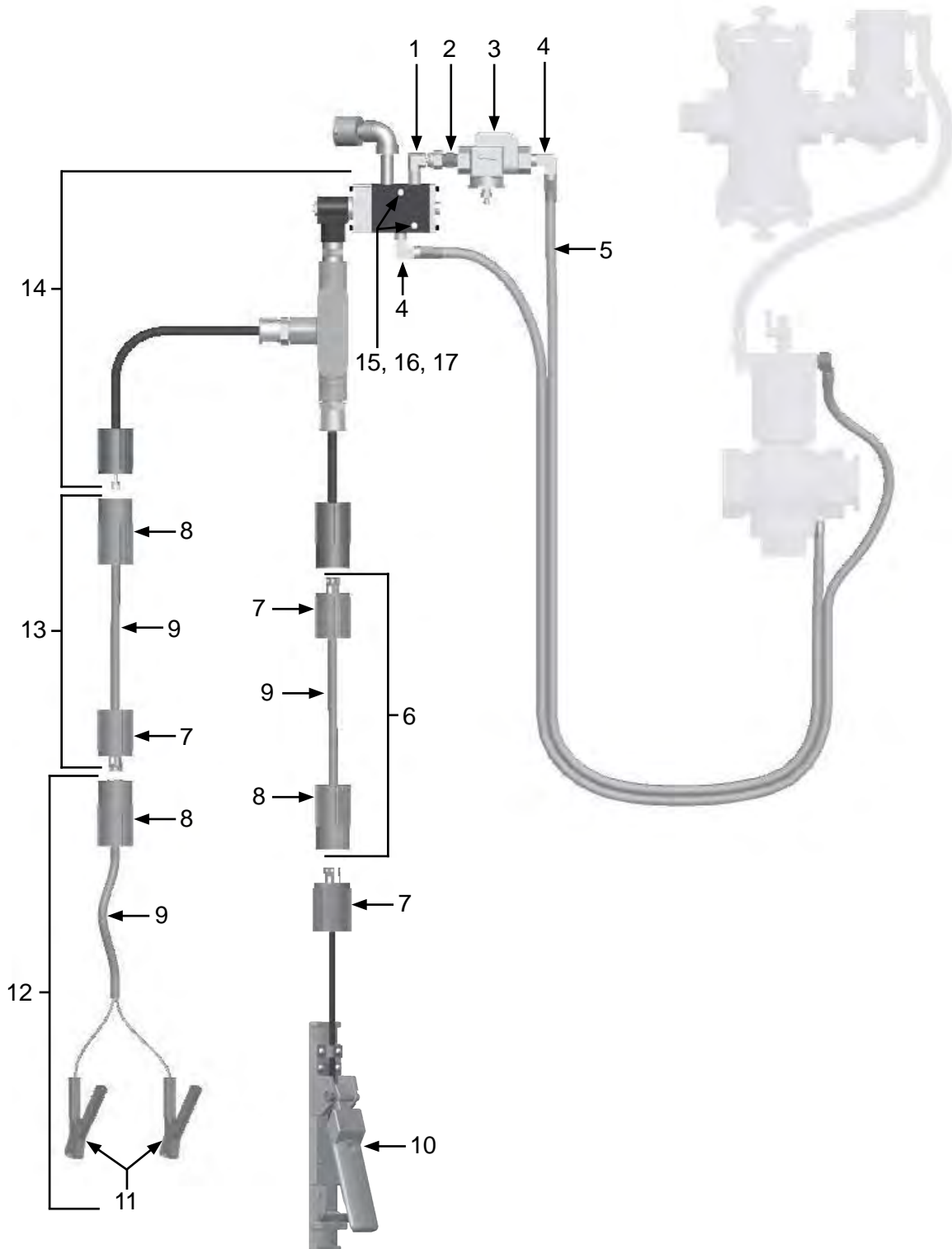
Pneumatic to 12-Volt DC Electric Conversion Kit

Item #	Part #	Description
Fig. 1		
—	1019061	Pneumatic to 12-Volt DC Electric Conversion Kit
1	1012326	1/4" NPT 90° Swivel Fitting
2	1017019	1/4" x 1/4" Hex Nipple
3	10WS	Watts Strainer
4	1012051	1/4" NPT Brass Elbow <i>(Two Required)</i>
5	10TL040	Coupled Pneumatic Control Line – 40 Inches
6	1015542	50' of Power Cord with Male and Female Twist Lock Plugs <i>(Includes Item #'s: 7, 8, and 9 (Quantity of 50'))</i>
7	1015551	Two-Prong Twist-Lock Plug – Male
8	1015552	Two-Prong Twist-Lock Plug – Female
9	1015540	16/2 SJ Electric Cord – Per Foot
10	1015100	Blastmaster® 151E Remote Control Switch
11	1030718	Battery Clamps – Pair
12	1015541	Battery Clamp Kit <i>(Includes Item #'s: 8, 9 (Quantity of 2'), and 11)</i>
13	1015543	25' of Power Cord with Male and Female Twist Lock Plugs <i>(Includes Item #'s: 7, 8, and 9 (Quantity of 25'))</i>
14	1019001	12-Volt DC 190 Electric Control Assembly – Complete
15	1019044	1/4-20 x 1-3/4" Zinc Bolt <i>(Quantity of Two)</i>
16	1014017	1/4" Flat Washer <i>(Quantity of Two)</i>
17	1012323	1/4-20 Zinc Lock Nut with Nylon Insert <i>(Quantity of Two)</i>

See page 21 for product literature

PART NUMBERS AND SCHEMATICS GUIDE

Figure 1: Pneumatic to 12-Volt DC Electric Conversion Kit



PART NUMBERS AND SCHEMATICS GUIDE

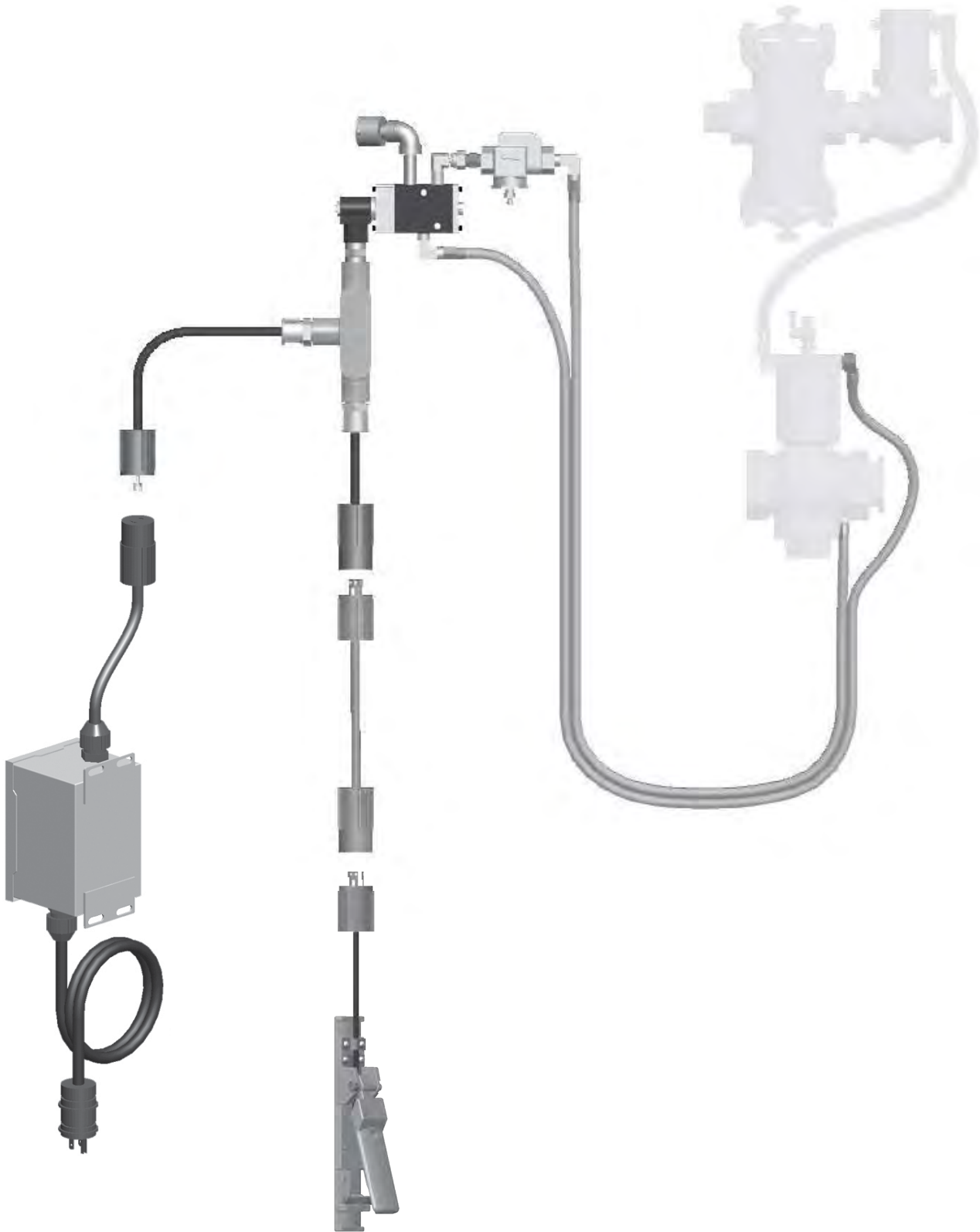
PNEUMATIC TO 120-VOLT AC ELECTRIC CONVERSION KIT

Part Numbers	12-Volt AC 190 Electric Control Assembly	Blastmaster® 151E Remote Control Switch	Power Cord - 50 Ft. <i>(to remote control switch)</i>	Blastmaster® 120-Volt AC to 12-Volt AC Power Converter
1019062	X	X	1015542	X

For converting Pneumatic to 120-Volt AC Electric Conversion Kit

Includes: 12-Volt AC 190 Electric Control Assembly, Blastmaster® 151E Remote Control Switch, Power Cord, Power Converter, and various pipe fittings

PART NUMBERS AND SCHEMATICS GUIDE



PART NUMBERS AND SCHEMATICS GUIDE

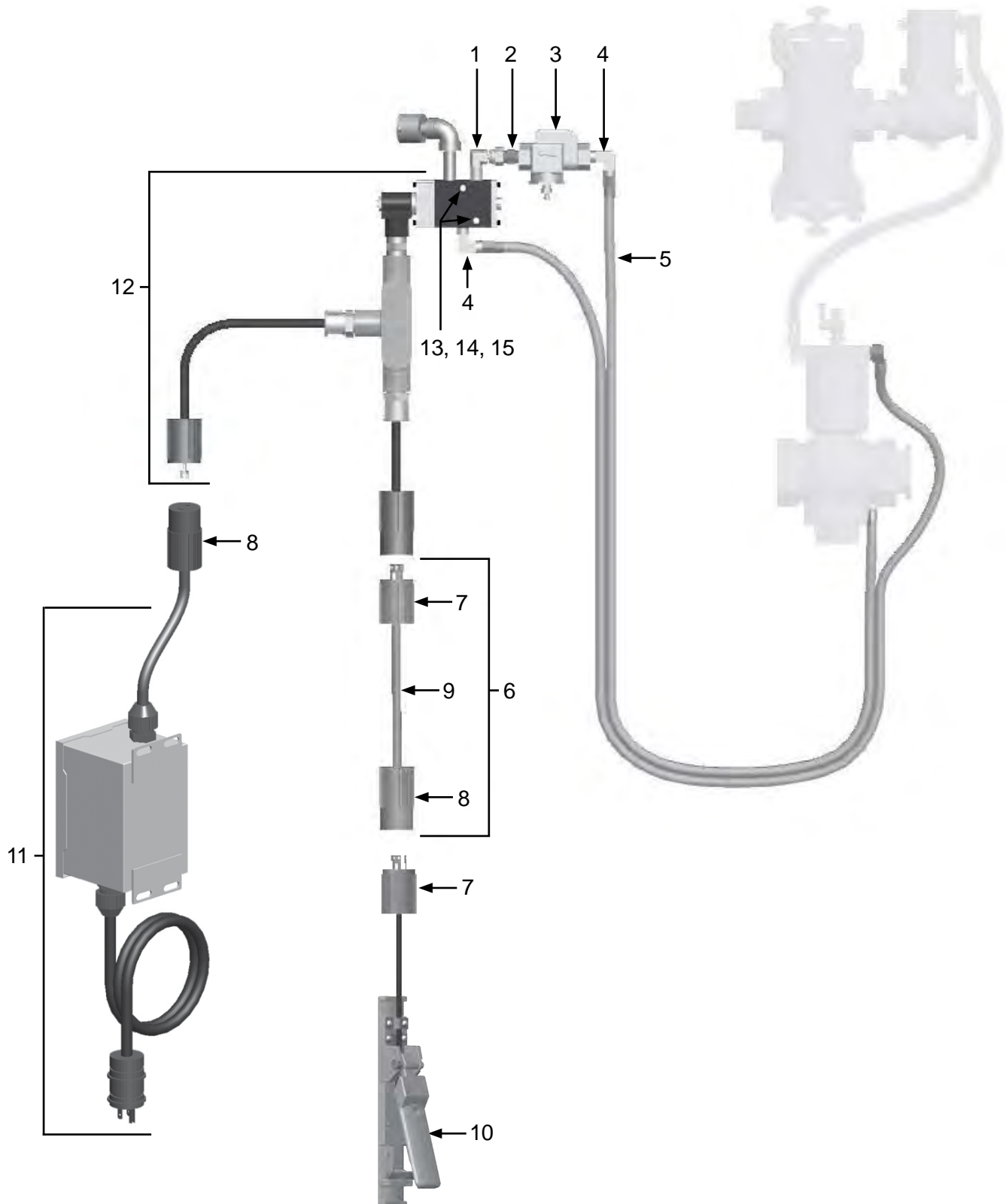
Pneumatic to 120-Volt AC Electric Conversion Kit

Item #	Part #	Description
Fig. 2		
—	1019062	Pneumatic to 120-Volt AC Electric Conversion Kit
1	1012326	1/4" NPT 90° Swivel Fitting
2	1017019	1/4" x 1/4" Hex Nipple
3	10WS	Watts Strainer
4	1012051	1/4" NPT Brass Elbow <i>(Two Required)</i>
5	10TL040	Coupled Pneumatic Control Line – 40 Inches
6	1015542	50' of Power Cord with Male and Female Twist Lock Plugs <i>(Includes Item #'s: 7, 8, and 9 (Quantity of 50'))</i>
7	1015551	Two-Prong Twist-Lock Plug – Male
8	1015552	Two-Prong Twist-Lock Plug – Female
9	1015540	16/2 SJ Electric Cord – Per Foot
10	1015100	Blastmaster® 151E Remote Control Switch
11	1030020	Blastmaster® 120-Volt AC to 12-Volt AC Power Converter
12	1019002	12-Volt AC 190 Electric Control Assembly – Complete
13	1019044	1/4-20 x 1-3/4" Zinc Bolt <i>(Quantity of Two)</i>
14	1014017	1/4" Flat Washer <i>(Quantity of Two)</i>
15	1012323	1/4"-20 Zinc Lock Nut with Nylon Insert <i>(Quantity of Two)</i>

See page 21 for product literature

PART NUMBERS AND SCHEMATICS GUIDE

Figure 2: Pneumatic to 120-Volt AC Electric Conversion Kit



PART NUMBERS AND SCHEMATICS GUIDE

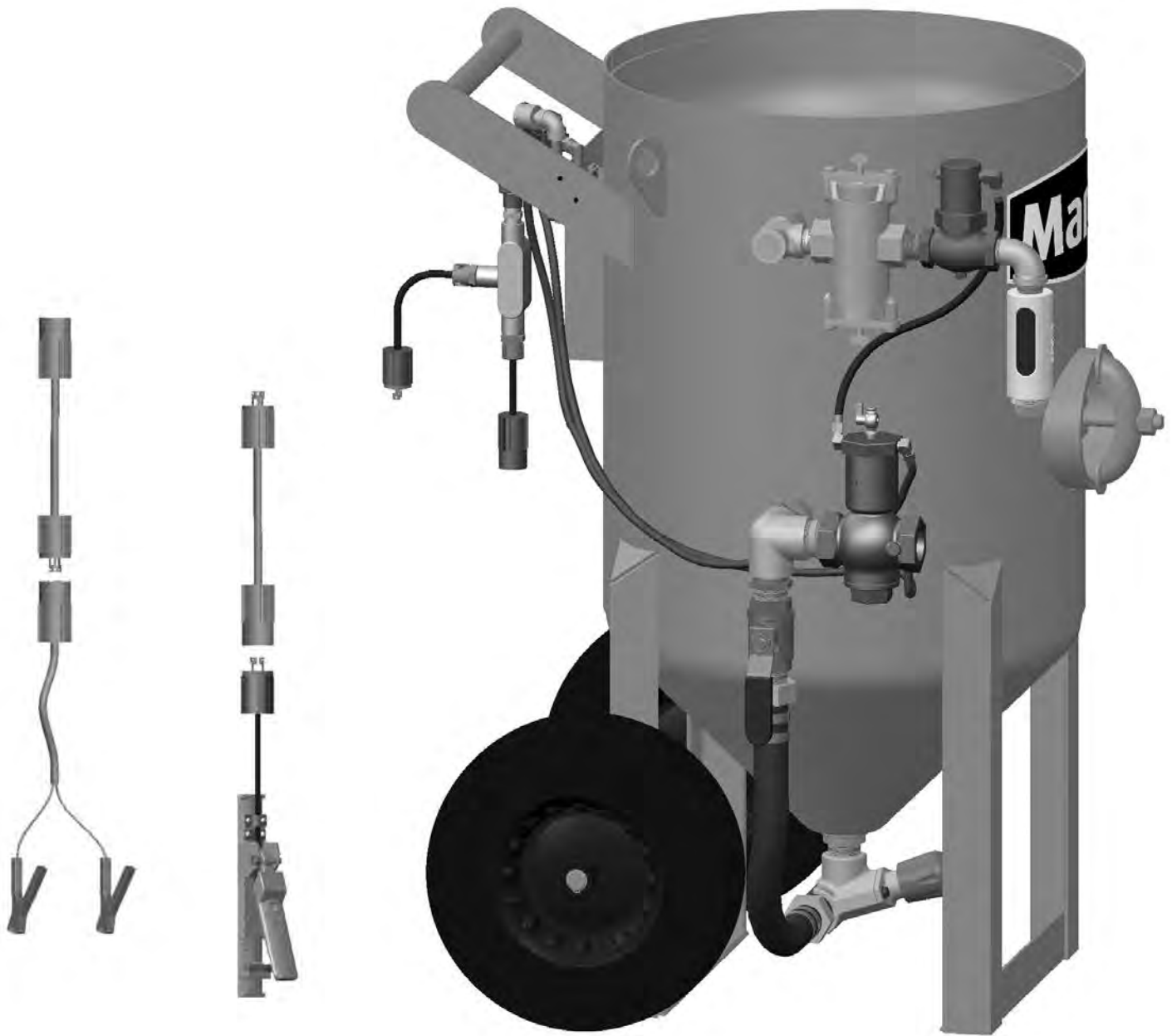
COMPLETE 12-VOLT DC ELECTRIC CONVERSION KITS – 3.0 THROUGH 6.5 CU. FT. BLAST POTS

Part Numbers	12-Volt DC 190 Electric Control Assembly	Blastmaster® 1-1/2" Bantam Abrasive Metering Valve	Blastmaster® 1-1/4" Bantam Abrasive Metering Valve	Blastmaster® 151E Remote Control Switch	1-1/2" Inlet Valve	1" Outlet Valve	Abrasive Trap	Power Cord - 25 Ft. <i>(to power source)</i>	Power Cord - 50 Ft. <i>(to remote control switch)</i>	Battery Clamps	Abrasive Blasting Pot Muffler
1012566	X	X		X	X	X	X	1015543	1015542	X	X
1012561	X		X	X	X	X	X	1015543	1015542	X	X

For converting bare pot to electric remote control system

Includes: 12-Volt DC 190 Electric Control Assembly, Blastmaster® Bantam Abrasive Metering Valve, Blastmaster® 151E Remote Control Switch, Electric Control Line, Battery Clamp, Inlet Valve, Outlet Valve, and various pipe fittings

PART NUMBERS AND SCHEMATICS GUIDE



PART NUMBERS AND SCHEMATICS GUIDE

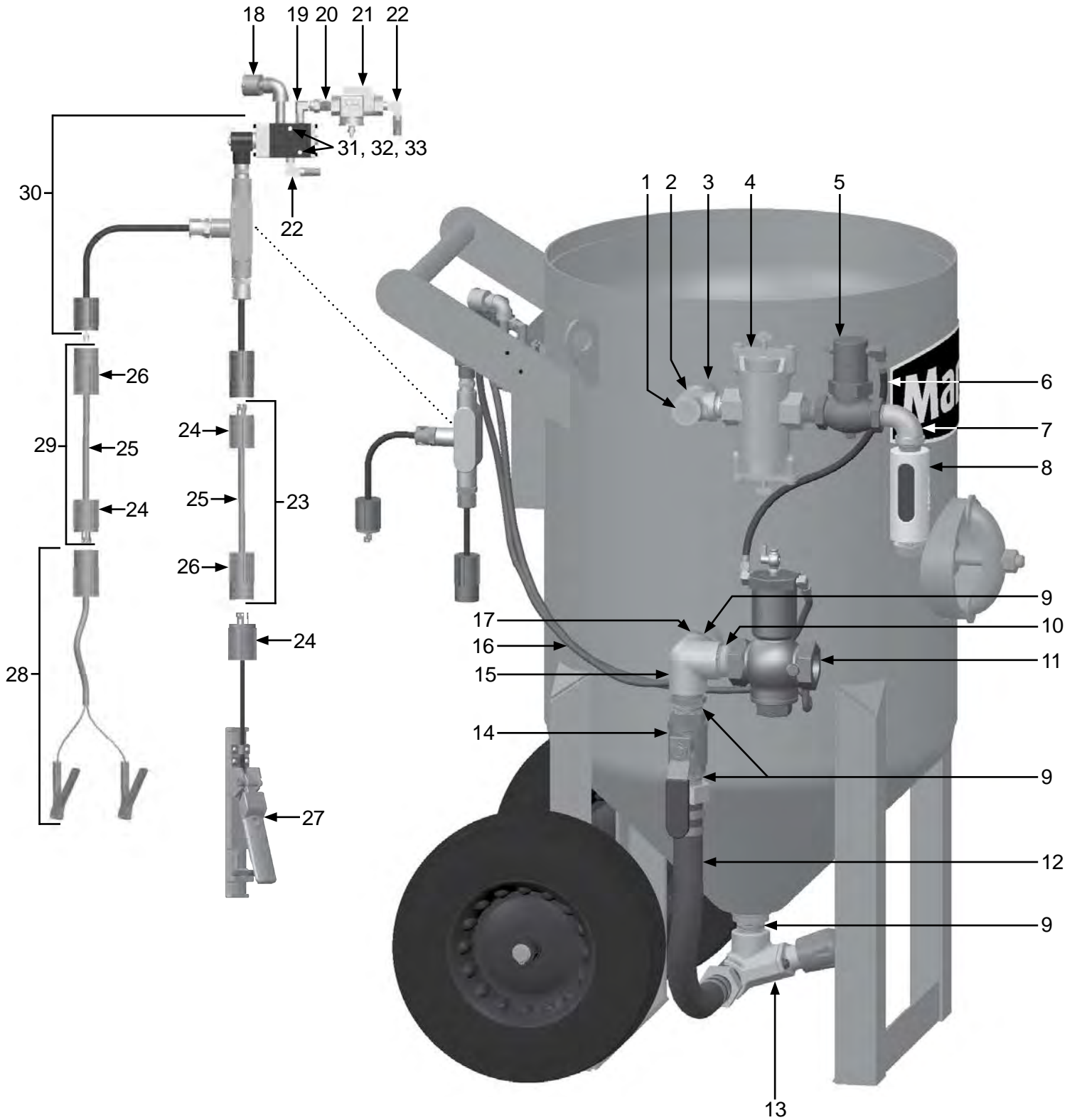
Complete 12-Volt DC Electric Conversion Kit – 3.0 through 6.5 Cu. Ft. Blast Pots

Item #	Part #	Description
Fig. 3		
—	1012566	Complete 12-Volt DC Electric Conversion Kit – 1-1/2" Bantam Abrasive Metering Valve
—	1012561	Complete 12-Volt DC Electric Conversion Kit – 1-1/4" Bantam Abrasive Metering Valve
1	1011901	1" NPT Square Head Pipe Plug
2	1011816	1" NPT Pipe Tee
3	1012151	1" Galvanized Close Nipple
4	1012000	Abrasive Trap – Complete
5	1012050	1" Outlet Valve
6	10CL18	18" x 3/16" I.D. Single Control Line
7	1011801	1" NPT Street Elbow
8	1011100	Abrasive Blasting Pot Muffler – Complete
9	1011201	1-1/4" Galvanized Close Nipple <i>(Four Required)</i>
10	1014015	1-1/2" Galvanized Close Nipple
11	1012200	1-1/2" Inlet Valve – Complete
12	1006312	1-1/2" I.D. Pusher Line Assembly <i>(For use with 1012566)</i>
—	1006311	1-1/4" I.D. Pusher Line Assembly <i>(For use with 1012561)</i>
13	1014102	Blastmaster® 1-1/2" Bantam Abrasive Metering Valve – Complete <i>(For use with 1012566)</i>
—	1014101	Blastmaster® 1-1/4" Bantam Abrasive Metering Valve – Complete <i>(For use with 1012561)</i>
14	1011603	1-1/2" NPT Full Port Ball Valve <i>(For use with 1012566)</i>
—	1011602	1-1/4" NPT Full Port Ball Valve <i>(For use with 1012561)</i>
15	1011804	1-1/2" 90° Elbow with Side-Out
16	10TL5	5' Twinline Hose
17	1011501	1-1/4" x 1-1/2" NPT Bushing
18	10DE025	1/4" Dust Eliminator
19	1012326	1/4" NPT 90° Swivel
20	1017019	1/4" x 1/4" Hex Nipple
21	10WS	Watts Strainer
22	1012051	1/4" NPT Brass Elbow <i>(Two Required)</i>
23	1015542	50' of Power Cord with Male and Female Twist-Lock Plugs <i>(Includes Item #'s: 24, 25, and 26)</i>
24	1015551	Two-Prong Twist Lock Plug – Male
25	1015540	16/2 SJ Electric Cord – Per Foot
26	1015552	Two-Prong Twist Lock Plug – Female
27	1015100	Blastmaster® 151E Remote Control Switch
28	1015541	Battery Clamps with 2' 16/2 SJ Electric Cord
29	1015543	25' of Power Cord with Male and Female Twist-Lock Plugs <i>(Includes Item #'s: 24, 25, and 26)</i>
30	1019001	12-Volt DC 190 Electric Control Assembly – Complete
31	1019044	1/4"-20 x 1-3/4" Zinc Bolt <i>(Quantity of Two)</i>
32	1014017	1/4" Flat Washer <i>(Quantity of Two)</i>
33	1012323	1/4"-20 Zinc Lock Nut with Nylon Insert <i>(Quantity of Two)</i>

See page 21 for product literature

PART NUMBERS AND SCHEMATICS GUIDE

Figure 3: Complete 12-Volt DC Electric Conversion Kit – 3.0 through 6.5 Cu. Ft. Blast Pots



PART NUMBERS AND SCHEMATICS GUIDE

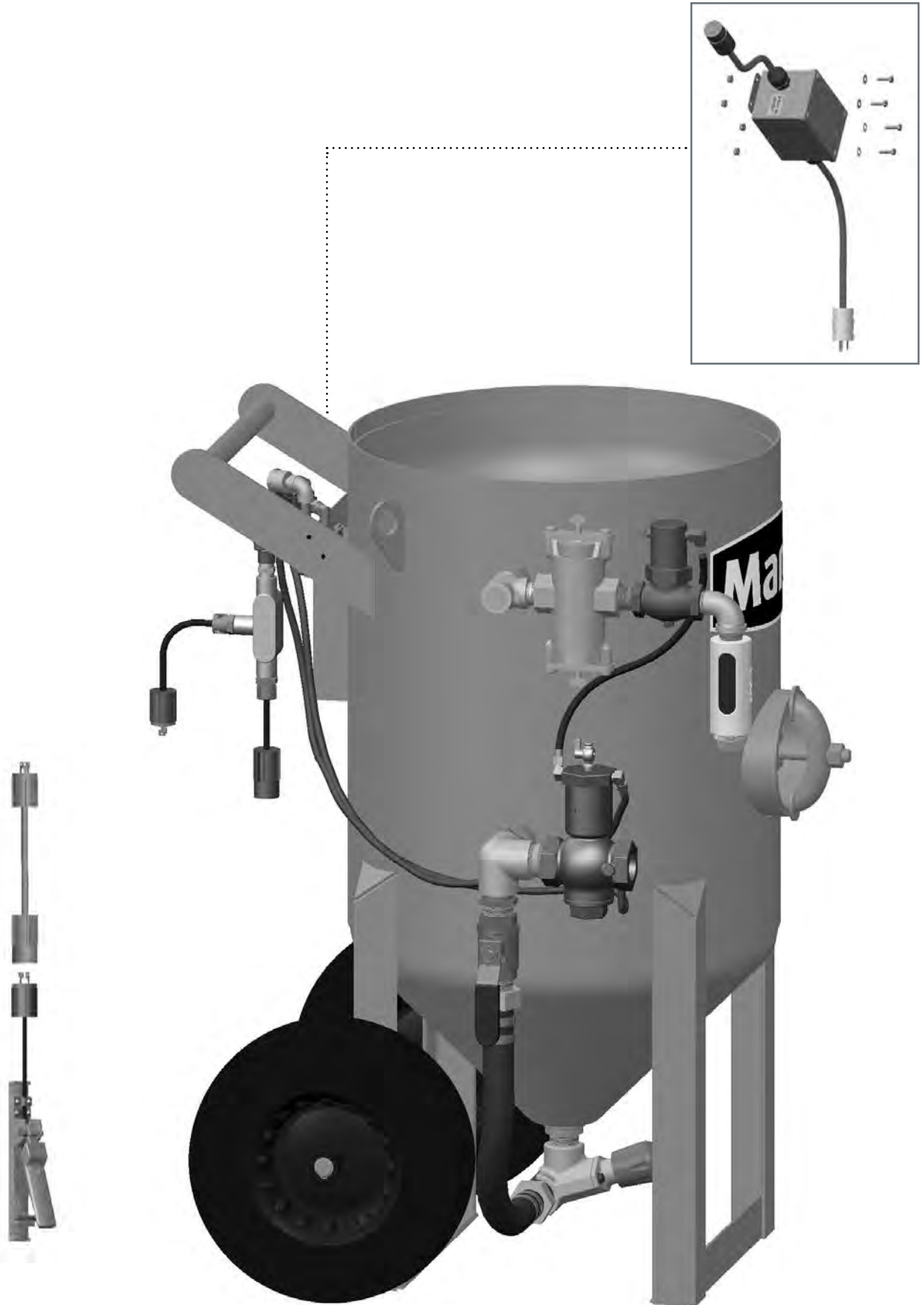
COMPLETE 120-VOLT AC ELECTRIC CONVERSION KITS – 3.0 THROUGH 6.5 CU. FT. BLAST POTS

Part Numbers	12-Volt AC 190 Electric Control Assembly	Blastmaster® 1-1/2" Bantam Abrasive Metering Valve	Blastmaster® 1-1/4" Bantam Abrasive Metering Valve	Blastmaster® 151E Remote Control Switch	1-1/2" Inlet Valve	1" Outlet Valve	Abrasive Trap	Power Cord - 50 Ft. <i>(to remote control switch)</i>	Blastmaster® 120-Volt AC to 12-Volt AC Power Converter	Abrasive Blasting Pot Muffler
1012567	X	X		X	X	X	X	1015542	X	X
1012562	X		X	X	X	X	X	1015542	X	X

For converting bare pot to electric remote control system

Includes: 12-Volt AC 190 Electric Control Assembly, Blastmaster® Bantam Abrasive Metering Valve, Blastmaster® 151E Remote Control Switch, Electric Control Line, Power Converter, Inlet Valve, Outlet Valve, and various pipe fittings

PART NUMBERS AND SCHEMATICS GUIDE



PART NUMBERS AND SCHEMATICS GUIDE

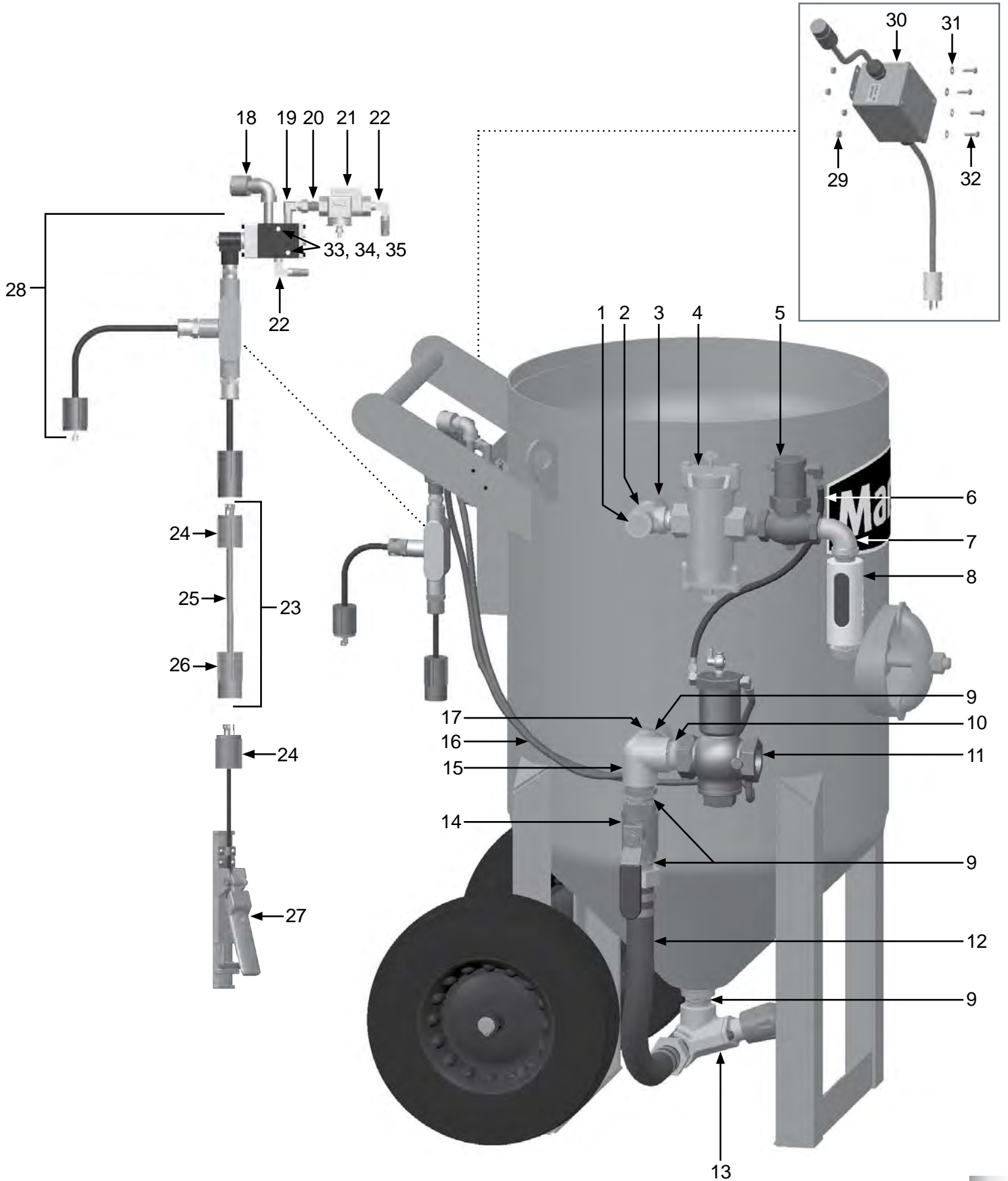
Complete 120-Volt AC Electric Conversion Kit – 3.0 through 6.5 Cu. Ft. Blast Pots

Item #	Part #	Description
Fig. 4		
—	1012567	Complete 120-Volt AC Electric Conversion Kit – 1-1/2" Bantam Abrasive Metering Valve
—	1012562	Complete 120-Volt AC Electric Conversion Kit – 1-1/4" Bantam Abrasive Metering Valve
1	1011901	1" NPT Square Head Pipe Plug
2	1011816	1" NPT Pipe Tee
3	1012151	1" Galvanized Close Nipple
4	1012000	Abrasive Trap – Complete
5	1012050	1" Outlet Valve
6	10CL18	18" x 3/16" I.D. Single Control Line
7	1011801	1" NPT Street Elbow
8	1011100	Abrasive Blasting Pot Muffler – Complete
9	1011201	1-1/4" Galvanized Close Nipple <i>(Four Required)</i>
10	1014015	1-1/2" Galvanized Close Nipple
11	1012200	1-1/2" Inlet Valve – Complete
12	1006312	1-1/2" I.D. Pusher Line Assembly <i>(For use with 1012567)</i>
—	1006311	1-1/4" I.D. Pusher Line Assembly <i>(For use with 1012562)</i>
13	1014102	Blastmaster® 1-1/2" Bantam Abrasive Metering Valve – Complete <i>(For use with 1012567)</i>
—	1014101	Blastmaster® 1-1/4" Bantam Abrasive Metering Valve – Complete <i>(For use with 1012562)</i>
14	1011603	1-1/2" NPT Full Port Ball Valve <i>(For use with 1012567)</i>
—	1011602	1-1/4" NPT Full Port Ball Valve <i>(For use with 1012562)</i>
15	1011804	1-1/2" 90° Elbow with Side-Out
16	10TL5	5' Twinline Hose
17	1011501	1-1/4" x 1-1/2" NPT Bushing
18	10DE025	1/4" Dust Eliminator
19	1012326	1/4" NPT 90° Swivel
20	1017019	1/4" x 1/4" Hex Nipple
21	10WS	Watts Strainer
22	1012051	1/4" NPT Brass Elbow <i>(Two Required)</i>
23	1015542	50' of Power Cord with Male and Female Twist-Lock Plugs <i>(Includes Item #'s: 24, 25, and 26)</i>
24	1015551	Two-Prong Twist Lock Plug – Male
25	1015540	16/2 SJ Electric Cord – Per Foot
26	1015552	Two-Prong Twist Lock Plug – Female
27	1015100	Blastmaster® 151E Remote Control Switch
28	1019002	12-Volt AC 190 Electric Control Assembly – Complete
29	1012323	1/4–20 Zinc Lock Nut with Nylon Insert
30	1030020	Blastmaster® 120-Volt AC to 12-Volt AC Power Converter
31	1014017	1/4" Flat Washer
32	1012154	1/4–20 x 1" Hex Bolt
33	1019044	1/4-20 x 1-3/4" Zinc Bolt <i>(Quantity of Two)</i>
34	1014017	1/4" Flat Washer <i>(Quantity of Two)</i>
35	1012323	1/4"-20 Zinc Lock Nut with Nylon Insert <i>(Quantity of Two)</i>


See page 21 for product literature


PART NUMBERS AND SCHEMATICS GUIDE


Figure 4: Complete 120-Volt AC Electric Conversion Kit – 3.0 through 6.5 Cu. Ft. Blast Pots



OPTIONAL ACCESSORIES

		ELECTRIC CORD			
Part Numbers		Gauge	# of Wires	Type	Length
	1015540	16	2	SJEOOW	Per Foot
	1030013	14	2	SEOOW	Per Foot
	1015550	14	3	SEOOW	Per Foot

		ELECTRIC CONTROL LINE WITH PLUGS				
Part Numbers		Gauge	# of Wires	2-Prong Male Twist-Lock Plug	2-Prong Female Twist-Lock Plug	Length
	1015543	16	2	1015551	1015552	25 Ft.
	1015542	16	2	1015551	1015552	50 Ft.

		ELECTRIC CONTROL LINE PLUGS	
Part Numbers		Prong Style	Plug Style
	1015551	2-Prong Male	Twist-Lock
	1015552	2-Prong Female	Twist-Lock

LITERATURE REFERENCES

Remote Control System

105M088	Features and Specifications Guide – Blastmaster® 125E Remote Control System
106M088	Part Numbers and Schematics Guide – Blastmaster® 125E Remote Control System
1090088	Operator's Manual – Blastmaster® 125E Remote Control System

Remote Control Switch

105M063	Features and Specifications Guide – Blastmaster® 151E Remote Control Switch
106M063	Part Numbers and Schematics Guide – Blastmaster® 151E Remote Control Switch
1090063	Operator's Manual – Blastmaster® 151E Remote Control Switch

Abrasive Metering Valves

105M022	Features and Specifications Guide – Blastmaster® Bantam Abrasive Metering Valve
106M022	Part Numbers and Schematics Guide – Blastmaster® Bantam Abrasive Metering Valve
1090022	Operator's Manual – Blastmaster® Bantam Abrasive Metering Valve

Abrasive Blasting Pot Muffler

105M347	Features and Specifications Guide – Abrasive Blasting Pot Muffler
106M347	Part Numbers and Schematics Guide – Abrasive Blasting Pot Muffler

PART NUMBER

BLASTMASTER® 125P REMOTE CONTROL SYSTEM							
Part Number	1-1/2" Inlet Valve	1" Outlet Valve	Abrasive Trap	Remote Control Switch	50 Feet of Pneumatic Control Line – Coupled	5 Feet of Pneumatic Control Line – Coupled	18" of Feet of Pneumatic Control Line – Coupled
1012500	1012200	1012050	1012000	1015000	10TL50	10TL5	10CL18

BLASTMASTER® 125P REMOTE CONTROL SYSTEM



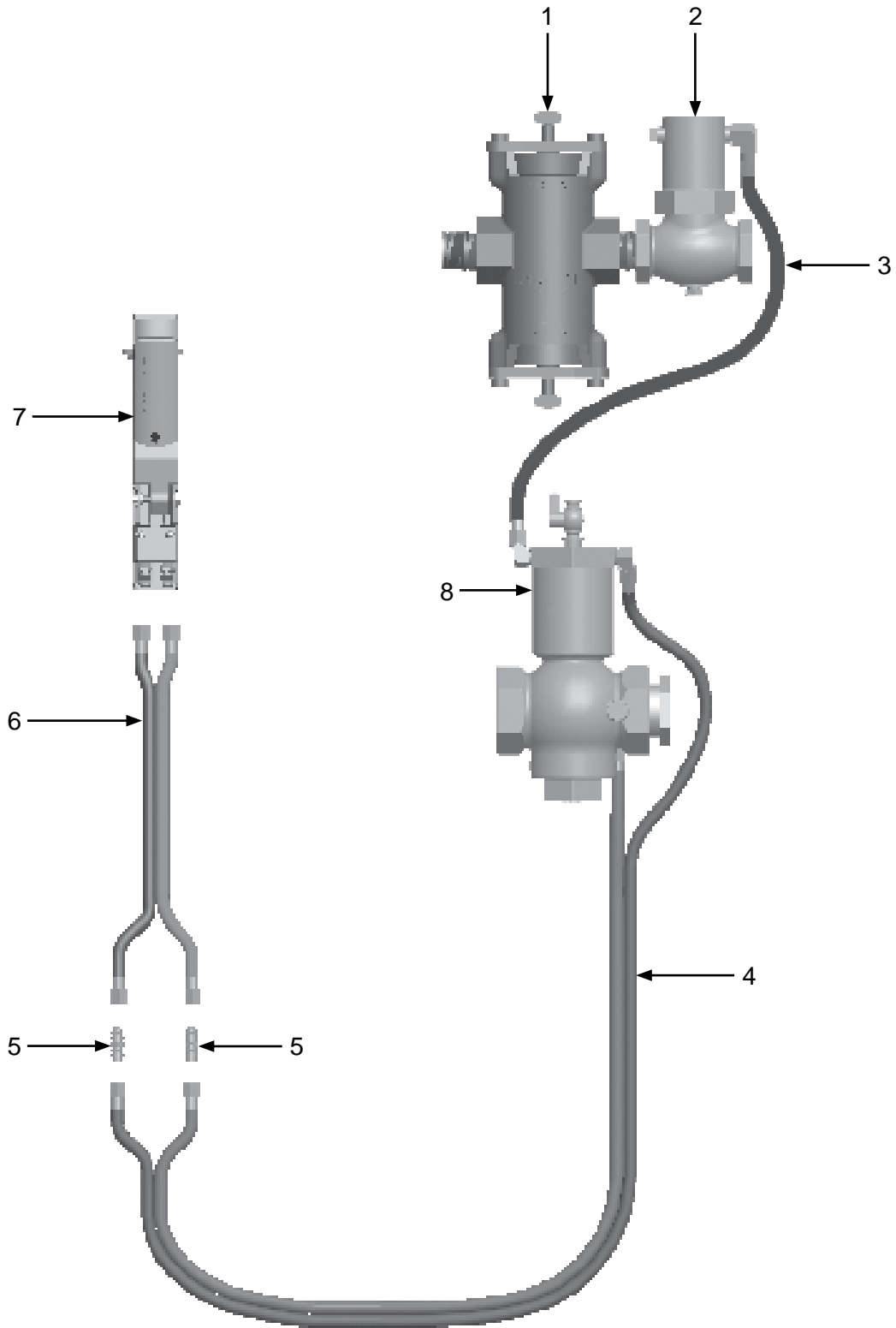
PART NUMBERS & SCHEMATICS

Blastmaster® 125P Remote Control System

Item #	Part #	Description
Fig. 1		
—	1012500	Blastmaster® 125P Remote Control System – Complete
1	1012000	Abrasive Trap – Complete <i>(see Figure 4)</i>
2	1012050	1" Outlet Valve – Complete <i>(see Figure 3)</i>
3	10CL18	Coupled Pneumatic Control Line – 18 Inches
4	10TL5	Coupled Pneumatic Control Line – 5 Feet
5	1017001	3/16" Pneumatic Control Line Union <i>(Two Required)</i>
6	10TL50	Coupled Pneumatic Control Line – 50 Feet
	10TL100	Coupled Pneumatic Control Line – 100 Feet <i>(optional)</i>
7	1015000	Blastmaster® 150P Remote Control Switch – Complete <i>(see Figure 5)</i>
8	1012200	1-1/2" Inlet Valve – Complete <i>(see Figure 2)</i>
—	1011501	1-1/2" NPT (M) x 1-1/4" NPT (F) Bushing <i>(Not Shown)</i>
—	105M014	Features and Specifications Guide – Blastmaster® 125P Remote Control System
—	105M023	Features and Specifications Guide – Blastmaster® 150P Remote Control Switch
—	106M014	Part Numbers & Schematics Guide – Blastmaster® 125P Remote Control System
—	106M023	Part Numbers & Schematics Guide – Blastmaster® 150P Remote Control Switch
—	1090014	Operator's Manual – Blastmaster® 125P Remote Control System
—	1090023	Operator's Manual – Blastmaster® 150P Remote Control Switch

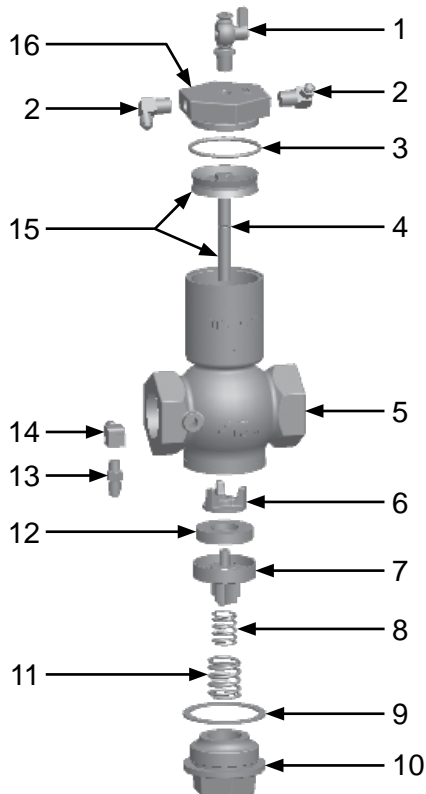
PART NUMBERS & SCHEMATICS

Figure 1: Blastmaster® 125P Remote Control System



PART NUMBERS & SCHEMATICS

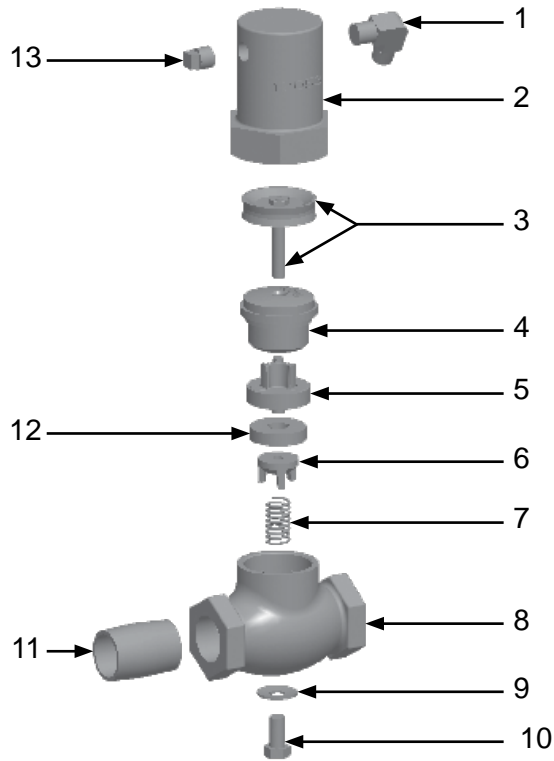
Figure 2: 1-1/2" Inlet Valve



Item #	Part #	Description
Fig. 2		
—	1012200	1-1/2" Inlet Valve – Complete
1	1012101	1/4" NPT Petcock
2	1012051	1/4" NPT Brass Elbow (<i>Two Required</i>)
3	1012213	1/8" x 2-1/2" O-ring
4	1012208	1/16" x 7/16" O-ring
5	1012204	1-1/2" Body
6	1012207	1-1/2" Plug Washer Retainer
7	1012205	1-1/2" Plug
8	1012105	5/8" x 1-11/16" Inner Spring
9	1012202	1-1/2" Bottom Cap Gasket
10	1012201	1-1/2" Bottom Cap
11	1012203	7/8" x 2-1/16" Outer Spring
12	1012206	1-1/2" Plug Washer
13	1012103	1/8" Adapter with 1/16" Restrictor Port
14	1012113	1/8" Street Elbow
15	1012209	Piston and Rod Assembly
16	1012214	1-1/2" Cylinder Cap
—	1012215	1-1/2" Inlet Valve Repair Kit (<i>Includes Item #'s: 3,4,8,9,11, and 12 (Quantity of Two)</i>)

PART NUMBERS & SCHEMATICS

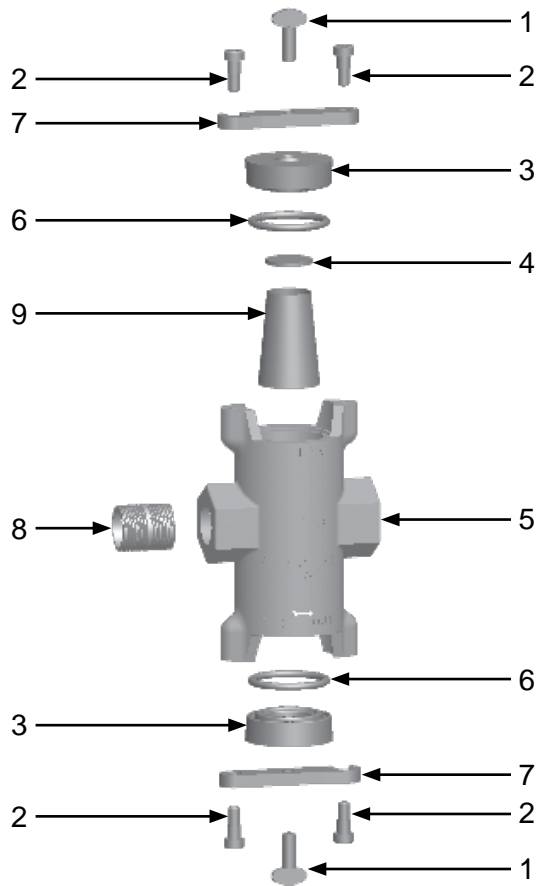
Figure 3: 1" Outlet Valve



Item #	Part #	Description
Fig. 3		
—	1012050	1" Outlet Valve – Complete
1	1012051	1/4" x 1/4" Brass Elbow
2	1012053	Bonnet
3	1012054	Piston and Rod Assembly
4	1012058	Plug and Spindle Guide
5	1012059	Plug
6	1012061	Plug Washer Retainer
7	1012063	7/16" x 1-5/8" Spring
8	1012062	Body
9	1012064	3/8" Nylon Washer
10	1012065	3/8" x 3/4" Bolt
11	1012151	1" NPT Close Nipple
12	1012060	Plug Washer
13	1012052	1/4" NPT Pipe Plug
—	1012066	1" Outlet Valve Repair Kit <i>(Includes Item #'s: 5,6,7,9,10, and 12 (Quantity of Two))</i>

PART NUMBERS & SCHEMATICS

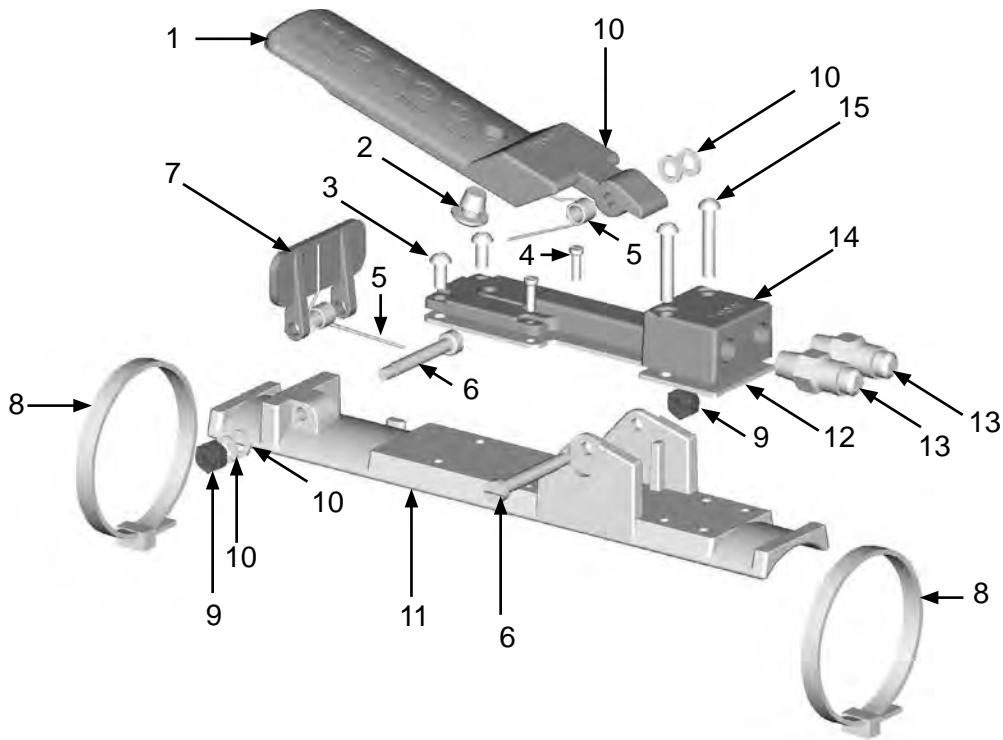
Figure 4: Abrasive Trap



Item #	Part #	Description
Fig. 4		
—	1012000	Abrasive Trap – Complete
1	1012006	Thumb Screw (<i>Two Required</i>)
2	1012007	3/8" x 3/8" Shoulder Bolt (<i>Four Required</i>)
3	1012003	Abrasive Trap Cap (<i>Two Required</i>)
4	1012008	Abrasive Trap Screen Gasket
5	1012004	Abrasive Trap Body
6	1012002	Abrasive Trap O-ring (<i>Two Required</i>)
7	1012005	Cap Lock Bar (<i>Two Required</i>)
8	1012151	1" NPT Close Nipple
9	1012001	Abrasive Trap Screen
—	1012009	Abrasive Trap Repair Kit (Includes Item #'s: 4,6 (<i>Quantity of Two</i>), and 9 (<i>Quantity of Three</i>))

PART NUMBERS & SCHEMATICS

Figure 5: Blastmaster® 150 Remote Control Switch



Item #	Part #	Description
Fig. 5		
—	1015000	Blastmaster® 150P Remote Control Switch – Complete
1	1015001	Handle
2	1015011	Rubber Button Bumper
3	1015014	8-32 x 3/8" Phillips Head Screw <i>(Two Required)</i>
4	1015010	4-40 x 3/8" Fillister Screw <i>(Two Required)</i>
5	1015005	Spring <i>(Two Required)</i>
6	1015008	Shoulder Screw <i>(Two Required)</i>
7	1015003	Safety Tab
8	1015015	Nylon Zip Tie - White <i>(Two Required)</i>
9	1015006	8-32 UNC-2B Nylon Insert Lock Nut <i>(Two Required)</i>
10	1015007	3/8" O.D. x 7/16" I.D. Washer <i>(Four Required)</i>
11	1015002	Body
12	1015012	Adapter Block Gasket
13	1012903	1/8" NPT x 7/16-20 JIC Fitting <i>(Two Required)</i>
14	1015004	Adapter Block
15	1015009	8-32 x 1" Phillips Head Screw <i>(Two Required)</i>
—	1015013	Blastmaster® 150P Remote Control Switch Repair Kit <i>(Includes Item #'s: 7, 12, Two each of 3, 4, 5, 6, 8, 9, 15; Three each of 2; and Four each of 10)</i>
—	105M023	Features and Specifications Guide – Blastmaster® 150P Remote Control Switches
—	106M023	Part Numbers & Schematics Guide – Blastmaster® 150 Pneumatic Remote Control Switch
—	1090023	Operator's Manual – Blastmaster® 150P Remote Control Switch
—	1091032	Hazard Identification Tag

OPTIONAL ACCESSORIES

Part Numbers	PNEUMATIC CONTROL LINE	
	Length	Fittings
10TL3	3 Feet	(4) 1017016
10TL5	5 Feet	(4) 1017016
10TL25	25 Feet	(4) 1017016
10TL50	50 Feet	(4) 1017016
10TL100	100 Feet	(4) 1017016
10TLBK	Per Foot	None



10TL3
10TL5











10TL25
10TL50
10TL100



10TLBK

OPTIONAL ACCESSORIES

Part Numbers	PNEUMATIC CONTROL LINE FITTINGS	
	1017016	3/16" Female Nut & Barb
	1017000	3/16" Female Reusable Hose End
	1017017	Pneumatic Control Line Hose Ferrule
	1017011	Pneumatic Control Line Oetiker® Clamp
	1017001	3/16" Male x Male Hose Union
	1017010	Hose Splicer

PNEUMATIC CONTROL LINE FITTINGS ACCESSORIES		
	10DX855A	Ferrule Crimping Tool
	10DX1098	Oetiker® Clamp Tool

Oetiker® is a registered trademark of Dixon Valve & Coupling Co.

PART NUMBERS AND SCHEMATICS GUIDE

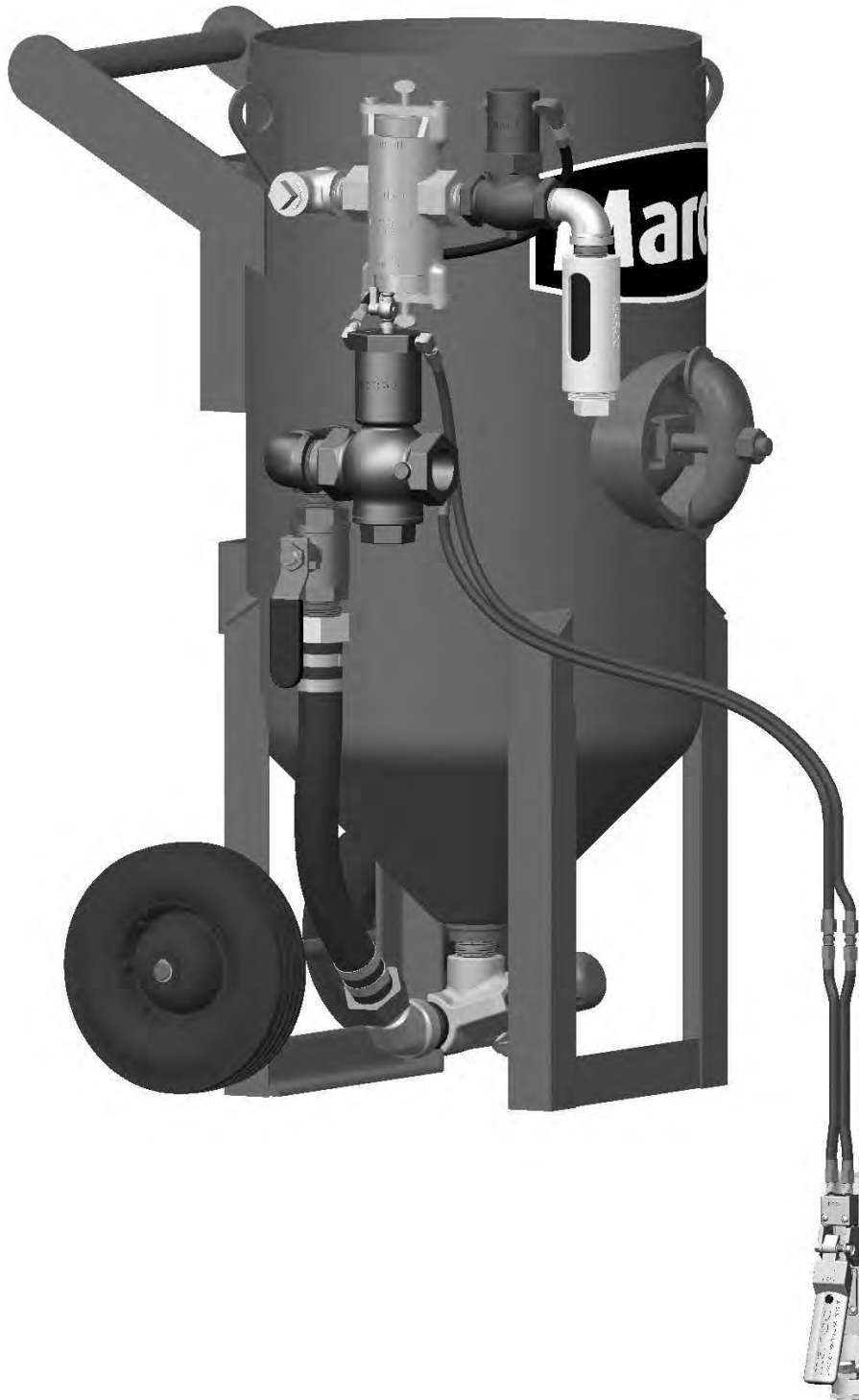
PNEUMATIC REMOTE CONTROL SYSTEM KITS – 3.5 CU. FT. M-SERIES ABRASIVE BLASTING POT

Part Numbers	Blastmaster® 1-1/4" Bantam Abrasive Metering Valve	Blastmaster® 1-1/2" Bantam Abrasive Metering Valve	Blastmaster® 150P Remote Control Switch	1" Outlet Valve	1/2" Inlet Valve	Twinline	Pusher Line Assembly	Abrasive Blasting Pot Muffler
1012560	X		X	X	X	50 Ft.	X	X
1012565		X	X	X	X	50 Ft.	X	X

For converting a bare pot to pneumatic remote control system.

Includes: Blastmaster® Bantam Abrasive Metering Valve, Blastmaster® 150P Remote Control Switch, Twinline, Air Hose Pusher Line, Inlet Valve, Outlet Valve, Abrasive Blasting Pot Muffler, and various pipe fittings

PART NUMBERS AND SCHEMATICS GUIDE



PART NUMBERS AND SCHEMATICS GUIDE

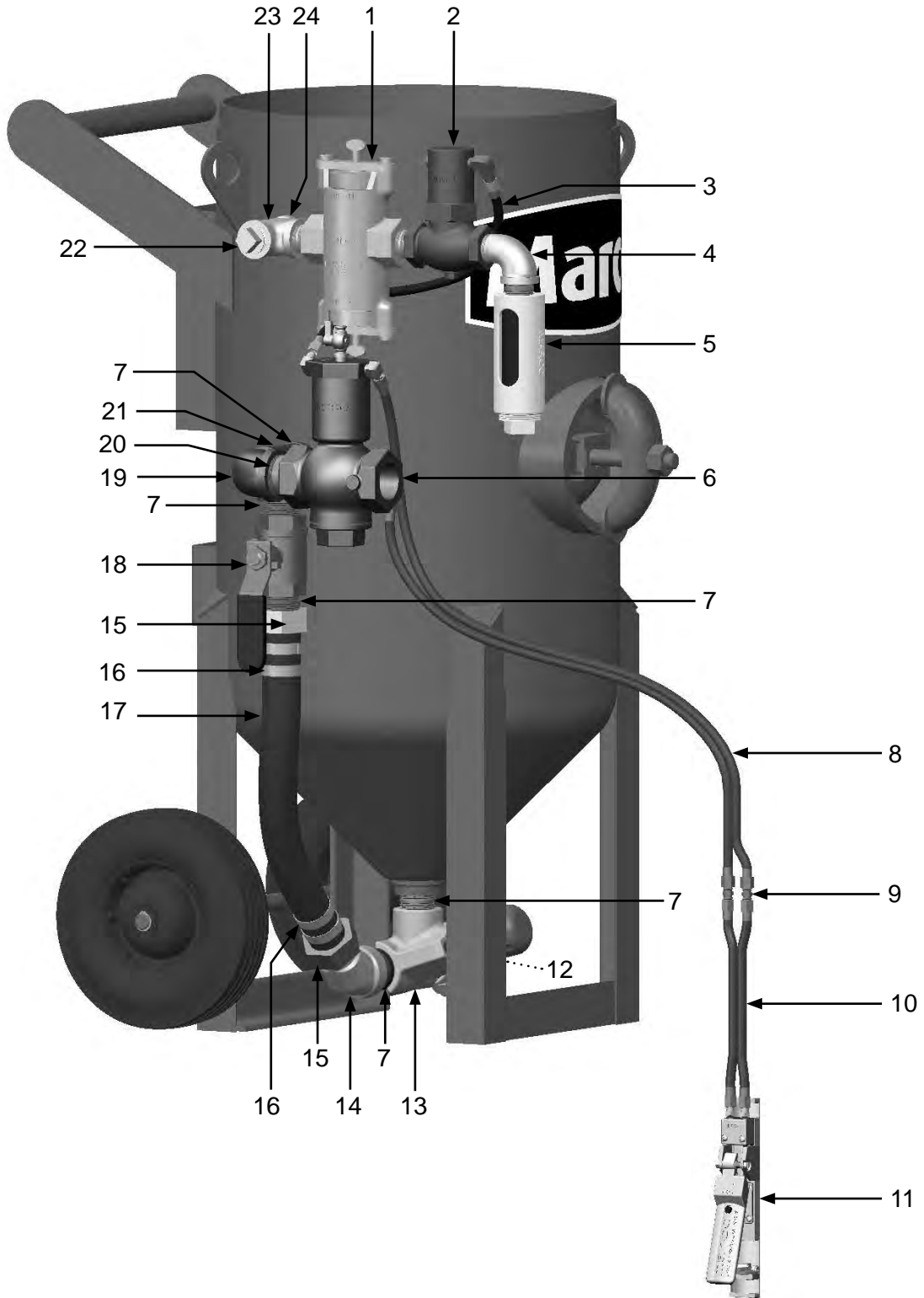
125P Pneumatic Conversion Kit – 3.5 Cu. Ft. M-Series Abrasive Blasting Pot

Item #	Part #	Description
Fig. 1		
—	1012560	125P Pneumatic Conversion Kit – 1-1/4" Bantam Abrasive Metering Valve – 3.5 Cu. Ft. Pot
—	1012565	125P Pneumatic Conversion Kit – 1-1/2" Bantam Abrasive Metering Valve – 3.5 Cu. Ft. Pot
1	1012000	Abrasive Trap
2	1012050	1" Outlet Valve
3	10CL18	Coupled Pneumatic Control Line – 18 Inches
4	1011801	1" Street Elbow
5	1011100	Abrasive Blasting Pot Muffler
6	1012200	1-1/2" Inlet Valve
7	1011201	1-1/4" Close Nipple (<i>Quantity of Five</i>) (<i>For use with 1012560</i>)
	1014015	1-1/2" Close Nipple (<i>Quantity of Five</i>) (<i>For use with 1012565</i>)
8	10TL5	Coupled Pneumatic Control Line – 5 Feet
9	1017001	3/16" I.D. Hose Union (<i>Quantity of Two</i>)
10	10TL50	Coupled Pneumatic Control Line – 50 Feet
11	1015000	Blastmaster® 150P Remote Control Switch
12	10SB2S	1-1/2" Straight Thread Pot
13	1014101	1-1/4" Bantam Abrasive Metering Valve (<i>For use with 1012560</i>)
	1014102	1-1/2" Bantam Abrasive Metering Valve (<i>For use with 1012565</i>)
14	1011830	1-1/4" 45° Street Elbow (<i>For use with 1012560</i>)
	1011805	1-1/2" 45° Street Elbow (<i>For use with 1012565</i>)
15	10SFE3	1-1/4" Female Swivel Air Hose End (<i>Quantity of Two</i>) (<i>For use with 1012560</i>)
	10SFE4	1-1/2" Female Swivel Air Hose End (<i>Quantity of Two</i>) (<i>For use with 1012565</i>)
16	10103737	1-1/4" I.D. T-Bolt Hose Clamp (<i>For use with 1012560</i>)
	10103738	1-1/2" I.D. T-Bolt Hose Clamp (<i>For use with 1012565</i>)
17	10AH114B	1-1/4" I.D. Air Hose – Per Foot (<i>Three Feet Required</i>) (<i>For use with 1012560</i>)
	10AH112B	1-1/2" I.D. Air Hose – Per Foot (<i>Three Feet Required</i>) (<i>For use with 1012565</i>)
18	1011602	1-1/4" Full Port Ball Valve (<i>For use with 1012560</i>)
	1011603	1-1/2" Full Port Ball Valve (<i>For use with 1012565</i>)
19	1011839	1-1/2" 90° Street Elbow
20	1014015	1-1/2" Close Nipple
21	1011834	1-1/2" x 1-1/4" x 1-1/4" Pipe Tee (<i>For use with 1012560</i>)
	1011833	1-1/4" x 1-1/2" x 1-1/2" Pipe Tee (<i>For use with 1012565</i>)
22	1011901	1" Square Head Pipe Plug
23	1011816	1" Pipe Tee
24	1011843	1" x 2-1/2" Close Nipple
—	1091045	Hazard Identification Tag (<i>Quantity of Four</i>) (<i>Not Shown</i>)

See page 14 for product literature

PART NUMBERS AND SCHEMATICS GUIDE

Figure 1: 125P Pneumatic Conversion Kit – 3.5 Cu. Ft. M-Series Abrasive Blasting Pot



PART NUMBERS AND SCHEMATICS GUIDE

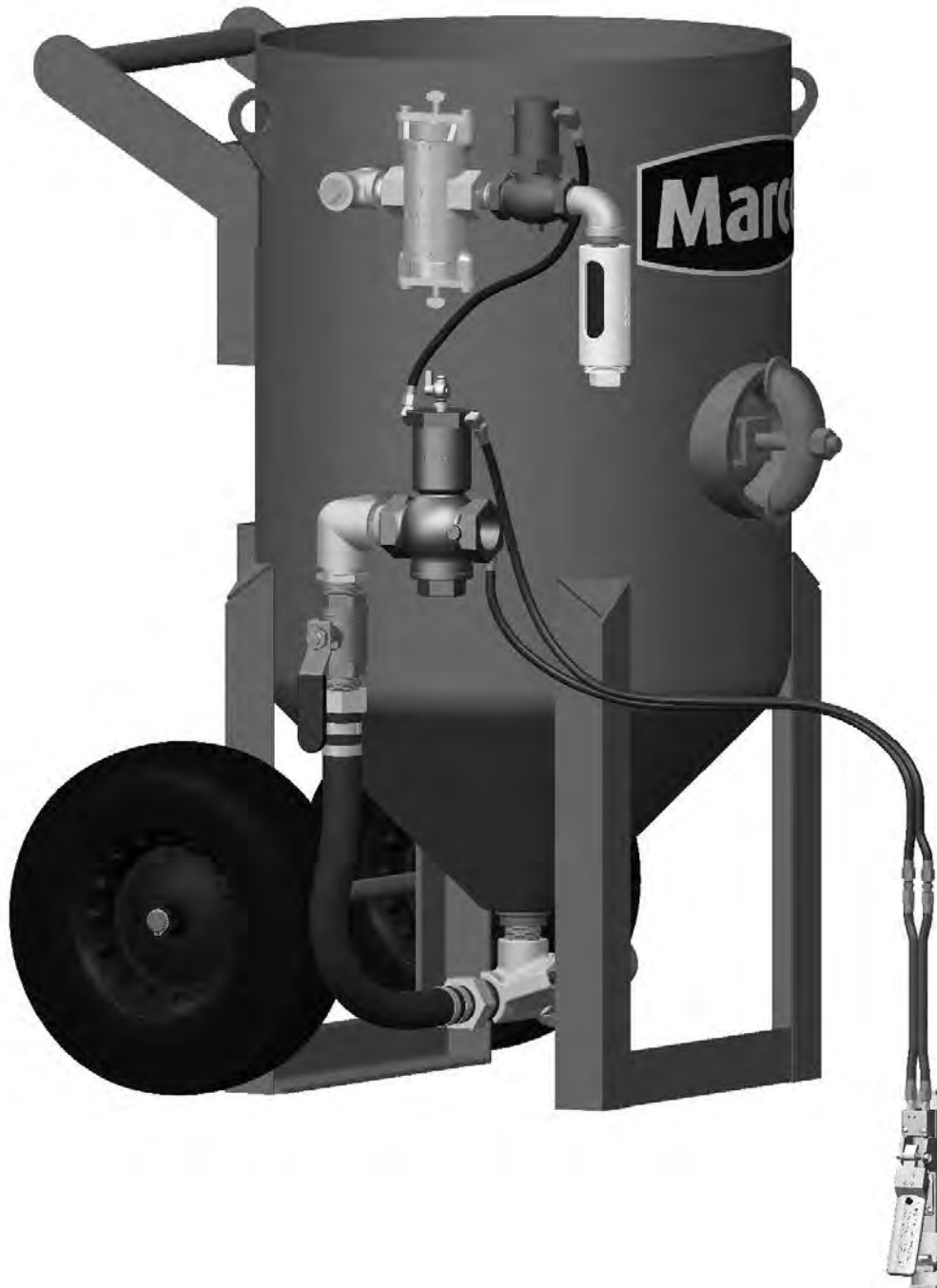
PNEUMATIC REMOTE CONTROL SYSTEM KITS – 6.5 CU. FT. M-SERIES ABRASIVE BLASTING POT

Part Numbers	Blastmaster® 1-1/4" Bantam Abrasive Metering Valve	Blastmaster® 1-1/2" Bantam Abrasive Metering Valve	Blastmaster® 150P Remote Control Switch	1" Outlet Valve	1/2" Inlet Valve	Twinline	Pusher Line Assembly	Abrasive Blasting Pot Muffler
10107220	X		X	X	X	50 Ft.	X	X
10107221		X	X	X	X	50 Ft.	X	X

For converting bare pot to pneumatic remote control system.

Includes: Blastmaster® Bantam Abrasive Metering Valve, Blastmaster® 150P Remote Control Switch, Twinline, Air Hose Pusher Line, Inlet Valve, Outlet Valve, Abrasive Blasting Pot Muffler, and various pipe fittings

PART NUMBERS AND SCHEMATICS GUIDE



PART NUMBERS AND SCHEMATICS GUIDE

125P Pneumatic Conversion Kit – 6.5 Cu. Ft. M-Series Abrasive Blasting Pot

Item #	Part #	Description
Fig. 2		
—	10107220	125P Pneumatic Conversion Kit – 1-1/4" Bantam Abrasive Metering Valve – 6.5 Cu. Ft. Pot
—	10107221	125P Pneumatic Conversion Kit – 1-1/2" Bantam Abrasive Metering Valve – 6.5 Cu. Ft. Pot
1	1012000	Abrasive Trap
2	1012050	1" Outlet Valve
3	10CL18	Coupled Pneumatic Control Line – 18 Inches
4	1011801	1" Street Elbow
5	1011100	Abrasive Blasting Pot Muffler
6	1012200	1-1/2" Inlet Valve
7	1011201	1-1/4" Close Nipple (<i>Quantity of Five</i>) (<i>For use with 10107220</i>)
	1014015	1-1/2" Close Nipple (<i>Quantity of Five</i>) (<i>For use with 10107221</i>)
8	10TL5	Coupled Pneumatic Control Line – 5 Feet
9	1017001	3/16" I.D. Hose Union (<i>Quantity of Two</i>)
10	10TL50	Coupled Pneumatic Control Line – 50 Feet
11	1015000	Blastmaster® 150P Remote Control Switch
12	10SB2S	1-1/2" Straight Thread Pot
13	1014101	1-1/4" Bantam Abrasive Metering Valve (<i>For use with 10107220</i>)
	1014102	1-1/2" Bantam Abrasive Metering Valve (<i>For use with 10107221</i>)
14	10SFE3	1-1/4" Female Swivel Air Hose End (<i>Quantity of Two</i>) (<i>For use with 10107220</i>)
	10SFE4	1-1/2" Female Swivel Air Hose End (<i>Quantity of Two</i>) (<i>For use with 10107221</i>)
15	10103737	1-1/4" I.D. T-Bolt Hose Clamp (<i>For use with 10107220</i>)
	10103738	1-1/2" I.D. T-Bolt Hose Clamp (<i>For use with 10107221</i>)
16	10AH114B	1-1/4" I.D. Air Hose – Per Foot (<i>Three Feet Required</i>) (<i>For use with 10107220</i>)
	10AH112B	1-1/2" I.D. Air Hose – Per Foot (<i>Three Feet Required</i>) (<i>For use with 10107221</i>)
17	1011602	1-1/4" Full Port Ball Valve (<i>For use with 10107220</i>)
	1011603	1-1/2" Full Port Ball Valve (<i>For use with 10107221</i>)
18	1011501	1-1/2" (M) x 1-1/4" (F) Bushing
19	1011804	1-1/2" 90° Elbow with Side-Out
20	1014015	1-1/2" Close Nipple
21	1011901	1" Square Head Pipe Plug
22	1011816	1" Pipe Tee
23	1012151	1" Close Nipple
—	1091045	Hazard Identification Tag (<i>Quantity of Four</i>) (<i>Not Shown</i>)

See page 14 for product literature

OPTIONAL ACCESSORIES

PNEUMATIC CONTROL LINE		
Part Numbers	Length	Fittings
10TL3	3 Feet	1017016 <i>(Quantity of Four)</i>
10TL5	5 Feet	1017016 <i>(Quantity of Four)</i>
10TL25	25 Feet	1017016 <i>(Quantity of Four)</i>
10TL50	50 Feet	1017016 <i>(Quantity of Four)</i>
10TL100	100 Feet	1017016 <i>(Quantity of Four)</i>
10TLBK	Per Foot	None



10TL3
10TL5










10TL25
10TL50
10TL100



10TLBK

OPTIONAL ACCESSORIES

	Part Numbers	PNEUMATIC CONTROL LINE FITTINGS
	1017016	3/16" Female Nut & Barb
	1017000	3/16" Female Reusable Hose End
	1017017	Pneumatic Control Line Hose Ferrule
	1017011	Pneumatic Control Line Oetiker® Clamp
	1017001	3/16" Male x Male Hose Union

	Part Numbers	PNEUMATIC CONTROL LINE FITTINGS ACCESSORIES
	10DX855A	Ferrule Crimping Tool
	10DX1098	Oetiker® Clamp Tool

LITERATURE REFERENCES

Remote Control System

105M014	Features and Specifications Guide – Blastmaster® 125P Remote Control System
106M014	Part Numbers and Schematics Guide – Blastmaster® 125P Remote Control System
1090014	Operator's Manual – Blastmaster® 125P Remote Control System

Remote Control Switch

105M023	Features and Specifications Guide – Blastmaster® 150P Remote Control Switch
106M023	Part Numbers and Schematics Guide – Blastmaster® 150P Remote Control Switch
1090023	Operator's Manual – Blastmaster® 150P Remote Control Switch

Abrasive Metering Valve

105M022	Features and Specifications Guide – Blastmaster® Bantam Abrasive Metering Valve
106M022	Part Numbers and Schematics Guide – Blastmaster® Bantam Abrasive Metering Valve
1090022	Operator's Manual – Blastmaster® Bantam Abrasive Metering Valve

Abrasive Blasting Pot Muffler

105M347	Features and Specifications Guide – Abrasive Blasting Pot Muffler
106M347	Part Numbers and Schematics Guide – Abrasive Blasting Pot Muffler

PART NUMBERS

BLASTMASTER® 123E REMOTE CONTROL SYSTEM - 12-VOLT DC

Part Number	Power Source	Battery Clamp Kit	190 Electric Control Assembly	Electric Control Lines	Blowdown Hose Assembly	Exhaust Muffler	Tandem Remote Control Valve	Remote Control Switch	Watts Strainer
1012352	12-Volt DC	1015544	12-Volt DC	25 & 50 Feet	1012350	1011100	1012300	1015100	10WS



PART NUMBERS

BLASTMASTER® 123E REMOTE CONTROL SYSTEM - 120-VOLT AC

Part Number	Power Source	120-Volt AC to 12-Volt AC Power Converter	190 Electric Control Assembly	Electric Control Line	Blowdown Hose Assembly	Exhaust Muffler	Tandem Remote Control Valve	Remote Control Switch	Watts Strainer
1012353	120-Volt AC	1030020	12-Volt AC	50 Feet	1012350	1011100	1012300	1015100	10WS



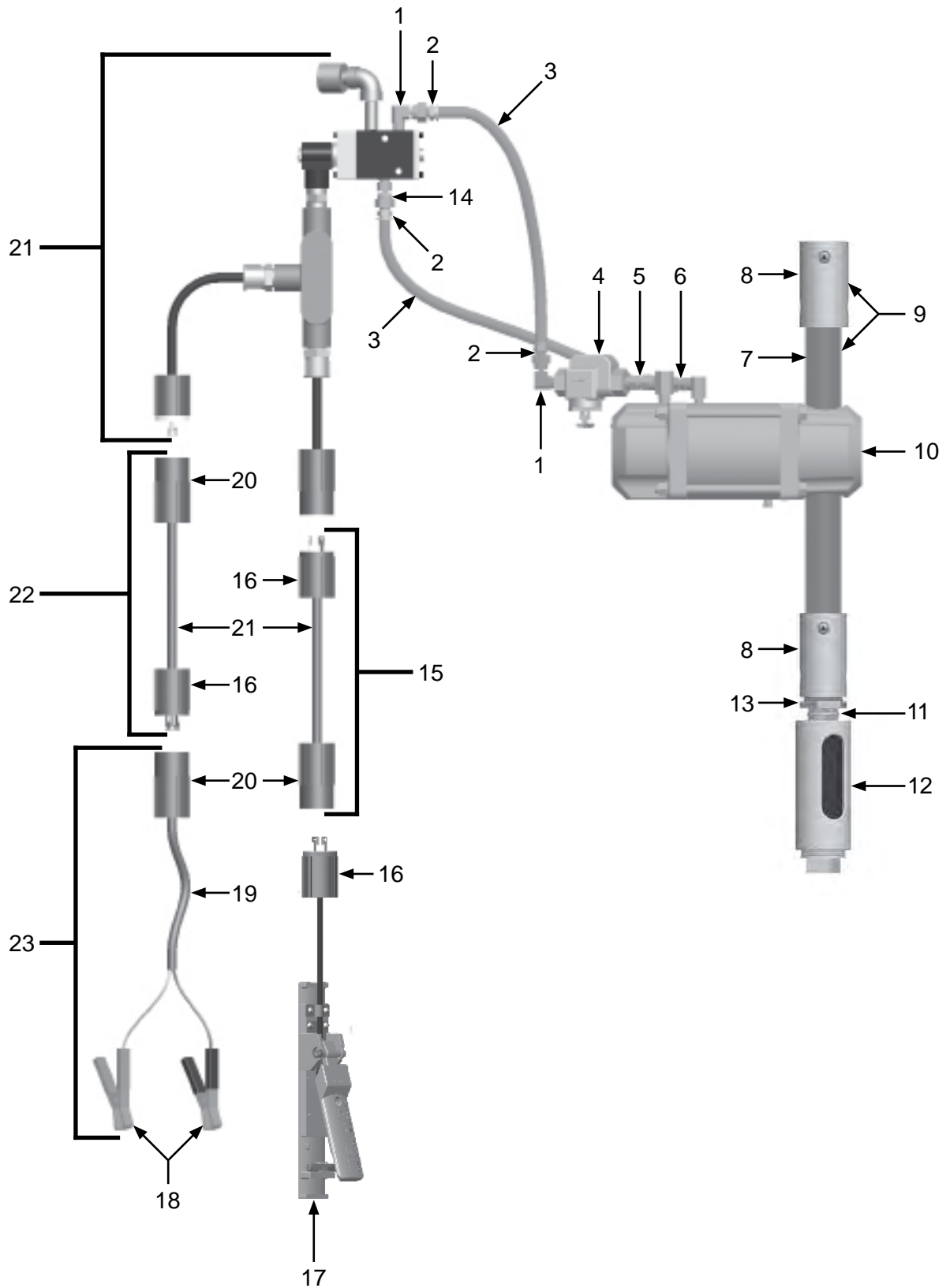
PART NUMBERS & SCHEMATICS

12-Volt DC Blastmaster® 123E Remote Control System

Item #	Part #	Description
Fig. 1		
—	1012352	12-Volt DC Blastmaster® 123E Remote Control System – Complete
1	1012326	1/4" 90° Swivel Fitting <i>(Two Required)</i>
2	10PAF025	1/4" NPT x 1/4" Barb Push-on Air Hose Fitting <i>(Three Required)</i>
3	10AH025	1/4" I.D. Push-on Air Hose <i>(Six Feet Required)</i>
4	10WS	Watts Strainer
5	1017019	1/4" Hex Nipple
6	10PAF0125	1/8" NPT x 1/4" Barb Push-on Air Hose Fitting
7	10BH0342BR	3/4" I.D. Abrasive Blasting Hose <i>(Per Foot)</i>
8	10NHA1	1-1/4" Aluminum Nozzle Holder <i>(Two Required)</i>
9	1012350	Blowdown Hose Assembly <i>(Includes Item #'s: 7 (Quantity of Two Feet) and 8)</i>
10	1012300	Tandem Remote Control Valve – Complete <i>(See Figure 7)</i>
11	1012151	1" Close Nipple
12	1011100	Blastmaster® Exhaust Muffler <i>(See Figure 10)</i>
13	1012157	1-1/4" x 1" Bushing
14	10SME025	1/4" Straight Swivel Fitting
15	1015545	50 Feet of Control Line with Male and Female 3-prong Twist-Lock Plugs <i>(Includes Item #'s: 16, 20 (Quantity of 50 Feet), and 21)</i>
16	1015555	3-prong Twist-Lock Plug – Male
17	1015100	Blastmaster® 151E Remote Control Switch - Complete
18	1030718	Battery Clamp (Pair)
19	1015540	16/2 SJ Power Cord <i>(Per Foot)</i>
20	1015556	3-prong Twist Lock Plug – Female
21	1019051	12-Volt DC 190 Electric Control System <i>(See Figure 2)</i>
22	1015546	25 Feet of Power Cord with Male and Female 3-prong Twist-Lock Plugs <i>(Includes Item #'s: 16, 20 (Quantity of 25 Feet), and 21)</i>
23	1015544	Battery Clamp Kit <i>(Includes Item #'s: 18, 19 (Quantity of Two Feet), and 20)</i>
—	105M089	Features and Specifications Guide – Blastmaster® 123E Remote Control System
—	105M063	Features and Specifications Guide – Blastmaster® 151E Remote Control Switch
—	106M063	Part Numbers & Schematics Guide – Blastmaster® 151E Remote Control Switch
—	106M089	Part Numbers & Schematics Guide – Blastmaster® 123E Remote Control System
—	1090063	Operator's Manual – Blastmaster® 151E Remote Control Switch
—	1090089	Operator's Manual – Blastmaster® 123E Remote Control System

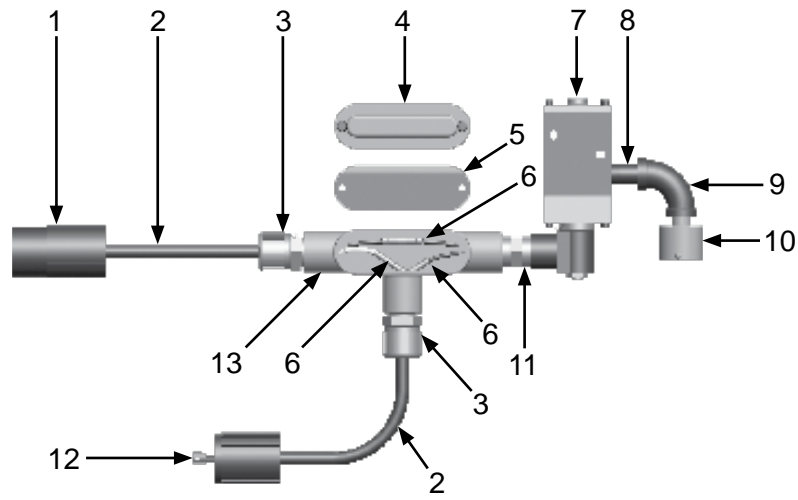
PART NUMBERS & SCHEMATICS

Figure 1: 12-Volt DC Blastmaster® 123E Remote Control System



PART NUMBERS & SCHEMATICS

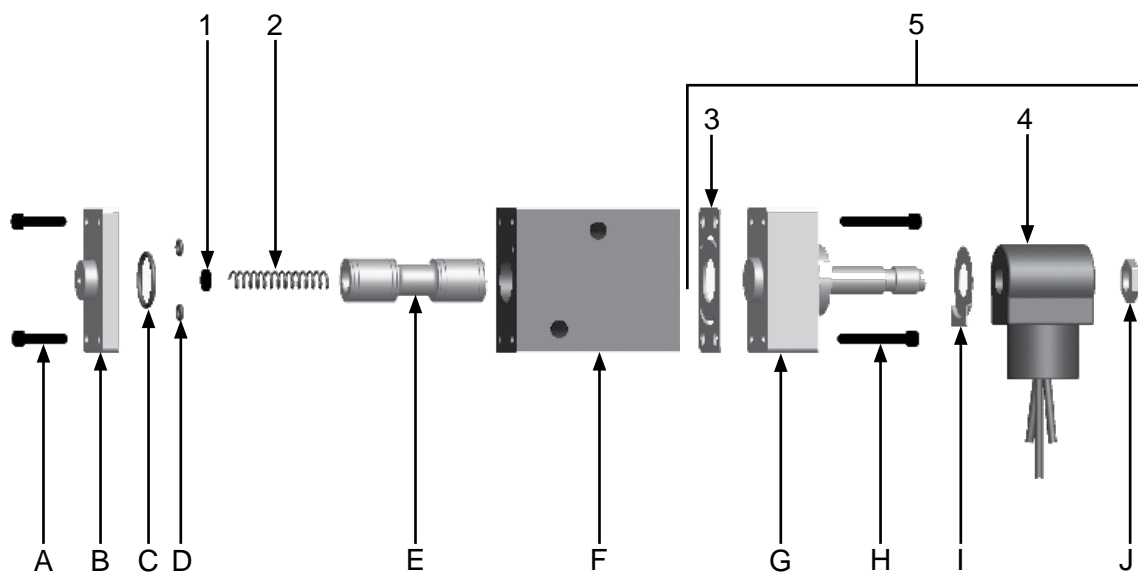
Figure 2: 12-Volt DC 190 Electric Control Assembly



Item #	Part #	Description
Fig. 2		
—	1019051	12-Volt DC 190 Electric Control Assembly – Complete
1	1015556	3-Prong Twist-Lock Plug – Female
2	1015540	16/2 SJ Power Cord – Per Foot
3	1019021	Cord Grip (<i>Two Required</i>)
4	1019022	Conduit Box Cover
5	1019023	Conduit Box Cover Gasket
6	1030028	Butt Splicer (<i>Four Required</i>)
7	1019010	12-Volt DC 190 Electric Solenoid – Complete (<i>See Figure 3</i>)
8	1011217	1/4" x 2" Pipe Nipple
9	1011832	1/4" NPT 90° Pipe Nipple
10	10DE025	Dust Eliminator
11	20100677	1/2" x 1/2" NPT Hex Nipple
12	1015555	3-Prong Twist-Lock Plug – Male
13	1019020	1/2" Tee Conduit Box

PART NUMBERS & SCHEMATICS

Figure 3: 12-Volt DC 190 Electric Solenoid



Item #	Part #	Description
Fig. 3		
—	1019010	12-Volt DC 190 Electric Solenoid – Complete
1	1019029	Felt Filter
2	1019032	Spring
3	1019033	Gasket
4	1019039	12-Volt DC Coil
5	1019034	12-Volt DC Operator Assembly (Includes Items: #3, #4, G, H, I, and J)
—	1019030	Electric Solenoid Repair Kit (Includes Items: #1, #2, #3, C, D, and E)

* Items A–J are not available individually

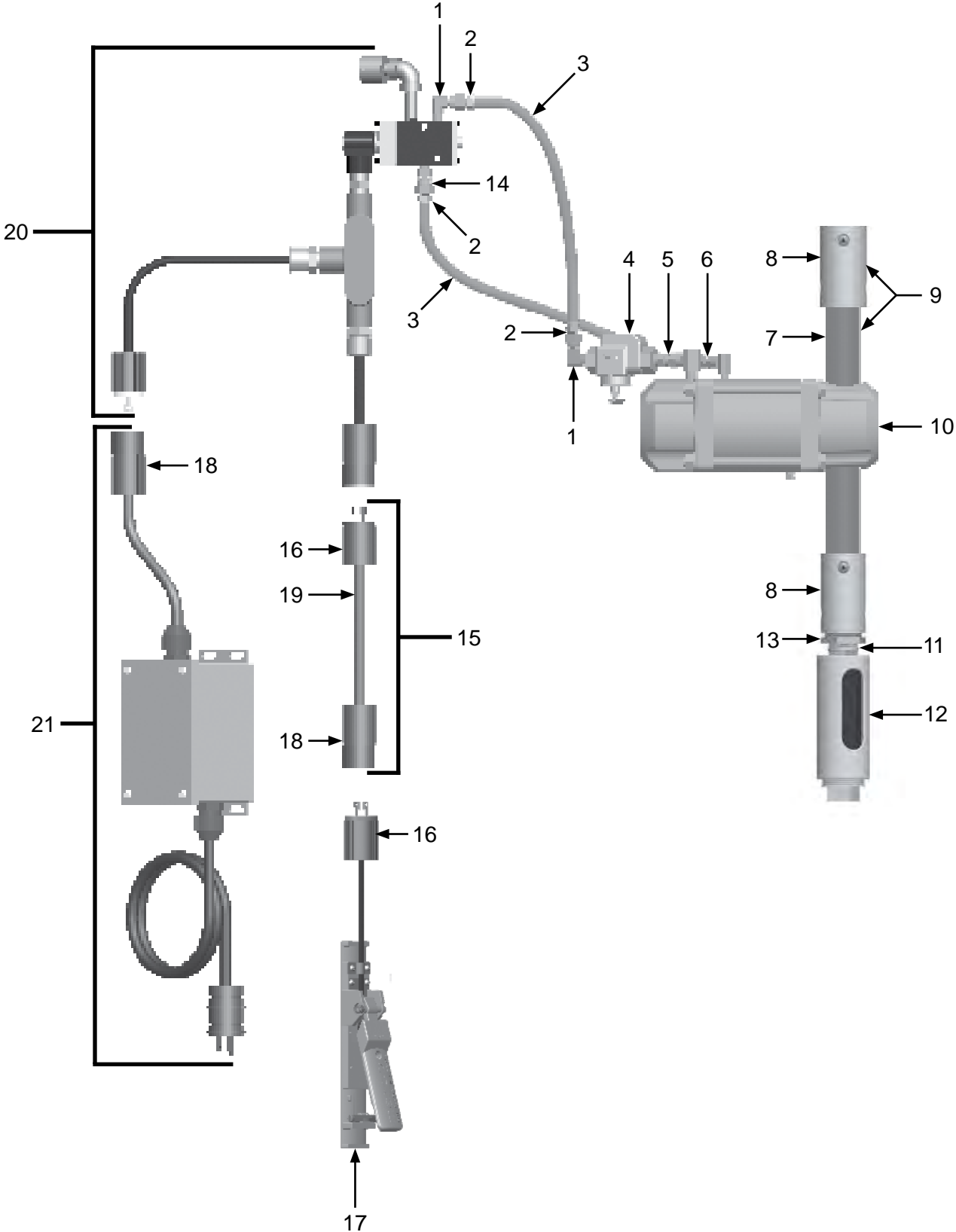
PART NUMBERS & SCHEMATICS

120-Volt AC Blastmaster® 123E Remote Control System

Item #	Part #	Description
Fig. 4		
—	1012353	120-Volt AC Blastmaster® 123E Remote Control System – Complete
1	1012326	1/4" 90° Swivel Fitting (<i>Two Required</i>)
2	10PAF025	1/4" NPT x 1/4" Barb Push-on Air Hose Fitting (<i>Three Required</i>)
3	10AH025	1/4" I.D. Push-on Air Hose (<i>Six Feet Required</i>)
4	10WS	Watts Strainer
5	1017019	1/4" Hex Nipple
6	10PAF0125	1/8" NPT x 1/4" Barb Push-on Air Hose Fitting
7	10BH0342BR	3/4" I.D. Abrasive Blasting Hose (<i>Per Foot</i>)
8	10NHA1	1-1/4" Aluminum Nozzle Holder (<i>Two Required</i>)
9	1012350	Blowdown Hose Assembly (<i>Includes Item #'s: 7 (Quantity of Two Feet) and 8</i>)
10	1012300	Tandem Remote Control Valve – Complete (<i>See Figure 7</i>)
11	1012151	1" Close Nipple
12	1011100	Blastmaster® Exhaust Muffler (<i>See Figure 10</i>)
13	1012157	1-1/4" x 1" Bushing
14	10SME025	1/4" Straight Swivel Fitting
15	1015545	50 Feet of Control Line with Male and Female Twist-Lock Plugs (<i>ncludes Item #'s: 16 ,18, and 19 (Quantity of 50 Feet)</i>)
16	1015555	3-prong Twist-Lock Plug – Male
17	1015100	Blastmaster® 151E Remote Control Switch – Complete
18	1015556	3-prong Twist Lock Plug – Female
19	1015540	16/2 SJ Power Cord (<i>Per Foot</i>)
20	1019052	12-Volt AC 190 Electric Control System (<i>See Figure 5</i>)
21	1030020	Marco 120-Volt AC to 12-Volt AC Power Converter (<i>See Figure 8</i>)
—	105M089	Features and Specifications Guide – Blastmaster® 123E Remote Control System
—	105M063	Features and Specifications Guide – Blastmaster® 151E Remote Control Switch
—	106M063	Part Numbers & Schematics Guide – Blastmaster® 151E Remote Control Switch
—	106M089	Part Numbers & Schematics Guide – Blastmaster® 123E Remote Control System
—	1090063	Operator's Manual – Blastmaster® 151E Remote Control Switch
—	1090089	Operator's Manual – Blastmaster® 123E Remote Control System

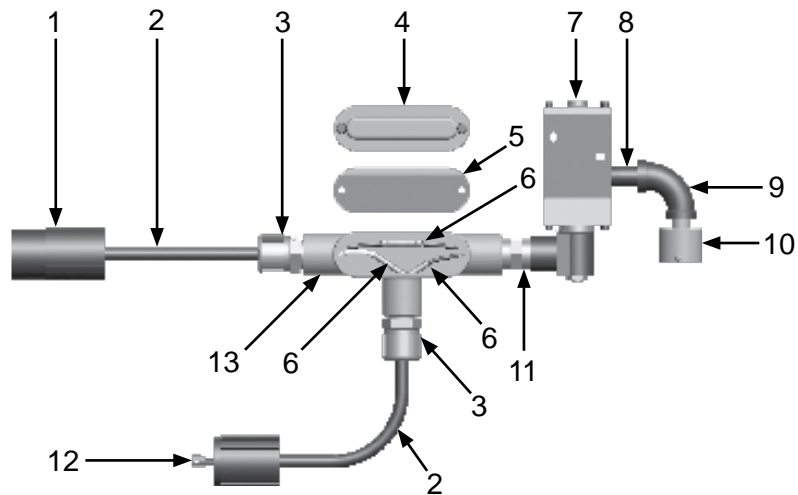
PART NUMBERS & SCHEMATICS

Figure 4: 120-Volt AC Blastmaster® 123E Remote Control System



PART NUMBERS & SCHEMATICS

Figure 5: 12-Volt AC 190 Electric Control Assembly



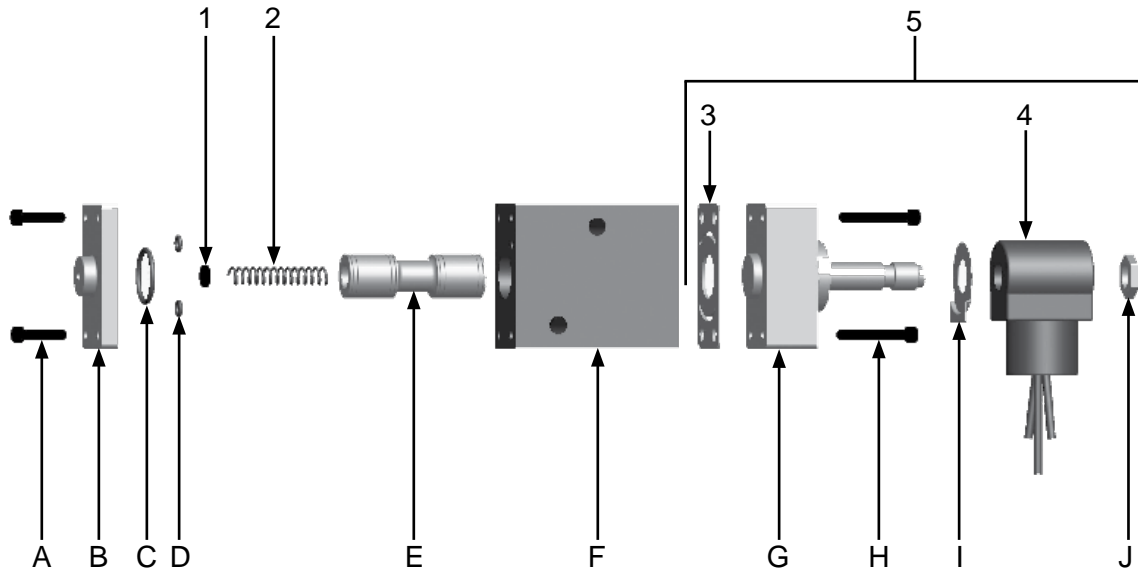
Item #	Part #	Description
--------	--------	-------------

Fig. 5

—	1019052	12-Volt AC 190 Electric Control Assembly – Complete
1	1015556	3-Prong Twist-Lock Plug – Female
2	1015540	16/2 SJ Power Cord – Per Foot
3	1019021	Cord Grip (<i>Two Required</i>)
4	1019022	Conduit Box Cover
5	1019023	Conduit Box Cover Gasket
6	1030028	Butt Splicer (<i>Four Required</i>)
7	1019011	12-Volt AC 190 Electric Solenoid – Complete (<i>See Figure 6</i>)
8	1011217	1/4" x 2" Pipe Nipple
9	1011832	1/4" NPT 90° Pipe Nipple
10	10DE025	Dust Eliminator
11	20100677	1/2" x 1/2" NPT Hex Nipple
12	1015555	3-Prong Twist-Lock Plug – Male
13	1019020	190 1/2" Tee Conduit Box

PART NUMBERS & SCHEMATICS

Figure 6: 12-Volt AC 190 Electric Solenoid

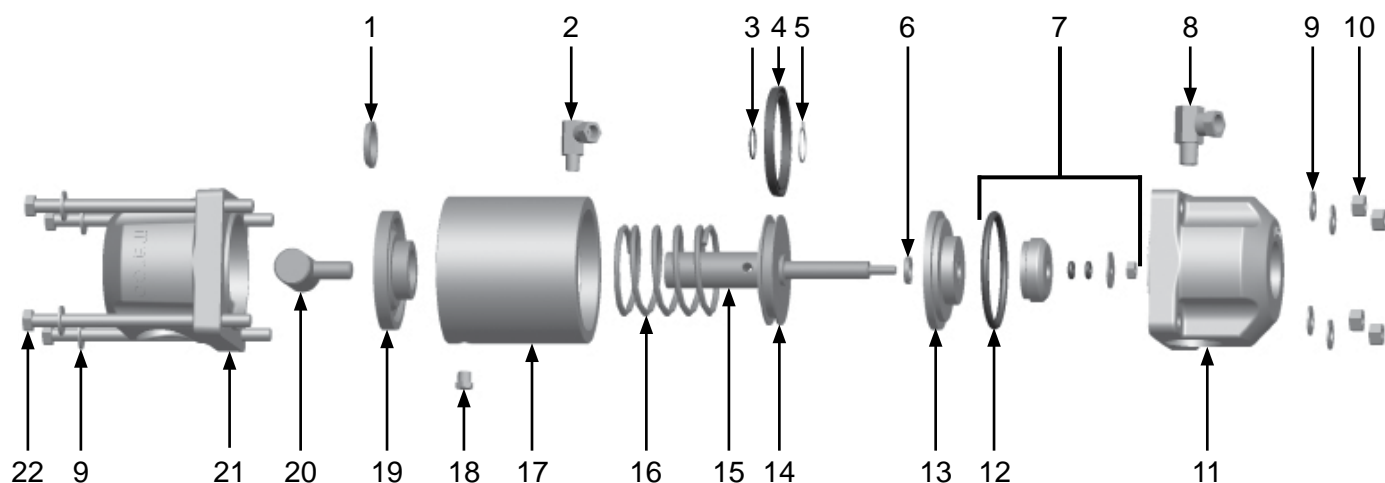


Item #	Part #	Description
Fig. 6		
—	1019011	12-Volt AC 190 Electric Solenoid – Complete
1	1019029	Felt Filter
2	1019032	Spring
3	1019033	Gasket
4	1019040	12-Volt AC Coil
5	1019035	12-Volt AC Electric Operator Assembly (Includes Items: #3, #4, G, H, I, and J)
—	1019030	12-Volt AC Electric Solenoid Repair Kit (Includes Items: #1, #2, #3, C, D, and E)

* Items A–J are not available individually

PART NUMBERS & SCHEMATICS

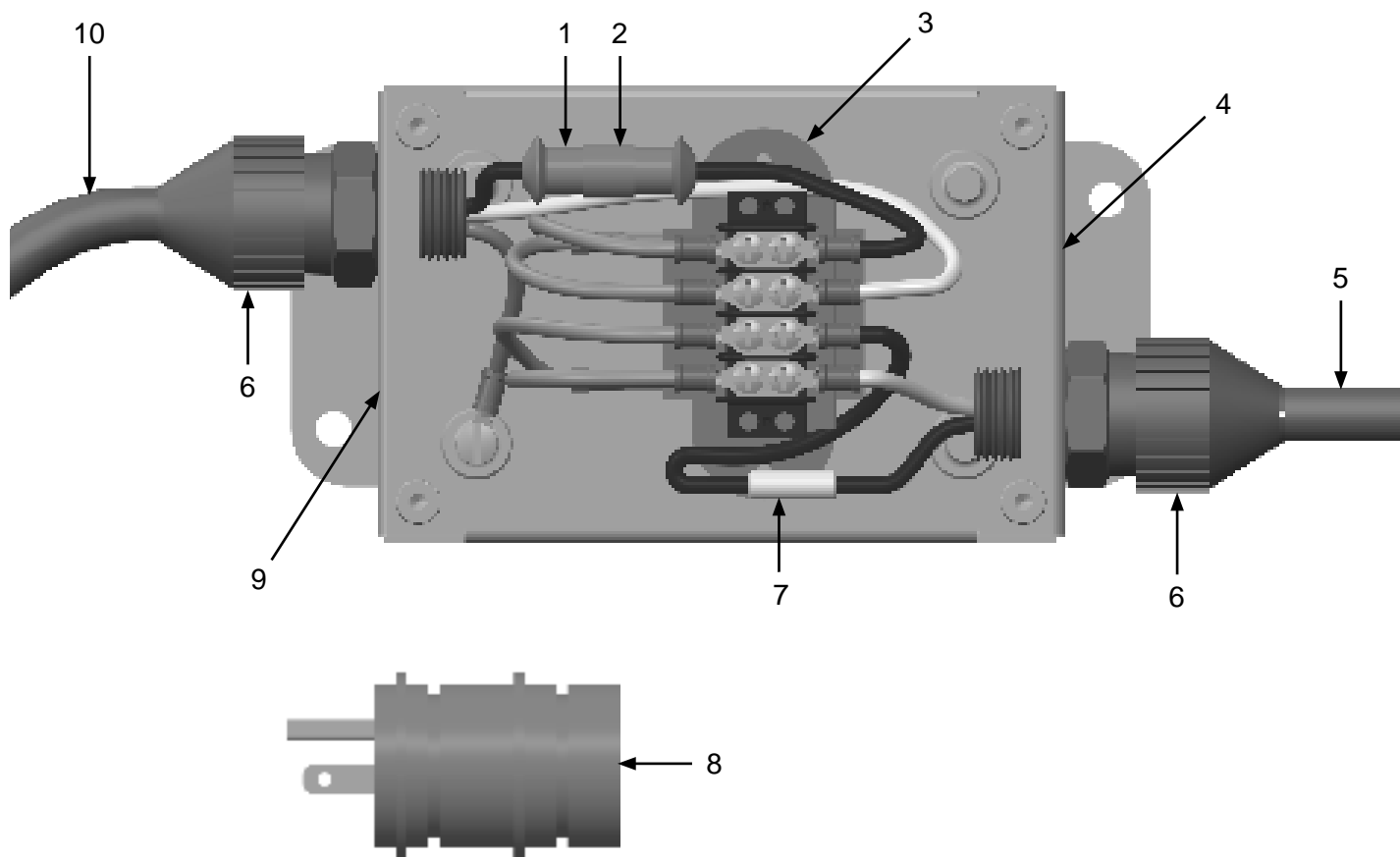
Figure 7: Tandem Remote Control Valve



Item #	Part #	Description
Fig. 7		
—	1012300	Tandem Remote Control Valve – Complete
1	1012308	Seal – Upper Rod Guide
2	1014239	1/8" 90° Swivel Fitting
3	1012312	O-ring – Shaft
4	1012317	Seal – Piston
5	1012313	13/16" External Snap Ring
6	1012314	Seal – Lower Rod Guide
7	1012322	Valve Plug Assembly <i>(Includes Item #12)</i>
8	1012326	1/4" 90° Swivel Fitting
9	1014241	3/8" Washer <i>(Eight Required)</i>
10	1012318	3/8-16 Nut <i>(Four Required)</i>
11	1012321	Base
12	1012320	O-ring – Lower Rod Guide
13	1012319	Lower Rod Guide
14	1012315	Piston
15	1012316	Shaft
16	1012309	Spring
17	1012311	Cylinder
18	1012905	1/8" Breather Muffler
19	1012307	Upper Rod Guide
20	1012306	Pinch Ram
21	1012305	Cap
22	1012310	3/8-16 x 6" Bolt <i>(Four Required)</i>
—	1012301	Tandem Remote Control Valve Repair Kit <i>(Includes Item #'s: 1, 3–7, and 12)</i>
—	105M089	Features and Specifications Guide – Blastmaster® 123E Remote Control System
—	106M089	Part Numbers and Schematics Guide – Blastmaster® 123E Remote Control System
—	1090007	Operator's Manual – Blastmaster® 123E Remote Control System
—	1091045	Hazard Identification Tag

PART NUMBERS & SCHEMATICS

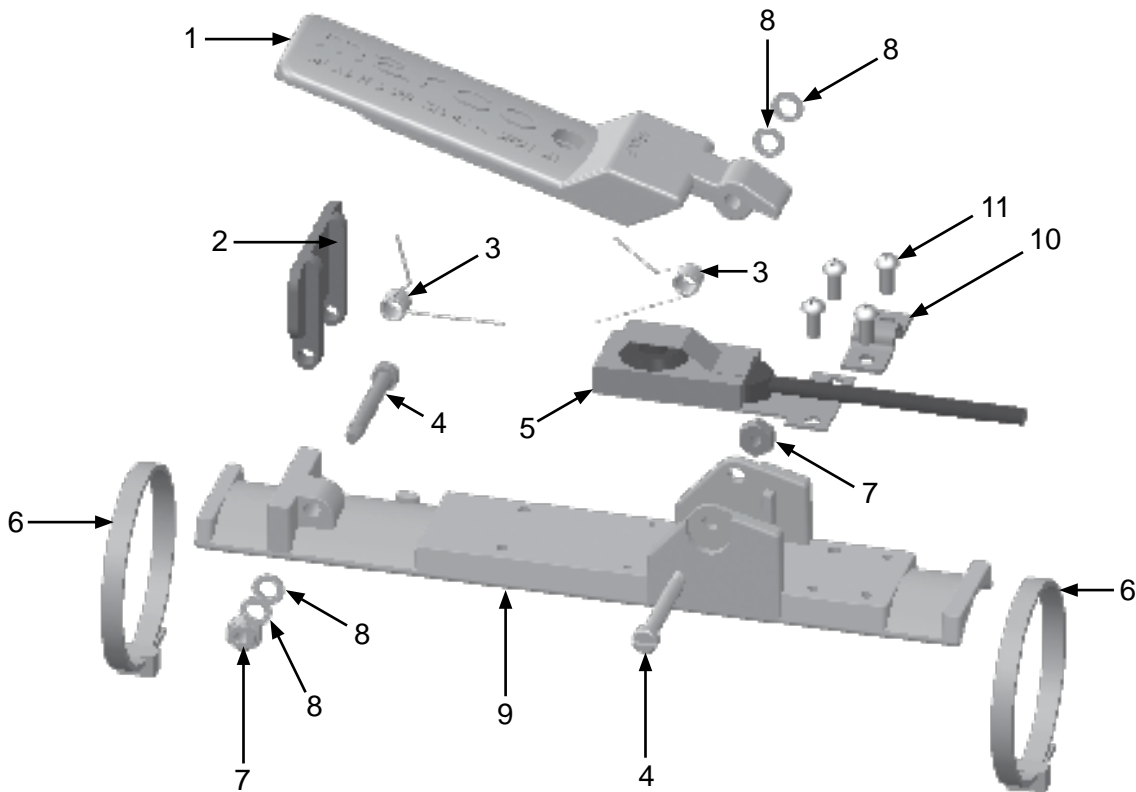
Figure 8: 120-Volt AC to 12-Volt AC Power Converter



Item #	Part #	Description
Fig. 8		
—	1030020	Blastmaster® 120-Volt AC to 12-Volt AC Power Converter with 3 feet of 14/2 Electric Cord and Plug – Complete
1	1030123	3 Amp Fuse
2	1030023	In-Line Fuse Holder
3	1030022	Transformer – Blastmaster 120-Volt AC to 12-Volt AC Power Converter
4	1091067	Power-Out Decal (<i>Not Shown</i>)
5	1030013	14/2 SEOW Electric Cord (<i>Per Foot</i>)
6	1030025	Strain Relief (<i>Two Required</i>)
7	1030021	Resistor
8	1030026	3-prong, 120-Volt AC Plug – Male
9	1092014	Power-In Decal (<i>Not Shown</i>)
10	1015550	14/3 SEOW Electric Cord (<i>Per Foot</i>)
—	1091063	Hazard Identification Decal

PART NUMBERS & SCHEMATICS

Figure 9: Blastmaster® 151E Remote Control Switch



Item #	Part #	Description
--------	--------	-------------

Fig. 9

—	1015100	Blastmaster® 151E Remote Control Switch – Complete
---	----------------	---

1	1015001	Handle
---	---------	--------

2	1015003	Safety Tab
---	---------	------------

3	1015005	Spring (<i>Two Required</i>)
---	---------	--------------------------------

4	1015008	Shoulder Screw (<i>Two Required</i>)
---	---------	--

5	10104268	Switch with Cord
---	----------	------------------

6	1015015	Nylon Zip Tie - White (<i>Two Required</i>)
---	---------	---

7	1015006	8-32 UNC-2B Nylon Insert Lock Nut (<i>Two Required</i>)
---	---------	---

8	1015007	3/8" O.D. x 7/16" I.D. Washer (<i>Four Required</i>)
---	---------	--

9	1015002	Body
---	---------	------

10	1015101	Electric Cord Clamp
----	---------	---------------------

11	1015014	8-32 x 3/8" Phillips Head Screw (<i>Four Required</i>)
----	---------	--

—	105M063	Features and Specifications Guide – Blastmaster® 151E Remote Control Switch
---	---------	---

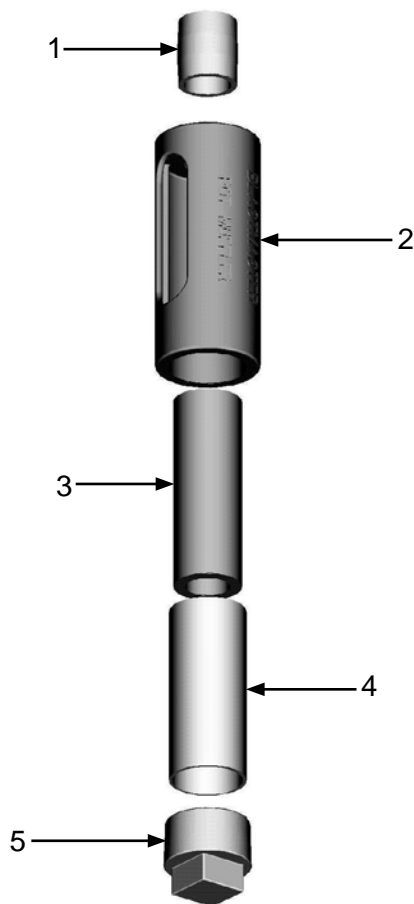
—	106M063	Part Numbers and Schematics Guide – Blastmaster® 151E Remote Control Switch
---	---------	---

—	1090063	Operator's Manual — Blastmaster® 151E Remote Control Switch
---	---------	---

—	1091045	Hazard Identification Tag
---	---------	---------------------------

PART NUMBERS & SCHEMATICS

Figure 10: Blastmaster® Exhaust Muffler



Item #	Part #	Description
Fig. 10		
—	1011100	Blastmaster® Exhaust Muffler – Complete
1	1012151	1" Close Nipple
2	1011102	Body
3	1011103	Filter Element
4	1011104	Screen
5	1011101	1-1/2" Pipe Plug
—	1011105	Blastmaster® Exhaust Muffler Repair Kit <i>(Includes Item #'s: 3 (Quantity of Three), 4, and 5)</i>
—	105M347	Features and Specifications Guide – Blastmaster® Exhaust Muffler
—	106M347	Part Numbers and Schematics Guide – Blastmaster® Exhaust Muffler
—	1090016	Operator's Manual – Blastmaster® Exhaust Muffler









OPTIONAL ACCESSORIES








Part Numbers

ELECTRIC CONTROL LINE				
Part Numbers	Gauge	# of Wires	Type	Length
1015540	16	2	SJ	Per Foot
1015701	16	3	SJ	Per Foot
1030013	14	2	SEOW	Per Foot
1015550	14	3	SO	Per Foot
1015554	14	4	SO	Per Foot
1015570	12	2	SO	Per Foot
1015571	12	3	SO	Per Foot
1015581	10	3	SO	Per Foot
1015580	10	4	SO	Per Foot
1015591	8	3	SO	Per Foot
1015590	8	4	SO	Per Foot
1015595	6	3	SO	Per Foot

OPTIONAL ACCESSORIES

		ELECTRIC CONTROL LINE WITH PLUGS						
Part Numbers		Gauge	# of Wires	2-Prong Male Twist-Lock Plug	2-Prong Female Twist-Lock Plug	3-Prong Male Twist-Lock Plug	3-Prong Female Twist-Lock Plug	Length
	1015543	16	2	1015551	1015552	—	—	25 Feet
	1015542	16	2	1015551	1015552	—	—	50 Feet
	1015546	16	2	—	—	1015555	1015556	25 Feet
	1015545	16	2	—	—	1015555	1015556	50 Feet
	1015547	16	2	—	—	1015555	1015556	100 Feet
	1015748	16	3	—	—	1015555	1015556	13 Feet
	1015745	16	3	—	—	1015555	1015556	50 Feet
	1015747	16	3	—	—	1015555	1015556	110 Feet

OPTIONAL ACCESSORIES

		ELECTRIC CONTROL LINE PLUGS	
	Part Numbers	Prong Style	Plug Style
	1015551	2-Prong Male	Twist-Lock
	1015552	2-Prong Female	Twist-Lock
	1015555	3-Prong Male	Twist-Lock
	1015556	3-Prong Female	Twist-Lock
	1030026	3-Prong Male	Standard

PART NUMBERS AND SCHEMATICS GUIDE

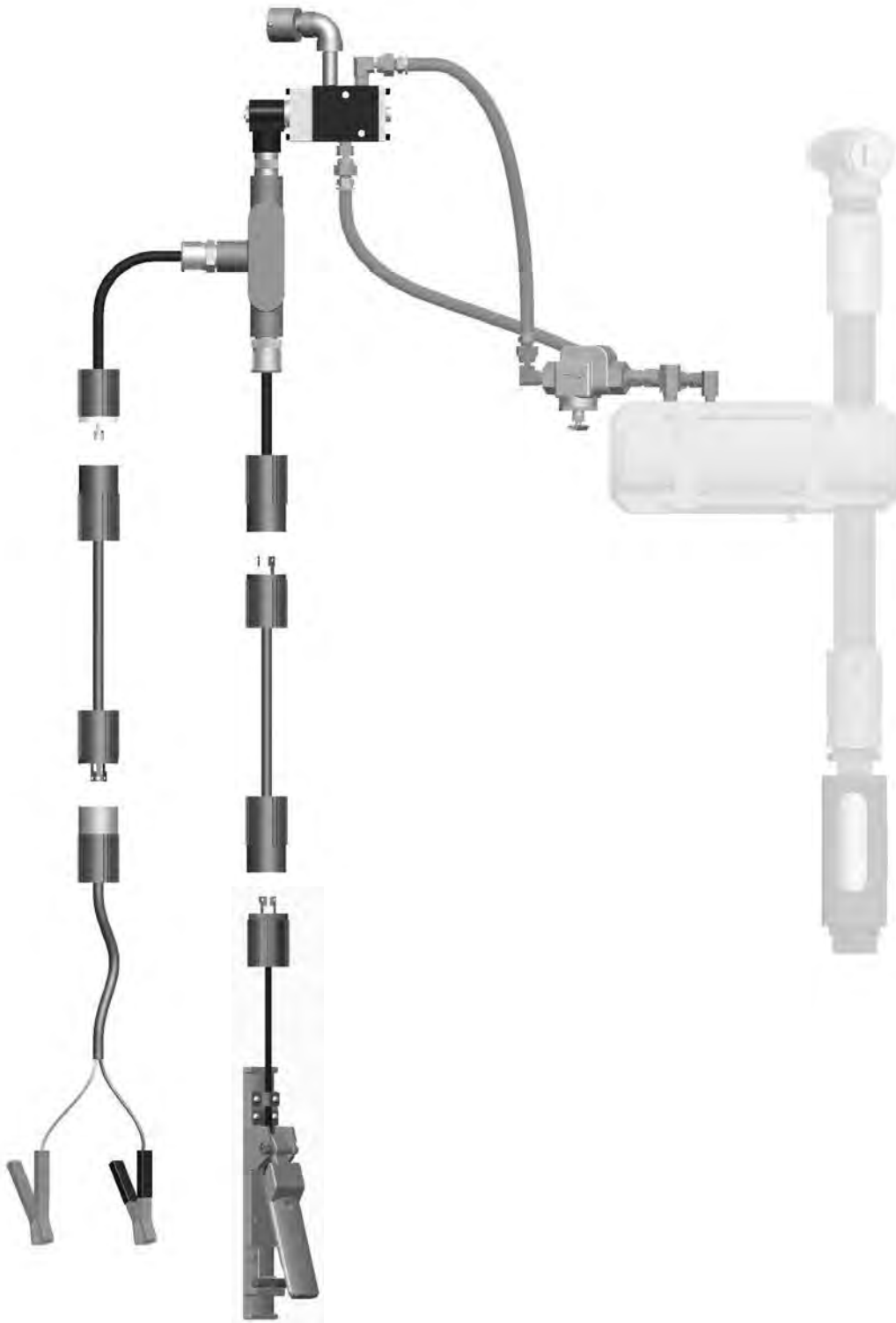
PNEUMATIC TO 12-VOLT DC ELECTRIC CONVERSION KIT

Part Numbers	12-Volt DC 190 Electric Control Assembly	Blastmaster® 151E Remote Control Switch	Power Cord – 25 Ft. <i>(to power source)</i>	Power Cord – 50 Ft. <i>(to remote control switch)</i>	Battery Clamps
1019063	X	X	1015546	1015545	X

For converting Pneumatic to 12-Volt DC Electric Conversion Kit

Includes: 12-Volt DC 190 Electric Control Assembly, Blastmaster® 151E Remote Control Switch, Power Cord, Battery Clamps, and various pipe fittings

PART NUMBERS AND SCHEMATICS GUIDE



PART NUMBERS AND SCHEMATICS GUIDE

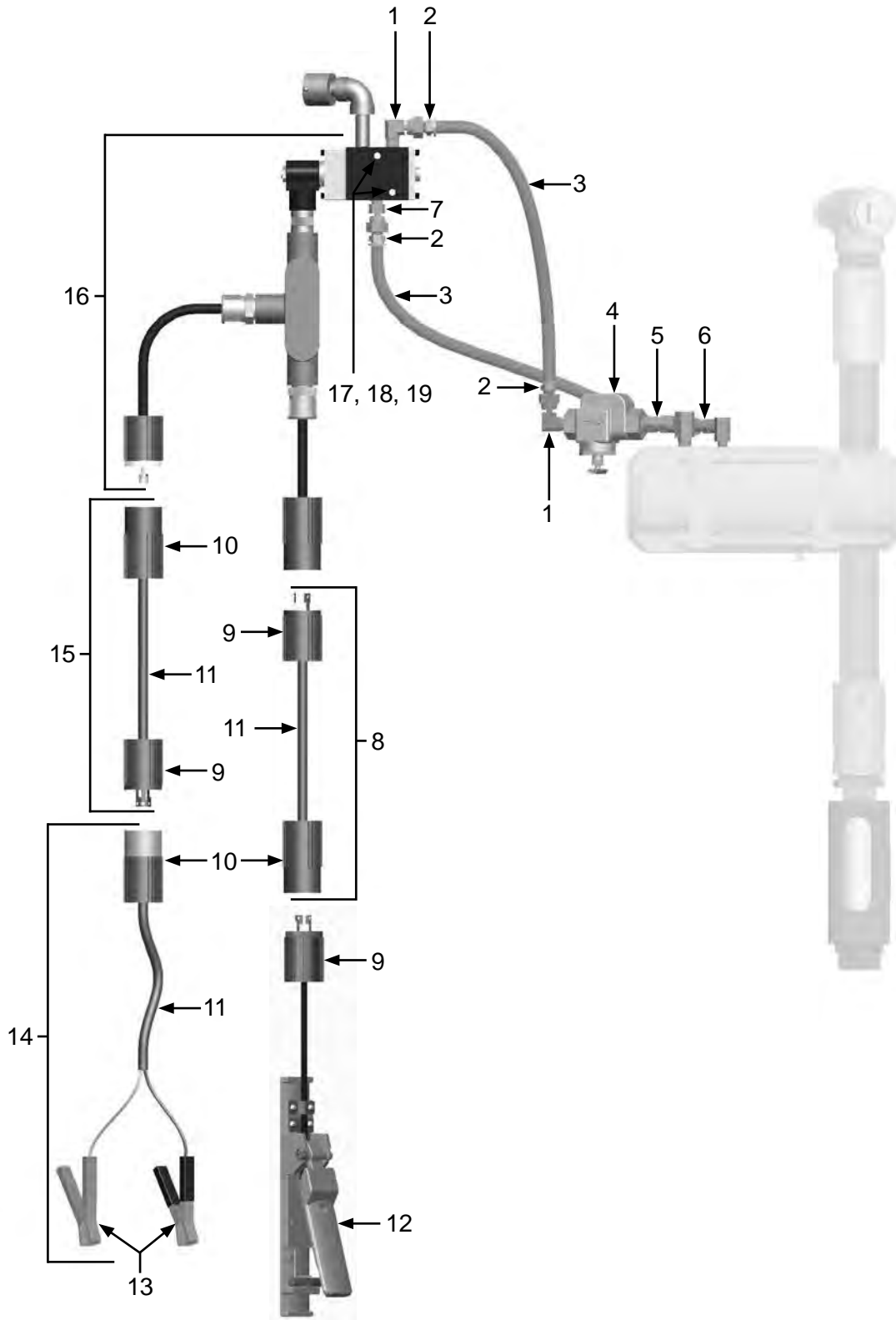
Pneumatic to 12-Volt DC Electric Conversion Kit

Item #	Part #	Description
Fig. 1		
—	1019063	Pneumatic to 12-Volt DC Electric Conversion Kit
1	1012326	1/4" 90° Swivel Fitting (<i>Two Required</i>)
2	10PAF025	1/4" NPT x 1/4" Barb Push-On Air Hose Fitting (<i>Three Required</i>)
3	10AH025	1/4" I.D. Push-On Air Hose (<i>Six Feet Required</i>)
4	10WS	Watts Strainer
5	1017019	1/4" Hex Nipple
6	10PAF0125	1/8" NPT x 1/4" Barb Push-On Air Hose Fitting
7	10SME025	1/4" Straight Swivel Fitting
8	1015545	50' of Power Cord with Male and Female 3-Prong Twist-Lock Plugs (<i>Includes Item #'s: 9, 10 (Quantity of 50'), and 11</i>)
9	1015555	3-Prong Twist Lock Plug – Male
10	1015556	3-Prong Twist Lock Plug – Female
11	1015540	16/2 SJ Electric Cord – Per Foot
12	1015100	Blastmaster® 151E Remote Control Switch
13	1030718	Battery Clamps – Pair
14	1015544	Battery Clamp Kit (<i>Includes Item #'s: 10, 11 (Quantity of 2'), and 13</i>)
15	1015546	25' of Power Cord with Male and Female 3-Prong Twist-Lock Plugs (<i>Includes Item #'s: 9, 10 (Quantity of 25'), and 11</i>)
16	1019001	12-Volt DC 190 Electric Control Assembly – Complete
17	1019044	1/4-20 x 1-3/4" Zinc Bolt (<i>Quantity of Two</i>)
18	1014017	1/4" Flat Washer (<i>Quantity of Two</i>)
19	1012323	1/4-20 Zinc Lock Nut with Nylon Insert (<i>Quantity of Two</i>)

See page 46 for product literature

PART NUMBERS AND SCHEMATICS GUIDE

Figure 1: Pneumatic to 12-Volt DC Electric Conversion Kit



PART NUMBERS AND SCHEMATICS GUIDE

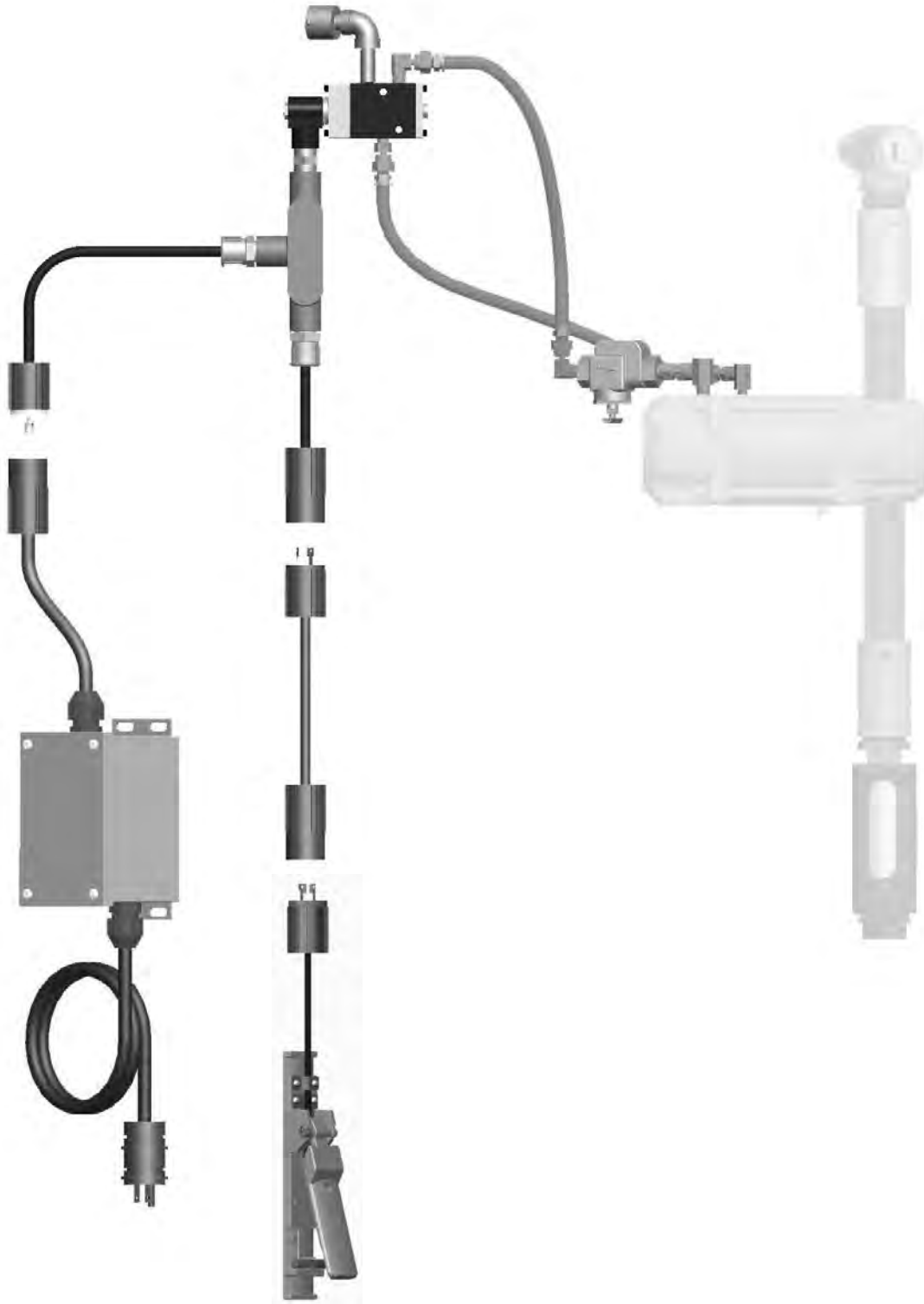
PNEUMATIC TO 120-VOLT AC ELECTRIC CONVERSION KIT

Part Numbers	12-Volt AC 190 Electric Control Assembly	Blastmaster® 151E Remote Control Switch	Power Cord – 50 Ft. <i>(to remote control switch)</i>	Blastmaster® 120-Volt AC to 12-Volt AC Power Converter
1019064	X	X	1015545	X

For converting Pneumatic to 120-Volt AC Electric Conversion Kit

Includes: 12-Volt AC 190 Electric Control Assembly, Blastmaster® 151E Remote Control Switch, Power Cord, Power Converter, and various pipe fittings

PART NUMBERS AND SCHEMATICS GUIDE



PART NUMBERS AND SCHEMATICS GUIDE

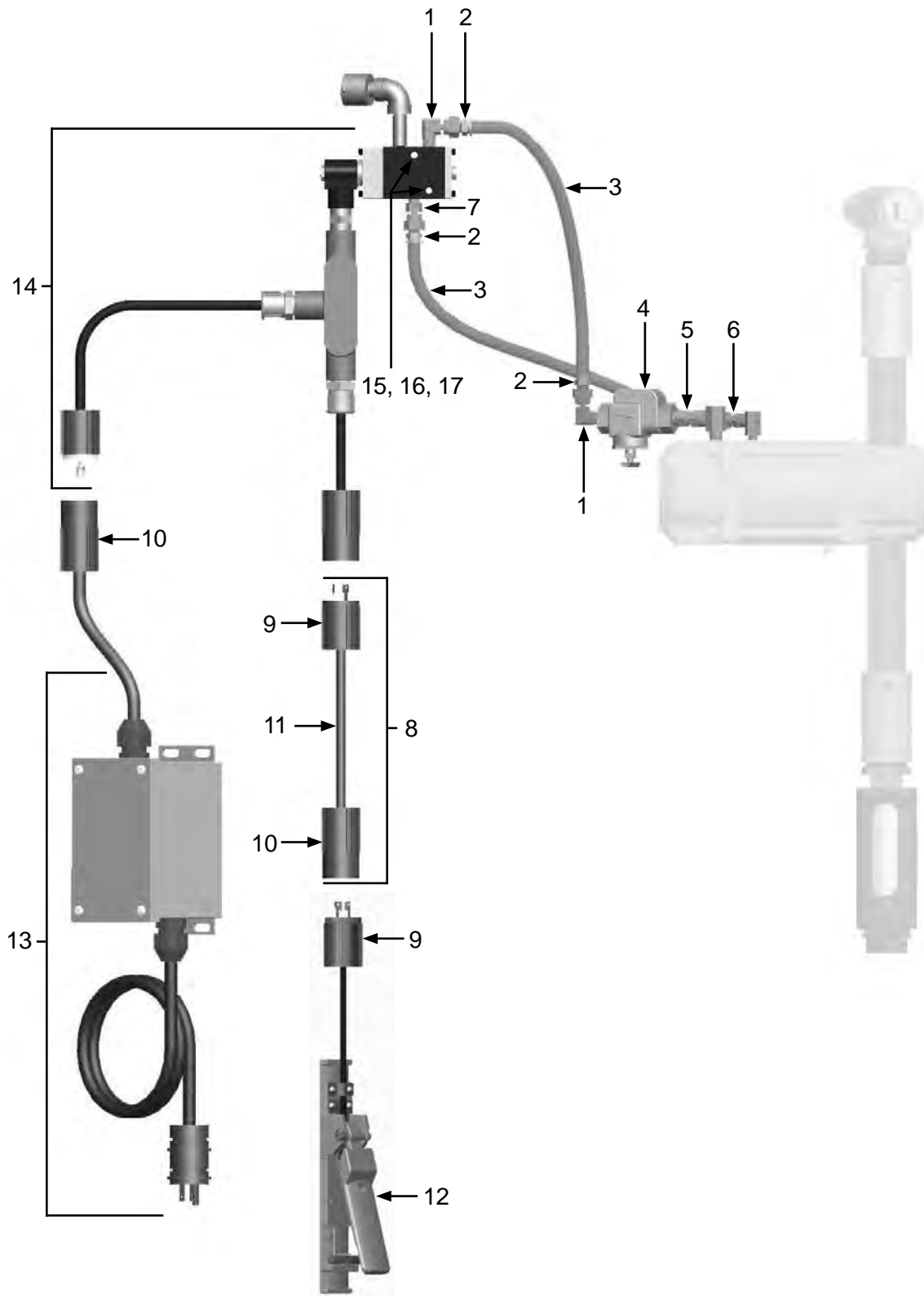
Pneumatic to 120-Volt AC Electric Conversion Kit

Item #	Part #	Description
Fig. 2		
—	1019064	Pneumatic to 120-Volt AC Electric Conversion Kit
1	1012326	1/4" 90° Swivel Fitting (<i>Two Required</i>)
2	10PAF025	1/4" NPT x 1/4" Barb Push-On Air Hose Fitting (<i>Three Required</i>)
3	10AH025	1/4" I.D. Push-On Air Hose (<i>Six Feet Required</i>)
4	10WS	Watts Strainer
5	1017019	1/4" Hex Nipple
6	10PAF0125	1/8" NPT x 1/4" Barb Push-On Air Hose Fitting
7	10SME025	1/4" Straight Swivel Fitting
8	1015545	50' of Power Cord with Male and Female 3-Prong Twist-Lock Plugs (<i>Includes Item #'s: 9, 10 (Quantity of 50'), and 11</i>)
9	1015555	3-Prong Twist Lock Plug – Male
10	1015556	3-Prong Twist Lock Plug – Female
11	1015540	16/2 SJ Electric Cord – Per Foot
12	1015100	Blastmaster® 151E Remote Control Switch
13	1030020	Blastmaster® 120-Volt AC to 12-Volt AC Power Converter
14	1019001	12-Volt DC 190 Electric Control Assembly – Complete
15	1019044	1/4-20 x 1-3/4" Zinc Bolt (<i>Quantity of Two</i>)
16	1014017	1/4" Flat Washer (<i>Quantity of Two</i>)
17	1012323	1/4-20 Zinc Lock Nut with Nylon Insert (<i>Quantity of Two</i>)

See page 46 for product literature

PART NUMBERS AND SCHEMATICS GUIDE

Figure 2: Pneumatic to 120-Volt AC Electric Conversion Kit



PART NUMBERS AND SCHEMATICS GUIDE

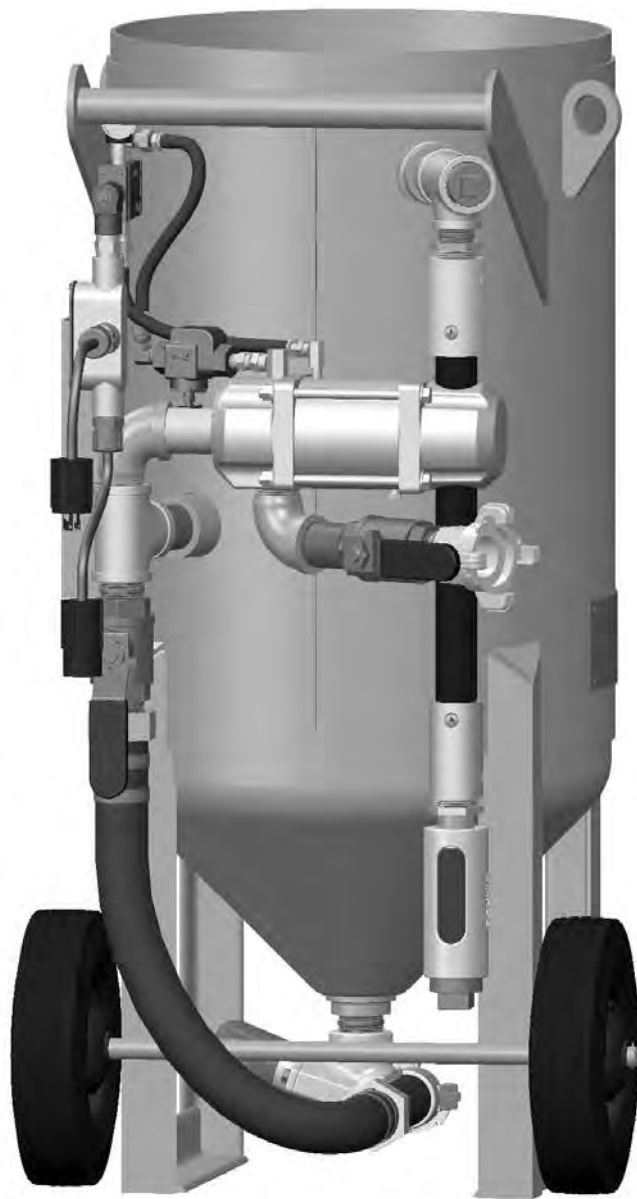
COMPLETE 1-1/4" 12-VOLT DC ELECTRIC CONVERSION KIT – 3.0 THROUGH 3.5 CU. FT. ABRASIVE BLASTING POTS

Part Numbers	Blastmaster® 1-1/4" Bantam Abrasive Metering Valve	12-Volt DC 190 Electric Control Assembly	Blastmaster® 151E Remote Control Switch	Tandem Remote Control Valve	Power Cord – 25 Ft. <i>(to power source)</i>	Power Cord – 50 Ft. <i>(to remote control switch)</i>	Battery Clamps
10107237	X	X	X	X	1015546	1015545	X

For converting bare pot to electric remote control system

Includes: 12-Volt DC 190 Electric Control Assembly, Blastmaster® 1-1/4" Bantam Abrasive Metering Valve, Blastmaster® 151E Remote Control Switch, Tandem Remote Control Valve, Power Cord, Battery Clamps, and various pipe fittings

PART NUMBERS AND SCHEMATICS GUIDE



PART NUMBERS AND SCHEMATICS GUIDE

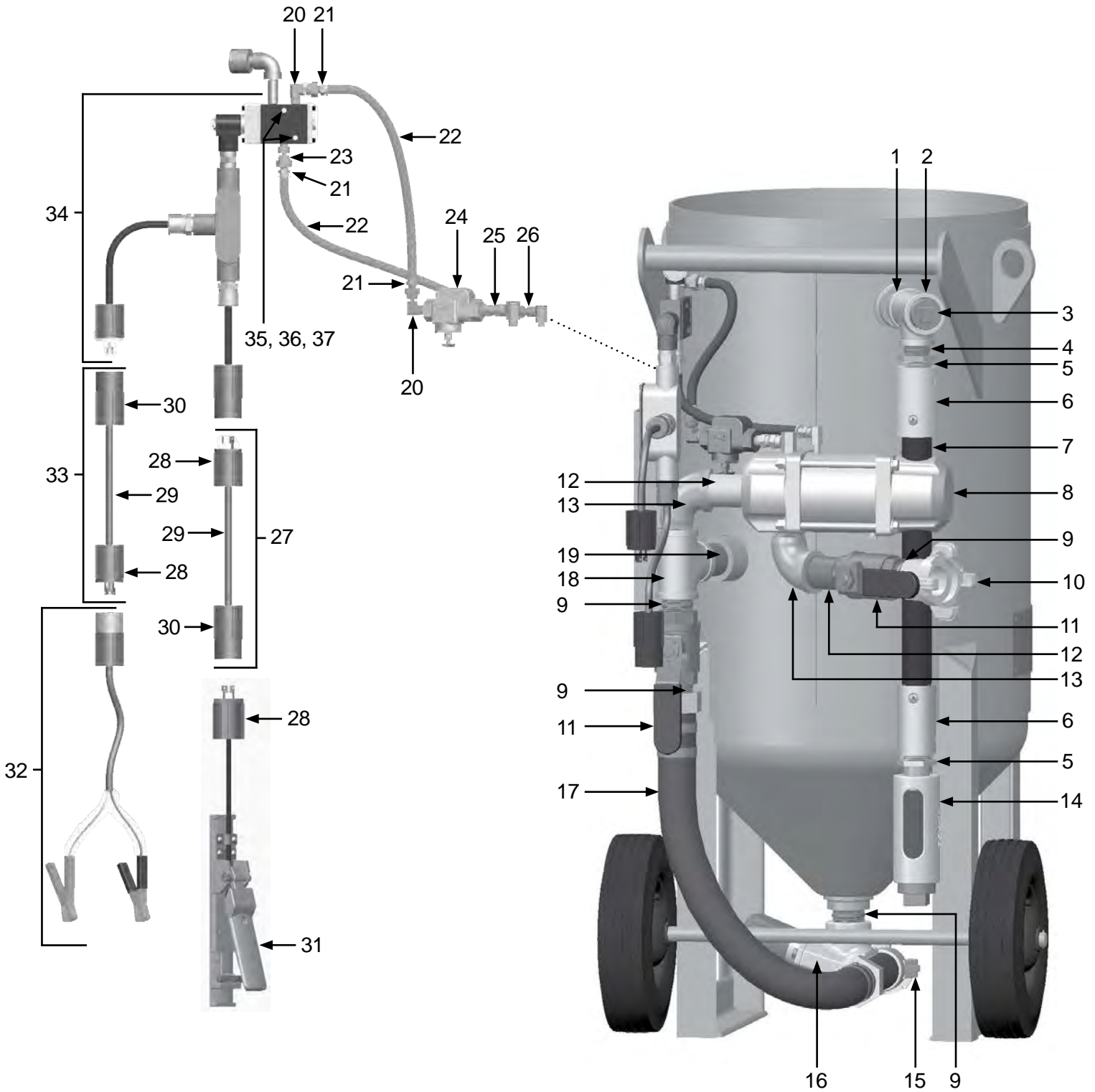
Complete 12-Volt DC Electric Conversion Kit – 3.0 though 3.5 Cu. Ft. Abrasive Blasting Pots – 1-1/4" Metering Valve

Item #	Part #	Description
Fig. 3		
—	10107237	Complete 12-Volt DC Electric Conversion Kit – 1-1/4" Metering Valve
1	1011813	1-1/4" x 2" Pipe Nipple
2	1011817	1-1/4" x 1-1/4" x 1" Pipe Tee
3	1011902	1-1/4" Galvanized Square Head Pipe Plug
4	1012151	1" Galvanized Close Nipple
5	1012157	1-1/4" x 1" Bushing <i>(Two Required)</i>
6	10NHA1	3/4" Aluminum Nozzle Holder <i>(Two Required)</i>
7	10BH0342BR	Blastmaster® 3/4" I.D. Heavy-Duty Abrasive Blasting Hose – Per Foot
8	1012300	Tandem Remote Control Valve – Complete
9	1011201	1-1/4" Galvanized Close Nipple <i>(Four Required)</i>
10	10ME3	1-1/4" NPT (F) Air Hose Fitting
11	1011602	1-1/4" NPT Full Port Brass Ball Valve <i>(Two Required)</i>
12	1011204	1-1/4" x 3" Galvanized Nipple <i>(Two Required)</i>
13	1011802	1-1/4" Galvanized Street Elbow <i>(Two Required)</i>
14	1011100	Blastmaster® Abrasive Blasting Pot Muffler
15	10SB2S	1-1/2" NPT Brass Tank Coupling
16	1014101	Blastmaster® 1-1/4" Bantam Abrasive Metering Valve
17	1006311	1-1/4" I.D. Pusher Line Assembly
18	1011803	1-1/4" Pipe Tee
19	1011216	1-1/4" x 3-1/2" Nipple
20	1012326	1/4" 90° Swivel Fitting <i>(Two Required)</i>
21	10PAF025	1/4" NPT x 1/4" Barb Push-On Air Hose Fitting <i>(Three Required)</i>
22	10AH025	1/4" I.D. Push-On Air Hose <i>(Six Feet Required)</i>
23	10SME025	1/4" Straight Swivel Fitting
24	10WS	Watts Strainer
25	1017019	1/4" Hex Nipple
26	10PAF0125	1/8" NPT x 1/4" Barb Push-On Air Hose Fitting
27	1015545	50' of Power Cord with Male and Female 3-Prong Twist-Lock Plugs <i>(Includes Item #'s: 28, 29 (Quantity of 50'), and 30)</i>
28	1015555	3-Prong Twist Lock Plug – Male
29	1015540	16/2 SJ Electric Cord – Per Foot
30	1015556	3-Prong Twist Lock Plug – Female
31	1015100	Blastmaster® 151E Remote Control Switch
32	1015544	Battery Clamp Kit
33	1015546	25' of Power Cord with Male and Female 3-Prong Twist-Lock Plugs <i>(Includes Item #'s: 28, 29 (Quantity of 25'), and 30)</i>
34	1019051	12-Volt DC 190 Electric Control Assembly – Complete
35	1019044	1/4-20 x 1-3/4" Zinc Bolt <i>(Quantity of Two)</i>
36	1014017	1/4" Flat Washer <i>(Quantity of Two)</i>
37	1012323	1/4-20 Zinc Lock Nut with Nylon Insert <i>(Quantity of Two)</i>

See page 46 for product literature

PART NUMBERS AND SCHEMATICS GUIDE

Figure 3: Complete 12-Volt DC Electric Conversion Kit – 3.0 though 3.5 Cu. Ft. Abrasive Blasting Pots – 1-1/4" Metering Valve



PART NUMBERS AND SCHEMATICS GUIDE

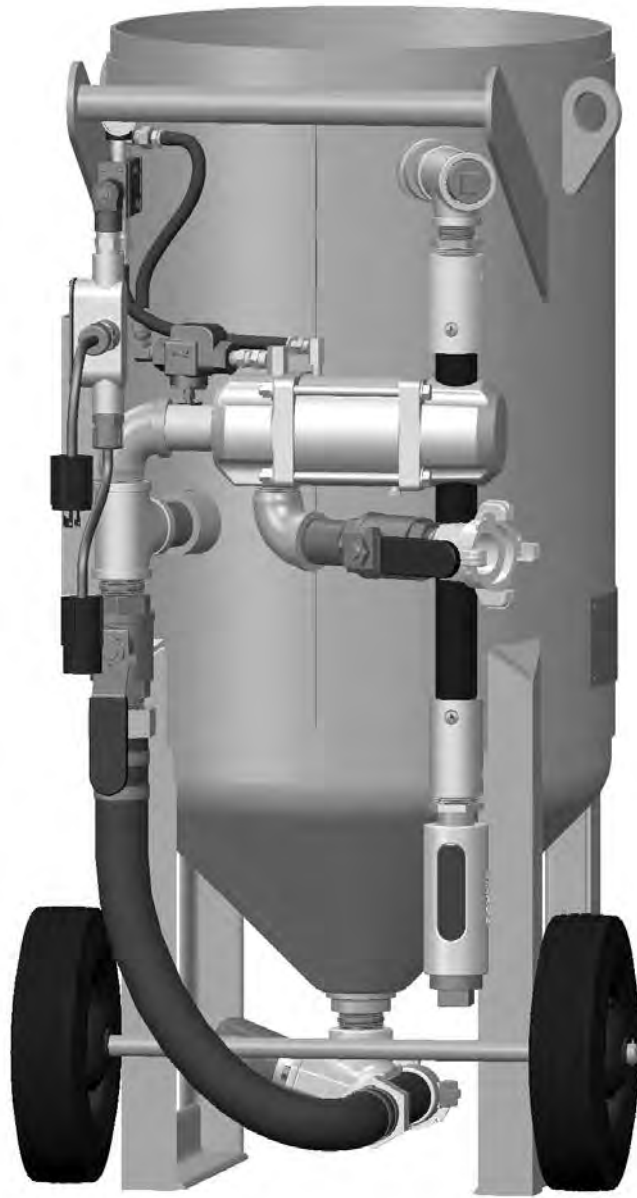
COMPLETE 1-1/2" 12-VOLT DC ELECTRIC CONVERSION KIT – 3.0 THROUGH 3.5 CU. FT. ABRASIVE BLASTING POTS

Part Numbers	Blastmaster® 1-1/2" Bantam Abrasive Metering Valve	12-Volt DC 190 Electric Control Assembly	Blastmaster® 151E Remote Control Switch	Tandem Remote Control Valve	Power Cord – 25 Ft. <i>(to power source)</i>	Power Cord – 50 Ft. <i>(to remote control switch)</i>	Battery Clamps
10107238	X	X	X	X	1015546	1015545	X

For converting bare pot to electric remote control system

Includes: 12-Volt DC 190 Electric Control Assembly, Blastmaster® 1-1/2" Bantam Abrasive Metering Valve, Blastmaster® 151E Remote Control Switch, Tandem Remote Control Valve, Power Cord, Battery Clamps, and various pipe fittings

PART NUMBERS AND SCHEMATICS GUIDE



PART NUMBERS AND SCHEMATICS GUIDE

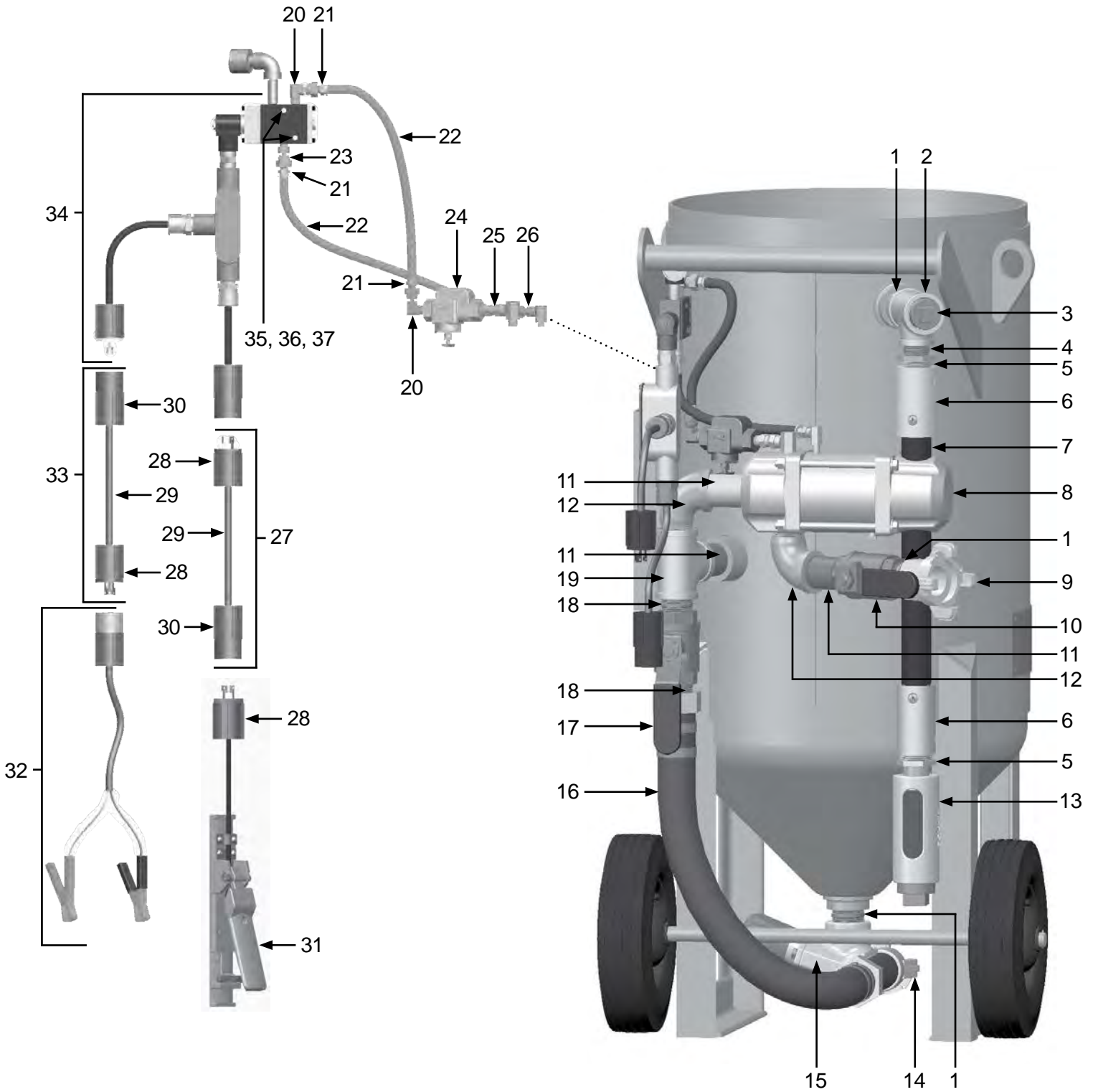
Complete 12-Volt DC Electric Conversion Kit – 3.0 though 3.5 Cu. Ft. Abrasive Blasting Pots – 1-1/2" Metering Valve

Item #	Part #	Description
Fig. 4		
—	10107238	Complete 12-Volt DC Electric Conversion Kit – 1-1/2" Metering Valve
1	1011201	1-1/4" Galvanized Close Nipple <i>(Three Required)</i>
2	1011817	1-1/4" x 1-1/4" x 1" Pipe Tee
3	1011902	1-1/4" Galvanized Square Head Pipe Plug
4	1012151	1" Galvanized Close Nipple
5	1012157	1-1/4" x 1" Bushing
6	10NHA1	3/4" Aluminum Nozzle Holder <i>(Two Required)</i>
7	10BH0342BR	Blastmaster® 3/4" I.D. Heavy-Duty Abrasive Blasting Hose – Per Foot
8	1012300	Tandem Remote Control Valve – Complete
9	10ME3	1-1/4" NPT (F) Air Hose Fitting
10	1011602	1-1/4" NPT Full Port Brass Ball Valve
11	1011204	1-1/4" x 3" Galvanized Nipple <i>(Two Required)</i>
12	1011802	1-1/4" Galvanized Street Elbow
13	1011100	Blastmaster® Abrasive Blasting Pot Muffler
14	10SB2S	1-1/2" NPT Brass Tank Coupling
15	1014102	Blastmaster® 1-1/2" Bantam Abrasive Metering Valve
16	1006312	1-1/2" I.D. Pusher Line Assembly
17	1011603	1-1/2" NPT Full Port Brass Ball Valve
18	1014015	1-1/2" Galvanized Close Nipple <i>(Two Required)</i>
19	1011834	1-1/2" x 1-1/4" x 1-1/4" Galvanized Pipe Tee
20	1012326	1/4" 90° Swivel Fitting <i>(Two Required)</i>
21	10PAF025	1/4" NPT x 1/4" Barb Push-On Air Hose Fitting <i>(Three Required)</i>
22	10AH025	1/4" I.D. Push-On Air Hose <i>(Six Feet Required)</i>
23	10SME025	1/4" Straight Swivel Fitting
24	10WS	Watts Strainer
25	1017019	1/4" Hex Nipple
26	10PAF0125	1/8" NPT x 1/4" Barb Push-On Air Hose Fitting
27	1015545	50' of Power Cord with Male and Female 3-Prong Twist-Lock Plugs <i>(Includes Item #'s: 28, 29 (Quantity of 50'), and 30)</i>
28	1015555	3-Prong Twist Lock Plug – Male
29	1015540	16/2 SJ Electric Cord – Per Foot
30	1015556	3-Prong Twist Lock Plug – Female
31	1015100	Blastmaster® 151E Remote Control Switch
32	1015544	Battery Clamp Kit
33	1015546	25' of Power Cord with Male and Female 3-Prong Twist-Lock Plugs <i>(Includes Item #'s: 28, 29 (Quantity of 25'), and 30)</i>
34	1019051	12-Volt DC 190 Electric Control Assembly – Complete
35	1019044	1/4-20 x 1-3/4" Zinc Bolt <i>(Quantity of Two)</i>
36	1014017	1/4" Flat Washer <i>(Quantity of Two)</i>
37	1012323	1/4-20 Zinc Lock Nut with Nylon Insert <i>(Quantity of Two)</i>

See page 46 for product literature

PART NUMBERS AND SCHEMATICS GUIDE

Figure 4: Complete 12-Volt DC Electric Conversion Kit – 3.0 though 3.5 Cu. Ft. Abrasive Blasting Pots – 1-1/2" Metering Valve



PART NUMBERS AND SCHEMATICS GUIDE

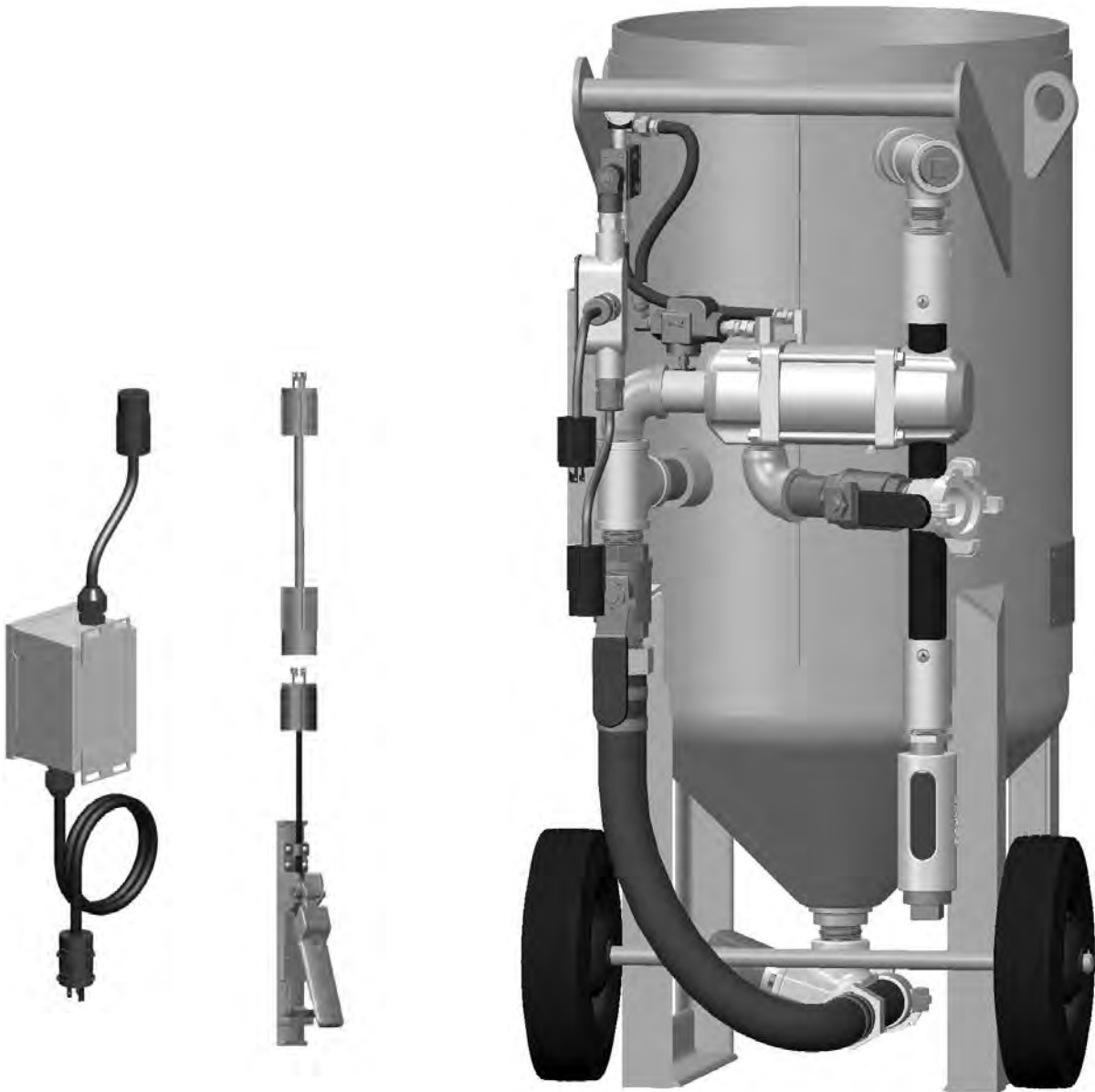
COMPLETE 1-1/4" 120-VOLT AC ELECTRIC CONVERSION KIT – 3.0 THROUGH 3.5 CU. FT. ABRASIVE BLASTING POTS

Part Numbers	Blastmaster® 1-1/4" Bantam Abrasive Metering Valve	12-Volt AC 190 Electric Control Assembly	Blastmaster® 151E Remote Control Switch	Tandem Remote Control Valve	Power Cord – 50 Ft. <i>(to remote control switch)</i>	Blastmaster® 120-Volt AC to 12-Volt AC Power Converter
10107239	X	X	X	X	1015545	X

For converting bare pot to electric remote control system

Includes: 12-Volt AC 190 Electric Control Assembly, Blastmaster® 1-1/4" Bantam Abrasive Metering Valve, Blastmaster® 151E Remote Control Switch, Power Converter, Tandem Remote Control Valve, Power Cord, and various pipe fittings

PART NUMBERS AND SCHEMATICS GUIDE



PART NUMBERS AND SCHEMATICS GUIDE

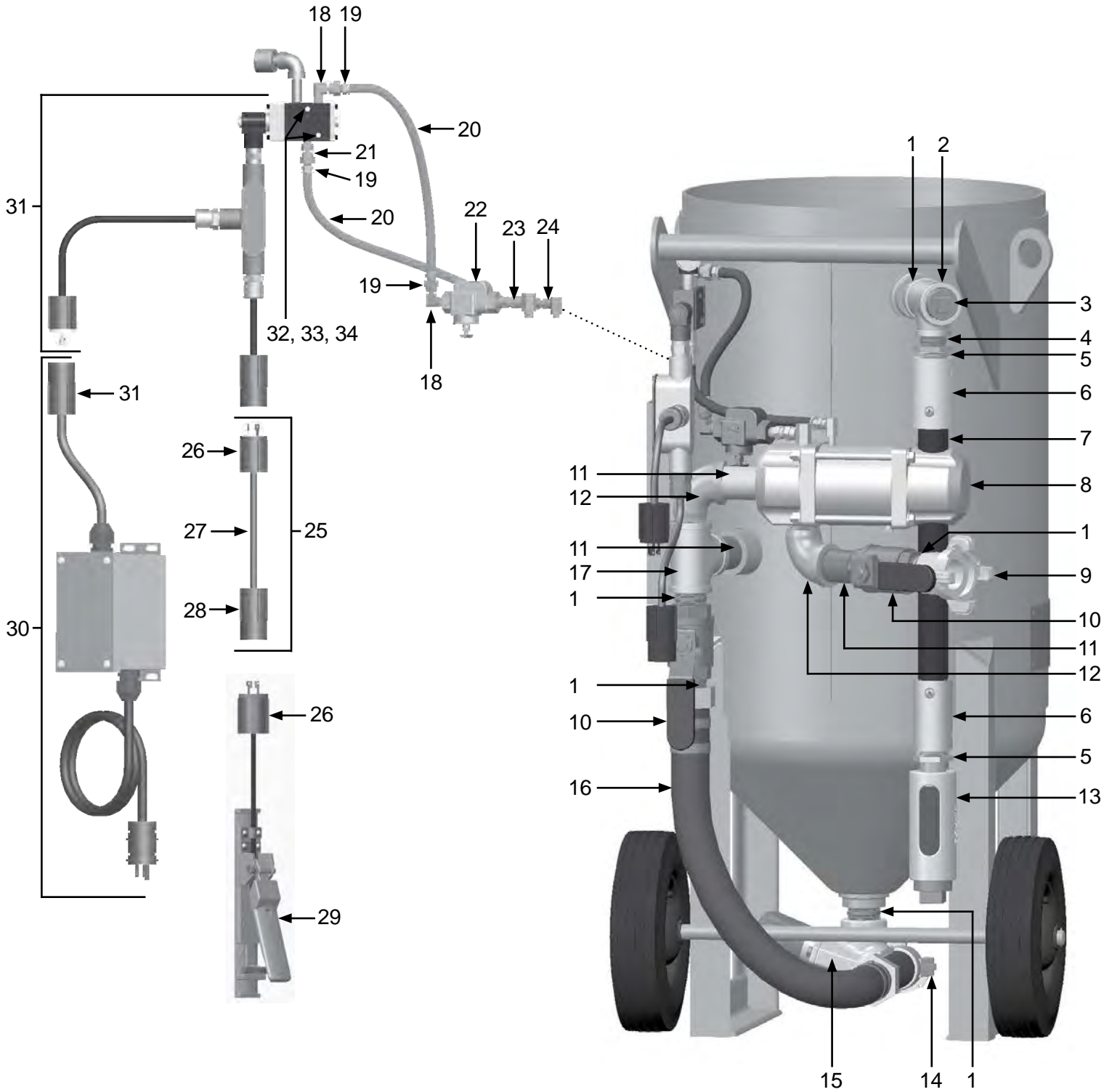
Complete 120-Volt AC Electric Conversion Kit – 3.0 though 3.5 Cu. Ft. Abrasive Blasting Pots – 1-1/4" Metering Valve

Item #	Part #	Description
Fig. 5		
—	10107239	Complete 120-Volt AC Electric Conversion Kit – 1-1/4" Metering Valve
1	1011201	1-1/4" Galvanized Close Nipple (<i>Five Required</i>)
2	1011817	1-1/4" x 1-1/4" x 1" Pipe Tee
3	1011902	1-1/4" Galvanized Square Head Pipe Plug
4	1012151	1" Galvanized Close Nipple
5	1012157	1-1/4" x 1" Bushing (<i>Two Required</i>)
6	10NHA1	3/4" Aluminum Nozzle Holder (<i>Two Required</i>)
7	10BH0342BR	Blastmaster® 3/4" I.D. Heavy-Duty Abrasive Blasting Hose – Per Foot
8	1012300	Tandem Remote Control Valve – Complete
9	10ME3	1-1/4" NPT (F) Air Hose Fitting
10	1011602	1-1/4" NPT Full Port Brass Ball Valve (<i>Two Required</i>)
11	1011204	1-1/4" x 3" Galvanized Nipple (<i>Three Required</i>)
12	1011802	1-1/4" Galvanized Street Elbow (<i>Two Required</i>)
13	1011100	Blastmaster® Abrasive Blasting Pot Muffler
14	10SB2S	1-1/2" NPT Brass Tank Coupling
15	1014101	Blastmaster® 1-1/4" Bantam Abrasive Metering Valve
16	1006311	1-1/4" I.D. Pusher Line Assembly
17	1011834	1-1/2" x 1-1/4" x 1-1/4" Galvanized Pipe Tee
18	1012326	1/4" 90° Swivel Fitting (<i>Two Required</i>)
19	10PAF025	1/4" NPT x 1/4" Barb Push-On Air Hose Fitting (<i>Three Required</i>)
20	10AH025	1/4" I.D. Push-On Air Hose (<i>Six Feet Required</i>)
21	10SME025	1/4" Straight Swivel Fitting
22	10WS	Watts Strainer
23	1017019	1/4" Hex Nipple
24	10PAF0125	1/8" NPT x 1/4" Barb Push-On Air Hose Fitting
25	1015545	50' of Power Cord with Male and Female 3-Prong Twist-Lock Plugs (<i>Includes Item #'s: 26, 27 (Quantity of 50'), and 28</i>)
26	1015555	3-Prong Twist Lock Plug – Male
27	1015540	16/2 SJ Electric Cord – Per Foot
28	1015556	3-Prong Twist Lock Plug – Female
29	1015100	Blastmaster® 151E Remote Control Switch
30	1030020	Blastmaster® 120-Volt AC to 12-Volt AC Power Converter
31	1019052	12-Volt AC 190 Electric Control Assembly – Complete
32	1019044	1/4-20 x 1-3/4" Zinc Bolt (<i>Quantity of Two</i>)
33	1014017	1/4" Flat Washer (<i>Quantity of Two</i>)
34	1012323	1/4-20 Zinc Lock Nut with Nylon Insert (<i>Quantity of Two</i>)

See page 46 for product literature

PART NUMBERS AND SCHEMATICS GUIDE

Figure 5: Complete 120-Volt AC Electric Conversion Kit – 3.0 though 3.5 Cu. Ft. Abrasive Blasting Pots – 1-1/4" Metering Valve



PART NUMBERS AND SCHEMATICS GUIDE

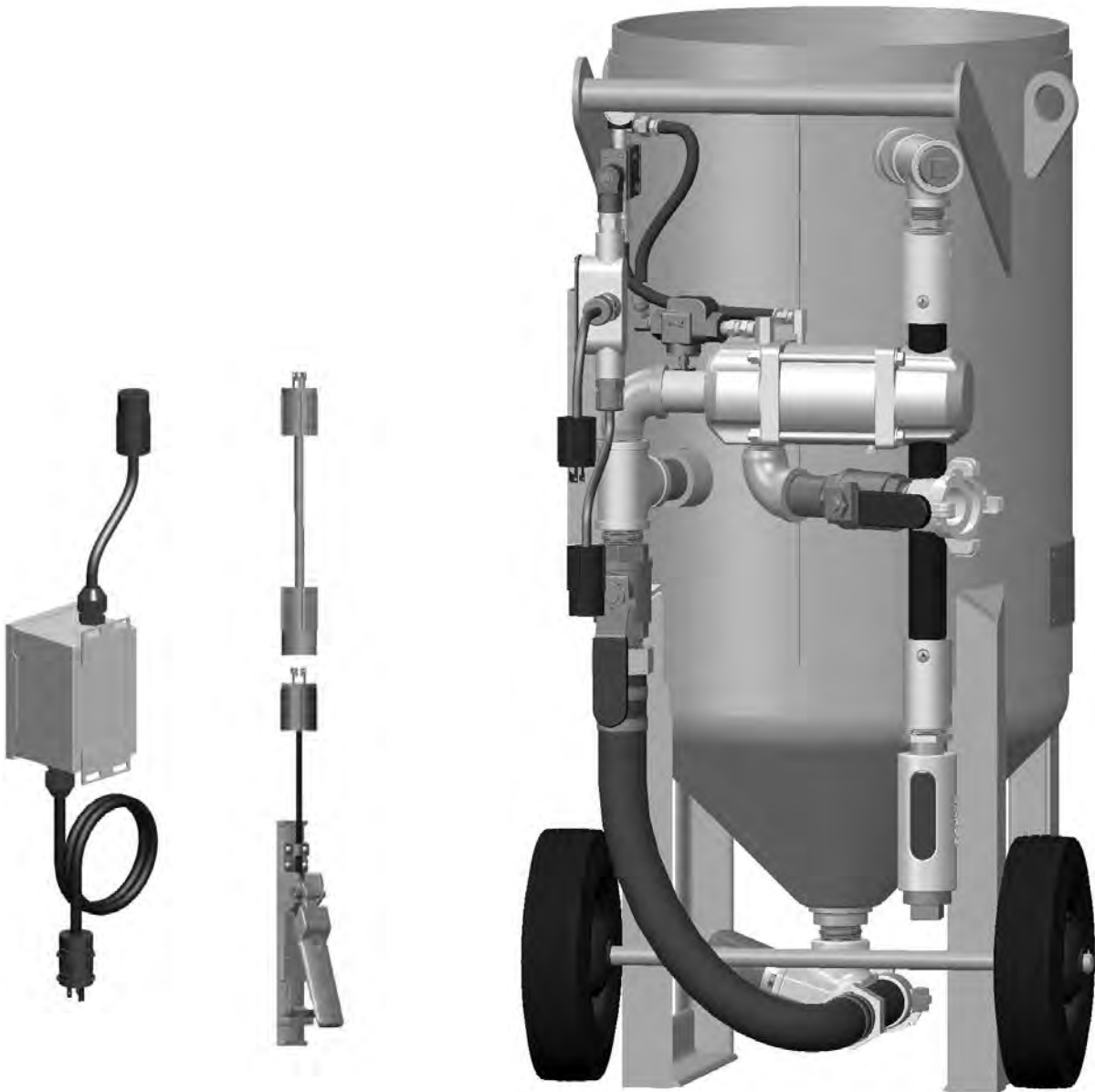
COMPLETE 1-1/2" 120-VOLT AC ELECTRIC CONVERSION KIT – 3.0 THROUGH 3.5 CU. FT. ABRASIVE BLASTING POTS

Part Numbers	Blastmaster® 1-1/2" Bantam Abrasive Metering Valve	12-Volt AC 190 Electric Control Assembly	Blastmaster® 151E Remote Control Switch	Tandem Remote Control Valve	Power Cord – 50 Ft. <i>(to remote control switch)</i>	Blastmaster® 120-Volt AC to 12-Volt AC Power Converter
10107240	X	X	X	X	1015545	X

For converting bare pot to electric remote control system

Includes: 12-Volt AC 190 Electric Control Assembly, Blastmaster® 1-1/2" Bantam Abrasive Metering Valve, Blastmaster® 151E Remote Control Switch, Power Converter, Tandem Remote Control Valve, Power Cord, and various pipe fittings

PART NUMBERS AND SCHEMATICS GUIDE



PART NUMBERS AND SCHEMATICS GUIDE

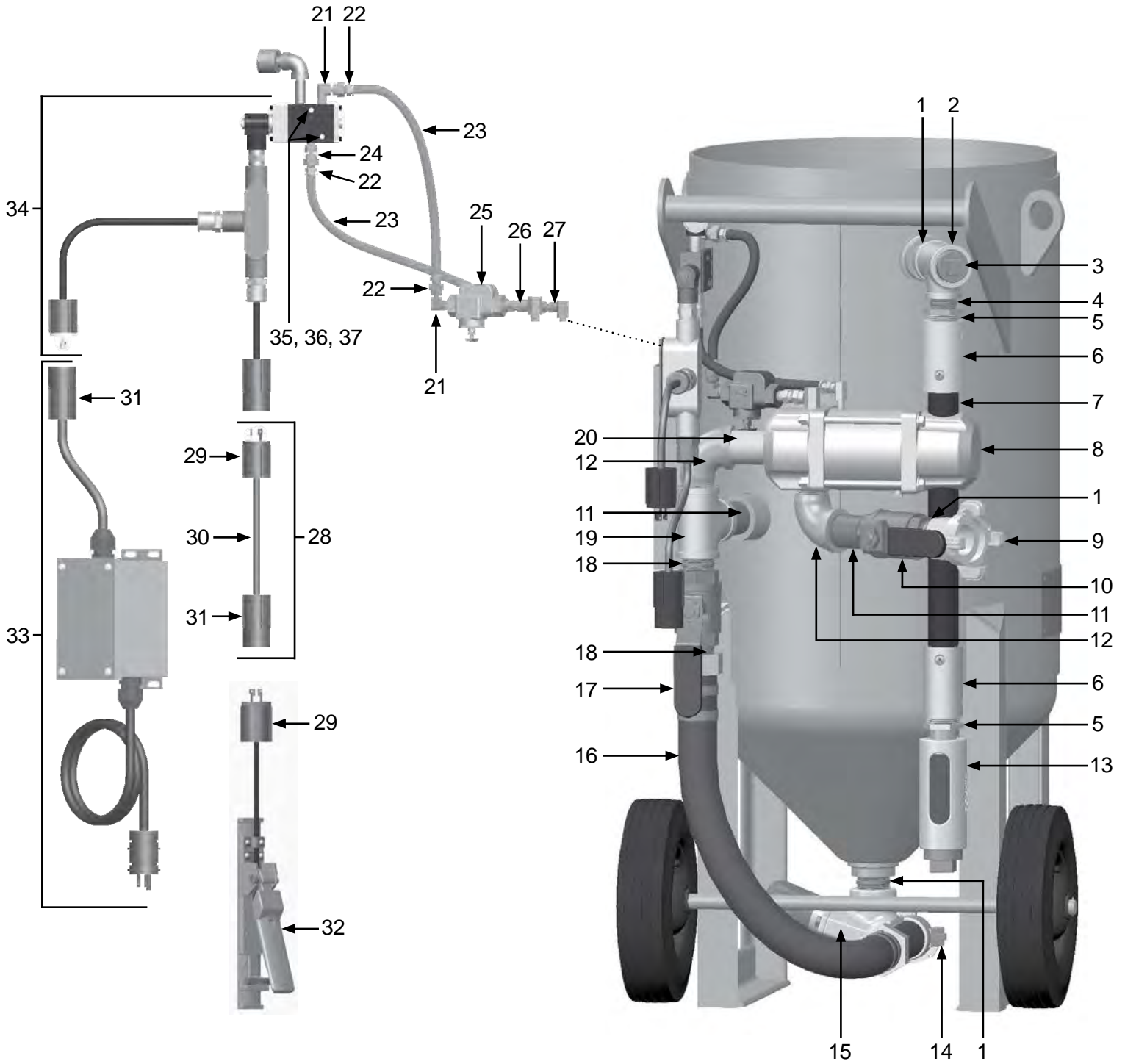
Complete 120-Volt AC Electric Conversion Kit – 3.0 though 3.5 Cu. Ft. Abrasive Blasting Pots – 1-1/2" Metering Valve

Item #	Part #	Description
Fig. 6		
—	10107240	Complete 120-Volt AC Electric Conversion Kit – 1-1/2" Metering Valve
1	1011201	1-1/4" Galvanized Close Nipple
2	1011817	1-1/4" x 1-1/4" x 1" Pipe Tee
3	1011902	1-1/4" Galvanized Square Head Pipe Plug
4	1012151	1" Galvanized Close Nipple
5	1012157	1-1/4" x 1" Bushing
6	10NHA1	3/4" Aluminum Nozzle Holder <i>(Two Required)</i>
7	10BH0342BR	Blastmaster® 3/4" I.D. Heavy-Duty Abrasive Blasting Hose – Per Foot
8	1012300	Tandem Remote Control Valve – Complete
9	10ME3	1-1/4" NPT (F) Air Hose Fitting
10	1011602	1-1/4" NPT Full Port Brass Ball Valve
11	1011204	1-1/4" x 3" Galvanized Nipple <i>(Two Required)</i>
12	1011802	1-1/4" Galvanized Street Elbow
13	1011100	Blastmaster® Abrasive Blasting Pot Muffler
14	10SB2	1-1/2" NPT Brass Tank Coupling
15	1014102	Blastmaster® 1-1/2" Bantam Abrasive Metering Valve
16	1006312	1-1/2" I.D. Pusher Line Assembly
17	1011603	1-1/2" NPT Full Port Brass Ball Valve
18	1014015	1-1/2" Galvanized Close Nipple
19	1011834	1-1/2" x 1-1/4" x 1-1/4" Galvanized Pipe Tee
20	1011216	1-1/4" x 3-1/2" Nipple
21	1012326	1/4" 90° Swivel Fitting <i>(Two Required)</i>
22	10PAF025	1/4" NPT x 1/4" Barb Push-On Air Hose Fitting <i>(Three Required)</i>
23	10AH025	1/4" I.D. Push-On Air Hose <i>(Six Feet Required)</i>
24	10SME025	1/4" Straight Swivel Fitting
25	10WS	Watts Strainer
26	1017019	1/4" Hex Nipple
27	10PAF0125	1/8" NPT x 1/4" Barb Push-On Air Hose Fitting
28	1015545	50' of Power Cord with Male and Female 3-Prong Twist-Lock Plugs <i>(Includes Item #'s: 29, 30 (Quantity of 50'), and 31)</i>
29	1015555	3-Prong Twist Lock Plug – Male
30	1015540	16/2 SJ Electric Cord – Per Foot
31	1015556	3-Prong Twist Lock Plug – Female
32	1015100	Blastmaster® 151E Remote Control Switch
33	1030020	Blastmaster® 120-Volt AC to 12-Volt AC Power Converter
34	1019052	12-Volt AC 190 Electric Control Assembly – Complete
35	1019044	1/4-20 x 1-3/4" Zinc Bolt <i>(Quantity of Two)</i>
36	1014017	1/4" Flat Washer <i>(Quantity of Two)</i>
37	1012323	1/4-20 Zinc Lock Nut with Nylon Insert <i>(Quantity of Two)</i>

See page 46 for product literature

PART NUMBERS AND SCHEMATICS GUIDE

Figure 6: Complete 120-Volt AC Electric Conversion Kit – 3.0 though 3.5 Cu. Ft. Abrasive Blasting Pots – 1-1/2" Metering Valve



PART NUMBERS AND SCHEMATICS GUIDE

COMPLETE 1-1/4" 12-VOLT DC ELECTRIC CONVERSION KITS – 6.0 THROUGH 6.5 CU. FT. ABRASIVE BLASTING POTS

Part Numbers	Blastmaster® 1-1/4" Bantam Abrasive Metering Valve	12-Volt 190 DC Electric Control Assembly	Blastmaster® 151E Remote Control Switch	Tandem Remote Control Valve	Power Cord – 25 Ft. <i>(to power source)</i>	Power Cord – 50 Ft. <i>(to remote control switch)</i>	Battery Clamps
1012361	X	X	X	X	1015546	1015545	X

For converting bare pot to electric remote control system

Includes: 12-Volt DC 190 Electric Control Assembly, Blastmaster® 1-1/4" Bantam Abrasive Metering Valve, Blastmaster® 151E Remote Control Switch, Tandem Remote Control Valve, Power Cord, Battery Clamps, and various pipe fittings

PART NUMBERS AND SCHEMATICS GUIDE



PART NUMBERS AND SCHEMATICS GUIDE

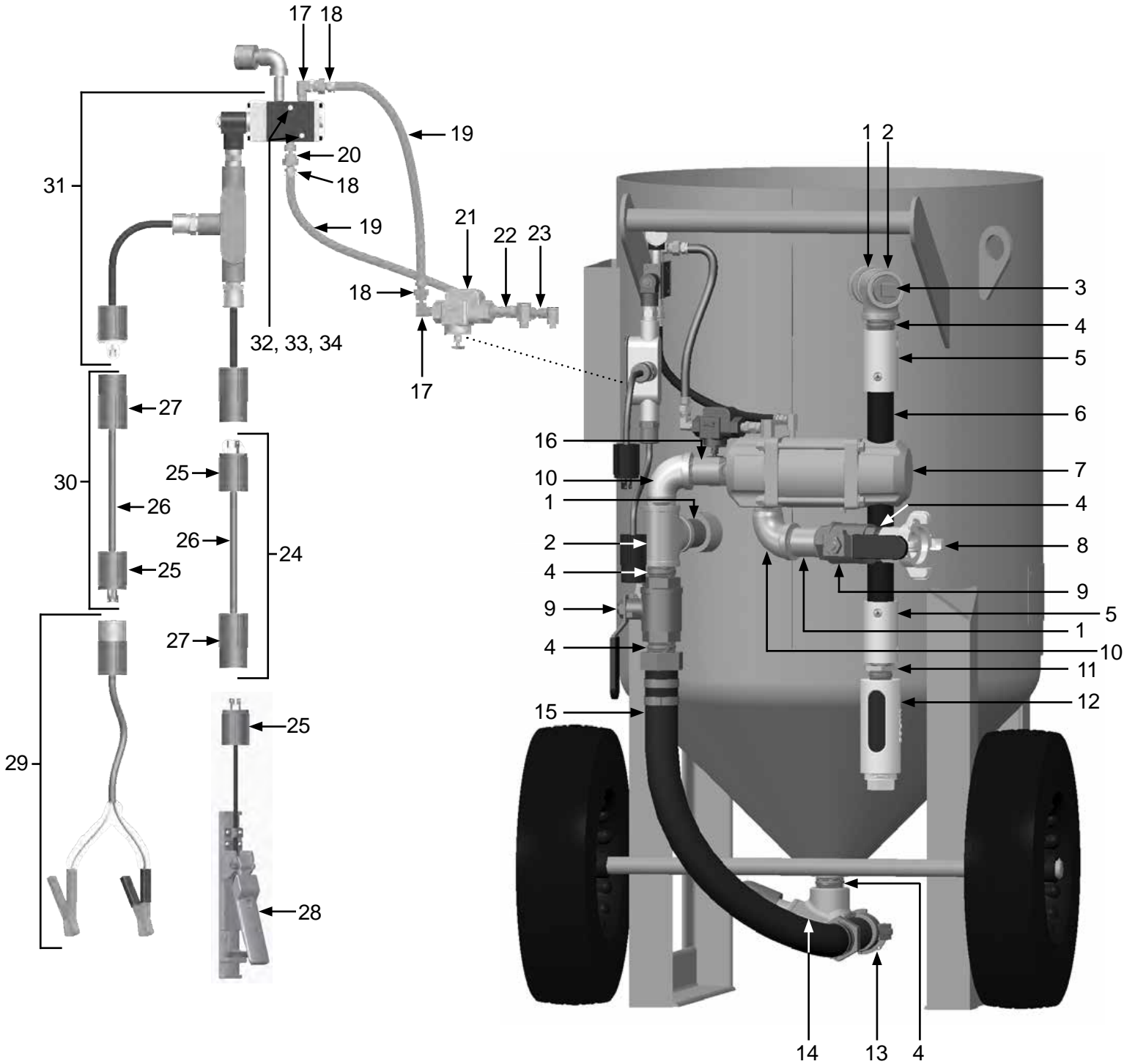
Complete 12-Volt DC Electric Conversion Kit – 6.0 through 6.5 Cu. Ft. Abrasive Blasting Pots – 1-1/4" Metering Valve

Item #	Part #	Description
Fig. 7		
—	1012361	Complete 12-Volt DC Electric Conversion Kit – 1/4" Metering Valve
1	1011204	1-1/4" x 3" Galvanized Nipple <i>(Three Required)</i>
2	1011803	1-1/4" Pipe Tee <i>(Two Required)</i>
3	1011902	1-1/4" Galvanized Square Head Pipe Plug
4	1011201	1-1/4" Galvanized Close Nipple <i>(Five Required)</i>
5	10NHA1	3/4" Aluminum Nozzle Holder <i>(Two Required)</i>
6	10BH0342BR	Blastmaster® 3/4" I.D. Heavy-Duty Abrasive Blasting Hose – Per Foot
7	1012300	Tandem Remote Control Valve – Complete
8	10ME3	1-1/4" NPT (F) Air Hose Fitting
9	1011602	1-1/4" NPT Full Port Brass Ball Valve <i>(Two Required)</i>
10	1011802	1-1/4" Galvanized Street Elbow <i>(Two Required)</i>
11	1012157	1-1/4" x 1" Bushing
12	1011100	Blastmaster® Abrasive Blasting Pot Muffler
13	10SB2S	1-1/2" NPT Brass Tank Coupling
14	1014101	Blastmaster® 1-1/4" Bantam Abrasive Metering Valve
15	1006311	1-1/4" I.D. Pusher Line Assembly
16	1011216	1-1/4" x 3-1/2" Nipple
17	1012326	1/4" 90° Swivel Fitting <i>(Two Required)</i>
18	10PAF025	1/4" NPT x 1/4" Barb Push-On Air Hose Fitting <i>(Three Required)</i>
19	10AH025	1/4" I.D. Push-On Air Hose <i>(Six Feet Required)</i>
20	10SME025	1/4" Straight Swivel Fitting
21	10WS	Watts Strainer
22	1017019	1/4" Hex Nipple
23	10PAF0125	1/8" NPT x 1/4" Barb Push-On Air Hose Fitting
24	1015545	50' of Power Cord with Male and Female 3-Prong Twist-Lock Plugs <i>(Includes Item #'s: 25, 26 (Quantity of 50'), and 27)</i>
25	1015555	3-Prong Twist Lock Plug – Male
26	1015540	16/2 SJ Electric Cord – Per Foot
27	1015556	3-Prong Twist Lock Plug – Female
28	1015100	Blastmaster® 151E Remote Control Switch
29	1015544	Battery Clamp Kit
30	1015546	25' of Power Cord with Male and Female 3-Prong Twist-Lock Plugs <i>(Includes Item #'s: 25, 26 (Quantity of 25'), and 27)</i>
31	1019051	12-Volt DC 190 Electric Control Assembly – Complete
32	1019044	1/4-20 x 1-3/4" Zinc Bolt <i>(Quantity of Two)</i>
33	1014017	1/4" Flat Washer <i>(Quantity of Two)</i>
34	1012323	1/4-20 Zinc Lock Nut with Nylon Insert <i>(Quantity of Two)</i>

See page 46 for product literature

PART NUMBERS AND SCHEMATICS GUIDE

Figure 7: Complete 12-Volt DC Electric Conversion Kit – 6.0 through 6.5 Cu. Ft. Abrasive Blasting Pots – 1-1/4" Metering Valve



PART NUMBERS AND SCHEMATICS GUIDE

COMPLETE 1-1/2" 12-VOLT DC ELECTRIC CONVERSION KITS – 6.0 THROUGH 6.5 CU. FT. ABRASIVE BLASTING POTS

Part Numbers	Blastmaster® 1-1/2" Bantam Abrasive Metering Valve	12-Volt DC 190 Electric Control Assembly	Blastmaster® 151E Remote Control Switch	Tandem Remote Control Valve	Power Cord – 25 Ft. <i>(to power source)</i>	Power Cord – 50 Ft. <i>(to remote control switch)</i>	Battery Clamps
1012366	X	X	X	X	1015546	1015545	X

For converting bare pot to electric remote control system

Includes: 12-Volt DC 190 Electric Control Assembly, Blastmaster® 1-1/2" Bantam Abrasive Metering Valve, Blastmaster® 151E Remote Control Switch, Tandem Remote Control Valve, Power Cord, Battery Clamps, and various pipe fittings

PART NUMBERS AND SCHEMATICS GUIDE



PART NUMBERS AND SCHEMATICS GUIDE

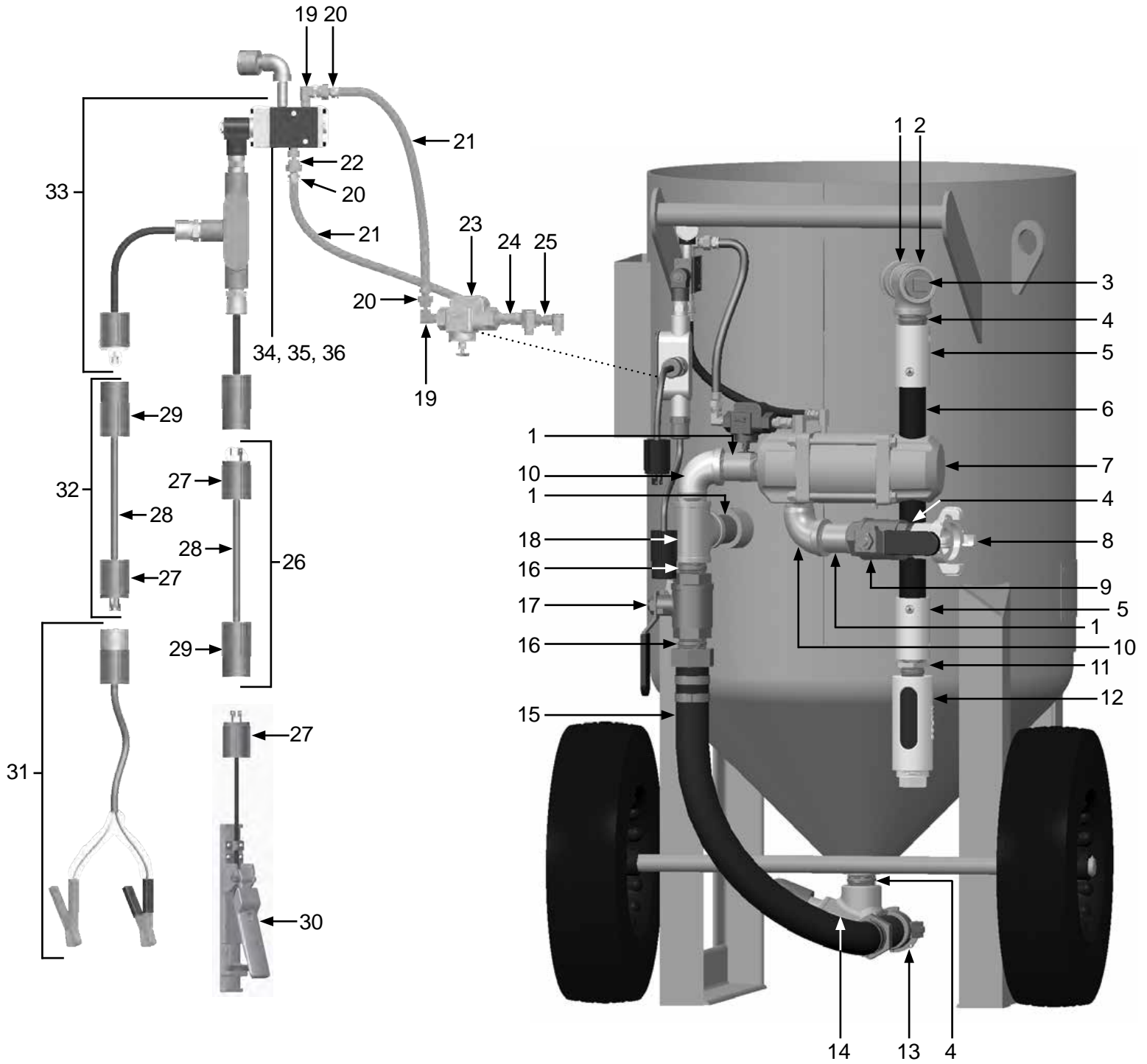
Complete 12-Volt DC Electric Conversion Kit – 6.0 through 6.5 Cu. Ft. Abrasive Blasting Pots – 1-1/2" Metering Valve

Item #	Part #	Description
Fig. 8		
—	1012366	Complete 12-Volt DC Electric Conversion Kit – 1/2" Metering Valve
1	1011204	1-1/4" x 3" Galvanized Nipple
2	1011803	1-1/4" Pipe Tee
3	1011902	1-1/4" Galvanized Square Head Pipe Plug
4	1011201	1-1/4" Galvanized Close Nipple
5	10NHA1	3/4" Aluminum Nozzle Holder <i>(Two Required)</i>
6	10BH0342BR	Blastmaster® 3/4" I.D. Heavy-Duty Abrasive Blasting Hose – Per Foot
7	1012300	Tandem Remote Control Valve – Complete
8	10ME3	1-1/4" NPT (F) Air Hose Fitting
9	1011602	1-1/4" NPT Full Port Brass Ball Valve
10	1011802	1-1/4" Galvanized Street Elbow <i>(Two Required)</i>
11	1012157	1-1/4" x 1" Bushing
12	1011100	Blastmaster® Abrasive Blasting Pot Muffler
13	10SB2S	1-1/2" NPT Brass Tank Coupling
14	1014102	Blastmaster® 1-1/2" Bantam Abrasive Metering Valve
15	1006312	1-1/2" I.D. Pusher Line Assembly
16	1014015	1-1/2" Galvanized Close Nipple <i>(Two Required)</i>
17	1011603	1-1/2" NPT Full Port Brass Ball Valve
18	1011834	1-1/2" x 1-1/4" x 1-1/4" Galvanized Pipe Tee
19	1012326	1/4" 90° Swivel Fitting <i>(Two Required)</i>
20	10PAF025	1/4" NPT x 1/4" Barb Push-On Air Hose Fitting <i>(Three Required)</i>
21	10AH025	1/4" I.D. Push-On Air Hose <i>(Six Feet Required)</i>
22	10SME025	1/4" Straight Swivel Fitting
23	10WS	Watts Strainer
24	1017019	1/4" Hex Nipple
25	10PAF0125	1/8" NPT x 1/4" Barb Push-On Air Hose Fitting
26	1015545	50' of Power Cord with Male and Female 3-Prong Twist-Lock Plugs <i>(Includes Item #'s: 27, 28 (Quantity of 50'), and 29)</i>
27	1015555	3-Prong Twist Lock Plug – Male
28	1015540	16/2 SJ Electric Cord – Per Foot
29	1015556	3-Prong Twist Lock Plug – Female
30	1015100	Blastmaster® 151E Remote Control Switch
31	1015544	Battery Clamp Kit
32	1015546	25' of Power Cord with Male and Female 3-Prong Twist-Lock Plugs <i>(Includes Item #'s: 27, 28 (Quantity of 25'), and 29)</i>
33	1019051	12-Volt DC 190 Electric Control Assembly – Complete
34	1019044	1/4-20 x 1-3/4" Zinc Bolt <i>(Quantity of Two)</i>
35	1014017	1/4" Flat Washer <i>(Quantity of Two)</i>
36	1012323	1/4-20 Zinc Lock Nut with Nylon Insert <i>(Quantity of Two)</i>

See page 46 for product literature

PART NUMBERS AND SCHEMATICS GUIDE

Figure 8: Complete 12-Volt DC Electric Conversion Kit – 6.0 through 6.5 Cu. Ft. Abrasive Blasting Pots – 1-1/2" Metering Valve



PART NUMBERS AND SCHEMATICS GUIDE

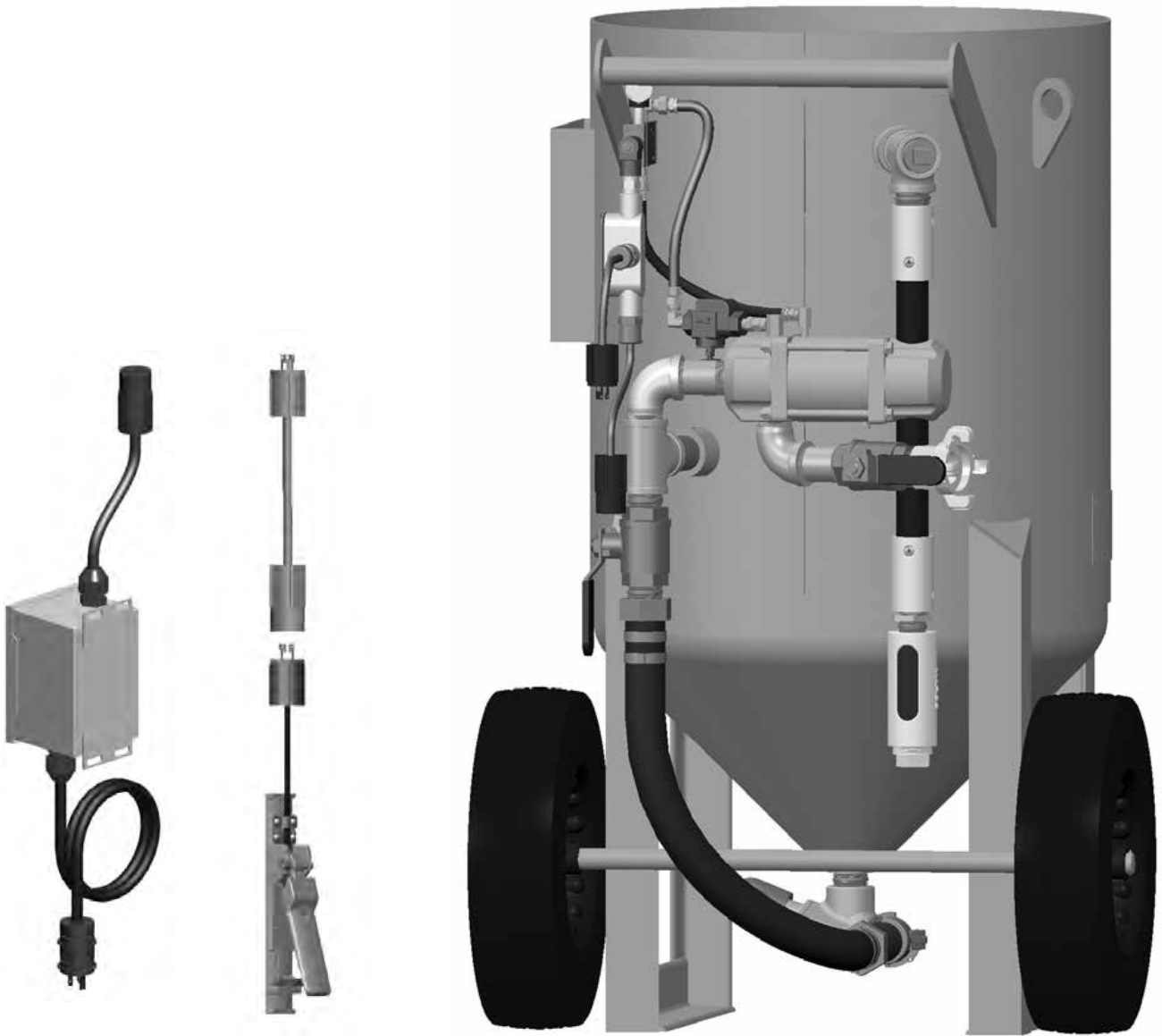
COMPLETE 1-1/4" 120-VOLT AC ELECTRIC CONVERSION KITS – 6.0 THROUGH 6.5 CU. FT. ABRASIVE BLASTING POTS

Part Numbers	Blastmaster® 1-1/4" Bantam Abrasive Metering Valve	12-Volt AC 190 Electric Control Assembly	Blastmaster® 151E Remote Control Switch	Tandem Remote Control Valve	Power Cord – 50 Ft. <i>(to remote control switch)</i>	Blastmaster® 120-Volt AC to 12-Volt AC Power Converter
1012362	X	X	X	X	1015545	X

For converting bare pot to electric remote control system

Includes: 12-Volt AC 190 Electric Control Assembly, Blastmaster® 1-1/4" Bantam Abrasive Metering Valve, Blastmaster® 151E Remote Control Switch, Power Converter, Tandem Remote Control Valve, Power Cord, and various pipe fittings

PART NUMBERS AND SCHEMATICS GUIDE



PART NUMBERS AND SCHEMATICS GUIDE

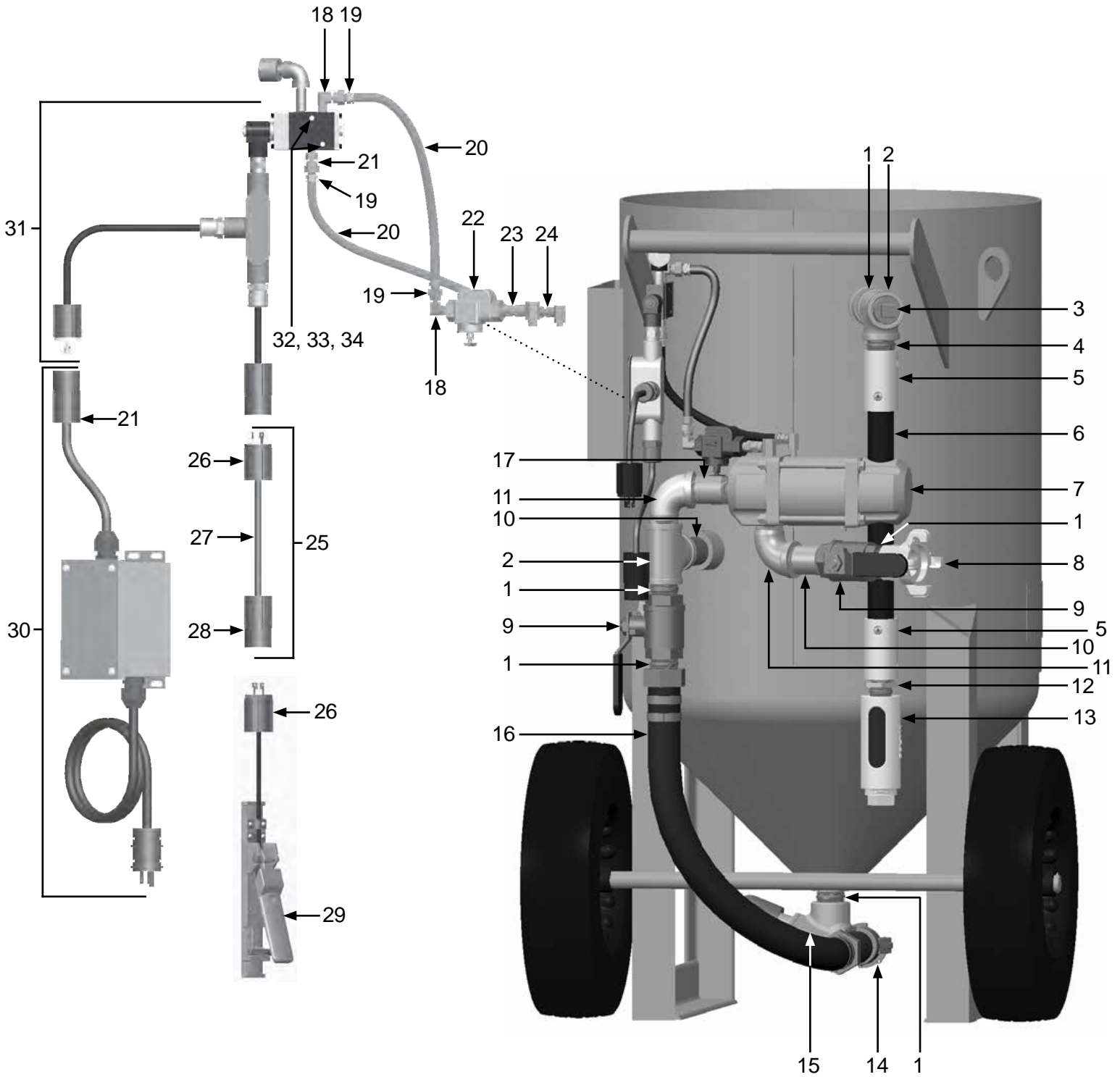
Complete 120-Volt AC Electric Conversion Kit – 6.0 through 6.5 Cu. Ft. Abrasive Blasting Pots – 1-1/4" Metering Valve

Item #	Part #	Description
Fig. 9		
—	1012362	Complete 120-Volt AC Electric Conversion Kit – 1-1/4" Metering Valve
1	1011204	1-1/4" x 3" Galvanized Close Nipple (<i>Five Required</i>)
2	1011803	1-1/4" Pipe Tee (<i>Two Required</i>)
3	1011902	1-1/4" Galvanized Square Head Pipe Plug
4	1011201	1-1/4" Galvanized Close Nipple
5	10NHA1	3/4" Aluminum Nozzle Holder (<i>Two Required</i>)
6	10BH0342BR	Blastmaster® 3/4" I.D. Heavy-Duty Abrasive Blasting Hose – Per Foot
7	1012300	Tandem Remote Control Valve – Complete
8	10ME3	1-1/4" NPT (F) Air Hose Fitting
9	1011602	1-1/4" NPT Full Port Brass Ball Valve (<i>Two Required</i>)
10	1011204	1-1/4" x 3" Galvanized Nipple
11	1011802	1-1/4" Galvanized Street Elbow (<i>Two Required</i>)
12	1012157	1-1/4" x 1" Bushing
13	1011100	Blastmaster® Abrasive Blasting Pot Muffler
14	10SB2	1-1/2" NPT Brass Tank Coupling
15	1014101	Blastmaster® 1-1/4" Bantam Abrasive Metering Valve
16	1006311	1-1/4" I.D. Pusher Line Assembly
17	1011216	1-1/4" x 3-1/2" Nipple
18	1012326	1/4" 90° Swivel Fitting (<i>Two Required</i>)
19	10PAF025	1/4" NPT x 1/4" Barb Push-On Air Hose Fitting (<i>Three Required</i>)
20	10AH025	1/4" I.D. Push-On Air Hose (<i>Six Feet Required</i>)
21	10SME025	1/4" Straight Swivel Fitting
22	10WS	Watts Strainer
23	1017019	1/4" Hex Nipple
24	10PAF0125	1/8" NPT x 1/4" Barb Push-On Air Hose Fitting
25	1015545	50' of Power Cord with Male and Female 3-Prong Twist-Lock Plugs (<i>Includes Item #'s: 26, 27 (Quantity of 50'), and 28</i>)
26	1015555	3-Prong Twist Lock Plug – Male
27	1015540	16/2 SJ Electric Cord – Per Foot
28	1015556	3-Prong Twist Lock Plug – Female
29	1015100	Blastmaster® 151E Remote Control Switch
30	1030020	Blastmaster® 120-Volt AC to 12-Volt AC Power Converter
31	1019052	12-Volt AC 190 Electric Control Assembly – Complete
32	1019044	1/4-20 x 1-3/4" Zinc Bolt (<i>Quantity of Two</i>)
33	1014017	1/4" Flat Washer (<i>Quantity of Two</i>)
34	1012323	1/4-20 Zinc Lock Nut with Nylon Insert (<i>Quantity of Two</i>)

See page 46 for product literature

PART NUMBERS AND SCHEMATICS GUIDE

Figure 9: Complete 120-Volt AC Electric Conversion Kit – 6.0 through 6.5 Cu. Ft. Abrasive Blasting Pots – 1-1/4" Metering Valve



PART NUMBERS AND SCHEMATICS GUIDE

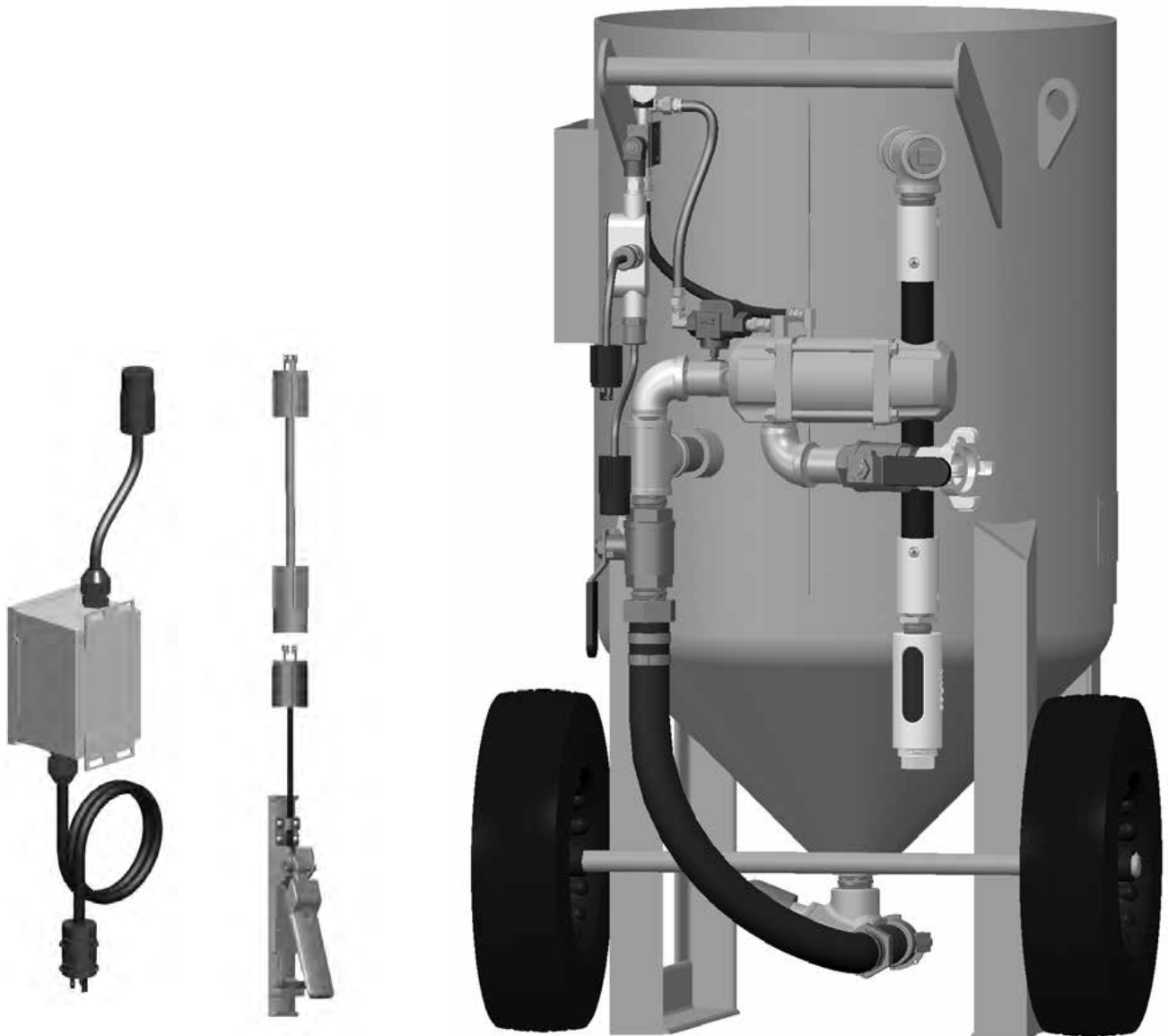
COMPLETE 1-1/2" 120-VOLT AC ELECTRIC CONVERSION KITS – 6.0 THROUGH 6.5 CU. FT. ABRASIVE BLASTING POTS

Part Numbers	Blastmaster® 1-1/2" Bantam Abrasive Metering Valve	12-Volt AC 190 Electric Control Assembly	Blastmaster® 151E Remote Control Switch	Tandem Remote Control Valve	Power Cord – 50 Ft. <i>(to remote control switch)</i>	Blastmaster® 120-Volt AC to 12-Volt AC Power Converter
1012367	X	X	X	X	1015545	X

For converting bare pot to electric remote control system

Includes: 12-Volt AC 190 Electric Control Assembly, Blastmaster® 1-1/2" Bantam Abrasive Metering Valve, Blastmaster® 151E Remote Control Switch, Power Converter, Tandem Remote Control Valve, Power Cord, and various pipe fittings

PART NUMBERS AND SCHEMATICS GUIDE



PART NUMBERS AND SCHEMATICS GUIDE

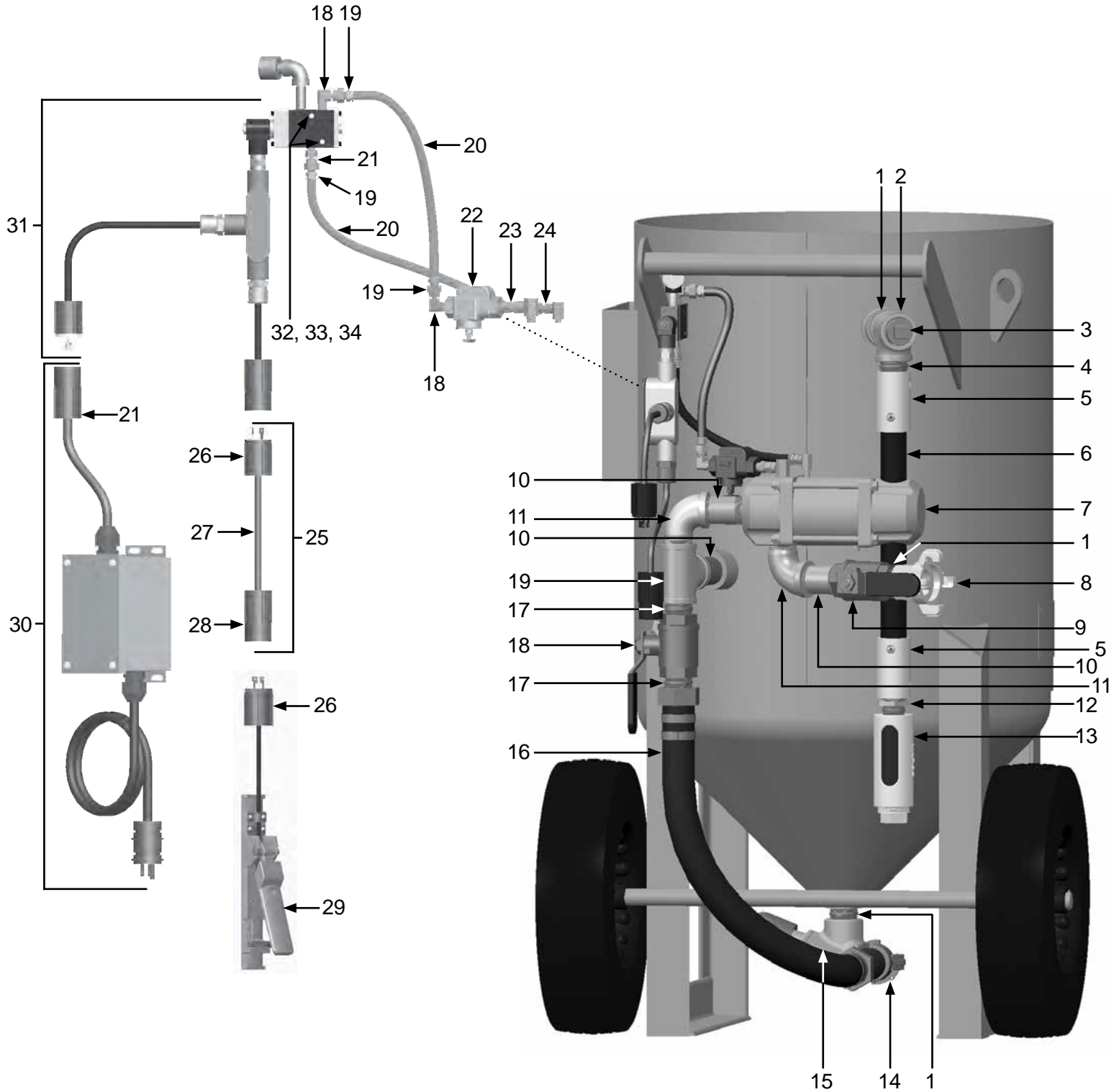
Complete 120-Volt AC Electric Conversion Kit – 6.0 through 6.5 Cu. Ft. Abrasive Blasting Pots – 1-1/2" Metering Valve

Item #	Part #	Description
Fig. 10		
—	1012367	Complete 120-Volt AC Electric Conversion Kit – 1-1/2" Metering Valve
1	1011204	1-1/4" x 3" Galvanized Close Nipple (<i>Three Required</i>)
2	1011803	1-1/4" Pipe Tee
3	1011902	1-1/4" Galvanized Square Head Pipe Plug
4	1011201	1-1/4" Galvanized Close Nipple
5	10NHA1	3/4" Aluminum Nozzle Holder (<i>Two Required</i>)
6	10BH0342BR	Blastmaster® 3/4" I.D. Heavy-Duty Abrasive Blasting Hose – Per Foot
7	1012300	Tandem Remote Control Valve – Complete
8	10ME3	1-1/4" NPT (F) Air Hose Fitting
9	1011602	1-1/4" NPT Full Port Brass Ball Valve
10	1011204	1-1/4" x 3" Galvanized Nipple
11	1011802	1-1/4" Galvanized Street Elbow (<i>Two Required</i>)
12	1012157	1-1/4" x 1" Bushing
13	1011100	Blastmaster® Abrasive Blasting Pot Muffler
14	10SB2	1-1/2" NPT Brass Tank Coupling
15	1014102	Blastmaster® 1-1/2" Bantam Abrasive Metering Valve
16	1006312	1-1/2" I.D. Pusher Line Assembly
17	1014015	1-1/2" Galvanized Close Nipple (<i>Two Required</i>)
18	1011603	1-1/2" NPT Full Port Brass Ball Valve
19	1011834	1-1/2" x 1-1/4" x 1-1/4" Galvanized Pipe Tee
18	1012326	1/4" 90° Swivel Fitting (<i>Two Required</i>)
19	10PAF025	1/4" NPT x 1/4" Barb Push-On Air Hose Fitting (<i>Three Required</i>)
20	10AH025	1/4" I.D. Push-On Air Hose (<i>Six Feet Required</i>)
21	10SME025	1/4" Straight Swivel Fitting
22	10WS	Watts Strainer
23	1017019	1/4" Hex Nipple
24	10PAF0125	1/8" NPT x 1/4" Barb Push-On Air Hose Fitting
25	1015545	50' of Power Cord with Male and Female 3-Prong Twist-Lock Plugs (<i>Includes Item #'s: 26, 27 (Quantity of 50'), and 28</i>)
26	1015555	3-Prong Twist Lock Plug – Male
27	1015540	16/2 SJ Electric Cord – Per Foot
28	1015556	3-Prong Twist Lock Plug – Female
29	1015100	Blastmaster® 151E Remote Control Switch
30	1030020	Blastmaster® 120-Volt AC to 12-Volt AC Power Converter
31	1019052	12-Volt AC 190 Electric Control Assembly – Complete
32	1019044	1/4-20 x 1-3/4" Zinc Bolt (<i>Quantity of Two</i>)
33	1014017	1/4" Flat Washer (<i>Quantity of Two</i>)
34	1012323	1/4-20 Zinc Lock Nut with Nylon Insert (<i>Quantity of Two</i>)



See page 46 for product literature



PART NUMBERS AND SCHEMATICS GUIDE

Figure 10: Complete 120-Volt AC Electric Conversion Kit – 6.0 through 6.5 Cu. Ft. Abrasive Blasting Pots – 1-1/2" Metering Valve






OPTIONAL ACCESSORIES

		ELECTRIC CORD					
	Part Numbers	Gauge	# of Wires	Color	Cover	Outer Jacket Material	U.O.M.
	1015540	16	2	Red	Xtreme-Duty®	Polyurethane	Per Foot
	10106833	16	2	Black	Economy	Thermoplastic Elastomer	Per Foot
	1030013	14	2	Black	Economy	Thermoplastic Elastomer	Per Foot
	1015550	14	3	Black	Economy	Thermoplastic Elastomer	Per Foot

		ELECTRIC CONTROL LINE WITH PLUGS							
	Part Numbers	Gauge	# of Wires	Color	Cover	Outer Jacket Material	3-Prong Male Twist-Lock Plug	3-Prong Female Twist-Lock Plug	U.O.M.
	1015546	16	2	Red	Xtreme-Duty®	Polyurethane	1015555	1015556	25 Ft.
	1015545	16	2	Red	Xtreme-Duty®	Polyurethane	1015555	1015556	50 Ft.
	1015547	16	2	Red	Xtreme-Duty®	Polyurethane	1015555	1015556	100 Ft.
	10106870	16	2	Black	Economy	Thermoplastic Elastomer	1015555	1015556	25 Ft.
	10106869	16	2	Black	Economy	Thermoplastic Elastomer	1015555	1015556	50 Ft.
	10106868	16	2	Black	Economy	Thermoplastic Elastomer	1015555	1015556	100 Ft.

OPTIONAL ACCESSORIES

ELECTRIC CONTROL LINE PLUGS			
	Part Numbers	Prong Style	Plug Style
	1030026	3-Prong Male	Standard
	1015555	3-Prong Male	Twist-Lock
	1015556	3-Prong Female	Twist-Lock

PART NUMBERS

BLASTMASTER® 123P REMOTE CONTROL SYSTEM					
Part Number	Tandem Remote Control Valve	Blowdown Hose Assembly	Exhaust Muffler	Remote Control Switch	55 Feet of Pneumatic Control Line – Coupled
1012351	1012300	1012350	1011100	1015200	1016000

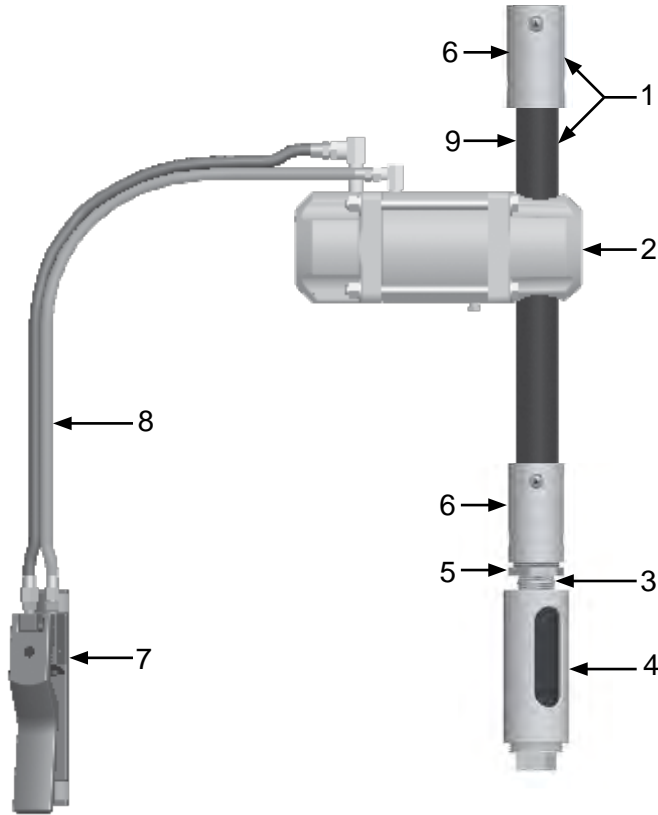
BLASTMASTER® 123P REMOTE CONTROL SYSTEM

Blastmaster® 123P Remote Control System – 1012351



PART NUMBERS & SCHEMATICS

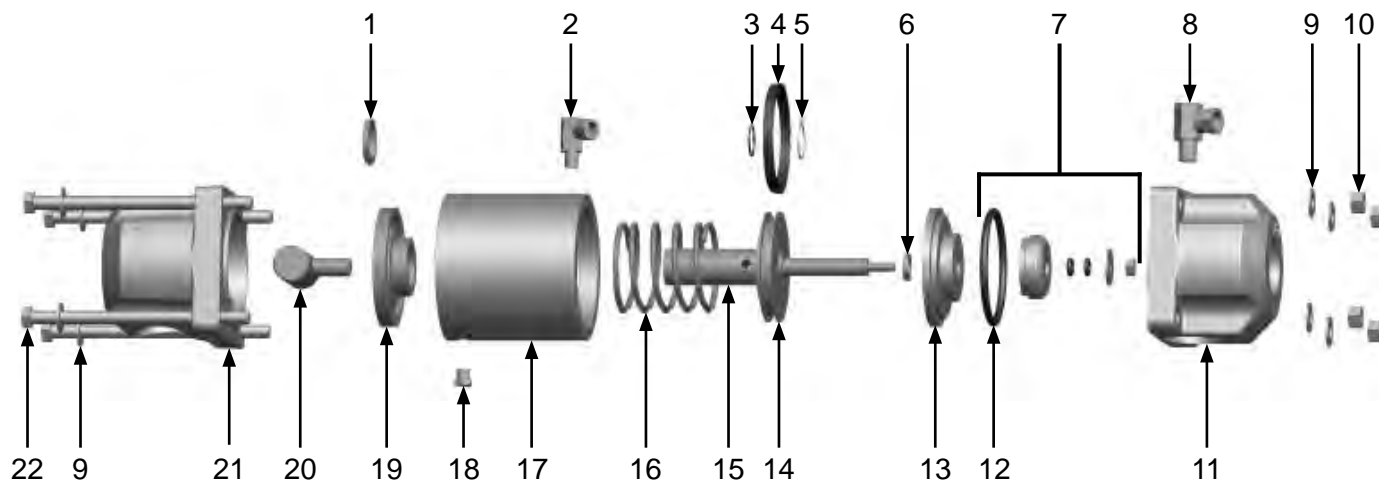
Figure 1: Blastmaster® 123P Remote Control System



Item #	Part #	Description
Fig. 1		
—	1012351	Blastmaster® 123P Remote Control System – Complete
1	1012350	Blowdown Hose Assembly <i>(Includes Item #'s: 6 and 9 (Quantity of Two Feet))</i>
2	1012300	Tandem Remote Control Valve – Complete <i>(see Figure 2)</i>
3	1012151	1" Close Nipple
4	1011100	Blastmaster® Exhaust Muffler <i>(See Figure 10)</i>
5	1012157	1-1/4" x 1" Bushing
6	10NHA1	1-1/4" Aluminum Nozzle Holder
7	1015200	Blastmaster® 152P Remote Control Switch <i>(see Figure 3)</i>
8	1016000	55 Feet of Coupled Control Line with 1/4" and 1/8" Fittings
9	10BH0342BR	3/4" I.D. Abrasive Blasting Hose <i>(sold per foot)</i>
—	105M007	Features and Specifications Guide – Blastmaster® 123P Remote Control System
—	105M068	Features and Specifications Guide – Blastmaster® 152P Remote Control Switch
—	106M007	Part Numbers & Schematics Guide – Blastmaster® 123P Remote Control System
—	106M068	Part Numbers & Schematics Guide – Blastmaster® 152P Remote Control Switch
—	1090007	Operator's Manual – Blastmaster® 123P Remote Control System
—	1090068	Operator's Manual – Blastmaster® 152 Remote Control Switch

PART NUMBERS & SCHEMATICS

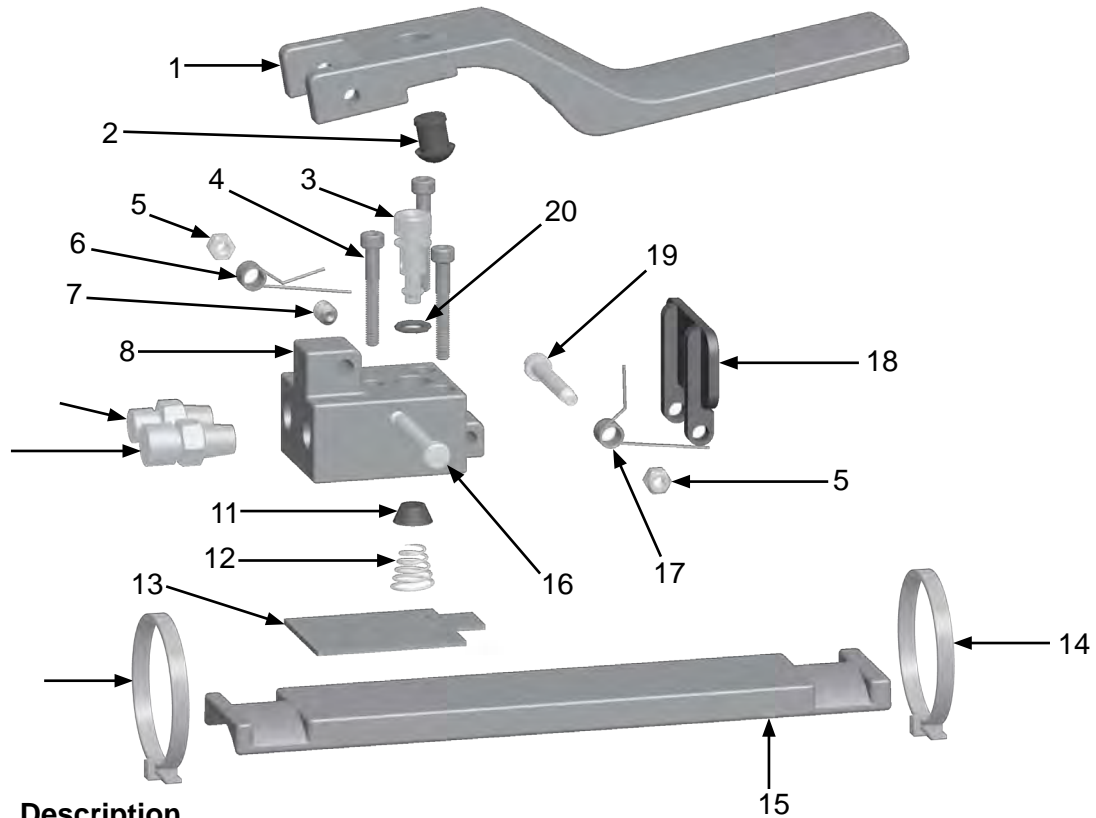
Figure 2: Tandem Remote Control Valve



Item #	Part #	Description
Fig. 2		
—	1012300	Tandem Remote Control Valve – Complete
1	1012308	Seal – Upper Rod Guide
2	1014239	1/8" 90° Swivel Fitting
3	1012312	O-ring – Shaft
4	1012317	Seal – Piston
5	1012313	13/16" External Snap Ring
6	1012314	Seal – Lower Rod Guide
7	1012322	Valve Plug Assembly (Includes Item #12)
8	1012326	1/4" 90° Swivel Fitting
9	1014241	3/8" Washer (Eight Required)
10	1012318	3/8-16 Nut (Four Required)
11	1012321	Base
12	1012320	O-ring – Lower Rod Guide
13	1012319	Lower Rod Guide
14	1012315	Piston
15	1012316	Shaft
16	1012309	Spring
17	1012311	Cylinder
18	1012905	1/8" Breather Muffler
19	1012307	Upper Rod Guide
20	1012306	Pinch Ram
21	1012305	Cap
22	1012310	3/8-16 x 6" Bolt (Four Required)
—	1012301	Tandem Remote Control Valve Repair Kit (Includes Item #'s: 1, 3–7, and 12)
—	105M007	Features and Specifications Guide – Blastmaster® 123P Remote Control System
—	106M007	Part Numbers & Schematics Guide – Blastmaster® 123P Remote Control System
—	1090007	Operator's Manual – Blastmaster® 123P Remote Control System
—	1091045	Hazard Identification Tag

PART NUMBERS & SCHEMATICS

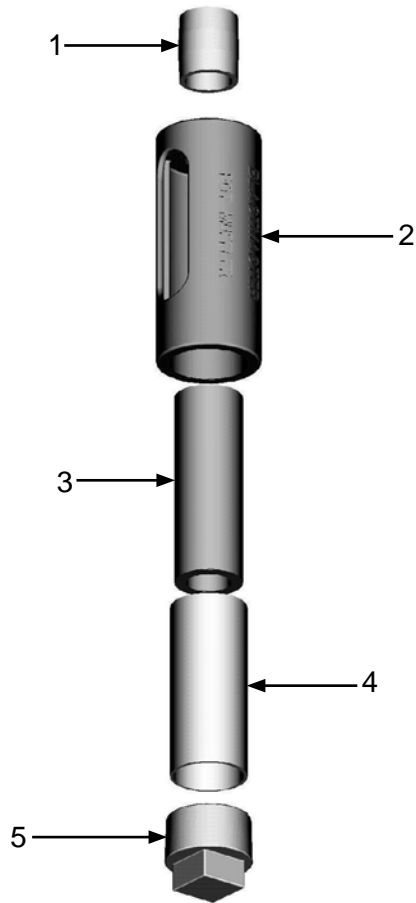
Figure 3: Blastmaster® 152P Remote Control Switch



Item #	Part #	Description
Fig. 3		
—	1015200	Blastmaster® 152P Remote Control Switch – Complete
1	10102171	Handle
2	10102181	Button Bumper
3	10102175	Air Valve Stem
4	10102178	M4 x 30 Socket Head Cap Screw <i>(Three Required)</i>
5	10102184	M4 Lock Nut <i>(Two Required)</i>
6	10102179	Spring
7	10102182	M6 Set Screw
8	10102172	Manifold
9	10102187	1/8" NPSL x 1/8" NPT Fitting
10	10102186	1/4" NPSL x 1/8" NPT Fitting
11	10102176	Air Valve Packing
12	10102183	Valve Stem Spring
13	10102173	Manifold Gasket
14	1015015	Nylon Zip Tie – White <i>(Two Required)</i>
15	10102170	Base Plate
16	10102180	M4 x 48.9 Shoulder Screw
17	10102241	Safety Tab Spring
18	10102174	Safety Tab
19	10102185	M4 x 42 Shoulder Screw
20	10102177	O-Ring
—	10102169	Blastmaster® 152P Remote Control Switch Repair Kit <i>(Includes Item #'s: one each of 3, 7, 8, 11, 12, 20; two each of 15)</i>
—	105M068	Features and Specifications Guide – Blastmaster® 152P Remote Control Switch
—	106M068	Part Numbers and Schematics Guide – Blastmaster® 152P Remote Control Switch
—	1090068	Operator's Manual – Blastmaster® 152P Remote Control Switch
—	1091045	Hazard Identification Tag




PART NUMBERS & SCHEMATICS

Figure 4: Blastmaster® Exhaust Muffler














Item #	Part #	Description
Fig. 4		
—	1011100	Blastmaster® Exhaust Muffler – Complete
1	1012151	1" Close Nipple
2	1011102	Body
3	1011103	Filter Element
4	1011104	Screen
5	1011101	1-1/2" Pipe Plug
—	1011105	Blastmaster® Exhaust Muffler Repair Kit <i>(Includes Item #'s: 3 (Quantity of three), 4, and 5)</i>
—	105M347	Features and Specifications Guide – Blastmaster® Exhaust Muffler
—	106M347	Part Numbers And Schematics Guide – Blastmaster® Exhaust Muffler
—	1090016	Operator's Manual – Blastmaster® Exhaust Muffler

OPTIONAL ACCESSORIES

		PNEUMATIC CONTROL LINE							
		Hose Length	Working Pressure	Hose I.D.	Hose O.D.	1017012	1017013	1017014	1017015
Part Numbers									
	1016000	55 Feet	200 psi	3/16"	7/16"	X	X	X	X
	1016001	110 Feet	200 psi	3/16"	7/16"	X	X	X	X
	10TLBK	Per Foot	200 psi	3/16"	7/16"				

OPTIONAL ACCESSORIES

		PNEUMATIC CONTROL LINE FITTINGS		
Part Numbers		Description	Hose I.D.	Hose O.D.
	1017012	1/8" Female Nut & Barb	3/16"	7/16"
	1017013	1/4" Female Nut & Barb	3/16"	7/16"
	1017014	1/8" Male Threaded Barb	3/16"	7/16"
	1017015	1/4" Male Threaded Barb	3/16"	7/16"
	1017010	Hose Splicer	3/16"	7/16"
	1017017	Hose Ferrule	3/16"	7/16"
	1017011	Oetiker® Clamp	3/16"	7/16"
	1017018	1/8" x 1/8" Hex Nipple	3/16"	7/16"
	1017019	1/4" x 1/4" Hex Nipple	3/16"	7/16"

		PNEUMATIC CONTROL LINE FITTINGS ACCESSORIES	
	10DX855A	Ferrule Crimping Tool	
	10DX1098	Oetiker® Clamp Tool	

Oetiker® is a registered trademark of Dixon Valve & Coupling Co.

PART NUMBERS AND SCHEMATICS GUIDE

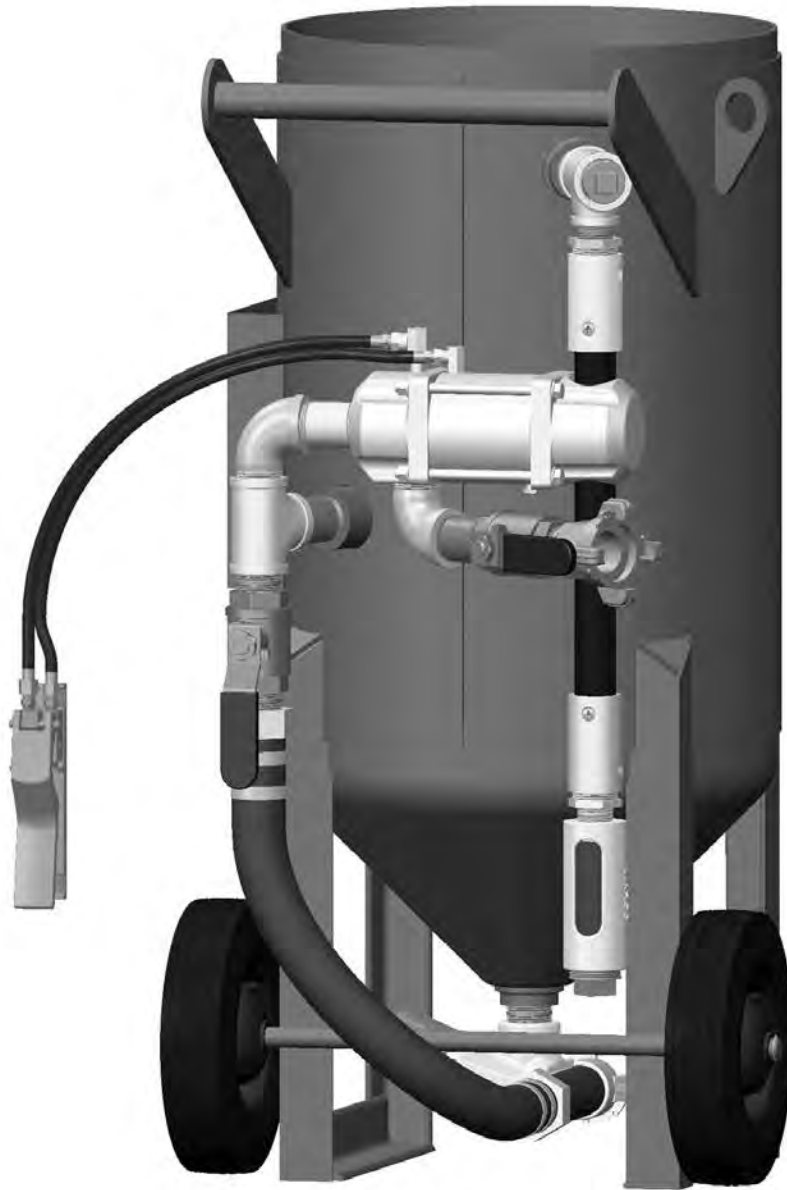
PNEUMATIC REMOTE CONTROL SYSTEM KITS – 3.0 THROUGH 3.5 CU. FT. ABRASIVE BLASTING POTS

Part Numbers	Blastmaster® 1-1/4" Bantam Abrasive Metering Valve	Blastmaster® 1-1/2" Bantam Abrasive Metering Valve	Blastmaster® 152P Remote Control Switch	Tandem Remote Control Valve	Twinline	Blowdown Hose Assembly
10107242	X		X	X	55 Ft.	X
10107243		X	X	X	55 Ft.	X

For converting bare pot to pneumatic remote control system.

Includes: Blastmaster® Bantam Abrasive Metering Valve, Blastmaster® 152P Remote Control Switch, Tandem Remote Control Valve, Twinline, Blowdown Hose Assembly, and various pipe fittings

PART NUMBERS AND SCHEMATICS GUIDE



PART NUMBERS AND SCHEMATICS GUIDE

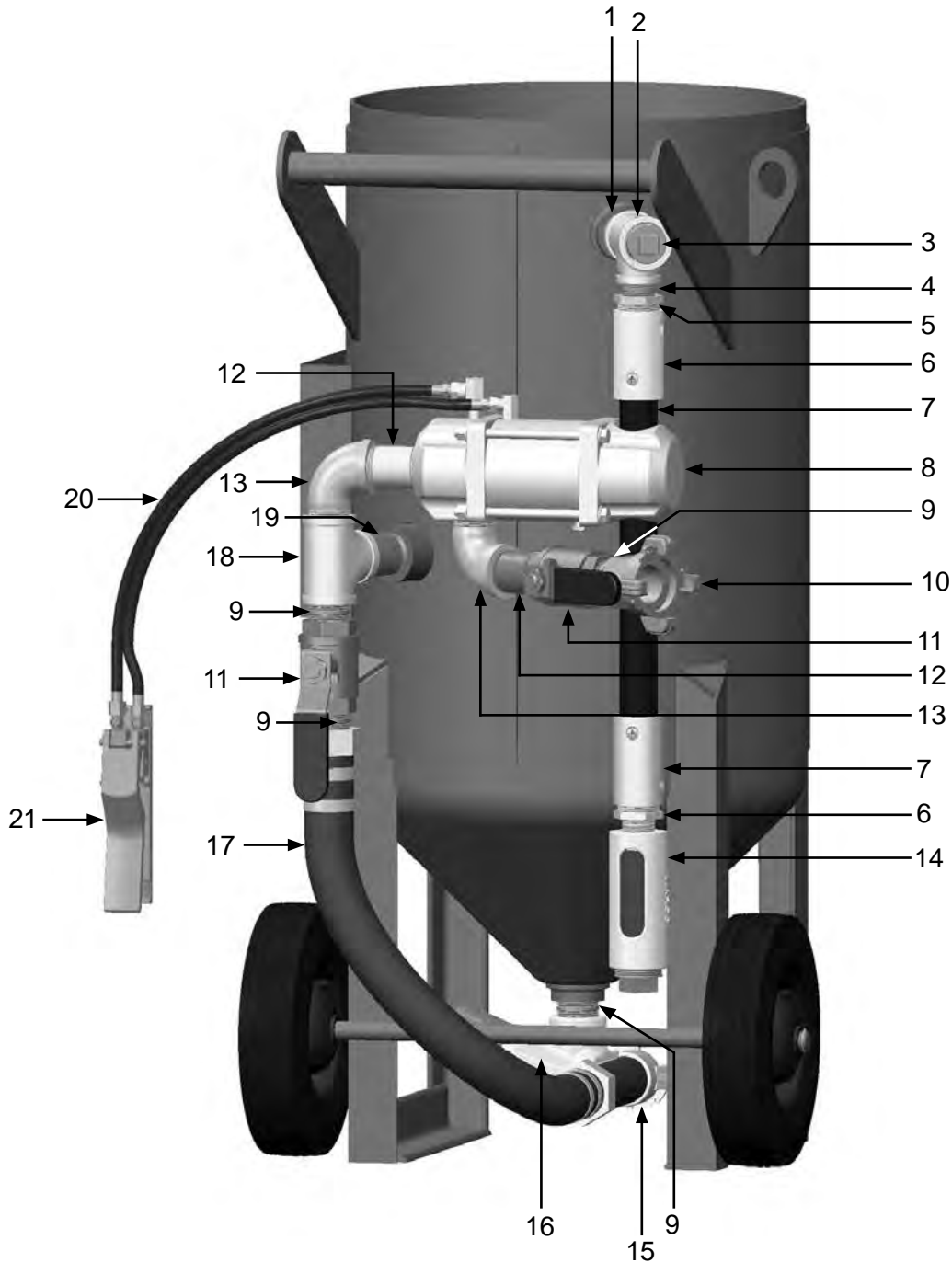
Pneumatic Conversion Kit – 3.0 through 3.5 Cu. Ft. Abrasive Blasting Pots – 1-1/4" Bantam Abrasive Metering Valve

Item #	Part #	Description
Fig. 1		
—	10107242	Pneumatic Conversion Kit – 1-1/4" Bantam Abrasive Metering Valve
1	1011813	1-1/4" x 2" Pipe Nipple
2	1011817	1-1/4" x 1-1/4" x 1" Pipe Tee
3	1011902	1-1/4" Galvanized Square Head Pipe Plug
4	1012151	1" Galvanized Close Nipple
5	1012157	1-1/4" x 1" Bushing <i>(Two Required)</i>
6	10NHA1	3/4" Aluminum Nozzle Holder <i>(Two Required)</i>
7	10BH0342BR	Blastmaster® 3/4" I.D. Heavy-Duty Abrasive Blasting Hose <i>(Per Foot)</i>
8	1012300	Tandem Remote Control Valve – Complete
9	1011201	1-1/4" Galvanized Close Nipple <i>(Four Required)</i>
10	10ME3	1-1/4" NPT (F) Air Hose Fitting
11	1011602	1-1/4" NPT Full Port Brass Ball Valve <i>(Two Required)</i>
12	1011204	1-1/4" x 3" Galvanized Nipple <i>(Two Required)</i>
13	1011802	1-1/4" Galvanized Street Elbow <i>(Two Required)</i>
14	1011100	Blastmaster® Abrasive Blasting Pot Muffler
15	10SB2S	1-1/2" NPT Brass Tank Coupling
16	1014101	Blastmaster® 1-1/4" Bantam Abrasive Metering Valve
17	1006311	1-1/4" Pusher Line Assembly
18	1011803	1-1/4" x 1-1/4" x 1-1/4" Galvanized Pipe Tee
19	1011216	1-1/4" Galvanized Tee
20	1016000	55 Feet of Coupled Control Line with 1/4" and 1/8" Fittings
21	1015200	Blastmaster® 152P Remote Control Switch

See page 18 for product literature

PART NUMBERS AND SCHEMATICS GUIDE

Figure 1: Pneumatic Conversion Kit – 3.0 through 3.5 Cu. Ft. Abrasive Blasting Pots – 1-1/4" Bantam Abrasive Metering Valve



PART NUMBERS AND SCHEMATICS GUIDE

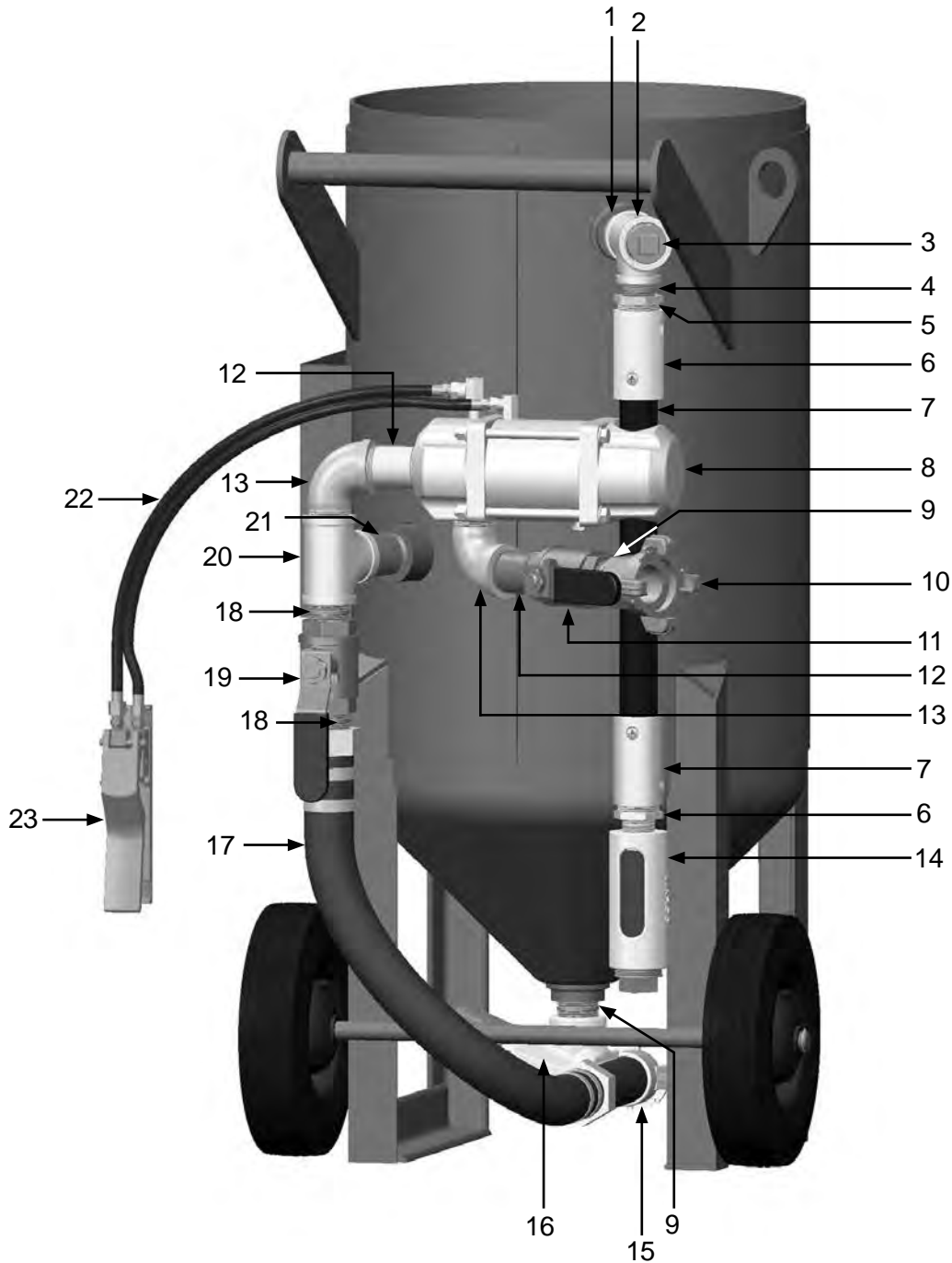
Pneumatic Conversion Kit – 3.0 through 3.5 Cu. Ft. Abrasive Blasting Pots – 1-1/2" Bantam Abrasive Metering Valve

Item #	Part #	Description
Fig. 2		
—	10107243	Pneumatic Conversion Kit – 1-1/2" Bantam Abrasive Metering Valve
1	1011813	1-1/4" x 2" Pipe Nipple
2	1011817	1-1/4" x 1-1/4" x 1" Pipe Tee
3	1011902	1-1/4" Galvanized Square Head Pipe Plug
4	1012151	1" Galvanized Close Nipple
5	1012157	1-1/4" x 1" Bushing (<i>Two Required</i>)
6	10NHA1	3/4" Aluminum Nozzle Holder (<i>Two Required</i>)
7	10BH0342BR	Blastmaster® 3/4" I.D. Heavy-Duty Abrasive Blasting Hose (<i>Per Foot</i>)
8	1012300	Tandem Remote Control Valve – Complete
9	1011201	1-1/4" Galvanized Close Nipple (<i>Two Required</i>)
10	10ME3	1-1/4" NPT (F) Air Hose Fitting
11	1011602	1-1/4" NPT Full Port Brass Ball Valve
12	1011204	1-1/4" x 3" Galvanized Nipple (<i>Two Required</i>)
13	1011802	1-1/4" Galvanized Street Elbow
14	1011100	Blastmaster® Abrasive Blasting Pot Muffler
15	10SB2S	1-1/2" NPT Brass Tank Coupling
16	1014102	Blastmaster® 1-1/2" Bantam Abrasive Metering Valve
17	1006312	1-1/2" Pusher Line Assembly
18	1014015	1-1/2" Galvanized Close Nipple (<i>Two Required</i>)
19	1011603	1-1/2" NPT Full Port Brass Ball Valve
20	1011834	1-1/2" x 1-1/4" x 1-1/4" Galvanized Pipe Tee
21	1011216	1-1/4" x 3-1/2" Nipple
22	1016000	55 Feet of Coupled Control Line with 1/4" and 1/8" Fittings
23	1015200	Blastmaster® 152P Remote Control Switch

See page 18 for product literature

PART NUMBERS AND SCHEMATICS GUIDE

Figure 2: Pneumatic Conversion Kit – 3.0 through 3.5 Cu. Ft. Abrasive Blasting Pots – 1-1/2" Bantam Abrasive Metering Valve



PART NUMBERS AND SCHEMATICS GUIDE

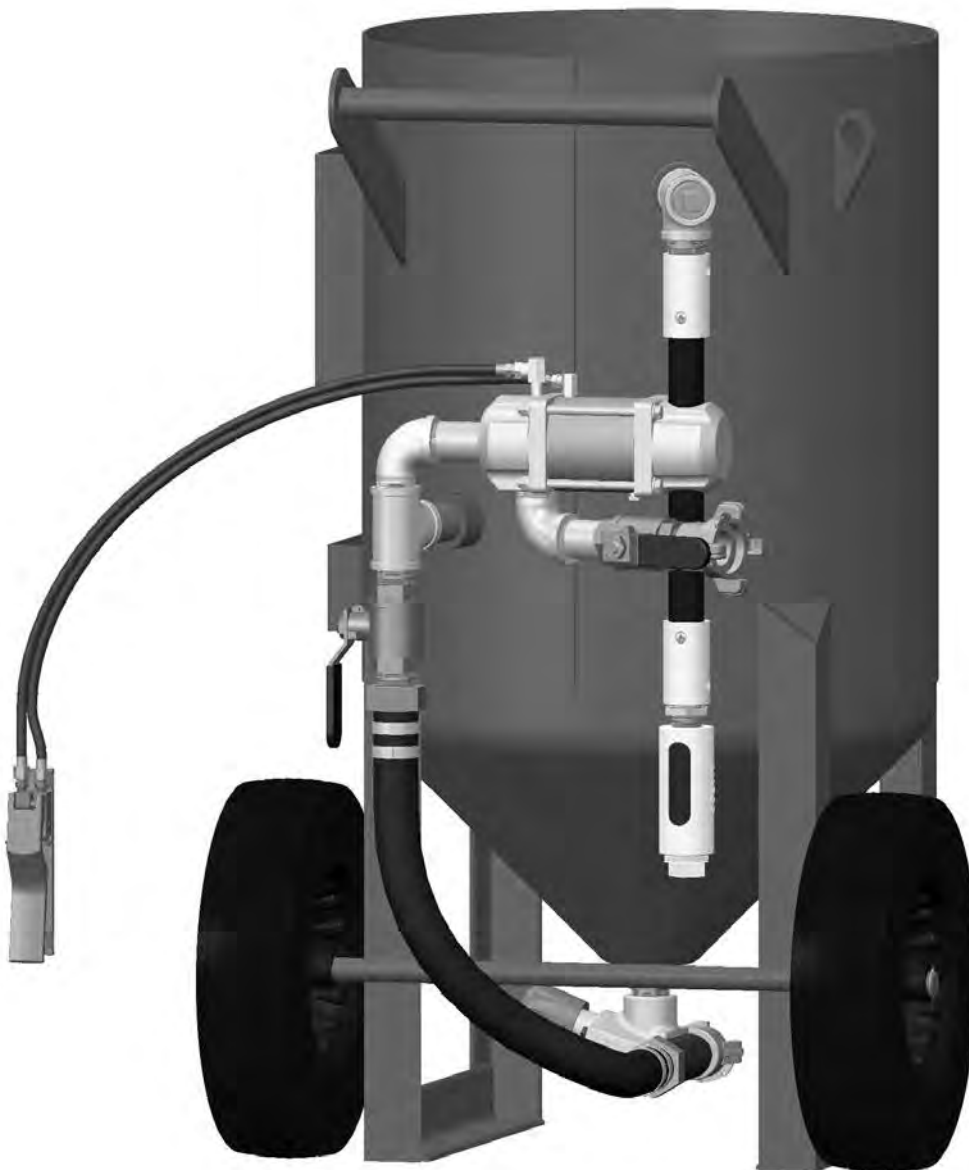
PNEUMATIC REMOTE CONTROL SYSTEM KITS – 6.0 THROUGH 6.5 CU. FT. ABRASIVE BLASTING POTS

Part Numbers	Blastmaster® 1-1/4" Bantam Abrasive Metering Valve	Blastmaster® 1-1/2" Bantam Abrasive Metering Valve	Blastmaster® 152P Remote Control Switch	Tandem Remote Control Valve	Twinline	Blowdown Hose Assembly
1012360	X		X	X	55 Ft.	X
1012365		X	X	X	55 Ft.	X

For converting bare pot to pneumatic remote control system.

Includes: Blastmaster® Bantam Abrasive Metering Valve, Blastmaster® 152P Remote Control Switch, Tandem Remote Control Valve, Twinline, Blowdown Hose Assembly, and various pipe fittings

PART NUMBERS AND SCHEMATICS GUIDE



PART NUMBERS AND SCHEMATICS GUIDE

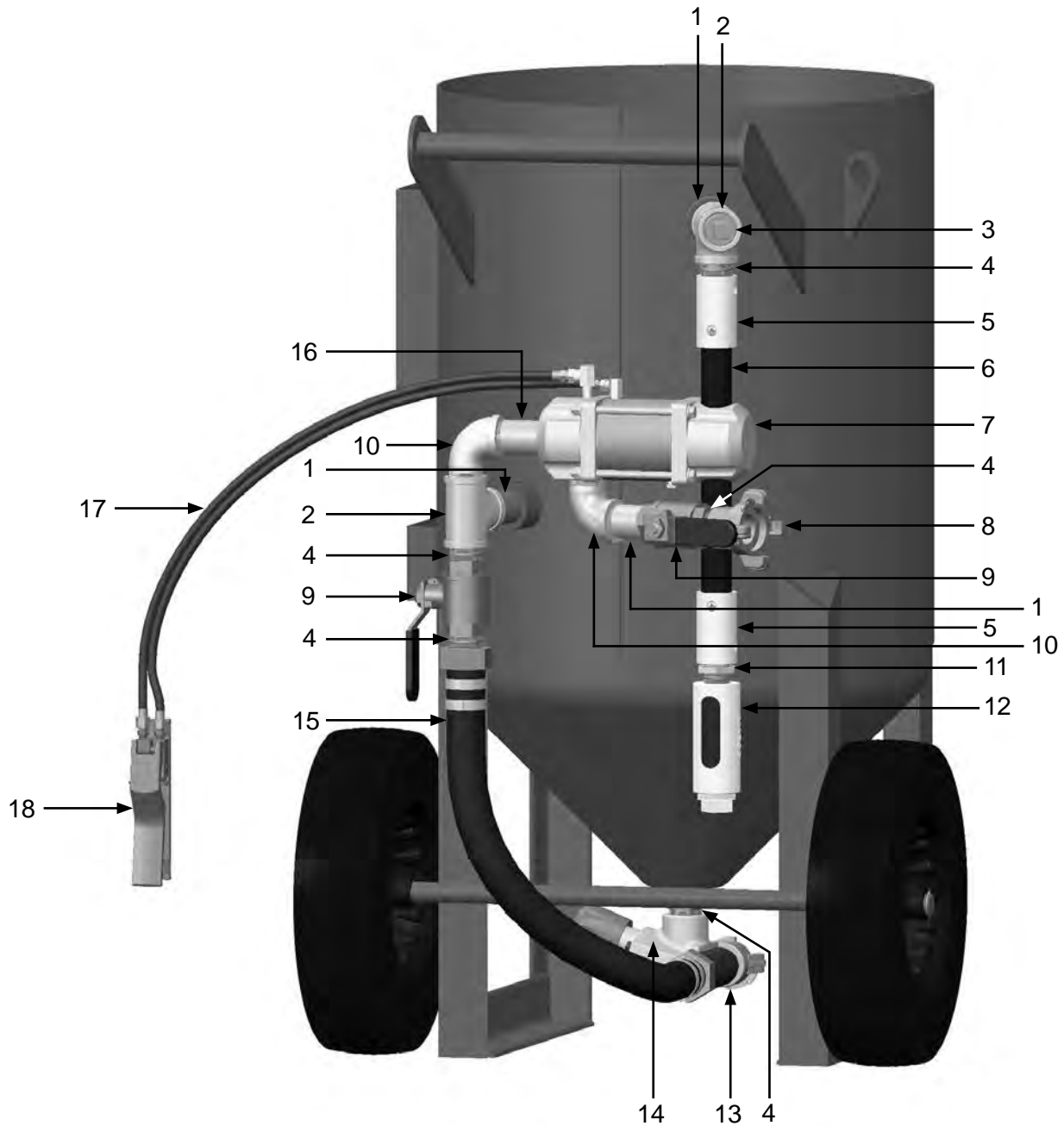
Pneumatic Conversion Kit – 6.0 through 6.5 Cu. Ft. Abrasive Blasting Pots – 1-1/4" Bantam Abrasive Metering Valve

Item #	Part #	Description
Fig. 3		
—	1012360	Pneumatic Conversion Kit – 1-1/4" Bantam Abrasive Metering Valve
1	1011204	1-1/4" x 3" Galvanized Close Nipple <i>(Three Required)</i>
2	1011803	1-1/4" Pipe Tee <i>(Two Required)</i>
3	1011902	1-1/4" Galvanized Square Head Pipe Plug
4	1011201	1-1/4" Galvanized Close Nipple <i>(Five Required)</i>
5	10NHA1	3/4" Aluminum Nozzle Holder <i>(Two Required)</i>
6	10BH0342BR	Blastmaster® 3/4" I.D. Heavy-Duty Abrasive Blasting Hose <i>(Per Foot)</i>
7	1012300	Tandem Remote Control Valve – Complete
8	10ME3	1-1/4" NPT (F) Air Hose Fitting
9	1011602	1-1/4" NPT Full Port Brass Ball Valve <i>(Two Required)</i>
10	1011802	1-1/4" Galvanized Street Elbow <i>(Two Required)</i>
11	1012157	1-1/4" x 1" Bushing
12	1011100	Blastmaster® Abrasive Blasting Pot Muffler
13	10SB2S	1-1/2" NPT Brass Tank Coupling
14	1014101	Blastmaster® 1-1/4" Bantam Abrasive Metering Valve
15	1006311	1-1/4" Pusher Line Assembly
16	1011216	1-1/4" x 3-1/2" Galvanized Close Nipple
17	1016000	55 Feet of Coupled Control Line with 1/4" and 1/8" Fittings
18	1015200	Blastmaster® 152P Remote Control Switch

See page 18 for product literature

PART NUMBERS AND SCHEMATICS GUIDE

Figure 3: Pneumatic Conversion Kit – 6.0 through 6.5 Cu. Ft. Abrasive Blasting Pots – 1-1/4" Bantam Abrasive Metering Valve



PART NUMBERS AND SCHEMATICS GUIDE

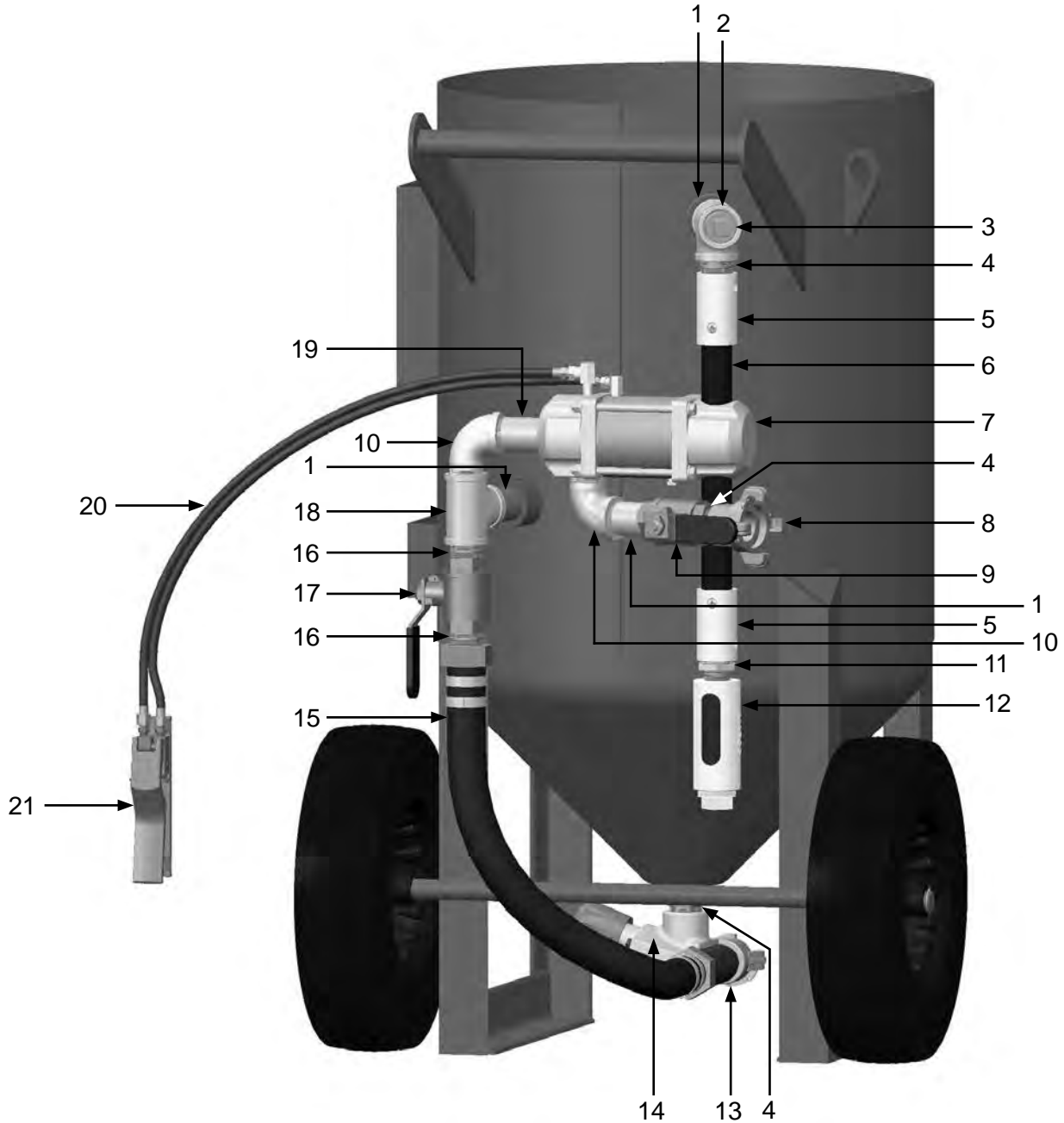
Pneumatic Conversion Kit – 6.0 through 6.5 Cu. Ft. Abrasive Blasting Pots – 1-1/2" Bantam Abrasive Metering Valve

Item #	Part #	Description
Fig. 4		
—	1012365	Pneumatic Conversion Kit – 1-1/2" Bantam Abrasive Metering Valve
1	1011204	1-1/4" x 3" Galvanized Close Nipple (<i>Three Required</i>)
2	1011803	1-1/4" Pipe Tee
3	1011902	1-1/4" Galvanized Square Head Pipe Plug
4	1011201	1-1/4" Galvanized Close Nipple (<i>Three Required</i>)
5	10NHA1	3/4" Aluminum Nozzle Holder (<i>Two Required</i>)
6	10BH0342BR	Blastmaster® 3/4" I.D. Heavy-Duty Abrasive Blasting Hose (<i>Per Foot</i>)
7	1012300	Tandem Remote Control Valve – Complete
8	10ME3	1-1/4" NPT (F) Air Hose Fitting
9	1011602	1-1/4" NPT Full Port Brass Ball Valve
10	1011802	1-1/4" Galvanized Street Elbow (<i>Two Required</i>)
11	1012157	1-1/4" x 1" Bushing
12	1011100	Blastmaster® Abrasive Blasting Pot Muffler
13	10SB2S	1-1/2" NPT Brass Tank Coupling
14	1014102	Blastmaster® 1-1/2" Bantam Abrasive Metering Valve
15	1006312	1-1/2" Pusher Line Assembly
16	1014015	1-1/2" Galvanized Close Nipple (<i>Two Required</i>)
17	1011603	1-1/2" NPT Full Port Brass Ball Valve
18	1011834	1-1/2" x 1-1/4" x 1-1/4" Galvanized Pipe Tee
19	1011216	1-1/4" x 3-1/2" Galvanized Close Nipple
20	1016000	55 Feet of Coupled Control Line with 1/4" and 1/8" Fittings
21	1015200	Blastmaster® 152P Remote Control Switch





See page 18 for product literature

PART NUMBERS AND SCHEMATICS GUIDE









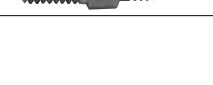
Figure 4: Pneumatic Conversion Kit – 6.0 through 6.5 Cu. Ft. Abrasive Blasting Pots – 1-1/2" Bantam Abrasive Metering Valve





OPTIONAL ACCESSORIES

		PNEUMATIC CONTROL LINE							
		Hose Length	Working Pressure	Hose I.D.	Hose O.D.	1017012	1017013	1017014	1017015
Part Numbers									
	1016002	7 Feet	200 psi	3/16"	7/16"	X	X	X	X
	1016000	55 Feet	200 psi	3/16"	7/16"	X	X	X	X
	1016001	110 Feet	200 psi	3/16"	7/16"	X	X	X	X
	10TLBK	Per Foot	200 psi	3/16"	7/16"				

OPTIONAL ACCESSORIES

		PNEUMATIC CONTROL LINE FITTINGS		
	Part Numbers	Description	Hose I.D.	Hose O.D.
	1017012	1/8" Female Nut & Barb	3/16"	7/16"
	1017013	1/4" Female Nut & Barb	3/16"	7/16"
	1017014	1/8" Male Threaded Barb	3/16"	7/16"
	1017015	1/4" Male Threaded Barb	3/16"	7/16"
	1017010	Hose Splicer	3/16"	7/16"
	1017017	Hose Ferrule	3/16"	7/16"
	1017011	Oetiker® Clamp	3/16"	7/16"
	1017018	1/8" x 1/8" Hex Nipple	3/16"	7/16"
	1017019	1/4" x 1/4" Hex Nipple	3/16"	7/16"

	Part Numbers	PNEUMATIC CONTROL LINE FITTINGS ACCESSORIES		
	10DX855A	Ferrule Crimping Tool		
	10DX1098	Oetiker® Clamp Tool		

LITERATURE REFERENCES

Remote Control System

105M007	Features and Specifications Guide – Blastmaster® 123P Remote Control System
106M007	Part Numbers and Schematics Guide – Blastmaster® 123P Remote Control System
1090007	Operator's Manual – Blastmaster® 123P Remote Control System

Remote Control Switch

105M068	Features and Specifications Guide – Blastmaster® 152P Remote Control Switch
106M068	Part Numbers and Schematics Guide – Blastmaster® 152P Remote Control Switch
1090068	Operator's Manual – Blastmaster® 152P Remote Control Switch

Abrasive Metering Valve

105M022	Features and Specifications Guide – Blastmaster® Bantam Abrasive Metering Valve
106M022	Part Numbers and Schematics Guide – Blastmaster® Bantam Abrasive Metering Valve
1090022	Operator's Manual – Blastmaster® Bantam Abrasive Metering Valve

Abrasive Blasting Pot Muffler

105M347	Features and Specifications Guide – Abrasive Blasting Pot Muffler
106M347	Part Numbers and Schematics Guide – Abrasive Blasting Pot Muffler

PART NUMBERS

BLASTMASTER® 130E REMOTE CONTROL SYSTEM - 12-VOLT DC

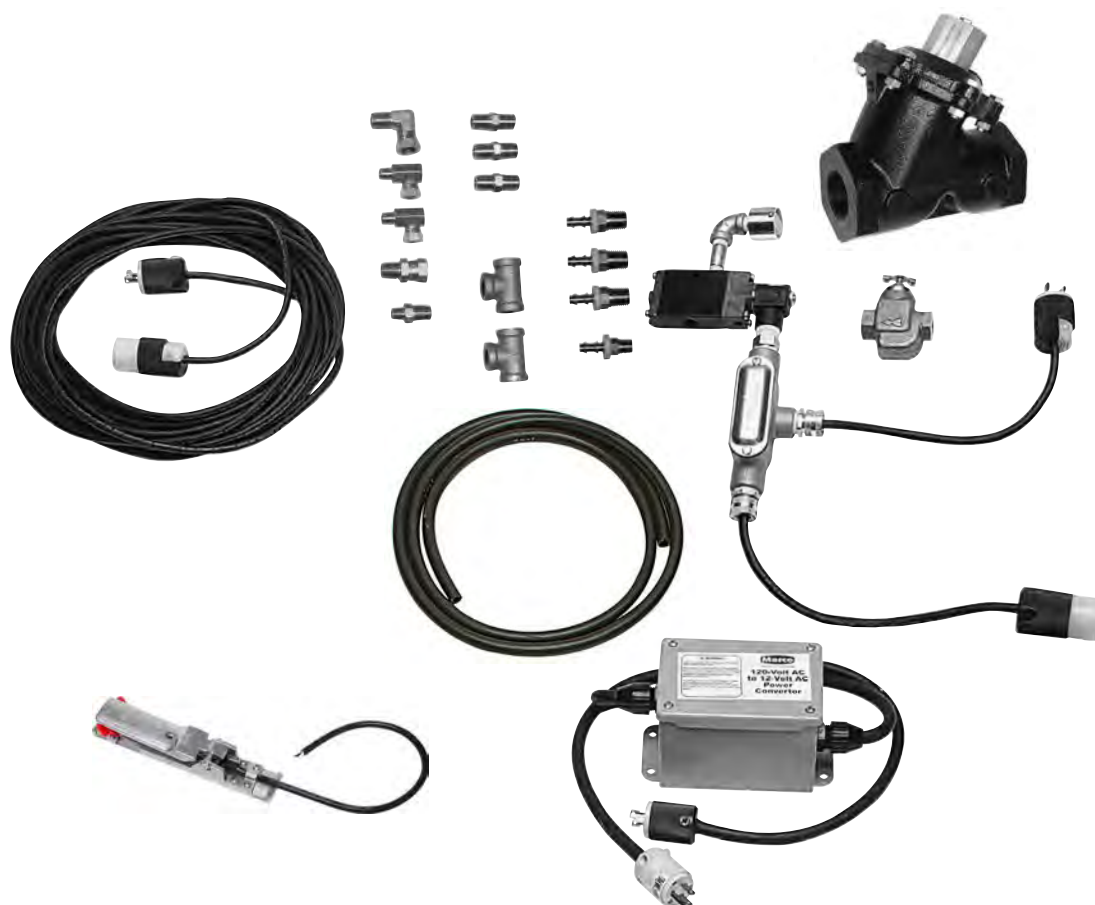
Part Number	Power Source	Battery Clamp Kit	190 Electric Control Assembly	Electric Control Lines	1-1/2" High Flow GateKeeper Air Valve	1-1/2" GateKeeper Air Valve	Remote Control Switch	Watts Strainer
10103835	12-Volt DC	1015544	12-Volt DC	25 & 50 Feet	1013600	—	1015100	10WS
10105798	12-Volt DC	1015544	12-Volt DC	25 & 50 Feet	—	1013200	1015100	10WS



PART NUMBERS

BLASTMASTER® 130E REMOTE CONTROL SYSTEM - 120-VOLT AC

Part Number	# of Abrasive Blasting Pot Outlets	Power Source	120-Volt AC to 12-Volt AC Power Converter	190 Electric Control Assembly	Electric Control Line	1-1/2" High Flow GateKeeper Air Valve	1-1/2" GateKeeper Air Valve	Remote Control Switch	Watts Strainer
10103836	1	120-Volt AC	1030020	12-Volt AC	50 Feet	1013600	—	1015100	10WS
10103870	2	120-Volt AC	10100713	12-Volt AC	50 Feet	1013600	—	1015100	10WS
10103871	3	120-Volt AC	10100713	12-Volt AC	50 Feet	1013600	—	1015100	10WS
10103872	4	120-Volt AC	10100713	12-Volt AC	50 Feet	1013600	—	1015100	10WS
10105799	1	120-Volt AC	10100713	12-Volt AC	50 Feet	—	1013200	1015100	10WS
10105800	2	120-Volt AC	10100713	12-Volt AC	50 Feet	—	1013200	1015100	10WS
10105801	3	120-Volt AC	10100713	12-Volt AC	50 Feet	—	1013200	1015100	10WS
10105802	4	120-Volt AC	10100713	12-Volt AC	50 Feet	—	1013200	1015100	10WS



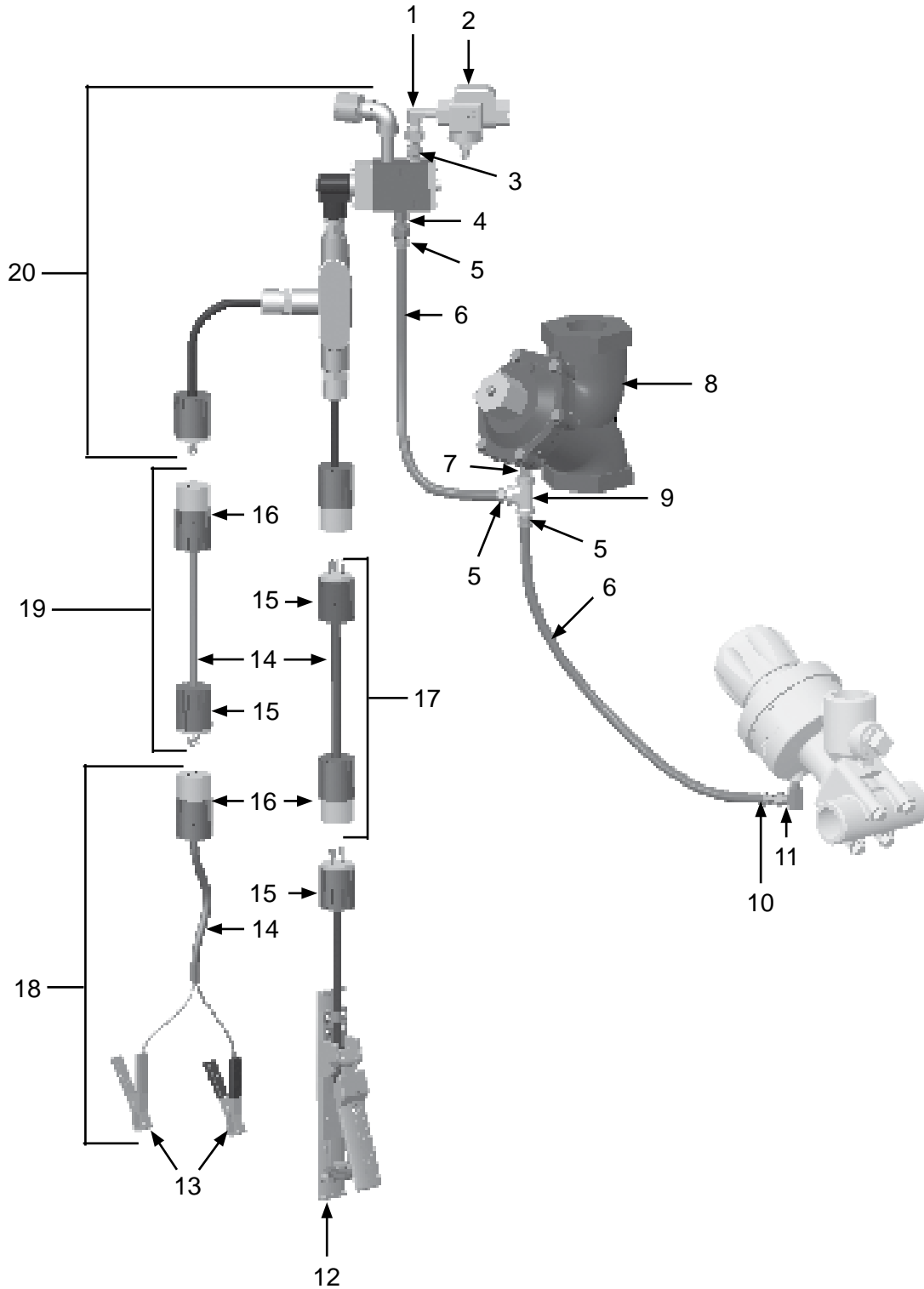
PART NUMBERS & SCHEMATICS

12-Volt DC Blastmaster® 130E Remote Control System

Item #	Part #	Description
Fig. 1		
—	10103835	12-Volt DC Blastmaster® 130E Remote Control System, High Flow GateKeeper – Complete
—	10105798	12-Volt DC Blastmaster® 130E Remote Control System, GateKeeper– Complete
1	1012326	1/4" NPT Swivel 90° Fitting
2	10WS	Watts Strainer
3	1017019	1/4" NPT Hex Nipple
4	10SME025	1/4" Straight Swivel
5	10PAF025	1/4" NPT x 1/4" Barb Push-On Hose Fitting <i>(Three Required)</i>
6	10AH025	1/4" Push-On Air Hose <i>(Per Foot)</i>
7	1017019	1/4" NPT x 1/4" NPT Hex Nipple <i>(For Use with 1-1/2" High Flow GateKeeper)</i>
—	10PVFIT1	1/4" x 1/8" Hex Union <i>(For Use with 1-1/2" GateKeeper)</i>
8	1013600	1-1/2" NPT High-flow GateKeeper Air Valve <i>(See Figure 9)</i>
—	1013200	1-1/2" NPT GateKeeper Air Valve <i>(See Figure 10)</i>
9	1011844	1/4" NPT Pipe Tee
10	10PAF0125	1/8" NPT x 1/4" Barb Push-On Air Hose Fitting
11	1014239	1/8" 90° Swivel Fitting
12	1015100	Blastmaster® 151E Remote Control Switch
13	1030718	Battery Clamps – pair
14	1015540	16/2 SJ Power Cord <i>(Per Foot)</i>
15	1015555	3-prong Twist-Lock Plug – Male
16	1015556	3-prong Twist-Lock Plug – Female
17	1015545	50' of 16/2 SJ Power Cord with 3-prong Twist-Lock Plugs <i>(Includes Item #'s: 15, 16, and 14 (Quantity of 50 Feet))</i>
18	1015544	Battery Clamp Kit with 3-prong Twist-Lock Plug Installed <i>(Includes Item #'s: 13, 16, and 14 (Quantity of Two Feet))</i>
19	1015546	16/2 SJ Power Cord with 3-prong Twist-Lock Plugs Installed <i>(Includes Item #'s: 15, 16, and 14 (Quantity of 25 Feet))</i>
20	1019051	12-Volt DC 190 Electric Control Assembly <i>(See Figure 2)</i>
—	105M063	Features and Specifications Guide – Blastmaster® 151E Remote Control Switch
—	105M087	Features and Specifications Guide – Blastmaster® 130E Remote Control System
—	106M063	Part Numbers and Schematics Guide – Blastmaster® 151E Remote Control Switches
—	106M087	Part Numbers and Schematics Guide – Blastmaster® 130E Remote Control System
—	1090063	Operator's Manual – Blastmaster® 151E Remote Control Switches
—	1090087	Operator's Manual – Blastmaster® 130E Remote Control System
—	1091045	Hazard Identification Tag

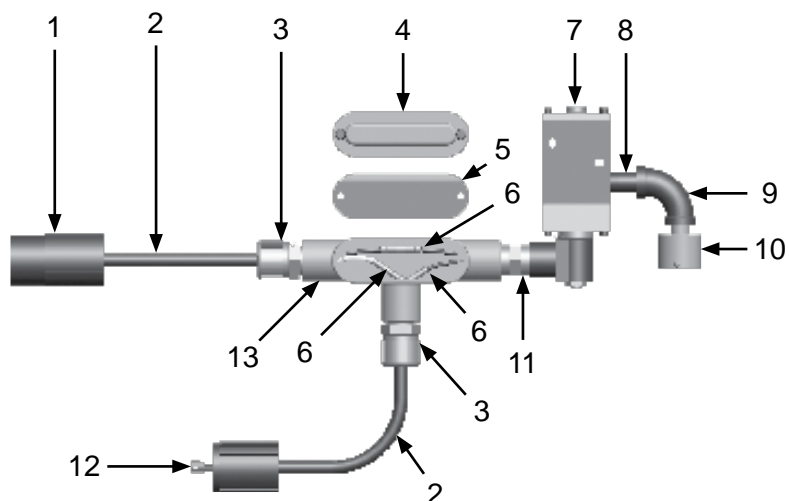
PART NUMBERS & SCHEMATICS

Figure 1: 12-Volt DC Blastmaster® 130E Remote Control System



PART NUMBERS & SCHEMATICS

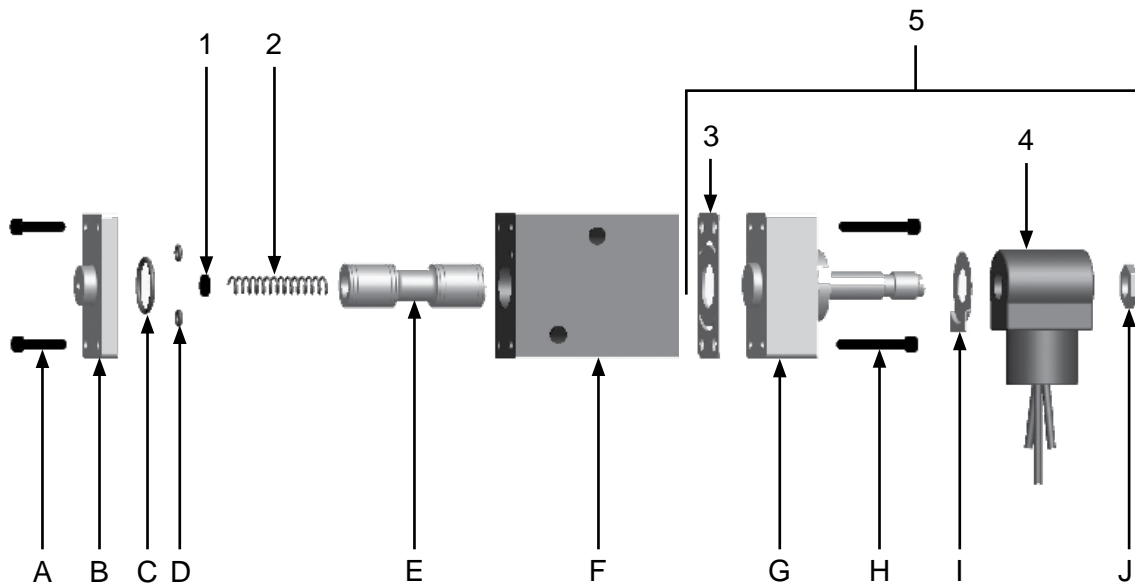
Figure 2: 12-Volt DC 190 Electric Control Assembly



Item #	Part #	Description
Fig. 2		
—	1019051	12-Volt DC 190 Electric Control Assembly – Complete
1	1015556	3-Prong Twist-Lock Plug – Female
2	1015540	16/2 SJ Power Cord – Per Foot
3	1019021	Cord Grip (<i>Two Required</i>)
4	1019022	Conduit Box Cover
5	1019023	Conduit Box Cover Gasket
6	1030028	Butt Splicer (<i>Four Required</i>)
7	1019010	12-Volt DC Electric Solenoid – Complete
8	1011217	1/4" x 2" Pipe Nipple
9	1011832	1/4" NPT 90° Pipe Nipple
10	10DE025	Dust Eliminator
11	20100677	1/2" x 1/2" NPT Hex Nipple
12	1015555	3-Prong Twist-Lock Plug – Male
13	1019020	1/2" Tee Conduit Box

PART NUMBERS & SCHEMATICS

Figure 3: 12-Volt DC 190 Electric Solenoid



Item #	Part #	Description
—	1019010	12-Volt DC 190 Electric Solenoid — Normally-closed — Complete
1	1019029	Felt Filter
2	1019032	Spring
3	1019033	Gasket
4	1019039	12-Volt DC Coil
5	1019034	12-Volt DC Operator Assembly <i>(Includes Items: #3, #4, G, H, I, and J)</i>
—	1019030	Electric Solenoid Repair Kit <i>(Includes Items: #1, #2, #3, C, D, and E)</i>

** Items A–J are not available individually*

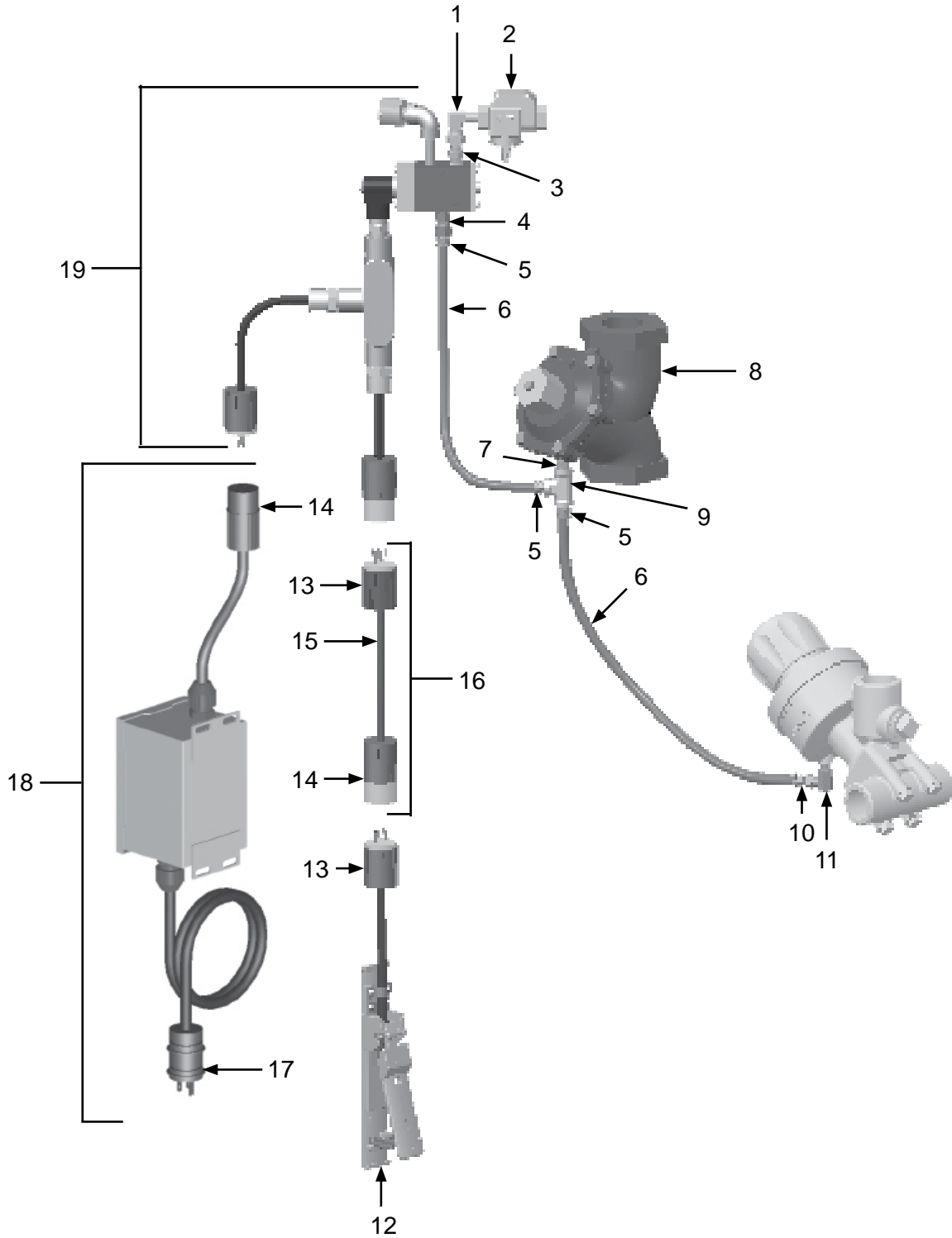
PART NUMBERS & SCHEMATICS

120-Volt AC Blastmaster® 130E Remote Control System

Item #	Part #	Description
Fig. 4		
—	10103836	120-Volt AC Blastmaster® 130E Remote Control System – Single Outlet Complete
1	1012326	1/4" NPT Swivel 90° Fitting
2	10WS	Watts Strainer
3	1017019	1/4" NPT Hex Nipple
4	10SME025	1/4" Straight Swivel
5	10PAF025	1/4" NPT x 1/4" Barb Push-On Hose Fitting <i>(Three Required)</i>
6	10AH025	1/4" Push-On Air Hose <i>(Per Foot)</i>
7	1017019	1/4" NPT x 1/4" NPT Hex Nipple <i>(For Use with 1-1/2" High Flow GateKeeper)</i>
—	10PVFIT1	1/4" x 1/8" Hex Union <i>(For Use with 1-1/2" GateKeeper)</i>
8	1013600	1-1/2" NPT High-flow GateKeeper Air Valve <i>(See Figure 9)</i>
—	1013200	1-1/2" NPT GateKeeper Air Valve <i>(See Figure 10)</i>
9	1011844	1/4" NPT Pipe Tee
10	10PAF0125	1/8" NPT x 1/4" Barb Push-On Air Hose Fitting
11	1014239	1/8" 90° Swivel Fitting
12	1015100	Blastmaster® 151E Remote Control Switch
13	1015555	3-Prong Twist-Lock Plug – Male <i>(Two Required)</i>
14	1015556	3-Prong Twist-Lock Plug – Female
15	1015540	16/2 SO Power Cord <i>(Per Foot)</i>
16	1015545	50' of 16/2 SJ Power Cord with 3-prong Twist-Lock Plugs Installed <i>(Includes Item #'s: 13, 14, and 15 (Quantity of 50 Feet))</i>
17	1030026	120-Volt 3-prong Standard Male Plug
18	10100713	3 Amp 120-Volt AC to 12-Volt AC Power Converter <i>(Includes Item #'s: 14 and 17)</i>
19	1019052	12-Volt DC 190 Electric Control Assembly <i>(See Figure 2)</i>
—	105M063	Features and Specifications Guide – Blastmaster® 151E Remote Control Switch
—	105M087	Features and Specifications Guide – Blastmaster® 130E Remote Control System
—	106M063	Part Numbers and Schematics Guide – Blastmaster® 151E Remote Control Switches
—	106M087	Part Numbers and Schematics Guide – Blastmaster® 130E Remote Control System
—	1090063	Operator's Manual – Blastmaster® 151E Remote Control Switches
—	1090087	Operator's Manual – Blastmaster® 130E Remote Control System
—	1091045	Hazard Identification Tag

PART NUMBERS & SCHEMATICS

Figure 4: 120-Volt AC Blastmaster® 130E Remote Control System



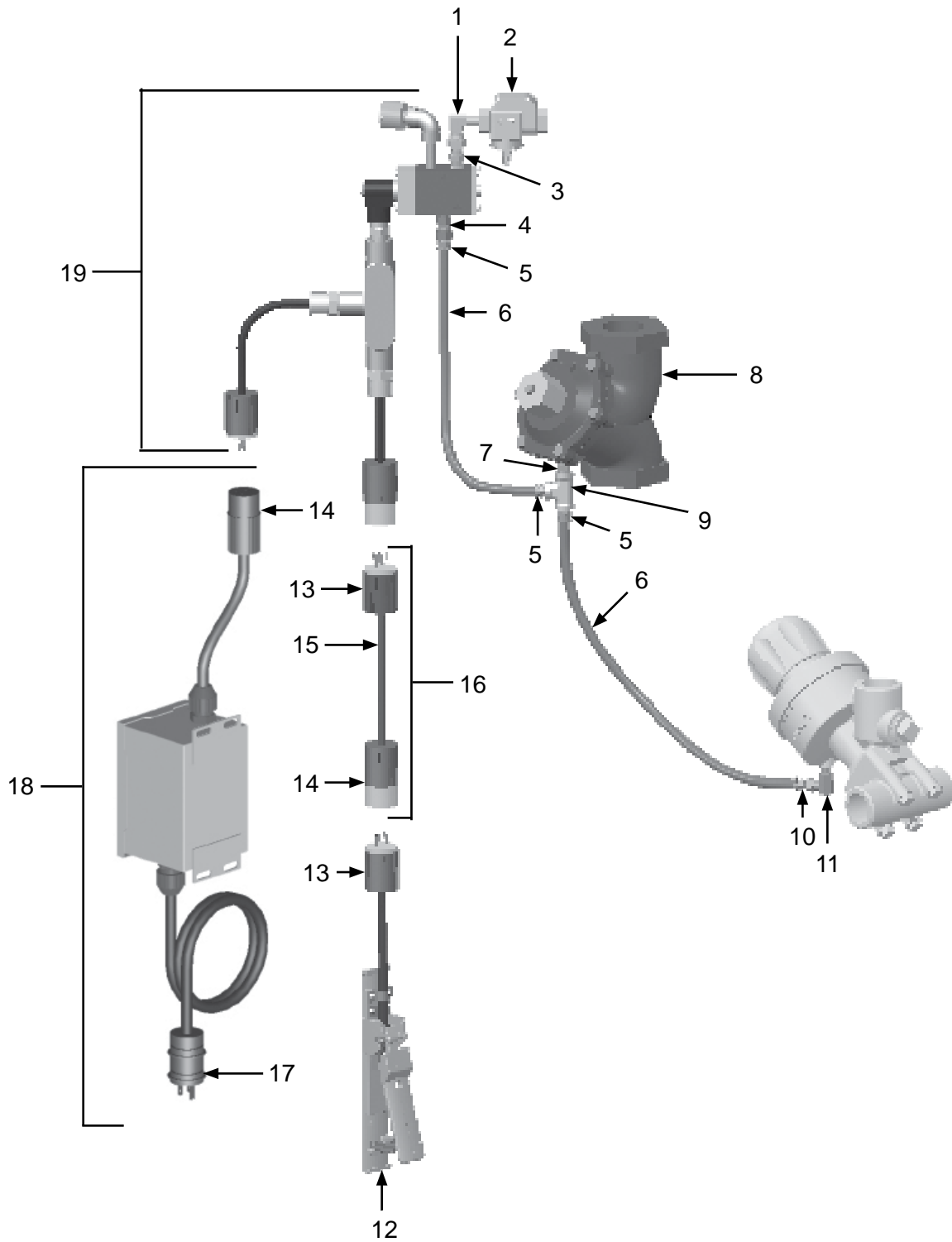
PART NUMBERS & SCHEMATICS

120-Volt AC Blastmaster® 130E Remote Control System

Item #	Part #	Description
Fig. 5		
—	10103870	120-Volt AC Blastmaster® 130E Remote Control System – 2-Outlet Complete
—	10103871	120-Volt AC Blastmaster® 130E Remote Control System – 3-Outlet Complete
—	10103872	120-Volt AC Blastmaster® 130E Remote Control System – 4-Outlet Complete
1	1012326	1/4" NPT Swivel 90° Fitting
2	10WS	Watts Strainer
3	1017019	1/4" NPT Hex Nipple
4	10SME025	1/4" Straight Swivel
5	10PAF025	1/4" NPT x 1/4" Barb Push-On Hose Fitting <i>(Three Required)</i>
6	10AH025	1/4" Push-On Air Hose <i>(Per Foot)</i>
7	1017019	1/4" NPT x 1/4" NPT Hex Nipple <i>(For Use with 1-1/2" High Flow GateKeeper)</i>
—	10PVFIT1	1/4" x 1/8" Hex Union <i>(For Use with 1-1/2" GateKeeper)</i>
8	1013600	1-1/2" NPT High-flow GateKeeper Air Valve <i>(See Figure 9)</i>
—	1013200	1-1/2" NPT GateKeeper Air Valve <i>(See Figure 10)</i>
9	1011844	1/4" NPT Pipe Tee
10	10PAF0125	1/8" NPT x 1/4" Barb Push-On Air Hose Fitting
11	1014239	1/8" 90° Swivel Fitting
12	1015100	Blastmaster® 151E Remote Control Switch
13	1015555	3-Prong Twist-Lock Plug – Male <i>(Two Required)</i>
14	1015556	3-Prong Twist-Lock Plug – Female
15	1015540	16/2 SO Power Cord <i>(Per Foot)</i>
16	1015545	50' of 16/2 SJ Electric Control Line with 3-prong Twist-Lock Plugs Installed <i>(Includes Item #'s: 13, 14, and 15 (Quantity of 50 Feet))</i>
17	1030026	120-Volt 3-prong Standard Male Plug
18	10100713	3 Amp 120-Volt AC to 12-Volt AC Power Converter <i>(Includes Item #: 17)</i>
19	1019052	12-Volt AC 190 Electric Control Assembly <i>(See Figure 6)</i>
—	105M063	Features and Specifications Guide – Blastmaster® 151E Remote Control Switch
—	105M087	Features and Specifications Guide – Blastmaster® 130E Remote Control System
—	106M063	Part Numbers and Schematics Guide – Blastmaster® 151E Remote Control Switches
—	106M087	Part Numbers and Schematics Guide – Blastmaster® 130E Remote Control System
—	1090063	Operator's Manual – Blastmaster® 151E Remote Control Switches
—	1090087	Operator's Manual – Blastmaster® 130E Remote Control System
—	1091045	Hazard Identification Tag

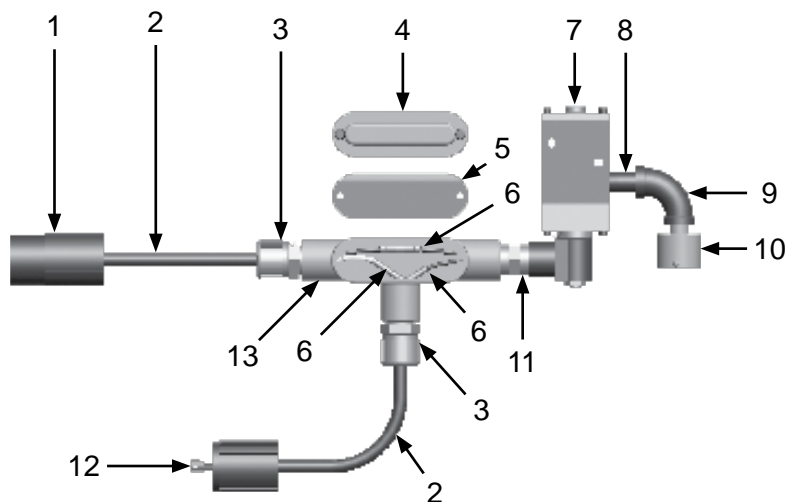
PART NUMBERS & SCHEMATICS

Figure 5: 120-Volt AC Blastmaster® 130E Remote Control System



PART NUMBERS & SCHEMATICS

Figure 6: 12-Volt AC 190 Electric Control Assembly



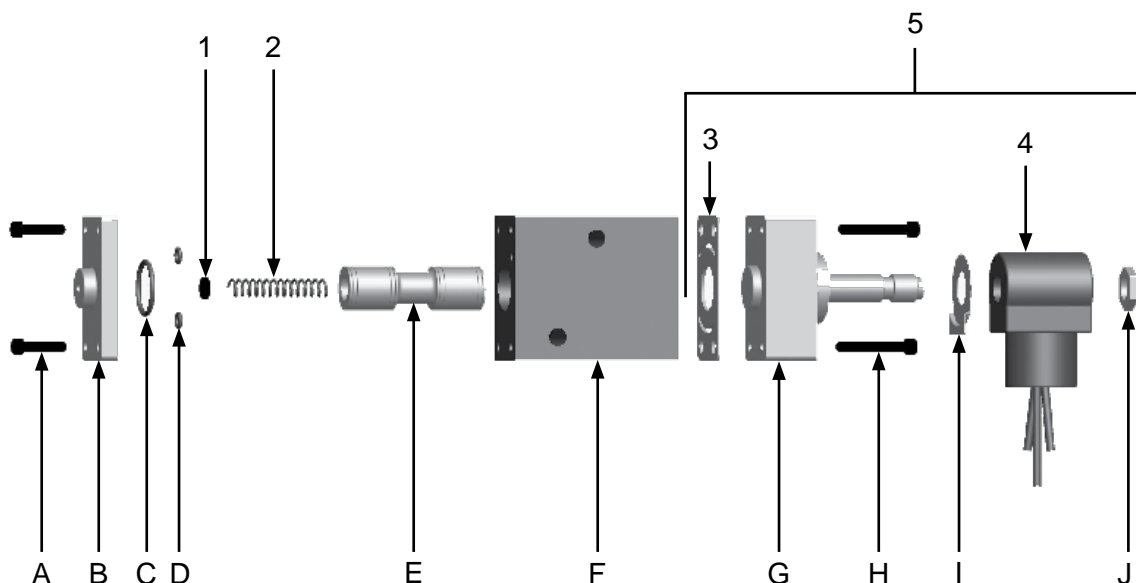
Item #	Part #	Description
--------	--------	-------------

Fig. 6

—	1019052	12-Volt AC 190 Electric Control Assembly – Complete
1	1015556	3-Prong Twist-Lock Plug – Female
2	1015540	16/2 SJ Power Cord – Per Foot
3	1019021	Cord Grip (<i>Two Required</i>)
4	1019022	Conduit Box Cover
5	1019023	Conduit Box Cover Gasket
6	1030028	Butt Splicer (<i>Four Required</i>)
7	1019011	12-Volt AC Electric Solenoid – Complete
8	1011217	1/4" x 2" Pipe Nipple
9	1011832	1/4" NPT 90° Pipe Nipple
10	10DE025	Dust Eliminator
11	20100677	1/2" x 1/2" NPT Hex Nipple
12	1015555	3-Prong Twist-Lock Plug – Male
13	1019020	1/2" Tee Conduit Box

PART NUMBERS & SCHEMATICS

Figure 7: 12-Volt AC 190 Electric Solenoid



Item #	Part #	Description
Fig. 7		
—	1019011	12-Volt AC 190 Electric Solenoid – Complete
1	1019029	Felt Filter
2	1019032	Spring
3	1019033	Gasket
4	1019040	12-Volt AC Coil
5	1019035	12-Volt AC Electric Operator Assembly <i>(Includes Items: #3, #4, G, H, I, and J)</i>
—	1019030	12-Volt AC Electric Solenoid Repair Kit <i>(Includes Items: #1, #2, #3, C, D, and E)</i>
<i>* Items A–J are not available individually</i>		

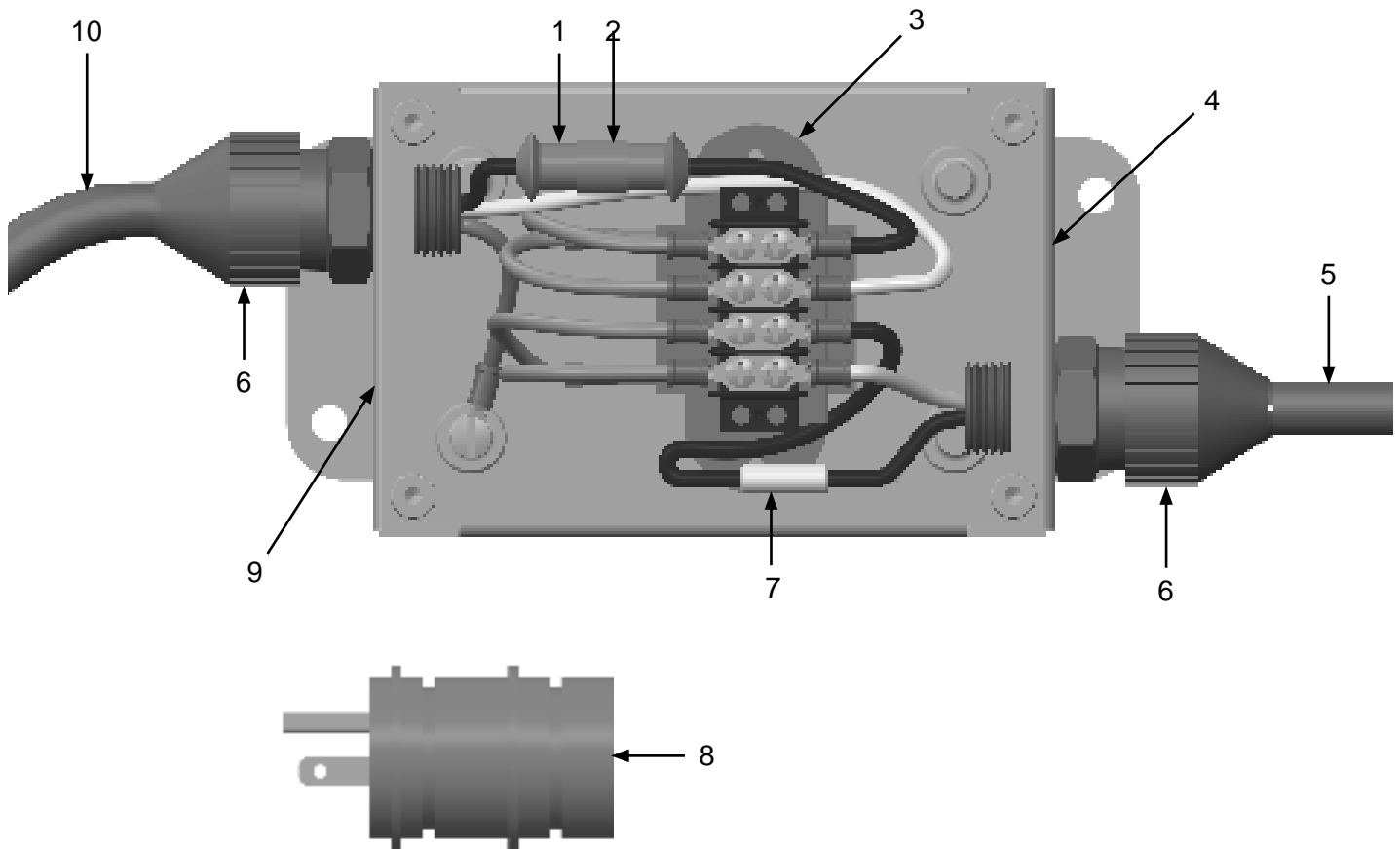
PART NUMBERS & SCHEMATICS

Blastmaster® 120-Volt AC to 12-Volt AC Power Converter

Item #	Part #	Description
Fig. 8		
—	1030020	Blastmaster® 120-Volt AC to 12-Volt AC Power Converter with 3 feet of 14/2 Electric Cord and Plug – Complete
1	1030123	3 Amp Fuse
2	1030023	In-Line Fuse Holder
3	1030022	Transformer – Blastmaster 120-Volt AC to 12-Volt AC Power Converter
4	1091067	Power-Out Decal <i>(Not Shown)</i>
5	1030013	14/2 SEOW Electric Cord <i>(Per Foot)</i>
6	1030025	Strain Relief <i>(Two Required)</i>
7	1030021	Resistor
8	1030026	3-prong, 120-Volt AC Plug – Male
9	1092014	Power-In Decal <i>(Not Shown)</i>
10	1015550	14/3 SEOW Electric Cord <i>(Per Foot)</i>
—	1091063	Hazard Identification Decal

PART NUMBERS & SCHEMATICS

Figure 8: Blastmaster® 120-Volt AC to 12-Volt AC Power Converter



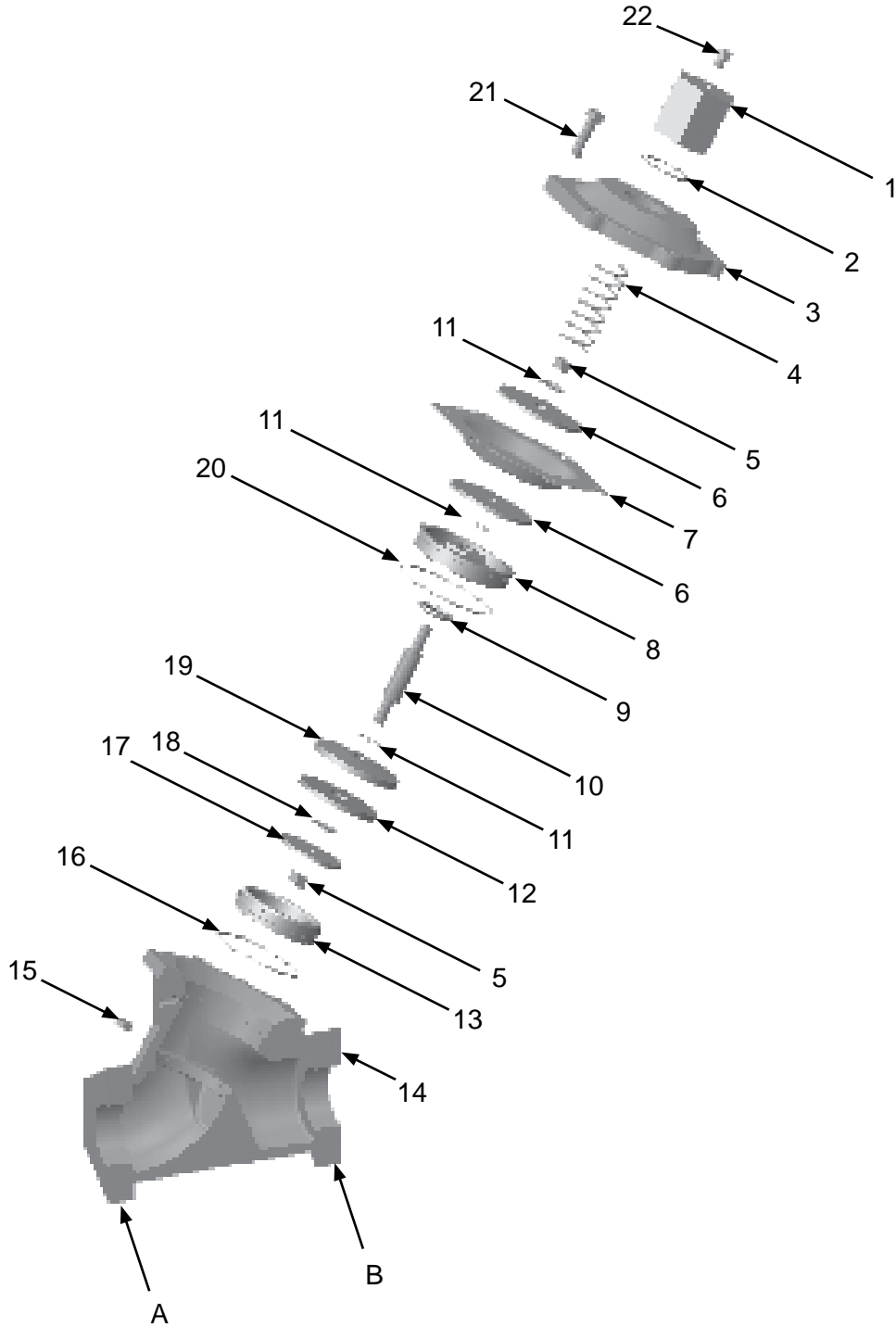
PART NUMBERS & SCHEMATICS

1-1/2" High-flow GateKeeper Air Valve

Item #	Part #	Description
Fig. 9		
—	1013600	1-1/2" NPT High-flow GateKeeper Air Valve
1	1013322	Spring Retainer
2	1013326	O-ring
3	1013312	Cap
4	1013323	Spring
5	1013313	Lock Nut
6	1013315	<i>Diaphragm Plate (Two Required)</i>
7	1013303	Diaphragm
8	1013305	Retainer Bushing
9	1013306	O-ring
10	1013318	Shaft
11	1013302	<i>Gasket (Two Required)</i>
12	1013320	Disc
13	1013311	Lock Nut
13	1013309	Seat
14	1013328	Body
15	1013316	<i>Nut (Six Required)</i>
16	1013308	Seat O-Ring
17	1013310	Disc Plate
18	1013327	Brass Washer
19	1013307	Disc Retainer
20	1013304	O-ring
21	1013314	<i>Cap Screw (Six Required)</i>
22	1012905	1/8" Breather Muffler
A	1091050	Sticker - Air Outlet
B	1091051	Sticker - Air Inlet
—	1013301	1-1/2" NPT High-flow GateKeeper Air Valve Service Kit <i>(Includes Item #'s: 5, 7, 9, 11, 12, 17, and 20)</i>

PART NUMBERS & SCHEMATICS

Figure 9: 1-1/2" NPT High-flow GateKeeper Air Valve



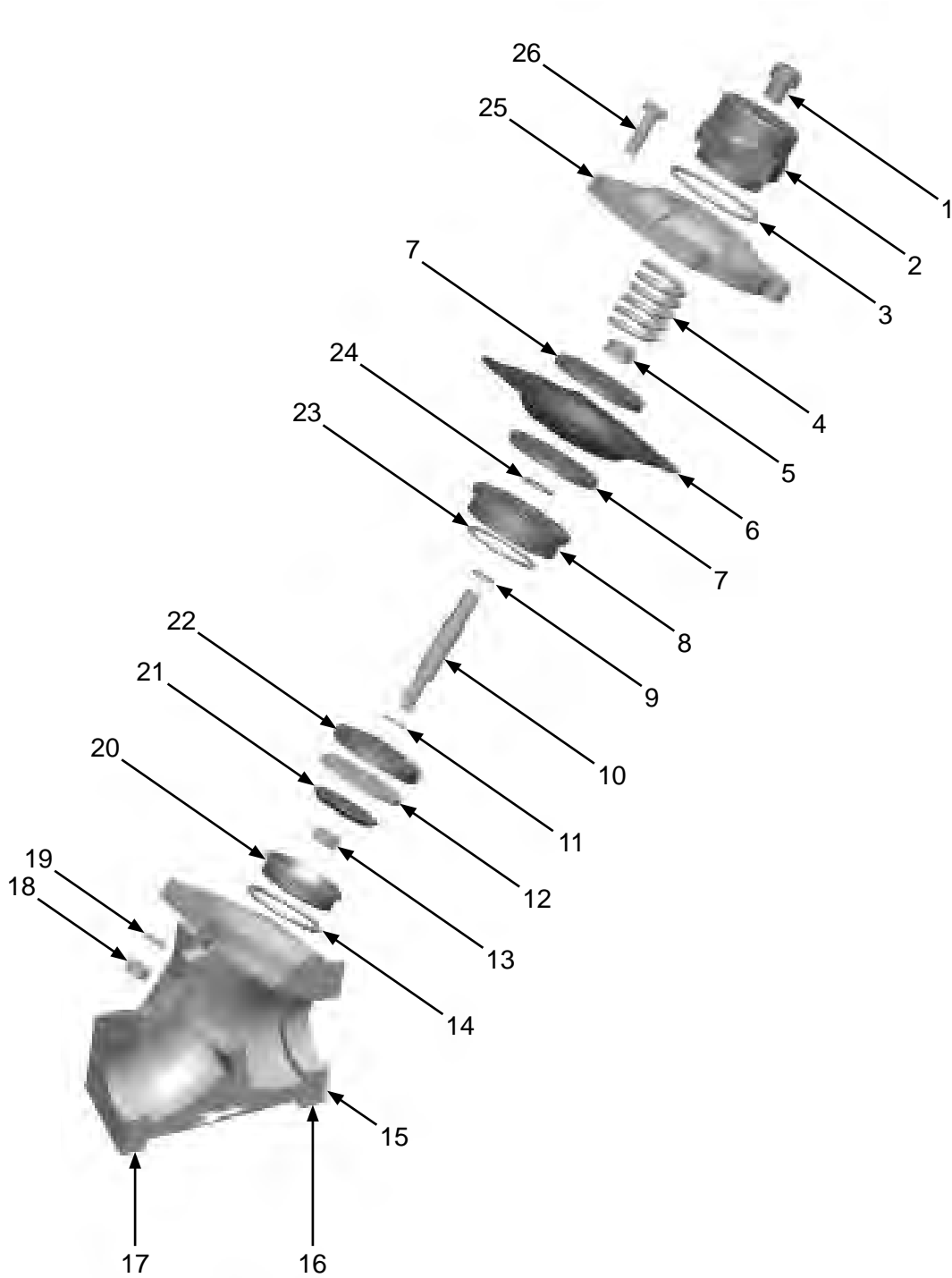
PART NUMBERS & SCHEMATICS

1-1/2" GateKeeper Air Valve

Item #	Part #	Description
Fig. 10		
—	1013200	1-1/2" GateKeeper Air Valve – Complete
1	1012905	1/8" Breather Muffler
2	1013122	Spring Retainer
3	1013121	Spring Retainer O-ring
4	1013123	Spring
5	1013113	5/16–24 Lock Nut
6	1013103	Diaphragm
7	1013115	Diaphragm Plate <i>(Two Required)</i>
8	1013105	Retainer Bushing
9	1013106	Retainer Bushing O-ring
10	1013118	Shaft
11	1013119	Shaft Gasket
12	1013120	Disc
13	1013111	Lock Nut
14	1013108	Seat O-ring
15	1013202	Body – 1-1/2" GateKeeper Air Valve
16	1091050	Sticker – AIR INLET
17	1091051	Sticker – AIR OUTLET
18	1013116	Lock Nut <i>(Four Required)</i>
19	1012153	Lock Washer <i>(Four Required)</i>
20	1013109	Seat
21	1013110	Disc Plate
22	1013107	Disc Retainer
23	1013104	O-ring
24	1013102	Gasket
25	1013112	Cap
26	1013114	Bolt <i>(Four Required)</i>
—	1013101	1-1/2" GateKeeper Air Valve Repair Kit <i>(Includes Item #'s: 5, 6, 11–14, 20, 23, and 24)</i>
—	1013124	Seat Tool
—	1013125	Retainer Bushing Tool
—	106M423	Part Numbers and Schematics Guide – GateKeeper Air Valves
—	1090011	Operator's Manual – Blastmaster® 130E Remote Control System

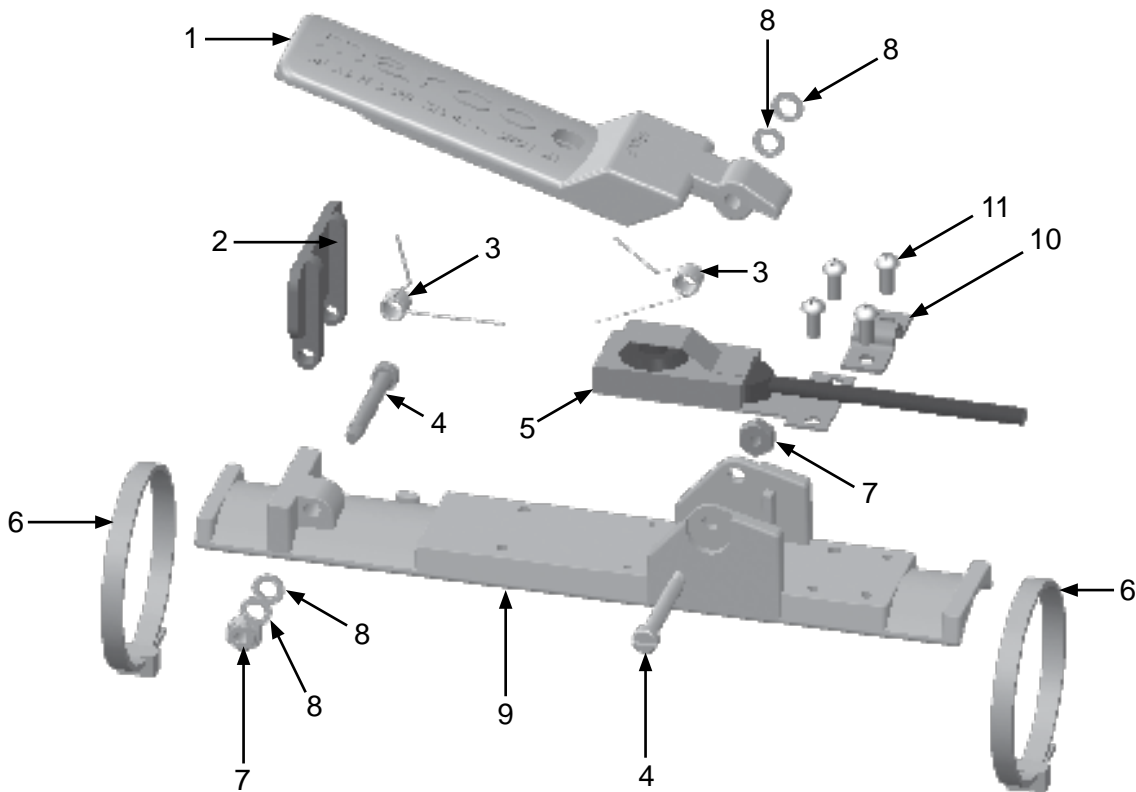
PART NUMBERS & SCHEMATICS

Figure 10: 1-1/2" GateKeeper Air Valve



PART NUMBERS & SCHEMATICS

Figure 11: Blastmaster® 151E Remote Control Switch



Item #	Part #	Description
--------	--------	-------------

Fig. 11

—	1015100	Blastmaster® 151E Remote Control Switch – Complete
---	----------------	---

1	1015001	Handle
---	---------	--------

2	1015003	Safety Tab
---	---------	------------

3	1015005	Spring (<i>Two Required</i>)
---	---------	--------------------------------

4	1015008	Shoulder Screw (<i>Two Required</i>)
---	---------	--

5	10104268	Switch with Cord
---	----------	------------------

6	1015015	Nylon Zip Tie - White (<i>Two Required</i>)
---	---------	---

7	1015006	8-32 UNC-2B Nylon Insert Lock Nut (<i>Two Required</i>)
---	---------	---

8	1015007	3/8" O.D. x 7/16" I.D. Washer (<i>Four Required</i>)
---	---------	--

9	1015002	Body
---	---------	------

10	1015101	Electric Cord Clamp
----	---------	---------------------

11	1015014	8-32 x 3/8" Phillips Head Screw (<i>Four Required</i>)
----	---------	--

—	105M063	Features and Specifications Guide – Blastmaster® 151E Remote Control Switch
---	---------	---

—	106M063	Part Numbers and Schematics Guide – Blastmaster® 151E Remote Control Switch
---	---------	---









—	1090063	Operator's Manual – Blastmaster® 151E Remote Control Switch
---	---------	---

—	1091045	Hazard Identification Tag
---	---------	---------------------------






OPTIONAL ACCESSORIES

Part Numbers	ELECTRIC CONTROL LINE			
	Gauge	# of Wires	Type	Length
1015540	16	2	SJ	Per Foot
1015701	16	3	SJ	Per Foot
1030013	14	2	SEOW	Per Foot
1015550	14	3	SEOW	Per Foot
1015554	14	4	SO	Per Foot
1015570	12	2	SO	Per Foot
1015571	12	3	SO	Per Foot
1015581	10	3	SO	Per Foot
1015580	10	4	SO	Per Foot
1015591	8	3	SO	Per Foot
1015590	8	4	SO	Per Foot
1015595	6	3	SO	Per Foot

OPTIONAL ACCESSORIES

		ELECTRIC CONTROL LINE WITH PLUGS						
Part Numbers	Gauge	# of Wires	2-Prong Male Twist-Lock Plug	2-Prong Female Twist-Lock Plug	3-Prong Male Twist-Lock Plug	3-Prong Female Twist-Lock Plug	Length	
 1015543	16	2	1015551	1015552	—	—	25 Feet	
 1015542	16	2	1015551	1015552	—	—	50 Feet	
 1015546	16	2	—	—	1015555	1015556	25 Feet	
 1015545	16	2	—	—	1015555	1015556	50 Feet	
 1015547	16	2	—	—	1015555	1015556	100 Feet	
 1015748	16	3	—	—	1015555	1015556	13 Feet	
 1015745	16	3	—	—	1015555	1015556	50 Feet	
 1015747	16	3	—	—	1015555	1015556	110 Feet	

OPTIONAL ACCESSORIES

ELECTRIC CONTROL LINE PLUGS			
	Part Numbers	Prong Style	Plug Style
	1015551	2-Prong Male	Twist-Lock
	1015552	2-Prong Female	Twist-Lock
	1015555	3-Prong Male	Twist-Lock
	1015556	3-Prong Female	Twist-Lock
	1030026	3-Prong Male	Standard

PART NUMBERS AND SCHEMATICS GUIDE

12-VOLT DC ELECTRIC CONVERSION KITS – 3.0 AND 3.5 CU. FT. ABRASIVE BLASTING POT

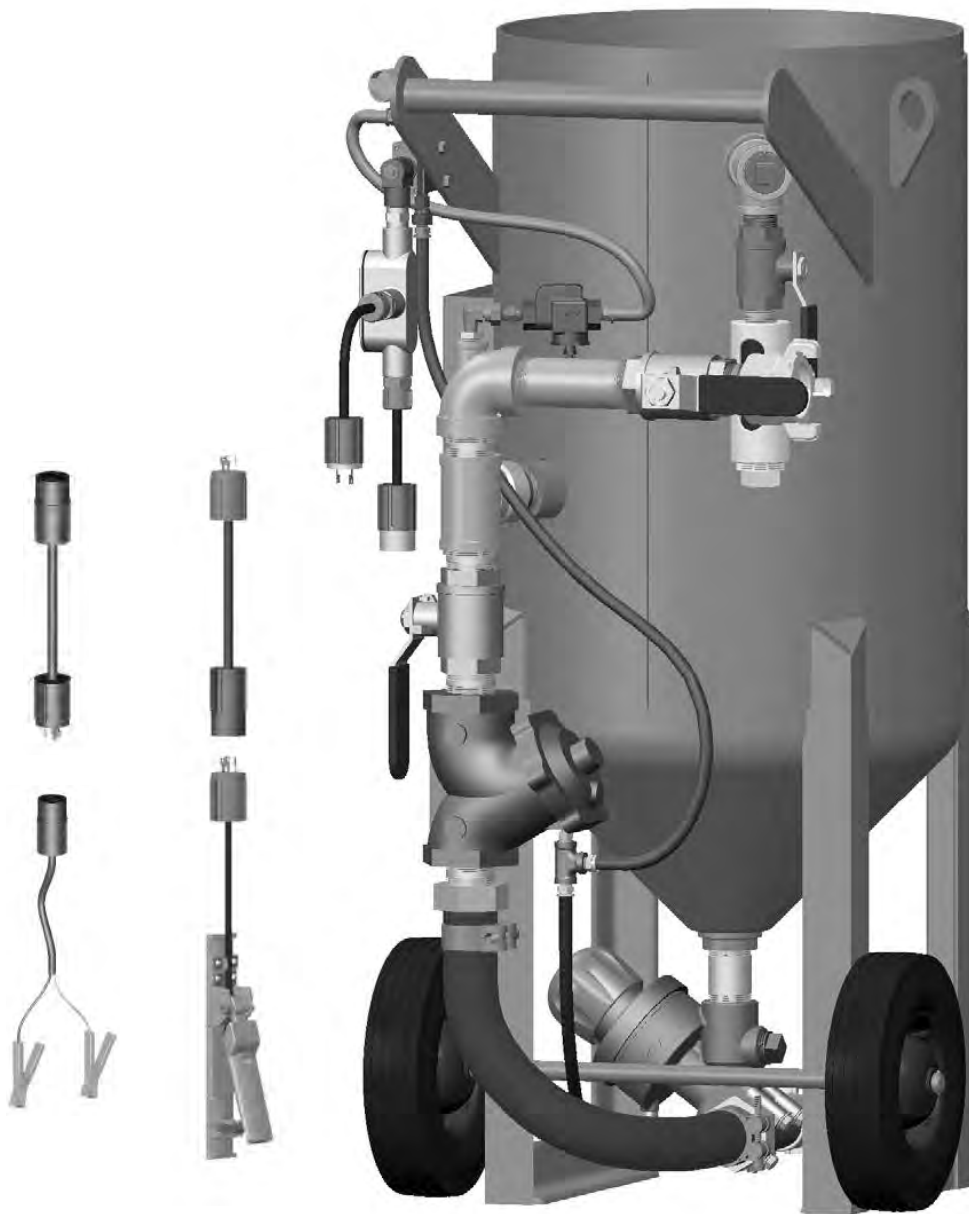
Part Numbers	Blastmaster® 1-1/2" Maxum III Abrasive Metering Valve		GateKeeper Air Valve	Abrasive Blasting Pot Muffler	Blastmaster® 151E Remote Control Switch	Electric Control Line <i>(Includes Connectors)</i>	Battery Clamps	Power Cord <i>(Includes Connectors)</i>
	Urethane	Tungsten Carbide						
10104973	X		1-1/2"	X	X	50 Ft.	X	25 Ft.
10104974		X	1-1/2"	X	X	50 Ft.	X	25 Ft.

For converting bare pot to electric remote control system.

Includes: Blastmaster® Maxum III Abrasive Metering Valve, 1-1/2" GateKeeper, Blastmaster® 151E Remote Control Switch, Electric Control Line, and various pipe fittings

Note that due to the wide variety of blast pots you may need to purchase additional fittings, bushing, etc.

PART NUMBERS AND SCHEMATICS GUIDE



PART NUMBERS AND SCHEMATICS GUIDE

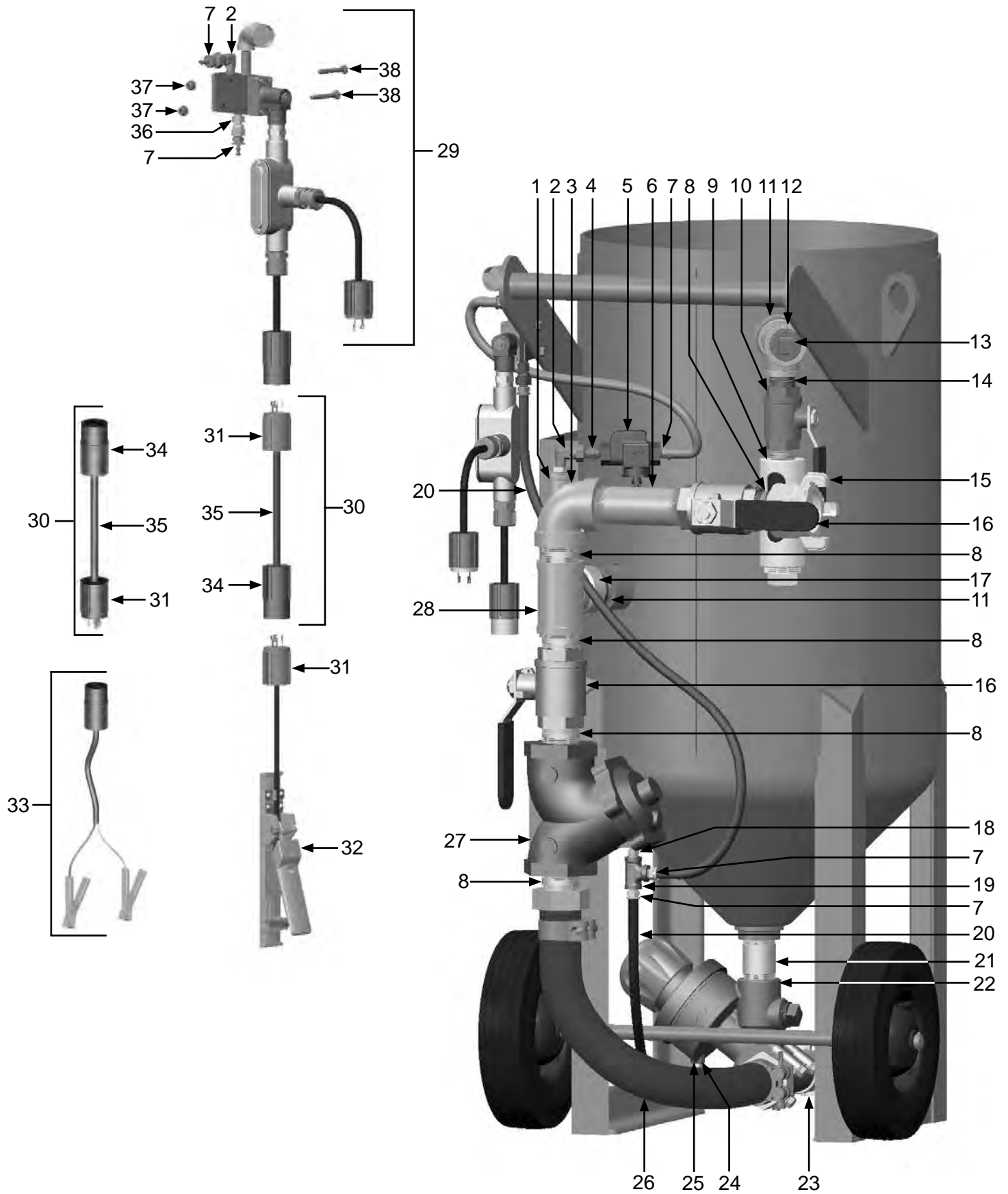
Complete 12-Volt DC Electric Conversion Kits – 3.0 and 3.5 Cu. Ft. Abrasive Blasting Pot

Item #	Part #	Description
Fig. 1		
—	10104973	12-Volt DC Electric Conversion Kit – 3.0 and 3.5 Cu. Ft. (Urethane)
—	10104974	12-Volt DC Electric Conversion Kit – 3.0 and 3.5 Cu. Ft. (Tungsten Carbide)
1	1011818	1/2" x 1/4" Bushing
2	1012326	1/4" Swivel 90° Fitting (<i>Two Required</i>)
3	1011828	1-1/2" NPT Elbow with 1/2" Side-Out
4	1017019	1/4" x 1/4" Brass Hex Nipple
5	10WS	Watts Strainer
6	1011211	1-1/2" x 5-1/2" NPT Pipe Nipple
7	10PAF025	1/4" Push-On Hose Fitting (<i>Five Required</i>)
8	1014015	1-1/2" NPT Close Nipple (<i>Five Required</i>)
9	1011100	Exhaust Muffler
10	1011601	1" NPT Full Port Brass Ball Valve
11	1011201	1-1/4" NPT Close Nipple (<i>Two Required</i>)
12	1011817	1-1/4" x 1-1/4" x 1" NPT Pipe Tee
13	1011902	1-1/4" NPT Pipe Plug
14	1012151	1" NPT Close Nipple
15	10ME4	1-1/2" NPT (F) 4-Lug Air Hose Fitting
16	1011603	1-1/2" NPT Full Port Brass Ball Valve (<i>Two Required</i>)
17	1011830	1-1/4" 45° Street Elbow
18	10PVFIT1	1/4" x 1/8" Hex Union
19	1011844	1/4" NPT Pipe Tee
20	10AH025	1/4" Push-On Air Hose – Per Foot
21	1011204	1-1/4" x 3" NPT Pipe Nipple
22	10101950	1-1/2" Maxum III Abrasive Metering Valve – Tungsten Carbide Sleeve (<i>For use with 10104974</i>)
—	10101946	1-1/2" Maxum III Abrasive Metering Valve – Urethane Sleeve (<i>For use with 10104973</i>)
23	10SB2S	1-1/2" Straight Thread Pot Coupling
24	10PAF0125	1/8" Push-On Air Hose Fitting
25	1014239	1/8" 90° Swivel Fitting
26	1006312	1-1/2" I.D. Air Hose Pusher Line Assembly
27	1013200	1-1/2" GateKeeper Air Valve
28	1011836	1-1/2" x 1-1/2" x 1-1/4" NPT Pipe Tee
29	1019051	Blastmaster® 190 12-Volt DC Electric Control Assembly – Complete
30	1015545	50' of 16/2 SO Power Cord with 3-Prong Twist-Lock Plugs Installed (<i>Includes Item #'s: 31, 34, and 35</i>)
31	1015555	3-Prong Twist-Lock Plug – Male (<i>Three Required</i>)
32	1015100	Blastmaster® 151E Remote Control Switch
33	1015544	Battery Clamp Kit with 3-Prong Twist Lock Plug Installed
34	1015556	3-Prong Twist-Lock Plug – Female (<i>Two Required</i>)
35	1015540	16/2 SO Power Cord – Per Foot
36	10SME025	1/4" Straight Swivel
37	1012323	1/4–20 Zinc Lock Nut with Nylon Insert (<i>Two Required</i>)
38	1019044	1/4–20 x 1-3/4" Zinc Bolt (<i>Two Required</i>)

See page 57 for product literature

PART NUMBERS AND SCHEMATICS GUIDE

Figure 1: Complete 12-Volt DC Electric Conversion Kits – 3.0 and 3.5 Cu. Ft. Abrasive Blasting Pot



PART NUMBERS AND SCHEMATICS GUIDE

120-VOLT AC ELECTRIC CONVERSION KITS – 3.0 AND 3.5 CU. FT. ABRASIVE BLASTING POT

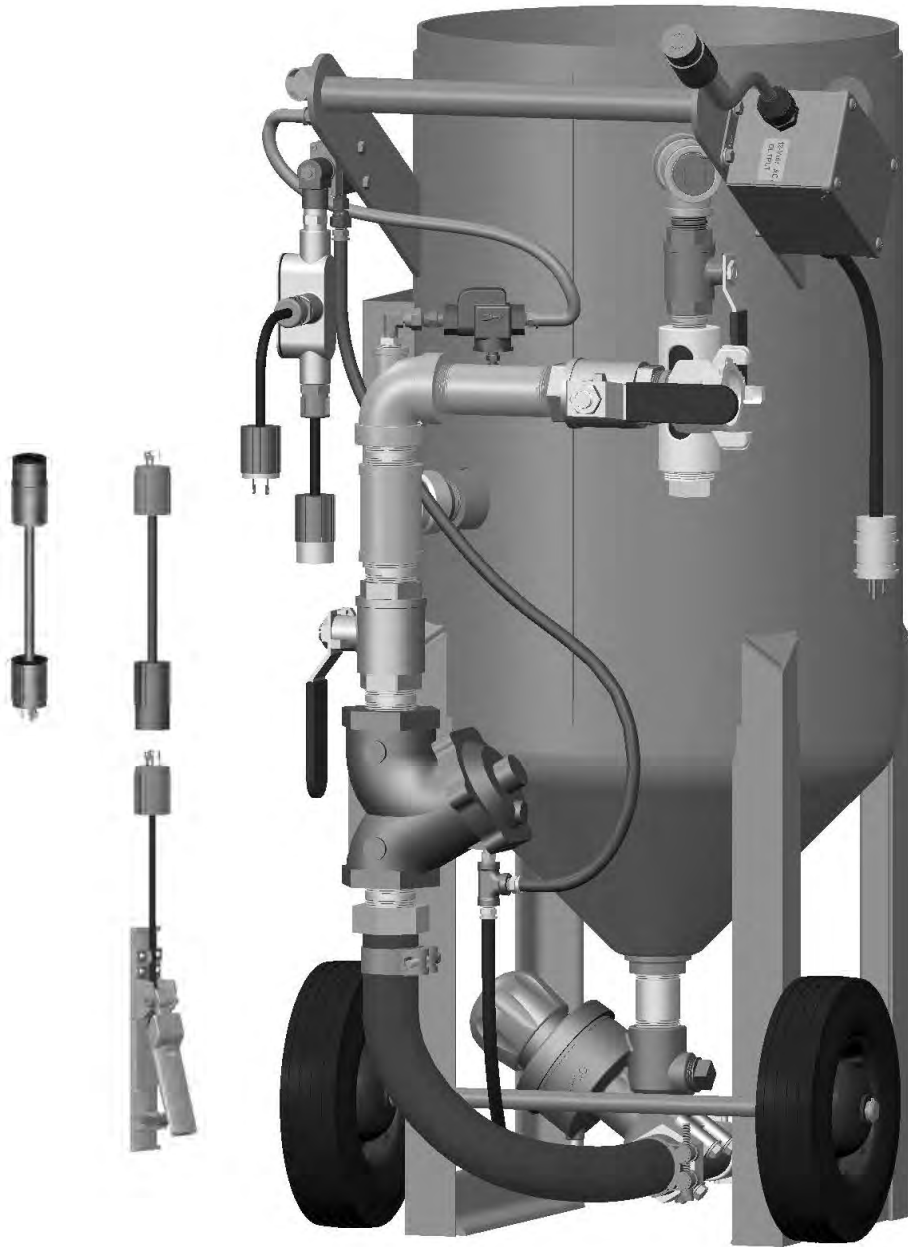
Part Numbers	Blastmaster® 1-1/2" Maxum III Abrasive Metering Valve		GateKeeper Air Valve	Abrasive Blasting Pot Muffler	Blastmaster® 151E Remote Control Switch	120-Volt AC to 12-Volt AC Power Converter	Electric Control Line <i>(Includes Connectors)</i>	Power Cord <i>(Includes Connectors)</i>
	Urethane	Tungsten Carbide						
10105503	X		1-1/2"	X	X	X	50 Ft.	25 Ft.
10105504		X	1-1/2"	X	X	X	50 Ft.	25 Ft.

For converting bare pot to electric remote control system.

Includes: Blastmaster® Maxum III Abrasive Metering Valve, 1-1/2" GateKeeper, Blastmaster® 151E Remote Control Switch, Electric Control Line, and various pipe fittings

Note that due to the wide variety of blast pots you may need to purchase additional fittings, bushing, etc.

PART NUMBERS AND SCHEMATICS GUIDE



PART NUMBERS AND SCHEMATICS GUIDE

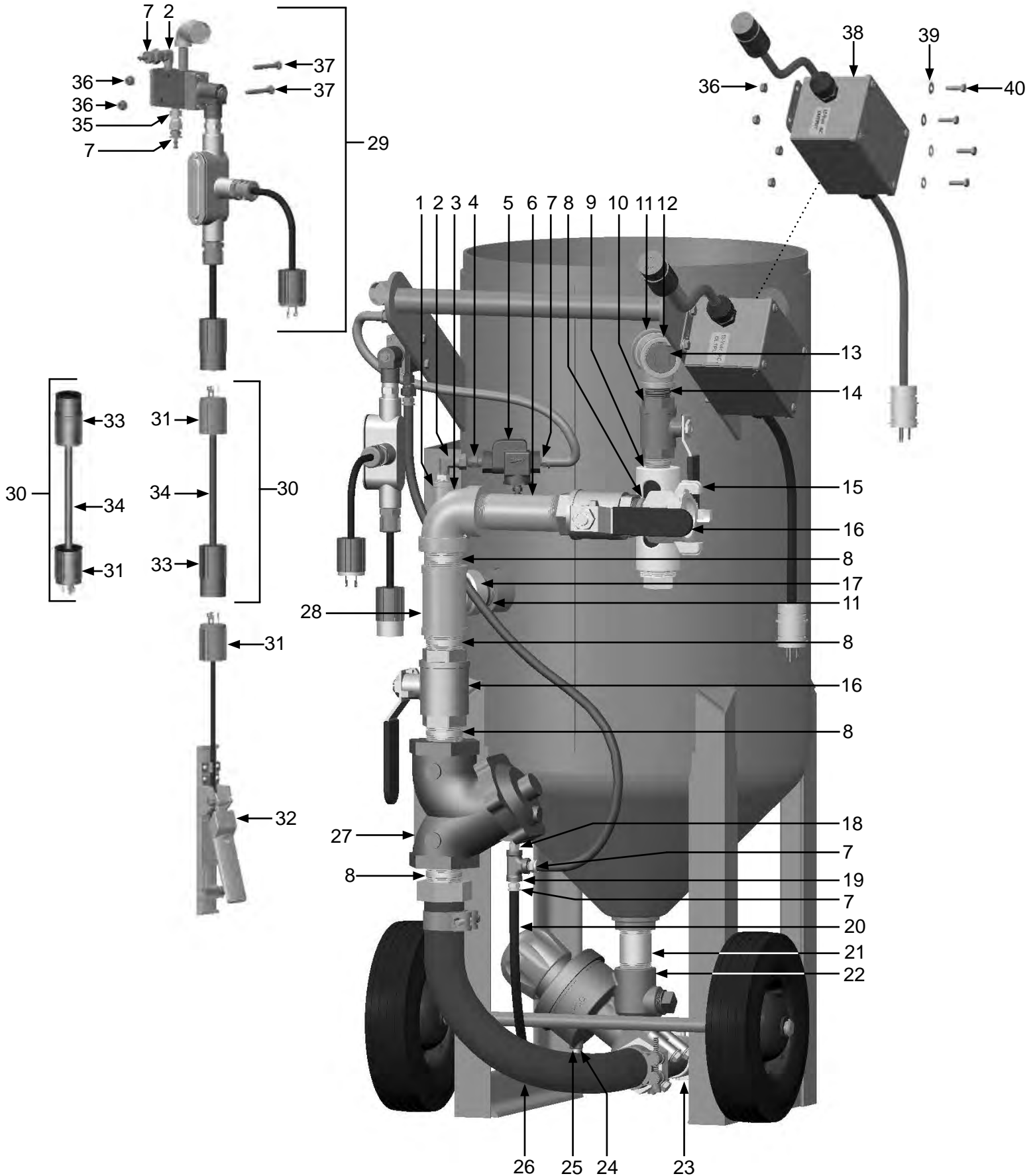
Complete 120-Volt AC Electric Conversion Kits – 3.0 and 3.5 Cu. Ft. Abrasive Blasting Pot

Item #	Part #	Description
Fig. 2		
—	10105503	120-Volt AC Electric Conversion Kit – 3.0 and 3.5 Cu. Ft. (Urethane)
—	10105504	120-Volt AC Electric Conversion Kit – 3.0 and 3.5 Cu. Ft. (Tungsten Carbide)
1	1011818	1/2" x 1/4" Bushing
2	1012326	1/4" Swivel 90° Fitting (<i>Two Required</i>)
3	1011828	1-1/2" NPT Elbow with 1/2" Side-Out
4	1017019	1/4" x 1/4" Brass Hex Nipple
5	10WS	Watts Strainer
6	1011211	1-1/2" x 5-1/2" NPT Pipe Nipple
7	10PAF025	1/4" Push-On Hose Fitting (<i>Five Required</i>)
8	1014015	1-1/2" NPT Close Nipple (<i>Five Required</i>)
9	1011100	Exhaust Muffler
10	1011601	1" NPT Full Port Brass Ball Valve
11	1011201	1-1/4" NPT Close Nipple (<i>Two Required</i>)
12	1011817	1-1/4" x 1-1/4" x 1" NPT Pipe Tee
13	1011902	1-1/4" NPT Pipe Plug
14	1012151	1" NPT Close Nipple
15	10ME4	1-1/2" NPT (F) 4-Lug Air Hose Fitting
16	1011603	1-1/2" NPT Full Port Brass Ball Valve (<i>Two Required</i>)
17	1011830	1-1/4" 45° Street Elbow
18	10PVFIT1	1/4" x 1/8" Hex Union
19	1011844	1/4" NPT Pipe Tee
20	10AH025	1/4" Push-On Air Hose
21	1011204	1-1/4" x 3" NPT Pipe Nipple
22	10101950	1-1/2" Maxum III Abrasive Metering Valve – Tungsten Carbide Sleeve (<i>For use with 10105504</i>)
—	10101946	1-1/2" Maxum III Abrasive Metering Valve – Urethane Sleeve (<i>For use with 10105503</i>)
23	10SB2S	1-1/2" Straight Thread Pot Coupling
24	10PAF0125	1/8" Push-On Air Hose Fitting
25	1014239	1/8" 90° Swivel Fitting
26	1006312	1-1/2" I.D. Air Hose Pusher Line Assembly
27	1013200	1-1/2" GateKeeper Air Valve
28	1011836	1-1/2" x 1-1/2" x 1-1/4" NPT Pipe Tee
29	1019052	Blastmaster® 190 12-Volt AC Electric Control Assembly – Complete
30	1015545	50' of 16/2 SO Power Cord with 3-Prong Twist-Lock Plugs Installed (<i>Includes Item #'s: 31, 33, and 34</i>) (<i>Two Required</i>)
31	1015555	3-Prong Twist-Lock Plug – Male (<i>Three Required</i>)
32	1015100	Blastmaster® 151E Remote Control Switch
33	1015556	3-Prong Twist-Lock Plug – Female (<i>Two Required</i>)
34	1015540	16/2 SO Power Cord – Per Foot
35	10SME025	1/4" Straight Swivel
36	1012323	1/4–20 Zinc Lock Nut with Nylon Insert (<i>Six Required</i>)
37	1019044	1/4–20 x 1-3/4" Zinc Bolt (<i>Two Required</i>)
38	1030020	120-Volt AC to 12-Volt AC Power Converter
39	1014017	1/4" Flat Washer (<i>Four Required</i>)
40	1012154	1/4–20 x 1" Hex Bolt (<i>Four Required</i>)

See page 57 for product literature

PART NUMBERS AND SCHEMATICS GUIDE

Figure 2: Complete 120-Volt AC Electric Conversion Kits – 3.0 and 3.5 Cu. Ft. Abrasive Blasting Pot



PART NUMBERS AND SCHEMATICS GUIDE

12-VOLT DC ELECTRIC CONVERSION KITS – 6.0 AND 6.5 CU. FT. ABRASIVE BLASTING POT

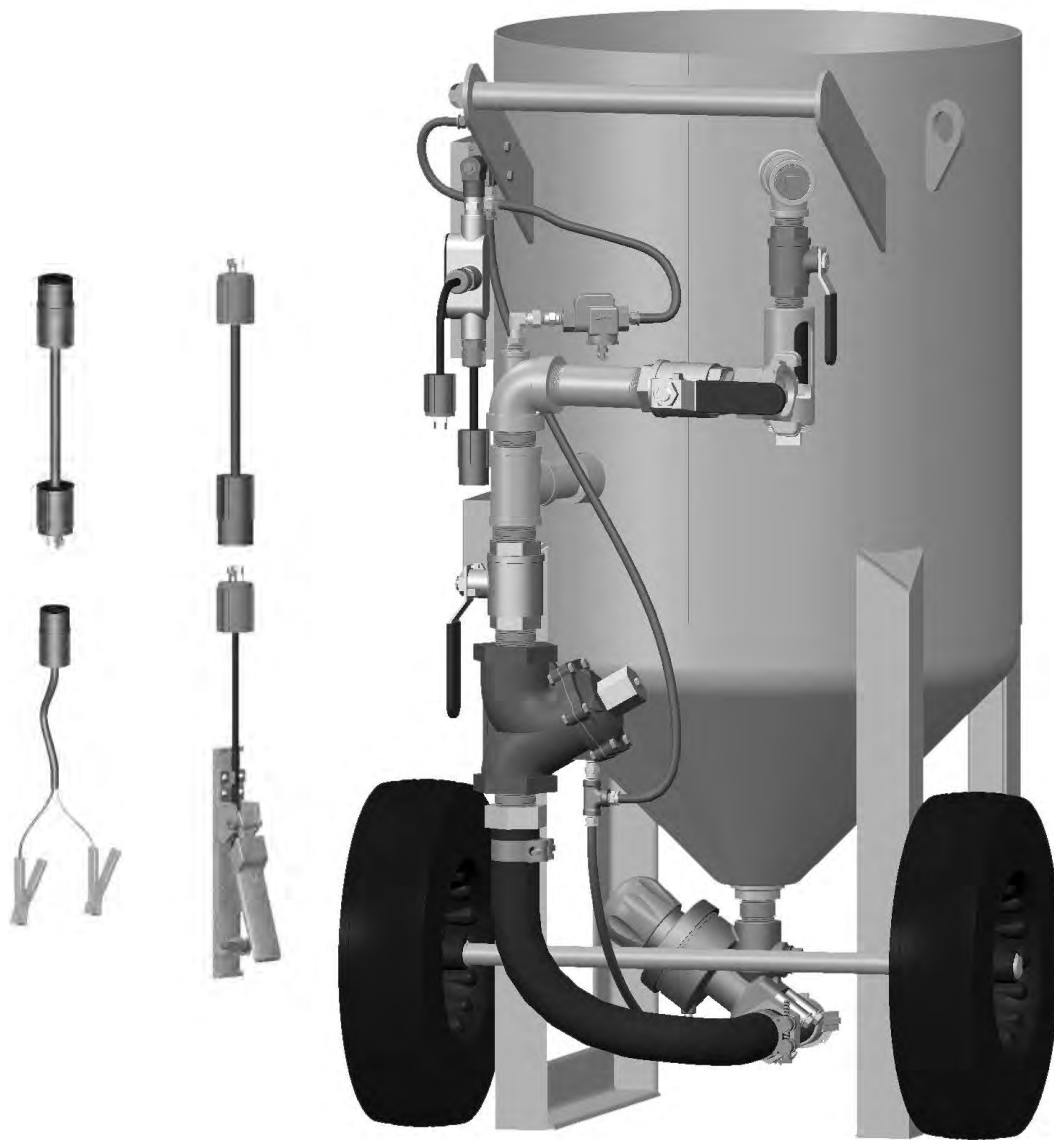
Part Numbers	Blastmaster® 1-1/2" Maxum III Abrasive Metering Valve		GateKeeper Air Valve	Abrasive Blasting Pot Muffler	Blastmaster® 151E Remote Control Switch	Electric Control Line <i>(Includes Connectors)</i>	Battery Clamps	Power Cord <i>(Includes Connectors)</i>
	Urethane	Tungsten Carbide						
10105928	X		1-1/2" High-Flow	X	X	50 Ft.	X	25 Ft.
10104975		X	1-1/2" High-Flow	X	X	50 Ft.	X	25 Ft.

For converting bare pot to electric remote control system.

Includes: Blastmaster® Maxum III Abrasive Metering Valve, 1-1/2" High-Flow GateKeeper, Blastmaster® 151E Remote Control Switch, Electric Control Line, and various pipe fittings

Note that due to the wide variety of blast pots you may need to purchase additional fittings, bushing, etc.

PART NUMBERS AND SCHEMATICS GUIDE



PART NUMBERS AND SCHEMATICS GUIDE

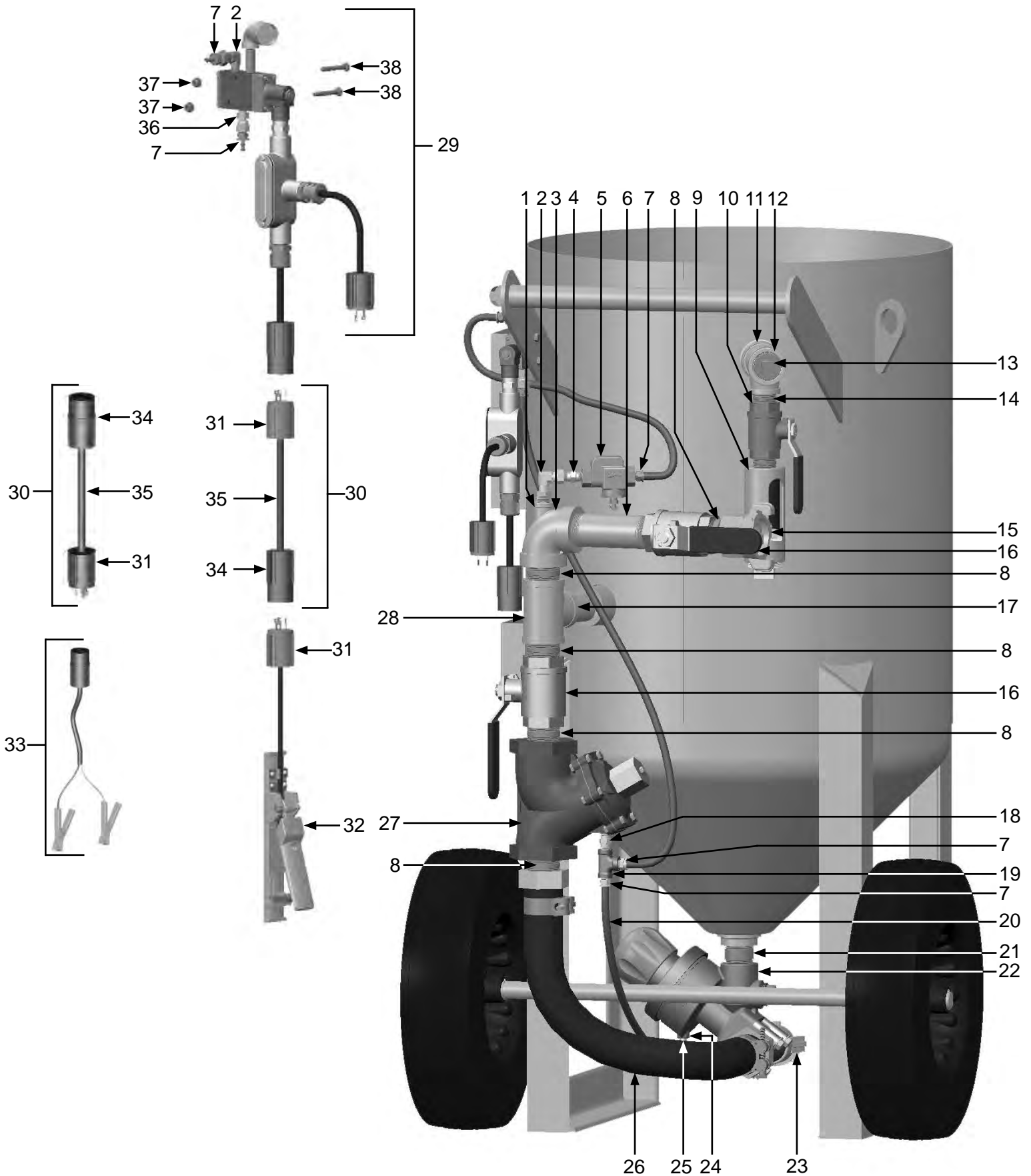
Complete 12-Volt DC Electric Conversion Kits – 6.0 and 6.5 Cu. Ft. Abrasive Blasting Pot

Item #	Part #	Description
Fig. 3		
—	10105928	12-Volt DC Electric Conversion Kit – 6.0 and 6.5 Cu. Ft. (Urethane)
—	10104975	12-Volt DC Electric Conversion Kit – 6.0 and 6.5 Cu. Ft. (Tungsten Carbide)
1	1011818	1/2" x 1/4" Bushing
2	1012326	1/4" Swivel 90° Fitting <i>(Two Required)</i>
3	1011828	1-1/2" NPT Elbow with 1/2" Side-Out
4	1017019	1/4" x 1/4" Brass Hex Nipple
5	10WS	Watts Strainer
6	1011211	1-1/2" x 5-1/2" NPT Pipe Nipple
7	10PAF025	1/4" Push-On Hose Fitting <i>(Five Required)</i>
8	1014015	1-1/2" NPT Close Nipple <i>(Five Required)</i>
9	1011100	Exhaust Muffler
10	1011601	1" NPT Full Port Brass Ball Valve
11	1011201	1-1/4" NPT Close Nipple
12	1011817	1-1/4" x 1-1/4" x 1" NPT Pipe Tee
13	1011902	1-1/4" NPT Pipe Plug
14	1012151	1" NPT Close Nipple
15	10ME4	1-1/2" NPT (F) 4-Lug Air Hose Fitting
16	1011603	1-1/2" NPT Full Port Brass Ball Valve <i>(Two Required)</i>
17	1011204	1-1/4" x 3" Galvanized Nipple
18	1017019	1/4" x 1/4" Brass Hex Nipple, 250 psi
19	1011844	1/4" NPT Pipe Tee
20	10AH025	1/4" Push-On Air Hose – Per Foot
21	1011813	1-1/4" x 2" Pipe Nipple
22	10101950	1-1/2" Maxum III Abrasive Metering Valve – Tungsten Carbide Sleeve <i>(For use with 10104975)</i>
—	10101946	1-1/2" Maxum III Abrasive Metering Valve – Urethane Sleeve <i>(For use with 10105928)</i>
23	10SB2S	1-1/2" Straight Thread Pot Coupling
24	10PAF0125	1/8" Push-On Air Hose Fitting
25	1014239	1/8" 90° Swivel Fitting
26	1006312	1-1/2" I.D. Air Hose Pusher Line Assembly
27	1013600	1-1/2" High-Flow GateKeeper Air Valve
28	1011836	1-1/2" x 1-1/2" x 1-1/4" NPT Pipe Tee
29	1019051	Blastmaster® 190 12-Volt DC Electric Control Assembly – Complete
30	1015545	50' of 16/2 SO Power Cord with 3-Prong Twist-Lock Plugs Installed <i>(Includes Item #'s: 31, 34, and 35) (Two Required)</i>
31	1015555	3-Prong Twist-Lock Plug – Male <i>(Three Required)</i>
32	1015100	Blastmaster® 151E Remote Control Switch
33	1015544	Battery Clamp Kit with 3-Prong Twist Lock Plug Installed
34	1015556	3-Prong Twist-Lock Plug – Female <i>(Two Required)</i>
35	1015540	16/2 SO Power Cord – Per Foot
36	10SME025	1/4" Straight Swivel
37	1012323	1/4–20 Zinc Lock Nut with Nylon Insert <i>(Two Required)</i>
38	1019044	1/4–20 x 1-3/4" Zinc Bolt <i>(Two Required)</i>

See page 57 for product literature

PART NUMBERS AND SCHEMATICS GUIDE

Figure 3: Complete 12-Volt DC Electric Conversion Kits – 6.0 and 6.5 Cu. Ft. Abrasive Blasting Pot



PART NUMBERS AND SCHEMATICS GUIDE

120-VOLT AC ELECTRIC CONVERSION KITS – 6.0 AND 6.5 CU. FT. ABRASIVE BLASTING POT

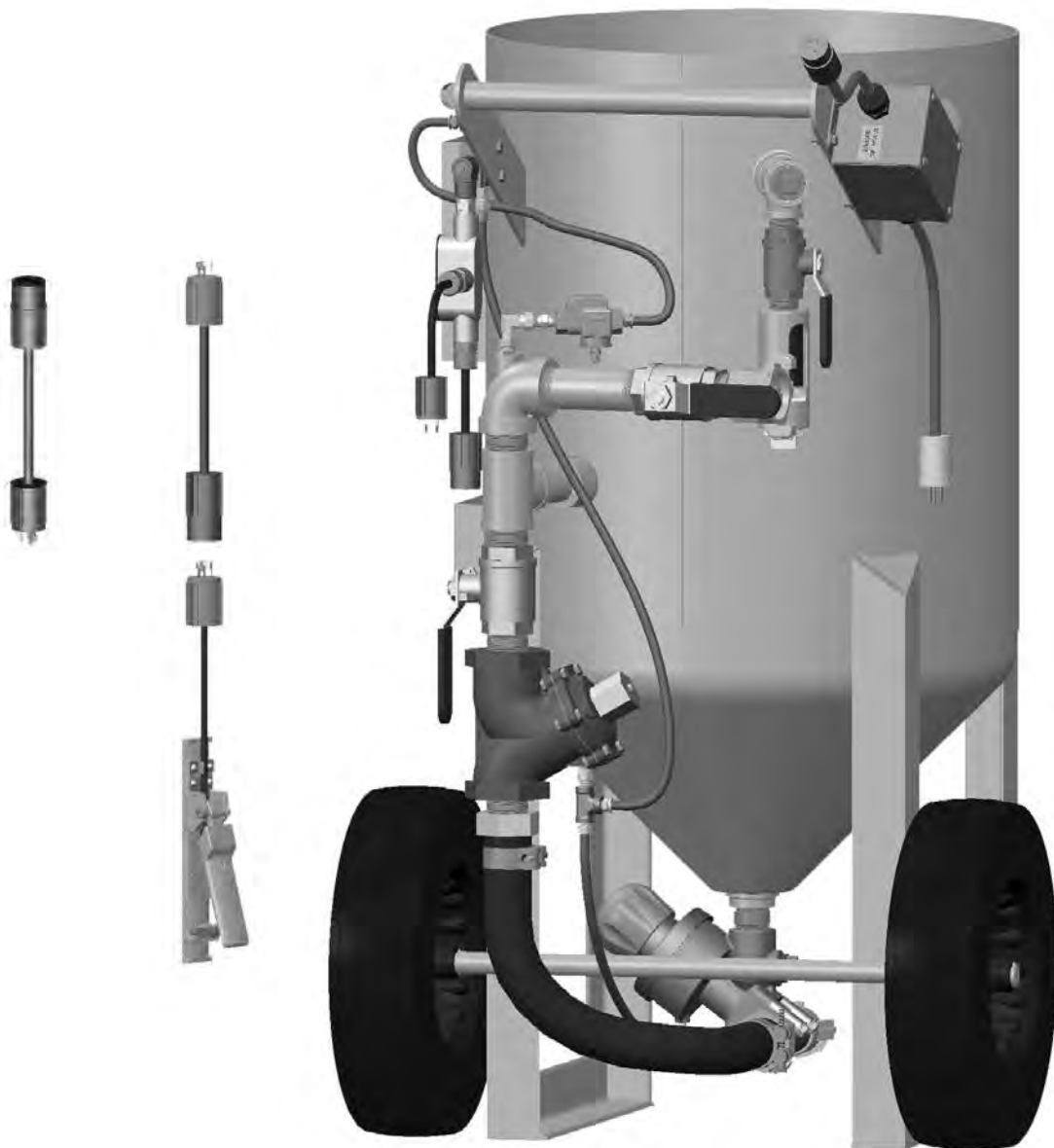
Part Numbers	Blastmaster® 1-1/2" Maxum III Abrasive Metering Valve		GateKeeper Air Valve	Abrasive Blasting Pot Muffler	Blastmaster® 151E Remote Control Switch	120-Volt AC to 12-Volt AC Power Converter	Electric Control Line <i>(Includes Connectors)</i>	Power Cord <i>(Includes Connectors)</i>
	Urethane	Tungsten Carbide						
10105929	X		1-1/2" High-Flow	X	X	X	50 Ft.	25 Ft.
10105505		X	1-1/2" High-Flow	X	X	X	50 Ft.	25 Ft.

For converting bare pot to electric remote control system.

Includes: Blastmaster® Maxum III Abrasive Metering Valve, 1-1/2" High-Flow GateKeeper, Blastmaster® 151E Remote Control Switch, Electric Control Line, and various pipe fittings

Note that due to the wide variety of blast pots you may need to purchase additional fittings, bushing, etc.

PART NUMBERS AND SCHEMATICS GUIDE



PART NUMBERS AND SCHEMATICS GUIDE

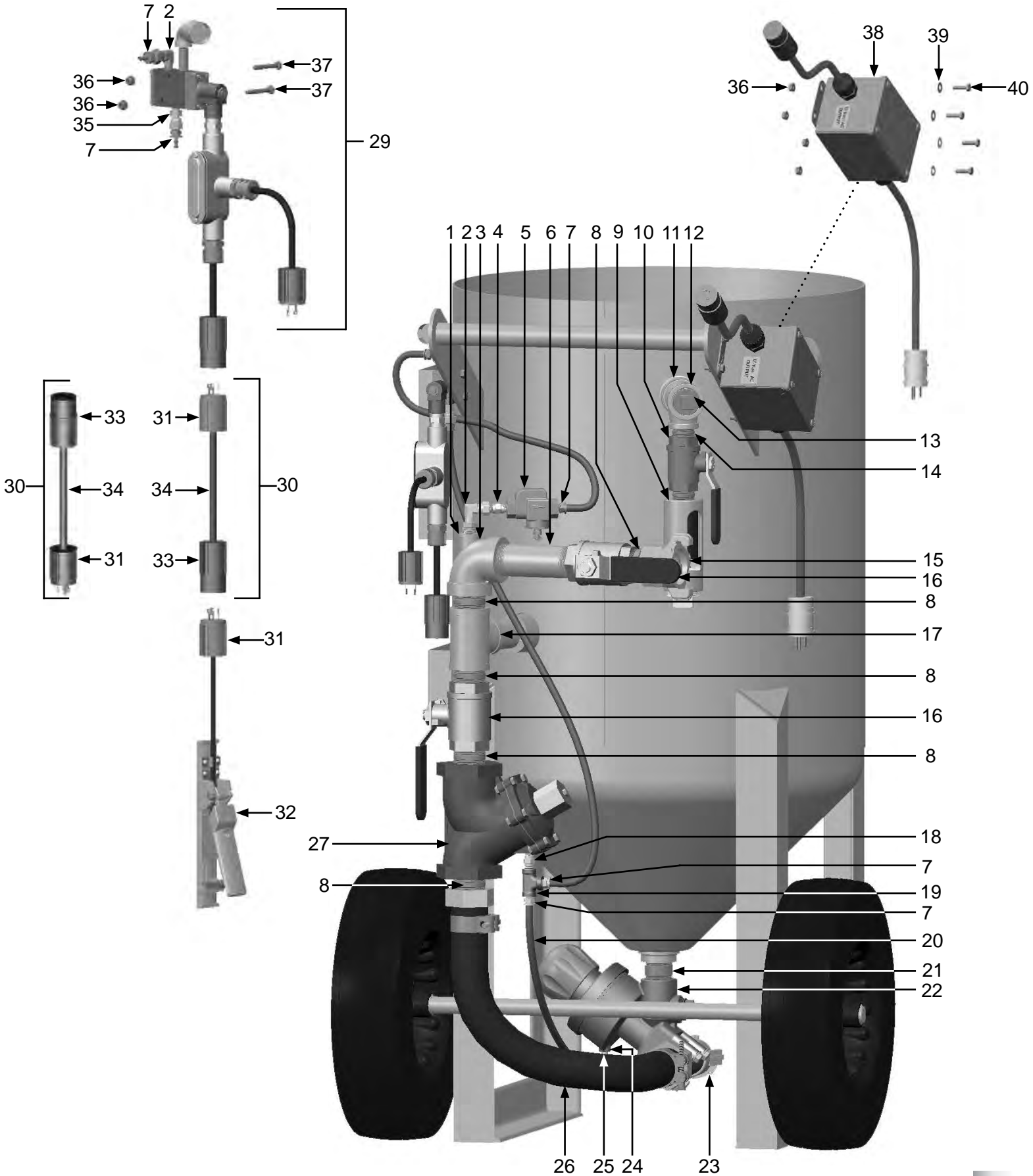
Complete 120-Volt AC Electric Conversion Kits – 6.0 and 6.5 Cu. Ft. Abrasive Blasting Pot

Item #	Part #	Description
Fig. 4		
—	10105929	120-Volt AC Electric Conversion Kit – 6.0 and 6.5 Cu. Ft. (Urethane)
—	10105505	120-Volt AC Electric Conversion Kit – 6.0 and 6.5 Cu. Ft. (Tungsten Carbide)
1	1011818	1/2" x 1/4" Bushing
2	1012326	1/4" Swivel 90° Fitting (<i>Two Required</i>)
3	1011828	1-1/2" NPT Elbow with 1/2" Side-Out
4	1017019	1/4" x 1/4" Brass Hex Nipple
5	10WS	Watts Strainer
6	1011211	1-1/2" x 5-1/2" NPT Pipe Nipple
7	10PAF025	1/4" Push-On Hose Fitting (<i>Five Required</i>)
8	1014015	1-1/2" NPT Close Nipple (<i>Five Required</i>)
9	1011100	Exhaust Muffler
10	1011601	1" NPT Full Port Brass Ball Valve
11	1011201	1-1/4" NPT Close Nipple
12	1011817	1-1/4" x 1-1/4" x 1" NPT Pipe Tee
13	1011902	1-1/4" NPT Pipe Plug
14	1012151	1" NPT Close Nipple
15	10ME4	1-1/2" NPT (F) 4-Lug Air Hose Fitting
16	1011603	1-1/2" NPT Full Port Brass Ball Valve (<i>Two Required</i>)
17	1011204	1-1/4" x 3" Galvanized Nipple
18	1017019	1/4" x 1/4" Brass Hex Nipple, 250 psi
19	1011844	1/4" NPT Pipe Tee
20	10AH025	1/4" Push-On Air Hose – Per Foot
21	1011813	1-1/4" x 2" Pipe Nipple
22	10101950	1-1/2" Maxum III Abrasive Metering Valve – Tungsten Carbide Sleeve (<i>For use with 10105505</i>)
—	10101946	1-1/2" Maxum III Abrasive Metering Valve – Urethane Sleeve (<i>For use with 10105929</i>)
23	10SB2S	1-1/2" Straight Thread Pot Coupling
24	10PAF0125	1/8" Push-On Air Hose Fitting
25	1014239	1/8" 90° Swivel Fitting
26	1006312	1-1/2" I.D. Air Hose Pusher Line Assembly
27	1013600	1-1/2" High-Flow GateKeeper Air Valve
28	1011836	1-1/2" x 1-1/2" x 1-1/4" NPT Pipe Tee
29	1019052	Blastmaster® 190 12-Volt AC Electric Control Assembly – Complete
30	1015545	50' of 16/2 SO Power Cord with 3-Prong Twist-Lock Plugs Installed (<i>Includes Item #'s: 31, 33, and 34</i>) (<i>Two Required</i>)
31	1015555	3-Prong Twist-Lock Plug – Male (<i>Three Required</i>)
32	1015100	Blastmaster® 151E Remote Control Switch
33	1015556	3-Prong Twist-Lock Plug – Female (<i>Two Required</i>)
34	1015540	16/2 SO Power Cord – Per Foot
35	10SME025	1/4" Straight Swivel
36	1012323	1/4–20 Zinc Lock Nut with Nylon Insert (<i>Six Required</i>)
37	1019044	1/4–20 x 1-3/4" Zinc Bolt (<i>Two Required</i>)
38	1030020	120-Volt AC to 12-Volt AC Power Converter
39	1014017	1/4" Flat Washer (<i>Four Required</i>)
40	1012154	1/4–20 x 1" Hex Bolt (<i>Four Required</i>)

See page 57 for product literature

PART NUMBERS AND SCHEMATICS GUIDE

Figure 4: Complete 120-Volt AC Electric Conversion Kits – 6.0 and 6.5 Cu. Ft. Abrasive Blasting Pot



PART NUMBERS AND SCHEMATICS GUIDE

12-VOLT DC ELECTRIC CONVERSION KITS – 120 CU. FT. AND LARGER ABRASIVE BLASTING POT

Part Numbers	Number of Outlets				Blastmaster® 1-1/2" Maxum III Abrasive Metering Valve		GateKeeper Air Valve	Blastmaster® 151E Remote Control Switch	Electric Control Line (Includes Connectors)	Junction Box	Battery Clamps	Power Cord (Includes Connectors)
	1	2	3	4	Urethane	Tungsten Carbide						
10106190	X				X		1-1/2" High-Flow	X	50 Ft.		X	25 Ft.
10106191	X					X	1-1/2" High-Flow	X	50 Ft.		X	25 Ft.
10105064		X			X		1-1/2" High-Flow	X	50 Ft.	X	X	25 Ft.
10104993		X				X	1-1/2" High-Flow	X	50 Ft.	X	X	25 Ft.
10105065			X		X		1-1/2" High-Flow	X	50 Ft.	X	X	25 Ft.
10104994			X			X	1-1/2" High-Flow	X	50 Ft.	X	X	25 Ft.
10105066				X	X		1-1/2" High-Flow	X	50 Ft.	X	X	25 Ft.
10104995				X		X	1-1/2" High-Flow	X	50 Ft.	X	X	25 Ft.

For converting bare pot to electric remote control system.

Includes: Blastmaster® Maxum III Abrasive Metering Valve, Blastmaster® 130E Remote Control System with 1-1/2" High-Flow GateKeeper, Pusher Line, Junction Box, Blastmaster® 190 Remote Control Valve

Note that due to the wide variety of blast pots you may need to purchase additional fittings, bushing, etc.

PART NUMBERS AND SCHEMATICS GUIDE



PART NUMBERS AND SCHEMATICS GUIDE

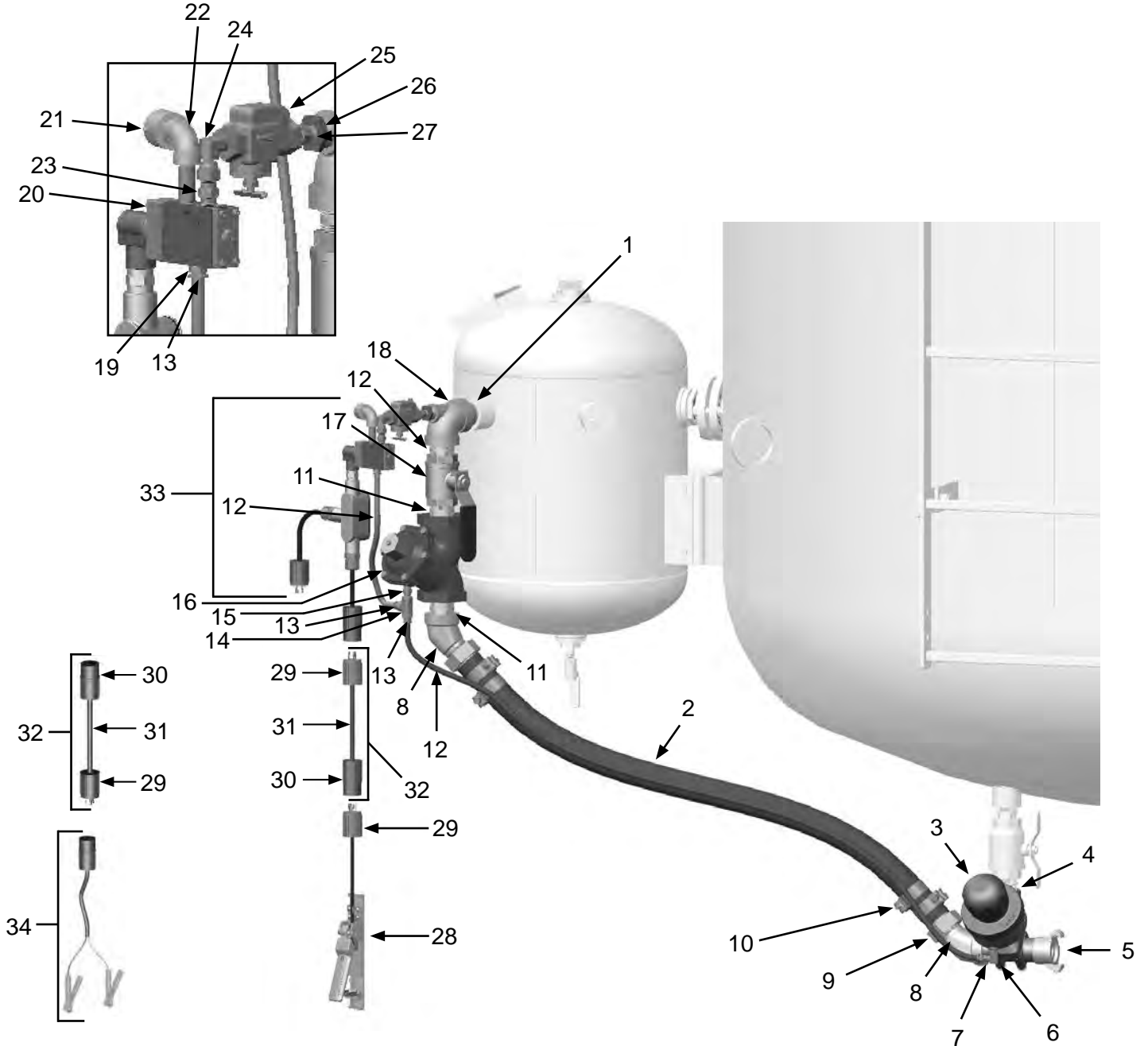
Complete 12-Volt DC Electric Conversion Kit – 120 Cu. Ft and Larger Abrasive Blasting Pot – 1-Outlet

Item #	Part #	Description
Fig. 5		
—	10106190	12-Volt DC Electric Conversion Kit – 120 Cu. Ft. and Larger – 1-Outlet (Urethane)
—	10106191	12-Volt DC Electric Conversion Kit – 120 Cu. Ft. and Larger – 1-Outlet (Tungsten Carbide)
1	1011849	1-1/2" Schedule 80 Close Nipple
2	10AH112B	1-1/2" I.D. Air Hose – Four Feet
3	10101950	1-1/2" Maxum III Abrasive Metering Valve – Tungsten Carbide Sleeve <i>(For use with 10106191)</i>
—	10101946	1-1/2" Maxum III Abrasive Metering Valve – Urethane Sleeve <i>(For use with 10106190)</i>
4	1011201	1-1/4" NPT Close Nipple
5	10SB2S	1-1/2" NPT Brass Tank Coupling
6	1014239	1/8" 90° Swivel Fitting
7	10PAF0125	1/8" Push-On Air Hose Fitting
8	1011805	1-1/2" NPT 45° Street Elbow <i>(Two Required)</i>
9	10SFE4	1-1/2" NPT Swivel Female Air Hose Fitting <i>(Two Required)</i>
10	10103738	1-1/2" T-Bolt Hose Clamp <i>(Four Required)</i>
11	1014015	1-1/2" Close Nipple <i>(Three Required)</i>
12	10AH025	1/4" Push-On Air Hose – Two Feet
13	10PAF025	1/4" Push-On Hose Fitting <i>(Three Required)</i>
14	1011844	1/4" NPT Pipe Tee
15	1017019	1/4" NPT Hex Nipple
16	1013600	1-1/2" High-Flow GateKeeper Air Valve
17	1011603	1-1/2" NPT Full Port Brass Ball Valve
18	1011829	1-1/2" NPT Elbow with 3/4" Side-Out
19	10SME025	1/4" Straight Swivel
20	1019010	12-Volt DC 190 Electric Solenoid
21	10DE025	1/4" NPT Dust Eliminator
22	1011824	1/4" Street Elbow
23	1017019	1/4" NPT Hex Nipple
24	1012326	1/4" Swivel 90° Fitting
25	10WS	Watts Strainer
26	10100524	Bushing
27	10100523	1/4" x 1/4" Stainless Steel Hex Nipple
28	1015100	Blastmaster® 151E Remote Control Switch
29	1015555	3-Prong Twist-Lock Plug – Male
30	1015556	3-Prong Twist-Lock Plug – Female
31	1015540	16/2 SJ Power Cord – Per Foot
32	1015545	50' of 16/2 SO Power Cord with 3-Prong Twist-Lock Plugs Installed <i>(Includes Item #'s: 29, 30, and 31) (Two Required)</i>
33	1019051	Blastmaster® 190 12-Volt DC Electric Control Assembly – Complete
34	1015544	Battery Clamp Kit with 3-Prong Twist-Lock Plug Installed

See page 57 for product literature

PART NUMBERS AND SCHEMATICS GUIDE

Figure 5: Complete 12-Volt DC Electric Conversion Kit – 120 Cu. Ft and Larger Abrasive Blasting Pot – 1-Outlet



PART NUMBERS AND SCHEMATICS GUIDE

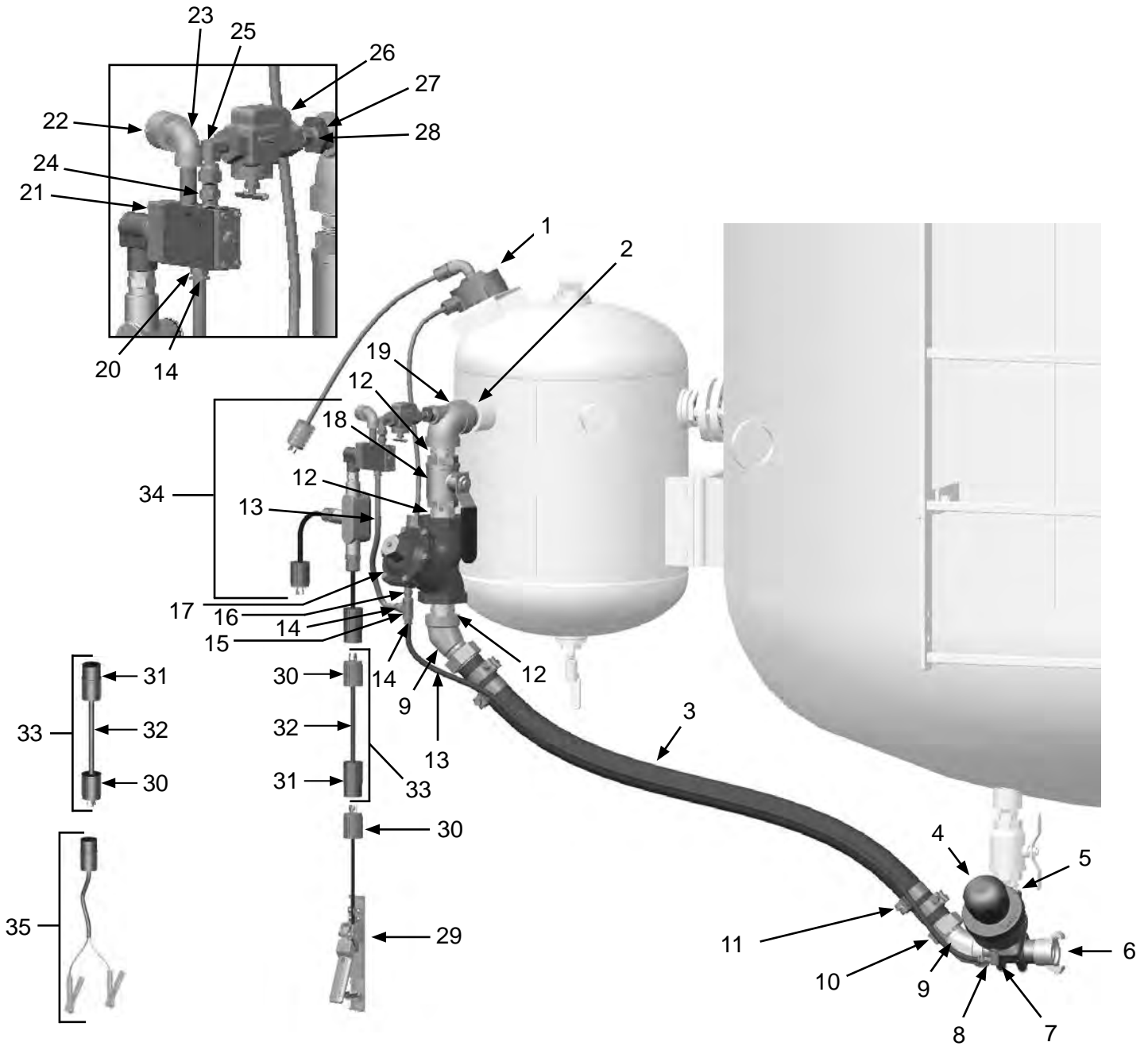
Complete 12-Volt DC Electric Conversion Kit – 120 Cu. Ft and Larger Abrasive Blasting Pot – 2-Outlet

Item #	Part #	Description
Fig. 6		
—	10105064	12-Volt DC Electric Conversion Kit – 120 Cu. Ft. and Larger – 2-Outlet (Urethane)
—	10104993	12-Volt DC Electric Conversion Kit – 120 Cu. Ft. and Larger – 2-Outlet (Tungsten Carbide)
1	10100559	2-Outlet Power Distribution Box
2	1011849	1-1/2" Schedule 80 Close Nipple
3	10AH112B	1-1/2" I.D. Air Hose – Four Feet
4	10101950	1-1/2" Maxum III Abrasive Metering Valve – Tungsten Carbide Sleeve <i>(Two Required)</i> <i>(For use with 10104993)</i>
—	10101946	1-1/2" Maxum III Abrasive Metering Valve – Urethane Sleeve <i>(Two Required)</i> <i>(For use with 10105064)</i>
5	1011201	1-1/4" NPT Close Nipple <i>(Two Required)</i>
6	10SB2S	1-1/2" NPT Brass Tank Coupling <i>(Two Required)</i>
7	1014239	1/8" 90° Swivel Fitting <i>(Two Required)</i>
8	10PAF0125	1/8" Push-On Air Hose Fitting <i>(Two Required)</i>
9	1011805	1-1/2" NPT 45° Street Elbow <i>(Four Required)</i>
10	10SFE4	1-1/2" NPT Swivel Female Air Hose Fitting <i>(Four Required)</i>
11	10103738	1-1/2" T-Bolt Hose Clamp <i>(Eight Required)</i>
12	1014015	1-1/2" Close Nipple <i>(Six Required)</i>
13	10AH025	1/4" Push-On Air Hose – Two Feet
14	10PAF025	1/4" Push-On Hose Fitting <i>(Six Required)</i>
15	1011844	1/4" NPT Pipe Tee <i>(Two Required)</i>
16	1017019	1/4" NPT Hex Nipple <i>(Two Required)</i>
17	1013600	1-1/2" High-Flow GateKeeper Air Valve <i>(Two Required)</i>
18	1011603	1-1/2" NPT Full Port Brass Ball Valve <i>(Two Required)</i>
19	1011829	1-1/2" NPT Elbow with 3/4" Side-Out <i>(Two Required)</i>
20	10SME025	1/4" Straight Swivel <i>(Two Required)</i>
21	1019010	12-Volt DC 190 Electric Solenoid <i>(Two Required)</i>
22	10DE025	1/4" NPT Dust Eliminator <i>(Two Required)</i>
23	1011824	1/4" Street Elbow <i>(Two Required)</i>
24	1017019	1/4" NPT Hex Nipple <i>(Two Required)</i>
25	1012326	1/4" Swivel 90° Fitting <i>(Two Required)</i>
26	10WS	Watts Strainer <i>(Two Required)</i>
27	10100524	Bushing
28	10100523	1/4" x 1/4" Stainless Steel Hex Nipple
29	1015100	Blastmaster® 151E Remote Control Switch <i>(Two Required)</i>
30	1015555	3-Prong Twist-Lock Plug – Male <i>(Two Required)</i>
31	1015556	3-Prong Twist-Lock Plug – Female <i>(Two Required)</i>
32	1015540	16/2 SJ Power Cord – Per Foot
33	1015545	50' of 16/2 SO Power Cord with 3-Prong Twist-Lock Plugs Installed <i>(Includes Item #'s: 30, 31, and 32) (Three Required)</i>
34	1019051	Blastmaster® 190 12-Volt DC Electric Control Assembly – Complete <i>(Two Required)</i>
35	1015544	Battery Clamp Kit with 3-Prong Twist-Lock Plug Installed <i>(Two Required)</i>

See page 57 for product literature

PART NUMBERS AND SCHEMATICS GUIDE

Figure 6: Complete 12-Volt DC Electric Conversion Kit – 120 Cu. Ft and Larger Abrasive Blasting Pot – 2-Outlet



PART NUMBERS AND SCHEMATICS GUIDE

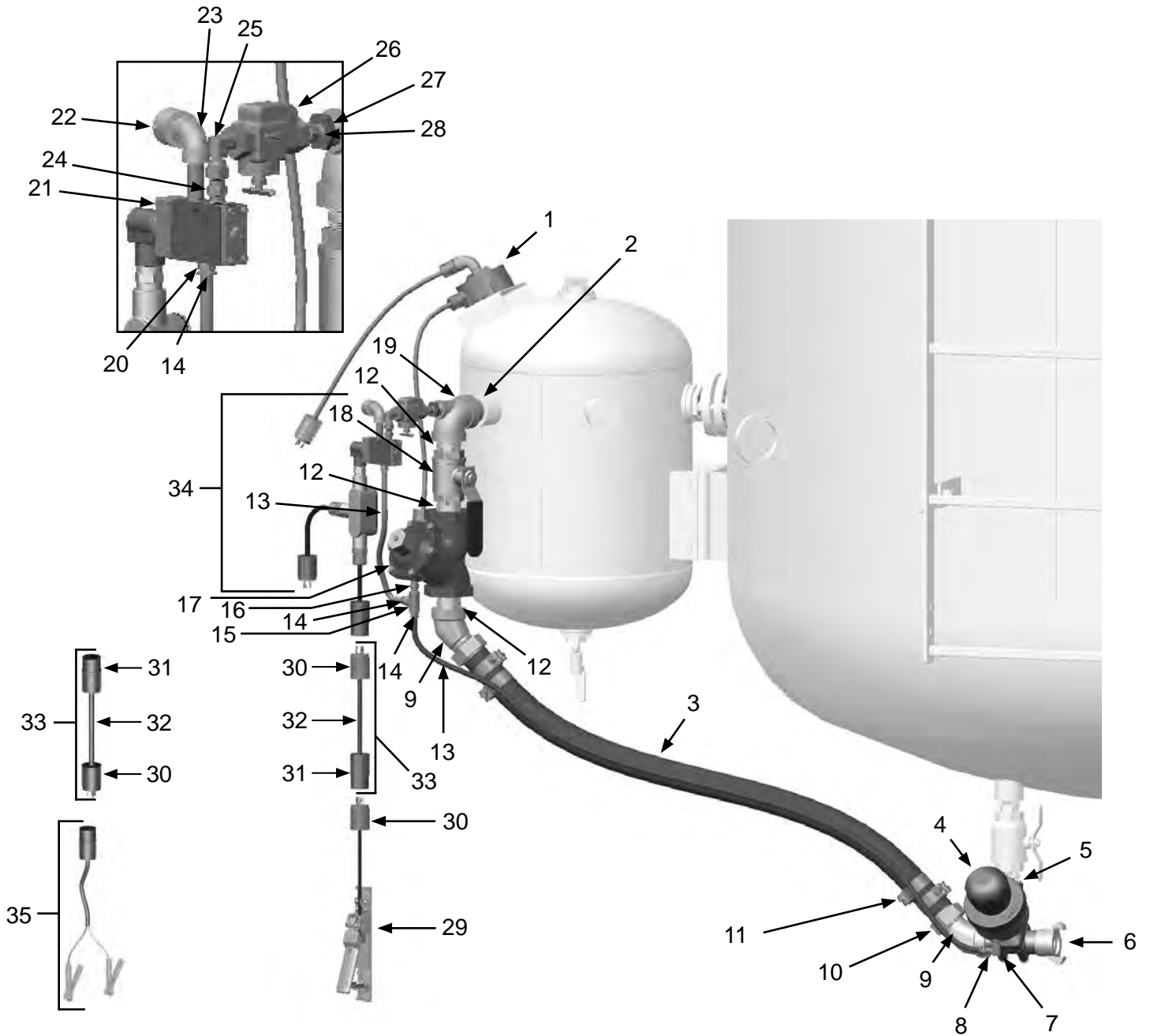
Complete 12-Volt DC Electric Conversion Kit – 120 Cu. Ft and Larger Abrasive Blasting Pot – 3-Outlet

Item #	Part #	Description
Fig. 7		
—	10105065	12-Volt DC Electric Conversion Kit – 120 Cu. Ft. and Larger – 3-Outlet (Urethane)
—	10104994	12-Volt DC Electric Conversion Kit – 120 Cu. Ft. and Larger – 3-Outlet (Tungsten Carbide)
1	10100560	3-Outlet Power Distribution Box
2	1011849	1-1/2" Schedule 80 Close Nipple
3	10AH112B	1-1/2" I.D. Air Hose – Four Feet
4	10101950	1-1/2" Maxum III Abrasive Metering Valve – Tungsten Carbide Sleeve <i>(Three Required)</i> <i>(For use with 10104994)</i>
—	10101946	1-1/2" Maxum III Abrasive Metering Valve – Urethane Sleeve <i>(Three Required)</i> <i>(For use with 10105065)</i>
5	1011201	1-1/4" NPT Close Nipple <i>(Three Required)</i>
6	10SB2S	1-1/2" NPT Brass Tank Coupling <i>(Three Required)</i>
7	1014239	1/8" 90° Swivel Fitting <i>(Three Required)</i>
8	10PAF0125	1/8" Push-On Air Hose Fitting <i>(Three Required)</i>
9	1011805	1-1/2" NPT 45° Street Elbow <i>(Six Required)</i>
10	10SFE4	1-1/2" NPT Swivel Female Air Hose Fitting <i>(Six Required)</i>
11	10103738	1-1/2" T-Bolt Hose Clamp <i>(12 Required)</i>
12	1014015	1-1/2" Close Nipple <i>(Nine Required)</i>
13	10AH025	1/4" Push-On Air Hose – Two Feet
14	10PAF025	1/4" Push-On Hose Fitting <i>(Nine Required)</i>
15	1011844	1/4" NPT Pipe Tee <i>(Three Required)</i>
16	1017019	1/4" NPT Hex Nipple <i>(Three Required)</i>
17	1013600	1-1/2" High-Flow GateKeeper Air Valve <i>(Three Required)</i>
18	1011603	1-1/2" NPT Full Port Brass Ball Valve <i>(Three Required)</i>
19	1011829	1-1/2" NPT Elbow with 3/4" Side-Out <i>(Three Required)</i>
20	10SME025	1/4" Straight Swivel <i>(Three Required)</i>
21	1019010	12-Volt DC 190 Electric Solenoid <i>(Three Required)</i>
22	10DE025	1/4" NPT Dust Eliminator <i>(Three Required)</i>
23	1011824	1/4" Street Elbow <i>(Three Required)</i>
24	1017019	1/4" NPT Hex Nipple <i>(Three Required)</i>
25	1012326	1/4" Swivel 90° Fitting <i>(Three Required)</i>
26	10WS	Watts Strainer <i>(Three Required)</i>
27	10100524	Bushing
28	10100523	1/4" x 1/4" Stainless Steel Hex Nipple
29	1015100	Blastmaster® 151E Remote Control Switch <i>(Three Required)</i>
30	1015555	3-Prong Twist-Lock Plug – Male <i>(Three Required)</i>
31	1015556	3-Prong Twist-Lock Plug – Female <i>(Three Required)</i>
32	1015540	16/2 SJ Power Cord – Per Foot
33	1015545	50' of 16/2 SO Power Cord with 3-Prong Twist-Lock Plugs Installed <i>(Includes Item #'s: 30, 31, and 32) (Four Required)</i>
34	1019051	Blastmaster® 190 12-Volt DC Electric Control Assembly – Complete <i>(Three Required)</i>
35	1015544	Battery Clamp Kit with 3-Prong Twist-Lock Plug Installed <i>(Three Required)</i>

See page 57 for product literature

PART NUMBERS AND SCHEMATICS GUIDE

Figure 7: Complete 12-Volt DC Electric Conversion Kit – 120 Cu. Ft and Larger Abrasive Blasting Pot – 3-Outlet



PART NUMBERS AND SCHEMATICS GUIDE

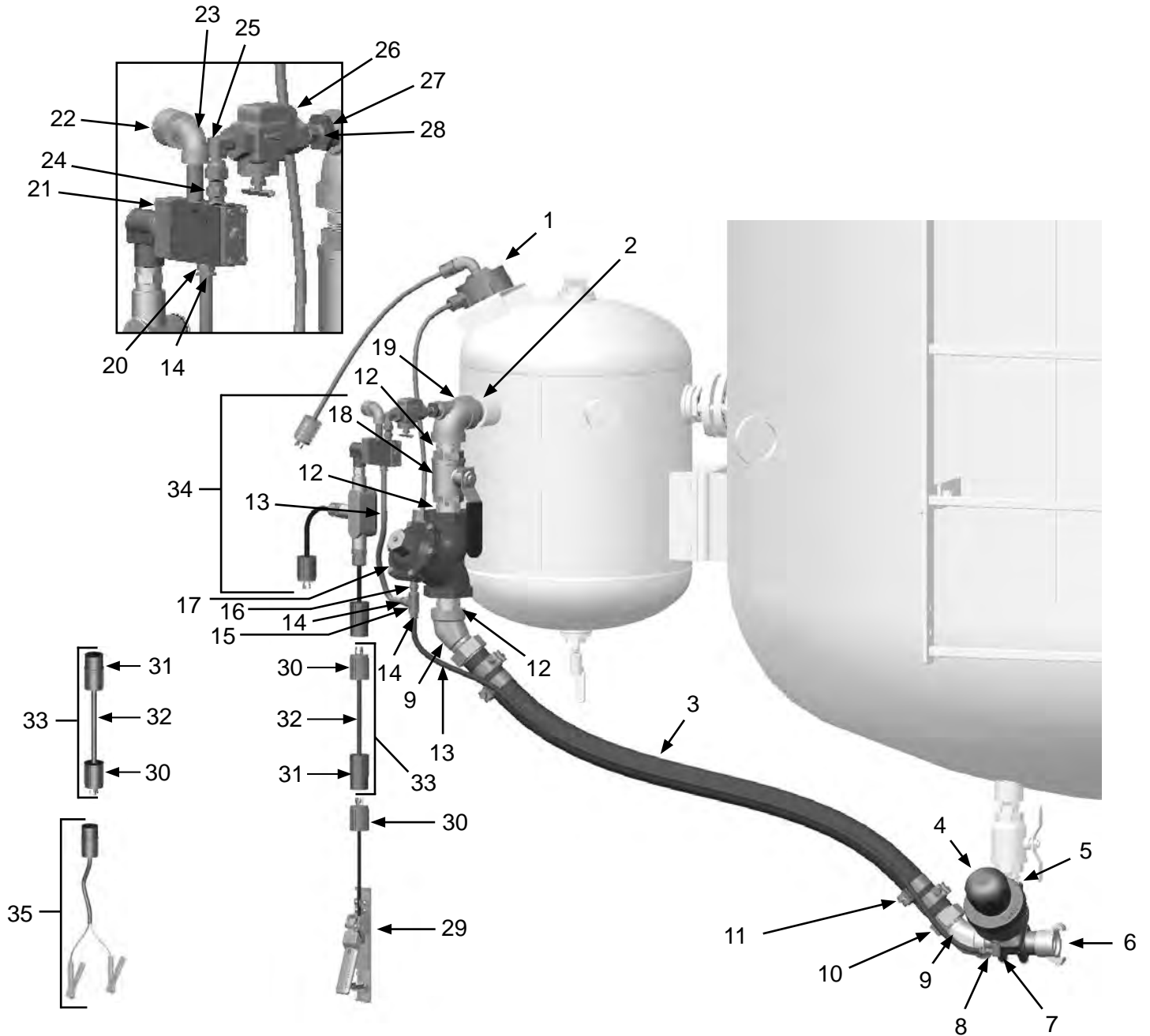
Complete 12-Volt DC Electric Conversion Kit – 120 Cu. Ft and Larger Abrasive Blasting Pot – 4-Outlet

Item #	Part #	Description
Fig. 8		
—	10105066	12-Volt DC Electric Conversion Kit – 120 Cu. Ft. and Larger – 4-Outlet (Urethane)
—	10104995	12-Volt DC Electric Conversion Kit – 120 Cu. Ft. and Larger – 4-Outlet (Tungsten Carbide)
1	10100561	4-Outlet Power Distribution Box
2	1011849	1-1/2" Schedule 80 Close Nipple
3	10AH112B	1-1/2" I.D. Air Hose – Four Feet
4	10101950	1-1/2" Maxum III Abrasive Metering Valve – Tungsten Carbide Sleeve (<i>Four Required</i>) (<i>For use with 10104995</i>)
—	10101946	1-1/2" Maxum III Abrasive Metering Valve – Urethane Sleeve (<i>Four Required</i>) (<i>For use with 10105066</i>)
5	1011201	1-1/4" NPT Close Nipple (<i>Four Required</i>)
6	10SB2S	1-1/2" NPT Brass Tank Coupling (<i>Four Required</i>)
7	1014239	1/8" 90° Swivel Fitting (<i>Four Required</i>)
8	10PAF0125	1/8" Push-On Air Hose Fitting (<i>Four Required</i>)
9	1011805	1-1/2" NPT 45° Street Elbow (<i>Eight Required</i>)
10	10SFE4	1-1/2" NPT Swivel Female Air Hose Fitting (<i>Eight Required</i>)
11	10103738	1-1/2" T-Bolt Hose Clamp (<i>16 Required</i>)
12	1014015	1-1/2" Close Nipple (<i>12 Required</i>)
13	10AH025	1/4" Push-On Air Hose – Two Feet
14	10PAF025	1/4" Push-On Hose Fitting (<i>12 Required</i>)
15	1011844	1/4" NPT Pipe Tee (<i>Four Required</i>)
16	1017019	1/4" NPT Hex Nipple (<i>Four Required</i>)
17	1013600	1-1/2" High-Flow GateKeeper Air Valve (<i>Four Required</i>)
18	1011603	1-1/2" NPT Full Port Brass Ball Valve (<i>Four Required</i>)
19	1011829	1-1/2" NPT Elbow with 3/4" Side-Out (<i>Four Required</i>)
20	10SME025	1/4" Straight Swivel (<i>Four Required</i>)
21	1019010	12-Volt DC 190 Electric Solenoid (<i>Four Required</i>)
22	10DE025	1/4" NPT Dust Eliminator (<i>Four Required</i>)
23	1011824	1/4" Street Elbow (<i>Four Required</i>)
24	1017019	1/4" NPT Hex Nipple (<i>Four Required</i>)
25	1012326	1/4" Swivel 90° Fitting (<i>Four Required</i>)
26	10WS	Watts Strainer (<i>Four Required</i>)
27	10100524	Bushing
28	10100523	1/4" x 1/4" Stainless Steel Hex Nipple
29	1015100	Blastmaster® 151E Remote Control Switch (<i>Four Required</i>)
30	1015555	3-Prong Twist-Lock Plug – Male (<i>Four Required</i>)
31	1015556	3-Prong Twist-Lock Plug – Female (<i>Four Required</i>)
32	1015540	16/2 SJ Power Cord – Per Foot
33	1015545	50' of 16/2 SO Power Cord with 3-Prong Twist-Lock Plugs Installed (<i>Includes Item #'s: 30, 31, and 32</i>) (<i>Five Required</i>)
34	1019051	Blastmaster® 190 12-Volt DC Electric Control Assembly – Complete (<i>Four Required</i>)
35	1015544	Battery Clamp Kit with 3-Prong Twist-Lock Plug Installed (<i>Four Required</i>)

See page 57 for product literature

PART NUMBERS AND SCHEMATICS GUIDE

Figure 8: Complete 12-Volt DC Electric Conversion Kit – 120 Cu. Ft and Larger Abrasive Blasting Pot – 4-Outlet



PART NUMBERS AND SCHEMATICS GUIDE

120-VOLT AC ELECTRIC CONVERSION KITS – 120 CU. FT. AND LARGER ABRASIVE BLASTING POT											
Part Numbers	Number of Outlets				Blastmaster® 1-1/2" Maxum III Abrasive Metering Valve		GateKeeper Air Valve	Blastmaster® 151E Remote Control Switch	Electric Control Line <i>(Includes Connectors)</i>	Junction Box	120-Volt AC to 12-Volt AC Power Converter
	1	2	3	4	Urethane	Tungsten Carbide					
10106176	X				X		1-1/2" High-Flow	X	50 Ft.		X
10106177	X					X	1-1/2" High-Flow	X	50 Ft.		X
10105518		X			X		1-1/2" High-Flow	X	50 Ft.	X	X
10105512		X				X	1-1/2" High-Flow	X	50 Ft.	X	X
10105519			X		X		1-1/2" High-Flow	X	50 Ft.	X	X
10105513			X			X	1-1/2" High-Flow	X	50 Ft.	X	X
10105520				X	X		1-1/2" High-Flow	X	50 Ft.	X	X
10105514				X		X	1-1/2" High-Flow	X	50 Ft.	X	X

For converting bare pot to electric remote control system.

Includes: Blastmaster® Maxum III Abrasive Metering Valve, Blastmaster® 130E Remote Control System with 1-1/2" High-Flow GateKeeper, Pusher Line, Junction Box, Blastmaster® 190 Remote Control Valve

Note that due to the wide variety of blast pots you may need to purchase additional fittings, bushing, etc.

PART NUMBERS AND SCHEMATICS GUIDE



PART NUMBERS AND SCHEMATICS GUIDE

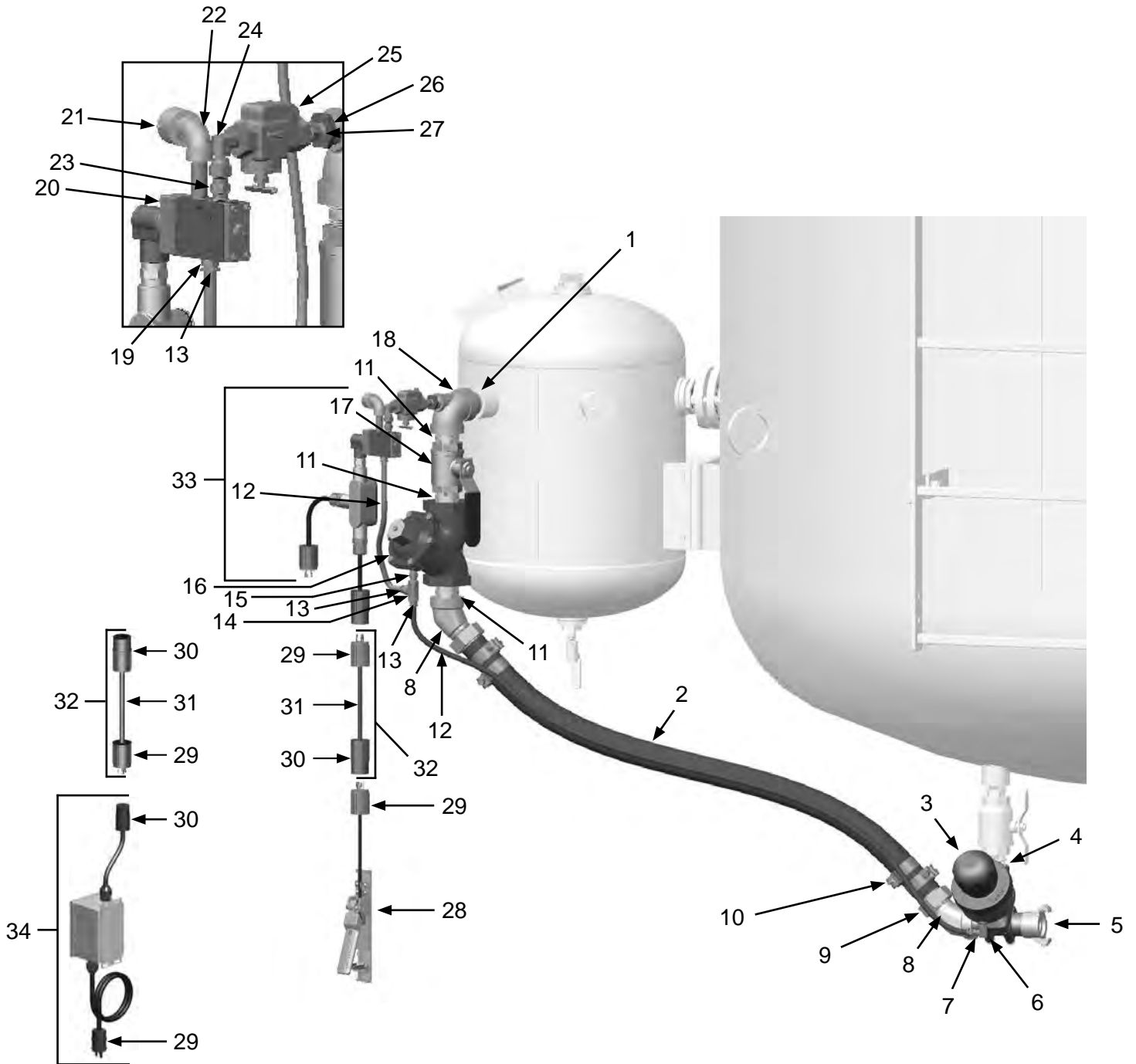
Complete 120-Volt AC Electric Conversion Kit – 120 Cu. Ft and Larger Abrasive Blasting Pot – 1-Outlet

Item #	Part #	Description
Fig. 9		
—	10106176	120-Volt AC Electric Conversion Kit – 120 Cu. Ft. and Larger – 1-Outlet (Urethane)
—	10106177	120-Volt AC Electric Conversion Kit – 120 Cu. Ft. and Larger – 1-Outlet (Tungsten Carbide)
1	1011849	1-1/2" Schedule 80 Close Nipple
2	10AH112B	1-1/2" I.D. Air Hose – Four Feet
3	10101950	1-1/2" Maxum III Abrasive Metering Valve – Tungsten Carbide Sleeve <i>(For use with 10106177)</i>
—	10101946	1-1/2" Maxum III Abrasive Metering Valve – Urethane Sleeve <i>(For use with 10106176)</i>
4	1011201	1-1/4" NPT Close Nipple
5	10SB2S	1-1/2" NPT Brass Tank Coupling
6	1014239	1/8" 90° Swivel Fitting
7	10PAF0125	1/8" Push-On Air Hose Fitting
8	1011805	1-1/2" NPT 45° Street Elbow <i>(Two Required)</i>
9	10SFE4	1-1/2" NPT Swivel Female Air Hose Fitting <i>(Two Required)</i>
10	10103738	1-1/2" T-Bolt Hose Clamp <i>(Four Required)</i>
11	1014015	1-1/2" Close Nipple <i>(Three Required)</i>
12	10AH025	1/4" Push-On Air Hose – Two Feet
13	10PAF025	1/4" Push-On Hose Fitting <i>(Three Required)</i>
14	1011844	1/4" NPT Pipe Tee
15	1017019	1/4" NPT Hex Nipple
16	1013600	1-1/2" High-Flow GateKeeper Air Valve
17	1011603	1-1/2" NPT Full Port Brass Ball Valve
18	1011829	1-1/2" NPT Elbow with 3/4" Side-Out
19	10SME025	1/4" Straight Swivel
20	1019011	12-Volt AC 190 Electric Solenoid
21	10DE025	1/4" NPT Dust Eliminator
22	1011824	1/4" Street Elbow
23	1017019	1/4" NPT Hex Nipple
24	1012326	1/4" Swivel 90° Fitting
25	10WS	Watts Strainer
26	10100524	Bushing
27	10100523	1/4" x 1/4" Stainless Steel Hex Nipple
28	1015100	Blastmaster® 151E Remote Control Switch
29	1015555	3-Prong Twist-Lock Plug – Male
30	1015556	3-Prong Twist-Lock Plug – Female
31	1015540	16/2 SJ Power Cord – Per Foot
32	1015545	50' of 16/2 SO Power Cord with 3-Prong Twist-Lock Plugs Installed <i>(Includes Item #'s: 29, 30, and 31) (Two Required)</i>
33	1019052	Blastmaster® 190 12-Volt AC Electric Control Assembly – Complete
34	10100713	120-Volt AC to 12-Volt AC Power Converter <i>(Includes Item #'s: 30 and 31)</i>

See page 57 for product literature

PART NUMBERS AND SCHEMATICS GUIDE

Figure 9: Complete 120-Volt AC Electric Conversion Kit – 120 Cu. Ft and Larger Abrasive Blasting Pot – 1-Outlet



PART NUMBERS AND SCHEMATICS GUIDE

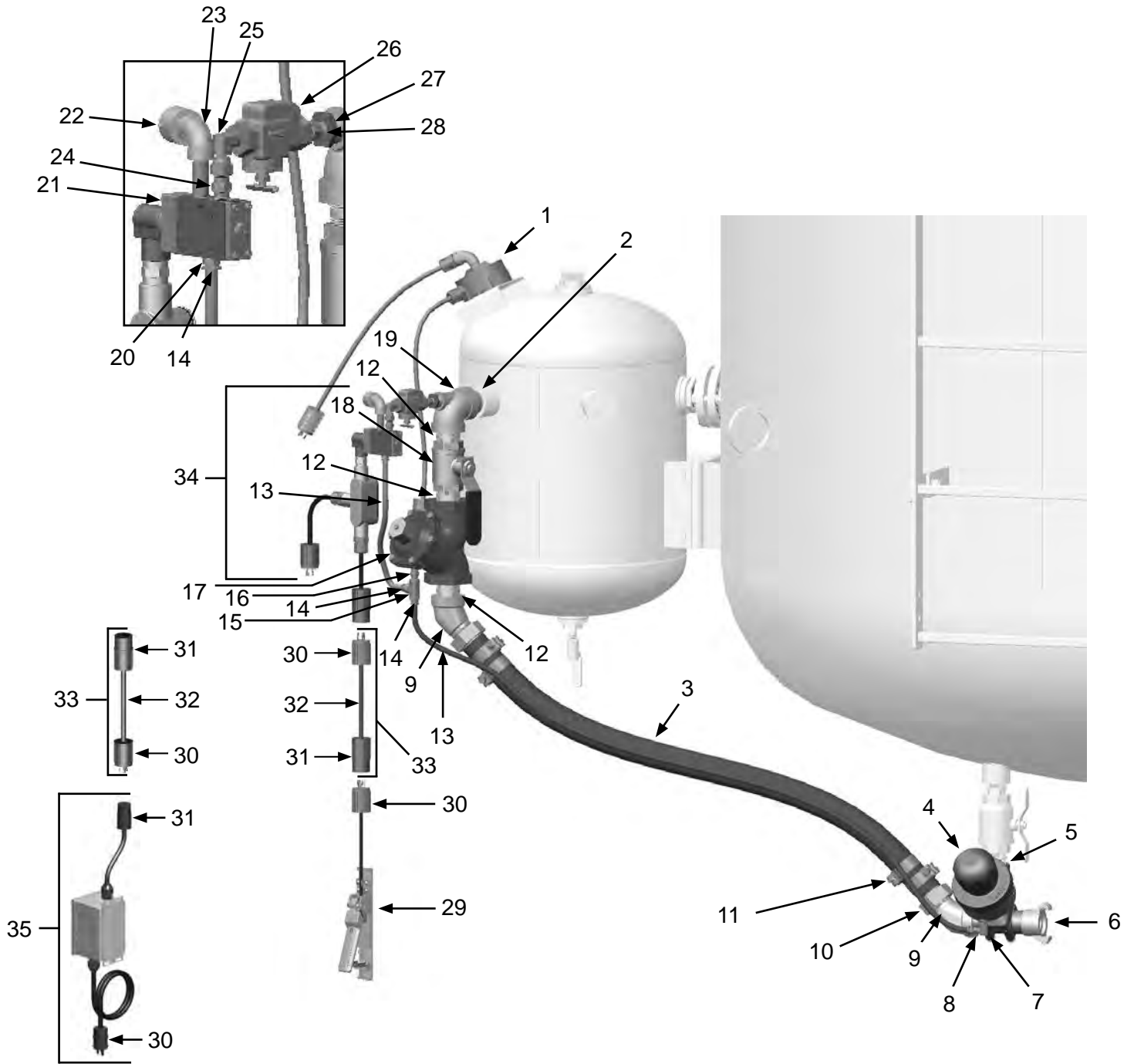
Complete 120-Volt AC Electric Conversion Kit – 120 Cu. Ft and Larger Abrasive Blasting Pot – 2-Outlet

Item #	Part #	Description
Fig. 10		
—	10105518	120-Volt AC Electric Conversion Kit – 120 Cu. Ft. and Larger – 2-Outlet (Urethane)
—	10105512	120-Volt AC Electric Conversion Kit – 120 Cu. Ft. and Larger – 2-Outlet (Tungsten Carbide)
1	10100559	2-Outlet Power Distribution Box
2	1011849	1-1/2" Schedule 80 Close Nipple
3	10AH112B	1-1/2" I.D. Air Hose – Four Feet
4	10101950	1-1/2" Maxum III Abrasive Metering Valve – Tungsten Carbide Sleeve <i>(Two Required)</i> <i>(For use with 10105512)</i>
—	10101946	1-1/2" Maxum III Abrasive Metering Valve – Urethane Sleeve <i>(Two Required)</i> <i>(For use with 10105518)</i>
5	1011201	1-1/4" NPT Close Nipple <i>(Two Required)</i>
6	10SB2S	1-1/2" NPT Brass Tank Coupling <i>(Two Required)</i>
7	1014239	1/8" 90° Swivel Fitting <i>(Two Required)</i>
8	10PAF0125	1/8" Push-On Air Hose Fitting <i>(Two Required)</i>
9	1011805	1-1/2" NPT 45° Street Elbow <i>(Four Required)</i>
10	10SFE4	1-1/2" NPT Swivel Female Air Hose Fitting <i>(Four Required)</i>
11	10103738	1-1/2" T-Bolt Hose Clamp <i>(Eight Required)</i>
12	1014015	1-1/2" Close Nipple <i>(Six Required)</i>
13	10AH025	1/4" Push-On Air Hose – Two Feet
14	10PAF025	1/4" Push-On Hose Fitting <i>(Six Required)</i>
15	1011844	1/4" NPT Pipe Tee <i>(Two Required)</i>
16	1017019	1/4" NPT Hex Nipple <i>(Two Required)</i>
17	1013600	1-1/2" High-Flow GateKeeper Air Valve <i>(Two Required)</i>
18	1011603	1-1/2" NPT Full Port Brass Ball Valve <i>(Two Required)</i>
19	1011829	1-1/2" NPT Elbow with 3/4" Side-Out <i>(Two Required)</i>
20	10SME025	1/4" Straight Swivel <i>(Two Required)</i>
21	1019011	12-Volt AC 190 Electric Solenoid <i>(Two Required)</i>
22	10DE025	1/4" NPT Dust Eliminator <i>(Two Required)</i>
23	1011824	1/4" Street Elbow <i>(Two Required)</i>
24	1017019	1/4" NPT Hex Nipple <i>(Two Required)</i>
25	1012326	1/4" Swivel 90° Fitting <i>(Two Required)</i>
26	10WS	Watts Strainer <i>(Two Required)</i>
27	10100524	Bushing
28	10100523	1/4" x 1/4" Stainless Steel Hex Nipple
29	1015100	Blastmaster® 151E Remote Control Switch <i>(Two Required)</i>
30	1015555	3-Prong Twist-Lock Plug – Male <i>(Two Required)</i>
31	1015556	3-Prong Twist-Lock Plug – Female <i>(Two Required)</i>
32	1015540	16/2 SJ Power Cord – Per Foot
33	1015545	50' of 16/2 SO Power Cord with 3-Prong Twist-Lock Plugs Installed <i>(Includes Item #'s: 30, 31, and 32) (Three Required)</i>
34	1019052	Blastmaster® 190 12-Volt AC Electric Control Assembly – Complete <i>(Two Required)</i>
35	10100713	120-Volt AC to 12-Volt AC Power Converter <i>(Includes Item #'s: 30 and 31)</i>

See page 57 for product literature

PART NUMBERS AND SCHEMATICS GUIDE

Figure 10: Complete 120-Volt AC Electric Conversion Kit – 120 Cu. Ft and Larger Abrasive Blasting Pot – 2-Outlet



PART NUMBERS AND SCHEMATICS GUIDE

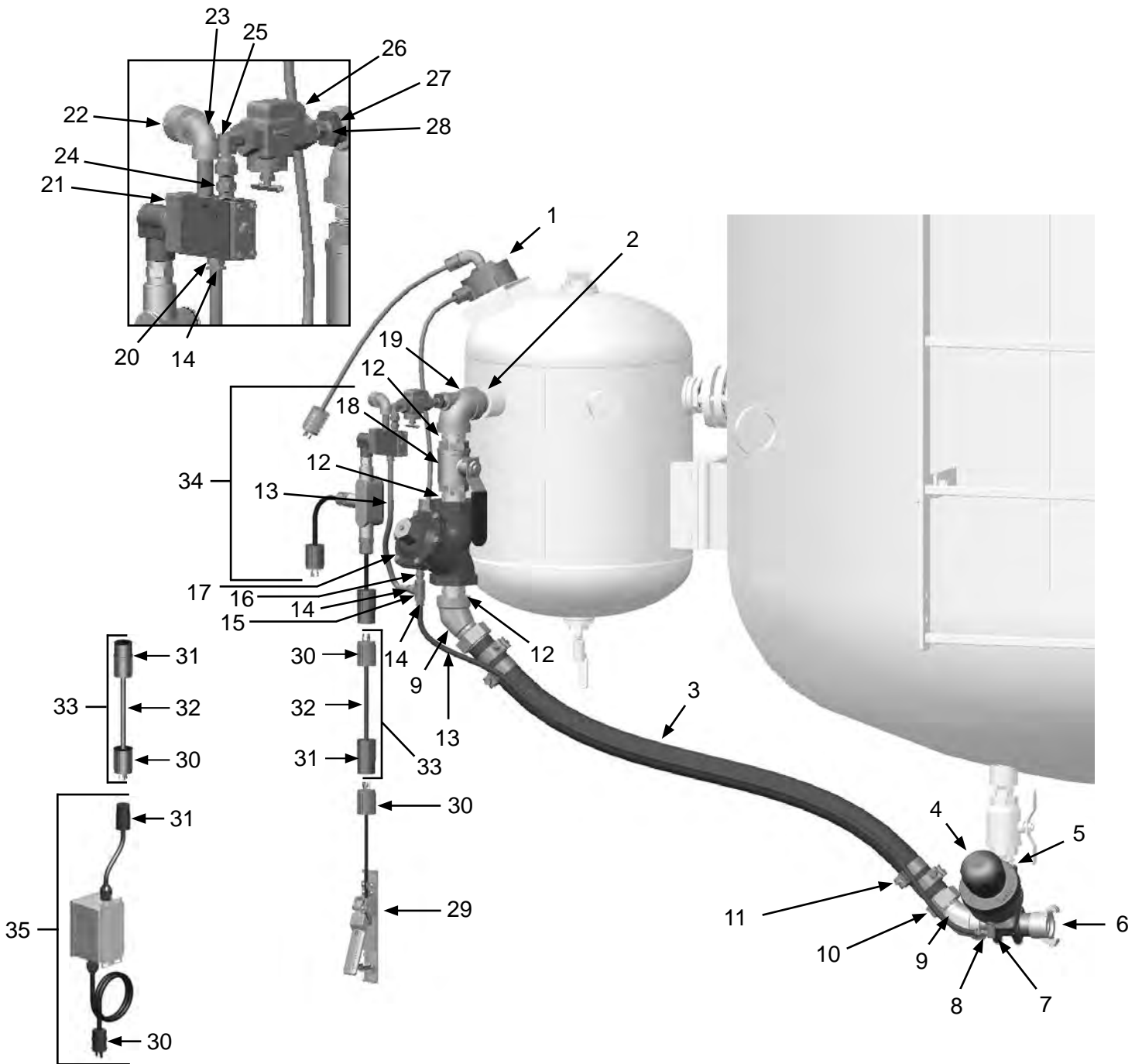
Complete 120-Volt AC Electric Conversion Kit – 120 Cu. Ft and Larger Abrasive Blasting Pot – 3-Outlet

Item #	Part #	Description
Fig. 11		
—	10105519	120-Volt AC Electric Conversion Kit – 120 Cu. Ft. and Larger – 3-Outlet (Urethane)
—	10105513	120-Volt AC Electric Conversion Kit – 120 Cu. Ft. and Larger – 3-Outlet (Tungsten Carbide)
1	10100560	3-Outlet Power Distribution Box
2	1011849	1-1/2" Schedule 80 Close Nipple
3	10AH112B	1-1/2" I.D. Air Hose – Four Feet
4	10101950	1-1/2" Maxum III Abrasive Metering Valve – Tungsten Carbide Sleeve <i>(Three Required)</i> <i>(For use with 10105513)</i>
—	10101946	1-1/2" Maxum III Abrasive Metering Valve – Urethane Sleeve <i>(Three Required)</i> <i>(For use with 10105519)</i>
5	1011201	1-1/4" NPT Close Nipple <i>(Three Required)</i>
6	10SB2S	1-1/2" NPT Brass Tank Coupling <i>(Three Required)</i>
7	1014239	1/8" 90° Swivel Fitting <i>(Three Required)</i>
8	10PAF0125	1/8" Push-On Air Hose Fitting <i>(Three Required)</i>
9	1011805	1-1/2" NPT 45° Street Elbow <i>(Six Required)</i>
10	10SFE4	1-1/2" NPT Swivel Female Air Hose Fitting <i>(Six Required)</i>
11	10103738	1-1/2" T-Bolt Hose Clamp <i>(12 Required)</i>
12	1014015	1-1/2" Close Nipple <i>(Nine Required)</i>
13	10AH025	1/4" Push-On Air Hose – Two Feet
14	10PAF025	1/4" Push-On Hose Fitting <i>(Nine Required)</i>
15	1011844	1/4" NPT Pipe Tee <i>(Three Required)</i>
16	1017019	1/4" NPT Hex Nipple <i>(Three Required)</i>
17	1013600	1-1/2" High-Flow GateKeeper Air Valve <i>(Three Required)</i>
18	1011603	1-1/2" NPT Full Port Brass Ball Valve <i>(Three Required)</i>
19	1011829	1-1/2" NPT Elbow with 3/4" Side-Out <i>(Three Required)</i>
20	10SME025	1/4" Straight Swivel <i>(Three Required)</i>
21	1019011	12-Volt AC 190 Electric Solenoid <i>(Three Required)</i>
22	10DE025	1/4" NPT Dust Eliminator <i>(Three Required)</i>
23	1011824	1/4" Street Elbow <i>(Three Required)</i>
24	1017019	1/4" NPT Hex Nipple <i>(Three Required)</i>
25	1012326	1/4" Swivel 90° Fitting <i>(Three Required)</i>
26	10WS	Watts Strainer <i>(Three Required)</i>
27	10100524	Bushing
28	10100523	1/4" x 1/4" Stainless Steel Hex Nipple
29	1015100	Blastmaster® 151E Remote Control Switch <i>(Three Required)</i>
30	1015555	3-Prong Twist-Lock Plug – Male <i>(Three Required)</i>
31	1015556	3-Prong Twist-Lock Plug – Female <i>(Three Required)</i>
32	1015540	16/2 SJ Power Cord – Per Foot
33	1015545	50' of 16/2 SO Power Cord with 3-Prong Twist-Lock Plugs Installed <i>(Includes Item #'s: 30, 31, and 32) (Four Required)</i>
34	1019052	Blastmaster® 190 12-Volt AC Electric Control Assembly – Complete <i>(Three Required)</i>
35	10100713	120-Volt AC to 12-Volt AC Power Converter <i>(Includes Item #'s: 30 and 31)</i>

See page 57 for product literature

PART NUMBERS AND SCHEMATICS GUIDE

Figure 11: Complete 120-Volt AC Electric Conversion Kit – 120 Cu. Ft and Larger Abrasive Blasting Pot – 3-Outlet



PART NUMBERS AND SCHEMATICS GUIDE

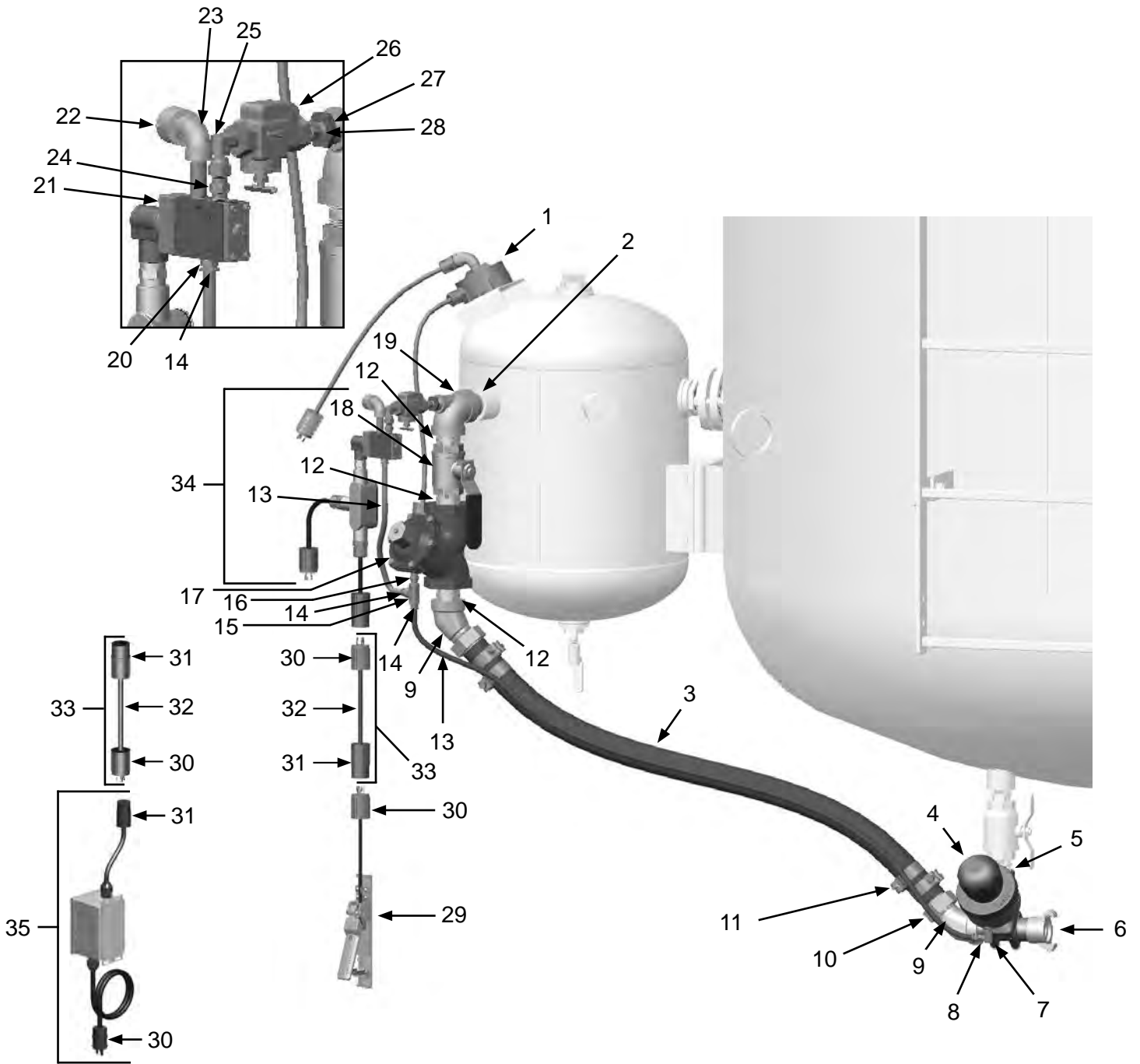
Complete 120-Volt AC Electric Conversion Kit – 120 Cu. Ft and Larger Abrasive Blasting Pot – 4-Outlet

Item #	Part #	Description
Fig. 12		
—	10105520	120-Volt AC Electric Conversion Kit – 120 Cu. Ft. and Larger – 4-Outlet (Urethane)
—	10105514	120-Volt AC Electric Conversion Kit – 120 Cu. Ft. and Larger – 4-Outlet (Tungsten Carbide)
1	10100561	4-Outlet Power Distribution Box
2	1011849	1-1/2" Schedule 80 Close Nipple
3	10AH112B	1-1/2" I.D. Air Hose – Four Feet
4	10101950	1-1/2" Maxum III Abrasive Metering Valve – Tungsten Carbide Sleeve (<i>Four Required</i>) (<i>For use with 10105514</i>)
—	10101946	1-1/2" Maxum III Abrasive Metering Valve – Urethane Sleeve (<i>Four Required</i>) (<i>For use with 10105520</i>)
5	1011201	1-1/4" NPT Close Nipple (<i>Four Required</i>)
6	10SB2S	1-1/2" NPT Brass Tank Coupling (<i>Four Required</i>)
7	1014239	1/8" 90° Swivel Fitting (<i>Four Required</i>)
8	10PAF0125	1/8" Push-On Air Hose Fitting (<i>Four Required</i>)
9	1011805	1-1/2" NPT 45° Street Elbow (<i>Eight Required</i>)
10	10SFE4	1-1/2" NPT Swivel Female Air Hose Fitting (<i>Eight Required</i>)
11	10103738	1-1/2" T-Bolt Hose Clamp (<i>16 Required</i>)
12	1014015	1-1/2" Close Nipple (<i>12 Required</i>)
13	10AH025	1/4" Push-On Air Hose – Two Feet
14	10PAF025	1/4" Push-On Hose Fitting (<i>12 Required</i>)
15	1011844	1/4" NPT Pipe Tee (<i>Four Required</i>)
16	1017019	1/4" NPT Hex Nipple (<i>Four Required</i>)
17	1013600	1-1/2" High-Flow GateKeeper Air Valve (<i>Four Required</i>)
18	1011603	1-1/2" NPT Full Port Brass Ball Valve (<i>Four Required</i>)
19	1011829	1-1/2" NPT Elbow with 3/4" Side-Out (<i>Four Required</i>)
20	10SME025	1/4" Straight Swivel (<i>Four Required</i>)
21	1019011	12-Volt AC 190 Electric Solenoid (<i>Four Required</i>)
22	10DE025	1/4" NPT Dust Eliminator (<i>Four Required</i>)
23	1011824	1/4" Street Elbow (<i>Four Required</i>)
24	1017019	1/4" NPT Hex Nipple (<i>Four Required</i>)
25	1012326	1/4" Swivel 90° Fitting (<i>Four Required</i>)
26	10WS	Watts Strainer (<i>Four Required</i>)
27	10100524	Bushing
28	10100523	1/4" x 1/4" Stainless Steel Hex Nipple
29	1015100	Blastmaster® 151E Remote Control Switch (<i>Four Required</i>)
30	1015555	3-Prong Twist-Lock Plug – Male (<i>Four Required</i>)
31	1015556	3-Prong Twist-Lock Plug – Female (<i>Four Required</i>)
32	1015540	16/2 SJ Power Cord – Per Foot
33	1015545	50' of 16/2 SO Power Cord with 3-Prong Twist-Lock Plugs Installed (<i>Includes Item #'s: 30, 31, and 32</i>) (<i>Five Required</i>)
34	1019052	Blastmaster® 190 12-Volt AC Electric Control Assembly – Complete (<i>Four Required</i>)
35	10100713	120-Volt AC to 12-Volt AC Power Converter (<i>Includes Item #'s: 30 and 31</i>)

See page 57 for product literature

PART NUMBERS AND SCHEMATICS GUIDE

Figure 12: Complete 120-Volt AC Electric Conversion Kit – 120 Cu. Ft and Larger Abrasive Blasting Pot – 4-Outlet



PART NUMBERS AND SCHEMATICS GUIDE

PNEUMATIC TO 12-VOLT DC ELECTRIC CONVERSION KITS – 120 CU. FT. AND LARGER ABRASIVE BLASTING POT

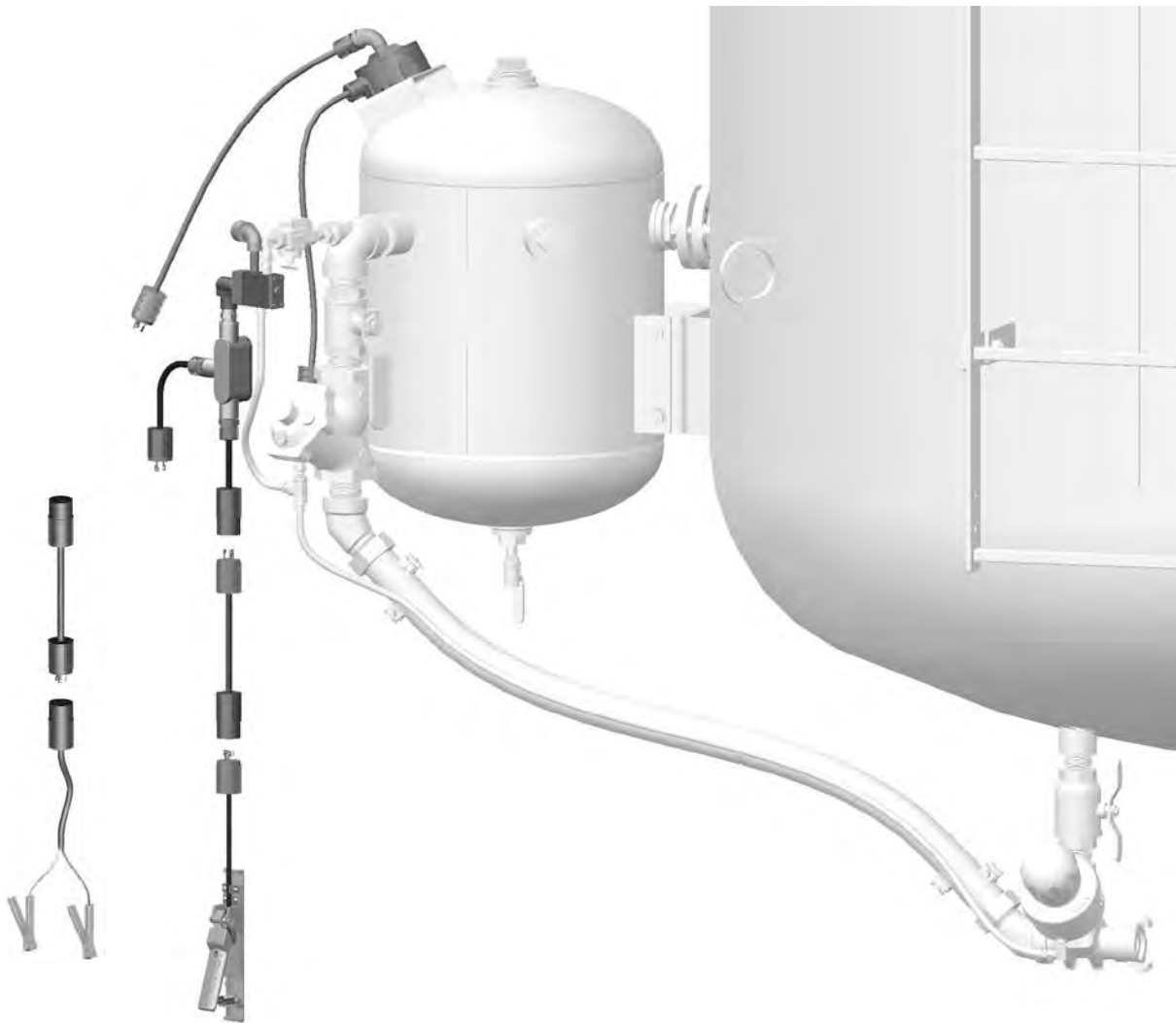
Part Numbers	Number of Bulk Pot Outlets	Blastmaster® 151E Remote Control Switch	Electric Control Line <i>(Includes Connectors)</i>	Power Cord <i>(Includes Connectors)</i>	Junction Box	Battery Clamps
10106371	1	X	50 Ft. <i>(Quantity of Two)</i>	25 Ft.		X
10104987	2	X <i>(Quantity of Two)</i>	50 Ft. <i>(Quantity of Three)</i>	25 Ft. <i>(Quantity of Two)</i>	X	X
10104988	3	X <i>(Quantity of Three)</i>	50 Ft. <i>(Quantity of Four)</i>	25 Ft. <i>(Quantity of Three)</i>	X	X
10104989	4	X <i>(Quantity of Four)</i>	50 Ft. <i>(Quantity of Five)</i>	25 Ft. <i>(Quantity of Four)</i>	X	X

For converting Pneumatic to 12-Volt DC Electric Conversion Kits

Includes: Junction Box, Control Line, Blastmaster® 151E Remote Control Switch, and Battery Clamps

Note that due to the wide variety of blast pots you may need to purchase additional fittings, bushing, etc.

PART NUMBERS AND SCHEMATICS GUIDE



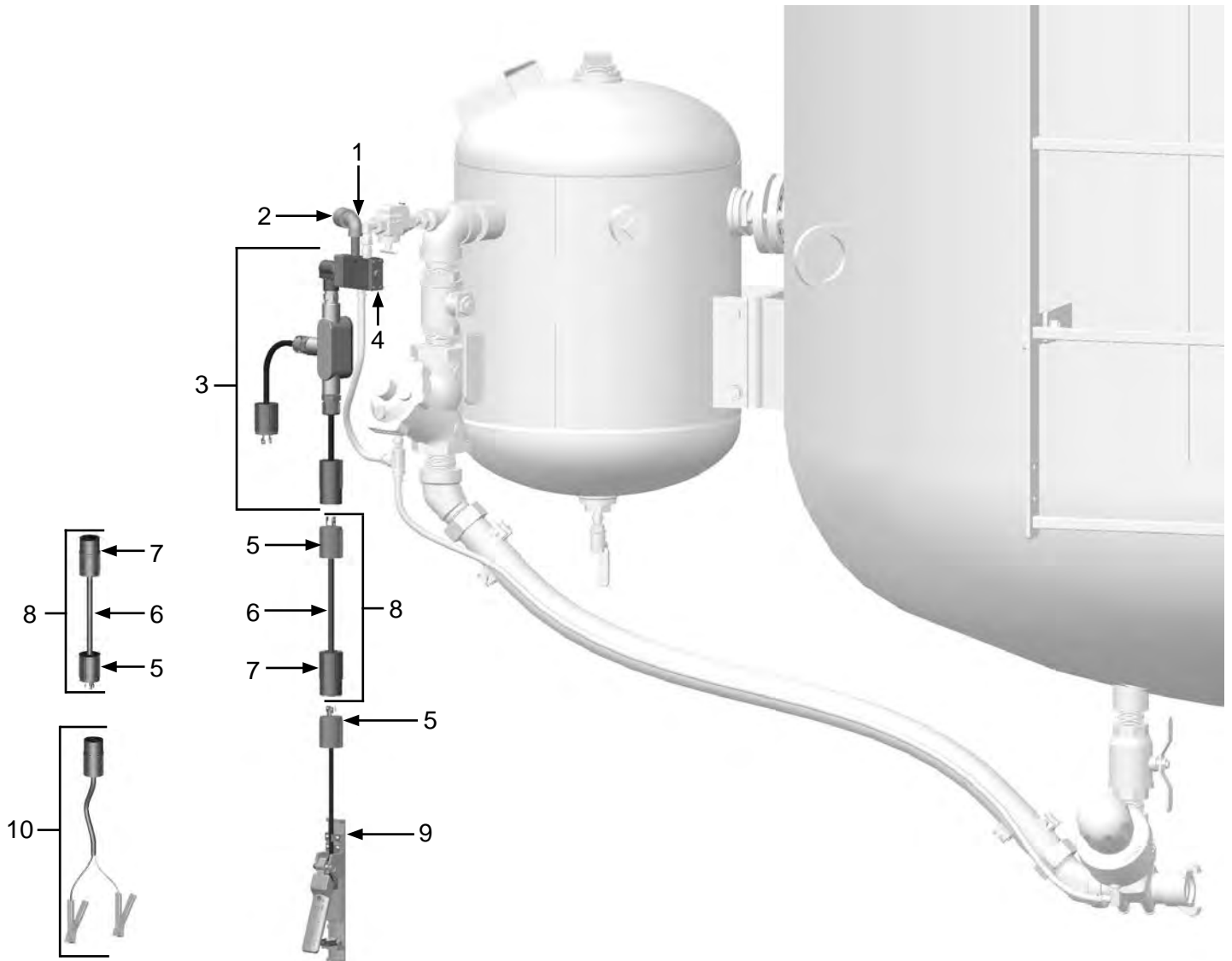
PART NUMBERS AND SCHEMATICS GUIDE

Pneumatic to 12-Volt DC Electric Conversion Kits – 120 Cu. Ft. and Larger Abrasive Blasting Pot

Item #	Part #	Description
Fig. 13	10106371	Pneumatic to 12-Volt DC Electric Conversion Kits – 1-Outlet Power Distribution Box
1	1011832	Galvanized 1/4" 90° Elbow
2	10DE025	1/4" Dust Eliminator
3	1019051	Blastmaster® 190 12-Volt DC Electric Control Assembly – Complete
4	1019010	12-Volt DC Electric Solenoid – Complete
5	1015555	3-Prong Twist-Lock Plug – Male
6	1015540	16/2 SJ Power Cord – Per Foot
7	1015556	3-Prong Twist-Lock Plug – Female
8	1015545	50' of 16/2 SO Power Cord with 3-Prong Twist-Lock Plugs Installed <i>(Includes Item #'s: 6, 7, and 8) (Two Required)</i>
9	1015100	Blastmaster® 151E Remote Control Switch
10	1015544	Battery Clamp Kit with 3-Prong Twist-Lock Plug Installed

PART NUMBERS AND SCHEMATICS GUIDE

Figure 13: Pneumatic to 12-Volt DC Electric Conversion Kits – 120 Cu. Ft. and Larger Abrasive Blasting Pot



PART NUMBERS AND SCHEMATICS GUIDE

Pneumatic to 12-Volt DC Electric Conversion Kits – 120 Cu. Ft. and Larger Abrasive Blasting Pot

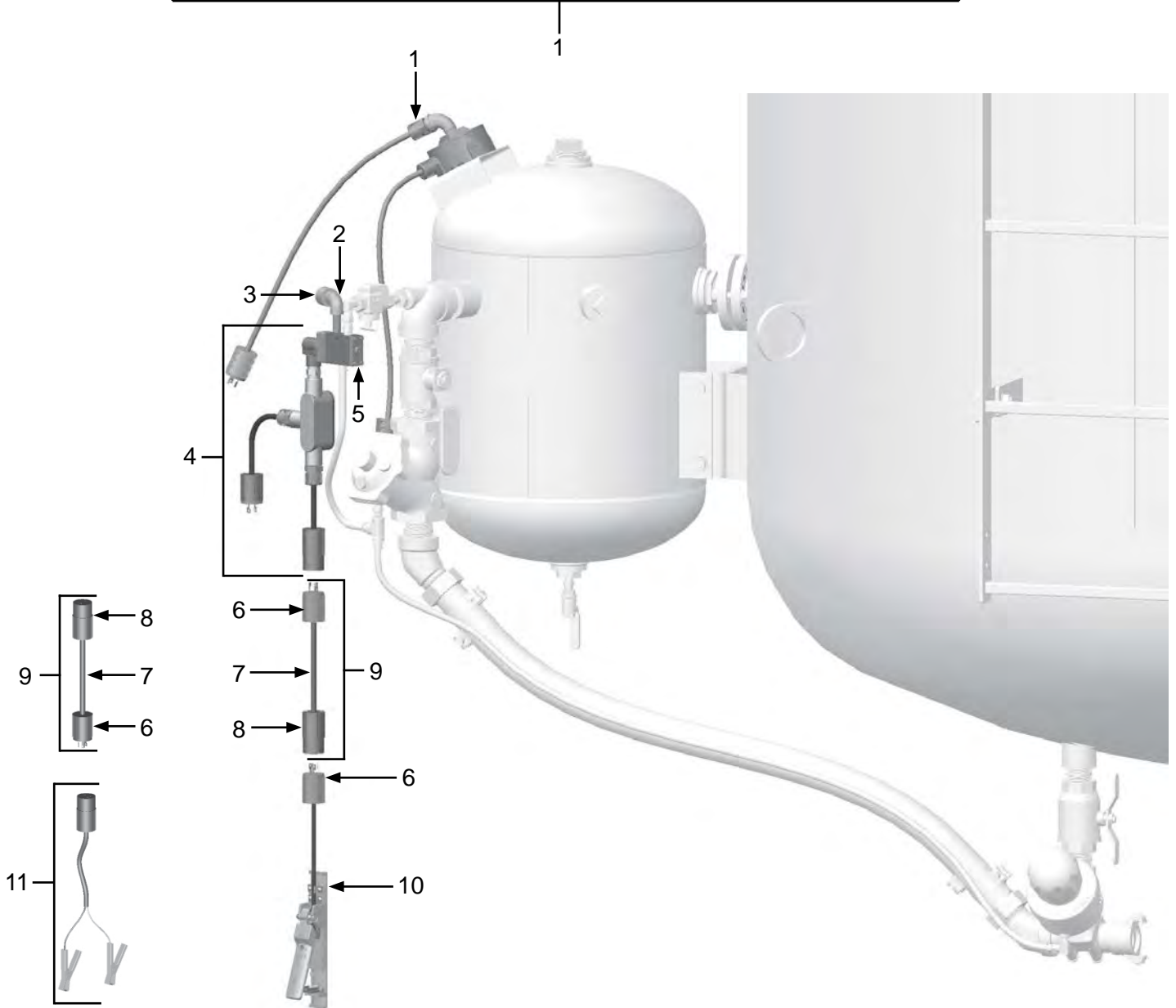
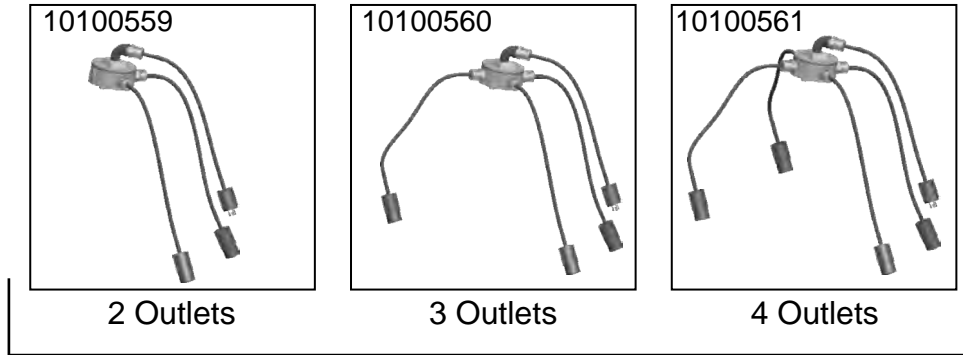
Item #	Part #	Description
Fig. 14	10104987	Pneumatic to 12-Volt DC Electric Conversion Kits – 2-Outlet Power Distribution Box
1	10100559	2-Outlet Power Distribution Box
2	1011832	Galvanized 1/4" 90° Elbow <i>(Two Required)</i>
3	10DE025	1/4" Dust Eliminator <i>(Two Required)</i>
4	1019051	Blastmaster® 190 12-Volt DC Electric Control Assembly – Complete
5	1019010	12-Volt DC Electric Solenoid – Complete <i>(Two Required)</i>
6	1015555	3-Prong Twist-Lock Plug – Male <i>(Two Required)</i>
7	1015540	16/2 SJ Power Cord – Per Foot
8	1015556	3-Prong Twist-Lock Plug – Female <i>(Two Required)</i>
9	1015545	50' of 16/2 SO Power Cord with 3-Prong Twist-Lock Plugs Installed <i>(Includes Item #'s: 6, 7, and 8) (Three Required)</i>
10	1015100	Blastmaster® 151E Remote Control Switch <i>(Two Required)</i>
11	1015544	Battery Clamp Kit with 3-Prong Twist-Lock Plug Installed <i>(Two Required)</i>

Item #	Part #	Description
Fig. 14	10104988	Pneumatic to 12-Volt DC Electric Conversion Kits – 3-Outlet Power Distribution Box
1	10100560	3-Outlet Power Distribution Box
2	1011832	Galvanized 1/4" 90° Elbow <i>(Three Required)</i>
3	10DE025	1/4" Dust Eliminator <i>(Three Required)</i>
4	1019051	Blastmaster® 190 12-Volt DC Electric Control Assembly – Complete
5	1019010	12-Volt DC Electric Solenoid – Complete <i>(Three Required)</i>
6	1015555	3-Prong Twist-Lock Plug – Male <i>(Three Required)</i>
7	1015540	16/2 SJ Power Cord – Per Foot
8	1015556	3-Prong Twist-Lock Plug – Female <i>(Three Required)</i>
9	1015545	50' of 16/2 SO Power Cord with 3-Prong Twist-Lock Plugs Installed <i>(Includes Item #'s: 6, 7, and 8) (Four Required)</i>
10	1015100	Blastmaster® 151E Remote Control Switch <i>(Three Required)</i>
11	1015544	Battery Clamp Kit with 3-Prong Twist-Lock Plug Installed <i>(Three Required)</i>

Item #	Part #	Description
Fig. 14	10104989	Pneumatic to 12-Volt DC Electric Conversion Kits – 4-Outlet Power Distribution Box
1	10100561	4-Outlet Power Distribution Box
2	1011832	Galvanized 1/4" 90° Elbow <i>(Four Required)</i>
3	10DE025	1/4" Dust Eliminator <i>(Four Required)</i>
4	1019051	Blastmaster® 190 12-Volt DC Electric Control Assembly – Complete
5	1019010	12-Volt DC Electric Solenoid – Complete <i>(Four Required)</i>
6	1015555	3-Prong Twist-Lock Plug – Male <i>(Four Required)</i>
7	1015540	16/2 SJ Power Cord – Per Foot
8	1015556	3-Prong Twist-Lock Plug – Female <i>(Four Required)</i>
9	1015545	50' of 16/2 SO Power Cord with 3-Prong Twist-Lock Plugs Installed <i>(Includes Item #'s: 6, 7, and 8) (Five Required)</i>
10	1015100	Blastmaster® 151E Remote Control Switch <i>(Four Required)</i>
11	1015544	Battery Clamp Kit with 3-Prong Twist-Lock Plug Installed <i>(Four Required)</i>

PART NUMBERS AND SCHEMATICS GUIDE

Figure 14: Pneumatic to 12-Volt DC Electric Conversion Kits – 120 Cu. Ft. and Larger Abrasive Blasting Pot



PART NUMBERS AND SCHEMATICS GUIDE

PNEUMATIC TO 120-VOLT AC ELECTRIC CONVERSION KITS – 120 CU. FT. AND LARGER ABRASIVE BLASTING POT

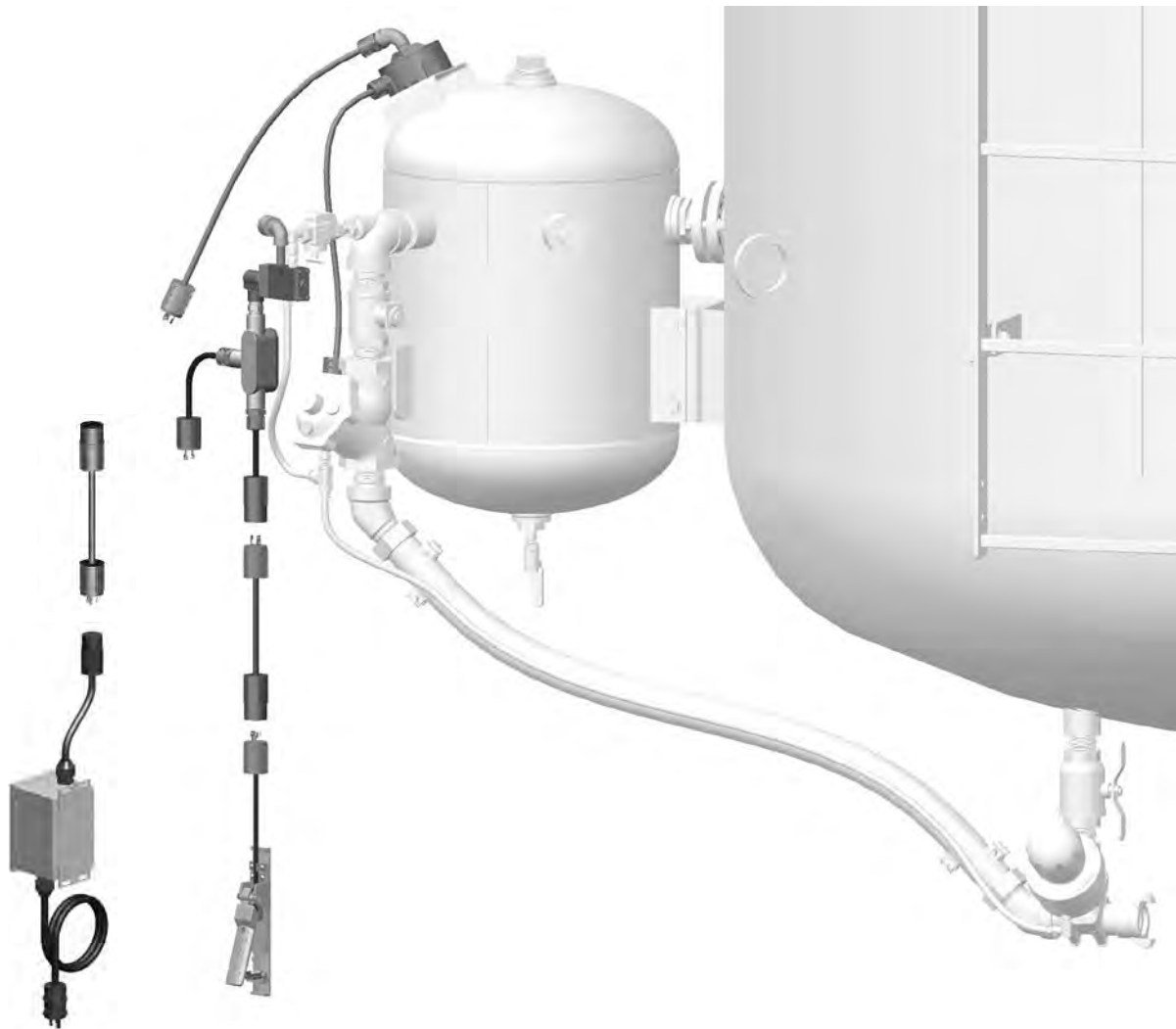
Part Numbers	Number of Bulk Pot Outlets	Blastmaster® 151E Remote Control Switch	Electric Control Line <i>(Includes Connectors)</i>	Power Cord <i>(Includes Connectors)</i>	Junction Box	120-Volt AC to 12-Volt AC Power Converter
10106372	1	X	50 Ft. <i>(Quantity of Two)</i>	25 Ft.		X
10105500	2	X <i>(Quantity of Two)</i>	50 Ft. <i>(Quantity of Three)</i>	25 Ft. <i>(Quantity of Two)</i>	X	X
10105501	3	X <i>(Quantity of Three)</i>	50 Ft. <i>(Quantity of Four)</i>	25 Ft. <i>(Quantity of Three)</i>	X	X
10105502	4	X <i>(Quantity of Four)</i>	50 Ft. <i>(Quantity of Five)</i>	25 Ft. <i>(Quantity of Four)</i>	X	X

For converting Pneumatic to 120-Volt AC Electric Conversion Kits

Includes: Junction Box, Control Line, Blastmaster® 151E Remote Control Switch, and Power Converter

Note that due to the wide variety of blast pots you may need to purchase additional fittings, bushing, etc.

PART NUMBERS AND SCHEMATICS GUIDE



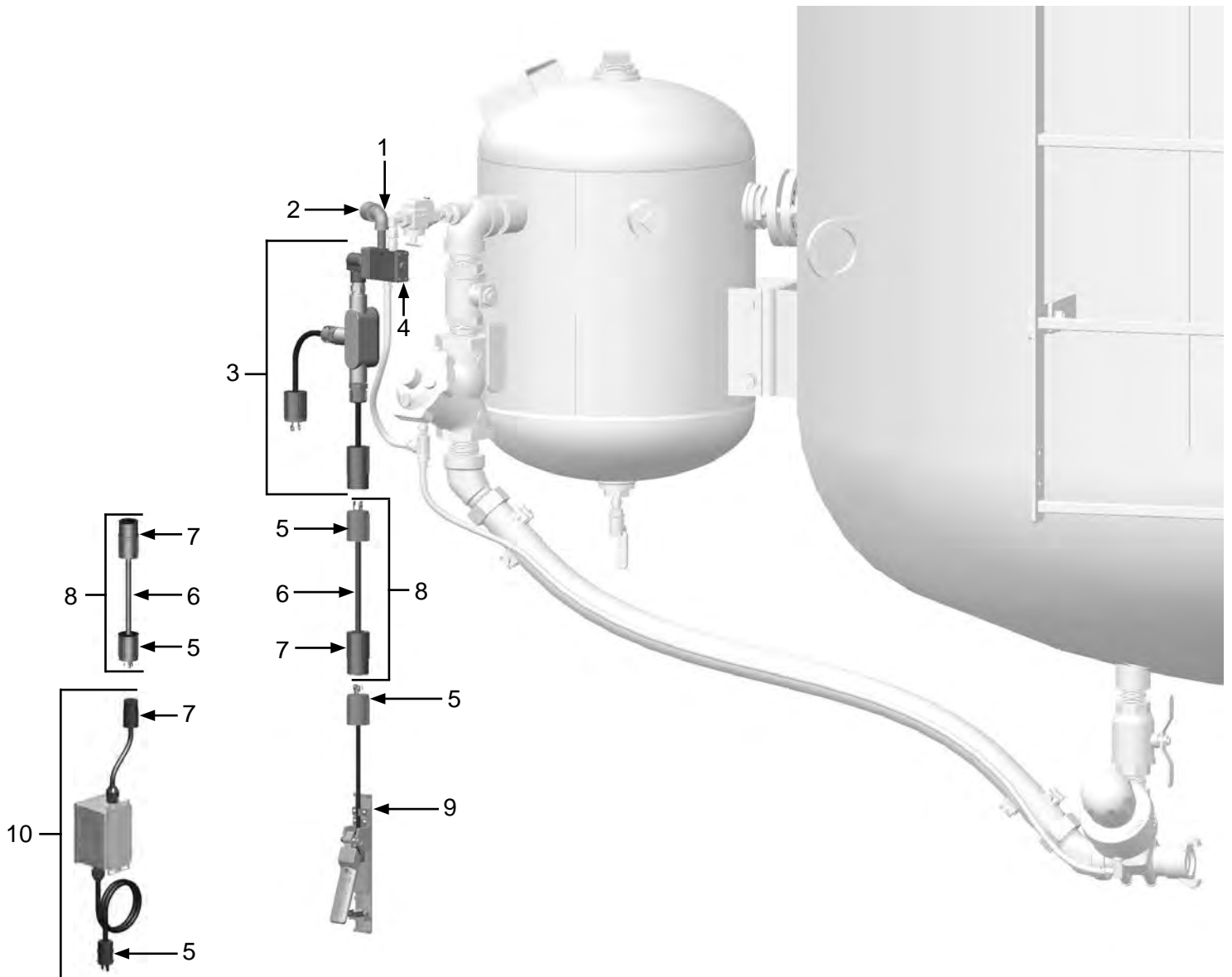
PART NUMBERS AND SCHEMATICS GUIDE

Pneumatic to 120-Volt AC Electric Conversion Kits – 120 Cu. Ft. and Larger Abrasive Blasting Pot

Item #	Part #	Description
Fig. 15	10106372	Pneumatic to 120-Volt AC Electric Conversion Kits – 1-Outlet Power Distribution Box
1	1011832	Galvanized 1/4" 90° Elbow
2	10DE025	1/4" Dust Eliminator
3	1019052	Blastmaster® 190 12-Volt AC Electric Control Assembly – Complete
4	1019011	12-Volt AC Electric Solenoid – Complete
5	1015555	3-Prong Twist-Lock Plug – Male
6	1015540	16/2 SJ Power Cord – Per Foot
7	1015556	3-Prong Twist-Lock Plug – Female
8	1015545	50' of 16/2 SO Power Cord with 3-Prong Twist-Lock Plugs Installed <i>(Includes Item #'s: 5, 6, and 7) (Two Required)</i>
9	1015100	Blastmaster® 151E Remote Control Switch
10	10100713	120-Volt AC to 12-Volt AC Power Converter <i>(Includes Item #'s: 5 and 7)</i>

PART NUMBERS AND SCHEMATICS GUIDE

Figure 15: Pneumatic to 120-Volt AC Electric Conversion Kits – 120 Cu. Ft. and Larger Abrasive Blasting Pot



PART NUMBERS AND SCHEMATICS GUIDE

Pneumatic to 120-Volt AC Electric Conversion Kits – 120 Cu. Ft. and Larger Abrasive Blasting Pot

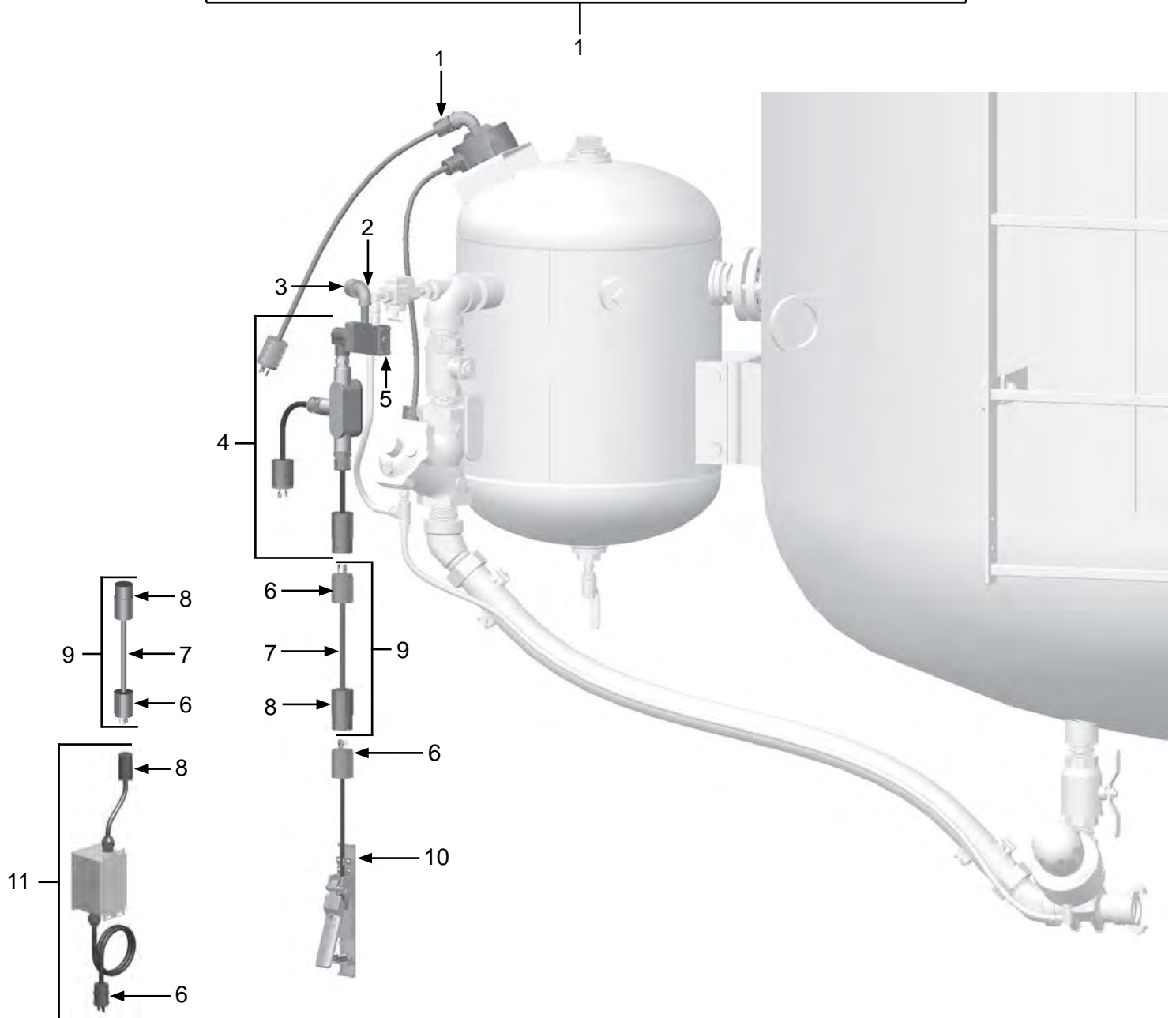
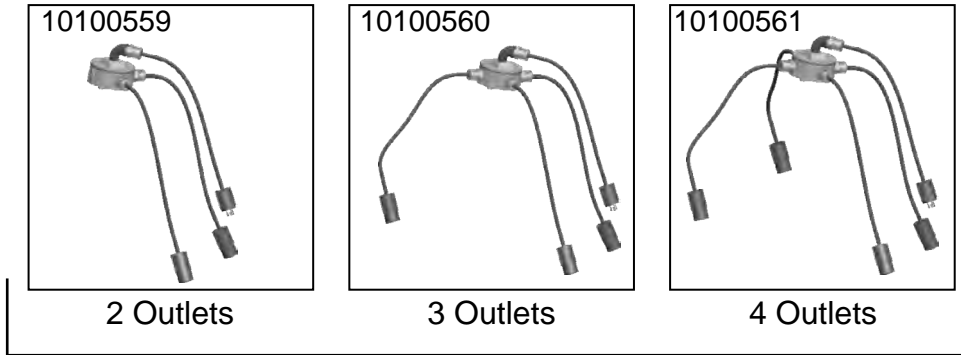
Item #	Part #	Description
Fig. 16	10105500	Pneumatic to 120-Volt AC Electric Conversion Kits – 2-Outlet Power Distribution Box
1	10100559	2-Outlet Power Distribution Box
2	1011832	Galvanized 1/4" 90° Elbow <i>(Two Required)</i>
3	10DE025	1/4" Dust Eliminator <i>(Two Required)</i>
4	1019052	Blastmaster® 190 12-Volt AC Electric Control Assembly – Complete
5	1019011	12-Volt AC Electric Solenoid – Complete <i>(Two Required)</i>
6	1015555	3-Prong Twist-Lock Plug – Male <i>(Two Required)</i>
7	1015540	16/2 SJ Power Cord – Per Foot
8	1015556	3-Prong Twist-Lock Plug – Female <i>(Two Required)</i>
9	1015545	50' of 16/2 SO Power Cord with 3-Prong Twist-Lock Plugs Installed <i>(Includes Item #'s: 6, 7, and 8) (Three Required)</i>
10	1015100	Blastmaster® 151E Remote Control Switch <i>(Two Required)</i>
11	10100713	120-Volt AC to 12-Volt AC Power Converter <i>(Includes Item #'s: 6 and 8)</i>

Item #	Part #	Description
Fig. 16	10105501	Pneumatic to 120-Volt AC Electric Conversion Kits – 3-Outlet Power Distribution Box
1	10100560	3-Outlet Power Distribution Box
2	1011832	Galvanized 1/4" 90° Elbow <i>(Three Required)</i>
3	10DE025	1/4" Dust Eliminator <i>(Three Required)</i>
4	1019052	Blastmaster® 190 12-Volt AC Electric Control Assembly – Complete
5	1019011	12-Volt AC Electric Solenoid – Complete <i>(Three Required)</i>
6	1015555	3-Prong Twist-Lock Plug – Male <i>(Three Required)</i>
7	1015540	16/2 SJ Power Cord – Per Foot
8	1015556	3-Prong Twist-Lock Plug – Female <i>(Three Required)</i>
9	1015545	50' of 16/2 SO Power Cord with 3-Prong Twist-Lock Plugs Installed <i>(Includes Item #'s: 6, 7, and 8) (Four Required)</i>
10	1015100	Blastmaster® 151E Remote Control Switch <i>(Three Required)</i>
11	10100713	120-Volt AC to 12-Volt AC Power Converter <i>(Includes Item #'s: 6 and 8)</i>

Item #	Part #	Description
Fig. 16	10105502	Pneumatic to 120-Volt AC Electric Conversion Kits – 4-Outlet Power Distribution Box
1	10100561	4-Outlet Power Distribution Box
2	1011832	Galvanized 1/4" 90° Elbow <i>(Four Required)</i>
3	10DE025	1/4" Dust Eliminator <i>(Four Required)</i>
4	1019052	Blastmaster® 190 12-Volt AC Electric Control Assembly – Complete
5	1019011	12-Volt AC Electric Solenoid – Complete <i>(Four Required)</i>
6	1015555	3-Prong Twist-Lock Plug – Male <i>(Four Required)</i>
7	1015540	16/2 SJ Power Cord – Per Foot
8	1015556	3-Prong Twist-Lock Plug – Female <i>(Four Required)</i>
9	1015545	50' of 16/2 SO Power Cord with 3-Prong Twist-Lock Plugs Installed <i>(Includes Item #'s: 6, 7, and 8) (Five Required)</i>
10	1015100	Blastmaster® 151E Remote Control Switch <i>(Four Required)</i>
11	10100713	120-Volt AC to 12-Volt AC Power Converter <i>(Includes Item #'s: 6 and 8)</i>

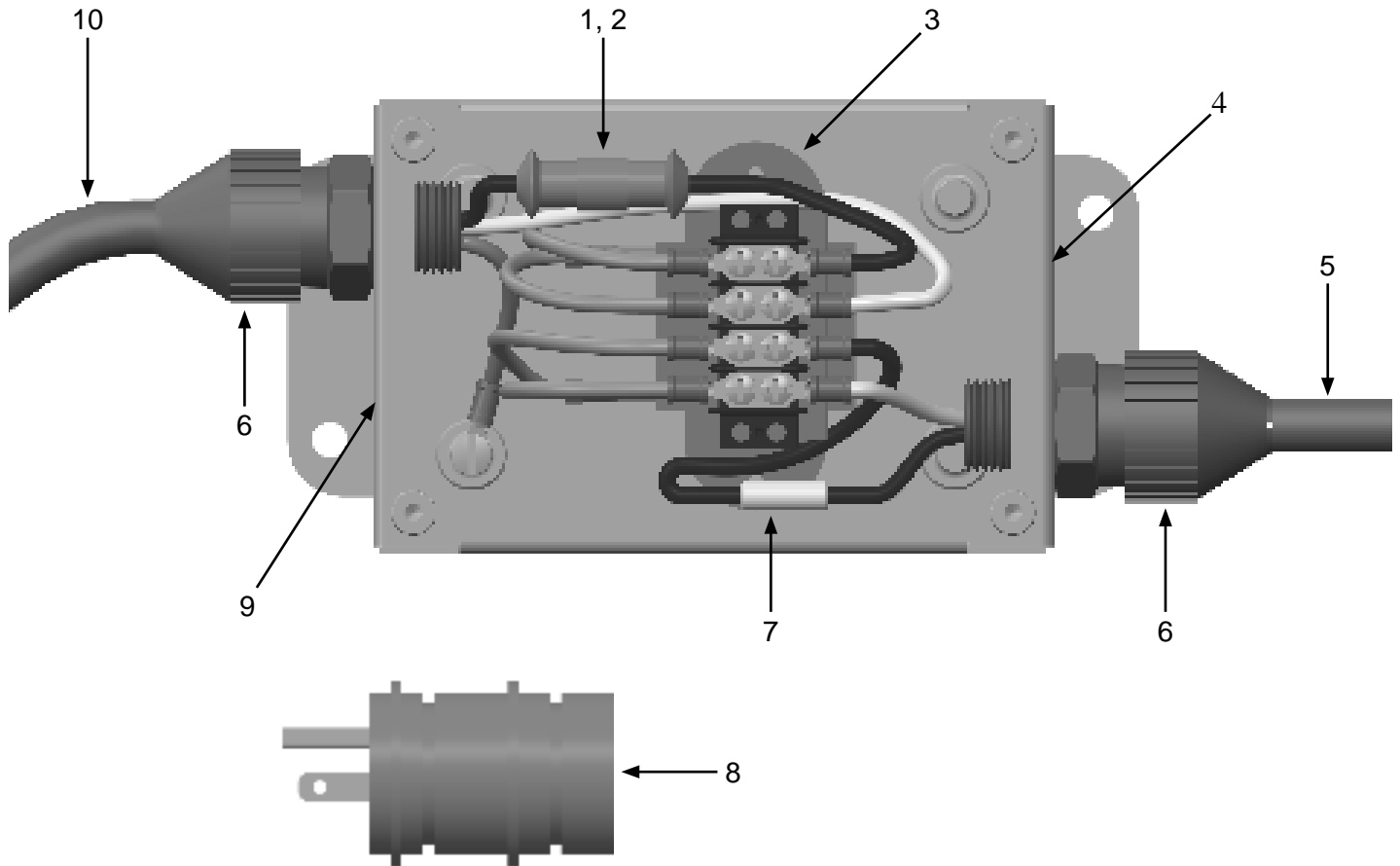
PART NUMBERS AND SCHEMATICS GUIDE

Figure 16: Pneumatic to 120-Volt AC Electric Conversion Kits – 120 Cu. Ft. and Larger Abrasive Blasting Pot



OPTIONAL ACCESSORIES

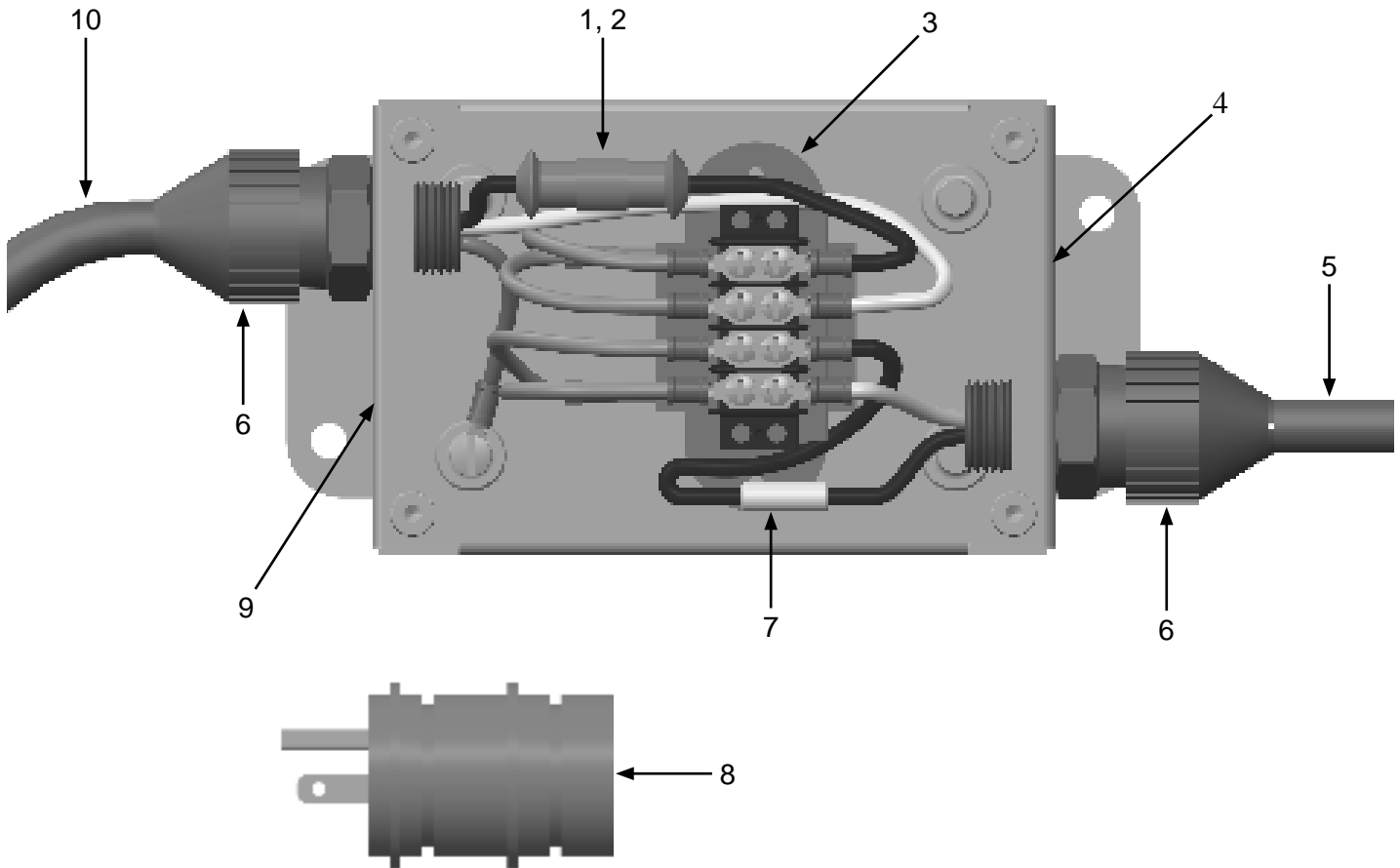
Figure 17: Blastmaster® 120-Volt AC to 12-Volt AC Power Converter For Single-Outlet Configurations



Item #	Part #	Description
Fig. 17		
—	1030020	Blastmaster® 120-Volt AC to 12-Volt AC Power Converter – For Single-Outlet Configurations
1	1030024	2 Amp Fuse
2	1030023	In-Line Fuse Holder
3	1030022	Transformer – Blastmaster® 120-Volt AC to 12-Volt AC Power Converter
4	1091067	Power-Out Decal <i>(Not Shown)</i>
5	1030013	14/2 SEOW Electric Cord <i>(Per Foot)</i>
6	1030025	Strain Relief <i>(Two Required)</i>
7	1030021	Resistor
8	1030026	3-Prong, 120-Volt AC Plug – Male
9	1092014	Power-In Decal <i>(Not Shown)</i>
10	1015550	14/3 SEOW Electrical Cord <i>(Per Foot)</i>
—	1091063	Hazard Identification Decal

OPTIONAL ACCESSORIES

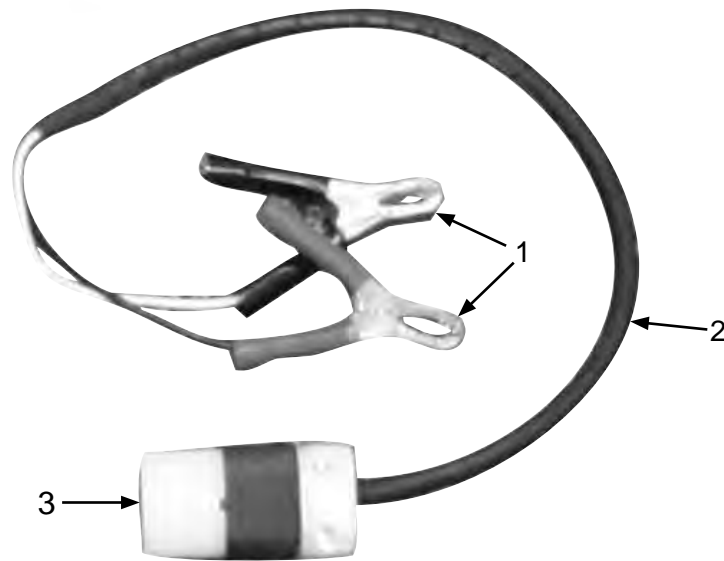
Figure 18: Blastmaster® 120-Volt AC to 12-Volt AC Power Converter For Multiple Outlet Configurations



Item #	Part #	Description
Fig. 18		
—	10100713	Blastmaster® 120-Volt AC to 12-Volt AC Power Converter – For Multiple Outlet Configurations
1	1030123	3 Amp Fuse
2	1030023	In-Line Fuse Holder
3	1030022	Transformer – Blastmaster® 120-Volt AC to 12-Volt AC Power Converter
4	1091067	Power-Out Decal <i>(Not Shown)</i>
5	1030013	14/2 SEOW Power Cord <i>(Per Foot)</i>
6	1030025	Strain Relief <i>(Two Required)</i>
7	1030021	Resistor
8	1030026	3-Prong, 120-Volt AC Plug – Male
9	1092014	Power-In Decal <i>(Not Shown)</i>
10	1015550	14/3 SEOW Electrical Cord <i>(Per Foot)</i>
—	1091063	Hazard Identification Decal

OPTIONAL ACCESSORIES

Figure 19: Battery Clamp Kit with 3-Prong Twist-Lock Plug Installed



Item #	Part #	Description
--------	--------	-------------

Fig. 19

—	1015544	Battery Clamp Kit with 3-Prong Twist-Lock Plug Installed
1	1030718	Battery Clamps – Pair
2	1015540	16/2 SJ Electric Cord (<i>Per Foot</i>)
3	1015556	3-Prong Twist-Lock Plug – Female

OPTIONAL ACCESSORIES









Part Numbers

ELECTRIC CORD

	Gauge	# of Wires	Type	Length
1015540	16	2	SJEOOW	Per Foot
1015701	16	3	SJEOOW	Per Foot
1030013	14	2	SEOOW	Per Foot
1015550	14	3	SEOOW	Per Foot
1015554	14	4	SEOOW	Per Foot
1015570	12	2	SOOW	Per Foot
1015571	12	3	SJEOOW	Per Foot
1015581	10	3	SEOOW	Per Foot
1015580	10	4	SEOOW	Per Foot
1015591	8	3	SEOOW	Per Foot
1015590	8	4	SEOOW	Per Foot
1015595	6	3	SEOOW	Per Foot

OPTIONAL ACCESSORIES

		ELECTRIC CONTROL LINE WITH PLUGS				
	Part Numbers	Gauge	# of Wires	3-Prong Male Twist-Lock Plug	3-Prong Female Twist-Lock Plug	Length
	1015546	16	2	1015555	1015556	25 Feet
	1015545	16	2	1015555	1015556	50 Feet
	1015547	16	2	1015555	1015556	100 Feet

		ELECTRIC CONTROL LINE PLUGS	
	Part Numbers	Prong Style	Plug Style
	1015555	3-Prong Male	Twist-Lock
	1015556	3-Prong Female	Twist-Lock
	1030026	3-Prong Male	Standard

LITERATURE REFERENCES

Remote Control System

105M087	Features and Specifications Guide – Blastmaster® 130E Remote Control System
106M087	Part Numbers and Schematics Guide – Blastmaster® 130E Remote Control System
106M423	Part Numbers and Schematics Guide – Blastmaster® GateKeeper Air Valve
1090087	Operator's Manual – Blastmaster® 130E Remote Control System

Remote Control Switch

105M063	Features and Specifications Guide – Blastmaster® 151E Remote Control Switch
106M063	Part Numbers and Schematics Guide – Blastmaster® 151E Remote Control Switch
1090063	Operator's Manual – Blastmaster® 151E Remote Control Switch

Abrasive Metering Valve

105M069	Features and Specifications Guide – Blastmaster® Maxum III Abrasive Metering Valve
106M069	Part Numbers and Schematics Guide – Blastmaster® Maxum III Abrasive Metering Valve
1090069	Operator's Manual – Blastmaster® Maxum III Abrasive Metering Valve

Abrasive Blasting Pot Muffler

105M347	Features and Specifications Guide – Abrasive Blasting Pot Muffler
106M347	Part Numbers and Schematics Guide – Abrasive Blasting Pot Muffler

PART NUMBERS

BLASTMASTER® 130P REMOTE CONTROL SYSTEM							
Part Number	1-1/2" High-Flow GateKeeper Air Valve	1-1/2" GateKeeper Air Valve	Pneumatic Solenoid	Remote Control Switch	55 Feet of Pneumatic Control Line – Coupled	9 Feet of Push-On Air Hose	Watts Strainer
10103834	1013600	—	1019000	1015200	1016000	10AH025	10WS
10105797	—	1013200	1019000	1015200	1016000	10AH025	10WS

BLASTMASTER® 130P REMOTE CONTROL SYSTEM



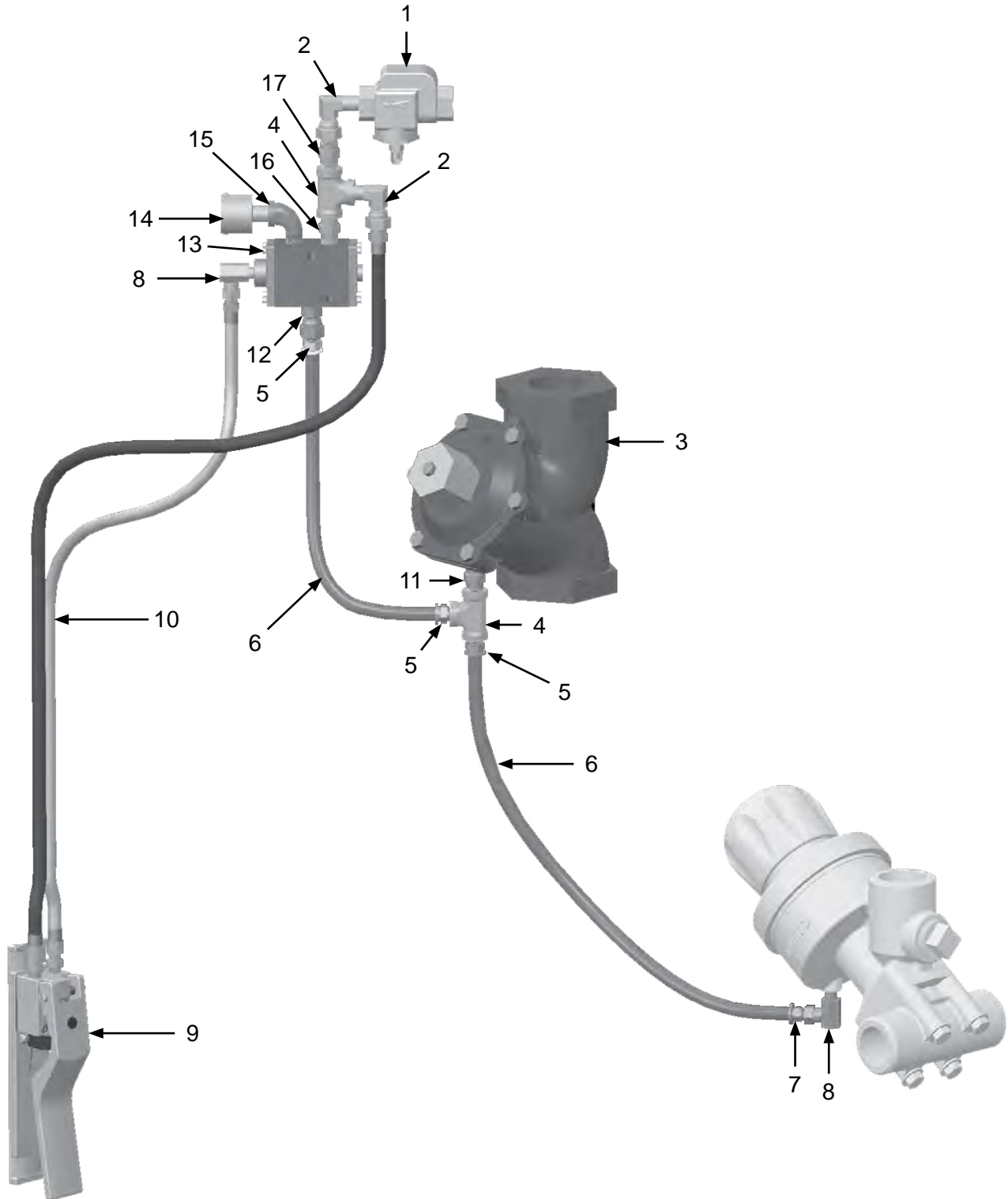
PART NUMBERS & SCHEMATICS

Blastmaster® 130P Remote Control System

Item #	Part #	Description
Fig. 1		
—	10103834	Blastmaster® 130P Remote Control System, High-Flow GateKeeper — Complete
—	10105797	Blastmaster® 130P Remote Control System, GateKeeper — Complete
1	10WS	Watts Strainer
2	1012326	1/4" Swivel 90° Fitting (<i>Two Required</i>)
3	1013600	1-1/2" NPT High-Flow GateKeeper Air Valve
—	1013200	1-1/2" GateKeeper Air Valve
4	1011844	1/4" NPT Pipe Tee (<i>Two Required</i>)
5	10PAF025	1/4" Push-On Hose Fitting (<i>Three Required</i>)
6	10AH025	1/4" Push-On Air Hose (<i>Per Foot</i>)
7	10PAF0125	1/8" Push-On Air Hose Fitting
8	1014239	1/8" 90° Swivel Fitting (<i>Two Required</i>)
9	1015200	Blastmaster® 152P Remote Control Switch
10	1016000	55 ft. of Pneumatic Control Line with 1/4" & 1/8" Male and Female Fittings
11	1017019	1/4" NPT x 1/4" NPT Hex Nipple (<i>For Use with 1-1/2" High Flow GateKeeper</i>)
—	10PVFIT1	1/4" x 1/8" Hex Union (<i>For Use with 1-1/2" GateKeeper</i>)
12	10SME025	1/4" Straight Swivel
13	1019000	190 Pneumatic Solenoid
14	10DE025	1/4" NPT Dust Eliminator
15	1011824	1/4" Street Elbow
16	1017019	1/4" NPT Hex Nipple (<i>Two Required</i>)
—	105M085	Features, Advantages, & Benefits Guide — Blastmaster® 130P Remote Control System
—	106M085	Part Numbers & Schematics Guide — Blastmaster® 130P Remote Control System
—	1090085	Operator's Manual — Blastmaster® 130P Remote Control System
—	105M068	Features, Advantages, & Benefits Guide — Blastmaster® 152P Remote Control Switch
—	106M068	Part Numbers & Schematics Guide — Blastmaster® 152P Remote Control Switch
—	1090068	Operator's Manual — Blastmaster® 152P Remote Control Switch

PART NUMBERS & SCHEMATICS

Figure 1: Blastmaster® 130P Remote Control System



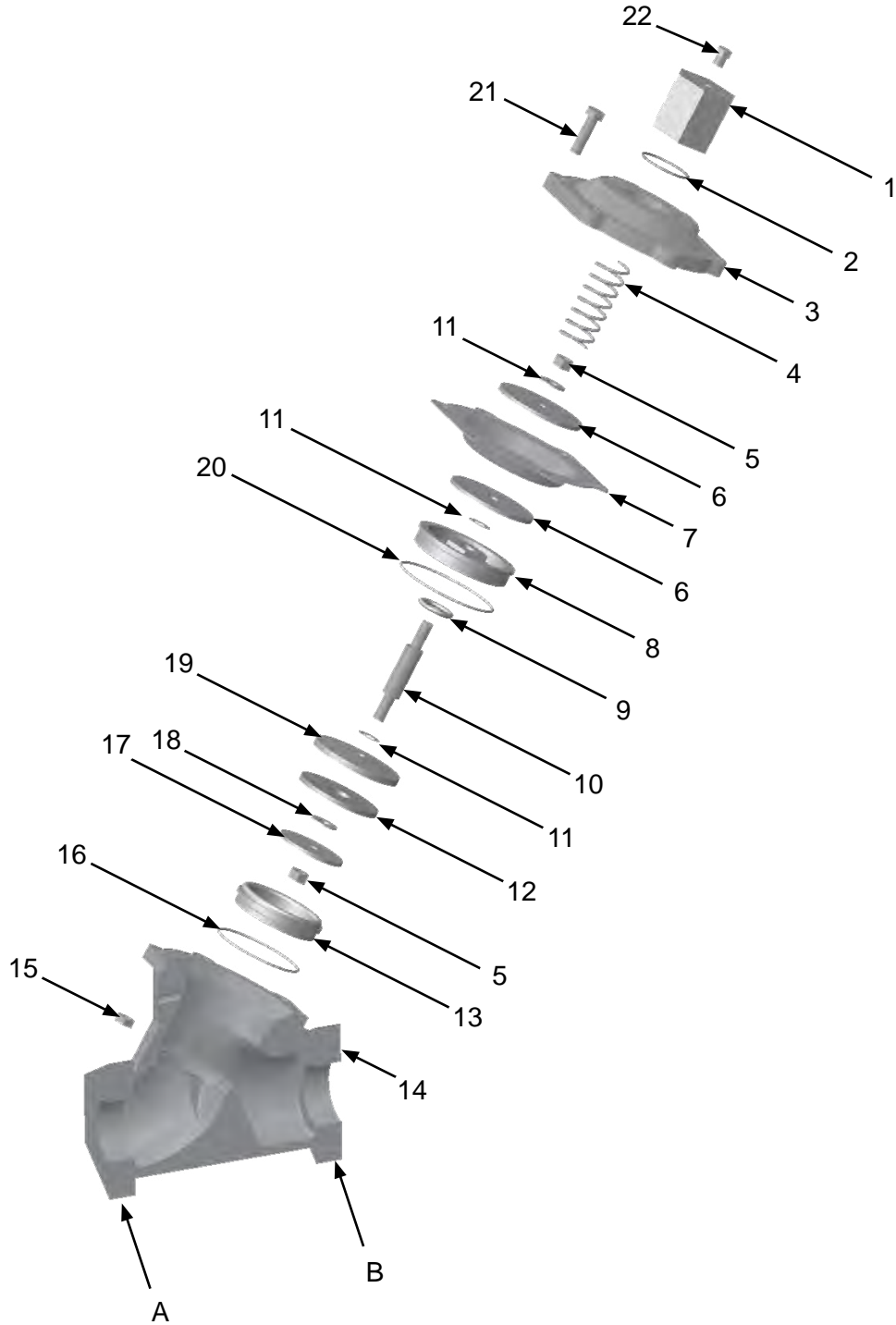
PART NUMBERS & SCHEMATICS

1-1/2" NPT High-Flow GateKeeper Air Valve

Item #	Part #	Description
Fig. 2		
—	1013600	1 1/2" NPT High-Flow GateKeeper Air Valve
1	1013322	Spring Retainer
2	1013326	O-ring
3	1013312	Cap
4	1013323	Spring
5	1013313	Lock Nut
6	1013315	<i>Diaphragm Plate (two required)</i>
7	1013303	Diaphragm
8	1013305	Retainer Bushing
9	1013306	O-ring
10	1013318	Shaft
11	1013302	<i>Gasket (two required)</i>
12	1013320	Disc
13	1013311	Lock Nut
13	1013309	Seat
14	1013328	Body
15	1013316	<i>Nut (six required)</i>
16	1013308	Seat O-Ring
17	1013310	Disc Plate
18	1013327	Brass Washer
19	1013307	Disc Retainer
20	1013304	O-ring
21	1013314	<i>Cap Screw (six required)</i>
22	1012905	1/8" Breather Muffler
A	1091050	Sticker - Air Outlet
B	1091051	Sticker - Air Inlet
—	1013301	1 1/2" NPT High-flow GateKeeper Air Valve Service Kit (Includes Item #'s: 5, 7, 9, 11, 12, 17, and 20)

PART NUMBERS & SCHEMATICS

Figure 2: 1-1/2" NPT High-flow GateKeeper Air Valve



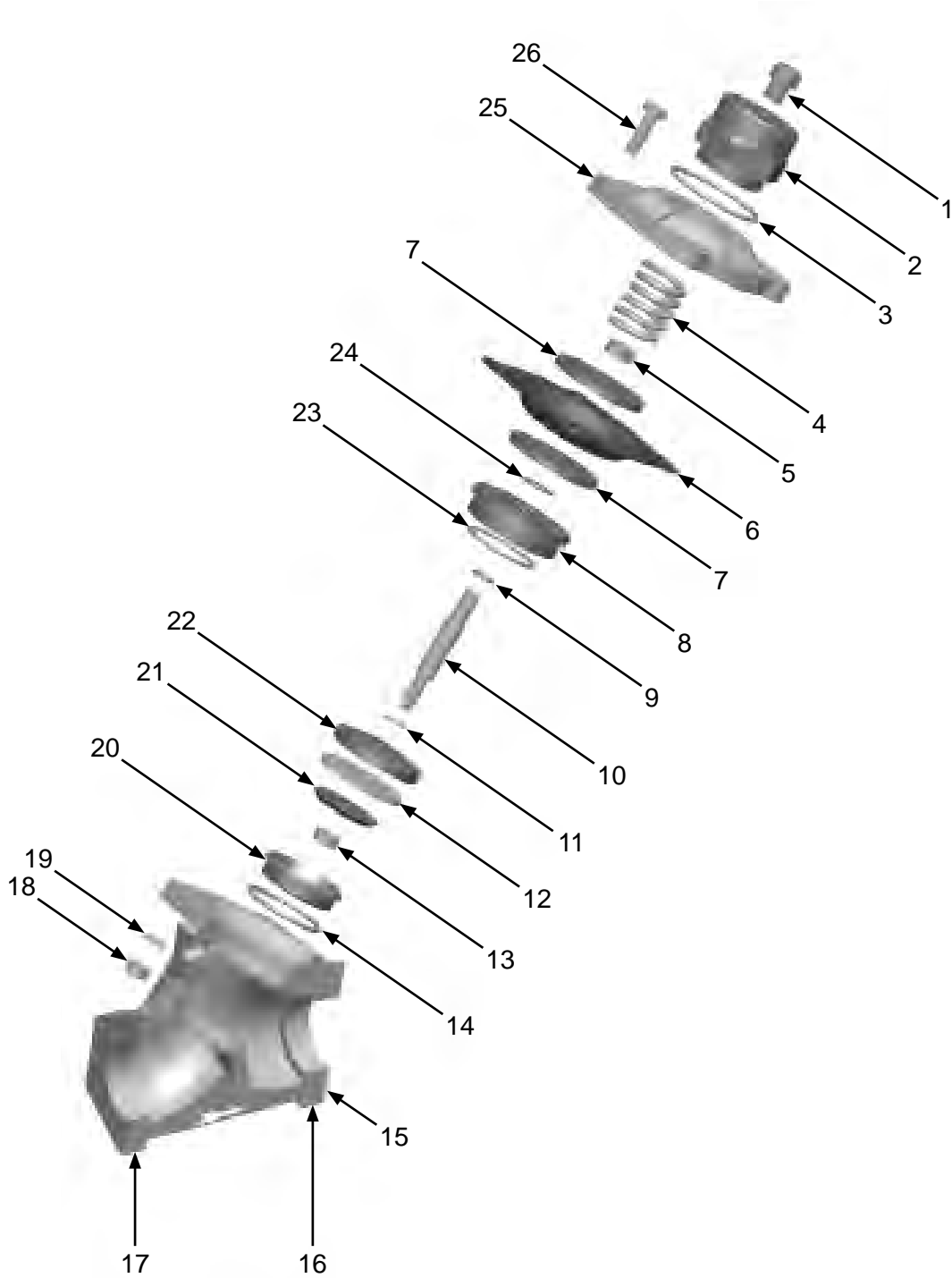
PART NUMBERS & SCHEMATICS

1-1/2" GateKeeper Air Valve

Item #	Part #	Description
Fig. 10		
—	1013200	1-1/2" GateKeeper Air Valve – Complete
1	1012905	1/8" Breather Muffler
2	1013122	Spring Retainer
3	1013121	Spring Retainer O-ring
4	1013123	Spring
5	1013113	5/16–24 Lock Nut
6	1013103	Diaphragm
7	1013115	Diaphragm Plate <i>(Two Required)</i>
8	1013105	Retainer Bushing
9	1013106	Retainer Bushing O-ring
10	1013118	Shaft
11	1013119	Shaft Gasket
12	1013120	Disc
13	1013111	Lock Nut
14	1013108	Seat O-ring
15	1013202	Body – 1-1/2" GateKeeper Air Valve
16	1091050	Sticker – AIR INLET
17	1091051	Sticker – AIR OUTLET
18	1013116	Lock Nut <i>(Four Required)</i>
19	1012153	Lock Washer <i>(Four Required)</i>
20	1013109	Seat
21	1013110	Disc Plate
22	1013107	Disc Retainer
23	1013104	O-ring
24	1013102	Gasket
25	1013112	Cap
26	1013114	Bolt <i>(Four Required)</i>
—	1013101	1-1/2" GateKeeper Air Valve Repair Kit <i>(Includes Item #'s: 5, 6, 11–14, 20, 23, and 24)</i>
—	1013124	Seat Tool
—	1013125	Retainer Bushing Tool
—	106M423	Part Numbers and Schematics Guide – GateKeeper Air Valves
—	1090011	Operator's Manual – Blastmaster® 130E Remote Control System

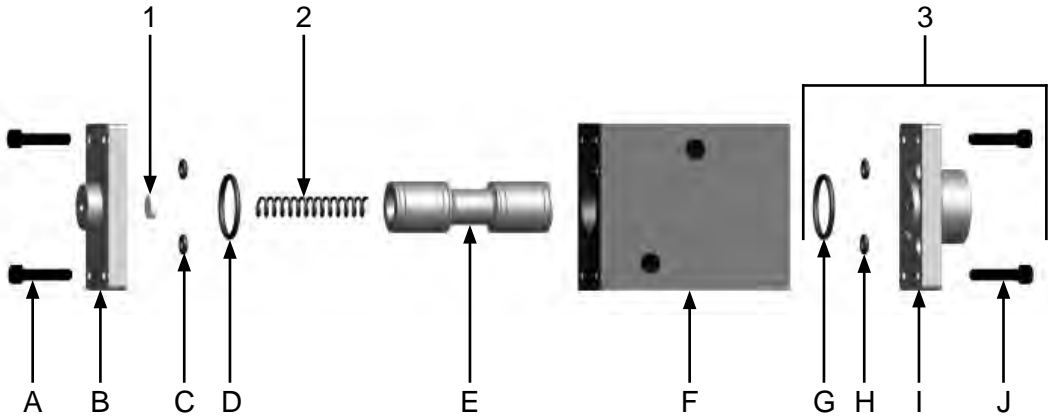
PART NUMBERS & SCHEMATICS

Figure 10: 1-1/2" GateKeeper Air Valve



PART NUMBERS & SCHEMATICS

Figure 3: 190 Pneumatic Solenoid

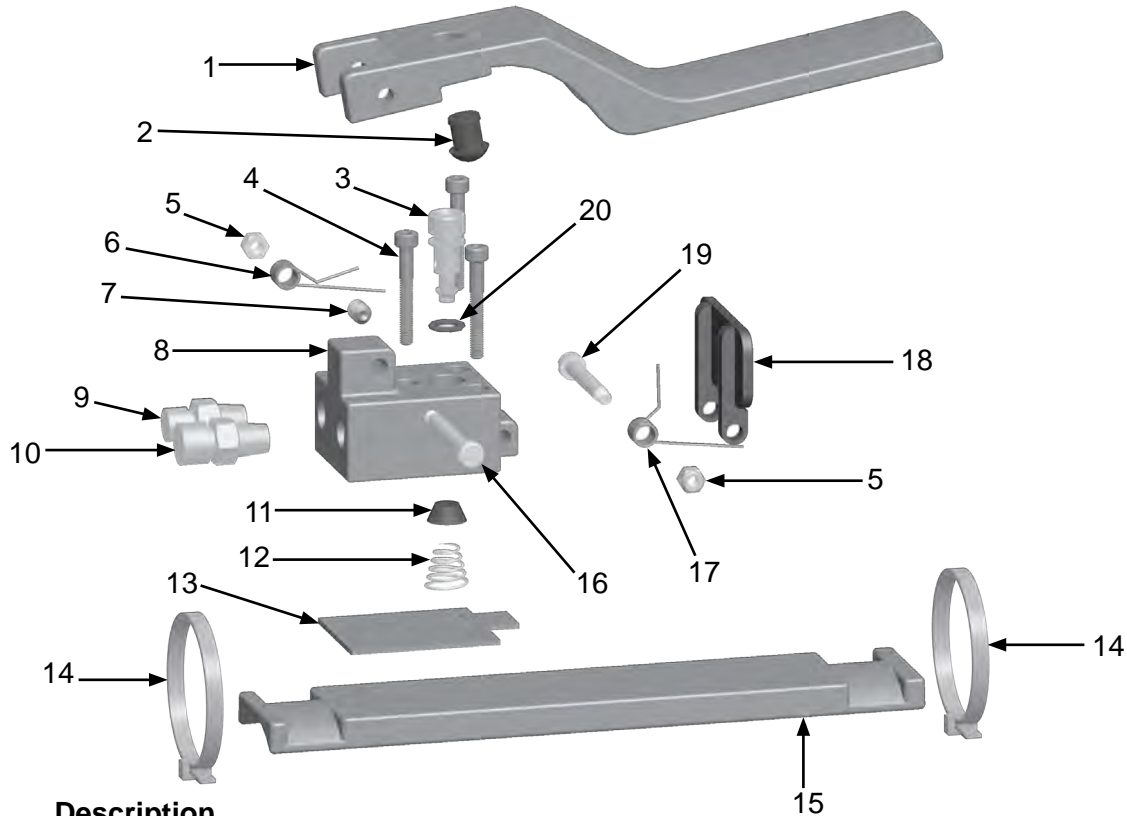


Item #	Part #	Description
Fig. 3		
—	1019000	190 Pneumatic Solenoid – Normally-Closed – Complete
1	1019029	Felt Filter
2	1019032	Spring
3	1019027	Pneumatic Solenoid Operator Assembly (Includes Items: G, H, I, and J)
4	1019028	Pneumatic Solenoid Service Kit (Includes Items: #1, #2, C, D, E, G, and H)

* Items A–J are not available individually





PART NUMBERS & SCHEMATICS

Figure 4: Blastmaster® 152P Remote Control Switch














Item #	Part #	Description
Fig. 4		
—	1015200	Blastmaster® 152P Remote Control Switch – Complete
1	10102171	Handle
2	10102181	Button Bumper
3	10102175	Air Valve Stem
4	10102178	M4 x 30 Socket Head Cap Screw <i>(Three Required)</i>
5	10102184	M4 Lock Nut <i>(Two Required)</i>
6	10102179	Spring
7	10102182	M6 Set Screw
8	10102172	Manifold
9	10102187	1/8" NPSL x 1/8" NPT Fitting
10	10102186	1/4" NPSL x 1/8" NPT Fitting
11	10102176	Air Valve Packing
12	10102183	Valve Stem Spring
13	10102173	Manifold Gasket
14	1015015	Nylon Zip Tie – White <i>(Two Required)</i>
15	10102170	Base Plate
16	10102180	M4 x 48.9 Shoulder Screw
17	10102241	Safety Tab Spring
18	10102174	Safety Tab
19	10102185	M4 x 42 Shoulder Screw
20	10102177	O-Ring
—	10102169	Blastmaster® 152P Remote Control Switch Repair Kit <i>(Includes Item #'s: one each of 3, 7, 8, 11, 12, 20; two each of 15)</i>
—	105M068	Features and Specifications Guide – Blastmaster® 152P Remote Control Switch
—	106M068	Part Numbers and Schematics Guide – Blastmaster® 152P Remote Control Switch
—	1090068	Operator's Manual – Blastmaster® 152P Remote Control Switch
—	1091045	Hazard Identification Tag

OPTIONAL ACCESSORIES

		PNEUMATIC CONTROL LINE							
		Hose Length	Working Pressure	Hose I.D.	Hose O.D.	1017012	1017013	1017014	1017015
Part Numbers									
	1016002	7 Feet	200 psi	3/16"	7/16"	X	X	X	X
	1016000	55 Feet	200 psi	3/16"	7/16"	X	X	X	X
	1016001	110 Feet	200 psi	3/16"	7/16"	X	X	X	X
	10TLBK	Per Foot	200 psi	3/16"	7/16"				

OPTIONAL ACCESSORIES

		1/4" AND 1/8" NPT PNEUMATIC CONTROL LINE FITTINGS		
	Part Numbers	Description	Hose I.D.	Hose O.D.
	1017012	1/8" Female Nut & Barb	3/16"	7/16"
	1017013	1/4" Female Nut & Barb	3/16"	7/16"
	1017014	1/8" Male Threaded Barb	3/16"	7/16"
	1017015	1/4" Male Threaded Barb	3/16"	7/16"
	1017010	Hose Splicer	3/16"	7/16"
	1017017	Hose Ferrule	3/16"	7/16"
	1017011	Oetiker® Clamp	3/16"	7/16"
	1017018	1/8" x 1/8" Hex Nipple	3/16"	7/16"
	1017019	1/4" x 1/4" Hex Nipple	3/16"	7/16"

	Part Numbers	PNEUMATIC CONTROL LINE FITTINGS ACCESSORIES		
	10DX855A	Ferrule Crimping Tool		
	10DX1098	Oetiker® Clamp Tool		

Oetiker® is a registered trademark of Dixon Valve & Coupling Co.

PART NUMBERS AND SCHEMATICS GUIDE

PNEUMATIC REMOTE CONTROL SYSTEM KITS – 3.5 CU. FT. AND SMALLER

Part Numbers	Blastmaster® 1-1/2" Maxum III Abrasive Metering Valve		GateKeeper Air Valve	Blastmaster® 152P Remote Control Switch	Twinline	Pusher Line Assembly	Abrasive Blasting Pot Muffler
	Urethane	Tungsten Carbide					
10105506	X		1-1/2"	X	50 Ft.	X	X
10105507		X	1-1/2"	X	50 Ft.	X	X

For converting bare pot to pneumatic remote control system.

This system is for a single outlet.

Includes: Blastmaster® Maxum III Abrasive Metering Valve, 1-1/2" GateKeeper, Blastmaster® 152P Remote Control Switch, Twinline, 1-1/2" I.D. Air Hose Pusher Line, and various pipe fittings

Note that due to the wide variety of blast pots you may need to purchase additional fittings, bushing, etc.

PART NUMBERS AND SCHEMATICS GUIDE



PART NUMBERS AND SCHEMATICS GUIDE

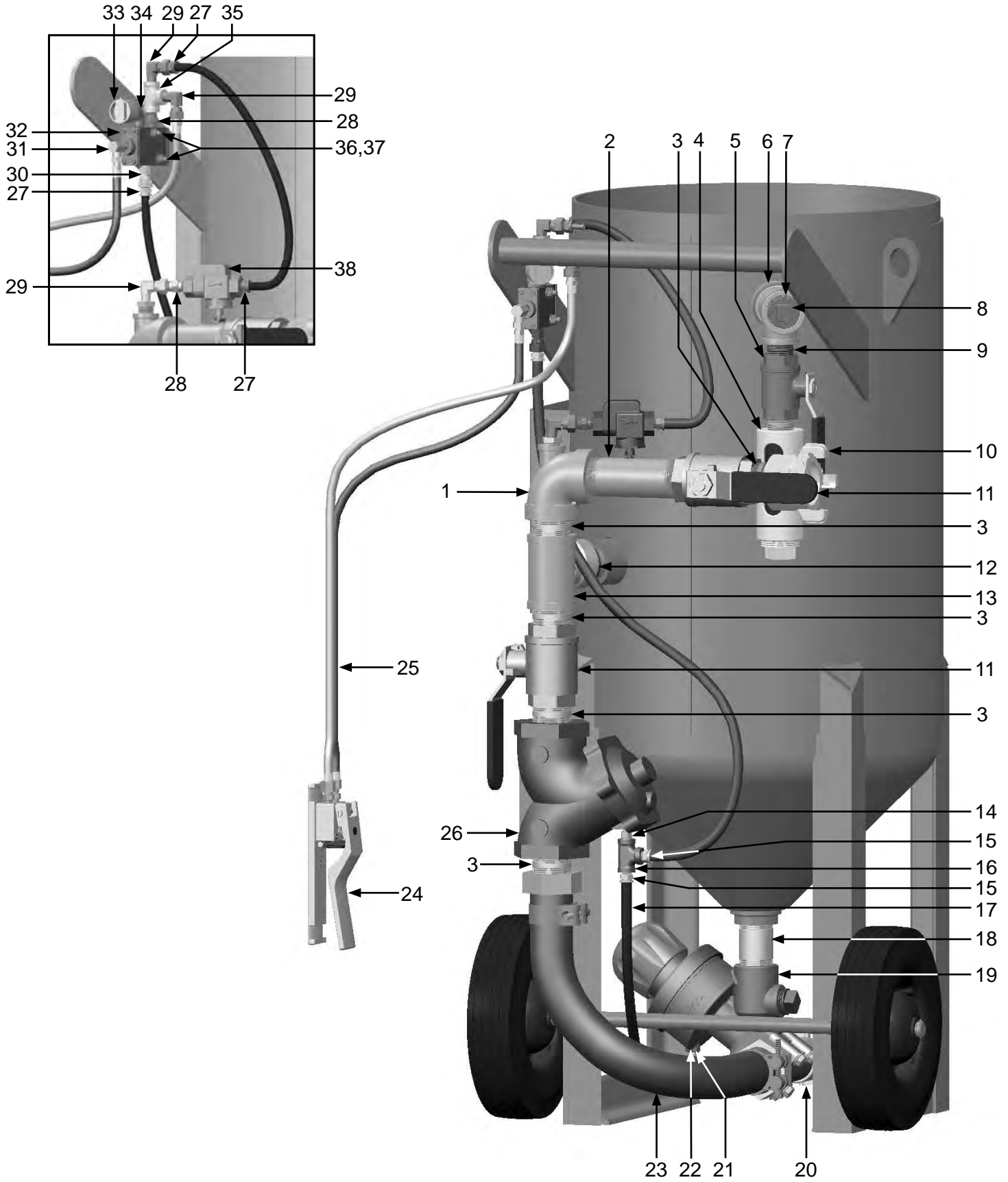
Pneumatic Conversion Kit – 3.5 Cu. Ft. and Smaller

Item #	Part #	Description
Fig. 1		
—	10105506	Pneumatic Conversion Kit – 3.5 Cu. Ft. and Smaller (Urethane)
—	10105507	Pneumatic Conversion Kit – 3.5 Cu. Ft. and Smaller (Tungsten Carbide)
1	1011828	1-1/2" NPT Elbow with 1/2" Side-Out
2	1011211	1-1/2" x 5-1/2" NPT Pipe Nipple
3	1014015	1-1/2" NPT Close Nipple <i>(Five Required)</i>
4	1011100	Exhaust Muffler
5	1011601	1" NPT Full Port Brass Ball Valve
6	1011201	1-1/4" NPT Close Nipple
7	1011817	1-1/4" x 1-1/4" x 1" NPT Pipe Tee
8	1011902	1-1/4" NPT Pipe Plug
9	1012151	1" NPT Close Nipple
10	10ME4	1-1/2" NPT (F) 4-Lug Air Hose Fitting
11	1011603	1-1/2" NPT Full Port Brass Ball Valve <i>(Two Required)</i>
12	1011204	1-1/4" x 3" NPT Pipe Nipple
13	1011836	1-1/2" x 1-1/2" x 1-1/4" NPT Pipe Tee
14	10PVFIT1	1/4" x 1/8" Hex Union
15	10PAF025	1/4" Push-On Hose Fitting <i>(Three Required)</i>
16	1011844	1/4" NPT Pipe Tee <i>(Two Required)</i>
17	10AH025	1/4" Push-On Air Hose
18	1011813	1-1/4" x 2" NPT Pipe Nipple
19	10101950	1-1/2" Maxum III Abrasive Metering Valve – Tungsten Carbide Sleeve <i>(For use with 10105507)</i>
—	10101946	1-1/2" Maxum III Abrasive Metering Valve – Urethane Sleeve <i>(For use with 10105506)</i>
20	10SB2S	1-1/2" Brass Tank Coupling
21	10PAF0125	1/8" Push-On Air Hose Fitting
22	1014239	1/8" 90° Swivel Fitting <i>(Two Required)</i>
23	1006312	1-1/2" I.D. Air Hose Pusher Line Assembly <i>(See Fig. 4)</i>
24	1015200	Blastmaster® 152P Remote Control Switch
25	1016000	55 ft. of Pneumatic Control Twinline with 1/4" & 1/8" Male and Female Fittings
26	1013200	1-1/2" GateKeeper Air Valve
27	10PAF025	1/4" Push-On Hose Fitting <i>(Three Required)</i>
28	1017019	1/4" x 1/4" Hex Nipple <i>(Two Required)</i>
29	1012326	1/4" Swivel 90° Fitting <i>(Three Required)</i>
30	10SME025	1/4" Straight Swivel
31	1014239	1/8" 90° Swivel Fitting <i>(Two Required)</i>
32	1019000	190 Pneumatic Solenoid
33	10DE025	1/4" NPT Dust Eliminator
34	1011824	1/4" Street Elbow
35	1011844	1/4" NPT Pipe Tee
36	10PVFIT1	1/4" x 1/8" Hex Union
37	1019044	1/4-20 x 1-3/4" Zinc Bolt <i>(Two Required)</i>
38	10WS	Watts Strainer

See page 19 for product literature

PART NUMBERS AND SCHEMATICS GUIDE

Figure 1: Pneumatic Conversion Kit – 3.5 Cu. Ft. and Smaller



PART NUMBERS AND SCHEMATICS GUIDE

PNEUMATIC REMOTE CONTROL SYSTEM KITS – 6.5 CU. FT.

Part Numbers	Blastmaster® 1-1/2" Maxum III Abrasive Metering Valve		GateKeeper Air Valve	Blastmaster® 152P Remote Control Switch	Twinline	Pusher Line Assembly	Abrasive Blasting Pot Muffler
	Urethane	Tungsten Carbide					
10105930	X		1-1/2" High-Flow	X	50 Ft.	X	X
10105508		X	1-1/2" High-Flow	X	50 Ft.	X	X

For converting bare pot to pneumatic remote control system.

This system is for a single outlet.

Includes: Blastmaster® Maxum III Abrasive Metering Valve, 1-1/2" High-Flow GateKeeper, Blastmaster® 152P Remote Control Switch, Twinline, 1-1/2" I.D. Air Hose Pusher Line, and various pipe fittings

Note that due to the wide variety of blast pots you may need to purchase additional fittings, bushing, etc.

PART NUMBERS AND SCHEMATICS GUIDE



PART NUMBERS AND SCHEMATICS GUIDE

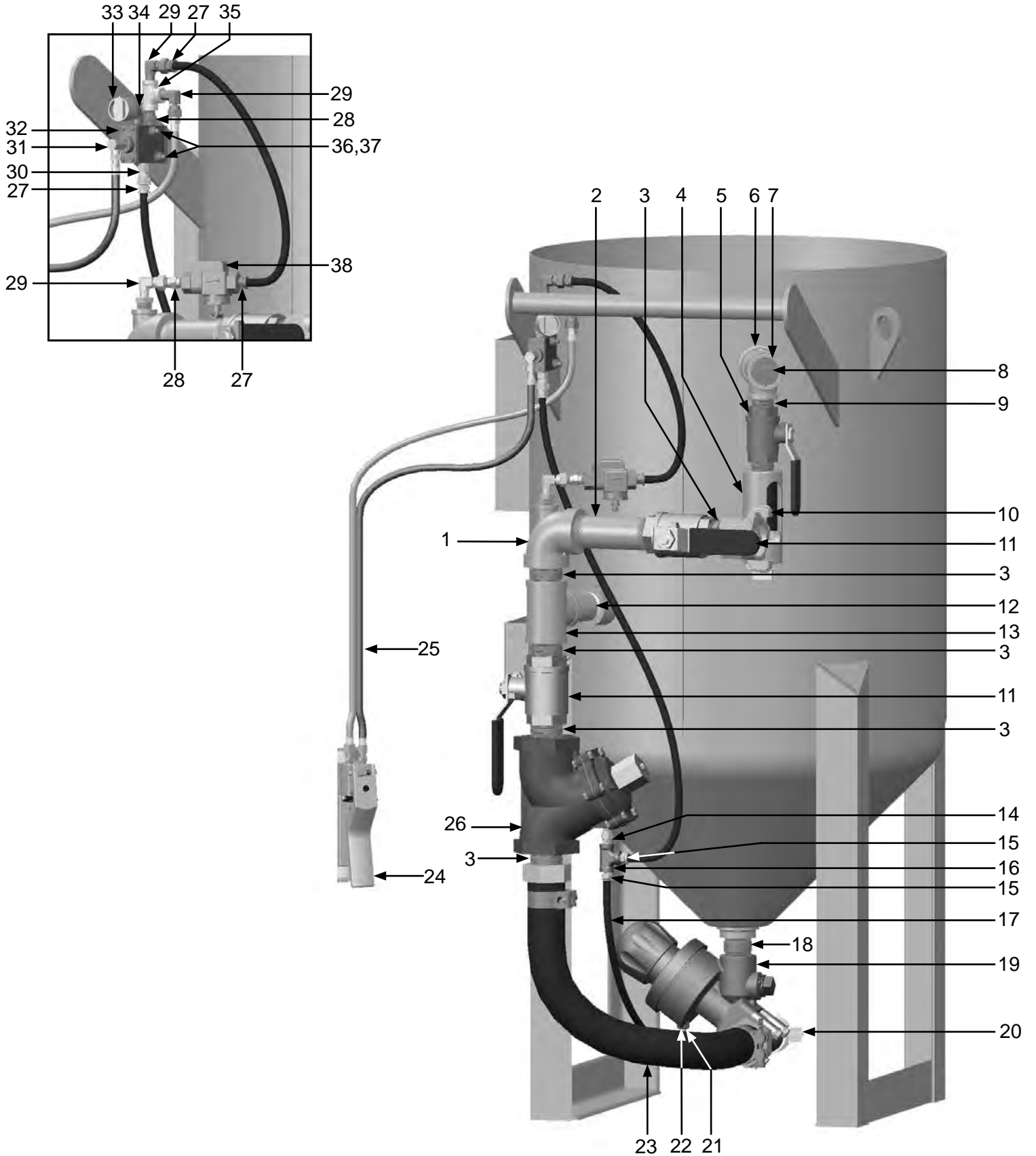
Pneumatic Conversion Kit – 6.5 Cu. Ft.

Item #	Part #	Description
Fig. 2		
—	10105930	Pneumatic Conversion Kit – 6.5 Cu. Ft. (Urethane)
—	10105508	Pneumatic Conversion Kit – 6.5 Cu. Ft. (Tungsten Carbide)
1	1011828	1-1/2" NPT Elbow with 1/2" Side-Out
2	1011211	1-1/2" x 5-1/2" NPT Pipe Nipple
3	1014015	1-1/2" NPT Close Nipple <i>(Five Required)</i>
4	1011100	Exhaust Muffler
5	1011601	1" NPT Full Port Brass Ball Valve
6	1011201	1-1/4" NPT Close Nipple
7	1011817	1-1/4" x 1-1/4" x 1" NPT Pipe Tee
8	1011902	1-1/4" NPT Pipe Plug
9	1012151	1" NPT Close Nipple
10	10ME4	1-1/2" NPT (F) 4-Lug Air Hose Fitting
11	1011603	1-1/2" NPT Full Port Brass Ball Valve <i>(Two Required)</i>
12	1011204	1-1/4" x 3" NPT Pipe Nipple
13	1011836	1-1/2" x 1-1/2" x 1-1/4" NPT Pipe Tee
14	1017019	1/4" x 1/4" Brass Hex Nipple, 250 psi
15	10PAF025	1/4" Push-On Hose Fitting <i>(Three Required)</i>
16	1011844	1/4" NPT Pipe Tee <i>(Two Required)</i>
17	10AH025	1/4" Push-On Air Hose
18	1011813	1-1/4" x 2" NPT Pipe Nipple
19	10101950	1-1/2" Maxum III Abrasive Metering Valve – Tungsten Carbide Sleeve <i>(For use with 10105508)</i>
—	10101946	1-1/2" Maxum III Abrasive Metering Valve – Urethane Sleeve <i>(For use with 10105930)</i>
20	10SB2S	1-1/2" Brass Tank Coupling
21	10PAF0125	1/8" Push-On Air Hose Fitting
22	1014239	1/8" 90° Swivel Fitting <i>(Two Required)</i>
23	1006312	1-1/2" I.D. Air Hose Pusher Line Assembly <i>(See Fig. 4)</i>
24	1015200	Blastmaster® 152P Remote Control Switch
25	1016000	55 ft. of Pneumatic Control Twinline with 1/4" & 1/8" Male and Female Fittings
26	1013600	1-1/2" High-Flow GateKeeper Air Valve
27	10PAF025	1/4" Push-On Hose Fitting <i>(Three Required)</i>
28	1017019	1/4" x 1/4" Hex Nipple <i>(Two Required)</i>
29	1012326	1/4" Swivel 90° Fitting <i>(Three Required)</i>
30	10SME025	1/4" Straight Swivel
31	1014239	1/8" 90° Swivel Fitting <i>(Two Required)</i>
32	1019000	190 Pneumatic Solenoid
33	10DE025	1/4" NPT Dust Eliminator
34	1011824	1/4" Street Elbow
35	1011844	1/4" NPT Pipe Tee
36	10PVFIT1	1/4" x 1/8" Hex Union
37	1019044	1/4-20 x 1-3/4" Zinc Bolt <i>(Two Required)</i>
38	10WS	Watts Strainer

See page 19 for product literature

PART NUMBERS AND SCHEMATICS GUIDE

Figure 2: Pneumatic Conversion Kit – 6.5 Cu. Ft.



PART NUMBERS AND SCHEMATICS GUIDE

PNEUMATIC REMOTE CONTROL SYSTEM KITS – 120 CU. FT. AND LARGER

Part Numbers	Blastmaster® 1-1/2" Maxum III Abrasive Metering Valve		GateKeeper Air Valve	Blastmaster® 152P Remote Control Switch	55 Ft. Pneumatic Control Line	Pusher Line Assembly
	Urethane	Tungsten Carbide				
10104977	X		1-1/2" High-Flow	X	X	X
10104979		X	1-1/2" High-Flow	X	X	X

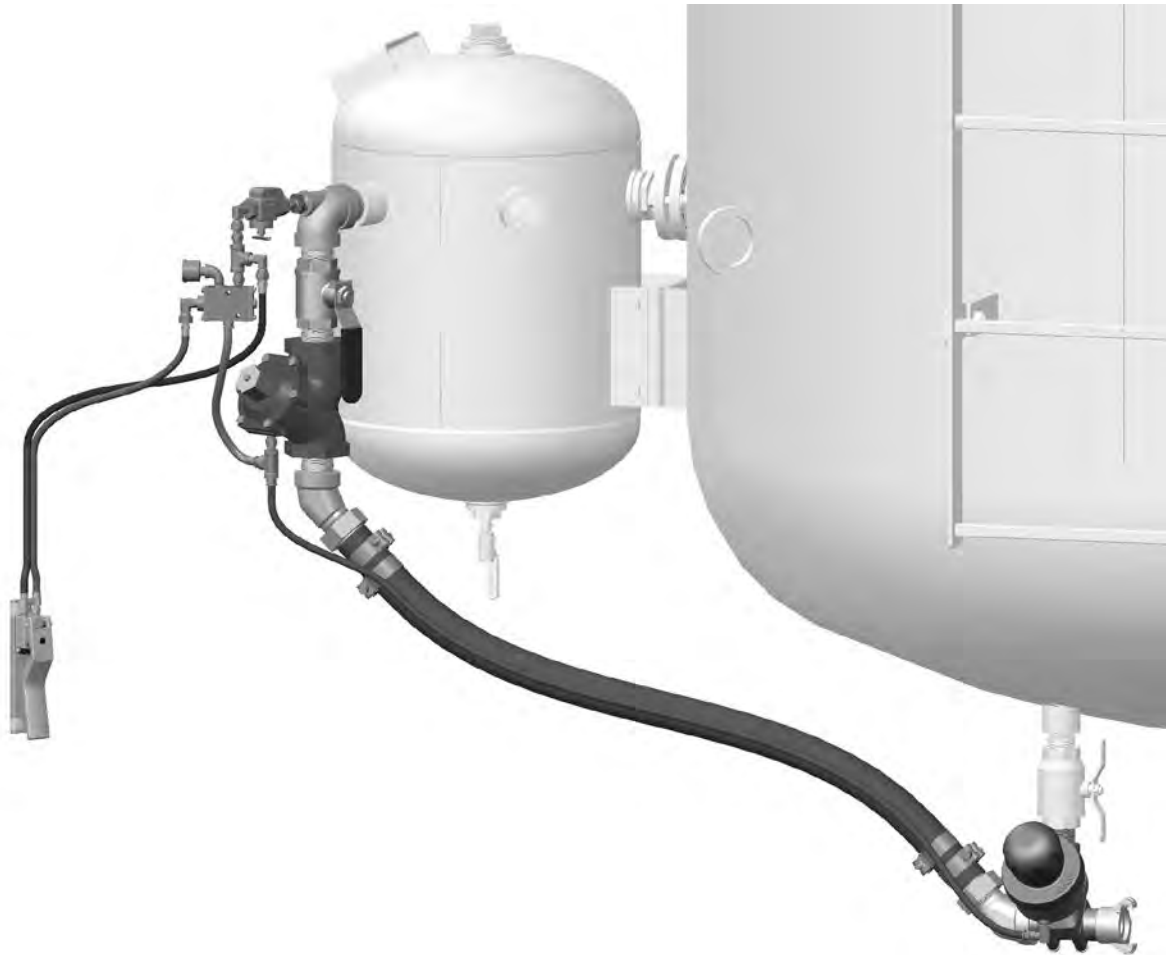
For converting bare pot to pneumatic remote control system.

This system is for a single outlet. For multiple outlets, purchase additional kits.

Includes: Blastmaster® Maxum III Abrasive Metering Valve, 1-1/2" GateKeeper, Blastmaster® 152P Remote Control Switch, Twinline, 1-1/2" I.D. Air Hose Pusher Line, and various pipe fittings

Note that due to the wide variety of blast pots you may need to purchase additional fittings, bushing, etc.

PART NUMBERS AND SCHEMATICS GUIDE



PART NUMBERS AND SCHEMATICS GUIDE

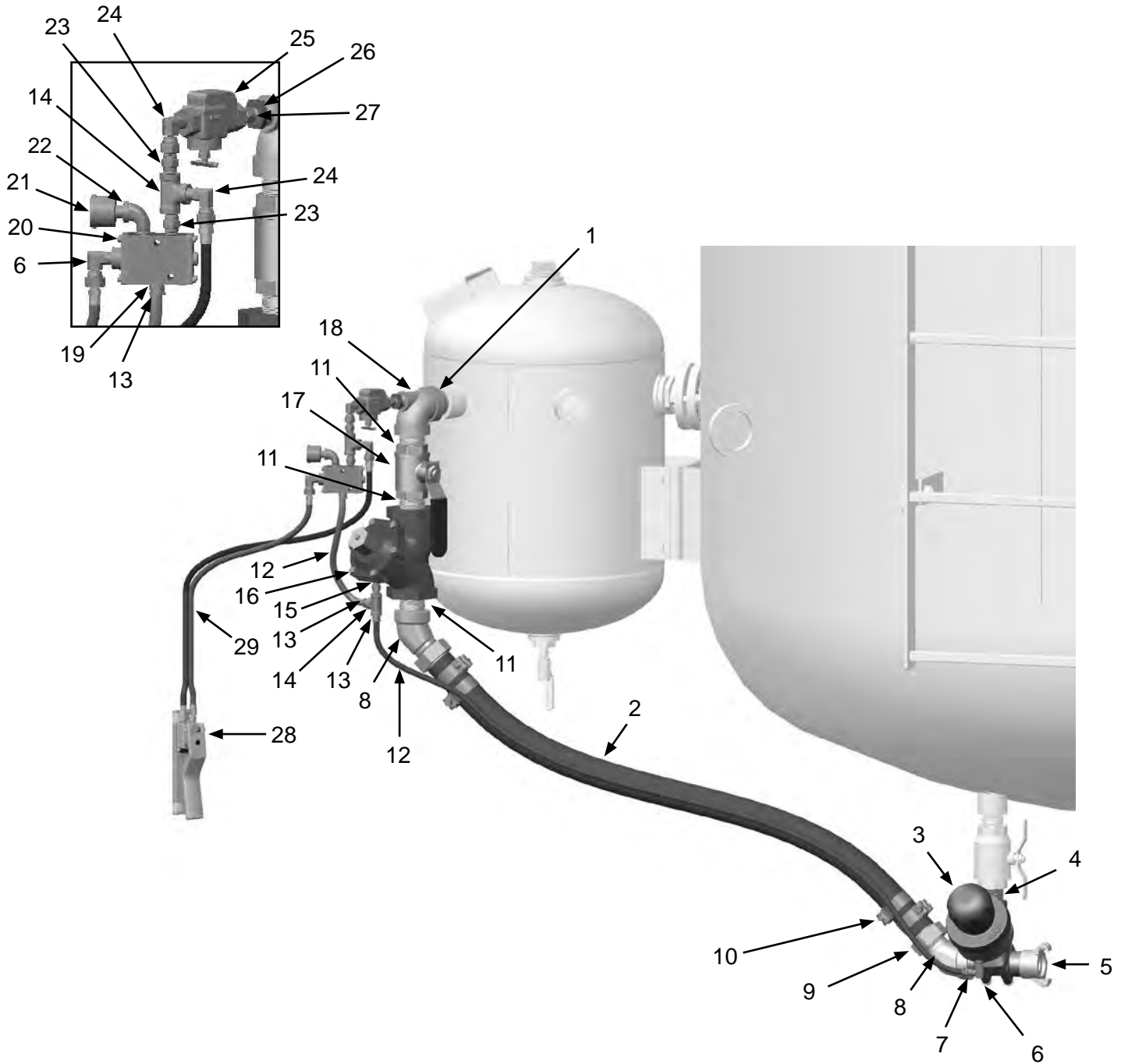
Pneumatic Conversion Kit – 120 Cu. Ft. and Larger

Item #	Part #	Description
Fig. 3		
—	10104977	Pneumatic Conversion Kit – 120 Cu. Ft. and Larger (Urethane)
—	10104979	Pneumatic Conversion Kit – 120 Cu. Ft. and Larger (Tungsten Carbide)
1	1011849	1-1/2" Schedule 80 Close Nipple
2	10AH112B	1-1/2" I.D. Air Hose – Per Foot
3	10101950	1-1/2" Maxum III Abrasive Metering Valve – Tungsten Carbide Sleeve <i>(For use with 10104979)</i>
—	10101946	1-1/2" Maxum III Abrasive Metering Valve – Urethane Sleeve <i>(For use with 10104977)</i>
4	1011201	1-1/4" NPT Close Nipple
5	10SB2S	1-1/2" NPT Brass Tank Coupling
6	1014239	1/8" 90° Swivel Fitting <i>(Two Required)</i>
7	10PAF0125	1/8" Push-On Air Hose Fitting
8	1011805	1-1/2" NPT 45° Street Elbow <i>(Two Required)</i>
9	10SFE4	1-1/2" NPT Swivel Female Air Hose Fitting <i>(Two Required)</i>
10	10103738	1-1/2" T-Bolt Hose Clamp <i>(Four Required)</i>
11	1014015	1-1/2" Close Nipple <i>(Three Required)</i>
12	10AH025	1/4" Push-On Air Hose (Per Foot)
13	10PAF025	1/4" Push-On Hose Fitting <i>(Three Required)</i>
14	1011844	1/4" NPT Pipe Tee <i>(Two Required)</i>
15	1017019	1/4" x 1/4" Brass Hex Nipple, 250 psi
16	1013600	1-1/2" High-Flow GateKeeper Air Valve
17	1011603	1-1/2" NPT Full Port Brass Ball Valve
18	1011829	1-1/2" NPT Elbow with 3/4" Side-Out
19	10SME025	1/4" Straight Swivel
20	1019000	190 Pneumatic Solenoid
21	10DE025	1/4" NPT Dust Eliminator
22	1011824	1/4" Street Elbow
23	1017019	1/4" NPT Hex Nipple <i>(Two Required)</i>
24	1012326	1/4" Swivel 90° Fitting <i>(Two Required)</i>
25	10WS	Watts Strainer
26	10100524	3/4" x 1/4" Galvanized Bushing
27	10100523	1/4" x 1/4" Stainless Steel Hex Nipple
28	1015200	Blastmaster® 152P Remote Control Switch
29	1016000	55 ft. of Pneumatic Control Twinline with 1/4" & 1/8" Male and Female Fittings

See page 19 for product literature

PART NUMBERS AND SCHEMATICS GUIDE

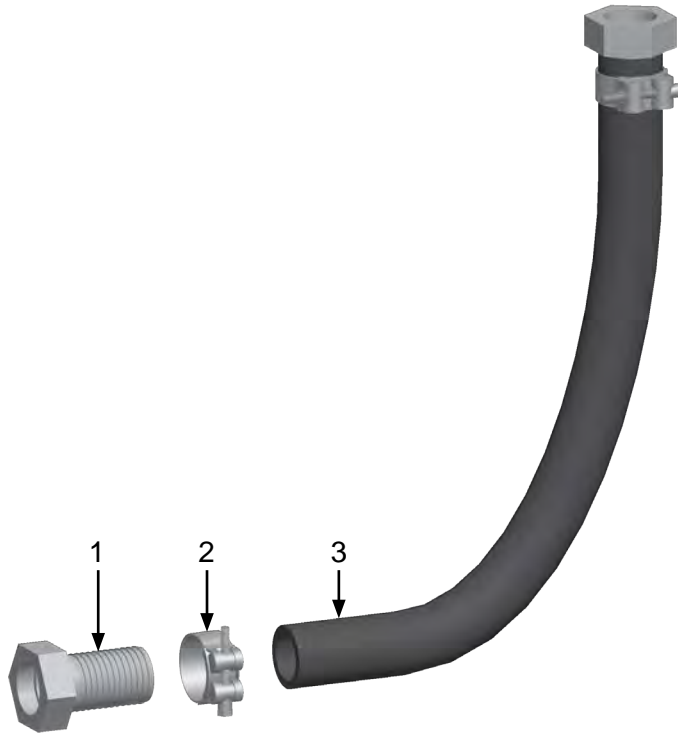
Figure 3: Pneumatic Conversion Kit – 120 Cu. Ft. and Larger



Single Outlet Configuration Shown on Blast Pot



OPTIONAL ACCESSORIES










Figure 4: Pusher Line Assembly





Item #	Part #	Description
Fig. 4		
—	1006312	1-1/2" I.D. Pusher Line Assembly <i>Includes Item #: 1, 2, and 3 (Quantity of Three Feet)</i>
1	10SFE4	1-1/2" Female Swivel Air Hose End <i>(Two Required)</i>
2	10103738	1-1/2" T-Bolt Hose Clamp <i>(Two Required)</i>
3	10AH112B	1-1/2" I.D. Air Hose <i>(Per Foot)</i>
—	10SFE4G	Gasket for 10SFE4 Swivel Air Hose End <i>(Not Shown)</i>

OPTIONAL ACCESSORIES

		PNEUMATIC CONTROL LINE							
		Hose Length	Working Pressure	Hose I.D.	Hose O.D.	1017012	1017013	1017014	1017015
	10TLBK	Per Foot	200 psi	3/16"	7/16"				
	1016002	7 Feet	200 psi	3/16"	7/16"	X	X	X	X
	1016000	55 Feet	200 psi	3/16"	7/16"	X	X	X	X
	1016001	110 Feet	200 psi	3/16"	7/16"	X	X	X	X

		1/4" AND 1/8" NPT PNEUMATIC CONTROL LINE FITTINGS		
		Description	Hose I.D.	Hose O.D.
	1017012	1/8" Female Nut & Barb	3/16"	7/16"
	1017013	1/4" Female Nut & Barb	3/16"	7/16"
	1017014	1/8" Male Threaded Barb	3/16"	7/16"
	1017015	1/4" Male Threaded Barb	3/16"	7/16"
	1017010	Hose Splicer	3/16"	7/16"
	1017017	Hose Ferrule	3/16"	7/16"
	1017011	Oetiker® Clamp	3/16"	7/16"
	1017018	1/8" x 1/8" Hex Nipple	3/16"	7/16"
	1017019	1/4" x 1/4" Hex Nipple	3/16"	7/16"

OPTIONAL ACCESSORIES

	Part Numbers	PNEUMATIC CONTROL LINE FITTINGS ACCESSORIES
	10DX855A	Ferrule Crimping Tool
	10DX1098	Oetiker® Clamp Tool

LITERATURE REFERENCES

Remote Control System

105M085	Features and Specifications Guide – Blastmaster® 130P Remote Control System
106M085	Part Numbers and Schematics Guide – Blastmaster® 130P Remote Control System
106M423	Part Numbers and Schematics Guide – Blastmaster® GateKeeper Air Valve
1090085	Operator's Manual – Blastmaster® 130P Remote Control System

Remote Control Switch

105M068	Features and Specifications Guide – Blastmaster® 152P Remote Control Switch
106M068	Part Numbers and Schematics Guide – Blastmaster® 152P Remote Control Switch
1090068	Operator's Manual – Blastmaster® 152P Remote Control Switch

Abrasive Metering Valve

105M069	Features and Specifications Guide – Blastmaster® Maxum III Abrasive Metering Valve
106M069	Part Numbers and Schematics Guide – Blastmaster® Maxum III Abrasive Metering Valve
1090069	Operator's Manual – Blastmaster® Maxum III Abrasive Metering Valve

Abrasive Blasting Pot Muffler

105M347	Features and Specifications Guide – Abrasive Blasting Pot Muffler
106M347	Part Numbers and Schematics Guide – Abrasive Blasting Pot Muffler

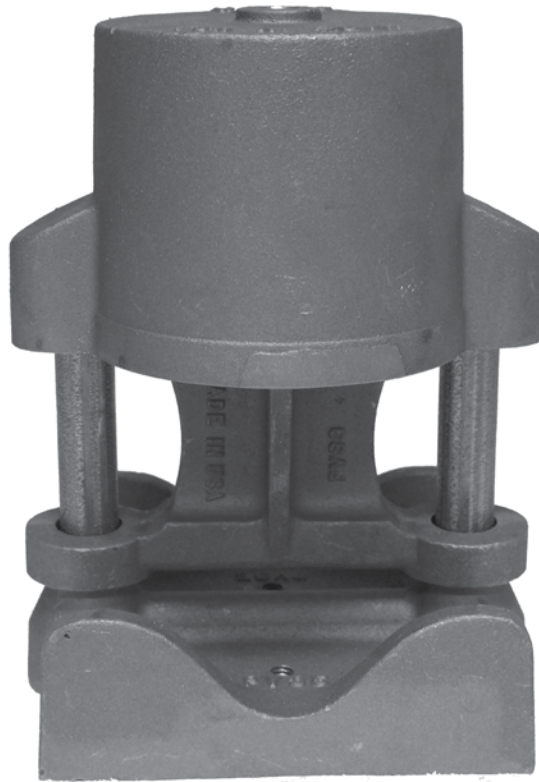
PART NUMBERS

**Part
Number**

BLASTMASTER® PV400 REMOTE CONTROL VALVE

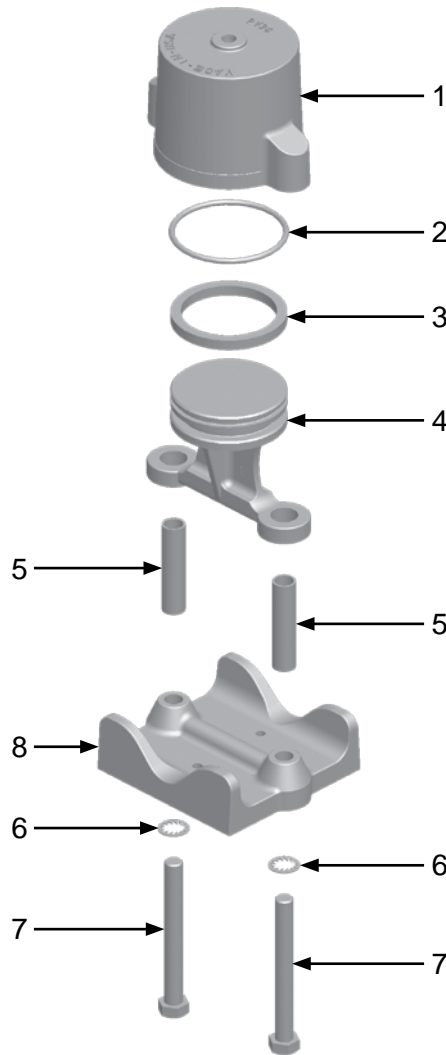
10PV400

Blastmaster® PV400 Remote Control Valve



PART NUMBERS & SCHEMATICS

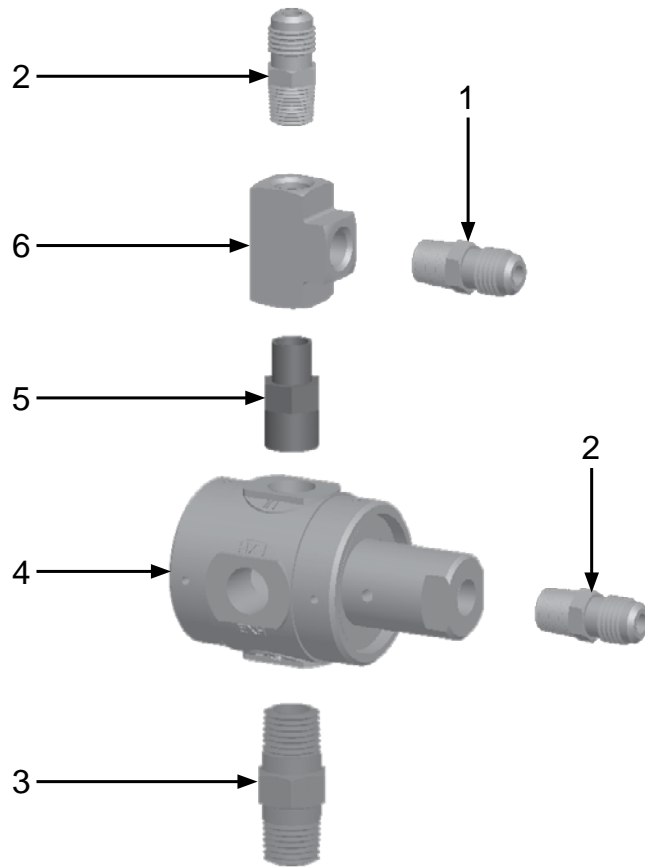
Figure 1: Blastmaster® PV400 Pinch Valve



Item#	Part#	Description
Fig. 1	10PV400	Blastmaster® PV400 Pinch Valve
1	10PV34	Cylinder
2	10PV38	O-ring – 4 Inch I.D.
3	10PV37	U-cup Gasket
4	10PV33	Piston <i>Includes Item #'s: 2 and 3</i>
5	10PV36	Sleeve (Two Required)
6	10PV40	Lock Washer (Two Required)
7	10PV39	Bolt – 5/8" x 5-1/2" (Two Required)
8	10PV35	Base
—	1091017	Hazard Identification Tag
—	106M009	Part Numbers and Schematics Guide – Blastmaster® PV400 Pinch Valve
—	1090009	Operator's Manual – Blastmaster® PV400 Pinch Valve

PART NUMBERS & SCHEMATICS

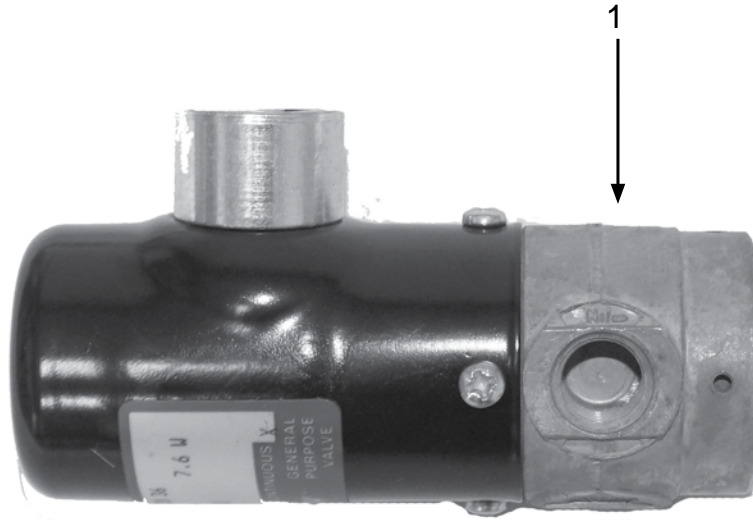
Figure 2: Humphrey® Pneumatic Pilot Valve



Item#	Part#	Description
Fig. 2		
1	1012103	1/8" NPT Adapter with 1/16" Restrictor Port
2	1012903	7/16-20 37° x 1/8" NPT
3	1017019	Hex Nipple – 1/4" NPT x 1/4" NPT
4	10HV250A	Humphrey® Pneumatic Pilot Valve – Normally-Open
5	10PVFIT1	1/8" NPT x 1/4" NPT Hex Nipple
6	1012902	1/8" Brass Pipe Tee
—	10HV250R	Internal Service Kit – Humphrey® Pneumatic Pilot Valve

PART NUMBERS & SCHEMATICS

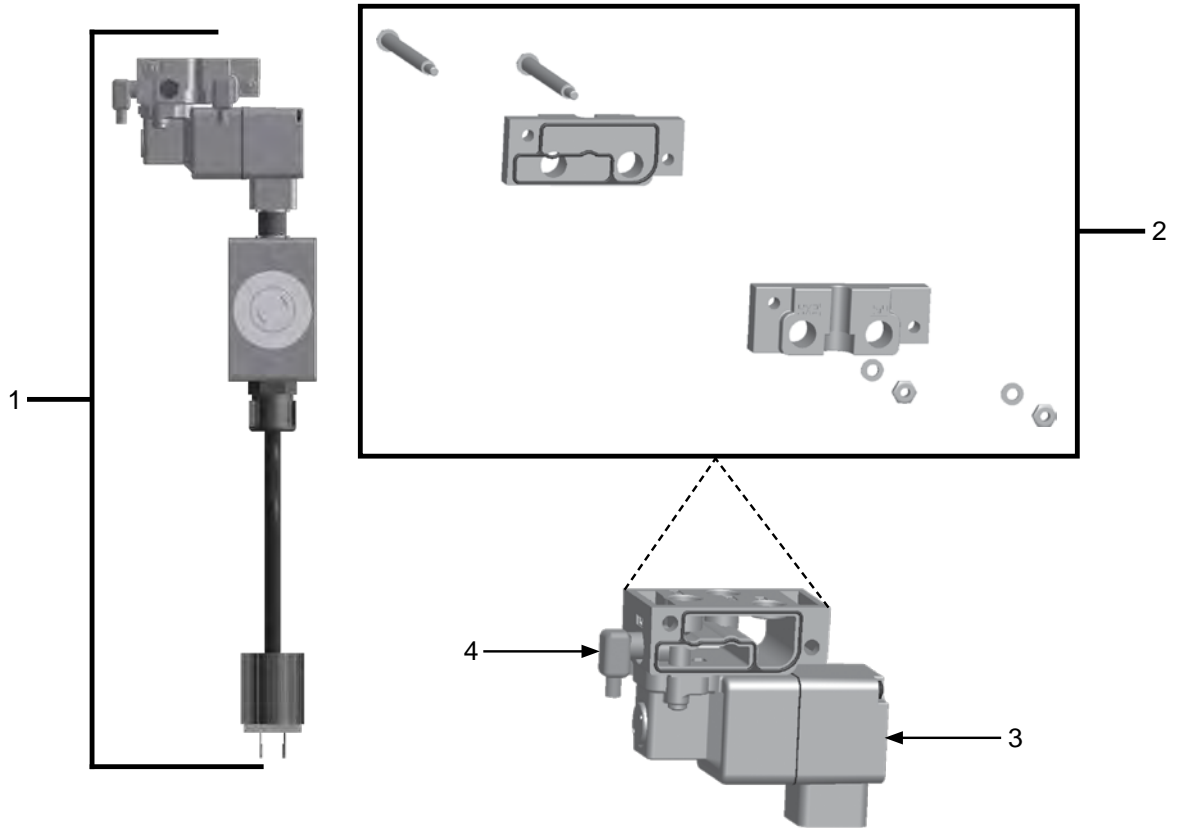
Figure 3: Humphrey® 12-volt DC Electric Valve



Item#	Part#	Description
Fig. 3		
1	10HV250E1	Humphrey® 12-volt DC Electric Valve– Normally-Open
—	10HVSrk250E	Internal Service Kit – Humphrey® 12-volt DC Electric Valve

PART NUMBERS & SCHEMATICS

Figure 4: MAC[®] 12-Volt DC Electric Pilot Valve



Item#	Part#	Description
Fig. 4		
1	10K40101	Electric Control – Normally-Open – 12-Volt DC
2	10K10409	End Cap Kit
3	10K10411	MAC [®] Valve – Normally-Open – 12-Volt DC
4	1012051	Elbow – 1/4" NPT x 7/16-20 37° Taper

PART NUMBERS

Part Numbers	BLASTMASTER® GATEKEEPER AIR VALVE
1013000	Blastmaster® 1" GateKeeper Air Valve
1013100	Blastmaster® 1-1/4" GateKeeper Air Valve
1013200	Blastmaster® 1-1/2" GateKeeper Air Valve
1013600	Blastmaster® 1-1/2" High-Flow GateKeeper Air Valve
1013300	Blastmaster® 2" GateKeeper Air Valve

PART NUMBERS



1013000



1013100



1013200



1013600



1013300

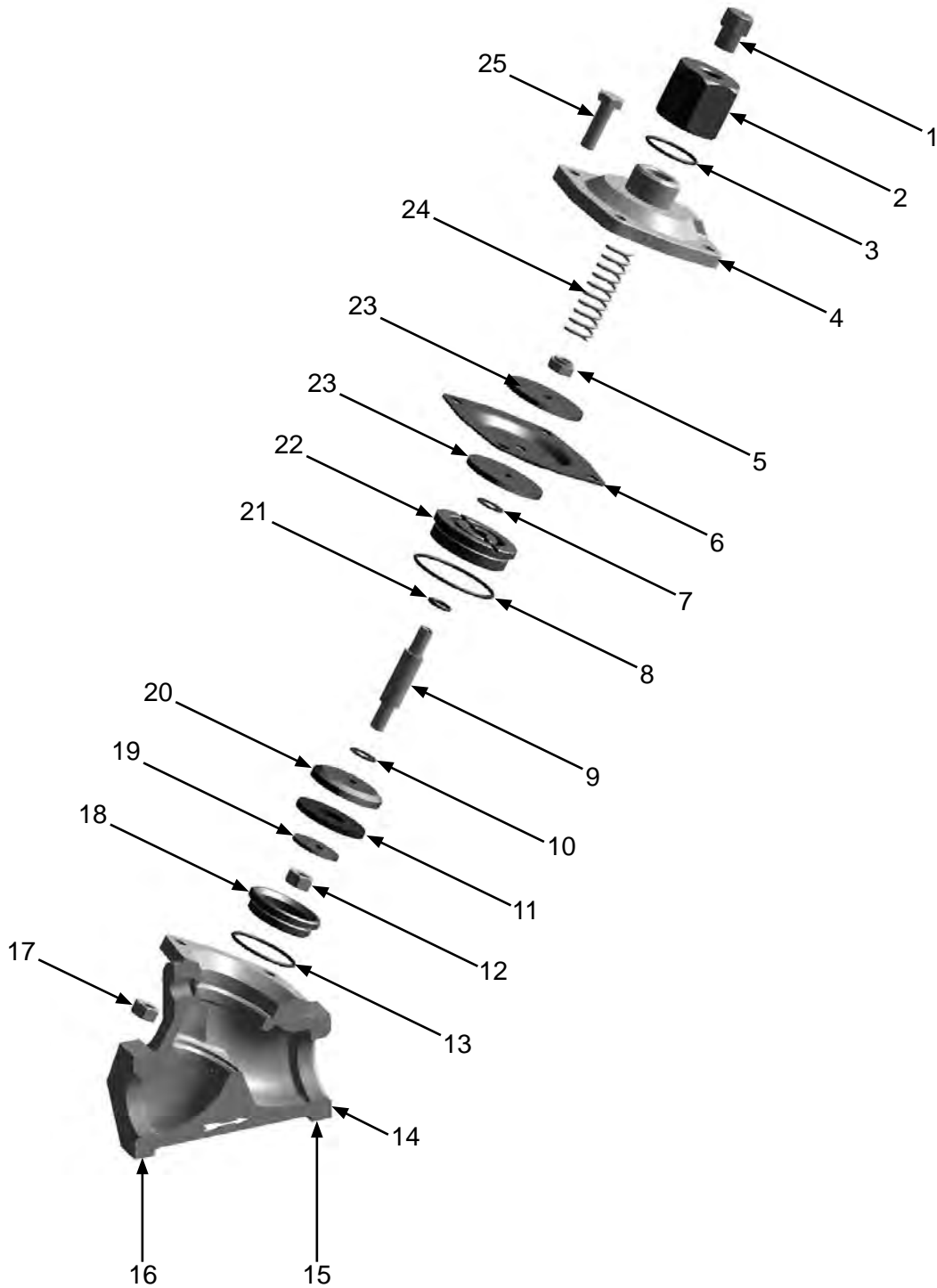
PART NUMBERS & SCHEMATICS

Blastmaster® 1" GateKeeper Air Valve

Item #	Part #	Description
Fig. 1		
—	1013000	Blastmaster® 1" GateKeeper Air Valve – Complete
1	1012905	1/8" Breather Muffler
2	1013022	Spring Retainer
3	1013021	Spring Retainer O-ring
4	1013012	Cap
5	1013013	1/4–28 Hex Nut
6	1013003	Diaphragm
7	1013002	Gasket
8	1013004	O-ring
9	1013018	Shaft
10	1013019	Gasket
11	1013020	Disc
12	1013011	Lock Nut
13	1013008	Seat O-ring
14	1013017	Body
15	1091050	Sticker – AIR INLET
16	1091051	Sticker – AIR OUTLET
17	1013016	Hex Nut (<i>Four Required</i>)
18	1013009	Seat
19	1013010	Disc Plate
20	1013007	Disc Retainer
21	1013006	O-ring – 3/8" I.D.
22	1013005	Retainer Bushing
23	1013015	Diaphragm Plate (<i>Two Required</i>)
24	1013023	Spring
25	1013014	Bolt (<i>Four Required</i>)
—	1013001	1" GateKeeper Repair Kit (<i>Includes Item #'s: 5, 6, 7 (quantity of 2), 8, 10, 11, and 12, 20</i>)
—	1013024	Seat Tool
—	1013025	Retainer Bushing Tool

PART NUMBERS & SCHEMATICS

Figure 1: Blastmaster® 1" GateKeeper Air Valve



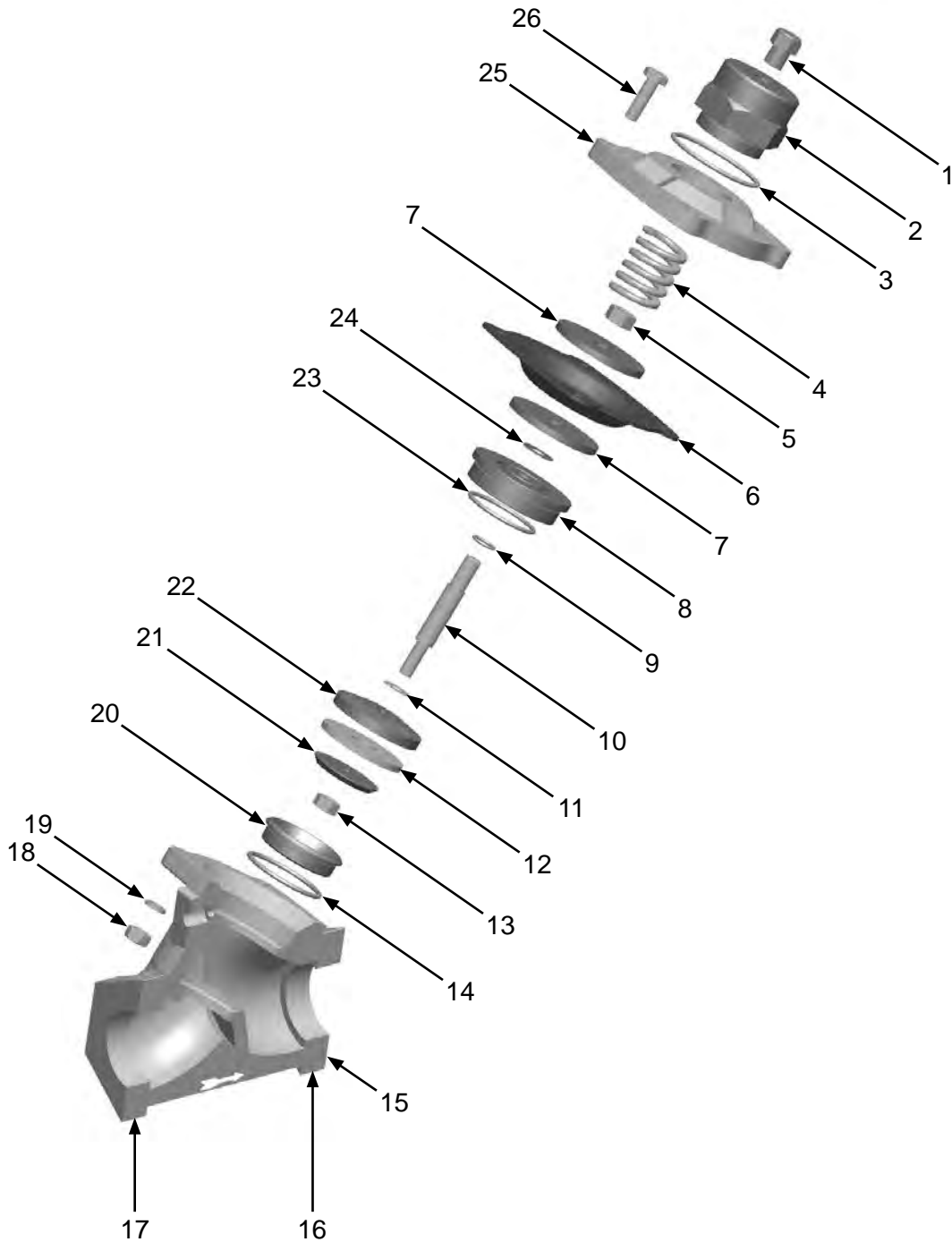
PART NUMBERS & SCHEMATICS

Blastmaster® 1-1/4" and 1-1/2" GateKeeper Air Valves

Item #	Part #	Description
Fig. 2		
—	1013100	Blastmaster® 1-1/4" GateKeeper Air Valve – Complete
—	1013200	Blastmaster® 1-1/2" GateKeeper Air Valve – Complete
1	1012905	1/8" Breather Muffler
2	1013122	Spring Retainer
3	1013121	Spring Retainer O-ring
4	1013123	Spring
5	1013113	5/16–24 Hex Nut
6	1013103	Diaphragm
7	1013115	Diaphragm Plate <i>(Two Required)</i>
8	1013105	Retainer Bushing
9	1013106	Retainer Bushing O-ring
10	1013118	Shaft
11	1013119	Shaft Gasket
12	1013120	Disc
13	1013111	Lock Nut
14	1013108	Seat O-ring
15a	1013117	Body – 1-1/4" GateKeeper Air Valve
15b	1013202	Body – 1-1/2" GateKeeper Air Valve
16	1091050	Sticker – AIR INLET
17	1091051	Sticker – AIR OUTLET
18	1013116	Hex Nut <i>(Four Required)</i>
19	1012153	Lock Washer <i>(Four Required)</i>
20	1013109	Seat
21	1013110	Disc Plate
22	1013107	Disc Retainer
23	1013104	O-ring
24	1013102	Gasket
25	1013112	Cap
26	1013114	Bolt <i>(Four Required)</i>
—	1013101	GateKeeper Repair Kit <i>(Includes Item #'s: 5, 6, 11–14, 20, 23, and 24)</i>
—	1013124	Seat Tool
—	1013125	Retainer Bushing Tool
—	1090011	Operator's Manual – KwikFire 130E Remote Control System

PART NUMBERS & SCHEMATICS

Figure 2: Blastmaster® 1-1/4" and 1-1/2" GateKeeper Air Valves



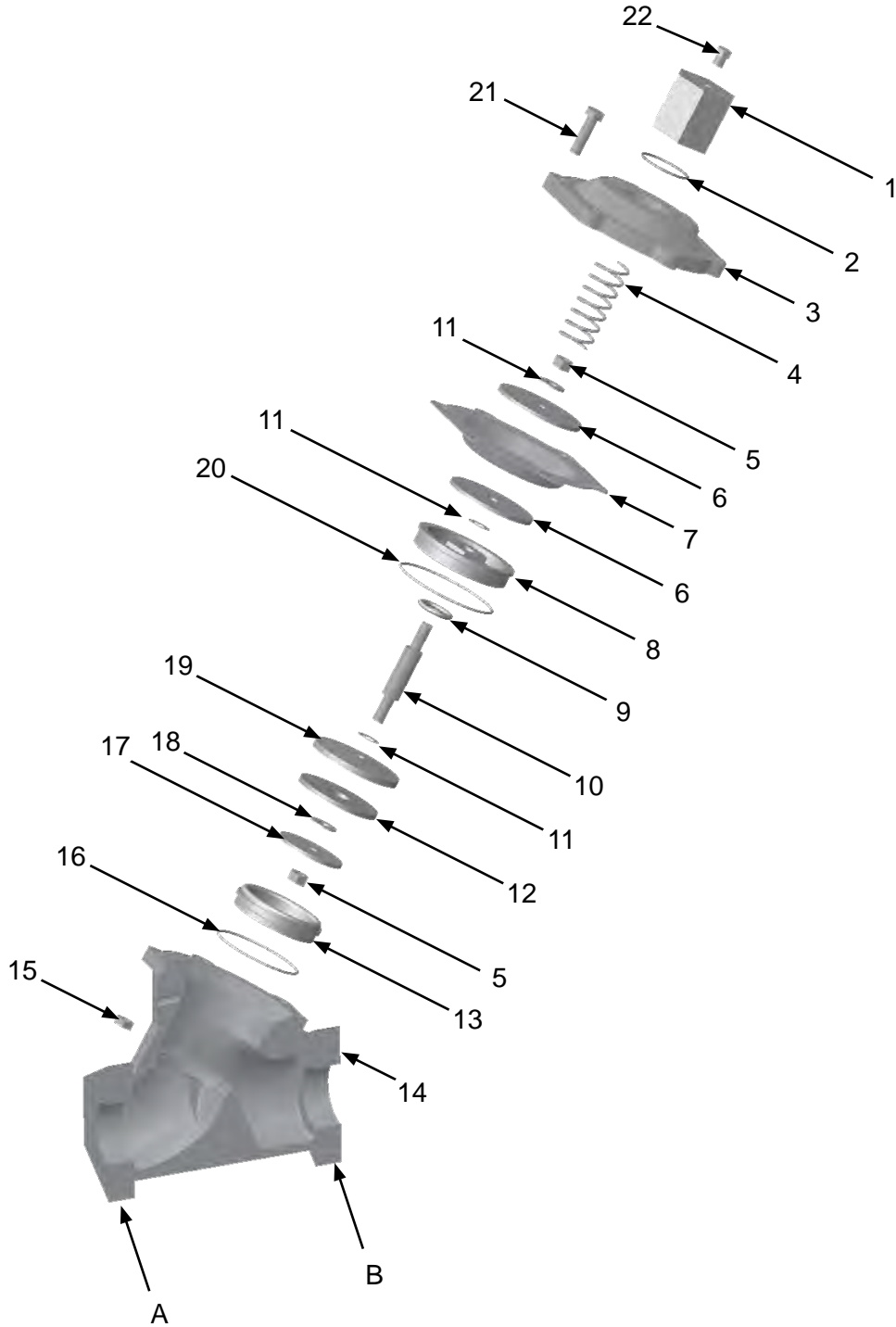
PART NUMBERS & SCHEMATICS

Blastmaster® 1-1/2" NPT High-flow GateKeeper Air Valve

Item #	Part #	Description
Fig. 3		
—	1013600	1-1/2" NPT High-flow GateKeeper Air Valve
1	1013322	Spring Retainer
2	1013326	O-ring
3	1013312	Cap
4	1013323	Spring
5	1013313	Lock Nut
6	1013315	Diaphragm Plate (two required)
7	1013303	Diaphragm
8	1013305	Retainer Bushing
9	1013306	O-ring
10	1013318	Shaft
11	1013302	Gasket (two required)
12	1013320	Disc
13	1013311	Lock Nut
13	1013309	Seat
14	1013328	Body
15	1013316	Nut (six required)
16	1013308	Seat O-Ring
17	1013310	Disc Plate
18	1013327	Brass Washer
19	1013307	Disc Retainer
20	1013304	O-ring
21	1013314	Cap Screw (six required)
22	1012905	1/8" Breather Muffler
A	1091050	Sticker - Air Outlet
B	1091051	Sticker - Air Inlet
—	1013301	1-1/2" NPT High-flow GateKeeper Air Valve Service Kit <i>(Includes Item #'s: 5, 7, 9, 11, 12, 17, and 20)</i>

PART NUMBERS & SCHEMATICS

Figure 3: Blastmaster® 1-1/2" NPT High-flow GateKeeper Air Valve



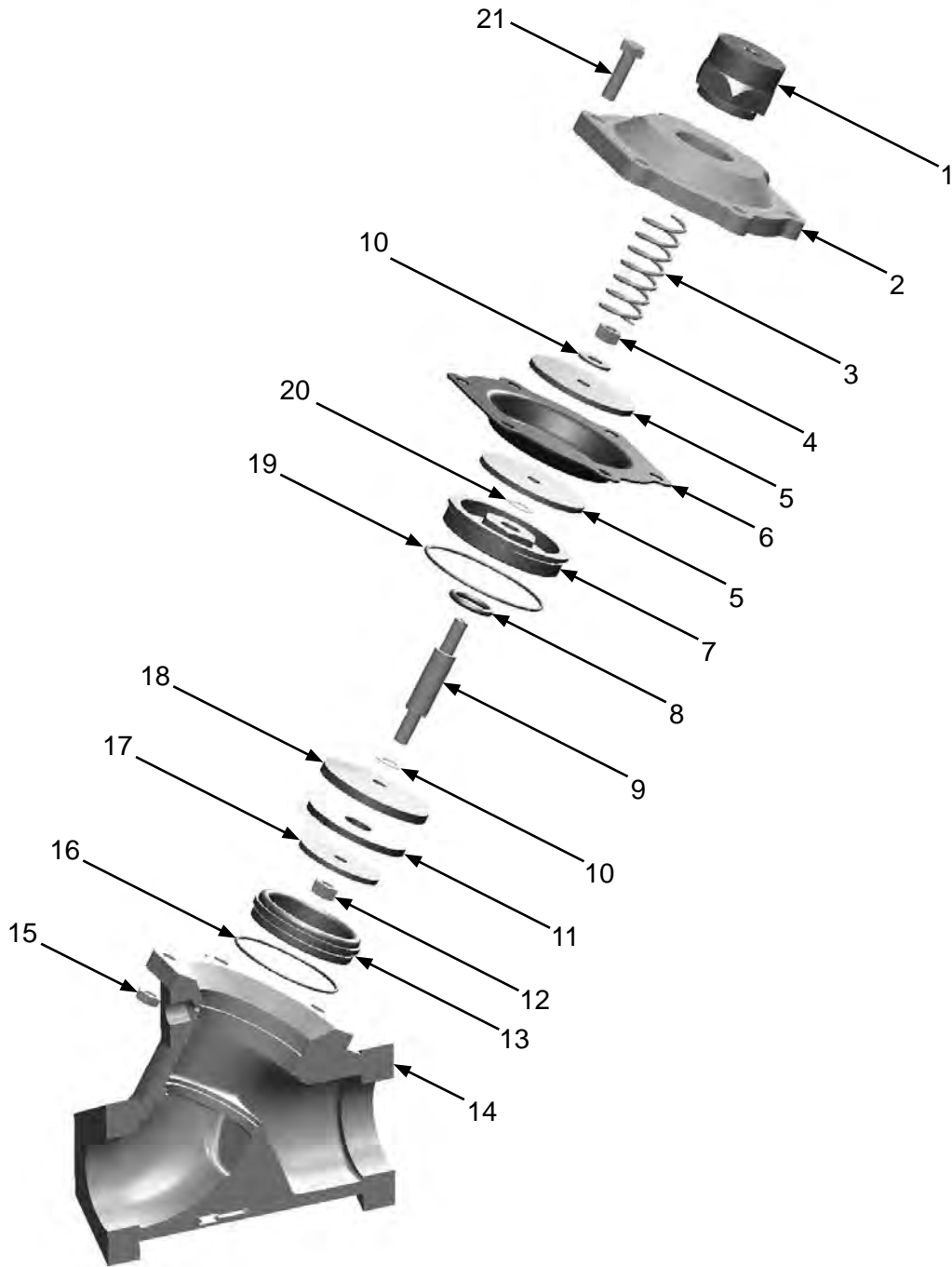
PART NUMBERS & SCHEMATICS

Blastmaster® 2" GateKeeper Air Valve

Item #	Part #	Description
Fig. 4		
—	1013300	Blastmaster® 2" GateKeeper Air Valve – Complete
1	1013322	Spring Retainer
2	1013312	Cap
3	1013323	Spring
4	1013313	Lock Nut
5	1013315	Diaphragm Plate <i>(Two Required)</i>
6	1013303	Diaphragm
7	1013305	Retainer Bushing
8	1013306	O-ring
9	1013318	Shaft
10	1013319	Shaft Gasket <i>(Two Required)</i>
11	1013320	Disc
12	1013311	Lock Nut
13	1013309	Seat
14	1013317	Body
15	1013316	Hex Nut <i>(Six Required)</i>
16	1013308	Seat O-Ring
17	1013310	Disc Plate
18	1013307	Disc Retainer
19	1013304	O-ring
20	1013302	Gasket
21	1013314	Bolt <i>(Four Required)</i>
—	1013301	GateKeeper Repair Kit <i>(Includes Item #'s: 4, 6, 8, 10, 11, 12, 17, 19, and 20)</i>
—	1013124	Seat Tool
—	1013125	Retainer Bushing Tool
—	1090011	Operator's Manual – KwikFire 130E Remote Control System

PART NUMBERS & SCHEMATICS

Figure 4: Blastmaster® 2" GateKeeper Air Valve



PART NUMBERS

Part Numbers	ABRASIVE BLASTING POT PACKAGES
	Description
10103911	Abrasive Blasting Pot Package for 10" Diameter Abrasive Blasting Pots
10103913	Abrasive Blasting Pot Package for 16" Diameter Abrasive Blasting Pots
10103912	Abrasive Blasting Pot Package for 18" Diameter Abrasive Blasting Pots
10103914	Abrasive Blasting Pot Package for 24" Diameter Abrasive Blasting Pots

PART NUMBERS & SCHEMATICS

Figure 1: Abrasive Blasting Pot Package for 10" Diameter Abrasive Blasting Pots



Item #	Part #	Description
Fig. 1		
—	10103911	Abrasive Blasting Pot Package for 10" Diameter Abrasive Blasting Pots
1	1081225	3/4" I.D. Heavy-Duty Abrasive Blasting Hose – 25 Feet <i>Includes 10QNY1 Coupling and 10NHN1 Nozzle Holder</i>
2	1018000	Whip Check Safety Cable
3	10101730	10" Abrasive Blasting Pot Lid
4	10SBGNY1	3/4" Nylon Coupling Gasket (Package of 10)
5	1001510	10" Abrasive Blasting Pot Funnel with Screen
6	10SN4UN	1/4" Silicon Carbide All Poly Nozzle

PART NUMBERS & SCHEMATICS

Figure 2: Abrasive Blasting Pot Package for 16" Diameter Abrasive Blasting Pots



Item #	Part #	Description
Fig. 2		
—	10103913	Abrasive Blasting Pot Package for 16" Diameter Abrasive Blasting Pots
1	1081212	1" I.D. Heavy-Duty Abrasive Blasting Hose – 50 Feet <i>Includes 10QNY2 Coupling and 10NHN2 Nozzle Holder</i>
2	1018000	Whip Check Safety Cable
3	1003101	16" Abrasive Blasting Pot Lid
4	10SBGNY2	1"–1-1/2" Nylon Coupling Gasket (Package of 10)
5	1003102	16" Abrasive Blasting Pot Screen
6	10SN4UN	1/4" Silicon Carbide All Poly Nozzle

PART NUMBERS & SCHEMATICS

Figure 3: Abrasive Blasting Pot Package for 18" Diameter Abrasive Blasting Pots



Item #	Part #	Description
Fig. 3		
—	10103912	Abrasive Blasting Pot Package for 18" Diameter Abrasive Blasting Pots
1	1081212	1" I.D. Heavy-Duty Abrasive Blasting Hose – 50 Feet <i>Includes 10QNY2 Coupling and 10NHN2 Nozzle Holder</i>
2	1018000	Whip Check Safety Cable
3	1035060	18" Abrasive Blasting Pot Lid
4	10SBGNY2	1"–1-1/2" Nylon Coupling Gasket (<i>Package of 10</i>)
5	1035061	18" Abrasive Blasting Pot Screen
6	10SN4UN	1/4" Silicon Carbide All Poly Nozzle

PART NUMBERS & SCHEMATICS

Figure 4: Abrasive Blasting Pot Package for 24" Diameter Abrasive Blasting Pots



Item #	Part #	Description
Fig. 4		
—	10103914	Abrasive Blasting Pot Package for 24" Diameter Abrasive Blasting Pots
1	1081229	1-1/4" I.D. Super-Flex Abrasive Blasting Hose – 50 Feet <i>Includes 10QNY2 Coupling and 10NHN2 Nozzle Holder</i>
2	1018000	Whip Check Safety Cable
3	1006101	24" Abrasive Blasting Pot Lid
4	10SBGNY2	1"–1-1/2" Nylon Coupling Gasket (<i>Package of 10</i>)
5	1006102	24" Abrasive Blasting Pot Screen
6	10SN5UN	5/16" Silicon Carbide All Poly Nozzle

PART NUMBERS

BLASTMASTER® 160 CU. FT. ABRASIVE BLASTING POTS

BLASTMASTER® 160 CU. FT. ABRASIVE BLASTING POTS											
Mounting Options					Power Source	Remote Control Switch	Number of Outlets	Metering Valve Sleeve		KwikStop Depressurization System	
Highway Trailer	Yard Trailer	Offshore Skid	Fork-Pocket Skid	Stationary				Tungsten Carbide	Urethane		
10106554	10106563	10106572	10106581	—	Pneumatic	152	2	X		X	
10100913	10100912	10103277	10100911	10100909	Pneumatic	152	2	X			
10100908	10100907	10103276	10100906	10100904	Pneumatic	152	2		X		
10106555	10106564	10106573	10106582	—	Pneumatic	152	3	X		X	
10100923	10100922	10103279	10100921	10100919	Pneumatic	152	3	X			
10100918	10100917	10103278	10100916	10100914	Pneumatic	152	3		X		
10106556	10106565	10106574	10106583	—	Pneumatic	152	4	X		X	
10100933	10100932	10102562	10100931	10100929	Pneumatic	152	4	X			
10100928	10100927	10103280	10100926	10100924	Pneumatic	152	4		X		
10106447	10106448	10106449	—	—	12-Volt DC	—	2	X			
10106548	10106557	10106566	10106575	—	12-Volt DC	151	2	X		X	
10100943	10100942	10103282	10100941	10100939	12-Volt DC	151	2	X			
10100938	10100937	10103281	10100936	10100934	12-Volt DC	151	2		X		
10106549	10106558	10106567	10106576		12-Volt DC	151	3	X		X	
10100963	10100962	10103284	10100961	10100959	12-Volt DC	151	3	X			
10100958	10100957	10103283	10100956	10100954	12-Volt DC	151	3		X		
10106650	10106559	10106568	10106577	—	12-Volt DC	151	4	X		X	
10106450	10106451	10106452	—	—	12-Volt DC	—	4	X			
10100983	10100982	10102561	10100981	10100979	12-Volt DC	151	4	X			
10100978	10100977	10103285	10100976	10100974	12-Volt DC	151	4		X		
10106651	10106560	10106569	10106578	—	120-Volt AC	151	2	X		X	
10100953	10100952	10103287	10100951	10100949	120-Volt AC	151	2	X			
10100948	10100947	10103286	10100946	10100944	120-Volt AC	151	2		X		
10106552	10106561	10106570	10106579	—	120-Volt AC	151	3	X		X	
10100973	10100972	10103289	10100971	10100969	120-Volt AC	151	3	X			
10100968	10100967	10103288	10100966	10100964	120-Volt AC	151	3		X		
10106553	10106562	10106571	10106580	—	120-Volt AC	151	4	X		X	
10100993	10100992	10103291	10100991	10100989	120-Volt AC	151	4	X			
10100988	10100987	10103290	10100986	10100984	120-Volt AC	151	4		X		

Part Numbers

MOUNTING OPTIONS



Highway Trailer



Yard Trailer



Offshore



Fork-Pocket Skid



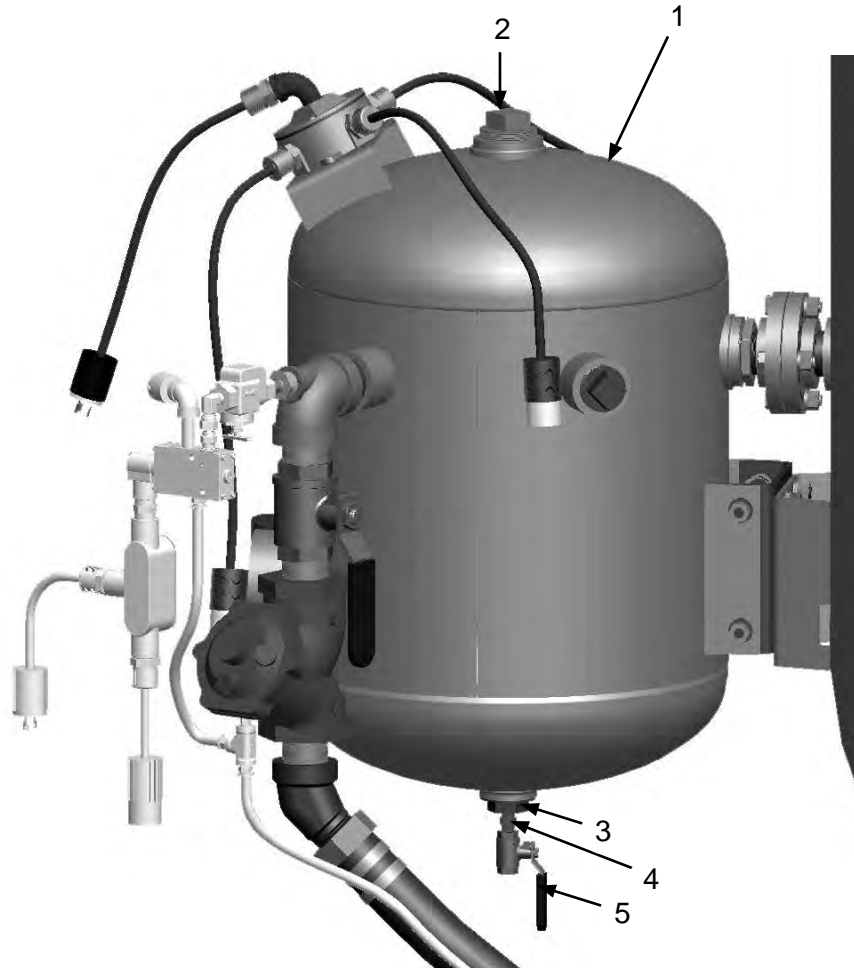
Stationary

Associated Literature

- 105M060** – Features and Specifications Guide – Blastmaster® 160 cu. ft. Abrasive Blasting Pots
- 106M060** – Part Numbers and Schematics Guide – Blastmaster® 160 cu. ft. Abrasive Blasting Pots
- 1090060** – Operator's Manual – Blastmaster® 160 cu. ft. Abrasive Blasting Pots

PART NUMBERS AND SCHEMATICS

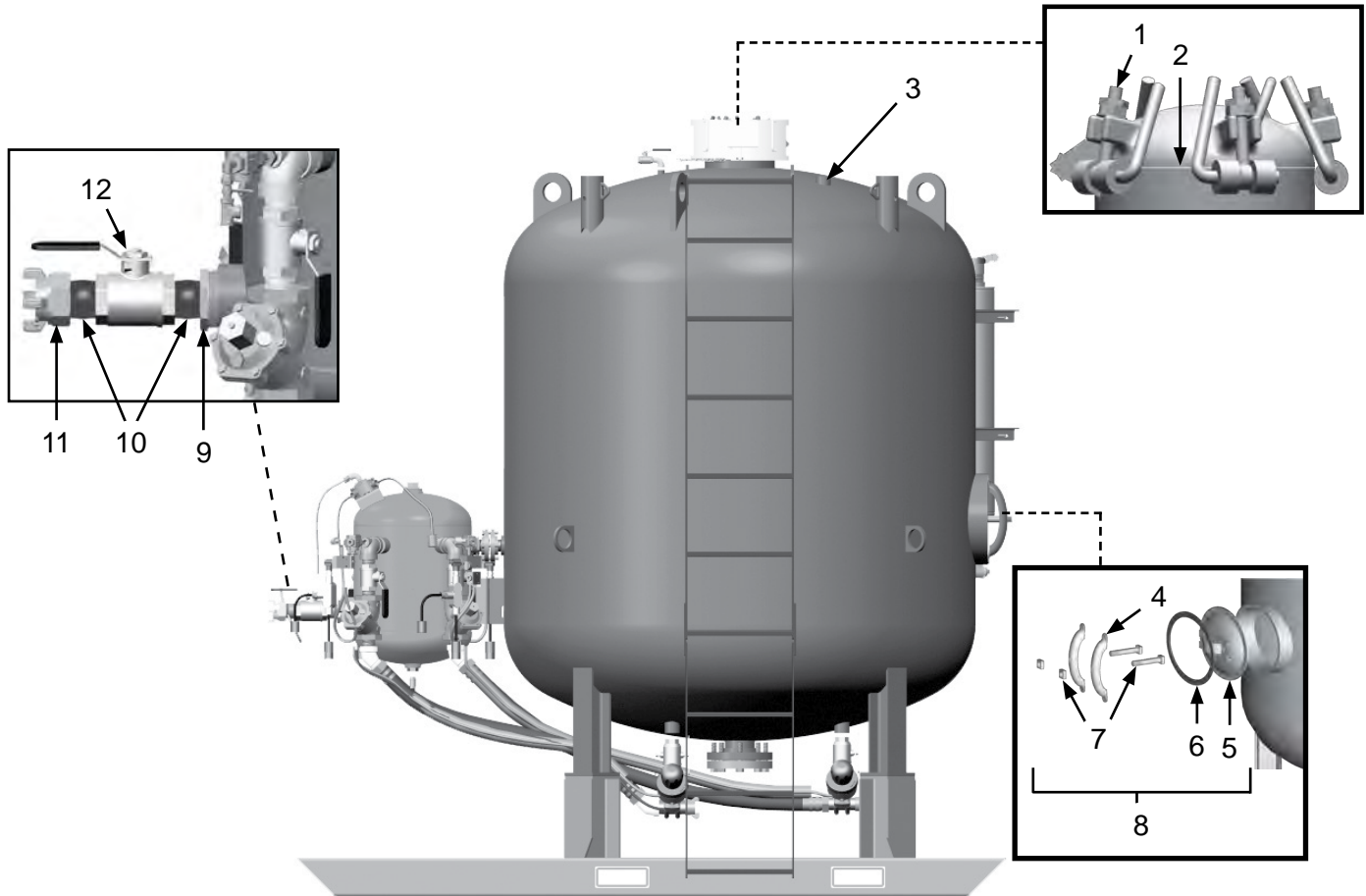
Figure 1: Moisture Separator Assembly



Item #	Part #	Description
Fig. 1		
1	1081616	1600 CFM Moisture Separator for 160 Cu. Ft. and 120 Cu. Ft. Abrasive Blasting Pots
2	1011823	2" Pipe Plug
3	1011822	1-1/2" (M) NPT x 1/4" (F) NPT Bushing
4	1017019	1/4" x 1/4" NPT Hex Nipple
5	1080050	1/4" NPT Full Port Brass Ball Valve

PART NUMBERS AND SCHEMATICS

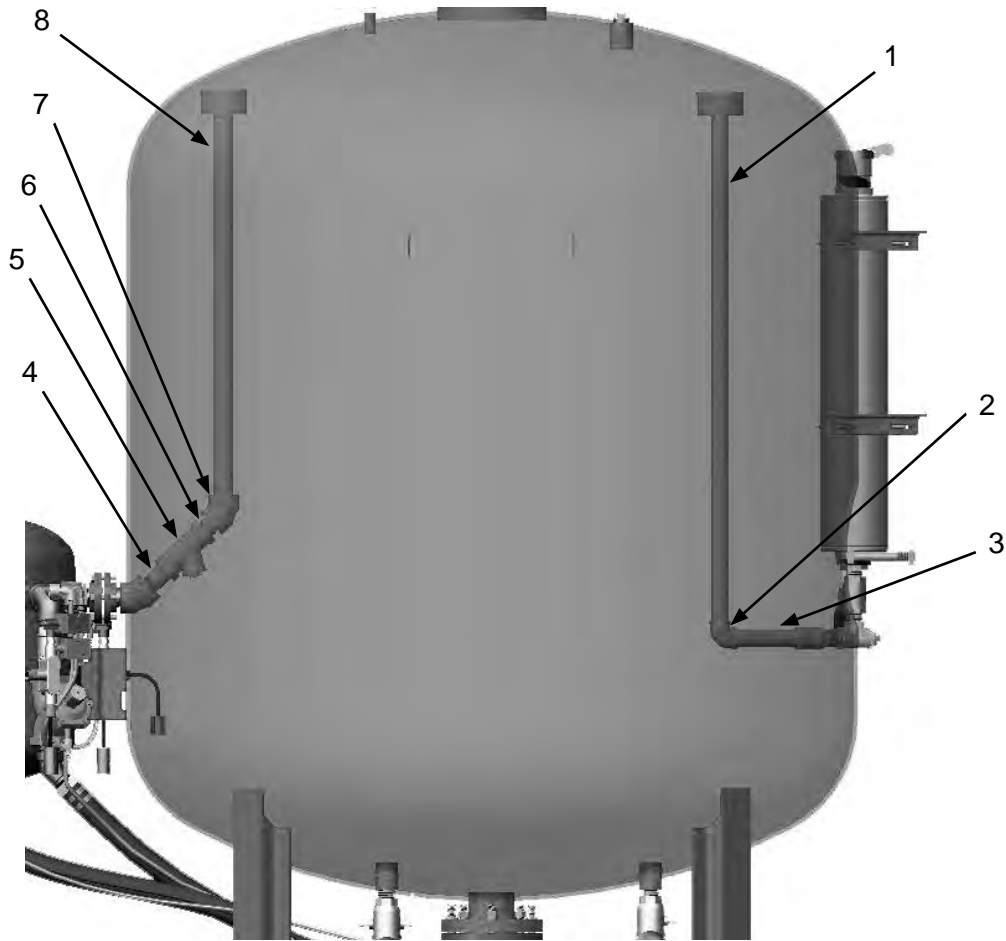
Figure 2: External Fittings and Components, Side View



Item #	Part #	Description
Fig. 2		
1	10100698	Camlock Assembly <i>(Five Required)</i>
2	10100697	10" Hatch O-Ring
3	1011902	1-1/4" NPT Pipe Plug <i>(Two Required)</i>
4	10000365	Manway Crab <i>(Two Required)</i>
5	10000364	12" x 16" Manway Cover
6	10100703	12" x 16" Manway Assembly Gasket
7	1011848	Manway Nut and Bolt <i>(Two Required)</i>
8	10100702	12" x 16" Manway Assembly <i>(Includes Item #'s: 7, 8, 9, and 10)</i>
9	10101183	3" MNPT x 2" FNPT Bushing
10	1001806	2" NPT Close Nipple <i>(Two Required)</i>
11	10ME5	2" 4-Lug Female NPT Coupling
12	1011604	2" NPT Full Port Brass Ball Valve

PART NUMBERS AND SCHEMATICS

Figure 3: Internal Fittings



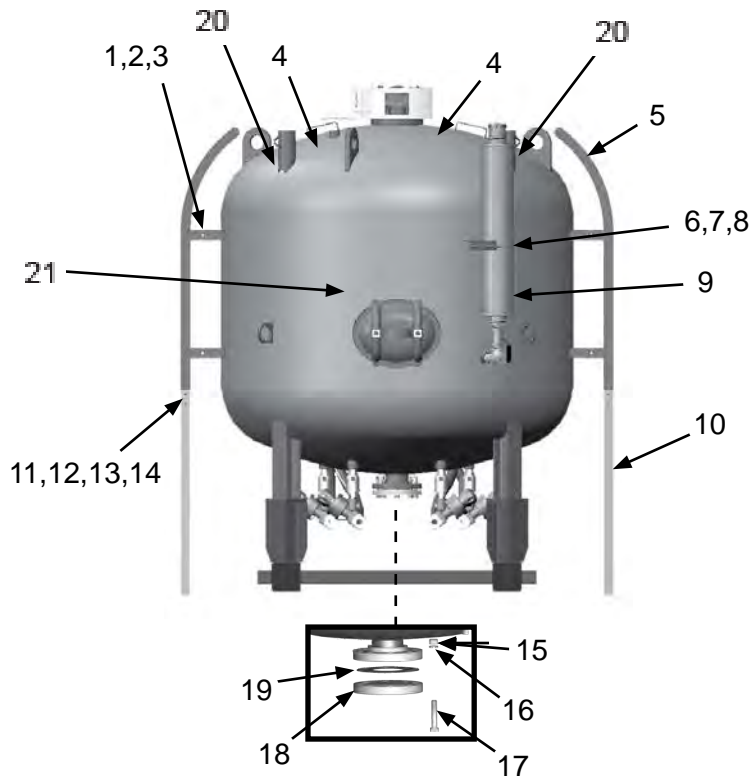
Item #	Part #	Description
--------	--------	-------------

Fig. 3

1	10105384	Outlet Tube with Deflector
2	1006204	1-1/4" NPT 90° Elbow
3	1006207	1-1/4" NPT X 8" Nipple
4	1011203	1-1/2" x 3" Nipple - Galvanized
5	1011841	1-1/2" Y-Strainer
6	1014015	1-1/2" Close Nipple - Galvanized
7	10000328	1-1/2" 45° Coupling
8	10100682	Inlet Tube with Deflector

PART NUMBERS AND SCHEMATICS

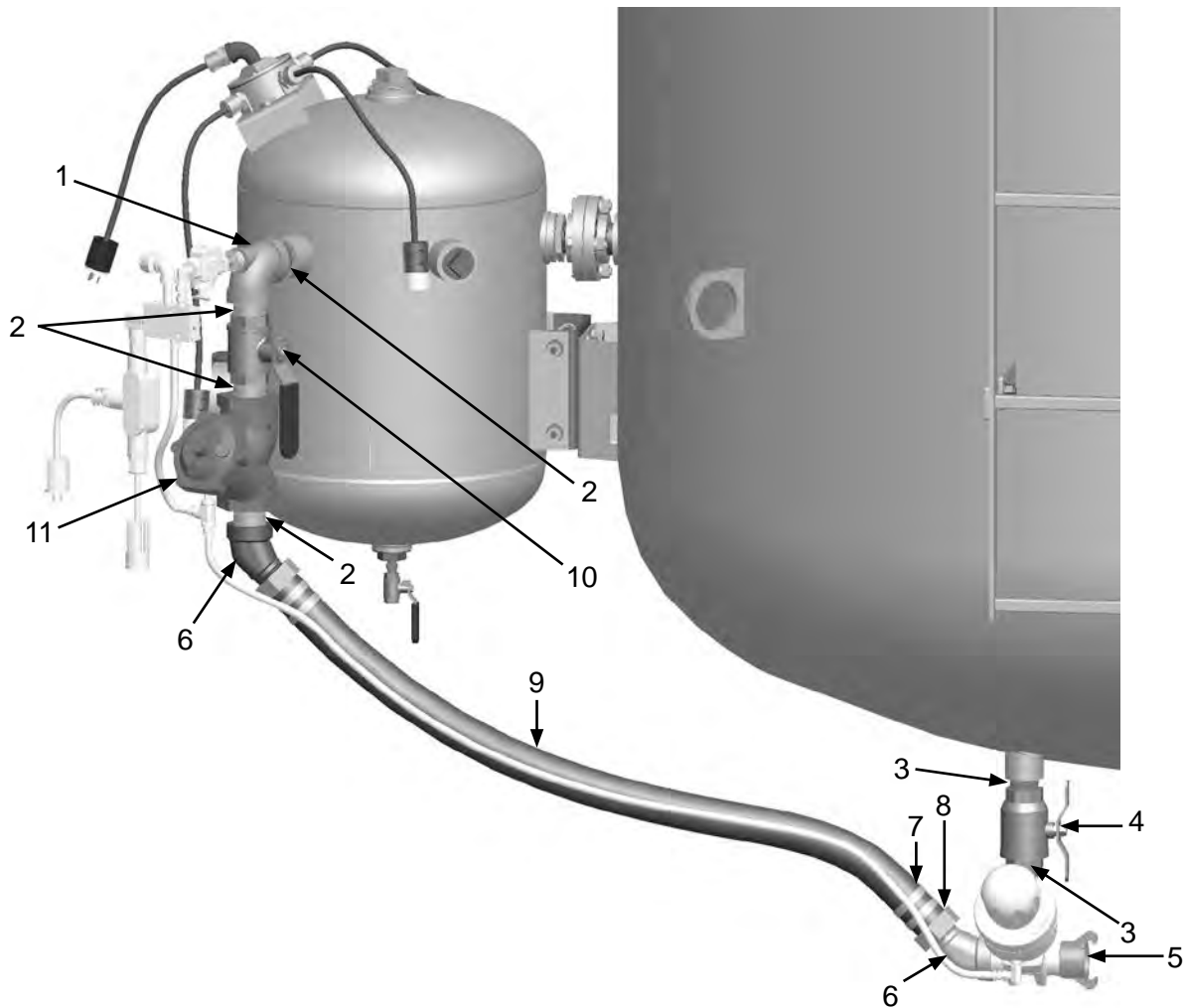
Figure 4: External Fittings and Components, Rear View



Item #	Part #	Description
Fig. 4		
1	10100597	1/2-13 x 1-1/4" UNC Hex Bolt (Four Required per Ladder)
2	10100598	1/2-13 Hex Nut (Four Required per Ladder)
3	10100599	1/2" Washer (Eight Required per Ladder)
4	1091144	Hazard Identification Sticker (Two Required)
5	10000343	Ladder Kit (Two Required per Abrasive Blasting Pot)
6	10103394	U-Bolt - 3/8-16 x 6"
7	1014241	3/8" I.D. x 3/4" O.D. Washer
8	20100138	3/8"-16 Hex Lock Nut Zinc
9	10103575	Absorptive Silencer U5-3
10	10000512	Ladder Extension (Two Required)
—	10103915	Ladder Extension with Tape (Two Required)
11	10101938	3/8"-16 Hex Nut (Eight Required)
12	10101936	3/8" Lock Washer (Eight Required)
13	10101942	3/8" Flat Washer (Eight Required)
14	10101059	3/8-16 x 1-1/4" A307 Bolt (Eight Required)
15	10100595	3/4-10 Hex Nut (Eight Required)
16	10100596	3/4" Lock Washer (Eight Required)
17	10100594	3/4-10 x 4" Hex Bolt (Eight Required)
18	10000498	4" Blind Flange
19	10000501	4" Flange Gasket
20	1091052	Hazard Identification Sticker (Two Required)
21	1091054	Hazard Identification Sticker

PART NUMBERS AND SCHEMATICS

Figure 5: Pipe String Assembly



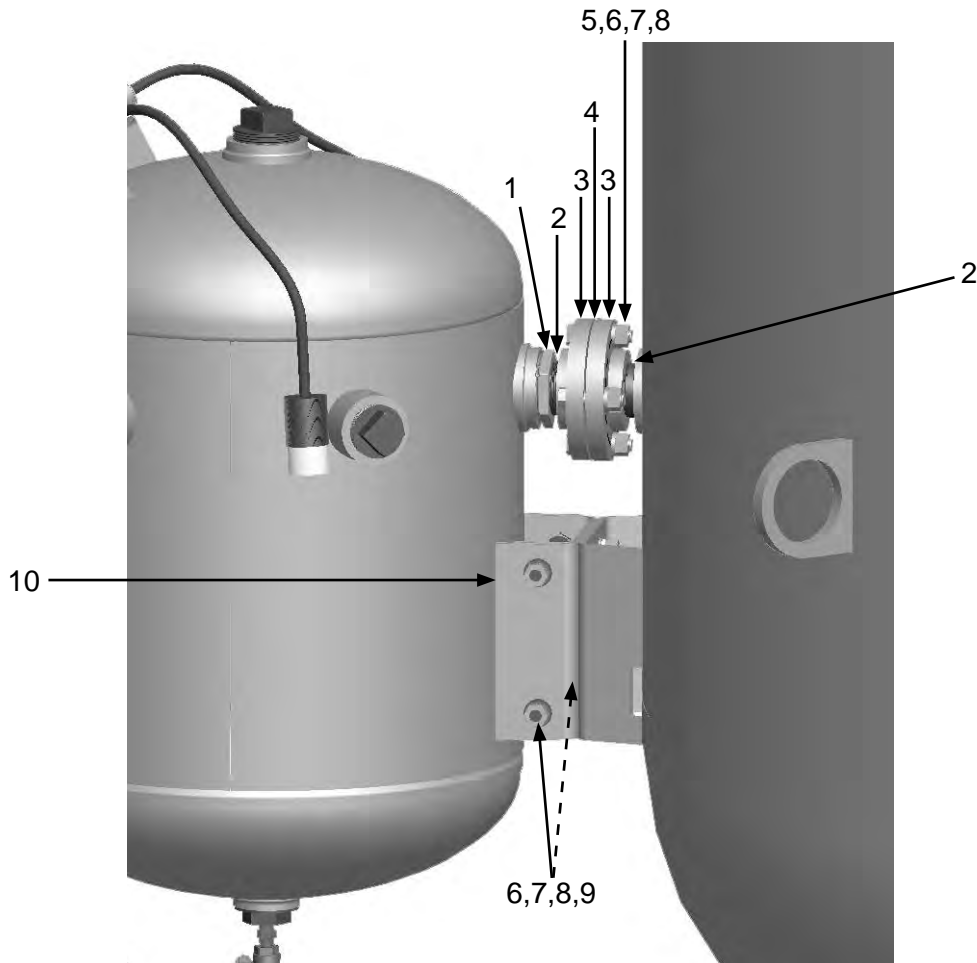
Item #	Part #	Description
--------	--------	-------------

Fig. 5

1	1011828	1-1/2" NPT Elbow with 1/2" Side-out
2	1014015	1-1/2" Close Nipple (Three Required)
3	1011201	1-1/4" NPT Close Nipple
4	1011606A	1-1/4" Union End Brass Ball Valve
5	10SB2S	1-1/2" NPT Brass Tank Coupling
6	1011805	1-1/2" NPT 45° Street Elbow (Two Required)
7	10AHCL3	Band Clamp (Four Required)
8	10SFE4	1-1/2" NPT Swivel Female Air Hose Fitting (Two Required)
9	10AH112B	1-1/2" I.D. Air Hose – Per Foot
10	1011603	1-1/2" NPT Full Port Brass Ball Valve
11	1013600	High-Flow Gatekeeper – 1-1/2"

PART NUMBERS AND SCHEMATICS

Figure 6: Moisture Separator Mounting Assembly



Item #	Part #	Description
Fig. 6		
1	1001868	2" x 1-1/2" Bushing
2	1011849	1-1/2" Close Nipple (<i>Two Required</i>)
3	1011784	1-1/2" Flange (<i>Two Required</i>)
4	1011785	1-1/2" Flange Gasket
5	1011786	1/2" UNC x 2-1/4" Hex Bolt (<i>Four Required</i>)
6	10100675	1/2" Lock Washer (<i>Eight Required</i>)
7	10100674	1/2" Flat Washer (<i>Eight Required</i>)
8	10101941	1/2-13 Hex Nut (<i>Eight Required</i>)
9	10100597	1/2-13 x 1-1/4" UNC Hex Bolt (<i>Four Required</i>)
10	10101171	Bulk Pot Moisture Sperator Mounting Bracket

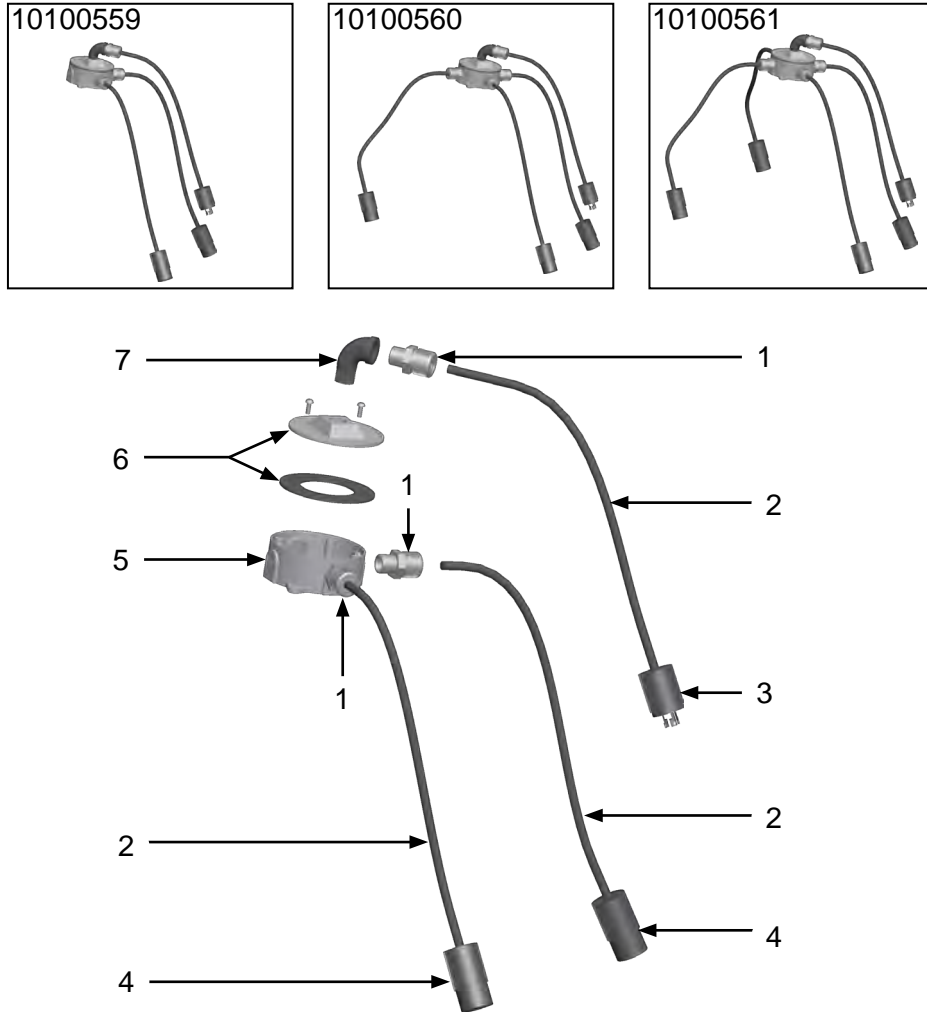
PART NUMBERS AND SCHEMATICS

Power Distribution Boxes

Item #	Part #	Description
Fig. 7		
—	10100559	2-Outlet Power Distribution Box
—	10100560	3-Outlet Power Distribution Box
—	10100561	4-Outlet Power Distribution Box
1	1019021	Cord Grip (<i>One Required per Outlet</i>)
2	1015540	16/2 SO Electric Cord (<i>Sold per Foot</i>)
3	1015555	3-Prong Male Twist-Lock Plug
4	1015556	3-Prong Female Twist-Lock Plug (<i>One Required per Outlet</i>)
5	10100495	5-Outlet Conduit Box
6	10100496	Conduit Box Cover (<i>Includes: Gasket and Screws</i>)
7	1011819	1/2" Street Elbow
—	1030028	Butt Splicer (<i>Not Shown</i>)
—	10100562	Inline Fuse Block (<i>Not Shown</i>)
—	10100563	5-Amp Inline Fuse (<i>Not Shown</i>)

PART NUMBERS AND SCHEMATICS

Figure 7: Power Distribution Boxes



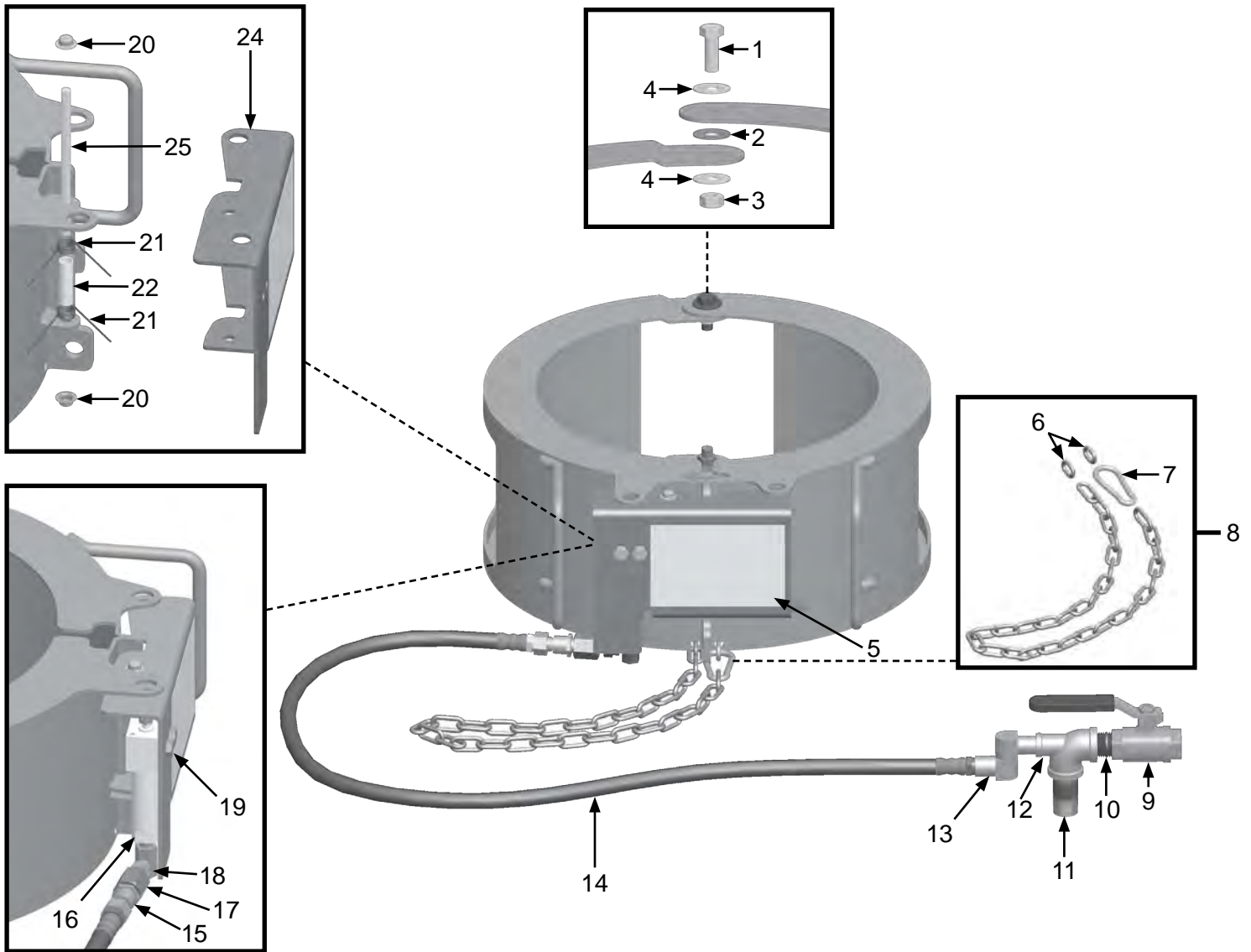
PART NUMBERS AND SCHEMATICS

Blastmaster® Pneumatic Closure Lockout Device

Item#	Part#	Description
Fig. 8		
—	10102326	Blastmaster® Pneumatic Closure Lockout Device – Complete
1	1011747	3/8-16 x 1" Bolt <i>(Two Required)</i>
2	10102327	3/8" Nylon Washer <i>(Two Required)</i>
3	10102329	3/8-16 Lock Nut <i>(Two Required)</i>
4	10102331	3/8" Washer <i>(Four Required)</i>
5	1091106	Hazard Identification Decal
6	10102338	Split Link <i>(Two Required)</i>
7	10102410	Carabiner
8	10102419	Chain Assembly <i>Includes Items: #6 (Quantity of Two), #7, and Chain</i>
9	10L363	1/2" NPT Brass Full Port Ball Valve
10	10L803035	1/2" NPT Close Nipple
11	10L803038	1/2" NPT x 2" Pipe Nipple
12	10102337	1/2" NPT 90° Elbow with 1/4" NPT Side-out
13	10102576	1/4" Swivel Connector
14	10102336	1/4" I.D. Air Hose Assembly
15	10102575	1/4" (M) x 1/4" (F) Swivel Hose End
16	10102529	Pneumatic Locking Piston <i>Includes Item #'s: 16, 18, and 19 (Quantity of Two)</i>
17	10102335	1/4" NPT (F) x 1/8" NPT (M) Reducing Fitting
18	1012113	1/8" Street Elbow
19	10102391	1/4-20 x 1/2" Bolt <i>(Two Required)</i>
20	10102325	1/4" Cap Nut <i>(Two Required)</i>
21	10102324	Torsion Spring <i>(Two Required)</i>
22	10103294	2-3/4" x 3/8" I.D. Spacer
23	10102323	Latch Pin
24	10102352	Latch Handle <i>(Includes Item #5)</i>
—	105M095	Features and Specifications Guide – Blastmaster® Pneumatic Closure Lockout Device
—	106M095	Part Numbers & Schematics Guide – Blastmaster® Pneumatic Closure Lockout Device
—	1090095	Operator's Manual – Blastmaster® Pneumatic Closure Lockout Device

PART NUMBERS AND SCHEMATICS

Figure 8: Blastmaster® Pneumatic Closure Lockout Device



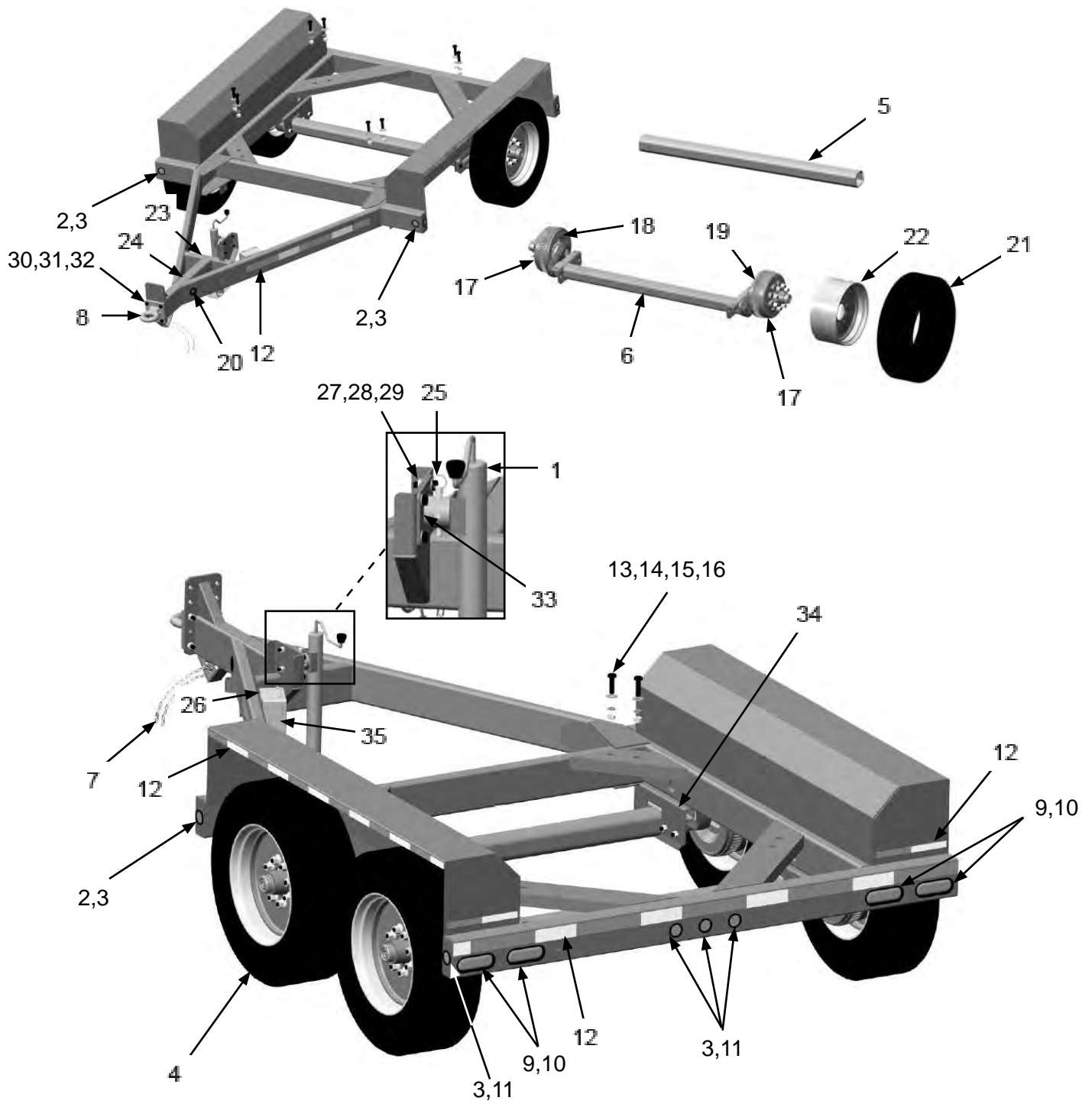
PART NUMBERS AND SCHEMATICS

Highway Trailer

Item #	Part #	Description
Fig. 9		
—	10104122	Highway Trailer
1	10100482	Weld On Pipe Mount Swivel Jack
2	10104087	2" Round LED Amber Clearance Light <i>(Four Required)</i>
3	10104088	2" Round Rubber Grommet <i>(Nine Required)</i>
4	10104143	215/75R17.5 16-Ply Tire with 17.5" 8-Hole Mod Rim <i>(Four Required)</i>
5	10104140	Axle Beam/Tube For Highway Or Yard, No Hubs or Springs <i>(Two Required)</i>
6	10104138	8,000 # Axle With Electric Brakes, Complete With Hubs And Springs 77.5" HF x 60" OB <i>(Two Required)</i>
7	10104769	3/8" x 41" Safety Chain with Hook
8	10104079	Pintle Hitch with Flat Plate
9	10104085	Oval Rubber Grommet <i>(Four Required)</i>
10	10104084	Oval LED Red Tail Light <i>(Four Required)</i>
11	10104086	2" Round LED Red Clearance Light <i>(Five Required)</i>
12	10103879	2" x 6" x 6" Red/White Conspicuity Tape
13	10100701	3/4-10 x 2-1/2" Bolt <i>(Two Required per Leg)</i>
14	10100704	3/4" Flat Washer <i>(Four Required per Leg)</i>
15	10100596	3/4" Lock Washer <i>(Two Required per Leg)</i>
16	10100595	3/4" Nut <i>(Two Required per Leg)</i>
17	10105734	Axle Hub Only - No Bearings or Seal <i>(Four Required)</i>
18	10105738	Left-Hand Electric Brake Assembly <i>(Two Required)</i>
19	10105739	Right-Hand Electric Brake Assembly <i>(Two Required)</i>
20	10105825	Electrical Break Away Grommet
21	10105735	Hercules Lt215/75R17.5 16-Ply Tire Only <i>(Four Required)</i>
22	10105736	17.5" 8-Hole Rim - No Tire <i>(Four Required)</i>
23	10100585	Hazard Identification Decal
24	10901145	Hazard Identification Decal <i>(Highway Trailer)</i>
25	10105784	Replacement Pin and Cable for 10105783
26	10104081	Breakaway Kit
27	10105874	1/2-13 x 1-1/2" Gr 5 Bolt <i>(Four Required)</i>
28	20100124	1/2-13 Nylon Lock Nut <i>(Four Required)</i>
29	10100674	1/2" Flat Washer <i>(Eight Required)</i>
30	10105746	5/8 x 2-1/2" Gr 8 Bolt <i>(Four Required)</i>
31	10105747	5/8 Reverse Lock Nut <i>(Four Required)</i>
32	10103398	5/8" Flat Washer <i>(Four Required)</i>
33	10105876	Jack Plate with Four Holes
34	10105875	Weld on Mounting Bracket with Hardware - Axle Mount <i>(Four Required)</i> - 9/16-18 x 1-1/2" Gr 5 Hex Bolt <i>(Six Required)</i> - 9/16" Flat Washer <i>(12 Required)</i> - 9/16" Hex Nut <i>(Six Required)</i>
35	10105826	Redline 12V - 5AH Battery Sealed
—	10104142	Wire Harness - Complete <i>(Front, Middle & Rear)</i>
—	10105783	Breakaway Switch with LED

PART NUMBERS AND SCHEMATICS

Figure 9: Highway Trailer



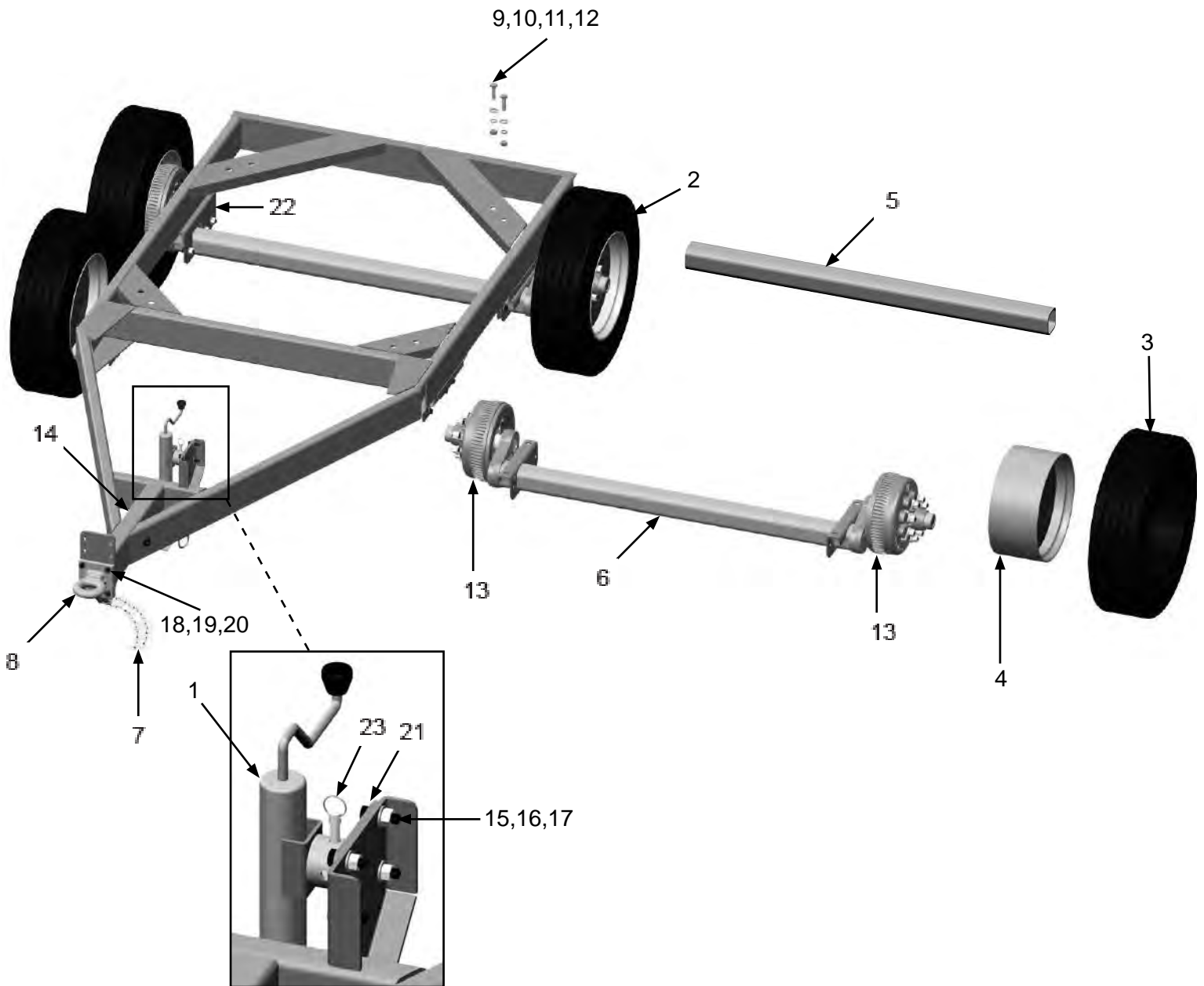
PART NUMBERS AND SCHEMATICS

Yard Trailer

Item #	Part #	Description
Fig. 10		
—	10104121	Yard Trailer
1	10100482	Weld On Pipe Mount Swivel Jack
2	10104143	215/75R17.5 16-Ply Tire with 17.5" 8-Hole Mod Rim <i>(Four Required)</i>
3	10105735	Hercules Lt215/75R17.5 16-Ply Tire Only <i>(Four Required)</i>
4	10105736	17.5" 8-Hole Rim - No Tire <i>(Four Required)</i>
5	10104140	Axle Beam/Tube For Highway or Yard, No Hubs or Springs <i>(Two Required)</i>
6	10104138	8,000 # Torflex Axle, Complete With Hubs And Springs 77.5" HF x 60" OB <i>(For Yard Config.) (Two Required)</i>
7	10104769	3/8" x 41" Safety Chain with Hook
8	10104079	Pintle Hitch with Flat Plate
9	10100701	3/4-10 x 2-1/2" Bolt <i>(Two Required per Leg)</i>
10	10100704	3/4" Flat Washer <i>(Four Required per Leg)</i>
11	10100596	3/4" Lock Washer <i>(Two Required per Leg)</i>
12	10100595	3/4" Nut <i>(Two Required per Leg)</i>
13	10105734	Axle Hub Only - No Bearings or Seal <i>(Four Required)</i>
14	10901146	Hazard Identification Decal <i>(Yard Trailer)</i>
15	10105874	1/2-13 x 1-1/2" Gr 5 Bolt <i>(Four Required)</i>
16	20100124	1/2-13 Nylon Lock Nut <i>(Four Required)</i>
17	10100674	1/2" Flat Washer <i>(Eight Required)</i>
18	10105746	5/8 x 2-1/2" Gr 8 Bolt <i>(Four Required)</i>
19	10105747	5/8 Reverse Lock Nut <i>(Four Required)</i>
20	10103398	5/8" Flat Washer <i>(Four Required)</i>
21	10105876	Jack Plate with Four Holes
22	10105875	Weld on Mounting Bracket with Hardware - Axle Mount <i>(Four Required)</i> - 9/16-18 x 1-1/2" Gr 5 Hex Bolt <i>(Six Required)</i> - 9/16" Flat Washer <i>(12 Required)</i> - 9/16" Hex Nut <i>(Six Required)</i>
23	10105784	Replacement Pin and Cable for 10105783

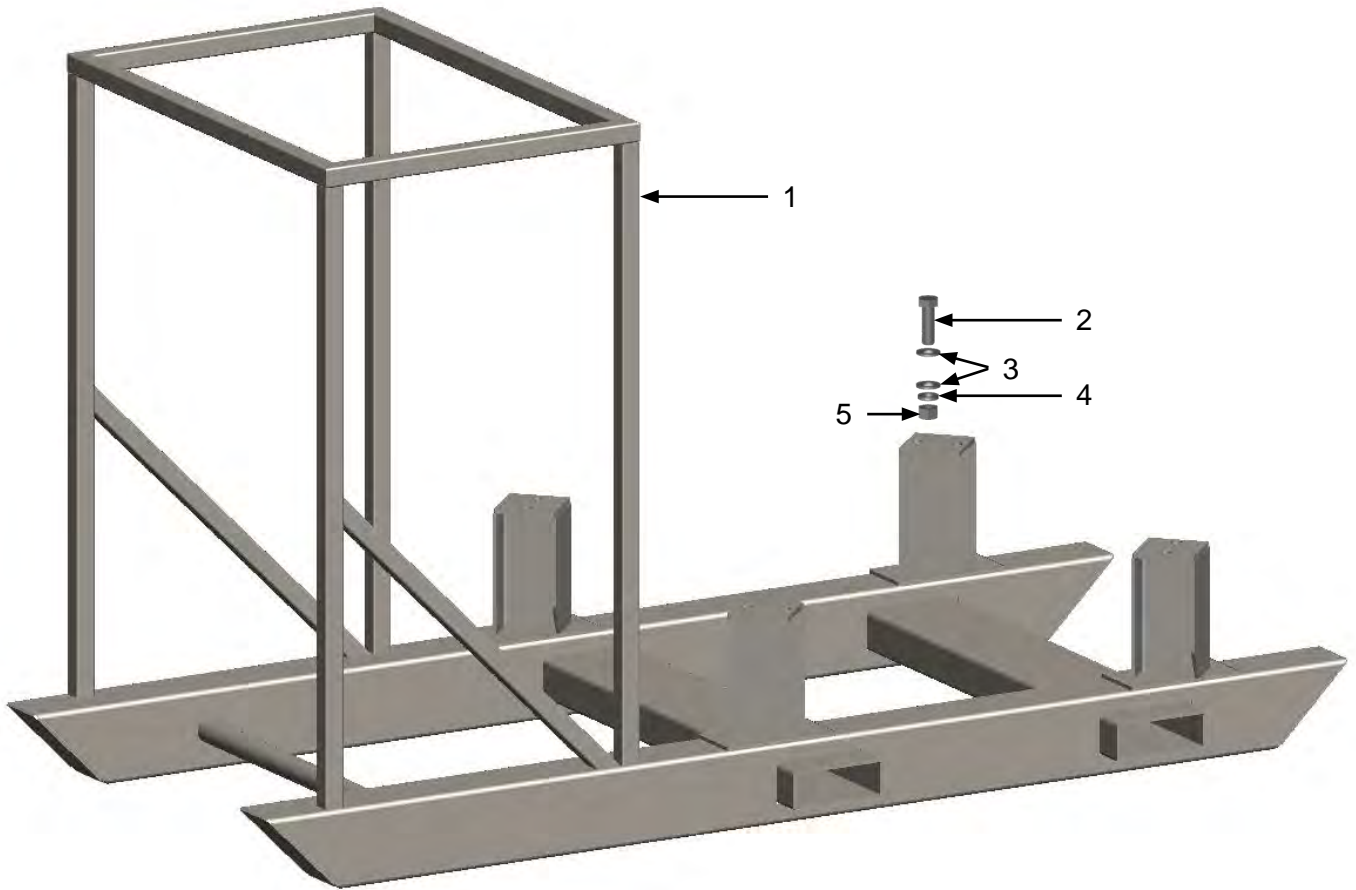
PART NUMBERS AND SCHEMATICS

Figure 10: Yard Trailer



PART NUMBERS AND SCHEMATICS

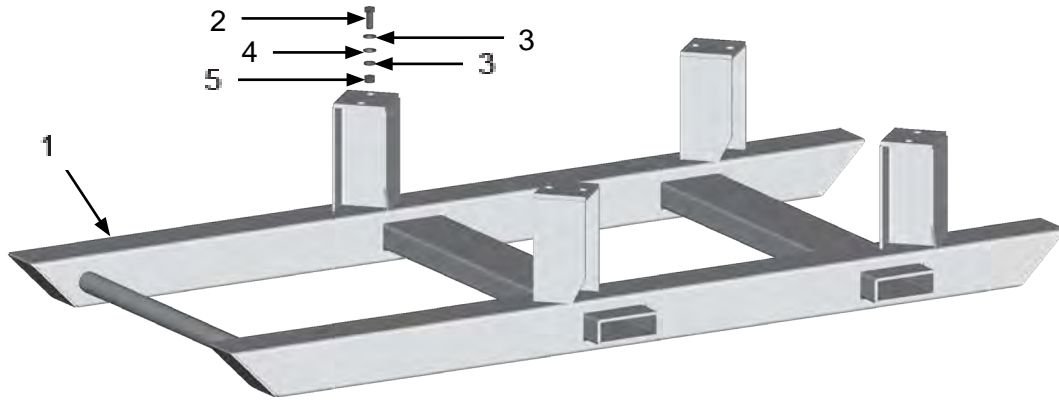
Figure 11: Fork-Pocket Skid Weldment Off Shore



Item #	Part #	Description
Fig. 11		
1	10101828	Fork-Pocket Skid Weldment Off Shore
2	10100701	3/4-10 x 2-1/2" Bolt (<i>Eight Required</i>)
3	10100704	3/4" Flat Washer (<i>16 Required</i>)
4	10100596	3/4" Lock Washer (<i>Eight Required</i>)
5	10100595	3/4" Nut (<i>Eight Required</i>)

PART NUMBERS AND SCHEMATICS

Figure 12: Fork-Pocket Skid

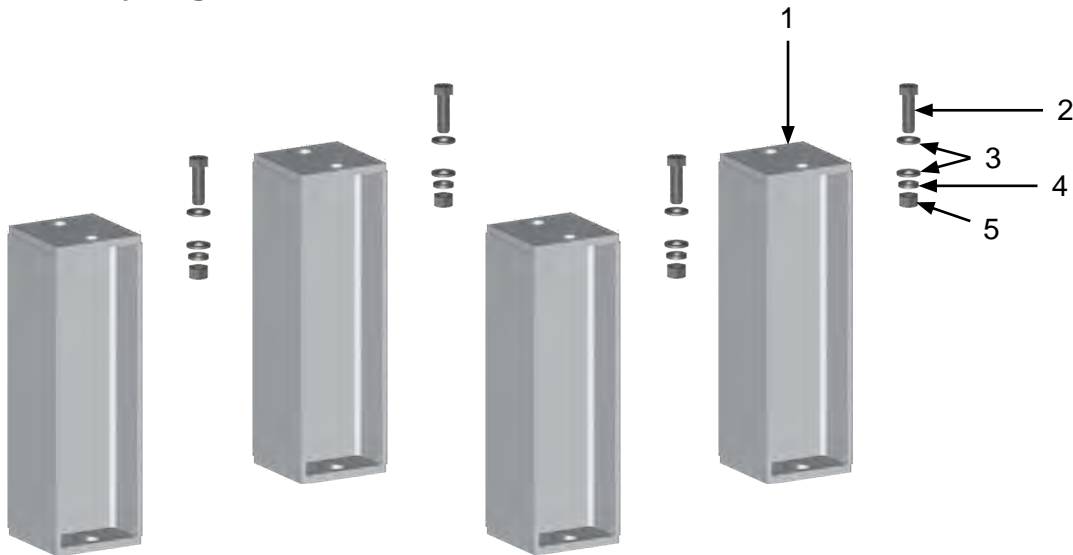


Item #	Part #	Description
--------	--------	-------------

Fig. 12

1	10100852	Fork-Pocket Skid
2	10100701	3/4-10 x 2-1/2" Bolt (<i>Eight Required</i>)
3	10100704	3/4" Flat Washer (<i>16 Required</i>)
4	10100596	3/4" Lock Washer (<i>Eight Required</i>)
5	10100595	3/4" Nut (<i>Eight Required</i>)

Figure 13: Stationary Legs



Item #	Part #	Description
--------	--------	-------------

Fig. 13

—	1081660	Stationary Legs and Mounting Kit – Complete Set of Four <i>Includes item #s: 1 (Quantity of Four), 2 (Quantity of Eight), 3 (Quantity of 16), 4 (Quantity of Eight), 5 (Quantity of Eight)</i>
1	10000514	Stationary Leg (<i>Four Required</i>)
2	10100701	3/4-10 x 2-1/2" Bolt (<i>Two Required per Leg</i>)
3	10100704	3/4" Flat Washer (<i>Four Required per Leg</i>)
4	10100596	3/4" Lock Washer (<i>Two Required per Leg</i>)
5	10100595	3/4" Nut (<i>Two Required per Leg</i>)

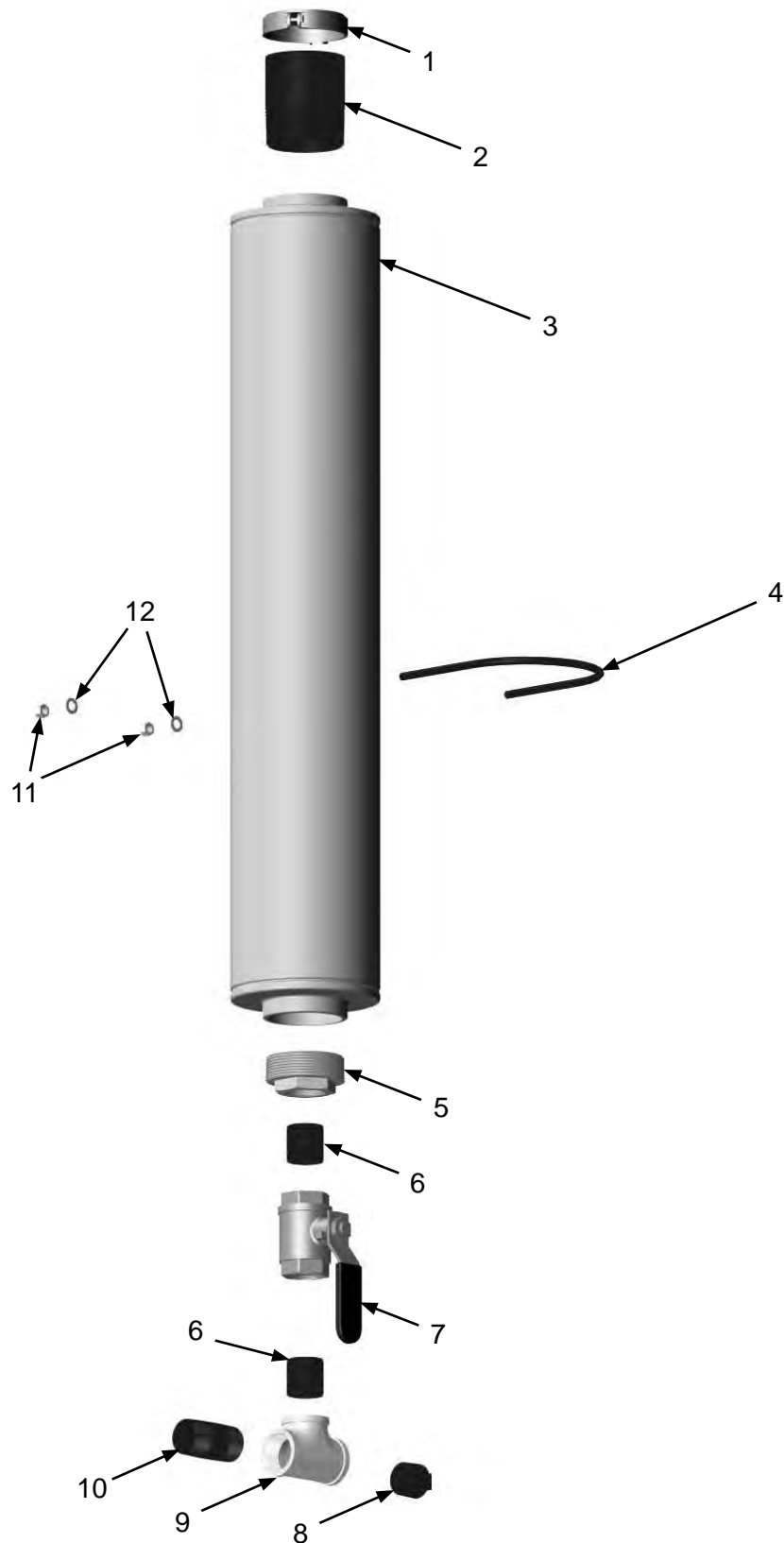
PART NUMBERS AND SCHEMATICS

Blastmaster® Large Exhaust Muffler

Item #	Part #	Description
Fig. 14		
1	10103583	3-1/2" Rain Cap – Painted Gray
2	10105208	3"NPT x 4" Toe Nipple – Galvanized
3	10103575	Absorptive Silencer U5-3 Universal
4	10103394	U-Bolt - 3/8-16 x 6"
5	10105045	3" x 1-1/4" Hex Bushing Galvanized
6	10101750	1-1/4" NPT Galvanized Close Nipple (<i>Two Required</i>)
7	1011602	1-1/4" Full Port Ball Valve
8	1011803	1-1/4" NPT Galvanized Pipe Tee
9	1011902	1-1/4" NPT Galvanized Pipe Plug
10	10105252	1-1/4" x 3" Nipple – Galvanized SCH80
11	20100138	3/8"-16 Hex Lock Nut Zinc
12	1014241	3/8" I.D. x 3/4" O.D. Washer
—	1090108	Hazard Identification Decal

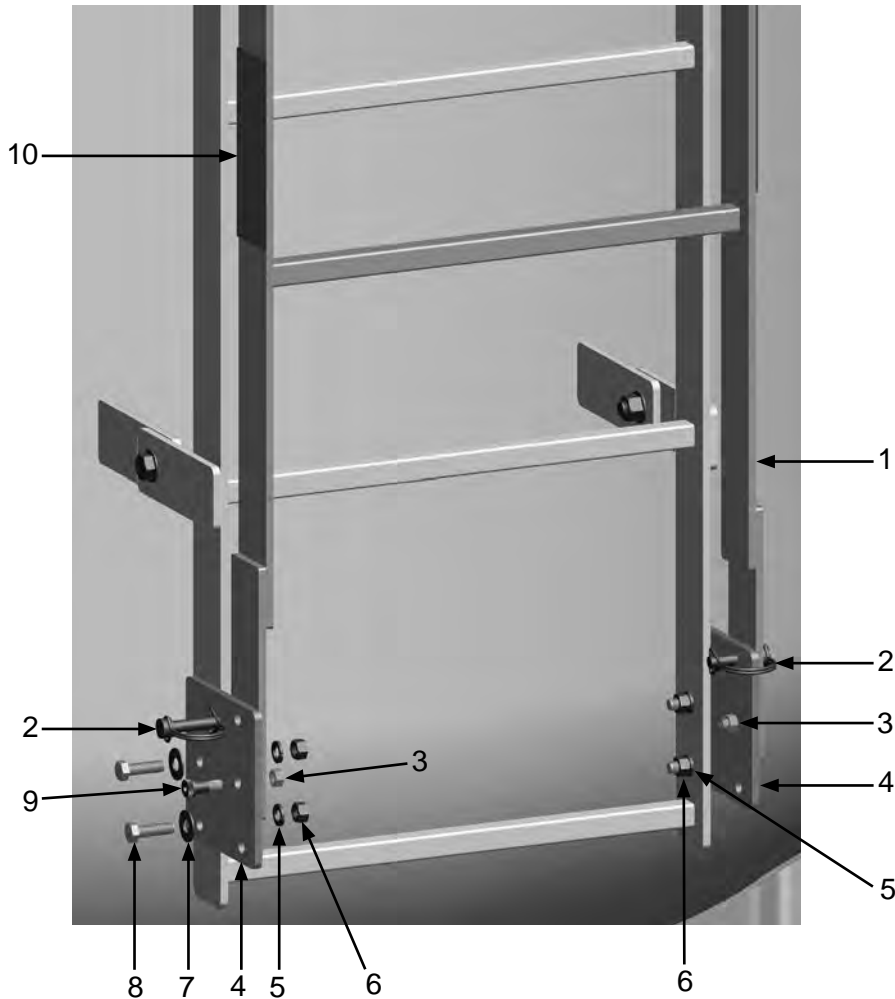
PART NUMBERS AND SCHEMATICS

Figure 14: Blastmaster® Large Exhaust Muffler



OPTIONAL ACCESSORIES

Figure 15: Hinged Ladder Extension (Optional)



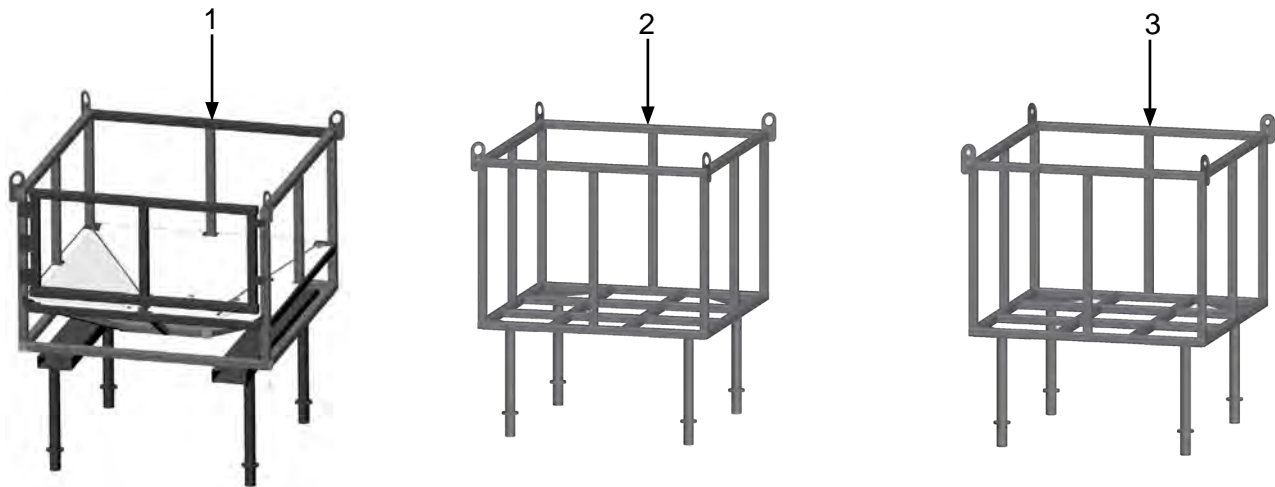
Item #	Part #	Description
--------	--------	-------------

Fig. 15

—	10103727	Hinged Ladder Extension – Complete <i>(Optional)</i> <i>Includes Two Ladder Extension Kits</i>
1	10103915	Ladder Extension Body <i>(Two Required)</i> <i>Includes Item #10</i>
2	10103728	3/8" D-Locking Pin <i>(Four Required)</i>
3	10103730	5/16-18 Hex Nut <i>(Four Required)</i>
4	10103509	Ladder Extension Bracket <i>(Four Required)</i>
5	10101936	3/8" Lock Washer <i>(Eight Required)</i>
6	10101938	3/8-16 Hex Nut <i>(Eight Required)</i>
7	10101942	3/8" Flat Washer <i>(Eight Required)</i>
8	10101059	3/8-16 x 1-1/4" Bolt <i>(Eight Required)</i>
9	10103729	3/8" Shoulder Bolt <i>(Four Required)</i>
10	10103881	2" Red Conspicuity Tape <i>(Sold per inch. 12 Inches required per Ladder)</i>

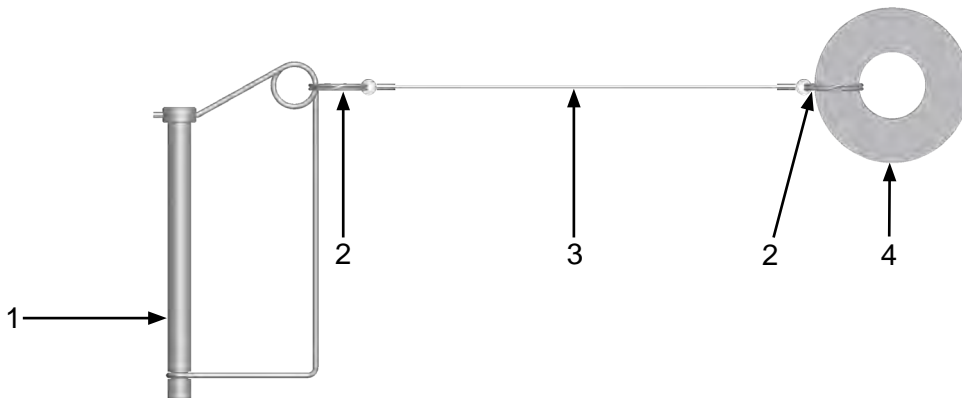
OPTIONAL ACCESSORIES

Figure 16: Blastmaster® Bulk Bag Racks (Optional)



Item #	Part #	Description
Fig. 16		
1	10104768	Blastmaster® Heavy-Duty Bulk Bag Rack with Swing Gate and Tapered Support Panels, Tapered Support Panels, and 2-1/4" I.D. Lifting Lugs
2	10102133	Bulk Bag Rack with Grid Support and 2-1/4" I.D. Lifting Lugs
3	10103271	Offshore Bulk Bag Rack with Grid Support and 1" I.D. Lifting Lugs

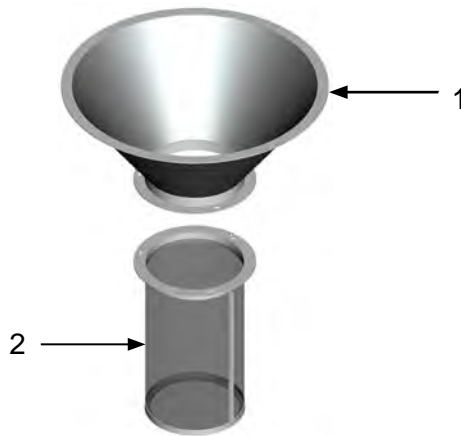
Figure 17: Blastmaster® Bulk Bag Rack Locking Pin (Optional)



Item #	Part #	Description
Fig. 17		
—	10103386	Locking Pin Assembly – Complete (Optional)
1	10103387	3/8" x 4" Locking Pin
2	10103388	Split Ring (Two Required)
3	10103390	7" Lanyard with Eyelets
4	10103389	2-1/4" O.D. x 1-1/4" I.D. Flat Washer

OPTIONAL ACCESSORIES

Figure 18: Abrasive Screen and Funnel (Optional)



Item #	Part #	Description
--------	--------	-------------

Fig. 18

—	10101705	Abrasive Screen and Funnel for 10" Diameter Camlock Closure
	10102341	Fine Abrasive Screen and Funnel for 10" Diameter Camlock Closure
1	10101817	Funnel
2	10101704	Abrasive Screen for 10" Diameter Camlock Closure
	10102248	Fine Abrasive Screen for 10" Diameter Camlock Closure

PART NUMBERS

BLASTMASTER® 120 CU. FT. BULK ABRASIVE BLASTING POTS

Mounting Options					Power Source	Remote Control Switch	Number of Outlets	Metering Valve Sleeve		KwikStop Depressurization System
Highway Trailer	Yard Trailer	Offshore Skid*	Fork-Pocket Skid	Stationary				Tungsten Carbide	Urethane	
10106915	10106924	10106933	10106942	—	Pneumatic	152	2	X		X
10101418	10101417	—	10101416	10101414	Pneumatic	152	2	X		
10101413	10101412	—	10101411	10101409	Pneumatic	152	2		X	
10106916	10106925	10106934	10106943	—	Pneumatic	152	3	X		X
10101448	10101447	—	10101446	10101444	Pneumatic	152	3	X		
10101443	10101442	—	10101441	10101439	Pneumatic	152	3		X	
10106917	10106926	10106935	10106944	—	Pneumatic	152	4	X		X
10101478	10101477	—	10101476	10101474	Pneumatic	152	4	X		
10101473	10101472	—	10101471	10101469	Pneumatic	152	4		X	
10106453	10106454	10106455	—	—	12-Volt DC	—	2	X		
10106910	10106918	10106927	10106936	—	12-Volt DC	151	2	X		X
10101508	10101507	—	10101506	10101504	12-Volt DC	151	2	X		
10101503	10101502	—	10101501	10101499	12-Volt DC	151	2		X	
10106911	10106919	10106928	10106937	—	12-Volt DC	151	3	X		X
10101538	10101537	—	10101536	10101534	12-Volt DC	151	3	X		
10101533	10101532	—	10101531	10101529	12-Volt DC	151	3		X	
10106456	10106457	10106458	—	—	12-Volt DC	—	4	X		
10106747	10106920	10106929	10106938	—	12-Volt DC	151	4	X		X
10101568	10101567	—	10101566	10101564	12-Volt DC	151	4	X		
10101563	10101562	—	10101561	10101559	12-Volt DC	151	4		X	
10106912	10106921	10106930	10106939	—	120-Volt AC	151	2	X		X
10101598	10101597	—	10101596	10101594	120-Volt AC	151	2	X		
10101593	10101592	—	10101591	10101589	120-Volt AC	151	2		X	
10106913	10106922	10106931	10106940	—	120-Volt AC	151	3	X		X
10101628	10101627	—	10101626	10101624	120-Volt AC	151	3	X		
10101623	10101622	—	10101621	10101619	120-Volt AC	151	3		X	
10106914	10106923	10106932	10106941	—	120-Volt AC	151	4	X		X
10101658	10101657	—	10101656	10101654	120-Volt AC	151	4	X		
10101653	10101652	—	10101651	10101649	120-Volt AC	151	4		X	

*Offshore Skid Mounting Option and KwikStop Depressurization System Not Shown

MOUNTING OPTIONS



Highway Trailer



Yard Trailer



Fork-Pocket Skid



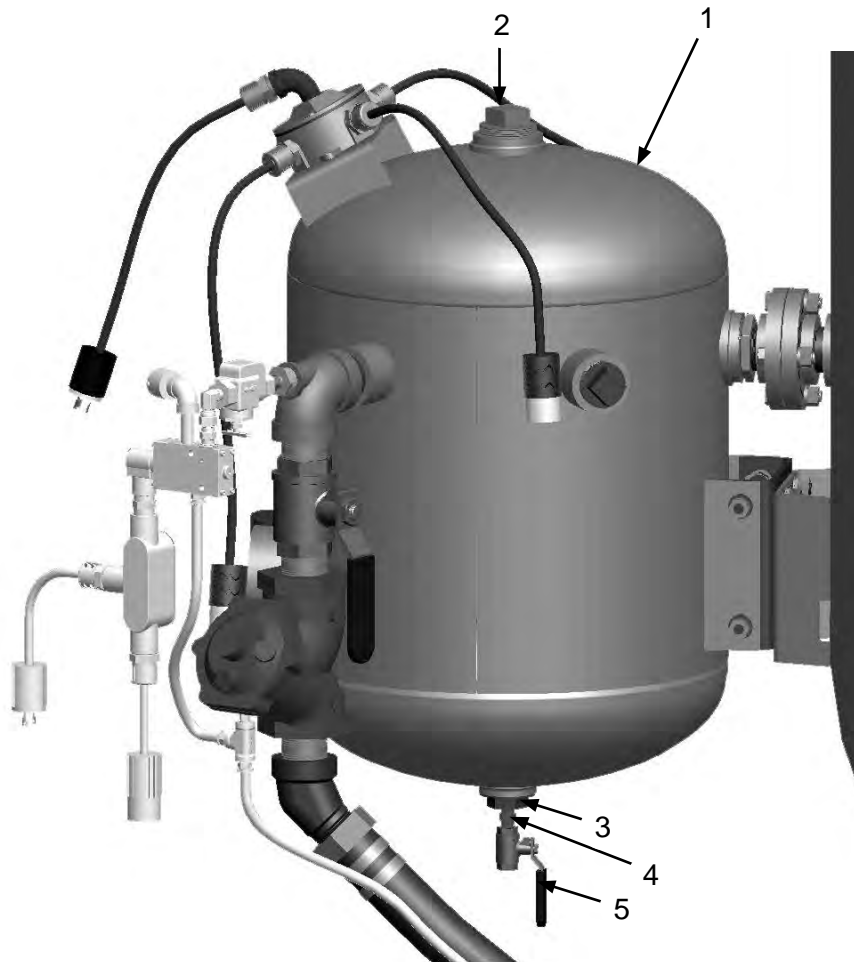
Stationary

Associated Literature

- 105M076** – Features and Specifications Guide – Blastmaster® 120 cu. ft. Abrasive Blasting Pots
- 106M076** – Part Numbers and Schematics Guide – Blastmaster® 120 cu. ft. Abrasive Blasting Pots
- 1090076** – Operator's Manual – Blastmaster® 120 cu. ft. Abrasive Blasting Pots

PART NUMBERS AND SCHEMATICS

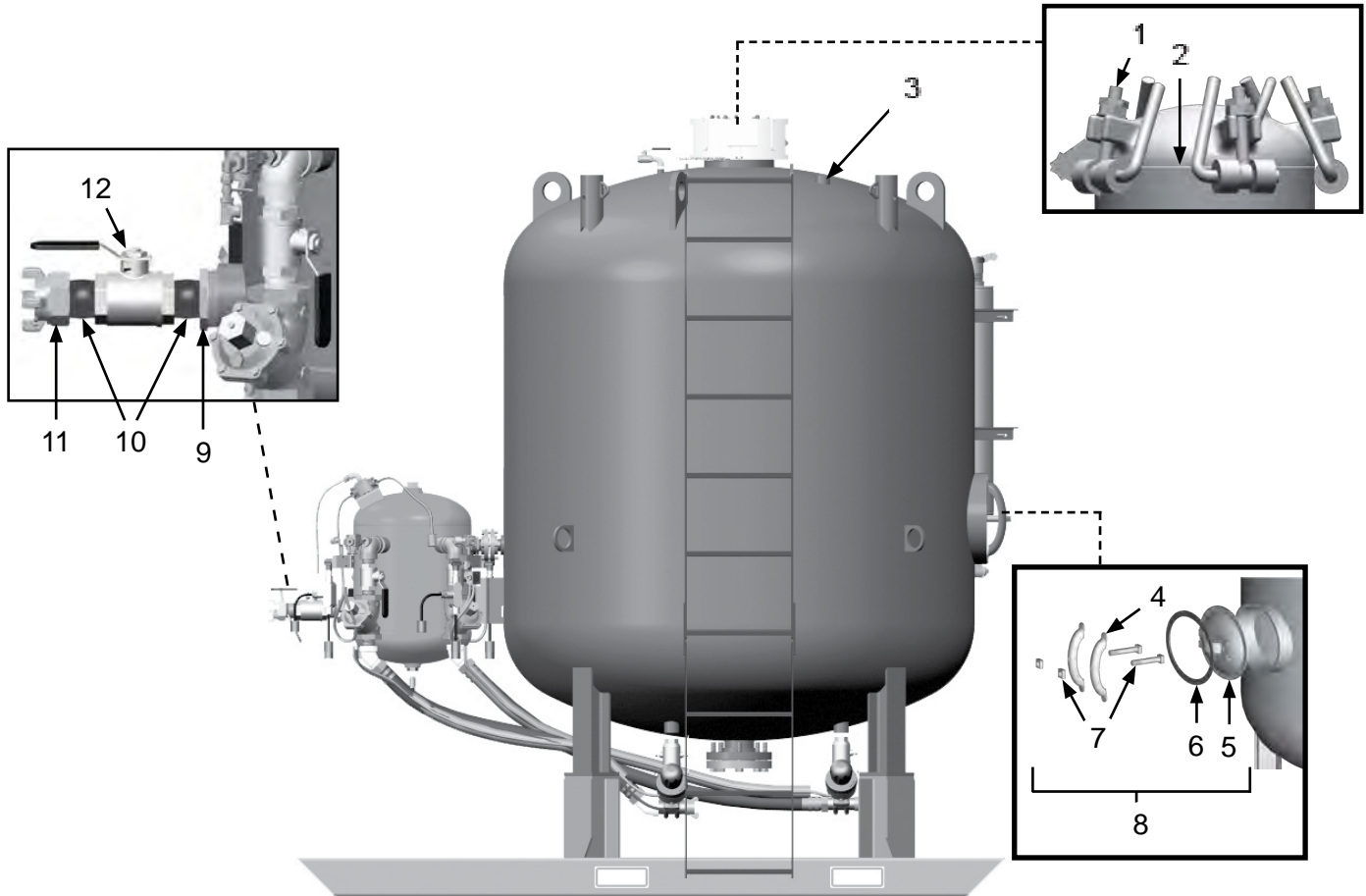
Figure 1: Moisture Separator Assembly



Item #	Part #	Description
Fig. 1		
1	1081616	1600 CFM Moisture Separator for 160 Cu. Ft. and 120 Cu. Ft. Abrasive Blasting Pots
2	1011823	2" Pipe Plug
3	1011822	1-1/2" (M) NPT x 1/4" (F) NPT Bushing
4	1017019	1/4" x 1/4" NPT Hex Nipple
5	1080050	1/4" NPT Full Port Brass Ball Valve

PART NUMBERS AND SCHEMATICS

Figure 2: External Fittings and Components, Side View



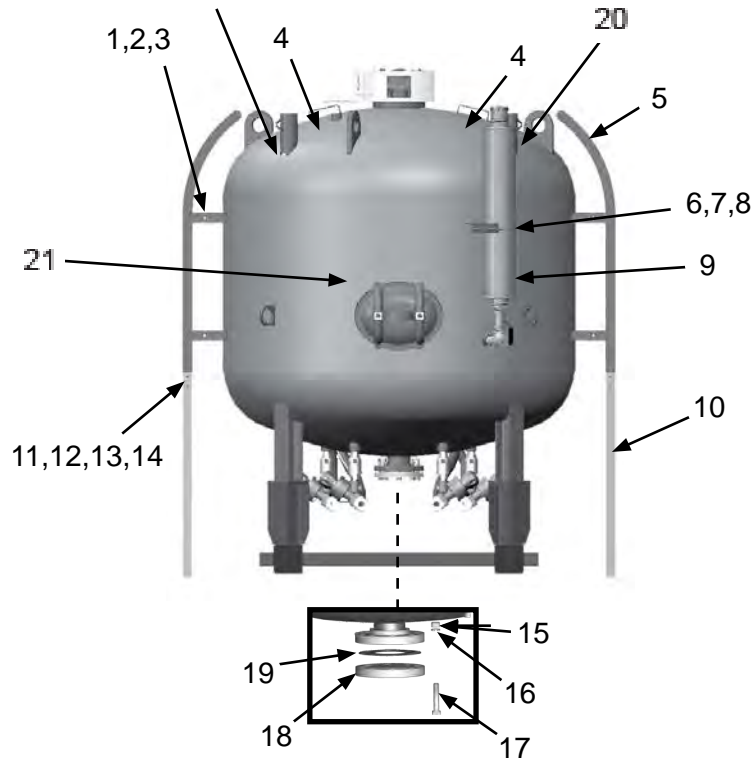
Item #	Part #	Description
--------	--------	-------------

Fig. 2

1	10100698	Camlock Assembly (Five Required)
2	10100697	10" Hatch O-Ring
3	1011902	1-1/4" NPT Pipe Plug (Two Required)
4	10000365	Manway Crab (Two Required)
5	10000364	12" x 16" Manway Cover
6	10100703	12" x 16" Manway Assembly Gasket
7	1011848	Manway Nut and Bolt (Two Required)
8	10100702	12" x 16" Manway Assembly (Includes Item #'s: 7, 8, 9, and 10)
9	10101183	3" MNPT x 2" FNPT Bushing
10	1001806	2" NPT Close Nipple (Two Required)
11	10ME5	2" 4-Lug Female NPT Coupling
12	1011604	2" NPT Full Port Brass Ball Valve

PART NUMBERS AND SCHEMATICS

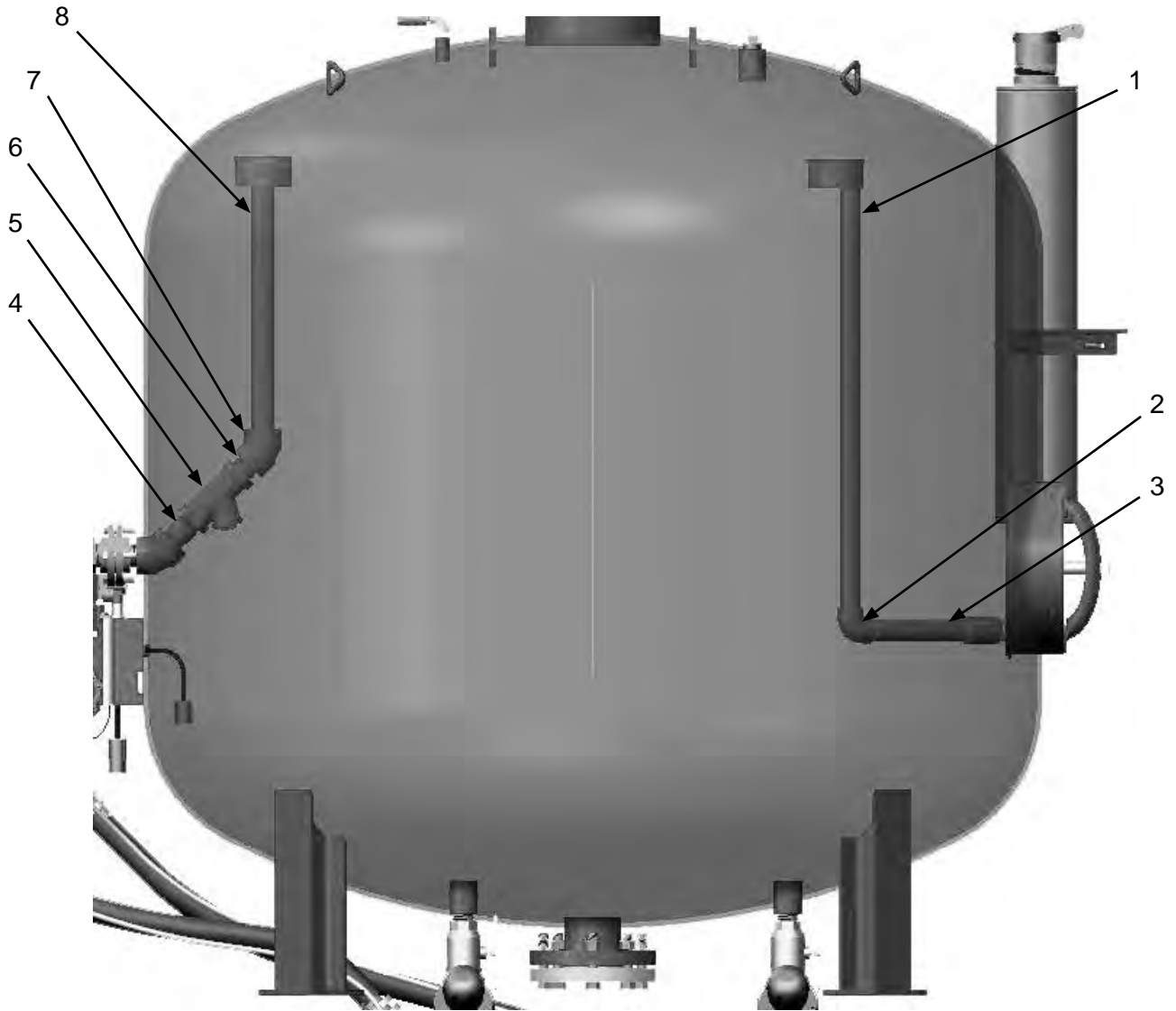
Figure 3: External Fittings and Components, Rear View



Item #	Part #	Description
Fig. 3		
1	10100597	1/2-13 x 1-1/4" UNC Hex Bolt <i>(Four Required per Ladder)</i>
2	10100598	1/2-13 Hex Nut <i>(Four Required per Ladder)</i>
3	10100599	1/2" Washer <i>(Eight Required per Ladder)</i>
4	1091052	Hazard Identification Sticker <i>(Two Required)</i>
5	10000343	Ladder Kit <i>(Two Required per Abrasive Blasting Pot)</i>
6	10103394	U-Bolt – 3/8-16 x 6"
7	1014241	3/8" I.D. x 3/4" O.D. Washer
8	20100138	3/8"-16 Hex Lock Nut Zinc
9	10103575	Absorptive Silencer U5-3
10	10000512	Ladder Extension <i>(Two Required)</i>
—	10103915	Ladder Extension with Tape <i>(Two Required)</i>
11	10101938	3/8"-16 Hex Nut <i>(Eight Required)</i>
12	10101936	3/8" Lock Washer <i>(Eight Required)</i>
13	10101942	3/8" Flat Washer <i>(Eight Required)</i>
14	10101059	3/8-16 x 1-1/4" A307 Bolt <i>(Eight Required)</i>
15	10100595	3/4-10 Hex Nut <i>(Eight Required)</i>
16	10100596	3/4" Lock Washer <i>(Eight Required)</i>
17	10100594	3/4-10 x 4" Hex Bolt <i>(Eight Required)</i>
18	10000498	4" Blind Flange
19	10000501	4" Flange Gasket
20	1091052	Hazard Identification Sticker <i>(Two Required)</i>
21	1091054	Hazard Identification Sticker

PART NUMBERS AND SCHEMATICS

Figure 4: Internal Fittings



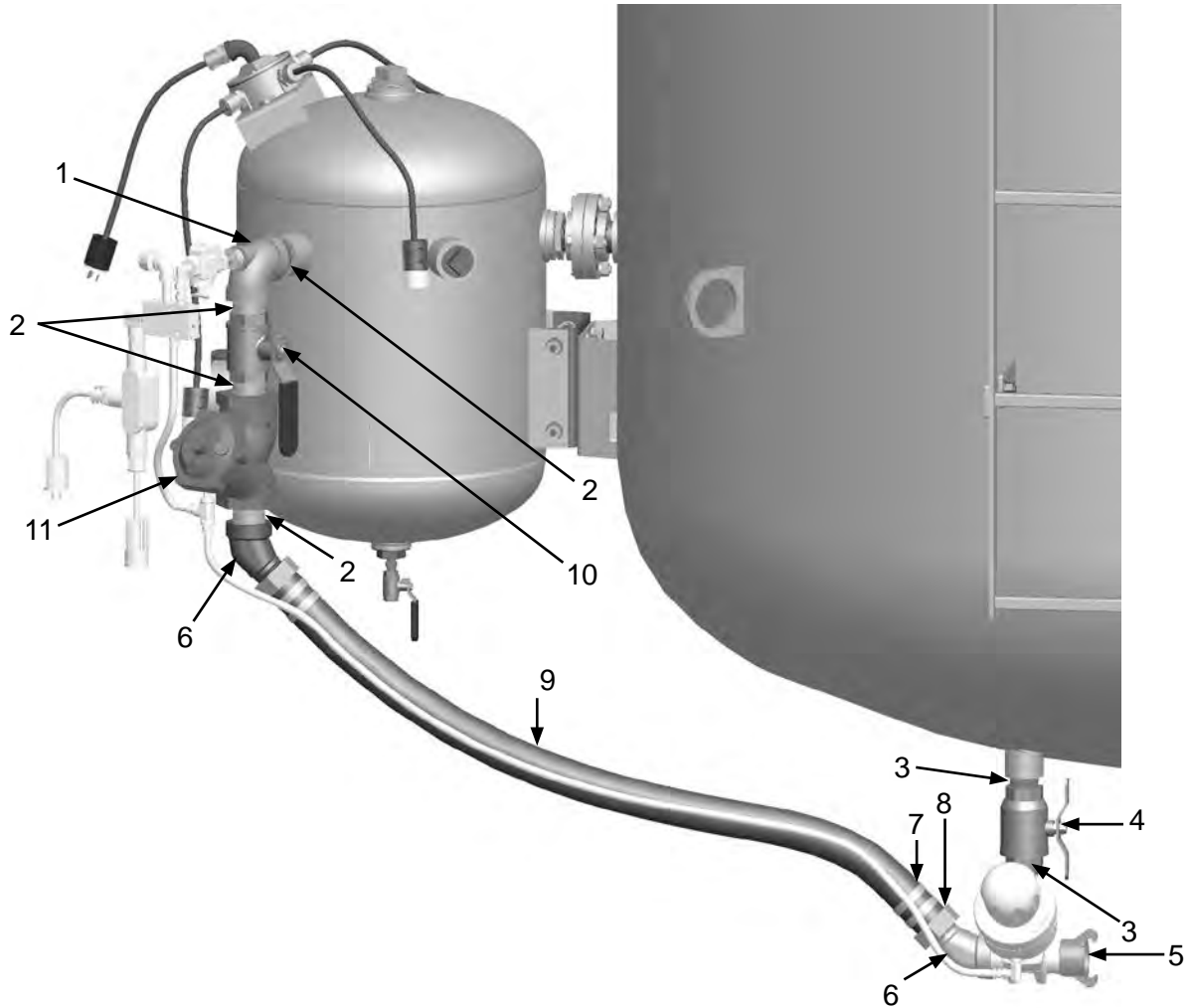
Item #	Part #	Description
--------	--------	-------------

Fig. 4

1	10105385	Outlet Tube with Deflector
2	1006204	1-1/4" NPT 90° Elbow
3	1011214	1-1/4" NPT x 8" Nipple
4	1011203	1-1/2" x 3" Nipple – Galvanized
5	1011841	1-1/2" Y-Strainer
6	1014015	1-1/2" Close Nipple – Galvanized
7	10000328	1-1/2" NPT 45° Coupling
8	10105386	Inlet Tube with Deflector

PART NUMBERS AND SCHEMATICS

Figure 5: Pipe String Assembly



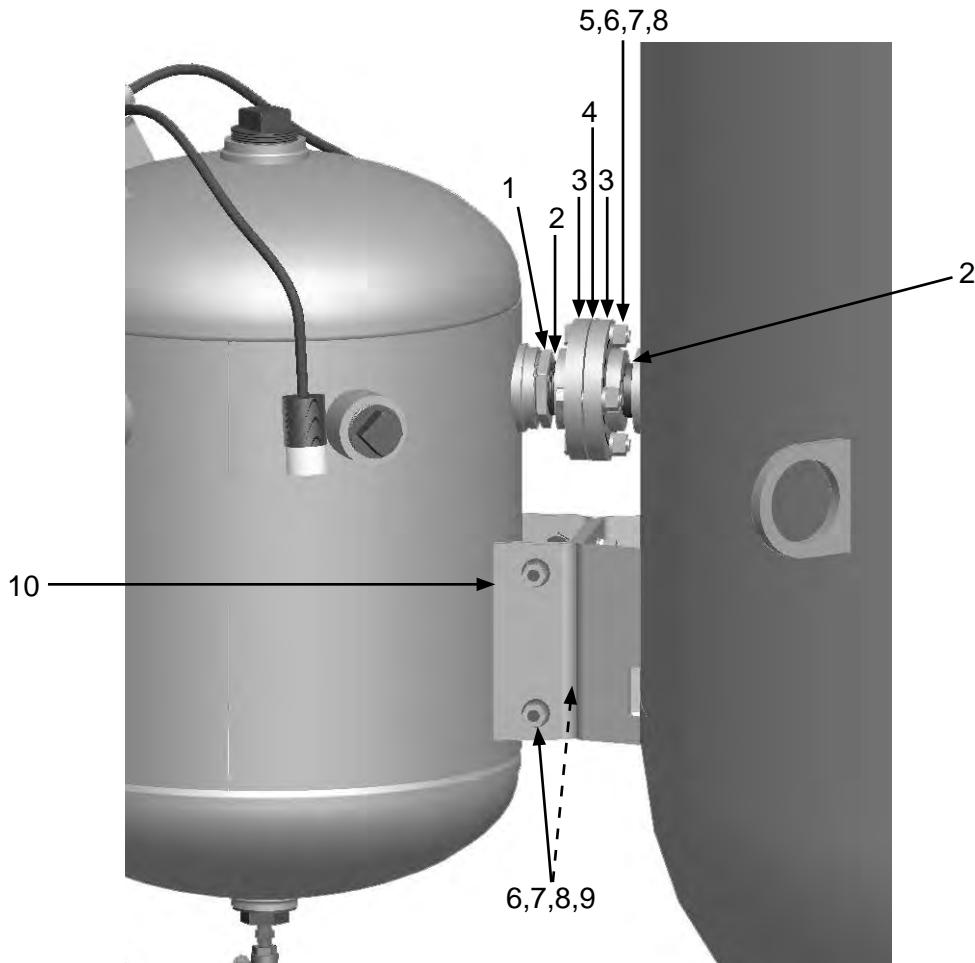
Item #	Part #	Description
--------	--------	-------------

Fig. 5

1	1011828	1-1/2" NPT Elbow with 1/2" Side-Out
2	1014015	1-1/2" Close Nipple <i>(Three Required)</i>
3	1011201	1-1/4" NPT Close Nipple
4	1011606A	1-1/4" Union End Brass Ball Valve
5	10SB2S	1-1/2" NPT Brass Tank Coupling
6	1011805	1-1/2" NPT 45° Street Elbow <i>(Two Required)</i>
7	10AHCL3	Air Hose Clamp <i>(Four Required)</i>
8	10SFE4	1-1/2" NPT Swivel Female Air Hose Fitting <i>(Two Required)</i>
9	10AH112B	1-1/2" I.D. Air Hose – Per Foot
10	1011603	1-1/2" NPT Full Port Brass Ball Valve
11	1013600	Gatekeeper

PART NUMBERS AND SCHEMATICS

Figure 6: Moisture Separator Mounting Assembly



Item #	Part #	Description
Fig. 6		
1	1001868	2" x 1-1/2" Bushing
2	1011849	1-1/2" Close Nipple (<i>Two Required</i>)
3	1011784	1-1/2" Flange (<i>Two Required</i>)
4	1011785	1-1/2" Flange Gasket
5	1011786	1/2" UNC x 2-1/4" Hex Bolt (<i>Four Required</i>)
6	10100675	1/2" Lock Washer (<i>Eight Required</i>)
7	10100674	1/2" Flat Washer (<i>Eight Required</i>)
8	10101941	1/2-13 Hex Nut (<i>Eight Required</i>)
9	10100597	1/2-13 x 1-1/4" UNC Hex Bolt (<i>Four Required</i>)
10	10101171	Bulk Pot Moisture Separator Mounting Bracket

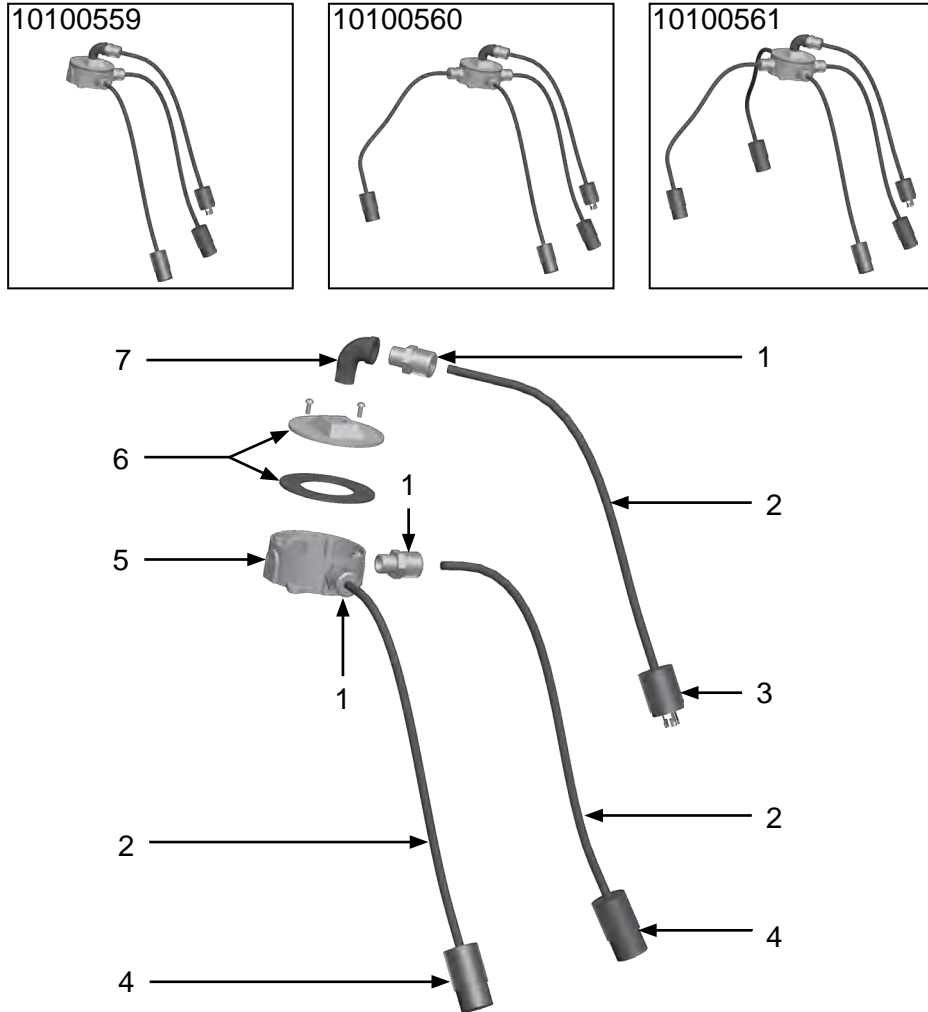
PART NUMBERS AND SCHEMATICS

Power Distribution Boxes

Item #	Part #	Description
Fig. 7		
—	10100559	2-Outlet Power Distribution Box
—	10100560	3-Outlet Power Distribution Box
—	10100561	4-Outlet Power Distribution Box
1	1019021	Cord Grip (<i>One Required per Outlet</i>)
2	1015540	16/2 SO Electric Cord (<i>Sold per Foot</i>)
3	1015555	3-Prong Male Twist-Lock Plug
4	1015556	3-Prong Female Twist-Lock Plug (<i>One Required per Outlet</i>)
5	10100495	5-Outlet Conduit Box
6	10100496	Conduit Box Cover (<i>Includes: Gasket and Screws</i>)
7	1011819	1/2" Street Elbow
—	1030028	Butt Splicer (<i>Not Shown</i>)
—	10100562	Inline Fuse Block (<i>Not Shown</i>)
—	10100563	5-Amp Inline Fuse (<i>Not Shown</i>)

PART NUMBERS AND SCHEMATICS

Figure 7: Power Distribution Boxes



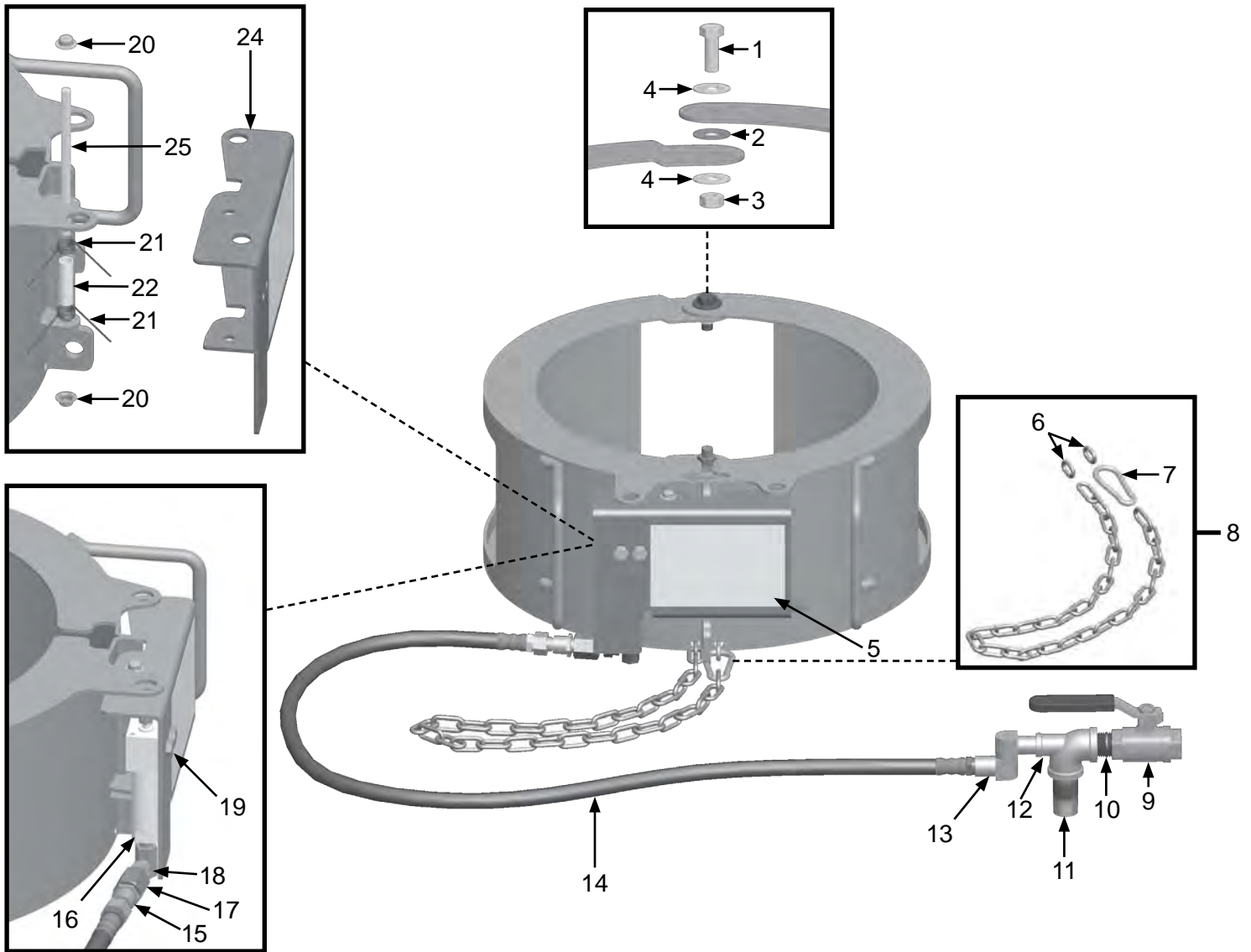
PART NUMBERS AND SCHEMATICS

Blastmaster® Pneumatic Closure Lockout Device

Item#	Part#	Description
Fig. 8		
—	10102326	Blastmaster® Pneumatic Closure Lockout Device – Complete
1	1011747	3/8-16 x 1" Bolt <i>(Two Required)</i>
2	10102327	3/8" Nylon Washer <i>(Two Required)</i>
3	10102329	3/8-16 Lock Nut <i>(Two Required)</i>
4	10102331	3/8" Washer <i>(Four Required)</i>
5	1091106	Hazard Identification Decal
6	10102338	Split Link <i>(Two Required)</i>
7	10102410	Carabiner
8	10102419	Chain Assembly <i>Includes Items: #6 (Quantity of Two), #7, and Chain</i>
9	10L363	1/2" NPT Brass Full Port Ball Valve
10	10L803035	1/2" NPT Close Nipple
11	10L803038	1/2" NPT x 2" Pipe Nipple
12	10102337	1/2" NPT 90° Elbow with 1/4" NPT Side-Out
13	10102576	1/4" Swivel Connector
14	10102336	1/4" I.D. Air Hose Assembly
15	10102575	1/4" (M) x 1/4" (F) Swivel Hose End
16	10102529	Pneumatic Locking Piston <i>Includes Item #'s: 16, 18, and 19 (Quantity of Two)</i>
17	10102335	1/4" NPT (F) x 1/8" NPT (M) Reducing Fitting
18	1012113	1/8" Street Elbow
19	10102391	1/4-20 x 1/2" Bolt <i>(Two Required)</i>
20	10102325	1/4" Cap Nut <i>(Two Required)</i>
21	10102324	Torsion Spring <i>(Two Required)</i>
22	10103294	2-3/4" x 3/8" I.D. Spacer
23	10102323	Latch Pin
24	10102352	Latch Handle <i>(Includes Item #5)</i>
—	105M095	Features and Specifications Guide – Blastmaster® Pneumatic Closure Lockout Device
—	106M095	Part Numbers & Schematics Guide – Blastmaster® Pneumatic Closure Lockout Device
—	1090095	Operator's Manual – Blastmaster® Pneumatic Closure Lockout Device

PART NUMBERS AND SCHEMATICS

Figure 8: Blastmaster® Pneumatic Closure Lockout Device



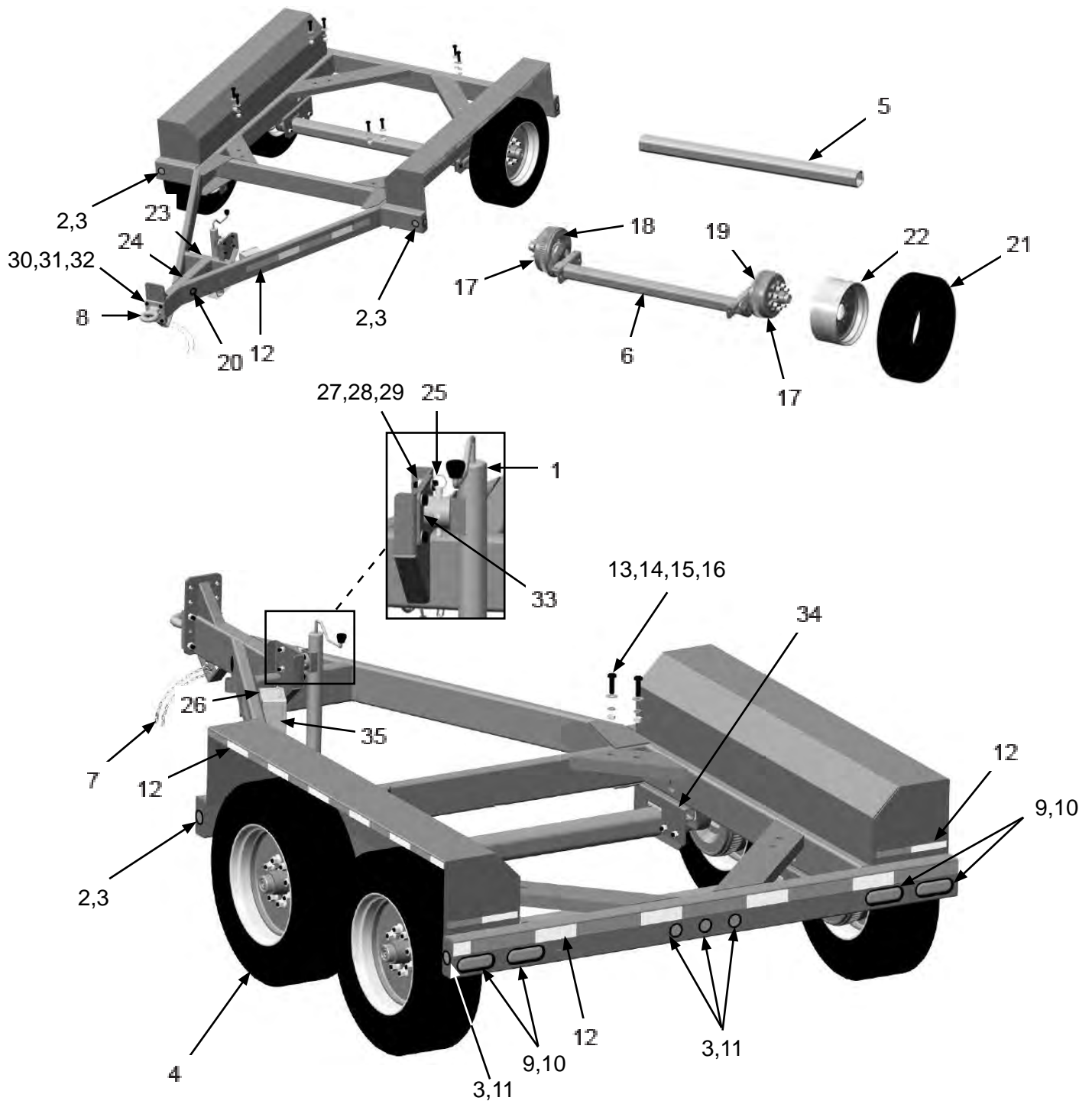
PART NUMBERS AND SCHEMATICS

Highway Trailer

Item #	Part #	Description
Fig. 9		
—	10104122	Highway Trailer
1	10100482	Weld On Pipe Mount Swivel Jack
2	10104087	2" Round LED Amber Clearance Light <i>(Four Required)</i>
3	10104088	2" Round Rubber Grommet <i>(Nine Required)</i>
4	10104143	215/75R17.5 16-Ply Tire with 17.5" 8-Hole Mod Rim <i>(Four Required)</i>
5	10104140	Axle Beam/Tube For Highway Or Yard, No Hubs or Springs <i>(Two Required)</i>
6	10104138	8,000 # Axle With Electric Brakes, With Hubs And Springs 77.5" HF x 60" OB <i>(Two Required)</i>
7	10104769	3/8" x 41" Safety Chain with Hook
8	10104079	Pintle Hitch with Flat Plate
9	10104085	Oval Rubber Grommet <i>(Four Required)</i>
10	10104084	Oval LED Red Tail Light <i>(Four Required)</i>
11	10104086	2" Round LED Red Clearance Light <i>(Five Required)</i>
12	10103879	2" x 6" x 6" Red/White Conspicuity Tape
13	10100701	3/4-10 x 2-1/2" Bolt <i>(Two Required per Leg)</i>
14	10100704	3/4" Flat Washer <i>(Four Required per Leg)</i>
15	10100596	3/4" Lock Washer <i>(Two Required per Leg)</i>
16	10100595	3/4" Nut <i>(Two Required per Leg)</i>
17	10105734	Axle Hub Only - No Bearings or Seal <i>(Four Required)</i>
18	10105738	Left-Hand Electric Brake Assembly <i>(Two Required)</i>
19	10105739	Right-Hand Electric Brake Assembly <i>(Two Required)</i>
20	10105825	Electrical Break Away Grommet
21	10105735	Hercules Lt215/75R17.5 16-Ply Tire Only <i>(Four Required)</i>
22	10105736	17.5" 8-Hole Rim - No Tire <i>(Four Required)</i>
23	10100585	Hazard Identification Decal
24	10901145	Hazard Identification Decal <i>(Highway Trailer)</i>
25	10104709	1/2 x 3-1/2" Pin
26	10104081	Breakaway Kit
27	10105874	1/2-13 x 1-1/2" Gr 5 Bolt <i>(Four Required)</i>
28	20100124	1/2-13 Nylon Lock Nut <i>(Four Required)</i>
29	10100674	1/2" Flat Washer <i>(Eight Required)</i>
30	10105746	5/8 x 2-1/2" Gr 8 Bolt <i>(Four Required)</i>
31	10105747	5/8 Reverse Lock Nut <i>(Four Required)</i>
32	10103398	5/8" Flat Washer <i>(Four Required)</i>
33	10105876	Jack Plate with Four Holes
34	10105875	Weld on Mounting Bracket with Hardware - Axle Mount <i>(Four Required)</i> - 9/16-18 x 1-1/2" Gr 5 Hex Bolt <i>(Six Required)</i> - 9/16" Flat Washer <i>(12 Required)</i> - 9/16" Hex Nut <i>(Six Required)</i>
35	10105826	Redline 12V - 5AH Battery Sealed
—	10104142	Wire Harness - Complete <i>(Front, Middle & Rear)</i>
—	10105783	Breakaway Switch with LED
—	10105784	Replacement Pin and Cable for 10105783

PART NUMBERS AND SCHEMATICS

Figure 9: Highway Trailer



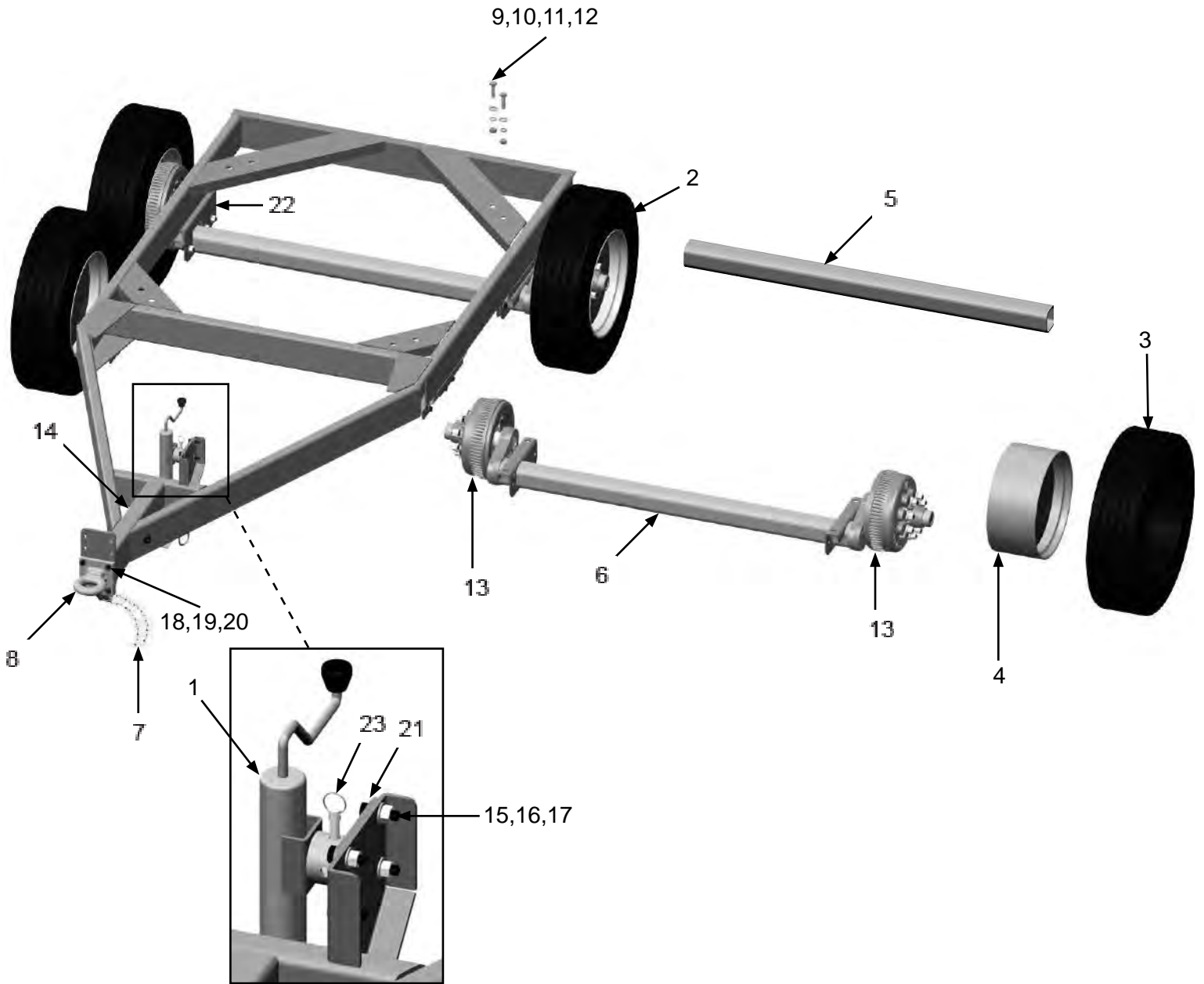
PART NUMBERS AND SCHEMATICS

Yard Trailer

Item #	Part #	Description
Fig. 10		
—	10104121	Yard Trailer
1	10100482	Weld On Pipe Mount Swivel Jack
2	10104143	215/75R17.5 16-Ply Tire with 17.5" 8-Hole Mod Rim <i>(Four Required)</i>
3	10105735	Hercules Lt215/75R17.5 16-Ply Tire Only <i>(Four Required)</i>
4	10105736	17.5" 8-Hole Rim - No Tire <i>(Four Required)</i>
5	10104140	Axle Beam/Tube For Highway or Yard, No Hubs or Springs <i>(Two Required)</i>
6	10104138	8,000 # Torflex Axle, Complete With Hubs And Springs 77.5" HF x 60" OB <i>(For Yard Config.) (Two Required)</i>
7	10104769	3/8" x 41" Safety Chain with Hook
8	10104079	Pintle Hitch with Flat Plate
9	10100701	3/4-10 x 2-1/2" Bolt <i>(Two Required per Leg)</i>
10	10100704	3/4" Flat Washer <i>(Four Required per Leg)</i>
11	10100596	3/4" Lock Washer <i>(Two Required per Leg)</i>
12	10100595	3/4" Nut <i>(Two Required per Leg)</i>
13	10105734	Axle Hub Only – No Bearings or Seal <i>(Four Required)</i>
14	10901146	Hazard Identification Decal <i>(Yard Trailer)</i>
15	10105874	1/2-13 x 1-1/2" Gr 5 Bolt <i>(Four Required)</i>
16	20100124	1/2-13 Nylon Lock Nut <i>(Four Required)</i>
17	10100674	1/2" Flat Washer <i>(Eight Required)</i>
18	10105746	5/8 x 2-1/2" Gr 8 Bolt <i>(Four Required)</i>
19	10105747	5/8 Reverse Lock Nut <i>(Four Required)</i>
20	10103398	5/8" Flat Washer <i>(Four Required)</i>
21	10105876	Jack Plate with Four Holes
22	10105875	Weld on Mounting Bracket with Hardware - Axle Mount <i>(Four Required)</i> - 9/16-18 x 1-1/2" Gr 5 Hex Bolt <i>(Six Required)</i> - 9/16" Flat Washer <i>(12 Required)</i> - 9/16" Hex Nut <i>(Six Required)</i>
23	10104709	1/2 x 3-1/2" Pin

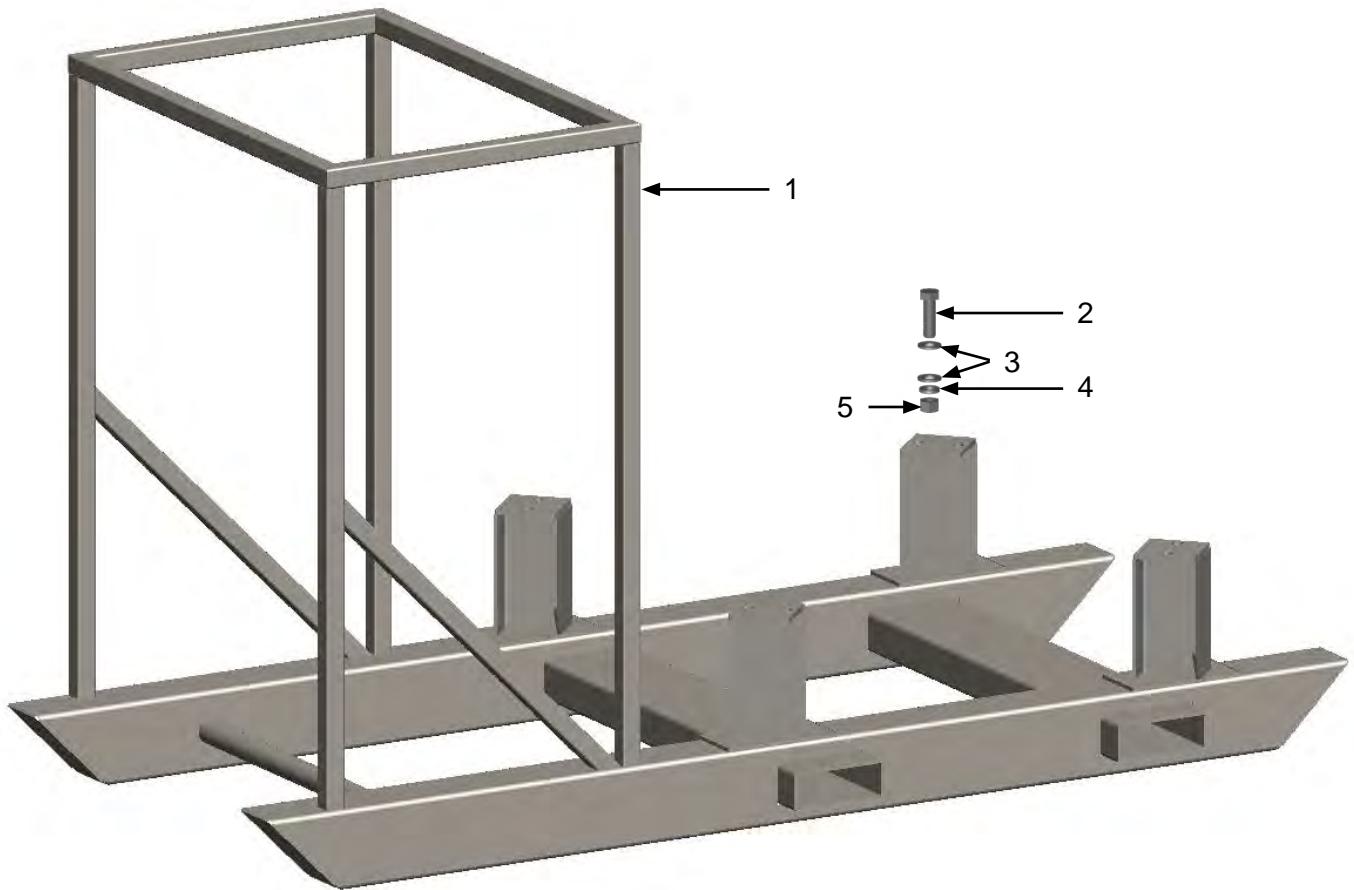
PART NUMBERS AND SCHEMATICS

Figure 10: Yard Trailer



PART NUMBERS AND SCHEMATICS

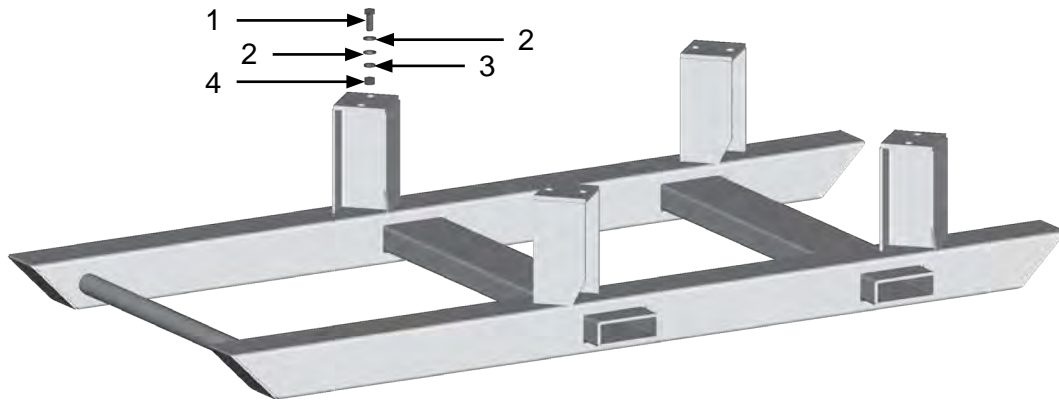
Figure 11: Fork-Pocket Skid Weldment Off Shore



Item #	Part #	Description
1	10101828	Fork-Pocket Skid Weldment Off Shore
2	10100701	3/4-10 x 2-1/2" Bolt (<i>Eight Required</i>)
3	10100704	3/4" Flat Washer (<i>16 Required</i>)
4	10100596	3/4" Lock Washer (<i>Eight Required</i>)
5	10100595	3/4" Nut (<i>Eight Required</i>)

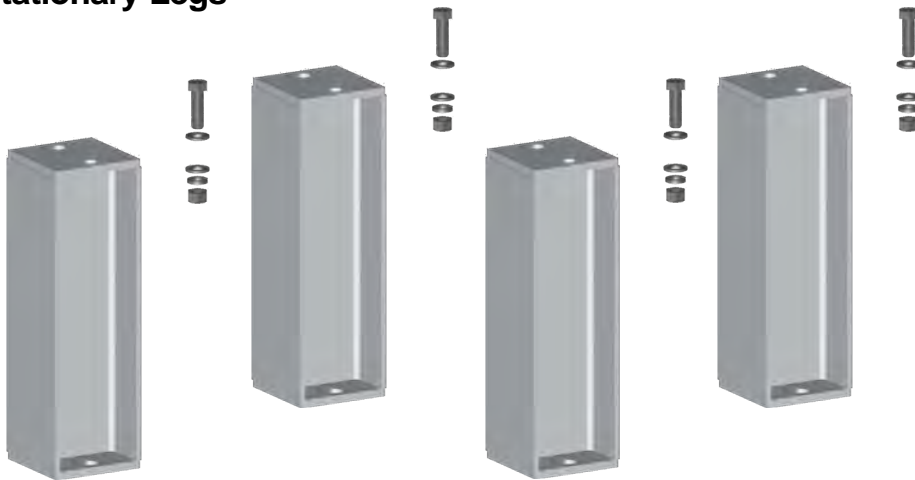
PART NUMBERS AND SCHEMATICS

Figure 12: Fork-Pocket Skid



Item #	Part #	Description
Fig. 12		
—	10100852	Fork-Pocket Skid
1	10100701	3/4-10 x 2-1/2" Bolt (<i>Eight Required</i>)
2	10100704	3/4" Flat Washer (<i>16 Required</i>)
3	10100596	3/4" Lock Washer (<i>Eight Required</i>)
4	10100595	3/4" Nut (<i>Eight Required</i>)

Figure 13: Stationary Legs



Item #	Part #	Description
Fig. 13		
—	1081660	Stationary Legs and Mounting Kit – Complete Set of Four <i>Includes item #s: 1 (Quantity of Four), 2 (Quantity of Eight), 3 (Quantity of 16), 4 (Quantity of Eight), 5 (Quantity of Eight)</i>
1	10000514	Stationary Leg (<i>Four Required</i>)
2	10100701	3/4-10 x 2-1/2" Bolt (<i>Two Required per Leg</i>)
3	10100704	3/4" Flat Washer (<i>Four Required per Leg</i>)
4	10100596	3/4" Lock Washer (<i>Two Required per Leg</i>)
5	10100595	3/4" Nut (<i>Two Required per Leg</i>)

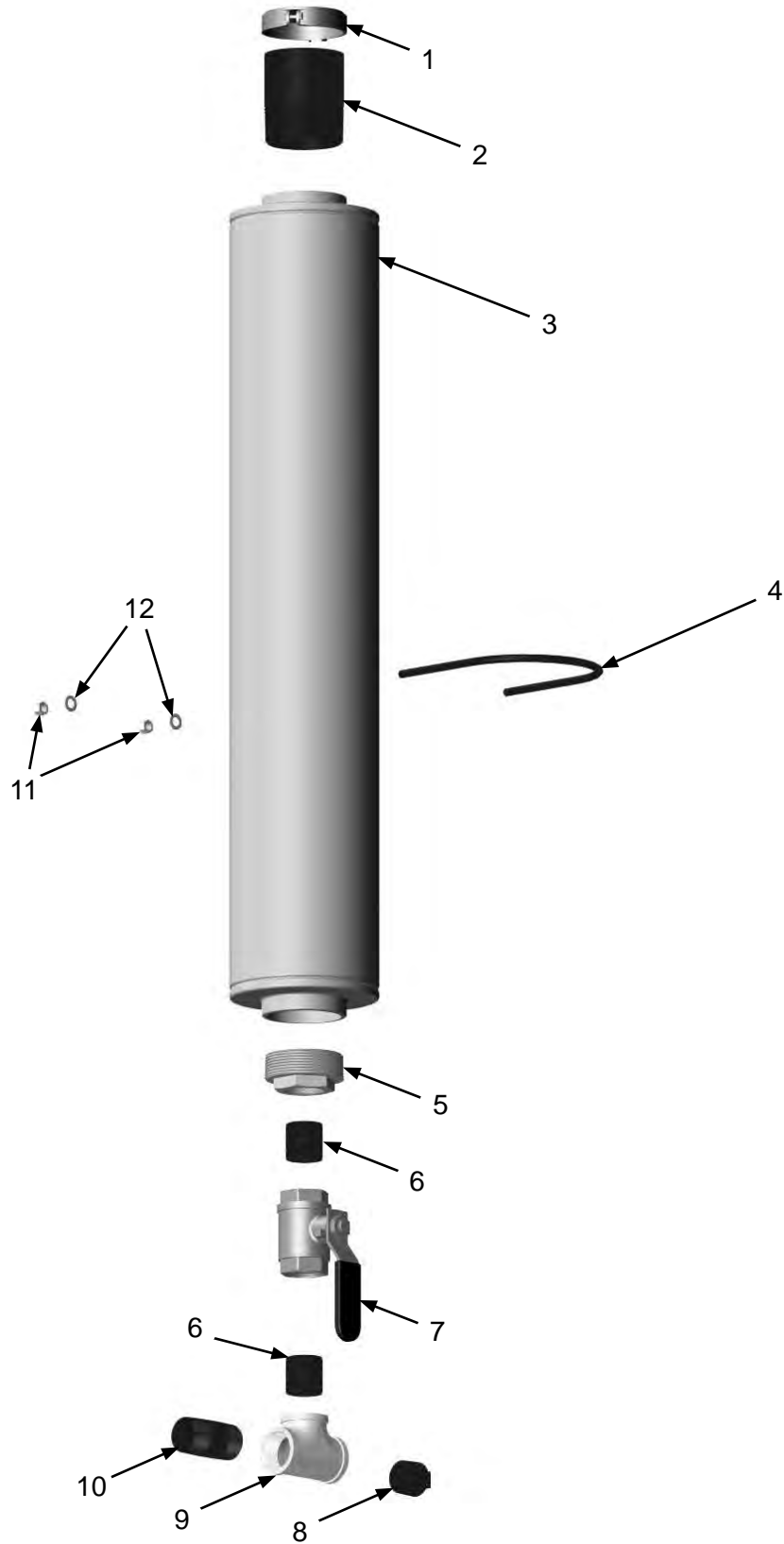
PART NUMBERS AND SCHEMATICS

Blastmaster® Large Exhaust Muffler

Item #	Part #	Description
Fig. 14		
1	10103583	3-1/2" Rain Cap – Painted Gray
2	10105208	3" NPT x 4" Toe Nipple – Galvanized
3	10103575	Absorptive Silencer U5-3 Universal
4	10103394	U-Bolt - 3/8-16 x 6"
5	10105045	3" x 1-1/4" Hex Bushing
6	10101750	1-1/4" NPT Galvanized Close Nipple (<i>Two Required</i>)
7	1011602	1-1/4" Full Port Ball Valve
8	1011902	1-1/4" NPT Galvanized Pipe Plug
9	1011803	1-1/4" NPT Galvanized Pipe Tee
10	10105252	1-1/4" x 3" Nipple – Galvanized
11	20100138	3/8"-16 Hex Lock Nut Zinc
12	1014241	3/8" I.D. x 3/4" O.D. Washer
—	1090108	Hazard Identification Decal

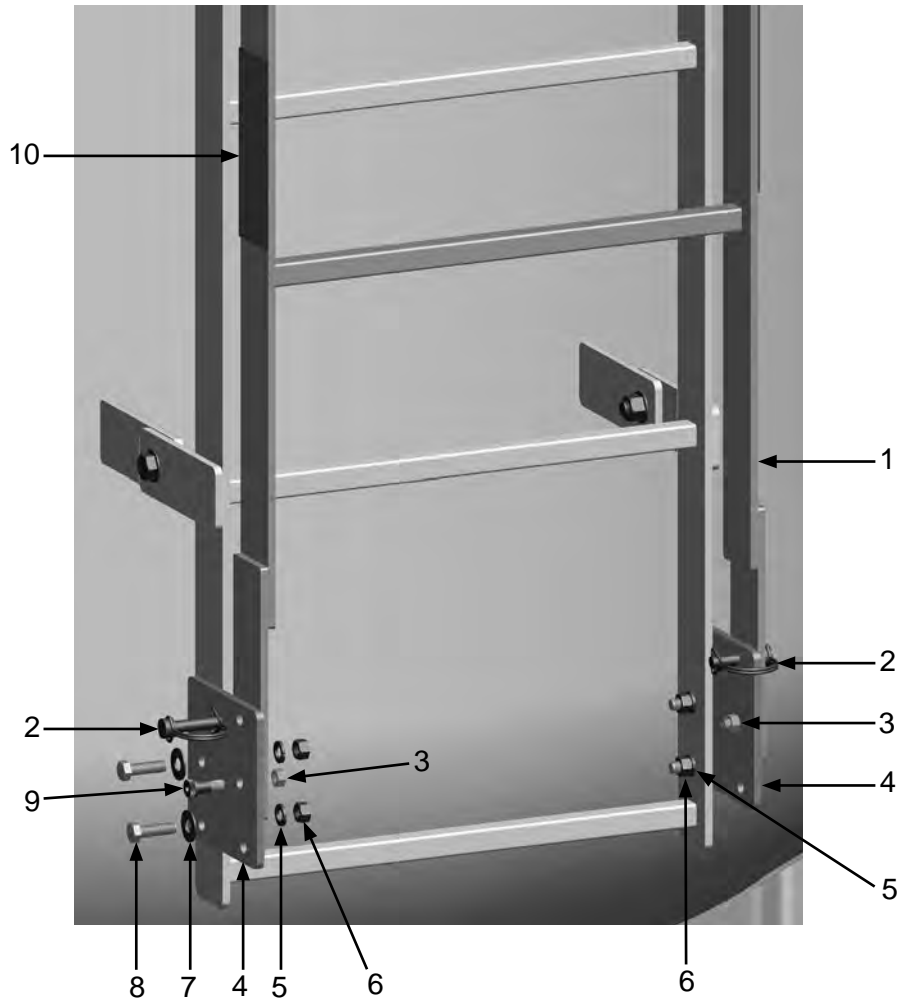
PART NUMBERS AND SCHEMATICS

Figure 14: Blastmaster® Large Exhaust Muffler



OPTIONAL ACCESSORIES

Figure 15: Hinged Ladder Extension (Optional)



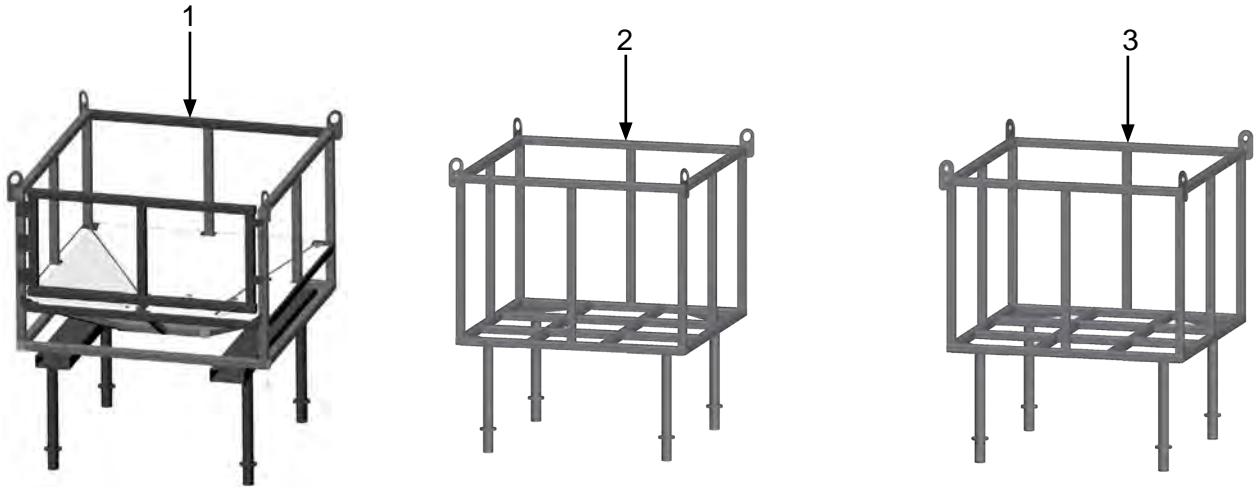
Item #	Part #	Description
--------	--------	-------------

Fig. 15

—	10103727	Hinged Ladder Extension – Complete (Optional) <i>Includes Two Ladder Extension Kits</i>
1	10103915	Ladder Extension Body (Two Required) <i>Includes Item #10</i>
2	10103728	3/8" D-Locking Pin (Four Required)
3	10103730	5/16-18 Hex Nut (Four Required)
4	10103509	Ladder Extension Bracket (Four Required)
5	10101936	3/8" Lock Washer (Eight Required)
6	10101938	3/8-16 Hex Nut (Eight Required)
7	10101942	3/8" Flat Washer (Eight Required)
8	10101059	3/8-16 x 1-1/4" Bolt (Eight Required)
9	10103729	3/8" Shoulder Bolt (Four Required)
10	10103881	2" Red Conspicuity Tape (Sold Per Inch. 12 Inches Required Per Ladder)

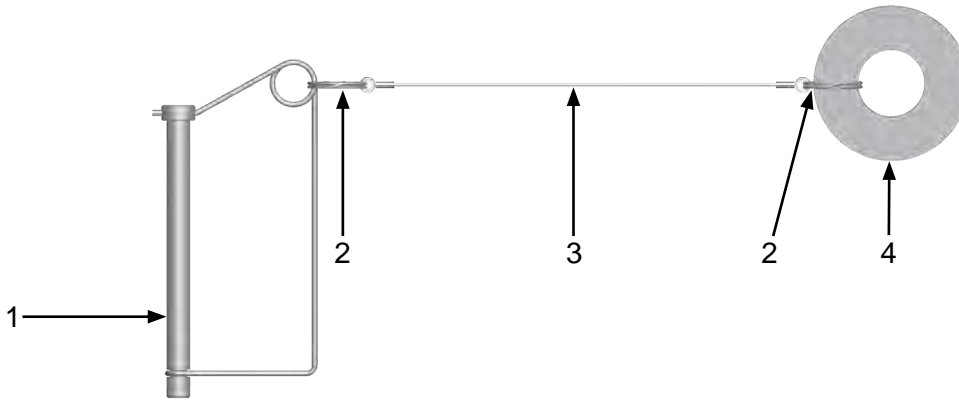
OPTIONAL ACCESSORIES

Figure 16: Blastmaster® Bulk Bag Racks (Optional)



Item #	Part #	Description
Fig. 16		
1	10104768	Blastmaster® Heavy-Duty Bulk Bag Rack with Swing Gate and Tapered Support Panels, Tapered Support Panels, and 2-1/4" I.D. Lifting Lugs
2	10102133	Bulk Bag Rack with Grid Support and 2-1/4" I.D. Lifting Lugs
3	10103271	Offshore Bulk Bag Rack with Grid Support and 1" I.D. Lifting Lugs

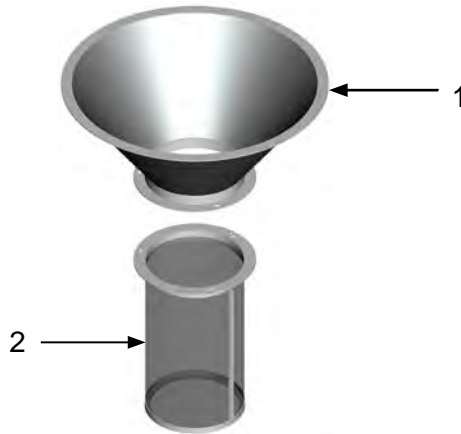
Figure 17: Blastmaster® Bulk Bag Rack Locking Pin (Optional)



Item #	Part #	Description
Fig. 17		
—	10103386	Locking Pin Assembly – Complete (Optional)
1	10103387	3/8" x 4" Locking Pin
2	10103388	Split Ring (Two Required)
3	10103390	7" Lanyard with Eyelets
4	10103389	2-1/4" O.D. x 1-1/4" I.D. Flat Washer

OPTIONAL ACCESSORIES

Figure 18: Abrasive Screen and Funnel (Optional)



Item #	Part #	Description
--------	--------	-------------

Fig. 18

—	10101705	Abrasive Screen and Funnel for 10" Diameter Camlock Closure
	10102341	Fine Abrasive Screen and Funnel for 10" Diameter Camlock Closure
1	10101817	Funnel
2	10101704	Abrasive Screen for 10" Diameter Camlock Closure
	10102248	Fine Abrasive Screen for 10" Diameter Camlock Closure

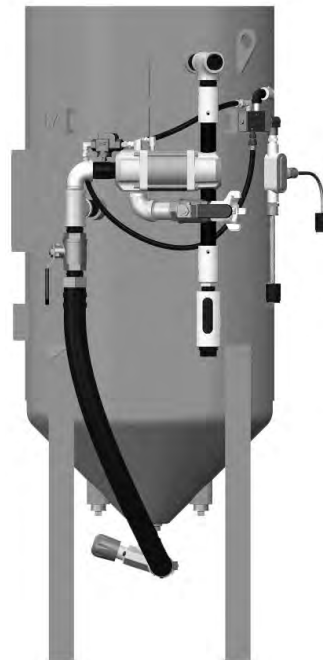
PART NUMBERS & SCHEMATICS GUIDE

BLASTMASTER® 10.0 CU. FT. ABRASIVE BLASTING POT – PRESSURE RELEASE

Part Numbers	Power Source	Blastmaster® Remote Control System	Blastmaster® Remote Control Switch	Blastmaster® Bantam Abrasive Metering Valve	1-1/4" Extractor Abrasive Blasting Pot Moisture Separator	Outlets
10105455	Pneumatic	123P	152P	1-1/2"		Single
10105455PKA	Pneumatic	123P	152P	1-1/2"	X	Single
10105459	12-Volt DC	123E	151E	1-1/2"		Single
10105459PKA	12-Volt DC	123E	151E	1-1/2"	X	Single
10105463	120-Volt AC	123E	151E	1-1/2"		Single
10105463PKA	120-Volt AC	123E	151E	1-1/2"	X	Single



Pneumatic



Electric

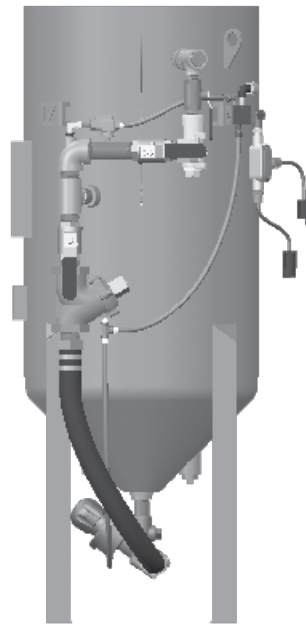
PART NUMBERS & SCHEMATICS GUIDE

BLASTMASTER® 10.0 CU. FT. ABRASIVE BLASTING POT – PRESSURE-HOLD – SINGLE OUTLET

Part Numbers	Power Source	Blastmaster® Remote Control System	Blastmaster® Remote Control Switch	1-1/2" Blastmaster® Maxum III Abrasive Metering Valve Sleeve Material	1-1/2" Extractor Abrasive Blasting Pot Moisture Separator	Outlets
10105465	Pneumatic	130P	152P	Tungsten Carbide		Single
10105465PKA	Pneumatic	130P	152P	Tungsten Carbide	X	Single
10105467	Pneumatic	130P	152P	Urethane		Single
10105467PKA	Pneumatic	130P	152P	Urethane	X	Single
10105469	12-Volt DC	130E	151E	Tungsten Carbide		Single
10105469PKA	12-Volt DC	130E	151E	Tungsten Carbide	X	Single
10105471	12-Volt DC	130E	151E	Urethane		Single
10105471PKA	12-Volt DC	130E	151E	Urethane	X	Single
10105473	120-Volt AC	130E	151E	Tungsten Carbide		Single
10105473PKA	120-Volt AC	130E	151E	Tungsten Carbide	X	Single
10105475	120-Volt AC	130E	151E	Urethane		Single
10105475PKA	120-Volt AC	130E	151E	Urethane	X	Single



Pneumatic



Electric

PART NUMBERS & SCHEMATICS GUIDE

BLASTMASTER® 10.0 CU. FT. ABRASIVE BLASTING POT – PRESSURE-HOLD – DUAL OUTLET

Part Numbers	Power Source	Blastmaster® Remote Control System	Blastmaster® Remote Control Switch	1-1/2" Blastmaster® Maxum III Abrasive Metering Valve Sleeve Material	1-1/2" Extractor Abrasive Blasting Pot Moisture Separator	Outlets
10105477	Pneumatic	130P	152P	Tungsten Carbide		Dual
10105479	Pneumatic	130P	152P	Urethane		Dual
10105481	12-Volt DC	130E	151E	Tungsten Carbide		Dual
10105483	12-Volt DC	130E	151E	Urethane		Dual
10105485	120-Volt AC	130E	151E	Tungsten Carbide		Dual
10105487	120-Volt AC	130E	151E	Urethane		Dual



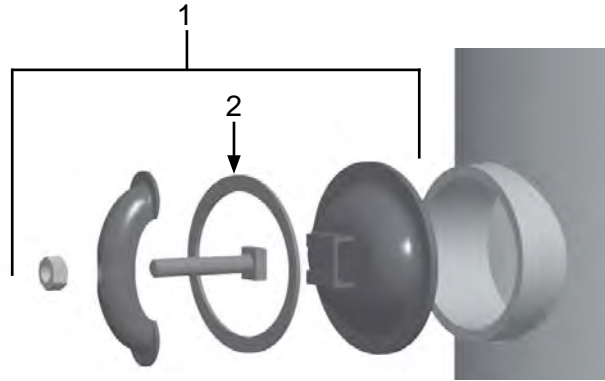
Pneumatic



Electric

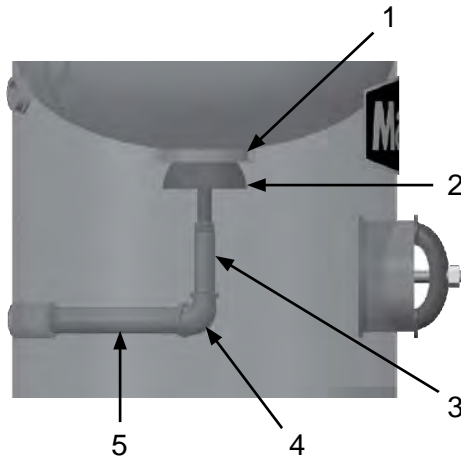
PART NUMBERS & SCHEMATICS GUIDE

Figure 1: Inspection Door Assembly



Item #	Part #	Description
Fig. 1		
1	1006200	6" x 8" Inspection Door Assembly
2	1006201	Gasket

Figure 2: Pop-up Valve Assembly



Item #	Part #	Description
Fig. 2		
1	1006040	Pop-Up Valve Seat
2	1006030	Pop-Up Valve
3	1011815	1" x 5" NPT Pipe Nipple
4	1006210	1-1/4" x 1" 90 ° Elbow
5	1011214	1-1/4" x 10" NPT Pipe Nipple

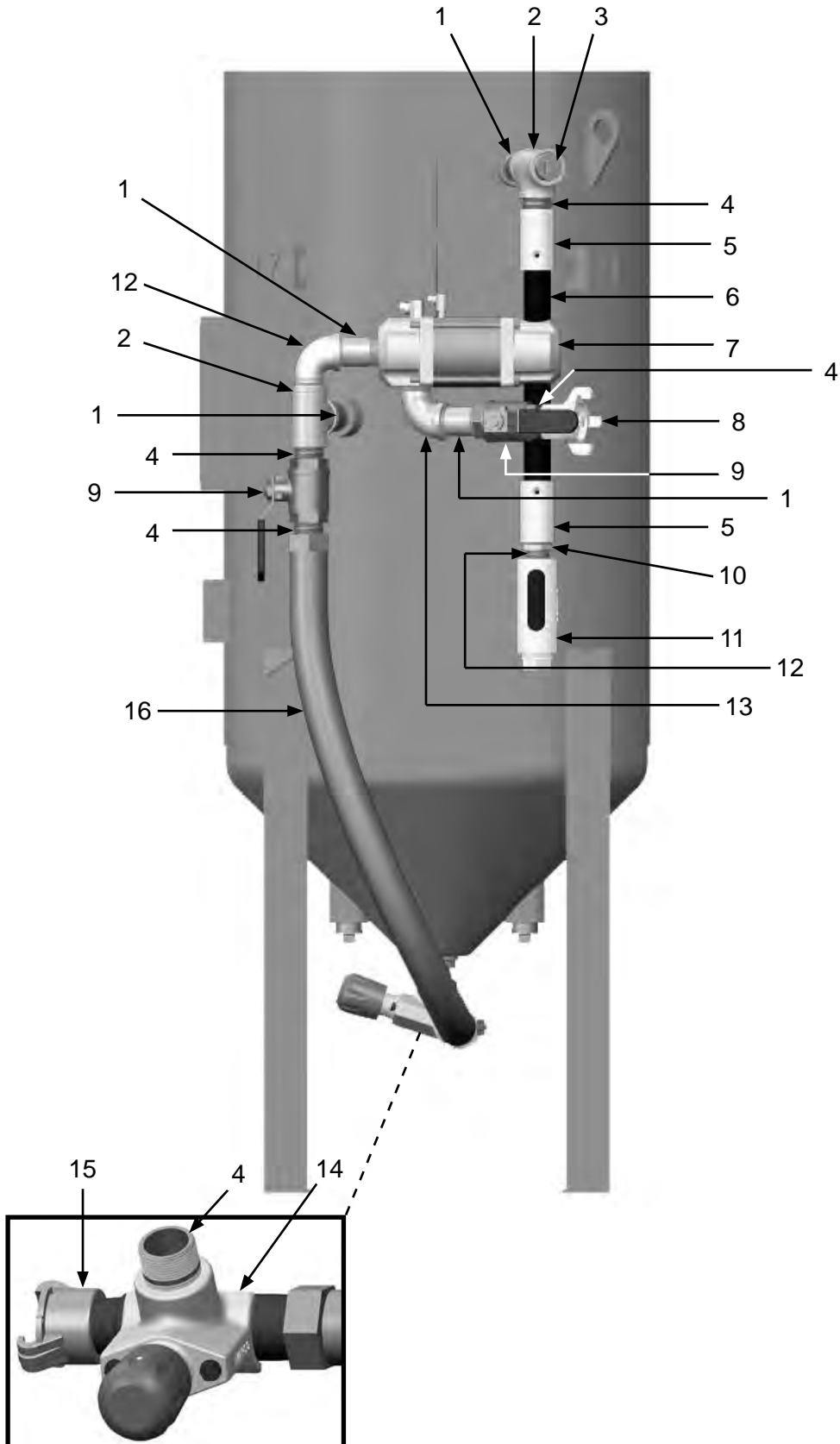
PART NUMBERS & SCHEMATICS GUIDE

10.0 Cu. Ft. Abrasive Blasting Pot — Blastmaster® 123P Remote Control System — 1-1/2" Blastmaster® Bantam Abrasive Metering Valve

Item #	Part #	Description	Item #	Part #	Description
Fig. 3			—	1090007	Operator's Manual – Blastmaster® 123P Pneumatic Remote Control System
1	1011204	1-1/4" X 3" Pipe Nipple (<i>Four Required</i>)	—	105M068	Features and Specifications Guide – Blastmaster® 152P Remote Control Switch
2	1011803	1-1/4" Pipe Tee (<i>Two Required</i>)	—	106M068	Part Numbers and Schematics Guide – Blastmaster® 152P Remote Control Switch
3	1011902	1-1/4" Square Head Plug	—	1090068	Operator's Manual – Blastmaster® 152P Remote Control Switch
4	1011201	1-1/4" NPT Close Nipple (<i>Four Required</i>)	—	105M022	Features and Specifications Guide – Blastmaster® Bantam Abrasive Metering Valve
5	10NHA1	3/4" Aluminum Nozzle Holder (<i>Two Required</i>)	—	106M022	Part Numbers and Schematics Guide – Blastmaster® Bantam Abrasive Metering Valve
6	10BH0342BR	3/4" Blast Hose (<i>Sold Per Foot</i>)	—	1090022	Operator's Manual – Blastmaster® Bantam Abrasive Metering Valve
7	1012300	Blastmaster® Tandem Valve – Complete	—	105M125	Features and Specifications Guide – Blastmaster® 10.0 Cu. Ft. Abrasive Blasting Pot
8	10ME3	1-1/4" NPT (F) 4-Lug Air Hose Coupling	—	106M125	Part Numbers and Schematics Guide – Blastmaster® 10.0 Cu. Ft. Abrasive Blasting Pot
9	1011602	1-1/4" NPT Full Port Brass Ball Valve (<i>Two Required</i>)	—	1090125	Operator's Manual – Blastmaster® 10.0 Cu. Ft. Abrasive Blasting Pot
10	1012157	1-1/4" x 1" Bushing			
11	1011100	Muffler Assembly Complete			
12	1012151	1" Galvanized Close Nipple (<i>Two Required</i>)			
13	1011802	1-1/4" Street Elbow			
14	1014102	1-1/2" Blastmaster® Bantam Abrasive Metering Valve – Complete			
15	10SB2	1-1/2" Brass Tank Coupling			
16	—	1-1/2" Pusher Line Assembly (<i>See Fig. 9</i>)			
—	1091020	Warning Plate			
—	1091025	Warning Tag			
—	1091045	Warning Tag			
—	1012350	Blowdown Hose Assembly (<i>Includes Item #'s: 5 (Quantity of One), and 6 (Quantity of Two Feet)</i>)			
—	105M007	Features and Specifications Guide – Blastmaster® 123P Pneumatic Remote Control System			
—	106M007	Part Numbers and Schematics Guide – Blastmaster® 123P Pneumatic Remote Control System			

PART NUMBERS & SCHEMATICS GUIDE

Figure 3: 10.0 Cu. Ft. Abrasive Blasting Pot — Blastmaster® 123P Remote Control System — 1-1/2" Blastmaster® Bantam Abrasive Metering Valve



PART NUMBERS & SCHEMATICS GUIDE

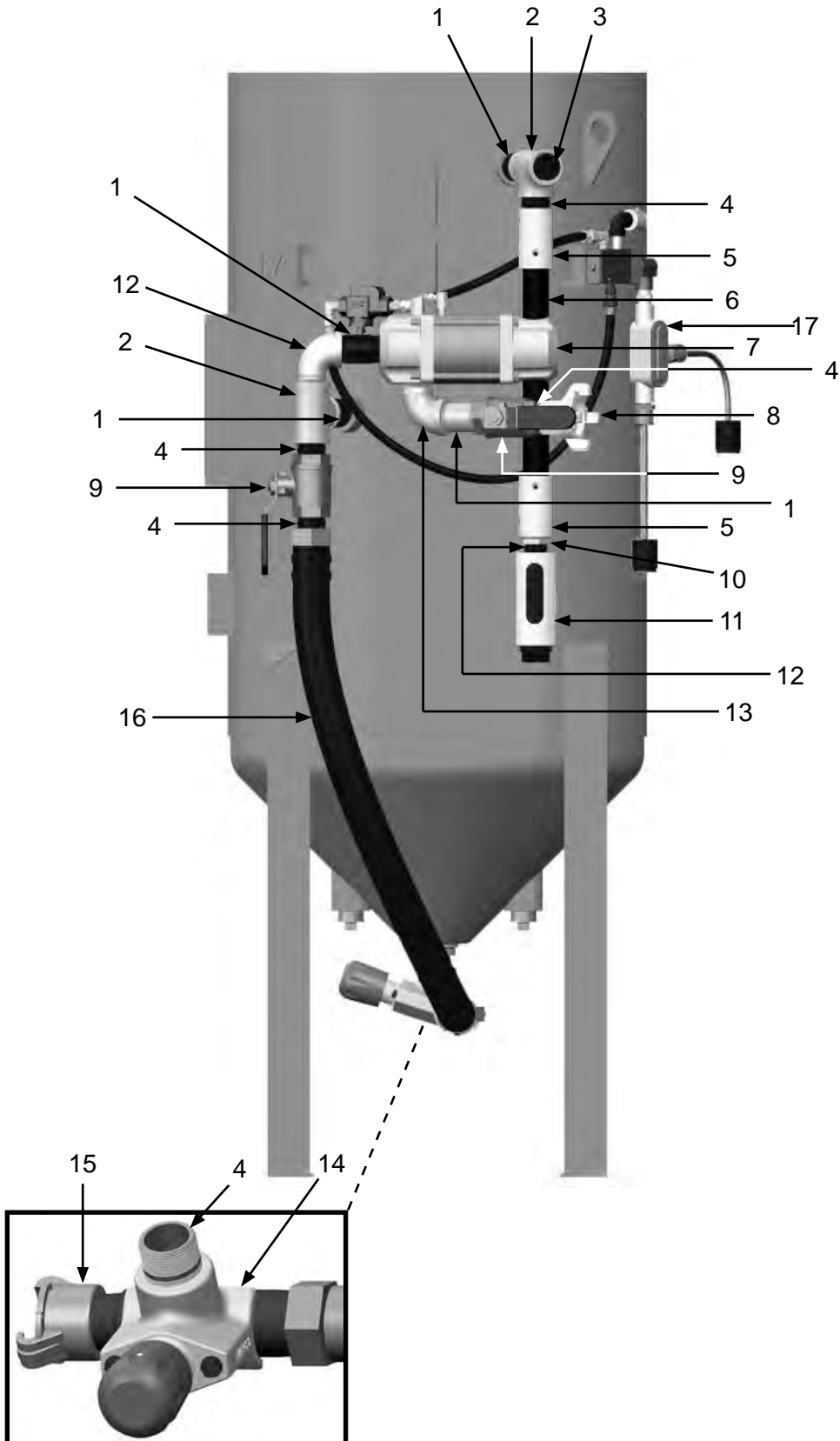
10.0 Cu. Ft. Abrasive Blasting Pot — Blastmaster® 123E Remote Control System — 1-1/2" Blastmaster® Bantam Abrasive Metering Valve

Item #	Part #	Description
Fig. 4		
1	1011204	1-1/4" X 3" Pipe Nipple (<i>Four Required</i>)
2	1011803	1-1/4" Pipe Tee (<i>Two Required</i>)
3	1011902	1-1/4" Square Head Plug
4	1011201	1-1/4" NPT Close Nipple (<i>Five Required</i>)
5	10NHA1	3/4" Aluminum Nozzle Holder (<i>Two Required</i>)
6	10BH0342BR	3/4" Blast Hose (<i>Sold Per Foot</i>)
7	1012300	Blastmaster® Tandem Valve – Complete
8	10ME3	1-1/4" NPT (F) 4-Lug Air Hose Coupling
9	1011602	1-1/4" NPT Full Port Brass Ball Valve (<i>Two Required</i>)
10	1012157	1-1/4" x 1" Bushing
11	1011100	Muffler Assembly Complete
12	1012151	1" Galvanized Close Nipple (<i>Two Required</i>)
13	1011802	1-1/4" Street Elbow
14	1014102	1-1/2" Blastmaster® Bantam Abrasive Metering Valve – Complete
15	10SB2	1-1/2" Brass Tank Coupling
16	—	1-1/2" Pusher Line Assembly (See Fig. 9)
17	1019051	12-Volt DC 190 Electric Control Assembly
—	1019052	12-Volt AC 190 Electric Control Assembly
—	1091020	Warning Plate
—	1091025	Warning Tag
—	1091045	Warning Tag
—	1012350	Blowdown Hose Assembly (<i>Includes Item #'s: 5 (Quantity of One), and 6 (Quantity of Two Feet)</i>)

Item #	Part #	Description
—	105M089	Features and Specifications Guide – Blastmaster® 123E Electric Remote Control System
—	106M089	Part Numbers and Schematics Guide – Blastmaster® 123E Electric Remote Control System
—	1090089	Operator's Manual – Blastmaster® 123E Electric Remote Control System
—	105M001	Features and Specifications Guide – Blastmaster® 151E Remote Control Switch
—	106M001	Part Numbers and Schematics Guide – Blastmaster® 151E Remote Control Switch
—	1090001	Operator's Manual – Blastmaster® 151E Remote Control Switch
—	105M022	Features and Specifications Guide – Blastmaster® Bantam Abrasive Metering Valve
—	106M022	Part Numbers and Schematics Guide – Blastmaster® Bantam Abrasive Metering Valve
—	1090022	Operator's Manual – Blastmaster® Bantam Abrasive Metering Valve
—	105M125	Features and Specifications Guide – Blastmaster® 10.0 Cu. Ft. Abrasive Blasting Pot
—	106M125	Part Numbers and Schematics Guide – Blastmaster® 10.0 Cu. Ft. Abrasive Blasting Pot
—	1090125	Operator's Manual – Blastmaster® 10.0 Cu. Ft. Abrasive Blasting Pot

PART NUMBERS & SCHEMATICS GUIDE

Figure 4: 10.0 Cu. Ft. Abrasive Blasting Pot — Blastmaster® 123E Remote Control System — 1-1/2" Blastmaster® Bantam Abrasive Metering Valve



PART NUMBERS & SCHEMATICS GUIDE

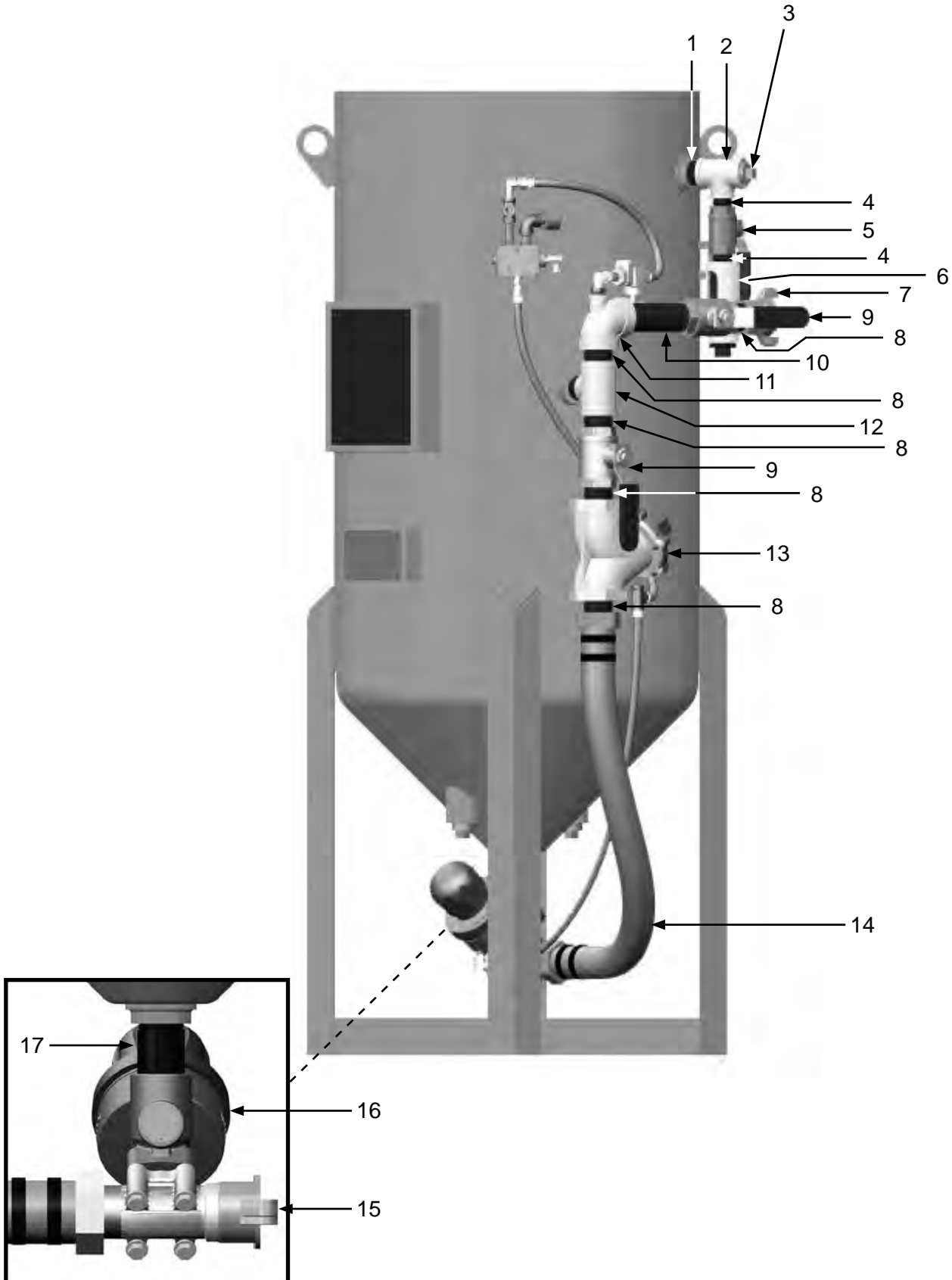
10.0 Cu. Ft. Abrasive Blasting Pot — Blastmaster® 130P Remote Control System — 1-1/2" Blastmaster® Maxum III Abrasive Metering Valve - Single Outlet

Item #	Part #	Description
Fig. 5		
1	1011201	1-1/4" NPT Close Nipple
2	1011817	1-1/4" X 1-1/4" X 1" Pipe Tee
3	1011902	1-1/4" Square Head Plug
4	1012151	1" Galvanized Close Nipple (Two Required)
5	1011601	1" NPT Full Port Brass Ball Valve
6	1011100	Muffler Assembly Complete
7	10ME4	1-1/2" NPT (F) 4-Lug Air Hose Coupling
8	1014015	1-1/2" Close Nipple (Five Required)
9	1011603	1-1/2" NPT Full Port Brass Ball Valve (Two Required)
10	1011211	1-1/2" NPT X 5-1/2" Nipple
11	1011828	1-1/2" 90 Degree Elbow With 1/2" Out
12	1011836	1-1/2" X 1-1/2" X 1-1/4" Pipe Tee
13	1013600	Gatekeeper Air Valve High Flow
14	—	1-1/2" Pusher Line Assembly (See Fig. 9)
15	10SB2S	1-1/2" Straight Thread Pot Coupling
16	10101946	Maxum III Valve 1-1/2" Urethane
—	10101950	Maxum III Valve 1-1/2" TC
17	1011204	1-1/4" X 3" Pipe Nipple
—	1012350	Blowdown Hose Assembly (Includes Item #'s: 5 (Quantity of One), and 6 (Quantity of Two Feet))
—	1091020	Warning Plate
—	1091025	Warning Tag
—	1091045	Warning Tag
—	106M423	Part Numbers and Schematics Guide – Blastmaster® GateKeeper Air Valve

Item #	Part #	Description
—	105M085	Features and Specifications Guide – Blastmaster® 130P Pneumatic Remote Control System
—	106M085	Part Numbers and Schematics Guide – Blastmaster® 130P Pneumatic Remote Control System
—	1090085	Operator's Manual – Blastmaster® 130P Pneumatic Remote Control System
—	105M068	Features and Specifications Guide – Blastmaster® 152P Remote Control Switch
—	106M068	Part Numbers and Schematics Guide – Blastmaster® 152P Remote Control Switch
—	1090068	Operator's Manual – Blastmaster® 152P Remote Control Switch
—	105M069	Features and Specifications Guide – Blastmaster® Maxum III Abrasive Metering Valve
—	106M069	Part Numbers and Schematics Guide – Blastmaster® Maxum III Abrasive Metering Valve
—	1090069	Operator's Manual – Blastmaster® Maxum III Abrasive Metering Valve
—	105M125	Features and Specifications Guide – Blastmaster® 10.0 Cu. Ft. Abrasive Blasting Pot
—	106M125	Part Numbers and Schematics Guide – Blastmaster® 10.0 Cu. Ft. Abrasive Blasting Pot
—	1090125	Operator's Manual – Blastmaster® 10.0 Cu. Ft. Abrasive Blasting Pot

PART NUMBERS & SCHEMATICS GUIDE

Figure 5: 10.0 Cu. Ft. Abrasive Blasting Pot — Blastmaster® 130P Remote Control System — 1-1/2" Blastmaster® Maxum III Abrasive Metering Valve - Single Outlet



PART NUMBERS & SCHEMATICS GUIDE

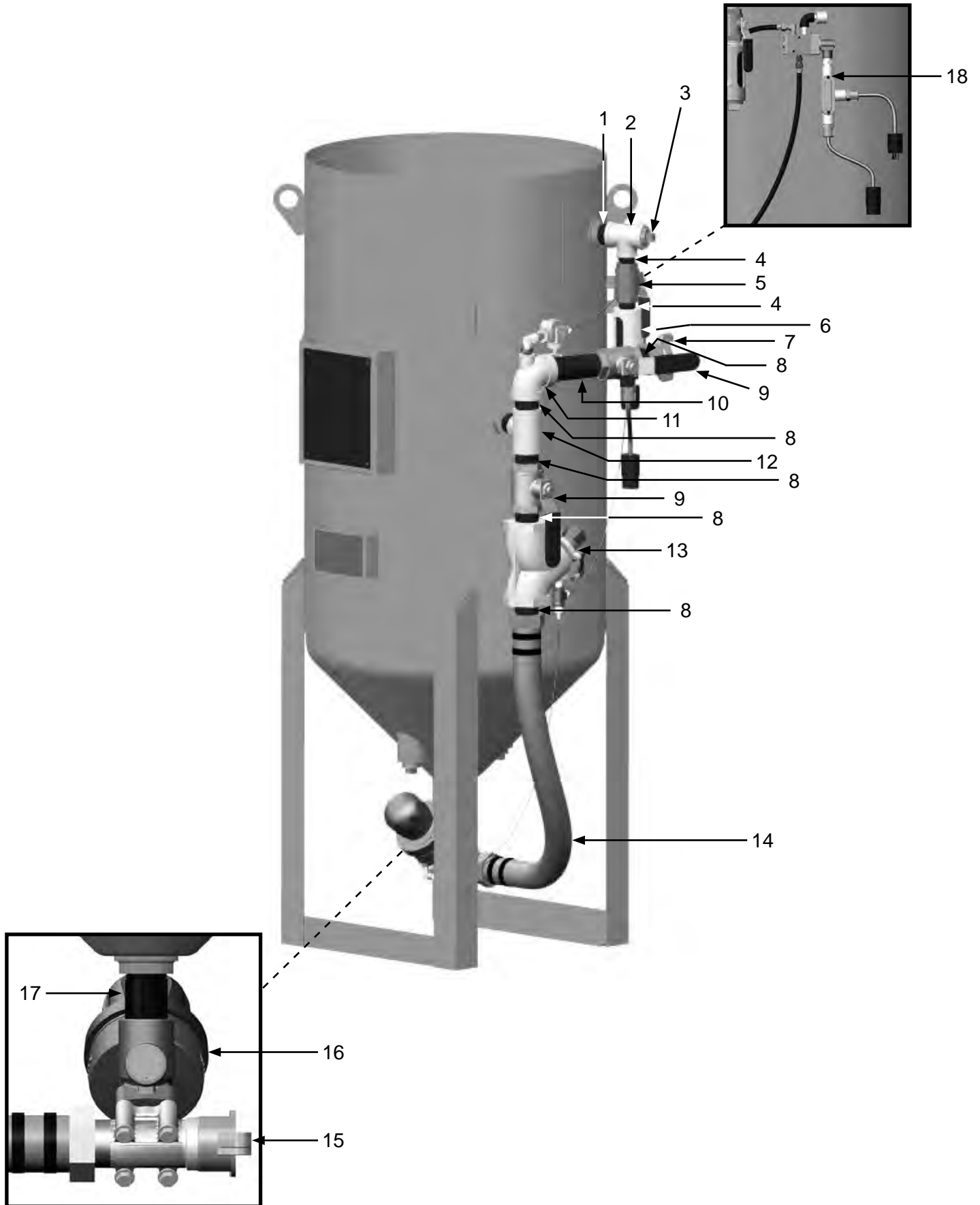
10.0 Cu. Ft. Abrasive Blasting Pot — Blastmaster® 130E Remote Control System — 1-1/2" Blastmaster® Maxum III Abrasive Metering Valve - Single Outlet

Item #	Part #	Description
Fig. 6		
1	1011201	1-1/4" NPT Close Nipple
2	1011817	1-1/4" X 1-1/4" X 1" Pipe Tee
3	1011902	1-1/4" Square Head Plug
4	1012151	1" Galvanized Close Nipple (Two Required)
5	1011601	1" NPT Full Port Brass Ball Valve
6	1011100	Muffler Assembly Complete
7	10ME4	1-1/2" NPT (F) 4-Lug Air Hose Coupling
8	1014015	1-1/2" Close Nipple (Five Required)
9	1011603	1-1/2" NPT Full Port Brass Ball Valve (Two Required)
10	1011211	1-1/2" NPT X 5-1/2" Nipple
11	1011828	1-1/2" 90 Degree Elbow With 1/2" Out
12	1011836	1-1/2" X 1-1/2" X 1-1/4" Pipe Tee
13	1013600	Gatekeeper Air Valve High Flow
14	—	1-1/2" Pusher Line Assembly (See Fig. 9)
15	10SB2S	1-1/2" Straight Thread Pot Coupling
16	10101946	Maxum III Valve 1-1/2" Urethane
—	10101950	Maxum III Valve 1-1/2" TC
17	1011204	1-1/4" X 3" Pipe Nipple
18	1019051	12-Volt DC 190 Electric Control Assembly
—	1012350	Blowdown Hose Assembly (Includes Item #'s: 5 (Quantity of One), and 6 (Quantity of Two Feet))
—	1091020	Warning Plate
—	1091025	Warning Tag
—	1091045	Warning Tag

Item #	Part #	Description
—	106M423	Part Numbers and Schematics Guide – Blastmaster® GateKeeper Air Valve
—	105M063	Features and Specifications Guide – Blastmaster® 130E Electric Remote Control System
—	106M063	Part Numbers and Schematics Guide – Blastmaster® 130E Electric Remote Control System
—	1090063	Operator's Manual – Blastmaster® 130E Electric Remote Control System
—	105M087	Features and Specifications Guide – Blastmaster® 151E Remote Control Switch
—	106M087	Part Numbers and Schematics Guide – Blastmaster® 151E Remote Control Switch
—	1090087	Operator's Manual – Blastmaster® 151E Remote Control Switch
—	105M069	Features and Specifications Guide – Blastmaster® Maxum III Abrasive Metering Valve
—	106M069	Part Numbers and Schematics Guide – Blastmaster® Maxum III Abrasive Metering Valve
—	1090069	Operator's Manual – Blastmaster® Maxum III Abrasive Metering Valve
—	105M125	Features and Specifications Guide – Blastmaster® 10.0 Cu. Ft. Abrasive Blasting Pot
—	106M125	Part Numbers and Schematics Guide – Blastmaster® 10.0 Cu. Ft. Abrasive Blasting Pot
—	1090125	Operator's Manual – Blastmaster® 10.0 Cu. Ft. Abrasive Blasting Pot

PART NUMBERS & SCHEMATICS GUIDE

Figure 6: 10.0 Cu. Ft. Abrasive Blasting Pot — Blastmaster® 130E Remote Control System — 1-1/2" Blastmaster® Maxum III Abrasive Metering Valve - Single Outlet



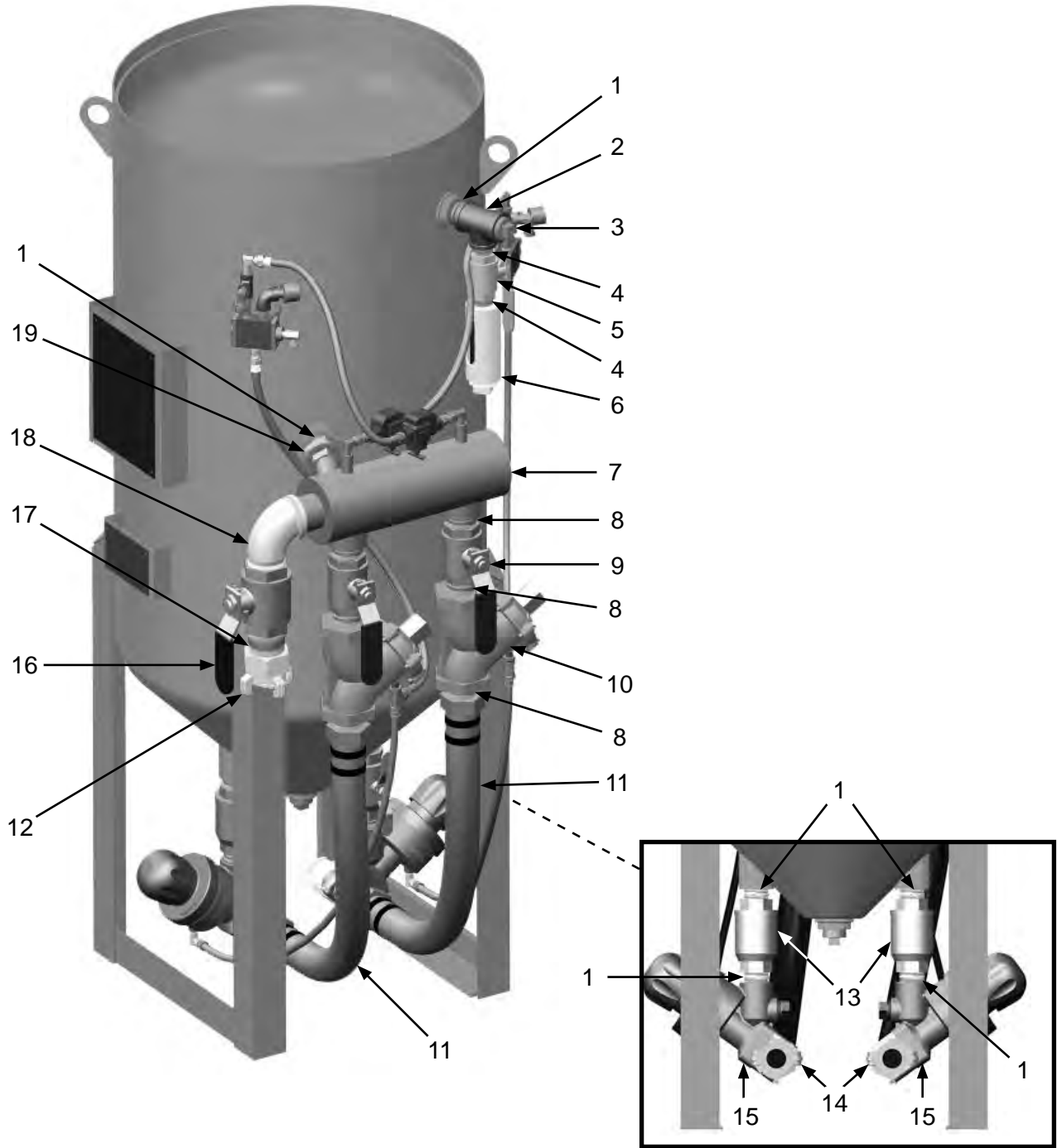
PART NUMBERS & SCHEMATICS GUIDE

10.0 Cu. Ft. Abrasive Blasting Pot — Blastmaster® 130P Remote Control System — 1-1/2" Blastmaster® Maxum III Abrasive Metering Valve - Dual Outlet

Item #	Part #	Description	Item #	Part #	Description
Fig. 7			—	106M423	Part Numbers and Schematics Guide – Blastmaster® GateKeeper Air Valve
1	1011201	1-1/4" NPT Close Nipple (Five Required)	—	105M085	Features and Specifications Guide – Blastmaster® 130P Pneumatic Remote Control System
2	1011817	1-1/4" X 1-1/4" X 1" Pipe Tee	—	106M085	Part Numbers and Schematics Guide – Blastmaster® 130P Pneumatic Remote Control System
3	1011902	1-1/4" Square Head Plug	—	1090085	Operator's Manual – Blastmaster® 130P Pneumatic Remote Control System
4	1012151	1" Galvanized Close Nipple (Two Required)	—	105M068	Features and Specifications Guide – Blastmaster® 152P Remote Control Switch
5	1011601	1" NPT Full Port Brass Ball Valve	—	106M068	Part Numbers and Schematics Guide – Blastmaster® 152P Remote Control Switch
6	1011100	Muffler Assembly Complete	—	1090068	Operator's Manual – Blastmaster® 152P Remote Control Switch
7	10105642	Manifold	—	105M069	Features and Specifications Guide – Blastmaster® Maxum III Abrasive Metering Valve
8	1014015	1-1/2" Close Nipple (Ten Required)	—	106M069	Part Numbers and Schematics Guide – Blastmaster® Maxum III Abrasive Metering Valve
9	1011603	1-1/2" NPT Full Port Brass Ball Valve (Three Required)	—	1090069	Operator's Manual – Blastmaster® Maxum III Abrasive Metering Valve
10	1013600	Gatekeeper Air Valve High Flow (Two Required)	—	105M125	Features and Specifications Guide – Blastmaster® 10.0 Cu. Ft. Abrasive Blasting Pot
11	—	1-1/2" Pusher Line Assembly (Two Required) (See Fig. 9)	—	106M125	Part Numbers and Schematics Guide – Blastmaster® 10.0 Cu. Ft. Abrasive Blasting Pot
12	10ME4	1-1/2" NPT (F) 4-Lug Air Hose Coupling	—	1090125	Operator's Manual – Blastmaster® 10.0 Cu. Ft. Abrasive Blasting Pot
13	1011606A	1-1/4" Union End Ball Valve (Two Required)			
14	10SB2S	1-1/2" Straight Thread Pot Coupling (Two Required)			
15	10101946	Maxum III Valve 1-1/2" Urethane (Two Required)			
—	10101950	Maxum III Valve 1-1/2" TC (Two Required)			
16	1011604	2" NPT Full Port Brass Ball Valve			
17	1001806	2" Close Nipple			
18	10101265	2" 90 Degree Elbow			
19	1011211	1-1/4" Female Pipe Union			
—	1012350	Blowdown Hose Assembly (Includes Item #'s: 5 (Quantity of One), and 6 (Quantity of Two Feet))			
—	1091020	Warning Plate			
—	1091025	Warning Tag			
—	1091045	Warning Tag			

PART NUMBERS & SCHEMATICS GUIDE

Figure 7: 10.0 Cu. Ft. Abrasive Blasting Pot — Blastmaster® 130P Remote Control System — 1-1/2" Blastmaster® Maxum III Abrasive Metering Valve - Dual Outlet



PART NUMBERS & SCHEMATICS GUIDE

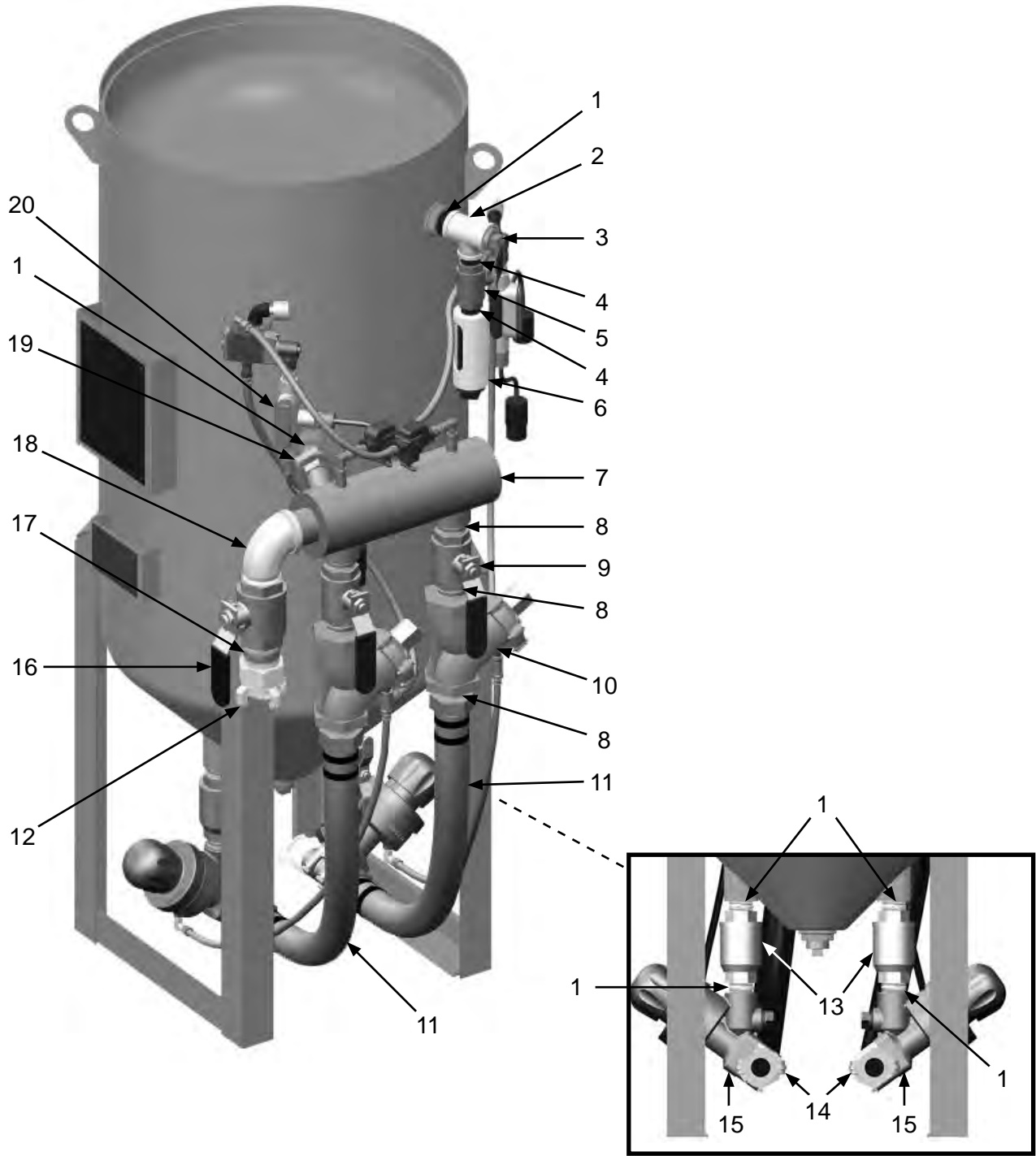
10.0 Cu. Ft. Abrasive Blasting Pot — Blastmaster® 130E Remote Control System — 1-1/2" Blastmaster® Maxum III Abrasive Metering Valve - Dual Outlet

Item #	Part #	Description
Fig. 8		
1	1011201	1-1/4" NPT Close Nipple (Five Required)
2	1011817	1-1/4" X 1-1/4" X 1" Pipe Tee
3	1011902	1-1/4" Square Head Plug
4	1012151	1" Galvanized Close Nipple (Two Required)
5	1011601	1" NPT Full Port Brass Ball Valve
6	1011100	Muffler Assembly Complete
7	10105642	Manifold
8	1014015	1-1/2" Close Nipple (Ten Required)
9	1011603	1-1/2" NPT Full Port Brass Ball Valve (Three Required)
10	1013600	Gatekeeper Air Valve High Flow (Two Required)
11	—	1-1/2" Pusher Line Assembly (Two Required) (See Fig. 9)
12	10ME4	1-1/2" NPT (F) 4-Lug Air Hose Coupling
13	1011606A	1-1/4" Union End Ball Valve (Two Required)
14	10SB2S	1-1/2" Straight Thread Pot Coupling (Two Required)
15	10101946	Maxum III Valve 1-1/2" Urethane (Two Required)
—	10101950	Maxum III Valve 1-1/2" TC (Two Required)
16	1011604	2" NPT Full Port Brass Ball Valve
17	1001806	2" Close Nipple
18	10101265	2" 90 Degree Elbow
19	1011211	1-1/4" Female Pipe Union
20	1019051	12-Volt DC 190 Electric Control Assembly (Two Required)
—	1012350	Blowdown Hose Assembly (Includes Item #'s: 5 (Quantity of One), and 6 (Quantity of Two Feet))

Item #	Part #	Description
—	1091020	Warning Plate
—	1091025	Warning Tag
—	1091045	Warning Tag
—	106M423	Part Numbers and Schematics Guide – Blastmaster® GateKeeper Air Valve
—	105M063	Features and Specifications Guide – Blastmaster® 130E Electric Remote Control System
—	106M063	Part Numbers and Schematics Guide – Blastmaster® 130E Electric Remote Control System
—	1090063	Operator's Manual – Blastmaster® 130E Electric Remote Control System
—	105M087	Features and Specifications Guide – Blastmaster® 151E Remote Control Switch
—	106M087	Part Numbers and Schematics Guide – Blastmaster® 151E Remote Control Switch
—	1090087	Operator's Manual – Blastmaster® 151E Remote Control Switch
—	105M069	Features and Specifications Guide – Blastmaster® Maxum III Abrasive Metering Valve
—	106M069	Part Numbers and Schematics Guide – Blastmaster® Maxum III Abrasive Metering Valve
—	1090069	Operator's Manual – Blastmaster® Maxum III Abrasive Metering Valve
—	105M125	Features and Specifications Guide – Blastmaster® 10.0 Cu. Ft. Abrasive Blasting Pot
—	106M125	Part Numbers and Schematics Guide – Blastmaster® 10.0 Cu. Ft. Abrasive Blasting Pot
—	1090125	Operator's Manual – Blastmaster® 10.0 Cu. Ft. Abrasive Blasting Pot

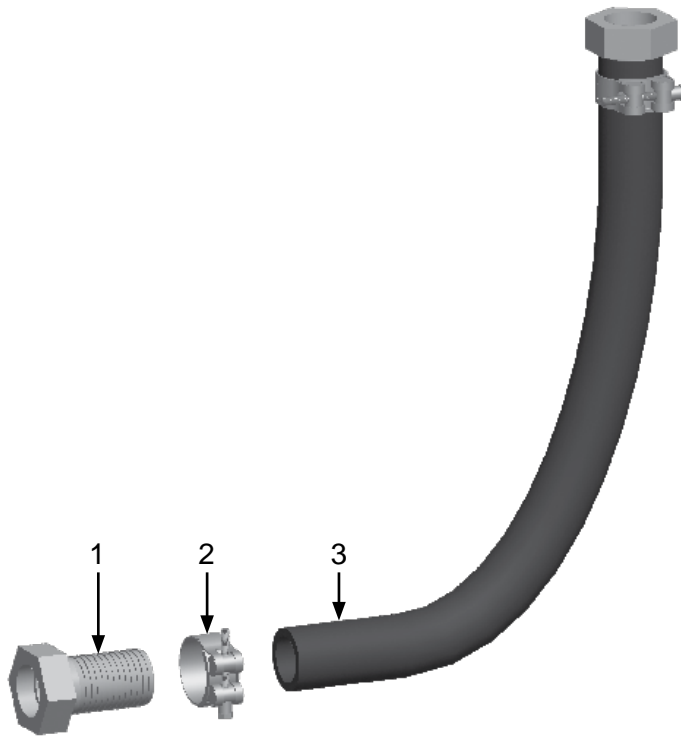
PART NUMBERS & SCHEMATICS GUIDE

Figure 8: 10.0 Cu. Ft. Abrasive Blasting Pot — Blastmaster® 130E Remote Control System — 1-1/2" Blastmaster® Maxum III Abrasive Metering Valve - Dual Outlet



PART NUMBERS & SCHEMATICS GUIDE

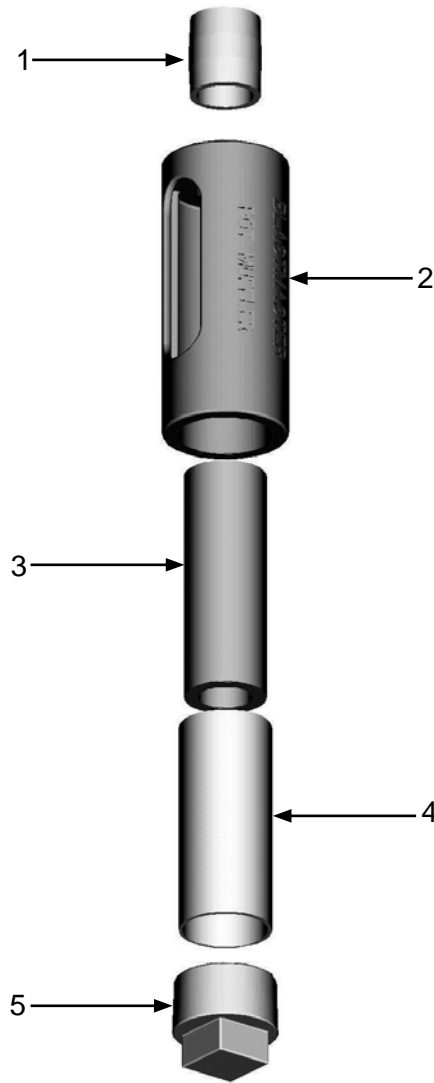
Figure 9: Pusher Line Assembly



Item #	Part #	Description
Fig. 9		
—	1006312	1-1/2" I.D. Pusher Line Assembly <i>Includes Item #: 1, 2, and 3 (Quantity of Three Feet)</i>
1	10SFE4	1-1/2" Female Swivel Air Hose End <i>(Two Required)</i>
2	10103738	1-1/2" T-Bolt Hose Clamp <i>(Two Required)</i>
3	10AH112B	1-1/2" I.D. Air Hose
—	10SFE4G	Gasket for 10SFE4 Swivel Air Hose End <i>(Not Shown)</i>
—	1090059	Technical Data Sheet – Pusher Line Assemblies

PART NUMBERS & SCHEMATICS GUIDE

Figure 10: Exhaust Muffler Assembly



Item #	Part #	Description
Fig. 10		
—	1011100	Blast Pot Exhaust Muffler – Complete
1	1012151	1" Close Nipple
2	1011102	Body
3	1011103	Filter Element
4	1011104	Screen
5	1011101	1-1/2" Pipe Plug
—	1011105	Blast Pot Exhaust Muffler Service Kit <i>Includes Item #'s: 3 (Quantity of 3), 4, and 5</i>
—	105M347	Features and Specifications Guide – Blast Pot Exhaust Muffler
—	106M347	Part Numbers and Schematics Guide – Blast Pot Exhaust Muffler

PART NUMBERS & SCHEMATICS GUIDE

Figure 11: Lids and Screens (Optional)



Item #	Part #	Description
Fig. 12		
1	1006101	24" Lid
2	1006102	24" Screen
3	10100733	Abrasive Umbrella (<i>Screen Not Included</i>)

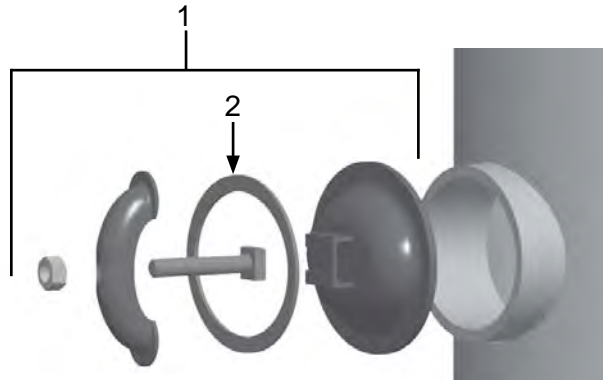
PART NUMBERS

BLASTMASTER® 6.5 CU. FT. HP-SERIES ABRASIVE BLASTING POTS

Part Numbers	Power Source	Blastmaster® Remote Control System	Blastmaster® Remote Control Switch	Blastmaster® Maxum III 1-1/2" Abrasive Metering Valve Sleeve Material	1-1/2" Extractor Abrasive Blasting Pot Moisture Separator	Loading Skid
1065024	Pneumatic	130P	152P	Tungsten Carbide		
1065024PKA	Pneumatic	130P	152P	Tungsten Carbide	X	
1065024LS	Pneumatic	130P	152P	Tungsten Carbide		X
1065024PKALS	Pneumatic	130P	152P	Tungsten Carbide	X	X
1065023	Pneumatic	130P	152P	Urethane		
1065023PKA	Pneumatic	130P	152P	Urethane	X	
1065023LS	Pneumatic	130P	152P	Urethane		X
1065023PKALS	Pneumatic	130P	152P	Urethane	X	X
1065030	12-Volt DC	130E	151E	Tungsten Carbide		
1065030PKA	12-Volt DC	130E	151E	Tungsten Carbide	X	
1065030LS	12-Volt DC	130E	151E	Tungsten Carbide		X
1065030PKALS	12-Volt DC	130E	151E	Tungsten Carbide	X	X
10106047	12-Volt DC	130E	None	Tungsten Carbide		
1065029	12-Volt DC	130E	151E	Urethane		
1065029PKA	12-Volt DC	130E	151E	Urethane	X	
1065029LS	12-Volt DC	130E	151E	Urethane		X
1065029PKALS	12-Volt DC	130E	151E	Urethane	X	X
1065036	120-Volt AC	130E	151E	Tungsten Carbide		
1065036PKA	120-Volt AC	130E	151E	Tungsten Carbide	X	
1065036LS	120-Volt AC	130E	151E	Tungsten Carbide		X
1065036PKALS	120-Volt AC	130E	151E	Tungsten Carbide	X	X
1065035	120-Volt AC	130E	151E	Urethane		
1065035PKA	120-Volt AC	130E	151E	Urethane	X	
1065035LS	120-Volt AC	130E	151E	Urethane		X
1065035PKALS	120-Volt AC	130E	151E	Urethane	X	X

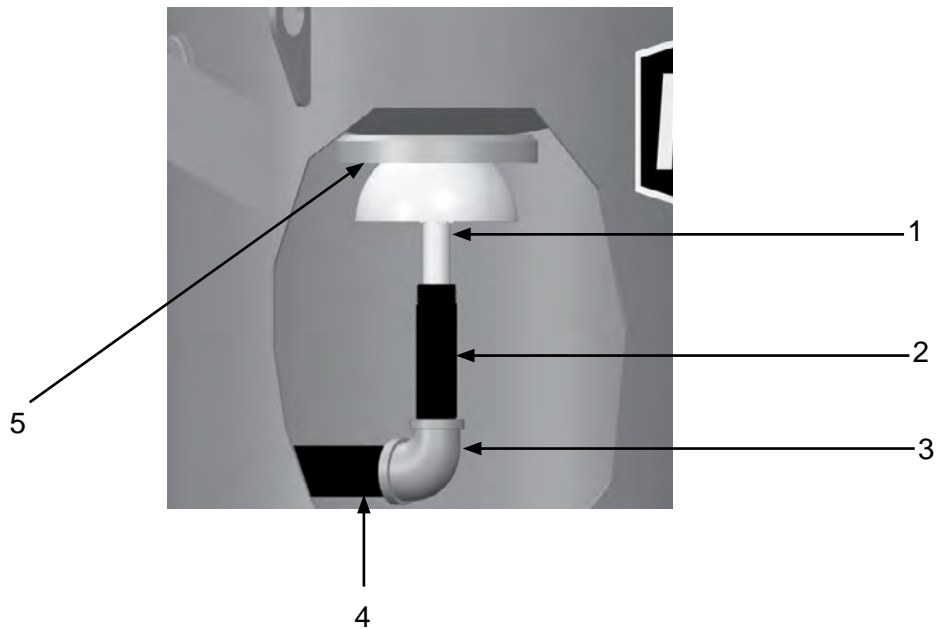
PART NUMBERS AND SCHEMATICS

Figure 1: Inspection Door Assembly



Item #	Part #	Description
Fig. 1		
1	1006200	6" x 8" Inspection Door Assembly
2	1006201	Gasket

Figure 2: Pop-up Valve Assembly



Item #	Part #	Description
Fig. 2		
1	1006030	Pop-Up Valve - Internal Sleeve
2	1011815	1" NPT x 5" Pipe Nipple
3	1006210	1-1/4" x 1" 90° Elbow
4	1011214	1-1/4" NPT x 10" Pipe Nipple
5	1006040	4" I.D. x 5-1/2" O.D. Pop-Up Valve Seat

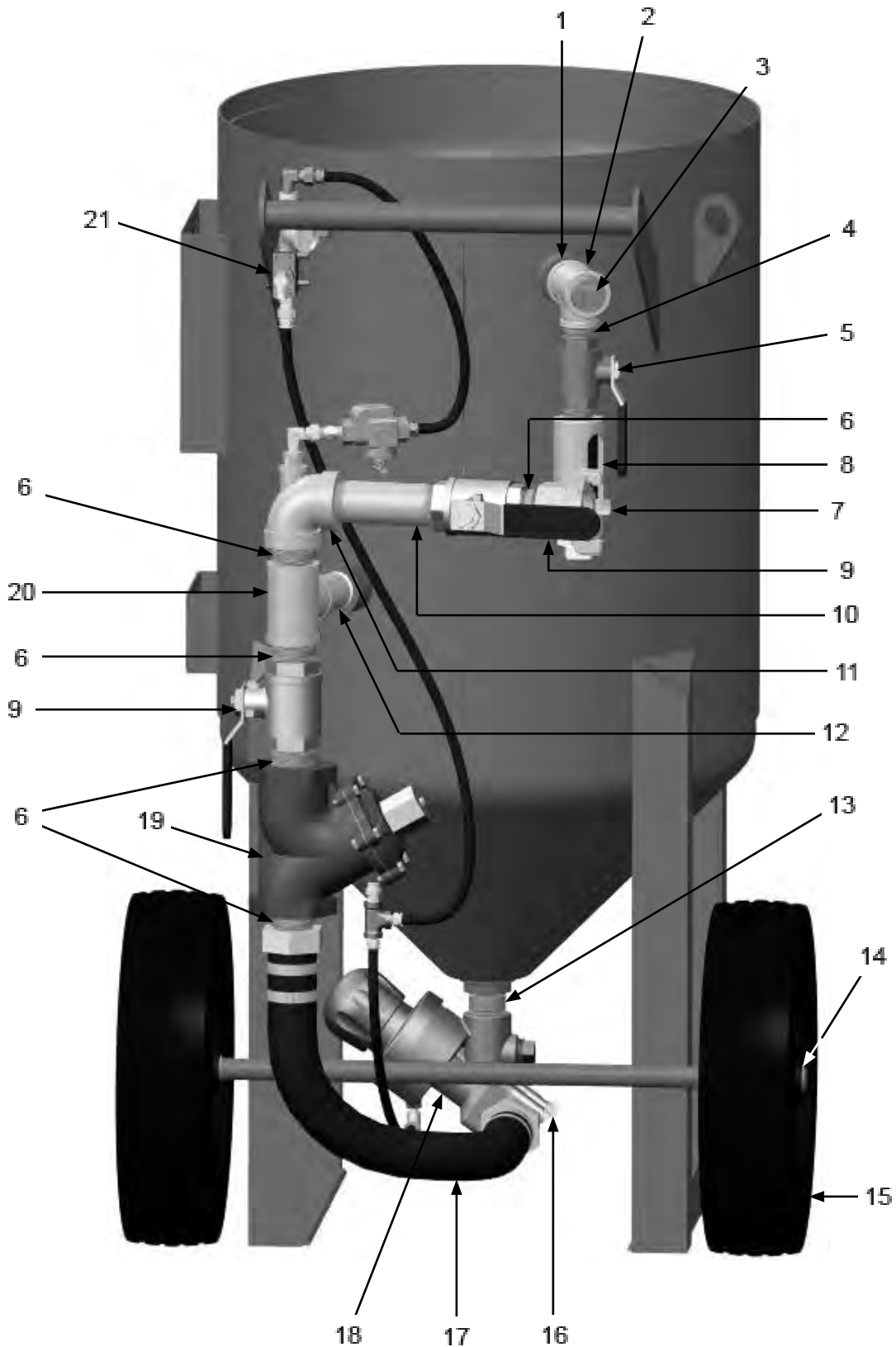
PART NUMBERS AND SCHEMATICS

Blastmaster® 6.5 Cu. Ft. HP-Series Abrasive Blasting Pot — Pneumatic

Item #	Part #	Description
Fig. 3		
1	1011201	1-1/4" NPT Close Nipple
2	1011817	1-1/4" x 1-1/4" x 1" NPT Pipe Tee
3	1011902	1" NPT Pipe Plug
4	1012151	1" NPT Close Nipple
5	1011601	1" NPT Full Port Brass Ball Valve
6	1014015	1-1/2" NPT NPT Close Nipple (<i>Five Required</i>)
7	10ME4	1-1/2" NPT (F) 4-Lug Air Hose Fitting
8	1011100	Blastmaster® Abrasive Blasting Pot Muffler (<i>See Fig. 6</i>)
9	1011603	1-1/2" NPT Full Port Brass Ball Valve (<i>Two Required</i>)
10	1011211	1-1/2" x 5-1/2" NPT Pipe Nipple
	10105823	1-1/2" x 7" NPT Pipe Nipple (PKA Only)
11	1011828	1-1/2" NPT Elbow with 1/2" Side-out
12	1011204	1-1/4" x 3" Galvanized Nipple
13	1011813	1-1/4" x 2" NPT Pipe Nipple
14	1006205	Wheel Clip (<i>Four Required</i>)
15	1006064	16" Wheel (<i>Two Required</i>)
16	10SB2S	1-1/2" Brass Tank Coupling
17	—	1-1/2" Pusher Line Assembly (<i>See Fig. 5</i>)
18	10101950	Blastmaster® 1-1/2" Maxum III Abrasive Metering Valve – Tungsten Carbide Sleeve (<i>See Literature 1090069</i>)
	10101946	Blastmaster® 1-1/2" Maxum III Abrasive Metering Valve – Urethane Sleeve (<i>See Literature 1090069</i>)
19	1013600	Blastmaster® 1-1/2" High-Flow GateKeeper Air Valve
20	1011836	1-1/2" x 1-1/2" x 1-1/4" NPT Pipe Tee
21	1019000	Pneumatic Control Valve (<i>See Literature 1090085</i>)
—	105M068	Features and Specifications Guide – Blastmaster® 152P Remote Control Switch
—	105M069	Features and Specifications Guide – Blastmaster® Maxum III Abrasive Metering Valve
—	105M082	Features and Specifications Guide – Blastmaster® 6.5 Cu. Ft. HP-Series Abrasive Blasting Pot
—	105M085	Features and Specifications Guide – Blastmaster® 130P Remote Control System
—	106M068	Part Numbers & Schematics Guide – Blastmaster® 152P Remote Control Switch
—	106M069	Part Numbers & Schematics Guide – Blastmaster® Maxum III Abrasive Metering Valve
—	106M082	Part Numbers & Schematics Guide – Blastmaster® 6.5 Cu. Ft. HP-Series Abrasive Blasting Pot
—	106M085	Part Numbers & Schematics Guide – Blastmaster® 130P Remote Control System
—	1090068	Operator's Manual – Blastmaster® 152P Remote Control Switch
—	1090069	Operator's Manual – Blastmaster® Maxum III Abrasive Metering Valve
—	1090082	Operator's Manual – Blastmaster® 6.5 Cu. Ft. HP-Series Abrasive Blasting Pot
—	1090085	Operator's Manual – Blastmaster® 130P Remote Control System

PART NUMBERS AND SCHEMATICS

Figure 3: Blastmaster® 6.5 Cu. Ft. HP-Series Abrasive Blasting Pot — Pneumatic



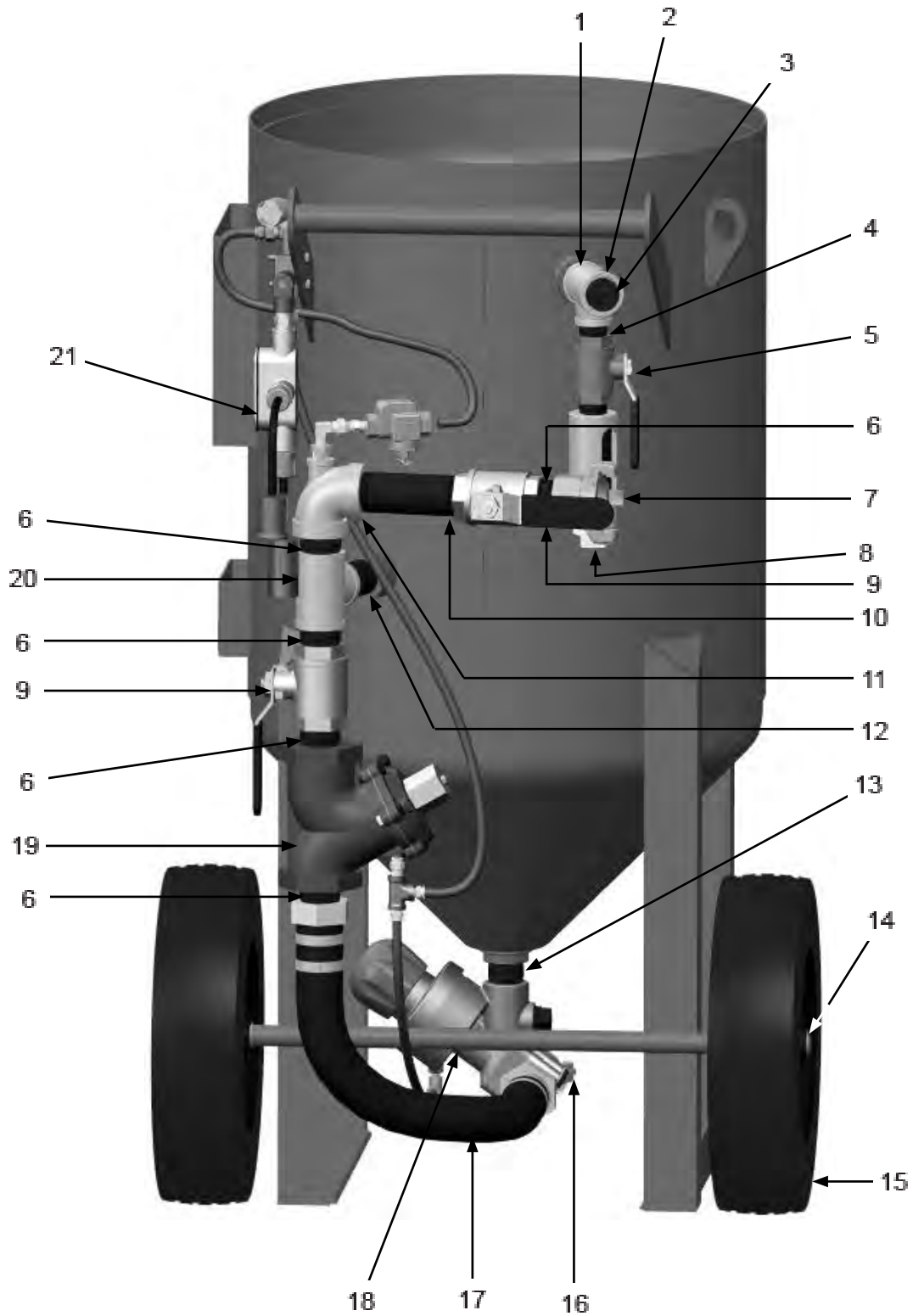
PART NUMBERS AND SCHEMATICS

Blastmaster® 6.5 Cu. Ft. HP-Series Abrasive Blasting Pot — Electric

Item #	Part #	Description
Fig. 4		
1	1011201	1-1/4" NPT Close Nipple
2	1011817	1-1/4" x 1-1/4" x 1" NPT Pipe Tee
3	1011902	1" NPT Pipe Plug
4	1012151	1" NPT Close Nipple
5	1011601	1" NPT Full Port Brass Ball Valve
6	1014015	1-1/2" NPT NPT Close Nipple <i>(Five Required)</i>
7	10ME4	1-1/2" NPT (F) 4-Lug Air Hose Fitting
8	1011100	Blastmaster® Abrasive Blasting Pot Muffler <i>(See Fig. 6)</i>
9	1011603	1-1/2" NPT Full Port Brass Ball Valve <i>(Two Required)</i>
10	1011211	1-1/2" x 5-1/2" NPT Pipe Nipple
	10105823	1-1/2" x 7" NPT Pipe Nipple (PKA Only)
11	1011828	1-1/2" NPT Elbow with 1/2" Side-out
12	1011204	1-1/4" x 3" Galvanized Nipple
13	1011813	1-1/4" x 2" NPT Pipe Nipple
14	1006205	Wheel Clip <i>(Four Required)</i>
15	1006064	16" Wheel <i>(Two Required)</i>
16	10SB2S	1-1/2" Brass Tank Coupling
17	—	1-1/2" Pusher Line Assembly <i>(See Fig. 5)</i>
18	10101950	Blastmaster® 1-1/2" Maxum III Abrasive Metering Valve – Tungsten Carbide Sleeve <i>(See Literature 1090069)</i>
	10101946	Blastmaster® 1-1/2" Maxum III Abrasive Metering Valve – Urethane Sleeve <i>(See Literature 1090069)</i>
19	1013600	Blastmaster® 1-1/2" High-Flow GateKeeper Air Valve
20	1011836	1-1/2" x 1-1/2" x 1-1/4" NPT Pipe Tee
21	1019051	12-Volt DC 190 Electric Control Assembly <i>(See Literature 1090085)</i>
	1019052	12-Volt AC 190 Electric Control Assembly <i>(See Literature 1090085)</i>
—	105M068	Features and Specifications Guide – Blastmaster® 152P Remote Control Switch
—	105M069	Features and Specifications Guide – Blastmaster® Maxum III Abrasive Metering Valve
—	105M082	Features and Specifications Guide – Blastmaster® 6.5 Cu. Ft. HP-Series Abrasive Blasting Pot
—	105M085	Features and Specifications Guide – Blastmaster® 130P Remote Control System
—	106M068	Part Numbers & Schematics Guide – Blastmaster® 152P Remote Control Switch
—	106M069	Part Numbers & Schematics Guide – Blastmaster® Maxum III Abrasive Metering Valve
—	106M082	Part Numbers & Schematics Guide – Blastmaster® 6.5 Cu. Ft. HP-Series Abrasive Blasting Pot
—	106M085	Part Numbers & Schematics Guide – Blastmaster® 130P Remote Control System
—	1090068	Operator's Manual – Blastmaster® 152P Remote Control Switch
—	1090069	Operator's Manual – Blastmaster® Maxum III Abrasive Metering Valve
—	1090082	Operator's Manual – Blastmaster® 6.5 Cu. Ft. HP-Series Abrasive Blasting Pot
—	1090085	Operator's Manual – Blastmaster® 130P Remote Control System

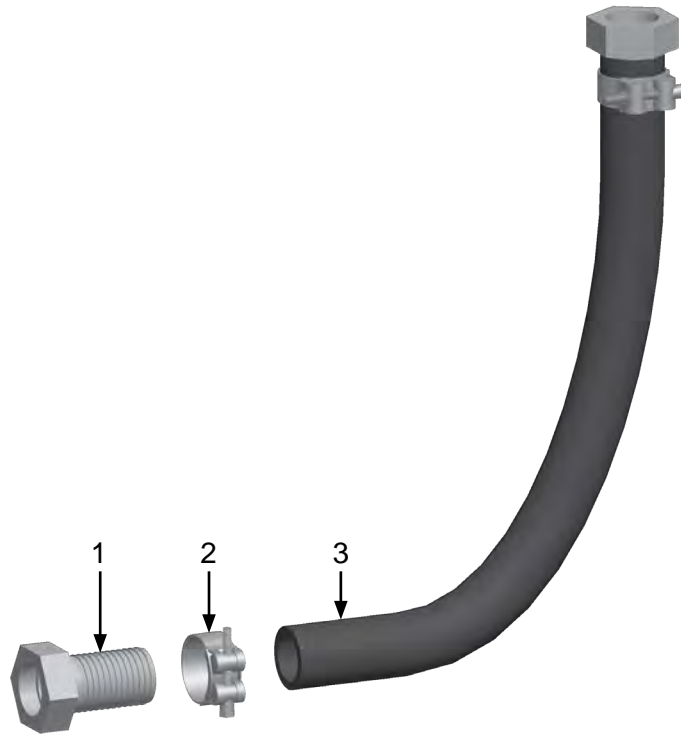
PART NUMBERS AND SCHEMATICS

Figure 4: Blastmaster® 6.5 Cu. Ft. HP-Series Abrasive Blasting Pot — Electric



PART NUMBERS AND SCHEMATICS

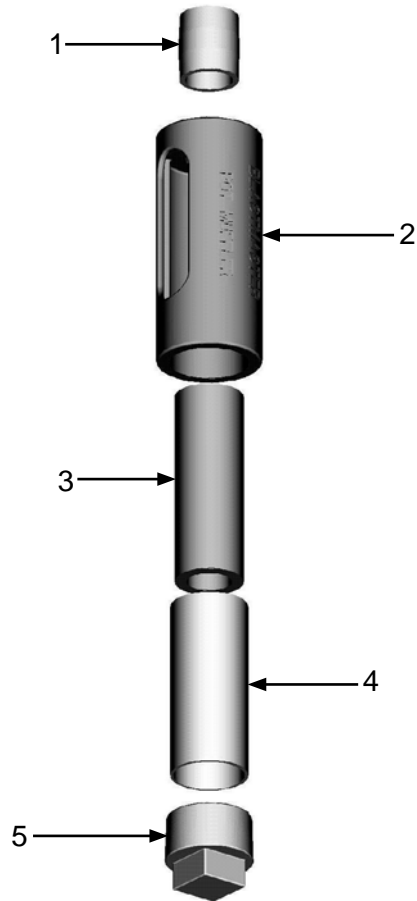
Figure 5: Pusher Line Assembly



Item #	Part #	Description
Fig. 5		
—	1006312	1-1/2" I.D. Pusher Line Assembly <i>Includes Item #: 1, 2, and 3 (Quantity of Three Feet)</i>
1	10SFE4	1-1/2" Female Swivel Air Hose End <i>(Two Required)</i>
2	10103738	1-1/2" T-Bolt Hose Clamp <i>(Two Required)</i>
3	10AH112B	1-1/2" I.D. Air Hose
—	10SFE4G	Gasket for 10SFE4 Swivel Air Hose End <i>(Not Shown)</i>
—	1090059	Technical Data Sheet – Pusher Line Assemblies

PART NUMBERS AND SCHEMATICS

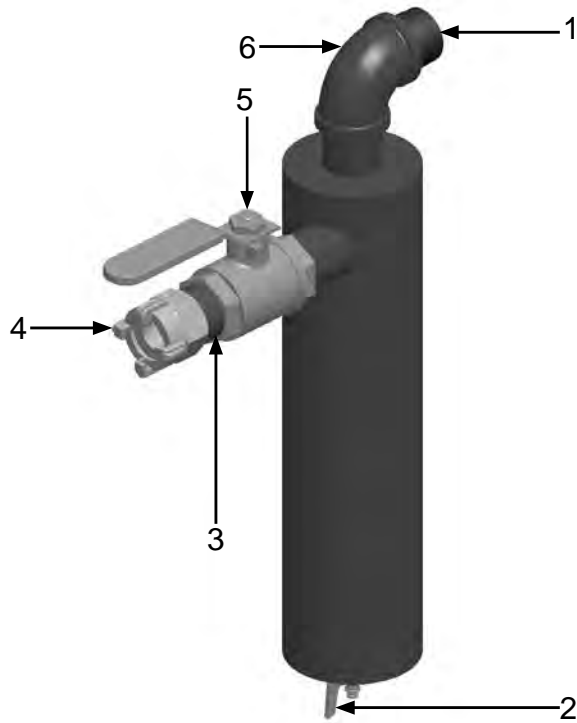
Figure 6: Exhaust Muffler Assembly



Item #	Part #	Description
Fig. 6		
—	1011100	Blastmaster® Abrasive Blasting Pot Muffler – Complete
1	1012151	1" Close Nipple
2	1011102	Body
3	1011103	Filter Element
4	1011104	Screen
5	1011101	1-1/2" Pipe Plug
—	1011105	Blastmaster® Abrasive Blasting Pot Muffler Service Kit <i>Includes Item #'s: 3 (Quantity of Three), 4, and 5</i>
—	105M347	Features and Specifications Guide – Blastmaster® Abrasive Blasting Pot Mufflers
—	106M347	Part Numbers And Schematics Guide – Blastmaster® Abrasive Blasting Pot Mufflers

OPTIONAL ACCESSORIES

Figure 7: 1-1/2" Extractor Abrasive Blasting Pot Moisture Separator



Item #	Part #	Description
Fig. 7		
—	10101313	1-1/2" Extractor Abrasive Blasting Pot Moisture Separator
1	1014015	1-1/2" NPT Close Nipple
2	1012101	1/4" NPT Brass Petcock
3	1014015	1-1/2" NPT Close Nipple
4	10ME4	1-1/2" (F) 4-Lug Air Hose Coupling
5	1011603	1-1/2" NPT Full Port Brass Ball Valve
6	1011842	1-1/2" 90° Galvanized Elbow
—	105M349	Features and Specifications Guide – Extractor Moisture Separators
—	106M349	Part Numbers and Schematics Guide – Extractor Moisture Separators

OPTIONAL ACCESSORIES

Figure 8: Lid and Screen



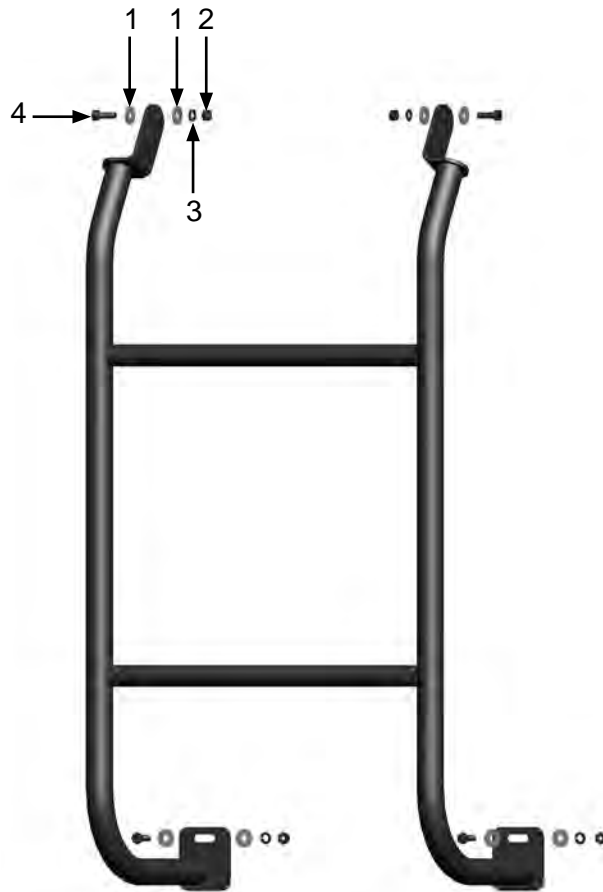
Item #	Part #	Description
--------	--------	-------------

Fig. 8

1	1006101	24" Lid
2	1006102	24" Screen
3	10100733	Abrasive Umbrella (<i>Screen Not Included</i>)

OPTIONAL ACCESSORIES

Figure 9: Loading Skid



Item #	Part #	Description
--------	--------	-------------

Fig. 9

—	1065040	Loading Skid – Complete
1	10L805003	5/16" Zinc Flat Washer
2	1035046	5/16-18 Nut
3	10L805014	5/16" Lock Washer
4	1035045	5/16-18 x 1" Bolt

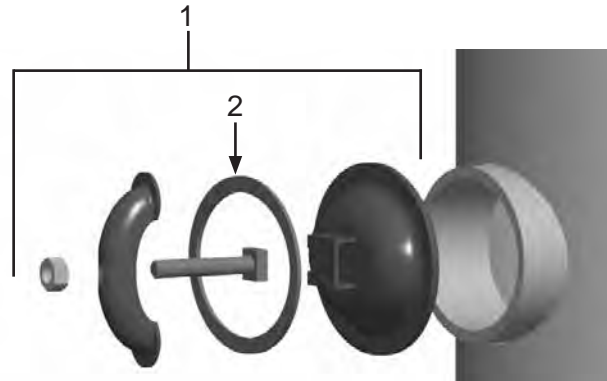
PART NUMBERS

BLASTMASTER® 6.5 CU. FT. M-SERIES ABRASIVE BLASTING POT

Part Numbers	Power Source	Blastmaster® Remote Control System	Blastmaster® Remote Control Switch	Blastmaster® Bantam Abrasive Metering Valve	Extractor Abrasive Blasting Pot Moisture Separator	Loading Skid
1065202	Pneumatic	125P	150P	1-1/4"		
1065203	Pneumatic	125P	150P	1-1/2"		
1065202PKA	Pneumatic	125P	150P	1-1/4"	1-1/4"	
1065203PKA	Pneumatic	125P	150P	1-1/2"	1-1/2"	
1065202PKALS	Pneumatic	125P	150P	1-1/4"	1-1/4"	X
1065203PKALS	Pneumatic	125P	150P	1-1/2"	1-1/2"	X
1065202LS	Pneumatic	125P	150P	1-1/4"		X
1065203LS	Pneumatic	125P	150P	1-1/2"		X
1065205	12-Volt DC	125E	151E	1-1/4"		
1065206	12-Volt DC	125E	151E	1-1/2"		
1065205PKA	12-Volt DC	125E	151E	1-1/4"	1-1/4"	
1065206PKA	12-Volt DC	125E	151E	1-1/2"	1-1/2"	
1065205PKALS	12-Volt DC	125E	151E	1-1/4"	1-1/4"	X
1065206PKALS	12-Volt DC	125E	151E	1-1/2"	1-1/2"	X
1065205LS	12-Volt DC	125E	151E	1-1/4"		X
1065206LS	12-Volt DC	125E	151E	1-1/2"		X
1065208	120-Volt AC	125E	151E	1-1/4"		
1065209	120-Volt AC	125E	151E	1-1/2"		
1065208PKA	120-Volt AC	125E	151E	1-1/4"	1-1/4"	
1065209PKA	120-Volt AC	125E	151E	1-1/2"	1-1/2"	
1065208PKALS	120-Volt AC	125E	151E	1-1/4"	1-1/4"	X
1065209PKALS	120-Volt AC	125E	151E	1-1/2"	1-1/2"	X
1065208LS	120-Volt AC	125E	151E	1-1/4"		X
1065209LS	120-Volt AC	125E	151E	1-1/2"		X

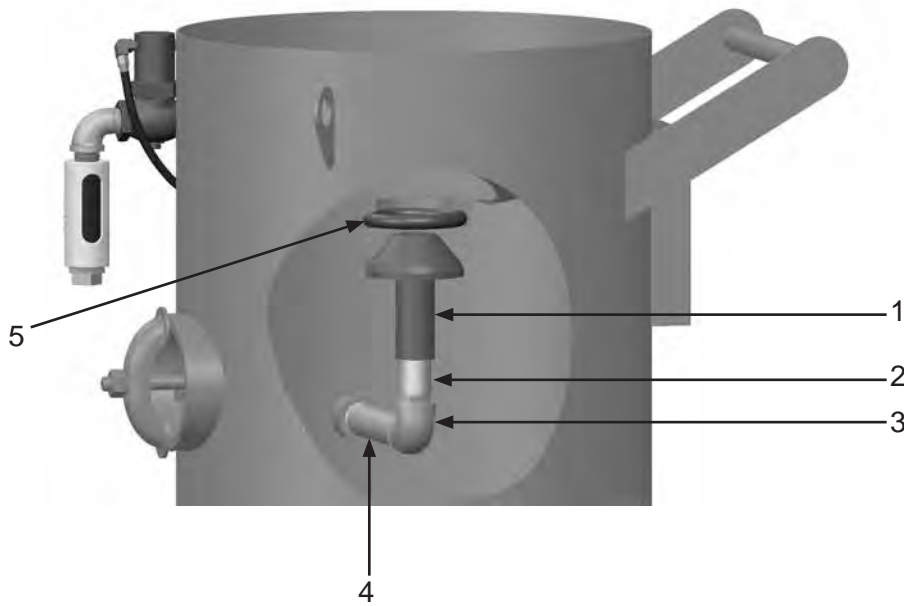
PART NUMBERS & SCHEMATICS

Figure 1: Inspection Door Assembly



Item #	Part #	Description
Fig. 1		
1	1006200	6" x 8" Inspection Door Assembly
2	1006201	Gasket

Figure 2: Pop-Up Valve Assembly



Item #	Part #	Description
Fig. 2		
1	1006020	Pop-Up Valve - External Sleeve
2	1011200	1-1/4" NPT x 7" Pipe Nipple
3	1006204	1-1/4" 90° Elbow
4	1011214	1-1/4" NPT x 10" Pipe Nipple
5	1006050	Pop-Up Valve Seat

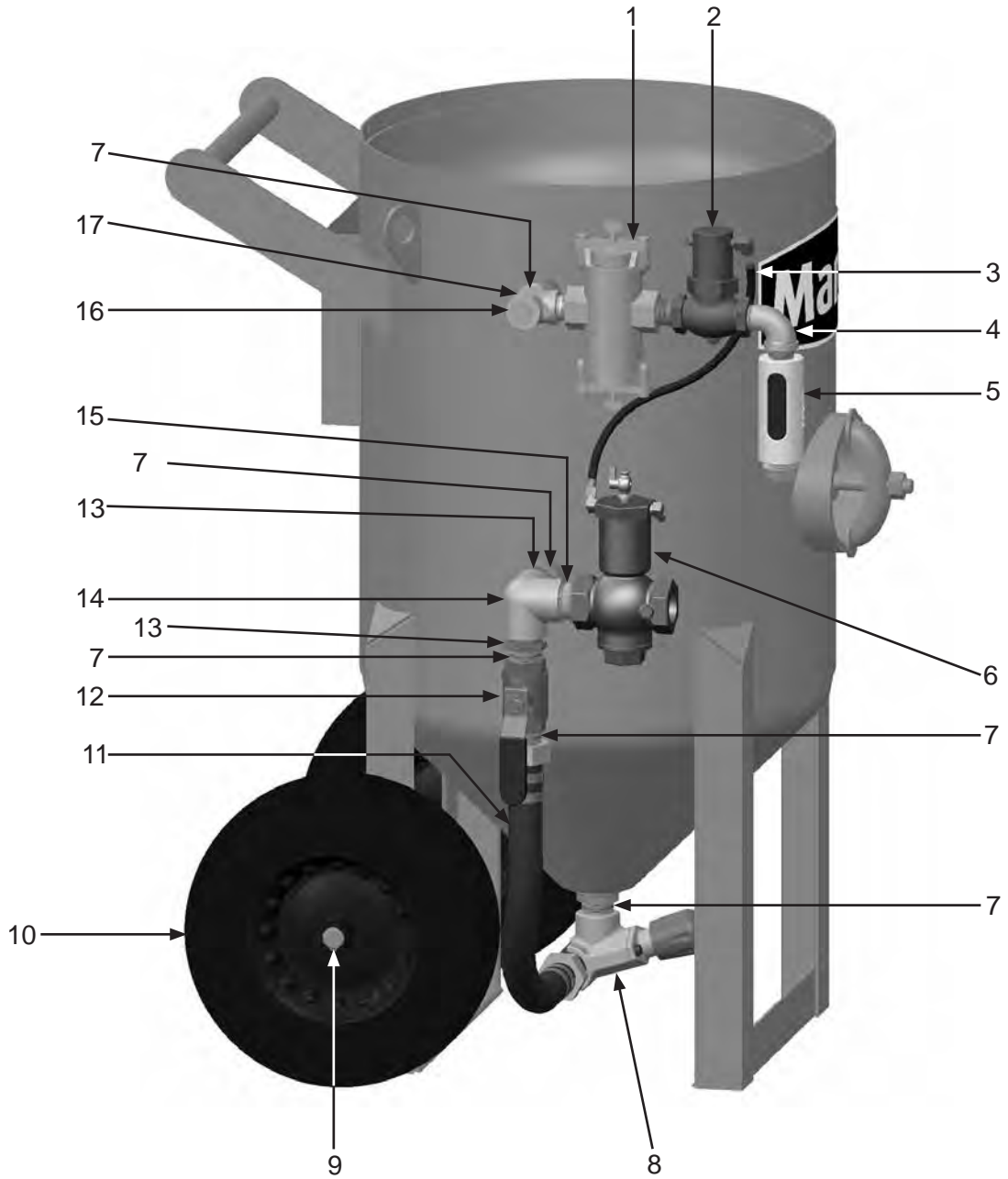
PART NUMBERS & SCHEMATICS

Blastmaster® 6.5 Cu. Ft. M-Series Abrasive Blasting Pot – Pneumatic – 1-1/4"

Item #	Part #	Description
Fig. 3		
1	1012000	1" Abrasive Trap - Complete
2	1012050	1" Outlet Valve - Complete
3	10CL18	18" Single Control Line
4	1011801	1" NPT Street Elbow
5	1011100	Abrasive Blasting Pot Muffler (See Fig. 8)
6	1012200	1-1/2" Inlet Valve – Complete
7	1011201	1-1/4" NPT Close Nipple
8	1014101	Blastmaster® 1-1/4" Bantam Abrasive Metering Valve – Complete
9	1006205	Wheel Clip (Four Required)
10	1006064	16" Wheel (Two Required)
11	1006311	1-1/4" I.D. Pusher Line Assembly (See Fig. 7)
12	1011602	1-1/4" NPT Full Port Brass Ball Valve
13	1011501	1-1/4" x 1-1/2" NPT Bushing
14	1011804	1-1/2" 90° Elbow with Side-out
15	1014015	1-1/2" NPT Close Nipple
16	1011901	1" NPT Square Head Pipe Plug
17	1011816	1" NPT Pipe Tee
—	105M058	Features and Specifications Guide – Blastmaster® 6.5 Cu. Ft. M-Series Abrasive Blasting Pot
—	105M014	Features and Specifications Guide – Blastmaster® 125P Remote Control System
—	105M022	Features and Specifications Guide – Blastmaster® Bantam Abrasive Metering Valve
—	105M023	Features and Specifications Guide – Blastmaster® 150P Remote Control Switch
—	106M058	Part Numbers & Schematics Guide – Blastmaster® 6.5 Cu. Ft. M-Series Abrasive Blasting Pot
—	106M014	Part Numbers & Schematics Guide – Blastmaster® 125P Remote Control System
—	106M022	Part Numbers & Schematics Guide – Blastmaster® Bantam Abrasive Metering Valve
—	106M023	Part Numbers & Schematics Guide – Blastmaster® 150P Remote Control Switch
—	1090058	Operator's Manual – Blastmaster® 6.5 Cu. Ft. M-Series Abrasive Blasting Pot
—	1090014	Operator's Manual – Blastmaster® 125P Remote Control System
—	1090022	Operator's Manual – Blastmaster® Bantam Abrasive Metering Valve
—	1090053	Operator's Manual – Blastmaster® 150P Remote Control Switch

PART NUMBERS & SCHEMATICS

Figure 3: Blastmaster® 6.5 Cu. Ft. M-Series Abrasive Blasting Pot – Pneumatic – 1-1/4"



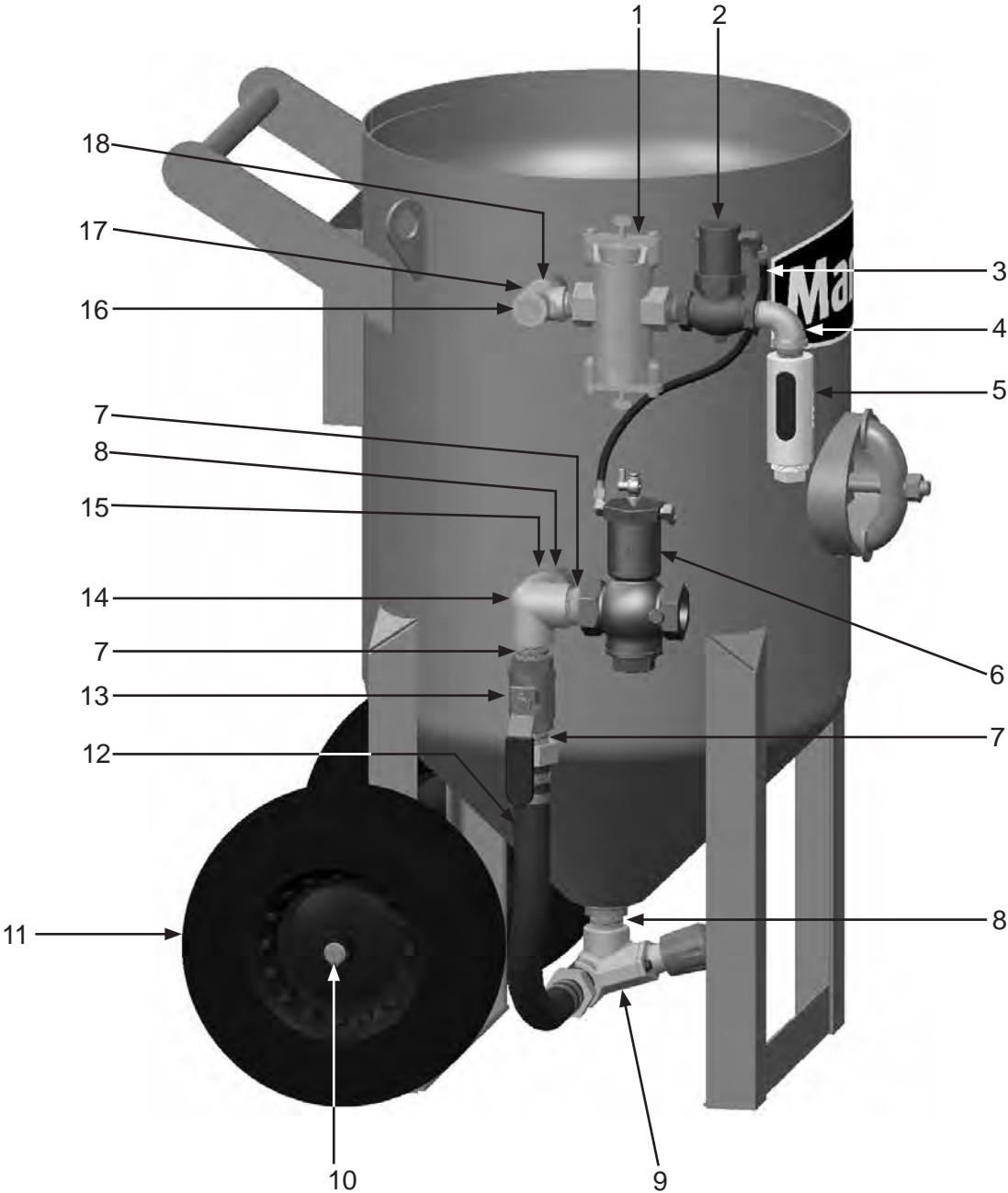
PART NUMBERS & SCHEMATICS

Blastmaster® 6.5 Cu. Ft. M-Series Abrasive Blasting Pot – Pneumatic – 1-1/2"

Item #	Part #	Description
Fig. 4		
1	1012000	1" Abrasive Trap - Complete
2	1012050	1" Outlet Valve - Complete
3	10CL18	18" Single Control Line
4	1011801	1" NPT Street Elbow
5	1011100	Abrasive Blasting Pot Muffler (See Fig. 8)
6	1012200	1-1/2" Inlet Valve – Complete
7	1014015	1-1/2" NPT Close Nipple
8	1011201	1-1/4" NPT Close Nipple
9	1014102	Blastmaster® 1-1/2" Bantam Abrasive Metering Valve – Complete
10	1006205	Wheel Clip (Four Required)
11	1006064	16" Wheel (Two Required)
12	1006312	1-1/2" I.D. Pusher Line Assembly (See Fig. 7)
13	1011603	1-1/2" NPT Full Port Brass Ball Valve
14	1011804	1-1/2" 90° Elbow with Side-out
15	1011501	1-1/4" x 1-1/2" NPT Bushing
16	1011901	1" NPT Square Head Pipe Plug
17	1011816	1" NPT Pipe Tee
18	1012151	1" Galvanized Close Nipple
—	105M058	Features and Specifications Guide – Blastmaster® 6.5 Cu. Ft. M-Series Abrasive Blasting Pot
—	105M014	Features and Specifications Guide – Blastmaster® 125P Remote Control System
—	105M022	Features and Specifications Guide – Blastmaster® Bantam Abrasive Metering Valve
—	105M023	Features and Specifications Guide – Blastmaster® 150P Remote Control Switch
—	106M058	Part Numbers & Schematics Guide – Blastmaster® 6.5 Cu. Ft. M-Series Abrasive Blasting Pot
—	106M014	Part Numbers & Schematics Guide – Blastmaster® 125P Remote Control System
—	106M022	Part Numbers & Schematics Guide – Blastmaster® Bantam Abrasive Metering Valve
—	106M023	Part Numbers & Schematics Guide – Blastmaster® 150P Remote Control Switch
—	1090058	Operator's Manual – Blastmaster® 6.5 Cu. Ft. M-Series Abrasive Blasting Pot
—	1090014	Operator's Manual – Blastmaster® 125P Remote Control System
—	1090022	Operator's Manual – Blastmaster® Bantam Abrasive Metering Valve
—	1090053	Operator's Manual – Blastmaster® 150P Remote Control Switch

PART NUMBERS & SCHEMATICS

Figure 4: Blastmaster® 6.5 Cu. Ft. M-Series Abrasive Blasting Pot – Pneumatic – 1-1/2"



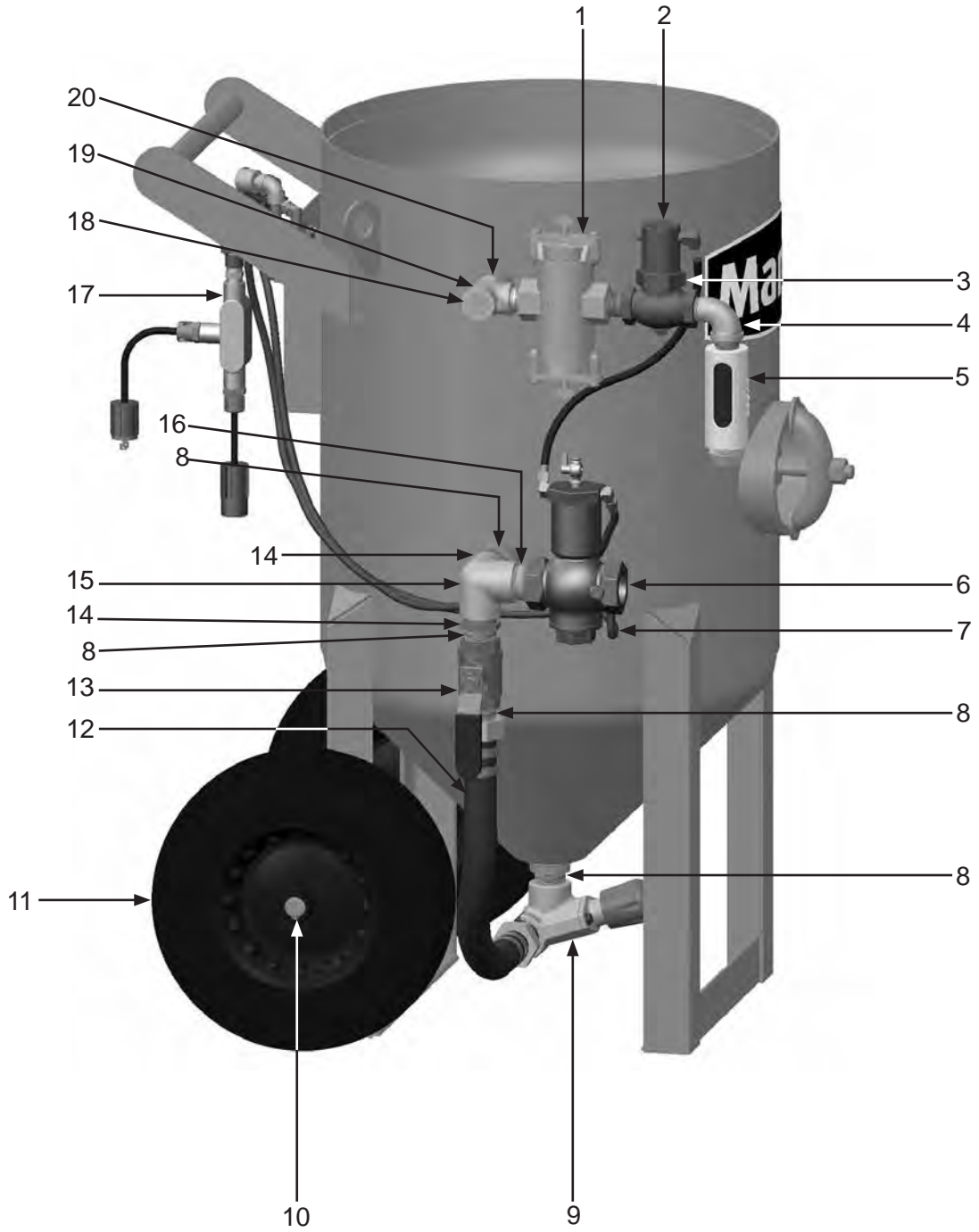
PART NUMBERS & SCHEMATICS

Blastmaster® 6.5 Cu. Ft. M-Series Abrasive Blasting Pot – Electric – 1-1/4"

Item #	Part #	Description
Fig. 5		
1	1012000	1" Abrasive Trap - Complete
2	1012050	1" Outlet Valve - Complete
3	10CL18	18" Single Control Line
4	1011801	1" NPT Street Elbow
5	1011100	Abrasive Blasting Pot Muffler (See Fig. 8)
6	1012200	1-1/2" Inlet Valve – Complete
7	10TL5	5' Pneumatic Twinline
8	1011201	1-1/4" Galvanized Close Nipple
9	1014101	Blastmaster® 1-1/4" Bantam Abrasive Metering Valve – Complete
10	1006205	Wheel Clip (Four Required)
11	1006064	16" Wheel (Two Required)
12	1006311	1-1/4" I.D. Pusher Line Assembly (See Fig. 7)
13	1011602	1-1/4" NPT Full Port Brass Ball Valve
14	1011501	1-1/4" x 1-1/2" NPT Bushing
15	1011804	1-1/2" 90° Elbow with Side-out
16	1014015	1-1/2" NPT Close Nipple
17	1019001	12-Volt DC 190 Electric Control Assembly (See Literature 106M088)
—	1019002	12-Volt AC 190 Electric Control Assembly (See Literature 106M088)
18	1011901	1" Galvanized Square Head Pipe Plug
19	1011816	1" Galvanized Pipe Tee
20	1011843	1" x 2-1/2" NPT Close Nipple
—	105M058	Features and Specifications Guide – Blastmaster® 6.5 Cu. Ft. M-Series Abrasive Blasting Pot
—	105M088	Features and Specifications Guide – Blastmaster® 125E Remote Control System
—	105M022	Features and Specifications Guide – Blastmaster® Bantam Abrasive Metering Valve
—	105M063	Features and Specifications Guide – Blastmaster® 151E Remote Control Switch
—	106M058	Part Numbers & Schematics Guide – Blastmaster® 6.5 Cu. Ft. M-Series Abrasive Blasting Pot
—	106M088	Part Numbers & Schematics Guide – Blastmaster® 125E Remote Control System
—	106M022	Part Numbers & Schematics Guide – Blastmaster® Bantam Abrasive Metering Valve
—	106M063	Part Numbers & Schematics Guide – Blastmaster® 151E Remote Control Switch
—	1090058	Operator's Manual – Blastmaster® 6.5 Cu. Ft. M-Series Abrasive Blasting Pot
—	1090088	Operator's Manual – Blastmaster® 125E Remote Control System
—	1090022	Operator's Manual – Blastmaster® Bantam Abrasive Metering Valve
—	1090063	Operator's Manual – Blastmaster® 151E Remote Control Switch

PART NUMBERS & SCHEMATICS

Figure 5: Blastmaster® 6.5 Cu. Ft. M-Series Abrasive Blasting Pot – Electric – 1-1/4"



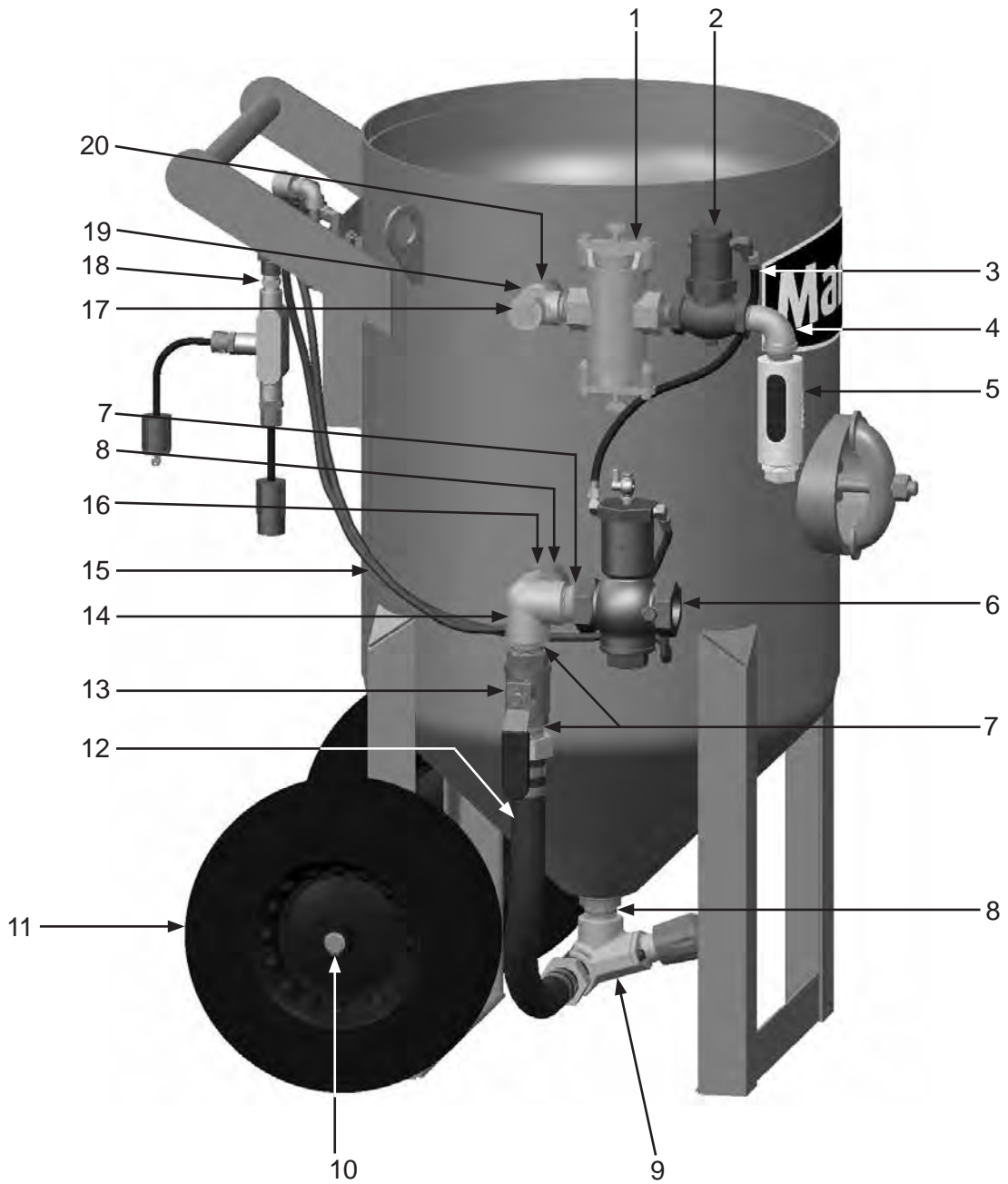
PART NUMBERS & SCHEMATICS

Blastmaster® 6.5 Cu. Ft. M-Series Abrasive Blasting Pot – Electric – 1-1/2"

Item #	Part #	Description
Fig. 6		
1	1012000	1" Abrasive Trap - Complete
2	1012050	1" Outlet Valve - Complete
3	10CL18	18" Single Control Line
4	1011801	1" NPT Street Elbow
5	1011100	Abrasive Blasting Pot Muffler (See Fig. 8)
6	1012200	1-1/2" Inlet Valve – Complete
7	1014015	1-1/2" NPT Close Nipple
8	1011201	1-1/4" NPT Close Nipple
9	1014102	Blastmaster® 1-1/2" Bantam Abrasive Metering Valve – Complete
10	1006205	Wheel Clip (Four Required)
11	1006064	16" Wheel (Two Required)
12	1006312	1-1/2" I.D. Pusher Line Assembly (See Fig. 7)
13	1011603	1-1/2" NPT Full Port Brass Ball Valve
14	1011804	1-1/2" 90° Elbow with Side-out
15	10TL5	5' Pneumatic Twinline
16	1011501	1-1/4" x 1-1/2" NPT Bushing
17	1011901	1" NPT Square Head Pipe Plug
18	1019001	12-Volt DC 190 Electric Control Assembly (See Literature 106M088)
—	1019002	12-Volt AC 190 Electric Control Assembly (See Literature 106M088)
19	1011816	1" NPT Pipe Tee
20	1012151	1" Galvanized Close Nipple
—	105M058	Features and Specifications Guide – Blastmaster® 6.5 Cu. Ft. M-Series Abrasive Blasting Pot
—	105M088	Features and Specifications Guide – Blastmaster® 125E Remote Control System
—	105M022	Features and Specifications Guide – Blastmaster® Bantam Abrasive Metering Valve
—	105M063	Features and Specifications Guide – Blastmaster® 151E Remote Control Switch
—	106M058	Part Numbers & Schematics Guide – Blastmaster® 6.5 Cu. Ft. M-Series Abrasive Blasting Pot
—	106M088	Part Numbers & Schematics Guide – Blastmaster® 125E Remote Control System
—	106M022	Part Numbers & Schematics Guide – Blastmaster® Bantam Abrasive Metering Valve
—	106M063	Part Numbers & Schematics Guide – Blastmaster® 151E Remote Control Switch
—	1090058	Operator's Manual – Blastmaster® 6.5 Cu. Ft. M-Series Abrasive Blasting Pot
—	1090088	Operator's Manual – Blastmaster® 125E Remote Control System
—	1090022	Operator's Manual – Blastmaster® Bantam Abrasive Metering Valve
—	1090063	Operator's Manual – Blastmaster® 151E Remote Control Switch

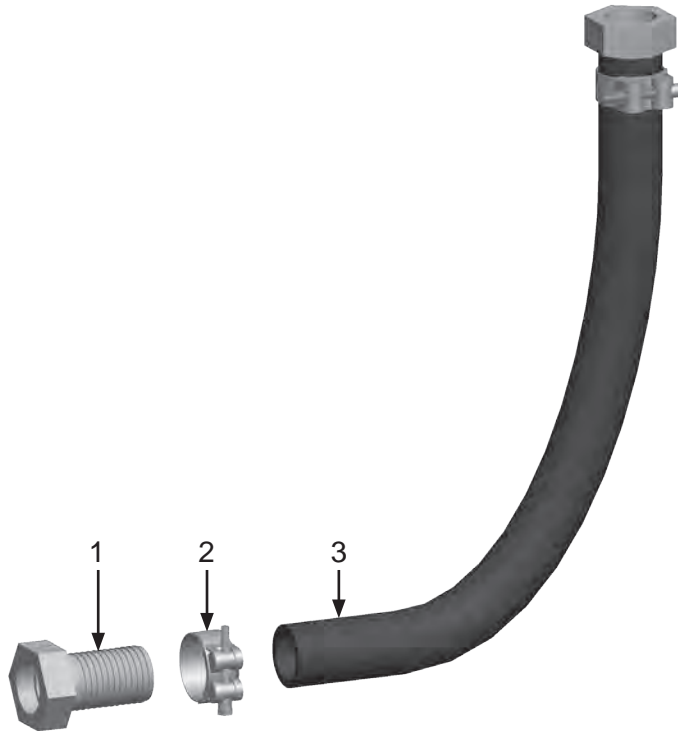
PART NUMBERS & SCHEMATICS

Figure 6: Blastmaster® 6.5 Cu. Ft. M-Series Abrasive Blasting Pot – Electric – 1-1/2"



PART NUMBERS & SCHEMATICS

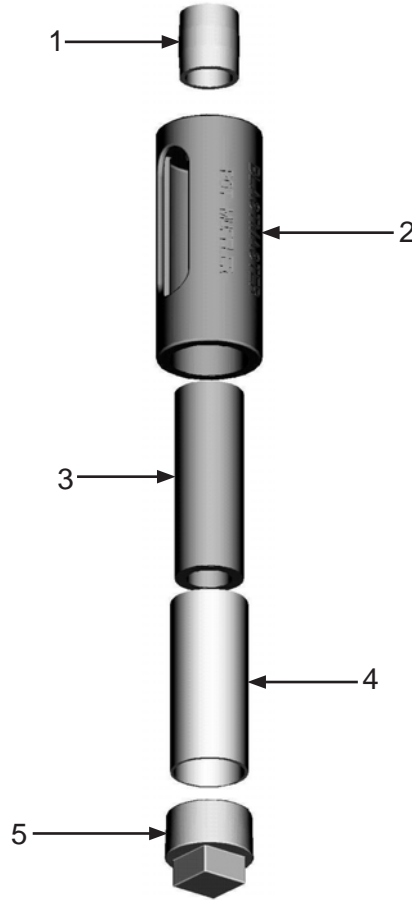
Figure 7: Pusher Line Assembly



Item #	Part #	Description
Fig. 7		
—	1006311	1-1/4" I.D. Pusher Line Assembly <i>Includes Item #: 1, 2, and 3 (Quantity of Three Feet)</i>
—	1006312	1-1/2" I.D. Pusher Line Assembly <i>Includes Item #: 1, 2, and 3 (Quantity of Three Feet)</i>
1	10SFE3 10SFE4	1-1/4" Female Swivel Air Hose End <i>(Two Required)</i> 1-1/2" Female Swivel Air Hose End <i>(Two Required)</i>
2	10103737 10103738	1-1/4" T-Bolt Hose Clamp <i>(Two Required)</i> 1-1/2" T-Bolt Hose Clamp <i>(Two Required)</i>
3	10AH114B 10AH112B	1-1/4" I.D. Air Hose 1-1/2" I.D. Air Hose
—	10SFE3G	Gasket for 10SFE3 Swivel Air Hose End <i>(Not Shown)</i>
—	10SFE4G	Gasket for 10SFE4 Swivel Air Hose End <i>(Not Shown)</i>
—	1090059	Technical Data Sheet – Pusher Line Assemblies

PART NUMBERS & SCHEMATICS

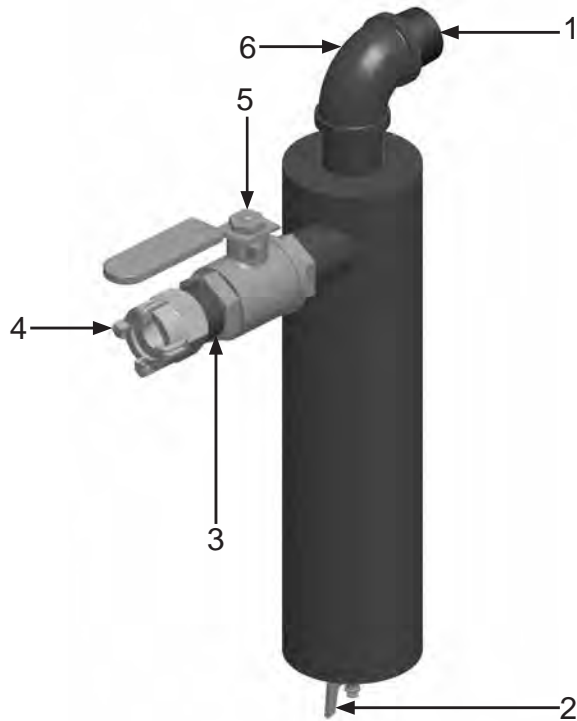
Figure 8: Blastmaster® Abrasive Blasting Pot Muffler



Item #	Part #	Description
Fig. 8		
—	1011100	Blastmaster® Abrasive Blasting Pot Muffler – Complete
1	1012151	1" Close Nipple
2	1011102	Body
3	1011103	Filter Element
4	1011104	Screen
5	1011101	1-1/2" Pipe Plug
—	1011105	Blastmaster® Abrasive Blasting Pot Muffler Service Kit <i>Includes Item #'s: 3 (Quantity of Three), 4, and 5</i>
—	105M347	Features and Specifications Guide – Blastmaster® Abrasive Blasting Pot Mufflers
—	106M347	Part Numbers And Schematics Guide – Blastmaster® Abrasive Blasting Pot Mufflers

OPTIONAL ACCESSORIES

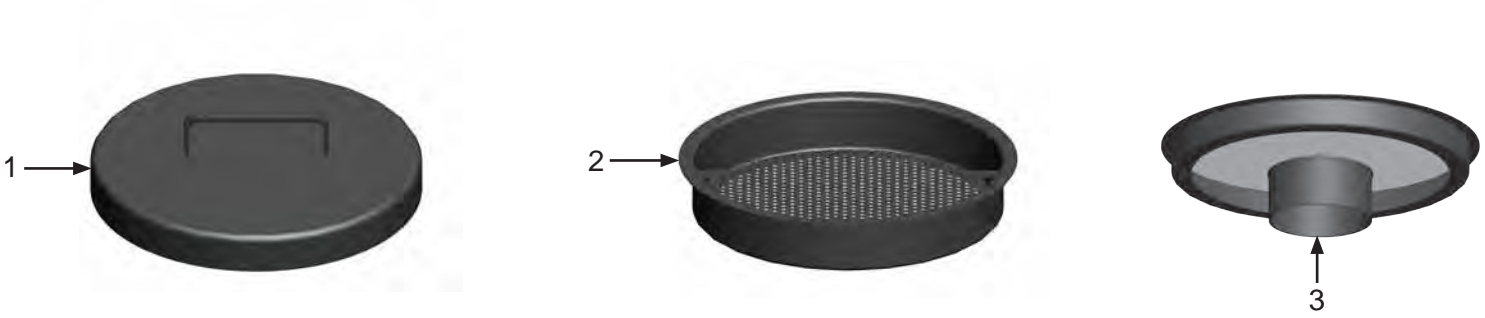
Figure 9: 1-1/2" Extractor Abrasive Blasting Pot Moisture Separator



Item #	Part #	Description
Fig. 9		
—	10101313	1-1/2" Extractor Abrasive Blasting Pot Moisture Separator
1	1014015	1-1/2" NPT Close Nipple
2	1012101	1/4" NPT Brass Petcock
3	1014015	1-1/2" NPT Close Nipple
4	10ME4	1-1/2" (F) 4-Lug Air Hose Coupling
5	1011603	1-1/2" NPT Full Port Brass Ball Valve
6	1011842	1-1/2" 90° Galvanized Elbow
—	105M349	Features and Specifications Guide – Extractor Moisture Separators
—	106M349	Part Numbers and Schematics Guide – Extractor Moisture Separators

OPTIONAL ACCESSORIES

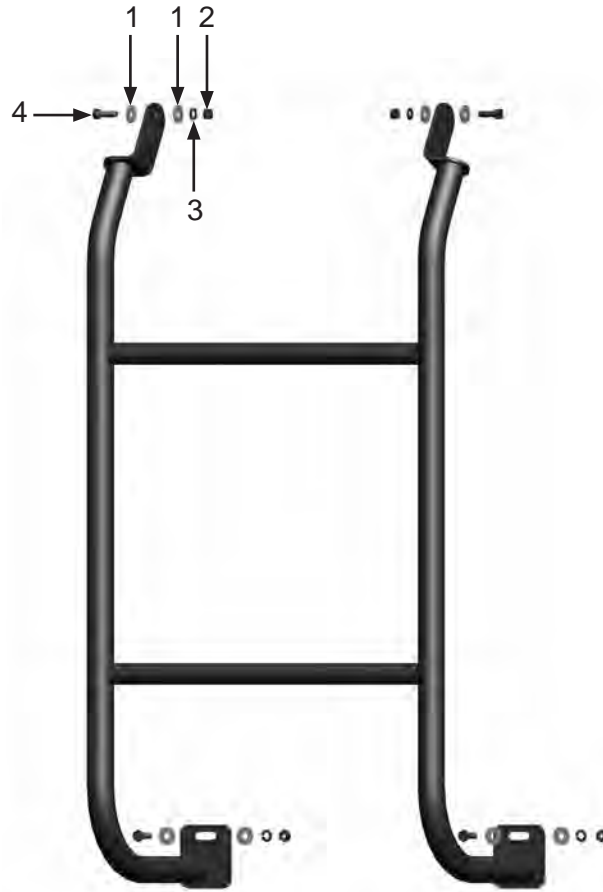
Figure 10: Lid and Screen



Item #	Part #	Description
1	1006101	24" Lid
2	1006102	24" Screen
3	10100733	Abrasive Umbrella (<i>Screen Not Included</i>)

OPTIONAL ACCESSORIES

Figure 11: Loading Skid



Item #	Part #	Description
Fig. 11		
—	1065040	Load Skid for 6.0 Cu. Ft. Pots – Complete
1	10L805003	5/16" Zinc Flat Washer
2	1035046	5/16-18 Nut
3	10L805014	5/16" Lock Washer
4	1035045	5/16-18 x 1" Bolt

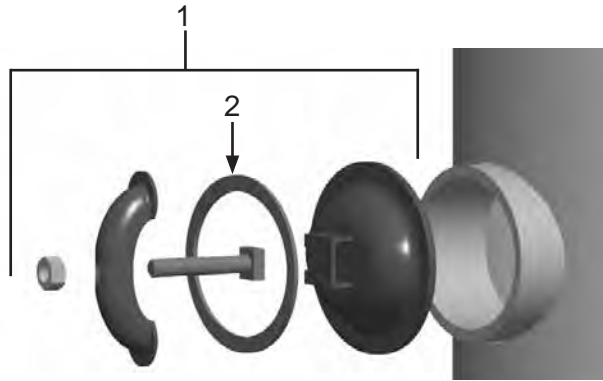
PART NUMBERS

BLASTMASTER® 6.5 CU. FT. S-SERIES ABRASIVE BLASTING POT

Part Numbers	Power Source	Blastmaster® Remote Control System	Blastmaster® Remote Control Switch	Blastmaster® Bantam Abrasive Metering Valve	1-1/4" Extractor Abrasive Blasting Pot Moisture Separator	Loading Skid
1065002	Pneumatic	123P	152P	1-1/4"		
1065002PKA	Pneumatic	123P	152P	1-1/4"	X	
1065002PKALS	Pneumatic	123P	152P	1-1/4"	X	X
1065002LS	Pneumatic	123P	152P	1-1/4"		X
1065003	Pneumatic	123P	152P	1-1/2"		
1065003PKA	Pneumatic	123P	152P	1-1/2"	X	
1065003PKALS	Pneumatic	123P	152P	1-1/2"	X	X
1065003LS	Pneumatic	123P	152P	1-1/2"		X
1065005	12-Volt DC	123E	156E	1-1/4"		
1065005PKA	12-Volt DC	123E	156E	1-1/4"	X	
1065005PKALS	12-Volt DC	123E	156E	1-1/4"	X	X
1065005LS	12-Volt DC	123E	156E	1-1/4"		X
1065006	12-Volt DC	123E	156E	1-1/2"		
1065006PKA	12-Volt DC	123E	156E	1-1/2"	X	
1065006PKALS	12-Volt DC	123E	156E	1-1/2"	X	X
1065006LS	12-Volt DC	123E	156E	1-1/2"		X
1065008	120-Volt AC	123E	156E	1-1/4"		
1065008PKA	120-Volt AC	123E	156E	1-1/4"	X	
1065008PKALS	120-Volt AC	123E	156E	1-1/4"	X	X
1065008LS	120-Volt AC	123E	156E	1-1/4"		X
1065009	120-Volt AC	123E	156E	1-1/2"		
1065009PKA	120-Volt AC	123E	156E	1-1/2"	X	
1065009PKALS	120-Volt AC	123E	156E	1-1/2"	X	X
1065009LS	120-Volt AC	123E	156E	1-1/2"		X

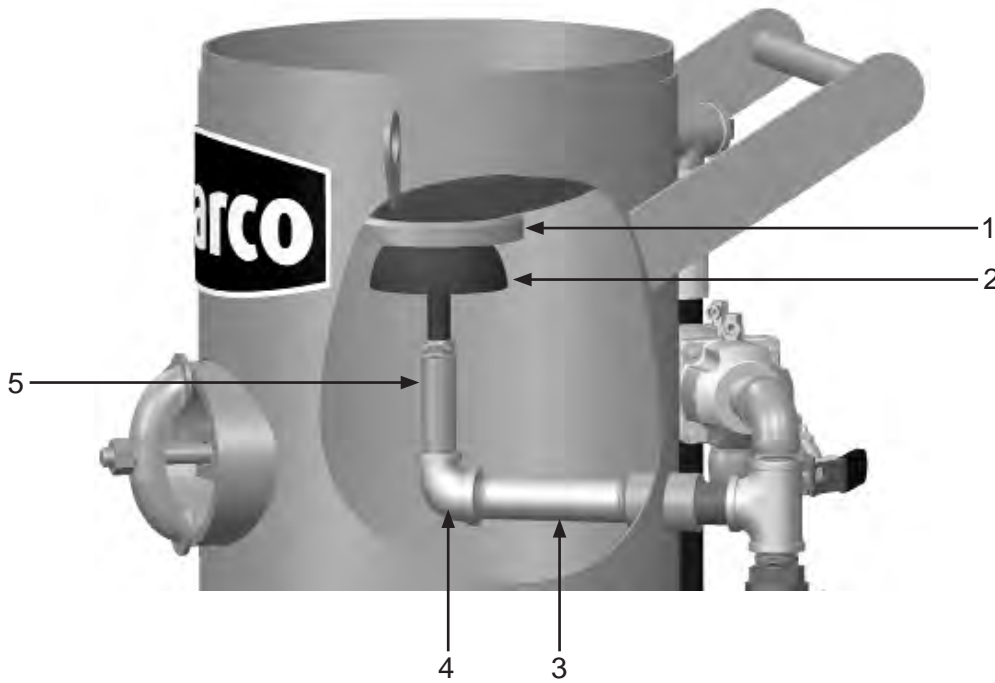
PART NUMBERS & SCHEMATICS

Figure 1: Inspection Door Assembly



Item #	Part #	Description
Fig. 1		
1	1006200	6" x 8" Inspection Door Assembly
2	1006201	Gasket

Figure 2: Pop-up Valve Assembly



Item #	Part #	Description
Fig. 2		
1	1006040	Pop Up Valve Seat
2	1006030	Pop Up Valve
3	1011200	1-1/4" x 7" NPT Pipe Nipple
4	1006210	1-1/4" x 1" Reducing Pipe Elbow
5	1011815	1" x 5" NPT Pipe Nipple

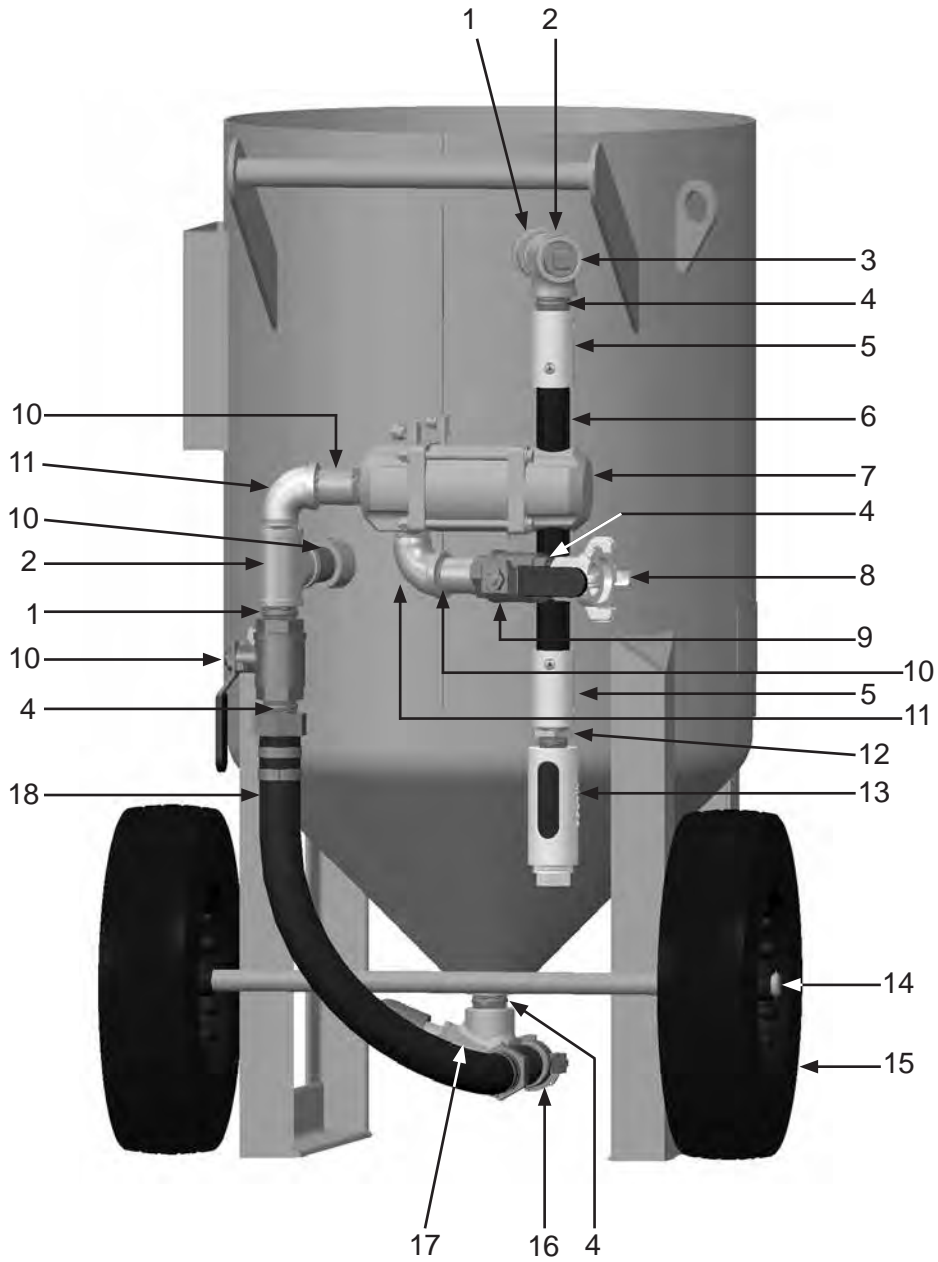
PART NUMBERS & SCHEMATICS

Blastmaster® 6.5 Cu. Ft. S-Series Abrasive Blasting Pot – Pneumatic – 1-1/4"

Item #	Part #	Description
Fig. 3		
1	1011204	1-1/4" x 3" Galvanized Close Nipple
2	1011803	1-1/4" Pipe Tee <i>(Two Required)</i>
3	1011902	1-1/4" Galvanized Square Head Pipe Plug
4	1011201	1-1/4" Galvanized Close Nipple
5	10NHA1	3/4" Aluminum Nozzle Holder <i>(Two Required)</i>
6	10BH0342BR	Blastmaster® 3/4" I.D. Heavy-Duty Abrasive Blasting Hose <i>(Per Foot)</i>
7	1012300	Blastmaster® Tandem Valve – Complete <i>(See Literature 106M007)</i>
8	10ME3	1-1/4" NPT (F) Air Hose Fitting
9	1011602	1-1/4" NPT Full Port Brass Ball Valve <i>(Two Required)</i>
10	1011204	1-1/4" x 3" Galvanized Nipple
11	1011802	1-1/4" Galvanized Street Elbow
12	1012157	1-1/4" x 1" Bushing
13	1011100	Blastmaster® Exhaust Muffler <i>(See Fig. 9)</i>
14	1006205	Wheel Clip for 16" Wheels <i>(Two Required)</i>
15	1006064	16" Wheel <i>(Two Required)</i>
16	10SB2	1-1/2" NPT Brass Tank Coupling
17	1014101	Blastmaster® 1-1/4" Bantam Abrasive Metering Valve
18	—	1-1/4" Pusher Line Assembly <i>(See Fig. 7)</i>
—	1012350	Blowdown Hose Assembly <i>Includes Item #'s: 5 (Quantity of One), and 6 (Quantity of Two Feet)</i>
—	105M054	Features and Specifications Guide – Blastmaster® 6.5 Cu. Ft. S-Series Abrasive Blasting Pot
—	105M007	Features and Specifications Guide – Blastmaster® 123P Remote Control System
—	105M022	Features and Specifications Guide – Blastmaster® Bantam Abrasive Metering Valve
—	105M068	Features and Specifications Guide – Blastmaster® 152P Remote Control Switch
—	106M054	Part Numbers & Schematics Guide – Blastmaster® 6.5 Cu. Ft. S-Series Abrasive Blasting Pot
—	106M007	Part Numbers & Schematics Guide – Blastmaster® 123P Remote Control System
—	106M022	Part Numbers & Schematics Guide – Blastmaster® Bantam Abrasive Metering Valve
—	106M068	Part Numbers & Schematics Guide – Blastmaster® 152P Remote Control Switch
—	1090054	Operator's Manual – Blastmaster® 6.5 Cu. Ft. S-Series Abrasive Blasting Pot
—	1090007	Operator's Manual – Blastmaster® 123P Remote Control System
—	1090022	Operator's Manual – Blastmaster® Bantam Abrasive Metering Valve
—	1090068	Operator's Manual – Blastmaster® 152P Remote Control Switch

PART NUMBERS & SCHEMATICS

Figure 3: Blastmaster® 6.5 Cu. Ft. S-Series Abrasive Blasting Pot – Pneumatic – 1-1/4"



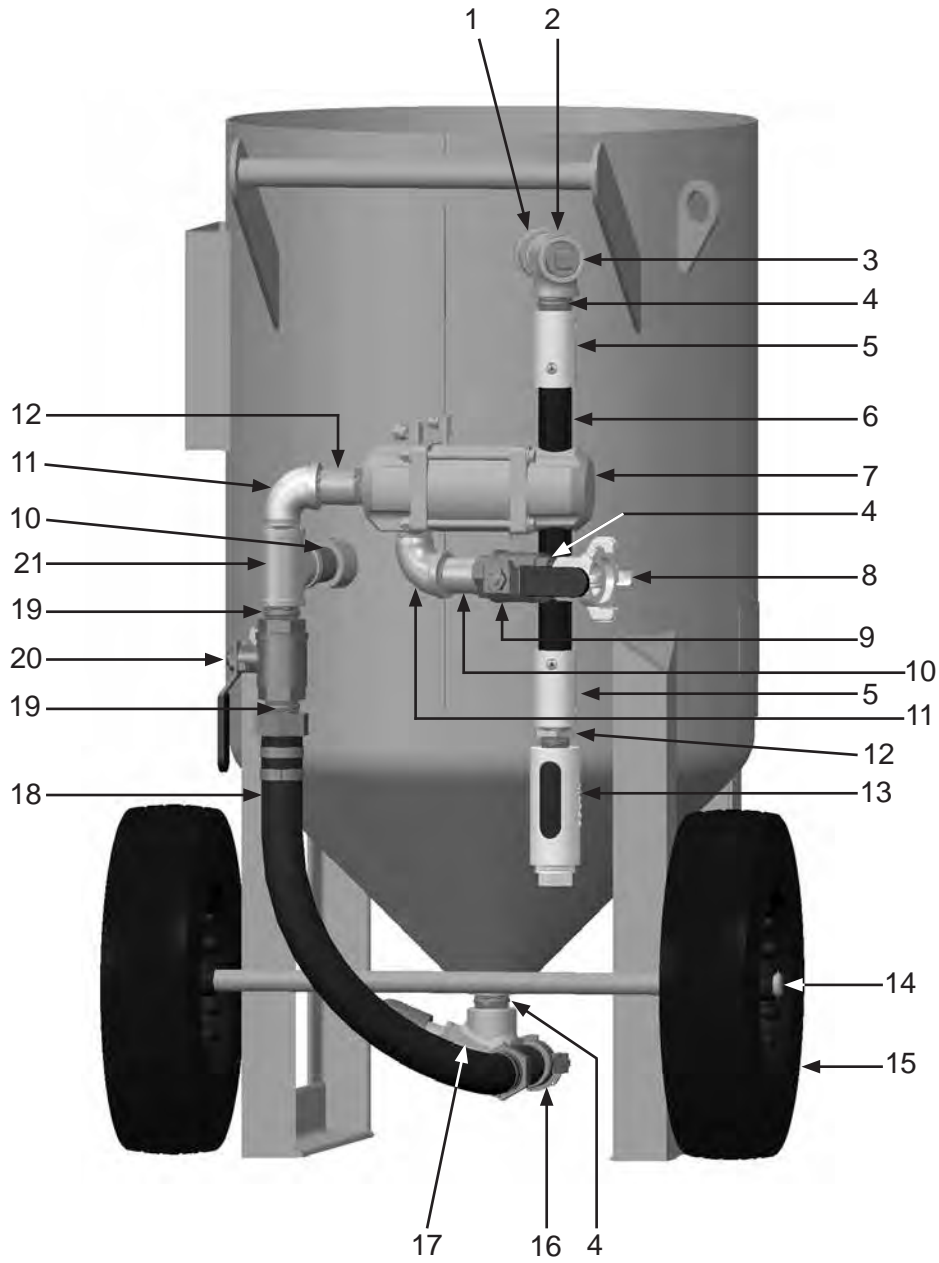
PART NUMBERS & SCHEMATICS

Blastmaster® 6.5 Cu. Ft. S-Series Abrasive Blasting Pot – Pneumatic – 1-1/2"

Item #	Part #	Description
Fig. 4		
1	1011204	1-1/4" x 3" Galvanized Close Nipple
2	1011803	1-1/4" Pipe Tee
3	1011902	1-1/4" Galvanized Square Head Pipe Plug
4	1011201	1-1/4" Galvanized Close Nipple
5	10NHA1	3/4" Aluminum Nozzle Holder <i>(Two Required)</i>
6	10BH0342BR	Blastmaster® 3/4" I.D. Heavy-Duty Abrasive Blasting Hose <i>(Per Foot)</i>
7	1012300	Blastmaster® Tandem Valve – Complete <i>(See Literature 106M007)</i>
8	10ME3	1-1/4" NPT (F) Air Hose Fitting
9	1011602	1-1/4" NPT Full Port Brass Ball Valve <i>(Two Required)</i>
10	1011204	1-1/4" x 3" Galvanized Nipple
11	1011802	1-1/4" Galvanized Street Elbow
12	1012157	1-1/4" x 1" Bushing
13	1011100	Blastmaster® Exhaust Muffler <i>(See Fig. 9)</i>
14	1006205	Wheel Clip for 16" Wheels <i>(Two Required)</i>
15	1006064	16" Wheel <i>(Two Required)</i>
16	10SB2	1-1/2" NPT Brass Tank Coupling
17	1014102	Blastmaster® 1-1/2" Bantam Abrasive Metering Valve
18	—	1-1/2" Pusher Line Assembly <i>(See Fig. 7)</i>
19	1014015	1-1/2" Galvanized Close Nipple
20	1011603	1-1/2" NPT Full Port Brass Ball Valve
21	1011834	1-1/2" x 1-1/4" x 1-1/4" Galvanized Pipe Tee
—	1012350	Blowdown Hose Assembly <i>Includes Item #'s: 5 (Quantity of One), and 6 (Quantity of Two Feet)</i>
—	105M054	Features and Specifications Guide – Blastmaster® 6.5 Cu. Ft. S-Series Abrasive Blasting Pot
—	105M007	Features and Specifications Guide – Blastmaster® 123P Remote Control System
—	105M022	Features and Specifications Guide – Blastmaster® Bantam Abrasive Metering Valve
—	105M068	Features and Specifications Guide – Blastmaster® 152P Remote Control Switch
—	106M054	Part Numbers & Schematics Guide – Blastmaster® 6.5 Cu. Ft. S-Series Abrasive Blasting Pot
—	106M007	Part Numbers & Schematics Guide – Blastmaster® 123P Remote Control System
—	106M022	Part Numbers & Schematics Guide – Blastmaster® Bantam Abrasive Metering Valve
—	106M068	Part Numbers & Schematics Guide – Blastmaster® 152P Remote Control Switch
—	1090054	Operator's Manual – Blastmaster® 6.5 Cu. Ft. S-Series Abrasive Blasting Pot
—	1090007	Operator's Manual – Blastmaster® 123P Remote Control System
—	1090022	Operator's Manual – Blastmaster® Bantam Abrasive Metering Valve
—	1090068	Operator's Manual – Blastmaster® 152P Remote Control Switch

PART NUMBERS & SCHEMATICS

Figure 4: Blastmaster® 6.5 Cu. Ft. S-Series Abrasive Blasting Pot – Pneumatic – 1-1/2"



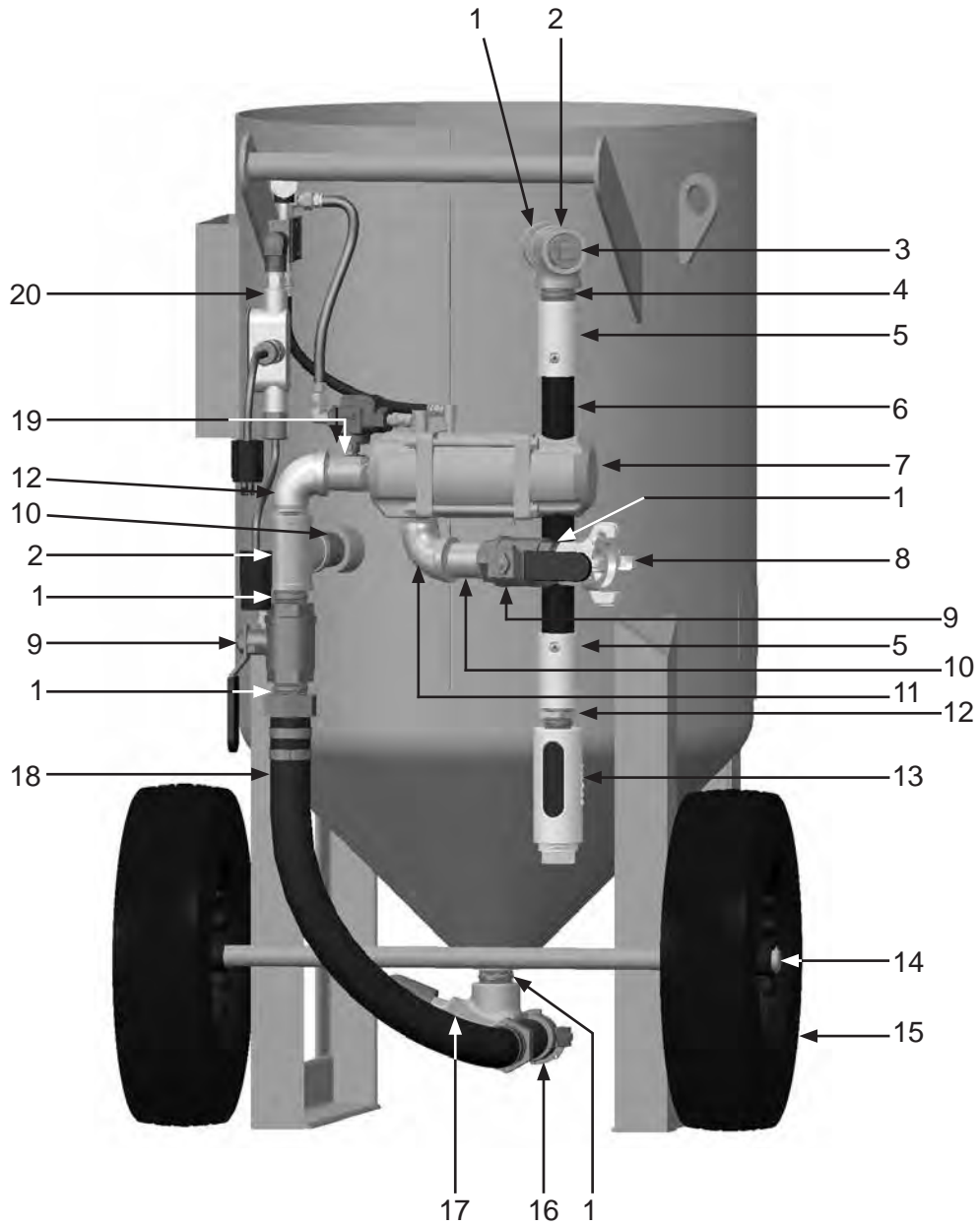
PART NUMBERS & SCHEMATICS

Blastmaster® 6.5 Cu. Ft. S-Series Abrasive Blasting Pot – Electric – 1-1/4"

Item #	Part #	Description
Fig. 5		
1	1011204	1-1/4" x 3" Galvanized Close Nipple
2	1011803	1-1/4" Pipe Tee (<i>Two Required</i>)
3	1011902	1-1/4" Galvanized Square Head Pipe Plug
4	1011201	1-1/4" Galvanized Close Nipple
5	10NHA1	3/4" Aluminum Nozzle Holder (<i>Two Required</i>)
6	10BH0342BR	Blastmaster® 3/4" I.D. Heavy-Duty Abrasive Blasting Hose (<i>Per Foot</i>)
7	1012300	Blastmaster® Tandem Valve – Complete (<i>See Literature 106M007</i>)
8	10ME3	1-1/4" NPT (F) Air Hose Fitting
9	1011602	1-1/4" NPT Full Port Brass Ball Valve (<i>Two Required</i>)
10	1011204	1-1/4" x 3" Galvanized Nipple
11	1011802	1-1/4" Galvanized Street Elbow
12	1012157	1-1/4" x 1" Bushing
13	1011100	Blastmaster® Exhaust Muffler (<i>See Fig. 9</i>)
14	1006205	Wheel Clip for 16" Wheels (<i>Two Required</i>)
15	1006064	16" Wheel (<i>Two Required</i>)
16	10SB2	1-1/2" NPT Brass Tank Coupling
17	1014101	Blastmaster® 1-1/4" Bantam Abrasive Metering Valve
18	—	1-1/4" Pusher Line Assembly (<i>See Fig. 7</i>)
19	1011216	1-1/4" x 3-1/2" Nipple
20	1019051	12-Volt DC 190 Electric Control Assembly (<i>See Literature 106M088</i>)
—	1019052	12-Volt AC 190 Electric Control Assembly (<i>See Literature 106M088</i>)
—	1012350	Blowdown Hose Assembly <i>Includes Item #'s: 5 (Quantity of One), and 6 (Quantity of Two Feet)</i>
—	105M054	Features and Specifications Guide – Blastmaster® 6.5 Cu. Ft. S-Series Abrasive Blasting Pot
—	105M428	Features and Specifications Guide – Blastmaster® 123E Remote Control System
—	105M022	Features and Specifications Guide – Blastmaster® Bantam Abrasive Metering Valve
—	105M001	Features and Specifications Guide – Blastmaster® 156E Remote Control Switch
—	106M054	Part Numbers & Schematics Guide – Blastmaster® 6.5 Cu. Ft. S-Series Abrasive Blasting Pot
—	106M089	Part Numbers & Schematics Guide – Blastmaster® 123E Remote Control System
—	106M022	Part Numbers & Schematics Guide – Blastmaster® Bantam Abrasive Metering Valve
—	106M001	Part Numbers & Schematics Guide – Blastmaster® 156E Remote Control Switch
—	1090054	Operator's Manual – Blastmaster® 6.5 Cu. Ft. S-Series Abrasive Blasting Pot
—	1090089	Operator's Manual – Blastmaster® 123E Remote Control System
—	1090022	Operator's Manual – Blastmaster® Bantam Abrasive Metering Valve
—	1090001	Operator's Manual – Blastmaster® 156E Remote Control Switch

PART NUMBERS & SCHEMATICS

Figure 5: Blastmaster® 6.5 Cu. Ft. S-Series Abrasive Blasting Pot – Electric – 1-1/4"



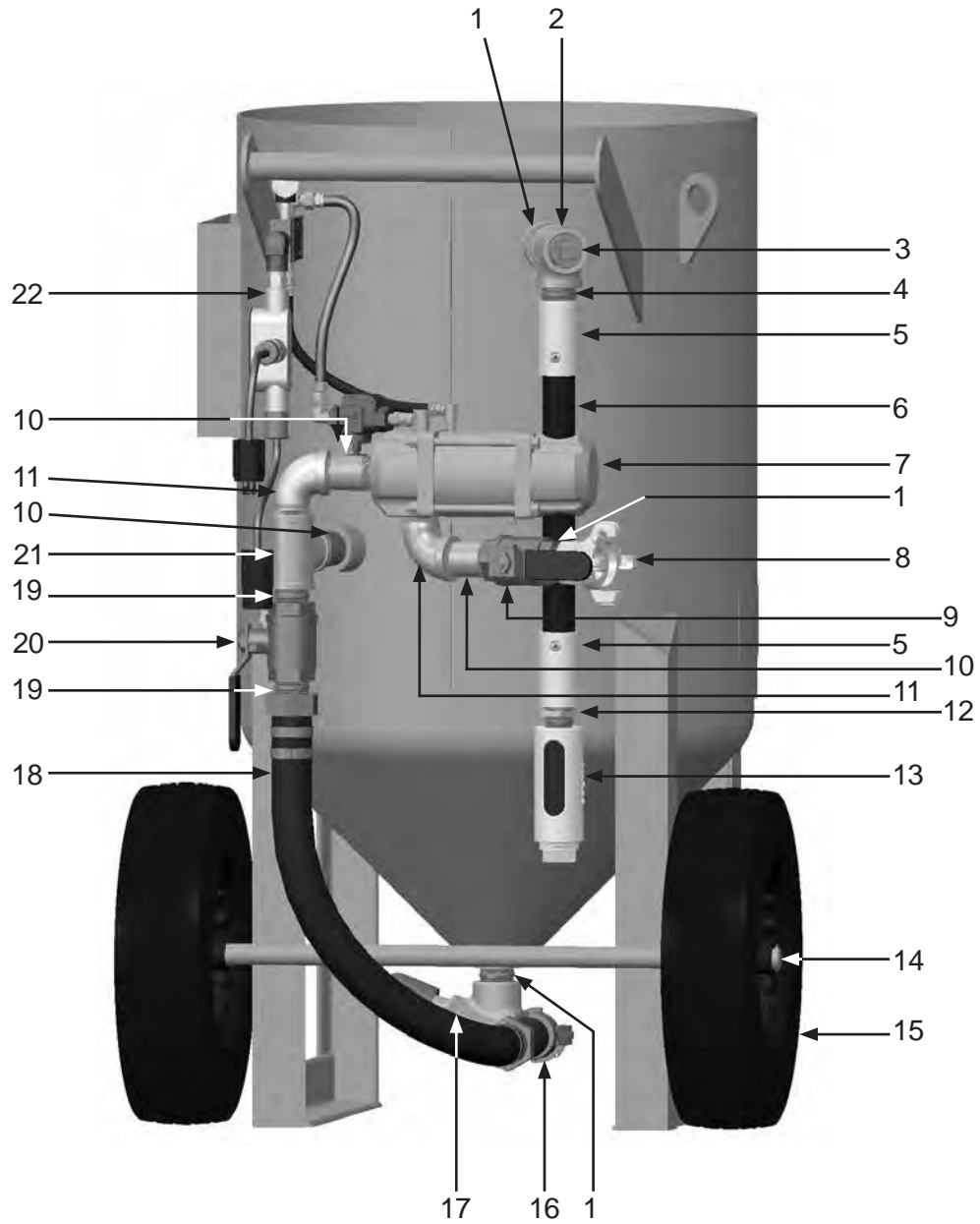
PART NUMBERS & SCHEMATICS

Blastmaster® 6.5 Cu. Ft. S-Series Abrasive Blasting Pot – Electric – 1-1/2"

Item #	Part #	Description
Fig. 6		
1	1011204	1-1/4" x 3" Galvanized Close Nipple
2	1011803	1-1/4" Pipe Tee
3	1011902	1-1/4" Galvanized Square Head Pipe Plug
4	1011201	1-1/4" Galvanized Close Nipple
5	10NHA1	3/4" Aluminum Nozzle Holder <i>(Two Required)</i>
6	10BH0342BR	Blastmaster® 3/4" I.D. Heavy-Duty Abrasive Blasting Hose <i>(Per Foot)</i>
7	1012300	Blastmaster® Tandem Valve – Complete <i>(See Literature 106M007)</i>
8	10ME3	1-1/4" NPT (F) Air Hose Fitting
9	1011602	1-1/4" NPT Full Port Brass Ball Valve <i>(Two Required)</i>
10	1011204	1-1/4" x 3" Galvanized Nipple
11	1011802	1-1/4" Galvanized Street Elbow
12	1012157	1-1/4" x 1" Bushing
13	1011100	Blastmaster® Exhaust Muffler <i>(See Fig. 8)</i>
14	1006205	Wheel Clip for 16" Wheels <i>(Two Required)</i>
15	1006064	16" Wheel <i>(Two Required)</i>
16	10SB2	1-1/2" NPT Brass Tank Coupling
17	1014102	Blastmaster® 1-1/2" Bantam Abrasive Metering Valve
18	—	1-1/2" Pusher Line Assembly <i>(See Fig. 7)</i>
19	1014015	1-1/2" Galvanized Close Nipple
20	1011603	1-1/2" NPT Full Port Brass Ball Valve
21	1011834	1-1/2" x 1-1/4" x 1-1/4" Galvanized Pipe Tee
22	1019051	12-Volt DC 190 Electric Control Assembly <i>(See Literature 106M088)</i>
—	1019052	12-Volt AC 190 Electric Control Assembly <i>(See Literature 106M088)</i>
—	1012350	Blowdown Hose Assembly <i>Includes Item #'s: 5 (Quantity of One), and 6 (Quantity of Two Feet)</i>
—	105M054	Features and Specifications Guide – Blastmaster® 6.5 Cu. Ft. S-Series Abrasive Blasting Pot
—	105M428	Features and Specifications Guide – Blastmaster® 123E Remote Control System
—	105M022	Features and Specifications Guide – Blastmaster® Bantam Abrasive Metering Valve
—	105M001	Features and Specifications Guide – Blastmaster® 156E Remote Control Switch
—	106M054	Part Numbers & Schematics Guide – Blastmaster® 6.5 Cu. Ft. S-Series Abrasive Blasting Pot
—	106M089	Part Numbers & Schematics Guide – Blastmaster® 123E Remote Control System
—	106M022	Part Numbers & Schematics Guide – Blastmaster® Bantam Abrasive Metering Valve
—	106M001	Part Numbers & Schematics Guide – Blastmaster® 156E Remote Control Switch
—	1090054	Operator's Manual – Blastmaster® 6.5 Cu. Ft. S-Series Abrasive Blasting Pot
—	1090089	Operator's Manual – Blastmaster® 123E Remote Control System
—	1090022	Operator's Manual – Blastmaster® Bantam Abrasive Metering Valve
—	1090001	Operator's Manual – Blastmaster® 156E Remote Control Switch

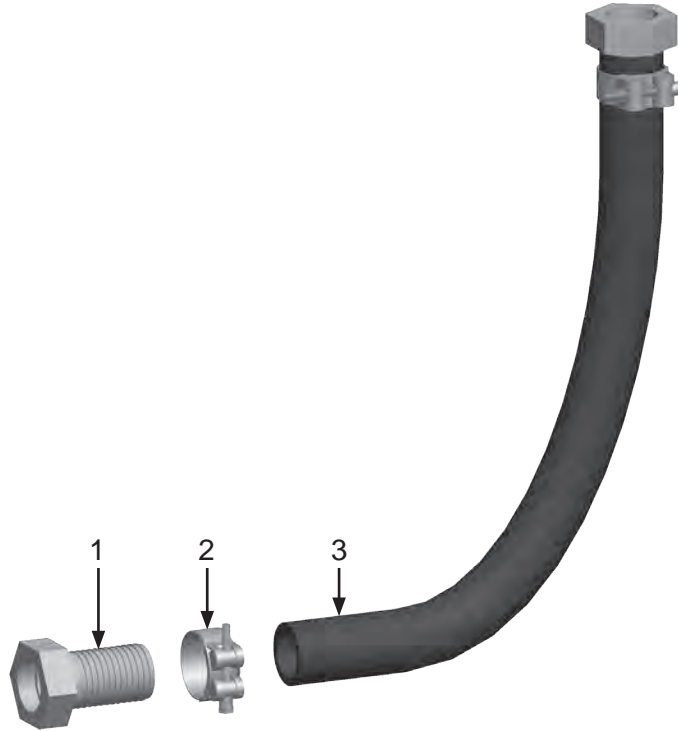
PART NUMBERS & SCHEMATICS

Figure 6: Blastmaster® 6.5 Cu. Ft. S-Series Abrasive Blasting Pot – Electric – 1-1/2"



PART NUMBERS & SCHEMATICS

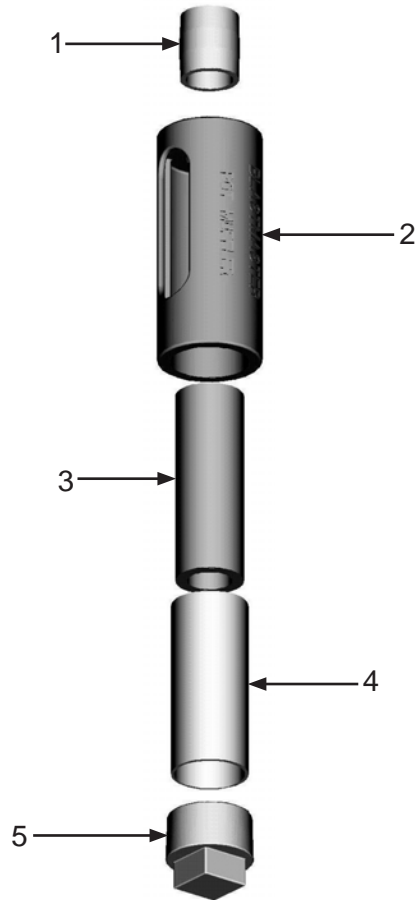
Figure 7: Pusher Line Assembly



Item #	Part #	Description
Fig. 7		
—	1006311	1-1/4" I.D. Pusher Line Assembly <i>Includes Item #: 1, 2, and 3 (Quantity of Three Feet)</i>
—	1006312	1-1/2" I.D. Pusher Line Assembly <i>Includes Item #: 1, 2, and 3 (Quantity of Three Feet)</i>
1	10SFE3 10SFE4	1-1/4" Female Swivel Air Hose End <i>(Two Required)</i> 1-1/2" Female Swivel Air Hose End <i>(Two Required)</i>
2	10103737 10103738	1-1/4" T-Bolt Hose Clamp <i>(Two Required)</i> 1-1/2" T-Bolt Hose Clamp <i>(Two Required)</i>
3	10AH114B 10AH112B	1-1/4" I.D. Air Hose 1-1/2" I.D. Air Hose
—	10SFE3G	Gasket for 10SFE3 Swivel Air Hose End <i>(Not Shown)</i>
—	10SFE4G	Gasket for 10SFE4 Swivel Air Hose End <i>(Not Shown)</i>
—	1090059	Technical Data Sheet – Pusher Line Assemblies

PART NUMBERS & SCHEMATICS

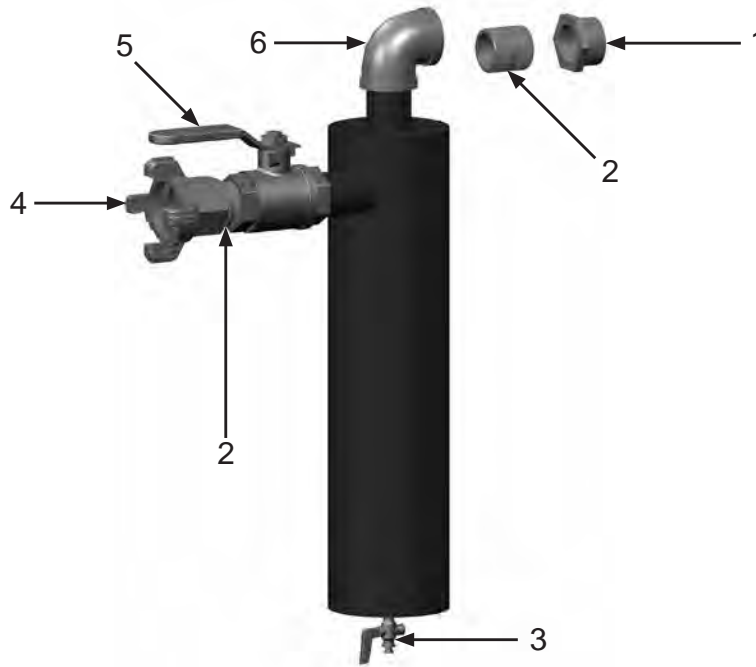
Figure 8: Blastmaster® Abrasive Blasting Pot Muffler



Item #	Part #	Description
Fig. 8		
—	1011100	Blastmaster® Abrasive Blasting Pot Muffler – Complete
1	1012151	1" Close Nipple
2	1011102	Body
3	1011103	Filter Element
4	1011104	Screen
5	1011101	1-1/2" Pipe Plug
—	1011105	Blastmaster® Abrasive Blasting Pot Muffler Service Kit <i>Includes Item #'s: 3 (Quantity of Three), 4, and 5</i>
—	105M347	Features and Specifications Guide – Blastmaster® Abrasive Blasting Pot Mufflers
—	106M347	Part Numbers And Schematics Guide – Blastmaster® Abrasive Blasting Pot Mufflers

PART NUMBERS & SCHEMATICS

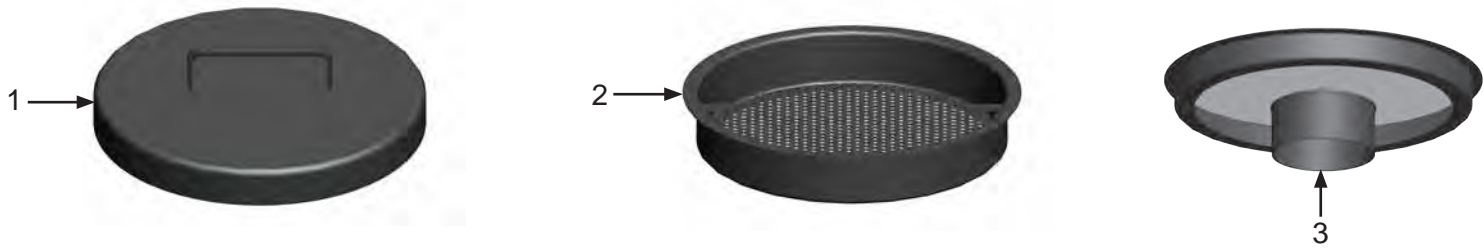
Figure 9: Blastmaster® 1-1/4" Extractor Moisture Separator



Item #	Part #	Description
Fig. 9		
—	1011740	Blastmaster® 1-1/4" Extractor Moisture Separator
1	1011501	1-1/2" x 1-1/4" Bushing
2	1011201	1-1/4" NPT Close Nipple (<i>Two Required</i>)
3	1012101	1/4" NPT Brass Petcock
4	10ME3	4-Lug Air Hose Fitting – 1-1/4" NPT (F)
5	1011602	1-1/4" NPT Full Port Brass Ball Valve
6	1006204	1-1/4" NPT 90° Elbow
—	105M039	Features and Specifications Guide – Blastmaster® Extractor Moisture Separators
—	106M349	Part Numbers and Schematics Guide – Blastmaster® Extractor Moisture Separators

OPTIONAL ACCESSORIES

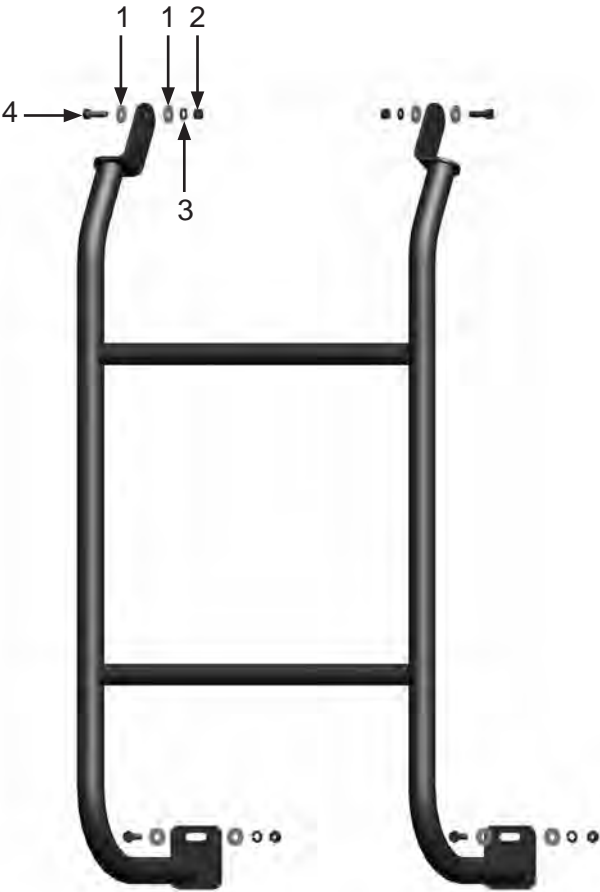
Figure 10: Lid and Screen



Item #	Part #	Description
1	1006101	24" Lid
2	1006102	24" Screen
3	10100732	Abrasive Umbrella (Screen Not Included)

OPTIONAL ACCESSORIES

Figure 11: Loading Skid



Item #	Part #	Description
Fig. 11		
—	1065040	Loading Skid – Complete
1	10L805003	5/16" Zinc Flat Washer
2	1035046	5/16-18 Nut
3	10L805014	5/16" Lock Washer
4	1035045	5/16-18 x 1" Bolt

PART NUMBERS & SCHEMATICS GUIDE

BLASTMASTER® 6.5 CU. FT. E-SERIES ABRASIVE BLASTING POT

Part Numbers	Power Source	Automatic Easy-Flow Metering Valve	Manual Easy-Flow Metering Valve	Blastmaster® Remote Control System	Blastmaster® Remote Control Switch	Blastmaster® Extractor Moisture Separator
10105281PKA	Pneumatic	X		130P	152P	X
10105278PKA	Pneumatic		X	125P	150P	X
10105282PKA	12-Volt DC	X		130E	151E	X
10105279PKA	12-Volt DC		X	125E	151E	X
10105325PKA	120-Volt AC	X		130E	151E	X
10105280PKA	120-Volt AC		X	125E	151E	X

PART NUMBERS & SCHEMATICS GUIDE



(10105278PKA)



(10105279PKA)
(10105280PKA)



(10105281PKA)



(10105282PKA)
(10105325PKA)

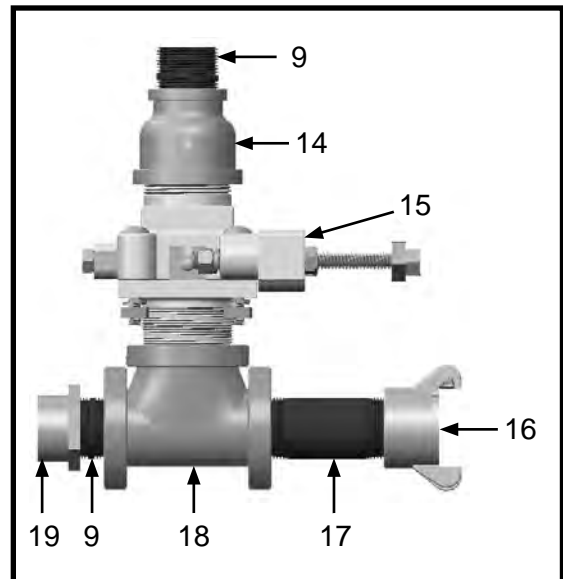
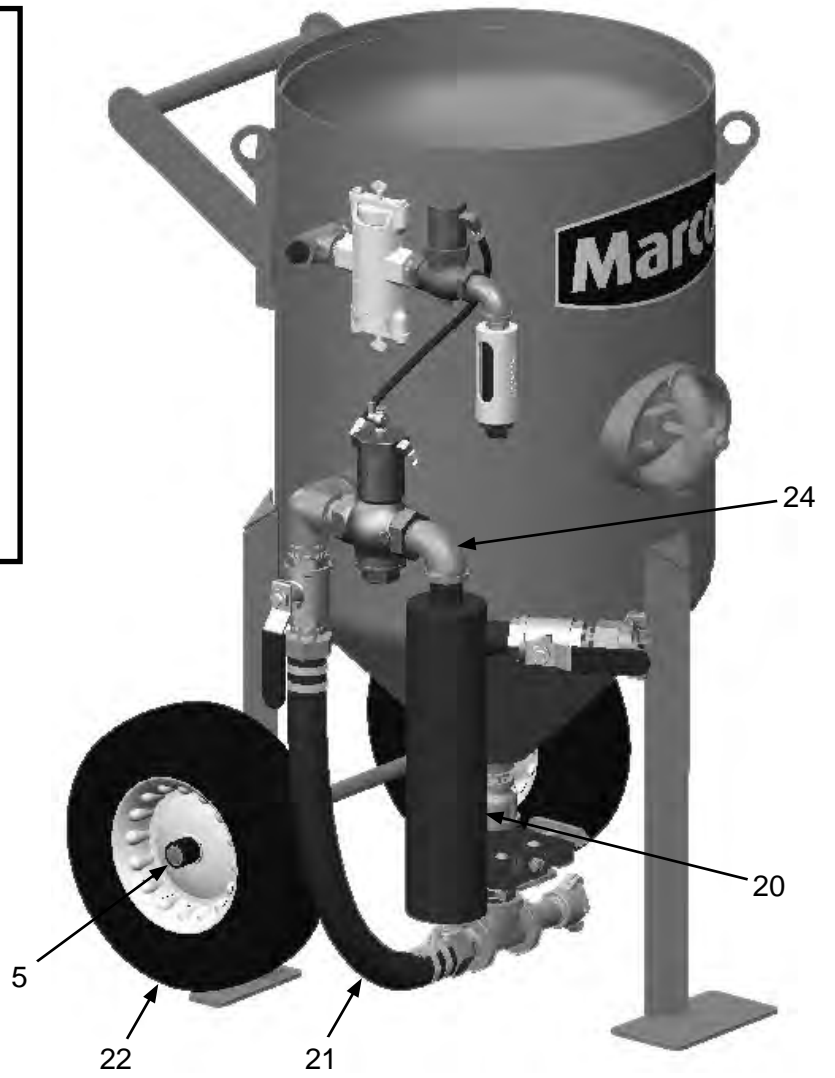
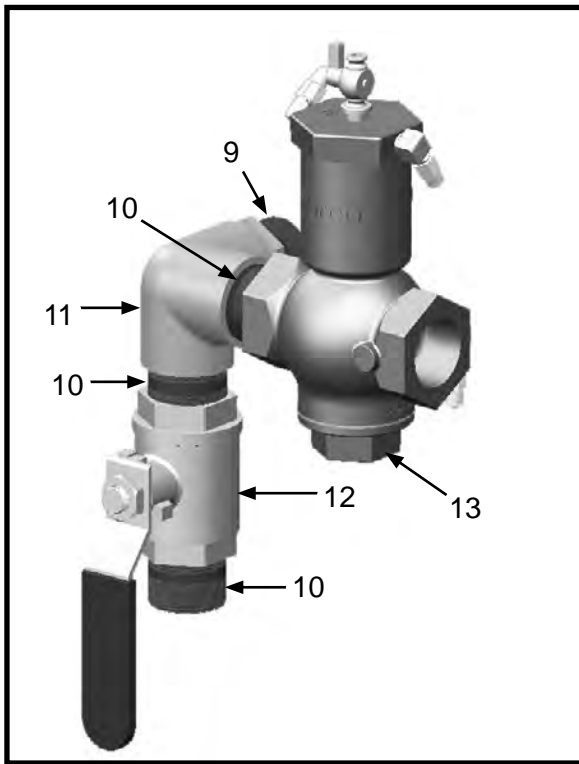
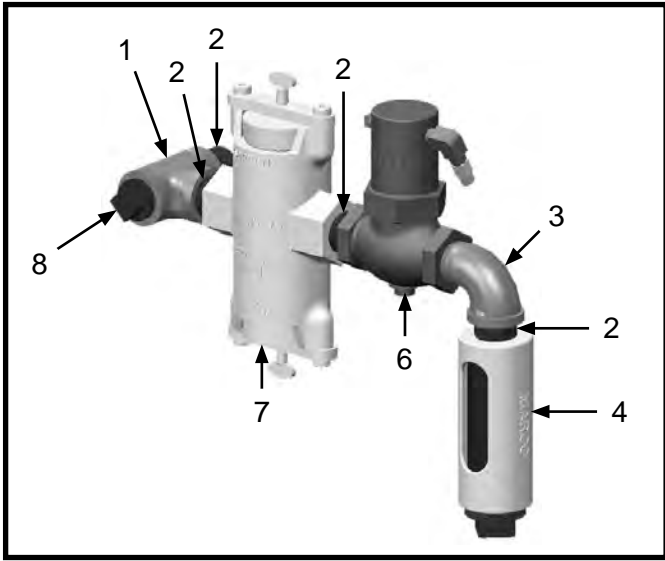
PART NUMBERS & SCHEMATICS GUIDE

6.5 Cu. Ft. E-Series Abrasive Blasting Pot – Blastmaster® 125P Remote Control System – Manual Easy-Flow Metering Valve

Item#	Part#	Description	Item#	Part#	Description
Fig. 1			—	105M023	Features and Specifications Guide – Blastmaster® 150P Remote Control Switch
1	1011816	1" Pipe Tee – Galvanized	—	106M128	Part Numbers and Schematics Guide – Blastmaster® 6.5 Cu. Ft. E-Series Abrasive Blasting Pot
2	1012151	1" Galvanized Close Nipple (<i>Four Required</i>)	—	106M014	Part Numbers and Schematics Guide – Blastmaster® 125P Pneumatic Remote Control System
3	1011801	1" Street Elbow	—	106M023	Part Numbers and Schematics Guide – Blastmaster® 150P Remote Control Switch
4	1011100	Muffler Assembly Complete	—	106M542	Part Numbers and Schematics Guide - Manual Easy-Flow Metering Valve
5	1011839	1-1/2" 90° Street Elbow	—	1090128	Operator's Manual – Blastmaster® 6.5 Cu. Ft. E-Series Abrasive Blasting Pot
6	1012050	1" Outlet Valve	—	1090014	Operator's Manual – Blastmaster® 125P Pneumatic Remote Control System
7	1012000	Abrasive Trap Complete	—	1090023	Operator's Manual – Blastmaster® 150P Remote Control Switch
8	1011901	1" Square Pipe Plug			
9	1011201	1-1/4" NPT Close Nipple (<i>Three Required</i>)			
10	1014015	1-1/2" Close Nipple (<i>Three Required</i>)			
11	1011804	1 1/2" 90° Elbow With Side Out			
12	1011603	1-1/2" Full Port Ball Valve			
13	1012200	1-1/2" Inlet Valve			
14	10105196	2" x 1-1/4" Bell Reducer			
15	10105103	Manual Easy-Flow Metering Valve			
16	10ME4	4-Lug Air Hose Fitting – 1-1/2" NPT (F)			
17	1011207	1-1/4" x 4" Pipe Nipple			
18	1070390	Tee – 1-1/4" x 1-1/4" x 2"			
19	1011501	1-1/2" (M) x 1-1/4" (F) Bushing (<i>Two Required</i>)			
20	—	Blastmaster® 1-1/2" Extractor Moisture Separator (<i>See Fig. 9</i>)			
21	—	1-1/2" Pusher Line Assembly (<i>See Fig. 7</i>)			
22	1006064	16" Tire (Two Required)			
23	1006205	Tire Clip (Four Required)			
—	1091020	Warning Plate			
—	1091025	Warning Tag			
—	1091045	Warning Tag			
—	1091045	Warning Tag			
—	105M128	Features and Specifications Guide – Blastmaster® 6.5 Cu. Ft. E-Series Abrasive Blasting Pot			
—	105M014	Features and Specifications Guide – Blastmaster® 125P Pneumatic Remote Control System			

PART NUMBERS & SCHEMATICS GUIDE

Figure 1: 6.5 Cu. Ft. E-Series Abrasive Blasting Pot – Blastmaster® 125P Remote Control System – Manual Easy-Flow Metering Valve



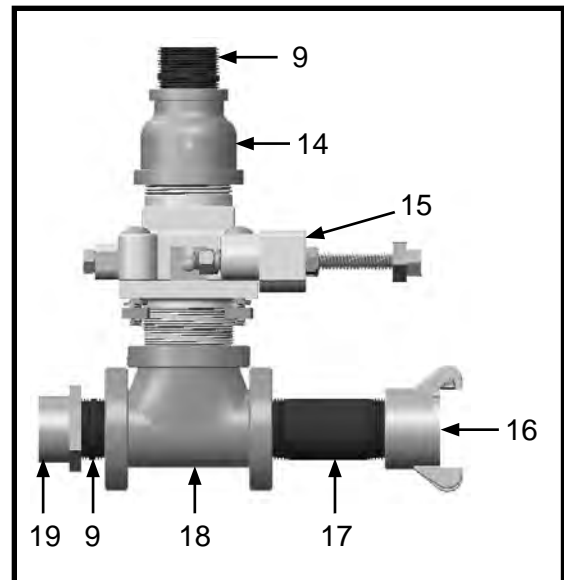
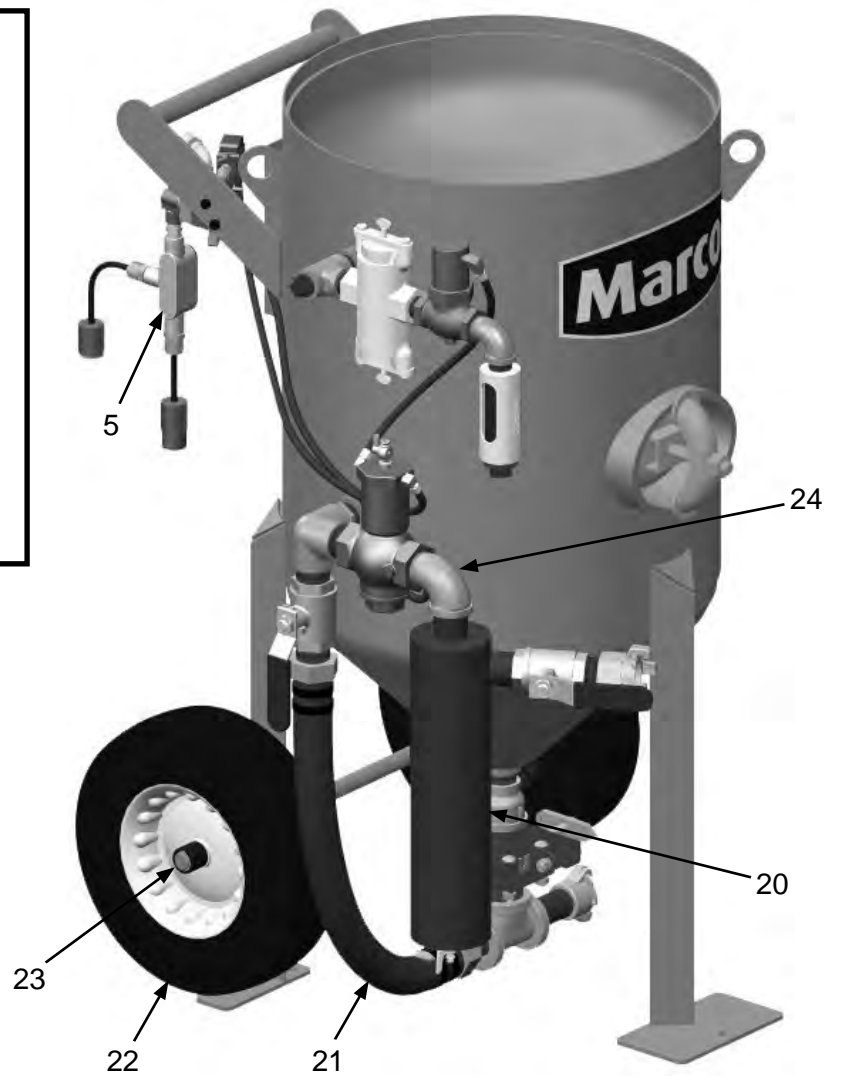
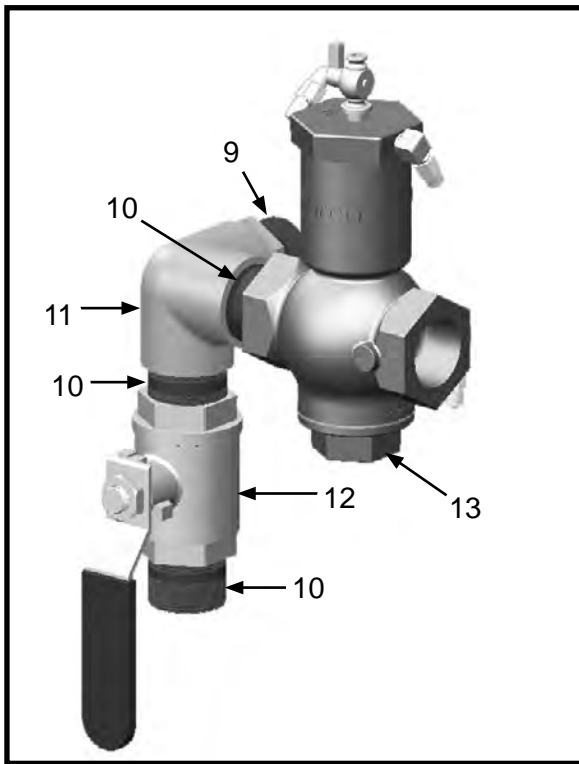
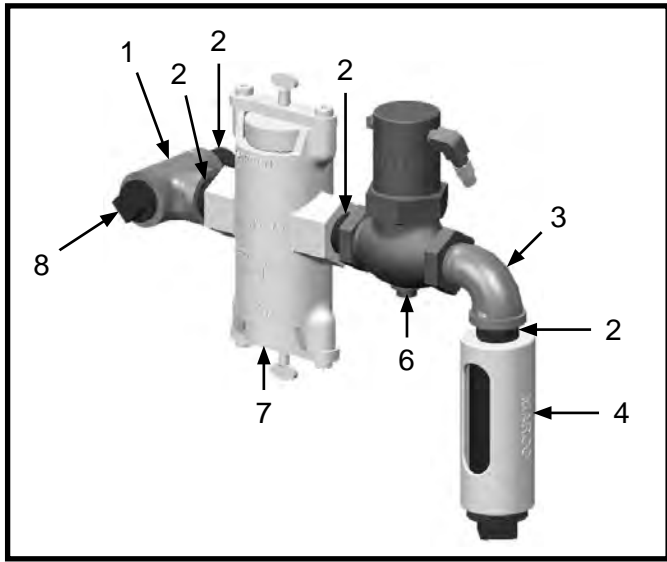
PART NUMBERS & SCHEMATICS GUIDE

6.5 Cu. Ft. E-Series Abrasive Blasting Pot – Blastmaster® 125E Remote Control System – Manual Easy-Flow Metering Valve

Item#	Part#	Description	Item#	Part#	Description
Fig. 2			—	105M088	Features and Specifications Guide – Blastmaster® 125E Pneumatic Remote Control System
1	1011816	1" Pipe Tee - Galvanized	—	105M128	Features and Specifications Guide – Blastmaster® 6.5 Cu. Ft. E-Series Abrasive Blasting Pot
2	1012151	1" Galvanized Close Nipple (<i>Four Required</i>)	—	106M063	Part Numbers and Schematics Guide – Blastmaster® 151E Remote Control Switch
3	1011801	1" Street Elbow	—	106M088	Part Numbers and Schematics Guide – Blastmaster® 125E Pneumatic Remote Control System
4	1011100	Muffler Assembly Complete	—	106M128	Part Numbers and Schematics Guide – Blastmaster® 6.5 Cu. Ft. E-Series Abrasive Blasting Pot
5	1019051	12-Volt DC 190 Electric Control Assembly	—	106M542	Part Numbers and Schematics Guide - Manual Easy-Flow Metering Valve
6	1012050	1" Outlet Valve	—	1090063	Operator's Manual – Blastmaster® 151E Remote Control Switch
7	1012000	Abrasive Trap Complete	—	1090088	Operator's Manual – Blastmaster® 125E Pneumatic Remote Control System
8	1011901	1" Square Pipe Plug	—	1090128	Operator's Manual – Blastmaster® 6.5 Cu. Ft. E-Series Abrasive Blasting Pot
9	1011201	1-1/4" NPT Close Nipple (<i>Three Required</i>)			
10	1014015	1-1/2" Close Nipple (<i>Three Required</i>)			
11	1011804	1 1/2" 90° Elbow With Side Out			
12	1011603	1-1/2" Full Port Ball Valve			
13	1012200	1-1/2" Inlet Valve			
14	10105196	2" x 1-1/4" Bell Reducer			
15	10105103	Manual Easy-Flow Metering Valve			
16	10ME4	4-Lug Air Hose Fitting – 1-1/2" NPT (F)			
17	1011207	1-1/4" x 4" Pipe Nipple			
18	1070390	Tee – 1-1/4" x 1-1/4" x 2"			
19	1011501	1-1/2" (M) x 1-1/4" (F) Bushing (<i>Two Required</i>)			
20	—	Blastmaster® 1-1/2" Extractor Moisture Separator (<i>See Fig. 9</i>)			
21	—	1-1/2" Pusher Line Assembly (<i>See Fig. 7</i>)			
22	1006064	16" Tire (Two Required)			
23	1006205	Tire Clip (Four Required)			
24	1011839	1-1/2" 90° Street Elbow			
—	1091020	Warning Plate			
—	1091025	Warning Tag			
—	1091045	Warning Tag			
—	1091045	Warning Tag			
—	105M063	Features and Specifications Guide – Blastmaster® 151E Remote Control Switch			

PART NUMBERS & SCHEMATICS GUIDE

Figure 2: 6.5 Cu. Ft. E-Series Abrasive Blasting Pot – Blastmaster® 125E Remote Control System – Manual Easy-Flow Metering Valve



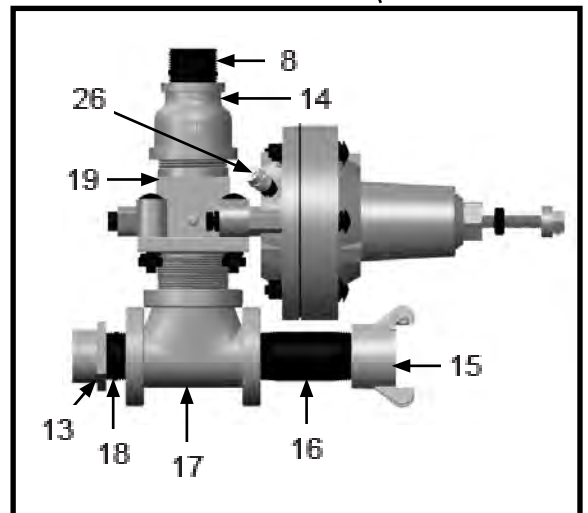
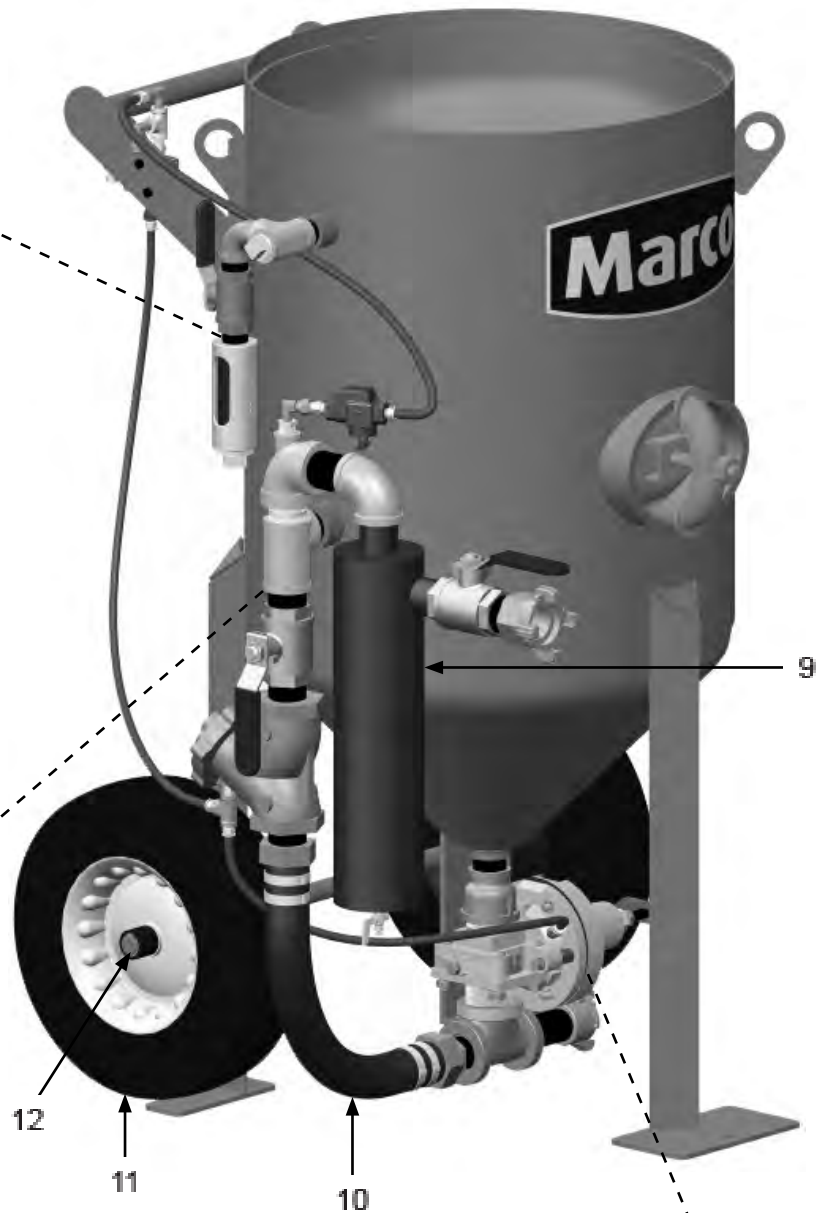
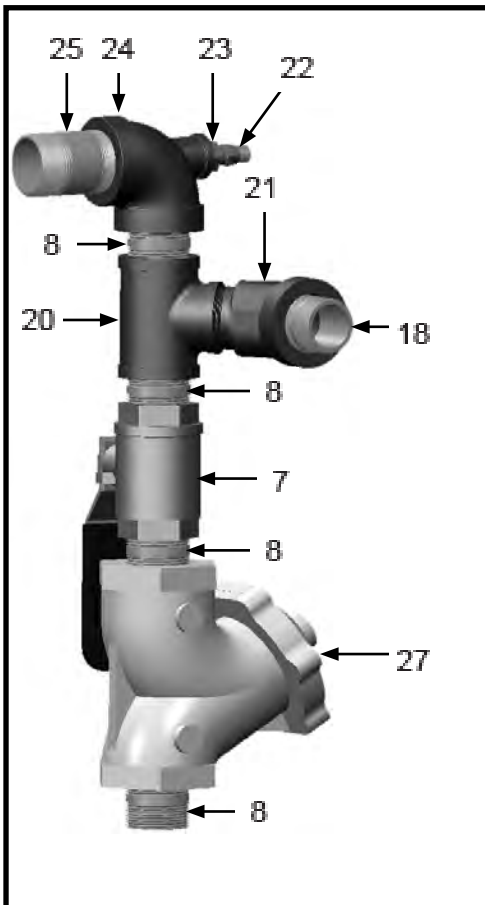
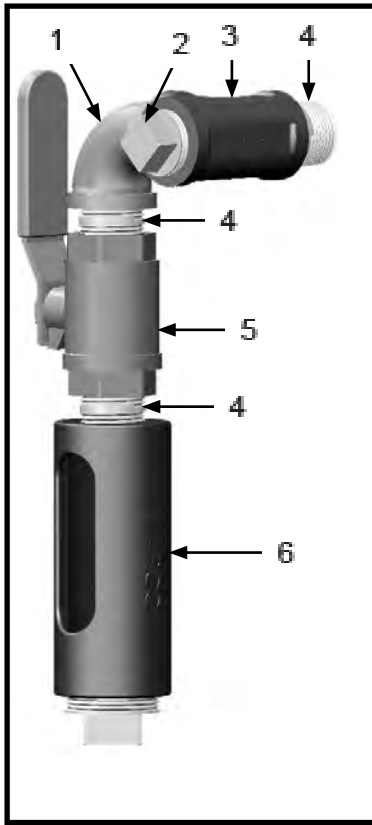
PART NUMBERS & SCHEMATICS GUIDE

6.5 Cu. Ft. E-Series Abrasive Blasting Pot – Blastmaster® 130P Remote Control System – Automatic Easy-Flow Metering Valve

Item#	Part#	Description	Item#	Part#	Description
Fig. 3			—	105M085	Features and Specifications Guide – Blastmaster® 130P Pneumatic Remote Control System
1	1011801	1" Street Elbow	—	105M128	Features and Specifications Guide – Blastmaster® 6.5 Cu. Ft. E-Series Abrasive Blasting Pot
2	1011901	1" Square Head Plug	—	106M068	Part Numbers and Schematics Guide – Blastmaster® 152P Remote Control Switch
3	1011816	1" Pipe Tee - Galvanized	—	106M085	Part Numbers and Schematics Guide – Blastmaster® 130P Pneumatic Remote Control System
4	1012151	1" Close Nipple (<i>Three Required</i>)	—	106M128	Part Numbers and Schematics Guide – Blastmaster® 6.5 Cu. Ft. E-Series Abrasive Blasting Pot
5	1011601	1" Full Port Ball Valve	—	106M541	Part Numbers and Schematics Guide - Automatic Easy-Flow Metering Valve
6	1011100	Muffler Assembly Complete	—	1090068	Operator's Manual – Blastmaster® 152P Remote Control Switch
7	1011603	1-1/2" Full Port Ball Valve (<i>Two Required</i>)	—	1090085	Operator's Manual – Blastmaster® 130P Pneumatic Remote Control System
8	1014015	1-1/2" Close Nipple (<i>Four Required</i>)	—	1090128	Operator's Manual – Blastmaster® 6.5 Cu. Ft. E-Series Abrasive Blasting Pot
9	10101313	Blastmaster® 1-1/2" Moisture Separator (<i>See Fig. 9</i>)			
10	—	1-1/2" Pusher Line Assembly (<i>See Fig. 7</i>)			
11	1006064	16 x 4 x 1 Rubber Wheel			
12	1006205	1" Wheel Clip			
13	1011501	1-1/2" (M) x 1-1/4" (F) Bushing			
14	10105393	2" x 1-1/2" Bell Reducer			
15	10SB1	1-1/4" Brass Tank Coupling			
16	1011207	1-1/4" x 4" Pipe Nipple			
17	1070390	Tee – 1-1/4" x 1-1/4" x 2"			
18	1011201	1-1/4" Close Nipple (<i>Two Required</i>)			
19	10105102	Automatic Easy-Flow Metering Valve			
20	1011836	1-1/2" x 1-1/2" x 1-1/4" Pipe Tee			
21	1011805	1-1/2" x 45° Street Elbow			
22	1017019	Hex Nipple 1/4" x 1/4"			
23	1011818	1/2" x 1/4" Galvanized Bushing			
24	1011828	1-1/2" 90° Elbow			
25	1011203	1-1/2" x 3" Nipple			
26	20PHA24SJ04	1/4" Female Coupling			
27	1013200	1-1/2" Gatekeeper Valve			
—	1091020	Warning Plate			
—	1091025	Warning Tag			
—	1091045	Warning Tag			
—	105M068	Features and Specifications Guide – Blastmaster® 152P Remote Control Switch			

PART NUMBERS & SCHEMATICS GUIDE

Figure 3: 6.5 Cu. Ft. E-Series Abrasive Blasting Pot – Blastmaster® 130P Remote Control System – Automatic Easy-Flow Metering Valve



PART NUMBERS & SCHEMATICS GUIDE

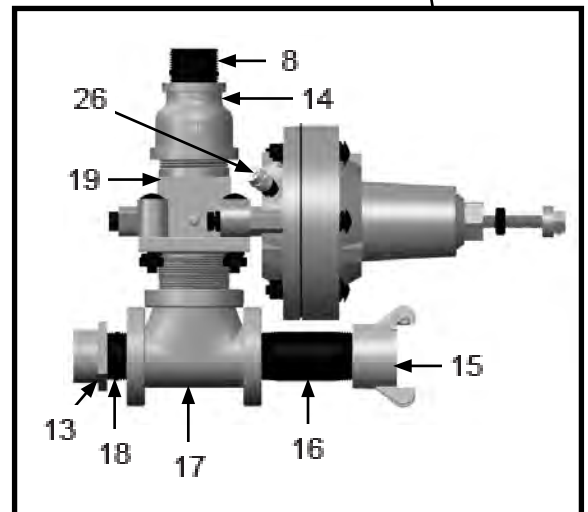
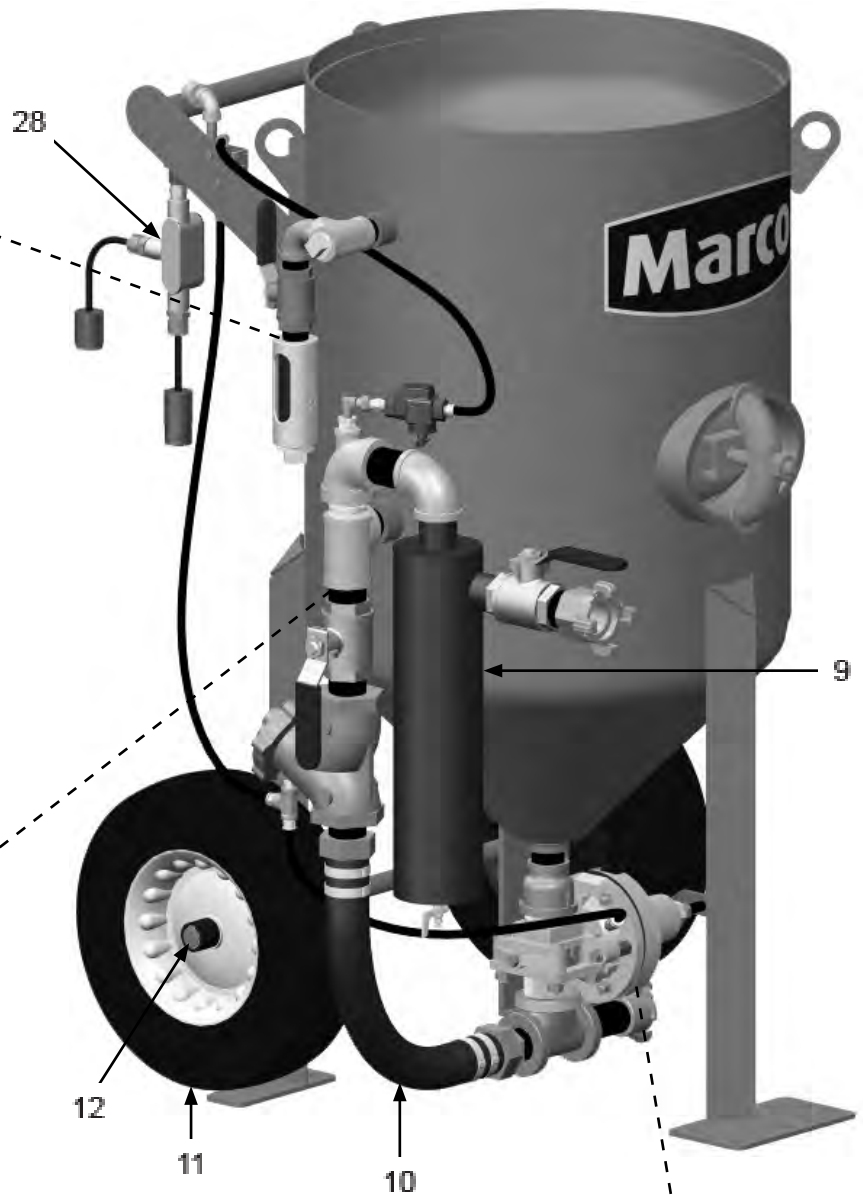
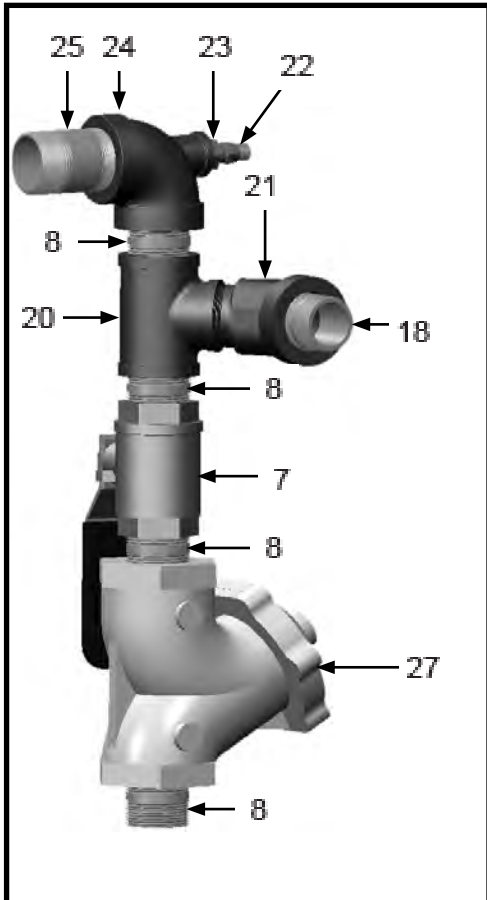
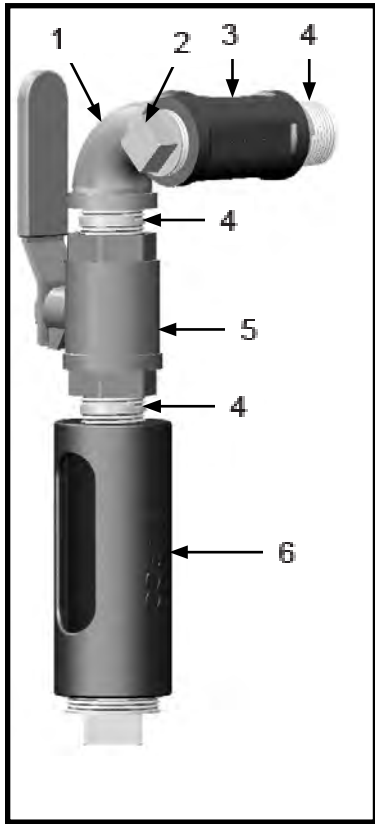
6.5 Cu. Ft. E-Series Abrasive Blasting Pot – Blastmaster® 130E Remote Control System – Automatic Easy-Flow Metering Valve

Item#	Part#	Description
Fig. 4		
1	1011801	1" Street Elbow
2	1011901	1" Square Head Plug
3	1011816	1" Pipe Tee – Galvanized
4	1012151	1" Close Nipple (<i>Three Required</i>)
5	1011601	1" Full Port Ball Valve
6	1011100	Muffler Assembly Complete
7	1011603	1-1/2" Full Port Ball Valve (<i>Two Required</i>)
8	1014015	1-1/2" Close Nipple (<i>Four Required</i>)
9	—	Blastmaster® 1-1/2" Moisture Separator (<i>See Fig. 9</i>)
10	—	1-1/2" Pusher Line Assembly (<i>See Fig. 7</i>)
11	1006064	16 x 4 x 1 Rubber Wheel
12	1006205	1" Wheel Clip
13	1011501	1-1/2" (M) x 1-1/4" (F) Bushing
14	10105393	2" x 1-1/2" Bell Reducer
15	10SB1	1-1/4" Brass Tank Coupling
16	1011207	1-1/4" x 4" Pipe Nipple
17	1070390	Tee – 1-1/4" x 1-1/4" x 2"
18	1011201	1-1/4" Close Nipple (<i>Two Required</i>)
19	10105102	Automatic Easy-Flow Metering Valve
20	1011836	1-1/2" x 1-1/2" x 1-1/4" Pipe Tee
21	1011805	1-1/2" x 45° Street Elbow
22	1017019	Hex Nipple 1/4" x 1/4"
23	1011818	1/2" x 1/4" Galvanized Bushing
24	1011828	1-1/2" 90° Elbow
25	1011203	1-1/2" x 3" Nipple
26	20PHA24SJ04	1/4" Female Coupling
27	1013200	1-1/2" Gatekeeper Valve
28	1019051	12-Volt DC 190 Electric Control Assembly
—	1091020	Warning Plate
—	1091025	Warning Tag
—	1091045	Warning Tag

Item#	Part#	Description
—	105M063	Features and Specifications Guide – Blastmaster® 151E Remote Control Switch
—	105M087	Features and Specifications Guide – Blastmaster® 130E Remote Control System
—	105M128	Features and Specifications Guide – Blastmaster® 6.5 Cu. Ft. E-Series Abrasive Blasting Pot
—	106M063	Part Numbers and Schematics Guide – Blastmaster® 151E Remote Control Switch
—	106M087	Part Numbers and Schematics Guide – Blastmaster® 130E Remote Control System
—	106M128	Part Numbers and Schematics Guide – Blastmaster® 6.5 Cu. Ft. E-Series Abrasive Blasting Pot
—	106M541	Part Numbers and Schematics Guide - Automatic Easy-Flow Metering Valve
—	1090063	Operator's Manual – Blastmaster® 151E Remote Control Switch
—	1090087	Operator's Manual – Blastmaster® 130E Remote Control System
—	1090128	Operator's Manual – Blastmaster® 6.5 Cu. Ft. E-Series Abrasive Blasting Pot

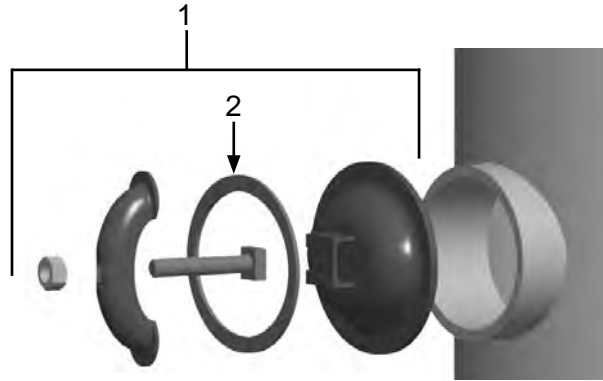
PART NUMBERS & SCHEMATICS GUIDE

Figure 4: 6.5 Cu. Ft. E-Series Abrasive Blasting Pot – Blastmaster® 130E Remote Control System – Automatic Easy-Flow Metering Valve



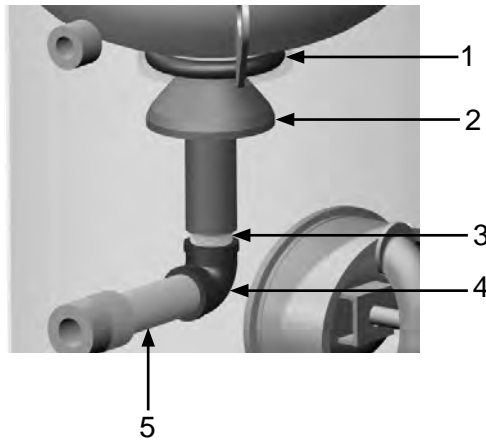
PART NUMBERS & SCHEMATICS GUIDE

Figure 5: Inspection Door Assembly



Item #	Part #	Description
Fig. 1		
1	1006200	6" x 8" Inspection Door Assembly
2	1006201	Gasket

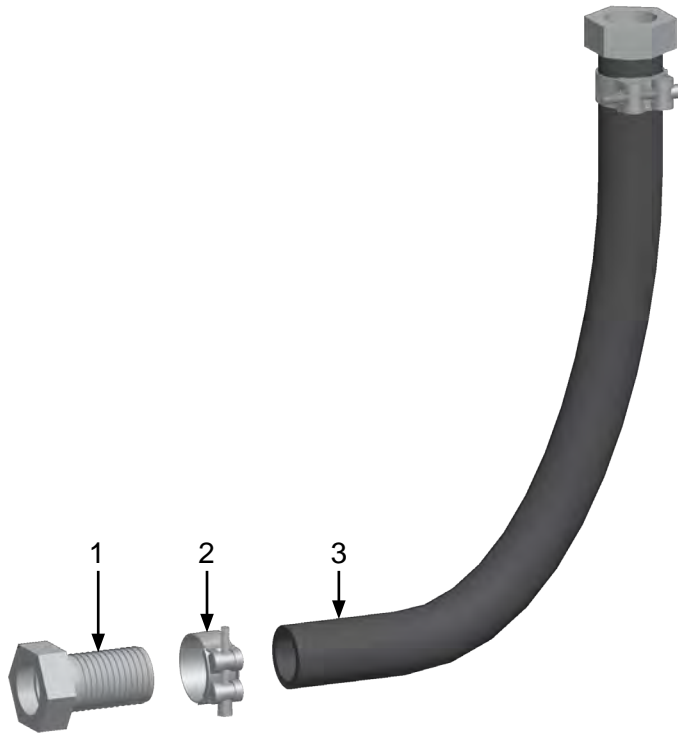
Figure 6: Pop-Up Valve Assembly



Item #	Part #	Description
Fig. 6		
1	1006050	Pop-Up Valve Seat
2	1006020	Pop-Up Valve
3	1011200	1-1/4" x 7" Pipe Nipple Galvanized
4	1006204	1-1/4" NPT 90° Elbow
5	1011214	1-1/4" x 10" Pipe Nipple Galvanized

PART NUMBERS & SCHEMATICS GUIDE

Figure 7: Pusher Line Assembly



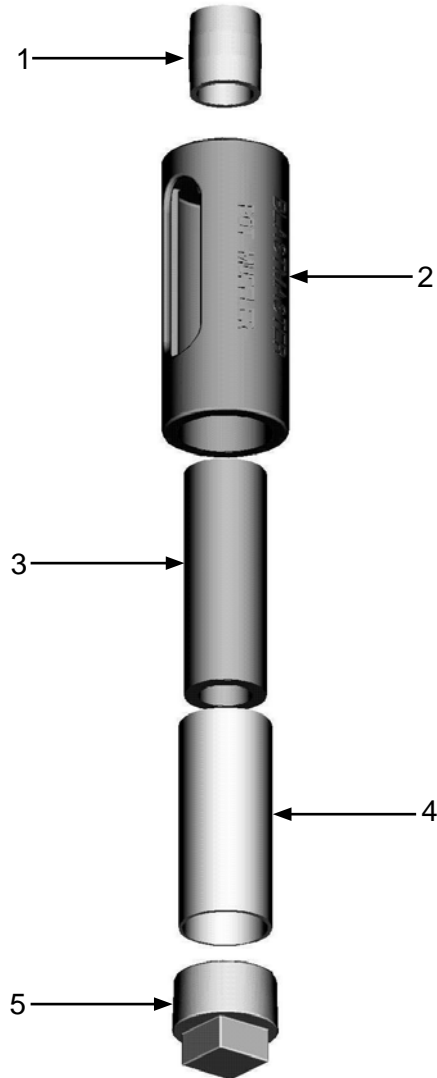
Item #	Part #	Description
--------	--------	-------------

Fig. 7

—	1006312	1-1/2" I.D. Pusher Line Assembly <i>Includes Item #: 1, 2, and 3 (Quantity of Three Feet)</i>
1	10SFE4	1-1/2" Female Swivel Air Hose End <i>(Two Required)</i>
2	10103738	1-1/2" T-Bolt Hose Clamp <i>(Two Required)</i>
3	10AH112B	1-1/2" I.D. Air Hose
—	10SFE4G	Gasket for 10SFE4 Swivel Air Hose End <i>(Not Shown)</i>
—	1090059	Technical Data Sheet – Pusher Line Assemblies

PART NUMBERS & SCHEMATICS GUIDE

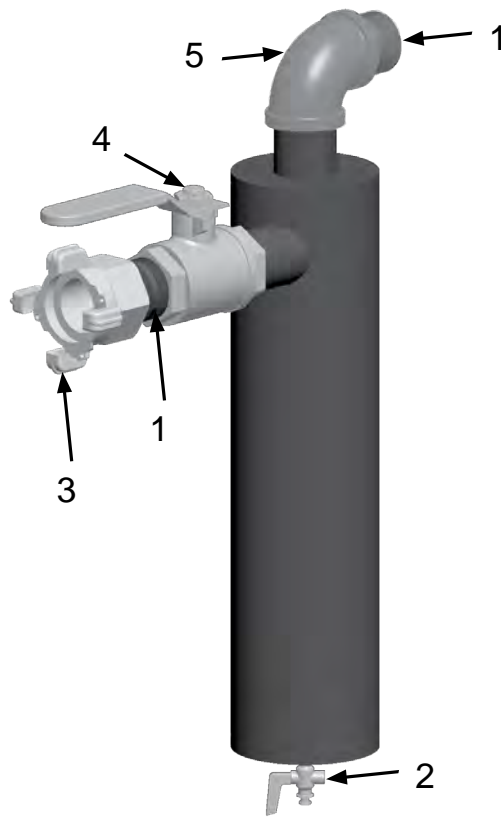
Figure 8: Blastmaster® Abrasive Blasting Pot Muffler



Item#	Part#	Description
Fig. 8		
—	1011100	Blastmaster® Abrasive Blasting Pot Muffler – Complete
1	1012151	1" Close Nipple
2	1011102	Body
3	1011103	Filter Element
4	1011104	Screen
5	1011101	1-1/2" Pipe Plug
—	1011105	Blast Pot Exhaust Muffler Service Kit <i>Includes Item #'s: 3 (Quantity of 3), 4, and 5</i>
—	105M347	Features and Specifications Guide – Blast Pot Exhaust Muffler
—	106M347	Part Numbers and Schematics Guide – Blast Pot Exhaust Muffler

PART NUMBERS & SCHEMATICS GUIDE

Figure 9: Blastmaster® Extractor Moisture Separator



Item#	Part#	Description
-------	-------	-------------

Fig. 9

—	10101313	Blastmaster® 1-1/2" Extractor Moisture Separator
1	1014015	1-1/2" NPT Close Nipple (Two Required)
2	1012101	1/4" NPT Brass Petcock
3	10ME4	4-Lug Air Hose Fitting – 1-1/2" NPT (F)
4	1011603	1-1/2" NPT Full Port Brass Ball Valve
5	1011842	1-1/2" NPT 90° Elbow
—	105M039	Features and Specifications Guide – Moisture Separators
—	106M349	Part Numbers and Schematics Guide – Moisture Separators

OPTIONAL ACCESSORIES

Figure 10: Lid and Screen



Item #	Part #	Description
Fig. 10		
1	1006101	24" Lid
2	1006102	24" Screen
3	10100733	Abrasive Umbrella (Screen Not Included)

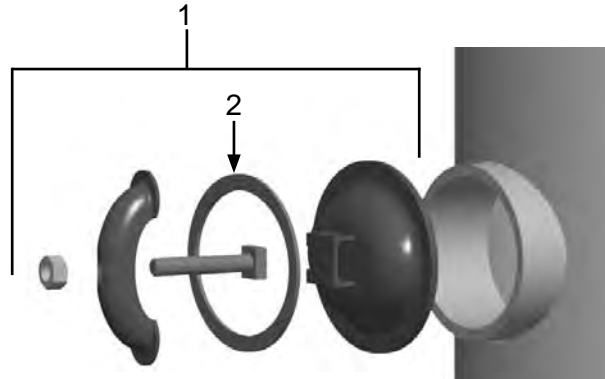
PART NUMBERS AND SCHEMATICS GUIDE

BLASTMASTER® 6.0 CU. FT. C-SERIES ABRASIVE BLASTING POT

Part Numbers	Power Source	Blastmaster® Remote Control System	Blastmaster® Remote Control Switch	Blastmaster® Regulator Abrasive Metering Valve	1-1/2" Extractor Abrasive Blasting Pot Moisture Separator
1006008	Pneumatic	125P	150P	X	
1006008PKA	Pneumatic	125P	150P	X	X
1006002	12-Volt DC	125E	151E	X	
1006002PKA	12-Volt DC	125E	151E	X	X
1006004	120-Volt AC	125E	151E	X	
1006004PKA	120-Volt AC	125E	151E	X	X

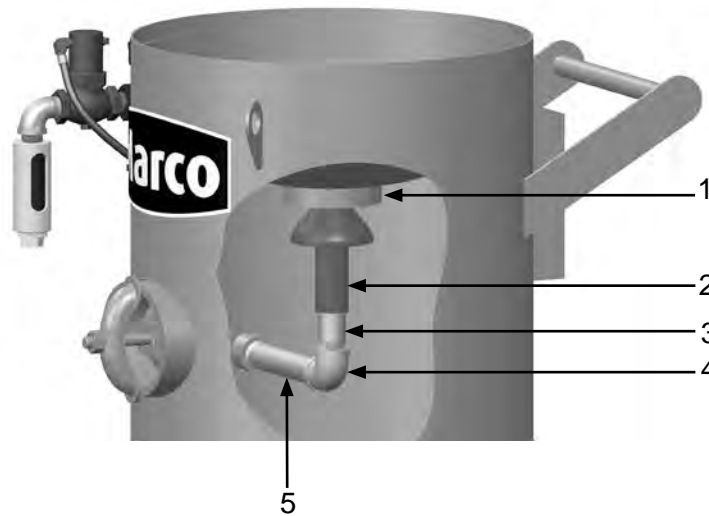
PART NUMBERS AND SCHEMATICS GUIDE

Figure 1: Inspection Door Assembly



Item #	Part #	Description
Fig. 1		
1	1006200	6" x 8" Inspection Door Assembly
2	1006201	Gasket

Figure 2: Pop-Up Valve Assembly



Item #	Part #	Description
Fig. 2		
1	1006050	Pop-Up Valve Seat
2	1006020	Pop-Up Valve – External Sleeve
3	1011200	1-1/4" NPT x 7" Toe Nipple
4	1006204	1-1/4" 90° Elbow
5	1011214	1-1/4" NPT x 10" Pipe Nipple

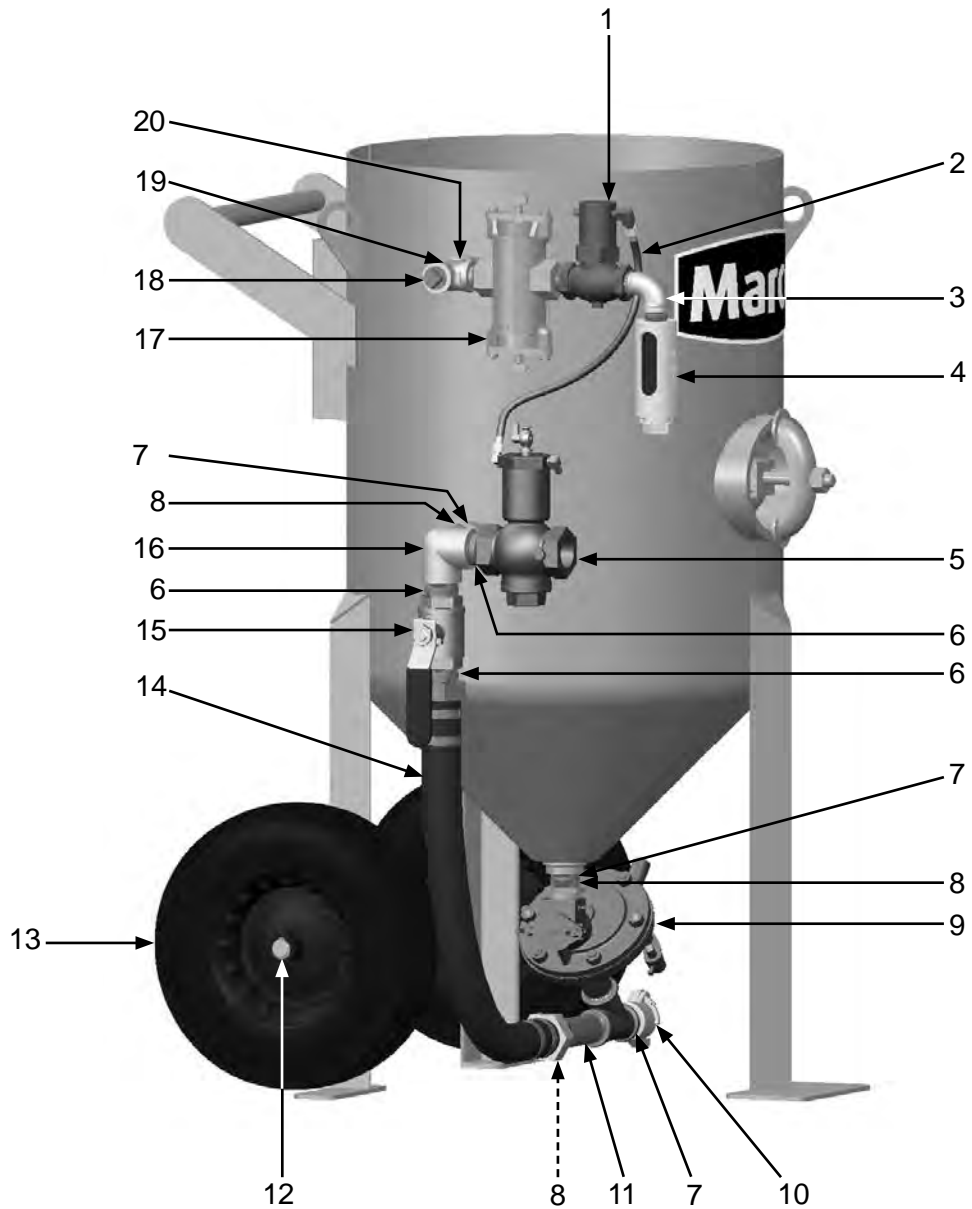
PART NUMBERS AND SCHEMATICS GUIDE

Blastmaster® 6.0 Cu. Ft. C-Series Abrasive Blasting Pot – Pneumatic

Item #	Part #	Description
Fig. 3		
1	1012050	1" Outlet Valve (See Literature 106M014)
2	10CL18	18" Control Line
3	1011801	1" Galvanized Street Elbow
4	1011100	Abrasive Blasting Pot Muffler (See Fig. 6)
5	1012200	1-1/2" Inlet Valve (See Literature 106M014)
6	1014015	1-1/2" Galvanized Close Nipple (Three Required)
7	1011201	1-1/4" Galvanized Close Nipple (Three Required)
8	1011501	1-1/2" (M) x 1-1/4" (F) Galvanized Hex Bushing (Three Required)
9	1014000	Blastmaster® Regulator Abrasive Metering Valve (See Literature 106M021)
10	10SB1	1-1/4" Brass Tank Coupling
11	1011202	1-1/4" x 6" Galvanized Nipple
12	1006205	1" Wheel Clip (Four Required)
13	1006064	16" Wheel (Two Required)
14	1006312	1-1/2" I.D. Pusher Line Assembly (See Fig. 5)
15	1011603	1-1/2" Full Port Ball Valve
16	1011804	1-1/2" 90° Galvanized Elbow with Side-out
17	1012000	1" Abrasive Trap (See Literature 106M014)
18	1011901	1" Galvanized Square Head Pipe Plug
19	1011816	1" Galvanized Pipe Tee
20	1012151	1" Galvanized Close Nipple
—	105M072	Features and Specifications Guide – Blastmaster® 6.0 Cu. Ft. C-Series Abrasive Blasting Pot
—	105M014	Features and Specifications Guide – Blastmaster® 125P Remote Control System
—	105M021	Features and Specifications Guide – Blastmaster® Regulator Abrasive Metering Valve
—	106M072	Part Numbers & Schematics Guide – Blastmaster® 6.0 Cu. Ft. C-Series Abrasive Blasting Pot
—	106M014	Part Numbers & Schematics Guide – Blastmaster® 125P Remote Control System
—	106M021	Part Numbers & Schematics Guide – Blastmaster® Regulator Abrasive Metering Valve
—	1090072	Operator's Manual – Blastmaster® 6.0 Cu. Ft. C-Series Abrasive Blasting Pot
—	1090014	Operator's Manual – Blastmaster® 125P Remote Control System
—	1090021	Operator's Manual – Blastmaster® Regulator Abrasive Metering Valve

PART NUMBERS AND SCHEMATICS GUIDE

Figure 3: Blastmaster® 6.0 Cu. Ft. C-Series Abrasive Blasting Pot – Pneumatic



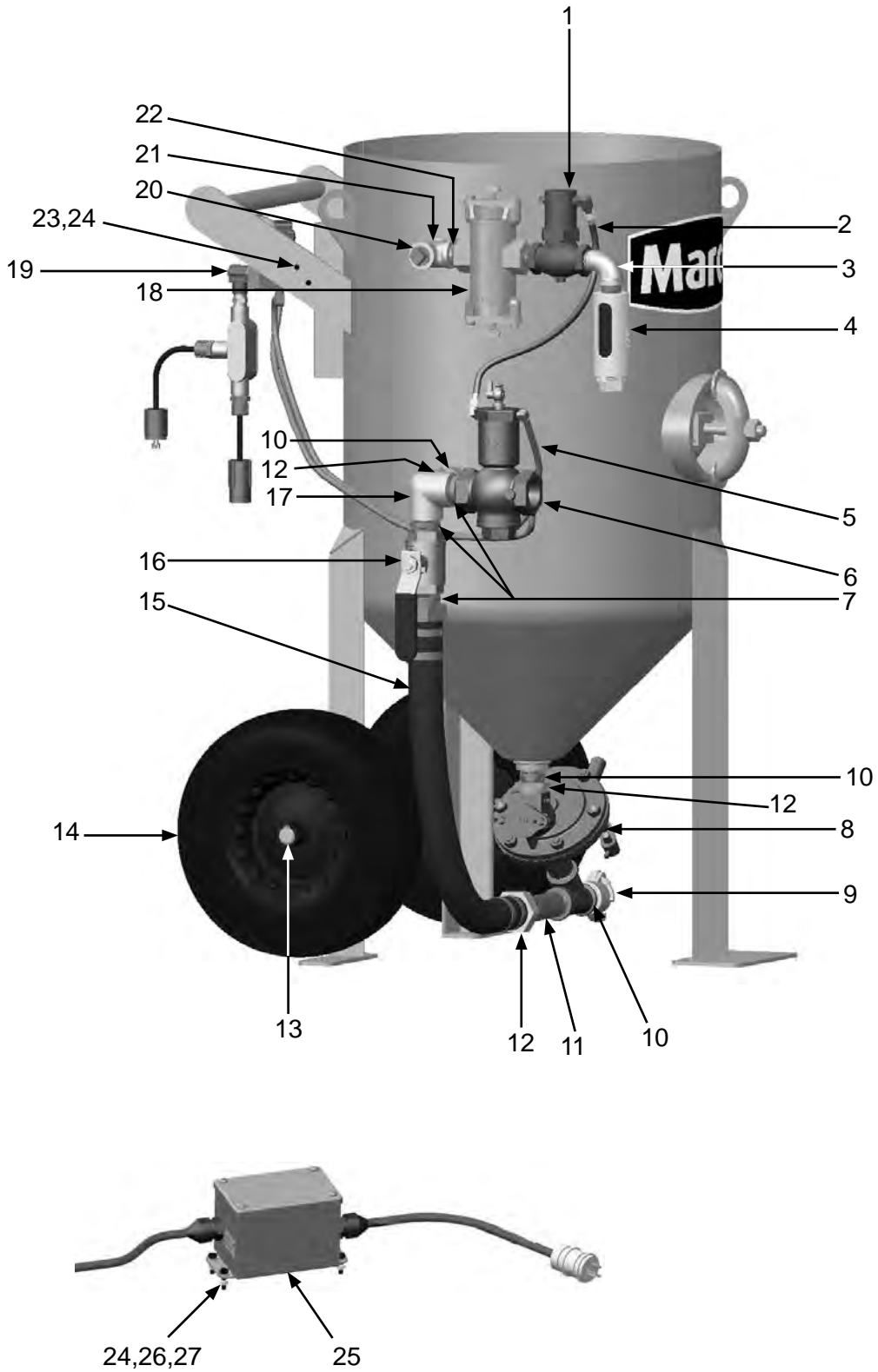
PART NUMBERS AND SCHEMATICS GUIDE

Blastmaster® 6.0 Cu. Ft. C-Series Abrasive Blasting Pot – Electric

Item #	Part #	Description	Item #	Part #	Description
Fig. 4			—	105M063	Features and Specifications Guide – Blastmaster® 151E Remote Control Switch
1	1012050	1" Outlet Valve	—	105M088	Features and Specifications Guide – Blastmaster® 125E Remote Control System
2	10CL18	18" Control Line	—	105M021	Features and Specifications Guide – Blastmaster® Regulator Abrasive Metering Valve
3	1011801	1" Galvanized Street Elbow	—	105M072	Features & Specifications Guide – Blastmaster® 6.0 Cu. Ft. C-Series Abrasive Blasting Pot
4	1011100	Abrasive Blasting Pot Muffler (See Fig. 6)	—	106M063	Part Numbers & Schematics Guide – Blastmaster® 151E Remote Control Switch
5	10AH025	1/4" Push-on Air Hose (Per Foot)	—	106M088	Part Numbers & Schematics Guide – Blastmaster® 125E Remote Control System
6	1012200	1-1/2" Inlet Valve	—	106M021	Part Numbers & Schematics Guide – Blastmaster® Regulator Abrasive Metering Valve
7	1014015	1-1/2" Close Galvanized Nipple (Three Required)	—	106M072	Part Numbers & Schematics Guide – Blastmaster® 6.0 Cu. Ft. C-Series Abrasive Blasting Pot
8	1014000	Blastmaster® Regulator Abrasive Metering Valve	—	1090063	Operator's Manual – Blastmaster® 151E Remote Control Switch
9	10SB1	1-1/4" Brass Tank Coupling	—	1090088	Operator's Manual – Blastmaster® 125E Remote Control System
10	1011201	1-1/4" Galvanized Close Nipple (Three Required)	—	1090021	Operator's Manual – Blastmaster® Regulator Abrasive Metering Valve
11	1011202	1-1/4" x 6" Galvanized Nipple	—	1090072	Operator's Manual – Blastmaster® 6.0 Cu. Ft. C-Series Abrasive Blasting Pot
12	1011501	1-1/2" (M) x 1-1/4" (F) Galvanized Hex Bushing (Three Required)			
13	1006205	1" Wheel Clip (Four Required)			
14	1006064	16" Wheel (Two Required)			
15	1006312	1-1/2" I.D. Pusher Line Assembly (See Fig. 5)			
16	1011603	1-1/2" Full Port Ball Valve			
17	1011804	1-1/2" 90° Galvanized Elbow with Side Out			
18	1012000	1" Abrasive Trap			
19	1019001	12-Volt DC 190 Electric Control Assembly			
—	1019002	12-Volt AC 190 Electric Control Assembly			
20	1011901	1" Galvanized Square Head Pipe Plug			
21	1011816	1" Galvanized Pipe Tee			
22	1012151	1" Galvanized Close Nipple			
23	1019044	1/4-20 x 1-3/4" Zinc Bolt (Two Required)			
24	1012323	1/4-20 Zinc Lock Nut with Nylon Insert (Two Required)			
25	1030020	Blastmaster® 120VAC-12VAC Converter (Optional)			
26	1012154	1/4-20 x 1" Hex Bolt (Four Required)			
27	1014017	1/4" Flat Washer (Four Required)			

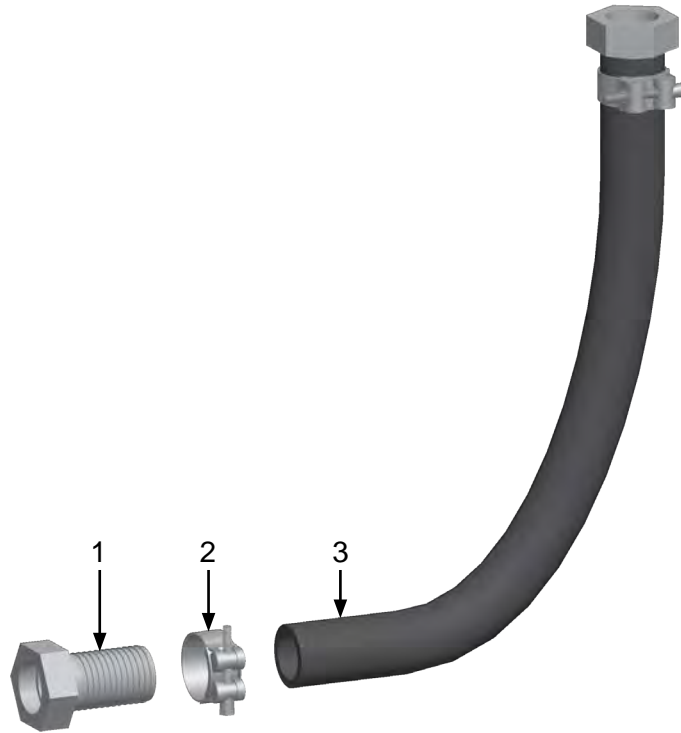
PART NUMBERS AND SCHEMATICS GUIDE

Figure 4: Blastmaster® 6.0 Cu. Ft. C-Series Abrasive Blasting Pot – Electric



PART NUMBERS AND SCHEMATICS GUIDE

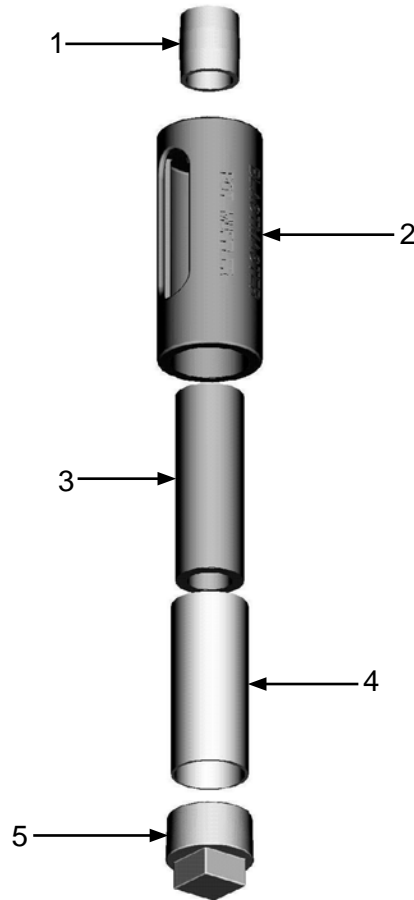
Figure 5: Pusher Line Assembly



Item #	Part #	Description
Fig. 5		
—	1006312	1-1/2" I.D. Pusher Line Assembly <i>Includes Item #: 1, 2, and 3 (Quantity of Three Feet)</i>
1	10SFE4	1-1/2" Female Swivel Air Hose End <i>(Two Required)</i>
2	10103738	1-1/2" T-Bolt Hose Clamp <i>(Two Required)</i>
3	10AH112B	1-1/2" I.D. Air Hose
—	10SFE4G	Gasket for 10SFE4 Swivel Air Hose End <i>(Not Shown)</i>
—	1090059	Technical Data Sheet – Pusher Line Assemblies

PART NUMBERS AND SCHEMATICS GUIDE

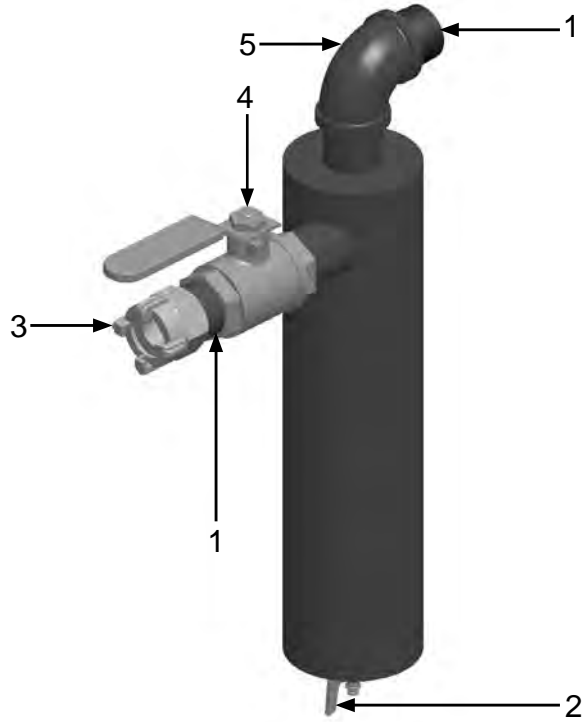
Figure 6: Blastmaster® Abrasive Blasting Pot Muffler



Item #	Part #	Description
Fig. 6		
—	1011100	Blastmaster® Abrasive Blasting Pot Muffler – Complete
1	1012151	1" Close Nipple
2	1011102	Body
3	1011103	Filter Element
4	1011104	Screen
5	1011101	1-1/2" Pipe Plug
—	1011105	Blastmaster® Abrasive Blasting Pot Muffler Service Kit <i>Includes Item #'s: 3 (Quantity of Three), 4, and 5</i>
—	105M347	Features and Specifications Guide – Blastmaster® Abrasive Blasting Pot Mufflers
—	106M347	Part Numbers And Schematics Guide – Blastmaster® Abrasive Blasting Pot Mufflers

OPTIONAL ACCESSORIES

Figure 7: 1-1/2" Extractor Abrasive Blasting Pot Moisture Separator



Item #	Part #	Description
Fig. 7		
—	10101313	1-1/2" Extractor Abrasive Blasting Pot Moisture Separator
1	1014015	1-1/2" NPT Close Nipple (<i>Two Required</i>)
2	1012101	1/4" NPT Brass Petcock
3	10ME4	1-1/2" (F) 4-Lug Air Hose Coupling
4	1011603	1-1/2" NPT Full Port Brass Ball Valve
5	1011842	1-1/2" 90° Galvanized Elbow
—	105M349	Features and Specifications Guide – Extractor Moisture Separators
—	106M349	Part Numbers and Schematics Guide – Extractor Moisture Separators

OPTIONAL ACCESSORIES

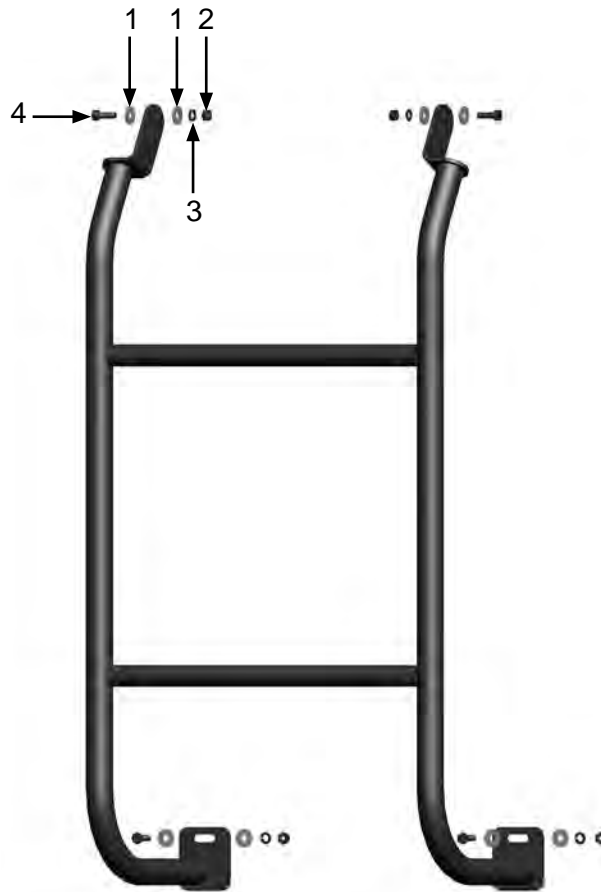
Figure 8: Lid and Screen



Item #	Part #	Description
Fig. 8		
1	1006101	24" Lid
2	1006102	24" Screen
3	10100733	Abrasive Umbrella (Screen Not Included)

OPTIONAL ACCESSORIES

Figure 9: Loading Skid



Item #	Part #	Description
--------	--------	-------------

Fig. 9

—	1065040	Load Skid for Blastmaster® 6.0 and 6.5 Cu. Ft. Abrasive Blasting Pots – Complete
1	10L805003	5/16" Zinc Flat Washer
2	1035046	5/16-18 Nut
3	10L805014	5/16" Lock Washer
4	1035045	5/16-18 x 1" Bolt

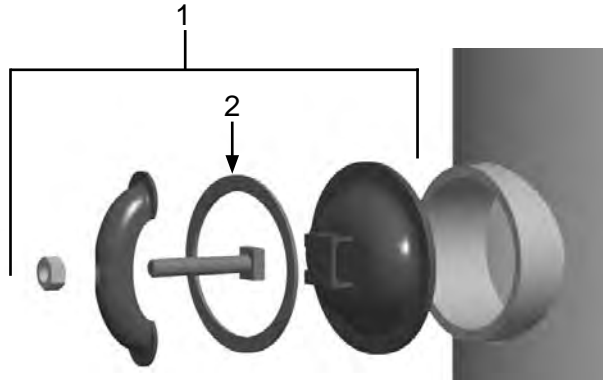
PART NUMBERS

BLASTMASTER® 3.5 CU. FT. HP-SERIES ABRASIVE BLASTING POT

Part Numbers	Power Source	Blastmaster® Remote Control System	Blastmaster® Remote Control Switch	Blastmaster® Maxum III 1-1/2" Abrasive Metering Valve Sleeve Material	1-1/4" Junior Extractor Abrasive Blasting Pot Moisture Separator	Loading Skid
1035024	Pneumatic	130P	152P	Tungsten Carbide		
1035024PKA	Pneumatic	130P	152P	Tungsten Carbide	X	
1035024PKALS	Pneumatic	130P	152P	Tungsten Carbide	X	X
1035023	Pneumatic	130P	152P	Urethane		
1035023PKA	Pneumatic	130P	152P	Urethane	X	
1035023PKALS	Pneumatic	130P	152P	Urethane	X	X
1035030	12-Volt DC	130E	156E	Tungsten Carbide		
1035030PKA	12-Volt DC	130E	156E	Tungsten Carbide	X	
1035030PKALS	12-Volt DC	130E	156E	Tungsten Carbide	X	X
1035029	12-Volt DC	130E	156E	Urethane		
1035029PKA	12-Volt DC	130E	156E	Urethane	X	
1035024PKALS	12-Volt DC	130E	156E	Urethane	X	X
1035036	120-Volt AC	130E	156E	Tungsten Carbide		
1035036PKA	120-Volt AC	130E	156E	Tungsten Carbide	X	
1035036PKALS	120-Volt AC	130E	156E	Tungsten Carbide	X	X
1035035	120-Volt AC	130E	156E	Urethane		
1035035PKA	120-Volt AC	130E	156E	Urethane	X	
1035035PKALS	120-Volt AC	130E	156E	Urethane	X	X

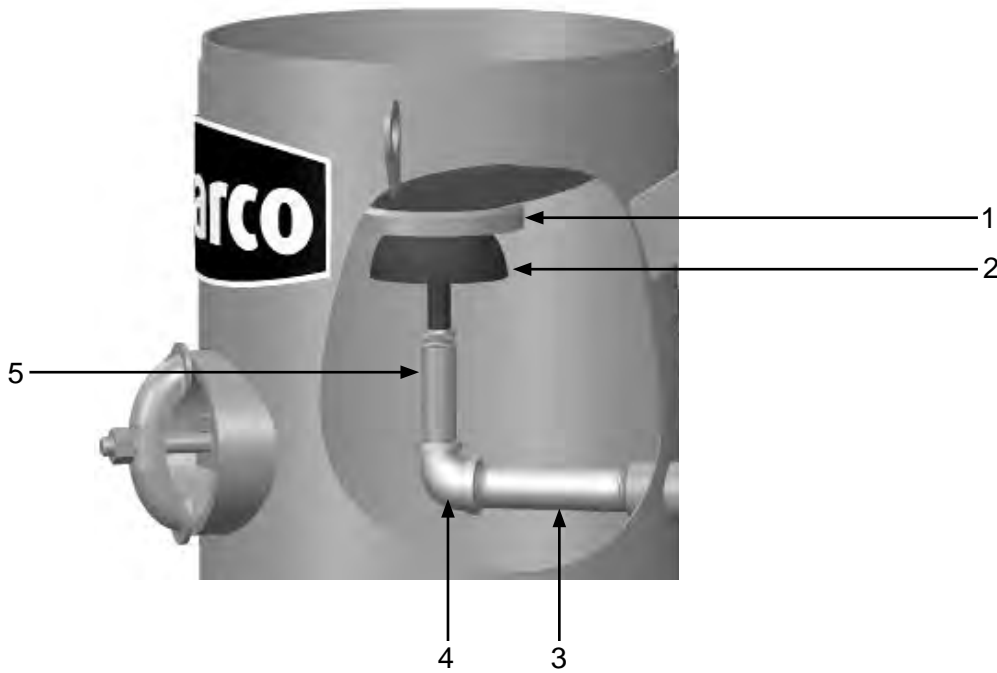
PART NUMBERS & SCHEMATICS

Figure 1: Inspection Door Assembly



Item #	Part #	Description
Fig. 1		
1	1006200	6" x 8" Inspection Door Assembly
2	1006201	Gasket

Figure 2: Pop-up Valve Assembly



Item #	Part #	Description
Fig. 2		
1	1006040	Pop Up Valve Seat
2	1006030	Pop Up Valve
3	1011200	1-1/4" x 7" NPT Pipe Nipple
4	1006210	1-1/4" x 1" Reducing Pipe Elbow
5	1011815	1" x 5" NPT Pipe Nipple

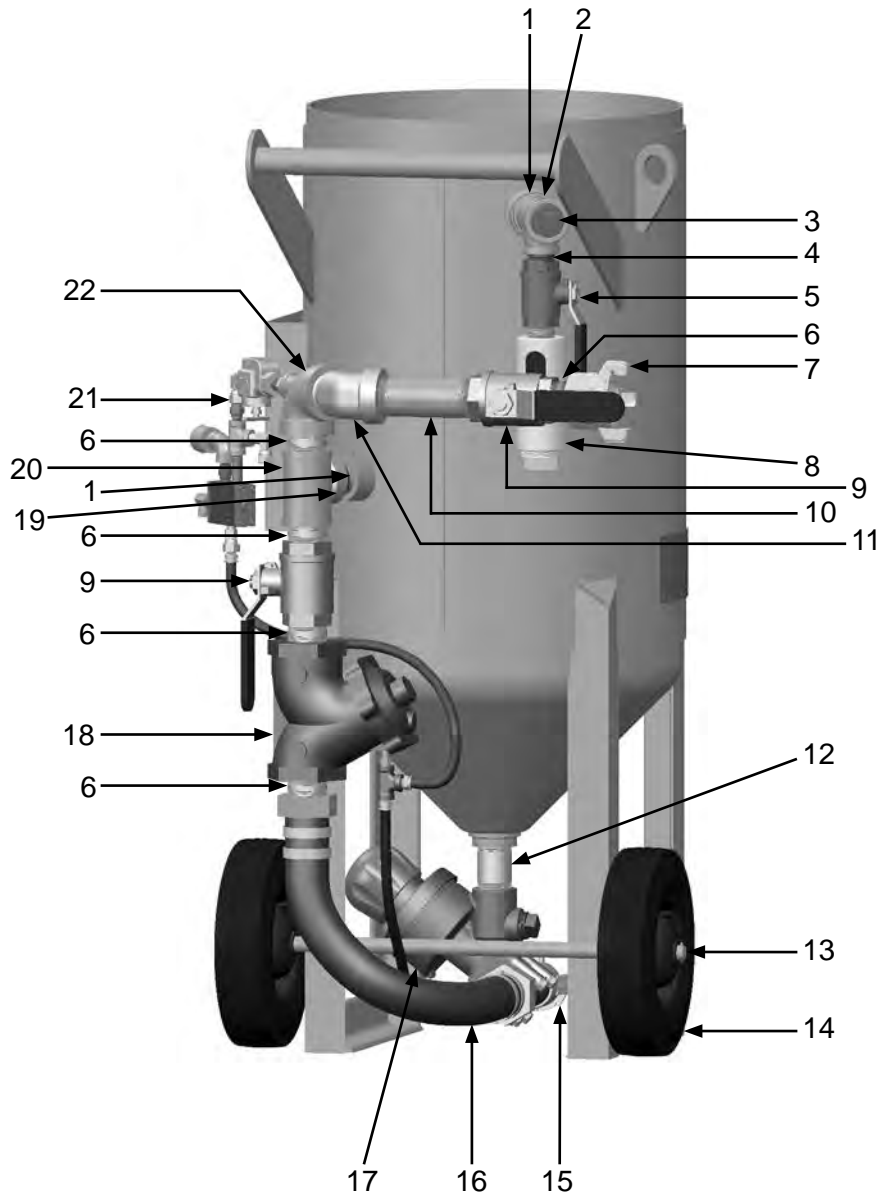
PART NUMBERS & SCHEMATICS

Blastmaster® 3.5 Cu. Ft. HP-Series Abrasive Blasting Pot – Pneumatic

Item #	Part #	Description
Fig. 3		
1	1011201	1-1/4" NPT Close Nipple
2	1011817	1-1/4" x 1-1/4" x 1" NPT Pipe Tee
3	1011902	1" NPT Pipe Plug
4	1012151	1" NPT Close Nipple
5	1011601	1" NPT Full Port Brass Ball Valve
6	1014015	1-1/2" NPT NPT Close Nipple
7	10ME4	1-1/2" NPT (F) 4-Lug Air Hose Fitting
8	1011100	Blastmaster® Exhaust Muffler (See Fig. 6)
9	1011603	1-1/2" NPT Full Port Brass Ball Valve
10	1011211	1-1/2" x 5-1/2" NPT Pipe Nipple
11	1011805	1-1/2" NPT 45° Street Elbow
12	1011813	1-1/4" x 2" NPT Pipe Nipple
13	1006211	Wheel Clip (Two Required)
14	1006067	10" Wheel (Two Required)
15	10SB2S	1-1/2" Brass Tank Coupling
16	—	1-1/2" Pusher Line Assembly (See Fig. 5)
17	10101950	Blastmaster® 1-1/2" Maxum III Abrasive Metering Valve – Tungsten Carbide Sleeve (See Literature 106M069)
—	10101946	Blastmaster® 1-1/2" Maxum III Abrasive Metering Valve – Urethane Sleeve (See Literature 106M069)
18	1013200	Blastmaster® 1-1/2" GateKeeper Air Valve (See Literature 106M423)
19	1011830	1-1/4" 45° Street Elbow
20	1011836	1-1/2" x 1-1/2" x 1-1/4" NPT Pipe Tee
21	10103834	Blastmaster® 130P Remote Control System (See Literature 106M085)
22	1011828	1-1/2" NPT Elbow with 1/2" Side-out
—	105M080	Features and Specifications Guide – Blastmaster® 3.5 Cu. Ft. HP-Series Abrasive Blasting Pot
—	105M085	Features and Specifications Guide – Blastmaster® 130P Remote Control System
—	105M069	Features and Specifications Guide – Blastmaster® Maxum III Abrasive Metering Valve
—	105M068	Features and Specifications Guide – Blastmaster® 152P Remote Control Switch
—	106M080	Part Numbers & Schematics Guide – Blastmaster® 3.5 Cu. Ft. HP-Series Abrasive Blasting Pot
—	106M085	Part Numbers & Schematics Guide – Blastmaster® 130P Remote Control System
—	106M069	Part Numbers & Schematics Guide – Blastmaster® Maxum III Abrasive Metering Valve
—	106M068	Part Numbers & Schematics Guide – Blastmaster® 152P Remote Control Switch
—	106M423	Part Numbers & Schematics Guide – Blastmaster GateKeeper Air Valves
—	1090080	Operator's Manual – Blastmaster® 3.5 Cu. Ft. HP-Series Abrasive Blasting Pot
—	1090085	Operator's Manual – Blastmaster® 130P Remote Control System
—	1090069	Operator's Manual – Blastmaster® Maxum III Abrasive Metering Valve
—	1090068	Operator's Manual – Blastmaster® 152P Remote Control Switch

PART NUMBERS & SCHEMATICS

Figure 3: Blastmaster® 3.5 Cu. Ft. HP-Series Abrasive Blasting Pot – Pneumatic



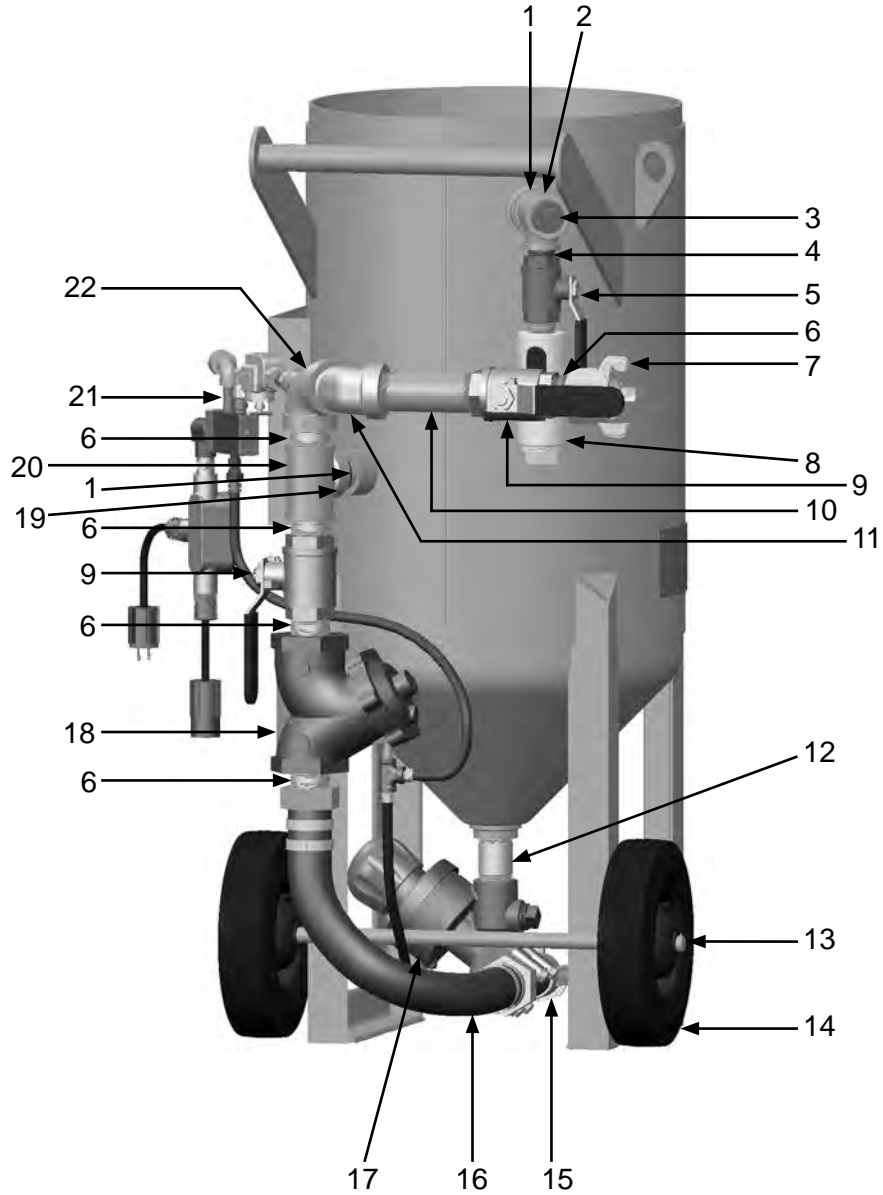
PART NUMBERS & SCHEMATICS

Blastmaster® 3.5 Cu. Ft. HP-Series Abrasive Blasting Pot – Electric

Item #	Part #	Description
Fig. 4		
1	1011201	1-1/4" NPT Close Nipple
2	1011817	1-1/4" x 1-1/4" x 1" NPT Pipe Tee
3	1011902	1" NPT Pipe Plug
4	1012151	1" NPT Close Nipple
5	1011601	1" NPT Full Port Brass Ball Valve
6	1014015	1-1/2" NPT NPT Close Nipple
7	10ME4	1-1/2" NPT (F) 4-Lug Air Hose Fitting
8	1011100	Blastmaster® Exhaust Muffler (See Fig. 6)
9	1011603	1-1/2" NPT Full Port Brass Ball Valve
10	1011211	1-1/2" x 5-1/2" NPT Pipe Nipple
11	1011805	1-1/2" NPT 45° Street Elbow
12	1011813	1-1/4" x 2" NPT Pipe Nipple
13	1006211	Wheel Clip (Two Required)
14	1006067	10" Wheel (Two Required)
15	10SB2S	1-1/2" Brass Tank Coupling
16	—	1-1/2" Pusher Line Assembly (See Fig. 5)
17	10101950	Blastmaster® 1-1/2" Maxum III Abrasive Metering Valve – Tungsten Carbide Sleeve (See Literature 106M069)
—	10101946	Blastmaster® 1-1/2" Maxum III Abrasive Metering Valve – Urethane Sleeve (See Literature 106M069)
18	1013200	Blastmaster® 1-1/2" GateKeeper Air Valve (See Literature 106M423)
19	1011830	1-1/4" 45° Street Elbow
20	1011836	1-1/2" x 1-1/2" x 1-1/4" NPT Pipe Tee
21	10103835	Blastmaster® 130E Remote Control System – 12-Volt DC (See Literature 106M087)
—	10103836	Blastmaster® 130E Remote Control System – 12-Volt AC (See Literature 106M087)
22	1011828	1-1/2" NPT Elbow with 1/2" Side-out
—	105M080	Features and Specifications Guide – Blastmaster® 3.5 Cu. Ft. HP-Series Abrasive Blasting Pot
—	105M087	Features and Specifications Guide – Blastmaster® 130E Remote Control System
—	105M069	Features and Specifications Guide – Blastmaster® Maxum III Abrasive Metering Valve
—	105M001	Features and Specifications Guide – Blastmaster® 156E Remote Control Switch
—	106M080	Part Numbers & Schematics Guide – Blastmaster® 3.5 Cu. Ft. HP-Series Abrasive Blasting Pot
—	106M087	Part Numbers & Schematics Guide – Blastmaster® 130E Remote Control System
—	106M069	Part Numbers & Schematics Guide – Blastmaster® Maxum III Abrasive Metering Valve
—	106M001	Part Numbers & Schematics Guide – Blastmaster® 156E Remote Control Switch
—	1090080	Operator's Manual – Blastmaster® 3.5 Cu. Ft. HP-Series Abrasive Blasting Pot
—	1090087	Operator's Manual – Blastmaster® 130E Remote Control System
—	1090069	Operator's Manual – Blastmaster® Maxum III Abrasive Metering Valve
—	1090001	Operator's Manual – Blastmaster® 156E Remote Control Switch

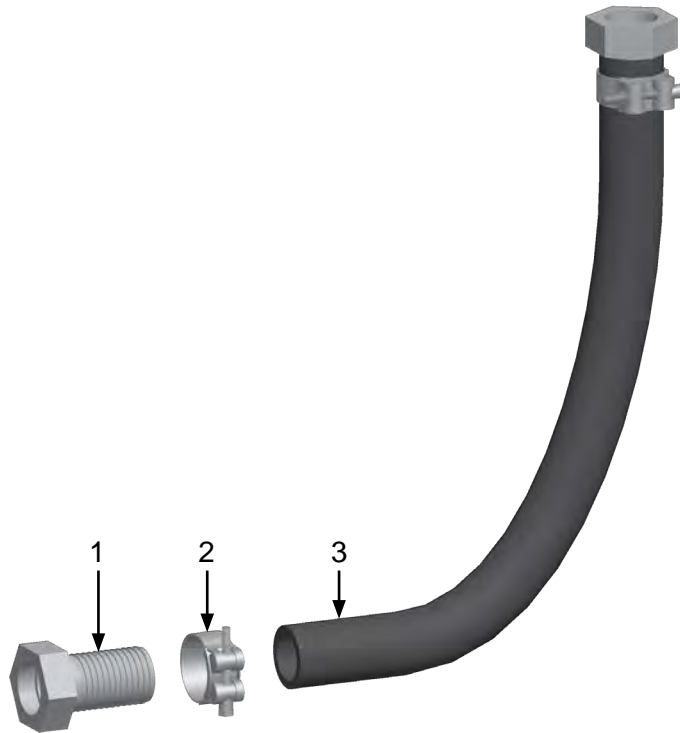
PART NUMBERS & SCHEMATICS

Figure 4: Blastmaster® 3.5 Cu. Ft. HP-Series Abrasive Blasting Pot – Electric



PART NUMBERS & SCHEMATICS

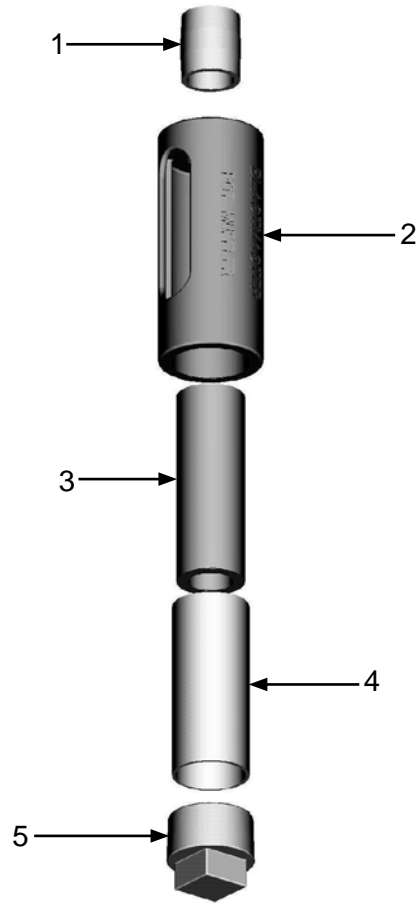
Figure 5: Pusher Line Assembly



Item #	Part #	Description
Fig. 5		
—	1006312	1-1/2" I.D. Pusher Line Assembly <i>Includes Item #: 1, 2, and 3 (Quantity of Three Feet)</i>
1	10SFE4	1-1/2" Female Swivel Air Hose End <i>(Two Required)</i>
2	10103738	1-1/2" T-Bolt Hose Clamp <i>(Two Required)</i>
3	10AH112B	1-1/2" I.D. Air Hose
—	10SFE4G	Gasket for 10SFE4 Swivel Air Hose End <i>(Not Shown)</i>
—	1090059	Technical Data Sheet – Pusher Line Assemblies

PART NUMBERS & SCHEMATICS

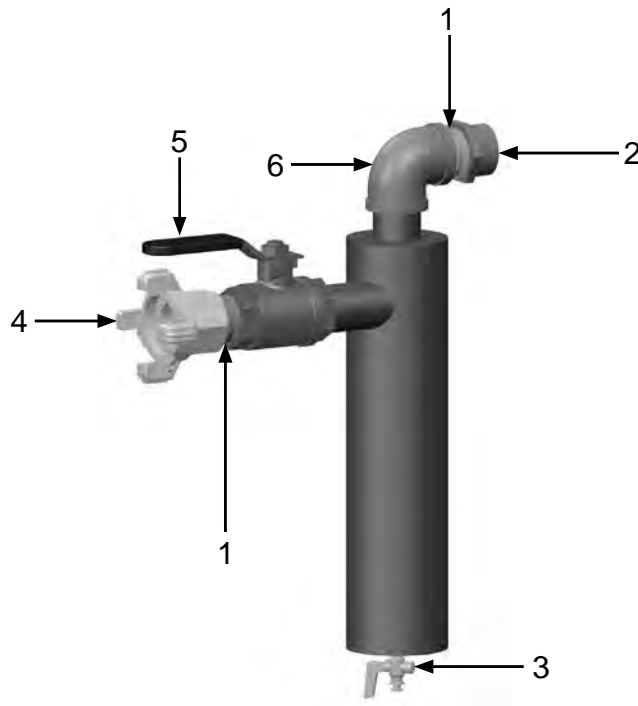
Figure 6: Blastmaster® Abrasive Blasting Pot Muffler



Item #	Part #	Description
Fig. 6		
—	1011100	Blastmaster® Abrasive Blasting Pot Muffler – Complete
1	1012151	1" Close Nipple
2	1011102	Body
3	1011103	Filter Element
4	1011104	Screen
5	1011101	1-1/2" Pipe Plug
—	1011105	Blastmaster® Abrasive Blasting Pot Muffler Service Kit <i>Includes Item #'s: 3 (Quantity of Three), 4, and 5</i>
—	105M347	Features and Specifications Guide – Blastmaster® Abrasive Blasting Pot Mufflers
—	106M347	Part Numbers And Schematics Guide – Blastmaster® Abrasive Blasting Pot Mufflers

OPTIONAL ACCESSORIES

Figure 7: Blastmaster® 1-1/4" Junior Extractor



Item #	Part #	Description
Fig. 7		
—	10101314	1-1/4" Junior Extractor Abrasive Blasting Pot Moisture Separator
1	1011201	1-1/4" NPT Close Nipple (<i>Two Required</i>)
2	1011501	1-1/2" x 1-1/4" Bushing
3	1012101	1/4" NPT Brass Petcock
4	10ME3	4-lug Air Hose End - 1-1/4" NPT (F)
5	1011602	1-1/4" NPT Full Port Ball Valve
6	1006204	1-1/4" NPT 90° Elbow
—	105M349	Features and Specifications Guide – Extractor Moisture Separators
—	106M349	Part Numbers and Schematics Guide – Extractor Moisture Separators

OPTIONAL ACCESSORIES

Figure 8: Lid and Screen



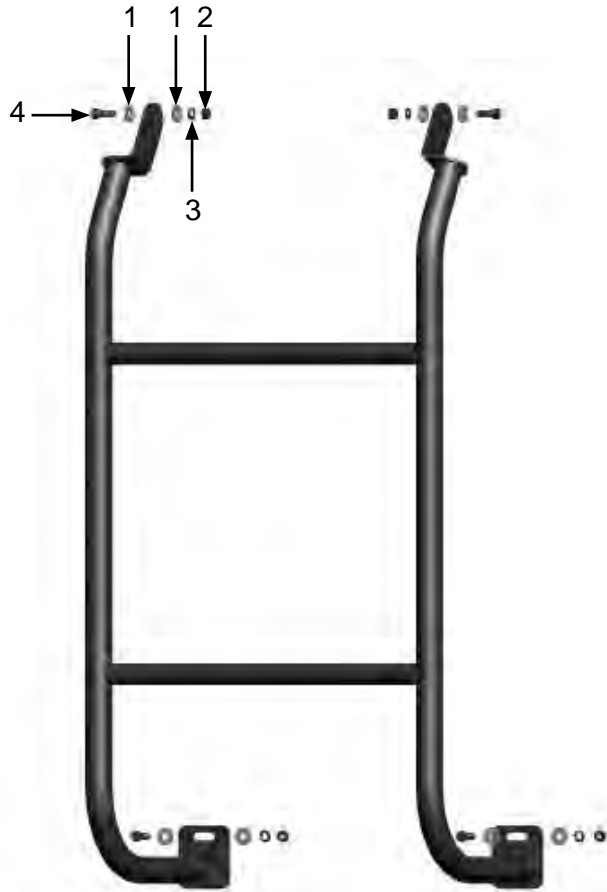
Item #	Part #	Description
--------	--------	-------------

Fig. 8

1	1035060	18" Lid
2	1035061	18" Screen
3	10100732	Abrasive Umbrella (<i>Screen Not Included</i>)

OPTIONAL ACCESSORIES

Figure 9: Loading Skid



Item #	Part #	Description
--------	--------	-------------

Fig. 9

—	1035040	Loading Skid – Complete
---	---------	-------------------------

1	10L805003	5/16" Zinc Flat Washer
---	-----------	------------------------

2	1035046	5/16-18 Nut
---	---------	-------------

3	10L805014	5/16" Lock Washer
---	-----------	-------------------

4	1035045	5/16-18 x 1" Bolt
---	---------	-------------------

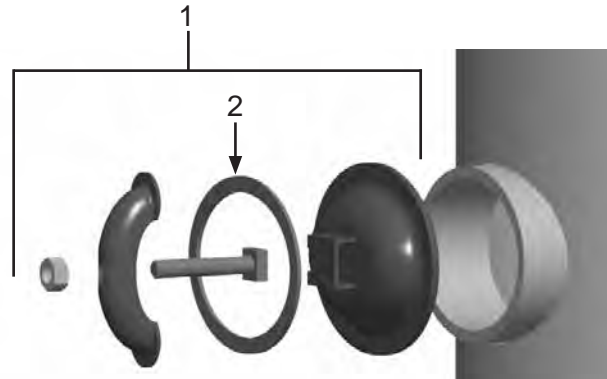
PART NUMBERS

BLASTMASTER® 3.5 CU. FT. M-SERIES ABRASIVE BLASTING POT

Part Numbers	Power Source	Blastmaster® Remote Control System	Blastmaster® Remote Control Switch	Blastmaster® Bantam Abrasive Metering Valve	1-1/4" Junior Extractor Abrasive Blasting Pot Moisture Separator	Loading Skid
1035202	Pneumatic	125P	150P	1-1/4"		
1035202PKA	Pneumatic	125P	150P	1-1/4"	X	
1035202PKALS	Pneumatic	125P	150P	1-1/4"	X	X
1035202LS	Pneumatic	125P	150P	1-1/4"		X
1035203	Pneumatic	125P	150P	1-1/2"		
1035203PKA	Pneumatic	125P	150P	1-1/2"	X	
1035203PKALS	Pneumatic	125P	150P	1-1/2"	X	X
1035203LS	Pneumatic	125P	150P	1-1/2"		X
1035205	12-Volt DC	125E	151E	1-1/4"		
1035205PKA	12-Volt DC	125E	151E	1-1/4"	X	
1035205PKALS	12-Volt DC	125E	151E	1-1/4"	X	X
1035205LS	12-Volt DC	125E	151E	1-1/4"		X
1035206	12-Volt DC	125E	151E	1-1/2"		
1035206PKA	12-Volt DC	125E	151E	1-1/2"	X	
1035206PKALS	12-Volt DC	125E	151E	1-1/2"	X	X
1035206LS	12-Volt DC	125E	151E	1-1/2"		X
1035208	120-Volt AC	125E	151E	1-1/4"		
1035208PKA	120-Volt AC	125E	151E	1-1/4"	X	
1035208PKALS	120-Volt AC	125E	151E	1-1/4"	X	X
1035208LS	120-Volt AC	125E	151E	1-1/4"		X
1035209	120-Volt AC	125E	151E	1-1/2"		
1035209PKA	120-Volt AC	125E	151E	1-1/2"	X	
1035209PKALS	120-Volt AC	125E	151E	1-1/2"	X	X
1035209LS	120-Volt AC	125E	151E	1-1/2"		X

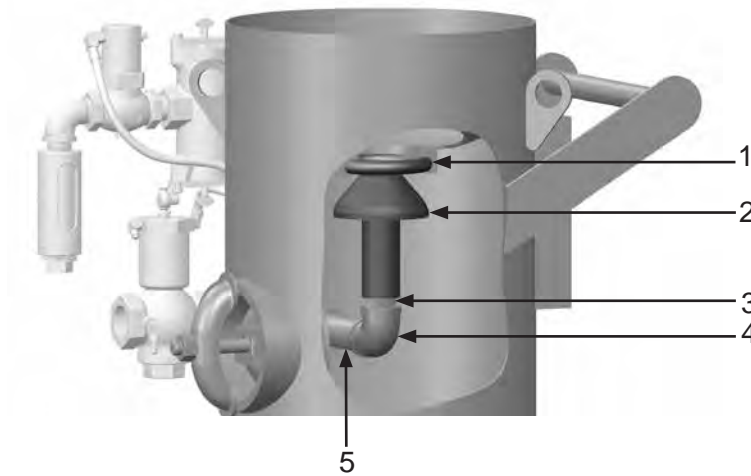
PART NUMBERS & SCHEMATICS

Figure 1: Inspection Door Assembly



Item #	Part #	Description
Fig. 1		
1	1006200	6" x 8" Inspection Door Assembly
2	1006201	Gasket

Figure 2: Pop-Up Valve Assembly



Item #	Part #	Description
Fig. 2		
1	1006050	Pop-Up Valve Seat
2	1006020	Pop-Up Valve – External Sleeve
3	1006206	1-1/4" NPT x 5" Toe Nipple
4	1006204	1-1/4" 90° Elbow
5	1006208	1-1/4" NPT x 5-1/2" Pipe Nipple

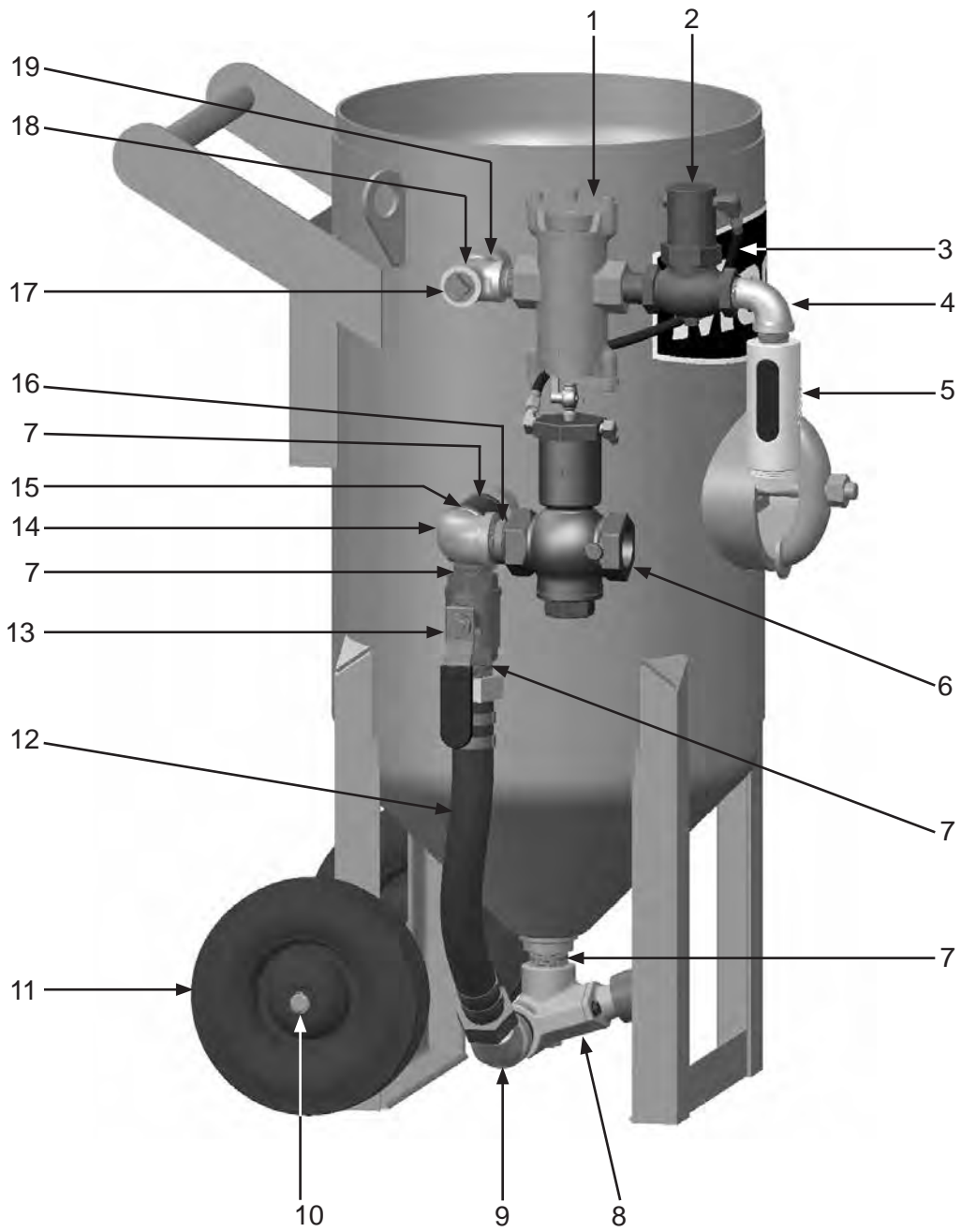
PART NUMBERS & SCHEMATICS

Blastmaster® 3.5 Cu. Ft. M-Series Abrasive Blasting Pot – Pneumatic

Item #	Part #	Description
Fig. 3		
1	1012000	1" Abrasive Trap - Complete
2	1012050	1" Outlet Valve - Complete
3	10CL18	18" Single Control Line
4	1011801	1" NPT Street Elbow
5	1011100	Abrasive Blasting Pot Muffler (See Fig. 6)
6	1012200	1-1/2" Inlet Valve – Complete
7	1011201	1-1/4" NPT Close Nipple
8	1014101	Blastmaster® 1-1/4" Bantam Abrasive Metering Valve – Complete
—	1014102	Blastmaster® 1-1/2" Bantam Abrasive Metering Valve – Complete
9	1011830	1-1/4" 45° Street Elbow
—	1011805	1-1/2" 45° Street Elbow
10	1006211	Wheel Clip (<i>Two Required</i>)
11	1006067	10" Wheel (<i>Two Required</i>)
12	1006311	1-1/4" I.D. Pusher Line Assembly (See Fig. 5)
—	1006312	1-1/2" I.D. Pusher Line Assembly (See Fig. 5)
13	1011602	1-1/4" NPT Full Port Brass Ball Valve
—	1011603	1-1/2" NPT Full Port Brass Ball Valve
14	1011839	1-1/2" NPT Street Elbow
15	1011834	1-1/4" x 1-1/2" x 1-1/4" NPT Pipe Tee
—	1011833	1-1/4" x 1-1/2" x 1-1/2" NPT Pipe Tee
16	1014015	1-1/2" NPT Close Nipple
17	1011901	1" NPT Square Head Pipe Plug
18	1011816	1" NPT Pipe Tee
19	1011843	1" x 2-1/2" NPT Close Nipple
—	105M057	Features and Specifications Guide – Blastmaster® 3.5 Cu. Ft. M-Series Abrasive Blasting Pot
—	105M014	Features and Specifications Guide – Blastmaster® 125P Remote Control System
—	105M022	Features and Specifications Guide – Blastmaster® Bantam Abrasive Metering Valve
—	105M023	Features and Specifications Guide – Blastmaster® 150P Remote Control Switch
—	106M057	Part Numbers & Schematics Guide – Blastmaster® 3.5 Cu. Ft. M-Series Abrasive Blasting Pot
—	106M014	Part Numbers & Schematics Guide – Blastmaster® 125P Remote Control System
—	106M022	Part Numbers & Schematics Guide – Blastmaster® Bantam Abrasive Metering Valve
—	106M023	Part Numbers & Schematics Guide – Blastmaster® 150P Remote Control Switch
—	1090057	Operator's Manual – Blastmaster® 3.5 Cu. Ft. M-Series Abrasive Blasting Pot
—	1090014	Operator's Manual – Blastmaster® 125P Remote Control System
—	1090022	Operator's Manual – Blastmaster® Bantam Abrasive Metering Valve
—	1090053	Operator's Manual – Blastmaster® 150P Remote Control Switch

PART NUMBERS & SCHEMATICS

Figure 3: Blastmaster® 3.5 Cu. Ft. M-Series Abrasive Blasting Pot – Pneumatic



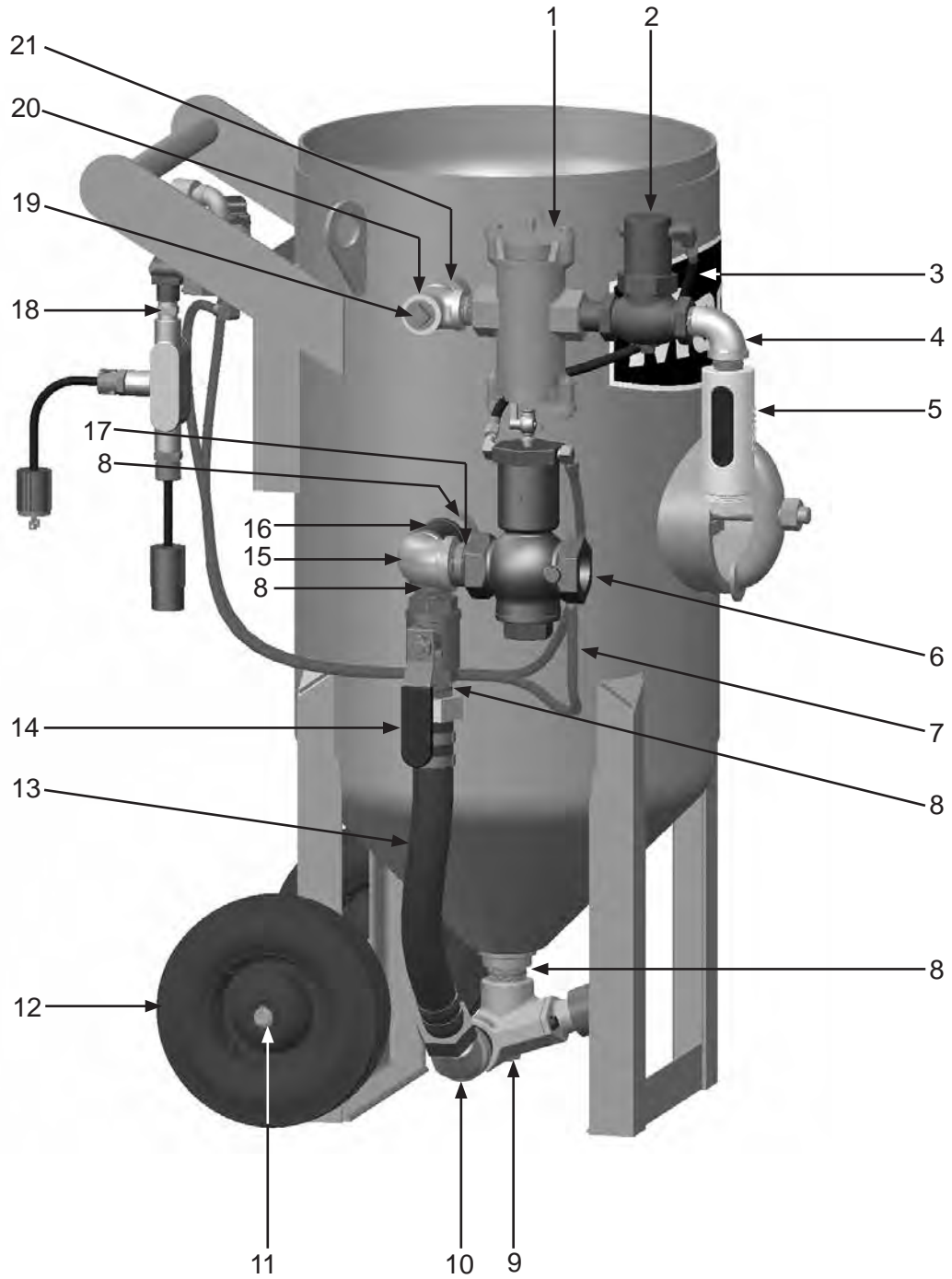
PART NUMBERS & SCHEMATICS

Blastmaster® 3.5 Cu. Ft. M-Series Abrasive Blasting Pot – Electric

Item #	Part #	Description
Fig. 4		
1	1012000	1" Abrasive Trap (See Literature 106M088)
2	1012050	1" Outlet Valve (See Literature 106M088)
3	10CL18	18" Control Line
4	1011801	1" Galvanized Street Elbow
5	1011100	Abrasive Blasting Pot Muffler (See Fig. 6)
6	1012200	1-1/2" Inlet Valve (See Literature 106M088)
7	10AH025	1/4" Push-on Air Hose (Per Foot)
8	1011201	1-1/4" NPT Close Nipple
9	1014101	Blastmaster® 1-1/4" Bantam Abrasive Metering Valve – Complete
—	1014102	Blastmaster® 1-1/2" Bantam Abrasive Metering Valve – Complete
10	1011830	1-1/4" 45° Street Elbow
—	1011805	1-1/2" 45° Street Elbow
11	1006205	1" Wheel Clip (Four Required)
12	1006067	10" Wheel (Two Required)
13	1006312	1-1/2" I.D. Pusher Line Assembly (See Fig. 5)
14	1011602	1-1/4" NPT Full Port Brass Ball Valve
—	1011603	1-1/2" NPT Full Port Brass Ball Valve
15	1011839	1-1/2" NPT Street Elbow
16	1011834	1-1/4" x 1-1/2" x 1-1/4" NPT Pipe Tee
—	1011833	1-1/4" x 1-1/2" x 1-1/2" NPT Pipe Tee
17	1014015	1-1/2" NPT Close Nipple
18	1019001	12-Volt DC 190 Electric Control Assembly (See Literature 106M088)
—	1019002	12-Volt AC 190 Electric Control Assembly (See Literature 106M088)
19	1011901	1" Galvanized Square Head Pipe Plug
20	1011816	1" Galvanized Pipe Tee
21	1011843	1" x 2-1/2" NPT Close Nipple
—	105M071	Features and Specifications Guide – Blastmaster® 3.5 Cu. Ft. M-Series Abrasive Blasting Pot
—	105M088	Features and Specifications Guide – Blastmaster® 125E Remote Control System
—	105M022	Features and Specifications Guide – Blastmaster® Bantam Abrasive Metering Valve
—	105M063	Features and Specifications Guide – Blastmaster® 151E Remote Control Switch
—	106M071	Part Numbers & Schematics Guide – Blastmaster® 3.5 Cu. Ft. M-Series Abrasive Blasting Pot
—	106M088	Part Numbers & Schematics Guide – Blastmaster® 125E Remote Control System
—	106M022	Part Numbers & Schematics Guide – Blastmaster® Bantam Abrasive Metering Valve
—	106M063	Part Numbers & Schematics Guide – Blastmaster® 151E Remote Control Switch
—	1090071	Operator's Manual – Blastmaster® 3.5 Cu. Ft. M-Series Abrasive Blasting Pot
—	1090088	Operator's Manual – Blastmaster® 125E Remote Control System
—	1090022	Operator's Manual – Blastmaster® Bantam Abrasive Metering Valve
—	1090063	Operator's Manual – Blastmaster® 151E Remote Control Switch

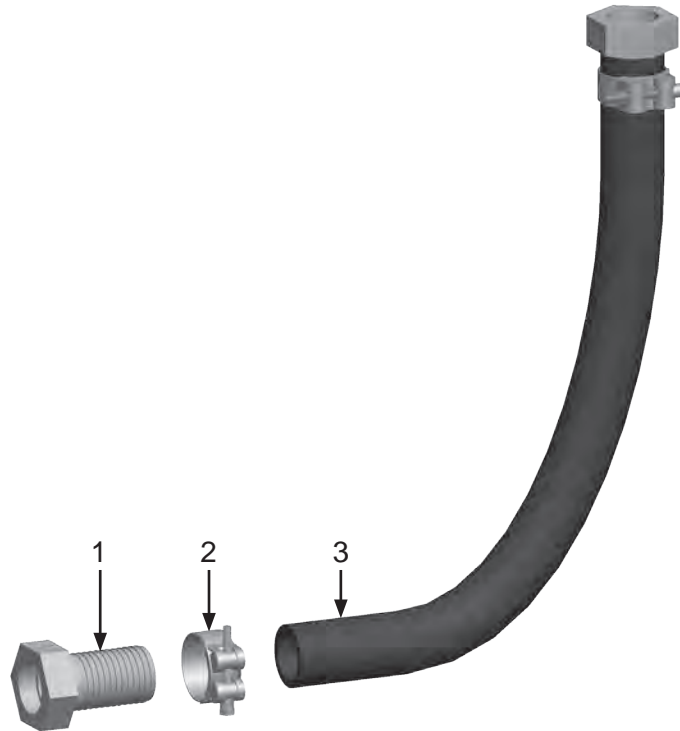
PART NUMBERS & SCHEMATICS

Figure 4: Blastmaster® 3.5 Cu. Ft. M-Series Abrasive Blasting Pot – Electric



PART NUMBERS & SCHEMATICS

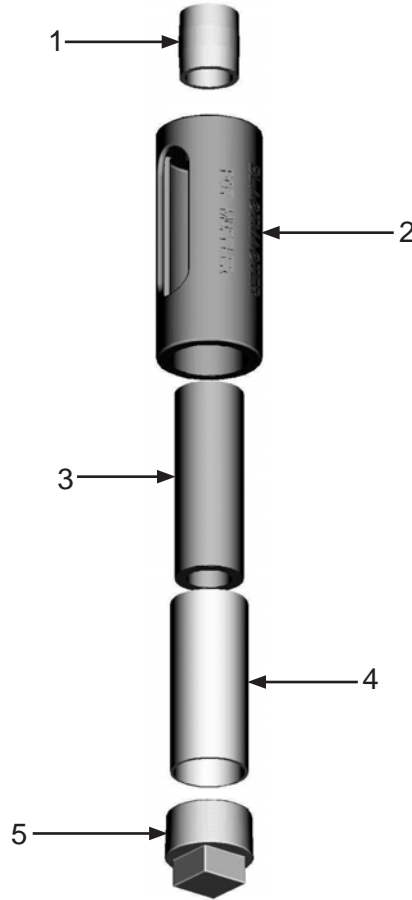
Figure 5: Pusher Line Assembly



Item #	Part #	Description
Fig. 5		
—	1006311	1-1/4" I.D. Pusher Line Assembly <i>Includes Item #: 1, 2, and 3 (Quantity of Three Feet)</i>
—	1006312	1-1/2" I.D. Pusher Line Assembly <i>Includes Item #: 1, 2, and 3 (Quantity of Three Feet)</i>
1	10SFE3 10SFE4	1-1/4" Female Swivel Air Hose End <i>(Two Required)</i> 1-1/2" Female Swivel Air Hose End <i>(Two Required)</i>
2	10103737 10103738	1-1/4" T-Bolt Hose Clamp <i>(Two Required)</i> 1-1/2" T-Bolt Hose Clamp <i>(Two Required)</i>
3	10AH114B 10AH112B	1-1/4" I.D. Air Hose 1-1/2" I.D. Air Hose
—	10SFE3G	Gasket for 10SFE3 Swivel Air Hose End <i>(Not Shown)</i>
—	10SFE4G	Gasket for 10SFE4 Swivel Air Hose End <i>(Not Shown)</i>
—	1090059	Technical Data Sheet – Pusher Line Assemblies

PART NUMBERS & SCHEMATICS

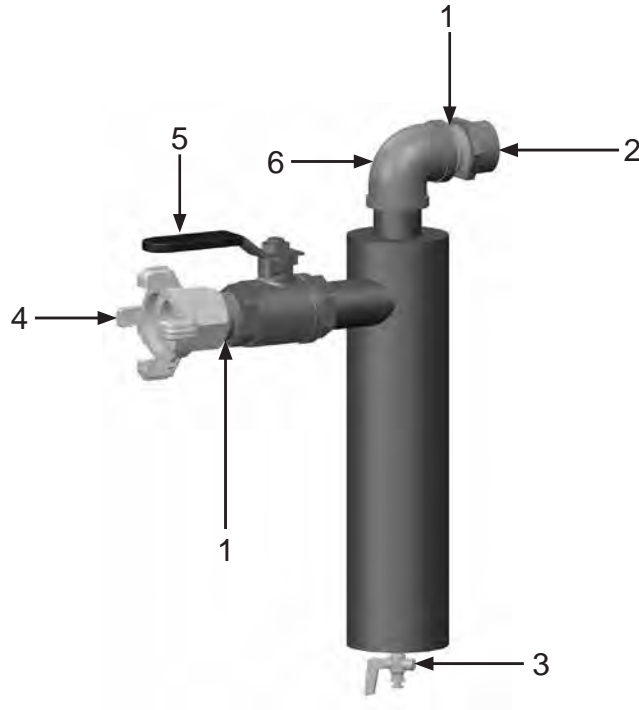
Figure 6: Blastmaster® Abrasive Blasting Pot Muffler



Item #	Part #	Description
Fig. 6		
—	1011100	Blastmaster® Abrasive Blasting Pot Muffler – Complete
1	1012151	1" Close Nipple
2	1011102	Body
3	1011103	Filter Element
4	1011104	Screen
5	1011101	1-1/2" Pipe Plug
—	1011105	Blastmaster® Abrasive Blasting Pot Muffler Service Kit <i>Includes Item #'s: 3 (Quantity of Three), 4, and 5</i>
—	105M347	Features and Specifications Guide – Blastmaster® Abrasive Blasting Pot Mufflers
—	106M347	Part Numbers And Schematics Guide – Blastmaster® Abrasive Blasting Pot Mufflers

OPTIONAL ACCESSORIES

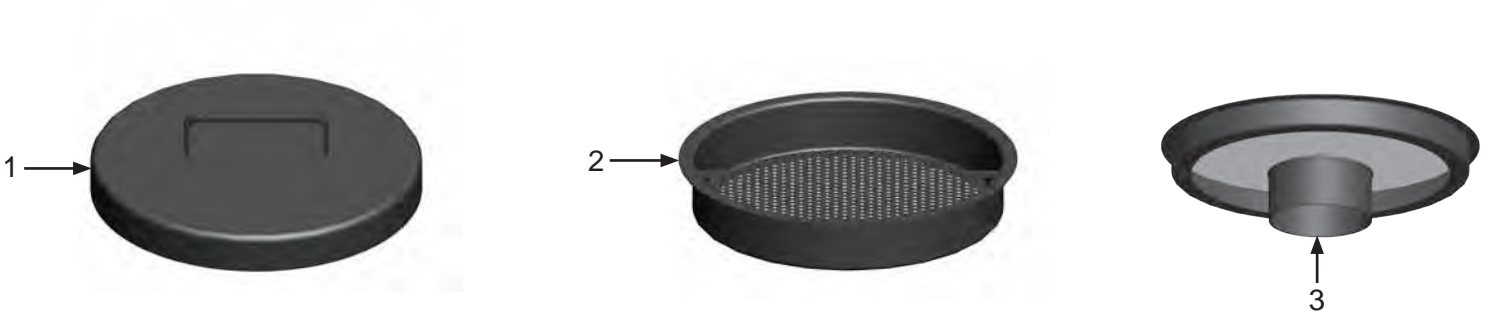
Figure 7: 1-1/4" Junior Extractor Abrasive Blasting Pot Moisture Separator



Item #	Part #	Description
Fig. 7		
—	10101314	1-1/4" Junior Extractor Abrasive Blasting Pot Moisture Separator
1	1011201	1-1/4" NPT Close Nipple (<i>Two Required</i>)
2	1011501	1-1/2" x 1-1/4" Bushing
3	1012101	1/4" NPT Brass Petcock
4	10ME3	4-lug Air Hose End - 1-1/4" NPT (F)
5	1011602	1-1/4" NPT Full Port Ball Valve
6	1006204	1-1/4" NPT 90° Elbow
—	105M349	Features and Specifications Guide – Extractor Moisture Separators
—	106M349	Part Numbers and Schematics Guide – Extractor Moisture Separators

OPTIONAL ACCESSORIES

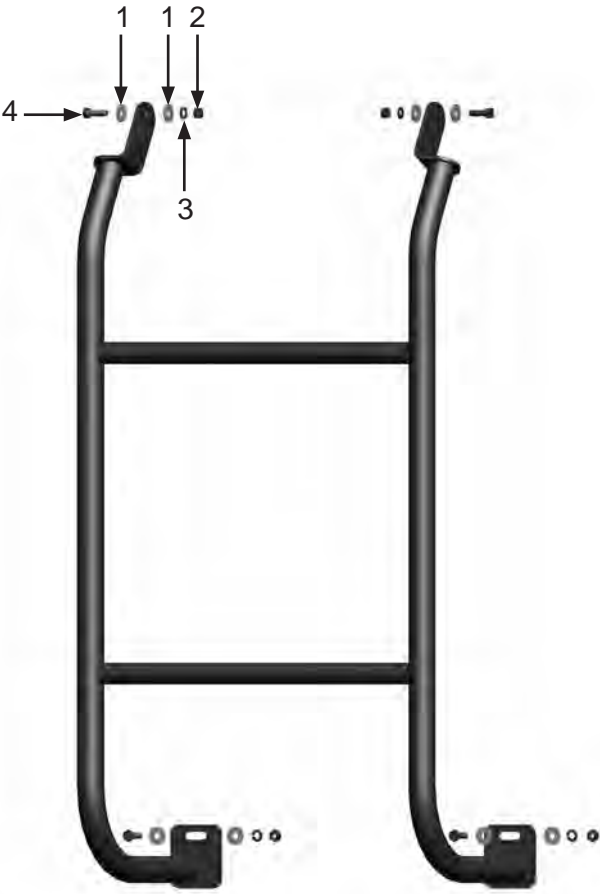
Figure 8: Lid and Screen



Item #	Part #	Description
1	1035060	18" Lid
2	1035061	18" Screen
3	10100732	Abrasive Umbrella (<i>Screen Not Included</i>)

OPTIONAL ACCESSORIES

Figure 9: Loading Skid



Item #	Part #	Description
Fig. 9		
1	10L805003	5/16" Zinc Flat Washer
2	1035046	5/16-18 Nut
3	10L805014	5/16" Lock Washer
4	1035045	5/16-18 x 1" Bolt

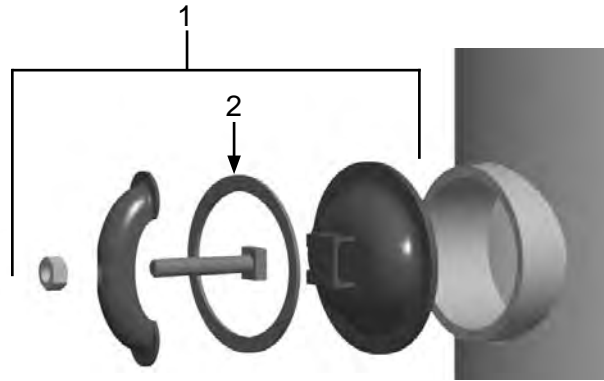
PART NUMBERS

BLASTMASTER® 3.5 CU. FT. S-SERIES ABRASIVE BLASTING POT

Part Numbers	Power Source	Blastmaster® Remote Control System	Blastmaster® Remote Control Switch	Blastmaster® Bantam Abrasive Metering Valve	1-1/4" Junior Extractor Abrasive Blasting Pot Moisture Separator	Loading Skid
1035002	Pneumatic	123P	152P	1-1/4"		
1035002PKA	Pneumatic	123P	152P	1-1/4"	X	
1035003	Pneumatic	123P	152P	1-1/2"		
1035003PKA	Pneumatic	123P	152P	1-1/2"	X	
1035003PKALS	Pneumatic	123P	152P	1-1/2"	X	X
1035003LS	Pneumatic	123P	152P	1-1/2"		X
1035005	12-Volt DC	123E	151E	1-1/4"		
1035005PKA	12-Volt DC	123E	151E	1-1/4"	X	
1035005PKALS	12-Volt DC	123E	151E	1-1/4"	X	X
1035005LS	12-Volt DC	123E	151E	1-1/4"		X
1035006	12-Volt DC	123E	151E	1-1/2"		
1035006PKA	12-Volt DC	123E	151E	1-1/2"	X	
1035006PKALS	12-Volt DC	123E	151E	1-1/2"	X	X
1035006LS	12-Volt DC	123E	151E	1-1/2"		X
1035008	120-Volt AC	123E	151E	1-1/4"		
1035008PKA	120-Volt AC	123E	151E	1-1/4"	X	
1035008PKALS	120-Volt AC	123E	151E	1-1/4"	X	X
1035008LS	120-Volt AC	123E	151E	1-1/4"		X
1035009	120-Volt AC	123E	151E	1-1/2"		
1035009PKA	120-Volt AC	123E	151E	1-1/2"	X	
1035009PKALS	120-Volt AC	123E	151E	1-1/2"	X	X
1035009LS	120-Volt AC	123E	151E	1-1/2"		X

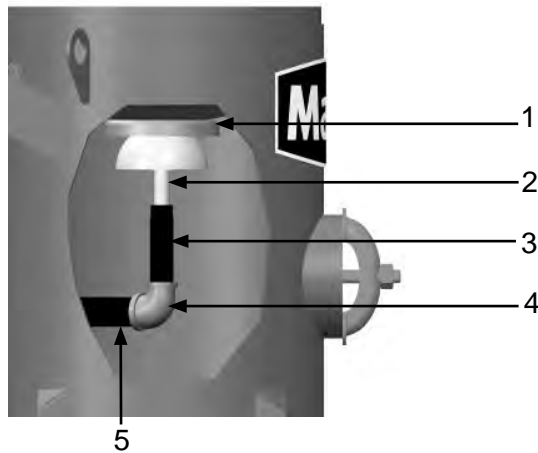
PART NUMBERS AND SCHEMATICS

Figure 1: Inspection Door Assembly



Item #	Part #	Description
Fig. 1		
1	1006200	6" x 8" Inspection Door Assembly
2	1006201	Gasket

Figure 2: Pop-up Valve Assembly



Item #	Part #	Description
Fig. 2		
1	1006040	Pop Up Valve Seat
2	1006030	Pop Up Valve
3	1011815	1" x 5" NPT Pipe Nipple
4	1006210	1-1/4" x 1" Reducing Pipe Elbow
5	1011200	1-1/4" x 7" NPT Pipe Nipple

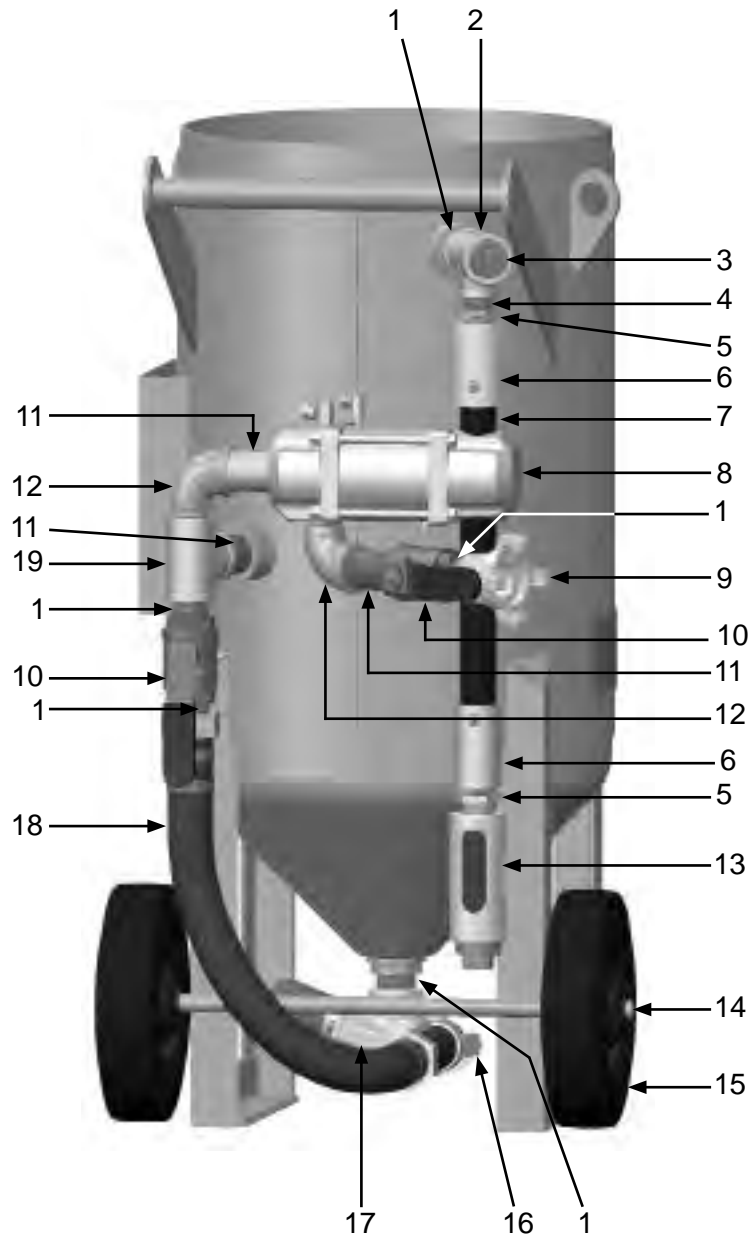
PART NUMBERS AND SCHEMATICS

Blastmaster® 3.5 Cu. Ft. S-Series Abrasive Blasting Pot — Pneumatic — 1-1/4”

Item #	Part #	Description
Fig. 3		
1	1011201	1-1/4" Galvanized Close Nipple (<i>Five Required</i>)
2	1011817	1-1/4" x 1-1/4" x 1" Pipe Tee
3	1011902	1-1/4" Galvanized Square Head Pipe Plug
4	1012151	1" Galvanized Close Nipple
5	1012157	1-1/4" x 1" Bushing (<i>Two Required</i>)
6	10NHA1	3/4" Aluminum Nozzle Holder (<i>Two Required</i>)
7	10BH0342BR	Blastmaster® 3/4" I.D. Heavy-Duty Abrasive Blasting Hose (<i>Per Foot</i>)
8	1012300	Blastmaster® Tandem Valve – Complete (See Literature 1090007)
9	10ME3	1-1/4" NPT (F) Air Hose Fitting
10	1011602	1-1/4" NPT Full Port Brass Ball Valve (<i>Two Required</i>)
11	1011204	1-1/4" x 3" Galvanized Nipple (<i>Three Required</i>)
12	1011802	1-1/4" Galvanized Street Elbow (<i>Two Required</i>)
13	1011100	Blastmaster® Abrasive Blasting Pot Muffler (<i>See Fig. 8</i>)
14	1006067	10" Wheel (<i>Two Required</i>)
15	1006211	Wheel Clip for 10" Wheels (<i>Two Required</i>)
16	10SB2S	1-1/2" NPT Brass Tank Coupling
17	1014101	Blastmaster® 1-1/4" Bantam Abrasive Metering Valve (See Literature 1090022)
18	—	1-1/4" Pusher Line Assembly (<i>See Fig. 7</i>)
19	1011803	1-1/4" Galvanized Pipe Tee
—	1012350	Blowdown Hose Assembly <i>Includes Item #'s: 6 (Quantity of One), and 7 (Quantity of Two Feet)</i>
—	105M007	Features and Specifications Guide – Blastmaster® 123P Remote Control System
—	105M022	Features and Specifications Guide – Blastmaster® Bantam Abrasive Metering Valve
—	105M054	Features and Specifications Guide – Blastmaster® 6.5 Cu. Ft. S-Series Abrasive Blasting Pot
—	105M068	Features and Specifications Guide – Blastmaster® 152P Remote Control Switch
—	106M007	Part Numbers & Schematics Guide – Blastmaster® 123P Remote Control System
—	106M022	Part Numbers & Schematics Guide – Blastmaster® Bantam Abrasive Metering Valve
—	106M054	Part Numbers & Schematics Guide – Blastmaster® 6.5 Cu. Ft. S-Series Abrasive Blasting Pot
—	106M068	Part Numbers & Schematics Guide – Blastmaster® 152P Remote Control Switch
—	1090007	Operator's Manual – Blastmaster® 123P Remote Control System
—	1090022	Operator's Manual – Blastmaster® Bantam Abrasive Metering Valve
—	1090054	Operator's Manual – Blastmaster® 6.5 Cu. Ft. S-Series Abrasive Blasting Pot
—	1090068	Operator's Manual – Blastmaster® 152P Remote Control Switch

PART NUMBERS AND SCHEMATICS

Figure 3: Blastmaster® 3.5 Cu. Ft. S-Series Abrasive Blasting Pot — Pneumatic — 1-1/4”



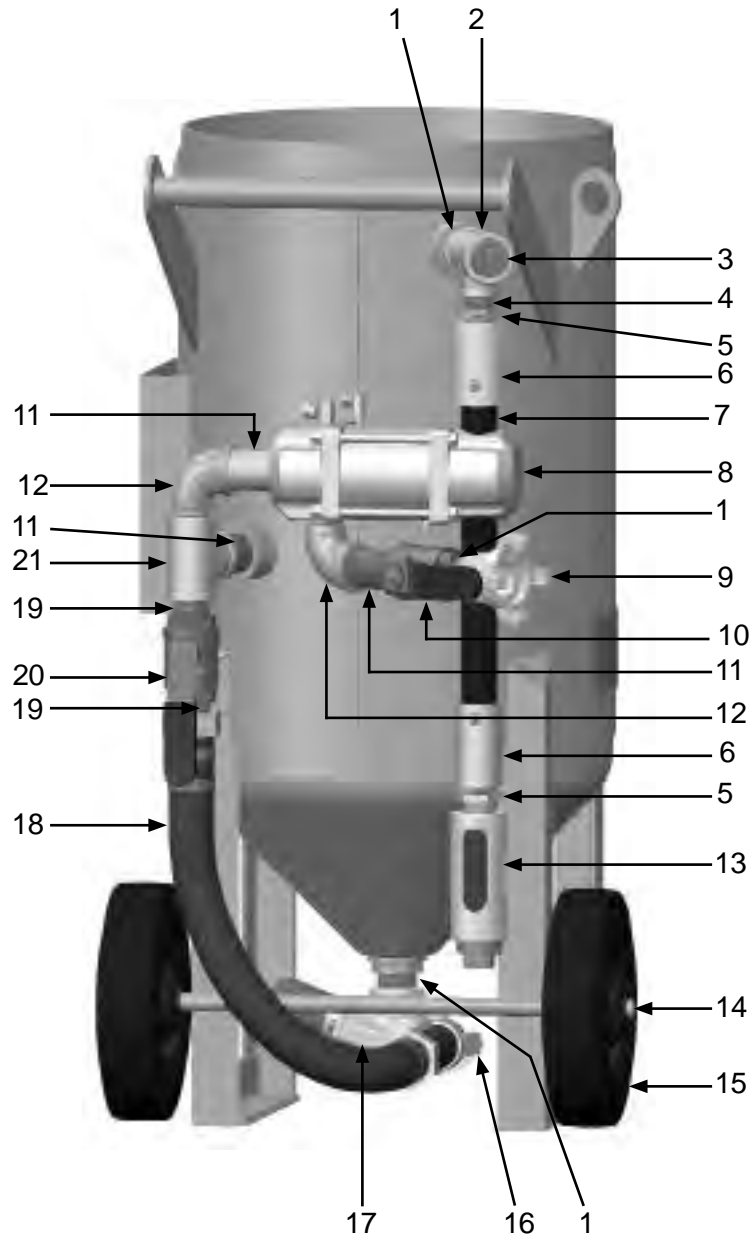
PART NUMBERS AND SCHEMATICS

Blastmaster® 3.5 Cu. Ft. S-Series Abrasive Blasting Pot — Pneumatic — 1-1/2”

Item #	Part #	Description
Fig. 4		
1	1011201	1-1/4" Galvanized Close Nipple <i>(Three Required)</i>
2	1011817	1-1/4" x 1-1/4" x 1" Pipe Tee
3	1011902	1-1/4" Galvanized Square Head Pipe Plug
4	1012151	1" Galvanized Close Nipple
5	1012157	1-1/4" x 1" Bushing <i>(Two Required)</i>
6	10NHA1	3/4" Aluminum Nozzle Holder <i>(Two Required)</i>
7	10BH0342BR	Blastmaster® 3/4" I.D. Heavy-Duty Abrasive Blasting Hose <i>(Per Foot)</i>
8	1012300	Blastmaster® Tandem Valve – Complete (See Literature 1090007)
9	10ME3	1-1/4" NPT (F) Air Hose Fitting
10	1011602	1-1/4" NPT Full Port Brass Ball Valve
11	1011204	1-1/4" x 3" Galvanized Nipple <i>(Three Required)</i>
12	1011802	1-1/4" Galvanized Street Elbow
13	1011100	Blastmaster® Abrasive Blasting Pot Muffler <i>(See Fig. 8)</i>
14	1006067	10" Wheel <i>(Two Required)</i>
15	1006211	Wheel Clip for 10" Wheels <i>(Two Required)</i>
16	10SB2S	1-1/2" NPT Brass Tank Coupling
17	1014102	Blastmaster® 1-1/2" Bantam Abrasive Metering Valve (See Literature 1090022)
18	—	1-1/2" Pusher Line Assembly <i>(See Fig. 7)</i>
19	1014015	1-1/2" Galvanized Close Nipple <i>(Two Required)</i>
20	1011603	1-1/2" NPT Full Port Brass Ball Valve
21	1011834	1-1/2" x 1-1/4" x 1-1/4" Galvanized Pipe Tee
—	1012350	Blowdown Hose Assembly <i>Includes Item #'s: 6 (Quantity of One), and 7 (Quantity of Two Feet)</i>
—	105M007	Features and Specifications Guide – Blastmaster® 123P Remote Control System
—	105M022	Features and Specifications Guide – Blastmaster® Bantam Abrasive Metering Valve
—	105M054	Features and Specifications Guide – Blastmaster® 6.5 Cu. Ft. S-Series Abrasive Blasting Pot
—	105M068	Features and Specifications Guide – Blastmaster® 152P Remote Control Switch
—	106M007	Part Numbers & Schematics Guide – Blastmaster® 123P Remote Control System
—	106M022	Part Numbers & Schematics Guide – Blastmaster® Bantam Abrasive Metering Valve
—	106M054	Part Numbers & Schematics Guide – Blastmaster® 6.5 Cu. Ft. S-Series Abrasive Blasting Pot
—	106M068	Part Numbers & Schematics Guide – Blastmaster® 152P Remote Control Switch
—	1090007	Operator's Manual – Blastmaster® 123P Remote Control System
—	1090022	Operator's Manual – Blastmaster® Bantam Abrasive Metering Valve
—	1090054	Operator's Manual – Blastmaster® 6.5 Cu. Ft. S-Series Abrasive Blasting Pot
—	1090068	Operator's Manual – Blastmaster® 152P Remote Control Switch

PART NUMBERS AND SCHEMATICS

Figure 4: Blastmaster® 3.5 Cu. Ft. S-Series Abrasive Blasting Pot — Pneumatic — 1-1/2”



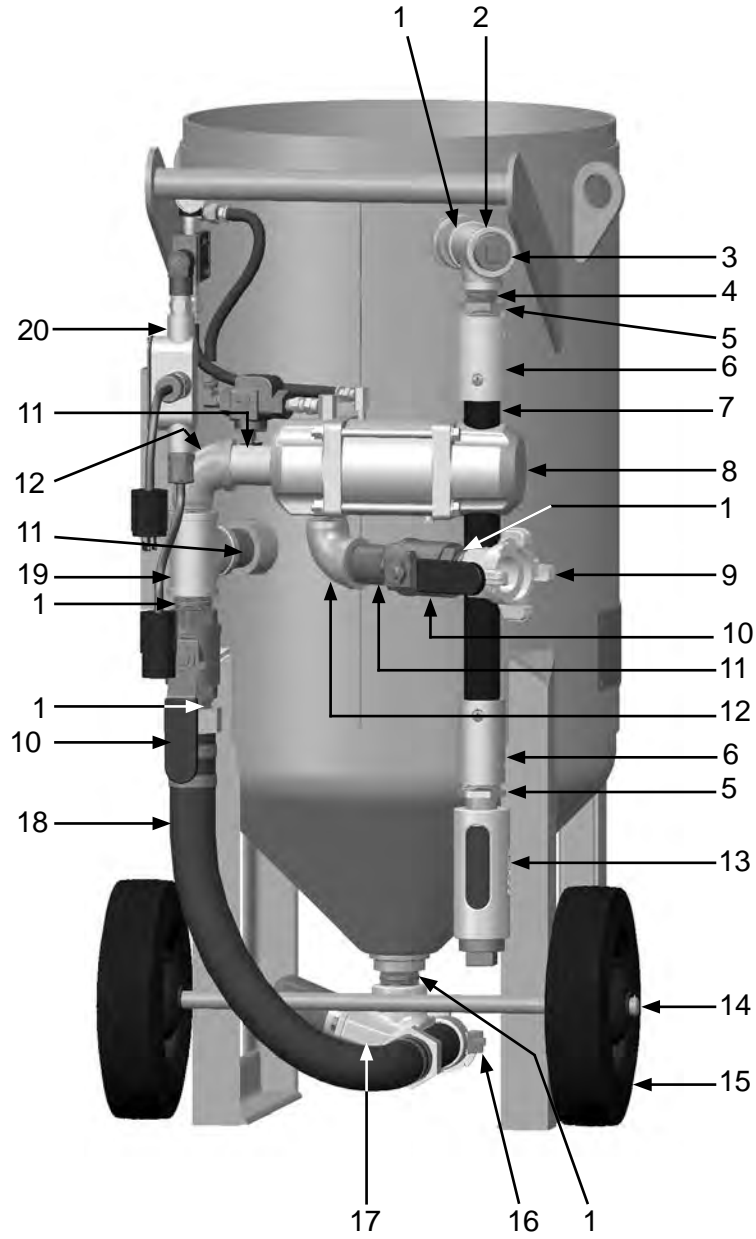
PART NUMBERS AND SCHEMATICS

Blastmaster® 3.5 Cu. Ft. S-Series Abrasive Blasting Pot — Electric — 1-1/4”

Item #	Part #	Description
Fig. 5		
1	1011201	1-1/4" Galvanized Close Nipple <i>(Five Required)</i>
2	1011817	1-1/4" x 1-1/4" x 1" Pipe Tee
3	1011902	1-1/4" Galvanized Square Head Pipe Plug
4	1012151	1" Galvanized Close Nipple
5	1012157	1-1/4" x 1" Bushing <i>(Two Required)</i>
6	10NHA1	3/4" Aluminum Nozzle Holder <i>(Two Required)</i>
7	10BH0342BR	Blastmaster® 3/4" I.D. Heavy-Duty Abrasive Blasting Hose <i>(Per Foot)</i>
8	1012300	Blastmaster® Tandem Valve – Complete (See Literature 1090007)
9	10ME3	1-1/4" NPT (F) Air Hose Fitting
10	1011602	1-1/4" NPT Full Port Brass Ball Valve <i>(Two Required)</i>
11	1011204	1-1/4" x 3" Galvanized Nipple <i>(Three Required)</i>
12	1011802	1-1/4" Galvanized Street Elbow <i>(Two Required)</i>
13	1011100	Blastmaster® Abrasive Blasting Pot Muffler <i>(See Fig. 8)</i>
14	1006067	10" Wheel <i>(Two Required)</i>
15	1006211	Wheel Clip for 10" Wheels <i>(Two Required)</i>
16	10SB2S	1-1/2" NPT Brass Tank Coupling
17	1014101	Blastmaster® 1-1/4" Bantam Abrasive Metering Valve (See Literature 1090022)
18	—	1-1/4" Pusher Line Assembly <i>(See Fig. 7)</i>
19	1011834	1-1/2" x 1-1/4" x 1-1/4" Galvanized Pipe Tee
20	1019051	12-Volt DC 190 Electric Control Assembly (See Literature 1090089)
—	1019052	12-Volt AC 190 Electric Control Assembly (See Literature 1090089)
—	1012350	Blowdown Hose Assembly <i>Includes Item #'s: 6 (Quantity of One), and 7 (Quantity of Two Feet)</i>
—	105M022	Features and Specifications Guide – Blastmaster® Bantam Abrasive Metering Valve
—	105M056	Features and Specifications Guide – Blastmaster® 3.5 Cu. Ft. S-Series Abrasive Blasting Pot
—	105M063	Features and Specifications Guide – Blastmaster® 151E Remote Control Switch
—	105M089	Features and Specifications Guide – Blastmaster® 123E Remote Control System
—	106M022	Part Numbers & Schematics Guide – Blastmaster® Bantam Abrasive Metering Valve
—	106M056	Part Numbers & Schematics Guide – Blastmaster® 3.5 Cu. Ft. S-Series Abrasive Blasting Pot
—	106M063	Part Numbers & Schematics Guide – Blastmaster® 151E Remote Control Switch
—	106M089	Part Numbers & Schematics Guide – Blastmaster® 123E Remote Control System
—	1090022	Operator's Manual – Blastmaster® Bantam Abrasive Metering Valve
—	1090056	Operator's Manual – Blastmaster® 3.5 Cu. Ft. S-Series Abrasive Blasting Pot
—	1090063	Operator's Manual – Blastmaster® 151E Remote Control Switch
—	1090089	Operator's Manual – Blastmaster® 123E Remote Control System

PART NUMBERS AND SCHEMATICS

Figure 5: Blastmaster® 3.5 Cu. Ft. S-Series Abrasive Blasting Pot — Electric — 1-1/4”



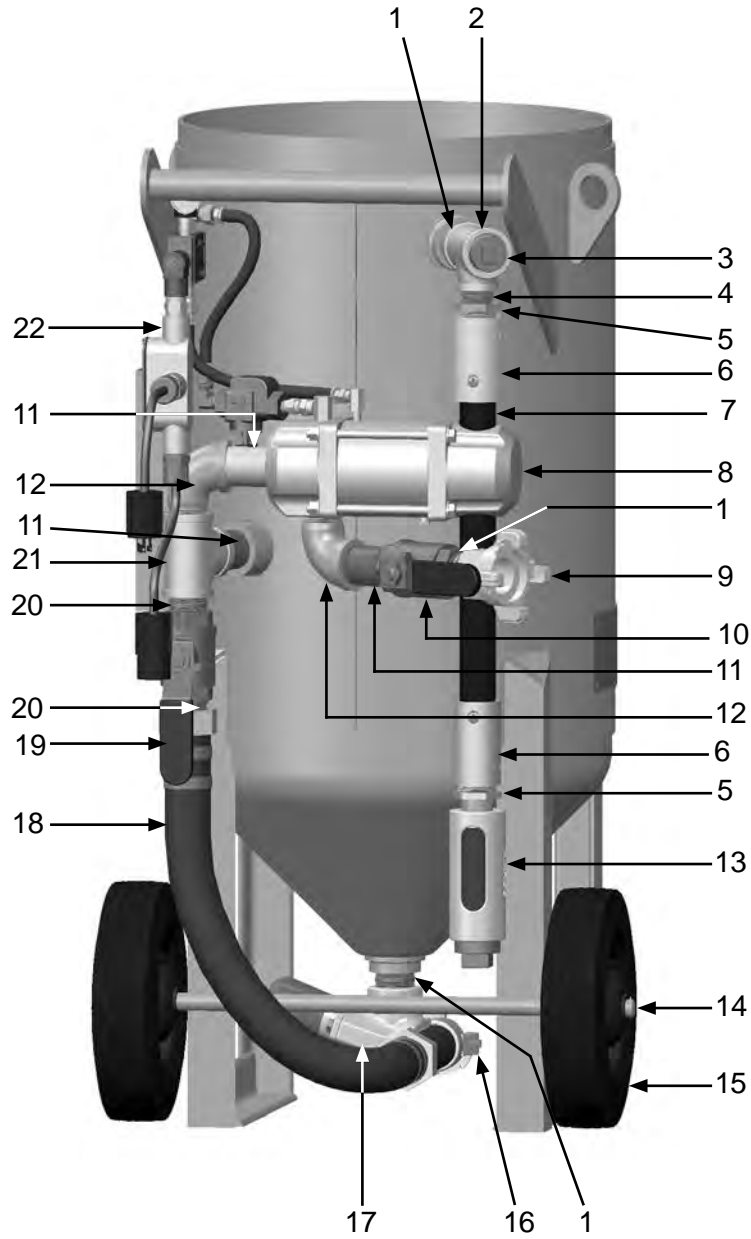
PART NUMBERS AND SCHEMATICS

Blastmaster® 3.5 Cu. Ft. S-Series Abrasive Blasting Pot — Electric — 1-1/2”

Item #	Part #	Description
Fig. 6		
1	1011201	1-1/4" Galvanized Close Nipple <i>(Three Required)</i>
2	1011817	1-1/4" x 1-1/4" x 1" Pipe Tee
3	1011902	1-1/4" Galvanized Square Head Pipe Plug
4	1012151	1" Galvanized Close Nipple
5	1012157	1-1/4" x 1" Bushing <i>(Two Required)</i>
6	10NHA1	3/4" Aluminum Nozzle Holder <i>(Two Required)</i>
7	10BH0342BR	Blastmaster® 3/4" I.D. Heavy-Duty Abrasive Blasting Hose <i>(Per Foot)</i>
8	1012300	Blastmaster® Tandem Valve – Complete (See Literature 1090007)
9	10ME3	1-1/4" NPT (F) Air Hose Fitting
10	1011602	1-1/4" NPT Full Port Brass Ball Valve
11	1011204	1-1/4" x 3" Galvanized Nipple <i>(Three Required)</i>
12	1011802	1-1/4" Galvanized Street Elbow <i>(Two Required)</i>
13	1011100	Blastmaster® Abrasive Blasting Pot Muffler <i>(See Fig. 8)</i>
14	1006067	10" Wheel <i>(Two Required)</i>
15	1006211	Wheel Clip for 10" Wheels <i>(Two Required)</i>
16	10SB2	1-1/2" NPT Brass Tank Coupling
17	1014102	Blastmaster® 1-1/2" Bantam Abrasive Metering Valve (See Literature 1090022)
18	—	1-1/2" Pusher Line Assembly <i>(See Fig. 7)</i>
19	1011603	1-1/2" NPT Full Port Brass Ball Valve
20	1014015	1-1/2" Galvanized Close Nipple
21	1011834	1-1/2" x 1-1/4" x 1-1/4" Galvanized Pipe Tee
22	1019051	12-Volt DC 190 Electric Control Assembly (See Literature 1090089)
—	1019052	12-Volt AC 190 Electric Control Assembly (See Literature 1090089)
—	1012350	Blowdown Hose Assembly <i>Includes Item #'s: 6 (Quantity of One), and 7 (Quantity of Two Feet)</i>
—	105M056	Features and Specifications Guide – Blastmaster® 3.5 Cu. Ft. S-Series Abrasive Blasting Pot
—	105M428	Features and Specifications Guide – Blastmaster® 123E Remote Control System
—	105M022	Features and Specifications Guide – Blastmaster® Bantam Abrasive Metering Valve
—	105M063	Features and Specifications Guide – Blastmaster® 151E Remote Control Switch
—	106M056	Part Numbers & Schematics Guide – Blastmaster® 3.5 Cu. Ft. S-Series Abrasive Blasting Pot
—	106M089	Part Numbers & Schematics Guide – Blastmaster® 123E Remote Control System
—	106M022	Part Numbers & Schematics Guide – Blastmaster® Bantam Abrasive Metering Valve
—	106M063	Part Numbers & Schematics Guide – Blastmaster® 151E Remote Control Switch
—	1090056	Operator's Manual – Blastmaster® 3.5 Cu. Ft. S-Series Abrasive Blasting Pot
—	1090089	Operator's Manual – Blastmaster® 123E Remote Control System
—	1090022	Operator's Manual – Blastmaster® Bantam Abrasive Metering Valve
—	1090063	Operator's Manual – Blastmaster® 151E Remote Control Switch

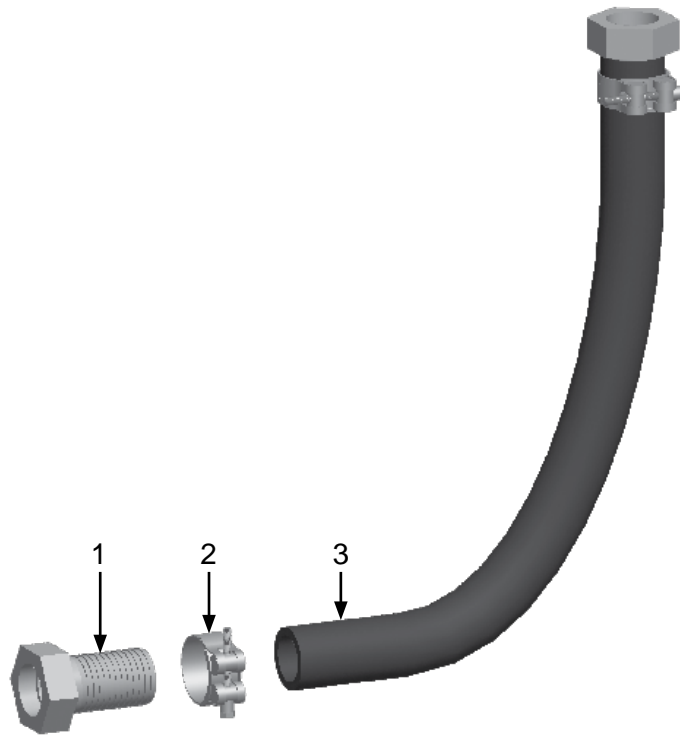
PART NUMBERS AND SCHEMATICS

Figure 6: Blastmaster® 3.5 Cu. Ft. S-Series Abrasive Blasting Pot — Electric — 1-1/2”



PART NUMBERS AND SCHEMATICS

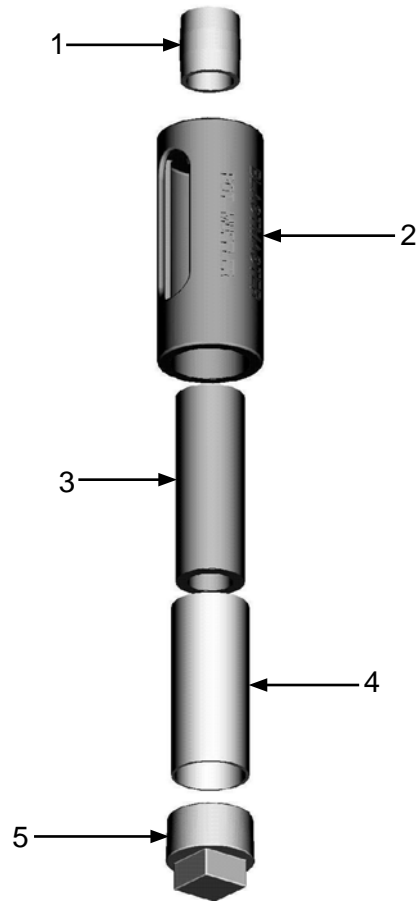
Figure 7: Pusher Line Assembly



Item #	Part #	Description
Fig. 7		
—	1006311	1-1/4" I.D. Pusher Line Assembly <i>Includes Item #: 1, 2, and 3 (Quantity of Three Feet)</i>
—	1006312	1-1/2" I.D. Pusher Line Assembly <i>Includes Item #: 1, 2, and 3 (Quantity of Three Feet)</i>
1	10SFE3 10SFE4	1-1/4" Female Swivel Air Hose End <i>(Two Required)</i> 1-1/2" Female Swivel Air Hose End <i>(Two Required)</i>
2	10103737 10103738	1-1/4" T-Bolt Hose Clamp <i>(Two Required)</i> 1-1/2" T-Bolt Hose Clamp <i>(Two Required)</i>
3	10AH114B 10AH112B	1-1/4" I.D. Air Hose 1-1/2" I.D. Air Hose
—	10SFE3G	Gasket for 10SFE3 Swivel Air Hose End <i>(Not Shown)</i>
—	10SFE4G	Gasket for 10SFE4 Swivel Air Hose End <i>(Not Shown)</i>
—	1090059	Technical Data Sheet – Pusher Line Assemblies

PART NUMBERS AND SCHEMATICS

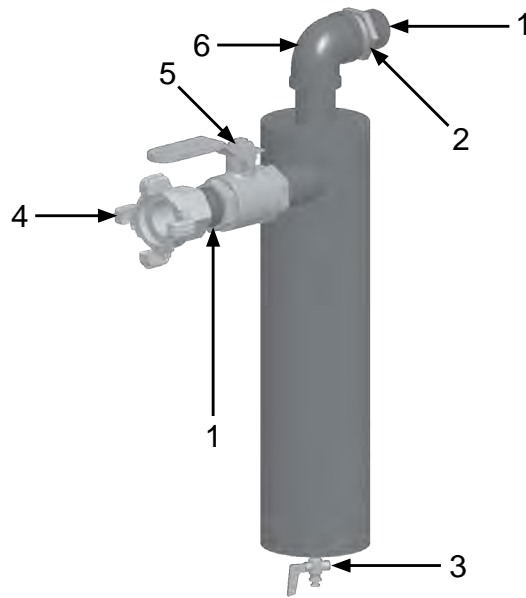
Figure 8: Exhaust Muffler Assembly



Item #	Part #	Description
Fig. 8		
—	1011100	Blastmaster® Abrasive Blasting Pot Muffler – Complete
1	1012151	1" Close Nipple
2	1011102	Body
3	1011103	Filter Element
4	1011104	Screen
5	1011101	1-1/2" Pipe Plug
—	1011105	Blastmaster® Abrasive Blasting Pot Muffler Service Kit <i>Includes Item #'s: 3 (Quantity of Three), 4, and 5</i>
—	105M347	Features and Specifications Guide – Blastmaster® Abrasive Blasting Pot Mufflers
—	106M347	Part Numbers And Schematics Guide – Blastmaster® Abrasive Blasting Pot Mufflers

OPTIONAL ACCESSORIES

Figure 9: 1-1/4" Junior Extractor Abrasive Blasting Pot Moisture Separator



Item #	Part #	Description
Fig. 9		
—	10101314	1-1/4" Junior Extractor Abrasive Blasting Pot Moisture Separator
1	1011201	1-1/4" NPT Close Nipple (<i>Two Required</i>)
2	1011501	1-1/2" x 1-1/4" Bushing
3	1012101	1/4" NPT Brass Petcock
4	10ME3	4-lug Air Hose End - 1-1/4" NPT (F)
5	1011602	1-1/4" NPT Full Port Ball Valve
6	1006204	1-1/4" 90° Elbow
—	105M349	Features and Specifications Guide – Abrasive Blasting Pot Moisture Separators
—	106M349	Part Numbers and Schematics Guide – Abrasive Blasting Pot Moisture Separators

OPTIONAL ACCESSORIES

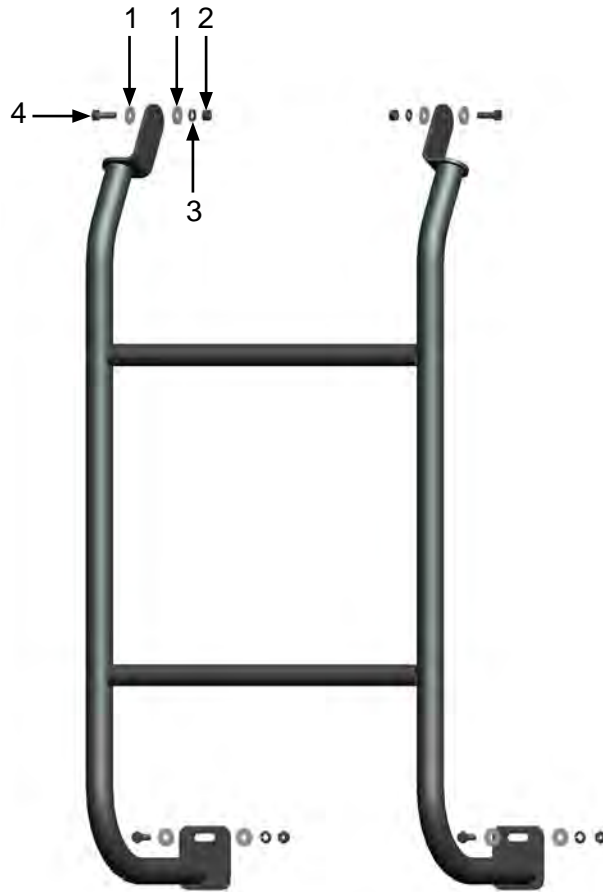
Figure 10: Lid and Screen



Item #	Part #	Description
1	1035060	18" Lid
2	1035061	18" Screen
3	10100732	Abrasive Umbrella (<i>Screen Not Included</i>)

OPTIONAL ACCESSORIES

Figure 11: Loading Skid



Item #	Part #	Description
Fig. 11		
—	1035040	Load Skid – Complete
1	10L805003	5/16" Zinc Flat Washer
2	1035046	5/16-18 Nut
3	10L805014	5/16" Lock Washer
4	1035045	5/16-18 x 1" Bolt

PART NUMBERS & SCHEMATICS GUIDE

BLASTMASTER® 3.0 CU. FT. E-SERIES ABRASIVE BLASTING POT

Part Numbers	Power Source	Automatic Easy-Flow Metering Valve	Manual Easy-Flow Metering Valve	Blastmaster® Remote Control System	Blastmaster® Remote Control Switch	Blastmaster® Extractor Moisture Separator
10105390PKA	Pneumatic	X		130P	152P	X
10105387PKA	Pneumatic		X	125P	150P	X
10105391PKA	12-Volt DC	X		130E	151E	X
10105388PKA	12-Volt DC		X	125E	151E	X
10105392PKA	120-Volt AC	X		130E	151E	X
10105389PKA	120-Volt AC		X	125E	151E	X

PART NUMBERS & SCHEMATICS GUIDE



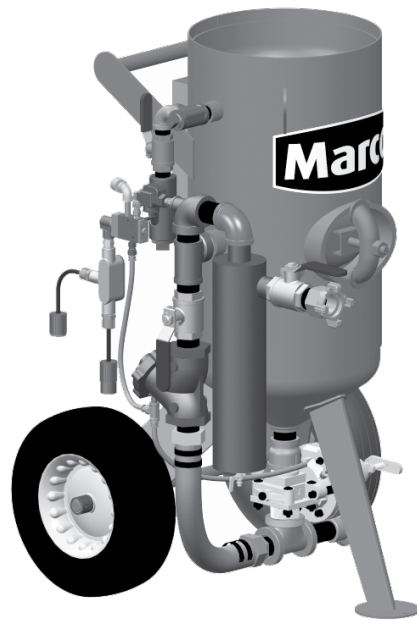
(10105387PKA)



(10105388PKA)
(10105389PKA)



(10105390PKA)



(10105391PKA)
(10105392PKA)

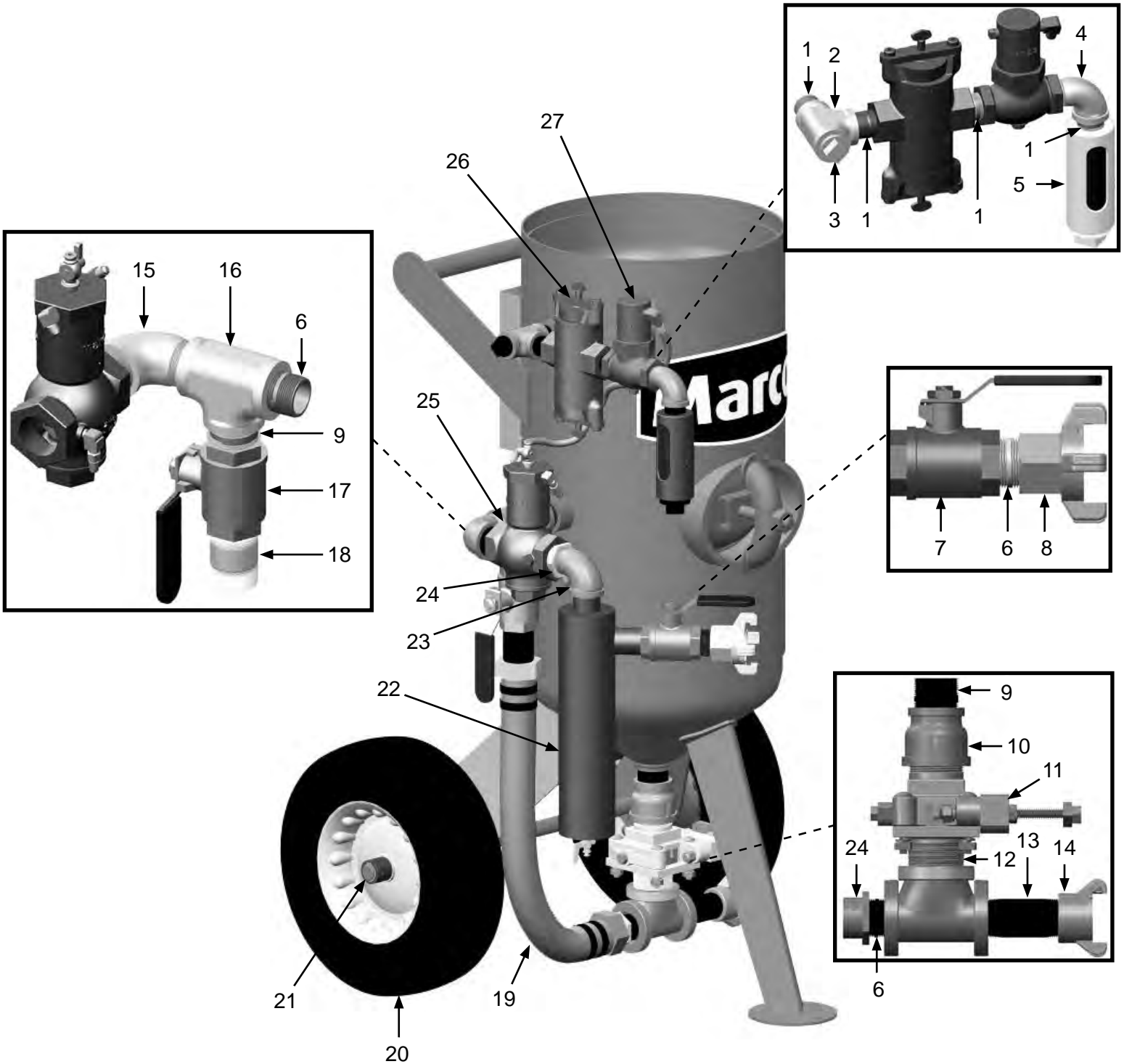
PART NUMBERS & SCHEMATICS GUIDE

3.0 Cu. Ft. E-Series Abrasive Blasting Pot – Blastmaster® 125P Remote Control System – Manual Easy-Flow Metering Valve

Item#	Part#	Description	Item#	Part#	Description
Fig. 1			—	105M124	Features and Specifications Guide – Blastmaster® 3.0 Cu. Ft. E-Series Abrasive Blasting Pot
1	1012151	1" Galvanized Close Nipple (<i>Four Required</i>)	—	106M014	Part Numbers and Schematics Guide – Blastmaster® 125P Pneumatic Remote Control System
2	1011816	1" Pipe Tee – Galvanized	—	106M023	Part Numbers and Schematics Guide – Blastmaster® 150P Remote Control Switch
3	1011901	1" Square Head Plug	—	106M124	Part Numbers and Schematics Guide – Blastmaster® 3.0 Cu. Ft. E-Series Abrasive Blasting Pot
4	1011801	1" Street Elbow	—	106M542	Part Numbers and Schematics Guide - Manual Easy-Flow Metering Valve
5	1011100	Muffler Assembly Complete	—	1090014	Operator's Manual – Blastmaster® 125P Pneumatic Remote Control System
6	1011201	1-1/4" NPT Close Nipple (<i>Three Required</i>)	—	1090023	Operator's Manual – Blastmaster® 150P Remote Control Switch
7	1011602	1-1/4" NPT Full Port Brass Ball Valve	—	1090124	Operator's Manual – Blastmaster® 3.0 Cu. Ft. E-Series Abrasive Blasting Pot
8	10ME3	1-1/4" NPT (F) 4-Lug Air Hose Coupling			
9	1014015	1-1/2" Close Nipple			
10	10105393	2" x 1-1/2" Bell Reducer			
11	10105103	Manual Easy-Flow Metering Valve			
12	10SFE4	Swivel Female End 1-1/2"			
13	1070390	Tee – 1-1/4" x 1-1/4" x 2"			
14	1011207	1-1/4" x 4" Pipe Nipple			
15	1011839	1-1/2" 90° Street Elbow			
16	1011833	1-1/4" x 1-1/2" x 1-1/2" Pipe			
17	1011603	1-1/2" Full Port Ball Valve			
18	1011207	1-1/4" x 4" Pipe Nipple			
19	—	1-1/2" Pusher Line Assembly (<i>See Fig. 7</i>)			
20	1006064	16" Tire (<i>Two Required</i>)			
21	1006205	Tire Clip (<i>Four Required</i>)			
22	—	1-1/4" Extractor Moisture Separator (<i>See Fig. 9A</i>)			
23	1011802	1-1/4" Street Elbow			
24	1011501	1-1/2" M x 1-1/4" F Bushing (<i>Two Required</i>)			
25	1012200	1-1/2" Inlet Valve Complete			
26	1012000	Abrasive Trap Complete			
27	1012050	1" Outlet Valve			
—	105M014	Features and Specifications Guide – Blastmaster® 125P Pneumatic Remote Control System			
—	105M023	Features and Specifications Guide – Blastmaster® 150P Remote Control Switch			

PART NUMBERS & SCHEMATICS GUIDE

Figure 1: 3.0 Cu. Ft. E-Series Abrasive Blasting Pot – Blastmaster® 125P Remote Control System – Manual Easy-Flow Metering Valve



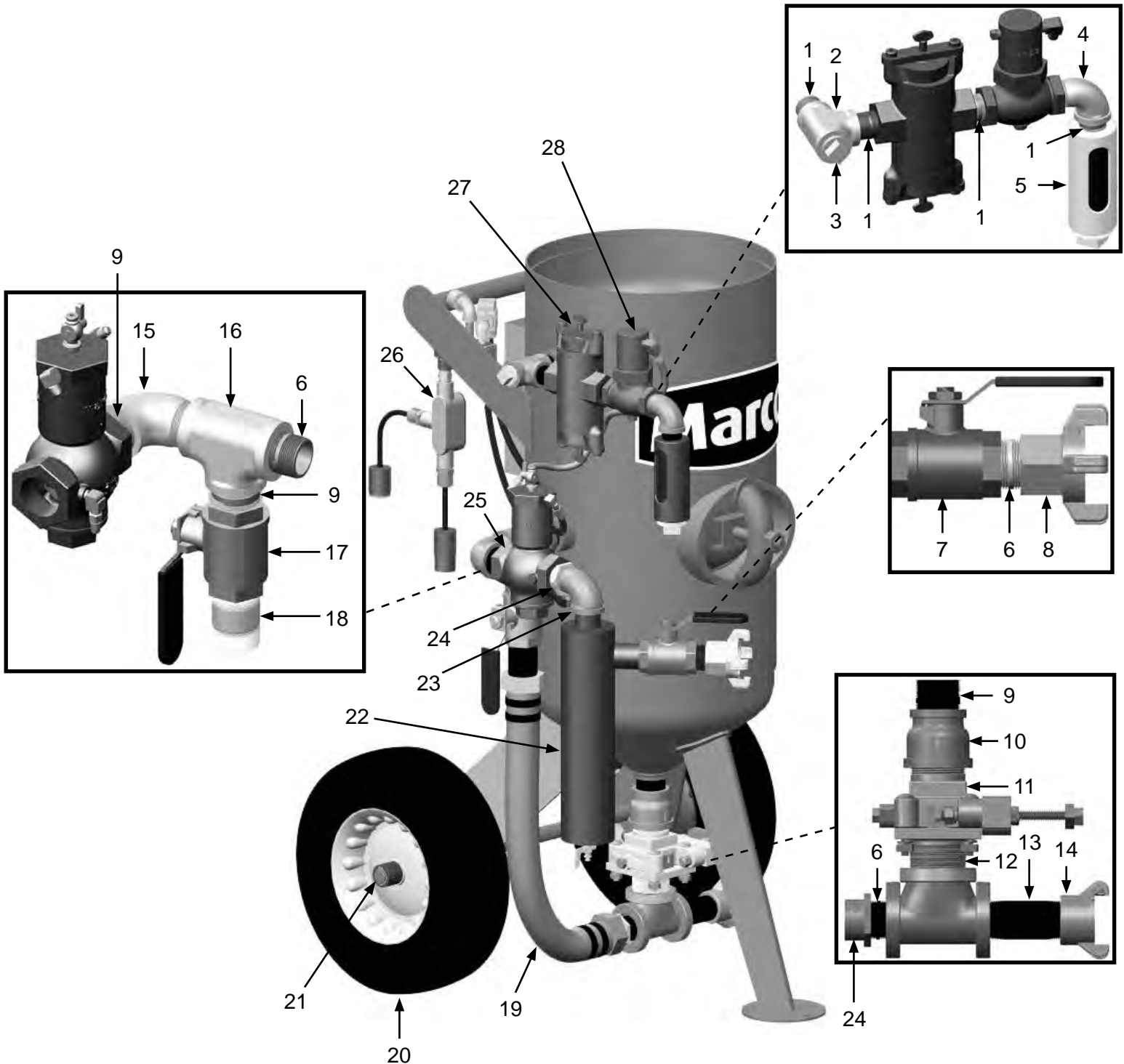
PART NUMBERS & SCHEMATICS GUIDE

3.0 Cu. Ft. E-Series Abrasive Blasting Pot – Blastmaster® 125E Remote Control System – Manual Easy-Flow Metering Valve

Item#	Part#	Description	Item#	Part#	Description
Fig. 2			—	105M063	Features and Specifications Guide – Blastmaster® 151E Remote Control Switch
1	1012151	1" Galvanized Close Nipple (<i>Four Required</i>)	—	105M088	Features and Specifications Guide – Blastmaster® 125E Remote Control System
2	1011816	1" Pipe Tee – Galvanized	—	105M124	Features and Specifications Guide – Blastmaster® 3.0 Cu. Ft. E-Series Abrasive Blasting Pot
3	1011901	1" Square Head Plug Galvanized	—	106M063	Part Numbers and Schematics Guide – Blastmaster® 151E Remote Control Switch
4	1011801	1" Street Elbow - Galvanized	—	106M088	Part Numbers and Schematics Guide – Blastmaster® 125E Remote Control System
5	1011100	Muffler Assembly Complete	—	106M124	Part Numbers and Schematics Guide – Blastmaster® 3.0 Cu. Ft. E-Series Abrasive Blasting Pot
6	1011201	1-1/4" NPT Close Nipple (<i>Three Required</i>)	—	106M542	Part Numbers and Schematics Guide – Manual Easy-Flow Metering Valve
7	1011602	1-1/4" NPT Full Port Brass Ball Valve	—	1090063	Operator's Manual – Blastmaster® 151E Remote Control Switch
8	10ME3	1-1/4" NPT (F) 4-Lug Air Hose Coupling	—	1090088	Operator's Manual – Blastmaster® 125E Remote Control System
9	1014015	1-1/2" Close Nipple (<i>Three Required</i>)	—	1090124	Operator's Manual – Blastmaster® 3.0 Cu. Ft. E-Series Abrasive Blasting Pot
10	10105393	2" x 1-1/2" Bell Reducer			
11	10105103	Manual Easy-Flow Metering Valve			
12	10SFE4	Swivel Female End 1-1/2"			
13	1070390	Tee – 1-1/4" x 1-1/4" x 2"			
14	1011207	1-1/4" x 4" Pipe Nipple			
15	1011839	1-1/2" 90° Street Elbow			
16	1011833	1-1/4" x 1-1/2" x 1-1/2" Pipe			
17	1011603	1-1/2" Full Port Ball Valve			
18	1011207	1-1/4" x 4" Pipe Nipple			
19	—	1-1/2" Pusher Line Assembly (See Fig. 7)			
20	1006064	16" Tire (<i>Two Required</i>)			
21	1006205	Tire Clip (<i>Four Required</i>)			
22	—	1-1/4" Extractor Moisture Separator (<i>See Fig. 9A</i>)			
23	1011802	1-1/4" Street Elbow			
24	1011501	1-1/2" M x 1-1/4" F Bushing (<i>Two Required</i>)			
25	1012200	1-1/2" Inlet Valve Complete			
26	1019051	12-Volt DC 190 Electric Control Assembly			
27	1012000	Abrasive Trap Complete			
28	1012050	1" Outlet Valve			
—	1091020	Warning Plate			
—	1091025	Warning Tag			
—	1091045	Warning Tag			

PART NUMBERS & SCHEMATICS GUIDE

Figure 2: 3.0 Cu. Ft. E-Series Abrasive Blasting Pot – Blastmaster® 125E Remote Control System – Manual Easy-Flow Metering Valve



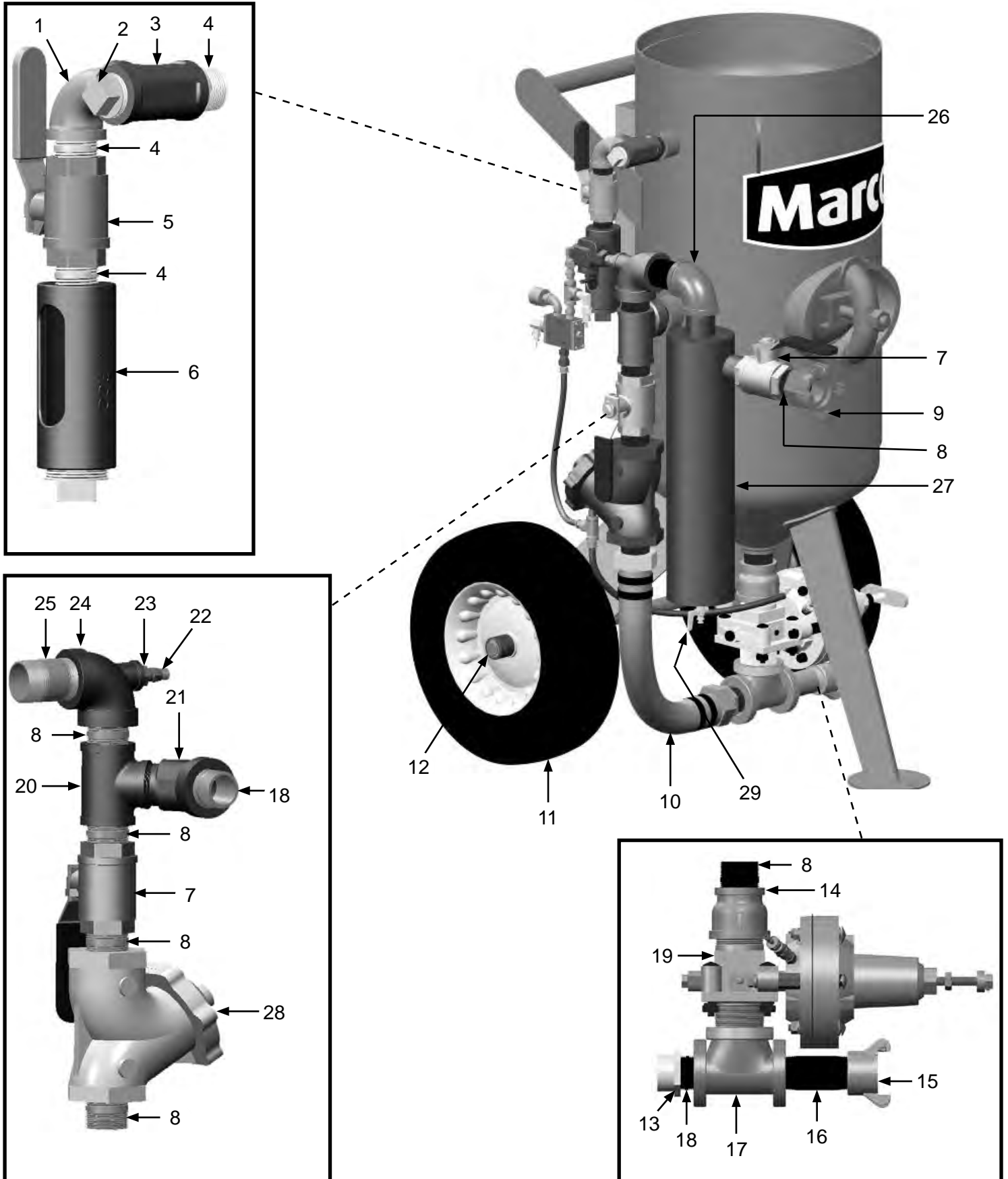
PART NUMBERS & SCHEMATICS GUIDE

3.0 Cu. Ft. E-Series Abrasive Blasting Pot – Blastmaster® 130P Remote Control System – Automatic Easy-Flow Metering Valve

Item#	Part#	Description	Item#	Part#	Description
Fig. 3			—	105M068	Features and Specifications Guide – Blastmaster® 152P Remote Control Switch
1	1011801	1" Street Elbow	—	105M085	Features and Specifications Guide – Blastmaster® 130P Pneumatic Remote Control System
2	1011901	1" Square Head Plug	—	105M124	Features and Specifications Guide – Blastmaster® 3.0 Cu. Ft. E-Series Abrasive Blasting Pot
3	1011816	1" Pipe Tee - Galvanized	—	106M068	Part Numbers and Schematics Guide – Blastmaster® 152P Remote Control Switch
4	1012151	1" Close Nipple (<i>Three Required</i>)	—	106M085	Part Numbers and Schematics Guide – Blastmaster® 130P Pneumatic Remote Control System
5	1011601	1" Full Port Ball Valve	—	106M124	Part Numbers and Schematics Guide – Blastmaster® 3.0 Cu. Ft. E-Series Abrasive Blasting Pot
6	1011100	Muffler Assembly Complete	—	106M541	Part Numbers and Schematics Guide - Automatic Easy-Flow Metering Valve
7	1011603	1-1/2" Full Port Ball Valve (<i>Two Required</i>)	—	1090068	Operator's Manual – Blastmaster® 152P Remote Control Switch
8	1014015	1-1/2" Close Nipple (<i>Five Required</i>)	—	1090085	Operator's Manual – Blastmaster® 130P Pneumatic Remote Control System
9	10ME4	Air Hose Coupling 4-Lug Female 1-1/2"	—	1090124	Operator's Manual – Blastmaster® 3.0 Cu. Ft. E-Series Abrasive Blasting Pot
10	—	1-1/2" Pusher Line Assembly (See Fig. 7)			
11	1006064	16 x 4 x 1 Solid Rubber Wheel			
12	1006205	1" Wheel Clip			
13	1011501	1-1/2" M x 1-1/4" F Bushing			
14	10105393	2" x 1-1/2" Bell Reducer			
15	10SB1	1-1/4" Brass Tank Coupling			
16	1011207	1-1/4" x 4" Pipe Nipple			
17	1070390	Tee - 1-1/4" x 1-1/4" x 2"			
18	1011201	1-1/4" Close Nipple (<i>Two Required</i>)			
19	10105102	Automatic Easy-Flow Metering Valve			
20	1011836	1-1/2" x 1-1/2" x 1-1/4" Pipe			
21	1011805	1-1/2" x 45° Street Elbow			
22	1017019	Hex Nipple 1/4" x 1/4"			
23	1011818	1/2" x 1/4" Galvanized Bushing			
24	1011828	1-1/2" 90° Elbow			
25	1011203	1-1/2" x 3" Nipple			
26	1011842	1-1/2" Street Elbow			
27	—	1-1/2" Extractor Moisture Separator (<i>See Fig. 9B</i>)			
28	1013200	1-1/2" Gatekeeper Valve			
29	1012101	1/4" Petcock - RCS Inlet Valve			
—	1091020	Warning Plate			
—	1091025	Warning Tag			
—	1091045	Warning Tag			

PART NUMBERS & SCHEMATICS GUIDE

Figure 3: 3.0 Cu. Ft. E-Series Abrasive Blasting Pot – Blastmaster® 130P Remote Control System – Automatic Easy-Flow Metering Valve



PART NUMBERS & SCHEMATICS GUIDE

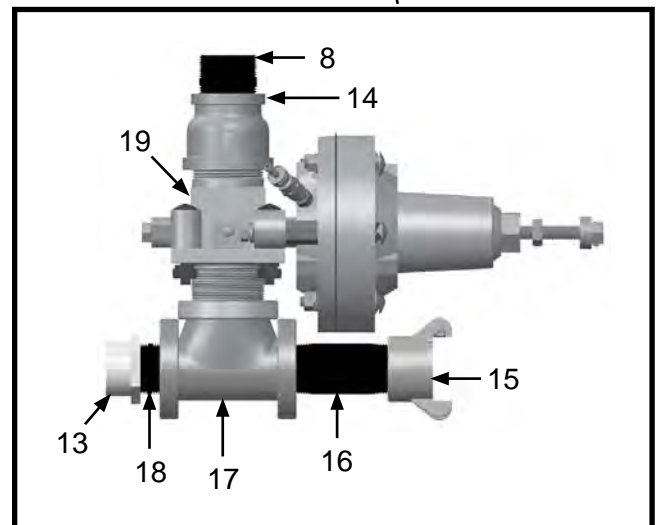
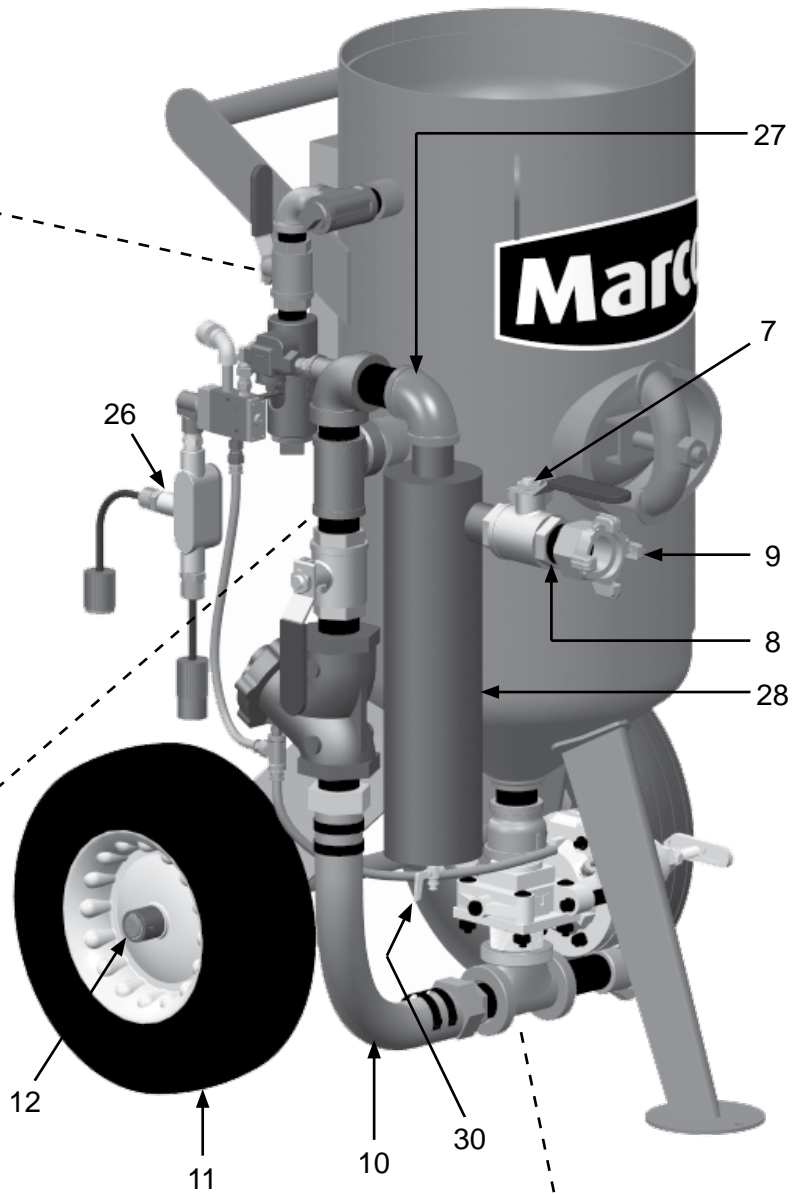
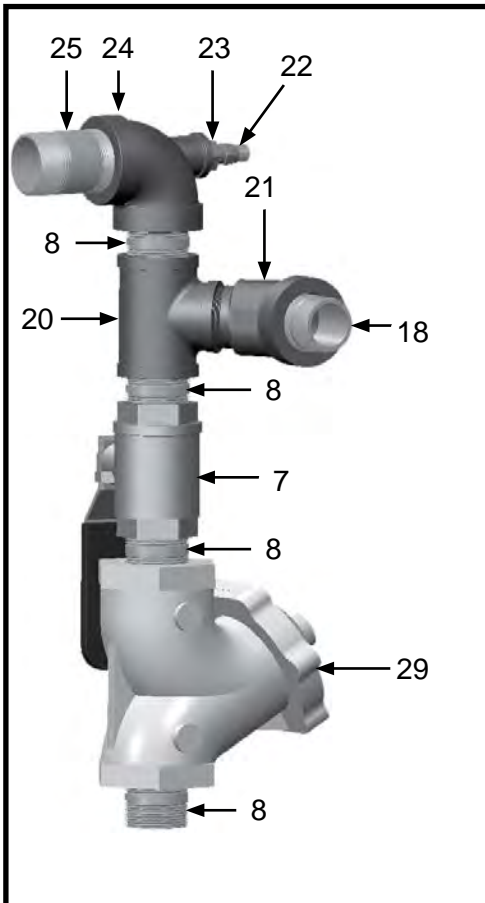
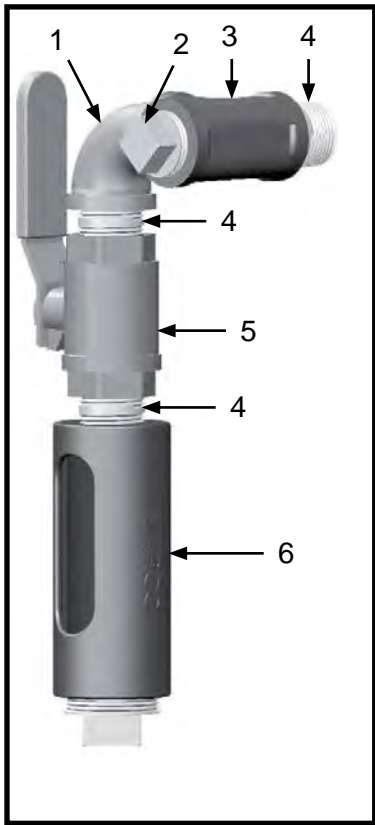
3.0 Cu. Ft. E-Series Abrasive Blasting Pot – Blastmaster® 130E Remote Control System – Automatic Easy-Flow Metering Valve

Item#	Part#	Description
Fig. 4		
1	1011801	1" Street Elbow
2	1011901	1" Square Head Plug
3	1011816	1" Pipe Tee - Galvanized
4	1012151	1" Close Nipple (<i>Three Required</i>)
5	1011601	1" Full Port Ball Valve
6	1011100	Muffler Assembly Complete
7	1011603	1-1/2" Full Port Ball Valve (<i>Two Required</i>)
8	1014015	1-1/2" Close Nipple (<i>Five Required</i>)
9	10ME4	Air Hose Coupling 4-Lug Female 1-1/2"
10	—	1-1/2" Pusher Line Assembly (See Fig. 7)
11	1006064	16 x 4 x 1 Solid Rubber Wheel
12	1006205	1" Wheel Clip
13	1011501	1-1/2" M x 1-1/4" F Bushing
14	10105393	2" x 1-1/2" Bell Reducer
15	10SB1	1-1/4" Brass Tank Coupling
16	1011207	1-1/4" x 4" Pipe Nipple
17	1070390	Tee - 1-1/4" x 1-1/4" x 2"
18	1011201	1-1/4" Close Nipple (<i>Two Required</i>)
19	10105102	Automatic Easy-Flow Metering Valve
20	1011836	1-1/2" x 1-1/2" x 1-1/4" Pipe
21	1011805	1-1/2" x 45° Street Elbow
22	1017019	Hex Nipple 1/4" x 1/4"
23	1011818	1/2" x 1/4" Galvanized Bushing
24	1011828	1-1/2" 90° Elbow
25	1011203	1-1/2" x 3" Nipple
26	1019051	12-Volt DC 190 Electric Control Assembly
27	1011842	1-1/2" Street Elbow
28	—	1-1/2" Extractor Moisture Separator (<i>See Fig. 9B</i>)
29	1013200	1-1/2" Gatekeeper Valve
30	1012101	1/4" Petcock - RCS Inlet Valve
—	1091020	Warning Plate
—	1091025	Warning Tag
—	1091045	Warning Tag

Item#	Part#	Description
—	105M063	Features and Specifications Guide – Blastmaster® 151E Remote Control Switch
—	105M087	Features and Specifications Guide – Blastmaster® 130E Remote Control System
—	105M124	Features and Specifications Guide – Blastmaster® 3.0 Cu. Ft. E-Series Abrasive Blasting Pot
—	106M063	Part Numbers and Schematics Guide – Blastmaster® 151E Remote Control Switch
—	106M087	Part Numbers and Schematics Guide – Blastmaster® 130E Remote Control System
—	106M124	Part Numbers and Schematics Guide – Blastmaster® 3.0 Cu. Ft. E-Series Abrasive Blasting Pot
—	106M541	Part Numbers and Schematics Guide - Automatic Easy-Flow Metering Valve
—	1090063	Operator's Manual – Blastmaster® 151E Remote Control Switch
—	1090087	Operator's Manual – Blastmaster® 130E Remote Control System
—	1090124	Operator's Manual – Blastmaster® 3.0 Cu. Ft. E-Series Abrasive Blasting Pot

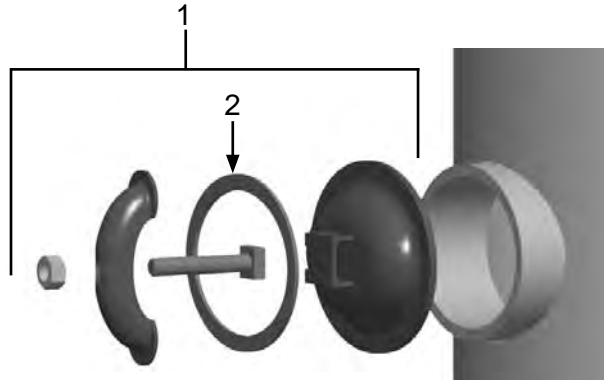
PART NUMBERS & SCHEMATICS GUIDE

Figure 4: 3.0 Cu. Ft. E-Series Abrasive Blasting Pot – Blastmaster® 130E Remote Control System – Automatic Easy-Flow Metering Valve



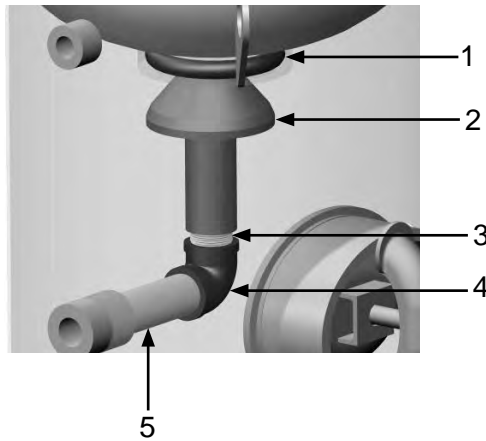
PART NUMBERS & SCHEMATICS GUIDE

Figure 5: Inspection Door Assembly



Item #	Part #	Description
Fig. 1		
1	1006200	6" x 8" Inspection Door Assembly
2	1006201	Gasket

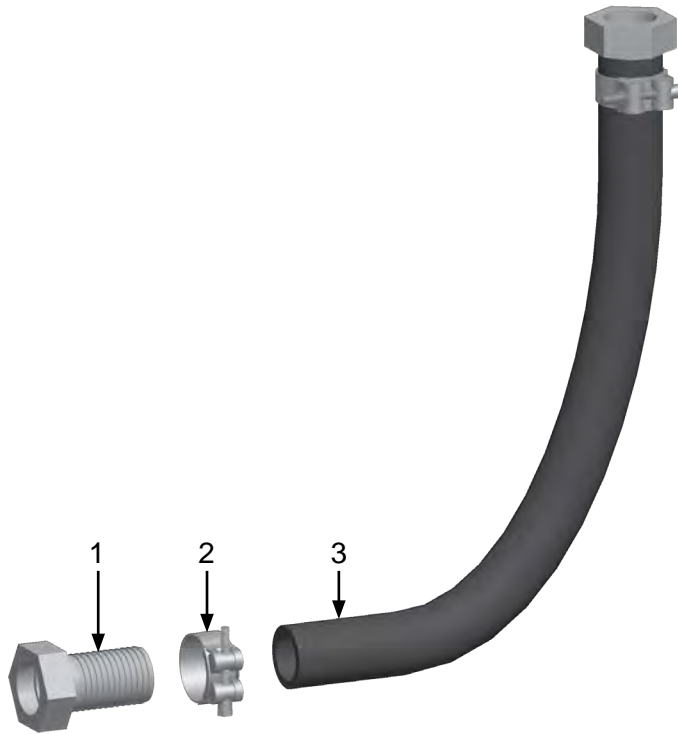
Figure 6: Pop-Up Valve Assembly



Item #	Part #	Description
Fig. 6		
1	1006050	Pop-Up Valve Seat
2	1006020	Pop-Up Valve
3	1006206	1-1/4" x 5" NPT Toe Nipple
4	1006204	1-1/4" NPT 90° Elbow
5	1011202	1-1/4" x 6" Nipple Galvanized

PART NUMBERS & SCHEMATICS GUIDE

Figure 7: Pusher Line Assembly



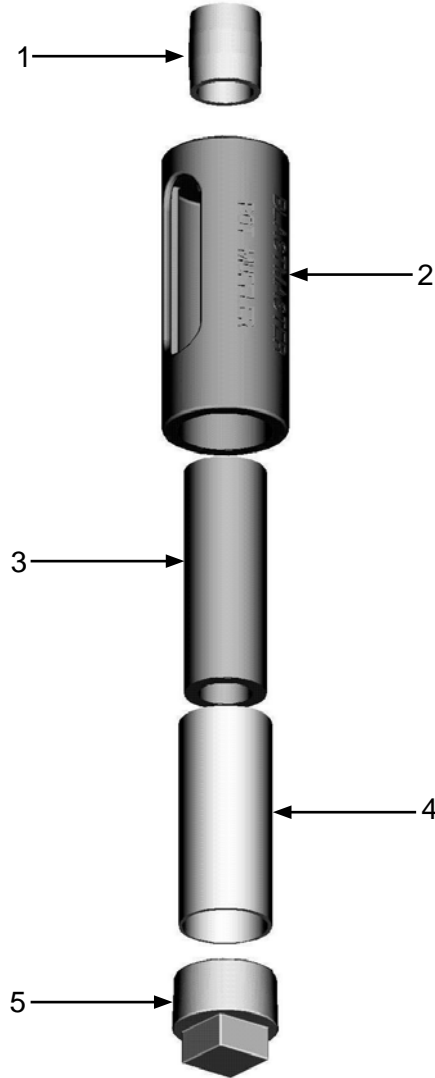
Item #	Part #	Description
--------	--------	-------------

Fig. 7

—	1006312	1-1/2" I.D. Pusher Line Assembly <i>Includes Item #: 1, 2, and 3 (Quantity of Three Feet)</i>
1	10SFE4	1-1/2" Female Swivel Air Hose End <i>(Two Required)</i>
2	10103738	1-1/2" T-Bolt Hose Clamp <i>(Two Required)</i>
3	10AH112B	1-1/2" I.D. Air Hose
—	10SFE4G	Gasket for 10SFE4 Swivel Air Hose End <i>(Not Shown)</i>
—	1090059	Technical Data Sheet – Pusher Line Assemblies

PART NUMBERS & SCHEMATICS GUIDE

Figure 8: Blastmaster® Abrasive Blasting Pot Muffler

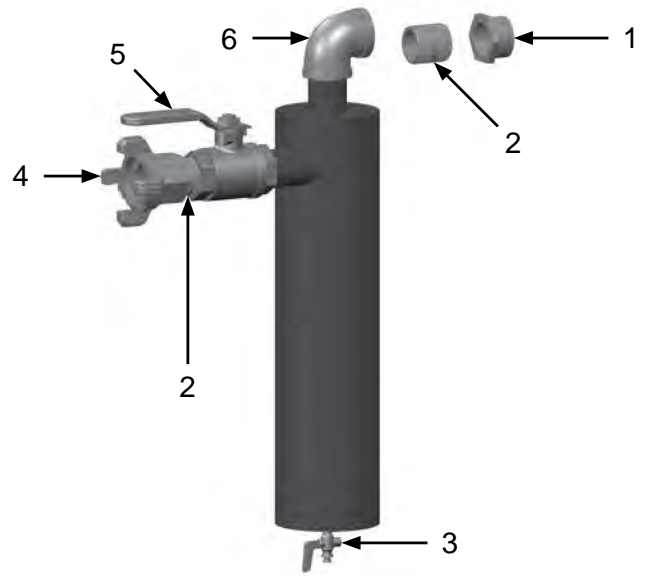


Item #	Part #	Description
Fig. 8		
—	1011100	Blastmaster® Abrasive Blasting Pot Muffler – Complete
1	1012151	1" Close Nipple
2	1011102	Body
3	1011103	Filter Element
4	1011104	Screen
5	1011101	1-1/2" Pipe Plug
—	1011105	Blast Pot Exhaust Muffler Service Kit <i>Includes Item #'s: 3 (Quantity of 3), 4, and 5</i>
—	105M347	Features and Specifications Guide – Blast Pot Exhaust Muffler
—	106M347	Part Numbers and Schematics Guide – Blast Pot Exhaust Muffler

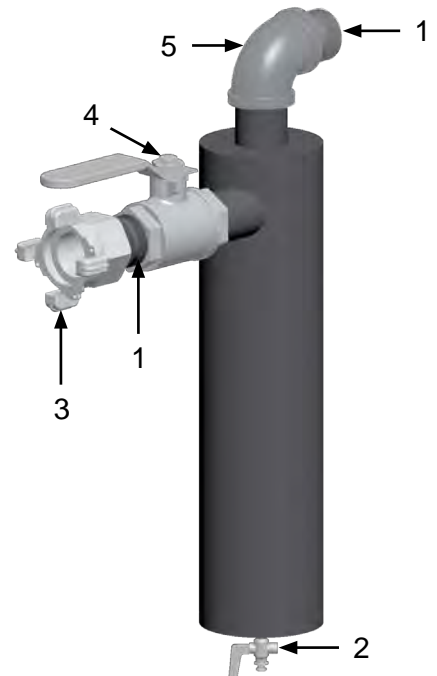
PART NUMBERS & SCHEMATICS GUIDE

Figure 9: Blastmaster® Extractor Moisture Separator

Item #	Part #	Description
Fig. 9A		
—	10101314	Blastmaster® 1-1/4" Junior Extractor Moisture Separator
1	1011501	1-1/2" x 1-1/4" Bushing
2	1011201	1-1/4" NPT Close Nipple (<i>Two Required</i>)
3	1012101	1/4" NPT Brass Petcock
4	10ME3	4-lug Air Hose Fitting - 1-1/4" NPT (F)
5	1011602	1-1/4" NPT Full Port Ball Valve
6	1006204	1-1/4" NPT 90° Elbow
—	105M039	Features and Specifications Guide – Moisture Separators
—	106M349	Part Numbers and Schematics Guide – Moisture Separators



Item #	Part #	Description
Fig. 9B		
—	10101313	Blastmaster® 1-1/2" Extractor Moisture Separator
1	1014015	1-1/2" NPT Close Nipple (<i>Two Required</i>)
2	1012101	1/4" NPT Brass Petcock
3	10ME4	4-Lug Air Hose Fitting – 1-1/2" NPT (F)
4	1011603	1-1/2" NPT Full Port Brass Ball Valve
5	1011842	1-1/2" NPT 90° Elbow
—	105M039	Features and Specifications Guide – Moisture Separators
—	106M349	Part Numbers and Schematics Guide – Moisture Separators



OPTIONAL ACCESSORIES

Figure 10: Lid and Screen



Item #	Part #	Description
Fig. 10		
1	1003101	16" Lid
2	1003102	16" Screen
3	10100732	Abrasive Umbrella (Screen Not Included)

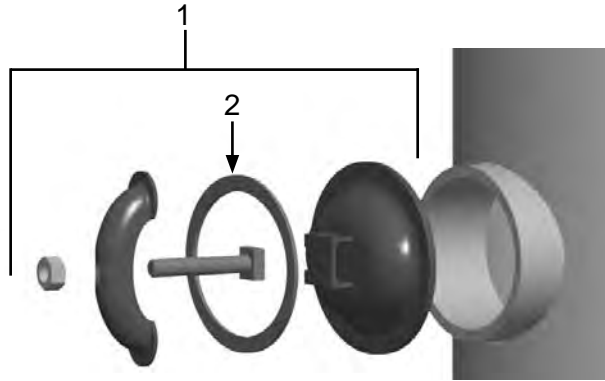
PART NUMBERS AND SCHEMATICS GUIDE

BLASTMASTER® 3.0 CU. FT. C-SERIES ABRASIVE BLASTING POT

Part Numbers	Power Source	Blastmaster® Remote Control System	Blastmaster® Remote Control Switch	Blastmaster® Regulator Abrasive Metering Valve	1-1/4" Junior Extractor Abrasive Blasting Pot Moisture Separator
1003008	Pneumatic	125P	150P	X	
1003008PKA	Pneumatic	125P	150P	X	X
1003002	12-Volt DC	125E	151E	X	
1003002PKA	12-Volt DC	125E	151E	X	X
1003004	120-Volt AC	125E	151E	X	
1003004PKA	120-Volt AC	125E	151E	X	X

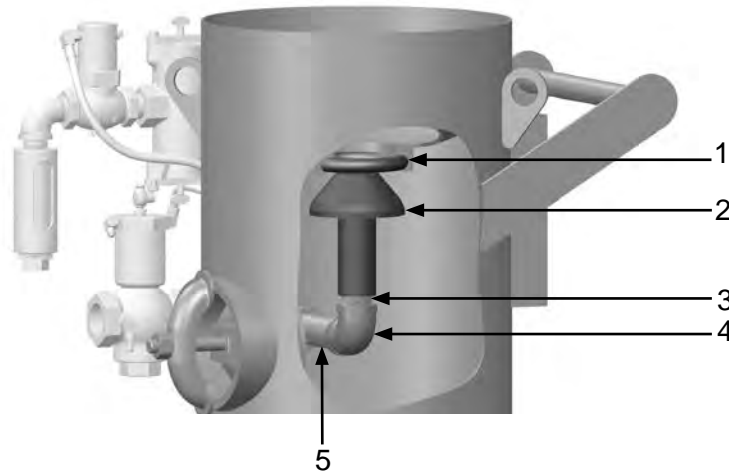
PART NUMBERS AND SCHEMATICS GUIDE

Figure 1: Inspection Door Assembly



Item #	Part #	Description
Fig. 1		
1	1006200	6" x 8" Inspection Door Assembly
2	1006201	Gasket

Figure 2: Pop-Up Valve Assembly



Item #	Part #	Description
Fig. 2		
1	1006050	Pop-Up Valve Seat
2	1006020	Pop-Up Valve – External Sleeve
3	1006206	1-1/4" NPT x 5" Toe Nipple
4	1006204	1-1/4" 90° Elbow
5	1011202	1-1/4" NPT x 6" Pipe Nipple

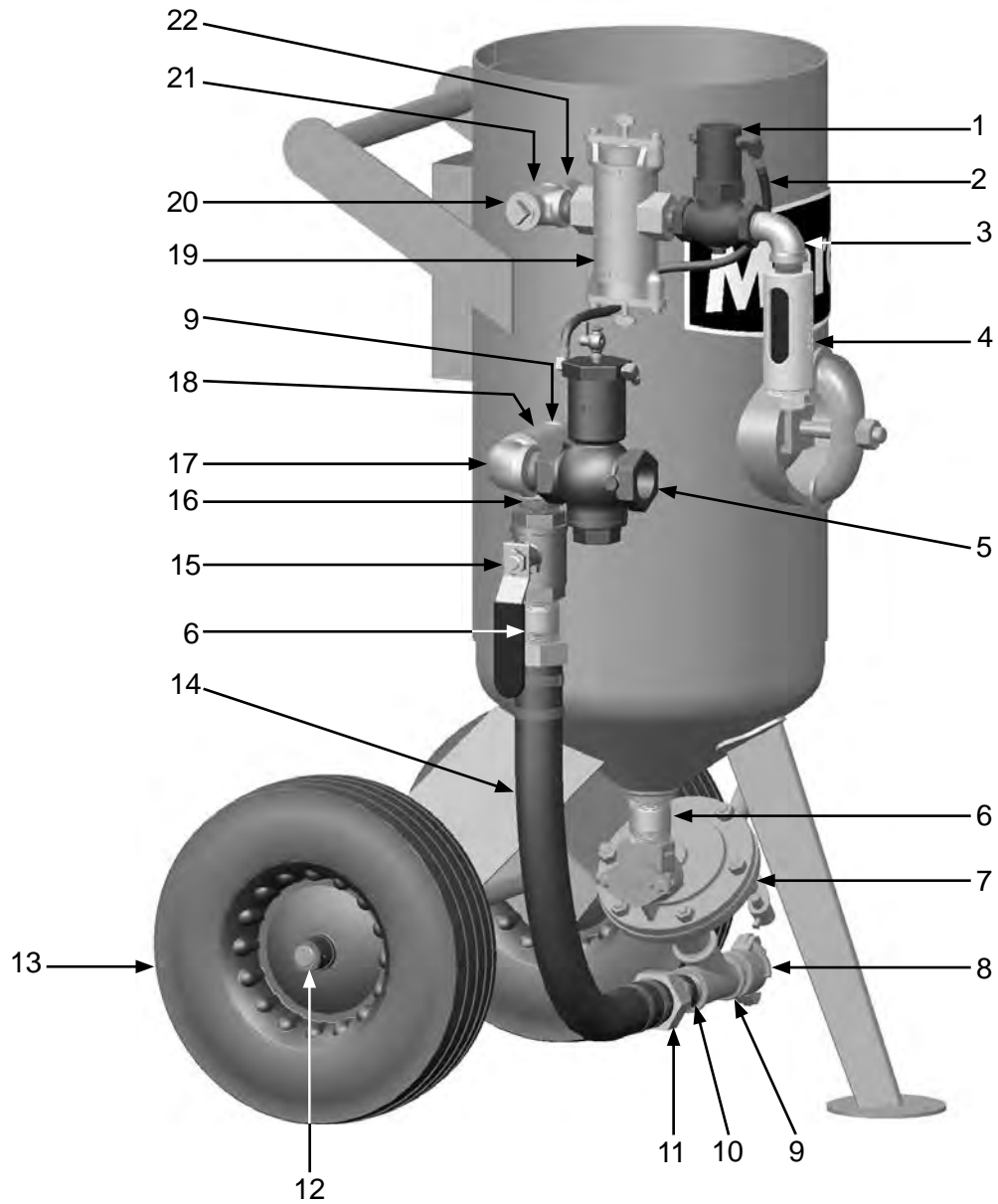
PART NUMBERS AND SCHEMATICS GUIDE

Blastmaster® 3.0 Cu. Ft. C-Series Abrasive Blasting Pot – Pneumatic

Item #	Part #	Description
Fig. 3		
1	1012050	1" Outlet Valve (See Literature 106M014)
2	10CL18	18" Control Line
3	1011801	1" Galvanized Street Elbow
4	1011100	Abrasive Blasting Pot Muffler (See Fig. 6)
5	1012200	1-1/2" Inlet Valve (See Literature 106M014)
6	1011203	1-1/2" x 3" Galvanized Nipple (Two Required)
7	1014000	Blastmaster® Regulator Abrasive Metering Valve (See Literature 106M021)
8	10SB1	1-1/4" Brass Tank Coupling
9	1011201	1-1/4" Galvanized Close Nipple (Two Required)
10	1011206	1-1/4" x 2-1/2" Galvanized Nipple
11	1011501	1-1/2" (M) x 1-1/4" (F) Galvanized Hex Bushing
12	1006205	1" Wheel Clip (Four Required)
13	1006064	16" Wheel (Two Required)
14	1006312	1-1/2" I.D. Pusher Line Assembly (See Fig. 5)
15	1011603	1-1/2" Full Port Ball Valve
16	1014015	1-1/2" Galvanized Close Nipple
17	1011839	1-1/2" 90° Galvanized Street Elbow
18	1011833	1-1/4" x 1-1/2" x 1-1/2" Galvanized Pipe Tee
19	1012000	1" Abrasive Trap (See Literature 106M014)
20	1011901	1" Galvanized Square Head Pipe Plug
21	1011816	1" Galvanized Pipe Tee
22	1012151	1" Galvanized Close Nipple
—	105M071	Features and Specifications Guide – Blastmaster® 3.0 Cu. Ft. C-Series Abrasive Blasting Pot
—	105M014	Features and Specifications Guide – Blastmaster® 125P Remote Control System
—	105M021	Features and Specifications Guide – Blastmaster® Regulator Abrasive Metering Valve
—	106M071	Part Numbers & Schematics Guide – Blastmaster® 3.0 Cu. Ft. C-Series Abrasive Blasting Pot
—	106M014	Part Numbers & Schematics Guide – Blastmaster® 125P Remote Control System
—	106M021	Part Numbers & Schematics Guide – Blastmaster® Regulator Abrasive Metering Valve
—	1090071	Operator's Manual – Blastmaster® 3.0 Cu. Ft. C-Series Abrasive Blasting Pot
—	1090014	Operator's Manual – Blastmaster® 125P Remote Control System
—	1090021	Operator's Manual – Blastmaster® Regulator Abrasive Metering Valve

PART NUMBERS AND SCHEMATICS GUIDE

Figure 3: Blastmaster® 3.0 Cu. Ft. C-Series Abrasive Blasting Pot – Pneumatic



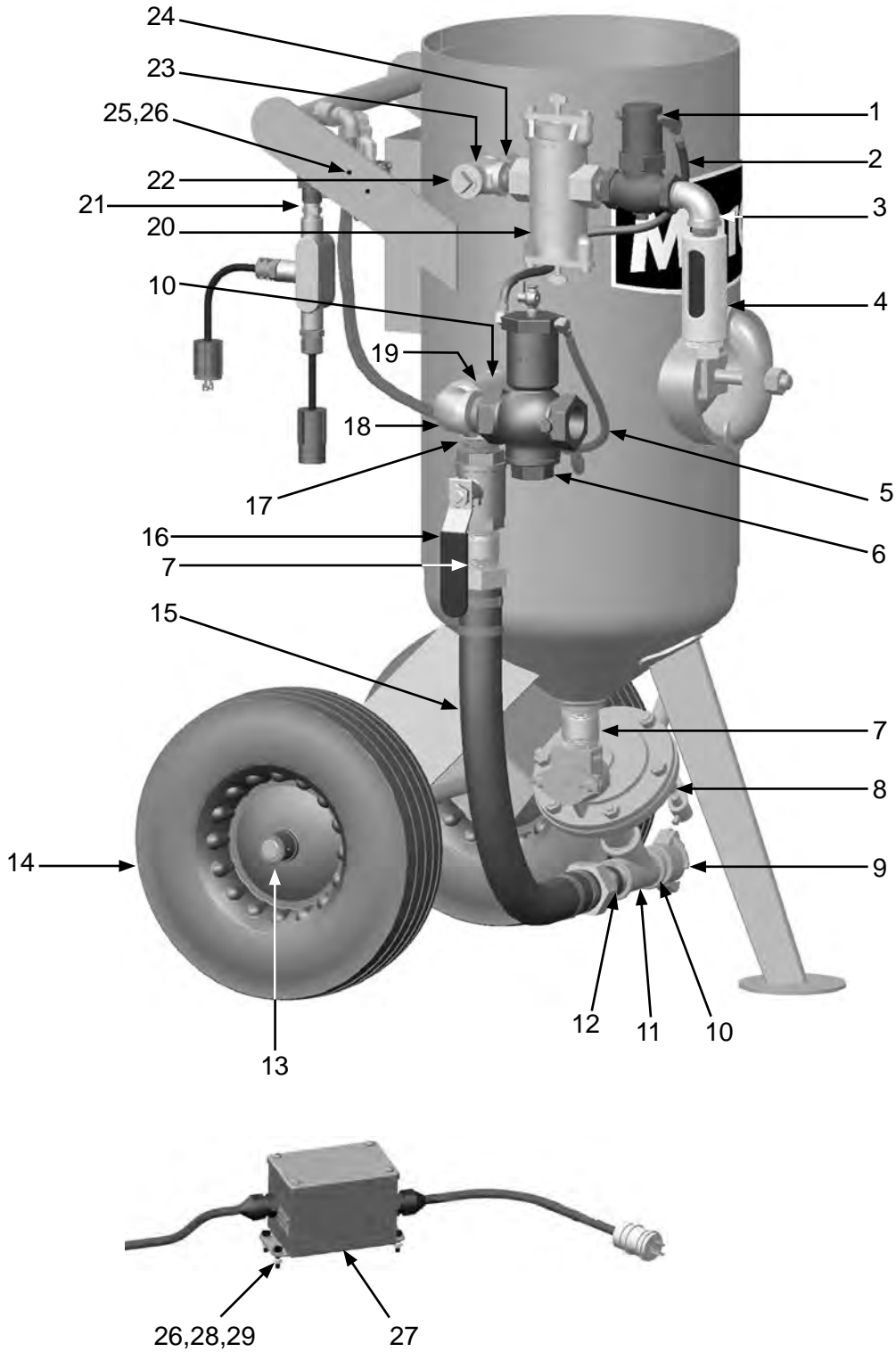
PART NUMBERS AND SCHEMATICS GUIDE

Blastmaster® 3.0 Cu. Ft. C-Series Abrasive Blasting Pot – Electric

Item #	Part #	Description	Item #	Part #	Description
Fig. 4			27	1030020	Blastmaster® 120VAC-12VAC Converter (<i>Optional</i>)
1	1012050	1" Outlet Valve	28	1012154	1/4-20 x 1" Hex Bolt (<i>Four Required</i>)
2	10CL18	18" Control Line	29	1014017	1/4" Flat Washer (<i>Four Required</i>)
3	1011801	1" Galvanized Street Elbow	—	105M063	Features and Specifications Guide – Blastmaster® 151E Remote Control Switch
4	1011100	Abrasive Blasting Pot Muffler (<i>See Fig. 6</i>)	—	105M088	Features & Specifications Guide – Blastmaster® 125E Remote Control System
5	10TL5	5' Twinline	—	105M021	Features & Specifications Guide – Blastmaster® Regulator Abrasive Metering Valve
6	1012200	1-1/2" Inlet Valve	—	105M071	Features & Specifications Guide – Blastmaster® 3.0 Cu. Ft. C-Series Abrasive Blasting Pot
7	1011203	1-1/2" x 3" Galvanized Nipple (<i>Two Required</i>)	—	106M063	Part Numbers & Schematics Guide – Blastmaster® 151E Remote Control Switch
8	1014000	Blastmaster® Regulator Abrasive Metering Valve	—	106M088	Part Numbers & Schematics Guide – Blastmaster® 125E Remote Control System
9	10SB1	1-1/4" Brass Tank Coupling	—	106M021	Part Numbers & Schematics Guide – Blastmaster® Regulator Abrasive Metering Valve
10	1011201	1-1/4" Galvanized Close Nipple (<i>Two Required</i>)	—	106M071	Part Numbers & Schematics Guide – Blastmaster® 3.0 Cu. Ft. C-Series Abrasive Blasting Pot
11	1011206	1-1/4" x 2-1/2" Galvanized Nipple	—	1090063	Operator's Manual – Blastmaster® 151E Remote Control Switch
12	1011501	1-1/2" (M) x 1-1/4" (F) Galvanized Hex Bushing	—	1090088	Operator's Manual – Blastmaster® 125E Remote Control System
13	1006205	1" Wheel Clip (<i>Four Required</i>)	—	1090021	Operator's Manual – Blastmaster® Regulator Abrasive Metering Valve
14	1006064	16" Wheel (<i>Two Required</i>)	—	1090071	Operator's Manual – Blastmaster® 3.0 Cu. Ft. C-Series Abrasive Blasting Pot
15	1006312	1-1/2" I.D. Pusher Line Assembly (<i>See Fig. 5</i>)			
16	1011603	1-1/2" Full Port Ball Valve			
17	1014015	1-1/2" Galvanized Close Nipple			
18	1011839	1-1/2" 90° Galvanized Street Elbow			
19	1011833	1-1/4" x 1-1/2" x 1-1/2" Galvanized Pipe Tee			
20	1012000	1" Abrasive Trap			
21	1019001	12-Volt DC 190 Electric Control Assembly			
—	1019002	12-Volt AC 190 Electric Control Assembly			
22	1011901	1" Galvanized Square Head Pipe Plug			
23	1011816	1" Galvanized Pipe Tee			
24	1012151	1" Galvanized Close Nipple			
25	1019044	1/4-20 x 1-3/4" Zinc Bolt (<i>Two Required</i>)			
26	1012323	1/4-20 Zinc Lock Nut with Nylon Insert (<i>Two Required</i>)			

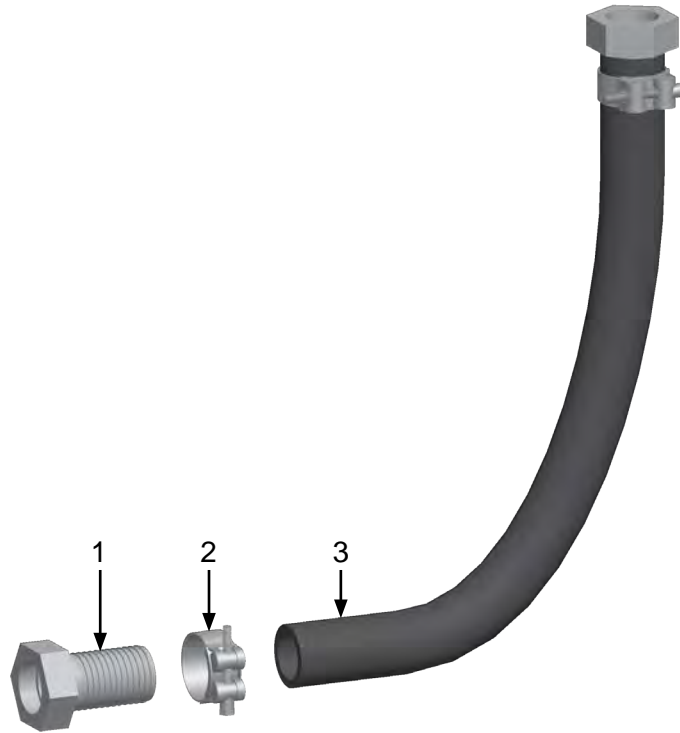
PART NUMBERS AND SCHEMATICS GUIDE

Figure 4: Blastmaster® 3.0 Cu. Ft. C-Series Abrasive Blasting Pot – Electric



PART NUMBERS AND SCHEMATICS GUIDE

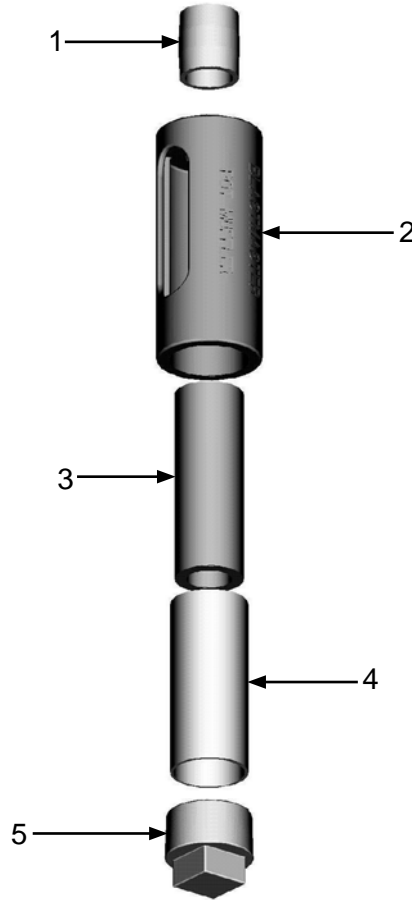
Figure 5: Pusher Line Assembly



Item #	Part #	Description
Fig. 5		
—	1006312	1-1/2" I.D. Pusher Line Assembly <i>Includes Item #: 1, 2, and 3 (Quantity of Three Feet)</i>
1	10SFE4	1-1/2" Female Swivel Air Hose End <i>(Two Required)</i>
2	10103738	1-1/2" T-Bolt Hose Clamp <i>(Two Required)</i>
3	10AH112B	1-1/2" I.D. Air Hose
—	10SFE4G	Gasket for 10SFE4 Swivel Air Hose End <i>(Not Shown)</i>
—	1090059	Technical Data Sheet – Pusher Line Assemblies

PART NUMBERS AND SCHEMATICS GUIDE

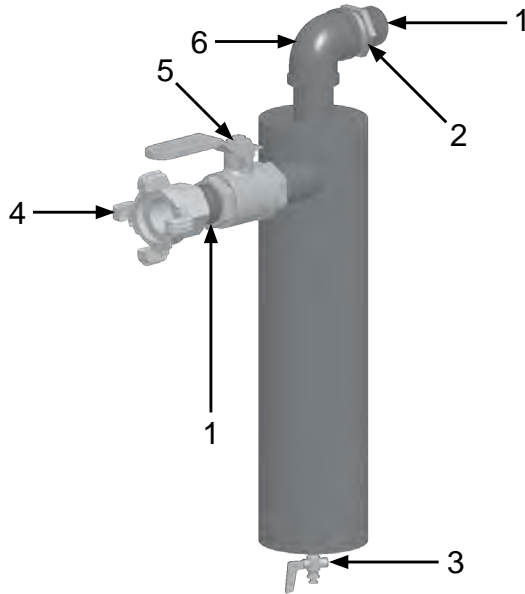
Figure 6: Blastmaster® Abrasive Blasting Pot Muffler



Item #	Part #	Description
Fig. 6		
—	1011100	Blastmaster® Abrasive Blasting Pot Muffler – Complete
1	1012151	1" Close Nipple
2	1011102	Body
3	1011103	Filter Element
4	1011104	Screen
5	1011101	1-1/2" Pipe Plug
—	1011105	Blastmaster® Abrasive Blasting Pot Muffler Service Kit <i>Includes Item #'s: 3 (Quantity of Three), 4, and 5</i>
—	105M347	Features and Specifications Guide – Blastmaster® Abrasive Blasting Pot Mufflers
—	106M347	Part Numbers And Schematics Guide – Blastmaster® Abrasive Blasting Pot Mufflers

OPTIONAL ACCESSORIES

Figure 7: 1-1/4" Junior Extractor Abrasive Blasting Pot Moisture Separator



Item #	Part #	Description
--------	--------	-------------

Fig. 7

—	10101314	1-1/4" Junior Extractor Abrasive Blasting Pot Moisture Separator
---	----------	--

1	1011201	1-1/4" NPT Close Nipple (<i>Two Required</i>)
---	---------	---

2	1011501	1-1/2" x 1-1/4" Bushing
---	---------	-------------------------

3	1012101	1/4" NPT Brass Petcock
---	---------	------------------------

4	10ME3	4-Lug Air Hose End – 1-1/4" NPT (F)
---	-------	-------------------------------------

5	1011602	1-1/4" NPT Full Port Ball Valve
---	---------	---------------------------------

6	1006204	1-1/4" NPT 90° Elbow
---	---------	----------------------

—	105M039	Features and Specifications Guide – Abrasive Blasting Pot Moisture Separators
---	---------	---

—	106M039	Part Numbers and Schematics Guide – Abrasive Blasting Pot Moisture Separators
---	---------	---

OPTIONAL ACCESSORIES

Figure 8: Lid and Screen



Item #	Part #	Description
Fig. 8		
1	1003101	16" Lid
2	1003102	16" Screen
3	10100732	Abrasive Umbrella (<i>Screen Not Included</i>)

BLASTMASTER® 2.0 CU. FT. L-SERIES ABRASIVE BLASTING POT

Part Numbers	Blastmaster® Bantam Abrasive Metering Valve	Remote Control Valve	Ceramic Nozzles (Two Each)	1/2" I.D. Abrasive Blasting Hose	Moisture Separator
1002005	1014103	10L66EVD	10CN351, 10CN451	25 Ft.	—
1002005PKB	1014103	10L66EVD	10CN351, 10CN451	25 Ft.	1011750

PART NUMBERS & SCHEMATICS

Figure 1a: Blastmaster® 2.0 cu. ft. L-Series Abrasive Blasting Pot – 1002005



Figure 1b: Blastmaster® 2.0 cu. ft. L-Series Abrasive Blasting Pot – 1002005PKA

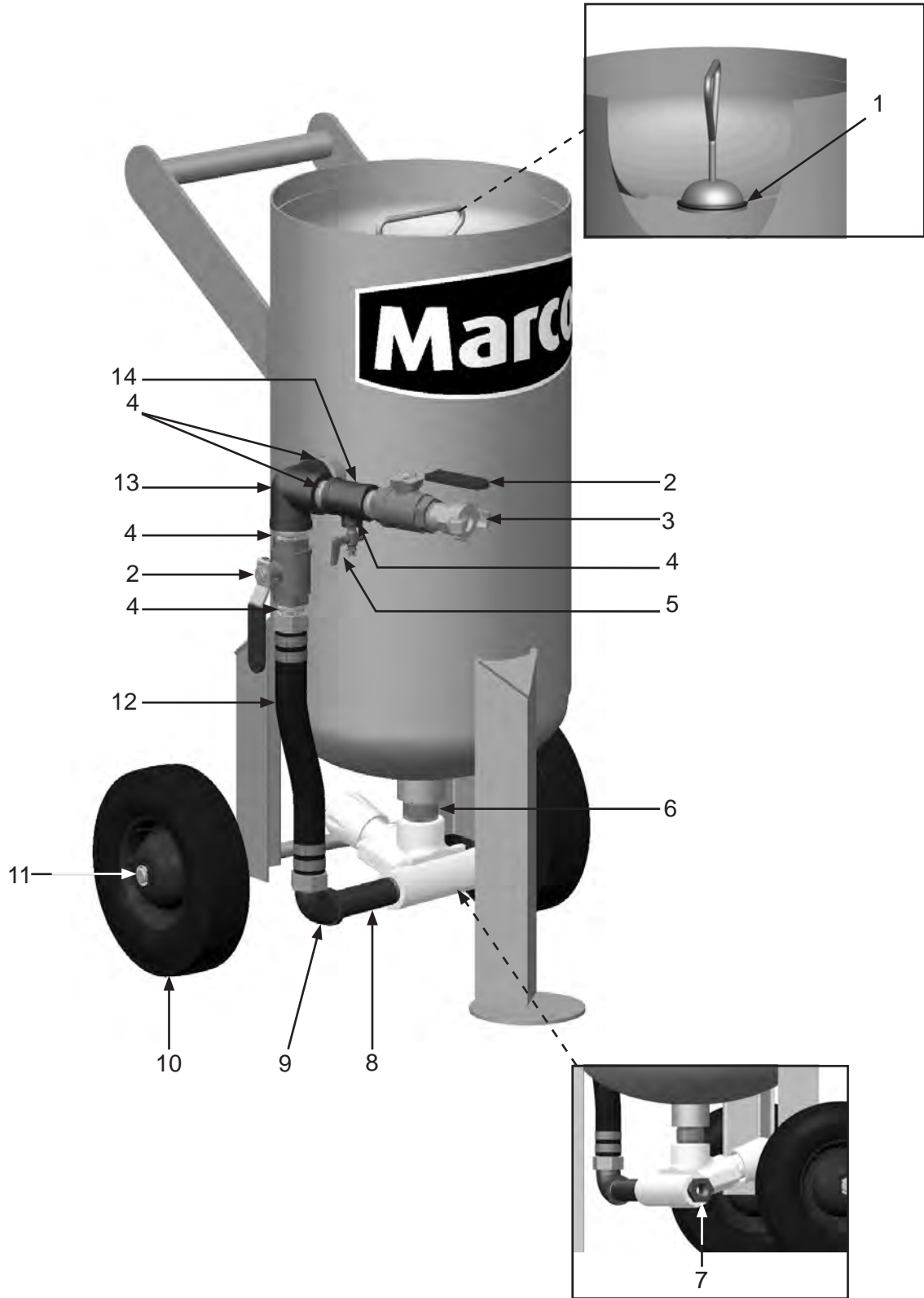


PART NUMBERS & SCHEMATICS

Item #	Part #	Description
Fig. 2		
1	10L650R	Filler Plug O-Ring
2	1011601	1" Full Port Brass Ball Valve <i>(Two Required)</i>
3	10ME2	1" NPT (M) 2-Lug Coupling
4	1012151	1" NPT Close Nipple <i>(Five Required)</i>
5	1012101	1/4" NPT Petcock
6	1011813	1-1/4" NPT x 2" Pipe Nipple
7	1011812	1" NPT (M) x 1/2" (F) Bushing
8	1011815	1" NPT x 5" Long Pipe Nipple
9	1011801	1" 90° Street Elbow
10	1006067	10 X 2.75 Solid Wheel <i>(Two Required)</i>
11	1011807	5/8" E-Clip <i>(Four Required)</i>
12	1006310	1" NPT Air Hose Pusher Line Assembly
13	1011808	1" NPT Pipe Elbow with Side-Out
14	1011814	1" x 1" x 1/4" NPT Pipe Tee
—	10L66EVD	Blastmaster® 153 Remote Control Valve
—	10L66B	1/2" NPT Nozzle Holder Base
—	1014103	Blastmaster® Bantam Abrasive Metering Valve <i>(See Literature 106M022)</i>
—	105M022	Part Numbers and Schematics Guide – Blastmaster® Bantam Abrasive Metering Valve
—	105M050	Features and Specifications Guide – Blastmaster® 2.0 cu. ft. L-Series Abrasive Blasting Pot
—	106M022	Part Numbers and Schematics Guide – Blastmaster® Bantam Abrasive Metering Valve
—	106M060	Part Numbers and Schematics Guide – Blastmaster® 2.0 cu. ft. L-Series Abrasive Blasting Pot
—	1090022	Operator's Manual – Blastmaster® Bantam Abrasive Metering Valve
—	1090050	Operator's Manual – Blastmaster® 2.0 cu. ft. L-Series Abrasive Blasting Pot

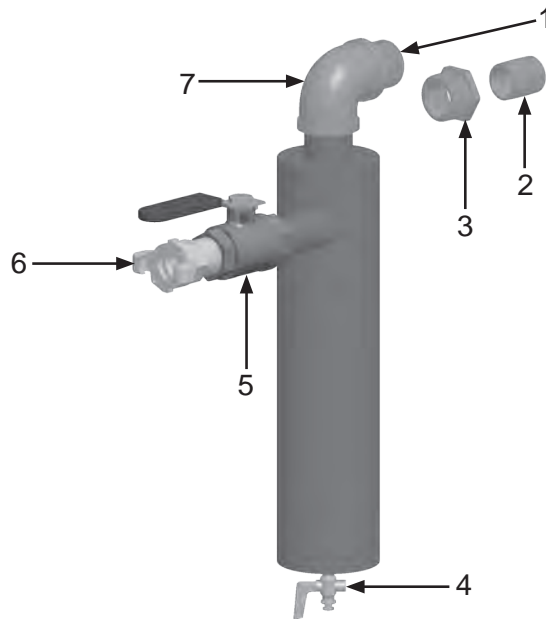
PART NUMBERS & SCHEMATICS

Figure 2: Blastmaster® 2.0 cu. ft. L-Series Abrasive Blasting Pot



OPTIONAL ACCESSORIES

Figure 3: Blastmaster® 1" x 1-1/4" Junior Extractor Moisture Separator



Item #	Part #	Description
Fig. 3		
—	1011750	Blastmaster® 1" x 1-1/4" Junior Extractor Moisture Separator
1	1011201	1-1/4" NPT Close Nipple
2	1012151	1" NPT Close Nipple
3	1012157	1-1/4" x 1" Bushing
4	1012101	1/4" NPT Brass Petcock
5	1011601	1" NPT Full Port Ball Valve
6	10ME2	2-lug Air Hose Fitting – 1" NPT Male Threads
7	1006204	1-1/4" NPT 90° Elbow
—	105M039	Features and Specifications Guide – Moisture Separators
—	106M039	Part Numbers and Schematics Guide – Moisture Separators

Figure 4: Lid and Screen



Item #	Part #	Description
Fig. 4		
1	1002101	14" Lid
2	1002102	14" Screen

OPTIONAL ACCESSORIES

Figure 5: Type I Ceramic Nozzles



TYPE I CERAMIC NOZZLES						
Part Numbers	Size	Orifice Size	Nozzle Entry	Overall Length	Abrasive Mesh Size	Abrasive Blasting Hose I.D.
10CN051	1	3/32"	5/8"	3-3/4"	100 Mesh or Finer	1/2"
10CN251	2	1/8"	5/8"	3-3/4"	60 Mesh or Finer	1/2"
10CN21251	2-1/2	5/32"	5/8"	3-3/4"	50 Mesh or Finer	1/2"
10CN351	3	3/16"	5/8"	3-3/4"	50 Mesh or Finer	3/4"
10CN451	4	1/4"	5/8"	3-3/4"	40 Mesh or Finer	3/4"
10CN551	5	5/16"	5/8"	3-3/4"	20 Mesh or Finer	1"
10CN651	6	3/8"	5/8"	3-3/4"	12 Mesh or Finer	1"

OPTIONAL ACCESSORIES

1/2" I.D. ABRASIVE BLASTING HOSE						
Part Numbers	O.D.	Fabric Reinforcement	Working Pressure	Liner Thickness	Hose Cover Color	Length (Ft.)
		2-Ply		1/4" Heavy-Duty	Black	
10BH012B	1-1/16"	X	150 PSI	X	X	50
10BH012E	1-1/8"	X	150 PSI	X	X	50
10BH0122CR	1-3/16"	X	150 PSI	X	X	Per Foot
10BH012C	1-3/16"	X	150 PSI	X	X	50
10BH0124C	1-3/16"	X	150 PSI	X	X	400

1/2" I.D. ABRASIVE BLASTING HOSE WITH COUPLINGS INSTALLED													
Part Numbers	I.D.	1-3/16" O.D.	Fabric Reinforcement	Working Pressure	Liner Thickness	Hose Cover Color	Length (Ft.)	Coupling(s)					
			2-Ply		1/4"	Black		Aluminum	Brass	Iron	Nylon	Steel	
10L850119	1/2"	X	X	150 PSI	X	X	10 Ft.						X
10L850125	1/2"	X	X	150 PSI	X	X	50 Ft.						X
10L850120	1/2"	X	X	150 PSI	X	X	25 Ft.						X
1081226	1/2"	X	X	150 PSI	X	X	25 Ft.	X					

COUPLINGS FOR 1/2" I.D. ABRASIVE BLASTING HOSE							
Part Numbers	Hose O.D.	Material	Lugs	GASKET OPTIONS			
				Rubber	Urethane	Gasket I.D.	
10QAL050	1-1/16"	Aluminum	2	10SBG	10USBG	1-1/4"	
10EM505222	1/1/8"	Steel	2	10SBG	10USBG	1-1/4"	
10QAL12	1-3/16"	Aluminum	2	10SBG	10USBG	1-1/4"	

NOZZLE HOLDERS FOR 1/2" I.D. ABRASIVE BLASTING HOSE				
Part Numbers	Hose O.D.	Material	Thread Style	Nozzle Washer
10NHA050	1-1/16"	Aluminum	3/4"	10NW1
10EM505232	1-1/8"	Steel	1" Male	—
10NHA12	1-3/16"	Aluminum	3/4"	10NW1

PART NUMBERS

BLASTMASTER® 1.5 CU. FT. L-SERIES ABRASIVE BLASTING POT

Part Numbers	Abrasive Metering Valve	Remote Control Switch	Ceramic Nozzles	1/2" I.D. Abrasive Blasting Hose	Moisture Separator
1001155	2-Hole Junior	—	(2) 10CN251, (2) 10CN21251	25 Ft.	10L100129
1001156	2-Hole Junior	10L66EVD	(2) 10CN251, (2) 10CN21251	25 Ft.	10L100129



PART NUMBERS

Blastmaster® 1.5 Cu. Ft. L-Series Abrasive Blasting Pot – 1001155



Blastmaster® 1.5 Cu. Ft. L-Series Abrasive Blasting Pot – 1001156



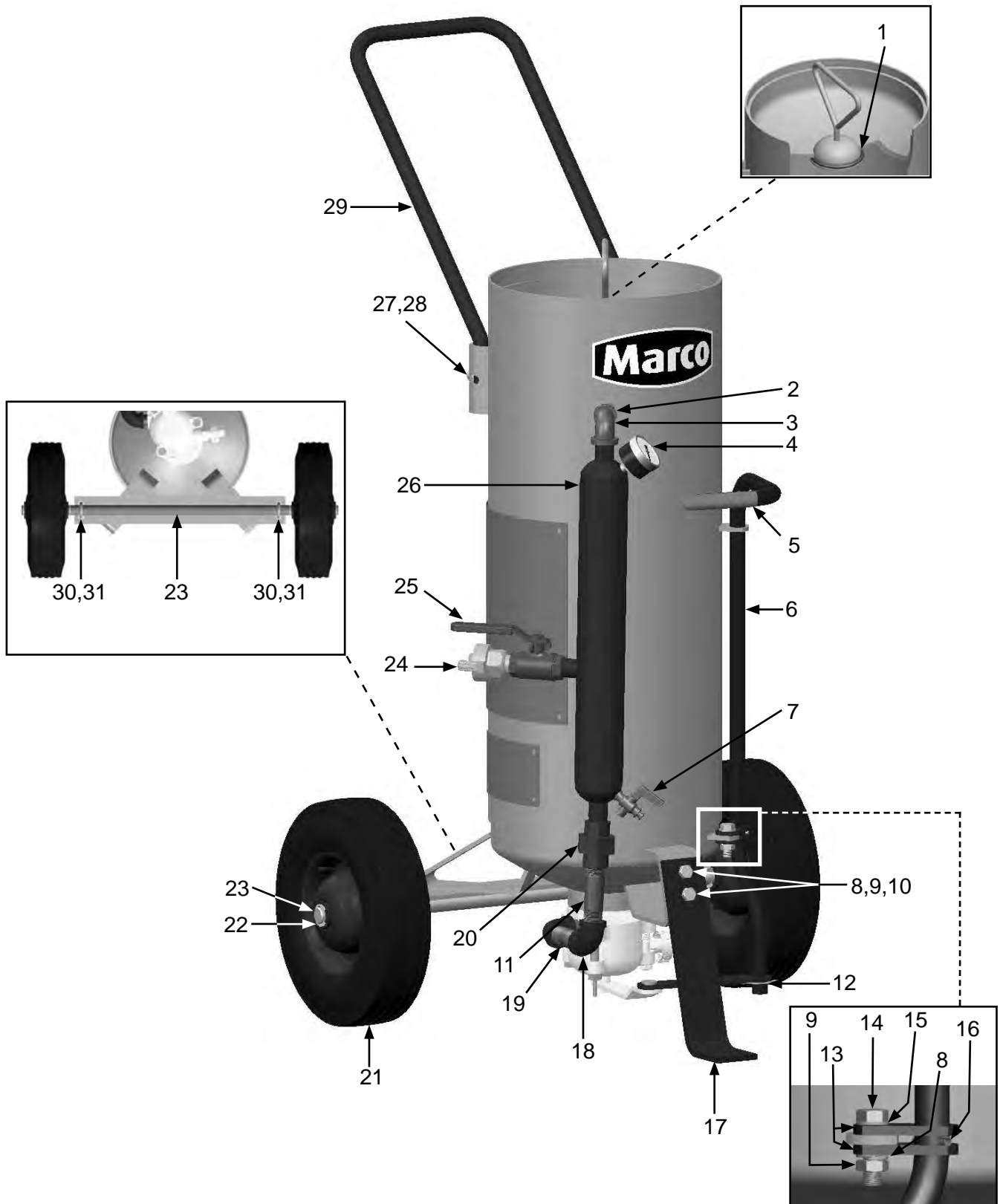
PART NUMBERS AND SCHEMATICS

Blastmaster® 1.5 Cu. Ft. L-Series Abrasive Blasting Pot

Item #	Part #	Description
Fig. 1		
1	10L650R	Filler Plug O-Ring
2	1011209	3/8" NPT Close Nipple
3	10L806058	1/2" NPT x 3/8" NPT 90° Reducing Elbow
4	10L800719	Pressure Gauge
5	10L103LG	Control Lever Grip
6	10L100268	Control Lever <i>(Includes Item #'s: 5 and 16)</i>
7	10L348	1/8" Petcock
8	10L805015	3/8" Lock Washer <i>(Three Required)</i>
9	10L804303	3/8-24 Hex Nut <i>(Three Required)</i>
10	10L805317	3/8-24 x 1" Bolt <i>(Two Required)</i>
11	10L803042	1/2" NPT x 3" Nipple
12	10L103H	Hair Spring Clip
13	10L100058	Control Lever Bracket <i>(Two Required)</i>
14	10L805318	3/8-24 x 1-1/4" Bolt
15	1014241	3/8" Flat Washer
16	10L800085	Roll Pin, 3/16" x 1"
17	10101868	Spring Foot
18	10L806004	1/2" NPT 90° Elbow <i>(Two Required)</i>
19	10L803038	1/2" NPT x 2" Nipple
20	10L806176	1/2" NPT Union
21	1006067	Wheel and Tire Assembly <i>(Two Required)</i>
22	10101811	E-Clip <i>(Four Required)</i>
23	10101934	Axle
24	10ME122	1/2" NPT Male 2-Lug Coupling
25	10L363	1/2" NPT Full Port Brass Ball Valve
26	10L100129	Moisture Separator <i>(Includes Item #'s: 4 and 7)</i>
27	10L805312	5/16-24 x 3/4" Bolt <i>(Two Required)</i>
28	10L805003	5/16" Flat Washer <i>(Two Required)</i>
29	10L347	Handle
30	10101813	1/4-20 U-Bolt with Nuts <i>(Two Required)</i>
31	1012153	1/4" Lock Washer <i>(Four Required)</i>
—	10L66EVD	Blastmaster® 153 Hose-End Shutoff
—	10L66B	1/2" NPT Nozzle Holder Base
—	105M062	Features and Specifications Guide – Blastmaster® 1.5 Cu. Ft. L-Series Abrasive Blasting Pot
—	106M062	Part Numbers and Schematics Guide – Blastmaster® 1.5 Cu. Ft. L-Series Abrasive Blasting Pot
—	1090062	Operator's Manual – Blastmaster® 1.5 Cu. Ft. L-Series Abrasive Blasting Pot

PART NUMBERS AND SCHEMATICS

Figure 1: Blastmaster® 1.5 Cu. Ft. L-Series Abrasive Blasting Pot



OPTIONAL ACCESSORIES

Figure 2: Lid With Screen



Item #	Part #	Description
Fig. 2		
1	10101730	10" Lid
2	1001510	10" Funnel with Screen
—	10L161S	Screen for 10" Funnel

Figure 3: Type I Ceramic Nozzles



TYPE I CERAMIC NOZZLES					
Part Numbers	Size	Orifice Size	Nozzle Entry	Overall Length	Abrasive Mesh Size
10CN051	1	3/32"	5/8"	3-3/4"	100 Mesh or Finer
10CN251	2	1/8"	5/8"	3-3/4"	60 Mesh or Finer
10CN21251	2-1/2	5/32"	5/8"	3-3/4"	50 Mesh or Finer
10CN351	3	3/16"	5/8"	3-3/4"	50 Mesh or Finer
10CN451	4	1/4"	5/8"	3-3/4"	40 Mesh or Finer
10CN551	5	5/16"	5/8"	3-3/4"	20 Mesh or Finer
10CN651	6	3/8"	5/8"	3-3/4"	12 Mesh or Finer

OPTIONAL ACCESSORIES

Figure 4: Blast Hose and Accessories

1/2" I.D. ABRASIVE BLASTING HOSE						
Part Numbers	O.D.	Fabric Reinforcement	Working Pressure	Liner Thickness	Hose Cover Color	Length (Ft.)
		2-Ply		1/4" Heavy-Duty	Black	
10BH012B	1-1/16"	X	150 PSI	X	X	50
10BH012E	1-1/8"	X	150 PSI	X	X	50
10BH0122CR	1-3/16"	X	150 PSI	X	X	Per Foot
10BH012C	1-3/16"	X	150 PSI	X	X	50
10BH0124C	1-3/16"	X	150 PSI	X	X	400

1/2" I.D. ABRASIVE BLASTING HOSE WITH COUPLINGS INSTALLED													
Part Numbers	I.D.	1-3/16" O.D.	Fabric Reinforcement	Working Pressure	Liner Thickness	Hose Cover Color	Length (Ft.)	Coupling(s)					
			2-Ply		1/4"	Black		Aluminum	Brass	Iron	Nylon	Steel	
10L850119	1/2"	X	X	150 PSI	X	X	10 Ft.						X
10L850125	1/2"	X	X	150 PSI	X	X	50 Ft.						X
10L850120	1/2"	X	X	150 PSI	X	X	25 Ft.						X
1081226	1/2"	X	X	150 PSI	X	X	25 Ft.	X					

COUPLINGS FOR 1/2" I.D. ABRASIVE BLASTING HOSE							
Part Numbers	Hose O.D.	Material	Lugs	GASKET OPTIONS			
				Rubber	Urethane	Gasket I.D.	
10QAL050	1-1/16"	Aluminum	2	10SBG	10USBG	1-1/4"	
10EM505222	1-1/8"	Steel	2	10SBG	10USBG	1-1/4"	
10QAL12	1-3/16"	Aluminum	2	10SBG	10USBG	1-1/4"	

NOZZLE HOLDERS FOR 1/2" I.D. ABRASIVE BLASTING HOSE				
Part Numbers	Hose O.D.	Material	Thread Style	Nozzle Washer
10NHA050	1-1/16"	Aluminum	3/4"	10NW1
10EM505232	1-1/8"	Steel	1" Male	—
10NHA12	1-3/16"	Aluminum	3/4"	10NW1

PART NUMBERS

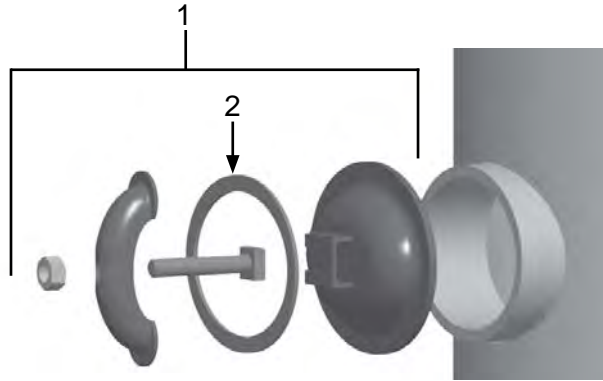
BLASTMASTER® 1.0 CU. FT. C-SERIES ABRASIVE BLASTING POT

Part Numbers	Power Source	Blastmaster® Remote Control System	Blastmaster® Remote Control Switch	Blastmaster® Regulator Jr. Abrasive Metering Valve	1/2" NPT Moisture Separator
10101081	Pneumatic	120P	150	X	
10101081PKA	Pneumatic	120P	150	X	X
10101084	12-Volt DC	120E	156	X	
10101084PKA	12-Volt DC	120E	156	X	X



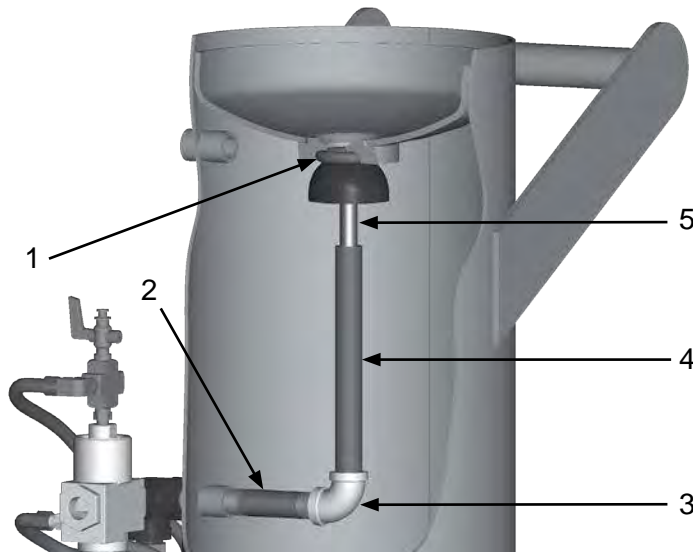
PART NUMBERS & SCHEMATICS

Figure 1: Inspection Door Assembly



Item #	Part #	Description
Fig. 1		
1	10101752	4" x 6" Inspection Door Assembly
2	10101123	Gasket

Figure 2: Pop-Up Valve Assembly



Item #	Part #	Description
Fig. 2		
1	10101132	Pop-Up Valve Seat
2	10L803045	1/2" x 3-3/4" NPT Nipple
3	10L806004	1/2" NPT 90° Elbow
4	10L803057	1/2" x 7-1/2" NPT Toe Pipe Nipple
5	10101133	Pop-Up Valve - Internal, Small

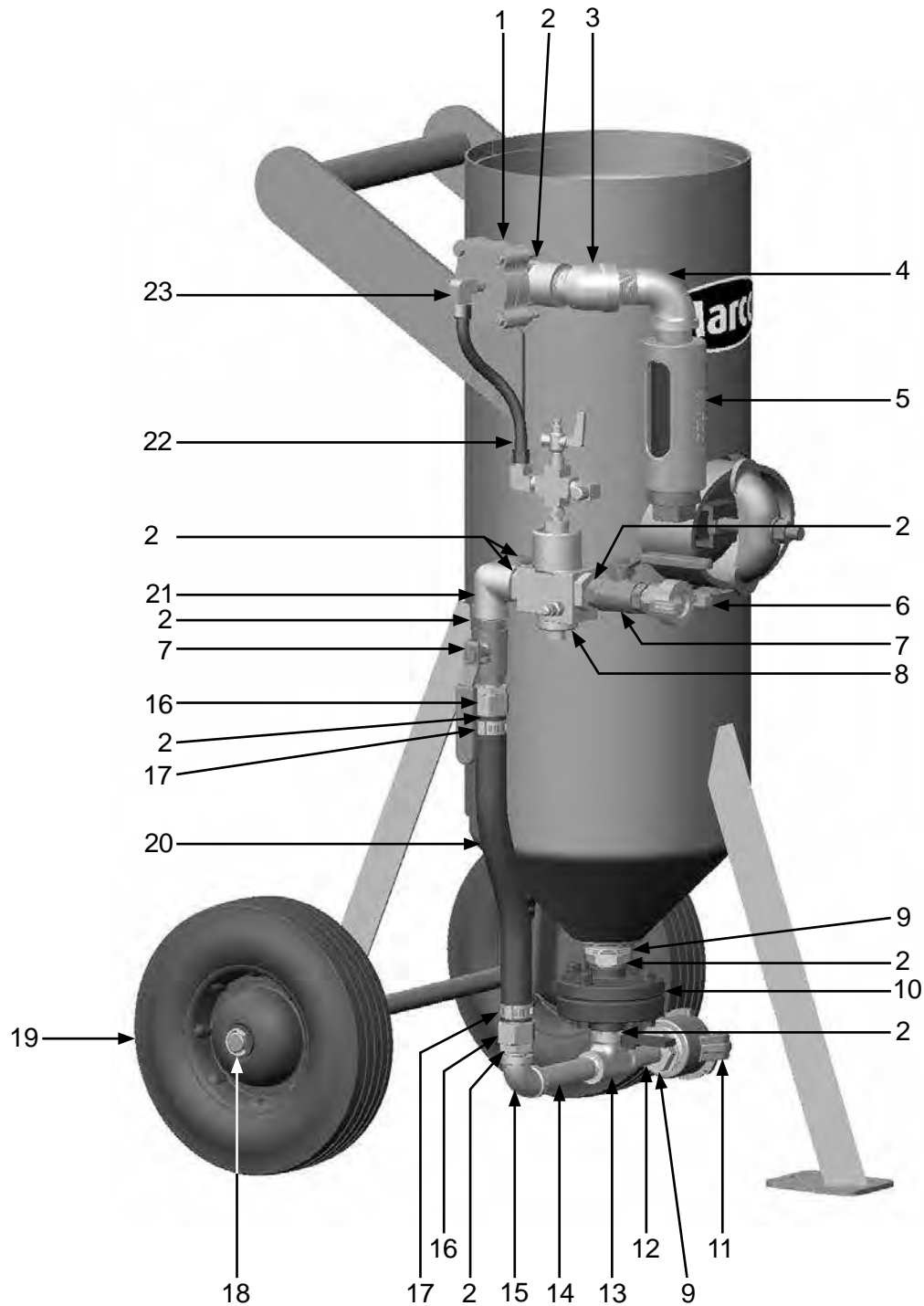
PART NUMBERS & SCHEMATICS

Blastmaster® 1.0 Cu. Ft. C-Series Abrasive Blasting Pot – Pneumatic

Item #	Part #	Description
Fig. 3		
1	10100676	Blastmaster® 1/2" Diaphragm Outlet Valve
2	10L803035	1/2" NPT Close Pipe Nipple
3	1011838	1" NPT 45° Street Elbow
4	1011801	1" NPT 90° Street Elbow
5	1011100	Blastmaster® Abrasive Blasting Pot Muffler (<i>See Fig. 5</i>)
6	10ME122	1/2" NPT 2-Lug Coupling (M)
7	10L363	1/2" NPT Full Port Brass Ball Valve
8	10100534	1/2" Inlet Valve - Complete
9	1011820	1-1/4" x 1/2" NPT Bushing
10	10100684	Blastmaster® Regulator Jr. Metering Valve
11	10SB1	1-1/4" NPT Brass Tank Coupling
12	10L803041	1/2" x 2-3/4" NPT Pipe Nipple
13	1011821	1/2" NPT Pipe Tee
14	10L803047	1/2" x 4-1/2" NPT Pipe Nipple
15	10L806004	1/2" NPT 90° Elbow
16	10SFE34	3/4" NPT Swivel Air Hose End (<i>Two Required</i>)
17	10L800034	Hose Clamp
18	10101811	Wheel Clip (<i>Four Required</i>)
19	1006067	10" Solid Rubber Wheel (<i>Two Required</i>)
20	10AH034	3/4" I.D. Air Hose (<i>Per Foot</i>)
21	10101138	1/2" NPT 90° Elbow with Side-out
22	10CL6	3/8" x 6" Control Line
23	1012051	1/4" NPT 90° Brass Elbow
—	105M074	Features and Specifications Guide – Blastmaster® 1.0 Cu. Ft. C-Series Abrasive Blasting Pot
—	105M100	Features and Specifications Guide – Blastmaster® 120P Remote Control System
—	105M160	Features and Specifications Guide – Blastmaster® Regulator Jr. Abrasive Metering Valve
—	106M074	Part Numbers & Schematics Guide – Blastmaster® 1.0 Cu. Ft. C-Series Abrasive Blasting Pot
—	106M100	Part Numbers & Schematics Guide – Blastmaster® 120P Remote Control System
—	106M160	Part Numbers & Schematics Guide – Blastmaster® Regulator Jr. Abrasive Metering Valve
—	1090074	Operator's Manual – Blastmaster® 1.0 Cu. Ft. C-Series Abrasive Blasting Pot
—	1090100	Operator's Manual – Blastmaster® 120P Remote Control System
—	1090160	Operator's Manual – Blastmaster® Regulator Jr. Abrasive Metering Valve

PART NUMBERS & SCHEMATICS

Figure 3: Blastmaster® 1.0 Cu. Ft. C-Series Abrasive Blasting Pot – Pneumatic



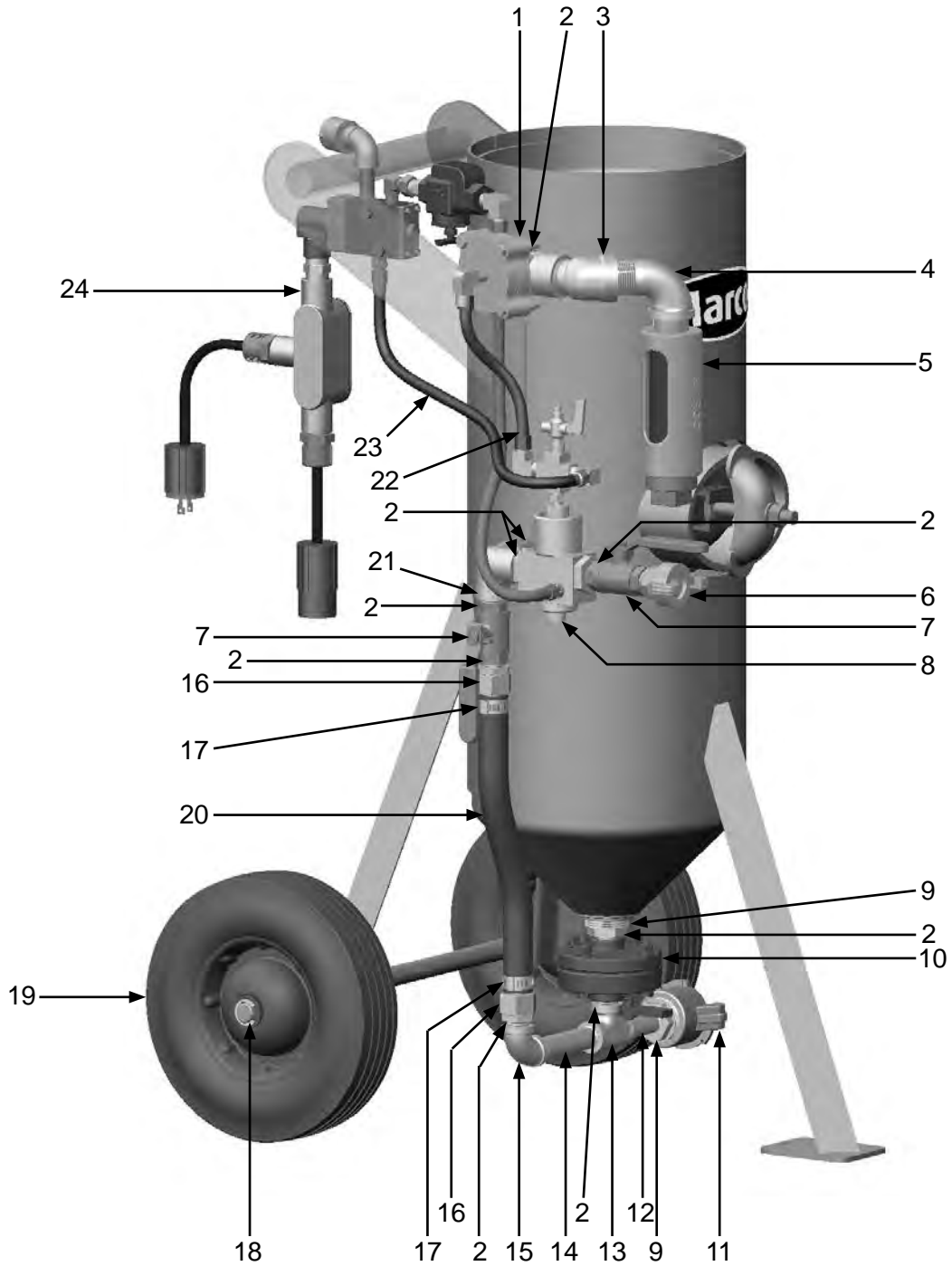
PART NUMBERS & SCHEMATICS

Blastmaster® 1.0 Cu. Ft. C-Series Abrasive Blasting Pot – Electric

Item #	Part #	Description
Fig. 4		
1	10100676	1/2" Diaphragm Outlet Valve <i>(See Literature 106M105)</i>
2	10L803035	1/2" NPT Close Pipe Nipple <i>(Eight Required)</i>
3	1011838	1" NPT 45° Street Elbow
4	1011801	1" NPT 90° Street Elbow
5	1011100	Blastmaster® Abrasive Blasting Pot Muffler <i>(See Fig. 5)</i>
6	10ME122	1/2" NPT 2-Lug Coupling (M)
7	10L363	1/2" NPT Full Port Brass Ball Valve <i>(Two Required)</i>
8	10100535	1/2" Inlet Valve <i>(See Literature 106M105)</i>
9	1011820	1-1/4" x 1/2" NPT Bushing
10	10100684	Blastmaster® Regulator Jr. Metering Valve <i>(See Literature 106M160)</i>
11	10SB1	1-1/4" NPT Brass Tank Coupling
12	10L803041	1/2" x 2-3/4" NPT Pipe Nipple
13	1011821	1/2" NPT Pipe Tee
14	10L803047	1/2" x 4-1/2" NPT Pipe Nipple
15	10L806004	1/2" NPT 90° Elbow
16	10SFE34	Swivel Air Hose End - 3/4" NPT <i>(Two Required)</i>
17	10L800034	Screw Type Hose Clamp <i>(Two Required)</i>
18	10101811	Wheel Clip <i>(Four Required)</i>
19	1006067	10" Solid Rubber Wheel <i>(Two Required)</i>
20	10AH034	3/4" I.D. Air Hose <i>(Per Foot)</i>
21	10101138	1/2" NPT 90° Elbow with Side-out
22	10CL6	3/8" x 6" Control Line
23	10CL18	3/8" x 18" Control Line
24	1019001	12-Volt DC 190 Electric Control Assembly <i>(See Literature 106M105)</i>
—	105M074	Features and Specifications Guide – Blastmaster® 1.0 Cu. Ft. C-Series Abrasive Blasting Pot
—	105M105	Features and Specifications Guide – Blastmaster® 120E Remote Control System
—	105M160	Features and Specifications Guide – Blastmaster® Regulator Jr. Abrasive Metering Valve
—	106M074	Part Numbers & Schematics Guide – Blastmaster® 1.0 Cu. Ft. C-Series Abrasive Blasting Pot
—	106M105	Part Numbers & Schematics Guide – Blastmaster® 120E Remote Control System
—	106M160	Part Numbers & Schematics Guide – Blastmaster® Regulator Jr. Abrasive Metering Valve
—	1090074	Operator's Manual – Blastmaster® 1.0 Cu. Ft. C-Series Abrasive Blasting Pot
—	1090105	Operator's Manual – Blastmaster® 120E Remote Control System
—	1091060	Operator's Manual – Blastmaster® Regulator Jr. Abrasive Metering Valve

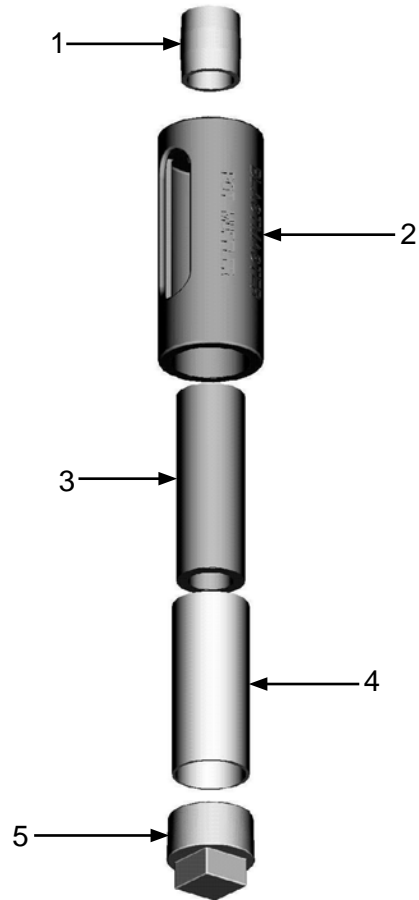
PART NUMBERS & SCHEMATICS

Figure 4: Blastmaster® 1.0 Cu. Ft. C-Series Abrasive Blasting Pot – Electric



PART NUMBERS & SCHEMATICS

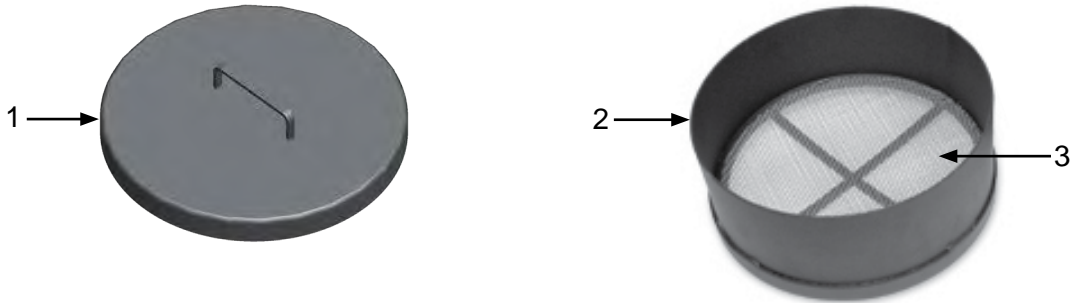
Figure 5: Blastmaster® Abrasive Blasting Pot Muffler



Item #	Part #	Description
Fig. 5		
—	1011100	Blastmaster® Abrasive Blasting Pot Muffler – Complete
1	1012151	1" Close Nipple
2	1011102	Body
3	1011103	Filter Element
4	1011104	Screen
5	1011101	1-1/2" Pipe Plug
—	1011105	Blastmaster® Abrasive Blasting Pot Muffler Service Kit <i>Includes Item #'s: 3 (Quantity of Three), 4, and 5</i>
—	105M347	Features and Specifications Guide – Blastmaster® Abrasive Blasting Pot Mufflers
—	106M347	Part Numbers And Schematics Guide – Blastmaster® Abrasive Blasting Pot Mufflers

OPTIONAL ACCESSORIES

Figure 6: Lid & Screen



Item #	Part #	Description
Fig. 6		
1	10101730	10" Lid
2	1001510	10" Abrasive Screen <i>Includes Item #3</i>
3	10L161S	10" Replacement 3/32" Mesh Screen Only

Figure 7: 1/2" NPT Moisture Separator



Item #	Part #	Description
Fig. 7		
1	10101345	1/2" NPT Moisture Separator

PART NUMBERS

BLASTMASTER® 0.35 CU. FT. L-SERIES ABRASIVE BLASTING POT

Part Numbers	Abrasive Metering Valve	Remote Control Switch	Ceramic Nozzles	1/2" I.D. Abrasive Blasting Hose	Moisture Separator
1003505	2-Hole Junior	—	(2) 10CN251	10 Ft.	10L100129
1003506	2-Hole Junior	10L66EVD	(2) 10CN251	10 Ft.	10L100129



PART NUMBERS

Blastmaster® 0.35 Cu. Ft. L-Series Abrasive Blasting Pot – 1003505



Blastmaster® 0.35 Cu. Ft. L-Series Abrasive Blasting Pot – 1003506



PART NUMBERS AND SCHEMATICS

Blastmaster® .35 Cu. Ft. L-Series Abrasive Blasting Pot

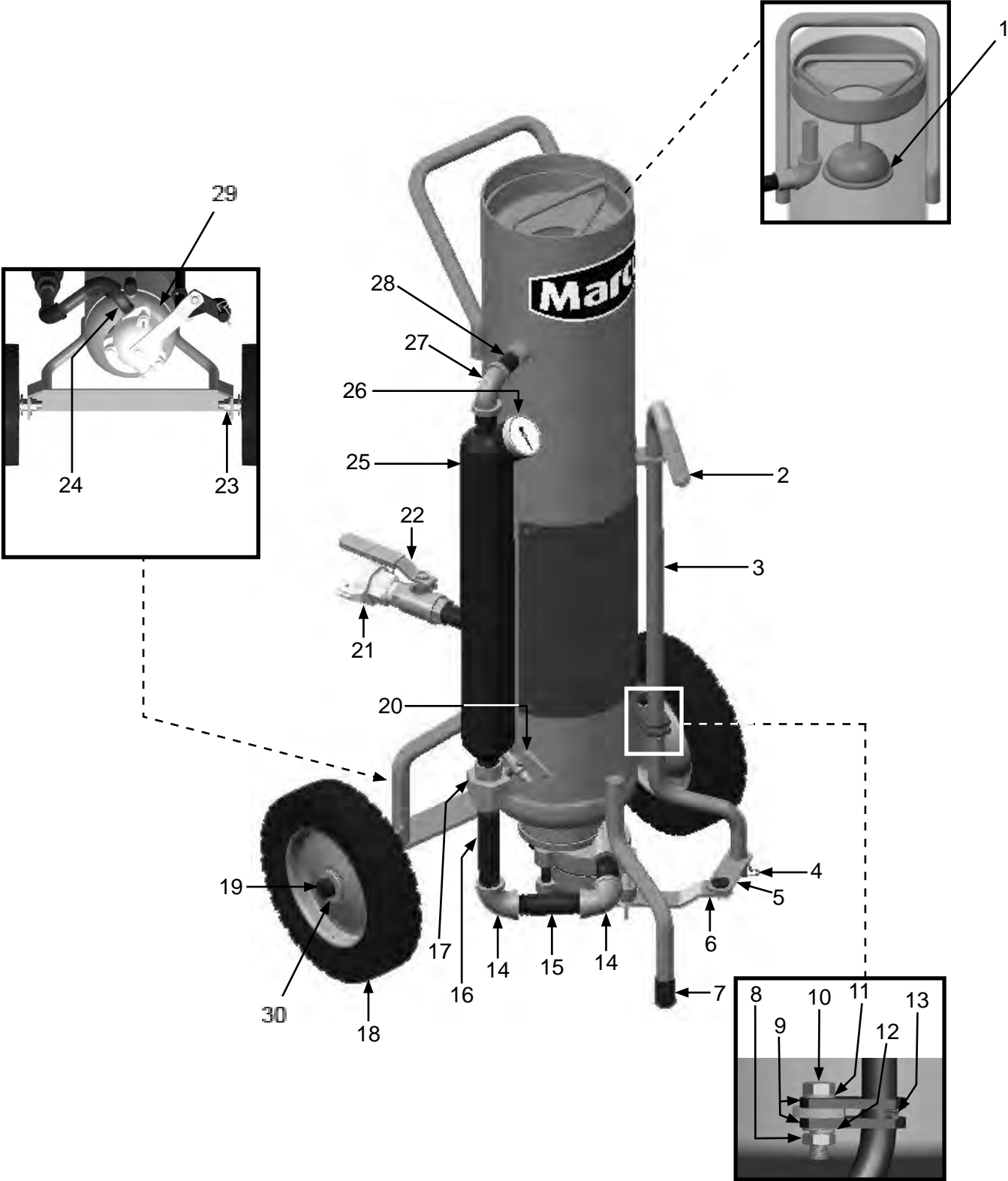
Item # Part #

Fig. 1

1	10L650R	Filler Plug O-Ring
2	10L103LG	Control Lever Grip
3	10L100268	Media/Air Control Lever <i>(Includes item #'s: 2 and 13)</i>
4	10L103H	Hair Spring Clip
5	10LD24X	Control Link
6	10L201192	Control Link Pivot Assembly
7	10LA55RT	Rubber Leg Tip
8	10L804303	3/8–24 Hex Nut
9	10L100058	Control Lever Bracket <i>(Two Required)</i>
10	10L805318	3/8–24 x 1-1/4" Bolt
11	1014241	3/8" Flat Washer
12	10L805015	3/8" Lock Washer
13	10L800085	3/16" x 1" Roll Pin
14	10L806004	1/2" x NPT 90° Elbow <i>(Two Required)</i>
15	10L803041	1/2" NPT x 2-3/4" Nipple
16	10L803047	1/2" NPT x 4-1/2" Nipple
17	10L806176	1/2" NPT Union
18	1006065	Wheel and Tire Assembly <i>(Two Required)</i>
19	10L805329	1/2–20 x 3" Bolt <i>(Two Required)</i>
20	10L348	Petcock
21	10ME122	1/2" NPT Male 2-Lug Coupling
22	10L363	1/2" NPT Full Port Brass Ball Valve
23	10L804305	1/2–20 Hex Nut <i>(Four Required)</i>
24	10L803038	1/2" NPT x 2" Nipple
25	10L100129	Moisture Separator <i>(Includes Item #'s: 20 and 26)</i>
26	10L800719	Pressure Gauge
27	10L806058	1/2" NPT x 3/8" NPT 90° Reducing Elbow
28	1011209	3/8" NPT Close Nipple
29	10L100197	2 Hole Jr Metering Valve
30	10L804304	1/2" Flat Washer
—	10L66EVD	Blastmaster® 153 Hose-End Shutoff
—	10L66B	1/2" NPT Nozzle Holder Base
—	105M040	Features and Specifications Guide – Blastmaster® 0.35 Cu. Ft. L-Series Abrasive Blasting Pot
—	106M040	Part Numbers and Schematics Guide – Blastmaster® 0.35 Cu. Ft. L-Series Abrasive Blasting Pot
—	1090040	Operator's Manual – Blastmaster® 0.35 Cu. Ft. L-Series Abrasive Blasting Pot

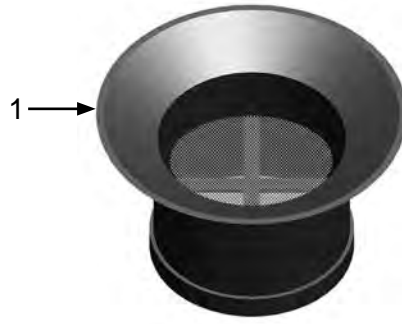
PART NUMBERS & SCHEMATICS

Figure 1: Blastmaster® .35 Cu. Ft. L-Series Abrasive Blasting Pot



OPTIONAL ACCESSORIES

Figure 2: Funnel With Screen



Item #	Part #	Description
Fig. 2		
1	1003510	6" Funnel with Screen
—	1003512	Replacement Screen for Funnel

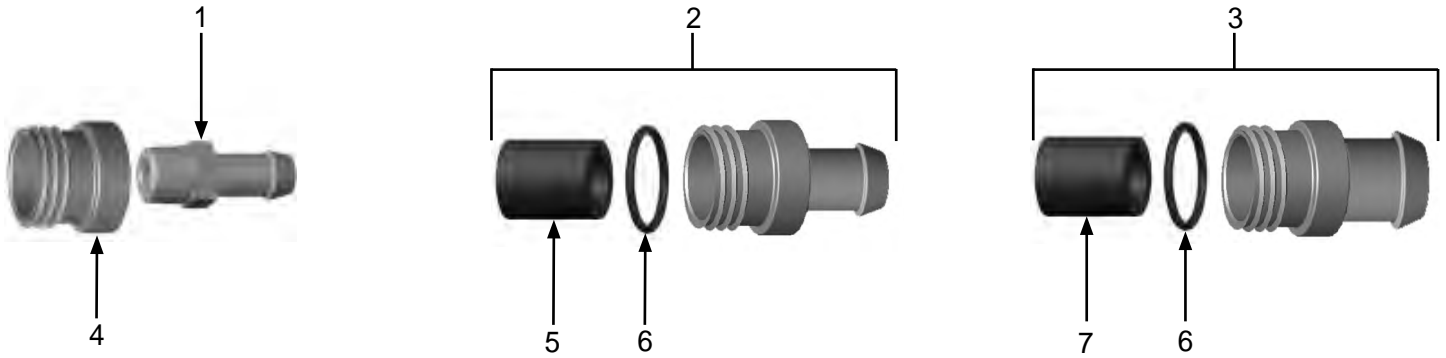
Figure 3: Type I Ceramic Nozzles



TYPE I CERAMIC NOZZLES					
Part Numbers	Size	Orifice Size	Nozzle Entry	Overall Length	Abrasive Mesh Size
10CN051	1	3/32"	5/8"	3-3/4"	100 Mesh or Finer
10CN251	2	1/8"	5/8"	3-3/4"	60 Mesh or Finer
10CN21251	2-1/2	5/32"	5/8"	3-3/4"	50 Mesh or Finer
10CN351	3	3/16"	5/8"	3-3/4"	50 Mesh or Finer
10CN451	4	1/4"	5/8"	3-3/4"	40 Mesh or Finer
10CN551	5	5/16"	5/8"	3-3/4"	20 Mesh or Finer
10CN651	6	3/8"	5/8"	3-3/4"	12 Mesh or Finer

OPTIONAL ACCESSORIES

Figure 4: Hose End Assemblies



Item #	Part #	Description
--------	--------	-------------

Fig. 4

1	10L174	Hose End for 1/2" I.D. Abrasive Blasting Hose
---	--------	---

2	10L366HE	Hose End for 3/4" I.D. Abrasive Blasting Hose (Includes Item #'s: 5 and 6)
---	----------	---

3	10L466HE	Hose End for 1" I.D. Abrasive Blasting Hose (Includes Item #'s: 6 and 7)
---	----------	---

4	10L66B	Nozzle Holder Base
---	--------	--------------------

5	10L800236	Rubber Liner for 3/4" I.D. Abrasive Blasting Hose
---	-----------	---

6	10L66RR	O-Ring
---	---------	--------

7	10L800237	Rubber Liner for 1" I.D. Abrasive Blasting Hose
---	-----------	---

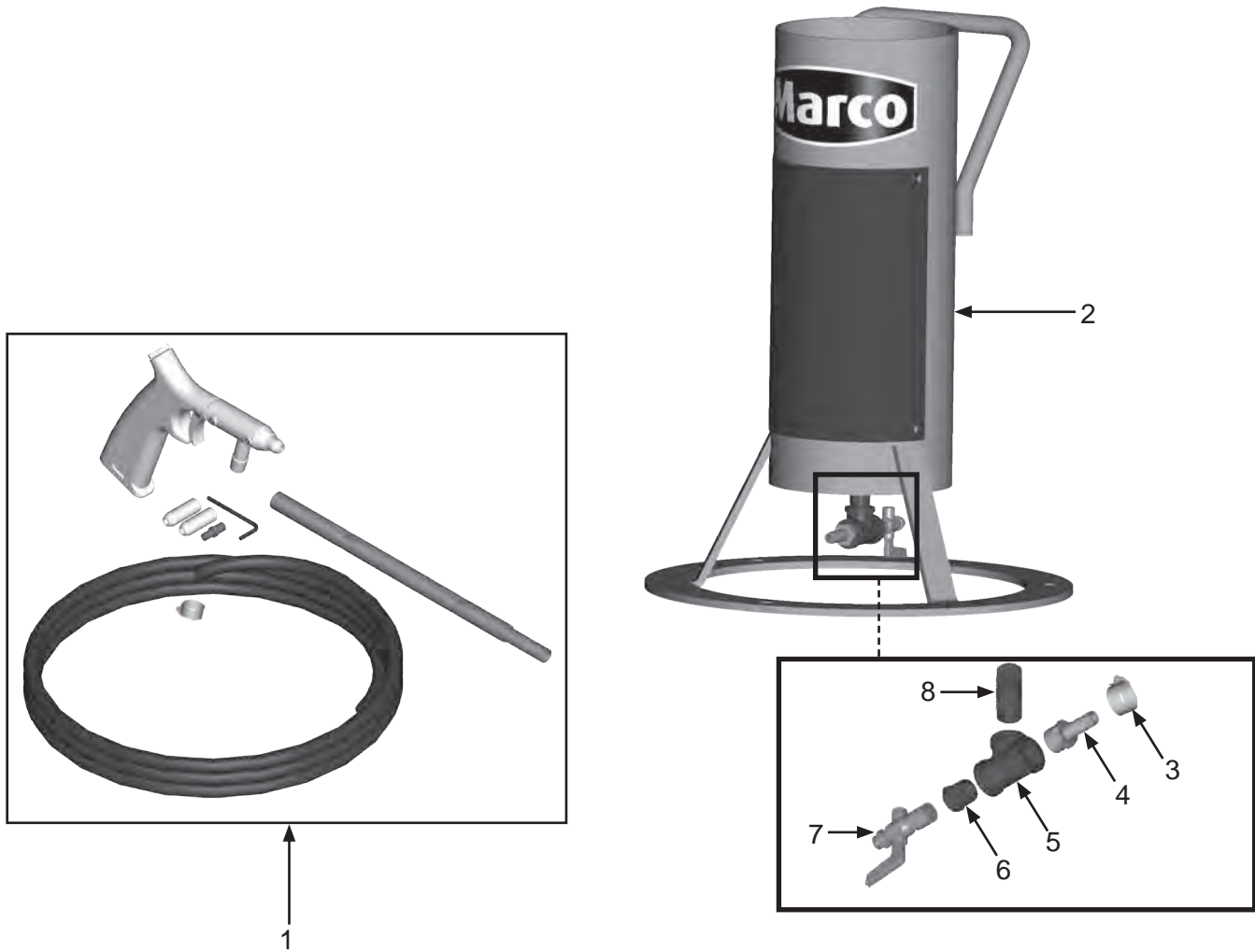
BLASTMASTER® 0.20 CU. FT. SUCTION BLASTER					
Part Numbers	1600 Series Suction Gun	Air Jets	Pick-Up Tube	Steel Nozzles	3/8" I.D. Abrasive Blasting Hose
1001602	1001600	(1) 5/64", (1) 1/8"	1001624	3	10 Ft.

Figure 1: Blastmaster® 0.20 cu. ft. Suction Blaster



PART NUMBERS & SCHEMATICS

Figure 2: Blastmaster® 0.20 cu. ft. Suction Blaster



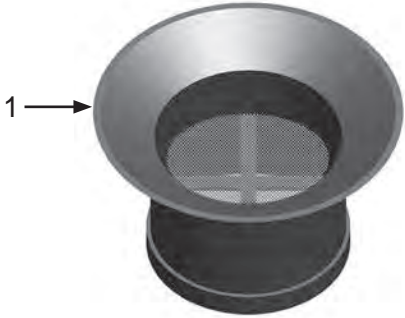
Item # Part

Fig. 2

—	1001602	Blastmaster® 0.20 cu. ft. Suction Blaster – Complete
1	1001600	1600 Series Suction Gun (Includes: 10 Ft. of Suction Hose, Steel Nozzles (Quantity of Three), Pick-up Tube, 5/64" Jet (Quantity of One), 1/8" Jet (Quantity of One))
2	10000092	Blastmaster® 0.20 cu. ft. Suction Blaster Tank
3	1015540	Screw Type Hose Clamp
4	10t17020	3/8" NPT x 3/8" Brass Hose Barb
5	1011809	3/8" NPT Pipe Tee
6	1011506	3/8" x 1/4" NPT Bushing
7	1012101	1/4" NPT Petcock
8	1011209	3/8" NPT Close Nipple
—	105M046	Features and Specifications Guide – Blastmaster® 0.20 cu. ft. Suction Blaster
—	106M046	Part Numbers and Schematics Guide – Blastmaster® 0.20 cu. ft. Suction Blaster
—	1090046	Operator's Manual – Blastmaster® 0.20 cu. ft. Suction Blaster

OPTIONAL ACCESSORIES

Figure 3: Funnel with Screen



Item #	Part #	Description
Fig. 3		
1	1003510	6" Funnel with Screen
—	1003512	6" Screen

PART NUMBERS & SCHEMATICS GUIDE

Definition of Terms:

Blast Enclosure: A Blast Enclosure is a metal structure that protects the blasting operations from the elements and contains it from other work areas. By enclosing the blast operations, you can now operate regardless of daylight or weather conditions. A Blast Enclosure also contains the used abrasive for easier cleanup and re-use. Blast Enclosures can be configured with one or multiple product doors that are steel or rubber. Lighting can be fluorescent or LED and located in the ceiling or side walls.

Dust Collector: A dust collector creates an engineered air flow in an enclosure, providing ventilation and collecting airborne dust and debris. Dust collection is regulated by OSHA for any sustained enclosed blasting operation. Using a dust collector helps to increase work surface visibility, increasing quality of work and production, while reducing cleanup. Dust collectors can be located inside or outside the building.

Abrasive Recovery System: An Abrasive Recovery System assists with the cleanup of abrasives and blasting debris in a blast enclosure. The system removes unwanted large particles and fines from the used abrasive during the cleaning process, preparing it for reuse.

Figure 1: Determine the size of enclosure

Best practices suggest that there should be 3-4' of clear space around the part that you are blasting. This allows room for the operator to safely move around the part and reduces wear on the walls from abrasive rebound. Keeping in mind that sometimes that isn't possible due to space constraints, we would still not recommend a booth that does not allow a minimum of 24" around the part. The height of the room can be more constricted if the part can be rotated to blast the top or bottom. If you have a wide variety of part sizes or ever changing part sizes it is best to plan for an enclosure size that can contain 80% of the volume that requires blasting unless your goal is to contain 100% of all your blasting needs. The column labelled "Suggested Product Size" is a quick reference for you to use. If your product dimensions fit the range, select one of the part numbers to the left.

A solid back room has one product door that you will bring product in and out of the blast enclosure. A drive through blast enclosure allows you to bring the product into one door and remove it through a second door.

Booth size is important as it can: effect wear, determine the size of the dust collector and abrasive recover system.



Drive-through, crane slot,
manual metal doors



Large equipment enclosure,
electric rubber doors

PART NUMBERS & SCHEMATICS GUIDE

Figure 1: Blast Enclosure

Part Number		Inside Dimensions			Suggested Product Size			Lights	Product Door		Personnel Door Qty	Amperage	Category
Solid Back	Drive Thru	W	H	D	W	H	D		Size	Type			
10500100	10500101	10'	8'	10'	2'-4'	1'-4'	2'-4'	2	8' x 8'	double	1	2	80-10A
10500102	10500103	10'	8'	12'	2'-4'	1'-4'	4'-6'	3	8' x 8'	double	1	2	80-10B
10500104	10500105	10'	8'	16'	2'-4'	1'-4'	8'-10'	3	8' x 8'	double	1	2	80-10C
10500106	10500107	10'	8'	20'	2'-4'	1'-4'	12'-14'	4	8' x 8'	double	1	3	80-10D
10500110	10500111	10'	10'	10'	2'-4'	1'-7'	2'-4'	3	8' x 10'	double	1	2	100-10A
10500112	10500113	10'	10'	12'	2'-4'	1'-7'	4'-6'	3	8' x 10'	double	1	2	100-10B
10500114	10500115	10'	10'	16'	2'-4'	1'-7'	8'-10'	4	8' x 10'	double	1	3	100-10C
10500116	10500117	10'	10'	20'	2'-4'	1'-7'	12'-14'	5	8' x 10'	double	1	4	100-10D
10500120	10500121	12'	10'	12'	4-6'	1'-7'	4'-6'	4	8' x 10'	double	1	3	120-12B
10500122	10500123	12'	10'	16'	4-6'	1'-7'	8'-10'	5	8' x 10'	double	1	4	120-12C
10500124	10500125	12'	10'	20'	4-6'	1'-7'	12'-14'	6	8' x 10'	double	1	4	120-12D
10500130	10500131	12'	12'	12'	4-6'	1'-9'	4'-6'	4	8' x 10'	double	1	3	144-12B
10500132	10500133	12'	12'	16'	4-6'	1'-9'	8'-10'	6	8' x 10'	double	1	4	144-12C
10500134	10500135	12'	12'	20'	4-6'	1'-9'	12'-14'	7	8' x 10'	double	1	5	144-12D
10500136	10500137	12'	12'	24'	4-6'	1'-9'	16'-18'	8	8' x 10'	double	1	6	144-12E
10500138	10500139	12'	12'	28'	4-6'	1'-9'	20'-22'	10	8' x 10'	double	1	7	144-12F
10500140	10500141	12'	12'	32'	4-6'	1'-9'	24'-26'	12	8' x 10'	double	1	8	144-12G
10500150	10500151	14'	14'	12'	6'-8'	1'-8'	4'-6'	6	10' x 12'	double	2	4	196-14B
10500152	10500153	14'	14'	16'	6'-8'	1'-8'	8'-10'	8	10' x 12'	double	2	5	196-14C
10500154	10500105	14'	14'	20'	6'-8'	1'-8'	12'-14'	10	10' x 12'	double	2	7	196-14D
10500156	10500157	14'	14'	24'	6'-8'	1'-8'	16'-18'	12	10' x 12'	double	2	8	196-14E
10500158	10500159	14'	14'	28'	6'-8'	1'-8'	20'-22'	14	10' x 12'	double	2	9	196-14F
10500160	10500161	14'	14'	32'	6'-8'	1'-8'	24'-26'	15	10' x 12'	double	2	10	196-14G
10500170	10500171	16'	16'	16'	8'-10'	1'-10'	8'-10'	10	12' x 14'	double	2	7	256-16C
10500172	10500173	16'	16'	20'	8'-10'	1'-10'	12'-14'	12	12' x 14'	double	2	8	256-16D
10500174	10500175	16'	16'	24'	8'-10'	1'-10'	16'-18'	15	12' x 14'	double	2	10	256-16E
10500176	10500177	16'	16'	28'	8'-10'	1'-10'	20'-22'	18	12' x 14'	double	2	12	256-16F
10500178	10500179	16'	16'	32'	8'-10'	1'-10'	24'-26'	20	12' x 14'	double	2	13	256-16G
10500180	10500181	16'	16'	36'	8'-10'	1'-10'	28'-30'	22	12' x 14'	double	2	14	256-16H
10500182	10500183	16'	16'	40'	8'-10'	1'-10'	32'-34'	26	12' x 14'	double	2	17	256-16I

PART NUMBERS & SCHEMATICS GUIDE

Figure 2a: Choose Dust Collector

To help you choose the right dust collector to go with your blast enclosure we have coordinated the blast enclosures with the appropriate dust collector based on the four primary airflow categories by abrasives as outlined by OSHA.

1. Find your blast enclosure category number that you chose from the **blue column** in step 1.
2. Choose the column that has the abrasive type that you want to use. The part number that is at the intersection of the two that you have chosen is your dust collector.

You will notice that as the width and height of the blast enclosure increases the size of the dust collector increases. You will also notice that the dustier abrasives require a larger dust collector. The abrasive you chose can be critical to the overall cost of your blasting operation and ongoing operating costs. We have included a link to our abrasive selection and comparison guide to help with you with choosing an abrasive.

Figure 2a: Dust Collector

Blast Enclosure Category	DUST COLLECTOR			
	Abrasive Type Used			
	Carbon Steel Shot Carbon Steel Grit Stainless Steel Shot Stainless Steel Grit	Aluminum Oxide Glass Bead Crushed Glass Plastic Media	Corn Cob Garnet Staurolite Walnut Shell	Sand Copper Slag Coal Slag
80-10A-D	10604000	10605000	10607000	10608000
100-10A-D	10605000	10607000	10608000	10610000
120-12B-D	10607000	10607000	10610000	10612000
144-12B-G	10607000	10609000	10612000	10615000
196-14B-G	10610000	10612000	10615000	10620000
256-16C-I	10612000	10615000	10620000	10625500



Outdoor unit, ground-mounted fan



Outdoor unit, top-mounted fan



Indoor unit, top-mounted fan

PART NUMBERS & SCHEMATICS GUIDE

Figure 2b: Choose Ducting

To help you choose the right ducting to go with your dust collector we have coordinated the blast enclosures with your selected blast enclosure category.

1. Find your blast enclosure category number that you chose from the **red cells** in the step 2.
2. Find your Blast Enclosure from the **blue cells** in step 1.

NOTE: Ducting kit is designed to ventilate the blast booth only. Additional ducting, fittings, brackets may be required to exit your building.

Figure 2b: Ducting

Dust Collector Part Number	DUCTING					
	Blast Enclosure Category					
	80-10A-D	100-10A-D	120-12B-D	144-12B-G	196-14B-G	256-16C-I
10604000	10620100					
10605000	10620115	10620110				
10606000		10620120	10620125			
10607000	10620130		10620135	10620140		
10608000	10620145	10620150				
10609000				10620155		
10610000		10620160	10620165		10620170	
10612000			10620175	10620180	10620185	10620190
10615000				10620195	10620200	10620205
10620000					10620210	10620215
10625500						10620230

PART NUMBERS & SCHEMATICS GUIDE

Figure 3: Select an Abrasive Recovery System

1. Find your blast enclosure category number that you chose from the [blue column](#) in step 1.
2. Select recovery system type and hopper type ONLY listed in the row with your blast enclosure category.

The main factors to consider when choosing an abrasive recovery system are:

- Time available to clean up during the work shift or after the work shift
- Abrasive storage hopper size needed
- Ability to modify the floor in your blast area
- Abrasive type to be reused

There are two types of abrasive recovery systems to choose from: Pneumatic or Mechanical.

Pneumatic Recovery System:

- Uses vacuum to move and clean the used abrasive.
- Ideal for smaller and lighter abrasives, but will work with all abrasives.
- Does not require any floor modifications.
- Best suited for light intermediate blasting.
- Includes a 10 cubic foot hopper for abrasive storage.
- There are two models of pneumatic systems; Standard and Heavy.
 - Heavy model is required for carbon or stainless steel grit or shot.



Pneumatic, Abrasive Recovery System

Mechanical Recovery System:

- System is designed for higher volumes of abrasive and any size or weight of abrasive.
- May use augers in the floor with a bucket elevator to move the used abrasive to the cleaning portion of the system which the rotary screen and air wash.
- Abrasive storage hoppers can range in size to meet your production needs.
- Typical models are:
 - Sweep In or Shovel In
 - Single cross auger
 - Single long auger
 - Multiple Long augers



Mechanical, Single Long Auger



Mechanical, Shovel-In Hopper



Mechanical, Multiple Long Augers

PART NUMBERS & SCHEMATICS GUIDE

Figure 3: Abrasive Recovery System

Blast Enclosure Category	Pneumatic		Mechanical Recovery Hoppers						
	Pneumatic Recovery		Sweep-In		Shovel-In		Single Cross	Single Long	"H" or "U"
	Standard	Heavy	40 Cu. Ft.	80 Cu. Ft.	40 Cu. Ft.	80 Cu. Ft.	80 Cu. Ft.	80 Cu. Ft.	80 Cu. Ft.
80-10A	10611000	10612000	10853040		10854040				
80-10B	10611000	10612000	10853040		10854040				
80-10C	10611000	10612000	10853040		10854040				
80-10D	10611000	10612000	10853040		10854040				
100-10A	10611000	10612000	10853040		10854040				
100-10B	10611000	10612000	10853040		10854040				
100-10C	10611000	10612000	10853040		10854040				
100-10D	10611000	10612000	10853040		10854040				
120-12B	10611000	10612000	10853040		10854040		10864112		
120-12C	10611000	10612000	10853040		10854040		10864112		
120-12D							10864112		
144-12B	10611000	10612000	10853040		10854040		10864112		
144-12C	10611000	10612000	10853040		10854040		10864112		
144-12D				10853080		10854080	10864112	10874220	
144-12E				10853080		10854080	10864112	10874224	
144-12F				10853080		10854080	10864112	10874228	
144-12G				10853080		10854080	10864112	10874232	
196-14B	10611000	10612000	10853040		10854040		10864114		
196-14C	10611000	10612000	10853040		10854040		10864114		
196-14D				10853080		10854080	10864114	10874220	10881420
196-14E				10853080		10854080	10864114	10874224	10881424
196-14F				10853080		10854080	10864114	10874228	10881428
196-14G				10853080		10854080	10864114	10874232	10881432
256-16C				10853080		10854080	10864116		
256-16D				10853080		10854080	10864116	10874220	10881620
256-16E							10864116	10874224	10881624
256-16F							10864116	10874228	10881628
256-16G							10864116	10874232	10881632
256-16H							10864116	10874236	10881636
256-16I							10864116	10874240	10881640

OPTIONAL ACCESSORIES

Figure 1: Blastmaster® Smart Box™ Production Management System



Item #	Part #	Description
--------	--------	-------------

Fig. 1

—	10102428	Blastmaster® Smart Box™ Production Management System
1	10104314	2GB SD Card
2	1015551	2 Prong Male Twist Lock Plug
—	10104348	Replacement Key (<i>not shown</i>)
—	105M104	Features and Specifications Guide – Blastmaster® Smart Box™
—	106M104	Part Numbers and Schematics Guide – Blastmaster® Smart Box™
—	1090104	Operator's Manual – Blastmaster® Smart Box™
—	1091045	Hazard Identification Tag



BLAST ROOM ACCESSORIES

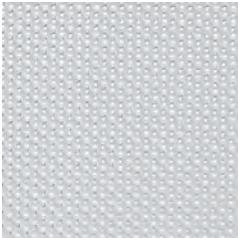
Figure 1: Blastmaster® Smart Box™ Production Management System




Item #	Part #	Description
Fig. 1		
—	10102428	Blastmaster® Smart Box™ Production Management System
1	10104314	2GB SD Card
2	1015551	2 Prong Male Twist Lock Plug
—	10104348	Replacement Key (<i>not shown</i>)
—	105M104	Features and Specifications Guide – Blastmaster® Smart Box™
—	106M104	Part Numbers and Schematics Guide – Blastmaster® Smart Box™
—	1090104	Operator's Manual – Blastmaster® Smart Box™
—	1091045	Hazard Identification Tag

BLAST ROOM ACCESSORIES


RUBBER AND LEXAN SHEETING			
	Part Numbers	Length	Style
	30EAGR4510100	45 mil - 10' x 100'	Rubber Sheeting
	10104940	2.5" x 2" x .093"	Lexan Sheeting

LIGHT PROTECTION			
	Part Numbers	Size	Material
	1070067	24" x 48" x 22/100"	Lexan
	10EMHLEN277V2X4	24" x 48" x 1/8"	Lexan
	23ESBCUT0112042400	24" x 48" x 1/4"	Lexan




BLAST SUNDRIES


		RAGS		
Part Numbers		Material	Color	U.O.M.
	10TTSCK10	Cotton	Multi Colored	10 lbs/Box
	1070001	Cotton	White	25 lbs/Box
	1070000	Cotton	Multi Colored	25 lbs/Box
	10ABCWT30	Knit	White	30 lbs/Bag
	1070409	Cotton	White	50 lbs/Box
	1070410	T-Shirt Knit	White	50 lbs/Box



		OIL PAD	
Part Numbers		U.O.M.	
	1070002	100 Sheets/Box	


		WIRE ROPE/CABLE CLIP		
Part Numbers		Size	Material	Weight
	1070295	3/8"	Zinc Plated, Galvanized Finish	3.5 lbs.

BLAST SUNDRIES


		ROPE		
Part Numbers		Material	Diameter	Length
	30IWSR250600M	Manila	1/4"	600 Feet
	30MANILAROPE	Manila	3/8"	600 Feet
	30IWSR500600M	Manila	1/2"	600 Feet
	3070620	Manila	1"	600 Feet
	3070136	Polyester/Dacron	3/8"	600 Feet
	3070538	Polyester/Dacron	1/2"	600 Feet
	30TICMB34600BLT	Polyester/Dacron	3/4"	600 Feet
	3070640	Nylon	3/8"	600 Feet
	3070641	Nylon	1/2"	600 Feet


		WIRE ROPE		
Part Numbers		Material	Size	Length
	1070697	Fiber Core Cable	3/8"	500 Feet


		STEEL WIRE ROLLS			
Part Numbers		Steel Material	Gauge	Description	Weight
	1070078	Carbon	16	Coated	3.5 lbs.
	10DPL081067	Stainless	16	Uncoated	3 lbs.


		PLASTIC COATED CABLE			
Part Numbers		Material	Size	Description	Length
	1070882	Plastic	3/16" x 1/4"	Coated	250 Feet

BLAST SUNDRIES


		DUCT TAPE				
Part Numbers		Thickness	Width	Color	Length	U.O.M.
	1070782	6 Mil	2"	Silver	60 Yards	One Roll
	1070781	7 Mil	2"	Silver	50 Yards	One Roll
	1070273	7 Mil	2"	Silver	60 Yards	One Roll
	1070467	9 Mil	2"	Green	60 Yards	One Roll
	1070492	9 Mil	2"	Red	60 Yards	One Roll
	1070377	9 Mil	2"	Silver	60 Yards	One Roll
	1070380	9 Mil	1.88"	Teal	60 Yards	One Roll
	1070274	11 Mil	2"	Silver	60 Yards	One Roll
	1070378	13 Mil	2"	White	60 Yards	One Roll












		MASKING TAPE				
Part Numbers		Thickness	Width	Color	Length	U.O.M.
	1070379	5.1 Mil	2"	Natural	60 Yards	One Roll
	1070376	5.7 Mil	2"	Blue	60 Yards	One Roll
	1070272	6 Mil	1"	Blue	60 Yards	One Roll


		POLYKEN 727 TAPE		
Part Numbers		Color	Dimensions	U.O.M.
	1070860	Orange	48MM x 55M	24/Case

		HAZARD TAPE			
Part Numbers		Text	Color	Dimensions	U.O.M.
	1070397	CAUTION	Yellow	3" x 100'	8/Case
	1070404	DANGER	Red	1.5 Mil	12/Case
	1070398	LEAD DANGER	Red	1000'	One Each
	1070931	LEAD WORK AREA POISON	Orange	3" x 1000'	One Each










BLAST SUNDRIES

		EYE AND SKIN FLUSH	
		Description	
	1070589	Eye and Skin Flush Replacement (16 oz. Bottle)	






		PLIERS	
		Length	Style
	10ORSPT11072	7 Inch	Curved Jaw, Locking
	10ORS4621125A11	9 Inch	Retaining Ring – 0.090 Tip
	1070308	6.5 Inch	Long Needle Nose
	1070309	6.5 Inch	V-Jaw Tongue & Groove
	1070310	7 Inch	Straight Jaw Locking
	1070324	6 Inch	Groove Joint
	1070624	6 Inch	Knife and Anvil Cutting Edge
	1070625	12 Inch	Straight Jaw Tongue and Groove
	1070626	7 Inch	Curved Jaw Locking
	1070627	8.5 Inch	Round Nose
	1070628	10 Inch	Retaining Ring


		JOBBOX®	
		Description	
	1070585	Jobbox® (60" Wide x 30" Deep x 50" High Piano Box with Drop Front Ramp)	

BLAST SUNDRIES


	Part Numbers	WRENCHES			
		Style	Length	Jaw Size	U.O.M.
	10ORS01318	Pipe Wrench	18"	2-1/2"	One Each
	10ORS01324	Pipe Wrench	24"	3"	One Each
	1070307	Pipe Wrench	18"	Varies	One Each
	10ORS01010	Adjustable	10"	1-5/16"	One Each
	10ORS01012	Adjustable	12"	1-5/16"	One Each
	10ORS04812	Combination	Various	1/4" – 7/8"	Set
	1070003	Combination	Various	7/8"	One Each
	1070004	Combination	Various	1"	One Each
	1070005	Combination	Various	1-1/16"	One Each
	1070006	Combination	Various	1-1/8"	One Each
	1070050	Combination	Various	9/16"	One Each
	1070051	Combination	Various	7/16"	One Each
	1070053	Combination	Various	1-1/2"	One Each
	10GR4AV15	Combination	Various	3/4"	One Each
	10IR2155Q1MAX	Impact	n/a	1"	One Each
	1070164	Crescent	10"	Varies	One Each
	1070629	Hex Key	3"	.050" – 5/32"	Set
	1070865	Adjustable	Various	1" – 1-1/2"	Set
	1070790	Adjustable	6"	Up to 15/16"	One Each
	1070632	Adjustable	8"	Up to 1-1/8"	One Each
	1070633	Adjustable	10"	Up to 1-7/16"	One Each
	1070634	Adjustable	12"	Up to 1-1/2"	One Each


BLAST SUNDRIES


		HAMMERS			
		Style	Weight	Handle Material	U.O.M.
Part Numbers					
	1070042	Cross Pein	2 lbs.	Wood	One Each
	1070039	Engineers	2 lbs.	Wood	One Each
	1070007	Sledge	4 lbs.	Wood	One Each
	1070049	Welder's Chipping		Metal	One Each
	1070170	Framing	22 oz.	Wood	One Each

		PSA SANDING DISC ROLLS - NORTON				
		Grit	Width	Film	Color	Discs Per Roll
Part Numbers						
	1070123	80	5"		Gold	100
	1070125	80	6"		Gold	100
	1070122	80	5"		Gold	100


BLAST SUNDRIES

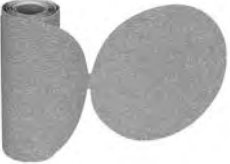
		PSA SANDING DISC ROLLS - SUNMIGHT				
Part Numbers		Grit	Width	Film	Color	Discs Per Roll
	1070278	80	5"	X	Gold	100
	1070280	80	6"	X	Gold	100
	1070289	80	6"	X	Green	100
	1070287	100	5"	X	Green	100
	1070277	100	5"	X	Gold	100
	1070696	100	6"	X	Green	100

		PSA SANDING DISC ROLLS NORTON - 120 GRIT				
Part Numbers		Grit	Width	Film	Color	Discs Per Roll
	1070121	120	5"		Gold	100
	1070124	120	6"		Gold	100


		PSA SANDING DISC ROLLS SUNMIGHT- 120 GRIT				
Part Numbers		Grit	Width	Film	Color	Discs Per Roll
	1070276	120	5"	X	Gold	100
	1070285	120	5"	X	Green	100
	1070279	120	6"	X	Gold	100
	1070288	120	6"	X	Green	100


BLAST SUNDRIES


		PSA SANDING DISC ROLLS SUNMIGHT- 180 GRIT				
Part Numbers		Grit	Width	Film	Color	Discs Per Roll
	1070282	180	5"	X	Gold	100
	1070291	180	5"	X	Green	100
	1070284	180	6"	X	Gold	100
	1070293	180	6"	X	Green	100

		PSA SANDING DISC ROLLS NORTON- 180 GRIT				
Part Numbers		Grit	Width	Film	Color	Discs Per Roll
	1070127	180	5"		Gold	100
	1070129	180	6"		Gold	100


BLAST SUNDRIES

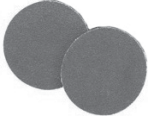
		PSA SANDING DISC ROLLS SUNMIGHT- 220 GRIT				
Part Numbers		Grit	Width	Film	Color	Discs Per Roll
	1070281	220	5"	X	Gold	100
	1070290	220	5"	X	Green	100
	1070283	220	6"	X	Gold	100
	1070292	220	6"	X	Green	250


		PSA SANDING DISC ROLLS SUNMIGHT- 220 GRIT				
Part Numbers		Grit	Width	Film	Color	Discs Per Roll
	1070126	220	5"		Gold	100
	1070128	220	6"		Gold	100


		SANDPAPER ROLLS			
Part Numbers		Grit	Length	Width	U.O.M.
	20VASP8X50ROLL36G	36	50 Yards	8"	Roll
	20VASP8X50ROLL50G	50	50 Yards	8"	Roll
	20VASP8X50ROLL60G	60	50 Yards	8"	Roll
	20VASP8X50ROLL80G	80	50 Yards	8"	Roll
	20VASP8X50ROLL100G	100	50 Yards	8"	Roll
	1070695	120	50 Yards	8"	Roll


BLAST SUNDRIES

		SANDPAPER SHEETS			
	Part Numbers	Grit	Length	Width	U.O.M.
	20AFIMPSHEET120	120	11"	9"	100 Sheets





		QUICK-CHANGE SANDPAPER DISCS			
	Part Numbers	Grit	Size	Type	U.O.M.
	1070264	36	2"	R	25/Box
	1070265	50	2"	R	25/Box
	1070266	80	2"	R	25/Box


		SCOTCH-BRITE™ HAND PADS			
	Part Numbers	Size	Roughness Grade	Abrasive Material	U.O.M.
	1070343	6" x 9"	Very Fine	Aluminum Oxide	60/Package


		BAT ROLLS			
	Part Numbers	Size	Self-Adhesive Covering	Color	U.O.M.
	1070551	2" X 45"	X	White	14/Case
	1070550	30" X 45"	X	White	Reel
	1070549	60" X 45"	X	White	Reel


		KRAFT PAPER			
	Part Numbers	Size	Weight	Color	U.O.M.
	1070484	36" x 874'	30 lbs	Brown	One Each

BLAST SUNDRIES

		HACKSAWS	
Part Numbers		Description	U.O.M.
	100RS80951	12" Hacksaw Frame	One Each
	100RS40016	12" x 1/2" – Hacksaw Blade – 24 Tooth (<i>Quantity of Ten</i>)	10/PKG
	1070301	12" Adjustable Hacksaw Frame	One Each
	1070321	Economy Hacksaw Frame Adjustable 10/12"	One Each

		GRINDING WHEEL	
Part Numbers		Description	U.O.M.
	1070023	4-1/2" x 1/4" x 5/8-11	One Each





		UTILITY KNIVES	
Part Numbers		Description	U.O.M.
	30UTILITYKNIFESR	Self-Retracting Utility Knife	




		UTILITY KNIFE REPLACEMENT BLADE	
Part Numbers		Description	U.O.M.
	30UTILITYKNIFEBLADE	Utility Knife Blade	100 Blades




		BOKER KNIFE	
Part Numbers		Description	U.O.M.
	1070089	Boker Knife	

BLAST SUNDRIES


		RATCHETS	
		Style	
	Part Numbers 10ORSRD16BK	1/2" Drive	




		SOCKETS		
		Description	U.O.M.	
	Part Numbers 10ORS314B	1/2" Drive Socket Set – Complete		One Each
	Part Numbers 10ORS84554	7/8" – 1/2" Drive Deep Socket		One Each
	Part Numbers 10ORS86215	3/8" – 1/2" Drive Socket Adapter		One Each
	Part Numbers 10ORSS34D1516	1-15/16" – 3/4" Drive Socket		One Each

		BROOMS			
		Style	Width	Handle	U.O.M.
	Part Numbers 10ORS20118	Push Broom	18"	N/A	One Each
	Part Numbers 1070048	Upright	10"	54" x 7/8"	One Each
	Part Numbers 1070456	Handle	N/A	60"	One Each

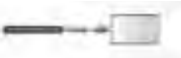
		SHOVELS		
		Style	Handle Length	U.O.M.
	Part Numbers 10ORS1554500	Square	46"	One Each
	Part Numbers 1070920	Square	48"	One Each
	Part Numbers 1070405	Pointed	46"	One Each






BLAST SUNDRIES

		WHEELBARROW		
	Part Numbers	Size	Tire	U.O.M.
	10ORS027C6	6 cu. ft.	2-Ply	One Each


		FLASHLIGHTS			
	Part Numbers	Style	Batteries	Color	U.O.M.
	1070054	Class 1, Division 1; Group C & D	D-Cell (<i>Quantity of Two*</i>)	Orange	One Each
	1070055	Industrial	D-Cell (<i>Quantity of Two*</i>)	Yellow	One Each
	1070090	Class 1, Division 1; Group C & D	C-Cell (<i>Quantity of Three*</i>)	Varies	One Each

**Batteries not included*


		INSPECTION MIRROR	
	Part Numbers	Size	U.O.M.
	1070580	2-1/8" x 3-1/2"	One Each


		BATTERIES		
	Part Numbers	Brand	Size	U.O.M.
	1070014	Duracell®	AA	One Each
	1070015	Duracell®	AAA	One Each
	1070013	Duracell®	C	One Each
	1070012	Duracell®	D	One Each
	1070664	Saft®	3.6 V	One Each

BLAST SUNDRIES


		COOLERS		
Part Numbers		Capacity	Color	U.O.M.
	10ORS16850111	5 Gallon	Orange	One Each


		MARVEL® MYSTERY OIL	
Part Numbers		U.O.M.	
	10ORSMM14R	1 Gallon	


		WD-40®	
Part Numbers		Can Size	U.O.M.
	10ORS10116	11 Ounce	12/Case

		BABIN DRUM PUMP	
Part Numbers		Description	U.O.M.
	10ORSB48	Babin Drum Pump	One Each
	10GR4P018	Rule Hand Pump	One Each





BLAST SUNDRIES

55 GALLON DRUM			
	Part Numbers	Description	U.O.M.
	1070056	55 Gallon Steel Drum with Lid	One Each

DRUM CRADLE			
	Part Numbers	Description	U.O.M.
	3070585	Horizontal Drum Cradle	One Each


DRUM FAUCET			
	Part Numbers	Description	U.O.M.
	3070584	2" Drum Faucet	One Each

BLAST SUNDRIES

		BULK BAGS							
	Part Numbers	Capacity	Duffie Top	Spout Top	Liner	Coated Outer Material	Bottom	Dimensions	U.O.M.
	1070646	1,000 lbs.	X				Flat	14" x 14" x 35"	One Each
	10BC58699	3,000 lbs.		X	X		Spout	35" x 35" x 38"	One Each
	10BC3542SPCN467	4,000 lbs.		X		X	Flat	35" x 35" x 42"	One Each
	10BC91681	4,400 lbs.	X		X	X	Spout	35" x 35" x 50"	One Each

		CONTAINMENT SCREENS				
Part Numbers	Material	Flame Retardant	Containment Efficiency	Color	Size	
10JE118510X20	Polypropylene Mesh		85%	Black	10' x 20'	
10EA733085K20X10	Polypropylene Mesh		85%	Black	10' x 20'	
10JE1185PX	Polypropylene Mesh		85%	Black	20' x 20'	
10EA85B20X4010	Polypropylene Mesh		85%	Black	20' x 40'	
10EA85W202010	Polypropylene Mesh	X	85%	White	20' x 20'	

BLAST SUNDRIES





		TORNADO® JUMBO INDUSTRIAL VACUUM		
Part Numbers		Model	Tank Capacity	CFM
	1070616	Quad Air Jumbo	55 Gallon	258


Part Numbers	TORNADO® JUMBO INDUSTRIAL VACUUM ACCESSORIES	
	Description	
1070617	2" x 50' Hose	
1070618	Hose Joiner	
1070619	Hose Cuff	
1070620	Liquid Shut Off Float	

		TWIST KNOT WIRE WHEELS	
Part Numbers		Diameter	Speed
	1070623	3"	25,000 RPM



		FILE SET	
Part Numbers		Description	
	1070630	5-Piece File Set	


BLAST SUNDRIES


		SPACE HEATERS				
Part Numbers	Heating Area	Heat Output	Fuel Consumption	Fuel Tank Capacity	AC Power	
	1070157	4,300 sq. ft.	175,000 BTU	1.34 gal/hr	13 gal	120-Volt
	1070392	5,300 sq. ft.	215,000 BTU	1.63 gal/hr	13 gal	120-Volt
	1070453	10,000 sq. ft.	400,000 BTU	3 gal/hr	24 gal	120-Volt
	1070393	15,000 sq. ft.	600,000 BTU	4.5 gal/hr	40 gal	120-Volt

		NYLON BAND
Part Numbers	Description	
	1015015	Nylon Band for 150 & 151 Remote Controls


BLAST SUNDRIES


		AIR PRESSURE GAUGES		
Part Numbers		Size	Maximum Working Pressure	Face
	20G108190	1/8" Back	100 psi	1-1/2" Glass
	20G113911	1/8" Back	160 psi	1-1/2" Glass
	1028606	1/4" Back	160 psi	2" Glass
	20G101689	1/4" Back	200 psi	2" Glass
	20G104655	1/8" Bottom	60 psi	1-1/2" Glass
	20G110436	1/8" Bottom	100 psi	1-1/2" Glass
	10BS19683	1/4" Bottom	30 psi	2" Glass
	20BK832727	1/4" Bottom	100 psi	2" Glass
	20BK831355	1/4" Bottom	100 psi	2-1/2" Glass
	10C00024B	1/4" Bottom	160 psi	2" Glass
	20G100960	1/4" Bottom	200 psi	2" Plastic
	20G102814	1/4" Bottom	5000 psi	2-1/2" Glass – Liquid Filled


		VACUUM	
Part Numbers		Description	
	1070699	Pullman-Holt HEPA Electric Vacuum, 10 Gallon Capacity	


6 PIN SAFETY LOCK-OUT PADLOCKS				
Part Numbers		Color	Description	U.O.M.
	1070830	Black	Lock-Out	6/Package
	1070829	Red	Lock-Out	6/Package

BLAST SUNDRIES

		PORTABLE HANDWASH STATIONS				
Part Numbers	Number of Washing Stations	Fresh Water Capacity	Dimensions (HxWxD)	Material	Foot Pump	
	1070710	2	45 Gallons	48" x 35.25" x 30.25"	Molded Polyethylene	X

		RUST INHIBITOR
Part Numbers	Description	
	2070089	Hold*Blast Rust Inhibitor – 5 gal

		3/4" I.D. x 50' SLEDGEHAMMER HOSE		
Part Numbers	Working Pressure	Color	Couplings Included	
	1070712	300 psi	Yellow	X

		FIRE EXTINGUISHER
Part Numbers	Description	
	1070875	20 lb. Kiddie Fire Extinguisher Multi-Purpose Dry Chemical

		HEADLAMP
Part Numbers	Description	
	1070916	Intrinsically Safe Multi-Function Dual-Light™ Headlamp

PART NUMBERS AND SCHEMATICS GUIDE

CONTAINMENT SCREENS (HEAVY-DUTY)

Part Numbers	Material	Containment Efficiency	Color	Weight (Per sq. yd)	Size
10JE118518X28	Woven Polypropylene	85%	Black	7.8 oz.	18' x 28'
10JE1185PX	Woven Polypropylene	85%	Black	7.8 oz.	20' x 20'
10JE1185PX20X40	Woven Polypropylene	85%	Black	7.8 oz.	20' x 40'

109V105 - Containment Screens - Specifications

GEOSCREENS

Part Numbers	Material	Containment Efficiency	Color	Weight (Per sq. yd)	Size
10EA85B202010	Woven Polypropylene Mesh	85%	Black	4.7 oz.	20' x 20'
10EA85B20X4010	Woven Polypropylene Mesh	85%	Black	4.7 oz.	20' x 40'

109V107 - GeoScreens - Specifications

GEOSCREENS - FLAME RETARDANT

Part Numbers	Material	Containment Efficiency	Color	Cerfication	Size
10EA85W202010	Woven Polypropylene Mesh	85%	White	CPAI 84 Section 3.2	20' x 20'
10EA85K30X50FR	Woven Polypropylene Mesh	85%	White	CPAI 84 Section 3.2	30' x 50'

109V106 - Geoscreens Flame Retardant - Specifications

CANVAS TARP

Part Numbers	Material	Color	Weight (Per sq. yd)	Size
1070674	Woven Reinforced Cotton	Green	12 oz.	20' x 20'

PART NUMBERS AND SCHEMATICS GUIDE



Part Numbers


CABLE CLIPS		
Part Numbers	Size	Material
10EA734710	5/16"	Steel
1070295	3/8"	Steel




Part Numbers


STEEL SNAP CLIPS		
Part Numbers	Size	Material
10EA734804	5/16"	Steel
10EA734806	3/8"	Steel


PART NUMBERS AND SCHEMATICS GUIDE

		MANILLA ROPE	
		Diameter	Length
Part Numbers			
	30IWSR250600M	1/4"	600 Feet
	30MANILAROPE	3/8"	600 Feet
	30IWSR500600M	1/2"	600 Feet

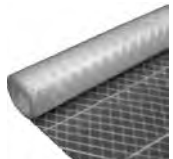
		POLYESTER/DACRON ROPE	
		Diameter	Length
Part Numbers			
	30TICMB14600BLT	1/4"	600 Feet
	30TICMB38600BT	3/8"	600 Feet
	30TICMB58600BT	5/8"	600 Feet
	30TICMB34600BLT	3/4"	600 Feet

PART NUMBERS AND SCHEMATICS GUIDE

CLEAR POLY SHEETING				
	Part Numbers	Thickness	Style	Size
	1070370	3.1 Mil (6 Mil EQ)	Clear	20' x 100'
	10POLY0420C	4 Mil	Clear	20' x 100'
	10POLY0620C	6 Mil	Clear	20' x 100'
	1070755	10 Mil	Clear	20' x 100'

FROSTED POLY SHEETING				
	Part Numbers	Thickness	Style	Size
	10POLY0620FR	6 Mil	Frosted	20' x 100'

BLACK POLY SHEETING				
	Part Numbers	Thickness	Style	Size





REINFORCED POLY SHEETING					
	Part Numbers	Thickness	Style	Size	Flame Retardant
	30BK209DC1	6 Mil	Reinforced	20 Ft x 100 Ft	

PART NUMBERS & SCHEMATICS GUIDE

Part Numbers	TESTEX® PRESS-O-FILM® PROFILE GAUGE KIT
	Description
20TECXKIT	Testex Press-O-Film® Kit Includes: Thickness Gauge, 1 Roll Coarse Tape, 1 Roll Extra Coarse Tape & Burnishing Tool






109V064 – Operator's Manual – Testex® Press-O-Film




		TESTEX® PRESS-O-FILM® ACCESSORIES
Part Numbers		Description
	20TE7326FTX1	Testex Thickness Gauge
	20TELEVEROLD	Lifting Lever – Stainless Steel
	20TELEVERNEW	Lifting Lever – Plastic
	20TEBURNTOOL	Burnishing Tool

Testex® and Press-O-Film® are registered trademarks of Testex®.


PART NUMBERS & SCHEMATICS GUIDE


				TESTEX® PRESS-O-FILM® TAPE OPTIONS		
Part Numbers		Description	Mil Profile			
	20TEMEDIUM	Medium Tape	.05 – .75 Mils			
	20TECOARSEMINUS	Coarse Minus Tape	.5 – 1.0 Mils			
	20TECOARSE	Coarse Tape	.8 – 2.5 Mils			
	20TEXCOARSE	Extra Coarse Tape	1.5 – 4.5 Mils			
	20TEXCOARSEPLUS	Extra Coarse Plus Tape	4.5 – 6.5 Mils			

PART NUMBERS & SCHEMATICS GUIDE


DeFelsko® PosiTector® SPG SURFACE PROFILE GAUGE				
	Part Numbers	Model	Probe Style	Mil Thickness Range
	20DFSPG1E	Standard	Built-In	0 – 20 Mils

109V076 – Operator's Manual – DeFelsko® PosiTector® SPG Surface Profile Gauge

DeFelsko® PosiTector® SPG PROBE				
	Part Numbers	Model	Probe Style	Mil Thickness Range
	20DFPRBSPG	SPG Probe Only	Built-in	0 – 20 Mils





DeFelsko® PosiTector® 6000 FKS1				
	Part Numbers	Model	Probe Style	Mil Thickness Range
	20DFFKS1	Standard	Built-in	0 – 500 Mils

PART NUMBERS & SCHEMATICS GUIDE

elcometer® SURFACE PROFILE GAUGES							
Part Numbers	Model	Probe Style	Mil Thickness Range	Style	Data Output	Batch Memory	
	20ELE224CTI	224-T	Built-In	0 – 20 Mils	Advanced	USB, Bluetooth®	2500 Readings


105M065 – Features & Specifications Guide – elcometer® 224 Surface Profile Gauges
 109V065 – Operator's Manual – elcometer® 224 Surface Profile Gauges

PART NUMBERS & SCHEMATICS GUIDE

Chlor*Test™ TESTING KITS				
Part Numbers	Model	Description	Quantity	
	2070013	Chlor*Test™ Kit for Surfaces	Chloride, Sulfate, and Nitrate Ion for Surfaces	5/Pkg
	2070239	Chlor*Test™ "CSN Salts"	Chloride, Sulfate, and Nitrate Ion for Surfaces	5/Pkg
	20SPTCHLOR	Chlor*Test™ Kit "A" for testing Abrasives	Chloride Ion Test for Abrasives	4/Pkg
	2070020	Chlor*Test™ Kit "W" for testing Water and Liquids	Chloride Ion Test for Water and Liquids	5/Pkg




101V058 – Brochure – Chlor*Test™ for Surfaces
 109V058 – Field Test Instructions – Chlor*Test™ for Surfaces
 101V060 – Brochure – Chlor*Test™ Kit "A"
 109V060 – Field Test Instructions – Chlor*Test™ Kit "A"
 101V059 – Brochure – Chlor*Test™ Kit "W"
 109V059 – Field Test Instructions – Chlor*Test™ Kit "W"


Part Numbers	Chlor*Test™ REFILL KIT FOR SURFACE TESTING KIT
	Description
2070003	Chlor*Test™ Refill Kit for 2070013. Does not include Colorimeter.



Part Numbers	LEADCHECK™ KIT
	Description
	1070797 LeadCheck™ Kit – 8 Swabs Per Kit

Chlor*Test™ is a trademark of Chlor*Rid®.

PART NUMBERS & SCHEMATICS GUIDE

MAGNETIC STEEL TEMPERATURE GAUGES			
	Part Numbers	Temperature Range	Dual Magnetic Back
	20CWTF20SGOMT	Up to 150° Fahrenheit	X
	20CWTF20SGVMTE	Up to 250° Fahrenheit	X
	20CWTF20SGYMTE	Up to 500° Fahrenheit	X





SURFACE THERMOMETER				
	Part Numbers	Dial Diameter	Temperature Range	Dual Magnet Mount
	2070321	2"	Up to 250° Fahrenheit	X


LASER POINT INFRARED TEMPERATURE GAUGE			
	Part Numbers	Description	Temperature Rating
	2070317	IR400 Mini Infrared Thermometer	Up to 630° Fahrenheit
	20ISRAYMT4U	Raytek® MT4 MiniTemp™ Infrared Thermometer with Laser Sighting	Up to 750° Fahrenheit

105V077 – Features & Specifications Guide – Raytek® MT4 MiniTemp™ Infrared Thermometer
 109V077 – Operator's Manual – Raytek® MT4 MiniTemp™ Infrared Thermometer

Raytek® and MiniTemp™ are trademarks or registered trademarks of ElektroPhysik.




PART NUMBERS & SCHEMATICS GUIDE

	Part Numbers	WET FILM GAUGES		
		Manufacturer	Material	Film Thickness
	2070103	Marco	Aluminum	1 – 80 Mil
	20WETFILMGAUGE	Gardco Model "S"	Aluminum	1 – 80 Mil
	20NWFG20	Nordson	Stainless Steel	1/2 – 20 Mil
	20NWFG60	Nordson	Stainless Steel	4 – 60 Mil

	Part Numbers	ELEKTROPHYSIK MINITEST 70 COATING THICKNESS GAUGE			
		Substrate	Model	Probe Style	Mil Thickness Range
	20EPMIN007015	Non-Ferrous	70	Built-In	0 – 100 Mils



105V069 – Features & Specifications – Elektrophysik® MiniTest 70 Coating Thickness Gauge

PART NUMBERS & SCHEMATICS GUIDE

ELEKTROPHYSIK MANUAL COATING THICKNESS GAUGES				
	Part Numbers	Model	Scale Style	Mil Thickness
	20EPMIK010000	MikroTest® 5 GM	Manual	0 – 4 Mils
	20EPMIK010100	MikroTest® FM	Manual	0 – 40 Mils
	20EPMIK010110	MikroTest® FM - Metric	Manual	0 – 40 Mils

105V061 – Features & Specifications Guide – MikroTest® Coating Thickness Gauges











109V061 – Operating Instructions – MikroTest® 5 and 6 Coating Thickness Gauge

ELEKTROPHYSIK AUTOMATIC COATING THICKNESS GAUGES				
	Part Numbers	Model	Scale Style	Mil Thickness
	20EPMIK010020	MikroTest® 6 GM	Automatic	0 – 4 Mils
	20EPMIK010120	MikroTest® FM	Automatic	0 – 40 Mils

105V061 – Features & Specifications Guide – MikroTest® Coating Thickness Gauges

109V061 – Operating Instructions – MikroTest® 5 and 6 Coating Thickness Gauge








PART NUMBERS & SCHEMATICS GUIDE

DeFelsko® PosiTector® 6000 COATING THICKNESS GAUGES							
Part Numbers	Ferrous Substrate	Non-Ferrous Substrate	Combination Substrate	Model	Probe Style	Mil Thickness Range	
	20DFF1	X		Standard	Built-In	0 – 60	
	20DFFRS1	X		Standard	90° Regular, Corded	0 – 60	
	20DFF3	X		Advanced	Built-In	0 – 60	
	20DFFS3	X		Advanced	Straight End, Corded	0 – 60	
	20DFFKS3	X		Advanced	Straight End, Corded	0 – 500	
	20DFN1		X	Standard	Built-In	0 – 60	
	20DFNS1		X	Standard	Straight End, Corded	0 – 60	
	20DFN3		X	Advanced	Built-In	0 – 60	
	20DFFNTS1			X	Standard	Straight End, Corded	0 – 250
	20DFFNTS3			X	Advanced	Straight End, Corded	0 – 250

105V067 – Features & Specifications Guide – DeFelsko® PosiTector® 6000 Coating Thickness Gauge
 109V067 – Operator's Manual – DeFelsko® PosiTector® 6000 Coating Thickness Gauge




DeFelsko® and PosiTector® are registered trademarks of DeFelsko.

PART NUMBERS & SCHEMATICS GUIDE



		DeFelsko® PosiTector® 6000 PROBES				
Part Numbers		Ferrous Substrate	Non-Ferrous Substrate	Combination Substrate	Probe Style	Mil Thickness Range
	20DFPRBF	X			Built-In	0 – 60
	20DFFS	X			Straight End, Corded	0 – 60
	20DFPRBFRS	X			90° End, Corded	0 – 60
	20DFFKS	X			Straight End, Corded	0 – 500
	20DFN		X		Built-In	0 – 60
	20DFNS		X		Straight End, Corded	0 – 60
	20DFFNTS			X	Straight End, Corded	0 – 250

*105V067 – Features & Specifications Guide – DeFelsko® PosiTector® 6000 Coating Thickness Gauge
109V067 – Operator's Manual – DeFelsko® PosiTector® 6000 Coating Thickness Gauge*

PART NUMBERS & SCHEMATICS GUIDE



DeFelsko® PosiTector® INSPECTION KITS						
Part Numbers	PosiTector® Model	Surface Profile Probe	Dew Point Meter	Coating Thickness Probe	Substrate	
 20DFKITF1	Standard	20DFPRBSPG	PRBDPM	20DFF1	Ferrous	
 20DFKITFNS1	Standard	20DFPRBSPG	PRBDPM	20DFNS1	Ferrous/ Non-Ferrous	
 20DFKITFNS3	Advanced	20DFPRBSPG	PRBDPM	20DFNS3	Ferrous/ Non-Ferrous	

109V076 – Operator's Manual – DeFelsko® PosiTector® SPG
 109V062 – Operator's Manual – DeFelsko® PosiTector® DPM
 109V097 – Operator's Manual – DeFelsko® PosiTector® 6000


DeFelsko® PosiTest® DFT DRY FILM GAUGES				
Part Numbers	Substrate	Model	Probe Style	Mil Thickness Range
 20DFTF	Ferrous	Standard	Built-In	0 – 40 Mil
 20DFTCB	All	Standard	Built-In	0 – 40 Mil

105V066 – Features & Specifications Guide – DeFelsko® PosiTest® DFT Coating Thickness Gauge
 109V066 – Operator's Manual – DeFelsko® PosiTest® DFT Coating Thickness Gauge

PART NUMBERS & SCHEMATICS GUIDE


		DeFelsko® CERTIFIED COATED METAL PLATES					
Part Numbers		Substrate	Mil Profile	Approximate Plate Mil Thickness			
				Plate 1	Plate 2	Plate 3	Plate 4
	20DFS1	Ferrous	0 – 60 Mil	0	3 Mil	10 Mil	60 Mil
	20DFS2	Ferrous & Combination	0 – 40 Mil	0	3 Mil	10 Mil	40 Mil

105V074 – Features & Specifications Guide – DeFelsko® Coating Thickness Standards

		DeFelsko® CERTIFIED POLYSTYRENE BLOCKS					
Part Numbers		Substrate	Mil Profile	Approximate Block Mil Thickness			
				Block 1	Block 2	Block 3	Block 4
	20DFSTDP1	Ferrous & Combination	15 – 250 Mil	15 Mil	80 Mil	185 Mil	250 Mil


105V074 – Features & Specifications Guide – DeFelsko® Coating Thickness Standards

PART NUMBERS & SCHEMATICS GUIDE

elcometer® COATING THICKNESS GAUGE					
	Part Numbers	Substrate	Model	Probe Style	Mil Thickness Range
	20ELA456CFNFBS	Combination	456-B	Seperate	0 – 500 Mils

101V068 – Brochure – elcometer® Coating Thickness Gauges

109V068 – Operator's Manual – elcometer® Coating Thickness Gauges

elcometer® COATING THICKNESS GAUGE PROBE					
	Part Numbers	Substrate	Model	Probe Style	Mil Thickness Range
	20ELT456CFNF1P	Combination	456	PINIP™	0 – 60 Mils

elcometer® and PINIP™ are registered trademarks or trademarks of elcometer®.

PART NUMBERS & SCHEMATICS GUIDE

	Part Numbers	DeFelsko® PosiTest® ADHESION TESTER
		Description
	20DFATM	Manual Adhesion Tester

105V070 - Brochure - PosiTest® AT Adhesion Tester


109V070 - Operator's Manual - PosiTest® AT Adhesion Tester

	Part Numbers	DeFelsko® PosiTest® ADHESION TESTER KIT			
		Aluminum Test Dollies	Abrasive Pad	Adhesive	Cotton Swabs
No Image Available	20DFATADHESIVEKIT	20	X	X	X

105V070 - Brochure - PosiTest® AT Adhesion Tester




109V070 - Operator's Manual - PosiTest® AT Adhesion Tester

PART NUMBERS & SCHEMATICS GUIDE


		TINKER & RASOR HOLIDAY DETECTOR						
Part Numbers		Manufacturer	Model	Mil Profile	Handle	Sponge Electrode	Wetting Agent	Ground Wire
	2070007	Tinker & Rasor	M/1	0 – 20	18"	2" x 2" x 7"	4 oz.	15 Ft.

105V071 – Features & Specifications Guide – Tinker & Raser M/1 Holiday Detector




109V071 – Operating Instructions – Tinker & Raser M/1 Holiday Detector


		TINKER & RASOR HOLIDAY DETECTOR ACCESSORIES	
Part Numbers		Description	
	2070006	18" Wand Only	
	2070008	Wetting Agent – 8 oz.	
	20DESPONGE	2" x 2" x 7" Sponge	

PART NUMBERS & SCHEMATICS GUIDE

		elcometer® HOLIDAY DETECTOR						
Part Numbers	Manufacturer	Model	Mil Profile	Handle	Sponge Electrode	Wetting Agent	Ground Wire	
	20ELD2704	elcometer®	270	0 – 20	6.9"	6" x 2.3" x 1"	N/A	13 Ft.

109V072 – Operator's Manual – elcometer® 270 Holiday Detector

Part Numbers	elcometer® HOLIDAY DETECTOR ACCESSORIES	
	Description	
	20ELT27016867	Standard Wand with Flat Sponge
	2070008	Wetting Agent – 8 oz.
	20ELT27018050	6" x 2.3" x 1" Sponge (Pack of Three)


		ELEKTROPHYSIK HOLIDAY DETECTOR						
Part Numbers	Manufacturer	Model	Mil Profile	Handle	Sponge Electrode	Wetting Agent	Ground Wire	
	20EPPOR020000	ElektroPhysik	PoroTest 1	0 – 12	12"	3-1/2" x 2" x 1"	N/A	5 Ft.

105V073 – Features & Specifications Guide – ElektroPhysik Porotest 1









109V073 – Operator's Manual – ElektroPhysik Porotest 1

elcometer® is a registered trademark of elcometer®.


PART NUMBERS & SCHEMATICS GUIDE


		D. E. STEARNS HOLIDAY DETECTOR				
	Part Numbers	Manufacturer	Model	Handle	Output Voltage Range	Ground Wire
	2070332	D. E. Stearns	14/20	18"	800 Volts – 35,000 Volts	20 Ft.


109V715 – Operator's Manual – D. E. Stearns 14/20 Holiday Detector

		D. E. STEARNS HOLIDAY DETECTOR ACCESSORIES
	Part Numbers	Description
	2070337	12" Wire Brush for Holiday Detector
	2070338	16" Wire Brush for Holiday Detector
	2070339	24" Wire Brush for Holiday Detector
	2070336	Ground Wire - 20'
	2070333	12" Full Spring Circle Electrode
	2070334	16" Full Spring Circle Electrode
	2070335	24" Full Spring Circle Electrode
	1070816	Lithium Battery for Holiday Detector

PART NUMBERS & SCHEMATICS GUIDE



		KTA INSPECTION INSTRUMENT KIT							
Part Numbers		DeFelsko® 6000 F-1 Dry Film Gauge	Bacharach® Sling Psychrometer	PTC® Surface Temperature Gauge	Taylor Paint Thermometer	Dick Blick Blotter Paper	X-Coarse Testex® Tape & Gauge	Nordson Wet Film Gauge	Ullman Inspection Mirror
	2070001	X	X	X	X	X	X	X	X

Part Numbers		KTA INSPECTION INSTRUMENT KIT ACCESSORIES	
		Description	
	2070052	Using Coatings Inspection Instruments Instruction Book - 3rd Edition	

		KTA ADVANCED INSPECTION KIT													
Part Numbers		Positector 6000 Advanced Body	F Probe	DPM Probe	Taylor Paint Thermometer	Spring Micrometer	X-Coarse Testex® Tape	Nordson Wet Film Gauge	C-2 Inspection Mirror	SSPC Surface Prep and Specs	SSPC PA 2	Blotter Paper	Intrinsically Safe LED Flashlight	KTA Log Book	Pelican Case
	2070304	X	X	X	X	X	X	X	X	X	X	X	X	X	X



DeFelsko® is a registered trademark of DeFelsko. Bacharach® is a registered trademark of Bacharach, Inc. PTC® is a registered trademark of PTC Instruments. Testex® and Press-O-Film® are registered trademarks of Testex®.

PART NUMBERS & SCHEMATICS GUIDE

		DeFelsko® PosiTector® DPM DEW POINT METERS	
Part Numbers		Description	
	20DFDPM	DeFelsko® PosiTector® DPM Dew Point Meter with Built-In Probe	
	20DFDPMS1	DeFelsko® PosiTector® DPM Dew Point Meter with Separate Probe	

105V062 – Features & Specifications Guide – DeFelsko® DPM Dew Point Meter

109V062 – Operator's Manual – DeFelsko® DPM Dew Point Meter

		DeFelsko® PosiTector® DPM DEW POINT METER PROBES	
Part Numbers		Description	
	20DFPRBDPM	Built-In Probe for DeFelsko® Positector® DPM Dew Point Meter	
	20DFPRBDPMS	Separate Probe for DeFelsko® Positector® DPM Dew Point Meter	

		MANNIX DIGITAL PSYCHROMETER DEW POINT METER	
Part Numbers		Description	
	2070048	Mannix EP8706 Digital Psychrometer Dew Point Meter	



109V079 – Operator's Manual – Mannix EP8706 Digital Psychrometer

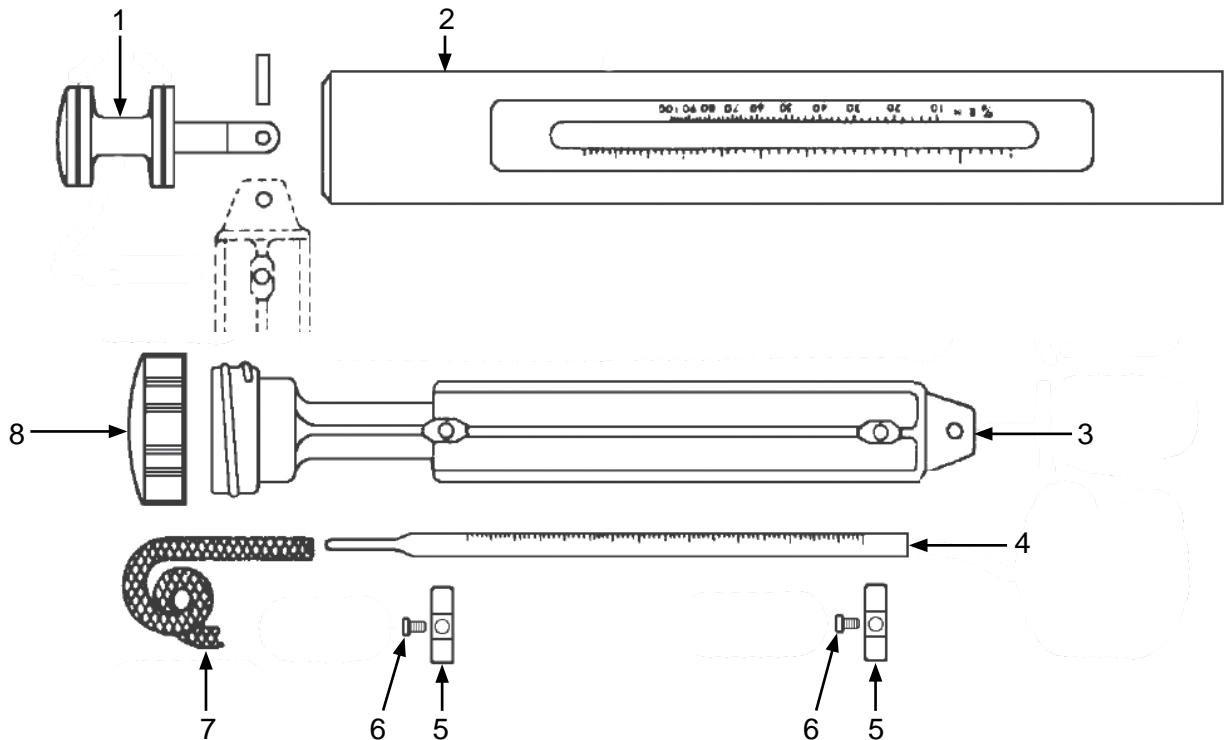
		Extech® DIGITAL PSYCHROMETER & INFRARED THERMOMETER	
Part Numbers		Description	
	2070280	Extech® RH401 Digital Psychrometer & Infrared Thermometer	

109V558 – Operator's Manual – Extech® RH401 Digital Psychrometer & Infrared Thermometer

DeFelsko® is a registered trademark of DeFelsko.


PART NUMBERS & SCHEMATICS GUIDE


		Bacharach® SLING PSYCHROMETER
Part Numbers		Description
	20BA127012	Bacharach® Sling Psychrometer
	20BA127012CRT	Bacharach® Sling Psychrometer with Certificate of Conformance



Item #	Part #	Description
—	20BA127012	Bacharach Sling Psychrometer
—	20BA127012CRT	Bacharach Sling Psychrometer with Certificate of Conformance
1	20BA120180	Plug & Swivel Assembly
2	20BA1200026	Fahrenheit Tube
3	20BA120194	Body
4	20BA120266	Fahrenheit Thermometer
5	20BA120176	Thermometer Clip <i>(Two Required)</i>
6	20BA021740	Thermometer Clip Screw <i>(Two Required)</i>
7	20BA120011	Wick Replacement Kit <i>Includes Four Wicks</i>
8	20BA065456	Cap
—	109V063	Instruction Manual – Bacharach Sling Psychrometer

PART NUMBERS & SCHEMATICS GUIDE

		INSPECTION MIRROR	
		Part Numbers	Description
	20INSPECTIONMIRROR	Telescoping Round Inspection Mirror 10.5" Minimum to 15" Maximum Length	
	1070905	Telescoping Round Inspection Mirror 4.5" Minimum to 18" Maximum Length	

		PTC® DUROMETER GAUGE		
		Part Numbers	Model	ASTM D2240 Specifications
	2070004	409	Type D	0 – 100

105V075 – Features & Specifications – PTC® ASTM Type D Durometer

PART NUMBERS AND SCHEMATICS GUIDE

BLASTMASTER® 300 SERIES HOSE-MOUNTED LIGHT						
Part Numbers	Body Material	Power Source	120-Volt AC to 12-Volt AC Power Converter	Attached Electric Cord	Stacion	Electric Cord Connectors
1030051	Polyurethane	120-Volt AC	X	75 Ft.	X	Standard Wall 3 Prong
1030053	Polyurethane	120-Volt AC	X	150 Ft.	X	Standard Wall 3 Prong



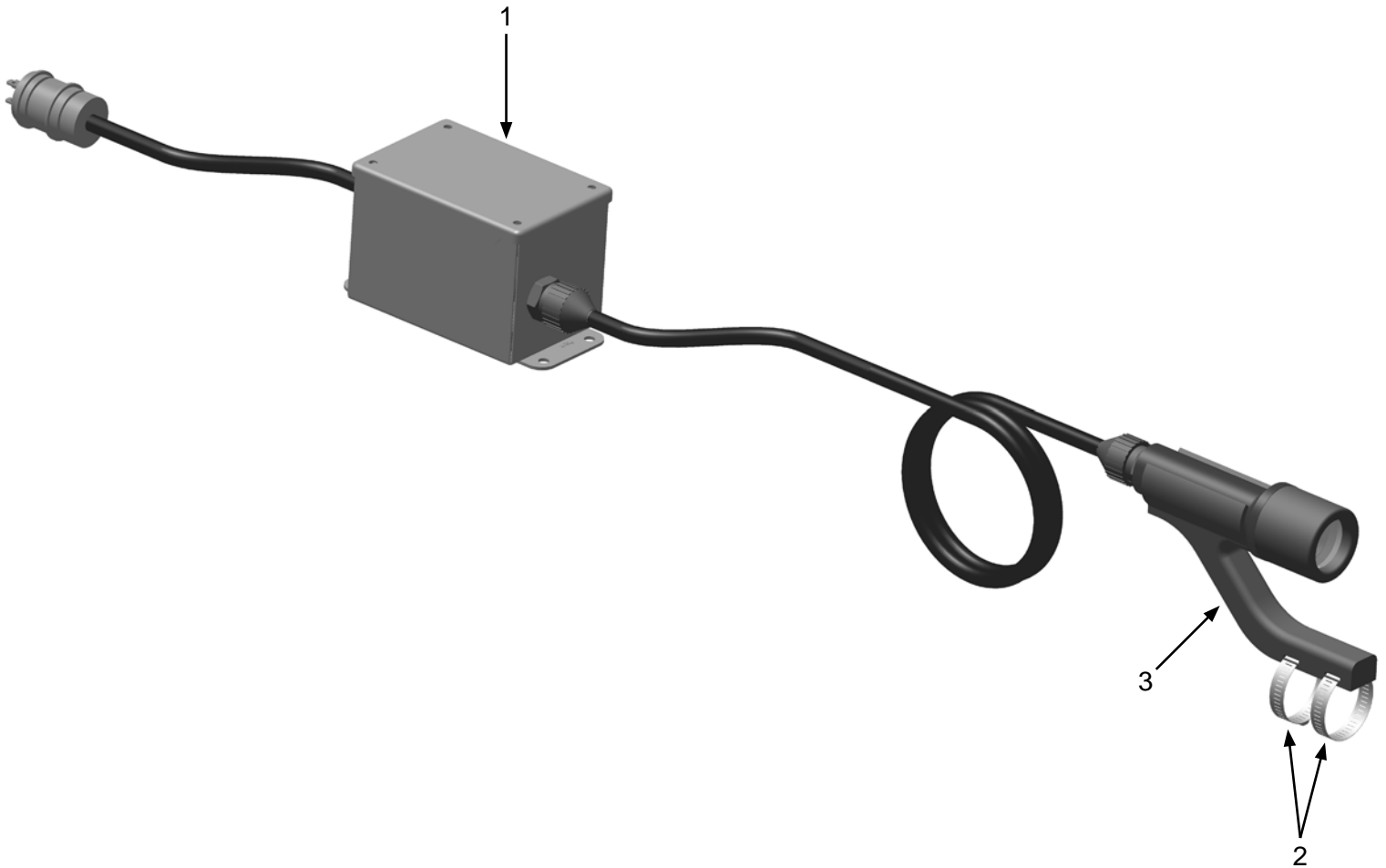
PART NUMBERS AND SCHEMATICS GUIDE

BLASTMASTER® 300 SERIES HOSE-MOUNTED LIGHT						
Part Numbers	Body Material	Power Source	Battery Clamps	Attached Electric Cord	Stancion	Electric Cord Connectors
1030060	Polyurethane	12-Volt DC	X	75 Ft.	X	Battery Clamps
1030061	Polyurethane	12-Volt DC	X	150 Ft.	X	Battery Clamps



PART NUMBERS AND SCHEMATICS GUIDE

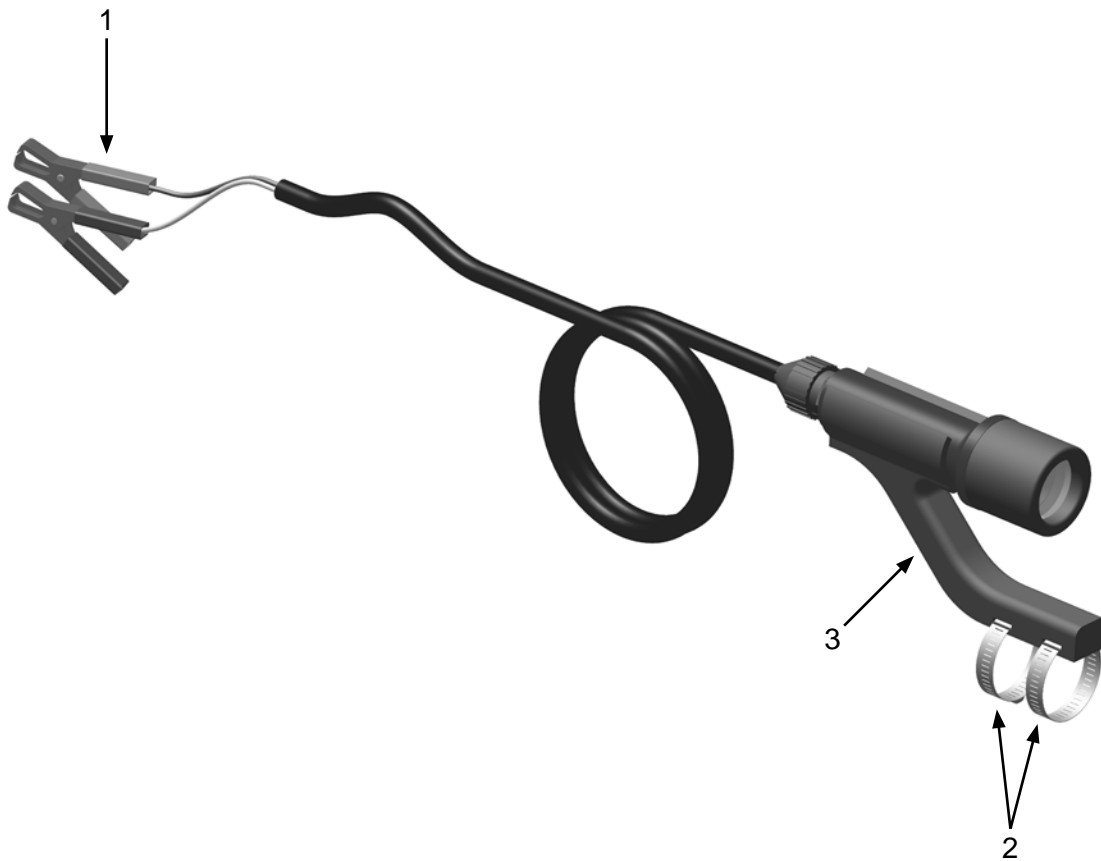
Figure 1: Blastmaster® 300 Series Hose-Mounted Light with 120-Volt AC to 12-Volt AC Power Converter



Item #	Part #	Description
Fig. 1		
—	1030051	Blastmaster® 300 Series Hose-Mounted Light with 75 Feet of 14/2 SEOW Electric Cord and 120-Volt AC to 12-Volt AC Power Converter (as shown) <i>(Includes Item #'s: 1, 2 (Quantity of Two), and 3)</i>
—	1030053	Blastmaster® 300 Series Hose-Mounted Light with 150 Feet of 14/2 SEOW Electric Cord and 120-Volt AC to 12-Volt AC Power Converter (as shown) <i>(Includes Item #'s: 1, 2 (Quantity of Two), and 3)</i>
1	1030020	Blastmaster® 120-Volt AC to 12-Volt AC Power Converter – Complete
2	1015503	Hose Clamps <i>(Two Required)</i>
3	1030011	Blastmaster® 300 & 301 Series Light Stanchion <i>(Includes Item #2 (Quantity of Two))</i>

PART NUMBERS AND SCHEMATICS GUIDE

Figure 2: Blastmaster® 300 Series Hose-Mounted Light with Battery Clamp Set



Item #	Part #	Description
Fig. 2		
—	1030060	Blastmaster® 300 Series Hose-Mounted Light with 75 Feet of 14/2 SEOW Electric Cord and Battery Clamp Set <i>(as shown)</i> <i>(Includes Item #'s: 1, 2 (Quantity of Two), and 3)</i>
—	1030061	Blastmaster® 300 Series Hose-Mounted Light with 150 Feet of 14/2 SEOW Electric Cord and Battery Clamp Set <i>(as shown)</i> <i>(Includes Item #'s: 1, 2 (Quantity of Two), and 3)</i>
1	1030718	Battery Clamp Set
2	1015503	Hose Clamps <i>(Two Required)</i>
3	1030011	Blastmaster® 300 & 301 Series Light Stanchion <i>(Includes Item #'s: 2 (Quantity of Two))</i>

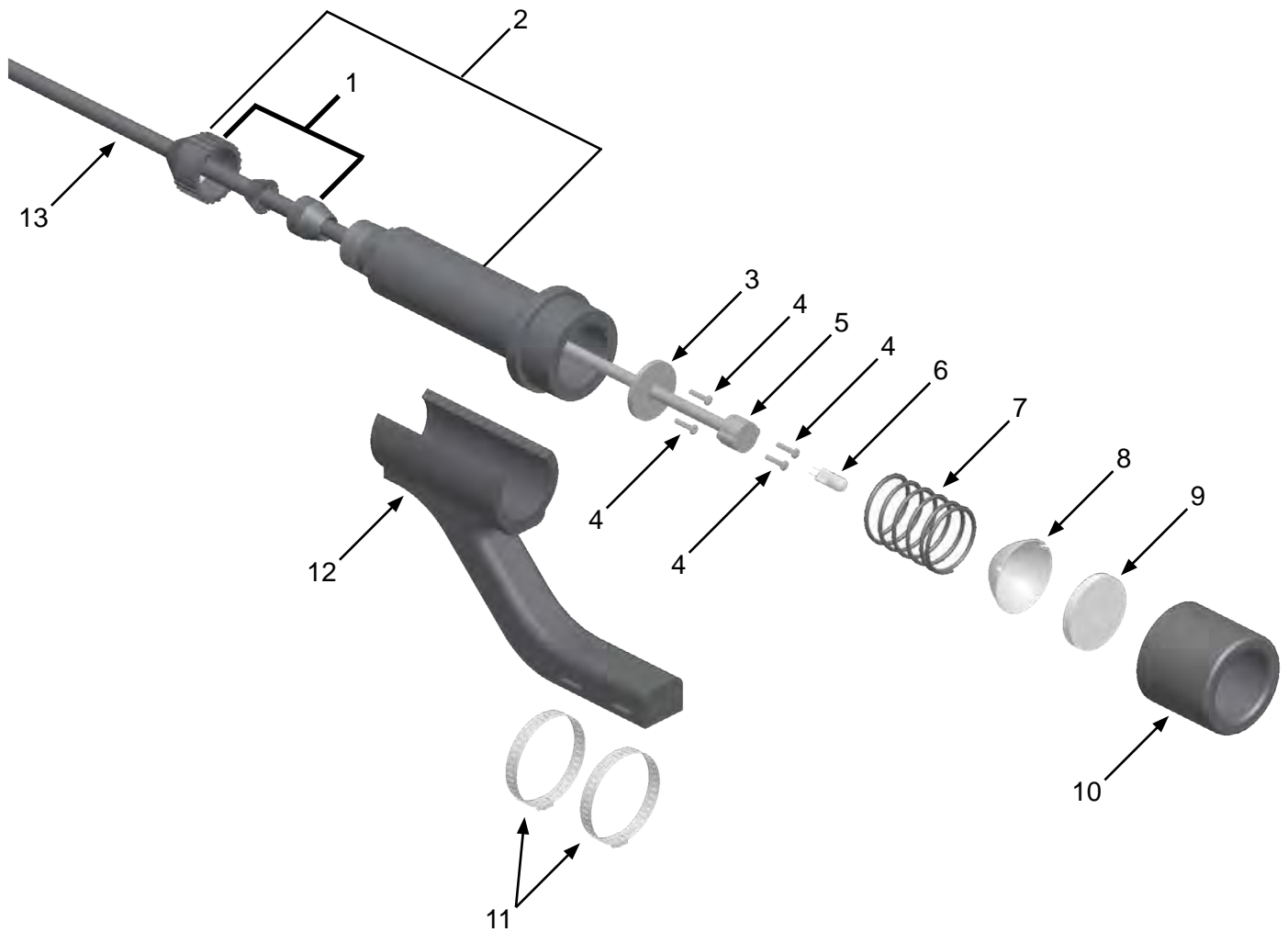
PART NUMBERS AND SCHEMATICS GUIDE

Blastmaster® 300 Series Hose-Mounted Light Assembly

Item #	Part #	Description
Fig. 3		
—	1030000	Blastmaster® 300 Series Hose-Mounted Light Assembly with 6 feet of Electric Cord
1	1030025	Strain Relief
2	1030003	Blastmaster® 300 Series Light Body <i>(Includes Item #1 only)</i>
3	1030018	Urethane Insert
4	1030015	#4 X 5/8" Panhead Phillips Metal Screw <i>(Four Required)</i>
5	1030014	Light Socket
6	1030001	Light Bulbs <i>(Package of 10)</i>
7	1030016	Spring
8	1030012	Reflector
9	1030017	Lenses <i>(Package of 12)</i>
10	1030002	Collar
11	1015503	Hose Clamps <i>(Two Required)</i>
12	1030011	Light Stanchion <i>(Includes Item #'s: 11 (Quantity of Two))</i>
13	1030013	14/2 SEOW Electric Cord <i>(Per Foot)</i>
—	105M004	Features and Specifications Guide – Blastmaster® 300 Series Hose-Mounted Light
—	106M004	Part Numbers and Schematics Guide – Blastmaster® 300 Series Hose-Mounted Light
—	1090004	Operator's Manual – Blastmaster® 300 Series Hose-Mounted Blast Light
—	1091046	Hazard Identification Tag

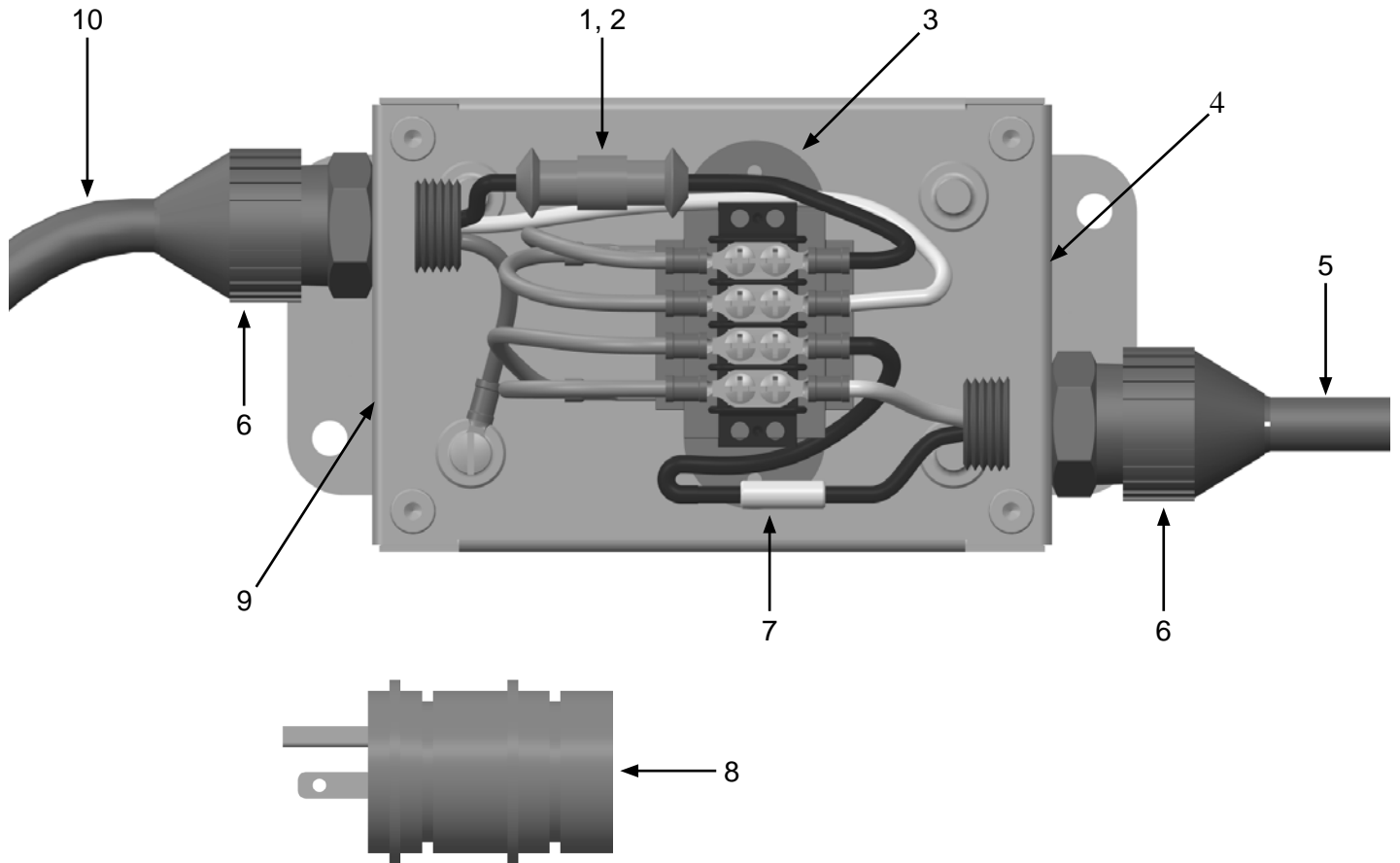
PART NUMBERS AND SCHEMATICS GUIDE

Figure 3: Blastmaster® 300 Series Hose-Mounted Light Assembly



PART NUMBERS AND SCHEMATICS GUIDE

Figure 4: Blastmaster® 120-Volt AC to 12-Volt AC Power Converter



Item #	Part #	Description
Fig. 4		
—	1030020	Blastmaster® 120-Volt AC to 12-Volt AC Power Converter with 3 feet of 14/2 Electric Cord and Plug – Complete
1	1030024	2 Amp Fuse
2	1030023	In-Line Fuse Holder
3	1030022	Transformer – Blastmaster 120-Volt AC to 12-Volt AC Power Converter
4	1091067	Power-Out Decal <i>(Not Shown)</i>
5	1030013	14/2 SEOW Electric Cord <i>(Per Foot)</i>
6	1030025	Strain Relief <i>(Two Required)</i>
7	1030021	Resistor
8	1030026	3-prong, 120-Volt AC Plug – Male
9	1092014	Power-In Decal <i>(Not Shown)</i>
10	1015550	14/3 SEOW Electric Cord <i>(Per Foot)</i>
—	1091063	Hazard Identification Decal

OPTIONAL ACCESSORIES



ELECTRIC CORD

Part Numbers	Gauge	# of Wires	Type	Length
1030013	14	2	SEOOW	Per Foot
1015550	14	3	SEOOW	Per Foot
1015570	12	2	SOOW	Per Foot
1015571	12	3	SJEOOW	Per Foot
1015581	10	3	SEOOW	Per Foot
1015591	8	3	SEOOW	Per Foot
1015595	6	3	SEOOW	Per Foot

Part Numbers

STANCHIONS

Description

1030019	Blastmaster® Low Profile Stanchion
1030038	Blastmaster® Low Profile Stanchion with Clamps

PART NUMBERS AND SCHEMATICS GUIDE

BLASTMASTER® 301 HOSE-MOUNTABLE ABRASIVE BLASTING LIGHT (AIR-COOLED)						
Part Numbers	Body Material	Power Source	120-Volt AC to 17-Volt AC Power Converter	Attached Electric Cord	Stancion	Electric Cord Connectors
1030160	Polyurethane	120-Volt AC	X	6 Ft.	X	1015560 <i>(Quantity of Two)</i>



PART NUMBERS AND SCHEMATICS GUIDE

BLASTMASTER® 301 HOSE-MOUNTABLE ABRASIVE BLASTING LIGHT (AIR-COOLED)

Part Numbers	Body Material	Power Source	120-Volt AC to 17-Volt AC Power Converter	Attached Electric Cord	Additional Electric Cord	Stacion	Electric Cord Connectors
1030161	Polyurethane	120-Volt AC	X	6 Ft.	100 Ft.	X	1015560 <i>(Quantity of Two)</i>



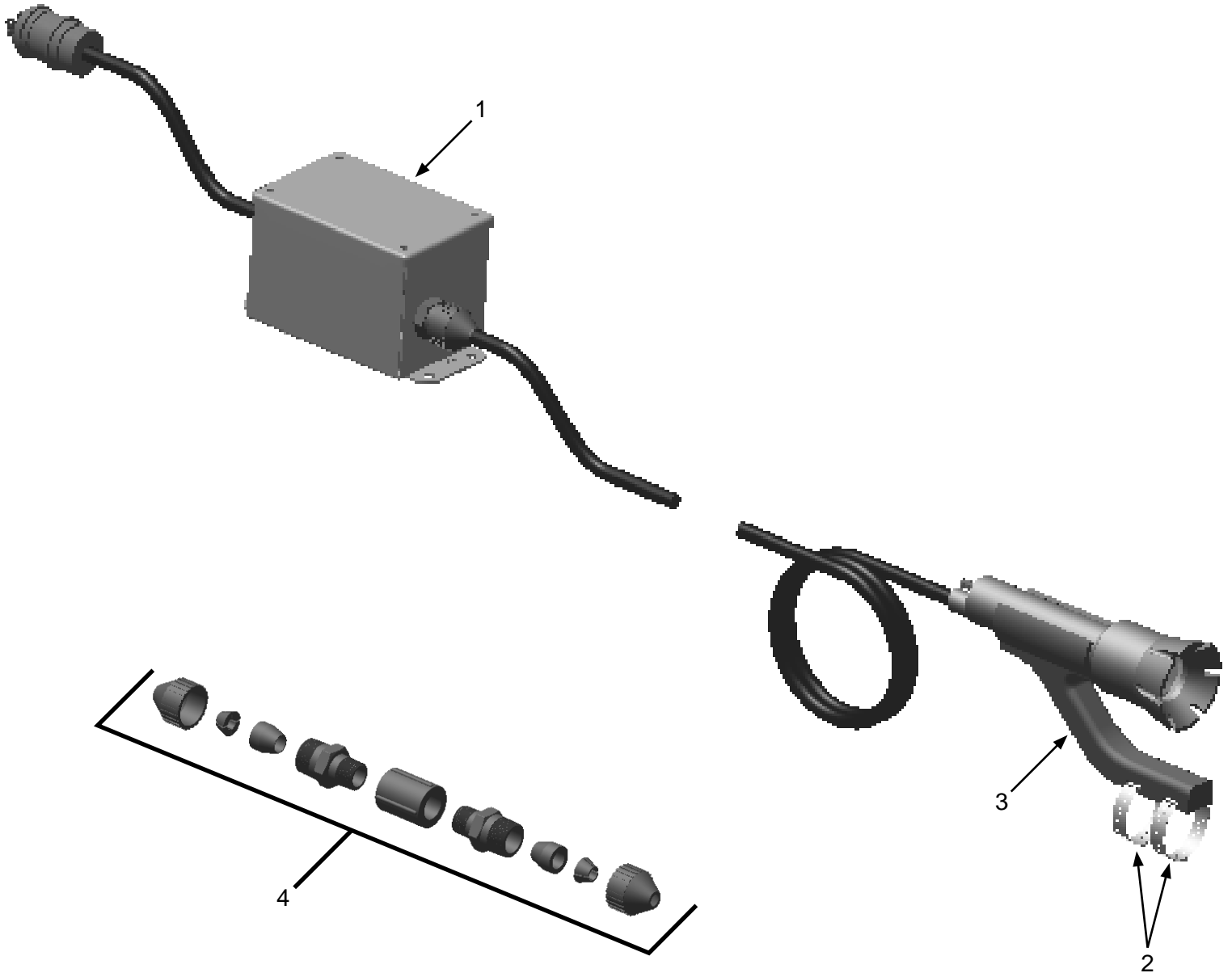
PART NUMBERS AND SCHEMATICS GUIDE

Blastmaster® 301 Series Hose-Mounted Light with 120-Volt AC to 17-Volt AC Power Converter

Item #	Part #	Description
Fig. 1		
—	1030160	Blastmaster® 301 Hose-Mounted Abrasive Blasting Light Assembly with 6 Feet of 14/2 SEOW Electric Cord and 120-Volt AC to 17-Volt AC Power Converter <i>(as shown)</i> <i>(Includes Item #'s: 1, 2 (Quantity of Two), 3, and 4)</i>
—	1030161	Blastmaster® 301 Hose-Mounted Abrasive Blasting Light Assembly with 100 Feet of 14/2 SEOW Electric Cord and 120-Volt AC to 17-Volt AC Power Converter <i>(as shown)</i> <i>(Includes Item #'s: 1, 2 (Quantity of Two), 3, and 4)</i>
1	1030120	Blastmaster® 120-Volt AC to 17-Volt DC Power Converter
2	1015503	Hose Clamps <i>(Two Required)</i>
3	1030011	Light Stanchion <i>(Includes Item #'s: 2 (Quantity of Two))</i>
4	1015560	Three-Part Cord Connector <i>(Quantity of Two)</i>

PART NUMBERS AND SCHEMATICS GUIDE

Figure 1: Blastmaster® 301 Series Hose-Mounted Light with 120-Volt AC to 17-Volt AC Power Converter



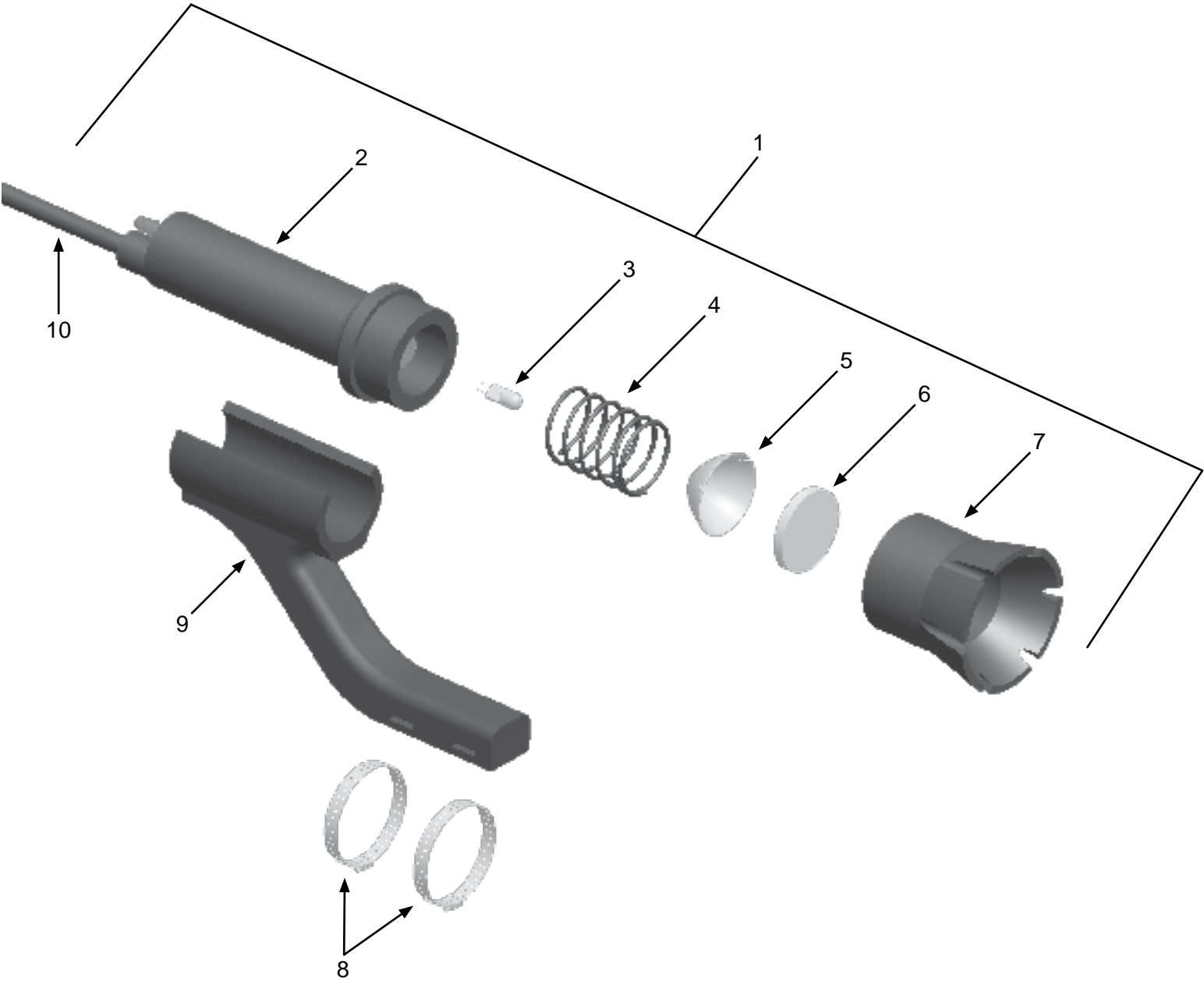
PART NUMBERS & SCHEMATICS GUIDE

Blastmaster® 301 Series Hose-Mounted Light

Item #	Part #	Description
Fig. 2		
1	1030100	Blastmaster® 301 Hose-Mounted Abrasive Blasting Light Assembly with 6 Feet of 14/2 SEOW Electric Cord <i>(Includes Item #'s: 2, 3, 4, 5, 6, 7, and 9)</i>
2	1030102	Blastmaster® 301 Series Hose-Mounted Abrasive Blasting Light Body with 6 Feet of 14/2 SEOW Electric Cord <i>(Includes Item #'s: 2 and 9)</i>
3	1030101	Light Bulbs – 35-Watt <i>(Package of 10)</i>
4	1030016	Spring
5	1030012	Reflector
6	1030017	Lenses <i>(Package of 12)</i>
7	1030103	Collar
8	1015503	Hose Clamps <i>(Two Required)</i>
9	1030011	Light Stanchion <i>(Includes Item #8 (Quantity of Two))</i>
10	1030013	14/2 SEOW Electric Cord – Per Foot
—	10AH014	1/4" I.D. Air Hose, Black – Per Foot
—	1091048	Hazard Identification Tag
—	105M008	Features and Specifications Guide – Blastmaster® 301 Series Hose-Mounted Light
—	106M008	Part Numbers and Schematics Guide – Blastmaster® 301 Series Hose-Mounted Light
—	1090008	Operator's Manual – Blastmaster® 301 Series Hose-Mounted Light

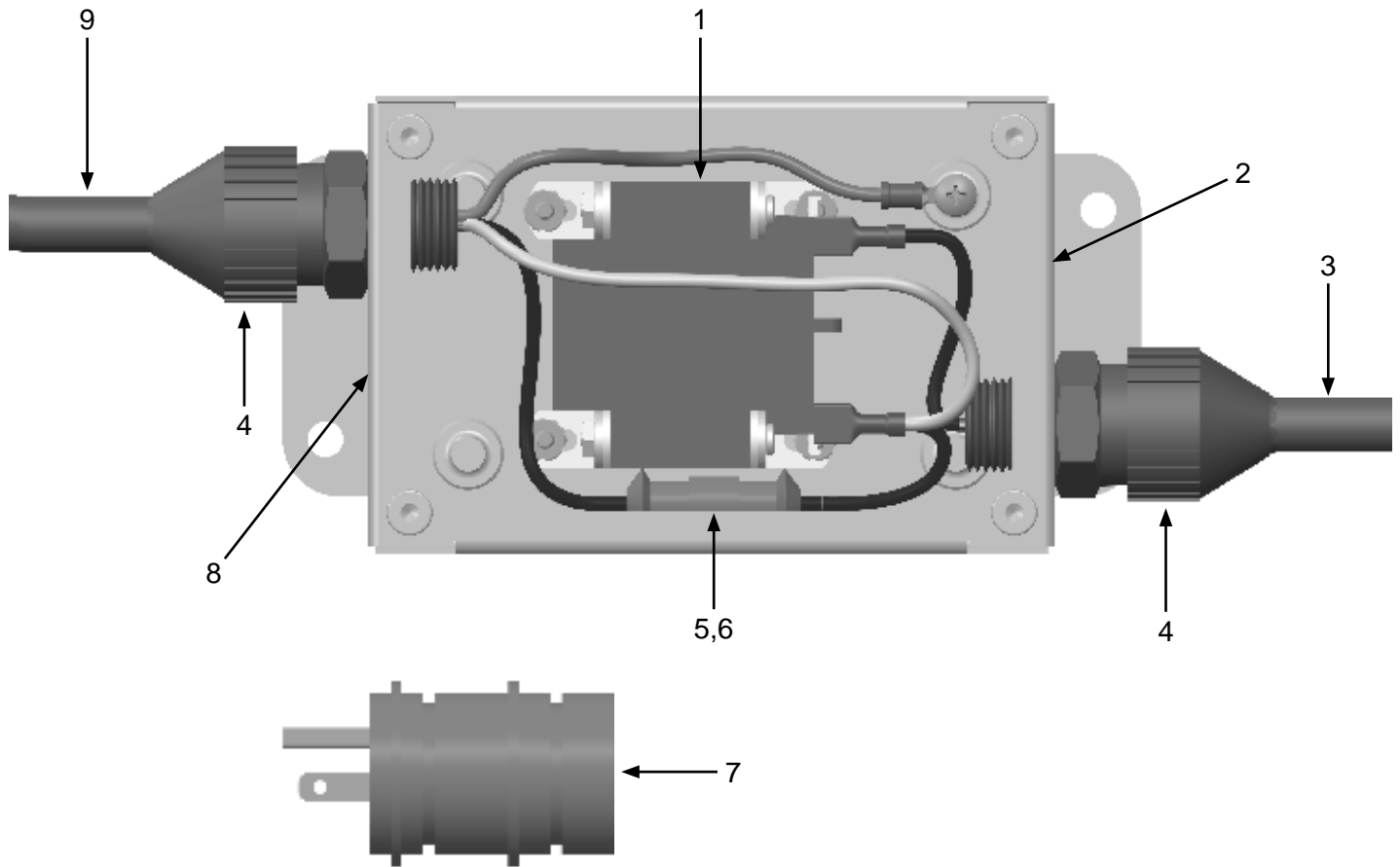
PART NUMBERS & SCHEMATICS GUIDE

Figure 2: Blastmaster 301 Series Hose-Mounted Light




PART NUMBERS & SCHEMATICS GUIDE



Figure 3: Blastmaster® 120-Volt AC to 17-Volt AC Power Converter



Item #	Part #	Description
Fig. 3		
—	1030120	Blastmaster® 120-Volt AC to 17-Volt AC Power Converter with 3 feet of 14/2 Electric Cord and Plug – Complete
1	1030122	Transformer – Blastmaster® 120-Volt AC to 17-Volt AC Power Converter
2	1091069	17-Volt AC Output Decal (<i>Not Shown</i>)
3	1030013	14/2 SEOW Electric Cord – Per Foot
4	1030025	Strain Relief (<i>Two Required</i>)
5	1030123	3 Amp Fuse
6	1030023	In-Line Fuse Holder
7	1015550	14/3 SEOW Electric Cord – Per Foot
8	1092014	120-Volt AC Input Decal (<i>Not Shown</i>)
9	1030026	3-Prong, 120-Volt AC Plug – Male
—	1091065	Hazard Identification Label

OPTIONAL ACCESSORIES

		1/4" I.D. X 1/2" O.D. AIR HOSE				
	Part Numbers	Length	Hose I.D.	Hose O.D.	Working Pressure	Hose Cover Color
	10AH014	Per Ft.	1/4"	1/2"	250 PSI	Black

		COUPLING AND HEX NIPPLE FOR 1/4" I.D. AIR HOSE	
	Part Numbers	Thread Style	Working Pressure
	1080030	1/4" Female Air Hose Coupling	750 PSI
	20PFHA24SA0404	1/4" Male x 1/4" Male Air Hose Hex Nipple	5,000 PSI



OPTIONAL ACCESSORIES



Part Numbers

ELECTRIC CONTROL LINE				
	Gauge	# of Wires	Type	Length
1030013	14	2	SEOOW	Per Foot
1015550	14	3	SEOOW	Per Foot
1015554	14	4	SEOOW	Per Foot
1015570	12	2	SOOW	Per Foot
1015571	12	3	SJEOOW	Per Foot
1015581	10	3	SEOOW	Per Foot
1015580	10	4	SEOOW	Per Foot
1015591	8	3	SEOOW	Per Foot
1015590	8	4	SEOOW	Per Foot
1015595	6	3	SEOOW	Per Foot

ELECTRIC CONTROL LINE PLUGS

	Part Numbers	Prong Style	Plug Style
	1030104	2-Prong Male	Twist-Lock
	1030713	2-Prong Female	Twist-Lock

Part Numbers

STANCHIONS

Description

1030019	Blastmaster® Low Profile Stanchion
1030038	Blastmaster® Low Profile Stanchion with Clamps

PART NUMBERS

BLASTMASTER® 307 SERIES HOSE-MOUNTED LIGHT						
Part Numbers	Body Material	Power Source	120-Volt AC to 12-Volt AC Power Converter	Attached Electric Cord	Band Clamps <i>(Quantity of Two)</i>	Electric Cord Connectors
1030751	Aluminum	120-Volt AC	X	50 Ft.	X	Standard Wall 3 Prong
1030752	Aluminum	120-Volt AC	X	75 Ft.	X	Standard Wall 3 Prong



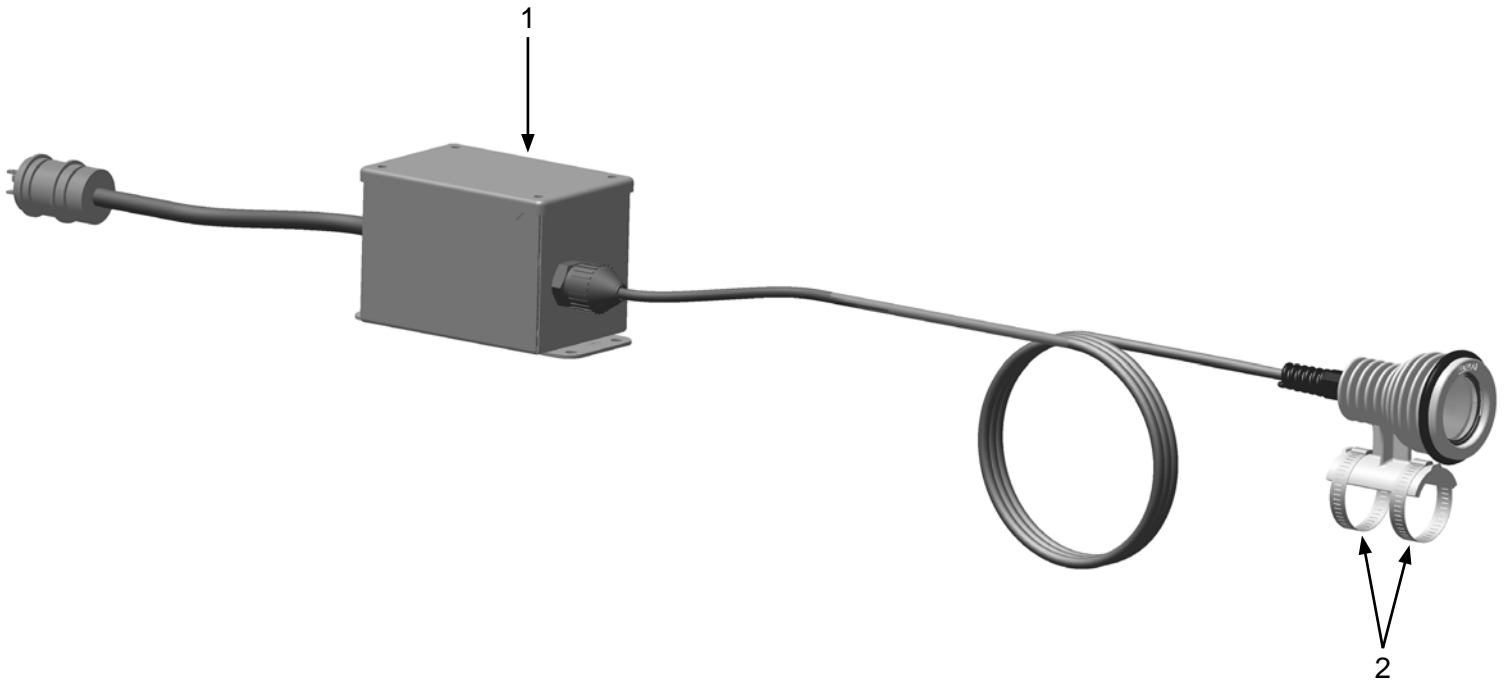
PART NUMBERS

BLASTMASTER® 307 SERIES HOSE-MOUNTED LIGHT						
Part Numbers	Body Material	Power Source	Battery Clamps	Attached Electric Cord	Band Clamps <i>(Quantity of Two)</i>	Electric Cord Connectors
1030761	Aluminum	12-Volt DC	X	75 Ft.	X	Battery Clamps
1030762	Aluminum	12-Volt DC	X	150 Ft.	X	Battery Clamps



PART NUMBERS AND SCHEMATICS

Figure 1: Blastmaster® 307 Series Hose-Mounted Light with 120-Volt AC to 12-Volt AC Power Converter



Item #	Part #	Description
Fig. 1		
—	1030751	Blastmaster® 307 Series Hose-Mounted Abrasive Blasting Light with 50 Feet of 16/2 SJ Electric Cord and 120-Volt AC to 12-Volt AC Power Converter <i>(Includes Item #'s: 1 and 2 (Quantity of Two))</i>
—	1030752	Blastmaster® 307 Series Hose-Mounted Abrasive Blasting Light with 75 Feet of 16/2 SJ Electric Cord and 120-Volt AC to 12-Volt AC Power Converter <i>(Includes Item #'s: 1 and 2 (Quantity of Two))</i>
1	1030722	120-Volt AC to 12-Volt DC Power Converter
2	1015503	Hose Clamps <i>(Two Required)</i>

PART NUMBERS AND SCHEMATICS

Figure 2: Blastmaster® 307 Series Hose-Mounted Light with Battery Clamp Set



Item #	Part #	Description
Fig. 2		
—	1030761	Blastmaster® 307 Series Hose-Mounted Abrasive Blasting Light with 75 Feet of 16/2 SJ Electric Cord and Battery Clamp Set <i>(Includes Item #'s: 1 and 2 (Quantity of Two))</i>
—	1030762	Blastmaster® 307 Series Hose-Mounted Abrasive Blasting Light with 150 Feet of 16/2 SJ Electric Cord and Battery Clamp Set <i>(Includes Item #'s: 1 and 2 (Quantity of Two))</i>
1	1030718	Battery Clamp Set
2	1015503	Hose Clamps <i>(Two Required)</i>

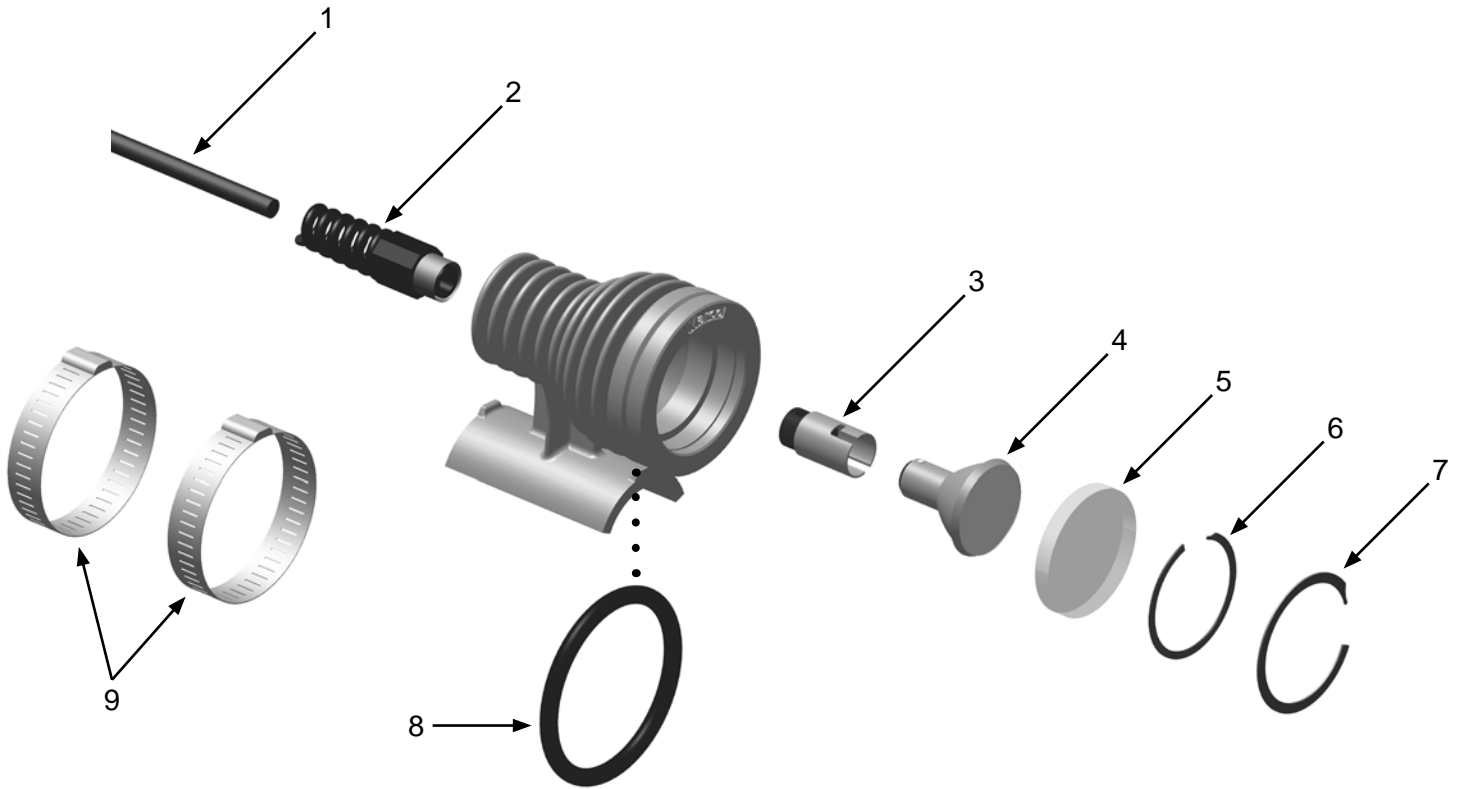
PART NUMBERS & SCHEMATICS

Blastmaster® 307 Series Hose-Mounted Light

Item #	Part #	Description
Fig. 3		
—	1030731	Blastmaster® 307 Series Hose-Mounted Abrasive Blasting Light with 10 Feet of 16/2 SJ Electric Cord <i>(Includes Item #'s: 9 (Quantity of Two))</i>
1	1015540	16/2 SJ Electric Cord – per foot
2	1030710	Strain Relief
3	1030708	Light Socket
4	1030735	Light Bulb – 20-Watt – Clear
—	1030706	Light Bulb – 20-Watt – Frosted <i>(Not Shown)</i>
5	1030705	Lens
6	1030733	Lens Retainer B
7	1030732	Lens Retainer A
8	1030707	Bump Ring
9	1015503	Hose Clamps <i>(Two Required)</i>
—	105M052	Features and Specifications Guide – Blastmaster® 307 Series Hose-Mounted Light
—	106M052	Part Numbers and Schematics Guide – Blastmaster® 307 Series Hose-Mounted Light
—	1090052	Operator's Manual – Blastmaster® 307 Series Hose-Mounted Light
—	1091046	Hazard Identification Tag

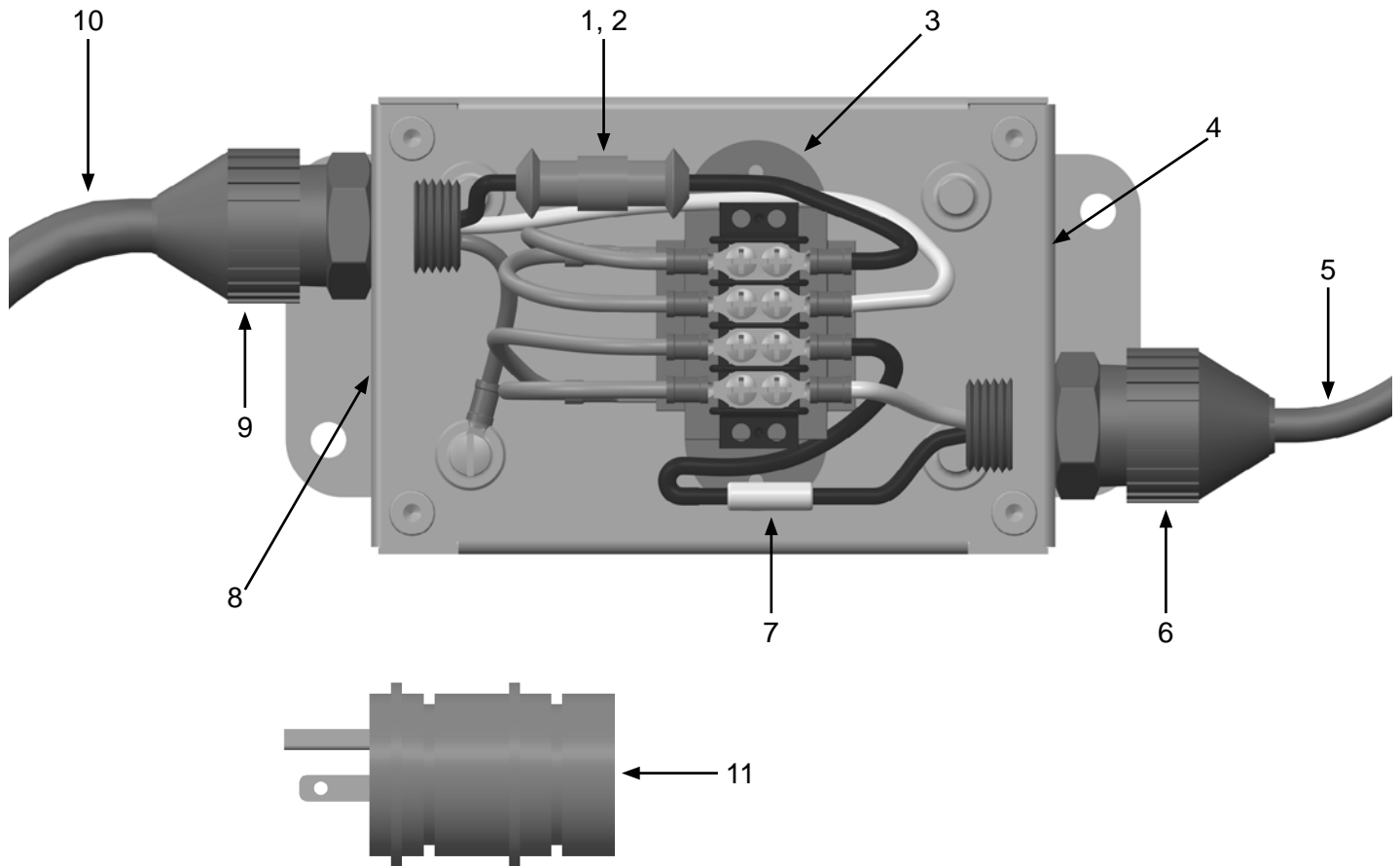
PART NUMBERS & SCHEMATICS

Figure 3: Blastmaster® 307 Series Hose-Mounted Light



PART NUMBERS & SCHEMATICS

Figure 5: Blastmaster® 120-Volt AC to 12-Volt AC Power Converter



Item #	Part #	Description
Fig. 5		
—	1030722	Blastmaster® 120-Volt AC to 12-Volt AC Power Converter – Complete
1	1030024	2 Amp Fuse
2	1030023	In-Line Fuse Holder
3	1030022	Transformer – Blastmaster® 120-Volt AC to 12-Volt AC Power Converter
4	1091067	Power-Out Decal (<i>Not Shown</i>)
5	1015540	16/2 SJ Electric Cord – Per Foot
6	1030721	16/2 Strain Relief
7	1030021	Resistor
8	1092014	Power-In Decal (<i>Not Shown</i>)
9	1030025	14/3 Strain Relief
10	1015550	14/3 SEOW Electric Cord – Per Foot
11	1030026	3-prong, 120-Volt AC Plug – Male
—	1091063	Hazard Identification Decal

OPTIONAL ACCESSORIES



Part Numbers

ELECTRIC CONTROL LINE				
Part Numbers	Gauge	# of Wires	Type	Length
1030013	14	2	SEOOW	Per Foot
1015550	14	3	SEOOW	Per Foot
1015554	14	4	SEOOW	Per Foot
1015570	12	2	SOOW	Per Foot
1015571	12	3	SJEOOW	Per Foot
1015581	10	3	SEOOW	Per Foot
1015580	10	4	SEOOW	Per Foot
1015591	8	3	SEOOW	Per Foot
1015590	8	4	SEOOW	Per Foot
1015595	6	3	SEOOW	Per Foot

PART NUMBERS & SCHEMATICS GUIDE

BLASTMASTER® 308 SERIES LED HOSE MOUNTED LIGHT WITH 120-VOLT AC POWER PACK

Part Numbers	Length of 16/2 SJ Electrical Cord	308 LED 120V-AC Power Pack	Light Stanchion	Body Material
1030850	25 Ft.	X	X	Urethane
1030851	50 Ft.	X	X	Urethane
1030852	100 Ft.	X	X	Urethane
1030853	150 Ft.	X	X	Urethane
1030854	200 Ft.	X	X	Urethane
1030855	250 Ft.	X	X	Urethane
1030856	300 Ft.	X	X	Urethane



PART NUMBERS & SCHEMATICS GUIDE

BLASTMASTER® 308 SERIES LED HOSE MOUNTED LIGHT WITH 12-VOLT DC POWER PACK

Part Numbers	Length of 16/2 SJ Electrical Cord	308 LED 12V-DC Power Pack	Light Stanchion	Body Material
1030860	100 Ft.	X	X	Urethane
1030861	150 Ft.	X	X	Urethane
1030862	200 Ft.	X	X	Urethane



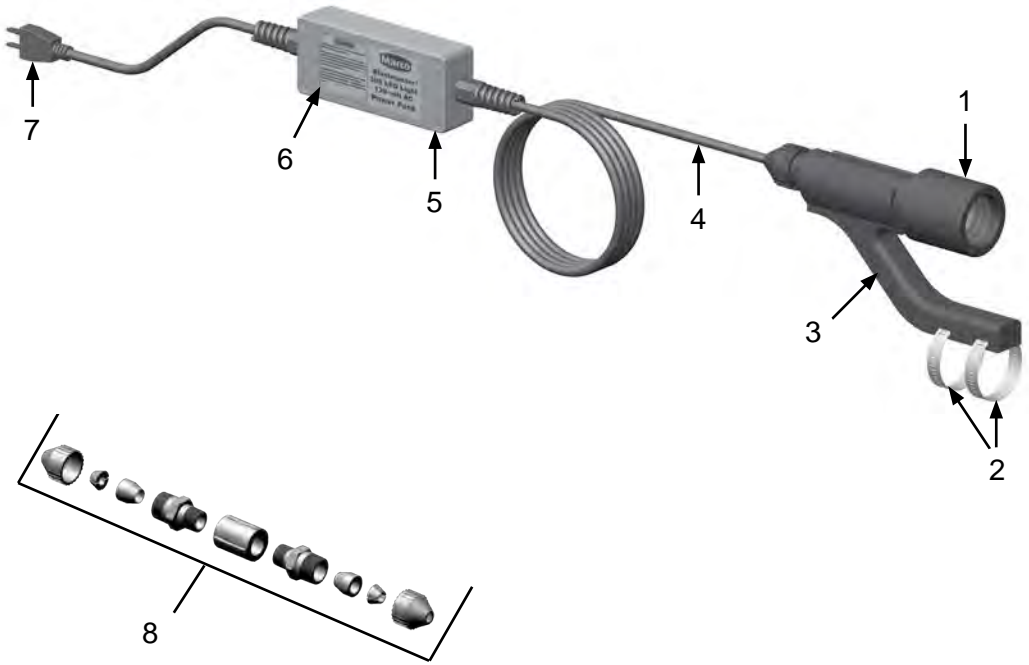
PART NUMBERS & SCHEMATICS GUIDE

Blastmaster® 308 Series LED Hose Mounted Light with 120-Volt AC Power Pack

Item #	Part #	Description
Fig. 1		
—	1030850	Blastmaster® 308 Series LED Hose Mounted Light with 25 Feet of 16/2 SJ Electrical Cord and 120-Volt AC Power Pack — Complete <i>(Includes Item #'s: 1–8)</i>
—	1030851	Blastmaster® 308 Series LED Hose Mounted Light with 50 Feet of 16/2 SJ Electrical Cord and 120-Volt AC Power Pack — Complete <i>(Includes Item #'s: 1–8)</i>
—	1030852	Blastmaster® 308 Series LED Hose Mounted Light with 100 Feet of 16/2 SJ Electrical Cord and 120-Volt AC Power Pack — Complete <i>(Includes Item #'s: 1–8)</i>
—	1030853	Blastmaster® 308 Series LED Hose Mounted Light with 150 Feet of 16/2 SJ Electrical Cord and 120-Volt AC Power Pack — Complete <i>(Includes Item #'s: 1–8)</i>
—	1030854	Blastmaster® 308 Series LED Hose Mounted Light with 200 Feet of 16/2 SJ Electrical Cord and 120-Volt AC Power Pack — Complete <i>(Includes Item #'s: 1–8)</i>
—	1030855	Blastmaster® 308 Series LED Hose Mounted Light with 250 Feet of 16/2 SJ Electrical Cord and 120-Volt AC Power Pack — Complete <i>(Includes Item #'s: 1–8)</i>
—	1030856	Blastmaster® 308 Series LED Hose Mounted Light with 300 Feet of 16/2 SJ Electrical Cord and 120-Volt AC Power Pack — Complete <i>(Includes Item #'s: 1–8)</i>
1	1030800	308 LED Light with 10' 16/2 Cord
2	1015503	Hose Clamp - Screw Type <i>(Two Required)</i>
3	1030011	Light Stanchion <i>(Includes Item #2 (Quantity of Two))</i>
4	1015540	16/2 SJ Electrical Cord <i>(Per Foot)</i>
5	1030802	308 LED 120V-AC Power Pack <i>(Includes Item #'s: 6, 7, and 8)</i>
6	1091141	Hazard Identification Decal
7	10105492	5-15P Plug With 8' 18/3 SJO Cord
8	1030803	Three-Part Cord Connector <i>(Optional)</i>
—	1091017	Hazard Identification Tag
—	105M127	Features and Specifications Guide – Blastmaster® 308 Series LED Hose Mounted Light
—	106M127	Part Numbers and Schematics Guide – Blastmaster® 308 Series LED Hose Mounted Light
—	1090127	Operator's Manual – Blastmaster® 308 Series LED Hose Mounted Light

PART NUMBERS & SCHEMATICS GUIDE

Figure 1: Blastmaster® 308 Series LED Hose Mounted Light with 120-Volt AC Power Pack



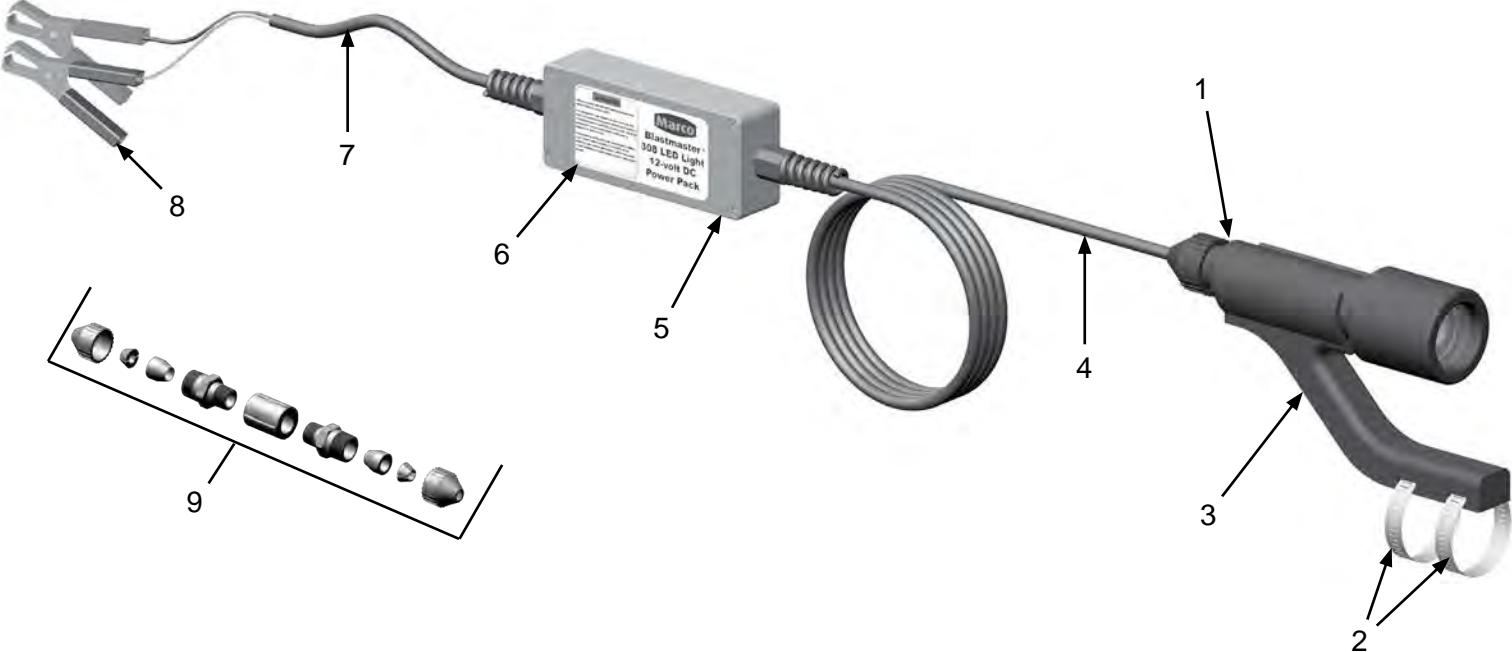
PART NUMBERS & SCHEMATICS GUIDE

Blastmaster® 308 Series LED Hose Mounted Light with 12-Volt DC Power Pack

Item#	Part#	Description
Fig. 2		
—	1030860	Blastmaster® 308 Series LED Hose Mounted Light with 100 Feet of 16/2 SJ Electrical Cord and 12-Volt DC Power Pack — Complete <i>(Includes Item #'s: 1–8)</i>
—	1030861	Blastmaster® 308 Series LED Hose Mounted Light with 150 Feet of 16/2 SJ Electrical Cord and 12-Volt DC Power Pack — Complete <i>(Includes Item #'s: 1–8)</i>
—	1030862	Blastmaster® 308 Series LED Hose Mounted Light with 200 Feet of 16/2 SJ Electrical Cord and 12-Volt DC Power Pack — Complete <i>(Includes Item #'s: 1–8)</i>
1	1030800	308 LED Light With 10' 16/2 Cord <i>(See Fig. 3)</i>
2	1015503	Hose Clamp – Screw Type <i>(Two Required)</i>
3	1030011	Light Stanchion <i>(Includes Item #2 (Quantity of Two))</i>
4	1015540	16/2 SJ Electrical Cord <i>(Per Foot)</i>
5	1030801	308 LED 12V-DC Power Pack <i>(Includes Item #'s: 6, 7, and 8)</i>
6	1091142	Hazard Identification Decal
7	1015701	16/3 SJ Electrical Cord <i>(Per Foot)</i>
8	1030718	Battery Clamps – Pair
9	1030803	Three-Part Cord Connector <i>(Optional)</i>
—	1091017	Hazard Identification Tag
—	105M127	Features and Specifications Guide – Blastmaster® 308 Series LED Hose Mounted Light
—	106M127	Part Numbers and Schematics Guide – Blastmaster® 308 Series LED Hose Mounted Light
—	1090127	Operator's Manual – Blastmaster® 308 Series LED Hose Mounted Light

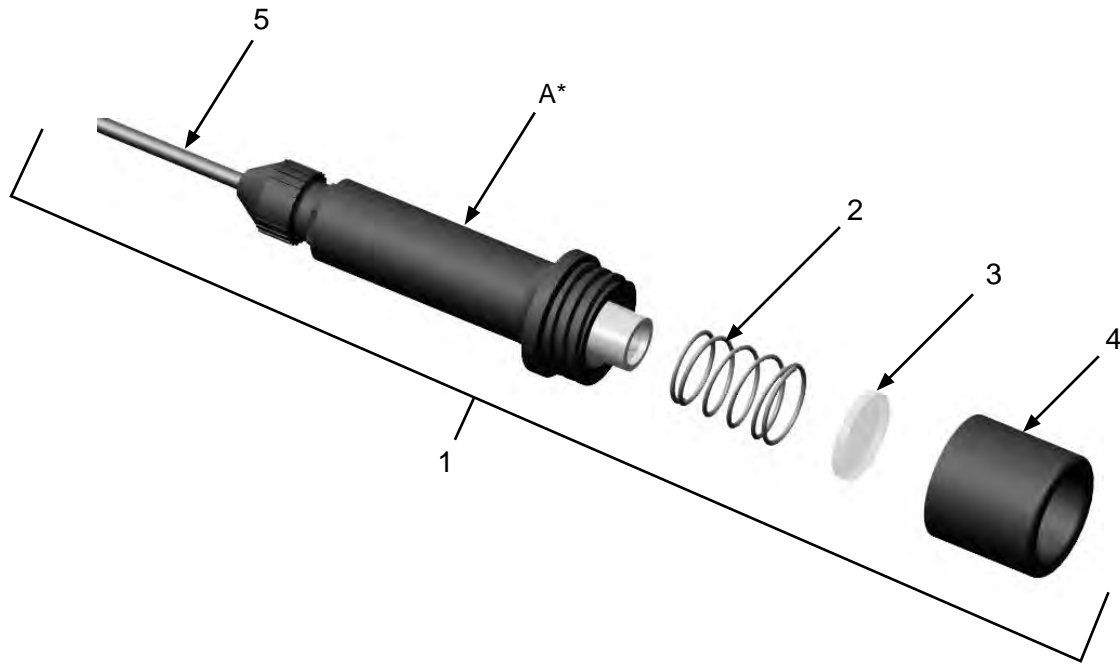
PART NUMBERS & SCHEMATICS GUIDE

Figure 2: Blastmaster® 308 Series LED Hose Mounted Light with 12-Volt DC Power Pack



PART NUMBERS & SCHEMATICS GUIDE

Figure 3: Blastmaster® 308 Series LED Hose Mounted Light Assembly



Item#	Part#	Description
Fig. 3		
1	1030800	308 LED Light Body with 10' of 16/2 Electrical Cord <i>(Includes Item #'s: A*, 2, 3, 4, and 5)</i>
A*	—	308 LED Light Body
2	1030016	Spring
3	1030017	Blastmaster® 300, 301, and 308 Lenses <i>(Package of 12)</i>
4	1030002	Collar
5	1015540	16/2 SJ Electrical Cord <i>(Per Foot)</i>
—	1091017	Hazard Identification Tag

* Item A is not available for individual sale

OPTIONAL ACCESSORIES








Part Numbers

ELECTRICAL CORD				
Part Numbers	Gauge	# of Wires	Type	Length
1030013	14	2	SEOOW	Per Foot
1015550	14	3	SEOOW	Per Foot
1015570	12	2	SOOW	Per Foot
1015571	12	3	SJEOOW	Per Foot
1015581	10	3	SEOOW	Per Foot
1015591	8	3	SEOOW	Per Foot

ELECTRICAL PLUGS

Part Numbers

Part Numbers	Prong Style	Plug Style
	2-Prong Male	Twist-Lock
	2-Prong Female	Twist-Lock
	3-Prong Male	Twist-Lock
	3-Prong Female	Twist-Lock
	3-Prong Male	Standard

Part Numbers

STANCHIONS

Part Numbers	<i>Description</i>
1030019	Blastmaster® Low Profile Stanchion
1030038	Blastmaster® Low Profile Stanchion with Clamps

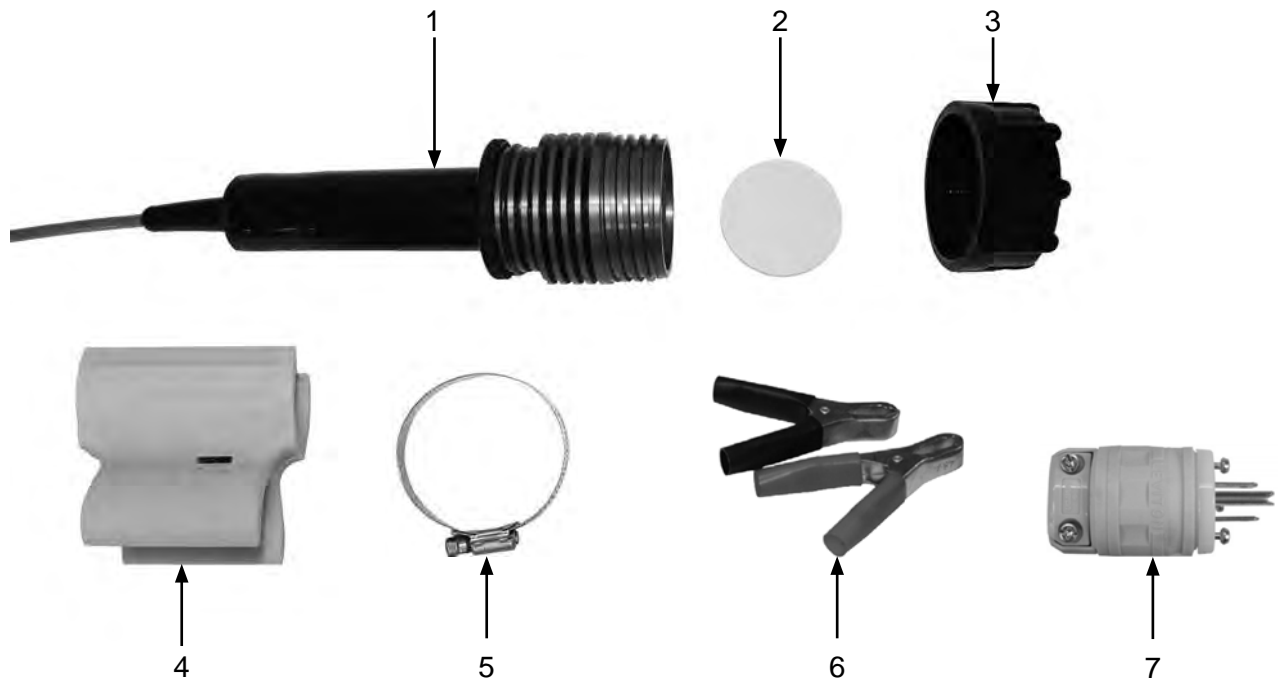
PART NUMBERS AND SCHEMATICS GUIDE

WESTERN TECHNOLOGY 3475LED BLAST LIGHT						
Part Numbers	Attached Electric Cord	Standard Wall 3 Prong	Battery Clamps	Power Source	Body Material	Stanchion
10WT3475LEDS50	50 Ft.	X		120-Volt AC	Polyurethane-Wrapped Aluminum	X
10WT3475LEDS	100 Ft.	X		120-Volt AC	Polyurethane-Wrapped Aluminum	X
10WT3475LEDS150	150 Ft.	X		120-Volt AC	Polyurethane-Wrapped Aluminum	X
10WT3475LEDS200	200 Ft.	X		120-Volt AC	Polyurethane-Wrapped Aluminum	X
10WT3475LEDBAT100	100 Ft.		X	12-Volt DC	Polyurethane-Wrapped Aluminum	X



PART NUMBERS AND SCHEMATICS GUIDE

Figure 1: Western Technology 3475LED Blast Light Repair Parts



Item #	Part #	Description
Fig. 1		
1	10WT3475LED10	Light Body with 10' Cord
2	10WT3609B	Pyrex Lens (<i>Quantity of 12</i>)
3	10WT34023LED	Halo
4	10WT3112HCLED	Low Profile Stanchion
5	1015503	Hose Clamp
6	1030718	Battery Clamps
7	1030026	Male 3-Prong Plug
—	106M549	Part Numbers and Schematics Guide – Western Technology 3475LED Blast Light

OPTIONAL ACCESSORIES



**Part
Numbers**

ELECTRIC CONTROL LINE				
Gauge	# of Wires	Type	Length	
1015549	16	2	Extreme Cable	Per Foot
10WT163	16	3	Extreme Cable	500 Ft.
1015540	16	2	SJEOOW	Per Foot
1015701	16	3	SJEOOW	Per Foot

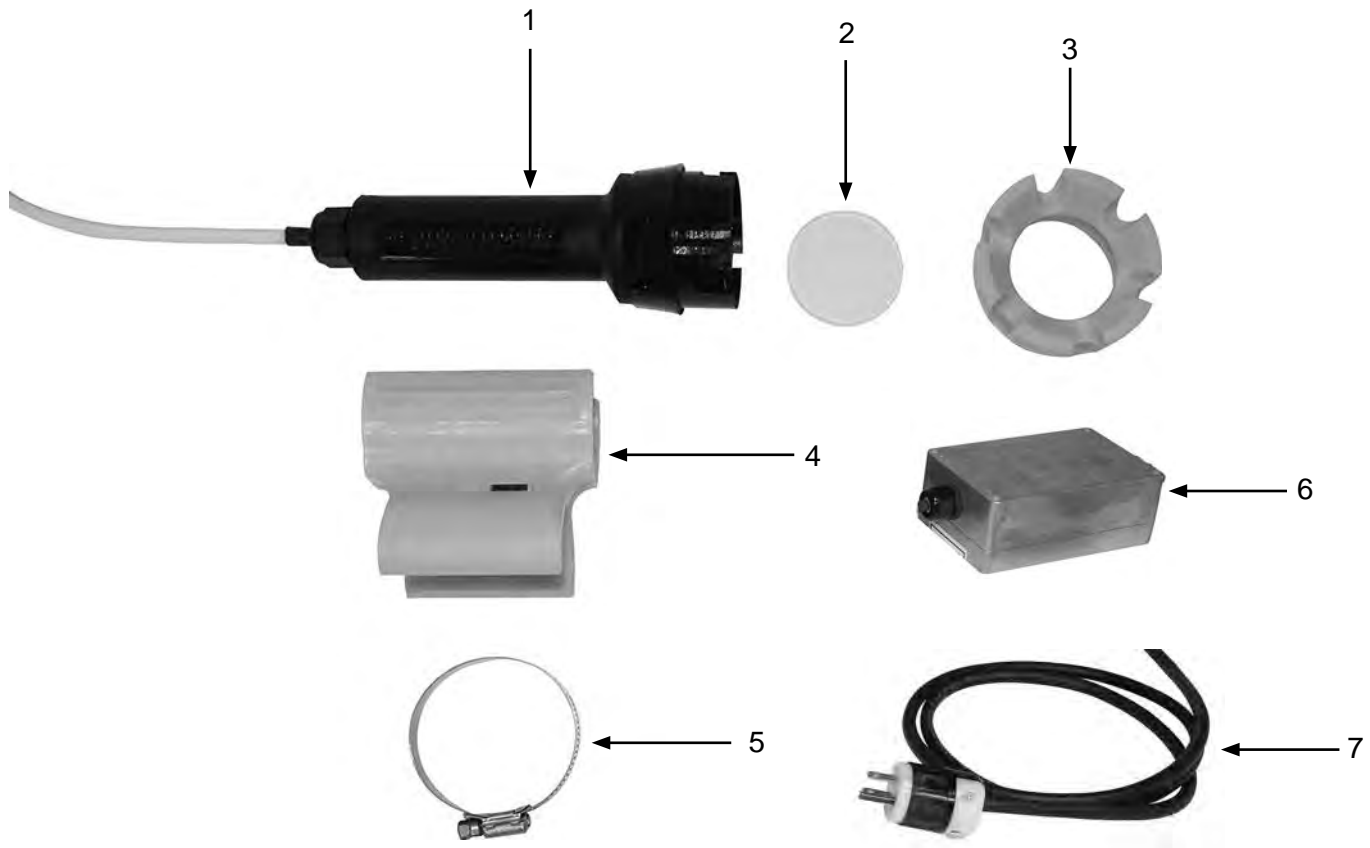
PART NUMBERS AND SCHEMATICS GUIDE

WESTERN TECHNOLOGY 3460LED BLAST LIGHT					
Part Numbers	Body Material	Power Source	Attached Electric Cord	Stacion	Electric Cord Connectors
10WT3460LED10	Polyurethane	120-Volt AC	10 Ft.	X	Standard Wall 3 Prong
10WT3460LEDS	Polyurethane	120-Volt AC	100 Ft.	X	Standard Wall 3 Prong



PART NUMBERS AND SCHEMATICS GUIDE

Figure 1: Western Technology 3460LED Hose Mounted Light Repair Parts



Item #	Part #	Description
Fig. 1		
1	10WT3460LED10	Light Body with 10' Cord
2	1030705	Lens
3	10WT34023LED	Halo
4	10WT3112HCLED	Low Boy Stanchion
5	1015503	Hose Clamp
6	10WT3460LEDPPCAP	110V Power Converter
7	10WT3460LEDBATPLUG	Battery Clamp Pig-Tail (<i>Approximately 1'</i>)
—	106M546	Part Numbers and Schematics Guide – Western Technology 3460LED Blast Light
—	109V546	Operator's Manual – Western Technology 3460LED Blast Light

OPTIONAL ACCESSORIES



**Part
Numbers**

ELECTRIC CONTROL LINE				
Part Numbers	Gauge	# of Wires	Type	Length
1015549	16	2	Extreme Cable	Per Foot
1015540	16	2	SJEOOW	1000 Ft.
10WT163	16	3	Extreme Cable	500 Ft.
1015701	16	3	SJEOOW	1000 Ft.

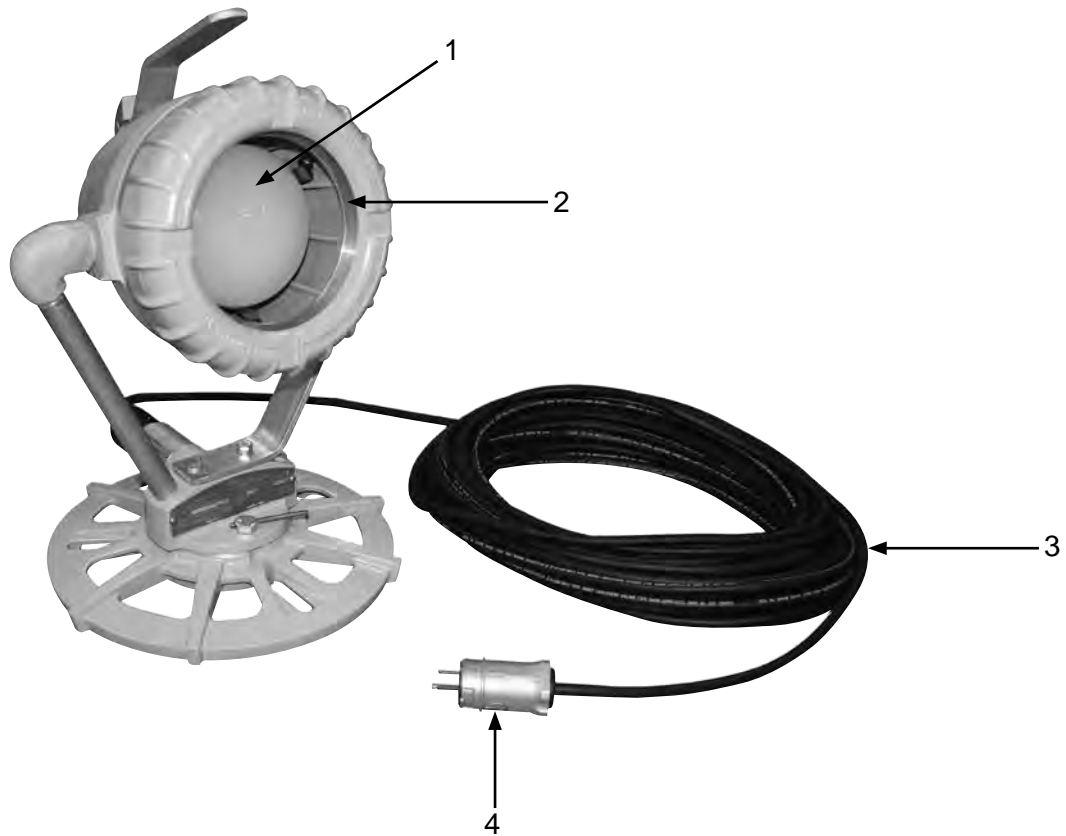
PART NUMBERS AND SCHEMATICS GUIDE

APPLETON® HAZARDOUS LOCATION AREA LIGHT						
Part Number	Application	Light Stand	14/3 Electric Cord	Power Source	Light Bulb	Manufacturer
1030600	Class 1, Division 1; Group C & D	X	75 Feet	120-Volt	300 Watt	Appleton®



PART NUMBERS & SCHEMATICS

Figure 1: Appleton® Hazardous Location Area Light



Item #	Part #	Description
--------	--------	-------------

Fig. 1

—	1030600	Appleton® Hazardous Location Area Light with 75 Feet of Electric Cord and Plug – Complete
1	1030613	300 Watt Bulb
2	1030611	Lens Assembly <i>Includes Lens Collar and Retaining Ring</i>
3	1015550	14/3 Electric Cord (Per Foot)
4	1030614	Water Resistant Male Plug
—	1030616	Socket
—	106M447	Part Numbers & Schematics Guide – Hazardous Location Lights
—	109V048	Operator's Manual – Appleton® Hazardous Location Area Light

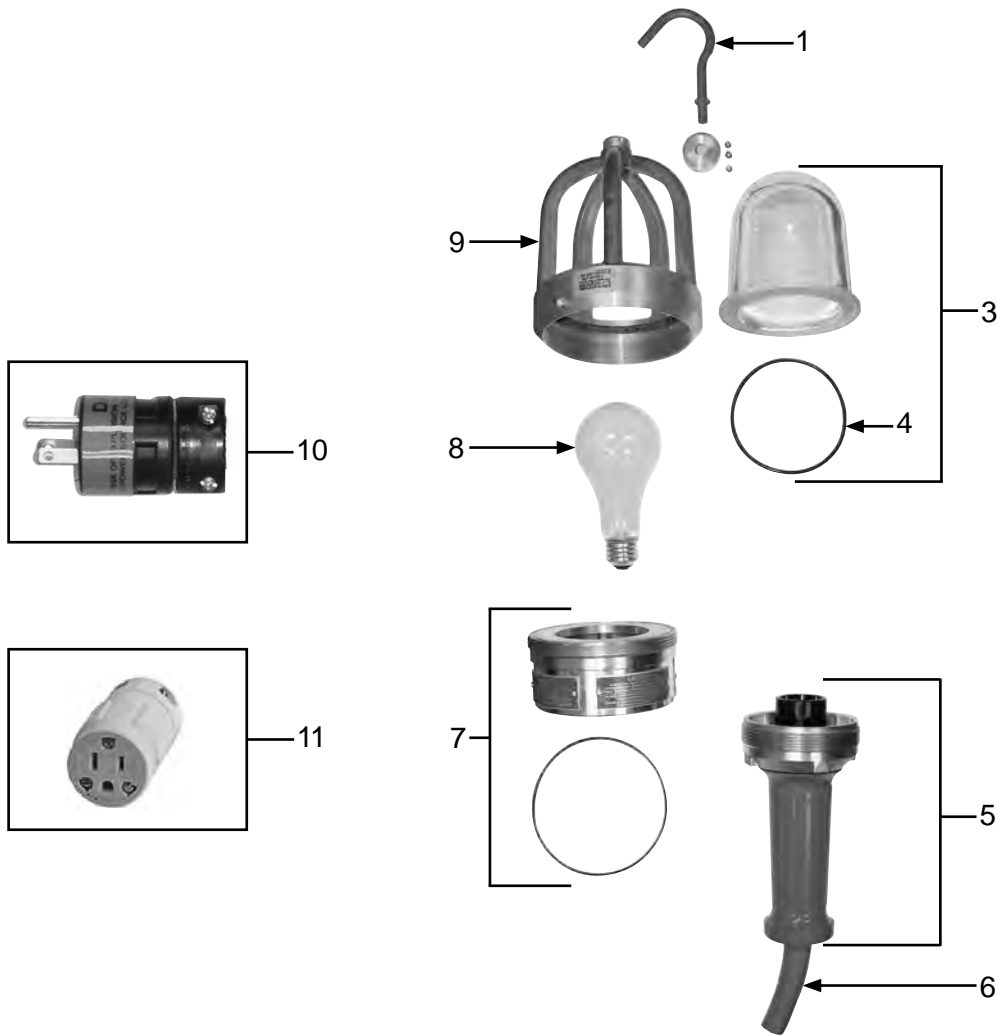
PART NUMBERS AND SCHEMATICS GUIDE

HAZTEX® HAZARDOUS LOCATION WORK LIGHT					
Part Number	Application	Light Bulb	Power Source	14/3 Electric Cord with Plug	Manufacturer
1030400	Class 1, Division 1; Group C & D	90 Watt	120-Volt	75 Feet	Woodhead® Molex®



PART NUMBERS AND SCHEMATICS GUIDE

Figure 2: Haztex® Hazardous Location Work Light





Item #	Part #	Description
--------	--------	-------------



Fig. 2

1	1030413	Hook (Includes Collar and Screws)
3	1030412	Globe and Gasket Includes Item #4
4	1030418	Gasket
5	1030415	Handle and Socket
6	1030419	Grommet
7	1030417	Retaining Nut and Gasket
8	1030423	75 Watt Bulb (for Group F and G applications)
—	1030424	72 Watt Bulb (for Group C and D applications) (Pack of Four)
9	1030411	Guard and Globe Includes Item #3
10	1030026	3-Prong Male Plug
11	1070192	3-Prong Female Plug
—	106M447	Part Numbers and Schematics Guide – Hazardous Location Lights
—	109V047	Operator's Manual – Woodhead® Hazardous Location Work Light
—	109V709	Technical Data Sheet – Haztex® Hazardous Location Work Light

PART NUMBERS AND SCHEMATICS GUIDE

		FLASHLIGHTS		
Part Numbers		Application	Batteries	Color
	1070054	Class 1, Division 1; Group C & D	D-Cell (<i>Quantity of Two*</i>)	Orange
	1070090	Class 1, Division 1; Group C & D	C-Cell (<i>Quantity of Three*</i>)	Varies

**Batteries not included*

		BATTERIES	
Part Numbers		Brand	Size
	1070013	Duracell®	C
	1070012	Duracell®	D

OPTIONAL ACCESSORIES



Part Numbers

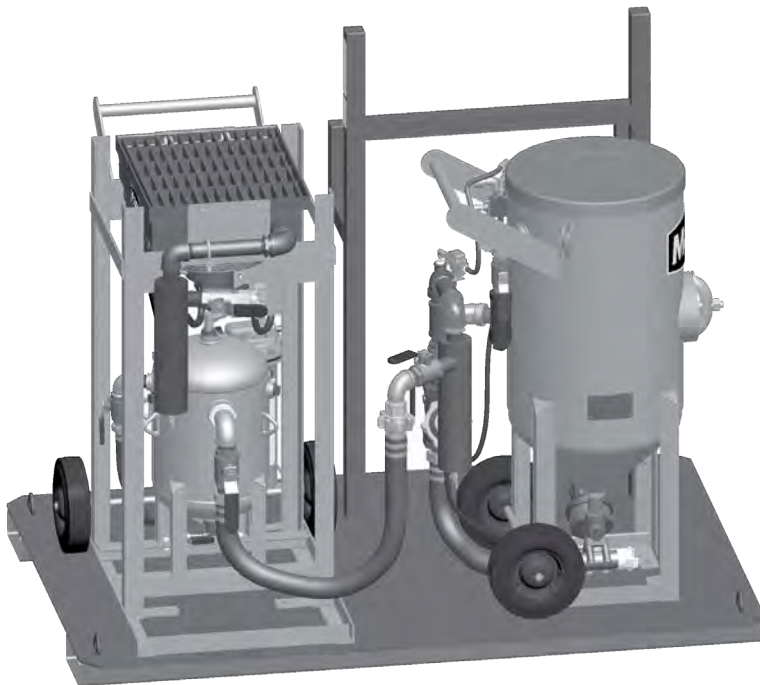
ELECTRIC CONTROL LINE				
Part Numbers	Gauge	# of Wires	Type	Length
1015550	14	3	SEOOW	Per Foot
1015571	12	3	SJEOOW	Per Foot
1015581	10	3	SEOOW	Per Foot
1015591	8	3	SEOOW	Per Foot
1015595	6	3	SEOOW	Per Foot

PART NUMBERS

3.5 CU. FT. MOBILE BLASTING SYSTEMS							
Part Numbers	Abrasive Blasting Pot Series	Power Source	Fork-Pocket Skid (4' x 6')	Trailer (5' x 8')	3.5 Cu. Ft. Abrasive Blasting Pot	Blastmaster® 286-Series Airline Filter – 6-Outlet	Blastmaster® 250 CFM Aftercooler with Moisture Separator
10102480	M-Series	12-Volt DC	X		1035206PKA	1028601	10101340
10102523	M-Series	Pneumatic	X		1035203PKA	1028601	10101340
10102396	HP-Series	12-Volt DC	X		1035030PKA	1028601	10101340
10102545	HP-Series	Pneumatic	X		1035024PKA	1028601	10101340

**See Page 18 for literature on the components listed above.*

3.5 Cu. Ft. Skid-Mounted Abrasive Blasting Systems – Specifications



10102396 Shown

- » Height: 4 Feet, 10 Inches
- » Length: 6 Feet
- » Width: 4 Feet
- » Total System Dry Weight: 1,100 lbs.

PART NUMBERS

6.5 CU. FT. MOBILE BLASTING SYSTEMS							
Part Numbers	Abrasive Blasting Pot Series	Power Source	Fork-Pocket Skid (4' x 6')	Trailer (5' x 8')	6.5 Cu. Ft. Abrasive Blasting Pot	Blastmaster® 286-Series Airline Filter – 6-Outlet	400 CFM Cart Mounted Aftercooler with Moisture Separator
10102481	M-Series	12-Volt DC	X		1065206PKA	1028601	10103924
10102533	M-Series	Pneumatic	X		1065203PKA	1028601	10103924
10102440	HP-Series	12-Volt DC	X		1065030PKA	1028601	10103924
10102544	HP-Series	Pneumatic	X		1065024PKA	1028601	10103924

*See Page 19 for literature on the components listed above.

6.5 Cu. Ft. Skid-Mounted Abrasive Blasting Systems – Specifications



10102533 Shown

- » Height: 4 Feet, 10 Inches
- » Length: 6 Feet
- » Width: 4 Feet
- » Overall System Dry Weight: 1,200 lbs.

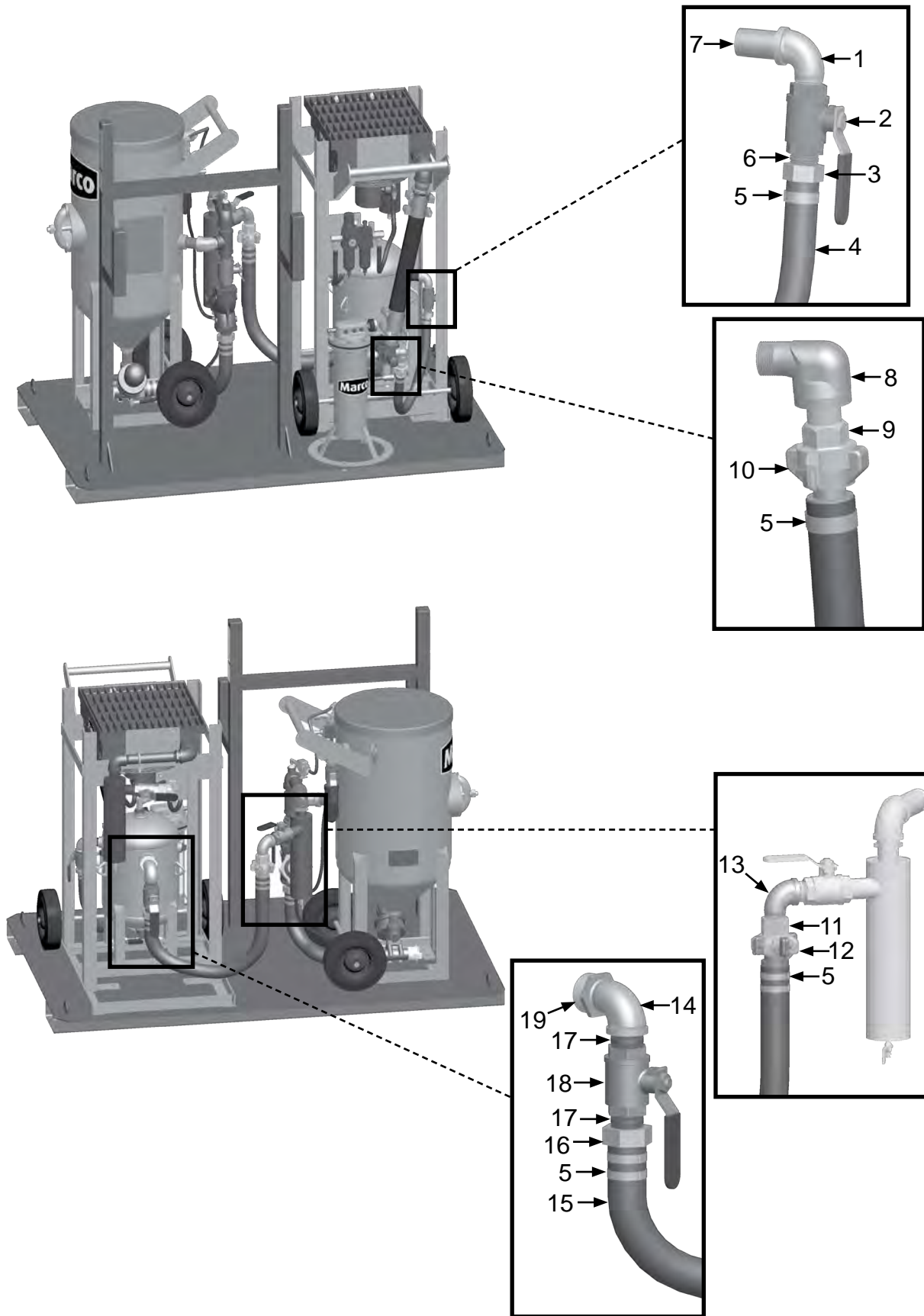
PART NUMBERS & SCHEMATICS

3.5 Cu. Ft. Skid-Mounted Abrasive Blasting System – Equipment Connections

Item #	Part #	Description
Fig. 1		
1	1011801	1" Street Elbow
2	1011601	1" Full Port Ball Valve
3	10SFE2	1" Swivel Female End
4	10AH100	1" I.D. Air Hose
5	10AHCL1	Band Clamp <i>(Six Required)</i>
6	1012151	1" Close Nipple - Galvanized
7	1101843	1 x 2-1/2" Nipple
8	10102479	3/4" Street Elbow
9	10ME1	Coupling 2-Lug Male 3/4"
10	10HE2	Air Hose Coupling 2-Lug Male 1"
11	10ME3	Coupling 4-Lug Female 1-1/4"
12	10HE4	Air Hose Coupling Male 1-1/2"
13	1011802	1-1/4" 90° Street Elbow <i>(Two Required)</i>
14	1011839	1-1/2" 90° Galvanized Elbow
15	10AH112B	1-1/2" I.D. Air Hose - Black
16	10SFE4	1-1/2" Swivel Female End
17	1014015	1-1/2" Galvanized Close Nipple <i>(Two Required)</i>
18	1011603	1-1/2" Full Port Ball Valve
19	1001868	2" x 1-1/2" Galvanized Hex Bushing
—	105M339	Features and Specifications Guide – Abrasive Blasting Systems
—	106M339	Part Numbers and Schematics Guide – Abrasive Blasting Systems

PART NUMBERS & SCHEMATICS

Figure 1: 3.5 Cu. Ft. Skid-Mounted Abrasive Blasting System – Equipment Connections



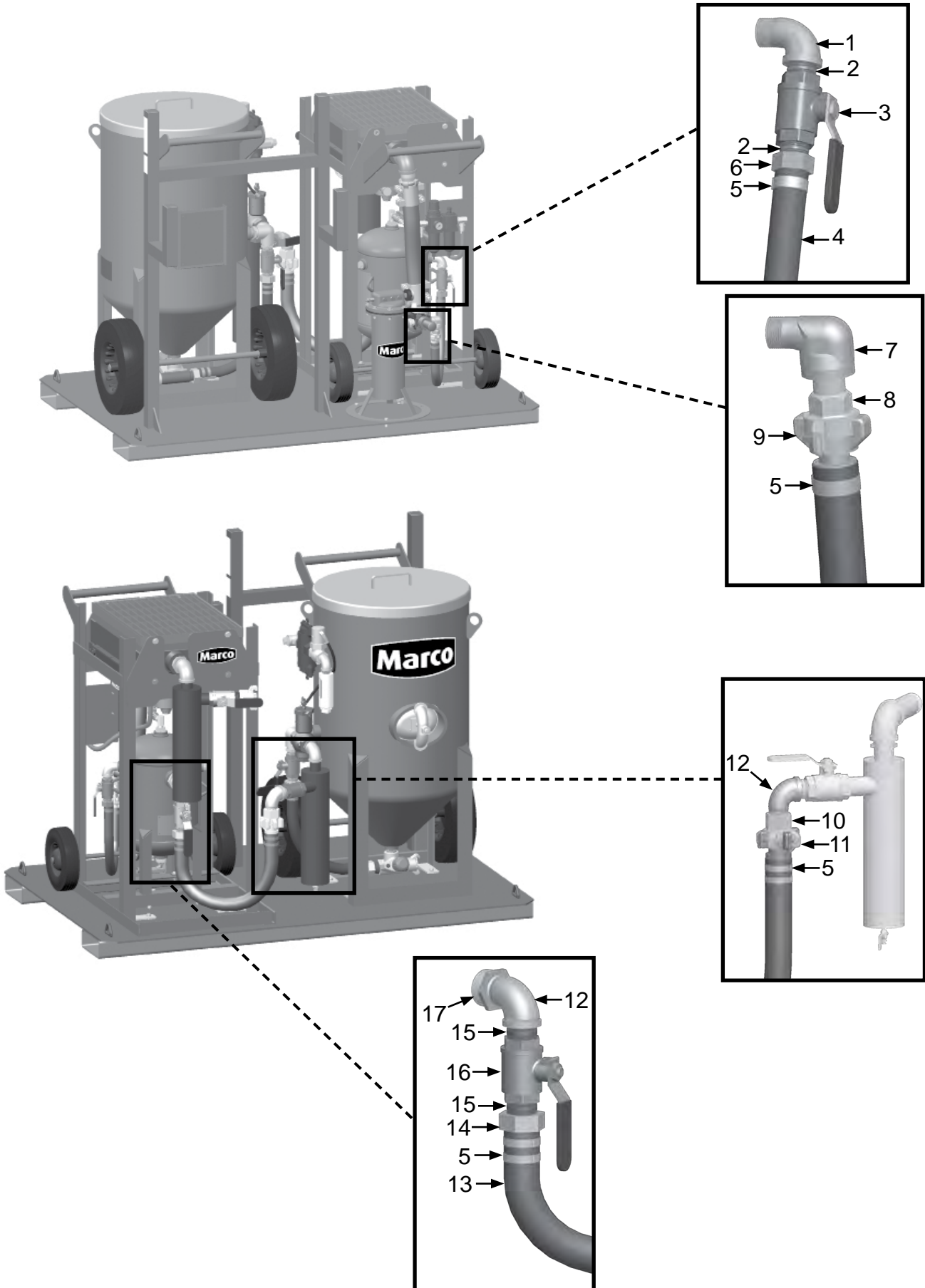
PART NUMBERS & SCHEMATICS

6.5 Cu. Ft. Skid-Mounted Abrasive Blasting Systems – Equipment Connections

Item #	Part #	Description
Fig. 2		
1	1011801	1" Street Elbow
2	1012151	1" Close Nipple - Galvanized (<i>Two Required</i>)
3	1011601	1" Full Port Ball Valve
4	10AH100	1" I.D. Air Hose
5	10AHCL1	Band Clamp (<i>Six Required</i>)
6	10SFE2	1" Swivel Female End
7	10102479	3/4" Street Elbow
8	10ME1	Coupling 2-Lug Male 3/4"
9	10HE2	Air Hose Coupling 2-Lug Male 1"
10	10ME4	Coupling 4-Lug Female 1-1/2"
11	10HE4	Air Hose Coupling 4-Lug Male 1-1/2"
12	1011839	1-1/2" 90° Galvanized Elbow (<i>Two Required</i>)
13	10AH112B	1-1/2" I.D. Air Hose - Black
14	10SFE4	1-1/2" Swivel Female End
15	1014015	1-1/2" Galvanized Close Nipple (<i>Two Required</i>)
16	1011603	1-1/2" Full Port Ball Valve
17	1001868	2" x 1-1/2" Galvanized Hex Bushing
—	105M339	Features and Specifications Guide – Abrasive Blasting Systems
—	106M339	Part Numbers and Schematics Guide – Abrasive Blasting Systems

PART NUMBERS & SCHEMATICS

Figure 2: 6.5 Cu. Ft. Skid-Mounted Abrasive Blasting Systems – Equipment Connections



PART NUMBERS

3.5 CU. FT. MOBILE BLASTING SYSTEMS							
Part Numbers	Abrasive Blasting Pot Series	Power Source	Fork-Pocket Skid (4' x 6')	Trailer (5' x 8')	3.5 Cu. Ft. Abrasive Blasting Pot	Blastmaster® 286-Series Airline Filter – 6-Outlet	Blastmaster® 250 CFM Aftercooler with Moisture Separator
10102482	M-Series	12-Volt DC		X	1035206PKA	1028601	10101340
10102548	M-Series	Pneumatic		X	1035203PKA	1028601	10101340
10102397	HP-Series	12-Volt DC		X	1035030PKA	1028601	10101340
10102549	HP-Series	Pneumatic		X	1035024PKA	1028601	10101340

**See Page 18 for literature on the components listed above.*

3.5 Cu. Ft. Trailer-Mounted Abrasive Blasting Systems – Specifications



10102397 Shown

- » Overall Trailer Length: 11 Feet, 7 Inches
- » Overall Trailer Width: 6 Feet, 6 Inches
- » Deck Length: 8 Feet
- » Deck Width: 5 Feet
- » Height: 6 Feet, 5 Inches
- » Overall System Dry Weight: 1,800 lbs.
- » Gross Vehicle Weight Maximum: 2,990 lbs.

SPECIFICATIONS

6.5 CU. FT. MOBILE BLASTING SYSTEMS							
Part Numbers	Abrasive Blasting Pot Series	Power Source	Fork-Pocket Skid (4' x 6')	Trailer (5' x 8')	6.5 Cu. Ft. Abrasive Blasting Pot	Blastmaster® 286-Series Airline Filter – 6-Outlet	400 CFM Cart Mounted Aftercooler with Moisture Separator
10102484	M-Series	12-Volt DC		X	1065206PKA	1028601	10103924
10102546	M-Series	Pneumatic		X	1065203PKA	1028601	10103924
10102483	HP-Series	12-Volt DC		X	1065030PKA	1028601	10103924
10102547	HP-Series	Pneumatic		X	1065024PKA	1028601	10103924

*See Page 19 for literature on the components listed above.

6.5 Cu. Ft. Trailer-Mounted Abrasive Blasting Systems – Specifications



10102483 Shown

- » Overall Trailer Length: 11 Feet, 7 Inches
- » Overall Trailer Width: 6 Feet, 6 Inches
- » Deck Length: 8 Feet
- » Deck Width: 5 Feet
- » Height: 6 Feet, 5 Inches
- » Overall System Dry Weight: 1,900 lbs.
- » Gross Vehicle Weight Maximum: 2,990 lbs.
- » Accepts 2" Ball Hitch

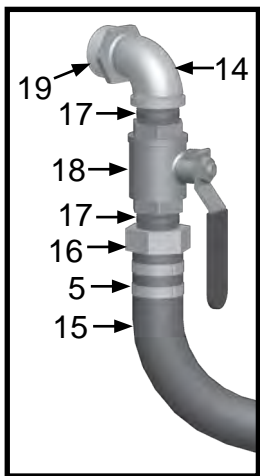
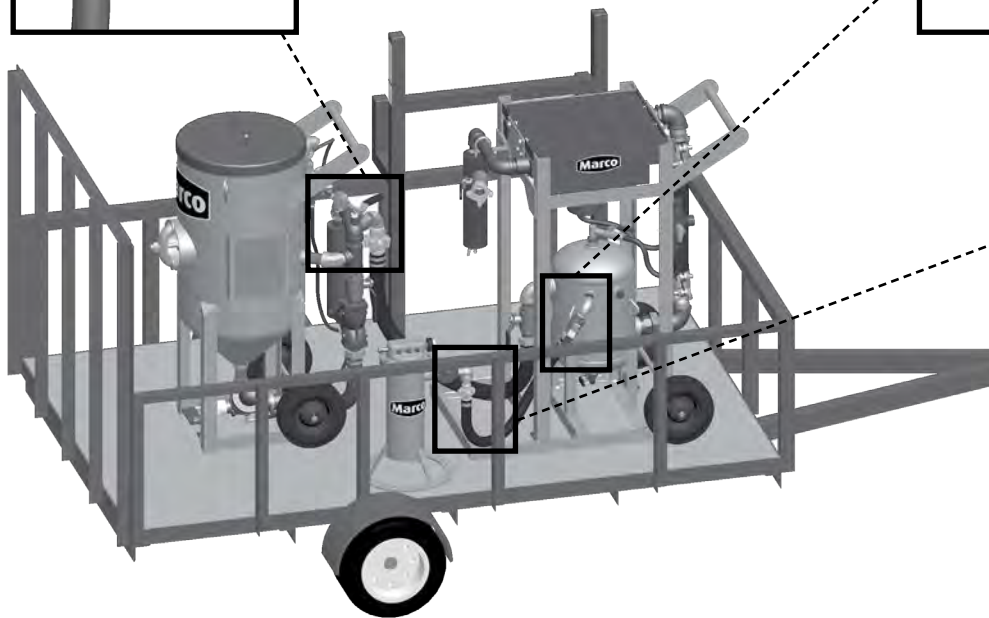
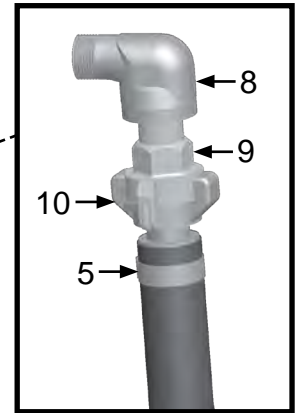
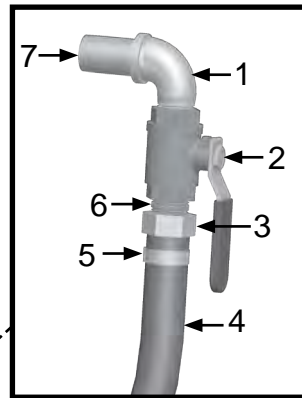
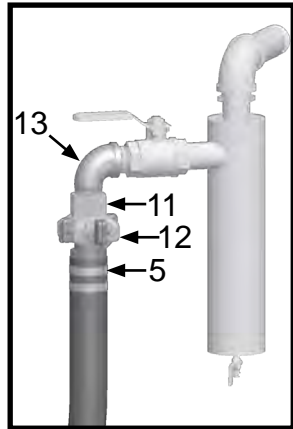
PART NUMBERS & SCHEMATICS

3.5 Cu. Ft. Trailer-Mounted Abrasive Blasting System – Equipment Connections

Item #	Part #	Description
Fig. 3		
1	1011801	1" Street Elbow
2	1011601	1" Full Port Ball Valve
3	10SFE2	1" Swivel Female End
4	10AH100	1" I.D. Air Hose
5	10AHCL1	Band Clamp (<i>Six Required</i>)
6	1012151	1" Close Nipple - Galvanized
7	1101843	1" x 2-1/2" Nipple
8	10102479	3/4" Street Elbow
9	10ME1	Coupling 2-Lug Male 3/4"
10	10HE2	Air Hose Coupling 2-Lug Male 1"
11	10ME3	Coupling 4-Lug Female 1-1/4"
12	10HE4	Air Hose Coupling Male 1-1/2"
13	1011802	1-1/4" 90° Street Elbow (<i>Two Required</i>)
14	1011839	1-1/2" 90° Galvanized Elbow
15	10AH112B	1-1/2" I.D. Air Hose - Black
16	10SFE4	1-1/2" Swivel Female End
17	1014015	1-1/2" Galvanized Close Nipple (<i>Two Required</i>)
18	1011603	1-1/2" Full Port Ball Valve
19	1001868	2" x 1-1/2" Galvanized Hex Bushing
—	105M339	Features and Specifications Guide – Abrasive Blasting Systems
—	106M339	Part Numbers and Schematics Guide – Abrasive Blasting Systems

PART NUMBERS & SCHEMATICS

Figure 3: 3.5 Cu. Ft. Trailer-Mounted Abrasive Blasting System – Equipment Connections



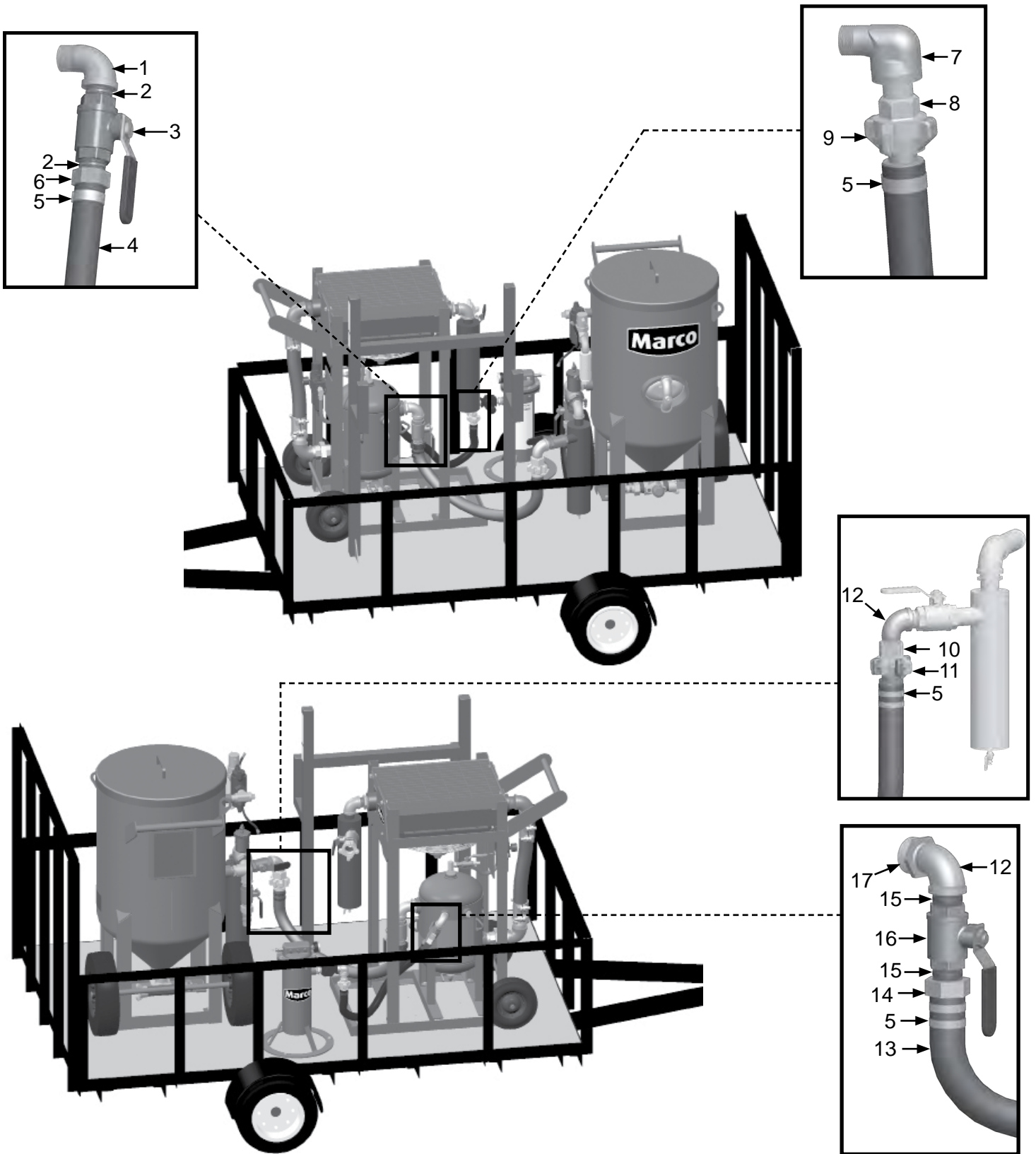
PART NUMBERS & SCHEMATICS

6.5 Cu. Ft. Trailer-Mounted Abrasive Blasting Systems – Equipment Connections

Item #	Part #	Description
Fig. 4		
1	1011801	1" Street Elbow
2	1012151	1" Close Nipple - Galvanized <i>(Two Required)</i>
3	1011601	1" Full Port Ball Valve
4	10AH100	1" I.D. Air Hose
5	10AHCL1	Band Clamp <i>(Six Required)</i>
6	10SFE2	1" Swivel Female End
7	10102479	3/4" Street Elbow
8	10ME1	Coupling 2-Lug Male 3/4"
9	10HE2	Air Hose Coupling 2-Lug Male 1"
10	10ME4	Coupling 4-Lug Female 1-1/2"
11	10HE4	Air Hose Coupling Male 1-1/2"
12	1011839	1-1/2" 90° Galvanized Elbow <i>(Two Required)</i>
13	10AH112B	1-1/2" I.D. Air Hose - Black
14	10SFE4	1-1/2" Swivel Female End
15	1014015	1-1/2" Galvanized Close Nipple <i>(Two Required)</i>
16	1011603	1-1/2" Full Port Ball Valve
17	1001868	2" x 1-1/2" Galvanized Hex Bushing
—	105M339	Features and Specifications Guide – Abrasive Blasting Systems
—	106M339	Part Numbers and Schematics Guide – Abrasive Blasting Systems

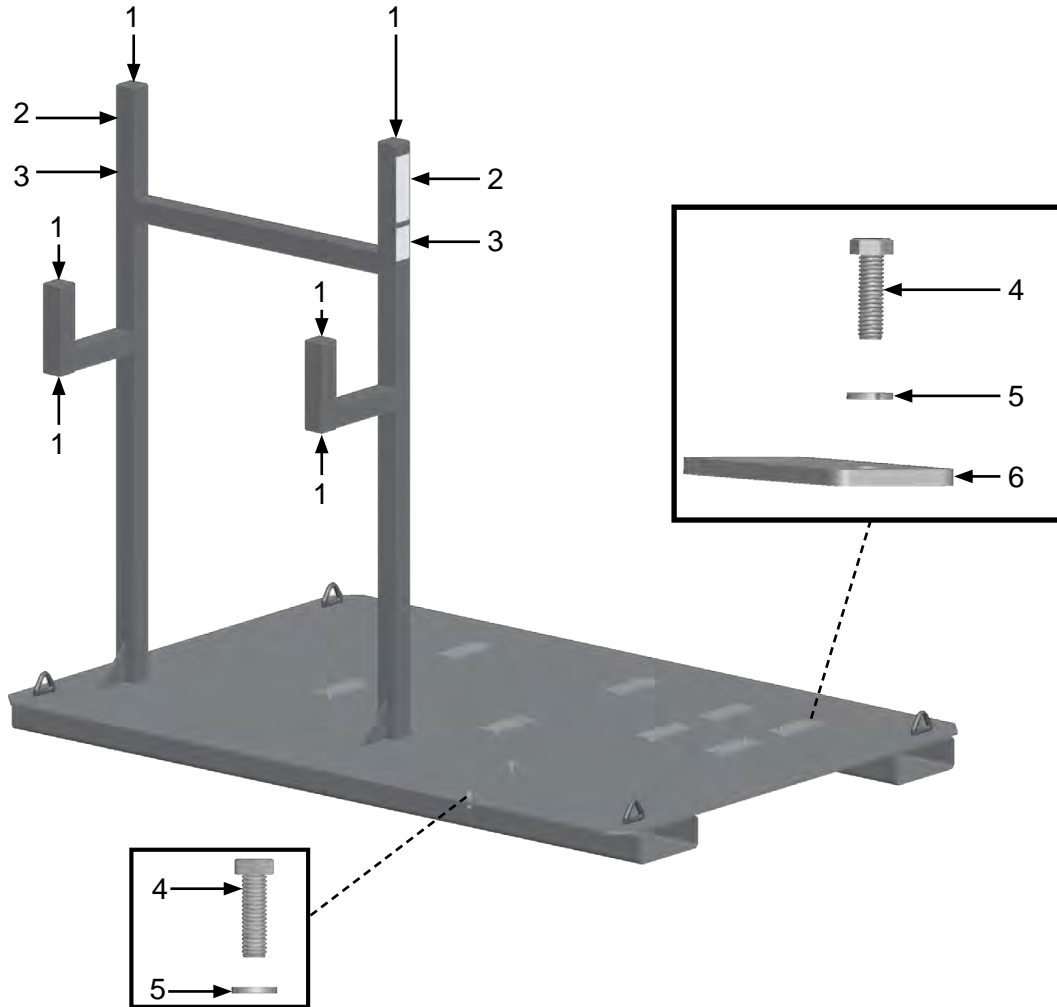
PART NUMBERS & SCHEMATICS

Figure 4: 6.5 Cu. Ft. Trailer-Mounted Abrasive Blasting Systems – Equipment Connections



PART NUMBERS & SCHEMATICS

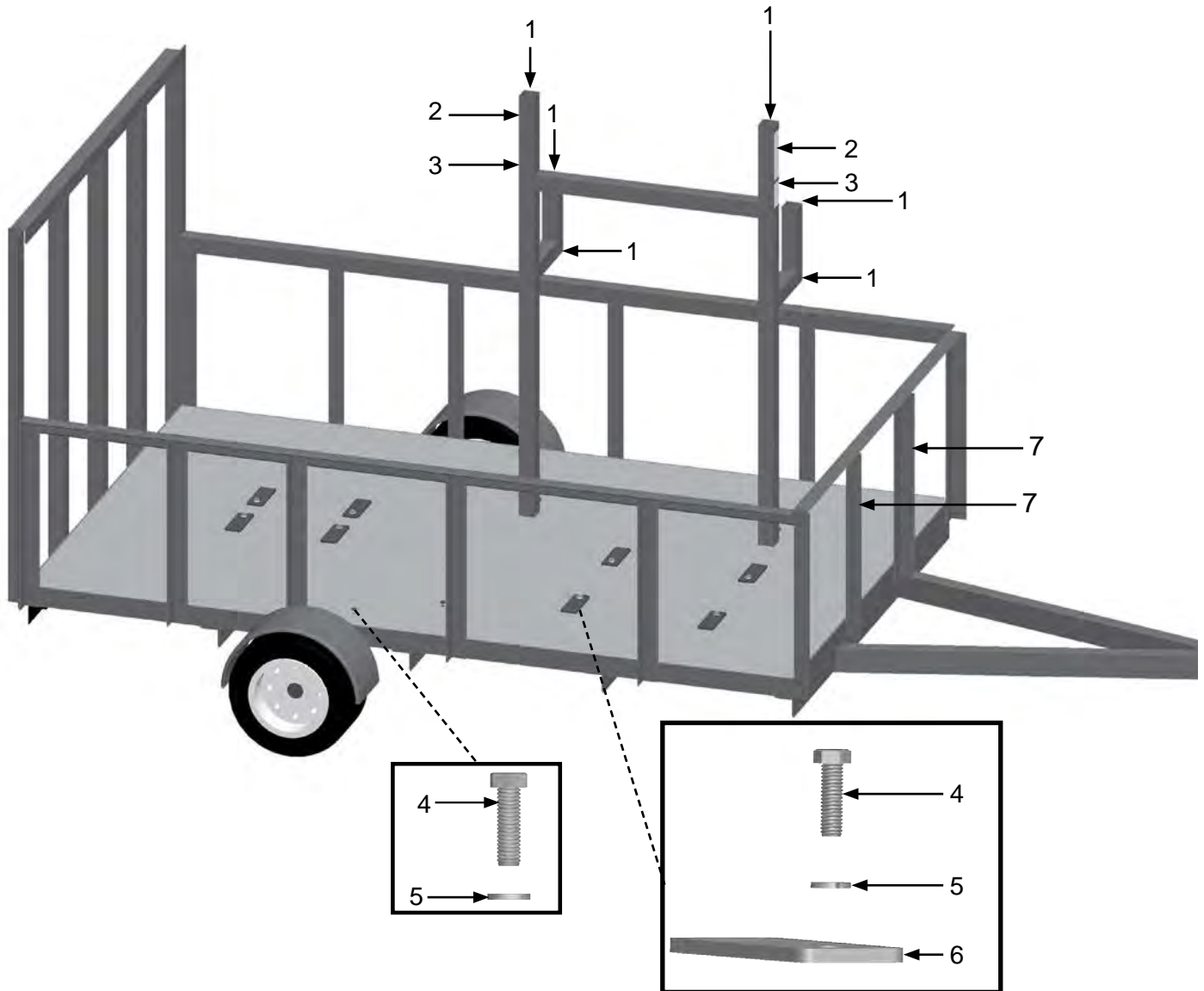
Figure 5: Frame for Skid-Mounted Abrasive Blasting Systems



Item #	Part #	Description
1	20100281	2" x 2" Plastic Cap (Six Required)
2	1091100	Hazard Identification Decal (Two Required)
3	1091101	Hazard Identification Decal (Two Required)
4	10101059	3/8-16 x 1-1/4" Bolt (10 Required)
5	10101936	Lock Washer – 3/8" (10 Required)
6	10102373	Mounting Bracket (Eight Required)

PART NUMBERS & SCHEMATICS

Figure 6: Frame for Trailer-Mounted Abrasive Blasting Systems



Item #	Part #	Description
Fig. 6		
1	20100281	2" x 2" Plastic Cap <i>(Six Required)</i>
2	1091100	Hazard Identification Decal <i>(Two Required)</i>
3	1091101	Hazard Identification Decal <i>(Two Required)</i>
4	10101059	3/8-16 x 1-1/4" Bolt <i>(10 Required)</i>
5	10101936	Lock Washer – 3/8" <i>(10 Required)</i>
6	10102373	Mounting Bracket <i>(Eight Required)</i>
7	1091102	Weight Identification Decal <i>(Two Required)</i>

LITERATURE REFERENCES

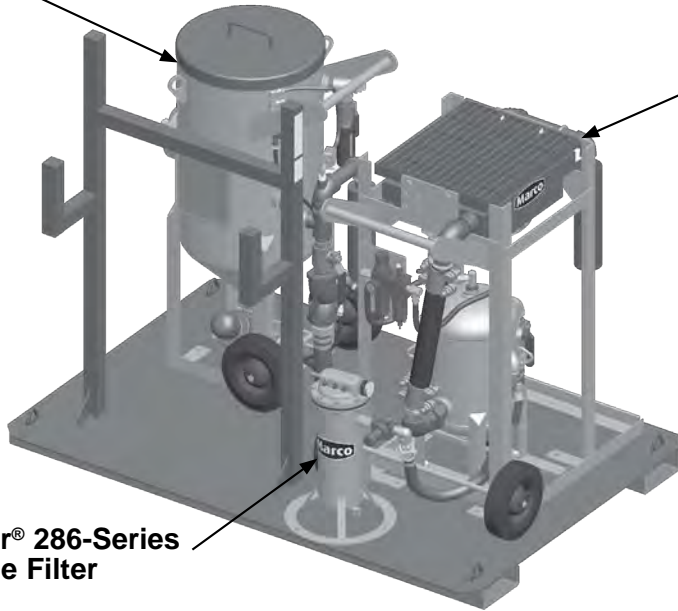
3.5 Cu. Ft. Abrasive Blasting Systems Literature Reference Guide

Blastmaster® 3.5 Cu. Ft. Abrasive Blasting Pot

Blastmaster® 250 CFM Cart Mounted Aftercooler with Moisture Separator

Blastmaster® 286-Series Airline Filter

Trailer Mounted System



Abrasive Blasting Systems

- 105M339 Features and Specifications Guide
- 106M339 Part Numbers and Schematics Guide
- 1090039 Operator's Manual

Blastmaster® 3.5 Cu. Ft. M-Series Abrasive Blasting Pot

- 105M057 Features and Specifications Guide
- 106M057 Part Numbers and Schematics Guide
- 1090057 Operator's Manual

Blastmaster® 3.5 Cu. Ft. HP-Series Abrasive Blasting Pot

- 105M080 Features and Specifications Guide
- 106M080 Part Numbers and Schematics Guide
- 1090080 Operator's Manual

Blastmaster® 250 CFM Aftercooler with Moisture Separator

- 105M085 Features and Specifications Guide
- 106M091 Part Numbers and Schematics Guide
- 1090091 Operator's Manual

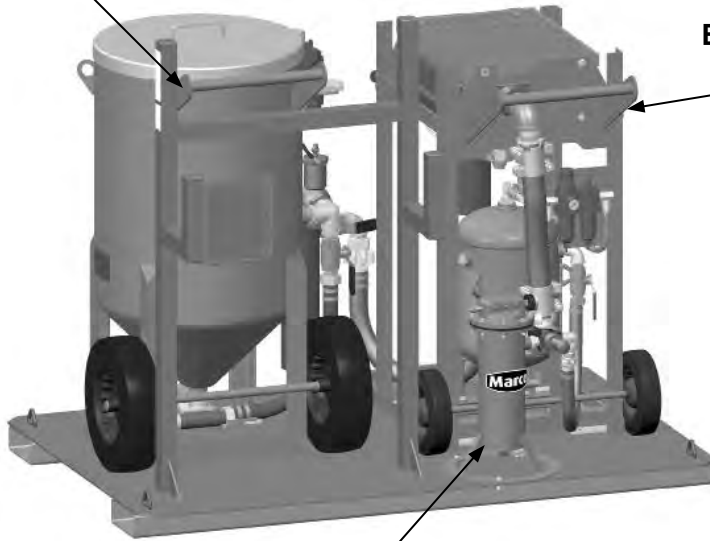
Blastmaster® 286-Series Airline Filter

- 105M045 Features and Specifications Guide
- 106M045 Part Numbers and Schematics Guide
- 1090045 Operator's Manual

LITERATURE REFERENCES

6.5 Cu. Ft. Abrasive Blasting Systems Literature Reference Guide

Blastmaster® 6.5 Cu. Ft. Abrasive Blasting Pot



Blastmaster® 400 CFM Cart Mounted Aftercooler with Moisture Separator



Blastmaster® 286-Series Airline Filter

Trailer Mounted System

Abrasive Blasting Systems

- 105M339 Features and Specifications Guide
- 106M339 Part Numbers and Schematics Guide
- 1090039 Operator's Manual

Blastmaster® 6.5 Cu. Ft. M-Series Abrasive Blasting Pot

- 105M058 Features and Specifications Guide
- 106M058 Part Numbers and Schematics Guide
- 1090058 Operator's Manual

Blastmaster® 6.5 Cu. Ft. HP-Series Abrasive Blasting Pot

- 105M082 Features and Specifications Guide
- 106M082 Part Numbers and Schematics Guide
- 1090082 Operator's Manual

Blastmaster® 400 CFM Cart Mounted Aftercooler with Moisture Separator

- 105M108 Features and Specifications Guide
- 106M108 Part Numbers and Schematics Guide
- 1090108 Operator's Manual

Blastmaster® 286-Series Airline Filter

- 105M045 Features and Specifications Guide
- 106M045 Part Numbers and Schematics Guide
- 1090045 Operator's Manual

PART NUMBERS AND SCHEMATICS GUIDE

Part Numbers	BLASTMASTER® 1600 CFM AIR DRYER
	Description
10101670	Blastmaster® 1600 CFM Air Dryer – Pneumatic
10101671	Blastmaster® 1600 CFM Air Dryer – Electric

PART NUMBERS AND SCHEMATICS GUIDE

Blastmaster® 1600 CFM Air Dryer – Pneumatic



Weight: 1386 pounds

Overall Dimensions:

Height: 88"

Width: 72"

Depth: 35"

Blastmaster® 1600 CFM Air Dryer – Electric



Weight: 1386 pounds

Overall Dimensions:

Height: 88"

Width: 72"

Depth: 35"

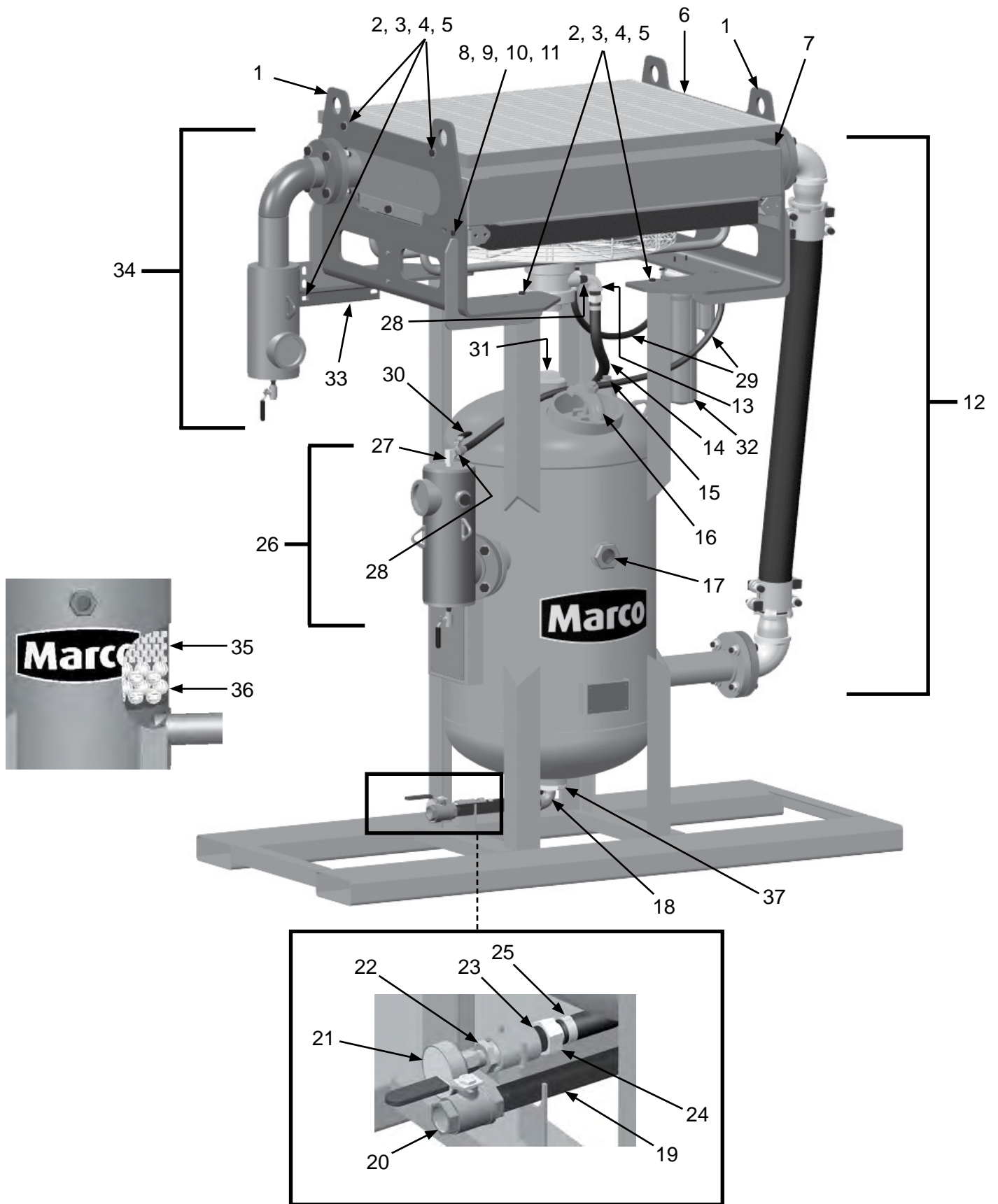
PART NUMBERS AND SCHEMATICS GUIDE

Blastmaster® 1600 CFM Air Dryer – Pneumatic

Item #	Part #	Description
Fig. 1		
—	10101670	Blastmaster® 1600 CFM Air Dryer – Pneumatic
1	10101033	950-1600 CFM Heat Exchanger Mounting Bracket <i>(Two Required)</i>
2	1014021	1/2-13 x 1-3/4" Bolt <i>(10 Required)</i>
3	10100674	1/2" Flat Washer <i>(16 Required)</i>
4	10100675	1/2" Split Lock Washer <i>(10 Required)</i>
5	1014022	1/2-13 Hex Nut <i>(10 Required)</i>
6	10101166	Heat Exchanger Protective Grate
7	10TTAHP16005	1600 CFM Aftercooler Core Assembly – Complete <i>(See Figure 3)</i>
8	1014021	1/2-13 x 1-3/4" Bolt <i>(13 Required)</i>
9	10100674	1/2" Flat Washer <i>(13 Required)</i>
10	10100675	1/2" Split Lock Washer <i>(13 Required)</i>
11	1014022	1/2-13 Hex Nut <i>(13 Required)</i>
12	—	Transfer Hose Assembly <i>(See Figure 5)</i>
13	10101002	1/2" x 1" NPT Reducing Elbow
14	10AH100	1" I.D. Air Hose <i>(Per Foot)</i>
15	1011902	1-1/4" NPT Plug
16	—	Inspection Door Assembly <i>(See Figure 8)</i>
17	10101688	2" NPT Sight Glass
18	1011801	1" NPT Street Elbow
19	10101064	1" x 12" NPT Pipe Nipple
20	1011601	1" NPT Full Port Ball Valve
21	10101800	Aftercooler Exhaust Muffler – 950 CFM-1600 CFM
22	1011812	1" Male x 1/2" Female Bushing
23	1012151	1" Galvanized Close Nipple
24	10SFE2	1" Female Swivel <i>(Two Required)</i>
25	10AHCL1	Band Clamp <i>(Two Required)</i>
26	—	Outlet Filter Assembly <i>(See Figure 9)</i>
27	10SAP1290	1/2" 90° Swivel
28	20100677	1/2" (F) NPT x 1/2" (F) NPT Nipple <i>(Two Required)</i>
29	10AH012	1/2" I.D. Air Hose <i>(Per Foot)</i>
30	10L363	Ball Valve
31	10101034	3" NPT Galvanized Pipe Plug
32	10105890	Filter/Regulator/Lubricator with Pressure Gauge <i>(See Figure 7)</i>
33	10101170	Moisture Separator Brace
34	—	Inlet Filter Assembly <i>(See Figure 6)</i>
35	—	Desiccant Tablets <i>(See Figure 10)</i>
36	10103922	Spherical Tower Packing <i>(See Figure 10)</i>
37	10101844	3" NPTM x 1" NPTF Bushing
—	1091017	Hazard Identification Tag
—	105M117	Features and Specifications Guide – Blastmaster® 1600 CFM Air Dryer
—	106M117	Part Numbers and Schematics Guide – Blastmaster® 1600 CFM Air Dryer
—	1090117	Operator's Manual – Blastmaster® 1600 CFM Air Dryer

PART NUMBERS AND SCHEMATICS GUIDE

Figure 1: Blastmaster® 1600 CFM Air Dryer – Pneumatic



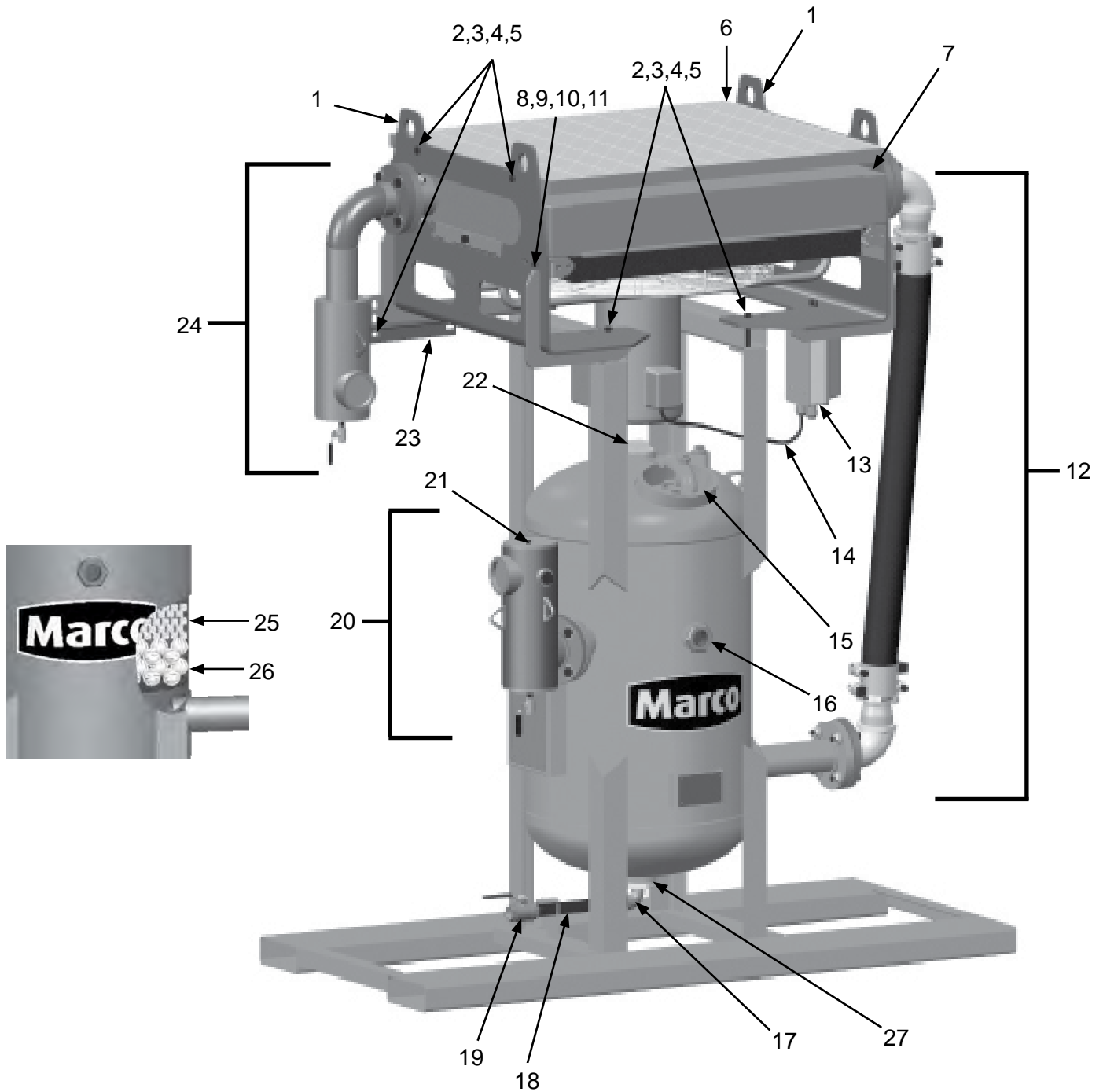
PART NUMBERS AND SCHEMATICS GUIDE

Blastmaster® 1600 CFM Air Dryer – Electric

Item #	Part #	Description
Fig. 2		
—	10101671	Blastmaster® 1600 CFM Air Dryer – Electric
1	10101033	950-1600 CFM Heat Exchanger Mounting Bracket <i>(Two Required)</i>
2	10101943	1/2-13 x 1-1/2" Bolt <i>(13 Required)</i>
3	10100674	1/2" Flat Washer <i>(13 Required)</i>
4	10100675	1/2" Split Lock Washer <i>(13 Required)</i>
5	10101941	1/2" Hex Nut <i>(13 Required)</i>
6	10101036	Heat Exchanger Protective Grate
7	10TTAHP16002	1600 CFM Aftercooler Core Assembly – Complete <i>(See Figure 4)</i>
8	10101059	3/8-16 x 1-1/4" Bolt <i>(Four Required)</i>
9	10101942	3/8" Flat Washer <i>(Eight Required)</i>
10	10L805015	3/8" Lock Washer <i>(Four Required)</i>
11	10101938	3/8" Hex Nut <i>(Four Required)</i>
12	—	Transfer Hose Assembly <i>(See Figure 5)</i>
13	10101760	115-Volt AC Motor Starter – Single Phase
14	1011902	1-1/4" NPT Plug
15	—	Inspection Door Assembly <i>(See Figure 8)</i>
16	10101688	2" NPT Sight Glass
17	1011801	1" NPT Street Elbow
18	10101064	1" x 12" NPT Pipe Nipple
19	1011601	1" NPT Full Port Ball Valve
20	—	Outlet Filter Assembly <i>(See Figure 9)</i>
21	20G100737	1/2" NPT Pipe Plug
22	10101034	3" NPT Galvanized Pipe Plug
23	10101170	Moisture Separator Brace
24	—	Inlet Filter Assembly <i>(See Figure 6)</i>
25	—	Desiccant Tablets <i>(See Figure 10)</i>
26	10103922	Spherical Tower Packing <i>(See Figure 10)</i>
27	10101844	3" NPTM x 1" NPTF Bushing
—	1091017	Hazard Identification Tag
—	105M117	Features and Specifications Guide – Blastmaster® 1600 CFM Air Dryer
—	106M117	Part Numbers and Schematics Guide – Blastmaster® 1600 CFM Air Dryer
—	1090117	Operator's Manual – Blastmaster® 1600 CFM Air Dryer

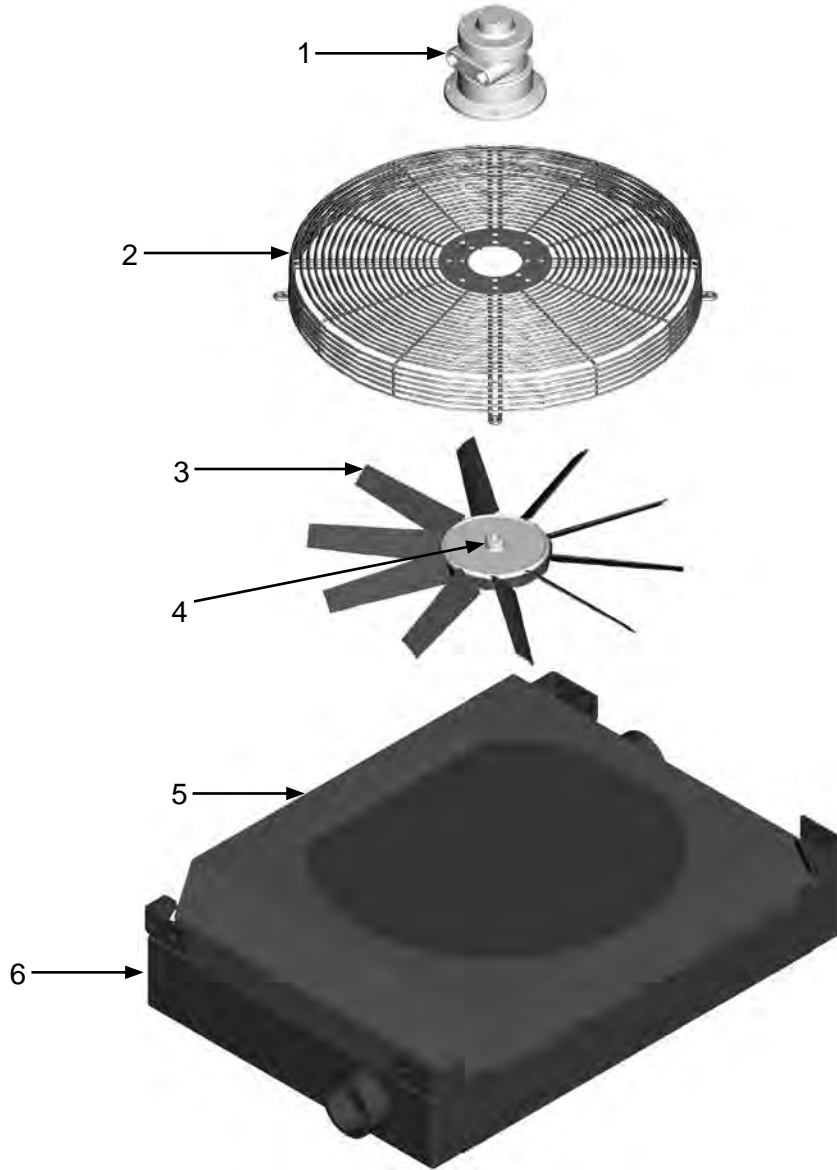
PART NUMBERS AND SCHEMATICS GUIDE

Figure 2: Blastmaster® 1600 CFM Air Dryer – Electric



PART NUMBERS AND SCHEMATICS GUIDE

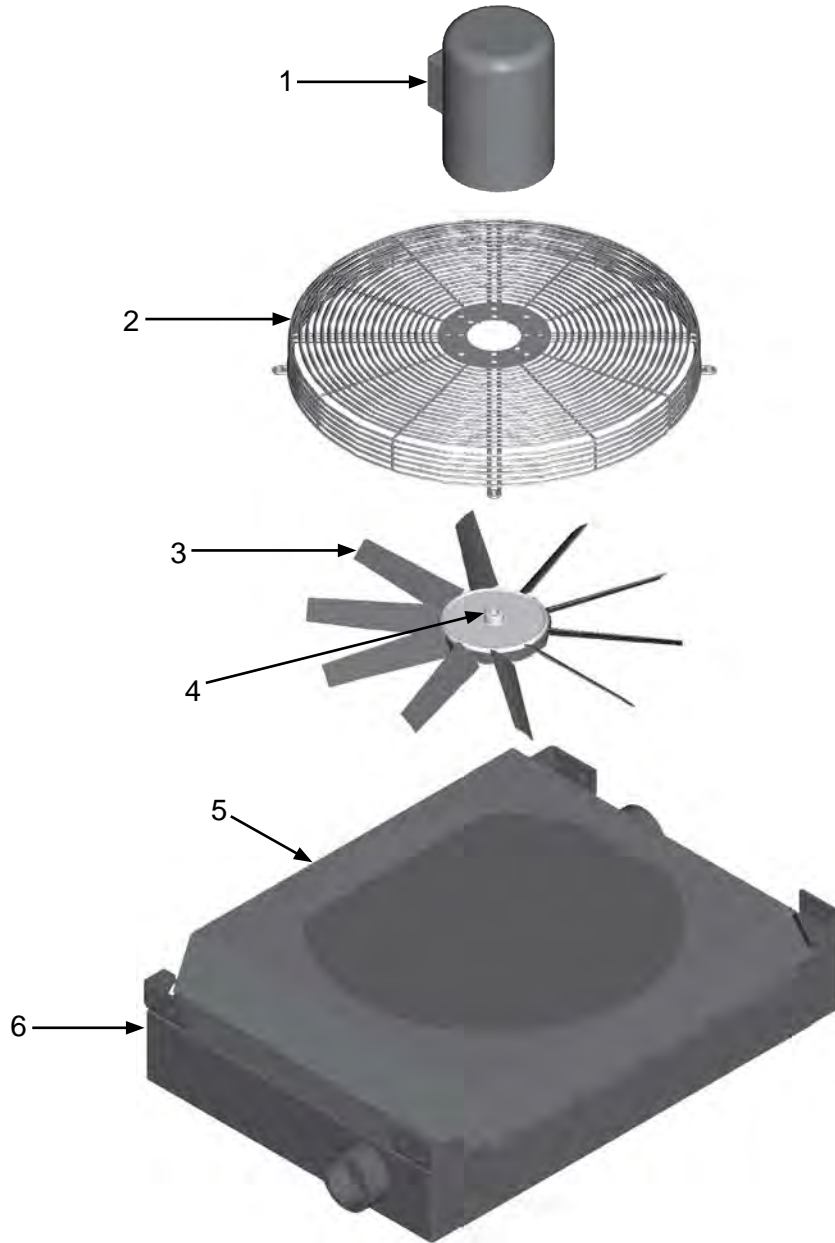
Figure 3: 1600 CFM Aftercooler Core Assembly – Pneumatic



Item #	Part #	Description
Fig. 3		
—	10TTAHP16005	1600 CFM Aftercooler Core Assembly – Complete
1	10101804	Air Motor
2	10101808	Fan Guard
3	10101806	Fan Blades <i>(Includes Blades and Hub)</i>
4	10101807	Fan Bushing
5	1014172	Fan Shroud
6	10101803	Aftercooler Core
—	1070517	Pneumatic Tool Oil – 32 oz.
—	10101805	Air Motor Service Kit <i>(Includes: shaft seal, drive end bearing, dead end bearing, four vanes, four push pins, four vane springs, shim, end cap gasket, muffler cartridge, and muffler felt)</i>

PART NUMBERS AND SCHEMATICS GUIDE

Figure 4: 1600 CFM Aftercooler Core Assembly – Electric



Item #	Part #	Description
--------	--------	-------------

Fig. 4

—	10TTAHP16002	1600 CFM Aftercooler Core Assembly – Complete
---	---------------------	--

1	10101809	Electric Motor – (115V/208-230V) – Single Phase
---	----------	---

2	10101808	Fan Guard
---	----------	-----------

3	10101806	Fan Blades <i>(Includes Blades and Hub)</i>
---	----------	---

4	10101807	Fan Bushing
---	----------	-------------

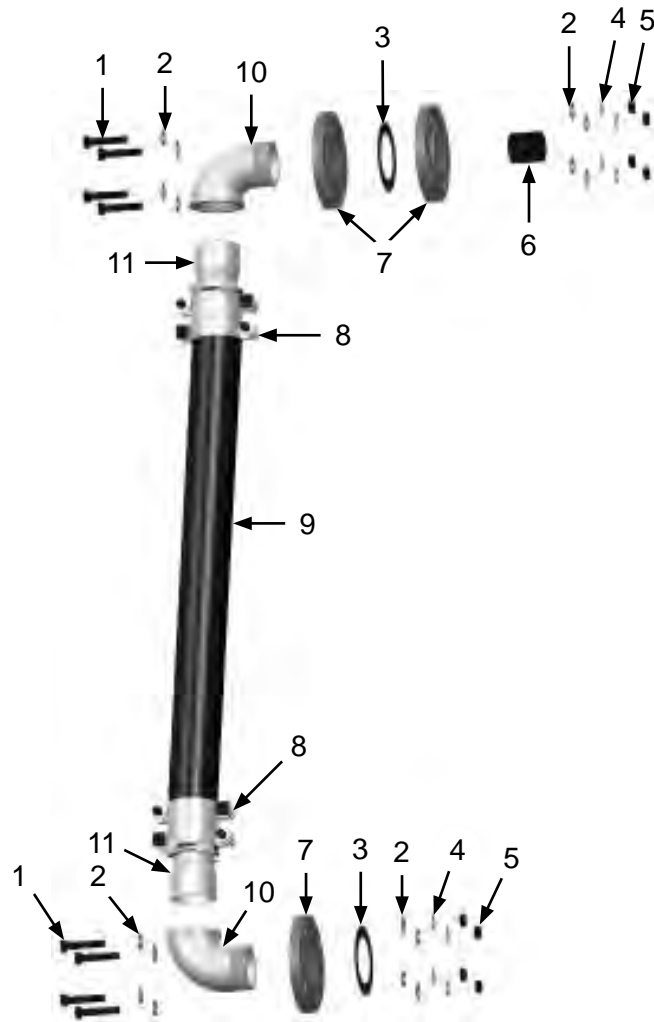
5	1014172	Fan Shroud
---	---------	------------

6	10101803	Aftercooler Core
---	----------	------------------

—	1070517	Pneumatic Tool Oil – 32 oz.
---	---------	-----------------------------

PART NUMBERS AND SCHEMATICS GUIDE

Figure 5: Transfer Hose Assembly



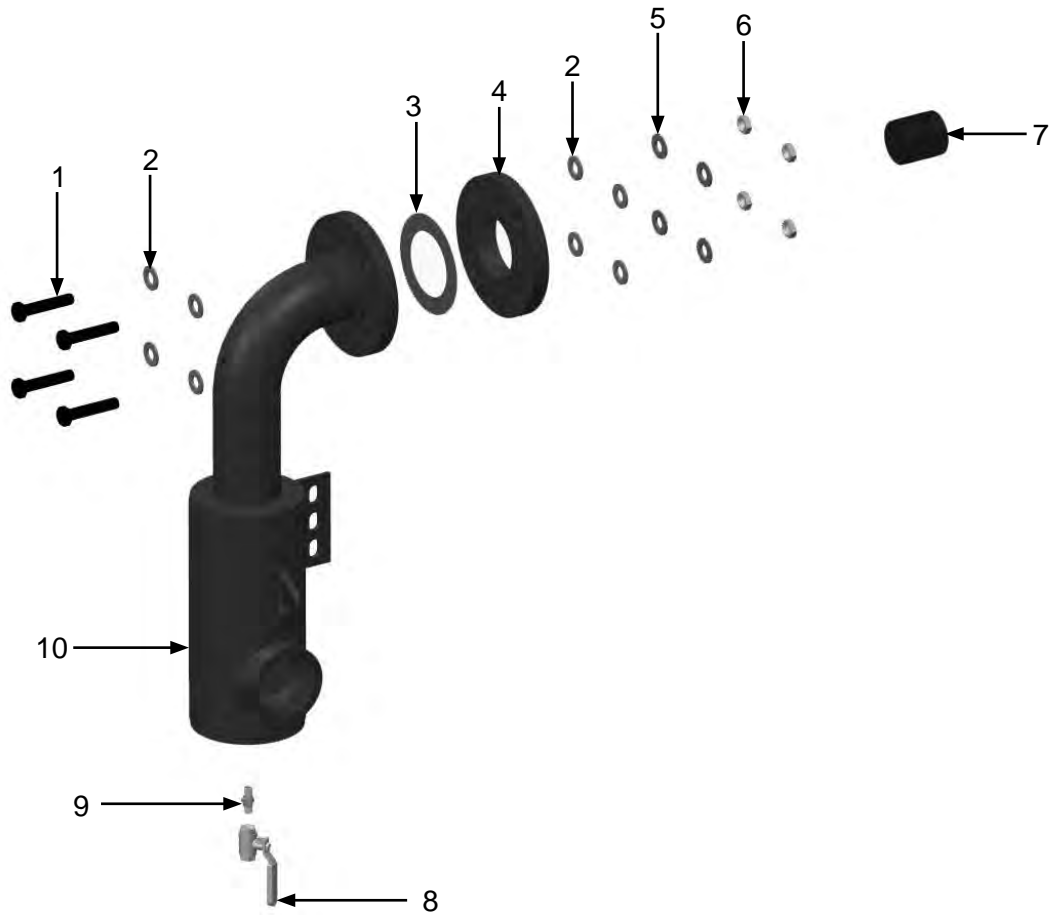
Item #	Part #	Description
--------	--------	-------------

Fig. 5

1	10101058	5/8-11 x 3" Bolt (Eight Required)
2	10101060	5/8" Flat Washer (16 Required)
3	10101047	Flange Gasket (Two Required)
4	10101061	5/8" Split Lock Washer (Eight Required)
5	10101062	5/8" Hex Nut (Eight Required)
6	10101040	3" NPT Close Nipple
7	10101041	3" NPT Threaded Flange (Three Required)
8	10BU35	3" Boss Clamp (Two Required)
9	10101045	3" x 2-1/2' Steel Reinforced Air Hose (Per Foot)
10	10101148	3" NPT Street Elbow (Two Required)
11	10101754	3" NPT Hose Stem (Two Required)

PART NUMBERS AND SCHEMATICS GUIDE

Figure 6: Inlet Filter Assembly



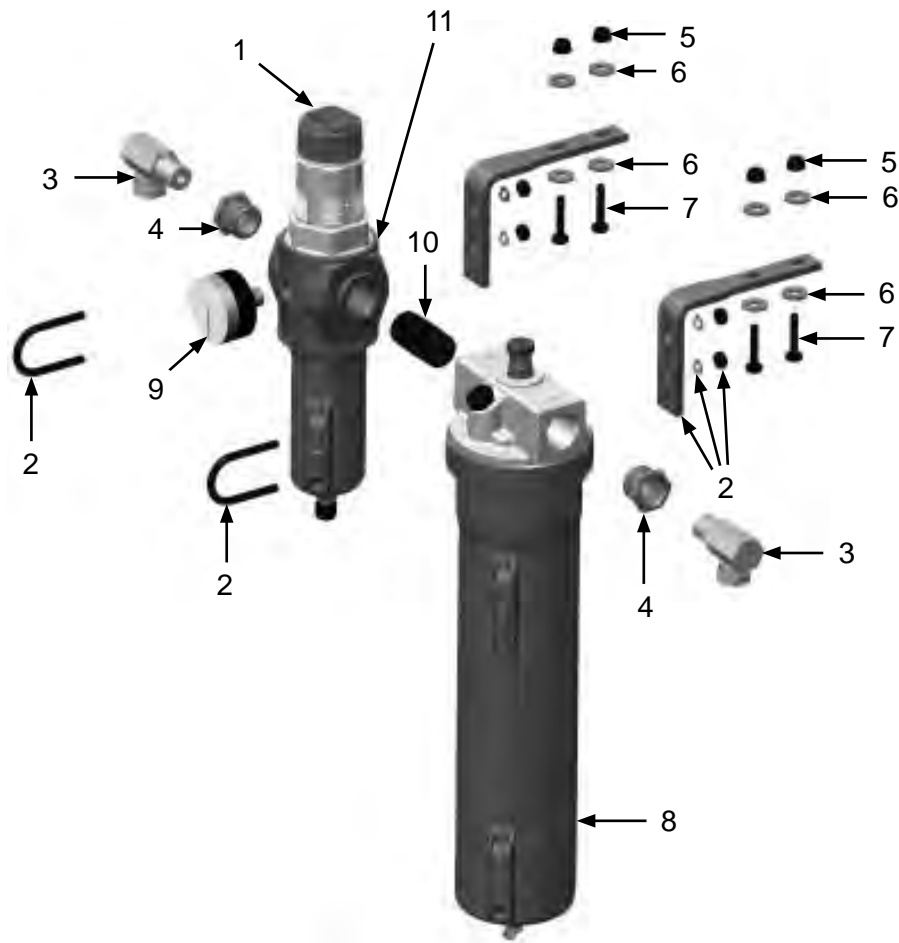
Item #	Part #	Description
--------	--------	-------------

Fig. 6

1	10101058	5/8-11 x 3" Bolt (<i>Four Required</i>)
2	10101060	5/8" Flat Washer (<i>Eight Required</i>)
3	10101047	Flange Gasket
4	10101041	3" NPT Threaded Flange
5	10101061	5/8" Split Lock Washer (<i>Four Required</i>)
6	10101062	5/8" Hex Nut (<i>Four Required</i>)
7	10101040	3" NPT Close Nipple
8	1080050	1/4" NPT Full Port Ball Valve
9	1017019	1/4" NPT Hex Nipple
10	10101049	Inlet Moisture Separator

PART NUMBERS AND SCHEMATICS GUIDE

Figure 7: Air Filter/Regulator/Lubricator

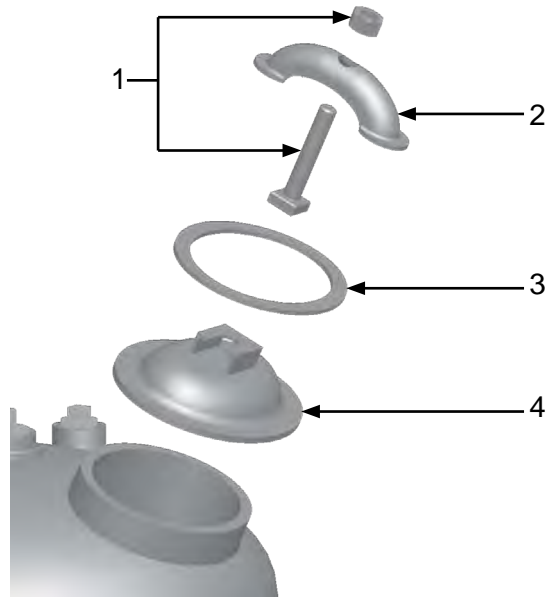


Item #	Part #	Description
--------	--------	-------------

Fig. 7		
—	10105890	Air Filter/Regulator/Lubricator With Pressure Gauge – Pneumatic – Complete
1	10105891	Filter/Regulator
2	10105889	Mounting Bracket and U-Bolt Kit
3	10SAP1290	1/2" 90° Swivel (<i>Two Required</i>)
4	10105895	Coupler with 3/4" x 1/2" Reducing Bushing (<i>Two Required</i>)
5	10101939	1/4-20 Stainless Steel Lock Nut with Nylon Insert (<i>Eight Required</i>)
6	10101940	1/4" Flat Washer (<i>Eight Required</i>)
7	10105903	1/4-20 x 1-1/4" Grade 5 Hex Bolt (<i>Four Required</i>)
8	10105892	1-Liter Lubricator Bowl
9	1028606	Pressure Gauge – 0-160 PSI 1/4" – Back Mount
10	10105894	3/4" x 2" Pipe Nipple
11	10106432	Large O-Ring – Lubricator
—	1070517	Pneumatic Tool Oil – 32 oz.
—	10106504	Diaphragm Kit for Filter/Regulator
—	10106505	Bowl, O-Ring and Site Gauge Kit
—	10106506	Cartridge Kit for 1-Liter Lubricator Bowl
—	10106507	Lubricator Extension Metal Bowl Kit

PART NUMBERS AND SCHEMATICS GUIDE

Figure 8: Inspection Door Assembly



Item #	Part #	Description
--------	--------	-------------

Fig. 8

	10000040	Air Dryer Inspection Door Assembly – Complete <i>Includes Items #1–4</i>
--	-----------------	--

1	10102258	Nut and Bolt
---	----------	--------------

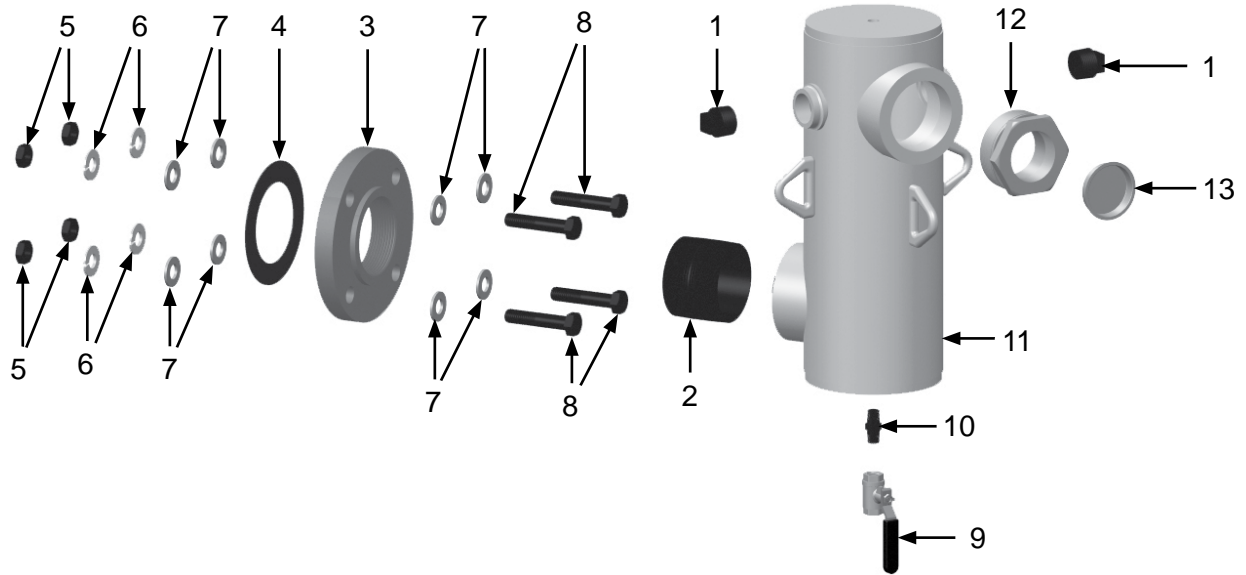
2	10101125	Yoke
---	----------	------

3	10101123	Inspection Door Gasket
---	----------	------------------------

4	10101124	Galvanized Inspection Door Cover
---	----------	----------------------------------

PART NUMBERS AND SCHEMATICS GUIDE

Figure 9: Outlet Filter Assembly



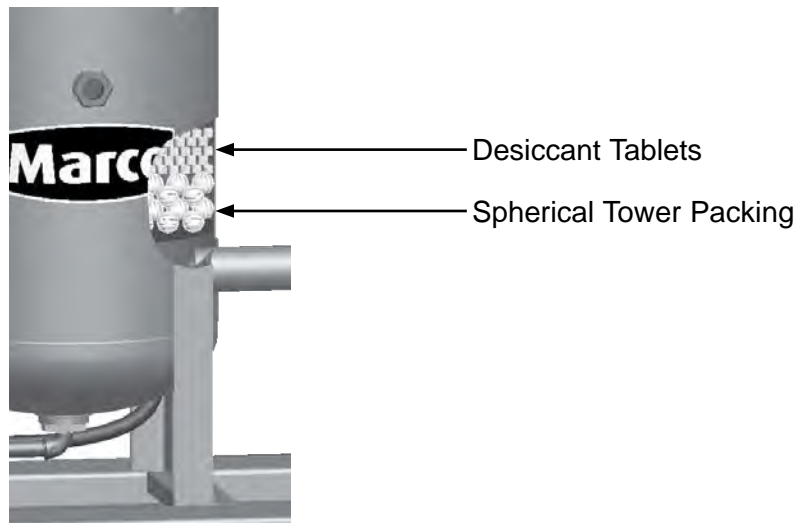
Item #	Part #	Description
--------	--------	-------------

Fig. 9

1	1011901	1" Galvanized Square Head Pipe Plug <i>(Two Required)</i>
2	10101040	3" Galvanized Close Nipple
3	10101041	Flange
4	10101047	Flange Gasket
5	10101062	5/8-11 Hex Nut <i>(Four Required)</i>
6	10101061	5/8" Lock Washer <i>(Four Required)</i>
7	10101060	5/8" x 1-5/16" Stainless Steel Flat Washer <i>(Eight Required)</i>
8	10101058	5/8-11 x 3" Bolt <i>(Four Required)</i>
9	1080050	1/4" Ball Valve
10	1017019	1/4" x 1/4" Hex Nipple
11	10101686	Outlet Filter Body
12	10101183	3" (M) x 2" (F) Bushing
13	10101237	Transport Lug

OPTIONAL ACCESSORIES

Figure 10: Desiccant Tablets and Spherical Tower Packing












DESICCANT TABLETS		
Part Numbers	Package Weight	Packaging
10V330311	50 pounds	Bag
15V330313	50 pounds	Pail
15V330203	506 pounds	Steel Drum
15V330284	2000 pounds	Bulk Bag

Van Air Systems Dry-O-Lite® – SDS – 108V116


SPHERICAL TOWER PACKING	
Part Numbers	Unit of Measure
10103922	1 Cubic Foot




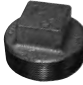

OPTIONAL ACCESSORIES

		AIRFLOW SHUTOFF KITS - LUG FITTINGS			
	Part Numbers	Pipe String I.D.	Close Nipple	Full Port Ball Valve	Coupling
	10103731	1"	1012151	1011601	10ME2
	10103732	1-1/4"	1011201 <i>(Quantity of Two)</i>	1011602	10ME3
	10103733	1-1/2"	1014015 <i>(Quantity of Two)</i>	1011603	10ME4
	10103734	2"	1001806 <i>(Quantity of Two)</i>	1011604	10ME5

		AIRFLOW SHUTOFF KITS - HAMMERLOCK FITTINGS			
	Part Numbers	Pipe String I.D.	Close Nipple	Full Port Ball Valve	Coupling Spud
	10103830	1"	10102151 <i>(Quantity of Two)</i>	1011601	10DXGB13
	10103831	1-1/4"	1011201 <i>(Quantity of Two)</i>	1011602	10DXGB18
	10103832	1-1/2"	1014015 <i>(Quantity of Two)</i>	1011603	10DXGB23
	10103833	2"	1001806 <i>(Quantity of Two)</i>	1011604	10DXGB28
	10103934	3"	10101040 <i>(Quantity of Two)</i>	1011608	10GB38

OPTIONAL ACCESSORIES

		INLET/OUTLET BUSHING
Part Numbers		Size
	10101183	Galvanized 3" MNPT x 2" FNPT Bushing

		GALVANIZED SQUARE HEAD PIPE PLUGS
Part Numbers		Size
	1011901	1"
	1011902	1-1/4"
	1011101	1-1/2"
	1011823	2"
	10101034	3"

PART NUMBERS AND SCHEMATICS GUIDE

Part Numbers	BLASTMASTER® 950 CFM AIR DRYER
	Description
10101672	Blastmaster® 950 CFM Air Dryer – Pneumatic
10101673	Blastmaster® 950 CFM Air Dryer – Electric

PART NUMBERS AND SCHEMATICS GUIDE

Blastmaster® 950 CFM Air Dryer – Pneumatic



Weight: 1200 pounds

Overall Dimensions:

Height: 88"

Width: 72"

Depth: 35"

Blastmaster® 950 CFM Air Dryer – Electric



Weight: 1200 pounds

Overall Dimensions:

Height: 88"

Width: 72"

Depth: 35"

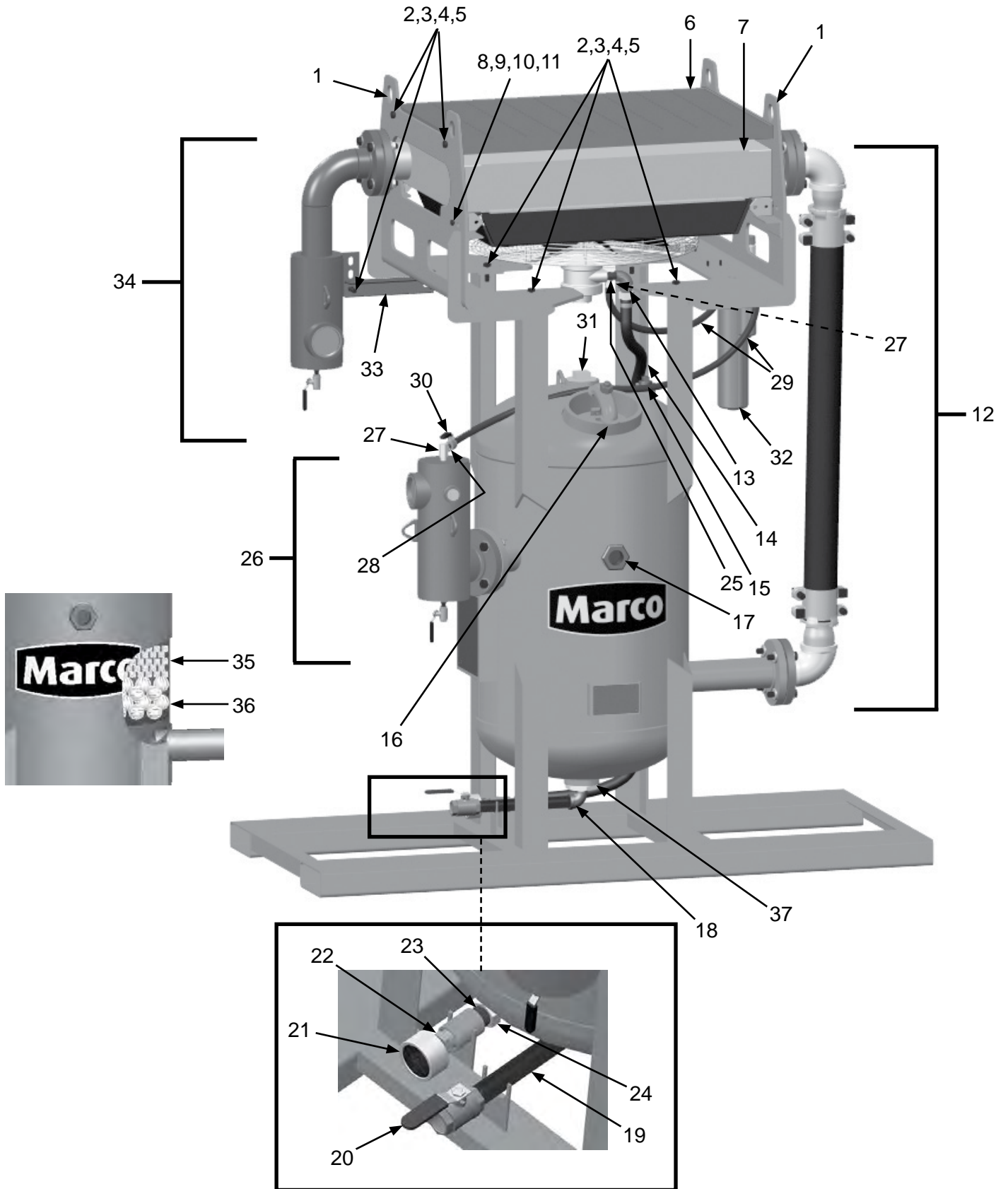
PART NUMBERS AND SCHEMATICS GUIDE

Blastmaster® 950 CFM Air Dryer – Pneumatic

Item #	Part #	Description
Fig. 1		
—	10101672	Blastmaster® 950 CFM Air Dryer – Pneumatic
1	10101033	950-1600 CFM Heat Exchanger Mounting Bracket <i>(Two Required)</i>
2	1014021	1/2-13 x 1-3/4" Bolt <i>(13 Required)</i>
3	10100674	1/2" Flat Washer <i>(13 Required)</i>
4	10100675	1/2" Split Lock Washer <i>(13 Required)</i>
5	1014022	1/2-13 Hex Nut <i>(13 Required)</i>
6	10101036	Heat Exchanger Protective Grate
7	10TTAHP9505	950 CFM Aftercooler Assembly – Complete
8	10101059	3/8-16 x 1-1/4" Bolt <i>(Four Required)</i>
9	1014241	3/8" I.D. x 3/4" O.D. Flat Washer <i>(Eight Required)</i>
10	10L805015	3/8" Lock Washer <i>(Four Required)</i>
11	1012318	3/8-16 Hex Nut <i>(Four Required)</i>
12	—	Transfer Hose Assembly <i>(See Figure 5)</i>
13	10101002	1/2" x 1" NPT Reducing Elbow
14	10AH100	1" I.D. Air Hose <i>(Per Foot)</i>
15	1011902	1-1/4" NPT Plug
16	—	Inspection Door Assembly <i>(See Figure 8)</i>
17	10101688	2" NPT Sight Glass
18	1011801	1" NPT Street Elbow
19	10101064	1" x 12" NPT Pipe Nipple
20	1011601	1" NPT Full Port Ball Valve
21	10101800	Aftercooler Exhaust Muffler – 950 CFM–1600 CFM
22	1011812	1" Male x 1/2" Female Bushing
23	1012151	1" Galvanized Close Nipple
24	10SFE2	1" Female Swivel <i>(Two Required)</i>
25	20PFHA24SA0808	1/2" Hex Nipple
26	—	Outlet Filter Assembly <i>(See Figure 9)</i>
27	10SAP1290	1/2" 90° Swivel <i>(Two Required)</i>
28	20100677	1/2" (F) NPT x 1/2" (F) NPT Nipple
29	10AH012	1/2" I.D. Air Hose <i>(Per Foot)</i>
30	10L363	Ball Valve
31	10101034	3" NPT Galvanized Pipe Plug
32	10101232	Filter/Regulator/Lubricator with Pressure Gauge <i>(See Figure 7)</i>
33	10101170	Moisture Separator Brace
34	—	Inlet Filter Assembly <i>(See Figure 6)</i>
35	—	Desiccant Tablets <i>(See Figure 10)</i>
36	10103922	Spherical Tower Packing <i>(See Figure 10)</i>
37	10101844	3" NPTM x 1" NPTF Bushing
—	1091045	Hazard Identification Tag
—	105M115	Features and Specifications Guide – Blastmaster® 950 CFM Air Dryer
—	106M115	Part Numbers and Schematics Guide – Blastmaster® 950 CFM Air Dryer
—	1090115	Operator's Manual – Blastmaster® 950 CFM Air Dryer

PART NUMBERS AND SCHEMATICS GUIDE

Figure 1: Blastmaster® 950 CFM Air Dryer – Pneumatic



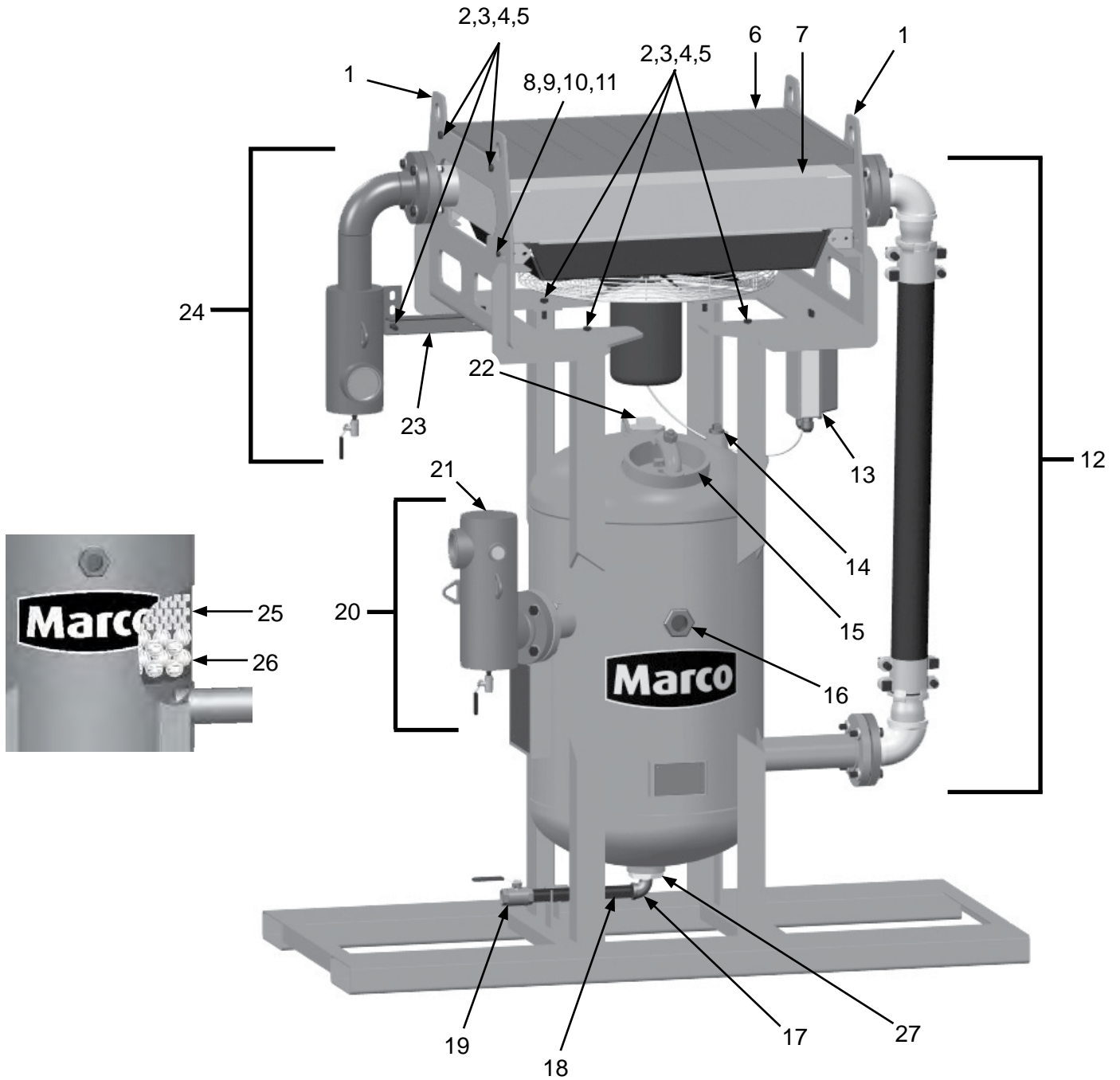
PART NUMBERS AND SCHEMATICS GUIDE

Blastmaster® 950 CFM Air Dryer – Electric

Item #	Part #	Description
Fig. 2		
—	10101673	Blastmaster® 950 CFM Air Dryer – Electric
1	10101033	950-1600 CFM Heat Exchanger Mounting Bracket <i>(Two Required)</i>
2	1014021	1/2-13 x 1-3/4" Bolt <i>(13 Required)</i>
3	10100674	1/2" Flat Washer <i>(13 Required)</i>
4	10100675	1/2" Split Lock Washer <i>(13 Required)</i>
5	1014022	1/2-13 Hex Nut <i>(13 Required)</i>
6	10101036	Heat Exchanger Protective Grate
7	10TTAHP9502	950 CFM Aftercooler Assembly – Complete
8	10101059	3/8-16 x 1-1/4" Bolt <i>(Four Required)</i>
9	10101942	3/8" Flat Washer <i>(Eight Required)</i>
10	10L805015	3/8" Lock Washer <i>(Four Required)</i>
11	10101938	3/8" Hex Nut <i>(Four Required)</i>
12	—	Transfer Hose Assembly <i>(See Figure 5)</i>
13	10101760	115-Volt AC Motor Starter – Single Phase
14	1011902	1-1/4" NPT Plug
15	—	Inspection Door Assembly <i>(See Figure 8)</i>
16	10101688	2" NPT Sight Glass
17	1011801	1" NPT Street Elbow
18	10101064	1" x 12" NPT Pipe Nipple
19	1011601	1" NPT Full Port Ball Valve
20	—	Outlet Filter Assembly <i>(See Figure 9)</i>
21	20G100737	1/2" NPT Pipe Plug
22	10101034	3" NPT Galvanized Pipe Plug
23	10101170	Moisture Separator Brace
24	—	Inlet Filter Assembly <i>(See Figure 6)</i>
25	—	Desiccant Tablets <i>(See Figure 10)</i>
26	10103922	Spherical Tower Packing <i>(See Figure 10)</i>
27	10101844	3" NPTM x 1" NPTF Bushing
—	1091045	Hazard Identification Tag
—	105M115	Features and Specifications Guide – Blastmaster® 950 CFM Air Dryer
—	106M115	Part Numbers and Schematics Guide – Blastmaster® 950 CFM Air Dryer
—	1090115	Operator's Manual – Blastmaster® 950 CFM Air Dryer

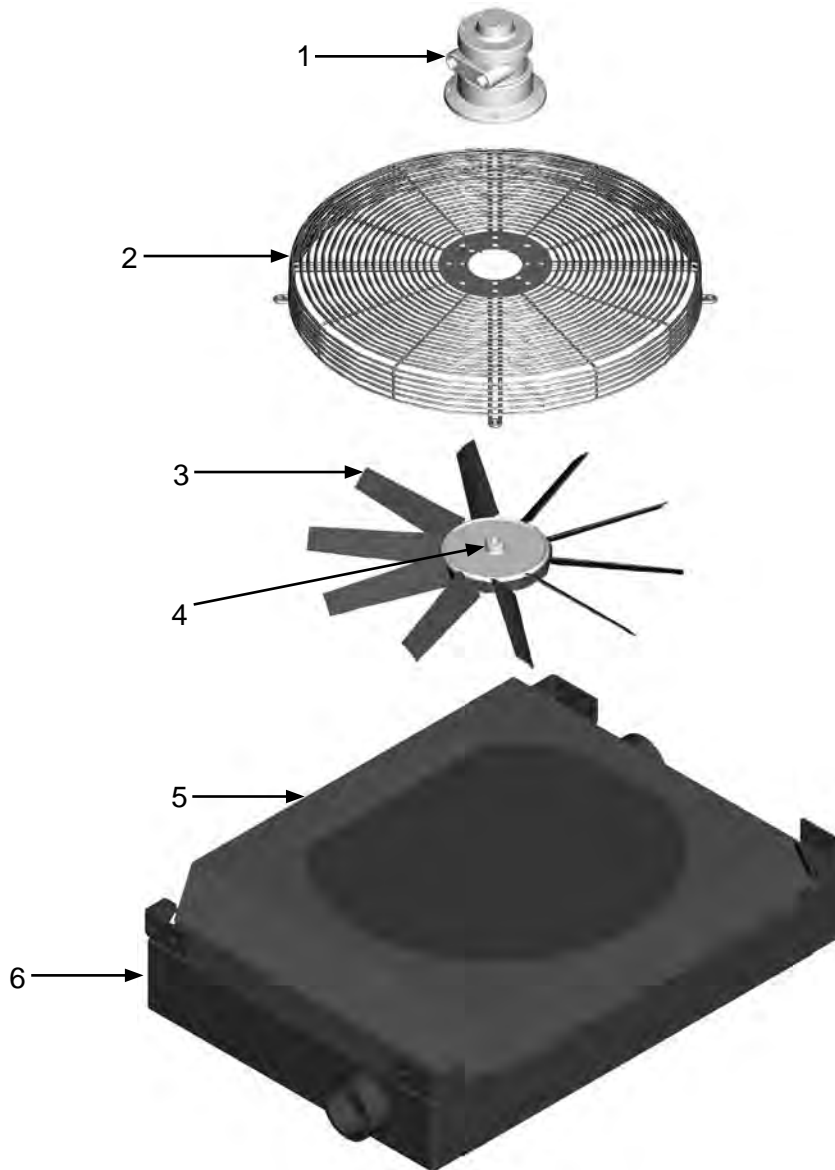
PART NUMBERS AND SCHEMATICS GUIDE

Figure 2: Blastmaster® 950 CFM Air Dryer – Electric



PART NUMBERS AND SCHEMATICS GUIDE

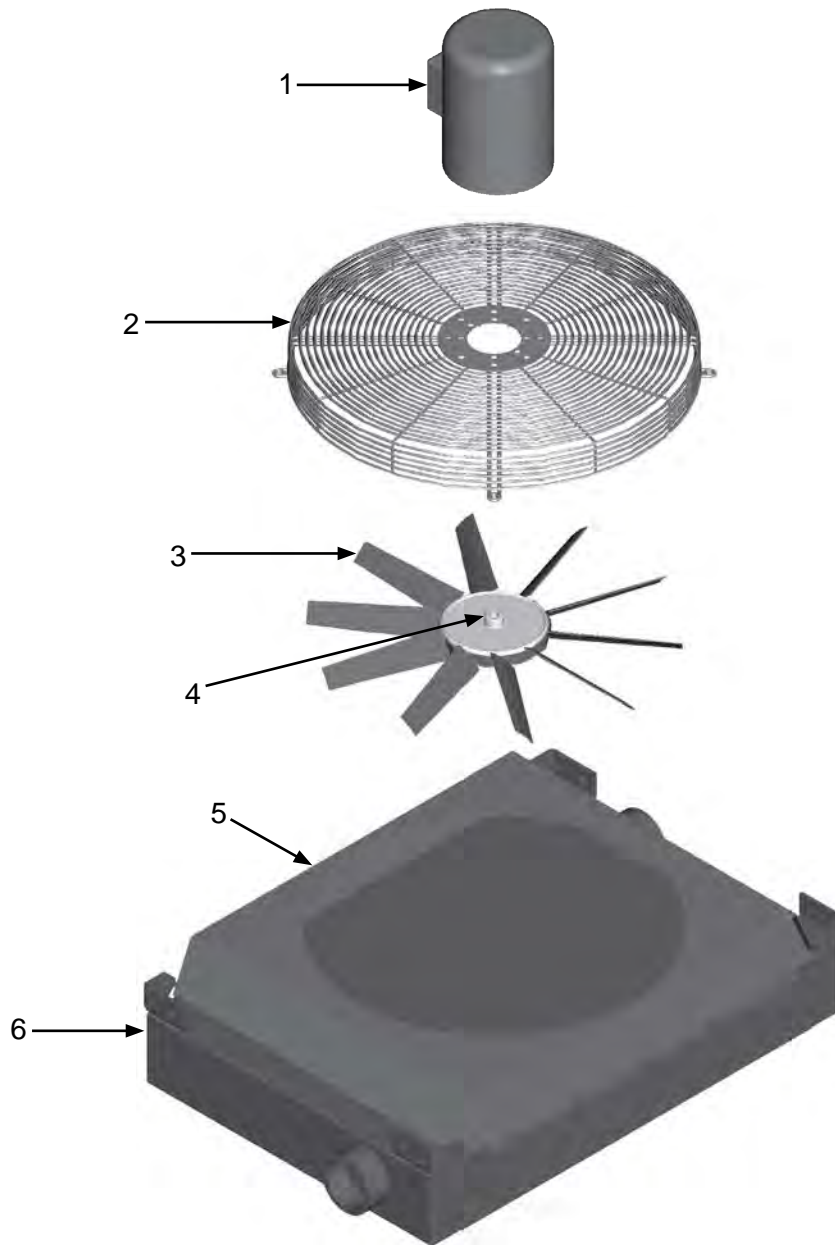
Figure 3: 950 CFM Aftercooler Assembly – Pneumatic



Item #	Part #	Description
Fig. 3		
—	10TTAHP9505	950 CFM Aftercooler – Pneumatic – Complete
1	10101795	Air Motor
2	10101799	Fan Guard
3	10101797	Fan Blades <i>(Includes Blades and Hub)</i>
4	10101798	Fan Bushing
5	10102957	Fan Shroud
6	10101794	Aftercooler Core
—	1070517	Pneumatic Tool Oil – 32 oz.
—	10101796	Air Motor Service Kit <i>(Includes: shaft seal, drive end bearing, dead end bearing, four vanes, four push pins, four vane springs, shim, end cap gasket, muffler cartridge, and muffler felt)</i>

PART NUMBERS AND SCHEMATICS GUIDE

Figure 4: 950 CFM Aftercooler Assembly – Electric



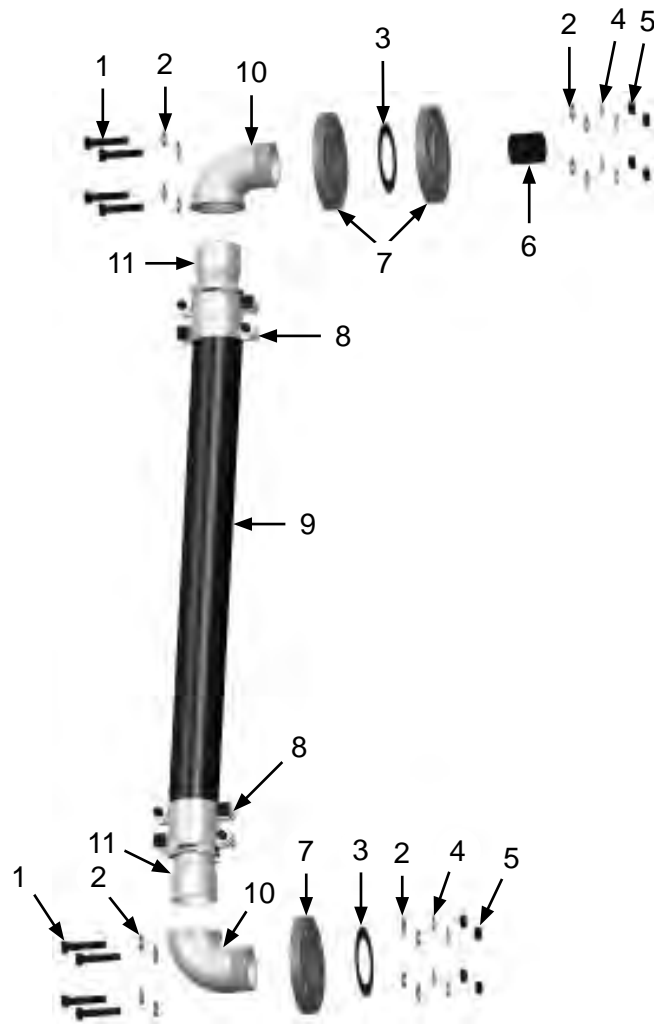
Item #	Part #	Description
--------	--------	-------------

Fig. 4

—	10TTAHP9502	950 CFM Aftercooler – Electric – Complete
1	10101760	Electric Motor – (115V/208-230V) – Single Phase
2	10101799	Fan Guard
3	10101797	Fan Blades <i>(Includes Blades and Hub)</i>
4	10101802	Fan Bushing
5	10102957	Fan Shroud
6	10101794	Aftercooler Core

PART NUMBERS AND SCHEMATICS GUIDE

Figure 5: Transfer Hose Assembly



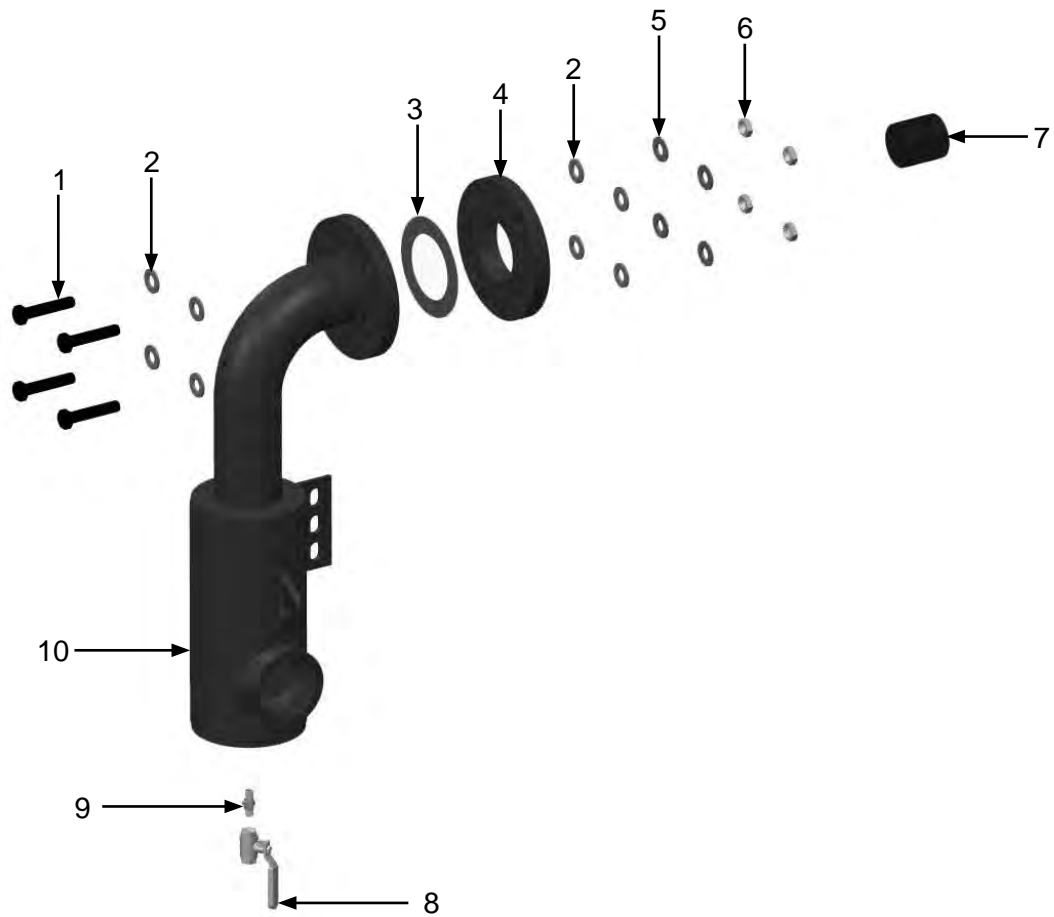
Item #	Part #	Description
--------	--------	-------------

Fig. 5

1	10101058	5/8-11 x 3" Bolt (Eight Required)
2	10101060	5/8" Flat Washer (16 Required)
3	10101047	Flange Gasket (Two Required)
4	10101061	5/8" Split Lock Washer (Eight Required)
5	10101062	5/8" Hex Nut (Eight Required)
6	1001806	2" NPT Close Nipple
7	10101041	3" NPT Threaded Flange (Three Required)
8	10BU35	3" Boss Clamp (Two Required)
9	10101045	3" x 2-1/2' Steel Reinforced Air Hose (Per Foot)
10	10101148	3" NPT Street Elbow (Two Required)
11	10101754	3" NPT Hose Stem (Two Required)

PART NUMBERS AND SCHEMATICS GUIDE

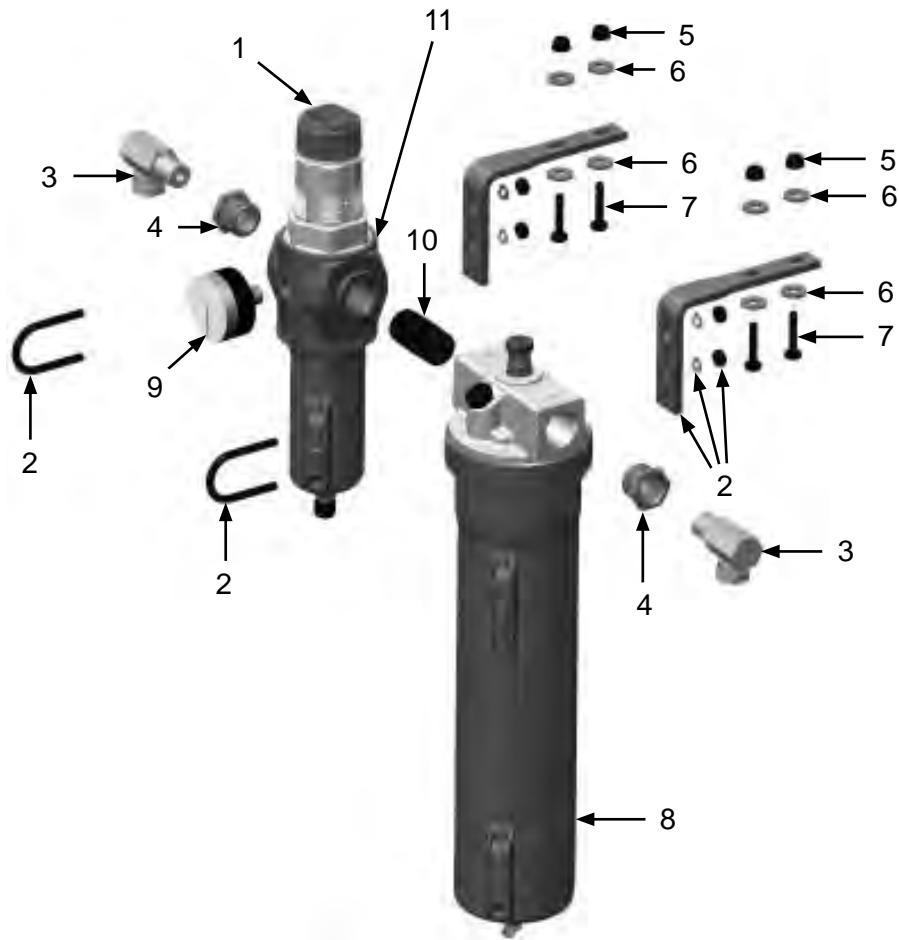
Figure 6: Inlet Filter Assembly



Item #	Part #	Description
Fig. 6		
1	10101058	5/8-11 x 3" Bolt (<i>Four Required</i>)
2	10101060	5/8" Flat Washer (<i>Eight Required</i>)
3	10101047	Flange Gasket
4	10101041	3" NPT Threaded Flange
5	10101061	5/8" Split Lock Washer (<i>Four Required</i>)
6	10101062	5/8" Hex Nut (<i>Four Required</i>)
7	1001806	2" NPT Close Nipple
8	1080050	1/4" NPT Full Port Ball Valve
9	1017019	1/4" NPT Hex Nipple
10	10101049	Inlet Moisture Separator

PART NUMBERS AND SCHEMATICS GUIDE

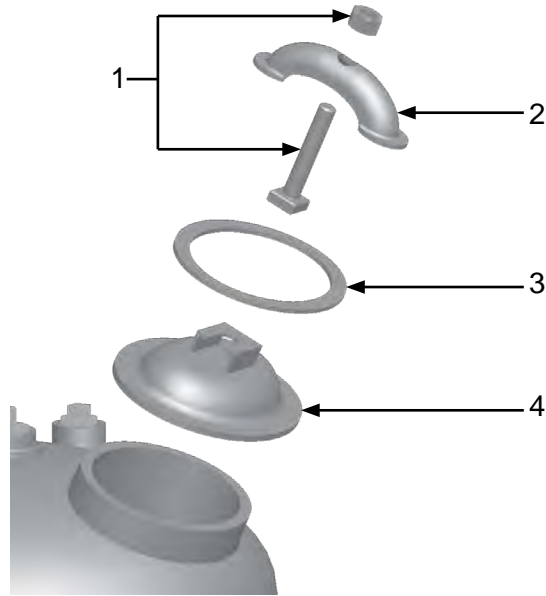
Figure 7: Air Filter/Regulator/Lubricator



Item #	Part #	Description
Fig. 7		
	10105890	Air Filter/Regulator/Lubricator With Pressure Gauge – Pneumatic – Complete
1	10105891	Filter/Regulator
2	10105889	Mounting Bracket and U-Bolt Kit
3	10SAP1290	1/2" 90° Swivel <i>(Two Required)</i>
4	10105895	Coupler with 3/4" x 1/2" Reducing Bushing <i>(Two Required)</i>
5	10101939	1/4-20 Stainless Steel Lock Nut with Nylon Insert <i>(Eight Required)</i>
6	10101940	1/4" Flat Washer <i>(Eight Required)</i>
7	10105903	1/4-20 x 1-1/4" Grade 5 Hex Bolt <i>(Four Required)</i>
8	10105892	1-Liter Lubricator Bowl
9	1028606	Pressure Gauge – 0-160 PSI 1/4" – Back Mount
10	10105894	3/4" x 2" Pipe Nipple
11	10106432	Large O-Ring – Lubricator
—	1070517	Pneumatic Tool Oil – 32 oz.
—	10106504	Diaphragm Kit for Filter/Regulator
—	10106505	Bowl, O-Ring and Site Gauge Kit
—	10106506	Cartridge Kit for 1-Liter Lubricator Bowl
—	10106507	Lubricator Extension Metal Bowl Kit

PART NUMBERS AND SCHEMATICS GUIDE

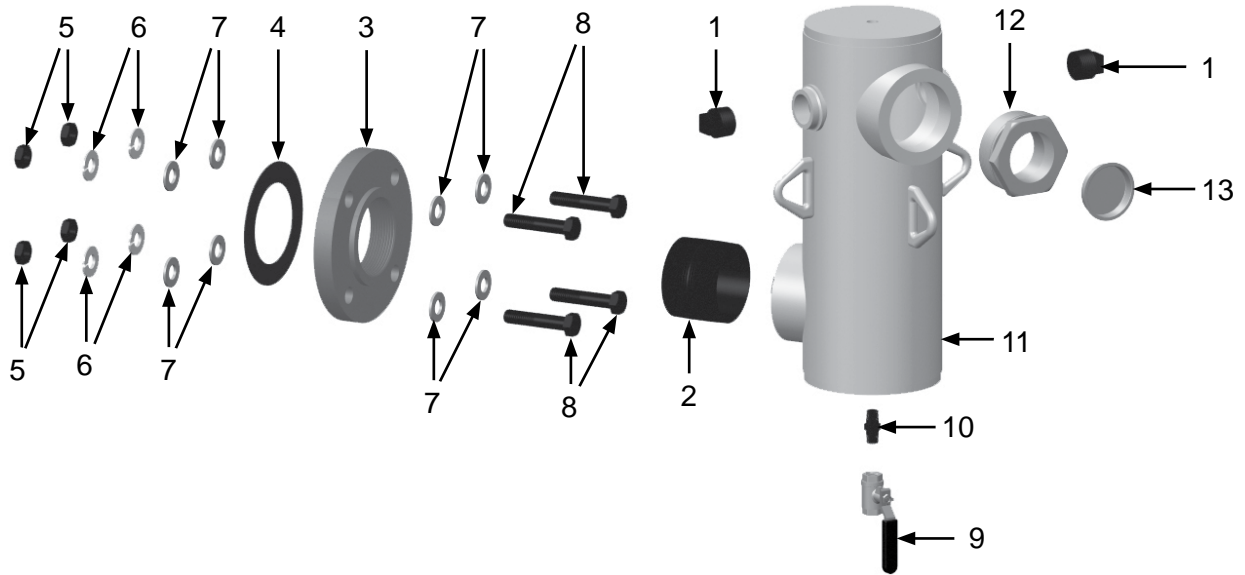
Figure 8: Inspection Door Assembly



Item #	Part #	Description
Fig. 8	10000040	Air Dryer Inspection Door Assembly – Complete <i>Includes Items #1–4</i>
1	10102258	Nut and Bolt
2	10101125	Yoke
3	10101123	Inspection Door Gasket
4	10101124	Galvanized Inspection Door Cover

PART NUMBERS AND SCHEMATICS GUIDE

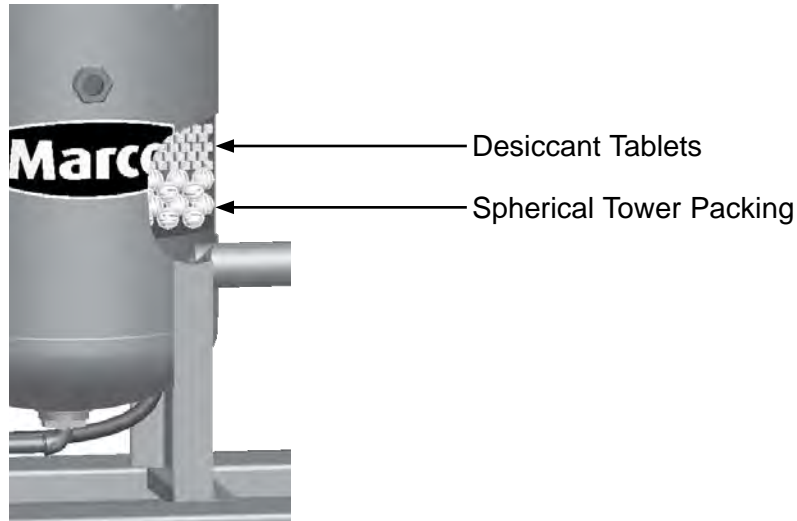
Figure 9: Outlet Filter



Item #	Part #	Description
Fig. 9		
1	1011901	1" Galvanized Square Head Pipe Plug <i>(Two Required)</i>
2	10101040	3" Galvanized Close Nipple
3	10101041	Flange
4	10101047	Flange Gasket
5	10101062	5/8-11 Hex Nut <i>(Four Required)</i>
6	10101061	5/8" Lock Washer <i>(Four Required)</i>
7	10101060	5/8" x 1-5/16" Stainless Steel Flat Washer <i>(Eight Required)</i>
8	10101058	5/8-11 x 3" Bolt <i>(Four Required)</i>
9	1080050	1/4" Ball Valve
10	1017019	1/4" x 1/4" Hex Nipple
11	10101686	Outlet Filter Body
12	10101183	3" (M) x 2" (F) Bushing
13	10101237	Transport Lug

OPTIONAL ACCESSORIES

Figure 10: Desiccant Tablets and Spherical Tower Packing












DESICCANT TABLETS		
Part Numbers	Package Weight	Packaging
10V330311	50 pounds	Bag
15V330313	50 pounds	Pail
15V330203	506 pounds	Steel Drum
15V330284	2000 pounds	Bulk Bag

Van Air Systems Dry-O-Lite® – SDS – 108V116


SPHERICAL TOWER PACKING	
Part Numbers	Unit of Measure
10103922	1 Cubic Foot






OPTIONAL ACCESSORIES

		AIRFLOW SHUTOFF KITS – LUG FITTINGS			
	Part Numbers	Pipe String I.D.	Close Nipple	Full Port Ball Valve	Coupling
	10103731	1"	1012151	1011601	10ME2
	10103732	1-1/4"	1011201 <i>(Quantity of Two)</i>	1011602	10ME3
	10103733	1-1/2"	1014015 <i>(Quantity of Two)</i>	1011603	10ME4
	10103734	2"	1001806 <i>(Quantity of Two)</i>	1011604	10ME5

		AIRFLOW SHUTOFF KITS – HAMMERLOCK FITTINGS			
	Part Numbers	Pipe String I.D.	Close Nipple	Full Port Ball Valve	Coupling Spud
	10103830	1"	10102151 <i>(Quantity of Two)</i>	1011601	10DXGB13
	10103831	1-1/4"	1011201 <i>(Quantity of Two)</i>	1011602	10DXGB18
	10103832	1-1/2"	1014015 <i>(Quantity of Two)</i>	1011603	10DXGB23
	10103833	2"	1001806 <i>(Quantity of Two)</i>	1011604	10DXGB28
	10103934	3"	10101040 <i>(Quantity of Two)</i>	1011608	10GB38

OPTIONAL ACCESSORIES

	Part Numbers	INLET/OUTLET BUSHING
		Size
	10101183	Galvanized 3" MNPT x 2" FNPT Bushing

	Part Numbers	GALVANIZED SQUARE HEAD PIPE PLUGS
		Size
	1011901	1"
	1011902	1-1/4"
	1011101	1-1/2"
	1011823	2"
	10101034	3"

PART NUMBERS AND SCHEMATICS GUIDE

Part Numbers	BLASTMASTER® 750 CFM AIR DRYER
	Description
10101675	Blastmaster® 750 CFM Air Dryer – Pneumatic
10101676	Blastmaster® 750 CFM Air Dryer – Electric

PART NUMBERS AND SCHEMATICS GUIDE

Blastmaster® 750 CFM Air Dryer – Pneumatic



Weight: 900 pounds

Overall Dimensions:

Height: 83"

Width: 35"

Depth: 72"

Blastmaster® 750 CFM Air Dryer – Electric



Weight: 900 pounds

Overall Dimensions:

Height: 83"

Width: 35"

Depth: 72"

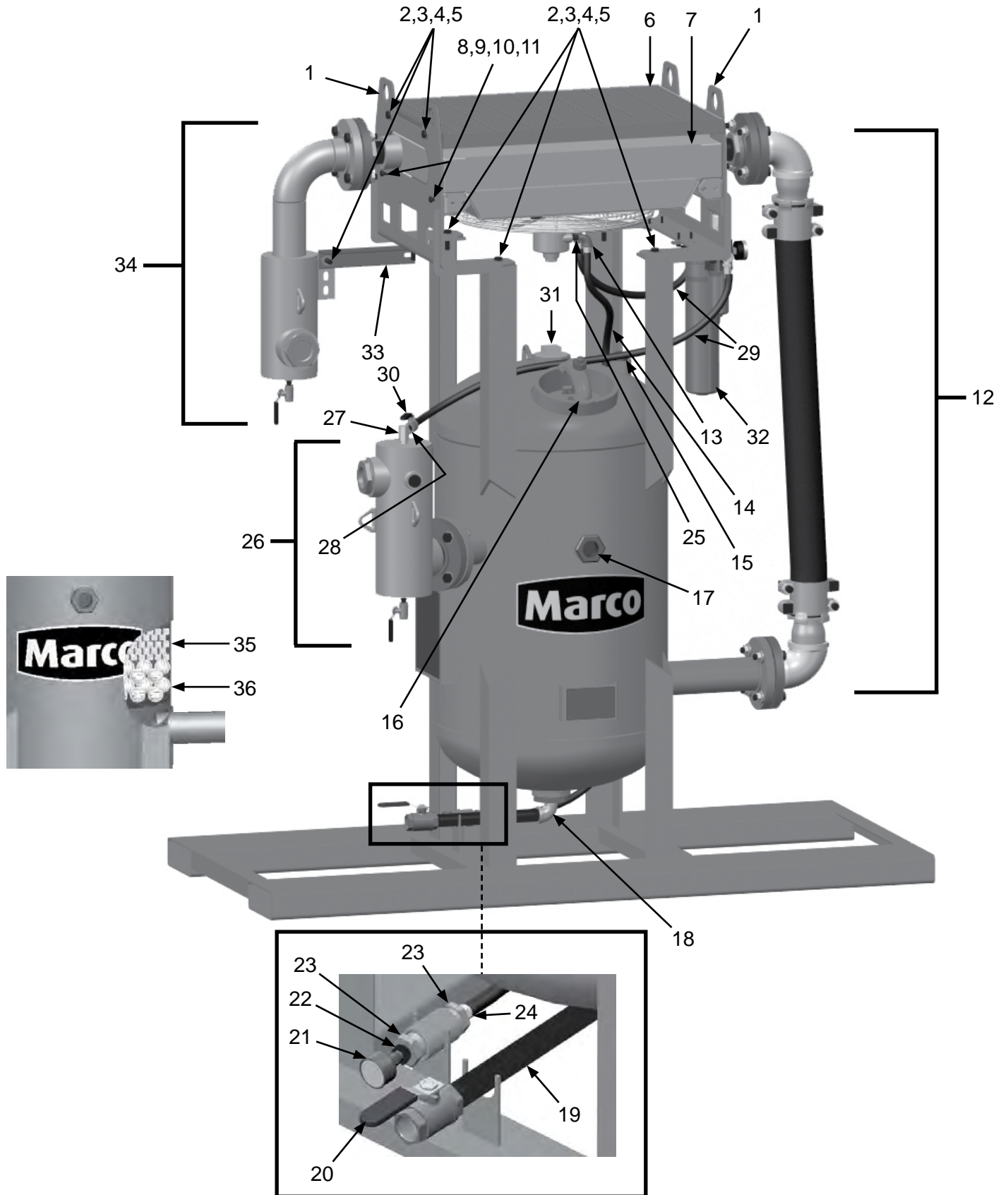
PART NUMBERS AND SCHEMATICS GUIDE

Blastmaster® 750 CFM Air Dryer – Pneumatic

Item #	Part #	Description
Fig. 1		
—	10101675	Blastmaster® 750 CFM Air Dryer – Pneumatic
1	10101176	400-1600 CFM Heat Exchanger Mounting Bracket <i>(Two Required)</i>
2	10101943	1/2-13 x 1-3/4" Hex Bolt <i>(10 Required)</i>
3	10100674	1/2" Flat Washer <i>(20 Required)</i>
4	10100675	1/2" Split Lock Washer <i>(10 Required)</i>
5	10101941	1/2" Hex Nut <i>(10 Required)</i>
6	10101179	Heat Exchanger Protective Grate
7	10TTAHP7255	750 CFM Aftercooler Core Assembly – Complete
8	10101059	3/8-16 x 1-1/4" Bolt <i>(Four Required)</i>
9	1014241	3/8" Flat Washer <i>(Eight Required)</i>
10	10L805015	3/8" Lock Washer <i>(Four Required)</i>
11	1012318	3/8-16 Hex Nut <i>(Four Required)</i>
12	—	Transfer Hose Assembly <i>(See Figure 5)</i>
13	10101185	1/2" x 1/4" 90° Reducing Elbow <i>(Two Required)</i>
14	10AH012	1/2" I.D. Air Hose <i>(Per Foot)</i>
15	1011902	1-1/4" NPT Plug
16	—	Inspection Door Assembly <i>(See Figure 8)</i>
17	10101688	2" NPT Sight Glass
18	1011801	1" NPT Street Elbow
19	10101064	1" x 12" NPT Pipe Nipple
20	1011601	1" NPT Full Port Ball Valve
21	10101784	Aftercooler Exhaust Muffler – 250 CFM–750 CFM
22	1011818	1/2" x 1/4" Galvanized Bushing
23	1011812	1" Male x 1/2" Female Bushing
24	10PAF050	1/2" Push on Air Hose Fitting <i>(Six Required)</i>
25	1017019	1/4" x 1/4" Hex Nipple <i>(Two Required)</i>
26	—	Outlet Filter Assembly <i>(See Figure 6)</i>
27	10SAP1290	1/2" 90° Swivel
28	20100677	1/2" (F) NPT x 1/2" (F) NPT Nipple
29	10AH012	1/2" I.D. Air Hose <i>(Per Foot)</i>
30	10L363	Ball Valve
31	10101034	3" NPT Galvanized Pipe Plug
32	10105890	Filter/Regulator/Lubricator with Pressure Gauge <i>(See Figure 7)</i>
33	10101170	Moisture Separator Brace
34	—	Inlet Filter Assembly <i>(See Figure 9)</i>
35	—	Desiccant Tablets <i>(See Figure 10)</i>
36	10103922	Spherical Tower Packing <i>(See Figure 10)</i>
—	1091017	Hazard Identification Tag
—	105M116	Features and Specifications Guide – Blastmaster® 750 CFM Air Dryer
—	106M116	Part Numbers and Schematics Guide – Blastmaster® 750 CFM Air Dryer
—	1090116	Operator's Manual – Blastmaster® 750 CFM Air Dryer

PART NUMBERS AND SCHEMATICS GUIDE

Figure 1: Blastmaster® 750 CFM Air Dryer – Pneumatic



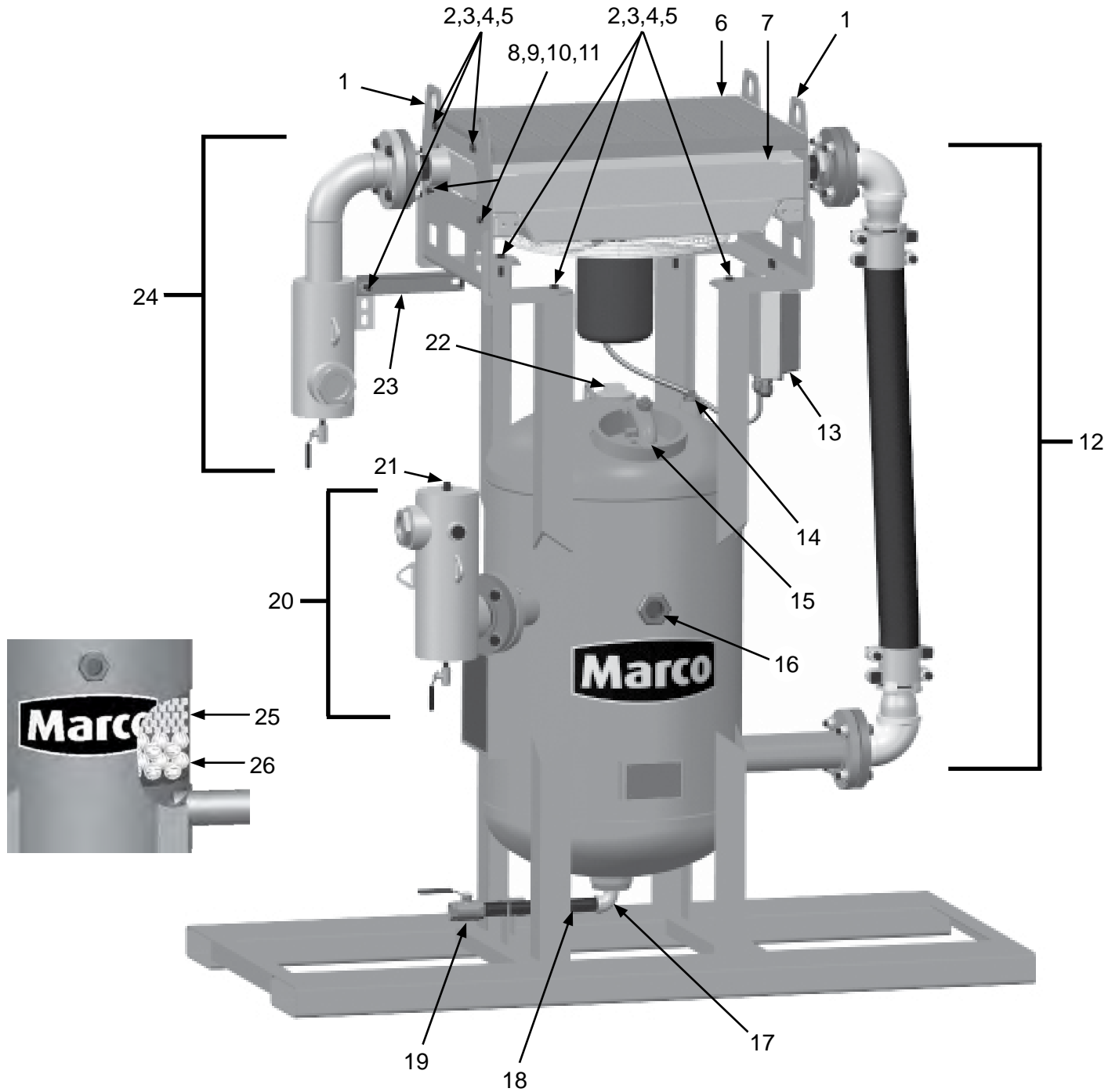
PART NUMBERS AND SCHEMATICS GUIDE

Blastmaster® 750 CFM Air Dryer – Electric

Item #	Part #	Description
Fig. 2		
—	10101676	Blastmaster® 750 CFM Air Dryer – Electric
1	10101176	400-1600 CFM Heat Exchanger Mounting Bracket <i>(Two Required)</i>
2	10101943	1/2-13 x 1-3/4" Hex Bolt <i>(10 Required)</i>
3	10100674	1/2" Flat Washer <i>(20 Required)</i>
4	10100675	1/2" Split Lock Washer <i>(10 Required)</i>
5	10101941	1/2" Hex Nut <i>(10 Required)</i>
6	10101179	Heat Exchanger Protective Grate
7	10TTAHP7255	750 CFM Aftercooler Core Assembly – Complete
8	10101059	3/8-16 x 1-1/4" Bolt <i>(Four Required)</i>
9	1014241	3/8" Flat Washer <i>(Eight Required)</i>
10	10L805015	3/8" Lock Washer <i>(Four Required)</i>
11	1012318	3/8-16 Hex Nut <i>(Four Required)</i>
12	—	Transfer Hose Assembly <i>(See Figure 5)</i>
13	10101760	115-Volt AC Motor Starter Box – Single Phase
14	1011902	1-1/4" NPT Plug
15	—	Inspection Door Assembly <i>(See Figure 8)</i>
16	10101688	2" NPT Sight Glass
17	1011801	1" NPT Street Elbow
18	10101064	1" x 12" NPT Pipe Nipple
19	1011601	1" NPT Full Port Ball Valve
20	—	Outlet Filter <i>(See Figure 6)</i>
21	20G100737	1/2" NPT Pipe Plug
22	10101034	3" NPT Galvanized Pipe Plug
23	10101170	Moisture Separator Brace
24	—	Inlet Filter <i>(See Figure 9)</i>
25	—	Desiccant Tablets <i>(See Figure 10)</i>
26	10103922	Spherical Tower Packing <i>(See Figure 10)</i>
—	1091017	Hazard Identification Tag
—	105M116	Features and Specifications Guide – Blastmaster® 750 CFM Air Dryer
—	106M116	Part Numbers and Schematics Guide – Blastmaster® 750 CFM Air Dryer
—	1090116	Operator's Manual – Blastmaster® 750 CFM Air Dryer

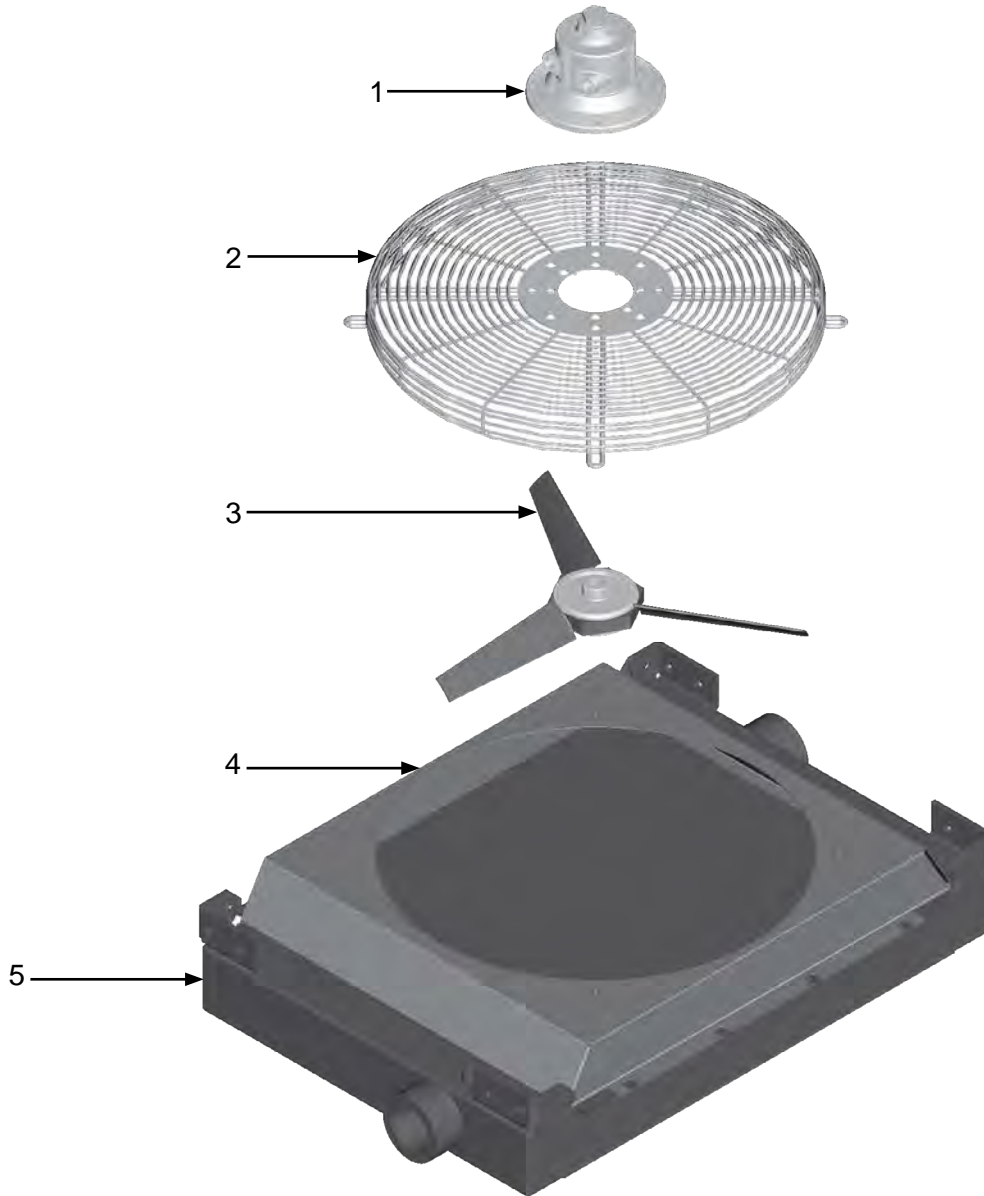
PART NUMBERS AND SCHEMATICS GUIDE

Figure 2: Blastmaster® 750 CFM Air Dryer – Electric



PART NUMBERS AND SCHEMATICS GUIDE

Figure 3: 750 CFM Aftercooler Assembly – Pneumatic



Item #	Part #	Description
--------	--------	-------------

Fig. 3

—	10TTAHP7255	750 CFM Aftercooler – Pneumatic – Complete
---	-------------	--

1	10101780	Air Motor
---	----------	-----------

2	10101792	Fan Guard
---	----------	-----------

3	10101791	Fan Blade Assembly <i>(Includes Blades and Hub)</i>
---	----------	---

4	10104171	Aftercooler Shroud
---	----------	--------------------

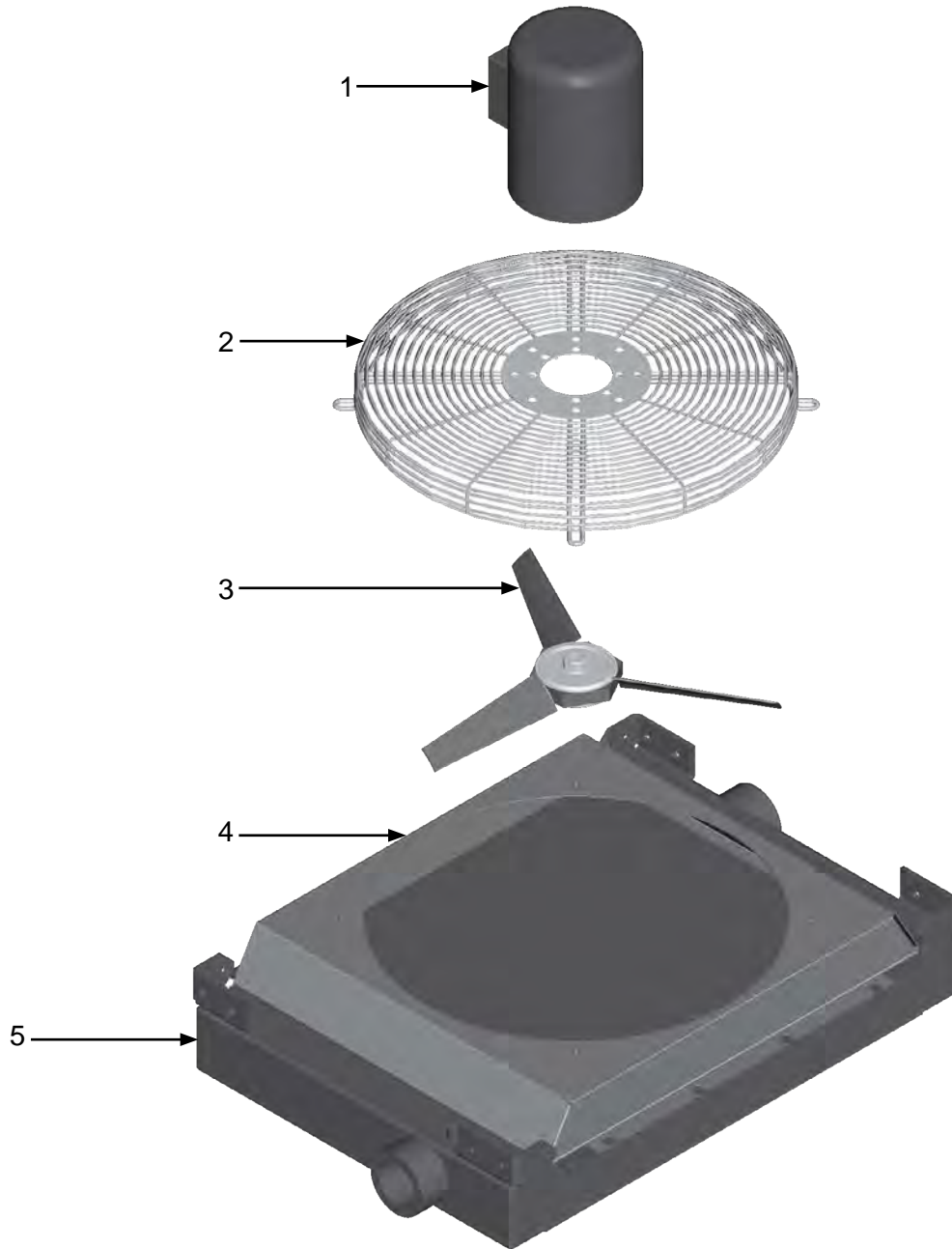
5	10101790	Aftercooler Core
---	----------	------------------

—	10101781	Air Motor Service Kit
---	----------	-----------------------

(Includes: shaft seal, drive end bearing, dead end bearing, four vanes, four push pins, four vane springs, shim, end cap gasket, muffler cartridge, and muffler felt)

PART NUMBERS AND SCHEMATICS GUIDE

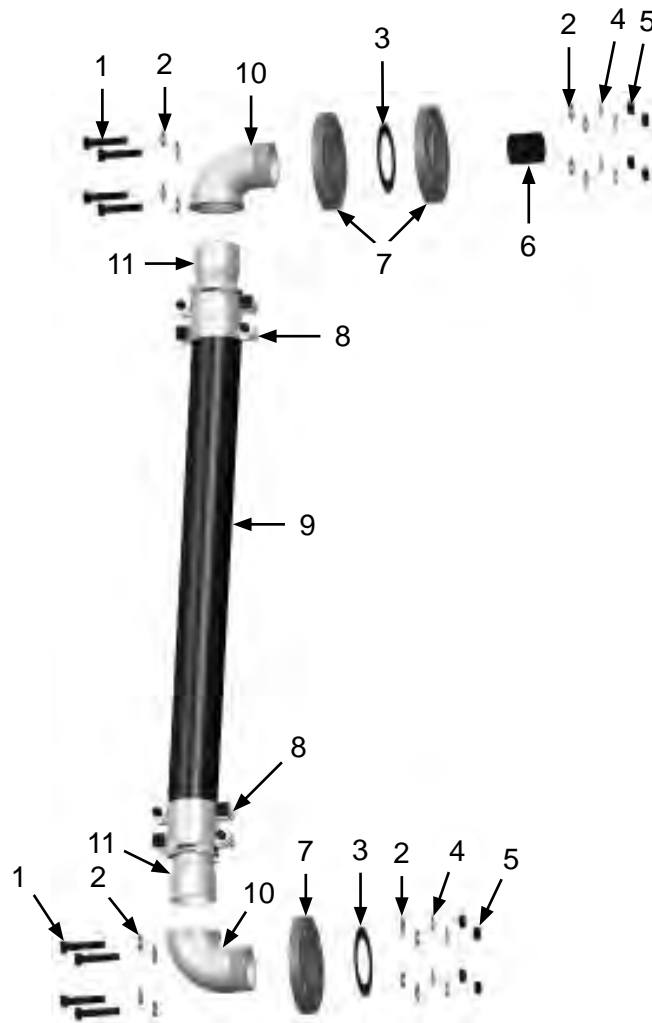
Figure 4: 750 CFM Aftercooler Assembly – Electric



Item #	Part #	Description
Fig. 4		
—	10TTAHP7252	750 CFM Aftercooler—Electric—Complete
1	10101793	Electric Motor – (115 Volt to 208-230 Volt) – Single Phase
2	10101792	Fan Guard
3	10101791	Fan Blade Assembly (<i>Includes Blades and Hub</i>)
4	10104171	Aftercooler Shroud
5	10101790	Aftercooler Core

PART NUMBERS AND SCHEMATICS GUIDE

Figure 5: Transfer Hose Assembly



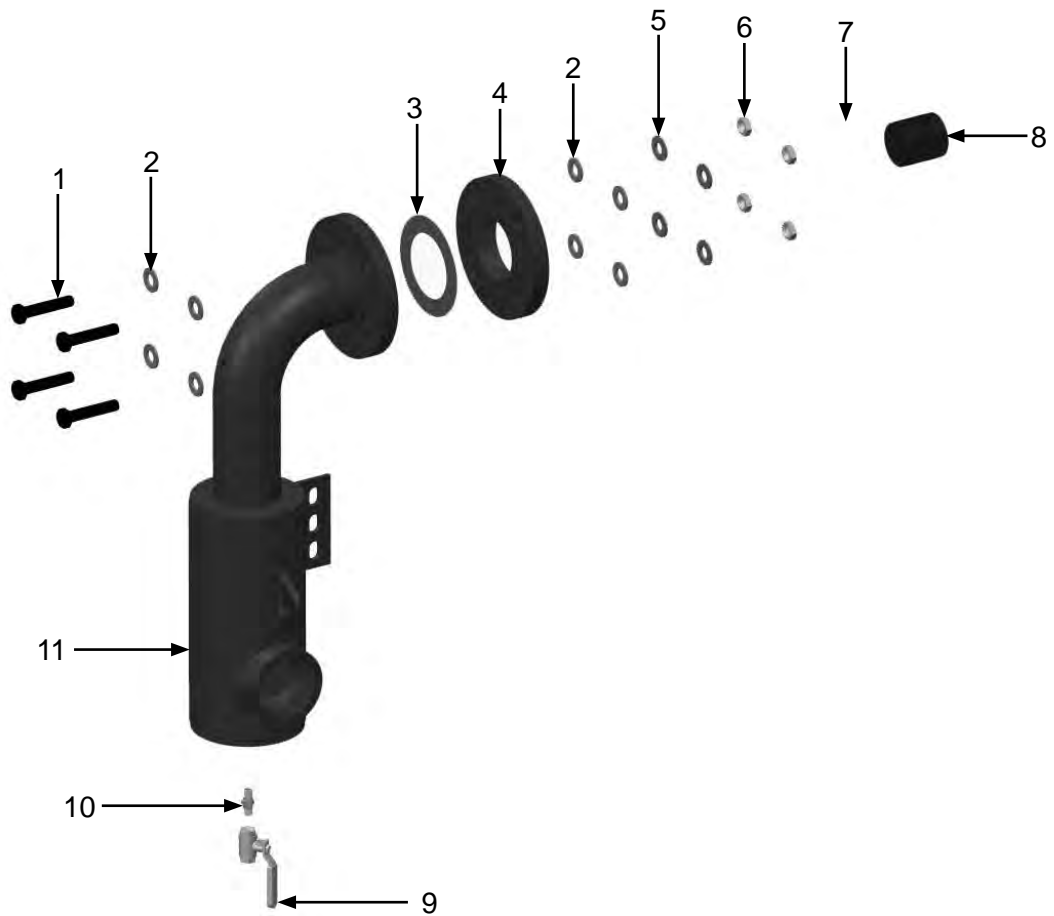
Item #	Part #	Description
--------	--------	-------------

Fig. 5

1	10101058	5/8-11 x 3" Bolt (<i>Eight Required</i>)
2	10101060	5/8" Flat Washer (<i>16 Required</i>)
3	10101047	Flange Gasket (<i>Two Required</i>)
4	10101061	5/8" Split Lock Washer (<i>Eight Required</i>)
5	10101062	5/8" Hex Nut (<i>Eight Required</i>)
6	1001806	2" NPT Close Nipple
7	10101041	3" NPT Threaded Flange (<i>Three Required</i>)
8	10BU35	3" Boss Clamp (<i>Two Required</i>)
9	10101045	3" x 2-1/2' Steel Reinforced Air Hose (<i>Per Foot</i>)
10	10101148	3" NPT Street Elbow (<i>Two Required</i>)
11	10101754	3" NPT Hose Stem (<i>Two Required</i>)

PART NUMBERS AND SCHEMATICS GUIDE

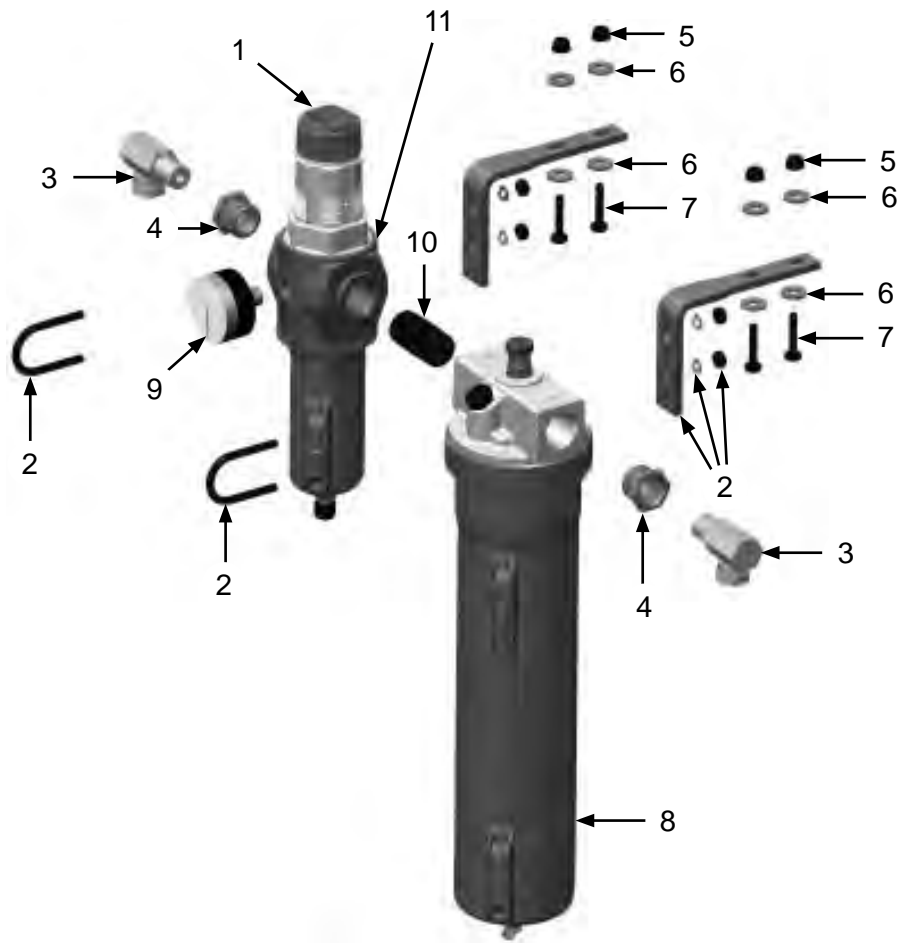
Figure 6: Inlet Filter Assembly



Item #	Part #	Description
Fig. 6		
1	10101058	5/8-11 x 3" Bolt <i>(Four Required)</i>
2	10101060	5/8" Flat Washer <i>(Eight Required)</i>
3	10101047	Flange Gasket
4	10101041	3" NPT Threaded Flange
5	10101061	5/8" Split Lock Washer <i>(Four Required)</i>
6	10101062	5/8" Hex Nut <i>(Four Required)</i>
7	10101183	3" to 2" Bushing
8	1001806	2" NPT Close Nipple
9	1080050	1/4" NPT Full Port Ball Valve
10	1017019	1/4" NPT Hex Nipple
11	10101049	Inlet Moisture Separator

PART NUMBERS AND SCHEMATICS GUIDE

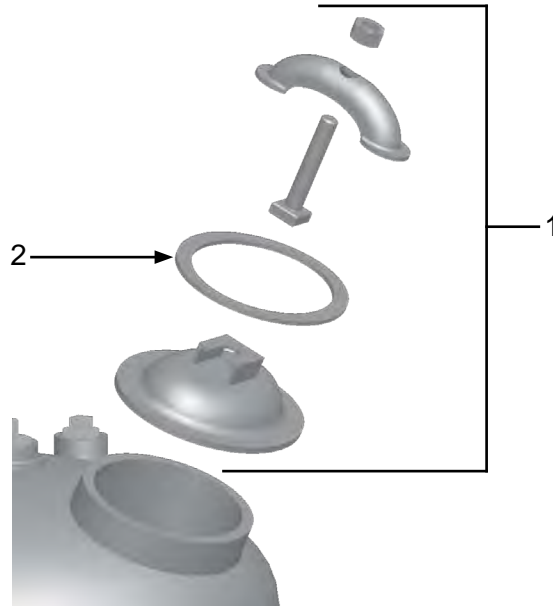
Figure 7: Air Filter/Regulator/Lubricator



Item #	Part #	Description
Fig. 7		
—	10105890	Air Filter/Regulator/Lubricator With Pressure Gauge – Pneumatic – Complete
1	10105891	Filter/Regulator
2	10105889	Mounting Bracket and U-Bolt Kit
3	10SAP1290	1/2" 90° Swivel (<i>Two Required</i>)
4	10105895	Coupler with 3/4" x 1/2" Reducing Bushing (<i>Two Required</i>)
5	10101939	1/4-20 Stainless Steel Lock Nut with Nylon Insert (<i>Eight Required</i>)
6	10101940	1/4" Flat Washer (<i>Eight Required</i>)
7	10105903	1/4-20 x 1-1/4" Grade 5 Hex Bolt (<i>Four Required</i>)
8	10105892	1-Liter Lubricator Bowl
9	1028606	Pressure Gauge – 0-160 PSI 1/4" – Back Mount
10	10105894	3/4" x 2" Pipe Nipple
11	10106432	Large O-Ring – Lubricator
—	1070517	Pneumatic Tool Oil – 32 oz.
—	10106504	Diaphragm Kit for Filter/Regulator
—	10106505	Bowl, O-Ring and Site Gauge Kit
—	10106506	Cartridge Kit for 1-Liter Lubricator Bowl
—	10106507	Lubricator Extension Metal Bowl Kit

PART NUMBERS AND SCHEMATICS GUIDE

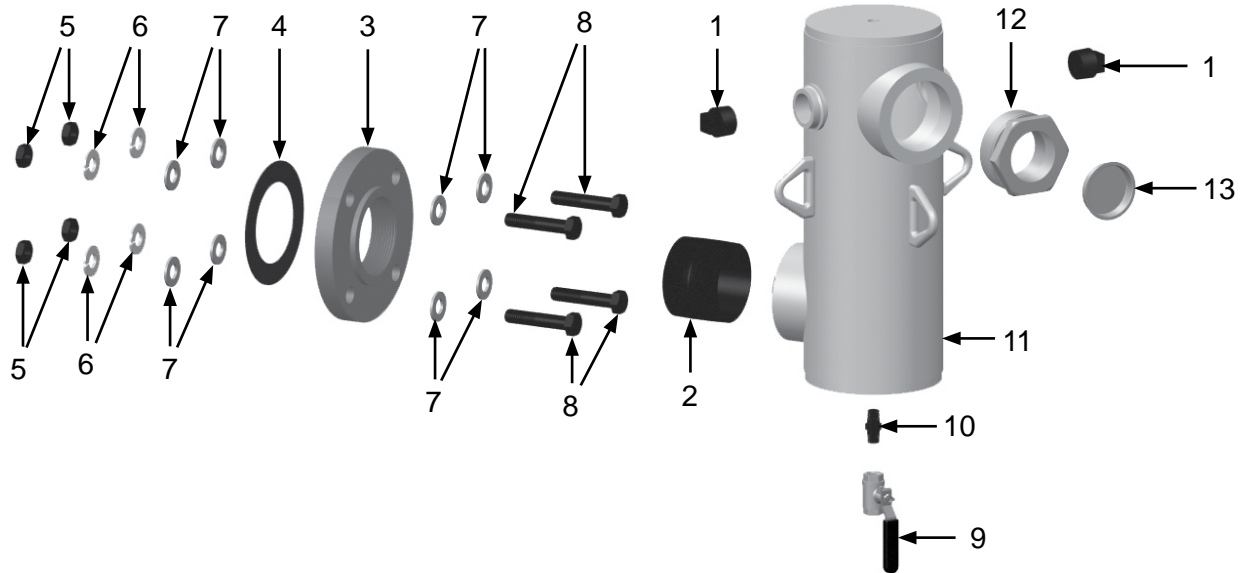
Figure 8: Inspection Door Assembly



Item #	Part #	Description
Fig. 8		
1	10104275	Air Dryer Inspection Door Assembly – Complete <i>Includes Item #2</i>
2	10101123	Inspection Door Gasket

PART NUMBERS AND SCHEMATICS GUIDE

Figure 9: Outlet Filter



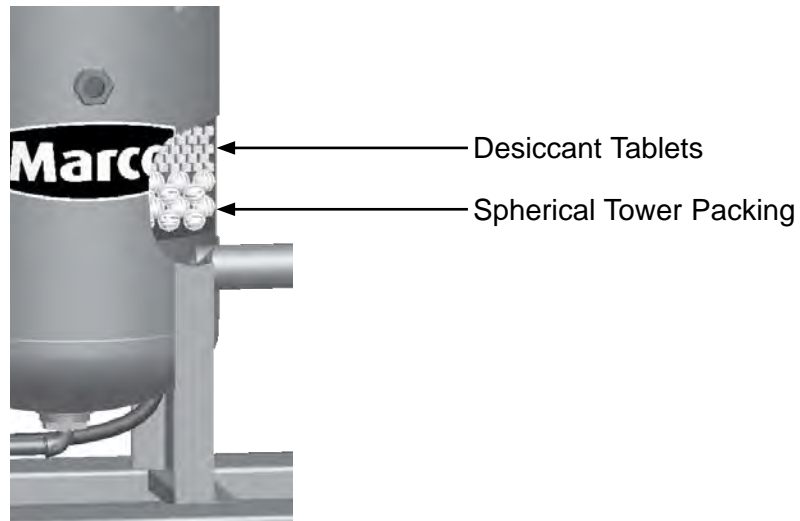
Item #	Part #	Description
--------	--------	-------------

Fig. 9

1	1011901	1" Galvanized Square Head Pipe Plug <i>(Two Required)</i>
2	10101040	3" Galvanized Close Nipple
3	10101041	Flange
4	10101047	Flange Gasket
5	10101062	5/8-11 Hex Nut <i>(Four Required)</i>
6	10101061	5/8" Lock Washer <i>(Four Required)</i>
7	10101060	5/8" x 1-5/16" Stainless Steel Flat Washer <i>(Eight Required)</i>
8	10101058	5/8-11 x 3" Bolt <i>(Four Required)</i>
9	1080050	1/4" Ball Valve
10	1017019	1/4" x 1/4" Hex Nipple
11	10101686	Outlet Filter Body
12	10101183	3" (M) x 2" (F) Bushing
13	10101237	Transport Lug

PART NUMBERS AND SCHEMATICS GUIDE

Figure 10: Desiccant Tablets and Spherical Tower Packing












DESICCANT TABLETS		
Part Numbers	Package Weight	Packaging
10V330311	50 pounds	Bag
15V330313	50 pounds	Pail
15V330203	506 pounds	Steel Drum
15V330284	2000 pounds	Bulk Bag

Van Air Systems Dry-O-Lite® – SDS – 108V116


SPHERICAL TOWER PACKING	
Part Numbers	Unit of Measure
10103922	1 Cubic Foot




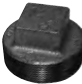

OPTIONAL ACCESSORIES

AIRFLOW SHUTOFF KITS - LUG FITTINGS					
	Part Numbers	Pipe String I.D.	Close Nipple	Full Port Ball Valve	Coupling
	10103731	1"	1012151	1011601	10ME2
	10103732	1-1/4"	1011201 <i>(Quantity of Two)</i>	1011602	10ME3
	10103733	1-1/2"	1014015 <i>(Quantity of Two)</i>	1011603	10ME4
	10103734	2"	1001806 <i>(Quantity of Two)</i>	1011604	10ME5

AIRFLOW SHUTOFF KITS - HAMMERLOCK FITTINGS					
	Part Numbers	Pipe String I.D.	Close Nipple	Full Port Ball Valve	Coupling Spud
	10103830	1"	10102151 <i>(Quantity of Two)</i>	1011601	10DXGB13
	10103831	1-1/4"	1011201 <i>(Quantity of Two)</i>	1011602	10DXGB18
	10103832	1-1/2"	1014015 <i>(Quantity of Two)</i>	1011603	10DXGB23
	10103833	2"	1001806 <i>(Quantity of Two)</i>	1011604	10DXGB28
	10103934	3"	10101040 <i>(Quantity of Two)</i>	1011608	10GB38

OPTIONAL ACCESSORIES

	Part Numbers	INLET/OUTLET BUSHING
		Size
	10101183	Galvanized 3" MNPT x 2" FNPT Bushing

	Part Numbers	GALVANIZED SQUARE HEAD PIPE PLUGS
		Size
	1011901	1"
	1011902	1-1/4"
	1011101	1-1/2"
	1011823	2"
	10101034	3"

PART NUMBERS AND SCHEMATICS GUIDE

BLASTMASTER® 1600 CFM AFTERCOOLER WITH COALESCING TANK

Part Numbers	Power Source	Pre-Filter Moisture Separator	Filter, Regulator, and Lubricator	Electric Starter Box
10101153	Pneumatic	X	X	
10101154	230-Volt AC	X		X

PART NUMBERS AND SCHEMATICS GUIDE

Blastmaster® 1600 CFM Aftercooler with Coalescing Tank – Pneumatic



Overall Dimensions:
Height: 86"
Width: 72"
Depth: 35"

Blastmaster® 1600 CFM Aftercooler with Coalescing Tank – Electric



Overall Dimensions:
Height: 86"
Width: 72"
Depth: 35"

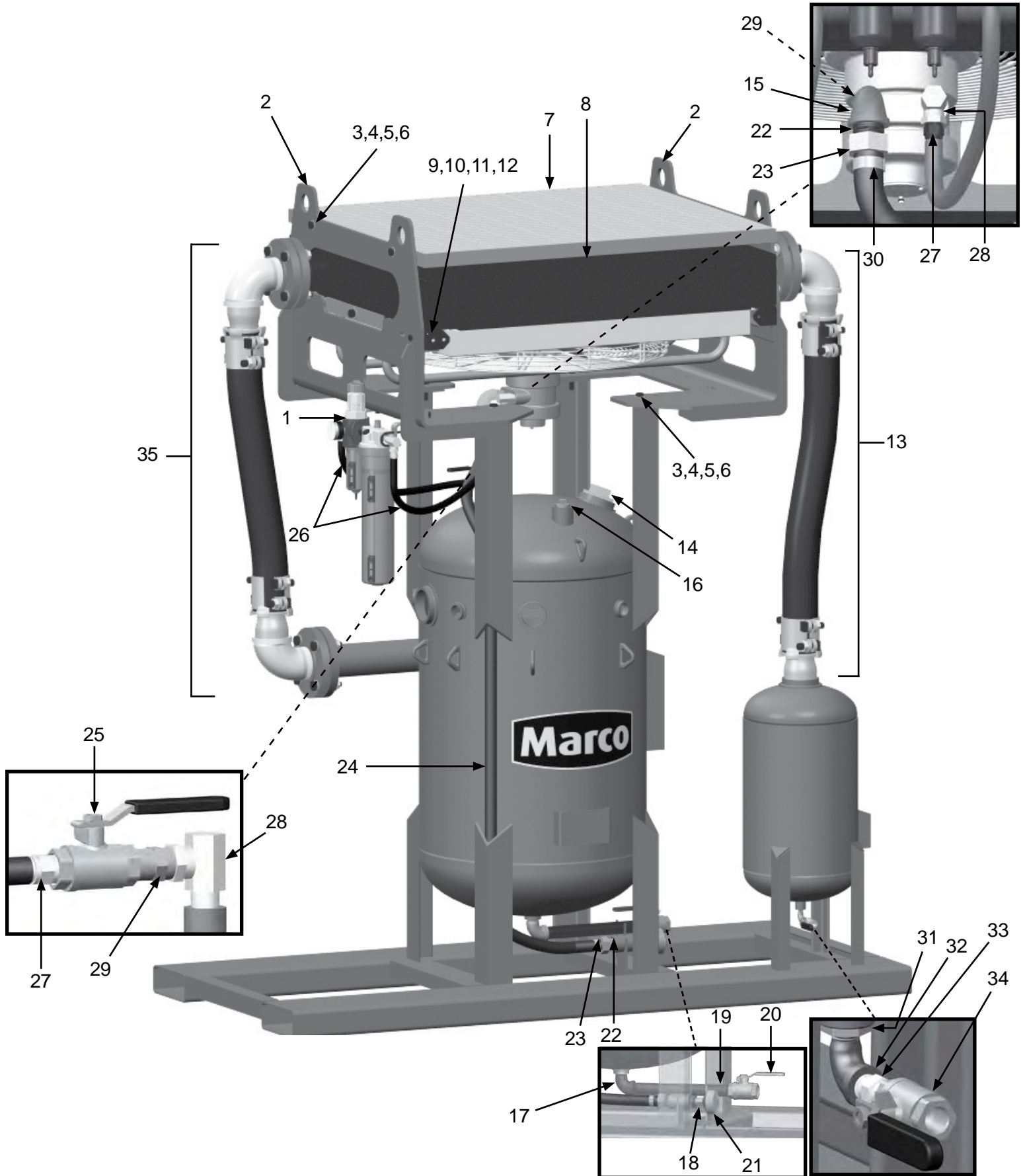
PART NUMBERS AND SCHEMATICS GUIDE

Blastmaster® 1600 CFM Aftercooler with Coalescing Tank – Pneumatic

Item #	Part #	Description
Fig. 1		
—	10101153	Blastmaster® 1600 CFM Aftercooler With Coalescing Tank – Pneumatic
1	10101232	Filter/Regulator/Lubricator with Pressure Gauge (<i>See Fig. 7</i>)
2	10101033	Heat Exchanger Mounting Bracket (<i>Two Required</i>)
3	10101943	1/2-13 x 1-1/2" Bolt (<i>Eight Required</i>)
4	10100674	1/2" Flat Washer (<i>16 Required</i>)
5	10100675	1/2" Split Lock Washer (<i>Eight Required</i>)
6	10101941	1/2" Hex Nut (<i>Eight Required</i>)
7	10101166	Heat Exchanger Protective Grate
8	—	Aftercooler Assembly – Complete (<i>See Fig. 3</i>)
9	10101059	3/8-16 x 1-1/4" Bolt (<i>Four Required</i>)
10	10101942	3/8" Flat Washer (<i>Eight Required</i>)
11	10L805015	3/8" Lock Washer (<i>Four Required</i>)
12	10101938	3/8" Hex Nut (<i>Four Required</i>)
13	—	Inlet Hose Assembly (<i>See Fig. 6</i>)
14	10101034	3" NPT Galvanized Pipe Plug
15	10101002	1/2" x 1" NPT Reducing Elbow
16	1011902	1-1/4" NPT Plug
17	1011801	1" NPT Street Elbow
18	1011812	1" (M) x 1/2" (F) NPT Bushing
19	10101064	1" x 12" NPT Pipe Nipple
20	1011601	1" NPT Full Port Ball Valve
21	10101800	Aftercooler Exhaust Muffler – 950 CFM–1600 CFM
22	1012151	1" NPT Close Nipple (<i>Two Required</i>)
23	10SFE2	1" NPT Swivel Hose End (F) (<i>Two Required</i>)
24	10AH100	1" I.D. Air Hose (<i>Per Foot</i>)
25	10L363	1/2" NPT Full Port Ball Valve
26	10AH012	1/2" I.D. Air Hose (<i>Per Foot</i>)
27	10PAF050	1/2" Push-on Hose Fitting (<i>Four Required</i>)
28	10SAP1290	1/2" 90° Swivel (<i>Two Required</i>)
29	20100677	Nipple (<i>Two Required</i>)
30	10AHCL1	Band Clamp (<i>Two Required</i>)
31	1011818	1/2" x 1/4" Galvanized Bushing
32	1011824	1/4" Street Elbow
33	1017019	Hex Nipple 1/4" x 1/4"
34	1080050	1/4" Ball Valve
35	—	Transfer Hose Assembly (<i>See Fig. 5</i>)
—	1091017	Hazard Identification Tag
—	105M094	Features and Specifications Guide – Blastmaster® 1600 CFM Aftercooler With Coalescing Tank
—	106M094	Part Numbers and Schematics Guide – Blastmaster® 1600 CFM Aftercooler With Coalescing Tank
—	1090094	Operator's Manual – Blastmaster® 1600 CFM Aftercooler With Coalescing Tank

PART NUMBERS AND SCHEMATICS GUIDE

Figure 1: Blastmaster® 1600 CFM Aftercooler with Coalescing Tank – Pneumatic



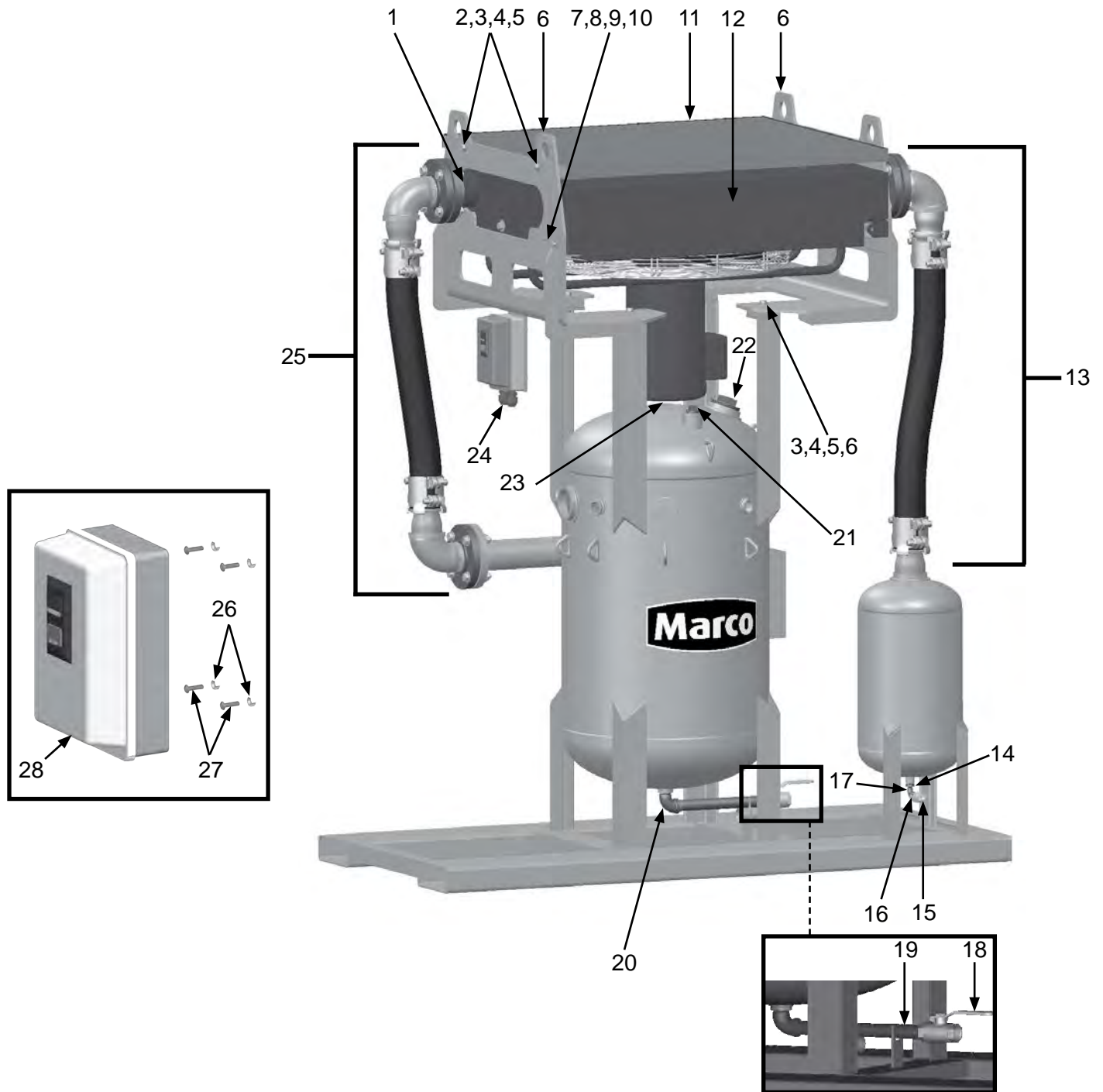
PART NUMBERS AND SCHEMATICS GUIDE

Blastmaster® 1600 CFM Aftercooler with Coalescing Tank – Electric

Item #	Part #	Description
Fig. 2		
—	10101154	Blastmaster® 1600 CFM Aftercooler With Coalescing Tank – Electric
1	10101760	115-Volt AC Motor Starter Box – Single Phase
2	10101355	10-24 x 3/4" Screw (<i>Four Required</i>)
3	10101356	10-24 Nylon Lock Nut (<i>Four Required</i>)
4	10101059	3/8-16 x 1-1/4" Galvanized Bolt (<i>Six Required</i>)
5	10101942	3/8" x 3/4" Washer (<i>12 Required</i>)
6	10101943	1/2-13 x 1-3/4" Hex Bolt (<i>Four Required</i>)
7	10100674	1/2" Flat Washer (<i>16 Required</i>)
8	10100675	1/2" Split Lock Washer (<i>Eight Required</i>)
9	10101941	1/2" Hex Nut (<i>Eight Required</i>)
10	10101033	Mounting Bracket (<i>Two Required</i>)
11	10101166	Heat Exchanger Protective Grate
12	—	1600 CFM Aftercooler Assembly – Complete (<i>See Fig. 4</i>)
13	1080050	1/4" Ball Valve
14	10101034	3" NPT Galvanized Pipe Plug
15	—	Inlet Hose Assembly (<i>See Fig. 6</i>)
16	1011902	1-1/4" NPT Galvanized Pipe Plug
17	10101064	1" x 12" NPT Pipe Nipple
18	1011601	1" NPT Full Port Valve
19	10101801	1" Street Elbow
20	1011101	1/2" NPT Pipe Plug
21	1030025	Cord Clamp (<i>Two Required</i>)
22	10L805015	3/8" Lock Washer (<i>Six Required</i>)
23	10101938	3/8-16 Hex Nut (<i>Six Required</i>)
24	10101771	Bracket
25	—	Transfer Hose Assembly (<i>See Fig. 5</i>)
26	1011818	1/2" x 1/4" Galvanized Bushing
27	1011824	1/4" Street Elbow
28	1017019	Hex Nipple 1/4" x 1/4"
29	10101927	1/2-13 x 3" Hex Bolt (<i>Four Required</i>)
—	1091017	Hazard Identification Tag
—	105M094	Features and Specifications Guide – Blastmaster® 1600 CFM Aftercooler With Coalescing Tank
—	106M094	Part Numbers and Schematics Guide – Blastmaster® 1600 CFM Aftercooler With Coalescing Tank
—	1090094	Operator's Manual – Blastmaster® 1600 CFM Aftercooler With Coalescing Tank

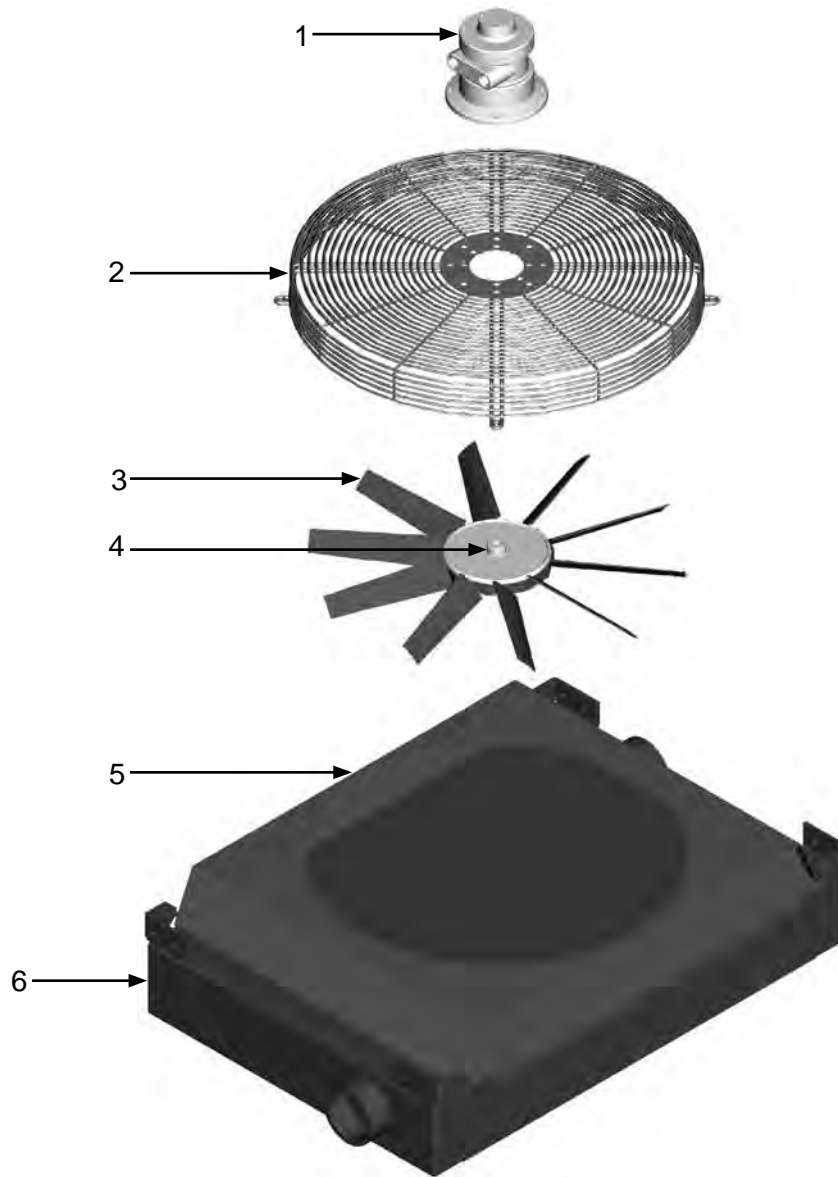
PART NUMBERS AND SCHEMATICS GUIDE

Figure 2: Blastmaster® 1600 CFM Aftercooler with Coalescing Tank – Electric



PART NUMBERS AND SCHEMATICS GUIDE

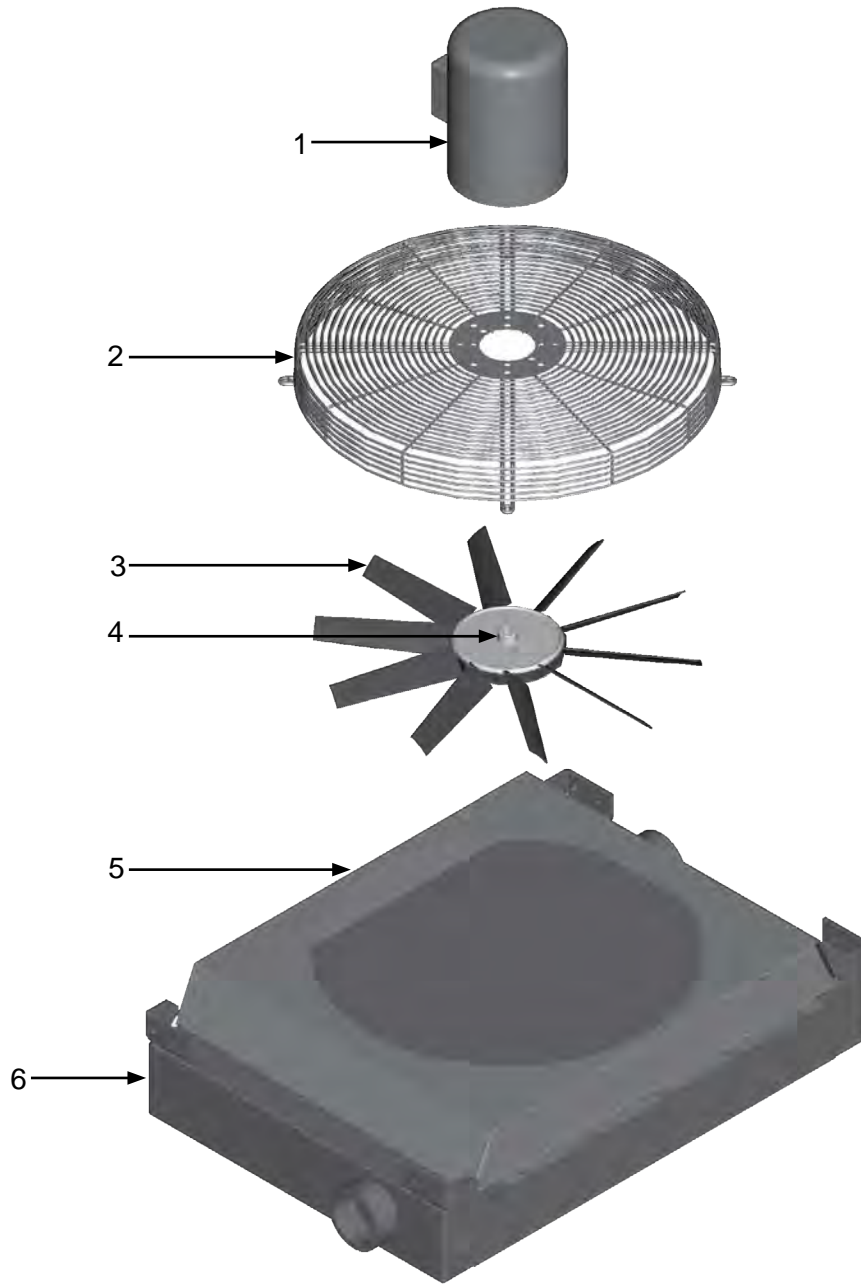
Figure 3: Pneumatic Motor Assembly



Item #	Part #	Description
Fig. 3		
—	10TTAHP16005	1600 CFM Aftercooler – Pneumatic – Complete
1	10101804	Air Motor
2	10101808	Fan Guard
3	10101806	Fan Blades
4	10101807	Fan Bushing
5	10104172	Fan Shroud
6	10101803	Aftercooler Core
—	10101800	Muffler for Air Motor
—	10101805	Air Motor Service Kit (Includes: shaft seal, drive end bearing, dead end bearing, four vanes, four push pins, four vane springs, shim, end cap gasket, muffler cartridge, and muffler felt)

PART NUMBERS AND SCHEMATICS GUIDE

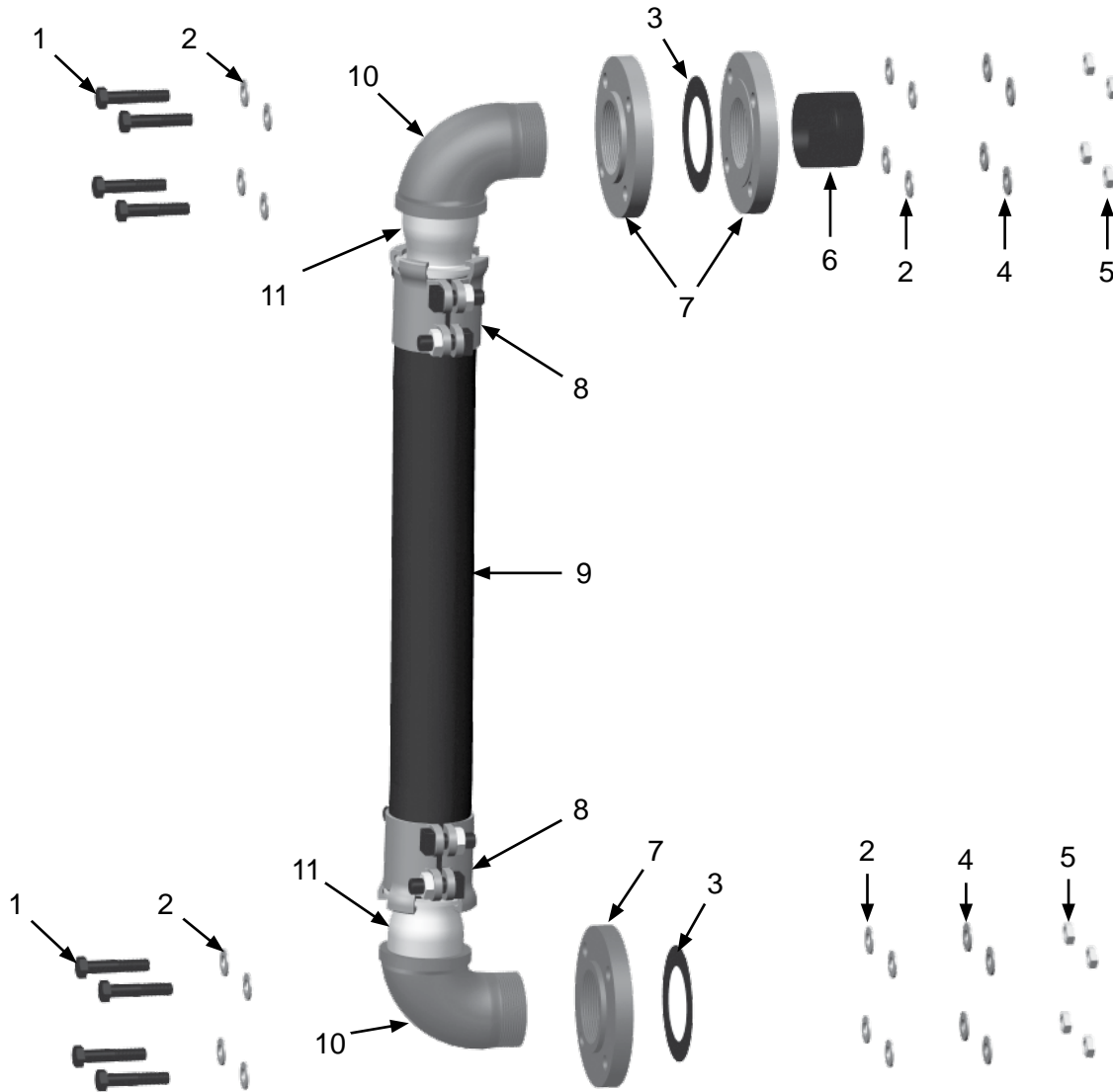
Figure 4: Electric Motor Assembly



Item #	Part #	Description
Fig. 4		
—	10TTAHP16002	1600 CFM Aftercooler – Electric – Complete
1	10101809	Electric Motor – (115V/208-230V) – Single Phase
2	10101808	Fan Guard
3	10101806	Fan Blades
4	10101810	Fan Bushing
5	10104172	Fan Shroud
6	10101803	Aftercooler Core

PART NUMBERS AND SCHEMATICS GUIDE

Figure 5: Transfer Hose Assembly



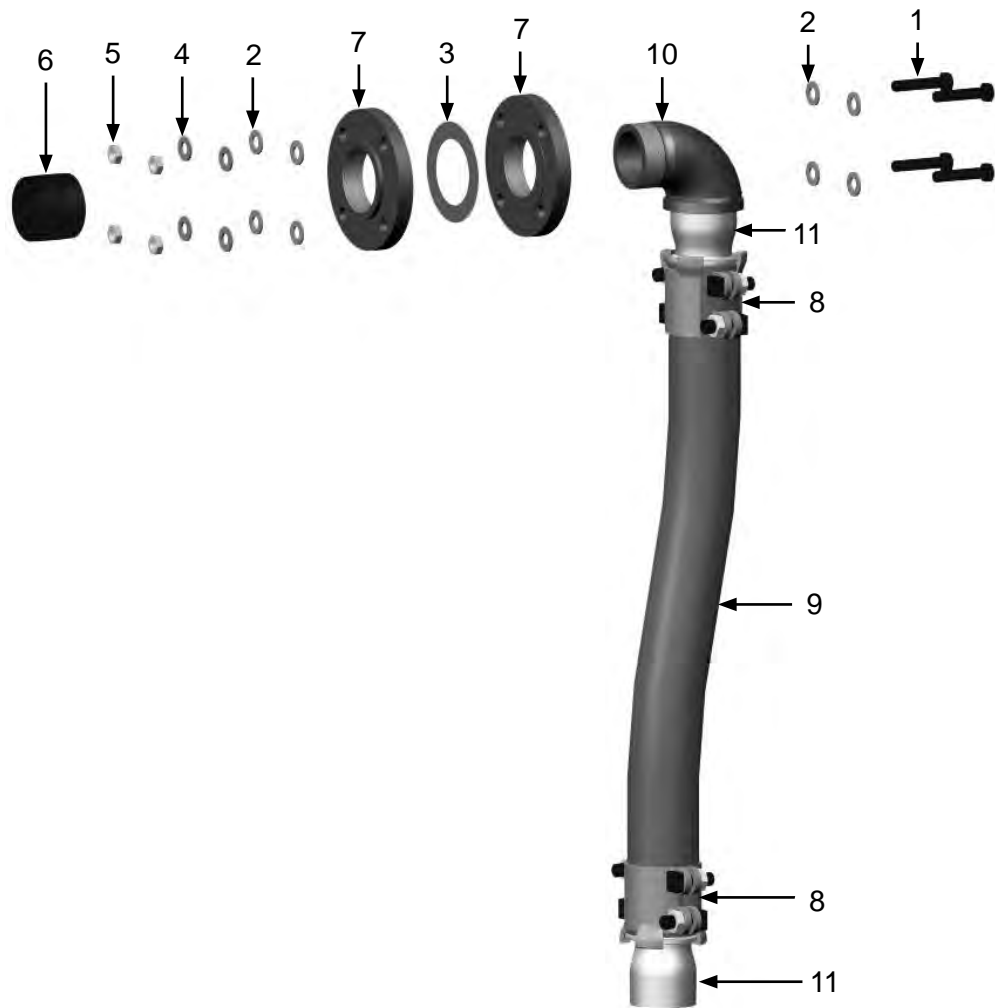
Item #	Part #	Description
--------	--------	-------------

Fig. 5

1	10101058	5/8-11 x 3" Bolt (Eight Required)
2	10101060	5/8" Flat Washer (16 Required)
3	10101047	Flange Gasket (Two Required)
4	10101061	5/8" Split Lock Washer (Eight Required)
5	10101062	5/8" Hex Nut (Eight Required)
6	10101040	3" NPT Close Nipple
7	10101041	3" NPT Threaded Flange (Three Required)
8	10BU35	3" Boss Clamp (Two Required)
9	10101045	3" x 2-1/2' Steel Reinforced Air Hose (Per Foot)
10	10101148	3" NPT Street Elbow (Two Required)
11	10101754	3" NPT Hose Stem (Two Required)

PART NUMBERS AND SCHEMATICS GUIDE

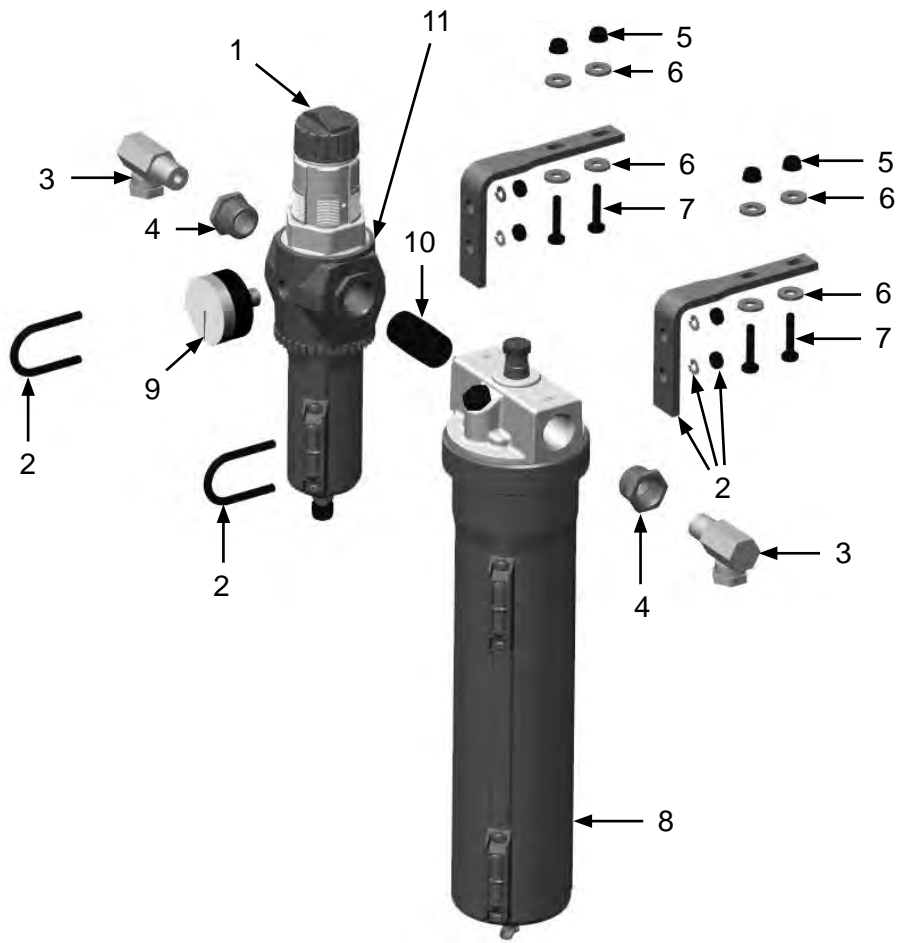
Figure 6: Inlet Hose Assembly



Item #	Part #	Description
Fig. 6		
1	10101058	5/8-11 x 3" Bolt (Four Required)
2	10101060	5/8" Flat Washer (Eight Required)
3	10101047	Flange Gasket
4	10101061	5/8" Split Lock Washer (Four Required)
5	10101062	5/8" Hex Nut (Four Required)
6	10101040	3" NPT Close Nipple
7	10101041	3" NPT Threaded Flange (Two Required)
8	10BU35	3" Boss Clamp (Two Required)
9	10101045	3" x 2-1/2' Steel Reinforced Air Hose (Per Foot)
10	10101148	3" NPT Street Elbow
11	10101754	3" NPT Hose Stem (Two Required)

PART NUMBERS AND SCHEMATICS GUIDE





Figure 7: Air Filter/Regulator/Lubricator








Item #	Part #	Description
--------	--------	-------------






Fig. 7		
—	10105890	Air Filter/Regulator/Lubricator With Pressure Gauge – Pneumatic – Complete
1	10105891	Filter/Regulator
2	10105889	Mounting Bracket and U-Bolt Kit
3	10SAP1290	1/2" 90° Swivel (<i>Two Required</i>)
4	10105895	Coupler with 3/4" x 1/2" Reducing Bushing (<i>Two Required</i>)
5	10101939	1/4-20 Stainless Steel Lock Nut with Nylon Insert (<i>Eight Required</i>)
6	10101940	1/4" Flat Washer (<i>Eight Required</i>)
7	10105903	1/4-20 x 1-1/4" Grade 5 Hex Bolt (<i>Four Required</i>)
8	10105892	1.5-Litre Lubricator Bowl
9	1028606	Pressure Gauge – 0-160 PSI 1/4" – Back Mount
10	10105894	3/4" x 2" Pipe Nipple
11	10106432	Large O-Ring – Lubricator
—	1070517	Pneumatic Tool Oil - 32 oz.
—	10106504	Diaphragm Kit for Filter/Regulator
—	10106505	Bowl, O-Ring and Site Gauge Kit
—	10106506	Cartridge Kit for 1 Liter Bowl-Lubricator
—	10106507	Lubricator Extension Metal Bowl Kit

OPTIONAL ACCESSORIES

		AIRFLOW SHUTOFF KITS – LUG FITTINGS			
	Part Numbers	Pipe String I.D.	Close Nipple	Full Port Ball Valve	Coupling
	10103731	1"	1012151	1011601	10ME2
	10103732	1-1/4"	1011201 <i>(Quantity of Two)</i>	1011602	10ME3
	10103733	1-1/2"	1014015 <i>(Quantity of Two)</i>	1011603	10ME4
	10103734	2"	1001806 <i>(Quantity of Two)</i>	1011604	10ME5

		AIRFLOW SHUTOFF KITS – HAMMERLOCK FITTINGS			
	Part Numbers	Pipe String I.D.	Close Nipple	Full Port Ball Valve	Coupling Spud
	10103830	1"	10102151 <i>(Quantity of Two)</i>	1011601	10DXGB13
	10103831	1-1/4"	1011201 <i>(Quantity of Two)</i>	1011602	10DXGB18
	10103832	1-1/2"	1014015 <i>(Quantity of Two)</i>	1011603	10DXGB23
	10103833	2"	1001806 <i>(Quantity of Two)</i>	1011604	10DXGB28
	10103934	3"	10101040 <i>(Quantity of Two)</i>	1011608	10GB38

OPTIONAL ACCESSORIES

	Part Numbers	GALVANIZED SQUARE HEAD PIPE PLUGS	
			Size
	1011901		1"
	1011902		1-1/4"
	1011101		1-1/2"
	1011823		2"
	10101034		3"

PART NUMBERS AND SCHEMATICS GUIDE

BLASTMASTER® 950 CFM AFTERCOOLER WITH COALESCING TANK

Part Numbers	Base Style		Power Source		Standard Features		
	Fork-Pocket Skid	Offshore Compliant Fork-Pocket Skid	Pneumatic	Electric	Air Motor Regulator and Lubricator	Electric Starter Box	Pre-filter Moisture Separator
10101150	X		X		X		X
10101151	X			X		X	X

Weight: 1600 pounds

Overall Dimensions:

Height: 86"

Width: 35"

Depth: 72"

Blastmaster® 950 CFM Aftercooler with Coalescing Tank



10101150



10101151

PART NUMBERS AND SCHEMATICS GUIDE

BLASTMASTER® 950 CFM OFFSHORE AFTERCOOLER WITH COALESCING TANK

Part Numbers	Base Style		Power Source		Standard Features		
	Fork-Pocket Skid	Offshore Compliant Fork-Pocket Skid	Pneumatic	Electric	Air Motor Regulator and Lubricator	Electric Starter Box	Pre-filter Moisture Separator
10102585		X	X		X		X
10102586		X		X		X	X

Blastmaster® 950 CFM Offshore Aftercooler with Coalescing Tank

Weight: 1600 pounds

Overall Dimensions:

Height: 92"

Width: 39"

Depth: 72"



10102585



10102586

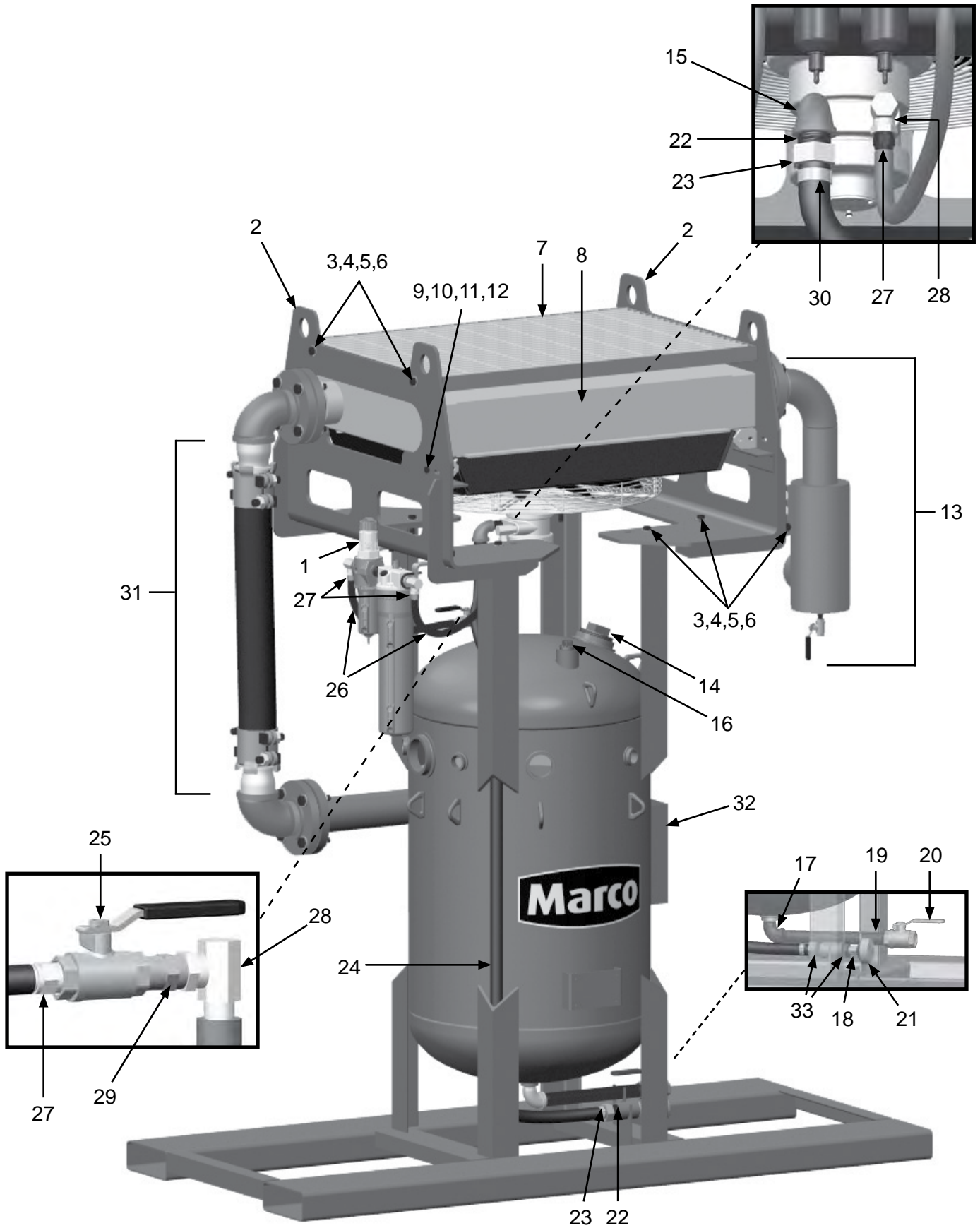
PART NUMBERS AND SCHEMATICS GUIDE

Blastmaster® 950 CFM Aftercooler With Coalescing Tank – Pneumatic

Item #	Part #	Description
Fig. 1		
—	10101150	Blastmaster® 950 CFM Aftercooler with Coalescing Tank – Pneumatic
1	10101232	Filter/Regulator/Lubricator with Pressure Gauge (<i>See Fig. 9</i>)
2	10101033	Heat Exchanger Mounting Bracket (<i>Two Required</i>)
3	10101943	1/2-13 x 1-1/2" Bolt (<i>10 Required</i>)
4	10100674	1/2" Flat Washer (<i>20 Required</i>)
5	10100675	1/2" Split Lock Washer (<i>10 Required</i>)
6	10101941	1/2" Hex Nut (<i>10 Required</i>)
7	10101166	Heat Exchanger Protective Grate
8	—	Aftercooler Assembly – Complete (<i>See Fig. 5</i>)
9	10101059	3/8-16 x 1-1/4" Bolt (<i>Four Required</i>)
10	10101942	3/8" Flat Washer (<i>Eight Required</i>)
11	10L805015	3/8" Lock Washer (<i>Four Required</i>)
12	10101938	3/8" Hex Nut (<i>Four Required</i>)
13	—	Inlet Filter Assembly (<i>See Fig. 8</i>)
14	10101034	3" NPT Galvanized Pipe Plug
15	10101002	1/2" x 1" NPT Reducing Elbow
16	1011902	1-1/4" NPT Plug
17	1011801	1" NPT Street Elbow
18	1011812	1" (M) x 1/2" (F) NPT Bushing
19	10101064	1" x 12" NPT Pipe Nipple
20	1011601	1" NPT Full Port Ball Valve
21	10101800	Aftercooler Exhaust Muffler – 950 CFM–1600 CFM
22	1012151	1" NPT Close Nipple (<i>Two Required</i>)
23	10SFE2	1" NPT Swivel Hose End (F) (<i>Two Required</i>)
24	10AH100B	1" I.D. Air Hose (<i>Per Foot</i>)
25	10L363	1/2" NPT Full Port Ball Valve
26	10AH012	1/2" I.D. Air Hose (<i>Per Foot</i>)
27	10PAF050	1/2" Push-on Hose Fitting (<i>Four Required</i>)
28	10SAP1290	1/2" 90° Swivel (<i>Two Required</i>)
29	20100677	Nipple 1/2" x 1/2"
30	10AHCL1	Band Clamp (<i>Two Required</i>)
31	—	Transfer Hose Assembly (<i>See Fig. 7</i>)
32	1091020	Hazard Identification Plate
33	1011812	1" to 1/2" Bushing (<i>Two Required</i>)
—	1091017	Hazard Identification Tag
—	105M078	Features and Specifications Guide – Blastmaster® 950 CFM Aftercooler with Coalescing Tank
—	106M078	Part Numbers and Schematics Guide – Blastmaster® 950 CFM Aftercooler with Coalescing Tank
—	1090078	Operator's Manual – Blastmaster® 950 CFM Aftercooler with Coalescing Tank

PART NUMBERS AND SCHEMATICS GUIDE

Figure 1: Blastmaster® 950 CFM Aftercooler With Coalescing Tank – Pneumatic



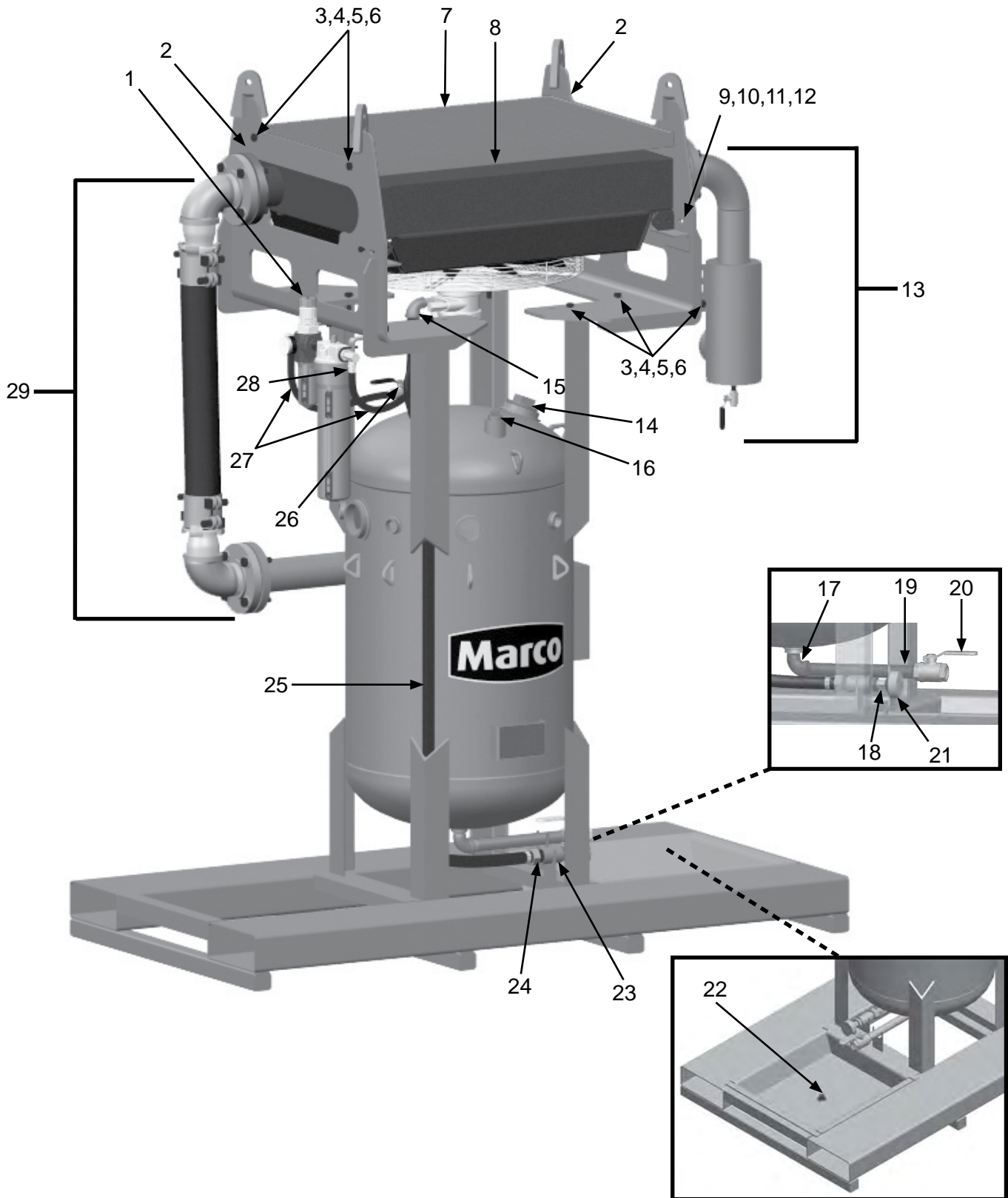
PART NUMBERS AND SCHEMATICS GUIDE

Blastmaster® 950 CFM Offshore Aftercooler With Coalescing Tank – Pneumatic

Item #	Part #	Description
Fig. 2		
—	10102585	Blastmaster® 950 CFM Offshore Aftercooler with Coalescing Tank – Pneumatic
1	10101232	Filter/Regulator/Lubricator with Pressure Gauge (<i>See Fig. 9</i>)
2	10102589	Offshore Heat Exchanger Mounting Bracket (<i>Two Required</i>)
3	10101943	1/2-13 X 1-1/2" Bolt (<i>13 Required</i>)
4	10100674	1/2" Flat Washer (<i>13 Required</i>)
5	10100675	1/2" Split Lock Washer (<i>13 Required</i>)
6	10101941	1/2" Hex Nut (<i>13 Required</i>)
7	10101036	Heat Exchanger Protective Grate
8	10TTHP9505	Aftercooler Assembly – Complete (<i>See Fig. 5</i>)
9	10101059	3/8-16 x 1-1/4" Bolt (<i>Four Required</i>)
10	10101942	3/8" Flat Washer (<i>Four Required</i>)
11	10L805015	3/8" Lock Washer (<i>Four Required</i>)
12	10101938	3/8" Hex Nut (<i>Four Required</i>)
13	—	Inlet Filter Assembly (<i>See Fig. 8</i>)
14	10101034	3" NPT Galvanized Pipe Plug
15	10101002	1/2" x 1" NPT Reducing Elbow
16	1011902	1-1/4" NPT Plug
17	1011801	1" NPT Street Elbow
18	1011812	1" (M) x 1/2" (F) NPT Bushing
19	10101064	1" x 12" NPT Pipe Nipple
20	1011601	1" NPT Full Port Ball Valve
21	10101800	Aftercooler Exhaust Muffler – 950 CFM–1600 CFM
22	1011901	1" Galvanized Pipe Plug
23	1012151	1" NPT Close Nipple
24	10SFE2	1" NPT Swivel Hose End (F)
25	10AH100	1" I.D. Air Hose (<i>Per Foot</i>)
26	10L363	1/2" NPT Full Port Ball Valve
27	10AH012	1/2" I.D. Air Hose (<i>Per Foot</i>)
28	10PAF050	1/2" Push-on Hose Fitting
29	—	Transfer Hose Assembly (<i>See Fig. 7</i>)
—	1091045	Warning Tag
—	105M102	Features and Specifications Guide – Blastmaster® 950 CFM Aftercooler with Coalescing Tank
—	106M102	Part Numbers and Schematics Guide – Blastmaster® 950 CFM Offshore Aftercooler with Coalescing Tank
—	1090102	Operator's Manual – Blastmaster® 950 CFM Offshore Aftercooler with Coalescing Tank

PART NUMBERS AND SCHEMATICS GUIDE

Figure 2: Blastmaster® 950 CFM Offshore Aftercooler With Coalescing Tank – Pneumatic



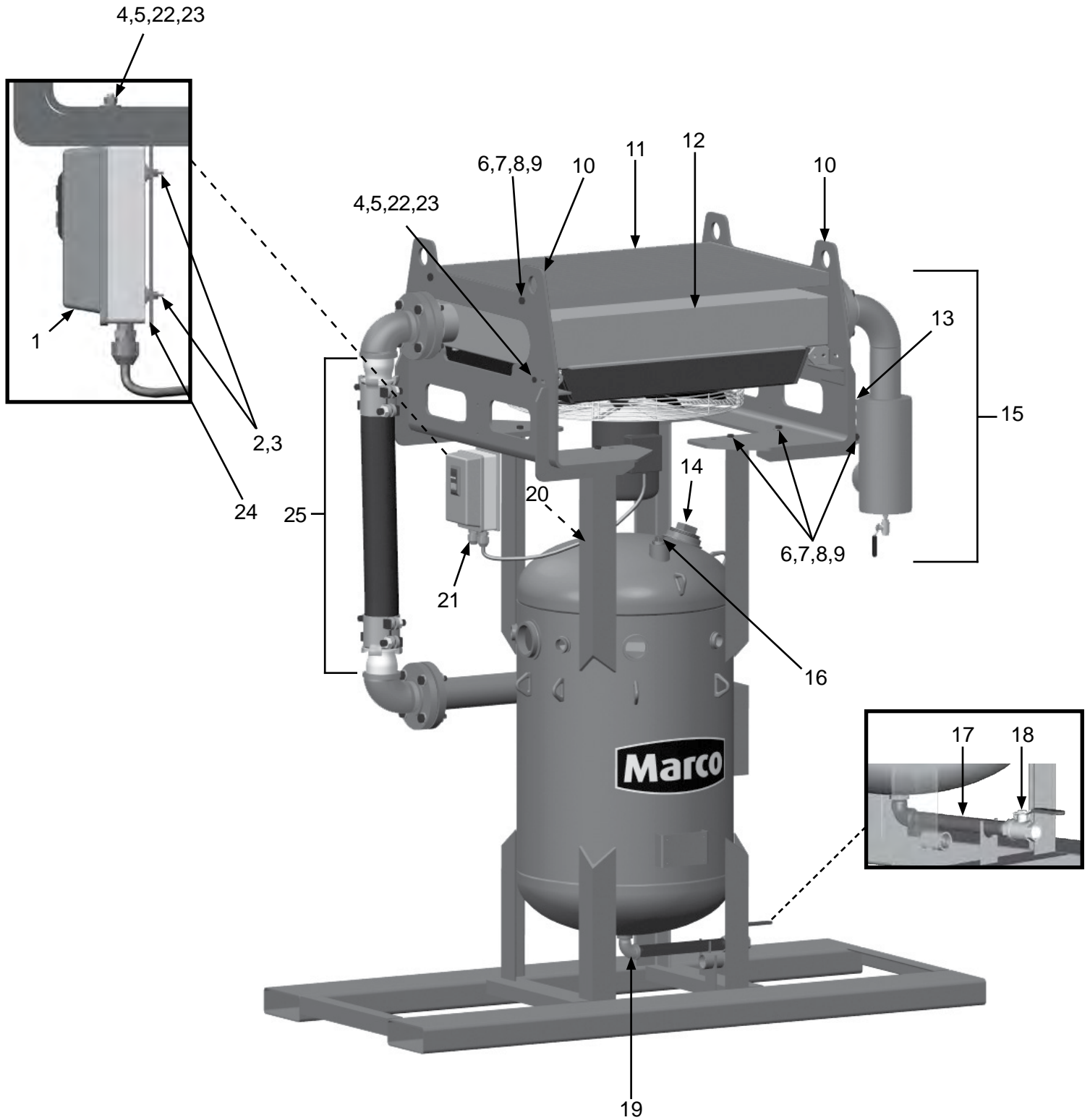
PART NUMBERS AND SCHEMATICS GUIDE

Blastmaster® 950 CFM Aftercooler With Coalescing Tank – Electric

Item #	Part #	Description
Fig. 3		
—	10101151	Blastmaster® 950 CFM Aftercooler With Coalescing Tank – Electric
1	10101760	115-Volt AC Motor Starter Box – Single Phase
2	10101355	10-24 x 3/4" Screw (<i>Four Required</i>)
3	10101356	10-24 Nylon Lock Nut (<i>Four Required</i>)
4	10101059	3/8-16 x 1-1/4" Galvanized Bolt (<i>Six Required</i>)
5	10101942	3/8" x 3/4" Washer (<i>12 Required</i>)
6	10101943	1/2-13 x 1-3/4" Hex Bolt (<i>10 Required</i>)
7	10100674	1/2" Flat Washer (<i>20 Required</i>)
8	10100675	1/2" Split Lock Washer (<i>10 Required</i>)
9	10101941	1/2" Hex Nut (<i>10 Required</i>)
10	10101033	Mounting Bracket (<i>Two Required</i>)
11	10101036	Heat Exchanger Protective Grate
12	—	950 CFM Aftercooler Assembly – Complete (<i>See Fig. 6</i>)
13	10101170	Brace
14	10101034	3" NPT Galvanized Pipe Plug
15	—	Inlet Filter Assembly (<i>See Fig. 8</i>)
16	1011902	1-1/4" NPT Galvanized Pipe Plug
17	10101064	1" x 12" NPT Pipe Nipple
18	1011601	1" NPT Full Port Valve
19	1011801	1/2" x 1/4" Reducing Elbow
20	20G100737	1/2" NPT Pipe Plug
21	1030025	Cord Clamp (<i>Two Required</i>)
22	10L805015	3/8" Lock Washer (<i>Six Required</i>)
23	10101938	3/8-16 Hex Nut (<i>Six Required</i>)
24	10101771	Bracket
25	—	Transfer Hose Assembly (<i>See Fig. 7</i>)
—	1091017	Hazard Identification Tag
—	105M078	Features and Specifications Guide – Blastmaster® 950 CFM Aftercooler with Coalescing Tank
—	106M078	Part Numbers and Schematics Guide – Blastmaster® 950 CFM Aftercooler with Coalescing Tank
—	1090078	Operator's Manual – Blastmaster® 950 CFM Aftercooler with Coalescing Tank

PART NUMBERS AND SCHEMATICS GUIDE

Figure 3: Blastmaster® 950 CFM Aftercooler With Coalescing Tank – Electric



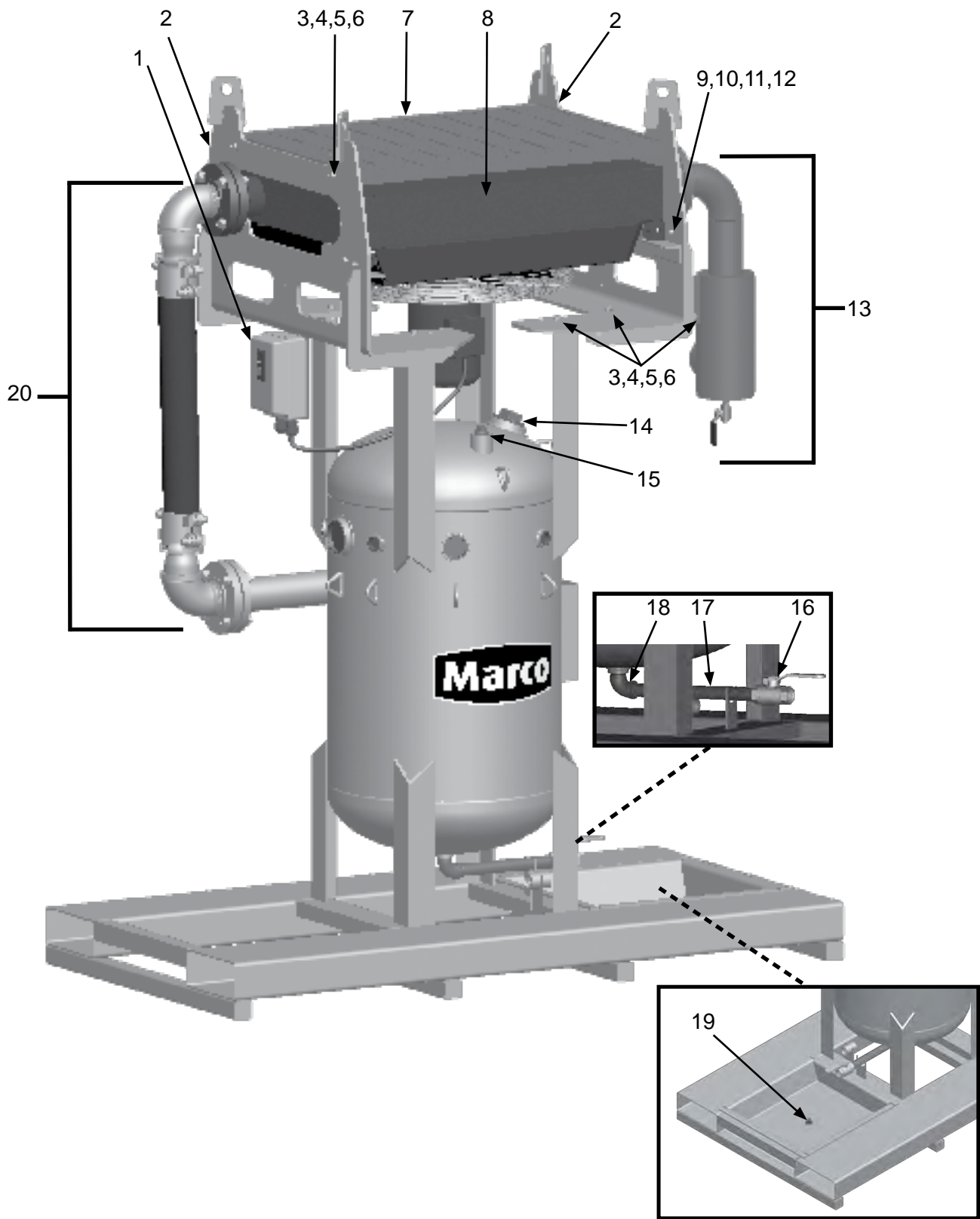
PART NUMBERS AND SCHEMATICS GUIDE

Blastmaster® 950 CFM Offshore Aftercooler With Coalescing Tank – Electric

Item #	Part #	Description
Fig. 4		
—	10102586	Blastmaster® 950 CFM Offshore Aftercooler with Coalescing Tank – Electric
1	10101760	115-Volt AC Motor Starter – Single Phase
2	10102589	Offshore Heat Exchanger Mounting Bracket (<i>Two Required</i>)
3	10101943	1/2-13 x 1-1/2" Bolt (<i>13 Required</i>)
4	10100674	1/2" Flat Washer (<i>13 Required</i>)
5	10100675	1/2" Split Lock Washer (<i>13 Required</i>)
6	10101941	1/2" Hex Nut (<i>13 Required</i>)
7	10101036	Heat Exchanger Protective Grate
8	10TTAHP9502	Aftercooler Assembly – Complete (<i>See Fig. 6</i>)
9	10101059	3/8-16 x 1-1/4" Bolt (<i>Four Required</i>)
10	10101942	3/8" Flat Washer (<i>Four Required</i>)
11	10L805015	3/8" Lock Washer (<i>Four Required</i>)
12	10101938	3/8" Hex Nut (<i>Four Required</i>)
13	—	Inlet Filter Assembly (<i>See Fig. 8</i>)
14	10101034	3" NPT Galvanized Pipe Plug
15	1011902	1-1/4" NPT Plug
16	1011601	1" NPT Full Port Ball Valve
17	10101064	1" X 12" NPT Pipe Nipple
18	1011801	1" NPT Street Elbow
19	1011901	1" Galvanized Pipe Plug
20	—	Transfer Hose Assembly (<i>See Fig. 7</i>)
—	1091045	Warning Tag
—	105M102	Features and Specifications Guide – Blastmaster® 950 CFM Aftercooler with Coalescing Tank
—	106M102	Part Numbers and Schematics Guide – Blastmaster® 950 CFM Aftercooler with Coalescing Tank
—	1090102	Operator's Manual – Blastmaster® 950 CFM Aftercooler with Coalescing Tank

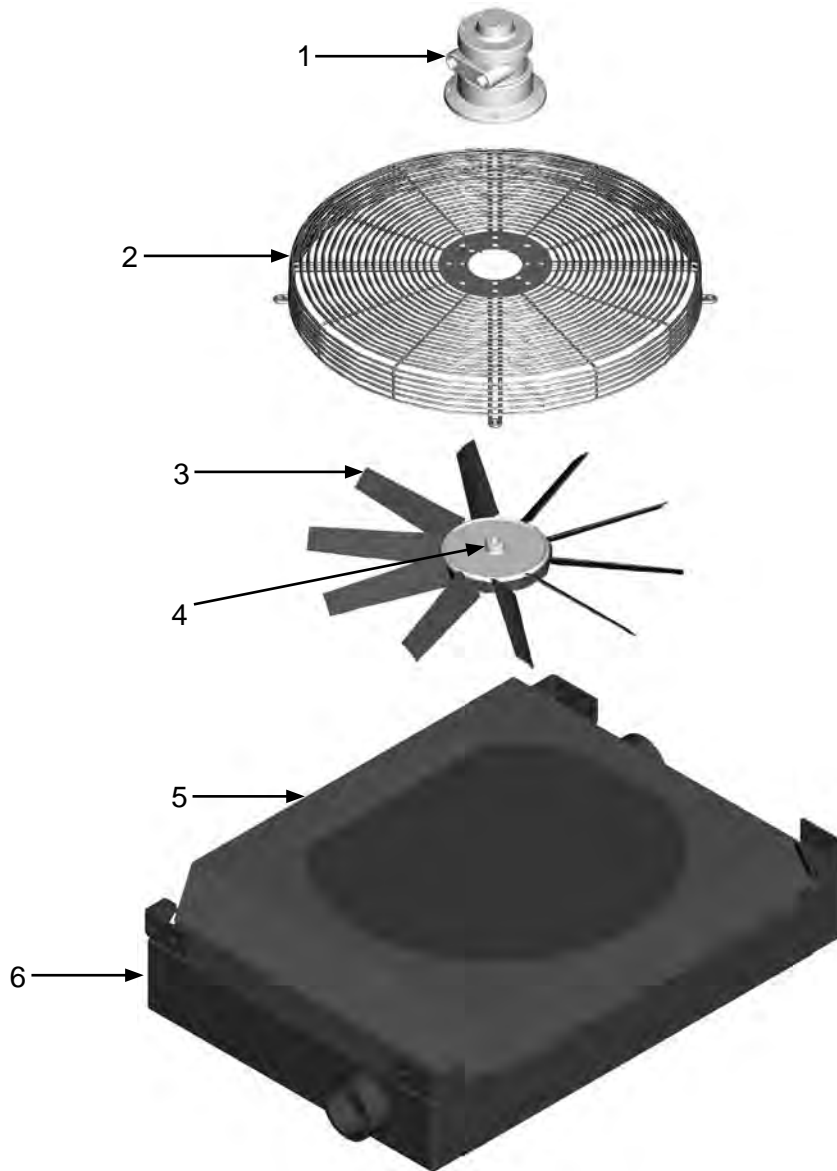
PART NUMBERS AND SCHEMATICS GUIDE

Figure 4: Blastmaster® 950 CFM Offshore Aftercooler With Coalescing Tank – Electric



PART NUMBERS AND SCHEMATICS GUIDE

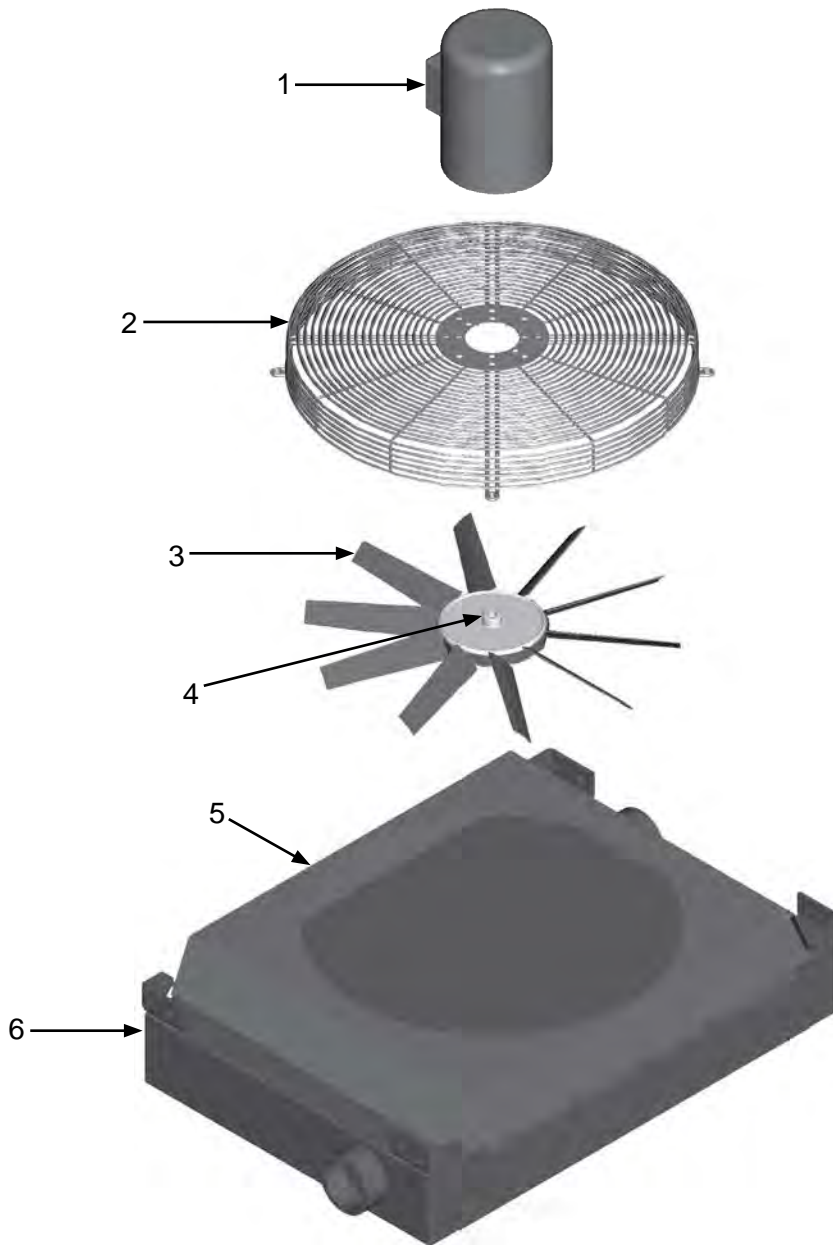
Figure 5: Aftercooler Assembly—Pneumatic



Item #	Part #	Description
Fig. 5		
—	10TTAHP9505	950 CFM Aftercooler – Pneumatic – Complete
1	10101795	Air Motor
2	10101799	Fan Guard
3	10101797	Fan Blades <i>(Includes Blades and Hub)</i>
4	10101798	Fan Bushing
5	10102957	Fan Shroud
6	10101794	Aftercooler Core
—	1070517	Pneumatic Tool Oil – 32 oz.
—	10101796	Air Motor Service Kit <i>(Includes: shaft seal, drive end bearing, dead end bearing, four vanes, four push pins, four vane springs, shim, end cap gasket, muffler cartridge, and muffler felt)</i>

PART NUMBERS AND SCHEMATICS GUIDE

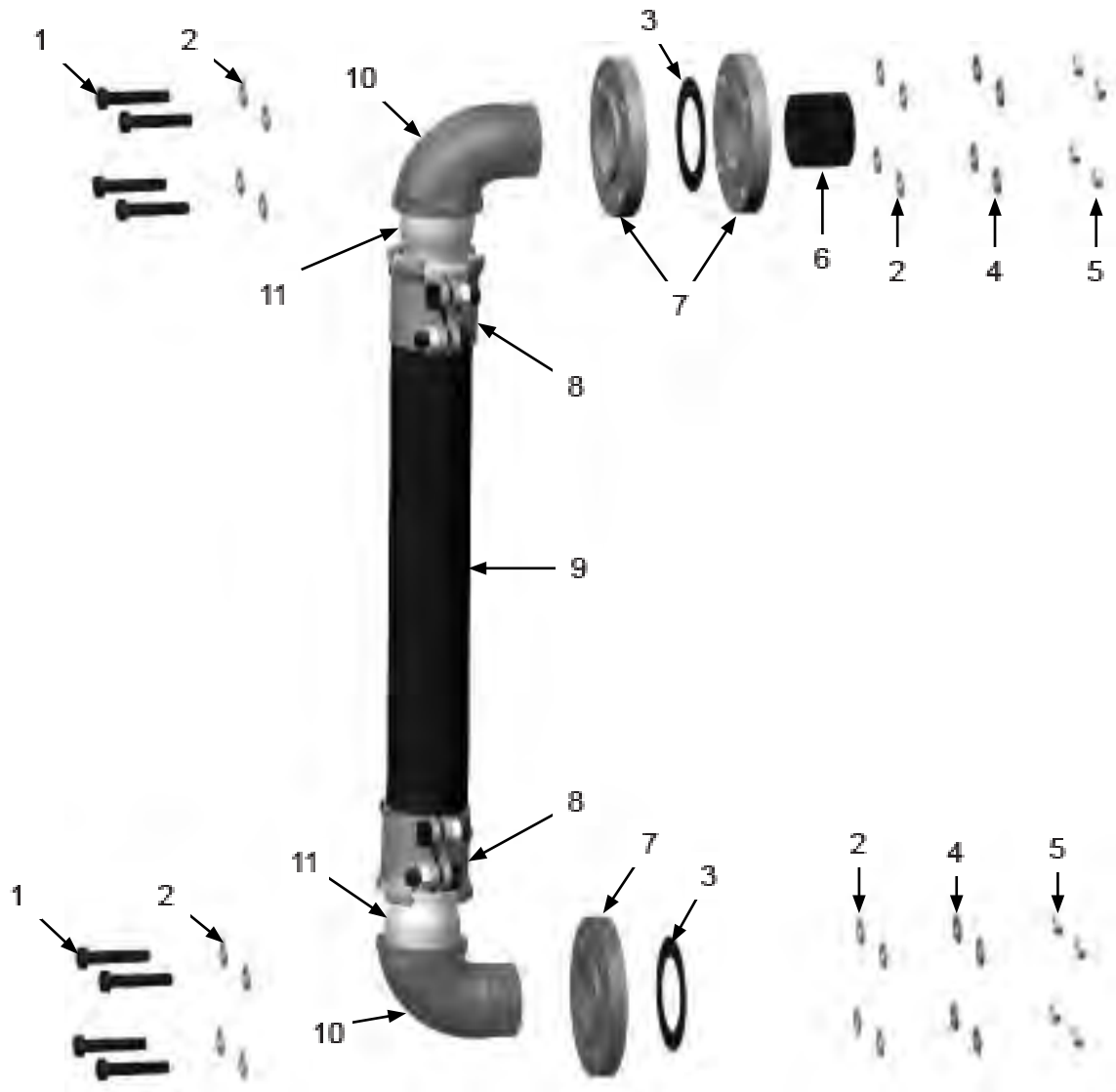
Figure 6: Aftercooler Assembly—Electric



Item #	Part #	Description
Fig. 6		
—	10TTAHP9502	950 CFM Aftercooler – Electric – Complete
1	10101760	Electric Motor – (115V/208-230V) – Single Phase
2	10101799	Fan Guard
3	10101797	Fan Blades <i>(Includes Blades and Hub)</i>
4	10101802	Fan Bushing
5	10102957	Fan Shroud
6	10101794	Aftercooler Core

PART NUMBERS AND SCHEMATICS GUIDE

Figure 7: Transfer Hose Assembly



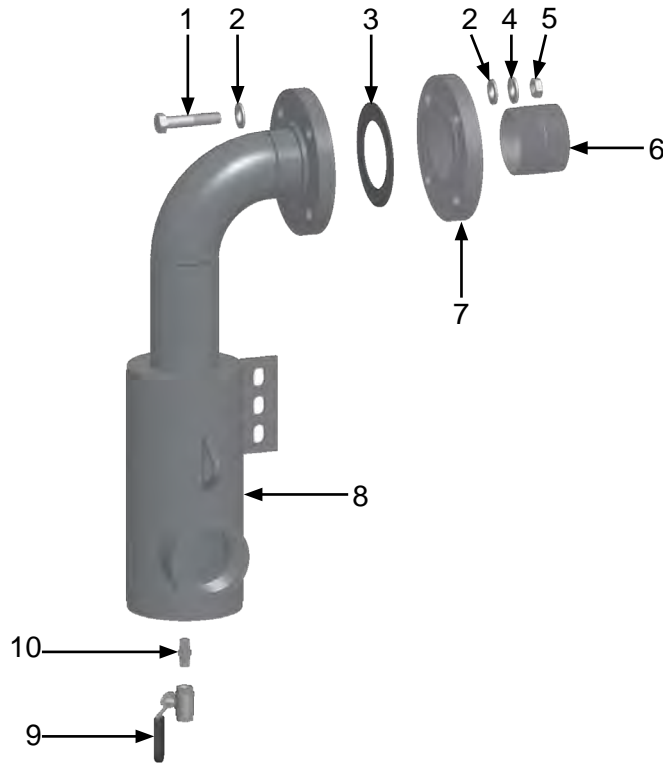
Item #	Part #	Description
--------	--------	-------------

Fig. 7

1	10101058	5/8-11 X 3" Bolt (<i>Eight Required</i>)
2	10101060	5/8" Flat Washer (<i>16 Required</i>)
3	10101047	Flange Gasket (<i>Two Required</i>)
4	10101061	5/8" Split Lock Washer (<i>Eight Required</i>)
5	10101062	5/8" Hex Nut (<i>Eight Required</i>)
6	10101040	3" NPT Close Nipple
7	10101041	3" NPT Threaded Flange (<i>Three Required</i>)
8	10BU35	3" Boss Clamp (<i>Two Required</i>)
9	10101045	3" X 2-1/2' Steel Reinforced Air Hose (<i>Per Foot</i>)
10	10101148	3" NPT Street Elbow (<i>Two Required</i>)
11	10101754	3" NPT Hose Stem (<i>Two Required</i>)

PART NUMBERS AND SCHEMATICS GUIDE

Figure 8: Inlet Filter Assembly



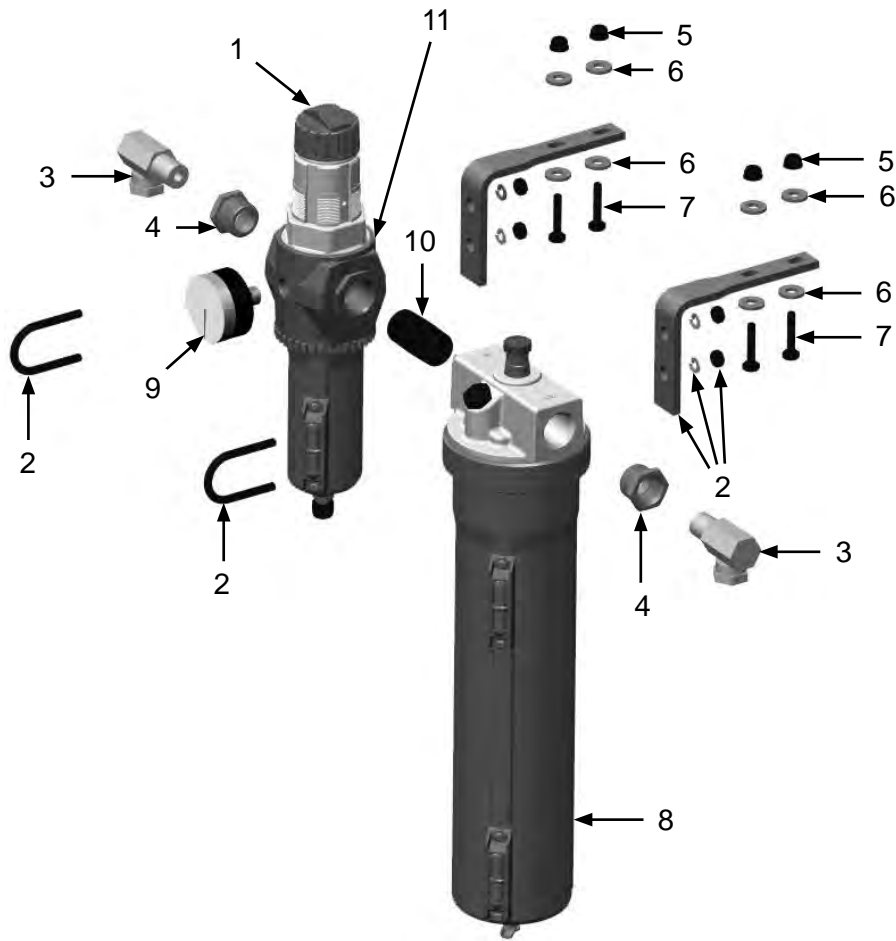
Item #	Part #	Description
--------	--------	-------------

Fig. 8

1	10101058	5/8-11 X 3" Bolt (<i>Four Required</i>)
2	10101060	5/8" Flat Washer (<i>Eight Required</i>)
3	10101047	Flange Gasket
4	10101061	5/8" Split Lock Washer (<i>Four Required</i>)
5	10101062	5/8" Hex Nut (<i>Four Required</i>)
6	10101040	3" NPT Close Nipple
7	10101041	3" NPT Threaded Flange
8	10101049	Inlet Filter
9	1080050	1/4" NPT Full Port Ball Valve
10	1017019	1/4" NPT Hex Nipple





PART NUMBERS AND SCHEMATICS GUIDE






Figure 9: Air Filter/Regulator/Lubricator








Item #	Part #	Description
Fig. 7		
—	10105890	Air Filter/Regulator/Lubricator With Pressure Gauge – Pneumatic – Complete
1	10105891	Filter/Regulator
2	10105889	Mounting Bracket and U-Bolt Kit
3	10SAP1290	1/2" 90° Swivel (Two Required)
4	10105895	Coupler with 3/4" x 1/2" Reducing Bushing (Two Required)
5	10101939	1/4-20 Stainless Steel Lock Nut with Nylon Insert (Eight Required)
6	10101940	1/4" Flat Washer (Eight Required)
7	10105903	1/4-20 x 1-1/4" Grade 5 Hex Bolt (Four Required)
8	10105892	1.5-Litre Lubricator Bowl
9	1028606	Pressure Gauge – 0-160 PSI 1/4" – Back Mount
10	10105894	3/4" x 2" Pipe Nipple
11	10106432	Large O-Ring – Lubricator
—	1070517	Pneumatic Tool Oil – 32 oz.
—	10106504	Diaphragm Kit for Filter/Regulator
—	10106505	Bowl, O-Ring and Site Gauge Kit
—	10106506	Cartridge Kit for 1 Liter Bowl-Lubricator
—	10106507	Lubricator Extension Metal Bowl Kit

OPTIONAL ACCESSORIES

AIRFLOW SHUTOFF KITS – LUG FITTINGS					
	Part Numbers	Pipe String I.D.	Close Nipple	Full Port Ball Valve	Coupling
	10103731	1"	1012151	1011601	10ME2
	10103732	1-1/4"	1011201 <i>(Quantity of Two)</i>	1011602	10ME3
	10103733	1-1/2"	1014015 <i>(Quantity of Two)</i>	1011603	10ME4
	10103734	2"	1001806 <i>(Quantity of Two)</i>	1011604	10ME5

AIRFLOW SHUTOFF KITS – HAMMERLOCK FITTINGS					
	Part Numbers	Pipe String I.D.	Close Nipple	Full Port Ball Valve	Coupling Spud
	10103830	1"	10102151 <i>(Quantity of Two)</i>	1011601	10DXGB13
	10103831	1-1/4"	1011201 <i>(Quantity of Two)</i>	1011602	10DXGB18
	10103832	1-1/2"	1014015 <i>(Quantity of Two)</i>	1011603	10DXGB23
	10103833	2"	1001806 <i>(Quantity of Two)</i>	1011604	10DXGB28
	10103934	3"	10101040 <i>(Quantity of Two)</i>	1011608	10GB38

OPTIONAL ACCESSORIES

	Part Numbers	GALVANIZED SQUARE HEAD PIPE PLUGS	
			Size
	1011901		1"
	1011902		1-1/4"
	1011101		1-1/2"
	1011823		2"
	10101034		3"

PART NUMBERS AND SCHEMATICS GUIDE

BLASTMASTER® 750 CFM AFTERCOOLER WITH COALESCING TANK				
Part Numbers	Power Source	Pre-Filter Moisture Separator	Filter, Regulator, and Lubricator	Electric Starter Box
10101173	Pneumatic	X	X	
10101174	115-Volt AC	X		X

PART NUMBERS AND SCHEMATICS GUIDE

Blastmaster® 750 CFM Aftercooler with Coalescing Tank – Pneumatic



Overall Dimensions:

Height: 81

Width: 72"

Depth: 35"

Blastmaster® 750 CFM Aftercooler with Coalescing Tank – Electric



Overall Dimensions:

Height: 81

Width: 72"

Depth: 35"

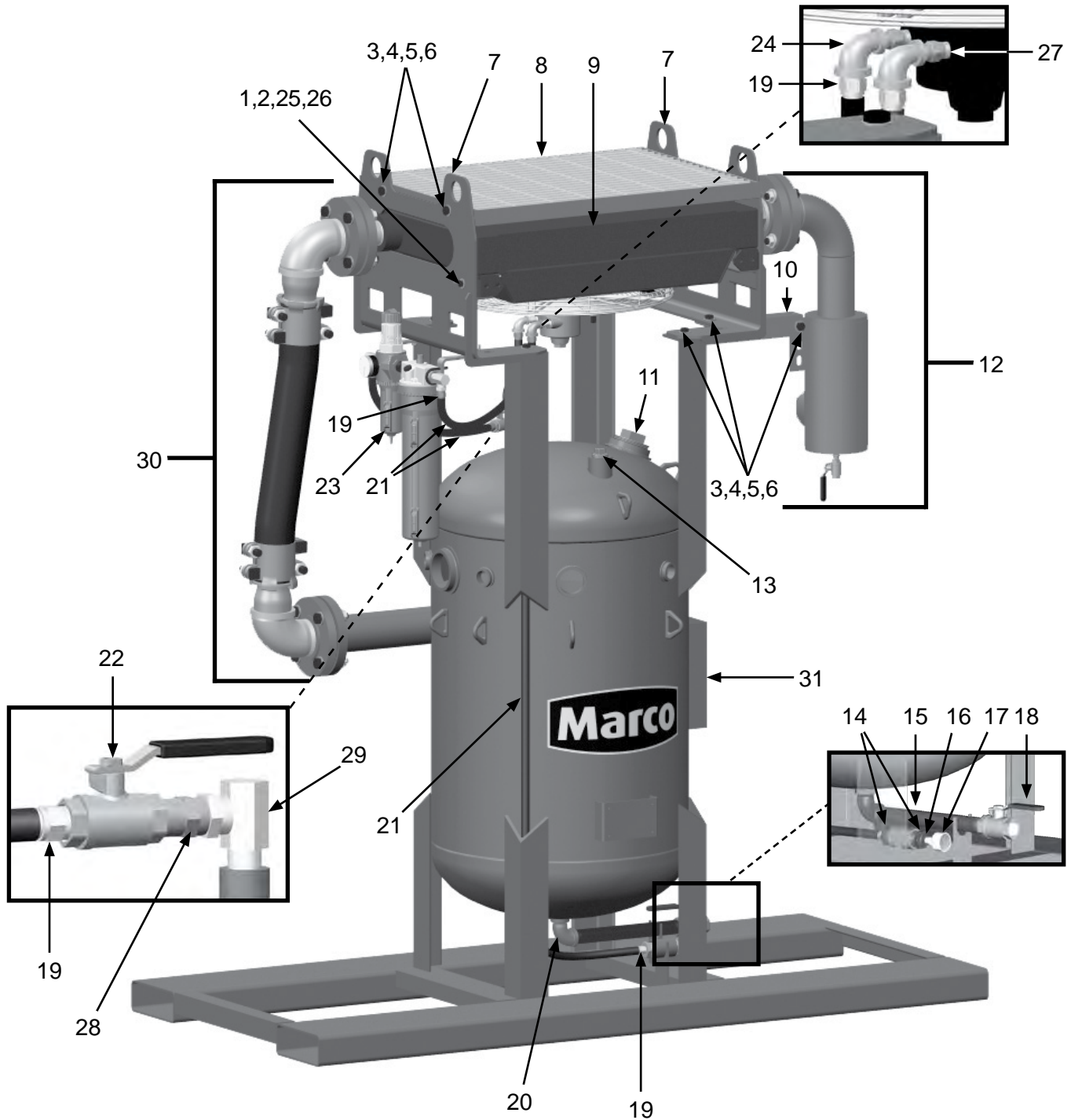
PART NUMBERS AND SCHEMATICS GUIDE

Blastmaster® 750 CFM Aftercooler With Coalescing Tank – Pneumatic

Item #	Part #	Description
Fig. 1		
—	10101173	Blastmaster® 750 CFM Aftercooler with Coalescing Tank – Pneumatic
1	10101059	3/8-16 x 1-1/4" Galvanized Bolt (<i>Eight Required</i>)
2	10101942	3/8" x 3/4" Washer (<i>Eight Required</i>)
3	10101943	1/2-13 x 1-3/4" Hex Bolt (<i>10 Required</i>)
4	10100674	1/2" Flat Washer (<i>20 Required</i>)
5	10100675	1/2" Split Lock Washer (<i>10 Required</i>)
6	10101941	1/2" Hex Nut (<i>10 Required</i>)
7	10101176	Mounting Bracket (<i>Two Required</i>)
8	10101179	Heat Exchanger Protective Grate
9	—	750 CFM Aftercooler – Pneumatic – Complete (<i>See Fig. 3</i>)
10	10101170	Brace
11	10101034	3" NPT Galvanized Pipe Plug
12	—	Inlet Filter Assembly (<i>See Fig. 6</i>)
13	1011902	1-1/4" NPT Galvanized Pipe Plug
14	1011812	1" to 1/2" Bushing
15	10101064	1" x 12" NPT Pipe Nipple
16	1011818	1/2" to 1/4" Bushing
17	10101784	Muffler
18	1011601	1" NPT Full Port Valve
19	10PAF050	1/2" Push-On Hose Fitting (<i>Six Required</i>)
20	1011801	1" Street Elbow
21	10AH012	1/2" I.D. Air Hose (<i>Per Foot</i>)
22	10L363	1/2" NPT Full Port Ball Valve
23	10101232	Air Regulator/Lubricator with Pressure Gauge (<i>See Fig. 7</i>)
24	10101185	1/2" x 1/4" Reducing Elbow (<i>Two Required</i>)
25	10L805015	3/8" Lock Washer (<i>Four Required</i>)
26	10101938	3/8-16 Hex Nut (<i>Four Required</i>)
27	1017019	Hex Nipple 1/4" x 1/4"
28	20100677	Nipple 1/2" x 1/2"
29	10SAP1290	1/2" 90° Swivel
30	—	Transfer Hose Assembly (<i>See Fig. 5</i>)
31	1091020	Hazard Identification Plate
—	1091017	Hazard Identification Tag
—	105M093	Features and Specifications Guide – Blastmaster® 750 CFM Aftercooler with Coalescing Tank
—	106M093	Part Numbers and Schematics Guide – Blastmaster® 750 CFM Aftercooler with Coalescing Tank
—	1090093	Operator's Manual – Blastmaster® 750 CFM Aftercooler with Coalescing Tank

PART NUMBERS AND SCHEMATICS GUIDE

Figure 1: Blastmaster® 750 CFM Aftercooler With Coalescing Tank – Pneumatic



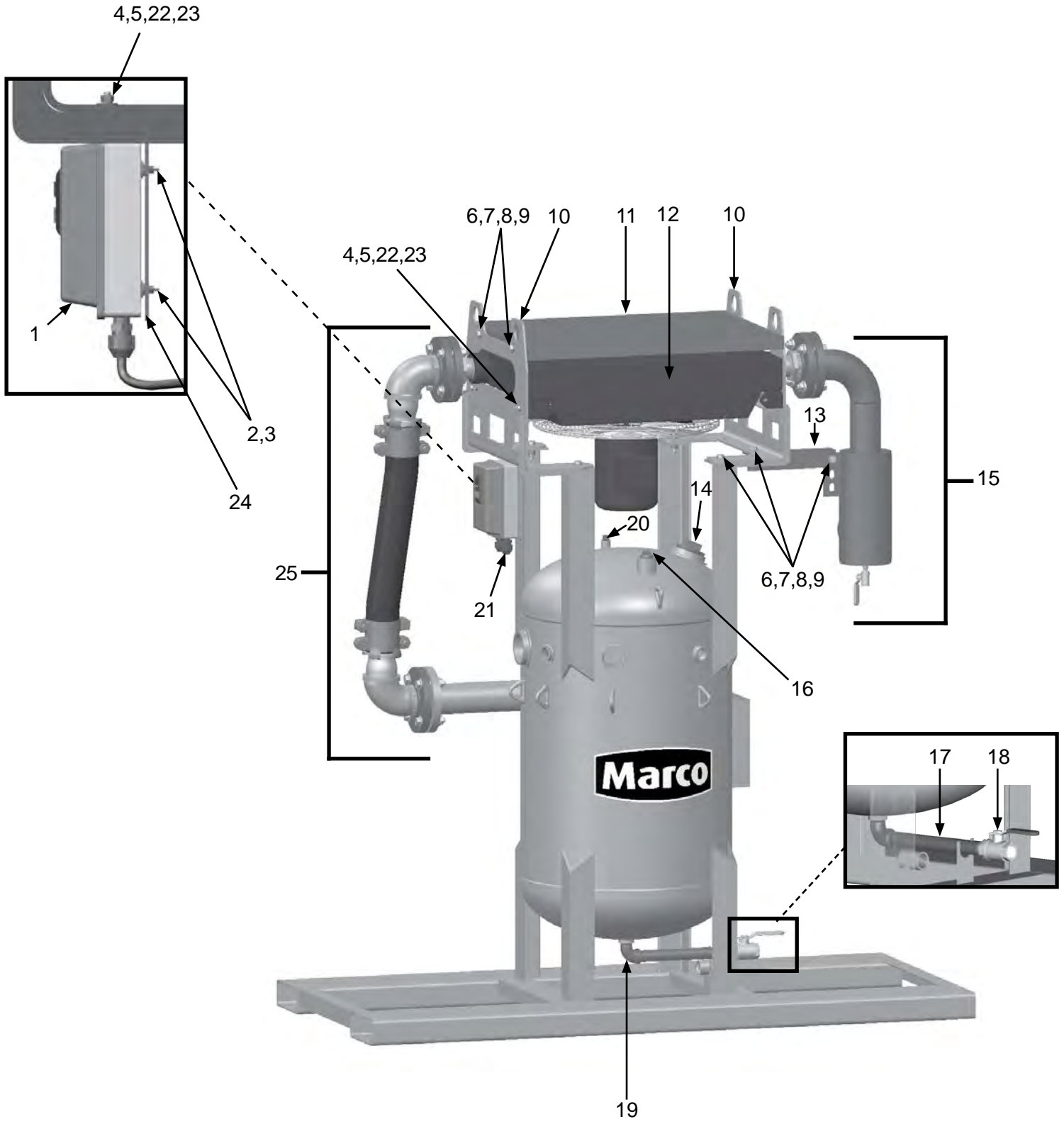
PART NUMBERS AND SCHEMATICS GUIDE

Blastmaster® 750 CFM Aftercooler With Coalescing Tank – Electric

Item #	Part #	Description
Fig. 2		
—	10101174	Blastmaster® 750 CFM Aftercooler with Coalescing Tank – Electric
1	10101760	115-Volt AC Motor Starter Box – Single Phase
2	10101355	10-24 x 3/4" Screw
3	10101356	10-24 Nylon Lock Nut
4	10101059	3/8-16 x 1-1/4" Galvanized Bolt (<i>Four Required</i>)
5	10101942	3/8" x 3/4" Washer (<i>Eight Required</i>)
6	10101943	1/2-13 x 1-3/4" Hex Bolt (<i>10 Required</i>)
7	10100674	1/2" Flat Washer (<i>20 Required</i>)
8	10100675	1/2" Split Lock Washer (<i>10 Required</i>)
9	10101941	1/2" Hex Nut (<i>10 Required</i>)
10	10101176	Mounting Bracket (<i>Two Required</i>)
11	10101179	Heat Exchanger Protective Grate
12	—	750 CFM Aftercooler Assembly – Complete (<i>See Fig. 4</i>)
13	10101170	Brace
14	10101034	3" NPT Galvanized Pipe Plug
15	—	Inlet Filter Assembly (<i>See Fig. 6</i>)
16	1011902	1-1/4" NPT Galvanized Pipe Plug
17	10101064	1" x 12" NPT Pipe Nipple
18	1011601	1" NPT Full Port Valve
19	10101185	1/2" x 1/4" Reducing Elbow
20	20G100737	1/2" NPT Pipe Plug
21	1030025	Cord Clamp (<i>Two Required</i>)
22	10L805015	3/8" Lock Washer (<i>Four Required</i>)
23	10101938	3/8-16 Hex Nut (<i>Four Required</i>)
24	10101771	Bracket
25	—	Transfer Hose Assembly (<i>See Fig. 5</i>)
—	1091017	Warning Tag
—	105M093	Features and Specifications Guide – Blastmaster® 750 CFM Aftercooler with Coalescing Tank
—	106M093	Part Numbers and Schematics Guide – Blastmaster® 750 CFM Aftercooler with Coalescing Tank
—	1090093	Operator's Manual – Blastmaster® 750 CFM Aftercooler with Coalescing Tank

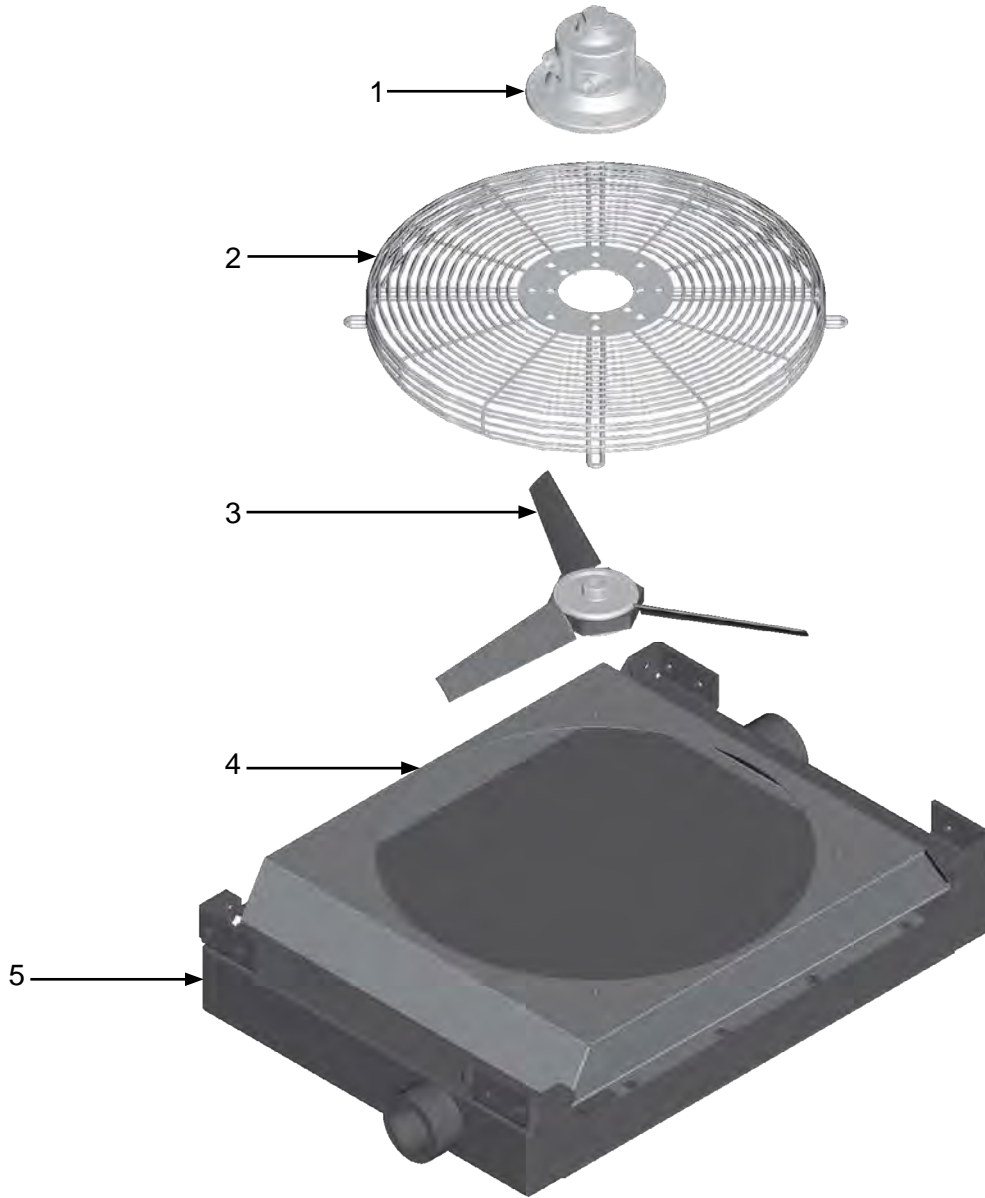
PART NUMBERS AND SCHEMATICS GUIDE

Figure 2: Blastmaster® 750 CFM Aftercooler With Coalescing Tank – Electric



PART NUMBERS AND SCHEMATICS GUIDE

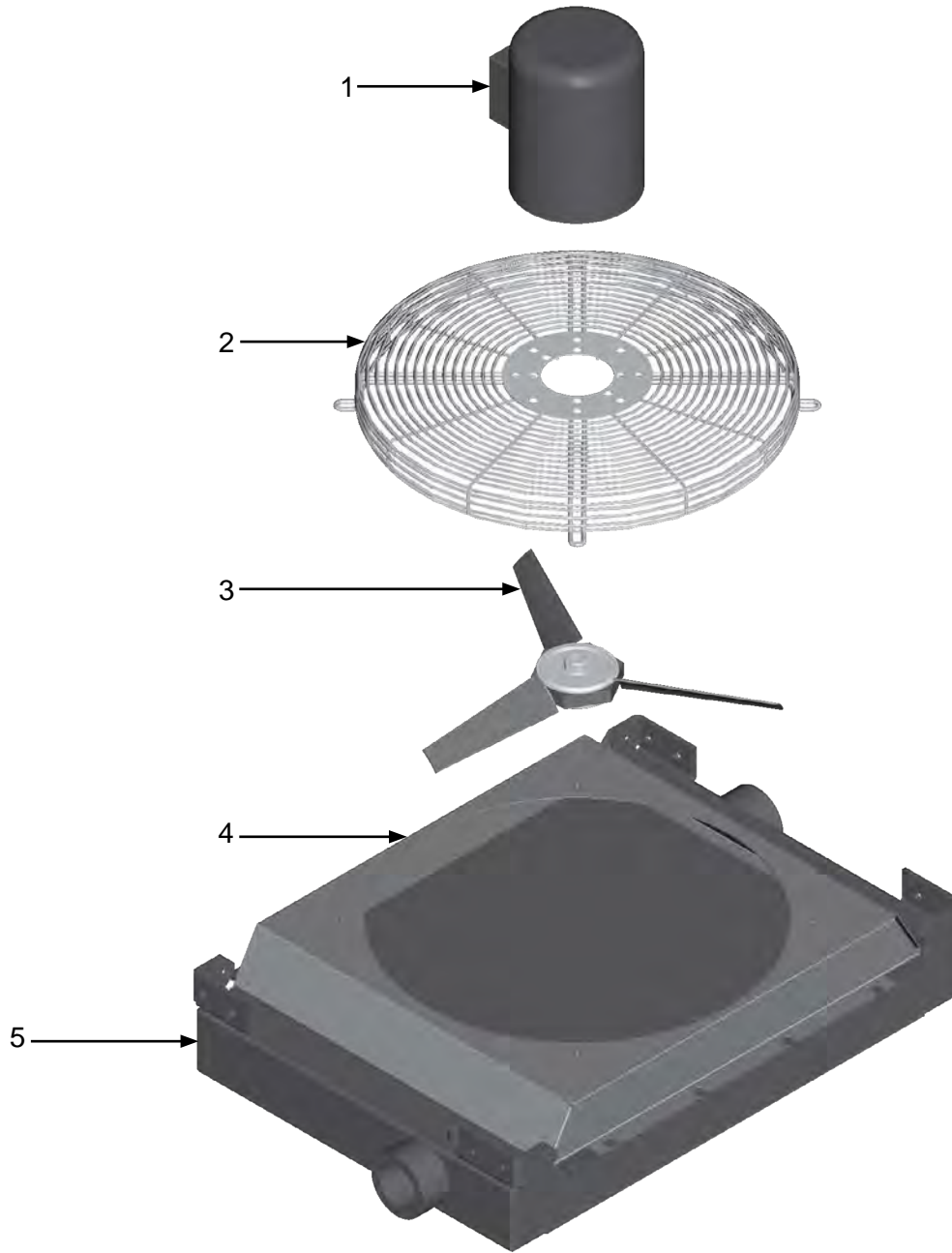
Figure 3: Aftercooler Assembly – Pneumatic



Item #	Part #	Description
Fig. 3		
—	10TTAHP7255	750 CFM Aftercooler – Pneumatic – Complete
1	10101780	Air Motor
2	10101792	Fan Guard
3	10101791	Fan Blade Assembly <i>(Includes Blades and Hub)</i>
4	10104171	Aftercooler Shroud
5	10101790	Aftercooler Core
—	10101781	Air Motor Service Kit <i>(Includes: shaft seal, drive end bearing, dead end bearing, four vanes, four push pins, four vane springs, shim, end cap gasket, muffler cartridge, and muffler felt)</i>

PART NUMBERS AND SCHEMATICS GUIDE

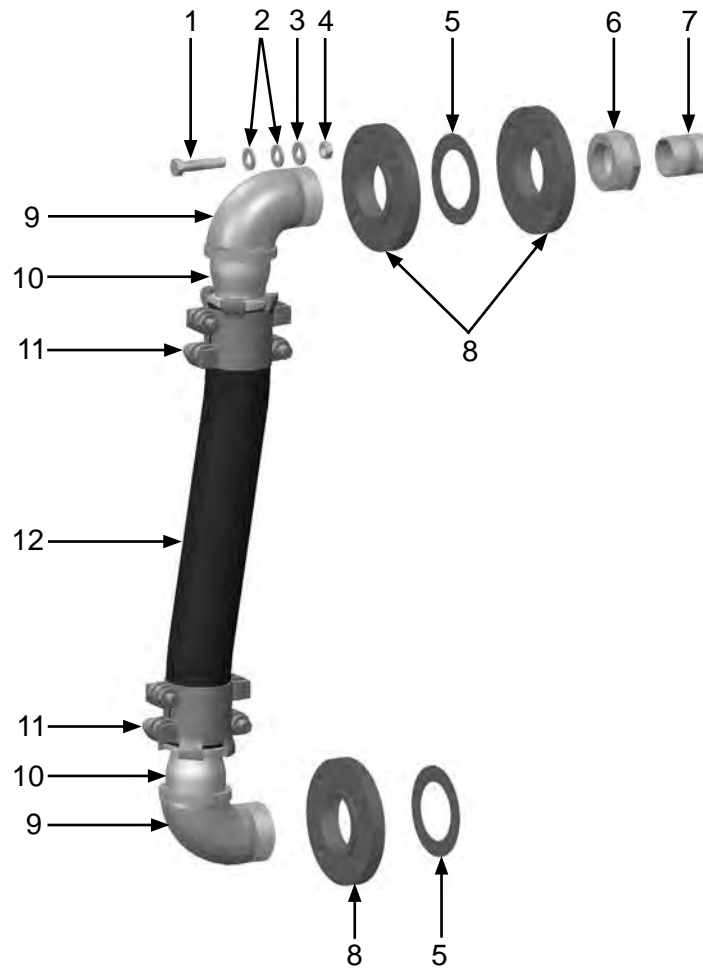
Figure 4: Aftercooler Assembly – Electric



Item #	Part #	Description
Fig. 4		
—	10TTAHP7252	750 CFM Aftercooler – Electric – Complete
1	10101793	Electric Motor – (115 Volt to 208-230 Volt) – Single Phase
2	10101792	Fan Guard
3	10101791	Fan Blade Assembly (<i>Includes Blades and Hub</i>)
4	10104171	Aftercooler Shroud
5	10101790	Aftercooler Core

PART NUMBERS AND SCHEMATICS GUIDE

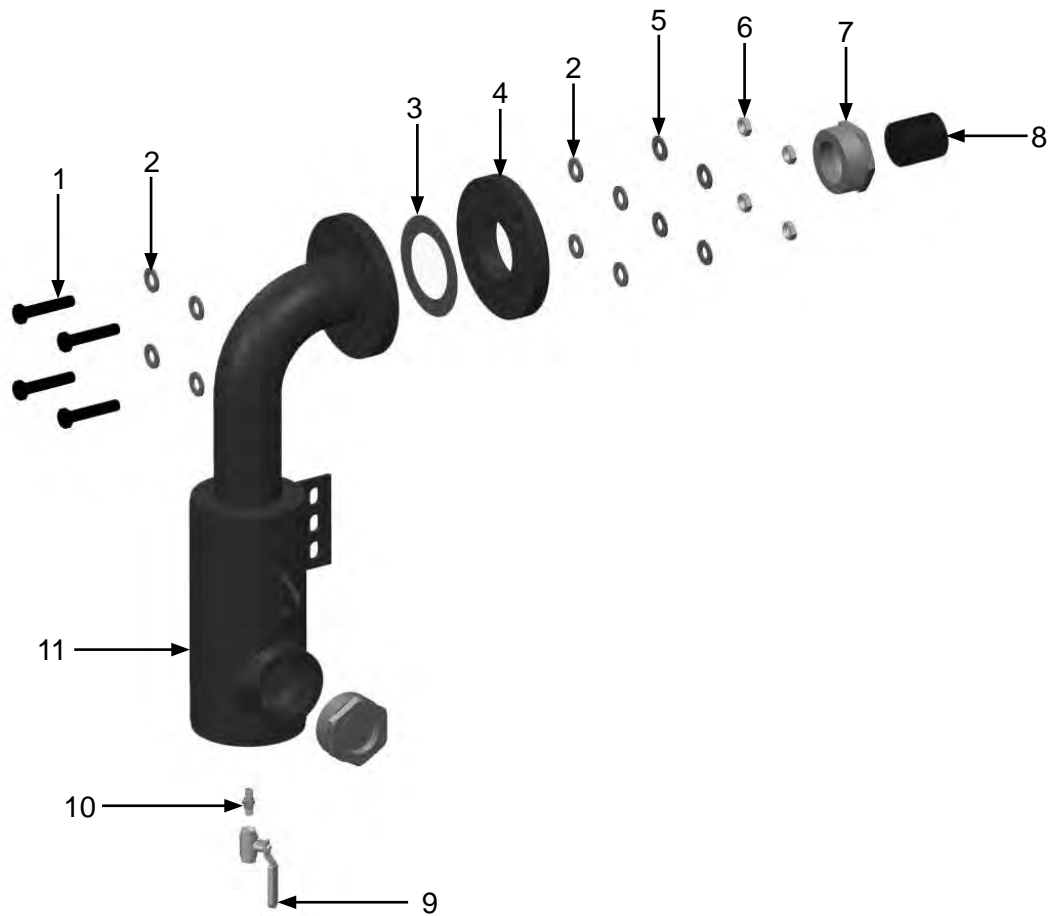
Figure 5: Transfer Hose Assembly



Item #	Part #	Description
Fig. 5		
1	10101058	5/8-11 x 3" Bolt (Four Required)
2	10101060	5/8" Flat Washer (Eight Required)
3	10101061	5/8" Split Lock Washer (Four Required)
4	10101062	5/8" Hex Nut (Four Required)
5	10101047	Flange Gasket
6	10101183	3" to 2" Bushing
7	1001806	2" NPT Close Nipple
8	10101041	3" NPT Threaded Flange (Three Required)
9	10101148	3" NPT Street Elbow (Two Required)
10	10101754	3" NPT Hose Stem (Two Required)
11	10BU35	3" Boss Clamp (Two Required)
12	10101045	3" I.D. Steel Reinforced Air Hose (Per Foot)

PART NUMBERS AND SCHEMATICS GUIDE

Figure 6: Inlet Filter Assembly



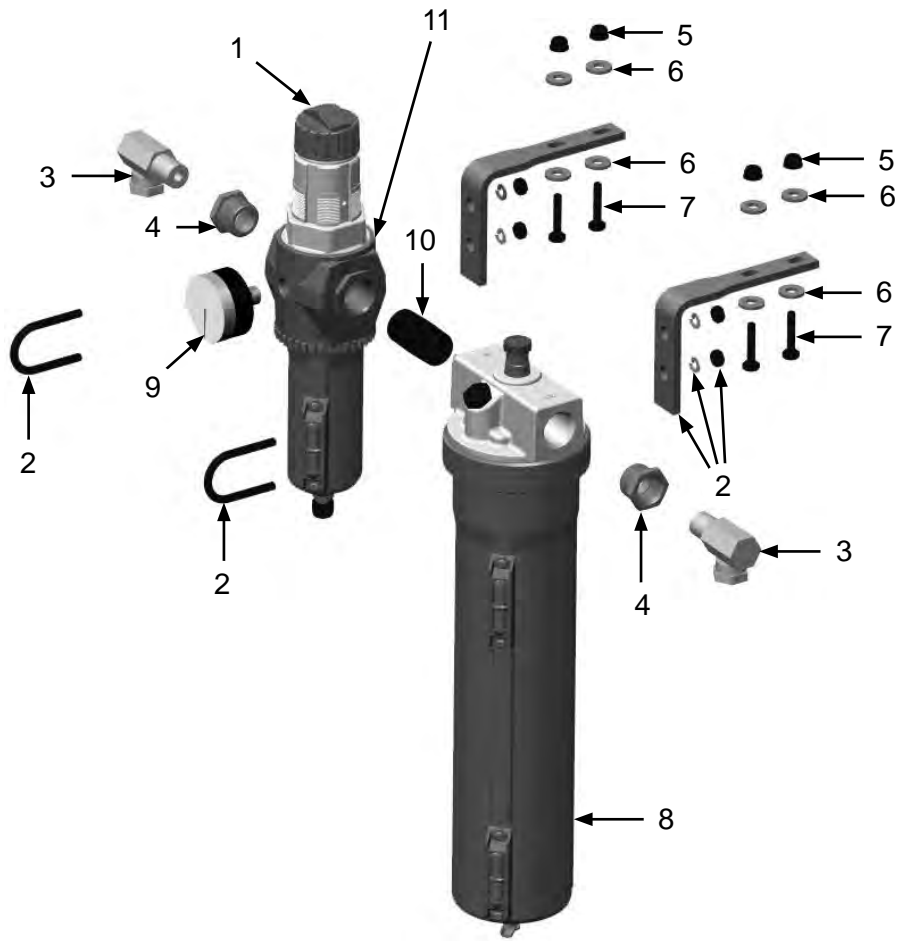
Item #	Part #	Description
--------	--------	-------------

Fig. 6

1	10101058	5/8-11 x 3" Bolt (Four Required)
2	10101060	5/8" Flat Washer (Eight Required)
3	10101047	Flange Gasket
4	10101041	3" NPT Threaded Flange
5	10101061	5/8" Split Lock Washer (Four Required)
6	10101062	5/8" Hex Nut (Four Required)
7	10101183	3" to 2" Bushing
8	1001806	2" NPT Close Nipple
9	1080050	1/4" NPT Full Port Ball Valve
10	1017019	1/4" NPT Hex Nipple
11	10101049	Inlet Moisture Separator

PART NUMBERS AND SCHEMATICS GUIDE





Figure 7: Air Filter/Regulator/Lubricator








Item #	Part #	Description
--------	--------	-------------






Fig. 7		
—	10105890	Air Filter/Regulator/Lubricator With Pressure Gauge – Pneumatic – Complete
1	10105891	Filter/Regulator
2	10105889	Mounting Bracket and U-Bolt Kit
3	10SAP1290	1/2" 90° Swivel (<i>Two Required</i>)
4	10105895	Coupler with 3/4" x 1/2" Reducing Bushing (<i>Two Required</i>)
5	10101939	1/4-20 Stainless Steel Lock Nut with Nylon Insert (<i>Eight Required</i>)
6	10101940	1/4" Flat Washer (<i>Eight Required</i>)
7	10105903	1/4-20 x 1-1/4" Grade 5 Hex Bolt (<i>Four Required</i>)
8	10105892	1.5-Litre Lubricator Bowl
9	1028606	Pressure Gauge – 0-160 PSI 1/4" – Back Mount
10	10105894	3/4" x 2" Pipe Nipple
11	10106432	Large O-Ring – Lubricator
—	1070517	Pneumatic Tool Oil – 32 oz.
—	10106504	Diaphragm Kit for Filter/Regulator
—	10106505	Bowl, O-Ring and Site Gauge Kit
—	10106506	Cartridge Kit for 1 Liter Bowl-Lubricator
—	10106507	Lubricator Extension Metal Bowl Kit

OPTIONAL ACCESSORIES

AIRFLOW SHUTOFF KITS – LUG FITTINGS					
	Part Numbers	Pipe String I.D.	Close Nipple	Full Port Ball Valve	Coupling
	10103731	1"	1012151	1011601	10ME2
	10103732	1-1/4"	1011201 <i>(Quantity of Two)</i>	1011602	10ME3
	10103733	1-1/2"	1014015 <i>(Quantity of Two)</i>	1011603	10ME4
	10103734	2"	1001806 <i>(Quantity of Two)</i>	1011604	10ME5

AIRFLOW SHUTOFF KITS – HAMMERLOCK FITTINGS					
	Part Numbers	Pipe String I.D.	Close Nipple	Full Port Ball Valve	Coupling Spud
	10103830	1"	10102151 <i>(Quantity of Two)</i>	1011601	10DXGB13
	10103831	1-1/4"	1011201 <i>(Quantity of Two)</i>	1011602	10DXGB18
	10103832	1-1/2"	1014015 <i>(Quantity of Two)</i>	1011603	10DXGB23
	10103833	2"	1001806 <i>(Quantity of Two)</i>	1011604	10DXGB28
	10103934	3"	10101040 <i>(Quantity of Two)</i>	1011608	10GB38

OPTIONAL ACCESSORIES

	Part Numbers	GALVANIZED SQUARE HEAD PIPE PLUGS	
			Size
	1011901		1"
	1011902		1-1/4"
	1011101		1-1/2"
	1011823		2"
	10101034		3"

PART NUMBERS

BLASTMASTER® 400 CFM AFTERCOOLER WITH COALESCING TANK				
Part Numbers	Power Source	Pre-Filter Moisture Separator	Filter, Regulator, and Lubricator	Electric Starter Box
10101250	Pneumatic	X	X	
10101251	115-Volt AC	X		X

BLASTMASTER® 400 CFM AFTERCOOLER WITH COALESCING TANK

Blastmaster® 400 CFM Aftercooler with Coalescing Tank – Pneumatic



Overall Dimensions:

Height: 72"

Width: 30"

Depth: 60"

Blastmaster® 400 CFM Aftercooler with Coalescing Tank – Electric



Overall Dimensions:

Height: 72"

Width: 30"

Depth: 60"

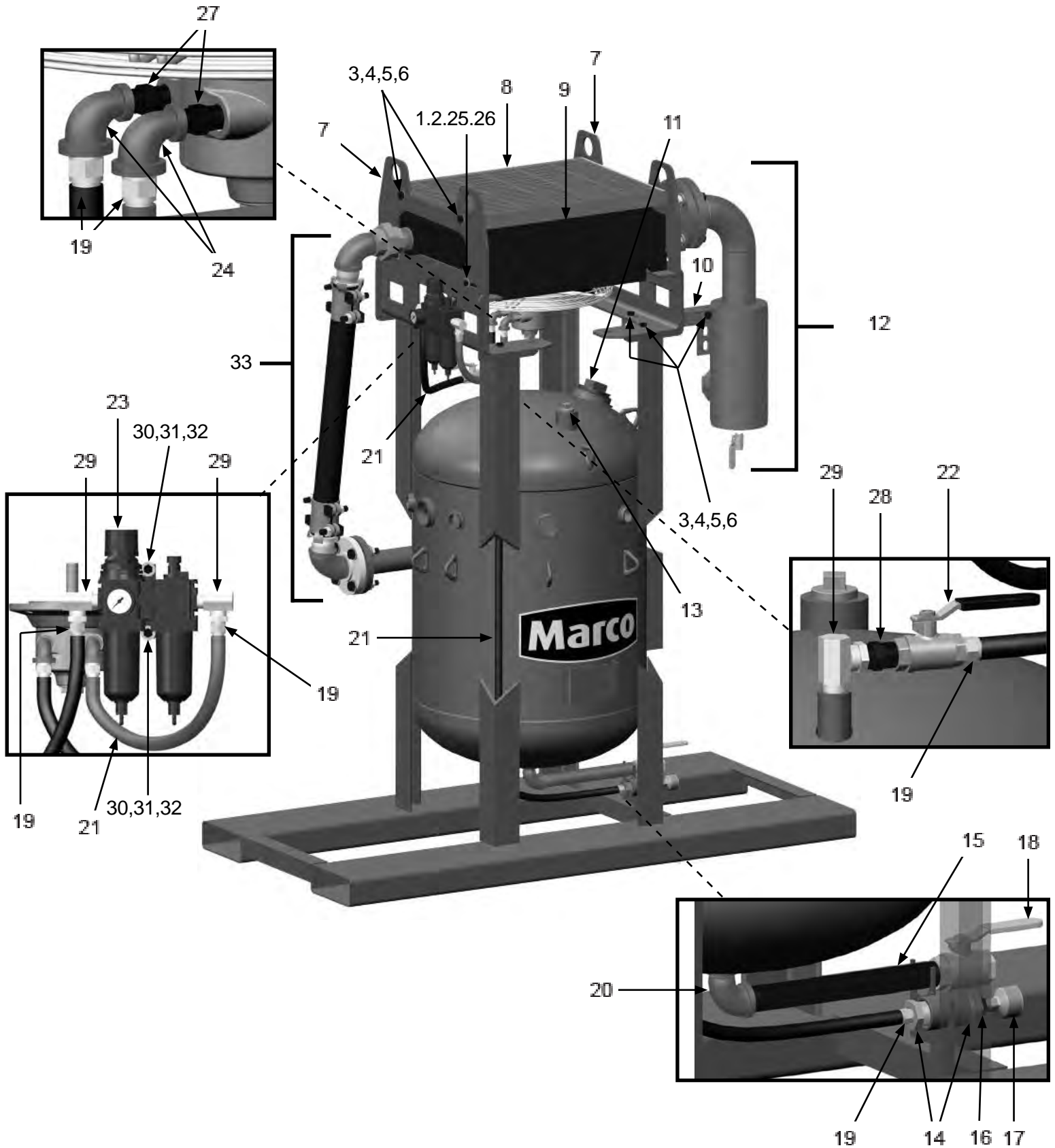
PART NUMBERS AND SCHEMATICS

Blastmaster® 400 CFM Aftercooler with Coalescing Tank – Pneumatic

Item #	Part #	Description
Fig. 1		
—	10101250	Blastmaster® 400 CFM Aftercooler with Coalescing Tank – Pneumatic
1	10101059	3/8-16 x 1-1/4" Galvanized Bolt (<i>Eight Required</i>)
2	10101942	3/8" x 3/4" Washer (<i>Eight Required</i>)
3	10101943	1/2-13 x 1-3/4" Hex Bolt (<i>10 Required</i>)
4	10100674	1/2" Flat Washer (<i>20 Required</i>)
5	10100675	1/2" Split Lock Washer (<i>10 Required</i>)
6	10101941	1/2" Hex Nut (<i>10 Required</i>)
7	10101176	Mounting Bracket (<i>Two Required</i>)
8	10101179	Heat Exchanger Protective Grate
9	—	400 CFM Aftercooler – Pneumatic—Complete (See Fig. 3)
10	10101170	Brace
11	10101034	3" NPT Galvanized Pipe Plug
12	—	Inlet Filter Assembly (<i>See Fig. 6</i>)
13	1011902	1-1/4" NPT Galvanized Pipe Plug
14	1011812	1" to 1/2" Bushing
15	10101064	1" x 12" NPT Pipe Nipple
16	1011818	1/2" to 1/4" Bushing
17	10101784	Muffler
18	1011601	1" NPT Full Port Valve
19	10PAF050	1/2" Push-on Hose Fitting (<i>Six Required</i>)
20	1011801	1" Street Elbow
21	10AH012	1/2" I.D. Air Hose (<i>Per Foot</i>)
22	10L363	1/2" NPT Full Port Ball Valve
23	10101232	Air Regulator/Lubricator with Pressure Gauge (<i>See Fig. 7</i>)
24	10101185	1/2" x 1/4" Reducing Elbow (<i>Two Required</i>)
25	10L805015	3/8" Lock Washer (<i>Four Required</i>)
26	10101938	3/8-16 Hex Nut (<i>Four Required</i>)
27	1017019	Hex Nipple 1/4" X 1/4" (<i>Two Required</i>)
28	20100677	Nipple 1/2" x 1/2"
29	10SAP1290	1/2" 90° Swivel (<i>Three Required</i>)
30	10101937	1/4-20 x 1" L GR 5 Bolt
31	10101939	1/4-20 SS Lock Nut with Nylon Insert
32	10101940	1/4" Flat Washer
33	—	Transfer Hose Assembly (<i>See Fig. 5</i>)
—	1091017	Warning Tag
—	105M092	Features and Specifications Guide – Blastmaster® 400 CFM Aftercooler with Coalescing Tank
—	106M092	Part Numbers and Schematics Guide – Blastmaster® 400 CFM Aftercooler with Coalescing Tank
—	1090092	Operator's Manual – Blastmaster® 400 CFM Aftercooler With Coalescing Tank

PART NUMBERS AND SCHEMATICS

Figure 1: Blastmaster® 400 CFM Aftercooler with Coalescing Tank – Pneumatic



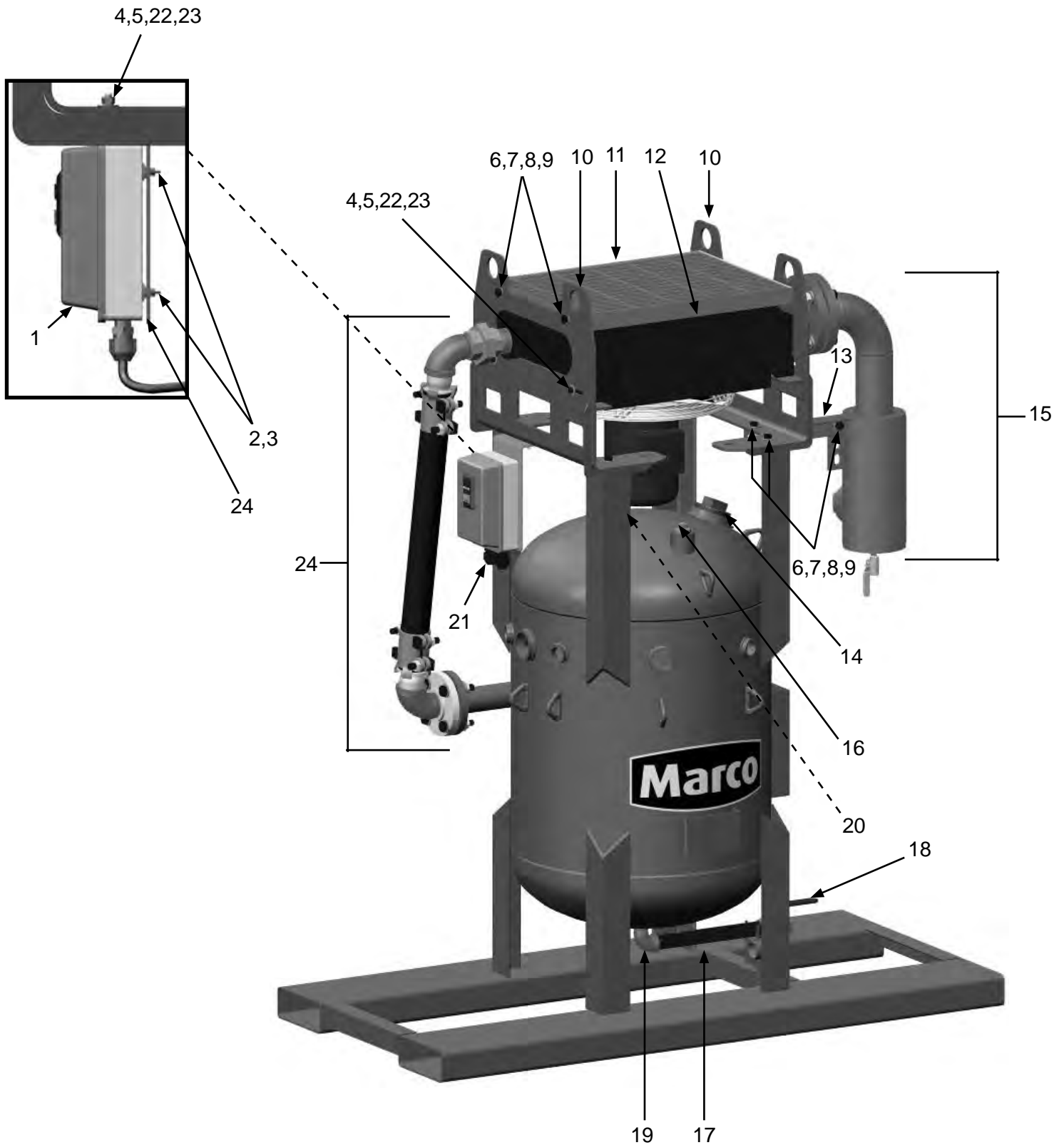
PART NUMBERS AND SCHEMATICS

Blastmaster® 400 CFM Aftercooler with Coalescing Tank – Electric

Item #	Part #	Description
Fig. 2		
—	10101251	Blastmaster® 400 CFM Aftercooler With Coalescing Tank – Electric
1	10101760	115-Volt AC Motor Starter Box – Single Phase
2	10101355	10-24 x 3/4" Screw
3	10101356	10-24 Nylon Lock Nut
4	10101059	3/8-16 x 1-1/4" Galvanized Bolt <i>(Four Required)</i>
5	10101942	3/8" x 3/4" Washer <i>(Eight Required)</i>
6	10101943	1/2-13 x 1-3/4" Hex Bolt <i>(10 Required)</i>
7	10100674	1/2" Flat Washer <i>(20 Required)</i>
8	10100675	1/2" Split Lock Washer <i>(10 Required)</i>
9	10101941	1/2" Hex Nut <i>(10 Required)</i>
10	10101176	Mounting Bracket <i>(Two Required)</i>
11	10101271	Heat Exchanger Protective Grate
12	—	400 CFM Aftercooler Assembly - Complete <i>(See Fig. 4)</i>
13	10101170	Brace
14	10101034	3" NPT Galvanized Pipe Plug
15	—	Inlet Filter Assembly <i>(See Fig. 6)</i>
16	1011902	1-1/4" NPT Galvanized Pipe Plug
17	10101064	1" x 12" NPT Pipe Nipple
18	1011601	1" NPT Full Port Valve
19	1011801	1" Street Elbow
20	20G100737	1/2" NPT Pipe Plug
21	1030025	Cord Clamp <i>(Two Required)</i>
22	10L805015	3/8" Lock Washer <i>(Four Required)</i>
23	10101938	3/8"-16 Hex Nut <i>(Four Required)</i>
24	10101771	Bracket
25	—	Transfer Hose Assembly <i>(See Fig. 5)</i>
—	1091017	Warning Tag
—	105M092	Features and Specifications Guide – Blastmaster® 400 CFM Aftercooler with Coalescing Tank
—	106M092	Part Numbers and Schematics Guide – Blastmaster® 400 CFM Aftercooler with Coalescing Tank
—	1090092	Operator's Manual – Blastmaster® 400 CFM Aftercooler With Coalescing Tank

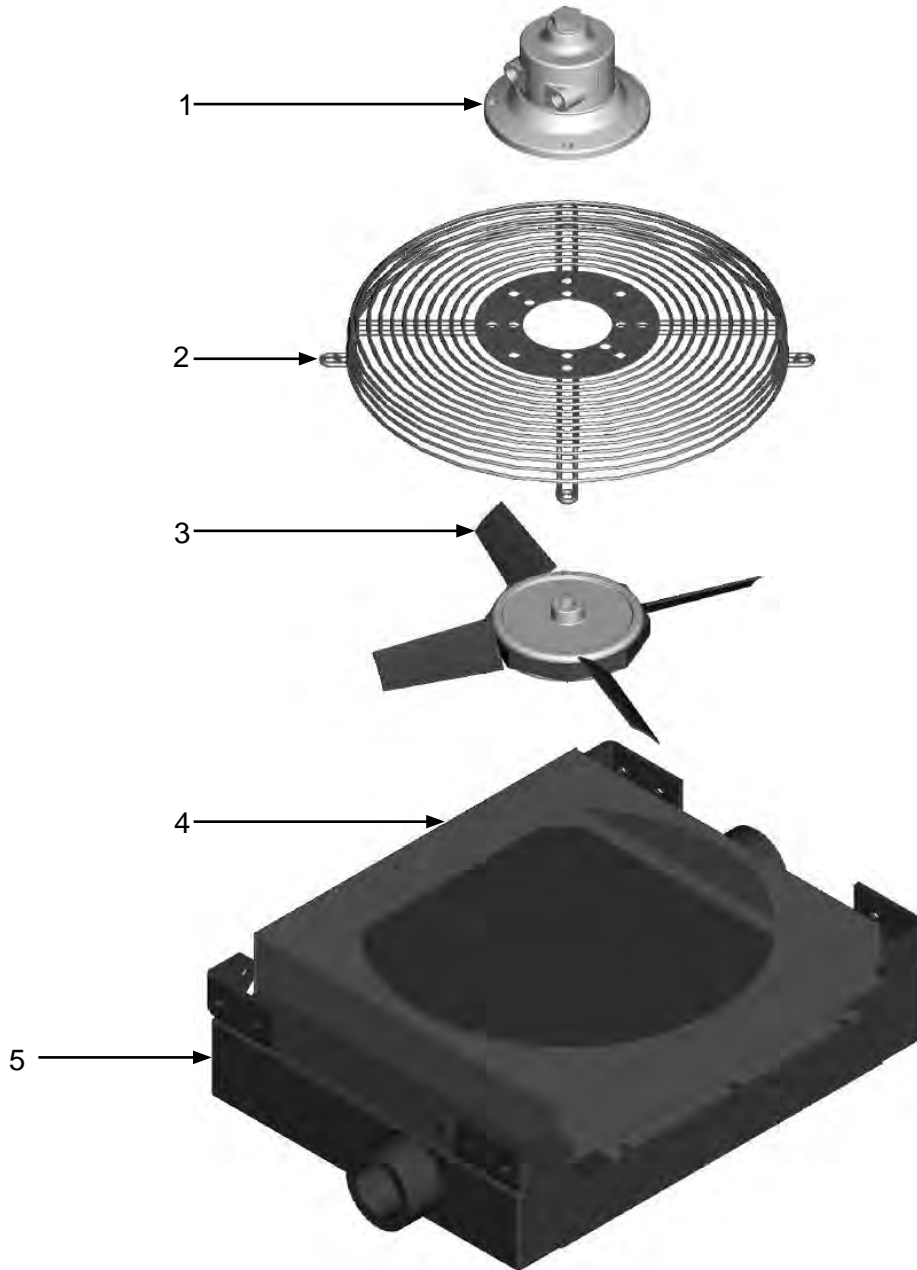
PART NUMBERS AND SCHEMATICS

Figure 2: Blastmaster® 400 CFM Aftercooler with Coalescing Tank – Electric



PART NUMBERS AND SCHEMATICS

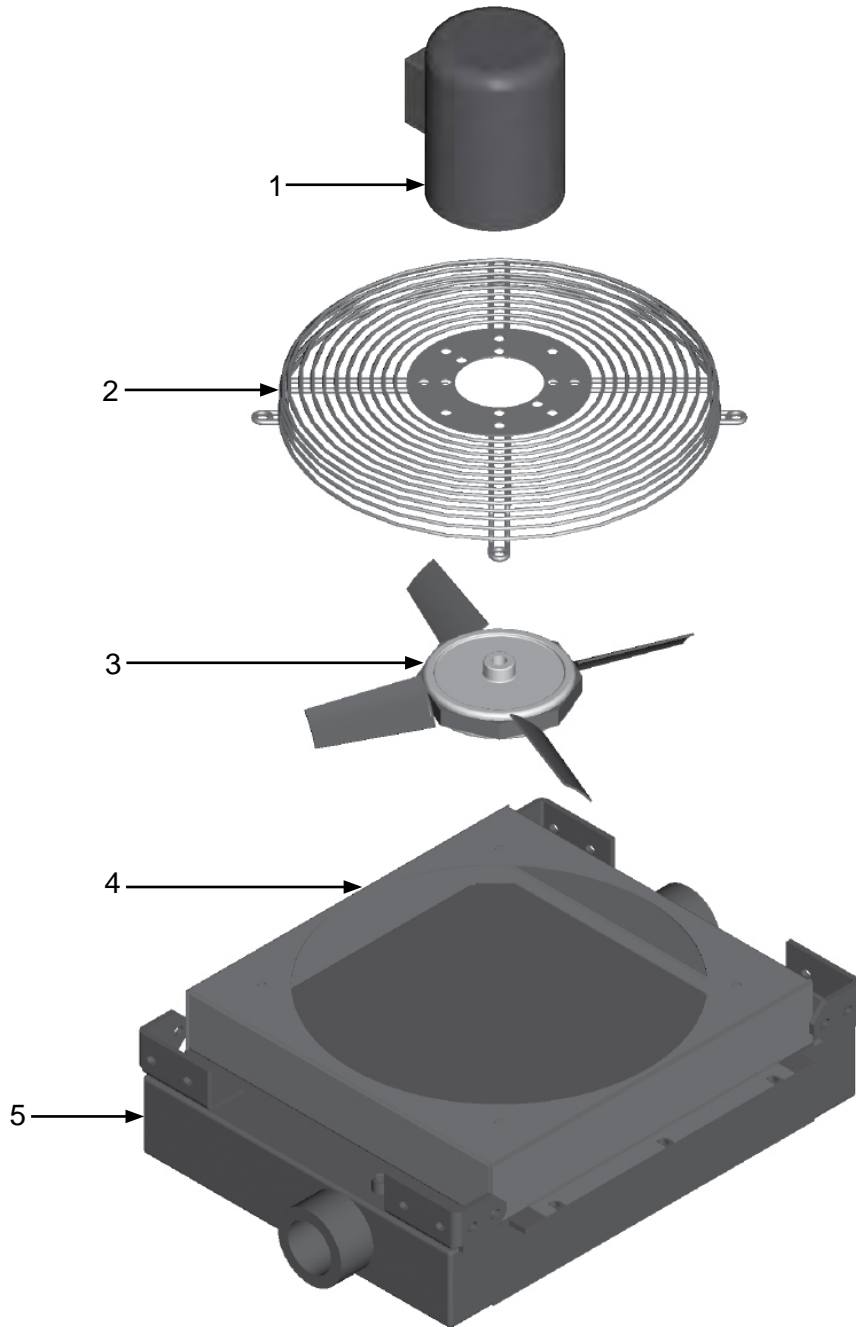
Figure 3: Aftercooler Assembly – Pneumatic



Item #	Part #	Description
Fig. 3		
—	10TTAHP4005	400 CFM Aftercooler – Pneumatic – Complete
1	10101780	Air Motor
2	10101788	Fan Guard
3	10101787	Fan Blade Assembly
4	10103983	Fan Shroud
5	10101786	Aftercooler Core
—	10101784	Muffler for Air Motor
—	10101781	Air Motor Service Kit <i>(Includes: shaft seal, drive end bearing, dead end bearing, four vanes, four push pins, four vane springs, shim, end cap gasket, muffler cartridge, and muffler felt)</i>

PART NUMBERS AND SCHEMATICS

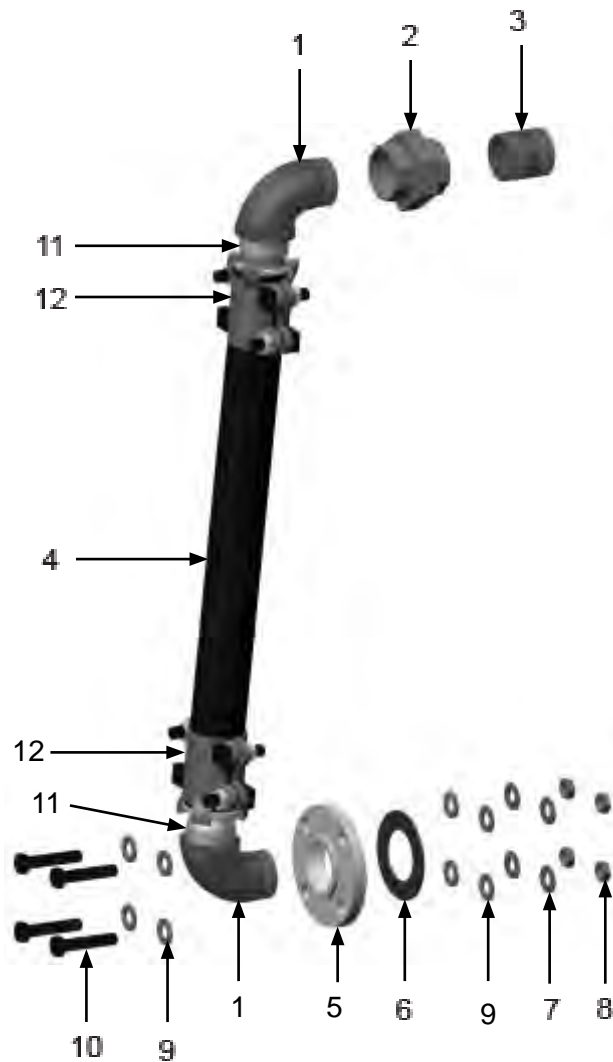
Figure 4: Aftercooler Assembly – Electric



Item #	Part #	Description
Fig. 4		
—	10TTAHP4005	400 CFM Aftercooler – Electric – Complete
1	10101789	Electric Motor – (115 Volt to 208-230 Volt) – Single Phase
2	10101788	Fan Guard
3	10101787	Fan Blade Assembly
4	10103983	Fan Shroud
5	10101786	Aftercooler Core

PART NUMBERS AND SCHEMATICS

Figure 5: Transfer Hose Assembly



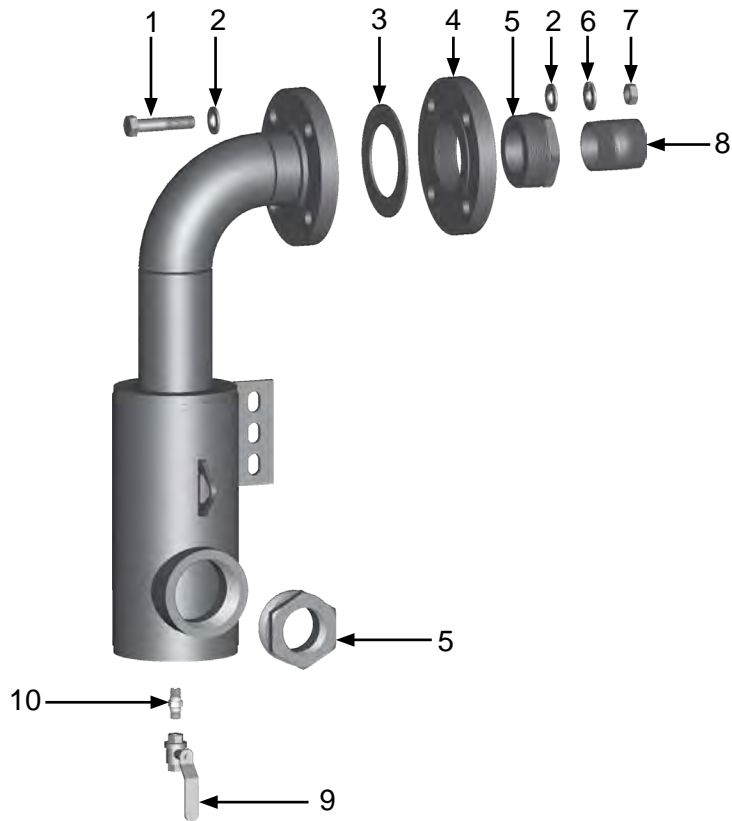
Item #	Part #	Description
--------	--------	-------------

Fig. 5

1	10101265	2" NPT 90° Street Elbow <i>(Two Required)</i>
2	10101267	2" Bushing NPT Union
3	1001806	2" NPT Close Nipple
4	10101269	2" x 2-1/2' Steel Reinforced Air Hose <i>(Per Foot)</i>
5	10101270	2" NPT Threaded Flange
6	10101266	2" Flange Gasket
7	10101061	5/8" Split Washer <i>(Four Required)</i>
8	10101062	5/8" Hex Nut <i>(Four Required)</i>
9	10101060	5/8" Flat Washer <i>(Eight Required)</i>
10	10101058	5/8-11 x 3" Bolt <i>(Four Required)</i>
11	10101268	2" NPT Hose End <i>(Two Required)</i>
12	10BU28	2" Boss Clamp <i>(Two Required)</i>

PART NUMBERS AND SCHEMATICS

Figure 6: Inlet Filter Assembly



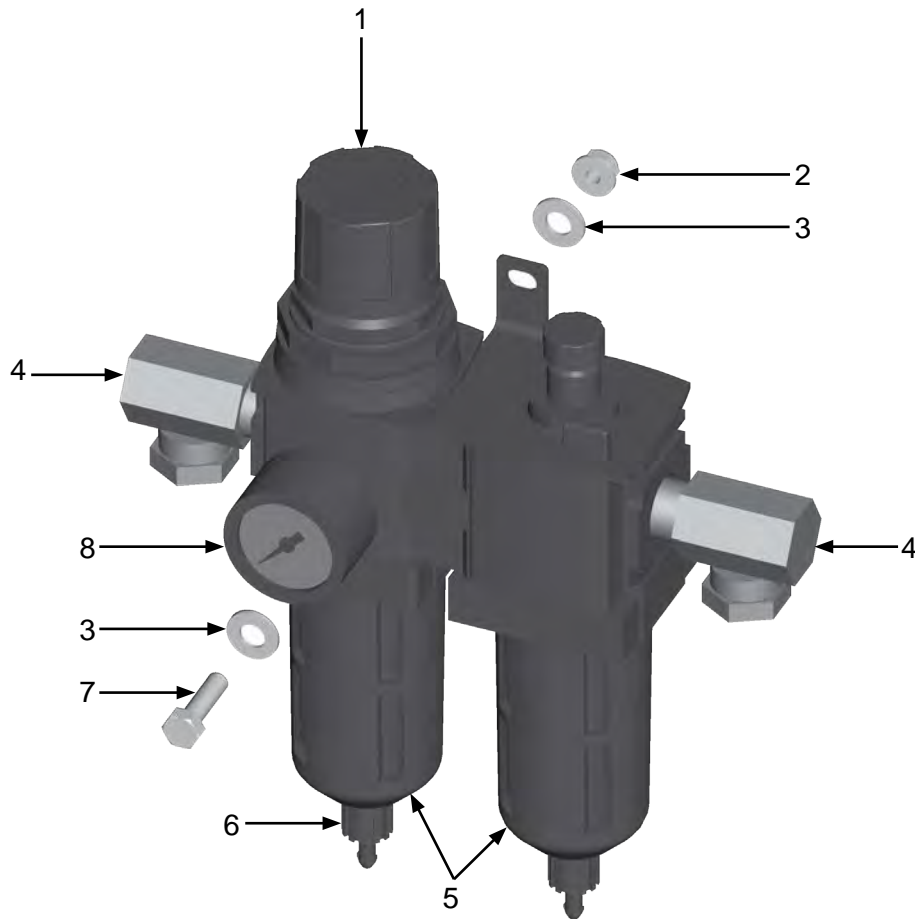
Item #	Part #	Description
--------	--------	-------------

Fig. 6

1	10101058	5/8-11 X 3" Bolt (Four Required)
2	10101060	5/8" Flat Washer (Eight Required)
3	10101047	3" Flange Gasket
4	10101041	3" NPT Threaded Flange
5	10101183	3" to 2" Bushing (Two Required)
6	10101061	5/8" Split Washer (Four Required)
7	10101062	5/8" Hex Nut (Four Required)
8	1001806	2" NPT Close Nipple
9	1080050	1/4" NPT Full Port Ball Valve
10	1017019	1/4" NPT Hex Nipple





PART NUMBERS AND SCHEMATICS






Figure 7: Air Regulator/Lubricator








Item #	Part #	Description
Fig. 7		
1	10101232	Filter/Regulator/Lubricator with Pressure Gauge
2	10101939	1/4" Nylon Insert Lock Nut (<i>Two Required</i>)
3	10101940	1/4" Flat Washer (<i>Four Required</i>)
4	10SAP1290	1/2" 90° Swivel (<i>Two Required</i>)
5	10101235	Polycarbonate Bowl (<i>Two Required</i>)
6	10101234	Manual Drain
7	10101937	1/4-20 x 1" Bolt (<i>Two Required</i>)
8	1028606	Pressure Gauge – 0-160 PSI 1/4" – Back Mount
–	10101233	Filter Element

OPTIONAL ACCESSORIES

		AIRFLOW SHUTOFF KITS – LUG FITTINGS			
Part Numbers	Pipe String I.D.	Close Nipple	Full Port Ball Valve	Coupling	
 10103731	1"	1012151	1011601	10ME2	
 10103732	1-1/4"	1011201 <i>(Quantity of Two)</i>	1011602	10ME3	
 10103733	1-1/2"	1014015 <i>(Quantity of Two)</i>	1011603	10ME4	
 10103734	2"	1001806 <i>(Quantity of Two)</i>	1011604	10ME5	

		AIRFLOW SHUTOFF KITS – HAMMERLOCK FITTINGS			
Part Numbers	Pipe String I.D.	Close Nipple	Full Port Ball Valve	Coupling Spud	
 10103830	1"	10102151 <i>(Quantity of Two)</i>	1011601	10DXGB13	
 10103831	1-1/4"	1011201 <i>(Quantity of Two)</i>	1011602	10DXGB18	
 10103832	1-1/2"	1014015 <i>(Quantity of Two)</i>	1011603	10DXGB23	
 10103833	2"	1001806 <i>(Quantity of Two)</i>	1011604	10DXGB28	
 10103934	3"	10101040 <i>(Quantity of Two)</i>	1011608	10GB38	

OPTIONAL ACCESSORIES

	Part Numbers	GALVANIZED SQUARE HEAD PIPE PLUGS	
			Size
	1011901		1"
	1011902		1-1/4"
	1011101		1-1/2"
	1011823		2"
	10101034		3"

PART NUMBERS AND SCHEMATICS GUIDE

BLASTMASTER® 400 CFM CART MOUNTED AFTERCOOLER WITH MOISTURE SEPARATOR

Part Numbers	Power Source	Filter, Regulator, and Lubricator
10103924	Pneumatic	X

PART NUMBERS AND SCHEMATICS GUIDE

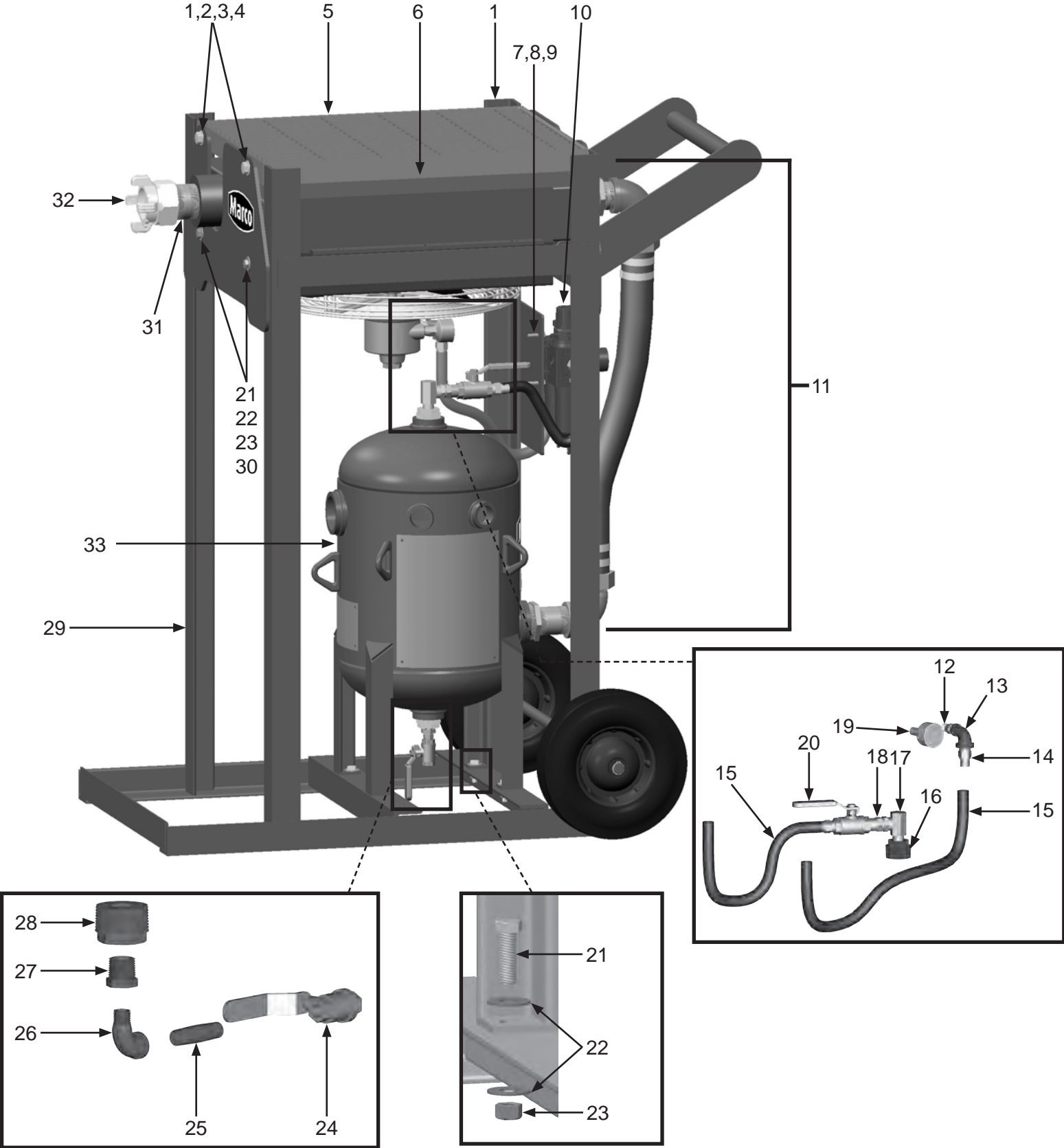


PART NUMBERS AND SCHEMATICS GUIDE

Item #	Part #	Description
Fig. 1		
—	10103924	Blastmaster® 400 CFM Cart Mounted Aftercooler with Moisture Separator – Complete
1	1014021	1/2-13 x 1-3/4" Hex Bolt <i>(Four Required)</i>
2	10100674	1/2" Flat Washer <i>(Four Required)</i>
3	10100675	1/2" Lock Washer <i>(Four Required)</i>
4	1014022	1/2-13 Hex Nut <i>(Four Required)</i>
5	10101271	Heat Exchanger Protective Grate
6	10TTAHP4005	400 CFM Aftercooler – Complete <i>(See Fig. 2)</i>
7	10101939	1/4" Nylon Insert Lock Nut
8	10101940	1/4" Flat Washer <i>(Two Required)</i>
9	10101937	1/4-20 X 1" Bolt
10	10101232	Air Regulator/Lubricator with Pressure Gauge <i>(See Fig. 4)</i>
11	—	Transfer Hose Assembly <i>(See Fig. 3)</i>
12	1017019	1/4" NPT Hex Nipple
13	10101185	1/2" x 1/4" NPT 90° Reducing Elbow
14	10PAF050	1/2" Push-on Air Hose Fitting
15	10AH012	1/2" I.D. Air Hose <i>(Per Foot)</i>
16	1011820	1-1/4" x 1/2" NPT Bushing
17	10SAP1290	1/2" NPT 90° Swivel
18	20G158491	1/2" x 1/2" Nipple
19	10101784	Aftercooler Muffler
20	10L363	1/2" Full Port Ball Valve
21	10101059	3/8-6 x 1-1/4" Galvanized Bolt <i>(Four Required)</i>
22	10101942	3/8" Galvanized Flat Washer <i>(12 Required)</i>
23	10101938	3/8-16 Galvanized Hex Nut <i>(Eight Required)</i>
24	1080050	1/4" NPT Full Port Ball Valve
25	1011217	1/4" x 2" NPT Nipple
26	1011824	1/4" NPT 90° Street Elbow
27	1011818	1/2" x 1/4" NPT Bushing
28	1011820	1-1/4" x 1/2" NPT Bushing
29	10101733	Aftercooler Frame
30	10L805015	3/8" Galvanized Lock Washer <i>(Four Required)</i>
31	1001806	2" Galvanized Close Nipple
32	10ME5	2" 4-Lug Female Threaded Metal End Coupling
33	10101320	800 CFM 6 Outlet Moisture Separator Tank
—	105M108	Features and Specifications Guide – Blastmaster® 400 CFM Cart Mounted Aftercooler with Moisture Separator
—	106M108	Part Numbers and Schematics Guide – Blastmaster® 400 CFM Cart Mounted Aftercooler with Moisture Separator
—	1091108	Operator's Manual – Blastmaster® 400 CFM Cart Mounted Aftercooler with Moisture Separator
—	1091045	Hazard Identification Tag

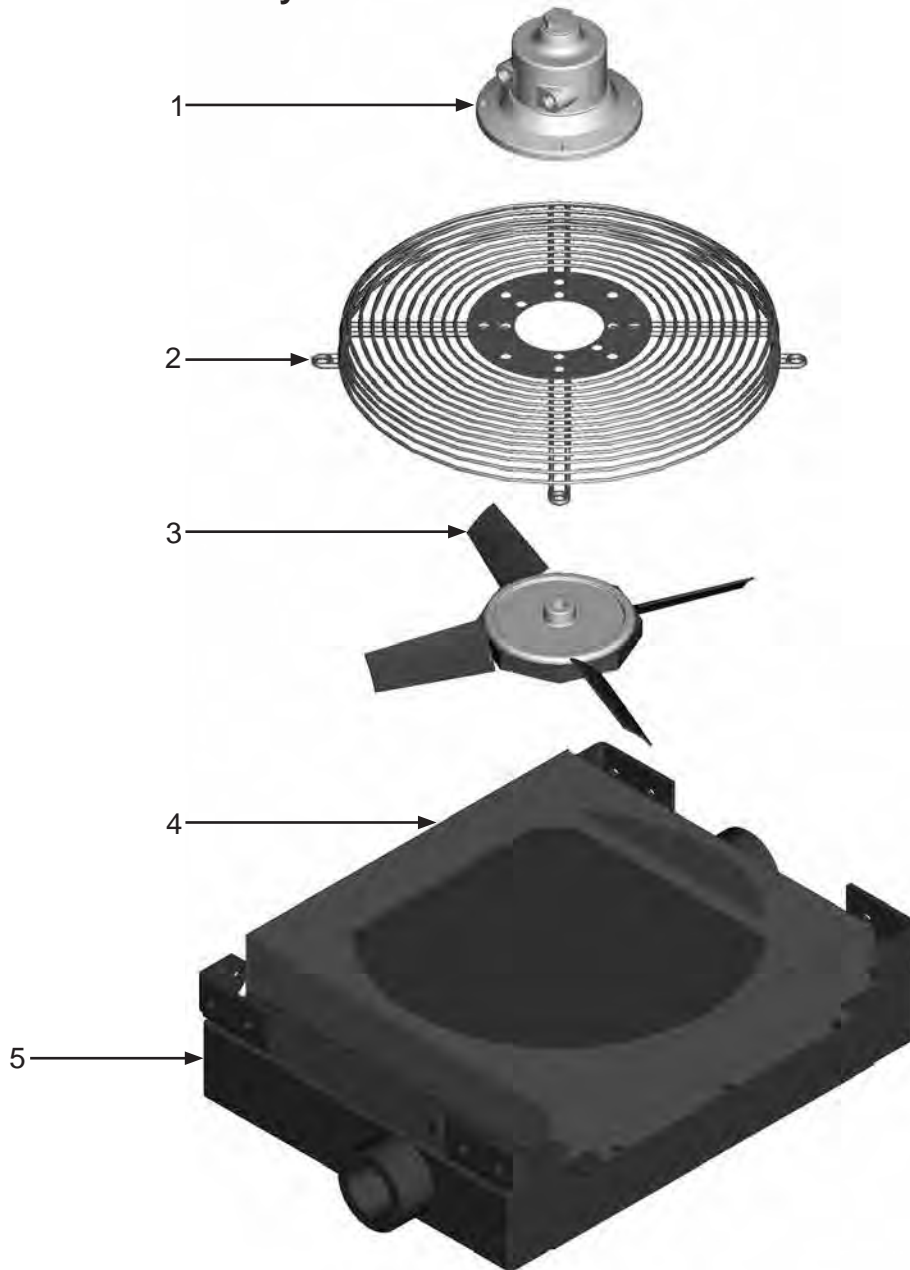
PART NUMBERS AND SCHEMATICS GUIDE

Figure 1



PART NUMBERS AND SCHEMATICS GUIDE

Figure 2: Aftercooler Core Assembly



Item #	Part #	Description
Fig. 2		
1	10101780	Air Motor
2	10101788	Fan Guard
3	10101787	Fan Blade Assembly
4	10103983	Fan Shroud
5	10101786	Aftercooler Core
—	10101784	Muffler for Air Motor
—	10101781	Air Motor Service Kit (Includes: shaft seal, drive end bearing, dead end bearing, four vanes, four push pins, four vane springs, shim, end cap gasket, muffler cartridge, and muffler felt)

PART NUMBERS AND SCHEMATICS GUIDE

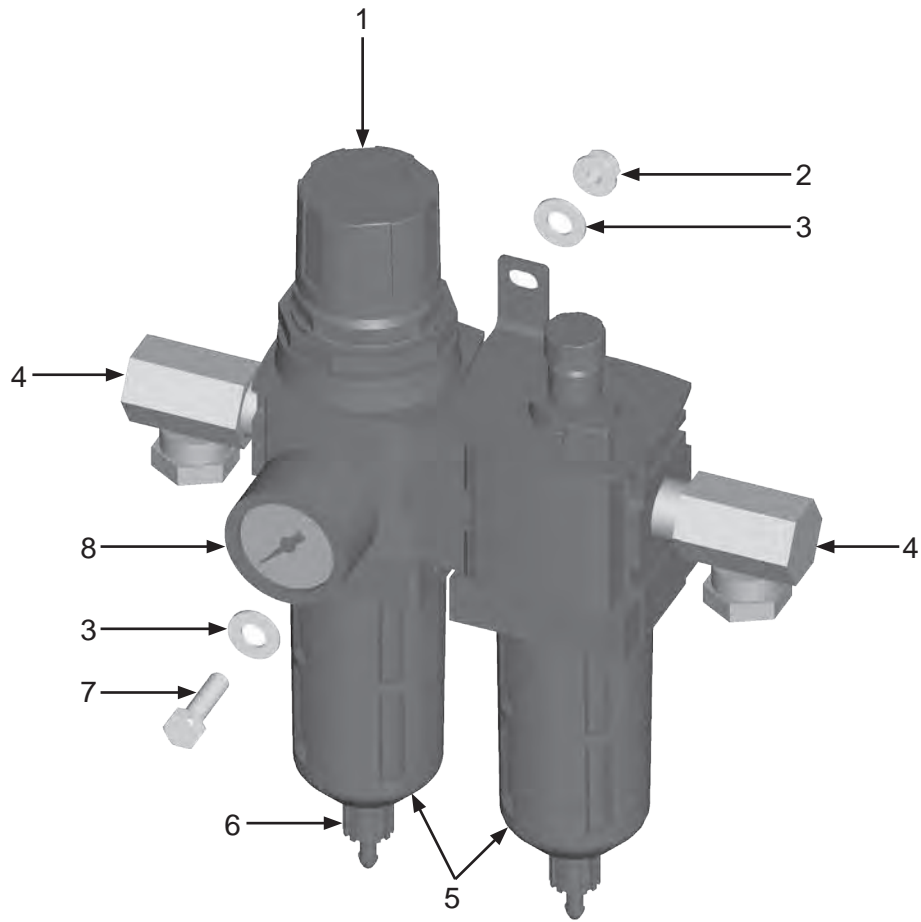
Figure 3: Transfer Hose Assembly



Item #	Part #	Description
Fig. 3		
1	1001868	2" x 1-1/2" Galvanized Hex Bushing
2	1014015	1-1/2" Galvanized Close Nippled (<i>Two Required</i>)
3	1011842	1-1/2" 90° Galvanized Elbow
4	10SFE4	1-1/2" Female Swivel End (<i>Two Required</i>)
5	10AHCL3	Band Clamp for 1-1/2" I.D. Air Hose (<i>Four Required</i>)
6	10AH112B	1-1/2" I.D. Air Hose
7	1011839	1-1/2" 90° Galvanized Street Elbow
8	1011203	1-1/2" x 3" Galvanized Nipple

PART NUMBERS AND SCHEMATICS GUIDE

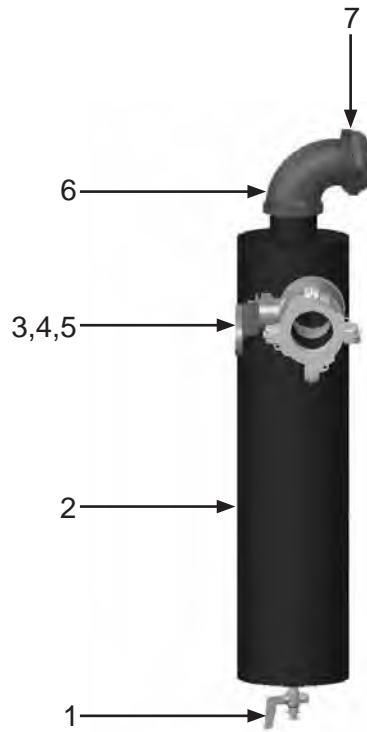
Figure 4: Filter/Regulator/Lubricator Assembly



Item #	Part #	Description
Fig. 4		
1	10101232	Filter/Regulator/Lubricator with Pressure Gauge
2	10101939	1/4" Nylon Insert Lock Nut
3	10101940	1/4" Flat Washer (<i>Two Required</i>)
4	10SAP1290	1/2" 90° Swivel (<i>Two Required</i>)
5	10101235	Polycarbonate Bowl (<i>Two Required</i>)
6	10101234	Manual Drain
7	10101937	1/4-20 X 1" Bolt
8	1028606	Pressure Gauge – 0-160 PSI 1/4" – Back Mount
–	10101233	Filter Element





OPTIONAL ACCESSORIES






Figure 5: Moisture Separator








Item #	Part #	Description
Fig. 5		
1	1012101	1/4" NPT Brass Petcock
2	10101313	1-1/2" Extractor Moisture Separator <i>Includes Item #'s: 1,3,4,5, and 6</i>
3	10ME4	1-1/2" 4-Lug Coupling
4	1014015	1-1/2" Galvanized Close Nipple
5	1011603	1-1/2" Full Port Ball Valve
6	1011839	1-1/2" 90° Galvanized Street Elbow
7	1001868	1-1/2" x 2" Galvanized Hex Bushing

OPTIONAL ACCESSORIES

		AIRFLOW SHUTOFF KITS – LUG FITTINGS			
	Part Numbers	Pipe String I.D.	Close Nipple	Full Port Ball Valve	Coupling
	10103731	1"	1012151	1011601	10ME2
	10103732	1-1/4"	1011201 <i>(Quantity of Two)</i>	1011602	10ME3
	10103733	1-1/2"	1014015 <i>(Quantity of Two)</i>	1011603	10ME4
	10103734	2"	1001806 <i>(Quantity of Two)</i>	1011604	10ME5

		AIRFLOW SHUTOFF KITS – HAMMERLOCK FITTINGS			
	Part Numbers	Pipe String I.D.	Close Nipple	Full Port Ball Valve	Coupling Spud
	10103830	1"	10102151 <i>(Quantity of Two)</i>	1011601	10DXGB13
	10103831	1-1/4"	1011201 <i>(Quantity of Two)</i>	1011602	10DXGB18
	10103832	1-1/2"	1014015 <i>(Quantity of Two)</i>	1011603	10DXGB23
	10103833	2"	1001806 <i>(Quantity of Two)</i>	1011604	10DXGB28
	10103934	3"	10101040 <i>(Quantity of Two)</i>	1011608	10GB38

OPTIONAL ACCESSORIES

	Part Numbers	GALVANIZED SQUARE HEAD PIPE PLUGS
		Size
	1011901	1"
	1011902	1-1/4"
	1011101	1-1/2"
	1011823	2"
	10101034	3"

PART NUMBERS

BLASTMASTER® 250 CFM AFTERCOOLER WITH MOISTURE SEPARATOR

Part Numbers	Power Source	1-1/4" Junior Extractor Moisture Separator	Filter, Regulator, and Lubricator	Electric Starter Box
10101340	Pneumatic	X	X	
10101736	115-Volt AC	X		X

BLASTMASTER® 250 CFM AFTERCOOLER WITH MOISTURE SEPARATOR

Blastmaster® 250 CFM Aftercooler with Moisture Separator – Pneumatic



Blastmaster® 250 CFM Aftercooler with Moisture Separator – Electric



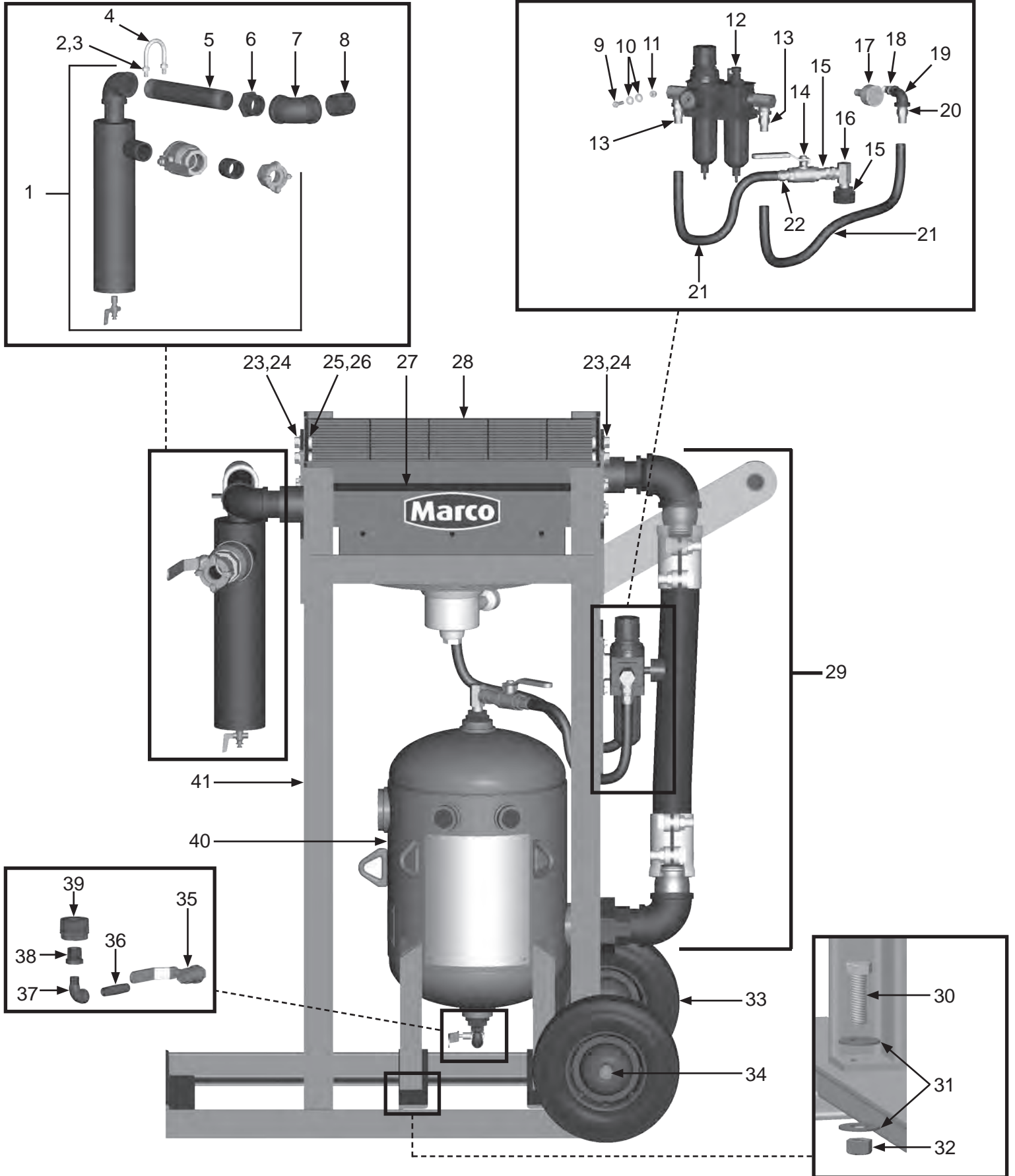
PART NUMBERS & SCHEMATICS

Blastmaster® 250 CFM Aftercooler with Moisture Separator – Pneumatic

Item #	Part #	Description
Fig. 1		
—	10101340	Blastmaster® 250 CFM Aftercooler with Moisture Separator – Pneumatic – Complete
1	—	1-1/4" Junior Extractor Moisture Separator Assembly (See Fig. 7)
2	10L805015	3/8" Lock Washer
3	1012318	3/8-16 Hex Nut
4	10101338	1-1/4" Galvanized U-Bolt
5	1006203	1-1/4" x 9-1/2" NPT Nipple
6	1011501	1-1/2" to 1-1/4" NPT Bushing
7	1011842	1-1/2" NPT 90° Elbow
8	1014015	1-1/2" NPT Close Nipple
9	1012154	1/4-20 x 1" Hex Bolt
10	1014017	1/4" Flat Washer
11	1012323	1/4-20 Nylon Insert Lock Nut
12	10101232	Air Filter/Regulator/Lubricator with Pressure Gauge (See Fig. 6)
13	10PAF050	1/2" Push-on Air Hose Fitting
14	10L363	1/2" NPT Full Port Ball Valve
15	20G158491B	1/2" NPT Hex Nipple
16	10SAP1290	1/2" NPT 90° Swivel
17	10101784	Muffler
18	1017019	1/4" NPT Hex Nipple
19	10101185	1/2" x 1/4" NPT 90° Elbow
20	10PAF050	1/2" Push-on Air Hose Fitting
21	10AH012	1/2" I.D. Air Hose (Per Foot)
22	10PAF050	1/2" Push-on Air Hose Fitting
23	1014021	1/2-13 x 1-3/4" Hex Bolt
24	10100674	1/2" Flat Washer
25	10100675	1/2" Lock Washer
26	1014022	1/2-13 Hex Nut
27	10AKGCC2002	250 CFM Aftercooler - Complete
28	10101334	250 CFM Aftercooler Protective Grate
29	—	Transfer Hose Assembly (See Fig. 5)
30	10L363	1/2" Full Port Ball Valve
31	10101059	3/8-6 x 1-1/4" Galvanized Bolt (Four Required)
32	10101942	3/8" Galvanized Flat Washer (12 Required)
33	1006067	Wheel
34	1006211	Wheel Clip
35	1080050	1/4" NPT Full Port Ball Valve
36	1011217	1/4" x 2" NPT Nipple
37	1011824	1/4" NPT 90° Street Elbow
38	1011818	1/2" to 1/4" NPT Bushing
39	1011820	1-1/4" to 1/2" NPT Bushing
40	10101320	Moisture Separator
41	10101323	Frame
—	105M091	Features and Specifications Guide – Blastmaster® 250 CFM Aftercooler with Moisture Separator
—	106M091	Part Numbers and Schematics Guide – Blastmaster® 250 CFM Aftercooler with Moisture Separator
—	1090091	Operator's Manual – Blastmaster® 250 CFM Aftercooler with Moisture Separator
—	1091045	Hazard Identification Tag

PART NUMBERS & SCHEMATICS

Figure 1: Blastmaster® 250 CFM Aftercooler with Moisture Separator – Pneumatic



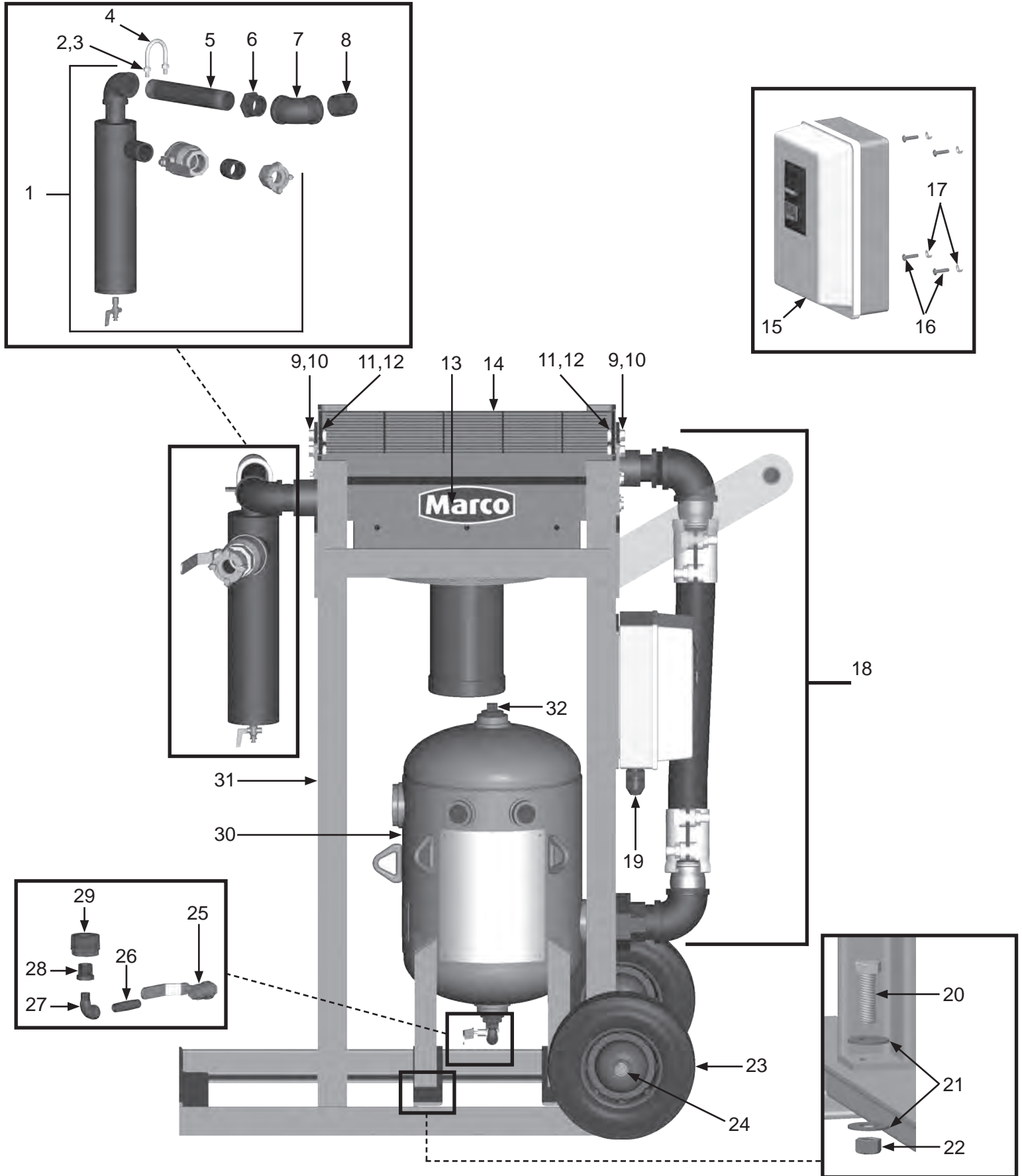
PART NUMBERS & SCHEMATICS

Blastmaster® 250 CFM Aftercooler with Moisture Separator – Electric

Item #	Part #	Description
Fig. 2		
—	10101736	Blastmaster® 250 CFM Aftercooler with Moisture Separator – Electric – Complete
1	—	1-1/4" Junior Extractor Moisture Separator Assembly (See Fig. 7)
2	10L805015	3/8" Lock Washer
3	1012318	3/8-16 Hex Nut
4	10101338	1-1/4" Galvanized U-Bolt
5	1006203	1-1/4" x 9-1/2" NPT Nipple
6	1011501	1-1/2" to 1-1/4" NPT Bushing
7	1011842	1-1/2" NPT 90° Elbow
8	1014015	1-1/2" NPT Close Nipple
9	1014021	1/2-13 x 1-3/4" Hex Bolt
10	10100674	1/2" Flat Washer
11	10100675	1/2" Lock Washer
12	1014022	1/2-13 Hex Nut
13	10AKGCC2001	250 CFM Aftercooler – Complete
14	10101334	250 CFM Aftercooler Protective Grate
15	10101760	115-Volt AC Motor Starter Box – Single Phase
16	10101355	10-24 x 3/4" Screw
17	10101356	10-24 Nylon Lock Nut
18	—	Transfer Hose Assembly (See Fig. 5)
19	1030025	Cord Clamp
20	10L363	1/2" Full Port Ball Valve
21	10101059	3/8-6 x 1-1/4" Galvanized Bolt (Four Required)
22	10101942	3/8" Galvanized Flat Washer (12 Required)
23	1006067	Wheel
24	1006211	Wheel Clip
25	1080050	1/4" NPT Full Port Ball Valve
26	1011217	1/4" x 2" NPT Nipple
27	1011824	1/4" NPT 90° Street Elbow
28	1011818	1/2" to 1/4" NPT Bushing
29	1011820	1-1/4" to 1/2" NPT Bushing
30	10101320	Moisture Separator
31	10101323	Frame
32	1011902	1-1/4" NPT Square Head Pipe Plug
—	105M091	Features and Specifications Guide – Blastmaster® 250 CFM Aftercooler with Moisture Separator
—	106M091	Part Numbers and Schematics Guide – Blastmaster® 250 CFM Aftercooler with Moisture Separator
—	1090091	Operator's Manual – Blastmaster® 250 CFM Aftercooler with Moisture Separator
—	1091045	Hazard Identification Tag

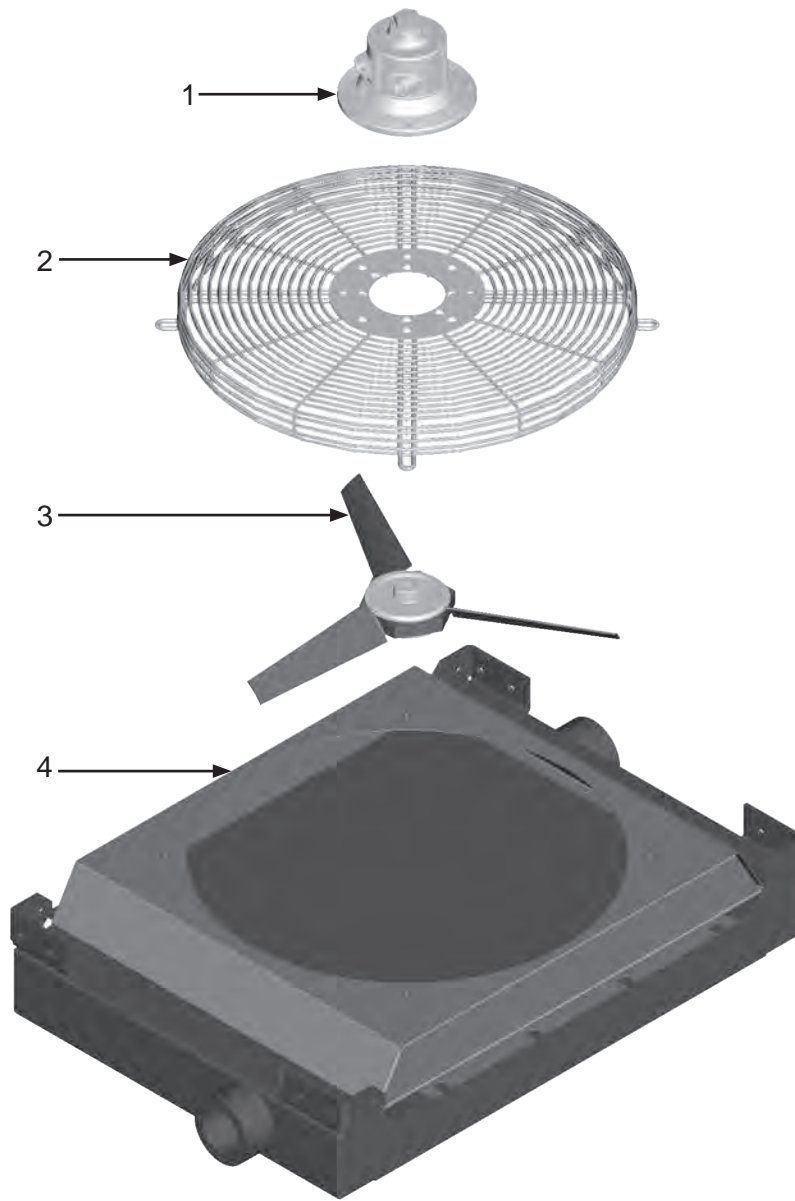
PART NUMBERS & SCHEMATICS

Figure 2: Blastmaster® 250 CFM Aftercooler with Moisture Separator – Electric



PART NUMBERS & SCHEMATICS

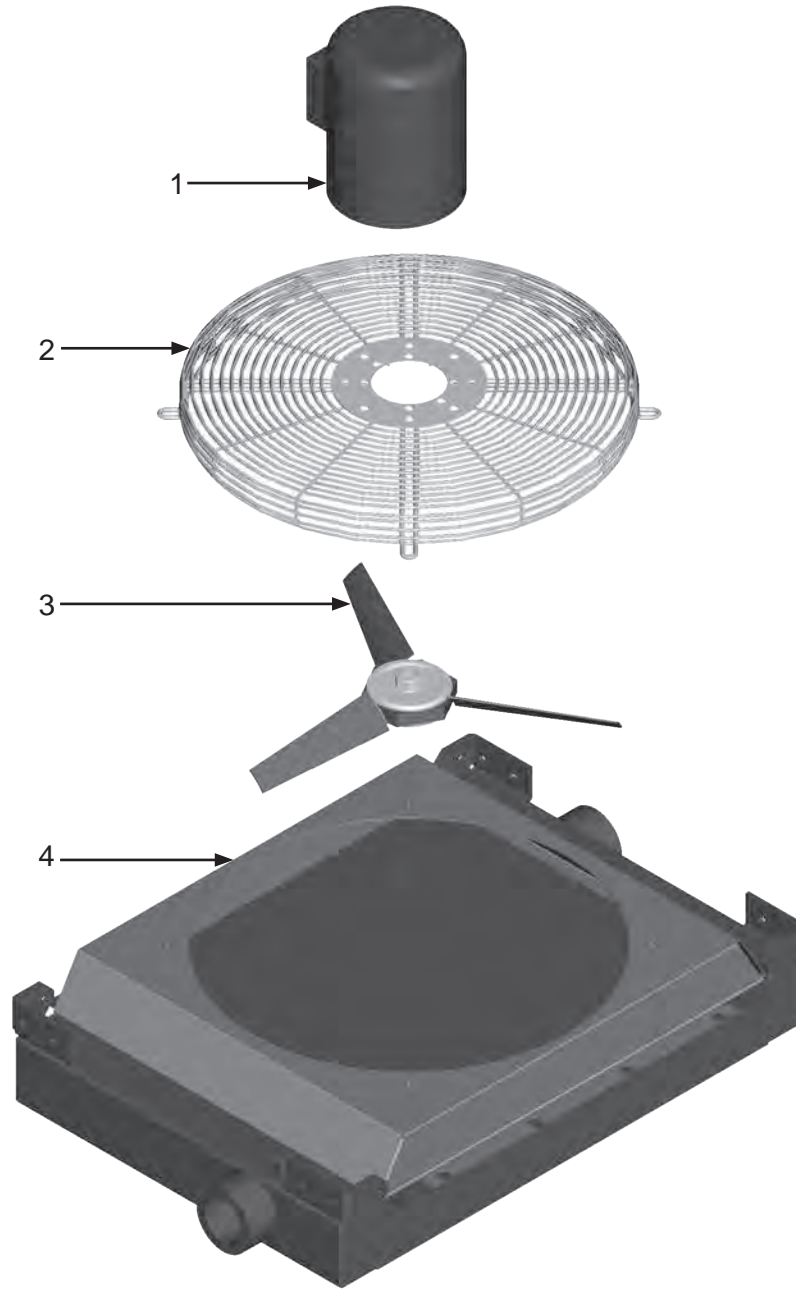
Figure 3: Aftercooler Core Assembly – Pneumatic



Item #	Part #	Description
Fig. 3		
1	10101780	Air Motor
2	10101783	Fan Guard
3	10101782	Fan Blade Assembly
4	10101779	Aftercooler Core
—	10101784	Muffler for Air Motor
—	10101781	Air Motor Service Kit <i>Includes: Shaft Seal, Drive End Bearing, Dead End Bearing, Vanes (Quantity of Four), Push Pins (Quantity of Four), Vane Springs (Quantity of Four), Shim, End Cap Gasket, Muffler Cartridge, and Muffler Felt</i>

PART NUMBERS & SCHEMATICS

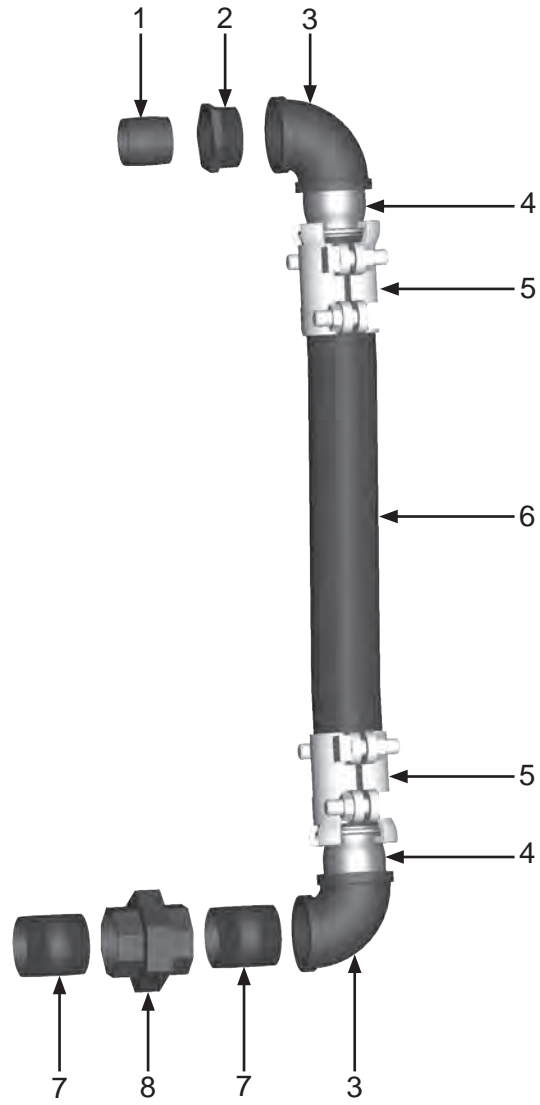
Figure 4: Aftercooler Core Assembly – Electric



Item #	Part #	Description
Fig. 4		
1	10101785	Electric Motor – (115 Volt to 208-230 Volt) – Single Phase
2	10101783	Fan Guard
3	10101782	Fan Blade Assembly
4	10101779	Aftercooler - Core Only

PART NUMBERS & SCHEMATICS

Figure 5: Transfer Hose Assembly



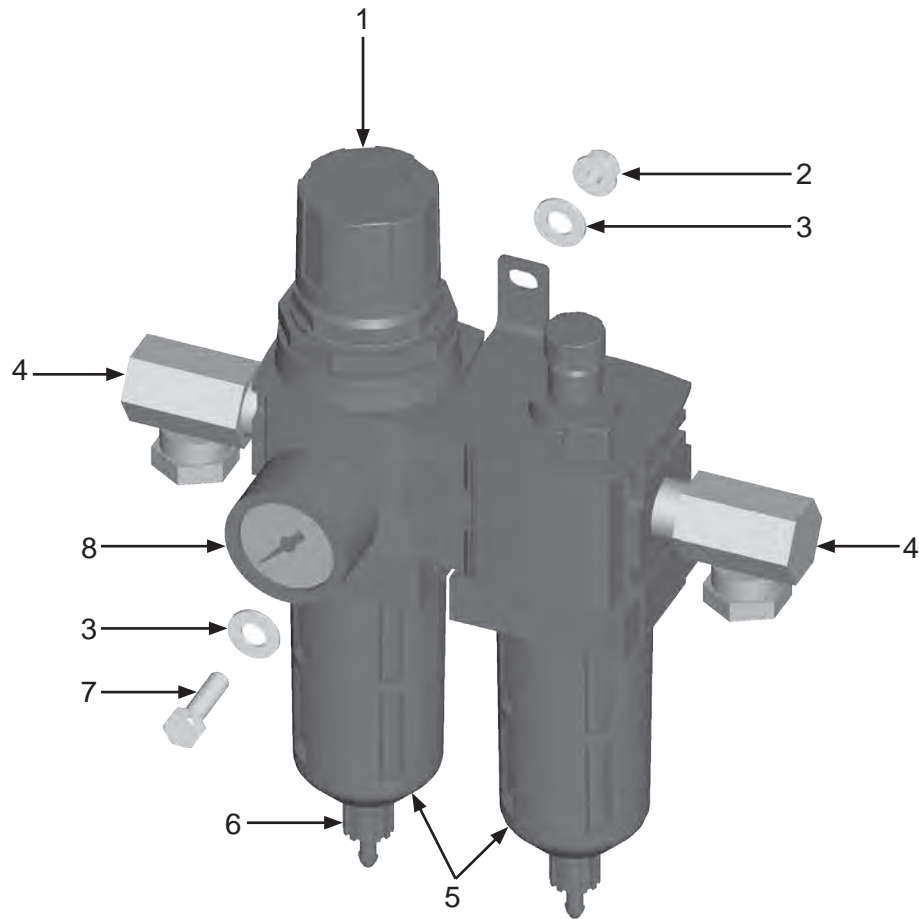
Item #	Part #	Description
--------	--------	-------------

Fig. 5

1	1014015	1-1/2" NPT Close Nipple
2	1001868	2" x 1-1/2" NPT Bushing
3	10101339	2" NPT 90° Elbow
4	10101268	2" NPT Male Hose Stem
5	10BU28	2" Boss Clamp
6	10101269	2" I.D. Steel Reinforced Air Hose (<i>Per Foot</i>)
7	1001806	2" NPT Close Nipple
8	10101267	2" NPT Union

PART NUMBERS & SCHEMATICS

Figure 6: Filter/Regulator/Lubricator Assembly



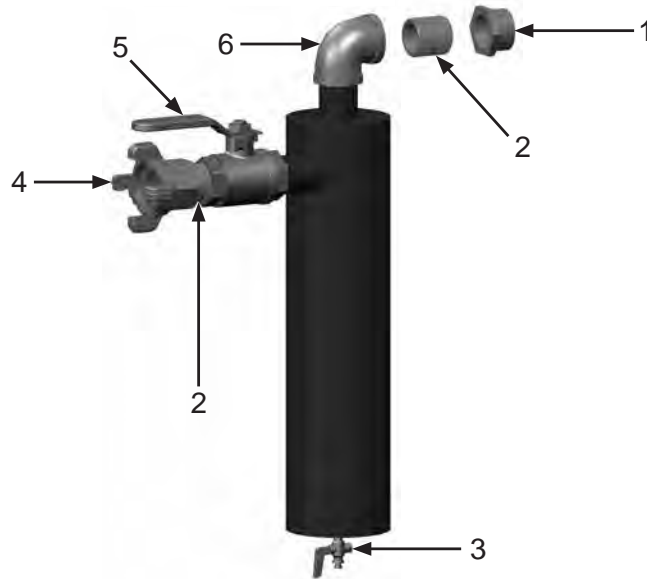
Item #	Part #	Description
--------	--------	-------------

Fig. 6

1	10101232	Filter/Regulator/Lubricator with Pressure Gauge
2	10101939	1/4" Nylon Insert Lock Nut
3	10101940	1/4" Flat Washer <i>(Two Required)</i>
4	10SAP1290	1/2" 90° Swivel <i>(Two Required)</i>
5	10101235	Polycarbonate Bowl <i>(Two Required)</i>
6	10101234	Manual Drain
7	10101937	1/4-20 X 1" Bolt
8	1028606	Pressure Gauge – 0-160 PSI 1/4" – Back Mount
–	10101233	Filter Element





PART NUMBERS & SCHEMATICS






Figure 7: 1-1/4" Junior Extractor Moisture Separator Assembly








Item #	Part #	Description
Fig. 7		
—	10101314	Blastmaster® 1-1/4" Junior Extractor Moisture Separator
1	1011501	1-1/2" x 1-1/4" Bushing
2	1011201	1-1/4" NPT Close Nipple (<i>Two Required</i>)
3	1012101	1/4" NPT Brass Petcock
4	10ME3	4-lug Air Hose Fitting - 1-1/4" NPT (F)
5	1011602	1-1/4" NPT Full Port Ball Valve
6	1006204	1-1/4" NPT 90° Elbow
—	105M039	Features, Advantages, and Benefits Guide – Blastmaster® Extractor Moisture Separators
—	106M349	Part Numbers and Schematics Guide – Blastmaster® Extractor Moisture Separators

OPTIONAL ACCESSORIES

		AIRFLOW SHUTOFF KITS – LUG FITTINGS			
	Part Numbers	Pipe String I.D.	Close Nipple	Full Port Ball Valve	Coupling
	10103731	1"	1012151	1011601	10ME2
	10103732	1-1/4"	1011201 <i>(Quantity of Two)</i>	1011602	10ME3
	10103733	1-1/2"	1014015 <i>(Quantity of Two)</i>	1011603	10ME4
	10103734	2"	1001806 <i>(Quantity of Two)</i>	1011604	10ME5

		AIRFLOW SHUTOFF KITS – HAMMERLOCK FITTINGS			
	Part Numbers	Pipe String I.D.	Close Nipple	Full Port Ball Valve	Coupling Spud
	10103830	1"	10102151 <i>(Quantity of Two)</i>	1011601	10DXGB13
	10103831	1-1/4"	1011201 <i>(Quantity of Two)</i>	1011602	10DXGB18
	10103832	1-1/2"	1014015 <i>(Quantity of Two)</i>	1011603	10DXGB23
	10103833	2"	1001806 <i>(Quantity of Two)</i>	1011604	10DXGB28
	10103934	3"	10101040 <i>(Quantity of Two)</i>	1011608	10GB38

OPTIONAL ACCESSORIES

	Part Numbers	GALVANIZED SQUARE HEAD PIPE PLUGS
		Size
	1011901	1"
	1011902	1-1/4"
	1011101	1-1/2"
	1011823	2"
	10101034	3"

PART NUMBERS

BLASTMASTER® 400 CFM CART-MOUNTED AFTERCOOLER

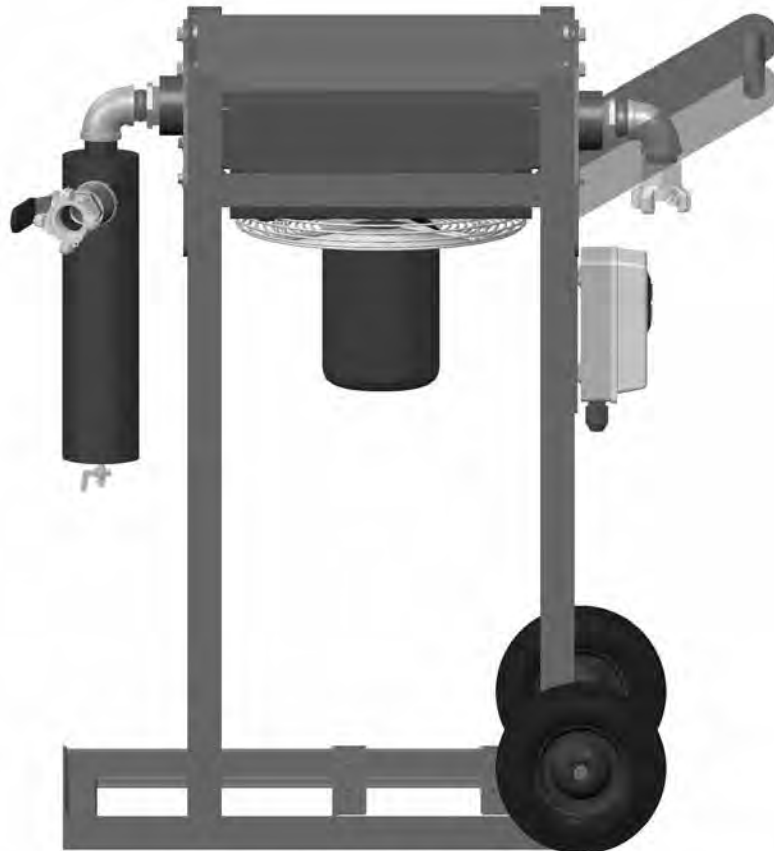
Part Numbers	Power Source	Filter, Regulator, and Lubricator	1-1/2" Extractor Moisture Separator	Electric Starter Box
10101731	Pneumatic	X	X	
10101732	115-Volt AC		X	X

BLASTMASTER® 400 CFM CART-MOUNTED AFTERCOOLER

Blastmaster® 400 CFM Cart-Mounted Aftercooler – Pneumatic



Blastmaster® 400 CFM Cart-Mounted Aftercooler – Electric



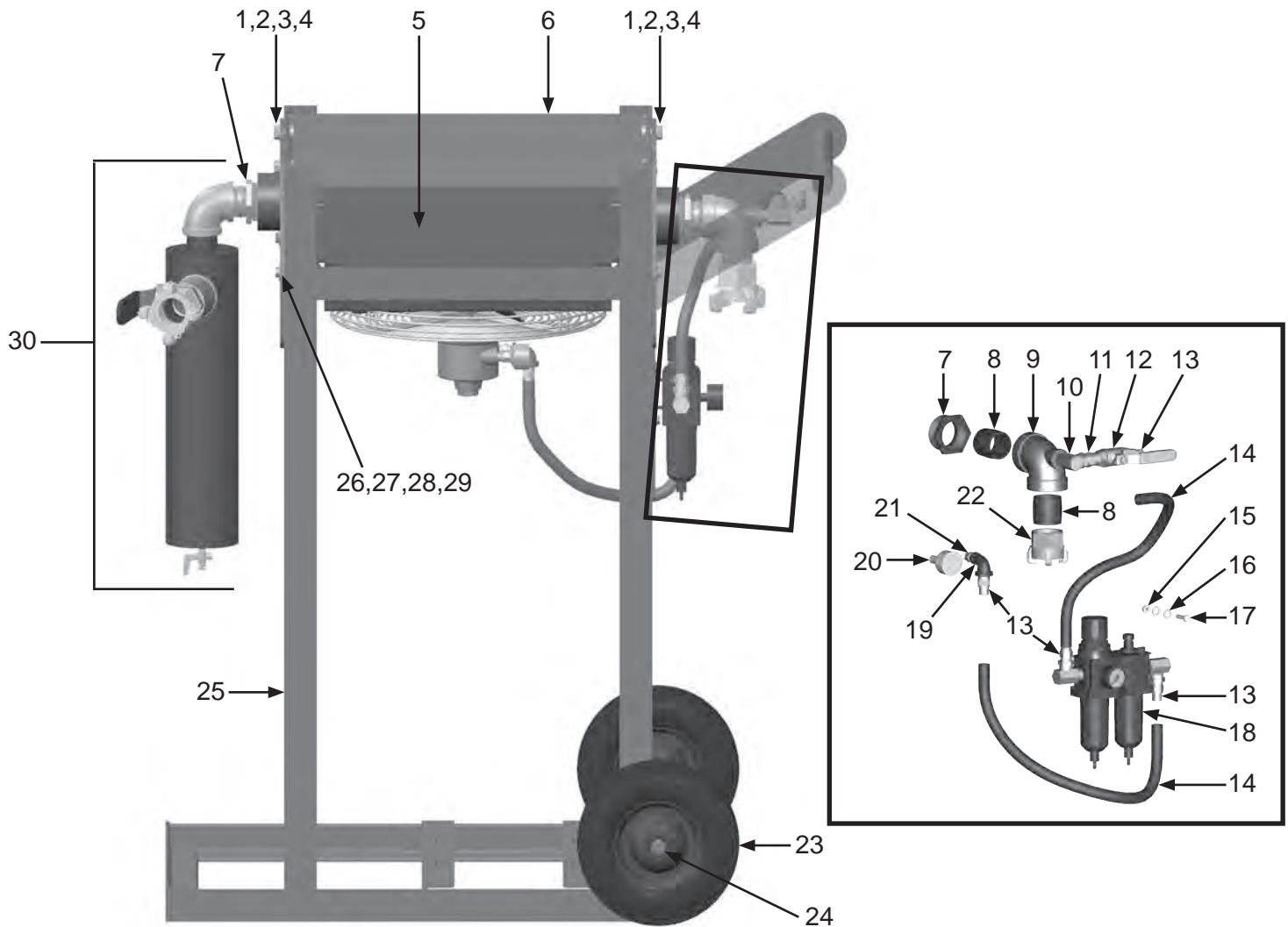
PART NUMBERS & SCHEMATICS

Blastmaster® 400 CFM Cart-Mounted Aftercooler – Pneumatic

Item #	Part #	Description
Fig. 1		
—	10101731	Blastmaster® 400 CFM Cart-Mounted Aftercooler – Pneumatic – Complete
1	1014021	1/2-13 x 1-3/4" Hex Bolt
2	10100674	1/2" Flat Washer
3	10100675	1/2" Split Lock Washer
4	1014022	1/2-13 Hex Nut
5	10TTAHP4005	400 CFM Aftercooler - Complete
6	10101271	400 CFM Aftercooler Protective Grate
7	1001868	2" x 1-1/2" NPT Bushing
8	1014015	1-1/2" NPT Close Nipple
9	1011828	1-1/2" NPT 90° Elbow with 1/2" Port
10	10SAP1290	1/2" NPT 90° Swivel
11	20G158491B	1/2" NPT Hex Nipple
12	10L363	1/2" NPT Full Port Ball Valve
13	10PAF050	1/2" Push-on Air Hose Fitting
14	10AH012	1/2" I.D. Air Hose (<i>per foot</i>)
15	1012323	1/4-20 Hex Nylon Lock Nut
16	1014017	1/4" Flat Washer
17	1012154	1/4-20 x 1" Hex Bolt
18	10101232	Air Regulator/Lubricator with Pressure Gauge (<i>See Fig. 5</i>)
19	10101185	1/2" x 1/4" Reducing Elbow
20	10101784	Muffler
21	1017019	1/4" NPT Hex Nipple
22	10ME4	1-1/2" NPT Four-Lug Air Fitting
23	1006067	Wheel
24	1006211	Wheel Clip
25	10101733	Frame
26	10101059	3/8-16 x 1-1/4" Hex Bolt
27	1014241	3/8" Flat Washer
28	10L805015	3/8" Lock Washer
29	1012318	3/8-16 Hex Nut
30	—	1-1/2" Extractor Moisture Separator Assembly (<i>See Fig. 6</i>)
—	105M096	Features and Specifications Guide – Blastmaster® 400 CFM Cart-Mounted Aftercooler
—	106M096	Part Numbers and Schematics Guide – Blastmaster® 400 CFM Cart-Mounted Aftercooler
—	1090096	Operator's Manual – Blastmaster® 400 CFM Cart-Mounted Aftercooler
—	1091045	Hazard Identification Tag

PART NUMBERS & SCHEMATICS

Figure 1: Blastmaster® 400 CFM Cart-Mounted Aftercooler – Pneumatic



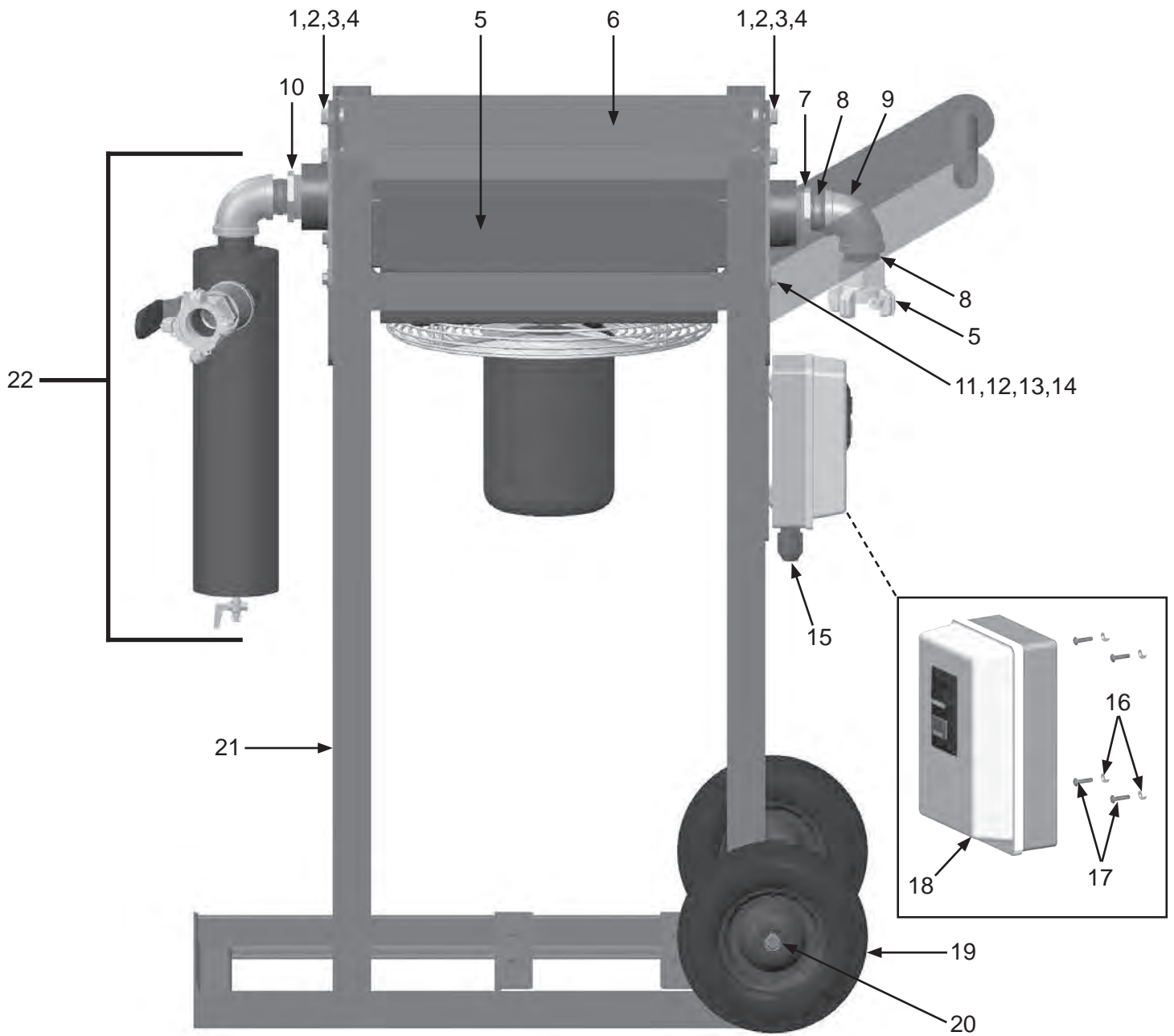
PART NUMBERS & SCHEMATICS

Blastmaster® 400 CFM Cart-Mounted Aftercooler – Electric

Item #	Part #	Description
Fig. 2		
—	10101732	Blastmaster® 400 CFM Cart-Mounted Aftercooler – Electric – Complete
1	1014021	1/2-13 x 1-3/4" Hex Bolt
2	10100674	1/2" Flat Washer
3	10100675	1/2" Split Lock Washer
4	1014022	1/2-13 Hex Nut
5	10TTAHP4002	400 CFM Aftercooler - Complete
6	10101271	400 CFM Aftercooler Protective Grate
7	1001868	2" x 1-1/2" NPT Bushing
8	1014015	1-1/2" NPT Close Nipple
9	1011842	1-1/2" NPT 90° Elbow
10	10ME4	1-1/2" NPT Four-Lug Air Fitting
11	10101059	3/8-16 x 1-1/4" Hex Bolt
12	1014241	3/8" Flat Washer
13	10L805015	3/8" Lock Washer
14	1012318	3/8-16 Hex Nut
15	1030025	Cord Clamp
16	10101356	10-24 Nylon Lock Nut
17	10101355	10-24 x 3/4" Screw
18	10101760	115-Volt AC Motor Starter Box – Single Phase
19	1006067	Wheel
20	1006211	Wheel Clip
21	10101733	Frame
22	—	1-1/2" Extractor Moisture Separator Assembly (<i>See Fig. 6</i>)
—	105M096	Features and Specifications Guide – Blastmaster® 400 CFM Cart-Mounted Aftercooler
—	106M096	Part Numbers and Schematics Guide – Blastmaster® 400 CFM Cart-Mounted Aftercooler
—	1090096	Operator's Manual – Blastmaster® 400 CFM Cart-Mounted Aftercooler
—	1091045	Hazard Identification Tag

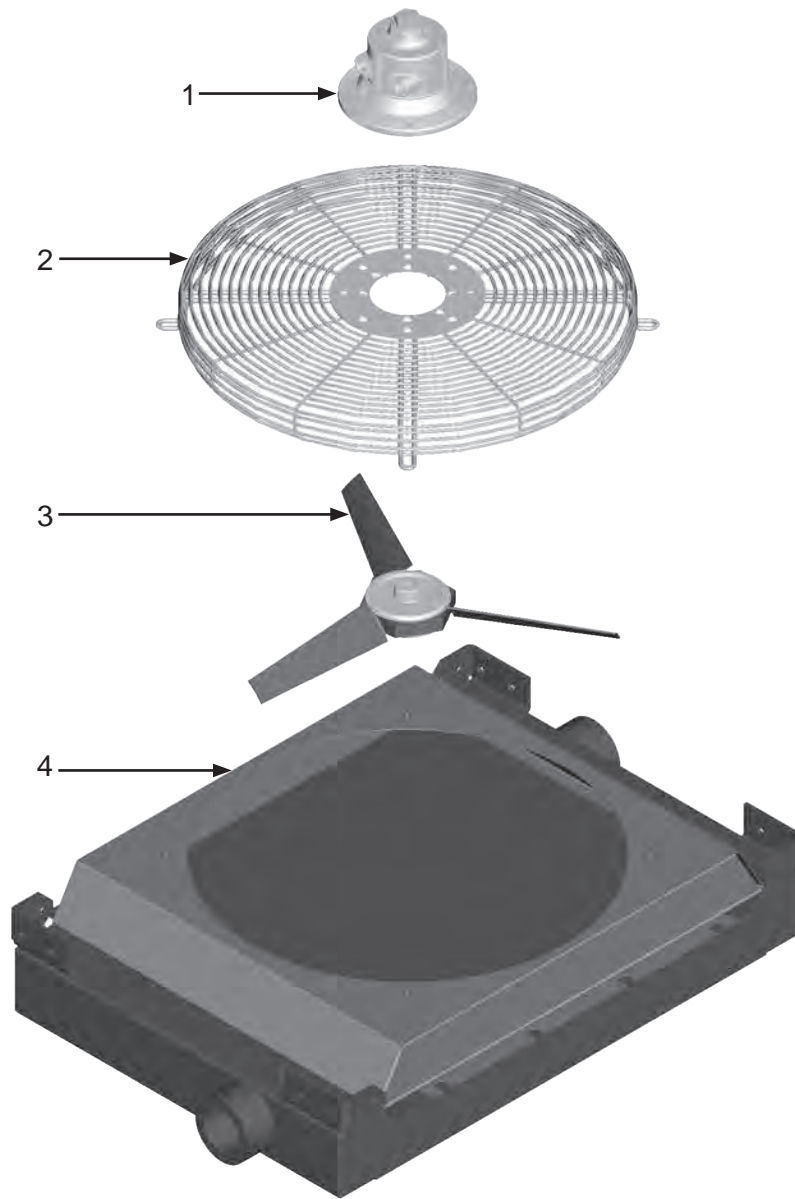
PART NUMBERS & SCHEMATICS

Figure 2: Blastmaster® 400 CFM Cart-Mounted Aftercooler – Electric



PART NUMBERS & SCHEMATICS

Figure 3: Aftercooler Core Assembly – Pneumatic



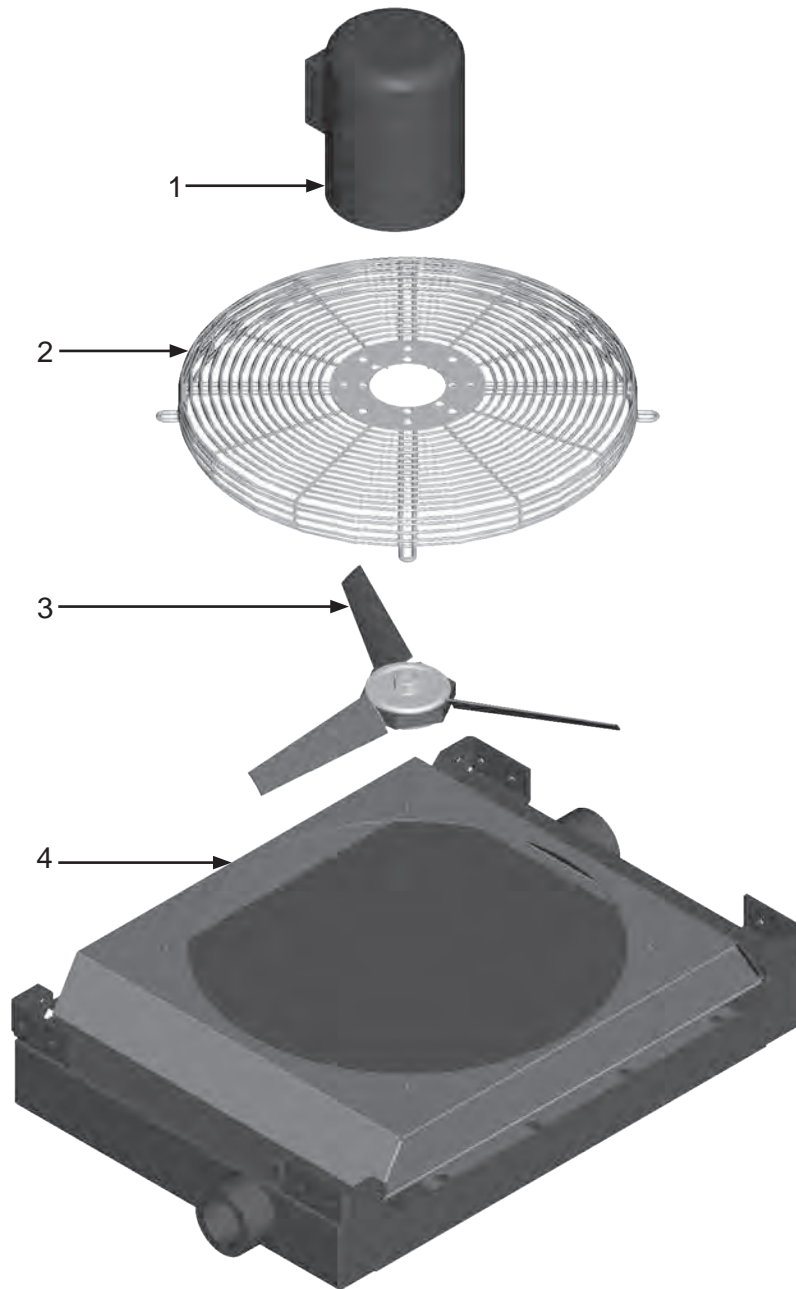
Item #	Part #	Description
--------	--------	-------------

Fig. 3

1	10101780	Air Motor
2	10101788	Fan Guard
3	10101787	Fan Blade Assembly
4	10101786	Aftercooler Core
—	10101784	Muffler for Air Motor
—	10101781	Air Motor Service Kit <i>Includes: Shaft Seal, Drive End Bearing, Dead End Bearing, Vanes (Quantity of Four), Push Pins (Quantity of Four), Vane Springs (Quantity of Four), Shim, End Cap Gasket, Muffler Cartridge, and Muffler Felt</i>

PART NUMBERS & SCHEMATICS

Figure 4: Aftercooler Core Assembly – Electric



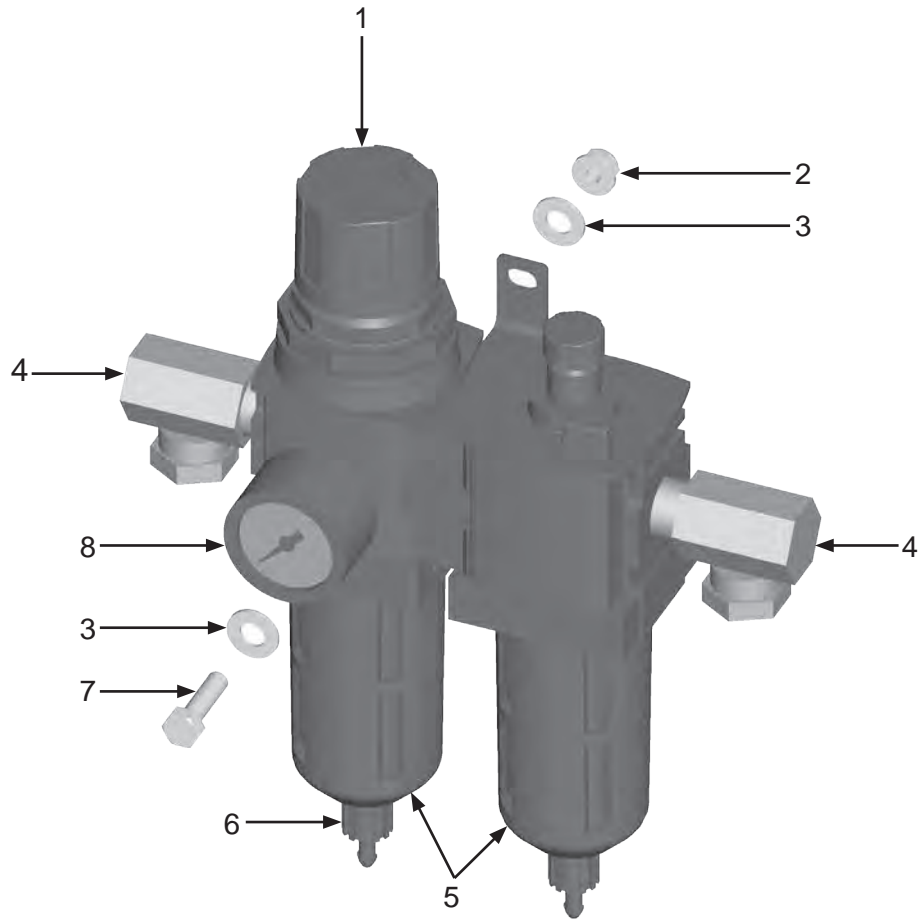
Item #	Part #	Description
--------	--------	-------------

Fig. 4

1	10101789	Electric Motor – (115 Volt to 208-230 Volt) – Single Phase
2	10101788	Fan Guard
3	10101787	Fan Blade Assembly
4	10101786	Aftercooler - Core Only

PART NUMBERS & SCHEMATICS

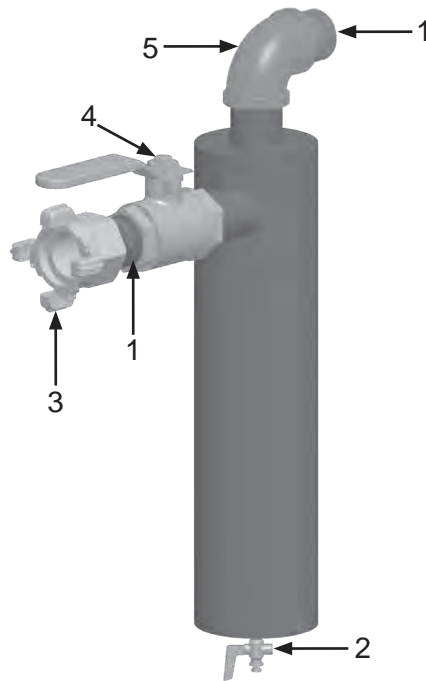
Figure 5: Filter/Regulator/Lubricator Assembly



Item #	Part #	Description
Fig. 5		
1	10101232	Filter/Regulator/Lubricator with Pressure Gauge
2	10101939	1/4" Nylon Insert Lock Nut
3	10101940	1/4" Flat Washer (<i>Two Required</i>)
4	10SAP1290	1/2" 90° Swivel (<i>Two Required</i>)
5	10101235	Polycarbonate Bowl (<i>Two Required</i>)
6	10101234	Manual Drain
7	10101937	1/4-20 X 1" Bolt
8	1028606	Pressure Gauge – 0-160 PSI 1/4" – Back Mount
–	10101233	Filter Element

PART NUMBERS & SCHEMATICS

Figure 6: Blastmaster® 1-1/2" Extractor Moisture Separator



Item #	Part #	Description
Fig. 6		
–	10101313	Blastmaster® 1-1/2" Extractor Moisture Separator
1	1014015	1-1/2" NPT Close Nipple (<i>Two Required</i>)
2	1012101	1/4" NPT Brass Petcock
3	10ME4	4-Lug Air Hose Fitting – 1-1/2" NPT (F)
4	1011603	1-1/2" NPT Full Port Brass Ball Valve
5	1011842	1-1/2" NPT 90° Elbow
—	105M039	Features, Advantages, and Benefits Guide – Blastmaster® Extractor Moisture Separators
—	106M349	Part Numbers and Schematics Guide – Blastmaster® Extractor Moisture Separators

PART NUMBERS

BLASTMASTER® 250 CFM CART-MOUNTED AFTERCOOLER

Part Numbers	Power Source	Filter, Regulator, and Lubricator	1-1/4" Junior Extractor Moisture Separator	Electric Starter Box
10101341	Pneumatic	X	X	
10101737	115-Volt AC	X	X	X

BLASTMASTER® 250 CFM CART-MOUNTED AFTERCOOLER



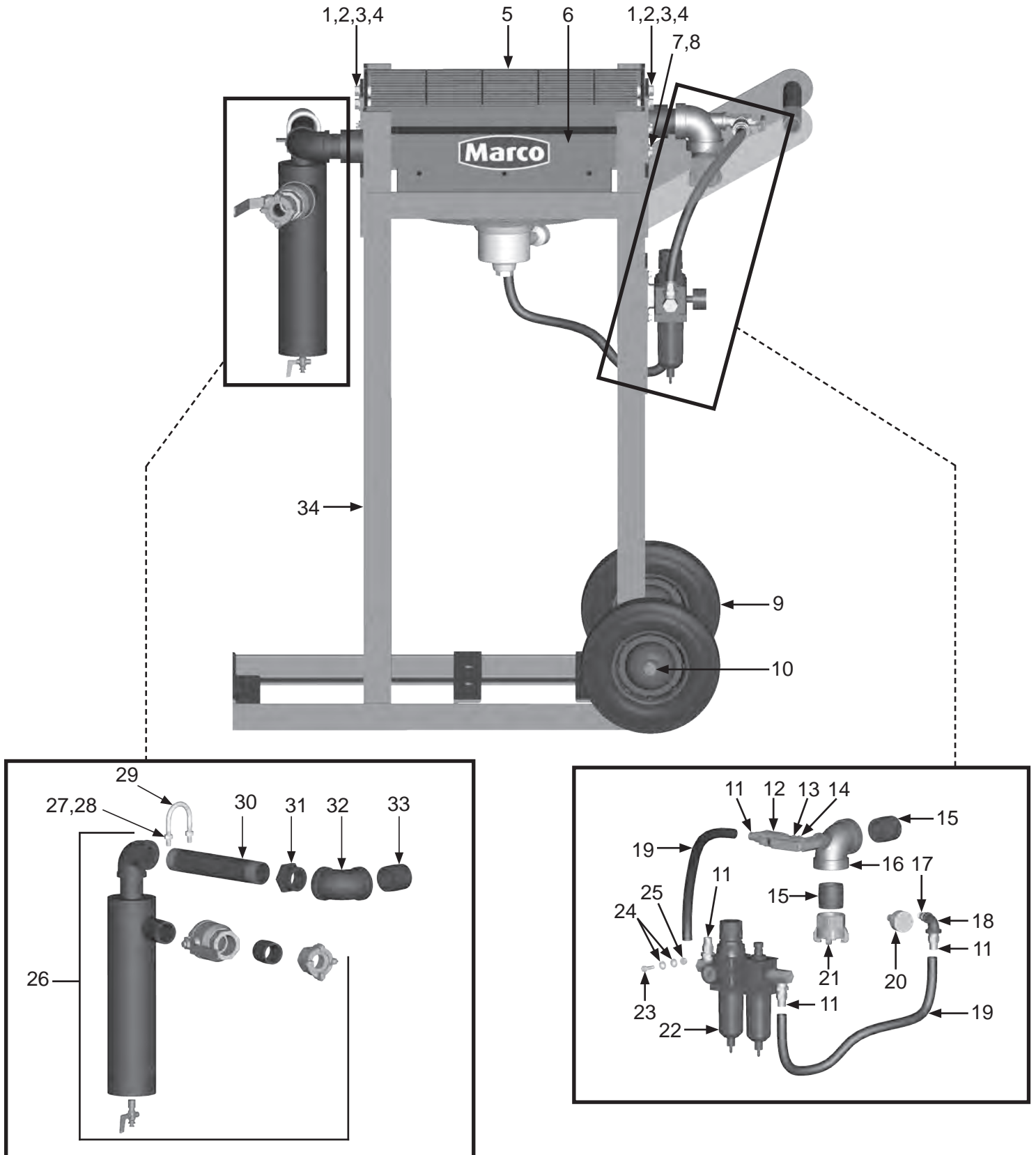
PART NUMBERS & SCHEMATICS

Blastmaster® 250 CFM Cart-Mounted Aftercooler – Pneumatic

Item #	Part #	Description
Fig. 1		
—	10101341	Blastmaster® 400 CFM Cart-Mounted Aftercooler – Pneumatic – Complete
1	1014021	1/2-13 x 1-3/4" Hex Bolt
2	10100674	1/2" Flat Washer
3	10100675	1/2" Split Lock Washer
4	1014022	1/2-13 Hex Nut
5	10101334	250 CFM Aftercooler Protective Grate
6	10AKGCC2002	250 CFM Aftercooler - Complete
7	10101757	M8 x 16 x 1-1/4" Hex Bolt
8	10L805003	5/16" Flat Washer
9	1006067	Wheel
10	1006211	Wheel Clip
11	10PAF050	1/2" Push-on Air Hose Fitting
12	10L363	1/2" NPT Full Port Ball Valve
13	20G158491B	1/2" NPT Hex Nipple
14	10SAP1290	1/2" NPT 90° Swivel
15	1014015	1-1/2" NPT Close Nipple
16	1011828	1-1/2" NPT Elbow with 1/2" Port
17	1017019	1/4" NPT Hex Nipple
18	10101185	1/2" x 1/4" NPT 90° Elbow
19	10AH012	1/2" I.D. Air Hose (<i>Per Foot</i>)
20	10101784	Muffler
21	10ME4	1-1/2" Four-lug Air Fitting
22	10101232	Air Regulator/Lubricator with Pressure Gauge (<i>See Fig. 5</i>)
23	1012154	1/4-20 x 1" Bolt
24	1014017	1/4" Flat Washer
25	1012323	1/4-20 Hex Lock Nut
26	—	1-1/4" Junior Extractor Moisture Separator Assembly (<i>See Fig. 6</i>)
27	10L805015	3/8" Lock Washer
28	1012318	3/8-16 Hex Nut
29	10101338	1-1/4" Galvanized U-Bolt
30	1006203	1-1/4" x 9-1/2" NPT Nipple
31	1011501	1-1/2" to 1-1/4" NPT Bushing
32	1011842	1-1/2" NPT 90° Elbow
33	1014015	1-1/2" NPT Close Nipple
34	10101323	Frame
—	105M097	Features and Specifications Guide – Blastmaster® 250 CFM Cart-Mounted Aftercooler
—	106M097	Part Numbers and Schematics Guide – Blastmaster® 250 CFM Cart-Mounted Aftercooler
—	1090097	Operator's Manual – Blastmaster® 250 CFM Cart-Mounted Aftercooler
—	1091045	Hazard Identification Tag

PART NUMBERS & SCHEMATICS

Figure 1: Blastmaster® 250 CFM Cart-Mounted Aftercooler – Pneumatic



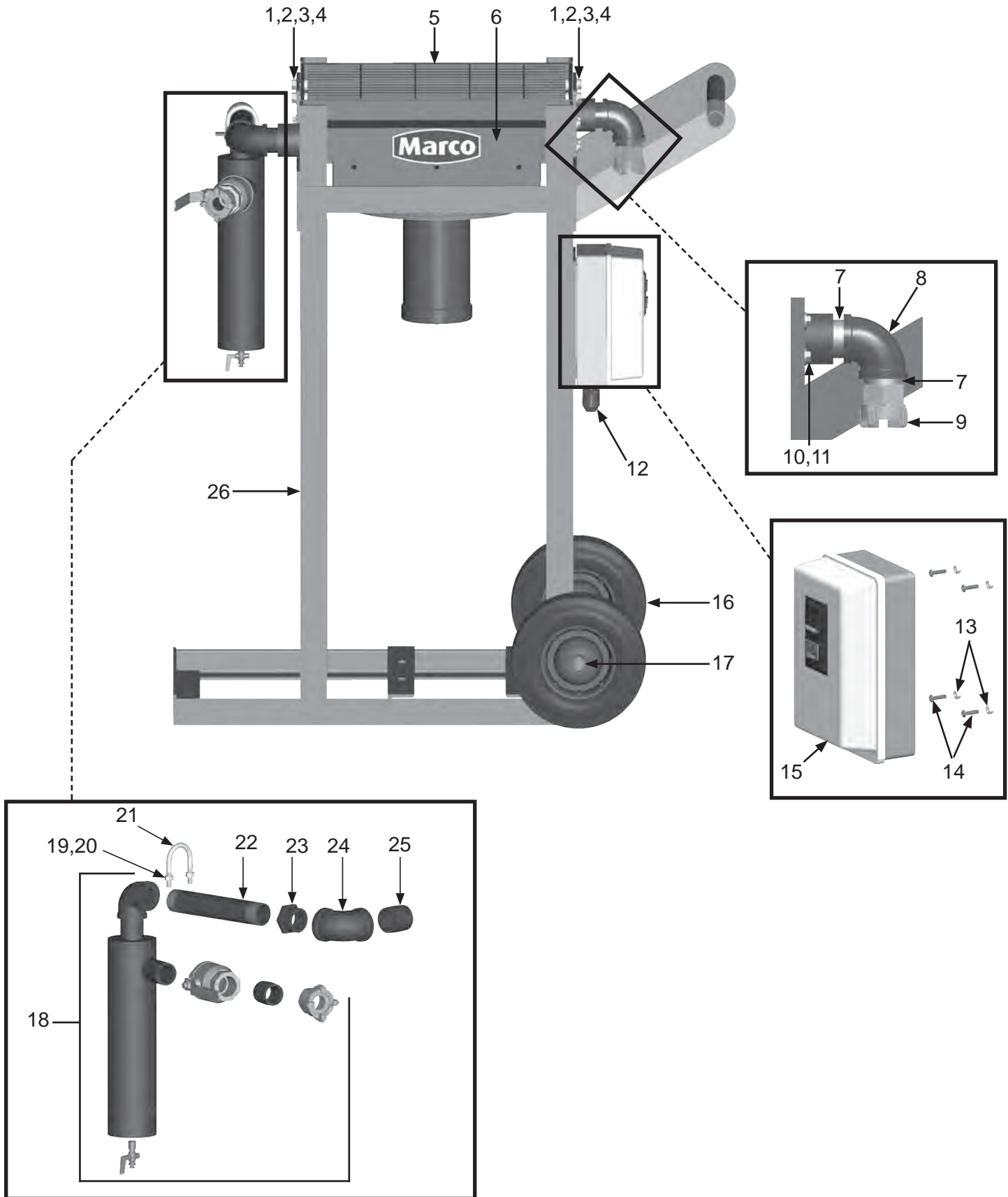
PART NUMBERS & SCHEMATICS

Blastmaster® 250 CFM Cart-Mounted Aftercooler – Electric

Item #	Part #	Description
Fig. 1		
—	10101737	Blastmaster® 400 CFM Cart-Mounted Aftercooler – Electric – Complete
1	1014021	1/2-13 x 1-3/4" Hex Bolt
2	10100674	1/2" Flat Washer
3	10100675	1/2" Split Lock Washer
4	1014022	1/2-13 Hex Nut
5	10101334	250 CFM Aftercooler Protective Grate
6	10AKGCC2002	250 CFM Aftercooler – Complete
7	1014015	1-1/2" NPT Close Nipple
8	1011842	1-1/2" NPT 90° Elbow
9	10ME4	1-1/2" Four-Lug Air Fitting
10	10101757	M8 x 16 x 1-1/4" Hex Bolt
11	10L805003	5/16" Flat Washer
12	1030025	Cord Clamp
13	10101356	10-24 Nylon Lock Nut
14	10101355	10-24 x 3/4" Screw
15	10101760	115-Volt AC Motor Starter Box – Single Phase
16	1006067	Wheel
17	1006211	Wheel Clip
18	—	1-1/4" Junior Extractor Moisture Separator Assembly (<i>See Fig. 6</i>)
19	10L805015	3/8" Lock Washer
20	1012318	3/8-16 Hex Nut
21	10101338	1-1/4" Galvanized U-Bolt
22	1006203	1-1/4" x 9-1/2" NPT Nipple
23	1011501	1-1/2" to 1-1/4" NPT Bushing
24	1011842	1-1/2" NPT 90° Elbow
25	1014015	1-1/2" NPT Close Nipple
26	10101323	Frame
—	105M097	Features and Specifications Guide – Blastmaster® 250 CFM Cart-Mounted Aftercooler
—	106M097	Part Numbers and Schematics Guide – Blastmaster® 250 CFM Cart-Mounted Aftercooler
—	1090097	Operator's Manual – Blastmaster® 250 CFM Cart-Mounted Aftercooler
—	1091045	Hazard Identification Tag

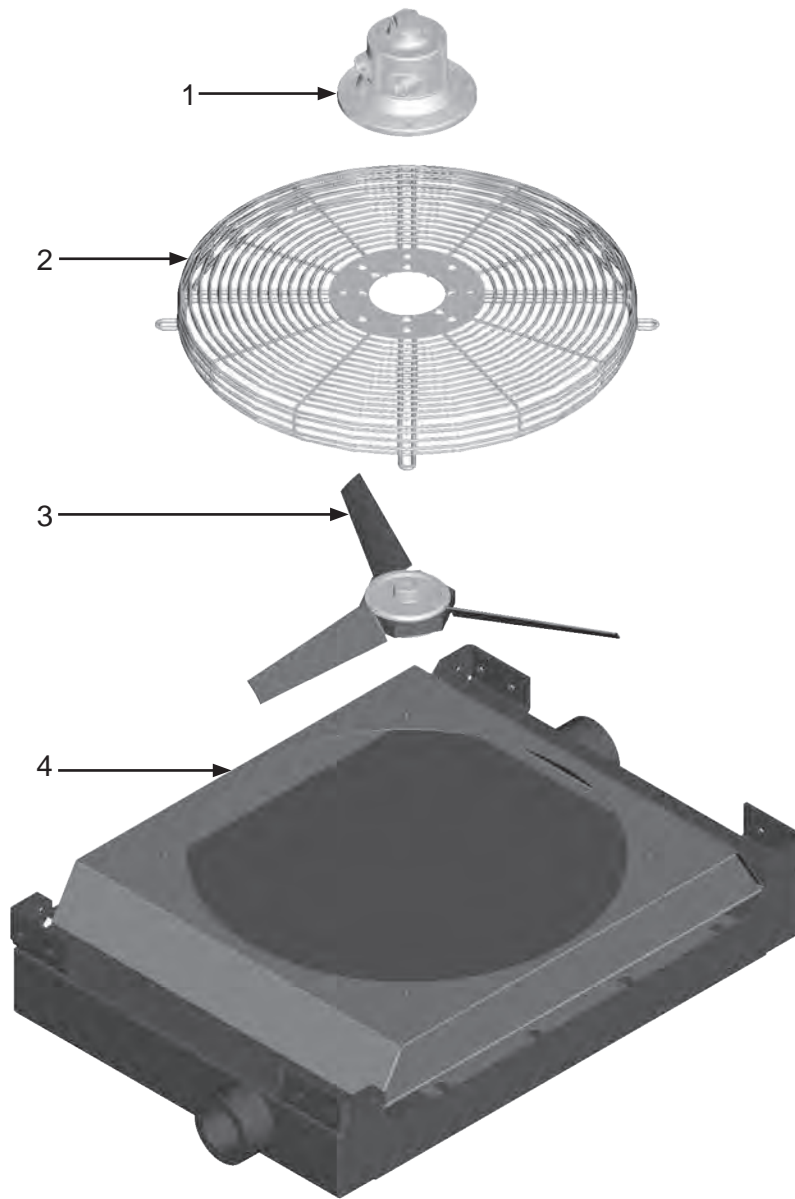
PART NUMBERS & SCHEMATICS

Figure 2: Blastmaster® 250 CFM Cart-Mounted Aftercooler – Electric



PART NUMBERS & SCHEMATICS

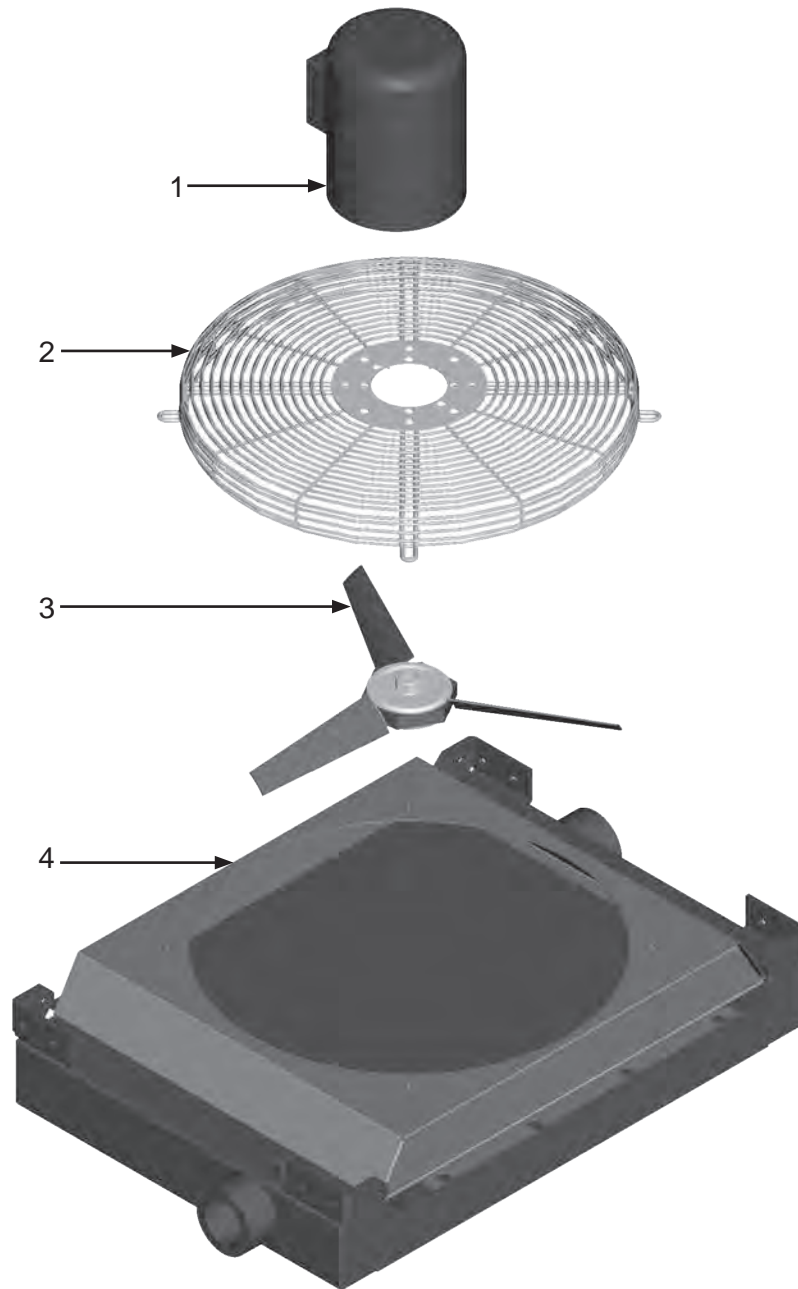
Figure 3: Aftercooler Core Assembly – Pneumatic



Item #	Part #	Description
Fig. 3		
1	10101780	Air Motor
2	10101783	Fan Guard
3	10101782	Fan Blade Assembly
4	10101779	Aftercooler Core
—	10101784	Muffler for Air Motor
—	10101781	Air Motor Service Kit <i>Includes: Shaft Seal, Drive End Bearing, Dead End Bearing, Vanes (Quantity of Four), Push Pins (Quantity of Four), Vane Springs (Quantity of Four), Shim, End Cap Gasket, Muffler Cartridge, and Muffler Felt</i>

PART NUMBERS & SCHEMATICS

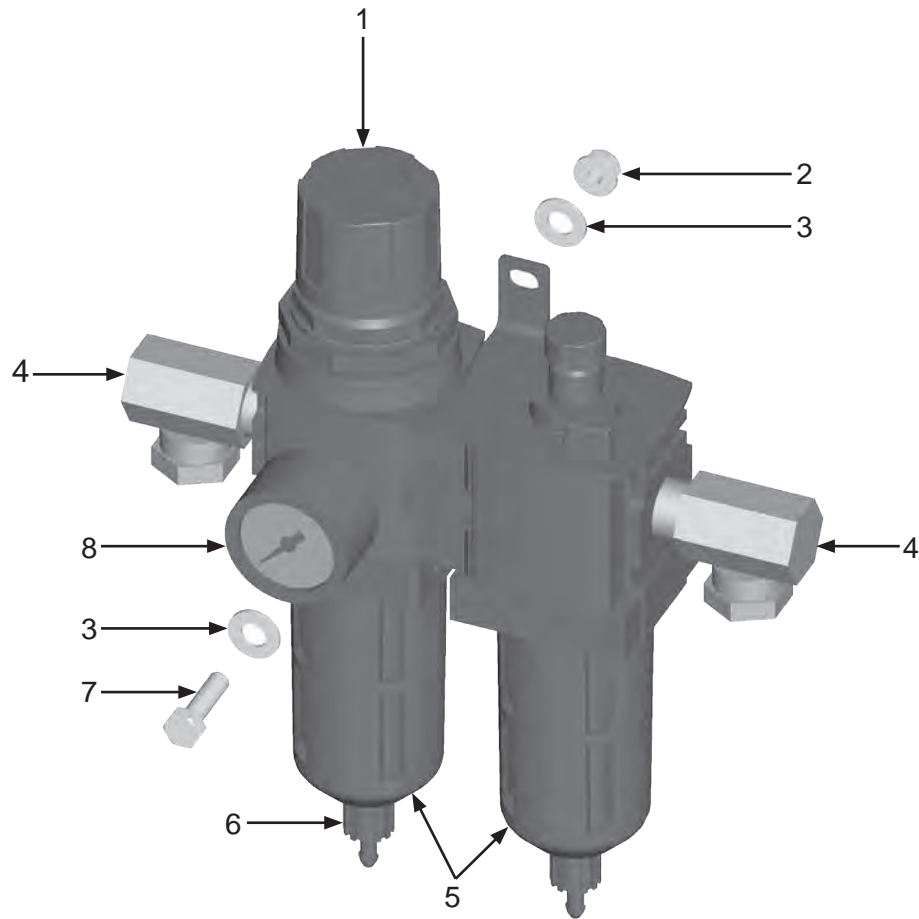
Figure 4: Aftercooler Core Assembly – Electric



Item #	Part #	Description
Fig. 4		
1	10101785	Electric Motor – (115 Volt to 208-230 Volt) – Single Phase
2	10101783	Fan Guard
3	10101782	Fan Blade Assembly
4	10101779	Aftercooler - Core Only

°PART NUMBERS & SCHEMATICS

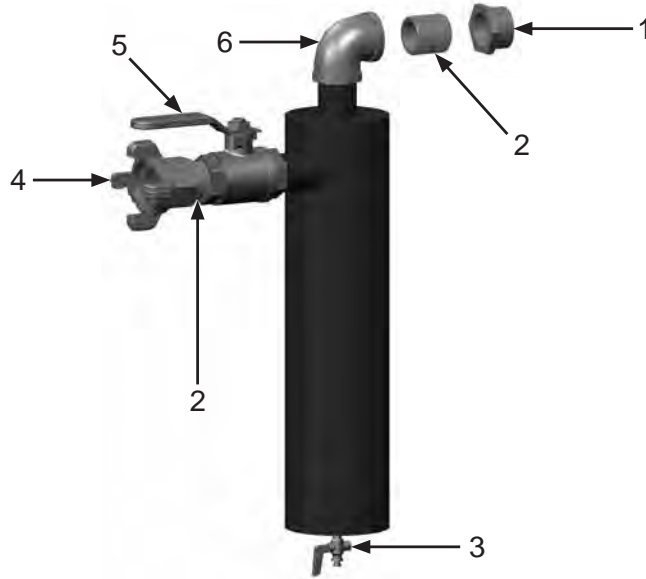
Figure 5: Filter/Regulator/Lubricator Assembly



Item #	Part #	Description
Fig. 5		
1	10101232	Filter/Regulator/Lubricator with Pressure Gauge
2	10101939	1/4" Nylon Insert Lock Nut
3	10101940	1/4" Flat Washer <i>(Two Required)</i>
4	10SAP1290	1/2" 90° Swivel <i>(Two Required)</i>
5	10101235	Polycarbonate Bowl <i>(Two Required)</i>
6	10101234	Manual Drain
7	10101937	1/4-20 X 1" Bolt
8	1028606	Pressure Gauge – 0-160 PSI 1/4" – Back Mount
–	10101233	Filter Element

PART NUMBERS & SCHEMATICS

Figure 6: 1-1/4" Junior Extractor Moisture Separator Assembly



Item #	Part #	Description
Fig. 6		
—	10101314	Blastmaster® 1-1/4" Junior Extractor Moisture Separator
1	1011501	1-1/2" x 1-1/4" Bushing
2	1011201	1-1/4" NPT Close Nipple (<i>Two Required</i>)
3	1012101	1/4" NPT Brass Petcock
4	10ME3	4-lug Air Hose Fitting - 1-1/4" NPT (F)
5	1011602	1-1/4" NPT Full Port Ball Valve
6	1006204	1-1/4" NPT 90° Elbow
—	105M039	Features, Advantages, and Benefits Guide – Blastmaster® Extractor Moisture Separators
—	106M349	Part Numbers and Schematics Guide – Blastmaster® Extractor Moisture Separators

PART NUMBERS AND SCHEMATICS GUIDE

BLASTMASTER® 400 CFM 12-VOLT DC AFTERCOOLER

Part Numbers	Power Source	Power Cord	Battery Clamps
10104763	12-Volt DC	25 Ft.	X

PART NUMBERS AND SCHEMATICS GUIDE



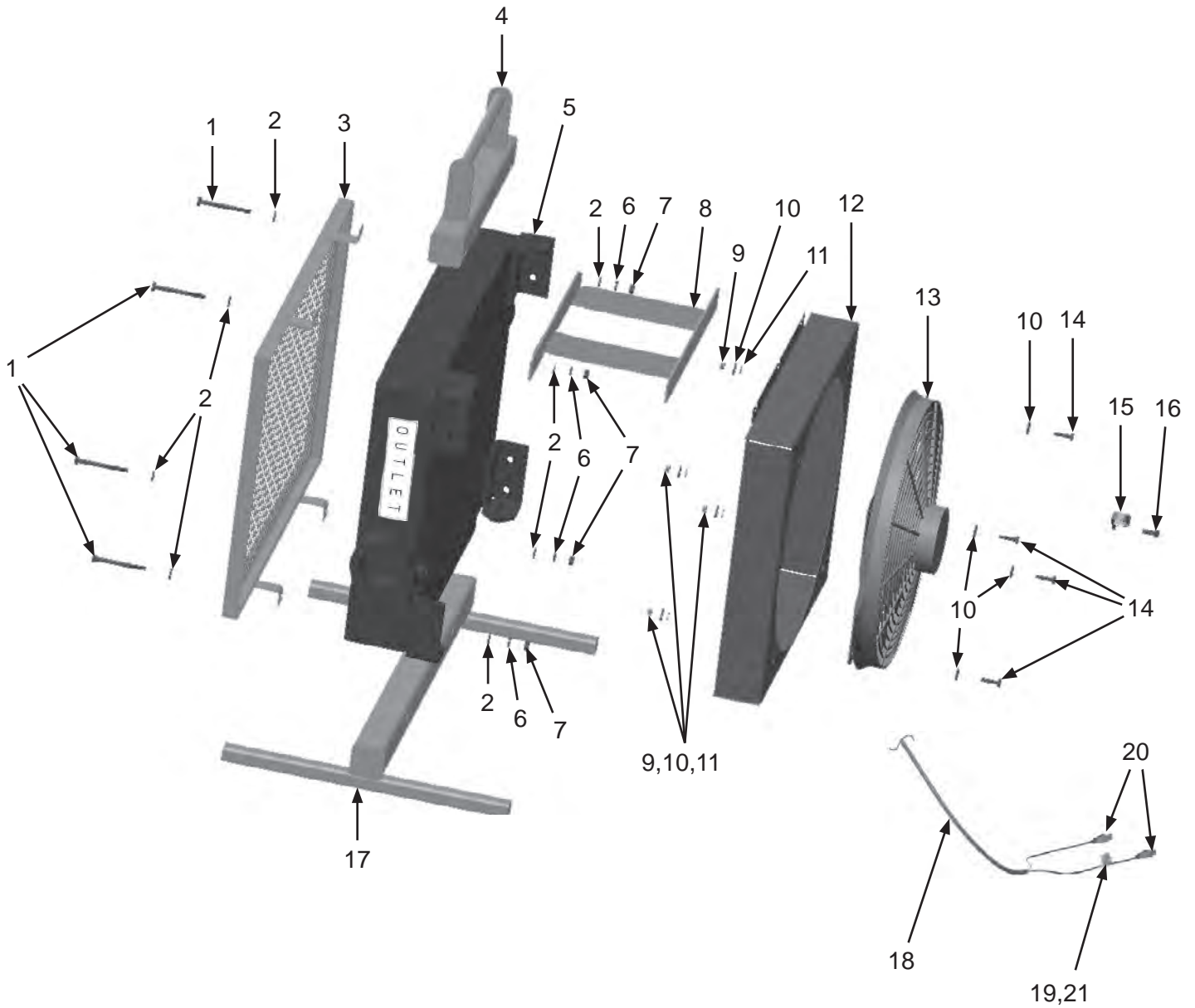
PART NUMBERS AND SCHEMATICS GUIDE

Blastmaster® 400 CFM 12-Volt DC Aftercooler


Item #	Part #	Description
Fig. 1		
—	10104763	Blastmaster® 400 CFM 12-Volt DC Aftercooler – Complete
1	1014112	5/16-18 X 3-1/4" Hex Bolt (<i>Four Required</i>)
2	10101935	5/16" Flat Washer – Galvanized (<i>Eight Required</i>)
3	10104739	Blastmaster® 400 CFM 12-Volt DC Aftercooler Grate
4	10104735	Blastmaster® 400 CFM 12-Volt DC Aftercooler Handle
5	10101786	400 CFM Aftercooler Core Only
6	101805014	5/16" Lock Washer (<i>Four Required</i>)
7	1035046	5/16- 18 Nut (<i>Four Required</i>)
8	10104744	Cord Wrap Weldment
9	10101347	1/4-20 Lock Nut (<i>Four Required</i>)
10	10101940	1/4" Flat Washer – Galvanized (<i>Eight Required</i>)
11	1012153	1/4" Lock Washer (<i>Four Required</i>)
12	10103983	Aftercooler Core Fan Shroud
13	10104759	16" Electrical Fan Blade And Motor
14	1012154	1/4-20 X 1" L Grade 5 Bolt - Zinc (<i>Four Required</i>)
15	10105731	1/2" Rubber Cushioned Loop Clamp
16	10101346	5/16-18 X 3/4" L Grade 5 Bolt
17	10104732	Blastmaster® 400 CFM 12-Volt DC Aftercooler Base
18	1015570	12/2 SJ Power Cord (<i>Per Foot</i>)
19	10105168	30 Amp Fuse Blade Body Style
20	10105169	Heavy Duty Steel Battery Clamp (<i>Two Required</i>)
21	10105170	In-Line Fuse Holder With Cover
—	105M123	Features and Specifications Guide – Blastmaster® 400 CFM 12-Volt DC Aftercooler
—	106M123	Part Numbers and Schematics Guide – Blastmaster® 400 CFM 12-Volt DC Aftercooler
—	1090123	Operator's Manual – Blastmaster® 400 CFM 12-Volt DC Aftercooler


PART NUMBERS AND SCHEMATICS GUIDE

Figure 1: Blastmaster® 400 CFM Portable Aftercooler





PART NUMBERS AND SCHEMATICS GUIDE

AIRFLOW SHUTOFF KITS – LUG FITTINGS					
	Part Numbers	Pipe String I.D.	Close Nipple	Full Port Ball Valve	Coupling
	10103734	2"	1001806 <i>(Quantity of Two)</i>	1011604	10ME5

AIRFLOW SHUTOFF KITS – HAMMERLOCK FITTINGS					
	Part Numbers	Pipe String I.D.	Close Nipple	Full Port Ball Valve	Coupling Spud
	10103833	2"	1001806 <i>(Quantity of Two)</i>	1011604	10DXGB28

PART NUMBERS AND SCHEMATICS GUIDE

		FEMALE THREADED METAL END COUPLING AND GASKET					
Part Numbers		Coupling Style	Thread Size	GASKET OPTIONS			Material
				Gasket I.D.	Gasket O.D.	Rubber Gasket	
	10ME5	4-Lug	2"	1-1/2"	2-3/8"	10UG4	Plated Iron

Part Numbers		PIPE NIPPLES
		Description
	1001806	2" Galvanized Close Nipple

PART NUMBERS AND SCHEMATICS GUIDE

BLASTMASTER® 250 CFM 12-VOLT DC AFTERCOOLER

Part Numbers	Power Source	Power Cord	Battery Clamps
10104762	12-Volt DC	25 Ft.	X

PART NUMBERS AND SCHEMATICS GUIDE



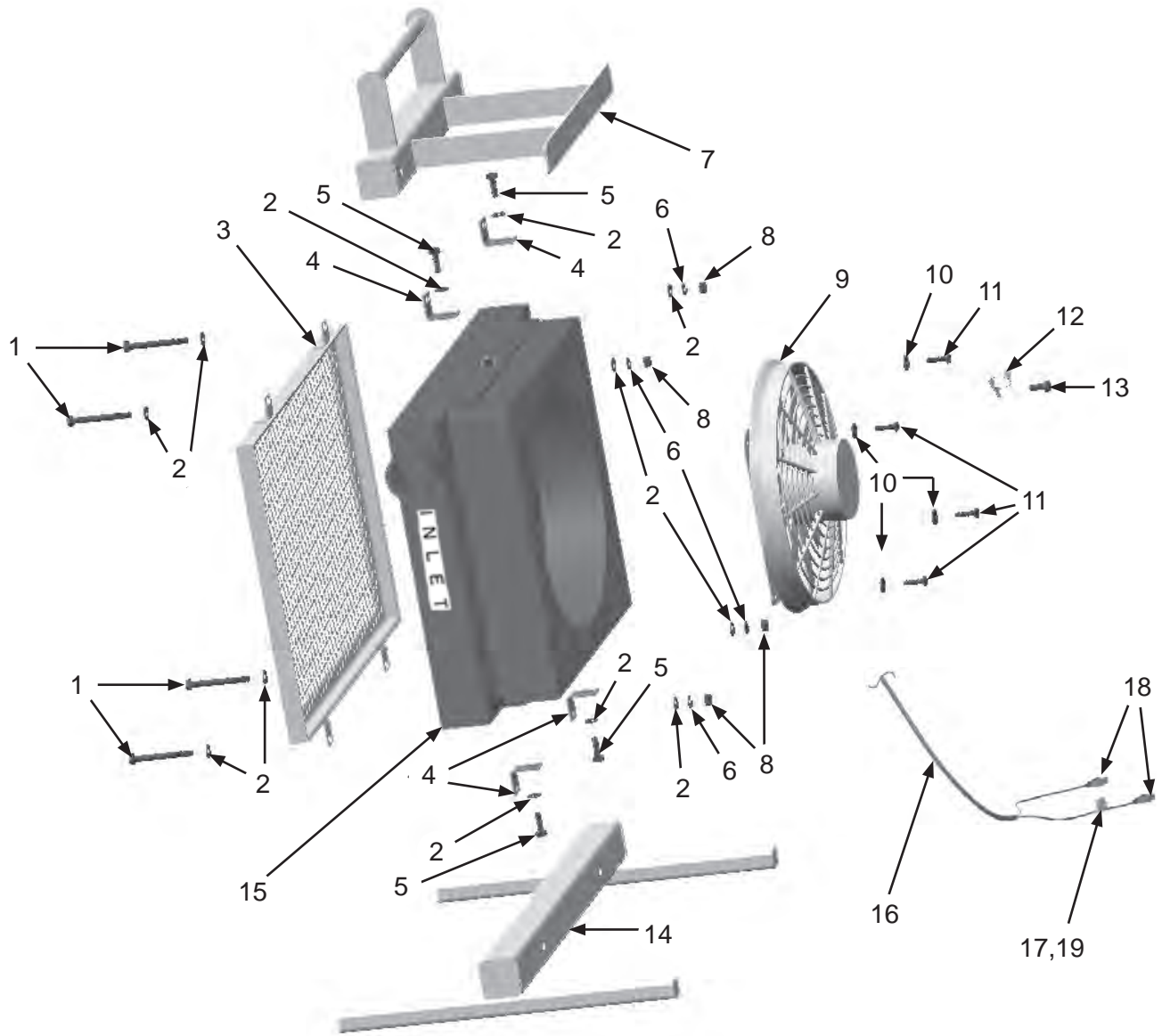
PART NUMBERS AND SCHEMATICS GUIDE

Blastmaster® 250 CFM 12-Volt DC Aftercooler


Item #	Part #	Description
Fig. 1		
—	10104762	Blastmaster® 250 CFM 12-Volt DC Aftercooler – Complete
1	1014112	5/16-18 X 3-1/4" Hex Bolt (<i>Four Required</i>)
2	10101935	5/16" Flat Washer – Galvanized (<i>Eight Required</i>)
3	10104752	Blastmaster® 250 CFM 12-Volt DC Aftercooler Grate
4	10104757	Portable Aftercooler Bracket
5	10101757	M8 Bolt - Included in item (15)
6	10L805014	5/16" Lock Washer (<i>Four Required</i>)
7	10104748	Blastmaster® 250 CFM 12-Volt DC Aftercooler Handle
8	1035046	5/16"- 18 Nut (<i>Four Required</i>)
9	10104760	12" Electrical Fan Blade And Motor
10	10101940	1/4" Flat Washer – Galvanized (<i>Four Required</i>)
11	1012154	1/4-20 X 1" L Grade 5 Bolt - Zinc (<i>Four Required</i>)
12	10105731	1/2" Rubber Cushioned Loop Clamp
13	10101757	M8-18 X 3/4" L Grade 5 Bolt
14	10104750	Blastmaster® 250 CFM 12-Volt DC Aftercooler Base
15	10104911	250 CFM Aftercooler Core & Shroud
16	1015570	12/2 SJ Power Cord (<i>Per Foot</i>)
17	10105167	20 Amp Fuse Blade Body Style
18	10105169	Heavy Duty Steel Battery Clamp (<i>Two Required</i>)
19	10105170	In-Line Fuse Holder With Cover
—	105M122	Features and Specifications Guide – Blastmaster® 250 CFM 12-Volt DC Aftercooler
—	106M122	Part Numbers and Schematics Guide – Blastmaster® 250 CFM 12-Volt DC Aftercooler
—	1090122	Operator's Manual – Blastmaster® 250 CFM 12-Volt DC Aftercooler


PART NUMBERS AND SCHEMATICS GUIDE

Figure 1: Blastmaster® 250 CFM 12-Volt DC Aftercooler





PART NUMBERS AND SCHEMATICS GUIDE

		AIRFLOW SHUTOFF KITS – LUG FITTINGS			
	Part Numbers	Pipe String I.D.	Close Nipple	Full Port Ball Valve	Coupling
	10103733	1-1/2"	1014015 <i>(Quantity of Two)</i>	1011603	10ME4

		AIRFLOW SHUTOFF KITS – HAMMERLOCK FITTINGS			
	Part Numbers	Pipe String I.D.	Close Nipple	Full Port Ball Valve	Coupling Spud
	10103832	1-1/2"	1014015 <i>(Quantity of Two)</i>	1011603	10DXGB23

PART NUMBERS AND SCHEMATICS GUIDE

		FEMALE THREADED METAL END COUPLING AND GASKET					
	Part Numbers	Coupling Style	Thread Size	GASKET OPTIONS			Material
				Gasket I.D.	Gasket O.D.	Rubber Gasket	
	10ME4	4-Lug	1-1/2"	1-1/2"	2-3/8"	10UG4	Plated Iron

		PIPE NIPPLES
	Part Numbers	Description
		

PART NUMBERS

BLASTMASTER® 1600 CFM MOISTURE SEPARATORS					
Part Numbers	Number of Outlets	2" Full Port Brass Ball Valve	4-Lug Female NPT Coupling <i>(Quantity of Two)</i>	Portable	Overall Height
1011770	2	X	X	X	44"
1011773	2	X	X		33-1/2"
1011774	2	Not Included	Not Included	X	44"
1011772	2	Not Included	Not Included		33-1/2"
1011771	6	X	X	X	44"
1011776	6	X	X		33-1/2"
1011775	6	Not Included	Not Included	X	44"
1011777	6	Not Included	Not Included		33-1/2"

BLASTMASTER® 1600 CFM MOISTURE SEPARATORS



1011770



1011773



1011774



1011772



1011771



1011776



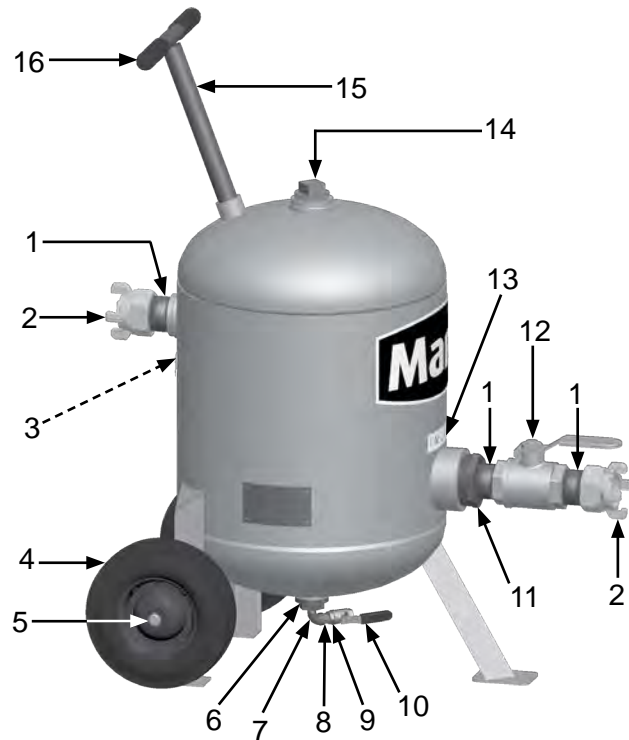
1011775



1011777

PART NUMBERS & SCHEMATICS

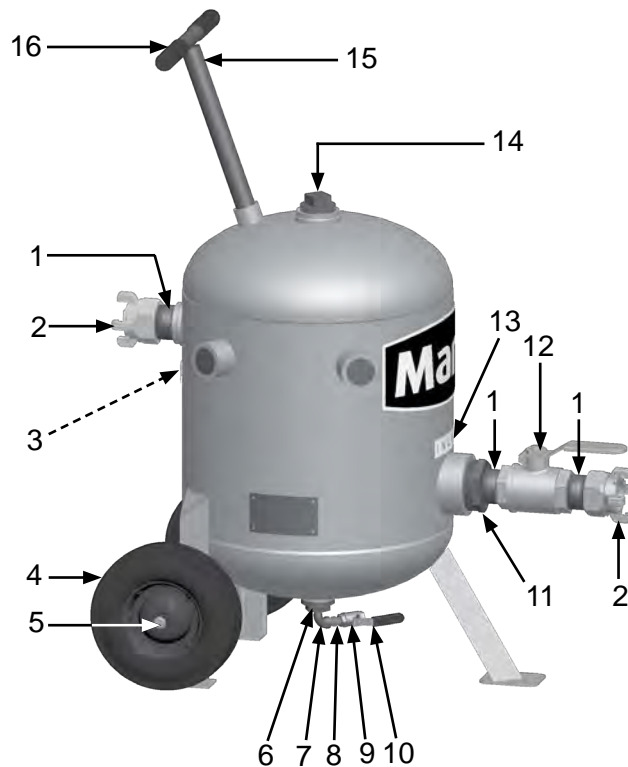
Figure 2: Blastmaster® 1600 CFM Moisture Separators – 2-Outlet



Item #	Part #	Description
Fig. 2		
—	1011770	Blastmaster® 1600 CFM Moisture Separator – 2-Outlet – Portable – Complete
—	1011773	Blastmaster® 1600 CFM Moisture Separator – 2-Outlet – Stationary – Complete
1	1001806	2" NPT Close Nipple (Three Required)
2	10ME5	4-lug Air Hose Fitting – 2" NPT (F) (Two Required)
3	1091049	Sticker - OUTLET
4	1006067	10" Wheel (Two Required, Portable Models Only)
5	1006211	Wheel Clip (Two Required, Portable Models Only)
6	1011822	1-1/2" (M) NPT x 1/2" (F) NPT Bushing
7	1011818	1/2" (M) NPT x 1/4" (F) NPT Bushing
8	1011824	1/4" 90° Street Elbow
9	1017019	1/4" NPT Hex Nipple
10	1080050	1/4" Full Port Brass Ball Valve
11	10101183	3" x 2" Bushing
12	1011604	2" Full Port Brass Ball Valve
13	1091048	Sticker - INLET
14	1011823	2" NPT Galvanized Square Head Pipe Plug
15	1011765	Tee Handle with Grips (For Portable Models Only)
16	1011766	Grip for Tee Handle (For Portable Models Only)
—	105M039	Features, Advantages, and Benefits Guide – Blastmaster® 1600 CFM Moisture Separators
—	106M039	Part Numbers and Schematics Guide – Blastmaster® 1600 CFM Moisture Separators
—	1093440	Operator's Manual – Blastmaster® 1600 CFM Moisture Separators





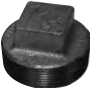
PART NUMBERS & SCHEMATICS

Figure 1: Blastmaster® 1600 CFM Moisture Separators – 6-Outlet












Item #	Part #	Description
Fig. 1		
—	1011771	Blastmaster® 1600 CFM Moisture Separator – 6-Outlet – Portable – Complete
—	1011776	Blastmaster® 1600 CFM Moisture Separator – 6-Outlet – Stationary – Complete
1	1001806	2" NPT Close Nipple <i>(Three Required)</i>
2	10ME5	4-lug Air Hose Fitting – 2" NPT (F) <i>(Two Required)</i>
3	1091049	Sticker - OUTLET
4	1006067	10" Wheel <i>(Two Required, Portable Models Only)</i>
5	1006211	Wheel Clip for 800 CFM Moisture Separator <i>(Two Required, Portable Models Only)</i>
6	1011822	1-1/2" (M) NPT x 1/2" (F) NPT Bushing
7	1011818	1/2" (M) NPT x 1/4" (F) NPT Bushing
8	1011824	1/4" 90° Street Elbow
9	1017019	1/4" NPT Hex Nipple
10	1080050	1/4" Full Port Brass Ball Valve
11	10101183	3" x 2" Bushing
12	1011604	2" Full Port Brass Ball Valve <i>(For Complete Models Only)</i>
13	1091048	Sticker - INLET
14	1011823	2" NPT Square Head Pipe Plug
15	1011765	Tee Handle with Grips <i>(For Portable Models Only)</i>
16	1011766	Grip for Tee Handle <i>(For Portable Models Only)</i>
—	105M039	Features and Specifications Guide – Blastmaster® 1600 CFM Moisture Separators
—	106M039	Part Numbers and Schematics Guide – Blastmaster® 1600 CFM Moisture Separators
—	1093440	Operator's Manual – Blastmaster® 1600 CFM Moisture Separators

OPTIONAL ACCESSORIES

		GALVANIZED SQUARE HEAD PIPE PLUGS	
Part Numbers		Size	
	1011901	1"	
	1011902	1-1/4"	
	1011101	1-1/2"	
	1011823	2"	
	10101034	3"	

OPTIONAL ACCESSORIES

		AIRFLOW SHUTOFF KITS – LUG FITTINGS			
	Part Numbers	Pipe String I.D.	Close Nipple	Full Port Ball Valve	Coupling
	10103731	1"	1012151	1011601	10ME2
	10103732	1-1/4"	1011201 <i>(Quantity of Two)</i>	1011602	10ME3
	10103733	1-1/2"	1014015 <i>(Quantity of Two)</i>	1011603	10ME4
	10103734	2"	1001806 <i>(Quantity of Two)</i>	1011604	10ME5

		AIRFLOW SHUTOFF KITS – HAMMERLOCK FITTINGS			
	Part Numbers	Pipe String I.D.	Close Nipple	Full Port Ball Valve	Coupling Spud
	10103830	1"	10102151 <i>(Quantity of Two)</i>	1011601	10DXGB13
	10103831	1-1/4"	1011201 <i>(Quantity of Two)</i>	1011602	10DXGB18
	10103832	1-1/2"	1014015 <i>(Quantity of Two)</i>	1011603	10DXGB23
	10103833	2"	1001806 <i>(Quantity of Two)</i>	1011604	10DXGB28
	10103934	3"	10101040 <i>(Quantity of Two)</i>	1011608	10GB38

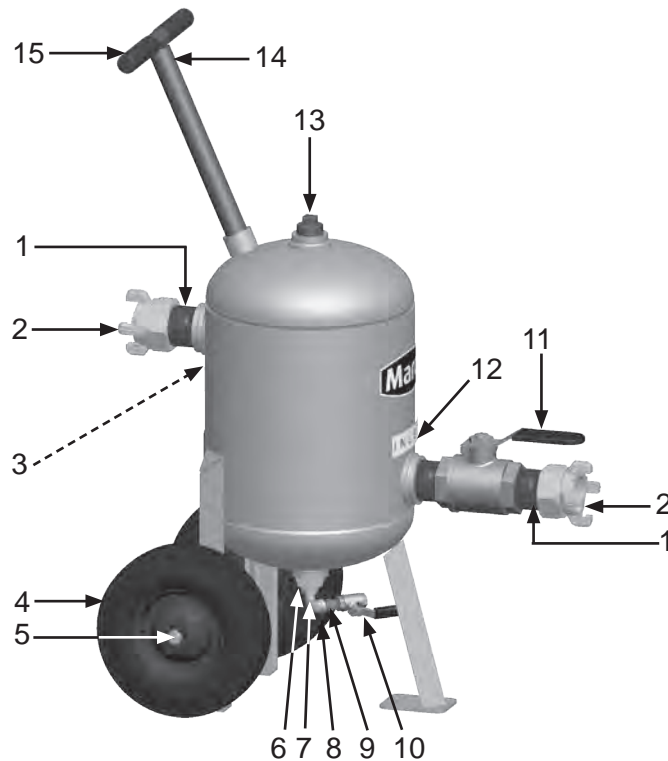
PART NUMBERS

BLASTMASTER® 800 CFM MOISTURE SEPARATORS					
Part Numbers	Quantity of Outlets	2" Full Port Brass Ball Valve	4-Lug Female NPT Coupling <i>(Quantity of Two)</i>	Tires	Overall Height
10102088	2	X	X	X	39"
10102089	2	X	X		28-1/2"
1011767	6	X	X	X	39"
1011768	6	X	X		28-1/2"



PART NUMBERS & SCHEMATICS

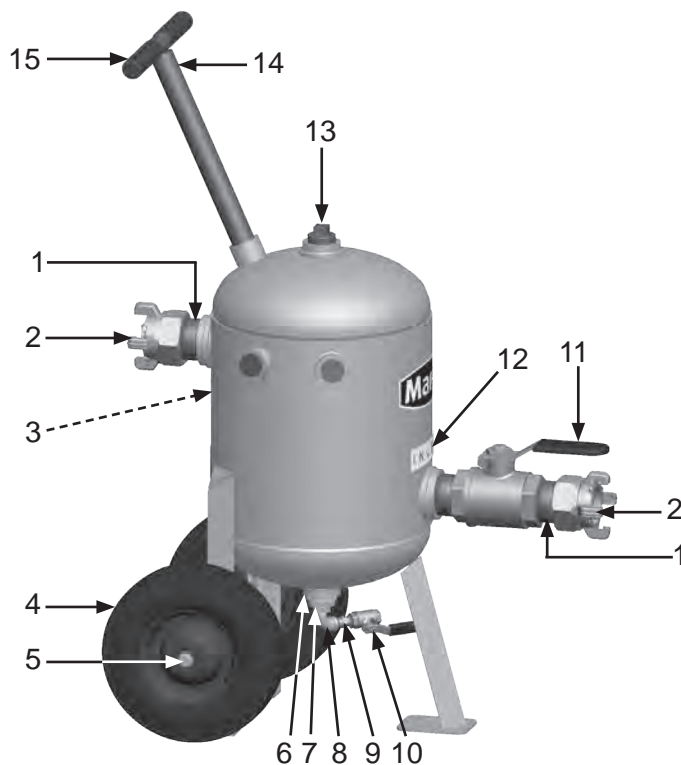
Figure 1: Blastmaster® 800 CFM Moisture Separators – 2-Outlet



Item #	Part #	Description
Fig. 1		
—	10102088	Blastmaster® 800 CFM Moisture Separator – 2-Outlet – Portable – Complete
—	10102089	Blastmaster® 800 CFM Moisture Separator – 2-Outlet – Stationary – Complete
1	1001806	2" NPT Close Nipple (<i>Two Required</i>)
2	10ME5	4-Lug Air Hose Fitting – 2" NPT (F) (<i>Two Required</i>)
3	1091049	Sticker - OUTLET
4	1006067	10" Wheel (<i>Two Required, Portable Models Only</i>)
5	1006211	Wheel Clip (<i>Two Required, Portable Models Only</i>)
6	1011820	1-1/4" (M) NPT x 1/2" (F) NPT Bushing
7	1011818	1/2" (M) NPT x 1/4" (F) NPT Bushing
8	1011824	1/4" 90° Street Elbow
9	1017019	1/4" NPT Hex Nipple
10	1080050	1/4" Full Port Brass Ball Valve
11	1011604	2" NPT Full Port Brass Ball Valve
12	1091048	Sticker - INLET
13	1011902	1-1/4" NPT Galvanized Square Head Pipe Plug
14	1011765	Tee Handle with Grips (<i>Portable Models Only</i>)
15	1011766	Grip for Tee Handle (<i>Portable Models Only</i>)
—	105M039	Features and Specifications Guide – Blastmaster® 800 CFM Moisture Separators
—	106M039	Part Numbers and Schematics Guide – Blastmaster® 800 CFM Moisture Separators
—	1091061	Operators Manual – Blastmaster® 800 CFM Moisture Separators





PART NUMBERS & SCHEMATICS






Figure 2: Blastmaster® 800 CFM Moisture Separators – 6-Outlet







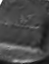
Item #	Part #	Description
Fig. 2		
—	1011767	Blastmaster® 800 CFM Moisture Separator – 6-Outlet – Portable – Complete
—	1011768	Blastmaster® 800 CFM Moisture Separator – 6-Outlet – Stationary – Complete
1	1001806	2" NPT Close Nipple (Two Required)
2	10ME5	4-lug Air Hose Fitting – 2" NPT (F) (Two Required)
3	1091049	Sticker - OUTLET
4	1006067	10" Wheel (Two Required, Portable Models Only)
5	1006211	Wheel Clip (Two Required, Portable Models Only)
6	1011820	1-1/4" (M) NPT x 1/2" (F) NPT Bushing
7	1011818	1/2" (M) NPT x 1/4" (F) NPT Bushing
8	1011824	1/4" 90° Street Elbow
9	1017019	1/4" NPT Hex Nipple
10	1080050	1/4" Full Port Brass Ball Valve
11	1011604	2" NPT Full Port Brass Ball Valve
12	1091048	Sticker - INLET
13	1011902	1-1/4" NPT Galvanized Square Head Pipe Plug
14	1011765	Tee Handle with Grips (Portable Models Only)
15	1011766	Grip for Tee Handle (Portable Models Only)
—	105M039	Features and Specifications Guide – Blastmaster® 800 CFM Moisture Separators
—	106M457	Part Numbers and Schematics Guide – Blastmaster® 800 CFM Moisture Separators
—	1091061	Operators Manual – Blastmaster® 800 CFM Moisture Separators

OPTIONAL ACCESSORIES

		AIRFLOW SHUTOFF KITS - LUG FITTINGS			
Part Numbers		Pipe String I.D.	Close Nipple	Full Port Ball Valve	Coupling
	10103731	1"	1012151	1011601	10ME2
	10103732	1-1/4"	1011201 <i>(Quantity of Two)</i>	1011602	10ME3
	10103733	1-1/2"	1014015 <i>(Quantity of Two)</i>	1011603	10ME4
	10103734	2"	1001806 <i>(Quantity of Two)</i>	1011604	10ME5

		AIRFLOW SHUTOFF KITS - HAMMERLOCK FITTINGS			
Part Numbers		Pipe String I.D.	Close Nipple	Full Port Ball Valve	Coupling Spud
	10103830	1"	10102151 <i>(Quantity of Two)</i>	1011601	10DXGB13
	10103831	1-1/4"	1011201 <i>(Quantity of Two)</i>	1011602	10DXGB18
	10103832	1-1/2"	1014015 <i>(Quantity of Two)</i>	1011603	10DXGB23
	10103833	2"	1001806 <i>(Quantity of Two)</i>	1011604	10DXGB28
	10103934	3"	10101040 <i>(Quantity of Two)</i>	1011608	10GB38

OPTIONAL ACCESSORIES

	Part Numbers	GALVANIZED SQUARE HEAD PIPE PLUGS	
			Size
	1011901		1"
	1011902		1-1/4"
	1011101		1-1/2"
	1011823		2"
	10101034		3"





Part Numbers

Part Numbers	THREADED METAL END COUPLINGS AND GASKETS						
	Thread Size	Style	Material	Coupling Style	GASKET OPTIONS		
					Rubber Gasket	Gasket I.D.	Gasket O.D.
10ME1*	3/4"	Male	Plated Iron	2-Lug	10UG2	3/4"	1-3/8"
10ME2*	1"	Male	Plated Iron	2-Lug	10UG2	3/4"	1-3/8"
10ME3	1-1/4"	Female	Plated Iron	4-Lug	10UG4	1-1/2"	2-3/8"
10ME4	1-1/2"	Female	Plated Iron	4-Lug	10UG4	1-1/2"	2-3/8"
10ME5	2"	Female	Plated Iron	4-Lug	10UG4	1-1/2"	2-3/8"

*Male NPT

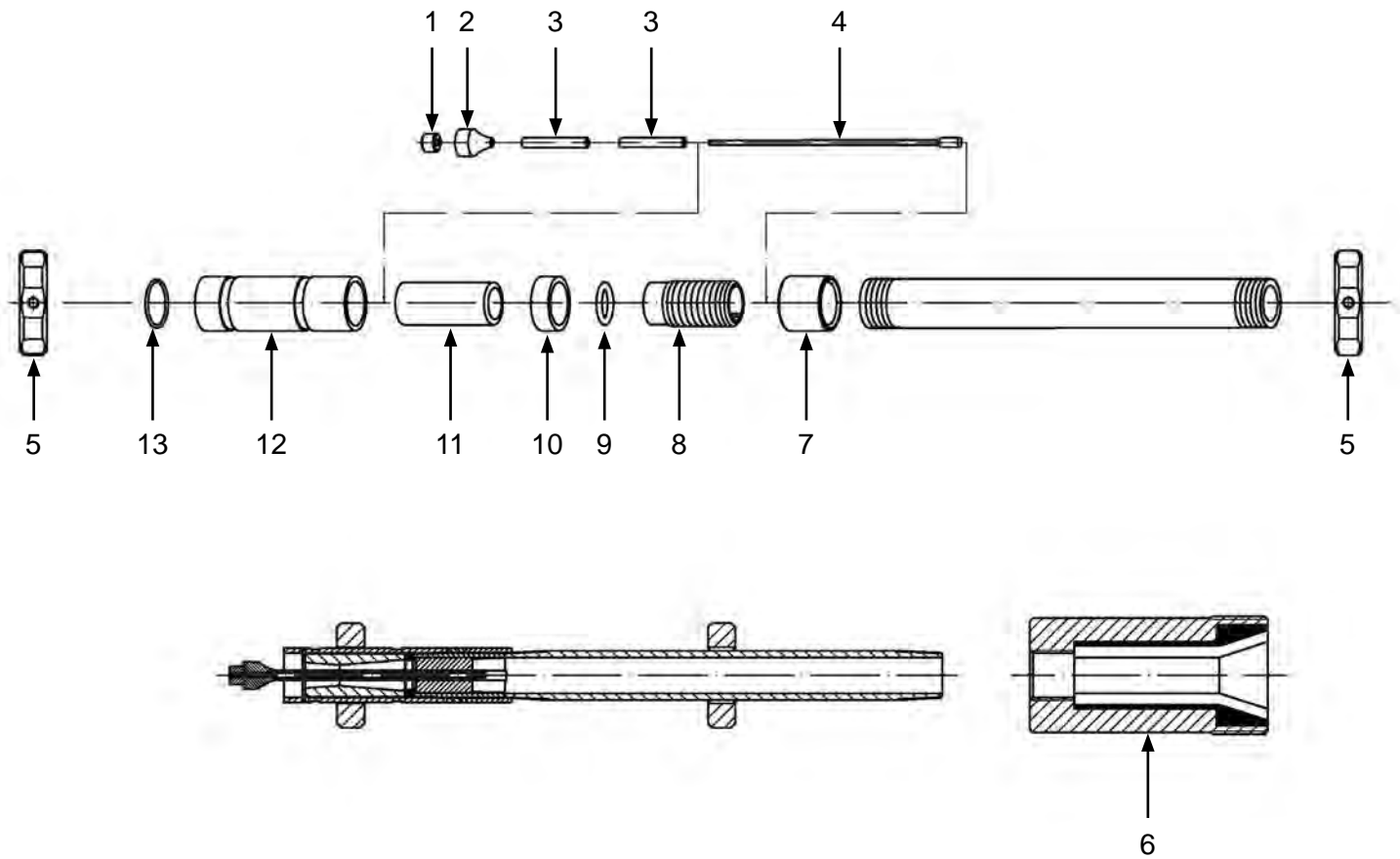
PART NUMBERS AND SCHEMATICS GUIDE

		BLASTMASTER® CONEBLAST JR. INTERNAL PIPE BLASTING TOOL		
	Part Numbers	<i>For Use In Pipe I.D.</i>	Centering Collar Set	Reducer
	1084000	3/4" – 2"	X	X

		BLASTMASTER® CONEBLAST JR. INTERNAL PIPE BLASTING TOOL CENTERING COLLARS	
	Part Numbers	Description	
	1084001	Centering Collar Set – Complete <i>Includes Two Collars Each for: 1", 1-1/4", 1-1/2", and 2" I.D. Pipe</i>	


PART NUMBERS AND SCHEMATICS GUIDE

Figure 1: Blastmaster® Coneblast Jr. Internal Pipe Blasting Tool





Item #	Part #	Description
Fig. 1		
—	1084000	Blastmaster® Coneblast Jr. Internal Pipe Blasting Tool
1	1084002	Holding Nut
2	1084003	Deflection Tip
3	1084004	Tungsten Stem Sleeve <i>(Two Required)</i>
4	1084005	Throat Rod and Tip
5	1084001	Centering Collar Set <i>(Includes Two Collars Each for: 1", 1-1/4", 1-1/2", and 2" I.D. Pipe)</i>
6	1084006	Nozzle Reducer
7	1084007	3/8" Coupling
8	1084008	Stem Support Assembly <i>(Includes Item: #4)</i>
9	1084013	Nozzle Gasket
10	1084009	Knurled Lock Nut
11	1084010	9/32" Tungsten Carbide Nozzle
12	1084011	Body
13	1084012	Retaining Ring
—	105M615	Features and Specifications Guide – Blastmaster® Coneblast Jr. Internal Pipe Blasting Tool
—	106M615	Part Numbers & Schematics Guide – Blastmaster® Coneblast Jr. Internal Pipe Blasting Tool
—	1090615	Operator's Manual – Blastmaster® Coneblast Jr. Internal Pipe Blasting Tool

PART NUMBERS AND SCHEMATICS GUIDE

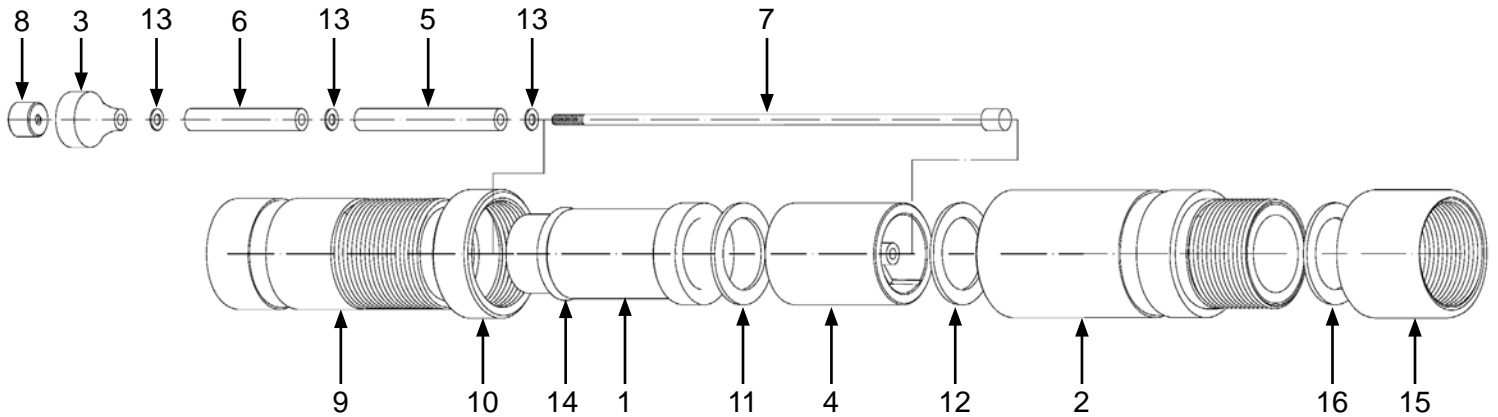
BLASTMASTER® CONEBLAST INTERNAL PIPE BLASTING TOOL				
	Part Numbers	<i>For use in Pipe I.D.</i>	Deflection Tip and Sleeve	Nozzle Size
	1084020*	2" – 12"	Tungsten Carbide	#8 (1/2")

*Centering Carriage not included

BLASTMASTER® CONEBLAST INTERNAL PIPE BLASTING TOOL CENTERING CARRIAGES				
	Part Numbers	<i>For use in Pipe I.D.</i>	Style	
	1084067	3" – 5"	Collars and Buttons	
	1084031	5" – 12"	Adjustable	

PART NUMBERS AND SCHEMATICS GUIDE

Figure 1: Blastmaster® Coneblast Internal Pipe Blasting Tool



Item #	Part #	Description
Fig. 1		
—	1084020	Blastmaster® Coneblast Internal Pipe Blasting Tool
1	1084038	Coneblast #8 Nozzle – 1/2" Orifice
2	1084032	Tool Holder
3	1084021	Tungsten Carbide Deflection Tip
—	1084034	Boron Carbide Deflection Tip (For 40 Grit and Finer Abrasive)
4	1084023	Stem Support Assembly (Includes Item #8)
5	1084025	Throat Sleeve
6	1084024	Stem Extension Sleeve
7	1084026	Throat Rod and Tip
8	1084022	Specialty Tip Holding Nut
9	1084033	Tip Protection Sleeve
10	1084035	Knurled Lock Nut
11	1084028	Front Stem Support Gasket, Wide
12	1084029	Rear Stem Support Gasket, Narrow
13	1084027	Brass Washer (Three Required)
14	1084030	1-1/8" Nominal I.D. O-Ring
15	1084037	Rear Coupling
16	10NW	Nozzle Washer (One Included, 10 Per Replacement Package)
—	105M616	Features and Specifications Guide – Blastmaster® Coneblast Internal Pipe Blasting Tool
—	106M616	Part Numbers and Schematics Guide – Blastmaster® Coneblast Internal Pipe Blasting Tool
—	1090616	Operator's Manual – Blastmaster® Coneblast Internal Pipe Blasting Tool

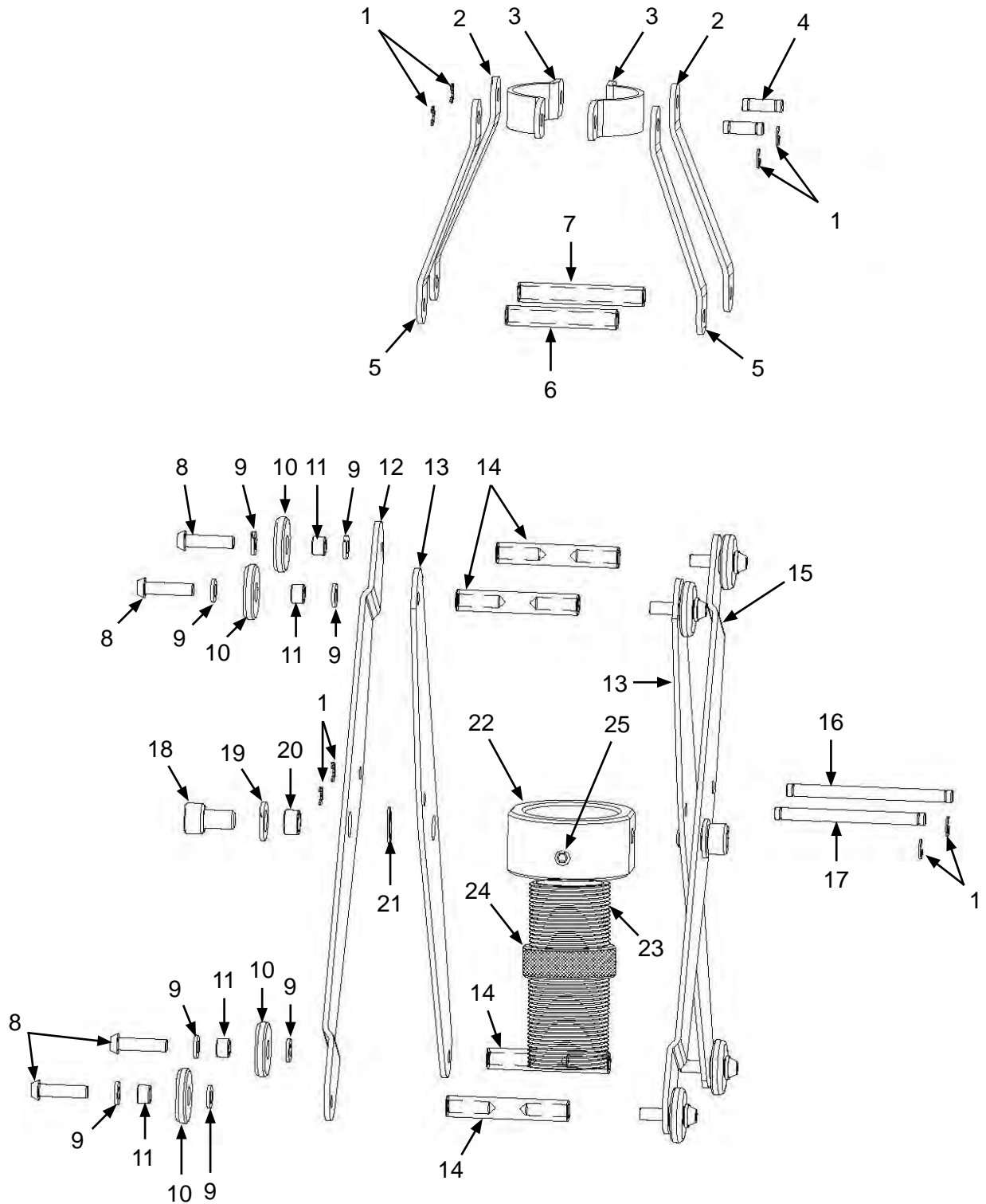
PART NUMBERS AND SCHEMATICS GUIDE

Blastmaster® Coneblast Internal Pipe Blasting Adjustable Scissor Carriage

Item #	Part #	Description
Fig. 2		
—	1084031	Blastmaster® Coneblast Internal Pipe Blasting Adjustable Scissor Carriage
1	1084042	E-Ring (<i>Eight Required</i>)
2	1084043	Clamp Bracket (<i>Two Required</i>)
3	1084044	Nozzle Clamp (<i>Two Required</i>)
4	1084045	Nozzle Clamp Rod (<i>Two Required</i>)
5	1084046	Clamp Bracket (<i>Two Required</i>)
6	1084047	Tube – Short
7	1084048	Tube – Long
8	1084049	Screw (<i>Eight Required</i>)
9	1084050	Flat Washer (<i>16 Required</i>)
10	1084051	Roller Wheel (<i>Eight Required</i>)
11	1084052	Wheel Bushing (<i>Eight Required</i>)
12	1084053	Outer Left Bracket
13	1084054	Inner Bracket (<i>Two Required</i>)
14	1084055	Bracket Supporting Rod (<i>Four Required</i>)
15	1084056	Outer Right Bracket
16	1084057	Shaft Rod – Long
17	1084058	Shaft Rod – Short
18	1084059	Screw (<i>Two Required</i>)
19	1084060	Flat Washer (<i>Two Required</i>)
20	1084061	Connecting Tube Bracket (<i>Two Required</i>)
21	1084062	Nylon Washer (<i>Two Required</i>)
22	1084063	Tube Seat
23	1084064	Threaded Tip Protection Sleeve
24	1084065	Knurled Lock-Nut
25	1084066	Screw
—	105M616	Features and Specifications Guide – Blastmaster® Coneblast Internal Pipe Blasting Tool
—	106M616	Part Numbers and Schematics Guide – Blastmaster® Coneblast Internal Pipe Blasting Tool
—	1090616	Operator's Manual – Blastmaster® Coneblast Internal Pipe Blasting Tool

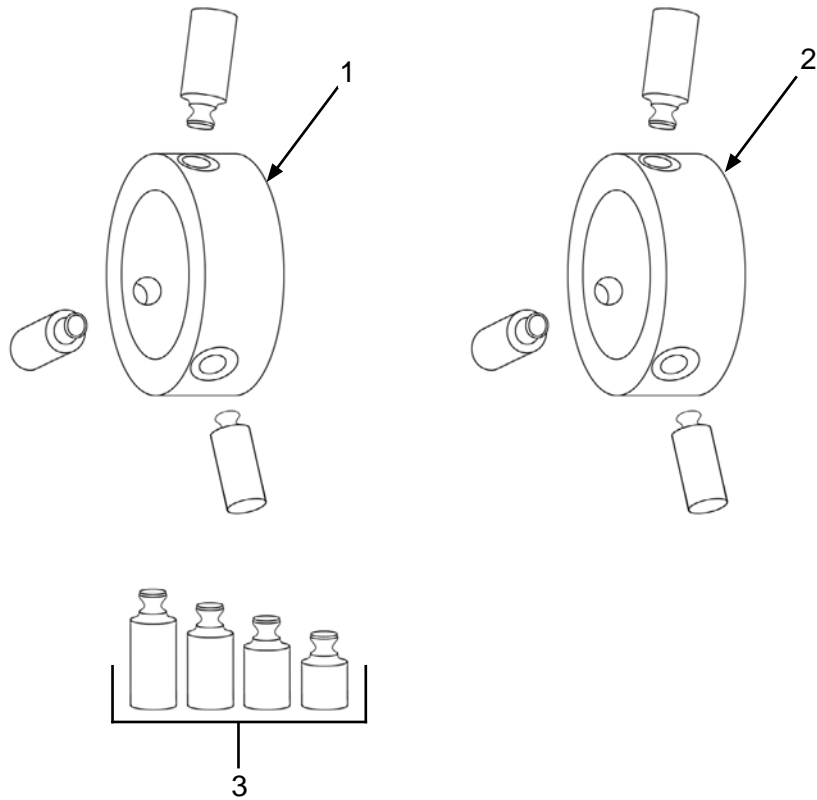
PART NUMBERS AND SCHEMATICS GUIDE

Figure 2: Blastmaster® Coneblast Internal Pipe Blasting Adjustable Scissor Carriage



PART NUMBERS AND SCHEMATICS GUIDE

Figure 3: Blastmaster® Coneblast Internal Pipe Blasting Collar and Button Carriage System



Item #	Part #	Description
Fig. 3		
—	1084067	Blastmaster® Coneblast Internal Pipe Blasting Collar and Button Carriage System
1	1084039	1-11/16" Nominal I.D. Front Collar
2	1084040	1-7/8" Nominal I.D. Rear Collar
3	1084041	Button Set
—	105M616	Features and Specifications Guide – Blastmaster® Coneblast Internal Pipe Blasting Tool
—	106M616	Part Numbers and Schematics Guide – Blastmaster® Coneblast Internal Pipe Blasting Tool
—	1090616	Operator's Manual – Blastmaster® Coneblast Internal Pipe Blasting Tool

PART NUMBERS AND SCHEMATICS GUIDE




BLASTMASTER® TORNADO INTERNAL PIPE BLASTING TOOL

Part Numbers	<i>For use in Pipe I.D.</i>	Nozzles
1084070*	8"-36"	10AT4 (Quantity of Two)

*Centering Carriages not included



PART NUMBERS AND SCHEMATICS GUIDE

BLASTMASTER® TORNADO INTERNAL PIPE BLASTING TOOL CENTERING CARRIAGES			
	Part Numbers	<i>For use in Pipe I.D.</i>	Style
	1084072*	8"–17"	Scissor
	1084073*	12"–36"	Pipe and Wheel
	1084107*	40"–60"	Pipe and Wheel

**Blastmaster® Tornado Internal Pipe Blast Tool not included*

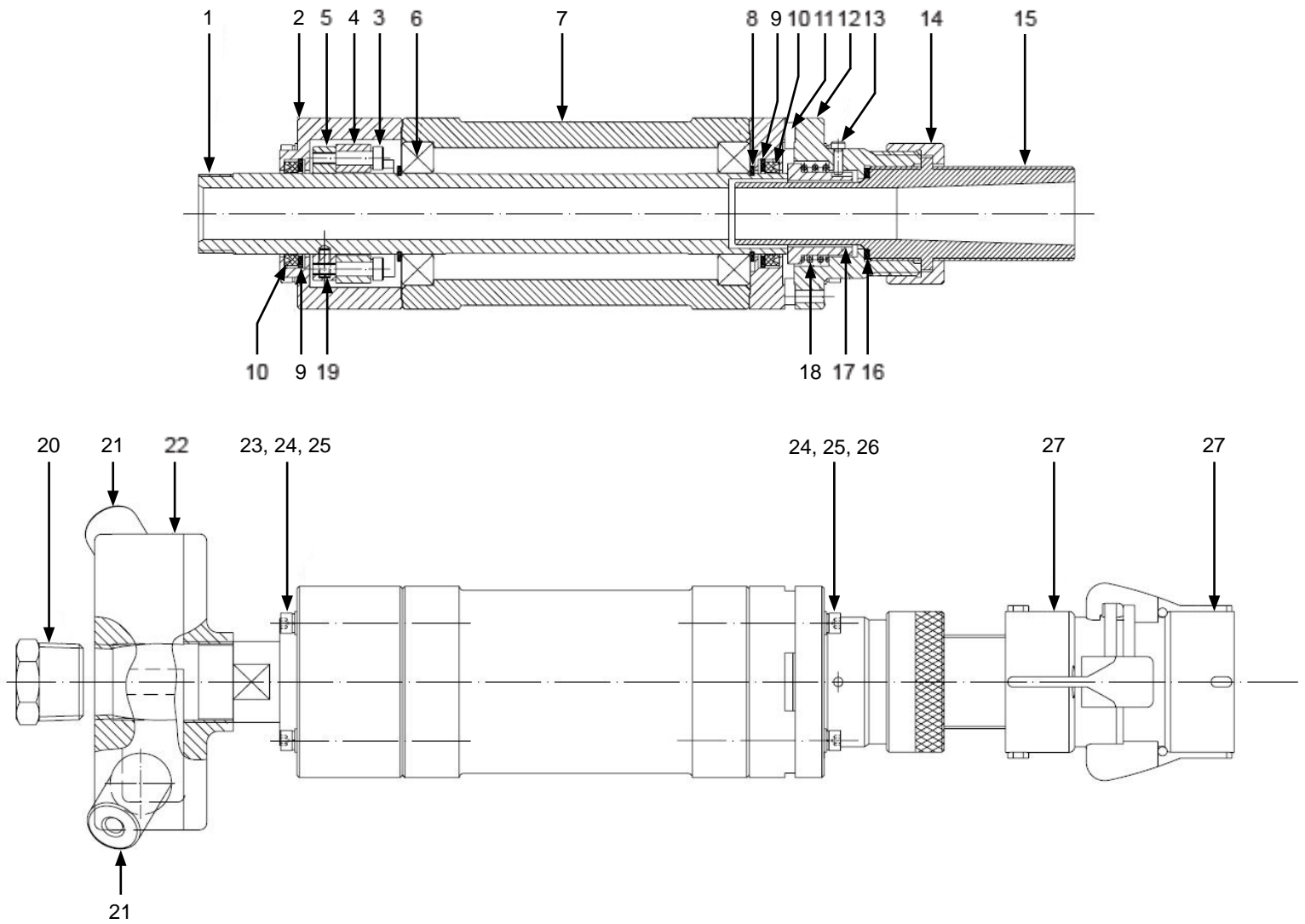
PART NUMBERS AND SCHEMATICS GUIDE

Blastmaster® Tornado Internal Pipe Blasting Tool

Item #	Part #	Description
Fig. 1		
—	1084070	Blastmaster® Tornado Internal Pipe Blasting Tool
1	1084082	Tube Casting
2	1084086	Brake Housing
3	1084089	Locking Pin (<i>Quantity of Two</i>)
4	1084087	Specialty Brake with Lining
5	1084093	Support Ring
6	1084080	Double Seal Light Bearing (<i>Quantity of Two</i>)
7	1084081	Main Body
8	1084088	Locking Ring (<i>Quantity of Two</i>)
9	1084094	Felt Seal (<i>Quantity of Two</i>)
10	1084095	U Seal (<i>Quantity of Two</i>)
11	1084085	Seal Retainer
12	1084096	Base Assembly (<i>Includes Dowel Pin</i>)
13	—	Dowel Pin
14	1084078	End Locking Nut
15	1084083	Entry Nozzle
16	1084084	Bearing Seal
17	1084097	Wear Sleeve
18	1084098	Spring
19	1084099	Screw (<i>Quantity of Two</i>)
20	1084100	NPT Plug
21	10AT4	#4 Straight Bore Nozzle, Tungsten Carbide Liner, Aluminum Jacket, 1/4" Orifice (<i>Quantity of Two</i>)
—	10AT5	#5 Straight Bore Nozzle, Tungsten Carbide Liner, Aluminum Jacket, 5/16" Orifice
—	1084091	#5 Tornado Nozzle, 3" Long, 5/16" Orifice
—	10AT6	#6 Straight Bore Nozzle, Tungsten Carbide Liner, Aluminum Jacket, 3/8" Orifice
—	1084092	#6 Tornado Nozzle, 3" Long, 3/8" Orifice
22	1084071	Rotating Nozzle Head
—	1084101	2" Tornado Large Rotating Head Assembly (<i>Optional</i>) (<i>See Fig. 5</i>)
—	10SN450UN	#4 Large Venturi Nozzle, Tungsten Carbide Liner, Poly Jacket, 50mm Threads, 1/4" Orifice (<i>For Use With 1084101 Large Rotating Head Only</i>)
—	10SN550UN	#5 Large Venturi Nozzle, Tungsten Carbide Liner, Poly Jacket, 50mm Threads, 5/16" Orifice (<i>For Use With 1084101 Large Rotating Head Only</i>)
—	10SN650UN	#6 Large Venturi Nozzle, Tungsten Carbide Liner, Poly Jacket, 50mm Threads, 3/8" Orifice (<i>For Use With 1084101 Large Rotating Head Only</i>)
23	1084090	2-1/2" Round Head Screw (<i>Quantity of Four</i>)
24	1084102	Flat Washer (<i>Quantity of Eight</i>)
25	1084103	Spring Washer (<i>Quantity of Eight</i>)
26	1084104	Screw (<i>Quantity of Four</i>)
27	1084105	NTC-1 Nylon Threaded Tank Coupling (<i>Quantity of Two</i>)
—	101V614	Brochure – Blastmaster® Tornado Internal Pipe Blasting Tool
—	105M614	Features and Specifications Guide – Blastmaster® Tornado Internal Pipe Blasting Tool
—	106M614	Part Numbers & Schematics Guide – Blastmaster® Tornado Internal Pipe Blasting Tool
—	1090614	Operator's Manual – Blastmaster® Tornado Internal Pipe Blasting Tool

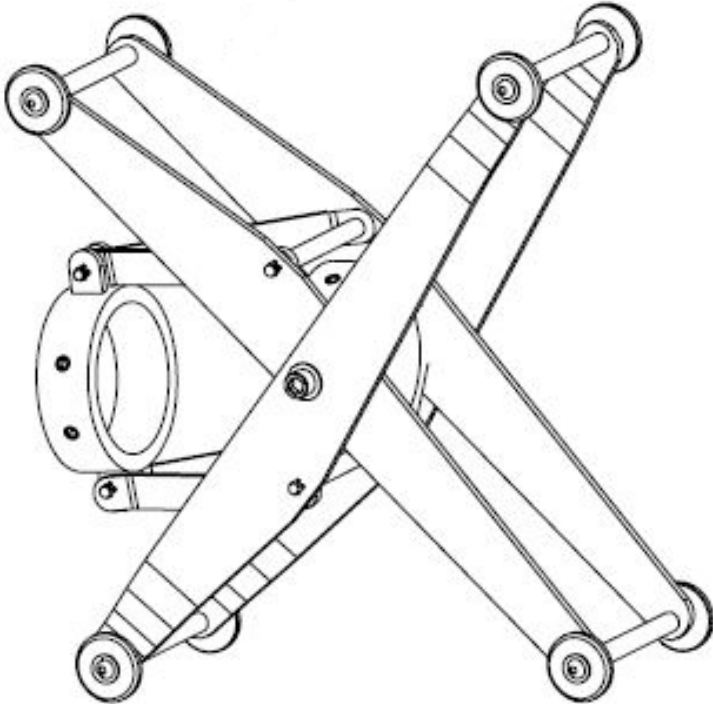
PART NUMBERS AND SCHEMATICS GUIDE

Figure 1: Blastmaster® Tornado Internal Pipe Blasting Tool



OPTIONAL ACCESSORIES

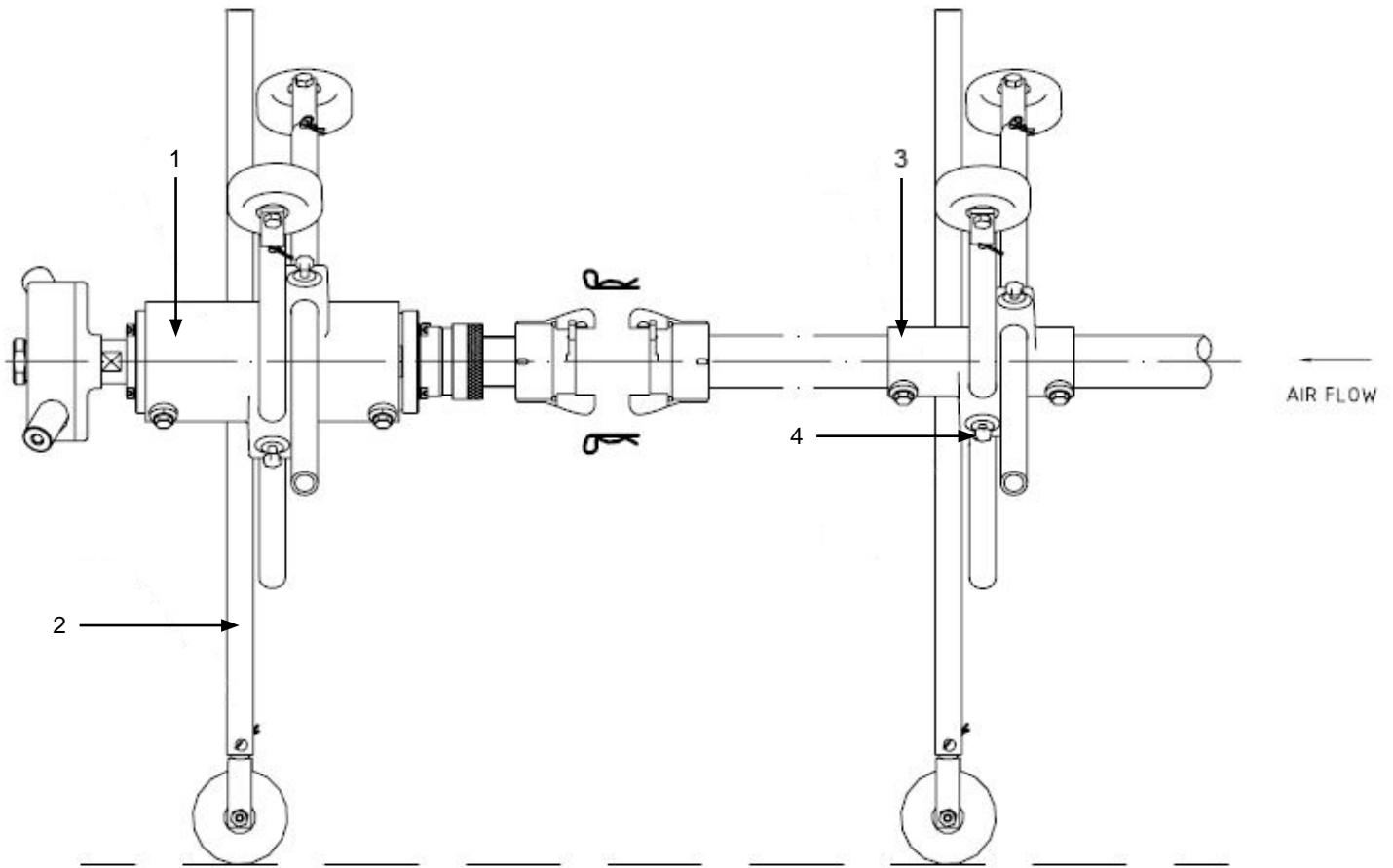
Figure 2: Tornado Scissor Carriage for 8"-17" I.D.



Item#	Part#	Description
Fig. 2		
—	1084072	Tornado Scissor Carriage for 8"-17" I.D.

OPTIONAL ACCESSORIES

Figure 3: Tornado Pipe and Wheel Carriage for 12"–36" I.D.



Item#	Part#	Description
-------	-------	-------------

Fig. 3

—	1084073	Tornado Pipe and Wheel Carriage for 12" – 36" I.D. Pipe
---	----------------	--

1	1084076	Front Body Collar
---	---------	-------------------

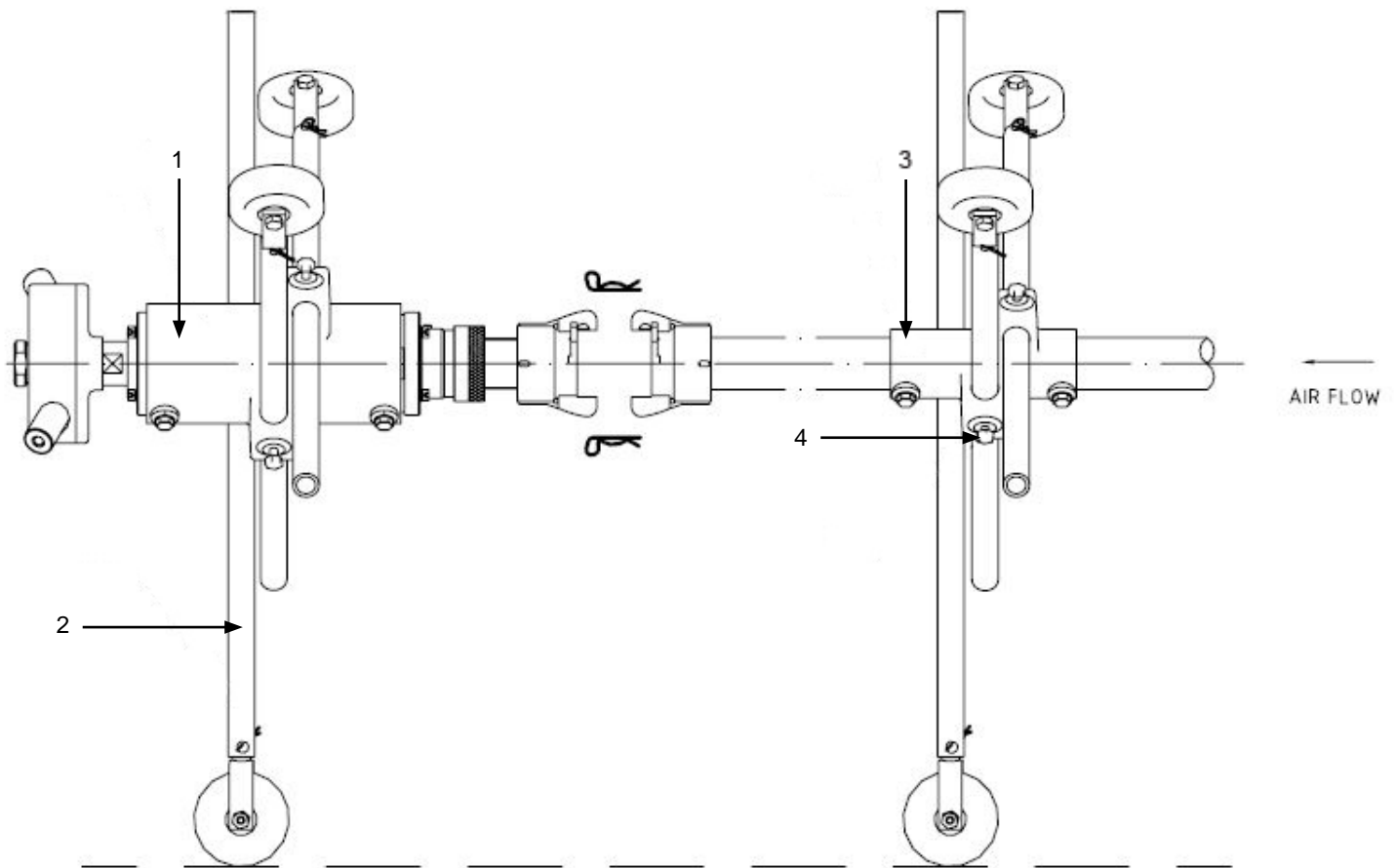
2	1084074	Medium Leg Set <i>(Includes Leg Extensions, Wheel Brackets, Wheels, and Fittings)</i>
---	---------	---

3	1084077	Rear Body Collar
---	---------	------------------

4	1084106	5/16" x 26mm Machine Screw Hex Head <i>(Quantity of Ten)</i>
---	---------	--

OPTIONAL ACCESSORIES

Figure 4: Tornado Pipe and Wheel Carriage for 40"–60" I.D.



Item#	Part#	Description
-------	-------	-------------

Fig. 4

—	1084107	Tornado Pipe and Wheel Carriage for 40" – 60" I.D. Pipe
---	----------------	--

1	1084076	Front Body Collar
---	---------	-------------------

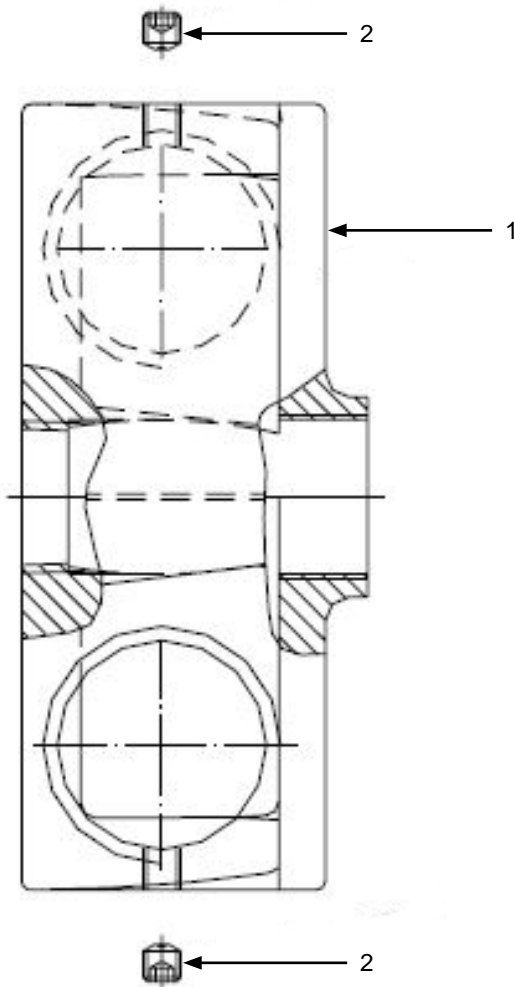
2	1084075	Long Leg Set (<i>Includes Leg Extensions, Wheel Brackets, Wheels, and Fittings</i>)
---	---------	---

3	1084077	Rear Body Collar
---	---------	------------------

4	1084106	5/16" x 26mm Machine Screw Hex Head (<i>Quantity of Ten</i>)
---	---------	--

OPTIONAL ACCESSORIES

Figure 5: 2" Tornado Large Rotating Head Assembly



Item#	Part#	Description
Fig. 5		
—	1084101	2" Tornado Large Rotating Head Assembly <i>(For use when blasting 40"–60" pipe)</i>
1	—	50mm 2" Contractor Large Rotating Head
2	—	Screw <i>(Quantity of Two)</i>
—	10SN650UN	Blastmaster® Silicon Carbide All Poly Nozzles – #6, 3/8" Orifice <i>(Two Required) (Optional)</i>

PART NUMBERS


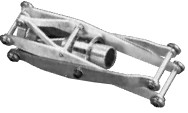
CLEMCO® HOLLO-BLAST INTERNAL PIPE BLAST TOOLS*

Part Numbers	For use in Pipe I.D.	Deflection Tip and Sleeve	Nozzle Size
10C01077	2" – 12"	Tungsten Carbide	Nozzle Sold Separately
10C01076	2" – 12"	Tungsten Carbide	#8 (1/2")
10C08446	2" – 12"	Tungsten Carbide	#10 (5/8")
10C21191	2" – 12"	Boron Carbide	Nozzle Sold Separately
10C21190	2" – 12"	Boron Carbide	#8 (1/2")

*Centering Carriages not included



PART NUMBERS

CLEMCO® HOLLO-BLAST INTERNAL PIPE BLAST TOOL CENTERING CARRIAGES			
	Part Numbers	For use in Pipe I.D.	Style
	10C01124	3" – 5"	Collars (2) and Buttons (8)
	10C01131	5" – 12"	Adjustable

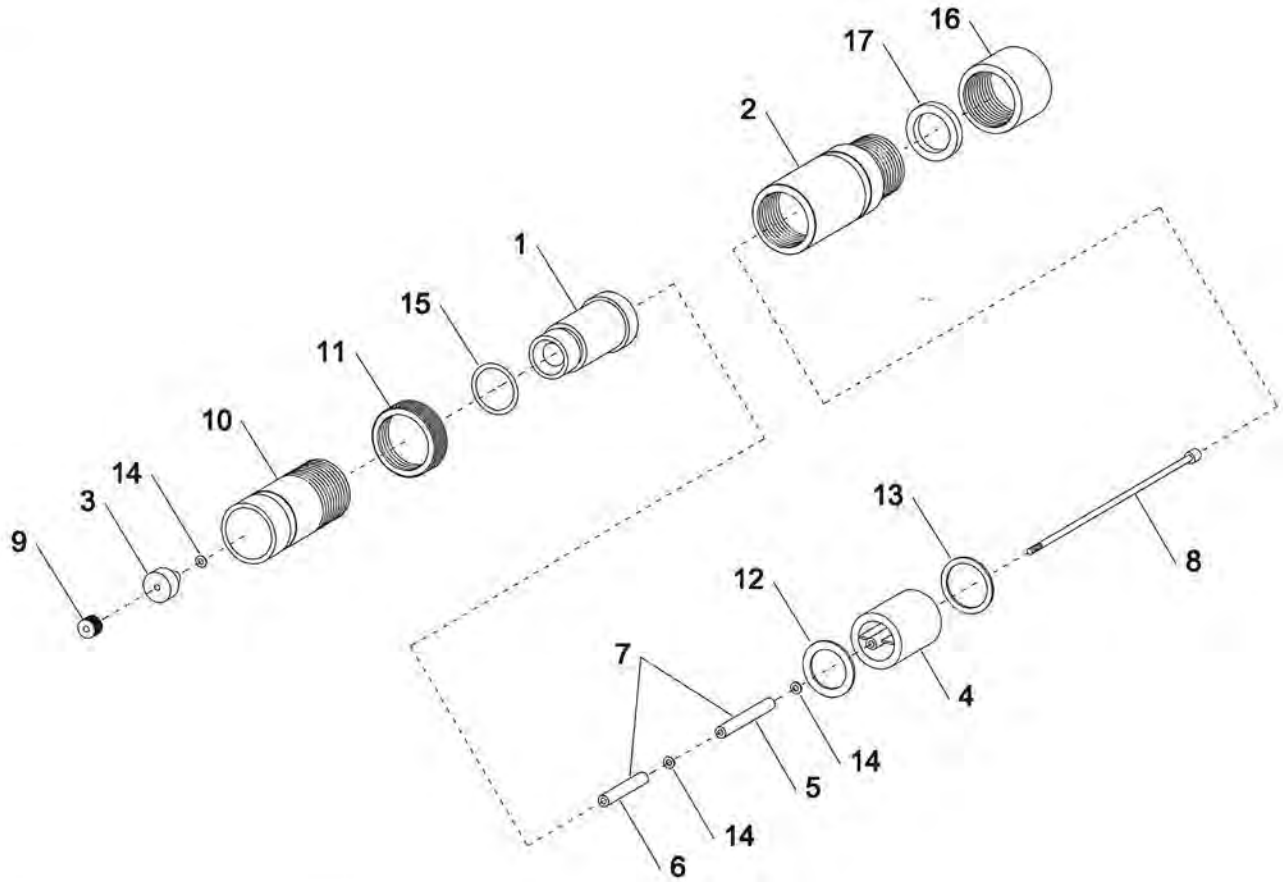
PART NUMBERS & SCHEMATICS

Clemco® Hollo-Blast Internal Pipe Blast Tool

Item#	Part#	Description
Fig. 1		
1a	10C01406	#8 (1/2") Hollo-Blast Nozzle
1b	10C01407	#10 (5/8") Hollo-Blast Nozzle
2	10C01079	Tool Holder
3a	10C01078	Tungsten Carbide Deflection Tip (<i>Standard</i>)
3b	10C20968	Boron Carbide Deflection Tip (<i>For 40 Grit and Finer Abrasive</i>)
3c	10C25077	Composite Deflection Tip (<i>For 36 Grit and Coarser Abrasive</i>)
4	10C01080	Stem Support Assembly <i>Includes Item #8</i>
5	10C01084	Long Tungsten Throat Sleeve
6	10C01085	Short Tungsten Stem Extension Sleeve
7	10C20969	Boron Throat Sleeve, One Size (<i>Alternative to #5 and #6; Two Required</i>)
8	10C01086	Throat Rod
9	10C01089	Tip Holding Nut
10	10C01090	Tip Protection Sleeve
11	10C01092	Knurled Lock Nut
12	10C01093	Front Stem Support Gasket, Wide
13	10C01094	Rear Stem Support Gasket, Narrow
14	10C01096	Brass Washer (<i>Three Required</i>)
15	10C01097	1-1/8" Nominal I.D. O-Ring
16	10C01095	Rear Coupling
17	10NW	Nozzle Washer (<i>One Included. 10 Per Replacement Package</i>)
—	06158	Operator's Manual – Clemco® Hollo-Blast Internal Pipe Blast Tool
—	106M354	Part Numbers & Schematics Guide – Clemco® Hollo-Blast Internal Pipe Blast Tool

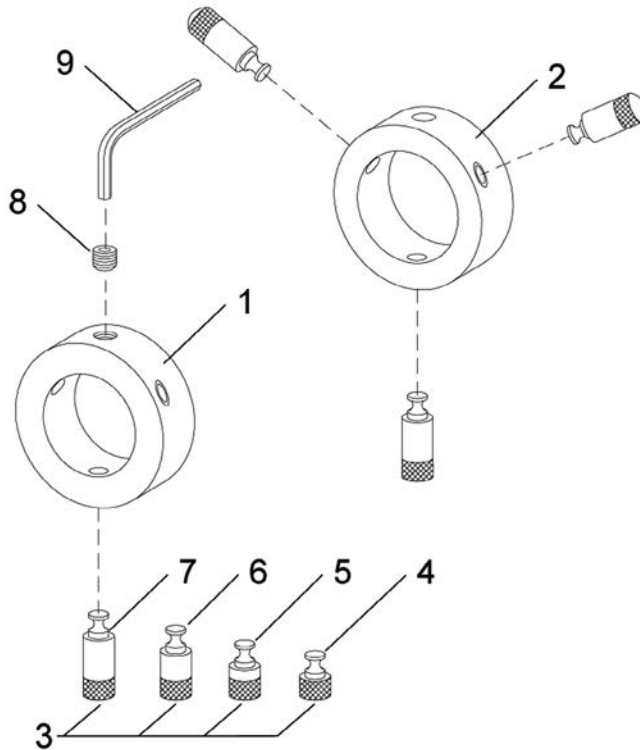
PART NUMBERS & SCHEMATICS

Figure 1: Clemco® Hollo-Blast Internal Pipe Blast Tool



PART NUMBERS & SCHEMATICS

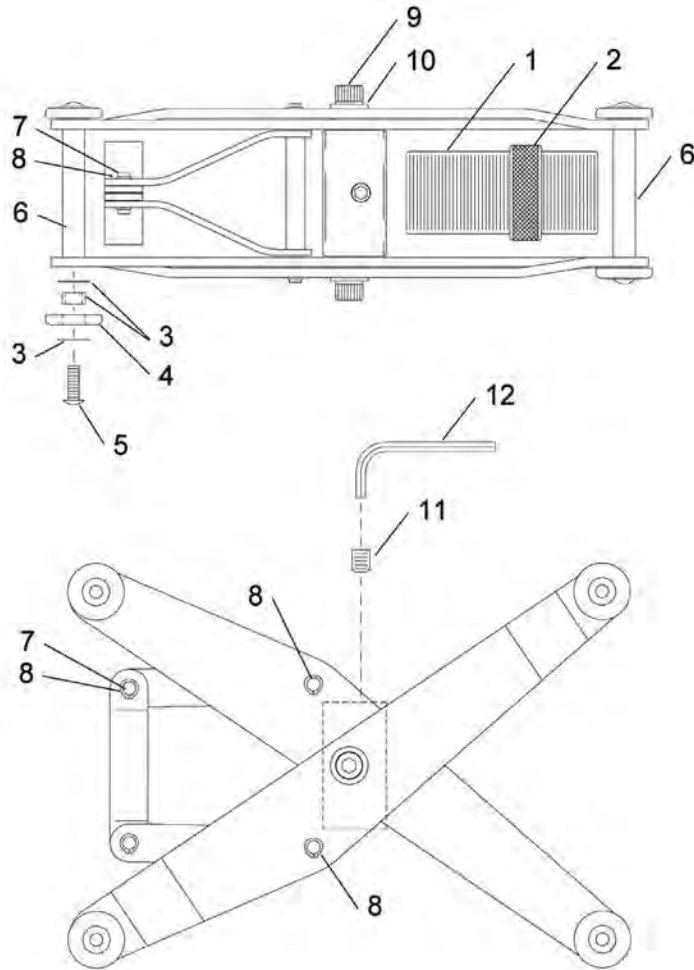
Figure 2: Clemco® Hollo-Blast Internal Pipe Blast Collar and Button Centering Device



Item #	Part #	Description
Fig. 2		
—	10C01124	Collar and Button Centering Device for 3"–5" I.D. Pipe – Complete
1	10C01125	1-11/16" Nominal I.D. Front Collar
2	10C01126	1-7/8" Nominal I.D. Rear Collar
3	10C01158	Button Set <i>Includes Item #'s: 4, 5, 6, and 7</i>
4	10C01154	5/16" Buttons for 3-1/2" I.D. Pipe (<i>Set of Six</i>)
5	10C01155	9/16" Buttons for 4" I.D. Pipe (<i>Set of Six</i>)
6	10C01156	13/16" Buttons for 4-1/2" I.D. Pipe (<i>Set of Six</i>)
7	10C01157	1-1/6" Buttons for 5" I.D. Pipe (<i>Set of Six</i>)
8	10C03272	3/8-NC Cup Point Set Screw
9	10C01139	3/16" Hex Key
—	06158	Operator's Manual – Clemco® Hollo-Blast Internal Pipe Blast Tool
—	106M354	Part Numbers & Schematics Guide – Clemco® Hollo-Blast Internal Pipe Blast Tool



PART NUMBERS & SCHEMATICS

Figure 3: Clemco® Hollo-Blast Internal Pipe Blast Adjustable Carriage Centering Device








Item #	Part #	Description
Fig. 3		
—	10C01131	Adjustable Carriage Centering Device for 5"–12" I.D. Pipe - Complete
1	10C01091	Threaded Tip Protection Sleeve
2	10C01092	Knurled Lock-Nut
3	10C01133	Wheel Bushing With Two Washers
4	10C01153	Steel Wheel
5	10C03124	1/4-NC Button Head Screw
6	10C01166	Axle Spacer
7	10C01142	1-1/8" Arm Pin
8	10C01143	Retaining Ring
9	10C03319	3/8-NC x 3/4" Socket Head Screw
10	10C03317	3/8 Flat Washer
11	10C03272	3/8-NC Cup Point Screw
12	10C01139	3/16" Hex Key
—	06158	Operator's Manual – Clemco® Hollo-Blast Internal Pipe Blast Tool
—	106M354	Part Numbers & Schematics Guide – Clemco® Hollo-Blast Internal Pipe Blast Tool

PART NUMBERS

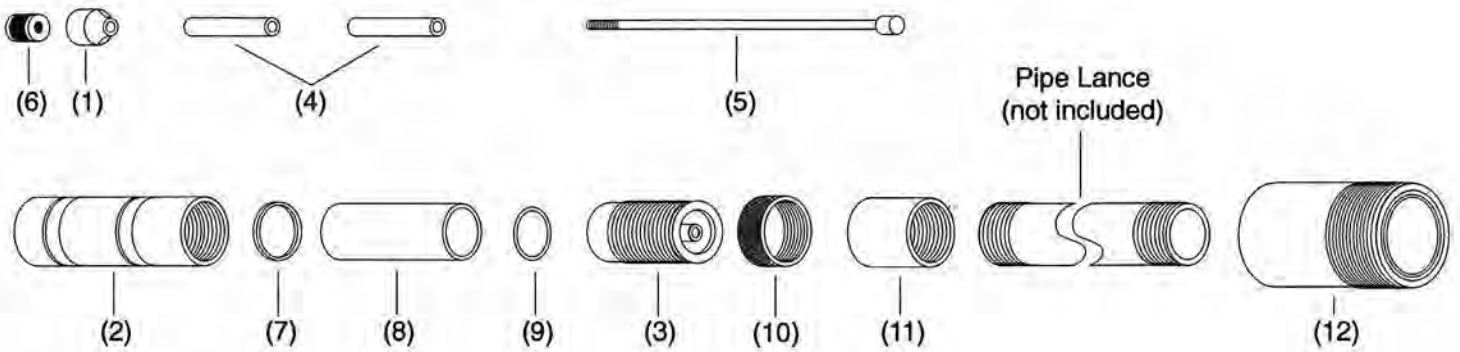
CLEMCO HOLLO-BLAST JR. INTERNAL PIPE BLAST TOOLS				
	Part Numbers	For use in Pipe I.D.	Centering Collar Set	Reducer
	10C01098	3/4" – 2"	X	X
	10C01099	3/4" – 2"	X	

PART NUMBERS

Part Numbers	CLEMCO HOLLO-BLAST JR. INTERNAL PIPE BLAST TOOL CENTERING COLLARS	
	10C01114	Centering Collar Set – Complete <i>Includes Two Collars Each for: 1", 1-1/4", 1-1/2", and 2" I.D. Pipe</i>
	10C01117	Collar Set for 1" I.D. Pipe <i>Includes Two Collars</i>
	10C01118	Collar Set for 1-1/4" I.D. Pipe <i>Includes Two Collars</i>
	10C01119	Collar Set for 1-1/2" I.D. Pipe <i>Includes Two Collars</i>
	10C01120	Collar Set for 2" I.D. Pipe <i>Includes Two Collars</i>



PART NUMBERS & SCHEMATICS

Figure 1: Clemco Hollo-Blast Jr. Internal Pipe Blast Tool






Item #	Part #	Description
Fig. 1		
1	10C01100	Deflection Tip
2	10C01101	Body
3	10C01102	Stem Support Assembly <i>Includes Item: #5</i>
4	10C01105	Tungsten Stem Sleeve <i>(Two Required)</i>
5	10C01162	Throat Rod and Tip Assembly
6	10C01108	Throat Rod Nut
7	10C01109	Retaining Ring
8	10C01113	9/32" Tungsten Carbide Nozzle
9	10C08977	9/16" O-Ring
10	10C01111	Knurled Lock Nut
11	10C01112	3/8" Diameter Coupling
12	10C01115	Reducer
—	93028	Operator's Manual – Clemco Hollo-Blast Jr. Internal Pipe Blast Tool
—	106M355	Part Numbers & Schematics Guide – Clemco Hollo-Blast Jr. Internal Pipe Blast Tool

PART NUMBERS

CLEMCO SPIN-BLAST INTERNAL PIPE BLAST TOOLS*			
	Part Numbers	For use in Pipe I.D.	Nozzles
	10C02601	8"–36"	10AT4 <i>(Quantity of Two)</i>
	10C10547	36"–60"	Nozzles Sold Separately, See Chart Below For Recommended Nozzle

*Centering Carriages not included

PART NUMBERS

CLEMCO SPIN-BLAST INTERNAL PIPE BLAST TOOL CENTERING CARRIAGES			
	Part Numbers	For use in Pipe I.D.	Style
	10C03641	8"–17"	Adjustable
	10C04971	12"–36"	Legs
	10C10560	36"–60"	Legs

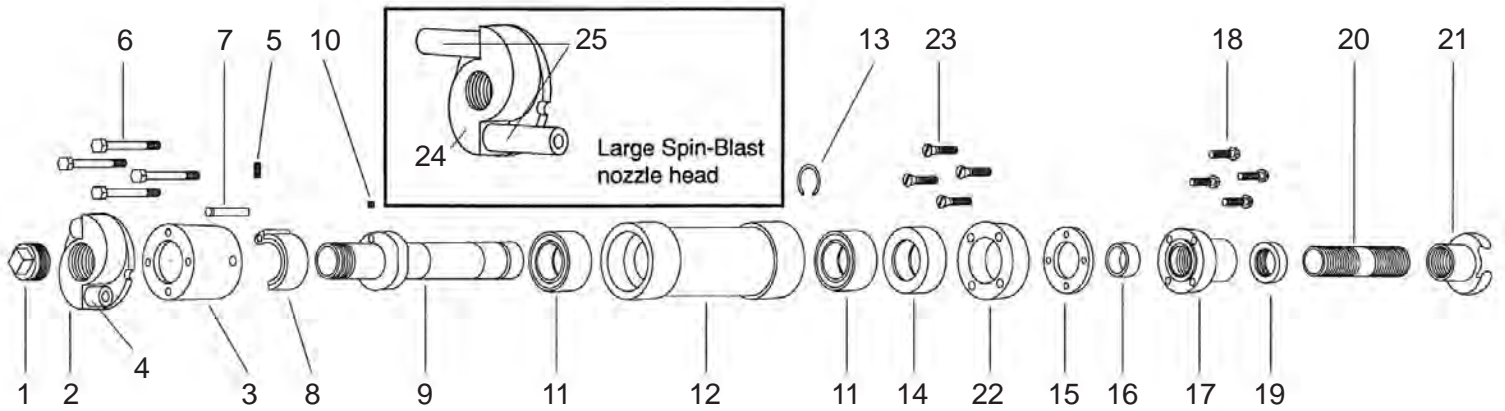
PART NUMBERS & SCHEMATICS

Clemco Spin-Blast Internal Pipe Blast Tools

Item #	Part #	Description
Fig. 1		
—	10C02601	Clemco Spin-Blast Internal Pipe Blast Tool <i>Includes Item #4a (Quantity of Two)</i>
—	10C10547	Large Diameter Clemco Spin-Blast Internal Pipe Blast Tool <i>Nozzles Not Included</i>
1	1011901	1" Pipe Plug
2	10C02604	Small Rotating Nozzle Head
3	10C02606	Brake Housing
4a	10AT4	1/4" Orifice x 1-3/4" Straight Bore Nozzle
4b	10AT5	5/16" Orifice x 1-3/4" Straight Bore Nozzle
4c	10AT6	3/8" Orifice x 1-3/4" Straight Bore Nozzle
4d	10C01410	5/16" Orifice x 3" Straight Bore Nozzle
4e	10C01412	3/8" Orifice x 4" Straight Bore Nozzle
5	10C03071	1/4" NC Set Screw
6	10C03892	10-24 x 2-1/4" Round Head Screw
7	10C02628	Brass Lock Pin
8	10C02608	Brake With Lining
9	10C02609	Tube
10	10C03270	10-24 x 3/16" Set Screw
11	10C02611	Double Seal Bearing
12	10C10899	Main Body
13	10C02610	Tube Lock Ring
14	10C02613	Bearing Seal
15	10C02614	Leather Dust Seal
16	10C02616	Tungsten Washer
17	10C02615	Rear End Plate
18	10C03891	10-24 x 1" Round Head Screw
19	10C02618	Rear Plate Hex Nut
20	10C02617	Rubber-Lined Nipple
21	10SB1S	Coupling
22	10C10898	Retainer Ring
23	10C10897	10-24 x 1" Flat Head Screw
24	10C10546	Large Rotating Nozzle Head
25a	10SN4UN	1/4" Orifice Blaze Nozzle
25b	10SN5UN	5/16" Orifice Blaze Nozzle
25c	10SN6UN	3/8" Orifice Blaze Nozzle
—	10C02603	Service Kit – Small Clemco Spin-Blast Internal Pipe Blast Tool (10C02601) <i>Includes Item #'s: 2, 8, 9, 11, 14, 16; Two Each of 13; Four Each of 1; and Thirty Each of 15</i>
—	10C10894	Service Kit – Large Clemco Spin-Blast Internal Pipe Blast Tool (10C10547) <i>Includes Item #'s: 8, 9, 11, 14, 16, 24; Two Each of 13; Four Each of 1; and Thirty Each of 15</i>
—	93030	Operator's Manual – Clemco Spin-Blast Internal Pipe Blast Tool
—	106M356	Part Numbers & Schematics Guide – Clemco Spin-Blast Internal Pipe Blast Tool

PART NUMBERS & SCHEMATICS

Figure 1: Clemco Spin-Blast Internal Pipe Blast Tools



4a
4b
4c



4e
4f



10SN4UN
10SN5UN
10SN6UN

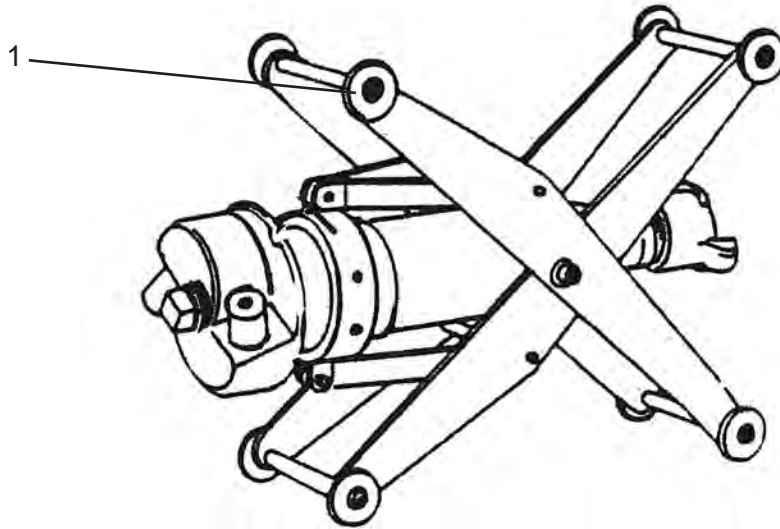
Recommended Operating Usage Chart

Tool	Pipe I.D.	Nozzle Recommended	Centering Carriage Required	CFM Required @ 100 psi
10C02601	8"-12"	10AT4, 10AT5, 10AT6	10C03641	300
	12"-20"	10C01410	10C04971	365
	24"-36"	10C01412	10C04971	600

10C10547	36"-60"	10SN4UN	10C10560	300
	36"-60"	10SN5UN	10C10560	365
	36"-60"	10SN6UN	10C10560	600

PART NUMBERS & SCHEMATICS

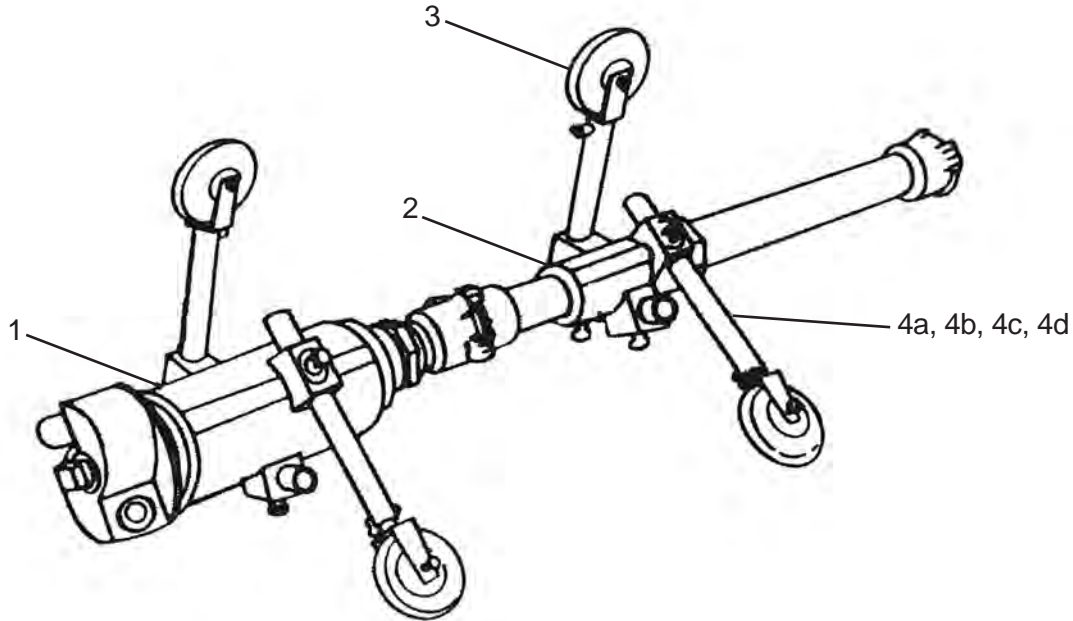
Figure 2: Small Adjustable Centering Carriage



Item#	Part#	Description
Fig. 2		
—	10C03641	8"–17" I.D. Small Adjustable Centering Carriage
1	10C03636	Wheel (<i>Eight Required</i>)
—	10C3706	Bushing Kit
—	93030	Operator's Manual – Clemco Spin-Blast Internal Pipe Blast Tool
—	106M356	Part Numbers & Schematics Guide – Clemco Spin-Blast Internal Pipe Blast Tool

PART NUMBERS & SCHEMATICS

Figure 3: Large Centering Carriages



Item#	Part#	Description
Fig. 3		
—	10C04971	12"–36" I.D. Large Centering Carriage <i>Includes Item #'s: 1, 2, 3, 4a, 4b, and 4c</i>
—	10C10560	36"–60" I.D. Large Diameter Centering Carriage <i>Includes Item #'s: 1, 2, 3, and 4d</i>
1	10C04937	Front Body Collar
2	10C04938	Rear Lance Collar
3	10C04899	3" Wheel Set with Clevis Pins <i>Includes: Quantity of Six Wheels and Six Clevis Pins</i>
4a	10C04896	Short Leg Set for 12"–14" I.D. Pipe <i>Includes: Quantity of Six – 4" Long Legs</i>
4b	10C04895	Medium Leg Set for 14"–20" I.D. Pipe <i>Includes: Quantity of Six – 8" Long Legs</i>
4c	10C04894	Long Leg Set for 24"–36" I.D. Pipe <i>Includes: Quantity of Six – 17" Long Legs</i>
4d	10C10559	Long Leg Set for 40"–60" I.D. Pipe <i>Includes: Quantity of Six – 36" Long Legs</i>
—	10C04897	Clevis Pin and Cotter Pin <i>(Not Pictured)</i>
—	10C04898	3" Wheel With Clevis Pin <i>Includes: Quantity of One Wheel and One Clevis Pin</i>
—	93030	Operator's Manual – Spin Blast Internal Pipe Cleaning Tool
—	106M356	Part Numbers & Schematics Guide – Clemco Spin-Blast Internal Pipe Blast Tool

PART NUMBERS

CLEMCO SPIN-BLAST HD INTERNAL PIPE BLAST TOOLS*		
Part Numbers	For use in Pipe I.D.	Centering Carriage
10C28046	18"-48"	
10C25129	18"-48"	X

**Nozzles not included*

PART NUMBERS



10C28046



10C25129

PART NUMBERS & SCHEMATICS

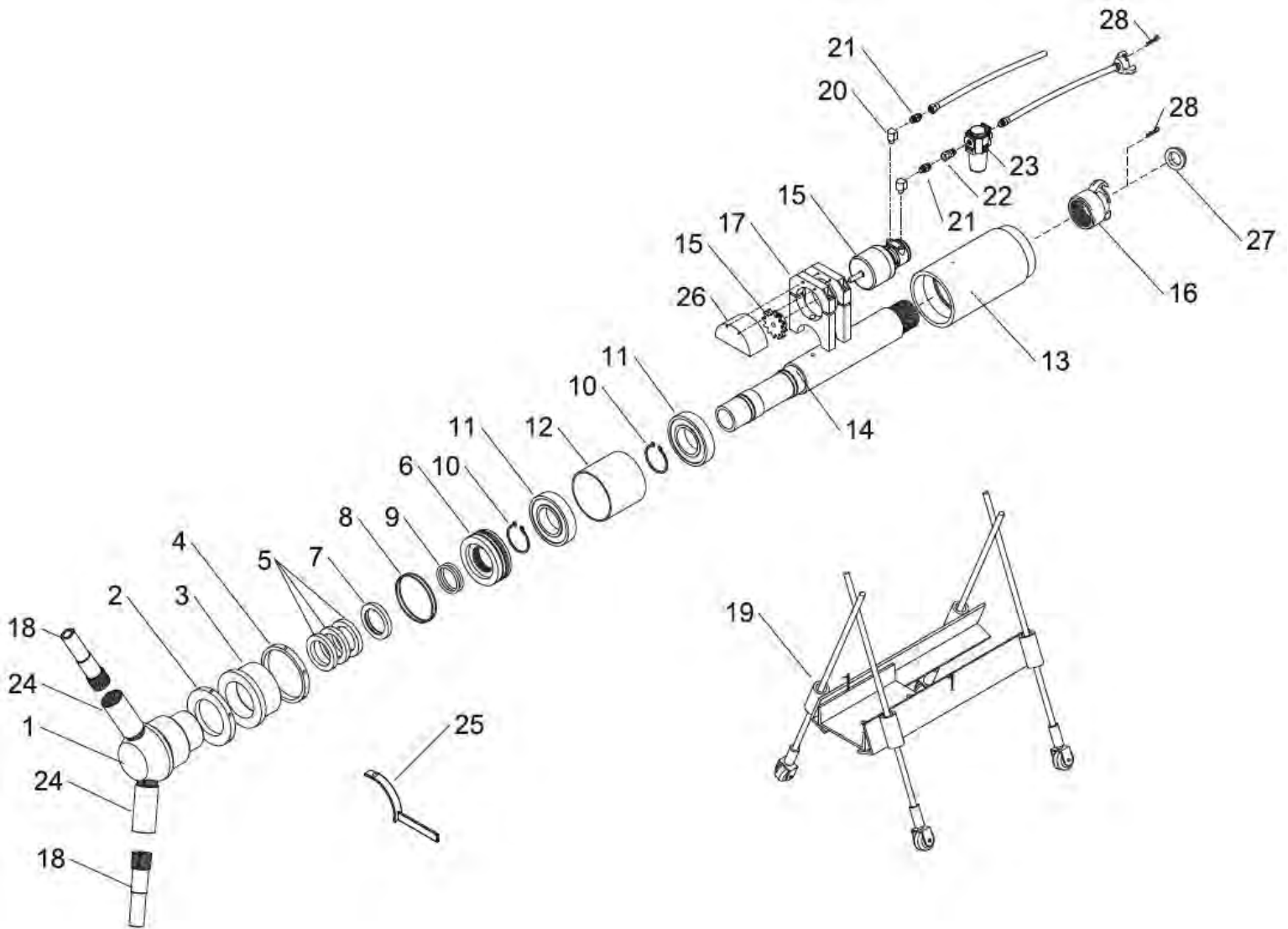
Clemco Spin-Blast HD Internal Pipe Blast Tools

Item #	Part #	Description
Fig. 1		
—	10C28046	Clemco Spin-Blast HD Internal Pipe Blast Tool <i>Nozzles Not Included</i>
—	10C25129	Clemco Spin-Blast HD Internal Pipe Blast Tool with Carriage <i>Nozzles Not Included. Includes Item #19.</i>
1	10C25100	Blast Head
2	10C25101	Blast Head Lock Ring
3	10C25102	Main Body Bushing
4a	10C25103	Bushing Lock Ring
5	10C25104	Packging Gasket Gland (<i>Quantity of Three</i>)
6	10C25105	Seal Gland
7	10C25106	Seal
8	10C25107	Outer O-ring Gland (<i>Quantity of Two</i>)
9	10C25108	Inner O-ring Gland (<i>Quantity of Two</i>)
10	10C25109	Lock Ring (<i>Two Required</i>)
11	10C25110	Bearing (<i>Quantity of Two</i>)
12	10C25111	Spacer Sleeve
13	10C25112	Body
14	10C25113	Tube
15	10C25114	Air Motor and Gear Assembly
16	10C00555	2" NPT (F) Coupling
17	10C25116	Air Motor Mounts (<i>Quantity of Four</i>)
18a	10TC4UN	#4 All Poly Tungsten Carbide NPS Nozzle – 1/4" Orifice (<i>Two Required</i>)
18b	10TC5UN	#5 All Poly Tungsten Carbide NPS Nozzle – 5/16" Orifice (<i>Two Required</i>)
18c	10TC6UN	#6 All Poly Tungsten Carbide NPS Nozzle – 3/8" Orifice (<i>Two Required</i>)
18d	10TC7UN	#7 All Poly Tungsten Carbide NPS Nozzle – 5/16" Orifice (<i>Two Required</i>)
18e	10TC8UN	#8 All Poly Tungsten Carbide NPS Nozzle – 3/8" Orifice (<i>Two Required</i>)
19	10C25117	Carriage Assembly
20	10C02027	1/4" NPT Brass Street Elbow
21	—	1/4" NPT x 3/8" SAE (M) Adapter*
22	—	1/4" NPT x 3/8" SAE (F) Adapter*
23	—	1/4" NPT Filter*
24	10C25118	Nozzle Extension (<i>Pair</i>)
25	10C24646	Spanner
26	10C24645	Nylon Gear Guard
27	10C00850	CQG Gasket (<i>Pack of 10</i>)
27	10C11203	Lock Pins (<i>Pack of 25</i>)
—	10C25130	Air Motor and Gear Service Kit (<i>Not Shown</i>)
—	25119	Operator's Manual – Clemco Spin-Blast HD Internal Pipe Blast Tool
—	106M466	Part Numbers & Schematics Guide – Clemco Spin-Blast Internal Pipe Blast Tool

*Contact Marco for Part Numbers

PART NUMBERS & SCHEMATICS

Figure 1: Clemco Spin-Blast HD Internal Pipe Blast Tools



PART NUMBERS & SCHEMATICS GUIDE

MONTI BRISTLE BLASTER® ASSEMBLY - PNEUMATIC				
Part Numbers	Power Source	Belt Material	Belts	Storage Case
10MTSP647BMCN	Pneumatic	Carbon Steel	Five – 11mm Five – 23mm	X
10MTSP656BMCN	Pneumatic	Carbon Steel	Ten - 23mm	X
10MTSP649BMCN	Pneumatic	Stainless Steel	Five – 11mm Five – 23mm	X
10MTSP643BMCN	Pneumatic	Stainless Steel	Ten - 23mm	X



10MTSP647BMCN



10MTSP649BMCN



10MTSP656BMCN



10MTSP643BMCN

PART NUMBERS & SCHEMATICS GUIDE

MONTI BRISTLE BLASTER® ASSEMBLY - ELECTRIC				
Part Numbers	Power Source	Belt Material	Belts	Storage Case
10MTSE660BMC	120-Volt	Carbon Steel	Five – 11mm Five – 23mm	X
10MTSE667BMC	120-Volt	Carbon Steel	Ten – 23mm	X
10MTSE669BMC	120-Volt	Stainless Steel	Five – 11mm Five – 23mm	X
10MTSE668BMC	120-Volt	Stainless Steel	Ten - 23mm	X



10MTSE660BMC



10MTSE669BMC



10MTSE667BMC



10MTSE668BMC

PART NUMBERS & SCHEMATICS GUIDE

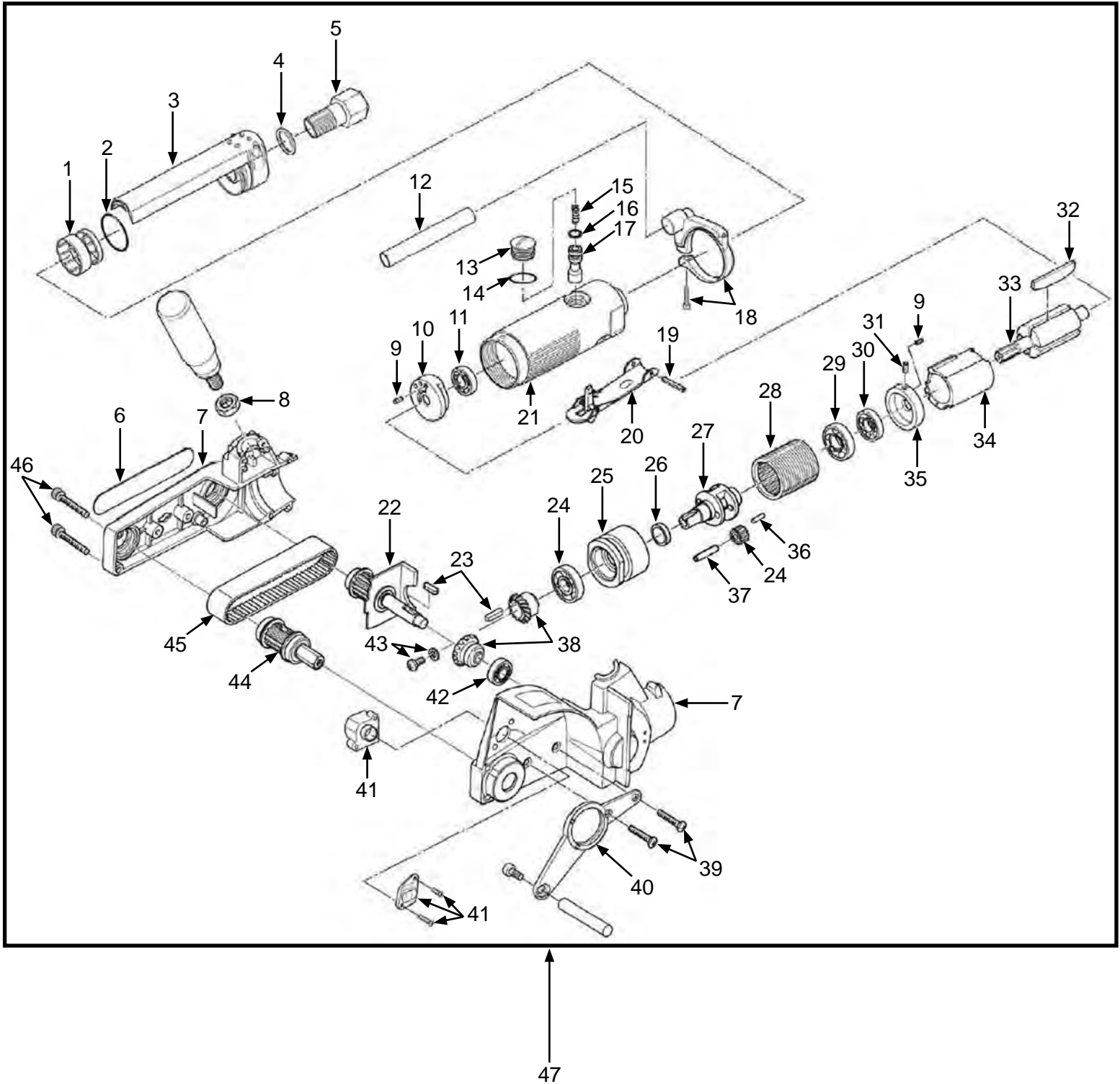
MONTI Bristle Blaster® – Pneumatic

Item #	Part #	Description
Fig. 1		
1	10MT30564	Silencer Element
2	10MT30558	O-Ring
3	10MT30559	Crescent Pipe
4	10MT30557	Washer
5	10MT30556	Air Inlet Bolt
6	10MT30586	Plastic Label
7	10MT30592	Plastic Housing Blaster
8	10MT30533	Nut
9	10MT30517	Cylinder Pin
10	10MT30516	Rear End Plate
11	10MT30515	Ball Bearing
12	10MT30561	Pipe
13	10MT30539	Valve Nut
14	10MT30502	O-Ring
15	10MT30505	Valve Spring
16	10MT30506	O-Ring
17	10MT30507	Valve Stem
18	10MT30560	Pipe Transformer
19	10MT30510	Lever Pin
20	10MT30571	Throttle Lever
21	10MT30552	Air Motor Housing
22	10MT30595	Drive Shaft Sub Assembly
23	10MT30566	Housing Cap
24	10MT30528	Idle Gear
	10MT30526	Ball Bearing
25	10MT30566	Housing Cap
26	10MT30583	Spacer
27	10MT30565	Planet Cage
28	10MT30575	Internal Gear
29	10MT30523	Ball Bearing
30	10MT30522	Ball Bearing
31	10MT30534	Roll Pin
32	10MT30518	Rotor Blade
33	10MT30519	Rotor
34	10MT30520	Cylinder
35	10MT30574	Front End Plate
36	10MT30527	Needle Roller (<i>Pack of 22</i>)
37	10MT30529	Idle Gear Pin

Item #	Part #	Description
38	10MT30576	Bevel Gear Set (<i>Quantity of Two</i>)
39	10MT30587	Tapping Screw Set (<i>Quantity of Two</i>)
40	10MT30593	Blaster Arm
41	10MT30562	Nozzle Set (<i>Quantity of Two</i>)
42	10MT30536	Ball Bearing
43	10MT30545	Screw
44	10MT30596	Spindle Sub Assembly (<i>Quantity of Two</i>)
45	10MT30579	Toothed Belt
46	10MT30587	Tapping Screw Set (<i>Quantity of Two</i>)
47	—	Pneumatic MONTI Bristle Blaster® Drive Unit <i>Bristle Belts Not Included</i>
—	10MT30951	Bristle Blaster® Repair Kit (<i>Includes Item #'s: 11, 22, 38, and 43</i>)
—	101V034	Brochure – MONTI Bristle Blaster®
—	106M404	Part Numbers and Schematics Guide – MONTI Bristle Blaster®
—	109V016	Operator's Manual – Montipower Pneumatic MONTI Bristle Blaster®

PART NUMBERS & SCHEMATICS GUIDE

Figure 1: MONTI Bristle Blaster® – Pneumatic



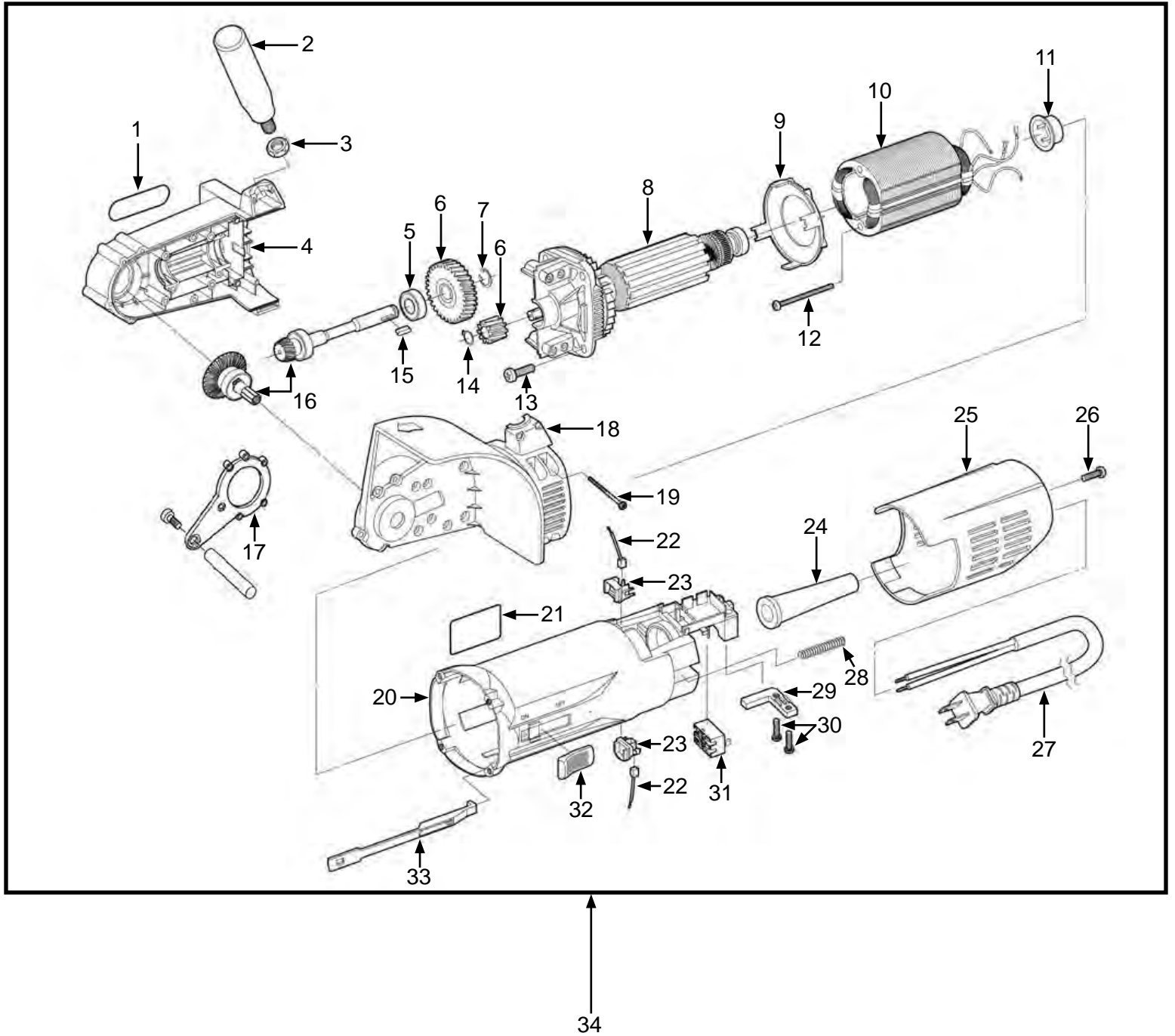
PART NUMBERS & SCHEMATICS GUIDE

MONTI Bristle Blaster® – Electric

Item #	Part #	Description
Fig. 2		
1	10MT33281	Elliptical Label 3200
2	10MT30550	Handle
3	10MT30533	Hex-Nut
4	10MT32317	Front Housing (<i>Quantity of Two</i>)
5	10MT30522	Ball Bearing
6	10MT32323	Helical Gear Set with Retainer Ring
7	10MT32124	Retainer Ring E-Style
8	10MT32960L	Rotor 3200 rpm – 120-Volt
9	10MT32129	Fan Guide
10	10MT32961L	Stator 3200 rpm – 120-Volt
11	10MT32131	Bearing Cap
12	10MT32230	Screw Set
13	10MT32227	Bearing Bracket Screw (<i>Quantity of Four</i>)
14	10MT32125	Retainer Ring C-Style
15	10MT32121	Round Tip Key
16	10MT32920	Bevel and Pinion Gear Set (<i>Quantity of Two</i>)
17	10MT32151	Blaster Arm
18	10MT32317	Front Housing (<i>Quantity of Two</i>)
19	10MT32318	Screw Set
20	10MT32141	Motor Housing
21	10MT32782	Caution Label
22	10MT32249	Carbon Brush (<i>Quantity of Two</i>)
23	10MT32232	Carbon Brush Holder (<i>Quantity of Two</i>)
24	10MT32140	Cord Bush
25	10MT32142	Rear Motor Housing
26	10MT32143	Rear Housing Spring
27	10MT32144	Plug Cord
28	10MT32136	Spring
29	10MT32138	Cord Holdfast
30	10MT32239	Cord Holdfast Screw (<i>Quantity of Two</i>)
31	10MT32137	Switch
32	10MT32135	Operating Handle
33	10MT32134	Connection Piece
34	—	Electric MONTI Bristle Blaster® Drive Unit <i>Bristle Belts Not Included</i>
—	106M404	Part Numbers and Schematics Guide – MONTI Bristle Blaster®
—	109V015	Operator's Manual – Montipower Electric MONTI Bristle Blaster®
—	101V034	Brochure – MONTI Bristle Blaster®





PART NUMBERS & SCHEMATICS GUIDE

Figure 2: MONTI Bristle Blaster® – Electric



OPTIONAL ACCESSORIES


MONTI BRISTLE BLASTER® REPLACEMENT BRISTLE BELTS


	Part Numbers	Bristle Material	Bristle Width	Ring Color	Package Quantity
	10MTBB034	Carbon Steel	11mm	Red	One Each
	10MTBB033	Carbon Steel	23mm	Red	One Each
	10MTBB103	Stainless Steel	11mm	White	One Each
	10MTBB102	Stainless Steel	23mm	White	One Each

MONTI BRISTLE BLASTER® ADAPTER SYSTEMS




	Part Numbers	For Use With Bristle Width	Included With	Package Quantity
	10MTAS012	11mm	Includes Allen Wrench, Allen Screw and Lock Washer	One Each
	10MTAS009	23mm	Includes Allen Wrench, Allen Screw and Lock Washer	One Each

OPTIONAL ACCESSORIES


		MONTI BRISTLE BLASTER® REPLACEMENT ACCELERATOR BARS			
Part Numbers	Accelerator Bar Material	For Use With Bristle Width	Includes One Allen Screw and One Lock Washer	Package Quantity	
	10MTZU06105	Carbon Steel	11mm	X	Five Each
	10MTZU06005	Carbon Steel	23mm	X	Five Each
	10MTZU06305	Stainless Steel	11mm	X	Five Each
	10MTZU06205	Stainless Steel	23mm	X	Five Each

		SHARPENING STONE
Part Numbers	Details	
	10MTZU003	For Sharpening Bristle Blaster Belts


OPTIONAL ACCESSORIES

MONTI BRISTLE BLASTER® AIR PRESSURE REGULATORS					
	Part Numbers	For Use With Bristle Width	Thread	Pressure Rating	Package Quantity
	10MTZU070N*	11mm	1/4" NPT	75 psi	One Each
	10MTZU071N*	23mm	1/4" NPT	90 psi	One Each
	10MTZU072N*	11mm and 23mm	1/4" NPT	75 psi/90psi	Two (One 10MTZU070N, One 10MTZU071N)

**Only for Use with Pneumatic Drive Unit*

MONTI BRISTLE BLASTER® SWIVEL CONNECTOR				
	Part Numbers	Thread	Rotation	Package Quantity
	10MTZU073*	1/4" NPT	360°	One Each

**Only for Use with Pneumatic Drive Unit*

	Part Numbers	DUST EXHAUST
Details		
	10MTZU021*	Connects to External Industrial Vacuum Cleaner, Allowing for Effective Collection of Removed Material

**Only for Use with Pneumatic Drive Unit*

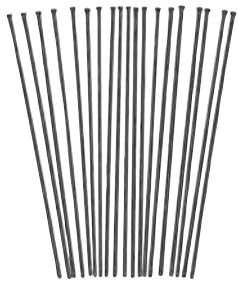
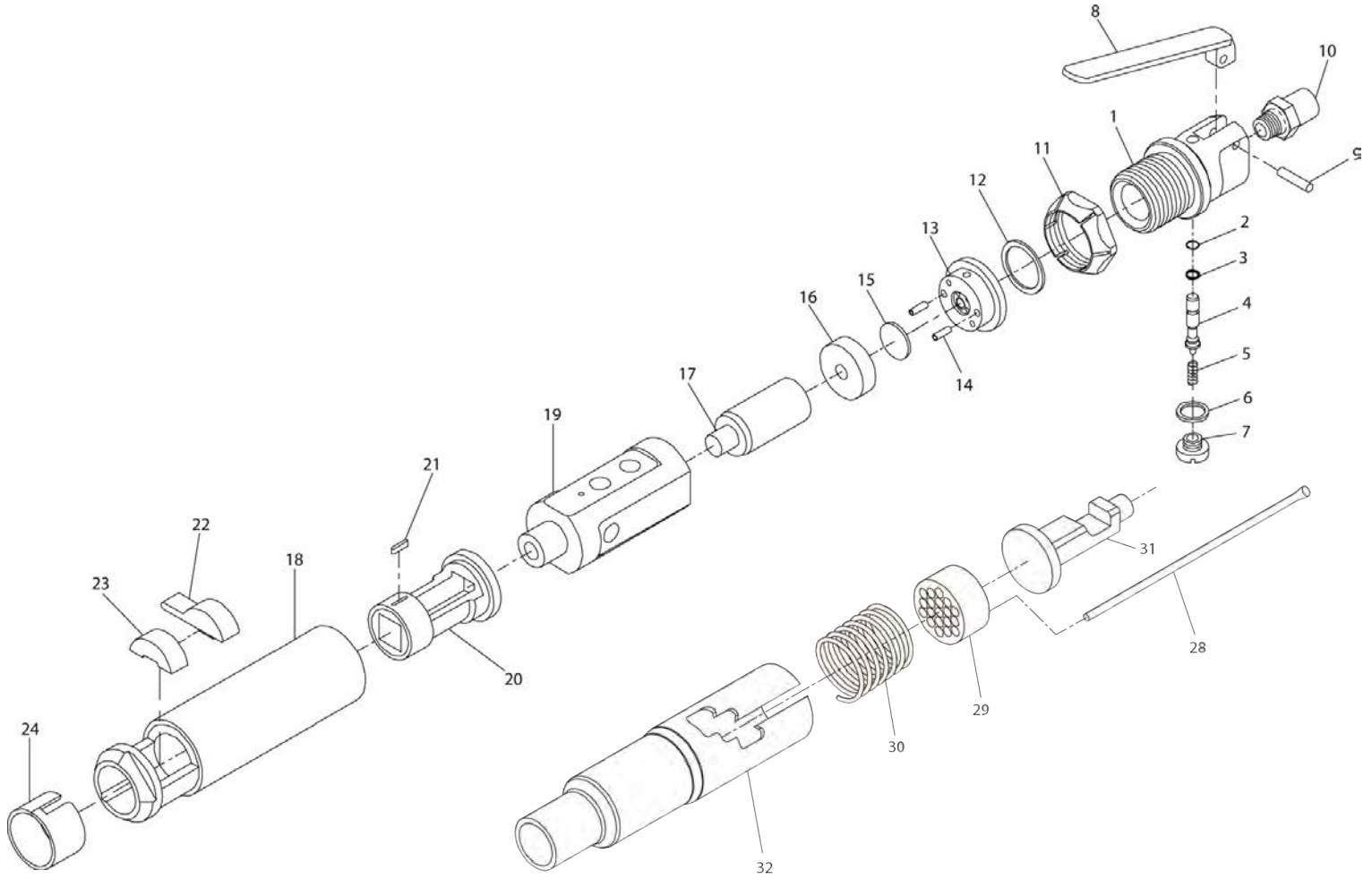
PART NUMBERS AND SCHEMATICS GUIDE

Part Number	INGERSOLL RAND AIR PERCUSSIVE NEEDLE SCALER			
	Model	Needle Diameter (mm)	Needle Quantity	Length (Inches)
10IR125	125	3.2	19	18.3

Item#	Part#	Description
Fig. 1		
—	10IR125	Ingersoll Rand Air Percussive Needle Scaler – Complete
1	10IRPF2200160	Backhead
2	10IRPF220053	Throttle Valve Stem O-ring
3	10IRPF220050	Valve O-ring
4	10IRPF220049	Throttle Valve
5	10IRPF220051	Spring
6	10IRPF220052	Gasket
7	10IRPF2200109	Valve Cap
8	10IRPF2200273	Lever
9	10IRPF2200274	Lever Pin
10	10IRPF2200565	Inlet Bushing
11	10IRPF220027	Locking Ring
12	10IRPF2200207	Alignment Shim
13	10IRPF22004	Rear Valve Block
14	10IRPF220032	Pin (<i>Quantity of Two</i>)
15	10IRPF22002	Valve
16	10IRPF22003	Front Valve Block
17	10IRPF22005	Piston
—	10IRPF2200A10	Casing Assembly
18	10IRPF220010	Casing
19	10IRPF220030	Casing Sleeve
20	10IRPF22007	Nozzle
21	10IRPF22008	Key
22	10IRPF2200200	Bit Retainer
23	10IRPF2200203	Bit Retainer Buffer
24	10IRPF2200201	Retainer Clip
28	10IRPF22192219	Needle Package
29	10IRPF221921	Needle Holder
30	10IRPF221927	Spring
31	10IRPF221920	Anvil
32	10IRPF221924	Needle Housing
—	106M401	Part Numbers and Schematics Guide – Ingersoll Rand Power Tools
—	109V014	Operator's Manual – 125 Series Air Percussive Needle Scaler

PART NUMBERS AND SCHEMATICS GUIDE


Figure 1: Ingersoll Rand Air Percussive Needle Scaler



Part Numbers

NEEDLE SCALERS REPLACEMENT NEEDLES											
Part Numbers	7 Inch Length	Carbon Steel	Beryllium Copper	Flat Tip	Chisel Tip	Rivet Head	Non-Sparking	Needle Diameter	Needle Diameter	Needle Diameter	Package Quantity
10TX00057	X	X		X				2mm			One Each
10TX00058	X	X		X					3mm		One Each
10TX00059	X	X		X						4mm	One Each
10TX00058CP	X	X			X				3mm		One Each
10TX700190	X	X			X	X			3mm		One Each
10TC700191	X	X			X	X				4mm	One Each
10TX00120	X		X	X					3mm		One Each
1070787	X		X	X			X		3mm		One Each

PART NUMBERS AND SCHEMATICS GUIDE

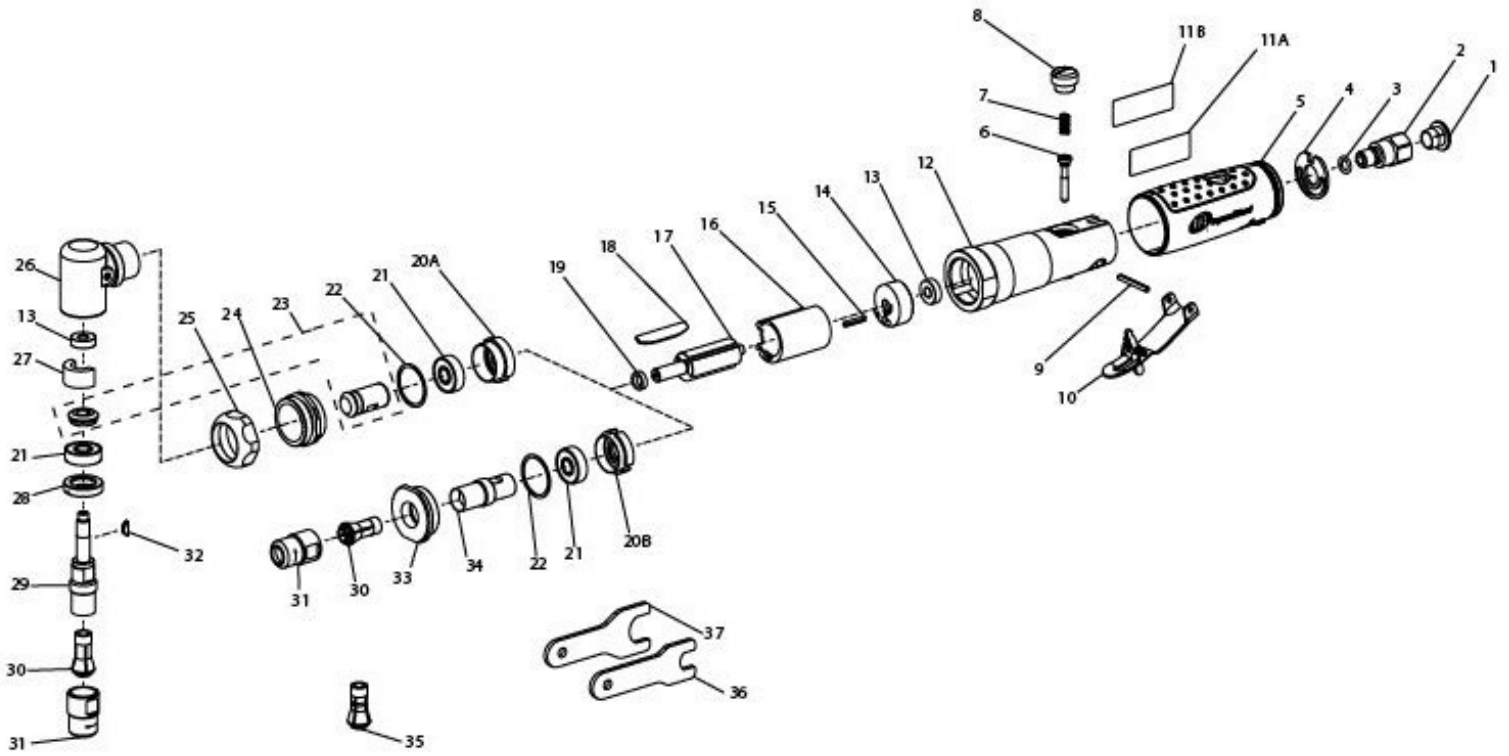
INGERSOLL RAND HEAVY-DUTY AIR DIE GRINDERS					
	Part Numbers	Model	Style	Max Free Speed	Length (Inches)
	10IR302B	302B	Right Angle	20,000 RPM	6.93"

Item#	Part#	Description
Fig. 2		
1	10IRPFPLUG	Plastic Plug
2	10IR308BA565	Inlet Bushing Assembly
3	10IR301251	O-Ring
4	10IR3102283	Gasket
5	10IR308B747	Sleeve
6	10IR3102302A	Throttle Valve Assembly
7	10IR310251	Spring
8	10IR3102A266	Valve Cap Assembly
9	10IR3101G504	Spring Pin
10	10IR308BA400	Lever Assembly
11A	10IR302B301	Tool Label (For 302B)
11B	10IR308B301	Tool Label (For 308B)
12	10IR308BA40	Housing Assembly
13	10IR30122	Bearing
14	10IR310212	Rear End Plate
15	10IR3101G504A	Spring Pin
16	10IR31023	Cylinder
17	10IR310253	Rotor
18	10IR3102424	Vane Pack (Quantity of Four)
19	10IR301448	Spacer
20A	10IR301A11	Front Endplate Assembly (For 302B)
20B	10IR307AA11	Front Endplate Assembly (For 308B)
21	10IR30124	Bearing
22	10IR3101G36	Gasket
23	10IR3102A552	Gear Pinion Set
24	10IR3102306	Clamp Nut
25	10IR310227	Nut
26	10IR302BA550	Angle Housing
27	10IR302A560	Wick
28	10IR301531	Cap
29	10IR301K591A	Arbor Kit
30	10IR301700	1/4" Collet



Item#	Part#	Description
31	10IR301699	Collet Nut
32	10IR301579	Pinion Key
35	10IR301700B	6mm Collet
36	10IR30169A	Collet Body Wrench
37	10IR30169B	Collet Nut Wrench
—	106M401	Part Numbers and Schematics Guide – Ingersoll Rand Power Tools
—	109V006	Operator's Manual – Air Die Grinders

PART NUMBERS AND SCHEMATICS GUIDE


Figure 2: Ingersoll Rand 302B Series Heavy-Duty Right Angle Air Die Grinder



FLAP DISCS FOR RIGHT ANGLE GRINDER

	Part Numbers	Grit	Diameter	Arbor Hole	Maximum RPM
	1070722	80	4-1/2"	5/8"-11	13,000
	1070723	40	4-1/2"	5/8"-11	13,000

PART NUMBERS AND SCHEMATICS GUIDE

INGERSOLL RAND HEAVY-DUTY AIR DIE GRINDERS					
	Part Numbers	Model	Style	Max Free Speed	Length (Inches)
	10IR308B	308B	Straight	25,000 RPM	6.85"

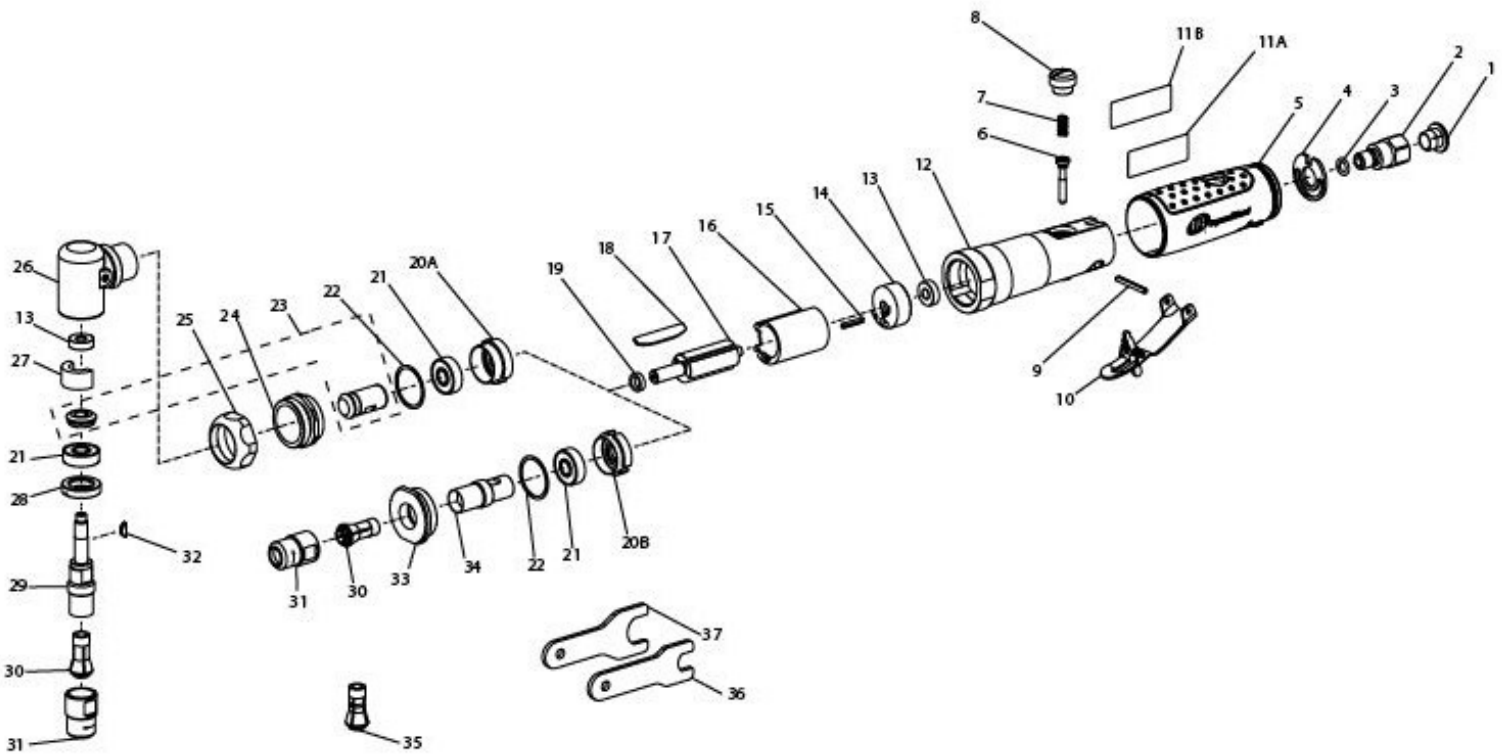
Item# Part# Description

Fig. 3


1	10IRPFPLUG	Plastic Plug
2	10IR308BA565	Inlet Bushing Assembly
3	10IR301251	O-Ring
4	10IR3102283	Gasket
5	10IR308B747	Sleeve
6	10IR3102302A	Throttle Valve Assembly
7	10IR310251	Spring
8	10IR3102A266	Valve Cap Assembly
9	10IR3101G504	Spring Pin
10	10IR308BA400	Lever Assembly
11A	10IR302B301	Tool Label (For 302B)
11B	10IR308B301	Tool Label (For 308B)
12	10IR308BA40	Housing Assembly
13	10IR30122	Bearing
14	10IR310212	Rear End Plate
15	10IR3101G504A	Spring Pin
16	10IR31023	Cylinder
17	10IR310253	Rotor
18	10IR3102424	Vane Pack (Quantity of Four)
19	10IR301448	Spacer
20A	10IR301A11	Front Endplate Assembly (For 302B)
20B	10IR307AA11	Front Endplate Assembly (For 308B)
21	10IR30124	Bearing
22	10IR3101G36	Gasket
30	10IR301700	1/4" Collet
31	10IR301699	Collet Body
35	10IR301700B	6mm Collet
36	10IR30169A	Collet Body Wrench
37	10IR30169B	Collet Nut Wrench
—	106M401	Part Numbers and Schematics Guide – Ingersoll Rand Power Tools
—	109V006	Operator's Manual – Air Die Grinders

PART NUMBERS AND SCHEMATICS GUIDE

Figure 3: Ingersoll Rand 308B Series Heavy-Duty Straight Air Die Grinder



PART NUMBERS AND SCHEMATICS GUIDE

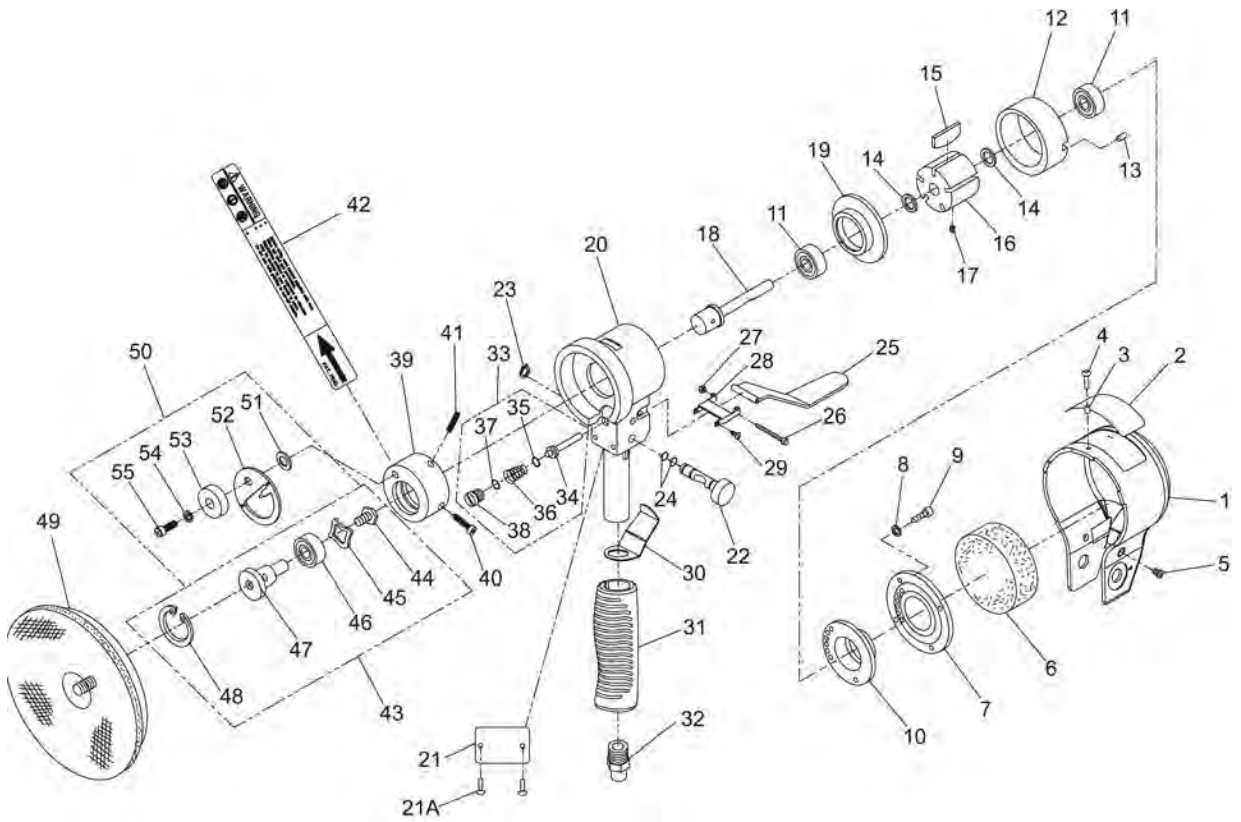
Part Numbers		INGERSOLL RAND 311A SERIES QUIET AIR SANDER					
		Sander Model	Pad Diameter (Inches)	Orbit Diameter (Inches)	Pad Face Material	Max Free Speed	Typical Applications
	10IR311A	311A Dual-Action Quiet Air	6	3/16	Vinyl	12,000 RPM	Feather Edging, Metal Preparation, Finish Work

Item#	Part#	Description
Fig. 4		
1	10IR311AA109	Motor Cover Assembly
2	10IR311A300	Label
3	—	Sleeve
4	—	Rivet
5	10IR311A78	Screw (Quantity of Two)
6	10IR311A311	Muffler
7	10IR311AA118	Rotor Fixing Plate Assembly (Includes Item #'s: 8 and 9)
8	—	Washer (Quantity of Four)
9	—	Screw (Quantity of Four)
10	10IR311A12	Rear End Plate
11	10IR311AA24	Rotor Bearing
12	10IR311A3	Cylinder
13	10IR311A114	Pin
14	10IR311A25	Shim
15	10IR311A425	Vane Packet (Quantity of Five)
16	10IR311A53	Rotor
17	10IR311A55	Screw
18	10IR311A54	Spindle
19	10IR311A11	Front End Plate
20	10IR311AA159	Handle
21	10IR311A301	Name Plate
21A	10IRPF100256	Name Plate Rivet
22	10IR311AA165	Regulator Assembly (Includes Item #'s: 23 and 24)
23	—	Retaining Ring
24	—	O-ring (Quantity of Two)
25	10IR311AA273	Lever Assembly (Includes Item #'s: 26 and 27)
26	—	Lever Screw
27	—	Nut
28	10IR311AA274	Lever Bracket Assembly (Includes Item #29)


Item#	Part#	Description
29	—	Screw (Quantity of Two)
30	10IR311A275	Second Lever
31	10IR311A160	Hand Grip
32	10IR311A565	Air Inlet Bushing
33	10IR311AA161	Valve Assembly (Includes Item #'s: 34–38)
34	—	Valve Stem
35	—	O-ring
36	—	Spring
37	—	O-ring
38	—	Screw
39	10IR311AA236	Balance Body Assembly (Includes Item #'s: 40–42)
40	—	Screw
41	—	Set Screw
42	—	Warning Label
43	10IR311AA235	Pad Shaft Assembly (Includes Item #'s: 44–48)
44	—	Screw
45	—	Wave Washer
46	10IR311A97	Bearing
47	10IR311A235	Mounting Shaft
48	—	Retaining Ring
49	10IR311A8256	Sanding Pad
50	10IR311AA800	Drive Plate Assembly (Includes Item #'s: 44–48)
51	—	Washer
52	—	Drive Plate
53	—	Balance Nut
54	—	Washer
55	—	Screw
—	106M401	Part Numbers and Schematics Guide – Ingersoll Rand Power Tools
—	106V007	Operator's Manual – 311 Series Angle Sander

PART NUMBERS AND SCHEMATICS GUIDE

Figure 4: Ingersoll Rand 311A Series Quiet Air Sander



PART NUMBERS AND SCHEMATICS GUIDE

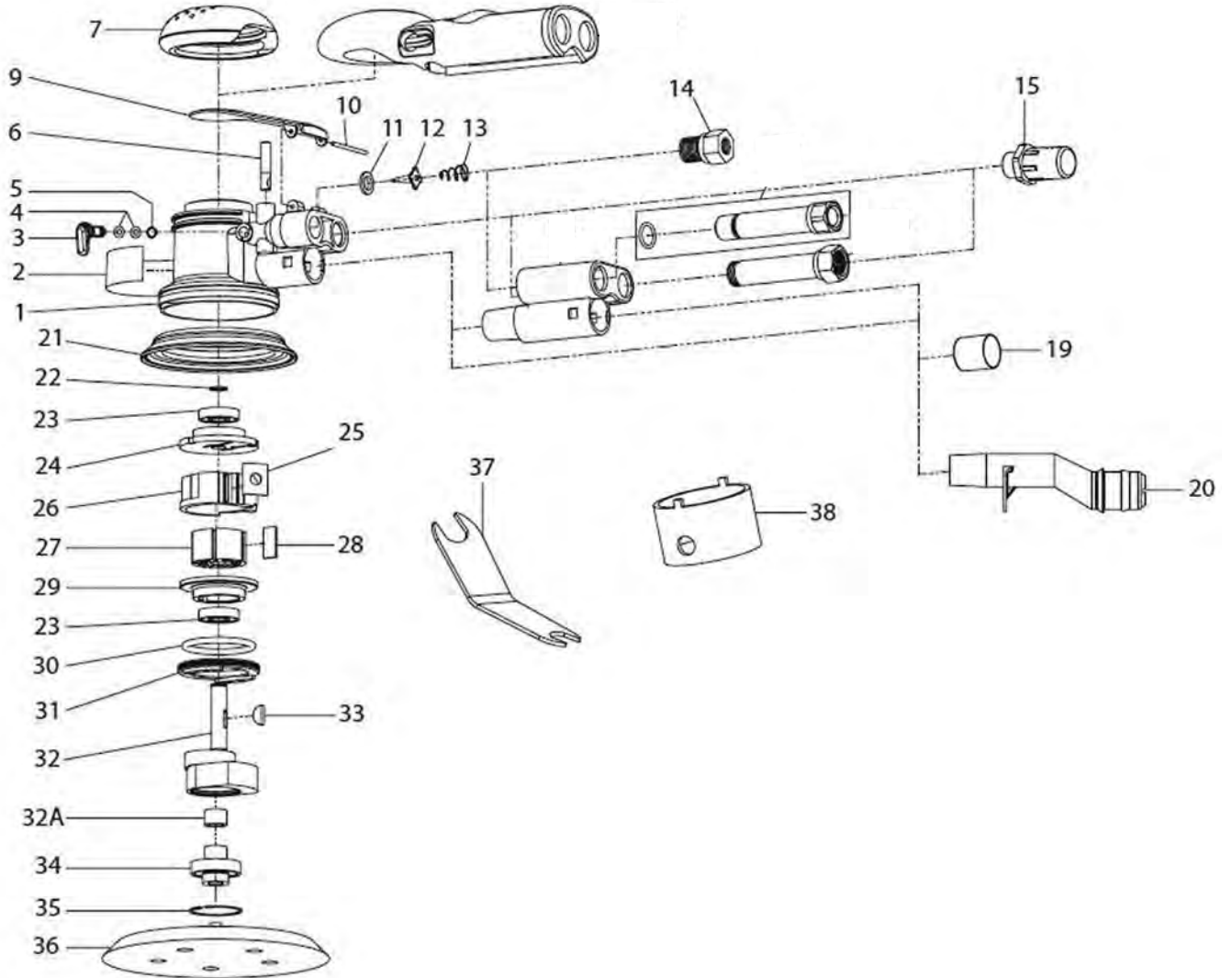
Part Numbers		INGERSOLL RAND 4151 SERIES ORBITAL SANDER					
		Sander Model	Pad Diameter (Inches)	Orbit Diameter (Inches)	Pad Face Material	Max Free Speed	Typical Applications
	10IR4151	4151 Vacuum Ready Orbital	6	3/16	Vinyl	12,000 RPM	Ultra High Quality Finish

Item #	Part #	Description
Fig. 5		
1	10IR04700753	Housing Assembly
2	10IR04648663	Label
3	10IR4151A165	Regulator Assembly
4	10IR415165	O-ring
5	10IR4151797	Snap Ring
6	10IR04648770	Valve Stem
7	10IR4151747B	Grip Ring
9	10IR04655478	Lever
10	10IR04649117	Spring Pin
11	10IR04648804	Valve Seat
12	10IR04648796	Tip Valve
13	10IR04648747	Spring
14	10IR04649083	Inlet Adapter
15	10IR415A1810	Muffler Assembly
19	10IR04649059	Port Plug
20	10IR4151A809A25	Vacuum Adapter – 25mm Cuff
—	10IR4151A809A29	Vacuum Adapter – 28mm Cuff
—	10IR4151A809A32	Vacuum Adapter – 32mm Cuff
21	10IR0464887	Shroud – Black
—	10IR4151727	Shroud – Red
22	10IR04648762	Snap Ring
23	10IR04648812	Ball Bearing
24	10IR04648945	Rear End Plate
25	10IR04649042	Cylinder Seal
26	10IR04649976	Cylinder Assembly
27	10IR04648820	Rotor
28	10IR48254425	Vane Pack (<i>Quantity of Five</i>)
29	10IR04648929	Front End Plate

Item #	Part #	Description
30	10IR04649133	O-ring
31	10IR04648853	Lock Ring
32	10IR0465333	Counterbalance Assembly
32A	10IR04649000	Needle Bearing
33	10IR04648754	Key
34	10IR04649984	Spindle Assembly
35	10IR04649091	Retaining Ring
36	10IRVPAD6	Sanding Pad – 6 Inch, Vinyl
—	10IR490961	Sanding Pad – 5 Inch, Vinyl
—	10IRVPAD6HL	Sanding Pad – 6 Inch, H & L
37	10IR04648739	Pad Wrench
38	10IR48869	Motor Wrench
—	106M401	Part Numbers and Schematics Guide – Ingersoll Rand Power Tools
—	109V009	Operator's Manual – 4151 Series Orbital Sander


PART NUMBERS AND SCHEMATICS GUIDE

Figure 5: Ingersoll Rand 4151 Series Orbital Sander



PART NUMBERS AND SCHEMATICS GUIDE

INGERSOLL RAND 313A SERIES HEAVY-DUTY ANGLE AIR SANDER

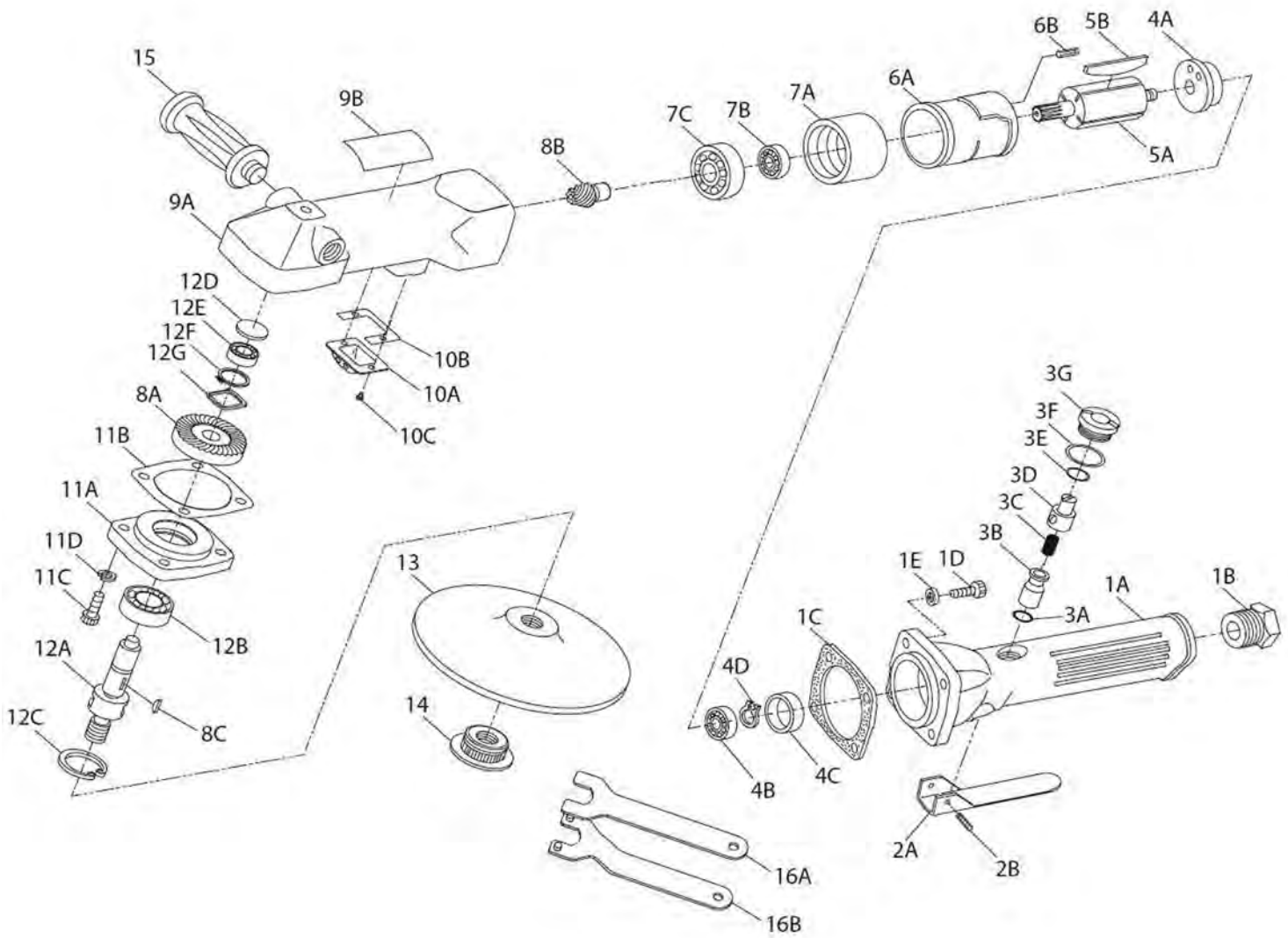
	Part Numbers	Sander Model	Pad Diameter (Inches)	Orbit Diameter (Inches)	Pad Face Material	Max Free Speed	Typical Applications
	10IR313A	313A Heavy-Duty Angle Air	7	N/A	Vinyl	5,000 RPM	Light to Heavy Sanding, Rust Removal, Weld Smoothing

Item #	Part #	Description
Fig. 6		
1	10IR313AA160	Throttle Handle Assembly
1A	—	Throttle Handle
1B	10IR313A565	Inlet Bushing
—	10IR313AA283	Gasket Kit
1C	—	Throttle Gasket
1D	—	Cap Screw
1E	—	Lock Washer
2	10IR313AA273	Lever Assembly
2A	—	Throttle Lever
2B	—	Throttle Lever Pin
3	10IR313AA302	Throttle Assembly
3A	—	Throttle Valve Seal
3B	—	Throttle Valve
3C	—	Throttle Valve Spring
3D	—	Speed Regulator
3E	—	Regulator Seal
3F	—	Valve Cap Seal
3G	—	Throttle Valve cap
4	10IR313AA12	Rear End Plate Assembly
4A	—	Rear End Plate
4B	—	Rotor Bearing
4C	—	Bearing Rubber Cap
4D	—	Rotor Bearing Retainer
5	10IR313AA53	Rotor Assembly
5A	—	Rotor
5B	10IR313A424	Vane (<i>Quantity of Four</i>)
6	10IR313AA3	Cylinder Assembly
6A	—	Cylinder
6B	—	Cylinder Alignment Pin
7	10IR313AA11	Front End Plate Assembly
7A	—	Front End Plate
7B	—	Rotor Bearing
7C	—	Pinion Bearing

Item #	Part #	Description
8	10IR313AA552	Gear Assembly
8A	—	Pinion Gear
8B	—	Pinion
8C	—	Arbor Key
9	10IR313AA550	Angle Housing Assembly
9A	—	Angle Housing
9B	10IR313A301	Nameplate/Warning Label
10	10IR313AA123	Exhaust Assembly
10A	—	Exhaust Deflector
10B	—	Exhaust Gasket
10C	—	Deflector Retaining Screw
11	10IR313AA555	Bearing Housing Assembly
11A	—	Bearing Housing
11B	—	Bearing Housing Gasket
11C	—	Cap Screw
11D	—	Lock Washer
12	10IR313AA591	Arbor
12A	—	Arbor Lower Bearing
12B	—	Bearing Retaining Ring
12C	—	Bearing Cover
12D	—	Rotor Bearing
12E	—	Gear Retaining Ring
12F	—	Gear Thrust Washer
13	10IR313A8257	Pad
14	10IR313A226	Pad Nut
15	10IR313A48	Dead Handle
16	10IR313A69	Wrench Kit
16A	—	Arbor Wrench
16B	—	Disc Wrench
—	106M401	Part Numbers and Schematics Guide – Ingersoll Rand Power Tools
—	109V010	Operator's Manual – 313A Series Angle Sander


PART NUMBERS AND SCHEMATICS GUIDE

Figure 6: Ingersoll Rand 313A Series Heavy-Duty Angle Air Sander



PART NUMBERS AND SCHEMATICS GUIDE

INGERSOLL RAND 319A SERIES HEAVY-DUTY AIR VERTICAL SANDER

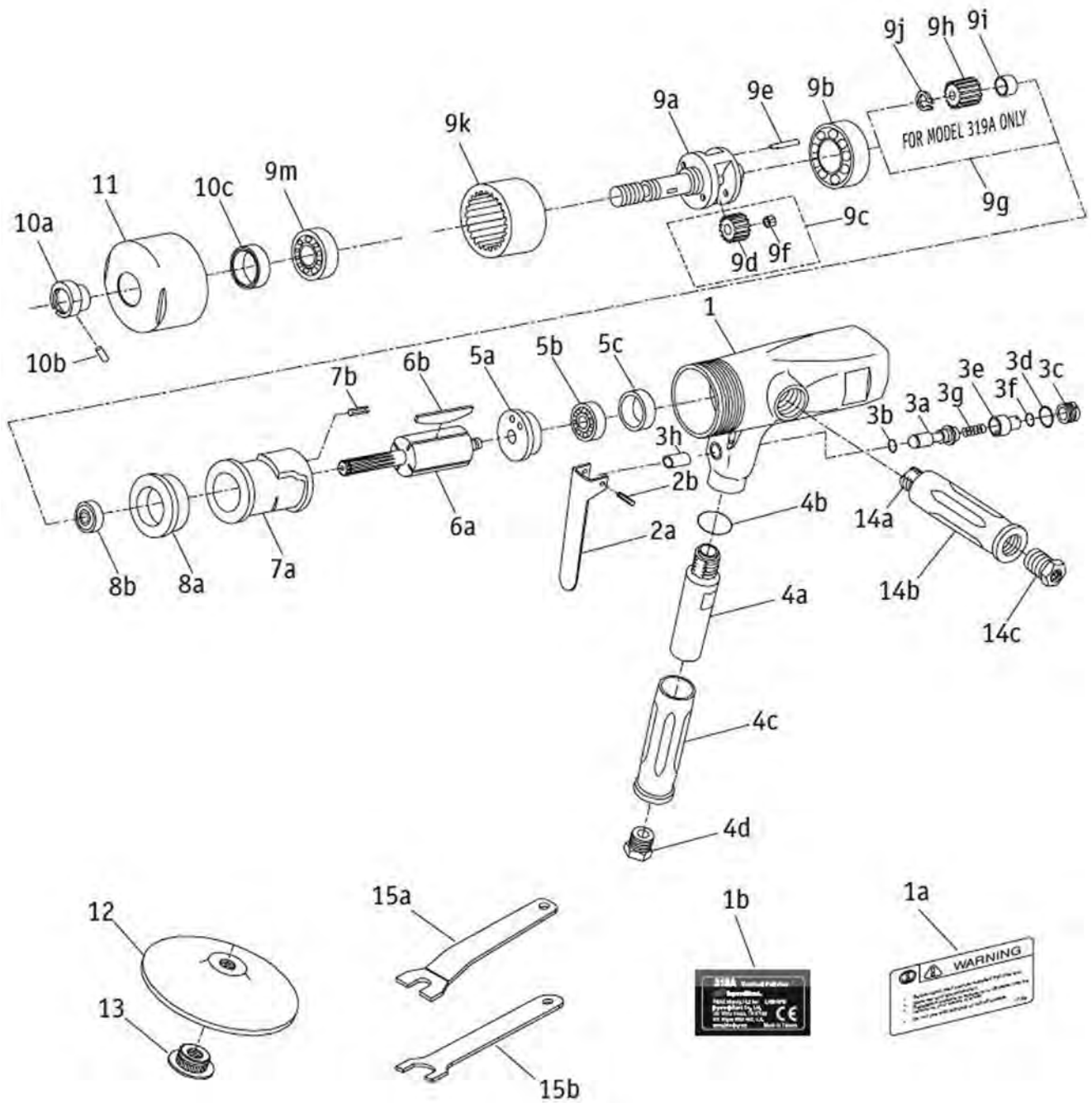
	Part Numbers	Sander Model	Pad Diameter (Inches)	Orbit Diameter (Inches)	Pad Face Material	Max Free Speed	Typical Applications
		10IR319A	319A Heavy-Duty Vertical Air	7	N/A	N/A	5,000 RPM

Item #	Part #	Description
Fig. 7		
1	10IR319AA40	Motor Housing Assembly
1A	—	Warning Label
1B	10IR319A301	Nameplate
2	10IR318AA273	Lever Assembly
2A	—	Throttle Lever
2B	—	Throttle Lever Pin
3	10IR318AA302	Throttle Assembly
3A	—	Throttle Valve
3B	—	Throttle Valve Seal
3C	—	Throttle Valve Cap
3D	—	Valve Cap Seal
3E	—	Speed Regulator
3F	—	Regulator Seal
3G	—	Throttle Valve Spring
3H	—	Throttle Bushing
4	10IR318AA169	Inlet Handle Assembly
4A	—	Inlet Handle
4B	—	Inlet Handle Seal
4C	—	Handle Grip
4D	10IR318A465	Inlet Bushing
5	10IR318AA12	Rear End Plate Assembly
5A	—	Rear End Plate
5B	10IR318A97	Rear Rotor Bearing
5C	—	Rear Bearing Cap
6	10IR318AA53	Rotor Assembly
6A	—	Rotor
6B	10IR318A424	Vane Set (Quantity of Four)
7	10IR318AA3	Cylinder Assembly
7A	—	Cylinder
7B	—	Cylinder Pin
8	10IR318AA11	Front End Plate Assembly
8A	10IR318A11	Front End Plate
8B	10IR318A22	Front Rotor Bearing

Item #	Part #	Description
9	10IR319AA591	Spindle Assembly
9A	—	Spindle
9B	10IR318A593	Spindle Bearing
9C	10IR319AA10	Planet Gear Assembly
9D	10IR319A10	Planet Gear (Quantity of Two)
9E	—	Planet Gear Pin (Quantity of Two)
9F	—	Needle Bearing (Quantity of 22)
9G	10IR319AA551	Pinion Gear Assembly
9H	10IR319A551	Pinion Gear
9I	—	Pinion Spacer
9J	—	Pinion Retaining Ring
9K	10IR318A37	Ring Gear
9M	10IR318A509	Front Arbor Bearing
10	10IR318AA86	Clamp Nut Assembly
10A	—	Clamp Nut
10B	—	Spindle Retaining Pin
10C	—	Oil Seal
11	10IR318A200	Housing Nut
12	10IR318AA825	Pad
13	10IR318A226	Pad Nut
14	10IR318AA171	Exhaust Handle Assembly
14A	—	Exhaust Handle
14B	—	Handle Grip
14C	10IR318A312	Exhaust Deflector
15	10IR318AA69	Wrench Kit
15A	—	Disc Wrench
15B	—	Arbor Wrench
—	106M401	Part Numbers and Schematics Guide – Ingersoll Rand Power Tools
—	109V008	Operator's Manual – 319A Series Vertical Sander

PART NUMBERS AND SCHEMATICS GUIDE

Figure 7: Ingersoll Rand 319A Series Heavy-Duty Vertical Air Sander



PART NUMBERS



NOVATEK™ NEEDLE SCALERS

Part Numbers	Model	Needle Diameter (mm)	Needle Quantity	Length (Inches)
10TR1111099	1B	3	12	13.5
10TR1212099	2B	3	19	14.8
10TR1313099	3B	3	28	18.3
10TR1333199	3BPG	3	28	13.5
10TR1414099	4B	4	35	19
10TR1232199	19PG	3	19	12.4



NOVATEK™ CHISEL SCALERS

Part Numbers	Model	Chisel Holder	Length (Inches)
10TR1141299	1B	1/2" Square	12.3
10TR1242299	2B	1/2" Square	13.5
10TR1252399	2BPG	1/2" Square	10.2
10TR1343299	3B	1/2" Square	16.8
10TR1353399	3BPG	1/2" Square	13.3
10TR1353395	3BPG	5/8" Hexagon	13.3
10TR1444299	4B	1/2" Square	17.3

PART NUMBERS

NOVATEK™ NEEDLE AND CHISEL SCALER KITS										
Part Numbers	Model	Front Tube	Chisel Holder (Inches)	Replacment Chisels (Inches)	Needle Holders	Replacement Needles	Compression Spring	Anvil	Tool Box	3/8" X 25 Ft. Air Hose
10TR1101099	1B	Straight	1/2 Square	3/4-1/2 Square Shank 2-1/2 Square Shank 1-3/8 Cranked - 1/2 Square	2B 2mm 1B 3mm	Flat Tip 2mm Chisel Tip 3mm	X	X	X	X
10TR1212099	2B	Round	1/2 Square	3/4-1/2 Square Shank 2-1/2 Square Shank 1-3/8 Cranked - 1/2 Square	2B 2mm 2B 3mm	Flat Tip 2mm Chisel Tip 3mm	X	X	X	N/A
10TR1222199	2BPG	Round	1/2 Square	3/4"-1/2" Square Shank 2-1/2" Square Shank 1-3/8 Cranked - 1/2 Square	2B 2mm 2B 3mm	Flat Tip 2mm Chisel Tip 3mm	X	X	X	N/A
10TR1323199	3BPG	Round	1/2 Square	3/4-1/2 Square Shank 2-1/2 Square Shank 1-3/8 Cranked - 1/2 Square	3B 2mm 3B 3mm	Flat Tip 2mm Chisel Tip 3mm	X	X	X	N/A
10TR1353199	3BPG	Round	5/8 Hexagon	1 Steel – 5/8 Hex 2 Steel – 5/8 Hex 4 Steel – 5/8 Hex	3B 2mm 3B 3mm	Flat Tip 2mm Chisel Tip 3mm	X	X	X	N/A
10TR1303099	3B	Round	1/2 Square	3/4-1/2 Square Shank 2-1/2 Square Shank 1-3/8 Cranked - 1/2 Square	3B 2mm 3B 3mm	Flat Tip 2mm Chisel Tip 3mm	X	X	X	N/A
10TR1404099	4B	Round	1/2 Square	3/4-1/2 Square Shank 2-1/2 Square Shank 1-3/8 Cranked - 1/2 Square	4B 3mm 4B 4mm	Flat Tip 4mm Chisel Tip 3mm	X	X	X	X



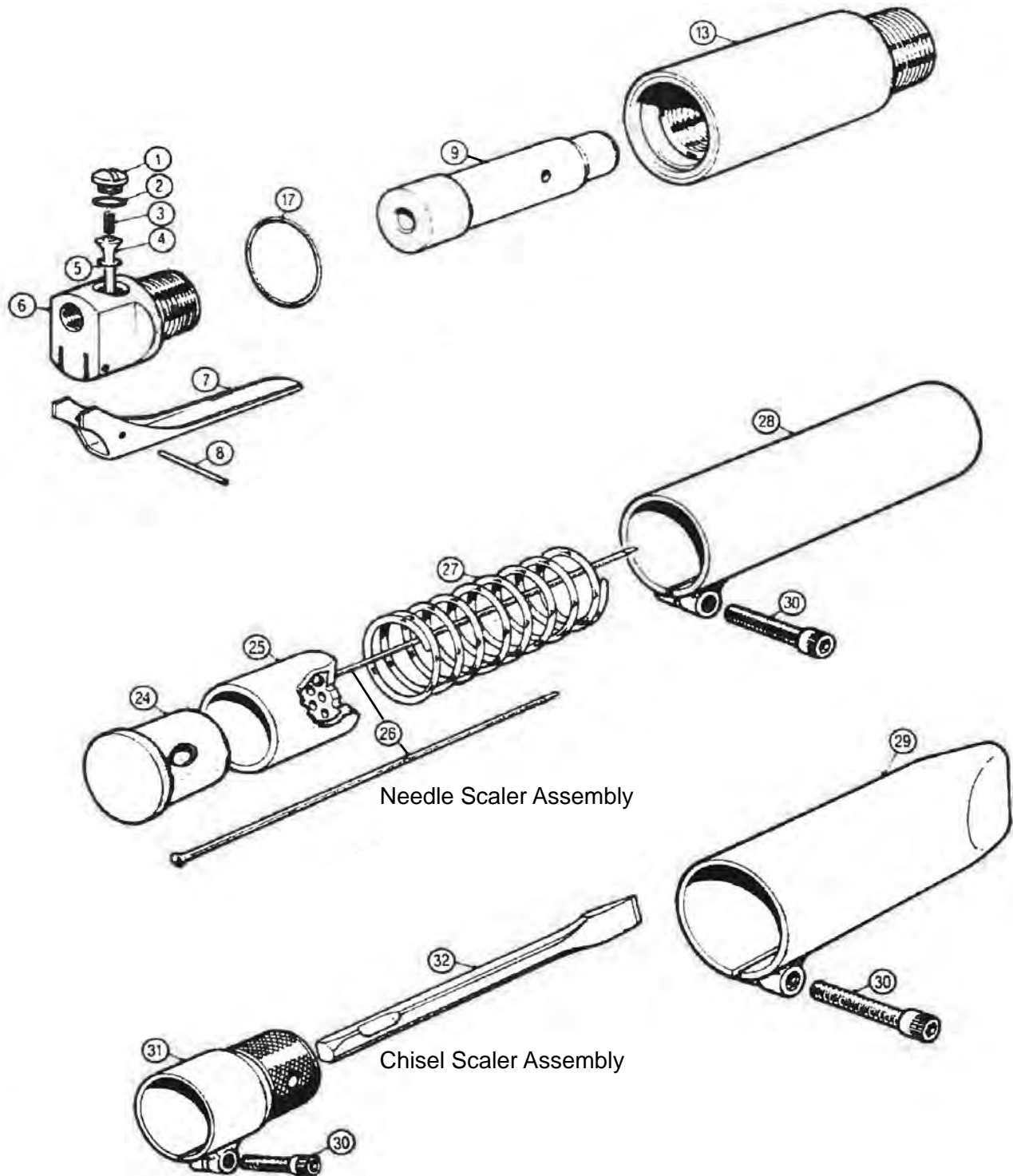
PART NUMBERS & SCHEMATICS

Novatek™ Needle and Chisel Scalers – Model 1B

Item #	Part #	Description
Fig. 1		
1	10TR6153021	Valve Cap
2	10TR8090139	Valve Cap O-Ring (<i>Quantity of 10</i>)
3	10TR7123022	Valve Spring
4	10TR6183022	Valve Stem
5	10TR8090089	Valve Stem O-Ring (<i>Quantity of 10</i>)
6	10TR4241521	Valve Body
6A	10TR4231521	Valve Body Assembly <i>Includes Item #'s: 1–8</i>
7	—	Throttle Lever
8	10TR8130108	Roll Pin (<i>Quantity of 10</i>)
9	10TR6121001	Piston
13	10TR4111002	Body
17	10TR8090219	O-Ring (<i>Quantity of 10</i>)
24	10TR6102001	Anvil
25	10TR6011002	2mm Needle Holder
—	10TR6011003	3mm Needle Holder
26	—	Needles (<i>See Page 26</i>)
27	10TR7121001	Compression Spring
28	10TR4161032	Intermediate Tube (<i>Includes Item #30</i>)
29	10TR4171032	Straight Front Tube (<i>Includes Item #30</i>)
—	10TR4181032	Round Front Tube (<i>Includes Item #30</i>)
30	10TR8060825	Cap Head Screw (<i>Quantity of 10</i>)
31	10TR4191241	Chisel Holder Assembly (<i>Includes Item #30</i>)
32	—	Chisel (<i>See Page 27</i>)
—	106M401	Part Numbers and Schematics Guide – Novatek™ Power Tools
—	109V012	Operator's Manual – Novatek™ Needle and Chisel Scalers

PART NUMBERS & SCHEMATICS

Figure 1: Novatek™ Needle and Chisel Scalers – Model 1B



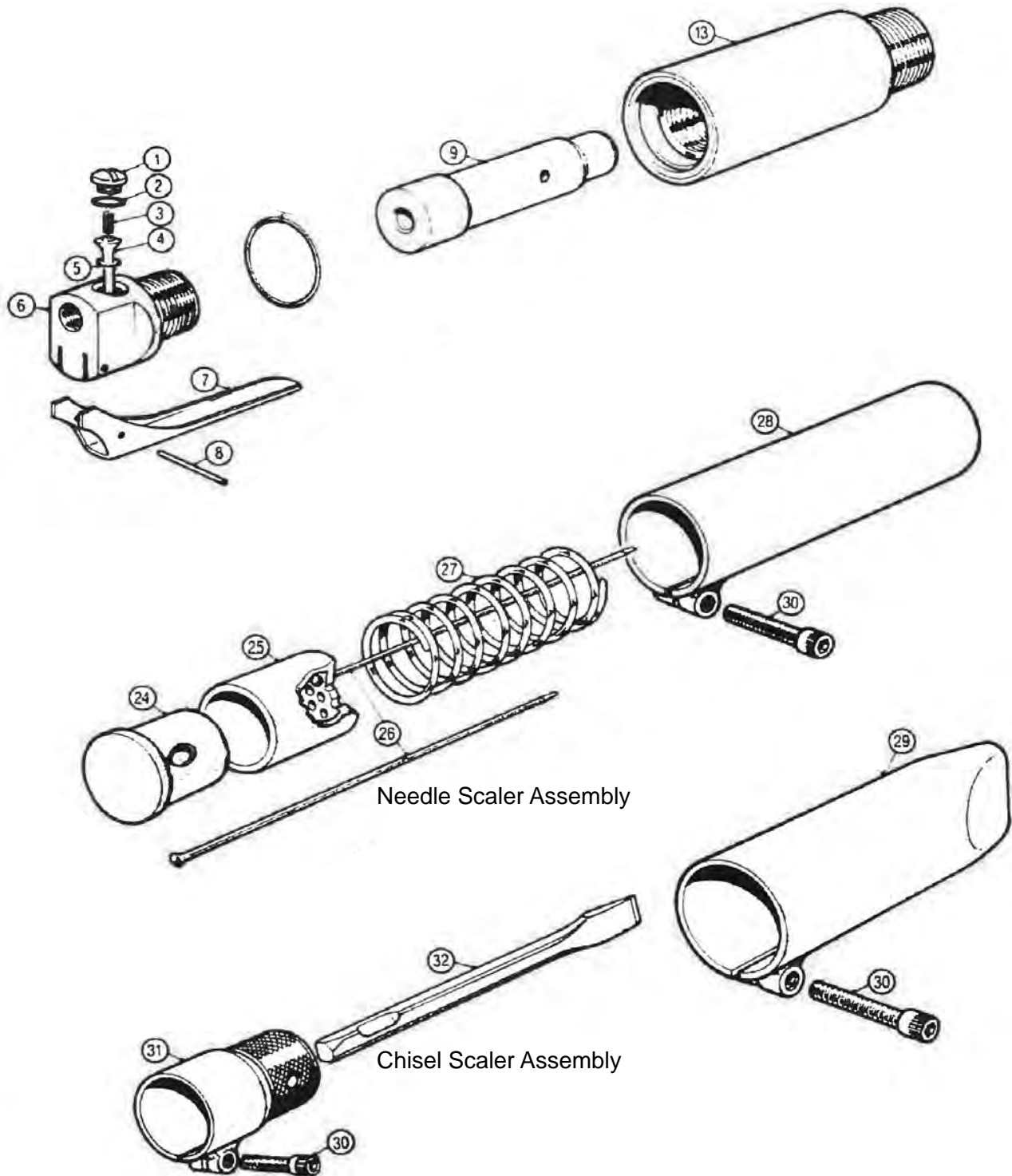
PART NUMBERS & SCHEMATICS

Novatek™ Needle and Chisel Scalers – Model 2B

Item #	Part #	Description
Fig. 2		
1	10TR6153021	Valve Cap
2	10TR8090139	Valve Cap O-ring (<i>Quantity of 10</i>)
3	10TR7123022	Valve Spring
4	10TR6183022	Valve Stem
5	10TR8090089	Valve Stem O-ring (<i>Quantity of 10</i>)
6	10TR4241521	Valve Body
6A	10TR4232521	Valve Body Assembly <i>Includes Item #'s: 1–8</i>
7	—	Throttle Lever
8	10TR8130108	Roll Pin (<i>Quantity of 10</i>)
9	10TR6122001	Piston
13	10TR4112002	Body
24	10TR6102001	Anvil
25	10TR6012002	2mm Needle Holder
—	10TR6012003	3mm Needle Holder
26	—	Needles (<i>See Page 26</i>)
27	10TR7122001	Compression Spring
28	10TR4162032	Intermediate Tube (<i>Includes Item #30</i>)
29	10TR4172032	Straight Front Tube (<i>Includes Item #30</i>)
—	10TR4082032	Round Front Tube (<i>Includes Item #30</i>)
30	10TR8060830	Cap Head Screw (<i>Quantity of 10</i>)
31	10TR4192241	Chisel Holder Assembly (<i>Includes Item #30</i>)
32	—	Chisel (<i>See Page 27</i>)
—	106M401	Part Numbers and Schematics Guide – Novatek™ Power Tools
—	109V012	Operator's Manual – Novatek™ Needle and Chisel Scalers

PART NUMBERS & SCHEMATICS

Figure 2: Novatek™ Needle and Chisel Scalers – Model 2B



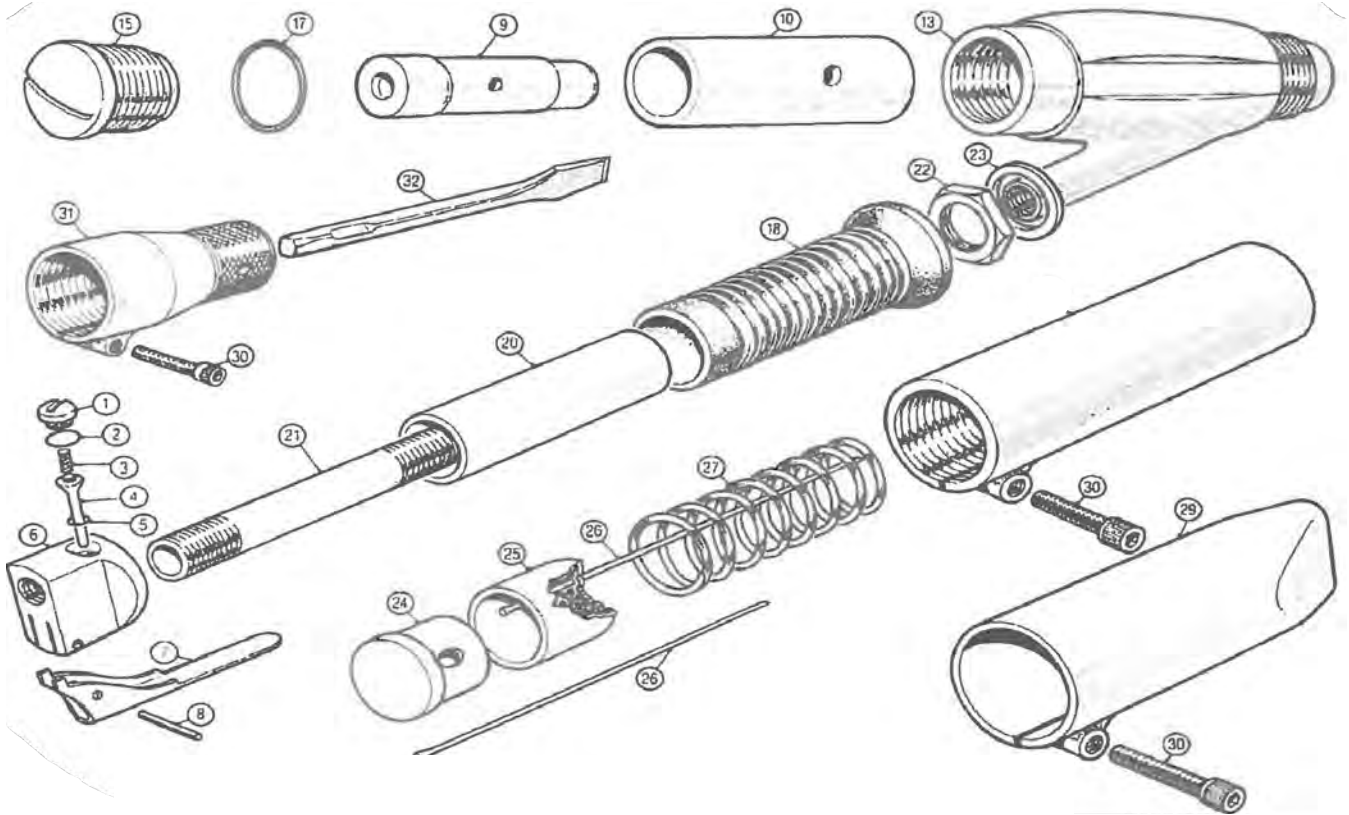
PART NUMBERS & SCHEMATICS

Novatek™ Needle and Chisel Scalers – Model 3B

Item #	Part #	Description
Fig. 3		
1	10TR6153021	Valve Cap
2	10TR8090139	Valve Cap O-ring (<i>Quantity of 10</i>)
3	10TR7123022	Valve Spring
4	10TR6183022	Valve Stem
5	10TR8090089	Valve Stem O-ring (<i>Quantity of 10</i>)
6	10TR4241521	Valve Body
6A	—	Valve Body Assembly (<i>Includes Item #'s: 1–8</i>)
7	—	Throttle Lever
8	10TR8130108	Roll Pin (<i>Quantity of 10</i>)
9	10TR6123001	Piston
10	10TR6133001	Cylinder
13	10TR6113002	Body
15	10TR6153001	End Cap
17	10TR8090269	O-ring (<i>Quantity of 10</i>)
18	10TR7173011	Rubber Handle Grip
20	10TR6243001	Handle Tube
21	10TR6233001	Center Tube
22	10TR6253001	Locknut
23	10TR8109000	Sealing Washer (<i>Quantity of 10</i>)
24	10TR6103001	Anvil
25	10TR6013002	2mm Needle Holder
—	10TR6013003	3mm Needle Holder
26	—	Needles (<i>See Page 26</i>)
27	10TR7123001	Compression Spring
28	10TR4163032	Intermediate Tube (<i>Includes Item #30</i>)
29	10TR4173032	Straight Front Tube (<i>Includes Item #30</i>)
30	10TR8060830	Cap Head Screw (<i>Quantity of 10</i>)
31	10TR4193241	Chisel Holder Assembly (<i>Includes Item: #30</i>)
32	—	Chisel (<i>See Page 27</i>)
—	106M401	Part Numbers and Schematics Guide – Novatek™ Power Tools
—	109V012	Operator's Manual - Needle and Chisel Scalers

PART NUMBERS & SCHEMATICS

Figure 3: Novatek™ Needle and Chisel Scalers – Model 3B



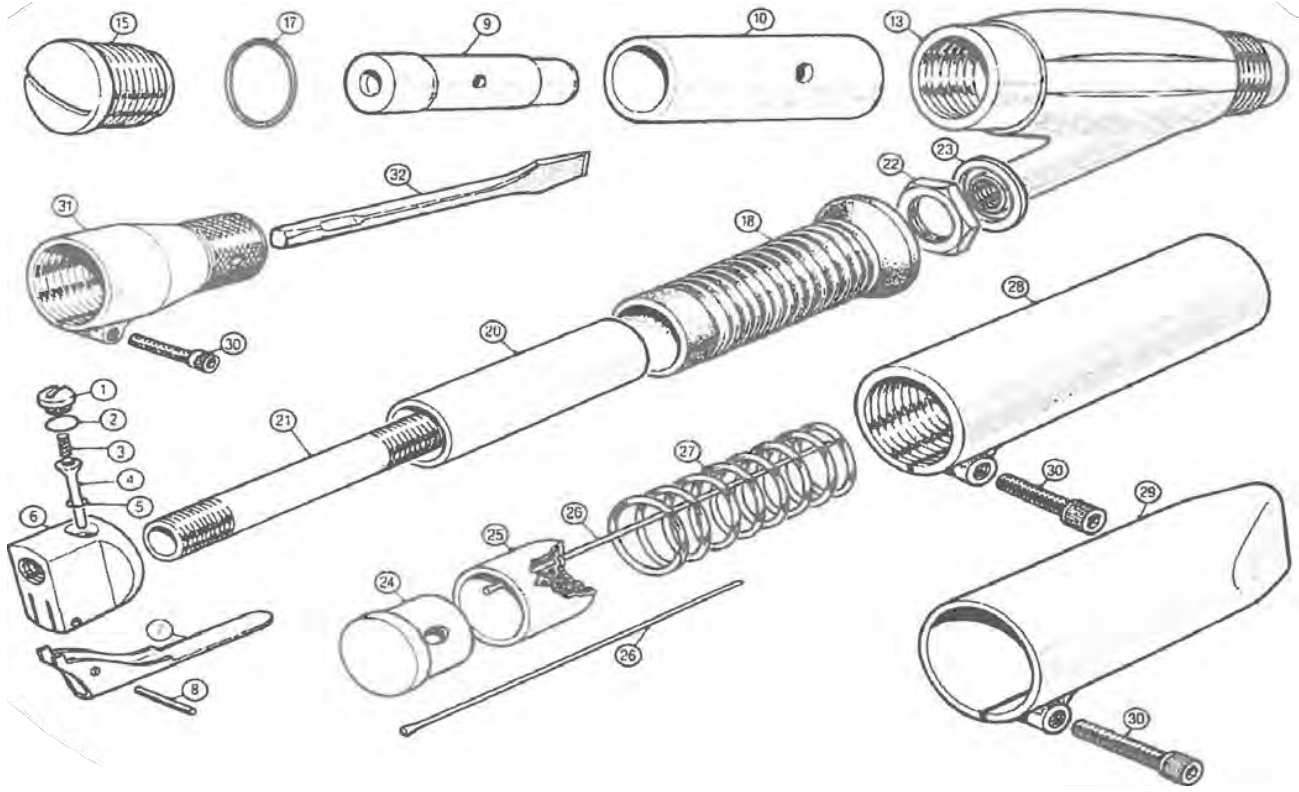
PART NUMBERS & SCHEMATICS

Novatek™ Needle and Chisel Scalers – Model 4B

Item #	Part #	Description
Fig. 4		
1	10TR6153021	Valve Cap
2	10TR8090139	Valve Cap O-ring (<i>Quantity of 10</i>)
3	10TR7123022	Valve Spring
4	10TR6183022	Valve Stem
5	10TR8090089	Valve Stem O-ring (<i>Quantity of 10</i>)
6	10TR4241521	Valve Body
6A	—	Valve Body Assembly (<i>Includes Item #'s: 1–8</i>)
7	—	Throttle Lever
8	10TR8130108	Roll Pin (<i>Quantity of 10</i>)
9	10TR6124001	Piston
10	10TR6134001	Cylinder
13	10TR4114002	Body
15	10TR6154001	End Cap
17	10TR8090299	O-ring (<i>Quantity of 10</i>)
18	10TR7173011	Rubber Handle Grip
20	10TR6243001	Handle Tube
21	10TR6233001	Center Tube
22	10TR6253001	Locknut
23	10TR8109000	Sealing Washer (<i>Quantity of 10</i>)
24	10TR6104001	Anvil
25	10TR6014004	4mm Needle Holder
26	—	Needles (<i>See Page 26</i>)
27	10TR7124001	Compression Spring
28	10TR4164032	Intermediate Tube (<i>Includes Item: #30</i>)
29	10TR4174032	Straight Front Tube (<i>Includes Item: #30</i>)
—	10TR4184032	Round Front Tube (<i>Includes Item: #30</i>)
30	10TR8060835	Cap Head Screw (<i>Quantity of 10</i>)
31	10TR4194241	Chisel Holder Assembly (<i>Includes Item: #30</i>)
32	—	Chisel (<i>See Page 27</i>)
—	106M401	Part Numbers and Schematics Guide – Novatek™ Power Tools
—	109V012	Operator's Manual - Needle and Chisel Scalers

PART NUMBERS & SCHEMATICS

Figure 4: Novatek™ Needle and Chisel Scalers – Model 4B



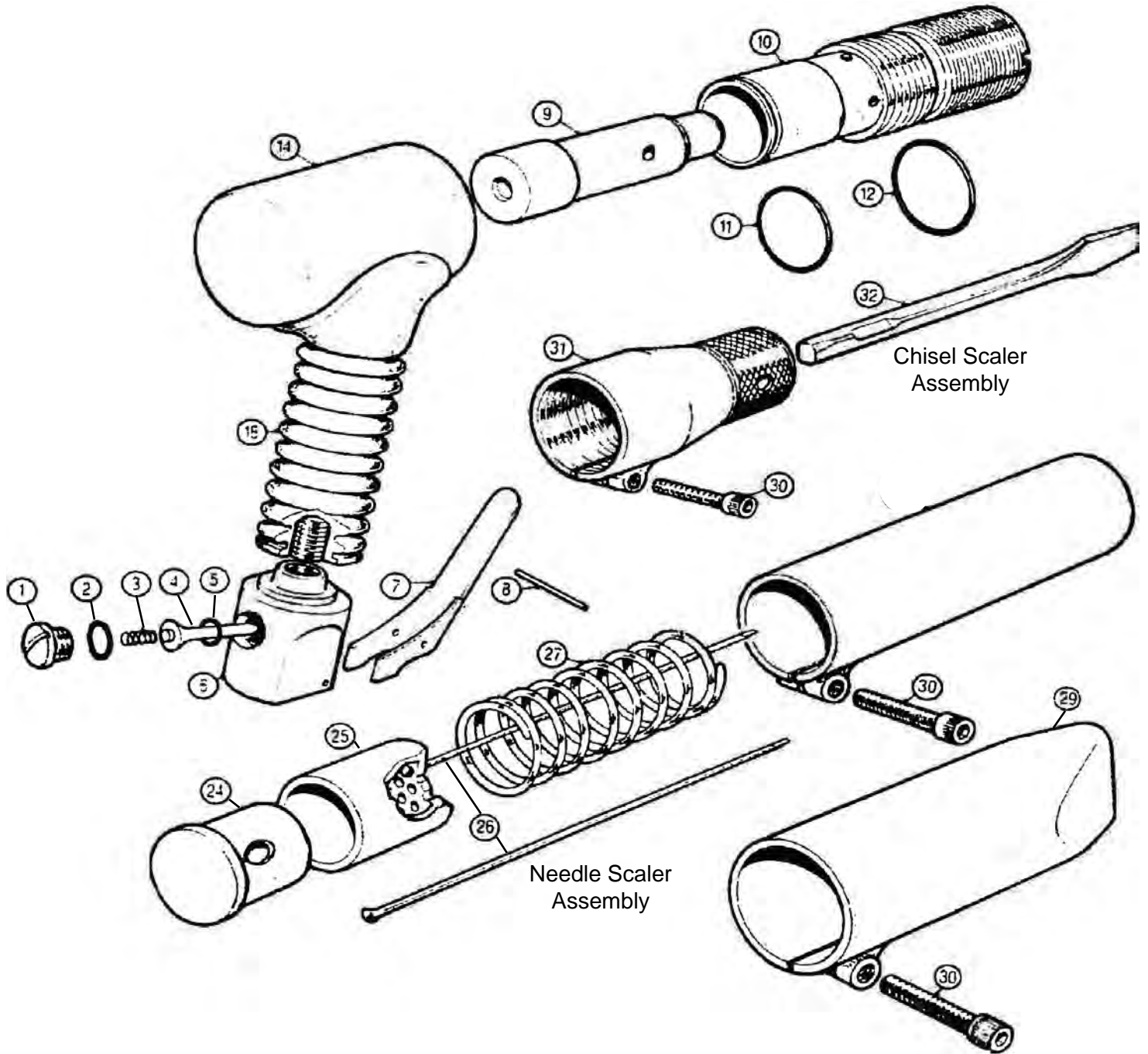
PART NUMBERS & SCHEMATICS

Novatek™ Needle and Chisel Scalers – Model 2BPG

Item #	Part #	Description
Fig. 5		
1	10TR6153021	Valve Cap
2	10TR8090139	Valve Cap O-ring (<i>Quantity of 10</i>)
3	10TR7123022	Valve Spring
4	10TR6183022	Valve Stem
5	10TR8090089	Valve Stem O-ring (<i>Quantity of 10</i>)
6	—	Valve Body
6A	—	Valve Body Assembly (<i>Includes Item #'s: 1–8</i>)
7	—	Throttle Lever
8	10TR8130108	Roll Pin (<i>Quantity of 10</i>)
9	10TR6122001	Piston
10	10TR6132101	Cylinder
11	10TR8090249	O-ring (<i>Quantity of 10</i>)
12	10TR8090269	O-ring (<i>Quantity of 10</i>)
14	10TR4252100	Cover Assembly
18	10TR7173101	Rubber Handle Grip
24	10TR6102001	Anvil
25	10TR6012002	2mm Needle Holder
—	10TR6012003	3mm Needle Holder
26	—	Needles (<i>See Page 26</i>)
27	10TR7122001	Compression Spring
28	10TR4162032	Intermediate Tube (<i>Includes Item: #30</i>)
29	10TR4172032	Straight Front Tube (<i>Includes Item: #30</i>)
30	10TR8060830	Cap Head Screw (<i>Quantity of 10</i>)
31	10TR4192241	Chisel Holder Assembly 1/2" Square (<i>Includes Item: #30</i>)
32	—	Chisel (<i>See Page 27</i>)
—	106M401	Part Numbers and Schematics Guide – Novatek™ Power Tools
—	109V012	Operator's Manual – Novatek™ Needle and Chisel Scalers

PART NUMBERS & SCHEMATICS

Figure 5: Novatek™ Needle and Chisel Scalers – Model 2BPG



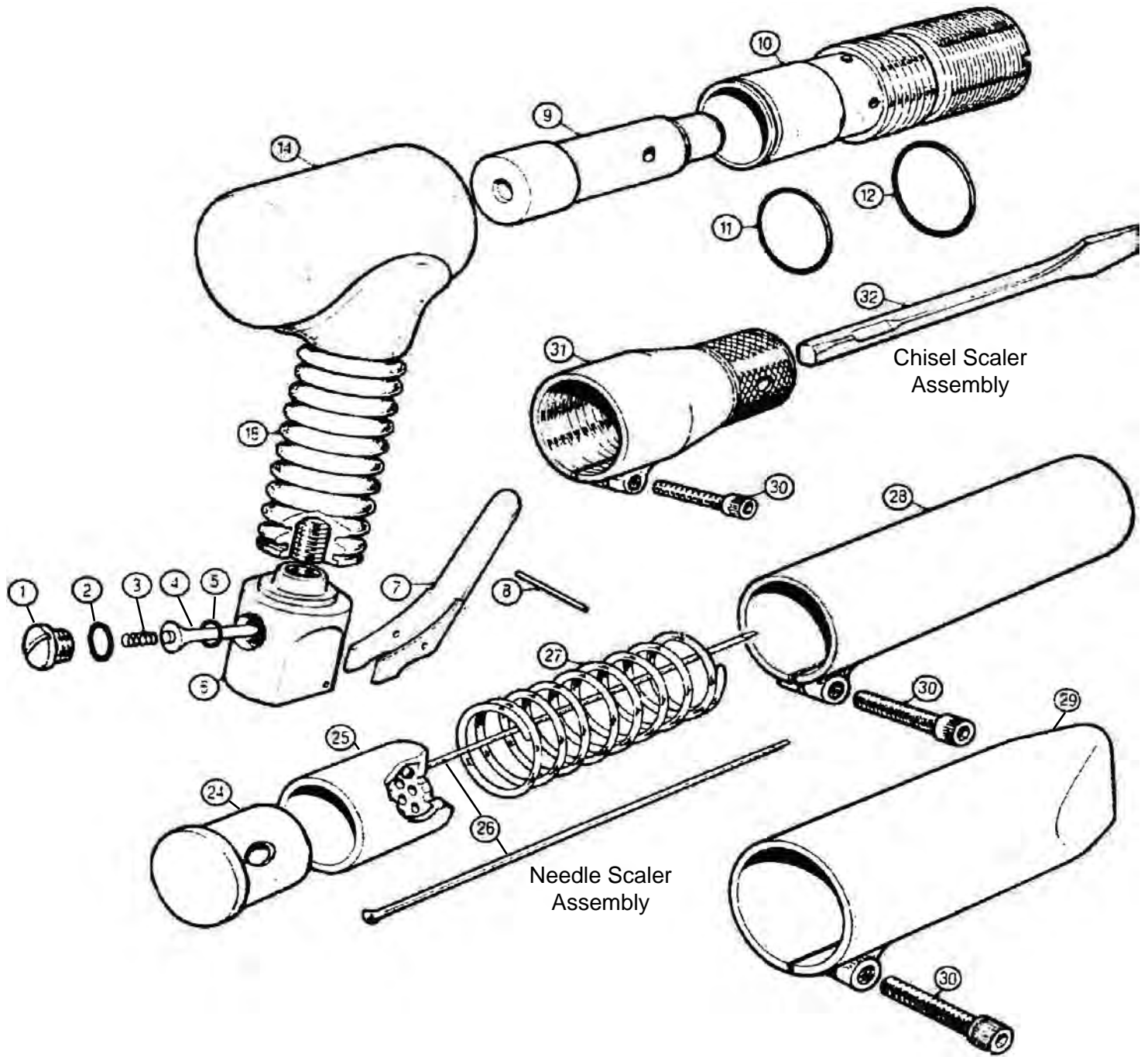
PART NUMBERS & SCHEMATICS

Novatek™ Needle and Chisel Scalers – Model 3BPG

Item #	Part #	Description
Fig. 6		
1	10TR6153021	Valve Cap
2	10TR8090139	Valve Cap O-ring (<i>Quantity of 10</i>)
3	10TR7123022	Valve Spring
4	10TR6183022	Valve Stem
5	10TR8090089	Valve Stem O-ring (<i>Quantity of 10</i>)
6	—	Valve Body
6A	—	Valve Body Assembly (<i>Includes Item #'s: 1–8</i>)
7	—	Throttle Lever
8	10TR8130108	Roll Pin (<i>Quantity of 10</i>)
9	10TR6123001	Piston
10	10TR6133101	Cylinder
11	10TR8090289	O-ring (<i>Quantity of 10</i>)
12	10TR8090299	O-ring (<i>Quantity of 10</i>)
14	10TR4253100	Cover Assembly
18	10TR7173101	Rubber Handle Grip
24	10TR6103001	Anvil
25	10TR6013002	2mm Needle Holder
—	10TR6013003	3mm Needle Holder
26	—	Needles (<i>See Page 26</i>)
27	10TR7123001	Compression Spring
28	10TR4163132	Intermediate Tube (<i>Includes Item: #30</i>)
29	10TR4173032	Straight Front Tube (<i>Includes Item: #30</i>)
—	10TR4083032	Round Front Tube (<i>Includes Item: #30</i>)
30	10TR8060830	Cap Head Screw (<i>Quantity of 10</i>)
31	10TR4193341	Chisel Holder Assembly 1/2" Square (<i>Includes Item: #30</i>)
—	10TR4193541	Chisel Holder Assembly 5/3" Hexagon (<i>Includes Item: #30</i>)
32	—	Chisel (<i>See Page 27</i>)
—	106M401	Part Numbers and Schematics Guide – Novatek™ Power Tools
—	109V012	Operator's Manual – Novatek™ Needle and Chisel Scalers

PART NUMBERS & SCHEMATICS

Figure 6: Novatek™ Needle and Chisel Scalers – Model 3BPG



PART NUMBERS

NOVATEK™ VACUUM SHROUDED NEEDLE SCALERS						
Part Numbers	Model	Needle Diameter (mm)	Needle Quantity	Length	Air Consumption	Blows Per Minute
10TR1392007	2B	3	19	18.5"	5.5 CFM	3,000
10TR1392107	2BPG	3	19	12.4"	5.5 CFM	3,000
10TR1393107	3BPG	3	28	13.5"	8 CFM	2,200



PART NUMBERS

NOVATEK™ VACUUM SHROUDED NEEDLE SCALER KITS

Part Numbers	Needle Scaler Model	Heavy-Duty Tool Box	Anvil	Compression Springs	Needle Holder (2mm)	Needle Holder (3mm)	Flat Tip Needles (2mm)	Chisel Tip Needles (3mm)	Flat Cuffs	Corner Cuffs	Edge Cuffs
10TR1392000	2B	1	1	2	1	1	250	100	3	2	N/A
10TR1392100	2BPG	1	1	2	1	1	250	100	3	2	N/A
10TR1393100	3BPG	1	1	2	1	1	250	100	3	2	2



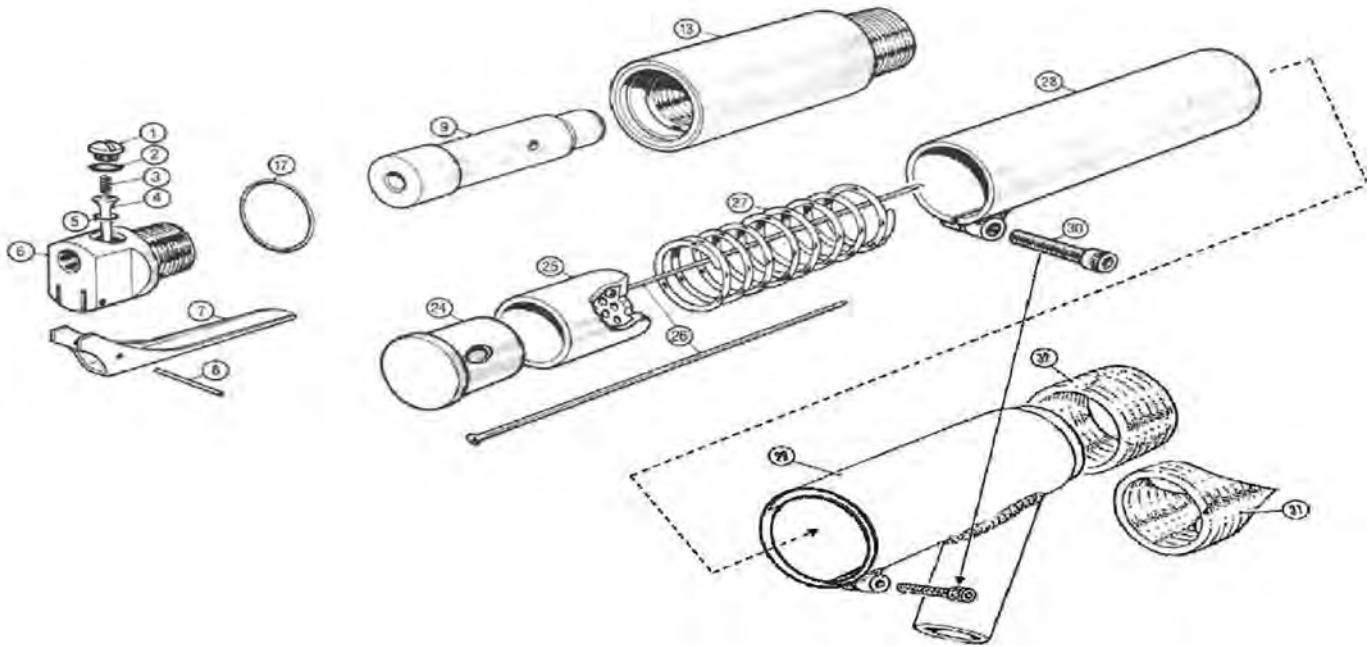
PART NUMBERS & SCHEMATICS

Novatek™ Vacuum Shrouded Needle Scaler – Model 2B

Item #	Part #	Description
Fig. 7		
1	10TR6153021	Valve Cap
2	10TR8090139	Valve Cap O-ring
3	10TR7123022	Valve Spring
4	10TR6183022	Valve Stem
5	10TR8090089	Valve Seat O-ring (<i>Quantity of 10</i>)
6	—	Valve Body
6A	—	Valve Body Assembly (<i>Includes Item #'s: 1–8</i>)
7	—	Throttle Lever
8	10TR8130108	Roll Pin (<i>Quantity of 10</i>)
9	10TR6122001	Piston
13	10TR4112002	Body
17	10TR8090249	O-ring (<i>Quantity of 10</i>)
24	10TR6102091	Anvil
25A	10TR6012093	3mm Needle Holder
25B	10TR6012092	2mm Needle Holder
26	—	Needles (<i>See Page 26</i>)
27	10TR7122001	Compression Spring
28	10TR4162099	Intermediate Tube (<i>Includes Item #30</i>)
29	10TR4182199	Front Tube with Vacuum Takeoff (<i>Includes Item #30</i>)
30	10TR8060830	Cap Head Screw (<i>Quantity of 10</i>)
31	10TR7312101	Inside Corner-Front Cuff
32	10TR7312103	Flat Edge-Front Cuff
—	106M401	Part Numbers and Schematics Guide – Novatek™ Power Tools
—	109V013	Operator's Manual – Novatek™ Vacuum Shrouded Needle Scalers

PART NUMBERS & SCHEMATICS

Figure 7: Novatek™ Vacuum Shrouded Needle Scaler – Model 2B



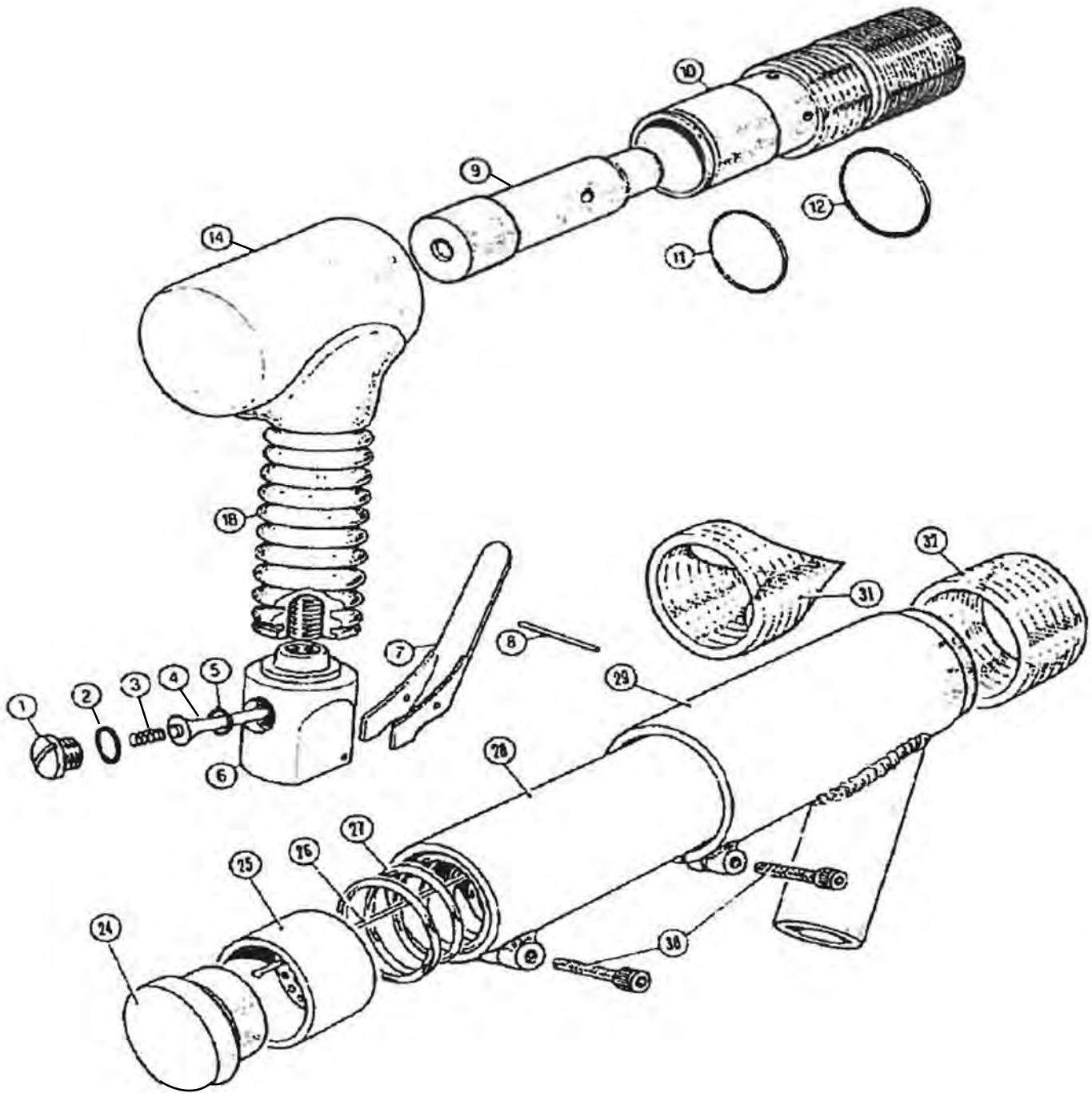
PART NUMBERS & SCHEMATICS

Novatek™ Vacuum Shrouded Needle Scaler – Model 2BPG

Item#	Part#	Description
Fig. 8		
1	10TR6153021	Valve Cap
2	10TR8090139	Valve Cap O-ring
3	10TR7123022	Valve Spring
4	10TR6183022	Valve Stem
5	10TR8090089	Valve Seat O-ring (<i>Quantity of 10</i>)
6	—	Valve Body
6A	—	Valve Body Assembly (<i>Includes Item #'s: 1–8</i>)
7	—	Throttle Lever
8	10TR8130108	Roll Pin (<i>Quantity of 10</i>)
9	10TR6122001	Piston
10	10TR6132138	Cylinder
11	10TR8090249	O-ring (<i>Quantity of 10</i>)
12	10TR8090269	O-ring (<i>Quantity of 10</i>)
14	10TR4252138	Cover Assembly
18	10TR7173101	Rubber Handle Grip
24	10TR6102091	Anvil
25A	10TR6012093	3mm Needle Holder
25B	10TR6012092	2mm Needle Holder
26	—	Needles (<i>See Page 26</i>)
27	10TR7122001	Compression Spring
28	10TR4162099	Intermediate Tube (<i>Includes Item #30</i>)
29	10TR4182199	Front Tube with Vacuum Takeoff (<i>Includes Item #30</i>)
30	10TR8060830	Cap Head Screw (<i>Quantity of 10</i>)
31	10TR7312101	Inside Corner – Front Cuff
32	10TR7312103	Flat Edge – Front Cuff
—	106M401	Part Numbers and Schematics Guide – Novatek™ Power Tools
—	109V013	Operator's Manual – Novatek™ Vacuum Shrouded Needle Scalers

PART NUMBERS & SCHEMATICS

Figure 8: Novatek™ Vacuum Shrouded Needle Scaler – Model 2BPG



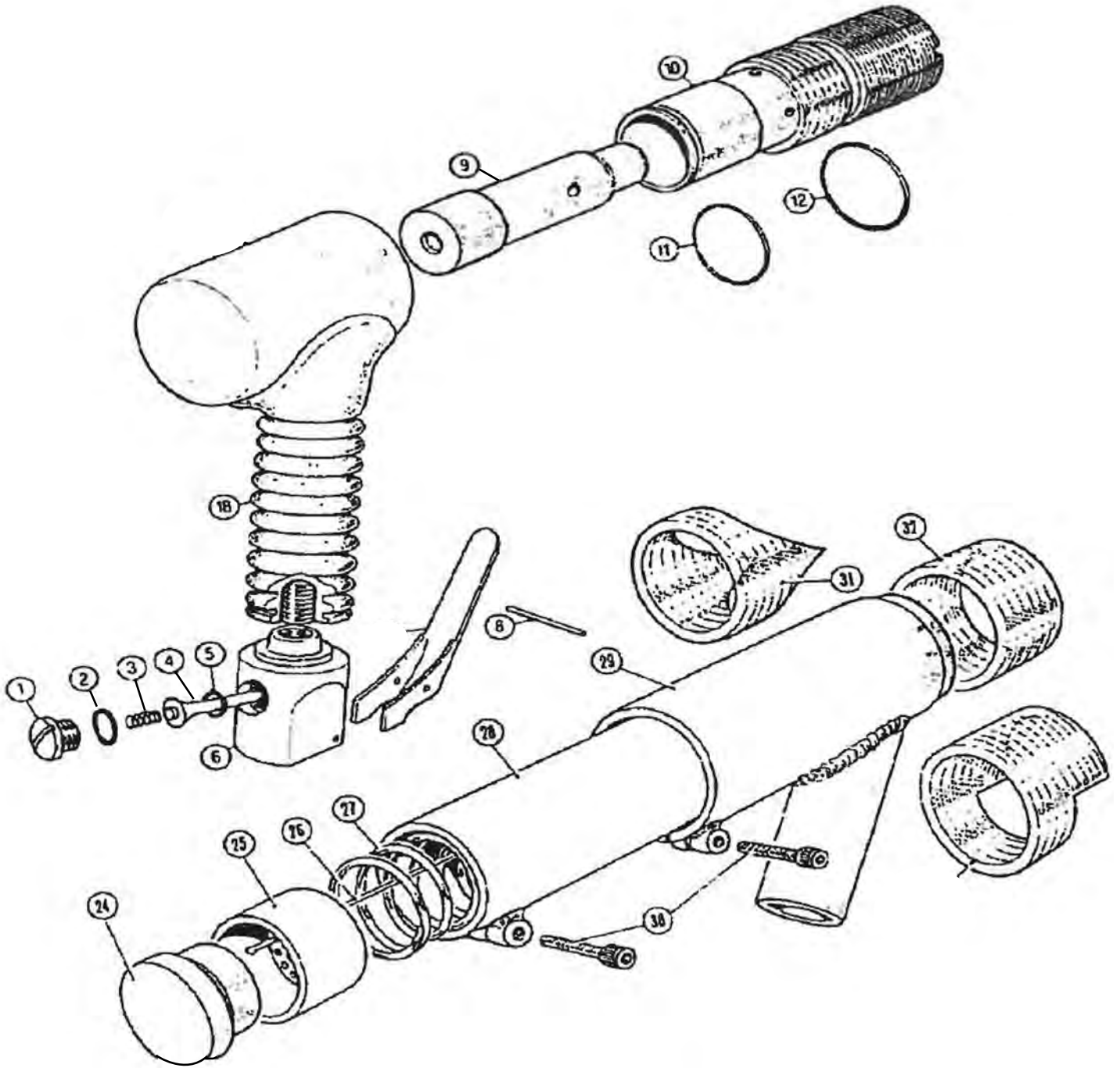
PART NUMBERS & SCHEMATICS

Novatek™ Vacuum Shrouded Needle Scaler – Model 3BPG

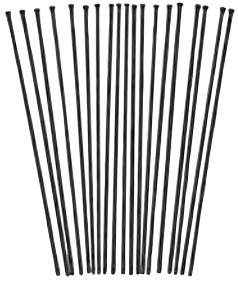
Item#	Part#	Description
Fig. 9		
1	10TR6153021	Valve Cap
2	10TR8090139	Valve Cap O-ring
3	10TR7123022	Valve Spring
4	10TR6183022	Valve Stem
5	10TR8090089	Valve Seat O-ring (<i>Quantity of 10</i>)
6	—	Valve Body
6A	—	Valve Body Assembly (<i>Includes Items: #1–#8</i>)
8	10TR8130108	Roll Pin (<i>Quantity of 10</i>)
9	10TR6123001	Piston
10	10TR6133138	Cylinder
11	10TR8090289	O-ring (<i>Quantity of 10</i>)
12	10TR8090299	O-ring (<i>Quantity of 10</i>)
18	10TR7173101	Rubber Handle Grip
24	10TR6103011	Anvil
25A	10TR6013013	3mm Needle Holder
25B	10TR6013012	2mm Needle Holder
26	—	Needles (<i>See Page 26</i>)
27	10TR7123001	Compression Spring
28	10TR4163138	Intermediate Tube (<i>Includes Item #30</i>)
29	10TR4183039	Front Tube with Vacuum Takeoff (<i>Includes Item: #30</i>)
30	10TR8060830	Cap Head Screw (<i>Quantity of 10</i>)
31	10TR7314101	Inside Corner – Front Cuff
32	—	Flat Edge – Front Cuff
—	106M401	Part Numbers and Schematics Guide – Novatek™ Power Tools
—	109V013	Operator's Manual – Novatek™ Vacuum Shrouded Needle Scalers

PART NUMBERS & SCHEMATICS

Figure 9: Novatek™ Vacuum Shrouded Needle Scaler – Model 3BPG





PART NUMBERS



Part Numbers

NEEDLE SCALERS REPLACEMENT NEEDLES											
Part Numbers	7 Inch Length	Carbon Steel	Beryllium Copper	Flat Tip	Chisel Tip	Rivet Head	Non-Sparking	Needle Diameter	Needle Diameter	Needle Diameter	Package Quantity
10TX00057	X	X		X				2mm			One Each
10TX00058	X	X		X					3mm		One Each
10TX00059	X	X		X						4mm	One Each
10TX00058CP	X	X			X				3mm		One Each
10TX700190	X	X			X	X			3mm		One Each
10TC700191	X	X			X	X				4mm	One Each
10TX00120	X		X	X					3mm		One Each
1070787	X		X	X			X		3mm		One Each

PART NUMBERS

NOVATEK CARBON STEEL REPLACEMENT CHISELS				
	Part Numbers	Chisel Length (Inches)	Chisel Width (Inches)	Package Quantity
	10TR7041101	7	3/4	One Each
	10TR7041103	7	2	One Each




PART NUMBERS

NOVATEK™ PEENING PREPARATION TOOLS						
Part Numbers	Work Head Width (Inches)	Electric Voltage	Length (Inches)	Width (Inches)	Height (Inches)	Cutter Style
10TR1940205	2	N/A	14	6.25	6	Flaps
10TR194C205	2	N/A	14	6.25	6	Cutters
10TR1940405	4	N/A	14	7.8	6	Flaps
10TR194C405	4	N/A	14	7.8	6	Cutters
10TR1940215	2	120	20	6.25	6	Flaps
10TR194C215	2	120	20	6.25	6	Cutters
10TR1940415	4	120	20	7.85	6	Flaps

NOVATEK™ PEENING PREPARATION TOOL KITS		
Part Numbers	Work Head Width (Inches)	Electric Voltage
10TR1390205	2	N/A
10TR1390405	4	N/A
10TR1390215	2	120



PART NUMBERS

NOVATEK™ PEENING PREPARATION TOOL REPLACEMENT CUTTERS					
	Part Numbers	Style	Quantity Required for 2 Inch Tool	Quantity Required for 4 Inch Tool	Package Quantity
	10TR312S200	Star	80	160	One Each
	10TR312R200	Beam	80	160	One Each
	10TR312MRPC	C Flap	6	12	One Each

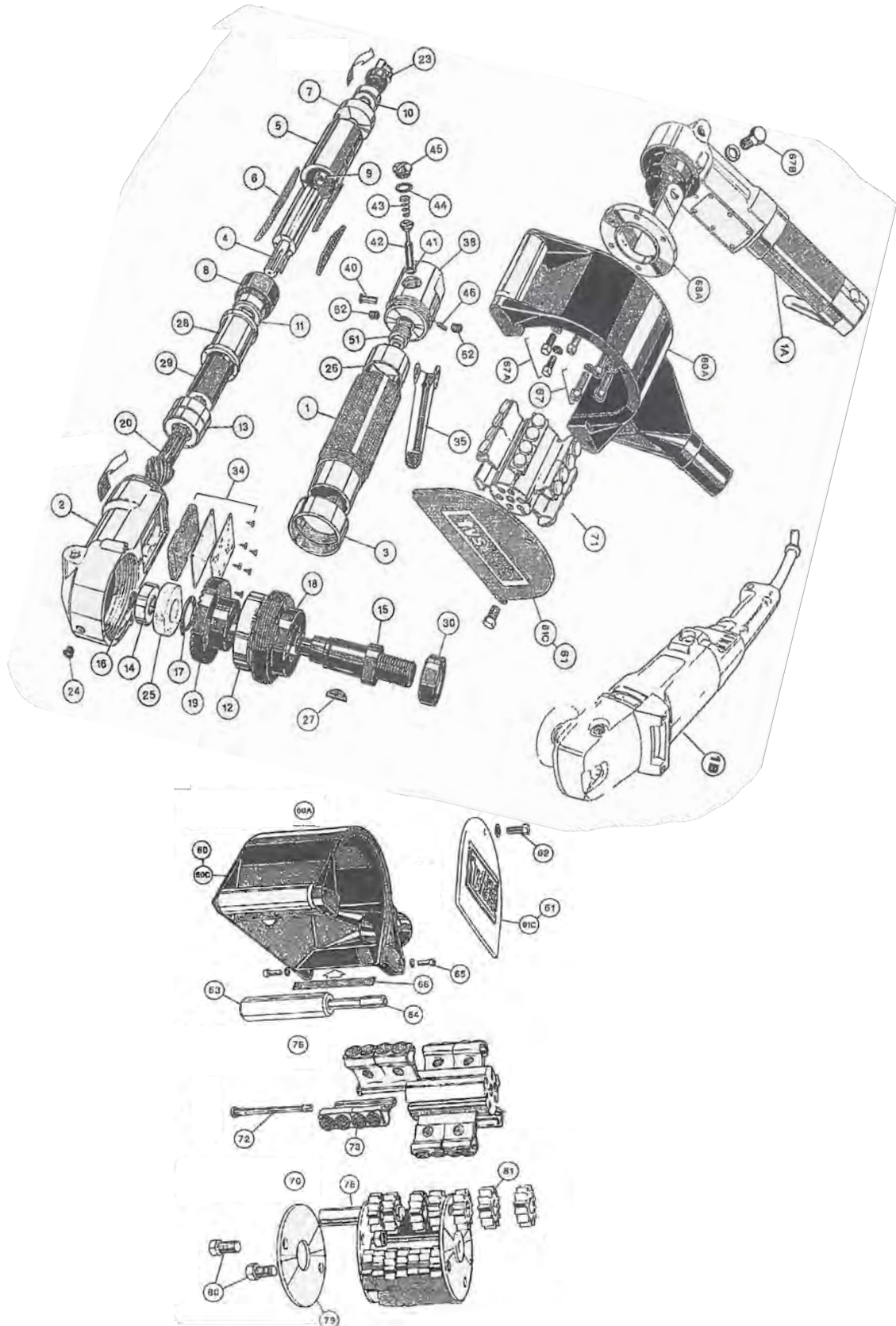
PART NUMBERS & SCHEMATICS

Novatek™ Peening Preparation Tool

Item #	Part #	Description	Item #	Part #	Description
Fig.10			46	10TR312A177	Lever Return Spring
1	10TR312A735	Motor Housing	51	10TR312A105	Jet
1A	10TR312ARA4	Pneumatic Motor Complete	52	10TR312A108	Jet Locking Screw
1B	10TR3121845	Electric Motor Complete	60A	—	2" Pneumatic Shroud Assembly
2	10TR312A930	Angle Head	60B	10TR4370405	4" Pneumatic Shroud Assembly
3	10TR312A685	Lock Ring	60C	10TR4370215	2" Electric Shroud Assembly
4	10TR312A686	Rotor	60D	10TR4370415	4" Electric Shroud Assembly
5	10TR312A451	Cylinder	61C	10TR312C211	Cast Shroud End Plate
6	10TR312A421	Vanes (<i>Five Required</i>)	62	10TR508D215	Shroud Cover Plate Hardware
7	10TR312A415	Rear Bearing Housing	63A	10TR312G200	2" Shroud Positioning Roller (Qty of 2)
8	10TR312A346	Front Bearing Housing	63B	10TR312G400	4" Shroud Positioning Roller (Qty of 2)
9	10TR312A101	Rotor Spacer	64A	10TR312D201	2" Roller Axles (<i>Quantity of Two</i>)
10	10TR312A604	Bearing	64B	10TR312D401	4" Roller Axles (<i>Quantity of Two</i>)
11	10TR312A689	Bearing	65	10TR508D217	Roller Hardware Set
12	10TR312A722	Bearing	66A	—	2" Peening Tool Gasket
13	10TR312A723	Bearing	66B	10TR312D415	4" Peening Tool Gasket
14	10TR312A605	Bearing	67A	10TR508D215	Air Motor to Shroud Hardware
15	10TR312A725	Spindle	67B	10TR5080205	Collar to Shroud Hardware
16	—	Circlip	67C	10TR5080221	Collar to Motor Hardware
17	10TR312A142	Circlip	68A	—	Pneumatic Collar
18	10TR312A724	Bearing Housing	68B	10TR312E200	Electric Collar
19/20	10TR312A727	Gear Wheel/Pinion Set	70A	10TR4380209	2" Star Cutter Hub Assembly
21	10TR312A612	Wrench - Open End (19mm)	70B	10TR4380409	4" Star Cutter Hub Assembly
22	10TR8180255	1/4" NPT x 3/8" MQC Plug	72A	10TR312D213	2" Pin-Flat Retainer (<i>Quantity of Six</i>)
23	10TR312A102	Governor	72B	10TR312D413	4" Pin-Flat Retainer (<i>Quantity of Six</i>)
24	10TR312A249	Oiling Screw	76A	10TR4380205	2" RotoPeen Flabs Hub Assembly
—	10TR312A254	Oiler - Gear Lube	76B	10TR4380405	4" RotoPeen Flabs Hub Assembly
26	10TR312A626	Rear Spacer	78A	10TR312D210	2" Star Hub Axle (<i>Quantity of Four</i>)
27	10TR612A172	Wood Ruff Key	78B	10TR312D410	4" Star Hub Axle (<i>Quantity of Four</i>)
28	10TR312A728	Front Spacer	79	10TR312D211	Plate Axle Retainer
29	10TR312A729	Coupling	80	10TR508D212	Plate Axle Star Hub Hardware
30	10TR312A730	Back Flange	—	106M401	Part Numbers and Schematics Guide – Novatek™ Power Tools
34	10TR312A732	Silencer Cover and Screws	—	109V011	Operator's Manual – Novatek™ Peening Preparation Tools
35	10TR312A342	Lever			
38	—	Throttle Housing			
40	10TR312A141	Lever Pin			
41	10TR312A330	O-ring			
42	10TR312A143	Throttle Valve Stem			
43	—	Valve Spring			
44	10TR312A113	O-ring			
45	—	Throttle Plug			





PART NUMBERS & SCHEMATICS

Figure 10: Novatek™ Peening Preparation Tool



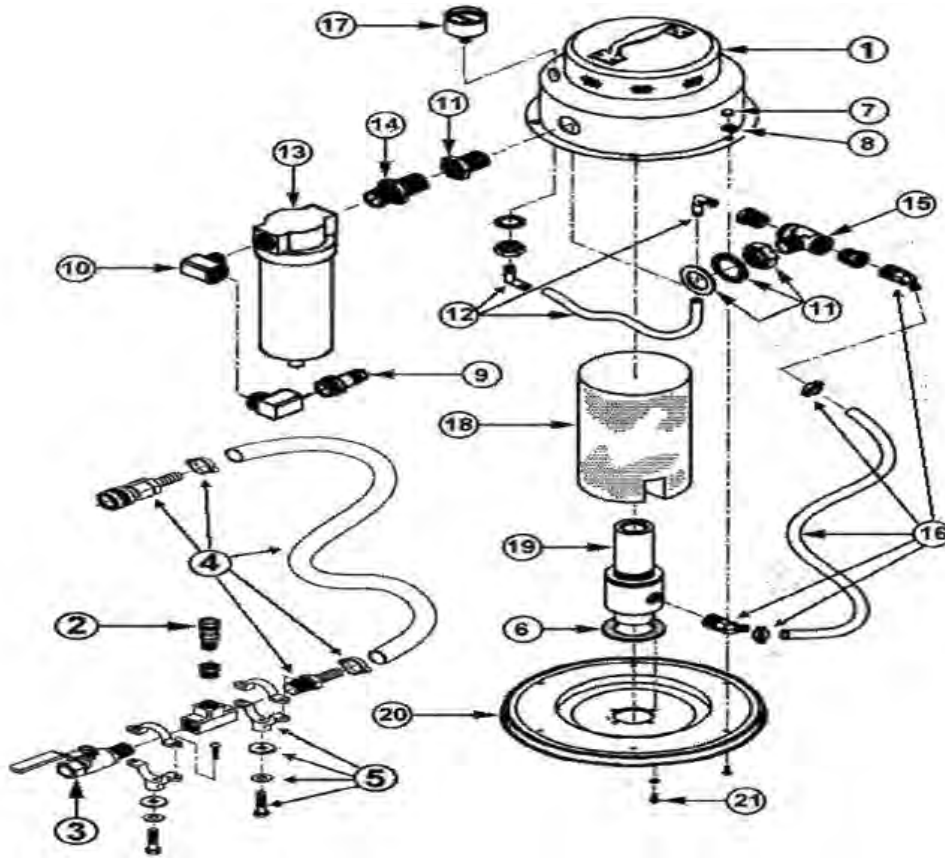
PART NUMBERS

NOVATEK™ HEPA FILTERED VACUUMS

	Part Numbers	Model	Power Source	Capacity (Gallons)	Tank Material
	10TR3053100	Backpack	Pneumatic	3.3	Stainless Steel
	10TR3053150	Backpack	Electric	3.3	Stainless Steel
	10TR3073100	Floor	Pneumatic	15	Stainless Steel
	10TR3073350	Floor	Electric	15	Steel

PART NUMBER

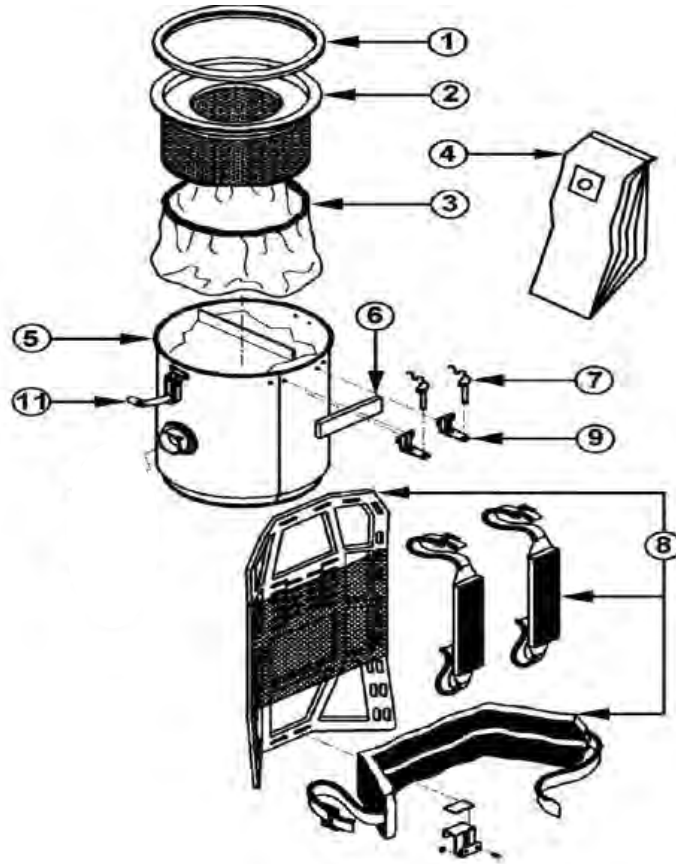
Figure 11: Novatek™ 3.3 Gallon Backpack Vacuum Head



Item #	Part #	Description
Fig. 11		
1	10TR3100302	Dome Assembly with Handle
2	10TR3100325	T-Connector External Assembly
3	10TR3100324	Ball Valve
4	10TR3100304	Hose Assembly External
5	10TR3100323	Hose Clamp
6	10TR3100317	Screws (Quantity of 10)
7	10TR3100319	Acorn Nuts (Quantity of 10)
8	10TR3100318	Hex Nut (Quantity of 10)
9	10TR3100330	1/2" Quick Connect
10	10TR3100331	Brass Elbow
11	10TR3100332	Bulk Head
12	10TR3100333	Tubing
13	10TR3100346	Air Dryer/Filter Bowl – Complete
14	10TR3100348	1/2" Brass Nipple
15	—	T-Connector Internal Assembly
16	10TR3100305	Hose Assembly Internal
17	10TR3100335	Pressure Gauge
18	10TR3100322	Muller
19	—	Venturi
20	10TR3100320	Outer Can Cover
21	—	Screws (Quantity of 10)
—	106M405	Part Numbers and Schematics Guide – Novatek™ Power Tools
—	109V111	Operator's Manual – Novatek™ Vacuums

PART NUMBERS & SCHEMATICS

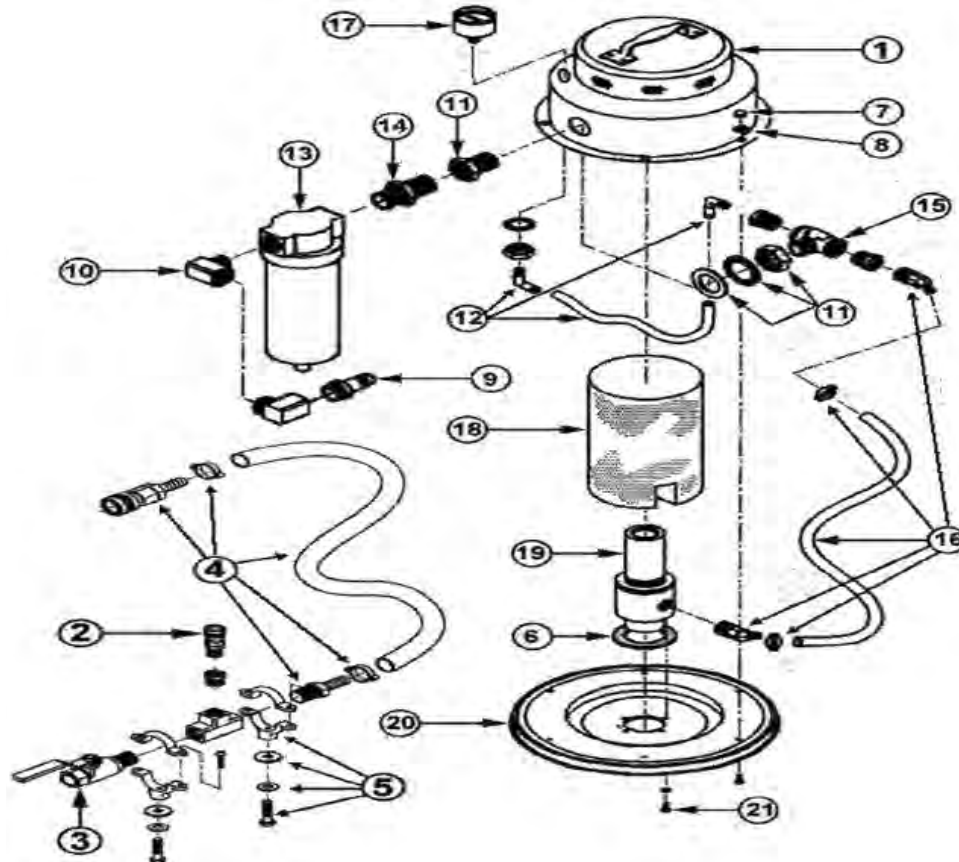
Figure 12: Novatek™ 3.3 Gallon Backpack Vacuum – Filters & Canister



Item #	Part #	Description
Fig. 12		
1	10TR3100342	HEPA Filter Gasket
2	10TR3053133	HEPA Filter with Gasket – 12" Diameter
3	10TR3100310	Pre-Filter – 12" Diameter (<i>Quantity of Two</i>)
4	10TR3053120	3.3 Gallon Disposable Bags (<i>Quantity of Five</i>)
5	10TR3100303	Stainless Steel Can Assembly
6	10TR3100341	14" Gasket
7	10TR3100340	Speed Pin (<i>Quantity of Two</i>)
8	10TR3100301	Frame – Complete <i>Includes Shoulder and Waist Harness</i>
9	10TR3100343	Mounting Clip
11	10TR3100337	Head Retaining Clip
—	106M405	Part Numbers and Schematics Guide – Novatek™ Power Tools
—	109V111	Operator's Manual – Novatek™ Vacuums

PART NUMBERS & SCHEMATICS

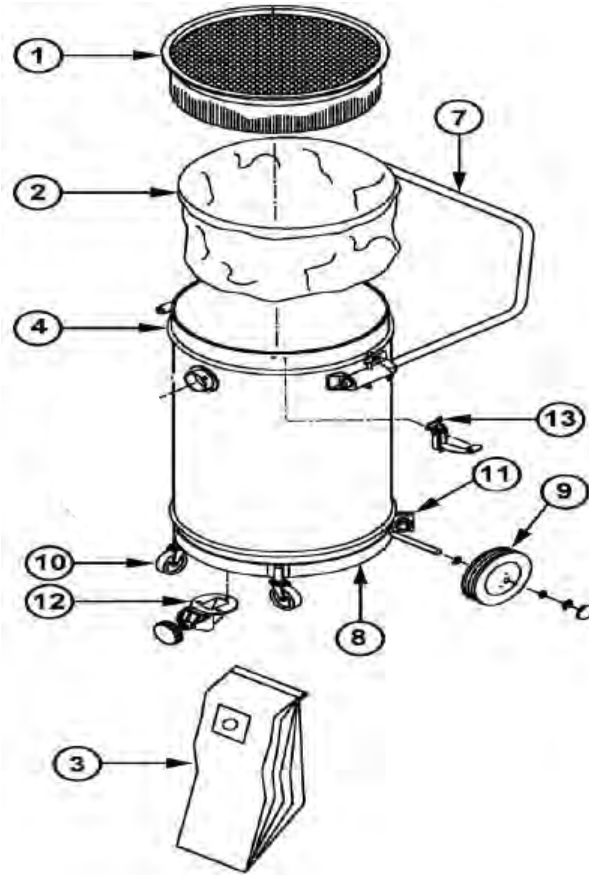
Figure 13: Novatek™ 15 Gallon Floor and 55 Gallon Drum Vacuum Head



Item #	Part #	Description
Fig. 13		
1	10TR3100302	Dome Assembly with Handle
2	10TR3100325	T-Connector External Assembly
3	10TR3100324	Ball Valve
4	10TR3100319	Acorn Nuts (Quantity of 10)
5	10TR3100318	Hex Nut (Quantity of 10)
6	10TR3100332	Bulk Head
7	10TR3100333	Tubing
8	10TR3100346	Air Dryer/Filter Bowl – Complete
—	10TR3100347	Cartridge for Air Dryer/Filter Bowl
9	10TR3100348	1/2" Brass Nipple
10	—	T-Connector Internal Assembly
11	10TR3100305	Hose Assembly Internal
12	10TR3100335	Pressure Gauge
13	10TR3100322	Muffer
14	—	Venturi
15	10TR3101016	16" Cover Assembly
16	10TR3101017	Mounting Plate
17	10TR3101018	Screws (Quantity of 10)
18	—	Screws (Quantity of 10)
19	10TR3101019	Gasket
20	10TR3100330	1/2" Quick Connect
21	10TR3200328	Air-Relief Valve
—	10TR3083570	Wet/Dry Conversion Kit Adapter
—	106M405	Part Numbers and Schematics Guide – Novatek™ Power Tools
—	109V111	Operator's Manual – Novatek™ Vacuums

PART NUMBERS & SCHEMATICS

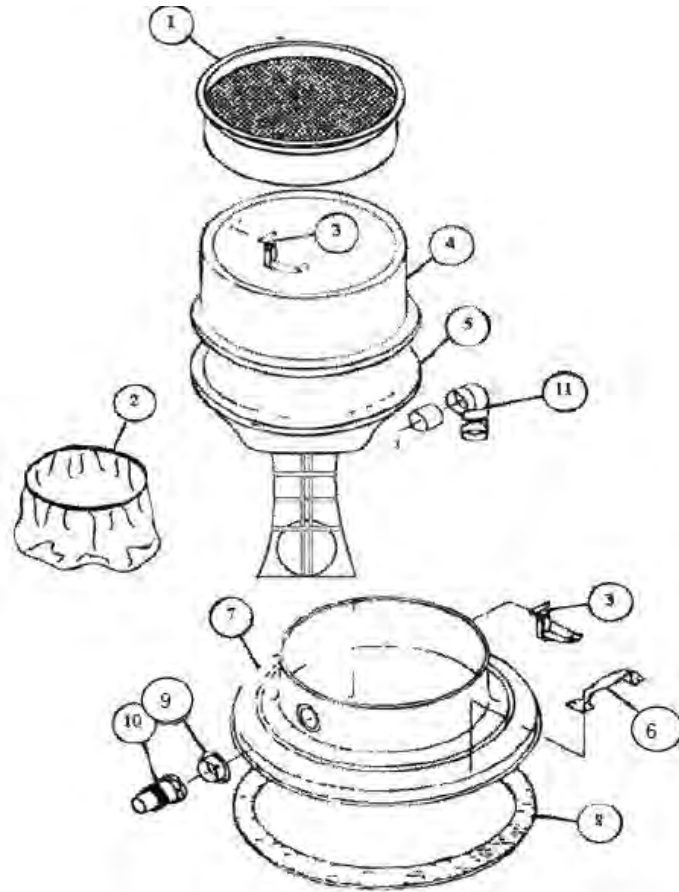
Figure 14: Novatek™ 15 Gallon Floor Vacuum – Filters & Canister



Item #	Part #	Description
Fig. 14		
1	10TR3101011	HEPA Filter/Gasket Assembly – 14" Diameter
2	10TR3101010	Pre-Filter – 14" Diameter (Quantity of Two)
3	10TR3101012	Paper Disposable Bags (Quantity of Five)
4	10TR3101520	15 Gallon Stainless Steel Can Assembly
	10TR3101521	15 Gallon Steel Can Assembly
7	10TR3101514	Push Handle
8	10TR3101515	Glide Mobile Dolly Base
9	10TR3101517	Rear Wheel & Hub Cap
10	10TR3101015	Ball Bearing Caster
11	10TR3101519	Fastener Set
12	10TR3100338	Drain Valve Assembly
13	10TR3100337	Head Retaining Clip
—	106M405	Part Numbers and Schematics Guide – Novatek™ Power Tools
—	109V111	Operator's Manual – Novatek™ Vacuums

PART NUMBERS & SCHEMATICS



Figure 15: Novatek™ 55 Gallon Vacuum Drum – Top




Item #	Part #	Description
Fig. 15		
1	10TR3101011	HEPA Filter/Gasket Assembly – 14" Diameter
—	10TR3101099	Cloth Filter
2	10TR3101010	Pre-Filter – 14" Diameter (<i>Quantity of Two</i>)
3	10TR3100337	Head Retaining clip
4	10TR3083450	Wet/Dry Adapter Section – 16"
5	10TR3083470	Float, Wet/Dry Adapter
6	10TR3085502	Lift Handles (<i>Two Required</i>)
7	10TR3083459	Drum Adapter – 1 Port
—	10TR3083469	Drum Adapter – 3 Port
8	10TR3080559	Gasket
9	10TR3085475	Inlet Fitting Assembly
10	10TR3089445	1-1/2" Hose Connector
11	10TR3080613	Elbow Diverter Assembly
—	10TR3100336	55 Gallon PolySafety Disposal Bags (<i>Quantity of Five</i>)
—	10TR3083570	Wet/Dry Conversion Kit Adapter
—	106M405	Part Numbers and Schematics Guide – Novatek™ Power Tools

OPTIONAL ACCESSORIES

1-1/2" I.D. VACUUM HOSE		
Part Numbers	Vacuum Hose I.D.	Length
10VH11250	1-1/2"	50 Ft.
10TR7193150	1-1/2"	Per Foot

1-1/2" I.D. VACUUM HOSE ACCESSORIES		
Part Numbers	Description	
	10TR8283150	1-1/2" I.D. Vacuum Hose Cuff
	10TR8383100	1-1/2" I.D. Vacuum Hose Union

55 GALLON DRUM		
Part Numbers	Description	
	1070056	55 Gallon Steel Drum with Lid

PART NUMBER

TEXAS PNEUMATIC LEVER THROTTLE NEEDLE SCALER

Part Number	Model	Needle Diameter (mm)	Needle Quantity	Length (Inches)
10TX1BLTNS	TX-1-BLTNS	.125	19	17

PART NUMBER

Texas Pneumatic Lever Throttle Needle Scaler



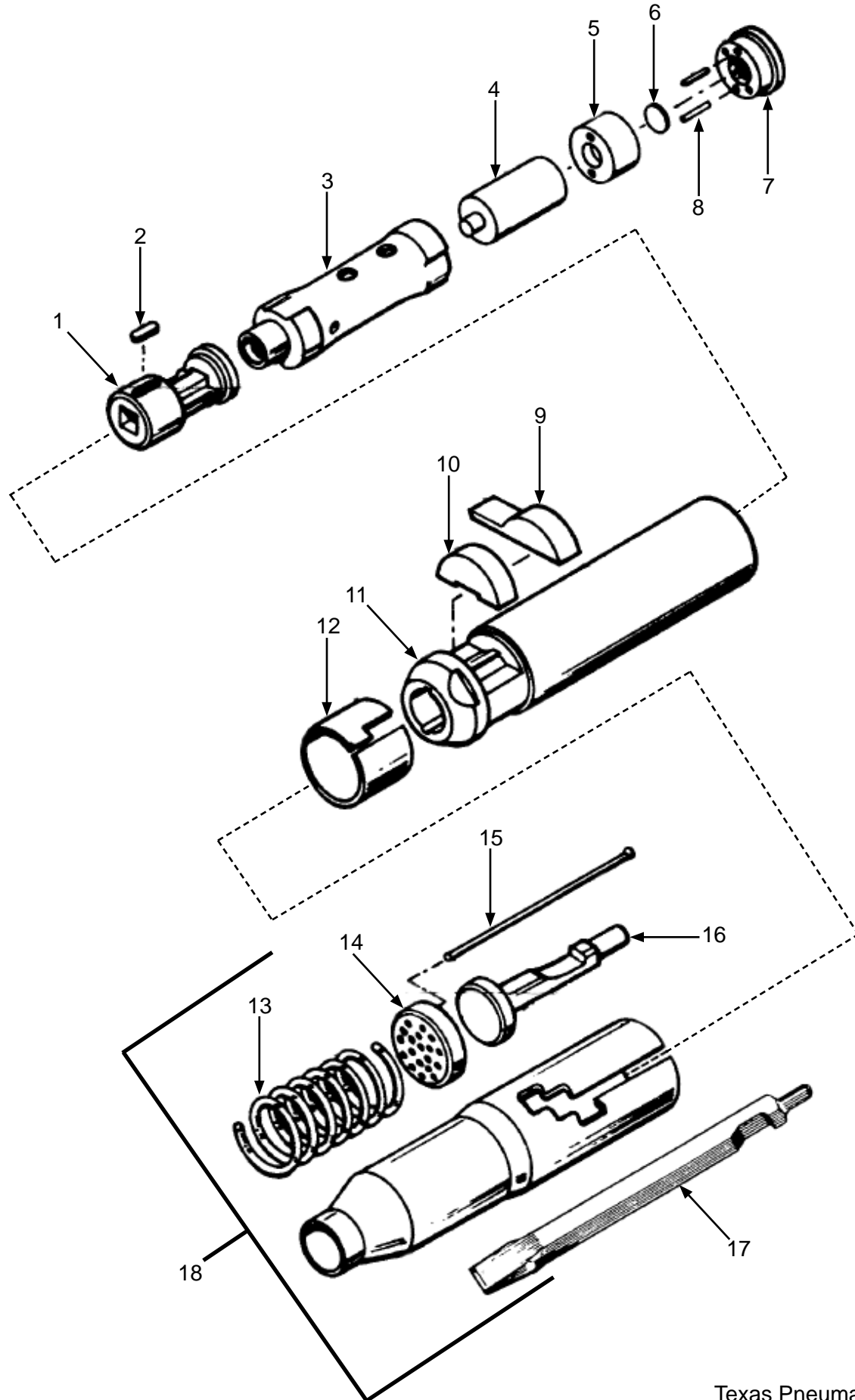
PART NUMBERS & SCHEMATICS

Texas Pneumatic Lever Throttle Needle Scaler

Item#	Part#	Description
Fig. 1		
—	10TX1BLTNS	Texas Pneumatic Lever Throttle Needle Scaler – Complete
1	10TX00963	Tool Nose
2	10TX00801	Tool Nose Key
3	10TX00700	Cylinder Sleeve
4	10TX00373	Plunger
5	10TX00508	Valve Block
6	10TX00196	Flutter Valve
7	10TX00173	Valve Block Button
8	10TX00126	Valve Block Dowel Pin
9	10TX00956	Retainer
10	10TX00527	Retainer Buffer
11	10TX00313	Scaler Barrel
12	10TX00554	Retainer Clip
13	10TX00044	Needle Spring
14	10TX00046	Needle Holder
15	—	Needle (<i>See Page 12</i>)
16	10TX00779	Needle Tube
17	—	Chisel (<i>See Page 12</i>)
18	10TX00322	Needle Attachment
—	10TX1BNSRK	Needle Gun Repair Kit
—	106M401	Part Numbers and Schematics Guide – Ingersoll Rand Power Tools
—	109V006	Operator's Manual – Air Die Grinders

PART NUMBERS & SCHEMATICS

Figure 1: Texas Pneumatic Lever Throttle Needle Scaler



PART NUMBERS

TEXAS PNEUMATIC LONG REACH CHISEL SCALER			
Part Numbers	Model	Chisel Width	Length (Inches)
10TX2LRCS	TX-2-LRCS	3"	48*

*extends to 60"

PART NUMBERS

Texas Pneumatic Long Reach Chisel Scaler

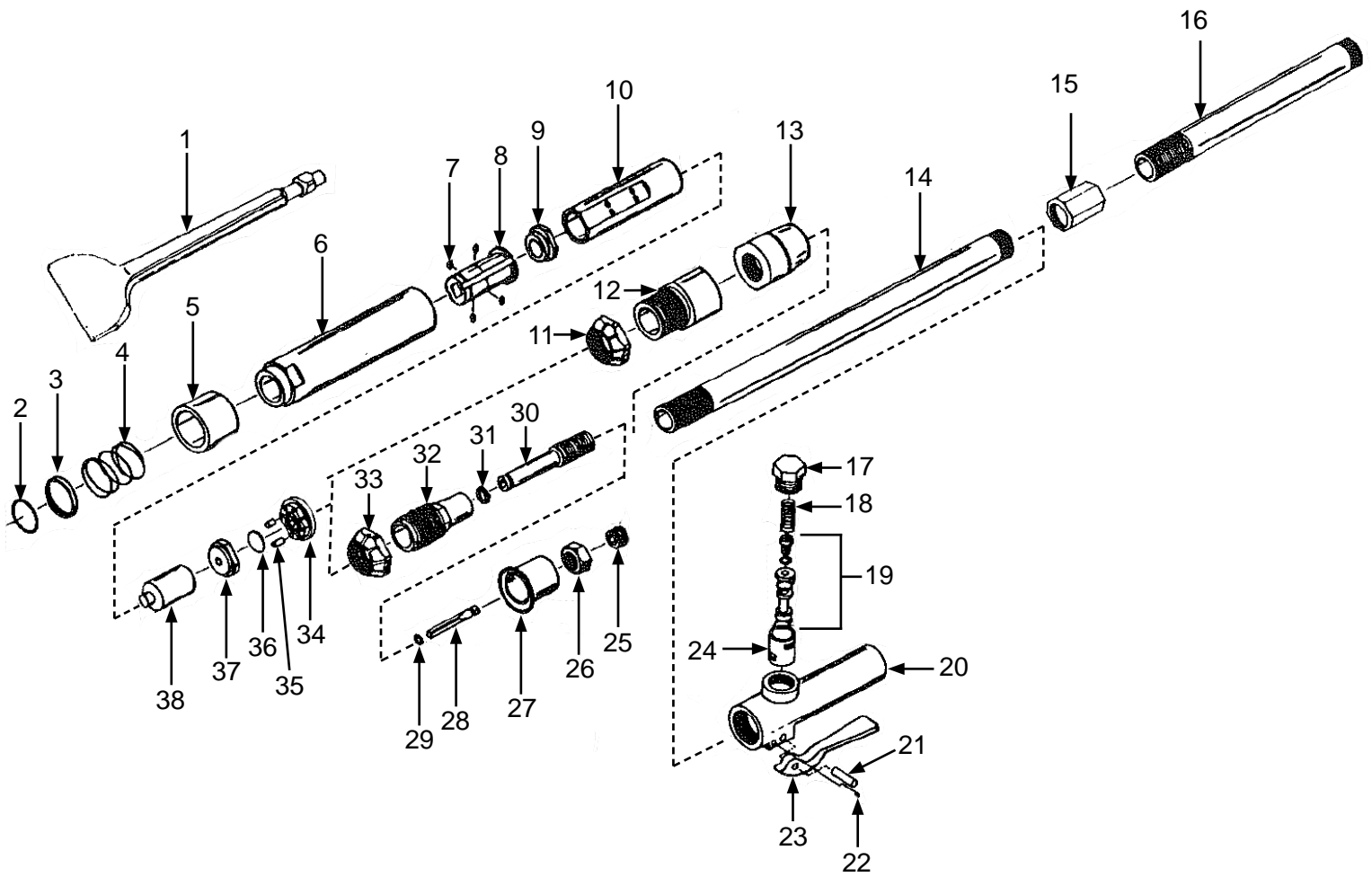


PART NUMBERS & SCHEMATICS

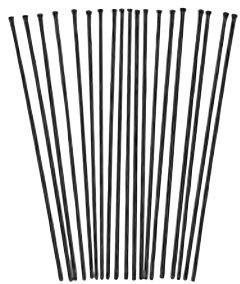
Item #	Part #	Description
Fig. 2		
—	10TX2LRCS	Texas Pneumatic Long Reach Chisel Scaler – Complete
1	—	Chisel (<i>See Page 12</i>)
2	10TX20001	Retainer clip
3	10TX20002	Retainer Washer
4	10TX20003	Retainer Spring
5	10TX20004	Retainer
6	10TX20005	Barrel
7	10TX20006	5/16" Steel Balls (<i>Quantity of Four</i>)
8	10TX20007	Tool Nose
9	10TX20008	Sleeve Nose
10	10TX20009	Liner
11	10TX20015	Backhead Lock Ring
12	10TX20016	Backhead Block
13	10TX20017	Backhead Locking Pipe Nut
14	10TX20018	2' Pipe Extension
15	10TX20019	Extension Coupling
16	10TX20020	1' Pipe Extension
17	10TX20021	Throttle Valve Cap
18	10TX20022	Throttle Valve Spring
19	10TX20023	Throttle Valve Assembly (<i>Includes: Screw, Lock Washer, TV Cap, O-ring Body, Stem O-ring</i>)
20	10TX20025	Live Handle Body
21	10TX20027	Stop Pin
22	10TX20028	Lever Pin
23	10TX20026	Throttle Lever
24	10TX20024	Throttle Valve Bushing
25	10TX20037	Valve Retainer
26	10TX20036	Locking Nut
27	10TX20035	Control Valve Handle
28	10TX20034	Throttle Valve
29	10TX20033	O-ring
30	10TX20032	Throttle Valve Casing
31	10TX20031	C-Clip Retainer
32	10TX20030	Push-Type Backhead
33	10TX20029	Backhead Lock Ring
34	10TX20017	Backhead Locking Pipe Nut
35	10TX20013	1/8" x 7/16" Dowel Pins (<i>Quantity of Two</i>)
36	10TX20012	Flutter Valve
37	10TX20011	Lower Valve Block
38	10TX20010	Piston
—	106M468	Part Numbers and Schematics Guide – Texas Pneumatic Power Tools

PART NUMBERS & SCHEMATICS

Figure 2: Texas Pneumatic Long Reach Chisel Scaler



OPTIONAL ACCESSORIES



**Part
Numbers**

NEEDLE SCALERS REPLACEMENT NEEDLES											
Part Numbers	7 Inch Length	Carbon Steel	Beryllium Copper	Flat Tip	Chisel Tip	Rivet Head	Non-Sparking	Needle Diameter	Needle Diameter	Needle Diameter	Package Quantity
10TX00057	X	X		X				2mm			One Each
10TX00058	X	X		X					3mm		One Each
10TX00059	X	X		X						4mm	One Each
10TX00058CP	X	X			X				3mm		One Each
10TX700190	X	X			X	X			3mm		One Each
10TC700191	X	X			X	X				4mm	One Each
10TX00120	X		X	X					3mm		One Each
1070787	X		X	X			X		3mm		One Each



REPLACEMENT CHISELS

**Part
Numbers**

**Chisel Length
(Inches)**

**Chisel Width
(Inches)**

Package Quantity

	10TR7041101	7	3/4	One Each
	10TR7041103	7	2	One Each

PART NUMBERS AND SCHEMATICS GUIDE

CBA-SERIES COLD WATER POWER WASHERS

Part Numbers	PSI Rating	Gallons Per Minute	Engine Manufacturer	Engine Size	Belt Drive	Average Daily Usage (Hours)	Frame & Handle Material	Insulated Trigger Gun with 48" Trigger Lance	Quick-Connect Nozzles (0°, 15°, 25°, 40°)	3/8" x 50' Hose	Hose Rating
1070112	3500	4.0	Honda	389cc	X	Up to 5	Aluminum	X	X	X	4000 PSI
1070113	4000	4.0	Honda	389cc	X	Up to 5	Aluminum	X	X	X	4000 PSI

105V052 Features & Specifications Guide – CBA Premium Series Cold Water Power Washers

109V052 Operator's Manual – CBA Premium Series Cold Water Power Washers

Figure 1: CBA Series Pressure Washer



PART NUMBERS AND SCHEMATICS GUIDE

JCW-SERIES COLD WATER POWER WASHERS											
Part Numbers	PSI Rating	Gallons Per Minute	Engine Manufacturer	Engine Size	Belt Drive	Average Daily Usage (Hours)	Frame & Handle Material	Insulated Trigger Gun with 48" Trigger Lance	Quick-Connect Nozzles (0°, 15°, 25°, 40°)	3/8" x 50' Hose	Hose Rating
1070110	3500	3.7	Honda	389cc	X	5-8	Steel	X	X	X	4000 PSI
1070111	4000	3.4	Honda	389cc	X	5-8	Steel	X	X	X	4000 PSI

105V051 Features & Specifications Guide – JCW Premium Series Cold Water Power Washers

109V051 Operator's Manual – JCW Premium Series Cold Water Power Washers

Figure 2: JCW-Series Pressure Washer



PART NUMBERS AND SCHEMATICS GUIDE

CW PREMIUM SERIES COLD WATER POWER WASHERS

Part Numbers	PSI Rating	Gallons Per Minute	Engine Manufacturer	Engine Size	Belt Drive	Average Daily Usage (Hours)	Frame & Handle Material	Insulated Trigger Gun with 48" Trigger Lance	Quick-Connect Nozzles (0°, 15°, 25°, 40°)	3/8" x 50' Hose	Hose Rating
1070114	3500	3.7	Honda	389cc	X	8+	Steel	X	X	X	4000 PSI
1070115	4000	3.5	Honda	389cc	X	8+	Steel	X	X	X	4000 PSI

105V049 Features & Specifications Guide – CW Premium Series Cold Water Power Washers
 109V049 Operator's Manual – CW Premium Series Cold Water Power Washers

Figure 3: CW Premium Series Pressure Washer



PART NUMBERS AND SCHEMATICS GUIDE

CWC PREMIUM SERIES COLD WATER POWER WASHERS

Part Numbers	PSI Rating	Gallons Per Minute	Engine Manufacturer	Engine Size	Belt Drive	Average Daily Usage (Hours)	Frame & Handle Material	Insulated Trigger Gun with 48" Trigger Lance	Quick-Connect Nozzles (0°, 15°, 25°, 40°)	3/8" x 50' Hose	Hose Rating
1070116	5000	4.0	Honda	688cc	X	8+	Steel	X	X	X	5400 PSI

105V050 Features & Specifications Guide – CWC Premium Series Cold Water Power Washers

109V050 Operator's Manual – CWC Premium Series Cold Water Power Washers

Figure 4: CWC Premium Series Pressure Washer



OPTIONAL ACCESSORIES



Part Numbers

COLD WATER HOSES

	Quick-Disconnect Connectors	Size	PSI Rating
1070117	X	3/8" I.D. x 50'	4000 PSI
1070118	X	3/8" I.D. x 50'	5400 PSI



Part Numbers

PRESSURE WASHER NOZZLES

	Orifice	Gallons Per Minute (GPM)	PSI Rating	Spray Angle	Color
1070130	3.5 mm	6	6000 PSI	0°	Red
1070133	3.5 mm	6	6000 PSI	15°	Yellow
1070132	3.5 mm	6	6000 PSI	25°	Green
1070131	3.5 mm	6	6000 PSI	40°	White

OPTIONAL ACCESSORIES




ROTATING PRESSURE WASHER NOZZLES			
Part Numbers	Orifice	Gallons Per Minute (GPM)	PSI Rating
1070120	3.5 mm	6	5000 PSI
1070119	4.0 mm	6	5000 PSI




COLD WATER GUN & WAND		
Part Numbers	Length	Quick-Disconnect Connectors
1070603	36"	X

VENTILATION EQUIPMENT


		COTTON SATEEN DUST SOCKS					
Part Numbers		I.D. (Feet)	Length (Feet)	Inlet Size	Zipper Location	Zipper Material	Plastic Zipper Overlay
	10DUSTSOCK24X6	2	6	24"	End	Brass	Yes
	10DUSTSOCK24X7	2	7	24"	End	Brass	Yes
	10DUSTSOCK24X14	2	14	24"	End	Brass	Yes
	10DUSTSOCK36X15	3	15	24"	End	Brass	Yes
	10DUSTSOCK54X7	4.5	7	24"	End	Brass	Yes
	10DUSTSOCK	4.5	15	24"	End	Brass	Yes
	10DUSTSOCK20X6	6	20	24"	End	Brass	Yes
	10DUSTSOCK20X8	8	20	24"	End	Brass	Yes
	10DUSTSOCK25X8	8	25	24"	End	Brass	Yes

109V095 – Cotton Dust Socks – Specifications

		FELT DUST SOCKS					
Part Numbers		I.D. (Feet)	Length (Feet)	Inlet Size	Zipper Location	Zipper Material	Plastic Zipper Overlay
	10FELTDUSTSOCK	4.5	15	24"	End	Brass	Yes
	10FELTDUSTSOCK525	5	25	24"	End	Brass	Yes
	10FELTDUSTSOCK825	8	25	24"	End	Brass	Yes

109V096 – Felt Dust Socks – Specifications

VENTILATION EQUIPMENT


TEXAS PNEUMATIC JET VENTILATION FANS				
		Size	Motor Type	Application
	10TXJF12	12 Inches	Pneumatic	General-Duty
	10TXJF16	16 Inches	Pneumatic	General-Duty
	10TXJF20	20 Inches	Pneumatic	General-Duty
	10TXJF24	24 Inches	Pneumatic	General-Duty

109V109 – 12" and 16" Texas Pneumatic Jet Ventilation Fans – Specifications

109V522 – 20" Texas Pneumatic Jet Ventilation Fans – Specifications


109V523 – 24" Texas Pneumatic Jet Ventilation Fans – Specifications

VENTILATION EQUIPMENT





		BLACK MAX EXHAUST FANS		
		Size	Motor Type	Application
	Part Numbers			
	10EA737120	12 Inches	Electric	General-Duty
	10EA737121	12 Inches	Pneumatic	General-Duty
	10EA737161	16 Inches	Electric	General-Duty
	10EA737161X	16 Inches	Electric	Hazardous Location
	10EA737162	16 Inches	Pneumatic	General-Duty
	10EA737201	20 Inches	Electric	General-Duty
	10EA737201X	20 Inches	Electric	Hazardous Location
	10EA737202	20 Inches	Pneumatic	General-Duty
	10EA737241	24 Inches	Electric*	General-Duty
	10EA737241X	24 Inches	Electric*	Hazardous Location
	10EA737242	24 Inches	Pneumatic	General-Duty

**Not to be used with a dust sock*


105V107 – Black Max Exhaust Fans – Brochure

		DUST SOCK ADAPTERS	
		Fan Size	
	Part Numbers		
	10EA737122	12"	
	10EA737163	16"	
	10EA737203	20"	
	10EA737243	24"	


VENTILATION EQUIPMENT

		TEXAS PNEUMATIC VENTURI-STYLE AIR MOVER				
Part Numbers		Air Flow @ 80 psi	Overall Length	Inlet NPT (Female)	Diameter of Base	Diameter of Top
	10TX3AM	1308 cfm	30.5"	1/2"	7.31"	7"
	10TX6AM	3020 cfm	44.25"	1"	11.25"	12.5"
	10TX8AM	4810 cfm	46.06"	1"	14.37"	14.25"
	10TX10AM	7304 cfm	48"	1"	17"	15.75"


109V094 – Technical Specifications – Texas Pneumatic Venturi-Style Air Movers

		ALLEGRO® METAL VENTURI AIR HORN				
Part Numbers		Air Flow @ 80 psi	Overall Length	Inlet NPT (Female)	Diameter of Base	Diameter of Top
	1070753	4810 cfm	46.06"	1"	14.37"	14.25"


VENTILATION EQUIPMENT


		VENTILATION HOSE										
Part Numbers		Body Material	Temperature Range	Positive Pressure PSI	Inner Diameter	Ply	Color	Reinforcement Material	Pitch	Wearstrip Material	U.O.M.	
	10DH1625FSP5	Vinyl Coated Polyester	-20° F to 180° F	1	16"	1	Yellow	Steel Wire	4"	Vinyl	25 Ft.	
	10DH1625SDW	Neoprene Coated Polyester	-40° F to 250° F	5	16"	1	Yellow	Steel Wire	4"	Vinyl	25 Ft.	


109V108 – Ventilation Hose – Specifications


		DUCT HOSE SCREW CLAMPS	
Part Numbers		Duct Hose I.D.	Material
	10DH202201600	16"	Stainless Steel
	10DH202201800	18"	Stainless Steel
	10DH062602000	20"	Stainless Steel
	10DH202202400	24"	Stainless Steel


VENTILATION EQUIPMENT

		1" I.D. X 1-1/2" O.D. AIR HOSE				
Part Numbers		Hose Cover Color	Working Pressure	Length	Hose I.D.	Hose O.D.
	10AH100B	Black	200 PSI	Per Ft.	1"	1-1/2"
	10AH100	Red	200 PSI	Per Ft.	1"	1-1/2"

		1" I.D. X 1-1/2" O.D. AIR HOSE WITH COUPLINGS INSTALLED					
Part Numbers		Working Pressure	Hose Cover Color	Length	Hose I.D.	Hose O.D.	Couplings
	10AH100AC	200 PSI	Red	50 Ft.	1"	1-1/2"	2-Lug Crimped On

		MALE HOSE END COUPLING AND GASKET FOR 1" I.D. AIR HOSE					
Part Numbers		Hose I.D.	Material	Coupling Style	GASKET		
					Rubber Gasket	Gasket I.D.	Gasket O.D.
	10HE2	1"	Plated Iron	2-Lug	10UG2	3/4"	1-3/8"

		HAMMER-LOCK GROUND JOINT FITTING FOR 1" I.D. AIR HOSE	
Part Numbers		Hose I.D.	Material
	10DXGF36	1"	Plated Steel

		BOSS® CLAMP FOR 1" I.D. AIR HOSE		
Part Numbers		Hose I.D.	Hose O.D. Range	Material
	10A14	1"	1-32/64" – 1-52/64"	Plated Steel

PART NUMBERS AND SCHEMATICS GUIDE

ECOQUIP 2™ EQM VAPOR ABRASIVE® BLASTERS

Part Numbers	Remote Control Line & Remote Control Switch	ATEX*	Abrasive Blasting Hose	Abrasive Blasting Nozzle	Hose Rack	Step and Shelf	Media Strainer Kit	Mobile Unit	Enclosure
20G262950	—		—	—	—	—	—	X	X
20G262953	Electric		X	X	—	—	—	X	X
20G262951	Pneumatic	X	X	X	—	—	—	X	X
20G262952	Pneumatic		X	X	—	—	—	X	X

*ATEX units only allow for 150' of pneumatic blast control

**25 Gallon Water Tank sold separately, part number 20G26A022

Graco® EcoQuip 2™ EQM Vapor Abrasive® Blasters



ECOQUIP 2™ EQM VAPOR ABRASIVE® BLASTERS SPECIFICATIONS

Abrasive Blasting Nozzle (Orifice Size)	7/16"
Blast Pot Capacity	3.5 cu. ft.
Water Tank Capacity**	N/A
Abrasive Blasting Hose	50 ft. 1-1/4" I.D.
Frame	N/A
Enclosure	Coated

PART NUMBERS AND SCHEMATICS GUIDE

ECOQUIP 2™ EQS VAPOR ABRASIVE® BLASTERS

Part Numbers	Remote Control Line & Remote Control Switch	ATEX*	Abrasive Blasting Hose	Abrasive Blasting Nozzle	Hose Rack	Step and Shelf	Media Strainer Kit	Skid with Frame	Enclosure
20G262960	—		—	—	—	—	—	X	X
20G262963	Electric		X	X	—	—	—	X	X
20G262961	Pneumatic	X	X	X	—	—	—	X	X
20G262962	Pneumatic		X	X	—	—	—	X	X

*ATEX units only allow for 150' of pneumatic blast control

Graco® EcoQuip 2™ EQS Vapor Abrasive® Blasters



ECOQUIP 2™ EQS VAPOR ABRASIVE® BLASTERS SPECIFICATIONS

Abrasive Blasting Nozzle (Orifice Size)	1/2"
Blast Pot Capacity	6.5 cu. ft.
Water Tank Capacity	115 gal
Abrasive Blasting Hose	50 ft. 1-1/4" I.D.
Frame	Coated
Enclosure	Coated

PART NUMBERS AND SCHEMATICS GUIDE

ECOQUIP 2™ EQS ELITE VAPOR ABRASIVE® BLASTERS

Part Numbers	Remote Control Line & Remote Control Switch	ATEX*	Abrasive Blasting Hose	Abrasive Blasting Nozzle	Hose Rack	Step and Shelf	Media Strainer Kit	Skid with Frame	Enclosure
20G262970	—		—	—	X	X	X	X	X
20G262973	Electric		X	X	X	X	X	X	X
20G262971	Pneumatic	X	X	X	X	X	X	X	X
20G262972	Pneumatic		X	X	X	X	X	X	X

*ATEX units only allow for 150' of pneumatic blast control

Graco® EcoQuip 2™ EQS Elite Vapor Abrasive® Blasters



ECOQUIP 2™ EQS ELITE VAPOR ABRASIVE® BLASTERS

SPECIFICATIONS

Abrasive Blasting Nozzle (Orifice Size)	1/2"
Blast Pot Capacity	6.5 cu. ft.
Water Tank Capacity	115 gal
Abrasive Blasting Hose	50 ft. 1-1/4" I.D.
Frame	Stainless Steel
Enclosure	Stainless Steel

PART NUMBERS AND SCHEMATICS GUIDE

ECOQUIP 2™ EQS2 ELITE VAPOR ABRASIVE® BLASTERS

Part Numbers	Remote Control Line & Remote Control Switch	ATEX*	Abrasive Blasting Hose (Quantity of Two)	Abrasive Blasting Nozzle (Quantity of Two)	Hose Rack	Step and Shelf (Quantity of Two)	Media Strainer Kit (Quantity of Two)	Skid with Frame	Enclosure
20G262980	—		—	—	X	X	X	X	X
20G262983	Electric		X	X	X	X	X	X	X
20G262981	Pneumatic	X	X	X	X	X	X	X	X
20G262982	Pneumatic		X	X	X	X	X	X	X

*ATEX units only allow for 150' of pneumatic blast control

Graco® EcoQuip 2™ EQS2 Elite Vapor Abrasive® Blasters



ECOQUIP 2™ EQS2 ELITE VAPOR ABRASIVE® BLASTERS SPECIFICATIONS

Abrasive Blasting Nozzle (Orifice Size)	1/2" (Quantity of Two)
Blast Pot Capacity	6.5 cu. ft. (Quantity of Two)
Water Tank Capacity	N/A
Abrasive Blasting Hose	50 ft. 1-1/4" I.D. (Quantity of Two)
Frame	Stainless Steel
Enclosure	Stainless Steel

PART NUMBERS AND SCHEMATICS GUIDE

ECOQUIP 2™ EQ200T ELITE VAPOR ABRASIVE® BLASTERS

Part Numbers	Remote Control Line & Remote Control Switch	Compressor Engine Emissions Compliance	Compressor Size @ 100 psi	Abrasive Blasting Hose	Abrasive Blasting Nozzle	Media Strainer Kit	Trailer Mount	Enclosure
20G262990	—	Tier 4	210 CFM	—	—	X	X	X
20G262992	Electric	Tier 4	210 CFM	X	X	X	X	X
20G262991	Pneumatic	Tier 4	210 CFM	X	X	X	X	X

Graco® EcoQuip 2™ EQ200T Elite Vapor Abrasive® Blasters



ECOQUIP 2™ EQ200T ELITE VAPOR ABRASIVE® BLASTERS

SPECIFICATIONS

Abrasive Blasting Nozzle (Orifice Size)	7/16"
Blast Pot Capacity	6.5 cu. ft.
Water Tank Capacity	100 gal
Abrasive Blasting Hose	50 ft. 1-1/4" I.D.
Brakes	Electric
Enclosure	Stainless Steel

PART NUMBERS AND SCHEMATICS GUIDE

ECOQUIP 2™ EQ400T ELITE VAPOR ABRASIVE® BLASTERS

Part Numbers	Remote Control Line & Remote Control Switch	Compressor Engine Emissions Compliance	Compressor Size @ 100 psi	Abrasive Blasting Hose	Abrasive Blasting Nozzle	Media Strainer Kit	Trailer Mount	Enclosure
20G262993	—	Tier 3	375 CFM	—	—	X	X	X
20G262996	—	Tier 4	425 CFM	—	—	X	X	X
20G262995	Electric	Tier 3	375 CFM	X	X	X	X	X
20G262998	Electric	Tier 4	425 CFM	X	X	X	X	X
20G262994	Pneumatic	Tier 3	375 CFM	X	X	X	X	X
20G262997	Pneumatic	Tier 4	425 CFM	X	X	X	X	X

Graco® EcoQuip 2™ EQ400T Vapor Abrasive® Blasters



ECOQUIP 2™ EQ400T ELITE VAPOR ABRASIVE® BLASTERS

SPECIFICATIONS


Abrasive Blasting Nozzle (Orifice Size)	1/2"
Blast Pot Capacity	6.5 cu. ft.
Water Tank Capacity	130 gal
Abrasive Blasting Hose	50 ft. 1-1/4" I.D.
Brakes	Electric
Enclosure	Stainless Steel



OPTIONAL ACCESSORIES


ELECTRIC BLAST HOSE ASSEMBLIES						
Part Numbers	Blast Hose I.D. (inches)	Hose	Blast Hose Length (feet)	Power Cord with 3-Prong Plugs (feet)	Coupling	Nozzle Holder
10105763	1-1/4"	10SH114	50'	50'	10QNY2	10NHN250
10105764	1-1/4"	10SH114	50'	50'	10QNY2 (Quantity of Two)	—
10105765	1-1/4"	10SH1141	100'	100'	10QNY2 (Quantity of Two)	—

PNEUMATIC BLAST HOSE ASSEMBLIES						
Part Numbers	Blast Hose I.D. (inches)	Hose	Blast Hose Length (feet)	Remote Control Line Length (feet)	Coupling	Nozzle Holder
10105772	1-1/4"	10SH114	50'	55'	10QBR2 (Quantity of Two)	—
10105771	1-1/4"	10SH114	50'	55'	10QNY2	10NHN250
10105769	1-1/4"	10SH114	50'	55'	10QNY2 (Quantity of Two)	—
10105773	1-1/4"	10SH1141	100'	100'	10QBR2 (Quantity of Two)	—
10105770	1-1/4"	10SH1141	100'	100'	10QNY2 (Quantity of Two)	—






OPTIONAL ACCESSORIES

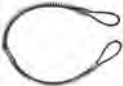






		HOSES					
		Part Numbers	Blast Hose I.D. (Inches)	Length (feet)	Coupling	Nozzle Holder	Working Pressure
	1081213	1-1/4"	50'	10QNY2	10NHN250	175 psi	2-Ply
	10SH114	1-1/4"	50'	—	—	175 psi	2-Ply
	10SH1141	1-1/4"	100'	—	—	175 psi	2-Ply

		ELECTRIC CONTROL LINE WITH PLUGS				
		Part Numbers	Length (feet)	Gauge	# of Wires	3-Prong Male Twist-Lock Plug
	1015546	25'	16	2	1015555	1015556
	1015545	50'	16	2	1015555	1015556
	1015547	100'	16	2	1015555	1015556
	1015748	13'	16	3	1015555	1015556
	1015745	50'	16	3	1015555	1015556
	1015747	110'	16	3	1015555	1015556

		PNEUMATIC CONTROL LINE							
		Part Numbers	Hose Length (feet)	Working Pressure	Hose I.D.	Hose O.D.	1017012	1017013	1017014
	1016002	7'	150 psi	3/16"	7/16"	X	X	X	X
	1016000	55'	150 psi	3/16"	7/16"	X	X	X	X
	1016001	110'	150 psi	3/16"	7/16"	X	X	X	X
	10TLBK	Per Foot	150 psi	3/16"	7/16"	—	—	—	—

OPTIONAL ACCESSORIES

		NOZZLES AND CONTROL SWITCHES
Part Numbers		Description
	10TCW750AN	#7 – 7/16" Tungsten Carbide Liner, 1-1/4" Entry, 50mm Threads, Aluminum Jackert, Aluminum Body
	10TCW850AN	#8 – 1/2" Tungsten Carbide Liner, 1-1/4" Entry, 50mm Threads, Aluminum Jackert, Aluminum Body
	10S2263002	Axxiom G2 Pneumatic Control Switch
	10S2263402	Axxiom G2 Electric Control Switch
	10GEQ5166	24" Nozzle Extension, 1" I.D.

		COUPLING SAFETY PINS, COUPLINGS, AND GASKETS
Part Numbers		Description
	1018000	Safety Cable
	1018002	Coupling Lock Pins, Pack of 25
	10QNY2	Nylon Universal Coupling
	10QBR2	Brass Universal Coupling
	10SBGNY2	Coupling Gaskets, Pack of 10
	10NHN250	Nylon Nozzle Holder, 50mm Threads
	10NW50	Nozzle Washers for 50mm Nozzle Holder, Pack of 10

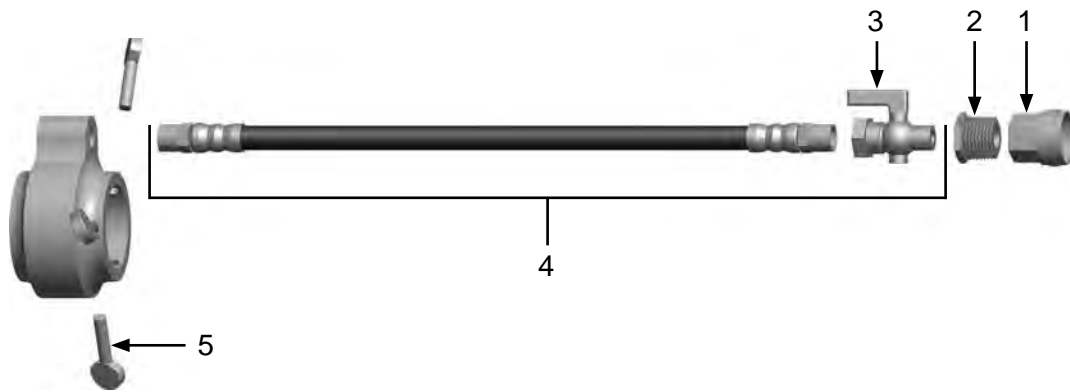
PART NUMBERS AND SCHEMATICS GUIDE

Part Numbers	BLASTMASTER® WATER RING
	Description
10100720	Blastmaster® Water Ring – Complete



PART NUMBERS AND SCHEMATICS GUIDE

Figure 1: Blastmaster® Water Ring – Complete



Item #	Part #	Description
Fig. 1		
—	10100720	Blastmaster® Water Ring – Complete
1	10100728	Hose Adapter – 1/2" Female
2	10100727	1/2" NPT to 1/4" NPT Reducer
3	10100725	Petcock
4	10100723	Water Ring Supply Hose (Includes Item #3)
5	10100729	1/4"-20 Thumb Screw (Three Required)
—	105M065	Features and Specifications Guide – Blastmaster® Water Ring
—	106M065	Part Numbers and Schematics Guide – Blastmaster® Water Ring
—	1090065	Operator's Manual – Blastmaster® Water Ring

PART NUMBERS AND SCHEMATICS GUIDE



Part Numbers

DEVILBISS® MBC-510 AIR SPRAY GUN					
Part Numbers	Fluid Tip	Fluid Tip Size	Air Cap	Pressure Feed	Suction Feed
20DMBC51064HDD	D	2.2 mm (0.086 in)	64HD	X	
20DMBC510D	D	2.2 mm (0.086 in)	None	X	
20DMBC51064HDE	E	1.8 mm (0.070 in)	64HD	X	
20DMBC510704E	E	1.8 mm (0.070 in)	704	X	
20DMBC510E	E	1.8 mm (0.070 in)	None	X	
20DMBC51030EX	EX	1.8 mm (0.070 in)	30		X
20DMBC510EX	EX	1.8 mm (0.070 in)	None		X
20DMBC510FF	FF	1.4 mm (0.055 in)	None	X	
20DMBC510FX	FX	1.1 mm (0.042 in)	None	X	

PART NUMBERS AND SCHEMATICS GUIDE



Part Number

FLUID TIPS AND NEEDLES			
Part Number	Orifice Size	Fluid Needle	Optional 303 S/S Tip Needle U.H.M.W. Poly
20DAV2115AC	2.8 mm (0.110 in)	20DMBC496C	
20DAV2115D	2.2 mm (0.086 in)	20DMBC496DEX	20DAV4915D
20DAV2115E	1.8 mm (0.070 in)	20DMBC444E	
20DAV2115EX	1.8 mm (0.070 in)	20DMBC496DEX	
20DAV2115FF	1.4 mm (0.055 in)	20DMBC444FF	20DAV4915FF
20DAV2115FX	1.1 mm (0.042 in)	20DMBC444FX	20DAV4912FX




Part Number

AIR CAPS		
Part Number	Cap Number	Retaining Ring Included
20DMB403930	30	X
20DAV43958	58	X
20DMB403962HD	62HD	X
20DMB403964HD	64HD	X
20DMB403969HD	69HD	X
20DMB403980	80	X
20DAV4024	24	
20DAV1239704	704	
20DAV1239765	765	
20D31767777	777	
20DAV1239797	797	
20DAV4409000	9000	

Part Numbers

DEVILBISS® MBC-510 RETAINING RING

	Description
	20DMBC368 DeVilbiss® MBC-510 Retaining Ring

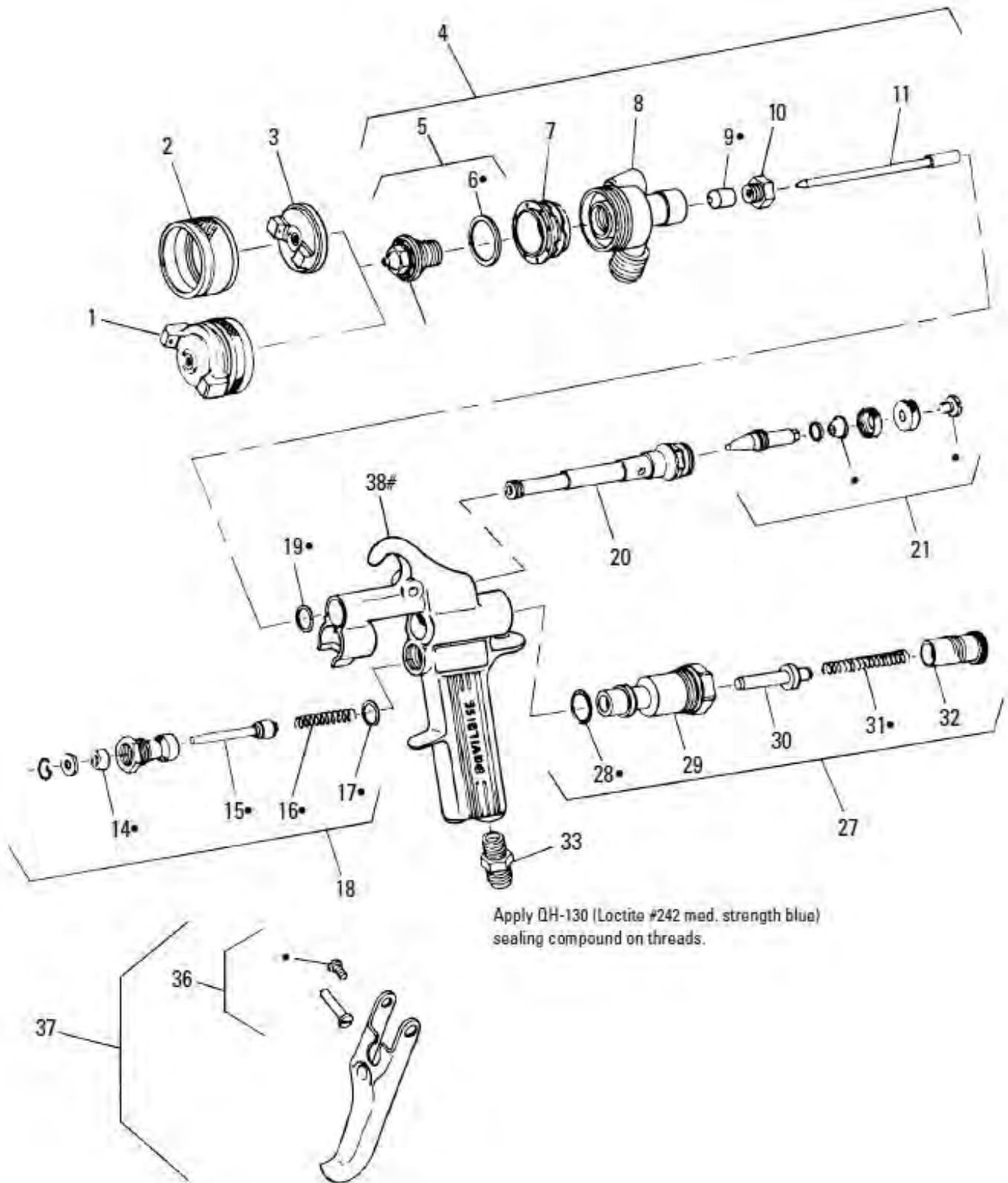
PART NUMBERS AND SCHEMATICS GUIDE

DeVilbiss® MBC-510 Conventional Air Spray Gun

Item#	Part#	Description
Fig. 1		
1	—	Air Cap/Retaining Ring <i>(See Page 5)</i>
2	20DMBC368	Retaining Ring for Ref. No. 3 & 4
3	—	Air Cap Less Retaining Ring <i>(See Page 5)</i>
4	20DPMBC430D 20DPMBC430E 20DPMBC430EX 20DPMBC430FF 20DPMBC430FX	D Sprayhead Assembly E Sprayhead Assembly EX Sprayhead Assembly FF Sprayhead Assembly FX Sprayhead Assembly
5	—	Fluid Tip and Gasket Assembly <i>(See Page 5)</i>
6	20DAV1K5	Gasket Kit <i>(Kit of 5)</i>
7	20DMBC1225	Baffle
8	20DPMBC402	Sprayhead Body
9	20DA23K10	Packing Kit <i>(Kit of 10)</i>
10	20DMB19K5	Packing Nut Kit <i>(Kit of 5)</i>
11	—	Fluid Needle <i>(See Fluid Tips and Needles)</i>
14	20DJGS26K25	U-Cup Kit <i>(Kit of 25)</i>
15	20DJGS431K25	Air Valve Kit <i>(Kit of 25)</i>
16	20DMBD12K25	Spring Kit <i>(Kit of 25)</i>
17	20DJGS72K10	Gasket Kit <i>(Kit of 10)</i>
18	20DJGS4491	Valve Assembly
19	20DMBC1226K10	Gasket Kit <i>(Kit of 10)</i>
20	20DMBC67	Locking Bolt
21	20DMBC4981	Fan Adjustment Valve
27	20DMBC415	Cylinder Assembly
28	20DCV5K5	Gasket Kit <i>(Kit of 5)</i>
30	20DMBC33	Plunger
31	20DMBC29K5	Spring <i>(Kit of 5)</i>
32	20DMBC39	Screw
33	20DPMB51	Air Inlet Adapter 1/4" NPS
36	20DJGS478	Stud and Screw Kit <i>(3 studs, 5 screws in kit)</i>
37	20DJGS4771	Trigger, Stud and Screw Kit <i>(One Each)</i>
38	20DPMBC4283	Spray Gun Less Spray Head
39	—	Fluid Tip and Needle Assembly <i>(See Page 5) (not shown)</i>
—	20DKK40581	DeVilbiss® MBC-510 Conventional Spray Gun Repair Kit <i>(Includes Item #'s: 6, 9, 12, 13, 14, 15, 16, 17, 19, 23, 26, 28, 31, and 35)</i>
—	206M524	Part Numbers and Schematics Guide – DeVilbiss® MBC-510 Air Spray Gun
—	209V524	Operators Manual – DeVilbiss MBC-510 Air Spray Gun

PART NUMBERS AND SCHEMATICS GUIDE

Figure 1: DeVilbiss® MBC-510 Conventional Air Spray Gun



DEVILBISS® JGA-510 SPRAY GUNS



Part
Numbers

DEVILBISS® JGA-510 SPRAY GUNS					
Part Numbers	Air Cap	Fluid Tip	Fluid Tip Size	Pressure Feed	Suction Feed
20DJGA51064HDD	64HD	D	2.2 mm (0.086 in)	X	
20DJGA510704E	704	E	1.8 mm (0.070 in)	X	
20DJGA510704FF	704	FF	1.4 mm (0.055 in)	X	
20DJGA510704FX	704	FX	1.1 mm (0.042 in)	X	
20DJGA510765E	765	E	1.8 mm (0.070 in)	X	
20DJGA510765FF	765	FF	1.4 mm (0.055 in)	X	
20DJGA510765FX	765	FX	1.1 mm (0.042 in)	X	
20DJGA510797FF	797	FF	1.4 mm (0.055 in)	X	
20DJGA510797FX	797	FX	1.1 mm (0.042 in)	X	
20DJGA51030EX	30	EX	1.8 mm (0.070 in)		X
20DJGA51080EX	80	EX	1.8 mm (0.070 in)		X

DEVILBISS® JGA-510 SPRAY GUNS



Part
Numbers

FLUID TIPS AND NEEDLES

	Orifice Size	Tip Material	Fluid Needle	Needle Material
20DAV2115AC	2.8 mm (0.110 in)	400 GR. S.S.	20DJGA402C	Stainless Steel
20DAV2115D	2.2 mm (0.086 in)	400 GR. S.S.	20DJGA402DEX	Stainless Steel
20DAV2115E	1.8 mm (0.070 in)	400 GR. S.S.	20DJGA402E	Stainless Steel
20DAV2115EX	1.8 mm (0.070 in)	400 GR. S.S.	20DJGA402DEX	Stainless Steel
20DAV2115FF	1.4 mm (0.055 in)	400 GR. S.S.	20DJGA402FF	Stainless Steel
20DAV2115FX	1.1 mm (0.042 in)	400 GR. S.S.	20DJGA402FX	Stainless Steel
20DAV2115FW	1.6 mm (0.063 in)	400 GR. S.S.	20DJGA402FF	Stainless Steel
20DAV4915D	2.2 mm (0.086 in)	300 GR. S.S. w/ UHMWP Seat	20DJGA402DEX	Stainless Steel
20DAV4915E	1.8 mm (0.070 in)	300 GR. S.S. w/ UHMWP Seat	20DJGA402E	Stainless Steel
20DAV4915FF	1.8 mm (0.070 in)	300 GR. S.S. w/ UHMWP Seat	20DJGA402FF	Stainless Steel
20DAV4915FX	1.1 mm (0.042 in)	300 GR. S.S. w/ UHMWP Seat	20DJGA402FX	Stainless Steel
20DAV1415D	2.2 mm (0.086 in)	Carboloy	20DJGA409D	Carboloy
20DAV1415EE	1.8 mm (0.070 in)	Carboloy	20DJGA409DEEE	Carboloy
20DAV1415FF	1.4 mm (0.055 in)	Carboloy	20DJGA409FF	Carboloy



Part
Numbers

AIR CAPS

	Cap Number	Retainer Ring Included
20DMB403930	30	X
20DAV43958	58	X
20DMB403962HD	62HD	X
20DMB403964HD	64HD	X
20DMB403969HD	69HD	X
20DMB403980	80	X
20DAV4024	24	
20DAV1239704	704	
20DAV1239765	765	
20D31767777	777	
20DAV1239797	797	
20DAV4409000	9000	



Part
Numbers

DEVILBISS® JGA-510 RETAINING RING

	Description
20DMBC368	DeVilbiss® JGA-510 Retaining Ring

DEVILBISS® JGA-510 SPRAY GUNS

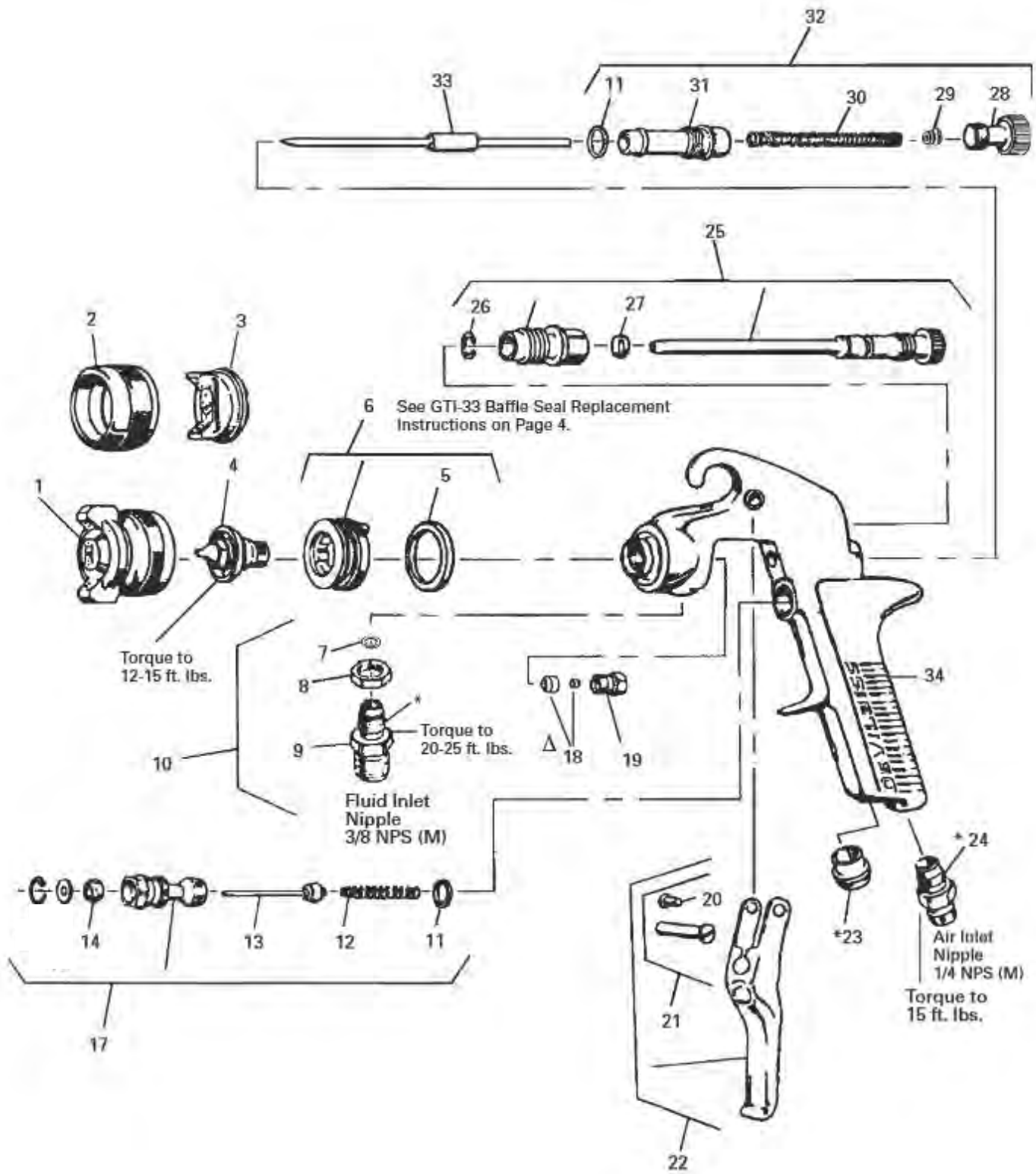
Figure 1: Devilbiss® JGA-510 Spray Gun Schematic

Item#	Part#	Description
Fig. 1		
1	—	Air Cap/Retaining Ring <i>(see chart page 5)</i>
2	20DMBC368	Retaining Ring
3	—	Air Cap Less Retaining Ring <i>(see chart page 5)</i>
4	—	Fluid Tip <i>(see chart page 5)</i>
5	20DGTI33K5	Seal Kit <i>(Kit of 5)</i>
6	20DGTI425	Baffle Assembly
7	20DMSV3K10	Fluid Inlet Gasket <i>(Kit of 10)</i> PTFE <i>(Blue)</i>
8	—	Lock Nut*
9	—	Fluid Inlet Adapter*
10	20DJGA4044	Fluid Inlet and Nut Kit
11	20DJGS72K10	Gasket Kit <i>(Kit of 10)</i> PTFE
12	20DMBD12K25	Spring Kit <i>(Kit of 25)</i>
13	20DJGS431K25	Air Valve Kit <i>(Kit of 25)</i>
14	20DJGS26K25	U-Cup Kit <i>(Kit of 25)</i>
17	20DJGS4491	Air Valve Assembly
18	20DJGV463K3	Packing Kit <i>(Kit of 3)</i>
19	20D34411122K10	Packing Nut Kit <i>(Kit of 10)</i>
20	—	Screw*
21	20DJGS478	Stud and Screw Kit <i>(Includes 3 studs and 5 screws)</i>
22	20DJGS4771	Trigger, Stud and Screw Kit <i>(Includes 1 of each)</i>
23	20DJGA132	Plug
24	20DPMB51	Nipple
25	20DJGA4971	Fan Adjustment Assembly
26	—	Retaining Ring*
27	20DSSG8069K25	O-Ring (Viton) <i>(Kit of 25)</i>
28	20DJGS16	Adjusting Screw
29	—	Spring Pad <i>(Included with #30 and #32)*</i>
30	20DMBD19K10	Spring Kit <i>(Kit of 10)</i>
31	—	Bushing*
32	20DJGA4041	Bushing, Spring Pad and Knob Kit
33	—	Fluid Needle <i>(see chart page 5)</i>
34	—	Gun Body*
—	20DKK49872	Service Kit for JGA-510 <i>(Includes items 5, 11, 12, 15, 16, 18, 20, 26, 27, 30)</i>
—	201V525	Product Instructions - Devilbiss® JGA-510 Spray Gun
—	206M525	Part Numbers & Schematics Guide – Devilbiss® JGA-510 Spray Gun
—	209V525	Operators Manual – Devilbiss® JGA-510 Spray Gun

*Item not available for individual sale.

DEVILBISS® JGA-510 SPRAY GUNS

Figure 1: Devilbiss® JGA-510 Spray Gun Schematic



PART NUMBERS AND SCHEMATICS GUIDE

Part Numbers	BINKS® 2100 SPRAY GUN		
	Air Cap	Fluid Tip	Type
20BK210143212	21MD-2	66SS	Pressure
20BK210128213	21MD-3	63BSS	Pressure
20BK210143211	21MD-3	66SS	Siphon
20BK210128007	63PB	63BSS	Pressure
20BK210143075	66S	66SS	Siphon
20BK210143079	66SD	66SS	Siphon
20BK210128082	66SD-3	63BSS	Pressure
20BK210143082	66SD-3	66SS	Pressure
20BK210143088	66SK	66SS	Siphon
20BK210149095	67PB	67VT	Pressure
20BK210143149	200	66SS	Pressure
20BK210180000	—	59ASS	Pressure
20BK210182000	—	59CSS	Pressure
20BK210128000	—	63BSS	Pressure
20BK210128213	—	63BSS	Pressure
20BK210131000	—	63CSS	Pressure
20BK210143000	—	66SS	Pressure
20BK210148000	—	67SS	Pressure
20BK210151000	—	68SS	Pressure
20BK210152000	—	68VT	Pressure

PART NUMBERS AND SCHEMATICS GUIDE



PART NUMBERS AND SCHEMATICS GUIDE



**Part
Number**

FLUID TIPS AND NEEDLES			
Part Number	Cap Number	Orifice Size	Fluid Needle (sold separately)
20BK456301	63SS	0.8 mm (0.028 in)	20BK4756300
20BK456311	63ASS	1.1 mm (0.040 in)	20BK4756310
20BK456321	63BSS	1.2 mm (0.046 in)	20BK4756310
20BK456331	63CSS	1.3 mm (0.052 in)	20BK4756310
20BK456332	63CVT	1.3 mm (0.052 in)	20BK4757302
20BK456402	64VT	1.6 mm (0.064 in)	20BK4757402
20BK456501	65SS	1.6 mm (0.059 in)	20BK4756500
20BK456601	66SS	1.8 mm (0.070 in)	20BK4756500
20BK456608	66XSS	1.1 mm (0.040 in)	20BK4756500
20BK456605	L6SS	1.8 mm (0.070 in)	20BK4756500
20BK456701	67SS	2.2 mm (0.086 in)	20BK4756700
20BK456702	67VT	2.2 mm (0.086 in)	20BK4757702
20BK456801	68SS	2.8 mm (0.110 in)	20BK4756800
20BK456802	68VT	2.8 mm (0.110 in)	20BK4757802
20BK455911	59ASS	4.3 mm (0.171 in)	20BK4755900
20BK455912	59BSS	5.5 mm (0.218 in)	20BK4755900
20BK455913	59CSS	7.1 mm (0.281 in)	20BK4755900

PART NUMBERS AND SCHEMATICS GUIDE



**Part
Number**

AIR CAPS		
	Cap Number	Retaining Ring Included
20BK462020	709SS	X
20BK4621MD1	21MD-1	X
20BK4621MD2	21MD-2	X
20BK4621MD3	21MD-3	X
20BK466000	63P	X
20BK466002	63PB	X
20BK466061	63PH-1	X
20BK466079	63PR	X
20BK466007	64PA	X
20BK466014	66PE	X
20BK466016	66PH	X
20BK466041	66R	X
20BK466018	66S	X
20BK466020	66SD	X
20BK466082	66SK	X
20BK466092	66SD-3	X
20BK466103	66SDJG	X
20BK466026	67PB	X
20BK466028	67PD	X
20BK466032	68PB	X
20BK462101	101	
20BK462200	200	
20BK461042	R-6SS	
20BK462244	244	
20BK462250	250	
20BK452252	252	
20BK462262	262	

**Part
Numbers**

RETAINING RING

Description



20BK542065

Binks® 2100 Spray Gun Retaining Ring

PART NUMBERS AND SCHEMATICS GUIDE

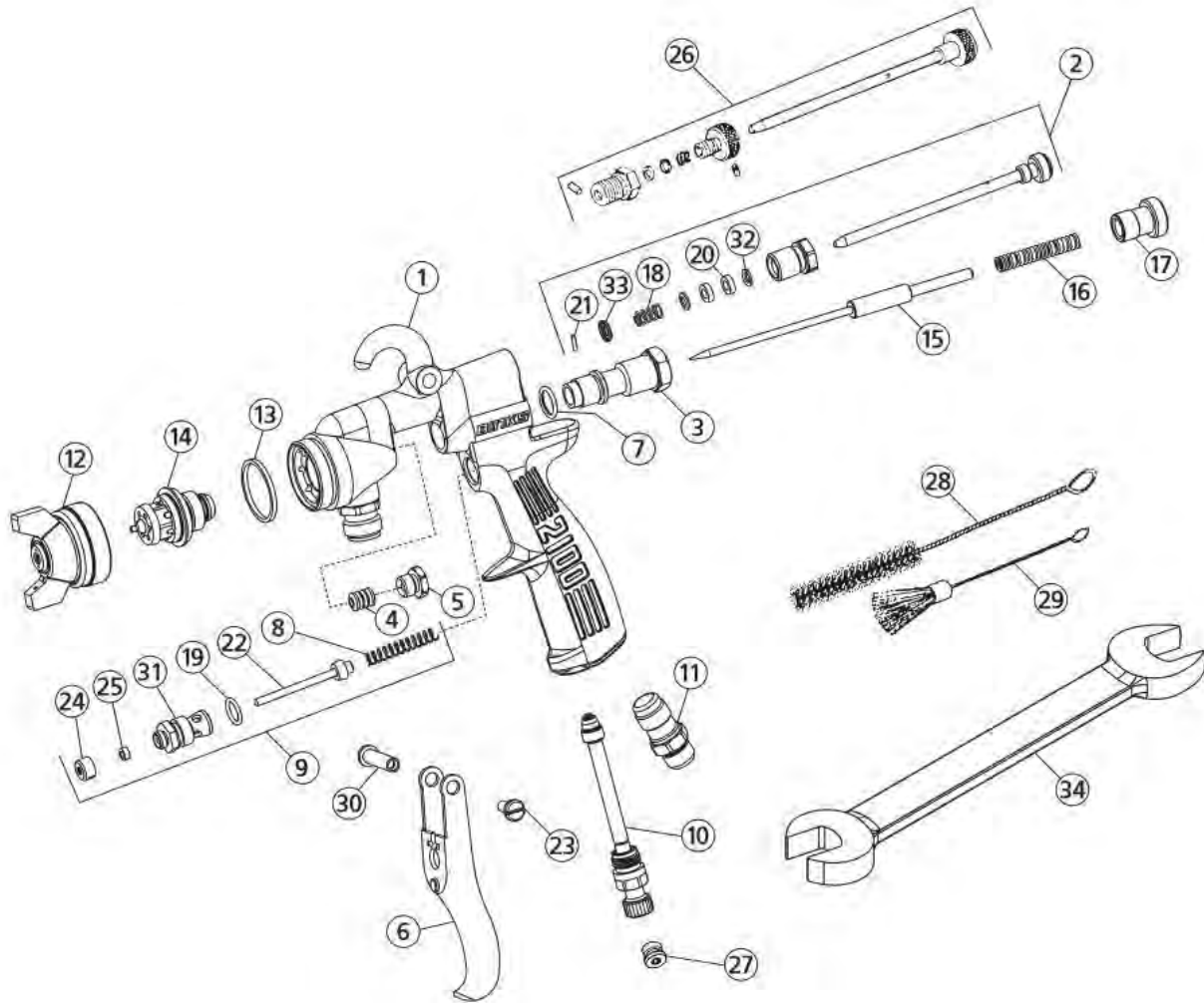
Figure 1: Binks® 2100 Spray Gun Schematics

Item#	Part#	Description
Fig. 1		
1	—	2100 Gun Body*
2	20BK543347	Side Port Control Assembly <i>(Includes Item #'s: 18, 20 (Quantity of Five); 21 (Quantity of Five); 32, and 33)</i>
3	20BK541013	Material Body
4	20BK2285	PTFE Packing <i>(Quantity of Five)</i>
5	20BK56164	Packing Nut
6	20BK545464	2100 Trigger
7	20BK2052855	O-Ring Vinton
8	20BK547505	Spring <i>(Quantity of Five)</i>
9	20BK541236	Air Valve Assembly <i>(Includes Item #'s: 4, 8, 19, 22, 24 (Quantity of Five); 25 (Quantity of Five); and 31)</i>
10	20BKSGK457	Air Adjustment Valve
11	20BK54768	Air Connection
12	—	Air Cap <i>(see page 6)</i>
13	20BK549185	Gasket <i>(Quantity of Five)</i>
14	—	Fluid Tip <i>(see page 5)</i>
15	—	Fluid Needle <i>(see page 5)</i>
16	20BK5413475	Spring <i>(Quantity of Five)</i>
17	20BK541007	Control Screw
18	20BK543045	Spring <i>(Quantity of Five)</i>
19	20BK203757	O-Ring
20	20BK547385	Packing <i>(Quantity of Five)</i>
21	20BK5410145	Pin <i>(Quantity of Five)</i>
22	20BK541025	Valve Stem Assembly
23	20BK821265	Screw <i>(Quantity of Five)</i>
24	20BK821355	Nut <i>(Quantity of Five)</i>
25	20BK821585	Packing <i>(Quantity of Five)</i>
26	20BK541780	Quick Change Sideport Control <i>(Optional)</i>
27	20BKJGA132	Plug <i>(Optional)</i>
28	20BK82469	Round Brush
29	20BKOMX88	Flat Brush
30	20BK541020	Stud
31	20BK541010	Valve Body
32	20BK5410165	Washer <i>(Quantity of Five)</i>
33	20BK5410155	Washer <i>(Quantity of Five)</i>
34	20BK5476	Fluid Nozzle Wrench <i>(Optional)</i>
—	20BK6229	Service Kit - Binks® 2100 Spray Gun <i>(Includes Item #'s: 4, 7 (Quantity of Five); 8, 13, 16, 18, 19, 20 (Quantity of Five); 21 (Quantity of Five), 22, and 25 (Quantity of Five))</i>
—	209V533	Operator's Manual – Binks® 2100 Spray Gun

*Items not sold individually

PART NUMBERS AND SCHEMATICS GUIDE

Figure 1: Binks® 2100 Spray Gun



PART NUMBERS AND SCHEMATICS GUIDE



Part
Number

FLUID TIPS AND NEEDLES			
Part Number	Cap Number	Orifice Size	Fluid Needle <i>(not included)</i>
20BK456301	63SS	0.8 mm (0.028 in)	20BK4756300
20BK456311	63ASS	1.1 mm (0.040 in)	20BK4756310
20BK456321	63BSS	1.2 mm (0.046 in)	20BK4756310
20BK456331	63CSS	1.3 mm (0.052 in)	20BK4756310
20BK456332	63CVT	1.3 mm (0.052 in)	20BK4757302
20BK456402	64VT	1.6 mm (0.064 in)	20BK4757402
20BK456501	65SS	1.6 mm (0.059 in)	20BK4756500
20BK456601	66SS	1.8 mm (0.070 in)	20BK4756500
20BK456608	66XSS	1.1 mm (0.040 in)	20BK4756500
20BK456605	L6SS	1.8 mm (0.070 in)	20BK4756500
20BK456701	67SS	2.2 mm (0.086 in)	20BK4756700
20BK456702	67VT	2.2 mm (0.086 in)	20BK4757702
20BK456801	68SS	2.8 mm (0.110 in)	20BK4756800
20BK456802	68VT	2.8 mm (0.110 in)	20BK4757802
20BK455911	59ASS	4.3 mm (0.171 in)	20BK4755900
20BK455912	59BSS	5.5 mm (0.218 in)	20BK4755900
20BK455913	59CSS	7.1 mm (0.281 in)	20BK4755900

Part
Numbers



20BK542065

RETAINING RING

Description

Binks® 2001 Spray Gun Retaining Ring

PART NUMBERS AND SCHEMATICS GUIDE



Part
Number

AIR CAPS		
Part Number	Cap Number	Retaining Ring Included
20BK462020	709SS	X
20BK4621MD1	21MD-1	X
20BK4621MD2	21MD-2	X
20BK4621MD3	21MD-3	X
20BK466000	63P	X
20BK466002	63PB	X
20BK466061	63PH-1	X
20BK466079	63PR	X
20BK466007	64PA	X
20BK466014	66PE	X
20BK466016	66PH	X
20BK466041	66R	X
20BK466018	66S	X
20BK466020	66SD	X
20BK466082	66SK	X
20BK466092	66SD-3	X
20BK466103	66SDJG	X
20BK466026	67PB	X
20BK466028	67PD	X
20BK466032	68PB	X
20BK462101	101	
20BK462200	200	
20BK461042	R-6SS	
20BK462244	244	
20BK462250	250	
20BK452252	252	
20BK462262	262	

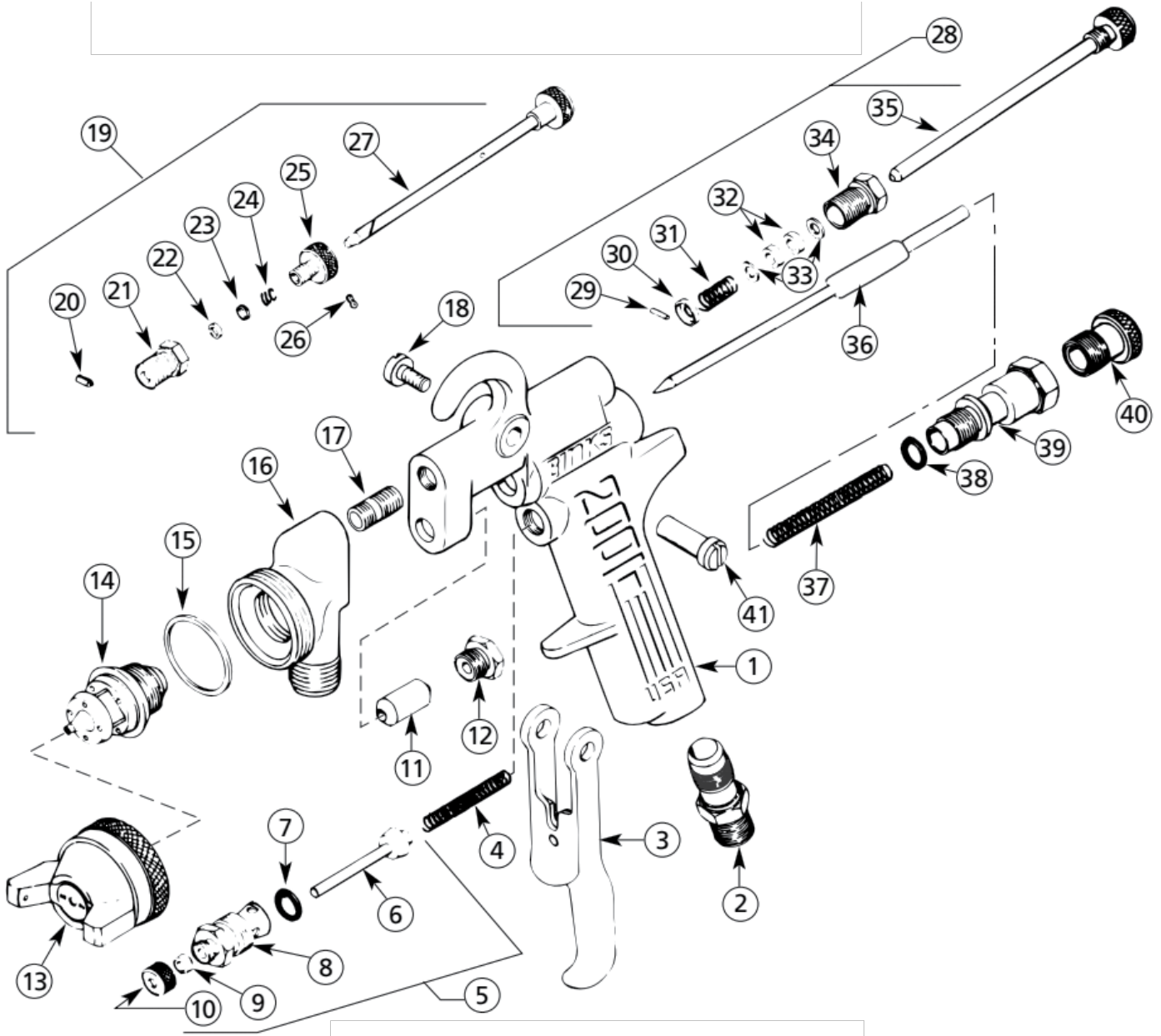
PART NUMBERS AND SCHEMATICS GUIDE

Binks® 2001 Air Spray Gun

Item #	Part #	Description	Item #	Part #	Description
Fig. 1			39	20BK541013	Body
1	—	Body	40	20BK541007	Control Screw
2	20BK54768	Connection	41	20BK541020	Stud
3	20BK541050	Trigger	—	20BK544512	Retaining Ring and Base
4	20BK547505	Spring (<i>Quantity of Five</i>)	—	20BK6229	Service Kit - Binks® 2001 Spray Gun (<i>Includes Item #'s: 4, 6, 7, 9, 11, 15, 18, 29, 31, 32, 37, 38, and 41</i>)
5	20BK541236	Air Valve Assembly	—	20BK5476	Fluid Nozzle Wrench
6	20BK541025	Valve Stem Assembly	—	206M532	Part Numbers and Schematics Guide - Binks® 2001 Spray Gun
7	20BK203757	O-ring	—	209V532	Operator Manual - Binks® 2001 Spray Gun
8	20BK541010	Valve Body			
9	20BK821585	Packing (<i>Quantity of Five</i>)			
10	20BK821355	Nut (<i>Quantity of Five</i>)			
11	20BK2285	Fluid Packing (<i>Quantity of Five</i>)			
12	20BK56164	Nut			
13	—	Air Cap (<i>See Page 5</i>)			
14	—	Fluid Tip (<i>See Page 4</i>)			
15	20BK549185	Gasket (<i>Quantity of Five</i>)			
16	20BK543348	Head			
17	20BK54710	Screw			
18	20BK821265	Screw (<i>Quantity of Five</i>)			
19	20BK541780	Quick Change Side Port Control (<i>Includes Item #'s: 20 – 27</i>)			
20	20BK8495	Pin			
21	20BK541794	Body (<i>optional</i>)			
22	20BK555415	Packing (<i>optional</i>)			
23	20BK55634	Ring (<i>optional</i>)			
24	20BK541804	Spring (<i>optional</i>)			
25	20BK541790	Screw (<i>optional</i>)			
26	20BK203593	Screw (<i>optional</i>)			
27	20BK541780	Stem			
28	20BK543347	Side Port Control			
29	20BK5410145	Pin (<i>Quantity of Five</i>)			
30	20BK5410155	Washer (<i>Quantity of Five</i>)			
31	20BK543045	Spring (<i>Quantity of Five</i>)			
32	20BK547385	Packing (<i>Quantity of Five</i>)			
33	20BK5410165	Washer (<i>Quantity of Five</i>)			
34	20BK541063	Body			
35	20BK541023	Screw			
36	—	Fluid Needle (<i>See Page 4</i>)			
37	20BK5413475	Spring (<i>Quantity of Five</i>)			
38	20BK2052855	O-ring (<i>Quantity of Five</i>)			

PART NUMBERS AND SCHEMATICS GUIDE

Figure 1: Binks® 2001 Air Spray Gun



PART NUMBERS AND SCHEMATICS GUIDE



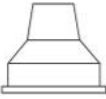
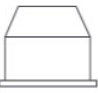

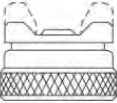
BINKS® 7E2 AIR SPRAY GUN


Part Numbers	Air Cap	Fluid Tip	Type
20BK610229007	1/4	44SS	Pressure
20BK610236007	1/4	45SS	Pressure
20BK610236017	3/8	45SS	Pressure
20BK610236023	3/8F	45SS	Pressure
20BK610235259	391	46SS	Pressure

FLUID TIPS AND NEEDLES

	Part Numbers	Fluid Tips	Orifice Size	Fluid Needle (Sold Separately)
	20BK454601	44SS	4.75 mm (0.187 in)	20BK541219
	20BK454501	45SS	6.35 mm (0.250 in)	20BK541219
	20BK454701	47SS	7.92 mm (0.312 in)	20BK541219
	20BK454401	44SS	9.52 mm (0.375 in)	20BK541219

PART NUMBERS AND SCHEMATICS GUIDE

		AIR CAPS	
	Part Numbers	Cap Number	Retaining Ring Included
	20BK464002	1/4	
	20BK464004	3/8	
	20BK464006	3/8F	
	20BK462190	190	
	20BK462191	191	
	20BK462390	390SS	
	20BK462391	391SS	
	20BK464011	1/4E	X

		RETAINING RING AND BASE
	Part Number	Description
	20BK54864	Binks® 7E2 Air Spray Gun Retaining Ring

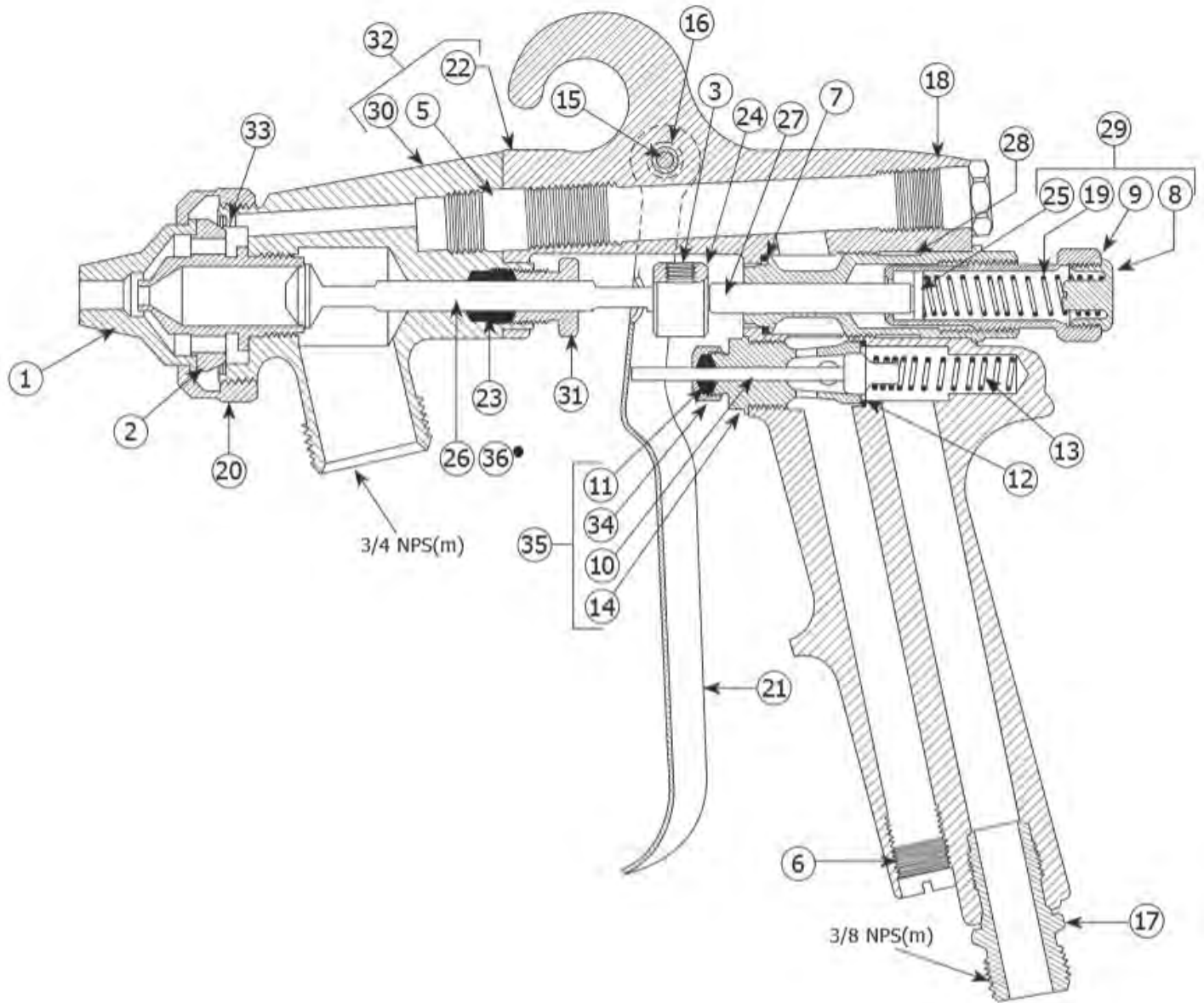
PART NUMBERS AND SCHEMATICS GUIDE

Binks® 7E2 Air Spray Gun

Item#	Part#	Description
Fig. 1		
1	—	Air Cap <i>(see chart on page 8)</i>
2	—	Fluid Tip <i>(see chart on page 8)</i>
3	20BK201237	Set Screw 1/4-20 X 1/4
4	20BK202002	Wrench, Allen 1/8" Hex
5	20BK54710	Screw
6	20BK54714	Plug
7	20BK54723	Gasket Fluid Control
8	20BK54725	Screw Spring Retainer
9	20BK54726	Body Fluid Control
10	20BK54744	Air Valve Stem
11	20BK54747	Air Valve Packing
12	20BK54749	Air Valve Gasket
13	20BK54750	Air Valve Spring
14	20BK54741	Air Valve Body
15	20BK54753	Trigger Screw
16	20BK54760	Trigger Stud
17	20BK54788	Air Connection
18	20BK54806	Cap
19	20BK54839	Fluid Control Spring
20	20BK54864	Retainer Ring
21	20BK541091	Four Finger Trigger
22	20BK541204	Gun Body
23	20BK511205	Needle Valve Packing
24	20BK541210	Needle Collar
25	20BK511213	Ring
26	20BK541219	Needle
27	20BK541220	Needle Pin
28	20BK541221	Fluid Control Housing
29	20BK541223	Fluid Control Screw Assembly <i>(Includes Item #'s: 8, 9, 19, 25)</i>
30	20BK541239	Gun Head
31	20BK541244	Packing Nut
32	20BK541245	Gun Body Assembly <i>(Includes Item #'s: 5, 22, 30)</i>
33	20BK541246	Fluid Nozzle Gasket
34	20BK541340	Air Valve Packing Nut
35	20BK541341	Air Valve Assembly <i>(Includes Item #'s: 10, 11, 14, 34)</i>
36	20BK543264	Stainless Steel Needle <i>(Optional)</i>
37	20BK82221	Cleaning Brush <i>(Not Shown)</i>
—	20BK6224	Repair Kit - Binks® 7E2 Air Spray Gun <i>(Includes Item #'s: 11, 12, 13, 23, 33)</i>
—	206M535	Part Numbers and Schematics Guide - Binks® 7E2 Air Spray Gun
—	209V535	Operator's Manual - Binks® 7E2 Air Spray Gun

PART NUMBERS AND SCHEMATICS GUIDE

Figure 1: Binks® 7E2 Air Spray Gun



PART NUMBERS AND SCHEMATICS GUIDE



Part Numbers

BINKS® MODEL 95 AIR SPRAY GUN			
Part Numbers	Type	Fluid Tip	Air Cap
20BK612128000	No Air Cap	63BSS	—
20BK612143000	No Air Cap	66SS	—
20BK612181181	Pressure	59BSS	250
20BK612128007	Pressure	63BSS	63PB
20BK612128084	Pressure	63BSS	66SDJG
20BK612143082	Pressure	66SS	66SD-3
20BK612143088	Pressure	66SS	66SK
20BK612143079	Siphon	66SS	66SD



Part Numbers

FLUID TIPS AND NEEDLES			
Part Numbers	Fluid Tip	Orifice Size	Fluid Needle
20BK455911	59ASS	4.3 mm (0.171 in)	20BK659
20BK455912	59BSS	5.5 mm (0.218 in)	20BK659
20BK455913	59CSS	7.1 mm (0.281 in)	20BK659
20BK456311	63ASS	1.1 mm (0.040 in)	20BK663A
20BK456321	63BSS	1.2 mm (0.046 in)	20BK663A
20BK456331	63CSS	1.3 mm (0.052 in)	20BK663A
20BK456301	63SS	0.7 mm (0.028 in)	20BK663
20BK456402	64VT	1.6 mm (0.064 in)	20BK664VT
20BK456601	66SS	1.8 mm (0.070 in)	20BK665
20BK456701	67SS	2.2 mm (0.086 in)	20BK667
20BK456702	67VT	2.2 mm (0.086 in)	20BK667VT
20BK456605	L6SS	1.8 mm (0.070 in)	20BK655

PART NUMBERS AND SCHEMATICS GUIDE



Part Numbers

AIR CAPS		
	Cap Number	Retaining Ring Included
20BK466000	63P	X
20BK466002	63PB	X
20BK466014	63PE	X
20BK466007	64PA	X
20BK466041	66R	X
20BK466020	66SD	X
20BK466092	66SD-3	X
20BK466103	66SDJG	X
20BK466082	66SK	X
20BK466026	67PB	X
20BK466028	67PD	X
20BK466032	68PB	X
20BK462200	200	
20BK462206	206	
20BK462244	244	
20BK462245	245	
20BK462250	250	
20BK462251	251	
20BK452252	252	
20BK462262	262	
20BKR3	R3	

Part Numbers

RETAINING RING	
	Description
<div style="display: flex; align-items: center;">  <div> <p>20BK542065</p> </div> </div>	<p>Binks® Model 95 Air Spray Gun Retaining Ring</p>

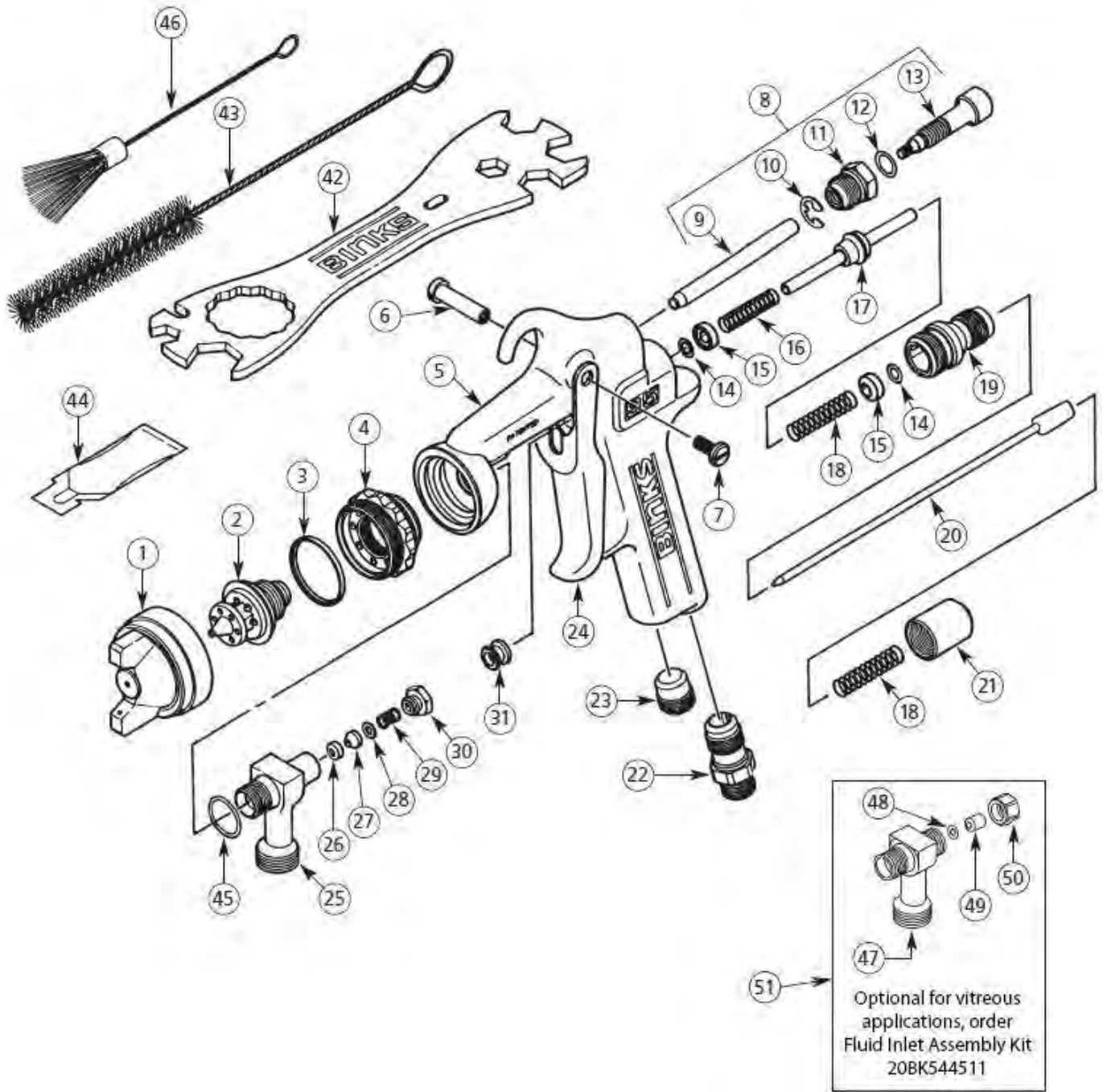
PART NUMBERS AND SCHEMATICS GUIDE

Binks® Model 95 Air Spray Gun

Item#	Part#	Description	Item#	Part#	Description
Fig. 1			45	20BK543592	Copper Gasket
1	—	Air Cap Assembly (See page 5)	46	20BKOMX88	Gun Brush (Optional)
2	—	Fluid Tip (Stainless only, see page 4)	47	20BK544568	Fluid Inlet – Vitreous (Optional)
3	20BK549185	Sealing Ring (Quantity of Five)	48	20BK202227	O-Ring – Vitreous (Optional)
4	20BK544215	Head Insert	49	20BK544531	Packing Spacer – Vitreous (Optional)
5	—	95 Series Gun Handle	50	20BK544542	Nut Assembly – Vitreous (Optional)
6	20BK543580	Trigger Stud	51	20BK544511	Fluid Inlet Assembly (Vitreous) (Includes Item #'s: 47, 48, 49, and 50)
7	20BK543581	Trigger Screw	—	20BK543577	Fluid Inlet and Air Valve Kit (Includes Item #'s: 3, 10, 12, 14, 16, 17, 18, 26, 27, 28, 30, 45, 48, and 49)
8	20BK544216	Side Port Control Assembly (Includes Item #'s: 9, 10, 11, 12, and 13)	—	20BK544225	Fluid Inlet Packing Kit (Includes Item #'s: 3, 26, 27, 28, 29, 30, 45, 48, and 49)
9	20BK544219	Control Stem	—	20BK544226	Air Valve Spindle Kit (Includes Item #'s: 12, 14, 16, 17, and 18)
10	20BK543511	Retaining Ring	—	20BK6429	Gunners Mate (20 ea. 2 oz. bottles)
11	20BK4218	Control Body	—	206M551	Part Numbers and Schematics Guide – Binks® Model 95 Air Spray Gun
12	20BK206160	O-Ring	—	209V551	Operator Manual – Binks® Model 95 Air Spray Gun
13	20BK544217	Control Screw	—	203V551	Technical Specifications – Binks® Model 95 Air Spray Gun
14	20BK2046155	O-Ring (Quantity of Five)			
15	20BK543515	Housing			
16	20BK543520	Spring – Yellow			
17	20BK543512	Spindle Assembly			
18	20BK543518	Spring – Blue – 6 lbs., 8 oz.			
—	20BK544427	Spring – Heavy Duty – 29 lbs. (Optional)			
19	20BK543541	Housing			
20	—	Fluid Needle (Stainless only, see page 4)			
21	20BK543606	Material Valve Control Knob			
22	20BK54768	Air Connection			
23	20BK543504	Plug			
24	20BK543578	Trigger			
25	20BK544210	Fluid Inlet			
26	20BK544262	Gland Adapter			
27	20BK544265	Needle Seal			
28	20BK544266	Seal Backup			
29	20BK544267	Spring			
30	20BK544263	Packing Nut			
31	20BK543513	Valve Spindle Cap			
42	20BK544213	Wrench (Optional)			
43	20BK82469	Gun Brush			
44	—	Gunners Mate (3cc)			

PART NUMBERS AND SCHEMATICS GUIDE

Figure 1: Binks® Model 95 Air Spray Gun



PART NUMBERS AND SCHEMATICS GUIDE

BINKS® MODEL 7 AIR SPRAY GUN			
Part Numbers	Type	Fluid Tip	Air Cap
20BK610021115	Pressure	38SS	38PM
20BK610018089	Siphon	36SS	36SD
20BK610018092	Siphon	36SS	36SK



PART NUMBERS AND SCHEMATICS GUIDE



Part Numbers

FLUID TIPS AND NEEDLES			
	Fluid Tip	Orifice Size	Fluid Needle
20BK453301	33SS	0.4 mm (0.016 in)	20BK473300
20BK453601	36SS	0.7 mm (0.028 in)	20BK473600
20BK453801	38SS	0.86 mm (0.034 in)	20BK473800



Part Numbers

AIR CAPS		
	Cap Number	Retaining Ring Included
20BK463027	36SD	X
20BK36SK	36SK	X
20BK38PM	38PM	X

PART NUMBERS AND SCHEMATICS GUIDE

Binks® Model 7 Air Spray Gun

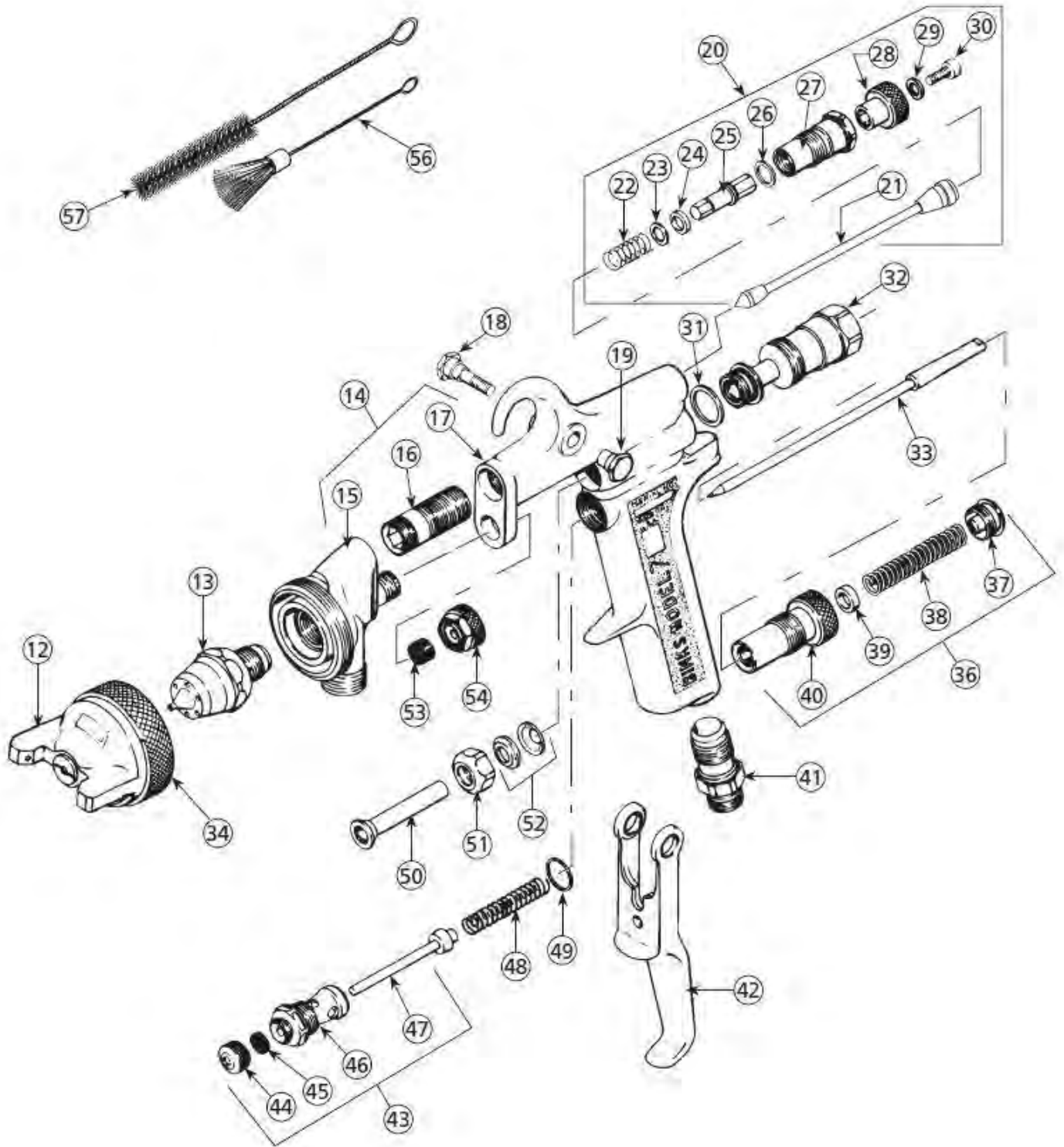
Item#	Part#	Description
Fig. 1		
12	—	Air Cap (See page 5)
13	—	Fluid Tip (See page 5)
14	20BK54706	Head and Body Assembly (Includes Item #'s: 15, 16, and 17)
15	20BK54707	Head
16	20BK54710	Screw
17	—	Body*
18	20BK54759	Screw – Trigger
19	20BK54760	Stud – Trigger
20	20BK54729	Side Port Control Assembly (Includes Item #'s: 21, 22, 23, 24, 25, 26, 27, 28, 29, and 30)
21	20BK54730	Stem
22	—	Spring*
—	20BK54839	Heavy Duty Fluid Control Spring (Optional)
23	—	Washer*
24	20BK547385	Packing (Quantity of Five)
25	20BK54735	Spindle
26	20BK54739	Gasket
27	20BK54734	Housing
28	20BK54740	Gun Key
29	20BK54742	Washer
30	—	Screw*
31	20BK547235	Gasket (Quantity of Five)
32	20BK54717	Housing
33	—	Fluid Needle (See page 5)
34	—	Ring (Available with Air Cap)
36	20BK54724	Fluid Control Assembly (Includes Item #'s: 37, 38, 39 and 40)
37	—	Screw*
38	20BK547285	Spring (Quantity of Five)
39	—	Ring*
40	—	Body*
41	20BK54768	Air Connection
42	20BK54753	Gun Trigger
43	20BK541341	Air Valve Assembly (Includes Item #'s: 44, 45, 46, and 47)
44	20BK541340	Nut
45	20BK547475	Packing (Quantity of Five)
46	20BK54751	Body

Item#	Part#	Description
47	20BK54744	Stem
48	20BK547505	Spring (Quantity of Five)
49	20BK547495	Gasket (Quantity of Five)
50	20BK54718	Sleeve
51	20BK54721	Wiper Cup Retainer
52	20BK547225	Wiper Cup (Quantity of Five)
53	20BK2285	Fluid Packing (Quantity of Five)
54	20BK54765	Packing Nut
56	20BKOMX88	Cleaning Brush
57	20BK82469	Round Cleaning Brush
—	20BK73165	Gun Wrench (Optional)
—	20BK6188	Binks® Model 7 Air Spray Gun Repair Kit (Includes Item #'s: 22, 24, 26, 31, 38, 45, 47, 48, 49, 52, and 53)
—	206M568	Part Numbers and Schematics Guide – Binks® Model 7 Air Spray Gun
—	209V568	Operator Manual – Binks® Model 7 Air Spray Gun
—	203V568	Technical Specifications – Binks® Model 7 Air Spray Gun

*Not available for individual sale

PART NUMBERS AND SCHEMATICS GUIDE

Figure 1: Binks® Model 7 Air Spray Gun



PART NUMBERS AND SCHEMATICS GUIDE



Part Numbers

DEVILBISS® COMPACT CONVENTIONAL AIR SPRAY GUN					
Part Numbers	Type	1 qt Siphon Cup (Included)	Air Cap	Fluid Nozzle Size	Material Handling (Viscosity)
20DCOMS4301000	Pressure		430	1.0 mm (0.039 in)	Low to Medium
20DCOMS4301400	Pressure		430	1.4 mm (0.055 in)	Medium
20DCOMS4301800	Pressure		430	1.8 mm (0.070 in)	Medium, High
20DCOMS4302200	Pressure		430	2.2 mm (0.086 in)	High
20DCOMS4431000	Pressure		443	1.0 mm (0.039 in)	Low to Medium
20DCOMS4431400	Pressure		443	1.4 mm (0.055 in)	Medium
20DCOMS4431800	Pressure		443	1.8 mm (0.070 in)	Medium, High
20DCOMS4432200	Pressure		443	2.2 mm (0.086 in)	High
20DCOMS4971000	Pressure		497	1.0 mm (0.039 in)	Low to Medium
20DCOMS4971400	Pressure		497	1.4 mm (0.055 in)	Medium
20DCOMS4971800	Pressure		497	1.8 mm (0.070 in)	Medium, High
20DCOMS4972200	Pressure		497	2.2 mm (0.086 in)	High
20DCOMS4301001	Siphon	X	430	1.0 mm (0.039 in)	Low to Medium
20DCOMS4301401	Siphon	X	430	1.4 mm (0.055 in)	Medium
20DCOMS4301801	Siphon	X	430	1.8 mm (0.070 in)	Medium, High
20DCOMS4302201	Siphon	X	430	2.2 mm (0.086 in)	High
20DCOMS4431001	Siphon	X	443	1.0 mm (0.039 in)	Low to Medium
20DCOMS4431401	Siphon	X	443	1.4 mm (0.055 in)	Medium
20DCOMS4431801	Siphon	X	443	1.8 mm (0.070 in)	Medium, High
20DCOMS4432201	Siphon	X	443	2.2 mm (0.086 in)	High
20DCOMS4971001	Siphon	X	497	1.0 mm (0.039 in)	Low to Medium
20DCOMS4971401	Siphon	X	497	1.4 mm (0.055 in)	Medium
20DCOMS4971801	Siphon	X	497	1.8 mm (0.070 in)	Medium, High
20DCOMS4972201	Siphon	X	497	2.2 mm (0.086 in)	High

PART NUMBERS AND SCHEMATICS GUIDE



Part Numbers

DEVILBISS® COMPACT CONVENTIONAL GRAVITY FEED AIR SPRAY GUN						
	Cup Included			Air Cap	Fluid Nozzle Size	Material Handling (<i>Viscosity</i>)
	Aluminum (1 Liter)	Acetal (20 oz.)	None			
20DCOMG4301402	X			430	1.4 mm (0.055 in)	Medium
20DCOMG4301802	X			430	1.8 mm (0.070 in)	Medium, High
20DCOMG4301405		X		430	1.4 mm (0.055 in)	Medium, High
20DCOMG4301805		X		430	1.8 mm (0.070 in)	Medium
20DCOMG4301400			X	430	1.4 mm (0.055 in)	Medium
20DCOMG54301800			X	430	1.8 mm (0.070 in)	Medium, High

PART NUMBERS AND SCHEMATICS GUIDE



Part Numbers

DEVILBISS® COMPACT HVLP AIR SPRAY GUN					
	Type	1 qt Siphon Cup (Included)	Air Cap	Fluid Nozzle Size	Material Handling (Viscosity)
20DCOMS506B1000	Pressure		506	1.0 mm (0.039 in)	Low to Medium
20DCOMS506B1400	Pressure		506	1.4 mm (0.055 in)	Medium
20DCOMS506B1800	Pressure		506	1.8 mm (0.070 in)	Medium, High
20DCOMS506B2200	Pressure		506	2.2 mm (0.086 in)	High
20DCOMS507B0800	Pressure		507	0.85 mm (0.033 in)	Low
20DCOMS507B1000	Pressure		507	1.0 mm (0.039 in)	Low to Medium
20DCOMS507B1400	Pressure		507	1.4 mm (0.055 in)	Medium
20DCOMS507B1800	Pressure		507	1.8 mm (0.070 in)	Medium, High
20DCOMS507B2200	Pressure		507	2.2 mm (0.086 in)	High
20DCOMS508B1000	Pressure		508	1.0 mm (0.039 in)	Low to Medium
20DCOMS508B1400	Pressure		508	1.4 mm (0.055 in)	Low to Medium
20DCOMS506B1001	Siphon	X	506	1.0 mm (0.039 in)	Low to Medium
20DCOMS506B1401	Siphon	X	506	1.4 mm (0.055 in)	Medium
20DCOMS506B1801	Siphon	X	506	1.8 mm (0.070 in)	Medium, High
20DCOMS506B2201	Siphon	X	506	2.2 mm (0.086 in)	High
20DCOMS507B0801	Siphon	X	507	0.85 mm (0.033 in)	Low
20DCOMS507B1001	Siphon	X	507	1.0 mm (0.039 in)	Low to Medium
20DCOMS507B1401	Siphon	X	507	1.4 mm (0.055 in)	Medium
20DCOMS507B1801	Siphon	X	507	1.8 mm (0.070 in)	Medium, High
20DCOMS507B2201	Siphon	X	507	2.2 mm (0.086 in)	High
20DCOMS508B1001	Siphon	X	508	1.0 mm (0.039 in)	Low to Medium
20DCOMS508B1401	Siphon	X	508	1.4 mm (0.055 in)	Low to Medium

PART NUMBERS AND SCHEMATICS GUIDE



Part Numbers

	Cup Included			Air Cap	Fluid Nozzle Size	Material Handling (Viscosity)
	Aluminum (1 Liter)	Acetal (20 oz.)	None			
20DCOMG506B1402	X			506	1.4 mm (0.055 in)	Medium
20DCOMG506B1802	X			506	1.8 mm (0.070 in)	Medium, High
20DCOMG506B2202	X			506	2.2 mm (0.086 in)	High
20DCOMG507B1402	X			507	1.4 mm (0.055 in)	Medium
20DCOMG507B1802	X			507	1.8 mm (0.070 in)	Medium, High
20DCOMG507B2202	X			507	2.2 mm (0.086 in)	High
20DCOMG508B1402	X			508	1.4 mm (0.055 in)	Medium
20DCOMG508B1802	X			508	1.8 mm (0.070 in)	Medium, High
20DCOMG508B2202	X			508	2.2 mm (0.086 in)	High
20DCOMG506B1405		X		506	1.4 mm (0.055 in)	Medium
20DCOMG506B1805		X		506	1.8 mm (0.070 in)	Medium, High
20DCOMG506B2205		X		506	2.2 mm (0.086 in)	High
20DCOMG507B1405		X		507	1.4 mm (0.055 in)	Medium
20DCOMG507B1805		X		507	1.8 mm (0.070 in)	Medium, High
20DCOMG507B2205		X		507	2.2 mm (0.086 in)	High
20DCOMG508B1405		X		508	1.4 mm (0.055 in)	Medium
20DCOMG508B1805		X		508	1.8 mm (0.070 in)	Medium, High
20DCOMG508B2205		X		508	2.2 mm (0.086 in)	High
20DCOMG506B1400			X	506	1.4 mm (0.055 in)	Medium
20DCOMG506B1800			X	506	1.8 mm (0.070 in)	Medium, High
20DCOMG506B2200			X	506	2.2 mm (0.086 in)	High
20DCOMG507B1400			X	507	1.4 mm (0.055 in)	Medium
20DCOMG507B1800			X	507	1.8 mm (0.070 in)	Medium, High
20DCOMG507B2200			X	507	2.2 mm (0.086 in)	High
20DCOMG508B1400			X	508	1.4 mm (0.055 in)	Medium
20DCOMG508B1800			X	508	1.8 mm (0.070 in)	Medium, High
20DCOMG508B2200			X	508	2.2 mm (0.086 in)	High

PART NUMBERS AND SCHEMATICS GUIDE



Part Numbers

DEVILBISS® COMPACT TRANS-TECH® AIR SPRAY GUN					
Part Numbers	Type	1 qt Siphon Cup (Included)	Air Cap	Fluid Nozzle Size	Material Handling (Viscosity)
20DCOMS510G0800	Pressure		510	0.85 mm (0.033 in)	Low
20DCOMS510G1000	Pressure		510	1.0 mm (0.039 in)	Low to Medium
20DCOMS510G1400	Pressure		510	1.4 mm (0.055 in)	Medium
20DCOMS510G1800	Pressure		510	1.8 mm (0.070 in)	Medium, High
20DCOMS513G0800	Pressure		513	0.85 mm (0.033 in)	Low
20DCOMS513G1000	Pressure		513	1.0 mm (0.039 in)	Low to Medium
20DCOMS513G1400	Pressure		513	1.4 mm (0.055 in)	Medium
20DCOMS513G1800	Pressure		513	1.8 mm (0.070 in)	Medium, High
20DCOMS522G0800	Pressure		522	0.85 mm (0.033 in)	Low
20DCOMS522G1000	Pressure		522	1.0 mm (0.039 in)	Low to Medium
20DCOMS522G1400	Pressure		522	1.4 mm (0.055 in)	Medium
20DCOMS522G1800	Pressure		522	1.8 mm (0.070 in)	Medium, High
20DCOMS522G2200	Pressure		522	2.2 mm (0.086 in)	High
20DCOMS510G0801	Siphon	X	510	0.85 mm (0.033 in)	Low
20DCOMS510G1001	Siphon	X	510	1.0 mm (0.039 in)	Low to Medium
20DCOMS510G1401	Siphon	X	510	1.4 mm (0.055 in)	Medium
20DCOMS510G1801	Siphon	X	510	1.8 mm (0.070 in)	Medium, High
20DCOMS513G0801	Siphon	X	513	0.85 mm (0.033 in)	Low
20DCOMS513G1001	Siphon	X	513	1.0 mm (0.039 in)	Low to Medium
20DCOMS513G1401	Siphon	X	513	1.4 mm (0.055 in)	Medium
20DCOMS513G1801	Siphon	X	513	1.8 mm (0.070 in)	Medium, High
20DCOMS522G0801	Siphon	X	522	0.85 mm (0.033 in)	Low
20DCOMS522G1001	Siphon	X	522	1.0 mm (0.039 in)	Low to Medium
20DCOMS522G1401	Siphon	X	522	1.4 mm (0.055 in)	Medium
20DCOMS522G1801	Siphon	X	522	1.8 mm (0.070 in)	Medium, High
20DCOMS522G2201	Siphon	X	522	2.2 mm (0.086 in)	High

PART NUMBERS AND SCHEMATICS GUIDE



Part Numbers

DEVILBISS® COMPACT TRANS-TECH® GRAVITY FEED AIR SPRAY GUN						
	Cup Included			Air Cap	Fluid Nozzle Size	Material Handling (Viscosity)
	Aluminum (1 Liter)	Acetal (20 oz.)	None			
20DCOMG510G0802	X			510	0.85 mm (0.033 in)	Low
20DCOMG510G1002	X			510	1.0 mm (0.039 in)	Low to Medium
20DCOMG510G1402	X			510	1.4 mm (0.055 in)	Medium
20DCOMG510G1802	X			510	1.8 mm (0.070 in)	Medium, High
20DCOMG510G0805		X		510	0.85 mm (0.033 in)	Low
20DCOMG510G1005		X		510	1.0 mm (0.039 in)	Low to Medium
20DCOMG510G1405		X		510	1.4 mm (0.055 in)	Medium
20DCOMG510G1805		X		510	1.8 mm (0.070 in)	Medium, High
20DCOMG510G0800			X	510	0.85 mm (0.033 in)	Low
20DCOMG510G1000			X	510	1.0 mm (0.039 in)	Low to Medium
20DCOMG510G1400			X	510	1.4 mm (0.055 in)	Medium
20DCOMG510G1800			X	510	1.8 mm (0.070 in)	Medium, High

PART NUMBERS AND SCHEMATICS GUIDE



Part Numbers

AIR CAPS			
Part Numbers	Compact Gun Type	Cap Number	Retaining Ring and Seals Included
20DSP100430K	Conventional	430	X
20DSP100443K	Conventional	443	X
20DSP100497K	Conventional	497	X
20DSP100506K	HVLP	506	X
20DSP100507K	HVLP	507	X
20DSP100508K	HVLP	508	X
20DSP100510K	Trans-Tech®	510	X
20DSP100513K	Trans-Tech®	513	X
20DSP100522K	Trans-Tech®	522	X
20DSP100590K	Trans-Tech®	590	X
20DSP100591K	Trans-Tech®	591	X

PART NUMBERS AND SCHEMATICS GUIDE



Part Numbers

FLUID TIPS AND NEEDLES		
Part Numbers	Orifice Size	Fluid Needle
20DAV21305	0.50 mm (0.020 in)	20DSP300S05K
20DAV21308	0.85 mm (0.033 in)	20DSP300S08K
20DAV21310	1.0 mm (0.039 in)	20DSP300S10K
20DAV21314	1.4 mm (0.055 in)	20DSP300S14K
20DAV21318	1.8 mm (0.070 in)	20DSP300S18K
20DAV21322	2.2 mm (0.086 in)	20DSP300S22K

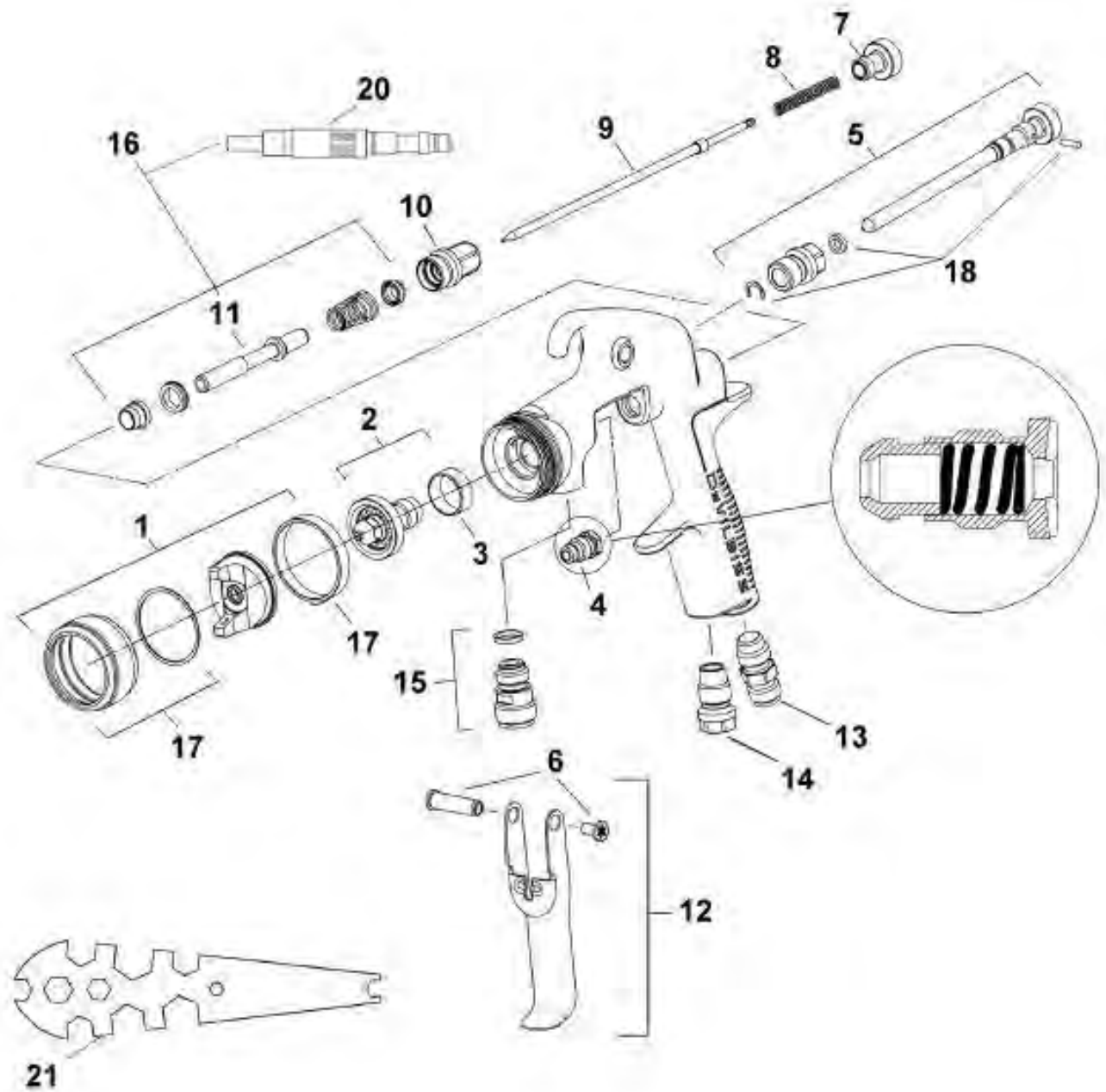
PART NUMBERS AND SCHEMATICS GUIDE

DeVilbiss® Compact Pressure/Siphon Feed Air Spray Gun

Item #	Part #	Description
Fig. 1		
1	—	Air Cap/Retaining Ring <i>(See page 10)</i>
2	—	Fluid Tip <i>(See page 11)</i>
3	20DSP623K5	Separator <i>(Quantity of Five)</i>
4	20DGTI445K2	Spring Adjusted Needle Packing <i>(Quantity of Two)</i>
5	20DSP401K	Compact Gun Spreader Valve
6	—	Stud and Screw
7	20DSP614K	Needle Adjusting Screw
8	20DSP622K5	Needle Spring <i>(Quantity of Five)</i>
9	—	Needle <i>(See page 11)</i>
10	20DSP612K	Air Valve Housing and Seal
11	—	Spindle
12	20DSP617CRK	Trigger <i>(Includes Item #6)</i>
13	20DSP611K	Connector
14	20DSP637	Plug <i>(For use with Conventional Spray Gun)</i>
—	20DJGA132	Plug <i>(For use with HVLP and Trans-Tech® Spray Guns)</i>
15	20DSP636K	Fluid Inlet Connector and Seal
16	20DSPK101K	Air Valve Service Kit <i>(Includes Item #'s: 11 and 20)</i>
17	20DSPK102K	Retaining Ring and Seals
18	20DGTI428K5	Clip & Seal Pin Kit Cheater Valve <i>(Quantity of Five)</i>
20	—	Air Valve Assembly Tool
21	20DSPN5	Wrench
—	20DTSC591	1 qt Stainless Steel Cup <i>(For Siphon type models only)</i>
—	20DTLC576	1 qt Aluminum Cup <i>(For Siphon type models only)</i>
—	20DSPK402	Spray Gun Service Kit <i>(Includes Item #'s: 3, 4, 8, and 18)</i>
—	201V570	Brochure – DeVilbiss® Compact Air Spray Gun
—	206M570	Part Numbers & Schematics Guide – DeVilbiss® Compact Air Spray Gun
—	209V570	Operator's Manual – DeVilbiss® Compact Conventional Pressure/Siphon Feed Air Spray Gun
—	209V524	Operator's Manual – DeVilbiss® Compact HVLP Pressure/Siphon Feed Air Spray Gun
—	209V525	Operator's Manual – DeVilbiss® Compact Trans-Tech® Pressure/Siphon Feed Air Spray Gun

PART NUMBERS AND SCHEMATICS GUIDE

Figure 1: DeVilbiss® Compact Pressure/Siphon Feed Air Spray Gun



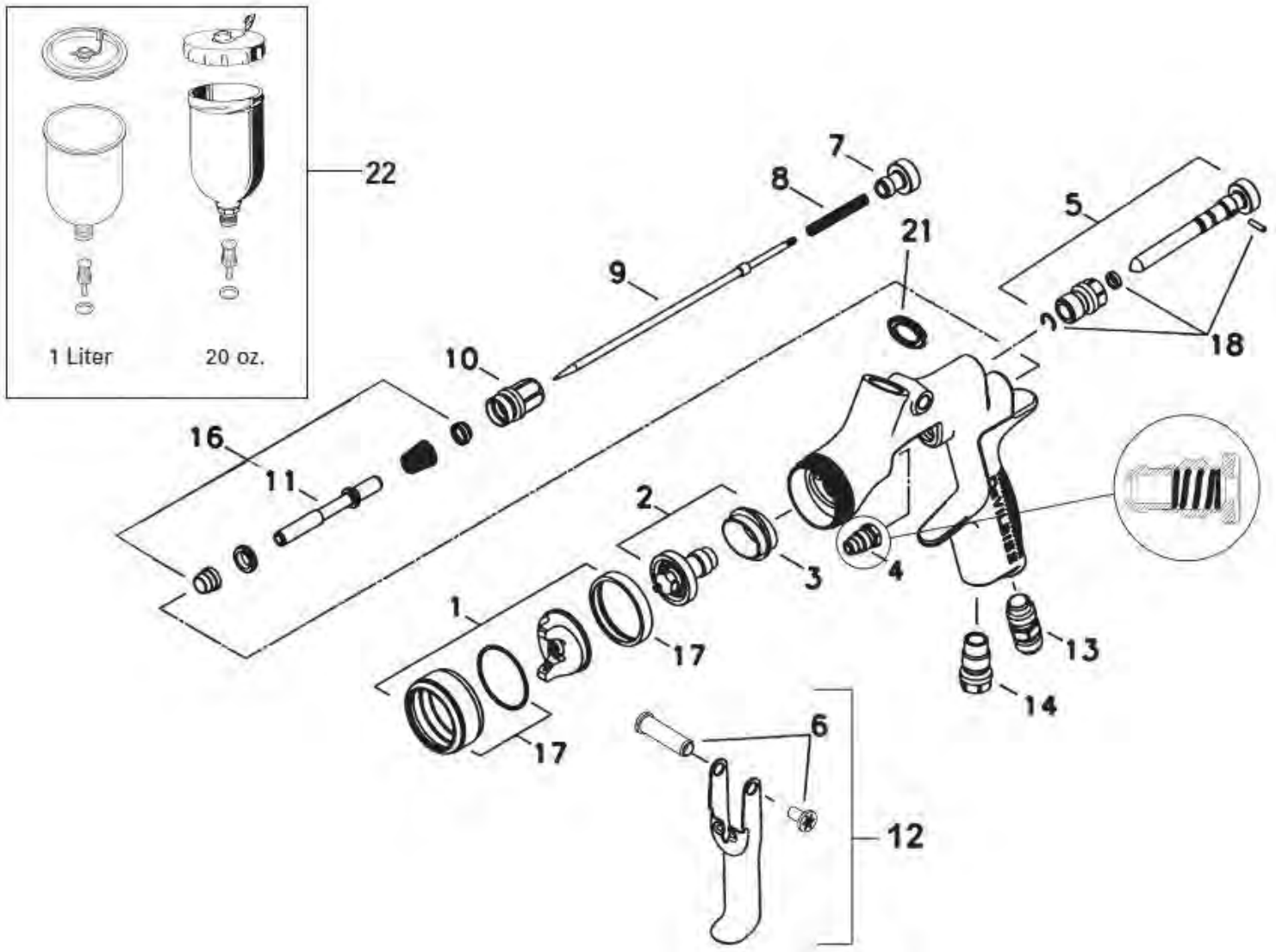
PART NUMBERS AND SCHEMATICS GUIDE

DeVilbiss® Compact Gravity Feed Air Spray Gun

Item #	Part #	Description
Fig. 2		
1	—	Air Cap/Retaining Ring <i>(See page 10)</i>
2	—	Fluid Tip <i>(See page 11)</i>
3	20DSP626K5	Separator <i>(Quantity of Five)</i>
4	20DGTI445K2	Spring Adjusted Needle Packing <i>(Quantity of Two)</i>
5	20DSP403K	Compact Gun Spreader Valve
6	—	Stud and Screw
7	20DSP614K	Needle Adjusting Screw
8	20DSP622K5	Needle Spring <i>(Quantity of Five)</i>
9	—	Needle <i>(See page 11)</i>
10	20DSP612K	Air Valve Housing and Seal
11	—	Spindle
12	20DSP617CRK	Trigger <i>(Includes Item #6)</i>
13	20DSP611K	Connector
14	20DJGA132	Plug
16	20DSPK101K	Air Valve Service Kit <i>(Includes Item #11)</i>
17	20DSPK102K	Retaining Ring and Seals
18	20DGTI428K5	Clip & Seal Pin Kit Cheater Valve <i>(Quantity of Five)</i>
21	20DKGP13K5	Cup Gasket <i>(Quantity of Five)</i>
22	20DGFC502	Cup Assembly – Aluminum – 1 Liter
—	20DGFC501	Cup Assembly – Acetal – 20 oz.
23	—	Air Valve Assembly Tool
—	20DSPN5	Wrench <i>(Not Shown)</i>
—	20DSPK402	Spray Gun Service Kit <i>(Includes Item #'s: 3, 4, 8, and 18)</i>
—	201V570	Brochure – DeVilbiss® Compact Air Spray Gun
—	206M570	Part Numbers & Schematics Guide – DeVilbiss® Compact Air Spray Gun
—	209V526	Operator's Manual – DeVilbiss® Compact Conventional Gravity Feed Air Spray Gun
—	209V527	Operator's Manual – DeVilbiss® Compact HVLP Gravity Feed Air Spray Gun
—	209V528	Operator's Manual – DeVilbiss® Compact Trans-Tech® Gravity Feed Air Spray Gun

PART NUMBERS AND SCHEMATICS GUIDE

Figure 2: DeVilbiss® Compact Gravity Feed Air Spray Gun



PART NUMBERS AND SCHEMATICS GUIDE



Part Numbers

BINKS® TROPHY CONVENTIONAL AIR SPRAY GUN					
Part Numbers	Type	1 qt Siphon Cup (Included)	Air Cap	Fluid Nozzle Size	Material Handling (Viscosity)
20BK246510CN11S0	Pressure		11-C	1.0 mm (0.039 in)	Thin and Non-Stick Coatings
20BK246512CN11S0	Pressure		11-C	1.2 mm (0.047 in)	Thin, Medium, and Mold Release
20BK246514CN11S0	Pressure		11-C	1.4 mm (0.055 in)	Thin, Medium, Hammers, and Wrinkle Enamels
20BK246516CN11S0	Pressure		11-C	1.6 mm (0.063 in)	Thin, Medium, Heavy, Hammers, and Wrinkle Enamels
20BK246518CN11S0	Pressure		11-C	1.8 mm (0.071 in)	Medium and Heavy
20BK246516CN12S0	Pressure		12-C	1.6 mm (0.063 in)	Thin, Medium, Heavy, and Hammers
20BK246514CN14V0	Pressure		14-C	1.4 mm (0.055 in)	Ceramics
20BK246518CN14V0	Pressure		14-C	1.8 mm (0.071 in)	Ceramics
20BK246520CN14S0	Pressure		14-C	2.0 mm (0.079 in)	Medium, Heavy, and Adhesives
20BK246522CN14S0	Pressure		14-C	2.2 mm (0.087 in)	Medium, Heavy, and Adhesives
20BK246522CN14V0	Pressure		14-C	2.2 mm (0.087 in)	Ceramics and Zinc Rich Coatings
20BK246526CN14V0	Pressure		14-C	2.6 mm (0.102 in)	Ceramics
20BK246516CN12SS	Siphon	X	12-C	1.6 mm (0.063 in)	Thin and Medium
20BK246518CN12SS	Siphon	X	12-C	1.8 mm (0.071 in)	Thin, Medium, Adhesives, and Non-Stick Coatings

PART NUMBERS AND SCHEMATICS GUIDE



Part Numbers

BINKS® TROPHY CONVENTIONAL GRAVITY FEED AIR SPRAY GUN

	Type	900cc Aluminum Cup (Included)	Air Cap	Fluid Nozzle Size	Material Handling (Viscosity)
20BK246614CN12SG	Gravity	X	12-C	1.4 mm (0.055 in)	Thin
20BK246616CN12SG	Gravity	X	12-C	1.6 mm (0.063 in)	Thin
20BK246616CN12SG	Gravity	X	12-C	1.6 mm (0.063 in)	Medium
20BK246618CN12SG	Gravity	X	12-C	1.8 mm (0.071 in)	Medium



Part Numbers

BINKS® TROPHY CONVENTIONAL ROUND AIR SPRAY GUN

	Type	1 qt Siphon Cup (Included)	Air Cap	Fluid Nozzle Size	Material Handling (Viscosity)
20BK246512CN16S0	Pressure		16	1.2 mm (0.047 in)	Thin and Medium

PART NUMBERS AND SCHEMATICS GUIDE



Part Numbers

BINKS® TROPHY LVMP AIR SPRAY GUN					
Part Numbers	Type	1 qt Siphon Cup (Included)	Air Cap	Fluid Nozzle Size	Material Handling (Viscosity)
20BK246585LV22S0	Pressure		22-L	0.85 mm (0.035 in)	Thin
20BK246510LV22S0	Pressure		22-L	1.0 mm (0.039 in)	Thin
20BK246512LV23S0	Pressure		23-L	1.2 mm (0.047 in)	Thin and Medium
20BK246514LV23S0	Pressure		23-L	1.4 mm (0.055 in)	Thin and Medium
20BK246514LV24S0	Pressure		23-L	1.4 mm (0.055 in)	Medium
20BK246585LV25S0	Pressure		25-L	0.85 mm (0.035 in)	Thin
20BK246510LV25S0	Pressure		25-L	1.0 mm (0.039 in)	Thin
20BK246518LV25S0	Pressure		25-L	1.8 mm (0.071 in)	Medium
20BK246518LV23SS	Siphon	X	23-L	1.8 mm (0.071 in)	Thin and Medium
20BK246514LV25SS	Siphon	X	25-L	1.4 mm (0.055 in)	Medium

PART NUMBERS AND SCHEMATICS GUIDE



Part Numbers

BINKS® TROPHY LVMP GRAVITY FEED AIR SPRAY GUN					
Part Numbers	Type	900cc Aluminum Cup (Included)	Air Cap	Fluid Nozzle Size	Material Handling (Viscosity)
20BK246612LV23SG	Gravity	X	23-L	1.2 mm (0.047 in)	Thin
20BK246614LV23SG	Gravity	X	23-L	1.4 mm (0.055 in)	Thin
20BK246614LV23SG	Gravity	X	23-L	1.4 mm (0.055 in)	Medium
20BK246618LV23SG	Gravity	X	23-L	1.8 mm (0.071 in)	Medium

PART NUMBERS AND SCHEMATICS GUIDE



Part Numbers

BINKS® TROPHY HVLP AIR SPRAY GUN					
Part Numbers	Type	1 qt Siphon Cup (Included)	Air Cap	Fluid Nozzle Size	Material Handling (Viscosity)
20BK246585HV31P0	Pressure		31-H	0.85 mm (0.035 in)	Thin
20BK246510HV31P0	Pressure		31-H	1.0 mm (0.039 in)	Thin
20BK246512HV31P0	Pressure		31-H	1.2 mm (0.047 in)	Thin and Medium
20BK246514HV31P0	Pressure		31-H	1.4 mm (0.055 in)	Medium and Heavy
20BK246585HV32S0	Pressure		32-H	0.85 mm (0.035 in)	Thin
20BK246510HV32S0	Pressure		32-H	1.0 mm (0.039 in)	Thin
20BK246512HV32S0	Pressure		32-H	1.2 mm (0.047 in)	Thin and Medium
20BK246514HV32S0	Pressure		32-H	1.4 mm (0.055 in)	Medium and Heavy
20BK246516HV32S0	Pressure		32-H	1.6 mm (0.063 in)	Medium and Heavy
20BK246518HV32S0	Pressure		32-H	1.8 mm (0.071 in)	Medium and Heavy
20BK246585HV33S0	Pressure		33-H	0.85 mm (0.035 in)	Thin
20BK246510HV33S0	Pressure		33-H	1.0 mm (0.039 in)	Thin
20BK246585HV39S0	Pressure		39-H	0.85 mm (0.035 in)	Thin
20BK246510HV39S0	Pressure		39-H	1.0 mm (0.039 in)	Thin
20BK246512HV39S0	Pressure		39-H	1.2 mm (0.047 in)	Thin and Medium
20BK246514HV39S0	Pressure		39-H	1.4 mm (0.055 in)	Medium
20BK246518HV32SS	Siphon	X	32-H	1.2 mm (0.047 in)	Thin and Medium
20BK246514HV32SS	Siphon	X	32-H	1.4 mm (0.055 in)	Medium

PART NUMBERS AND SCHEMATICS GUIDE



Part Numbers

BINKS® TROPHY HVLP GRAVITY FEED AIR SPRAY GUN					
Part Numbers	Type	900cc Aluminum Cup (Included)	Air Cap	Fluid Nozzle Size	Material Handling (Viscosity)
20BK246612HV32SG	Gravity	X	32-H	1.2 mm (0.047 in)	Thin
20BK246614HV32SG	Gravity	X	32-H	1.4 mm (0.055 in)	Thin
20BK246614HV32SG	Gravity	X	32-H	1.4 mm (0.055 in)	Medium
20BK246618HV32SG	Gravity	X	32-H	1.8 mm (0.071 in)	Medium

PART NUMBERS AND SCHEMATICS GUIDE



Part Numbers

AIR CAPS				
Part Numbers	Trophy Gun Type	Cap Number	Spray Pattern Range	Type
20BK266500	Conventional	11-C	8-12"	Pressure
20BK466501	Conventional	12-C	4-12"	Pressure and Siphon
20BK466503	Conventional	14-C	8-14"	Pressure
20BK466505	Round	16	2-4"	Pressure and Siphon
20BK466510	LVMP	22-L	4-12"	Pressure and Siphon
20BK466511	LVMP	23-L	4-12"	Pressure
20BK466512	LVMP	24-L	2-6"	Pressure and Siphon
20BK466513	LVMP	25-L	4-15"	Pressure
20BK466517	HVLP	31-H	8-12"	Pressure and Siphon
20BK466518	HVLP	32-H	8-14"	Pressure and Siphon
20BK466519	HVLP	33-H	8-12"	Pressure
20BK466525	HVLP	39-H	4-12"	Pressure

Part Numbers

RETAINING RING	
Part Numbers	Description
20BK546120	Binks® Trophy Air Cap Retaining Ring



PART NUMBERS AND SCHEMATICS GUIDE



**Part
Numbers**

FLUID TIPS AND NEEDLES

Orifice Size

Fluid Needle

Part Numbers	Orifice Size	Fluid Needle
20BK451105050	0.50 mm (0.020 in)	20BK476825
20BK451105085	0.85 mm (0.035 in)	20BK476825
20BK451105010	1.0 mm (0.039 in)	20BK476825
20BK451105012	1.2 mm (0.047 in)	20BK476825
20BK451105014	1.4 mm (0.055 in)	20BK476825
20BK451108014	1.4 mm (0.055 in)	20BK476830
20BK451105016	1.6 mm (0.063 in)	20BK476825
20BK451105018	1.8 mm (0.071 in)	20BK476825
20BK451108018	1.8 mm (0.071 in)	20BK476830
20BK451106020	2.0 mm (0.079 in)	20BK476825
20BK451106022	2.2 mm (0.087 in)	20BK476825
20BK451108022	2.2 mm (0.087 in)	20BK476830
20BK451106026	2.6 mm (0.102 in)	20BK476825
20BK451108026	2.6 mm (0.102 in)	20BK476830

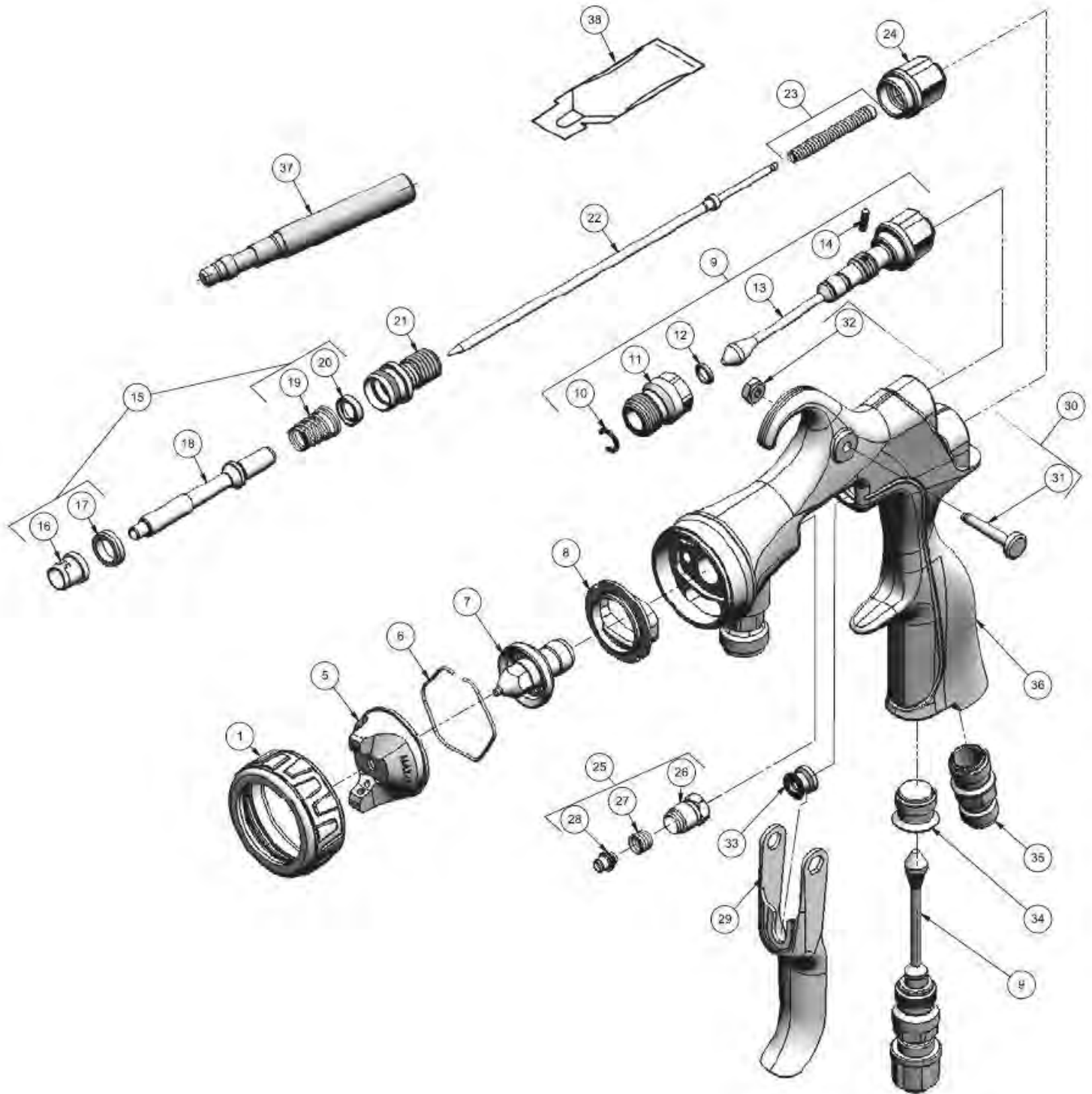
PART NUMBERS AND SCHEMATICS GUIDE

Binks® Trophy Pressure/Siphon Feed Air Spray Gun

Item#	Part#	Description	Item#	Part#	Description
Fig. 1			30	20BK546132K	Trigger Screw Nut Kit <i>(Includes Item #'s: 31 and 32)</i>
1	20BK546120	Air Cap Retaining Ring Assembly <i>(See Page 10)</i>	31	—	Trigger Screw
5	—	Air Cap <i>(See Page 10)</i>	32	—	Trigger Nut
6	20BKJGA156K10	Spring-Clip <i>(Quantity of Ten)</i>	33	20BK543513	Valve Spindle Cap
7	—	Fluid Nozzle <i>(See Page 11)</i>	34	20BKSN11	Plug
8	20BK546102K3	Baffle & Separator Kit <i>(Quantity of Three)</i>	35	20BK6112	Fitting – Air Inlet
9	20BK546122	Side Port Valve Assembly <i>(Includes Item #'s: 10, 11, 12, 13, and 14)</i>	36	—	Gun Body with Fluid Inlet
10	—	Retaining Clip	37	—	Tool – Seal Insertion
11	—	Body Bushing	38	—	Gunner's Mate
12	—	O-Ring	—	20BK81800	1 qt Suction Cup <i>(For Siphon Feed Models)</i>
13	—	Side Port Stem	—	20BKGTI428K5	Side Port Repair Kit <i>(Includes Item #'s: 10, 12, and 14)</i>
14	—	Pin	—	20BK546135	Binks® Trophy Repair Kit <i>(Includes Item #'s: 15, 18, 23, and 28)</i>
15	20BK546131K	Air Valve Service Kit <i>(Includes Item #'s: 16, 17, 19, and 20)</i>	—	201V538	Brochure – Binks® Trophy Air Spray Gun
16	—	Front Seal – Air Valve	—	206M600	Part Numbers and Schematics Guide – Binks® Trophy Air Spray Gun
17	—	Front Air Valve Seal	—	209V535	Operator's Manual – Binks® Trophy Pressure/Siphon Feed Air Spray Gun
18	20BK546109	Air Valve Spindle			
19	—	Air Valve Spring			
20	—	Rear Seal – Air Valve			
21	20BKSN66	Housing			
22	20BK476825	Needle – Stainless Steel (Standard)			
—	20BK476830	Needle – Tungsten Carbide			
—	20BK476826	Needle – Plastic Tip			
23	20BK546133K3	Spring/Pad Assembly – Standard <i>(Quantity of Three)</i>			
—	20BK546134K	Spring/Pad Assembly Kit – Heavy Duty <i>(Optional)</i>			
24	20BK546111	Knob – Needle Adjusting			
25	20BK246130K	Needle Packing Kit – Standard <i>(Includes Item #'s: 26, 27, and 28)</i>			
—	20BK546129K	Needle Packing Kit – Vitreous <i>(Includes Item #'s: 26, 27, and 28)</i>			
26	—	Nut – Packing			
27	—	Spring for Packing			
28	—	Needle Packing – Standard			
—	20BKSN2K3	Needle Packing – Standard <i>(Quantity of Three)</i>			
—	—	Needle Packing – Vitreous <i>(Quantity of Three)</i>			
29	20BK544360	Trigger			

PART NUMBERS AND SCHEMATICS GUIDE

Figure 1: Binks® Trophy Pressure/Siphon Feed Air Spray Gun



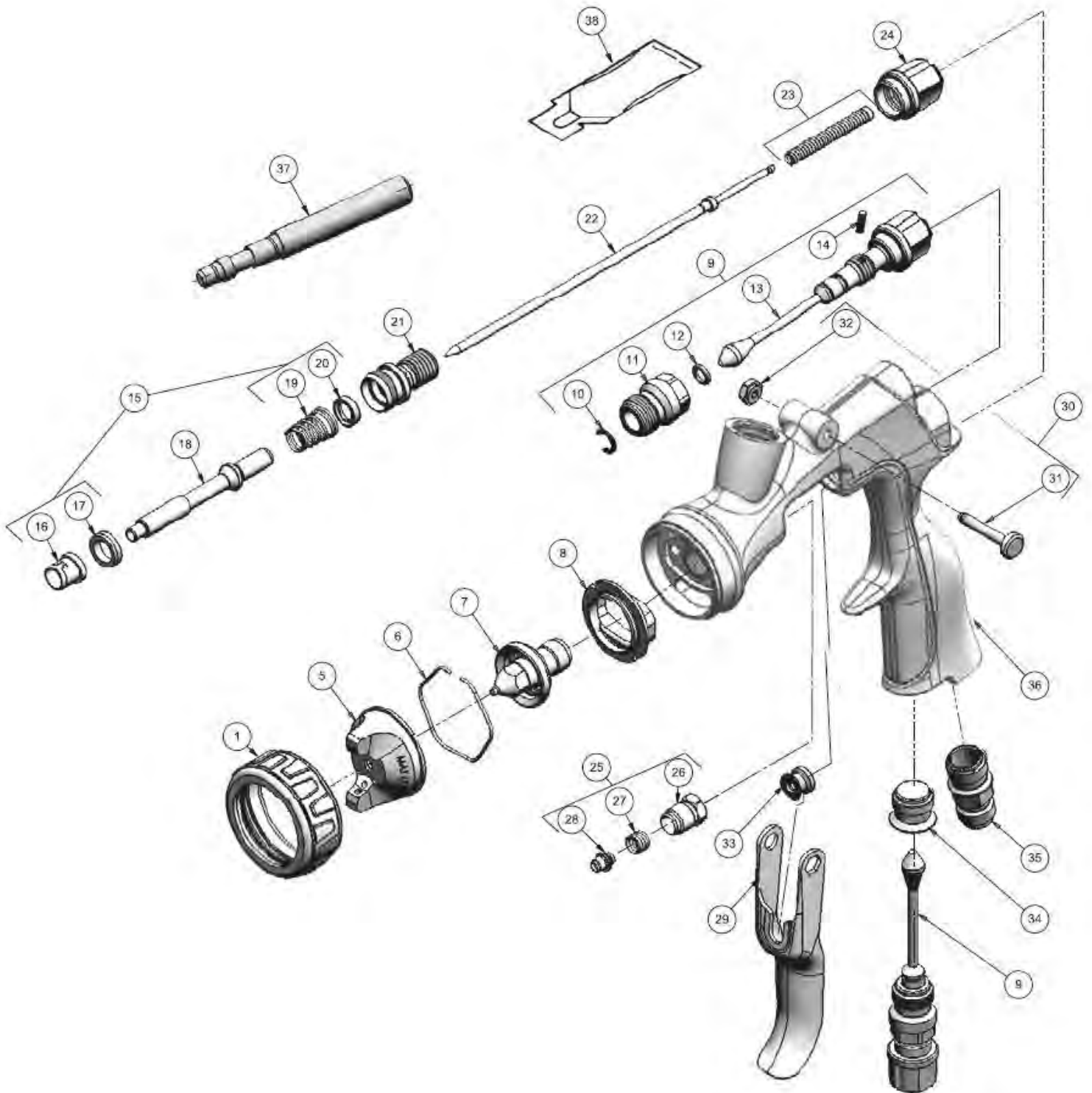
PART NUMBERS AND SCHEMATICS GUIDE

Binks® Trophy Gravity Feed Air Spray Gun


Item#	Part#	Description	Item#	Part#	Description
Fig. 2			—	20BKGTI428K5	Side Port Repair Kit <i>(Includes Item #'s: 10, 12, and 14)</i>
1	20BK546120	Air Cap Retaining Ring Assembly <i>(See Page 10)</i>	—	20BK546135	Binks® Trophy Repair Kit <i>(Includes Item #'s: 15, 18, 23, and 28)</i>
5	—	Air Cap <i>(See Page 10)</i>	—	201V538	Brochure – Binks® Trophy Air Spray Gun
6	20BKJGA156K10	Spring-Clip <i>(Quantity of Ten)</i>	—	206M600	Part Numbers and Schematics Guide – Binks® Trophy Air Spray Gun
7	—	Fluid Nozzle <i>(See Page 11)</i>	—	209V536	Operator's Manual – Binks® Trophy Gravity Feed Air Spray Gun
8	20BK546102K3	Baffle & Separator Kit <i>(Quantity of Three)</i>			
9	20BK546122	Side Port Valve Assembly <i>(Includes Item #'s: 10, 11, 12, 13, and 14)</i>			
10	—	Retaining Clip			
11	—	Body Bushing			
12	—	O-Ring			
13	—	Side Port Stem			
14	—	Pin			
15	20BK546131K	Air Valve Service Kit <i>(Includes Item #'s: 16, 17, 19, and 20)</i>			
16	—	Front Seal – Air Valve			
17	—	Front Air Valve Seal			
18	20BK546109	Air Valve Spindle			
19	—	Air Valve Spring			
20	—	Rear Seal – Air Valve			
21	20BKSN66	Housing			
22	20BK476825	Needle – Stainless Steel <i>(Standard)</i>			
23	20BK546133K3	Spring/Pad Assembly – Standard <i>(Quantity of Three)</i>			
24	20BK546111	Knob – Needle Adjusting			
25	20BK246130K	Needle Packing Kit – Standard <i>(Includes Item #'s: 26, 27, and 28)</i>			
26	—	Nut – Packing			
27	—	Spring for Packing			
28	—	Needle Packing – Standard			
—	20BKSN2K3	Needle Packing – Standard <i>(Quantity of Three)</i>			
29	20BK544360	Trigger			
30	20BK546132K	Trigger Screw Nut Kit <i>(Includes Item #'s: 31 and 32)</i>			
31	—	Trigger Screw			
32	—	Trigger Nut			
33	20BK543513	Valve Spindle Cap			
34	20BKSN11	Plug			
35	20BK6112	Fitting – Air Inlet			
36	—	Gun Body with Fluid Inlet			
37	—	Tool – Seal Insertion			
38	—	Gunner's Mate			
—	20BK546106	900cc Aluminum Cup			


PART NUMBERS AND SCHEMATICS GUIDE



Figure 2: Binks® Trophy Gravity Feed Air Spray Gun




PART NUMBERS AND SCHEMATICS GUIDE


		3/8" I.D. FLUID HOSE				
	Part Numbers	Length	Hose I.D.	Hose O.D.	Working Pressure	Hose Cover Color
	20FH038	Per Ft.	3/8"	11/16"	750 psi	Black



		3/8" I.D. FLUID HOSE WITH COUPLINGS INSTALLED					
	Part Numbers	Length	Hose I.D.	Hose O.D.	Working Pressure	Hose Cover Color	Couplings
	20FH03825AC	25 Ft.	3/8"	11/16"	750 psi	Black	2080020
	20FH03850AC	50 Ft.	3/8"	11/16"	750 psi	Black	2080020

		COUPLINGS AND HEX NIPPLE FOR 3/8" I.D. FLUID HOSE	
	Part Numbers	Thread Style	Working Pressure
	2080020	3/8" Compression Fitting x 3/8" Female NPS	250 psi
	1028610	3/8" Male x 3/8" Male Hex Nipple	1,000 psi





PART NUMBERS AND SCHEMATICS GUIDE

		5/16" I.D. AIR HOSE				
	Part Numbers	Length	Hose I.D.	Hose O.D.	Working Pressure	Hose Cover Color
	20AH0516	Per Ft.	5/16"	5/8"	200 psi	Red

		5/16" I.D. AIR HOSE WITH COUPLINGS INSTALLED					
	Part Numbers	Length	Hose I.D.	Hose O.D.	Working Pressure	Hose Cover Color	Couplings
	20AH051625AC	25 Ft.	5/16"	5/8"	200 psi	Red	2080010
	20AH051650AC	50 Ft.	5/16"	5/8"	200 psi	Red	2080010

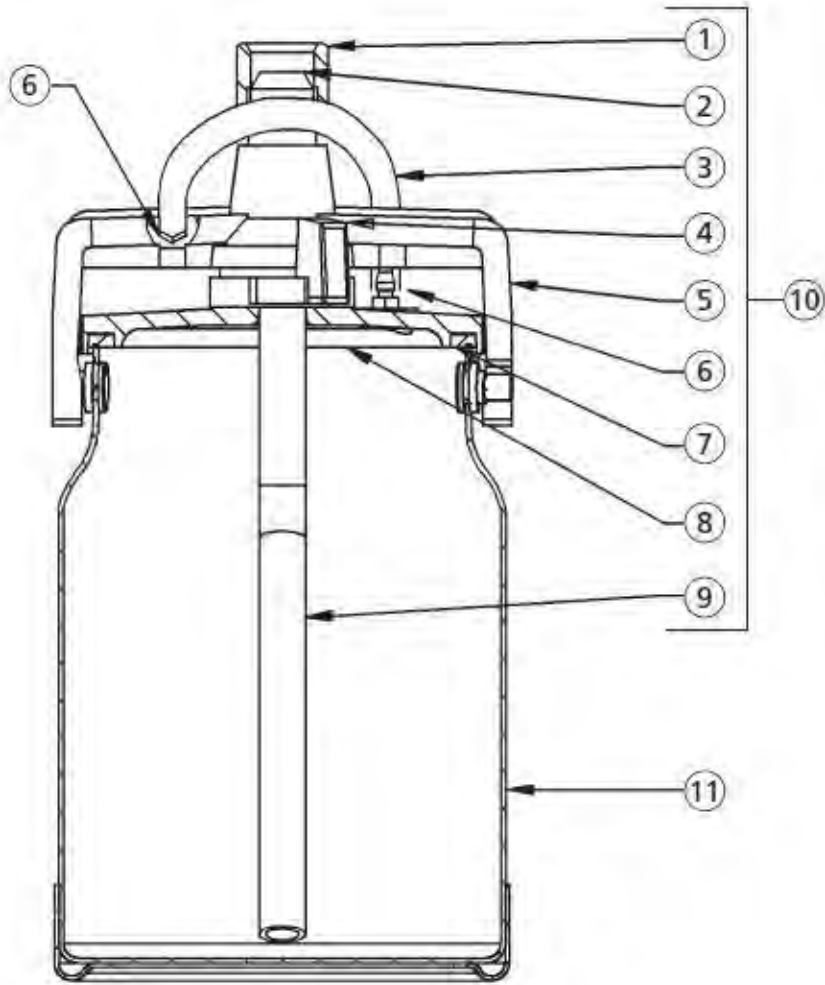
		COUPLING AND HEX NIPPLE FOR 5/16" I.D. AIR HOSE	
	Part Numbers	Thread Style	Working Pressure
	2080010	5/16" Female x 1/4" Female NPT Air Hose Coupling	250 psi
	20PFHA24SA0404	1/4" Male x 1/4" Male Air Hose Hex Nipple	6,000 psi

OPTIONAL ACCESSORIES

		CUPS	
Part Numbers		Description	
	20BK81800	1 qt. Siphon Cup	
	20BK546106	900cc Aluminum Cup	
	20BK544458	4 oz. Gravity Cup	
	20BK81384	8 oz. Siphon Cup	

OPTIONAL ACCESSORIES

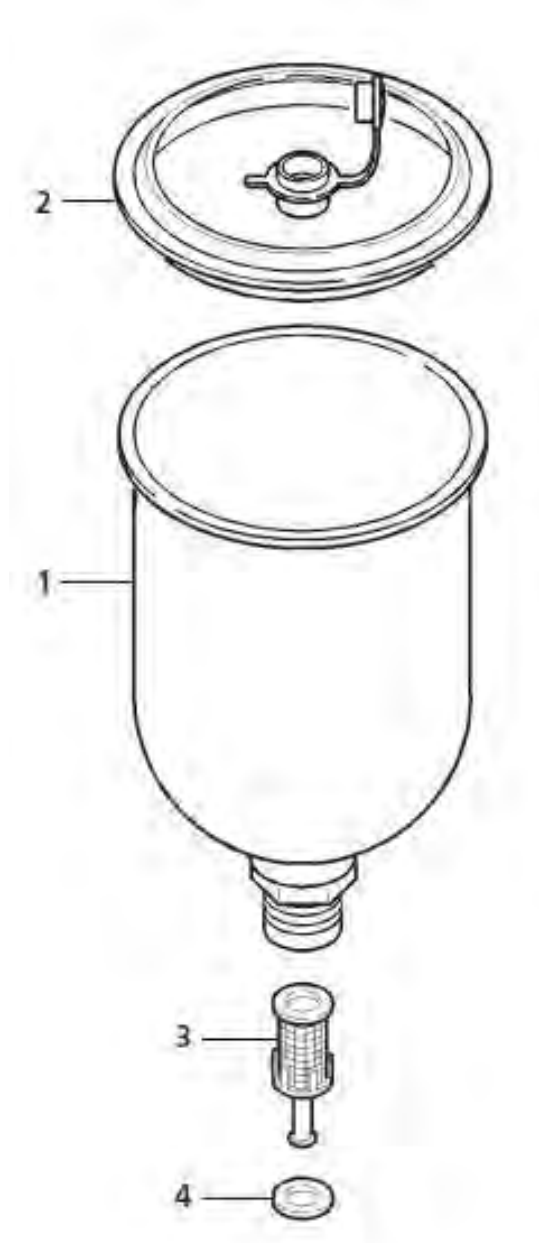
Figure 3: Binks® 1 qt. Siphon Cup



Item#	Part#	Description
Fig. 3		
—	20BK81800	Binks® 1 qt. Siphon Cup
1	—	Swivel Nut
2	—	Adapter
3	20BK81803	Drip Proof Tube (<i>Quantity of Two</i>)
4	—	Lever
5	—	Yoke
6	20BK81307	Connector (<i>Quantity of Two</i>)
7	20BKTGC9	Gasket
8	—	Cover Machining
9	—	Fluid Tube
10	20BK81801	Cover Assembly (<i>Includes Item #'s: 1, 2, 3, 4, 5, 6, 7, 8, and 9</i>)
11	20BK824282	1 qt. Cup Assembly
—	20BK81806	Cup Cover Repair Kit (<i>Includes Item #'s: 1, 2, 3, 4, 6, and 7</i>)
—	209V562	Operator's Manual – Binks® 1 qt. Siphon Cup

OPTIONAL ACCESSORIES

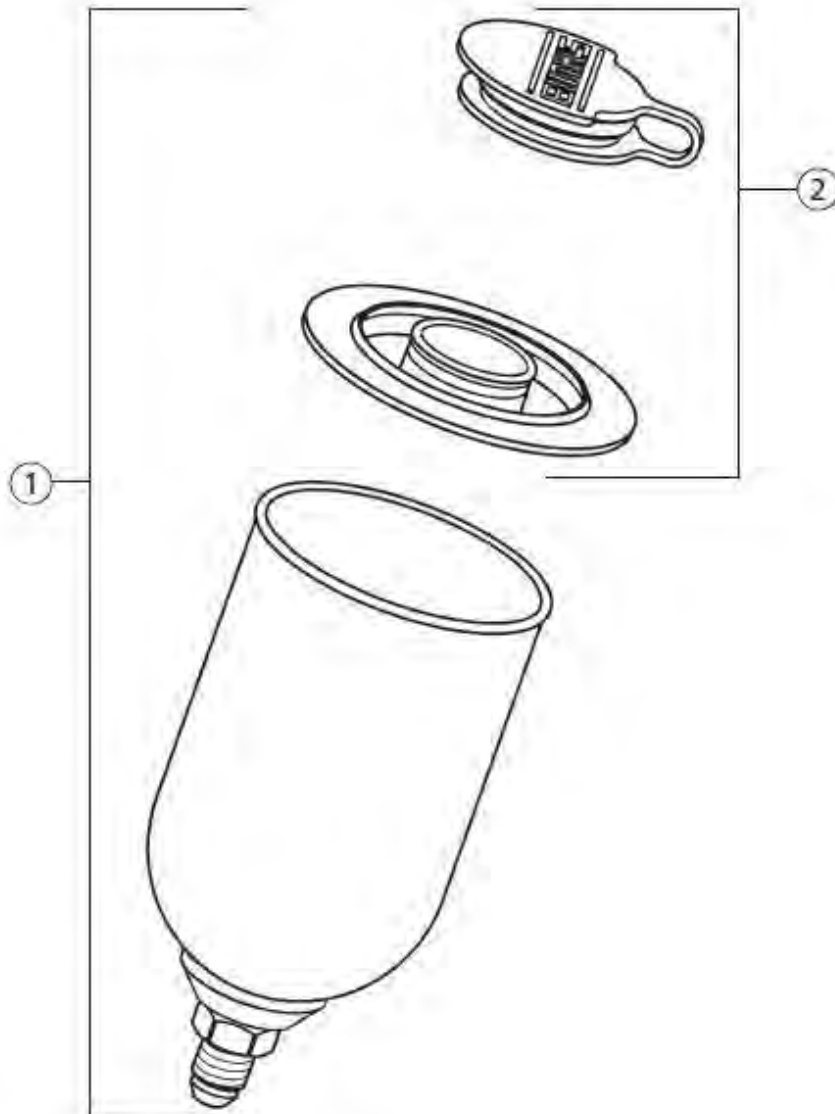
Figure 4: Binks® 900cc Aluminum Cup



Item#	Part#	Description
Fig. 4		
—	20BK546106	Binks® 900cc Aluminum Cup
1	—	Metal Gravity Feed Cup (900cc)
2	20BKGFC404K2	Disposable Lid Kit (<i>Quantity of Two</i>)
3	20BKKGP5K5	Filter Kit (<i>Quantity of Five</i>)
4	20BKKGP13K5	Cup Gasket (<i>Quantity of Five</i>)
—	209V563	Operator's Manual – Binks® 900cc Aluminum Cup

OPTIONAL ACCESSORIES

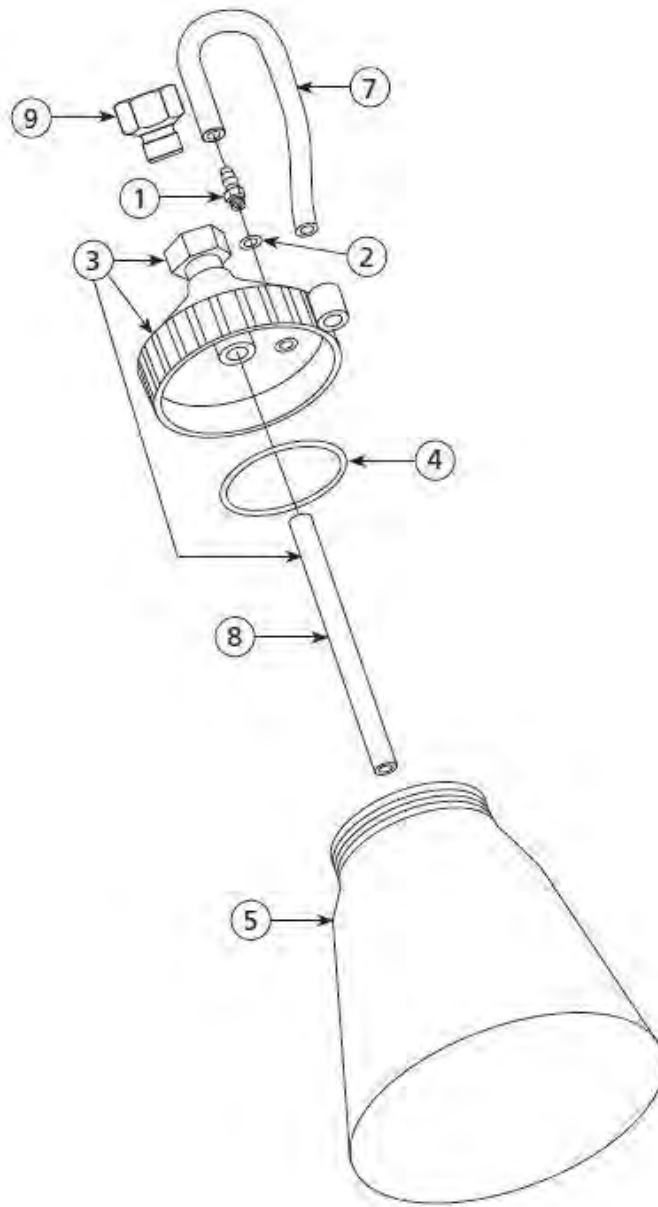
Figure 5: Binks® 4 oz. Gravity Cup



Item#	Part#	Description
Fig. 5		
1	20BK544458	Binks® 4 oz. Gravity Cup
2	20BK544459	4 oz. Cup Lid Assembly
—	209V564	Operator's Manual – Binks® 900cc Aluminum Cup

OPTIONAL ACCESSORIES

Figure 6: Binks® 8 oz. Siphon Cup



Item#	Part#	Description
Fig. 6		
—	20BK81384	Binks® 8 oz. Siphon Cup
1	20BK81307	10-32 Connector
2	20BK543925	Gasket
3	20BK81386	Cup Cover Assembly
4	20BK206685	Lid Gasket O-Ring
5	20BK544475	8 oz. Cup
—	20BK544476	Storage Cover
7	20BK544328	3-3/4" Vent Tube
8	—	Pick-Up Tube
9	20BKAD404	1/4" (M) x 3/8" (F) Adapter
—	209V565	Operator's Manual – Binks® 8 oz. Siphon Cup

PART NUMBERS AND SCHEMATICS GUIDE

DEVILBISS® EXL-520 HVLP AIR SPRAY GUN					
Part Numbers	Type	1 qt Siphon Cup (Included)	Air Cap	Fluid Tip	Material Handling (Viscosity)
20DEXL520P22	Pressure		2000	D	High
20DEXL520P18	Pressure		2000	E	High
20DEXL520P14	Pressure		2000	FF	High
20DEXL520P11	Pressure		2000	FX	Low to Medium
20DEXL520S18	Siphon	X	2000	E	Medium



(Pressure Feed)



(Suction Feed)

PART NUMBERS AND SCHEMATICS GUIDE



Part Numbers

LAPPED FLUID TIPS AND NEEDLES				
Part Numbers	Orifice Size	Tip Material	Fluid Needle (Included)	Needle Material
20DJGA4045FX	1.1 mm (0.042 in)	400 GR. S.S.	20DJGA402FX	Stainless Steel
20DJGA4045FF	1.4 mm (0.055 in)	400 GR. S.S.	20DJGA402FF	Stainless Steel
20DJGA4045E	1.8 mm (0.070 in)	400 GR. S.S.	20DJGA402E	Stainless Steel
20DJGA4045D	2.2 mm (0.086 in)	400 GR. S.S.	20DJGA402DEX	Stainless Steel



Part Numbers

FLUID TIPS AND NEEDLES				
Part Numbers	Orifice Size	Tip Material	Fluid Needle	Needle Material
20DJGA4040FX	1.1 mm (0.042 in)	400 GR. S.S.	20DJGA402FX	Stainless Steel
20DJGA4040FF	1.4 mm (0.055 in)	400 GR. S.S.	20DJGA402FF	Stainless Steel
20DGTI21318	1.8 mm (0.070 in)	400 GR. S.S.	20DGTI413	Stainless Steel
20DJGA4040E	1.8 mm (0.070 in)	400 GR. S.S.	20DJGA402E	Stainless Steel
20DGTI21322	2.2 mm (0.086 in)	400 GR. S.S.	20DGTI413	Stainless Steel
20DJGA4040D	2.2 mm (0.086 in)	400 GR. S.S.	20DJGA402DEX	Stainless Steel



Part Numbers

AIR CAP		
Part Numbers	Cap Number	Retaining Ring (Included)
20DGTI4072000	2000	X



Part Numbers

RETAINING RING AND BASE	
Part Numbers	Description
20DMBC368	DeVilbiss® Air Cap Retaining Ring (Pressure Feed)
20DGTI3	DeVilbiss® Air Cap Retaining Ring (Suction Feed)

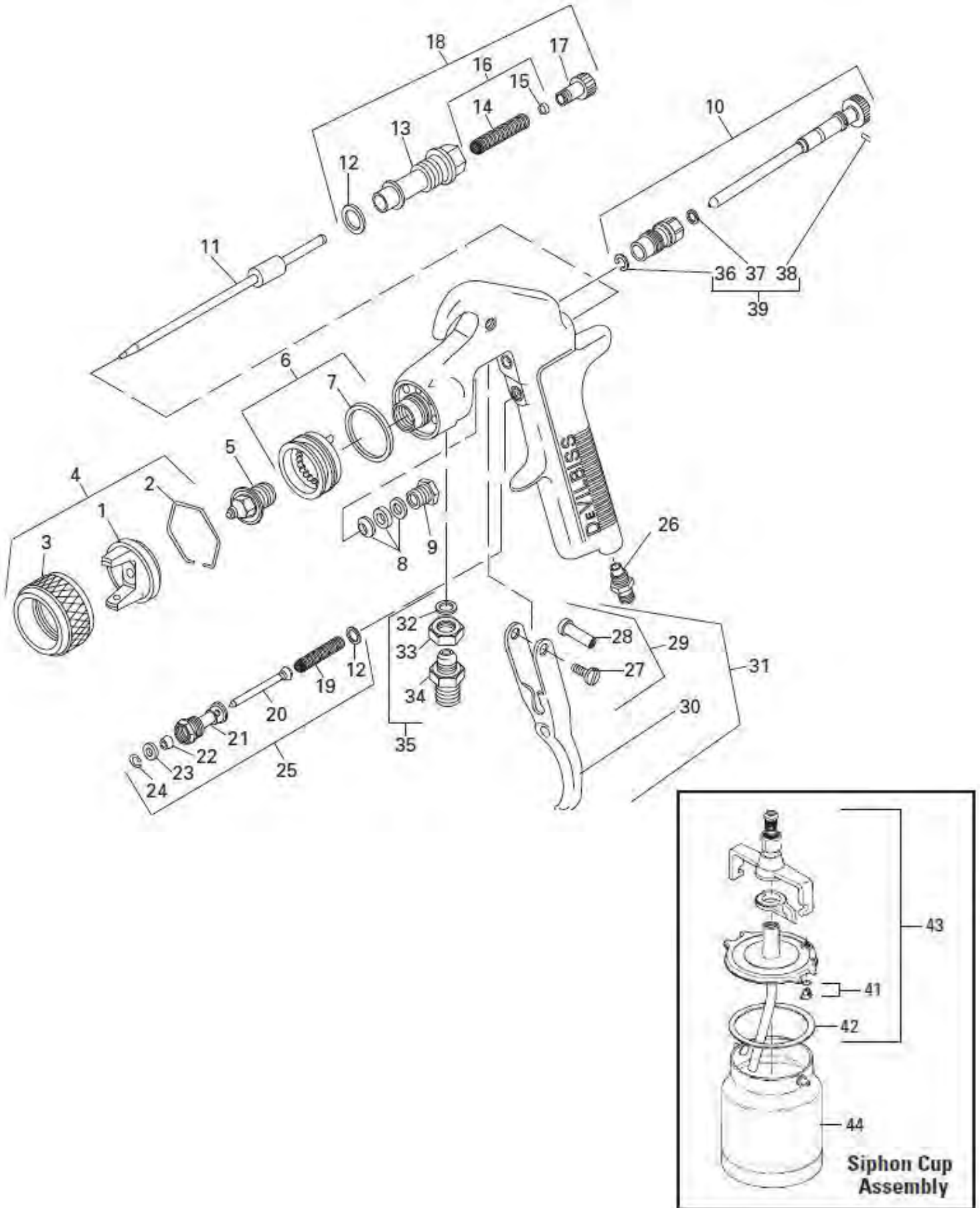
PART NUMBERS AND SCHEMATICS GUIDE

DeVilbiss® EXL-520 HVLP Air Spray Gun

Item#	Part#	Description	Item#	Part#	Description
Fig. 1			31	20DJGS4771	Trigger Stud and Screw Kit (Includes Item #'s: 29 and 30)
1	20DGTI4072000	Air Cap (See Page 5)	32	—	Fluid Inlet Gasket
2	20DJGA156K10	Spring Clip (Quantity of Ten)	33	—	Lock Nut
3	20DMBC368	Air Cap Retaining Ring (Pressure Feed)	34	—	Fluid Inlet Adapter
—	20DGTI3	Air Cap Retaining Ring (Suction Feed)	35	20DJGA4042	Fluid Inlet, Gasket, Nut Kit (Includes Item #'s: 32, 33, and 34)
4	—	Air Cap & Retaining Ring (Includes Item #'s: 1, 2, and 3) (See Page 5)	36	—	Retaining Clip
5	—	Fluid Tip (See Page 5)	37	—	Seal
6	20DGTI425	Baffle Assembly (Includes Item #7)	38	—	Pin
7	20DGTI33K5	Baffle Seal (Quantity of Five)	39	20DGTI428K5	Clip, Seal, and Pin Clip (Quantity of Five) (Includes Item #'s: 36, 37, and 38)
8	20DJGA4035K5	Packing Kit (Quantity of Five)	41	20DTGC4071K3	Drip Free Valve and Gasket (Quantity of Three) (Suction Feed)
9	20D34411122K10	Packing Nut	42	20DTGC9K5	Tri Seal® Lid Gasket (Quantity of Five) (Suction Feed)
10	20DGTI405	Side Port Control Valve	43	20DTGC404	Lid Assembly (Suction Feed)
11	—	Fluid Needle (See Page 5)	44	20DKR4282	Siphon Cup Assembly (Suction Feed)
12	20DGTI413	Fluid Needle (Suction Feed)	—	20DTLC40	Non-Stick Siphon Cup Assembly (Suction Feed)
13	20DJGS72K10	Gasket Kit, Package of Ten (Quantity of Two)	—	20DKK50582	DeVilbiss® EXL-520 HVLP Air Spray Gun Repair Kit (Includes Item #'s: 7, 8, 12, 14, 15, 19, 20, 22, 23, 24, 32, 36, 37, and 38)
14	—	Body Bushing	—	201V539	Brochure – DeVilbiss® EXL-520 HVLP Pressure Feed Air Spray Gun
15	—	Fluid Needle Spring	—	201V545	Brochure – DeVilbiss® EXL-520 HVLP Suction Feed Air Spray Gun
16	—	Spring Pad	—	206M601	Part Numbers & Schematics Guide – DeVilbiss® EXL-520 HVLP Air Spray Gun
17	20DMBD19K10	Spring and Pad (Quantity of Ten) (Includes Item #'s: 14 and 15)	—	209V539	Operator's Manual – DeVilbiss® EXL-520 HVLP Pressure Feed Air Spray Gun
18	20DGTI414	Needle Adjusting Screw	—	209V545	Operator's Manual – DeVilbiss® EXL-520 HVLP Suction Feed Air Spray Gun
19	20DKK5059	Fluid Knob Adjustment Kit (Includes Item #'s: 12, 13, 16, and 17)			
20	—	Air Valve Spring			
21	—	Air Valve			
22	—	Air Valve Body			
23	—	U Cup Seal			
24	—	Washer			
25	—	Snap Ring			
26	20DJGS4491	Air Valve Assembly (Includes Item #'s: 12, 19, 20, 21, 22, 23 and 24)			
27	20DPMB51	1/4" NPS (M) Air Inlet Adapter			
28	—	Trigger Stud Screw (Quantity of Five)			
29	—	Trigger Stud (Quantity of Three)			
30	20DJGS478	Stud and Screw Kit (Includes Item #'s: 27 and 28)			
31	—	Trigger			

PART NUMBERS AND SCHEMATICS GUIDE

Figure 1: DeVilbiss® EXL-520 HVLP Air Spray Gun



PART NUMBERS AND SCHEMATICS GUIDE

DEVILBISS® JGHV-531 HVLP AIR SPRAY GUN					
Part Numbers	Type	Air Cap	Fluid Tip	Fluid Tip Size	Material Handling (Viscosity)
20DJGHV53133FF	Pressure	33A	FF	1.4 mm (0.055 in)	Most Common Finishing Materials
20DJGHV53133FX	Pressure	33A	FX	1.1 mm (0.042 in)	Most Common Finishing Materials
20DJGHV53146FF	Pressure	46MP	FF	1.4 mm (0.055 in)	Low
20DJGHV53146FX	Pressure	46MP	FX	1.1 mm (0.042 in)	Low
20DJGHV53183E	Pressure	83MP	E	1.8 mm (0.070 in)	Low
20DJGHV53183D	Pressure	83MP	D	2.2 mm (0.086 in)	Low



PART NUMBERS AND SCHEMATICS GUIDE



Part Numbers

LAPPED FLUID TIPS AND NEEDLES				
Part Numbers	Orifice Size	Tip Material	Fluid Needle (Included)	Needle Material
20DJGA4045FX	1.1 mm (0.042 in)	400 GR. S.S.	20DJGA402FX	Stainless Steel
20DJGA4045FF	1.4 mm (0.055 in)	400 GR. S.S.	20DJGA402FF	Stainless Steel
20DJGA4045E	1.8 mm (0.070 in)	400 GR. S.S.	20DJGA402E	Stainless Steel
20DJGA4045D	2.2 mm (0.086 in)	400 GR. S.S.	20DJGA402DEX	Stainless Steel



Part Numbers

FLUID TIPS AND NEEDLES				
Part Numbers	Orifice Size	Tip Material	Fluid Needle	Needle Material
20DJGA4040FX	1.1 mm (0.042 in)	400 GR. S.S.	20DJGA402FX	Stainless Steel
20DJGA4040FF	1.4 mm (0.055 in)	400 GR. S.S.	20DJGA402FF	Stainless Steel
20DJGA4040E	1.8 mm (0.070 in)	400 GR. S.S.	20DJGA402E	Stainless Steel
20DJGA4040D	2.2 mm (0.086 in)	400 GR. S.S.	20DJGA402DEX	Stainless Steel



Part Numbers

AIR CAPS		
Part Numbers	Cap Number	Retaining Ring (Included)
20DJGHV10133A	33A	X
20DJGHV10146MP	46MP	X
20DJGHV10183MP	83MP	X

Part Numbers

RETAINING RING AND BASE	
Part Numbers	Description
 20DMBC368	DeVilbiss® Air Cap Retaining Ring

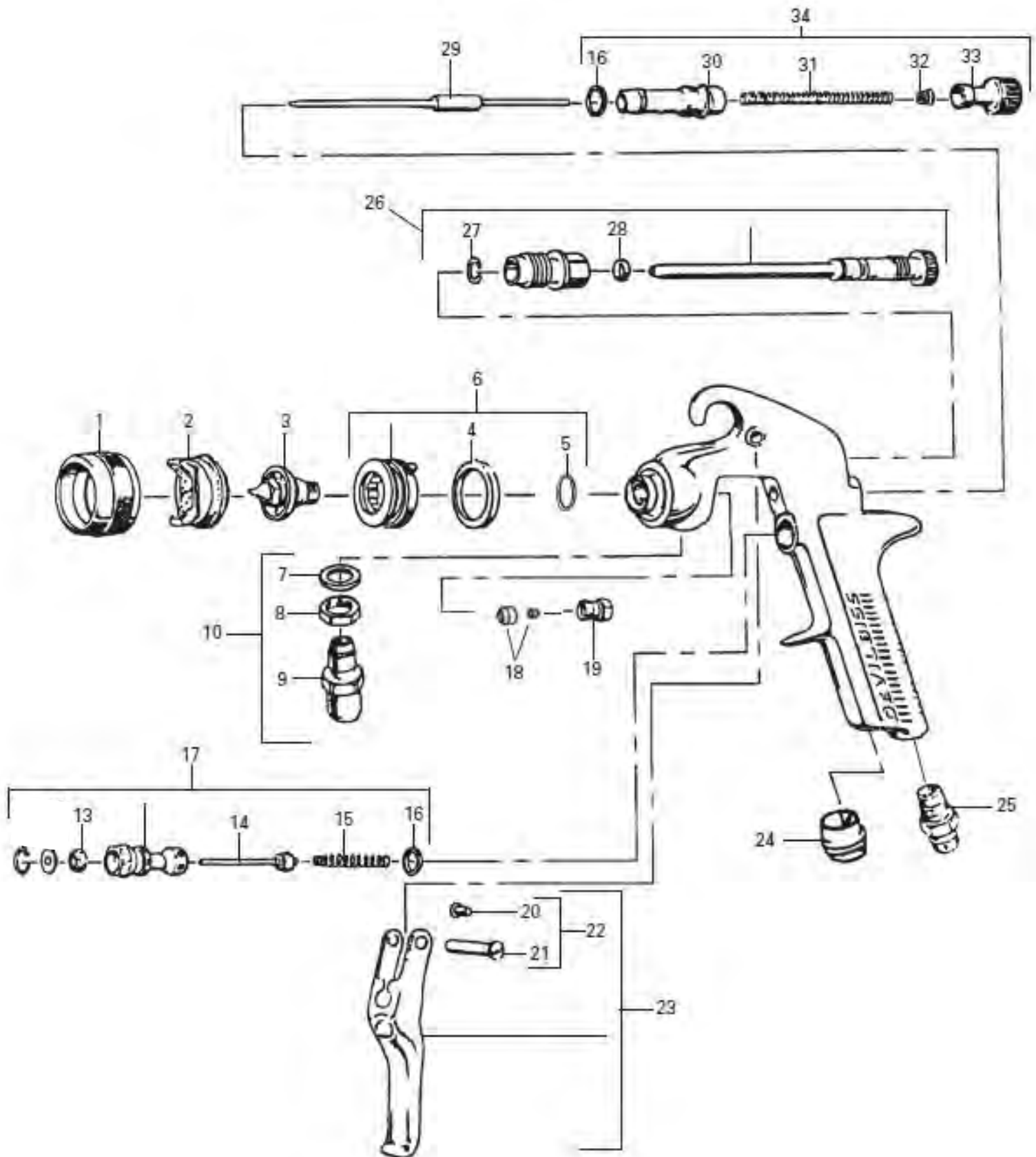
PART NUMBERS AND SCHEMATICS GUIDE

DeVilbiss® JGHV-531 HVLP Air Spray Gun

Item#	Part#	Description
Fig. 1		
1	20DMBC368	Retaining Ring
2	—	Air Cap (See Page 5)
3	—	Fluid Tip (See Page 5)
4	20DJGD14K10	Gasket Kit (Quantity of Ten)
5	20DSSG8182K5	O-Ring Kit (Quantity of Five)
6	—	Baffle Head Assembly (Includes Item #'s: 4 and 5)
7	20DMSV3K10	Fluid Inlet Gasket Kit (Quantity of Ten)
8	—	Locknut
9	—	3/8" NPS Fluid Inlet Adapter
10	20DJGA4044	Fluid Inlet and Nut Kit (Includes Item #'s: 7, 8, and 9)
13	20DJGS26K25	U-Cup (Quantity of 25)
14	20DJGS431K25	Air Valve (Quantity of 25)
15	20DMBD12K25	Spring (Quantity of 25)
16	20DJGS72K10	Gasket Kit, Package of Ten (Quantity of Two)
17	20DJGS4491	Air Valve Assembly (Includes Item #'s: 11, 12, 13, 14, 15, and 16)
18	20DJGV463K3	Needle Packing Kit (Quantity of Three)
19	20D34411122K10	Packing Gland Kit (Quantity of Ten)
20	—	Screw (Quantity of Five)
21	—	Trigger Bearing Stud (Quantity of Three)
22	20DJGS478	Stud and Screw Kit (Includes Item #'s: 20 and 21)
23	20DJGS4771	Trigger Stud and Screw Kit (Includes Item #'s: 20 and 21, One of Each)
24	20DJGA132	Plug
25	20DPMB51	1/4" NPS Air Inlet Adapter
26	20DJGA4971	Fan Adjustment Assembly (Includes Item #'s: 27 and 28)
27	—	Retaining Ring
28	20DSSG8069K25	O-Ring Kit (Quantity of 25)
29	—	Fluid Needle (See Page 5)
30	—	Gun Body Bushing
31	20DMBD19K10	Spring Kit (Quantity of Ten) (Includes Item #32)
32	—	Spring Pad
33	20DJGS16	Adjusting Screw
34	20DJGA4041	Bushing, Spring, and Knob Kit (Includes Item #'s: 16, 30, 31, 32, and 33)
—	20DKK49872	DeVilbiss® JGHV-531 HVLP Air Spray Gun Repair Kit (Includes Item #'s: 4, 5, 11, 12, 13, 14, 15, 16, 18, 20, 27, 28, 31, and 32)
—	201V540	Brochure – DeVilbiss® JGHV-531 HVLP Air Spray Gun
—	206M602	Part Numbers & Schematics Guide – DeVilbiss® JGHV-531 HVLP Air Spray Gun
—	209V540	Operator's Manual – DeVilbiss® JGHV-531 HVLP Air Spray Gun

PART NUMBERS AND SCHEMATICS GUIDE

Figure 1: DeVilbiss® JGHV-531 HVLP Air Spray Gun



PART NUMBERS AND SCHEMATICS GUIDE



Part Numbers

GRACO® AIRPRO® PRESSURE FEED AIR SPRAY GUN – GENERAL METAL SPRAY GUNS

	Type	Air Cap	Fluid Tip Size	Material Viscosity
20G288726	Conventional	289773	0.5 mm (0.020 in)	Light
20G288929	Conventional	289773	0.8 mm (0.030 in)	Light
20G288930	Conventional	289773	1.1 mm (0.042 in)	Light-Medium
20G288931	Conventional	289773	1.4 mm (0.055 in)	Medium
20G288932	Conventional	289784	1.8 mm (0.070 in)	Medium-Heavy
20G288933	Conventional	289068	2.2 mm (0.086 in)	Medium-Heavy
20G288934	Conventional	289069	2.8 mm (0.110 in)	Heavy
20G288935	HVLP	289041	0.5 mm (0.020 in)	Light
20G288936	HVLP	289041	0.8 mm (0.030 in)	Light
20G288937	HVLP	289041	1.1 mm (0.042 in)	Light-Medium
20G288938	HVLP	289041	1.4 mm (0.055 in)	Medium
20G288939	HVLP	289041	1.8 mm (0.070 in)	Medium-Heavy
20G288941	HVLP	289043	2.8 mm (0.110 in)	Heavy
20G288940	HVLP	289070	2.2 mm (0.086 in)	Medium-Heavy
20G288942	Compliant	289042	0.5 mm (0.020 in)	Light
20G288943	Compliant	289042	0.8 mm (0.030 in)	Light
20G288944	Compliant	289042	1.1 mm (0.042 in)	Light-Medium
20G288945	Compliant	289042	1.4 mm (0.055 in)	Medium
20G288946	Compliant	289042	1.8 mm (0.070 in)	Medium-Heavy
20G288947	Compliant	289044	2.2 mm (0.086 in)	Medium-Heavy
20G288948	Compliant	289045	2.8 mm (0.110 in)	Heavy

PART NUMBERS AND SCHEMATICS GUIDE



Part Numbers

GRACO® AIRPRO® PRESSURE FEED AIR SPRAY GUN – GENERAL METAL WITH STAINLESS STEEL TIP

Part Numbers	Type	Air Cap	Fluid Tip Size	Material Viscosity
20G288949	Conventional	289773	1.1 mm (0.042 in)	Light-Medium
20G288950	Conventional	289773	1.4 mm (0.055 in)	Medium
20G288951	Conventional	289784	1.8 mm (0.070 in)	Medium-Heavy
20G288952	HVLP	289041	1.1 mm (0.042 in)	Light-Medium
20G288953	HVLP	289041	1.4 mm (0.055 in)	Medium
20G288954	HVLP	289041	1.8 mm (0.070 in)	Medium-Heavy
20G288955	Compliant	289042	1.1 mm (0.042 in)	Light-Medium
20G288956	Compliant	289042	1.4 mm (0.055 in)	Medium
20G288957	Compliant	289042	1.8 mm (0.070 in)	Medium-Heavy



Part Numbers

GRACO® AIRPRO® PRESSURE FEED AIR SPRAY GUN – AUTOMOTIVE APPLICATIONS

Part Numbers	Type	Air Cap	Fluid Tip Size	Material Viscosity
20G24D472	Conventional	289040	1.1 mm (0.042 in)	Light-Medium
20G288929	Conventional	289773	0.8 mm (0.030 in)	Light
20G288930	Conventional	289773	1.1 mm (0.042 in)	Light-Medium
20G288931	Conventional	289773	1.4 mm (0.055 in)	Medium
20G289034	HVLP	289771	1.0 mm (0.040 in)	Light
20G289035	HVLP	289771	1.2 mm (0.047 in)	Light-Medium
20G289541	HVLP	289771	1.4 mm (0.055 in)	Medium
20G289036	Compliant	289772	1.0 mm (0.040 in)	Light
20G289037	Compliant	289772	1.2 mm (0.047 in)	Light-Medium
20G289542	Compliant	289772	1.4 mm (0.055 in)	Medium

PART NUMBERS AND SCHEMATICS GUIDE



Part Numbers

GRACO® AIRPRO® PRESSURE FEED AIR SPRAY GUN – HIGH WEAR APPLICATIONS

Part Numbers	Type	Air Cap	Fluid Tip Size	Material Viscosity
20G288973	Conventional	288861	1.5 mm (0.059 in)	Medium
20G288974	Conventional	289049	1.8 mm (0.070 in)	Medium-Heavy
20G288975	Conventional	289049	2.2 mm (0.086 in)	Medium-Heavy
20G288982	Conventional	289049	2.8 mm (0.110 in)	Heavy
20G288976	HVLP	289115	1.5 mm (0.059 in)	Medium
20G288977	HVLP	289325	1.8 mm (0.070 in)	Medium-Heavy
20G288978	HVLP	289325	2.2 mm (0.086 in)	Medium-Heavy
20G289983	HVLP	289325	2.8 mm (0.110 in)	Heavy
20G288979	Compliant	289050	1.5 mm (0.059 in)	Medium
20G288980	Compliant	289327	1.8 mm (0.070 in)	Medium-Heavy
20G288981	Compliant	289327	2.2 mm (0.086 in)	Medium-Heavy
20G289984	Compliant	289327	2.8 mm (0.110 in)	Heavy



Part Numbers

GRACO® AIRPRO® PRESSURE FEED AIR SPRAY GUN – WATERBORNE APPLICATIONS

Part Numbers	Type	Air Cap	Fluid Tip Size	Material Viscosity
20G288964	Conventional	289046	0.8 mm (0.030 in)	Light
20G288965	Conventional	289046	1.1 mm (0.042 in)	Light-Medium
20G288966	Conventional	289046	1.4 mm (0.055 in)	Medium
20G288967	HVLP	289047	0.8 mm (0.030 in)	Light
20G288968	HVLP	289047	1.1 mm (0.042 in)	Light-Medium
20G288969	HVLP	289047	1.4 mm (0.055 in)	Medium
20G288970	Compliant	289048	0.8 mm (0.030 in)	Light
20G288971	Compliant	289048	1.1 mm (0.042 in)	Light-Medium
20G288972	Compliant	289048	1.4 mm (0.055 in)	Medium

PART NUMBERS AND SCHEMATICS GUIDE



Part Numbers

GRACO® AIRPRO® GRAVITY FEED AIR SPRAY GUN – WITHOUT CUP				
Part Numbers	Type	Air Cap	Fluid Tip Size	Material Viscosity
20G289002	Conventional	289773	1.4 mm (0.055 in)	Light-Medium
20G289003	Conventional	289773	1.8 mm (0.070 in)	Light-Medium
20G289005	HVLP	289771	1.4 mm (0.055 in)	Light-Medium
20G289006	HVLP	289771	1.8 mm (0.070 in)	Light-Medium
20G289008	Compliant	289772	1.4 mm (0.055 in)	Light-Medium
20G289009	Compliant	289772	1.8 mm (0.070 in)	Light-Medium



Part Numbers

GRACO® AIRPRO® GRAVITY FEED AIR SPRAY GUN – WITH PLASTIC GRAVITY CUP				
Part Numbers	Type	Air Cap	Fluid Tip Size	Material Viscosity
20G289011	Conventional	289773	1.4 mm (0.055 in)	Light-Medium
20G289012	Conventional	289773	1.8 mm (0.070 in)	Light-Medium
20G289014	HVLP	289771	1.4 mm (0.055 in)	Light-Medium
20G289015	HVLP	289771	1.8 mm (0.070 in)	Light-Medium
20G289017	Compliant	289772	1.4 mm (0.055 in)	Light-Medium
20G289018	Compliant	289772	1.8 mm (0.070 in)	Light-Medium



Part Numbers

GRACO® AIRPRO® GRAVITY FEED AIR SPRAY GUN – WITH 3M™ PPS™ CUP				
Part Numbers	Type	Air Cap	Fluid Tip Size	Material Viscosity
20G289020	Conventional	289773	1.4 mm (0.055 in)	Light-Medium
20G289021	Conventional	289773	1.8 mm (0.070 in)	Light-Medium
20G289023	HVLP	289771	1.4 mm (0.055 in)	Light-Medium
20G289024	HVLP	289771	1.8 mm (0.070 in)	Light-Medium
20G289026	Compliant	289772	1.4 mm (0.055 in)	Light-Medium
20G289027	Compliant	289772	1.8 mm (0.070 in)	Light-Medium

PART NUMBERS AND SCHEMATICS GUIDE



Part Numbers

GRACO® AIRPRO® SIPHON FEED AIR SPRAY GUN – WITHOUT SIPHON CUP				
Part Numbers	Type	Air Cap	Fluid Tip Size	Material Viscosity
20G289991	Conventional	289769	1.4 mm (0.055 in)	Light-Medium
20G289992	Conventional	289769	1.8 mm (0.070 in)	Light-Medium
20G289993	HVLP	289435	1.4 mm (0.055 in)	Light-Medium
20G289994	HVLP	289435	1.8 mm (0.070 in)	Light-Medium
20G289995	Compliant	289768	1.4 mm (0.055 in)	Light-Medium
20G289996	Compliant	289768	1.8 mm (0.070 in)	Light-Medium



Part Numbers

GRACO® AIRPRO® SIPHON FEED AIR SPRAY GUN – WITH METAL SIPHON CUP				
Part Numbers	Type	Air Cap	Fluid Tip Size	Material Viscosity
20G289028	Conventional	289769	1.4 mm (0.055 in)	Light-Medium
20G289029	Conventional	289769	1.8 mm (0.070 in)	Light-Medium
20G289030	HVLP	289435	1.4 mm (0.055 in)	Light-Medium
20G289031	HVLP	289435	1.8 mm (0.070 in)	Light-Medium
20G289032	Compliant	289768	1.4 mm (0.055 in)	Light-Medium
20G289033	Compliant	289768	1.8 mm (0.070 in)	Light-Medium

PART NUMBERS AND SCHEMATICS GUIDE



Part Numbers

AIR CAPS			
Part Numbers	Gun Type	Cap Number	Feed Type
20G288861	Conventional	288861	Pressure
20G289040	Conventional	289040	Pressure
20G289046	Conventional	289046	Pressure
20G289049	Conventional	289049	Pressure
20G289068	Conventional	289068	Pressure
20G289069	Conventional	289069	Pressure
20G289769	Conventional	289769	Siphon
20G289773	Conventional	289773	Pressure and Gravity
20G289784	Conventional	289784	Pressure
20G289041	HVLP	289041	Pressure
20G289043	HVLP	289043	Pressure
20G289047	HVLP	289047	Pressure
20G289070	HVLP	289070	Pressure
20G289115	HVLP	289115	Pressure
20G289325	HVLP	289325	Pressure
20G289435	HVLP	289435	Siphon
20G289771	HVLP	289771	Pressure and Gravity
20G289772	HVLP	289772	Pressure and Gravity
20G289042	Compliant	289042	Pressure
20G289044	Compliant	289044	Pressure
20G289045	Compliant	289045	Pressure
20G289048	Compliant	289048	Pressure
20G289050	Compliant	289050	Pressure
20G289327	Compliant	289327	Pressure
20G289768	Compliant	289768	Siphon

Part Numbers

RETAINING RING AND BASE

Description



20G289079

Retaining Ring for Graco® AirPro®


PART NUMBERS AND SCHEMATICS GUIDE



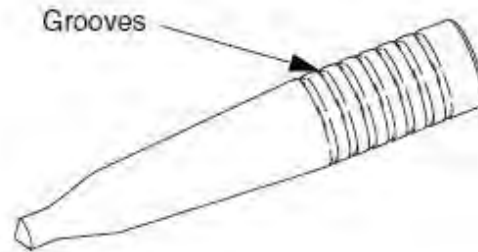
FLUID TIPS AND NEEDLES

Part Numbers	Feed Type	Spray Type	Orifice Size	Fluid Needle Assembly (Included)
20G289493	Gravity	Conventional	1.4 mm (0.055 in)	20G289799
20G289494	Gravity	Conventional	1.8 mm (0.070 in)	20G289786
20G289495	Gravity	HVLP	1.4 mm (0.055 in)	20G289786
20G289496	Gravity	HVLP	1.8 mm (0.070 in)	20G289786
20G289497	Gravity	Compliant	1.4 mm (0.055 in)	20G289799
20G289498	Gravity	Compliant	1.8 mm (0.070 in)	20G289799
20G289458	Pressure	All	0.5 mm (0.020 in)	20G289270
20G289459	Pressure	All	0.8 mm (0.030 in)	20G289271
20G289475	Pressure	All	0.8 mm (0.030 in)	20G289785
20G289460	Pressure	All	1.1 mm (0.042 in)	20G289785
20G289476	Pressure	All	1.1 mm (0.042 in)	20G289785
20G289461	Pressure	All	1.1 mm (0.042 in)	20G289272
20G289462	Pressure	All	1.4 mm (0.055 in)	20G289799
20G289477	Pressure	All	1.4 mm (0.055 in)	20G289799
20G289463	Pressure	All	1.4 mm (0.055 in)	20G289273
20G289464	Pressure	All	1.8 mm (0.070 in)	20G289799
20G289465	Pressure	All	1.8 mm (0.070 in)	20G289273
20G289466	Pressure	All	2.2 mm (0.086 in)	20G289787
20G289467	Pressure	All	2.8 mm (0.110 in)	20G289800
20G289478	Pressure	Conventional	1.5 mm (0.059 in)	20G289352
20G289479	Pressure	Conventional	1.8 mm (0.070 in)	20G289352
20G289480	Pressure	Conventional	2.2 mm (0.086 in)	20G289351
20G289980	Pressure	Conventional	2.8 mm (0.110 in)	20G289979
20G289481	Pressure	HVLP and Compliant	1.5 mm (0.059 in)	20G289352
20G289482	Pressure	HVLP and Compliant	1.8 mm (0.070 in)	20G289352
20G289483	Pressure	HVLP and Compliant	2.2 mm (0.086 in)	20G289351
20G289981	Pressure	HVLP and Compliant	2.8 mm (0.110 in)	20G289979
20G289487	Siphon	Conventional	1.4 mm (0.055 in)	20G289788
20G289488	Siphon	Conventional	1.8 mm (0.070 in)	20G289788
20G289489	Siphon	HVLP	1.4 mm (0.055 in)	20G289789
20G289490	Siphon	HVLP	1.8 mm (0.070 in)	20G289789
20G289491	Siphon	Compliant	1.4 mm (0.055 in)	20G289788
20G289492	Siphon	Compliant	1.8 mm (0.070 in)	20G289788

PART NUMBERS AND SCHEMATICS GUIDE



Part Numbers	FLUID NEEDLE TIPS			
	Needle Tip Grooves	Stainless Steel Tip	Fluid Needle Assembly (For Use With)	U.O.M.
20G289004	0		20G289787	5/PKG
20G289007	0		20G289007	5/PKG
20G289350	1		20G289270	5/PKG
20G288183	2		20G289271	5/PKG
20G288184	3		20G289785	5/PKG
20G288185	4		20G289799	5/PKG
20G288984	6		20G289788	5/PKG
20G289001	7		20G289786 & 20G289789	5/PKG
20G289010	N/A	X	20G289272	5/PKG
20G289013	N/A	X	20G289273	5/PKG



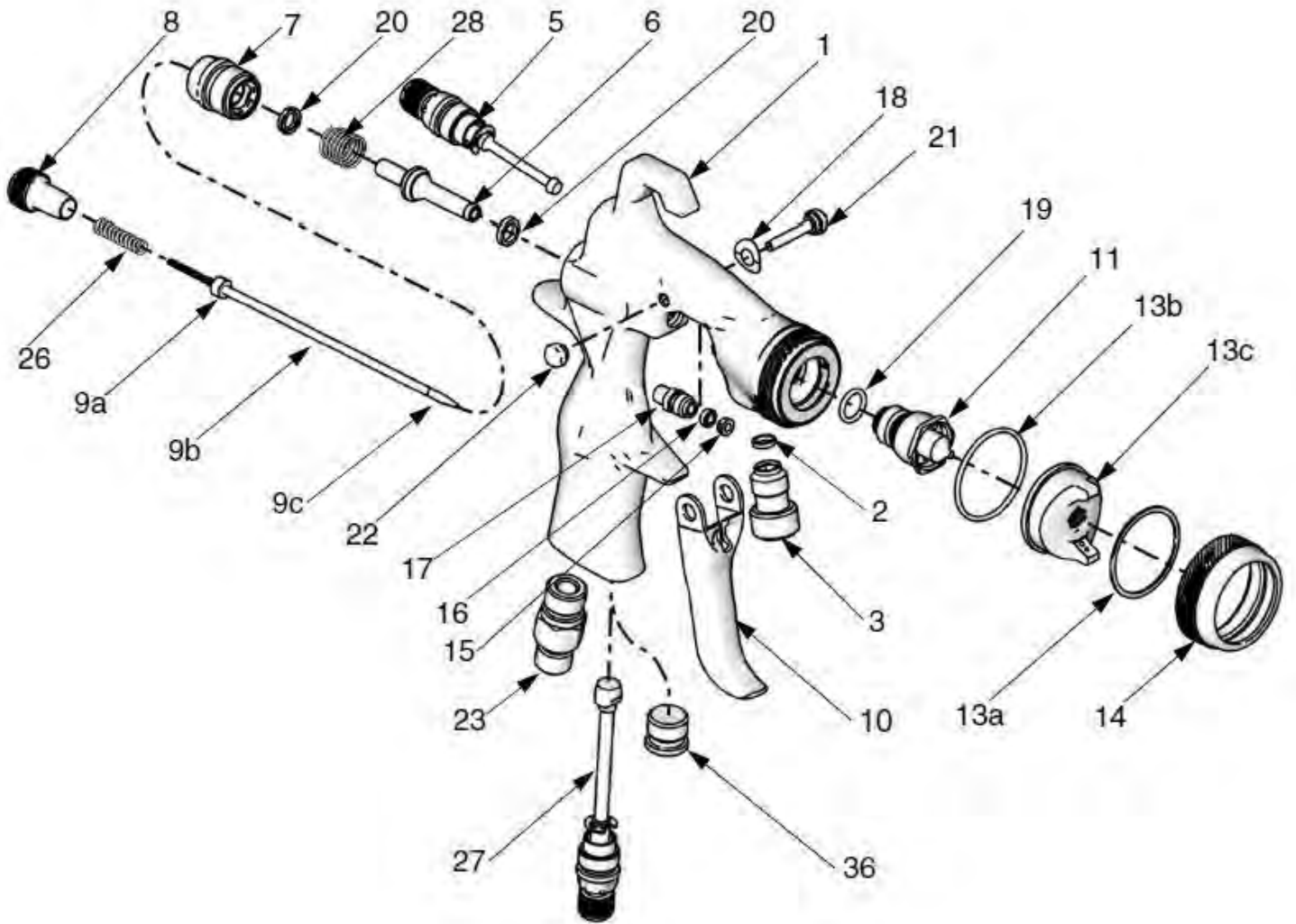
PART NUMBERS AND SCHEMATICS GUIDE

Graco® AirPro® Pressure Feed Air Spray Gun

Item#	Part#	Description	Item#	Part#	Description
Fig. 1			—	20G289455	Needle Packing Repair Kit <i>(Includes Item #'s: 15 and 16)</i> <i>(Quantity of Five)</i>
1	20G289016	Handle Kit Assembly	—	20G289407	Air Valve Repair Kit <i>(Includes Item #'s: 6, 7, 20, 26, 28, and 33)</i>
2	—	Fluid Inlet Gasket	—	20G289791	Air Cap Seal Repair Kit <i>(Includes Item #'s: 13a and 13b)</i> <i>(Quantity of Five)</i>
3	—	Fluid Inlet Fitting	—	20G289079	Retaining Ring Repair Kit <i>(Includes Item #'s: 13a, 13b, and 14)</i>
5	20G289796	Air Control Valve Assembly	—	20G289016	Gun Body Repair Kit <i>(Includes Item #'s: 1, 2, 3, 15, and 16)</i>
6	20G289038	Air Valve Assembly	—	20G24C269	Fluid Inlet Fitting Repair Kit <i>(Includes Item #'s: 2 and 3)</i>
7	20G289052	Air Valve U-Cup Nut Assembly	—	201V541	Brochure – Graco® AirPro® Air Spray Gun
8	20G289097	Fluid Control Valve	—	206M603	Part Numbers & Schematics Guide – Graco® AirPro® Air Spray Gun
9	—	Needle Assembly <i>(See Page 10)</i> <i>(Includes Item #'s: 9a, 9b, and 9c)</i>	—	209V541	Operator's Manual – Graco® AirPro® Pressure Feed Air Spray Gun
9a	—	Nut Needle			
9b	—	Needle			
9c	—	Tip Needle <i>(See Page 11)</i>			
10	20G289140	Gun Trigger			
11	—	Fluid Nozzle <i>(See Page 10)</i>			
13	—	Air Cap Assembly <i>(Includes Item #'s: 13a, 13b, and 13c)</i> <i>(See Page 9)</i>			
13a	—	Washer			
13b	—	O-Ring			
13c	—	Air Cap			
14	—	Retaining Ring <i>(See Page 9)</i>			
15	—	U-Cup Spreader			
16	—	U-Cup Packing			
17	20G289792	Nut			
18	—	Wave Washer			
19	20G111457	O-Ring			
20	—	U-Cup Gun Packing <i>(Quantity of Two)</i>			
21	—	Pivot Pin			
22	—	Pivot Pin Nut			
23	20G289451	Air Inlet Fitting			
26	—	Compression Spring			
27	20G289142	Air Inlet Valve Assembly			
28	—	Compression Spring			
29	20G289794	Gun Tool			
33	—	Seal Installation Tool			
36	20G289452	Air Plug Nut			
—	20G289399	Gun Repair Kit <i>(Includes Item #'s: 6, 13a, 13b, 15, 16, 19, 20, and 33)</i>			
—	20G89143	Trigger Repair Kit <i>(Includes Item #'s: 21 and 22)</i> <i>(Quantity of Five)</i>			

PART NUMBERS AND SCHEMATICS GUIDE

Figure 1: Graco® AirPro® Pressure Feed Air Spray Gun



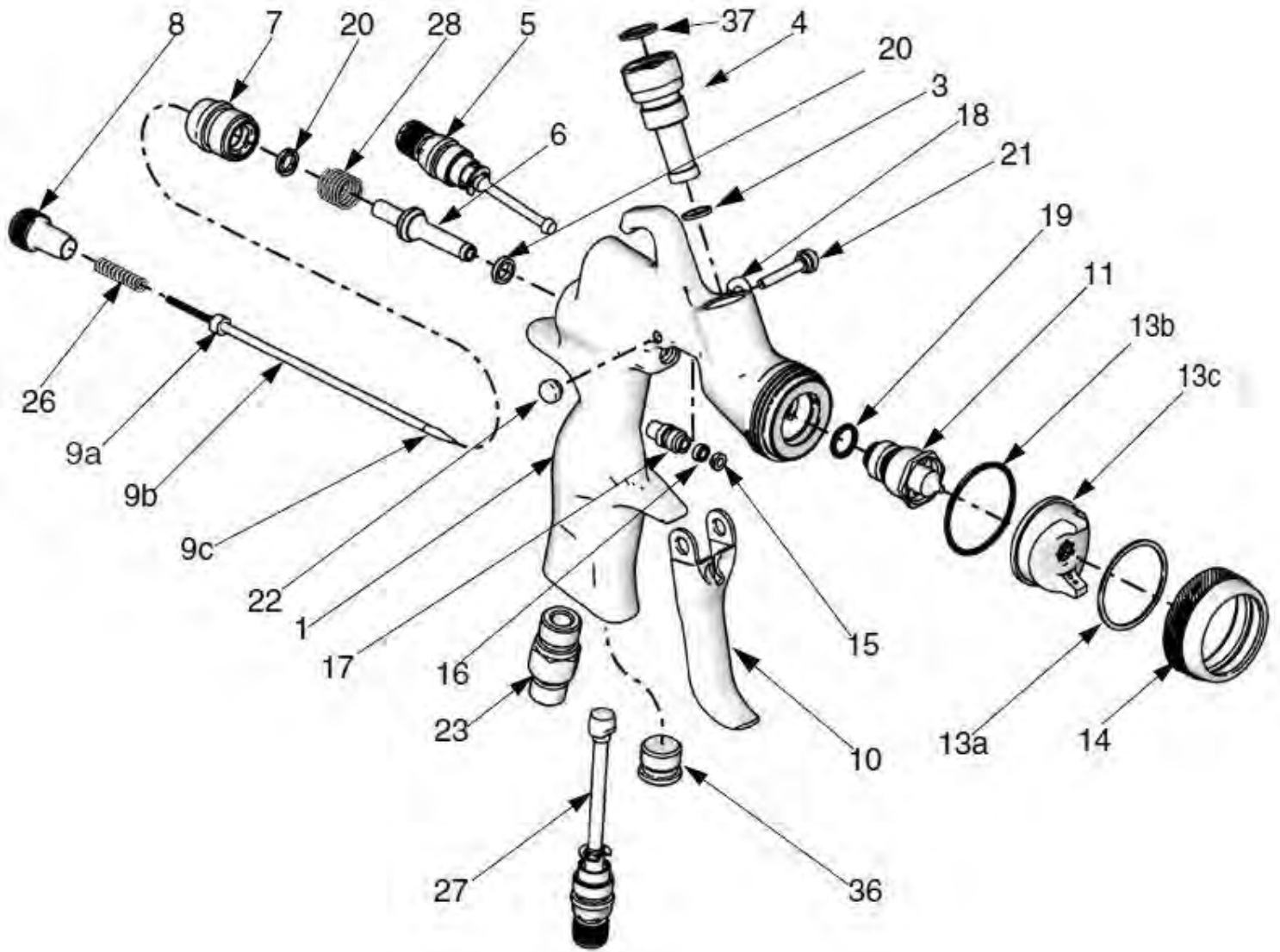
PART NUMBERS AND SCHEMATICS GUIDE

Graco® AirPro® Gravity Feed Air Spray Gun

Item#	Part#	Description	Item#	Part#	Description
Fig. 2			—	20G89143	Trigger Repair Kit <i>(Includes Item #'s: 21 and 22)</i> <i>(Quantity of Five)</i>
1	—	Gun Body	—	20G289455	Needle Packing Repair Kit <i>(Includes Item #'s: 15 and 16)</i> <i>(Quantity of Five)</i>
3	—	Fluid Inlet Gasket	—	20G289408	Air Valve Repair Kit <i>(Includes Item #'s: 6, 7, 20, 26, 28, and 33)</i>
4	20G289792	Fluid Inlet Fitting <i>(Includes Item #3)</i>	—	20G289791	Air Cap Seal Repair Kit <i>(Includes Item #'s: 13a and 13b)</i> <i>(Quantity of Five)</i>
5	20G289796	Air Control Valve Assembly	—	20G289079	Retaining Ring Repair Kit <i>(Includes Item #'s: 13a, 13b, and 14)</i>
6	20G289039	Air Valve Assembly	—	20G289213	Cup Gasket Repair Kit <i>(Includes Item #37)</i> <i>(Quantity of Ten)</i>
7	20G289052	Air Valve U-Cup Nut Assembly	—	20G289022	Gun Body Repair Kit <i>(Includes Item #'s: 1, 3, and 4)</i>
8	20G289097	Fluid Control Valve	—	20G24A560	Fluid Inlet Gasket Repair Kit <i>(Includes Item #3)</i> <i>(Quantity of Five)</i>
9	—	Needle Assembly <i>(See Page 10)</i> <i>(Includes Item #'s: 9a, 9b, and 9c)</i>	—	201V541	Brochure – Graco® AirPro® Air Spray Gun
9a	—	Nut Needle	—	206M603	Part Numbers & Schematics Guide – Graco® AirPro® Air Spray Gun
9b	—	Needle	—	209V542	Operator's Manual – Graco® AirPro® Gravity Feed Air Spray Gun
9c	—	Tip Needle <i>(See Page 11)</i>			
10	20G289140	Gun Trigger			
11	—	Fluid Nozzle <i>(See Page 10)</i>			
13	—	Air Cap Assembly <i>(Includes Item #'s: 13a, 13b, and 13c)</i> <i>(See Page 9)</i>			
13a	—	Washer			
13b	—	O-Ring			
13c	—	Air Cap			
14	—	Retaining Ring <i>(See Page 9)</i>			
15	—	U-Cup Spreader			
16	—	U-Cup Packing			
17	20G289792	Nut			
18	—	Wave Washer			
19	20G111457	O-Ring			
20	—	U-Cup Packing			
21	—	Pivot Pin			
22	—	Pivot Pin Nut			
23	20G289451	Air Inlet Fitting			
26	—	Compression Spring			
27	20G289142	Air Inlet Valve Assembly			
28	—	Compression Spring			
29	20G289794	Gun Tool			
33	—	Seal Installation Tool			
36	20G289452	Air Plug Nut			
37	—	Washer			
—	20G289770	23 oz. (650cc) Plastic Gravity Cup			
—	20G289195	Filter Cup			
—	20G289790	Gun Repair Kit <i>(Includes Item #'s: 6, 13a, 13b, 15, 16, 19, 33, and 37)</i>			

PART NUMBERS AND SCHEMATICS GUIDE

Figure 2: Graco® AirPro® Gravity Feed Air Spray Gun



PART NUMBERS AND SCHEMATICS GUIDE

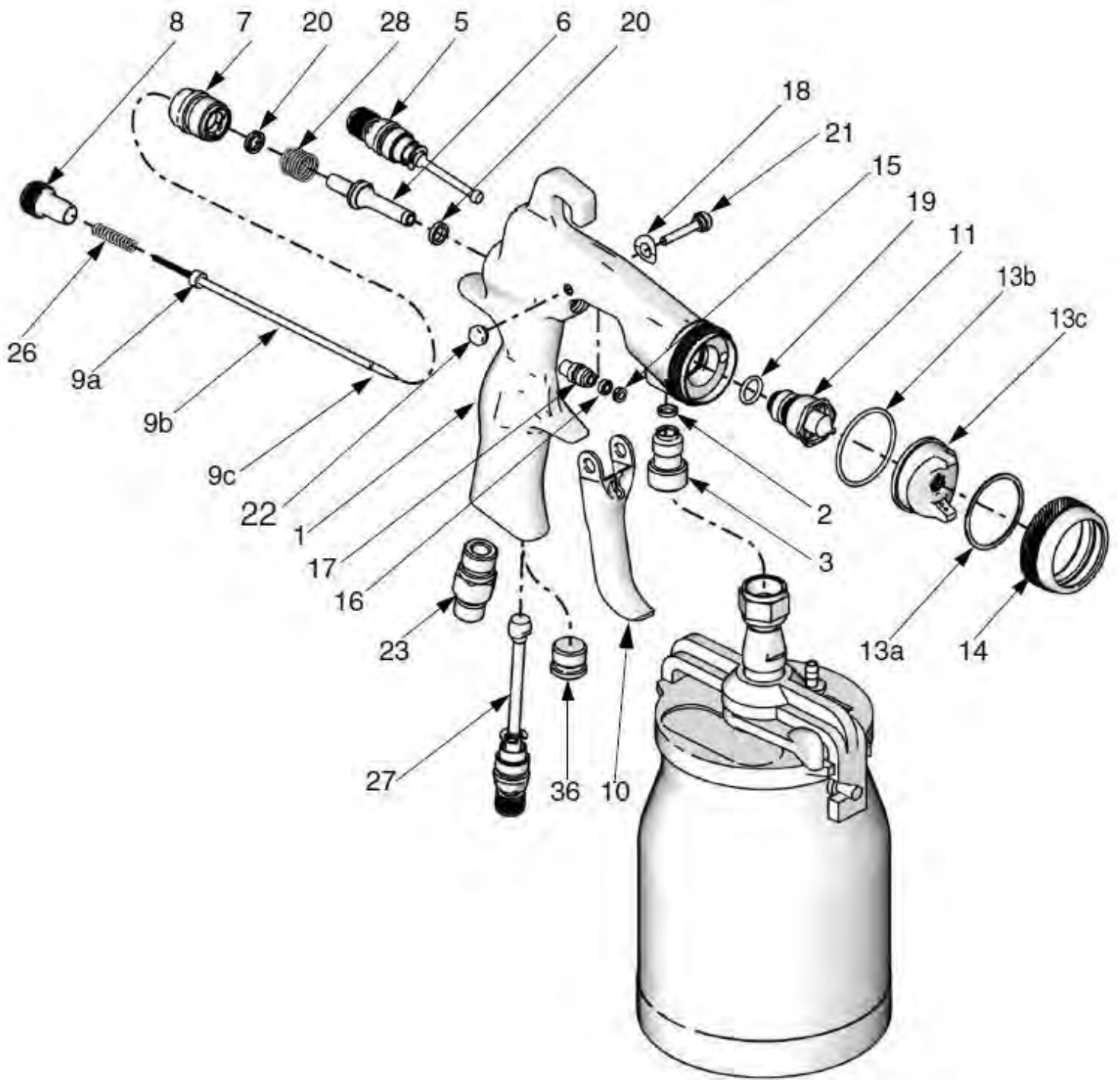
Graco® AirPro® Siphon Feed Air Spray Gun

Item#	Part#	Description
Fig. 3		
1	—	Gun Body
2	—	Fluid Inlet Gasket
3	—	Fluid Inlet Fitting
5	20G289796	Air Control Valve Assembly
6	20G289039	Air Valve Assembly
7	20G289052	Air Valve U-Cup Nut Assembly
8	20G289097	Fluid Control Valve
9	—	Needle Assembly (See Page 10) (Includes Item #'s: 9a, 9b, and 9c)
9a	—	Nut Needle
9b	—	Needle
9c	—	Tip Needle (See Page 11)
10	20G289140	Gun Trigger
11	—	Fluid Nozzle (See Page 10)
13	—	Air Cap Assembly (Includes Item #'s: 13a, 13b, and 13c) (See Page 9)
13a	—	Washer
13b	—	O-Ring
13c	—	Air Cap
14	—	Retaining Ring (See Page 9)
15	—	U-Cup Spreader
16	—	U-Cup Packing
17	20G289793	Nut
18	—	Wave Washer
19	20G111457	O-Ring
20	—	U-Cup Gun Packing
21	—	Pivot Pin
22	—	Pivot Pin Nut
23	20G289451	Air Inlet Fitting
26	—	Compression Spring
27	20G289798	Air Inlet Valve Assembly
28	—	Compression Spring
29	20G289794	Gun Tool
33	—	Seal Installation Tool
36	20G289452	Air Plug Nut
37	20G244130	1 qt Cup
—	20G289790	Gun Repair Kit (Includes Item #'s: 6, 13a, 13b, 15, 16, 19, 20, and 33)
—	20G89143	Trigger Repair Kit (Includes Item #'s: 21 and 22) (Quantity of Five)


Item#	Part#	Description
—	20G289455	Needle Packing Repair Kit (Includes Item #'s: 15 and 16) (Quantity of Five)
—	20G289408	Air Valve Repair Kit (Includes Item #'s: 6, 20, 26, 28, and 33)
—	20G289791	Air Cap Seal Repair Kit (Includes Item #'s: 13a and 13b) (Quantity of Five)
—	20G289079	Retaining Ring Repair Kit (Includes Item #'s: 13a, 13b, and 14)
—	20G289019	Gun Body Repair Kit (Includes Item #'s: 1, 2, 3, 15, and 16)
—	20G24C269	Fluid Inlet Fitting Repair Kit (Includes Item #'s: 2 and 3)
—	201V541	Brochure – Graco® AirPro® Air Spray Gun
—	206M603	Part Numbers & Schematics Guide – Graco® AirPro® Air Spray Gun
—	209V543	Operator's Manual – Graco® AirPro® Siphon Feed Air Spray Gun


PART NUMBERS AND SCHEMATICS GUIDE



Figure 3: Graco® AirPro® Siphon Feed Air Spray Gun




OPTIONAL ACCESSORIES


		3/8" I.D. FLUID HOSE				
	Part Numbers	Length	Hose I.D.	Hose O.D.	Working Pressure	Hose Cover Color
	20FH038	Per Ft.	3/8"	11/16"	750 psi	Black



		3/8" I.D. FLUID HOSE WITH COUPLINGS INSTALLED					
	Part Numbers	Length	Hose I.D.	Hose O.D.	Working Pressure	Hose Cover Color	Couplings
	20FH03825AC	25 Ft.	3/8"	11/16"	750 psi	Black	2080020
	20FH03850AC	50 Ft.	3/8"	11/16"	750 psi	Black	2080020

		COUPLINGS AND HEX NIPPLE FOR 3/8" I.D. FLUID HOSE	
	Part Numbers	Thread Style	Working Pressure
	2080020	3/8" Compression Fitting x 3/8" Female NPS	250 psi
	1028610	3/8" Male x 3/8" Male Hex Nipple	1,000 psi








OPTIONAL ACCESSORIES

		5/16" I.D. AIR HOSE				
	Part Numbers	Length	Hose I.D.	Hose O.D.	Working Pressure	Hose Cover Color
	20AH0516	Per Ft.	5/16"	5/8"	200 psi	Red




		5/16" I.D. AIR HOSE WITH COUPLINGS INSTALLED					
	Part Numbers	Length	Hose I.D.	Hose O.D.	Working Pressure	Hose Cover Color	Couplings
	20AH051625AC	25 Ft.	5/16"	5/8"	200 psi	Red	2080010
	20AH051650AC	50 Ft.	5/16"	5/8"	200 psi	Red	2080010




		COUPLING AND HEX NIPPLE FOR 5/16" I.D. AIR HOSE	
	Part Numbers	Thread Style	Working Pressure
	2080010	5/16" Female x 1/4" Female NPT Air Hose Coupling	250 psi
	20PFHA24SA0404	1/4" Male x 1/4" Male Air Hose Hex Nipple	6,000 psi




OPTIONAL ACCESSORIES

GRAVITY, SIPHON, AND PRESSURE CUPS		
Part Numbers	Description	
	20G289770	23 oz. (650 cc) Gravity Cup, Plastic
	20G289797	23 oz. (650 cc) Gravity Cup, Aluminum
	20G289802	34 oz. (1 liter) Gravity Cup, Aluminum
	20G244130	1 qt. Siphon Cup, Aluminum
	20G239802	1 qt. Stainless Steel Pressure Cup with Single Air Regulator
	20G239803	1 qt. Stainless Steel Pressure Cup with Double Air Regulator
	20G239804	1 qt. Remote Stainless Steel Pressure Cup

OPTIONAL ACCESSORIES

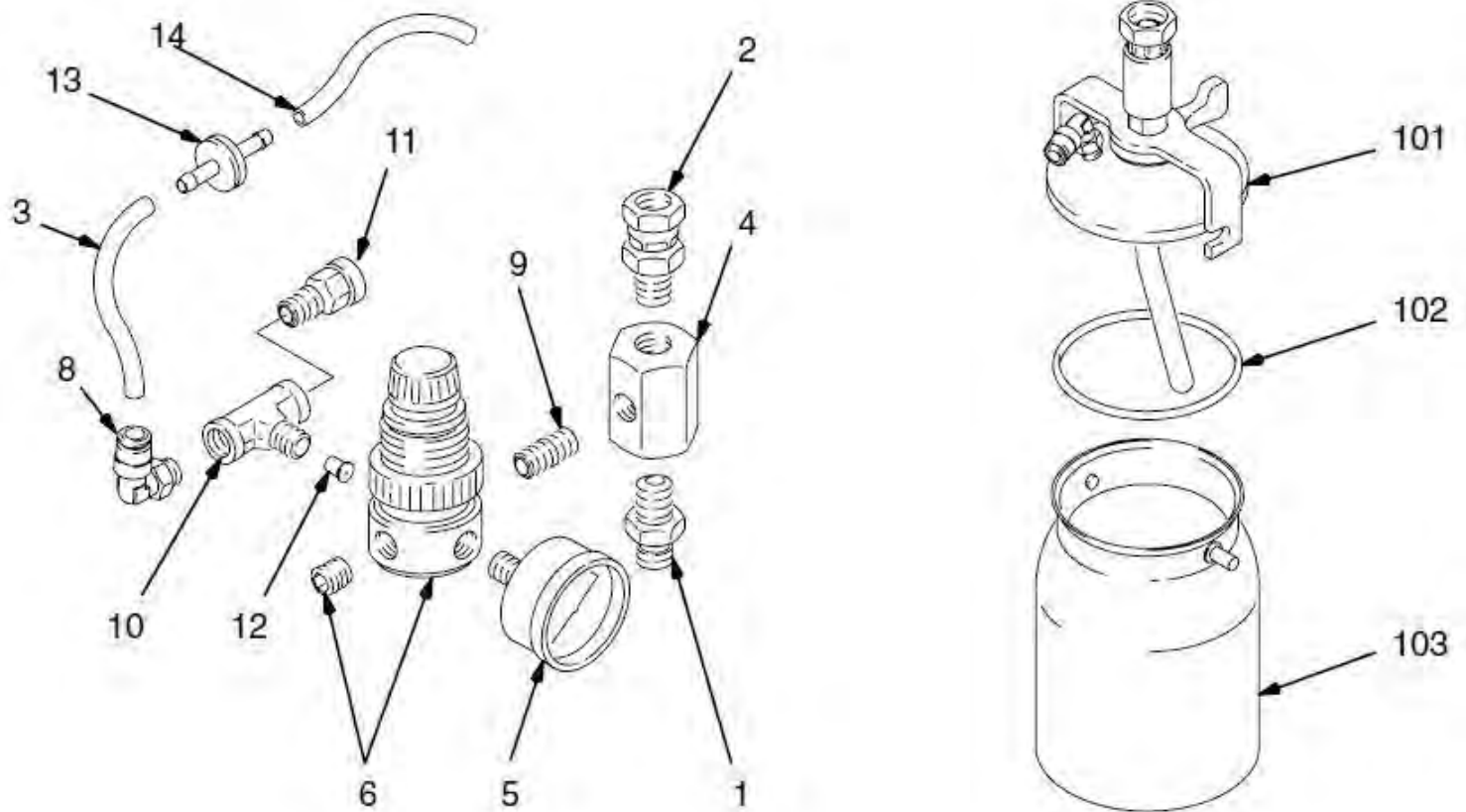
		6 oz. 3M™ PPS™ CUPS
Part Numbers		Description
	20G234941	Cup and Collar <i>(Box of Eight)</i>
	20G234940	Lid and Liner <i>(Box of 50)</i>
	20G234942	Measurement Insert <i>(Box of 50)</i>

		25 oz. 3M™ PPS™ CUPS
Part Numbers		Description
	20G234771	Cup and Collar <i>(Box of Eight)</i>
	20G234772	Lid and Liner <i>(Box of 50)</i>
	20G15F531	Measurement Insert <i>(Box of 100)</i>

		32 oz. 3M™ PPS™ CUPS
Part Numbers		Description
	20G234937	Cup and Collar <i>(Box of Four)</i>
	20G234938	Lid and Liner <i>(Box of 25)</i>
	20G234939	Measurement Insert <i>(Box of 100)</i>

OPTIONAL ACCESSORIES

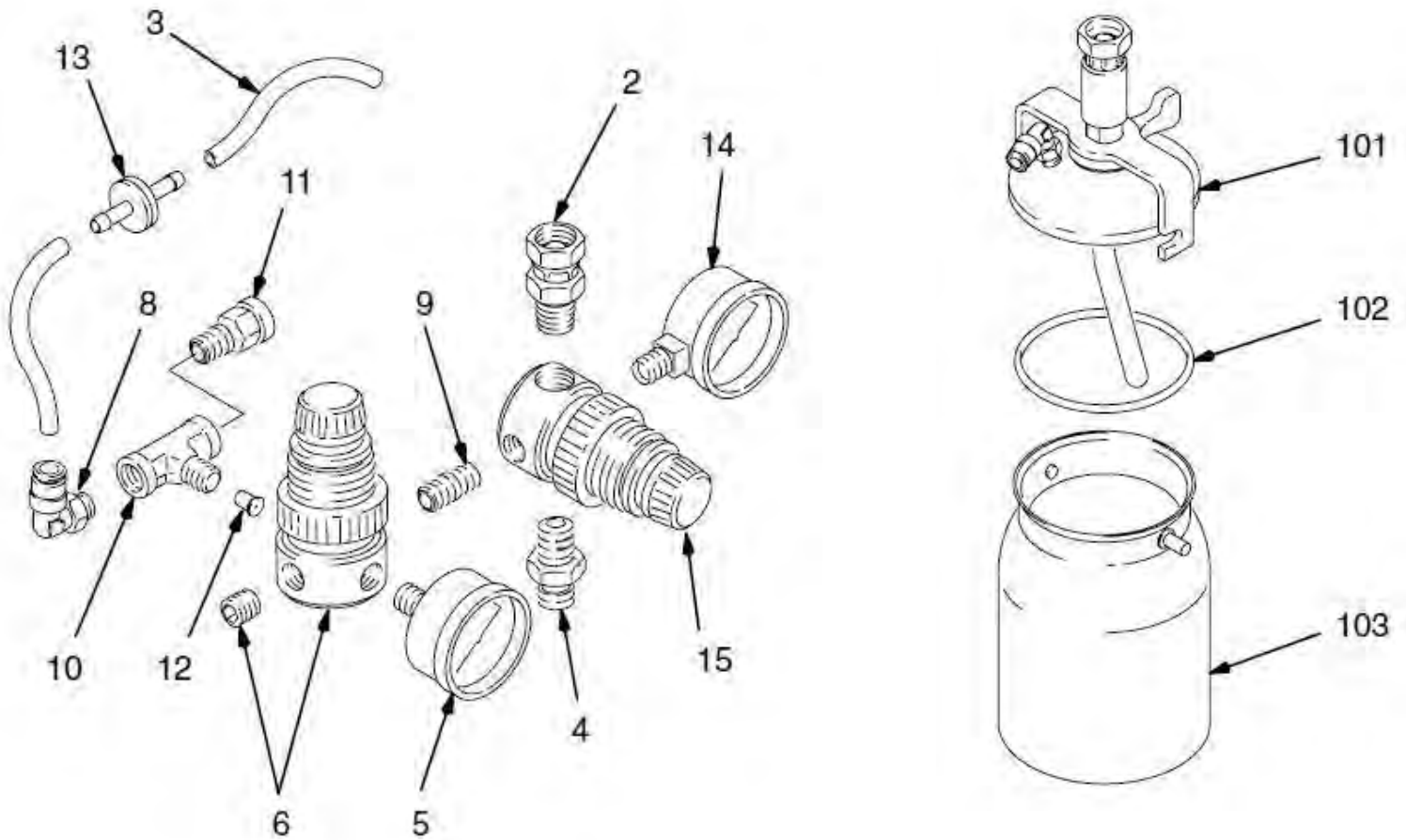
Figure 4: 1 qt. Stainless Steel Pressure Cup with Single Air Regulator



Item#	Part#	Description
Fig. 4		
—	20G239802	1 qt. Stainless Steel Pressure Cup with Single Air Regulator
1	20G162453	1/4" x 1/4" Nipple
2	20G156823	1/4" NPT (M) x 1/4" NPSM (F) Adapter
3	20G112699	1/4" O.D. x 2.38" Tube
4	20G187410	Air Fitting
5	20G111500	Gauge (0-15 psi Range)
6	20G111501	Regulator (0-12 psi Range)
8	20G112698	90° Swivel Elbow Fitting
9	20G100168	Nipple
10	20G110440	Tee Fitting
11	20G112059	Pressure Relief Valve
12	20G189557	Air Restrictor
13	20GM71256	Check Valve
14	20G112699	1/4" O.D. x 2.38" Tube
101	20G236908	Pressure Cup Lid (Includes Item #102)
102	20G189883	Gasket
103	20G239727	1 qt. Cup
—	209V580	Operator's Manual – Graco® Air Regulated Pressure Cups

OPTIONAL ACCESSORIES

Figure 5: 1 qt. Stainless Steel Pressure Cup with Double Air Regulator



Item#	Part#	Description
Fig. 5		
—	20G239803	1 qt. Stainless Steel Pressure Cup with Double Air Regulator
2	20G156823	1/4" NPT (M) x 1/4" NPSM (F) Adapter
3	20G112699	1/4" O.D. x 2.38" Tube (Quantity of Two)
4	20G162453	1/4" x 1/4" Nipple
5	20G111500	Gauge (0-15 psi Range)
6	20G111501	Regulator (0-12 psi Range)
8	20G112698	90° Swivel Elbow Fitting
9	20G100168	Nipple
10	20G110440	Tee Fitting
11	20G112059	Pressure Relief Valve
12	20G189557	Air Restrictor
13	20GM71256	Check Valve
14	20G110436	Air Pressure Gauge (0-100 psi Range)
15	20G110438	Regulator (0-100 psi Range)
101	20G236908	Pressure Cup Lid (Includes Item #102)
102	20G189883	Gasket
103	20G239727	1 qt. Cup
—	20G195065	Air Inlet Fitting
—	209V580	Operator's Manual – Graco® Air Regulated Pressure Cups

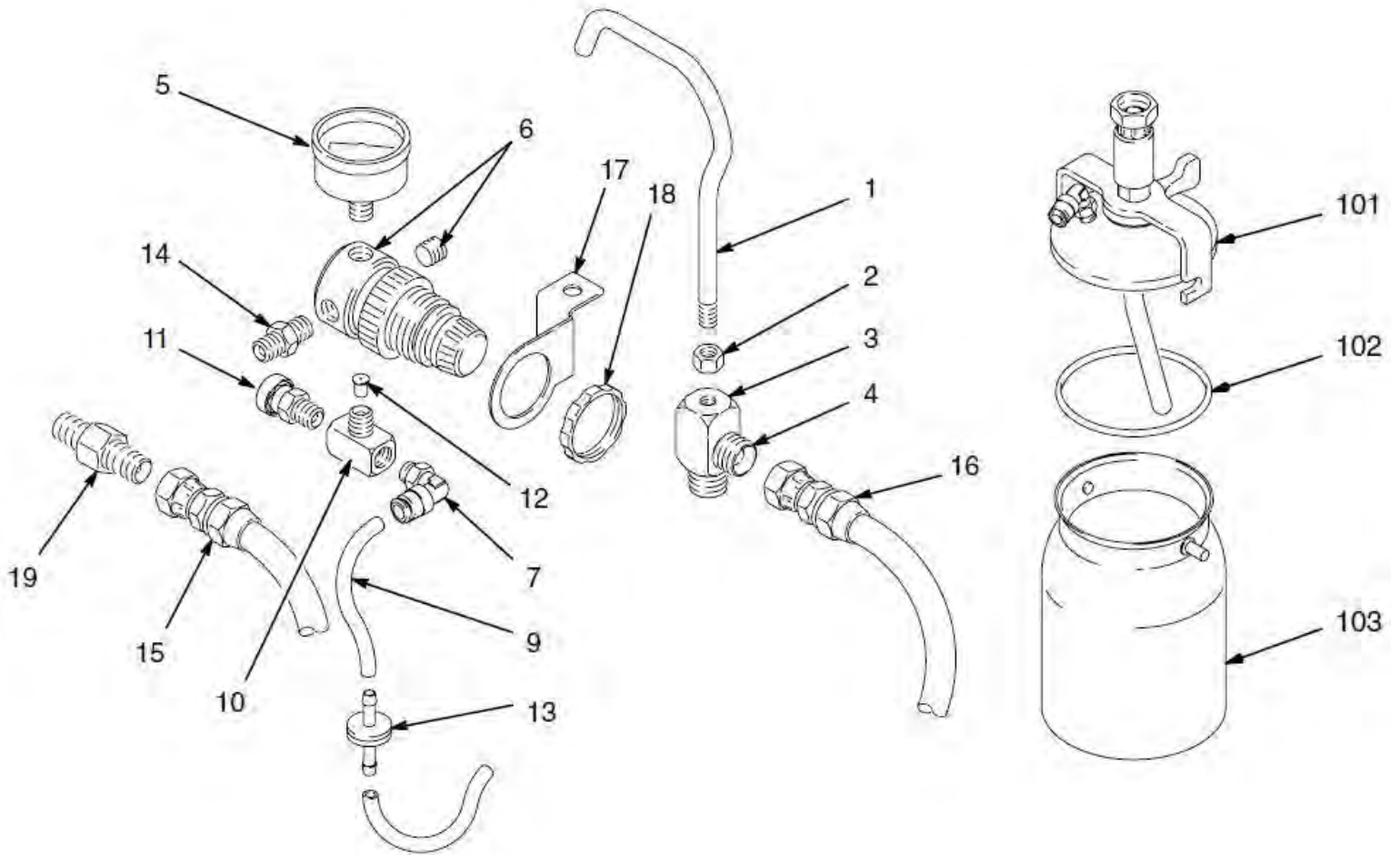
OPTIONAL ACCESSORIES

1 qt. Remote Stainless Steel Pressure Cup

Item#	Part#	Description
Fig. 6		
—	20G239804	1 qt. Remote Stainless Steel Pressure Cup
1	20G172620	Hook
2	20G100188	Hex Nut
3	20G172680	Elbow Fitting
4	20G172682	Hose Adapter
5	20G111500	Gauge (0-15 psi Range)
6	20G111501	Regulator (0-12 psi Range)
7	20G112698	1/4" O.D. Tube Connector
9	20G112699	1/4" O.D. x 2.38" Tube (Quantity of Two)
10	20G110440	Tee Fitting
11	20G112059	Pressure Relief Valve
12	20G189557	Air Restrictor
13	20GM71256	Check Valve
14	20G103656	Hex Nipple
15	20G212005	1/4" x 6' Coupled Air Hose
16	20G212006	3/8" x 6-1/2' Fluid Hose
17	20G188770	Mounting Bracket
18	20G112308	Panel Nut
19	20G183696	Tee Fitting
101	20G236908	Pressure Cup Lid (Includes Item #102)
102	20G189883	Gasket
103	20G239727	1 qt. Cup
—	209V580	Operator's Manual – Graco® Air Regulated Pressure Cups

OPTIONAL ACCESSORIES

Figure 6: 1 qt. Remote Stainless Steel Pressure Cup



PART NUMBERS AND SCHEMATICS GUIDE



Part Numbers

C.A. TECHNOLOGIES LYNX 100C CONVENTIONAL AIR SPRAY GUN

Part Numbers	Type	Air Cap	Fluid Tip Size	Material Handling (Viscosity)
20CL100C06X2163	Pressure	2163	0.6 mm (0.022 in)	Very Thin and Thin
20CL100C07X2163	Pressure	2163	0.7 mm (0.028 in)	Very Thin and Thin
20CL100C10X2163	Pressure	2163	1.0 mm (0.040 in)	Thin
20CL100C22X2167	Pressure	2167	2.2 mm (0.086 in)	Heavy
20CL100C28X2168	Pressure	2168	2.8 mm (0.110 in)	Heavy
20CL100C12X2263	Pressure	2263	1.2 mm (0.046 in)	Medium
20CL100C13X2263	Pressure	2263	1.3 mm (0.052 in)	Medium
20CL100C15X2263	Pressure	2263	1.5 mm (0.059 in)	Medium
20CL100C18X2263	Pressure	2263	1.8 mm (0.070 in)	Medium
20CL100C22X2267	Pressure	2267	2.2 mm (0.086 in)	Heavy
20CL100C06X2166	Siphon	2166	0.6 mm (0.022 in)	Very Thin
20CL100C07X2166	Siphon	2166	0.7 mm (0.028 in)	Very Thin
20CL100C06X2266	Siphon	2266	0.6 mm (0.022 in)	Very Thin
20CL100C07X2266	Siphon	2266	0.7 mm (0.028 in)	Very Thin
20CL100C12X2266	Siphon	2266	1.2 mm (0.046 in)	Medium
20CL100C13X2266	Siphon	2266	1.3 mm (0.052 in)	Medium
20CL100C15X2266	Siphon	2266	1.5 mm (0.059 in)	Medium
20CL100C18X2266	Siphon	2266	1.8 mm (0.070 in)	Medium
20CL100C06X2366	Siphon	2366	0.6 mm (0.022 in)	Thin
20CL100C07X2366	Siphon	2366	0.7 mm (0.028 in)	Thin
20CL100C10X2366	Siphon	2366	1.0 mm (0.040 in)	Thin
20CL100C06X2466	Siphon	2466	0.6 mm (0.022 in)	Thin
20CL100C07X2466	Siphon	2466	0.7 mm (0.028 in)	Thin
20CL100C10X2466	Siphon	2466	1.0 mm (0.040 in)	Thin
20CL100C12X2466	Siphon	2466	1.2 mm (0.046 in)	Medium
20CL100C13X2466	Siphon	2466	1.3 mm (0.052 in)	Medium
20CL100C15X2466	Siphon	2466	1.5 mm (0.059 in)	Medium and Heavy
20CL100C18X2466	Siphon	2466	1.8 mm (0.070 in)	Medium and Heavy
20CL100C12X22663	Siphon	22663	1.2 mm (0.046 in)	Medium
20CL100C13X22663	Siphon	22663	1.3 mm (0.052 in)	Medium
20CL100C15X22663	Siphon	22663	1.5 mm (0.059 in)	Medium
20CL100C18X22663	Siphon	22663	1.8 mm (0.070 in)	Medium

PART NUMBERS AND SCHEMATICS GUIDE



Part Numbers

C.A. TECHNOLOGIES LYNX 100H HVLP AIR SPRAY GUN

	Type	Air Cap	Fluid Tip Size	Material Handling (Viscosity)
20CL100H05X1090	Pressure	1090	0.5 mm (0.020 in)	Very Thin
20CL100H08X1090	Pressure	1090	0.8 mm (0.030 in)	Very Thin
20CL100H05X1092	Pressure	1092	0.5 mm (0.020 in)	Very Thin
20CL100H08X1092	Pressure	1092	0.8 mm (0.030 in)	Very Thin
20CL100H10X1092	Pressure	1092	1.0 mm (0.040 in)	Thin
20CL100H12X1092	Pressure	1092	1.2 mm (0.046 in)	Thin
20CL100H10X1093	Pressure	1093	1.0 mm (0.040 in)	Thin
20CL100H12X1093	Pressure	1093	1.2 mm (0.046 in)	Thin
20CL100H13X1093	Pressure	1093	1.3 mm (0.052 in)	Medium
20CL100H14X1093	Pressure	1093	1.4 mm (0.055 in)	Medium
20CL100H15X1093	Pressure	1093	1.5 mm (0.059 in)	Medium
20CL100H13X1095	Pressure	1095	1.3 mm (0.052 in)	Medium
20CL100H14X1095	Pressure	1095	1.4 mm (0.055 in)	Medium
20CL100H15X1095	Pressure	1095	1.5 mm (0.059 in)	Medium
20CL100H16X1095	Pressure	1095	1.6 mm (0.063 in)	Heavy
20CL100H17X1095	Pressure	1095	1.7 mm (0.070 in)	Heavy
20CL100H13X1097	Pressure	1097	1.3 mm (0.052 in)	Medium
20CL100H14X1097	Pressure	1097	1.4 mm (0.055 in)	Medium
20CL100H15X1097	Pressure	1097	1.5 mm (0.059 in)	Medium
20CL100H16X1097	Pressure	1097	1.6 mm (0.063 in)	Heavy
20CL100H17X1097	Pressure	1097	1.7 mm (0.070 in)	Heavy
20CL100H16X1195	Pressure	1195	1.6 mm (0.063 in)	Heavy
20CL100H17X1195	Pressure	1195	1.7 mm (0.070 in)	Heavy
20CL100H16X1197	Pressure	1197	1.6 mm (0.063 in)	Heavy
20CL100H17X1197	Pressure	1197	1.7 mm (0.070 in)	Heavy


PART NUMBERS AND SCHEMATICS GUIDE



Part Numbers

AIR CAPS			
	Lynx Gun Type	Cap Number	Retaining Ring <i>(Included)</i>
20C212166	Conventional	2166	X
20C212167	Conventional	2167	X
20C212168	Conventional	2168	X
20C212263	Conventional	2263	X
20C2122663	Conventional	2266-3	X
20C212266	Conventional	2266	X
20C212267	Conventional	2267	X
20C212366	Conventional	2366	X
20C212466	Conventional	2466	X
20C211090	HVLP	1090	
20C211091	HVLP	1091	
20C211092	HVLP	1092	
20C211093	HVLP	1093	
20C211094	HVLP	1094	
20C211095	HVLP	1095	
20C211097	HVLP	1097	
20C211195	HVLP	1195	
20C211197	HVLP	1197	

Part Numbers

RETAINING RING AND BASE		
		Description
	20C211001	C.A. Technologies HVLP Air Cap Retaining Ring

PART NUMBERS AND SCHEMATICS GUIDE



Part Numbers

CONVENTIONAL FLUID TIPS AND NEEDLES				
Part Numbers	Orifice Size	Replacement Orifice	One-Piece Fluid Tip (Orifice Not Replaceable)	Fluid Needle
20C312206	0.6 mm (0.022 in)	20C310606	20C312106	20C401107
20C312207	0.7 mm (0.028 in)	20C310607	20C312107	20C401107
20C312210	1.0 mm (0.040 in)	20C310610	20C312110	20C401110
20C312212	1.2 mm (0.046 in)	20C310612	20C312112	20C401110
20C312213	1.3 mm (0.052 in)	20C310613	20C312113	20C401110
20C312215	1.5 mm (0.059 in)	20C310615	20C312115	20C401115
20C312218	1.8 mm (0.070 in)	20C310618	20C312118	20C401115
20C312218V	1.8 mm (0.070 in)	20C310618V	—	20C406201
20C312222	2.2 mm (0.086 in)	20C310622	20C312122	20C401122
20C312222V	2.2 mm (0.086 in)	20C310622V	—	20C406201
20C312228	2.8 mm (0.110 in)	20C310628	20C312128	20C401128
20C312228V	2.8 mm (0.110 in)	20C310628V	—	20C406201



Part Numbers

HVLP FLUID TIPS AND NEEDLES				
Part Numbers	Orifice Size	Replacement Orifice	One-Piece Fluid Tip (Orifice Not Replaceable)	Fluid Needle
20C311205	0.5 mm (0.020 in)	20C310205	20C311105	20C401100
20C311208	0.8 mm (0.030 in)	20C310208	20C311108	20C401100
20C311210	1.0 mm (0.040 in)	20C310210	20C311110	20C401100
20C311212	1.2 mm (0.046 in)	20C310212	20C311112	20C401100
20C311412	1.2 mm (0.046 in)	20C310412	20C311312	20C401112F
20C311213	1.3 mm (0.052 in)	20C310213	20C311113	20C401100
20C311214	1.4 mm (0.055 in)	20C310214	20C311114	20C401100
20C311414	1.4 mm (0.055 in)	20C310414	20C311314	20C401114F
20C311215	1.5 mm (0.059 in)	20C310215	20C311115	20C401100
20C311216	1.6 mm (0.063 in)	20C310216	20C311116	20C401100
20C311217	1.7 mm (0.070 in)	20C310217	20C311117	20C401100
20C311417	1.7 mm (0.070 in)	20C310417	20C311317	20C401117F

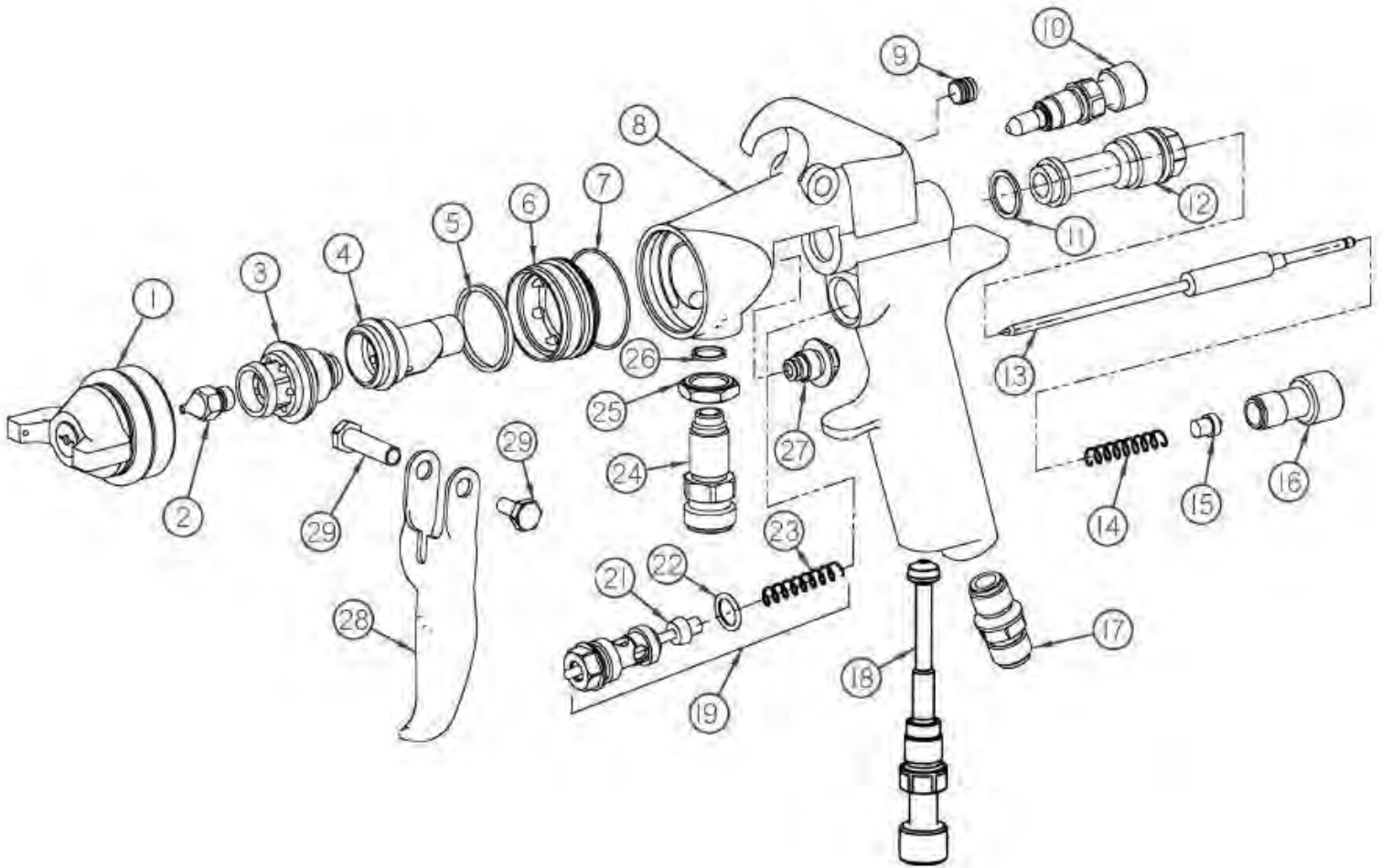
PART NUMBERS AND SCHEMATICS GUIDE

C.A. Technologies Lynx 100C Conventional Air Spray Gun

Item#	Part#	Description
Fig. 1		
1	—	Air Cap (See Page 6)
2	—	Fluid Tip (See Page 7)
3	20C312201	Fluid Nozzle Body
4	20C60L11C	Nozzle Body Carrier
5	20C511005	Seal
6	20C6012C	Air Cap Adapter
7	20C60131	O-Ring
8	20C601124	Lynx Gun Body – Conventional
9	20C980109	Allen Plug
10	20C601500	Fan Control Assembly
11	20C60119	Poly Washer
12	20C60201	Rear Bushing
13	—	Fluid Needle (See Page 7)
14	20C60204	Needle Return Spring
15	20C60205	Spring Seat
16	20C60202	Fluid Control Knob
17	20C60104	Air Inlet Fitting
18	20C601510	Inlet Air Control
19	20C601520	Air Valve Assembly (Includes Item #'s: 21, 22, and 23)
21	20C60302	Air Valve Poppet
22	20C60125	O-Ring
23	20C611003	Air Valve Spring
24	20C60126	Fluid Inlet Fitting
25	20C60128	Lock Nut
26	20C60124	Fluid Inlet Seal
27	20C601400	Needle Seal
28	20C602101	Trigger
29	20C601033	Trigger Pivot Set
—	20C10106	Lynx Conventional Repair Kit (Includes Item #'s: 5, 7, 11, 14, 15, 22, 23, 26, and 27)
—	201V546	Brochure – C.A. Technologies Lynx 100 Conventional Air Spray Gun
—	206M604	Part Numbers and Schematics Guide – C.A. Technologies Lynx 100 Air Spray Gun
—	209V546	Operator's Manual – C.A. Technologies Lynx 100 Conventional Air Spray Gun

PART NUMBERS AND SCHEMATICS GUIDE

Figure 1: C.A. Technologies Lynx 100C Conventional Air Spray Gun



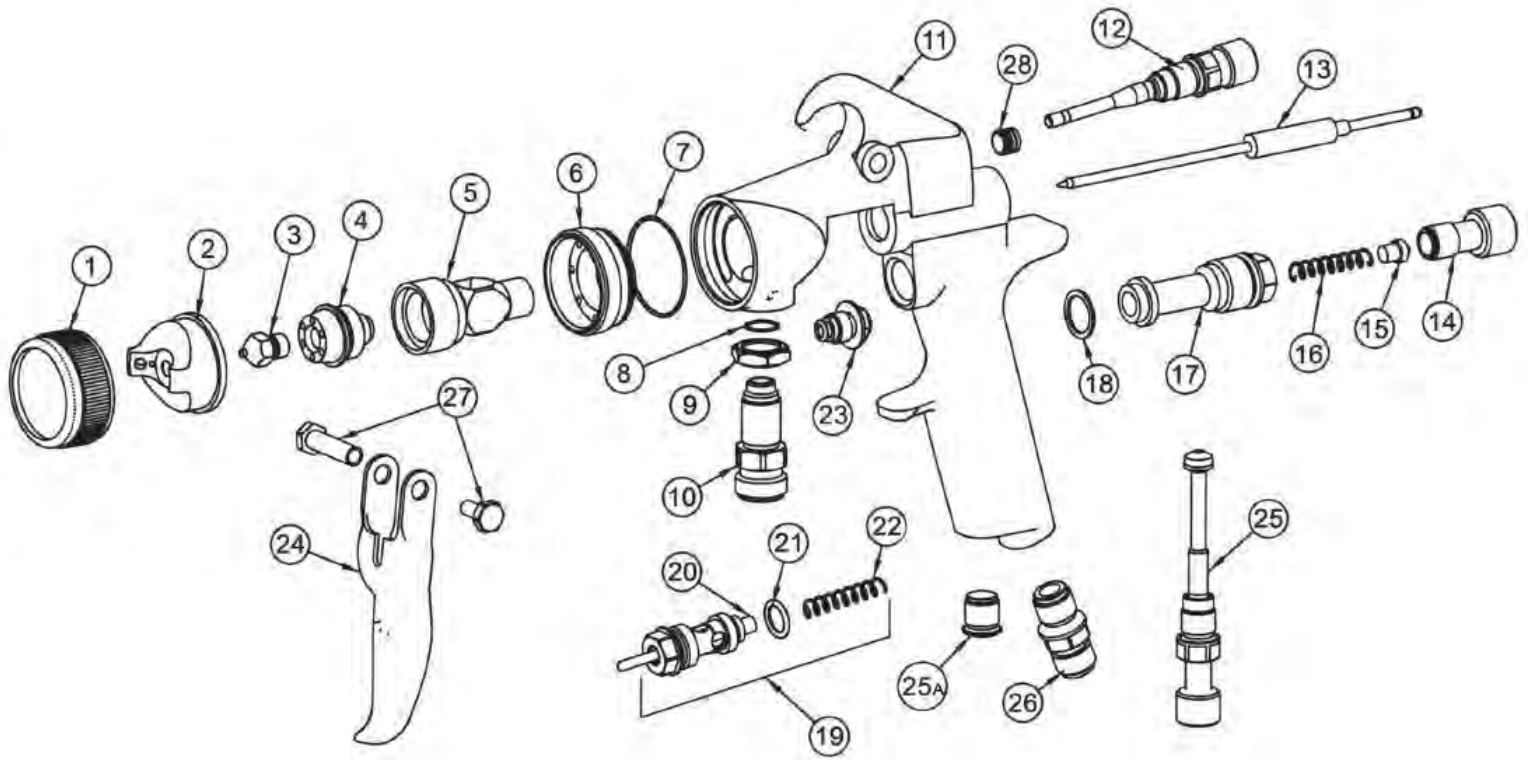
PART NUMBERS AND SCHEMATICS GUIDE

C.A. Technologies Lynx 100H HVLP Air Spray Gun


Item#	Part#	Description
Fig. 2		
1	—	Air Cap Retaining Ring <i>(See Page 6)</i>
2	—	Air Cap <i>(See Page 6)</i>
3	—	Fluid Tip <i>(See Page 7)</i>
4	20C312201	Fluid Nozzle Body
5	20C60L11H	Nozzle Body Carrier
6	20C6012H	Air Cap Adapter
7	20C60131	O-Ring
8	20C60124	Fluid Inlet Seal
9	20C60128	Lock Nut
10	20C60126	Fluid Inlet Fitting
11	20C601114	Lynx Gun Body – HVLP
12	20C601502	Fan Control Assembly
13	—	Fluid Needle <i>(See Page 7)</i>
14	20C60202	Fluid Control Knob
15	20C60205	Spring Seat
16	20C60204	Needle Return Spring
17	20C60201	Rear Bushing
18	20C60119	Poly Washer
19	20C601520	Air Valve Assembly <i>(Includes Item #'s: 20, 21, and 22)</i>
20	20C60302	Air Valve Poppet
21	20C60125	O-Ring
22	20C611003	Air Valve Spring
23	20C601400	Needle Seal
24	20C602101	Trigger
25	20C601510	Inlet Air Control
25A	20C60122	Gun Plug <i>(Optional)</i>
26	20C60104	Air Inlet Fitting
27	20C601033	Trigger Pivot Set
28	20C980109	Allen Plug
—	20C10106	Lynx HVLP Repair Kit <i>(Includes Item #'s: 7, 15, 16, 18, 21, 22 and 23)</i>
—	201V547	Brochure – C.A. Technologies Lynx 100 HVLP Air Spray Gun
—	206M604	Part Numbers and Schematics Guide – C.A. Technologies Lynx 100 Air Spray Gun
—	209V547	Operator's Manual – C.A. Technologies Lynx 100 HVLP Air Spray Gun


PART NUMBERS AND SCHEMATICS GUIDE



Figure 2: C.A. Technologies Lynx 100H HVLP Air Spray Gun




OPTIONAL ACCESSORIES


		3/8" I.D. FLUID HOSE				
	Part Numbers	Length	Hose I.D.	Hose O.D.	Working Pressure	Hose Cover Color
	20FH038	Per Ft.	3/8"	11/16"	750 psi	Black



		3/8" I.D. FLUID HOSE WITH COUPLINGS INSTALLED					
	Part Numbers	Length	Hose I.D.	Hose O.D.	Working Pressure	Hose Cover Color	Couplings
	20FH03825AC	25 Ft.	3/8"	11/16"	750 psi	Black	2080020
	20FH03850AC	50 Ft.	3/8"	11/16"	750 psi	Black	2080020

		COUPLINGS AND HEX NIPPLE FOR 3/8" I.D. FLUID HOSE	
	Part Numbers	Thread Style	Working Pressure
	2080020	3/8" Compression Fitting x 3/8" Female NPS	250 psi
	1028610	3/8" Male x 3/8" Male Hex Nipple	1,000 psi










OPTIONAL ACCESSORIES

		5/16" I.D. AIR HOSE				
	Part Numbers	Length	Hose I.D.	Hose O.D.	Working Pressure	Hose Cover Color
	20AH0516	Per Ft.	5/16"	5/8"	200 psi	Red

		5/16" I.D. AIR HOSE WITH COUPLINGS INSTALLED					
	Part Numbers	Length	Hose I.D.	Hose O.D.	Working Pressure	Hose Cover Color	Couplings
	20AH051625AC	25 Ft.	5/16"	5/8"	200 psi	Red	2080010
	20AH051650AC	50 Ft.	5/16"	5/8"	200 psi	Red	2080010

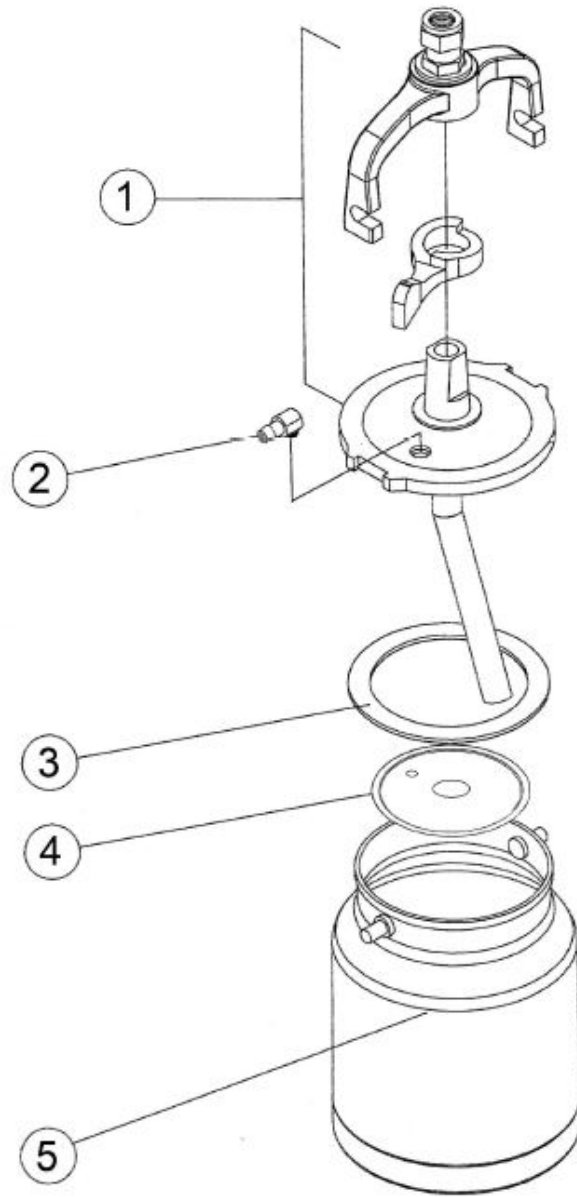
		COUPLING AND HEX NIPPLE FOR 5/16" I.D. AIR HOSE		
	Part Numbers	Thread Style	Working Pressure	
	2080010	5/16" Female x 1/4" Female NPT Air Hose Coupling	250 psi	
	20PFHA24SA0404	1/4" Male x 1/4" Male Air Hose Hex Nipple	6,000 psi	

OPTIONAL ACCESSORIES

		CUPS
Part Numbers	Description	
	20C51301	1 qt. Siphon Cup – Aluminum
	20C51303	1 qt. Pressure Cup – Aluminum
	20C51303R2	1 qt. Pressure Cup and Regulator – Aluminum
	20C51303SS	1 qt. Pressure Cup – Stainless Steel
	20C51303SSR2	1 qt. Pressure Cup and Regulator – Stainless Steel
	20C51350	1 qt. Pressure Cup with Screw Lid
	20C51130	2 qt. TechLine Pressure Cup – Aluminum
	20C51600	2 qt. Bandit Pressure Cup – Stainless Steel
	20C51600A	2 qt. Bandit Pressure Cup with Gast Air Motor – Stainless Steel

OPTIONAL ACCESSORIES

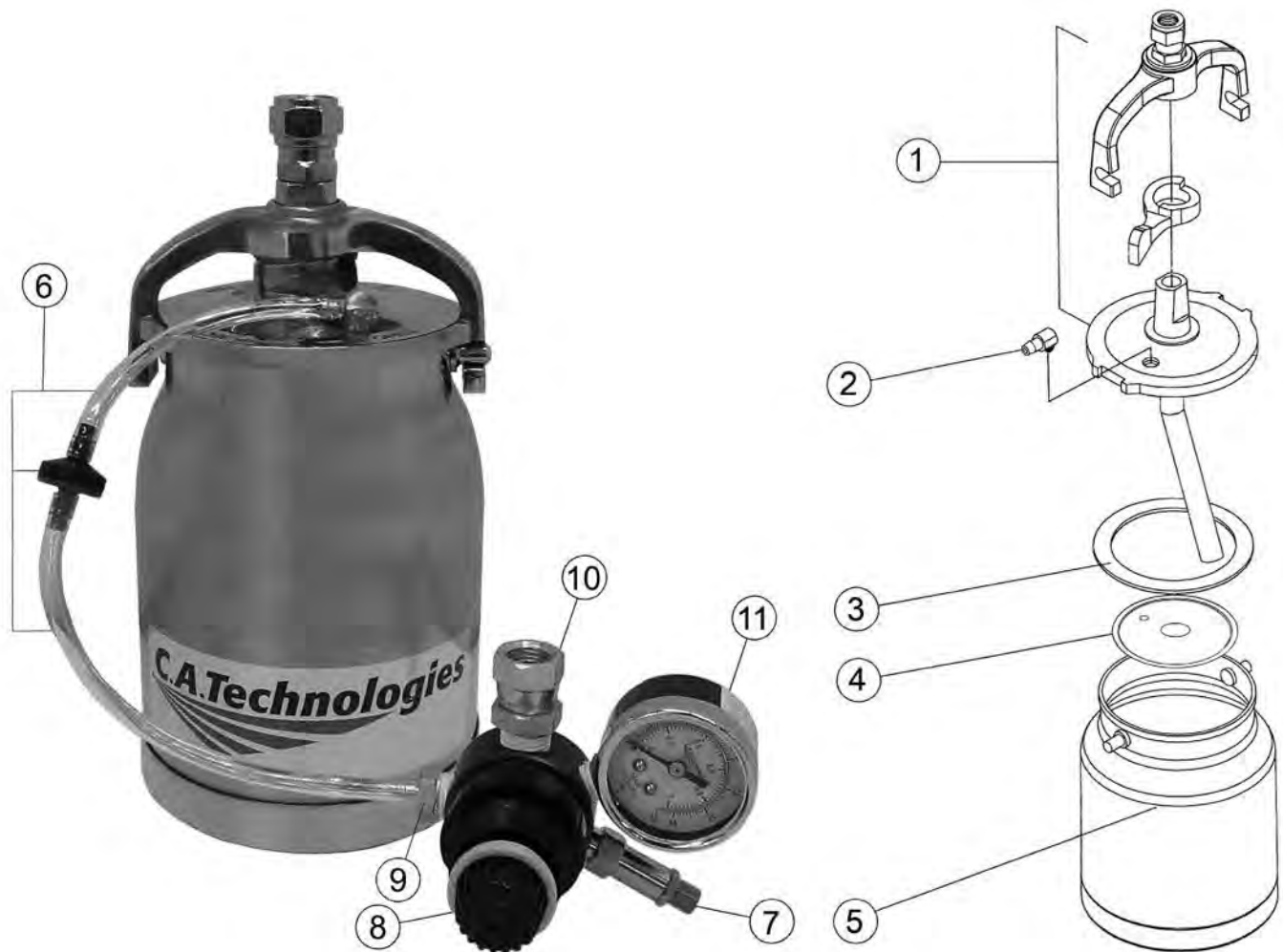
Figure 3: 1 qt. Pressure Cup – Aluminum



Item#	Part#	Description
Fig. 3		
—	20C51303	1 qt. Pressure Cup – Aluminum
1	20C51313L2	Lid Assembly
2	20C513332	Elbow Fitting
3	20C51334	Lid Gasket
4	20C51329	Splash Guard
5	20C513132	Pressure Cup
—	209V576	Operator's Manual – C.A. Technologies 1 qt. Pressure Cup – Aluminum

OPTIONAL ACCESSORIES

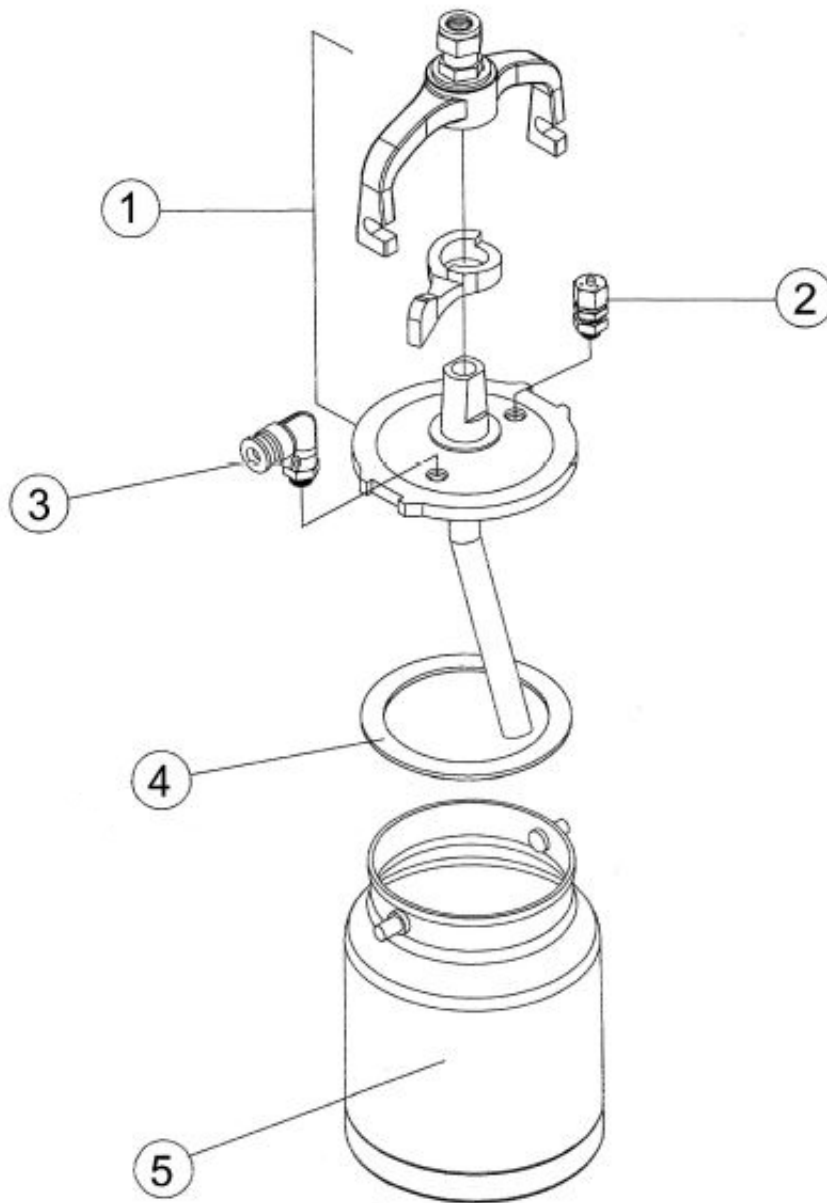
Figure 4: 1 qt. Pressure Cup and Regulator – Aluminum



Item#	Part#	Description
Fig. 4		
—	20C51303R2	1 qt. Pressure Cup and Regulator – Aluminum
1	20C51313L2	Lid Assembly
2	20C513332	Elbow Fitting
3	20C51334	Lid Gasket
4	20C51329	Splash Guard
5	20C513132	Pressure Cup
6	20C51324	Check Valve Assembly with Tubing
7	20C51141	Safety Pop Off
8	20C525R2	Full Regulator Assembly
9	20C515052	Barb Fitting
10	20C53550	1/4" Swivel Fitting
11	20C5250	#15 Gauge
—	209V576	Operator's Manual – C.A. Technologies 1 qt. Pressure Cup – Aluminum

OPTIONAL ACCESSORIES

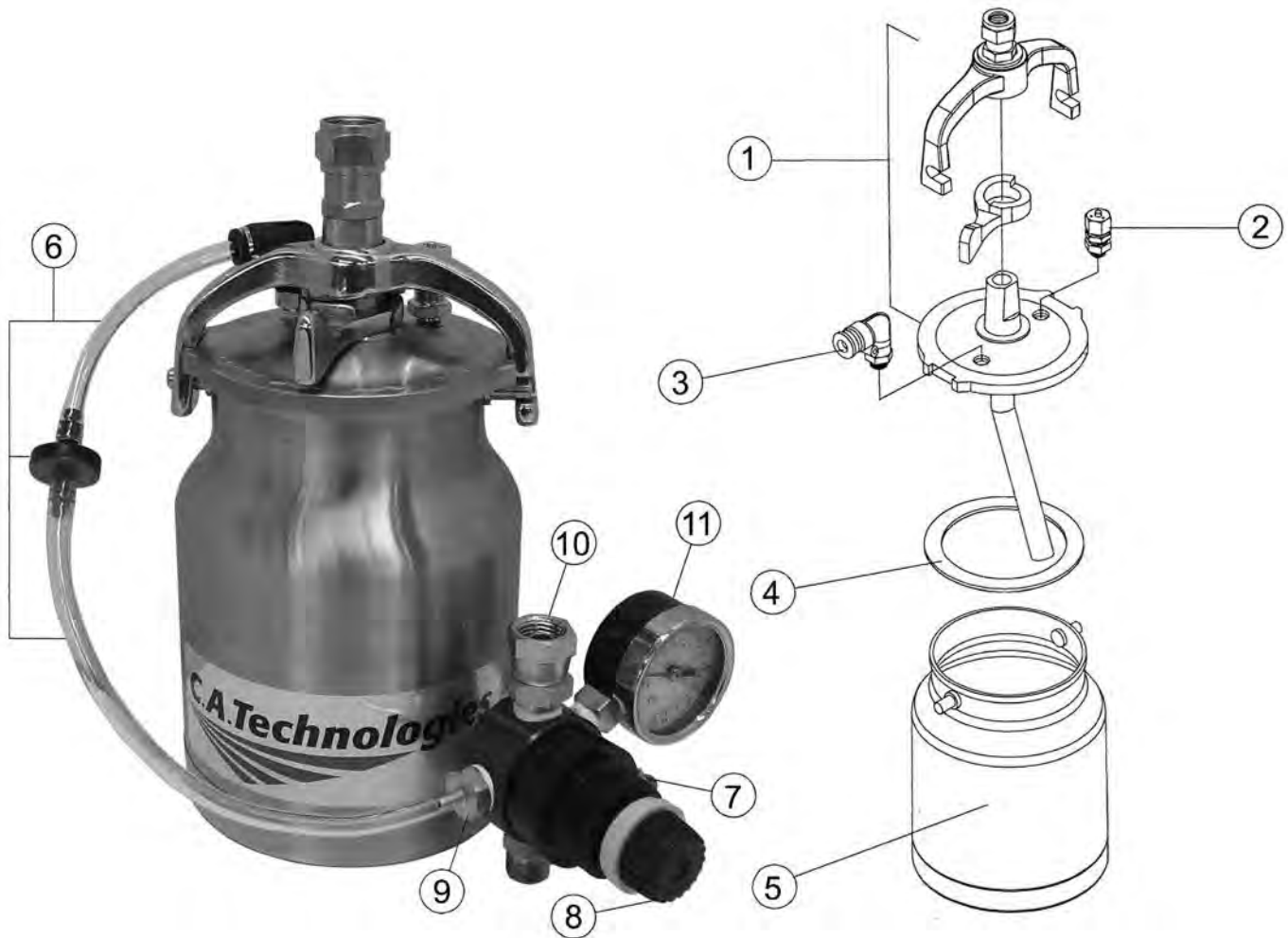
Figure 5: 1 qt. Pressure Cup – Stainless Steel



Item#	Part#	Description
Fig. 5		
—	20C51303SS	1 qt. Pressure Cup – Stainless Steel
1	20C51313SSL2	Lid Assembly
2	20C51335	Safety Relieved Valve
3	20C51333SS2	Elbow Fitting
4	20C51334SS	Lid Gasket
5	20C51313SS2	Pressure Cup
—	209V577	Operator's Manual – C.A. Technologies 1 qt. Pressure Cup – Stainless Steel

OPTIONAL ACCESSORIES

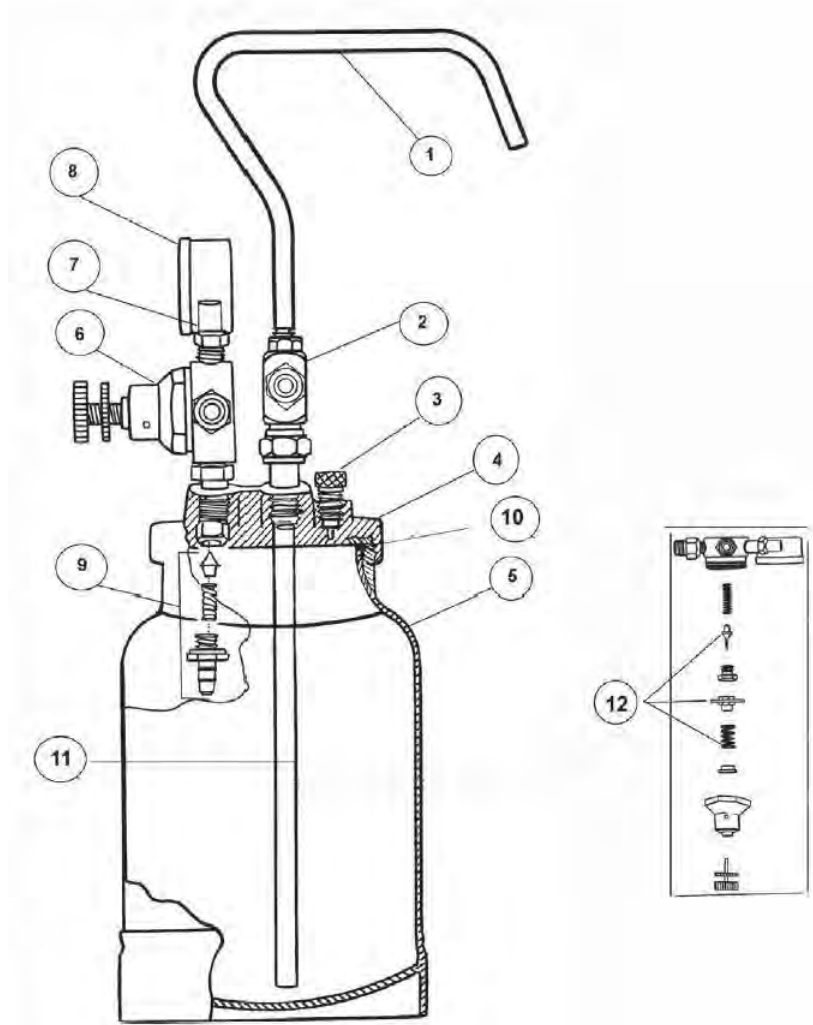
Figure 6: 1 qt. Pressure Cup and Regulator – Stainless Steel



Item#	Part#	Description
Fig. 6		
—	20C51303SSR2	1 qt. Pressure Cup and Regulator – Stainless Steel
1	20C51313SSL2	Lid Assembly
2	20C51335	Safety Relied Valve
3	20C51333SS2	Elbow Fitting
4	20C51334SS	Lid Gasket
5	20C51313SS2	Pressure Cup
6	20C51324	Check Valve Assembly with Tubing
7	20C51141	Safety Pop Off
8	20C525R2	Full Regulator Assembly
9	20C515052	Barb Fitting
10	20C53550	1/4" Swivel Fitting
11	20C5250	#15 Gauge
—	209V577	Operator's Manual – C.A. Technologies 1 qt. Pressure Cup – Stainless Steel

OPTIONAL ACCESSORIES

Figure 7: 2 qt. TechLine Pressure Cup – Aluminum



Item#	Part#	Description
Fig. 7		
—	20C51130	2 qt. TechLine Pressure Cup – Aluminum
1	20C51142	Hook with Locknut
2	20C51143	Outlet Fitting
3	20C51144	Vent
4	20C51145	Cover Assembly
5	20C51146	Canister
6	20C525	Regulator
7	20C51141	Pressure Relief
8	20G5251	Pressure Gauge
9	20C51147	Check Valve
10	20C51140	Gasket
11	20C51149	Fluid Pickup Tube
12	20C105	Regulator Kit
—	209V578	Operator's Manual – C.A. Technologies 2 qt. TechLine Pressure Cup – Aluminum

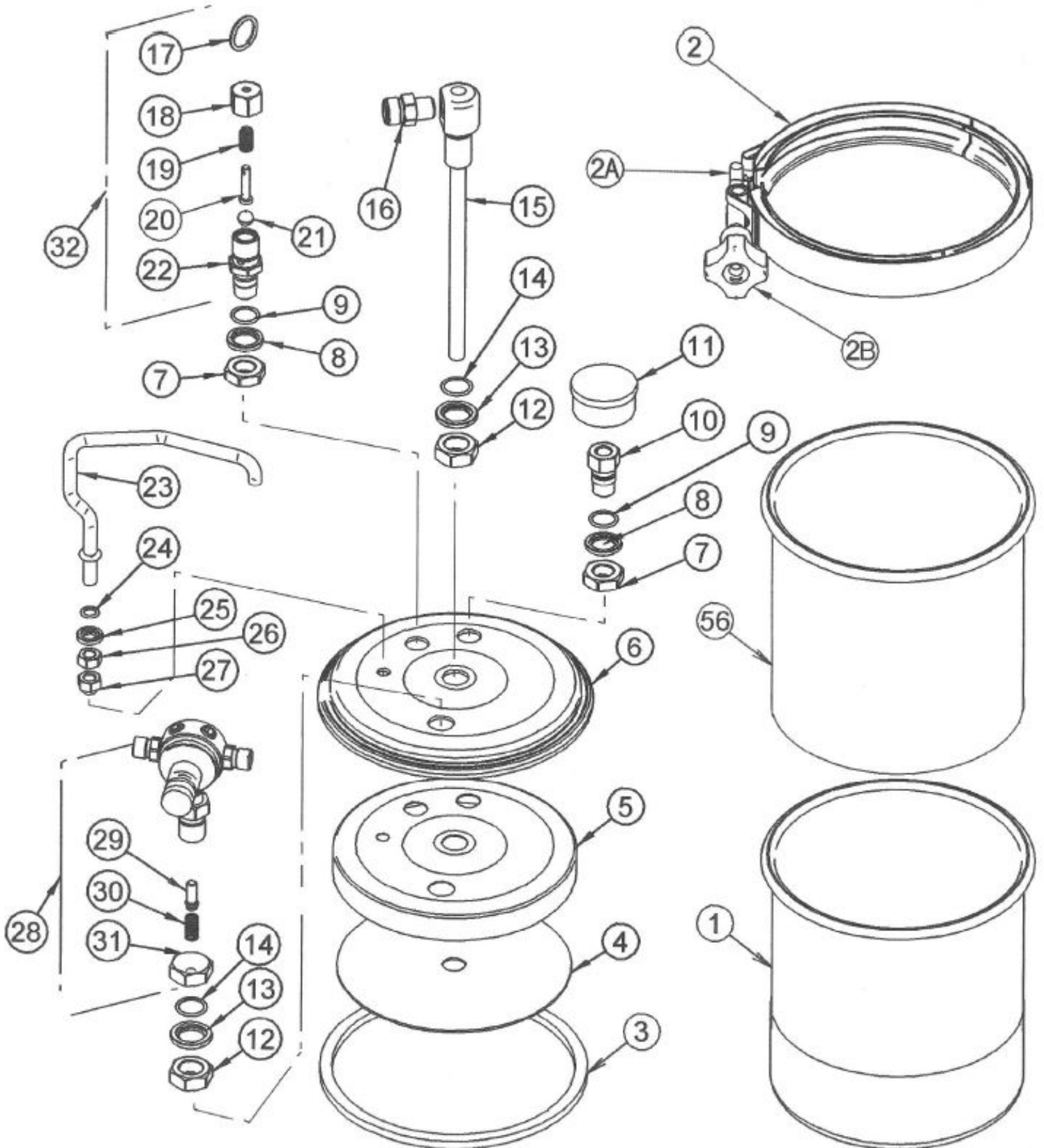
OPTIONAL ACCESSORIES

2 qt. Bandit Pressure Cup – Stainless Steel

Item#	Part#	Description
Fig. 8		
—	20C51600	2 qt. Bandit Pressure Cup – Stainless Steel
1	20C51634	Canister
2	20C51611	Band Clamp
2A	20C51645	T-Bolt for Band
2B	20C51646	Knob for Band – Cast Iron
3	20C51620	Gasket (<i>Pack of Five</i>)
4	20C51633	Splash Guard
5	20C51613	Inner Lid
6	20C51635E	Outer Lid
7	20C980119	9/16-18 Locknut
8	20C51632	Seal Plate
9	20C988015	O-Ring
10	20C51624	Pressure Gauge Fitting
11	20C5253	Pressure Gauge – 0-15 psi (<i>Standard</i>)
—	20C5252	Pressure Gauge – 0-60 psi (<i>Optional</i>)
12	20C980120	5/8-18 Locknut
13	20C51628	Seal Plate
14	20C988016	O-Ring
15	20C51625	Fluid Outlet Assembly
16	20C53555	Fluid Outlet Nipple
17	20C51623	Pull Ring
18	20C51638	Relief Valve Cap
19	20C51618	Relief Valve Spring
20	20C51631	Relief Valve Stem
21	20C980132	Ball
22	20C51617	Pressure Relief Body
23	20C51642	Handle
24	20C988011	O-Ring
25	20C51629	Seal Plate
26	20C980118	5/16-18 Locknut
27	20C980124	Acorn Nut
28	20C51616	Regulator Assembly (<i>Includes Item #'s: 29, 30, and 31</i>)
29	20C51636	Check Poppet
30	20C51619	Spring
31	20C51643	Retaining cap
32	20C51630	Relief Valve Assembly
33	20C51644	Spacer (<i>15 psi Regulator</i>)
56	20C5163712	Plastic Liner (<i>Pack of 12</i>)
—	209V579	Operator's Manual – C.A. Technologies 2 qt. Bandit Pressure Cup – Stainless Steel

OPTIONAL ACCESSORIES

Figure 8: 2 qt. Bandit Pressure Cup – Stainless Steel



PART NUMBERS AND SCHEMATICS GUIDE



Part Numbers

C.A. TECHNOLOGIES LYNX 200C CONVENTIONAL AIR SPRAY GUN

	Type	Air Cap	Fluid Tip Size	Material Handling (Viscosity)
20CL200C28X2062	Pressure	2062	2.8 mm (0.110 in)	Heavy
20CL200C18X2064	Pressure	2064	1.8 mm (0.070 in)	Heavy
20CL200C22X2064	Pressure	2064	2.2 mm (0.086 in)	Heavy
20CL200C14X2704	Pressure	2704	1.4 mm (0.055 in)	Medium
20CL200C18X2704	Pressure	2704	1.8 mm (0.070 in)	Medium
20CL200C14X2765	Pressure	2765	1.4 mm (0.055 in)	Medium
20CL200C18X2765	Pressure	2765	1.8 mm (0.070 in)	Medium and Heavy
20CL200C14X2777	Pressure	2777	1.4 mm (0.055 in)	Medium
20CL200C18X2777	Pressure	2777	1.8 mm (0.070 in)	Medium
20CL200C14X2797	Pressure	2797	1.4 mm (0.055 in)	Medium
20CL200C18X2797	Pressure	2797	1.8 mm (0.070 in)	Medium and Heavy
20CL200C11X2058	Pressure/Siphon	2058	1.1 mm (0.042 in)	Very Thin and Thin
20CL200C14X2058	Pressure/Siphon	2058	1.4 mm (0.055 in)	Thin
20CL200C11X2030	Siphon	2030	1.1 mm (0.042 in)	Thin
20CL200C14X2030	Siphon	2030	1.4 mm (0.055 in)	Thin
20CL200C14X2080	Siphon	2080	1.4 mm (0.055 in)	Medium
20CL200C18X2080	Siphon	2080	1.8 mm (0.070 in)	Medium
20CL200C22X2880	Siphon	2880	2.2 mm (0.086 in)	Heavy
20CL200C11X2900	Siphon	2900	1.1 mm (0.042 in)	Thin
20CL200C14X2900	Siphon	2900	1.4 mm (0.055 in)	Thin and Medium
20CL200C18X2900	Siphon	2900	1.8 mm (0.070 in)	Medium

PART NUMBERS AND SCHEMATICS GUIDE



Part Numbers

C.A. TECHNOLOGIES LYNX 200H HVLP AIR SPRAY GUN

	Type	Air Cap	Fluid Tip Size	Material Handling (Viscosity)
20CL200H11X1028	Pressure	1028	1.1 mm (0.042 in)	Very Thin
20CL200H11X1033	Pressure	1033	1.1 mm (0.042 in)	Very Thin
20CL200H14X1046	Pressure	1046	1.4 mm (0.055 in)	Medium
20CL200H18X1046	Pressure	1046	1.8 mm (0.070 in)	Heavy
20CL200H22X1046	Pressure	1046	2.2 mm (0.086 in)	Heavy
20CL200H14X1083	Pressure	1083	1.4 mm (0.055 in)	Medium
20CL200H18X1083	Pressure	1083	1.8 mm (0.070 in)	Heavy
20CL200H22X1083	Pressure	1083	2.2 mm (0.086 in)	Heavy
20CL200H11X1057	Pressure/Siphon	1057	1.1 mm (0.042 in)	Thin
20CL200H14X1057	Pressure/Siphon	1057	1.4 mm (0.055 in)	Thin and Medium
20CL200H11X1100	Pressure/Siphon	1100	1.1 mm (0.042 in)	Thin
20CL200H14X1100	Pressure/Siphon	1100	1.4 mm (0.055 in)	Thin and Medium


PART NUMBERS AND SCHEMATICS GUIDE



Part Numbers

AIR CAPS			
Part Numbers	Lynx Gun Type	Cap Number	Retaining Ring Included
20C222030	Conventional	2030	X
20C222058	Conventional	2058	X
20C222062	Conventional	2062	X
20C222064	Conventional	2064	X
20C222080	Conventional	2080	X
20C222704	Conventional	2704	
20C222765	Conventional	2765	
20C222777	Conventional	2777	
20C222797	Conventional	2797	
20C222880	Conventional	2880	X
20C222990	Conventional	2990	
20C221028	HVLP	1028	
20C221033	HVLP	1033	
20C221046	HVLP	1046	
20C221057	HVLP	1057	
20C221083	HVLP	1083	
20C221100	HVLP	1100	

Part Numbers

RETAINING RING AND BASE		
Part Numbers	Description	
 20C221001	C.A. Technologies Lynx 200 Air Cap Retaining Ring	

PART NUMBERS AND SCHEMATICS GUIDE



Part Numbers

CONVENTIONAL FLUID TIPS AND NEEDLES				
Part Numbers	Orifice Size	Replacement Orifice	One-Piece Fluid Tip (Orifice Not Replaceable)	Fluid Needle
20C322211	1.1 mm (0.042 in)	20C320611	20C322111	20C401211
20C322214	1.4 mm (0.055 in)	20C320614	20C322114	20C401214
20C322218	1.8 mm (0.070 in)	20C320618	20C322118	20C401218
20C322418	1.8 mm (0.070 in)	20C320818	20C322318	20C401222
20C322222	2.2 mm (0.086 in)	20C320622	20C322122	20C401222
N/A	2.8 mm (0.110 in)	—	20C322128	20C401228



Part Numbers

HVLP FLUID TIPS AND NEEDLES				
Part Numbers	Orifice Size	Replacement Orifice	One-Piece Fluid Tip (Orifice Not Replaceable)	Fluid Needle
20C321211	1.1 mm (0.042 in)	20C320211	20C321111	20C401211
20C321214	1.4 mm (0.055 in)	20C320214	20C321114	20C401214
20C321218	1.8 mm (0.070 in)	20C320218	20C321118	20C401218
20C321222	2.2 mm (0.086 in)	20C320222	20C321122	20C401222

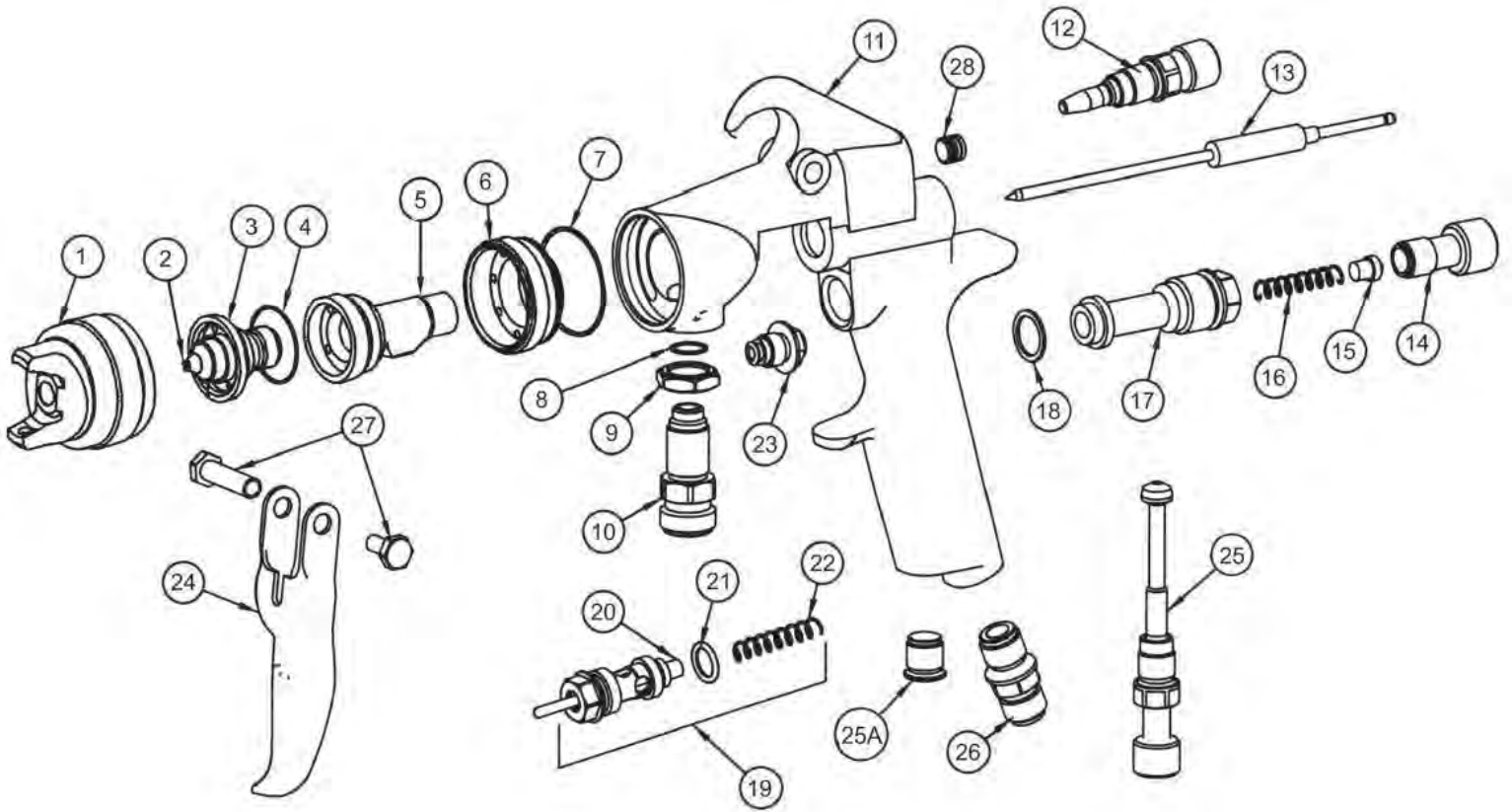
PART NUMBERS AND SCHEMATICS GUIDE

C.A. Technologies Lynx 200 Air Spray Gun


Item#	Part#	Description
Fig. 1		
1	—	Air Cap (See Page 6)
2	—	Fluid Tip (See Page 7)
3	20C312201	Fluid Nozzle Body
4	20C988020	O-Ring – Series 200
5	20C60L21C	Nozzle Carrier – Conventional
—	20C60L21H	Nozzle Carrier – HVLP
6	20C6022	Air Cap Adapter
7	20C60131	O-Ring
8	20C60124	Fluid Inlet Seal
9	20C60128	Lock Nut
10	20C60126	Fluid Inlet Fitting
11	20C601124	Lynx Gun Body – Conventional
—	20C601114	Lynx Gun Body – HVLP
12	20C601500	Fan Control Assembly – Conventional
—	20C601502	Fan Control Assembly – HVLP
—	20C601501	Fan Control Assembly – HVLP (For Air Cap 1100)
13	—	Fluid Needle (See Page 7)
14	20C60202	Fluid Control Knob
15	20C60205	Spring Seat
16	20C60204	Needle Return Spring
17	20C60201	Rear Bushing
18	20C60119	Poly Washer
19	20C601520	Air Valve Assembly (Includes Item #'s: 20, 21, and 22)
20	20C60302	Air Valve Poppet
21	20C60125	O-Ring
22	20C611003	Air Valve Spring
23	20C601400	Needle Seal
24	20C602101	Trigger
25	20C601510	Inlet Air Control
25A	20C60122	Gun Plug (Optional)
26	20C60104	Air Inlet Fitting
27	20C601033	Trigger Pivot Set
28	20C980109	Allen Plug
—	20C10106	Lynx Repair Kit (Includes Item #'s: 4, 7, 8, 15, 16, 18, 21, 22, and 23)
—	201V548	Brochure – C.A. Technologies Lynx 200 Conventional Air Spray Gun
—	201V549	Brochure – C.A. Technologies Lynx 200 HVLP Air Spray Gun
—	206M605	Part Numbers and Schematics Guide – C.A. Technologies Lynx 100 Air Spray Gun
—	209V548	Operator's Manual – C.A. Technologies Lynx 200 Conventional Air Spray Gun
—	209V549	Operator's Manual – C.A. Technologies Lynx 200 HVLP Air Spray Gun


PART NUMBERS AND SCHEMATICS GUIDE



Figure 1: C.A. Technologies Lynx 200 Air Spray Gun




OPTIONAL ACCESSORIES


		3/8" I.D. FLUID HOSE				
	Part Numbers	Length	Hose I.D.	Hose O.D.	Working Pressure	Hose Cover Color
	20FH038	Per Ft.	3/8"	11/16"	750 psi	Black



		3/8" I.D. FLUID HOSE WITH COUPLINGS INSTALLED					
	Part Numbers	Length	Hose I.D.	Hose O.D.	Working Pressure	Hose Cover Color	Couplings
	20FH03825AC	25 Ft.	3/8"	11/16"	750 psi	Black	2080020
	20FH03850AC	50 Ft.	3/8"	11/16"	750 psi	Black	2080020

		COUPLINGS AND HEX NIPPLE FOR 3/8" I.D. FLUID HOSE	
	Part Numbers	Thread Style	Working Pressure
	2080020	3/8" Compression Fitting x 3/8" Female NPS	250 psi
	1028610	3/8" Male x 3/8" Male Hex Nipple	1,000 psi









OPTIONAL ACCESSORIES

		5/16" I.D. AIR HOSE				
	Part Numbers	Length	Hose I.D.	Hose O.D.	Working Pressure	Hose Cover Color
	20AH0516	Per Ft.	5/16"	5/8"	200 psi	Red

		5/16" I.D. AIR HOSE WITH COUPLINGS INSTALLED					
	Part Numbers	Length	Hose I.D.	Hose O.D.	Working Pressure	Hose Cover Color	Couplings
	20AH051625AC	25 Ft.	5/16"	5/8"	200 psi	Red	2080010
	20AH051650AC	50 Ft.	5/16"	5/8"	200 psi	Red	2080010

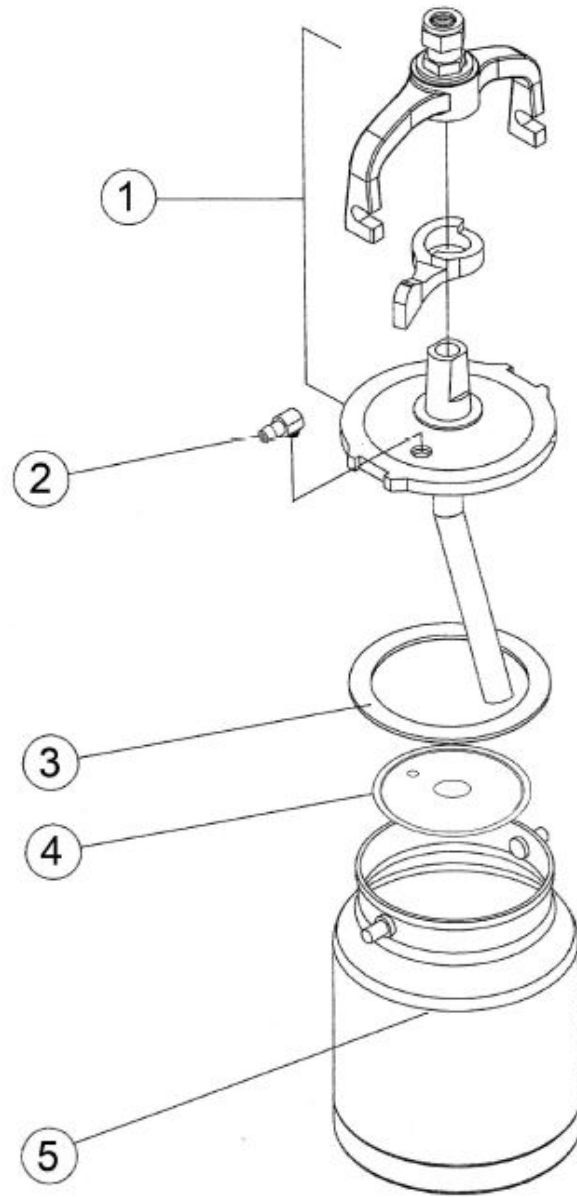
		COUPLING AND HEX NIPPLE FOR 5/16" I.D. AIR HOSE		
	Part Numbers	Thread Style	Working Pressure	
	2080010	5/16" Female x 1/4" Female NPT Air Hose Coupling	250 psi	
	20PFHA24SA0404	1/4" Male x 1/4" Male Air Hose Hex Nipple	6,000 psi	

OPTIONAL ACCESSORIES

		CUPS
Part Numbers	Description	
	20C51301	1 qt. Siphon Cup – Aluminum
	20C51303	1 qt. Pressure Cup – Aluminum
	20C51303R2	1 qt. Pressure Cup and Regulator – Aluminum
	20C51303SS	1 qt. Pressure Cup – Stainless Steel
	20C51303SSR2	1 qt. Pressure Cup and Regulator – Stainless Steel
	20C51350	1 qt. Pressure Cup with Screw Lid
	20C51130	2 qt. TechLine Pressure Cup – Aluminum
	20C51600	2 qt. Bandit Pressure Cup – Stainless Steel

OPTIONAL ACCESSORIES

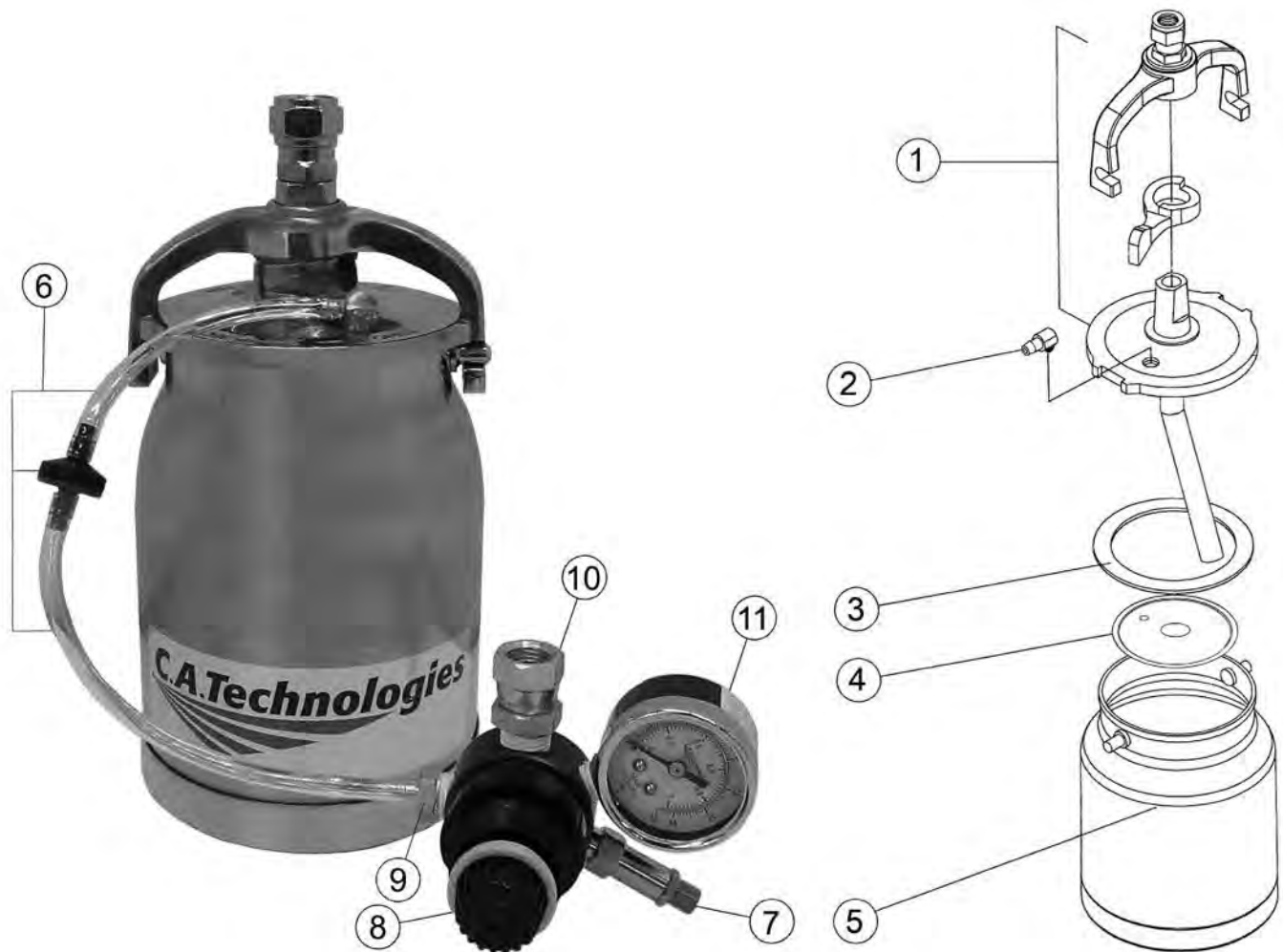
Figure 2: 1 qt. Pressure Cup – Aluminum



Item#	Part#	Description
Fig. 2		
—	20C51303	1 qt. Pressure Cup – Aluminum
1	20C51313L2	Lid Assembly
2	20C513332	Elbow Fitting
3	20C51334	Lid Gasket
4	20C51329	Splash Guard
5	20C513132	Pressure Cup
—	209V576	Operator's Manual – C.A. Technologies 1 qt. Pressure Cup – Aluminum

OPTIONAL ACCESSORIES

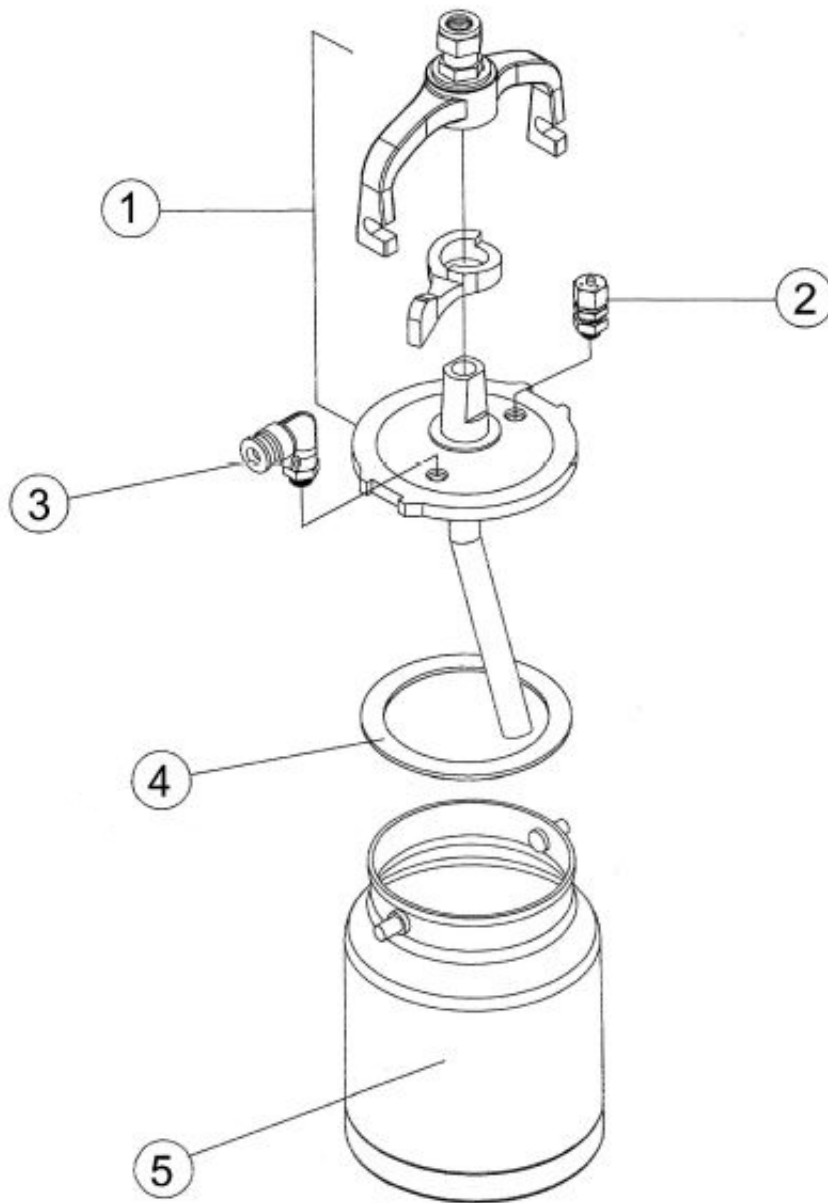
Figure 3: 1 qt. Pressure Cup and Regulator – Aluminum



Item#	Part#	Description
Fig. 3		
—	20C51303R2	1 qt. Pressure Cup and Regulator – Aluminum
1	20C51313L2	Lid Assembly
2	20C513332	Elbow Fitting
3	20C51334	Lid Gasket
4	20C51329	Splash Guard
5	20C513132	Pressure Cup
6	20C51324	Check Valve Assembly with Tubing
7	20C51141	Safety Pop Off
8	20C525R2	Full Regulator Assembly
9	20C515052	Barb Fitting
10	20C53550	1/4" Swivel Fitting
11	20C5250	#15 Gauge
—	209V576	Operator's Manual – C.A. Technologies 1 qt. Pressure Cup – Aluminum

OPTIONAL ACCESSORIES

Figure 4: 1 qt. Pressure Cup – Stainless Steel



Item#	Part#	Description
Fig. 4		
—	20C51303SS	1 qt. Pressure Cup – Stainless Steel
1	20C51313SSL2	Lid Assembly
2	20C51335	Safety Relieved Valve
3	20C51333SS2	Elbow Fitting
4	20C51334SS	Lid Gasket
5	20C51313SS2	Pressure Cup
—	209V577	Operator's Manual – C.A. Technologies 1 qt. Pressure Cup – Stainless Steel

OPTIONAL ACCESSORIES

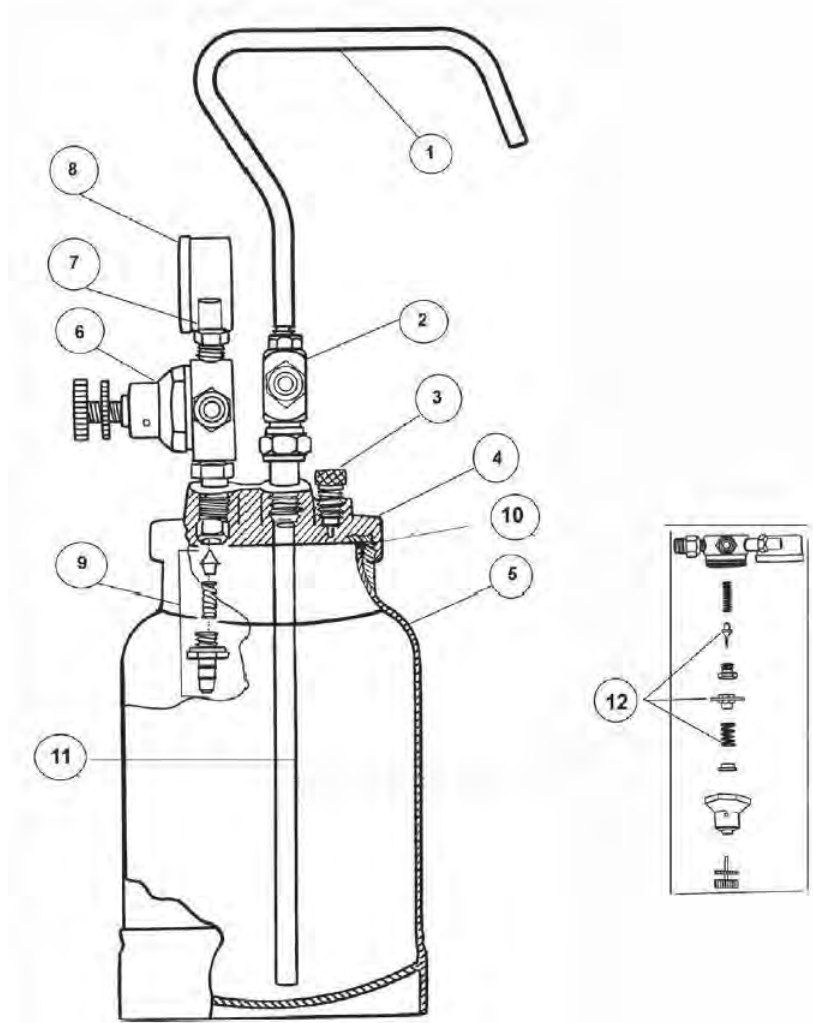
Figure 5: 1 qt. Pressure Cup and Regulator – Stainless Steel



Item#	Part#	Description
Fig. 5		
—	20C51303SSR2	1 qt. Pressure Cup and Regulator – Stainless Steel
1	20C51313SSL2	Lid Assembly
2	20C51335	Safety Relied Valve
3	20C51333SS2	Elbow Fitting
4	20C51334SS	Lid Gasket
5	20C51313SS2	Pressure Cup
6	20C51324	Check Valve Assembly with Tubing
7	20C51141	Safety Pop Off
8	20C525R2	Full Regulator Assembly
9	20C515052	Barb Fitting
10	20C53550	1/4" Swivel Fitting
11	20C5250	#15 Gauge
—	209V577	Operator's Manual – C.A. Technologies 1 qt. Pressure Cup – Stainless Steel

OPTIONAL ACCESSORIES

Figure 6: 2 qt. TechLine Pressure Cup – Aluminum



Item#	Part#	Description
Fig. 6		
—	20C51130	2 qt. TechLine Pressure Cup – Aluminum
1	20C51142	Hook with Locknut
2	20C51143	Outlet Fitting
3	20C51144	Vent
4	20C51145	Cover Assembly
5	20C51146	Canister
6	20C525	Regulator
7	20C51141	Pressure Relief
8	20G5251	Pressure Gauge
9	20C51147	Check Valve
10	20C51140	Gasket
11	20C51149	Fluid Pickup Tube
12	20C105	Regulator Kit
—	209V578	Operator's Manual – C.A. Technologies 2 qt. TechLine Pressure Cup – Aluminum

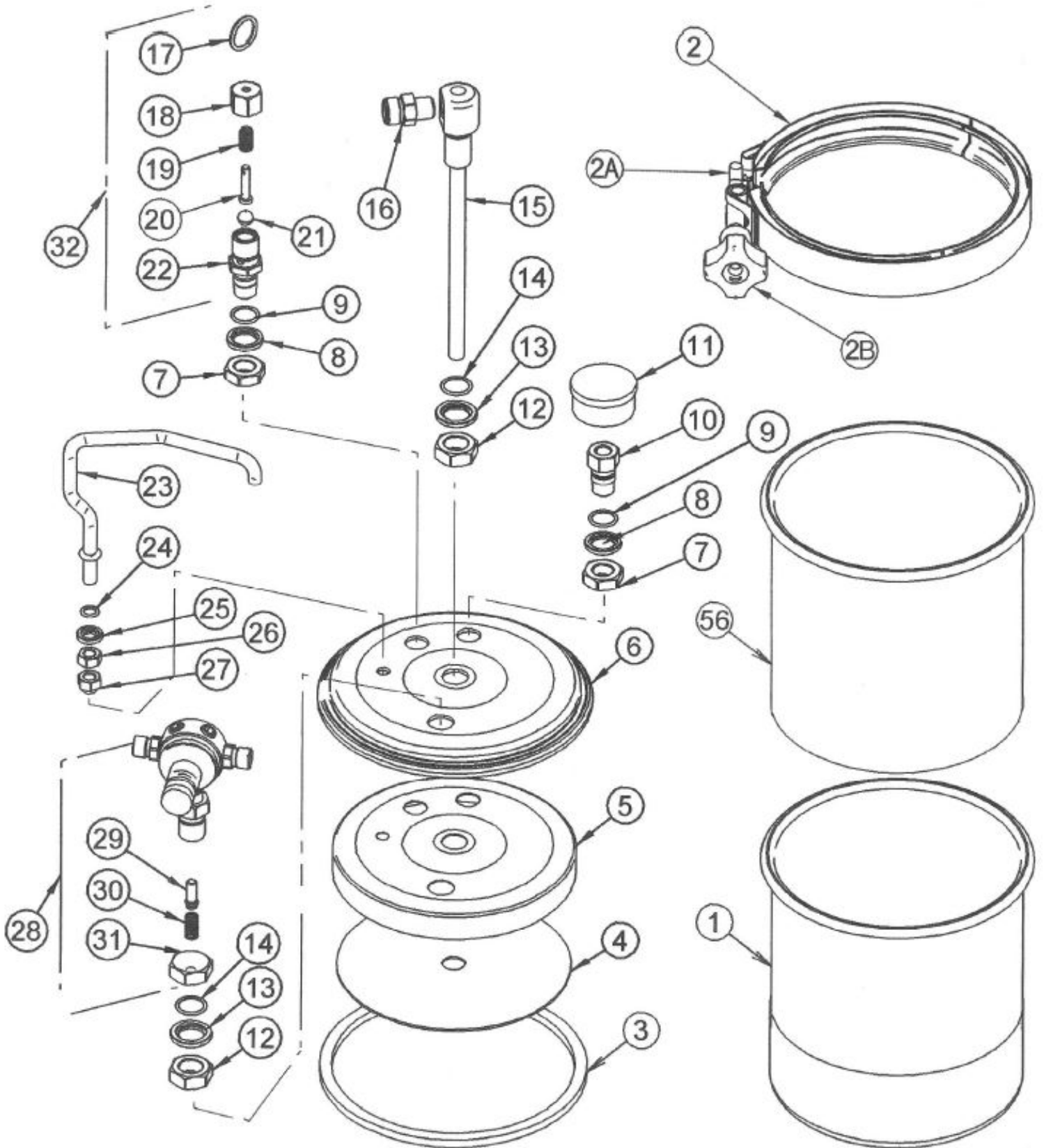
OPTIONAL ACCESSORIES

2 qt. Bandit Pressure Cup – Stainless Steel

Item#	Part#	Description
Fig. 7		
—	20C51600	2 qt. Bandit Pressure Cup – Stainless Steel
1	20C51634	Canister
2	20C51611	Band Clamp
2A	20C51645	T-Bolt for Band
2B	20C51646	Knob for Band – Cast Iron
3	20C51620	Gasket (<i>Pack of Five</i>)
4	20C51633	Splash Guard
5	20C51613	Inner Lid
6	20C51635E	Outer Lid
7	20C980119	9/16-18 Locknut
8	20C51632	Seal Plate
9	20C988015	O-Ring
10	20C51624	Pressure Gauge Fitting
11	20C5253	Pressure Gauge – 0-15 psi (<i>Standard</i>)
—	20C5252	Pressure Gauge – 0-60 psi (<i>Optional</i>)
12	20C980120	5/8-18 Locknut
13	20C51628	Seal Plate
14	20C988016	O-Ring
15	20C51625	Fluid Outlet Assembly
16	20C53555	Fluid Outlet Nipple
17	20C51623	Pull Ring
18	20C51638	Relief Valve Cap
19	20C51618	Relief Valve Spring
20	20C51631	Relief Valve Stem
21	20C980132	Ball
22	20C51617	Pressure Relief Body
23	20C51642	Handle
24	20C988011	O-Ring
25	20C51629	Seal Plate
26	20C980118	5/16-18 Locknut
27	20C980124	Acorn Nut
28	20C51616	Regulator Assembly (<i>Includes Item #'s: 29, 30, and 31</i>)
29	20C51636	Check Poppet
30	20C51619	Spring
31	20C51643	Retaining cap
32	20C51630	Relief Valve Assembly
33	20C51644	Spacer (<i>15 psi Regulator</i>)
56	20C5163712	Plastic Liner (<i>Pack of 12</i>)
—	209V579	Operator's Manual – C.A. Technologies 2 qt. Bandit Pressure Cup – Stainless Steel

OPTIONAL ACCESSORIES

Figure 7: 2 qt. Bandit Pressure Cup – Stainless Steel



PART NUMBERS AND SCHEMATICS GUIDE



Part Numbers

C.A. TECHNOLOGIES PANTHER 200C AIR SPRAY GUN				
Part Numbers	Type	Air Cap	Fluid Tip Size	Material Handling (Viscosity)
20CP200C28X2062T	Pressure	2062T	2.8 mm (0.110 in)	Heavy
20CP200C28X2880	Pressure	2064	2.8 mm (0.110 in)	Heavy
20CP200C18X2064T	Pressure	2064T	1.8 mm (0.070 in)	Heavy
20CP200C22X2064T	Pressure	2064T	2.2 mm (0.086 in)	Heavy
20CP200C14X2704	Pressure	2704	1.4 mm (0.055 in)	Medium
20CP200C18X2704	Pressure	2704	1.8 mm (0.070 in)	Medium
20CP200C14X0765	Pressure	2765	1.4 mm (0.055 in)	Medium
20CP200C18X2765	Pressure	2765	1.8 mm (0.070 in)	Medium and Heavy
20CP200C14X2777	Pressure	2777	1.4 mm (0.055 in)	Medium
20CP200C18X2777	Pressure	2777	1.8 mm (0.070 in)	Medium
20CP200C14X2797	Pressure	2797	1.4 mm (0.055 in)	Medium
20CP200C18X2797	Pressure	2797	1.8 mm (0.070 in)	Medium and Heavy
20CP200C11X2058	Pressure/Siphon	2058	1.1 mm (0.042 in)	Very Thin and Thin
20CP200C14X2058	Pressure/Siphon	2058	1.4 mm (0.055 in)	Thin
20CP200C11X2030	Siphon	2030	1.1 mm (0.042 in)	Very Thin and Thin
20CP200C14X2030	Siphon	2030	1.4 mm (0.055 in)	Thin
20CP200C14X2080	Siphon	2080	1.4 mm (0.055 in)	Medium
20CP200C18X2080	Siphon	2080	1.8 mm (0.070 in)	Medium
20CP200C22X2880	Siphon	2880	2.2 mm (0.086 in)	Heavy
20CP200C11X2900	Siphon	2900	1.1 mm (0.042 in)	Thin
20CP200C14X2900	Siphon	2900	1.4 mm (0.055 in)	Thin and Medium
20CP200C18X2900	Siphon	2900	1.8 mm (0.070 in)	Medium

PART NUMBERS AND SCHEMATICS GUIDE



Part Numbers

C.A. TECHNOLOGIES PANTHER 200Z AIR SPRAY GUN				
	Type	Air Cap	Fluid Tip Size	Applications
20CP200Z28X2062T	Pressure	2062T	2.8 mm (0.110 in)	Zinc Rich Products
20CP200Z18X2064T	Pressure	2064T	1.8 mm (0.070 in)	Zinc Rich Products
20CP200Z22X2064T	Pressure	2064T	2.2 mm (0.086 in)	Zinc Rich Products

PART NUMBERS AND SCHEMATICS GUIDE



Part Numbers

C.A. TECHNOLOGIES PANTHER 100H HVLP AIR SPRAY GUN

	Type	Air Cap	Fluid Tip Size	Material Handling (Viscosity)
20CP100H05X1090	Pressure	1090	0.5 mm (0.020 in)	Very Thin
20CP100H08X1090	Pressure	1090	0.8 mm (0.030 in)	Very Thin
20CP100H05X1092	Pressure	1092	0.5 mm (0.020 in)	Very Thin
20CP100H08X1092	Pressure	1092	0.8 mm (0.030 in)	Very Thin
20CP100H10X1092	Pressure	1092	1.0 mm (0.040 in)	Thin
20CP100H12X1092	Pressure	1092	1.2 mm (0.046 in)	Thin
20CP100H10X1093	Pressure	1093	1.0 mm (0.040 in)	Thin
20CP100H12X1093	Pressure	1093	1.2 mm (0.046 in)	Thin
20CP100H13X1093	Pressure	1093	1.3 mm (0.052 in)	Medium
20CP100H14X1093	Pressure	1093	1.4 mm (0.055 in)	Medium
20CP100H15X1093	Pressure	1093	1.5 mm (0.059 in)	Medium
20CP100H13X1095	Pressure	1095	1.3 mm (0.052 in)	Medium
20CP100H14X1095	Pressure	1095	1.4 mm (0.055 in)	Medium
20CP100H15X1095	Pressure	1095	1.5 mm (0.059 in)	Medium
20CP100H16X1095	Pressure	1095	1.6 mm (0.063 in)	Heavy
20CP100H17X1095	Pressure	1095	1.7 mm (0.070 in)	Heavy
20CP100H13X1097	Pressure	1097	1.3 mm (0.052 in)	Medium
20CP100H14X1097	Pressure	1097	1.4 mm (0.055 in)	Medium
20CP100H15X1097	Pressure	1097	1.5 mm (0.059 in)	Medium
20CP100H16X1097	Pressure	1097	1.6 mm (0.063 in)	Heavy
20CP100H17X1097	Pressure	1097	1.7 mm (0.070 in)	Heavy
20CP100H16X1195	Pressure	1195	1.6 mm (0.063 in)	Heavy
20CP100H17X1195	Pressure	1195	1.7 mm (0.070 in)	Heavy
20CP100H16X1197	Pressure	1197	1.6 mm (0.063 in)	Heavy
20CP100H17X1197	Pressure	1197	1.7 mm (0.070 in)	Heavy

PART NUMBERS AND SCHEMATICS GUIDE



Part Numbers

C.A. TECHNOLOGIES PANTHER 200H HVLP AIR SPRAY GUN

Part Numbers	Type	Air Cap	Fluid Tip Size	Material Handling (Viscosity)
20CP200H11X1028	Pressure	1028	1.1 mm (0.042 in)	Very Thin
20CP200H11X1033	Pressure	1033	1.1 mm (0.042 in)	Very Thin
20CP200H14X1046	Pressure	1046	1.4 mm (0.055 in)	Medium
20CP200H18X1046	Pressure	1046	1.8 mm (0.070 in)	Heavy
20CP200H22X1046	Pressure	1046	2.2 mm (0.086 in)	Heavy
20CP200H14X1083	Pressure	1083	1.4 mm (0.055 in)	Medium
20CP200H18X1083	Pressure	1083	1.8 mm (0.070 in)	Heavy
20CP200H22X1083	Pressure	1083	2.2 mm (0.086 in)	Heavy
20CP200H11X1057	Pressure/Siphon	1057	1.1 mm (0.042 in)	Thin
20CP200H14X1057	Pressure/Siphon	1057	1.4 mm (0.055 in)	Thin and Medium
20CP200H11X1100	Pressure/Siphon	1100	1.1 mm (0.042 in)	Thin
20CP200H14X1100	Pressure/Siphon	1100	1.4 mm (0.055 in)	Thin and Medium

PART NUMBERS AND SCHEMATICS GUIDE



Part Numbers

100 SERIES AIR CAPS			
Part Numbers	Panther Gun Type	Cap Number	Retaining Ring <i>(Included)</i>
20C211090	HVLP	1090	
20C211091	HVLP	1091	
20C211092	HVLP	1092	
20C211093	HVLP	1093	
20C211094	HVLP	1094	
20C211095	HVLP	1095	
20C211097	HVLP	1097	
20C211195	HVLP	1195	X
20C211197	HVLP	1197	X

PART NUMBERS AND SCHEMATICS GUIDE



Part Numbers

200 SERIES AIR CAPS				
Part Numbers	Panther Gun Type	Cap Number	Retaining Ring (Included)	Teflon-Coated
20C222030	Conventional	2030	X	
20C222058	Conventional	2058	X	
20C222062	Conventional	2062	X	
20C222062T	Conventional	2062T	X	X
20C222064	Conventional	2064	X	
20C222064T	Conventional	2064T	X	X
20C222080	Conventional	2080	X	
20C222704	Conventional	2704		
20C222765	Conventional	2765		
20C222777	Conventional	2777		
20C222797	Conventional	2797		
20C222880	Conventional	2880	X	
20C222900	Conventional	2900		
20C221028	HVLP	1028		
20C221033	HVLP	1033		
20C221057	HVLP	1057		
20C221100	HVLP	1100		
20C221046	HVLP	1046		
20C221083	HVLP	1083		

Part Numbers

RETAINING RING AND BASE	
Part Numbers	Description
20C211001	C.A. Technologies HVLP Retaining Ring
20C221001	C.A. Technologies Conventional Retaining Ring



PART NUMBERS AND SCHEMATICS GUIDE



Part Numbers

CONVENTIONAL FLUID TIPS AND NEEDLES

Part Numbers	Orifice Size	Replacement Orifice	One-Piece Fluid Tip (Orifice Not Replaceable)	Fluid Needle
20C322211	1.1 mm (0.042 in)	20C320611	20C322111	20C401211
20C322214	1.4 mm (0.055 in)	20C320614	20C322114	20C401214
20C322218	1.8 mm (0.070 in)	20C320618	20C322118	20C401218
20C322218Z	1.8 mm (0.070 in)	20C320618	20C322118Z	20C401218
20C322418	1.8 mm (0.070 in)	20C320818	20C322318	20C401222
20C322222	2.2 mm (0.086 in)	20C320622	20C322122	20C401222
20C322222Z	2.2 mm (0.086 in)	20C320622	20C322122Z	20C401222
N/A	2.8 mm (0.110 in)	20C320628	N/A	20C401228
N/A	2.8 mm (0.110 in)	N/A	20C322128Z	20C401228

PART NUMBERS AND SCHEMATICS GUIDE



Part Numbers

HVLP FLUID TIPS AND NEEDLES

	Orifice Size	Replacement Orifice	One-Piece Fluid Tip (Orifice Not Replaceable)	Fluid Needle
20C311205	0.5 mm (0.020 in)	20C310205	20C311105	20C401100
20C311208	0.8 mm (0.030 in)	20C310208	20C311108	20C401100
20C311210	1.0 mm (0.040 in)	20C310210	20C311110	20C401100
20C322211	1.1 mm (0.042 in)	20C320611	20C322111	20C401211
20C311212	1.2 mm (0.046 in)	20C310212	20C311112	20C401100
20C311412	1.2 mm (0.046 in)	20C310412	20C311312	20C401112F
20C311213	1.3 mm (0.052 in)	20C310213	20C311113	20C401100
20C311214	1.4 mm (0.055 in)	20C310214	20C311114	20C401100
20C311414	1.4 mm (0.055 in)	20C310414	20C311314	20C401114F
20C322214	1.4 mm (0.055 in)	20C320614	20C322114	20C401214
20C311215	1.5 mm (0.059 in)	20C310215	20C311115	20C401100
20C311216	1.6 mm (0.063 in)	20C310216	20C311116	20C401100
20C311217	1.7 mm (0.070 in)	20C310217	20C311117	20C401100
20C311417	1.7 mm (0.070 in)	20C310417	20C311317	20C401117F
20C322218	1.8 mm (0.070 in)	20C320618	20C322118	20C401218
20C322222	2.2 mm (0.086 in)	20C320622	20C322122	20C401222

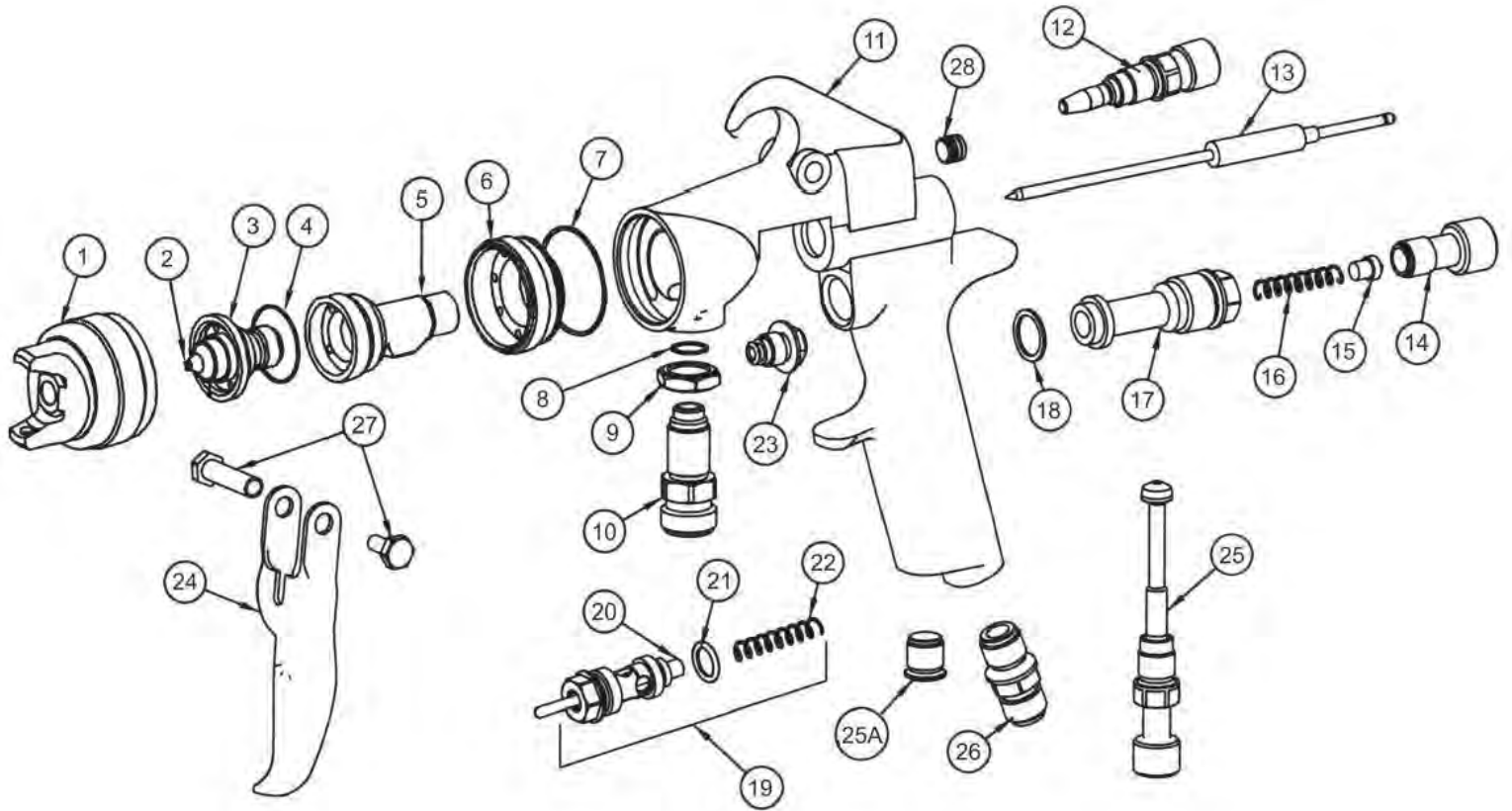
PART NUMBERS AND SCHEMATICS GUIDE

C.A. Technologies Panther 200C/200Z Air Spray Gun

Item#	Part#	Description
Fig. 1		
1	—	Air Cap (See Page 9)
2	—	Fluid Tip (See Page 10)
3	20C312201	Fluid Nozzle Body
4	20C988020	O-Ring – Series 200
5	20C60L21C	Nozzle Carrier
6	20C6022	Air Cap Adapter
7	20C60131	O-Ring
8	20C60124	Fluid Inlet Seal
9	20C60128	Lock Nut
10	20C60126	Fluid Inlet Fitting
11	20C601125	Panther Gun Body – Conventional
12	20C601500	Fan Control Assembly
13	—	Fluid Needle (See Page 10)
14	20C60202	Fluid Control Knob
15	20C60209	Spring Seat
16	20C60206	Needle Return Spring
17	20C60201	Rear Bushing
18	20C60119	Poly Washer
19	20C601520	Air Valve Assembly (Includes Item #'s: 20, 21, and 22)
20	20C60302	Air Valve Poppet
21	20C60125	O-Ring
22	20C611003	Air Valve Spring
23	20C601402	Needle Seal – 200Z Series
—	20C601400	Needle Seal – 200C Series
24	20C602101	Trigger
25	20C601510	Inlet Air Control
25A	20C60122	Gun Plug (Optional)
26	20C60104	Air Inlet Fitting
27	20C601033	Trigger Pivot Set
28	20C980109	Allen Plug
—	20C10108	Panther Gun Repair Kit (Includes Item #'s: 4, 7, 15, 18, 21, 22, and 23)
—	201V552	Brochure – C.A. Technologies Panther 200Z Air Spray Gun
—	201V553	Brochure – C.A. Technologies Panther 200C Air Spray Gun
—	206M606	Part Numbers and Schematics Guide – C.A. Technologies Panther Air Spray Gun
—	209V552	Operator's Manual – C.A. Technologies Panther 200Z Air Spray Gun
—	209V553	Operator's Manual – C.A. Technologies Panther 200C Air Spray Gun

PART NUMBERS AND SCHEMATICS GUIDE

Figure 1: C.A. Technologies Panther 200C/200Z Air Spray Gun



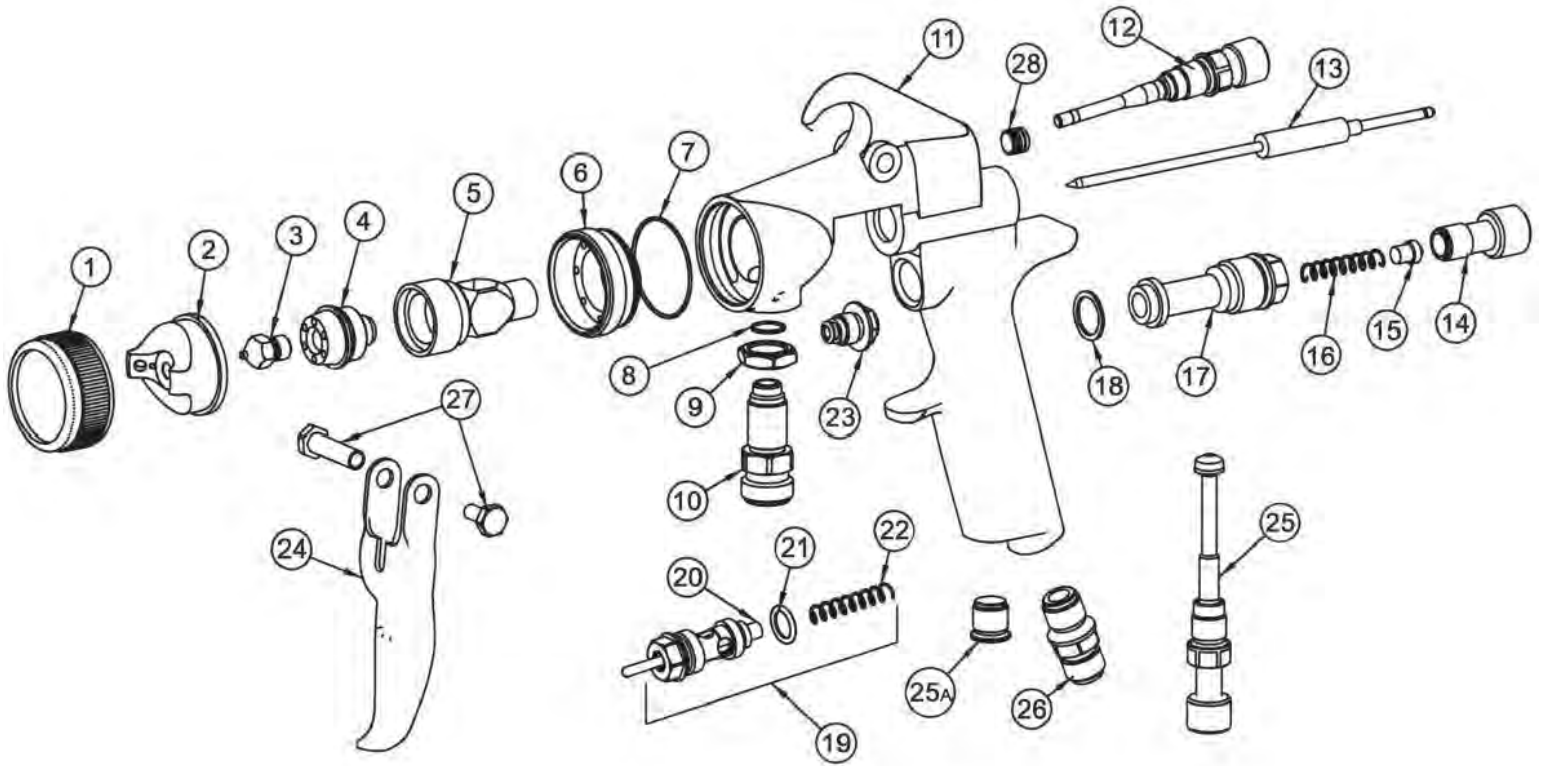
PART NUMBERS AND SCHEMATICS GUIDE

C.A. Technologies Panther 100H HVLP Air Spray Gun

Item#	Part#	Description
Fig. 2		
1	—	Air Cap (See Page 8)
2	—	Fluid Tip (See Page 11)
3	20C312201	Fluid Nozzle Body
4	20C988020	O-Ring – Series 200
5	20C60L11H	Nozzle Carrier
6	20C6012H	Air Cap Adapter
7	20C60131	O-Ring
8	20C60124	Fluid Inlet Seal
9	20C60128	Lock Nut
10	20C60126	Fluid Inlet Fitting
11	20C601116	Panther Gun Body – HVLP
12	20C601502	Fan Control Assembly
13	—	Fluid Needle (See Page 11)
14	20C60202	Fluid Control Knob
15	20C60209	Spring Seat
16	20C60206	Needle Return Spring
17	20C60201	Rear Bushing
18	20C60119	Poly Washer
19	20C601520	Air Valve Assembly (Includes Item #'s: 20, 21, and 22)
20	20C60302	Air Valve Poppet
21	20C60125	O-Ring
22	20C611003	Air Valve Spring
23	20C601400	Needle Seal
24	20C602101	Trigger
25	20C601510	Inlet Air Control
25A	20C60122	Gun Plug (Optional)
26	20C60104	Air Inlet Fitting
27	20C601033	Trigger Pivot Set
28	20C980109	Allen Plug
—	20C10110	Panther Gun Repair Kit (Includes Item #'s: 7, 15, 16, 18, 21, 22, and 23)
—	201V554	Brochure – C.A. Technologies Panther 100H HVLP Air Spray Gun
—	206M606	Part Numbers and Schematics Guide – C.A. Technologies Panther Air Spray Gun
—	209V554	Operator's Manual – C.A. Technologies Panther 100H HVLP Air Spray Gun

PART NUMBERS AND SCHEMATICS GUIDE

Figure 2: C.A. Technologies Panther 100H HVLP Air Spray Gun



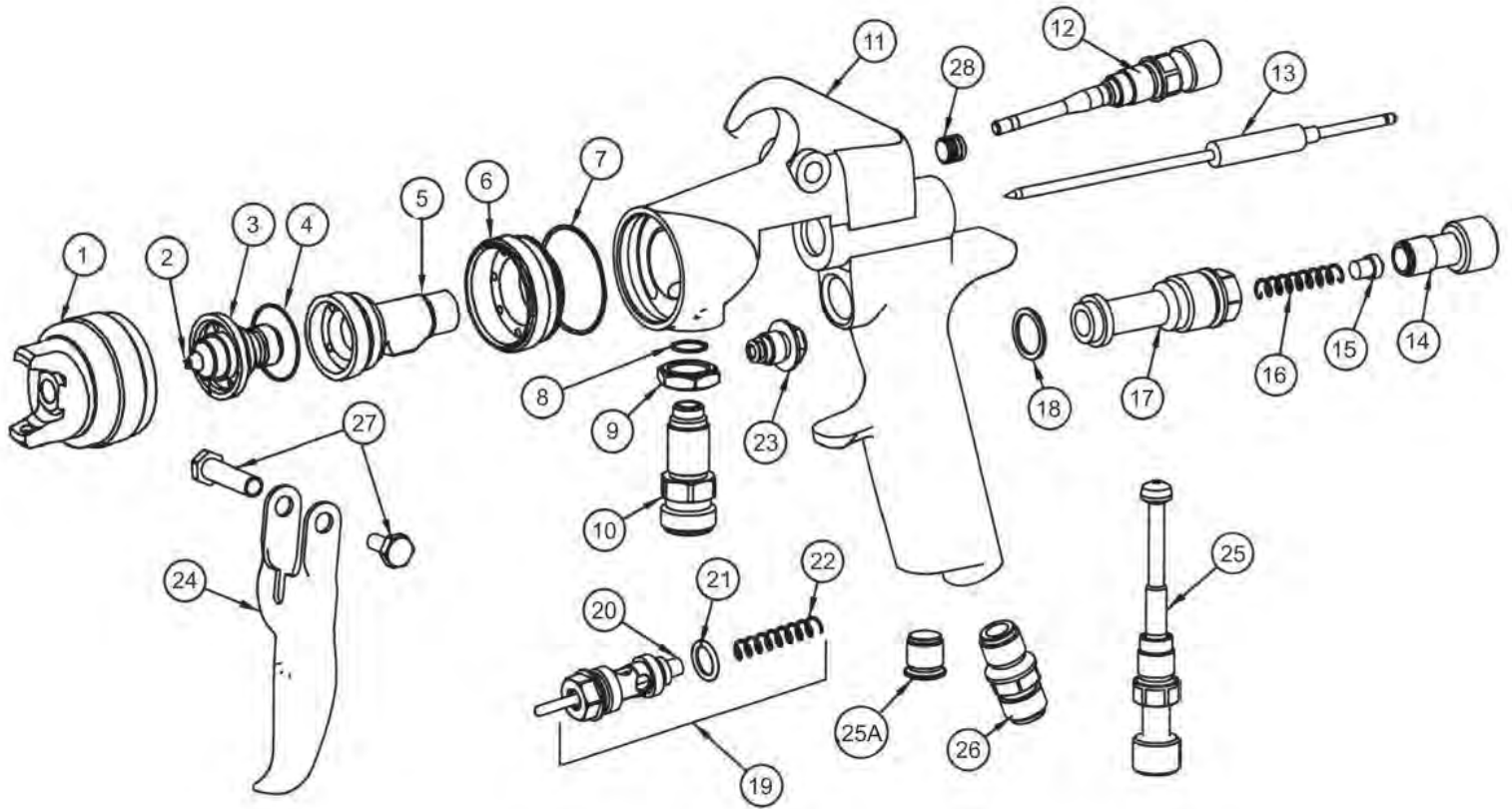
PART NUMBERS AND SCHEMATICS GUIDE

C.A. Technologies Panther 200H HVLP Air Spray Gun


Item#	Part#	Description
Fig. 3		
1	—	Air Cap (See Page 9)
2	—	Fluid Tip (See Page 11)
3	20C312201	Fluid Nozzle Body
4	20C988020	O-Ring – Series 200
5	20C60L21H	Nozzle Carrier
6	20C6022	Air Cap Adapter
7	20C60131	O-Ring
8	20C60124	Fluid Inlet Seal
9	20C60128	Lock Nut
10	20C60126	Fluid Inlet Fitting
11	20C601116	Panther Gun Body – HVLP
12	20C601502	Fan Control Assembly
—	20C601501	Fan Control Assembly (For Air Cap 1100)
13	—	Fluid Needle (See Page 11)
14	20C60202	Fluid Control Knob
15	20C60209	Spring Seat
16	20C60206	Needle Return Spring
17	20C60201	Rear Bushing
18	20C60119	Poly Washer
19	20C601520	Air Valve Assembly (Includes Item #'s: 20, 21, and 22)
20	20C60302	Air Valve Poppet
21	20C60125	O-Ring
22	20C611003	Air Valve Spring
23	20C601400	Needle Seal
24	20C602101	Trigger
25	20C601510	Inlet Air Control
25A	20C60122	Gun Plug (Optional)
26	20C60104	Air Inlet Fitting
27	20C601033	Trigger Pivot Set
28	20C980109	Allen Plug
—	20C10110	Panther Gun Repair Kit (Includes Item #'s: 4, 7, 15, 16, 18, 21, 22, and 23)
—	201V555	Brochure – C.A. Technologies Panther 200H HVLP Air Spray Gun
—	206M606	Part Numbers and Schematics Guide – C.A. Technologies Panther Air Spray Gun
—	209V555	Operator's Manual – C.A. Technologies Panther 200H HVLP Air Spray Gun


PART NUMBERS AND SCHEMATICS GUIDE



Figure 3: C.A. Technologies Panther 200H HVLP Air Spray Gun




OPTIONAL ACCESSORIES


		3/8" I.D. FLUID HOSE				
	Part Numbers	Length	Hose I.D.	Hose O.D.	Working Pressure	Hose Cover Color
	20FH038	Per Ft.	3/8"	11/16"	750 psi	Black



		3/8" I.D. FLUID HOSE WITH COUPLINGS INSTALLED					
	Part Numbers	Length	Hose I.D.	Hose O.D.	Working Pressure	Hose Cover Color	Couplings
	20FH03825AC	25 Ft.	3/8"	11/16"	750 psi	Black	2080020
	20FH03850AC	50 Ft.	3/8"	11/16"	750 psi	Black	2080020

		COUPLINGS AND HEX NIPPLE FOR 3/8" I.D. FLUID HOSE	
	Part Numbers	Thread Style	Working Pressure
	2080020	3/8" Compression Fitting x 3/8" Female NPS	250 psi
	1028610	3/8" Male x 3/8" Male Hex Nipple	1,000 psi









OPTIONAL ACCESSORIES

		5/16" I.D. AIR HOSE				
	Part Numbers	Length	Hose I.D.	Hose O.D.	Working Pressure	Hose Cover Color
	20AH0516	Per Ft.	5/16"	5/8"	200 psi	Red

		5/16" I.D. AIR HOSE WITH COUPLINGS INSTALLED					
	Part Numbers	Length	Hose I.D.	Hose O.D.	Working Pressure	Hose Cover Color	Couplings
	20AH051625AC	25 Ft.	5/16"	5/8"	200 psi	Red	2080010
	20AH051650AC	50 Ft.	5/16"	5/8"	200 psi	Red	2080010

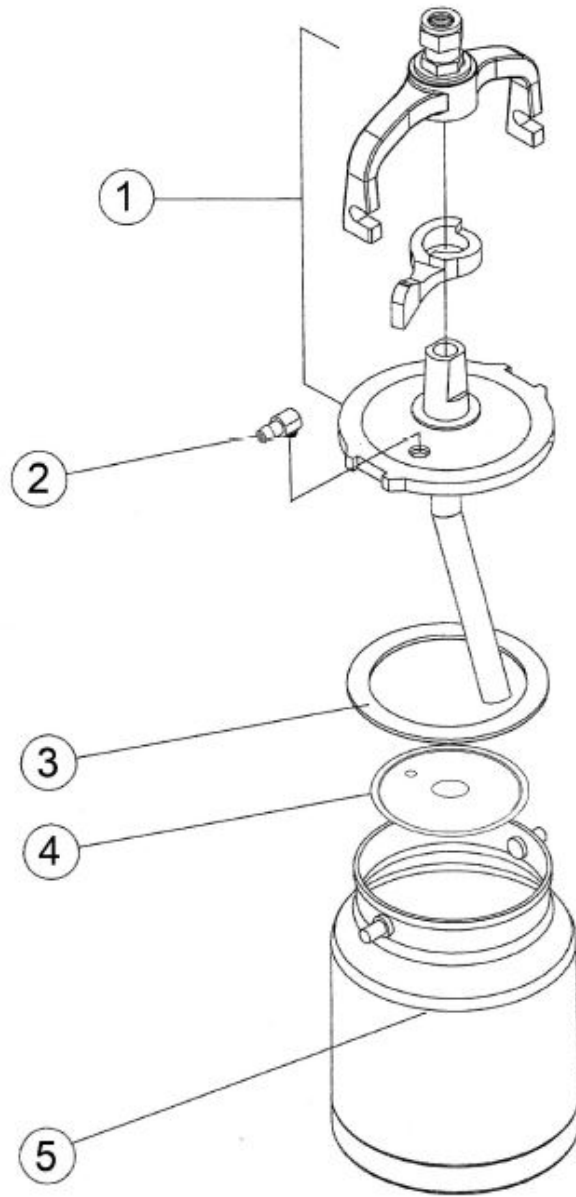
		COUPLING AND HEX NIPPLE FOR 5/16" I.D. AIR HOSE	
	Part Numbers	Thread Style	Working Pressure
	2080010	5/16" Female x 1/4" Female NPT Air Hose Coupling	250 psi
	20PFHA24SA0404	1/4" Male x 1/4" Male Air Hose Hex Nipple	6,000 psi

OPTIONAL ACCESSORIES

		CUPS
Part Numbers	Description	
	20C51301	1 qt. Siphon Cup – Aluminum
	20C51303	1 qt. Pressure Cup – Aluminum
	20C51303R2	1 qt. Pressure Cup and Regulator – Aluminum
	20C51303SS	1 qt. Pressure Cup – Stainless Steel
	20C51303SSR2	1 qt. Pressure Cup and Regulator – Stainless Steel
	20C51350	1 qt. Pressure Cup with Screw Lid
	20C51130	2 qt. TechLine Pressure Cup – Aluminum
	20C51600	2 qt. Bandit Pressure Cup – Stainless Steel

OPTIONAL ACCESSORIES

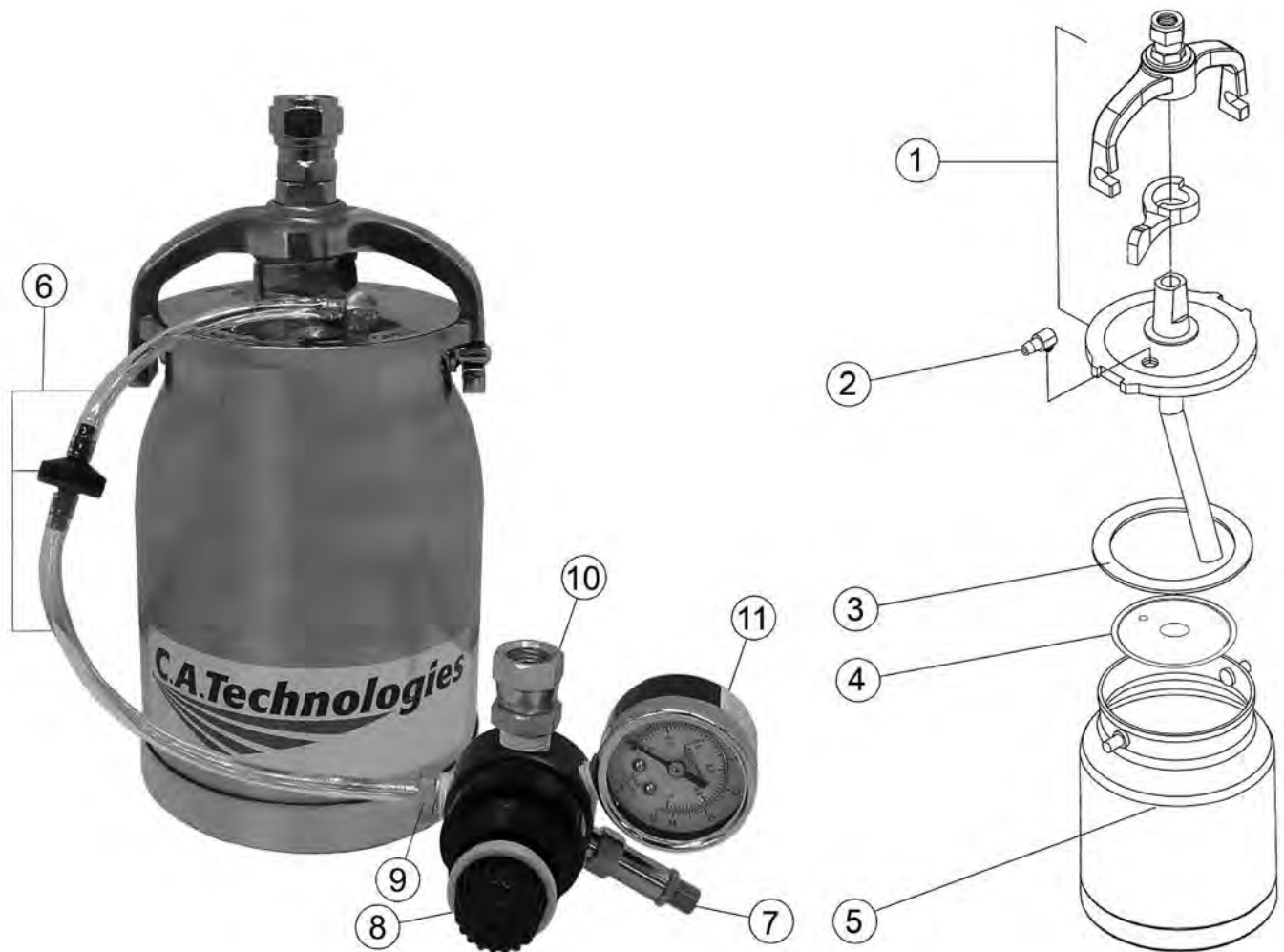
Figure 4: 1 qt. Pressure Cup – Aluminum



Item#	Part#	Description
Fig. 4		
—	20C51303	1 qt. Pressure Cup – Aluminum
1	20C51313L2	Lid Assembly
2	20C513332	Elbow Fitting
3	20C51334	Lid Gasket
4	20C51329	Splash Guard
5	20C513132	Pressure Cup
—	209V576	Operator's Manual – C.A. Technologies 1 qt. Pressure Cup – Aluminum

OPTIONAL ACCESSORIES

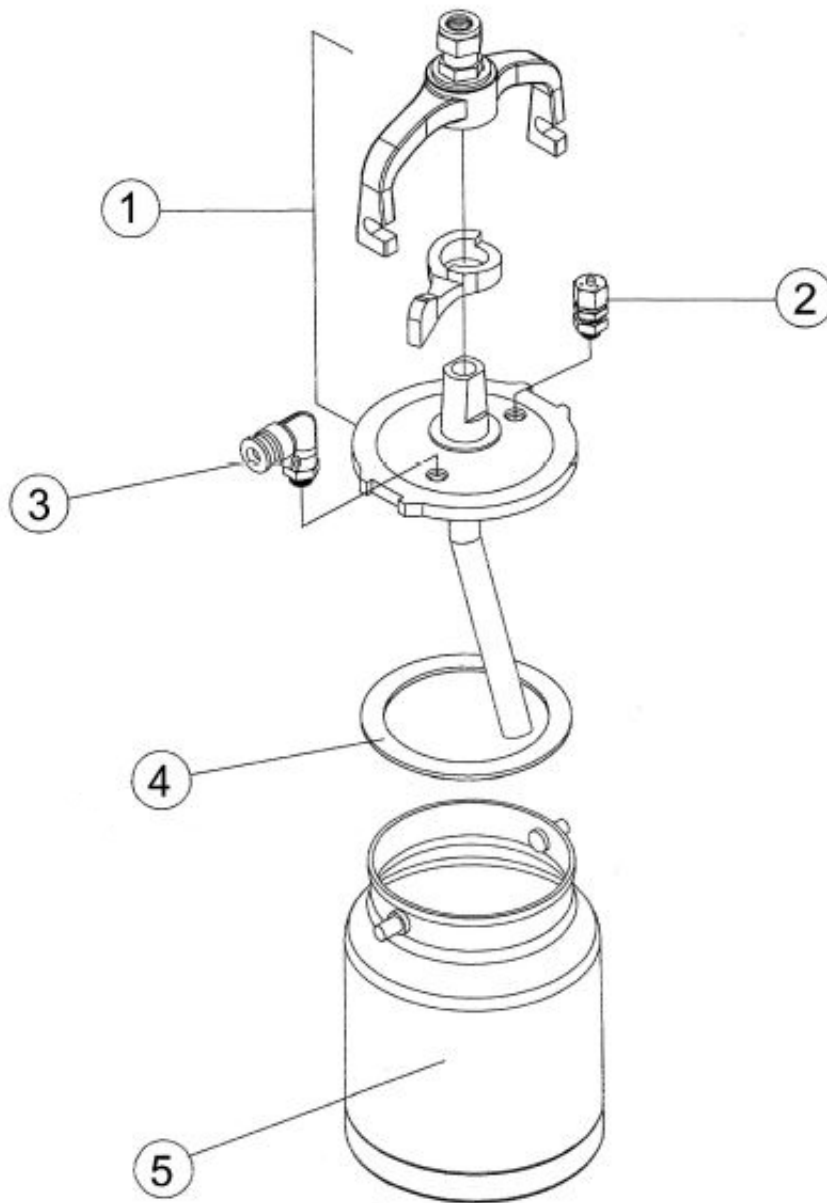
Figure 5: 1 qt. Pressure Cup and Regulator – Aluminum



Item#	Part#	Description
Fig. 5		
—	20C51303R2	1 qt. Pressure Cup and Regulator – Aluminum
1	20C51313L2	Lid Assembly
2	20C513332	Elbow Fitting
3	20C51334	Lid Gasket
4	20C51329	Splash Guard
5	20C513132	Pressure Cup
6	20C51324	Check Valve Assembly with Tubing
7	20C51141	Safety Pop Off
8	20C525R2	Full Regulator Assembly
9	20C515052	Barb Fitting
10	20C53550	1/4" Swivel Fitting
11	20C5250	#15 Gauge
—	209V576	Operator's Manual – C.A. Technologies 1 qt. Pressure Cup – Aluminum

OPTIONAL ACCESSORIES

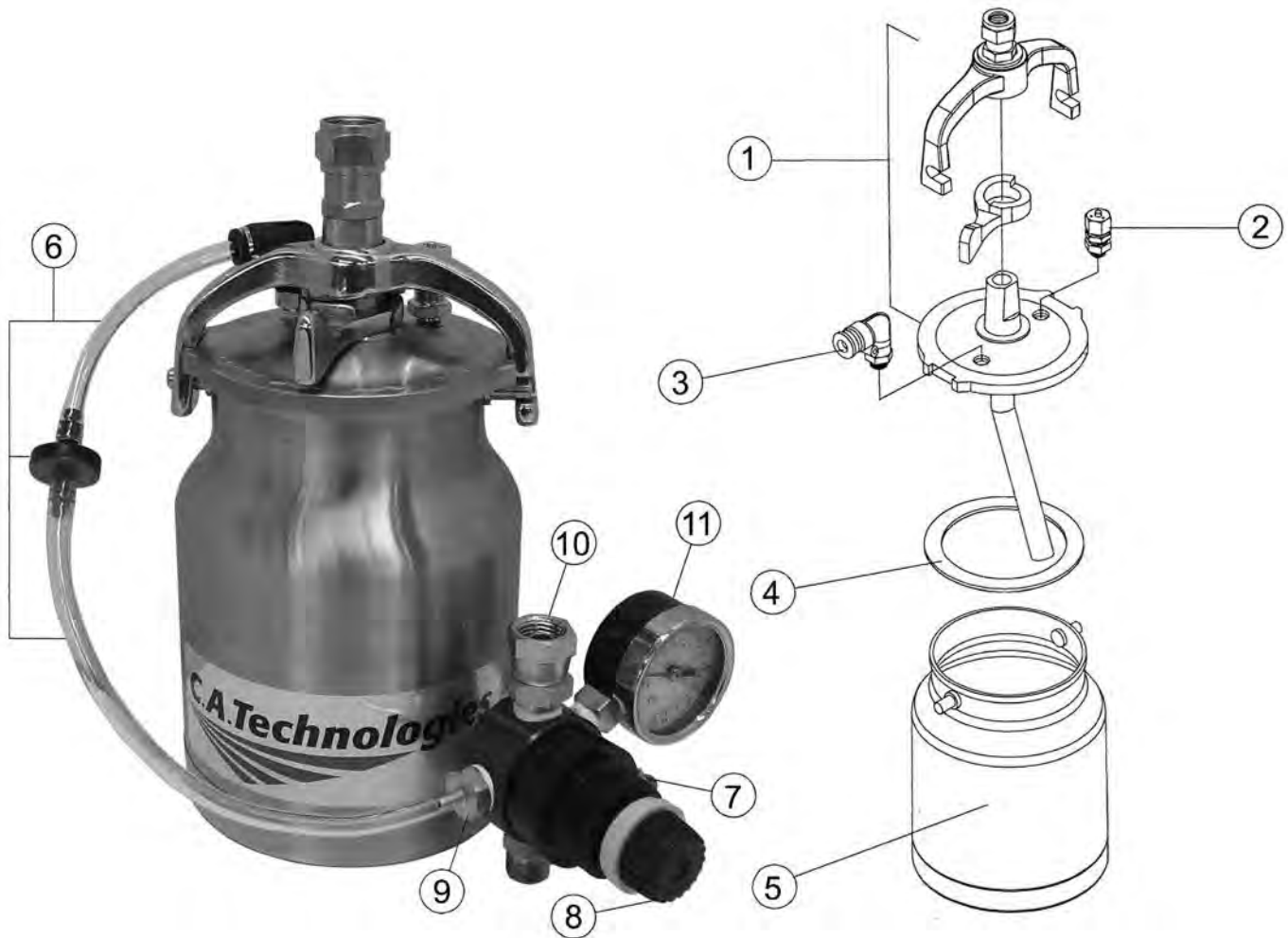
Figure 6: 1 qt. Pressure Cup – Stainless Steel



Item#	Part#	Description
Fig. 6		
—	20C51303SS	1 qt. Pressure Cup – Stainless Steel
1	20C51313SSL2	Lid Assembly
2	20C51335	Safety Relieved Valve
3	20C51333SS2	Elbow Fitting
4	20C51334SS	Lid Gasket
5	20C51313SS2	Pressure Cup
—	209V577	Operator's Manual – C.A. Technologies 1 qt. Pressure Cup – Stainless Steel

OPTIONAL ACCESSORIES

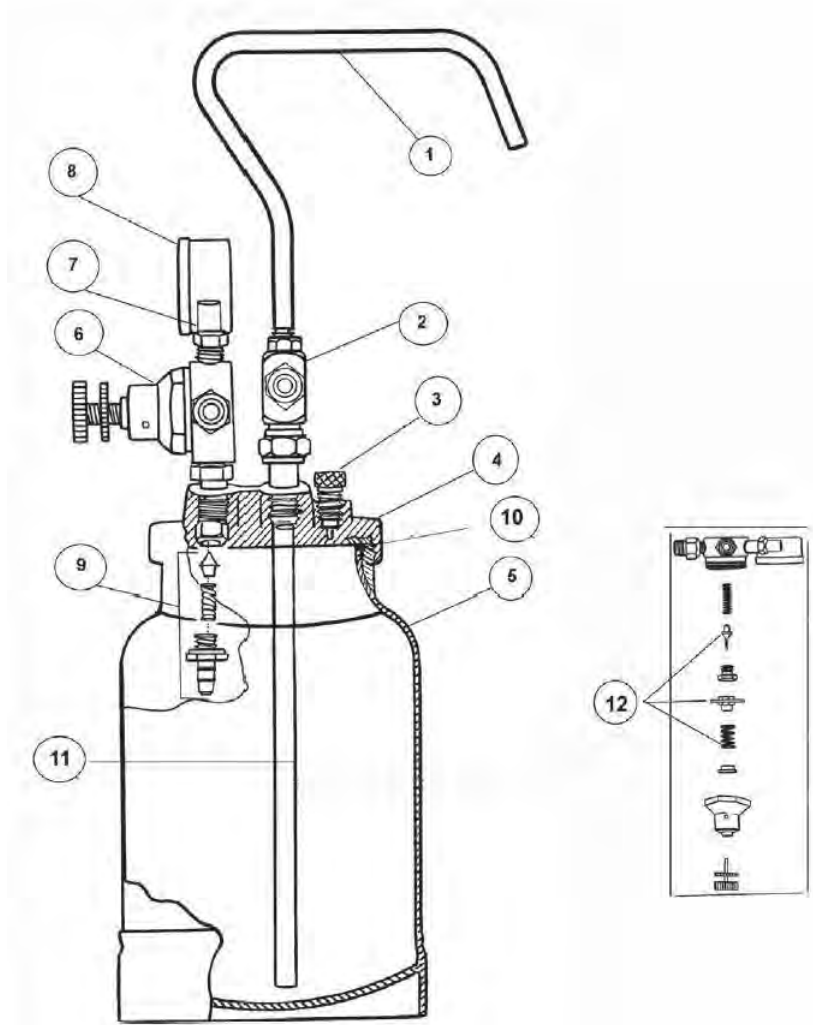
Figure 7: 1 qt. Pressure Cup and Regulator – Stainless Steel



Item#	Part#	Description
Fig. 7		
—	20C51303SSR2	1 qt. Pressure Cup and Regulator – Stainless Steel
1	20C51313SSL2	Lid Assembly
2	20C51335	Safety Relied Valve
3	20C51333SS2	Elbow Fitting
4	20C51334SS	Lid Gasket
5	20C51313SS2	Pressure Cup
6	20C51324	Check Valve Assembly with Tubing
7	20C51141	Safety Pop Off
8	20C525R2	Full Regulator Assembly
9	20C515052	Barb Fitting
10	20C53550	1/4" Swivel Fitting
11	20C5250	#15 Gauge
—	209V577	Operator's Manual – C.A. Technologies 1 qt. Pressure Cup – Stainless Steel

OPTIONAL ACCESSORIES

Figure 8: 2 qt. TechLine Pressure Cup – Aluminum



Item#	Part#	Description
Fig. 8		
—	20C51130	2 qt. TechLine Pressure Cup – Aluminum
1	20C51142	Hook with Locknut
2	20C51143	Outlet Fitting
3	20C51144	Vent
4	20C51145	Cover Assembly
5	20C51146	Canister
6	20C525	Regulator
7	20C51141	Pressure Relief
8	20G5251	Pressure Gauge
9	20C51147	Check Valve
10	20C51140	Gasket
11	20C51149	Fluid Pickup Tube
12	20C105	Regulator Kit
—	209V578	Operator's Manual – C.A. Technologies 2 qt. TechLine Pressure Cup – Aluminum

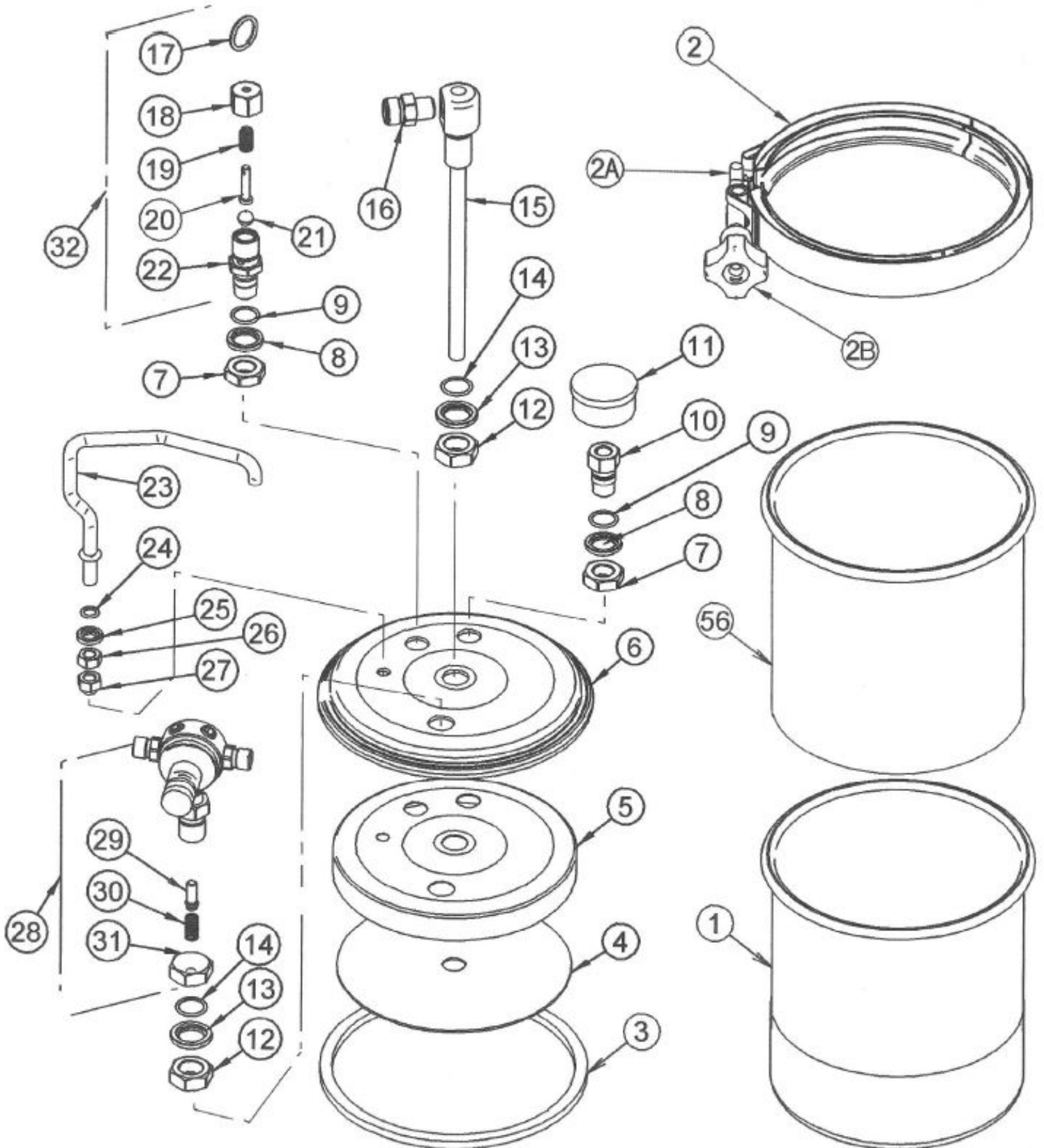
OPTIONAL ACCESSORIES

2 qt. Bandit Pressure Cup – Stainless Steel


Item#	Part#	Description
Fig. 9		
—	20C51600	2 qt. Bandit Pressure Cup – Stainless Steel
1	20C51634	Canister
2	20C51611	Band Clamp
2A	20C51645	T-Bolt for Band
2B	20C51646	Knob for Band – Cast Iron
3	20C51620	Gasket (<i>Pack of Five</i>)
4	20C51633	Splash Guard
5	20C51613	Inner Lid
6	20C51635E	Outer Lid
7	20C980119	9/16-18 Locknut
8	20C51632	Seal Plate
9	20C988015	O-Ring
10	20C51624	Pressure Gauge Fitting
11	20C5253	Pressure Gauge – 0-15 psi (<i>Standard</i>)
—	20C5252	Pressure Gauge – 0-60 psi (<i>Optional</i>)
12	20C980120	5/8-18 Locknut
13	20C51628	Seal Plate
14	20C988016	O-Ring
15	20C51625	Fluid Outlet Assembly
16	20C53555	Fluid Outlet Nipple
17	20C51623	Pull Ring
18	20C51638	Relief Valve Cap
19	20C51618	Relief Valve Spring
20	20C51631	Relief Valve Stem
21	20C980132	Ball
22	20C51617	Pressure Relief Body
23	20C51642	Handle
24	20C988011	O-Ring
25	20C51629	Seal Plate
26	20C980118	5/16-18 Locknut
27	20C980124	Acorn Nut
28	20C51616	Regulator Assembly (<i>Includes Item #'s: 29, 30, and 31</i>)
29	20C51636	Check Poppet
30	20C51619	Spring
31	20C51643	Retaining cap
32	20C51630	Relief Valve Assembly
33	20C51644	Spacer (<i>15 psi Regulator</i>)
56	20C5163712	Plastic Liner (<i>Pack of 12</i>)
—	209V579	Operator's Manual – C.A. Technologies 2 qt. Bandit Pressure Cup – Stainless Steel




OPTIONAL ACCESSORIES

Figure 9: 2 qt. Bandit Pressure Cup – Stainless Steel





1/4" I.D. FLUID HOSE




		1/4" I.D. FLUID HOSE				
Part Numbers		Length	Hose I.D.	Hose O.D.	Working Pressure	Hose Cover Color
	20FH014	Per Ft.	1/4"	1/2"	750 PSI	Black

		COUPLING AND HEX NIPPLE FOR 1/4" I.D. FLUID HOSE		
Part Numbers		Thread Style	Working Pressure	
	1080030	1/4" Compression Fitting x 1/4" Female NPS	750 PSI	
	20BE12310	Compression Ring for 1/4" Reusable Hose Fitting	—	
	1017019	1/4" Male x 1/4" Male Hex Nipple	250 PSI	


3/8" I.D. FLUID HOSE


3/8" I.D. FLUID HOSE						
	Part Numbers	Length	Hose I.D.	Hose O.D.	Working Pressure	Hose Cover Color
	20FH038	Per Ft.	3/8"	11/16"	750 PSI	Black




3/8" I.D. FLUID HOSE WITH COUPLINGS INSTALLED							
	Part Numbers	Length	Hose I.D.	Hose O.D.	Working Pressure	Hose Cover Color	Couplings
	20FH03825AC	25 Ft.	3/8"	11/16"	750 PSI	Black	2080020
	20FH03850AC	50 Ft.	3/8"	11/16"	750 PSI	Black	2080020

COUPLING AND HEX NIPPLE FOR 3/8" I.D. FLUID HOSE			
	Part Numbers	Thread Style	Working Pressure
	2080020	3/8" Compression Fitting x 3/8" Female NPS	750 PSI
	20BE12312	Compression Ring for 3/8" Reusable Hose Fitting	—
	1028610	3/8" Male x 3/8" Male Hex Nipple	6000 PSI


1/2" I.D. FLUID HOSE



1/2" I.D. FLUID HOSE						
	Part Numbers	Length	Hose I.D.	Hose O.D.	Working Pressure	Hose Cover Color
	20FH012	Per Ft.	1/2"	7/8"	750 PSI	Black

1/2" I.D. FLUID HOSE WITH COUPLINGS INSTALLED							
	Part Numbers	Length	Hose I.D.	Hose O.D.	Working Pressure	Hose Cover Color	Couplings
	2001030	25 Ft.	1/2"	7/8"	750 PSI	Black	1080040
	20FH012AC	50 Ft.	1/2"	7/8"	750 PSI	Black	1080040


COUPLING AND HEX NIPPLE FOR 1/2" I.D. FLUID HOSE			
	Part Numbers	Thread Style	Working Pressure
	1080040	1/2" Compression Fitting x 1/2" Female NPS	750 PSI
	20BE12313	Compression Ring for 1/2" Reusable Hose Fitting	—
	20PFHA24SA0808	1/2" Male x 1/2" Male Hose Hex Nipple	6000 PSI



3/4" I.D. FLUID HOSE

		3/4" I.D. FLUID HOSE				
	Part Numbers	Length	Hose I.D.	Hose O.D.	Working Pressure	Hose Cover Color
	20FH034	Per Ft.	3/4"	1-3/16"	750 PSI	Black


		COUPLING AND HEX NIPPLE FOR 3/4" I.D. FLUID HOSE	
	Part Numbers	Thread Style	Working Pressure
	20BK721336	3/4" Compression Fitting x 3/4" Female NPS	750 PSI
	20PFHA24SA1212	3/4" Male x 3/4" Male Hose Hex Nipple	6000 PSI


1" I.D. FLUID HOSE




		1" I.D. FLUID HOSE				
	Part Numbers	Length	Hose I.D.	Hose O.D.	Working Pressure	Hose Cover Color
	20FH100	Per Ft.	1"	1-1/2"	750 PSI	Black

		COUPLING AND HEX NIPPLE FOR 1" I.D. FLUID HOSE		
	Part Numbers	Thread Style	Working Pressure	
	20BK721936	1" Fitting x 1" Female NPS	750 PSI	
	20PFHA24SA1616	1" Male x 1" Male Hose Hex Nipple	6000 PSI	


1/4" I.D. AIR HOSE


BLASTMASTER® 1/4" I.D. AIR HOSE						
	Part Numbers	Length	Hose I.D.	Hose O.D.	Working Pressure	Hose Cover Color
	10AH014	Per Ft.	1/4"	1/2"	250 PSI	Black




BLASTMASTER® 1/4" I.D. AIR HOSE WITH COUPLINGS INSTALLED							
	Part Numbers	Length	Hose I.D.	Hose O.D.	Working Pressure	Hose Cover Color	Couplings
	10AH01425AC	25 Ft.	1/4"	1/2"	250 PSI	Black	1080030
	10AH01450AC	50 Ft.	1/4"	1/2"	250 PSI	Black	1080030

COUPLING AND HEX NIPPLE FOR 1/4" I.D. AIR HOSE			
	Part Numbers	Thread Style	Working Pressure
	1080030	1/4" Compression Fitting x 1/4" Female NPS	750 PSI
	20BE12310	Compression Ring for 1/4" Reusable Hose Fitting	—
	20PFHA24SA0404	1/4" Male x 1/4" Male Hex Nipple	6000 PSI


5/16" I.D. AIR HOSE


BLASTMASTER® 5/16" I.D. AIR HOSE						
Part Numbers	Length	Hose I.D.	Hose O.D.	Working Pressure	Hose Cover Color	
 20AH0516	Per Ft.	5/16"	5/8"	200 PSI	Red	




BLASTMASTER® 5/16" I.D. AIR HOSE WITH COUPLINGS INSTALLED						
Part Numbers	Length	Hose I.D.	Hose O.D.	Working Pressure	Hose Cover Color	Couplings
 20AH051625AC	25 Ft.	5/16"	5/8"	200 PSI	Red	2080010
20AH051650AC	50 Ft.	5/16"	5/8"	200 PSI	Red	2080010

COUPLING AND HEX NIPPLE FOR 5/16" I.D. AIR HOSE		
Part Numbers	Thread Style	Working Pressure
 2080010	5/16" Compression Fitting x 1/4" Female NPS	750 PSI
 20BE12311	Compression Ring for 5/16" Reusable Hose Fitting	—
 1017019	1/4" Male x 1/4" Male Hex Nipple	250 PSI


3/8" I.D. AIR HOSE


BLASTMASTER® 3/8" I.D. AIR HOSE						
	Part Numbers	Length	Hose I.D.	Hose O.D.	Working Pressure	Hose Cover Color
	10AH038	Per Ft.	3/8"	11/16"	300 PSI	Black




BLASTMASTER® 3/8" I.D. AIR HOSE WITH COUPLINGS INSTALLED							
	Part Numbers	Length	Hose I.D.	Hose O.D.	Working Pressure	Hose Cover Color	Coupling
	1001000	25 Ft.	3/8"	11/16"	300 PSI	Black	2080020
	10AH03850AC	50 Ft.	3/8"	11/16"	300 PSI	Black	2080020

COUPLING AND HEX NIPPLE FOR 3/8" I.D. AIR HOSE			
	Part Numbers	Thread Style	Working Pressure
	2080020	3/8" Compression Fitting x 3/8" Female NPS	750 PSI
	20BE12312	Compression Ring for 3/8" Reusable Hose Fitting	—
	1028610	3/8" Male x 3/8" Male Hex Nipple	6000 PSI









1/2" I.D. AIR HOSE





BLASTMASTER® 1/2" I.D. AIR HOSE						
	Part Numbers	Length	Hose I.D.	Hose O.D.	Working Pressure	Hose Cover Color
	10AH012	Per Ft.	1/2"	7/8"	300 PSI	Red

BLASTMASTER® 1/2" I.D. AIR HOSE WITH COUPLINGS INSTALLED							
	Part Numbers	Length	Hose I.D.	Hose O.D.	Working Pressure	Hose Cover Color	Couplings
	20AH01225AC	25 Ft.	1/2"	7/8"	300 PSI	Red	1080040
	20AH01250AC	50 Ft.	1/2"	7/8"	300 PSI	Red	1080040





COUPLING AND HEX NIPPLE FOR 1/2" I.D. AIR HOSE			
	Part Numbers	Thread Style	Working Pressure
	1080040	1/2" Compression Fitting x 1/2" Female NPS	750 PSI
	20BE12313	Compression Ring for 1/2" Reusable Hose Fitting	—
	20PFHA24SA0808	1/2" Male x 1/2" Male Hex Nipple	6000 PSI





AIR SPRAY HOSE FITTINGS & ACCESSORIES

		REUSABLE AIR/FLUID HOSE FITTINGS			
Part Numbers		Hose I.D.	Hose O.D.	Thread Style	Working Pressure
	1080030	1/4"	1/2"	1/4" Female NPS	750 PSI
	20BK721303	1/4"	1/2"	1/4" Female NPS	750 PSI
	2080010	5/16"	5/8"	1/4" Female NPS	750 PSI
	20BK721317	5/16"	5/8"	1/4" Female NPS	750 PSI
	2080020	3/8"	11/16"	3/8" Female NPS	750 PSI
	20BK721328	3/8"	11/16"	3/8" Female NPS	750 PSI
	1080040	1/2"	7/8"	3/8" Female NPS	750 PSI
	20BK721333	1/2"	7/8"	3/8" Female NPS	750 PSI




		COMPRESSION RING
Part Numbers	Details	
	20BE12310	Compression Ring for 1/4" Reusable Hose Fitting
	20BE12311	Compression Ring for 5/16" Reusable Hose Fitting
	20BE12312	Compression Ring for 3/8" Reusable Hose Fitting
	20BE12313	Compression Ring for 1/2" Reusable Hose Fitting

AIR SPRAY HOSE FITTINGS & ACCESSORIES

		HEX NIPPLES	
	Part Numbers	Thread Style	Working Pressure
	1017019	1/4" Male x 1/4" Male Hex Nipple NPT	250 PSI
	1028610	3/8" Male x 3/8" Male Hex Nipple NPT	6000 PSI
	20100677	1/2" Male x 1/2" Male Hex Nipple NPT	6000 PSI
	20PFHA24SA0808	1/2" Male x 1/2" Male Hex Nipple	6000 PSI

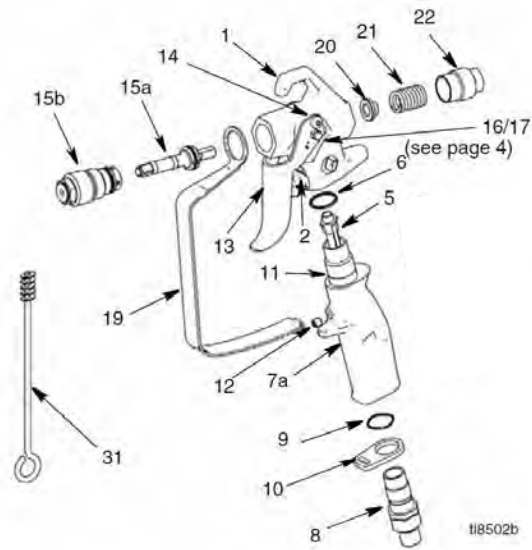
		AIR HOSE FITTINGS		
	Part Numbers	Hose I.D.	Thread Style	Working Pressure
	1080027	1/4"	1/4" NPT Male x 3/8" Hose Barb Push-On Fitting	250 PSI
	1080029	3/8"	3/8" Push-On Insert Female Quick-Disconnect	250 PSI
	1080028	3/8"	3/8" Push-On Insert Male Quick-Disconnect	250 PSI
	1017020	3/8"	3/8" NPT x 3/8" Male Brass Hose Barb	250 PSI

PART NUMBERS AND SCHEMATICS GUIDE

GRACO® CONTRACTOR AIRLESS SPRAY GUNS					
	Part Numbers	Trigger Style	Tip	Tip Guard	Maximum Working Pressure
	20G288421	2-Finger	RAC® 5 517	RAC® 5	3,600 psi
	20G288420	2-Finger	RAC® X 517	RAC® X	3,600 psi
	20G288425	4-Finger	RAC® X 517	RAC® X	3,600 psi

PART NUMBERS AND SCHEMATICS GUIDE





Figure 1: Graco® Contractor Airless Spray Guns











Item#	Part#	Description
Fig. 1		
1	20G288812	Housing Assembly
5	20G287032	Filter, 60 Mesh
	20G287033	Filter, 100 Mesh
	20G287034	Filter, 60 and 100 Mesh Combo
6	20G120777	Packing, O-Ring
7a	20G15K282	Handle
8	20G288811	Swivel Assembly
9	20G120733	O-Ring, Urethane, Clear
10	20G15J706	Retainer, Guard, Trigger
11	20G15J698	Tube, Handle
12	20G120834	Screw, Set
13	20G15J409	Trigger, 2-Finger
	20G15J768	Trigger, 4-Finger (not shown)
14	20G117602	Screw, Shoulder Pan HD
15	20G288488	Kit, Needle Repair
15a		Needle Assembly
15b		Diffuser Assembly
16	20G15J696	Pin, trigger
17	20G105334	Nut, Lock Hex
19	20G15J464	Guard, Trigger
20	20G15J528	Guide, Spring
21	20G121093	Spring, Compression
22	20G15B549	Nut, End
31	20G119799	Brush, Cleaning
—	206M510	Part Numbers and Schematics Guide – Graco® Contractor Airless Spray Guns
—	209V522	Operator's Manual – Graco® Contractor Airless Spray Guns

*Item not available for individual sale


PART NUMBERS AND SCHEMATICS GUIDE

Part Numbers		TIP SPECIFICATION SUMMARY				
		Tip Guard	Maximum Working Pressure	Color	Typical Applications	Typical Materials
	RAC® 5 SwitchTip™ (20G286xxx)	RAC® 5 HandTite™ 20G243161 or 20G243263	4050 psi	Black	Residential, Commercial, or Industrial	Lacquers to Mastics, Latex Paints
	RAC® 5 SwitchTip™ LineLazer™ (20GLL5xxx)	RAC® 5 HandTite 20G243161 or 20G243263	4050 psi	Yellow	Parking Lots, Roads, Warehouse Floors, Crosswalks, and Athletic Fields	Heavy Waterbase to thin Alkyd Traffic Paints
	RAC® X Fine Finish SwitchTip™ (20GFFTxxx)	RAC® X HandTite 20G246215	4050 psi	Green	Cabinetry, Woodworking, Metal and Fine Finish Surfaces	Lacquers, Varnishes, Urethanes
	RAC® X™ SwitchTip™ (20GLTXxxx)	RAC® X HandTite 20G246215 or 20G246437	4050 psi	Blue	Residential, Commercial, or Industrial	Lacquers to Mastics, Latex Paints
	Contractor™ Flat Tip (20G269xxx)	Flat 20G220255 or 20G220251	5000 psi	N/A	Residential, Commercial, or Industrial	Architectural Coatings
	Silver Flat Tip (20G163xxx)	Flat 20G220255 or 20G220251	5000 psi	N/A	Residential, Commercial, or Industrial	Dyes, Ink, Stains, Oils, Auto Finishes
	Fine Finish Flat Tip (20G163xxx)	Fine Finish 20G220249	4050 psi	N/A	Cabinetry, Woodworking, Metal and Fine Finish Surfaces	Lacquers, Varnishes, Urethanes, and other Fine Finish Materials

PART NUMBERS AND SCHEMATICS GUIDE

		TIP GUARD SUMMARY		
Part Numbers		Tip Style	Thread Size	Color
	20G243161	RAC® 5 HandTite™	7/8 Inch	Orange
	20G243263	RAC® 5 HandTite	11/16 Inch	Orange
	20G246215	RAC® X™ HandTite	7/8 Inch	Blue
	20G246437	RAC® X™ HandTite	11/16 Inch	Blue
	20G220251	Flat	7/8 Inch	Orange
	20G220255	Flat	11/16 Inch	Orange
	20G220247	Fine Finish Flat	7/8 Inch	Orange
	20G220249	Fine Finish Flat	11/16 Inch	Orange

PART NUMBERS AND SCHEMATICS GUIDE


RAC® 5 SWITCHTIP™ SPECIFICATIONS						
Part Numbers	Tip Guard	Maximum Working Pressure	Color	Typical Applications	Typical Materials	
 RAC® 5 SwitchTip™ (20G286xxx)	RAC® 5 HandTite™ 20G243161 or 20G243263	4050 psi	Black	Residential, Commercial, or Industrial	Lacquers to Mastics, Latex Paints	

RAC 5 SwitchTips (20G286xxx)

		ORIFICE SIZE – INCHES																					
		.007	.009	.011	.013	.015	.017	.019	.021	.023	.025	.027	.029	.031	.033	.035	.039	.043	.045	.051	.055	.063	.065
FAN WIDTH	IN																						
	2-4		109	111	113	115		119	121														
	4-6	207	209	211	213	215	217	219	221	223	225					235							
	6-8	307	309	311	313	315	317	319	321	323	325	327		331									
	8-10		409	411	413	415	417	419	421	423	425	427	429		433	435	439	443		451	455		
	10-12		509	511	513	515	517	519	521	523	525	527	529	531	533	535		543		551	561	563	
	12-14		609	611	613	615	617	619	621	623	625	627	629	631	633	635		645		655			665
	14-16								721	723	725		729			735							
	16-18					815	817	819	821			827		831	833	835							
	18-20						917									935							
	Flow Rate (gpm)	.05	.09	.12	.18	.24	.31	.38	.47	.57	.67	.77	.90	1.03	1.17	1.31	1.63	1.98	2.17	2.79	3.25	4.26	4.53

PART NUMBERS AND SCHEMATICS GUIDE

RAC® 5 LINELAZER SWITCHTIP™ SPECIFICATIONS


Part Numbers		Tip Guard	Maximum Working Pressure	Color	Typical Applications	Typical Materials
	RAC® 5 SwitchTip™ LineLazer™ (20GLL5xxx)	RAC® 5 HandTite™ 20G243161 or 20G243263	4050 psi	Yellow	Parking Lots, Roads, Warehouse Floors, Crosswalks, and Athletic Fields	Heavy Waterbase to thin Alkyd Traffic Paints

RAC 5 LineLazer SwitchTips (20GLL5xxx)

		ORIFICE SIZE – INCHES													
		.013	.015	.017	.019	.021	.023	.025	.027	.029	.031	.033	.035	.039	.055
FAN WIDTH	IN														
	2	213	215	217	219										
	4		315	317	319	321	323	325	327	329	331	333	335		355
	4-8			417	419	421	423	425	427	429	431		435		
	8-12					621	623	625	627	629	631		635	639	
	Flow Rate (gpm)	.18	.24	.31	.38	.47	.57	.67	.77	.90	1.03	1.17	1.31	1.63	3.25

PART NUMBERS AND SCHEMATICS GUIDE

RAC® X FINE FINISH SWITCHTIP™ SPECIFICATIONS


	Part Numbers	Tip Guard	Maximum Working Pressure	Color	Typical Applications	Typical Materials
	RAC® X Fine Finish SwitchTip™ (20GFFTxxx)	RAC® X HandTite™ 20G246215	4050 psi	Green	Cabinetry, Woodworking, Metal and Fine Finish Surfaces	Lacquers, Varnishes, Urethanes

RAC™ X Fine Finish SwitchTips™ (20GFFTxxx)

		ORIFICE SIZE – INCHES				
		IN	.008	.010	.012	.014
FAN WIDTH	2-4		108	110	112	
	4-6		208	210	212	214
	6-8		308	310	312	314
	8-10			410	412	414
	10-12			510	512	514
	12-14				612	614
	Flow Rate (gpm)		.07	.11	.15	.21

PART NUMBERS AND SCHEMATICS GUIDE

RAC® X SWITCHTIP™ SPECIFICATIONS

Part Numbers	Tip Guard	Maximum Working Pressure	Color	Typical Applications	Typical Materials
 RAC® X SwitchTip™ (20GLTXxxx)	RAC® X HandTite™ 20G246215 or 20G246437	4050 psi	Blue	Residential, Commercial, or Industrial	Lacquers to Mastics, Latex Paints

RAC™ X SwitchTips™ (20GLTXxxx)


		ORIFICE SIZE – INCHES													
		IN	.007	.009	.011	.013	.015	.017	.019	.021	.023	.025	.027	.029	.031
FAN WIDTH	2-4			109	111		115								
	4-6	207	209	211	213	215	217	219	221		225	227		231	
	6-8		309	311	313	315	317	319	321	323	325	327	329	331	
	8-10		409	411	413	415	417	419	421	423	425	427	429	431	
	10-12		509	511	513	515	517	519	521	523	525	527	529	531	
	12-14			611	613	615	617	619	621	623	625	627	629	631	
	14-16								721	723			729		
	16-18						817	819	821			827		831	
	Flow Rate (gpm)		.05	.09	.12	.18	.24	.31	.38	.47	.57	.67	.77	.90	1.03

RAC® X SwitchTips™ (20GLTXxxx) continued

		ORIFICE SIZE – INCHES												
		IN	.033	.035	.037	.039	.041	.043	.045	.051	.055	.061	.065	.071
FAN WIDTH	2-4													
	4-6			235										
	6-8			335										
	8-10	433	435		439	441	443	445	451	455				
	10-12	533	535	537	539	541	543	545	551	555	561			
	12-14	633	635	637	639	641	643	645	651	655	661	665	671	
	14-16		735											
	16-18	833	835											
	Flow Rate (gpm)		1.17	1.31	1.47	1.63	1.8	1.98	2.17	2.79	3.25	4.0	4.53	5.41

PART NUMBERS AND SCHEMATICS GUIDE

CONTRACTOR™ FLAT TIP SPECIFICATIONS


	Part Numbers	Tip Guard	Maximum Working Pressure	Color	Typical Applications	Typical Materials
	Contractor™ Flat Tip (20G269xxx)	Flat 20G220255 or 20G220251	5000 psi	N/A	Residential, Commercial, or Industrial	Architectural Coatings

Contractor™ Flat Tips (20G269xxx)

		ORIFICE SIZE – INCHES											
		.011	.013	.015	.017	.019	.021	.023	.025	.027	.029	.031	.035
FAN WIDTH	IN												
	4-6	211	213	215	217	219			225	227			
	6-8	311	313	315	317	319	321	323	325	327			
	8-10	411	413	415	417	419	421	423	425	427			435
	10-12	511	513	515	517	519	521	523	525	527		531	
	12-14		613	615	617	619	621	623	625	627		631	635
	14-16			715	717	719	721		725				
	16-18			815		819	821			827	829	831	
	18-20								925				
	Flow Rate (gpm)	.12	.18	.24	.31	.38	.47	.57	.67	.74	.90	1.03	1.31

PART NUMBERS AND SCHEMATICS GUIDE


SILVER FLAT TIP SPECIFICATIONS

Part Numbers		Tip Guard	Maximum Working Pressure	Color	Typical Applications	Typical Materials
	Silver Flat Tip (20G163xxx)	Flat 20G220255 or 20G220251	5000 psi	N/A	Residential, Commercial, or Industrial	Dyes, Ink, Stains, Oils, Auto Finishes

Silver Fine Finish Flat Tips (20G163xxx)

		ORIFICE SIZE – INCHES												
		IN	.011	.013	.015	.017	.019	.021	.023	.025	.027	.029	.031	.035
FAN WIDTH	4-6		211	213	215	217	219			225	227			
	6-8		311	313	315	317	319	321	323	325	327			
	8-10		411	413	415	417	419	421	423	425	427			435
	10-12		511	513	515	517	519	521	523	525	527		531	
	12-14			613	615	617	619	621	623	625	627		631	635
	14-16				715	717	719	721		725				
	16-18				815		819	821			827	829	831	
	18-20									925				
	Flow Rate (gpm)		.12	.18	.24	.31	.38	.47	.57	.67	.74	.90	1.03	1.31





PART NUMBERS AND SCHEMATICS GUIDE





		FINE FINISH FLAT TIP SPECIFICATIONS				
Part Numbers		Tip Guard	Maximum Working Pressure	Color	Typical Applications	Typical Materials
	Fine Finish Flat Tip (20G163xxx)	Fine Finish 20G220249	4050 psi	N/A	Cabinetry, Woodworking, Metal and Fine Finish Surfaces	Lacquers, Varnishes, Urethanes, and other Fine Finish Materials

Fine Finish Flat Tips (20G163xxx)




		ORIFICE SIZE – INCHES														
		IN	.008	.010	.021	.014	.016	.018	.020	.022	.024	.026	.028	.030	.032	
FAN WIDTH	2-4	108	110													
	4-6	208	210	212	214	216	218				224				232	
	6-8		310	312	314	316	318	320	322	324						
	8-10	408	410	412	414	416	418	420			424	426	428	430	432	
	10-12		510	512	514	516	518	520	522	524	526	528	530			
	12-14		610	612	614	616	618	620	622	624	626	628				
	14-16			712	714	716	718					726				
	16-18				814	816	818	820	822	824	826	828			832	
	18-20			912	914		918		922	924	926					
	Flow Rate (gpm)		.07	.11	.15	.21	.27	.35	.43	.52	.62	.73	.84	.97	1.1	




PART NUMBERS AND SCHEMATICS GUIDE



		TIP GASKETS		
Part Numbers		Description	Material	Package Quantity
	20G166969	1/16 Inch Thin Tip Gasket	Nylon	One Each
	20G223373	1/16 Inch Thin Tip Gaskets	Nylon	25/Package
	20G162863	5/32 Inch Thick Tip Gasket	Nylon	One Each
	20G223374	5/32 Inch Thick Tip Gaskets	Nylon	25/Package


		TIP EXTENSIONS	
Part Numbers		Description	Package Quantity
	20G246294	Heavy-Duty 10 Inch Tip Extension	One Each
	20G246295	Heavy-Duty 15 Inch Tip Extension	One Each
	20G246296	Heavy-Duty 18 Inch Tip Extension	One Each
	20G246297	High Pressure 180° Swivel	One Each

PART NUMBERS AND SCHEMATICS GUIDE

		TIP FILTERS		
	Part Numbers	Mesh Size	Color	Package Quantity
	20G287032	60 Mesh	Black	1/Package
	20G287033	100 Mesh	Blue	1/Package
	20G287034	60 Mesh and 100 Mesh	Black and Blue	1 Each/Package

		TIP BRUSHES	
	Part Numbers	Size	Bristle Material
	20G101891	3/8 x 2-1/4 Inches	Nylon
	20G101892	5/8 x 2-1/4 Inches	Nylon
	20G119799	3/8 x 1 Inch	Nylon

TIP FILTERS			
	Part Numbers	Mesh Size	Package Quantity
	20G224455	50 Mesh	2/Package
	20G224456	100 Mesh	2/Package

TIP FILTER HOUSING			
	Part Numbers	Description	Package Quantity
	20G164120	Tip Filter Housing	One Each

PART NUMBERS AND SCHEMATICS GUIDE

GRACO® FTX™ AIRLESS SPRAY GUNS				
Part Numbers	Trigger Style	Tip	Tip Guard	Maximum Working Pressure
20G288429	2-Finger	RAC® X 515	RAC® X	3,600 psi
20G288430	4-Finger	RAC® X 515	RAC® X	3,600 psi
20G288431	4-Finger	RAC® 5 515	RAC® 5	3,600 psi

PART NUMBERS AND SCHEMATICS GUIDE



PART NUMBERS AND SCHEMATICS GUIDE

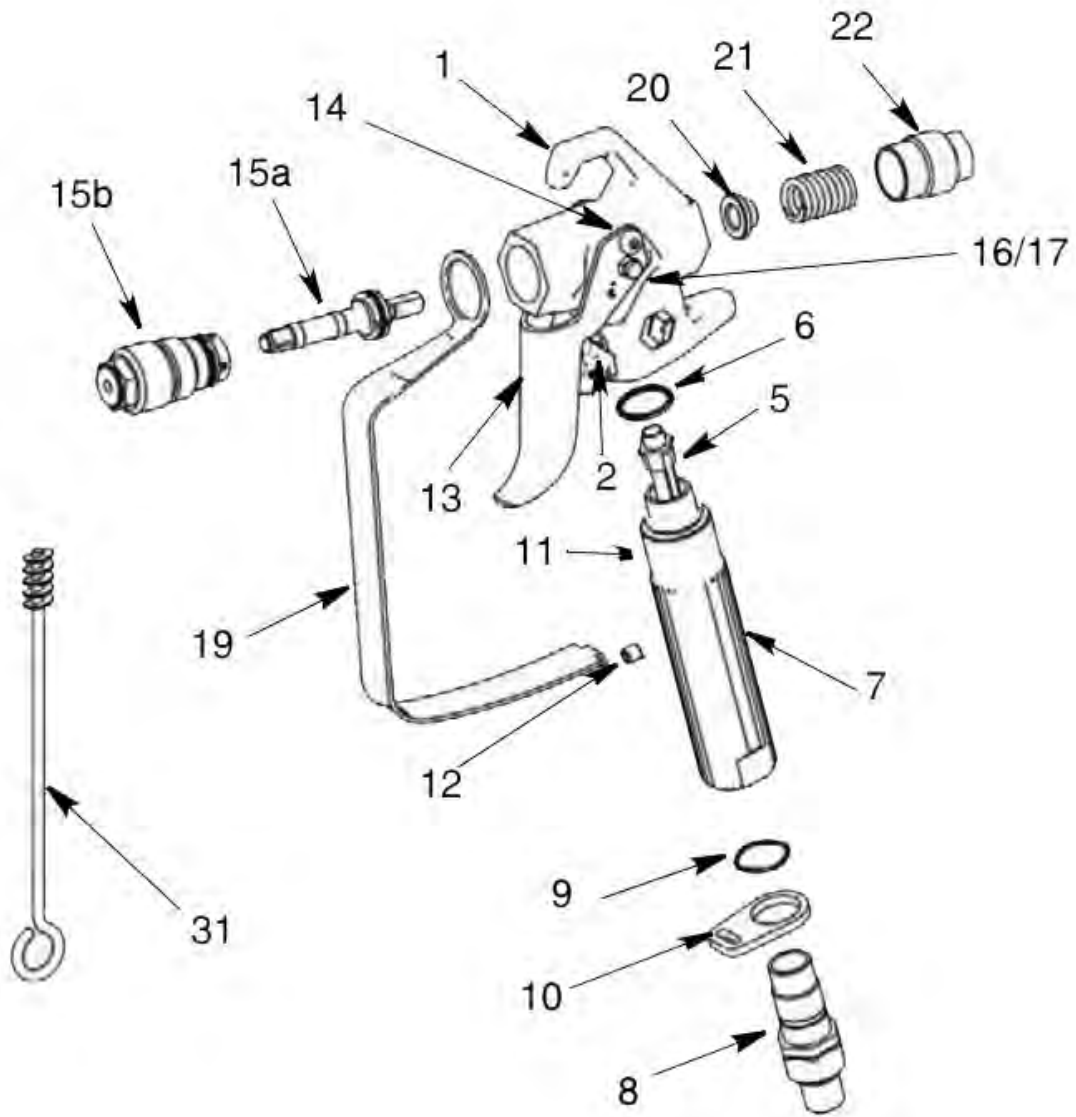
Graco® FTx™ Airless Spray Gun

Item#	Part#	Description
Fig. 1		
1	20G289914	Housing Assembly
5	20G287032	Filter, 60 Mesh
—	20G287033	Filter, 100 Mesh
—	20G287034	Filter, 60 and 100 Mesh Combo
6	20G120777	Packing, O-Ring
7	20G15J735	FTx™ Gun
8	20G288811	Swivel Assembly
9	20G120733	O-Ring, Urethane, Clear
10	20G15J706	Retainer, Guard, Trigger
11	20G15J698	Tube, Handle
12	20G120834	Screw, Set
13	20G15J769	Trigger, 4-Finger
14	20G117602	Screw, Shoulder Pan HD
15	20G288488	Kit, Needle Repair
15a	—	Needle Assembly
15b	—	Diffuser Assembly
16	20G15J696	Pin, trigger
17	20G105334	Nut, Lock Hex
19	20G15J464	Guard, Trigger
20	20G15J528	Guide, Spring
21	20G121093	Spring, Compression
22	20G15B549	Nut, End
31	20G119799	Brush, Cleaning
—	206M522	Part Numbers & Schematics Guide – Graco® FTx™ Airless Spray Guns
—	209V522	Operators Manual – Graco® FTx™ Airless Spray Guns








**Item not available for individual sale*

PART NUMBERS AND SCHEMATICS GUIDE









Figure 1: Graco® FTx™ Airless Spray Gun



PART NUMBERS AND SCHEMATICS GUIDE


Part Numbers		TIP SPECIFICATION SUMMARY				
		Tip Guard	Maximum Working Pressure	Color	Typical Applications	Typical Materials
	RAC® 5 Switch Tip™ (20G286xxx)	RAC® 5 HandTite™ 20G243161 or 20G243263	4050 psi	Black	Residential, Commercial, or Industrial	Lacquers to Mastics, Latex Paints
	RAC® 5 SwitchTip™ LineLazer® (20GLL5xxx)	RAC® 5 HandTite™ 20G243161 or 20G243263	4050 psi	Yellow	Parking Lots, Roads, Warehouse Floors, Crosswalks, and Athletic Fields	Heavy Waterbase to thin Alkyd Traffic Paints
	RAC X™ Fine Finish Switch Tip™ (20GFFTxxx)	RAC X™ HandTite™ 20G246215	4050 psi	Green	Cabinetry, Woodworking, Metal and Fine Finish Surfaces	Lacquers, Varnishes, Urethanes
	RAC X™ Switch Tip™ (20GLTXxxx)	RAC X™ HandTite™ 20G246215 or 20G246437	4050 psi	Blue	Residential, Commercial, or Industrial	Lacquers to Mastics, Latex Paints
	Contractor Flat Tip (20G269xxx)	Flat 20G220255 or 20G220251	5000 psi	N/A	Residential, Commercial, or Industrial	Architectural Coatings
	Silver Flat Tip (20G163xxx)	Flat 20G220255 or 20G220251	5000 psi	N/A	Residential, Commercial, or Industrial	Dyes, Ink, Stains, Oils, Auto Finishes
	Fine Finish Flat Tip (20G163xxx)	Fine Finish 20G220249	4050 psi	N/A	Cabinetry, Woodworking, Metal and Fine Finish Surfaces	Lacquers, Varnishes, Urethanes, and other Fine Finish Materials

PART NUMBERS AND SCHEMATICS GUIDE

		TIP GUARD SUMMARY		
Part Numbers		Tip Style	Thread Size	Color
	20G243161	RAC® 5 HandTite™	7/8"	Orange
	20G243263	RAC® 5 HandTite™	11/16"	Orange
	20G246215	RAC X™ HandTite™	7/8"	Blue
	20G246437	RAC X™ HandTite™	11/16"	Blue
	20G220251	Flat	7/8"	Orange
	20G220255	Flat	11/16"	Orange
	20G220247	Fine Finish Flat	7/8"	Orange
	20G220249	Fine Finish Flat	11/16"	Orange

PART NUMBERS AND SCHEMATICS GUIDE

RAC® 5 SWITCH TIP™ SPECIFICATIONS


	Part Numbers	Tip Guard	Maximum Working Pressure	Color	Typical Applications	Typical Materials
	RAC® 5 Switch Tip™ (20G286xxx)	RAC® 5 HandTite™ 20G243161 or 20G243263	4050 psi	Black	Residential, Commercial, or Industrial	Lacquers to Mastics, Latex Paints

RAC® 5 Switch Tip™ (20G286xxx)

		ORIFICE SIZE – INCHES																					
		.007	.009	.011	.013	.015	.017	.019	.021	.023	.025	.027	.029	.031	.033	.035	.039	.043	.045	.051	.055	.063	.065
FAN WIDTH	IN																						
	2-4		109	111	113	115		119	121														
	4-6	207	209	211	213	215	217	219	221	223	225					235							
	6-8	307	309	311	313	315	317	319	321	323	325	327		331									
	8-10		409	411	413	415	417	419	421	423	425	427	429		433	435	439	443		451	455		
	10-12		509	511	513	515	517	519	521	523	525	527	529	531	533	535		543		551	561	563	
	12-14		609	611	613	615	617	619	621	623	625	627	629	631	633	635		645		655		665	
	14-16								721	723	725		729			735							
	16-18					815	817	819	821			827		831	833	835							
	18-20						917									935							
	Flow Rate (gpm)	.05	.09	.12	.18	.24	.31	.38	.47	.57	.67	.77	.90	1.03	1.17	1.31	1.63	1.98	2.17	2.79	3.25	4.26	4.53

PART NUMBERS AND SCHEMATICS GUIDE

RAC® 5 LINELAZER® SWITCH TIP™ SPECIFICATIONS


	Part Numbers	Tip Guard	Maximum Working Pressure	Color	Typical Applications	Typical Materials
	RAC® 5 Switch Tip™ LineLazer® (20GLL5xxx)	RAC® 5 HandTite™ 20G243161 or 20G243263	4050 psi	Yellow	Parking Lots, Roads, Warehouse Floors, Crosswalks, and Athletic Fields	Heavy Waterbase to thin Alkyd Traffic Paints

RAC® 5 LineLazer® Switch Tip™ (20GLL5xxx)

		ORIFICE SIZE – INCHES													
		.013	.015	.017	.019	.021	.023	.025	.027	.029	.031	.033	.035	.039	.055
FAN WIDTH	IN														
	2	213	215	217	219										
	4		315	317	319	321	323	325	327	329	331	333	335		355
	4-8			417	419	421	423	425	427	429	431		435		
	8-12					621	623	625	627	629	631		635	639	
	Flow Rate (gpm)	.18	.24	.31	.38	.47	.57	.67	.77	.90	1.03	1.17	1.31	1.63	3.25

PART NUMBERS AND SCHEMATICS GUIDE

RAC X™ FINE FINISH SWITCH TIP™ SPECIFICATIONS

	Part Numbers	Tip Guard	Maximum Working Pressure	Color	Typical Applications	Typical Materials
	RAC X™ Fine Finish Switch Tip™ (20GFFTxxx)	RAC X™ HandTite™ 20G246215	4050 psi	Green	Cabinetry, Woodworking, Metal and Fine Finish Surfaces	Lacquers, Varnishes, Urethanes

RAC X™ Fine Finish Switch Tip™ (20GFFTxxx)

		ORIFICE SIZE – INCHES				
		IN	.008	.010	.012	.014
FAN WIDTH	2-4		108	110	112	
	4-6		208	210	212	214
	6-8		308	310	312	314
	8-10			410	412	414
	10-12			510	512	514
	12-14				612	614
	Flow Rate (gpm)		.07	.11	.15	.21

PART NUMBERS AND SCHEMATICS GUIDE

RAC X™ SWITCH TIP™ SPECIFICATIONS

Part Numbers	Tip Guard	Maximum Working Pressure	Color	Typical Applications	Typical Materials
 RAC X™ Switch Tip™ (20GLTXxxx)	RAC® X HandTite™ 20G246215 or 20G246437	4050 psi	Blue	Residential, Commercial, or Industrial	Lacquers to Mastics, Latex Paints

RAC X™ Switch Tip™ (20GLTXxxx)


		ORIFICE SIZE – INCHES												
IN		.007	.009	.011	.013	.015	.017	.019	.021	.023	.025	.027	.029	.031
FAN WIDTH	2-4		109	111		115								
	4-6	207	209	211	213	215	217	219	221		225	227		231
	6-8		309	311	313	315	317	319	321	323	325	327	329	331
	8-10		409	411	413	415	417	419	421	423	425	427	429	431
	10-12		509	511	513	515	517	519	521	523	525	527	529	531
	12-14			611	613	615	617	619	621	623	625	627	629	631
	14-16								721	723			729	
	16-18						817	819	821			827		831
	Flow Rate (gpm)		.05	.09	.12	.18	.24	.31	.38	.47	.57	.67	.77	.90

RAC X™ Switch Tip™ (20GLTXxxx) continued

		ORIFICE SIZE – INCHES											
IN		.033	.035	.037	.039	.041	.043	.045	.051	.055	.061	.065	.071
FAN WIDTH	2-4												
	4-6		235										
	6-8		335										
	8-10	433	435		439	441	443	445	451	455			
	10-12	533	535	537	539	541	543	545	551	555	561		
	12-14	633	635	637	639	641	643	645	651	655	661	665	671
	14-16		735										
	16-18	833	835										
	Flow Rate (gpm)		1.17	1.31	1.47	1.63	1.8	1.98	2.17	2.79	3.25	4.0	4.53

PART NUMBERS AND SCHEMATICS GUIDE


CONTRACTOR FLAT TIP SPECIFICATIONS

	Part Numbers	Tip Guard	Maximum Working Pressure	Color	Typical Applications	Typical Materials
	Contractor Flat Tip (20G269xxx)	Flat 20G220255 or 20G220251	5000 psi	N/A	Residential, Commercial, or Industrial	Architectural Coatings

Contractor Flat Tips (20G269xxx)

		ORIFICE SIZE – INCHES												
		IN	.011	.013	.015	.017	.019	.021	.023	.025	.027	.029	.031	.035
FAN WIDTH	4-6		211	213	215	217	219			225	227			
	6-8		311	313	315	317	319	321	323	325	327			
	8-10		411	413	415	417	419	421	423	425	427			435
	10-12		511	513	515	517	519	521	523	525	527		531	
	12-14			613	615	617	619	621	623	625	627		631	635
	14-16				715	717	719	721		725				
	16-18				815		819	821			827	829	831	
	18-20									925				
	Flow Rate (gpm)		.12	.18	.24	.31	.38	.47	.57	.67	.74	.90	1.03	1.31

PART NUMBERS AND SCHEMATICS GUIDE


		SILVER FLAT TIP SPECIFICATIONS				
Part Numbers		Tip Guard	Maximum Working Pressure	Color	Typical Applications	Typical Materials
	Silver Flat Tip (20G163xxx)	Flat 20G220255 or 20G220251	5000 psi	N/A	Residential, Commercial, or Industrial	Dyes, Ink, Stains, Oils, Auto Finishes

Silver Fine Finish Flat Tips (20G163xxx)

		ORIFICE SIZE – INCHES												
		IN	.011	.013	.015	.017	.019	.021	.023	.025	.027	.029	.031	.035
FAN WIDTH	4-6	211	213	215	217	219			225	227				
	6-8	311	313	315	317	319	321	323	325	327				
	8-10	411	413	415	417	419	421	423	425	427				435
	10-12	511	513	515	517	519	521	523	525	527			531	
	12-14		613	615	617	619	621	623	625	627			631	635
	14-16			715	717	719	721		725					
	16-18			815		819	821			827	829	831		
	18-20								925					
	Flow Rate (gpm)		.12	.18	.24	.31	.38	.47	.57	.67	.74	.90	1.03	1.31

PART NUMBERS AND SCHEMATICS GUIDE





FINE FINISH FLAT TIP SPECIFICATIONS



	Part Numbers	Tip Guard	Maximum Working Pressure	Color	Typical Applications	Typical Materials
	Fine Finish Flat Tip (20G163xxx)	Fine Finish 20G220249	4050 psi	N/A	Cabinetry, Woodworking, Metal and Fine Finish Surfaces	Lacquers, Varnishes, Urethanes, and other Fine Finish Materials


Fine Finish Flat Tips (20G163xxx)

		ORIFICE SIZE – INCHES													
FAN WIDTH	IN	.008	.010	.021	.014	.016	.018	.020	.022	.024	.026	.028	.030	.032	
	2-4	108	110												
	4-6	208	210	212	214	216	218			224				232	
	6-8		310	312	314	316	318	320	322	324					
	8-10	408	410	412	414	416	418	420		424	426	428	430	432	
	10-12		510	512	514	516	518	520	522	524	526	528	530		
	12-14		610	612	614	616	618	620	622	624	626	628			
	14-16			712	714	716	718				726				
	16-18				814	816	818	820	822	824	826	828		832	
	18-20			912	914		918		922	924	926				
	Flow Rate (gpm)	.07	.11	.15	.21	.27	.35	.43	.52	.62	.73	.84	.97	1.1	




OPTIONAL ACCESSORIES





		TIP GASKETS		
	Part Numbers	Description	Material	Package Quantity
	20G166969	1/16" Thin Tip Gasket	Nylon	One Each
	20G223373	1/16" Thin Tip Gaskets	Nylon	25
	20G162863	5/32" Thick Tip Gaskets	Nylon	One Each
	20G223374	5/32" Thick Tip Gaskets	Nylon	25




		TIP FILTERS	
	Part Numbers	Mesh Size	Package Quantity
	20G224455	50 Mesh	2/Package
	20G224456	100 Mesh	2/Package

		TIP FILTER HOUSING	
	Part Numbers	Description	Package Quantity
	20G164120	Tip Filter Housing	One Each










OPTIONAL ACCESSORIES

		FILTERS		
	Part Numbers	Mesh Size	Color	Package Quantity
	20G287032	60 Mesh	Black	1/Package
	20G287033	100 Mesh	Blue	1/Package
	20G287034	60 Mesh and 100 Mesh	Black and Blue	1 Each/Package

		TIP EXTENSIONS	
	Part Numbers	Description	Package Quantity
	20G246294	Heavy-Duty 10" Tip Extension	One Each
	20G246295	Heavy-Duty 15" Tip Extension	One Each
	20G246296	Heavy-Duty 18" Tip Extension	One Each
	20G246297	High Pressure 180° Swivel	One Each

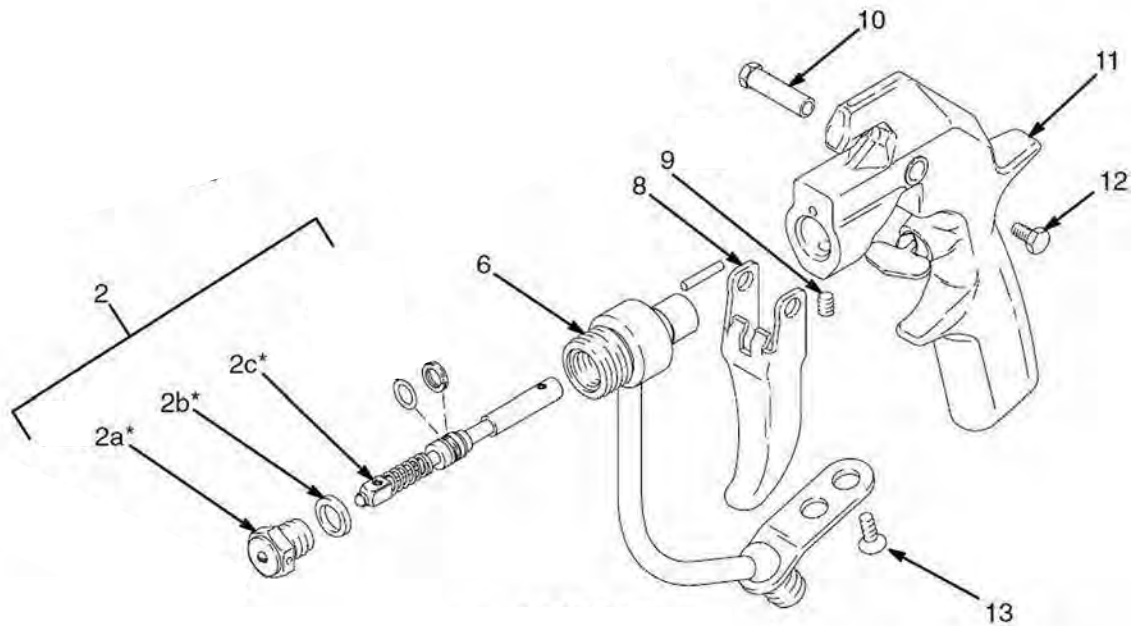
		TIP BRUSHES	
	Part Numbers	Size	Bristle Material
	20G101891	3/8" x 2-1/4"	Nylon
	20G101892	5/8" x 2-1/4"	Nylon
	20G119799	3/8" x 1"	Nylon

PART NUMBERS AND SCHEMATICS GUIDE

GRACO® SILVER PLUS™ AIRLESS SPRAY GUNS					
	Part Numbers	Maximum Working Pressure	Tip	Tip Guard	Trigger Style
	20G234237	5,000 psi	RAC® 5 517 SwitchTip™	RAC 5 HandTite™	4-Finger
	20G243283	5,000 psi	RAC 5 517 SwitchTip	RAC 5 HandTite	2-Finger
	20G246240	5,000 psi	RAC X™ 517 SwitchTip	RAC X HandTite	2-Finger
	20G235464	5,000 psi	XHD617 SwitchTip	XHD RAC	2-Finger
	20G238591	5,000 psi	XHD619 SwitchTip	XHD RAC	4-Finger
	20G257093	5,000 psi	XHD665 SwitchTip	XHD RAC	2-Finger
	20G235460	5,000 psi	None	Flat	2-Finger
	20G235461	5,000 psi	None	Flat	4-Finger

PART NUMBERS AND SCHEMATICS GUIDE








Figure 1: Graco® Silver Plus™ Airless Spray Gun














Item#	Part#	Description
Fig. 1		
2	20G235474	Needle Kit <i>Includes Items: #2a, #2b, and #2c</i>
2a*	—	Seat Diffuser <i>(Not Sold Individually)</i>
2b*	—	Copper Gasket <i>(Not Sold Individually)</i>
2c*	—	Needle <i>(Not Sold Individually)</i>
6	20G235482	2-Finger Fluid Housing
—	20G235483	4-Finger Fluid Housing
8	20G187985	2-Finger Trigger
—	20G188127	4-Finger Trigger
9	20G102207	1/2-20 Setscrew
10	20G187965	Pivot Pin
11	20G235471	Gun Handle
12	20G203953	10-24 Hex Washer Head Screw
13	20G107091	1/2-20 Screw
14	20G187987	Warning Tag <i>(Not Shown)</i>
15	20G222385	Warning Card <i>(Not Shown)</i>
18	20G187346	Warning Sheet <i>(Not Shown)</i>
—	309740	Graco Product Instructions
—	206M362	Part Numbers & Schematics Guide – Graco Silver Plus Airless Spray Guns
—	209V362	Operators Manual – Graco Silver Plus Airless Spray Guns

*Item not available for individual sale


PART NUMBERS AND SCHEMATICS GUIDE

		TIP SPECIFICATION SUMMARY				
Part Numbers		Tip Guard	Typical Applications	Typical Materials	Maximum Working Pressure	Color
	RAC® 5 Switch Tip™ (20G286xxx)	RAC® 5 HandTite™ 20G243161 or 20G243263	Residential, Commercial, or Industrial	Lacquers to Mastics, Latex Paints	4050 psi	Black
	RAC® 5 Switch Tip™ LineLazer® (20GLL5xxx)	RAC® 5 HandTite™ 20G243161 or 20G243263	Parking Lots, Roads, Warehouse Floors, Crosswalks, and Athletic Fields	Heavy Water-base to thin Alkyd Traffic Paints	4050 psi	Yellow
	RAC X™ Fine Finish Switch Tip™ (20GFFTxxx)	RAC X™ HandTite™ 20G246215 or 20G246237	Cabinetry, Woodworking, Metal and Fine Finish Surfaces	Lacquers, Varnishes, Urethanes	4050 psi	Green
	RAC X™ Switch Tip™ (20GLTXxxx)	RAC X™ HandTite™ 20G246215 or 20G246437	Residential, Commercial, or Industrial	Lacquers to Mastics, Latex Paints	4050 psi	Blue
	XHD™ RAC® Switch Tip™ (20GXHDxxx)	XHD™ RAC® 20GXHD001, 20GXHD003, or 20GXHD005	Bridges, Tanks, Farms, Structural Steel, or Roofing	Virtually all Paints and Coatings – Solvent and Water-base	7250 psi	Gray
	Fine Finish Flat Tip (20G163xxx)	Fine Finish 20G220249	Cabinetry, Woodworking, Metal and Fine Finish Surfaces	Lacquers, Varnishes, Urethanes, and other Fine Finish Materials	4050 psi	N/A
	Contractor Flat Tip (20G269xxx)	Flat 20G220255 or 20G220251	Residential, Commercial, or Industrial	Architectural Coatings	5000 psi	N/A

PART NUMBERS AND SCHEMATICS GUIDE

		TIP GUARD SUMMARY		
	Part Numbers	Tip Style	Thread Size	Color
	20G243161	RAC® 5	7/8"	Orange
	20G243263	RAC® 5	11/16"	Orange
	20G246215	RAC X™	7/8"	Blue
	20G246437	RAC X™	11/16"	Blue
	20GXHD001	XHD™ RAC®	7/8"	Gray
	20GXHD003	XHD™ RAC®	7/8" (Stainless Steel)	Gray
	20GXHD005	XHD™ RAC®	11/16"	Gray
	20G220247	Fine Finish Flat	7/8"	Orange
	20G220249	Fine Finish Flat	11/16"	Orange
	20G220251	Flat	7/8"	Orange
	20G220255	Flat	11/16"	Orange


GRACO® SILVER PLUS™ AIRLESS SPRAY GUNS

		RAC® 5 SWITCH TIP™ SPECIFICATIONS				
Part Numbers		Color	Maximum Working Pressure	Tip Guard	Typical Applications	Typical Materials
	RAC® 5 Switch Tip™ (20G286xxx)	Black	4050 psi	RAC® 5 HandTite™ 20G243161 or 20G243263	Residential, Commercial, or Industrial	Lacquers to Mastics, Latex Paints

RAC® 5 Switch Tip™ (20G286xxx)

		ORIFICE SIZE – INCHES																					
		.007	.009	.011	.013	.015	.017	.019	.021	.023	.025	.027	.029	.031	.033	.035	.039	.043	.045	.051	.055	.063	.065
FAN WIDTH	IN																						
	2-4		109	111	113	115		119	121														
	4-6	207	209	211	213	215	217	219	221	223	225					235							
	6-8	307	309	311	313	315	317	319	321	323	325	327		331									
	8-10		409	411	413	415	417	419	421	423	425	427	429		433	435	439	443		451	455		
	10-12		509	511	513	515	517	519	521	523	525	527	529	531	533	535		543		551	561	563	
	12-14		609	611	613	615	617	619	621	623	625	627	629	631	633	635			645		655		665
	14-16									721	723	725		729		735							
	16-18					815	817	819	821				827		831	833	835						
	18-20						917									935							
	Flow Rate (gpm)	.05	.09	.12	.18	.24	.31	.38	.47	.57	.67	.77	.90	1.03	1.17	1.31	1.63	1.98	2.17	2.79	3.25	4.26	4.53


PART NUMBERS AND SCHEMATICS GUIDE

		RAC® 5 SWITCH TIP™ LINELAZER® SPECIFICATIONS				
Part Numbers		Color	Maximum Working Pressure	Tip Guard	Typical Applications	Typical Materials
	RAC® 5 LineLazer® Switch Tip™ (20GLL5xxx)	Yellow	4050 psi	RAC® 5 HandTite™ 20G243161 or 20G243263	Parking Lots, Roads, Warehouse Floors, Crosswalks, and Athletic Fields	Heavy Water-base to thin Alkyd Traffic Paints

RAC® 5 LineLazer® Switch Tip™ (20GLL5xxx)

		ORIFICE SIZE – INCHES													
IN		.013	.015	.017	.019	.021	.023	.025	.027	.029	.031	.033	.035	.039	.055
FAN WIDTH	2	213	215	217	219										
	4		315	317	319	321	323	325	327	329	331	333	335		355
	4-8			417	419	421	423	425	427	429	431		435		
	8-12					621	623	625	627	629	631		635	639	
	Flow Rate (gpm)	.18	.24	.31	.38	.47	.57	.67	.77	.90	1.03	1.17	1.31	1.63	3.25


PART NUMBERS AND SCHEMATICS GUIDE

RAC X™ FINE FINISH SWITCH TIP™ SPECIFICATIONS						
Part Numbers	Color	Maximum Working Pressure	Tip Guard	Typical Applications	Typical Materials	
	RAC X™ Fine Finish Switch Tip™ (20GFFTxxx)	Green	4050 psi	RAC X™ HandTite™ 20G246215 or 20G246237	Cabinetry, Woodworking, Metal and Fine Finish Surfaces	Lacquers, Varnishes, Urethanes

RAC X™ Fine Finish Switch Tip™ (20GFFTxxx)

		ORIFICE SIZE – INCHES				
		IN	.008	.010	.012	.014
FAN WIDTH	2-4		108	110	112	
	4-6		208	210	212	214
	6-8		308	310	312	314
	8-10			410	412	414
	10-12			510	512	514
	12-14				612	614
	Flow Rate (gpm)		.07	.11	.15	.21

PART NUMBERS AND SCHEMATICS GUIDE

RAC X™ SWITCH TIP™ SPECIFICATIONS						
Part Numbers	Color	Maximum Working Pressure	Tip Guard	Typical Applications	Typical Materials	
 RAC X™ Switch Tip™ (20GLTXxxx)	Blue	4050 psi	RAC X™ HandTite™ 20G246215 or 20G246437	Residential, Commercial, or Industrial	Lacquers to Mastics, Latex Paints	


RAC X™ Switch Tip™ (20GLTXxxx)

		ORIFICE SIZE – INCHES												
		.007	.009	.011	.013	.015	.017	.019	.021	.023	.025	.027	.029	.031
FAN WIDTH	IN													
	2-4		109	111		115								
	4-6	207	209	211	213	215	217	219	221		225	227		231
	6-8		309	311	313	315	317	319	321	323	325	327	329	331
	8-10		409	411	413	415	417	419	421	423	425	427	429	431
	10-12		509	511	513	515	517	519	521	523	525	527	529	531
	12-14			611	613	615	617	619	621	623	625	627	629	631
	14-16								721	723			729	
	16-18						817	819	821			827		831
Flow Rate (gpm)		.05	.09	.12	.18	.24	.31	.38	.47	.57	.67	.77	.90	1.03

RAC X™ Switch Tip™ (20GLTXxxx) continued

		ORIFICE SIZE – INCHES											
		.033	.035	.037	.039	.041	.043	.045	.051	.055	.061	.065	.071
FAN WIDTH	IN												
	2-4												
	4-6		235										
	6-8		335										
	8-10	433	435		439	441	443	445	451	455			
	10-12	533	535	537	539	541	543	545	551	555	561		
	12-14	633	635	637	639	641	643	645	651	655	661	665	671
	14-16		735										
	16-18	833	835										
Flow Rate (gpm)		1.17	1.31	1.47	1.63	1.8	1.98	2.17	2.79	3.25	4.0	4.53	5.41

PART NUMBERS AND SCHEMATICS GUIDE

RAC® XHD™ SWITCH TIP™ SPECIFICATIONS						
Part Numbers	Color	Maximum Working Pressure	Tip Guard	Typical Applications	Typical Materials	
 RAC® XHD™ Switch Tip™ (20GXHDxxx)	Gray	7250 psi	RAC® XHD™ 20GXHD001, 20GXHD003, or 20GXHD005	Bridges, Tanks, Farms, Structural Steel, or Roofing	Virtually all Paints and Coatings – Solvent and Water-base	


RAC® XHD™ Switch Tip™ (20GXHDxxx)

ORIFICE SIZE – INCHES																				
FAN WIDTH	IN	.007	.009	.011	.013	.015	.017	.019	.021	.023	.025	.027	.029	.031	.033	.035	.037	.039	.041	
	2-4	107	109	111	113	115	117	119	121										139	
	4-6		209	211	213	215	217	219	221		225	227	229	231		235			239	
	6-8	307	309	311	313	315	317	319	321	323	325	327	329	331	333	335	337	339	341	
	8-10		409	411	413	415	417	419	421	423	425	427	429	431	433	435	437	439	441	
	10-12		509	511	513	515	517	519	521	523	525	527	529	531	533	535	537	539	541	
	12-14		609	611	613	615	617	619	621	623	625	627	629	631	633	635	637	639	641	
	14-16			711	713	715	717	719	721	723	725	727	729	731	733	735	737	739	741	
	16-18				813	815	817	819	821	823	825	827	829	831	833	835	837	839	841	
	18-20									923		927		931	933	935	937	939		
	Flow Rate (gpm)	.05	.09	.12	.18	.24	.31	.38	.47	.57	.67	.77	.90	1.03	1.17	1.31	1.47	1.63	1.8	

RAC® XHD™ Switch Tip™ (20GXHDxxx) continued

ORIFICE SIZE – INCHES																			
FAN WIDTH	IN	.043	.045	.047	.047	.051	.053	.055	.057	.059	.061	.063	.065	.067	.069	.071	.075	.081	
	2-4																		
	4-6																		
	6-8	343	345	347		351		355											
	8-10	443	445	447	449	451		455		459	461	463	465	467		471	475	481	
	10-12	543	545	547	549	551	553	555	557		561		565	567		571	575		
	12-14	643	645	647	649	651		655	657	659	661	663	665	667	669	671	675		
	14-16	743		747	749	751	753	755			761			767		771			
	16-18	843		847		851		855			861	863		867					
	18-20																		
	Flow Rate (gpm)	1.98	2.17	2.37	2.58	2.79	3.05	3.25	3.49	3.74	4.0	4.26	4.53	4.82	5.11	5.41	6.04	7.04	


PART NUMBERS AND SCHEMATICS GUIDE

		FINE FINISH FLAT TIP SPECIFICATIONS				
Part Numbers		Color	Maximum Working Pressure	Tip Guard	Typical Applications	Typical Materials
	Fine Finish Flat Tip (20G163xxx)	N/A	4050 psi	Fine Finish 20G220249	Cabinetry, Woodworking, Metal and Fine Finish Surfaces	Lacquers, Varnishes, Urethanes, and other Fine Finish Materials

Fine Finish Flat Tips (20G163xxx)

		ORIFICE SIZE – INCHES												
IN		.008	.010	.021	.014	.016	.018	.020	.022	.024	.026	.028	.030	.032
FAN WIDTH	2-4	108	110											
	4-6	208	210	212	214	216	218			224				232
	6-8		310	312	314	316	318	320	322	324				
	8-10	408	410	412	414	416	418	420		424	426	428	430	432
	10-12		510	512	514	516	518	520	522	524	526	528	530	
	12-14		610	612	614	616	618	620	622	624	626	628		
	14-16			712	714	716	718				726			
	16-18				814	816	818	820	822	824	826	828		832
	18-20			912	914		918		922	924	926			
	Flow Rate (gpm)		.07	.11	.15	.21	.27	.35	.43	.52	.62	.73	.84	.97





PART NUMBERS AND SCHEMATICS GUIDE



		CONTRACTOR FLAT TIP SPECIFICATIONS				
Part Numbers		Color	Maximum Working Pressure	Tip Guard	Typical Applications	Typical Materials
	Contractor Flat Tip (20G269xxx)	N/A	5000 psi	Flat 20G220255 or 20G220251	Residential, Commercial, or Industrial	Architectural Coatings



Contractor Flat Tips (20G269xxx)

		ORIFICE SIZE – INCHES											
		.011	.013	.015	.017	.019	.021	.023	.025	.027	.029	.031	.035
FAN WIDTH	IN												
	4-6	211	213	215	217	219			225	227			
	6-8	311	313	315	317	319	321	323	325	327			
	8-10	411	413	415	417	419	421	423	425	427			435
	10-12	511	513	515	517	519	521	523	525	527		531	
	12-14		613	615	617	619	621	623	625	627		631	635
	14-16			715	717	719	721		725				
	16-18			815		819	821			827	829	831	
	18-20								925				
Flow Rate (gpm)		.12	.18	.24	.31	.38	.47	.57	.67	.74	.90	1.03	1.31


PART NUMBERS AND SCHEMATICS GUIDE



		TIP GASKETS		
Part Numbers		Description	Material	Package Quantity
	20G166969	1/16" Thin Tip Gasket	Nylon	One Each
	20G223373	1/16" Thin Tip Gaskets	Nylon	25
	20G162863	5/32" Thick Tip Gaskets	Nylon	One Each
	20G223374	5/32" Thick Tip Gaskets	Nylon	25




		ONESEAL™	
Part Numbers		Description	Package Quantity
	20G243281	RAC® 5 OneSeal™	Five
	20G246453	RAC X™ OneSeal™	Five

		SOLVENT SEAL KITS	
Part Numbers		Description	Package Quantity
	20G224081	RAC® 5 Solvent Seal Kit	Five
	20G248936	RAC X™ Solvent Seal Kit	Five








PART NUMBERS AND SCHEMATICS GUIDE




TIP FILTER HOUSING			
	Part Numbers	Description	Package Quantity
	20G164120	Tip Filter Housing	One Each

TIP FILTERS			
	Part Numbers	Mesh Size	Package Quantity
	20G224454	60 Mesh	Five
	20G224453	100 Mesh	Five








TIP BRUSHES			
	Part Numbers	Size	Bristle Material
	20G101891	3/8" x 2-1/4"	Nylon
	20G101892	5/8" x 2-1/4"	Nylon
	20G119799	3/8" x 1"	Nylon

PART NUMBERS & SCHEMATICS GUIDE

Part Numbers		GRACO® XTR™ 5 AIRLESS SPRAY GUNS				
		Trigger Style	Tip	Handle Style	Tip Guard	Maximum Working Pressure
	20GXTR503	2-Finger	XHD™ 519 RAC® Tip	Oval	XHD™ RAC®	5,000 psi
	20GXTR505	2-Finger	XHD™ 519 RAC® Tip	Round	XHD RAC	5,000 psi
	20GXTR500	4-Finger	None	Round	None	5,000 psi
	20GXTR502	4-Finger	XHD™ 519 RAC® Tip	Oval	XHD™ RAC®	5,000 psi
	20GXTR504	4-Finger	XHD™ 519 RAC® Tip	Round	XHD™ RAC®	5,000 psi
	20GXTR510	4-Finger	XHD™ 519 RAC® Tip	Round	XHD™ RAC®	5,000 psi
	20GXTR501	4-Finger	519 Flat Tip	Round	7/8" Flat Guard	5,000 psi

Part Numbers		TIP SPECIFICATION SUMMARY				
		Tip Guard	Maximum Working Pressure	Color	Typical Applications	Typical Materials
	XHD™ RAC® SwitchTip™ (20GXHDxxx)	XHD™ RAC® 20GXHD001	7250 psi	Gray	Bridges, Tanks, Farms, Structural Steel, or Roofing	Virtually all Paints and Coatings – Solvent and Water-base
	Contractor™ Flat Tip (20G269xxx)	Flat 20G220255	5000 psi	N/A	Residential, Commercial, or Industrial	Architectural Coatings
	Fine Finish Flat Tip (20G163xxx)	Fine Finish 20G220249	4050 psi	N/A	Cabinetry, Woodworking, Metal and Fine Finish Surfaces	Lacquers, Varnishes, Urethanes, and other Fine Finish Materials

PART NUMBERS & SCHEMATICS GUIDE

		TIP GUARD SUMMARY		
Part Numbers		Tip Style	Thread Size	Color
	20GXHD001	XHD™ RAC®	7/8 Inch	Gray
	20GXHD003	XHD™ RAC® (Stainless Steel)	7/8 Inch	Gray
	20G220247	Fine Finish Flat	7/8 Inch	Orange
	20G220249	Fine Finish Flat	11/16 Inch	Orange
	20G220251	Flat	7/8 Inch	Orange
	20G220255	Flat	11/16 Inch	Orange
	20GXHD005	XHD™ RAC™	11/16 inch	Gray

PART NUMBERS & SCHEMATICS GUIDE

Graco® XTR™ 5 Airless Spray Gun

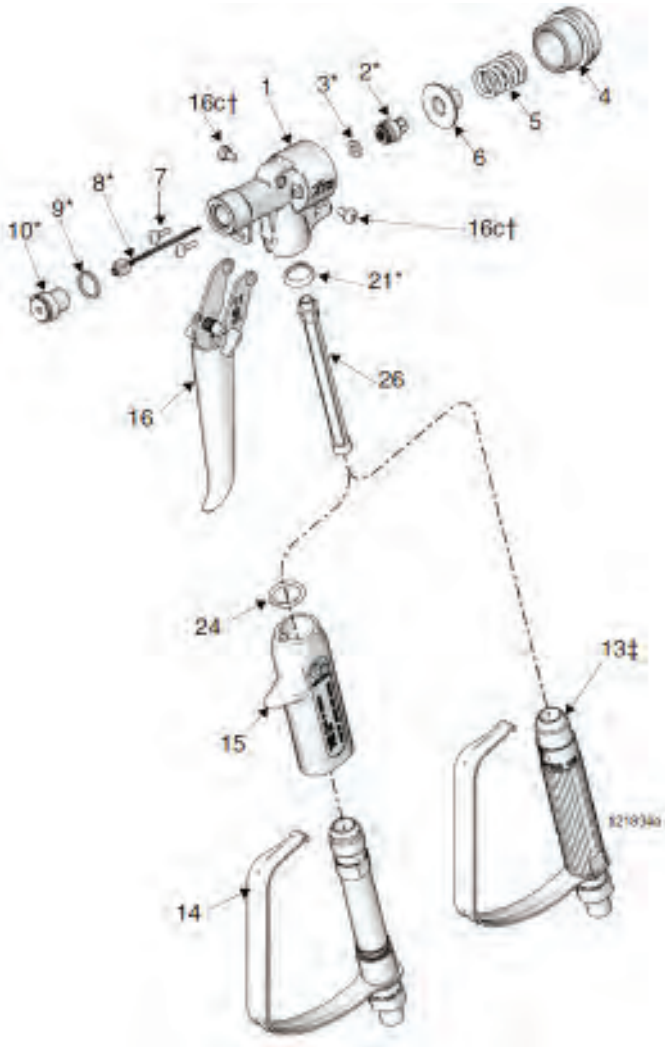
Item #	Part #	Description	XTR500	XTR501	XTR502	XTR503	XTR504	XTR505	XTR510
Fig. 1									
1	20G15J771	Body, Gun	X	X	X	X	X	X	X
2*	20G245881	Seal, Retainer Assembly	X	X	X	X	X	X	X
3*	—	Gasket	X	X	X	X	X	X	X
4	20G15K000	Cap, end	X	X	X	X	X	X	X
5	20G117350	Spring	X	X	X	X	X	X	X
6	20G15E088	Retainer, needle	X	X	X	X	X	X	X
7	20G15E085	Pin, acutator	X	X	X	X	X	X	X
8*	20G248591	Needle	X	X	X	X	X	X	X
9*	20G156766	Gasket	X	X	X	X	X	X	X
10*	20G245858	Seat, Valve	X	X	X	X	X	X	X
13	20G255275	Round Handle, includes trigger guard and swivel	X	X			X	X	X
14	20G248952	Handle Kit			X	X			
15	20G276997	Oval Handle Sleeve, insulated			X	X			
16	20G287449	Trigger Kit (4-Finger, straight, includes 16c)	X	X			X		X
	20G287451	Trigger Kit, (4-Finger, curved, includes 16c)			X				
	20G287450	Trigger Kit, (2-Finger, includes 16c)				X		X	
16c	20G117602	Screw, shoulder, #8-32	X	X	X	X	X	X	X
19	20GXHDxxx	Guard, RAC Tip	X		X	X	X	X	X
20	20GXHDxxx	Switch, RAC tip; 519 size included		X	X	X	X	X	
	20GXHDxxx	Switch, RAC tip; 529 size							X
20a	—	Seal, fluid			X	X	X	X	X
20b	—	Gasket			X	X	X	X	X
20c	—	Tip, Spray, XHD RAC			X	X	X	X	X
21	20G179133	Seal, sleeve	X	X	X	X	X	X	X
24	20G119740	O-Ring			X	X			
26	20G287032	Filter, 60 mesh included with gun	X	X	X	X	X	X	
	20G287034	Filter, 60 mesh and 100 mesh combo	X	X	X	X	X	X	
29	20G222385	Tag, warning (not shown)	X	X	X	X	X	X	X
30	20G166969	Gasket		X					
31	20G220251	Guard, Flat Tip		X					
32	20G163519	Tip, 519 Flat		X					
36*	20G194744	Tool, repair, packing	X	X	X	X	X	X	X
—	206M508	Part Numbers & Schematics Guide – Graco® XTR™ 5 Airless Spray Guns							
—	109V508	Operator's Manual – Graco® XTR™ 5 Airless Spray Guns							

--- Item not available for individual sale

* Parts included in Repair Kit 20G248837 purchased separately

PART NUMBERS & SCHEMATICS GUIDE

Figure 1: Graco XTR 5 Airless Spray Gun



PART NUMBERS & SCHEMATICS GUIDE

RAC® XHD™ SWITCHTIP™ SPECIFICATIONS

	Part Numbers	Tip Guard	Maximum Working Pressure	Color	Typical Applications	Typical Materials


XHD™ RAC® SwitchTips™ (20GXHDxxx)

		ORIFICE SIZE – INCHES																		
FAN WIDTH	IN	.007	.009	.011	.013	.015	.017	.019	.021	.023	.025	.027	.029	.031	.033	.035	.037	.039	.041	
	2-4	107	109	111	113	115	117	119	121										139	
	4-6		209	211	213	215	217	219	221		225	227	229	231		235		239		
	6-8	307	309	311	313	315	317	319	321	323	325	327	329	331	333	335	337	339	341	
	8-10		409	411	413	415	417	419	421	423	425	427	429	431	433	435	437	439	441	
	10-12		509	511	513	515	517	519	521	523	525	527	529	531	533	535	537	539	541	
	12-14		609	611	613	615	617	619	621	623	625	627	629	631	633	635	637	639	641	
	14-16			711	713	715	717	719	721	723	725	727	729	731	733	735	737	739	741	
	16-18				813	815	817	819	821	823	825	827	829	831	833	835	837	839	841	
	18-20									923		927		931	933	935	937	939		
	Flow Rate (gpm)	.05	.09	.12	.18	.24	.31	.38	.47	.57	.67	.77	.90	1.03	1.17	1.31	1.47	1.63	1.8	

XHD™ RAC® SwitchTips™ (20GXHDxxx) continued

		ORIFICE SIZE – INCHES																	
FAN WIDTH	IN	.043	.045	.047	.047	.051	.053	.055	.057	.059	.061	.063	.065	.067	.069	.071	.075	.081	
	2-4																		
	4-6																		
	6-8	343	345	347		351		355											
	8-10	443	445	447	449	451		455		459	461	463	465	467		471	475	481	
	10-12	543	545	547	549	551	553	555	557		561		565	567		571	575		
	12-14	643	645	647	649	651		655	657	659	661	663	665	667	669	671	675		
	14-16	743		747	749	751	753	755			761			767		771			
	16-18	843		847		851		855			861	863		867					
	18-20																		
	Flow Rate (gpm)	1.98	2.17	2.37	2.58	2.79	3.05	3.25	3.49	3.74	4.0	4.26	4.53	4.82	5.11	5.41	6.04	7.04	


PART NUMBERS & SCHEMATICS GUIDE

		CONTRACTOR™ FLAT TIP SPECIFICATIONS				
Part Numbers		Tip Guard	Maximum Working Pressure	Color	Typical Applications	Typical Materials
	Contractor™ Flat Tip (20G269xxx)	Flat 20G220255	5000 psi	N/A	Residential, Commercial, or Industrial	Architectural Coatings

Contractor™ Flat Tips (20G269xxx)

		ORIFICE SIZE – INCHES												
		IN	.011	.013	.015	.017	.019	.021	.023	.025	.027	.029	.031	.035
FAN WIDTH	4-6	211	213	215	217	219			225	227				
	6-8	311	313	315	317	319	321	323	325	327				
	8-10	411	413	415	417	419	421	423	425	427				435
	10-12	511	513	515	517	519	521	523	525	527			531	
	12-14		613	615	617	619	621	623	625	627			631	635
	14-16			715	717	719	721		725					
	16-18			815		819	821			827	829	831		
	18-20								925					
	Flow Rate (gpm)		.12	.18	.24	.31	.38	.47	.57	.67	.74	.90	1.03	1.31





PART NUMBERS & SCHEMATICS GUIDE





		FINE FINISH FLAT TIP SPECIFICATIONS				
Part Numbers		Tip Guard	Maximum Working Pressure	Color	Typical Applications	Typical Materials
	Fine Finish Flat Tip (20G163xxx)	Fine Finish 20G220249	4050 psi	N/A	Cabinetry, Woodworking, Metal and Fine Finish Surfaces	Lacquers, Varnishes, Urethanes, and other Fine Finish Materials

Fine Finish Flat Tips (20G163xxx)




		ORIFICE SIZE – INCHES												
		.008	.010	.021	.014	.016	.018	.020	.022	.024	.026	.028	.030	.032
FAN WIDTH	IN													
	2-4	108	110											
	4-6	208	210	212	214	216	218			224				232
	6-8		310	312	314	316	318	320	322	324				
	8-10	408	410	412	414	416	418	420		424	426	428	430	432
	10-12		510	512	514	516	518	520	522	524	526	528	530	
	12-14		610	612	614	616	618	620	622	624	626	628		
	14-16			712	714	716	718				726			
	16-18				814	816	818	820	822	824	826	828		832
	18-20			912	914		918		922	924	926			
	Flow Rate (gpm)		.07	.11	.15	.21	.27	.35	.43	.52	.62	.73	.84	.97



PART NUMBERS & SCHEMATICS GUIDE




		TIP GASKETS		
Part Numbers		Description	Material	Package Quantity
	20G166969	1/16 Inch Thin Tip Gasket	Nylon	One Each
	20G223373	1/16 Inch Thin Tip Gaskets	Nylon	25/Package
	20G162863	5/32 Inch Thick Tip Gasket	Nylon	One Each
	20G223374	5/32 Inch Thick Tip Gaskets	Nylon	25/Package

		TIP EXTENSIONS	
Part Numbers		Description	Package Quantity
	20G246294	Heavy-Duty 10 Inch Tip Extension	One Each
	20G246295	Heavy-Duty 15 Inch Tip Extension	One Each
	20G246296	Heavy-Duty 18 Inch Tip Extension	One Each
	20G246297	Heavy-Duty 72 Inch Tip Extension	One Each

PART NUMBERS & SCHEMATICS GUIDE







		MESH GUN FILTERS		
Part Numbers		Mesh Size	Color	Package Quantity
	20G287032	60 Mesh	Black	1/Package
	20G287033	100 Mesh	Blue	1/Package
	20G287034	60 Mesh and 100 Mesh	Black and Blue	1 Each/Package

		TIP FILTERS	
Part Numbers		Mesh Size	Package Quantity
	20G224455	50 Mesh	2/Package
	20G224456	100 Mesh	2/Package






		TIP BRUSHES	
Part Numbers		Size	Bristle Material
	20G101891	3/8 x 2-1/4 Inches	Nylon
	20G101892	5/8 x 2-1/4 Inches	Nylon
	20G119799	3/8 x 1 Inch	Nylon



PART NUMBERS AND SCHEMATICS GUIDE

GRACO® XTR™ 7 AIRLESS SPRAY GUNS

	Part Numbers	Trigger Style	Tip	Handle Style	Tip Guard	Maximum Working Pressure
	20GXTR703	2-Finger	XHD™ 519 RAC® Tip	Oval	XHD™ RAC®	7,250 psi
	20GXTR705	2-Finger	XHD™ 519 RAC® Tip	Round	XHD™ RAC®	7,250 psi
	20GXTR700	4-Finger	None	Round	7/8" Flat Guard	7,250 psi
	20GXTR702	4-Finger	XHD™ 519 RAC® Tip	Oval	XHD™ RAC®	7,250 psi
	20GXTR704	4-Finger	XHD™ 519 RAC® Tip	Round	XHD™ RAC®	7,250 psi
	20GXTR701	4-Finger	519 Silver Flat Tip	Round	7/8" Flat Guard	7,250 psi

PART NUMBERS AND SCHEMATICS GUIDE

		TIP GUARD SUMMARY		
	Part Numbers	Tip Style	Thread Size	Color
	20GXHD001	XHD™ RAC®	7/8 Inch	Gray
	20GXHD003	XHD™ RAC®	7/8 Inch	Gray
	20G220251	Flat	7/8 Inch	Orange
	20G220255	Flat	11/16 Inch	Orange
	20GXHD005	XHD™ RAC™	11/16 Inch	Gray

		TIP SPECIFICATION SUMMARY				
	Part Numbers	Tip Guard	Maximum Working Pressure	Color	Typical Applications	Typical Materials
	XHD RAC® SwitchTip™ (20GXHDxxx)	XHD™ RAC® 20GXHD001 20GXHD003	7250 psi	Gray	Bridges, Tanks, Farms, Structural Steel, or Roofing	Virtually all Paints and Coatings – Solvent and Water-base
	Silver Flat Tip (20G163xxx)	Flat 20G220251 20G220255	5000 psi	N/A	Residential, Commercial, or Industrial	Architectural Coatings

PART NUMBERS AND SCHEMATICS GUIDE

Graco® XTR™ 7 Airless Spray Gun

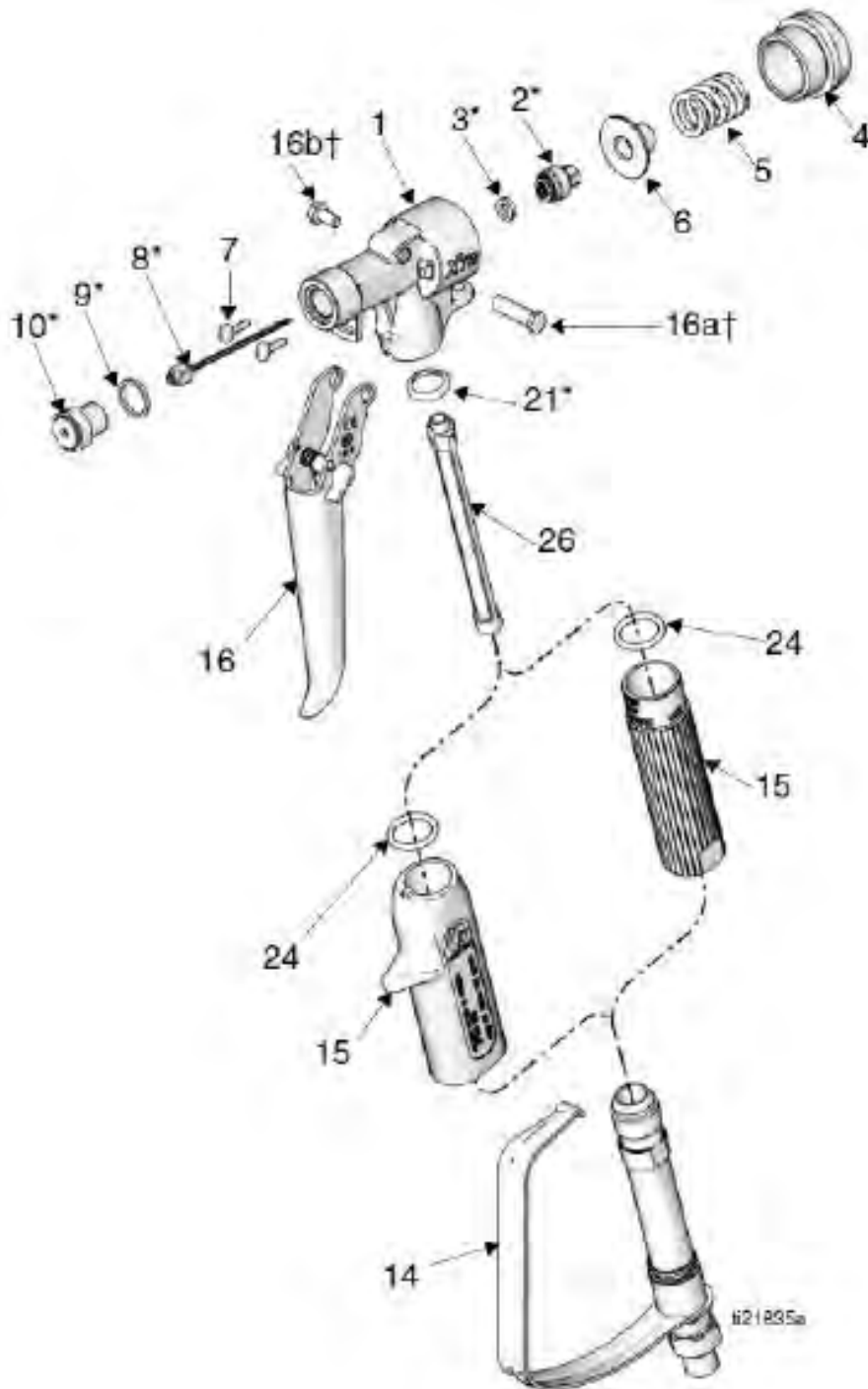
Item #	Part #	Description	XTR700	XTR701	XTR702	XTR703	XTR704	XTR705
Fig. 1								
1	20G15E178	Body, Gun	X	X	X	X	X	X
2*	20G245881	Seal, Retainer Assembly	X	X	X	X	X	X
3*	----	Gasket	X	X	X	X	X	X
4	20G15A864	Cap, end	X	X	X	X	X	X
5	20G117350	Spring	X	X	X	X	X	X
6	20G15E088	Retainer, needle	X	X	X	X	X	X
7	20G15E085	Pin, acuator	X	X	X	X	X	X
8*	20G248591	Needle	X	X	X	X	X	X
9*	20G156766	Gasket	X	X	X	X	X	X
10*	20G245858	Seat, Valve	X	X	X	X	X	X
14	20G248952	Handle, Kit	X	X			X	X
15	20G276997	Handle Sleeve, oval, insulated			X	X		
	20G15E083	Handle Sleeve, round	X	X			X	X
16	20G287449	Trigger Kit, (4-Finger, straight, includes 16b)	X	X			X	
	20G287451	Trigger Kit, (4-Finger, curved, includes 16b)			X			
	20G287450	Trigger Kit, (2-Finger, includes 16a and 16b)				X		X
16a	20G192272	Pin, pivot	X	X	X	X	X	X
16b	20G203953	Screw, cap, #10-24	X	X	X	X	X	X
19	20GXHD001	Guard, RAC Tip	X		X	X	X	X
20	20GXHDxxx	Switch, RAC tip; 519 size included			X	X	X	X
	20GXHDxxx	Switch, RAC tip; 519 size						
20a	----	Seal, fluid			X	X	X	X
20b	----	Gasket			X	X	X	X
20c	----	Tip, Spray, XHD RAC			X	X	X	X
21*	20G179733	Seal, sleeve	X	X	X	X	X	X
24	20G119740	O-Ring			X	X		
26	20G287032	Filter, 60 mesh included with gun	X	X	X	X	X	X
	20G287034	Filter, 60 mesh and 100 mesh combo	X	X	X	X	X	X
29	20G222385	Tag, warning (<i>not shown</i>)	X	X	X	X	X	X
30	20G166969	Gasket		X				
31	20G220251	Guard, Flat Tip		X				
32	20G163519	Tip, Flat		X				
36*	20G194744	Tool, repair, packing	X	X	X	X	X	X
—	206M511	Part Numbers & Schematics Guide – Graco XTR™ 7 Airless Spray Guns						
—	209V511	Operators Manual – Graco XTR™ 7 Airless Spray Guns						

--- Item not available for individual sale


* Parts included in Repair Kit 20G248837 purchased separately

PART NUMBERS AND SCHEMATICS GUIDE

Figure 1: Graco® XTR™ 7 Airless Spray Gun



PART NUMBERS AND SCHEMATICS GUIDE

XHD™ RAC® SWITCHTIP SPECIFICATIONS						
Part Numbers	Tip Guard	Maximum Working Pressure	Color	Typical Applications	Typical Materials	
 XHD™ RAC® SwitchTip™ (20GXHDxxx)	XHD™ RAC 20GXHD001 20GXHD003	7250 psi	Gray	Bridges, Tanks, Farms, Structural Steel, or Roofing	Virtually all Paints and Coatings – Solvent and Water-base	


XHD™ RAC® SwitchTips™ (20GXHDxxx)

		ORIFICE SIZE – INCHES																		
		IN	.007	.009	.011	.013	.015	.017	.019	.021	.023	.025	.027	.029	.031	.033	.035	.037	.039	.041
FAN WIDTH	2-4		107	109	111	113	115	117	119	121									139	
	4-6			209	211	213	215	217	219	221		225	227	229	231		235		239	
	6-8		307	309	311	313	315	317	319	321	323	325	327	329	331	333	335	337	339	341
	8-10			409	411	413	415	417	419	421	423	425	427	429	431	433	435	437	439	441
	10-12			509	511	513	515	517	519	521	523	525	527	529	531	533	535	537	539	541
	12-14			609	611	613	615	617	619	621	623	625	627	629	631	633	635	637	639	641
	14-16				711	713	715	717	719	721	723	725	727	729	731	733	735	737	739	741
	16-18					813	815	817	819	821	823	825	827	829	831	833	835	837	839	841
	18-20										923		927		931	933	935	937	939	
	Flow Rate (gpm)		.05	.09	.12	.18	.24	.31	.38	.47	.57	.67	.77	.90	1.03	1.17	1.31	1.47	1.63	1.8

XHD™ RAC® SwitchTips™ (20GXHDxxx) continued

		ORIFICE SIZE – INCHES																		
		IN	.043	.045	.047	.047	.051	.053	.055	.057	.059	.061	.063	.065	.067	.069	.071	.075	.081	
FAN WIDTH	2-4																			
	4-6																			
	6-8		343	345	347		351		355											
	8-10		443	445	447	449	451		455		459	461	463	465	467			471	475	481
	10-12		543	545	547	549	551	553	555	557		561		565	567			571	575	
	12-14		643	645	647	649	651		655	657	659	661	663	665	667	669	671	675		
	14-16		743		747	749	751	753	755			761				767		771		
	16-18		843		847		851		855			861	863		867					
	18-20																			
	Flow Rate (gpm)		1.98	2.17	2.37	2.58	2.79	3.05	3.25	3.49	3.74	4.0	4.26	4.53	4.82	5.11	5.41	6.04	7.04	


PART NUMBERS AND SCHEMATICS GUIDE





		SILVER FLAT TIP SPECIFICATIONS				
Part Numbers		Tip Guard	Maximum Working Pressure	Color	Typical Applications	Typical Materials
	Silver Flat Tip (20G163xxx)	Flat 20G220251 20G220255	5000 psi	N/A	Residential, Commercial, or Industrial	Architectural Coatings

Silver Flat Tips (20G163xxx)


		ORIFICE SIZE – INCHES											
IN		.011	.013	.015	.017	.019	.021	.023	.025	.027	.029	.031	.035
FAN WIDTH	4-6	211	213	215	217	219			225	227			
	6-8	311	313	315	317	319	321	323	325	327			
	8-10	411	413	415	417	419	421	423	425	427			435
	10-12	511	513	515	517	519	521	523	525	527		531	
	12-14		613	615	617	619	621	623	625	627		631	635
	14-16			715	717	719	721		725				
	16-18			815		819	821			827	829	831	
	18-20								925				
	Flow Rate (gpm)		.12	.18	.24	.31	.38	.47	.57	.67	.74	.90	1.03


PART NUMBERS AND SCHEMATICS GUIDE


		TIP GASKETS		
Part Numbers		Description	Material	Package Quantity
	20G166969	1/16 Inch Thin Tip Gasket	Nylon	One Each
	20G223373	1/16 Inch Thin Tip Gaskets	Nylon	25/Package
	20G162863	5/32 Inch Thick Tip Gasket	Nylon	One Each
	20G223374	5/32 Inch Thick Tip Gaskets	Nylon	25/Package

		TIP EXTENSIONS	
Part Numbers		Description	Package Quantity
	20G246294	Heavy-Duty 10 Inch Tip Extension	One Each
	20G246295	Heavy-Duty 15 Inch Tip Extension	One Each
	20G246296	Heavy-Duty 18 Inch Tip Extension	One Each
	20G246297	High Pressure 180° Swivel	One Each

PART NUMBERS AND SCHEMATICS GUIDE

MESH GUN FILTERS				
	Part Numbers	Mesh Size	Color	Package Quantity
	20G287032	60 Mesh	Black	1/Package
	20G287033	100 Mesh	Blue	1/Package
	20G287034	60 Mesh and 100 Mesh	Black and Blue	1 Each/Package

TIP FILTERS			
	Part Numbers	Mesh Size	Package Quantity
	20G224455	50 Mesh	2/Package
	20G224456	100 Mesh	2/Package




TIP BRUSHES			
	Part Numbers	Size	Bristle Material
	20G101891	3/8 x 2-1/4 Inches	Nylon
	20G101892	5/8 x 2-1/4 Inches	Nylon
	20G119799	3/8 x 1 Inch	Nylon


PART NUMBERS AND SCHEMATICS GUIDE

GRACO® XHF™ AIRLESS SPRAY GUNS					
Part Numbers	Trigger Style	Tip	Handle Style	Tip Guard	Maximum Working Pressure
20G262854	4-Finger	XHD™ 429 RAC® Tip	Oval	XHD™ RAC® 20GXHD001	7,250 psi



PART NUMBERS AND SCHEMATICS GUIDE

		TIP GUARD SUMMARY			
	Part Numbers	Tip Style	Thread Size	Material	Color
	20GXHD001	XHD™ RAC®	7/8 Inch	Aluminum	Gray
	20GXHD003	XHD™ RAC®	7/8 Inch	Stainless Steel	Gray
	20GXHD005	XHD™ RAC™	11/16 Inch	Aluminum	Gray

		TIP SPECIFICATION SUMMARY				
	Part Numbers	Tip Guard	Maximum Working Pressure	Color	Typical Applications	Typical Materials
	XHD RAC® SwitchTip™ (20GXHDxxx)	XHD™ RAC® 20GXHD001 20GXHD003 20GXHD005	7250 psi	Gray	Bridges, Tanks, Farms, Structural Steel, or Roofing	Virtually all Paints and Coatings – Solvent and Water-base

PART NUMBERS AND SCHEMATICS GUIDE

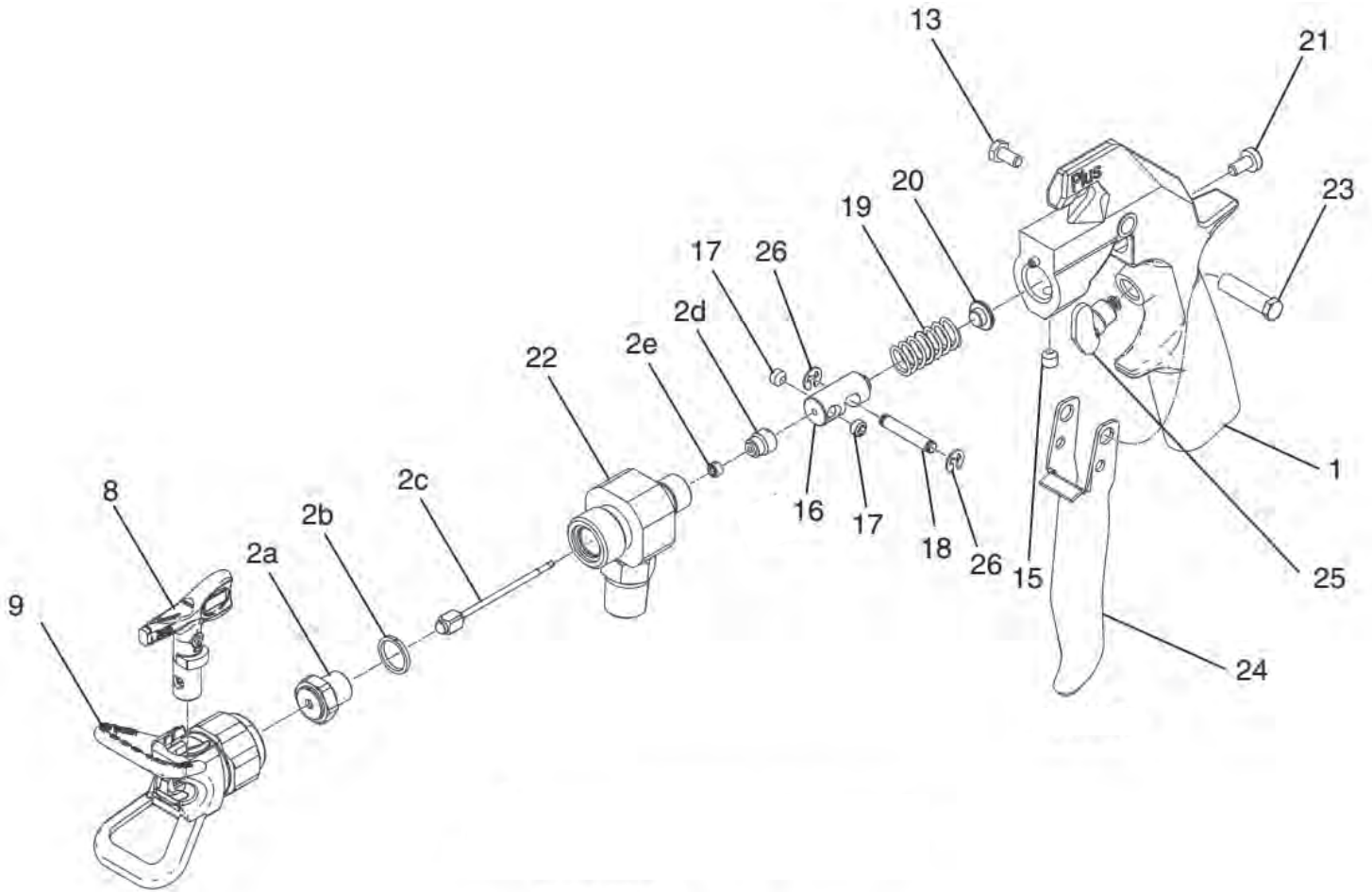
Graco® XHF™ Spray Gun Assembly

Item #	Part #	Description
Fig. 1		
—	20G262854	Graco® XHF™ 4-Finger Spray Gun with XHD 429 Tip
1	—	Gun Body*
2	20G237260	Kit <i>Includes: Needle and Seat</i>
2a	—	Valve Seat*
2b	—	Gasket*
2c	—	Needle*
2d	—	Seal Retainer*
2e	—	Seal*
8	20GXHDxxx	SwitchTip® (<i>See Chart Page 8</i>)
9	20GXHD001	RAC™ Guard, 7/8", Aluminum
—	20GXHD003	RAC™ Guard, 7/8", Stainless Steel (<i>Optional</i>)
—	20GXHD005	RAC™ Guard, 11/16", Aluminum (<i>Optional</i>)
13	20G203953	10-24 Hex Head Screw
15	20G102207	1/4-20 Set Screw
16	20G189960	Spring Guide
17	20G112729	Socket Head Set Screw (<i>Two Required</i>)
18	20G189958	Trigger Pin
19	20G112727	Spring
20	20G189990	Spring Adjuster
21	20G110637	Adjusting Screw
22	20G16P780	Fluid Housing
23	20G187965	Pivot Pin
24	20G189974	Gun Trigger
25	20G235468	Trigger Stop
26	20G112410	E-Clip (<i>Two Required</i>)
—	20G24P834	1/2" x 3/8" XHF™ Gun Swivel, 6500 psi, PTFE Packing
—	20G187987	Warning Tag
—	20G222385	Warning Card (<i>Not Shown</i>)
—	20G24P834	Graco® XHF Spray Gun Swivel, 1/2" x 3/8" NPSM, 6500 psi, PTFE Packing
—	209V500	Operator's Manual – Graco® XHF Spray Gun


*Item not for Individual Sale

PART NUMBERS AND SCHEMATICS GUIDE

Figure 1: Graco® XHF™ Spray Gun Assembly



PART NUMBERS AND SCHEMATICS GUIDE

		XHD™ RAC® SWITCHTIP™ SPECIFICATIONS					
Part Numbers		Tip Guard	Maximum Working Pressure	Color	Typical Applications	Typical Materials	
	XHD™ RAC® SwitchTip™ (20GXHDxxx)	XHD™ RAC 20GXHD001 20GXHD003 20GXHD005	7250 psi	Gray	Bridges, Tanks, Farms, Structural Steel, or Roofing	Virtually all Paints and Coatings – Solvent and Water-base	





XHD™ RAC® SwitchTips™ (20GXHDxxx)




		ORIFICE SIZE – INCHES																		
FAN WIDTH		IN	.007	.009	.011	.013	.015	.017	.019	.021	.023	.025	.027	.029	.031	.033	.035	.037	.039	.041
	2-4	107	109	111	113	115	117	119	121										139	
	4-6		209	211	213	215	217	219	221		225	227	229	231		235		239		
	6-8	307	309	311	313	315	317	319	321	323	325	327	329	331	333	335	337	339	341	
	8-10		409	411	413	415	417	419	421	423	425	427	429	431	433	435	437	439	441	
	10-12		509	511	513	515	517	519	521	523	525	527	529	531	533	535	537	539	541	
	12-14		609	611	613	615	617	619	621	623	625	627	629	631	633	635	637	639	641	
	14-16			711	713	715	717	719	721	723	725	727	729	731	733	735	737	739	741	
	16-18				813	815	817	819	821	823	825	827	829	831	833	835	837	839	841	
	18-20									923		927		931	933	935	937	939		
	Flow Rate (gpm)	.05	.09	.12	.18	.24	.31	.38	.47	.57	.67	.77	.90	1.03	1.17	1.31	1.47	1.63	1.8	

XHD™ RAC® SwitchTips™ (20GXHDxxx) continued



		ORIFICE SIZE – INCHES																	
FAN WIDTH		IN	.043	.045	.047	.047	.051	.053	.055	.057	.059	.061	.063	.065	.067	.069	.071	.075	.081
	2-4																		
	4-6																		
	6-8	343	345	347		351		355											
	8-10	443	445	447	449	451		455		459	461	463	465	467		471	475	481	
	10-12	543	545	547	549	551	553	555	557		561		565	567		571	575		
	12-14	643	645	647	649	651		655	657	659	661	663	665	667	669	671	675		
	14-16	743		747	749	751	753	755			761			767		771			
	16-18	843		847		851		855			861	863		867					
	18-20																		
	Flow Rate (gpm)	1.98	2.17	2.37	2.58	2.79	3.05	3.25	3.49	3.74	4.0	4.26	4.53	4.82	5.11	5.41	6.04	7.04	

PART NUMBERS AND SCHEMATICS GUIDE




		TIP EXTENSIONS	
Part Numbers		Description	Package Quantity
	20G246294	Heavy-Duty 10 Inch Tip Extension	One Each
	20G246295	Heavy-Duty 15 Inch Tip Extension	One Each
	20G246296	Heavy-Duty 18 Inch Tip Extension	One Each
	20G246297	High Pressure 180° Swivel	One Each

		TIP BRUSHES	
Part Numbers	Size	Bristle Material	
	3/8 x 2-1/4 Inches	Nylon	20G101891
	5/8 x 2-1/4 Inches	Nylon	20G101892
	3/8 x 1 Inch	Nylon	20G119799

PART NUMBERS AND SCHEMATICS GUIDE

		GRACO® POLE GUN				
Part Numbers	Pole Length	Maximum Working Pressure	Tip	Tip Guard	Valves	
 20G287023	3'	3600 psi	RAC® X 517	RAC® X	CleanShot™ Shut Off Valve, Contractor™ Inline Valve	
 20G287024	6'	3600 psi	RAC® X 517	RAC® X	CleanShot™ Shut Off Valve, Contractor™ Inline Valve	

PART NUMBERS AND SCHEMATICS GUIDE

Part Numbers		POLE GUN EXTENSIONS					
		Length	Style			Maximum Working Pressure	Thread Size
			Standard	Heavy-Duty	Telescoping		
	20G232121	10"	X			3600 psi	7/8"
	20G244163	36"	X			3600 psi	7/8"
	20G244164	72"	X			3600 psi	7/8"
	20G232122	20"		X		3600 psi	7/8"
	20G232123	40"		X		3600 psi	7/8"
	20G232124	60"		X		3600 psi	7/8"
	20G232125	80"		X		3600 psi	7/8"
	20G218775*	18-36"			X	3000 psi	7/8"
	20G218776	36-72"			X	3000 psi	7/8"
	20G218777	72-144"			X	3000 psi	7/8"

*20G218775 - This includes adapter part number 20G244825 for use with the 7/8" Contractor In-Line

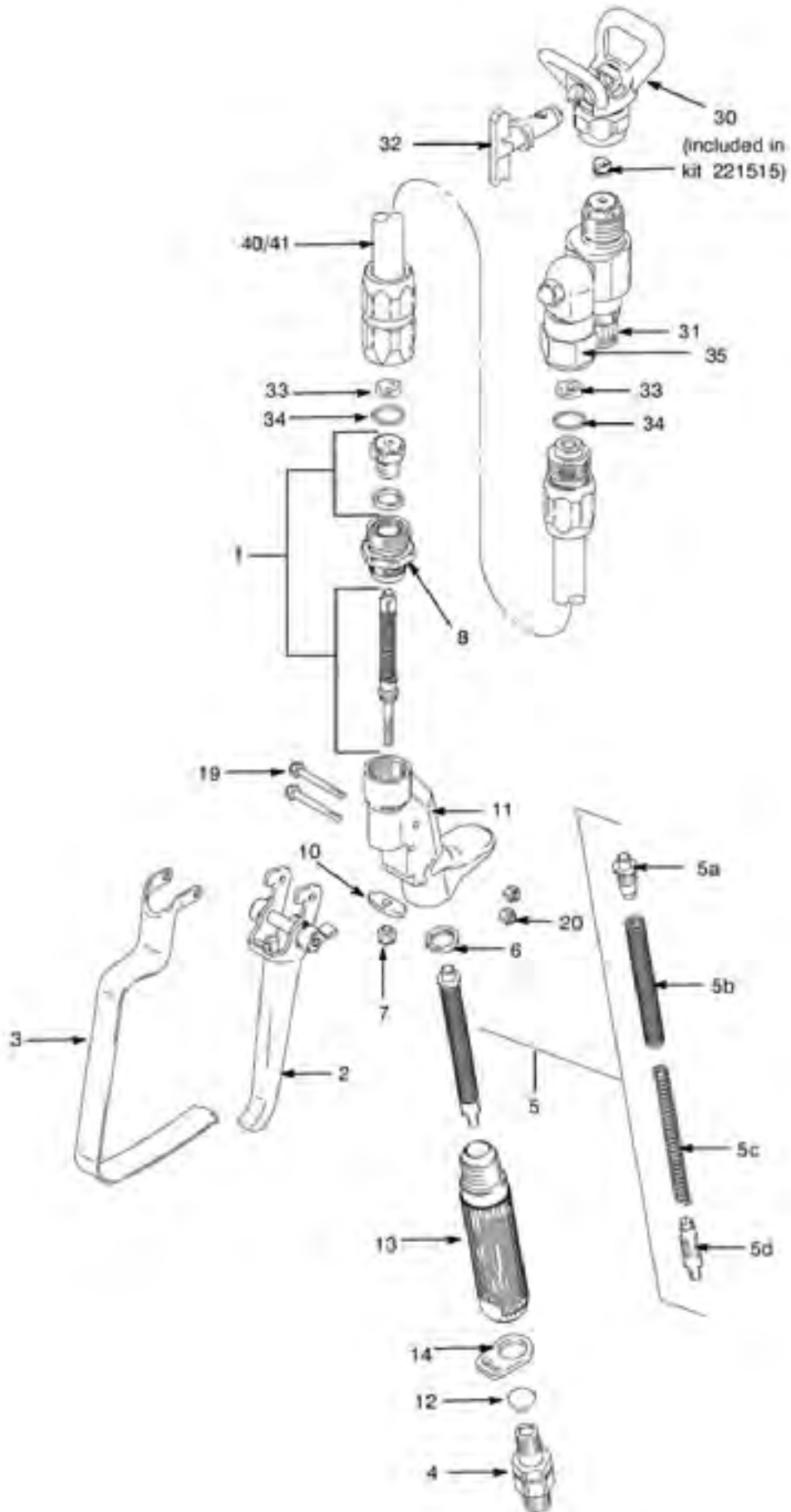
PART NUMBERS AND SCHEMATICS GUIDE

Graco® Pole Gun




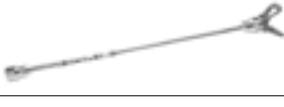

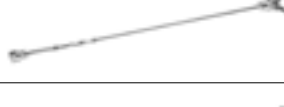


Item #	Part #	Description	Item #	Part #	Description
Fig. 1			35	20G244363	Swivel Repair Kit <i>Includes Item #'s: 35a–35d</i>
1	20G218070	Needle-diffuser/seat kit	35a	—	Swivel, inlet assembly
2	20G244193	Trigger, gun, inline	35b	—	Nut, cap
3	20G196869	Guard, trigger	35c	—	Packing, o-ring (<i>Quantity of Two</i>)
4	20G238817	Kit, swivel 1	35d	—	Packing, o-ring
5	20G218131	50 mesh fluid filter assembly <i>Includes Item #'s: 5a–5d</i>	36	20G245687	Kit, valve body
5a	20G179722	Retainer, spring	40*	20G244163	3-foot pole
5b	20G179731	Element, strainer	41*	20G244164	6-foot pole
5c	20G179763	Spring, compression	—	205V548	Brochure – Graco® Pole Gun
5d	20G179750	Retainer, spring	—	206M548	Part Numbers and Schematics Guide - Graco® Pole Gun
6	20G179733	Seal, sleeve	—	209V548	Operator's Manual - Graco® Pole Gun
7	20G107110	Locknut	<i>*Not available as a replacement part.</i>		
8	20G197052	Adapter, rac			
10	20G197058	Bracket, stern			
11	20G197568	Housing, fluid, locking			
12	20G113409	Retainer, guard			
13	20G195788	Handle, gun			
14	20G104938	Packing, o-ring			
19	20G177538	Stud, trigger (<i>Quantity of Two</i>)			
20	20G105334	Nut, lock, hex (<i>Quantity of Two</i>)			
21	20G222385	Warning card (<i>not shown</i>)			
23	20G187348	Cover, warning			
30	20G246215	RAC® X HandTite™ Guard, 7/8" thread			
31	20G244162	CleanShot™ Repair Kit <i>Includes Item #'s: 31a–31k</i>			
31a	—	Seat, valve			
31b	—	Gasket			
31c	—	Retainer, ball			
31d	—	Dampener, spring			
31e	—	Spring, compression			
31f	—	Guide, spring			
31g	—	Seal, u-cup			
31h	—	Packing, o-ring			
31i	—	Retainer, u-cup			
31j	—	Cap, end, u-cup			
31k	—	Knob, valve			
32	20GLTX517	Tip, spray, 517 0.017" orifice, 10-12" fan			
33	20G162863	Gasket, non-metallic (<i>Quantity of Two</i>)			
34	20G120190	Packing, o-ring (<i>Quantity of Two</i>)			



PART NUMBERS AND SCHEMATICS GUIDE

Figure 1: Graco® Pole Gun







PART NUMBERS AND SCHEMATICS GUIDE

	Part Numbers	TIP EXTENSIONS			
		Length	Tip Guard Style	Tip Guard Color	Maximum Working Pressure
	20G287019	10"	RAC® X HandTite™	Blue	4050 psi
	20G243295	10"	RAC® 5 HandTite™	Orange	4050 psi
	20G287020	15"	RAC® X HandTite™	Blue	4050 psi
	20G243296	15"	RAC® 5 HandTite™	Orange	4050 psi
	20G287021	20"	RAC® X HandTite™	Blue	4050 psi
	20G243297	20"	RAC® 5 HandTite™	Orange	4050 psi
	20G287022	30"	RAC® X HandTite™	Blue	4050 psi
	20G243298	30"	RAC® 5 HandTite™	Orange	4050 psi

	Part Numbers	ADAPTERS			
		Description	For Use With	Maximum Working Pressure	Thread Size
	20G235486	180° Easy Turn Directional Spray Nozzle	Sprays at a variety of angles by attaching to any Graco Extensions	3600 psi	7/8"
	20G224399	45° Adapter	Connects to Airless Spray Gun and any Graco Extension for use with Pressure Roller or JetRoller	3600 psi	7/8"


PART NUMBERS AND SCHEMATICS GUIDE

TIP SPECIFICATION SUMMARY

	Part Numbers	Tip Guard	Maximum Working Pressure	Color	Typical Applications	Typical Materials
	RAC® 5 SwitchTip™ (20G286xxx)	RAC® 5 HandTite™ 20G243161 or 20G243263	4050 psi	Black	Residential, Commercial, or Industrial	Lacquers to Mastics, Latex Paints
	RAC® X Fine Finish SwitchTip™ (20GFFTxxx)	RAC® X HandTite™ 20G246215	4050 psi	Green	Cabinetry, Woodworking, Metal and Fine Finish Surfaces	Lacquers, Varnishes, Urethanes
	RAC® X SwitchTip™ (20GLTXxxx)	RAC® X HandTite™ 20G246215 or 20G246437	4050 psi	Blue	Residential, Commercial, or Industrial	Lacquers to Mastics, Latex Paints
	RAC® IV SwitchTip™ (20G221xxx)	Performance Series DripLess Tip Guard 20G237859	4050 psi	Black	Residential, Commercial or Industrial	Lacquers to Mastics

PART NUMBERS AND SCHEMATICS GUIDE

RAC® 5 SWITCHTIP™ SPECIFICATIONS


Part Numbers		Tip Guard	Maximum Working Pressure	Color	Typical Applications	Typical Materials
	RAC® 5 SwitchTip™ (20G286xxx)	RAC® 5 HandTite™ 20G243161 or 20G243263	4050 psi	Black	Residential, Commercial, or Industrial	Lacquers to Mastics, Latex Paints

RAC® 5 SwitchTips™ (20G286xxx)

		ORIFICE SIZE – INCHES																								
		IN	.007	.009	.011	.013	.015	.017	.019	.021	.023	.025	.027	.029	.031	.033	.035	.039	.043	.045	.051	.055	.063	.065		
FAN WIDTH	2-4		109	111	113	115		119	121																	
	4-6	207	209	211	213	215	217	219	221	223	225						235									
	6-8	307	309	311	313	315	317	319	321	323	325	327			331											
	8-10		409	411	413	415	417	419	421	423	425	427	429		433	435	439	443		451	455					
	10-12		509	511	513	515	517	519	521	523	525	527	529	531	533	535		543		551	561	563				
	12-14		609	611	613	615	617	619	621	623	625	627	629	631	633	635			645		655				665	
	14-16								721	723	725		729			735										
	16-18					815	817	819	821			827		831	833	835										
	18-20						917									935										
Flow Rate (gpm)		.05	.09	.12	.18	.24	.31	.38	.47	.57	.67	.77	.90	1.03	1.17	1.31	1.63	1.98	2.17	2.79	3.25	4.26	4.53			

PART NUMBERS AND SCHEMATICS GUIDE

RAC® X FINE FINISH SWITCHTIP™ SPECIFICATIONS


	Part Numbers	Tip Guard	Maximum Working Pressure	Color	Typical Applications	Typical Materials
	RAC® X Fine Finish SwitchTip™ (20GFFTxxx)	RAC® X HandTite™ 20G246215	4050 psi	Green	Cabinetry, Woodworking, Metal and Fine Finish Surfaces	Lacquers, Varnishes, Urethanes

RAC® X Fine Finish SwitchTips™ (20GFFTxxx)

		ORIFICE SIZE – INCHES				
		IN	.008	.010	.012	.014
FAN WIDTH	2-4		108	110	112	
	4-6		208	210	212	214
	6-8		308	310	312	314
	8-10			410	412	414
	10-12			510	512	514
	12-14				612	614
	Flow Rate (gpm)		.07	.11	.15	.21

PART NUMBERS AND SCHEMATICS GUIDE

RAC® X SWITCHTIP™ SPECIFICATIONS

Part Numbers	Tip Guard	Maximum Working Pressure	Color	Typical Applications	Typical Materials
 RAC® X SwitchTip™ (20GLTXxxx)	RAC® X HandTite™ 20G246215 or 20G246437	4050 psi	Blue	Residential, Commercial, or Industrial	Lacquers to Mastics, Latex Paints

RAC® X SwitchTips™ (20GLTXxxx)


		ORIFICE SIZE – INCHES													
FAN WIDTH		IN	.007	.009	.011	.013	.015	.017	.019	.021	.023	.025	.027	.029	.031
	2-4			109	111		115								
	4-6	207	209	211	213	215	217	219	221		225	227		231	
	6-8		309	311	313	315	317	319	321	323	325	327	329	331	
	8-10		409	411	413	415	417	419	421	423	425	427	429	431	
	10-12		509	511	513	515	517	519	521	523	525	527	529	531	
	12-14			611	613	615	617	619	621	623	625	627	629	631	
	14-16								721	723			729		
	16-18						817	819	821			827		831	
	Flow Rate (gpm)	.05	.09	.12	.18	.24	.31	.38	.47	.57	.67	.77	.90	1.03	

RAC® X SwitchTips™ (20GLTXxxx) continued

		ORIFICE SIZE – INCHES												
FAN WIDTH		IN	.033	.035	.037	.039	.041	.043	.045	.051	.055	.061	.065	.071
	2-4													
	4-6		235											
	6-8		335											
	8-10	433	435		439	441	443	445	451	455				
	10-12	533	535	537	539	541	543	545	551	555	561			
	12-14	633	635	637	639	641	643	645	651	655	661	665	671	
	14-16		735											
	16-18	833	835											
	Flow Rate (gpm)	1.17	1.31	1.47	1.63	1.8	1.98	2.17	2.79	3.25	4.0	4.53	5.41	

PART NUMBERS AND SCHEMATICS GUIDE

RAC® IV SWITCHTIP™ SPECIFICATIONS


Part Numbers		Tip Guard	Maximum Working Pressure	Color	Typical Applications	Typical Materials
	RAC® IV SwitchTip™ (20G221xxx)	Performance Series DripLess Tip Guard 20G237859	4050 psi	Black	Residential, Commercial or Industrial	Lacquers to Mastics

RAC® IV SwitchTips™ (20G221xxx)



		ORIFICE SIZE – INCHES																					
		.007	.009	.011	.013	.015	.017	.019	.021	.023	.025	.027	.029	.031	.033	.035	.039	.043	.045	.051	.055	.063	.065
FAN WIDTH	IN			111		115																	
	2-4																						
	4-6	207	209	211	213	215	217	219	221	223	225					235							
	6-8	307	309	311	313	315	317	319	321	323	325	327		331									
	8-10		409	411	413	415	417	419	421	423	425	427	429		433	435	439	443		451	455		
	10-12		509	511	513	515	517	519	521	523	525	527	529	531	533	535		543		551	555	563	
	12-14		609	611	613	615	617	619	621	623	625	627	629	631	633	635			645		655		665
	14-16								721	723	725		729			735							
	16-18					815	817	819	821			827		831	833	835							
	18-20						917									935							
Flow Rate (gpm)		.05	.09	.12	.18	.24	.31	.38	.47	.57	.67	.77	.90	1.03	1.17	1.31	1.63	1.98	2.17	2.79	3.25	4.26	4.53

PART NUMBERS AND SCHEMATICS GUIDE





PRESSURE ROLLER ASSEMBLIES

Part Numbers		Extension Length	Extension Type	Maximum Working Pressure	Roller Frame Size	Roller Cover Size	Contractor In-Line Valve	45° Angle Adapter
	20G245397	20"	Standard	3600 psi	9"	1/2"	X	





PRESSURE ROLLER ACCESSORIES


Part Numbers		Extension Length	Extension Type	Maximum Working Pressure	Roller Frame Size	Roller Cover Size	45° Angle Adapter
	20G244281	18-36"	Telescoping	3000 psi	9"	1/2"	
	20G244279	20"	Standard	3600 psi	9"	1/2"	X

PART NUMBERS AND SCHEMATICS GUIDE






		JETROLLER SYSTEMS					
Part Numbers		Roller Handle Assembly Size	Contractor In-Line Valve	Tip Style	12" Roller Handle Extension	20" Heavy-Duty Extension	CleanShot™ Shut-Off Valve
	20G24U170	9"		RAC® X 721 SwitchTip™ and Guard	X	X	X
	20G24U172	9"	X	RAC® X 721 SwitchTip™ and Guard	X	X	X
	20G24V926 (Canada)	9.5"	X	RAC® X 721 SwitchTip™ and Guard	X	X	X
	20G24W128	18" adjustable	X	WideRAC RAC® X 1223 SwitchTip™ and Guard	X	X	X

PART NUMBERS AND SCHEMATICS GUIDE





		PRESSURE ROLLER FRAMES			
	Part Numbers	Roller Frame Size	Roller Frame Type	Thread Size	For Use With
	20G244271	9"	EvenFlow	7/8"	Graco Heavy-Duty Extensions
	20G244623	9"	EvenFlow	1/8" npt thread	Graco Telescoping Extensions
	20G240005	9"	Geospense™	7/8"	Fixed/Standard Extensions
	20G240055	12"	Geospense™	7/8"	Fixed/Standard Extensions

		PRESSURE ROLLER FRAME ACCESSORY
	Part Numbers	Description
	20G224398	Attaches roller frame 20G244623 to use with Heavy-Duty Extension

PART NUMBERS AND SCHEMATICS GUIDE

		PRESSURE ROLLER COVERS	
	Part Numbers	Roller Length	Nap Length
	20G107589	9"	3/8"
	20G107590	9"	1/2"
	20G107591	9"	3/4"
	20G186944	12"	1/2"
	20G186945	12"	3/4"

PART NUMBERS AND SCHEMATICS GUIDE

		JETROLLER ACCESSORIES
Part Numbers	Description	
	20G24V829	9" Roller Handle Assembly
	20G24W130	18" Roller Handle Assembly
	20G24V832	12" Roller Handle Extension
	20G224399	45° Adapter

		HOSE AND HOSE ACCESSORIES
Part Numbers	Description	
	20G238359	6' BlueMax™ II Whip Hose

PART NUMBERS AND SCHEMATICS GUIDE

GRACO® FLEX PLUS™ AIRLESS SPRAY GUNS				
Part Numbers	Maximum Working Pressure	Tip	Tip Guard	Trigger Style
20G246468	5,000 psi	RAC X™ 517 Switch Tip™	RAC X™ HandTite™	2-Finger
20G248157	5,000 psi	LineLazer® RAC® 5 Tip 319	RAC® 5 HandTite™	2-Finger
20G235458	5,000 psi	—	DripLess™ Tip Guard	2-Finger

PART NUMBERS AND SCHEMATICS GUIDE



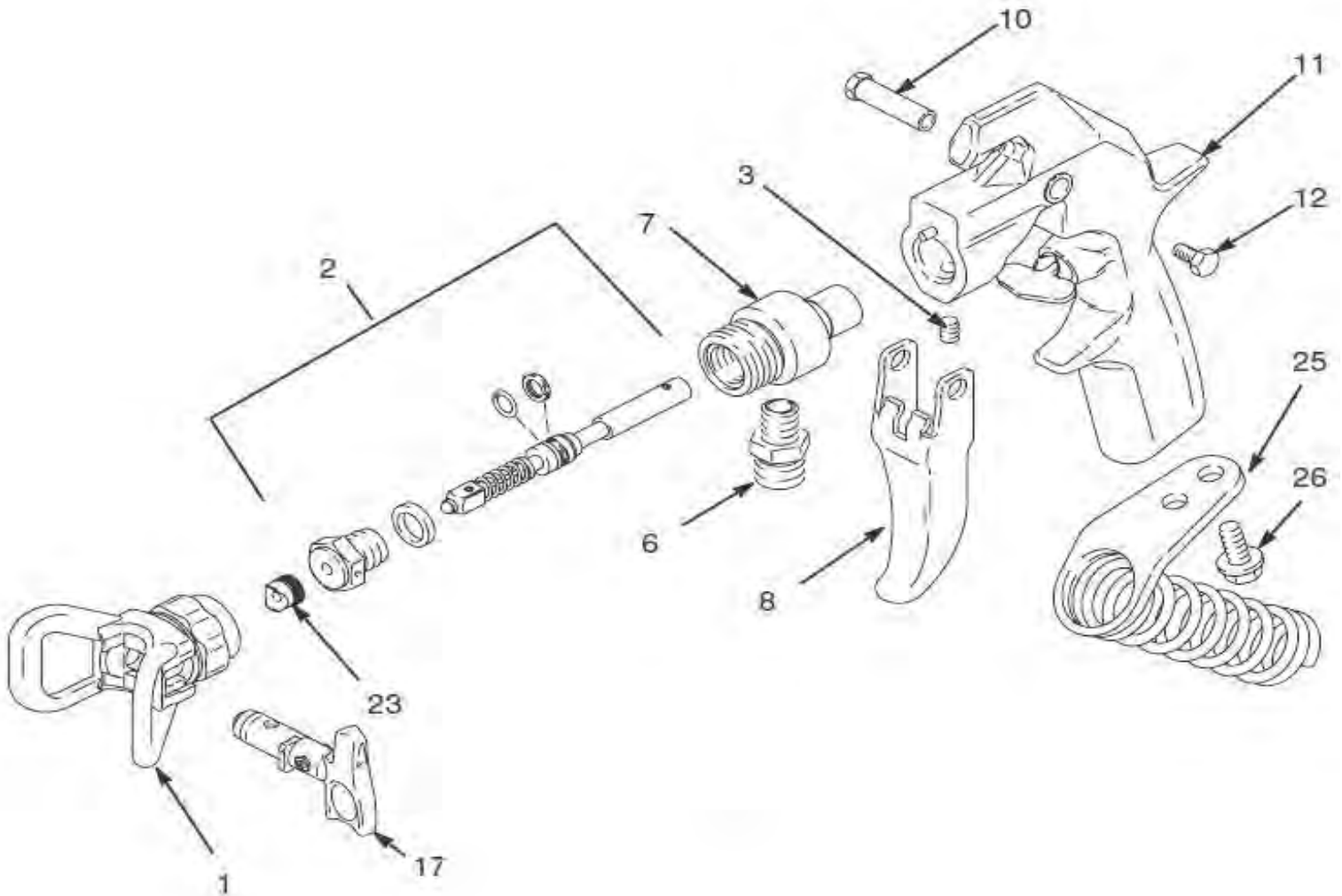
PART NUMBERS AND SCHEMATICS GUIDE

Graco® Flex Plus™ Airless Spray Gun








Item#	Part#	Description
Fig. 1		
1	20G220251	Flat Tip Guard (For use with 20G235458)
—	20G243263	HandTite™ Tip Guard, RAC® 5 (For use with 20G248157)
—	20G246215	HandTite™ Tip Guard, RAC X™ (For use with 20G246468)
2	20G235474	Needle Kit
3	20G102207	Setscrew 1/4-20
6	20G191872	1/4" x 1/8" Nipple
7	20G187972	Fluid Housing
8	20G187985	2-Finger Trigger
10	20G187965	Pivot Pin
11	20G235471	Gun Handle
12	20G203953	Screw Hex Washer HD
17	—	Spray Tip (<i>See Tip Specification Summary</i>)
23	—	(<i>See Optional Accessories</i>)
25	20G218139	Hose Holder
26	20G107257	Cap Screw
—	206M561	Part Numbers & Schematics Guide – Graco® Flex Plus™ Airless Spray Guns
—	209V561	Operator Manual – Graco® Flex Plus™ Airless Spray Guns
—	201V110	Graco® Airless Accessories – Brochure

PART NUMBERS AND SCHEMATICS GUIDE












Figure 1: Graco® Flex Plus™ Airless Spray Gun



PART NUMBERS AND SCHEMATICS GUIDE


		TIP SPECIFICATION SUMMARY				
	Part Numbers	Tip Guard	Typical Applications	Typical Materials	Maximum Working Pressure	Color
	RAC® 5 Switch Tip™ (20G286xxx)	RAC® 5 HandTite™ 20G243161 or 20G243263	Residential, Commercial, or Industrial	Lacquers to Mastics, Latex Paints	4050 psi	Black
	RAC® 5 Switch Tip™ LineLazer® (20GLL5xxx)	RAC® 5 HandTite™ 20G243161 or 20G243263	Parking Lots, Roads, Warehouse Floors, Crosswalks, and Athletic Fields	Heavy Water-base to thin Alkyd Traffic Paints	4050 psi	Yellow
	RAC X™ Fine Finish Switch Tip™ (20GFFTxxx)	RAC X™ HandTite™ 20G246215 or 20G246237	Cabinetry, Woodworking, Metal and Fine Finish Surfaces	Lacquers, Varnishes, Urethanes	4050 psi	Green
	RAC X™ Switch Tip™ (20GLTXxxx)	RAC X™ HandTite™ 20G246215 or 20G246437	Residential, Commercial, or Industrial	Lacquers to Mastics, Latex Paints	4050 psi	Blue
	XHD™ RAC® Switch Tip™ (20GXHDxxx)	XHD™ RAC® 20GXHD001, 20GXHD003, or 20GXHD005	Bridges, Tanks, Farms, Structural Steel, or Roofing	Virtually all Paints and Coatings – Solvent and Water-base	7250 psi	Gray
	Fine Finish Flat Tip (20G163xxx)	Fine Finish 20G220249	Cabinetry, Woodworking, Metal and Fine Finish Surfaces	Lacquers, Varnishes, Urethanes, and other Fine Finish Materials	4050 psi	N/A
	Contractor Flat Tip (20G269xxx)	Flat 20G220255 or 20G220251	Residential, Commercial, or Industrial	Architectural Coatings	5000 psi	N/A

PART NUMBERS AND SCHEMATICS GUIDE

		TIP GUARD SUMMARY		
	Part Numbers	Tip Style	Thread Size	Color
	20G243161	RAC® 5	7/8"	Orange
	20G243263	RAC® 5	11/16"	Orange
	20G246215	RAC X™	7/8"	Blue
	20G246437	RAC X™	11/16"	Blue
	20GXHD001	XHD™ RAC®	7/8"	Gray
	20GXHD003	XHD™ RAC®	7/8" (Stainless Steel)	Gray
	20GXHD005	XHD™ RAC®	11/16"	Gray
	20G220247	Fine Finish Flat	7/8"	Orange
	20G220249	Fine Finish Flat	11/16"	Orange
	20G220251	Flat	7/8"	Orange
	20G220255	Flat	11/16"	Orange

PART NUMBERS AND SCHEMATICS GUIDE


RAC® 5 SWITCH TIP™ SPECIFICATIONS

	Part Numbers	Color	Maximum Working Pressure	Tip Guard	Typical Applications	Typical Materials
	RAC® 5 Switch Tip™ (20G286xxx)	Black	4050 psi	RAC® 5 HandTite™ 20G243161 or 20G243263	Residential, Commercial, or Industrial	Lacquers to Mastics, Latex Paints

RAC® 5 Switch Tip™ (20G286xxx)

		ORIFICE SIZE – INCHES																					
		.007	.009	.011	.013	.015	.017	.019	.021	.023	.025	.027	.029	.031	.033	.035	.039	.043	.045	.051	.055	.063	.065
FAN WIDTH	IN																						
	2-4		109	111	113	115		119	121														
	4-6	207	209	211	213	215	217	219	221	223	225					235							
	6-8	307	309	311	313	315	317	319	321	323	325	327		331									
	8-10		409	411	413	415	417	419	421	423	425	427	429		433	435	439	443		451	455		
	10-12		509	511	513	515	517	519	521	523	525	527	529	531	533	535		543		551	561	563	
	12-14		609	611	613	615	617	619	621	623	625	627	629	631	633	635			645		655		665
	14-16									721	723	725		729		735							
	16-18					815	817	819	821				827		831	833	835						
	18-20						917									935							
	Flow Rate (gpm)	.05	.09	.12	.18	.24	.31	.38	.47	.57	.67	.77	.90	1.03	1.17	1.31	1.63	1.98	2.17	2.79	3.25	4.26	4.53


PART NUMBERS AND SCHEMATICS GUIDE

		RAC® 5 SWITCH TIP™ LINELAZER® SPECIFICATIONS				
Part Numbers		Color	Maximum Working Pressure	Tip Guard	Typical Applications	Typical Materials
	RAC® 5 LineLazer® Switch Tip™ (20GLL5xxx)	Yellow	4050 psi	RAC® 5 HandTite™ 20G243161 or 20G243263	Parking Lots, Roads, Warehouse Floors, Crosswalks, and Athletic Fields	Heavy Water-base to thin Alkyd Traffic Paints

RAC® 5 LineLazer® Switch Tip™ (20GLL5xxx)

		ORIFICE SIZE – INCHES													
IN		.013	.015	.017	.019	.021	.023	.025	.027	.029	.031	.033	.035	.039	.055
FAN WIDTH	2	213	215	217	219										
	4		315	317	319	321	323	325	327	329	331	333	335		355
	4-8			417	419	421	423	425	427	429	431		435		
	8-12					621	623	625	627	629	631		635	639	
	Flow Rate (gpm)	.18	.24	.31	.38	.47	.57	.67	.77	.90	1.03	1.17	1.31	1.63	3.25

PART NUMBERS AND SCHEMATICS GUIDE


RAC X™ FINE FINISH SWITCH TIP™ SPECIFICATIONS						
Part Numbers	Color	Maximum Working Pressure	Tip Guard	Typical Applications	Typical Materials	
	RAC X™ Fine Finish Switch Tip™ (20GFFTxxx)	Green	4050 psi	RAC X™ HandTite™ 20G246215 or 20G246237	Cabinetry, Woodworking, Metal and Fine Finish Surfaces	Lacquers, Varnishes, Urethanes

RAC X™ Fine Finish Switch Tip™ (20GFFTxxx)

		ORIFICE SIZE – INCHES				
		IN	.008	.010	.012	.014
FAN WIDTH	2-4		108	110	112	
	4-6		208	210	212	214
	6-8		308	310	312	314
	8-10			410	412	414
	10-12			510	512	514
	12-14				612	614
	Flow Rate (gpm)		.07	.11	.15	.21

PART NUMBERS AND SCHEMATICS GUIDE

RAC X™ SWITCH TIP™ SPECIFICATIONS

	Part Numbers	Color	Maximum Working Pressure	Tip Guard	Typical Applications	Typical Materials
	RAC X™ Switch Tip™ (20GLTXxxx)	Blue	4050 psi	RAC X™ HandTite™ 20G246215 or 20G246437	Residential, Commercial, or Industrial	Lacquers to Mastics, Latex Paints


RAC X™ Switch Tip™ (20GLTXxxx)

		ORIFICE SIZE – INCHES													
		IN	.007	.009	.011	.013	.015	.017	.019	.021	.023	.025	.027	.029	.031
FAN WIDTH	2-4			109	111		115								
	4-6	207	209	211	213	215	217	219	221		225	227			231
	6-8		309	311	313	315	317	319	321	323	325	327	329	331	
	8-10		409	411	413	415	417	419	421	423	425	427	429	431	
	10-12		509	511	513	515	517	519	521	523	525	527	529	531	
	12-14			611	613	615	617	619	621	623	625	627	629	631	
	14-16								721	723			729		
	16-18						817	819	821			827		831	
	Flow Rate (gpm)		.05	.09	.12	.18	.24	.31	.38	.47	.57	.67	.77	.90	1.03

RAC X™ Switch Tip™ (20GLTXxxx) continued

		ORIFICE SIZE – INCHES												
		IN	.033	.035	.037	.039	.041	.043	.045	.051	.055	.061	.065	.071
FAN WIDTH	2-4													
	4-6		235											
	6-8		335											
	8-10	433	435		439	441	443	445	451	455				
	10-12	533	535	537	539	541	543	545	551	555	561			
	12-14	633	635	637	639	641	643	645	651	655	661	665	671	
	14-16		735											
	16-18	833	835											
	Flow Rate (gpm)		1.17	1.31	1.47	1.63	1.8	1.98	2.17	2.79	3.25	4.0	4.53	5.41

PART NUMBERS AND SCHEMATICS GUIDE

RAC® XHD™ SWITCH TIP™ SPECIFICATIONS						
Part Numbers	Color	Maximum Working Pressure	Tip Guard	Typical Applications	Typical Materials	
 RAC® XHD™ Switch Tip™ (20GXHDxxx)	Gray	7250 psi	RAC® XHD™ 20GXHD001, 20GXHD003, or 20GXHD005	Bridges, Tanks, Farms, Structural Steel, or Roofing	Virtually all Paints and Coatings – Solvent and Water-base	

RAC® XHD™ Switch Tip™ (20GXHDxxx)


		ORIFICE SIZE – INCHES																	
FAN WIDTH	IN	.007	.009	.011	.013	.015	.017	.019	.021	.023	.025	.027	.029	.031	.033	.035	.037	.039	.041
	2-4	107	109	111	113	115	117	119	121									139	
	4-6		209	211	213	215	217	219	221		225	227	229	231		235		239	
	6-8	307	309	311	313	315	317	319	321	323	325	327	329	331	333	335	337	339	341
	8-10		409	411	413	415	417	419	421	423	425	427	429	431	433	435	437	439	441
	10-12		509	511	513	515	517	519	521	523	525	527	529	531	533	535	537	539	541
	12-14		609	611	613	615	617	619	621	623	625	627	629	631	633	635	637	639	641
	14-16			711	713	715	717	719	721	723	725	727	729	731	733	735	737	739	741
	16-18				813	815	817	819	821	823	825	827	829	831	833	835	837	839	841
	18-20									923		927		931	933	935	937	939	
	Flow Rate (gpm)	.05	.09	.12	.18	.24	.31	.38	.47	.57	.67	.77	.90	1.03	1.17	1.31	1.47	1.63	1.8

RAC® XHD™ Switch Tip™ (20GXHDxxx) continued

		ORIFICE SIZE – INCHES																
FAN WIDTH	IN	.043	.045	.047	.047	.051	.053	.055	.057	.059	.061	.063	.065	.067	.069	.071	.075	.081
	2-4																	
	4-6																	
	6-8	343	345	347		351		355										
	8-10	443	445	447	449	451		455		459	461	463	465	467		471	475	481
	10-12	543	545	547	549	551	553	555	557		561		565	567		571	575	
	12-14	643	645	647	649	651		655	657	659	661	663	665	667	669	671	675	
	14-16	743		747	749	751	753	755			761			767		771		
	16-18	843		847		851		855			861	863		867				
	18-20																	
Flow Rate (gpm)	1.98	2.17	2.37	2.58	2.79	3.05	3.25	3.49	3.74	4.0	4.26	4.53	4.82	5.11	5.41	6.04	7.04	

PART NUMBERS AND SCHEMATICS GUIDE


FINE FINISH FLAT TIP SPECIFICATIONS

	Part Numbers	FINE FINISH FLAT TIP SPECIFICATIONS				
		Color	Maximum Working Pressure	Tip Guard	Typical Applications	Typical Materials
	Fine Finish Flat Tip (20G163xxx)	N/A	4050 psi	Fine Finish 20G220249	Cabinetry, Woodworking, Metal and Fine Finish Surfaces	Lacquers, Varnishes, Urethanes, and other Fine Finish Materials

Fine Finish Flat Tips (20G163xxx)

		ORIFICE SIZE – INCHES												
		.008	.010	.021	.014	.016	.018	.020	.022	.024	.026	.028	.030	.032
FAN WIDTH	IN													
	2-4	108	110											
	4-6	208	210	212	214	216	218			224				232
	6-8		310	312	314	316	318	320	322	324				
	8-10	408	410	412	414	416	418	420		424	426	428	430	432
	10-12		510	512	514	516	518	520	522	524	526	528	530	
	12-14		610	612	614	616	618	620	622	624	626	628		
	14-16			712	714	716	718				726			
	16-18				814	816	818	820	822	824	826	828		832
	18-20			912	914		918		922	924	926			
	Flow Rate (gpm)	.07	.11	.15	.21	.27	.35	.43	.52	.62	.73	.84	.97	1.1





PART NUMBERS AND SCHEMATICS GUIDE



		CONTRACTOR FLAT TIP SPECIFICATIONS				
Part Numbers		Color	Maximum Working Pressure	Tip Guard	Typical Applications	Typical Materials
	Contractor Flat Tip (20G269xxx)	N/A	5000 psi	Flat 20G220255 or 20G220251	Residential, Commercial, or Industrial	Architectural Coatings



Contractor Flat Tips (20G269xxx)

		ORIFICE SIZE – INCHES											
		.011	.013	.015	.017	.019	.021	.023	.025	.027	.029	.031	.035
FAN WIDTH	IN												
	4-6	211	213	215	217	219			225	227			
	6-8	311	313	315	317	319	321	323	325	327			
	8-10	411	413	415	417	419	421	423	425	427			435
	10-12	511	513	515	517	519	521	523	525	527		531	
	12-14		613	615	617	619	621	623	625	627		631	635
	14-16			715	717	719	721		725				
	16-18			815		819	821			827	829	831	
	18-20								925				
	Flow Rate (gpm)	.12	.18	.24	.31	.38	.47	.57	.67	.74	.90	1.03	1.31


OPTIONAL ACCESSORIES



		TIP GASKETS		
	Part Numbers	Description	Material	Package Quantity
	20G166969	1/16" Thin Tip Gasket	Nylon	One Each
	20G223373	1/16" Thin Tip Gaskets	Nylon	25
	20G162863	5/32" Thick Tip Gaskets	Nylon	One Each
	20G223374	5/32" Thick Tip Gaskets	Nylon	25




		ONESEAL™		
	Part Numbers	Description		Package Quantity
	20G243281	RAC® 5 OneSeal™		Five
	20G246453	RAC X™ OneSeal™		Five

		SOLVENT SEAL KITS		
	Part Numbers	Description		Package Quantity
	20G224081	RAC® 5 Solvent Seal Kit		Five
	20G248936	RAC X™ Solvent Seal Kit		Five

OPTIONAL ACCESSORIES

TIP FILTER HOUSING			
	Part Numbers	Description	Package Quantity
	20G164120	Tip Filter Housing	One Each

TIP FILTERS			
	Part Numbers	Mesh Size	Package Quantity
	20G224454	60 Mesh	Five
	20G224453	100 Mesh	Five

TIP BRUSHES			
	Part Numbers	Size	Bristle Material
	20G101891	3/8" x 2-1/4"	Nylon
	20G101892	5/8" x 2-1/4"	Nylon
	20G119799	3/8" x 1"	Nylon

PART NUMBERS AND SCHEMATICS GUIDE

BINKS® 75 AIRLESS SPRAY GUN					
Part Numbers	Working Pressure	Diffuser	Fluid Hose Connection	Swivel	Twist Tip Guard
20BK081175004*	7500 psi	Single Hole	Direct Connect	3/8" (F) x 3/8" (M)	X
20BK081175003*	7500 psi	Single Hole	Direct Connect	—	X
20BK081175002*	7500 psi	Three Hole	Direct Connect	—	X
20BK081175001*	7500 psi	Three Hole	SS Fluid Tube	—	X

*Spray Tip is purchased separately

PART NUMBERS AND SCHEMATICS GUIDE

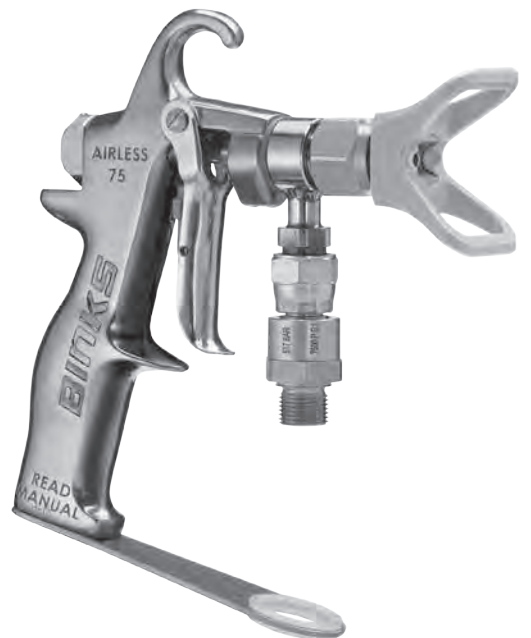


20BK081175001



20BK081175002

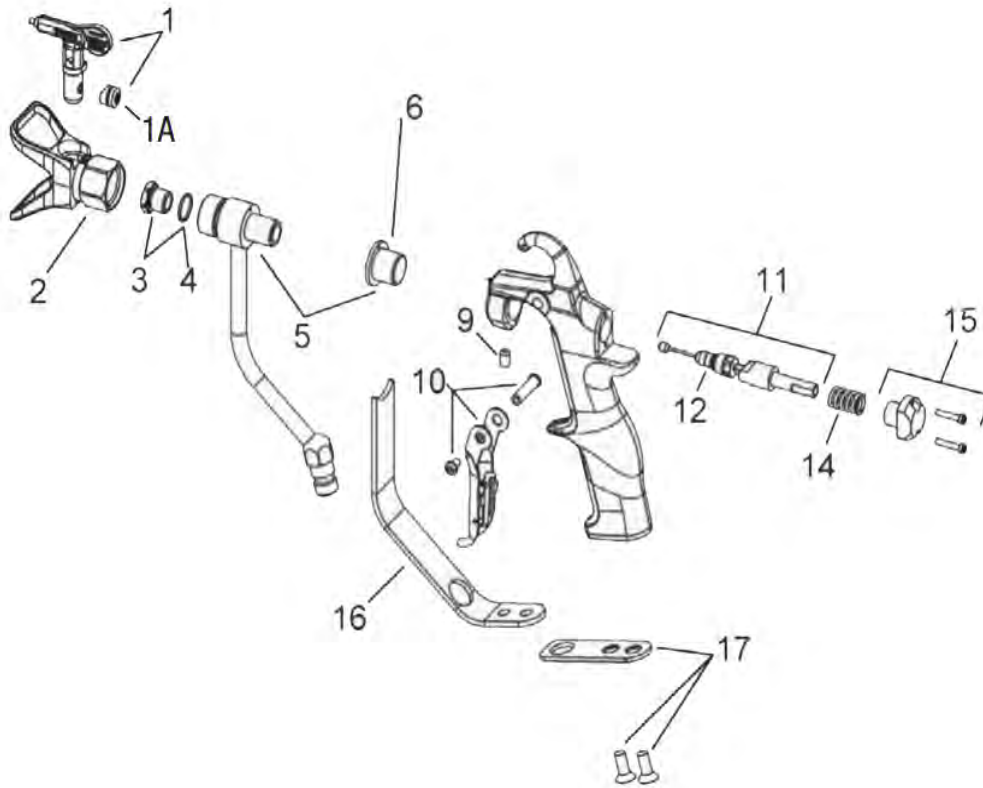
20BK081175003



20BK081175004

PART NUMBERS AND SCHEMATICS GUIDE

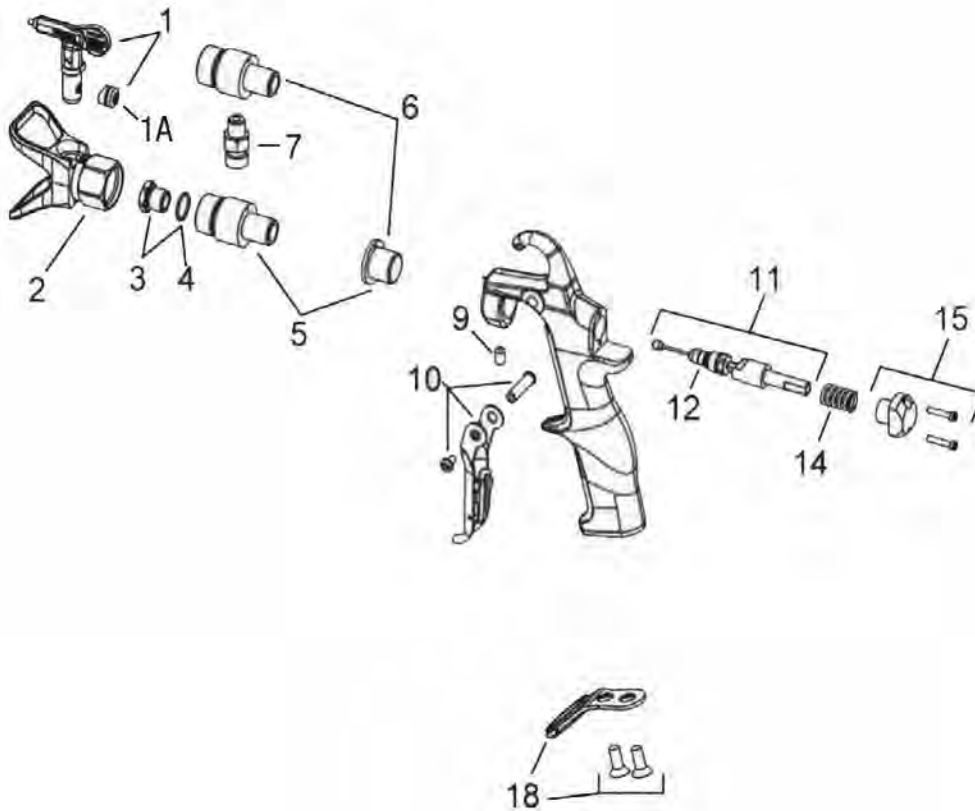
Figure 1: Binks® Airless 75 with External Stainless Steel Tube



Item#	Part#	Description
Fig. 1		
—	20BK081175001	Binks® Airless 75 with External Stainless Steel Tube
1	—	Twist Tip 7500 psi (Not Included)
1A	20BK547539K2	Twist Tip Brace Kit (Not Included)
2	20BK110875B	7500 psi Twist Tip Guard
3A	20BK547511K	Diffuser Nut Kit (For use with 20BK081175001, 20BK081175002)
3B	20BK547537K	Diffuser Nut Kit (For use with 20BK081175003)
4	20BK542096K5	Washer (Quantity of Five)
5	20BK547518K	Fluid Tube Assembly Kit
6	20BK547523K	Gun Head Kit
9	20BK205865K3	Set Screw (Quantity of Three)
10	20BK547534K	Trigger Kit
11	20BK547512	Needle Assembly
12	20BK542949	Packing Gland
14	20BK547508	Spring
15	20BK547530K	Rear Cap Kit
16	20BK547527	Heat Guard (Optional)
17	20BK547510K	Bracket Kit
—	206M547	Part Numbers and Schematics Guide - Binks® 75 Airless Spray Gun
—	209V547	Operator's Manual - Binks® 75 Airless Spray Gun

PART NUMBERS AND SCHEMATICS GUIDE

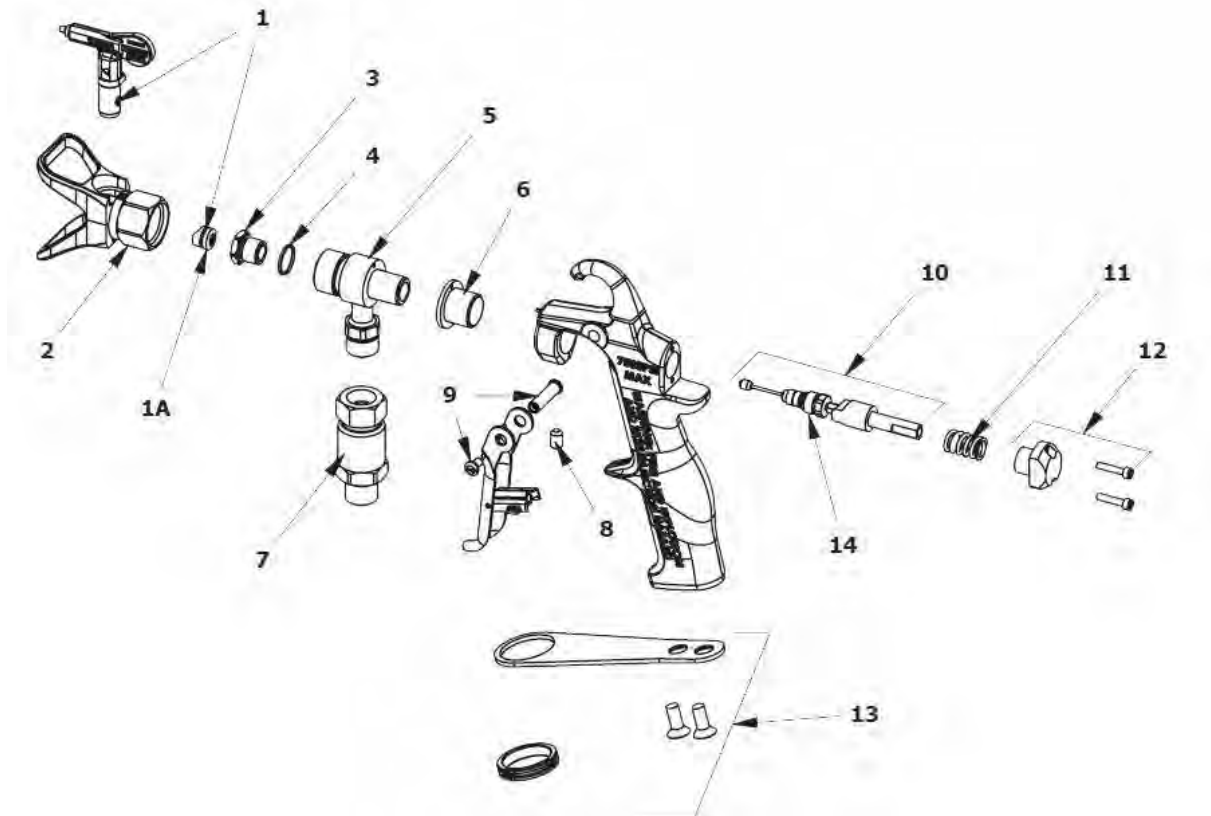
Figure 2: Binks® Airless 75 Direct Connect



Item#	Part#	Description
Fig. 2		
—	20BK081175002	Binks® Airless 75 Direct Connect
	20BK081175003	Binks® Airless 75 Direct Connect (Large Passage Version)
1	—	Twist Tip 7500 psi (Not Included)
1A	20BK547539K2	Twist Tip Brace Kit (Not Included)
2	20BK110875B	7500 psi Twist Tip Guard
3A	20BK547511K	Diffuser Nut Kit (For use with 20BK081175001, 20BK081175002)
3B	20BK547537K	Diffuser Nut Kit (For use with 20BK081175003)
4	20BK542096K5	Washer (Quantity of Five)
5	20BK547518K	Fluid Tube Assembly Kit
6	20BK547523K	Gun Head Kit
7	20BK72792	Inlet Adapter
9	20BK205865K3	Set Screw (Quantity of Three)
10	20BK547534K	Trigger Kit
11	20BK547512	Needle Assembly
12	20BK542949	Packing Gland
14	20BK547508	Spring
15	20BK547530K	Rear Cap Kit
18	20BK547510K	Bracket Kit
—	206M547	Part Numbers and Schematics Guide - Binks® 75 Airless Spray Gun
—	209V547	Operator's Manual - Binks® 75 Airless Spray Gun

PART NUMBERS AND SCHEMATICS GUIDE

Figure 3: Binks® 75M Airless Direct Connect




Item#	Part#	Description
Fig. 3		
—	20BK081175004	Binks® Airless 75M Direct Connect
1	—	Twist Tip 7500 psi (<i>Not Included</i>)
1A	20BK547539K2	Airless 75 Twist Tip Brace Kit (<i>Not Included</i>)
2	20BK110875B	7500 psi Twist Tip Guard
3A	20BK547511K	Diffuser Nut Kit (<i>For use with 20BK081175001, 20BK081175002</i>)
3B	20BK547537K	Diffuser Nut Kit (<i>For use with 20BK081175003</i>)
4	20BK542096K5	Washer (<i>Quantity of Five</i>)
5	20BK547544	75M Airless Welded Gun Head Assembly
6	20BK547502K3	Body Insulator
7	20BK722351	3/8" (F) NPS x 3/8" (M) NPS Swivel
8	20BK205865K3	Set Screw (<i>Quantity of Three</i>)
9	20BK547534K	Trigger Kit
10	20BK547512	Needle Assembly
11	20BK547508	Spring
12	20BK547530K	Rear Cap Kit
13	20BK547542K	Hose Bracket Kit
14	20BK542949	Packing Gland
—	206M547	Part Numbers and Schematics Guide - Binks® 75 Airless Spray Gun
—	209V547	Operator's Manual - Binks® 75 Airless Spray Gun

OPTIONAL ACCESSORIES

TIP GUARD SUMMARY

	Part Numbers	Color	Tip Style	Thread Size	For Use With:
	20BK110875B	Grey	Twist	7/8 Inch	Binks® 75 Airless



TWIST TIP SUMMARY


	Part Numbers	Tip Guard	Maximum Working Pressure	Color	Typical Applications	Typical Materials
	20BK9xxx75	20BK110875B	7500 psi	Grey	Corrosion Protection, Contractors, Shipyards, Metal Structures, Railcars	Light Stains to Thick Zinc

SPRAY TIP SELECTION CHART (20BK9xxx75)


		Orifice Size													
		.007"	.009"	.011"	.013"	.015"	.017"	.019"	.021"	.023"	.025"	.027"	.031"	.035"	
Spray Pattern	4"			211	213	215	217								
	6"	307	309	311	313	315	317								
	8"		409	411	413	415	417	419	421					435	
	10"		509	511	513	515	517	519	521	523	525				
	12"			611	613	615	617	619	621	623	625	627	631	635	
	14"				713	715	717								

OPTIONAL ACCESSORIES


		SWIVEL ADAPTER SUMMARY
Part Numbers		Description
	20BK722332	Swivel Adapter 1/4" M x 1/4" F
	20BK722333	Swivel Adapter 3/8" M x 1/4" F
	20BK722340	Swivel Adapter with Inlet Filter (60 Mesh)
	20BK722341	Swivel Adapter with Inlet Filter (100 Mesh)

		FILTER SUMMARY
Part Numbers		Description
	20BK541836	60 Mesh Filter
	20BK541835	100 Mesh Filter

OPTIONAL ACCESSORIES



		TIP EXTENSION SUMMARY
Part Numbers		Description
	20BK525208	36" Airless Tip Extension
	20BK525209	60" Airless Tip Extension

PART NUMBERS AND SCHEMATICS GUIDE

		WAGNER® G10-XL AIRLESS SPRAY GUNS			
Part Numbers		Trigger Style	Tip	Tip Guard	Maximum Working Pressure
	20W0296236	2-Finger	517 TR1	Red	3,600 psi
	20W0286028	2-Finger	517 TR2	Red	3,600 psi
	20TS0538005	4-Finger	517 TR1	Red	3,600 psi
	20W0286029	4-Finger	517 TR2	Red	3,600 psi

PART NUMBERS AND SCHEMATICS GUIDE

TR TIP SPECIFICATIONS

Part Numbers		Tip Guard	Maximum Working Pressure	Color	Typical Applications	Typical Materials
	TR1 Tip (20TS695xxx)	No Build Guard	3600 psi	Red	Bridges, Tanks, Farms, Structural Steel, or Roofing	Virtually all Paints and Coatings – Solvent and Water-base
	TR2 Tip (20TS692xxx)	No Build Guard	3600 psi	Red	Bridges, Tanks, Farms, Structural Steel, or Roofing	Virtually all Paints and Coatings – Solvent and Water-base

TR1 Tips (20TS695xxx)

		ORIFICE SIZE (Inches)									
FAN WIDTH		IN	.009	.011	.013	.015	.017	.019	.021	.025	.027
2-4											
4-6			209	211	213	215	217				
6-8				311	313	315	317				
8-10				411	413	415	417				
10-12					513	515	517	519	521	525	
12-14											627
Flow Rate (gpm)			.09	.12	.18	.24	.31	.39	.47	.67	.78

TR2 Tips (20TS692xxx)

		ORIFICE SIZE (Inches)											
FAN WIDTH		IN	.009	.011	.013	.015	.017	.019	.021	.023	.027	.031	.035
2-4													
4-6													
6-8				311	313								
8-10						415	417						
10-12						515	517	519	521				535
12-14											627		635
14-16													
16-18												831	
18-20													
20-22													
22-24													
24-26										1223		1231	
Flow Rate (gpm)			.09	.12	.18	.24	.31	.39	.47	.57	.78	1.03	1.32

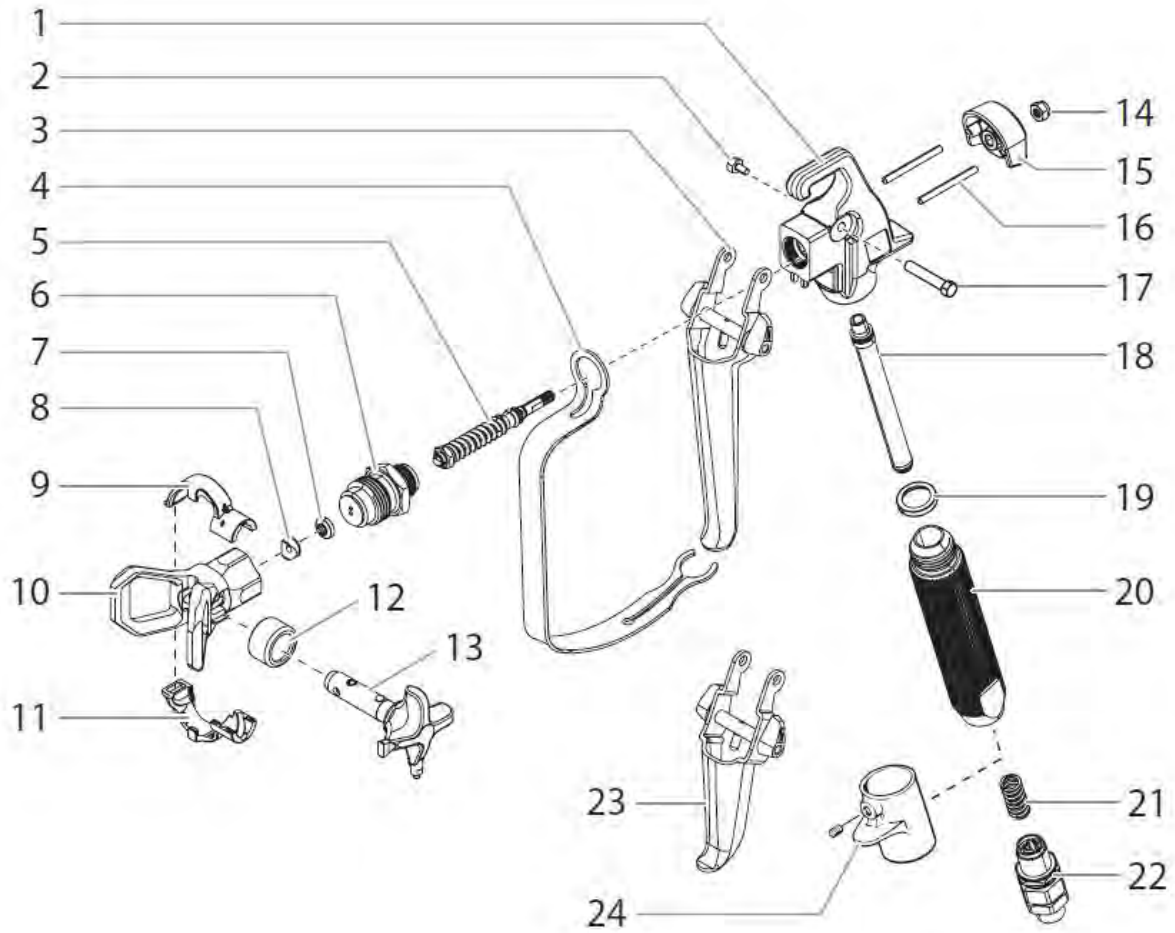
PART NUMBERS AND SCHEMATICS GUIDE

Wagner® G-10 XL Airless Spray Gun

Item #	Part #	Description
Fig. 1		
1	20W0296228	Gun Head
2	20W0296284	Trigger Screw – Short
3	20W0296285	Trigger Assembly, 4-Finger Gun <i>(Includes Item #'s: 2 and 17)</i>
4	20W0296230	Trigger Guard
5	20W0296270	Needle and Spring Assembly
6	20W0296404	Diffuser
7	20W0297045	Seal
8	20W0297007	Tip Seal
9	20W0271441	Hook Guide
10	20W661012	Guard Assembly
11	20W0271442	Latch Guide
12	20W0296641	Collar
13	20TS692517	TR2 Tip, 517 <i>(Includes Item #'s: 7-9 and 11-12)</i>
14	20W9910201	Lock Nut
15	20W0296222	Rear Housing
16	20W0296286	Retractor Pin
17	20W0296287	Trigger Screw – Long
18	20W0089958	Filter – Medium
19	20W560038	Handle Seal
20	20W0296342	Handle
21	20W0347706	Swivel
22	20W0296343	Spring
23	20W0296291	Trigger Assembly, 2-Finger Gun
24	20W0279185	Collar Assembly, 2-Finger Gun
—	20W0271065	Collar Kit <i>(Includes Item #'s: 9 and 11-12)</i>
—	20W0296345	Handle Assembly <i>(Includes Item #'s: 20–22)</i>
—	20W0296294	Gun Repair Kit <i>(Includes Item #'s: 5, 6, and 14)</i>
—	206M508	Part Numbers and Schematics Guide – Wagner® G10-XL Airless Spray Guns
—	209V508	Operators Manual – Wagner® G10-XL Airless Spray Guns

PART NUMBERS AND SCHEMATICS GUIDE





Figure 1: Wagner® G-10 XL Airless Spray Gun




PART NUMBERS AND SCHEMATICS GUIDE



		TIP GUARD SUMMARY			
Part Numbers		Color	Tip Style	Thread Size	For Use With:
	20W0289228	Black	TR1, TR2	7/8 Inch	Wagner® G10-XL
	20W450100A	Black	TR1, TR2	7/8 Inch	Adjustable

PART NUMBERS AND SCHEMATICS GUIDE


		GUN HANDLE FILTERS			
Part Numbers		Type	Color	Application	Packaging
	20W0089960B	Extra Fine 180 Mesh	Red	Synthetic resin, enamels, clean varnishes, stains, azures	2/Package
	20W0034383B	Extra Fine 180 Mesh	Red	Synthetic resin, enamels, clean varnishes, stains, azures	One Each
	20W0089959B	Fine 100 Mesh	Yellow	Base coat enamels, primer enamels, fillers, marking paints, textured enamels	2/Package
	20W0089324B	Fine 100 Mesh	Yellow	Base coat enamels, primer enamels, fillers, marking paints, textured enamels	One Each
	20W0089958B	Medium	White	Emulsions, latex paints, acrylic paints	2/Package
	20W0034377B	Medium	White	Emulsions, latex paints, acrylic paints	One Each
	20W0089957B	Coarse	Green	Filler paints, large area surfaces	2/Package
	20W0089323B	Coarse	Green	Filler paints, large area surfaces	One Each



PART NUMBERS AND SCHEMATICS GUIDE

1/8" I.D. AIRLESS SPRAY HOSE - COUPLED							
Part Numbers	Working Pressure	Length (feet)	Braid Reinforcement Material	Hose Cover Color	Couplings	U.O.M.	
	2000321	5,000 psi	25'	Steel	Yellow	Female x Female	One Each
	2000320	5,000 psi	50'	Steel	Yellow	Female x Female	One Each
	20EFPA12100FTFBE	5,000 psi	100'	Steel	Yellow	Female x Female	One Each

1/8" I.D. AIRLESS SPRAY HOSE HEX NIPPLES				
Part Numbers	Thread Style	Working Pressure	U.O.M.	
	20PFHA24SA0404	1/4" Male x 1/4" Male	6,000 psi	One Each
	2073122	1/4" Male x 1/4" Male	15,000 psi	One Each
	20PFHA24SA0604	1/4" Male x 3/8" Male	6,000 psi	One Each
	2073123	1/4" Male x 3/8" Male	10,000 psi	One Each


PART NUMBERS AND SCHEMATICS GUIDE

		3/16" I.D. AIRLESS SPRAY HOSE - COUPLED					
Part Numbers		Working Pressure	Length (feet)	Braid Reinforcement Material	Hose Cover Color	Couplings	U.O.M.
	2000310	5,075 psi	50'	Steel	Yellow	Female x Female	One Each
	20EFPA13100FTFBE	5,075 psi	100'	Steel	Yellow	Female x Female	One Each


		3/16" I.D. AIRLESS SPRAY HOSE HEX NIPPLES		
Part Numbers		Thread Style	Working Pressure	U.O.M.
	20PFHA24SA0404	1/4" Male x 1/4" Male	6,000 psi	One Each
	2073122	1/4" Male x 1/4" Male	15,000 psi	One Each
	20PFHA24SA0604	1/4" Male x 3/8" Male	6,000 psi	One Each
	2073123	1/4" Male x 3/8" Male	10,000 psi	One Each

PART NUMBERS AND SCHEMATICS GUIDE


1/4" I.D. AIRLESS SPRAY HOSE WITH SPRING GUARD - COUPLED



	Part Numbers	1/4" I.D. AIRLESS SPRAY HOSE WITH SPRING GUARD - COUPLED					
		Working Pressure	Length (feet)	Braid Reinforcement Material	Hose Cover Color	Couplings	U.O.M.
	2000006	3,300 psi	15'	Polyester	Blue	Female x Female	One Each
	2000003	3,600 psi	3'	Polyester	Blue	Female x Female	One Each
	2000002	3,600 psi	10'	Polyester	Blue	Female x Female	One Each
	2000001	3,600 psi	25'	Polyester	Blue	Female x Female	One Each
	2000000	3,600 psi	50'	Polyester	Blue	Female x Female	One Each

1/4" I.D. AIRLESS SPRAY HOSE HEX NIPPLES


	Part Numbers	1/4" I.D. AIRLESS SPRAY HOSE HEX NIPPLES		
		Thread Style	Working Pressure	U.O.M.
	20PFHA24SA0404	1/4" Male x 1/4" Male	7,250 psi	One Each
	2073122	1/4" Male x 1/4" Male	15,000 psi	One Each
	20PFHA24SA0604	1/4" Male x 3/8" Male	6,000 psi	One Each
	2073123	1/4" Male x 3/8" Male	10,000 psi	One Each




PART NUMBERS AND SCHEMATICS GUIDE

		1/4" I.D. AIRLESS SPRAY HOSE - COUPLED					
Part Numbers	Working Pressure	Length (feet)	Braid Reinforcement Material	Hose Cover Color	Couplings	U.O.M.	
	2000008	4,000 psi	100'	Nylon	Blue	Female x Male	One Each
	2000023	5,000 psi	3'	Steel	Black	Female x Female	One Each
	2000027	5,000 psi	6'	Steel	Black	Female x Female	One Each
	2000022	5,000 psi	10'	Steel	Black	Female x Female	One Each
	2000021	5,000 psi	25'	Steel	Black	Female x Female	One Each
	2000020	5,000 psi	50'	Steel	Black	Female x Female	One Each
	2000024	5,000 psi	100'	Steel	Black	Female x Female	One Each
	2000033	6,100 psi	3'	Steel/Polyester	Green	Female x Female	One Each
	2000034	6,100 psi	6'	Steel/Polyester	Green	Female x Female	One Each
	2000032	6,100 psi	10'	Steel/Polyester	Green	Female x Female	One Each
	2000031	6,100 psi	25'	Steel/Polyester	Green	Female x Female	One Each
	2000030	6,100 psi	50'	Steel/Polyester	Green	Female x Female	One Each
	2000035	6,100 psi	100'	Steel/Polyester	Green	Female x Female	One Each
	2000093	9,750 psi	3'	Aramid/Steel	Black	Female x Female	One Each
	2000094	9,750 psi	6'	Aramid/Steel	Black	Female x Female	One Each
	2000092	9,750 psi	10'	Aramid/Steel	Black	Female x Female	One Each
	2000091	9,750 psi	25'	Aramid/Steel	Black	Female x Female	One Each
	2000090	9,750 psi	50'	Aramid/Steel	Black	Female x Female	One Each
	2000095	9,750 psi	100'	Aramid/Steel	Black	Female x Female	One Each


		1/4" I.D. AIRLESS SPRAY HOSE HEX NIPPLES		
Part Numbers	Thread Style	Working Pressure	U.O.M.	
	20PFHA24SA0404	1/4" Male x 1/4" Male	7,250 psi	One Each
	2073122	1/4" Male x 1/4" Male	15,000 psi	One Each
	20PFHA24SA0604	1/4" Male x 3/8" Male	6,000 psi	One Each
	2073123	1/4" Male x 3/8" Male	10,000 psi	One Each



PART NUMBERS AND SCHEMATICS GUIDE

3/8" I.D. AIRLESS SPRAY HOSE - COUPLED							
Part Numbers	Working Pressure	Length (feet)	Braid Reinforcement Material	Hose Cover Color	Couplings	U.O.M.	
	2000043	3,500 psi	3'	Steel	Red	Female x Female	One Each
	2000042	3,500 psi	10'	Steel	Red	Female x Female	One Each
	2000041	3,500 psi	25'	Steel	Red	Female x Female	One Each
	2000040	3,500 psi	50'	Steel	Red	Female x Female	One Each
	2000007	3,500 psi	100'	Steel	Red	Female x Male	One Each
	2000053	5,800 psi	3'	Steel	Navy	Female x Female	One Each
	2000054	5,800 psi	6'	Steel	Navy	Female x Female	One Each
	2000052	5,800 psi	10'	Steel	Navy	Female x Female	One Each
	2000051	5,800 psi	25'	Steel	Navy	Female x Female	One Each
	2000050	5,800 psi	50'	Steel	Navy	Female x Female	One Each
	2000049	5,800 psi	100'	Steel	Navy	Female x Female	One Each
	2000113	8,100 psi	3'	Aramid/Steel	Red	Female x Female	One Each
	2000114	8,100 psi	6'	Aramid/Steel	Red	Female x Female	One Each
	2000112	8,100 psi	10'	Aramid/Steel	Red	Female x Female	One Each
	2000111	8,100 psi	25'	Aramid/Steel	Red	Female x Female	One Each
	2000110	8,100 psi	50'	Aramid/Steel	Red	Female x Female	One Each
	2000115	8,100 psi	100'	Aramid/Steel	Red	Female x Female	One Each


3/8" I.D. AIRLESS SPRAY HOSE HEX NIPPLES				
Part Numbers	Thread Style	Working Pressure	U.O.M.	
	20PFHA24SA0606	3/8" Male x 3/8" Male	6,000 psi	One Each
	2073133	3/8" Male x 3/8" Male	15,000 psi	One Each
	20PFHA24SA0604	1/4" Male x 3/8" Male	6,000 psi	One Each
	2073123	1/4" Male x 3/8" Male	10,000 psi	One Each
	20PFHA24SA0806	3/8" Male x 1/2" Male	6,000 psi	One Each




PART NUMBERS AND SCHEMATICS GUIDE

		1/2" I.D. AIRLESS SPRAY HOSE - COUPLED					
Part Numbers		Working Pressure	Length (feet)	Braid Reinforcement Material	Hose Cover Color	Couplings	U.O.M.
	2000199	5,000 psi	25'	Steel	Black	Female x Female	One Each
	20100347	5,000 psi	50'	Steel	Black	Female x Female	One Each
	20100350	5,000 psi	100'	Steel	Black	Female x Female	One Each
	2000335	7,250 psi	3'	Aramid/Steel	Black	Female x Female	One Each
	2000064	7,250 psi	6'	Aramid/Steel	Black	Female x Female	One Each
	20GH75010	7,250 psi	10'	Aramid/Steel	Black	Female x Female	One Each
	2000339	7,250 psi	25'	Aramid/Steel	Black	Female x Female	One Each
	20GH75025	7,250 psi	25'	Aramid/Steel	Black	Female x Female	One Each
	2000328	7,250 psi	50'	Aramid/Steel	Black	Female x Female	One Each
	20GH75050	7,250 psi	50'	Aramid/Steel	Black	Female x Female	One Each
	2000331	7,250 psi	100'	Aramid/Steel	Black	Female x Female	One Each
	20GH7501X	7,250 psi	100'	Aramid/Steel	Black	Female x Female	One Each


		1/2" I.D. AIRLESS SPRAY HOSE HEX NIPPLES		
Part Numbers	Thread Style	Working Pressure	U.O.M.	
	20PFHA24SA0808	1/2" Male x 1/2" Male	6,000 psi	One Each
	20PFHA24SA0806	3/8" Male x 1/2" Male	6,000 psi	One Each
	2073134	3/8" Male x 1/2" Male	10,000 psi	One Each



PART NUMBERS AND SCHEMATICS GUIDE

		3/4" I.D. AIRLESS SPRAY HOSE - COUPLED					
Part Numbers		Working Pressure	Length (feet)	Braid Reinforcement Material	Hose Cover Color	Couplings	U.O.M.
	2000103	6,500 psi	3'	Aramid/Steel	Black	Male x Female	One Each
	2000106	6,500 psi	5'	Aramid/Steel	Black	Female x Female	One Each
	2000102	6,500 psi	10'	Aramid/Steel	Black	Male x Female	One Each
	2000101	6,500 psi	25'	Aramid/Steel	Black	Male x Female	One Each
	2000100	6,500 psi	50'	Aramid/Steel	Black	Male x Female	One Each





		3/4" I.D. AIRLESS SPRAY HOSE HEX NIPPLES		
Part Numbers		Thread Style	Working Pressure	U.O.M.
	20PFHA24SA1612	3/4" Male x 1" Male	4,500 psi	One Each
	20PFHA24SA1212	3/4" Male x 3/4" Male	5,500 psi	One Each
	20PFHA24SA1208	1/2" Male x 3/4" Male	5,500 psi	One Each

PART NUMBERS AND SCHEMATICS GUIDE






1" I.D. AIRLESS SPRAY HOSE - COUPLED							
	Part Numbers	Working Pressure	Length (feet)	Braid Reinforcement Material	Hose Cover Color	Couplings	U.O.M.
	2001100	4,750 psi	50'	Steel	Black	Female x Female	One Each

1" I.D. AIRLESS SPRAY HOSE HEX NIPPLES				
	Part Numbers	Thread Style	Working Pressure	U.O.M.
	20PFHA24SA1616	1" Male x 1" Male	4,500 psi	One Each
	20PFHA24SA1612	3/4" Male x 1" Male	4,500 psi	One Each


OPTIONAL ACCESSORIES




		SWIVEL COUPLINGS			
Part Numbers		Thread Style	Working Pressure	Seal Material	U.O.M.
	20G223341	1/4" Male x 1/4" Female	3,600 psi	Teflon	One Each
	20G223341B	1/4" Male x 1/4" Female	3,600 psi	Teflon	One Each
	20G239663	1/4" Male x 1/4" Female	3,600 psi	Leather	One Each
	20G236987	1/4" Male x 1/4" Female	7,400 psi	Teflon	One Each
	20G189018	1/4" Male x 1/4" Female	7,400 psi	Teflon	One Each
	20G239663B	1/4" Male x 1/4" Female	7,500 psi	Leather	One Each

OPTIONAL ACCESSORIES

SWIVEL ADAPTOR UNIONS				
	Part Numbers	Thread Style	Working Pressure	U.O.M.
	20G155570	1/4" Female x 1/4" Female	5,000 psi	One Each
	20G156823	1/4" Male x 1/4" Female	5,000 psi	One Each
	20G156823B	1/4" Male x 1/4" Female	5,000 psi	One Each
	20G157705	1/4" Male x 3/8" Female	5,000 psi	One Each
	20G157705B	1/4" Male x 3/8" Female	5,000 psi	One Each
	20G159153	3/8" Male x 1/4" Female	5,000 psi	One Each
	20G155665	3/8" Male x 3/8" Female	5,000 psi	One Each
	20G155665B	3/8" Male x 3/8" Female	7,500 psi	One Each

OPTIONAL ACCESSORIES

		INLINE FILTERS		
Part Numbers		Thread Style	Working Pressure	U.O.M.
	20G210500B	1/4" Male x 1/4" Female	3,000 psi	One Each
	20G210500	1/4" Male x 1/4" Female	6,125 psi	One Each

		TIP FILTERS	
Part Numbers		Mesh Size	U.O.M.
	20G205265B	60	One Each
	20G224454	60	5/Package
	20G224453	100	5/Package

PART NUMBERS AND SCHEMATICS GUIDE

Part Numbers	GRACO® XTREME® 45:1 AIRLESS SPRAYERS								
	MOUNT			Built-In Filter	DataTrak™	Hopper Included	XTR™ 5 Airless Spray Gun	HOSES	
	Heavy-Duty Cart	Light-Weight Cart	Wall Mount					50 Feet x 3/8" I.D. Airless Spray Hose	6 Feet x 1/4" I.D. Airless Spray Hose
20GX45DH4	X			X					
20GX45DH2	X			X	X				
20GX45DH3	X			X			X	X	X
20GX45DH6	X			X		X	X	X	X
20GX45DH1	X			X	X		X	X	X
20GX45DH5	X			X	X	X	X	X	X
20GX45DH7	X						X	X	X
20GX45DL4		X		X					
20GX45DL2		X		X	X				
20GX45DL6		X		X		X	X	X	X
20GX45DL3		X		X			X	X	X
20GX45DL1		X		X	X		X	X	X
20GX45DL5		X		X	X	X	X	X	X
20GX45DW4			X	X					
20GX45DW2			X	X	X				

GRACO® XTREME® 45:1 AIRLESS SPRAYER – SPECIFICATIONS	
Output Per Cycle	4,550 psi
Pump Lower Output per Cycle	290cc
Motor	NXT 6500cc
De-Icing Motor	Yes
Xtreme® Seal and Leather Packing	Yes

PART NUMBERS AND SCHEMATICS GUIDE



**20GX45DH4 Shown*

PART NUMBERS AND SCHEMATICS GUIDE

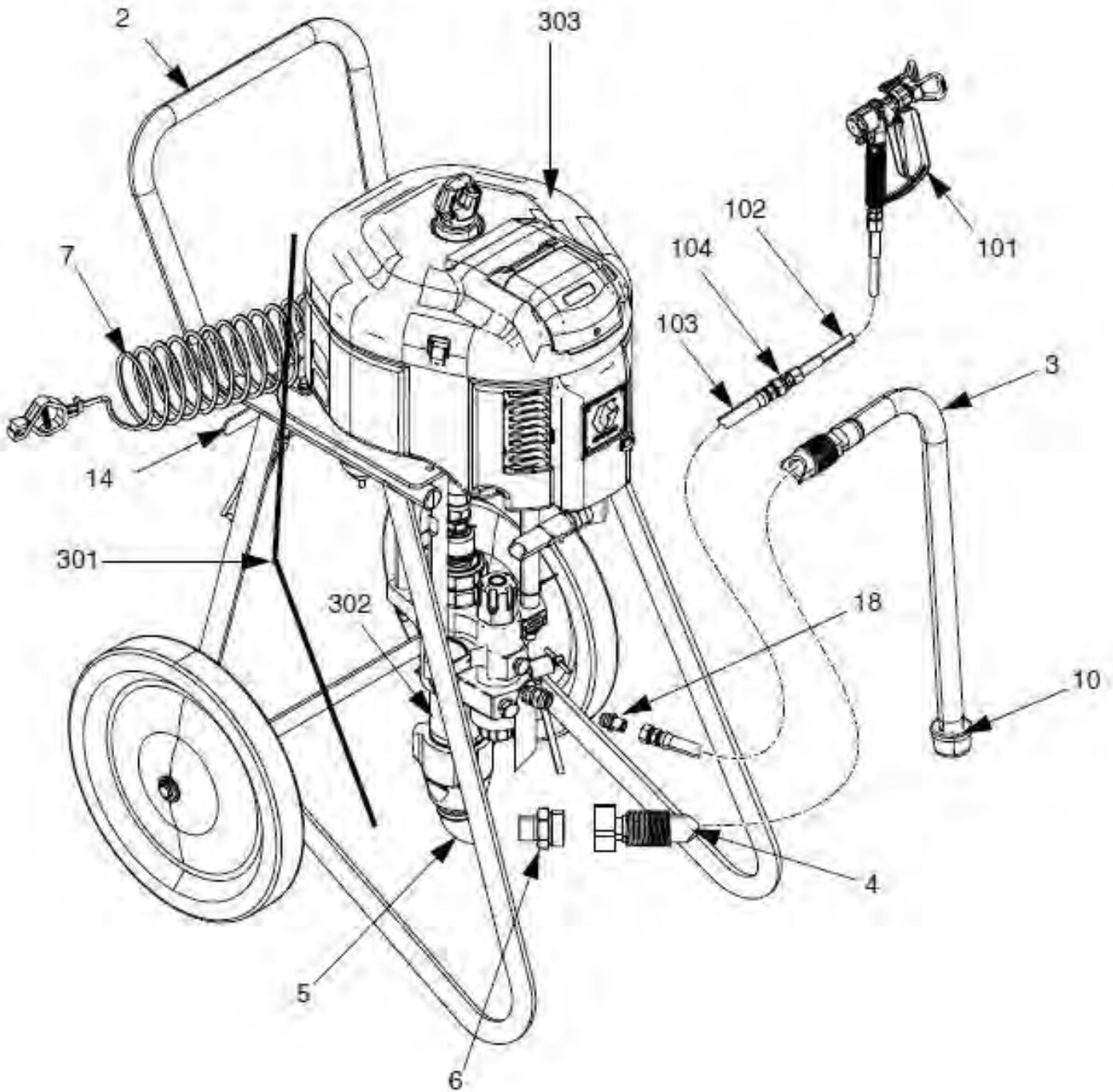
Graco® Xtreme® 45:1 Airless Spray Pumps

Item#	Part#	Description
Fig. 1		
2	20G287884	Heavy-Duty Cart
—	20G287919	Lightweight Cart
3	20G197682	1" Suction Tube
4	20G247301	1" NPT x Quick Connect, 6 ft. Suction Hose
—	20G288687	1" NPT x Quick Connect, 10 ft. Suction Hose (<i>Wall-Mount Units</i>)
5	20G116401	Elbow Adapter
6	20G116402	Quick Connect Adapter
7	20G244524	Ground Assembly Wire with Clamp
10	20G181072	Strainer Inlet
11	20G100101	Hex Head Cap Mounting Screw
12	20G100133	Lock Washer
13	20G247312	Adapter Kit Plate
—		<i>(Includes Lock Nut and Adapter Plate)</i>
14	20G24E013	Air Control (<i>Heavy Duty Cart</i>)
18	20G162505	1/2" F x 3/8" M Swivel Union Fitting
101	20GXTR504	XTR™ 5 Spray Gun for 25:1 – 50:1 ratio only (<i>Not included with all models, see page 4</i>)
102	20GH52506*	Fluid Hose (Nylon, 1/4" I.D. x 1/4" NPS (M), 6 ft.), 6100 psi
103	20GH53850*	Fluid Hose (Nylon, 3/8" I.D. x 3/8" NPS (M), 50 ft.), 5800 psi
104	20G164856	3/8" x 1/4" NPT Reducing Nipple Fitting
301	—	Spray Pump (<i>See page 4</i>)
302	—	Pump Lower (<i>See pages 10-17</i>)
303	—	NXT® Air Motor (<i>See pages 8-9</i>)
—	206M358	Part Numbers and Schematics Guide – Graco® Xtreme® 45:1 Airless Spray Pumps
—	206M508	Part Numbers and Schematics Guide – Graco® XTR™ 5 Airless Spray Gun
—	209V508	Operator's Manual – Graco® Xtreme® Pump Packages

*Not included with all models, see page 4

PART NUMBERS AND SCHEMATICS GUIDE

Figure 1: Graco® Xtreme® 45:1 Airless Spray Pumps



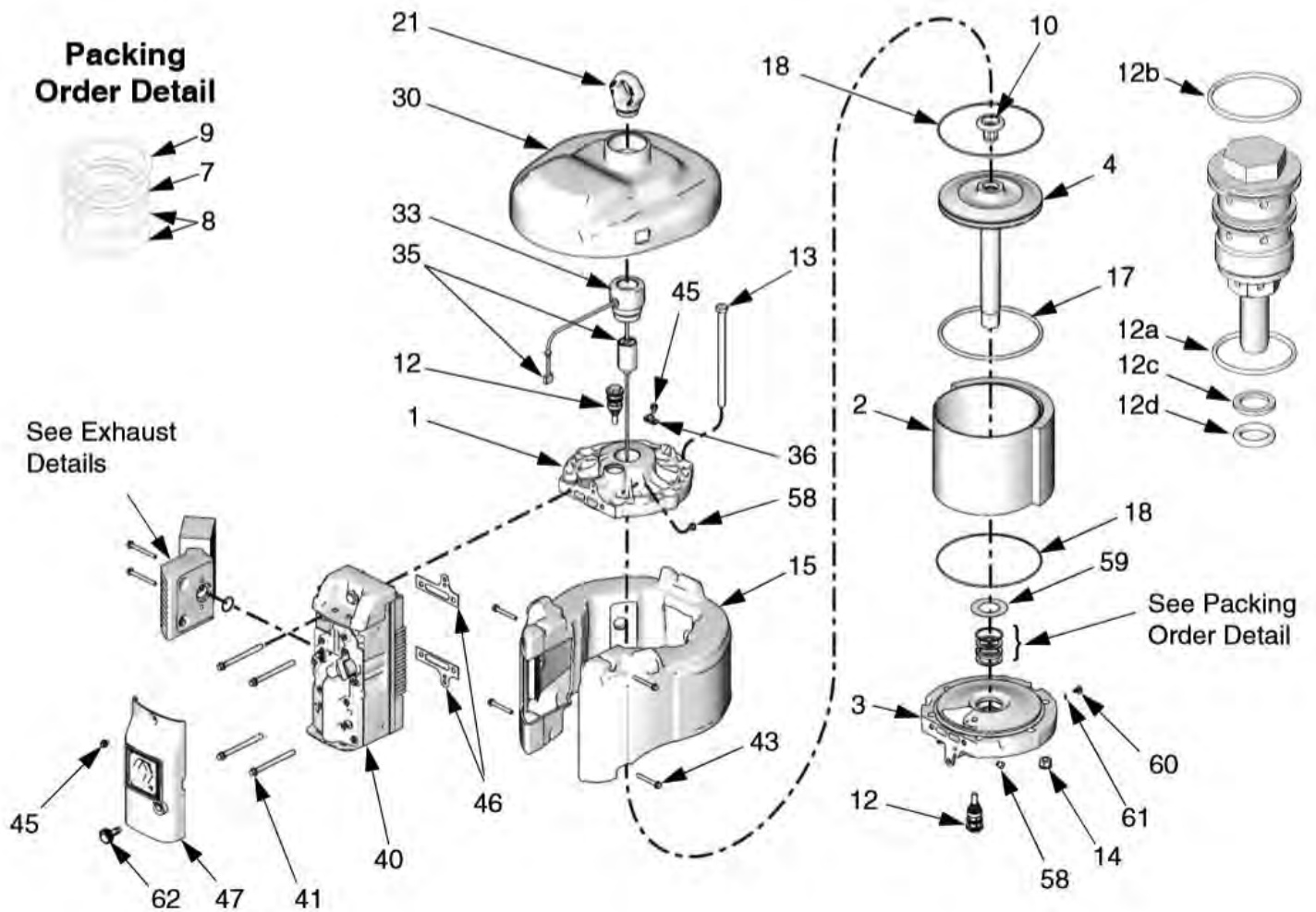
PART NUMBERS AND SCHEMATICS GUIDE

NXT® Model 6500 Air Motor and Exhaust

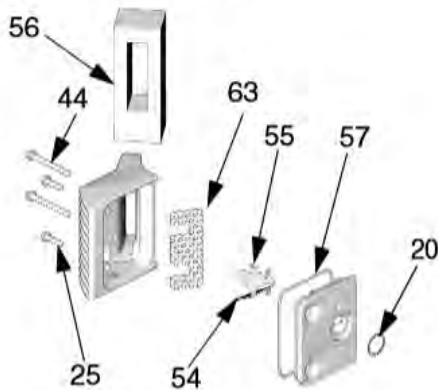
Item#	Part#	Description	Item#	Part#	Description
Fig. 2			43	20G120091	1/4-20 x 2" Screw, Thread Forming, (51 mm)
—	20GN65DN0	NXT® Model 6500 De-Icing Air Motor	44	20G120092	1/4-20 x 2-1/2" Thread Forming Screw, (63 mm)
—	20GN65DH0	NXT® Model 6500 De-Icing Air Motor with Sensor	46	20G253476	Gasket
—	20GN65LN0	NXT® Model 6500 Low Noise Motor	47	20G287844	Valve Cover, Outer
1	20G15F953	Top Cover	51	20G15F674	Safety Label
2	20GNXT604	Cylinder	52	20G15F973	Safety Label
3	20GNXT602	Bottom Cover	54	20G15H179	Deflector
4	20GNXT601	Piston Assembly	55	20G107257	1/4-20 x 1/2" Thread Forming Screw, (13 mm)
7	20G161562	Packing, V-block; Nitrile	56	20G15H190	Exhaust Seal
8	20G15H610	Packing, Backup; Leather	57	20G15K345	Gasket, buna-N
9	20G16A026	Retaining Ring	58	20G120206	Poppet Muffler
10	20GNXT106	Piston Bumper, includes Magnet	59	20G277366	Bumper
12	20GNXT100	Poppet <i>(Includes Item #'s: 12a-12d)</i>	60	20G116343	Ground Screw, M5 x 0.8
12a	—	O-Ring, buna-N	61	20G111307	Lock Washer, 5 mm
12b	20GNXT101	O-Ring, buna-N	62	20GNXT112	De-Ice Knob
12c	20GNXT101	O-Ring, Backup, buna-N	63	20G15G689	Exhaust Diffuser
12d	—	O-Ring, buna-N	—	20GNXT600	Repair Kit NXT 6500 Air Motor <i>(Includes Item #'s: 7, 8, 9, 17, 18, and 46)</i>
13	20G119050	1/2-13 x 8" Hex Head Bolt, (203 mm)	—	209V509	Operator's Manual – Graco® NXT® Air Motor
14	20G15F639	1/2-13 Nut with Lock Washer			
15	20GNXT603	Muffler			
17	20G122675	Piston O-Ring, Nitrile			
18	20G15F448	End Cap O-Ring, Nitrile			
20	20G119990	O-Ring, buna-N			
21	20G15F931	Lift Ring			
22	20GNXT110	De-Ice Exhaust Kit <i>(Includes Item #'s: 20, 25, 44, 56, and 57)</i>			
23	20GNXT105	Remote Exhaust Kit <i>(Includes items 20, 44)</i>			
24	20GNXT104	Low Noise Exhaust Kit <i>(Includes item #'s: 20, 22, 25, 44, 54, 55, 56, and 57)</i>			
25	20G120730	1/4-20 x 1" Machine Screw, Hex Head, (25 mm)			
41	20G120088	3/8-16 x 4" Screw (101 mm)			

PART NUMBERS AND SCHEMATICS GUIDE

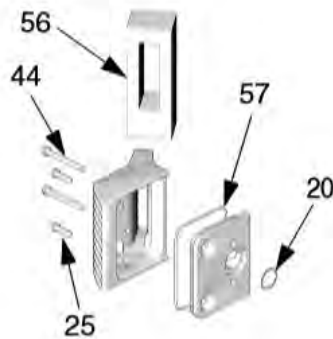
Figure 2: NXT® Model 6500 Air Motor and Exhaust



Low Noise Exhaust



De-Ice Exhaust



Remote Exhaust



PART NUMBERS AND SCHEMATICS GUIDE

290cc Xtreme® Sprayer Lower Displacement Pump

Item#	20GL290C1	20GL290C2	Description
	20GL290C3 (No Built-In Filter)	(Built-In Filter)	
Fig. 3			
1	20G24B825	20G24B825	Displacement Rod
2	20G15K031	20G15K031	Packing Nut
3	—	—	Stack Packings, Throat
4	—	—	Stack Packings, Piston
7	20G197327	20G197327	Packing Cartridge, Throat
8	20G197335	20G197337	Housing Outlet
9	20G244893	20G244893	O-Ring, Top Cylinder, PTFE Medium (Quantity of 10)
10	20G244826	20G244826	Self-Locking Pin
11	20G197319	20G197319	Lower Cylinder
12	20G244899	20G244899	Ball Piston (Quantity of Three)
13	20G24B830	20G24B830	Piston Valve
14	20G197304	20G197304	Inlet Housing
15	20G198647	20G198647	Inlet Ball Guide
16	20G253030	20G253030	Inlet Ball (Quantity of Three)
17	20G244856	20G244856	Inlet Shim Ball Guide (Quantity of Nine)
18	20G197344	20G197344	Inlet Seat
19	20G247395	20G247395	Throat Seal Plug (Quantity of 10)
20	—	20G16M461	Top Filler Cap
21	—	20G171941	Compression Spring
22	—	20G244895	Thin Filter O-Ring, PTFE (Quantity of 10)
23	—	20G224459	Strainer, 60 mesh screen
24	—	20G186075	Filter Support
25	—	20G262484	Filter O-Ring, Medium, PTFE (Quantity of 10)
26	—	20G16M462	Lower Filter Cap
27	20G244894	20G244894	Foot Valve and Cylinder Bottom O-Ring, PTFE thin (Quantity of 10)
30	20G172479	20G172479	Warning Tag
32	20G244891	20G244891	Throat Cartridge O-Ring, PTFE thin (Quantity of 10)
38	—	20G158491	Nipple Fitting, Outlet, 1/2 in
39	—	20G24N518	Packless Plug, 1/2 in
40	—	20G245143	Pressure Dump Valve
41	—	20G116746	Barbed Fitting, Plated
42	—	20G116750	Nylon Tube
49	20G101754	20G198292	Pipe Plug
59	—	20G262483	Filter O-Ring, PTFE thick (Quantity of 10)

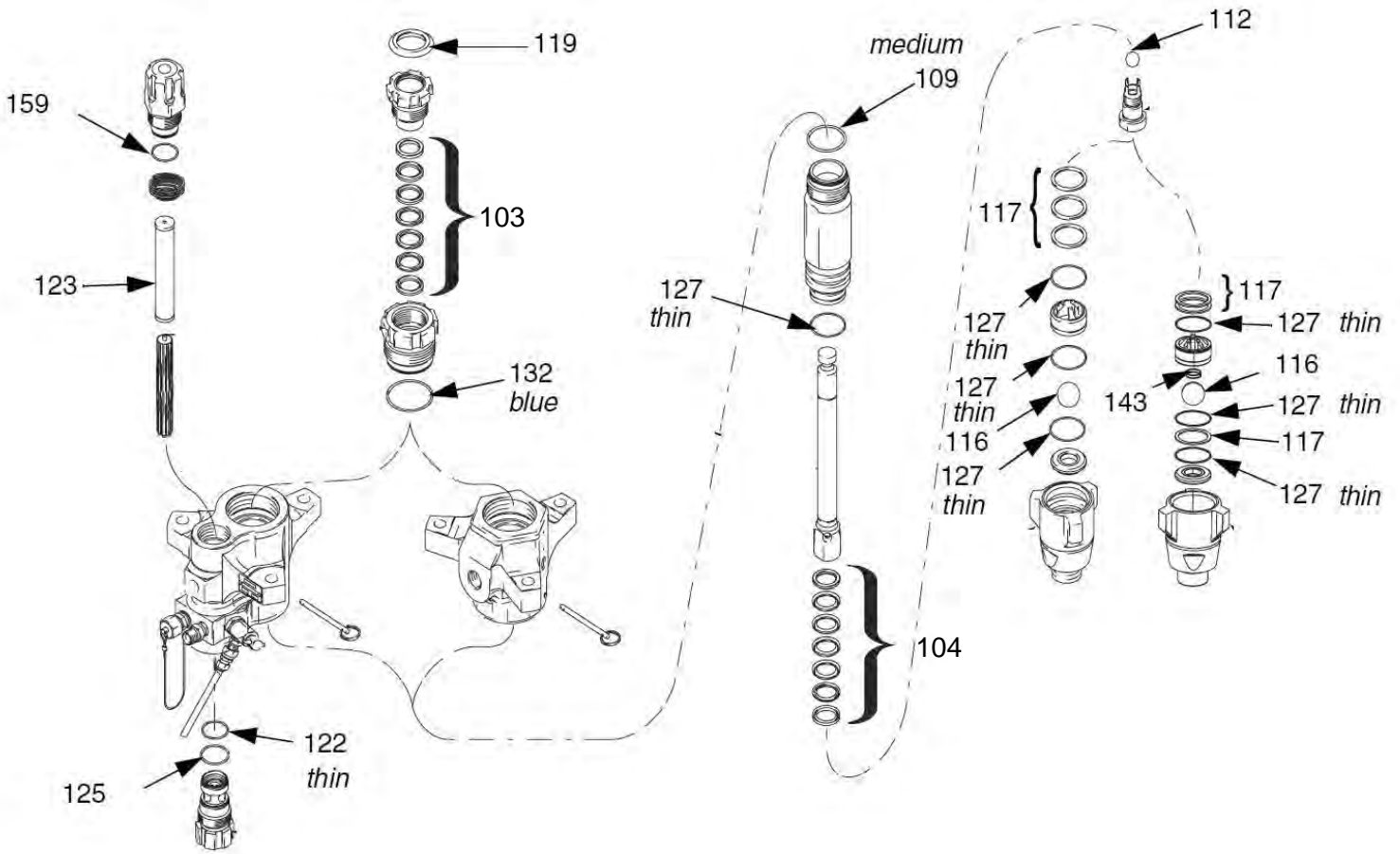
PART NUMBERS AND SCHEMATICS GUIDE

Xtreme® Seal Repair Kit for 290cc Lower Displacement Pump

Item#	Part#	Description
Fig. 4		
—	20G24F963	Xtreme® Seal Repair Kit <i>(Includes Item #'s: 1 (Quantity of Two); 2 (Quantity of Two); 3 (Quantity of Four); 4 (Quantity of Six); 5 (Quantity of Four); 6 (Quantity of Two); 7, 8, 9, 10 (Quantity of Three); and 11)</i>
103	—	Throat Packings
103a	20G244885	Male Gland <i>(Quantity of Four)</i>
103b	20G244879	Female Gland <i>(Quantity of Four)</i>
103c	20G244873	V-Packing, Leather <i>(Quantity of 10)</i>
103d	20G244867	V-Packing, UHMWPE <i>(Quantity of 10)</i>
104	—	Piston Packings
104a	20G244886	Male Gland <i>(Quantity of Four)</i>
104b	20G244880	Female Gland <i>(Quantity of Four)</i>
104c	20G244874	V-Packing, Leather <i>(Quantity of 10)</i>
104d	20G244868	V-Packing, UHMWPE <i>(Quantity of 10)</i>
109	20G244893	PTFE O-Ring, Top Cylinder Medium <i>(Quantity of 10)</i>
112	20G244899	Ball Piston, 1 in (25 mm) <i>(Quantity of Three)</i>
116	20G253030	Ball Inlet, 1-1/2 in (38 mm) <i>(Quantity of Three)</i>
117	20G244856	Shim Inlet, Ball Guide <i>(Quantity of Nine)</i>
119	20G244999	Throat Seal Plug, 1-3/4 in <i>(Quantity of 10)</i>
—	20G247395	Throat Seal Plug, 2-1/2 in <i>(Quantity of 10)</i>
122	20G244895	Filter O-Ring, Thin, PTFE <i>(Quantity of 10)</i>
123	20G238436	Strainer, 30 mesh screen, 5.65 in <i>(Quantity of 25)</i>
—	20G224458	Strainer, 30 mesh, 5.65 in <i>(Quantity of Two)</i>
—	20G238438	Strainer, 60 mesh, 5.65 in <i>(Quantity of 25)</i>
—	20G224459	Strainer, 60 mesh, 5.65 in <i>(Quantity of Two)</i>
125	20G262484	Filter O-Ring, Medium, PTFE <i>(Quantity of 10)</i>
—	20G244896	Filter O-Ring For Series A Pumps <i>(Quantity of 10)</i>
127	20G244894	O-Ring, PTFE, Thin <i>(Quantity of 10)</i>
143	20G116802	Foot Valve Spring (20G262795 only)
159	20G262483	Top Cap O-Ring, PTFE <i>(Quantity of 10)</i>
—	20G244895	Top Cap O-Ring For Series A Pumps <i>(Quantity of 10)</i>
—	209V021	Operator's Manual – Graco® Xtreme® Pump Lowers

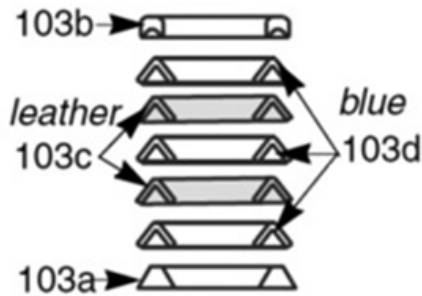
PART NUMBERS AND SCHEMATICS GUIDE

Figure 4: Xtreme® Seal Repair Kit for 290cc Lower Displacement Pump

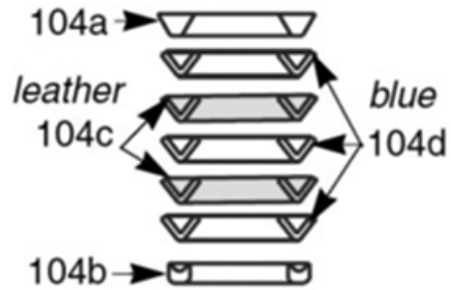


Xtreme® Seal Repair Kit 24F963

**Throat Packings:
Lips Face Down**



**Piston Packings:
Lips Face Up**



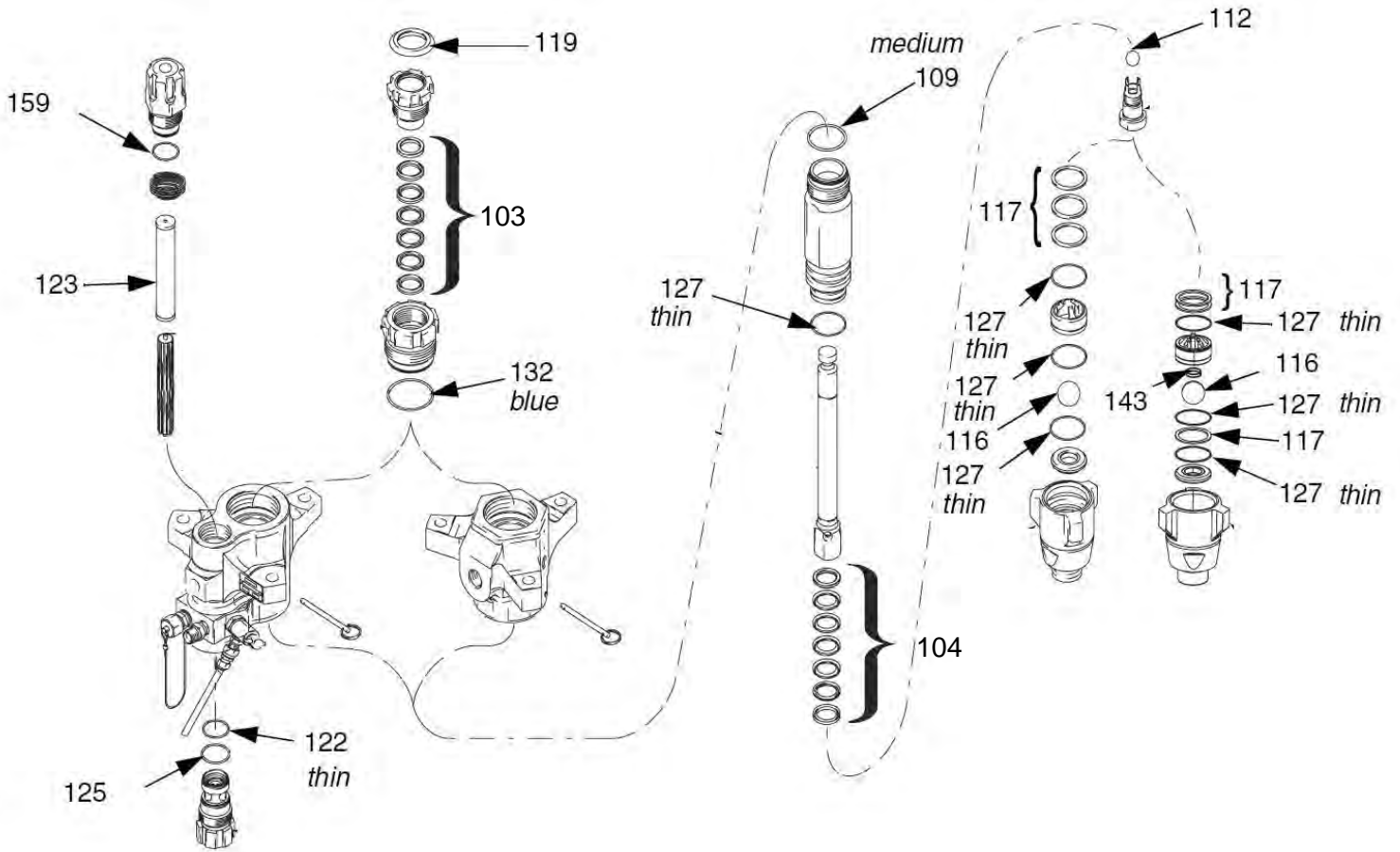
PART NUMBERS AND SCHEMATICS GUIDE

Tuff-Stack™ Repair Kit for 290cc Lower Displacement Pump

Item#	Part#	Description
Fig. 5		
—	20G24F964	Tuff-Stack™ Repair Kit <i>(Includes Item #'s: 1 (Quantity of Two); 2 (Quantity of Two); 3 (Quantity of Four); 4 (Quantity of 10); 5 (Quantity of Two); 6 (Quantity of Four); 7, 8, 9 (Quantity of Three); and 10)</i>
103	—	Throat Packings
103a	20G244885	Male Gland <i>(Quantity of Four)</i>
103b	20G244879	Female Gland <i>(Quantity of Four)</i>
103e	20G244861	V-Packing Carbon-Filled, PTFE/UHMWPE, Blue <i>(Quantity of 10)</i>
104	—	Piston Packings
104a	20G244886	Male Gland <i>(Quantity of Four)</i>
104b	20G244880	Female Gland <i>(Quantity of Four)</i>
104e	20G244862	V-Packing Carbon-Filled, PTFE/UHMWPE, Blue <i>(Quantity of 10)</i>
109	20G244893	PTFE O-Ring, Top Cylinder Medium <i>(Quantity of 10)</i>
112	20G244898	Ball Piston, 7/8 in (22 mm) <i>(Quantity of Three)</i>
116	20G253030	Ball Inlet, 1.5 in (38 mm) <i>(Quantity of Three)</i>
117	20G244856	Shim Inlet, Ball Guide <i>(Quantity of Nine)</i>
119	20G244999	Throat Seal Plug, 1-3/4 in <i>(Quantity of 10)</i>
—	20G247395	Throat Seal Plug, 2-1/2 in <i>(Quantity of 10)</i>
122	20G244895	Filter O-Ring, Thin, PTFE <i>(Quantity of 10)</i>
123	20G238436	Strainer, 30 mesh screen, 5.65 in <i>(Quantity of 25)</i>
—	20G224458	Strainer, 30 mesh, 5.65 in <i>(Quantity of Two)</i>
—	20G238438	Strainer, 60 mesh, 5.65 in <i>(Quantity of 25)</i>
—	20G224459	Strainer, 60 mesh, 5.65 in <i>(Quantity of Two)</i>
125	20G262484	Filter O-Ring, Medium, PTFE <i>(Quantity of 10)</i>
—	20G244896	Filter O-Ring For Series A Pumps <i>(Quantity of 10)</i>
127	20G244894	O-Ring, PTFE, Thin <i>(Quantity of 10)</i>
143	20G116802	Foot Valve Spring (20G262795 only)
159	20G262483	Top Cap O-Ring, PTFE <i>(Quantity of 10)</i>
—	20G244895	Filter O-Ring For Series A Pumps <i>(Quantity of 10)</i>
—	209V021	Operator's Manual – Graco® Xtreme® Pump Lowers

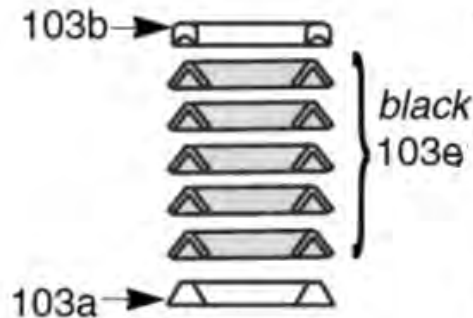
PART NUMBERS AND SCHEMATICS GUIDE

Figure 5: Tuff-Stack™ Repair Kit for 290cc Lower Displacement Pump

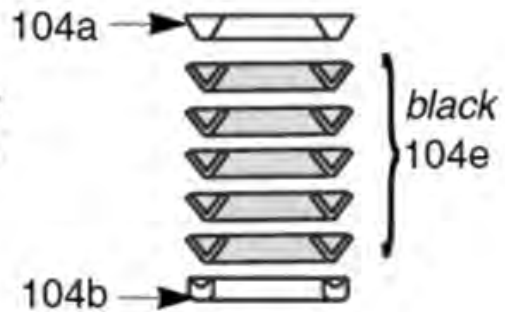


Tuff-Stack™ Seal Repair Kit 24F964

**Throat Packings:
Lips Face Down**



**Piston Packings:
Lips Face Up**



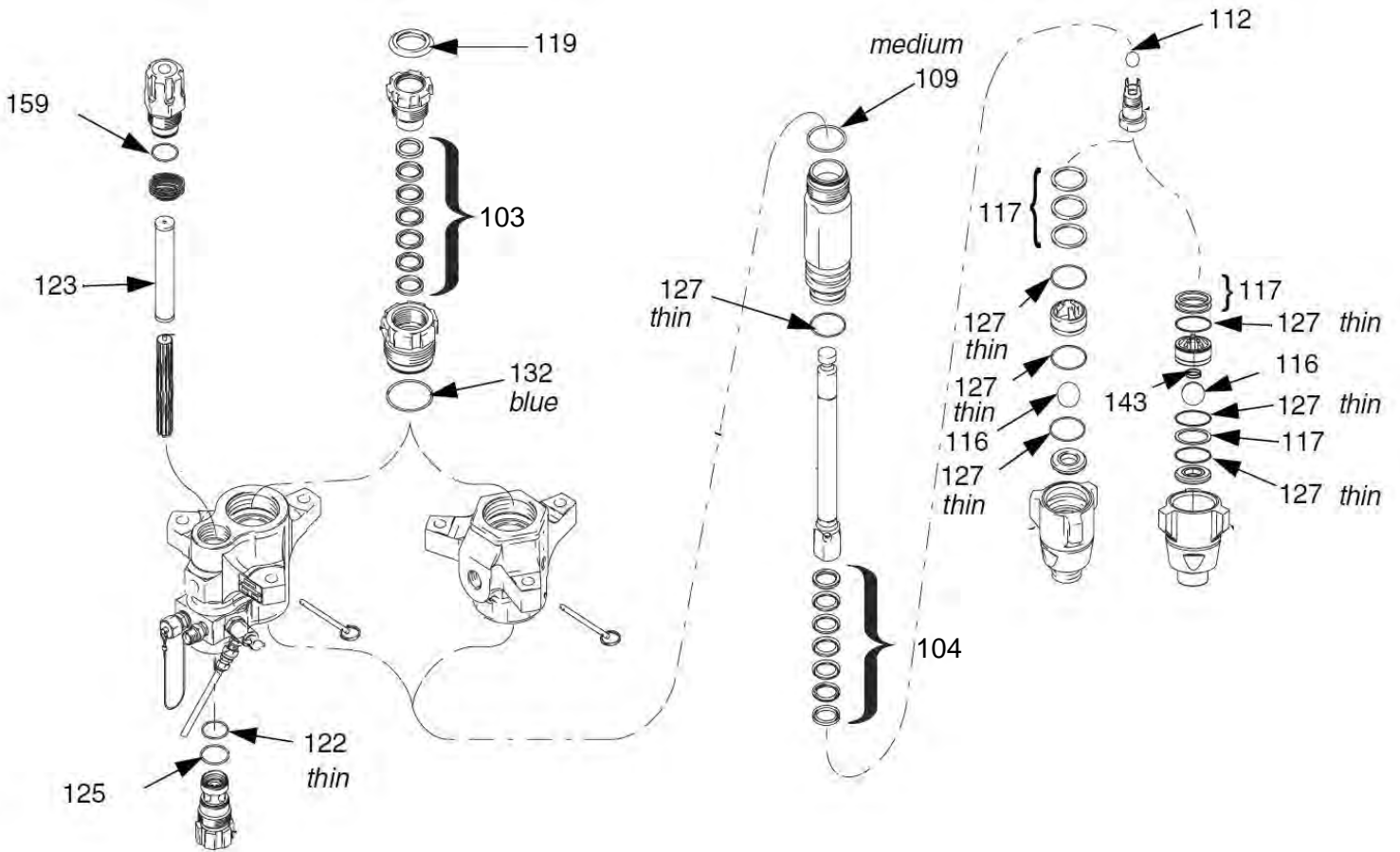
PART NUMBERS AND SCHEMATICS GUIDE

X-Tuff™ Repair Kit for 290cc Lower Displacement Pump

Item#	Part#	Description
Fig. 6		
—	20G262795	X-Tuff™ Repair Kit <i>(Includes Item #'s: 1 (Quantity of Two); 2 (Quantity of Two); 3 (Quantity of Four); 4 (Quantity of Six); 5 (Quantity of Four); 6 (Quantity of Two); 7, 8, 9, 10 (Quantity of Three); and 11)</i>
103	—	Throat Packings
103a	20G244885	Male Gland <i>(Quantity of Four)</i>
103b	20G244879	Female Gland <i>(Quantity of Four)</i>
103c	20G244861	V-Packing Carbon-Filled, PTFE/UHMWPE, Blue <i>(Quantity of 10)</i>
103d	20G244867	V-Packing, UHMWPE, Black <i>(Quantity of 10)</i>
104	—	Piston Packings
104a	20G244866	Male Gland <i>(Quantity of Four)</i>
104b	20G244880	Female Gland <i>(Quantity of Four)</i>
104c	20G244862	V-Packing Carbon-Filled, PTFE/UHMWPE, Blue <i>(Quantity of 10)</i>
104d	20G244868	V-Packing, UHMWPE, Black <i>(Quantity of 10)</i>
109	20G244893	PTFE O-Ring, Top Cylinder Medium <i>(Quantity of 10)</i>
112	20G244898	Ball Piston, 7/8 in (22 mm) <i>(Quantity of Three)</i>
116	20G253030	Ball Inlet, 1.5 in (38 mm) <i>(Quantity of Three)</i>
117	20G244856	Shim Inlet, Ball Guide <i>(Quantity of Nine)</i>
119	20G244999	Throat Seal Plug, 1-3/4 in <i>(Quantity of 10)</i>
—	20G247395	Throat Seal Plug, 2-1/2 in <i>(Quantity of 10)</i>
122	20G244895	Filter O-Ring, Thin, PTFE <i>(Quantity of 10)</i>
123	20G238436	Strainer, 30 mesh screen, 5.65 in <i>(Quantity of 25)</i>
—	20G224458	Strainer, 30 mesh, 5.65 in <i>(Quantity of Two)</i>
—	20G238438	Strainer, 60 mesh, 5.65 in <i>(Quantity of 25)</i>
—	20G224459	Strainer, 60 mesh, 5.65 in <i>(Quantity of Two)</i>
125	20G262484	Filter O-Ring, Medium, PTFE <i>(Quantity of 10)</i>
—	20G244896	Filter O-Ring For Series A Pumps <i>(Quantity of 10)</i>
127	20G244894	O-Ring, PTFE, Thin <i>(Quantity of 10)</i>
143	20G116802	Foot Valve Spring (20G262795 only)
159	20G262483	Top Cap O-Ring, PTFE <i>(Quantity of 10)</i>
—	20G244895	Filter O-Ring For Series A Pumps <i>(Quantity of 10)</i>
—	209V021	Operator's Manual – Graco® Xtreme® Pump Lowers

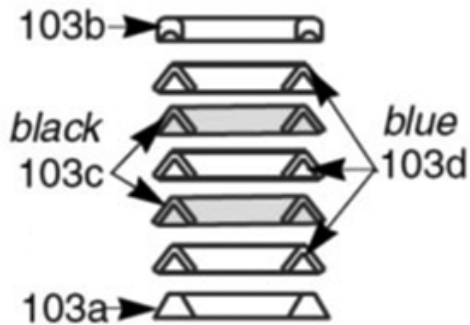
PART NUMBERS AND SCHEMATICS GUIDE

Figure 6: X-Tuff™ Repair Kit for 290cc Lower Displacement Pump

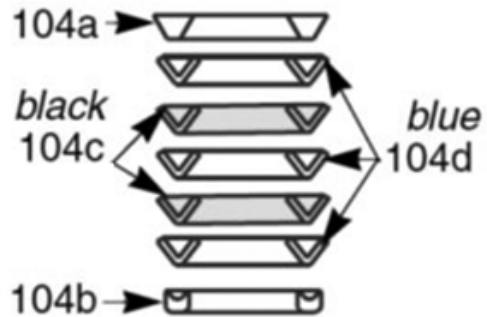


X-Tuff™ Seal Repair Kit 262795

**Throat Packings:
Lips Face Down**

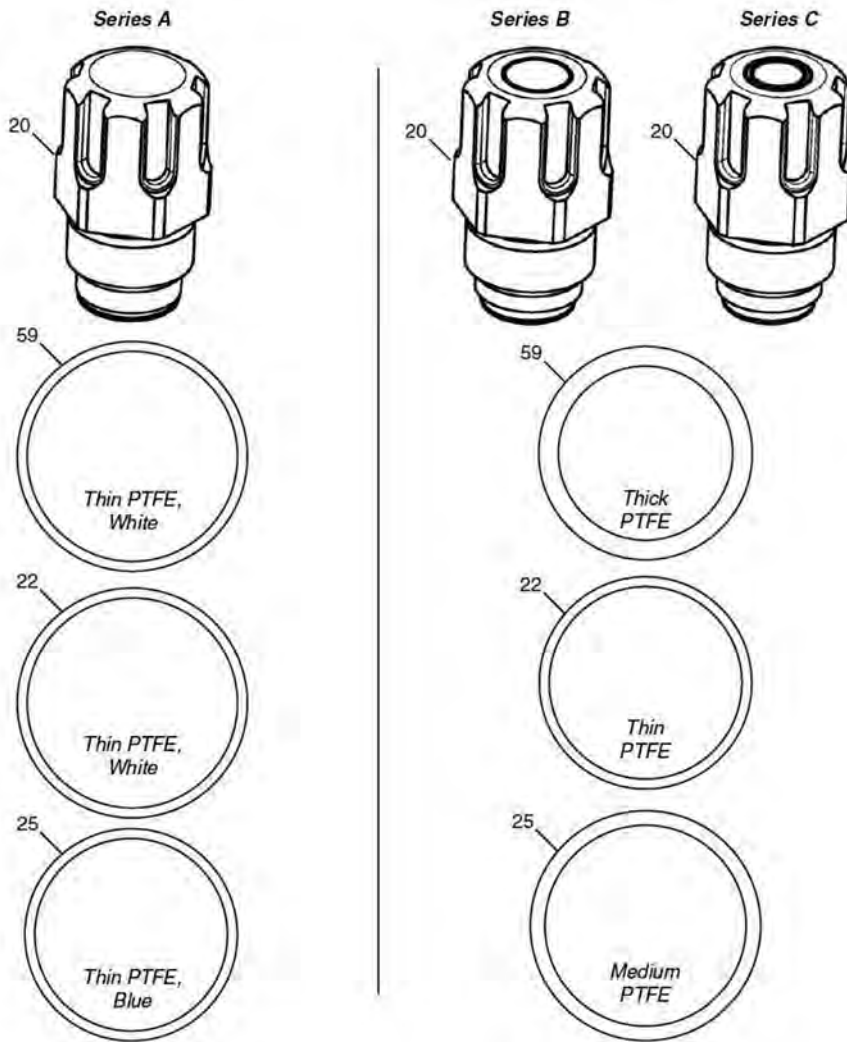


**Piston Packings:
Lips Face Up**



PART NUMBERS AND SCHEMATICS GUIDE

Figure 7: Filter Cap Series Key

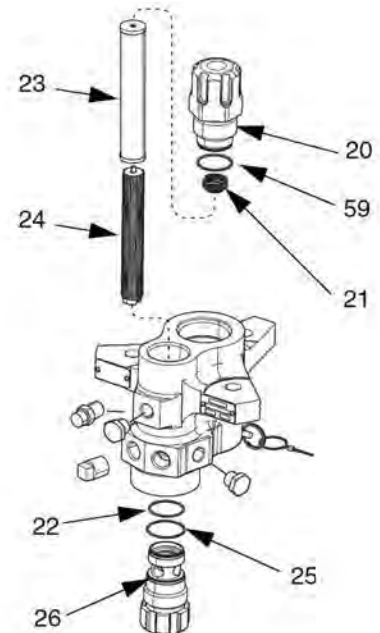


Filter Cap Conversion Kits for Graco® Xtreme® Lowers






Converts Series A Lowers to Series B Lowers



Item#	Part#	Description
—	20G24F975	Filter Cap Conversion Kit – Complete
20	20G16M461	Tip Filter Cap
21	20G171941	Filter Spring
22	20G244895	O-Ring PTFE Thin (<i>Quantity of 10</i>)
23A	20G224458	Strainer, 30 Mesh
23B	20G224459	Strainer, 60 Mesh
24	20G186075	Support
25	20G262484	O-Ring PTFE Medium (<i>Quantity of 10</i>)
26	20G16M462	Cap
59	20G262483	O-Ring PTFE Thick (<i>Quantity of 10</i>)

Fig. 7



OPTIONAL ACCESSORIES

	Part Numbers	SUCTION TUBE AND ACCESSORIES	
		Description	
	20G197682	Suction Tube	
	20G247301	1" I.D. x 6' Suction Hose with Couplings	
	20G247302	1" I.D. x 10' Suction Hose with Couplings	
	20G245136	55 Gallon Suction Tube Extension Kit <i>Includes Suction Tube and Couplings</i>	
	20G181072	60 Mesh Strainer for 1" Suction Tube	

	Part Numbers	HIGH PRESSURE BALL VALVES		
		Thread Size	Seal Material	Working Pressure
	20G210657B	1/4" Male x 1/4" Male	Viton	5,000 psi
	20G210658B	3/8" Male x 3/8" Male	Viton	5,000 psi
	20G210659B	1/4" Male x 3/8" Male	Viton	5,000 psi
	20G214037	1/4" Male x 1/4" Male	Teflon	5,000 psi
	20G223959B	3/8" Male x 1/4" Male	Teflon	5,000 psi
	20G210658B	3/8" Male x 3/8" Male	Teflon	5,000 psi
	20DQVAE2AO14	1/4" Female x Female	Nitrile	7,000 psi
	20DQVAE2AO38	3/8" Female x Female	Nitrile	7,000 psi
	20DQVAE2AO12	1/2" Female x Female	Nitrile	7,000 psi

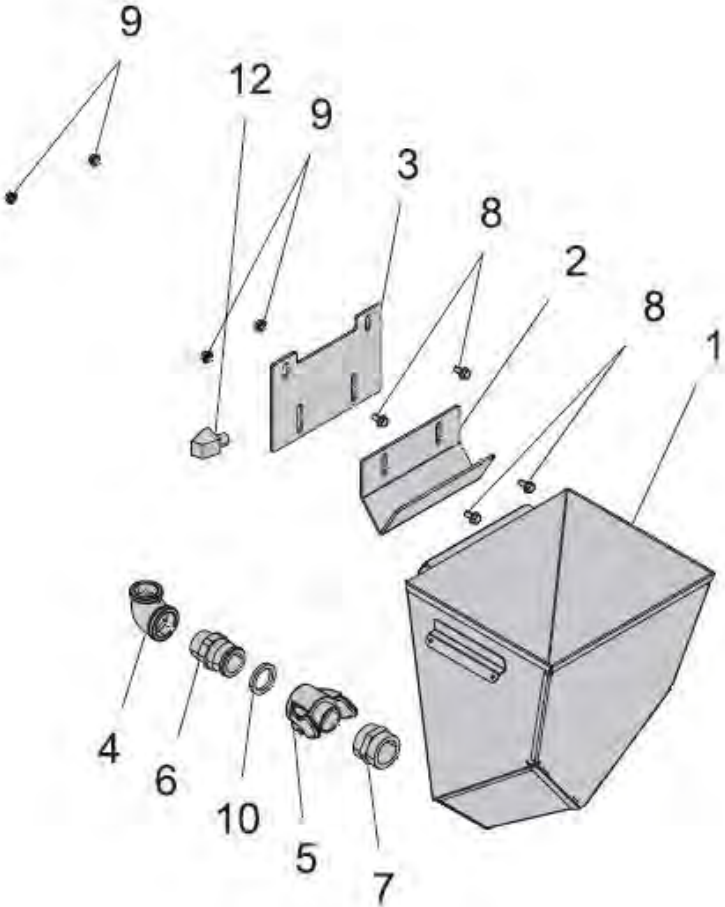
OPTIONAL ACCESSORIES

Graco® Xtreme® Airless Spray Pumps – Stainless Steel Hopper Kit

Item#	Part#	Description
Fig. 8		
—	20G24X570	Xtreme® Sprayer Stainless Steel Hopper Kit – Heavy-Duty Cart
—	20G24Y402	Xtreme® Sprayer Stainless Steel Hopper Kit – Lightweight Cart
1	20G17E114	Hopper
2	20G17C474	Bracket
3	20G17D554	Upper Bracket
4	20G126939	90° Elbow
5	20G128095	Cam/Groove
6	20G17C692	Cam/Groove Fitting, 1.5m, 1-1/2" NPT
7	20G128094	Bushing
8	20G112395	Flanges Cap Screw – HD (<i>Quantity of Four</i>)
9	20G112958	Nut (<i>Quantity of Four</i>)
10	20G17C453	Gasket
12	20G15M987	1/2" NPT (M) x 1/2" NPT (F) 60° Elbow
—	20G110110	6 ml Stainless Steel Pipe Sealant
—	20G16U537	Lid

OPTIONAL ACCESSORIES

Figure 8: Graco® Xtreme® Airless Spray Pumps – Stainless Steel Hopper Kit



PART NUMBERS AND SCHEMATICS GUIDE

Part Numbers	GRACO® XTREME® 50:1 AIRLESS SPRAYERS								
	MOUNT			Built-In Filter	DataTrak™	Hopper Included	XTR™ 5 Airless Spray Gun	HOSES	
	Heavy-Duty Cart	Light-Weight Cart	Wall Mount					50 Feet x 3/8" I.D. Airless Spray Hose	6 Feet x 1/4" I.D. Airless Spray Hose
20GX50DH4	X								
20GX50DH2	X				X				
20GX50DH3	X			X			X	X	X
20GX50DH6	X			X		X	X	X	X
20GX50DH1	X			X	X		X	X	X
20GX50DH5	X			X	X	X	X	X	X
20GX50DL4		X							
20GX50DL2		X			X				
20GX50DL6		X		X		X	X	X	X
20GX50DL3		X		X			X	X	X
20GX50DL1		X		X	X		X	X	X
20GX50DL5		X		X	X	X	X	X	X
20GX50DW4			X						
20GX50DW2			X		X				

GRACO® XTREME® 50:1 AIRLESS SPRAYER – SPECIFICATIONS	
Output Per Cycle	5,000 psi
Pump Lower Output per Cycle	250cc
Motor	NXT® 6500cc
De-Icing Motor	Yes
Xtreme® Seal and Leather Packing	Yes

PART NUMBERS AND SCHEMATICS GUIDE



PART NUMBERS AND SCHEMATICS GUIDE

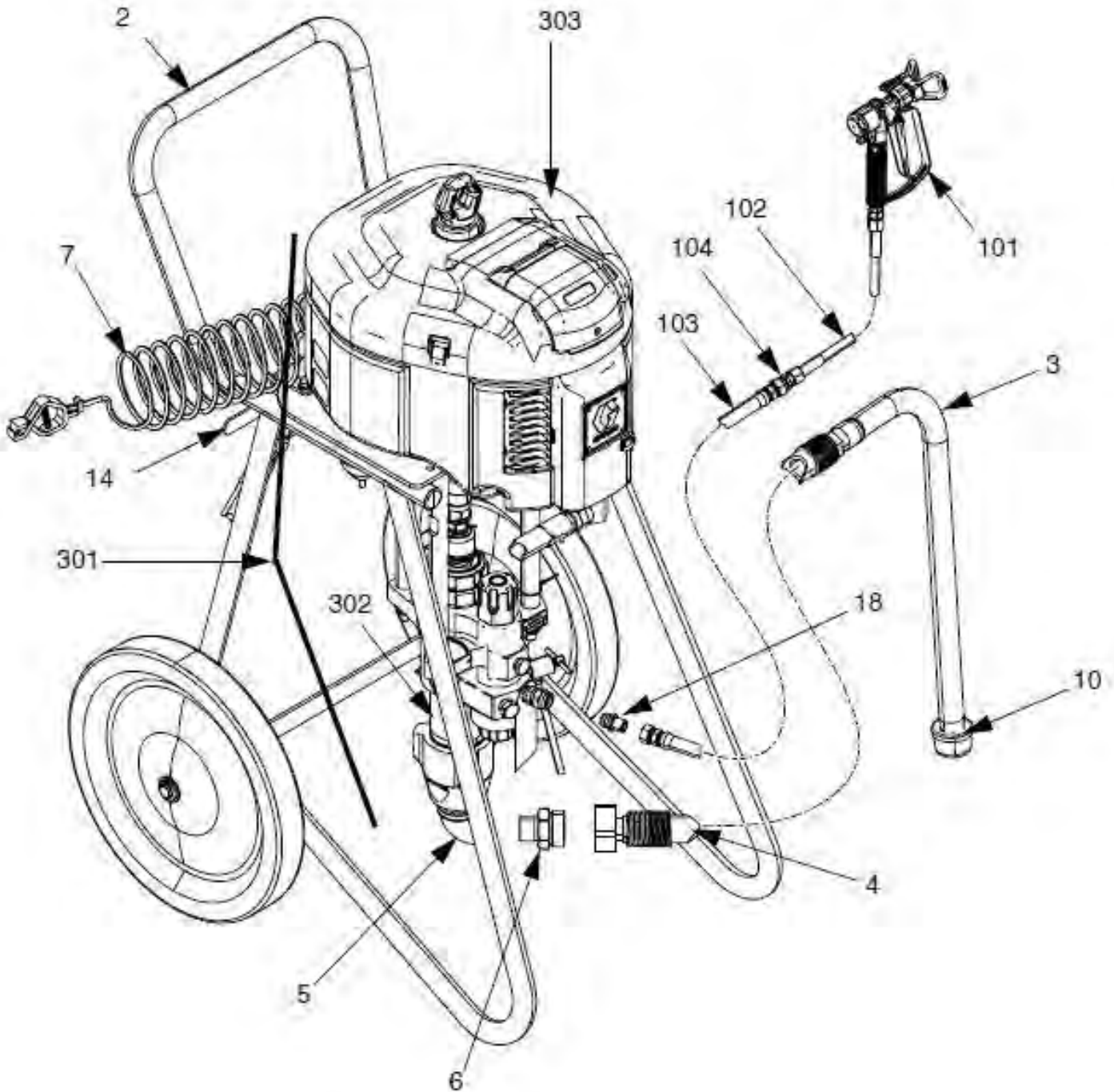
Graco® Xtreme® 50:1 Airless Spray Pumps

Item#	Part#	Description
Fig. 1		
2	20G287884	Heavy-Duty Cart
—	20G287919	Lightweight Cart
3	20G197682	1" Suction Tube
4	20G247301	1" NPT x Quick Connect, 6 ft. Suction Hose
—	20G288687	1" NPT x Quick Connect, 10 ft. Suction Hose (<i>Wall-Mount Units</i>)
5	20G116401	Elbow Adapter
6	20G116402	Quick Connect Adapter
7	20G244524	Ground Assembly Wire with Clamp
10	20G181072	Strainer Inlet
11	20G100101	Hex Head Cap Mounting Screw
12	20G100133	Lock Washer
13	20G247312	Adapter Kit Plate (<i>Includes Lock Nut and Adapter Plate</i>)
—		
14	20G24E013	Air Control (<i>Heavy Duty Cart</i>)
18	20G162505	1/2" F x 3/8" M Swivel Union Fitting
101	20GXTR504	XTR™ 5 Spray Gun for 25:1 – 50:1 ratio only (<i>Not included with all models, see page 4</i>)
102	20GH52506*	Fluid Hose (Nylon, 1/4" I.D. x 1/4" NPS (M), 6 ft.), 6100 psi
103	20GH53850*	Fluid Hose (Nylon, 3/8" I.D. x 3/8" NPS (M), 50 ft.), 5800 psi
104	20G164856	3/8" x 1/4" NPT Reducing Nipple Fitting
301	—	Spray Pump (<i>See page 4</i>)
302	—	Pump Lower (<i>See pages 10-17</i>)
303	—	NXT® Air Motor (<i>See pages 8-9</i>)
—	206M560	Part Numbers and Schematics Guide – Graco® Xtreme® 50:1 Airless Spray Pumps
—	206M508	Part Numbers and Schematics Guide – Graco® XTR™ 5 Airless Spray Gun
—	209V508	Operator's Manual – Graco® Xtreme® Pump Packages

*Not included with all models, see page 4

PART NUMBERS AND SCHEMATICS GUIDE

Figure 1: Graco® Xtreme® 50:1 Airless Spray Pumps



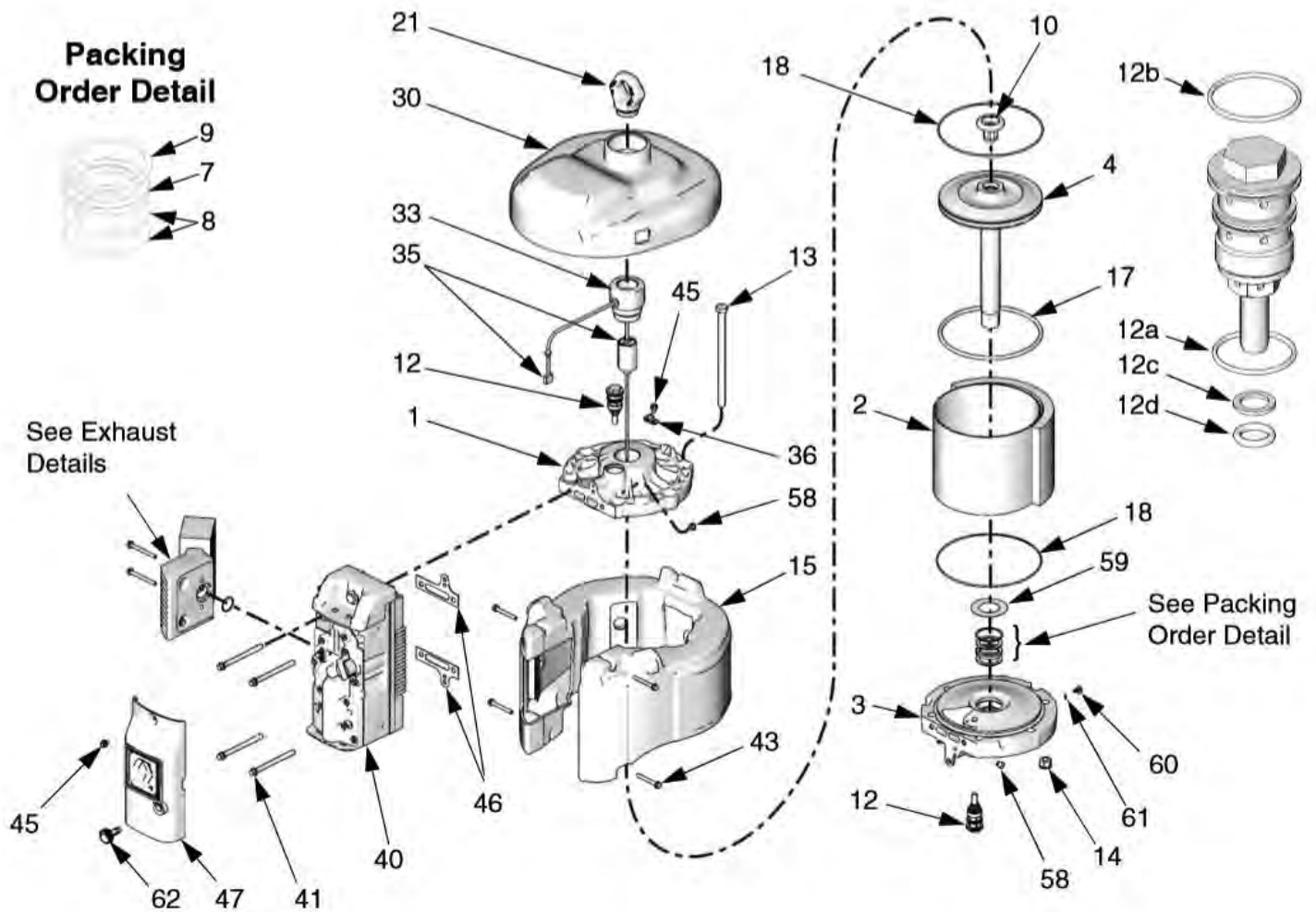
PART NUMBERS AND SCHEMATICS GUIDE

NXT® Model 6500 Air Motor and Exhaust

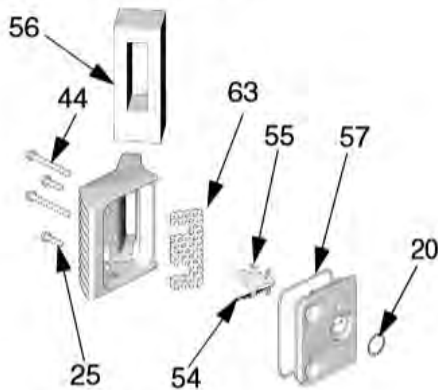
Item#	Part#	Description	Item#	Part#	Description
Fig. 2			43	20G120091	1/4-20 x 2" Screw, Thread Forming, (51 mm)
—	20GN65DN0	NXT® Model 6500 De-Icing Air Motor	44	20G120092	1/4-20 x 2-1/2" Thread Forming Screw, (63 mm)
—	20GN65DH0	NXT® Model 6500 De-Icing Air Motor with Sensor	46	20G253476	Gasket
—	20GN65LN0	NXT® Model 6500 Low Noise Motor	47	20G287844	Valve Cover, Outer
1	20G15F953	Top Cover	51	20G15F674	Safety Label
2	20GNXT604	Cylinder	52	20G15F973	Safety Label
3	20GNXT602	Bottom Cover	54	20G15H179	Deflector
4	20GNXT601	Piston Assembly	55	20G107257	1/4-20 x 1/2" Thread Forming Screw, (13 mm)
7	20G161562	Packing, V-block; Nitrile	56	20G15H190	Exhaust Seal
8	20G15H610	Packing, Backup; Leather	57	20G15K345	Gasket, buna-N
9	20G16A026	Retaining Ring	58	20G120206	Poppet Muffler
10	20GNXT106	Piston Bumper, includes Magnet	59	20G277366	Bumper
12	20GNXT100	Poppet <i>(Includes Item #'s: 12a-12d)</i>	60	20G116343	Ground Screw, M5 x 0.8
12a	—	O-Ring, buna-N	61	20G111307	Lock Washer, 5 mm
12b	20GNXT101	O-Ring, buna-N	62	20GNXT112	De-Ice Knob
12c	20GNXT101	O-Ring, Backup, buna-N	63	20G15G689	Exhaust Diffuser
12d	—	O-Ring, buna-N	—	20GNXT600	Repair Kit NXT 6500 Air Motor <i>(Includes Item #'s: 7, 8, 9, 17, 18, and 46)</i>
13	20G119050	1/2-13 x 8" Hex Head Bolt, (203 mm)	—	209V509	Operator's Manual – Graco® NXT® Air Motor
14	20G15F639	1/2-13 Nut with Lock Washer			
15	20GNXT603	Muffler			
17	20G122675	Piston O-Ring, Nitrile			
18	20G15F448	End Cap O-Ring, Nitrile			
20	20G119990	O-Ring, buna-N			
21	20G15F931	Lift Ring			
22	20GNXT110	De-Ice Exhaust Kit <i>(Includes Item #'s: 20, 25, 44, 56, and 57)</i>			
23	20GNXT105	Remote Exhaust Kit <i>(Includes items 20, 44)</i>			
24	20GNXT104	Low Noise Exhaust Kit <i>(Includes item #'s: 20, 22, 25, 44, 54, 55, 56, and 57)</i>			
25	20G120730	1/4-20 x 1" Machine Screw, Hex Head, (25 mm)			
41	20G120088	3/8-16 x 4" Screw (101 mm)			

PART NUMBERS AND SCHEMATICS GUIDE

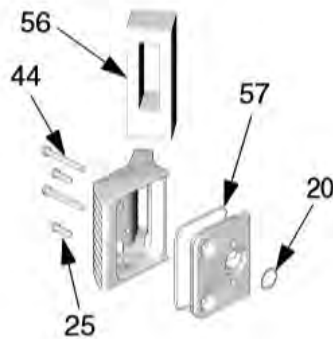
Figure 2: NXT® Model 6500 Air Motor and Exhaust



Low Noise Exhaust



De-Ice Exhaust



Remote Exhaust



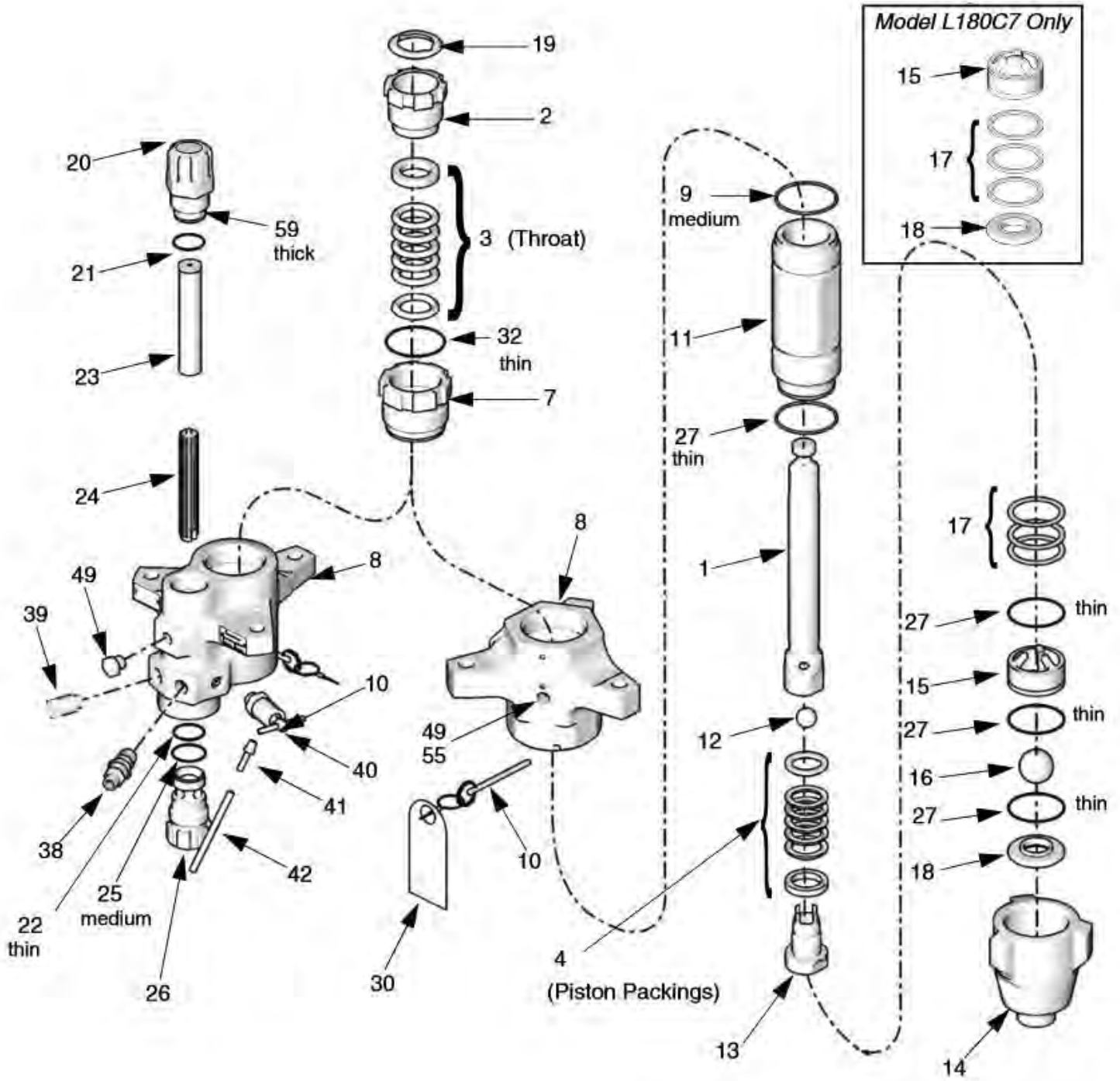
PART NUMBERS AND SCHEMATICS GUIDE

250cc Xtreme® Sprayer Lower Displacement Pump

Item#	20GL250C1	20GL250C2	20GL250C8	Description
	20GL250C3	20GL250C4		
Fig. 3				
1	20G24B824	20G24B824	20G24B824	Displacement Rod
2	20G15K031	20G15K031	20G15K031	Packing Nut
3	—	—	—	Stack Packings, Throat (See Fig. 4-6)
4	—	—	—	Stack Packings, Piston (See Fig. 4-6)
7	20G197328	20G197328	20G197328	Packing Cartridge, Throat
8	20G197335	20G197337	20G197335	Housing Outlet
9	20G244893	20G244893	20G244893	O-Ring, Top Cylinder, PTFE Medium (Quantity of 10)
10	20G244826	20G244826	20G244826	Self-Locking Pin
11	20G197318	20G197318	20G197318	Lower Cylinder
12	20G244898	20G244898	20G244898	Ball Piston (Quantity of Three)
13	20G24B829	20G24B829	20G24B829	Piston Valve
14	20G197304	20G197304	20G197304	Inlet Housing
15	20G198647	20G198647	20G198647	Inlet Ball Guide
16	20G253030	20G253030	20G253030	Inlet Ball (Quantity of Three)
17	20G244856	20G244856	20G244856	Inlet Shim Ball Guide (Quantity of Nine)
18	20G197344	20G197344	20G197344	Inlet Seat
19	20G247395	20G247395	20G247395	Throat Seal Plug (Quantity of 10)
20	—	20G16M461	—	Top Filler Cap
21	—	20G171941	—	Compression Spring
22	—	20G244895	—	Thin Filter O-Ring, PTFE (Quantity of 10)
23	—	20G224459	—	Strainer, 60 mesh screen
24	—	20G186075	—	Filter Support
25	—	20G262484	—	Filter O-Ring, Medium, PTFE (Quantity of 10)
26	—	20G16M462	—	Lower Filter Cap
27	20G244894	20G244894	20G244894	Foot Valve and Cylinder Bottom O-Ring, PTFE thin (Quantity of 10)
30	20G172479	20G172479	20G172479	Warning Tag
32	20G244891	20G244891	20G244891	Throat Cartridge O-Ring, PTFE thin (Quantity of 10)
38	—	20G158491	—	Nipple Fitting, Outlet, 1/2 in
39	—	20G24N518	—	Packless Plug, 1/2 in
40	—	20G245143	—	Pressure Dump Valve
41	—	20G116746	—	Barbed Fitting, Plated
42	—	20G116750	—	Nylon Tube
49	20G101754	20G198292	—	Pipe Plug
55	—	—	20G258962	Rupture Disc Housing
59	—	20G262483	—	Filter O-Ring, PTFE thick (Quantity of 10)

PART NUMBERS AND SCHEMATICS GUIDE

Figure 3: 250cc Xtreme® Sprayer Lower Displacement Pump



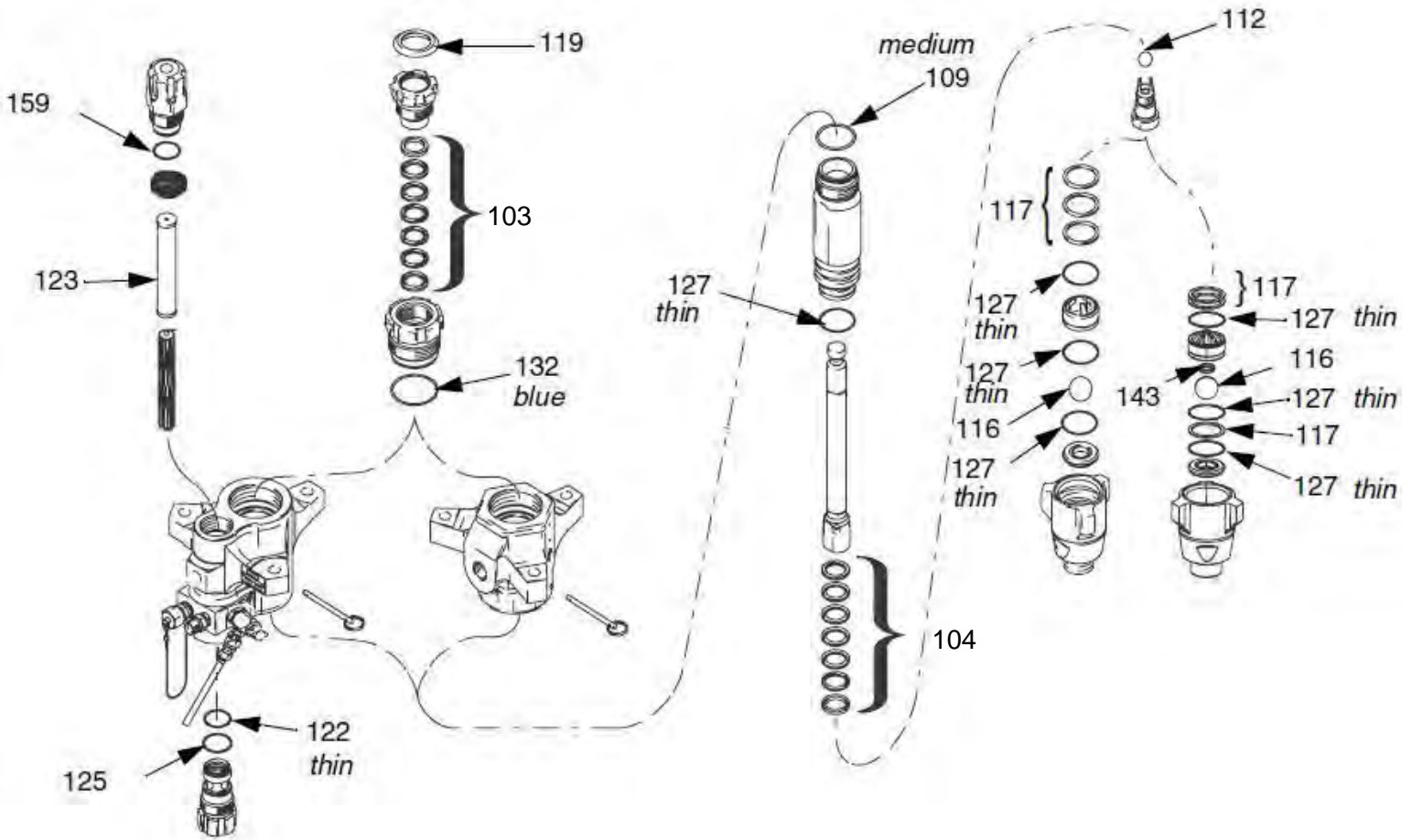
PART NUMBERS AND SCHEMATICS GUIDE

Xtreme® Seal Repair Kit for 250cc Lower Displacement Pump

Item#	Part#	Description
Fig. 4		
—	20G24F965	Xtreme® Seal Repair Kit <i>(Includes Item #'s: 1 (Quantity of Two); 2 (Quantity of Two); 3 (Quantity of Four); 4 (Quantity of Six); 5 (Quantity of Four); 6 (Quantity of Two); 7, 8, 9, 10 (Quantity of Three); and 11)</i>
103	—	Throat Packings
103a	20G245232	Male Gland <i>(Quantity of Four)</i>
103b	20G245233	Female Gland <i>(Quantity of Four)</i>
103c	20G245229	V-Packing, Leather <i>(Quantity of 10)</i>
103d	20G245231	V-Packing, UHMWPE, Black <i>(Quantity of 10)</i>
104	—	Piston Packings
104a	20G245232	Male Gland <i>(Quantity of Four)</i>
104b	20G245233	Female Gland <i>(Quantity of Four)</i>
104c	20G245229	V-Packing, Leather <i>(Quantity of 10)</i>
104d	20G245231	V-Packing, UHMWPE, Black <i>(Quantity of 10)</i>
109	20G244893	PTFE O-Ring, Top Cylinder Medium <i>(Quantity of 10)</i>
112	20G244898	Ball Piston, 7/8 in (22 mm) <i>(Quantity of Three)</i>
116	20G253030	Ball Inlet, 1.5 in (38 mm) <i>(Quantity of Three)</i>
117	20G244856	Shim Inlet, Ball Guide <i>(Quantity of Nine)</i>
119	20G244999	Throat Seal Plug, 1-3/4 in <i>(Quantity of 10)</i>
—	20G247395	Throat Seal Plug, 2-1/2 in <i>(Quantity of 10)</i>
122	20G244895	Filter O-Ring, Thin, PTFE <i>(Quantity of 10)</i>
123	20G238436	Strainer, 30 mesh screen, 5.65 in <i>(Quantity of 25)</i>
—	20G224458	Strainer, 30 mesh, 5.65 in <i>(Quantity of Two)</i>
—	20G238438	Strainer, 60 mesh, 5.65 in <i>(Quantity of 25)</i>
—	20G224459	Strainer, 60 mesh, 5.65 in <i>(Quantity of Two)</i>
125	20G262484	Filter O-Ring, Medium, PTFE <i>(Quantity of 10)</i>
—	20G244896	Filter O-Ring For Series A Pumps <i>(Quantity of 10)</i>
127	20G244894	O-Ring, PTFE, Thin <i>(Quantity of 10)</i>
132	20G244891	O-Ring, Blue, Thin <i>(Quantity of 10)</i>
143	20G116802	Foot Valve Spring (20G262793 only)
159	20G262483	Top Cap O-Ring, PTFE <i>(Quantity of 10)</i>
—	20G244895	Top Cap O-Ring For Series A Pumps <i>(Quantity of 10)</i>
—	209V021	Operator's Manual – Graco® Xtreme® Pump Lowers

PART NUMBERS AND SCHEMATICS GUIDE

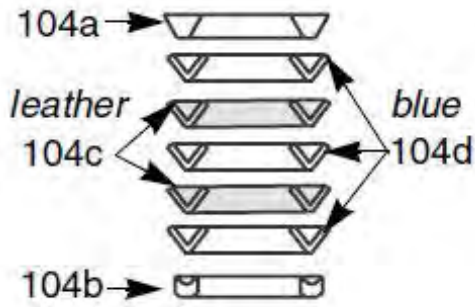
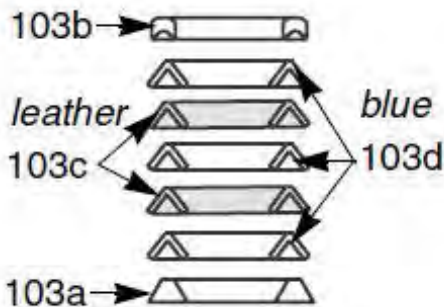
Figure 4: Xtreme® Seal Repair Kit for 250cc Lower Displacement Pump



Xtreme® Seal Repair Kit 24F965

**Throat Packings:
Lips Face Down**

**Piston Packings:
Lips Face Up**



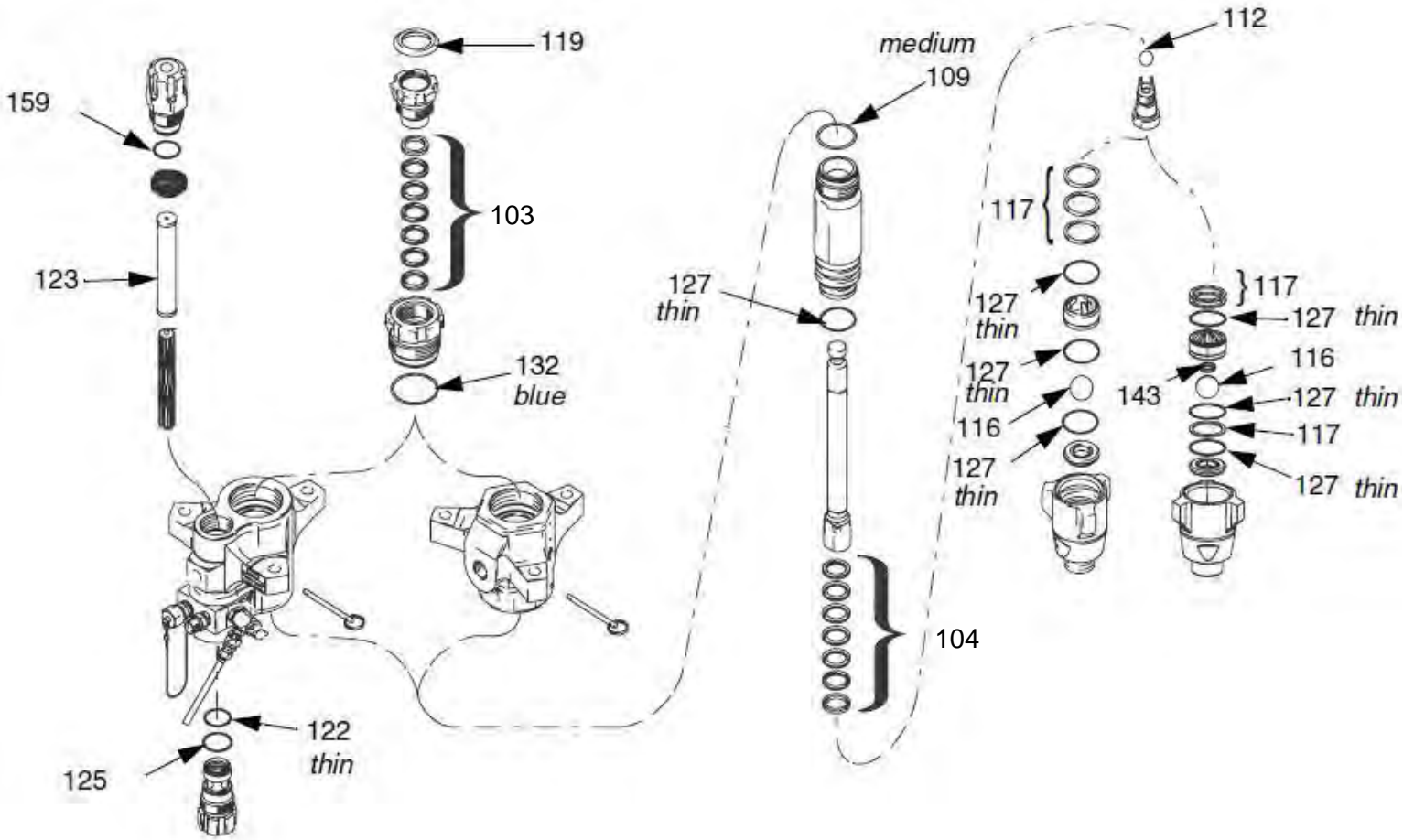
PART NUMBERS AND SCHEMATICS GUIDE

Tuff-Stack™ Repair Kit for 250cc Lower Displacement Pump

Item#	Part#	Description
Fig. 5		
—	20G24F966	Tuff-Stack™ Repair Kit <i>(Includes Item #'s: 1 (Quantity of Two); 2 (Quantity of Two); 3 (Quantity of Four); 4 (Quantity of 10); 5 (Quantity of Two); 6 (Quantity of Four); 7, 8, 9 (Quantity of Three); and 10)</i>
103	—	Throat Packings
103a	20G245232	Male Gland <i>(Quantity of Four)</i>
103b	20G246530	Female Gland <i>(Quantity of Four)</i>
103e	20G245229	V-Packing Carbon-Filled PTFE <i>(Quantity of 10)</i>
104	—	Piston Packings
104a	20G245232	Male Gland <i>(Quantity of Four)</i>
104b	20G246530	Female Gland <i>(Quantity of Four)</i>
104e	20G245229	V-Packing Carbon-Filled PTFE <i>(Quantity of 10)</i>
109	20G244893	PTFE O-Ring, Top Cylinder Medium <i>(Quantity of 10)</i>
112	20G244898	Ball Piston, 7/8 in (22 mm) <i>(Quantity of Three)</i>
116	20G253030	Ball Inlet, 1.5 in (38 mm) <i>(Quantity of Three)</i>
117	20G244856	Shim Inlet, Ball Guide <i>(Quantity of Nine)</i>
119	20G244999	Throat Seal Plug, 1-3/4 in <i>(Quantity of 10)</i>
—	20G247395	Throat Seal Plug, 2-1/2 in <i>(Quantity of 10)</i>
122	20G244895	Filter O-Ring, Thin, PTFE <i>(Quantity of 10)</i>
123	20G238436	Strainer, 30 mesh screen, 5.65 in <i>(Quantity of 25)</i>
—	20G224458	Strainer, 30 mesh, 5.65 in <i>(Quantity of Two)</i>
—	20G238438	Strainer, 60 mesh, 5.65 in <i>(Quantity of 25)</i>
—	20G224459	Strainer, 60 mesh, 5.65 in <i>(Quantity of Two)</i>
125	20G262484	Filter O-Ring, Medium, PTFE <i>(Quantity of 10)</i>
—	20G244896	Filter O-Ring For Series A Pumps <i>(Quantity of 10)</i>
127	20G244894	O-Ring, PTFE, Thin <i>(Quantity of 10)</i>
143	20G116802	Foot Valve Spring (20G262793 only)
159	20G262483	Top Cap O-Ring, PTFE <i>(Quantity of 10)</i>
—	20G244895	Top Cap O-Ring For Series A Pumps <i>(Quantity of 10)</i>
—	209V021	Operator's Manual – Graco® Xtreme® Pump Lowers

PART NUMBERS AND SCHEMATICS GUIDE

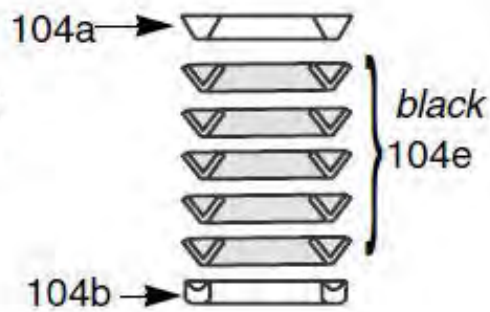
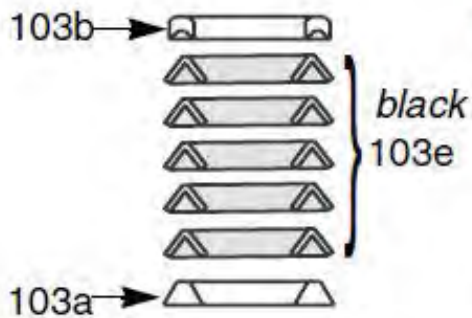
Figure 5: Tuff-Stack™ Repair Kit for 250cc Lower Displacement Pump



Tuff-Stack™ Seal Repair Kit 24F966

Throat Packings:
Lips Face Down

Piston Packings:
Lips Face Up



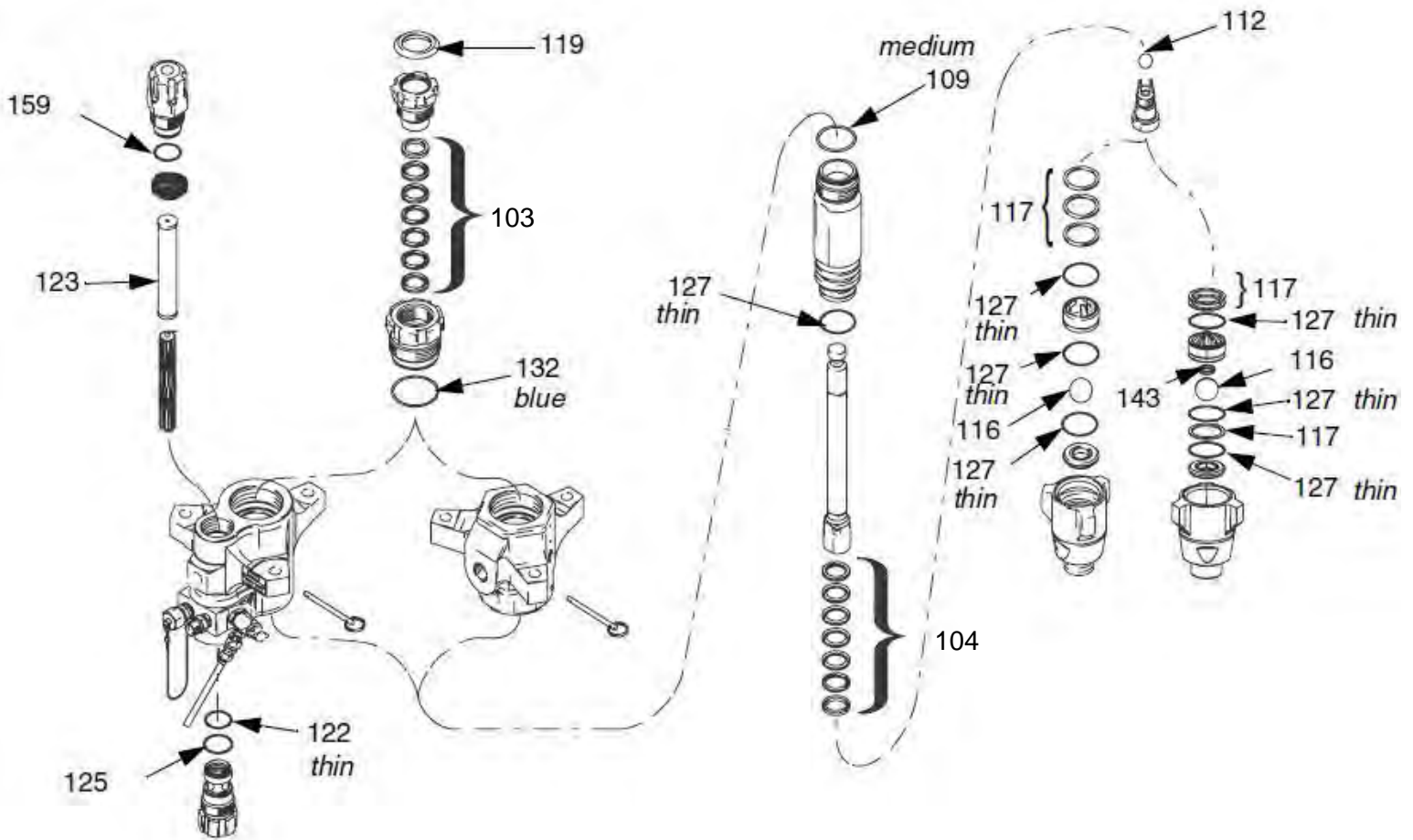
PART NUMBERS AND SCHEMATICS GUIDE

X-Tuff® Repair Kit for 250cc Lower Displacement Pump

Item#	Part#	Description
Fig. 6		
—	20G262793	X-Tuff® Repair Kit <i>(Includes Item #'s: 1 (Quantity of Two); 2 (Quantity of Two); 3 (Quantity of Four); 4 (Quantity of Six); 5 (Quantity of Four); 6 (Quantity of Two); 7, 8, 9, 10 (Quantity of Three); and 11)</i>
103	—	Throat Packings
103a	20G245232	Male Gland <i>(Quantity of Four)</i>
103b	20G245233	Female Gland <i>(Quantity of Four)</i>
103c	20G245229	V-Packing, Carbon-Filled PTFE <i>(Quantity of 10)</i>
103d	20G245231	V-Packing, UHMWPE <i>(Quantity of 10)</i>
104	—	Piston Packings
104a	20G245232	Male Gland <i>(Quantity of Four)</i>
104b	20G245233	Female Gland <i>(Quantity of Four)</i>
104c	20G245229	V-Packing Carbon-Filled, PTFE <i>(Quantity of 10)</i>
104d	20G245231	V-Packing, UHMWPE <i>(Quantity of 10)</i>
109	20G244893	PTFE O-Ring, Top Cylinder Medium <i>(Quantity of 10)</i>
112	20G244898	Ball Piston, 7/8" (22 mm) <i>(Quantity of Three)</i>
116	20G253030	Ball Inlet, 1-1/2" (38 mm) <i>(Quantity of Three)</i>
117	20G244856	Shim Inlet, Ball Guide <i>(Quantity of Nine)</i>
119	20G244999	Throat Seal Plug, 1-3/4" <i>(Quantity of 10)</i>
—	20G247395	Throat Seal Plug, 2-1/2" <i>(Quantity of 10)</i>
122	20G244895	Filter O-Ring, Thin, PTFE <i>(Quantity of 10)</i>
123	20G238436	Strainer, 30 mesh screen, 5.65" <i>(Quantity of 25)</i>
—	20G224458	Strainer, 30 mesh, 5.65" <i>(Quantity of Two)</i>
—	20G238438	Strainer, 60 mesh, 5.65" <i>(Quantity of 25)</i>
—	20G224459	Strainer, 60 mesh, 5.65" <i>(Quantity of Two)</i>
125	20G262484	Filter O-Ring, Medium, PTFE <i>(Quantity of 10)</i>
—	20G244896	Filter O-Ring For Series A Pumps <i>(Quantity of 10)</i>
127	20G244894	O-Ring, PTFE, Thin <i>(Quantity of 10)</i>
143	20G116802	Foot Valve Spring (20G262793 only)
159	20G262483	Top Cap O-Ring, PTFE <i>(Quantity of 10)</i>
—	20G244895	Top Cap O-Ring For Series A Pumps <i>(Quantity of 10)</i>
—	209V021	Operator's Manual – Graco® Xtreme® Pump Lowers

PART NUMBERS AND SCHEMATICS GUIDE

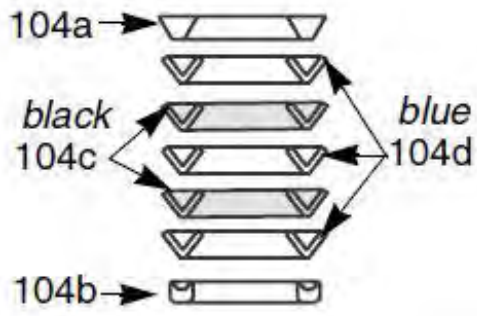
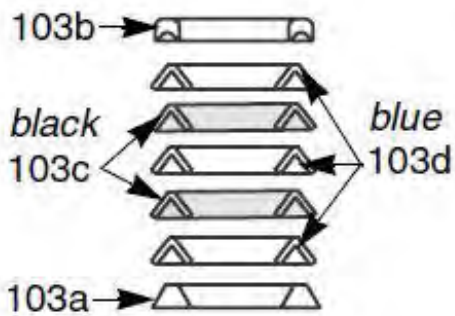
Figure 6: X-Tuff® Repair Kit for 250cc Lower Displacement Pump



X-Tuff® Seal Repair Kit 262794

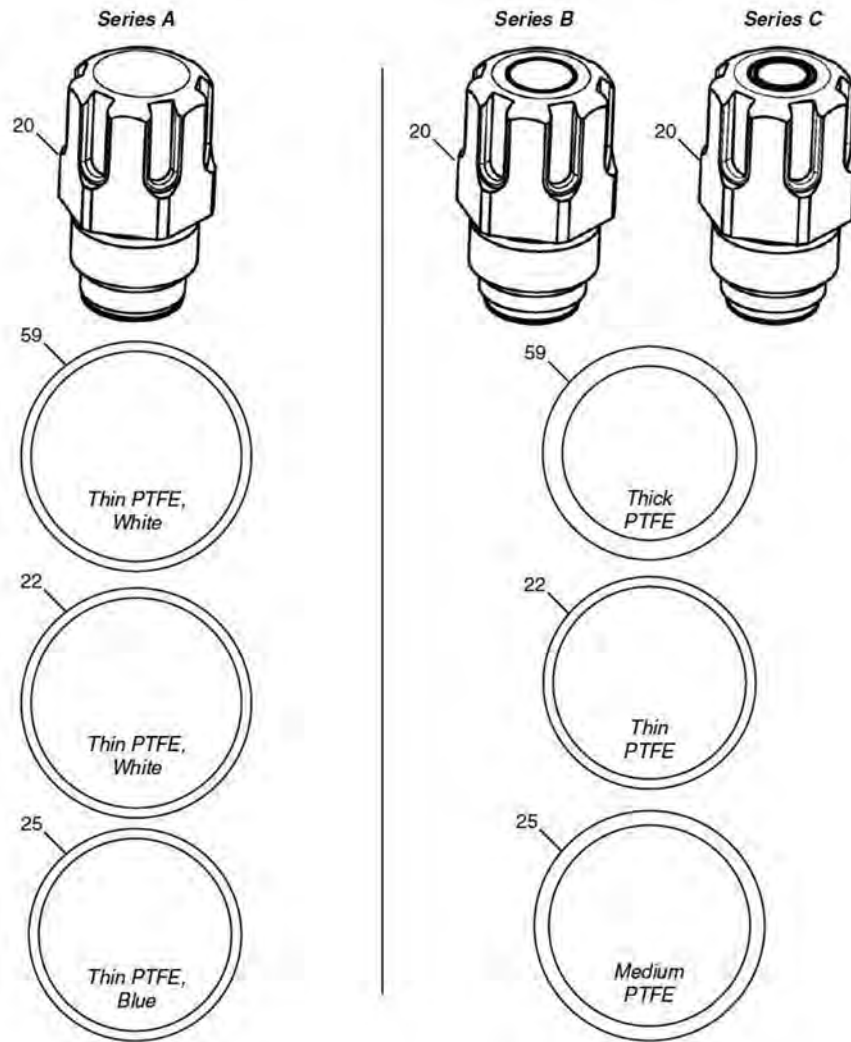
Throat Packings:
Lips Face Down

Piston Packings:
Lips Face Up



PART NUMBERS AND SCHEMATICS GUIDE

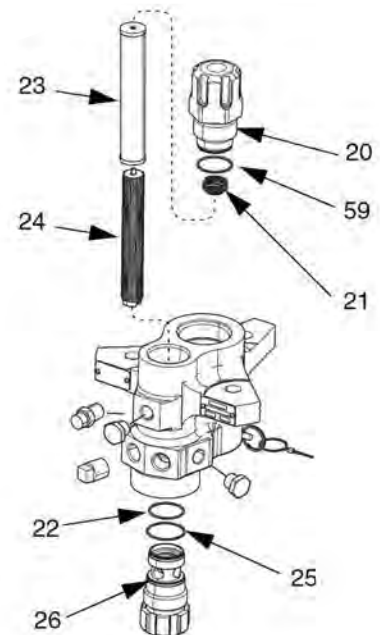
Figure 7: Filter Cap Series Key








Filter Cap Conversion Kits for Graco Xtreme Lowers



Converts Series A Lowers to Series B Lowers

Item#	Part#	Description
Fig. 7		
—	20G24F975	Filter Cap Conversion Kit – Complete
20	20G16M461	Tip Filter Cap
21	20G171941	Filter Spring
22	20G244895	O-Ring PTFE Thin (<i>Quantity of 10</i>)
23a	20G224458	Strainer, 30 Mesh
23b	20G224459	Strainer, 60 Mesh
24	20G186075	Support
25	20G262484	O-Ring PTFE Medium (<i>Quantity of 10</i>)
26	20G16M462	Filter Cap
59	20G262483	O-Ring PTFE Thick (<i>Quantity of 10</i>)



OPTIONAL ACCESSORIES

	Part Numbers	SUCTION TUBE AND ACCESSORIES	
		Description	
	20G197682	Suction Tube	
	20G247301	1" I.D. x 6' Suction Hose with Couplings	
	20G247302	1" I.D. x 10' Suction Hose with Couplings	
	20G245136	55 Gallon Suction Tube Extension Kit <i>Includes Suction Tube and Couplings</i>	
	20G181072	60 Mesh Strainer for 1" Suction Tube	

	Part Numbers	HIGH PRESSURE BALL VALVES		
		Thread Size	Seal Material	Working Pressure
	20G210657B	1/4" Male x 1/4" Male	Viton	5,000 psi
	20G210658B	3/8" Male x 3/8" Male	Viton	5,000 psi
	20G210659B	1/4" Male x 3/8" Male	Viton	5,000 psi
	20G214037	1/4" Male x 1/4" Male	Teflon	5,000 psi
	20G223959B	3/8" Male x 1/4" Male	Teflon	5,000 psi
	20G210658B	3/8" Male x 3/8" Male	Teflon	5,000 psi
	20DQVAE2AO14	1/4" Female x Female	Nitrile	7,000 psi
	20DQVAE2AO38	3/8" Female x Female	Nitrile	7,000 psi
	20DQVAE2AO12	1/2" Female x Female	Nitrile	7,000 psi

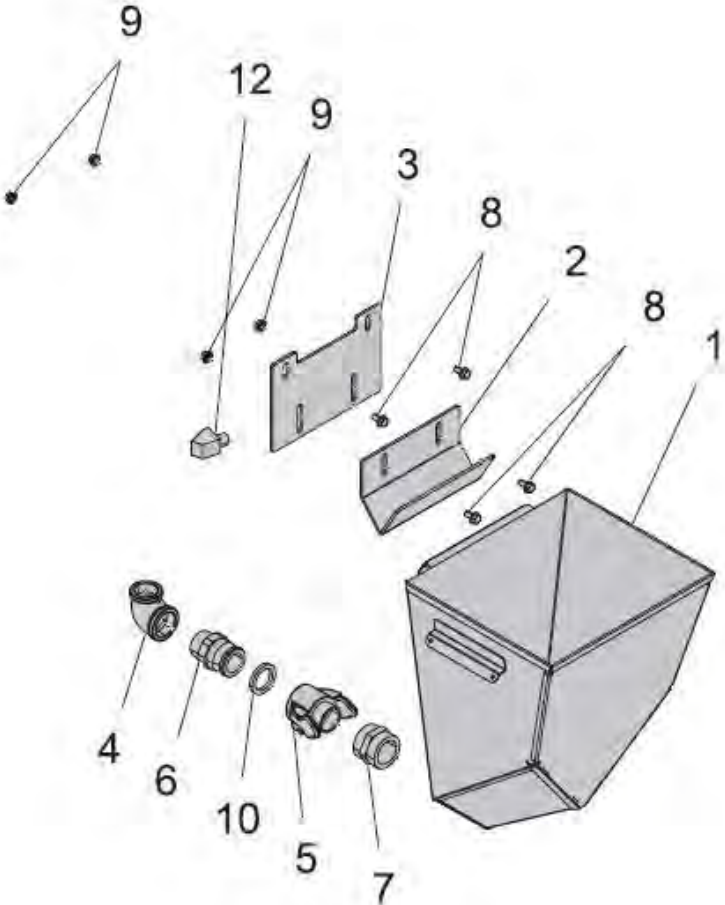
OPTIONAL ACCESSORIES

Graco® Xtreme® Airless Spray Pumps – Stainless Steel Hopper Kit

Item#	Part#	Description
Fig. 8		
—	20G24X570	Xtreme® Sprayer Stainless Steel Hopper Kit – Heavy-Duty Cart
—	20G24Y402	Xtreme® Sprayer Stainless Steel Hopper Kit – Lightweight Cart
1	20G17E114	Hopper
2	20G17C474	Bracket
3	20G17D554	Upper Bracket
4	20G126939	90° Elbow
5	20G128095	Cam/Groove
6	20G17C692	Cam/Groove Fitting, 1.5m, 1-1/2" NPT
7	20G128094	Bushing
8	20G112395	Flanges Cap Screw – HD (<i>Quantity of Four</i>)
9	20G112958	Nut (<i>Quantity of Four</i>)
10	20G17C453	Gasket
12	20G15M987	1/2" NPT (M) x 1/2" NPT (F) 60° Elbow
—	20G110110	6 ml Stainless Steel Pipe Sealant
—	20G16U537	Lid

OPTIONAL ACCESSORIES

Figure 8: Graco® Xtreme® Airless Spray Pumps – Stainless Steel Hopper Kit



PART NUMBERS AND SCHEMATICS GUIDE

Part Numbers	GRACO® XTREME® 60:1 AIRLESS SPRAYERS								
	MOUNT			Built-In Filter	DataTrak™	Hopper Included	XTR™ 7 Airless Spray Gun	HOSES	
	Heavy-Duty Cart	Light-Weight Cart	Wall Mount					50 Feet x 3/8" I.D. Airless Spray Hose	6 Feet x 1/4" I.D. Airless Spray Hose
20GX60DH4	X			X					
20GX60DH2	X			X	X				
20GX60DH3	X			X			X	X	X
20GX60DH6	X			X		X	X	X	X
20GX60DH1	X			X	X		X	X	X
20GX60DH5	X			X	X	X	X	X	X
20GX60DH7	X						X	X	X
20GX60DL4		X		X					
20GX60DL2		X		X	X				
20GX60DL6		X		X		X	X	X	X
20GX60DL3		X		X			X	X	X
20GX60DL1		X		X	X		X	X	X
20GX60DL5		X		X	X	X	X	X	X
20GX60DW4			X	X					
20GX60DW2			X	X	X				

GRACO® XTREME® 60:1 AIRLESS SPRAYER – SPECIFICATIONS	
Output Per Cycle	6,000 psi
Pump Lower Output per Cycle	220cc
Motor	NXT 6500cc
De-Icing Motor	Yes
Xtreme® Seal and Leather Packing	Yes

PART NUMBERS AND SCHEMATICS GUIDE



**20GX60DH4 Shown*

PART NUMBERS AND SCHEMATICS GUIDE

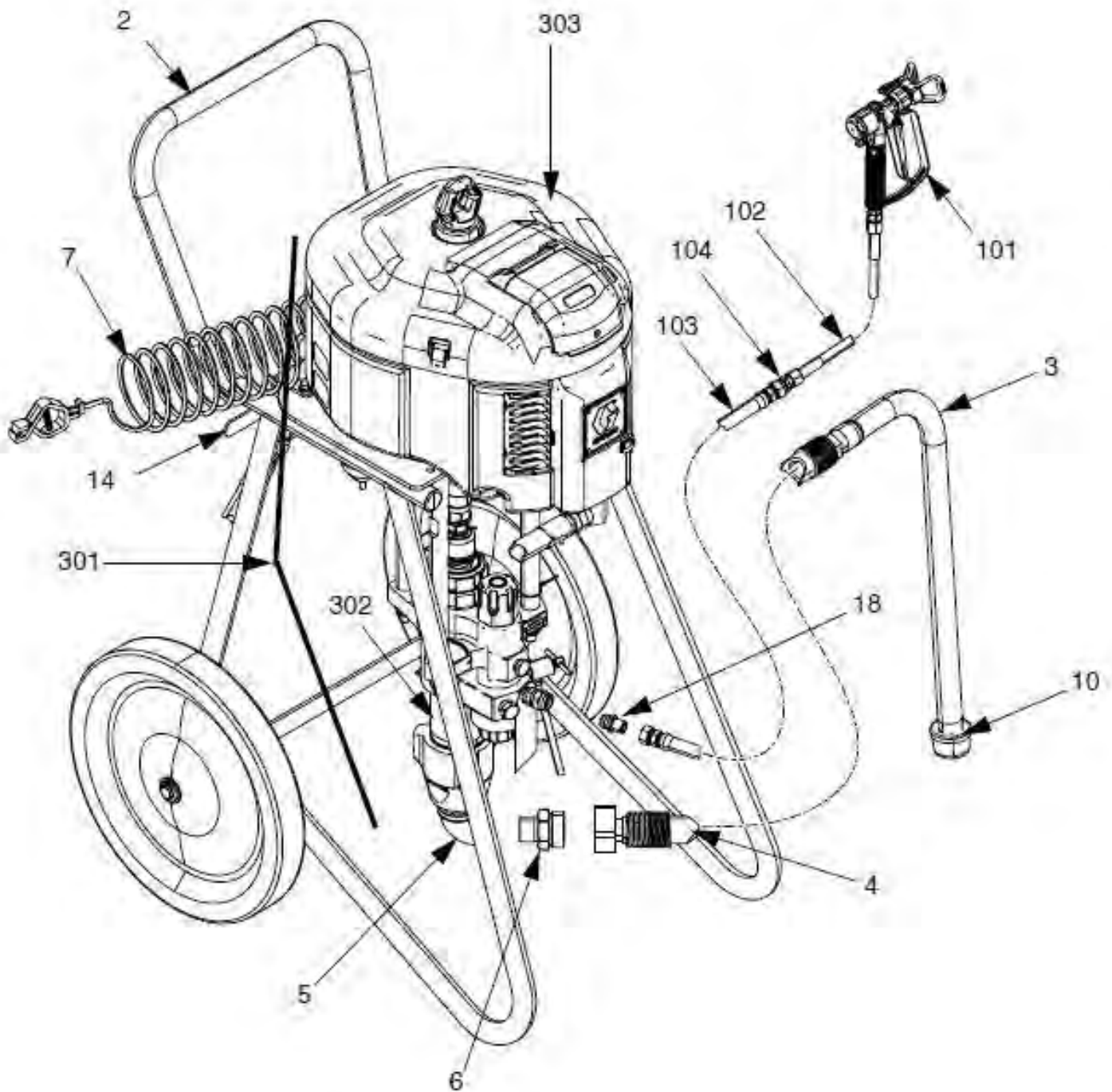
Graco® Xtreme® 60:1 Airless Spray Pumps

Item#	Part#	Description
Fig. 1		
2	20G287884	Heavy-Duty Cart
—	20G287919	Lightweight Cart
3	20G197682	1" Suction Tube
4	20G247301	1" NPT x Quick Connect, 6 ft. Suction Hose
—	20G288687	1" NPT x Quick Connect, 10 ft. Suction Hose (<i>Wall-Mount Units</i>)
5	20G116401	Elbow Adapter
6	20G116402	Quick Connect Adapter
7	20G244524	Ground Assembly Wire with Clamp
10	20G181072	Strainer Inlet
11	20G100101	Hex Head Cap Mounting Screw
12	20G100133	Lock Washer
13	20G247312	Adapter Kit Plate
—		<i>(Includes Lock Nut and Adapter Plate)</i>
14	20G24E013	Air Control (<i>Heavy Duty Cart</i>)
18	20G162505	1/2" F x 3/8" M Swivel Union Fitting
101	20GXTR704	XTR™ 7 Spray Gun for 55:1 – 90:1 ratio only (<i>Not included with all models, see page 4</i>)
102	20GH52506*	Fluid Hose (Nylon, 1/4" I.D. x 1/4" NPS (M), 6 ft.), 6100 psi
103	20GH53850*	Fluid Hose (Nylon, 3/8" I.D. x 3/8" NPS (M), 50 ft.), 5800 psi
104	20G164856	3/8" x 1/4" NPT Reducing Nipple Fitting
301	—	Spray Pump (<i>See page 4</i>)
302	—	Pump Lower (<i>See pages 10-17</i>)
303	—	NXT® Air Motor (<i>See pages 8-9</i>)
—	206M540	Part Numbers and Schematics Guide – Graco® Xtreme® 60:1 Airless Spray Pumps
—	206M362	Part Numbers and Schematics Guide – Graco® XTR™ 7 Airless Spray Gun
—	209V508	Operator's Manual – Graco® Xtreme® Pump Packages

*Not included with all models, see page 4

PART NUMBERS AND SCHEMATICS GUIDE

Figure 1: Graco® Xtreme® 60:1 Airless Spray Pumps



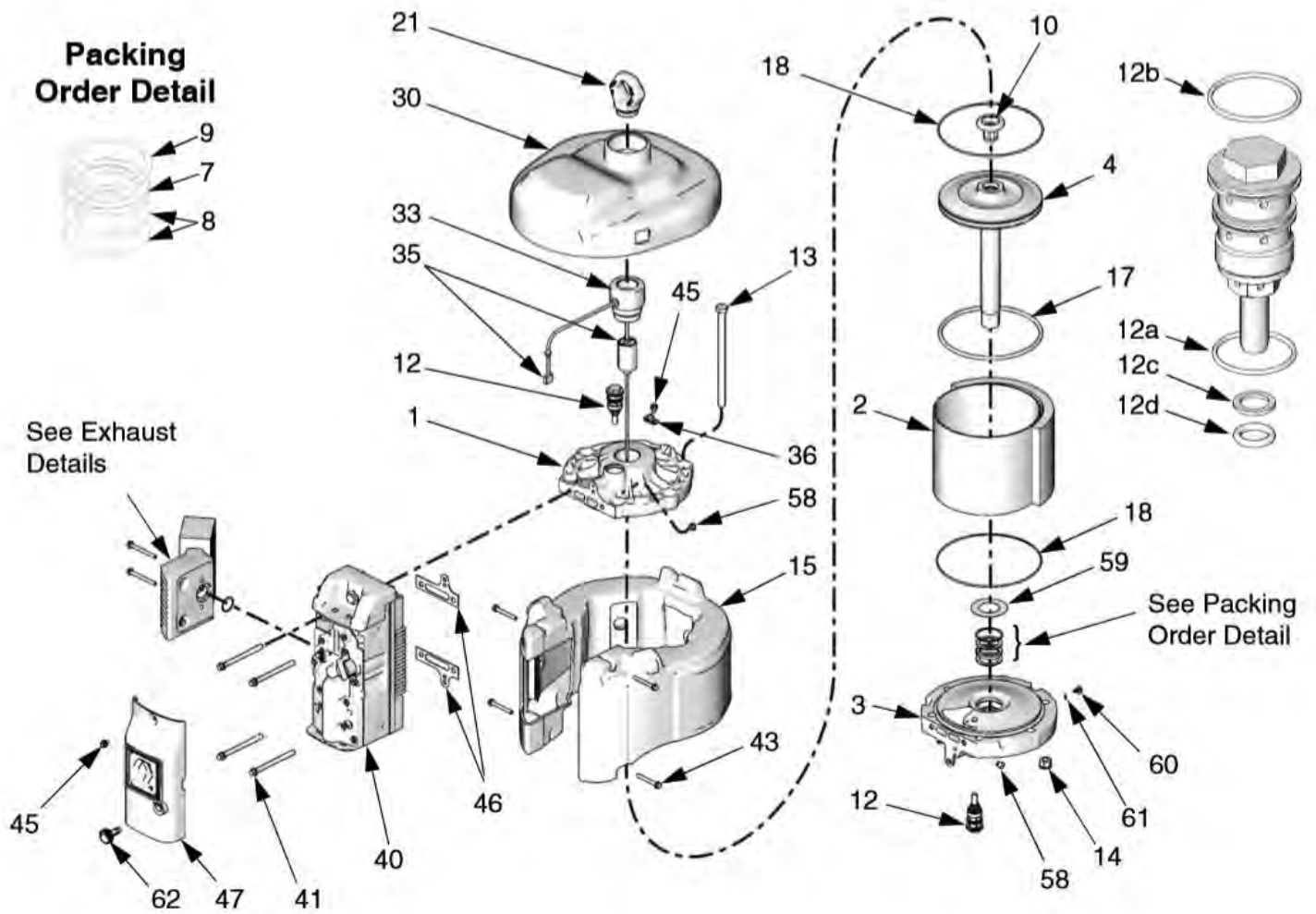
PART NUMBERS AND SCHEMATICS GUIDE

NXT® Model 6500 Air Motor and Exhaust

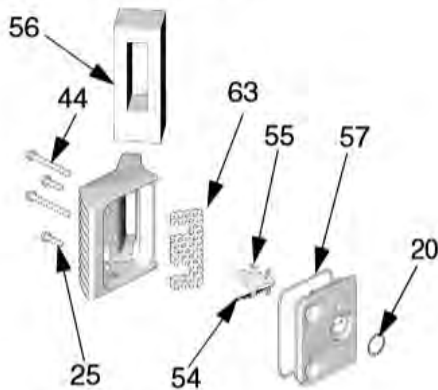
Item#	Part#	Description	Item#	Part#	Description
Fig. 2			43	20G120091	1/4-20 x 2" Screw, Thread Forming, (51 mm)
—	20GN65DN0	NXT® Model 6500 De-Icing Air Motor	44	20G120092	1/4-20 x 2-1/2" Thread Forming Screw, (63 mm)
—	20GN65DH0	NXT® Model 6500 De-Icing Air Motor with Sensor	46	20G253476	Gasket
—	20GN65LN0	NXT® Model 6500 Low Noise Motor	47	20G287844	Valve Cover, Outer
1	20G15F953	Top Cover	51	20G15F674	Safety Label
2	20GNXT604	Cylinder	52	20G15F973	Safety Label
3	20GNXT602	Bottom Cover	54	20G15H179	Deflector
4	20GNXT601	Piston Assembly	55	20G107257	1/4-20 x 1/2" Thread Forming Screw, (13 mm)
7	20G161562	Packing, V-block; Nitrile	56	20G15H190	Exhaust Seal
8	20G15H610	Packing, Backup; Leather	57	20G15K345	Gasket, buna-N
9	20G16A026	Retaining Ring	58	20G120206	Poppet Muffler
10	20GNXT106	Piston Bumper, includes Magnet	59	20G277366	Bumper
12	20GNXT100	Poppet <i>(Includes Item #'s: 12a-12d)</i>	60	20G116343	Ground Screw, M5 x 0.8
12a	—	O-Ring, buna-N	61	20G111307	Lock Washer, 5 mm
12b	20GNXT101	O-Ring, buna-N	62	20GNXT112	De-Ice Knob
12c	20GNXT101	O-Ring, Backup, buna-N	63	20G15G689	Exhaust Diffuser
12d	—	O-Ring, buna-N	—	20GNXT600	Repair Kit NXT 6500 Air Motor <i>(Includes Item #'s: 7, 8, 9, 17, 18, and 46)</i>
13	20G119050	1/2-13 x 8" Hex Head Bolt, (203 mm)	—	209V509	Operator's Manual – Graco® NXT® Air Motor
14	20G15F639	1/2-13 Nut with Lock Washer			
15	20GNXT603	Muffler			
17	20G122675	Piston O-Ring, Nitrile			
18	20G15F448	End Cap O-Ring, Nitrile			
20	20G119990	O-Ring, buna-N			
21	20G15F931	Lift Ring			
22	20GNXT110	De-Ice Exhaust Kit <i>(Includes Item #'s: 20, 25, 44, 56, and 57)</i>			
23	20GNXT105	Remote Exhaust Kit <i>(Includes items 20, 44)</i>			
24	20GNXT104	Low Noise Exhaust Kit <i>(Includes item #'s: 20, 22, 25, 44, 54, 55, 56, and 57)</i>			
25	20G120730	1/4-20 x 1" Machine Screw, Hex Head, (25 mm)			
41	20G120088	3/8-16 x 4" Screw (101 mm)			

PART NUMBERS AND SCHEMATICS GUIDE

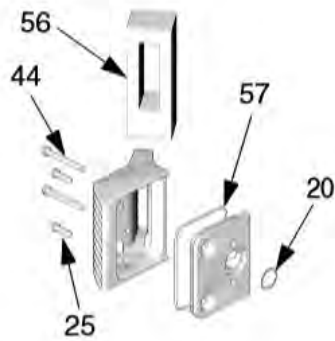
Figure 3: NXT® Model 6500 Air Motor and Exhaust



Low Noise Exhaust



De-Ice Exhaust



Remote Exhaust



PART NUMBERS AND SCHEMATICS GUIDE

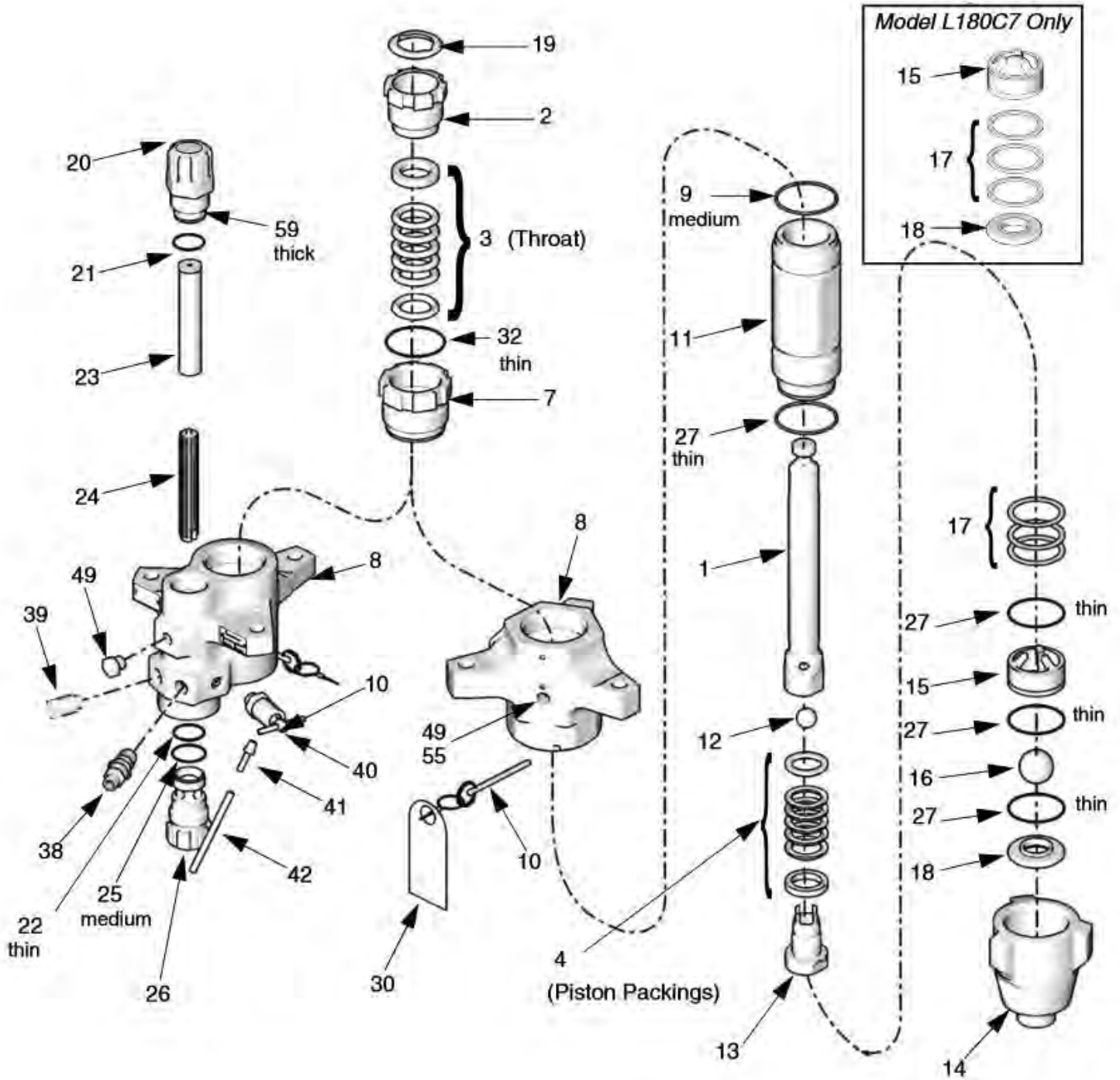
220cc Xtreme® Sprayer Lower Displacement Pump

Item#	20GL220C1 <i>(No Built-In Filter)</i>	20GL220C2 <i>(Built-In Filter)</i>	Description
Fig. 3			
1	20G24B823	20G24B823	Displacement Rod
2	20G15K031	20G15K031	Packing Nut
3*	—	—	Stack Packings, Throat <i>(See Repair Kits, Fig. 5, 6, 7)</i>
4*	—	—	Stack Packings, Piston <i>(See Repair Kits, Fig. 5, 6, 7)</i>
7	20G197327	20G197327	Packing Cartridge, Throat
8	20G197335	20G197337	Housing Outlet
9*	20G244893	20G244893	O-Ring, Top Cylinder, PTFE Medium <i>(Quantity of 10)</i>
10	20G244826	20G244826	Self-Locking Pin
11	20G197317	20G197317	Lower Cylinder
12	20G244898	20G244898	Ball Piston <i>(Quantity of Three)</i>
13	20G24B828	20G24B828	Piston Valve
14	20G197304	20G197304	Inlet Housing
15	20G198647	20G198647	Inlet Ball Guide
16*	20G253030	20G253030	Inlet Ball <i>(Quantity of Three)</i>
17	20G244856	20G244856	Inlet Shim Ball Guide <i>(Quantity of Nine)</i>
18	20G197344	20G197344	Inlet Seat
19*	20G247395	20G247395	Throat Seal Plug <i>(Quantity of 10)</i>
20	—	20G16M461	Top Filler Cap
21	—	20G171941	Compression Spring
22*	—	20G244895	Thin Filter O-Ring, PTFE <i>(Quantity of 10)</i>
23	—	20G224459	Strainer, 60 mesh screen
24	—	20G186075	Filter Support
25*	—	20G262484	Filter O-Ring, Medium, PTFE <i>(Quantity of 10)</i>
26	—	20G16M462	Lower Filter Cap
27*	20G244894	20G244894	Foot Valve and Cylinder Bottom O-Ring, PTFE thin <i>(Quantity of 10)</i>
30	20G172479	20G172479	Warning Tag
32*	20G244891	20G244891	Throat Cartridge O-Ring, PTFE thin <i>(Quantity of 10)</i>
38	—	20G158491	Nipple Fitting, Outlet, 1/2 in
39	—	20G24N518	Packless Plug, 1/2 in
40	—	20G245143	Pressure Dump Valve
41	—	20G116746	Barbed Fitting, Plated
42	—	20G116750	Nylon Tube
49	20G101754	20G198292	Pipe Plug
55	—	—	Rupture Disc Housing
59*	—	20G262483	Filter O-Ring, PTFE thick <i>(Quantity of 10)</i>

*Quantities listed with repair kit are number of individual pieces.

PART NUMBERS AND SCHEMATICS GUIDE

Figure 3: 220cc Xtreme® Sprayer Lower Displacement Pump



Note: Lower Displacement Pump with Built-In Filter Shown.

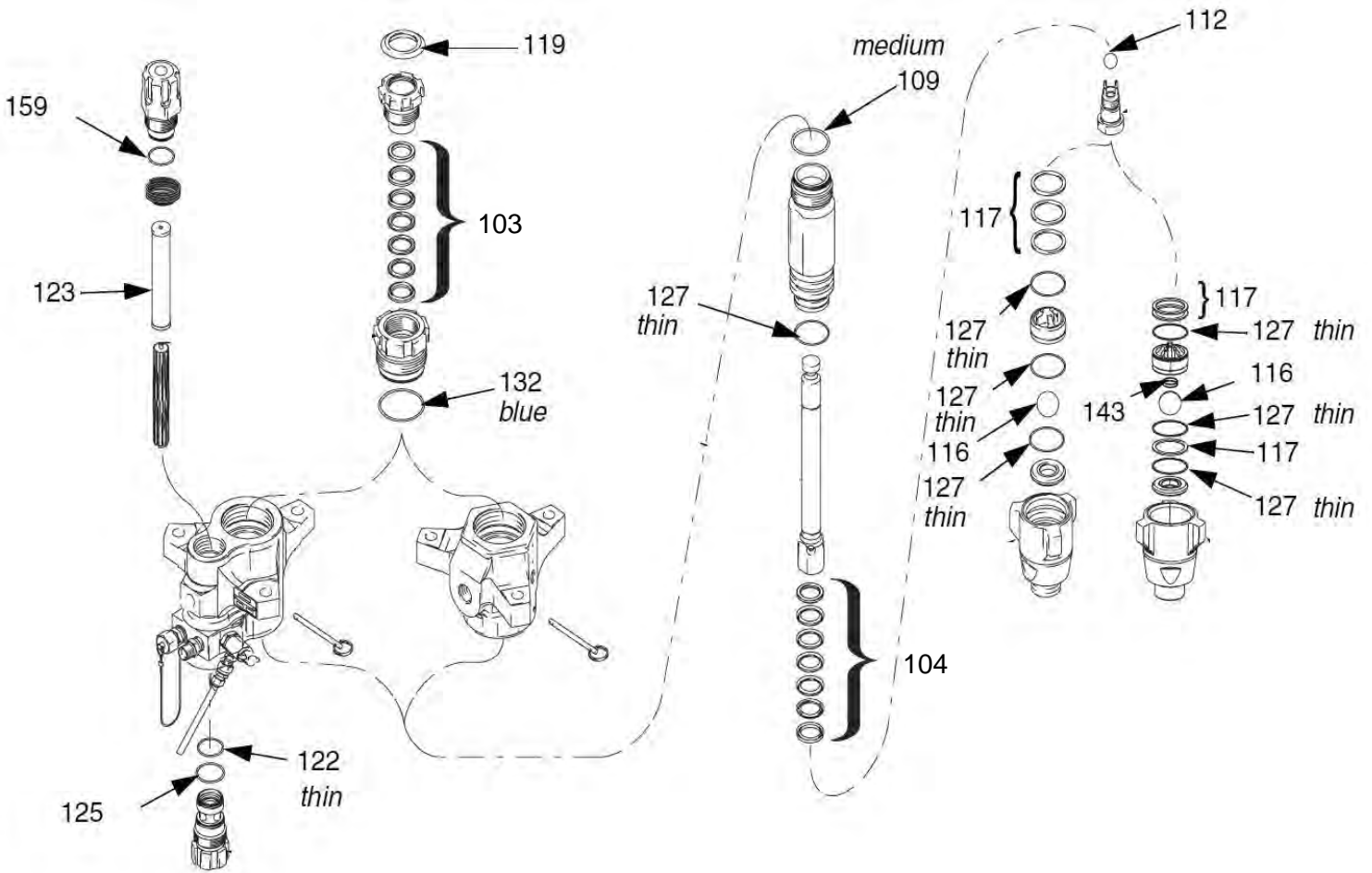
PART NUMBERS AND SCHEMATICS GUIDE

Xtreme® Seal Repair Kits for 220cc Lower Displacement Pump

Item#	Part#	Description
Fig. 4		
—	20G24F967	Xtreme® Seal Repair Kit <i>(Includes Item #'s: 1 (Quantity of Two); 2 (Quantity of Two); 3 (Quantity of Four); 4 (Quantity of Six); 5 (Quantity of Four); 6 (Quantity of Two); 7, 8, 9, 10 (Quantity of Three); and 11)</i>
103	—	Throat Packings
103a	20G244883	Male Gland <i>(Quantity of Four)</i>
103b	20G244877	Female Gland <i>(Quantity of Four)</i>
103c	20G244871	V-Packing, Leather <i>(Quantity of 10)</i>
103d	20G244865	V-Packing, UHMWPE, Black <i>(Quantity of 10)</i>
104	—	<i>Piston Packings</i>
104a	20G244884	Male Gland <i>(Quantity of Four)</i>
104b	20G244878	Female Gland <i>(Quantity of Four)</i>
104c	20G244872	V-Packing, Leather <i>(Quantity of 10)</i>
104d	20G244866	V-Packing, UHMWPE, Black <i>(Quantity of 10)</i>
109	20G244893	PTFE O-Ring, Top Cylinder Medium <i>(Quantity of 10)</i>
112	20G244898	Ball Piston, 7/8 in (22 mm) <i>(Quantity of Three)</i>
116	20G253030	Ball Inlet, 1.5 in (38 mm) <i>(Quantity of Three)</i>
117	20G244856	Shim Inlet, Ball Guide <i>(Quantity of Nine)</i>
119	20G244999	Throat Seal Plug, 1-3/4 in <i>(Quantity of 10)</i>
—	20G247395	Throat Seal Plug, 2-1/2 in <i>(Quantity of 10)</i>
122	20G244895	Filter O-Ring, Thin, PTFE <i>(Quantity of 10)</i>
123	20G238436	Strainer, 30 mesh screen, 5.65 in <i>(Quantity of 25)</i>
—	20G224458	Strainer, 30 mesh, 5.65 in <i>(Quantity of Two)</i>
—	20G238438	Strainer, 60 mesh, 5.65 in <i>(Quantity of 25)</i>
—	20G224459	Strainer, 60 mesh, 5.65 in <i>(Quantity of Two)</i>
125	20G262484	Filter O-Ring, Medium, PTFE <i>(Quantity of 10)</i>
—	20G244896	Filter O-Ring For Series A Pumps <i>(Quantity of 10)</i>
127	20G244894	O-Ring, PTFE, Thin <i>(Quantity of 10)</i>
143	20G116802	Foot Valve Spring (20G262793 only)
159	20G262483	Top Cap O-Ring, PTFE <i>(Quantity of 10)</i>
—	20G244895	Top Cap O-Ring For Series A Pumps <i>(Quantity of 10)</i>
—	209V021	Operator's Manual — Graco® Xtreme® Pump Lowers

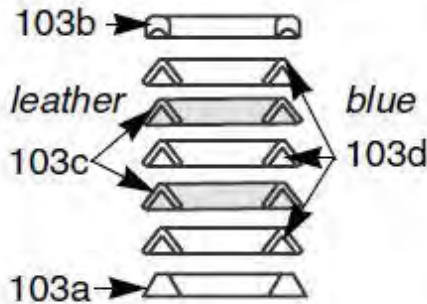
PART NUMBERS AND SCHEMATICS GUIDE

Figure 4: Xtreme® Seal Repair Kits for 220cc Lower Displacement Pump

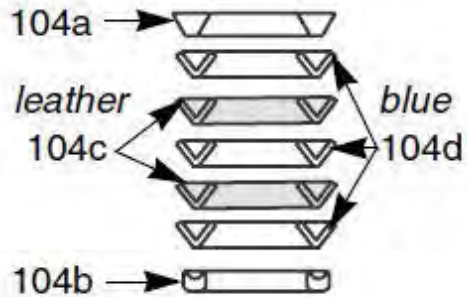


Xtreme™ Seal Repair Kit 24F967

**Throat Packings:
Lips Face Down**



**Piston Packings:
Lips Face Up**



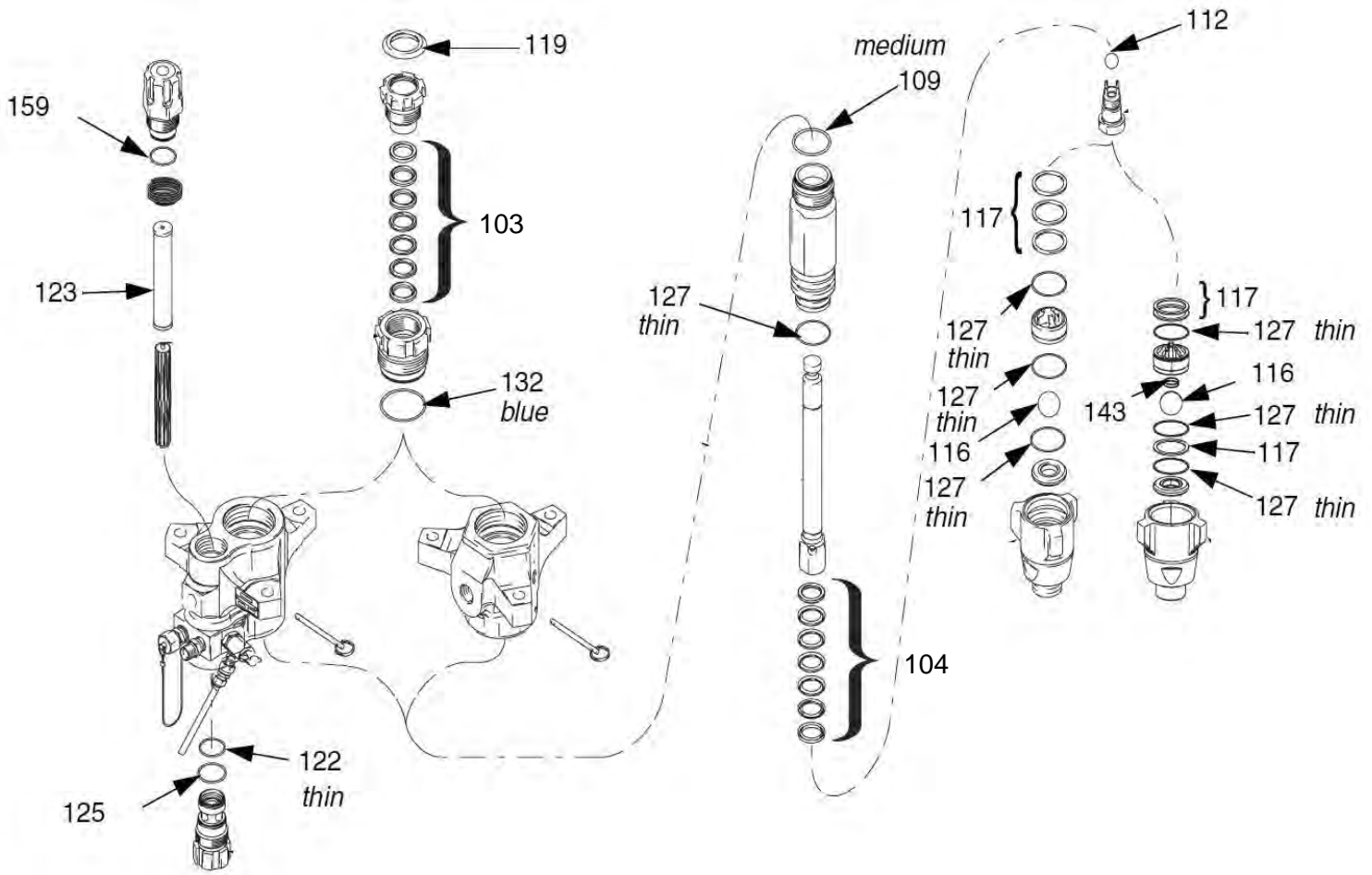
PART NUMBERS AND SCHEMATICS GUIDE

Tuff-Stack™ Repair Kit for 220cc Lower Displacement Pump

Item#	Part#	Description
Fig. 5		
—	20G24F968	Tuff-Stack™ Repair Kit <i>(Includes Item #'s: 1 (Quantity of Two); 2 (Quantity of Two); 3 (Quantity of Four); 4 (Quantity of 10); 5 (Quantity of Two); 6 (Quantity of Four); 7, 8, 9 (Quantity of Three); and 10)</i>
103	—	Throat Packings
103a	20G244883	Male Gland <i>(Quantity of Four)</i>
103b	20G244877	Female Gland <i>(Quantity of Four)</i>
103e	20G244859	V-Packing Carbon-Filled, PTFE/UHMWPE, Blue <i>(Quantity of 10)</i>
104	—	Piston Packings
104a	20G244884	Male Gland <i>(Quantity of Four)</i>
104b	20G244878	Female Gland <i>(Quantity of Four)</i>
104e	20G244860	V-Packing Carbon-Filled, PTFE/UHMWPE, Blue <i>(Quantity of 10)</i>
109	20G244893	PTFE O-Ring, Top Cylinder Medium <i>(Quantity of 10)</i>
112	20G244898	Ball Piston, 7/8 in (22 mm) <i>(Quantity of Three)</i>
116	20G253030	Ball Inlet, 1.5 in (38 mm) <i>(Quantity of Three)</i>
117	20G244856	Shim Inlet, Ball Guide <i>(Quantity of Nine)</i>
119	20G244999	Throat Seal Plug, 1-3/4 in <i>(Quantity of 10)</i>
—	20G247395	Throat Seal Plug, 2-1/2 in <i>(Quantity of 10)</i>
122	20G244895	Filter O-Ring, Thin, PTFE <i>(Quantity of 10)</i>
123	20G238436	Strainer, 30 mesh screen, 5.65 in <i>(Quantity of 25)</i>
—	20G224458	Strainer, 30 mesh, 5.65 in <i>(Quantity of Two)</i>
—	20G238438	Strainer, 60 mesh, 5.65 in <i>(Quantity of 25)</i>
—	20G224459	Strainer, 60 mesh, 5.65 in <i>(Quantity of Two)</i>
125	20G262484	Filter O-Ring, Medium, PTFE <i>(Quantity of 10)</i>
—	20G244896	Filter O-Ring For Series A Pumps <i>(Quantity of 10)</i>
127	20G244894	O-Ring, PTFE, Thin <i>(Quantity of 10)</i>
143	20G116802	Foot Valve Spring (20G262793 only)
159	20G262483	Top Cap O-Ring, PTFE <i>(Quantity of 10)</i>
—	20G244895	Top Cap O-Ring For Series A Pumps <i>(Quantity of 10)</i>
—	209V021	Operator's Manual — Graco® Xtreme® Pump Lowers

PART NUMBERS AND SCHEMATICS GUIDE

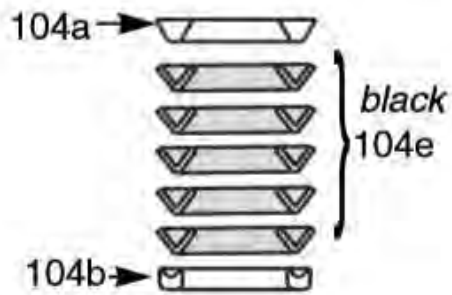
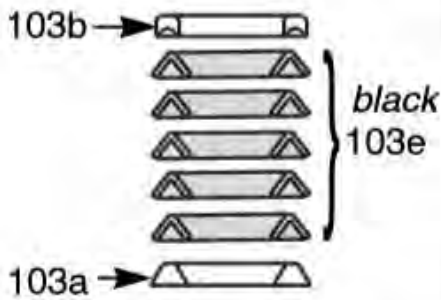
Figure 5: Tuff-Stack™ Repair Kit for 220cc Lower Displacement Pump



Tuff-Stack™ Seal Repair Kit

**Throat Packings:
Lips Face Down**

**Piston Packings:
Lips Face Up**



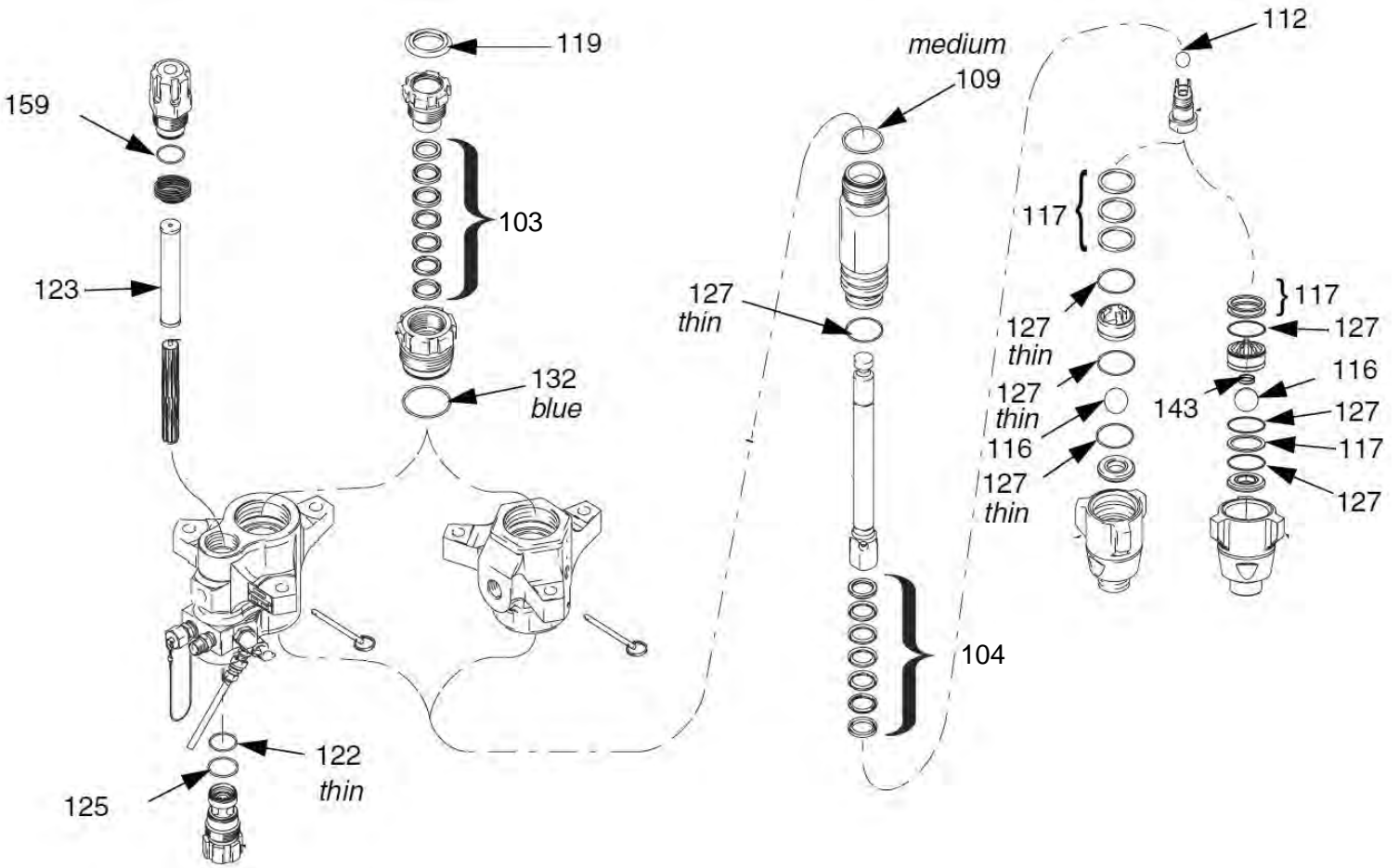
PART NUMBERS AND SCHEMATICS GUIDE

X-Tuff® Repair Kit for 220cc Lower Displacement Pump

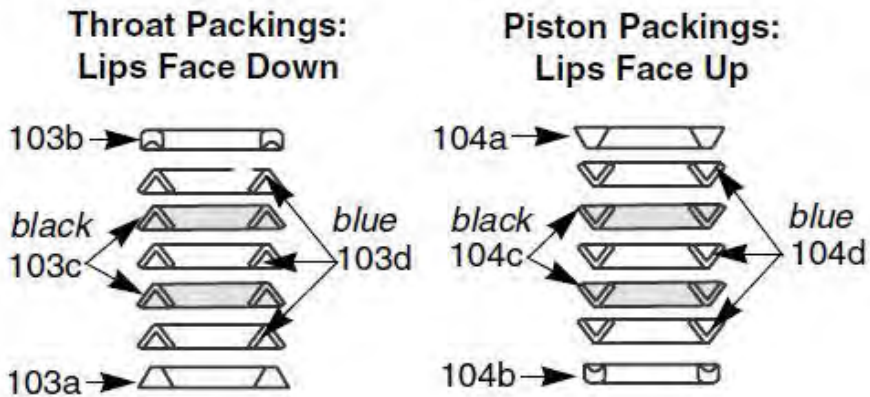
Item#	Part#	Description
Fig. 6		
—	20G262793	X-Tuff® Repair Kit <i>(Includes Item #'s: 1 (Quantity of Two); 2 (Quantity of Two); 3 (Quantity of Four); 4 (Quantity of Six); 5 (Quantity of Four); 6 (Quantity of Two); 7, 8, 9, 10 (Quantity of Three); and 11)</i>
103	—	Throat Packings
103a	20G244883	Male Gland <i>(Quantity of Four)</i>
103b	20G244877	Female Gland <i>(Quantity of Four)</i>
103c	20G244859	V-Packing Carbon-Filled, PTFE/UHMWPE, Blue <i>(Quantity of 10)</i>
103d	20G244865	V-Packing, UHMWPE, Black <i>(Quantity of 10)</i>
104	—	Piston Packings
104a	20G244884	Male Gland <i>(Quantity of Four)</i>
104b	20G244878	Female Gland <i>(Quantity of Four)</i>
104c	20G244860	V-Packing Carbon-Filled, PTFE/UHMWPE, Blue <i>(Quantity of 10)</i>
104d	20G244866	V-Packing, UHMWPE, Black <i>(Quantity of 10)</i>
109	20G244893	PTFE O-Ring, Top Cylinder Medium <i>(Quantity of 10)</i>
112	20G244898	Ball Piston, 7/8 in (22 mm) <i>(Quantity of Three)</i>
116	20G253030	Ball Inlet, 1.5 in (38 mm) <i>(Quantity of Three)</i>
117	20G244856	Shim Inlet, Ball Guide <i>(Quantity of Nine)</i>
119	20G244999	Throat Seal Plug, 1-3/4 in <i>(Quantity of 10)</i>
—	20G247395	Throat Seal Plug, 2-1/2 in <i>(Quantity of 10)</i>
122	20G244895	Filter O-Ring, Thin, PTFE <i>(Quantity of 10)</i>
123	20G238436	Strainer, 30 mesh screen, 5.65 in <i>(Quantity of 25)</i>
—	20G224458	Strainer, 30 mesh, 5.65 in <i>(Quantity of Two)</i>
—	20G238438	Strainer, 60 mesh, 5.65 in <i>(Quantity of 25)</i>
—	20G224459	Strainer, 60 mesh, 5.65 in <i>(Quantity of Two)</i>
125	20G262484	Filter O-Ring, Medium, PTFE <i>(Quantity of 10)</i>
—	20G244896	Filter O-Ring For Series A Pumps <i>(Quantity of 10)</i>
127	20G244894	O-Ring, PTFE, Thin <i>(Quantity of 10)</i>
143	20G116802	Foot Valve Spring (20G262793 only)
159	20G262483	Top Cap O-Ring, PTFE <i>(Quantity of 10)</i>
—	20G244895	Top Cap O-Ring For Series A Pumps <i>(Quantity of 10)</i>
—	209V021	Operator's Manual— Graco® Xtreme® Pump Lowers

PART NUMBERS AND SCHEMATICS GUIDE

Figure 6: X-Tuff® Repair Kit for 220cc Lower Displacement Pump

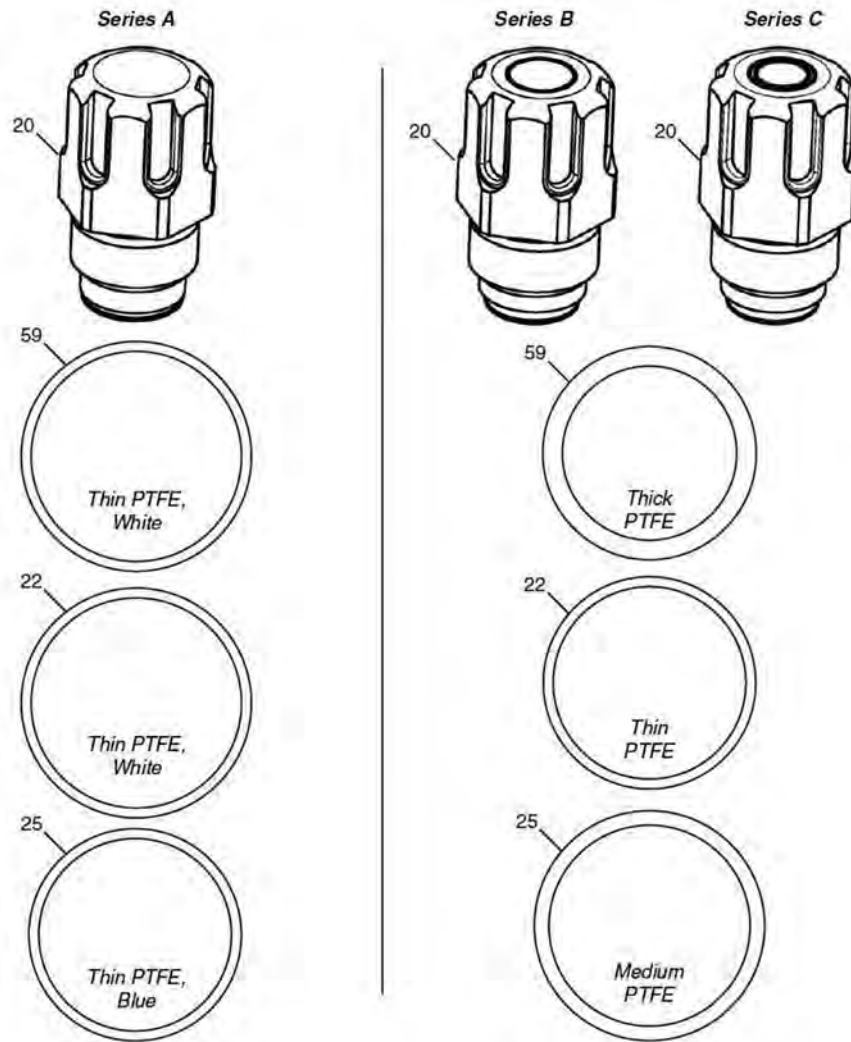


X-Tuff® Seal Repair Kit 262793



PART NUMBERS AND SCHEMATICS GUIDE

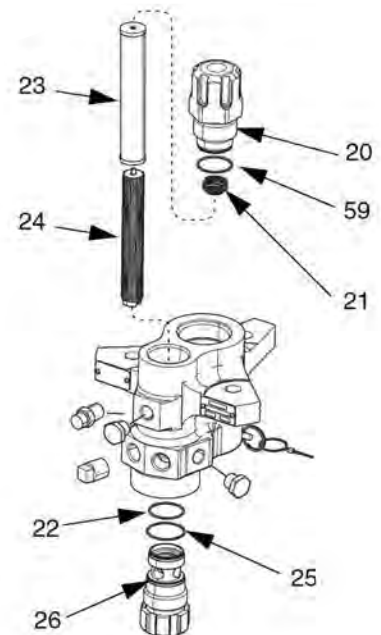
Figure 7: Filter Cap Series Key








Filter Cap Conversion Kits for Graco Xtreme Lowers



Converts Series A Lowers to Series B Lowers

Item#	Part#	Description
Fig. 7		
—	20G24F975	Filter Cap Conversion Kit – Complete
20	20G16M461	Tip Filter Cap
21	20G171941	Filter Spring
22	20G244895	O-Ring PTFE Thin (<i>Quantity of 10</i>)
23a	20G224458	Strainer, 30 Mesh
23b	20G224459	Strainer, 60 Mesh
24	20G186075	Support
25	20G262484	O-Ring PTFE Medium (<i>Quantity of 10</i>)
26	20G16M462	Filter Cap
59	20G262483	O-Ring PTFE Thick (<i>Quantity of 10</i>)



OPTIONAL ACCESSORIES

	Part Numbers	SUCTION TUBE AND ACCESSORIES	
		Description	
	20G197682	Suction Tube	
	20G247301	1" I.D. x 6' Suction Hose with Couplings	
	20G247302	1" I.D. x 10' Suction Hose with Couplings	
	20G245136	55 Gallon Suction Tube Extension Kit <i>Includes Suction Tube and Couplings</i>	
	20G181072	60 Mesh Strainer for 1" Suction Tube	

	Part Numbers	HIGH PRESSURE BALL VALVES		
		Thread Size	Seal Material	Working Pressure
	20G210657B	1/4" Male x 1/4" Male	Viton	5,000 psi
	20G210658B	3/8" Male x 3/8" Male	Viton	5,000 psi
	20G210659B	1/4" Male x 3/8" Male	Viton	5,000 psi
	20G214037	1/4" Male x 1/4" Male	Teflon	5,000 psi
	20G223959B	3/8" Male x 1/4" Male	Teflon	5,000 psi
	20G210658B	3/8" Male x 3/8" Male	Teflon	5,000 psi
	20DQVAE2AO14	1/4" Female x Female	Nitrile	7,000 psi
	20DQVAE2AO38	3/8" Female x Female	Nitrile	7,000 psi
	20DQVAE2AO12	1/2" Female x Female	Nitrile	7,000 psi

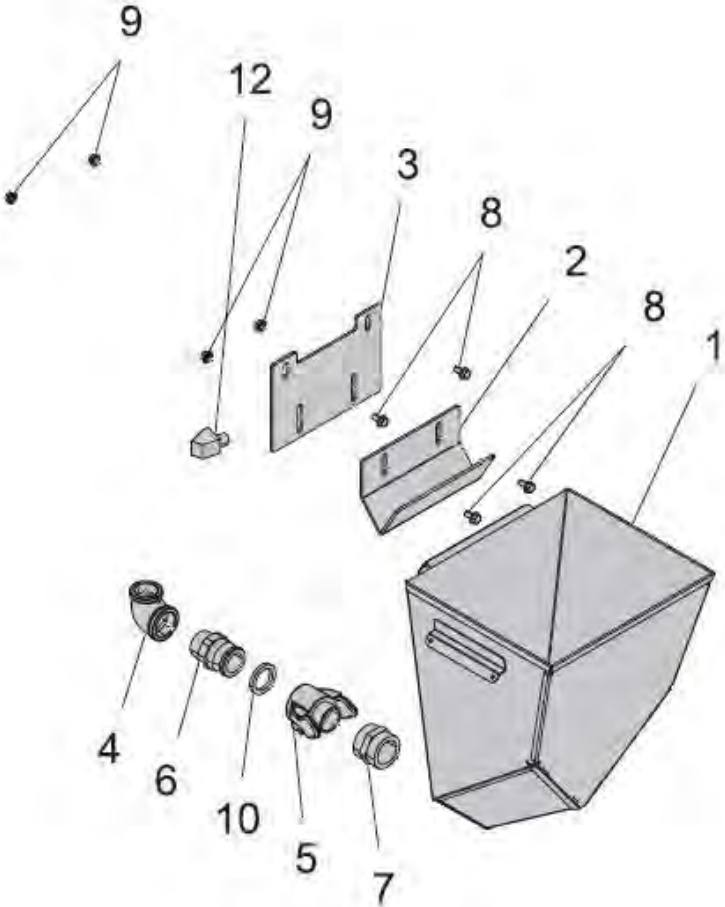
OPTIONAL ACCESSORIES

Graco® Xtreme® Airless Spray Pumps – Stainless Steel Hopper Kit

Item#	Part#	Description
Fig. 8		
—	20G24X570	Xtreme® Sprayer Stainless Steel Hopper Kit – Heavy-Duty Cart
—	20G24Y402	Xtreme® Sprayer Stainless Steel Hopper Kit – Lightweight Cart
1	20G17E114	Hopper
2	20G17C474	Bracket
3	20G17D554	Upper Bracket
4	20G126939	90° Elbow
5	20G128095	Cam/Groove
6	20G17C692	Cam/Groove Fitting, 1.5m, 1-1/2" NPT
7	20G128094	Bushing
8	20G112395	Flanges Cap Screw – HD (<i>Quantity of Four</i>)
9	20G112958	Nut (<i>Quantity of Four</i>)
10	20G17C453	Gasket
12	20G15M987	1/2" NPT (M) x 1/2" NPT (F) 60° Elbow
—	20G110110	6 ml Stainless Steel Pipe Sealant
—	20G16U537	Lid

OPTIONAL ACCESSORIES

Figure 8: Graco® Xtreme® Airless Spray Pumps – Stainless Steel Hopper Kit



PART NUMBERS AND SCHEMATICS GUIDE

Part Numbers	GRACO® XTREME® 70:1 AIRLESS SPRAYERS								
	MOUNT			Built-In Filter	DataTrak™	Hopper Included	XTR™ 7 Airless Spray Gun	HOSES	
	Heavy-Duty Cart	Light-Weight Cart	Wall Mount					50 Feet x 3/8" I.D. Airless Spray Hose	6 Feet x 1/4" I.D. Airless Spray Hose
20GX70DH4	X			X					
20GX70DH2	X			X	X				
20GX70DH3	X			X			X	X	X
20GX70DH6	X			X		X	X	X	X
20GX70DH1	X			X	X		X	X	X
20GX70DH5	X			X	X	X	X	X	X
20GX70DH7	X						X	X	X
20GX70DL4		X		X					
20GX70DL2		X		X	X				
20GX70DL6		X		X		X	X	X	X
20GX70DL3		X		X			X	X	X
20GX70DL1		X		X	X		X	X	X
20GX70DL5		X		X	X	X	X	X	X
20GX70DW4			X	X					
20GX70DW2			X	X	X				

GRACO® XTREME® 70:1 AIRLESS SPRAYER – SPECIFICATIONS	
Output Per Cycle	7,250 psi
Pump Lower Output per Cycle	180cc
Motor	NXT 6500cc
De-Icing Motor	Yes
Xtreme® Seal and Leather Packing	Yes

PART NUMBERS AND SCHEMATICS GUIDE



**Bare unit on Heavy-Duty Cart Shown*

PART NUMBERS AND SCHEMATICS GUIDE

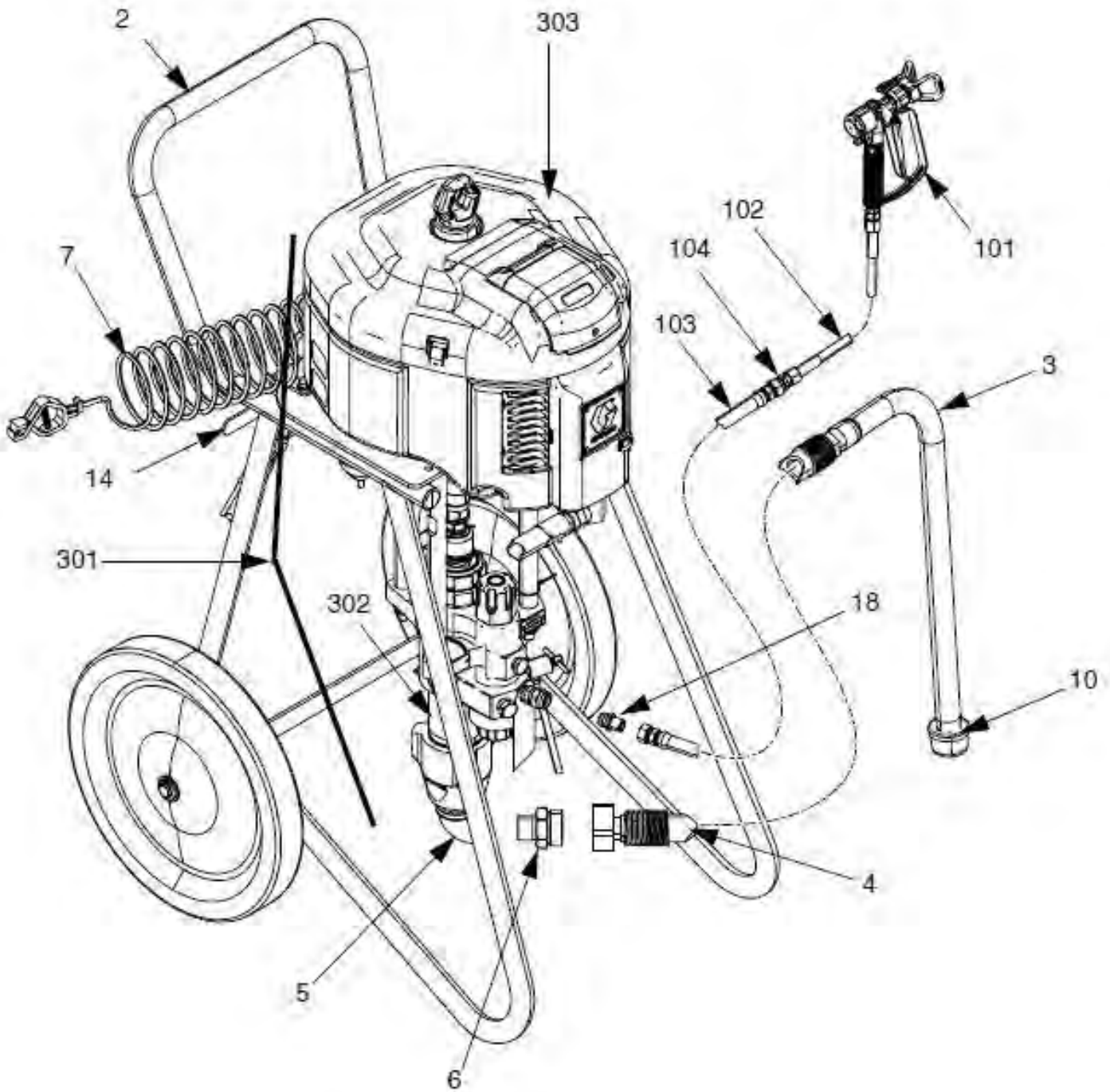
Graco® Xtreme® 70:1 Airless Spray Pumps

Item#	Part#	Description
Fig. 1		
2	20G287884	Heavy-Duty Cart
—	20G287919	Lightweight Cart
3	20G197682	1" Suction Tube
4	20G247301	1" NPT x Quick Connect, 6 ft. Suction Hose
—	20G288687	1" NPT x Quick Connect, 10 ft. Suction Hose (<i>Wall-Mount Units</i>)
5	20G116401	Elbow Adapter
6	20G116402	Quick Connect Adapter
7	20G244524	Ground Assembly Wire with Clamp
10	20G181072	Strainer Inlet
11	20G100101	Hex Head Cap Mounting Screw
12	20G100133	Lock Washer
13	20G247312	Adapter Kit Plate
—		<i>(Includes Lock Nut and Adapter Plate)</i>
14	20G24E013	Air Control (<i>Heavy Duty Cart</i>)
18	20G162505	1/2" F x 3/8" M Swivel Union Fitting
101	20GXTR704	XTR™ 7 Spray Gun for 55:1 – 90:1 ratio only (<i>Not included with all models, see page 4</i>)
102	20GH52506*	Fluid Hose (Nylon, 1/4" I.D. x 1/4" NPS (M), 6 ft.), 6100 psi
103	20GH53850*	Fluid Hose (Nylon, 3/8" I.D. x 3/8" NPS (M), 50 ft.), 5800 psi
104	20G164856	3/8" x 1/4" NPT Reducing Nipple Fitting
301	—	Spray Pump (<i>See page 4</i>)
302	—	Pump Lower (<i>See pages 10-17</i>)
303	—	NXT® Air Motor (<i>See pages 8-9</i>)
—	206M539	Part Numbers and Schematics Guide – Graco® Xtreme® 70:1 Airless Spray Pumps
—	206M362	Part Numbers and Schematics Guide – Graco® XTR™ 7 Airless Spray Gun
—	209V508	Operator's Manual – Graco® Xtreme® Pump Packages

*Not included with all models, see page 4

PART NUMBERS AND SCHEMATICS GUIDE

Figure 1: Graco® Xtreme® 70:1 Airless Spray Pumps



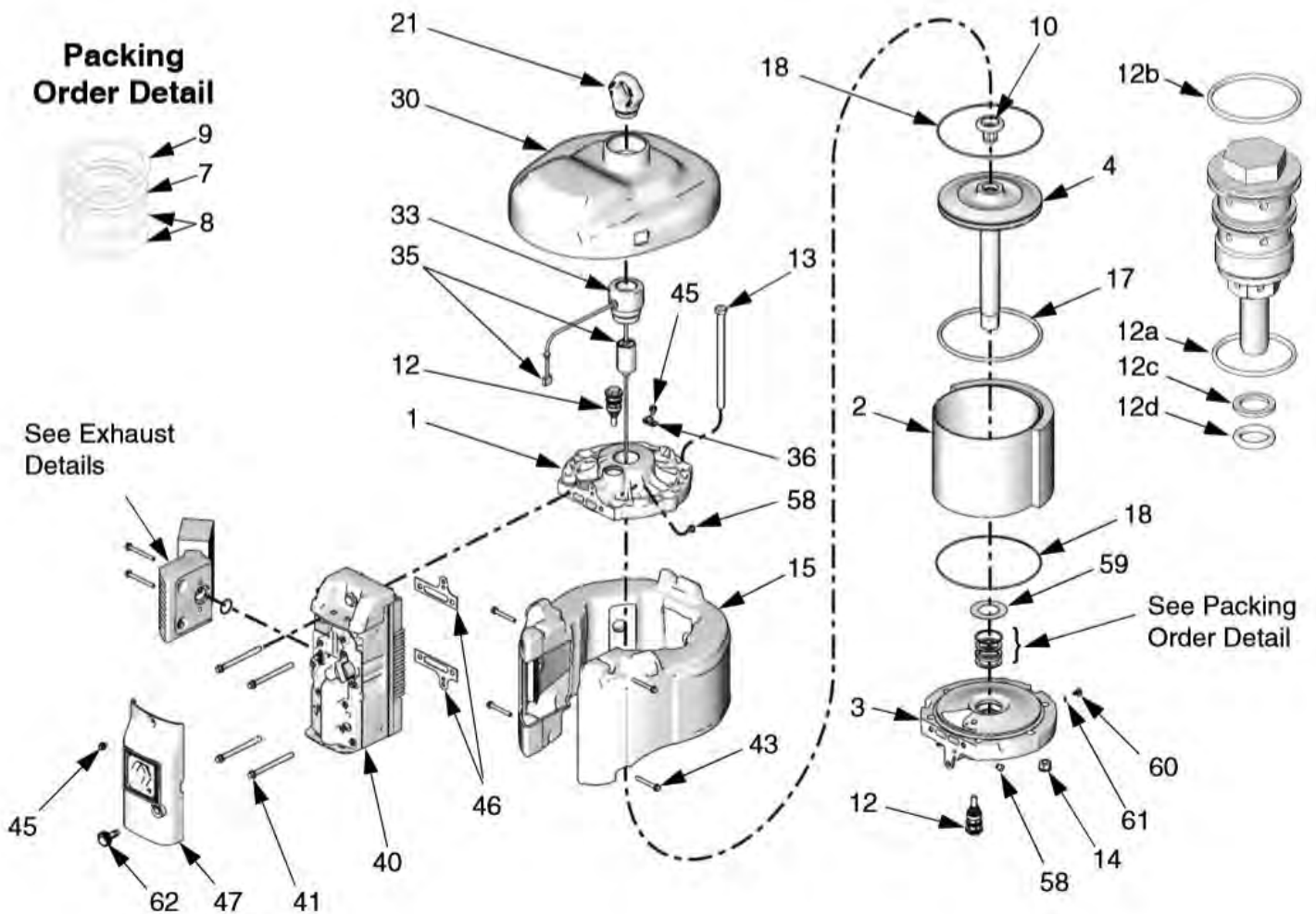
PART NUMBERS AND SCHEMATICS GUIDE

NXT® Model 6500 Air Motor and Exhaust

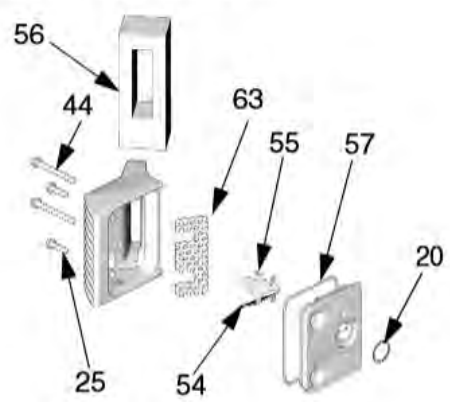
Item#	Part#	Description	Item#	Part#	Description
Fig. 2			43	20G120091	1/4-20 x 2" Screw, Thread Forming, (51 mm)
—	20GN65DN0	NXT® Model 6500 De-Icing Air Motor	44	20G120092	1/4-20 x 2-1/2" Thread Forming Screw, (63 mm)
—	20GN65DH0	NXT® Model 6500 De-Icing Air Motor with Sensor	46	20G253476	Gasket
—	20GN65LN0	NXT® Model 6500 Low Noise Motor	47	20G287844	Valve Cover, Outer
1	20G15F953	Top Cover	51	20G15F674	Safety Label
2	20GNXT604	Cylinder	52	20G15F973	Safety Label
3	20GNXT602	Bottom Cover	54	20G15H179	Deflector
4	20GNXT601	Piston Assembly	55	20G107257	1/4-20 x 1/2" Thread Forming Screw, (13 mm)
7	20G161562	Packing, V-block; Nitrile	56	20G15H190	Exhaust Seal
8	20G15H610	Packing, Backup; Leather	57	20G15K345	Gasket, buna-N
9	20G16A026	Retaining Ring	58	20G120206	Poppet Muffler
10	20GNXT106	Piston Bumper, includes Magnet	59	20G277366	Bumper
12	20GNXT100	Poppet <i>(Includes Item #'s: 12a-12d)</i>	60	20G116343	Ground Screw, M5 x 0.8
12a	—	O-Ring, buna-N	61	20G111307	Lock Washer, 5 mm
12b	20GNXT101	O-Ring, buna-N	62	20GNXT112	De-Ice Knob
12c	20GNXT101	O-Ring, Backup, buna-N	63	20G15G689	Exhaust Diffuser
12d	—	O-Ring, buna-N	—	20GNXT600	Repair Kit NXT 6500 Air Motor <i>(Includes Item #'s: 7, 8, 9, 17, 18, and 46)</i>
13	20G119050	1/2-13 x 8" Hex Head Bolt, (203 mm)	—	209V509	Operator's Manual – Graco® NXT® Air Motor
14	20G15F639	1/2-13 Nut with Lock Washer			
15	20GNXT603	Muffler			
17	20G122675	Piston O-Ring, Nitrile			
18	20G15F448	End Cap O-Ring, Nitrile			
20	20G119990	O-Ring, buna-N			
21	20G15F931	Lift Ring			
22	20GNXT110	De-Ice Exhaust Kit <i>(Includes Item #'s: 20, 25, 44, 56, and 57)</i>			
23	20GNXT105	Remote Exhaust Kit <i>(Includes items 20, 44)</i>			
24	20GNXT104	Low Noise Exhaust Kit <i>(Includes item #'s: 20, 22, 25, 44, 54, 55, 56, and 57)</i>			
25	20G120730	1/4-20 x 1" Machine Screw, Hex Head, (25 mm)			
41	20G120088	3/8-16 x 4" Screw (101 mm)			

PART NUMBERS AND SCHEMATICS GUIDE

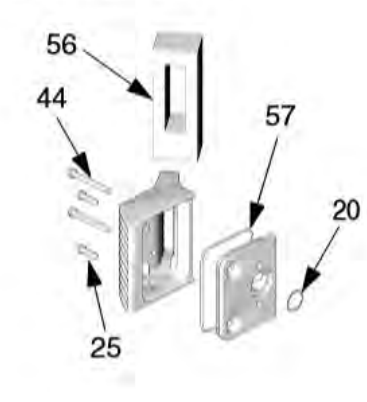
Figure 2: NXT® Model 6500 Air Motor and Exhaust



Low Noise Exhaust



De-Ice Exhaust



Remote Exhaust



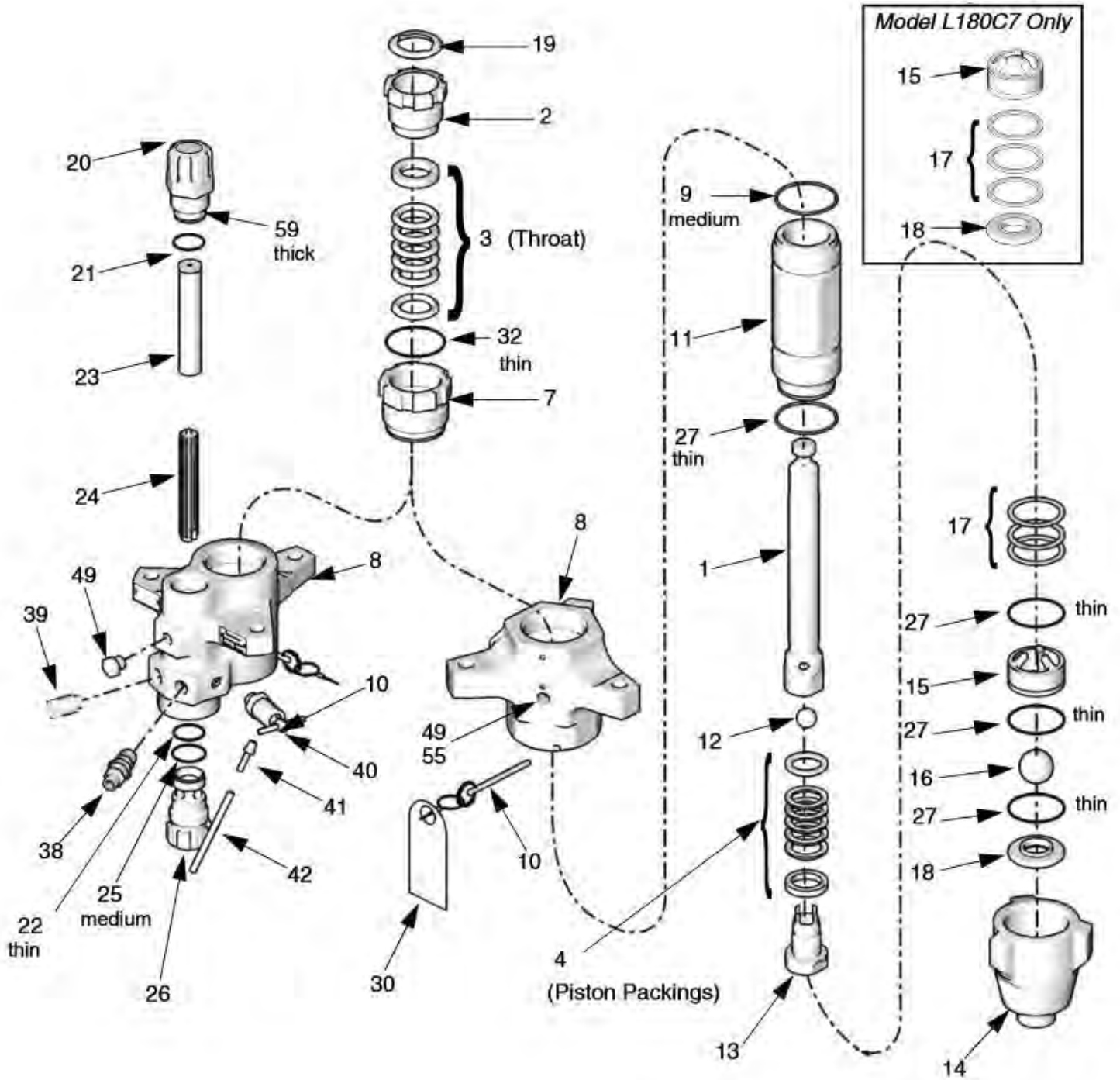
PART NUMBERS AND SCHEMATICS GUIDE

180cc Xtreme® Sprayer Lower Displacement Pump

Item#	20GL180C1 20GL180C3 <i>(No Built-In Filter)</i>	20GL180C2 20GL180C4 <i>(Built-In Filter)</i>	Description
Fig. 3			
1	20G24B822	20G24B822	Displacement Rod
2	20G15K030	20G15K030	Packing Nut
3	—	—	Stack Packings, Throat <i>(See Repair Kits, Fig. 5, 6, 7)</i>
4	—	—	Stack Packings, Piston <i>(See Repair Kits, Fig. 5, 6, 7)</i>
7	20G197326	20G197326	Packing Cartridge, Throat
8	20G197334	20G197336	Housing Outlet
9	20G244892	20G244892	O-Ring, Top Cylinder, PTFE Medium <i>(Quantity of 10)</i>
10	20G244826	20G244826	Self-Locking Pin
11	20G197316	20G197316	Lower Cylinder
12	20G253029	20G253029	Ball Piston <i>(Quantity of Three)</i>
13	20G24B827	20G24B827	Piston Valve
14	20G197303	20G197303	Inlet Housing
15	20G197307	20G197307	Inlet Ball Guide
16	20G245128	20G245128	Inlet Ball <i>(Quantity of Three)</i>
17	20G244855	20G244855	Inlet Shim Ball Guide <i>(Quantity of Nine)</i>
18	20G196358	20G196358	Inlet Seat
19	20G247394	20G247394	Throat Seal Plug <i>(Quantity of 10)</i>
20	—	20G16M461	Top Filler Cap
21	—	20G171941	Compression Spring
22	—	20G244895	Thin Filter O-Ring, PTFE <i>(Quantity of 10)</i>
23	—	20G224459	Strainer, 60 mesh screen
24	—	20G186075	Filter Support
25	—	20G262484	Filter O-Ring, Medium, PTFE <i>(Quantity of 10)</i>
26	—	20G16M462	Lower Filter Cap
27	20G244890	20G244890	Foot Valve and Cylinder Bottom O-Ring, PTFE thin <i>(Quantity of 10)</i>
30	20G172479	20G172479	Warning Tag
32	20G244890	20G244890	Throat Cartridge O-Ring, PTFE thin <i>(Quantity of 10)</i>
38	—	20G158491	Nipple Fitting, Outlet, 1/2 in
39	—	20G24N518	Packless Plug, 1/2 in
40	—	20G245143	Pressure Dump Valve
41	—	20G116746	Barbed Fitting, Plated
42	—	20G116750	Nylon Tube
49	20G101754	20G198292	Pipe Plug
55	—	—	Rupture Disc Housing
59	—	20G262483	Filter O-Ring, PTFE thick <i>(Quantity of 10)</i>

PART NUMBERS AND SCHEMATICS GUIDE

Figure 3: 180cc Xtreme® Sprayer Lower Displacement Pump



Note: Lower Displacement Pump with Built-In Filter Shown.

PART NUMBERS AND SCHEMATICS GUIDE

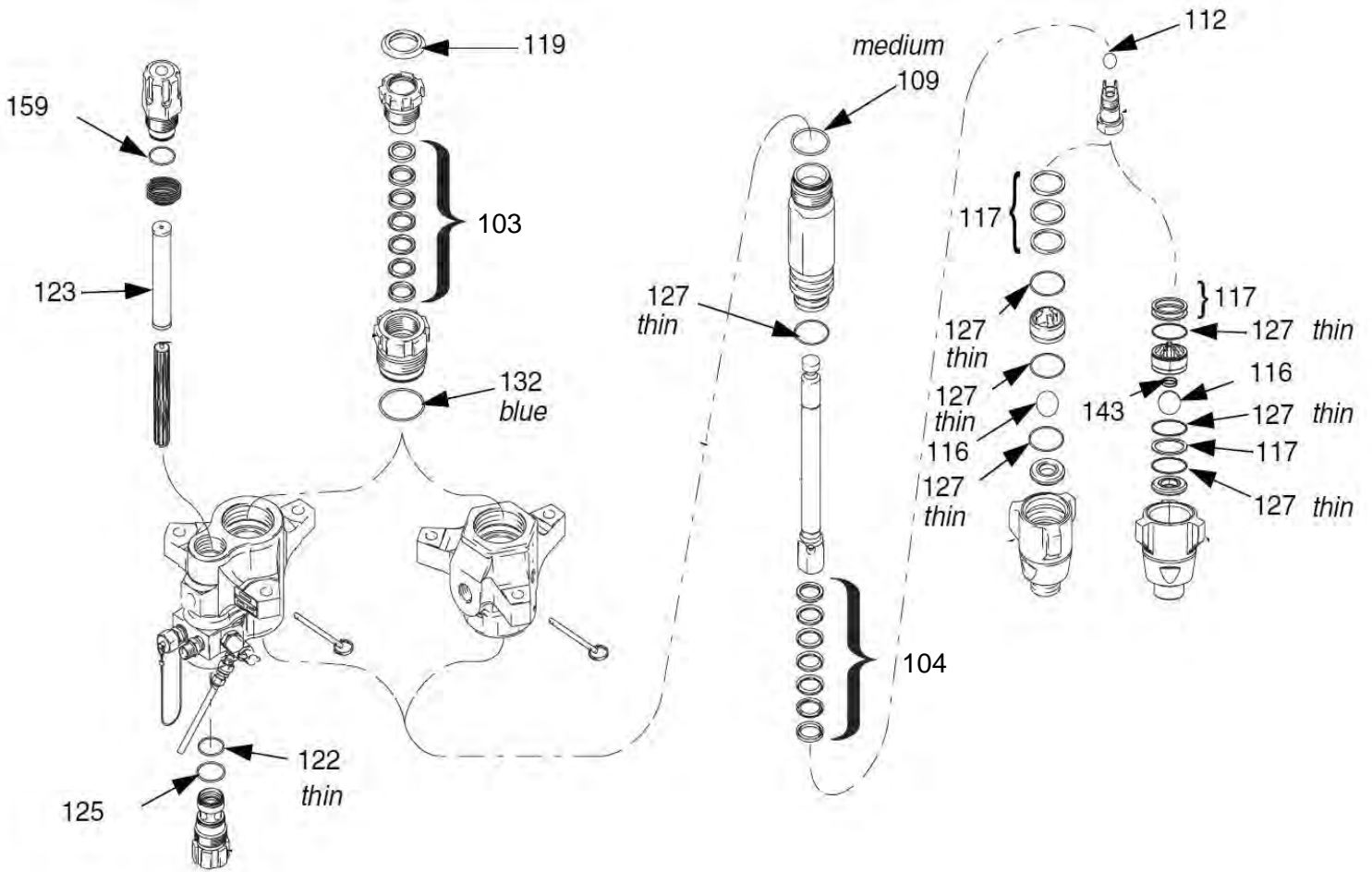
Xtreme® Seal Repair Kits for 180cc Lower Displacement Pump

Item#	Part#	Description
Fig. 4		
—	20G24F969	Xtreme® Seal Repair Kit <i>(Includes Item #'s: 1 (Quantity of Two); 2 (Quantity of Two); 3 (Quantity of Four); 4 (Quantity of Six); 5 (Quantity of Four); 6 (Quantity of Two); 7, 8, 9, 10 (Quantity of Three); and 11)</i>
103	—	Throat Packings
103a	20G244882	Male Gland <i>(Quantity of Four)</i>
103b	20G244876	Female Gland <i>(Quantity of Four)</i>
103c	20G244870	V-Packing, Leather <i>(Quantity of 10)</i>
103d	20G244858	V-Packing Carbon-Filled, PTFE/UHMWPE, Blue <i>(Quantity of 10)</i>
103e	20G244864	V-Packing, UHMWPE, Black <i>(Quantity of 10)</i>
104	—	Piston Packings
104a	20G244882	Male Gland <i>(Quantity of Four)</i>
104b	20G244876	Female Gland <i>(Quantity of Four)</i>
104c	20G244870	V-Packing, Leather <i>(Quantity of 10)</i>
104d	20G244858	V-Packing Carbon-Filled, PTFE/UHMWPE, Blue <i>(Quantity of 10)</i>
104e	20G244864	V-Packing, UHMWPE, Black <i>(Quantity of 10)</i>
109	20G244892	PTFE O-Ring, Top Cylinder Medium <i>(Quantity of 10)</i>
112	20G253029	Ball Piston, 3/4 in (19 mm) <i>(Quantity of Three)</i>
116	20G245128	Ball Inlet, 1-1/4 in (32 mm) <i>(Quantity of Three)</i>
117	20G244855	Shim Inlet, Ball Guide <i>(Quantity of Nine)</i>
119	20G244996	Throat Seal Plug, 1-3/4 in <i>(Quantity of 10)</i>
—	20G247394	Throat Seal Plug, 2-1/2 in <i>(Quantity of 10)</i>
122	20G244895	Filter O-Ring, Thin, PTFE <i>(Quantity of 10)</i>
123	20G238436	Strainer, 30 mesh screen, 5.65 in <i>(Quantity of 25)</i>
—	20G224458	Strainer, 30 mesh, 5.65 in <i>(Quantity of Two)</i>
—	20G238438	Strainer, 60 mesh, 5.65 in <i>(Quantity of 25)</i>
—	20G224459	Strainer, 60 mesh, 5.65 in <i>(Quantity of Two)</i>
125	20G262484	Filter O-Ring, Medium, PTFE <i>(Quantity of 10)</i>
—	20G244896	Filter O-Ring For Series A Pumps <i>(Quantity of 10)</i>
127	20G244890	O-Ring, PTFE, Thin <i>(Quantity of 10)</i>
143	20G116801	Foot Valve Spring (20G262792 only)
159	20G262483	Top Cap O-Ring, PTFE <i>(Quantity of 10)</i>
—	20G244895	Top Cap O-Ring For Series A Pumps <i>(Quantity of 10)</i>
—	209V021	Operator's Manual – Graco® Xtreme® Pump Lowers

*Quantities listed with repair kit are number of individual pieces.

PART NUMBERS AND SCHEMATICS GUIDE

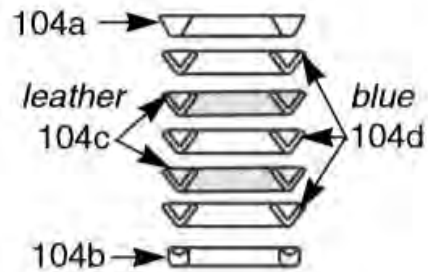
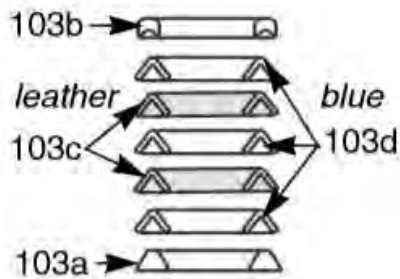
Figure 4: Xtreme® Seal Repair Kits for 180cc Lower Displacement Pump



Xtreme® Seal Repair Kit

**Throat Packings:
Lips Face Down**

**Piston Packings:
Lips Face Up**



PART NUMBERS AND SCHEMATICS GUIDE

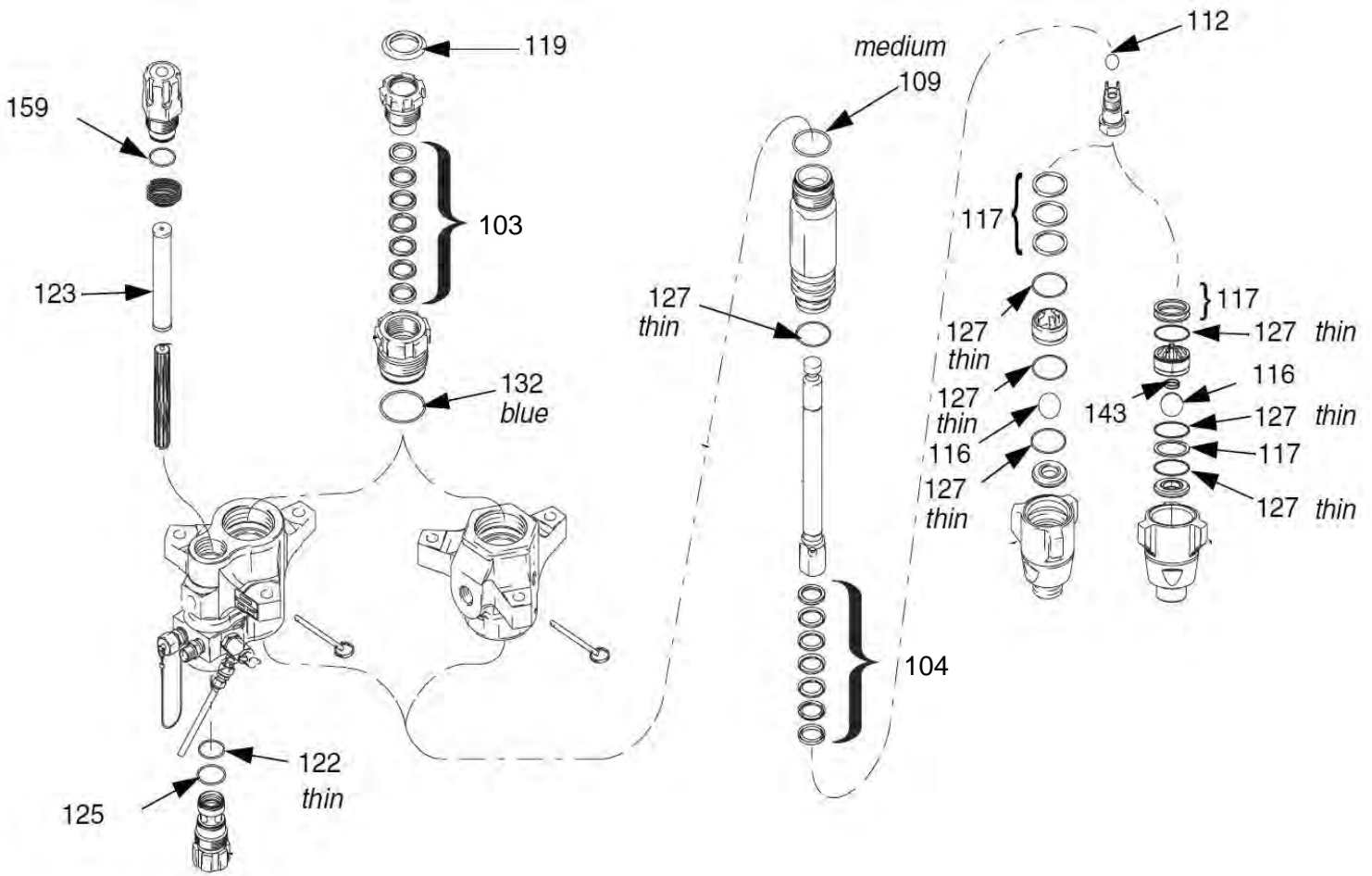
Tuff-Stack™ Repair Kit for 180cc Lower Displacement Pump

Item#	Part#	Description
Fig. 5		
—	20G24F970	Tuff-Stack™ Repair Kit <i>(Includes Item #'s: 1 (Quantity of Two); 2 (Quantity of Two); 3 (Quantity of Four); 4 (Quantity of 10); 5 (Quantity of Two); 6 (Quantity of Four); 7, 8, 9 (Quantity of Three); and 10)</i>
103	—	Throat Packings
103a	20G244882	Male Gland <i>(Quantity of Four)</i>
103b	20G244876	Female Gland <i>(Quantity of Four)</i>
103c	20G244870	V-Packing, Leather <i>(Quantity of 10)</i>
103d	20G244858	V-Packing Carbon-Filled, PTFE/UHMWPE, Blue <i>(Quantity of 10)</i>
103e	20G244864	V-Packing, UHMWPE, Black <i>(Quantity of 10)</i>
104	—	Piston Packings
104a	20G244882	Male Gland <i>(Quantity of Four)</i>
104b	20G244876	Female Gland <i>(Quantity of Four)</i>
104c	20G244870	V-Packing, Leather <i>(Quantity of 10)</i>
104d	20G244858	V-Packing Carbon-Filled, PTFE/UHMWPE, Blue <i>(Quantity of 10)</i>
104e	20G244864	V-Packing, UHMWPE, Black <i>(Quantity of 10)</i>
109	20G244892	PTFE O-Ring, Top Cylinder Medium <i>(Quantity of 10)</i>
112	20G253029	Ball Piston, 3/4 in (19 mm) <i>(Quantity of Three)</i>
116	20G245128	Ball Inlet, 1-1/4 in (32 mm) <i>(Quantity of Three)</i>
117	20G244855	Shim Inlet, Ball Guide <i>(Quantity of Nine)</i>
119	20G244996	Throat Seal Plug, 1-3/4 in <i>(Quantity of 10)</i>
—	20G247394	Throat Seal Plug, 2-1/2 in <i>(Quantity of 10)</i>
122	20G244895	Filter O-Ring, Thin, PTFE <i>(Quantity of 10)</i>
123	20G238436	Strainer, 30 mesh screen, 5.65 in <i>(Quantity of 25)</i>
—	20G224458	Strainer, 30 mesh, 5.65 in <i>(Quantity of Two)</i>
—	20G238438	Strainer, 60 mesh, 5.65 in <i>(Quantity of 25)</i>
—	20G224459	Strainer, 60 mesh, 5.65 in <i>(Quantity of Two)</i>
125	20G262484	Filter O-Ring, Medium, PTFE <i>(Quantity of 10)</i>
—	20G244896	Filter O-Ring For Series A Pumps <i>(Quantity of 10)</i>
127	20G244890	O-Ring, PTFE, Thin <i>(Quantity of 10)</i>
143	20G116801	Foot Valve Spring (20G262792 only)
159	20G262483	Top Cap O-Ring, PTFE <i>(Quantity of 10)</i>
—	20G244895	Top Cap O-Ring For Series A Pumps <i>(Quantity of 10)</i>
—	209V021	Operator's Manual – Graco® Xtreme® Pump Lowers

*Quantities listed with repair kit are number of individual pieces.

PART NUMBERS AND SCHEMATICS GUIDE

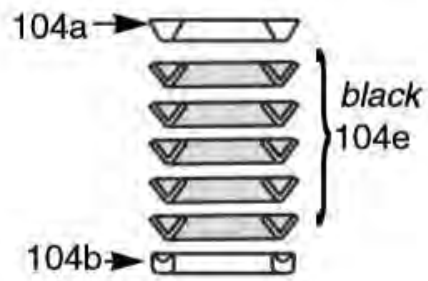
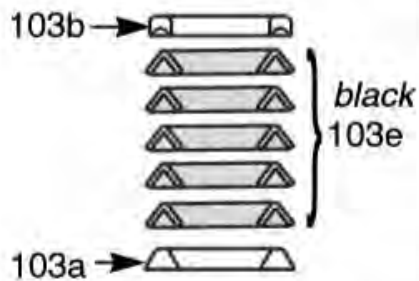
Figure 5: Tuff-Stack™ Repair Kit for 180cc Lower Displacement Pump



Tuff-Stack™ Seal Repair Kit

**Throat Packings:
Lips Face Down**

**Piston Packings:
Lips Face Up**



PART NUMBERS AND SCHEMATICS GUIDE

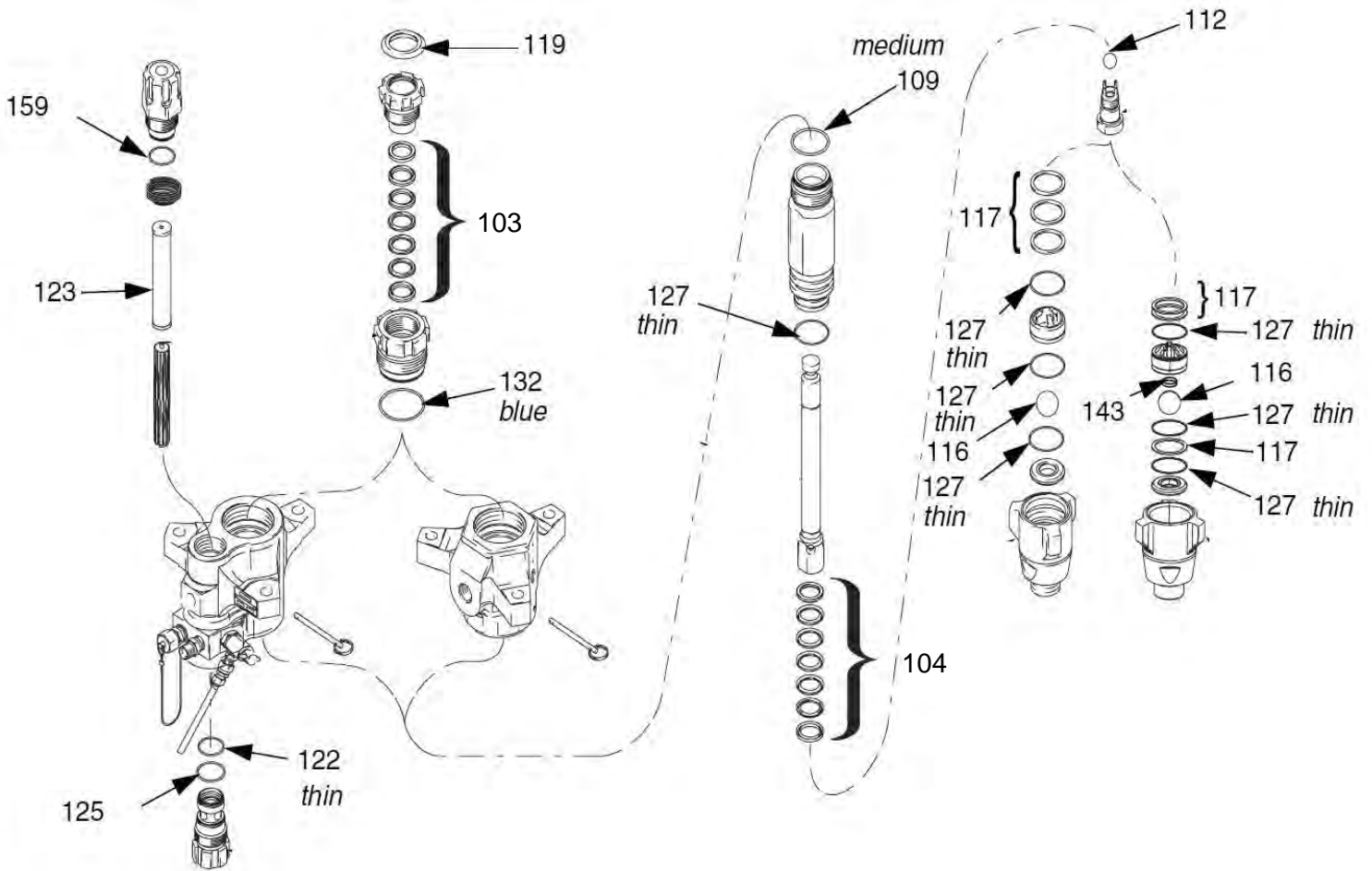
X-Tuff® Repair Kit for 180cc Lower Displacement Pump

Item#	Part#	Description
Fig. 6		
—	20G262792	X-Tuff™ Repair Kit <i>(Includes Item #'s: 1 (Quantity of Two); 2 (Quantity of Two); 3 (Quantity of Four); 4 (Quantity of Six); 5 (Quantity of Four); 6 (Quantity of Two); 7, 8, 9, 10 (Quantity of Three); and 11)</i>
103	—	Throat Packings
103a	20G244882	Male Gland <i>(Quantity of Four)</i>
103b	20G244876	Female Gland <i>(Quantity of Four)</i>
103c	20G244870	V-Packing, Leather <i>(Quantity of 10)</i>
103d	20G244858	V-Packing Carbon-Filled, PTFE/UHMWPE, Blue <i>(Quantity of 10)</i>
103e	20G244864	V-Packing, UHMWPE, Black <i>(Quantity of 10)</i>
104	—	Piston Packings
104a	20G244882	Male Gland <i>(Quantity of Four)</i>
104b	20G244876	Female Gland <i>(Quantity of Four)</i>
104c	20G244870	V-Packing, Leather <i>(Quantity of 10)</i>
104d	20G244858	V-Packing Carbon-Filled, PTFE/UHMWPE, Blue <i>(Quantity of 10)</i>
104e	20G244864	V-Packing, UHMWPE, Black <i>(Quantity of 10)</i>
109	20G244892	PTFE O-Ring, Top Cylinder Medium <i>(Quantity of 10)</i>
112	20G253029	Ball Piston, 3/4 in (19 mm) <i>(Quantity of Three)</i>
116	20G245128	Ball Inlet, 1-1/4 in (32 mm) <i>(Quantity of Three)</i>
117	20G244855	Shim Inlet, Ball Guide <i>(Quantity of Nine)</i>
119	20G244996	Throat Seal Plug, 1-3/4 in <i>(Quantity of 10)</i>
—	20G247394	Throat Seal Plug, 2-1/2 in <i>(Quantity of 10)</i>
122	20G244895	Filter O-Ring, Thin, PTFE <i>(Quantity of 10)</i>
123	20G238436	Strainer, 30 mesh screen, 5.65 in <i>(Quantity of 25)</i>
—	20G224458	Strainer, 30 mesh, 5.65 in <i>(Quantity of Two)</i>
—	20G238438	Strainer, 60 mesh, 5.65 in <i>(Quantity of 25)</i>
—	20G224459	Strainer, 60 mesh, 5.65 in <i>(Quantity of Two)</i>
125	20G262484	Filter O-Ring, Medium, PTFE <i>(Quantity of 10)</i>
—	20G244896	Filter O-Ring For Series A Pumps <i>(Quantity of 10)</i>
127	20G244890	O-Ring, PTFE, Thin <i>(Quantity of 10)</i>
143	20G116801	Foot Valve Spring (20G262792 only)
159	20G262483	Top Cap O-Ring, PTFE <i>(Quantity of 10)</i>
—	20G244895	Top Cap O-Ring For Series A Pumps <i>(Quantity of 10)</i>
—	209V021	Operator's Manual – Graco® Xtreme® Pump Lowers

*Quantities listed with repair kit are number of individual pieces.

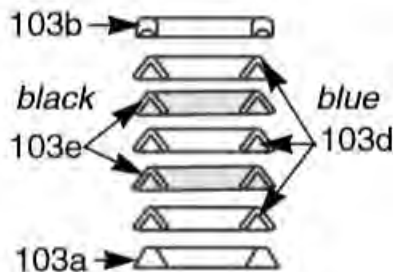
PART NUMBERS AND SCHEMATICS GUIDE

Figure 6: X-Tuff® Repair Kit for 180cc Lower Displacement Pump

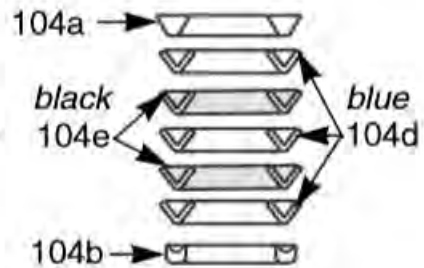


X-Tuff® Seal Repair Kit

**Throat Packings:
Lips Face Down**

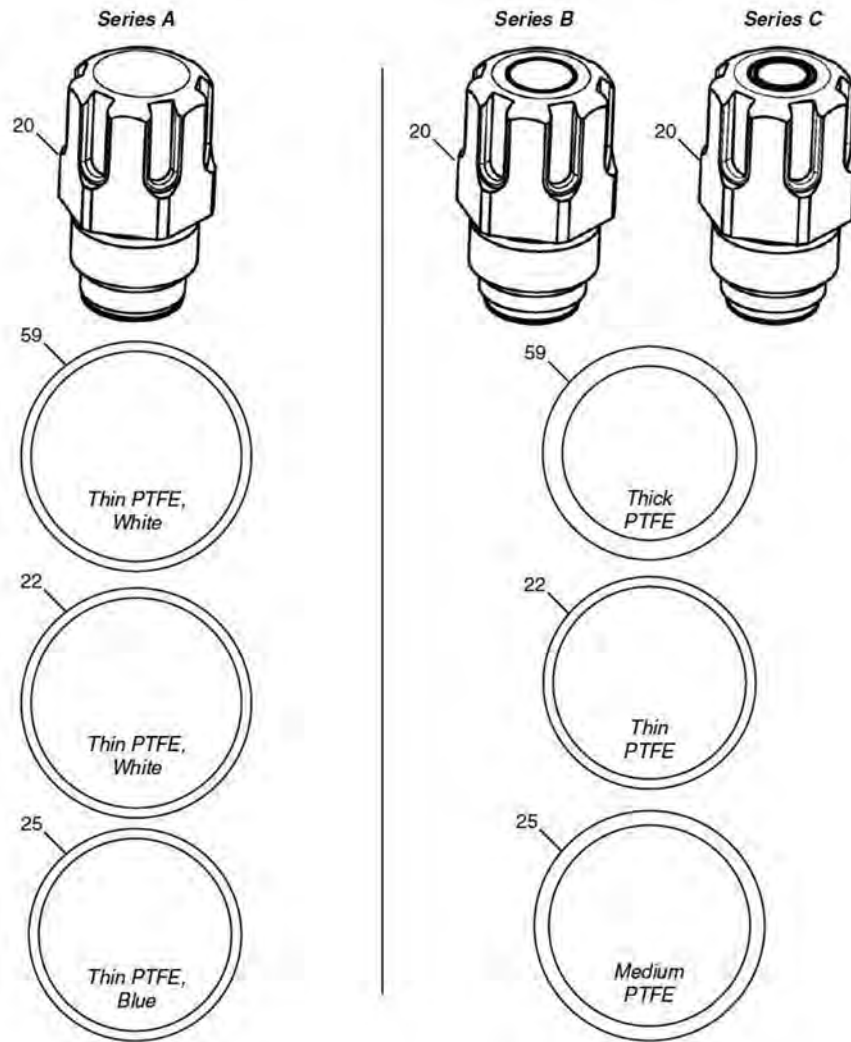


**Piston Packings:
Lips Face Up**



PART NUMBERS AND SCHEMATICS GUIDE

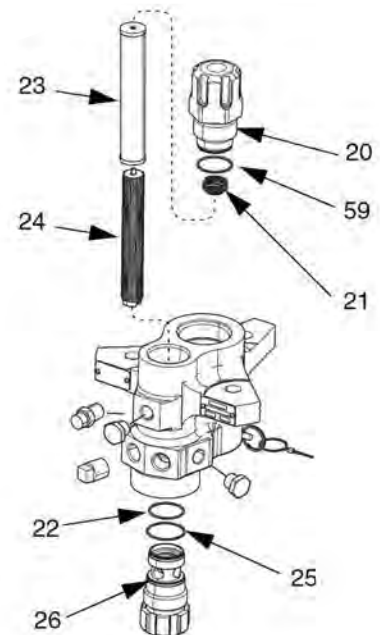
Figure 7: Filter Cap Series Key








Filter Cap Conversion Kits for Graco Xtreme Lowers



Converts Series A Lowers to Series B Lowers

Item#	Part#	Description
Fig. 7		
—	20G24F975	Filter Cap Conversion Kit – Complete
20	20G16M461	Tip Filter Cap
21	20G171941	Filter Spring
22	20G244895	O-ring PTFE Thin (<i>Quantity of 10</i>)
23a	20G224458	Strainer, 30 Mesh
23b	20G224459	Strainer, 60 Mesh
24	20G186075	Support
25	20G262484	O-ring PTFE Medium (<i>Quantity of 10</i>)
26	20G16M462	Cap
59	20G262483	O-ring PTFE Thick (<i>Quantity of 10</i>)



OPTIONAL ACCESSORIES

	Part Numbers	SUCTION TUBE AND ACCESSORIES	
		Description	
	20G197682	Suction Tube	
	20G247301	1" I.D. x 6' Suction Hose with Couplings	
	20G247302	1" I.D. x 10' Suction Hose with Couplings	
	20G245136	55 Gallon Suction Tube Extension Kit <i>Includes Suction Tube and Couplings</i>	
	20G181072	60 Mesh Strainer for 1" Suction Tube	

	Part Numbers	HIGH PRESSURE BALL VALVES		
		Thread Size	Seal Material	Working Pressure
	20G210657B	1/4" Male x 1/4" Male	Viton	5,000 psi
	20G210658B	3/8" Male x 3/8" Male	Viton	5,000 psi
	20G210659B	1/4" Male x 3/8" Male	Viton	5,000 psi
	20G214037	1/4" Male x 1/4" Male	Teflon	5,000 psi
	20G223959B	3/8" Male x 1/4" Male	Teflon	5,000 psi
	20G210658B	3/8" Male x 3/8" Male	Teflon	5,000 psi
	20DQVAE2AO14	1/4" Female x Female	Nitrile	7,000 psi
	20DQVAE2AO38	3/8" Female x Female	Nitrile	7,000 psi
	20DQVAE2AO12	1/2" Female x Female	Nitrile	7,000 psi

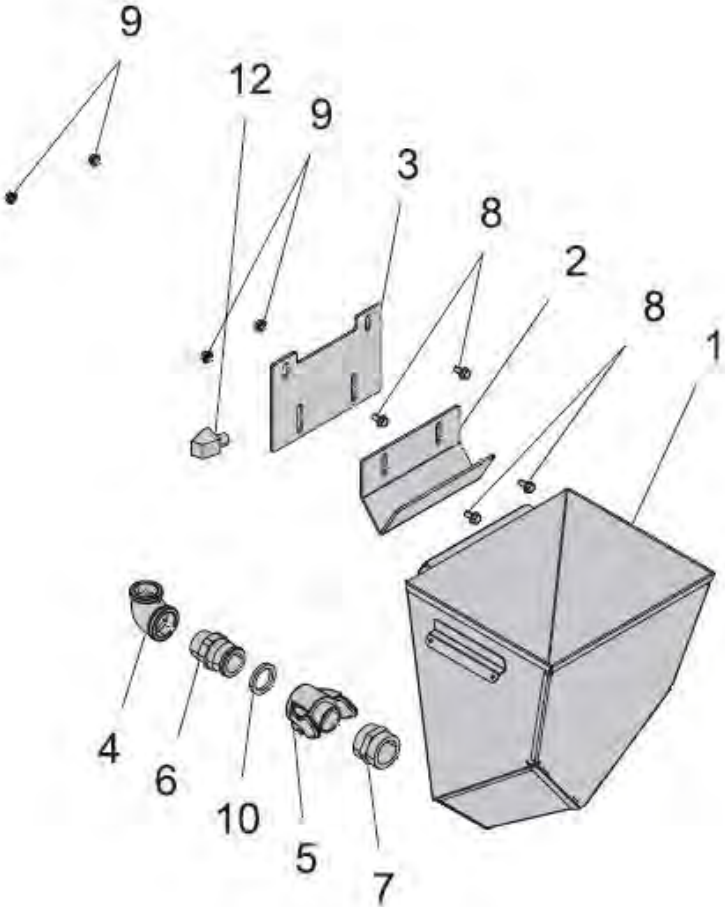
OPTIONAL ACCESSORIES

Graco® Xtreme® Airless Spray Pumps – Stainless Steel Hopper Kit

Item#	Part#	Description
Fig. 8		
—	20G24X570	Xtreme® Sprayer Stainless Steel Hopper Kit – Heavy-Duty Cart
—	20G24Y402	Xtreme® Sprayer Stainless Steel Hopper Kit – Lightweight Cart
1	20G17E114	Hopper
2	20G17C474	Bracket
3	20G17D554	Upper Bracket
4	20G126939	90° Elbow
5	20G128095	Cam/Groove
6	20G17C692	Cam/Groove Fitting, 1.5m, 1-1/2" NPT
7	20G128094	Bushing
8	20G112395	Flanges Cap Screw – HD (<i>Quantity of Four</i>)
9	20G112958	Nut (<i>Quantity of Four</i>)
10	20G17C453	Gasket
12	20G15M987	1/2" NPT (M) x 1/2" NPT (F) 60° Elbow
—	20G110110	6 ml Stainless Steel Pipe Sealant
—	20G16U537	Lid

OPTIONAL ACCESSORIES

Figure 8: Graco® Xtreme® Airless Spray Pumps – Stainless Steel Hopper Kit



PART NUMBERS AND SCHEMATICS GUIDE

GRACO® 5:1 MONARK® AIRLESS SPRAY PUMPS						
Part Numbers	Maximum Working Pressure	Output Per Cycle	Maximum Air Input Pressure	Pump Input Size	Pump Outlet Size	For Use With
20G224343	600 PSI	157 CC	120 PSI	3/4" NPT (F)	1/2" NPT (F)	Low Viscosity Sealants and Adhesives
20G218956	900 PSI	135 CC	180 PSI	N/A	3/4" NPT (F)	Solventborne and Waterborne Finishing Materials
20G224345	900 PSI	157 CC	180 PSI	3/4" NPT (F)	1/2" NPT (F)	Water and Cleaning Solutions
20G224350	900 PSI	157 CC	180 PSI	1-1/5" (F)	3/4" NPT (F)	Solventborne and Waterborne Finishing Materials

PART NUMBERS AND SCHEMATICS GUIDE



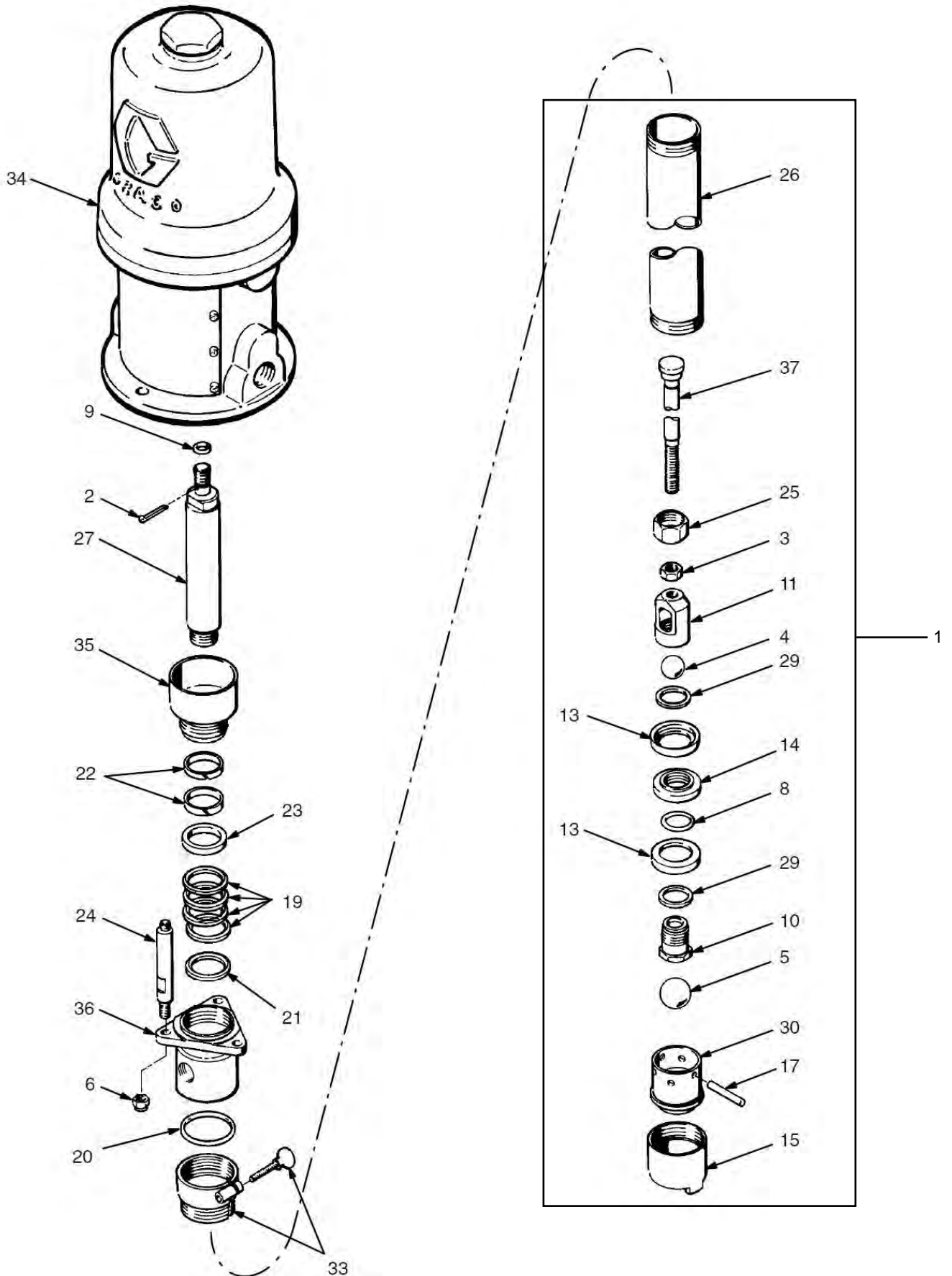
PART NUMBERS AND SCHEMATICS GUIDE

Graco® 5:1 Monark® Airless Spray Pump

Item#	Part#	Description
Fig. 1		
—	20G218956	Graco® 5:1 Monark® Airless Spray Pump
1	20G220465	135 CC Displacement Pump <i>Includes Items #: 3-5, 8, 10-23, 25-30, 35-37</i>
2	20G100103	Cotter Pin, 0.12" Diameter, 1/5" long
3	20G100111	Jam Nut, 0.5-20
4	20G100279	Steel Ball, 0.88" Diameter
5	20G101178	Steel Ball, 1.25" Diameter
6	20G101566	Lock Nut, 0.19 Thread <i>(Quantity of Three)</i>
8	20G164623	O-Ring, PTFE
9	20G156082	O-Ring, Nitrile Rubber
10	20G156989	Piston Seat
11	20G157184	Piston Housing
13	20G162871	Cup Packing, PTFE <i>(Quantity of Two)</i>
14	20G158857	Packing Spacer
15	20G159839	Intake Valve Housing
17	20G160726	Stop Pin
19	20G162866	V-Packing, PTFE <i>(Quantity of Four)</i>
20	20G164782	O-Ring, PTFE
21	20G164837	Male Gland
22	20G165287	Bearing, PTFE <i>(Quantity of Two)</i>
23	20G165288	Female Gland
24	20G24B189	Tie Rod Kit <i>(Quantity of Three)</i>
25	20G166033	Swivel Nut
26	20G24C504	Stainless Steel Cylinder
27	20G24C496	Displacement Rod
29	20G171594	Backup Washer <i>(Quantity of Two)</i>
30	20G204762	Intake Valve Seat
33	20G222308	Bung Adapter With Screw
34	20G205997	Air Motor <i>(See Air Motor Assembly)</i>
35	20G208312	Packing Nut
36	20G192188	Outlet Housing, 3/4" NPT (F)
37	20G208314	Piston Rod
—	20G208520	Graco® Monark® 5:1 Airless Spray Pump Repair Kit <i>Includes Item #'s: 8, 13 (Quantity of Two), 19 (Quantity of Four), 20, 21, 22 (Quantity of Two), 23</i>
—	206M555	Part Numbers and Schematics Guide - Graco® Monark® 5:1 Airless Spray Pump
—	209V516	Operator's Manual — Graco® 5:1 Monark® Airless Spray Pump

PART NUMBERS AND SCHEMATICS GUIDE

Figure 1: Graco® 5:1 Monark® Airless Spray Pump



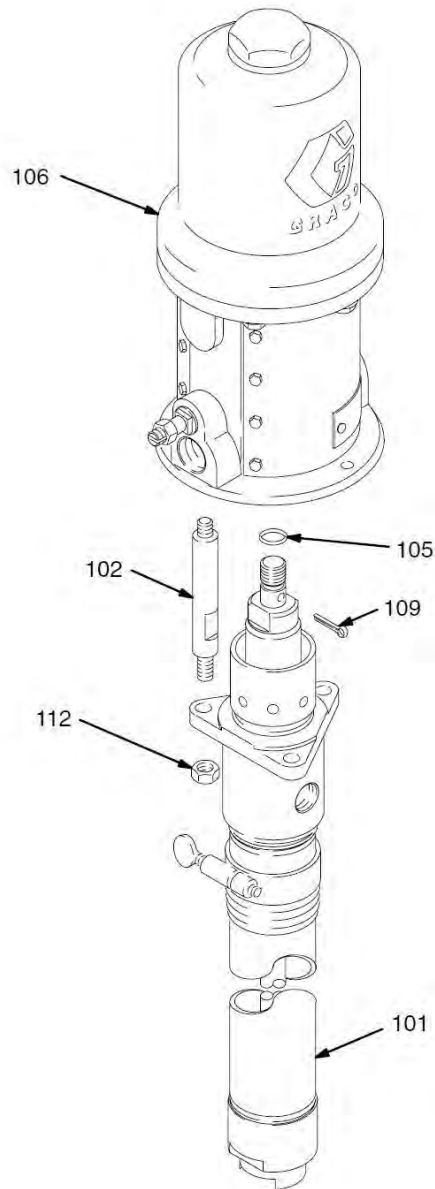
PART NUMBERS AND SCHEMATICS GUIDE

Graco® 5:1 Monark® Airless Spray Pump

Item#	Part#	Description
Fig. 2		
—	20G224350	Graco® 5:1 Monark® Airless Spray Pump
101	20G224349	157 CC Displacement Pump Assembly (See <i>Displacement Pump Assembly 20G224349</i>)
102	20G24B189	Stainless Steel Tie Rod (<i>Quantity of Three</i>)
105	20G156082	Nitrile Rubber O-Ring Seal
106	20G205997	Air Motor (<i>See Air Motor Assembly</i>)
109	20G101946	Stainless Steel Cotter Pin, 0.12" Diameter, 1/5" long
112	20G102021	Lock Nut (<i>Quantity of Three</i>)
—	206M555	Part Numbers and Schematics Guide - Graco® Monark® 5:1 Airless Spray Pump
—	209V517	Operator's Manual — Graco® 5:1 Monark® Airless Spray Pump

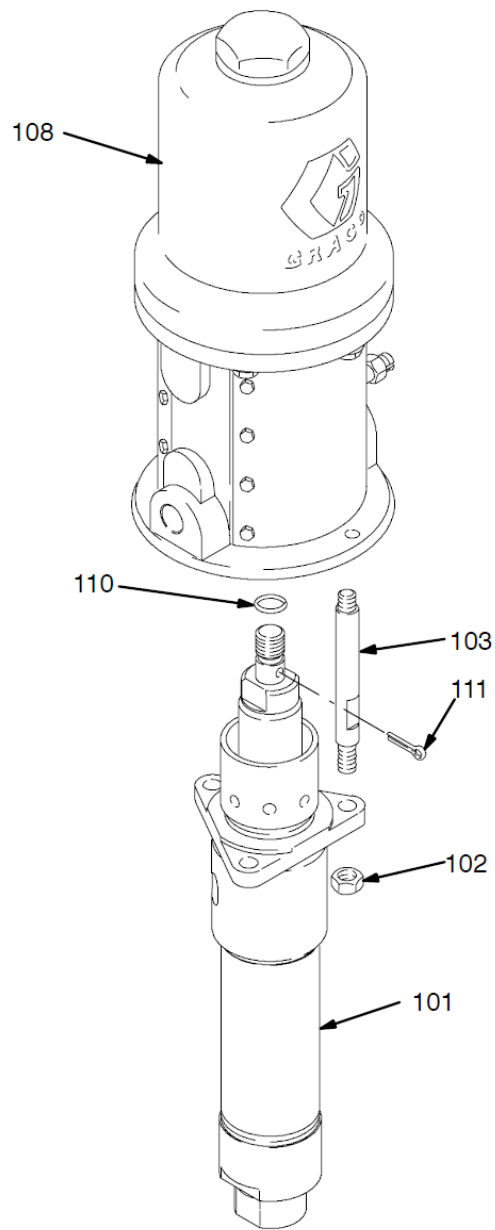
PART NUMBERS AND SCHEMATICS GUIDE

Figure 2: Graco® 5:1 Monark® Airless Spray Pump



PART NUMBERS AND SCHEMATICS GUIDE

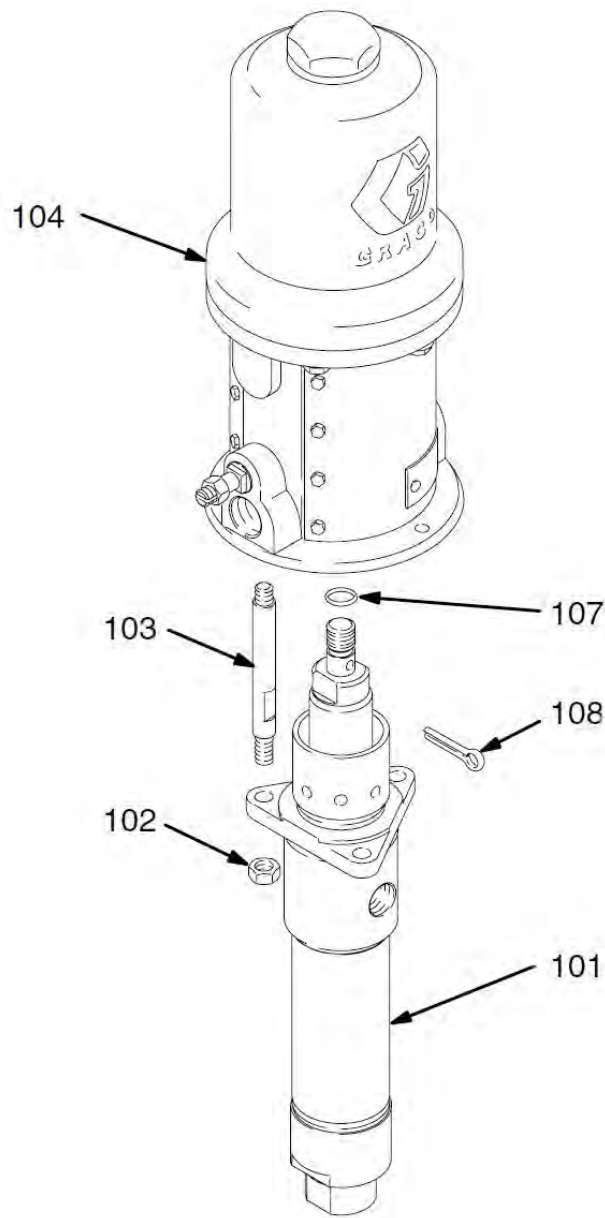
Figure 3: Graco® 5:1 Monark® Severe-Duty Airless Spray Pump



Item#	Part#	Description
Fig. 3		
—	20G224343	Graco® 5:1 Monark® Severe-Duty Airless Spray Pump
101	20G224341	157 CC Displacement Pump Assembly (See Displacement Pump Assembly 20G224341)
102	20G102021	Lock Nut, 3/8" (Quantity of Three)
103	20G24B189	Tie Rod Kit (Quantity of Three)
108	20G205997	Air Motor (See Air Motor Assembly)
110	20G156082	Nitrile Rubber O-Ring Seal
111	20G102021	Stainless Steel Cotter Pin, 0.12" Diameter, 1/5" long
—	206M555	Part Numbers and Schematics Guide - Graco® Monark® 5:1 Airless Spray Pump
—	209V518	Operator's Manual — Graco® 5:1 Monark® Severe-Duty Airless Spray Pump

PART NUMBERS AND SCHEMATICS GUIDE

Figure 4: Graco® 5:1 Monark® Hydra-Clean® Pump



Item#	Part#	Description
Fig. 4		
—	20G224345	Graco® 5:1 Monark® Hydra-Clean® Pump
101	20G224344	157 CC Displacement Pump Assembly (See Displacement Pump Assembly 20G224344)
102	20G102021	Lock Nut, 3/8" (Quantity of Three)
103	20G24B189	Tie Rod Kit (Quantity of Three)
104	20G205997	Air Motor (See Air Motor Assembly)
107	20G156082	Nitrile Rubber O-Ring Seal
108	20G101946	Cotter Pin, 0.12" Diameter, 1/5" long
—	206M555	Part Numbers and Schematics Guide - Graco® Monark® 5:1 Airless Spray Pump
—	209V519	Operator's Manual — Graco® 5:1 Monark® Hydra-Clean® Pump

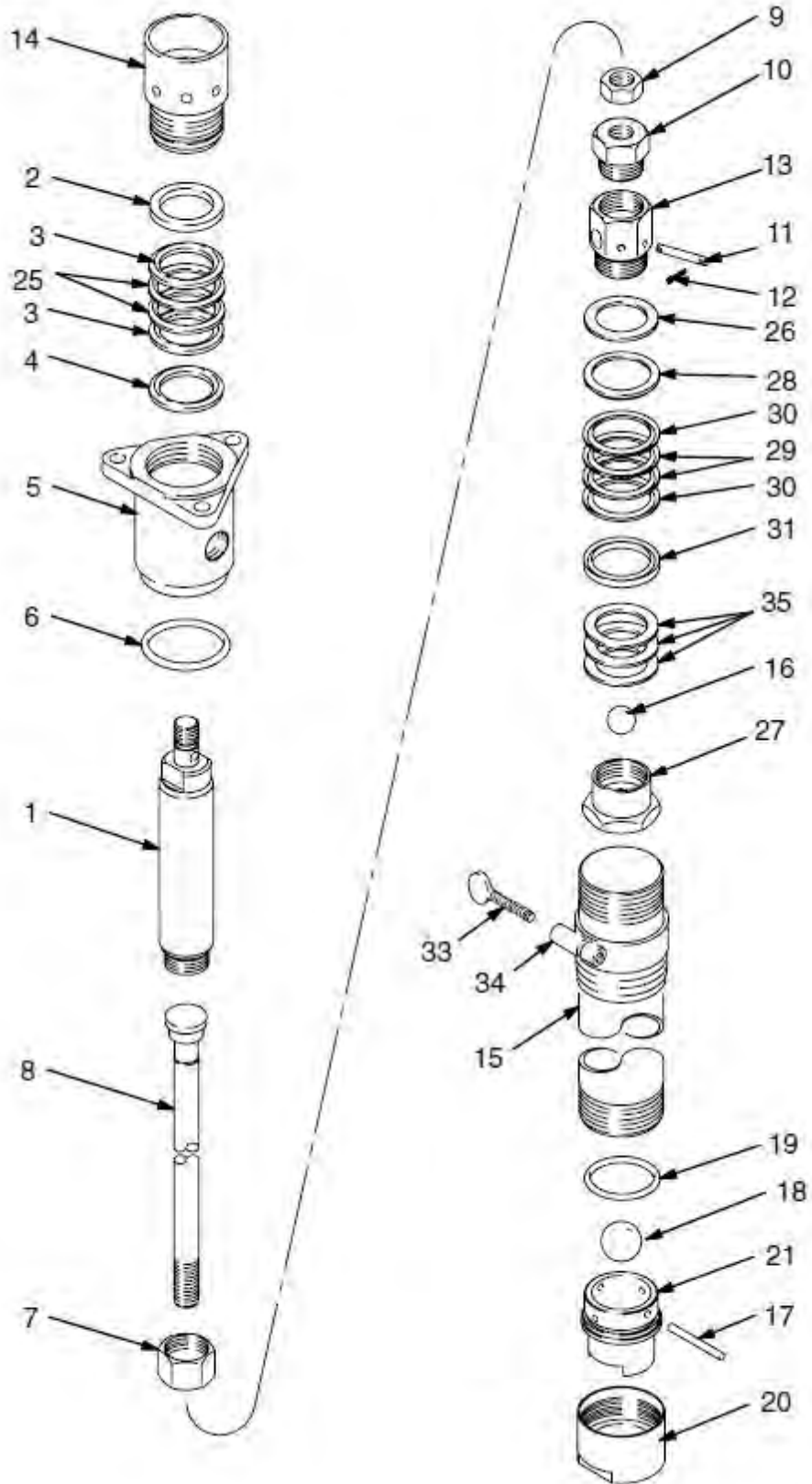
PART NUMBERS AND SCHEMATICS GUIDE

Graco® Displacement Pump Assembly

Item#	Part#	Description
Fig. 5		
—	20G224349	Graco® 157 CC Displacement Pump Assembly <i>(For Use With 20G224350)</i>
1	20G24C506	Stainless Steel Displacement Rod
2	20G24B189	Stainless Steel Female Throat Gland
3	20G176639	UHMWPE Throat V-Packing <i>(Quantity of Two)</i>
4	20G186987	Stainless Steel Male Throat Gland
5	20G192188	Stainless Steel Outlet Housing
6	20G164782	PTFE O-Ring
7	20G166033	Coupling Nut
8	20G206449	Stainless Steel Connecting Rod
9	20G166037	Stainless Steel 5/8-11 unc-2b Jam Nut
10	20G166036	Stainless Steel Connecting Rod Adapter
11	20G176637	Stainless Steel Piston Ball Stop Pin
12	20G100063	Stainless Steel 1/16" x 1/2" Cotter Pin <i>(Quantity of Two)</i>
13	20G176644	Stainless Steel Piston Mounting Stud
14	20G186995	Stainless Steel Packing Nut/Wet-Cup
15	20G24C504	Stainless Steel Cylinder
16	20G101917	Stainless Steel Piston Ball, .875" Diameter
17	20G162947	Stainless Steel Intake Ball Stop Pin
18	20G101968	Stainless Steel Intake Ball, 1.25" Diameter
19	20G164846	PTFE O-Ring
20	20G164630	Stainless Steel Locking Ring
21	20G186991	Stainless Steel Intake Valve Housing
25	20G162866	PTFE Throat V-Packing <i>(Quantity of Two)</i>
26	20G176634	Stainless Steel Piston Washer
27	20G186993	Stainless Steel Piston Stud
28	20G186990	Stainless Steel Male Piston Gland
29	20G176635	PTFE Piston V-Packing <i>(Quantity of Two)</i>
30	20G176638	UHMWPE Piston V-Packing <i>(Quantity of Two)</i>
31	20G186989	Stainless Steel Female Piston Gland
32	20G205573	Bung Adapter <i>(Includes Item #s 33 and 34)</i>
33	20G101961	1/4-20 unc x 1.5" Long Thumbscrew
34	20G205572	Stainless Steel Bung Adapter
35	20G190484	Shim <i>(Quantity of Three)</i>
36	20GC38225	O-Ring Packing
37	20G15J577	Foot Valve Ball Retainer
38	20G101178	Metallic Ball
39	20G15J574	Intake Valve Housing
—	20G224403	Repair Kit <i>Includes Item #'s: 2, 3 (Quantity of Two), 4, 11, 12 (Quantity of Two), 16-18, 25 (Quantity of Two), 26, 28, 29 (Quantity of Two), 30 (Quantity of Two), and 31</i>
—	206M555	Part Numbers and Schematics Guide - Graco® Monark® 5:1 Airless Spray Pump
—	209V517	Operator's Manual — Graco® 5:1 Monark® Airless Spray Pump

PART NUMBERS AND SCHEMATICS GUIDE

Figure 5: Graco® Displacement Pump Assembly



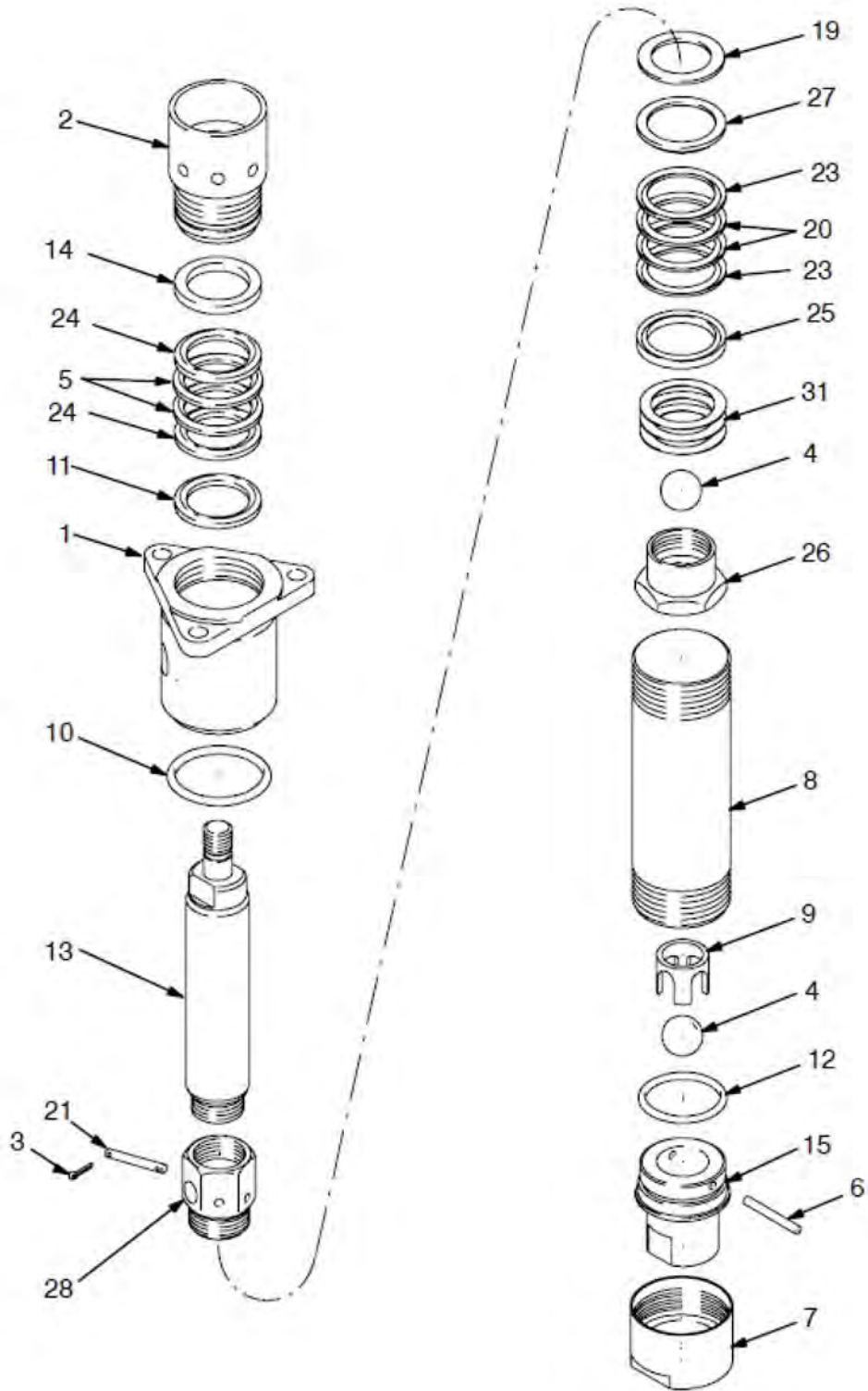
PART NUMBERS AND SCHEMATICS GUIDE

Graco® Displacement Pump Assembly

Item#	Part#	Description
Fig. 6		
—	20G224341	Graco® 157 CC Displacement Pump Assembly <i>(For Use With 20G224343)</i>
1	20G205999	Stainless Steel Outlet Housing
2	20G186995	Stainless Steel Packing Nut/Wet-Cup
3	20G100063	Stainless Steel Cotter Pin <i>(Quantity of Two)</i>
4	20G101917	Stainless Steel Ball, .875" Diameter <i>(Quantity of Two)</i>
5	20G162866	PTFE Throat Packing <i>(Quantity of Two)</i>
6	20G162947	PTFE O-Ring
7	20G164630	Stainless Steel Locking Ring
8	20G24C505	Stainless Steel Cylinder
9	20G164679	Stainless Steel Intake Ball Guide
10	20G164782	PTFE O-Ring
11	20G186987	Stainless Steel Male Throat Gland
12	20G164846	PTFE O-Ring
13	20G24C506	Stainless Steel Displacement Rod
14	20G186988	Stainless Steel Female Throat Gland
15	20G186992	Stainless Steel Intake Valve Housing
19	20G176634	Stainless Steel Piston V-Packing
20	20G176635	PTFE Piston V-Packing <i>(Quantity of Two)</i>
21	20G176637	Stainless Steel Piston Ball Stop Pin
23	20G176638	UHMWPE Piston V-Packing <i>(Quantity of Two)</i>
24	20G176639	UHMWPE Throat V-Packing <i>(Quantity of Two)</i>
25	20G186989	Stainless Steel Female Piston Gland
26	20G183993	Stainless Steel Piston Stud
27	20G186990	Stainless Steel Male Piston Gland
28	20G176644	Stainless Steel Piston Mounting Stud
31	20G190484	Shim <i>(Quantity of Three)</i>
—	20G224401	Repair Kit <i>Includes Item #'s: 3 (Quantity of Two), 4 (Quantity of Two), 5 (Quantity of Two), 6, 11, 14, 19, 20 (Quantity of Two), 21, 23 (Quantity of Two), 24 (Quantity of Two), 25, 27, and 31 (Quantity of Three)</i>
—	206M555	Part Numbers and Schematics Guide - Graco® Monark® 5:1 Airless Spray Pump
—	209V518	Operator's Manual — Graco® 5:1 Monark® Airless Spray Pump

PART NUMBERS AND SCHEMATICS GUIDE

Figure 6: Graco® Displacement Pump Assembly



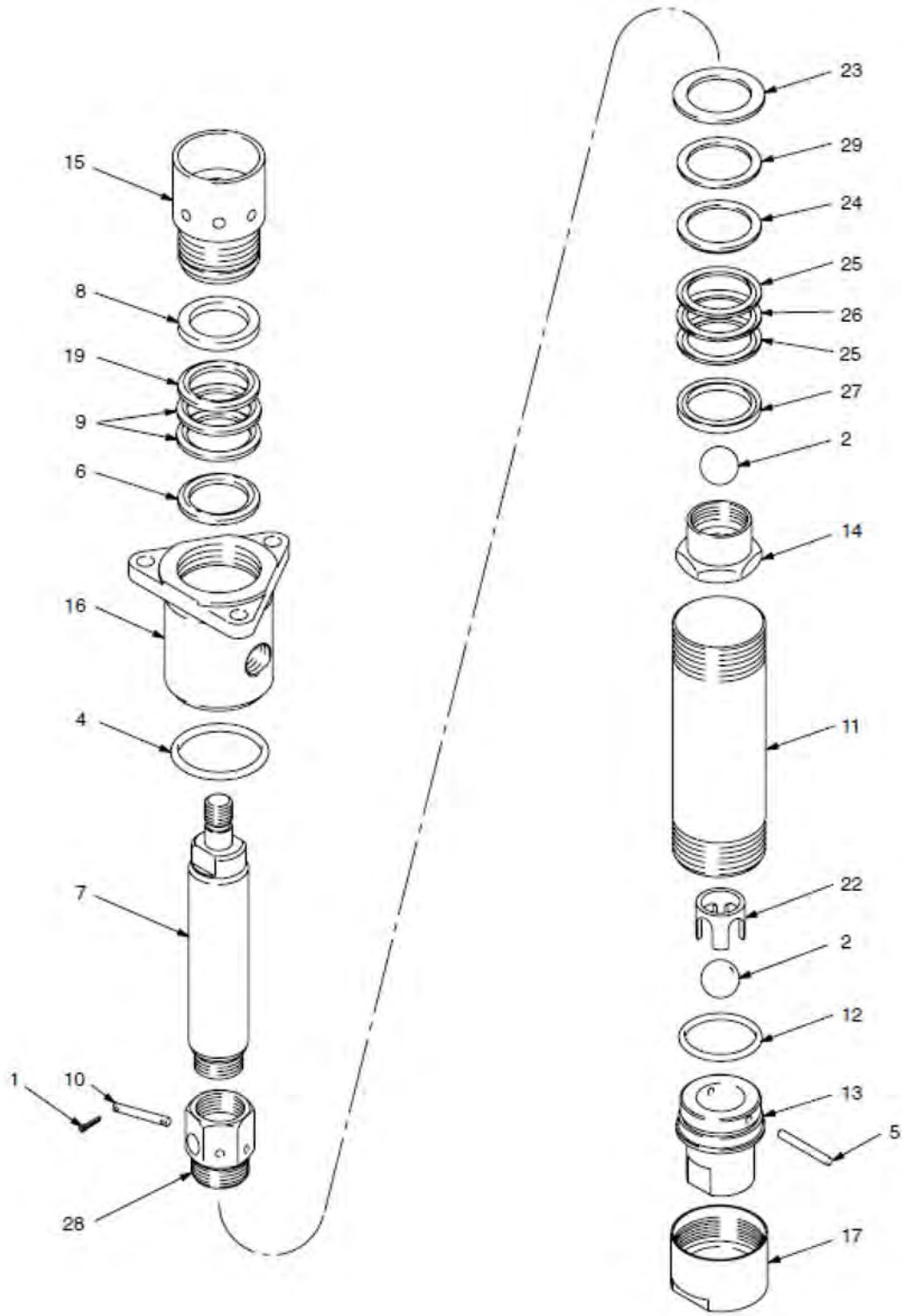
PART NUMBERS AND SCHEMATICS GUIDE

Graco® Displacement Pump Assembly

Item#	Part#	Description
Fig. 7		
—	20G244344	Graco® 157 CC Displacement Pump Assembly <i>(For Use With 20G224345)</i>
1	20G100063	Stainless Steel Cotter Pin 1/16" x 1/2" <i>(Quantity of Two)</i>
2	20G101917	Stainless Steel Ball, .875" Diameter <i>(Quantity of Two)</i>
4	20G164782	PTFE O-Ring
5	20G162947	Stainless Steel Intake Ball Stop Pin
6	20G186987	Stainless Steel Male Throat Gland
7	20G24C506	Stainless Steel Displacement Rod
8	20G186988	Stainless Steel Female Throat Gland
9	20G166133	Neoprene Throat Packing <i>(Quantity of Two)</i>
10	20G176637	Stainless Steel Piston Ball Stop Pin
11	20G24C505	Stainless Steel Cylinder
12	20G164846	PTFE O-Ring
13	20G186992	Stainless Steel Intake Valve Housing
14	20G186993	Stainless Steel Piston Stud
15	20G186995	Stainless Steel Packing Nut/Wet-Cup
16	20G205999	Stainless Steel Outlet Housing
17	20G164630	Stainless Steel Locking Ring
19	20G170625	UHMWPE Throat V-Packing
22	20G164679	Stainless Steel Intake Ball Guide
23	20G176634	Stainless Steel Piston Washer
24	20G186990	Stainless Steel Male Piston Gland
25	20G176638	UHMWPE Piston V-Packing <i>(Quantity of Two)</i>
26	20G111293	Neoprene Piston V-Packing
27	20G186989	Stainless Steel Female Piston Gland
28	20G176644	Stainless Steel Piston Mounting Stud
29	20G111790	Stainless Steel Shim
—	20G224402	Repair Kit <i>Includes Item #'s: 1 (Quantity of Two), 2 (Quantity of Two), 5, 6, 8, 9 (Quantity of Two), 10, 19, 23, 24, 25 (Quantity of Two), 26, 27, and 29</i>
—	206M555	Part Numbers and Schematics Guide - Graco® Monark® 5:1 Airless Spray Pump
—	209V519	Operator's Manual — Graco® 5:1 Monark® Airless Spray Pump

PART NUMBERS AND SCHEMATICS GUIDE

Figure 7: Graco® Displacement Pump Assembly



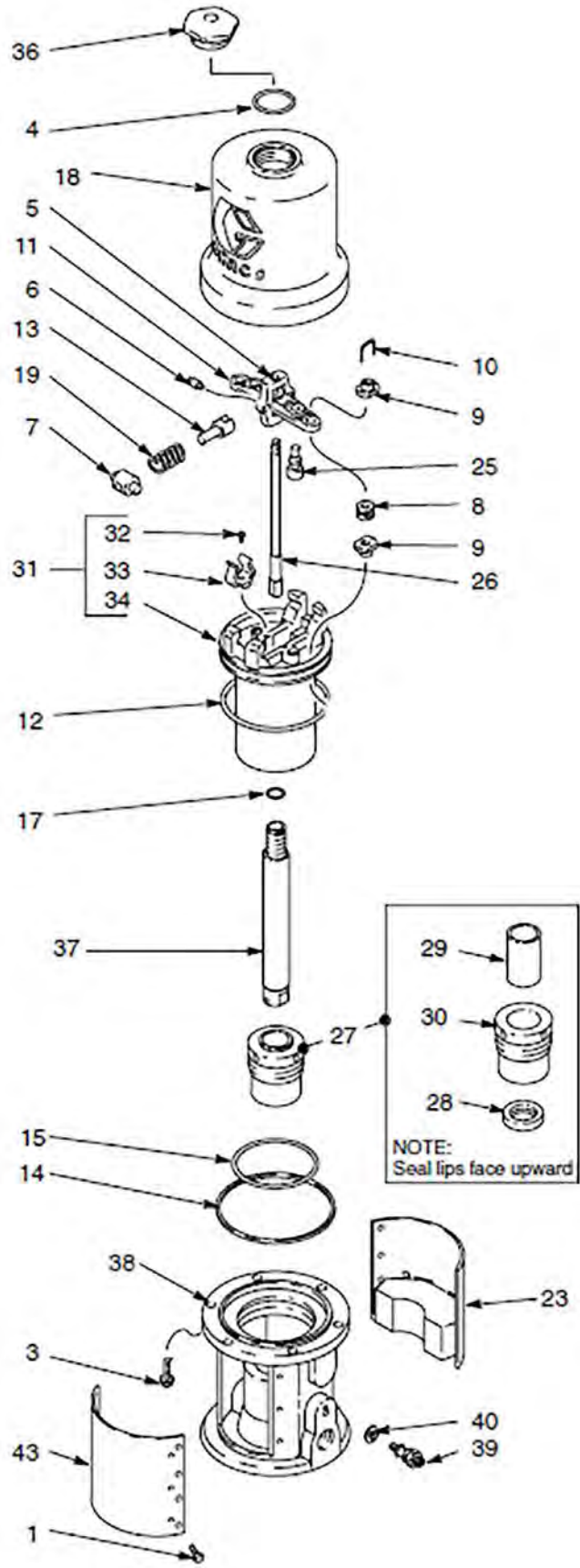
PART NUMBERS AND SCHEMATICS GUIDE

Graco® Monark® Air Motor Assembly


Item#	Part#	Description
Fig. 8		
—	20G205997	Graco® Monark® Air Motor
1	20G114422	Phillips HD Mach Screw, 8-32 x .375 Inches Long (<i>Quantity of 16</i>)
3	20G101578	Hex Head Screw, 5/16 x .875 Inches Long (<i>Quantity of Six</i>)
4	20G156698	Buna-A O-Ring
5	20G158360	Trip Rod Yoke
6	20G158362	Toggle Pin (<i>Quantity of Two</i>)
7	20G158364	Toggle Rocker (<i>Quantity of Two</i>)
8	20G158367	Air Intake Rubber Grommet (<i>Quantity of Two</i>)
9	20G160261	Adjusting Nut (<i>Quantity of Four</i>)
10	20G160618	Transfer Valve Lockwire (<i>Quantity of Two</i>)
11	20G172867	Valve Actuator
12	20G160621	Nitrile Rubber O-Ring
13	20G160623	Toggle Arm (<i>Quantity of Two</i>)
14	20G160624	Buna-N O-Ring
15	20G160625	Buna-A O-Ring
17	20G160932	Copper Gasket
18	20G164186	Cylinder
19	20G167585	Helical Compression Spring (<i>Quantity of Two</i>)
23	20G241651	Identification Plate
25	20G170709	Urethane Valve Poppet (<i>Quantity of Two</i>)
26	20G203965	Trip Rod
27	20G205529	Bearing Housing (<i>Includes Item #s 28-30</i>)
28	20G101524	Seal
29	20G101526	Bearing
30	20G164701	Packing Nut
31	20G214036	Piston Assembly (<i>Includes Item #s 32-34</i>)
32	20G102975	RD HD Mach Screw, 6-32 x .25 (<i>Quantity of Two</i>)
33	20G172866	Spring Clip (<i>Quantity of Two</i>)
34	—	Bare Piston (<i>Not Sold Separately</i>)
36	20G161435	Cap Nut
37	20G177136	Piston Rod
38	20G205998	Base
39	20G104029	Grounding Lug
40	20G104582	Tab Washer
42	20G180233	Warning Label
43	20G241650	Warning Plate
—	20G206728	Repair Kit <i>Includes Item #s: 8 (Quantity of Two), 9(Quantity of Four), 10 (Quantity of Two), 12, 15, 24 (Quantity of Two), and 25(Quantity of Two)</i>


PART NUMBERS AND SCHEMATICS GUIDE


Figure 8: Graco® Monark® Air Motor Assembly



OPTIONAL ACCESSORIES




		ADAPTERS AND FITTINGS	
		Part Numbers	Description
	20G243421	Muffler Accessory Kit <i>(Includes Gaskets, Plates, Screws, and Muffler)</i>	
	20G243801	Remote Exhaust Accessory Kit <i>(Includes Gaskets, Plates, and Screws)</i>	

		SIPHON KITS				
		Part Numbers	For Use With	Material	Suction Hose ID	Suction Hose Length
	20G207484	5 Gal Pail	Aluminum	3/4"	3.5'	3/4" NPT (F)
	20G208920	5 Gal Pail	Aluminum	1"	4'	3/4" NPT (F)
	20G208259	55 Gal Drums	Carbon Steel	3/4"	6'	3/4" NPT (F)

		FILTERS		
		Part Numbers	Type	Inlet/Outlet
	20G106148	Air Filter	3/8" NPT	250 PSI

OPTIONAL ACCESSORIES

FLUID DRAIN VALVES

	Part Numbers	Inlet	Outlet	Maximum Working Pressure
	20G210657	1/4" NPT	1/4" NPT	5,000 PSI
	20G210659	1/4" NPT	3/8" NPT	5,000 PSI
	20G210658	3/8" NPT	3/8" NPT	5,000 PSI

PART NUMBERS AND SCHEMATICS GUIDE

GRACO® XTREME® XL 45:1 AIRLESS SPRAY PUMPS						
Part Numbers	MOUNT		Built-In Filter	Hopper Included	Hose and Graco® XTR™ 5 Spray Gun Included	Carbon Steel Lower Construction
	Heavy-Duty Cart	Wall Mount				
20GXL45H1	X		X			
20GXL45H2	X		X		X	
20GXL45H3	X		X	X	X	
20GXL45H4	X					
20GXL45W1		X	X			
20GXL45W2		X	X		X	
20GXL45W3		X	X		X	
20GXL45W4		X				
20GPL45C1						X
20GPL45C2			X			X

GRACO® XTREME® XL 45:1 AIRLESS SPRAY PUMPS – SPECIFICATIONS	
Output Per Cycle	4,800 psi
Pump Lower Output per Cycle	430cc
Motor	Xtreme® XL Air Motor
Maximum Air Input Pressure	100 psi
Output at 60 Cycles/min gpm	6.7

PART NUMBERS AND SCHEMATICS GUIDE



PART NUMBERS AND SCHEMATICS GUIDE

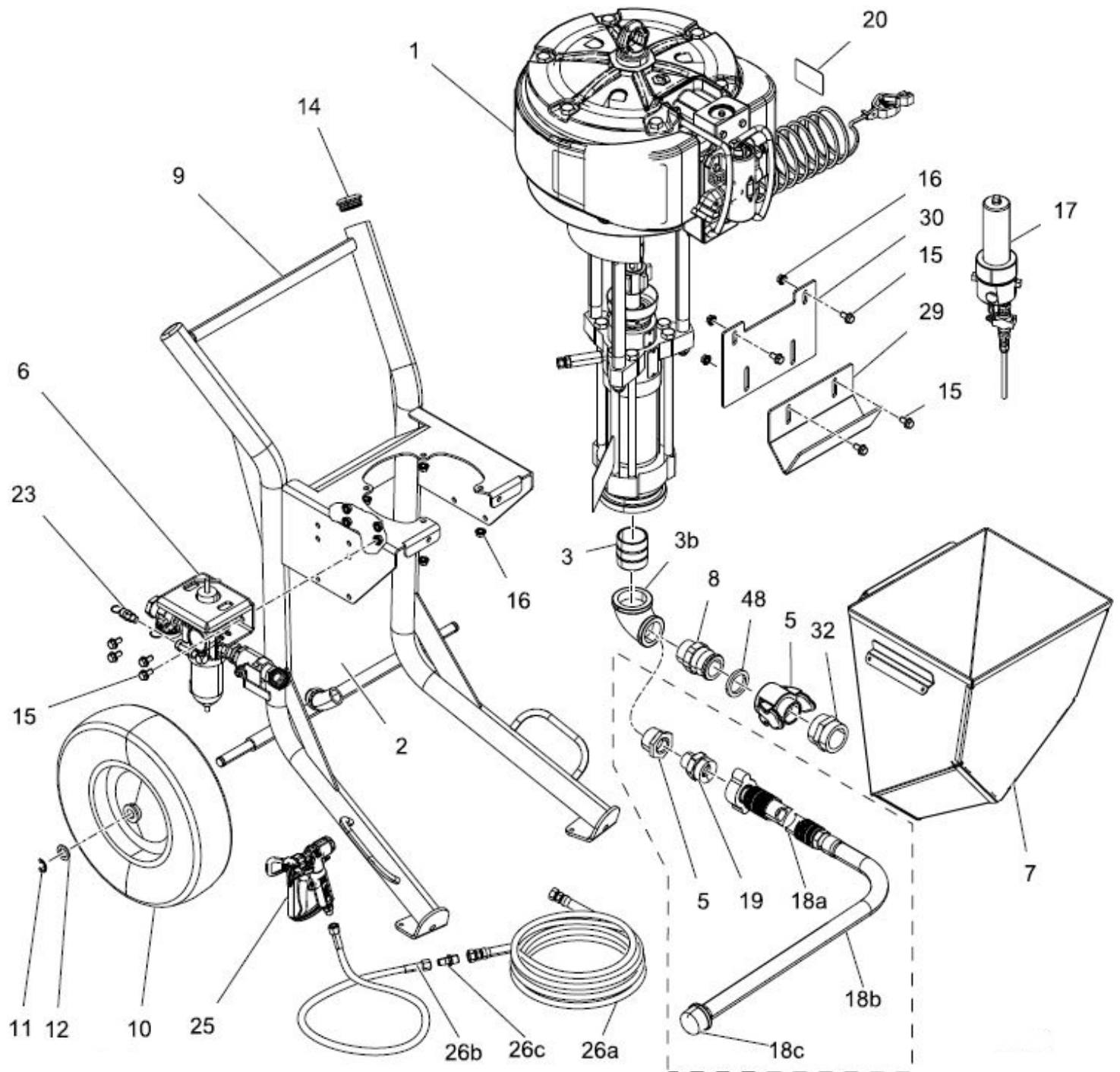
Graco® Xtreme® XL 45:1 Spray Pump – Dura-Flo Cart Mount

Item#	Part#	Description
Fig. 1		
1	20GPL45C1	Graco® Dura-Flo XL 430cc Pump
2	20G128093	Coupled Hose
3	20G24X547	Nipple Fitting Kit, 2" NPT x 2-1/2"
3b	—	Pipe Elbow, 2" x 1-1/2" (Female)
5	20G15T271	Bushing, 1-1/2" x 1" NPT Reducer Set
—	20G128095	Fitting
6	20GW040	Air Controls Module
7	20G16U536	Stainless Steel Hopper <i>(Not included with all models, see page 4)</i>
8	20G17C692	Fitting, 1-1/2" NPT
9	20G24Y078	Heavy-Duty Cart
10	20G113362	Semi-Pneumatic Wheel <i>(Two Required)</i>
11	20G113436	Retaining Ring <i>(Two Required)</i>
12	20G154628	Washer <i>(Two Required)</i>
14	20G113361	Tube Cap <i>(Two Required)</i>
15	20G112395	Screw Cap <i>(Four Required)</i>
16	20G112958	Hex Nut <i>(Four Required)</i>
17	20G238620	High Pressure Fluid Filter
18a	20G247301	Hose, 1" x 6'
18b	20G197682	Siphon Tube
18c	20G181072	Strainer
19	20G116402	Adapter
20	—	Identification Label
23	20G114055	Safety Valve <i>(105 psi)</i>
25	20GXTR504	Graco® XTR™ 5 Spray Gun <i>(Not included with all models, see page 4)</i>
26a	20GH77550*	3/4" x 50' Coupled Hose
26b	20GH75025*	1/2" x 25' Coupled Hose
26c	20G16R883*	Reducing Nipple 3/4" x 1/2"
—	20G164856*	Nipple 3/8" x 1/4" NPT
29	20G17C474	Bracket Hopper <i>(Not included with all models, see page 4)</i>
30	20G17D554	Upper Bracket Hopper <i>(Not included with all models, see page 4)</i>
32	20G128094	1-1/2" Bushing Fitting
48	20G17C53	2" Gasket <i>(Pack of Six)</i>
—	206M558	Part Numbers and Schematics Guide – Graco® Xtreme® XL 45:1 Airless Spray Pumps
—	206M508	Part Numbers and Schematics Guide – Graco® XTR™ 5 Airless Spray Guns
—	209V558	Operator's Manual – Graco® Xtreme® XL Airless Spray Pumps

*Not included with all models, see page 4

PART NUMBERS AND SCHEMATICS GUIDE

Figure 1: Graco® Xtreme® XL 45:1 Spray Pump – Dura-Flo Cart Mount



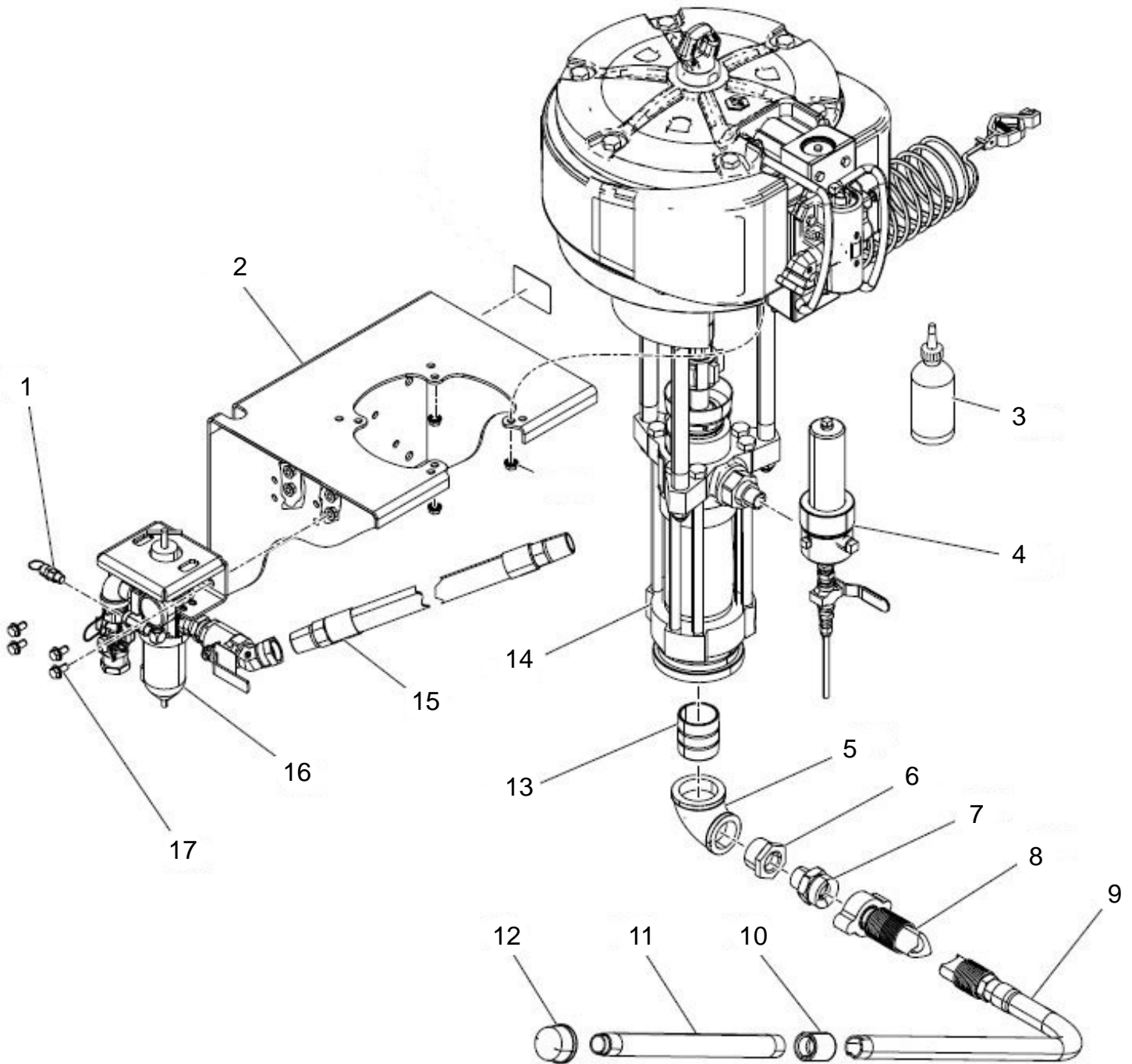
PART NUMBERS AND SCHEMATICS GUIDE

Graco® Xtreme® XL 45:1 Spray Pump – Wall Mount

Item#	Part#	Description
Fig. 2		
1	20G114055	Air Relief Valve (105 psi)
2	20G24X181	Wall Bracket
3	20G206994	Throat Seal Liquid – 8 oz.
4	20G238620	High Pressure Fluid Filter
5	20G116401	Elbow for Suction Hose
—	20G120291	Pipe Elbow (Female)
6	20G121239	Bushing
7	20G116402	Quick Connect Adapter
8	20G247302	10' Suction Hose with 1" NPT
9	20G197682	1" Pick Up Tube
10	20G114967	1" Coupling Pipe
11	20G195151	Intake Tube
12	20G187147	Inlet Strainer
13	20G24X547	2" NPT Nipple Kit
—	—	1.5" x 1" NPT Elbow
14	20GPL45C1	Xtreme® XL Pump
15	20G128093	Coupled Hose (45 psi)
—	20G278770	Coupled Hose (70, 80, 95 psi)
16	20G24W593	Air Controls Module
17	20G112395	Cap Screw
—	206M558	Part Numbers and Schematics Guide – Graco® Xtreme® XL 45:1 Airless Spray Pumps
—	209V558	Operator's Manual – Graco® Xtreme® XL Airless Spray Pumps

PART NUMBERS AND SCHEMATICS GUIDE

Figure 2: Graco® Xtreme® XL 45:1 Spray Pump – Wall Mount



PART NUMBERS AND SCHEMATICS GUIDE

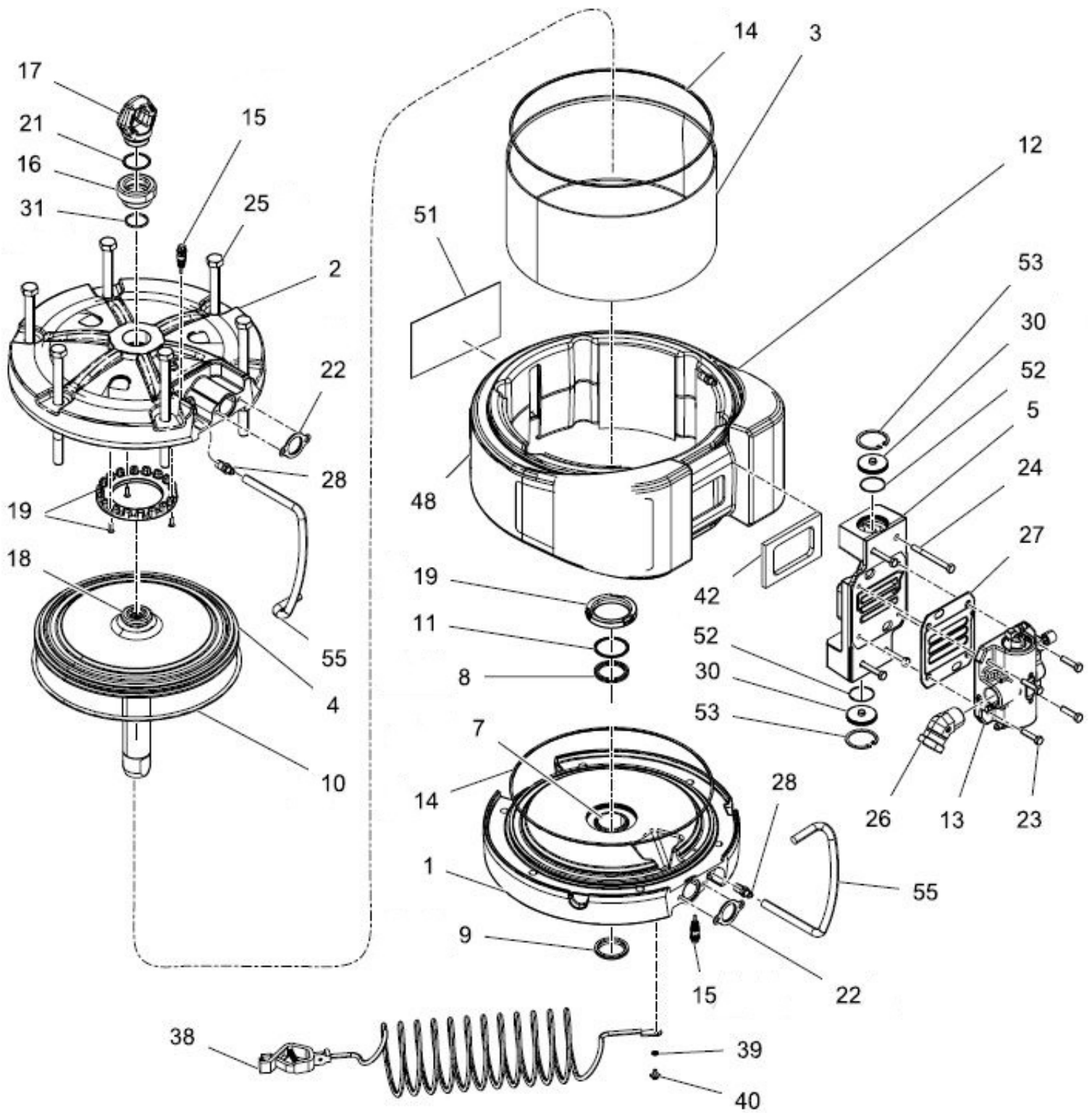
Graco® Xtreme® XL Air Motor

Item#	Part#	Description
Fig. 3		
—	20G24X856	Xtreme® XL Air Motor
1	20G24X559	Bottom Cover
2	20G24W584	Top Cover
3	20G24X561	Cylinder Kit
4	20G24X557	Piston Motor Kit
5	20G16Y968	Manifold Exhaust
7	—	Bearing Sleeve
8	—	Packing U-Cup
9	—	Seal Rod Wiper
10	—	Piston O-Ring
11	—	Retaining Ring
12	20G24X560	Muffler Cover
13	20G24X562	Air Valve
14	20G109486	Packing O-Ring (Quantity of Two)
15	20G24A366	Pilot Valve (Quantity of Two)
15a	20G155685	Packing O-Ring, Middle
15b	—	Packing U-Cup, Shaft
15c	20G154741	Packing O-Ring, Bottom
15d	20G197650	Buna O-Ring, Top
16	20G16D001	Lift Ring Adapter
17	20G15F931	Lift Ring 1-9/16"
18	20GNXT106	Bumper Piston, with Magnet
19	20G24A916	Bumper Kit
21	20G108014	Packing O-Ring
22	—	End Cap Gasket (Quantity of Two)
23	20G110036	Stud (Quantity of Four)
24	20G17B389	Screw, M8 x 1.25 x 85mm (Quantity of Four)
25	20G127582	Screw, 5/8-11 x 8.5 in (Quantity of Six)
26	—	Swivel Fitting
27	20G24X565	Valve Gasket (Quantity of Two)
28	20G555749	Adapter Fitting (Quantity of Two)
30	20G17C974	Manifold XL Air Cap (Quantity of Two)

Item#	Part#	Description
31	20GC20987	Packing O-Ring
38	20G244524	Ground Wire with Clamp (Includes Part#: 38a)
38a	20G290079	Grounding Warning Tag
39	20G111307	External Washer Lock
40	20G116343	Ground Screw
42	20G17C776	Muffler Gasket
51	20G15F674	Motor Safety Label
52	20G205020	Packing O-Ring
53	20G557832	Retainer Ring (Quantity of Two)
55	20G128090	Coupled Hose (Quantity of Two)

PART NUMBERS AND SCHEMATICS GUIDE

Figure 3: Graco® Xtreme® XL Air Motor



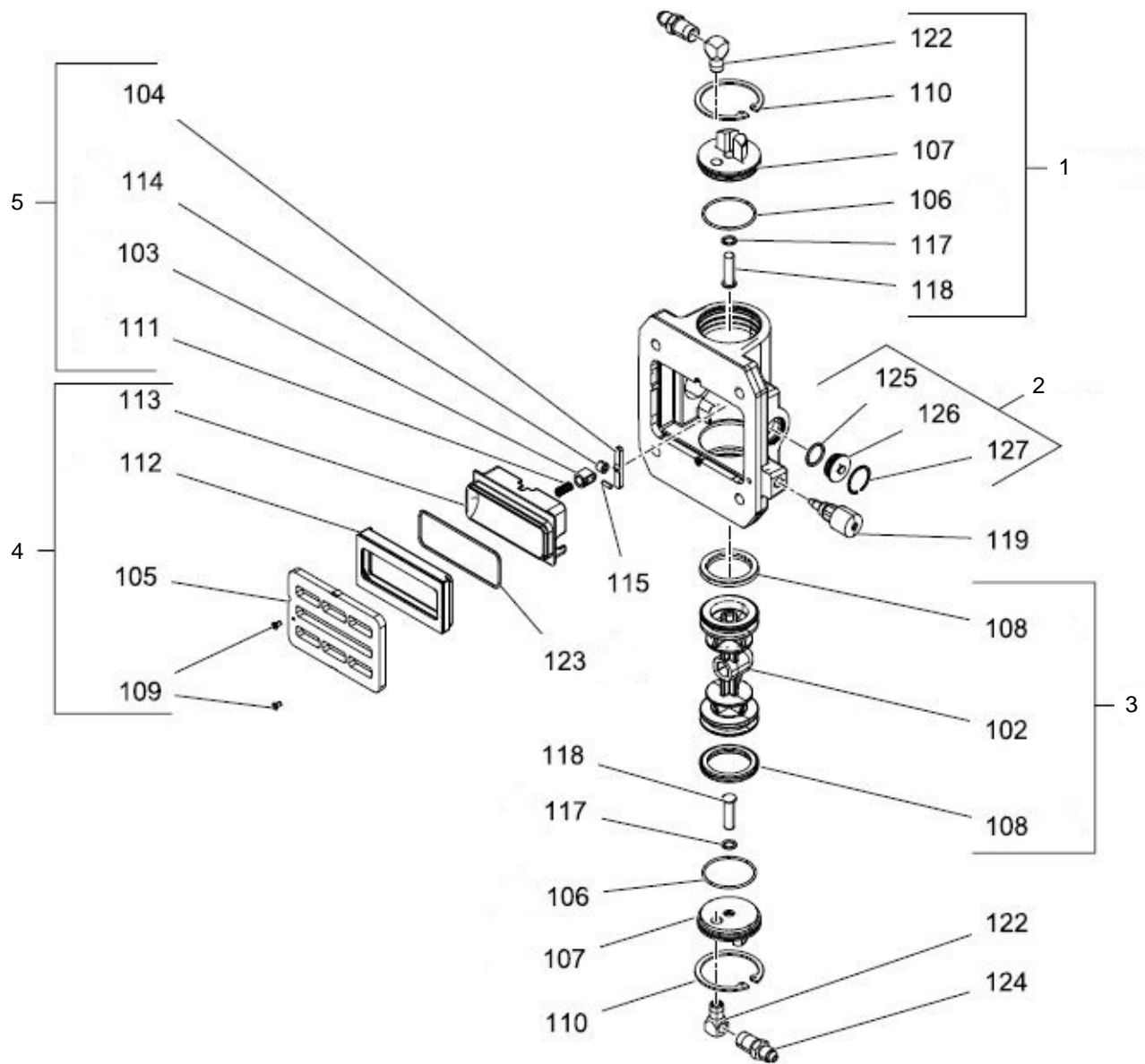
PART NUMBERS AND SCHEMATICS GUIDE

Graco® Xtreme® XL Air Valve

Item#	Part#	Description
Fig. 4		
—	20G24X562	Graco® Xtreme® XL Air Valve
1	20G24X566	Cap with Push Button Assembly <i>(Includes Part #'s: 106, 107, 110, 117, 118, 122, and 124)</i>
2	20G24X568	DataTrack™ Plug Assembly <i>(Includes Part #'s: 125, 126, and 127)</i>
3	20G24X569	Valve Piston with Seals Repair Kit <i>(Includes Part #'s: 102 and 108)</i>
4	20G24X564	Base/Cup Repair Assembly <i>(Includes Part #'s: 112, 113, 123, 105, and 109)</i>
5	20G24X567	Roller Assembly <i>(Includes Part #'s: 103, 104, 111, 114, and 115)</i>
—	—	Housing
102	—	Piston
103	—	Detent Piston
104	—	Detent Cam
105	—	Air Valve Plate
106	20G104010	Packing O-Ring <i>(Quantity of Two)</i>
107	—	Air Valve Cap <i>(Quantity of Two)</i>
108	—	U-Cup Packing <i>(Quantity of Two)</i>
109	—	Thread Forming Screw <i>(Quantity of Two)</i>
110	20G557832	Retainer Ring <i>(Quantity of Two)</i>
111	—	Detent Spring
112	—	Cup Base
113	—	Air Valve Cup
114	—	Detent Roller
115	—	Detent Pin
117	20G154741	Packing O-Ring <i>(Quantity of Two)</i>
118	—	Reset Button <i>(Quantity of Two)</i>
119	20G16Y668	Needle Valve
122	20G15K783	Street Elbow Fitting <i>(Quantity of Two)</i>
123	20G295640	O-Ring
124	20G555749	Connector <i>(Quantity of Two)</i>
125	20G104130	Packing O-Ring
126	—	Valve Plug
127	—	Retaining Ring

PART NUMBERS AND SCHEMATICS GUIDE

Figure 4: Graco® Xtreme® 45:1 Air Valve



PART NUMBERS AND SCHEMATICS GUIDE

430cc Xtreme® Sprayer Lower Displacement Pump

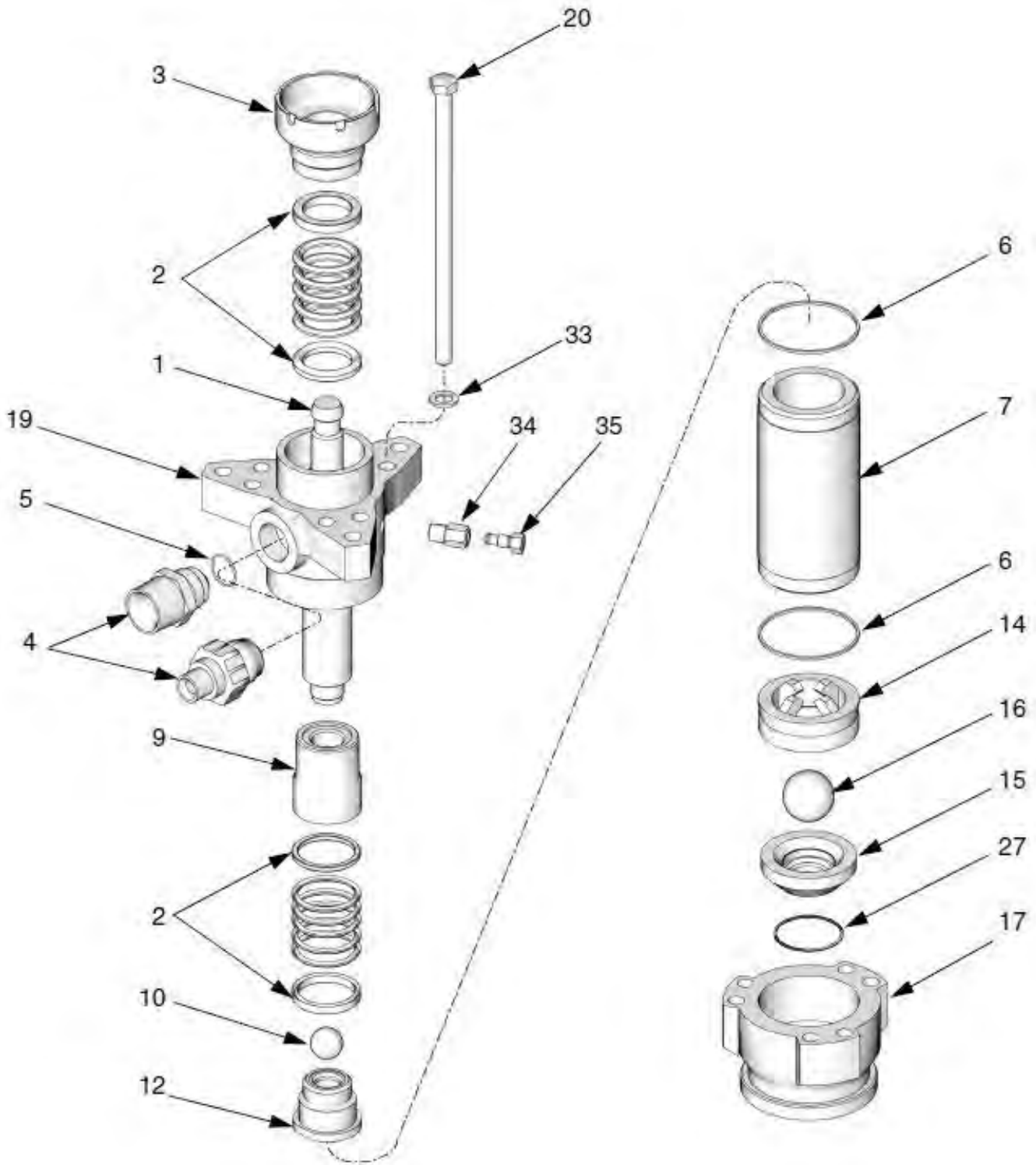
20G222796CST

20G222988CST

Item#	20GL430CSCST	20G24W644	Description
Fig. 5			
1	20G184276	20G184276	Displacement Rod
2	—	—	Repair Kit (See Fig. 7, 8, 9)
3	20G184380	20G184380	Packing Nut/Wet-Cup
4	20G184279	—	Outlet Fitting, 1-1/2" NPT
—	—	20G184470	Outlet Fitting, 3/4" NPT
5	20G109213	20G109213	O-Ring, PTFE
6	20G184072	20G184072	Acetal Seal (<i>Quantity of Two</i>)
7	20G184461	20G184461	Cylinder
9	20G184283	20G184283	Ball Piston, Guide
10	20G102973	20G102973	Ball Piston
12	20G222795	20G222795	Piston Carbide Seat
14	20G184406	20G184406	Intake Ball, Guide
15	20G222794	20G222794	Intake Valve, Seat
16	20G102974	20G102974	Intake Ball
17	20G184275	20G184275	Housing Intake
19	20G222918	20G222918	Housing Outlet
20	20G109203	20G109203	Screw Cap, 5/8-11 x 12"
27	20G102857	20G102857	O-Ring, PTFE
33	—	—	Washer, Stainless Steel (<i>Quantity of Six</i>)
34	20G190126	20G190126	Body Valve
	20G165702	—	Body Valve (<i>For model 20G222988CST only</i>)
35	20G190128	20G190128	Plug Valve

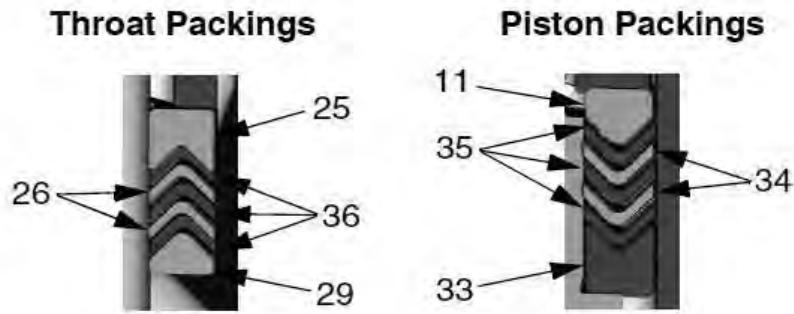
PART NUMBERS AND SCHEMATICS GUIDE

Figure 5: 430cc Xtreme® Sprayer Lower Displacement Pump



PART NUMBERS AND SCHEMATICS GUIDE

Figure 6: 430cc Repair Kits – UHMWPE and PTFE Packings



Repair Parts for 20G687055

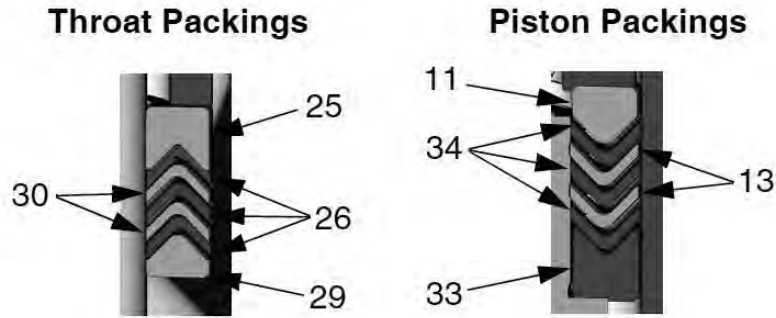
Item#	Part#	Description
Fig. 6		
11	20G184232	Gland Piston, Male
25	20G184181	Gland Throat, Female
26	20G687056	V-Packing Throat, Graphite/PTFE (<i>Quantity of Two</i>)
29	20G184231	Gland Throat, Male
33	20G184182	Gland Piston, Female
34	20G687057	V-Packing Piston, Graphite/PTFE (<i>Quantity of Two</i>)
35	20G109262	V-Packing Piston, UHMWPE (<i>Quantity of Three</i>)
36	20G109261	V-Packing Throat, UHMWPE (<i>Quantity of Three</i>)

UHMWPE/PTFE Repair Kits for 20G222805, 20G241956, 20GL430CS, and 20GL430SS

Item#	Part#	Description
Fig. 6		
—	20G222845	Repair Kit for 430cc Lowers
11	20G184232	Gland Piston, Male
25	20G184181	Gland Throat, Female
26	20G209311	V-Packing Throat, PTFE (<i>Quantity of Two</i>)
29	20G184231	Gland Throat, Male
33	20G184182	Gland Piston, Female
34	20G109312	V-Packing Piston, PTFE (<i>Quantity of Two</i>)
35	20G109262	V-Packing Piston, UHMWPE (<i>Quantity of Three</i>)
36	20G109261	V-Packing Throat, UHMWPE (<i>Quantity of Three</i>)

PART NUMBERS AND SCHEMATICS GUIDE

Figure 7: 430cc Repair Kits – PTFE and Leather Packings



Leather/PTFE Backup Conversion Kit

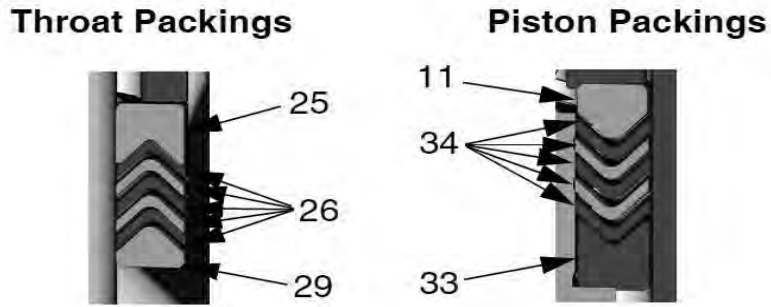
Item#	Part#	Description
Fig. 7		
—	20G222847	Leather/PTFE Backup Conversion Kit for 430cc Lowers
11	20G184232	Gland Piston, Male
13	20G184312	V-Packing Piston, Leather (<i>Quantity of Four</i>)
25	20G184181	Gland Throat, Female
26	20G109311	V-Packing Throat, Leather
29	20G184231	Gland Throat, Male
30	20G184311	V-Packing Throat, Leather (<i>Quantity of Four</i>)
33	20G184182	Gland Piston, Female
34	20G109312	V-Packing Piston, PTFE

PTFE/Leather Repair Kit for 20G222796

Item#	Part#	Description
Fig. 7		
—	20G222849	Repair Kit for 430cc Lowers
11	20G184232	Gland Piston, Male
13	20G184312	V-Packing Piston, Leather (<i>Quantity of Two</i>)
25	20G184181	Gland Throat, Female
26	20G109311	V-Packing Throat, Leather (<i>Quantity of Three</i>)
29	20G184231	Gland Throat, Male
30	20G184311	V-Packing Throat, Leather (<i>Quantity of Two</i>)
33	20G184182	Gland Piston, Female
34	20G109312	V-Packing Piston, PTFE (<i>Quantity of Three</i>)

PART NUMBERS AND SCHEMATICS GUIDE

Figure 8: 430cc Repair Kit – PTFE Packings

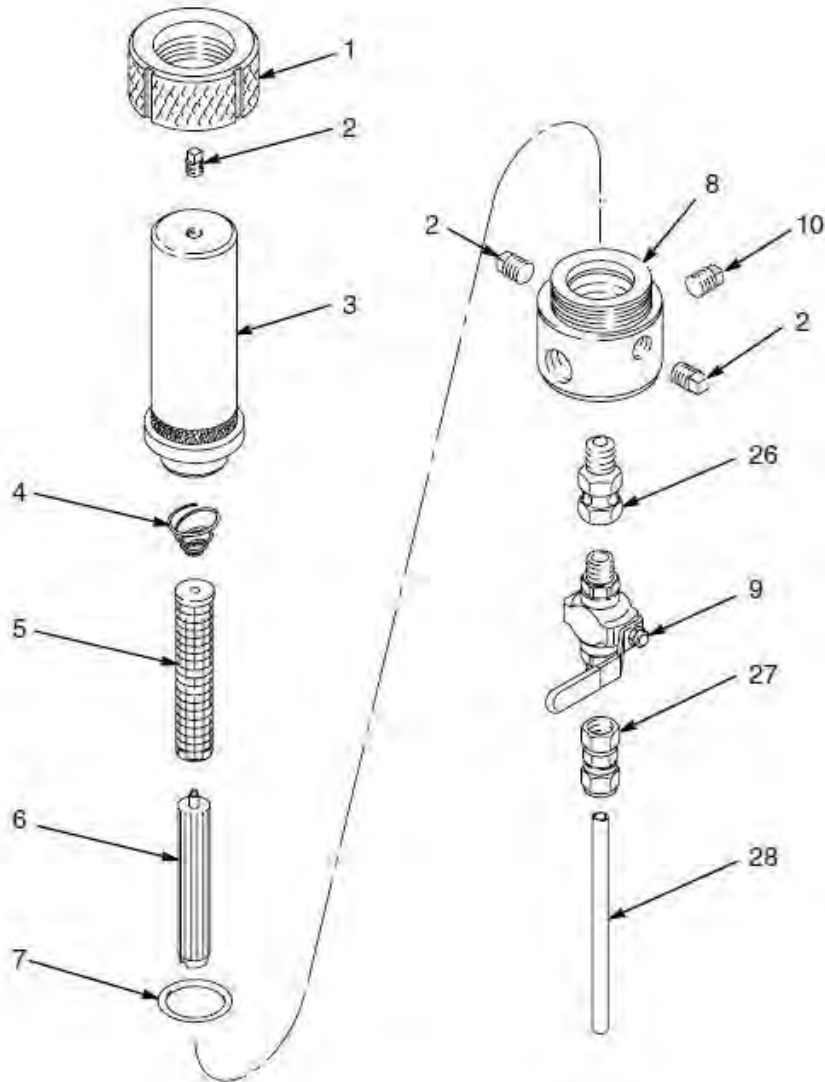


PTFE Repair Kit for 20G222998

Item#	Part#	Description
Fig. 8		
—	20G222846	Repair Kit for 430cc Lowers
11	20G184232	Gland Piston, Male
25	20G184181	Gland Throat, Female
26	20G109311	V-Packing Throat, Leather (<i>Quantity of Five</i>)
29	20G184231	Gland Throat, Male
33	20G184182	Gland Piston, Female
34	20G109312	V-Packing Piston, PTFE (<i>Quantity of Five</i>)

PART NUMBERS AND SCHEMATICS GUIDE

Figure 9: Filter Cap Series Key



Item#	Part#	Description
-------	-------	-------------

Fig. 9

—	20G238620	High Pressure Fluid Filter
---	------------------	-----------------------------------

1	20G174058	Lock Ring
---	-----------	-----------

2	20G104813	Plug Pipe 3/8" NPT – 7250 psi (<i>Quantity of Three</i>)
---	-----------	--

3	20G174056	Bowl Filter – 7250 psi
---	-----------	------------------------

4	20G171941	Spring Conical Compression – 7250 psi
---	-----------	---------------------------------------

5	20G167025	Strainer, 60 Mesh
---	-----------	-------------------

6	20G186075	Filter Support Nylon – 7250 psi
---	-----------	---------------------------------

7	20G104804	Packing O-Ring Teflon – 7250 psi
---	-----------	----------------------------------

8	20G24C497	Paint Filter, Manifold
---	-----------	------------------------

9	20G223960	3/8" x 3/8" Ball Valve
---	-----------	------------------------

10	20G100737	1/2" NPT Pipe Plug
----	-----------	--------------------

26	20G155665	Union Swivel 3/8" M x 3/8" F
----	-----------	------------------------------

27	20G205448	Coupling, Swivel, 3/8 npsm
----	-----------	----------------------------

28	20G186447	Nylon Drain Tube
----	-----------	------------------

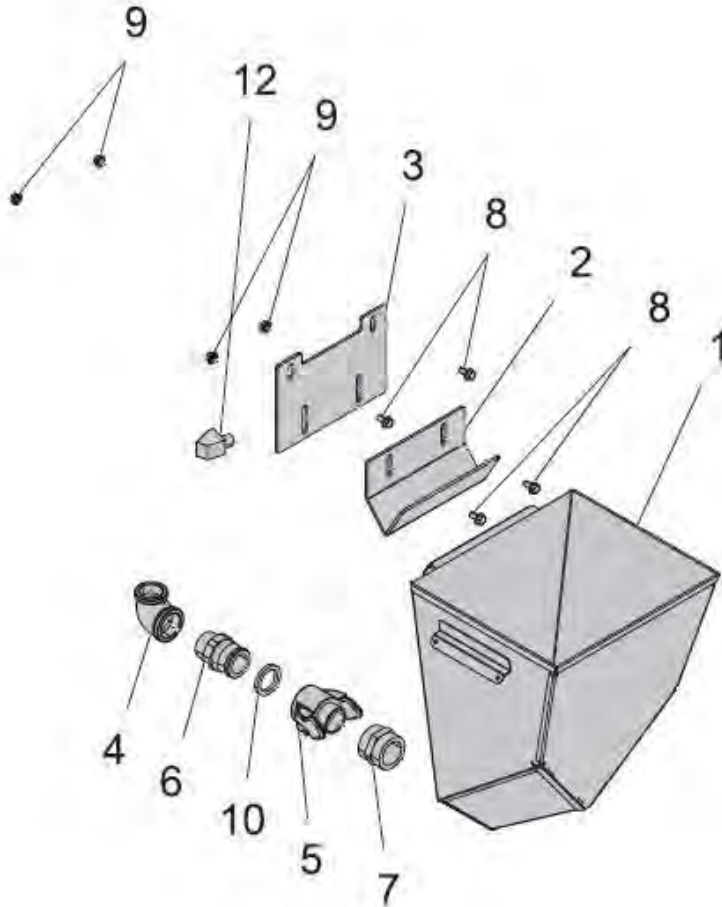
OPTIONAL ACCESSORIES

Graco® Xtreme® Airless Spray Pumps – Stainless Steel Hopper Kit






Item#	Part#	Description
Fig. 10		
—	20G24X570	Xtreme® Sprayer Stainless Steel Hopper Kit
1	20G17E114	Hopper
2	20G17C474	Bracket
3	20G17D554	Upper Bracket
4	20G126939	90° Elbow
5	20G128095	Cam/Groove
6	20G17C692	Cam/Groove Fitting, 1.5m, 1-1/2" NPT
7	20G128094	Bushing
8	20G112395	Flanges Cap Screw – HD (<i>Quantity of Four</i>)
9	20G112958	Nut (<i>Quantity of Four</i>)
10	20G17C453	Gasket
12	20G15M987	1/2" NPT (M) x 1/2" NPT (F) 60° Elbow
—	20G110110	6 ml Stainless Steel Pipe Sealant
—	20G16U537	Lid


OPTIONAL ACCESSORIES


Figure 10: Graco® Xtreme® Airless Spray Pumps – Stainless Steel Hopper Kit





OPTIONAL ACCESSORIES

		SUCTION TUBE AND ACCESSORIES
Part Numbers	Description	
	20G197682	Suction Tube
	20G247301	1" I.D. x 6' Suction Hose with Couplings
	20G247302	1" I.D. x 10' Suction Hose with Couplings
	20G245136	55 Gallon Suction Tube Extension Kit <i>Includes Suction Tube and Couplings</i>
	20G181072	60 Mesh Strainer for 1" Suction Tube

		REPLACEMENT SCREEN FILTER ELEMENTS	
Part Numbers	Screen	Package	
	20G167024B	30 Mesh	1 Pack
	20G167025B	60 Mesh	1 Pack
	20G224459	60 Mesh	2 Pack
	20G167026B	100 Mesh	1 Pack
	20G167027	200 Mesh	1 Pack
	20G224469	200 Mesh	2 Pack

		FILTER SUPPORTS		
Part Numbers	Type	Body Material	Maximum Working Pressure	
	20G186075	Filter Support	Nylon	7,250 psi
	20G171939B	Filter Support	Aluminum	7,250 psi

OPTIONAL ACCESSORIES

		HIGH PRESSURE BALL VALVES		
Part Numbers		Thread Size	Seal Material	Working Pressure
	20G210657B	1/4" Male x 1/4" Male	Viton	5,000 psi
	20G210658B	3/8" Male x 3/8" Male	Viton	5,000 psi
	20G210659B	1/4" Male x 3/8" Male	Viton	5,000 psi
	20G214037	1/4" Male x 1/4" Male	Teflon	5,000 psi
	20G223959B	3/8" Male x 1/4" Male	Teflon	5,000 psi
	20G210658B	3/8" Male x 3/8" Male	Teflon	5,000 psi
	20DQVAE2AO14	1/4" Female x Female	Nitrile	7,000 psi
	20DQVAE2AO38	3/8" Female x Female	Nitrile	7,000 psi
	20DQVAE2AO12	1/2" Female x Female	Nitrile	7,000 psi

PART NUMBERS AND SCHEMATICS GUIDE

GRACO® XTREME® XL 70:1 AIRLESS SPRAY PUMP						
Part Numbers	MOUNT		Built-In Filter	Hopper Included	Hose and Graco® XTR™ 7 Spray Gun Included	Carbon Steel Lower Construction
	Heavy-Duty Cart	Wall Mount				
20GXL70H1	X		X			
20GXL70H2	X		X		X	
20GXL70H3	X		X	X	X	
20GXL70H4	X					
20GXL70W1		X	X			
20GXL70W2		X	X		X	
20GXL70W3		X	X		X	
20GXL70W4		X				
20GPL70C1						X
20GPL70C2			X			X

GRACO® XTREME® XL 70:1 AIRLESS SPRAY PUMP – SPECIFICATIONS	
Output Per Cycle	7,250 psi
Pump Lower Output per Cycle	290cc
Motor	Xtreme® XL Air Motor
Maximum Air Input Pressure	100 psi
Output at 60 Cycles/min gpm	4.6

PART NUMBERS AND SCHEMATICS GUIDE



PART NUMBERS AND SCHEMATICS GUIDE

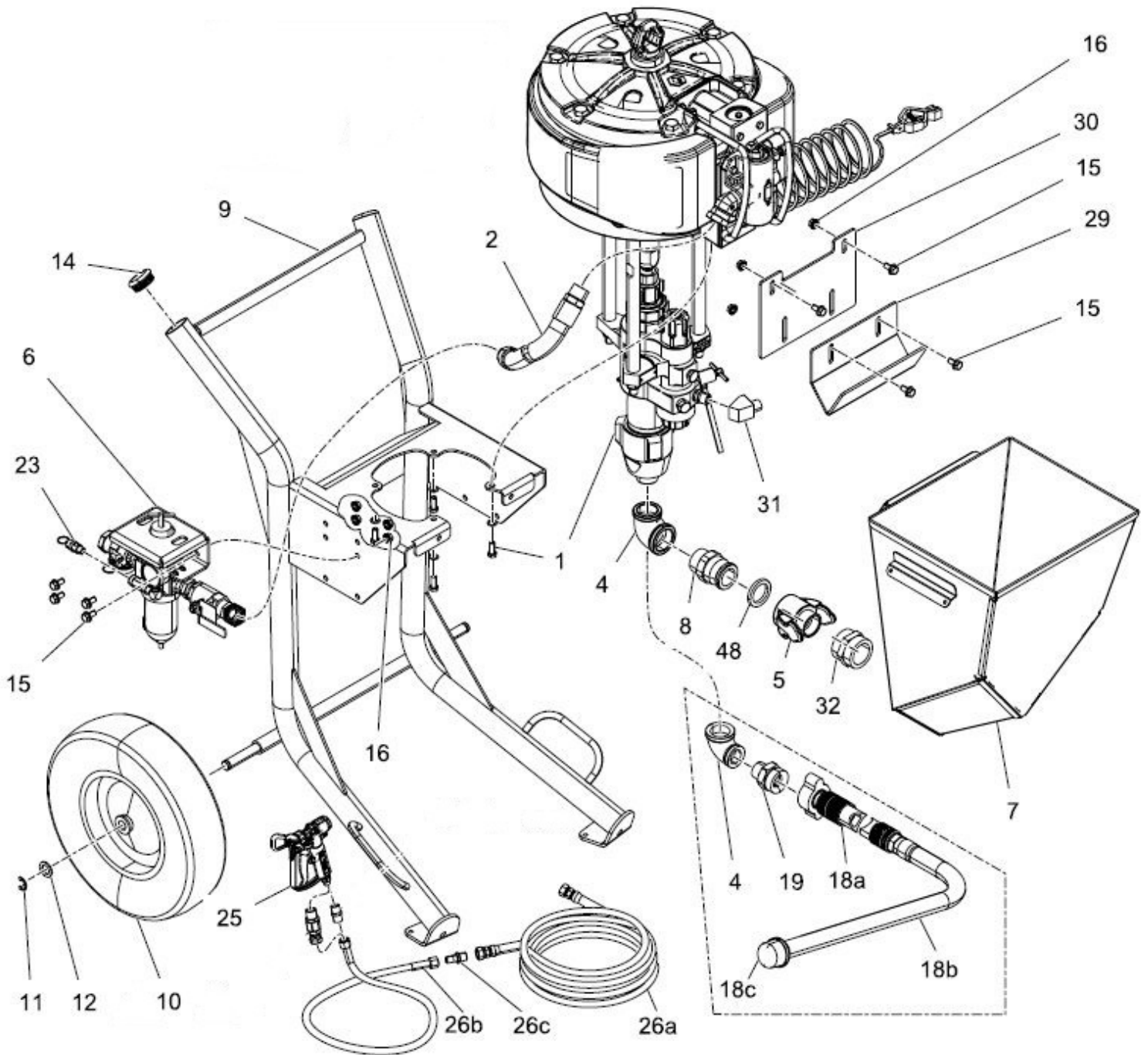
Graco® Xtreme® XL 70:1 Spray Pump – Cart Mount

Item#	Part#	Description
Fig. 1		
1	20GPL70C1	Xtreme® XL Pump
—	20GPL70C2	Xtreme® XL Pump <i>(Includes Built-In Filter)</i>
2	20G278770	Coupled Hose
4	20G126939	90° Elbow Fitting <i>(Female)</i>
5	20G128095	Cam/Groove Fitting 1-1/2" NPT
6	20G24W593	Air Controls Module
7	20G16U536	Stainless Steel Hopper <i>(Not included with all models, see page 4)</i>
8	20G17C692	Cam/Groove Fitting 1-1/2" NPT
9	20G24Y078	Heavy Duty Cart
10	20G113362	Wheel <i>(Two Required)</i>
11	20G113436	Retaining Ring <i>(Two Required)</i>
12	20G154628	Washer Flat .77 Size <i>(Two Required)</i>
14	20G113361	Cap <i>(Two Required)</i>
15	20G112395	Flanged Cap Screw – HD <i>(Eight Required)</i>
16	20G112958	Flanged Hex Nut <i>(Eight Required)</i>
18a	20G247301	Hose, 1" x 6'
18b	20G197682	Siphon Tube
18c	20G181072	Strainer
19	20G116402	Adapter
23	20G113498	Air Relief Valve <i>(100 psi)</i>
25	20GXTR704	Graco® XTR™ 7 Spray Gun <i>(Not included with all models, see page 4)</i>
26a	20GH77550*	3/4" x 50' Coupled Hose
—	2000110*	3/8" x 50' Coupled Hose
26b	20GH75025*	1/2" x 25' Coupled Hose
—	2000094*	1/4" x 6' Coupled Hose
26c	20G16R883*	Reducing Nipple 3/4" x 1/2"
—	20G164856*	Nipple 3/8" x 1/4" NPT
29	20G17C474	Bracket Hopper <i>(Not included with all models, see page 4)</i>
30	20G17D554	Upper Bracket Hopper <i>(Not included with all models, see page 4)</i>
31	20G15M987	1/2" NPT (M) x 1/2" NPT (F) Elbow
32	—	1-1/2" Bushing Fitting
48	20G17C53	2" Gasket <i>(Pack of Six)</i>
—	206M562	Part Numbers and Schematics Guide – Graco® Xtreme® XL 70:1 Airless Spray Pumps
—	209V558	Operator's Manual – Graco® Xtreme® XL Airless Spray Pumps

*Not included with all models, see page 4

PART NUMBERS AND SCHEMATICS GUIDE

Figure 1: Graco® Xtreme® XL 70:1 Spray Pump – Cart Mount



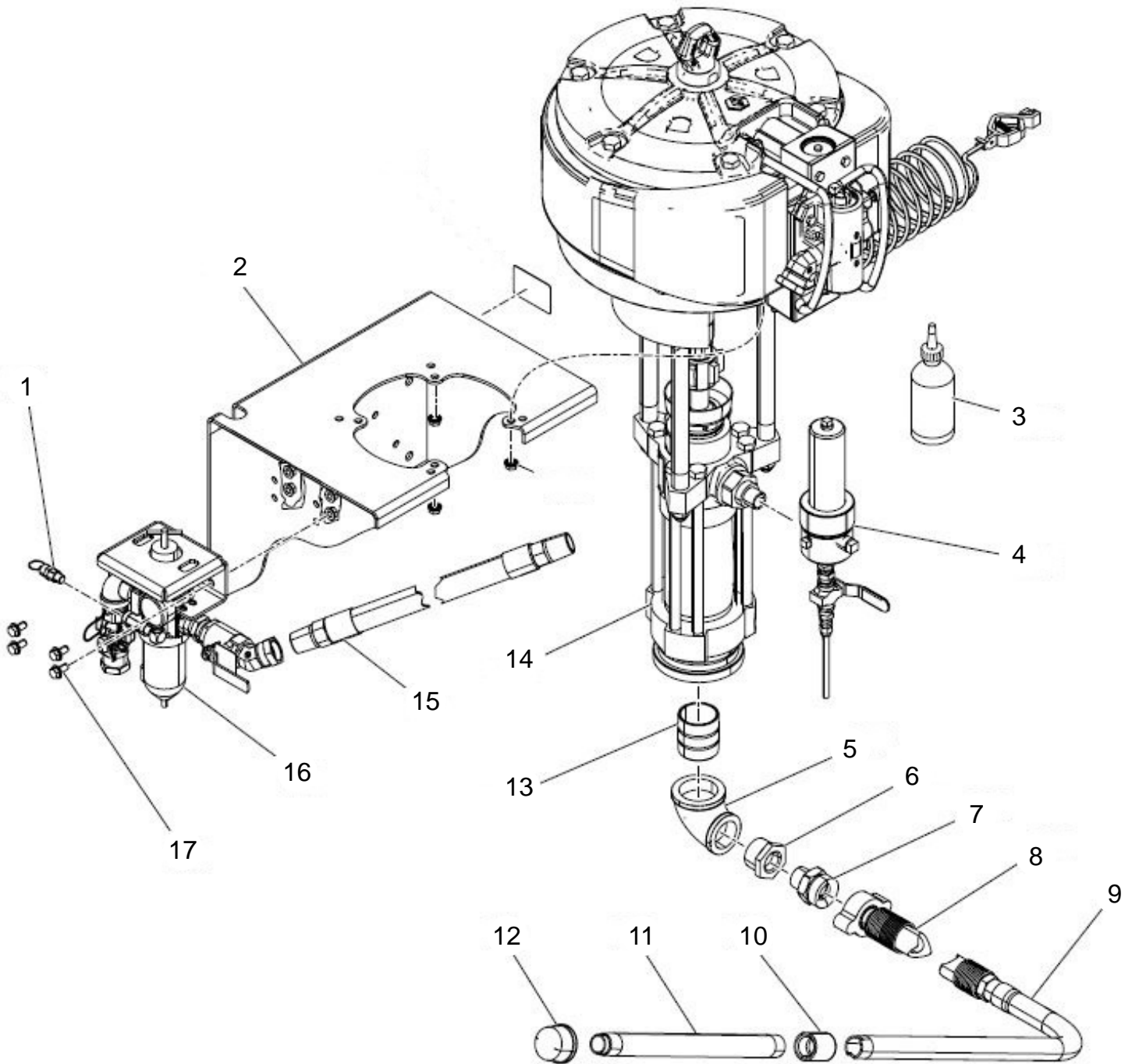
PART NUMBERS AND SCHEMATICS GUIDE

Graco® Xtreme® XL 70:1 Spray Pump – Wall Mount

Item#	Part#	Description
Fig. 2		
1	20G114055	Air Relief Valve (105 psi)
2	20G24X181	Wall Bracket
3	20G206994	Throat Seal Liquid – 8 oz.
4	20G238620	High Pressure Fluid Filter
5	20G116401	Elbow for Suction Hose
—	20G120291	Pipe Elbow (Female)
6	20G121239	Bushing
7	20G116402	Quick Connect Adapter
8	20G247302	10' Suction Hose with 1" NPT
9	20G197682	1" Pick Up Tube
10	20G114967	1" Coupling Pipe
11	20G195151	Intake Tube
12	20G187147	Inlet Strainer
13	20G24X547	2" NPT Nipple Kit
—	—	1.5" x 1" NPT Elbow
14	20GPL70C1	Xtreme® XL Pump
—	20GPL70C2	Xtreme® XL Pump (Includes Built-In Filter)
15	20G128093	Coupled Hose (45 psi)
—	20G278770	Coupled Hose (70, 80, 95 psi)
16	20G24W593	Air Controls Module
17	20G112395	Cap Screw
—	206M562	Part Numbers and Schematics Guide – Graco® Xtreme® XL 70:1 Airless Spray Pumps
—	209V558	Operator's Manual – Graco® Xtreme® XL Airless Spray Pumps

PART NUMBERS AND SCHEMATICS GUIDE

Figure 2: Graco® Xtreme® XL 70:1 Spray Pump – Wall Mount



PART NUMBERS AND SCHEMATICS GUIDE

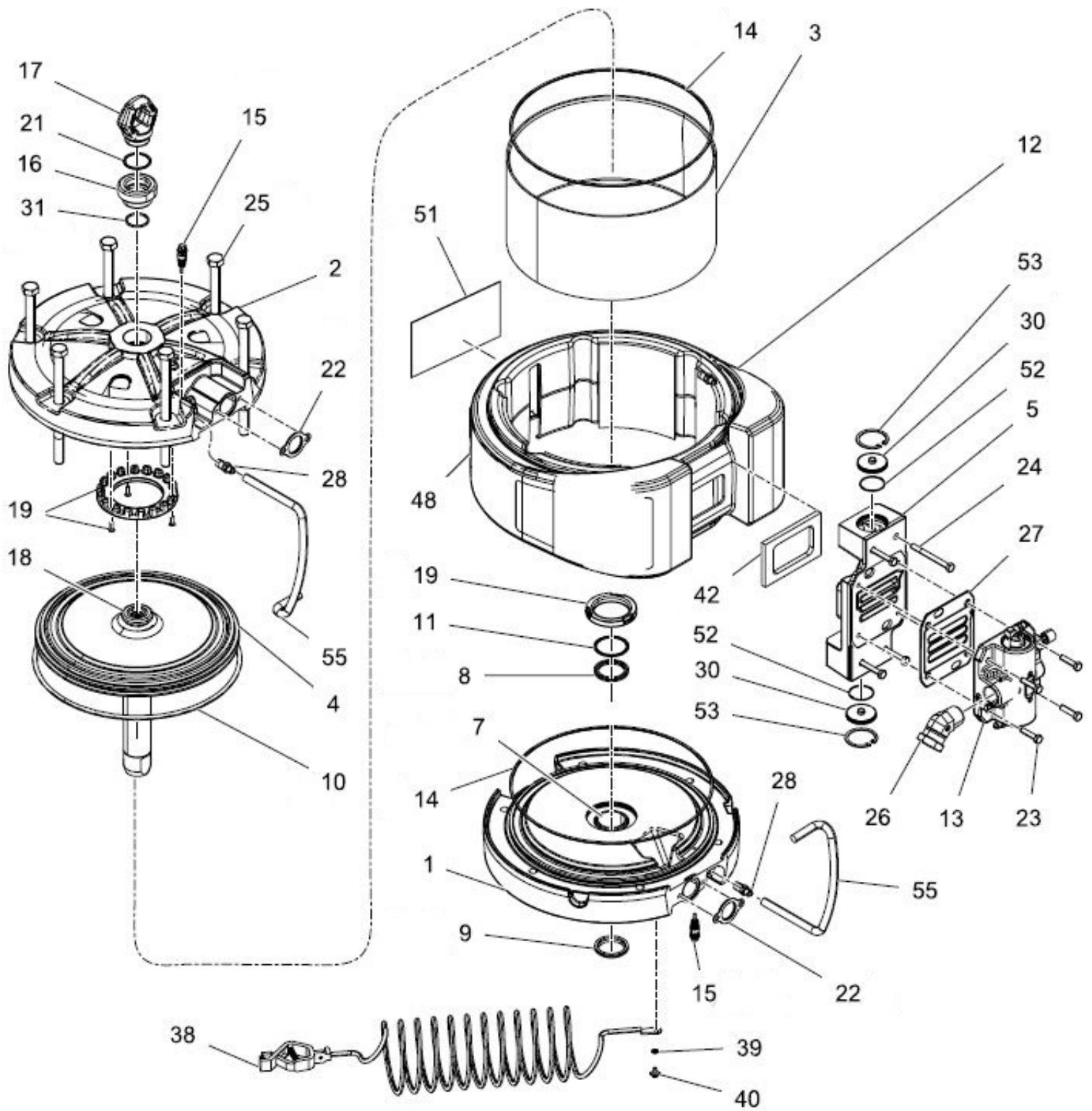
Graco® Xtreme® XL Air Motor

Item#	Part#	Description
Fig. 3		
—	20G24X856	Xtreme® XL Air Motor
1	20G24X559	Bottom Cover
2	20G24W584	Top Cover
3	20G24X561	Cylinder Kit
4	20G24X557	Piston Motor Kit
5	20G16Y968	Manifold Exhaust
7	—	Bearing Sleeve
8	—	Packing U-Cup
9	—	Seal Rod Wiper
10	—	Piston O-Ring
11	—	Retaining Ring
12	20G24X560	Muffler Cover
13	20G24X562	Air Valve
14	20G109486	Packing O-Ring (Quantity of Two)
15	20G24A366	Pilot Valve (Quantity of Two)
15a	20G155685	Packing O-Ring, Middle
15b	—	Packing U-Cup, Shaft
15c	20G154741	Packing O-Ring, Bottom
15d	20G197650	Buna O-Ring, Top
16	20G16D001	Lift Ring Adapter
17	20G15F931	Lift Ring 1-9/16"
18	20GNXT106	Bumper Piston, with Magnet
19	20G24A916	Bumper Kit
21	20G108014	Packing O-Ring
22	—	End Cap Gasket (Quantity of Two)
23	20G110036	Stud (Quantity of Four)
24	20G17B389	Screw, M8 x 1.25 x 85mm (Quantity of Four)
25	20G127582	Screw, 5/8-11 x 8.5" (Quantity of Six)
26	—	Swivel Fitting
27	20G24X565	Valve Gasket (Quantity of Two)
28	20G555749	Adapter Fitting (Quantity of Two)
30	20G17C974	Manifold XL Air Cap (Quantity of Two)

Item#	Part#	Description
31	20GC20987	Packing O-Ring
38	20G244524	Ground Wire with Clamp (Includes Part#: 38a)
38a	20G290079	Grounding Warning Tag
39	20G111307	External Washer Lock
40	20G116343	Ground Screw
42	20G17C776	Muffler Gasket
51	20G15F674	Motor Safety Label
52	20G205020	Packing O-Ring
53	20G557832	Retainer Ring (Quantity of Two)
55	20G128090	Coupled Hose (Quantity of Two)

PART NUMBERS AND SCHEMATICS GUIDE

Figure 3: Graco® Xtreme® XL Air Motor



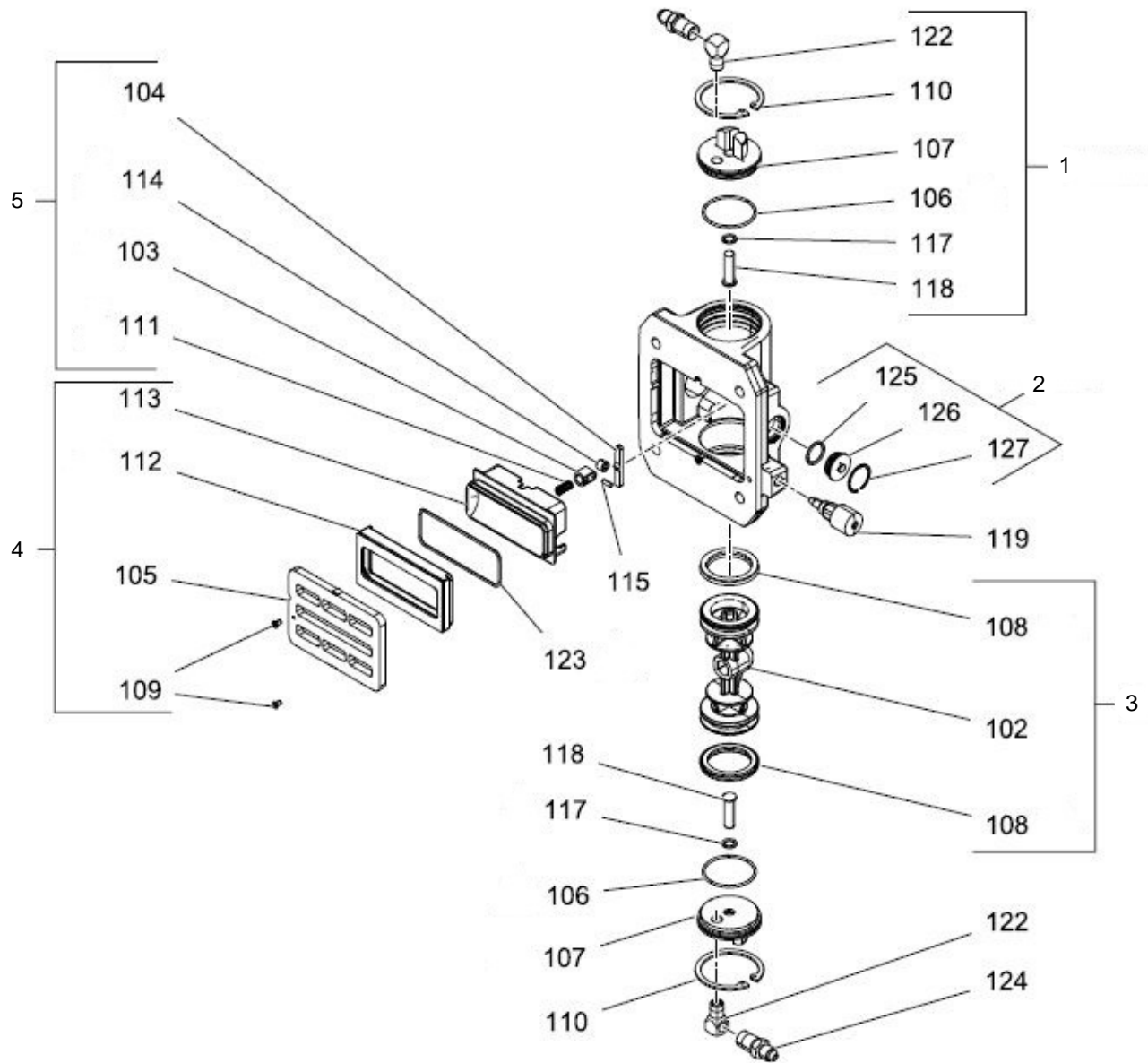
PART NUMBERS AND SCHEMATICS GUIDE

Graco® Xtreme® XL Air Valve

Item#	Part#	Description
Fig. 4		
—	20G24X562	Graco® Xtreme® XL Air Valve
1	20G24X566	Cap with Push Button Assembly <i>(Includes Part #'s: 106, 107, 110, 117, 118, 122, and 124)</i>
2	20G24X568	DataTrack™ Plug Assembly <i>(Includes Part #'s: 125, 126, and 127)</i>
3	20G24X569	Valve Piston with Seals Repair Kit <i>(Includes Part #'s: 102 and 108)</i>
4	20G24X564	Base/Cup Repair Assembly <i>(Includes Part #'s: 112, 113, 123, 105, and 109)</i>
5	20G24X567	Roller Assembly <i>(Includes Part #'s: 103, 104, 111, 114, and 115)</i>
101	—	Housing
102	—	Piston
103	—	Detent Piston
104	—	Detent Cam
105	—	Air Valve Plate
106	20G104010	Packing O-Ring <i>(Quantity of Two)</i>
107	—	Air Valve Cap <i>(Quantity of Two)</i>
108	—	U-Cup Packing <i>(Quantity of Two)</i>
109	—	Thread Forming Screw <i>(Quantity of Two)</i>
110	20G557832	Retainer Ring <i>(Quantity of Two)</i>
111	—	Detent Spring
112	—	Cup Base
113	—	Air Valve Cup
114	—	Detent Roller
115	—	Detent Pin
117	20G154741	Packing O-Ring <i>(Quantity of Two)</i>
118	—	Reset Button <i>(Quantity of Two)</i>
119	20G16Y668	Needle Valve
122	20G15K783	Street Elbow Fitting <i>(Quantity of Two)</i>
123	20G295640	O-Ring
124	20G555749	Connector <i>(Quantity of Two)</i>
125	20G104130	Packing O-Ring
126	—	Valve Plug
127	—	Retaining Ring

PART NUMBERS AND SCHEMATICS GUIDE

Figure 4: Graco® Xtreme® 70:1 Air Valve



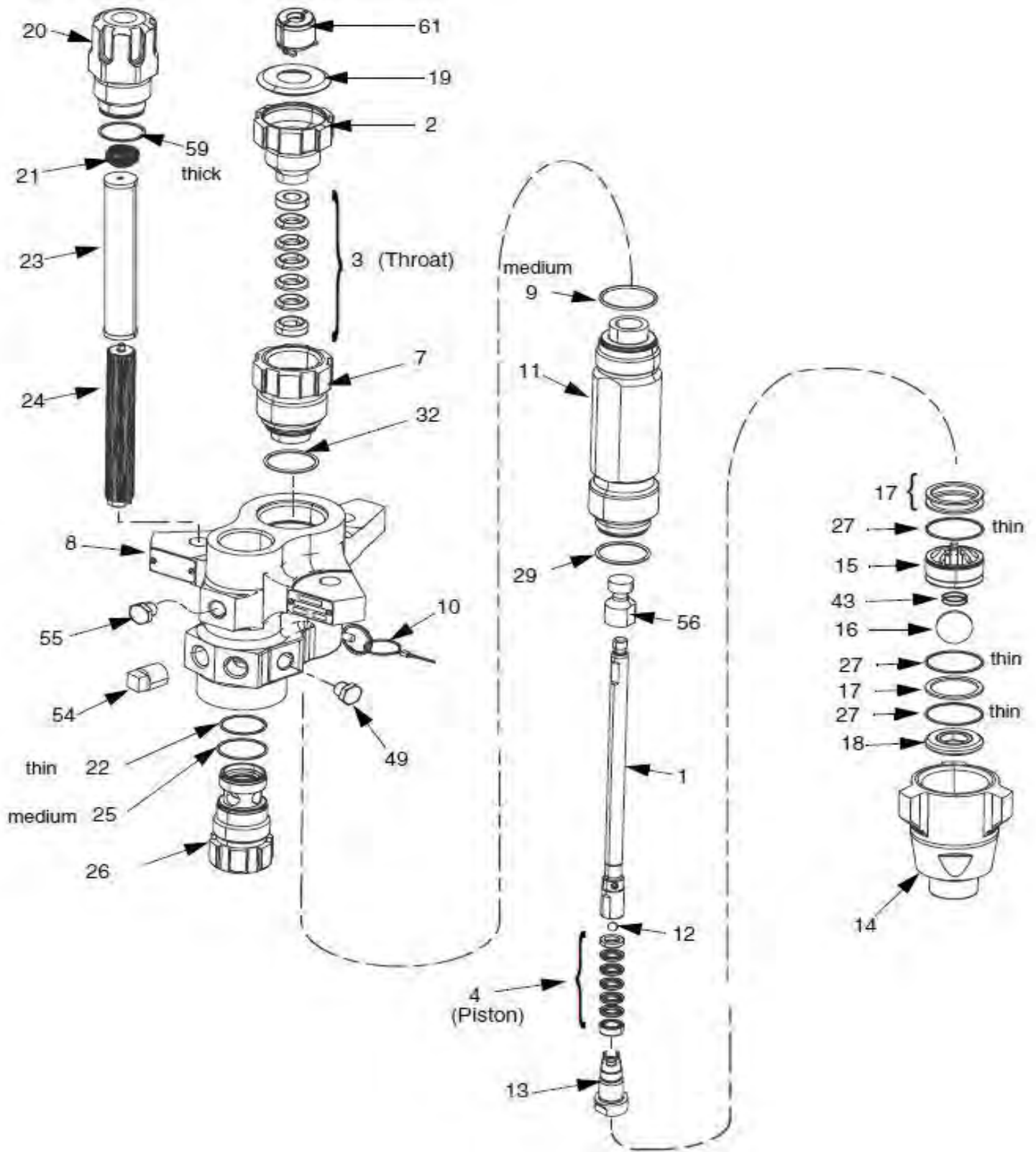
PART NUMBERS AND SCHEMATICS GUIDE

290cc Xtreme® Sprayer Lower Displacement Pump

Item#	20GL290C1 20GL290C3 (No Built-In Filter)	20GL290C2 (Built-In Filter)	Description
Fig. 5			
1	20G24B825	20G24B825	Displacement Rod
2	20G15K031	20G15K031	Packing Nut
3	—	—	Stack Packings, Throat (See Fig. 7, 8, 9)
4	—	—	Stack Packings, Piston (See Fig. 7, 8, 9)
7	20G197327	20G197327	Packing Cartridge, Throat
8	20G197335	20G197337	Housing Outlet
9	20G244893	20G244893	O-Ring, Top Cylinder, PTFE Medium (Quantity of 10)
10	20G244826	20G244826	Self-Locking Pin
11	20G197319	20G197319	Lower Cylinder
12	20G244899	20G244899	Ball Plston (Quantity of Three)
13	20G24B830	20G24B830	Piston Valve
14	20G197304	20G197304	Inlet Housing
15	20G198647	20G198647	Inlet Ball Guide
16	20G253030	20G253030	Inlet Ball (Quantity of Three)
17	20G244856	20G244856	Inlet Shim Ball Guide (Quantity of Nine)
18	20G197344	20G197344	Inlet Seat
19	20G247395	20G247395	Throat Seal Plug (Quantity of 10)
20	—	20G16M461	Top Filler Cap
21	—	20G171941	Compression Spring
22	—	20G244895	Thin Filter O-Ring, PTFE (Quantity of 10)
23	—	20G224459	Strainer, 60 Mesh Screen
24	—	20G186075	Filter Support
25	—	20G262484	Filter O-Ring, Medium, PTFE (Quantity of 10)
26	—	20G16M462	Lower Filter Cap
27	20G244894	20G244894	Foot Valve and Cylinder Bottom O-Ring, PTFE thin (Quantity of 10)
30	20G172479	20G172479	Warning Tag
32	20G244891	20G244891	Throat Cartridge O-Ring, PTFE thin (Quantity of 10)
38	—	20G158491	Nipple Fitting, Outlet, 1/2"
39	—	20G24N518	Packless Plug, 1/2"
40	—	20G245143	Pressure Dump Valve
41	—	20G116746	Barbed Fitting, Plated
42	—	20G116750	Nylon Tube
49	20G101754	20G198292	Pipe Plug
59	—	20G262483	Filter O-Ring, PTFE thick (Quantity of 10)
—	209V021	209V021	Operator's Manual – Graco® Xtreme® Pump Lowers

PART NUMBERS AND SCHEMATICS GUIDE

Figure 5: 290cc Xtreme® Sprayer Lower Displacement Pump



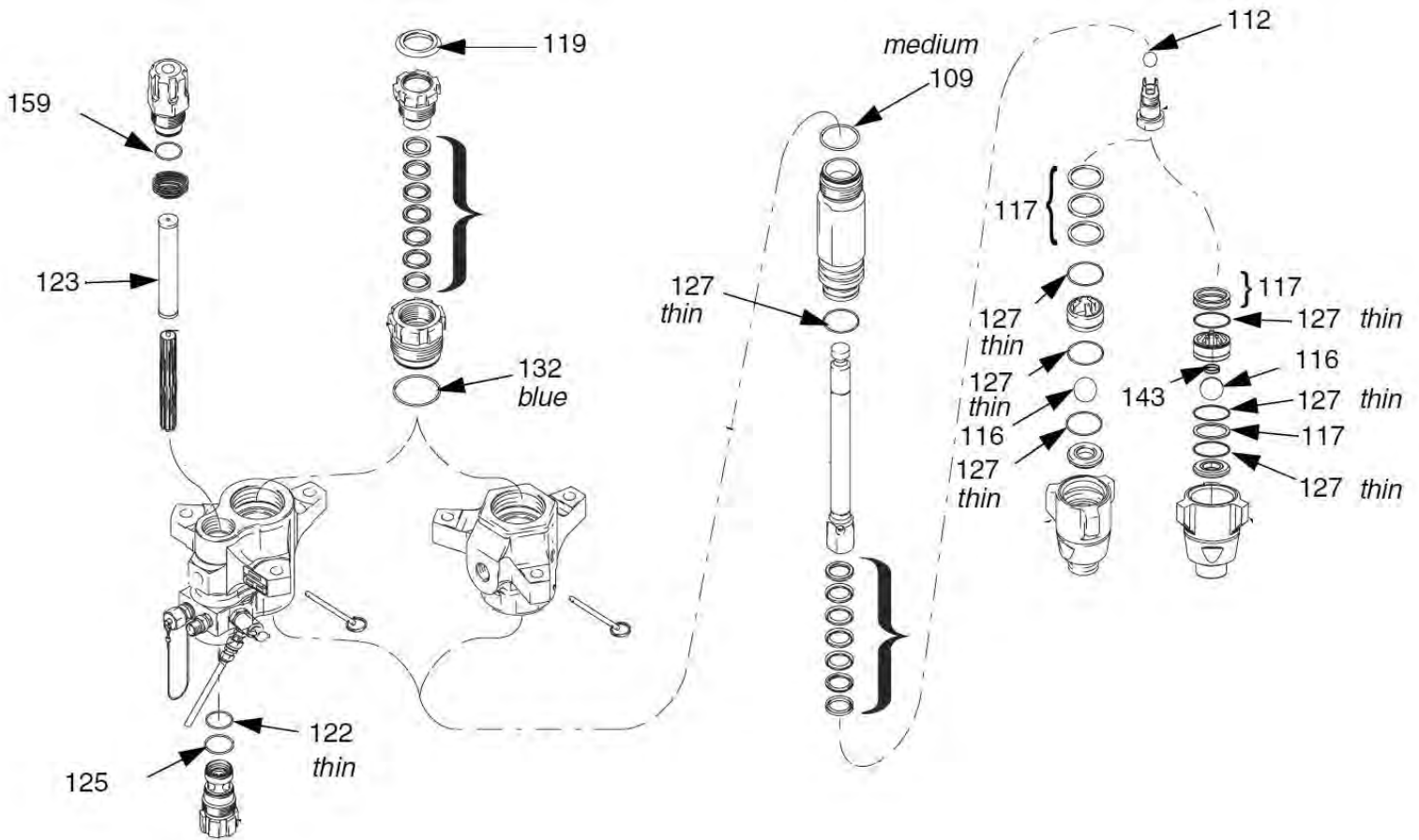
PART NUMBERS AND SCHEMATICS GUIDE

Xtreme® Seal Repair Kit for 290cc Lower Displacement Pump

Item#	Part#	Description
Fig. 6		
—	20G24F963	Xtreme® Seal Repair Kit <i>(Includes Item #'s: 1 (Quantity of Two); 2 (Quantity of Two); 3 (Quantity of Four); 4 (Quantity of Six); 5 (Quantity of Four); 6 (Quantity of Two); 7, 8, 9, 10 (Quantity of Three); and 11)</i>
103	—	Throat Packings
103a	20G244885	Male Gland <i>(Quantity of Four)</i>
103b	20G244879	Female Gland <i>(Quantity of Four)</i>
103c	20G244873	V-Packing, Leather <i>(Quantity of 10)</i>
103d	20G244867	V-Packing, UHMWPE <i>(Quantity of 10)</i>
104	—	Piston Packings
104a	20G244886	Male Gland <i>(Quantity of Four)</i>
104b	20G244880	Female Gland <i>(Quantity of Four)</i>
104c	20G244874	V-Packing, Leather <i>(Quantity of 10)</i>
104d	20G244868	V-Packing, UHMWPE <i>(Quantity of 10)</i>
109	20G244893	PTFE O-Ring, Top Cylinder Medium <i>(Quantity of 10)</i>
112	20G244899	Ball Piston, 1" (25 mm) <i>(Quantity of Three)</i>
116	20G253030	Ball Inlet, 1-1/2" (38 mm) <i>(Quantity of Three)</i>
117	20G244856	Shim Inlet, Ball Guide <i>(Quantity of Nine)</i>
119	20G244999	Throat Seal Plug, 1-3/4" <i>(Quantity of 10)</i>
—	20G247395	Throat Seal Plug, 2-1/2" <i>(Quantity of 10)</i>
122	20G244895	Filter O-Ring, Thin, PTFE <i>(Quantity of 10)</i>
123	20G238436	Strainer, 30 mesh screen, 5.65" <i>(Quantity of 25)</i>
—	20G224458	Strainer, 30 mesh, 5.65" <i>(Quantity of Two)</i>
—	20G238438	Strainer, 60 mesh, 5.65" <i>(Quantity of 25)</i>
—	20G224459	Strainer, 60 mesh, 5.65" <i>(Quantity of Two)</i>
125	20G262484	Filter O-Ring, Medium, PTFE <i>(Quantity of 10)</i>
—	20G244896	Filter O-Ring For Series A Pumps <i>(Quantity of 10)</i>
127	20G244894	O-Ring, PTFE, Thin <i>(Quantity of 10)</i>
143	20G116802	Foot Valve Spring (20G262795 only)
159	20G262483	Top Cap O-Ring, PTFE <i>(Quantity of 10)</i>
—	20G244895	Top Cap O-Ring For Series A Pumps <i>(Quantity of 10)</i>
—	209V021	Operator's Manual – Graco® Xtreme® Pump Lowers

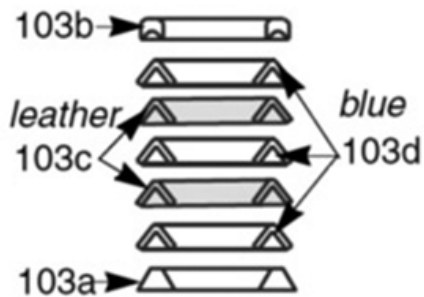
PART NUMBERS AND SCHEMATICS GUIDE

Figure 6: Xtreme® Seal Repair Kit for 290cc Lower Displacement Pump

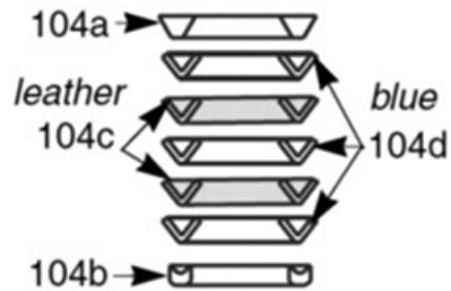


Xtreme® Seal Repair Kit 24F963

**Throat Packings:
Lips Face Down**



**Piston Packings:
Lips Face Up**



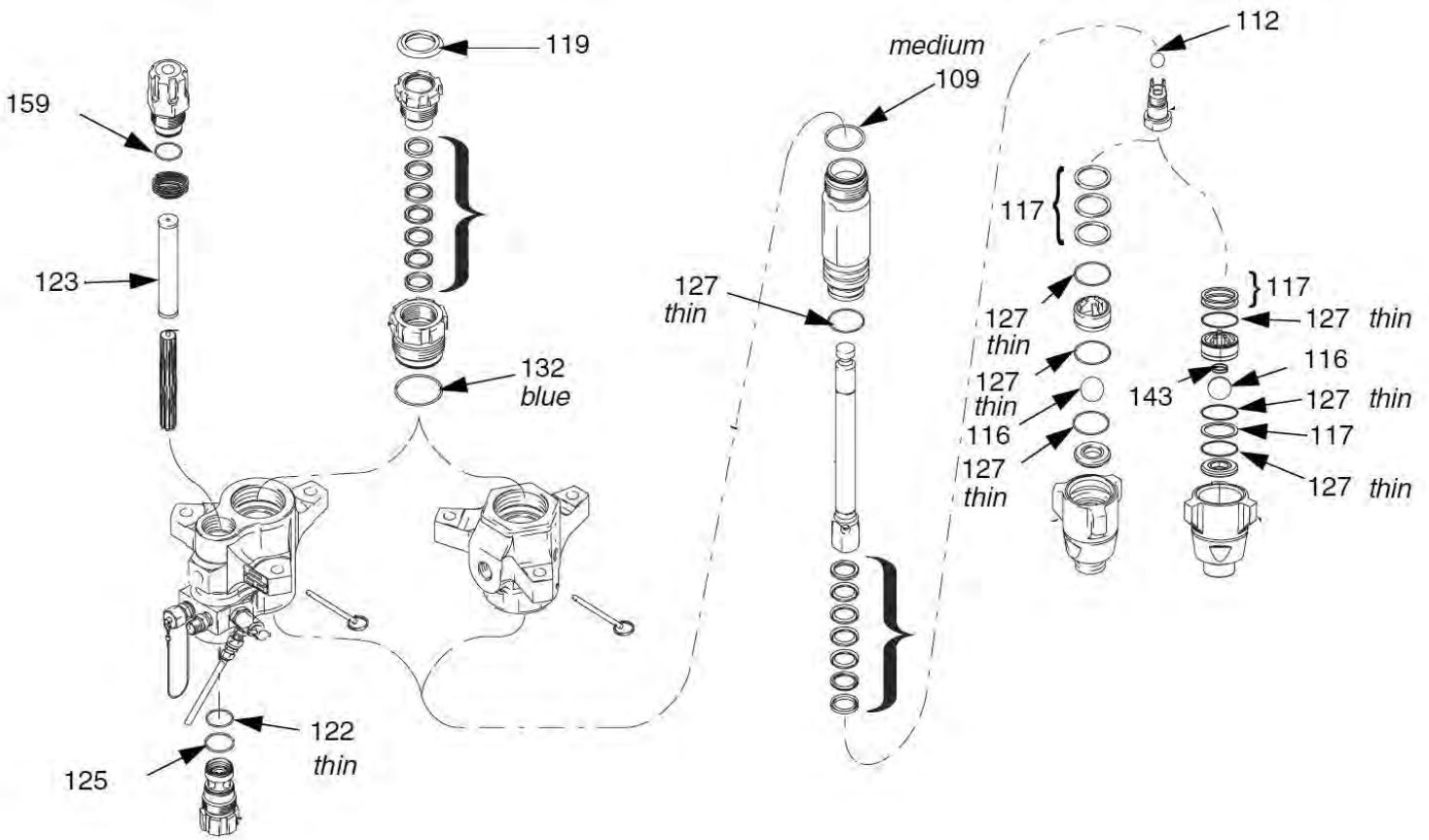
PART NUMBERS AND SCHEMATICS GUIDE

Tuff-Stack™ Repair Kit for 290cc Lower Displacement Pump

Item#	Part#	Description
Fig. 7		
—	20G24F964	Tuff-Stack™ Repair Kit <i>(Includes Item #'s: 1 (Quantity of Two); 2 (Quantity of Two); 3 (Quantity of Four); 4 (Quantity of 10); 5 (Quantity of Two); 6 (Quantity of Four); 7, 8, 9 (Quantity of Three); and 10)</i>
103	—	Throat Packings
103a	20G244885	Male Gland <i>(Quantity of Four)</i>
103b	20G244879	Female Gland <i>(Quantity of Four)</i>
103e	20G244861	V-Packing Carbon-Filled, PTFE/UHMWPE, Blue <i>(Quantity of 10)</i>
104	—	Piston Packings
104a	20G244886	Male Gland <i>(Quantity of Four)</i>
104b	20G244880	Female Gland <i>(Quantity of Four)</i>
104e	20G244862	V-Packing Carbon-Filled, PTFE/UHMWPE, Blue <i>(Quantity of 10)</i>
109	20G244893	PTFE O-Ring, Top Cylinder Medium <i>(Quantity of 10)</i>
112	20G244898	Ball Piston, 7/8" (22 mm) <i>(Quantity of Three)</i>
116	20G253030	Ball Inlet, 1-1/2" (38 mm) <i>(Quantity of Three)</i>
117	20G244856	Shim Inlet, Ball Guide <i>(Quantity of Nine)</i>
119	20G244999	Throat Seal Plug, 1-3/4" <i>(Quantity of 10)</i>
—	20G247395	Throat Seal Plug, 2-1/2" <i>(Quantity of 10)</i>
122	20G244895	Filter O-Ring, Thin, PTFE <i>(Quantity of 10)</i>
123	20G238436	Strainer, 30 mesh screen, 5.65" <i>(Quantity of 25)</i>
—	20G224458	Strainer, 30 mesh, 5.65" <i>(Quantity of Two)</i>
—	20G238438	Strainer, 60 mesh, 5.65" <i>(Quantity of 25)</i>
—	20G224459	Strainer, 60 mesh, 5.65" <i>(Quantity of Two)</i>
125	20G262484	Filter O-Ring, Medium, PTFE <i>(Quantity of 10)</i>
—	20G244896	Filter O-Ring For Series A Pumps <i>(Quantity of 10)</i>
127	20G244894	O-Ring, PTFE, Thin <i>(Quantity of 10)</i>
143	20G116802	Foot Valve Spring (20G262795 only)
159	20G262483	Top Cap O-Ring, PTFE <i>(Quantity of 10)</i>
—	20G244895	Filter O-Ring For Series A Pumps <i>(Quantity of 10)</i>
—	209V021	Operator's Manual – Graco® Xtreme® Pump Lowers

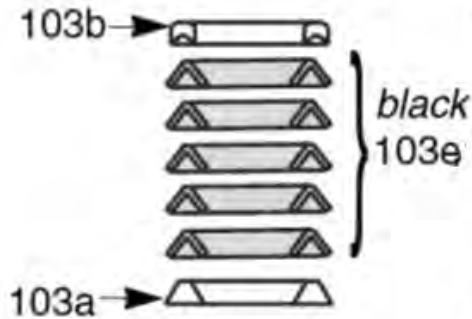
PART NUMBERS AND SCHEMATICS GUIDE

Figure 7: Tuff-Stack™ Repair Kit for 290cc Lower Displacement Pump

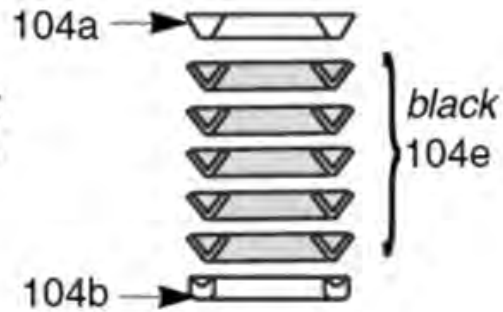


Tuff-Stack™ Seal Repair Kit 24F964

**Throat Packings:
Lips Face Down**



**Piston Packings:
Lips Face Up**



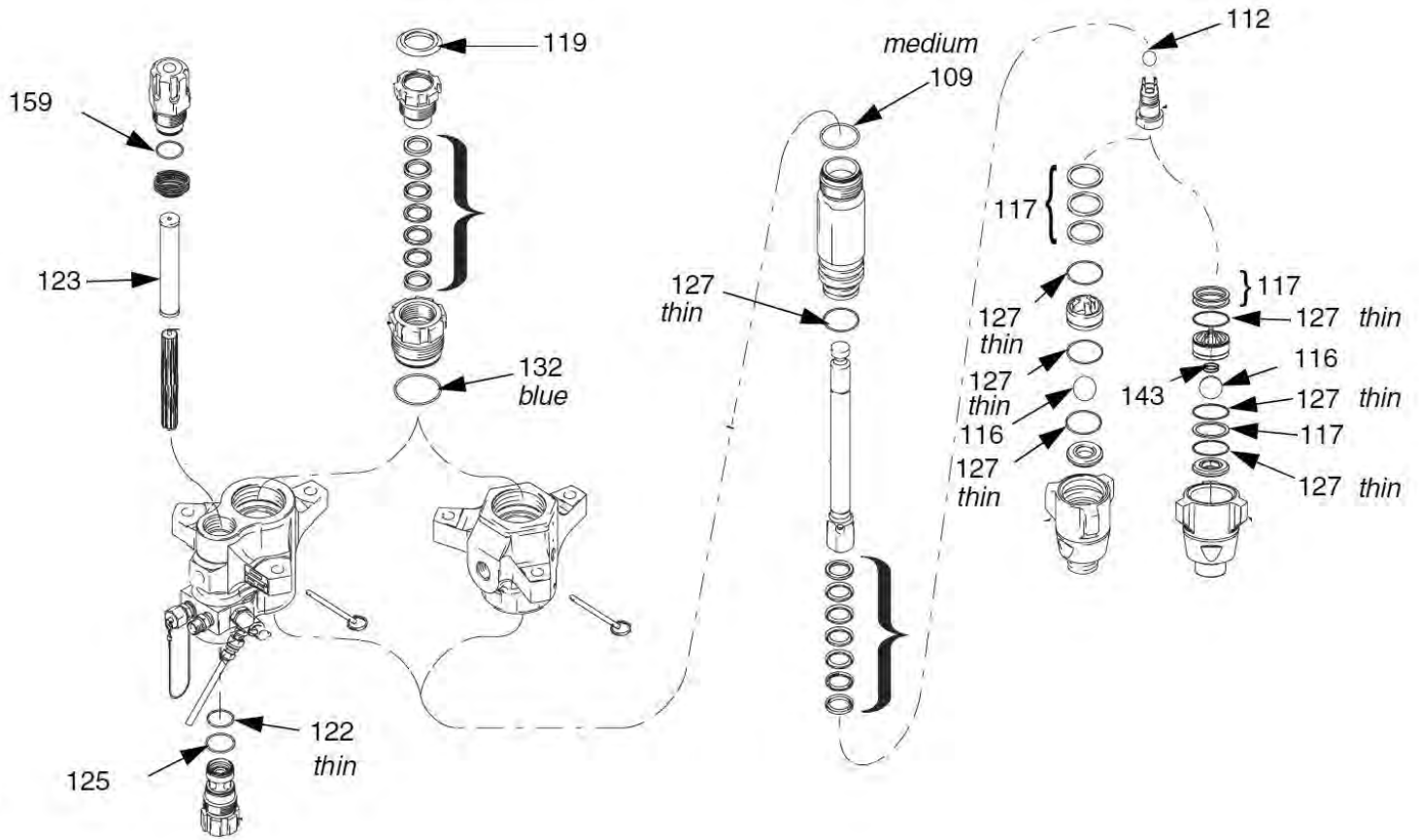
PART NUMBERS AND SCHEMATICS GUIDE

X-Tuff™ Repair Kit for 290cc Lower Displacement Pump

Item#	Part#	Description
Fig. 8		
—	20G262795	X-Tuff™ Repair Kit <i>(Includes Item #'s: 1 (Quantity of Two); 2 (Quantity of Two); 3 (Quantity of Four); 4 (Quantity of Six); 5 (Quantity of Four); 6 (Quantity of Two); 7, 8, 9, 10 (Quantity of hree); and 11)</i>
103	—	Throat Packings
103a	20G244885	Male Gland <i>(Quantity of Four)</i>
103b	20G244879	Female Gland <i>(Quantity of Four)</i>
103c	20G244861	V-Packing Carbon-Filled, PTFE/UHMWPE, Blue <i>(Quantity of 10)</i>
103d	20G244867	V-Packing, UHMWPE, Black <i>(Quantity of 10)</i>
104	—	Piston Packings
104a	20G244866	Male Gland <i>(Quantity of Four)</i>
104b	20G244880	Female Gland <i>(Quantity of Four)</i>
104c	20G244862	V-Packing Carbon-Filled, PTFE/UHMWPE, Blue <i>(Quantity of 10)</i>
104d	20G244868	V-Packing, UHMWPE, Black <i>(Quantity of 10)</i>
109	20G244893	PTFE O-Ring, Top Cylinder Medium <i>(Quantity of 10)</i>
112	20G244898	Ball Piston, 7/8" (22 mm) <i>(Quantity of Three)</i>
116	20G253030	Ball Inlet, 1-1/2" (38 mm) <i>(Quantity of Three)</i>
117	20G244856	Shim Inlet, Ball Guide <i>(Quantity of Nine)</i>
119	20G244999	Throat Seal Plug, 1-3/4" <i>(Quantity of 10)</i>
—	20G247395	Throat Seal Plug, 2-1/2" <i>(Quantity of 10)</i>
122	20G244895	Filter O-Ring, Thin, PTFE <i>(Quantity of 10)</i>
123	20G238436	Strainer, 30 mesh screen, 5.65" <i>(Quantity of 25)</i>
—	20G224458	Strainer, 30 mesh, 5.65" <i>(Quantity of Two)</i>
—	20G238438	Strainer, 60 mesh, 5.65" <i>(Quantity of 25)</i>
—	20G224459	Strainer, 60 mesh, 5.65" <i>(Quantity of Two)</i>
125	20G262484	Filter O-Ring, Medium, PTFE <i>(Quantity of 10)</i>
—	20G244896	Filter O-Ring For Series A Pumps <i>(Quantity of 10)</i>
127	20G244894	O-Ring, PTFE, Thin <i>(Quantity of 10)</i>
143	20G116802	Foot Valve Spring (20G262795 only)
159	20G262483	Top Cap O-Ring, PTFE <i>(Quantity of 10)</i>
—	20G244895	Filter O-Ring For Series A Pumps <i>(Quantity of 10)</i>
—	209V021	Operator's Manual – Graco® Xtreme® Pump Lowers

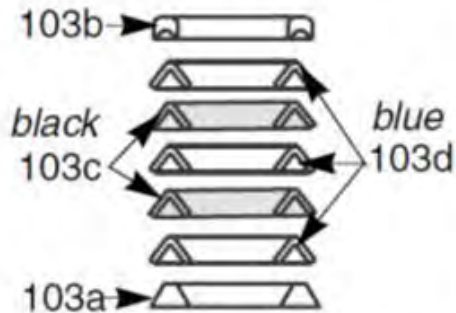
PART NUMBERS AND SCHEMATICS GUIDE

Figure 8: X-Tuff™ Repair Kit for 290cc Lower Displacement Pump

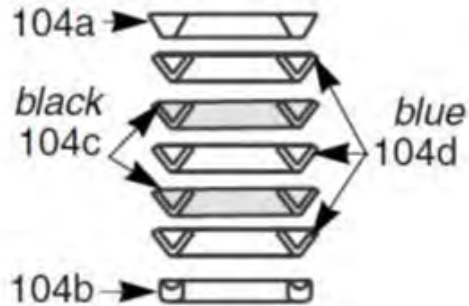


X-Tuff™ Seal Repair Kit 262795

**Throat Packings:
Lips Face Down**



**Piston Packings:
Lips Face Up**



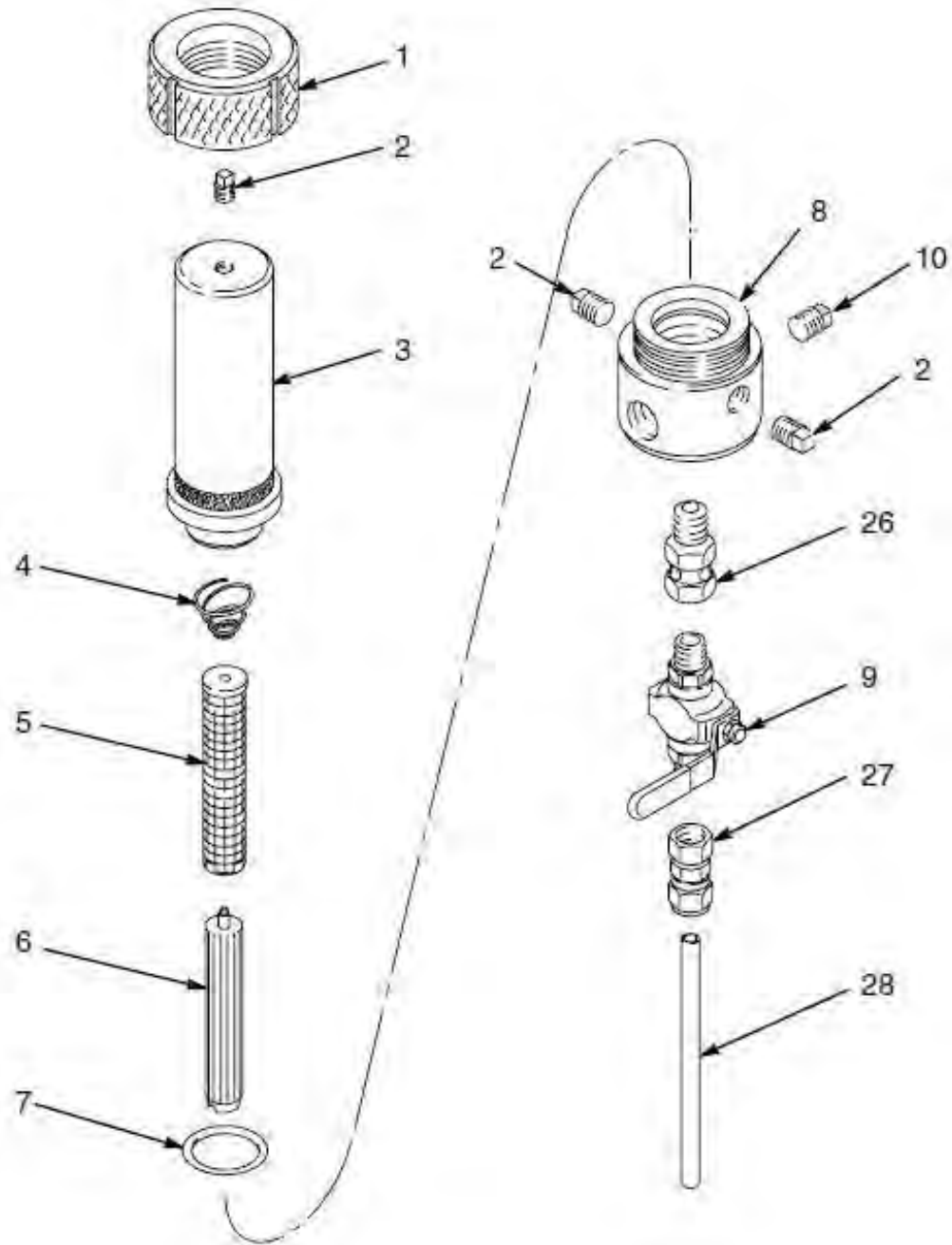
PART NUMBERS AND SCHEMATICS GUIDE

Filter Cap Series Key

Item#	Part#	Description
Fig. 9		
—	20G238620	High Pressure Fluid Filter
1	20G174058	Lock Ring
2	20G104813	Plug Pipe 3/8" NPT – 7250 psi (<i>Quantity of Three</i>)
3	20G174056	Bowl Filter – 7250 psi
4	20G171941	Spring Conical Compression – 7250 psi
5	20G167025	Strainer, 60 Mesh
6	20G186075	Filter Support Nylon – 7250 psi
7	20G104804	Packing O-Ring Teflon – 7250 psi
8	20G24C497	Paint Filter, Manifold
9	20G223960	3/8" x 3/8" Ball Valve
10	20G100737	1/2" NPT Pipe Plug
26	20G155665	Union Swivel 3/8" M x 3/8" F
27	20G205448	Coupling, Swivel, 3/8 npsm
28	20G186447	Nylon Drain Tube

PART NUMBERS AND SCHEMATICS GUIDE

Figure 9: Filter Cap Series Key



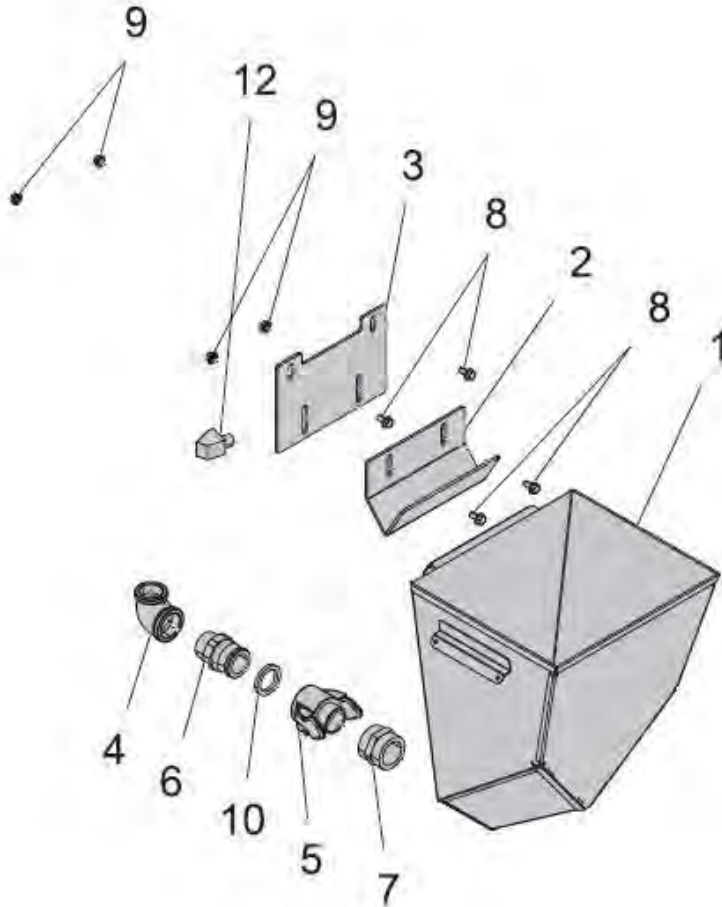
OPTIONAL ACCESSORIES

Graco® Xtreme® Airless Spray Pumps – Stainless Steel Hopper Kit






Item#	Part#	Description
Fig. 10		
—	20G24X570	Xtreme® Sprayer Stainless Steel Hopper Kit
1	20G17E114	Hopper
2	20G17C474	Bracket
3	20G17D554	Upper Bracket
4	20G126939	90° Elbow
5	20G128095	Cam/Groove
6	20G17C692	Cam/Groove Fitting, 1.5m, 1-1/2" NPT
7	20G128094	Bushing
8	20G112395	Flanges Cap Screw – HD (<i>Quantity of Four</i>)
9	20G112958	Nut (<i>Quantity of Four</i>)
10	20G17C453	Gasket
12	20G15M987	1/2" NPT (M) x 1/2" NPT (F) 60° Elbow
—	20G110110	6 ml Stainless Steel Pipe Sealant
—	20G16U537	Lid


OPTIONAL ACCESSORIES


Figure 10: Graco® Xtreme® Airless Spray Pumps – Stainless Steel Hopper Kit





OPTIONAL ACCESSORIES

		SUCTION TUBE AND ACCESSORIES
Part Numbers	Description	
	20G197682	Suction Tube
	20G247301	1" I.D. x 6' Suction Hose with Couplings
	20G247302	1" I.D. x 10' Suction Hose with Couplings
	20G245136	55 Gallon Suction Tube Extension Kit <i>Includes Suction Tube and Couplings</i>
	20G181072	60 Mesh Strainer for 1" Suction Tube

		REPLACEMENT SCREEN FILTER ELEMENTS	
Part Numbers	Screen	Package	
	20G167024B	30 Mesh	1 Pack
	20G167025B	60 Mesh	1 Pack
	20G224459	60 Mesh	2 Pack
	20G167026B	100 Mesh	1 Pack
	20G167027	200 Mesh	1 Pack
	20G224469	200 Mesh	2 Pack

		FILTER SUPPORTS		
Part Numbers	Type	Body Material	Maximum Working Pressure	
	20G186075	Filter Support	Nylon	7,250 psi
	20G171939B	Filter Support	Aluminum	7,250 psi

OPTIONAL ACCESSORIES

		HIGH PRESSURE BALL VALVES		
Part Numbers		Thread Size	Seal Material	Working Pressure
	20G210657B	1/4" Male x 1/4" Male	Viton	5,000 psi
	20G210658B	3/8" Male x 3/8" Male	Viton	5,000 psi
	20G210659B	1/4" Male x 3/8" Male	Viton	5,000 psi
	20G214037	1/4" Male x 1/4" Male	Teflon	5,000 psi
	20G223959B	3/8" Male x 1/4" Male	Teflon	5,000 psi
	20G210658B	3/8" Male x 3/8" Male	Teflon	5,000 psi
	20DQVAE2AO14	1/4" Female x Female	Nitrile	7,000 psi
	20DQVAE2AO38	3/8" Female x Female	Nitrile	7,000 psi
	20DQVAE2AO12	1/2" Female x Female	Nitrile	7,000 psi

PART NUMBERS AND SCHEMATICS GUIDE

GRACO® XTREME® XL 80:1 AIRLESS SPRAY PUMP						
Part Numbers	MOUNT		Built-In Filter	Hopper Included	Hose and Graco® XTR™ 7 Spray Gun Included	Carbon Steel Lower Construction
	Heavy-Duty Cart	Wall Mount				
20GXL80H1	X		X			
20GXL80H2	X		X		X	
20GXL80H3	X		X	X	X	
20GXL80H4	X					
20GXL80W1		X	X			
20GXL80W2		X	X		X	
20GXL80W3		X	X		X	
20GXL80W4		X				
20GPL80C1						X
20GPL80C2			X			X

GRACO® XTREME® XL 80:1 AIRLESS SPRAY PUMP – SPECIFICATIONS	
Output Per Cycle	7,250 psi
Pump Lower Output per Cycle	250cc
Motor	Xtreme® XL Air Motor
Maximum Air Input Pressure	88 psi
Output at 60 Cycles/min gpm	4

PART NUMBERS AND SCHEMATICS GUIDE



PART NUMBERS AND SCHEMATICS GUIDE

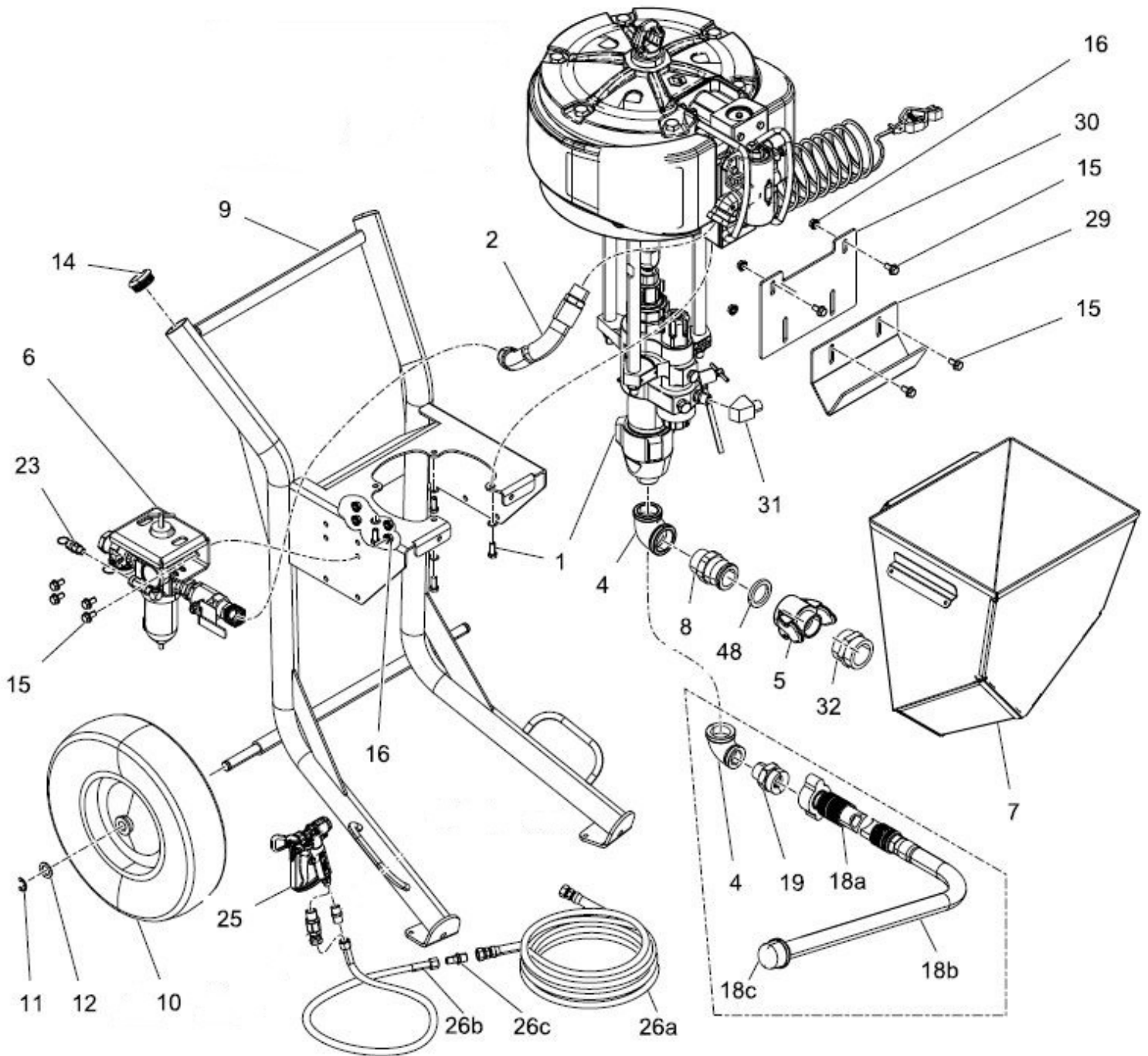
Graco® Xtreme® XL 80:1 Spray Pump – Cart Mount

Item#	Part#	Description
Fig. 1		
1	20GPL80C1	Xtreme® XL Pump
—	20GPL80C2	Xtreme® XL Pump <i>(Includes Built-In Filter)</i>
2	20G278770	Coupled Hose
4	20G126939	90° Elbow Fitting <i>(Female)</i>
5	20G128095	Cam/Groove Fitting 1-1/2" NPT
6	20G24W593	Air Controls Module
7	20G16U536	Stainless Steel Hopper <i>(Not included with all models, see page 4)</i>
8	20G17C692	Cam/Groove Fitting 1-1/2" NPT
9	20G24Y078	Heavy Duty Cart
10	20G113362	Wheel <i>(Two Required)</i>
11	20G113436	Retaining Ring <i>(Two Required)</i>
12	20G154628	Washer Flat .77 Size <i>(Two Required)</i>
14	20G113361	Cap <i>(Two Required)</i>
15	20G112395	Flanged Cap Screw – HD <i>(Eight Required)</i>
16	20G112958	Flanged Hex Nut <i>(Eight Required)</i>
18a	20G247301	Hose, 1" x 6'
18b	20G197682	Siphon Tube
18c	20G181072	Strainer
19	20G116402	Adapter
23	20G16M190	Air Relief Valve <i>(95 psi)</i>
25	20GXTR704	Graco® XTR™ 7 Spray Gun <i>(Not included with all models, see page 4)</i>
26a	20GH77550*	3/4" x 50' Coupled Hose
—	2000110*	3/8" x 50' Coupled Hose
26b	20GH75025*	1/2" x 25' Coupled Hose
—	2000094*	1/4" x 6' Coupled Hose
26c	20G16R883*	Reducing Nipple 3/4" x 1/2"
—	20G164856*	Nipple 3/8" x 1/4" NPT
29	20G17C474	Bracket Hopper <i>(Not included with all models, see page 4)</i>
30	20G17D554	Upper Bracket Hopper <i>(Not included with all models, see page 4)</i>
31	20G15M987	1/2" NPT (M) x 1/2" NPT (F) Elbow
32	—	1-1/2" Bushing Fitting
48	20G17C53	2" Gasket <i>(Pack of Six)</i>
—	206M563	Part Numbers and Schematics Guide – Graco® Xtreme® XL 80:1 Airless Spray Pumps
—	209V558	Operator's Manual – Graco® Xtreme® XL Airless Spray Pumps

*Not included with all models, see page 4

PART NUMBERS AND SCHEMATICS GUIDE

Figure 1: Graco® Xtreme® XL 80:1 Spray Pump – Cart Mount



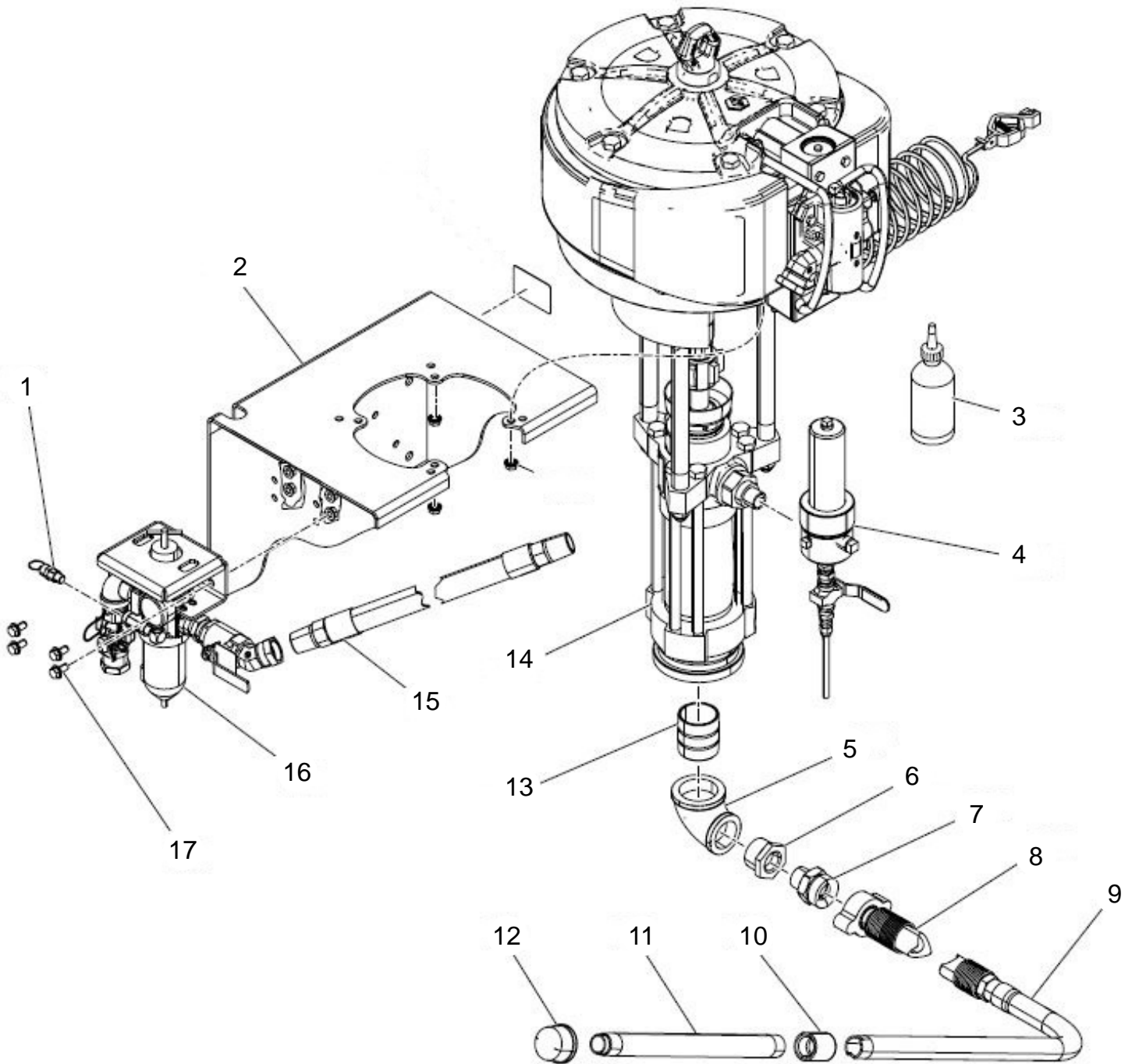
PART NUMBERS AND SCHEMATICS GUIDE

Graco® Xtreme® XL 80:1 Spray Pump – Wall Mount

Item#	Part#	Description
Fig. 2		
1	20G114055	Air Relief Valve (95 psi)
2	20G24X181	Wall Bracket
3	20G206994	Throat Seal Liquid – 8 oz.
4	20G238620	High Pressure Fluid Filter
5	20G116401	Elbow for Suction Hose
—	20G120291	Pipe Elbow (Female)
6	20G121239	Bushing
7	20G116402	Quick Connect Adapter
8	20G247302	10' Suction Hose with 1" NPT
9	20G197682	1" Pick Up Tube
10	20G114967	1" Coupling Pipe
11	20G195151	Intake Tube
12	20G187147	Inlet Strainer
13	20G24X547	2" NPT Nipple Kit
—	—	1.5" x 1" NPT Elbow
14	20GPL80C1	Xtreme® XL Pump
—	20GPL80C2	Xtreme® XL Pump (Includes Built-In Filter)
15	20G128093	Coupled Hose (45 psi)
—	20G278770	Coupled Hose (70, 80, 95 psi)
16	20G24W593	Air Controls Module
17	20G112395	Cap Screw
—	206M563	Part Numbers and Schematics Guide – Graco® Xtreme® XL 80:1 Airless Spray Pumps
—	209V558	Operator's Manual – Graco® Xtreme® XL Airless Spray Pumps

PART NUMBERS AND SCHEMATICS GUIDE

Figure 2: Graco® Xtreme® XL 80:1 Spray Pump – Wall Mount



PART NUMBERS AND SCHEMATICS GUIDE

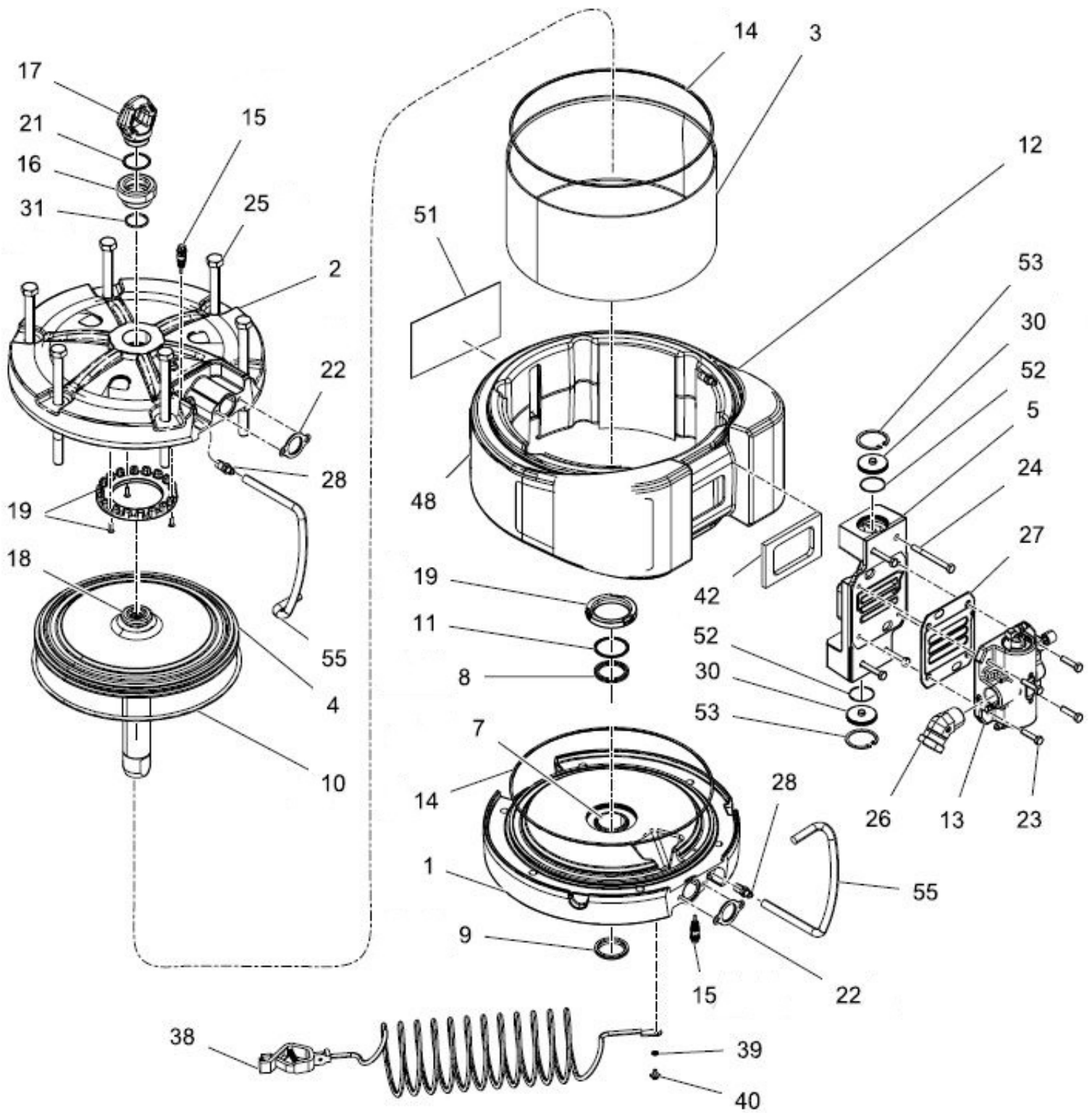
Graco® Xtreme® XL Air Motor

Item#	Part#	Description
Fig. 3		
—	20G24X856	Xtreme® XL Air Motor
1	20G24X559	Bottom Cover
2	20G24W584	Top Cover
3	20G24X561	Cylinder Kit
4	20G24X557	Piston Motor Kit
5	20G16Y968	Manifold Exhaust
7	—	Bearing Sleeve
8	—	Packing U-Cup
9	—	Seal Rod Wiper
10	—	Piston O-Ring
11	—	Retaining Ring
12	20G24X560	Muffler Cover
13	20G24X562	Air Valve
14	20G109486	Packing O-Ring (Quantity of Two)
15	20G24A366	Pilot Valve (Quantity of Two)
15a	20G155685	Packing O-Ring, Middle
15b	—	Packing U-Cup, Shaft
15c	20G154741	Packing O-Ring, Bottom
15d	20G197650	Buna O-Ring, Top
16	20G16D001	Lift Ring Adapter
17	20G15F931	Lift Ring 1-9/16"
18	20GNXT106	Bumper Piston, with Magnet
19	20G24A916	Bumper Kit
21	20G108014	Packing O-Ring
22	—	End Cap Gasket (Quantity of Two)
23	20G110036	Stud (Quantity of Four)
24	20G17B389	Screw, M8 x 1.25 x 85mm (Quantity of Four)
25	20G127582	Screw, 5/8-11 x 8.5" (Quantity of Six)
26	—	Swivel Fitting
27	20G24X565	Valve Gasket (Quantity of Two)
28	20G555749	Adapter Fitting (Quantity of Two)
30	20G17C974	Manifold XL Air Cap (Quantity of Two)

Item#	Part#	Description
31	20GC20987	Packing O-Ring
38	20G244524	Ground Wire with Clamp (Includes Part#: 38a)
38a	20G290079	Grounding Warning Tag
39	20G111307	External Washer Lock
40	20G116343	Ground Screw
42	20G17C776	Muffler Gasket
51	20G15F674	Motor Safety Label
52	20G205020	Packing O-Ring
53	20G557832	Retainer Ring (Quantity of Two)
55	20G128090	Coupled Hose (Quantity of Two)

PART NUMBERS AND SCHEMATICS GUIDE

Figure 3: Graco® Xtreme® XL Air Motor



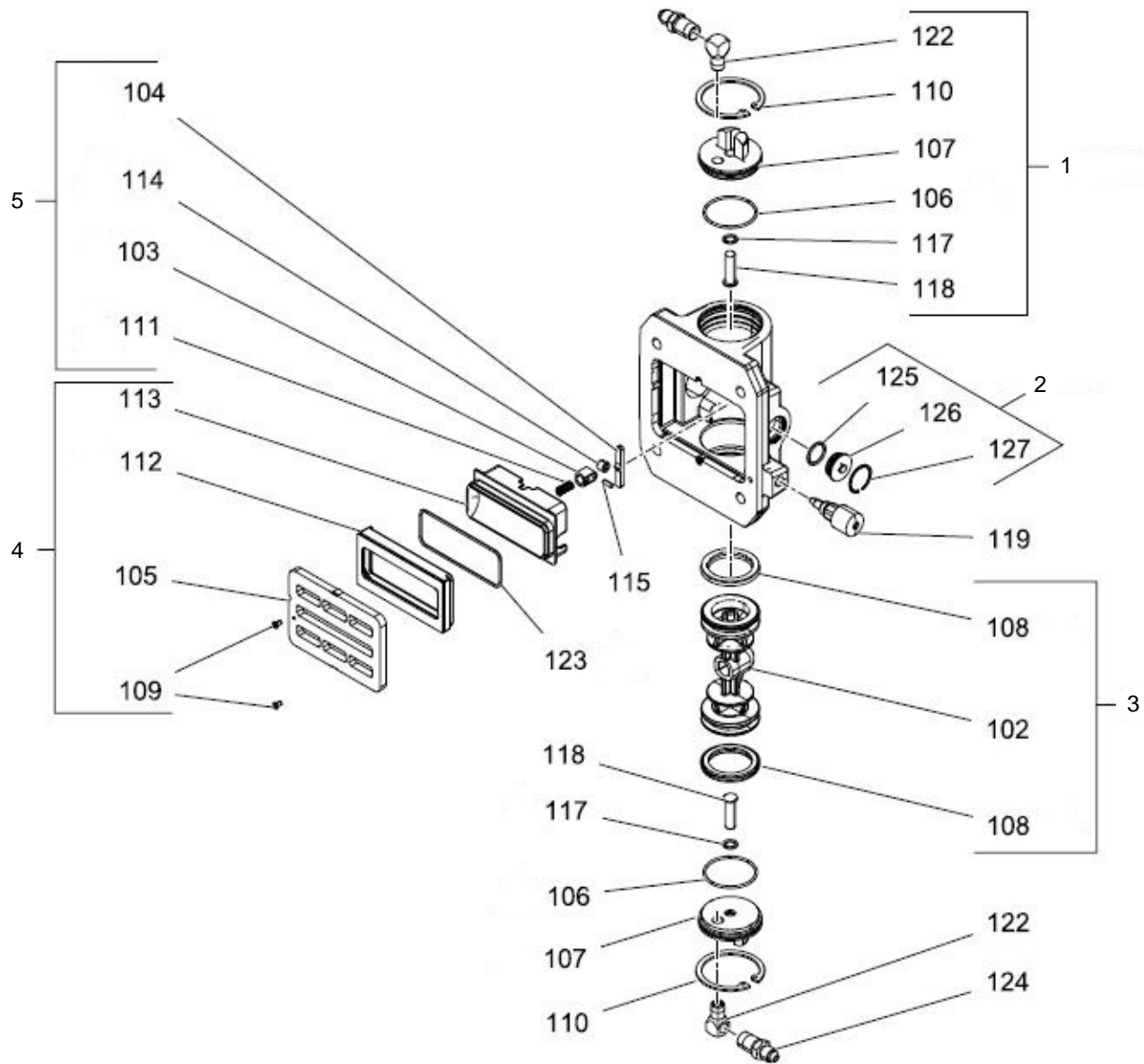
PART NUMBERS AND SCHEMATICS GUIDE

Graco® Xtreme® XL Air Valve

Item#	Part#	Description
Fig. 4		
—	20G24X562	Graco® Xtreme® XL Air Valve
1	20G24X566	Cap with Push Button Assembly <i>(Includes Part #'s: 106, 107, 110, 117, 118, 122, and 124)</i>
2	20G24X568	DataTrack™ Plug Assembly <i>(Includes Part #'s: 125, 126, and 127)</i>
3	20G24X569	Valve Piston with Seals Repair Kit <i>(Includes Part #'s: 102 and 108)</i>
4	20G24X564	Base/Cup Repair Assembly <i>(Includes Part #'s: 112, 113, 123, 105, and 109)</i>
5	20G24X567	Roller Assembly <i>(Includes Part #'s: 103, 104, 111, 114, and 115)</i>
101	—	Housing
102	—	Piston
103	—	Detent Piston
104	—	Detent Cam
105	—	Air Valve Plate
106	20G104010	Packing O-Ring <i>(Quantity of Two)</i>
107	—	Air Valve Cap <i>(Quantity of Two)</i>
108	—	U-Cup Packing <i>(Quantity of Two)</i>
109	—	Thread Forming Screw <i>(Quantity of Two)</i>
110	20G557832	Retainer Ring <i>(Quantity of Two)</i>
111	—	Detent Spring
112	—	Cup Base
113	—	Air Valve Cup
114	—	Detent Roller
115	—	Detent Pin
117	20G154741	Packing O-Ring <i>(Quantity of Two)</i>
118	—	Reset Button <i>(Quantity of Two)</i>
119	20G16Y668	Needle Valve
122	20G15K783	Street Elbow Fitting <i>(Quantity of Two)</i>
123	20G295640	O-Ring
124	20G555749	Connector <i>(Quantity of Two)</i>
125	20G104130	Packing O-Ring
126	—	Valve Plug
127	—	Retaining Ring

PART NUMBERS AND SCHEMATICS GUIDE

Figure 4: Graco® Xtreme® XL Air Valve



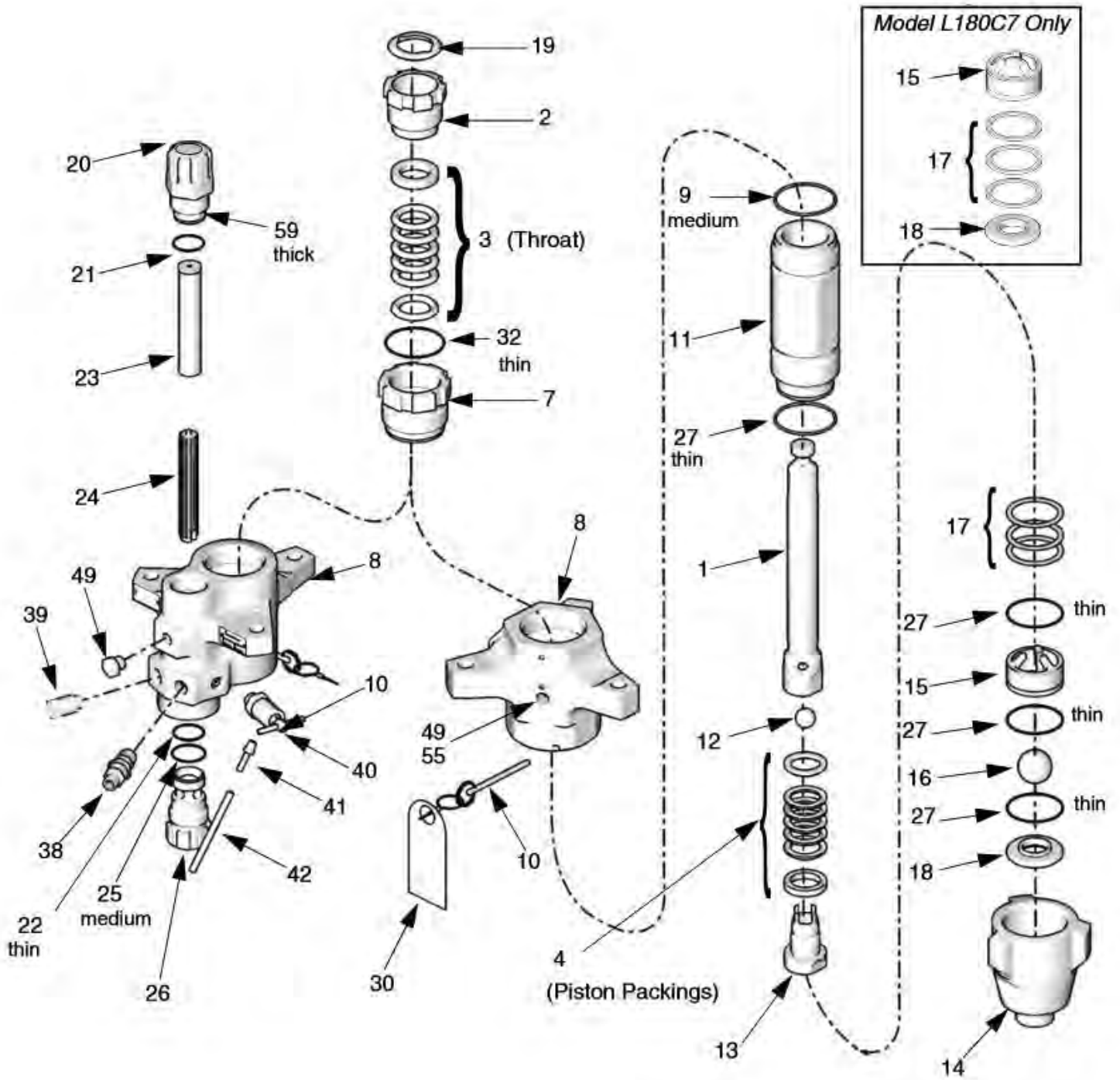
PART NUMBERS AND SCHEMATICS GUIDE

250cc Xtreme® Sprayer Lower Displacement Pump

Item#	20GL250C1 20GL250C3	20GL250C2 20GL250C4	20GL250C8	Description
Fig. 5				
1	20G24B824	20G24B824	20G24B824	Displacement Rod
2	20G15K031	20G15K031	20G15K031	Packing Nut
3	—	—	—	Stack Packings, Throat (See Fig. 7, 8, 9)
4	—	—	—	Stack Packings, Piston (See Fig. 7, 8, 9)
7	20G197328	20G197328	20G197328	Packing Cartridge, Throat
8	20G197335	20G197337	20G197335	Housing Outlet
9	20G244893	20G244893	20G244893	O-Ring, Top Cylinder, PTFE Medium (<i>Quantity of 10</i>)
10	20G244826	20G244826	20G244826	Self-Locking Pin
11	20G197318	20G197318	20G197318	Lower Cylinder
12	20G244898	20G244898	20G244898	Ball Plston (<i>Quantity of Three</i>)
13	20G24B829	20G24B829	20G24B829	Piston Valve
14	20G197304	20G197304	20G197304	Inlet Housing
15	20G198647	20G198647	20G198647	Inlet Ball Guide
16	20G253030	20G253030	20G253030	Inlet Ball (<i>Quantity of Three</i>)
17	20G244856	20G244856	20G244856	Inlet Shim Ball Guide (<i>Quantity of Nine</i>)
18	20G197344	20G197344	20G197344	Inlet Seat
19	20G247395	20G247395	20G247395	Throat Seal Plug (<i>Quantity of 10</i>)
20	—	20G16M461	—	Top Filler Cap
21	—	20G171941	—	Compression Spring
22	—	20G244895	—	Thin Filter O-Ring, PTFE (<i>Quantity of 10</i>)
23	—	20G224459	—	Strainer, 60 mesh screen
24	—	20G186075	—	Filter Support
25	—	20G262484	—	Filter O-Ring, Medium, PTFE (<i>Quantity of 10</i>)
26	—	20G16M462	—	Lower Filter Cap
27	20G244894	20G244894	20G244894	Foot Valve and Cylinder Bottom O-Ring, PTFE thin (<i>Quantity of 10</i>)
30	20G172479	20G172479	20G172479	Warning Tag
32	20G244891	20G244891	20G244891	Throat Cartridge O-Ring, PTFE thin (<i>Quantity of 10</i>)
38	—	20G158491	—	Nipple Fitting, Outlet, 1/2"
39	—	20G24N518	—	Packless Plug, 1/2"
40	—	20G245143	—	Pressure Dump Valve
41	—	20G116746	—	Barbed Fitting, Plated
42	—	20G116750	—	Nylon Tube
49	20G101754	20G198292	—	Pipe Plug
55	—	—	20G258962	Rupture Disc Housing
59	—	20G262483	—	Filter O-Ring, PTFE thick (<i>Quantity of 10</i>)
—	209V021	209V021	209V021	Operator's Manual – Graco® Xtreme® Pump Lowers

PART NUMBERS AND SCHEMATICS GUIDE

Figure 5: 250cc Xtreme® Sprayer Lower Displacement Pump



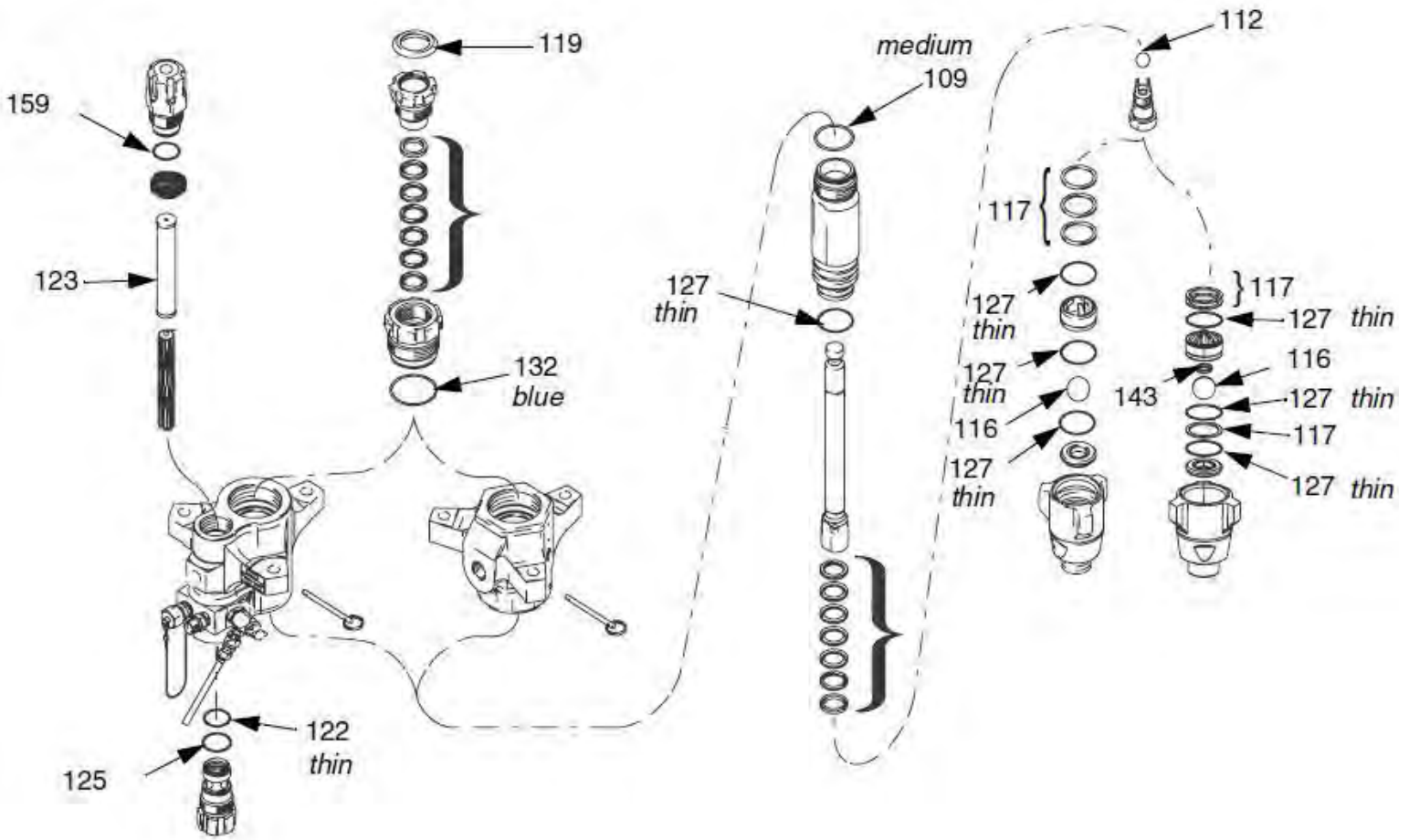
PART NUMBERS AND SCHEMATICS GUIDE

Xtreme® Seal Repair Kits for 250cc Lower Displacement Pump

Item#	Part#	Description
Fig. 6		
—	20G24F965	Xtreme® Seal Repair Kit <i>(Includes Item #'s: 1 (Quantity of Two); 2 (Quantity of Two); 3 (Quantity of Four); 4 (Quantity of Six); 5 (Quantity of Four); 6 (Quantity of Two); 7, 8, 9, 10 (Quantity of Three); and 11)</i>
103	—	Throat Packings
103a	20G245232	Male Gland <i>(Quantity of Four)</i>
103b	20G245233	Female Gland <i>(Quantity of Four)</i>
103c	20G245229	V-Packing, Leather <i>(Quantity of 10)</i>
103d	20G245231	V-Packing, UHMWPE, Black <i>(Quantity of 10)</i>
104	—	Piston Packings
104a	20G245232	Male Gland <i>(Quantity of Four)</i>
104b	20G245233	Female Gland <i>(Quantity of Four)</i>
104c	20G245229	V-Packing, Leather <i>(Quantity of 10)</i>
104d	20G245231	V-Packing, UHMWPE, Black <i>(Quantity of 10)</i>
109	20G244893	PTFE O-Ring, Top Cylinder Medium <i>(Quantity of 10)</i>
112	20G244898	Ball Piston, 7/8" (22 mm) <i>(Quantity of Three)</i>
116	20G253030	Ball Inlet, 1-1/2" (38 mm) <i>(Quantity of Three)</i>
117	20G244856	Shim Inlet, Ball Guide <i>(Quantity of Nine)</i>
119	20G244999	Throat Seal Plug, 1-3/4" <i>(Quantity of 10)</i>
—	20G247395	Throat Seal Plug, 2-1/2" <i>(Quantity of 10)</i>
122	20G244895	Filter O-Ring, Thin, PTFE <i>(Quantity of 10)</i>
123	20G238436	Strainer, 30 mesh screen, 5.65" <i>(Quantity of 25)</i>
—	20G224458	Strainer, 30 mesh, 5.65" <i>(Quantity of Two)</i>
—	20G238438	Strainer, 60 mesh, 5.65" <i>(Quantity of 25)</i>
—	20G224459	Strainer, 60 mesh, 5.65" <i>(Quantity of Two)</i>
125	20G262484	Filter O-Ring, Medium, PTFE <i>(Quantity of 10)</i>
—	20G244896	Filter O-Ring For Series A Pumps <i>(Quantity of 10)</i>
127	20G244894	O-Ring, PTFE, Thin <i>(Quantity of 10)</i>
132	20G244891	O-Ring, Blue, Thin <i>(Quantity of 10)</i>
143	20G116802	Foot Valve Spring (20G262793 only)
159	20G262483	Top Cap O-Ring, PTFE <i>(Quantity of 10)</i>
—	20G244895	Top Cap O-Ring For Series A Pumps <i>(Quantity of 10)</i>
—	209V021	Operator's Manual – Graco® Xtreme® Pump Lowers

PART NUMBERS AND SCHEMATICS GUIDE

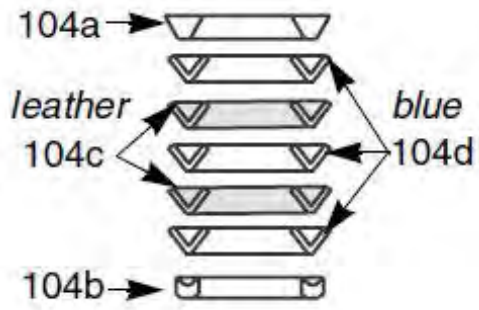
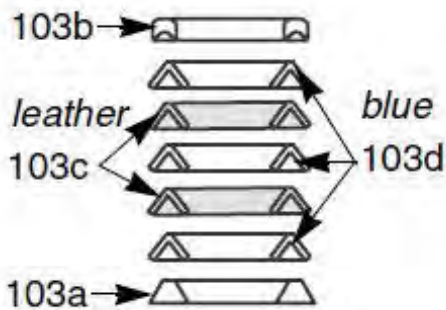
Figure 6: Xtreme® Seal Repair Kits for 250cc Lower Displacement Pump



Xtreme® Seal Repair Kit 24F965

**Throat Packings:
Lips Face Down**

**Piston Packings:
Lips Face Up**



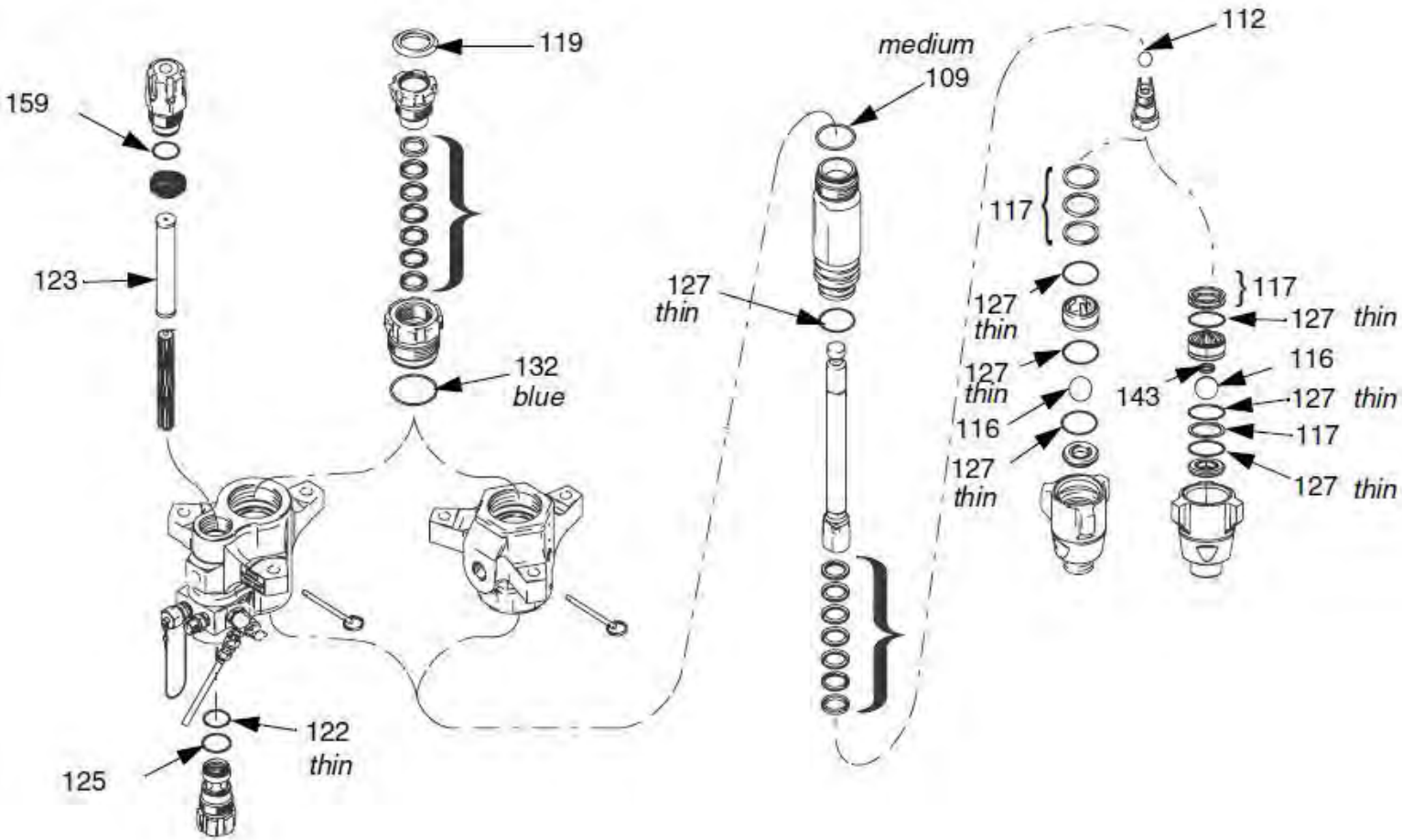
PART NUMBERS AND SCHEMATICS GUIDE

Tuff-Stack™ Repair Kit for 250cc Lower Displacement Pump

Item#	Part#	Description
Fig. 7		
—	20G24F966	Tuff-Stack™ Repair Kit <i>(Includes Item #'s: 1 (Quantity of Two); 2 (Quantity of Two); 3 (Quantity of Four); 4 (Quantity of 10); 5 (Quantity of Two); 6 (Quantity of Four); 7, 8, 9 (Quantity of Three); and 10)</i>
103	—	Throat Packings
103a	20G245232	Male Gland <i>(Quantity of Four)</i>
103b	20G246530	Female Gland <i>(Quantity of Four)</i>
103e	20G245229	V-Packing Carbon-Filled PTFE <i>(Quantity of 10)</i>
104	—	Piston Packings
104a	20G245232	Male Gland <i>(Quantity of Four)</i>
104b	20G246530	Female Gland <i>(Quantity of Four)</i>
104e	20G245229	V-Packing Carbon-Filled PTFE <i>(Quantity of 10)</i>
109	20G244893	PTFE O-Ring, Top Cylinder Medium <i>(Quantity of 10)</i>
112	20G244898	Ball Piston, 7/8" (22 mm) <i>(Quantity of Three)</i>
116	20G253030	Ball Inlet, 1-1/2" (38 mm) <i>(Quantity of Three)</i>
117	20G244856	Shim Inlet, Ball Guide <i>(Quantity of Nine)</i>
119	20G244999	Throat Seal Plug, 1-3/4" <i>(Quantity of 10)</i>
—	20G247395	Throat Seal Plug, 2-1/2" <i>(Quantity of 10)</i>
122	20G244895	Filter O-Ring, Thin, PTFE <i>(Quantity of 10)</i>
123	20G238436	Strainer, 30 mesh screen, 5.65" <i>(Quantity of 25)</i>
—	20G224458	Strainer, 30 mesh, 5.65" <i>(Quantity of Two)</i>
—	20G238438	Strainer, 60 mesh, 5.65" <i>(Quantity of 25)</i>
—	20G224459	Strainer, 60 mesh, 5.65" <i>(Quantity of Two)</i>
125	20G262484	Filter O-Ring, Medium, PTFE <i>(Quantity of 10)</i>
—	20G244896	Filter O-Ring For Series A Pumps <i>(Quantity of 10)</i>
127	20G244894	O-Ring, PTFE, Thin <i>(Quantity of 10)</i>
143	20G116802	Foot Valve Spring (20G262793 only)
159	20G262483	Top Cap O-Ring, PTFE <i>(Quantity of 10)</i>
—	20G244895	Top Cap O-Ring For Series A Pumps <i>(Quantity of 10)</i>
—	209V021	Operator's Manual – Graco® Xtreme® Pump Lowers

PART NUMBERS AND SCHEMATICS GUIDE

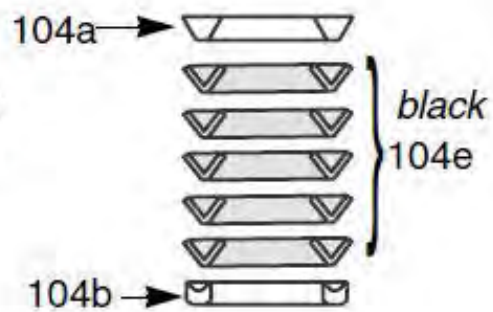
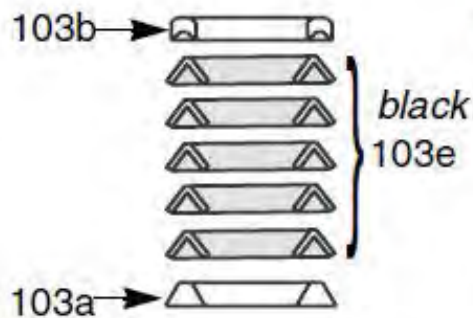
Figure 7: Tuff-Stack™ Repair Kit for 250cc Lower Displacement Pump



Tuff-Stack™ Seal Repair Kit 24F966

Throat Packings:
Lips Face Down

Piston Packings:
Lips Face Up



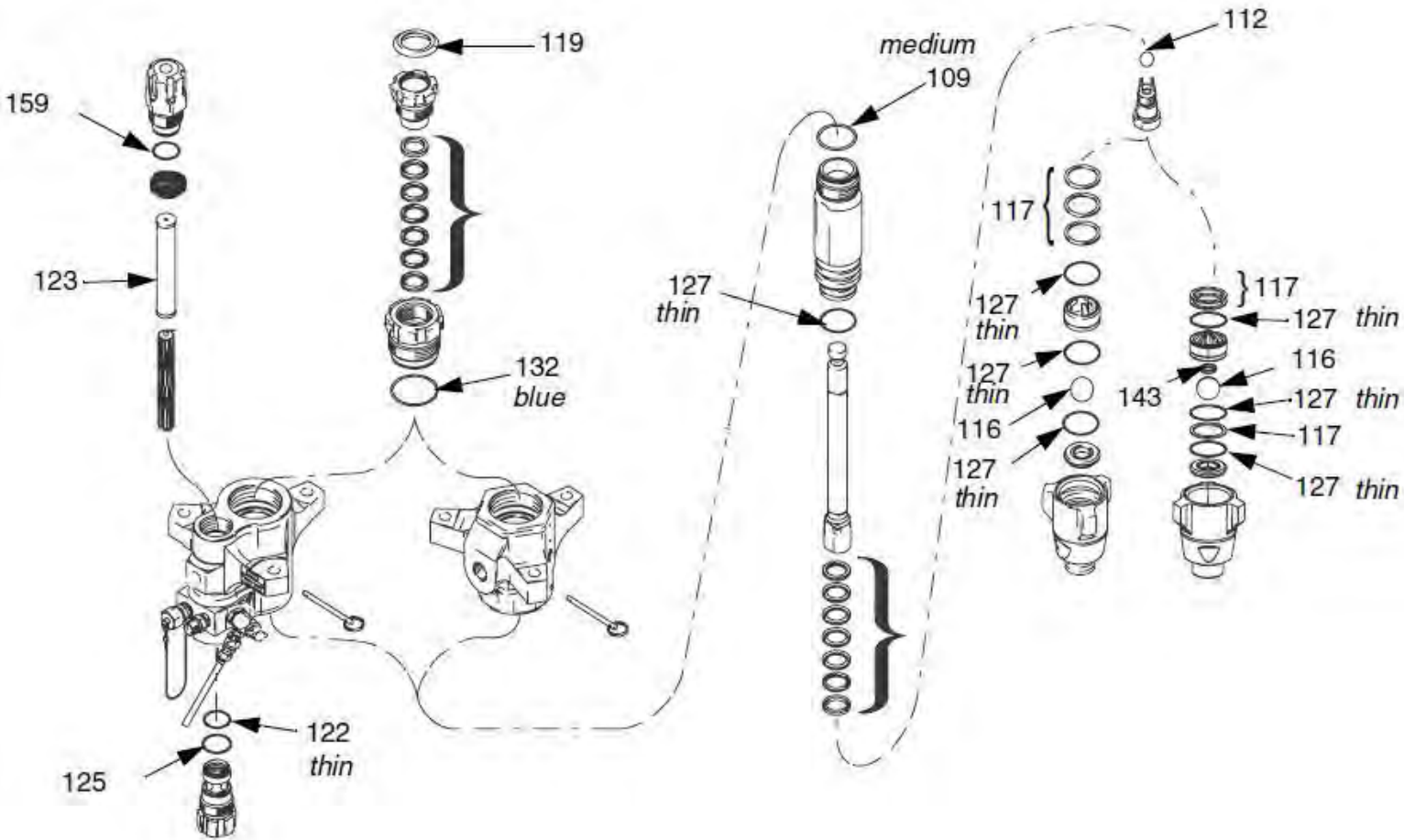
PART NUMBERS AND SCHEMATICS GUIDE

X-Tuff™ Repair Kit for 250cc Lower Displacement Pump

Item#	Part#	Description
Fig. 8		
—	20G262794	X-Tuff™ Repair Kit <i>(Includes Item #'s: 1 (Quantity of Two); 2 (Quantity of Two); 3 (Quantity of Four); 4 (Quantity of Six); 5 (Quantity of Four); 6 (Quantity of Two); 7, 8, 9, 10 (Quantity of Three); and 11)</i>
103	—	Throat Packings
103a	20G245232	Male Gland <i>(Quantity of Four)</i>
103b	20G245233	Female Gland <i>(Quantity of Four)</i>
103c	20G245229	V-Packing, Carbon-Filled PTFE <i>(Quantity of 10)</i>
103d	20G245231	V-Packing, UHMWPE <i>(Quantity of 10)</i>
104	—	Piston Packings
104a	20G245232	Male Gland <i>(Quantity of Four)</i>
104b	20G245233	Female Gland <i>(Quantity of Four)</i>
104c	20G245229	V-Packing Carbon-Filled, PTFE <i>(Quantity of 10)</i>
104d	20G245231	V-Packing, UHMWPE <i>(Quantity of 10)</i>
109	20G244893	PTFE O-Ring, Top Cylinder Medium <i>(Quantity of 10)</i>
112	20G244898	Ball Piston, 7/8" (22 mm) <i>(Quantity of Three)</i>
116	20G253030	Ball Inlet, 1-1/2" (38 mm) <i>(Quantity of Three)</i>
117	20G244856	Shim Inlet, Ball Guide <i>(Quantity of Nine)</i>
119	20G244999	Throat Seal Plug, 1-3/4" <i>(Quantity of 10)</i>
—	20G247395	Throat Seal Plug, 2-1/2" <i>(Quantity of 10)</i>
122	20G244895	Filter O-Ring, Thin, PTFE <i>(Quantity of 10)</i>
123	20G238436	Strainer, 30 mesh screen, 5.65" <i>(Quantity of 25)</i>
—	20G224458	Strainer, 30 mesh, 5.65" <i>(Quantity of Two)</i>
—	20G238438	Strainer, 60 mesh, 5.65" <i>(Quantity of 25)</i>
—	20G224459	Strainer, 60 mesh, 5.65" <i>(Quantity of Two)</i>
125	20G262484	Filter O-Ring, Medium, PTFE <i>(Quantity of 10)</i>
—	20G244896	Filter O-Ring For Series A Pumps <i>(Quantity of 10)</i>
127	20G244894	O-Ring, PTFE, Thin <i>(Quantity of 10)</i>
143	20G116802	Foot Valve Spring (20G262793 only)
159	20G262483	Top Cap O-Ring, PTFE <i>(Quantity of 10)</i>
—	20G244895	Top Cap O-Ring For Series A Pumps <i>(Quantity of 10)</i>
—	209V021	Operator's Manual – Graco® Xtreme® Pump Lowers

PART NUMBERS AND SCHEMATICS GUIDE

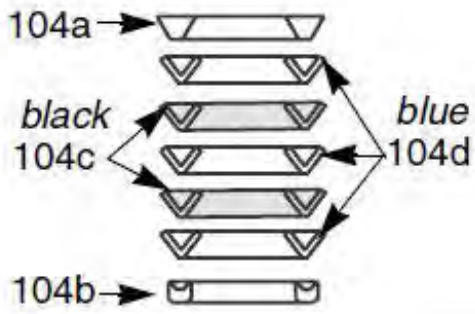
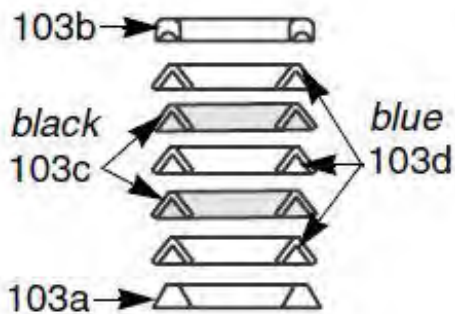
Figure 8: X-Tuff™ Repair Kit for 250cc Lower Displacement Pump



X-Tuff™ Seal Repair Kit 262794

Throat Packings:
Lips Face Down

Piston Packings:
Lips Face Up



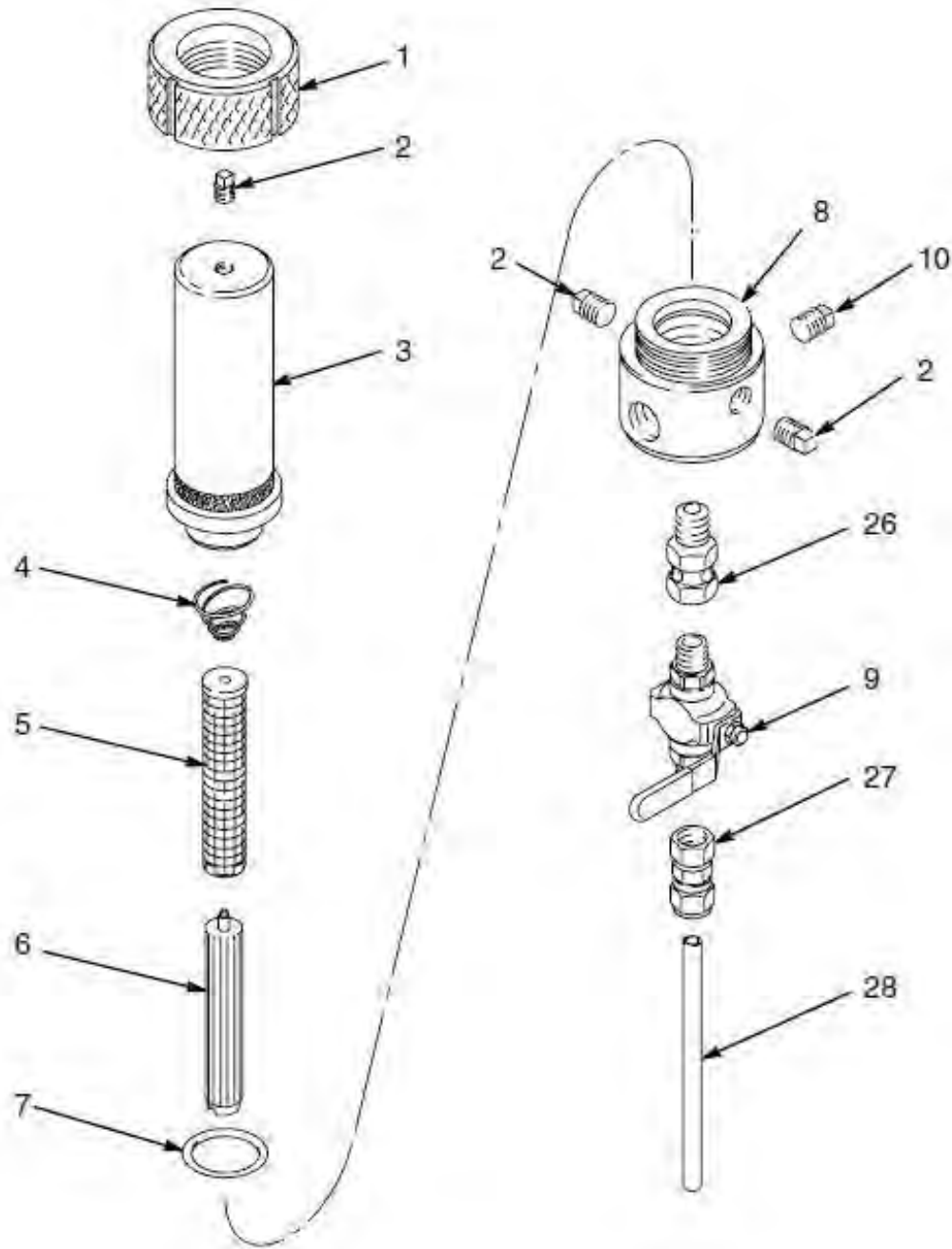
PART NUMBERS AND SCHEMATICS GUIDE

Filter Cap Series Key

Item#	Part#	Description
Fig. 9		
—	20G238620	High Pressure Fluid Filter
1	20G174058	Lock Ring
2	20G104813	Plug Pipe 3/8" NPT – 7250 psi (<i>Quantity of Three</i>)
3	20G174056	Bowl Filter – 7250 psi
4	20G171941	Spring Conical Compression – 7250 psi
5	20G167025	Strainer, 60 Mesh
6	20G186075	Filter Support Nylon – 7250 psi
7	20G104804	Packing O-Ring Teflon – 7250 psi
8	20G24C497	Paint Filter, Manifold
9	20G223960	3/8" x 3/8" Ball Valve
10	20G100737	1/2" NPT Pipe Plug
26	20G155665	Union Swivel 3/8" M x 3/8" F
27	20G205448	Coupling, Swivel, 3/8 npsm
28	20G186447	Nylon Drain Tube

PART NUMBERS AND SCHEMATICS GUIDE

Figure 9: Filter Cap Series Key



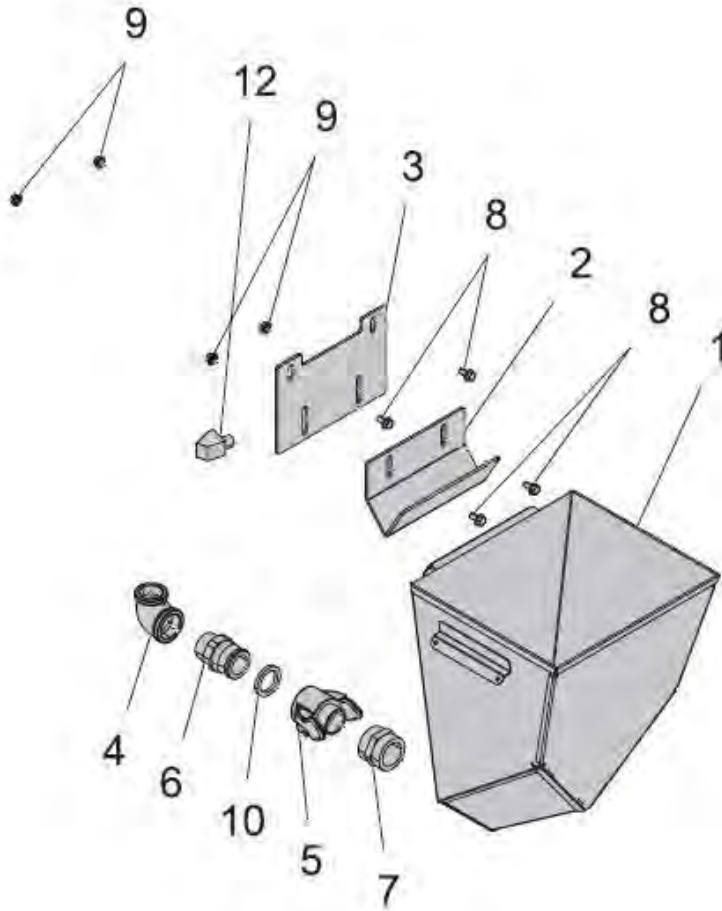
OPTIONAL ACCESSORIES

Graco® Xtreme® Airless Spray Pumps – Stainless Steel Hopper Kit






Item#	Part#	Description
Fig. 10		
—	20G24X570	Xtreme® Sprayer Stainless Steel Hopper Kit
1	20G17E114	Hopper
2	20G17C474	Bracket
3	20G17D554	Upper Bracket
4	20G126939	90° Elbow
5	20G128095	Cam/Groove
6	20G17C692	Cam/Groove Fitting, 1.5m, 1-1/2" NPT
7	20G128094	Bushing
8	20G112395	Flanges Cap Screw – HD (<i>Quantity of Four</i>)
9	20G112958	Nut (<i>Quantity of Four</i>)
10	20G17C453	Gasket
12	20G15M987	1/2" NPT (M) x 1/2" NPT (F) 60° Elbow
—	20G110110	6 ml Stainless Steel Pipe Sealant
—	20G16U537	Lid


OPTIONAL ACCESSORIES


Figure 10: Graco® Xtreme® Airless Spray Pumps – Stainless Steel Hopper Kit





OPTIONAL ACCESSORIES

		SUCTION TUBE AND ACCESSORIES	
Part Numbers	Description		
	20G197682	Suction Tube	
	20G247301	1" I.D. x 6' Suction Hose with Couplings	
	20G247302	1" I.D. x 10' Suction Hose with Couplings	
	20G245136	55 Gallon Suction Tube Extension Kit <i>Includes Suction Tube and Couplings</i>	
	20G181072	60 Mesh Strainer for 1" Suction Tube	

REPLACEMENT SCREEN FILTER ELEMENTS			
		Screen	Package
	20G167024B	30 Mesh	1 Pack
	20G167025B	60 Mesh	1 Pack
	20G224459	60 Mesh	2 Pack
	20G167026B	100 Mesh	1 Pack
	20G167027	200 Mesh	1 Pack
	20G224469	200 Mesh	2 Pack

FILTER SUPPORTS			
Part Numbers	Type	Body Material	Maximum Working Pressure
	Filter Support	Nylon	7,250 psi
20G171939B	Filter Support	Aluminum	7,250 psi

OPTIONAL ACCESSORIES

		HIGH PRESSURE BALL VALVES		
Part Numbers		Thread Size	Seal Material	Working Pressure
	20G210657B	1/4" Male x 1/4" Male	Viton	5,000 psi
	20G210658B	3/8" Male x 3/8" Male	Viton	5,000 psi
	20G210659B	1/4" Male x 3/8" Male	Viton	5,000 psi
	20G214037	1/4" Male x 1/4" Male	Teflon	5,000 psi
	20G223959B	3/8" Male x 1/4" Male	Teflon	5,000 psi
	20G210658B	3/8" Male x 3/8" Male	Teflon	5,000 psi
	20DQVAE2AO14	1/4" Female x Female	Nitrile	7,000 psi
	20DQVAE2AO38	3/8" Female x Female	Nitrile	7,000 psi
	20DQVAE2AO12	1/2" Female x Female	Nitrile	7,000 psi

PART NUMBERS AND SCHEMATICS GUIDE

GRACO® XTREME® XL 95:1 AIRLESS SPRAY PUMP						
Part Numbers	MOUNT		Built-In Filter	Hopper Included	Hose and Graco® XTR™ 7 Spray Gun Included	Carbon Steel Lower Construction
	Heavy-Duty Cart	Wall Mount				
20GXL95H1	X		X			
20GXL95H2	X		X		X	
20GXL95H3	X		X	X	X	
20GXL95H4	X					
20GXL95W1		X	X			
20GXL95W2		X	X		X	
20GXL95W3		X	X		X	
20GXL95W4		X				
20GPL95C1						X
20GPL95C2			X			X

GRACO® XTREME® XL 95:1 AIRLESS SPRAY PUMP – SPECIFICATIONS	
Output Per Cycle	7,250 psi
Pump Lower Output per Cycle	220cc
Motor	Xtreme® XL Air Motor
Maximum Air Input Pressure	76 psi
Output at 60 Cycles/min gpm	3.4

PART NUMBERS AND SCHEMATICS GUIDE



PART NUMBERS AND SCHEMATICS GUIDE

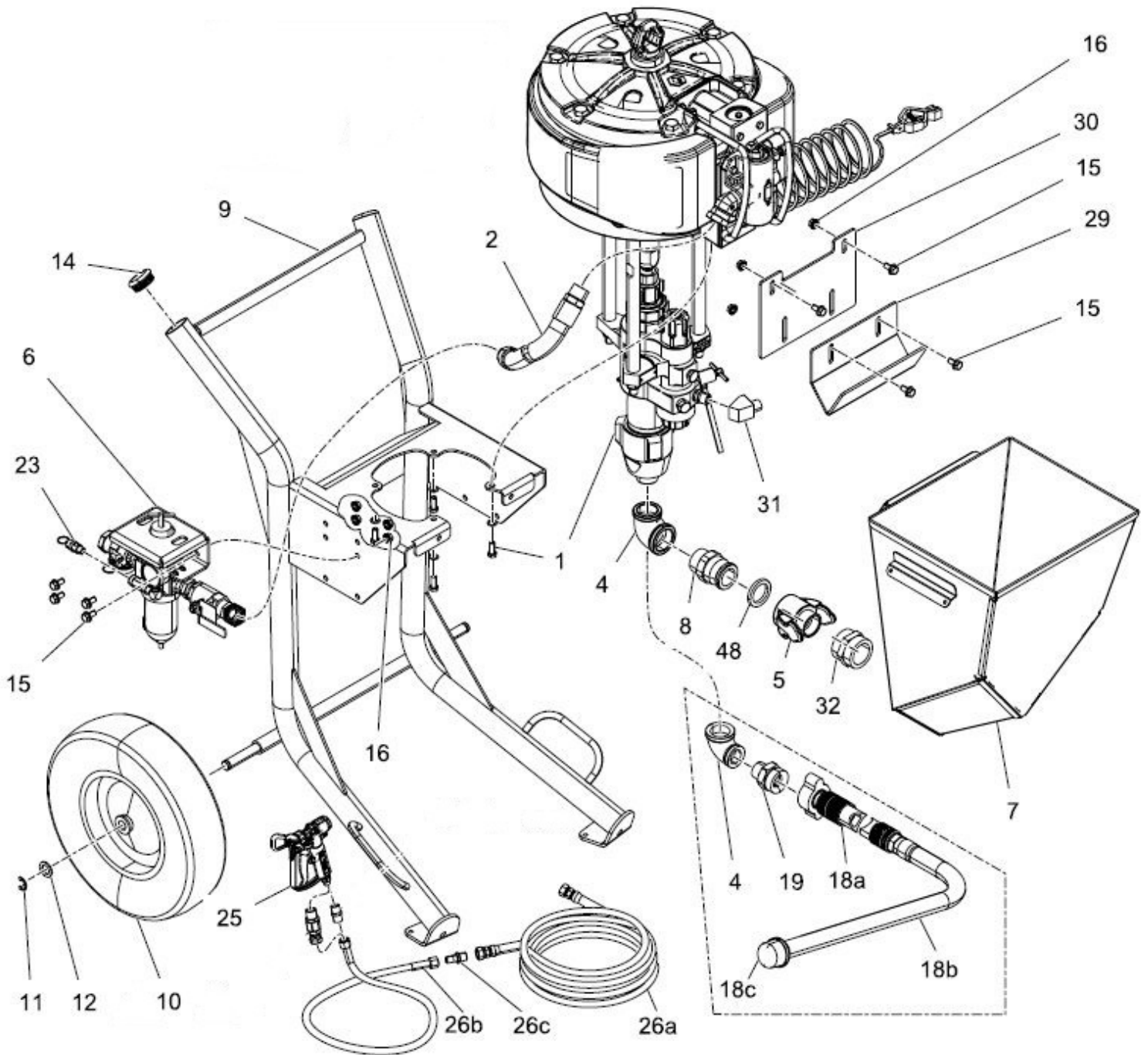
Graco® Xtreme® XL 95:1 Spray Pump – Cart Mount

Item#	Part#	Description
Fig. 1		
1	20GPL95C1	Xtreme® XL Pump
—	20GPL95C2	Xtreme® XL Pump <i>(Includes Built-In Filter)</i>
2	20G278770	Coupled Hose
4	20G126939	90° Elbow Fitting <i>(Female)</i>
5	20G128095	Cam/Groove Fitting 1-1/2" NPT
6	20G24W593	Air Controls Module
7	20G16U536	Stainless Steel Hopper <i>(Not included with all models, see page 4)</i>
8	20G17C692	Cam/Groove Fitting 1-1/2" NPT
9	20G24Y078	Heavy Duty Cart
10	20G113362	Wheel <i>(Two Required)</i>
11	20G113436	Retaining Ring <i>(Two Required)</i>
12	20G154628	Washer Flat .77 Size <i>(Two Required)</i>
14	20G113361	Cap <i>(Two Required)</i>
15	20G112395	Flanged Cap Screw – HD <i>(Eight Required)</i>
16	20G112958	Flanged Hex Nut <i>(Eight Required)</i>
18a	20G247301	Hose, 1" x 6'
18b	20G197682	Siphon Tube
18c	20G181072	Strainer
19	20G116402	Adapter
23	20G120306	Air Relief Valve <i>(85 psi)</i>
25	20GXTR704	Graco® XTR™ 7 Spray Gun <i>(Not included with all models, see page 4)</i>
26a	20GH77550*	3/4" x 50' Coupled Hose
—	2000110*	3/8" x 50' Coupled Hose
26b	20GH75025*	1/2" x 25' Coupled Hose
—	2000094*	1/4" x 6' Coupled Hose
26c	20G16R883*	Reducing Nipple 3/4" x 1/2"
—	20G164856*	Nipple 3/8" x 1/4" NPT
29	20G17C474	Bracket Hopper <i>(Not included with all models, see page 4)</i>
30	20G17D554	Upper Bracket Hopper <i>(Not included with all models, see page 4)</i>
31	20G15M987	1/2" NPT (M) x 1/2" NPT (F) Elbow
32	—	1-1/2" Bushing Fitting
48	20G17C53	2" Gasket <i>(Pack of Six)</i>
—	206M564	Part Numbers and Schematics Guide – Graco® Xtreme® XL 95:1 Airless Spray Pumps
—	209V558	Operator's Manual – Graco® Xtreme® XL Airless Spray Pumps

*Not included with all models, see page 4

PART NUMBERS AND SCHEMATICS GUIDE

Figure 1: Graco® Xtreme® XL 95:1 Spray Pump – Cart Mount



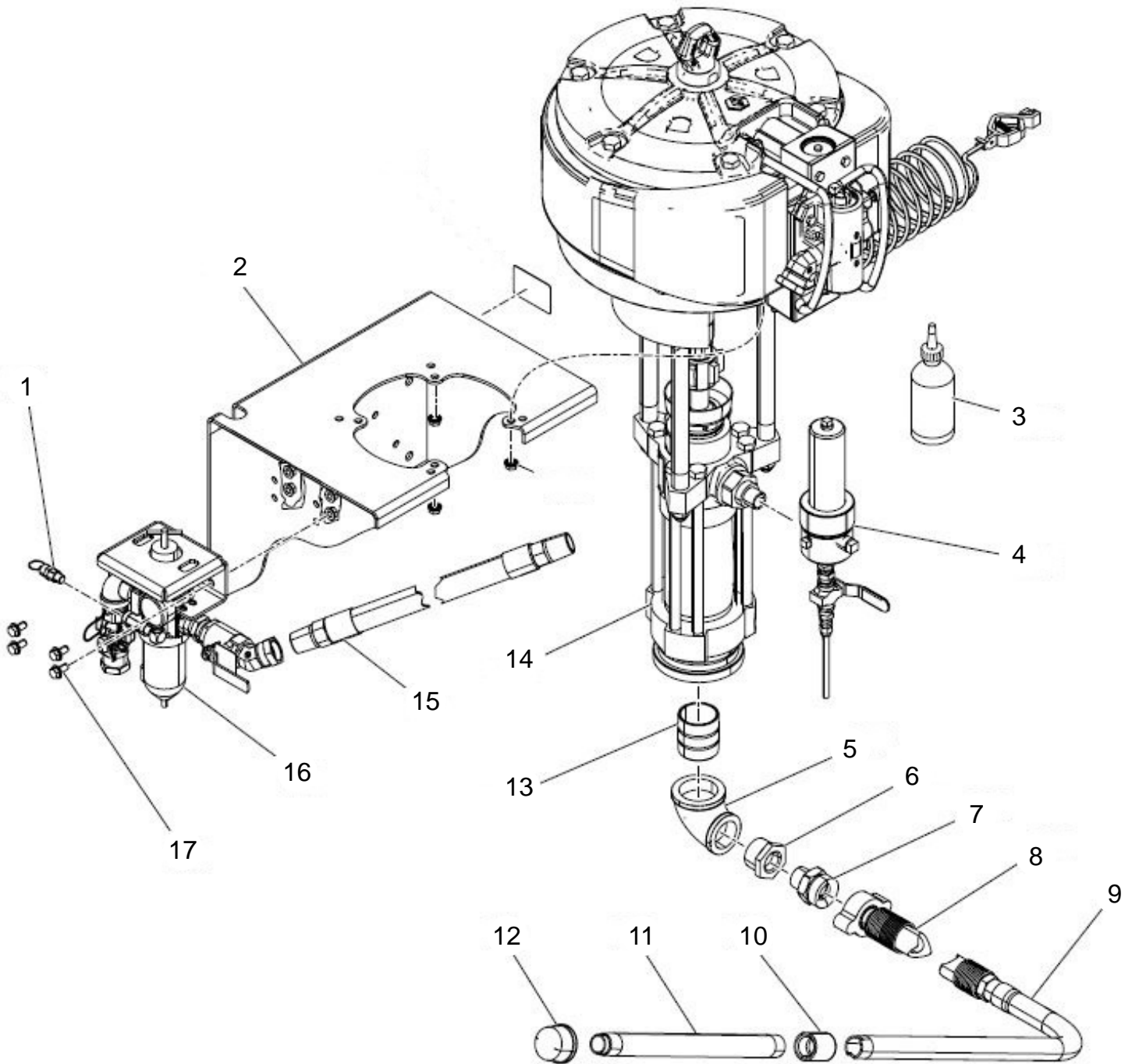
PART NUMBERS AND SCHEMATICS GUIDE

Graco® Xtreme® XL 95:1 Spray Pump – Wall Mount

Item#	Part#	Description
Fig. 2		
1	20G114055	Air Relief Valve (85 psi)
2	20G24X181	Wall Bracket
3	20G206994	Throat Seal Liquid – 8 oz.
4	20G238620	High Pressure Fluid Filter
5	20G116401	Elbow for Suction Hose
—	20G120291	Pipe Elbow (<i>Female</i>)
6	20G121239	Bushing
7	20G116402	Quick Connect Adapter
8	20G247302	10' Suction Hose with 1" NPT
9	20G197682	1" Pick Up Tube
10	20G114967	1" Coupling Pipe
11	20G195151	Intake Tube
12	20G187147	Inlet Strainer
13	20G24X547	2" NPT Nipple Kit
—	—	1.5" x 1" NPT Elbow
14	20GPL95C1	Xtreme® XL Pump
—	20GPL95C2	Xtreme® XL Pump (<i>Includes Built-In Filter</i>)
15	20G128093	Coupled Hose (45 psi)
—	20G278770	Coupled Hose (70, 80, 95 psi)
16	20G24W593	Air Controls Module
17	20G112395	Cap Screw
—	206M564	Part Numbers and Schematics Guide – Graco® Xtreme® XL 95:1 Airless Spray Pumps
—	209V558	Operator's Manual – Graco® Xtreme® XL Airless Spray Pumps

PART NUMBERS AND SCHEMATICS GUIDE

Figure 2: Graco® Xtreme® XL 95:1 Spray Pump – Wall Mount



PART NUMBERS AND SCHEMATICS GUIDE

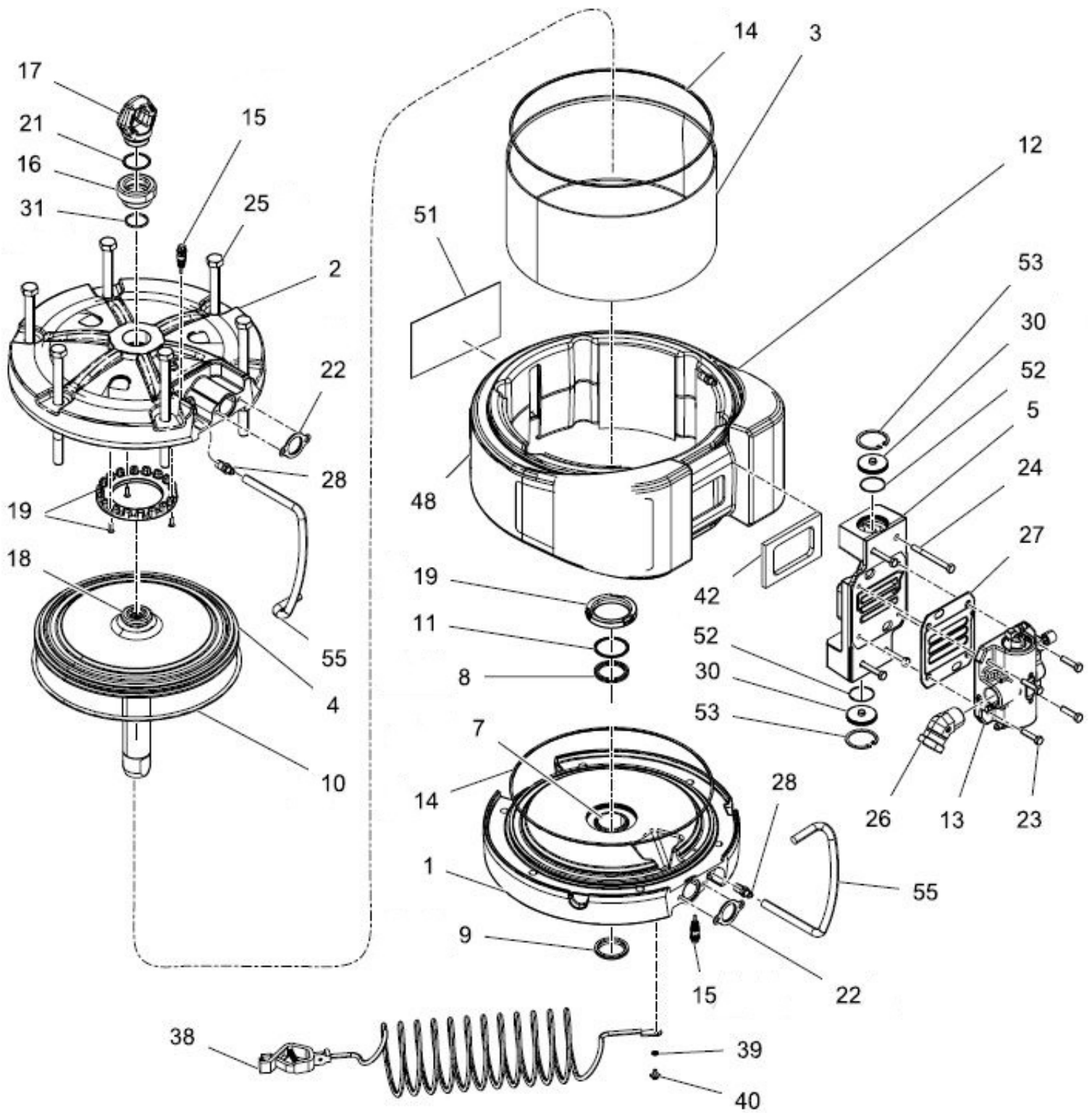
Graco® Xtreme® XL Air Motor

Item#	Part#	Description
Fig. 3		
—	20G24X856	Xtreme® XL Air Motor
1	20G24X559	Bottom Cover
2	20G24W584	Top Cover
3	20G24X561	Cylinder Kit
4	20G24X557	Piston Motor Kit
5	20G16Y968	Manifold Exhaust
7	—	Bearing Sleeve
8	—	Packing U-Cup
9	—	Seal Rod Wiper
10	—	Piston O-Ring
11	—	Retaining Ring
12	20G24X560	Muffler Cover
13	20G24X562	Air Valve
14	20G109486	Packing O-Ring <i>(Quantity of Two)</i>
15	20G24A366	Pilot Valve <i>(Quantity of Two)</i>
15a	20G155685	Packing O-Ring, Middle
15b	—	Packing U-Cup, Shaft
15c	20G154741	Packing O-Ring, Bottom
15d	20G197650	Buna O-Ring, Top
16	20G16D001	Lift Ring Adapter
17	20G15F931	Lift Ring 1-9/16"
18	20GNXT106	Bumper Piston, with Magnet
19	20G24A916	Bumper Kit
21	20G108014	Packing O-Ring
22	—	End Cap Gasket <i>(Quantity of Two)</i>
23	20G110036	Stud <i>(Quantity of Four)</i>
24	20G17B389	Screw, M8 x 1.25 x 85mm <i>(Quantity of Four)</i>
25	20G127582	Screw, 5/8-11 x 8.5" <i>(Quantity of Six)</i>
26	—	Swivel Fitting
27	20G24X565	Valve Gasket <i>(Quantity of Two)</i>
28	20G555749	Adapter Fitting <i>(Quantity of Two)</i>
30	20G17C974	Manifold XL Air Cap <i>(Quantity of Two)</i>
31	20GC20987	Packing O-Ring

Item#	Part#	Description
38	20G244524	Ground Wire with Clamp <i>(Includes Part#: 38a)</i>
38a	20G290079	Grounding Warning Tag
39	20G111307	External Washer Lock
40	20G116343	Ground Screw
42	20G17C776	Muffler Gasket
51	20G15F674	Motor Safety Label
52	20G205020	Packing O-Ring
53	20G557832	Retainer Ring <i>(Quantity of Two)</i>
55	20G128090	Coupled Hose <i>(Quantity of Two)</i>

PART NUMBERS AND SCHEMATICS GUIDE

Figure 3: Graco® Xtreme® XL Air Motor



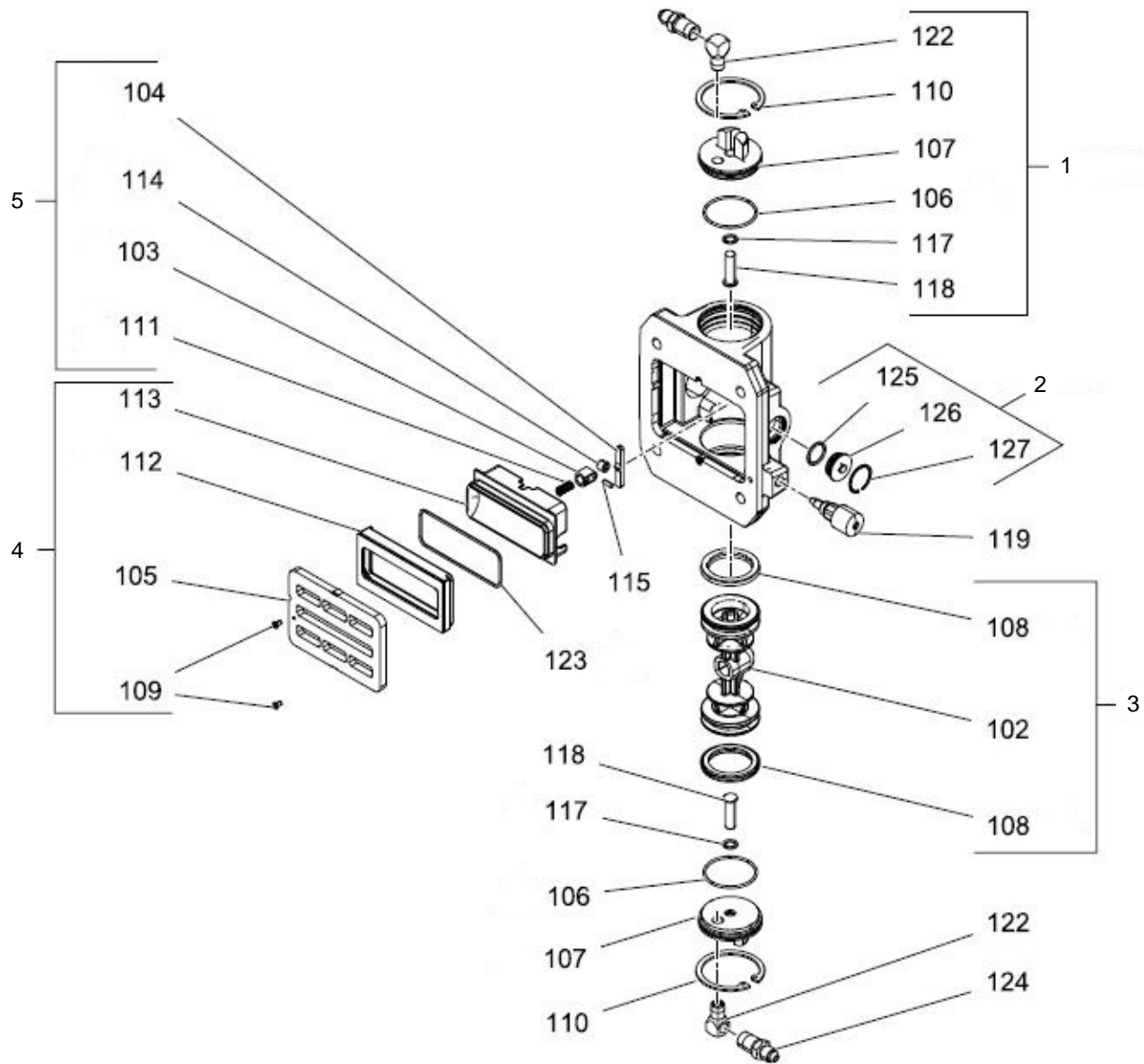
PART NUMBERS AND SCHEMATICS GUIDE

Graco® Xtreme® XL Air Valve

Item#	Part#	Description
Fig. 4		
—	20G24X562	Graco® Xtreme® XL Air Valve
1	20G24X566	Cap with Push Button Assembly <i>(Includes Part #'s: 106, 107, 110, 117, 118, 122, and 124)</i>
2	20G24X568	DataTrack™ Plug Assembly <i>(Includes Part #'s: 125, 126, and 127)</i>
3	20G24X569	Valve Piston with Seals Repair Kit <i>(Includes Part #'s: 102 and 108)</i>
4	20G24X564	Base/Cup Repair Assembly <i>(Includes Part #'s: 112, 113, 123, 105, and 109)</i>
5	20G24X567	Roller Assembly <i>(Includes Part #'s: 103, 104, 111, 114, and 115)</i>
101	—	Housing
102	—	Piston
103	—	Detent Piston
104	—	Detent Cam
105	—	Air Valve Plate
106	20G104010	Packing O-Ring <i>(Quantity of Two)</i>
107	—	Air Valve Cap <i>(Quantity of Two)</i>
108	—	U-Cup Packing <i>(Quantity of Two)</i>
109	—	Thread Forming Screw <i>(Quantity of Two)</i>
110	20G557832	Retainer Ring <i>(Quantity of Two)</i>
111	—	Detent Spring
112	—	Cup Base
113	—	Air Valve Cup
114	—	Detent Roller
115	—	Detent Pin
117	20G154741	Packing O-Ring <i>(Quantity of Two)</i>
118	—	Reset Button <i>(Quantity of Two)</i>
119	20G16Y668	Needle Valve
122	20G15K783	Street Elbow Fitting <i>(Quantity of Two)</i>
123	20G295640	O-Ring
124	20G555749	Connector <i>(Quantity of Two)</i>
125	20G104130	Packing O-Ring
126	—	Valve Plug
127	—	Retaining Ring

PART NUMBERS AND SCHEMATICS GUIDE

Figure 4: Graco® Xtreme® XL Air Valve



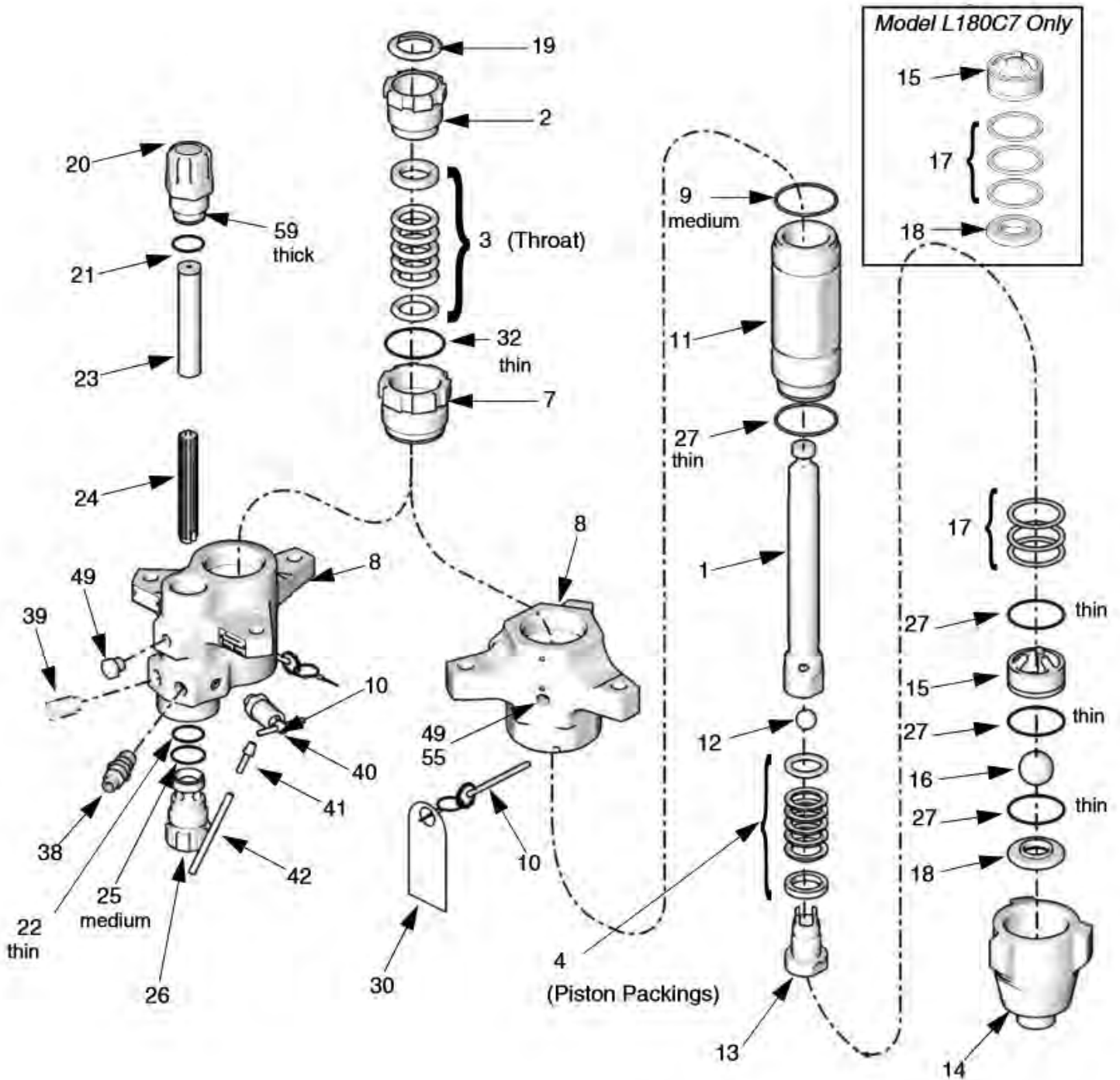
PART NUMBERS AND SCHEMATICS GUIDE

220cc Xtreme® Sprayer Lower Displacement Pump

Item#	20GL220C1 <i>(No Built-In Filter)</i>	20GL220C2 <i>(Built-In Filter)</i>	Description
Fig. 5			
1	20G24B823	20G24B823	Displacement Rod
2	20G15K031	20G15K031	Packing Nut
3	—	—	Stack Packings, Throat <i>(See Fig. 7, 8, 9)</i>
4	—	—	Stack Packings, Piston <i>(See Fig. 7, 8, 9)</i>
7	20G197327	20G197327	Packing Cartridge, Throat
8	20G197335	20G197337	Housing Outlet
9	20G244893	20G244893	O-Ring, Top Cylinder, PTFE Medium <i>(Quantity of 10)</i>
10	20G244826	20G244826	Self-Locking Pin
11	20G197317	20G197317	Lower Cylinder
12	20G244898	20G244898	Ball Plston <i>(Quantity of Three)</i>
13	20G24B828	20G24B828	Piston Valve
14	20G197304	20G197304	Inlet Housing
15	20G198647	20G198647	Inlet Ball Guide
16	20G253030	20G253030	Inlet Ball <i>(Quantity of Three)</i>
17	20G244856	20G244856	Inlet Shim Ball Guide <i>(Quantity of Nine)</i>
18	20G197344	20G197344	Inlet Seat
19	20G247395	20G247395	Throat Seal Plug <i>(Quantity of 10)</i>
20	—	20G16M461	Top Filler Cap
21	—	20G171941	Compression Spring
22	—	20G244895	Thin Filter O-Ring, PTFE <i>(Quantity of 10)</i>
23	—	20G224459	Strainer, 60 mesh screen
24	—	20G186075	Filter Support
25	—	20G262484	Filter O-Ring, Medium, PTFE <i>(Quantity of 10)</i>
26	—	20G16M462	Lower Filter Cap
27	20G244894	20G244894	Foot Valve and Cylinder Bottom O-Ring, PTFE thin <i>(Quantity of 10)</i>
30	20G172479	20G172479	Warning Tag
32	20G244891	20G244891	Throat Cartridge O-Ring, PTFE thin <i>(Quantity of 10)</i>
38	—	20G158491	Nipple Fitting, Outlet, 1/2"
39	—	20G24N518	Packless Plug, 1/2"
40	—	20G245143	Pressure Dump Valve
41	—	20G116746	Barbed Fitting, Plated
42	—	20G116750	Nylon Tube
49	20G101754	20G198292	Pipe Plug
55	—	—	Rupture Disc Housing
59	—	20G262483	Filter O-Ring, PTFE thick <i>(Quantity of 10)</i>
—	209V021	209V021	Operator's Manual – Graco® Xtreme® Pump Lowers

PART NUMBERS AND SCHEMATICS GUIDE

Figure 5: 220cc Xtreme® Sprayer Lower Displacement Pump



Note: Lower Displacement Pump with Built-In Filter Shown.

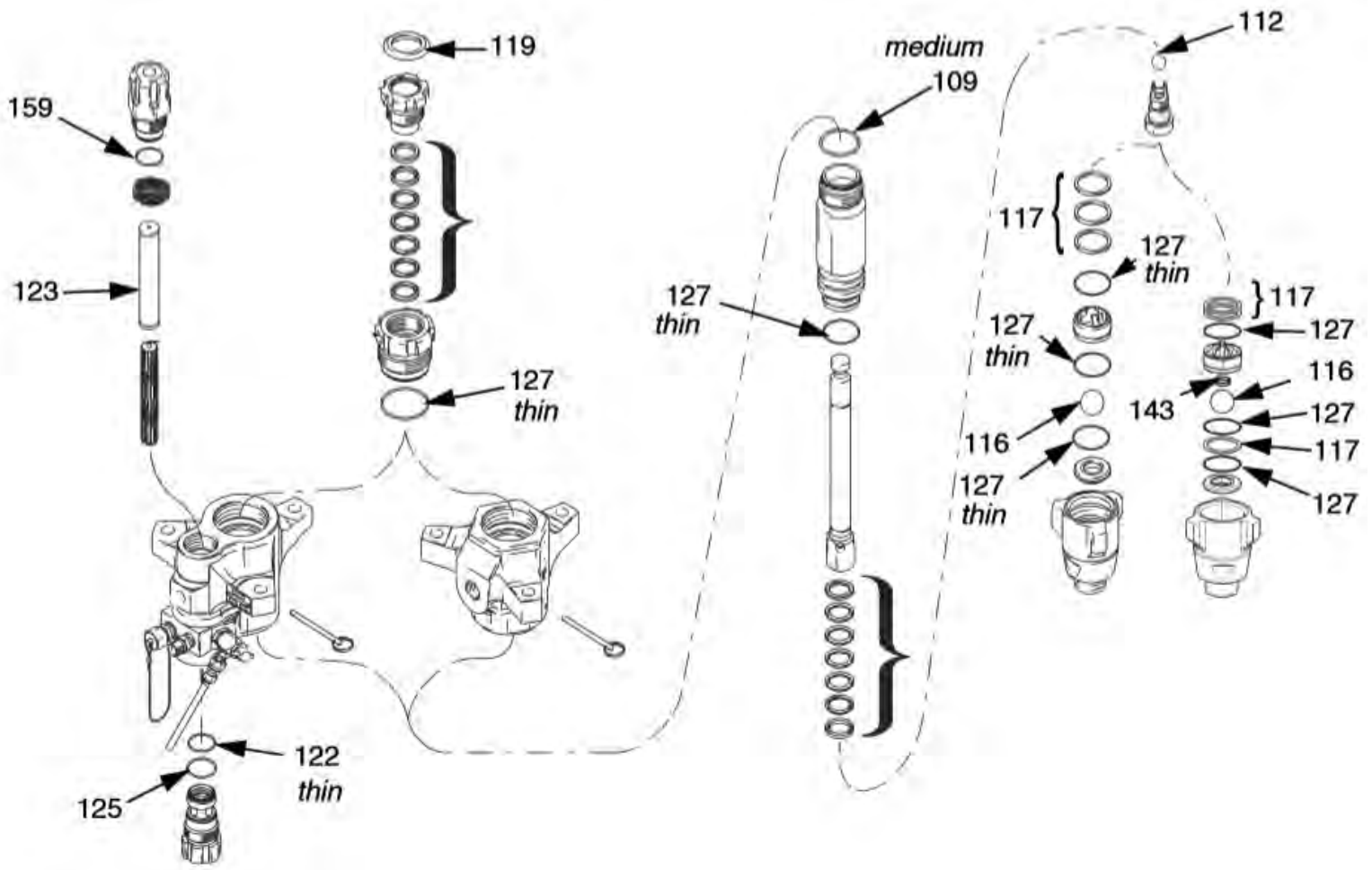
PART NUMBERS AND SCHEMATICS GUIDE

Xtreme® Seal Repair Kits for 220cc Lower Displacement Pump

Item#	Part#	Description
Fig. 6		
—	20G24F967	Xtreme® Seal Repair Kit <i>(Includes Item #'s: 1 (Quantity of Two); 2 (Quantity of Two); 3 (Quantity of Four); 4 (Quantity of Six); 5 (Quantity of Four); 6 (Quantity of Two); 7, 8, 9, 10 (Quantity of Three); and 11)</i>
103	—	Throat Packings
103a	20G244883	Male Gland <i>(Quantity of Four)</i>
103b	20G244877	Female Gland <i>(Quantity of Four)</i>
103c	20G244871	V-Packing, Leather <i>(Quantity of 10)</i>
103d	20G244865	V-Packing, UHMWPE, Black <i>(Quantity of 10)</i>
104	—	Piston Packings
104a	20G244884	Male Gland <i>(Quantity of Four)</i>
104b	20G244878	Female Gland <i>(Quantity of Four)</i>
104c	20G244872	V-Packing, Leather <i>(Quantity of 10)</i>
104d	20G244866	V-Packing, UHMWPE, Black <i>(Quantity of 10)</i>
109	20G244893	PTFE O-Ring, Top Cylinder Medium <i>(Quantity of 10)</i>
112	20G244898	Ball Piston, 7/8" (22 mm) <i>(Quantity of Three)</i>
116	20G253030	Ball Inlet, 1-1/2" (38 mm) <i>(Quantity of Three)</i>
117	20G244856	Shim Inlet, Ball Guide <i>(Quantity of Nine)</i>
119	20G244999	Throat Seal Plug, 1-3/4" <i>(Quantity of 10)</i>
—	20G247395	Throat Seal Plug, 2-1/2" <i>(Quantity of 10)</i>
122	20G244895	Filter O-Ring, Thin, PTFE <i>(Quantity of 10)</i>
123	20G238436	Strainer, 30 mesh screen, 5.65" <i>(Quantity of 25)</i>
—	20G224458	Strainer, 30 mesh, 5.65" <i>(Quantity of Two)</i>
—	20G238438	Strainer, 60 mesh, 5.65" <i>(Quantity of 25)</i>
—	20G224459	Strainer, 60 mesh, 5.65" <i>(Quantity of Two)</i>
125	20G262484	Filter O-Ring, Medium, PTFE <i>(Quantity of 10)</i>
—	20G244896	Filter O-Ring For Series A Pumps <i>(Quantity of 10)</i>
127	20G244894	O-Ring, PTFE, Thin <i>(Quantity of 10)</i>
143	20G116802	Foot Valve Spring (20G262793 only)
159	20G262483	Top Cap O-Ring, PTFE <i>(Quantity of 10)</i>
—	20G244895	Top Cap O-Ring For Series A Pumps <i>(Quantity of 10)</i>
—	209V021	Operator's Manual – Graco® Xtreme® Pump Lowers

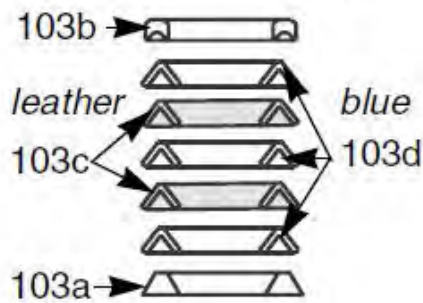
PART NUMBERS AND SCHEMATICS GUIDE

Figure 6: Xtreme® Seal Repair Kits for 220cc Lower Displacement Pump

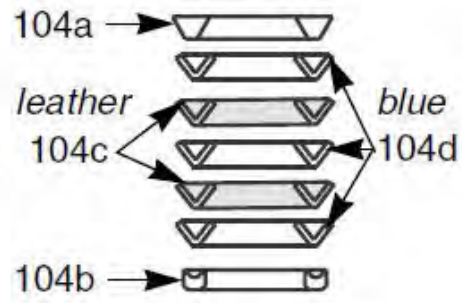


Xtreme™ Seal Repair Kit 24F967

**Throat Packings:
Lips Face Down**



**Piston Packings:
Lips Face Up**



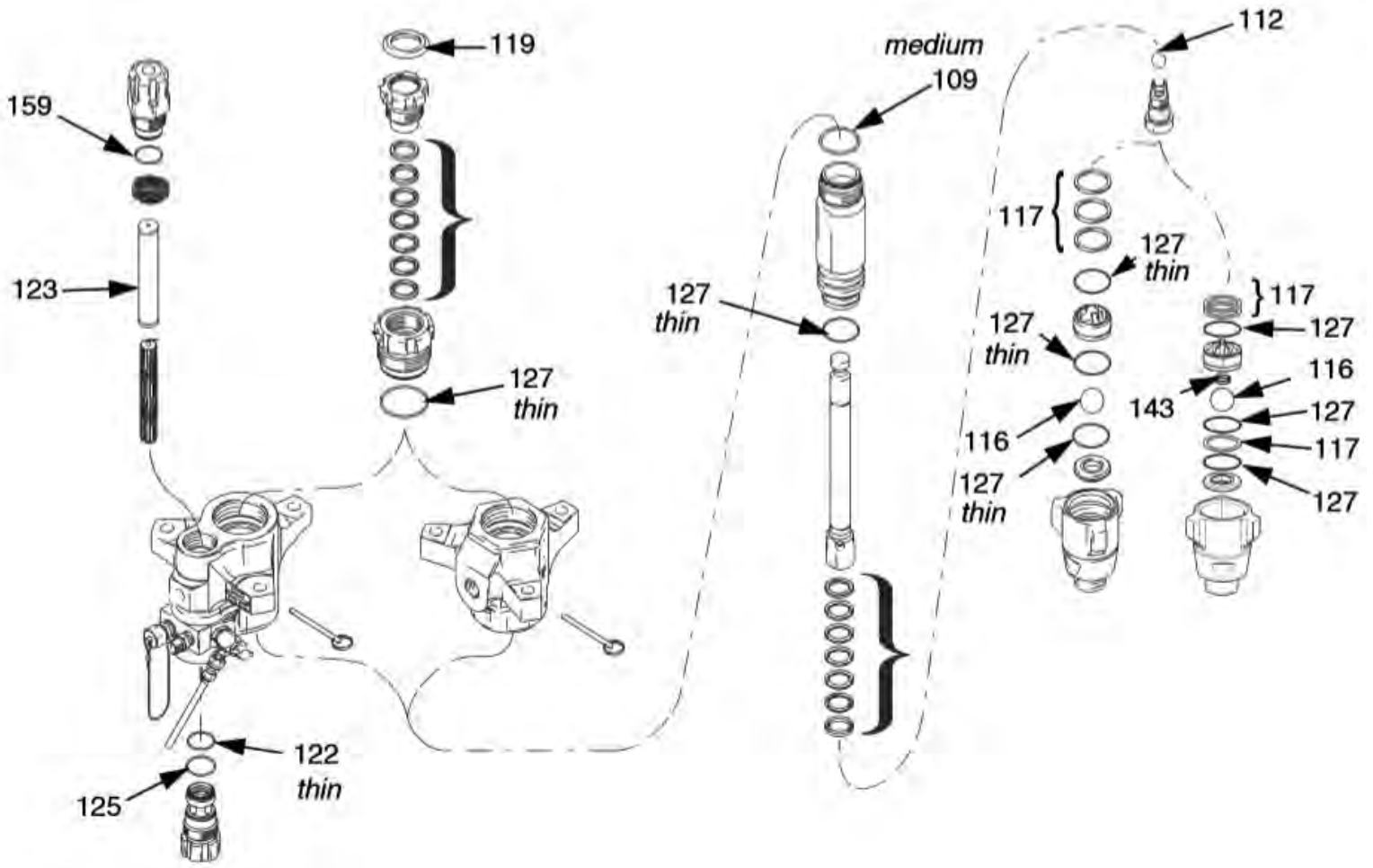
PART NUMBERS AND SCHEMATICS GUIDE

Tuff-Stack™ Repair Kit for 220cc Lower Displacement Pump

Item#	Part#	Description
Fig. 7		
—	20G24F968	Tuff-Stack™ Repair Kit <i>(Includes Item #'s: 1 (Quantity of Two); 2 (Quantity of Two); 3 (Quantity of Four); 4 (Quantity of 10); 5 (Quantity of Two); 6 (Quantity of Four); 7, 8, 9 (Quantity of Three); and 10)</i>
103	—	Throat Packings
103a	20G244883	Male Gland <i>(Quantity of Four)</i>
103b	20G244877	Female Gland <i>(Quantity of Four)</i>
103e	20G244859	V-Packing Carbon-Filled, PTFE/UHMWPE, Blue <i>(Quantity of 10)</i>
104	—	Piston Packings
104a	20G244884	Male Gland <i>(Quantity of Four)</i>
104b	20G244878	Female Gland <i>(Quantity of Four)</i>
104e	20G244860	V-Packing Carbon-Filled, PTFE/UHMWPE, Blue <i>(Quantity of 10)</i>
109	20G244893	PTFE O-Ring, Top Cylinder Medium <i>(Quantity of 10)</i>
112	20G244898	Ball Piston, 7/8" (22 mm) <i>(Quantity of Three)</i>
116	20G253030	Ball Inlet, 1-1/2" (38 mm) <i>(Quantity of Three)</i>
117	20G244856	Shim Inlet, Ball Guide <i>(Quantity of Nine)</i>
119	20G244999	Throat Seal Plug, 1-3/4" <i>(Quantity of 10)</i>
—	20G247395	Throat Seal Plug, 2-1/2" <i>(Quantity of 10)</i>
122	20G244895	Filter O-Ring, Thin, PTFE <i>(Quantity of 10)</i>
123	20G238436	Strainer, 30 mesh screen, 5.65" <i>(Quantity of 25)</i>
—	20G224458	Strainer, 30 mesh, 5.65" <i>(Quantity of Two)</i>
—	20G238438	Strainer, 60 mesh, 5.65" <i>(Quantity of 25)</i>
—	20G224459	Strainer, 60 mesh, 5.65" <i>(Quantity of Two)</i>
125	20G262484	Filter O-Ring, Medium, PTFE <i>(Quantity of 10)</i>
—	20G244896	Filter O-Ring For Series A Pumps <i>(Quantity of 10)</i>
127	20G244894	O-Ring, PTFE, Thin <i>(Quantity of 10)</i>
143	20G116802	Foot Valve Spring (20G262793 only)
159	20G262483	Top Cap O-Ring, PTFE <i>(Quantity of 10)</i>
—	20G244895	Top Cap O-Ring For Series A Pumps <i>(Quantity of 10)</i>
—	209V021	Operator's Manual – Graco® Xtreme® Pump Lowers

PART NUMBERS AND SCHEMATICS GUIDE

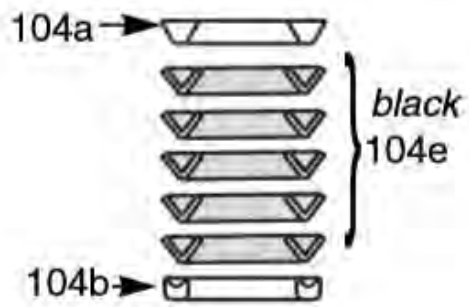
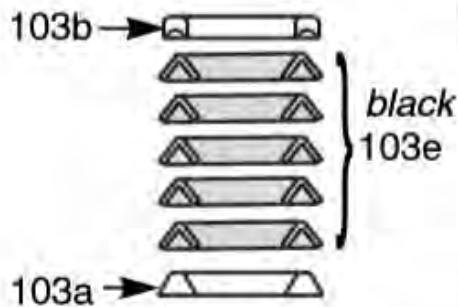
Figure 7: Tuff-Stack™ Repair Kit for 220cc Lower Displacement Pump



Tuff-Stack™ Seal Repair Kit

**Throat Packings:
Lips Face Down**

**Piston Packings:
Lips Face Up**



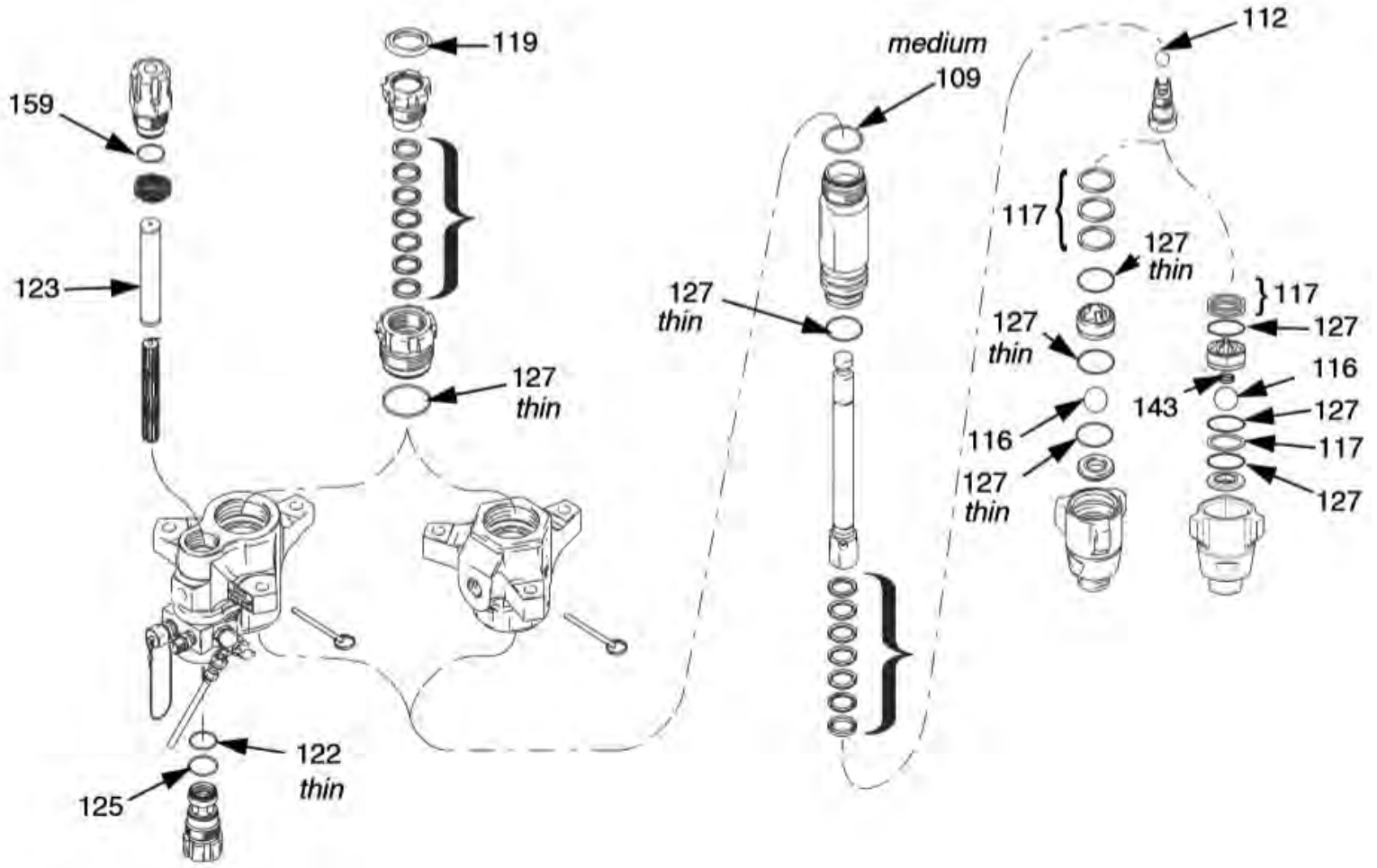
PART NUMBERS AND SCHEMATICS GUIDE

X-Tuff™ Repair Kit for 220cc Lower Displacement Pump

Item#	Part#	Description
Fig. 8		
—	20G262793	X-Tuff™ Repair Kit <i>(Includes Item #'s: 1 (Quantity of Two); 2 (Quantity of Two); 3 (Quantity of Four); 4 (Quantity of Six); 5 (Quantity of Four); 6 (Quantity of Two); 7, 8, 9, 10 (Quantity of Three); and 11)</i>
103	—	Throat Packings
103a	20G244883	Male Gland <i>(Quantity of Four)</i>
103b	20G244877	Female Gland <i>(Quantity of Four)</i>
103c	20G244859	V-Packing Carbon-Filled, PTFE/UHMWPE, Blue <i>(Quantity of 10)</i>
103d	20G244865	V-Packing, UHMWPE, Black <i>(Quantity of 10)</i>
104	—	Piston Packings
104a	20G244884	Male Gland <i>(Quantity of Four)</i>
104b	20G244878	Female Gland <i>(Quantity of Four)</i>
104c	20G244860	V-Packing Carbon-Filled, PTFE/UHMWPE, Blue <i>(Quantity of 10)</i>
104d	20G244866	V-Packing, UHMWPE, Black <i>(Quantity of 10)</i>
109	20G244893	PTFE O-Ring, Top Cylinder Medium <i>(Quantity of 10)</i>
112	20G244898	Ball Piston, 7/8" (22 mm) <i>(Quantity of Three)</i>
116	20G253030	Ball Inlet, 1-1/2" (38 mm) <i>(Quantity of Three)</i>
117	20G244856	Shim Inlet, Ball Guide <i>(Quantity of Nine)</i>
119	20G244999	Throat Seal Plug, 1-3/4" <i>(Quantity of 10)</i>
—	20G247395	Throat Seal Plug, 2-1/2" <i>(Quantity of 10)</i>
122	20G244895	Filter O-Ring, Thin, PTFE <i>(Quantity of 10)</i>
123	20G238436	Strainer, 30 mesh screen, 5.65" <i>(Quantity of 25)</i>
—	20G224458	Strainer, 30 mesh, 5.65" <i>(Quantity of Two)</i>
—	20G238438	Strainer, 60 mesh, 5.65" <i>(Quantity of 25)</i>
—	20G224459	Strainer, 60 mesh, 5.65" <i>(Quantity of Two)</i>
125	20G262484	Filter O-Ring, Medium, PTFE <i>(Quantity of 10)</i>
—	20G244896	Filter O-Ring For Series A Pumps <i>(Quantity of 10)</i>
127	20G244894	O-Ring, PTFE, Thin <i>(Quantity of 10)</i>
143	20G116802	Foot Valve Spring (20G262793 only)
159	20G262483	Top Cap O-Ring, PTFE <i>(Quantity of 10)</i>
—	20G244895	Top Cap O-Ring For Series A Pumps <i>(Quantity of 10)</i>
—	209V021	Operator's Manual – Graco® Xtreme® Pump Lowers

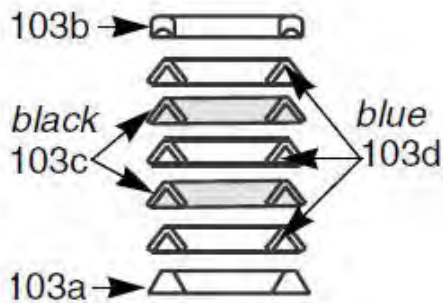
PART NUMBERS AND SCHEMATICS GUIDE

Figure 8: X-Tuff™ Repair Kit for 220cc Lower Displacement Pump

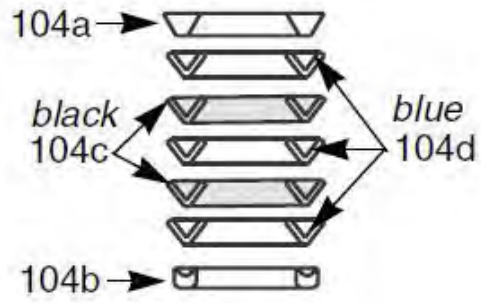


X-Tuff™ Seal Repair Kit 262793

**Throat Packings:
Lips Face Down**



**Piston Packings:
Lips Face Up**



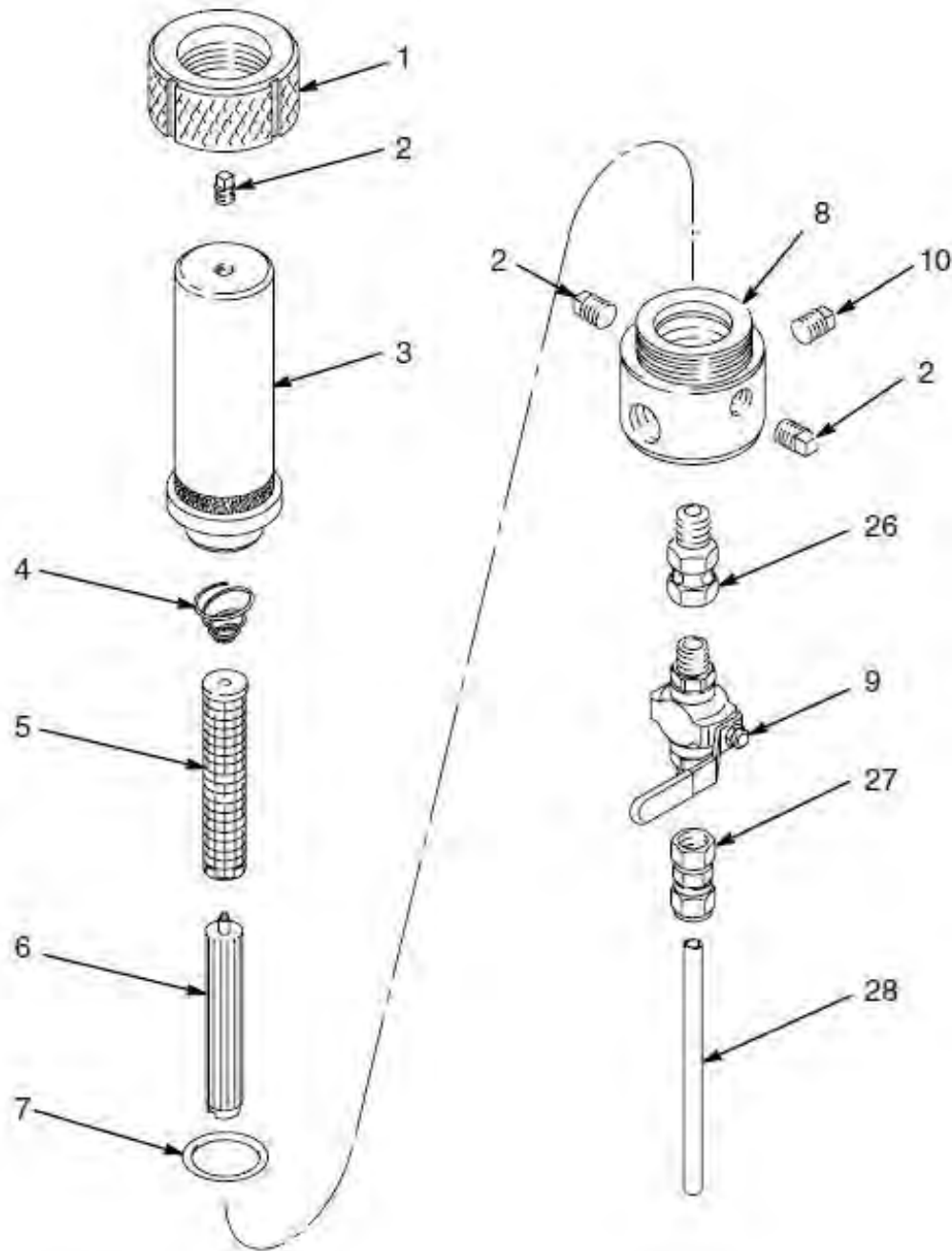
PART NUMBERS AND SCHEMATICS GUIDE

Filter Cap Series Key

Item#	Part#	Description
Fig. 9		
—	20G238620	High Pressure Fluid Filter
1	20G174058	Lock Ring
2	20G104813	Plug Pipe 3/8" NPT – 7250 psi (<i>Quantity of Three</i>)
3	20G174056	Bowl Filter – 7250 psi
4	20G171941	Spring Conical Compression – 7250 psi
5	20G167025	Strainer, 60 Mesh
6	20G186075	Filter Support Nylon – 7250 psi
7	20G104804	Packing O-Ring Teflon – 7250 psi
8	20G24C497	Paint Filter, Manifold
9	20G223960	3/8" x 3/8" Ball Valve
10	20G100737	1/2" NPT Pipe Plug
26	20G155665	Union Swivel 3/8" M x 3/8" F
27	20G205448	Coupling, Swivel, 3/8 npsm
28	20G186447	Nylon Drain Tube

PART NUMBERS AND SCHEMATICS GUIDE

Figure 9: Filter Cap Series Key



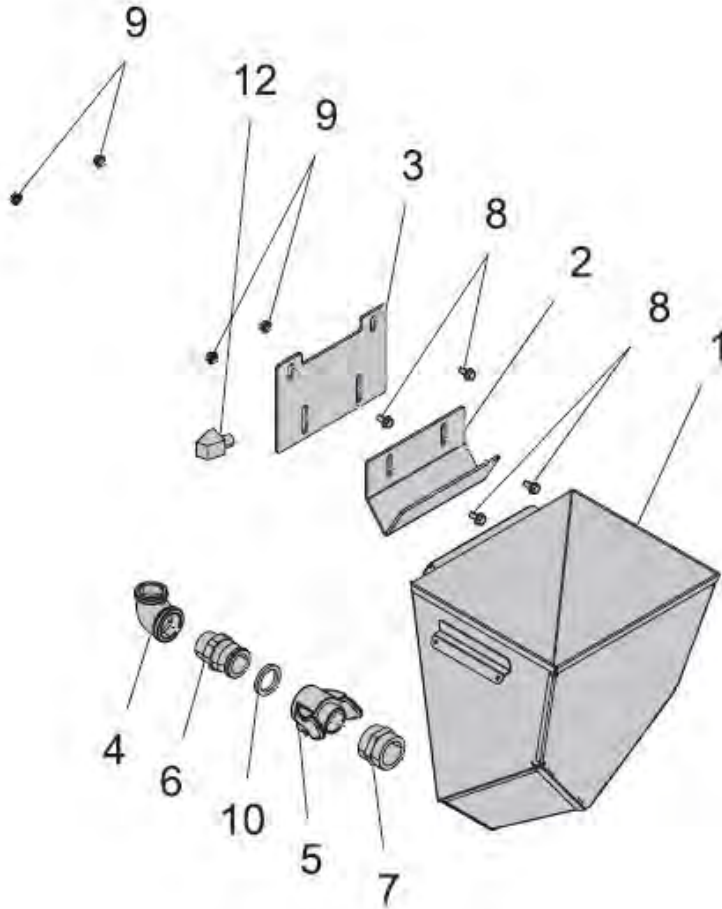
OPTIONAL ACCESSORIES

Graco® Xtreme® Airless Spray Pumps – Stainless Steel Hopper Kit






Item#	Part#	Description
Fig. 10		
—	20G24X570	Xtreme® Sprayer Stainless Steel Hopper Kit
1	20G17E114	Hopper
2	20G17C474	Bracket
3	20G17D554	Upper Bracket
4	20G126939	90° Elbow
5	20G128095	Cam/Groove
6	20G17C692	Cam/Groove Fitting, 1.5m, 1-1/2" NPT
7	20G128094	Bushing
8	20G112395	Flanges Cap Screw – HD (<i>Quantity of Four</i>)
9	20G112958	Nut (<i>Quantity of Four</i>)
10	20G17C453	Gasket
12	20G15M987	1/2" NPT (M) x 1/2" NPT (F) 60° Elbow
—	20G110110	6 ml Stainless Steel Pipe Sealant
—	20G16U537	Lid


OPTIONAL ACCESSORIES


Figure 10: Graco® Xtreme® Airless Spray Pumps – Stainless Steel Hopper Kit





OPTIONAL ACCESSORIES

		SUCTION TUBE AND ACCESSORIES	
Part Numbers		Description	
	20G197682	Suction Tube	
	20G247301	1" I.D. x 6' Suction Hose with Couplings	
	20G247302	1" I.D. x 10' Suction Hose with Couplings	
	20G245136	55 Gallon Suction Tube Extension Kit <i>Includes Suction Tube and Couplings</i>	
	20G181072	60 Mesh Strainer for 1" Suction Tube	

		REPLACEMENT SCREEN FILTER ELEMENTS	
Part Numbers		Screen	Package
	20G167024B	30 Mesh	1 Pack
	20G167025B	60 Mesh	1 Pack
	20G224459	60 Mesh	2 Pack
	20G167026B	100 Mesh	1 Pack
	20G167027	200 Mesh	1 Pack
	20G224469	200 Mesh	2 Pack

		FILTER SUPPORTS		
Part Numbers		Type	Body Material	Maximum Working Pressure
	20G186075	Filter Support	Nylon	7,250 psi
	20G171939B	Filter Support	Aluminum	7,250 psi

OPTIONAL ACCESSORIES

		HIGH PRESSURE BALL VALVES		
Part Numbers		Thread Size	Seal Material	Working Pressure
	20G210657B	1/4" Male x 1/4" Male	Viton	5,000 psi
	20G210658B	3/8" Male x 3/8" Male	Viton	5,000 psi
	20G210659B	1/4" Male x 3/8" Male	Viton	5,000 psi
	20G214037	1/4" Male x 1/4" Male	Teflon	5,000 psi
	20G223959B	3/8" Male x 1/4" Male	Teflon	5,000 psi
	20G210658B	3/8" Male x 3/8" Male	Teflon	5,000 psi
	20DQVAE2AO14	1/4" Female x Female	Nitrile	7,000 psi
	20DQVAE2AO38	3/8" Female x Female	Nitrile	7,000 psi
	20DQVAE2AO12	1/2" Female x Female	Nitrile	7,000 psi

PART NUMBERS AND SCHEMATICS GUIDE

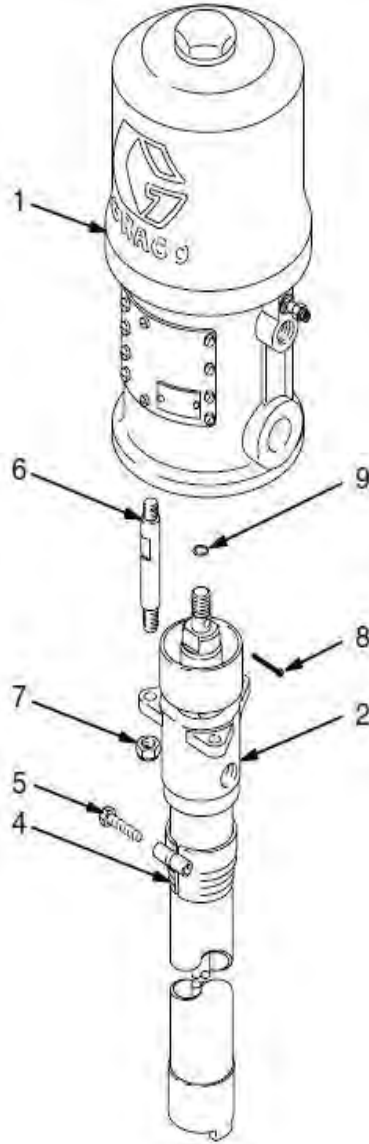
GRACO® PRESIDENT® 10:1 AIRLESS SPRAY PUMPS			
Part Numbers	Type	Seals	Steel Type
20G239326	Drum	PTFE	Carbon
20G224348	Drum	UHMWPE/PTFE	Stainless
20G224346	Stubby	UHMWPE/Neoprene	Stainless
20G224342	Stubby	UHMWPE/PTFE	Stainless
20G224347	Stubby with Riser Tube	UHMWPE/Neoprene	Stainless

PART NUMBERS AND SCHEMATICS GUIDE



PART NUMBERS AND SCHEMATICS GUIDE

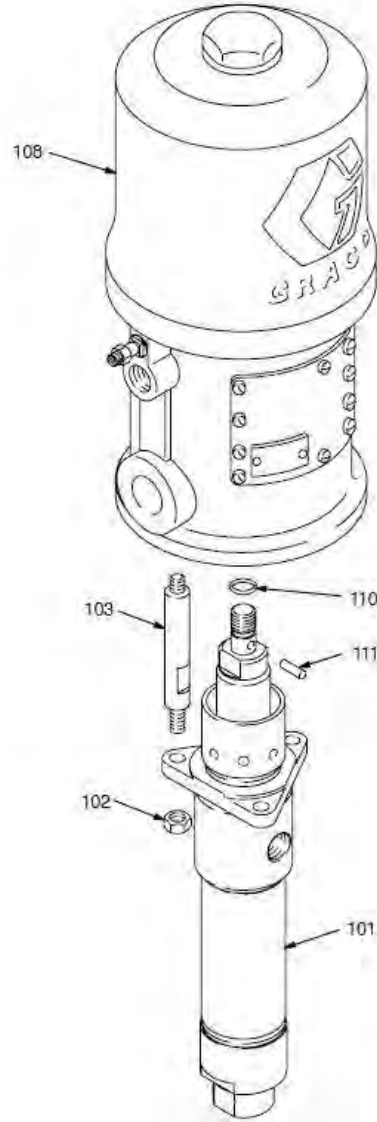
Figure 1: Graco® President® 10:1 Airless Spray Pump – Drum Type



Item#	Part#	Description
Fig. 1		
—	20G239326	Graco® President® 10:1 Airless Spray Pump – Drum Type – Carbon Steel
—	20G224348	Graco® President® 10:1 Airless Spray Pump – Drum Type – Stainless Steel
1	20G207352	Air Motor (See Fig. 3)
2	20G220465	Carbon Steel Displacement Pump – Drum Type (See Fig. 5)
—	20G224349	Stainless Steel Displacement Pump – Drum Type (See Fig. 4)
3	20G222308	Bung Adapter (Includes Item #'s: 4 and 5)
4	20G210834	Adapter
5	20G104542	Cap Screw
6	20G166237	Tie Rod for Paint Pump (Quantity of Three)
7	20G101566	Locknut – 3/8-16 (Quantity of Three)
8	20G100103	Cotter Pin 0.12 x 1-1/2"
9	20G156082	O-Ring, buna-N
—	206M557	Part Numbers and Schematics Guide – Graco® President® 10:1 Airless Spray Pump
—	209V557	Operator's Manual – Graco® President® 10:1 Airless Spray Pump

PART NUMBERS AND SCHEMATICS GUIDE

Figure 2: Graco® President® 10:1 Airless Spray Pump – Stubby Type



Item#	Part#	Description
-------	-------	-------------

Fig. 2

—	20G224346	Graco® President® 10:1 Airless Spray Pump – Stubby Type
—	20G224342	Graco® President® 10:1 Airless Spray Pump – Stubby Type
—	20G224347	Graco® President® 10:1 Airless Spray Pump – Stubby Type with Riser Tube
101	20G224341	Graco® UHMWPE/PTFE Stainless Steel Displacement Pump – Stubby Type (See Fig. 6)
—	20G224344	Graco® UHMWPE/Neoprene Stainless Steel Displacement Pump – Stubby Type (See Fig. 7)
102	20G102021	Nut, 3/8-16 (Quantity of Three)
103	20G166237	Tie Rod for Paint Pump (Quantity of Three)
108	20G207352	Air Motor (See Fig. 3)
110	20G156082	Packing O-Ring
111	20G101946	Pin, 0.12" x 1-1/2"
—	206M557	Part Numbers and Schematics Guide – Graco® President® 10:1 Airless Spray Pump
—	209V557	Operator's Manual – Graco® President® 10:1 Airless Spray Pump

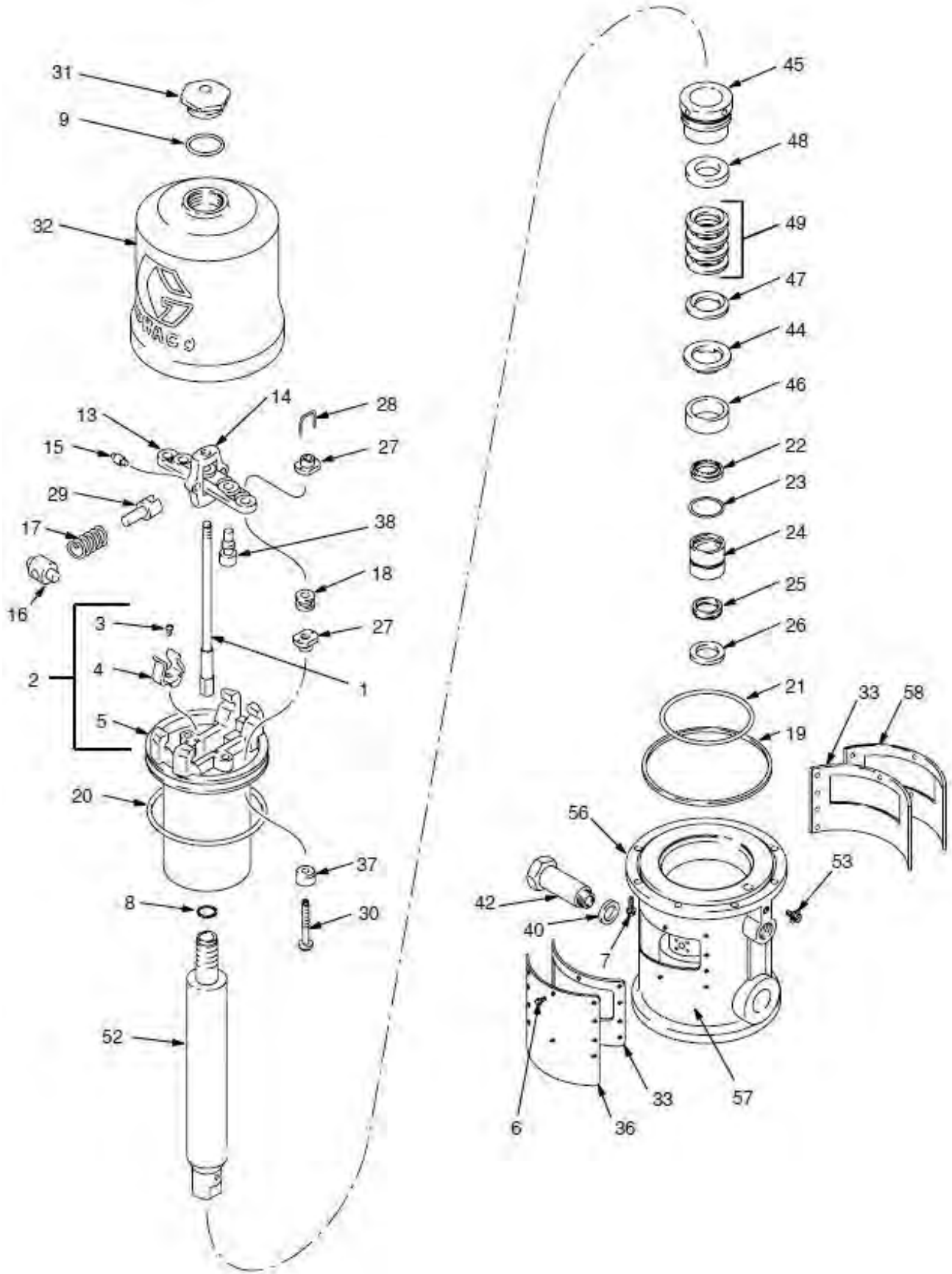
PART NUMBERS AND SCHEMATICS GUIDE

Graco® President® Air Motor

Item#	Part#	Description	Item#	Part#	Description
Fig. 3					
—	20G207352	Graco® President® Air Motor	37	20G170708	Poppet – Valve – Urethane <i>(Quantity of Two)</i>
1	20G207150	Trip Rod	38	20G170709	Poppet – Valve – Urethane <i>(Quantity of Two)</i>
2	20G207391	Piston <i>(Includes Item #'s: 3, 4, and 5)</i>	40	20G150461	Gasket – Copper
3	20G102975	Screw, RD HD <i>(Quantity of Two)</i>	42	20G158409	Outlet Adapter
4	20G158361	Spring Clip <i>(Quantity of Two)</i>	44	20G158697	Thrust Washer
5	—	Bare Piston	45	20G159047	Packing Nut
6	20G100078	Hex HD Screw <i>(Quantity of 20)</i>	46	20G159048	Brass Bearing
7	20G101578	Hex HD Nylock Screw <i>(Quantity of Eight)</i>	47	20G159306	Gland, Male
8	20G150647	Gasket – Copper	48	20G159307	Gland, Female
9	20G156698	Packing O-Ring, Buna-N	49	20G159308	V-Packing, Nitrile Rubber <i>(Quantity of Four)</i>
13	20G158359	Actuator, Valve	52	20G162553	Rod Piston
14	20G158360	Yoke, Rod, Trip	53	20G116343	Grounding Clamp
15	20G158362	Toggle Pin <i>(Quantity of Two)</i>	56	20G15F570	Air Motor Base
16	20G158364	Toggle Rocker <i>(Quantity of Two)</i>	57	20G180233	Label, Warning <i>(Quantity of Two)</i>
17	20G167585	Spring, Helical Compression <i>(Quantity of Two)</i>	58	20G177843	Plate, Warning
18	20G158367	Grommet – Rubber <i>(Quantity of Two)</i>	—	20G207385	Air Motor Repair Kit <i>(Includes Item #'s: 18, 20, 21, 27, 28, 30, 37, and 38)</i>
19	20G158377	Seal Flat Ring – Nitrile Rubber	—	209V529	Operator's Manual – Graco® President® Air Motors
20	20G158378	Seal O-Ring – Nitrile Rubber			
21	20G158379	Seal O-Ring – Nitrile Rubber			
22	20G113935	Wiper Rod			
23	20G113944	Packing O-Ring			
24	20G192172	Retainer Packing			
25	20G113936	Packing U-Cup			
26	20G192173	Washer Packing			
27	20G160261	Adjusting Nut <i>(Quantity of Four)</i>			
28	20G160618	Lockwire Transfer Valve <i>(Quantity of Two)</i>			
29	20G160623	Arm, Toggle <i>(Quantity of Two)</i>			
30	20G160896	Valve Stem <i>(Quantity of Two)</i>			
31	20G161435	Nut, Cylinder Cap			
32	20G162629	Air Motor Cylinder			
33	20G178270	Plate, Muffler <i>(Quantity of Two)</i>			
36	20G177844	Plate, Identification			

PART NUMBERS AND SCHEMATICS GUIDE

Figure 3: Graco® President® Air Motor



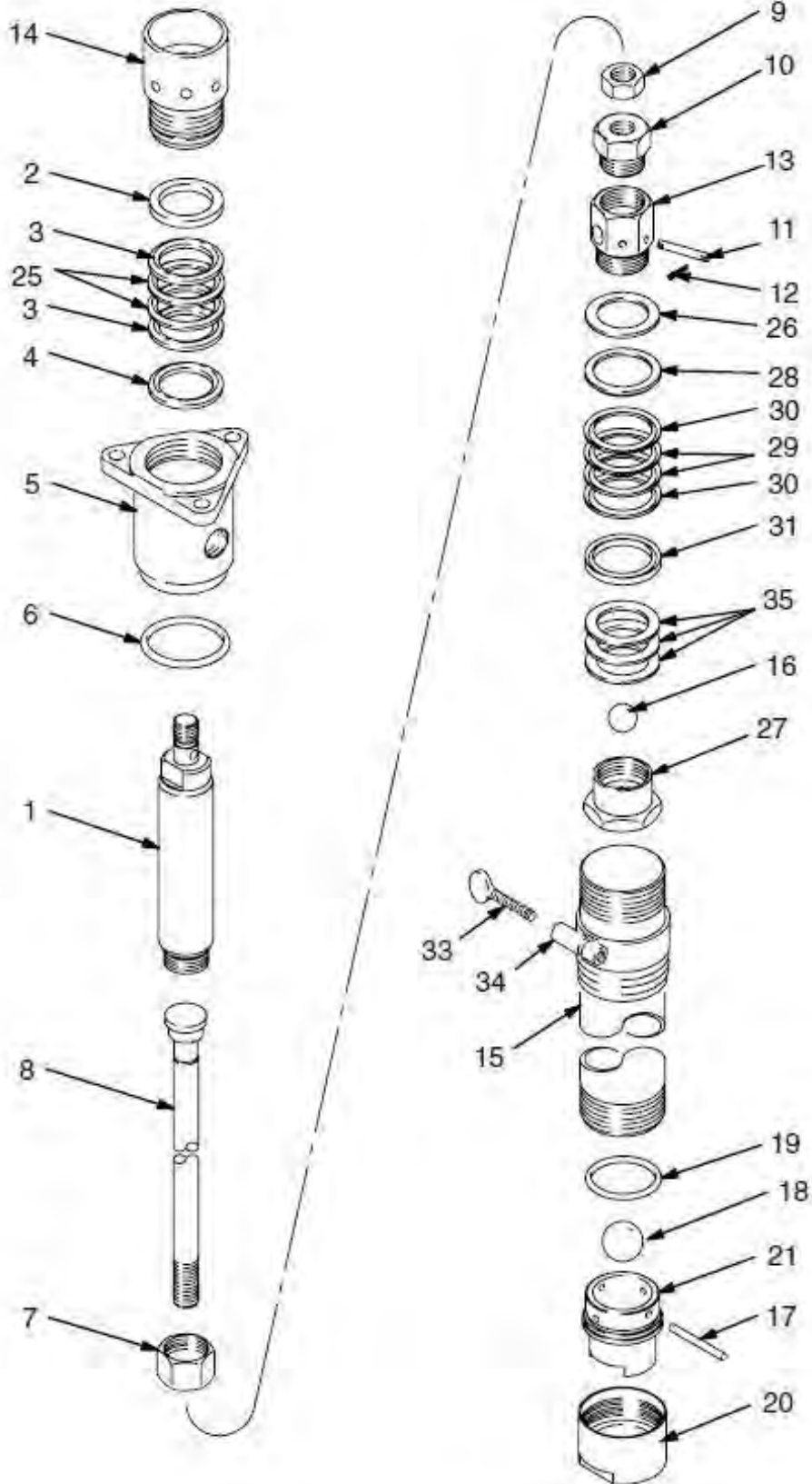
PART NUMBERS AND SCHEMATICS GUIDE

Graco® Stainless Steel Displacement Pump – Drum Type

Item#	Part#	Description
Fig. 4		
—	20G224349	Graco® Stainless Steel Displacement Pump
1	20G24C506	Displacement Rod Kit
2	20G186988	Stainless Steel Female Throat Gland
3	20G176639	V-Packing Throat, UHMWPE (<i>Quantity of Two</i>)
4	20G186987	Stainless Steel Male Throat Gland
5	20G192188	Outlet Housing Pump
6	20G164782	O-Ring, PTFE
7	20G166033	Coupling Nut
8	20G206449	Connecting Rod
9	20G166037	Jam Nut
10	20G166036	Connecting Rod Adapter
11	20G176637	Pin, Ball Stop, Piston
12	20G100063	Cotter Pin (<i>Quantity of Two</i>)
13	20G176644	Piston Mounting Stud
14	20G186995	Nut Packing
15	20G24C504	Pump Cylinder Stainless Steel
16	20G101917	Lower Ball Stainless Steel, 0.875" Diameter
17	20G162947	Intake Ball Stop Pin
18	20G101968	1-1/4" Intake Ball – Pres Washer
19	20G164846	O-Ring, PTFE
20	20G164630	Locking Ring Stainless Steel
21	20G186991	Housing Intake Valve
25	20G162866	V-Packing Throat, PTFE (<i>Quantity of Two</i>)
26	20G176634	Piston Washer, Stainless Steel
27	20G186993	Piston Stud
28	20G186990	Piston Gland, Male
29	20G176635	Piston V-Packing, PTFE (<i>Quantity of Two</i>)
30	20G176638	Piston V-Packing, UHMWPE (<i>Quantity of Two</i>)
31	20G186989	Gland Packing, Female
32	20G205573	Bung Adapter (<i>Includes Item #'s: 33 and 34</i>)
33	20G101961	Thumbscrew
34	20G205573	Adapter, Stainless Steel
35	20G190484	Shim (<i>Quantity of Three</i>)
—	20G224403	Graco® 10:1 Pump Repair Kit (<i>Includes Item #'s: 2, 3, 4, 11, 12, 16, 17, 18, 25, 26, 28, 29, 30, and 31</i>)
—	209V531	Operator's Manual – Graco® Stainless Steel Displacement Pump

PART NUMBERS AND SCHEMATICS GUIDE

Figure 4: Graco® Stainless Steel Displacement Pump – Drum Type



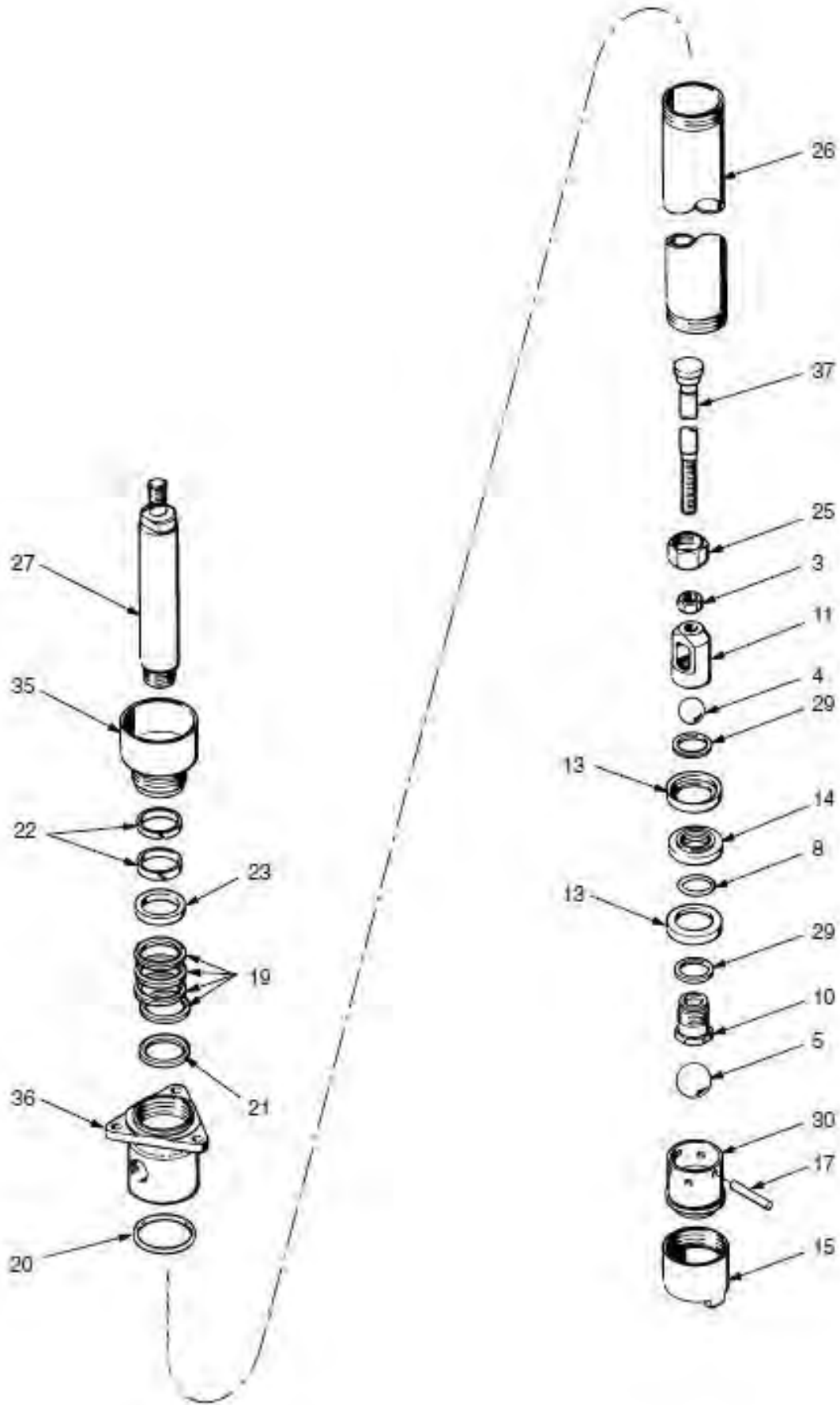
PART NUMBERS AND SCHEMATICS GUIDE

Graco® Carbon Steel Displacement Pump – Drum Type

Item#	Part#	Description
Fig. 5		
—	20G220465	Graco® Carbon Steel Displacement Pump
3	20G100111	Nut Jam
4	20G100279	Steel Piston Ball – 7/8" Diameter
5	20G101178	Intake Steel Ball – 1-1/4" Diameter
8	20G164623	O-Ring, PTFE
10	20G156989	Piston Seat
11	20G157184	Piston Housing
13	20G162871	Cup Packing, PTFE (<i>Quantity of Two</i>)
14	20G158857	Packing Spacer
15	20G159839	Intake Valve Housing
17	20G160726	Lower Stop Pin
19	20G162866	V-Packing, PTFE (<i>Quantity of Four</i>)
20	20G164782	O-Ring, PTFE
21	20G164837	Male Packing Gland
22	20G165287	Bearing Displacement Rod (<i>Quantity of Two</i>)
23	20G165288	Female Packing Gland
25	20G166033	Coupling Nut
26	20G24C504	Stainless Steel Cylinder
27	20G24C496	Kit Rod Displacement
29	20G171594	Piston Washer (<i>Quantity of Two</i>)
30	20G204762	Intake Valve Seat
35	20G208312	Nut Packing
36	20G192188	Outlet Housing Pump
37	20G208314	Piston Rod
—	20G208520	Displacement Pump Repair Kit (<i>Includes Item #'s: 8, 13, 19, 20, 21, 22, and 23</i>)
—	209V516	Operator's Manual – Graco® 5:1 Monark® Airless Spray Pump

PART NUMBERS AND SCHEMATICS GUIDE

Figure 5: Graco® Carbon Steel Displacement Pump – Drum Type



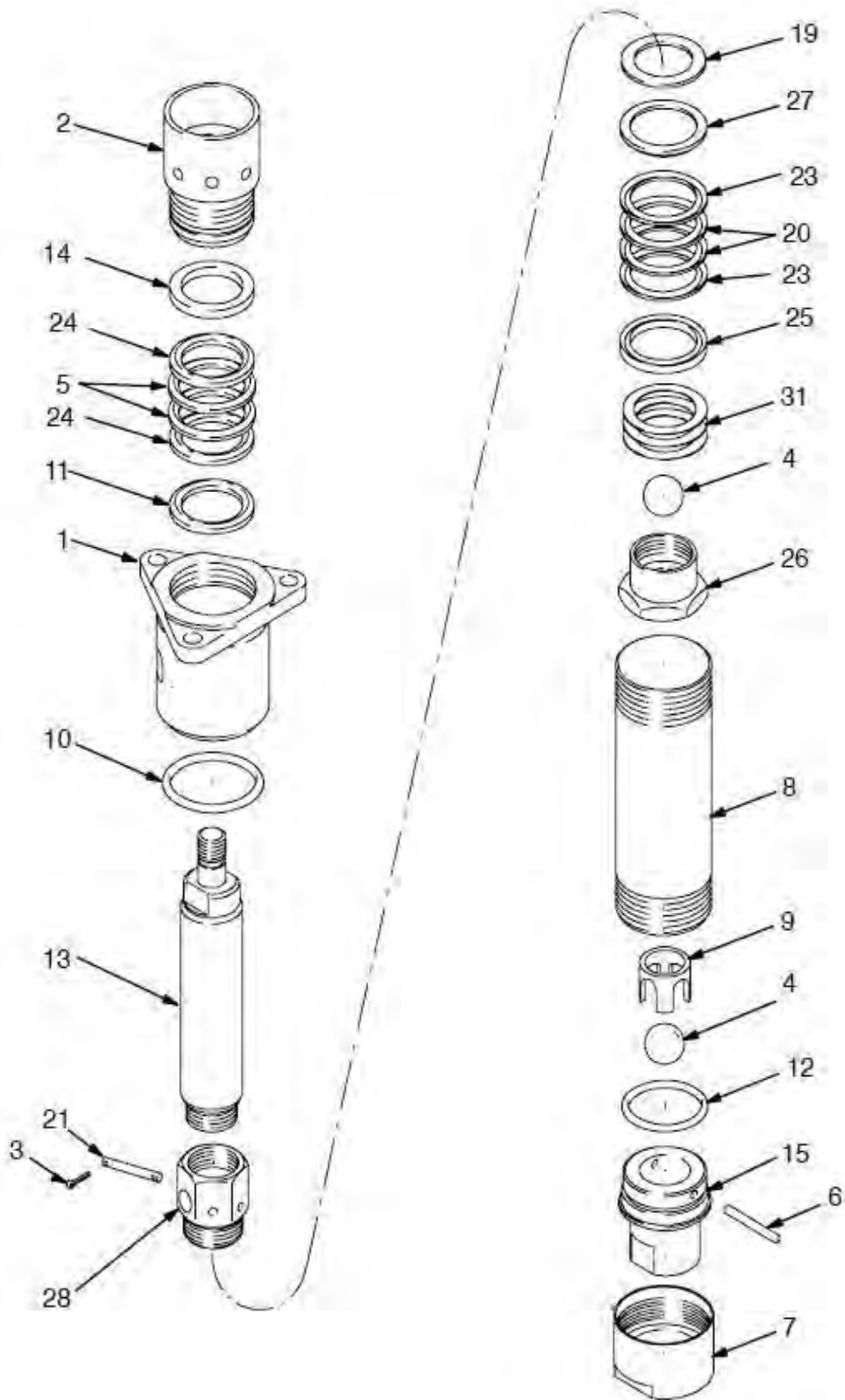
PART NUMBERS AND SCHEMATICS GUIDE

Graco® UHMWPE/PTFE Stainless Steel Displacement Pump – Stubby Type

Item#	Part#	Description
Fig. 6		
—	20G224341	Graco® UHMWPE/PTFE Stainless Steel Displacement Pump
1	20G205999	Housing Outlet
2	20G186995	Nut Packing
3	20G100063	1/16" x 1/2" Cotter Pin (<i>Quantity of Two</i>)
4	20G101917	Lower Ball Stainless Steel, 0.875" Diameter (<i>Quantity of Two</i>)
5	20G162866	V-Packing Throat, PTFE (<i>Quantity of Two</i>)
6	20G162947	Intake Ball Stop Pin
7	20G164630	Locking Ring Stainless Steel
8	20G24C505	Pump Cylinder Stainless Steel
9	20G164679	Intake Ball Guide
10	20G164782	O-Ring, PTFE
11	20G186987	Gland, Throat, Male
12	20G164846	O-Ring, PTFE
13	20G24C506	Displacement Rod
14	20G186988	Gland, Throat, Female
15	20G186992	Intake Valve Housing
19	20G176634	Washer, Piston
20	20G176635	V-Packing, PTFE (<i>Quantity of Two</i>)
21	20G176637	Pin, Ball Stop, Piston
23	20G176638	Piston V-Packing, UHMWPE (<i>Quantity of Two</i>)
24	20G176639	V-Packing, Throat, UHMWPE (<i>Quantity of Two</i>)
25	20G186989	Gland Packing Female
26	20G186993	Stud, Piston
27	20G186990	Piston Gland, Male
28	20G176644	Piston Mounting Stud
31	20G190484	Shim (<i>Quantity of Three</i>)
—	20G224401	Displacement Pump Repair Kit UHMWPE/PTFE Packings (<i>Includes Item #'s: 3, 4, 5, 6, 11, 14, 19, 20, 21, 23, 24, 25, 27, and 31</i>)
—	209V532	Operator's Manual – Graco® UHMWPE/PTFE or PTFE Packed Stainless Steel Pumps

PART NUMBERS AND SCHEMATICS GUIDE

Figure 6: Graco® UHMWPE/PTFE Stainless Steel Displacement Pump – Stubby Type



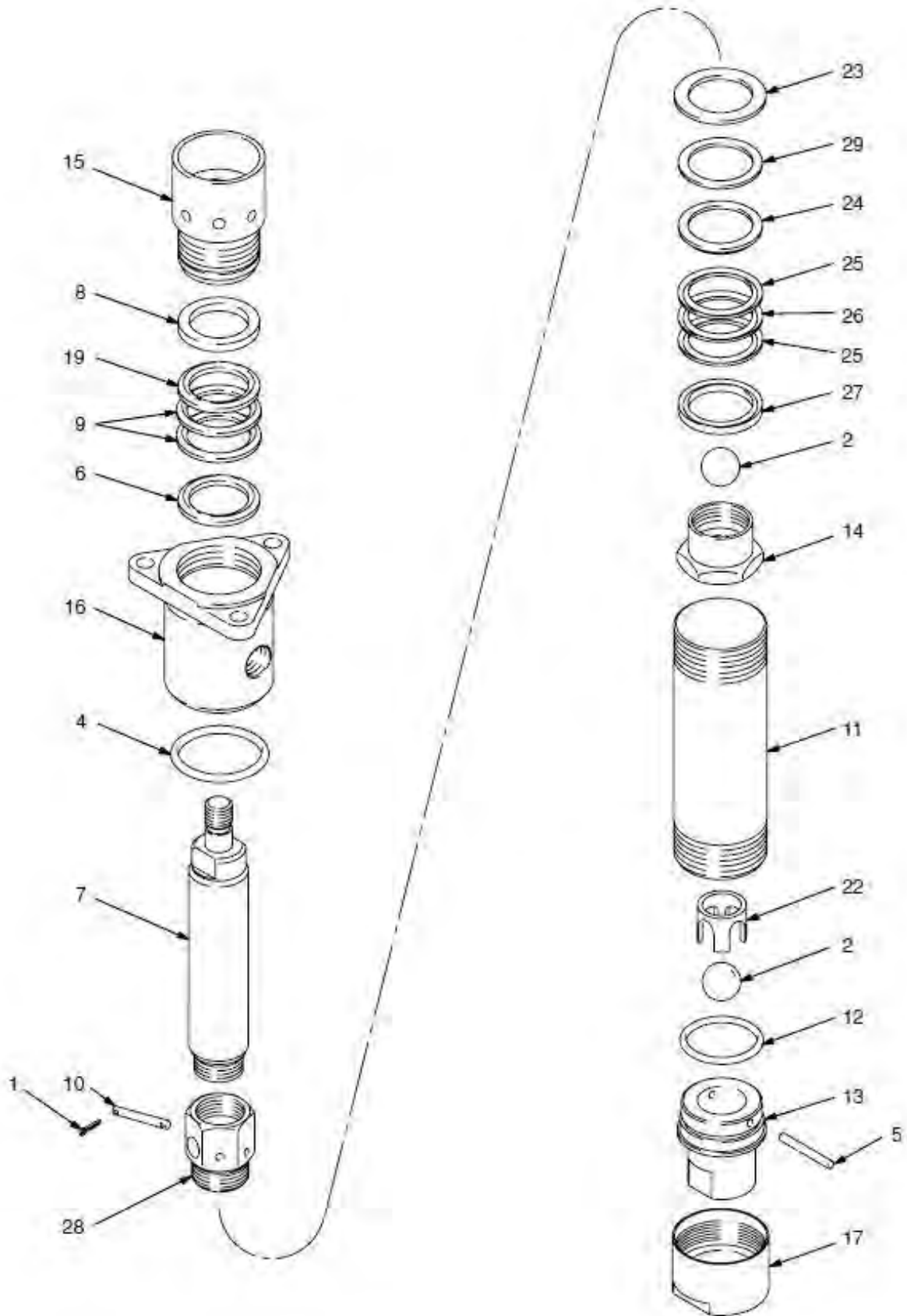
PART NUMBERS AND SCHEMATICS GUIDE

Graco® UHMWPE/Neoprene Stainless Steel Displacement Pump – Stubby Type




Item#	Part#	Description
Fig. 7		
—	20G224344	Graco® UHMWPE/Neoprene Stainless Steel Displacement Pump
1	20G100063	1/16" x 1/2" Cotter Pin (<i>Quantity of Two</i>)
2	20G101917	Lower Ball Stainless Steel, 0.875" Diameter (<i>Quantity of Two</i>)
4	20G164782	O-Ring, PTFE
5	20G162947	Intake Ball Stop Pin
6	20G186987	Gland, Throat, Male
7	20G24C506	Displacement Rod
8	20G186988	Gland, Throat, Female
9	20G166133	V-Packing, Throat, Neoprene (<i>Quantity of Two</i>)
10	20G176637	Pin, Ball Stop, Piston
11	20G24C505	Pump Cylinder Stainless Steel
12	20G164846	O-Ring, PTFE
13	20G186992	Intake Valve Housing
14	20G186993	Stud, Piston
15	20G186995	Nut Packing
16	20G205999	Housing Outlet
17	20G164630	Locking Ring Stainless Steel
19	20G170625	V-Packing, Throat, UHMWPE
22	20G164679	Intake Ball Guide
23	20G176634	Washer, Piston
24	20G186990	Piston Gland, Male
25	20G176638	V-Packing, Piston, UHMWPE (<i>Quantity of Two</i>)
26	20G111293	V-Packing, Piston, Neoprene
27	20G186989	Gland Packing Female
28	20G176644	Piston Mounting Stud
29	20G111790	Shim
—	20G224402	Displacement Pump Repair Kit UHMWPE/Neoprene Packings (<i>Includes Item #'s: 1, 2, 5, 6, 8, 9, 10, 19, 23, 24, 25, 26, 27, and 29</i>)
—	209V533	Operator's Manual – Graco® UHMWPE/Neoprene Packed Stainless Steel Pumps



PART NUMBERS AND SCHEMATICS GUIDE

Figure 7: Graco® UHMWPE/Neoprene Stainless Steel Displacement Pump – Stubby Type




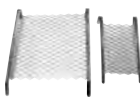
OPTIONAL ACCESSORIES

CONTROLS AND VALVES					
	Part Numbers	Type	Maximum Working Pressure	Inlet	Outlet
	20G210657	Fluid Drain Valve	5,000 psi	1/4 NPT	1/4 NPT
	20G210658	Fluid Drain Valve	5,000 psi	3/8 NPT	3/8 NPT
	20G210659	Fluid Drain Valve	5,000 psi	1/4 NPT	3/8 NPT

PLASTIC BUCKETS AND LIDS							
	Part Numbers	Size	Bucket	Handle	Lid	Color	U.O.M.
	2070090	1 Gallon	X	X		White	One Each
	2070092	2 Gallon	X	X		White	One Each
	2070094	5 Gallon	X	X		White	One Each
	2070091	1 Gallon			X	White	One Each
	2070093	2 Gallon			X	White	One Each
	2070095	5 Gallon			X	White	One Each

OPTIONAL ACCESSORIES

		METAL BUCKETS			
Part Numbers		Size	Lid	Handle	U.O.M.
	2070057	1 Gallon	X	X	One Each
	2070058	5 Gallon	X	X	One Each

		BUCKET GRIDS			
Part Numbers		Bucket Size	Grid Width	Material	U.O.M.
	2070165	1 Gallon	4"	Metal	One Each
	2070155	2 Gallon	6"	Metal	One Each
	2070138	5 Gallon	9"	Metal	One Each

PART NUMBERS AND SCHEMATICS GUIDE

GRACO® MERKUR® 23:1 AIRLESS SPRAY PUMP						
Part Numbers	Mount	DataTrak®	Fluid Filter	Suction Hose	XTR™ 5 Airless Spray Gun with 519 Flat Tip	Flow Rate (60 CPM)
20GG23C04	Cart Mount	Yes	X	X	X	1.6
20GG23C03	Cart Mount	—	X	X	X	1.6
20GG23W08	Wall Mount	Yes	X	X	X	1.6
20GG23W07	Wall Mount	—	X	X	X	1.6

PART NUMBERS AND SCHEMATICS GUIDE



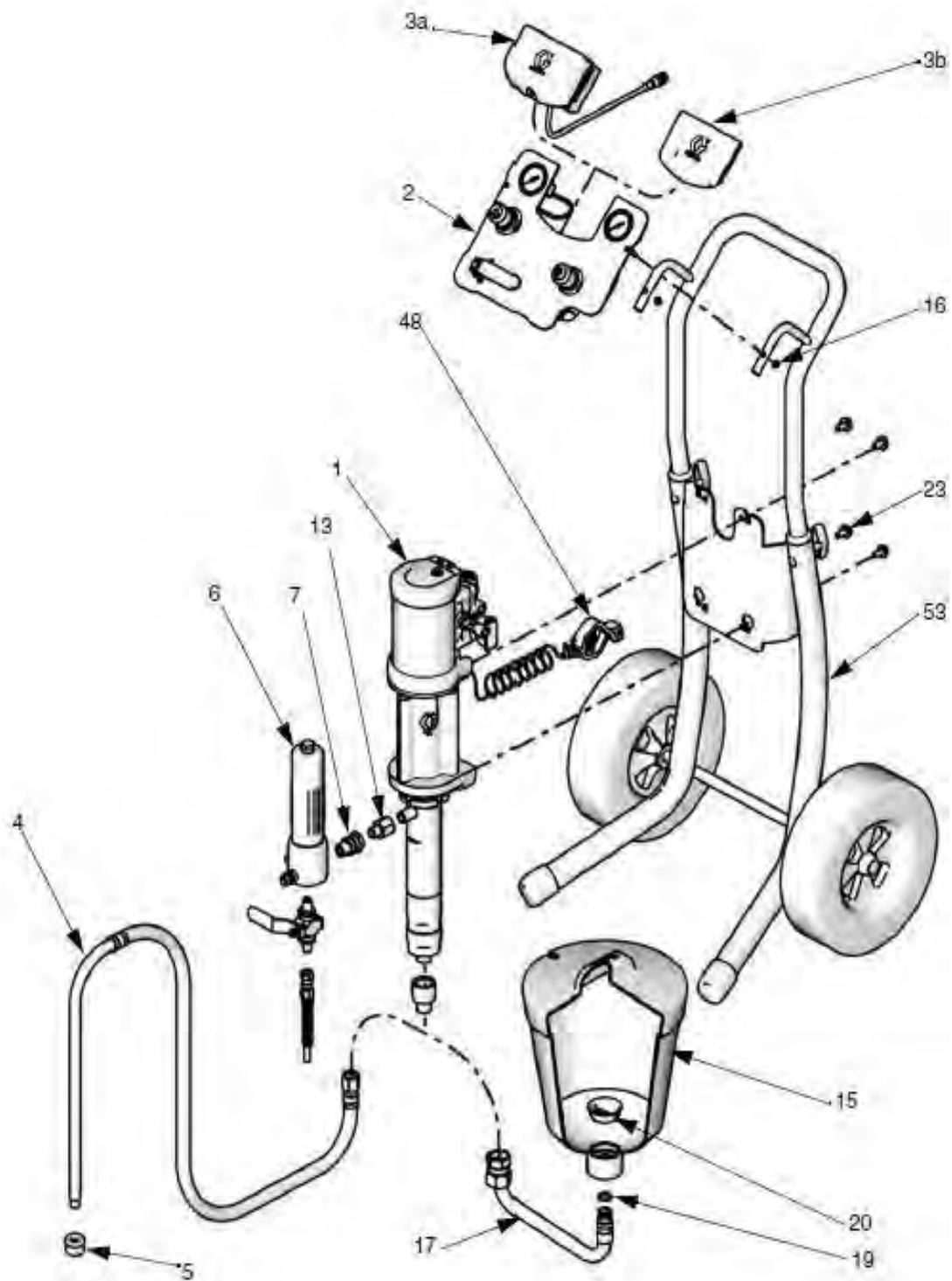
PART NUMBERS AND SCHEMATICS GUIDE

Graco® Merkur® 23:1 Airless Cart Mount Sprayer

Item#	Part#	Description
Fig. 1		
—	20GG23C04	Graco® Merkur® 23:1 Airless Cart Mount Sprayer with DataTrak®
—	20GG23C03	Graco® Merkur® 23:1 Airless Cart Mount Sprayer
1	20GW23DAS	Pump Assembly (M12N0 x LW100A)
—	20GW23DBS	Pump Assembly (M23LT0 x LW100A)
2	20G24A583	Air Controls Panel, Pump Only <i>(Includes Item #: 3b)</i>
—	20G24A581	Air Controls Panel, Pump and Gun <i>(Includes Item #: 3b)</i>
3a	20G24A576	DataTrak® Assembly
3b	—	Panel Insert
4	20G256421	Suction Hose for Cart Mount Package
5	20G187146	Stainless Steel Strainer
6	20G24A587	Fluid Filter
7	—	Union Fitting <i>(Includes Item #: 6)</i>
13	20G512351	Adapter (1/4 nptm x 3/8 nptf)
15	20G256410	Hopper Kit <i>(Includes Item #'s: 17, 19, and 20)</i>
16	20G105332	Lock Nut (M5 x 0.08)
17	—	Inlet Tube for Hopper
19	—	Hopper O-Ring
20	—	Hopper Screen
23	20G111799	Screw (M8 x 16, Four for Cart Mount)
48	20G238909	Wire Grounding Assembly
53	20G289694	Cart Mounting Kit
—	20GXTR501	Graco® XTR™ 5 Airless Spray Gun with 519 Flat Tip
—	20G187146	Strainer
—	20G239069	Whip Hose
—	20G166846	Whip Hose Adapter
—	20G189018	Fluid Hose Swivel
—	20G241812	Fluid Hose (Packages with Gun)
—	—	Hose Clip
—	206M556	Part Numbers and Schematics Guide – Graco® Merkur® 23:1 Airless Spray Pump
—	206M508	Part Numbers and Schematics Guide – Graco® XTR™ 5 Airless Spray Gun
—	209V556	Operator's Manual – Graco® Merkur® 23:1 Airless Spray Pump

PART NUMBERS AND SCHEMATICS GUIDE

Figure 1: Graco® Merkur® 23:1 Airless Cart Mount Sprayer



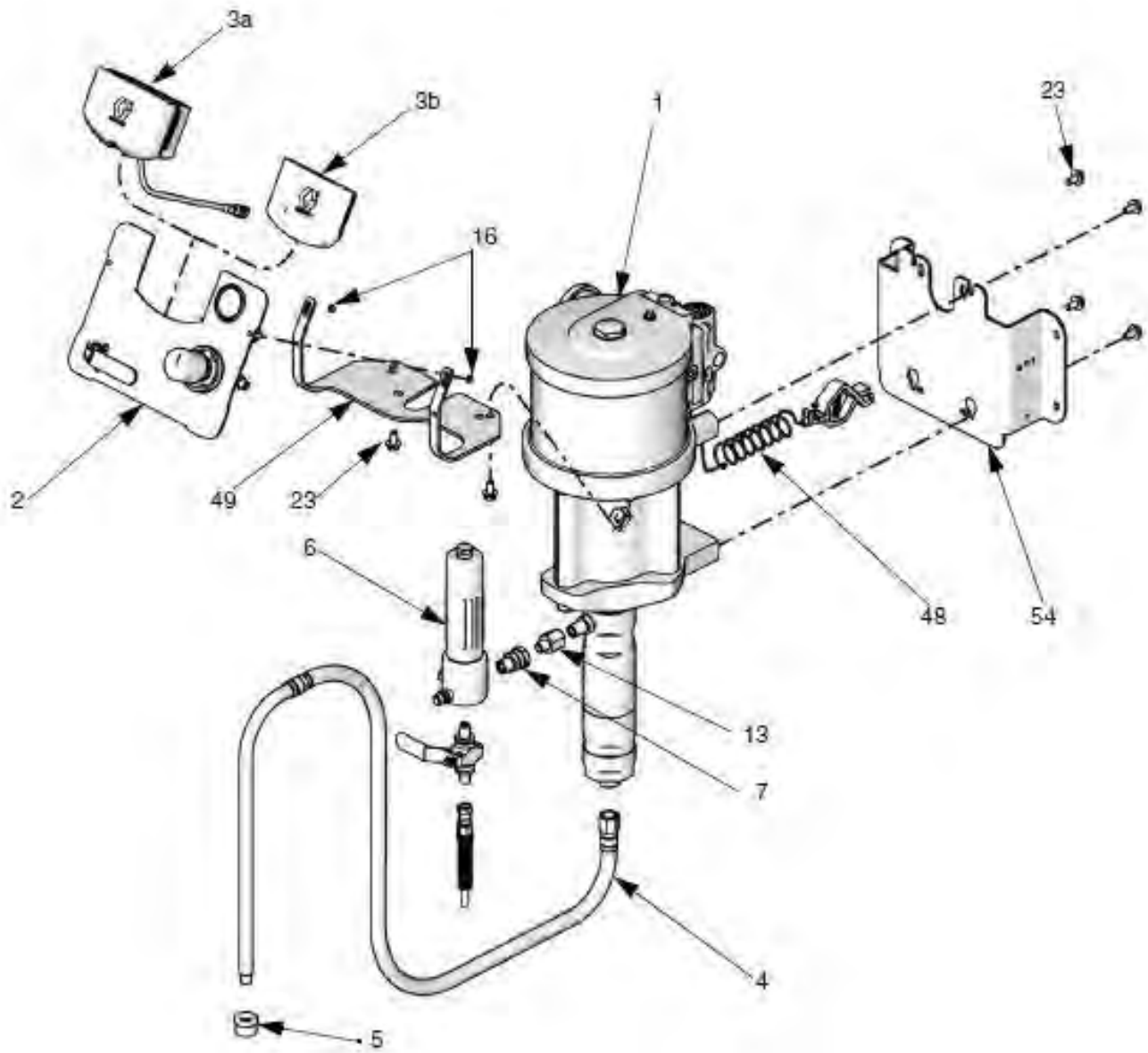
PART NUMBERS AND SCHEMATICS GUIDE

Graco® Merkur® 23:1 Airless Wall Mount Sprayer

Item#	Part#	Description
Fig. 2		
—	20GG23W08	Graco® Merkur® 23:1 Airless Wall Mount Sprayer with DataTrak®
—	20GG23W07	Graco® Merkur® 23:1 Airless Wall Mount Sprayer
1	20GW23DAS	Pump Assembly (M12N0 x LW100A)
—	—	Pump Assembly (M23LT0 x LW100A)
2	20G24A583	Air Controls Panel, Pump Only <i>(Includes Item #: 3b)</i>
—	20G24A581	Air Controls Panel, Pump and Gun <i>(Includes Item #: 3b)</i>
3a	20G24A576	DataTrak® Assembly
3b	—	Panel Insert
4	20G256423	Suction Hose for Wall Mount Package
5	20G187146	Stainless Steel Strainer
6	20G24A587	Fluid Filter
7	—	Union Fitting <i>(Includes Item #: 6)</i>
13	20G512351	Adapter (1/4 nptm x 3/8 nptf)
14	20G256390	Air Hose for Gun
16	20G105332	Lock Nut (M5 x 0.08)
23	20G111799	Screw (M8 x 16, Six for Wall Mount)
48	20G238909	Wire Grounding Assembly
49	20G24E883	Air Control Bracket
54	20G24A578	Wall Mounting Kit
—	20GXTR501	Graco® XTR™ 5 Airless Spray Gun with 519 Flat Tip
—	20G189018	Fluid Hose Swivel
—	20G241812	Fluid Hose (Packages with Gun)
—	20G239069	Whip Hose
—	20G166846	Whip Hose Adapter
—	20G247312	Adapter Kit Plate <i>(Includes Lock Nut and Adapter Plate)</i>
—	206M556	Part Numbers and Schematics Guide – Graco® Merkur® 23:1 Airless Spray Pump
—	206M508	Part Numbers and Schematics Guide – Graco® XTR™ 5 Airless Spray Gun
—	209V556	Operator's Manual – Graco® Merkur® 23:1 Airless Spray Pump

PART NUMBERS AND SCHEMATICS GUIDE

Figure 2: Graco® Merkur® 23:1 Airless Wall Mount Sprayer



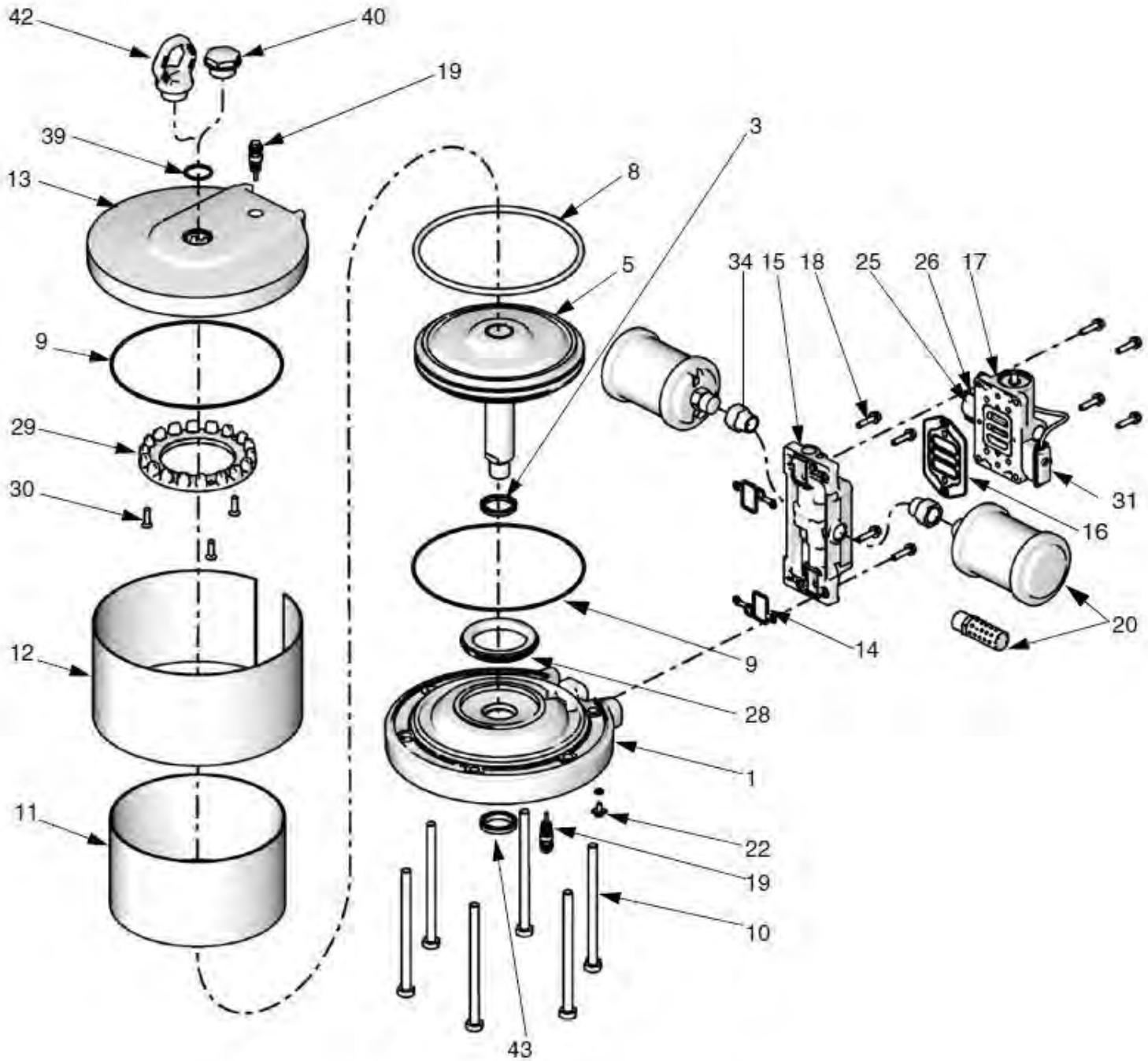
PART NUMBERS AND SCHEMATICS GUIDE

Graco® NXT® Air Motor

Item#	Part#	Description
Fig. 3		
1	20G24A549	Lower Cover Assembly <i>(Includes Item #'s: 3, 9, 19, 22, 28, and 43)</i>
3	—	U-Cup <i>(Quantity of Two)</i>
5	20G24A550	Piston Motor Assembly
8	—	Piston O-Ring
9	—	Cover O-Ring <i>(Quantity of Two)</i>
10	20G15M316	Bolt, Tie, Hex Head <i>(Quantity of Four)</i>
11	20G15M672	Cylinder Motor
12	20G15M676	Cylinder Shield
13	20G15X354	Upper Cover Assembly <i>(Includes Item #'s: 3, 19, 39, 40, and 41)</i>
14	—	Manifold Gasket <i>(Quantity of Two)</i>
15	20G24A580	Manifold Assembly <i>(Includes Item #'s: 4, 14, and 18)</i>
16	—	Air Valve Gasket
17	20G24A352	Standard Air Valve (For models with no DataTrak®)
—	20G24A354	Air Valve (Compatible with DataTrak® with Runaway Protection)
18	—	M6 x 25 Screw
19	20G24A366	Pilot Valve
20	20G117237	Muffler
22	20G116343	Ground Screw
25	20G24B566	Solenoid/Reed Switch Assembly (For DataTrak® models with Runaway Protection) <i>(Includes Item #'s: 18, 26, 31, 32, and 33)</i>
26	—	Solenoid Bracket (For DataTrak® models with Runaway Protection)
28	20G24A914	Bumper Kit (M18xxx only)
29	—	Bumper Upper (M18xxx only)
30	—	Screw, M5, Flat Head (M18xxx only)
31	—	Reed Switch <i>(Includes Item #: 32)</i>
32	—	Reed Switch Screw, 8-32 x 1.50 (For DataTrak® models)
—	20G24A548	Clamp Hose (For DataTrak® models)
34	20G15T560	Muffler Adapter
—	20G15W719	Warning Label
39	—	Upper Cover Plug O-Ring
40	20G24E990	Upper Cover Plug
42	20G24E991	Lift Hook <i>(Not Included)</i>
43	—	U-Cup with Flange Seal
—	20G24A547	Air Motor Seal Kit <i>(Includes Item #'s: 3, 8, 9, 14, and 16)</i>

PART NUMBERS AND SCHEMATICS GUIDE

Figure 3: Graco® NXT® Air Motor



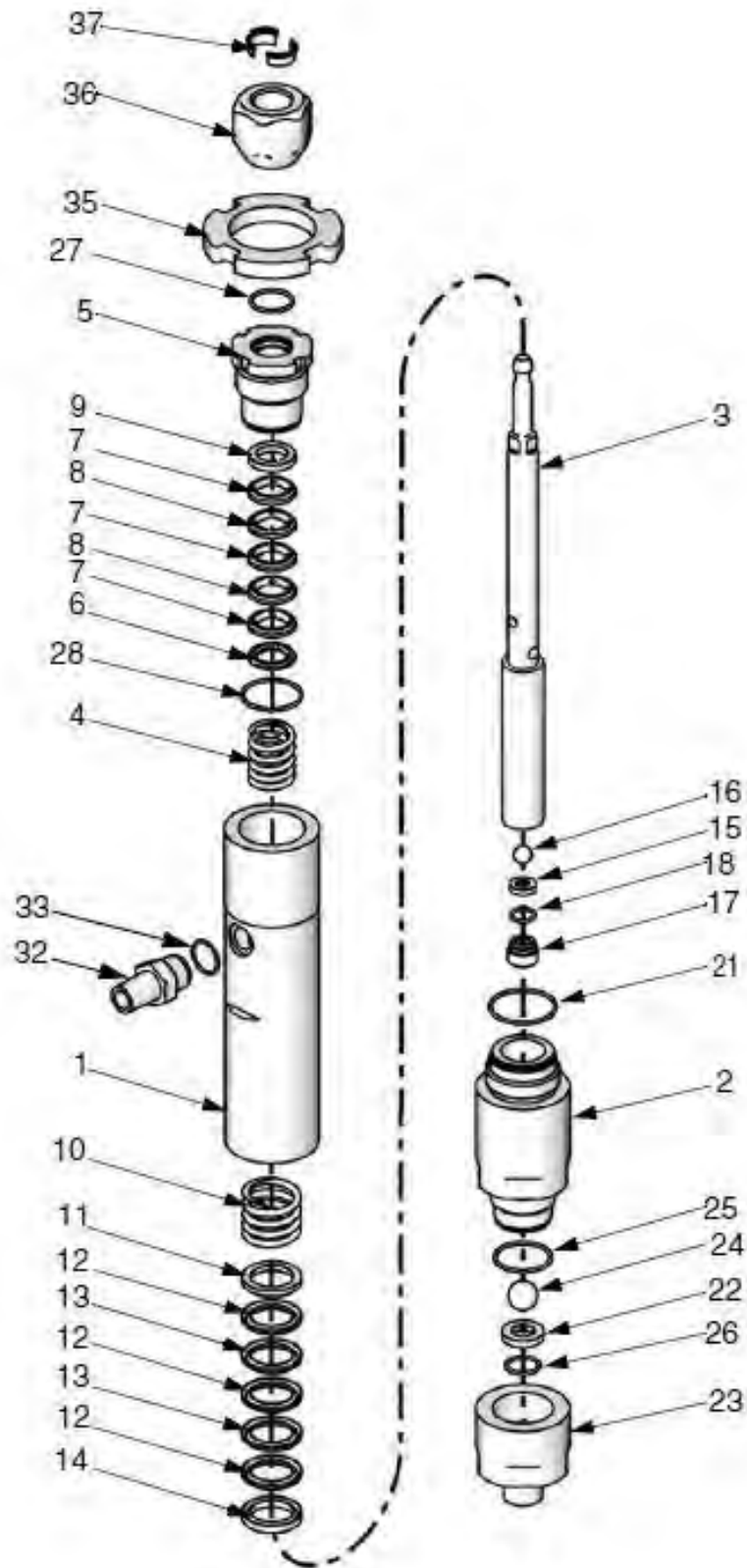
PART NUMBERS AND SCHEMATICS GUIDE

Graco® Merkur® Displacement Pump








Item#	Part#	Description
Fig. 4		
—	20GLW100A	Graco® Merkur® Displacement Pump
1	20G24A816	Upper Cylinder Kit <i>(Includes Item #'s: 21, 28, 32, and 33)</i>
2	20G24A825	Lower Cylinder Kit <i>(Includes Item #'s: 21 and 25)</i>
3	20G24A646	Piston Rod Assembly <i>(Includes Item #'s: 15-18, 36 and 37)</i>
4	—	Spring, Throat
5	20G24A810	Wet Cup <i>(Includes Item #'s: 27 and 28)</i>
6	—	Gland, Male, Throat
7	—	Packing, Throat, UHMWPE <i>(Quantity of Three)</i>
8	—	Packing, Throat, PTFE <i>(Quantity of Two)</i>
9	—	Gland, Female, Throat
10	—	Spring, Piston
11	—	Gland, Male, Piston
12	—	Packing, Throat, UHMWPE <i>(Quantity of Three)</i>
13	—	Packing, Throat, PTFE <i>(Quantity of Two)</i>
14	—	Gland, Female, Piston
15	—	Seat, Piston Valve, Tungsten Carbide
16	—	Ball, Piston Valve, 440 Stainless Steel
17	—	Nut, Flow Through
18	—	O-Ring, Piston
21	—	O-Ring, Lower Cylinder
22	—	Seat, Intake Valve, Tungsten Carbide
23	20G24A837	Intake Valve Kit <i>(Includes Item #'s: 26)</i>
24	—	Ball, Intake Valve, 440 Stainless Steel
25	—	O-Ring, Lower Cylinder <i>(Quantity of Two)</i>
26	—	O-Ring, Intake Valve
27	20G24A632	O-Ring, Wet Cup <i>(Pack of 10)</i>
28	—	O-Ring, Wet Cup
32	20G24A840	Fitting, Outlet, 3/8-18 NPT x 3/4-16 UNF <i>(Includes Item #'s: 33)</i>
33	20G24E457	O-Ring, Outlet <i>(Pack of 10)</i>
35	20G24A637	Jam Nut
36	20G15T311	Nut, Coupling
37	20G24A619	Collar, Coupling <i>(Pack of 10)</i>
—	20G24A254	Seal Repair Kit <i>(Includes Item #'s: 4, 6, 7, 8, 9, 10, 11, 12, 13, 14, 18, 21, 25, 26, 27, 28, and 33)</i>
—	20G24R168	V-Packing Repair Kit <i>(Includes Item #'s: 7, 8, 12, 13, 18, 21, 25, 26, 27, 28, and 33)</i>
—	20G24A784	Tungsten Carbide Seat Repair Kit <i>(Includes Item #'s: 15, 17, 18, 21, 22, 25, and 26)</i>
—	20G24A264	440 Stainless Steel Check Ball Kit <i>(Includes Item #'s: 16 and 24)</i>



PART NUMBERS AND SCHEMATICS GUIDE

Figure 4: Graco® Merkur® Displacement Pump





OPTIONAL ACCESSORIES


		CONTROLS AND VALVES				
		Type	Maximum Working Pressure	Inlet	Outlet	Regulated Pressure Range
Part Numbers						
	20G214848	Air Line Lubrictor	250 psi	1/2" NPT (F)	1/2" NPT (F)	—
	20G202858	Air Regulator	300 psi	3/8" NPT (F)	1/2" NPT (F)	0-250 psi
	20G107142	Bleed-Type Master Air Valve	300 psi	1/2" NPT (M)	1/2" NPT (F)	—
	20G210657	Fluid Drain Valve	5,000 psi	1/4" NPT	1/4" NPT	—
	20G210659	Fluid Drain Valve	5,000 psi	1/4" NPT	3/8" NPT	—
	20G210658	Fluid Drain Valve	5,000 psi	3/8" NPT	3/8" NPT	—
	20G224040	Pump Runaway Valve	120 psi	3/4" NPT (F)	3/4" NPT (F)	—


		ADAPTERS AND FITTINGS
		Description
Part Numbers		
	20G243421	Muffler Accessory Kit <i>(Includes Gaskets, Plates, Screws, and Muffler)</i>
	20G243801	Remote Exhaust Accessory Kit <i>(Includes Gaskets, Plates, and Screws)</i>

OPTIONAL ACCESSORIES

		FILTERS				
	Part Numbers	Type	Maximum Working Pressure	Inlet	Outlet	Screen
	20G106149	Air Line Filter	250 psi	1/2" NPT (F)	1/2" NPT (F)	—

		REPLACEMENT SCREEN FILTER ELEMENTS	
	Part Numbers	Screen	Package
	20G167024B	30 Mesh	1 Pack
	20G167025B	60 Mesh	1 Pack
	20G224459	60 Mesh	2 Pack
	20G167026B	100 Mesh	1 Pack
	20G167027	200 Mesh	1 Pack
	20G224469	200 Mesh	2 Pack

		FILTER SUPPORTS		
	Part Numbers	Type	Body Material	Maximum Working Pressure
	20G186075	Filter Support	Nylon	7,250 psi
	20G171939B	Filter Support	Aluminum	7,250 psi

		SUCTION KITS				
	Part Numbers	For Use With	Material	Suction Hose I.D.	Suction Hose Length	Swivel Fitting
	20G218402	5 Gal	Aluminum	3/4"	36"	3/4" NPT (F)

PART NUMBERS AND SCHEMATICS GUIDE

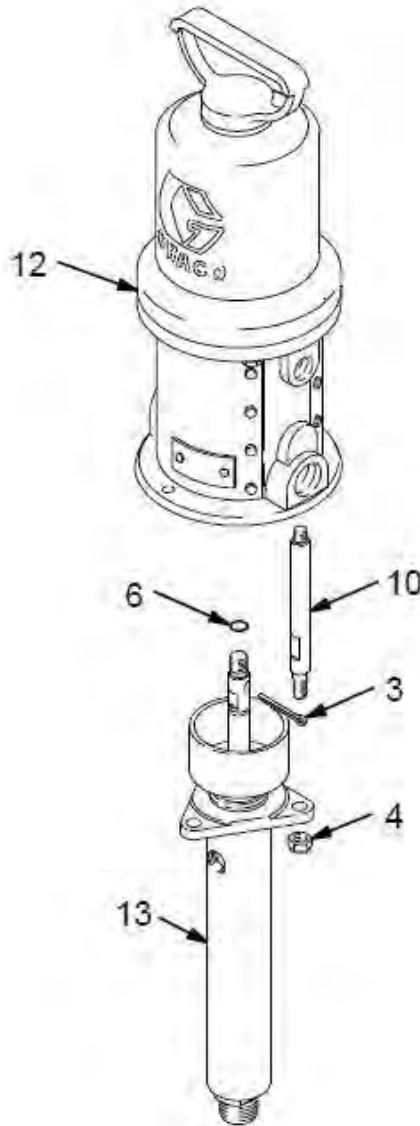
GRACO® MONARK® 23:1 AIRLESS SPRAY PUMPS						
Part Numbers	Maximum Working Pressure	Output Per Cycle	Maximum Air Input Pressure	Pump Construction	Pump Input Size	Pump Outlet Size
20G223596	2,760 psi	27 cc	120 psi	Carbon Steel	3/4" NPT (M)	3/8" NPT (F)
20G237958	3,450 psi	27 cc	150 psi	Stainless Steel	3/4" NPT (M)	3/8" NPT (F)
20G222839	4,140 psi	40 cc	180 psi	Stainless Steel	3/8" NPT (F)	1/2" NPT (M)

PART NUMBERS AND SCHEMATICS GUIDE



PART NUMBERS AND SCHEMATICS GUIDE

Figure 1: Graco® Monark® 23:1 Airless Spray Pump – Carbon Steel



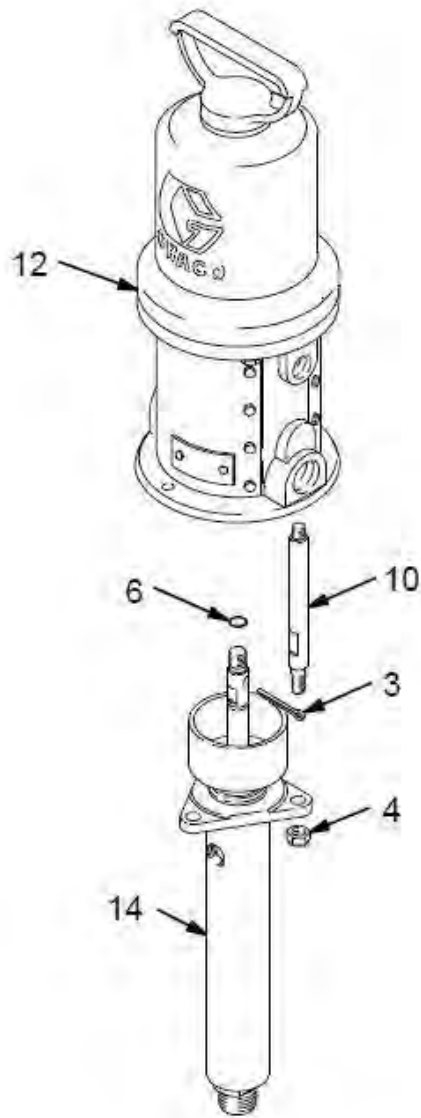
Item#	Part#	Description
-------	-------	-------------

Fig. 1

—	20G223596	Graco® Monark® 23:1 Airless Spray Pump – Carbon Steel
3	20G101946	Stainless Steel Cotter Pin
4	20G101566	3/8-16 Lock Nut (<i>Quantity of Three</i>)
6	20G154771	O-Ring Seal
10	20G164722	Carbon Steel Tie Rod (<i>Quantity of Three</i>)
12	20G222791	Graco® Monark® Air Motor (<i>See Fig. 7</i>)
13	20G223595	Carbon Steel Displacement Pump (<i>See Fig. 4</i>)
—	206M611	Part Numbers and Schematics Guide – Graco® Monark® 23:1 Airless Spray Pump
—	209V559	Operator's Manual – Graco® Monark® 23:1 Airless Spray Pump

PART NUMBERS AND SCHEMATICS GUIDE

Figure 2: Graco® Monark® 23:1 Airless Spray Pump – Stainless Steel



Item#	Part#	Description
-------	-------	-------------

Fig. 2

—	20G237958	Graco® Monark® 23:1 Airless Spray Pump – Stainless Steel
3	20G101946	Stainless Steel Cotter Pin
4	20G101566	3/8-16 Lock Nut (<i>Quantity of Three</i>)
6	20G154771	O-Ring Seal
10	20G164722	Carbon Steel Tie Rod (<i>Quantity of Three</i>)
12	20G222791	Graco® Monark® Air Motor (<i>See Fig. 7</i>)
14	20G239145	Stainless Steel Displacement Pump (<i>See Fig. 5</i>)
—	206M611	Part Numbers and Schematics Guide – Graco® Monark® 23:1 Airless Spray Pump
—	209V559	Operator's Manual – Graco® Monark® 23:1 Airless Spray Pump

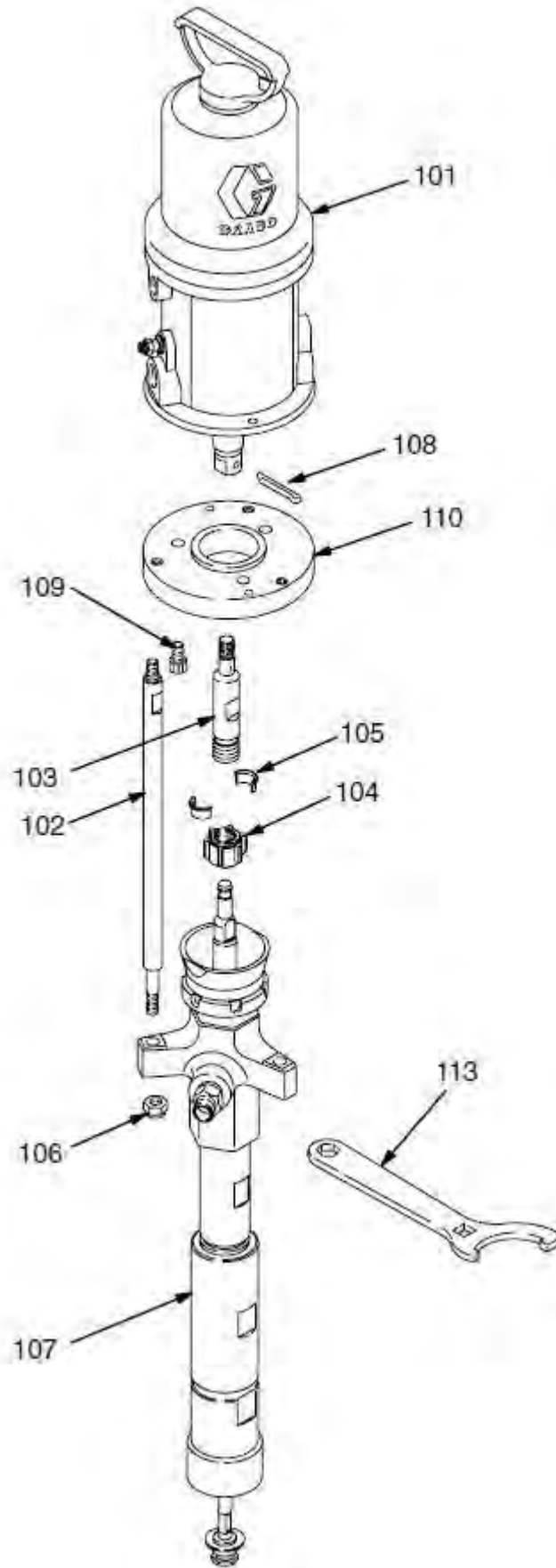
PART NUMBERS AND SCHEMATICS GUIDE

Graco® Monark® 23:1 Check-Mate 200 Pumps™

Item#	Part#	Description
Fig. 3		
—	20G222839	Graco® Monark® 23:1 Check-Mate 200 Pumps™
101	20G222791	Graco® Monark® Air Motor (<i>See Fig. 7</i>)
102	20G24B190	Tie Rod Kit (<i>Quantity of Three</i>)
103	20G184162	Adapter Rod
104	20G184100	Coupling Nut
105	20G184131	Coupling Collar (<i>Quantity of Two</i>)
106	20G109209	Self-Locking Hex Nut (<i>Quantity of Three</i>)
107	20G222814	Check-Mate 200 Pumps™ Displacement Pump (<i>See Fig. 6</i>)
108	20G101946	Stainless Steel Cotter Pin
109	20G109212	3/8-16 Socket Head Cap Screw (<i>Quantity of Three</i>)
110	20G184077	Adapter Plate
113	20G184119	Packing Nut Wrench
—	209V586	Operator's Manual – Graco® Monark® 23:1 Check-Mate 200 Pumps™

PART NUMBERS AND SCHEMATICS GUIDE

Figure 3: Graco® Monark® 23:1 Check-Mate 200 Pumps™



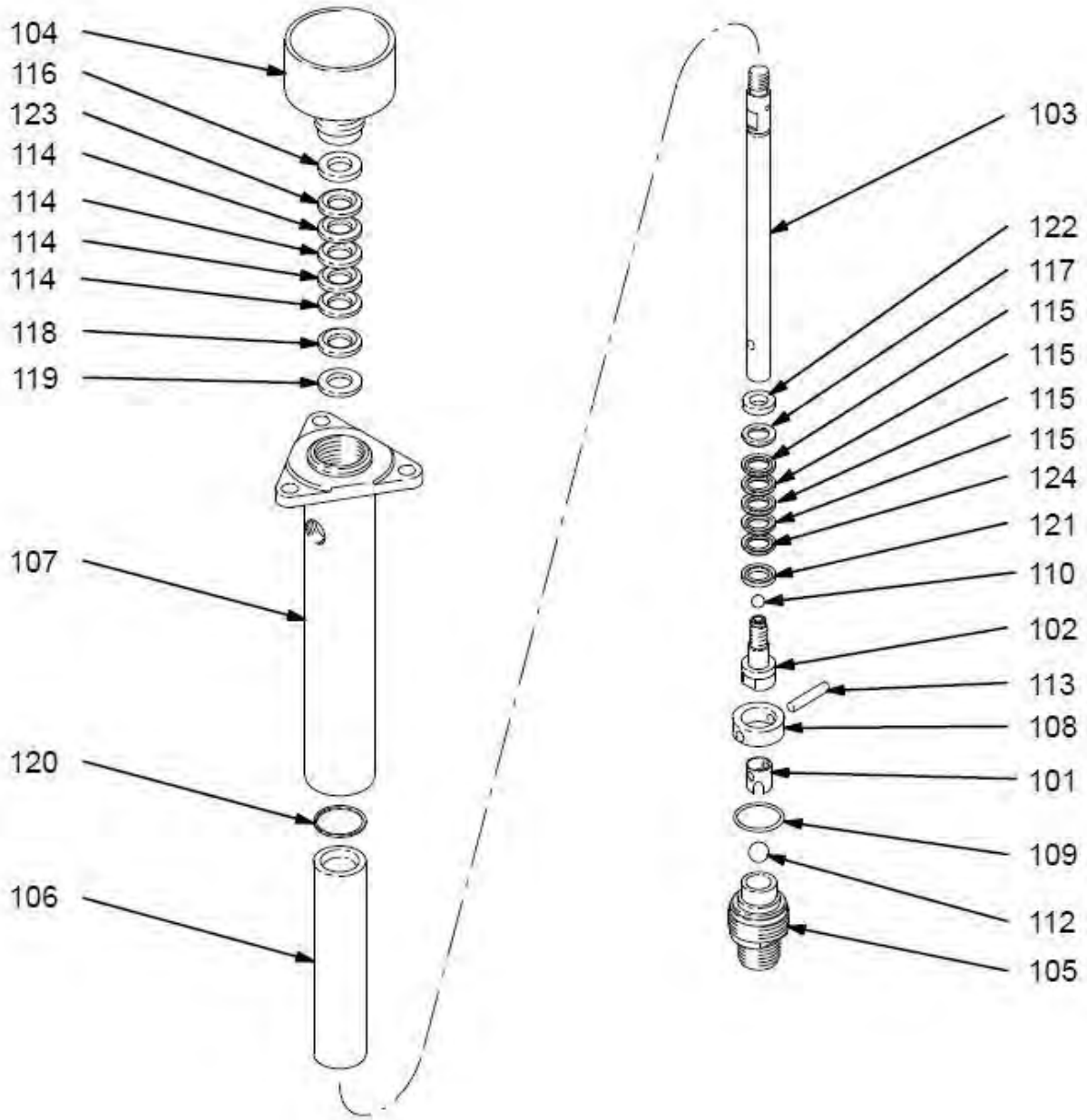
PART NUMBERS AND SCHEMATICS GUIDE

Carbon Steel Displacement Pump

Item#	Part#	Description
Fig. 4		
—	20G223595	Carbon Steel Displacement Pump
101	20G186187	Intake Ball Guide – Stainless Steel
102	20G223591	Piston Stud – Stainless Steel
103	20G24C508	Displacement Rod – Stainless Steel
104	20G206269	Wet Cup Packing Nut
105	20G223593	Stainless Steel Housing Valve Intake with Tungsten Carbide Seat
106	20G24C499	Housing Sleeve – Stainless Steel
107	20G207011	Housing Outlet – Carbon Steel
108	20G186183	O-Ring Retainer – Stainless Steel
109	20G165052	O-Ring Seal – Teflon
110	20G105444	Ball Piston – Stainless Steel – 0.31" Diameter
112	20G105445	Ball Piston – Stainless Steel – 0.5" Diameter
113	20G186179	Ball Stop Pin – Stainless Steel
114	20G164397	Leather Throat V-Packing (<i>Quantity of Four</i>)
115	20G184300	Leather Piston V-Packing (<i>Quantity of Four</i>)
116	20G186194	Female Throat Gland – Stainless Steel
117	20G186195	Male Piston Gland – Stainless Steel
118	20G186196	Male Throat Gland – Stainless Steel
119	20G186197	Flat Washer – Stainless Steel
120	20G164480	Flat Gasket – PTFE – Teflon
121	20G186198	Female Piston Gland – Stainless Steel
122	20G186199	Packing Retainer – Stainless Steel
123	20G164913	PTFE Throat V-Packing
124	20G164912	PTFE Piston V-Packing
—	20G172479	Instruction Tag
—	20G239328	Graco® Carbon Steel Displacement Pump Repair Kit (<i>Includes Item #'s: 109, 110, 112, 114, 115, 116, 117, 118, 120, 121, 122, 123, and 124</i>)
—	209V559	Operator's Manual – Graco® Monark® 23:1 Airless Spray Pump

PART NUMBERS AND SCHEMATICS GUIDE

Figure 4: Carbon Steel Displacement Pump



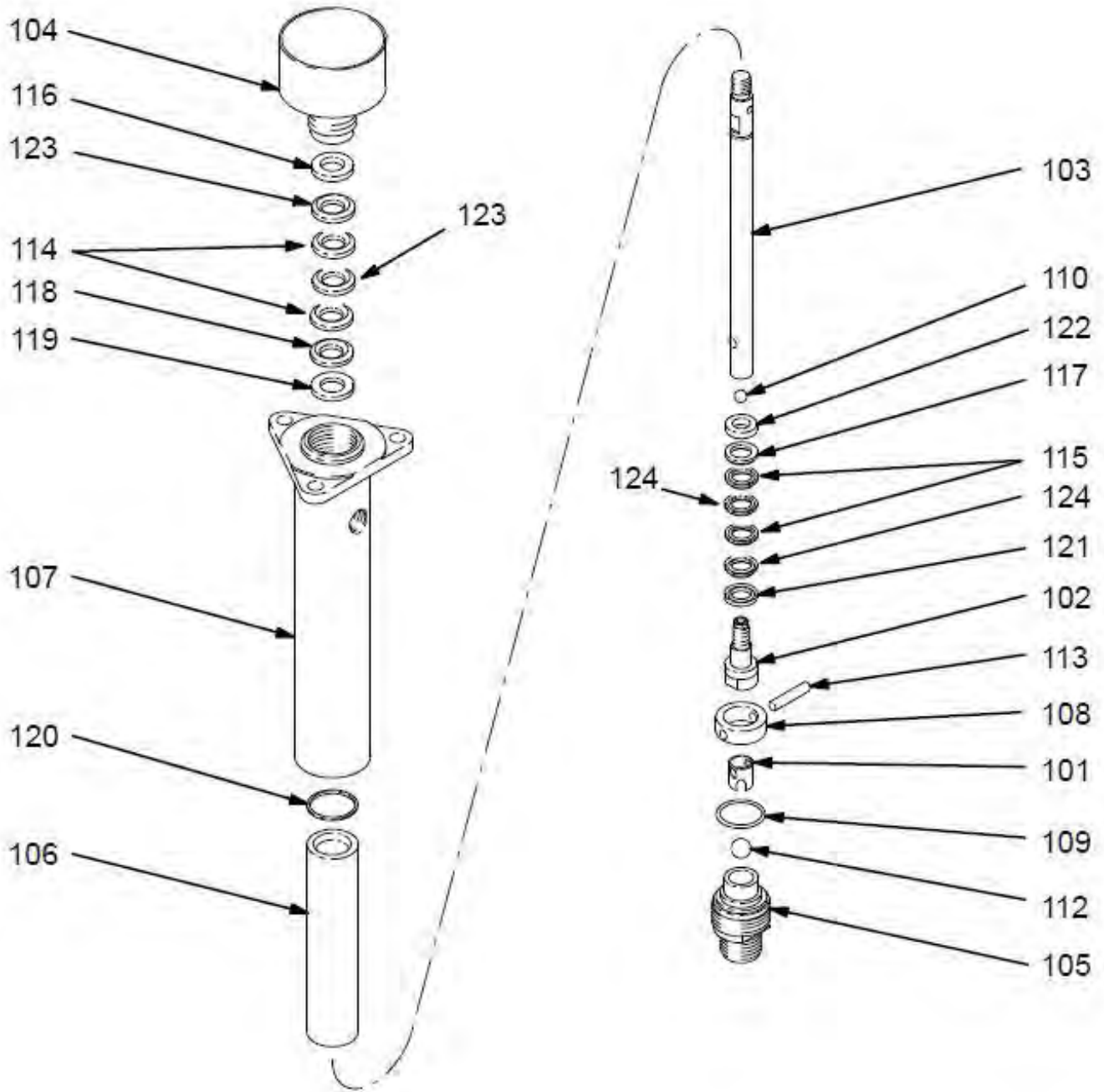
PART NUMBERS AND SCHEMATICS GUIDE

Stainless Steel Displacement Pump

Item#	Part#	Description
Fig. 5		
—	20G239145	Graco® Stainless Steel Displacement Pump
101	20G186187	Intake Ball Guide – Stainless Steel
102	20G223591	Piston Stud – Stainless Steel
103	20G24C508	Displacement Rod – Stainless Steel
104	20G223590	Wet Cup Packing Nut – Stainless Steel
105	20G223593	Stainless Steel Housing Valve Intake with Tungsten Carbide Seat
106	20G24C499	Housing Sleeve – Stainless Steel
107	20G239137	Housing Outlet – Stainless Steel
108	20G186183	O-Ring Retainer – Stainless Steel
109	20G165052	O-Ring Seal – Teflon
110	20G105444	Ball Piston – Stainless Steel – 0.31" Diameter
112	20G105445	Ball Piston – Stainless Steel – 0.5" Diameter
113	20G186179	Ball Stop Pin – Stainless Steel
114	20G164397	Leather Throat V-Packing (<i>Quantity of Two</i>)
115	20G164715	Leather Piston V-Packing (<i>Quantity of Two</i>)
116	20G186194	Female Throat Gland – Stainless Steel
117	20G186195	Male Piston Gland – Stainless Steel
118	20G186196	Male Throat Gland – Stainless Steel
119	20G186197	Flat Washer – Stainless Steel
120	20G164480	Flat Gasket – PTFE – Teflon
121	20G186198	Female Piston Gland – Stainless Steel
122	20G186199	Packing Retainer – Stainless Steel
123	20G164913	PTFE Throat V-Packing
124	20G164912	PTFE Piston V-Packing
125	20G172479	Instruction Tag
—	20G235636	Graco® Stainless Steel Displacement Pump Repair Kit (<i>Includes Item #'s: 109, 110, 113, 114, 115, 116, 117, 118, 120, 121, 122, 123, and 124</i>)
—	209V559	Operator's Manual – Graco® Monark® 23:1 Airless Spray Pump

PART NUMBERS AND SCHEMATICS GUIDE

Figure 5: Stainless Steel Displacement Pump



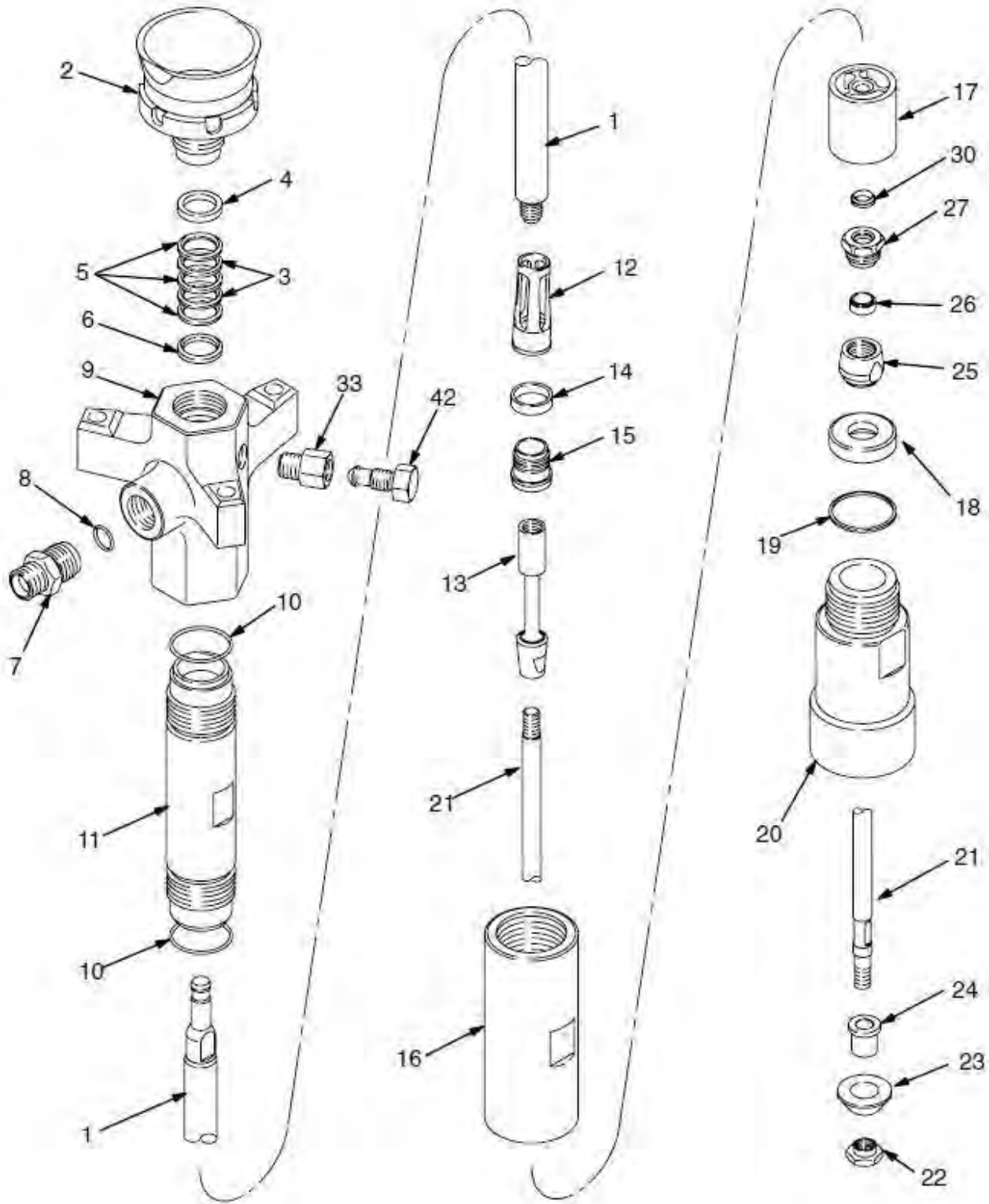
PART NUMBERS AND SCHEMATICS GUIDE

Check-Mate 200 Pumps™ Displacement Pump

Item#	Part#	Description
Fig. 6		
—	20G222814	Check-Mate 200 Pumps™ Displacement Pump
1	20G184101	Displacement Rod
2	20G184423	Packing Nut
3	20G109301	V-Packing, PTFE (<i>Quantity of Two</i>)
4	20G184171	Female Gland
5	20G109251	V-Packing, UHMWPE (<i>Quantity of Three</i>)
6	20G184221	Male Gland
7	20G184424	M27 x 1-1/2" (M) Outlet Fitting
8	20G109450	O-Ring, PTFE (<i>Quantity of Two</i>)
9	20G184422	Outlet Housing
10	20G109451	O-Ring, PTFE (<i>Quantity of Two</i>)
11	20G184106	Pump Cylinder
12	20G15K690	Piston Guide
13	20G184426	Piston
14	20G184554	Piston Seal, PTFE
15	20G184428	Piston Seat
16	20G184430	Intake Valve Housing
17	20G184431	Rod Guide
18	20G184435	Intake Valve Seat
19	20G184296	Acetal Seal
20	20G184437	Intake Cylinder
21	20G184117	Priming Piston Rod
22	20G184440	Priming Piston Nut
23	20G184439	Priming Piston
24	20G184438	Priming Piston Guide
25	20G184433	Intake Valve Body
26	20G184114	Intake Valve Seal, PTFE
27	20G184432	Intake Valve Packing Nut
30	20G184553	Valve Seat, PTFE
33	20G184392	Valve Housing
42	20G190293	Valve Plug
—	20G222784	Seal Repair Kit (<i>Includes Item #'s: 8, 10, 19, and 26</i>)
—	20G222786	Throat Packing Conversion Kit (<i>Includes Item #'s: 3, 4, and 6</i>)
—	20G222785	Throat Packing Repair Kit (<i>Includes Item #'s: 3, 4, 5, and 6</i>)
—	20G222908	Intake Valve Repair Kit (<i>Includes Item #'s: 19, 25, 26, and 30</i>)
—	209V586	Operator's Manual – Graco® Monark® 23:1 Check-Mate 200 Pumps™

PART NUMBERS AND SCHEMATICS GUIDE

Figure 6: Check-Mate 200 Pumps™ Displacement Pump



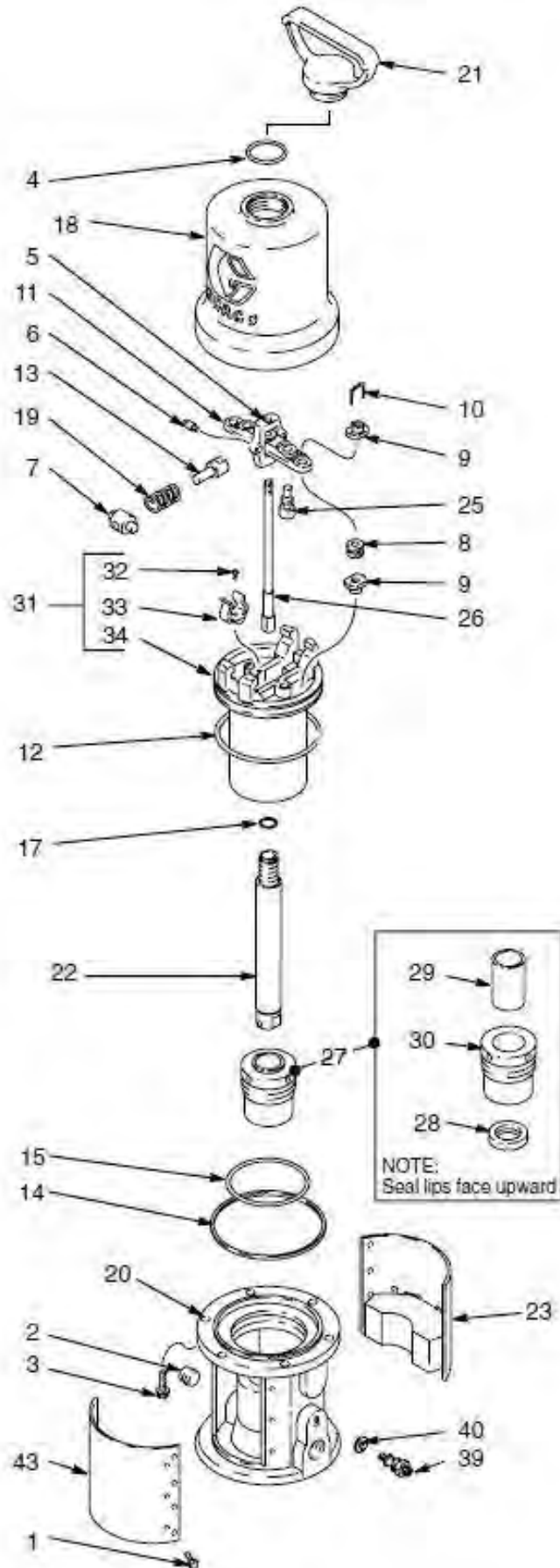
PART NUMBERS AND SCHEMATICS GUIDE

Graco® Monark® Air Motor

Item#	Part#	Description
Fig. 7		
—	20G222791	Graco® Monark® Air Motor
1	20G114422	Screw, 8-32 x 3/8" (<i>Quantity of 16</i>)
2	20G100361	1/2" Pipe Plug
3	20G101578	Hex Head Screw, 8-32 x 7/8" (<i>Quantity of Six</i>)
4	20G156698	Packing O-Ring, buna-N
5	20G158360	Trip Rod Yoke
6	20G158362	Toggle Pin (<i>Quantity of Two</i>)
7	20G158364	Toggle Rocker (<i>Quantity of Two</i>)
8	20G158367	Grommet – Rubber (<i>Quantity of Two</i>)
9	20G160261	Adjusting Nut (<i>Quantity of Four</i>)
10	20G160618	Lockwire Transfer Valve (<i>Quantity of Two</i>)
11	20G172867	Actuator Air Valve
12	20G160621	O-Ring, Nitrile Rubber
13	20G160623	Toggle Arm (<i>Quantity of Two</i>)
14	20G160624	O-Ring, buna-N
15	20G160625	O-Ring, buna-N
17	20G160932	Copper Gasket
18	20G164186	Cylinder
19	20G167585	Spring, Helical Compression (<i>Quantity of Two</i>)
20	20G184270	Base
21	20G164704	Cap Nut with Carry Handle
22	20G164705	Piston Rod
23	20G241651	Identification Plate – Monark® Air Motor
25	20G170709	Poppet Valve – Urethane (<i>Quantity of Two</i>)
26	20G203965	Trip Rod
27	20G205529	Packing Nut Assembly (<i>Includes Item #'s: 28, 29, and 30</i>)
28	20G16H224	Wiper Seal – Polyurethane
29	20G101526	Bronze Bearing
30	20G164701	Packing Nut
31	20G214036	Piston Assembly (<i>Includes Item #'s: 32, 33, and 34</i>)
32	20G102975	Screw, Round Head, 6-32 x 1/4" (<i>Quantity of Two</i>)
33	20G172866	Spring Clip (<i>Quantity of Two</i>)
34	—	Bare Piston
39	20G104029	Clamp Grounding
40	20G104582	Tab Washer
43	20G241650	Warning Plate
—	20G180233	Warning Label
—	20G206728	Graco® Monark® Air Motor Repair Kit (<i>Includes Item #'s: 8, 9, 10, 12, 15, and 25</i>)
—	209V560	Operator's Manual – Graco® Monark® Air Motor

PART NUMBERS AND SCHEMATICS GUIDE

Figure 7: Graco® Monark® Air Motor



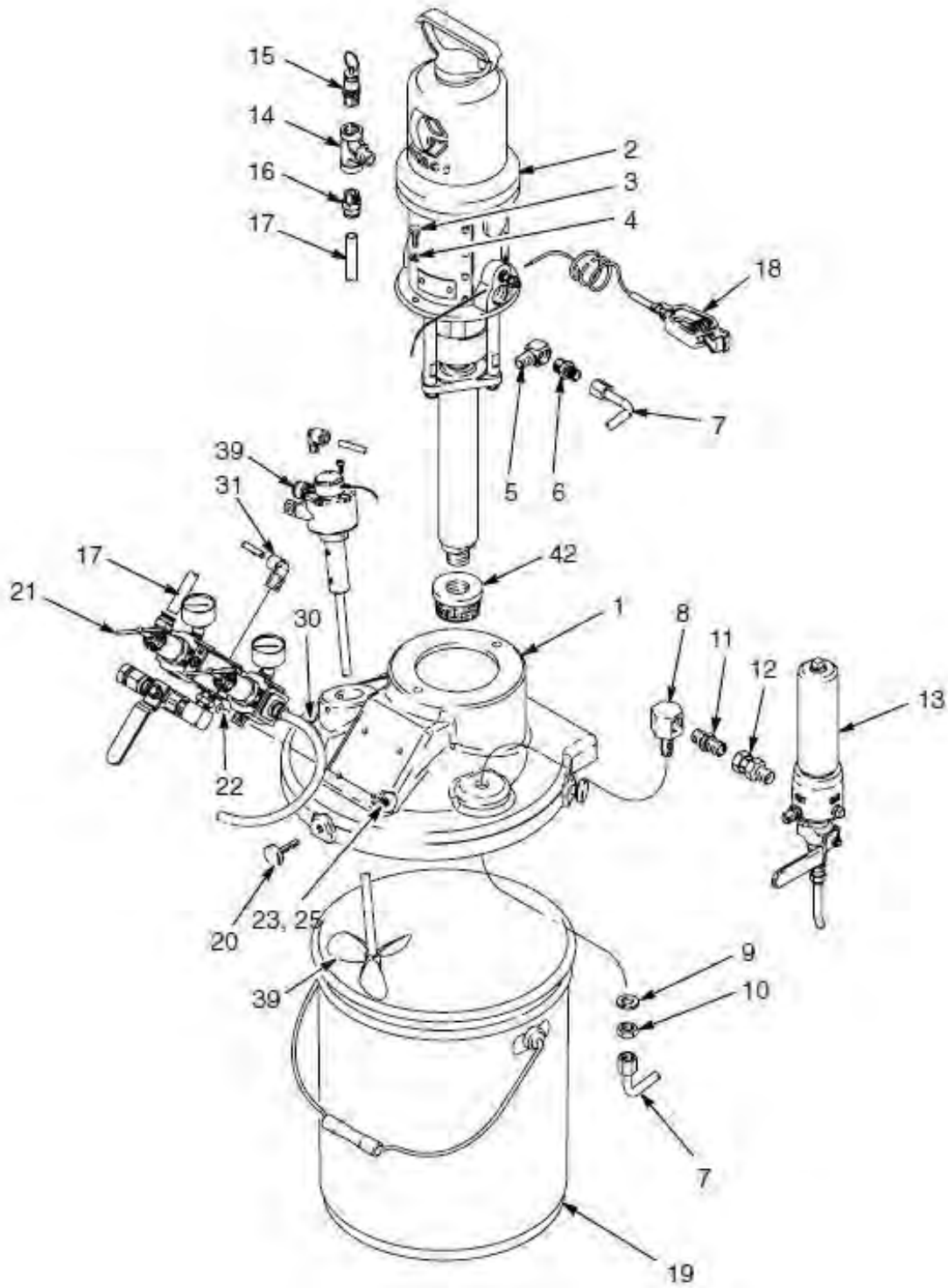
PART NUMBERS AND SCHEMATICS GUIDE

Pail Mount Air-Assisted Package – Carbon Steel

Item#	Part#	Description
Fig. 8		
—	20G232440	Pail Mount Air-Assisted Package – Carbon Steel Pump without Agitator, Hose, and Gun
1	20G240435	Pail Cover
2	20G223596	Graco® Monark® 23:1 Airless Spray Pump – Carbon Steel <i>(See Fig. 1)</i>
3	20G100644	1/4-20 x 3/4" Hex Head Cap Screw <i>(Quantity of Two)</i>
4	20G100016	1/4" Lockwasher Spring <i>(Quantity of Two)</i>
5	20G155699	3/8" Carbon Steel 90° Elbow
6	20G114337	3/8" x 9/16-18 Carbon Steel Adapter
7	20G114478	3/8" O.D. Carbon Steel Flare Tube
8	20G192889	Bulkhead Fitting
9	20G114830	9/16" Flat Washer
10	20G102300	9/16-18 Hex Nut
11	20G156849	3/8" Carbon Steel Nipple
12	20G155665	3/8" (M) x 3/8" (F) Union Swivel
13	20G239060	Carbon Steel Fluid Filter <i>(See Fig. 11)</i>
14	20G113777	3/8" (F) Run x 3/8" (M) Branch Tee
15	20G113769	Conventional Relief Safety Valve
16	20G114129	3/8" (M) x 1/2" O.D. Tube Fitting Connector
17	—	1/2" O.D. x 1.3' Polyurethane Tube
18	20G238909	Ground Wire and Clamp
19	20G101108	5 Gallon Pail
20	20G114371	1/4-20 Screw Knob <i>(Quantity of Three)</i>
21	20G240446	Air Regulator Kit
22	20G115439	Screw Socket <i>(Quantity of Four)</i>
23	20G105332	Self-Locking Hex Nut
25	20G110874	Flat Washer
30	20G101962	1/4-20 x 1/4" Set Screw <i>(Quantity of Two)</i>
31	20G100040	3/8" Pipe Plug
39	20G114575	Agitator Plug
42	20G187190	Fluid Inlet Strainer
—	209V593	Operator's Manual – Graco® Pail Mount Air-Assisted Package

PART NUMBERS AND SCHEMATICS GUIDE

Figure 8: Pail Mount Air-Assisted Package – Carbon Steel



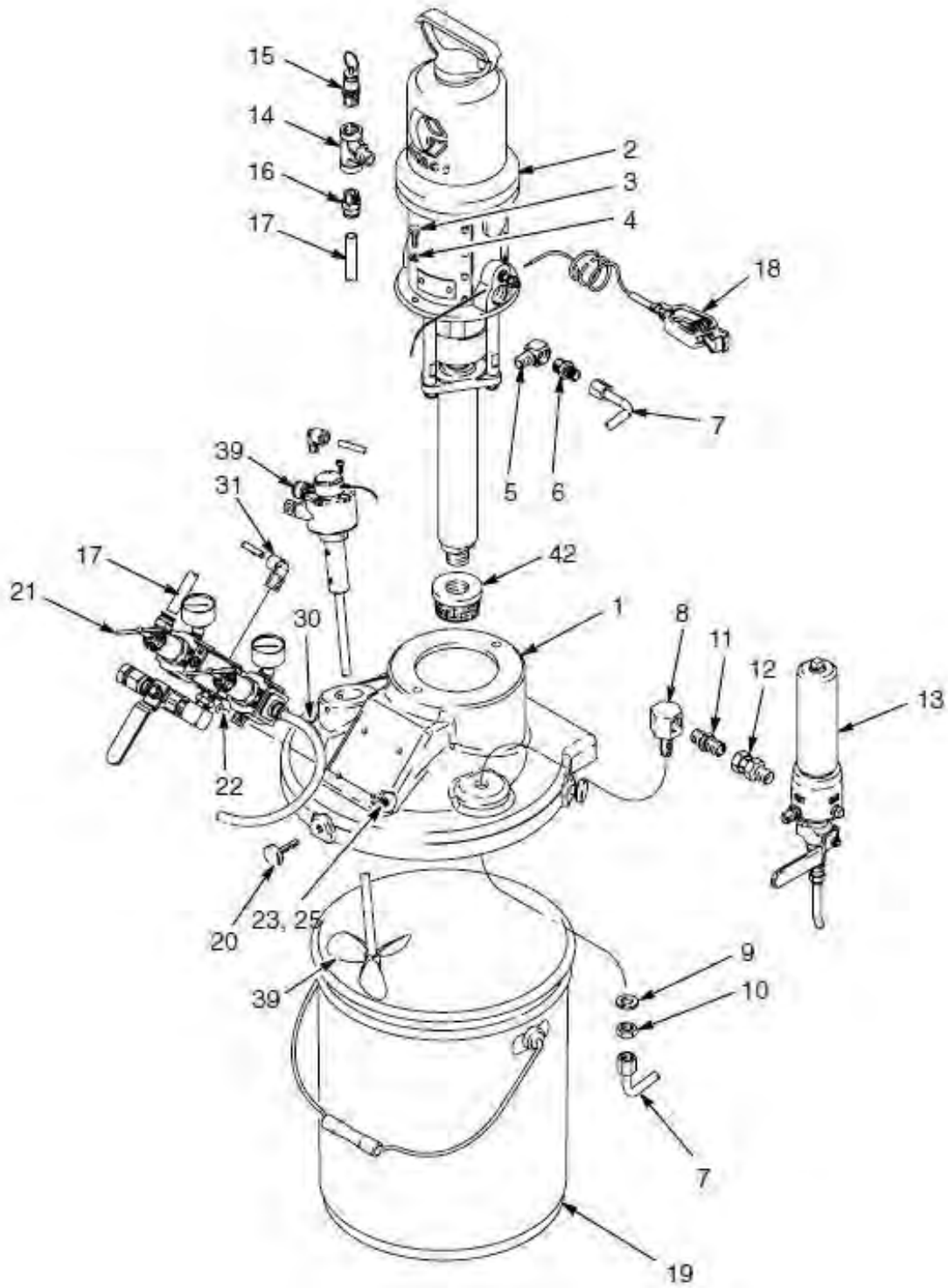
PART NUMBERS AND SCHEMATICS GUIDE

Pail Mount Air-Assisted Package – Stainless Steel

Item#	Part#	Description
Fig. 9		
—	20G232452	Pail Mount Air-Assisted Package – Stainless Steel Pump without Agitator, Hose, and Gun
1	20G240435	Pail Cover
2	20G237958	Graco® Monark® 23:1 Airless Spray Pump – Stainless Steel (See Fig. 2)
3	20G100644	1/4-20 x 3/4" Hex Head Cap Screw (Quantity of Two)
4	20G100016	1/4" Lockwasher Spring (Quantity of Two)
5	20G114484	3/8" Stainless Steel 90° Elbow
7	20G114477	3/8" O.D. Stainless Steel Flare Tube
8	20G192889	Bulkhead Fitting
9	20G114830	9/16" Flat Washer
10	20G102300	9/16-18 Hex Nut
11	20G166469	3/8" Stainless Steel Nipple
12	20G235208	3/8" (M) x 3/8" (F) Union Swivel
13	20G239063	Stainless Steel Fluid Filter (See Fig. 12)
14	20G113777	3/8" (F) Run x 3/8" (M) Branch Tee
15	20G113769	Conventional Relief Safety Valve
16	20G114129	3/8" (M) x 1/2" O.D. Tube Fitting Connector
17	—	1/2" O.D. x 1.3' Polyurethane Tube
18	20G238909	Ground Wire and Clamp
19	20G101108	5 Gallon Pail without Cover
20	20G114371	1/4-20 Screw Knob (Quantity of Three)
21	20G240446	Air Regulator Kit
22	20G115439	Screw Socket (Quantity of Four)
23	20G105332	Self-Locking Hex Nut
25	20G110874	Flat Washer
30	20G101962	1/4-20 x 1/4" Set Screw (Quantity of Two)
31	20G100040	3/8" Pipe Plug
39	20G114575	Agitator Plug
42	20G187190	Fluid Inlet Strainer
—	209V593	Operator's Manual – Graco® Pail Mount Air-Assisted Package

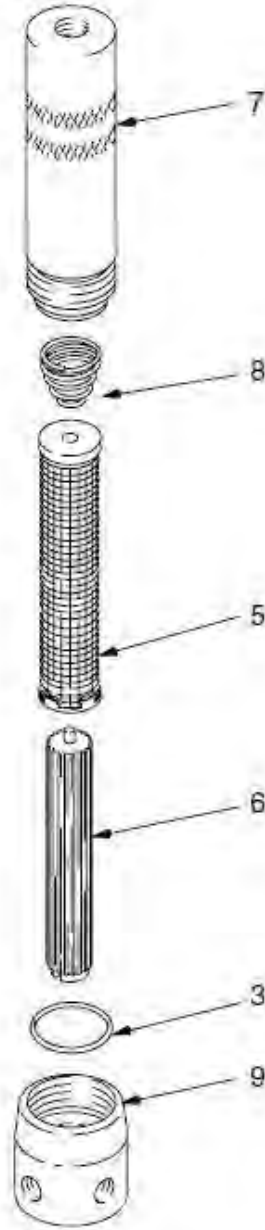
PART NUMBERS AND SCHEMATICS GUIDE

Figure 9: Pail Mount Air-Assisted Package – Stainless Steel



PART NUMBERS AND SCHEMATICS GUIDE

Figure 10: Carbon Steel Fluid Filter



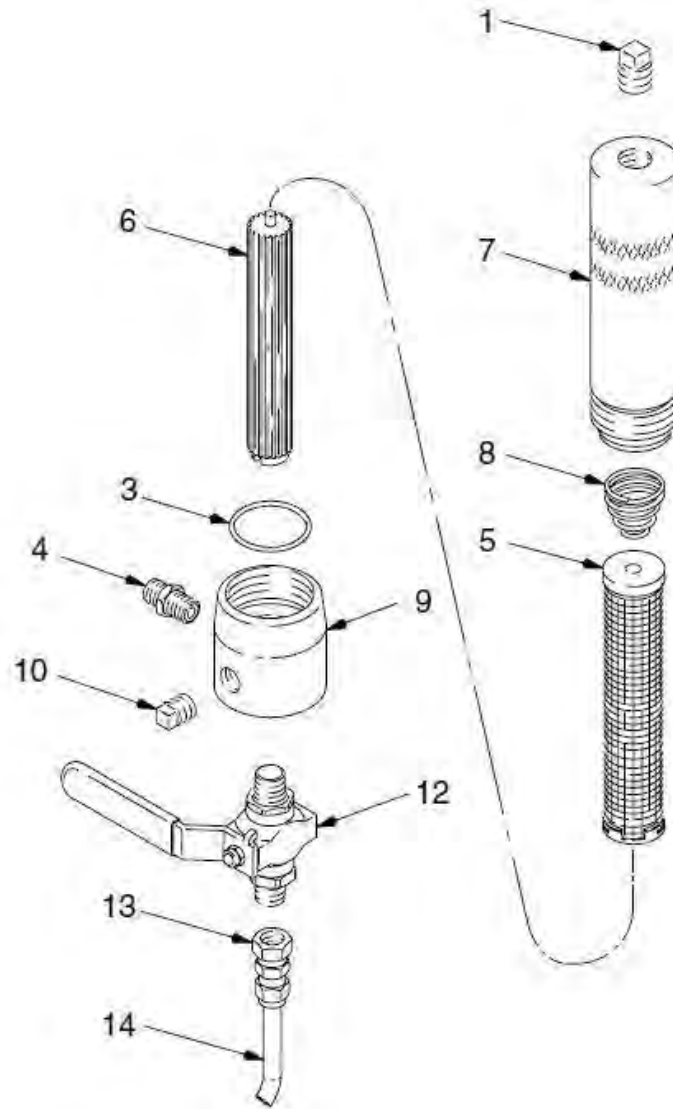
Item#	Part#	Description
-------	-------	-------------

Fig. 10

—	20G218029	Carbon Steel Fluid Filter
3	20G104361	O-Ring, PTFE
5	20G167025	Stainless Steel Screen, 60 Mesh
6	20G186075	Filter Support, 7,250 psi
7	20G24C501	Carbon Steel Filter Bowl
8	20G171941	Stainless Steel Compression Spring
9	20G171942	Carbon Steel Filter Housing
—	209V585	Operator's Manual – Graco® Fluid Outlet Filter

PART NUMBERS AND SCHEMATICS GUIDE

Figure 11: Carbon Steel Fluid Filter



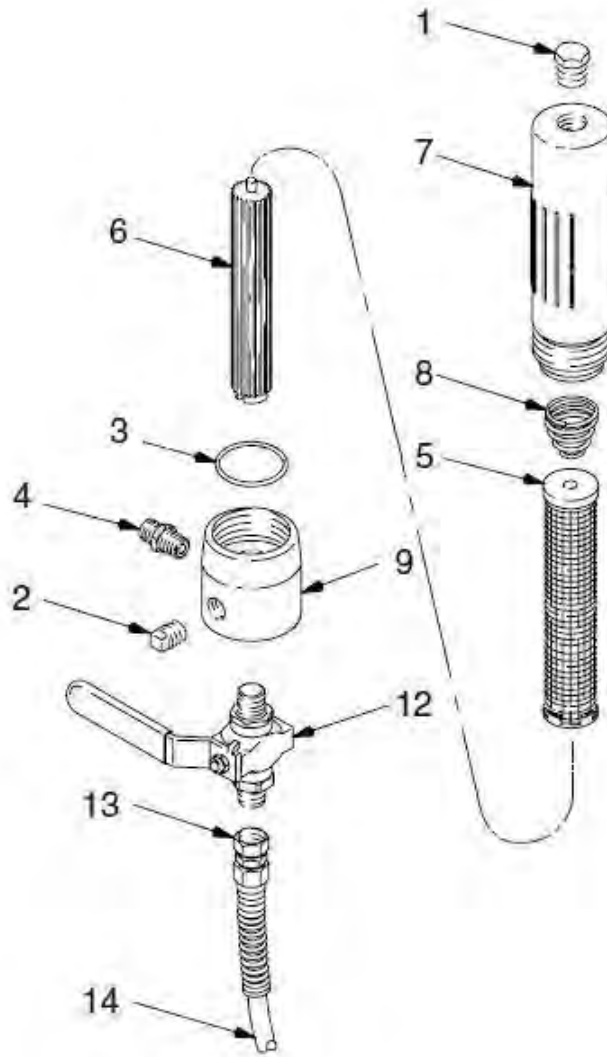
Item#	Part#	Description
-------	-------	-------------

Fig. 11

—	20G239060	Carbon Steel Fluid Filter
1	20G100040	3/8" Plug
3	20G104361	O-Ring, PTFE
4	20G162453	1/4" x 1/4" Carbon Steel Nipple
5	20G167025	Stainless Steel Screen, 60 Mesh
6	20G186075	Filter Support, 7,250 psi
7	20G24C501	Carbon Steel Filter Bowl
8	20G171941	Stainless Steel Compression Spring
9	20G171942	Carbon Steel Filter Housing
10	20G100509	1/4" Pipe Plug
12	20G238635	1/4" Carbon Steel Ball Valve
13	20G205447	1/4" Coupling
14	20G061132	1/4" I.D. x 8" Nylon Drain Tube
—	209V585	Operator's Manual – Graco® Fluid Outlet Filter



PART NUMBERS AND SCHEMATICS GUIDE

Figure 12: Stainless Steel Fluid Filter






Item#	Part#	Description
Fig. 12		
—	20G239063	Stainless Steel Fluid Filter
1	20G110740	3/8" Stainless Steel Plug
2	20G111697	1/4" Stainless Steel Plug (<i>Quantity of Two</i>)
3	20G104361	O-Ring, PTFE
4	20G166846	1/4" x 1/4" Stainless Steel Nipple
5	20G167025	Stainless Steel Screen, 60 Mesh
6	20G186075	Filter Support, 7,250 psi
7	20G185632	Bowl Filter
8	20G171941	Stainless Steel Compression Spring
9	20G185631	Housing Filter
12	20G239018	1/4" Stainless Steel Ball Valve
13	20G111913	1/4" Coupling
14	20G061132	1/4" I.D. x 8" Nylon Drain Tube
—	209V585	Operator's Manual – Graco® Fluid Outlet Filter




OPTIONAL ACCESSORIES

Part Numbers		ADAPTERS AND FITTINGS
		Description
	20G243421	Muffler Accessory Kit <i>(Includes Gaskets, Plates, Screws, and Muffler)</i>
	20G243801	Remote Exhaust Accessory Kit <i>(Includes Gaskets, Plates, and Screws)</i>

Part Numbers		SIPHON KITS				
		For Use With	Material	Suction Hose I.D.	Suction Hose Length	Swivel Fitting
	20G207484	5 Gal Pail	Aluminum	3/4"	3.5'	3/4" NPT (F)
	20G208920	5 Gal Pail	Aluminum	1"	4'	3/4" NPT (F)
	20G208259	55 Gal Drums	Carbon Steel	3/4"	6'	3/4" NPT (F)

OPTIONAL ACCESSORIES

		FLUID DRAIN VALVES		
Part Numbers	Inlet	Outlet	Maximum Working Pressure	
	20G210657	1/4" NPT	1/4" NPT	5,000 psi
	20G210659	1/4" NPT	3/8" NPT	5,000 psi
	20G210658	3/8" NPT	3/8" NPT	5,000 psi

		THROAT SEAL LIQUID
Part Numbers	Description	
	20G206994	Throat Seal Liquid – 8 oz.
	20G206995	Throat Seal Liquid – 1 qt.
	20G206996	Throat Seal Liquid – 1 gal.

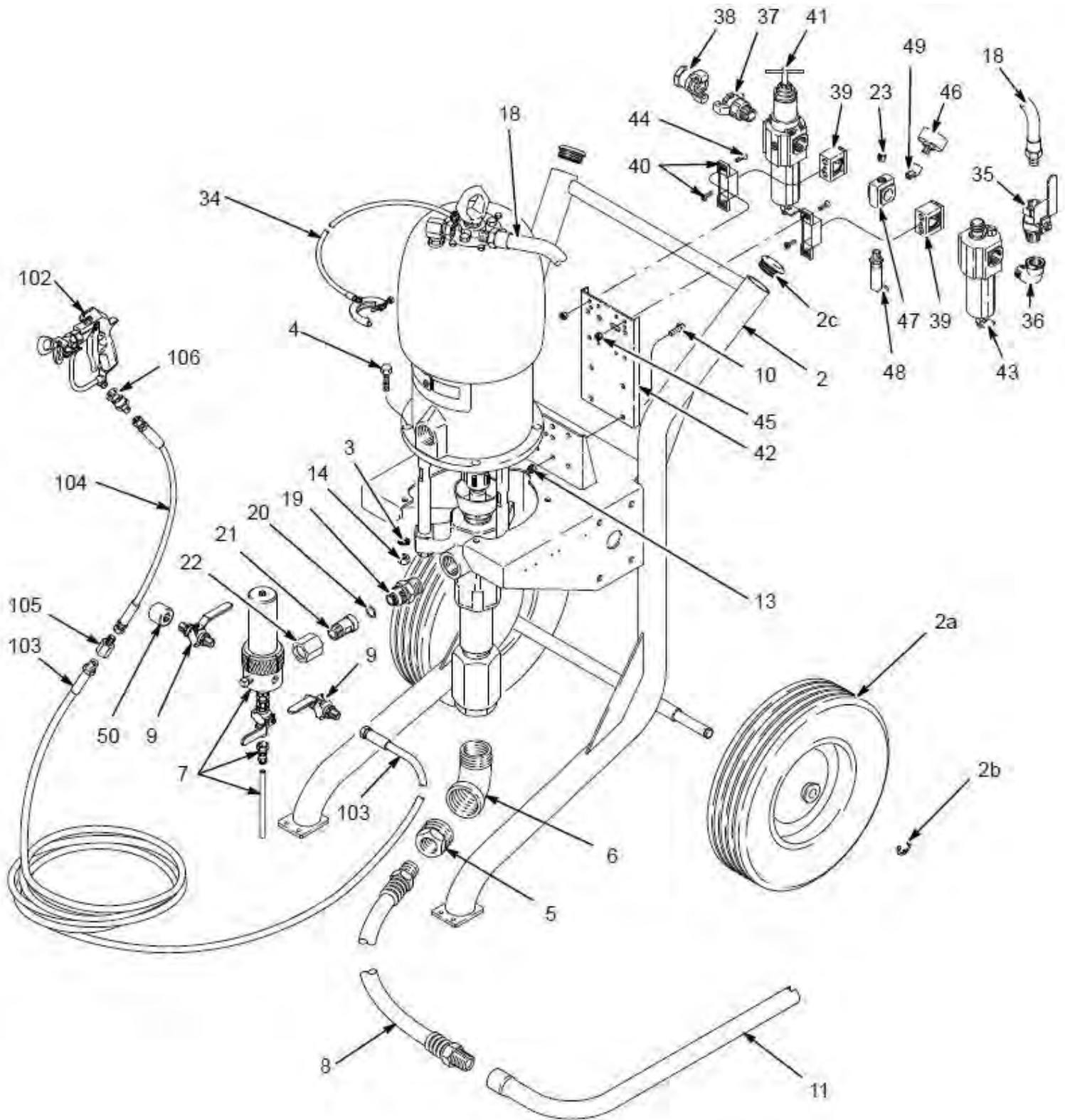
PART NUMBERS AND SCHEMATICS GUIDE

Graco® Bulldog® 33:1 Airless Spray Pump – Cart Mount

Item#	Part#	Description	Item#	Part#	Description
Fig. 1			44	20G113428	1/4-20 x 1" Hex Socket Crew (Quantity of Four)
2	20G238271	Portable Cart (Includes Item #'s: 2a, 2b, and 2c)	45	20G102040	1/4-20 Lock Hex Nut (Quantity of Four)
2a	20G113362	Wheel (Quantity of Two)	46	20G112123	Air Gauge
2b	20G113436	Retaining Ring (Quantity of Two)	47	20G113442	1/4" NPT (F) Air Manifold
2c	20G113361	Cap (Quantity of Two)	48	20G113498	Air Relief Valve, 100 psi
3	20G113427	3/8" External Tooth Lock Washer (Quantity of Four)	49	20G113444	1/4" NPT (M x F) 45° Elbow
4	20G100004	3/8-16 Cap Screw Hex Head (Quantity of Four)	50	20G113562	Valve Cap
5	20G102000	1-1/2" x 1" Bushing Reducer	101	20G238614	Hose and Gun Kit (Includes Item #'s: 102, 103, 104, 105, and 106)
6	20G101552	1-1/2" 90° Street Elbow	102	20G238591	Sliver Plus™ Airless Spray Gun
7	20G238620	High Pressure Fluid Filter (See Fig. 9)	103	20G238396	3/8" x 50' Fluid Hose
8	20G237522	1" x 6' Suction Hose, Nylon	104	2000034	1/4" x 6' Whip Hose
9	20G238612	3/8" Ball Valve (Quantity of Two)	105	20G150287	Reducing Coupling 3/8" to 1/4"
10	20G100057	5/16-18 x 3/4" Hex Head Cap Screw (Quantity of Four)	106	20G189018	1/4" x 1/4" Gun Swivel
11	20G197682	1" Pick Up Tube	—	20G238128	Designation Plate Kit
13	20G111040	5/16" Locknut with Nylon Insert (Quantity of Four)	—	20G206994	Throat Seal Liquid – 8 oz.
14	20G100131	3/8-16 Full Hex Nut (Quantity of Five)	—	20G238590	Air Regulation Kit (Includes Item #'s: 18, 23, 35, 36, 37, 38, 39, 40, 41, 43, 46, 47, and 49)
18	20G238374	3/4" I.D. x 21" Air Hose	—	206M362	Part Numbers and Schematics Guide – Graco® Silver Plus™ Airless Spray Gun
19	20G190413	3/4" x 1-3/8 Carbon Steel Nipple	—	206M612	Part Numbers and Schematics Guide – Graco® Bulldog® 33:1 Airless Spray Pump
20	20G112973	O-Ring – Teflon	—	209V362	Operator's Manual – Graco® Silver Plus™ Airless Spray Gun
21	20G190411	3/4" Carbon Steel Adapter	—	209V612	Operator's Manual – Graco® Bulldog® 33:1 Airless Spray Pump Cart-Mounted
22	20G190412	1-3/8 Carbon Steel Nut			
23	20G100721	1/4" Pipe Plug			
34	20G237569	Ground Wire and Clamp			
35	20G113218	3/4" Bleed Valve			
36	20G100549	3/4" 90° Street Elbow			
37	20G113429	3/4" Male Air Line Coupler			
38	20G113430	3/4" Female Air Line Coupler			
39	20G113431	Air Regulator Clamp (Quantity of Two)			
40	20G113432	Mounting Bracket (Quantity of Two)			
41	20G113494	Air Filter/Regulator			
42	20G191383	Mounting Bracket			
43	20G113435	Air Line Lubricator			

PART NUMBERS AND SCHEMATICS GUIDE

Figure 1: Graco® Bulldog® 33:1 Airless Spray Pump – Cart Mount



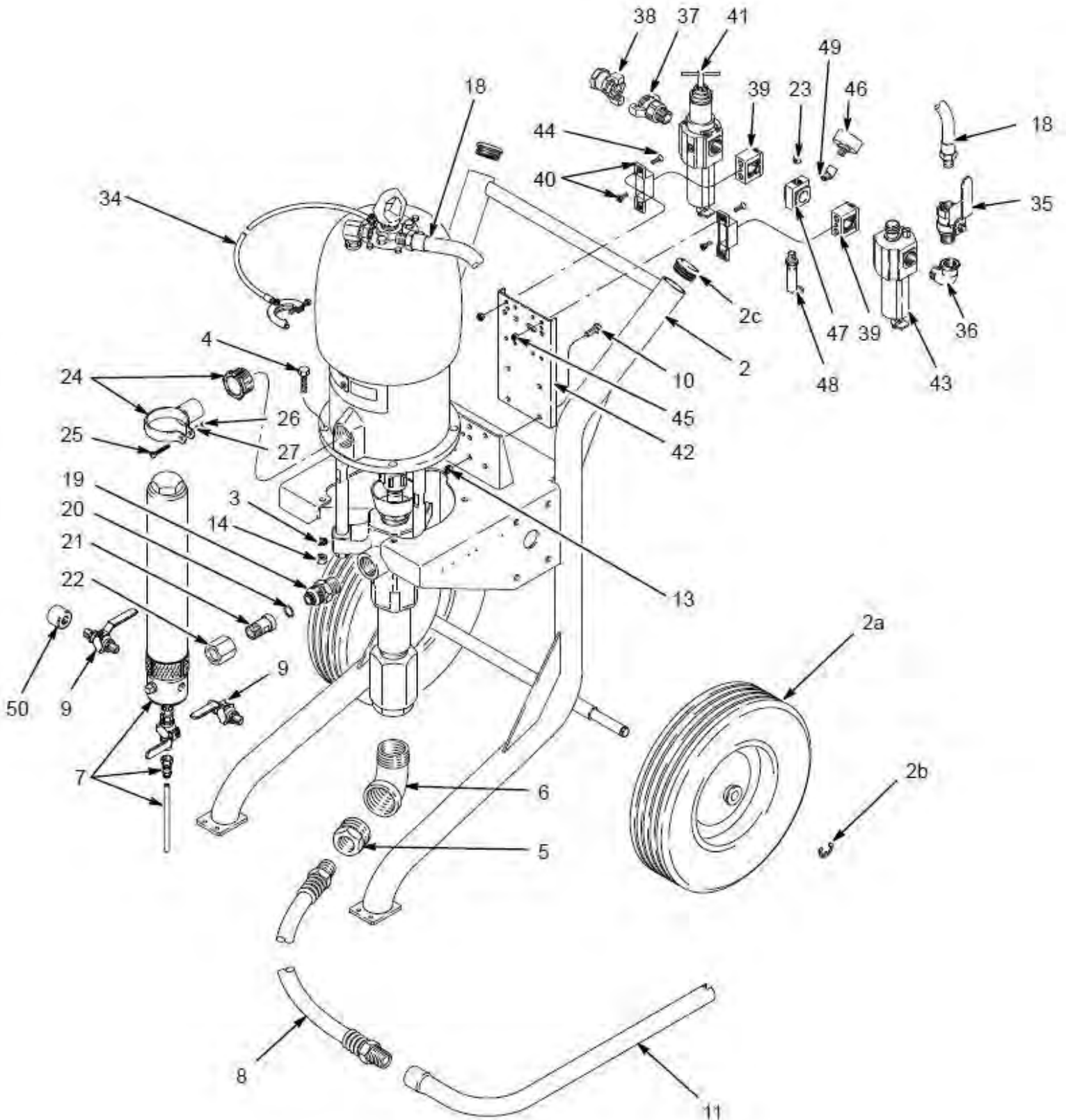
PART NUMBERS AND SCHEMATICS GUIDE

Graco® Bulldog® 33:1 Airless Spray Pump – Cart Mount with High Pressure Surge Tank

Item#	Part#	Description	Item#	Part#	Description
Fig. 2			42	20G191383	Mounting Bracket
2	20G238271	Portable Cart (<i>Includes Item #'s: 2a, 2b, and 2c</i>)	43	20G113435	Air Line Lubricator
2a	20G113362	Wheel (<i>Quantity of Two</i>)	44	20G113428	1/4-20 x 1" Hex Socket Crew (<i>Quantity of Four</i>)
2b	20G113436	Retaining Ring (<i>Quantity of Two</i>)	45	20G102040	1/4-20 Lock Hex Nut (<i>Quantity of Four</i>)
2c	20G113361	Cap (<i>Quantity of Two</i>)	46	20G112123	Air Gauge
3	20G113427	3/8" External Tooth Lock Washer (<i>Quantity of Four</i>)	47	20G113442	1/4" NPT (F) Air Manifold
4	20G100004	3/8-16 Cap Screw Hex Head (<i>Quantity of Four</i>)	48	20G113498	Air Relief Valve, 100 psi
5	20G102000	1-1/2" x 1" Bushing Reducer	49	20G113444	1/4" NPT (M x F) 45° Elbow
6	20G101552	1-1/2" 90° Street Elbow	50	20G113562	Valve Cap
7	20G238623	High Pressure Surge Tank (<i>See Fig. 9</i>)	—	20G206994	Throat Seal Liquid – 8 oz.
8	20G237522	1" x 6' Suction Hose, Nylon	—	20G238590	Air Regulation Kit (<i>Includes Item #'s: 18, 23, 35, 36, 37, 38, 39, 40, 41, 43, 46, 47, and 49</i>)
9	20G238612	3/8" Ball Valve (<i>Quantity of Two</i>)	—	206M612	Part Numbers and Schematics Guide – Graco® Bulldog® 33:1 Airless Spray Pump
10	20G100057	5/16-18 x 3/4" Hex Head Cap Screw (<i>Quantity of Four</i>)	—	209V612	Operator's Manual – Graco® Bulldog® 33:1 Airless Spray Pump Cart-Mounted
11	20G197682	1" Pick Up Tube			
13	20G111040	5/16" Locknut with Nylon Insert (<i>Quantity of Four</i>)			
14	20G100131	3/8-16 Full Hex Nut (<i>Quantity of Five</i>)			
18	20G238374	3/4" I.D. x 21" Air Hose			
19	20G190413	3/4" x 1-3/8 Carbon Steel Nipple			
20	20G112973	O-Ring – Teflon			
21	20G190411	3/4" Carbon Steel Adapter			
22	20G190412	1-3/8 Carbon Steel Nut			
23	20G100721	1/4" Pipe Plug			
24	20G238630	Surge Tank Clamp			
25	20G100902	1/4-20 Round Head Screw			
26	20G100015	1/4-20 Hex Nut			
27	20G100016	1/4" Spring Lockwasher			
34	20G237569	Ground Wire and Clamp			
35	20G113218	3/4" Bleed Valve			
36	20G100549	3/4" 90° Street Elbow			
37	20G113429	3/4" Male Air Line Coupler			
38	20G113430	3/4" Female Air Line Coupler			
39	20G113431	Air Regulator Clamp (<i>Quantity of Two</i>)			
40	20G113432	Mounting Bracket (<i>Quantity of Two</i>)			
41	20G113494	Air Filter/Regulator			
6	Graco® Bulldog® 33:1 Airless Spray Pumps				

PART NUMBERS AND SCHEMATICS GUIDE

Figure 2: Graco® Bulldog® 33:1 Airless Spray Pump – Cart Mount with High Pressure Surge Tank



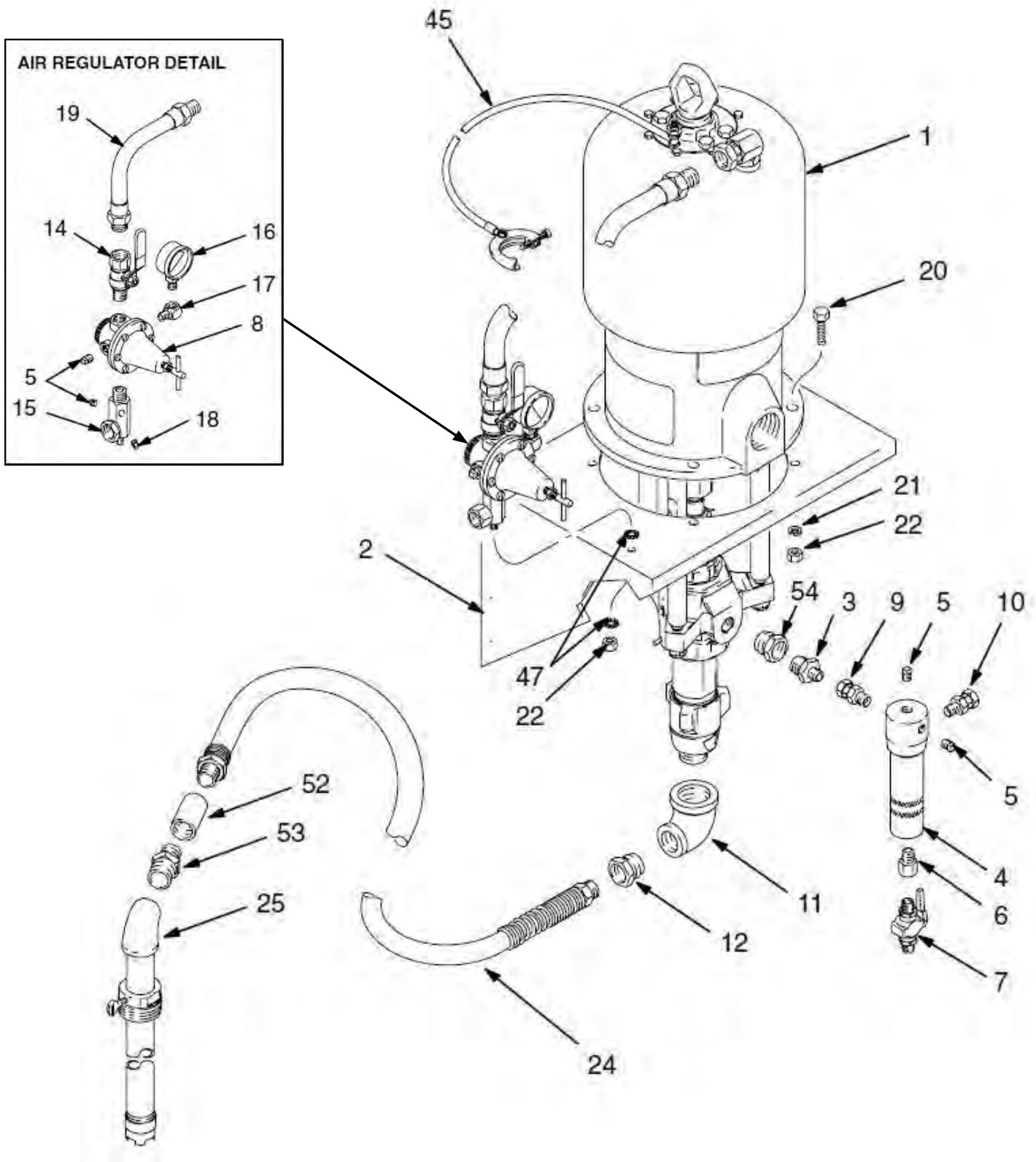
PART NUMBERS AND SCHEMATICS GUIDE

Graco® Bulldog® 33:1 Airless Spray Pump – Wall Mount

Item#	Part#	Description
Fig. 3		
1	20G245117	Graco® Bulldog® 33:1 Pump
2	20G206294	Wall Pump Bracket
3	20G161800	3/4" NPT x 3/8" NPSM Reducing Nipple
4	20G218029	Fluid Filter (See Fig. 10)
5	20G100509	1/4" Square Head – Pipe Plug (Quantity of Four)
6	20G150286	3/8" NPT Pipe Adapter (M x F)
7	20G210658	3/8" x 3/8" Ball Valve
8	20G206197	Air Regulator, 1/2" Inlet & Outlet
9	20G155665	3/8" (M) x 3/8" (F) Union Swivel
10	20G157705	1/4" NPT (M) x 3/8" NPSM (F) Adapter
11	20G116401	90° Street Elbow for Suction Hose
12	20G116402	Quick Connect Adapter
14	20G113269	1/2" NPT (M x F) Vented Ball Valve
15	20G206205	3/4" NPSM (F) Air Manifold
16	20G100960	Air Pressure Gauge, 0-200 psi
17	20G100840	1/4-18 NPT 90° Street Elbow
18	20G100403	1/8" Pipe Plug
19	20G214952	3/4" I.D. x 16" Air Hose
20	20G100101	3/8-16 x 1" Hex Head Cap Screw (Quantity of Four)
21	20G100133	3/8" Spring Lockwasher (Quantity of Four)
22	20G100131	3/8-16 Full Hex Nut (Quantity of Five)
24	20G247301	1" Suction Hose
25	20G206266	3/4" NPT (F) Suction Tube
45	20G237569	Ground Wire
47	20G100322	3/8" Lockwasher (Quantity of Two)
52	20G100474	Pipe Coupling
53	20G158555	1" NPT x 3/4" NPT Hex Nipple
54	20G158586	1" x 3/4" NPT Bushing
—	20G206994	Throat Seal Liquid – 8 oz.
—	206M612	Part Numbers and Schematics Guide – Graco® Bulldog® 33:1 Airless Spray Pump
—	209V580	Operator's Manual – Graco® Bulldog® 33:1 Airless Spray Pump Wall Mount

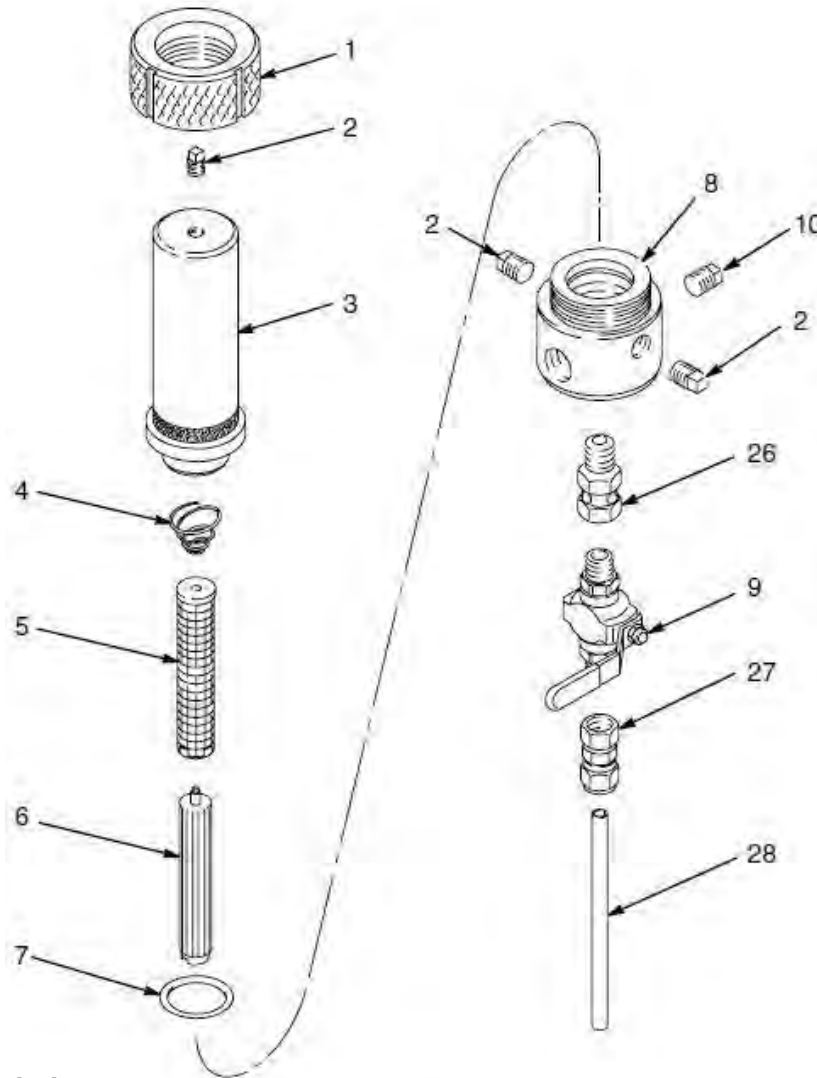
PART NUMBERS AND SCHEMATICS GUIDE

Figure 3: Graco® Bulldog® 33:1 Airless Spray Pump – Wall Mount



PART NUMBERS AND SCHEMATICS GUIDE

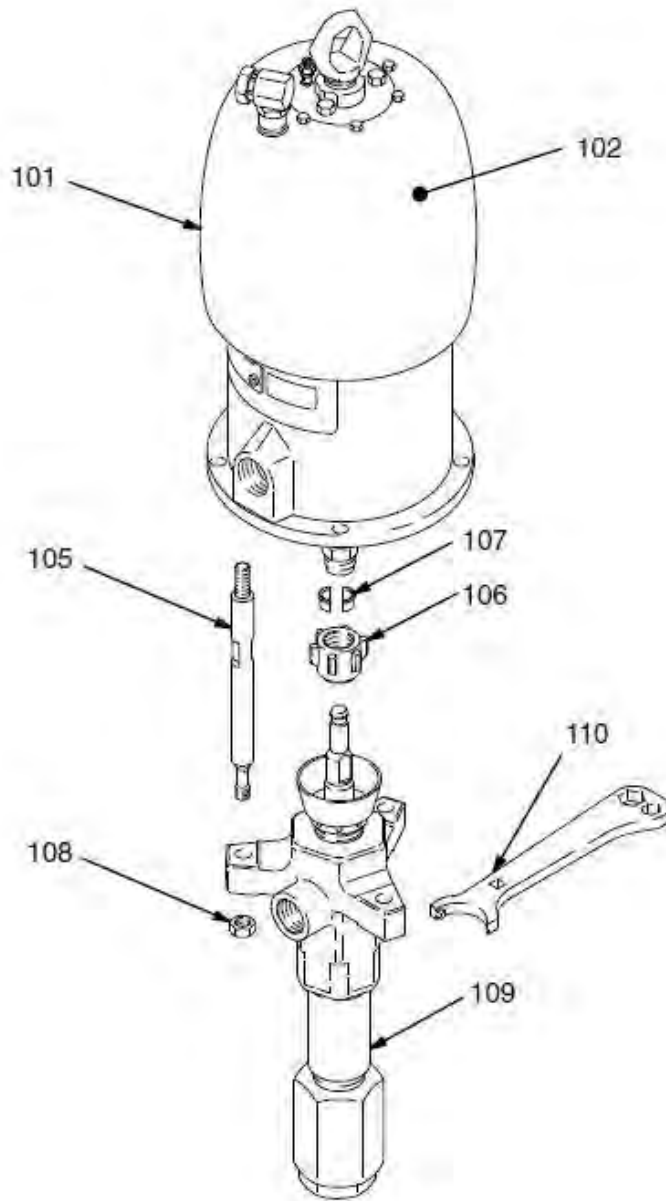
Figure 4: High Pressure Fluid Filter



Item#	Part#	Description
Fig. 4		
—	20G238620	High Pressure Fluid Filter – 60 Mesh
1	20G174058	Lock Ring
2	20G104816	3/8" NPT Pipe Plug (<i>Quantity of Three</i>)
3	20G174056	Filter Bowl, 7,250 psi
4	20G171941	Conical Compression Spring, 7,250 psi
5	20G167025	Strainer, 60 Mesh
6	20G186075	Filter Support
7	20G104804	Packing O-Ring, PTFE
8	20G24C497	Paint Filter Manifold
9	20G223960	3/8" x 3/8" Ball Valve
10	20G104839	1/2" NPT Pipe Plug
26	20G155665	3/8" (M) x 3/8" (F) Union Swivel
27	20G205448	3/8" (F) Swivel Coupling
28	20G186447	Nylon Drain Tube
—	209V583	Operator's Manual – Graco® High Pressure Surge Tanks and Fluid Filters

PART NUMBERS AND SCHEMATICS GUIDE

Figure 5: Graco® Bulldog® 33:1 Pump



Item#	Part#	Description
-------	-------	-------------

Fig. 5

101	20G208356	Bulldog® Air Motor (See Fig. 8)
102	20G176529	Warning Label
105	20G190000	Connecting Rod (Quantity of Three)
106	20G186825	Coupling Nut
107	20G184129	Coupling Collar (Quantity of Two)
108	20G106166	Hex Nut (Quantity of Three)
109	20GL180C1*	Displacement Pump (See Fig. 7)
110	20G112887	Spanner Wrench
—	209V582	Operator's Manual – Graco® Dura-Flo™ 750 Pumps

*Recommended replacement from Graco. Original Displacement Pump no longer available.

PART NUMBERS AND SCHEMATICS GUIDE

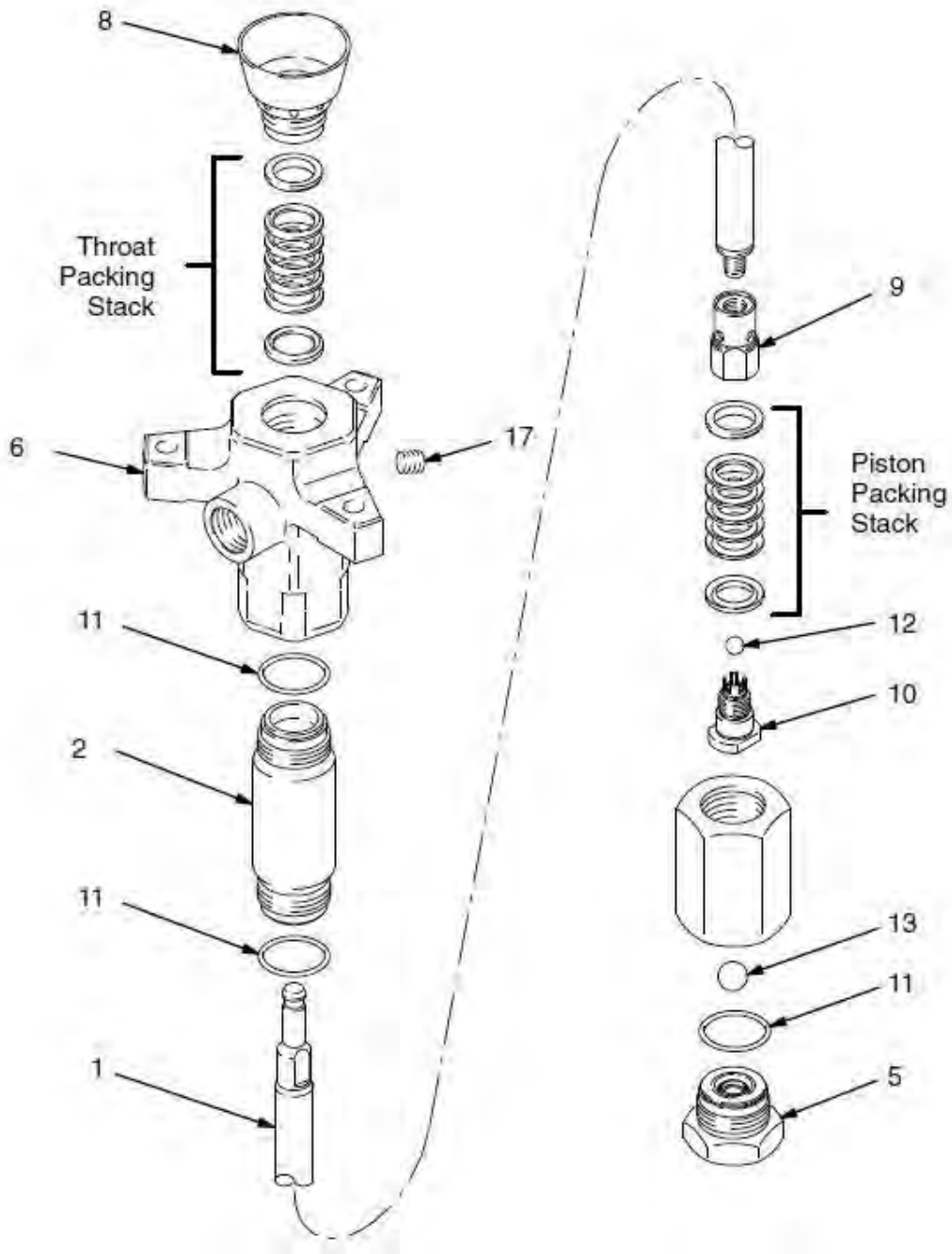
Graco® Bulldog® 33:1 Displacement Pump*

Item#	Part#	Description
Fig. 6		
—	—	Graco® Bulldog® 33:1 Displacement Pump
1	20G189853	Displacement Rod
2	20G189857	Cylinder
3	20G184248	Male Gland, Carbon Steel (<i>Quantity of Two</i>)
4	20G184198	Female Gland, Carbon Steel (<i>Quantity of Two</i>)
5	20G222930	Intake Valve with Tungsten Carbide Seat
6	20G237732	Housing Outlet
8	20G236887	Packing Nut
9	20G190496	Ball Piston Housing
10	20G237790	Housing Seat Piston Valve
11	20G166073	O-Ring, Teflon (<i>Quantity of Three</i>)
12	20G100400	3/4" Piston Ball
13	20G102973	1-1/4" Intake Ball
17	20G101754	Socket Head Pipe Plug
18	20G109303	V-Packing, Teflon (<i>Quantity of Two</i>)
19	20G244870	V-Packing, Leather (<i>Quantity of Ten</i>)
—	20G172477	Warning Tag
—	20G172479	Instruction Tag
—	20G237239	Displacement Pump Repair Kit (<i>Includes Item #'s: 3, 4, 11, 12, 13, 18, and 19</i>)
—	209V582	Operator's Manual – Graco® Dura-Flo™ 750 Pumps

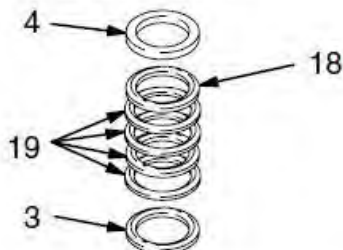
*Original Displacement Pump no longer available as a complete pump. Some repair parts still available. See Page 14 for complete Displacement Pump replacement.

PART NUMBERS AND SCHEMATICS GUIDE

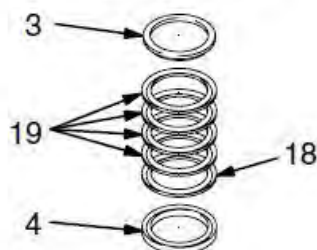
Figure 6: Graco® Bulldog® 33:1 Displacement Pump



**THROAT PACKINGS:
LIPS FACE DOWN**



**PISTON PACKINGS:
LIPS FACE UP**



LUBRICATE PACKINGS

PART NUMBERS AND SCHEMATICS GUIDE

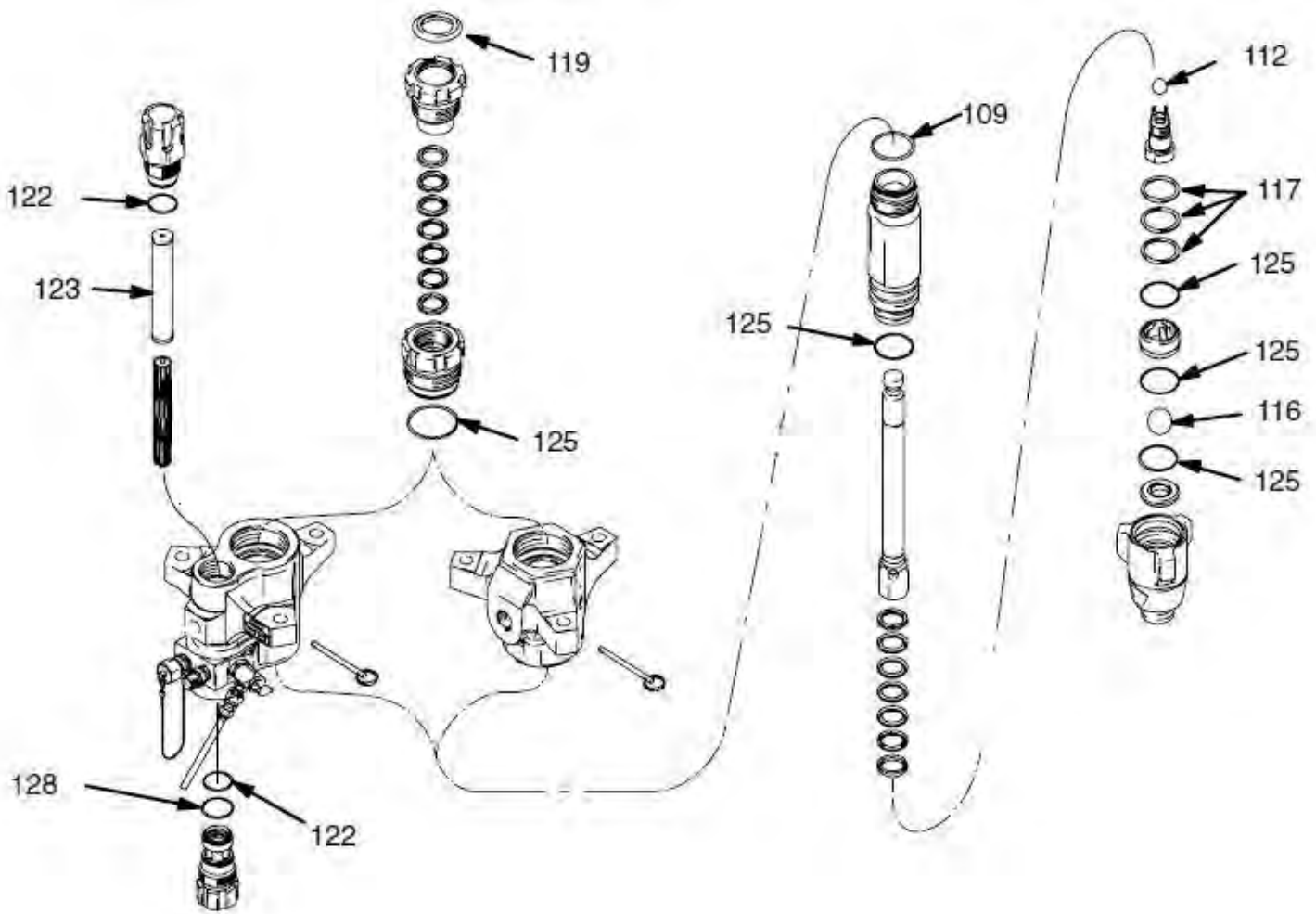
Graco® Xtreme™ 180cc Pump*

Item#	Part#	Description
Fig. 7		
—	20GL180C1	Graco® Xtreme™ 180cc Pump
103	20G244882	Packing Gland Male, Four Pack (<i>Quantity of Two</i>)
104	20G244858	Tuff-Stack™ V-Packing, Ten Pack (<i>Quantity of Ten</i>)
105	20G244870	Leather V-Packing (<i>Quantity of Four</i>)
106	20G244876	Packing Gland Female, Four Pack (<i>Quantity of Two</i>)
109	20G244892	Top Cylinder Packing O-Ring
112	20G253029	Piston Ball, Three Pack
116	20G245128	Inlet Ball, Three Pack
117	20G244855	Inlet Shim, Nine Pack (<i>Quantity of Three</i>)
119	20G244996	1-3/4" Throat Seal Plug, Ten Pack
—	20G247394	2-1/2" Throat Seal Plug, Ten Pack
122	20G24B732	Solvent Resistant O-Ring, Ten Pack (<i>Quantity of Two</i>)
123	20G224459	60 Mesh Screen Strainer, Two Pack
—	20G238438	60 Mesh Screen Strainer, 25 Pack
125	20G244890	O-Ring Packing, Ten Pack (<i>Quantity of Five</i>)
128	20G24B733	O-Ring Packing, Ten Pack
135	20G244864	Xtreme Seal™ V-Packing, Ten Pack (<i>Quantity of Six</i>)
—	20G244901	Tuff-Stack™ Repair Kit (<i>Includes Item #'s: 103, 104, 106, 109, 112, 116, 122, 125, and 128</i>)
—	20G244851	Xtreme Seal™ and Leather Repair Kit (<i>Includes Item #'s: 103, 105, 106, 109, 112, 116, 122, 125, 128, and 135</i>)
—	209V589	Operator's Manual – Graco® Xtreme™ 180cc Pump

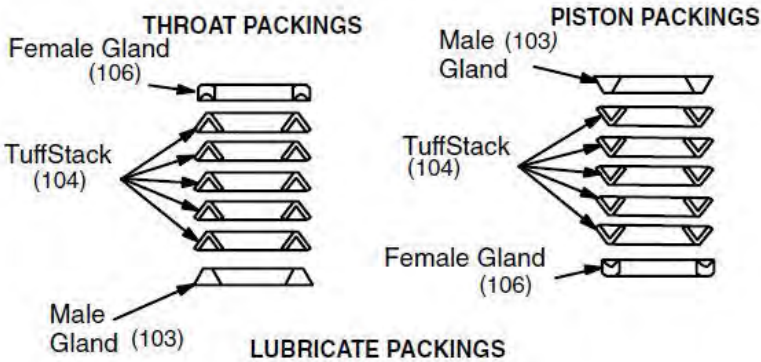
*Recommended replacement from Graco. Original Displacement Pump no longer available.

PART NUMBERS AND SCHEMATICS GUIDE

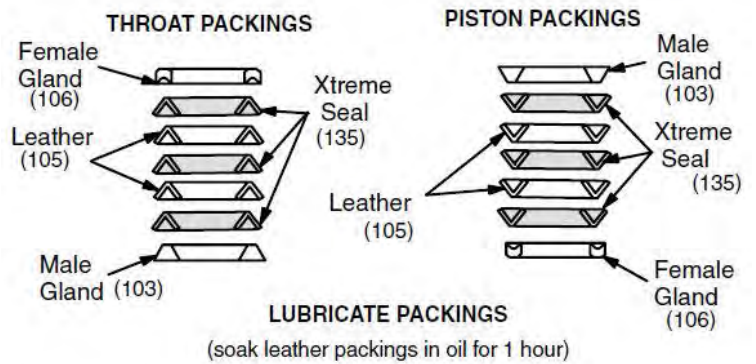
Figure 7: Graco® Xtreme™ 180cc Pump



TuffStack™ Repair Kit 244901



Xtreme Seal™ and Leather Repair Kit 244851



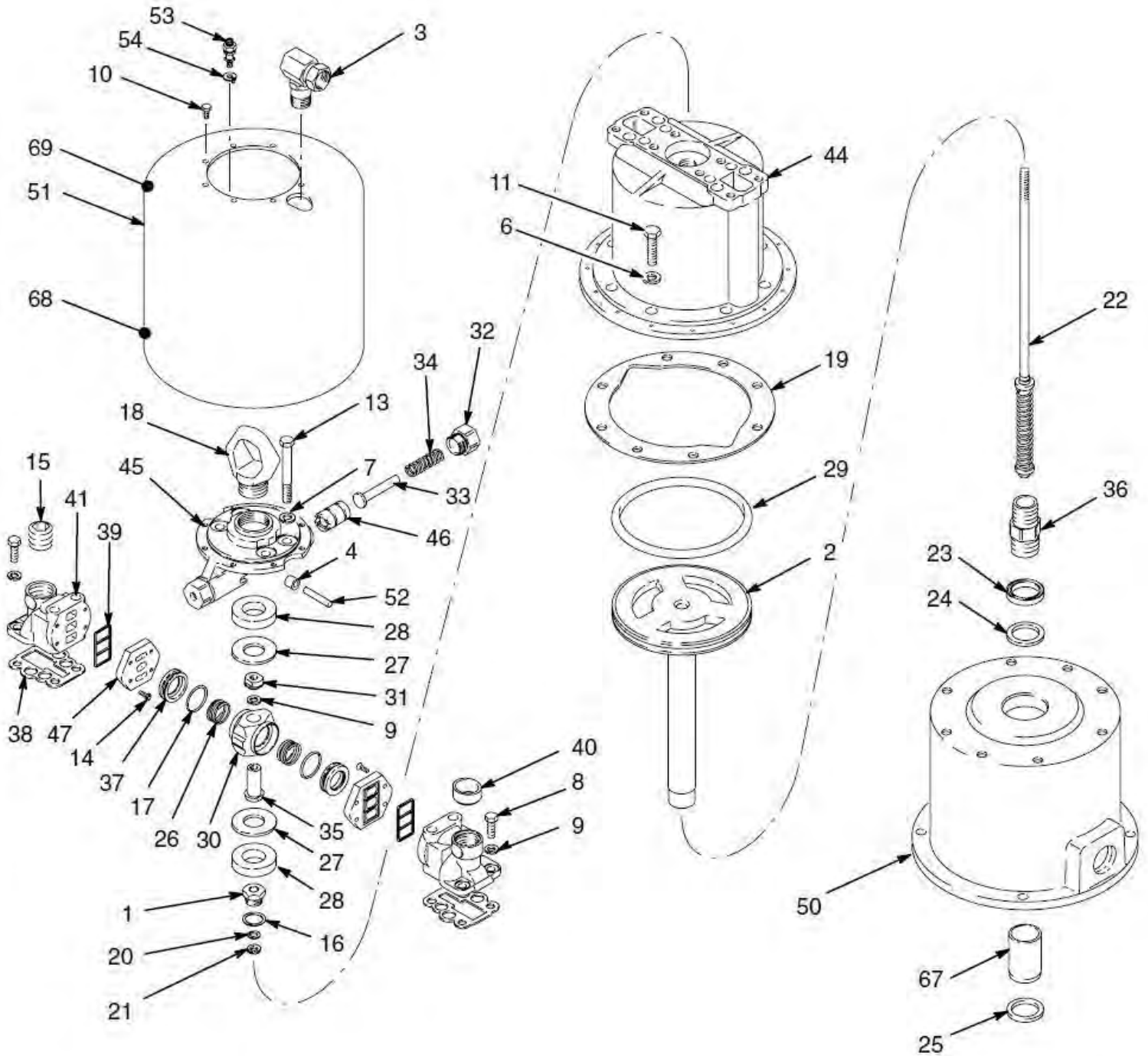
PART NUMBERS AND SCHEMATICS GUIDE

Graco® Bulldog® Air Motor

Item#	Part#	Description	Item#	Part#	Description
Fig. 8			36	20G168180	Connecting Rod Stud
—	20G208356	Graco® Bulldog® Air Motor	37	20G168182	Air Director Valve (<i>Quantity of Two</i>)
1	20G204649	Bearing, Trip Rod	38	20G168183	Air Manifold Gasket (<i>Quantity of Two</i>)
2	20G206710	Piston Assembly	39	20G168184	Seal – Detent Valve Housing (<i>Quantity of Two</i>)
3	20G207648	3/4" x 3/4" Union	40	20G168185	Grommet
4	20G169585	Axle Roller (<i>Quantity of Two</i>)	41	20G168187	Air Manifold (<i>Quantity of Two</i>)
6	20G100018	1/2" Lockwasher (<i>Quantity of Eight</i>)	44	20G169372	Air Motor Cylinder
7	20G100052	7/16" Lockwasher (<i>Quantity of Four</i>)	45	20G177664	Detent Housing
8	20G100101	3/8-16 x 1" Long Screw (<i>Quantity of Four</i>)	46	20G169583	Detent Plunger (<i>Quantity of Two</i>)
9	20G100133	3/8" Lockwasher (<i>Quantity of Five</i>)	47	20G169584	Valve Plate (<i>Quantity of Two</i>)
10	20G113161	1/4-20 x 1/2" Hex Head Flange Screw (<i>Quantity of Eight</i>)	50	20G235995	Air Motor Base (<i>Includes Item #67</i>)
11	20G100424	1/2-13 x 1-1/4" Hex Head Cap Screw (<i>Quantity of Eight</i>)	51	20G169588	Air Motor Shield
13	20G101713	7/16-14 x 3-1/2" Hex Head Cap Screw (<i>Quantity of Four</i>)	52	20G169586	Detent Axle (<i>Quantity of Two</i>)
14	20G101716	10-24 x 1/2" Flat Head Screw (<i>Quantity of Eight</i>)	53	20G104029	Grounding Lug
15	20G102726	1" Pipe Plug	54	20G104582	Tab Washer
16	20G150647	Gasket	67	20G189059	Bearing
17	20G156698	Packing O-Ring (<i>Quantity of Two</i>)	68	20G290331	Warning Label
18	20G180952	Lift Ring	69	20G189991	Warning Label
19	20G161556	Gasket	—	20G206734	Bulldog® Air Motor Repair Kit (<i>Includes Item #'s: 16, 17, 20, 21, 23, 24, 25, 29, and 38</i>)
20	20G161559	Backup Washer	—	209V584	Operator's Manual – Graco® Bulldog® Air Motor
21	20G161560	V-Packing, Polyurethane			
22	20G214852	Trip Rod Assembly			
23	20G161562	V-Packing, Nitrile Rubber			
24	20G161563	Backup Washer			
25	20G161569	Seal – Felt Wiper			
26	20G161575	Compression Spring (<i>Quantity of Two</i>)			
27	20G161576	Flat Washer (<i>Quantity of Two</i>)			
28	20G161577	Rubber Pad (<i>Quantity of Two</i>)			
29	20G161578	O-Ring, Buna-N			
30	20G161585	Air Valve Housing			
31	20G161586	3/8-24 Trip Rod Nut			
32	20G161587	Detent Spring Retainer (<i>Quantity of Two</i>)			
33	20G161588	Spring Guide (<i>Quantity of Two</i>)			
34	20G161589	Compression Spring (<i>Quantity of Two</i>)			
35	20G161590	Valve Housing Hub			

PART NUMBERS AND SCHEMATICS GUIDE

Figure 8: Graco® Bulldog® Air Motor



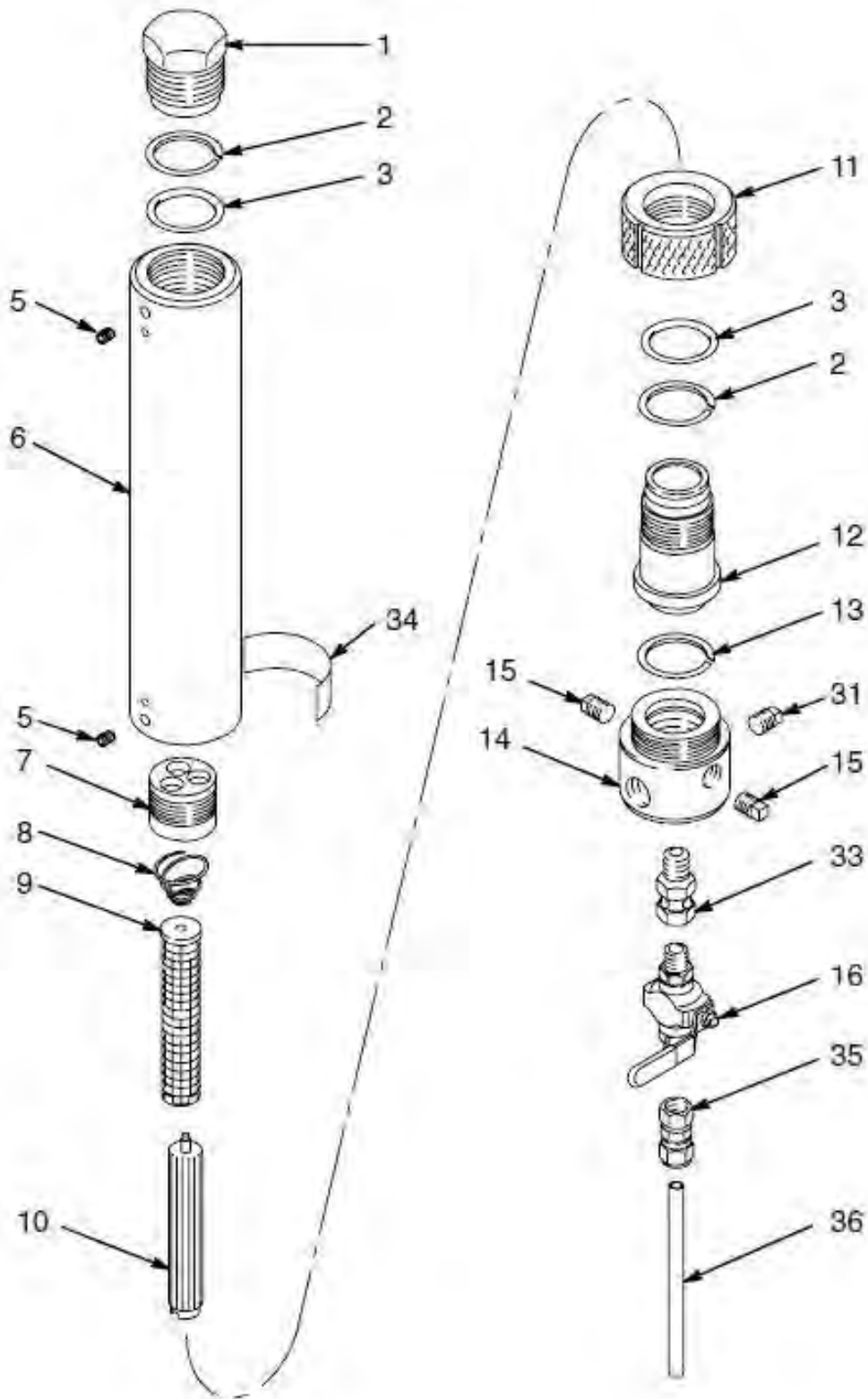
PART NUMBERS AND SCHEMATICS GUIDE

High Pressure Surge Tank

Item#	Part#	Description
Fig. 9		
—	20G238623	High Pressure Surge Tank
1	20G174064	End Plug
2	20G104805	Backup Ring, PTFE (<i>Quantity of Two</i>)
3	20G166612	Packing O-Ring, PTFE (<i>Quantity of Two</i>)
5	20G111463	1/4-20 x 3/8" Setscrew (<i>Quantity of Two</i>)
6	—	Tank (<i>Not Sold Separately</i>)
7	20G174059	Filter Adapter
8	20G171941	Conical Compression Spring (7,250 psi)
9	20G167025	Strainer, 60 Mesh
10	20G186075	Filter Support
11	20G174058	Lock Ring
12	20G174068	Adapter Accumulator
13	20G104804	Packing O-Ring, PTFE
14	20G24C497	Paint Filter Manifold
15	20G104813	3/8" NPT Pipe Plug (<i>Quantity of Two</i>)
16	20G238612	3/8" NPT Ball Valve
31	20G104839	1/2" NPT Pipe Plug
33	20G155665	3/8" (M) x 3/8" (F) Union Swivel
34	20G159579	Warning Label
35	20G205448	3/8" (F) Swivel Coupling
36	20G186447	Nylon Drain Tube
—	209V583	Operator's Manual – Graco® High Pressure Surge Tanks and Fluid Filters

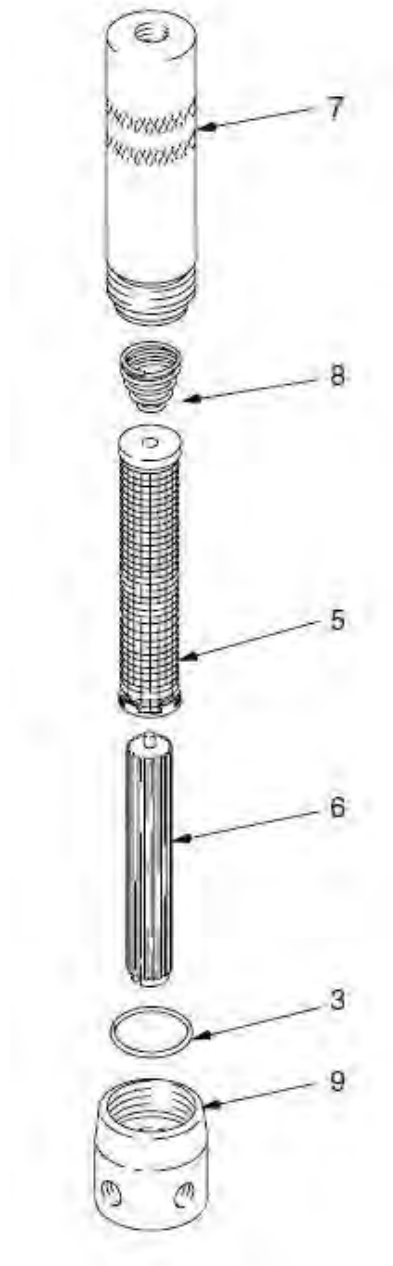
PART NUMBERS AND SCHEMATICS GUIDE

Figure 9: High Pressure Surge Tank







PART NUMBERS AND SCHEMATICS GUIDE




Figure 10: Carbon Steel Fluid Filter



Item#	Part#	Description
Fig. 10		
—	20G218029	Carbon Steel Fluid Filter
3	20G104361	O-Ring, PTFE
5	20G167025	Stainless Steel Screen, 60 Mesh
6	20G186075	Filter Support, 7,250 psi
7	20G24C501	Carbon Steel Filter Bowl
8	20G171941	Stainless Steel Compression Spring
9	20G171942	Carbon Steel Filter Housing
—	209V585	Operator's Manual – Graco® Fluid Outlet Filter

OPTIONAL ACCESSORIES

	Part Numbers	SUCTION HOSE AND TUBES	
		Description	
	20G197682	1" Suction Tube	
	20G245136	55 Gallon Suction Tube Extension Kit (Includes Suction Tube and Couplings)	
	20G237522	1" I.D. x 6' Suction Hose	
	20G247301	1" I.D. x 6' Suction Hose with Couplings	

	Part Numbers	FLUID DRAIN VALVES		
		Inlet	Outlet	Maximum Working Pressure
	20G210657	1/4" NPT	1/4" NPT	5,000 psi
	20G210659	1/4" NPT	3/8" NPT	5,000 psi
	20G210658	3/8" NPT	3/8" NPT	5,000 psi

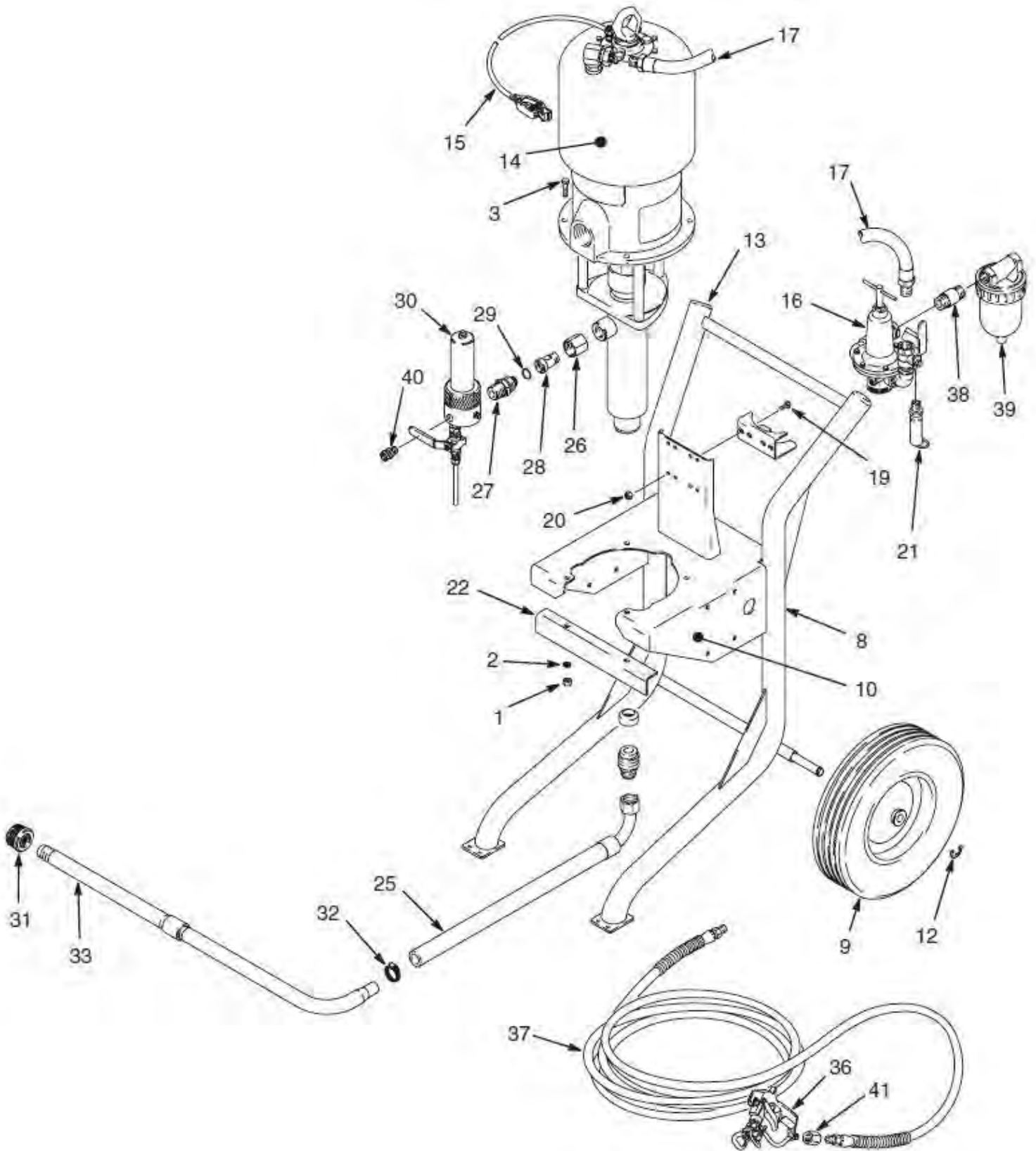
PART NUMBERS AND SCHEMATICS GUIDE

Graco® King® 45:1 Airless Spray Pump – Cart Mount

Item#	Part#	Description
Fig. 1		
1	20G100131	3/8-16 Full Hex Nut (<i>Quantity of Four</i>)
2	20G100133	3/8" Lock Washer (<i>Quantity of Four</i>)
3	20G100004	Cap Screw (<i>Quantity of Four</i>)
8	20G238162	Cart
9	20G113362	Semi-Pneumatic Wheel (<i>Quantity of Two</i>)
10	20G290361	Plate Designation
12	20G113436	Retaining Ring (<i>Quantity of Two</i>)
13	20G113361	Cap (<i>Quantity of Two</i>)
14	20G188953	Identification Label
15	20G238909	Ground Wire and Clamp
16	20G243200	Air Regulator Control System
17	20G238374	3/4" x 21" Coupled Hose
19	20G105328	Hex Head Cap Screw (<i>Quantity of Three</i>)
20	20G113761	Hex Nut (<i>Quantity of Three</i>)
21	20G103347	Air Relief Valve, 100 psi
22	20G191605	Stiffener Bracket
25	20G243201	Suction Hose
26	20G190411	3/4" Carbon Steel Swivel Adapter
27	20G190439	1" x 1-3/8 Carbon Steel Swivel Nipple
28	20G190412	1-3/8 Carbon Steel Swivel Nut
29	20G112973	O-Ring Packing
30	20G238620	High Pressure Fluid Filter (<i>See Fig. 2</i>)
31	20G189920	Fluid Intake Strainer
32	20G101818	Hose Clamp
33	20G241720	Suction Tube
36	20G235463	Silver Plus Gun
37	20G215245	3/8" x 50' Hose, 5000 psi
38	20G100627	3/4" x 3/4" Nipple
39	20G106150	Air Line Filter
40	20G155665	3/8" (M) x 3/8" (F) Union Swivel, 7500 psi
41	20G100083	1/4" x 3/8" Adapter
—	20G104088	Blind Rivet (<i>Quantity of Two</i>)
—	20G206994	Throat Seal Liquid – 8 oz.
—	206M628	Part Numbers and Schematics Guide – Graco® King® 45:1 Airless Spray Pump
—	209V587	Operator's Manual – Graco® King® 45:1 Cart-Mounted Airless Sprayers

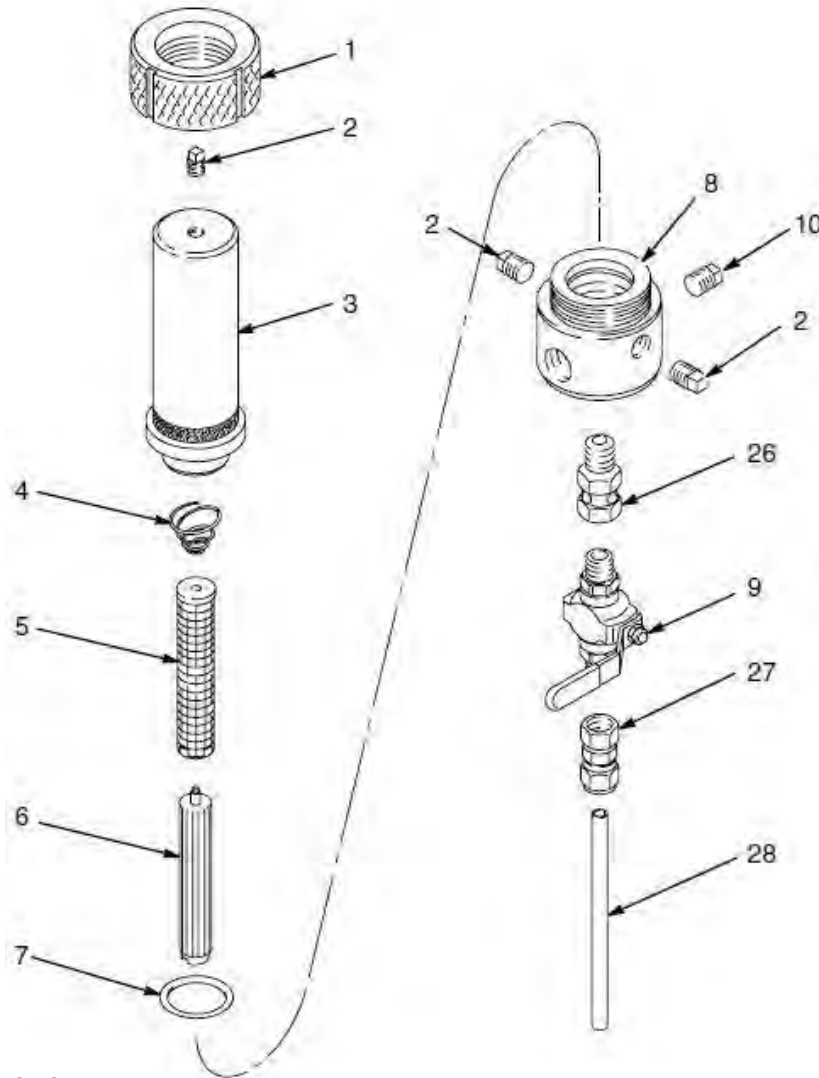
PART NUMBERS AND SCHEMATICS GUIDE

Figure 1: Graco® King® 45:1 Airless Spray Pump – Cart Mount



PART NUMBERS AND SCHEMATICS GUIDE

Figure 2: High Pressure Fluid Filter



Item#	Part#	Description
-------	-------	-------------

Fig. 2

—	20G238620	High Pressure Fluid Filter – 60 Mesh
---	-----------	--------------------------------------

1	20G174058	Lock Ring
---	-----------	-----------

2	20G104816	3/8" NPT Pipe Plug (Quantity of Three)
---	-----------	--

3	20G174056	Filter Bowl, 7250 psi
---	-----------	-----------------------

4	20G171941	Conical Compression Spring, 7250 psi
---	-----------	--------------------------------------

5	20G167025	Strainer, 60 Mesh
---	-----------	-------------------

6	20G186075	Filter Support
---	-----------	----------------

7	20G104804	Packing O-Ring, PTFE
---	-----------	----------------------

8	20G24C497	Paint Filter Manifold
---	-----------	-----------------------

9	20G223960	3/8" x 3/8" Ball Valve
---	-----------	------------------------

10	20G104839	1/2" NPT Pipe Plug
----	-----------	--------------------

26	20G155665	3/8" (M) x 3/8" (F) Union Swivel
----	-----------	----------------------------------

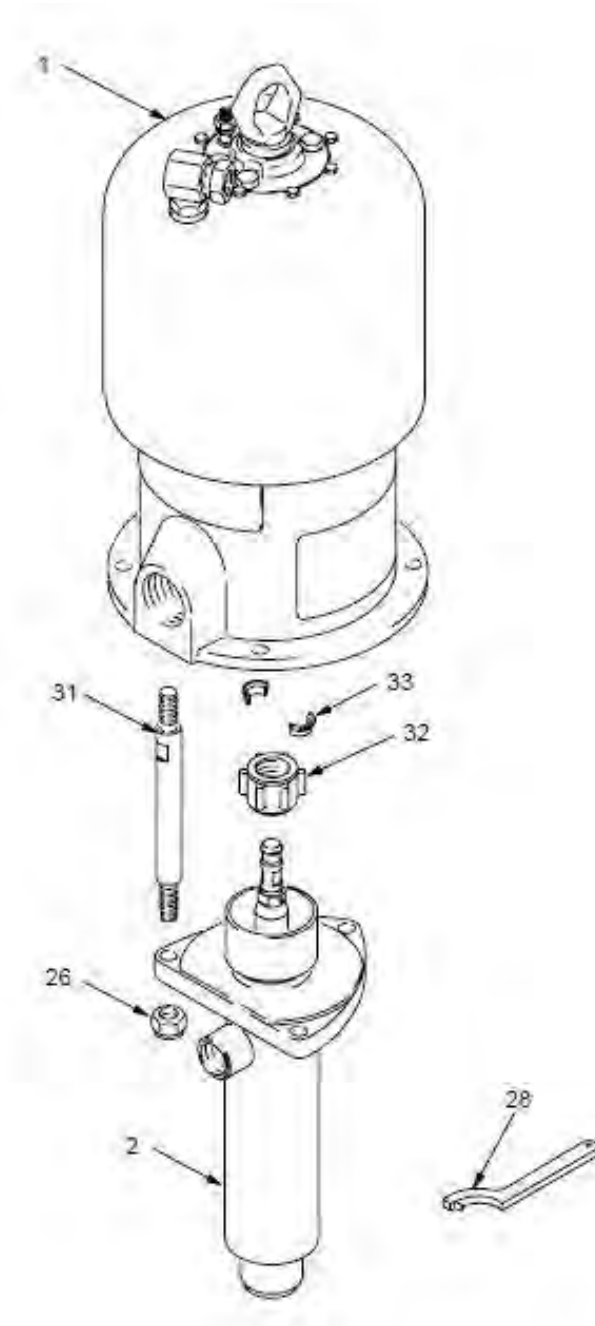
27	20G205448	3/8" (F) Swivel Coupling
----	-----------	--------------------------

28	20G186447	Nylon Drain Tube
----	-----------	------------------

—	209V583	Operator's Manual – Graco® High Pressure Surge Tanks and Fluid Filters
---	---------	--

PART NUMBERS AND SCHEMATICS GUIDE

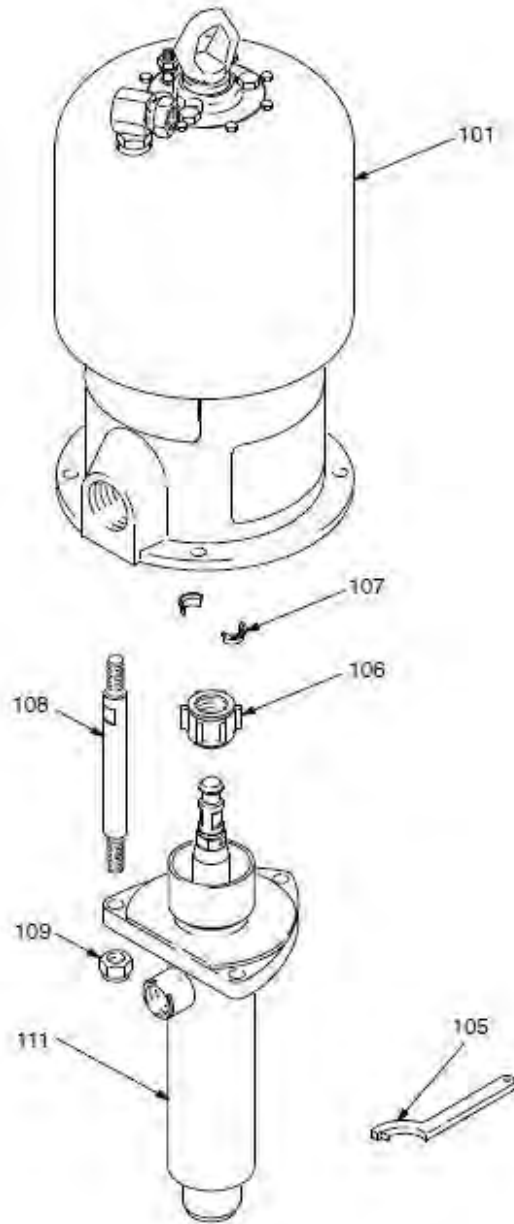
Figure 3: Graco® King® 45:1 Pump



Item#	Part#	Description
Fig. 3		
1	20G245111	Graco® King® Standard Air Motor (See Fig. 8)
2	—	Displacement Pump Assembly (See Fig. 6)
26	20G101712	5/8-11 Lock Nut with Nylon Inserts (Quantity of Three)
28	20G102176	Wrench – Spanner
31	20G167911	7" Rod Tie Shoulder-to-Shoulder (Quantity of Three)
32	20G186925	Coupling Nut
33	20G184129	Coupling
—	209V588	Operator's Manual – Graco® King® 45:1 Pump

PART NUMBERS AND SCHEMATICS GUIDE

Figure 4: Graco® King® 45:1 Stainless Steel Pump with Standard Motor



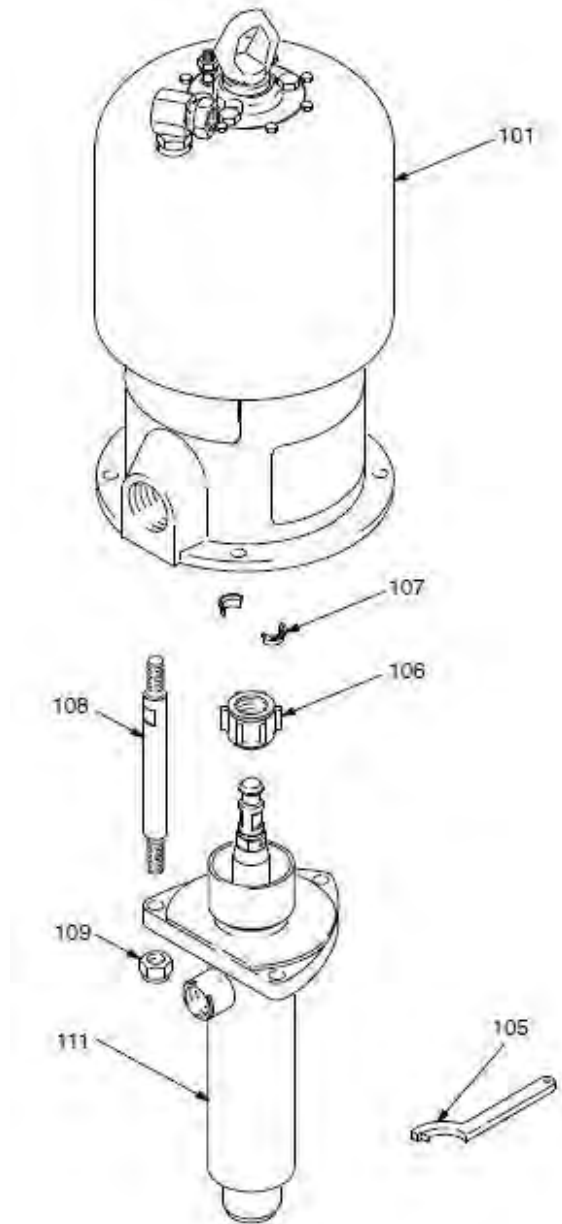
Item#	Part#	Description
-------	-------	-------------

Fig. 4

101	20G245111	Graco® King® Standard Air Motor (See Fig. 8)
105	20G102176	Wrench – Spanner
106	20G186925	Coupling Nut
107	20G184129	Coupling (Quantity of Two)
108	20G167911	7" Rod Tie Shoulder-to-Shoulder (Quantity of Three)
109	20G101712	5/8-11 Lock Nut with Nylon Inserts (Quantity of Three)
111	20G236470	Displacement Pump Assembly (See Fig. 7)
—	20G172447	Warning Label
—	209V590	Operator's Manual – Graco® King® 45:1 Stainless Steel Pumps

PART NUMBERS AND SCHEMATICS GUIDE

Figure 5: Graco® King® 45:1 Stainless Steel Pump with Quiet Motor



Item#	Part#	Description
-------	-------	-------------

Fig. 5

101	20G220106	Graco® King® Standard Quiet Air Motor (See Fig. 9)
105	20G102176	Wrench – Spanner
106	20G186925	Coupling Nut
107	20G184129	Coupling (Quantity of Two)
108	20G167911	7" Rod Tie Shoulder-to-Shoulder (Quantity of Three)
109	20G101712	5/8-11 Lock Nut with Nylon Inserts (Quantity of Three)
111	20G236470	Displacement Pump Assembly (See Fig. 7)
—	20G172447	Warning Label
—	209V590	Operator's Manual – Graco® King® 45:1 Stainless Steel Pumps

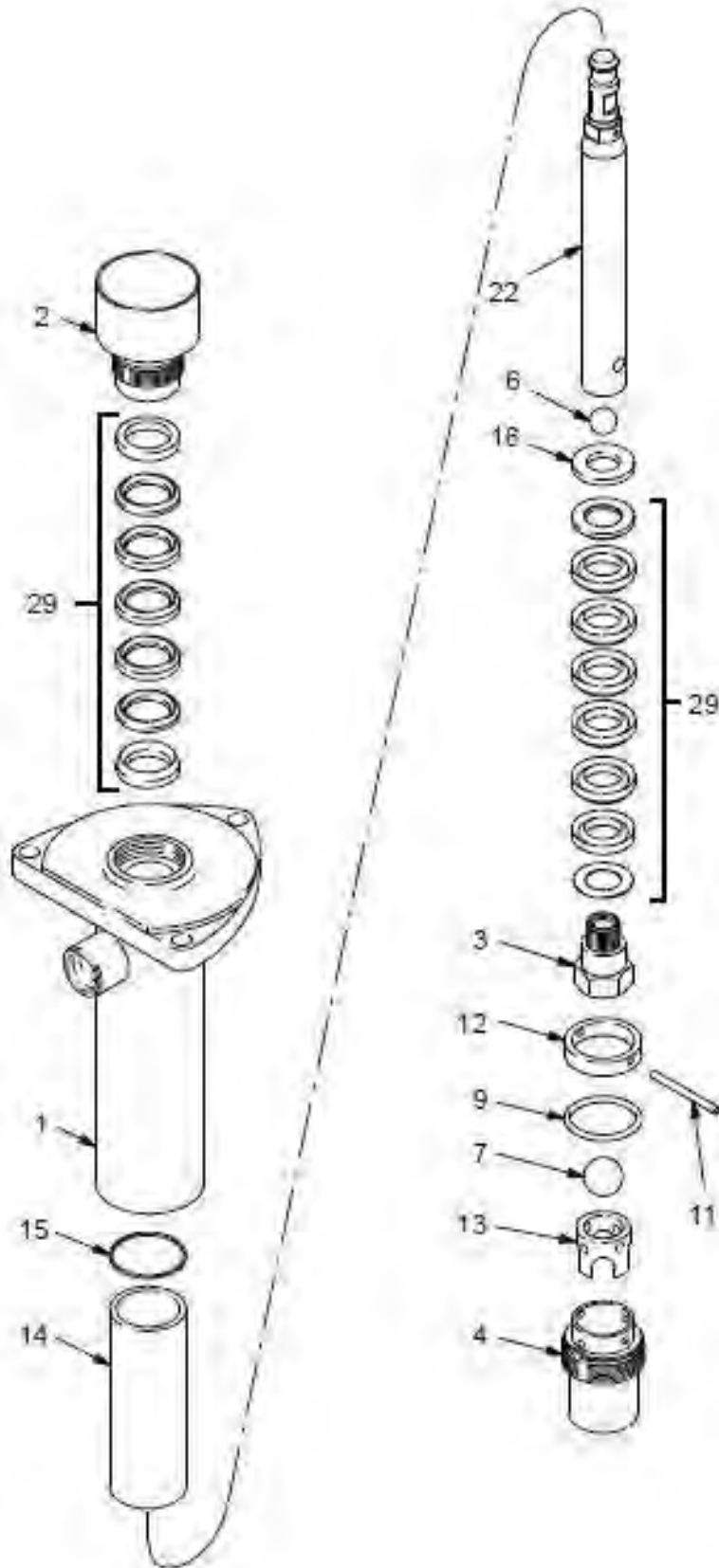
PART NUMBERS AND SCHEMATICS GUIDE

Graco® King® Displacement Pump

Item#	Part#	Description
Fig. 6		
1	20G207470	Pump Housing – Carbon Steel
2	20G207471	Packing Nut/Wet-Cup – Carbon Steel
3	20G207472	Piston – Carbon Steel with Tungsten Carbide Seat
4	20G207473	Intake Valve Housing – Carbon Steel with Tungsten Carbide Seat
6	20G102972	7/8" Stainless Steel Ball
7	20G102973	1-1/4" Intake Ball
9	20G106260	Packing O-Ring – Teflon
11	20G167890	Ball Stop Intake Valve Pin – Carbon Steel
12	20G167891	Retainer – Carbon Steel
13	20G167892	Ball Guide – Carbon Steel
14	20G178894	Sleeve – Stainless Steel
15	20G167894	Gasket – Teflon
16	20G167895	Flat Washer – Carbon Steel
22	20G236278	Displacement Rod – Stainless Steel
29	20G223480	Gland/Packing Stack – Leather with PTFE Backup (<i>Quantity of Two</i>)
—	20G172479	Warning Tag
—	20G224438	Graco® King® Displacement Pump Repair Kit (<i>Includes Item #'s: 6, 7, 9, 15, and 29</i>)
—	209V591	Operator's Manual – Graco® King® Displacement Pump

PART NUMBERS AND SCHEMATICS GUIDE

Figure 6: Graco® King® Displacement Pump



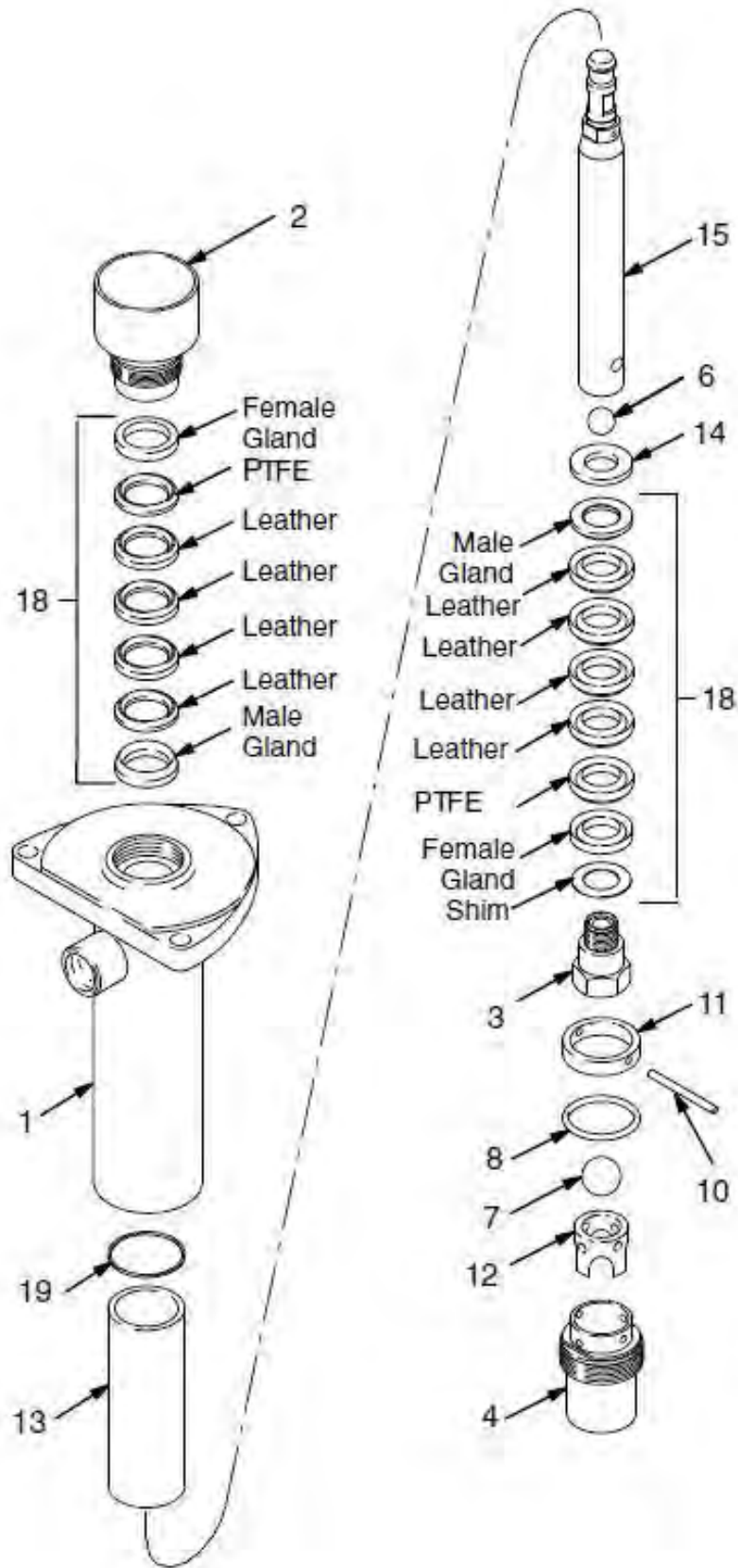
PART NUMBERS AND SCHEMATICS GUIDE

Graco® King® Stainless Steel Displacement Pump

Item#	Part#	Description
Fig. 7		
—	20G236470	Graco® King® Stainless Steel Displacement Pump
1	20G223582	Pump Housing – Stainless Steel
2	20G223583	Packing Nut/Wet-Cup – Stainless Steel
3	20G223560	Piston – Stainless Steel with Tungsten Carbide Seat
4	20G223561	Intake Valve Housing – Stainless Steel with Tungsten Carbide Seat
6	20G109217	7/8" Stainless Steel Ball
7	20G102973	1-1/4" Intake Ball
8	20G106260	Packing O-Ring – Teflon
10	20G186160	Ball Stop Intake Valve Pin – Stainless Steel
11	20G186165	Retainer – Stainless Steel
12	20G186161	Ball Guide – Stainless Steel
13	20G178894	Sleeve – Stainless Steel
14	20G186159	Flat Washer – Stainless Steel
15	20G236278	Displacement Rod – Stainless Steel
18	20G223642	Gland/Packing Stack – Leather with Teflon Backup (<i>Quantity of Two</i>)
19	20G167894	Gasket – Teflon
—	20G172479	Warning Tag
—	20G223643	Graco® King® Stainless Steel Displacement Pump Repair Kit (<i>Includes Item #'s: 6, 7, 8, 18, and 19</i>)
—	209V590	Operator's Manual – Graco® King® 45:1 Stainless Steel Pumps

PART NUMBERS AND SCHEMATICS GUIDE

Figure 7: Graco® King® Stainless Steel Displacement Pump



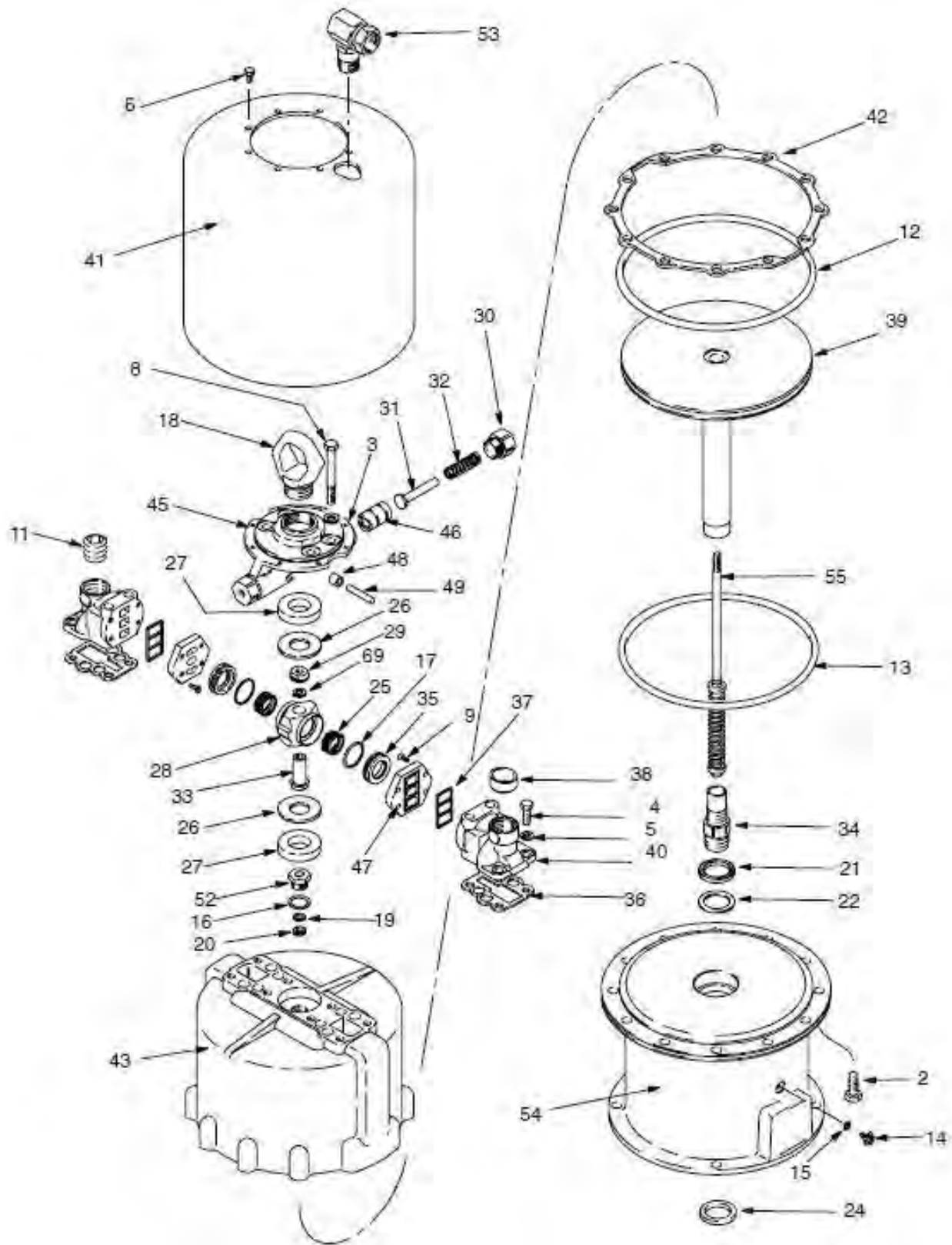
PART NUMBERS AND SCHEMATICS GUIDE

Graco® King® Standard Air Motor

Item#	Part#	Description	Item#	Part#	Description
Fig. 8					
—	20G245111	Graco® King® Standard Air Motor	38	20G168185	Air Inlet Grommet
2	20G100424	1-1/4" Screw (<i>Quantity of 12</i>)	39	20G245114	Air Piston
3	20G100052	7/16" Lock Washer (<i>Quantity of Four</i>)	40	20G168187	Air Manifold (<i>Quantity of Two</i>)
4	20G100101	1" Screw (<i>Quantity of Four</i>)	41	20G168188	Air Motor Shield
5	20G100133	3/8" Lock Washer (<i>Quantity of Four</i>)	42	20G168189	Motor Gasket
6	20G113161	Slot Screw (<i>Quantity of Eight</i>)	43	20G168191	Air Motor Cylinder
8	20G101713	Cap Screw (<i>Quantity of Four</i>)	45	20G177664	Detent Housing
9	20G101713	Screw (<i>Quantity of Eight</i>)	46	20G169583	Roller Plunger (<i>Quantity of Two</i>)
11	20G102726	1" Pipe Plug	47	20G169584	Air Valve Plate (<i>Quantity of Two</i>)
12	20G102727	Packing O-Ring – Nitrile Rubber	48	20G169585	Axle Roller (<i>Quantity of Two</i>)
13	20G102737	Packing O-Ring – Buna-N	49	20G169586	Detent Axle (<i>Quantity of Two</i>)
16	20G150647	Metallic Gasket – Copper	52	20G215933	Trip Rod Bearing
17	20G156698	Packing O-Ring – Buna-N (<i>Quantity of Two</i>)	53	20G207648	3/4" x 3/4" Adapter Union
18	20G180952	Lift Ring	54	20G245115	Base
19	20G161559	Backup Washer	55	20G218597	Trip Rod Assembly
20	20G161560	V-Packing – Polyurethane	69	20G105319	10 mm Lock Washer
21	20G161562	V-Packing – Nitrile Rubber	—	20G290331	Warning Label
22	20G161563	Backup Washer	—	20G189991	Warning Label
24	20G161569	Seal – Felt Wiper	—	20G207730	Graco® King® Standard Air Motor Repair Kit (<i>Includes Item #'s: 12, 17, 19, 20, 21, 22, 24, 36, 37, and 42</i>)
25	20G161575	Compression Spring (<i>Quantity of Two</i>)	—	209V592	Operator's Manual – Graco® King® Air Motor
26	20G161576	Flat Washer			
27	20G161577	Air Motor Bumper (<i>Quantity of Two</i>)			
28	20G161585	Air Valve Housing			
29	20G176569	Trip Rod Nut			
30	20G161587	Spring Retainer (<i>Quantity of Two</i>)			
31	20G161588	Spring Guide (<i>Quantity of Two</i>)			
32	20G161589	Compression Spring (<i>Quantity of Two</i>)			
33	20G176568	Trip Rod Bushing			
34	20G176564	Connecting Rod Stud			
35	20G168182	Air Director Valve (<i>Quantity of Two</i>)			
36	20G168183	Air Manifold Gasket (<i>Quantity of Two</i>)			
37	20G168184	Plate Seal (<i>Quantity of Two</i>)			

PART NUMBERS AND SCHEMATICS GUIDE

Figure 8: Graco® King® Standard Air Motor



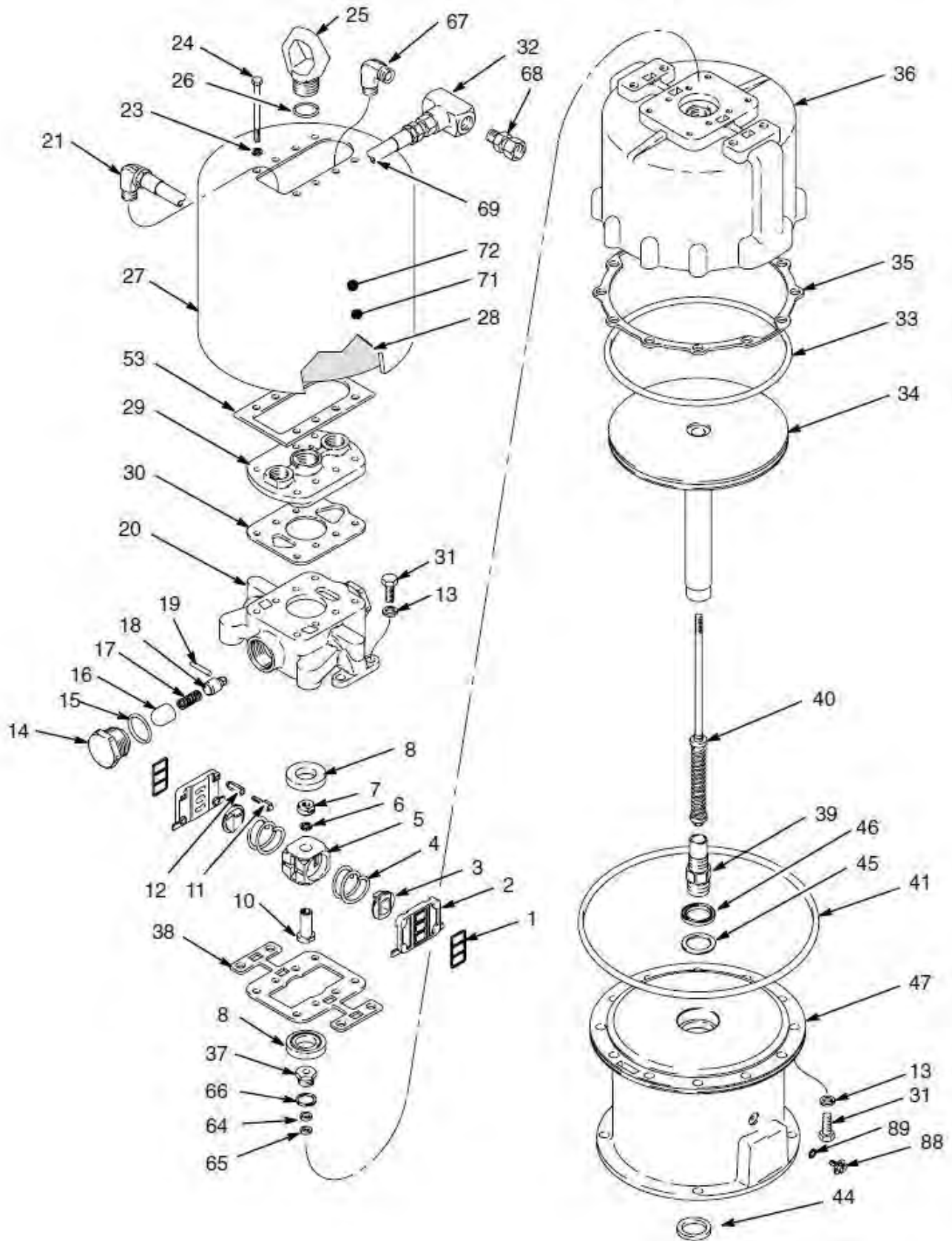
PART NUMBERS AND SCHEMATICS GUIDE

Graco® King® Standard Quiet Air Motor

Item#	Part#	Description	Item#	Part#	Description
Fig. 9					
—	20G220106	Graco® King® Standard Quiet Air Motor	36	20G181297	Cylinder
1	20G168184	Plate Seal (<i>Quantity of Two</i>)	37	20G215933	Trip Rod Bearing
2	20G176536	Valve Plate (<i>Quantity of Two</i>)	38	20G176575	Gasket – Cellulose Fiber
3	20G176518	Director Valve (<i>Quantity of Two</i>)	39	20G176564	Connecting Rod Stud
4	20G176543	Compression Spring (<i>Quantity of Two</i>)	40	20G218597	Trip Rod Assembly
5	20G176519	Air Valve Housing	41	20G102737	Packing O-Ring – Buna-N
6	20G105319	10 mm Lock Washer	44	20G161569	Seal – Felt Wiper
7	20G176569	Trip Rod Nut	45	20G161563	Backup Washer
8	20G176549	Rubber Pad (<i>Quantity of Two</i>)	46	20G161562	V-Packing – Nitrile Rubber
10	20G176568	Trip Rod Bushing	47	20G245115	Base
11	20G176550	Adjusting Screw (<i>Quantity of Four</i>)	53	20G177081	Gasket – Neoprene
12	20G176548	Adjusting Nut (<i>Quantity of Four</i>)	64	20G161559	Backup Washer
13	20G100018	Lock Washer (<i>Quantity of Two</i>)	65	20G161560	V-Packing – Polyurethane
14	20G178428	Toggle Retainer (<i>Quantity of Two</i>)	66	20G150647	Metallic Gasket – Copper
15	20G105318	O-Ring – Nitrile Rubber (<i>Quantity of Two</i>)	67	20G108307	3/4" Pipe Elbow
16	20G178427	Housing Guide (<i>Quantity of Two</i>)	68	20G157785	3/4" x 3/4" Union Swivel
17	20G178429	Compression Spring (<i>Quantity of Two</i>)	69	20G214953	3/4" I.D. Air Hose
18	20G178426	Spring Housing (<i>Quantity of Two</i>)	71	20G290331	Warning Label
19	20G105321	Dowel Pin (<i>Quantity of Two</i>)	72	20G189991	Warning Label
20	20G181322	Air Manifold	88	20G116343	Grounding Clamp
21	20G100549	3/4" Pipe Elbow	89	20G111307	Tab Washer
23	20G104572	8 mm Lock Washer (<i>Quantity of Eight</i>)	—	20G207730	Graco® King® Standard Quiet Air Motor Repair Kit (<i>Includes Item #'s: 1, 15, 30, 33, 35, 38, 44, 45, 46, 64, and 65</i>)
24	20G105322	Cap Screw (<i>Quantity of Eight</i>)	—	209V594	Operator's Manual – Graco® King® Quiet Air Motor
25	20G176537	Lift Ring			
26	20G166221	O-Ring – Nitrile Rubber			
27	20G181276	Shield			
28	20G181308	Insulation (<i>Quantity of Two</i>)			
29	20G181321	Manifold Cap			
30	20G181323	Gasket – Cellulose Fiber			
31	20G105324	Hex Head Cap Screw (<i>Quantity of 16</i>)			
32	20G166466	3/4" (F) Pipe Tee			
33	20G102727	Packing O-Ring – Nitrile Rubber			
34	20G245114	Air Piston			
35	20G168189	Motor Gasket			

PART NUMBERS AND SCHEMATICS GUIDE

Figure 9: Graco® King® Standard Quiet Air Motor



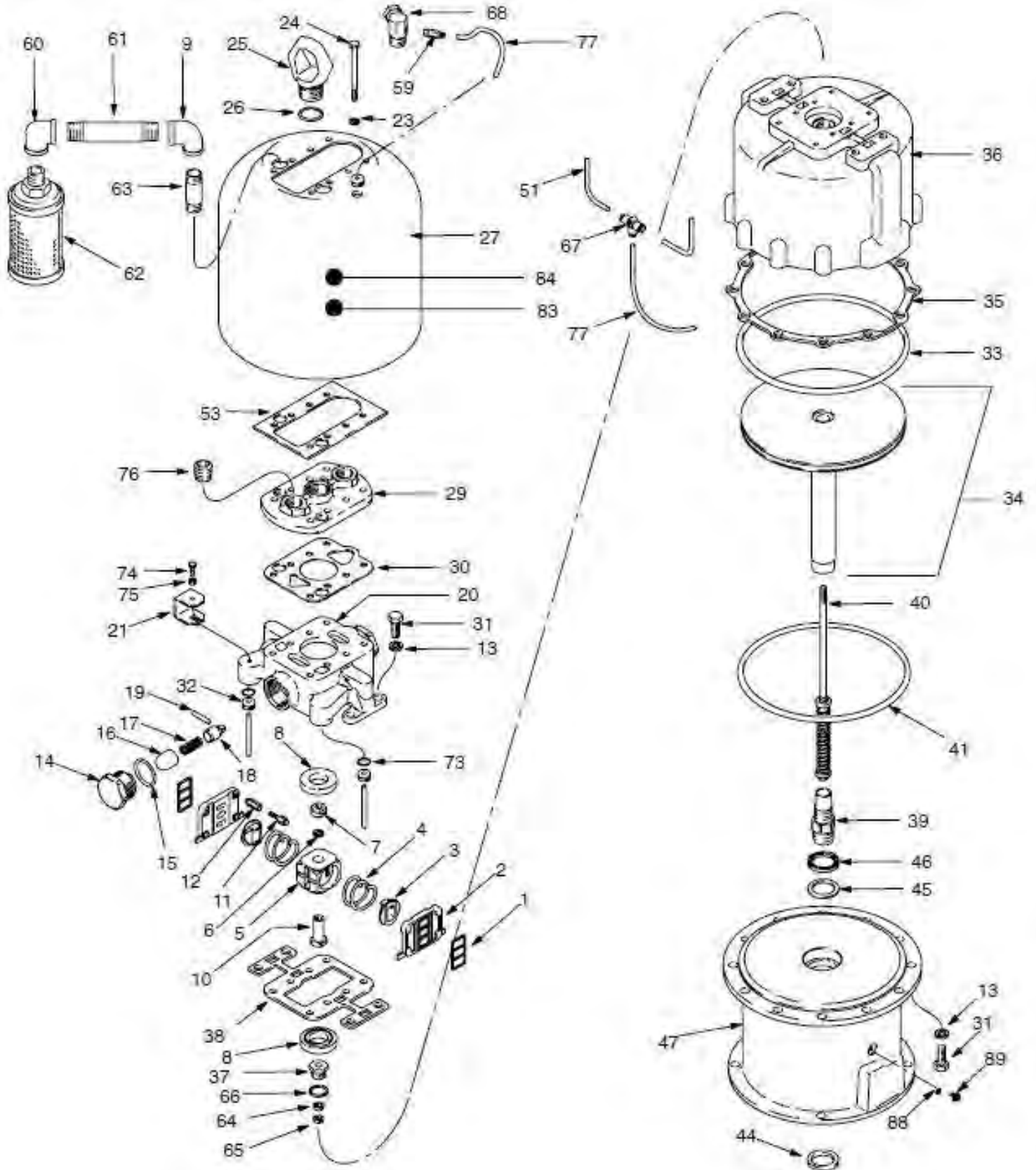
PART NUMBERS AND SCHEMATICS GUIDE

Graco® King® Reduced Icing Quiet Air Motor

Item#	Part#	Description	Item#	Part#	Description
Fig. 10			36	20G181297	Cylinder
—	20G245112	Graco® King® Reduced Icing Quiet Air Motor	37	20G215933	Trip Rod Bearing
1	20G168184	Plate Seal (<i>Quantity of Two</i>)	38	20G176575	Gasket – Cellulose Fiber
2	20G176536	Valve Plate (<i>Quantity of Two</i>)	39	20G176564	Connecting Rod Stud
3	20G176518	Director Valve (<i>Quantity of Two</i>)	40	20G218597	Trip Rod Assembly
4	20G176543	Compression Spring (<i>Quantity of Two</i>)	41	20G102737	Packing O-Ring – Buna-N
5	20G176519	Air Valve Housing	44	20G161569	Seal – Felt Wiper
6	20G105319	10 mm Lock Washer	45	20G161563	Backup Washer
7	20G176569	Trip Rod Nut	46	20G161562	V-Packing – Nitrile Rubber
8	20G176549	Rubber Pad (<i>Quantity of Two</i>)	47	20G245115	Base
9	20G112885	Reducing Elbow (<i>Quantity of Two</i>)	51	20G190009	1/4" x 8" Nylon Tube (<i>Quantity of Two</i>)
10	20G176568	Trip Rod Bushing	53	20G112740	Gasket – Neoprene
11	20G176550	Adjusting Screw (<i>Quantity of Four</i>)	59	20G116691	Connector Tube Fitting
12	20G176548	Adjusting Nut (<i>Quantity of Four</i>)	60	20G116642	90° Pipe Elbow Fitting (<i>Quantity of Two</i>)
13	20G100018	Lock Washer (<i>Quantity of Two</i>)	61	20G116647	1" Pipe Nipple Fitting (<i>Quantity of Two</i>)
14	20G178428	Toggle Retainer (<i>Quantity of Two</i>)	62	20G198311	Reduced Icing Muffler (<i>Quantity of Two</i>)
15	20G105318	O-Ring – Nitrile Rubber (<i>Quantity of Two</i>)	63	20G116662	1/2" Pipe Nipple Fitting (<i>Quantity of Two</i>)
16	20G178427	Housing Guide (<i>Quantity of Two</i>)	64	20G161559	Backup Washer
17	20G178429	Compression Spring (<i>Quantity of Two</i>)	65	20G161560	V-Packing – Polyurethane
18	20G178426	Spring Housing (<i>Quantity of Two</i>)	66	20G150647	Metallic Gasket – Copper
19	20G105321	Dowel Pin (<i>Quantity of Two</i>)	67	20G112739	Union Tee
20	20G181322	Air Manifold	68	20G189986	Air Inlet Fitting
21	20G112735	Bracket (<i>Quantity of Two</i>)	73	20G109018	O-Ring – Nitrile Rubber (<i>Quantity of Two</i>)
23	20G104572	8 mm Lock Washer (<i>Quantity of Eight</i>)	74	20G112117	Hex Head Screw (<i>Quantity of Two</i>)
24	20G105322	Cap Screw (<i>Quantity of Eight</i>)	75	20G105912	Hex Nut (<i>Quantity of Two</i>)
25	20G176537	Lift Ring	76	20G102726	1" Pipe Plug
26	20G166221	O-Ring – Nitrile Rubber	77	20G190010	1/4" x 21" Nylon Tube
27	20G112736	Air Motor Shield	83	20G290331	Warning Label
29	20G189985	Manifold Cap	84	20G189991	Warning Label
30	20G112741	Gasket – Cellulose Fiber	88	20G116343	Grounding Clamp
31	20G105324	Hex Head Cap Screw (<i>Quantity of 16</i>)	89	20G111307	Tab Washer
32	20G112738	Grommet (<i>Quantity of Three</i>)	—	20G207730	Graco® King® Reduced Icing Quiet Air Motor Repair Kit (<i>Includes Item #'s: 1, 15, 30, 33, 35, 38, 44, 45, 46, 64, and 65</i>)
33	20G102727	Packing O-Ring – Nitrile Rubber	—	209V594	Operator's Manual – Graco® King® Quiet Air Motor
34	20G245114	Air Piston			
35	20G168189	Motor Gasket			
18	Graco® King® 45:1 Airless Spray Pump				

PART NUMBERS AND SCHEMATICS GUIDE

Figure 10: Graco® King® Reduced Icing Quiet Air Motor



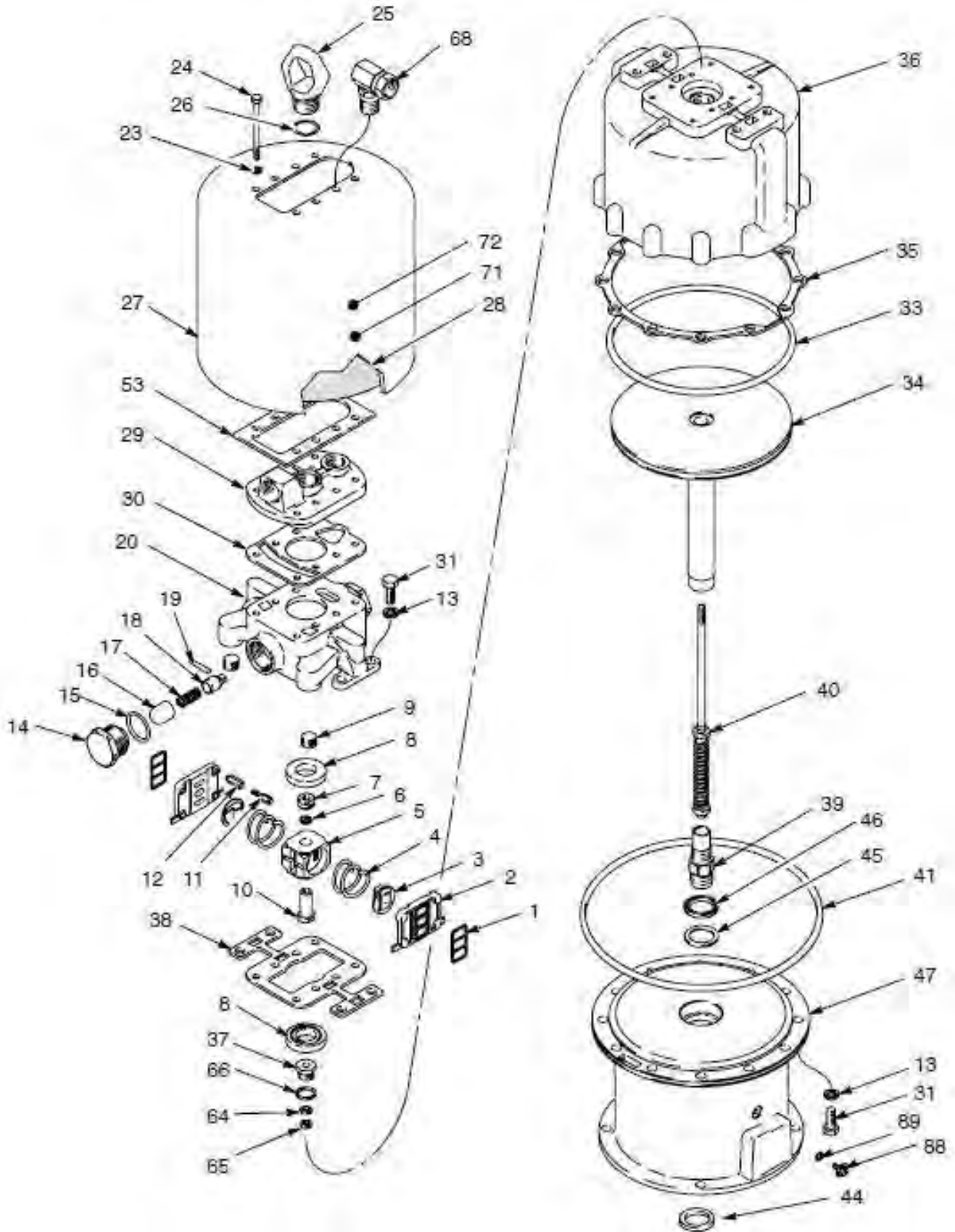
PART NUMBERS AND SCHEMATICS GUIDE

Graco® King® Remote Exhaust Quiet Air Motor





Item#	Part#	Description	Item#	Part#	Description
Fig. 11			37	20G215933	Trip Rod Bearing
—	20G235525	Graco® King® Remote Exhaust Quiet Air Motor	38	20G176575	Gasket – Cellulose Fiber
1	20G168184	Plate Seal (<i>Quantity of Two</i>)	39	20G176564	Connecting Rod Stud
2	20G176536	Valve Plate (<i>Quantity of Two</i>)	40	20G218597	Trip Rod Assembly
3	20G176518	Director Valve (<i>Quantity of Two</i>)	41	20G102737	Packing O-Ring – Buna-N
4	20G176543	Compression Spring (<i>Quantity of Two</i>)	43	20G102725	Pipe Plug
5	20G176519	Air Valve Housing	44	20G161569	Seal – Felt Wiper
6	20G105319	10 mm Lock Washer	45	20G161563	Backup Washer
7	20G176569	Trip Rod Nut	46	20G161562	V-Packing – Nitrile Rubber
8	20G176549	Rubber Pad (<i>Quantity of Two</i>)	47	20G245115	Base
9	20G100361	1/2" Pipe Plug (<i>Quantity of Two</i>)	53	20G177081	Gasket – Neoprene
10	20G176568	Trip Rod Bushing	64	20G161559	Backup Washer
11	20G176550	Adjusting Screw (<i>Quantity of Four</i>)	65	20G161560	V-Packing – Polyurethane
12	20G176548	Adjusting Nut (<i>Quantity of Four</i>)	66	20G150647	Metallic Gasket – Copper
13	20G100018	Lock Washer (<i>Quantity of Two</i>)	68	20G207648	3/4" x 3/4" Adapter Union
14	20G178428	Toggle Retainer (<i>Quantity of Two</i>)	71	20G290331	Warning Label
15	20G105318	O-Ring – Nitrile Rubber (<i>Quantity of Two</i>)	72	20G189991	Warning Label
16	20G178427	Housing Guide (<i>Quantity of Two</i>)	88	20G116343	Grounding Clamp
17	20G178429	Compression Spring (<i>Quantity of Two</i>)	89	20G111307	Tab Washer
18	20G178426	Spring Housing (<i>Quantity of Two</i>)	—	20G207730	Graco® King® Remote Exhaust Quiet Air Motor Repair Kit (<i>Includes Item #'s: 1, 15, 30, 33, 35, 38, 44, 45, 46, 64, and 65</i>)
19	20G105321	Dowel Pin (<i>Quantity of Two</i>)	—	209V594	Operator's Manual – Graco® King® Quiet Air Motor
20	20G176540	Air Manifold			
23	20G104572	8 mm Lock Washer (<i>Quantity of Eight</i>)			
24	20G105322	Cap Screw (<i>Quantity of Eight</i>)			
25	20G176537	Lift Ring			
26	20G166221	O-Ring – Nitrile Rubber			
27	20G181276	Shield			
28	20G181308	Insulation (<i>Quantity of Two</i>)			
29	20G176539	Manifold Cap			
30	20G176580	Gasket – Cellulose Fiber			
31	20G105324	Hex Head Cap Screw (<i>Quantity of 16</i>)			
33	20G102727	Packing O-Ring – Nitrile Rubber			
34	20G245114	Air Piston			
35	20G168189	Motor Gasket			
36	20G181297	Cylinder			
20	Graco® King® 45:1 Airless Spray Pump				




PART NUMBERS AND SCHEMATICS GUIDE

Figure 11: Graco® King® Remote Exhaust Quiet Air Motor



OPTIONAL ACCESSORIES

	Part Numbers	SUCTION HOSE AND TUBES	
		Description	
	20G197682	1" Suction Tube	
	20G245136	55 Gallon Suction Tube Extension Kit (Includes Suction Tube and Couplings)	
	20G237522	1" I.D. x 6' Suction Hose	
	20G247301	1" I.D. x 6' Suction Hose with Couplings	

	Part Numbers	FLUID DRAIN VALVES		
		Inlet	Outlet	Maximum Working Pressure
	20G210657	1/4" NPT	1/4" NPT	5,000 psi
	20G210659	1/4" NPT	3/8" NPT	5,000 psi
	20G210658	3/8" NPT	3/8" NPT	5,000 psi

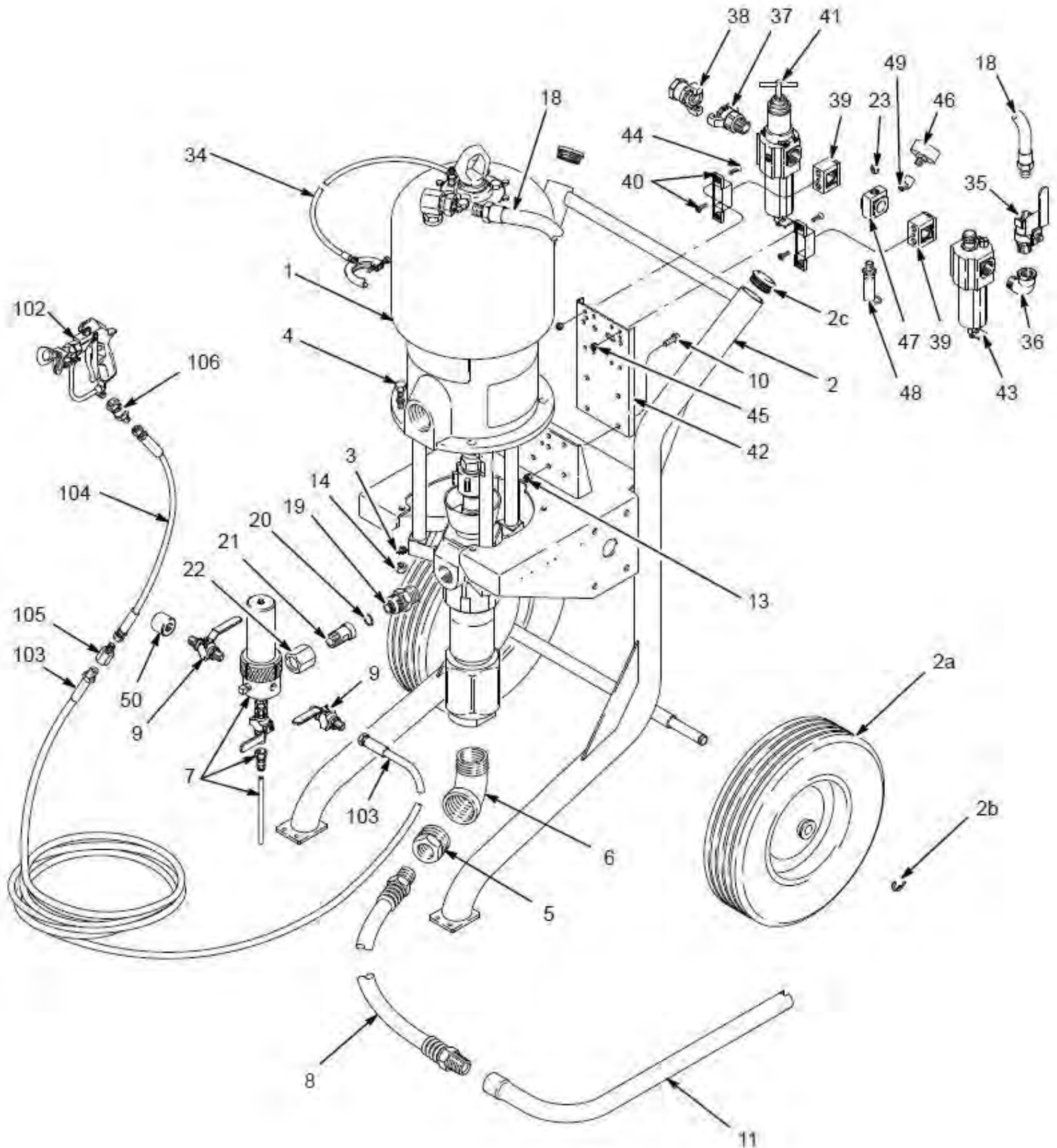
PART NUMBERS AND SCHEMATICS GUIDE

Graco® King® 56:1 Airless Spray Pump – Cart Mount with High Pressure Fluid Filter

Item#	Part#	Description	Item#	Part#	Description
Fig. 1			45	20G102040	Hex Lock Nut (<i>Quantity of Four</i>)
1	20G236475	Graco® King® 56:1 Pump (<i>See Fig. 5</i>)	46	20G112123	Air Gauge
2	20G238271	Portable Cart (<i>Includes Item #'s: 2a-2c</i>)	47	20G113442	1/4" Air Manifold
2a	20G113362	Wheel (<i>Quantity of Two</i>)	48	20G103347	Air Relief Valve, 100 psi
2b	20G113436	Retaining Ring (<i>Quantity of Two</i>)	49	20G113444	1/4" 45° Elbow
2c	20G113361	Cap (<i>Quantity of Two</i>)	50	20G113562	Valve Cap
3	20G113427	3/8" External Tooth Lock Washer (<i>Quantity of Four</i>)	101	20G238614	Silver Gun Hose Kit (<i>Includes Item #'s: 102-106</i>)
4	20G100004	Cap Screw (<i>Quantity of Four</i>)	102	20G238591	Silver Plus Gun
5	20G112839	2" (M) x 1" (F) Reducer Bushing	103	20G238396	3/8" x 50' Fluid Hose
6	20G100088	2" x 2" 90° Street Elbow	104	20GH52506	1/4" x 6' Whip Hose
7	20G238620	High Pressure Fluid Filter (<i>See Fig. 4</i>)	105	20G150287	1/4" (M) x 3/8" (F) Coupling
8	20G237522	1" I.D. x 6' Suction Hose	106	20G189018	1/4" x 1/4" Gun Swivel
9	20G238612	3/8" Ball Valve (<i>Quantity of Two</i>)	—	20G206994	Throat Seal Liquid – 8 oz.
10	20G100057	3/4" Cap Screw (<i>Quantity of Four</i>)	—	20G238131	Designation Plate Kit
11	20G197682	1" Pick Up Tube	—	20G238590	Air Regulation Kit (<i>Includes Item #'s: 23, 35, 36, 37, 38, 39, 40, 41, 43, 46, 47, and 49</i>)
13	20G111040	5/16" Lock Nut (<i>Quantity of Four</i>)	—	209V597	Operator's Manual – Graco® King® 56:1 Cart-Mounted Airless Package
14	20G100131	3/8-16 Full Hex Nut (<i>Quantity of Four</i>)			
18	20G238374	3/4" x 21" Coupled Hose			
19	20G190439	1" x 1-3/8 Carbon Steel Swivel Nipple			
20	20G112973	O-Ring Packing			
21	20G190411	3/4" Carbon Steel Swivel Adapter			
22	20G190412	1-3/8 Carbon Steel Swivel Nut			
23	20G100721	1/4" Pipe Plug			
34	20G237569	Ground Wire and Clamp			
35	20G113218	3/4" Ball Valve Vented			
36	20G100549	3/4" Pipe Elbow			
37	20G113429	3/4" (M) Air Line Coupler			
38	20G113430	3/4" (F) Air Line Coupler			
39	20G113431	Air Regulator Clamp (<i>Quantity of Two</i>)			
40	20G113432	Mounting Bracket (<i>Quantity of Two</i>)			
41	20G113494	Air Filter/Regulator			
42	20G191383	Mounting Bracket			
43	20G113435	Air Line Lubricator			
44	20G113428	Hex Socket Screw (<i>Quantity of Four</i>)			
4	Graco® King® 56:1 Airless Spray Pump				

PART NUMBERS AND SCHEMATICS GUIDE

Figure 1: Graco® King® 56:1 Airless Spray Pump – Cart Mount with High Pressure Fluid Filter



PART NUMBERS AND SCHEMATICS GUIDE

Graco® King® 56:1 Airless Spray Pump – Cart Mount with High Pressure Surge Tank

Item#	Part#	Description	Item#	Part#	Description
Fig. 2			41	20G113494	Air Filter/Regulator
1	20G236475	Graco® King® 56:1 Pump (See Fig. 5)	42	20G191383	Mounting Bracket
2	20G238271	Portable Cart (Includes Item #'s: 2a-2c)	43	20G113435	Air Line Lubricator
2a	20G113362	Wheel (Quantity of Two)	44	20G113428	Hex Socket Screw (Quantity of Four)
2b	20G113436	Retaining Ring (Quantity of Two)	45	20G102040	Hex Lock Nut (Quantity of Four)
2c	20G113361	Cap (Quantity of Two)	46	20G112123	Air Gauge
3	20G113427	3/8" External Tooth Lock Washer (Quantity of Four)	47	20G113442	1/4" Air Manifold
4	20G100004	Cap Screw (Quantity of Four)	48	20G103347	Air Relief Valve, 100 psi
5	20G112839	2" (M) x 1" (F) Reducer Bushing	49	20G113444	1/4" 45° Elbow
6	20G100088	2" x 2" 90° Street Elbow	50	20G113562	Valve Cap
7	20G238623	High Pressure Surge Tank (See Fig. 3)	—	20G206994	Throat Seal Liquid – 8 oz.
8	20G237522	1" I.D. x 6' Suction Hose	—	20G238131	Designation Plate Kit
9	20G238612	3/8" Ball Valve (Quantity of Two)	—	20G238590	Air Regulation Kit (Includes Item #'s: 23, 35, 36, 37, 38, 39, 40, 41, 43, 46, 47, and 49)
10	20G100057	3/4" Cap Screw (Quantity of Four)	—	209V597	Operator's Manual – Graco® King® 56:1 Cart-Mounted Airless Package
11	20G197682	1" Pick Up Tube			
13	20G111040	5/16" Lock Nut (Quantity of Four)			
14	20G100131	3/8-16 Full Hex Nut (Quantity of Four)			
18	20G238374	3/4" x 21" Coupled Hose			
19	20G190439	1" x 1-3/8 Carbon Steel Swivel Nipple			
20	20G112973	O-Ring Packing			
21	20G190411	3/4" Carbon Steel Swivel Adapter			
22	20G190412	1-3/8 Carbon Steel Swivel Nut			
23	20G100721	1/4" Pipe Plug			
24	20G238630	Surge Tank Clamp			
25	20G100902	Round Head Machine Screw			
26	20G100015	1/4-20 Hex Nut			
27	20G100016	1/4" Spring Lock Washer			
34	20G237569	Ground Wire and Clamp			
35	20G113218	3/4" Ball Valve Vented			
36	20G100549	3/4" Pipe Elbow			
37	20G113429	3/4" (M) Air Line Coupler			
38	20G113430	3/4" (F) Air Line Coupler			
39	20G113431	Air Regulator Clamp (Quantity of Two)			
40	20G113432	Mounting Bracket (Quantity of Two)			

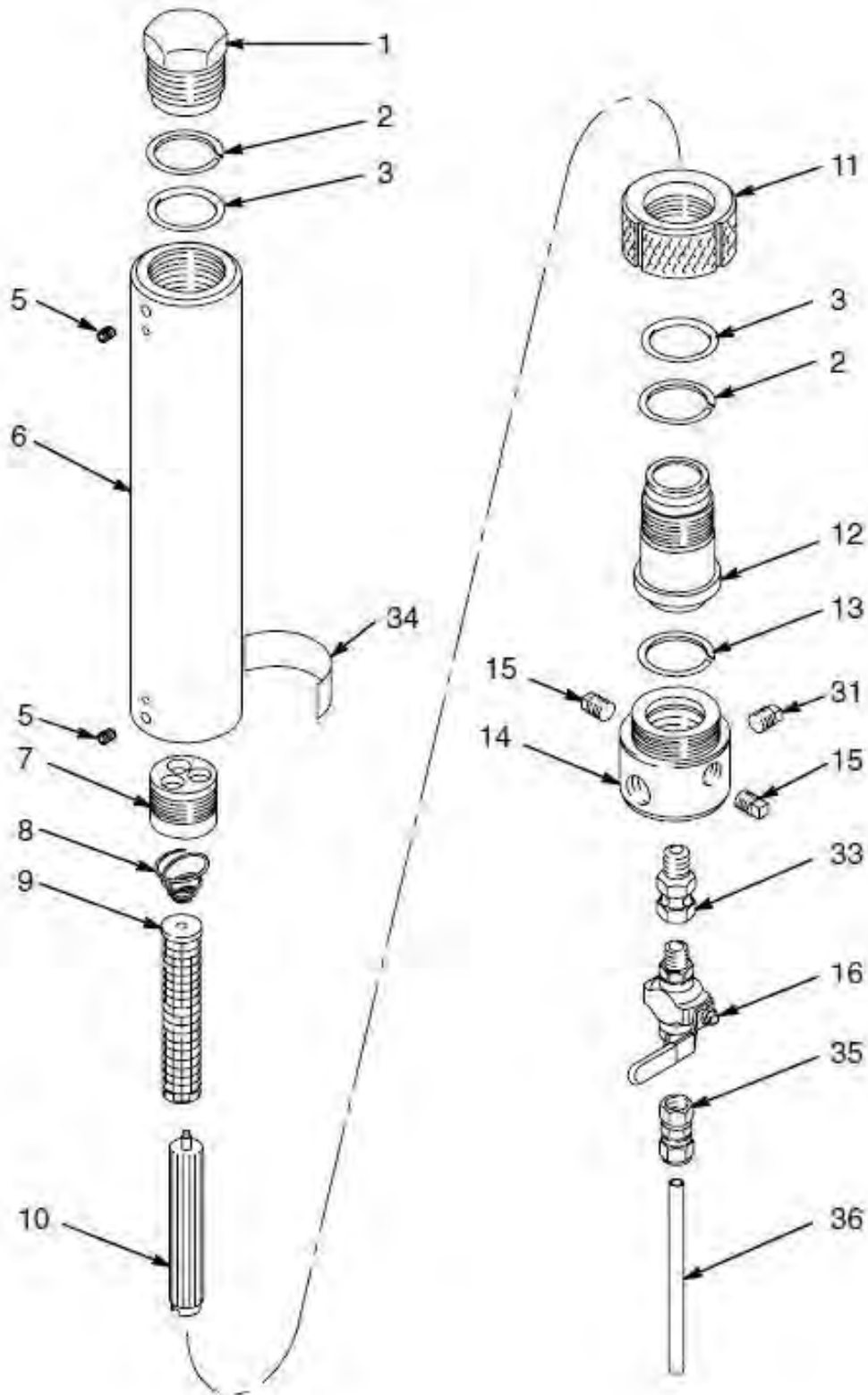
PART NUMBERS AND SCHEMATICS GUIDE

High Pressure Surge Tank

Item#	Part#	Description
Fig. 3		
—	20G238623	High Pressure Surge Tank
1	20G174064	End Plug
2	20G104805	Backup Ring, PTFE (<i>Quantity of Two</i>)
3	20G166612	Packing O-Ring, PTFE (<i>Quantity of Two</i>)
5	20G111463	1/4-20 x 3/8" Setscrew (<i>Quantity of Two</i>)
6	—	Tank (<i>Not Sold Separately</i>)
7	20G174059	Filter Adapter
8	20G171941	Conical Compression Spring, 7,250 psi
9	20G167025	Strainer, 60 Mesh
10	20G186075	Filter Support
11	20G174058	Lock Ring
12	20G174068	Adapter Accumulator
13	20G104804	Packing O-Ring, PTFE
14	20G24C497	Paint Filter Manifold
15	20G104813	3/8" NPT Pipe Plug (<i>Quantity of Two</i>)
16	20G238612	3/8" NPT Ball Valve
31	20G104839	1/2" NPT Pipe Plug
33	20G155665	3/8" (M) x 3/8" (F) Union Swivel
34	20G159579	Warning Label
35	20G205448	3/8" (F) Swivel Coupling
36	20G186447	Nylon Drain Tube
—	209V583	Operator's Manual – Graco® High Pressure Surge Tanks and Fluid Filters

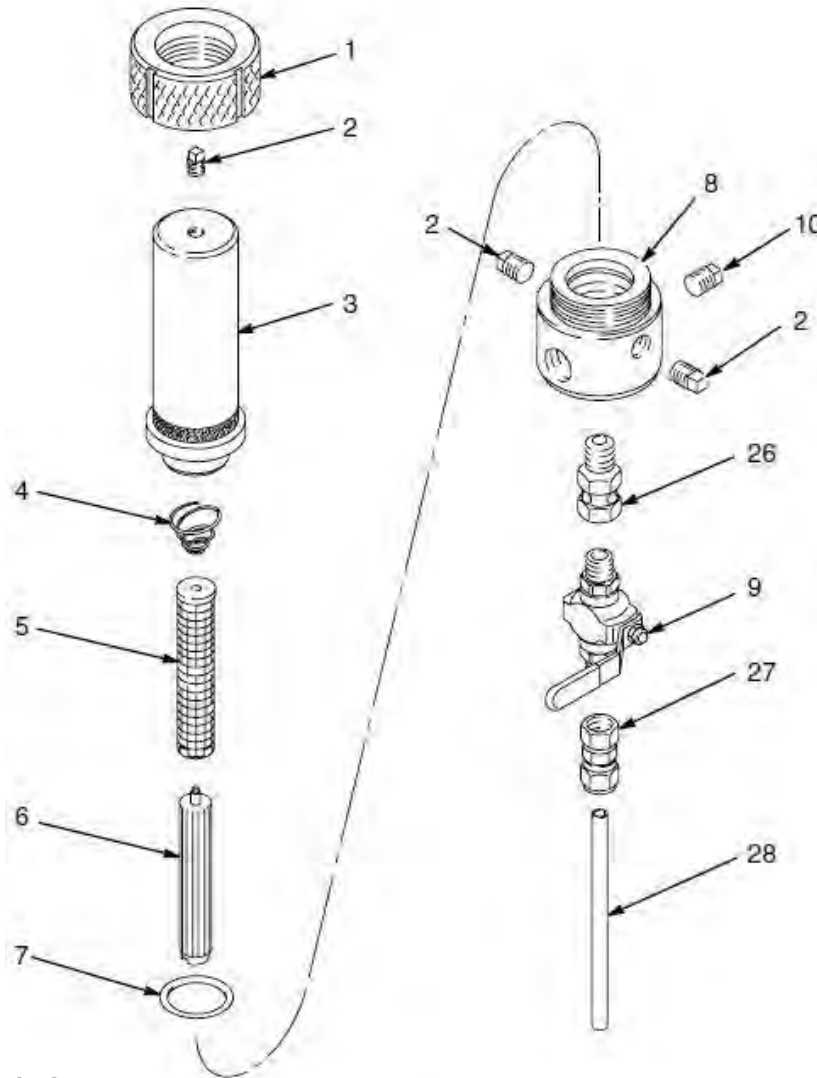
PART NUMBERS AND SCHEMATICS GUIDE

Figure 3: High Pressure Surge Tank



PART NUMBERS AND SCHEMATICS GUIDE

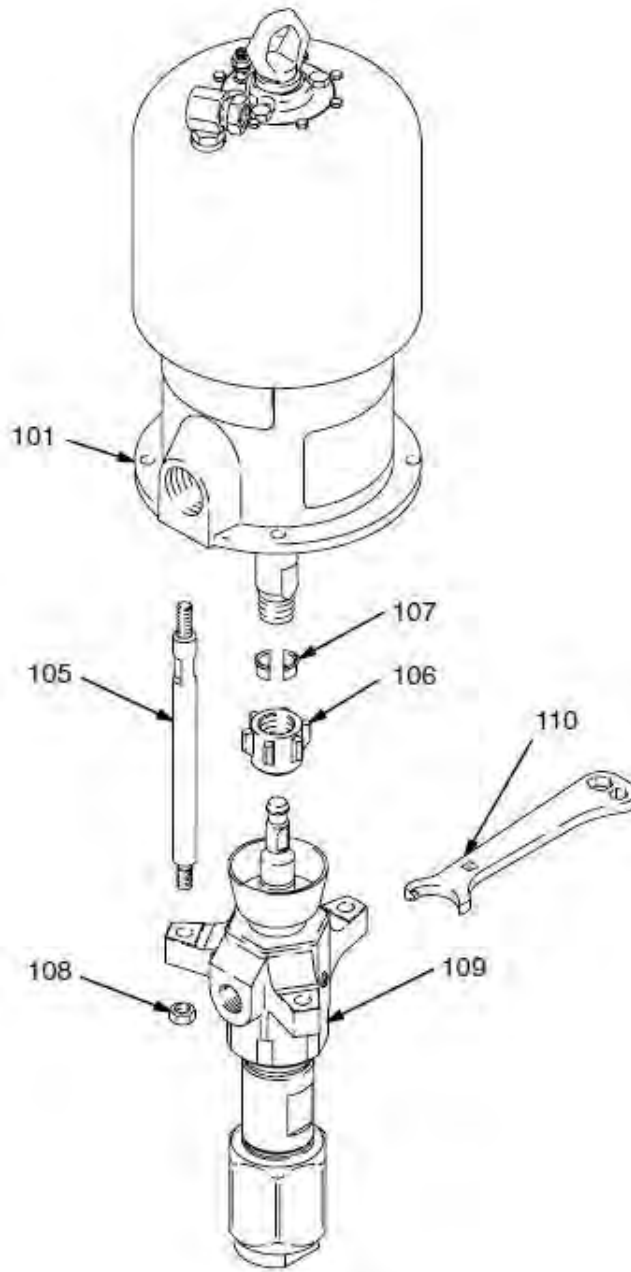
Figure 4: High Pressure Fluid Filter



Item#	Part#	Description
Fig. 4		
—	20G238620	High Pressure Fluid Filter – 60 Mesh
1	20G174058	Lock Ring
2	20G104816	3/8" NPT Pipe Plug (<i>Quantity of Three</i>)
3	20G174056	Filter Bowl, 7,250 psi
4	20G171941	Conical Compression Spring, 7,250 psi
5	20G167025	Strainer, 60 Mesh
6	20G186075	Filter Support
7	20G104804	Packing O-Ring, PTFE
8	20G24C497	Paint Filter Manifold
9	20G223960	3/8" x 3/8" Ball Valve
10	20G104839	1/2" NPT Pipe Plug
26	20G155665	3/8" (M) x 3/8" (F) Union Swivel
27	20G205448	3/8" (F) Swivel Coupling
28	20G186447	Nylon Drain Tube
—	209V583	Operator's Manual – Graco® High Pressure Surge Tanks and Fluid Filters

PART NUMBERS AND SCHEMATICS GUIDE

Figure 5: Graco® King® 56:1 Dura-Flo 900™ Pump with Standard Air Motor



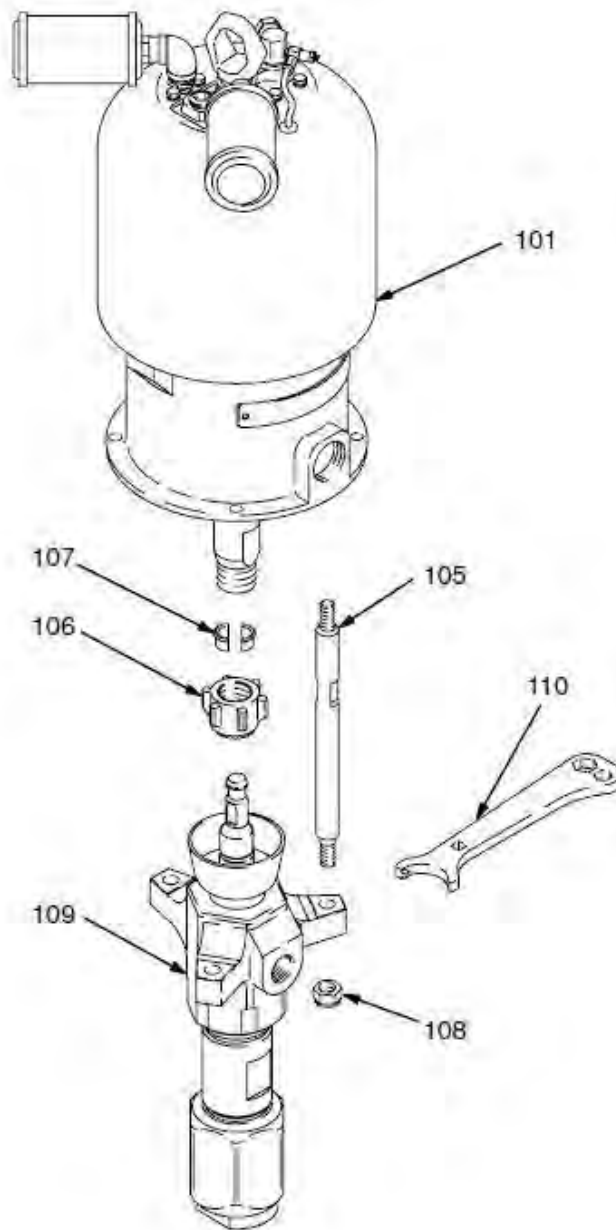
Item#	Part#	Description
-------	-------	-------------

Fig. 5

101	20G245111	Graco® King® Standard Air Motor (See Fig. 11)
105	20G190000	Connecting Rod (Quantity of Three)
106	20G186925	Coupling Nut
107	20G184129	Coupling (Quantity of Two)
108	20G106166	Hex Nut (Quantity of Two)
109	20G234466	Displacement Pump (See Fig. 9)
110	20G112887	Wrench – Spanner
—	20G235417	Connection Kit (Includes Item #'s: 105, 106, 107, 108, and 110)
—	209V598	Operator's Manual – Graco® Carbon Steel Dura-Flo™ 900 Pumps

PART NUMBERS AND SCHEMATICS GUIDE

Figure 6: Graco® King® 56:1 Dura-Flo 900™ Pump with Reduced Icing Quiet Air Motor



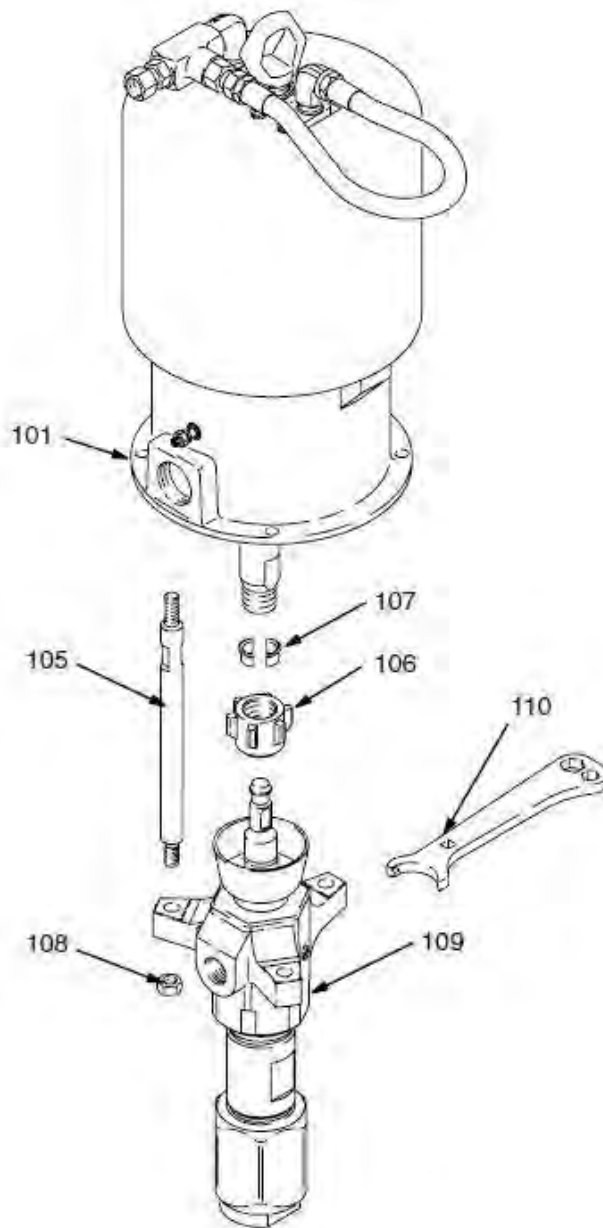
Item#	Part#	Description
-------	-------	-------------

Fig. 6

101	20G245112	Graco® King® Reduced Icing Quiet Air Motor (See Fig. 12)
105	20G190000	Connecting Rod (Quantity of Three)
106	20G186925	Coupling Nut
107	20G184129	Coupling (Quantity of Two)
108	20G106166	Hex Nut (Quantity of Two)
109	20G234466	Displacement Pump (See Fig. 9)
110	20G112887	Wrench – Spanner
—	20G235417	Connection Kit (Includes Item #'s: 105, 106, 107, 108, and 110)
—	209V598	Operator's Manual – Graco® Carbon Steel Dura-Flo™ 900 Pumps

PART NUMBERS AND SCHEMATICS GUIDE

Figure 7: Graco® King® 56:1 Dura-Flo 900™ Pump with Standard Quiet Air Motor



Item#	Part#	Description
Fig. 7		
101	20G220106	Graco® King® Standard Quiet Air Motor (See Fig. 13)
105	20G190000	Connecting Rod (Quantity of Three)
106	20G186925	Coupling Nut
107	20G184129	Coupling (Quantity of Two)
108	20G106166	Hex Nut (Quantity of Two)
109	20G234466	Displacement Pump (See Fig. 9)
110	20G112887	Wrench – Spanner
—	20G235417	Connection Kit (Includes Item #'s: 105, 106, 107, 108, and 110)
—	209V598	Operator's Manual – Graco® Carbon Steel Dura-Flo™ 900 Pumps

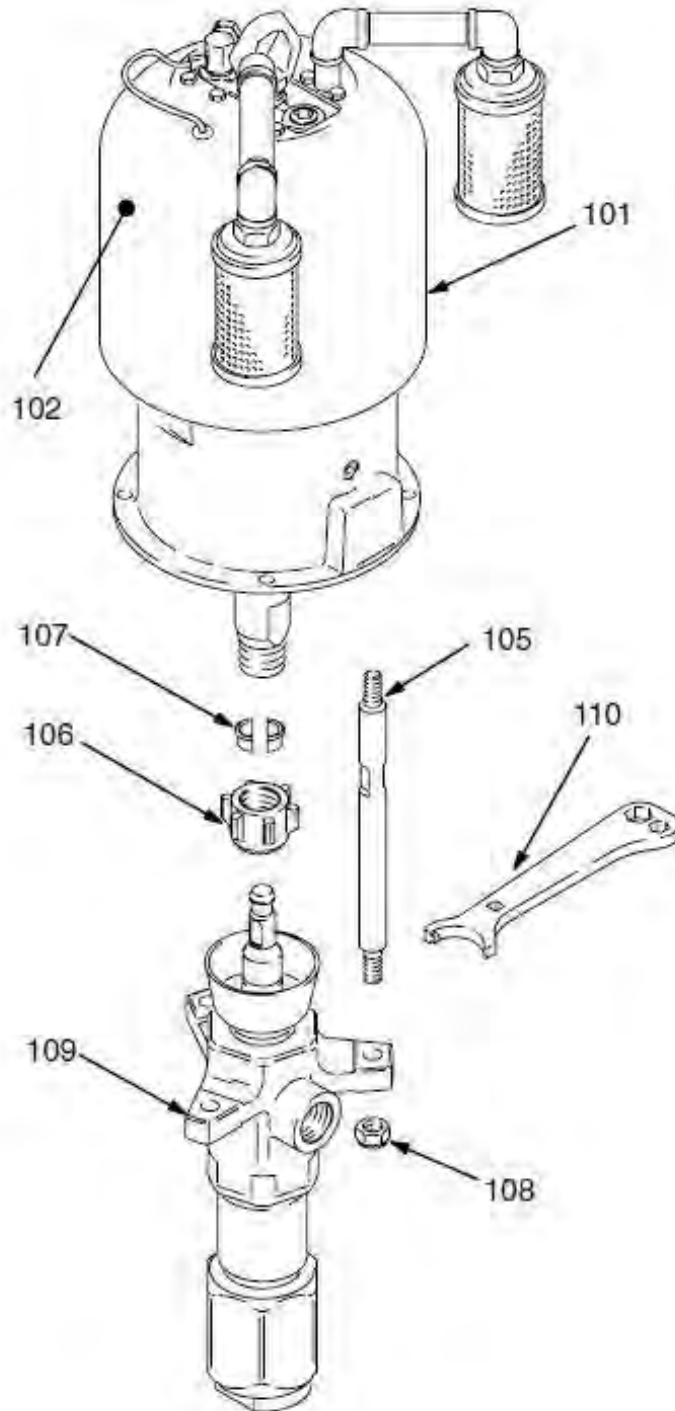
PART NUMBERS AND SCHEMATICS GUIDE

Graco® King® 56:1 Stainless Steel Dura-Flo 900™ Pumps

Item#	Part#	Description
Fig. 8		
—	20G245172	Stainless Steel Dura-Flo 900™ Pump with Standard Air Motor
—	20G237286	Stainless Steel Dura-Flo 900™ Pump with Reduced Icing Quiet Air Motor
—	20G245173	Stainless Steel Dura-Flo 900™ Pump with Standard Quiet Air Motor
101	20G245111	Graco® King® Standard Air Motor (See Fig. 11) (For Model 20G245172)
—	20G245112	Graco® King® Reduced Icing Quiet Air Motor (See Fig. 12) (For Model 20G237286)
—	20G220106	Graco® King® Standard Quiet Air Motor (See Fig. 13) (For Model 20G245173)
102	20G176529	Warning Label
105	20G190000	Connecting Rod (Quantity of Three)
106	20G186925	Coupling Nut
107	20G184129	Coupling (Quantity of Two)
108	20G106166	Hex Nut (Quantity of Two)
109	20G236470	Displacement Pump (See Fig. 10)
110	20G112887	Wrench – Spanner
—	20G235418	Connection Kit
—	209V599	Operator's Manual – Graco® Stainless Steel Dura-Flo™ 900 Pumps

PART NUMBERS AND SCHEMATICS GUIDE

Figure 8: Graco® King® 56:1 Stainless Steel Dura-Flo 900™ Pumps



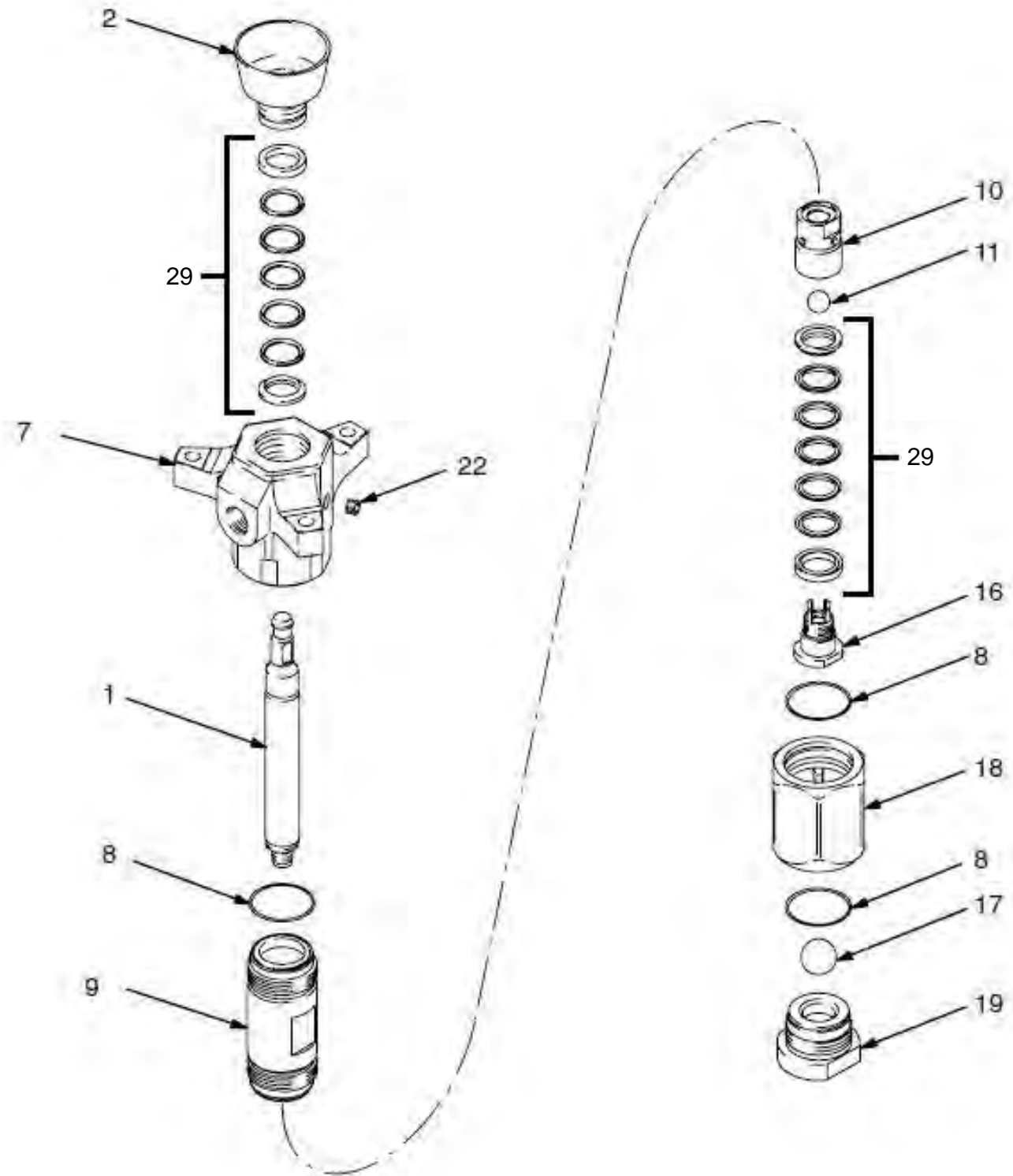
PART NUMBERS AND SCHEMATICS GUIDE

Graco® Dura-Flo™ 900 Displacement Pump

Item#	Part#	Description
Fig. 9		
1	20G189316	Displacement Rod – Stainless Steel
2	20G222995	Packing Nut – Carbon Steel
7	20G237181	Housing Outlet
8	20G109499	Seal – Teflon (<i>Quantity of Three</i>)
9	20G189383	Cylinder – Stainless Steel
10	20G189407	Housing Ball Piston – Carbon Steel
11	20G100400	3/4" Chrome Steel Piston Ball
16	20G236587	Dura-Flo™ Housing Valve Cage & Seat
17	20G108001	Intake Ball – Stainless Steel
18	20G184538	Housing Intake Valve
19	20G222952	Intake Valve
22	20G101754	Socket Head Pipe Plug
29	20G237163	Leather Packing Kit
—	20G172477	Warning Tag
—	20G172479	Warning Tag
—	209V598	Operator's Manual – Graco® Carbon Steel Dura-Flo™ 900 Pumps

PART NUMBERS AND SCHEMATICS GUIDE

Figure 9: Graco® Dura-Flo™ 900 Displacement Pump



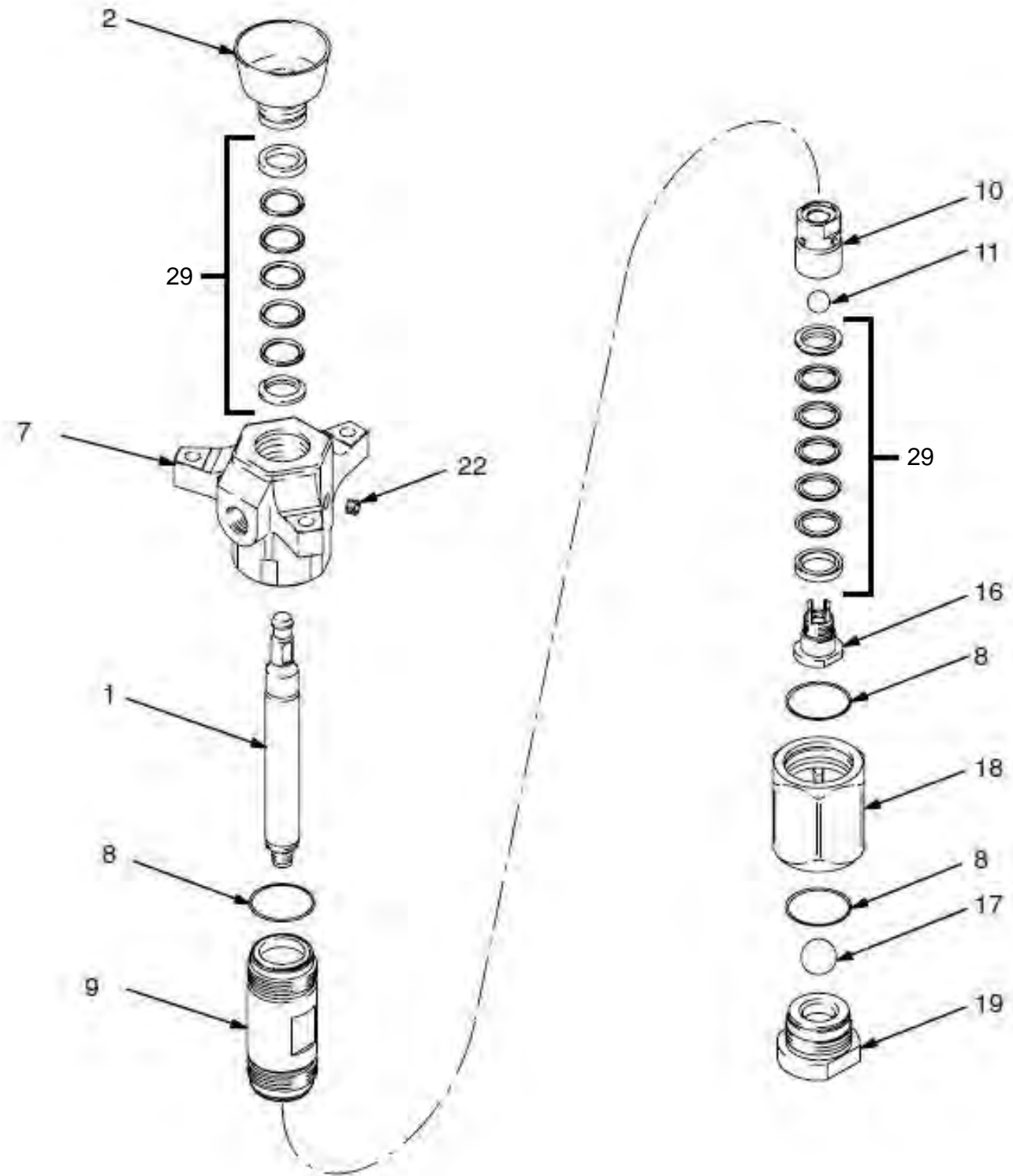
PART NUMBERS AND SCHEMATICS GUIDE

Graco® King® Stainless Steel Displacement Pump

Item#	Part#	Description
Fig. 10		
1	20G189316	Displacement Rod – Stainless Steel
2	20G236582	Packing Nut – Stainless Steel
7	20G237182	Housing Outlet – Stainless Steel
8	20G109499	Seal – Teflon (<i>Quantity of Three</i>)
9	20G189383	Cylinder – Stainless Steel
10	20G189408	Housing Ball Piston – Stainless Steel
11	20G101859	3/4" Stainless Steel Piston Ball
16	20G236587	Dura-Flo™ Housing Valve Cage & Seat
17	20G108001	Intake Ball – Stainless Steel
18	20G189396	Housing Intake Valve – Stainless Steel
19	20G236588	Intake Valve – Stainless Steel
22	20G101749	Socket Head Pipe Plug – Stainless Steel
29	20G237172	Leather Packing Kit
—	20G172477	Warning Tag
—	20G172479	Warning Tag
—	209V599	Operator's Manual – Graco® Stainless Steel Dura-Flo™ 900 Pumps

PART NUMBERS AND SCHEMATICS GUIDE

Figure 10: Graco® King® Stainless Steel Displacement Pump



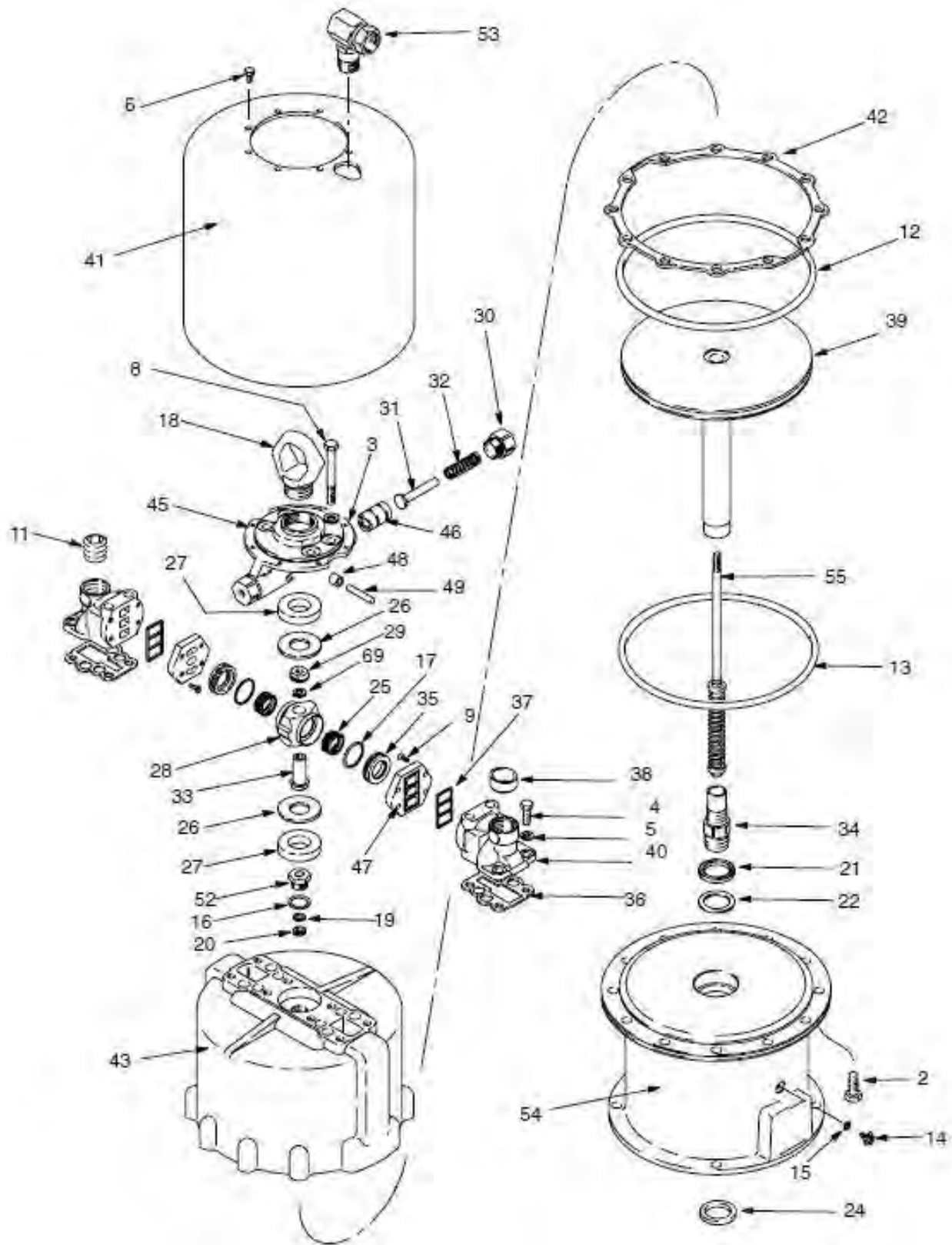
PART NUMBERS AND SCHEMATICS GUIDE

Graco® King® Standard Air Motor

Item#	Part#	Description	Item#	Part#	Description
Fig. 11			38	20G168185	Air Inlet Grommet
—	20G245111	Graco® King® Standard Air Motor	39	20G245114	Air Piston
2	20G100424	1-1/4" Screw (<i>Quantity of 12</i>)	40	20G168187	Air Manifold (<i>Quantity of Two</i>)
3	20G100052	7/16" Lock Washer (<i>Quantity of Four</i>)	41	20G168188	Air Motor Shield
4	20G100101	1" Screw (<i>Quantity of Four</i>)	42	20G168189	Motor Gasket
5	20G100133	3/8" Lock Washer (<i>Quantity of Four</i>)	43	20G168191	Air Motor Cylinder
6	20G113161	Slot Screw (<i>Quantity of Eight</i>)	45	20G177664	Detent Housing
8	20G101713	Cap Screw (<i>Quantity of Four</i>)	46	20G169583	Roller Plunger (<i>Quantity of Two</i>)
9	20G101713	Screw (<i>Quantity of Eight</i>)	47	20G169584	Air Valve Plate (<i>Quantity of Two</i>)
11	20G102726	1" Pipe Plug	48	20G169585	Axle Roller (<i>Quantity of Two</i>)
12	20G102727	Packing O-Ring – Nitrile Rubber	49	20G169586	Detent Axle (<i>Quantity of Two</i>)
13	20G102737	Packing O-Ring – Buna-N	52	20G215933	Trip Rod Bearing
16	20G150647	Metallic Gasket – Copper	53	20G207648	3/4" x 3/4" Adapter Union
17	20G156698	Packing O-Ring – Buna-N (<i>Quantity of Two</i>)	54	20G245115	Base
18	20G180952	Lift Ring	55	20G218597	Trip Rod Assembly
19	20G161559	Backup Washer	69	20G105319	10 mm Lock Washer
20	20G161560	V-Packing – Polyurethane	—	20G290331	Warning Label
21	20G161562	V-Packing – Nitrile Rubber	—	20G189991	Warning Label
22	20G161563	Backup Washer	—	20G207730	Graco® King® Standard Air Motor Repair Kit (<i>Includes Item #'s: 12, 17, 19, 20, 21, 22, 24, 36, 37, and 42</i>)
24	20G161569	Seal – Felt Wiper	—	209V592	Operator's Manual – Graco® King® Air Motor
25	20G161575	Compression Spring (<i>Quantity of Two</i>)			
26	20G161576	Flat Washer			
27	20G161577	Air Motor Bumper (<i>Quantity of Two</i>)			
28	20G161585	Air Valve Housing			
29	20G176569	Trip Rod Nut			
30	20G161587	Spring Retainer (<i>Quantity of Two</i>)			
31	20G161588	Spring Guide (<i>Quantity of Two</i>)			
32	20G161589	Compression Spring (<i>Quantity of Two</i>)			
33	20G176568	Trip Rod Bushing			
34	20G176564	Connecting Rod Stud			
35	20G168182	Air Director Valve (<i>Quantity of Two</i>)			
36	20G168183	Air Manifold Gasket (<i>Quantity of Two</i>)			
37	20G168184	Plate Seal (<i>Quantity of Two</i>)			

PART NUMBERS AND SCHEMATICS GUIDE

Figure 11: Graco® King® Standard Air Motor



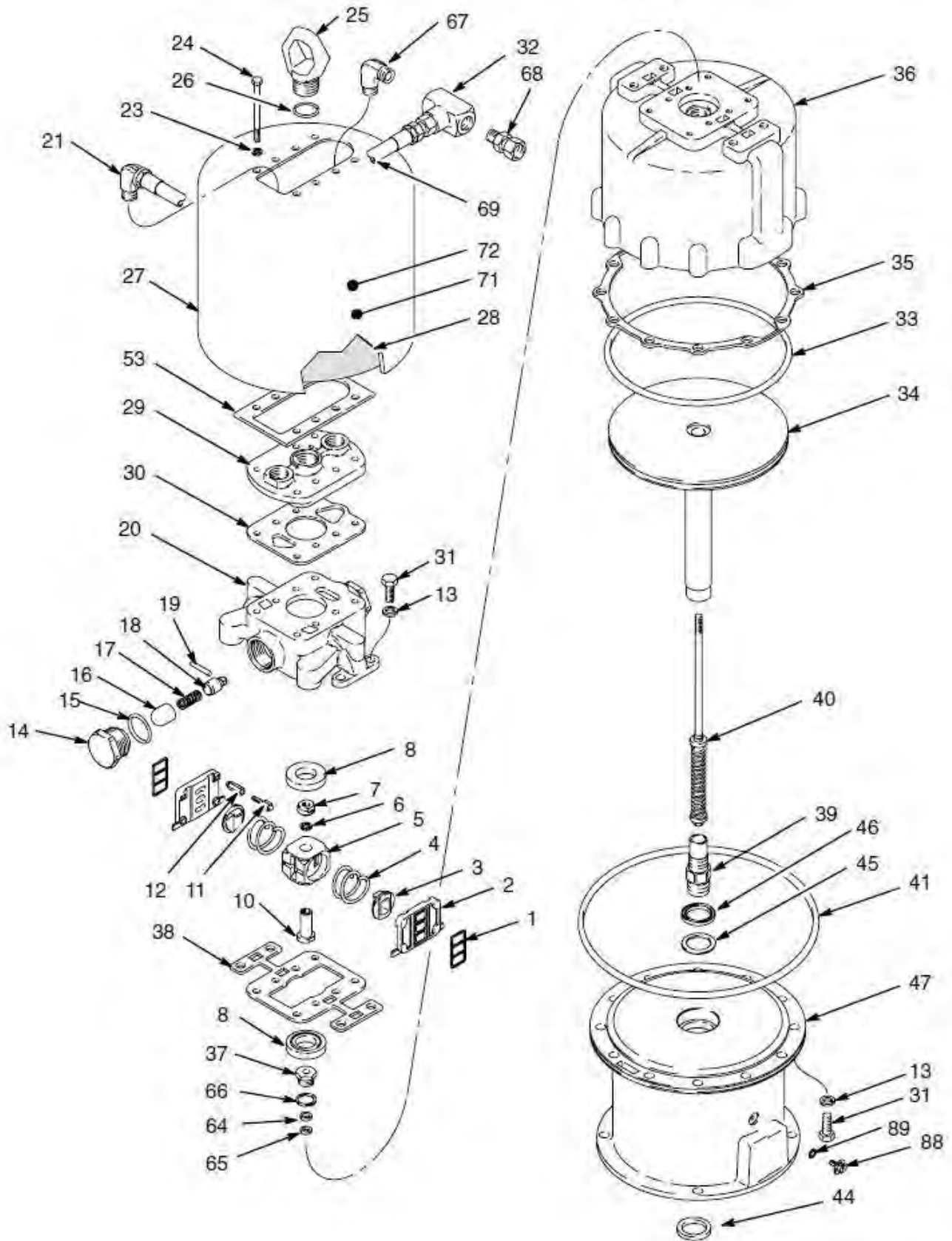
PART NUMBERS AND SCHEMATICS GUIDE

Graco® King® Standard Quiet Air Motor

Item#	Part#	Description	Item#	Part#	Description
Fig. 12			35	20G168189	Motor Gasket
—	20G220106	Graco® King® Standard Quiet Air Motor	36	20G181297	Cylinder
1	20G168184	Plate Seal (<i>Quantity of Two</i>)	37	20G215933	Trip Rod Bearing
2	20G176536	Valve Plate (<i>Quantity of Two</i>)	38	20G176575	Gasket – Cellulose Fiber
3	20G176518	Director Valve (<i>Quantity of Two</i>)	39	20G176564	Connecting Rod Stud
4	20G176543	Compression Spring (<i>Quantity of Two</i>)	40	20G218597	Trip Rod Assembly
5	20G176519	Air Valve Housing	41	20G102737	Packing O-Ring – Buna-N
6	20G105319	10 mm Lock Washer	44	20G161569	Seal – Felt Wiper
7	20G176569	Trip Rod Nut	45	20G161563	Backup Washer
8	20G176549	Rubber Pad (<i>Quantity of Two</i>)	46	20G161562	V-Packing – Nitrile Rubber
10	20G176568	Trip Rod Bushing	47	20G245115	Base
11	20G176550	Adjusting Screw (<i>Quantity of Four</i>)	53	20G177081	Gasket – Neoprene
12	20G176548	Adjusting Nut (<i>Quantity of Four</i>)	64	20G161559	Backup Washer
13	20G100018	Lock Washer (<i>Quantity of Two</i>)	65	20G161560	V-Packing – Polyurethane
14	20G178428	Toggle Retainer (<i>Quantity of Two</i>)	66	20G150647	Metallic Gasket – Copper
15	20G105318	O-Ring – Nitrile Rubber (<i>Quantity of Two</i>)	67	20G108307	3/4" Pipe Elbow
16	20G178427	Housing Guide (<i>Quantity of Two</i>)	68	20G157785	3/4" x 3/4" Union Swivel
17	20G178429	Compression Spring (<i>Quantity of Two</i>)	69	20G214953	3/4" I.D. Air Hose
18	20G178426	Spring Housing (<i>Quantity of Two</i>)	71	20G290331	Warning Label
19	20G105321	Dowel Pin (<i>Quantity of Two</i>)	72	20G189991	Warning Label
20	20G181322	Air Manifold	88	20G116343	Grounding Clamp
21	20G100549	3/4" Pipe Elbow	89	20G111307	Tab Washer
23	20G104572	8 mm Lock Washer (<i>Quantity of Eight</i>)	—	20G207730	Graco® King® Standard Quiet Air Motor Repair Kit (<i>Includes Item #'s: 1, 15, 30, 33, 35, 38, 44, 45, 46, 64, and 65</i>)
24	20G105322	Cap Screw (<i>Quantity of Eight</i>)	—	209V594	Operator's Manual – Graco® King® Quiet Air Motor
25	20G176537	Lift Ring			
26	20G166221	O-Ring – Nitrile Rubber			
27	20G181276	Shield			
28	20G181308	Insulation (<i>Quantity of Two</i>)			
29	20G181321	Manifold Cap			
30	20G181323	Gasket – Cellulose Fiber			
31	20G105324	Hex Head Cap Screw (<i>Quantity of 16</i>)			
32	20G166466	3/4" (F) Pipe Tee			
33	20G102727	Packing O-Ring – Nitrile Rubber			
34	20G245114	Air Piston			
22	Graco® King® 56:1 Airless Spray Pump				

PART NUMBERS AND SCHEMATICS GUIDE

Figure 12: Graco® King® Standard Quiet Air Motor



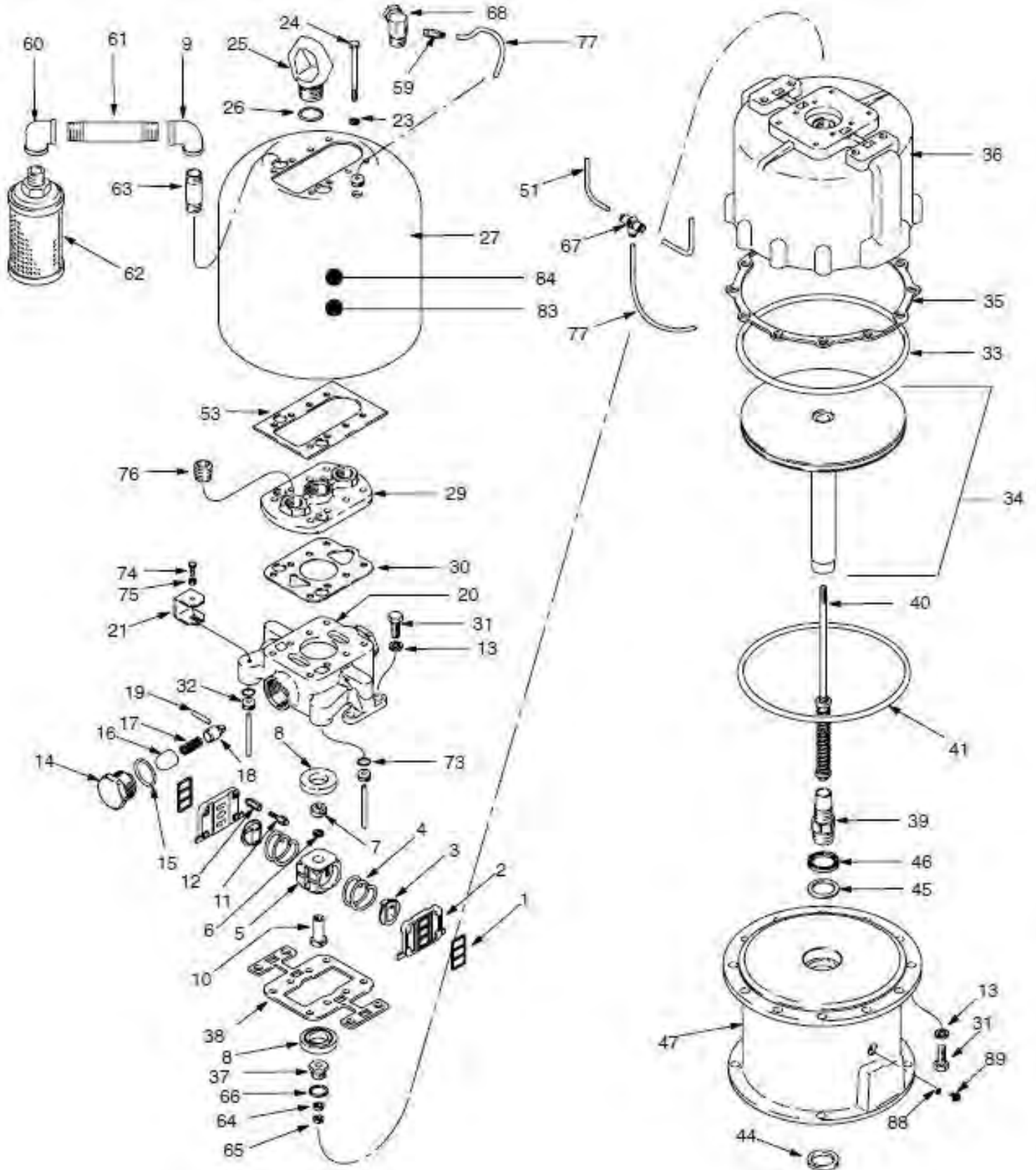
PART NUMBERS AND SCHEMATICS GUIDE

Graco® King® Reduced Icing Quiet Air Motor





Item#	Part#	Description	Item#	Part#	Description
Fig. 13			36	20G181297	Cylinder
—	20G245112	Graco® King® Reduced Icing Quiet Air Motor	37	20G215933	Trip Rod Bearing
1	20G168184	Plate Seal (<i>Quantity of Two</i>)	38	20G176575	Gasket – Cellulose Fiber
2	20G176536	Valve Plate (<i>Quantity of Two</i>)	39	20G176564	Connecting Rod Stud
3	20G176518	Director Valve (<i>Quantity of Two</i>)	40	20G218597	Trip Rod Assembly
4	20G176543	Compression Spring (<i>Quantity of Two</i>)	41	20G102737	Packing O-Ring – Buna-N
5	20G176519	Air Valve Housing	44	20G161569	Seal – Felt Wiper
6	20G105319	10 mm Lock Washer	45	20G161563	Backup Washer
7	20G176569	Trip Rod Nut	46	20G161562	V-Packing – Nitrile Rubber
8	20G176549	Rubber Pad (<i>Quantity of Two</i>)	47	20G245115	Base
9	20G112885	Reducing Elbow (<i>Quantity of Two</i>)	51	20G190009	1/4" x 8" Nylon Tube (<i>Quantity of Two</i>)
10	20G176568	Trip Rod Bushing	53	20G112740	Gasket – Neoprene
11	20G176550	Adjusting Screw (<i>Quantity of Four</i>)	59	20G116691	Connector Tube Fitting
12	20G176548	Adjusting Nut (<i>Quantity of Four</i>)	60	20G116642	90° Pipe Elbow Fitting (<i>Quantity of Two</i>)
13	20G100018	Lock Washer (<i>Quantity of Two</i>)	61	20G116647	1" Pipe Nipple Fitting (<i>Quantity of Two</i>)
14	20G178428	Toggle Retainer (<i>Quantity of Two</i>)	62	20G198311	Reduced Icing Muffler (<i>Quantity of Two</i>)
15	20G105318	O-Ring – Nitrile Rubber (<i>Quantity of Two</i>)	63	20G116662	1/2" Pipe Nipple Fitting (<i>Quantity of Two</i>)
16	20G178427	Housing Guide (<i>Quantity of Two</i>)	64	20G161559	Backup Washer
17	20G178429	Compression Spring (<i>Quantity of Two</i>)	65	20G161560	V-Packing – Polyurethane
18	20G178426	Spring Housing (<i>Quantity of Two</i>)	66	20G150647	Metallic Gasket – Copper
19	20G105321	Dowel Pin (<i>Quantity of Two</i>)	67	20G112739	Union Tee
20	20G181322	Air Manifold	68	20G189986	Air Inlet Fitting
21	20G112735	Bracket (<i>Quantity of Two</i>)	73	20G109018	O-Ring – Nitrile Rubber (<i>Quantity of Two</i>)
23	20G104572	8 mm Lock Washer (<i>Quantity of Eight</i>)	74	20G112117	Hex Head Screw (<i>Quantity of Two</i>)
24	20G105322	Cap Screw (<i>Quantity of Eight</i>)	75	20G105912	Hex Nut (<i>Quantity of Two</i>)
25	20G176537	Lift Ring	76	20G102726	1" Pipe Plug
26	20G166221	O-Ring – Nitrile Rubber	77	20G190010	1/4" x 21" Nylon Tube
27	20G112736	Air Motor Shield	83	20G290331	Warning Label
29	20G189985	Manifold Cap	84	20G189991	Warning Label
30	20G112741	Gasket – Cellulose Fiber	88	20G116343	Grounding Clamp
31	20G105324	Hex Head Cap Screw (<i>Quantity of 16</i>)	89	20G111307	Tab Washer
32	20G112738	Grommet (<i>Quantity of Three</i>)	—	20G207730	Graco® King® Reduced Icing Quiet Air Motor Repair Kit (<i>Includes Item #'s: 1, 15, 30, 33, 35, 38, 44, 45, 46, 64, and 65</i>)
33	20G102727	Packing O-Ring – Nitrile Rubber	—	209V594	Operator's Manual – Graco® King® Quiet Air Motor
34	20G245114	Air Piston			
35	20G168189	Motor Gasket			
24	Graco® King® 56:1 Airless Spray Pump				




PART NUMBERS AND SCHEMATICS GUIDE

Figure 13: Graco® King® Reduced Icing Quiet Air Motor



OPTIONAL ACCESSORIES

	Part Numbers	SUCTION HOSE AND TUBES	
		Description	
	20G197682	1" Suction Tube	
	20G245136	55 Gallon Suction Tube Extension Kit (Includes Suction Tube and Couplings)	
	20G237522	1" I.D. x 6' Suction Hose	
	20G247301	1" I.D. x 6' Suction Hose with Couplings	

	Part Numbers	FLUID DRAIN VALVES		
		Inlet	Outlet	Maximum Working Pressure
	20G210657	1/4" NPT	1/4" NPT	5,000 psi
	20G210659	1/4" NPT	3/8" NPT	5,000 psi
	20G210658	3/8" NPT	3/8" NPT	5,000 psi

PART NUMBERS AND SCHEMATICS GUIDE

Part Numbers	GRACO® ULTRA® 395 PC ELECTRIC AIRLESS SPRAY PUMPS						
	MODEL			Contractor Airless Spray Gun	RAC X™ 517 SwitchTip and Guard	1/4" x 50' BlueMax™ II Airless Hose	Endurance™ Pump
	Stand	Lo-Boy	Hi-Boy				
20G17C314	X			X	X	X	X
20G17C315		X		X	X	X	X
20G17C317			X	X	X	X	X

GRACO® ULTRA® 395 PC ELECTRIC AIRLESS SPRAY PUMP – SPECIFICATIONS	
Max Tip Size	0.023"
Max Gallons Per Minute	0.54 Gallons
Max PSI	3300 PSI
Motor HP	7/8 TEFC DC

PART NUMBERS AND SCHEMATICS GUIDE



**Stand Model
20G17C314**



**Lo-Boy Model
20G17C315**



**Hi-Boy Model
20G17C317**

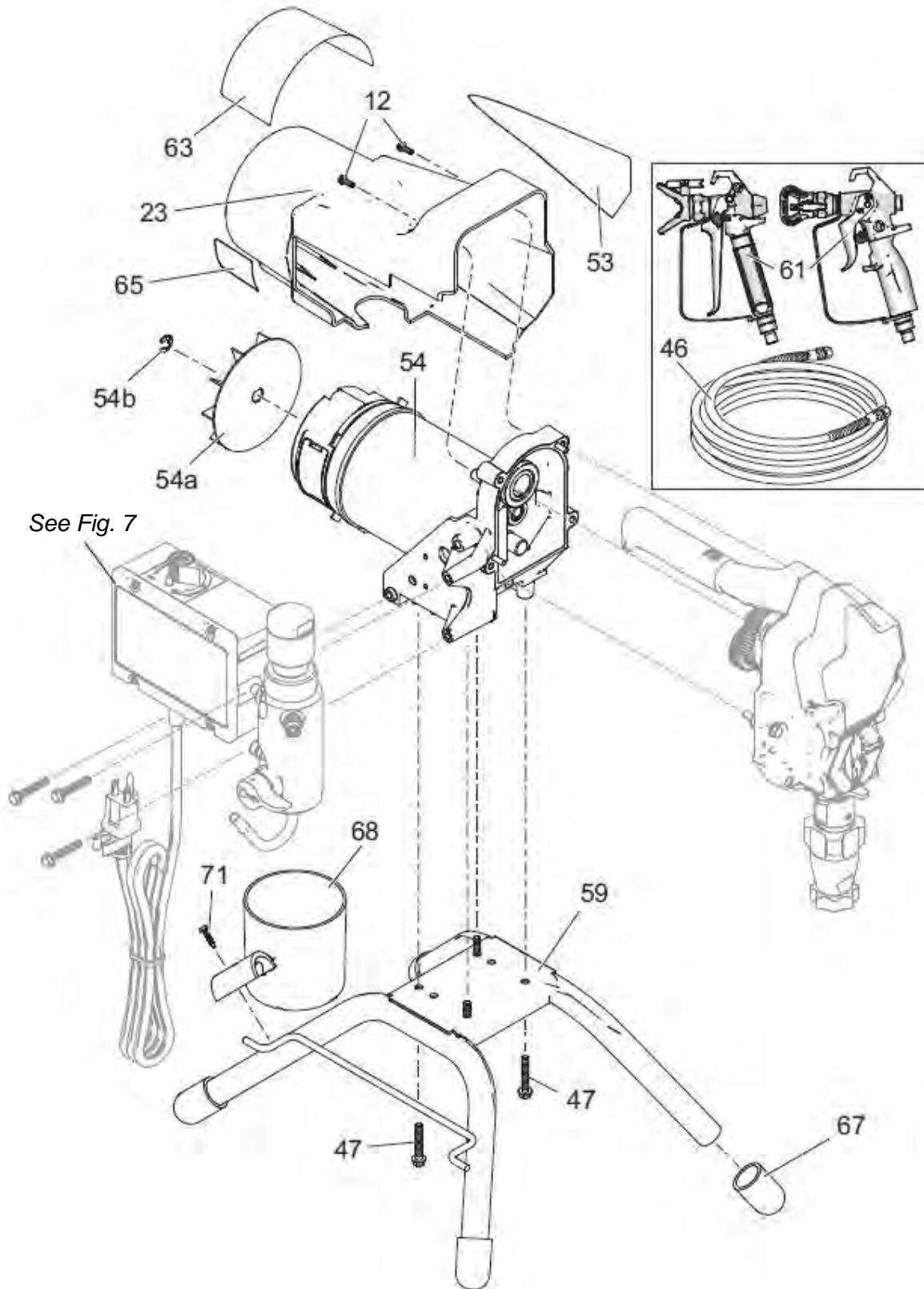
PART NUMBERS AND SCHEMATICS GUIDE

Graco® Ultra® 395 PC Electric Airless Spray Pump – Stand Model

Item #	Part #	Description
Fig. 1		
—	20G17C314	Graco® Ultra® 395 PC Electric Airless Spray Pump – Stand Model
12	20G117501	Hex Washer Head Machine Screw (<i>Quantity of Four</i>)
23	20G15B465	Painted Motor Shield
46	20G240794	1/4" I.D. x 50' Coupled Hose
47	20G117493	Hex Washer Head Machine Screw (<i>Quantity of Nine</i>)
53	20G17C824	Side Label
54	20G287015	Motor (<i>Includes Item #'s: 54a and 54b</i>)
54a	20G118716	Retaining Ring
54b	20G248189	Motor Fan (<i>Includes Item #54a</i>)
59	20G15E823	Stand Mount Frame (<i>Includes Item #67</i>)
61	20G288420	Contractor Airless Spray Gun with RAC X™ 517 Tip
63	20G15B516	Danger Label
65	20G195793	Warning Label
67	20G15G857	Leg Cap (<i>Quantity of Four</i>)
68	20G287903	Suction/Drain Cup
71	20G122667	Hex Washer Head Drill Screw
—	201M632	Brochure – Graco® Electric Sprayers
—	206M510	Part Numbers and Schematics Guide – Graco® Contractor Airless Spray Gun
—	206M633	Part Numbers and Schematics Guide – Graco® Ultra® 395 PC Electric Airless Spray Pump
—	209V605	Operator's Manual – Graco® Ultra® 395 PC Electric Airless Spray Pump

PART NUMBERS AND SCHEMATICS GUIDE

Figure 1: Graco® Ultra® 395 PC Electric Airless Spray Pump – Stand Model



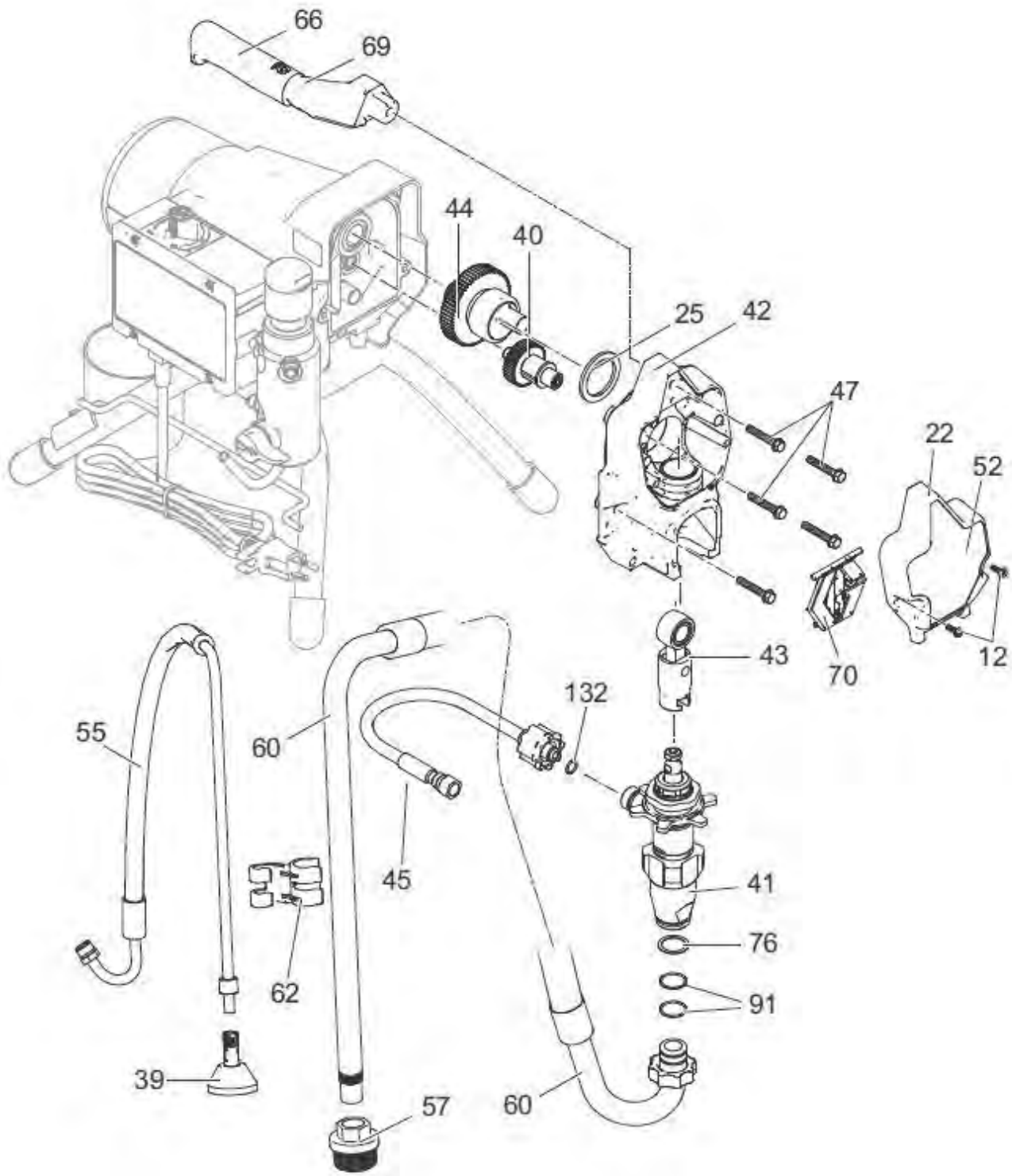
PART NUMBERS AND SCHEMATICS GUIDE

Graco® Ultra® 395 PC Electric Airless Spray Pump – Stand Model Continued

Item #	Part #	Description
Fig. 2		
—	20G17C314	Graco® Ultra® 395 PC Electric Airless Spray Pump – Stand Model
12	20G117501	Hex Washer Head Machine Screw (<i>Quantity of Four</i>)
22	20G17C539	Painted Front Cover
25	20G180131	Thrust Bearing
39	20G241920	Threaded Deflector
40	20G249194	Reducer Gear
41	20G17C487	ProConnect™ Endurance™ Displacement Pump (<i>See Fig. 8</i>)
42	20G24W817	ProConnect™ Drive Housing (<i>Includes Item #47</i>)
43	20G24W640	ProConnect™ Connecting Rod
44	20G24X020	Crankshaft Gear (<i>Includes Item #25</i>)
45	20G24W830	ProConnect™ Coupled Hose Kit (<i>Includes Item #132</i>)
47	20G117493	Hex Washer Head Machine Screw (<i>Quantity of Nine</i>)
52	20G17C823	Front Label
55	20G246381	Drain Line Repair Kit (<i>Includes Item #'s: 39 and 62</i>)
57	20G246385	7/8-14 Inlet Strainer
60	20G246386	Hose Suction Repair Kit (<i>Includes Item #'s: 57, 62, 76, and 91</i>)
62	20G276888	Drain Line Clip
66	20G116139	Handle Grip
69	20G287072	Sprayer Handle (<i>Includes Item #'s: 47 and 66</i>)
70	20G17C483	Pump Rod Cover
76	20G115099	Hose Washer
91	20G117559	O-Ring (<i>Quantity of Two</i>)
132	20G16H137	Packing O-Ring
—	201M632	Brochure – Graco® Electric Sprayers
—	206M633	Part Numbers and Schematics Guide – Graco® Ultra® 395 PC Electric Airless Spray Pump
—	209V605	Operator's Manual – Graco® Ultra® 395 PC Electric Airless Spray Pump

PART NUMBERS AND SCHEMATICS GUIDE

Figure 2: Graco® Ultra® 395 PC Electric Airless Spray Pump – Stand Model Continued



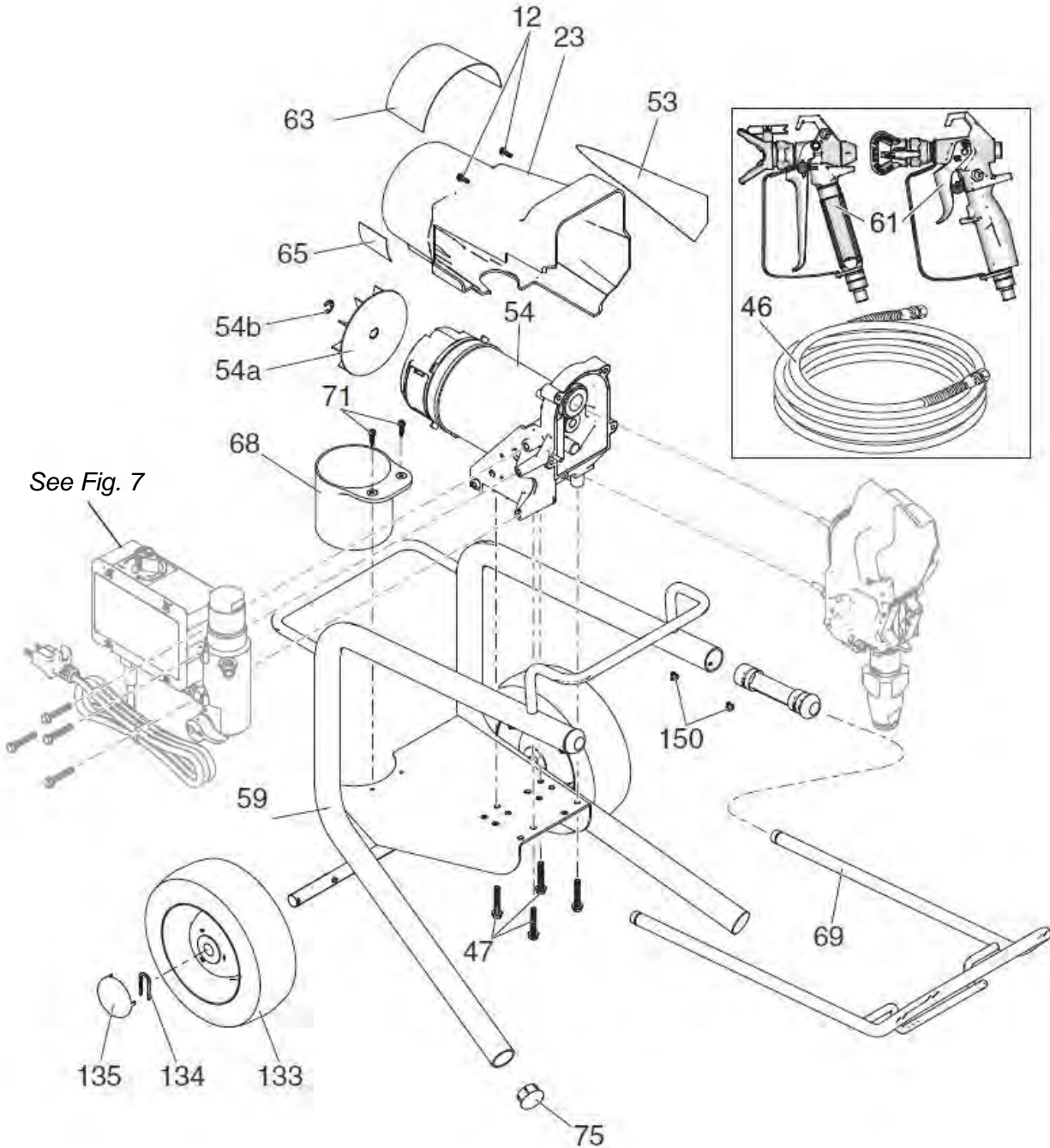
PART NUMBERS AND SCHEMATICS GUIDE

Graco® Ultra® 395 PC Electric Airless Spray Pump – Lo-Boy Model

Item #	Part #	Description
Fig. 3		
—	20G17C315	Graco® Ultra® 395 PC Electric Airless Spray Pump – Lo-Boy Model
12	20G117501	Hex Washer Head Machine Screw (<i>Quantity of Four</i>)
23	20G15B465	Painted Motor Shield
46	20G240794	1/4" I.D. x 50' Coupled Hose
47	20G117493	Hex Washer Head Machine Screw (<i>Quantity of Nine</i>)
53	20G17C824	Side Label
54	20G287015	Motor (<i>Includes Item #'s: 54a and 54b</i>)
54a	20G118716	Retaining Ring
54b	20G248189	Motor Fan (<i>Includes Item #54a</i>)
59	20G246250	Lo Cart Frame
61	20G288420	Contractor Airless Spray Gun with RAC X™ 517 Tip
63	20G15B516	Danger Label
65	20G195793	Warning Label
68	20G15B870	Suction/Drain Cup
69	20G287488	Lo Cart Assembly Handle
71	20G122667	Hex Washer Head Drill Screw (<i>Quantity of Two</i>)
75	20G107310	Tubing Plug (<i>Quantity of Two</i>)
133	20G195766	Semi-Pneumatic Wheel (<i>Quantity of Two</i>)
134	20G15B999	Retaining Clip (<i>Quantity of Two</i>)
135	20G104811	Hub Cap (<i>Quantity of Two</i>)
150	20G109032	Pan-Head Screw (<i>Quantity of Four</i>)
—	201M632	Brochure – Graco® Electric Sprayers
—	206M510	Part Numbers and Schematics Guide – Graco® Contractor Airless Spray Gun
—	206M633	Part Numbers and Schematics Guide – Graco® Ultra® 395 PC Electric Airless Spray Pump
—	209V605	Operator's Manual – Graco® Ultra® 395 PC Electric Airless Spray Pump

PART NUMBERS AND SCHEMATICS GUIDE

Figure 3: Graco® Ultra® 395 PC Electric Airless Spray Pump – Lo-Boy Model



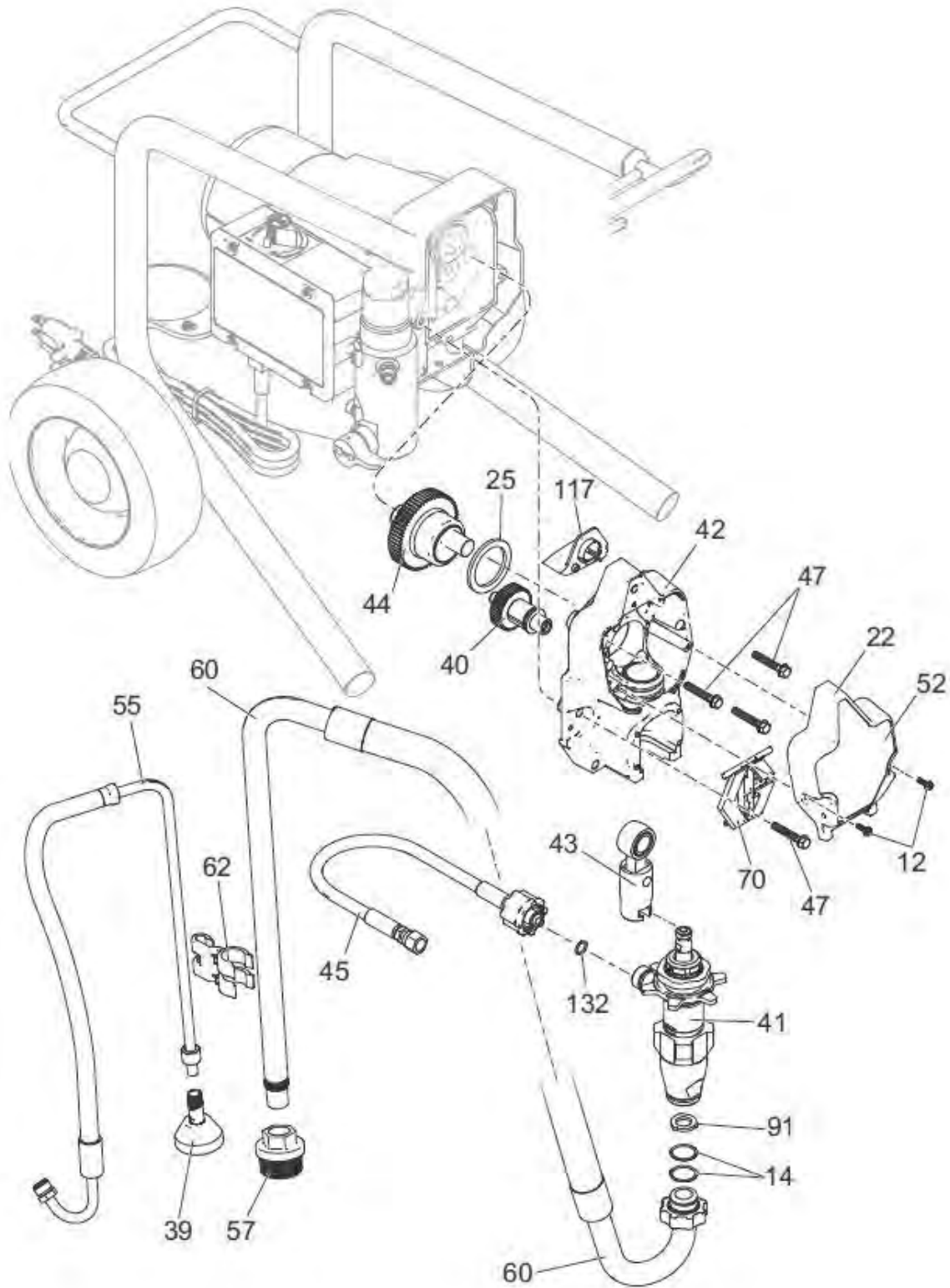
PART NUMBERS AND SCHEMATICS GUIDE

Graco® Ultra® 395 PC Electric Airless Spray Pump – Lo-Boy Model Continued

Item #	Part #	Description
Fig. 4		
—	20G17C315	Graco® Ultra® 395 PC Electric Airless Spray Pump – Lo-Boy Model
12	20G117501	Hex Washer Head Machine Screw (<i>Quantity of Four</i>)
14	20G117559	O-Ring (<i>Quantity of Two</i>)
22	20G17C539	Painted Front Cover
25	20G180131	Thrust Bearing
39	20G241920	Threaded Deflector
40	20G249194	Reducer Gear
41	20G17C487	ProConnect™ Endurance™ Displacement Pump (<i>See Fig. 8</i>)
42	20G24W817	ProConnect™ Drive Housing (<i>Includes Item #47</i>)
43	20G24W640	ProConnect™ Connecting Rod
44	20G24X020	Crankshaft Gear (<i>Includes Item #25</i>)
45	20G24W830	ProConnect™ Coupled Hose Kit (<i>Includes Item #132</i>)
47	20G117493	Hex Washer Head Machine Screw (<i>Quantity of Eight</i>)
52	20G17C823	Front Label
55	20G246381	Drain Line Repair Kit (<i>Includes Item #'s: 39 and 62</i>)
57	20G246385	7/8-14 Inlet Strainer
60	20G246386	Hose Suction Repair Kit (<i>Includes Item #'s: 14, 57, 62, and 91</i>)
62	20G276888	Drain Line Clip
70	20G17C483	Pump Rod Cover
91	20G115099	Hose Washer
117	20G15G447	Painted Shield Plug
132	20G16H137	O-Ring Packing
—	201M632	Brochure – Graco® Electric Sprayers
—	206M633	Part Numbers and Schematics Guide – Graco® Ultra® 395 PC Electric Airless Spray Pump
—	209V605	Operator's Manual – Graco® Ultra® 395 PC Electric Airless Spray Pump

PART NUMBERS AND SCHEMATICS GUIDE

Figure 4: Graco® Ultra® 395 PC Electric Airless Spray Pump – Lo-Boy Model Continued



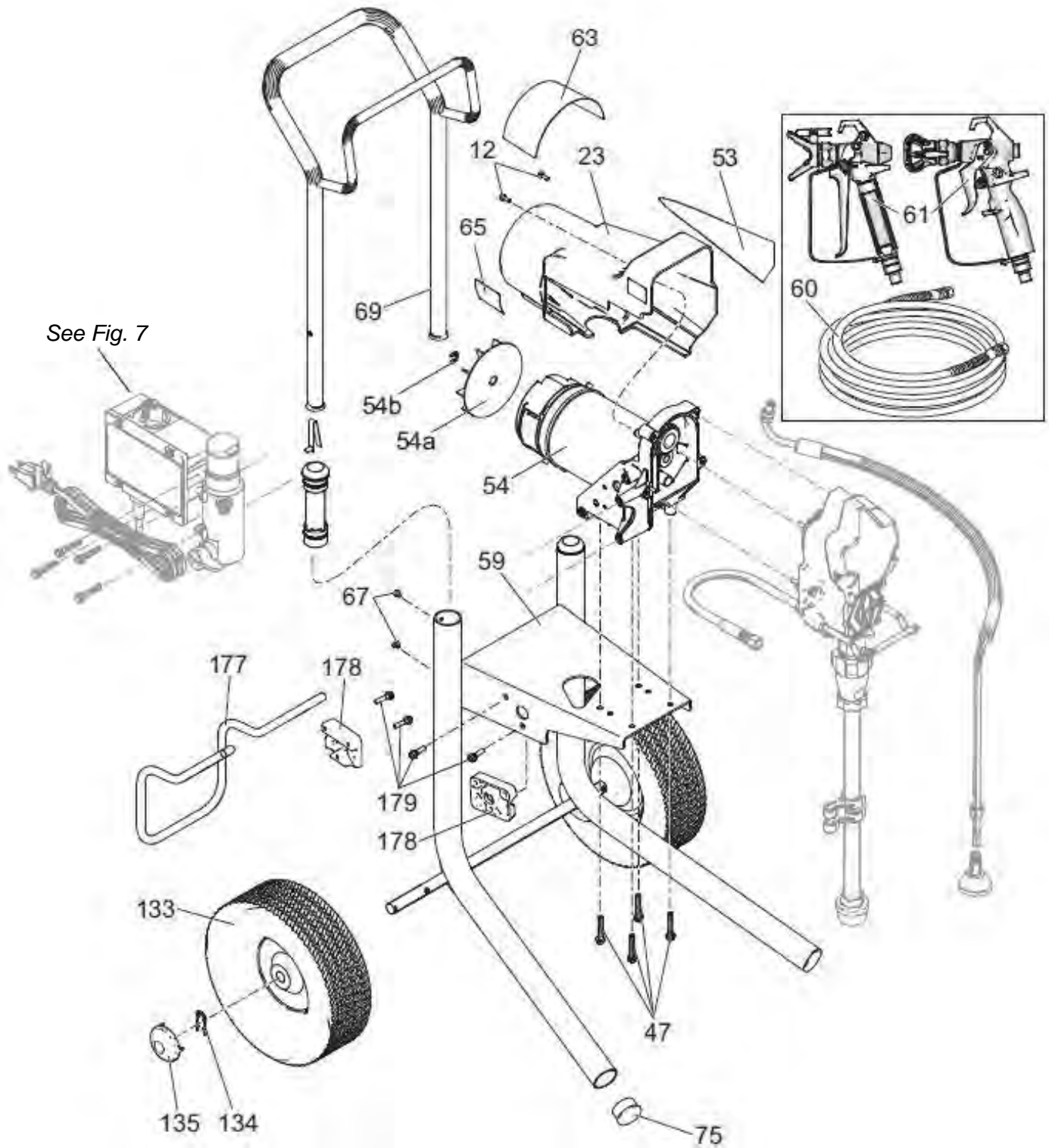
PART NUMBERS AND SCHEMATICS GUIDE

Graco® Ultra® 395 PC Electric Airless Spray Pump – Hi-Boy Model

Item #	Part #	Description
Fig. 5		
—	20G17C317	Graco® Ultra® 395 PC Electric Airless Spray Pump – Hi-Boy Model
12	20G117501	Hex Washer Head Machine Screw (<i>Quantity of Four</i>)
23	20G15B465	Painted Motor Shield
47	20G117493	Hex Washer Head Machine Screw (<i>Quantity of Eight</i>)
53	20G17C824	Side Label
54	20G287015	Motor (<i>Includes Item #'s: 54a and 54b</i>)
54a	20G118716	Retaining Ring
54b	20G248189	Motor Fan (<i>Includes Item #54a</i>)
59	20G17C485	Hi Cart Frame
60	20G17C992	Stinger Tube Kit (<i>Includes Item #'s: 15, 57, 84, 91, and 96</i>)
61	20G288420	Contractor Airless Spray Gun with RAC X™ 517 Tip
63	20G15B516	Danger Label
67	20G109032	Pan-Head Screw (<i>Quantity of Four</i>)
69	20G287489	Handle
75	20G108691	Tubing Plug (<i>Quantity of Two</i>)
133	20G106062	Semi-Pneumatic Wheel (<i>Quantity of Two</i>)
134	20G15B999	Retaining Clip (<i>Quantity of Two</i>)
135	20G104811	Hub Cap (<i>Quantity of Two</i>)
177	20G15D281	Cart Stand Hanger
178	20G15C982	Cart Cam (<i>Quantity of Two</i>)
179	20G114531	Hex Washer Head Machine Screw (<i>Quantity of Four</i>)
—	201M632	Brochure – Graco® Electric Sprayers
—	206M510	Part Numbers and Schematics Guide – Graco® Contractor Airless Spray Gun
—	206M633	Part Numbers and Schematics Guide – Graco® Ultra® 395 PC Electric Airless Spray Pump
—	209V605	Operator's Manual – Graco® Ultra® 395 PC Electric Airless Spray Pump

PART NUMBERS AND SCHEMATICS GUIDE

Figure 5: Graco® Ultra® 395 PC Electric Airless Spray Pump – Hi-Boy Model



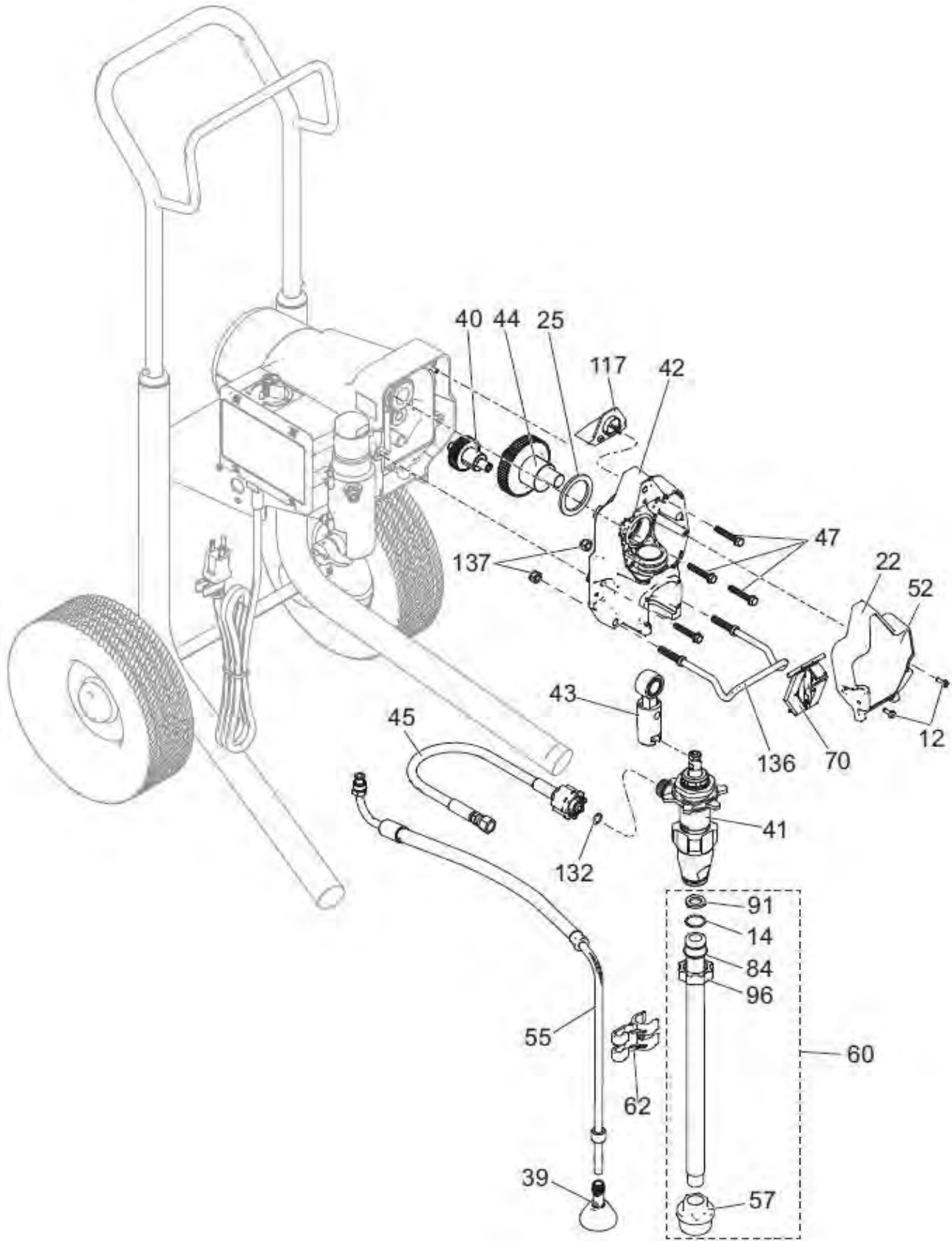
PART NUMBERS AND SCHEMATICS GUIDE

Graco® Ultra® 395 PC Electric Airless Spray Pump – Hi-Boy Model Continued

Item #	Part #	Description
Fig. 6		
—	20G17C317	Graco® Ultra® 395 PC Electric Airless Spray Pump – Hi-Boy Model
12	20G117501	Hex Washer Head Machine Screw (<i>Quantity of Four</i>)
14	20G103413	O-Ring
22	20G17C539	Painted Front Cover
25	20G180131	Thrust Bearing
39	20G241920	Threaded Deflector
40	20G249194	Reducer Gear
41	20G17C487	ProConnect™ Endurance™ Displacement Pump (<i>See Fig. 8</i>)
42	20G24W817	ProConnect™ Drive Housing (<i>Includes Item #47</i>)
43	20G24W640	ProConnect™ Connecting Rod
44	20G24X020	Crankshaft Gear (<i>Includes Item #25</i>)
45	20G24W830	ProConnect™ Coupled Hose Kit (<i>Includes Item #132</i>)
47	20G117493	Hex Washer Head Machine Screw (<i>Quantity of Eight</i>)
52	20G17C823	Front Label
55	20G244240	Drain Hose (<i>Includes Item #39</i>)
57	20G246385	7/8-14 Inlet Strainer
60	20G17C992	Hose Suction Repair Kit (<i>Includes Item #'s: 14, 57, 84, 91 and 96</i>)
62	20G276888	Drain Line Clip
70	20G17C483	Pump Rod Cover
84	20G15B652	Suction Washer
91	20G115099	Hose Washer
96	20G15E813	Jam Nut
117	20G15G447	Painted Shield Plug
132	20G16H137	Packing O-Ring
136	20G17C990	Pail Hanger
137	20G111040	5/16" Locknut with Nylon Insert
—	201M632	Brochure – Graco® Electric Sprayers
—	206M633	Part Numbers and Schematics Guide – Graco® Ultra® 395 PC Electric Airless Spray Pump
—	209V605	Operator's Manual – Graco® Ultra® 395 PC Electric Airless Spray Pump

PART NUMBERS AND SCHEMATICS GUIDE

Figure 6: Graco® Ultra® 395 PC Electric Airless Spray Pump – Hi-Boy Model Continued



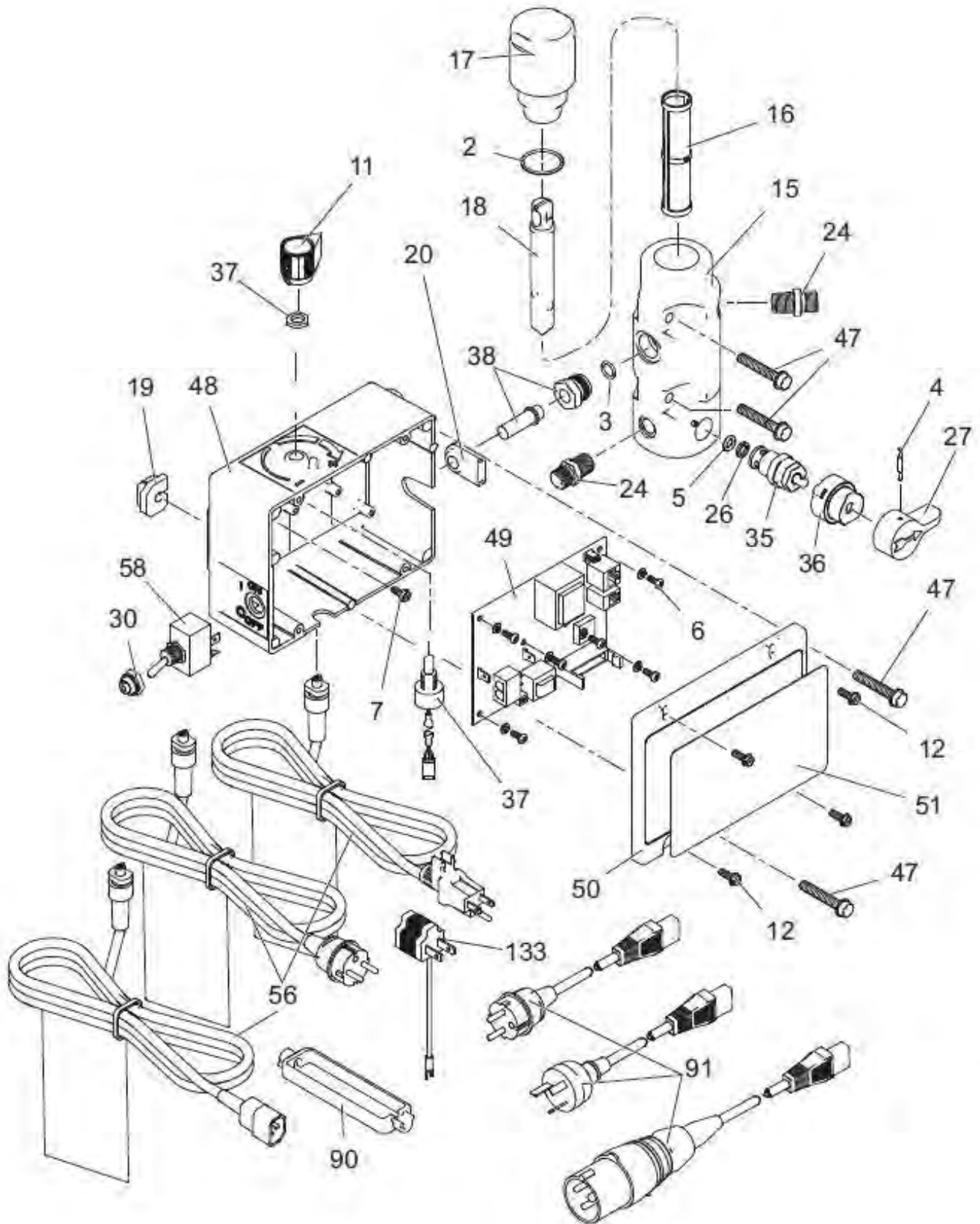
PART NUMBERS AND SCHEMATICS GUIDE

Control Box

Item #	Part #	Description
Fig. 7		
2	20G117828	Packing O-Ring – PTFE Coated
3	20G111457	Packing O-Ring
4	20G111600	Grooved Pin
5	20G277364	Seat Valve Gasket <i>(Pack of Two)</i>
6	20G115494	Pan-Head Phillips Machine Screw <i>(Quantity of Six)</i>
7	20G115498	Washer Head Slot/Hex Machine Screw
11	20G116167	Potentiometer Knob
12	20G117501	Hex Washer Head Machine Screw <i>(Quantity of Four)</i>
15	20G15G455	Fluid Manifold <i>(For use with models without a pressure gauge)</i>
	20G15T811	Fluid Manifold <i>(For use with models with a pressure gauge)</i>
16	20G246425	Fluid Filter – 30 Mesh
	20G246384	Fluid Filter – 60 Mesh
	20G246382	Fluid Filter – 100 Mesh
	20G246383	Fluid Filter – 200 Mesh
17	20G287902	Filter Cap Repair Kit <i>(Includes Item #18)</i>
18	20G15B071	Filter Insert
19	20G15B118	Motor Wire Bushing
20	20G15B120	Transducer Grommet
24	20G162453	1/4" x 1/4" Nipple <i>(Quantity of Two)</i>
26	20G15E022	Valve Seat
27	20G187625	Drain Valve Handle
30	20G195428	Toggle Boot
35	20G239914	Drain Valve <i>(Includes Item #'s: 5 and 26)</i>
36	20G224807	Valve Base
37	20G17D888	Potentiometer Assembly
38	20G243222	Pressure Control Transducer <i>(Includes Item #3)</i>
47	20G117493	Hex Washer Head Machine Screw <i>(Quantity of Four)</i>
48	20G276868	Control Box
49	20G246379	Control Board
50	20G276882	Control Cover
	20G287098	Digital Display <i>(Includes Item #51)</i>
51	20G15K393	Control Label
56	20G15J743	Power Cord
58	20G195429	Toggle Switch
90	20G195551	Adapter Plug Retainer
91	20G242001	Cord Set Adapter (Europe)
	20G242005	Cord Set Adapter (Australia)
129	20G158674	Packing O-Ring – Nitrile Rubber
133	20G244285	Japan Adapter
—	20G115523	Fluid Pressure Gauge

PART NUMBERS AND SCHEMATICS GUIDE

Figure 7: Control Box



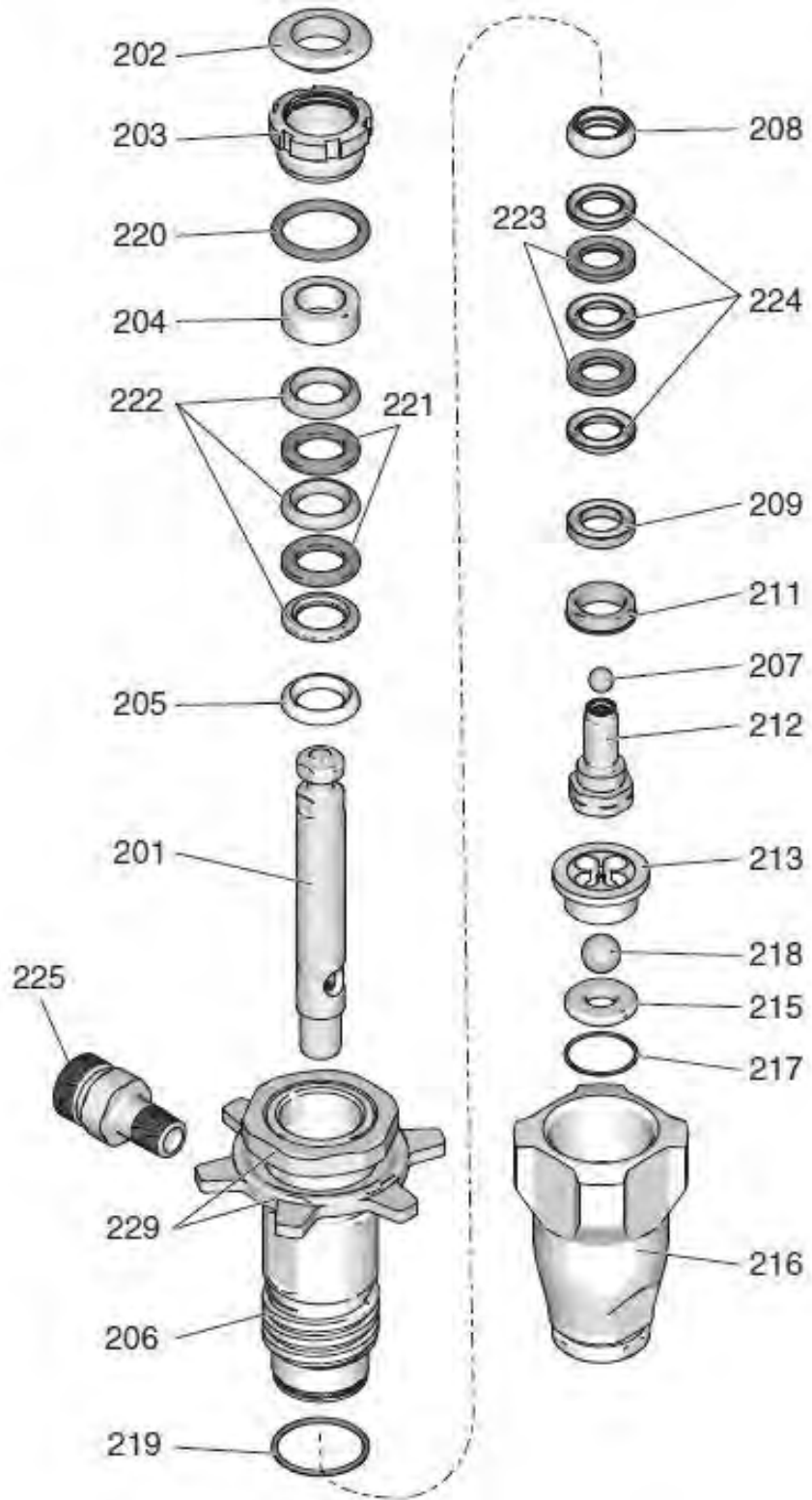
PART NUMBERS AND SCHEMATICS GUIDE

ProConnect™ Endurance™ Displacement Pump

Item #	Part #	Description
Fig. 8		
—	20G17C487	ProConnect™ Endurance™ Displacement Pump
201	20G24W617	Displacement Rod <i>(Includes Item #212)</i>
202	20G180656	Plug Button
203	20G193047	Packing Nut
204	20G176757	Female Throat Gland Packing
205	20G176754	Male Throat Gland Packing
206	20G24W619	Pump Cylinder <i>(Includes Item #229)</i>
207	20G105444	0.3125" Diameter Stainless Steel Ball
208	20G195129	Male Piston Gland
209	20G180073	Female Piston Gland
211	20G15G234	Piston Guide
212	20G239937	Piston Valve <i>(Includes Item #201)</i>
213	20G15C011	Ball Guide
215	20G246429	Inlet Check Valve Kit <i>(Includes Item #'s: 213, 217, and 218)</i>
216	20G15B611	Intake Housing Valve
217	20G15B112	Packing O-Ring
218	20G105445	0.5" Diameter Stainless Steel Intake Ball
219	20G108526	Packing O-Ring, PTFE
220	20G160516	O-Ring
221	20G176755	Throat V-Packing, Leather <i>(Quantity of Two)</i>
222	20G192710	Throat V-Packing, V-Max™ <i>(Quantity of Three)</i>
223	20G176749	Piston V-Packing, Leather <i>(Quantity of Two)</i>
224	20G192712	Piston V-Packing, V-Max™ <i>(Quantity of Three)</i>
225	20G17C231	1/4" Pump Fitting
229	—	Retaining Nuts <i>(Not Sold Separately)</i>
—	20G244194	Ultra® Pump Leather Repair Kit <i>(Includes Item #'s: 202, 204, 205, 207, 208, 209, 211, 217, 218, 219, 220, 221, 222, 223, and 224)</i>
—	20G246429	Inlet Check Valve Repair Kit <i>(Includes Item #'s: 213, 215, 217, and 218)</i>
—	209V604	Operator's Manual – ProConnect™ Endurance™ Displacement Pump

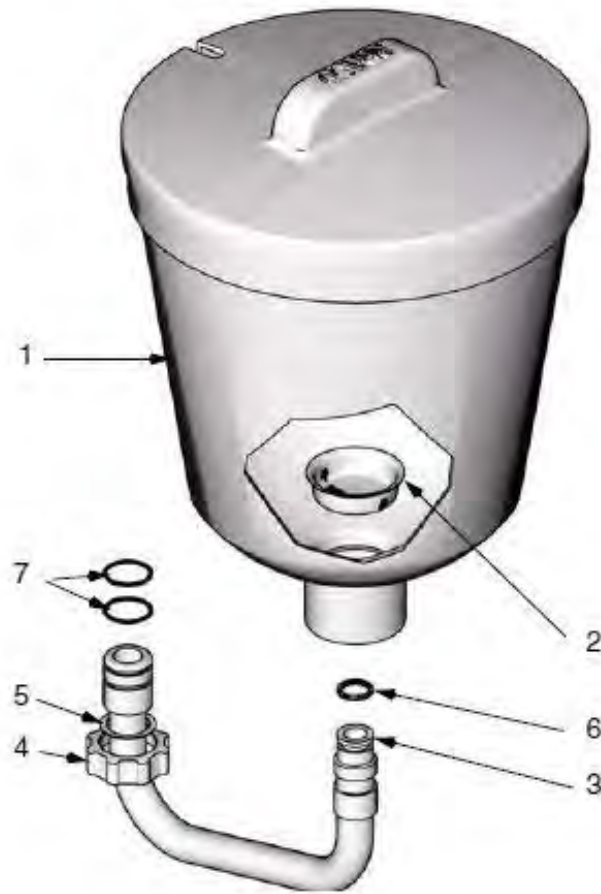
PART NUMBERS AND SCHEMATICS GUIDE

Figure 8: ProConnect™ Endurance™ Displacement Pump



OPTIONAL ACCESSORIES

Figure 9: Accessory Hopper Kit



Item #	Part #	Description
--------	--------	-------------

Fig. 9

—	20G288526	Accessory Hopper Kit
---	------------------	-----------------------------

1	20G188787	1.5 Gallon Hopper
---	-----------	-------------------

2	20G112133	Hopper Screen
---	-----------	---------------

3	20G287049	Hopper Inlet Tube
---	-----------	-------------------

4	20G15E813	Jam Nut
---	-----------	---------


5	20G15B652	Suction Washer
---	-----------	----------------


6	20G104938	O-Ring Cushion
---	-----------	----------------


7	20G117559	O-Ring
---	-----------	--------


—	209V603	Operator's Manual – Graco® Accessory Hopper Kit
---	---------	---

OPTIONAL ACCESSORIES




		DIGITAL DISPLAY
Part Numbers	Description	
	20G287098	Digital Display for Ultra® 395 PC



		REPLACEMENT FILTERS		
Part Numbers	Screen	Color	Package	
	20G246425	30 Mesh	Grey	1 Pack
	20G246384	60 Mesh	Black	1 Pack
	20G246382	100 Mesh	Blue	1 Pack
	20G246383	200 Mesh	Red	1 Pack

		INLET STRAINER
Part Numbers	Description	
	20G246385	Inlet Strainer for Ultra® 395 PC

		REPLACEMENT PUMPS
Part Numbers	Description	
	20G17C487	ProConnect™ Replacement Pump – Longest Life
	20G17J552	Express Replacement Pump – Long Life

OPTIONAL ACCESSORIES

Part Numbers		THROAT SEAL LIQUID
		Description
	20G206994	Throat Seal Liquid – 8 oz.
	20G206995	Throat Seal Liquid – 1 qt.
	20G206996	Throat Seal Liquid – 1 gal.

Part Numbers		PUMP ARMOR FLUID
		Description
	20G243103	Pump Armor Fluid – 1 qt.
	20G245133	Pump Armor Fluid – 1 gal.

PART NUMBERS AND SCHEMATICS GUIDE

GRACO® ULTRA® MAX II 495 PC PRO ELECTRIC AIRLESS SPRAY PUMPS

Part Numbers	MODEL			Contractor Airless Spray Gun	RAC X™ 517 Switch Tip and Guard	1/4" x 50' BlueMax™ II Airless Hose	Endurance™ Pump
	Stand	Lo-Boy	Hi-Boy				
20G17C333	X			X	X	X	X
20G17C334		X		X	X	X	X
20G17C335			X	X	X	X	X

GRACO® ULTRA® MAX II 495 PC PRO ELECTRIC AIRLESS SPRAY PUMP – SPECIFICATIONS

Max Tip Size	0.025"
Max Gallons Per Minute	0.60 Gallons
Max PSI	3300 PSI
Motor HP	1.2 Brushless DC

PART NUMBERS AND SCHEMATICS GUIDE



**Stand Model
20G17C333**



**Lo-Boy Model
20G17C334**



**Hi-Boy Model
20G17C335**

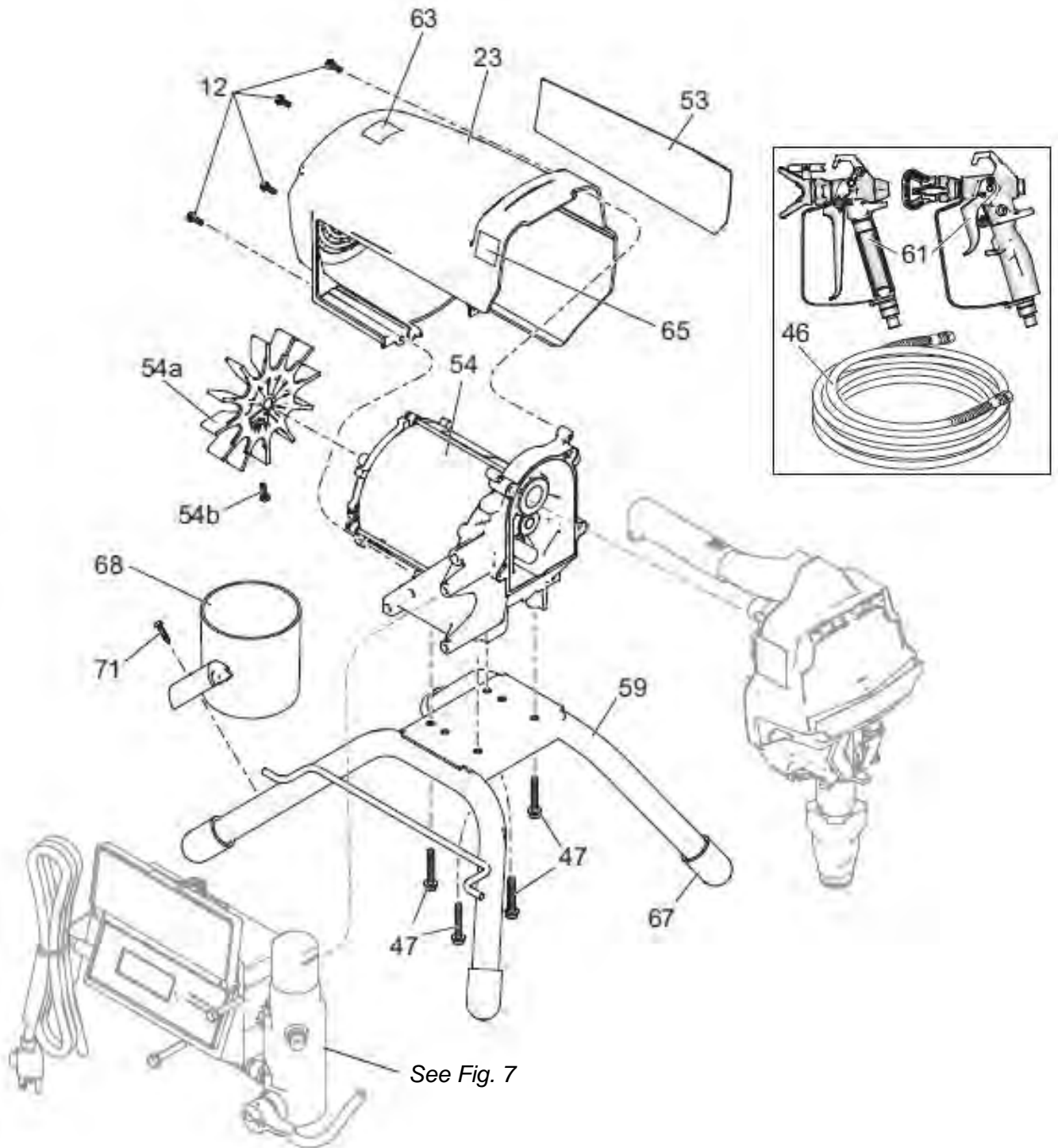
PART NUMBERS AND SCHEMATICS GUIDE

Graco® Ultra® Max II 495 PC Pro Electric Airless Spray Pump – Stand Model

Item #	Part #	Description
Fig. 1		
—	20G17C333	Graco® Ultra® Max II 495 PC Pro Electric Airless Spray Pump – Stand Model
12	20G117501	Hex Washer Head Machine Screw (<i>Quantity of Four</i>)
23	20G15G449	Painted Motor Shield
46	20G240794	1/4" I.D. x 50' Coupled Hose
47	20G117493	Hex Washer Head Machine Screw (<i>Quantity of Nine</i>)
53	20G17C834	Side Label
54	20G24S022	Motor (<i>Includes Item #'s: 54a and 54b</i>)
54a	20G15D088	Motor Fan
54b	20G115477	Painted Torx Machine Screw
59	20G15E823	Stand Mount Frame
61	20G288420	Contractor Airless Spray Gun with RAC X™ 517 Tip
63	20G15H085	Danger Label
65	20G195793	Warning Label
67	20G15G857	Leg Cap (<i>Quantity of Four</i>)
68	20G287903	Suction/Drain Cup
71	20G122667	Hex Washer Head Drill Screw
—	201M632	Brochure – Graco® Electric Sprayers
—	206M510	Part Numbers and Schematics Guide – Graco® Contractor Airless Spray Gun
—	206M634	Part Numbers and Schematics Guide – Graco® Ultra® Max II 495 PC Pro Electric Airless Spray Pump
—	209V522	Operator's Manual – Graco® Contractor Airless Spray Gun
—	209V606	Operator's Manual – Graco® Ultra® Max II 495 PC Pro Electric Airless Spray Pump

PART NUMBERS AND SCHEMATICS GUIDE

Figure 1: Graco® Ultra® Max II 495 PC Pro Electric Airless Spray Pump – Stand Model



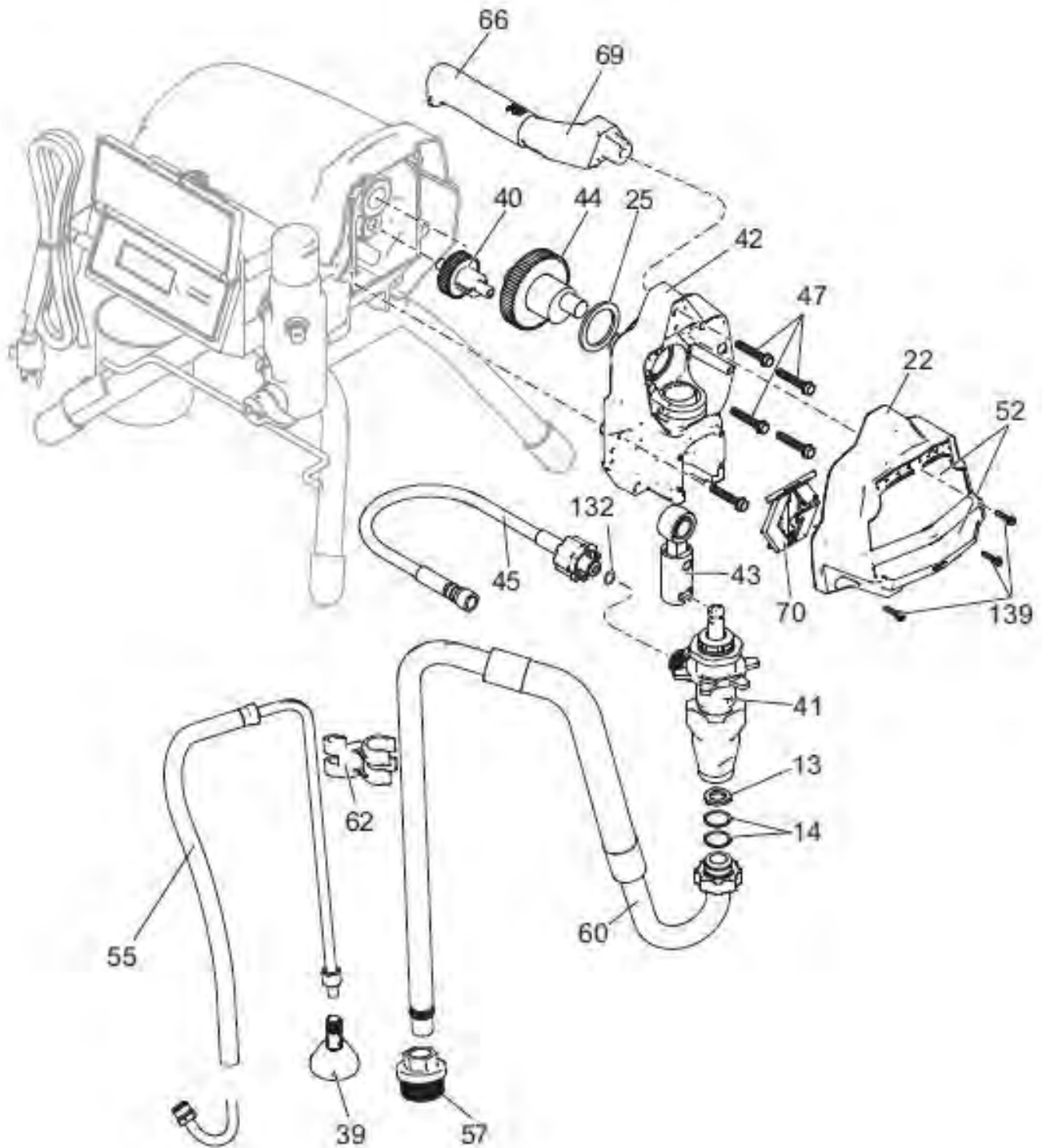
PART NUMBERS AND SCHEMATICS GUIDE

Graco® Ultra® Max II 495 PC Pro Electric Airless Spray Pump – Stand Model Continued

Item #	Part #	Description
Fig. 2		
—	20G17C333	Graco® Ultra® Max II 495 PC Pro Electric Airless Spray Pump – Stand Model
13	20G115099	Hose Washer
14	20G117559	O-Ring (<i>Quantity of Two</i>)
22	20G17C541	Painted Front Cover
25	20G180131	Thrust Bearing
39	20G241920	Threaded Deflector
40	20G249194	Reducer Gear
41	20G17C487	ProConnect™ Endurance™ Displacement Pump (<i>See Fig. 8</i>)
42	20G24W817	ProConnect™ Drive Housing (<i>Includes Item #'s: 12, 47, and 70</i>)
43	20G24W640	ProConnect™ Connecting Rod
44	20G24X020	Crankshaft Gear (<i>Includes Item #25</i>)
45	20G24W830	ProConnect™ Coupled Hose Kit (<i>Includes Item #132</i>)
47	20G117493	Hex Washer Head Machine Screw (<i>Quantity of Nine</i>)
52	20G17C827	Upper Front Label
	20G17C833	Lower Front Label
55	20G246381	Drain Line Repair Kit (<i>Includes Item #'s: 39 and 62</i>)
57	20G246385	7/8-14 Inlet Strainer
60	20G246386	Hose Suction Repair Kit (<i>Includes Item #'s: 13, 14, 57, and 62</i>)
62	20G276888	Drain Line Clip
66	20G116139	Handle Grip
69	20G287072	Sprayer Handle (<i>Includes Item #'s: 47 and 66</i>)
70	20G17C483	Pump Rod Cover
132	20G16H137	Packing O-Ring
139	20G127914	Slotted Hex Head Machine Screw (<i>Quantity of Three</i>)
—	20G206994	Throat Seal Liquid – 8 oz.
—	201M632	Brochure – Graco® Electric Sprayers
—	206M634	Part Numbers and Schematics Guide – Graco® Ultra® Max II 495 PC Pro Electric Airless Spray Pump
—	209V606	Operator's Manual – Graco® Ultra® Max II 495 PC Pro Electric Airless Spray Pump

PART NUMBERS AND SCHEMATICS GUIDE

Figure 2: Graco® Ultra® Max II 495 PC Pro Electric Airless Spray Pump – Stand Model
Continued



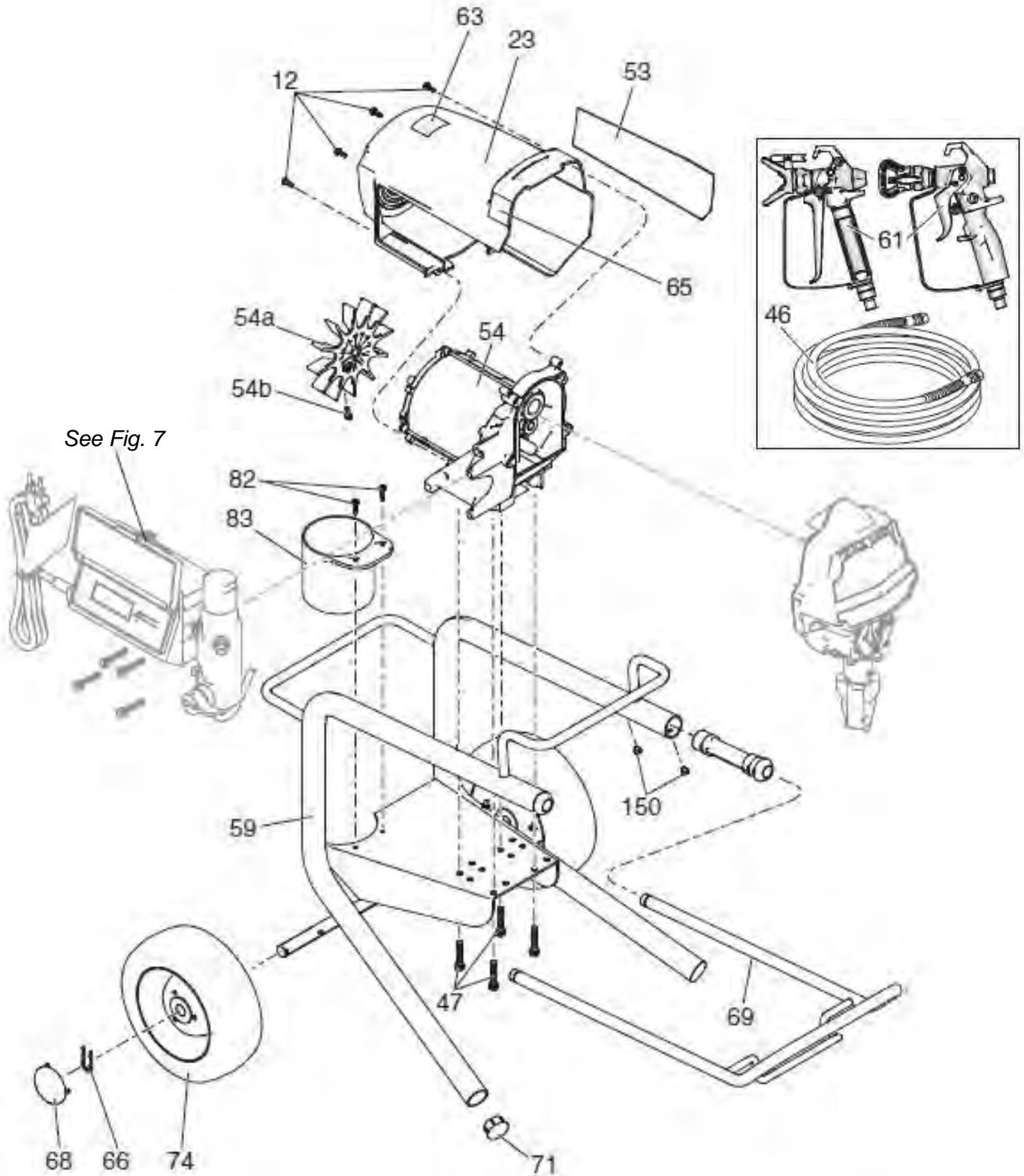
PART NUMBERS AND SCHEMATICS GUIDE

Graco® Ultra® Max II 495 PC Pro Electric Airless Spray Pump – Lo-Boy Model

Item #	Part #	Description
Fig. 3		
—	20G17C334	Graco® Ultra® Max II 495 PC Pro Electric Airless Spray Pump – Lo-Boy Model
12	20G117501	Hex Washer Head Machine Screw (<i>Quantity of Four</i>)
23	20G15G449	Painted Motor Shield
46	20G240794	1/4" I.D. x 50' Coupled Hose
53	20G17C834	Side Label
54	20G24S022	Motor (<i>Includes Item #'s: 54a and 54b</i>)
54a	20G15D088	Motor Fan
54b	20G115477	Painted Torx Machine Screw
59	20G246250	Lo Cart Frame
61	20G288420	Contractor Airless Spray Gun with RAC X™ 517 Tip
63	20G15H085	Danger Label
65	20G195793	Warning Label
66	20G15B999	Retaining Clip (<i>Quantity of Two</i>)
68	20G104811	Hub Cap (<i>Quantity of Two</i>)
69	20G287488	Lo Cart Assembly Handle
71	20G107310	Tubing Plug (<i>Quantity of Two</i>)
74	20G195766	Semi-Pneumatic Wheel (<i>Quantity of Two</i>)
82	20G122667	Hex Washer Head Drill Screw
83	20G15B870	Suction/Drain Cup
150	20G109032	Pan-Head Screw (<i>Quantity of Four</i>)
—	201M632	Brochure – Graco® Electric Sprayers
—	206M510	Part Numbers and Schematics Guide – Graco® Contractor Airless Spray Gun
—	206M634	Part Numbers and Schematics Guide – Graco® Ultra® Max II 495 PC Pro Electric Airless Spray Pump
—	209V606	Operator's Manual – Graco® Ultra® Max II 495 PC Pro Electric Airless Spray Pump

PART NUMBERS AND SCHEMATICS GUIDE

Figure 3: Graco® Ultra® Max II 495 PC Pro Electric Airless Spray Pump – Lo-Boy Model



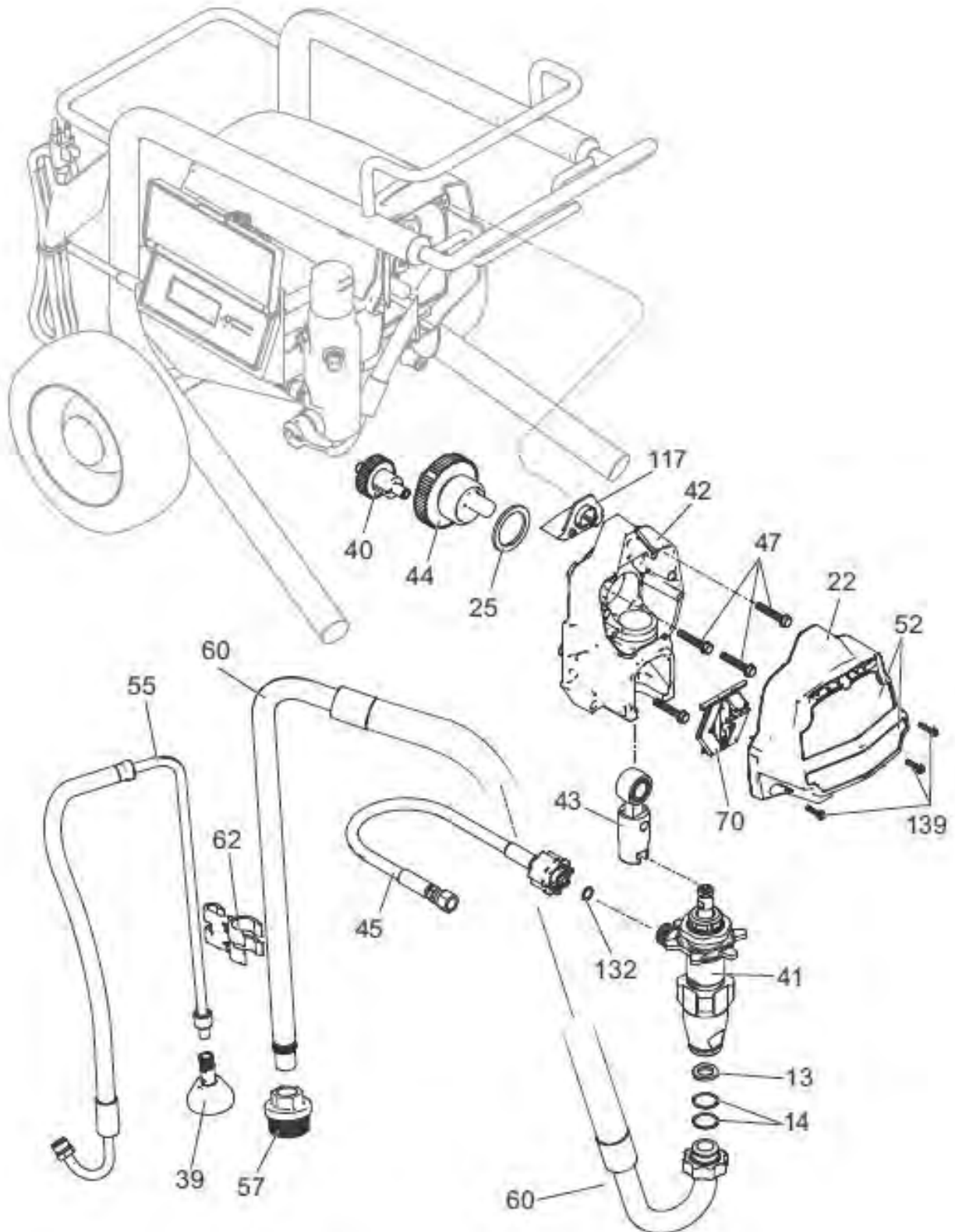
PART NUMBERS AND SCHEMATICS GUIDE

Graco® Ultra® Max II 495 PC Pro Electric Airless Spray Pump – Lo-Boy Model Continued

Item #	Part #	Description
Fig. 4		
—	20G17C334	Graco® Ultra® Max II 495 PC Pro Electric Airless Spray Pump – Lo-Boy Model
13	20G115099	Hose Washer
14	20G117559	O-Ring (<i>Quantity of Two</i>)
22	20G17C541	Painted Front Cover
25	20G180131	Thrust Bearing
39	20G241920	Threaded Deflector
40	20G249194	Reducer Gear
41	20G17C487	ProConnect™ Endurance™ Displacement Pump (<i>See Fig. 8</i>)
42	20G24W817	ProConnect™ Drive Housing (<i>Includes Item #'s: 12, 47, and 70</i>)
43	20G24W640	ProConnect™ Connecting Rod
44	20G24X020	Crankshaft Gear (<i>Includes Item #25</i>)
45	20G24W830	ProConnect™ Coupled Hose Kit (<i>Includes Item #132</i>)
47	20G117493	Hex Washer Head Machine Screw (<i>Quantity of Eight</i>)
52	20G17C827	Upper Front Label
	20G17C833	Lower Front Label
55	20G246381	Drain Line Repair Kit (<i>Includes Item #'s: 39 and 62</i>)
57	20G246385	7/8-14 Inlet Strainer
60	20G246386	Hose Suction Repair Kit (<i>Includes Item #'s: 13, 14, 57, and 62</i>)
62	20G276888	Drain Line Clip
70	20G17C483	Pump Rod Cover
117	20G15G447	Painted Shield Plug
132	20G16H137	Packing O-Ring
139	20G127914	Pan-Head Screw (<i>Quantity of Four</i>)
—	20G206994	Throat Seal Liquid – 8 oz.
—	201M632	Brochure – Graco® Electric Sprayers
—	206M634	Part Numbers and Schematics Guide – Graco® Ultra® Max II 495 PC Pro Electric Airless Spray Pump
—	209V606	Operator's Manual – Graco® Ultra® Max II 495 PC Pro Electric Airless Spray Pump

PART NUMBERS AND SCHEMATICS GUIDE

Figure 4: Graco® Ultra® Max II 495 PC Pro Electric Airless Spray Pump – Lo-Boy Model
Continued



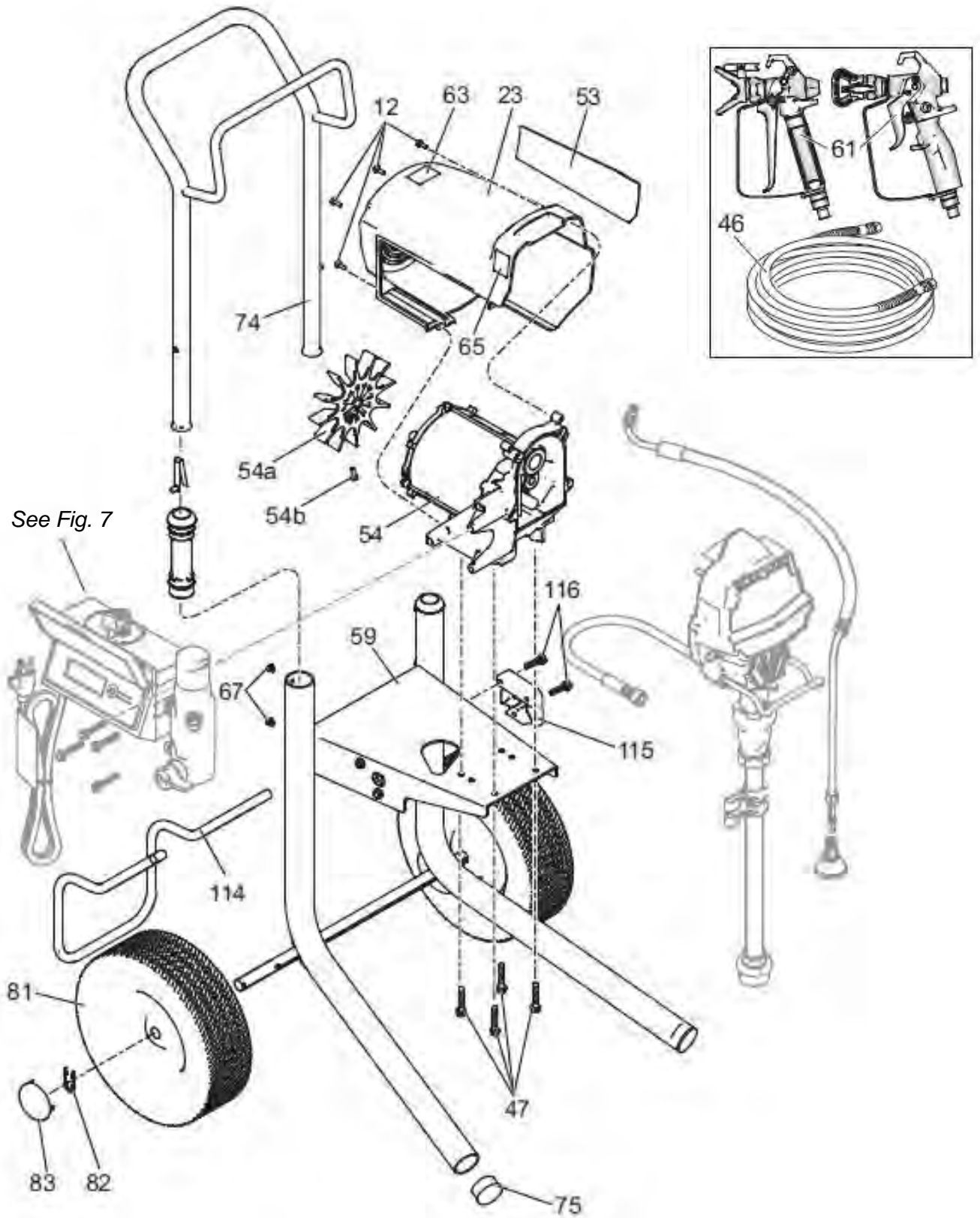
PART NUMBERS AND SCHEMATICS GUIDE

Graco® Ultra® Max II 495 PC Pro Electric Airless Spray Pump – Hi-Boy Model

Item #	Part #	Description
Fig. 5		
—	20G17C335	Graco® Ultra® Max II 495 PC Pro Electric Airless Spray Pump – Hi-Boy Model
12	20G117501	Hex Washer Head Machine Screw (<i>Quantity of Four</i>)
23	20G15G449	Painted Motor Shield
46	20G240794	1/4" I.D. x 50' Coupled Hose
47	20G117493	Hex Washer Head Machine Screw (<i>Quantity of Eight</i>)
53	20G17C834	Side Label
54	20G24S022	Motor (<i>Includes Item #'s: 54a and 54b</i>)
54a	20G15D088	Motor Fan
54b	20G115477	Painted Torx Machine Screw
59	20G17C485	Hi Cart Frame
61	20G288420	Contractor Airless Spray Gun with RAC X™ 517 Tip
63	20G15H085	Danger Label
65	20G195793	Warning Label
67	20G109032	Pan-Head Screw (<i>Quantity of Four</i>)
74	20G287489	Handle
75	20G108691	Tubing Plug (<i>Quantity of Two</i>)
81	20G106062	Semi-Pneumatic Wheel (<i>Quantity of Two</i>)
82	20G15B999	Retaining Clip (<i>Quantity of Two</i>)
83	20G104811	Hub Cap (<i>Quantity of Two</i>)
114	20G15D281	Cart Stand Hanger
115	20G15C982	Cart Cam (<i>Quantity of Two</i>)
116	20G114531	Hex Washer Head Machine Screw (<i>Quantity of Four</i>)
—	20G206994	Throat Seal Liquid – 8 oz.
—	201M632	Brochure – Graco® Electric Sprayers
—	206M510	Part Numbers and Schematics Guide – Graco® Contractor Airless Spray Gun
—	206M634	Part Numbers and Schematics Guide – Graco® Ultra® Max II 495 PC Pro Electric Airless Spray Pump
—	209V606	Operator's Manual – Graco® Ultra® Max II 495 PC Pro Electric Airless Spray Pump

PART NUMBERS AND SCHEMATICS GUIDE

Figure 5: Graco® Ultra® Max II 495 PC Pro Electric Airless Spray Pump – Hi-Boy Model



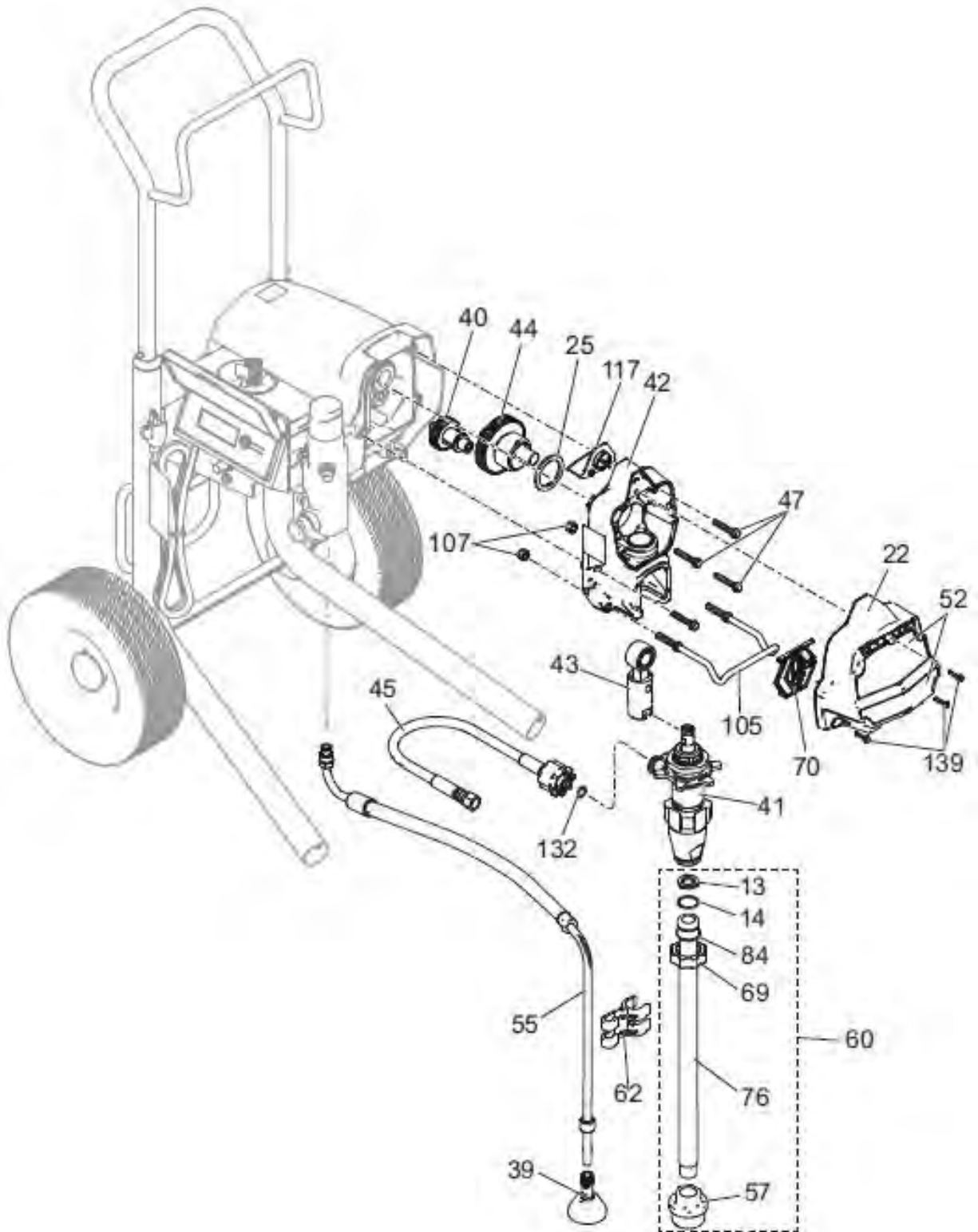
PART NUMBERS AND SCHEMATICS GUIDE

Graco® Ultra® Max II 495 PC Pro Electric Airless Spray Pump – Hi-Boy Model Continued

Item #	Part #	Description
Fig. 6		
—	20G17C335	Graco® Ultra® Max II 495 PC Pro Electric Airless Spray Pump – Hi-Boy Model
13	20G115099	Hose Washer
14	20G103413	O-Ring
22	20G17C541	Painted Front Cover
25	20G180131	Thrust Bearing
39	20G241920	Threaded Deflector
40	20G249194	Reducer Gear
41	20G17C487	ProConnect™ Endurance™ Displacement Pump (See Fig. 8)
42	20G24W817	ProConnect™ Drive Housing (Includes Item #'s: 12, 47, and 70)
43	20G24W640	ProConnect™ Connecting Rod
44	20G24X020	Crankshaft Gear (Includes Item #25)
45	20G24W830	ProConnect™ Coupled Hose Kit (Includes Item #132)
47	20G117493	Hex Washer Head Machine Screw (Quantity of Eight)
52	20G17C827	Upper Front Label
	20G17C833	Lower Front Label
55	20G244240	Drain Hose (Includes Item #'s: 39)
57	20G246385	7/8-14 Inlet Strainer
60	20G246386	Hose Suction Repair Kit (Includes Item #'s: 13, 14, 57, 69, 76, and 84)
62	20G276888	Drain Line Clip
69	20G15E813	Jam Nut
70	20G17C483	Pump Rod Cover
76	—	Suction Tube
84	20G15B652	Suction Washer
105	20G17C990	Pail Hanger
107	20G111040	5/16" Locknut with Nylon Insert (Quantity of Two)
117	20G15G447	Painted Shield Plug
132	20G16H137	Packing O-Ring
139	20G127914	Pan-Head Screw (Quantity of Three)
—	20G206994	Throat Seal Liquid – 8 oz.
—	201M632	Brochure – Graco® Electric Sprayers
—	206M634	Part Numbers and Schematics Guide – Graco® Ultra® Max II 495 PC Pro Electric Airless Spray Pump
—	209V606	Operator's Manual – Graco® Ultra® Max II 495 PC Pro Electric Airless Spray Pump

PART NUMBERS AND SCHEMATICS GUIDE

Figure 6: Graco® Ultra® Max II 495 PC Pro Electric Airless Spray Pump – Hi-Boy Model
Continued



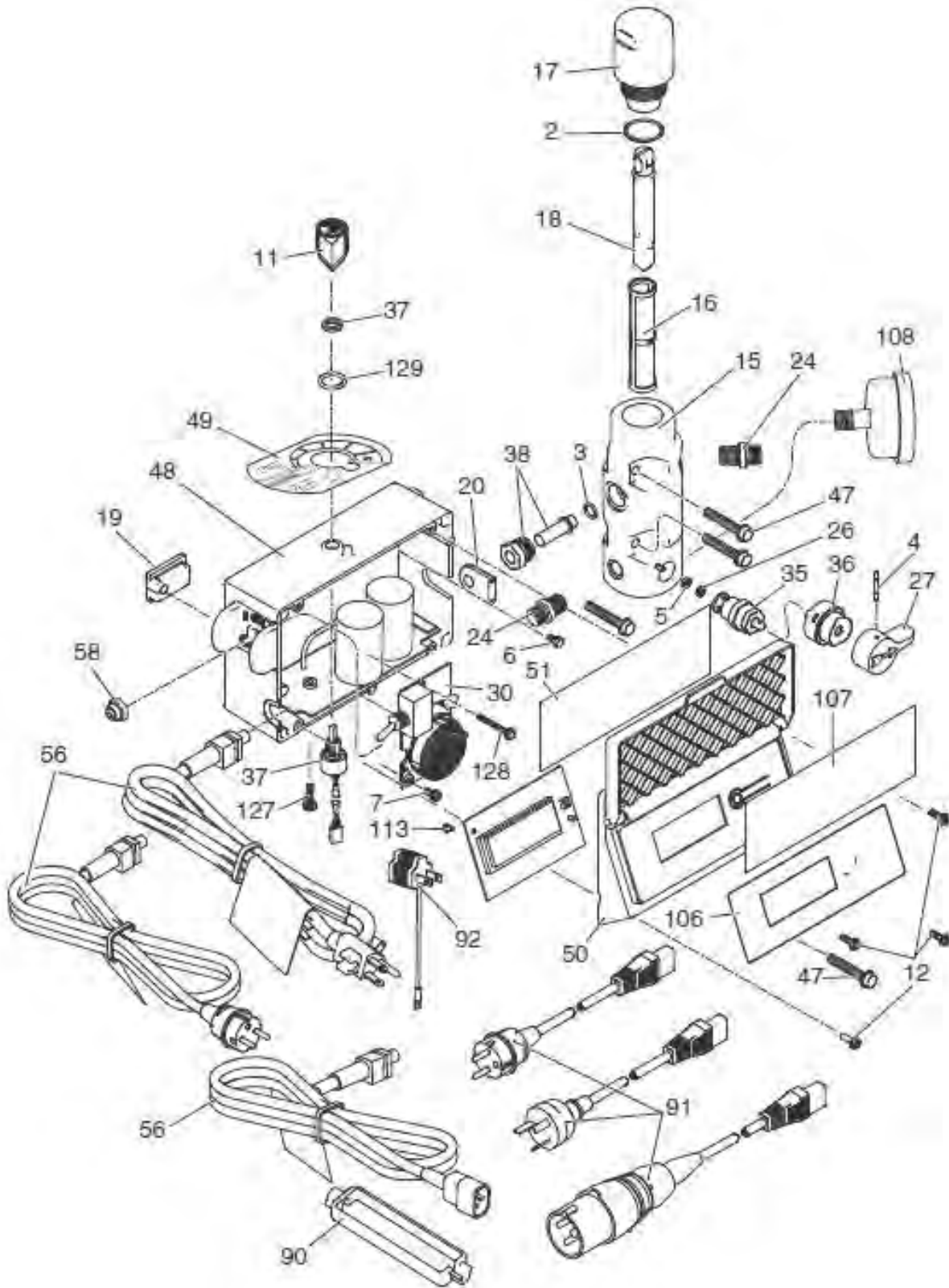
PART NUMBERS AND SCHEMATICS GUIDE

Control Box

Item #	Part #	Description	Item #	Part #	Description
Fig. 7			51	20G17C964	Control Label (<i>For models without Digital Display</i>)
2	20G117828	Packing O-Ring – PTFE Coated		20G17C875	Control Label (<i>For models with Digital Display</i>)
3	20G111457	Packing O-Ring			
4	20G111600	Grooved Pin	56	20G253367	Power Cord
5	20G277364	Seat Valve Gasket (<i>Pack of Two</i>)	58	20G195428	Toggle Boot
6	20G115494	Pan-Head Phillips Machine Screw (<i>Quantity of Five</i>)	90	20G195551	Adapter Plug Retainer
7	20G115498	Washer Head Slot/Hex Machine Screw	91	20G242001	Cord Set Adapter (Europe)
11	20G116167	Potentiometer Knob	92	20G244285	Japan Adapter
12	20G117501	Hex Washer Head Machine Screw (<i>Quantity of Four</i>)	106	20G15G861	Smart Control™ Display Label
15	20G15G455	Fluid Manifold (<i>For use with models without a pressure gauge</i>)	107	20G15G588	Digital Tracking System Label
	20G15T811	Fluid Manifold (<i>For use with models with a pressure gauge</i>)	108	20G115523	Fluid Pressure Gauge
16	20G246425	Fluid Filter – 30 Mesh	127	20G120165	Pan-Head Phillips Machine Screw
	20G246384	Fluid Filter – 60 Mesh	128	20G120406	Hex Washer Head Machine Screw
	20G246382	Fluid Filter – 100 Mesh	129	20G158674	Packing O-Ring – Nitrile Rubber
	20G246383	Fluid Filter – 200 Mesh	—	201M632	Brochure – Graco® Electric Sprayers
17	20G287902	Filter Cap Repair Kit (<i>Includes Item #18</i>)	—	206M634	Part Numbers and Schematics Guide – Graco® Ultra® Max II 495 PC Pro Electric Airless Spray Pump
18	20G15B071	Filter Insert	—	209V606	Operator's Manual – Graco® Ultra® Max II 495 PC Pro Electric Airless Spray Pump
19	20G15G562	Control Box Bushing			
20	20G15B120	Transducer Grommet			
24	20G162453	1/4" x 1/4" Nipple (<i>Quantity of Two</i>)			
26	20G15E022	Valve Seat			
27	20G187625	Drain Valve Handle			
30	20G287911	Filter Board			
35	20G239914	Drain Valve (<i>Includes Item #'s: 5 and 26</i>)			
36	20G224807	Valve Base			
37	20G17D888	Potentiometer Assembly			
38	20G243222	Pressure Control Transducer (<i>Includes Item #3</i>)			
47	20G117493	Hex Washer Head Machine Screw (<i>Quantity of Four</i>)			
48	20G24W893	Control Board Box (<i>Includes Item #'s: 6, 7, 11, 19, 30, 37, 49, 58, 127, 128, and 129</i>)			
49	20G17D154	Control Label			
50	20G277229	Control Cover (<i>For models without Digital Display</i>)			
	20G24W892	Digital Display (<i>Includes Item #'s: 51, 106, and 107</i>)			

PART NUMBERS AND SCHEMATICS GUIDE

Figure 7: Control Box



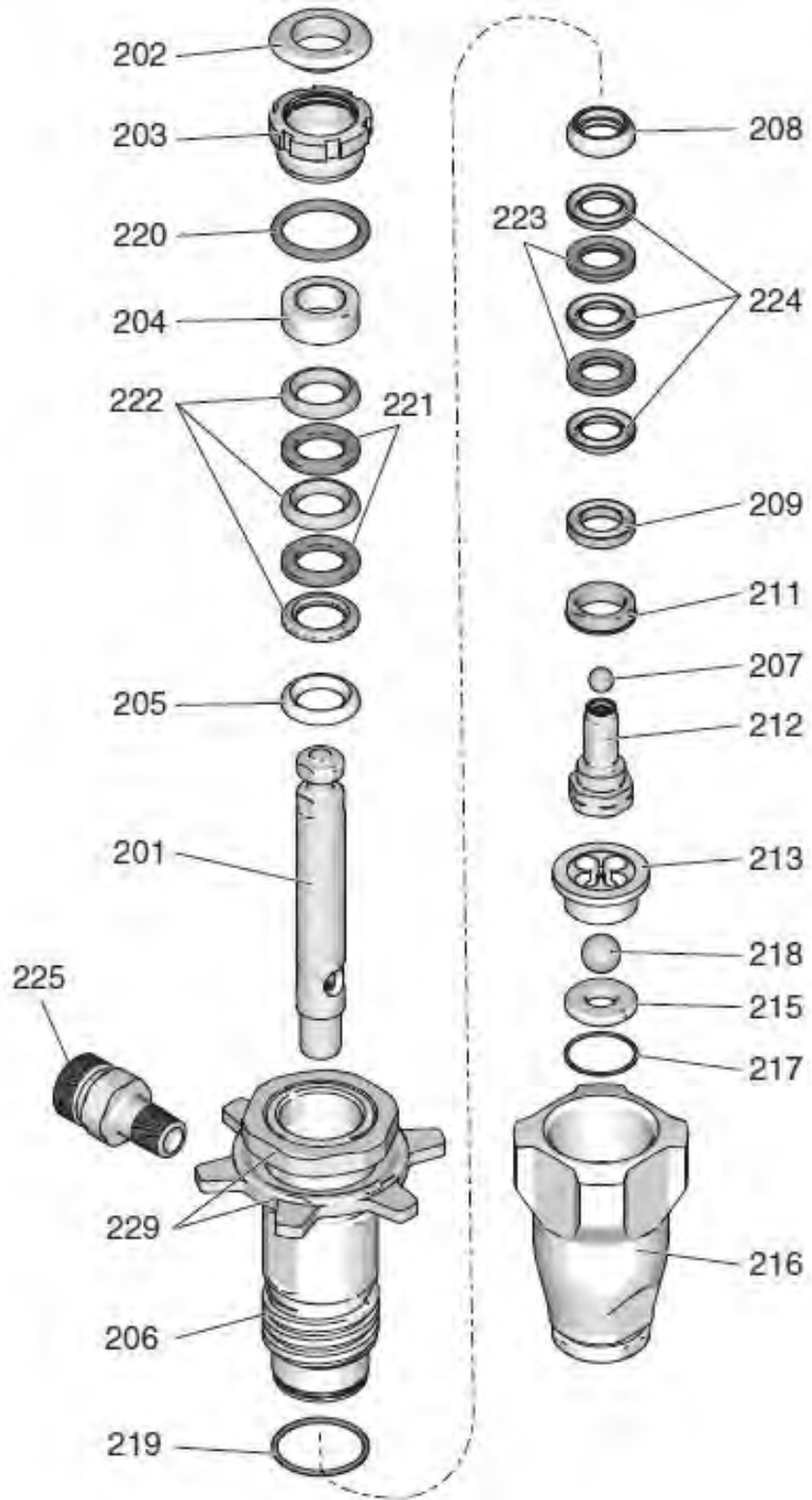
PART NUMBERS AND SCHEMATICS GUIDE

ProConnect™ Endurance™ Displacement Pump

Item #	Part #	Description
Fig. 8		
—	20G17C487	ProConnect™ Endurance™ Displacement Pump
201	20G24W617	Displacement Rod <i>(Includes Item #212)</i>
202	20G180656	Button Plug
203	20G193047	Packing Nut
204	20G176757	Female Throat Gland Packing
205	20G176754	Male Throat Gland Packing
206	20G24W619	Pump Cylinder <i>(Includes Item #229)</i>
207	20G105444	0.3125" Diameter Stainless Steel Ball
208	20G195129	Male Piston Gland
209	20G180073	Female Piston Gland
211	20G15G234	Piston Guide
212	20G239937	Piston Valve <i>(Includes Item #201)</i>
213	20G15C011	Ball Guide
215	20G246429	Inlet Check Valve Kit <i>(Includes Item #'s: 213, 217, and 218)</i>
216	20G15B611	Intake Housing Valve
217	20G15B112	Packing O-Ring
218	20G105445	0.5" Diameter Stainless Steel Intake Ball
219	20G108526	Packing O-Ring, PTFE
220	20G160516	O-Ring
221	20G176755	Throat V-Packing, Leather <i>(Quantity of Two)</i>
222	20G192710	Throat V-Packing, V-Max™ <i>(Quantity of Three)</i>
223	20G176749	Piston V-Packing, Leather <i>(Quantity of Two)</i>
224	20G192712	Piston V-Packing, V-Max™ <i>(Quantity of Three)</i>
225	20G17C231	1/4" Pump Fitting
229	—	Retaining Nuts <i>(Not Sold Separately)</i>
—	20G244194	Ultra® Pump Leather Repair Kit <i>(Includes Item #'s: 202, 204, 205, 207, 208, 209, 211, 217, 218, 219, 220, 221, 222, 223, and 224)</i>
—	20G246429	Inlet Check Valve Repair Kit <i>(Includes Item #'s: 213, 215, 217, and 218)</i>
—	201M632	Brochure – Graco® Electric Sprayers
—	206M634	Part Numbers and Schematics Guide – Graco® Ultra® Max II 495 PC Pro Electric Airless Spray Pump
—	209V604	Operator's Manual – Graco® ProConnect™ Endurance™ Displacement Pump

PART NUMBERS AND SCHEMATICS GUIDE

Figure 8: ProConnect™ Endurance™ Displacement Pump



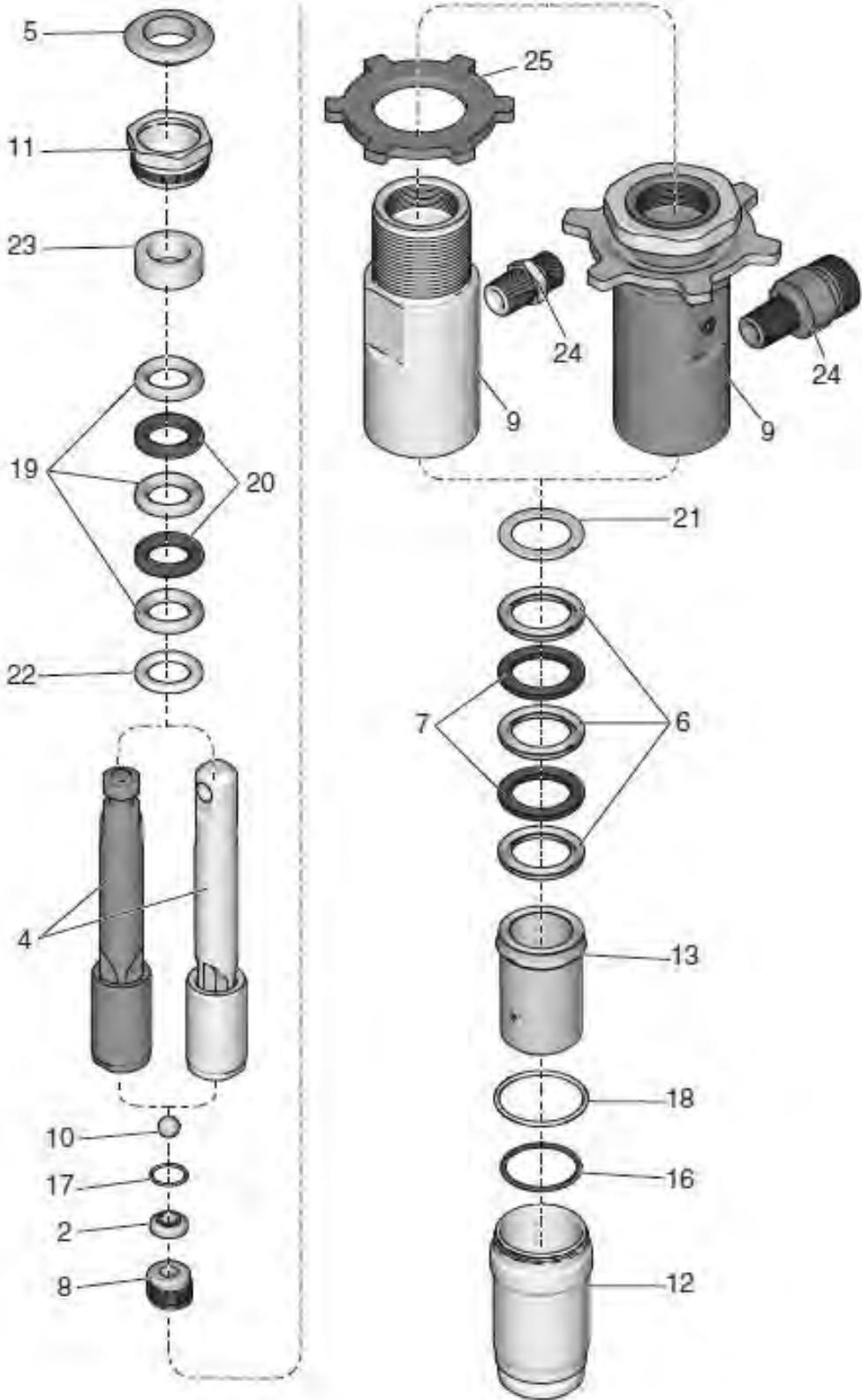
OPTIONAL ACCESSORIES

ProConnect™ Express Displacement Pump

Item #	Part #	Description
Fig. 9		
—	20G17J552	ProConnect™ Express Displacement Pump
2	20G17J183	Top Piston Seat
4	20G17K983	Piston Rod Kit
5	20G180656	Button Plug
6	20G17J184	Throat V-Packing, V-Max™ (<i>Quantity of Three</i>)
7	20G17J185	Leather V-Packing (<i>Quantity of Two</i>)
8	20G17J179	Piston Seat Retainer Plug
9	20G17K691	Pump Cylinder Kit (<i>Includes Retaining Nuts</i>)
10	20G105444	0.3125" Diameter Stainless Steel Ball
11	20G17J181	Packing Nut
12	20G17J182	Housing Intake Valve
13	20G17K986	Ball Guide Kit (<i>Includes Item #'s: 16 and 18</i>)
16	20G108730	Packing O-Ring
17	20G17J187	Piston Seat O-Ring
18	20G107313	PTFE O-Ring
19	20G125724	Piston V-Packing, V-Max™ (<i>Quantity of Three</i>)
20	20G176755	Leather V-Packing (<i>Quantity of Two</i>)
21	20G17J188	Male Lower Piston Gland
22	20G176754	Male Lower Throat Gland
23	20G176757	Female Throat Gland
24	20G17C231	1/4" Pump Fitting
25	20G195150	Pump Jam Nut
—	20G17K690	Pump Repair Kit (<i>Includes Item #'s: 5, 6, 7, 10, 16, 17, 18, 19, 20, 21, 22, and 23</i>)
—	20G17K985	Seat Piston Kit (<i>Includes Item #'s: 2, 8, 10, and 17</i>)
—	20G17K692	ProConnect™ Piston Rod Assembly Repair Kit (<i>Includes Item #'s: 2, 4, 8, and 17</i>)
—	209V607	Operator's Manual – Graco® ProConnect™ Express Displacement Pump

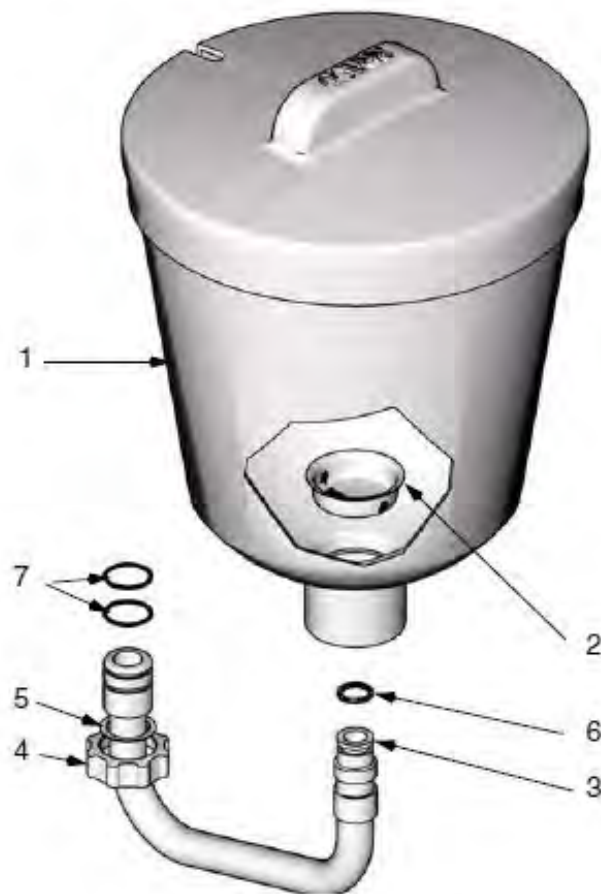
OPTIONAL ACCESSORIES

Figure 9: ProConnect™ Express Displacement Pump



OPTIONAL ACCESSORIES

Figure 10: Accessory Hopper Kit



Item #	Part #	Description
--------	--------	-------------

Fig. 10

—	20G288526	Accessory Hopper Kit
---	------------------	-----------------------------

1	20G188787	1.5 Gallon Hopper
---	-----------	-------------------

2	20G112133	Hopper Screen
---	-----------	---------------

3	20G287049	Hopper Inlet Tube
---	-----------	-------------------

4	20G15E813	Jam Nut
---	-----------	---------


5	20G15B652	Suction Washer
---	-----------	----------------


6	20G104938	O-Ring Cushion
---	-----------	----------------


7	20G117559	O-Ring
---	-----------	--------


—	209V603	Operator's Manual – Graco® Accessory Hopper Kit
---	---------	---

OPTIONAL ACCESSORIES




Part Numbers	DIGITAL DISPLAY	
	Description	
 20G287904	Digital Display for for Ultra® Max II 495 PC Pro	



Part Numbers	REPLACEMENT FILTERS		
	Screen	Color	Package
 20G246425	30 Mesh	Grey	1 Pack
20G246384	60 Mesh	Black	1 Pack
20G246382	100 Mesh	Blue	1 Pack
20G246383	200 Mesh	Red	1 Pack

Part Numbers	INLET STRAINER	
	Description	
 20G246385	Inlet Strainer for Ultra® Max II 495 PC Pro	

Part Numbers	REPLACEMENT PUMPS	
	Description	
 20G17C487	ProConnect™ Endurance™ Displacement Pump (See Fig. 8)	
20G17J552	ProConnect™ Express Displacement Pump (See Fig. 9)	

OPTIONAL ACCESSORIES

		THROAT SEAL LIQUID	
		Part Numbers	Description
	20G206994	Throat Seal Liquid – 8 oz.	
	20G206995	Throat Seal Liquid – 1 qt.	
	20G206996	Throat Seal Liquid – 1 gal.	

		PUMP ARMOR FLUID	
		Part Numbers	Description
	20G243103	Pump Armor Fluid – 1 qt.	
	20G245133	Pump Armor Fluid – 1 gal.	

PART NUMBERS AND SCHEMATICS GUIDE

GRACO® 395ST PRO™ ELECTRIC AIRLESS SPRAY PUMPS						
Part Numbers	MODEL		Contractor FTx™ Airless Spray Gun	515 RAC® V SwitchTip and Guard	1/4" x 50' Airless Hose	Displacement Pump
	Stand	Hi-Boy				
20G232920	X		X	X	X	X
20G232922		X	X	X	X	X

PART NUMBERS AND SCHEMATICS GUIDE



(Stand Model)

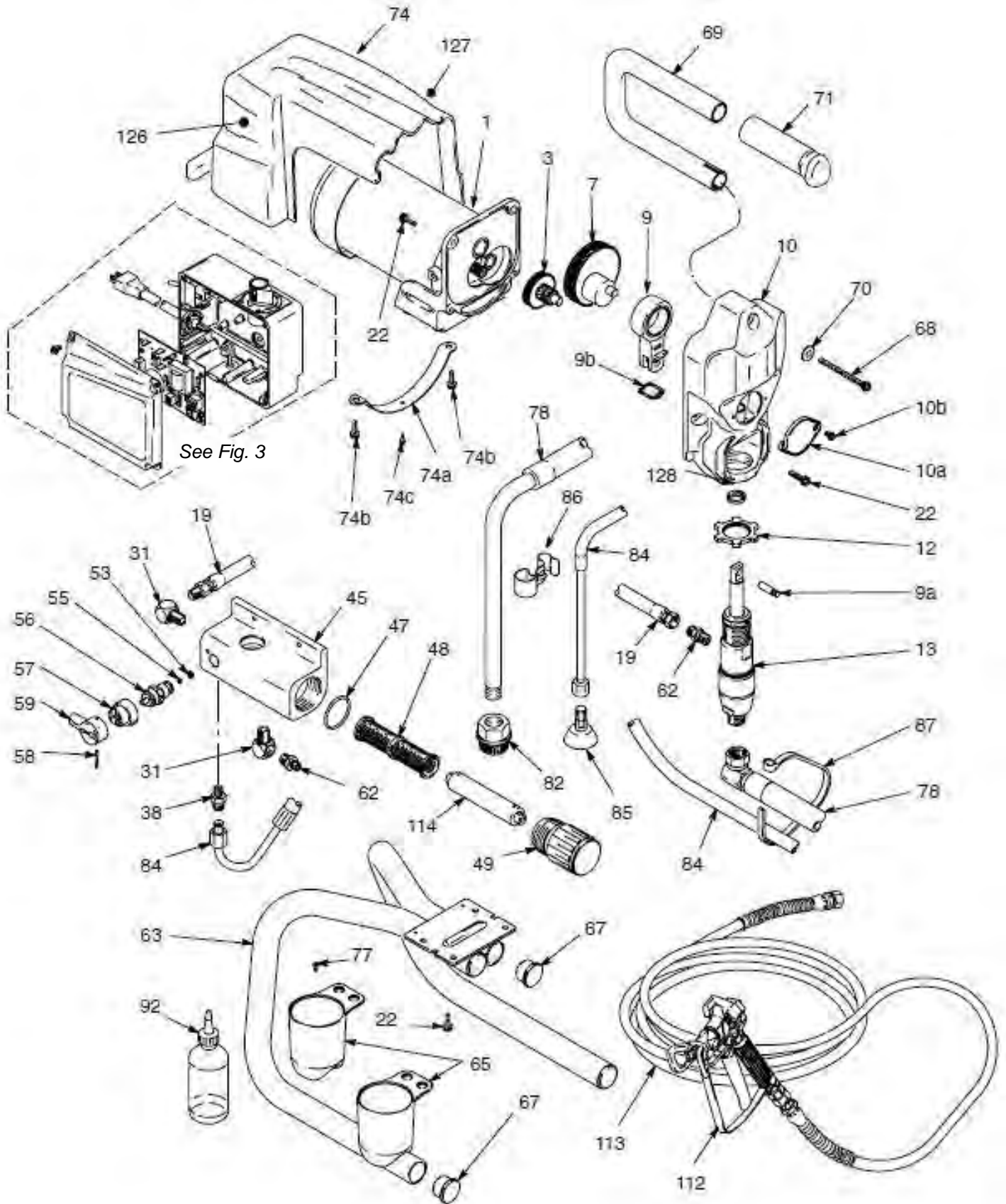
PART NUMBERS AND SCHEMATICS GUIDE

Graco® 395ST Pro™ Electric Airless Spray Pump – Stand Model

Item #	Part #	Description	Item #	Part #	Description
Fig. 1			74	20G243216	Motor Shroud <i>(Includes Item #'s: 74a, 74b, 74c, 126, and 127)</i>
—	20G232920	Graco® 395ST Pro™ Electric Airless Spray Pump – Stand Model	74a	20G195159	Shroud Bracket
1	20G242010	395ST Pro™ 120 VAC Motor	74b	20G114631	Screw <i>(Quantity of Two)</i>
3	20G243219	Combination Gear	74c	20G115509	Self-Drill Screw
7	20G243218	Crank Shaft	78	20G244353	Flexible Suction Hose
9	20G243221	Connecting Rod <i>(Includes Item #'s: 9a and 9b)</i>	82	20G235004	Strainer
9a	20G195175	Pump Pin	83	20G109032	Pan Head Machine Screw <i>(Quantity of Four)</i>
9b	20G195512	Pin Retainer	84	20G244040	Drain Hose <i>(Includes Item #'s: 85 and 86)</i>
10	20G243220	Drive Housing <i>(Includes Item #'s: 10a and 10b)</i>	85	20G241920	Threaded Deflector
10a	20G195099	Cover	86	20G195186	Spring Clip
10b	20G115492	Screw <i>(Quantity of Six)</i>	87	20G114958	Tie Strap
12	20G195150	Pump Jam Nut	92	20G206994	Throat Seal Liquid – 8 oz.
13	20G243183	Displacement Pump <i>(See Fig. 3)</i>	105	20G111483	Cable Clamp
19	20G241926	High Pressure Coupled Hose	106	20G103473	Tie Wire Strap
22	20G115495	Screw <i>(Quantity of Eight)</i>	112	20G288431	Contractor FTx™ Gun with 515 RAC® V Tip
31	20G195847	90° Elbow Street Fitting <i>(Quantity of Two)</i>	113	20G240794	1/4" x 50' Coupled Hose
38	20G116150	Adapter Fitting	114	20G196773	Filter Insert
45	20G195157	Filter Housing	126	20G195833	Warning Label
47	20G104361	Packing O-Ring – PTFE	127	20G195805	Danger Label
48	20G243080	Fluid Filter – 60 Mesh	128	20G115491	Rod Wiper
49	20G195139	Filter Cap	—	206M522	Part Numbers & Schematics Guide – Graco® FTx™ Airless Spray Guns
53	20G111699	Gasket	—	206M635	Part Numbers & Schematics Guide – Graco® 395ST Pro™ Electric Airless Spray Pump
55	20G187615	Seat Valve	—	209V601	Operator's Manual – Graco® 395ST Pro™ Electric Airless Spray Pump
56	20G235014	Drain Valve Assembly <i>(Includes Item #'s: 53 and 55)</i>			
57	20G224807	Valve Base			
58	20G111600	Grooved Pin			
59	20G187625	Drain Valve Handle			
62	20G162453	1/4" x 1/4" Nipple <i>(Quantity of Two)</i>			
63	20G241870	Stand Mount Frame			
65	20G195177	TSL and Suction Tube Holder <i>(Quantity of Two)</i>			
67	20G107310	Tubing Plug <i>(Quantity of Four)</i>			
68	20G115506	Screw			
69	20G195155	Sprayer Handle			
70	20G100016	Lock Washer			
71	20G116139	Handle Grip			

PART NUMBERS AND SCHEMATICS GUIDE

Figure 1: Graco® 395ST Pro™ Electric Airless Spray Pump – Stand Model



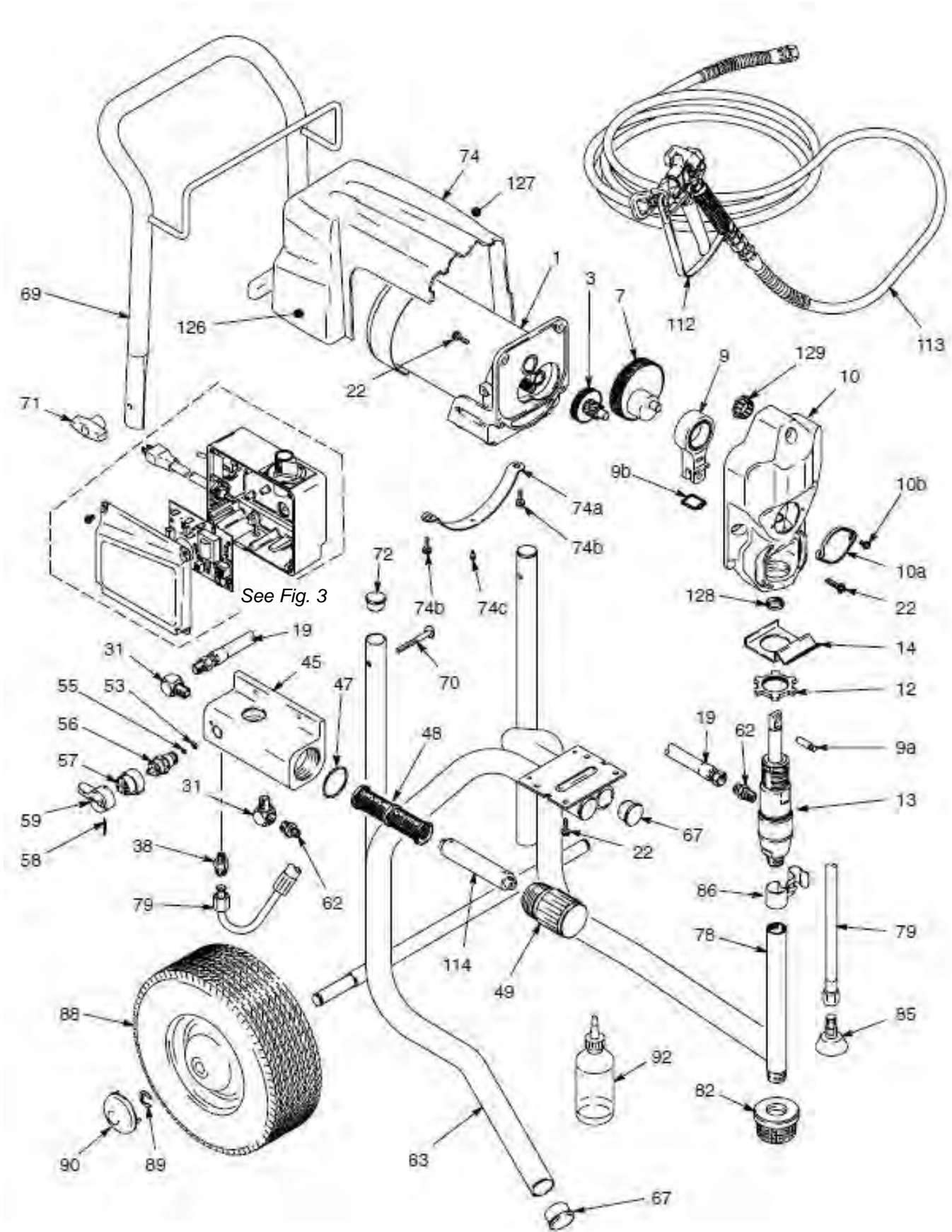
PART NUMBERS AND SCHEMATICS GUIDE

Graco® 395ST Pro™ Electric Airless Spray Pump – Hi-Boy Model

Item #	Part #	Description	Item #	Part #	Description
Fig. 2			71	20G115480	T-Handle Knob (<i>Quantity of Two</i>)
—	20G232922	Graco® 395ST Pro™ Electric Airless Spray Pump – Hi-Boy Model	72	20G105521	Tubing Plug (<i>Quantity of Four</i>)
1	20G242010	395ST Pro™ 120 VAC Motor	74	20G243216	Motor Shroud (<i>Includes Item #'s: 74a, 74b, 74c, 126, and 127</i>)
3	20G243219	Combination Gear	74a	20G195159	Shroud Bracket
7	20G243218	Crank Shaft	74b	20G114631	Screw (<i>Quantity of Two</i>)
9	20G243221	Connecting Rod (<i>Includes Item #'s: 9a and 9b</i>)	74c	20G115509	Self-Drill Screw
9a	20G195175	Pump Pin	78	20G195489	Suction Intake Tube
9b	20G195512	Pin Retainer	79	20G244042	Drain Hose (<i>Includes Item #'s: 85 and 86</i>)
10	20G243220	Drive Housing (<i>Includes Item #'s: 10a and 10b</i>)	82	20G183770	Strainer
10a	20G195099	Cover	85	20G241920	Threaded Deflector
10b	20G115492	Screw (<i>Quantity of Six</i>)	86	20G195696	Spring Clip
12	20G195150	Pump Jam Nut	88	20G106062	Semi-Pneumatic Wheel (<i>Quantity of Two</i>)
13	20G243183	Displacement Pump (<i>See Fig. 3</i>)	89	20G101242	Retaining Ring (<i>Quantity of Two</i>)
14	20G195497	Pail Hook	90	20G104811	Hub Cap (<i>Quantity of Two</i>)
19	20G241926	High Pressure Coupled Hose	92	20G206994	Throat Seal Liquid – 8 oz.
22	20G115495	Screw (<i>Quantity of 13</i>)	105	20G111483	Cable Clamp
31	20G195847	90° Elbow Street Fitting (<i>Quantity of Two</i>)	106	20G103473	Tie Wire Strap
38	20G116150	Adapter Fitting	112	20G288431	Contractor FTx™ Gun with 515 RAC® V Tip
45	20G195157	Filter Housing	113	20G240794	1/4" x 50' Coupled Hose
47	20G104361	Packing O-Ring – PTFE	114	20G196773	Filter Insert
48	20G243080	Fluid Filter – 60 Mesh	126	20G195833	Warning Label
49	20G195139	Filter Cap	127	20G195805	Danger Label
53	20G111699	Gasket	128	20G115491	Rod Wiper
55	20G187615	Seat Valve	129	20G115979	Plug
56	20G235014	Drain Valve Assembly (<i>Includes Item #'s: 53 and 55</i>)	—	206M522	Part Numbers & Schematics Guide – Graco® FTx™ Airless Spray Guns
57	20G224807	Valve Base	—	206M635	Part Numbers & Schematics Guide – Graco® 395ST Pro™ Electric Airless Spray Pump
58	20G111600	Grooved Pin	—	209V601	Operator's Manual – Graco® 395ST Pro™ Electric Airless Spray Pump
59	20G187625	Drain Valve Handle			
62	20G162453	1/4" x 1/4" Nipple (<i>Quantity of Two</i>)			
63	20G241934	Cart Frame			
65	20G195177	TSL and Suction Tube Holder (<i>Quantity of Two</i>)			
67	20G107310	Tubing Plug (<i>Quantity of Four</i>)			
69	20G241938	Cart Handle			
70	20G115097	Curved Head Screw (<i>Quantity of Two</i>)			

PART NUMBERS AND SCHEMATICS GUIDE

Figure 2: Graco® 395ST Pro™ Electric Airless Spray Pump – Hi-Boy Model



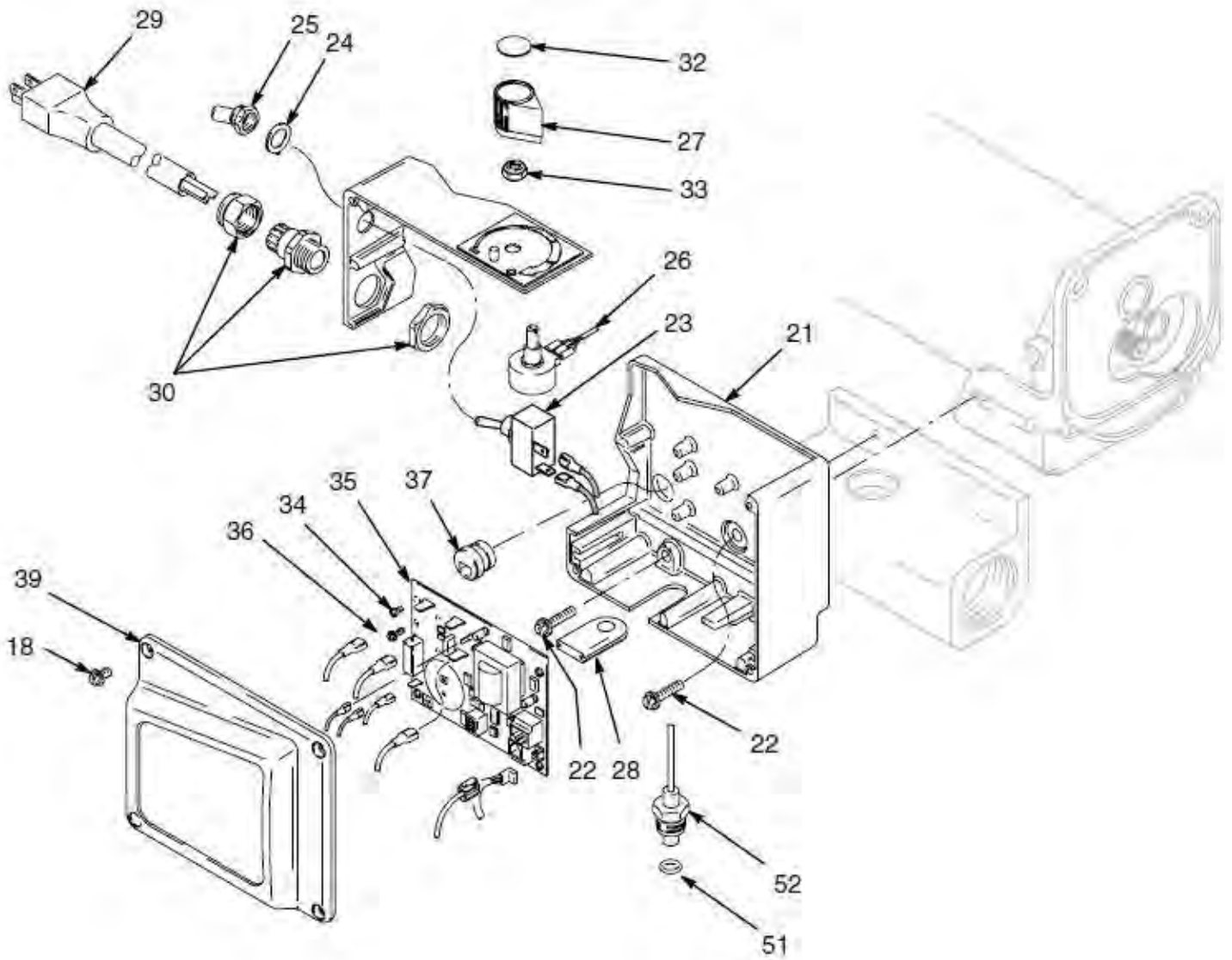
PART NUMBERS AND SCHEMATICS GUIDE

Graco® 395ST Pro™ Control Box

Item #	Part #	Description
Fig. 3		
18	20G115492	Hex-Washer Head Screws (<i>Quantity of Six</i>)
21	20G276539	Control Housing
22	20G115495	Hex-Washer Head Screws (<i>Quantity of Five</i>)
23	20G195429	Toggle Switch
24	20G105658	Locking Ring
25	20G195428	Toggle Boot
26	20G236352	Potentiometer
27	20G116167	Potentiometer Knob
28	20G195423	Transducer Grommet
29	20G241729	Power Cord Set (<i>Stand Model</i>)
	20G241874	Power Cord Set (<i>Hi-Boy Model</i>)
30	20G114421	Strain Relief Bushing
32	20G193072	Control Label
33	20G112382	Shaft Sealing Nut
34	20G115498	Hex-Washer Head Screws
35	20G241990	Control Board
36	20G115494	6-32 x 1/2" Taptite Screw (<i>Quantity of Five</i>)
37	20G114689	Strain Relief Bushing
39	20G195147	Control Cover
51	20G111457	O-Ring
52	20G243222	Pressure Control Transducer (<i>Includes Item #: 51</i>)
60	20G195866	Jumper Wire
—	209V601	Operator's Manual – Graco® 395ST Pro™ Electric Airless Spray Pump

PART NUMBERS AND SCHEMATICS GUIDE

Figure 3: Graco® 395ST Pro™ Control Box



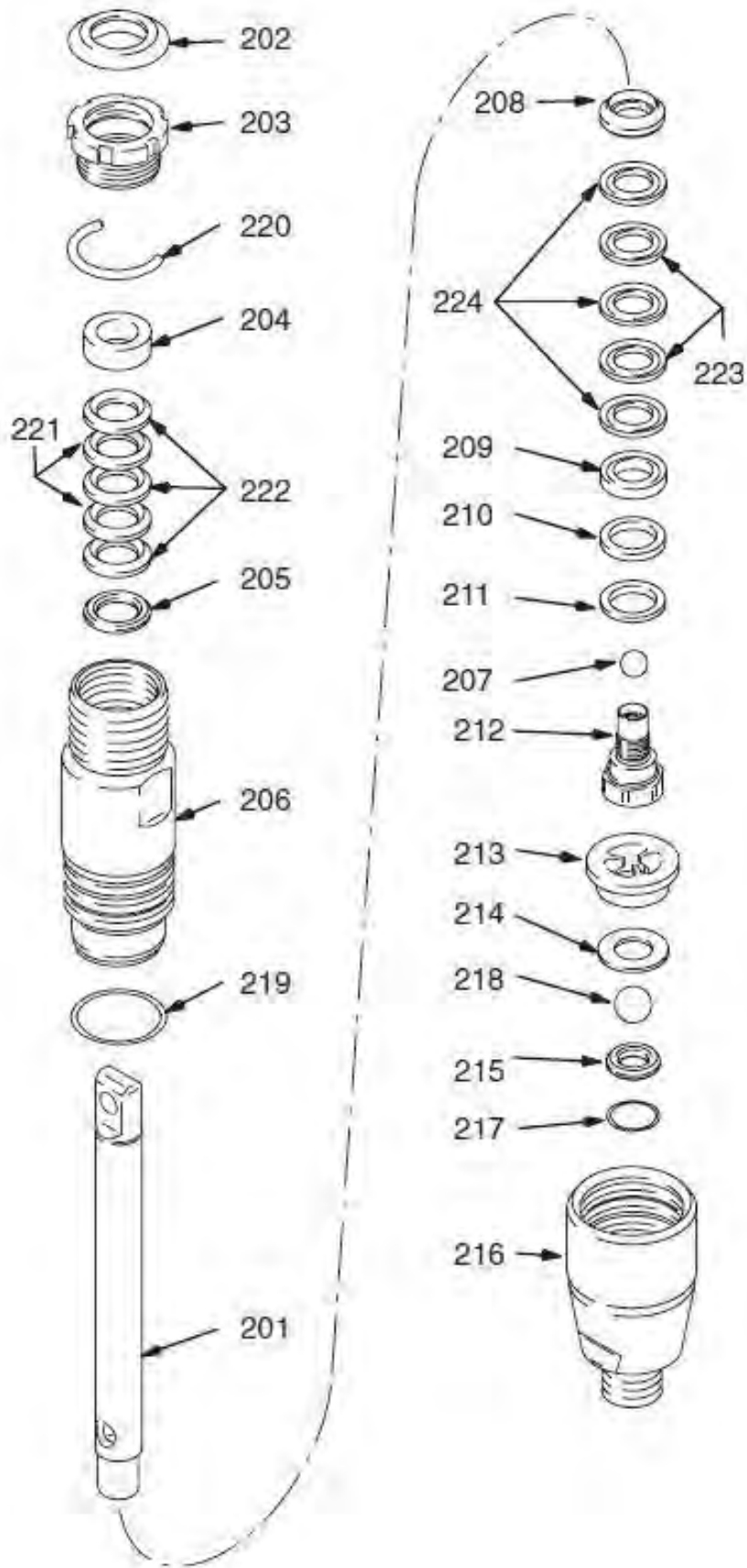
PART NUMBERS AND SCHEMATICS GUIDE

Graco® 395ST Pro™ Displacement Pump


Item #	Part #	Description
Fig. 4		
—	20G243183	Graco® 395ST Pro™ Displacement Pump
201	20G243174	Piston Rod
202	20G180656	Rubber Plug/Seal
203	20G193047	Packing Nut
204	20G176757	Female Gland Packing
205	20G176754	Male Gland Packing
206	20G243176	Pump Cylinder
207	20G105444	0.3125" Diameter Stainless Steel Ball
208	20G195129	Male Gland Piston
209	20G180073	Female Gland Piston
210	20G105552	U-Cup Seal
211	20G186652	Backup Washer
212	20G243181	Piston Valve
213	20G195135	Ball Guide
214	20G195134	Ball Guide Spacer
215	20G243190	Carbide Seat Kit <i>(Includes Item #'s: 214, 217, and 218)</i>
216	20G195133	Intake Valve
217	20G195136	O-Ring Packing
218	20G105445	1/2" Diameter Stainless Steel Ball
219	20G108526	Packing O-Ring – PTFE
220	20G195368	Troat Spacer Nut
221	20G176755	Throat V-Packing – Leather <i>(Quantity of Two)</i>
222	20G192710	Throat V-Packing – UHMWPE <i>(Quantity of Three)</i>
223	20G176744	Piston V-Packing – Leather <i>(Quantity of Two)</i>
224	20G192712	Piston V-Packing – UHMWPE <i>(Quantity of Three)</i>
—	20G244194	Graco® 395ST™ Pro Displacement Pump <i>(Includes Item #'s: 204, 205, 207, 208, 209, 210, 211, 217, 218, 219, 221, 222, 223, and 224)</i>
—	20G243190	Foot Valve Repair Kit <i>(Includes Item #'s: 214, 215, 217, and 218)</i>
—	209V602	Operator's Manual – Graco® 395ST Pro™ Displacement Pump




PART NUMBERS AND SCHEMATICS GUIDE



Figure 4: Graco® 395ST Pro™ Displacement Pump



OPTIONAL ACCESSORIES

		REPLACEMENT FILTERS		
Part Numbers		Screen	Color	U.O.M.
	20G243080	60 Mesh	Black	One Each
	20G243081	100 Mesh	Blue	One Each
	20G243226	200 Mesh	Red	One Each

		THROAT SEAL LIQUID	
Part Numbers		Description	
	20G206994	Throat Seal Liquid – 8 oz.	
	20G206995	Throat Seal Liquid – 1 qt.	
	20G206996	Throat Seal Liquid – 1 gal.	

		PUMP ARMOR FLUID	
Part Numbers		Description	
	20G243103	Pump Armor Fluid – 1 qt.	
	20G245133	Pump Armor Fluid – 1 gal.	

PART NUMBERS AND SCHEMATICS GUIDE

GRACO® 495ST PRO ELECTRIC AIRLESS SPRAY PUMPS							
Part Numbers	MODEL			Contractor FTx™ Airless Spray Gun	515 RAC® V SwitchTip and Guard	1/4" x 50' Airless Hose	Displacement Pump
	Stand	Lo-Boy	Hi-Boy				
20G232940	X			X	X	X	X
20G232941		X		X	X	X	X
20G232942			X	X	X	X	X

PART NUMBERS AND SCHEMATICS GUIDE



(Stand Model)

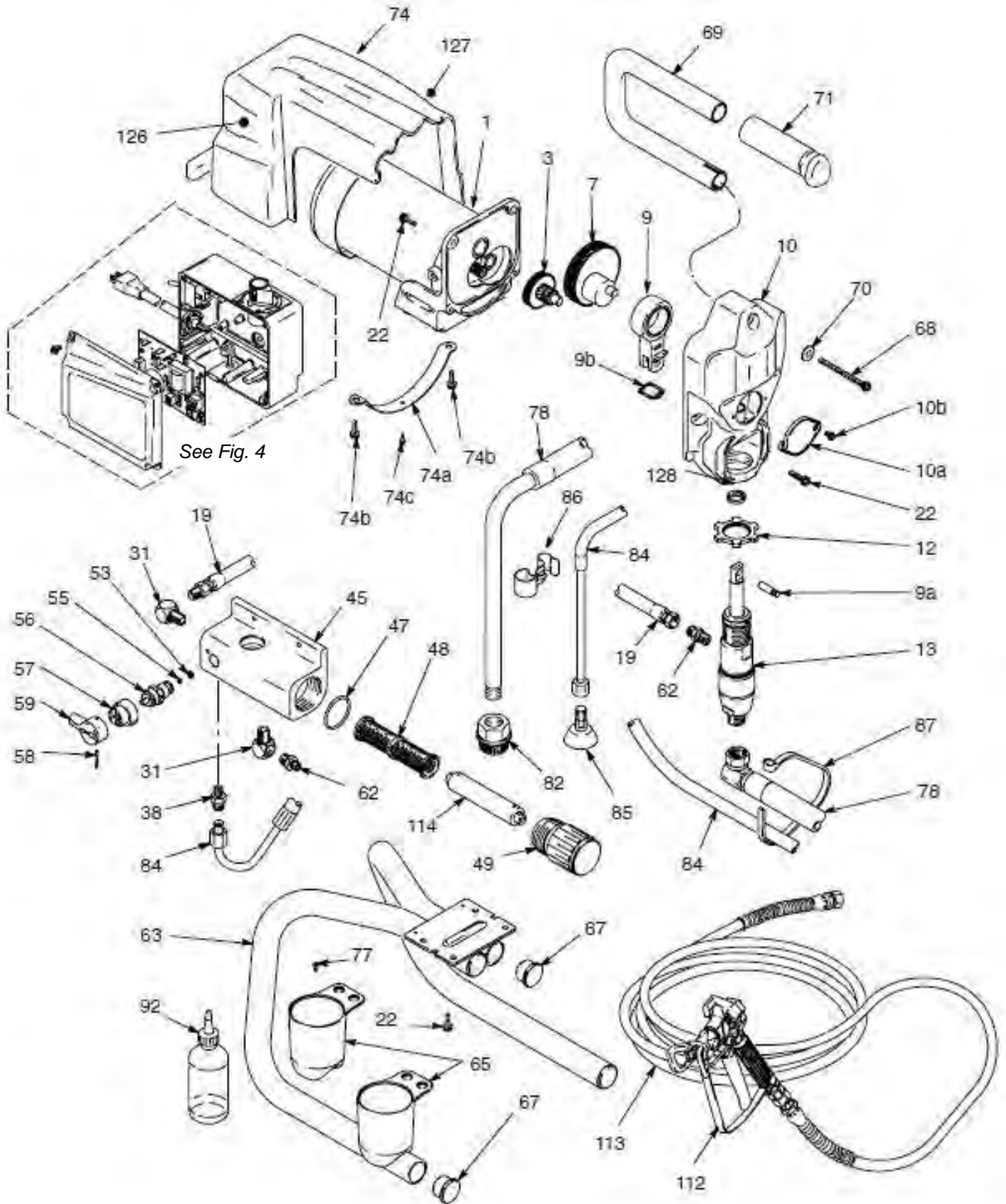
PART NUMBERS AND SCHEMATICS GUIDE

Graco® 495ST Pro™ Electric Airless Spray Pump – Stand Model

Item #	Part #	Description	Item #	Part #	Description
Fig. 1					
—	20G232940	Graco® 495ST Pro Electric Airless Spray Pump – Stand Model	74	20G243216	Motor Shroud <i>(Includes Item #'s: 74a, 74b, 74c, 126, and 127)</i>
1	20G242012	495ST Pro™ 120 VAC Motor	74a	20G195159	Shroud Bracket
3	20G243219	Combination Gear	74b	20G114631	Screw <i>(Quantity of Two)</i>
7	20G243218	Crank Shaft	74c	20G115509	Self-Drill Screw
9	20G243221	Connecting Rod <i>(Includes Item #'s: 9a and 9b)</i>	78	20G244353	Flexible Suction Hose
9a	20G195175	Pump Pin	82	20G235004	Strainer
9b	20G195512	Pin Retainer	83	20G109032	Pan Head Machine Screw <i>(Quantity of Four)</i>
10	20G243220	Drive Housing <i>(Includes Item #'s: 10a and 10b)</i>	84	20G244040	Drain Hose <i>(Includes Item #'s: 85 and 86)</i>
10a	20G195099	Cover	85	20G241920	Threaded Deflector
10b	20G115492	Screw <i>(Quantity of Six)</i>	86	20G195186	Spring Clip
12	20G195150	Pump Jam Nut	87	20G114958	Tie Strap
13	20G243183	Displacement Pump <i>(See Fig. 4)</i>	92	20G206994	Throat Seal Liquid – 8 oz.
19	20G241926	High Pressure Coupled Hose	105	20G111483	Cable Clamp
22	20G115495	Screw <i>(Quantity of Eight)</i>	106	20G103473	Tie Wire Strap
31	20G195847	90° Elbow Street Fitting <i>(Quantity of Two)</i>	112	20G288431	Contractor FTx™ Gun with 515 RAC® V Tip
38	20G116150	Adapter Fitting	113	20G240794	1/4" x 50' Coupled Hose
45	20G195157	Filter Housing	114	20G196773	Filter Insert
47	20G104361	Packing O-Ring – PTFE	126	20G195833	Warning Label
48	20G243080	Fluid Filter – 60 Mesh	127	20G195805	Danger Label
49	20G195139	Filter Cap	128	20G115491	Rod Wiper
53	20G111699	Gasket	—	206M522	Part Numbers & Schematics Guide – Graco® FTx™ Airless Spray Guns
55	20G187615	Seat Valve	—	206M636	Part Numbers & Schematics Guide – Graco® 495ST Pro™ Electric Airless Spray Pump
56	20G235014	Drain Valve Assembly <i>(Includes Item #'s: 53 and 55)</i>	—	209V601	Operator's Manual – Graco® 495ST Pro™ Electric Airless Spray Pump
57	20G224807	Valve Base			
58	20G111600	Grooved Pin			
59	20G187625	Drain Valve Handle			
62	20G162453	1/4" x 1/4" Nipple <i>(Quantity of Two)</i>			
63	20G241870	Stand Mount Frame			
65	20G195177	TSL and Suction Tube Holder <i>(Quantity of Two)</i>			
67	20G107310	Tubing Plug <i>(Quantity of Four)</i>			
68	20G115506	Screw			
69	20G195155	Sprayer Handle			
70	20G100016	Lock Washer			
71	20G116139	Handle Grip			

PART NUMBERS AND SCHEMATICS GUIDE

Figure 1: Graco® 495ST Pro™ Electric Airless Spray Pump – Stand Model



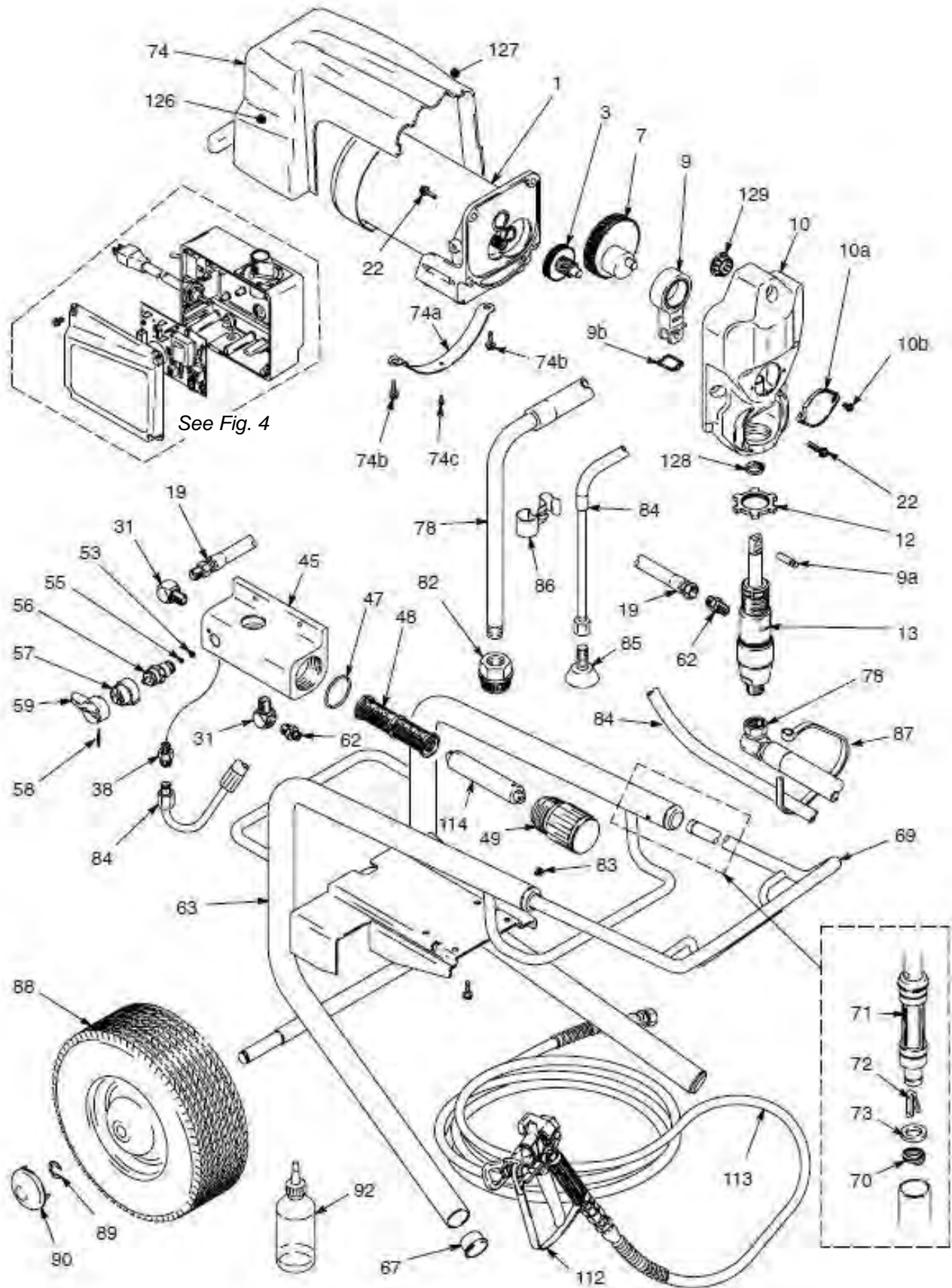
PART NUMBERS AND SCHEMATICS GUIDE

Graco® 495ST Pro™ Electric Airless Spray Pump – Lo-Boy Model

Item #	Part #	Description	Item #	Part #	Description
Fig. 2			74	20G243216	Motor Shroud <i>(Includes Item #'s: 74a, 74b, 74c, 126, and 127)</i>
—	20G232941	Graco® 495ST Pro Electric Airless Spray Pump – Lo-Boy Model	74a	20G195159	Shroud Bracket
1	20G242012	495ST Pro™ 120 VAC Motor	74b	20G114631	Screw <i>(Quantity of Two)</i>
3	20G243219	Combination Gear	74c	20G115509	Self-Drill Screw
7	20G243218	Crank Shaft	78	20G244353	Flexible Suction Hose
9	20G243221	Connecting Rod <i>(Includes Item #'s: 9a and 9b)</i>	82	20G235004	Strainer
9a	20G195175	Pump Pin	83	20G109032	Pan Head Machine Screw <i>(Quantity of Four)</i>
9b	20G195512	Pin Retainer	84	20G244040	Drain Hose <i>(Includes Item #'s: 85 and 86)</i>
10	20G243220	Drive Housing <i>(Includes Item #'s: 10a and 10b)</i>	85	20G241920	Threaded Deflector
10a	20G195099	Cover	86	20G195186	Spring Clip
10b	20G115492	Screw <i>(Quantity of Six)</i>	87	20G114958	Tie Strap
12	20G195150	Pump Jam Nut	88	20G106062	Semi-Pneumatic Wheel <i>(Quantity of Two)</i>
13	20G243183	Displacement Pump <i>(See Fig. 4)</i>	89	20G101242	Retaining Ring <i>(Quantity of Two)</i>
19	20G241926	High Pressure Coupled Hose	90	20G104811	Hub Cap <i>(Quantity of Two)</i>
22	20G115495	Screw <i>(Quantity of Eight)</i>	92	20G206994	Throat Seal Liquid – 8 oz.
31	20G195847	90° Elbow Street Fitting <i>(Quantity of Two)</i>	112	20G288431	Contractor FTx™ Gun with 515 RAC® V Tip
38	20G116150	Adapter Fitting	113	20G240794	1/4" x 50' Coupled Hose
45	20G195157	Filter Housing	114	20G196773	Filter Insert
47	20G104361	Packing O-Ring – PTFE	126	20G195833	Warning Label
48	20G243080	Fluid Filter – 60 Mesh	127	20G195805	Danger Label
49	20G195139	Filter Cap	128	20G115491	Rod Wiper
53	20G111699	Gasket	—	206M522	Part Numbers & Schematics Guide – Graco® FTx™ Airless Spray Guns
55	20G187615	Seat Valve	—	206M636	Part Numbers & Schematics Guide – Graco® 495ST Pro™ Electric Airless Spray Pump
56	20G235014	Drain Valve Assembly <i>(Includes Item #'s: 53 and 55)</i>	—	209V601	Operator's Manual – Graco® 495ST Pro™ Electric Airless Spray Pump
57	20G224807	Valve Base			
58	20G111600	Grooved Pin			
59	20G187625	Drain Valve Handle			
62	20G162453	1/4" x 1/4" Nipple <i>(Quantity of Two)</i>			
63	20G241873	Lo-Boy Frame			
67	20G107310	Tubing Plug <i>(Quantity of Two)</i>			
69	20G243205	Cart Handle			
70	20G103117	Retaining Ring <i>(Quantity of Two)</i>			
71	20G195501	Handle Sleeve <i>(Quantity of Two)</i>			
72	20G178565	Snap Button			
73	20G195673	Washer <i>(Quantity of Two)</i>			

PART NUMBERS AND SCHEMATICS GUIDE

Figure 2: Graco® 495ST Pro™ Electric Airless Spray Pump – Lo-Boy Model



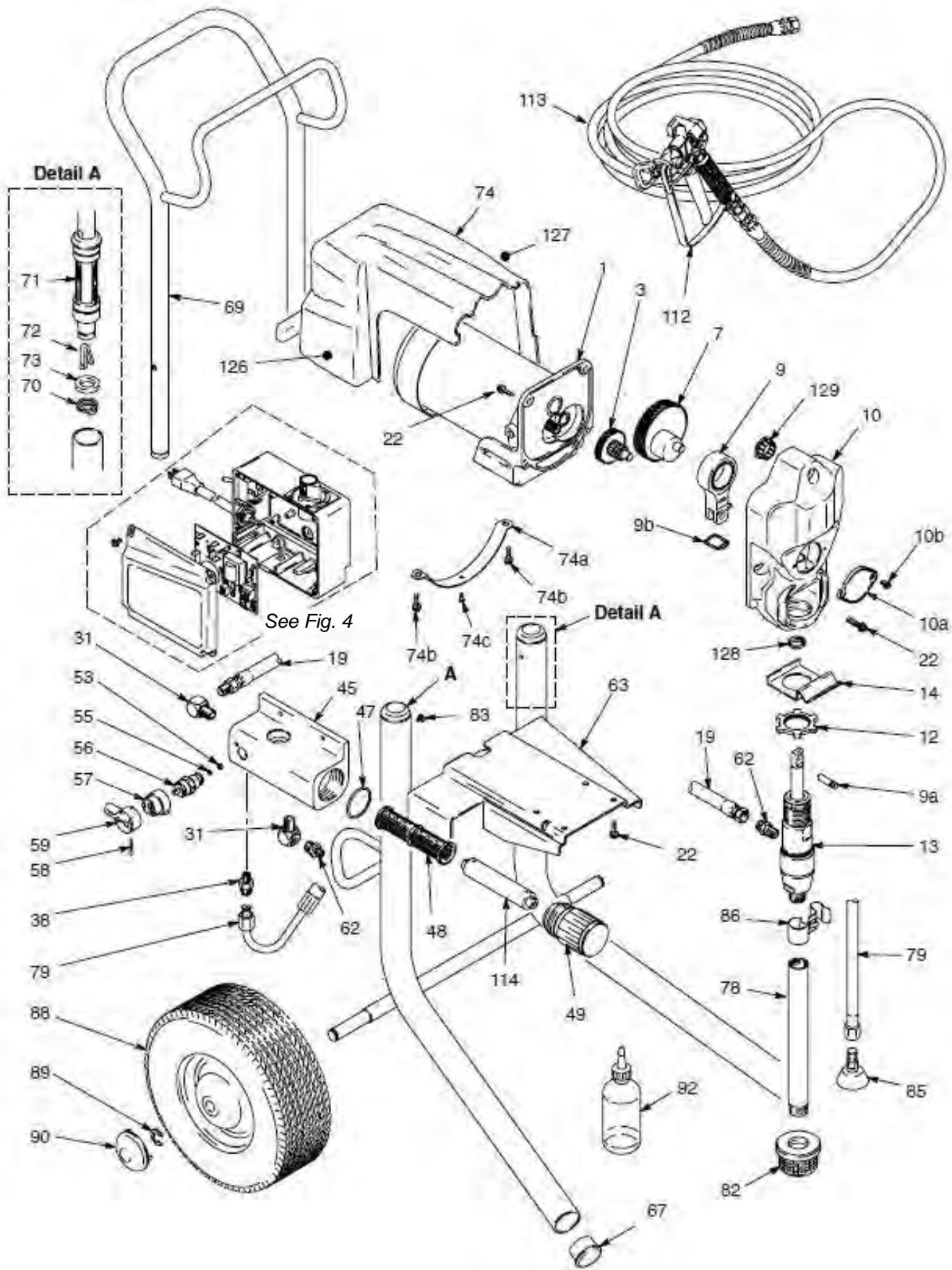
PART NUMBERS AND SCHEMATICS GUIDE

Graco® 495ST Pro™ Electric Airless Spray Pump – Hi-Boy Model

Item #	Part #	Description	Item #	Part #	Description
Fig. 3			74	20G243216	Motor Shroud <i>(Includes Item #'s: 74a, 74b, 74c, 126, and 127)</i>
—	20G232942	Graco® 495ST Pro Electric Airless Spray Pump – Hi-Boy Model	74a	20G195159	Shroud Bracket
1	20G242012	495ST Pro™ 120 VAC Motor	74b	20G114631	Screw <i>(Quantity of Two)</i>
3	20G243219	Combination Gear	74c	20G115509	Self-Drill Screw
7	20G243218	Crank Shaft	78	20G195489	Suction Intake Tube
9	20G243221	Connecting Rod <i>(Includes Item #'s: 9a and 9b)</i>	79	20G244042	Drain Hose <i>(Includes Item #'s: 85 and 86)</i>
9a	20G195175	Pump Pin	82	20G183770	Strainer
9b	20G195512	Pin Retainer	85	20G241920	Threaded Deflector
10	20G243220	Drive Housing <i>(Includes Item #'s: 10a and 10b)</i>	86	20G195696	Spring Clip
10a	20G195099	Cover	88	20G106062	Semi-Pneumatic Wheel <i>(Quantity of Two)</i>
10b	20G115492	Screw <i>(Quantity of Six)</i>	89	20G101242	Retaining Ring <i>(Quantity of Two)</i>
12	20G195150	Pump Jam Nut	90	20G104811	Hub Cap <i>(Quantity of Two)</i>
13	20G243183	Displacement Pump <i>(See Fig. 4)</i>	92	20G206994	Throat Seal Liquid – 8 oz.
14	20G195497	Pail Hook	105	20G111483	Cable Clamp
19	20G241926	High Pressure Coupled Hose	106	20G103473	Tie Wire Strap
22	20G115495	Screw <i>(Quantity of 13)</i>	112	20G288431	Contractor FTx™ Gun with 515 RAC® V Tip
31	20G195847	90° Elbow Street Fitting <i>(Quantity of Two)</i>	113	20G240794	1/4" x 50' Coupled Hose
38	20G116150	Adapter Fitting	114	20G196773	Filter Insert
45	20G195157	Filter Housing	126	20G195833	Warning Label
47	20G104361	Packing O-Ring – PTFE	127	20G195805	Danger Label
48	20G243080	Fluid Filter – 60 Mesh	128	20G115491	Rod Wiper
49	20G195139	Filter Cap	129	20G115979	Plug
53	20G111699	Gasket	—	206M522	Part Numbers & Schematics Guide – Graco® FTx™ Airless Spray Guns
55	20G187615	Seat Valve	—	206M636	Part Numbers & Schematics Guide – Graco® 495ST Pro™ Electric Airless Spray Pump
56	20G235014	Drain Valve Assembly <i>(Includes Item #'s: 53 and 55)</i>	—	209V601	Operator's Manual – Graco® 495ST Pro™ Electric Airless Spray Pump
57	20G224807	Valve Base			
58	20G111600	Grooved Pin			
59	20G187625	Drain Valve Handle			
62	20G162453	1/4" x 1/4" Nipple <i>(Quantity of Two)</i>			
63	20G241867	Cart Frame			
67	20G108691	Tubing Plug <i>(Quantity of Two)</i>			
69	20G241938	Cart Handle			
70	20G110243	Retaining Ring <i>(Quantity of Two)</i>			
71	20G192027	Cart Sleeve <i>(Quantity of Two)</i>			
72	20G111590	Snap Button <i>(Quantity of Two)</i>			
73	20G183350	Washer <i>(Quantity of Two)</i>			

PART NUMBERS AND SCHEMATICS GUIDE

Figure 3: Graco® 495ST Pro™ Electric Airless Spray Pump – Hi-Boy Model



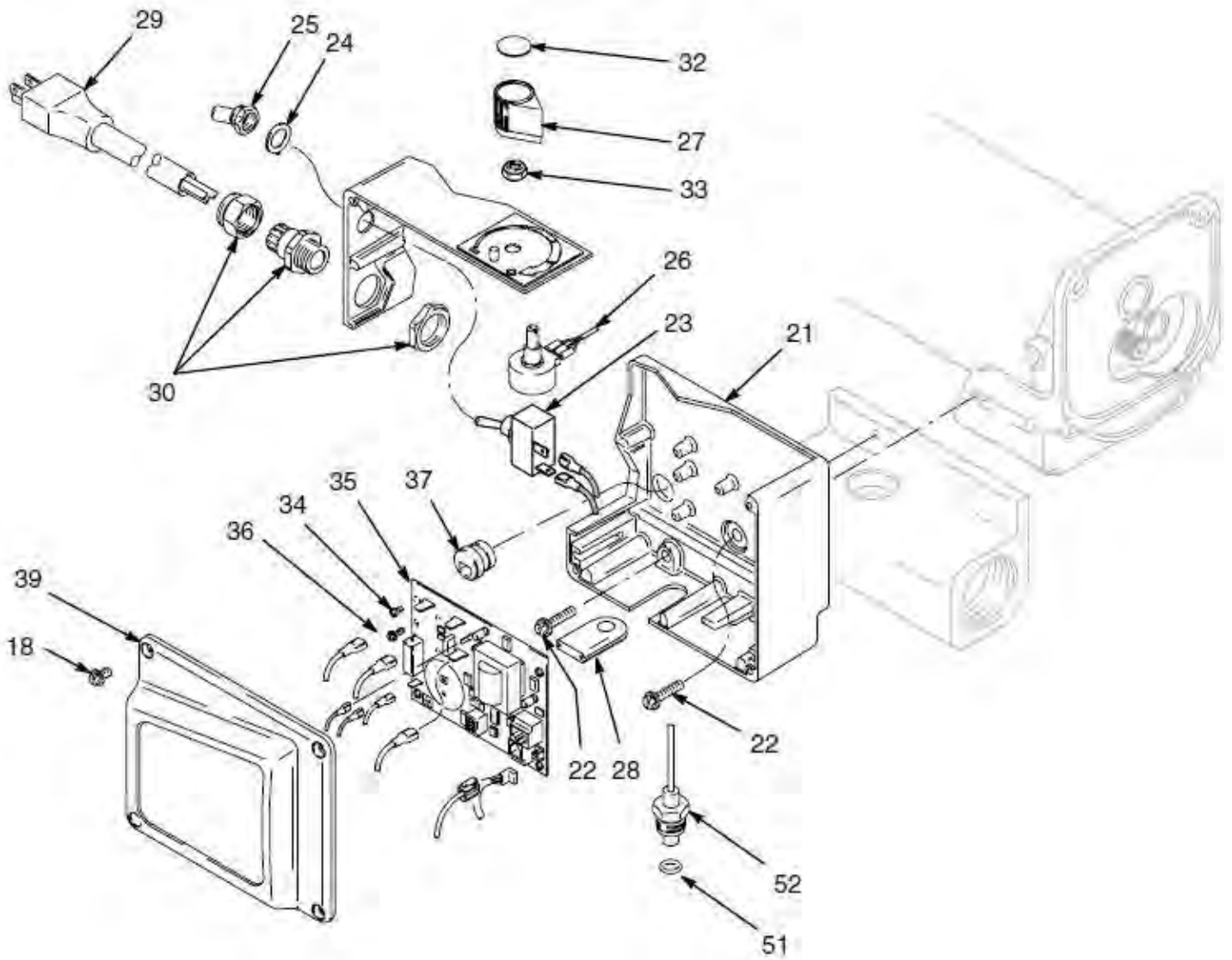
PART NUMBERS AND SCHEMATICS GUIDE

Graco® 495ST™ Pro Control Box

Item #	Part #	Description
Fig. 4		
18	20G115492	Hex-Washer Head Screws (<i>Quantity of Six</i>)
21	20G276539	Control Housing
22	20G115495	Hex-Washer Head Screws (<i>Quantity of Five</i>)
23	20G195429	Toggle Switch
24	20G105658	Locking Ring
25	20G195428	Toggle Boot
26	20G236352	Potentiometer
27	20G116167	Potentiometer Knob
28	20G195423	Transducer Grommet
29	20G241729	Power Cord Set (<i>Stand Model</i>)
	20G241874	Power Cord Set (<i>Hi-Boy Model</i>)
30	20G114421	Strain Relief Bushing
32	20G193072	Control Label
33	20G112382	Shaft Sealing Nut
34	20G115498	Hex-Washer Head Screws
35	20G241990	Control Board
36	20G115494	6-32 x 1/2" Taptite Screw (<i>Quantity of Five</i>)
37	20G114689	Strain Relief Bushing
39	20G195147	Control Cover
51	20G111457	O-Ring
52	20G243222	Pressure Control Transducer (<i>Includes Item #: 51</i>)
60	20G195866	Jumper Wire
—	209V601	Operator's Manual – Graco® 495ST Pro™ Electric Airless Spray Pump

PART NUMBERS AND SCHEMATICS GUIDE

Figure 4: Graco® 495ST™ Pro Control Box



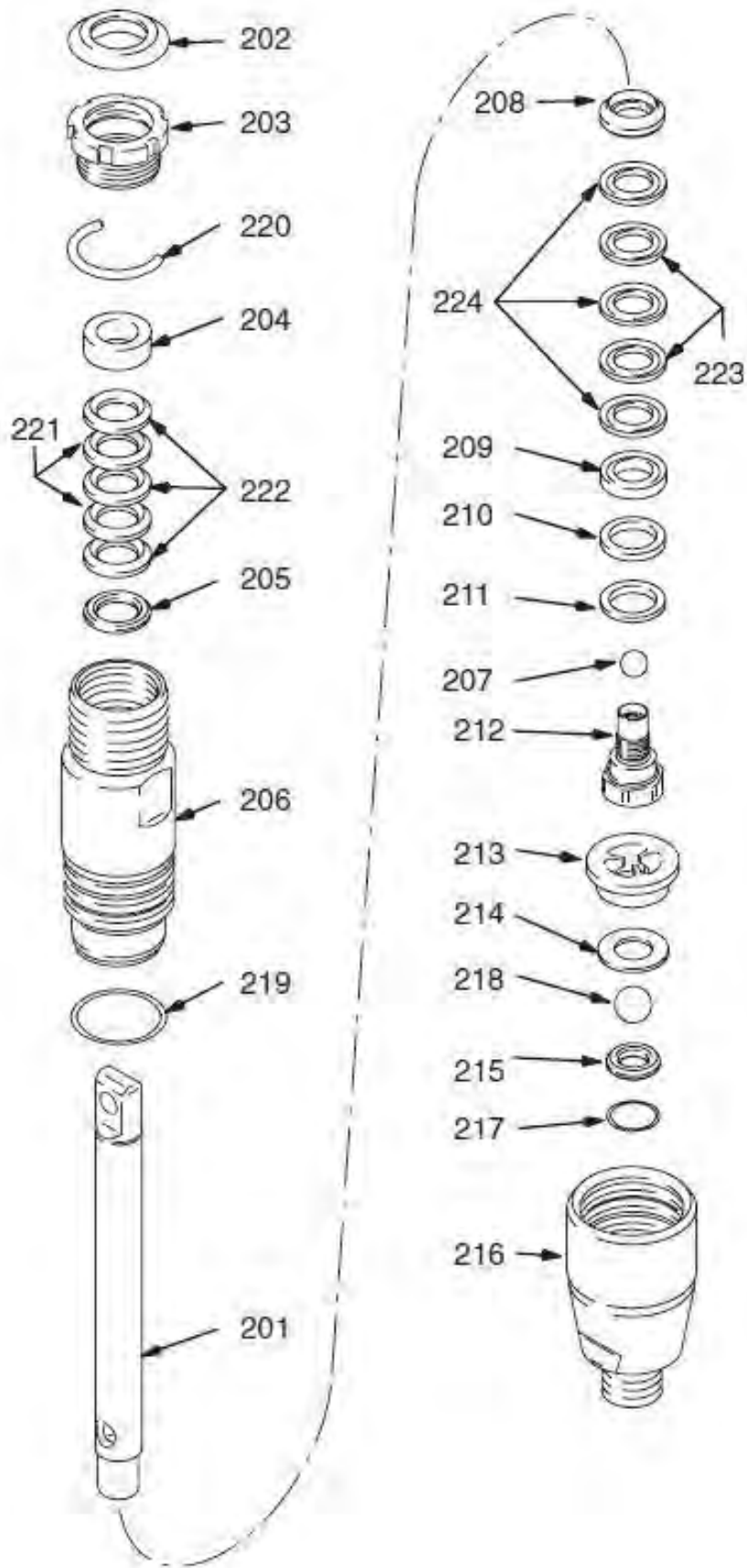
PART NUMBERS AND SCHEMATICS GUIDE

Graco® 495ST™ Pro Displacement Pump


Item #	Part #	Description
Fig. 5		
—	20G243183	Graco® 495ST™ Pro Displacement Pump
201	20G243174	Piston Rod
202	20G180656	Rubber Plug/Seal
203	20G193047	Packing Nut
204	20G176757	Female Gland Packing
205	20G176754	Male Gland Packing
206	20G243176	Pump Cylinder
207	20G105444	0.3125" Diameter Stainless Steel Ball
208	20G195129	Male Gland Piston
209	20G180073	Female Gland Piston
210	20G105552	U-Cup Seal
211	20G186652	Backup Washer
212	20G243181	Piston Valve
213	20G195135	Ball Guide
214	20G195134	Ball Guide Spacer
215	20G243190	Carbide Seat Kit <i>(Includes Item #'s: 214, 217, and 218)</i>
216	20G195133	Intake Valve
217	20G195136	O-Ring Packing
218	20G105445	1/2" Diameter Stainless Steel Ball
219	20G108526	Packing O-Ring – PTFE
220	20G195368	Troat Spacer Nut
221	20G176755	Throat V-Packing – Leather <i>(Quantity of Two)</i>
222	20G192710	Throat V-Packing – UHMWPE <i>(Quantity of Three)</i>
223	20G176744	Piston V-Packing – Leather <i>(Quantity of Two)</i>
224	20G192712	Piston V-Packing – UHMWPE <i>(Quantity of Three)</i>
—	20G244194	Graco® 495ST™ Pro Displacement Pump <i>(Includes Item #'s: 204, 205, 207, 208, 209, 210, 211, 217, 218, 219, 221, 222, 223, and 224)</i>
—	20G243190	Foot Valve Repair Kit <i>(Includes Item #'s: 214, 215, 217, and 218)</i>
—	209V602	Operator's Manual – Graco® 495ST Pro™ Displacement Pump




PART NUMBERS AND SCHEMATICS GUIDE



Figure 5: Graco® 495ST™ Pro Displacement Pump



OPTIONAL ACCESSORIES

		REPLACEMENT FILTERS		
	Part Numbers	Screen	Color	U.O.M.
	20G243080	60 Mesh	Black	One Each
	20G243081	100 Mesh	Blue	One Each
	20G243226	200 Mesh	Red	One Each

		THROAT SEAL LIQUID	
	Part Numbers	Description	
	20G206994	Throat Seal Liquid – 8 oz.	
	20G206995	Throat Seal Liquid – 1 qt.	
	20G206996	Throat Seal Liquid – 1 gal.	

		PUMP ARMOR FLUID	
	Part Numbers	Description	
	20G243103	Pump Armor Fluid – 1 qt.	
	20G245133	Pump Armor Fluid – 1 gal.	

PART NUMBERS AND SCHEMATICS GUIDE

Part Numbers	GRACO® ULTRA® MAX II 1595 ELECTRIC AIRLESS SPRAY PUMPS							
	SERIES			Contractor Airless Spray Gun	Silver Plus™ Airless Spray Gun	RAC X™ 517 SwitchTip and Guard	1/4" x 50' BlueMax II Airless Hose	3/8" x 50' BlueMax II Airless Hose
	Standard Hi-Boy	ProContractor	IronMan					
20G16W902	X			X		X	X	
20G16W903		X		X		X	X <i>(Quantity of Two)</i>	
20G16W907			X		X	X	X	X

GRACO® ULTRA® MAX II 1595 ELECTRIC AIRLESS SPRAY PUMP – SPECIFICATIONS	
Max Tip Size (1 Gun)	0.039"
Max Tip Size (2 Guns)	0.029"
Max Tip Size (3 Guns)	0.023"
Max Gallons Per Minute	1.35 Gallons
Max PSI	3300 PSI
Motor HP	2.8

PART NUMBERS AND SCHEMATICS GUIDE



**Standard Hi-Boy Series
20G16W902**



**ProContractor Series
20G16W903**



**IronMan Series
20G16W907**

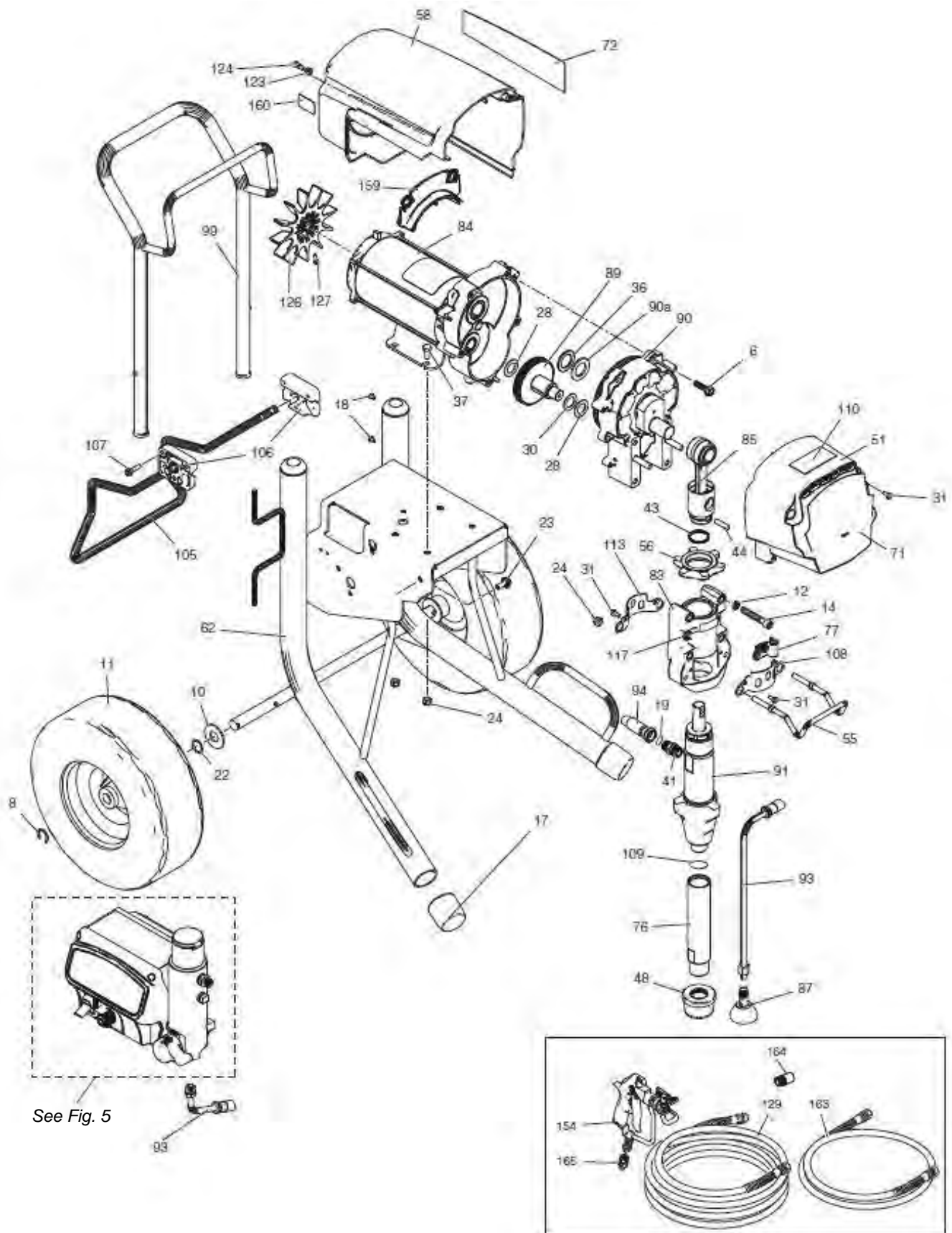
PART NUMBERS AND SCHEMATICS GUIDE

Graco® Ultra® Max II 1595 Electric Airless Spray Pump – Standard Hi-Boy Series

Item #	Part #	Description	Item #	Part #	Description
Fig. 1			85	20G24V021	Connecting Rod <i>(Includes Item #'s: 43 and 44)</i>
—	20G16W902	Graco® Ultra® Max II 1595 Airless Spray Pump – Standard Hi-Boy Series	87	20G241920	Threaded Deflector
6	20G15C753	Hex Screw <i>(Quantity of Five)</i>	89	20G287290	Combination Gear <i>(Includes Item #'s: 28 and 30)</i>
8	20G15E891	Retaining Clip <i>(Quantity of Two)</i>	90	20G287295	M1 Drive Housing <i>(Includes Item #'s: 6, 36, and 90a)</i>
10	20G156306	Flat Washer <i>(Quantity of Two)</i>	90a	20G194173	Thrust Race Washer
11	20G119509	Pneumatic Wheel <i>(Quantity of Two)</i>	91	20G16Y706	Displacement Pump <i>(See Fig. 7)</i> <i>(Includes Item #'s: 41, 76, and 109)</i>
12	20G106115	Spring Lock Washer <i>(Quantity of Four)</i>	93	20G244240	Drain Hose <i>(Includes Item #87)</i>
14	20G114666	Cap Screw <i>(Quantity of Four)</i>	94	20G16X904	Coupled Hose
17	20G276974	Leg Cap <i>(Quantity of Two)</i>	99	20G24A250	Cart Handle
18	20G108795	Mach Screw <i>(Quantity of Four)</i>	105	20G16X696	Cart Stand Hanger
19	20G102982	O-Ring Packing	106	20G15C982	Cart Cam <i>(Quantity of Two)</i>
22	20G116038	Wave Spring Washer <i>(Quantity of Two)</i>	107	20G114531	Hex Washer Mach Screw <i>(Quantity of Four)</i>
23	20G117791	Cap Screw <i>(Quantity of Two)</i>	108	20G16X770	Shield Rod Pump
24	20G111040	Hex Nut <i>(Quantity of Six)</i>	109	20G118494	O-Ring Packing
28	20G114672	Thrust Washer <i>(Quantity of Two)</i>	110	20G16X983	Standard Series Label
30	20G114699	Thrust Washer	113	20G15C762	Pump Rod Shield
31	20G118444	Machine Screw <i>(Quantity of Eight)</i>	117	20G187437	Torque Label
36	20G116192	Thrust Washer	123	20G276980	Cover Grommet <i>(Quantity of Two)</i>
37	20G100057	Cap Screw <i>(Quantity of Four)</i>	124	20G119250	Hex Washer Shoulder Screw <i>(Quantity of Three)</i>
41	20G196178	Quick Disconnect Pump Fitting	126	20G15D088	Motor Fan
43	20G119778	Retaining Spring	127	20G115477	Mach Screw
44	20G183210	Pump Pin	129	20G240794	1/4" x 50' Coupled Hose
48	20G189920	Strainer	154	20G288420	Contractor Airless Spray Gun
51	20G24V024	Drive Cover <i>(Includes Item #31)</i>	159	20G278075	Baffle
55	20G16C457	Pail Hanger	160	20G15Y118	Made in USA Label
56	20G193031	Retaining Nut	163	20G241735	1/4" x 3' Coupled Hose
58	20G287282	Painted Motor Shield <i>(Includes Item #'s: 123 and 124)</i>	164	20G159841	3/8" x 1/4" Bushing
62	20G24P667	Cart Frame	165	20G189018	Assembly Swivel
71	20G16X371	Front Brand Label	—	20G222385	Warning Tag
72	20G16X370	Side Brand Label	—	20G253131	Tube Repair Kit
76	20G248215	Intake Tube <i>(Includes Item #109)</i>			
77	20G278204	Drain Line Clip			
83	20G24V027	Bearing Housing <i>(Includes Item #'s: 12, 14, 24, 31, 55, 77, 108, 113, and 117)</i>			
84	20G257188	Electric Motor <i>(Includes Item #'s: 126 and 127)</i>			

PART NUMBERS AND SCHEMATICS GUIDE

Figure 1: Graco® Ultra® Max II 1595 Electric Airless Spray Pump – Standard Hi-Boy Series



See Fig. 5

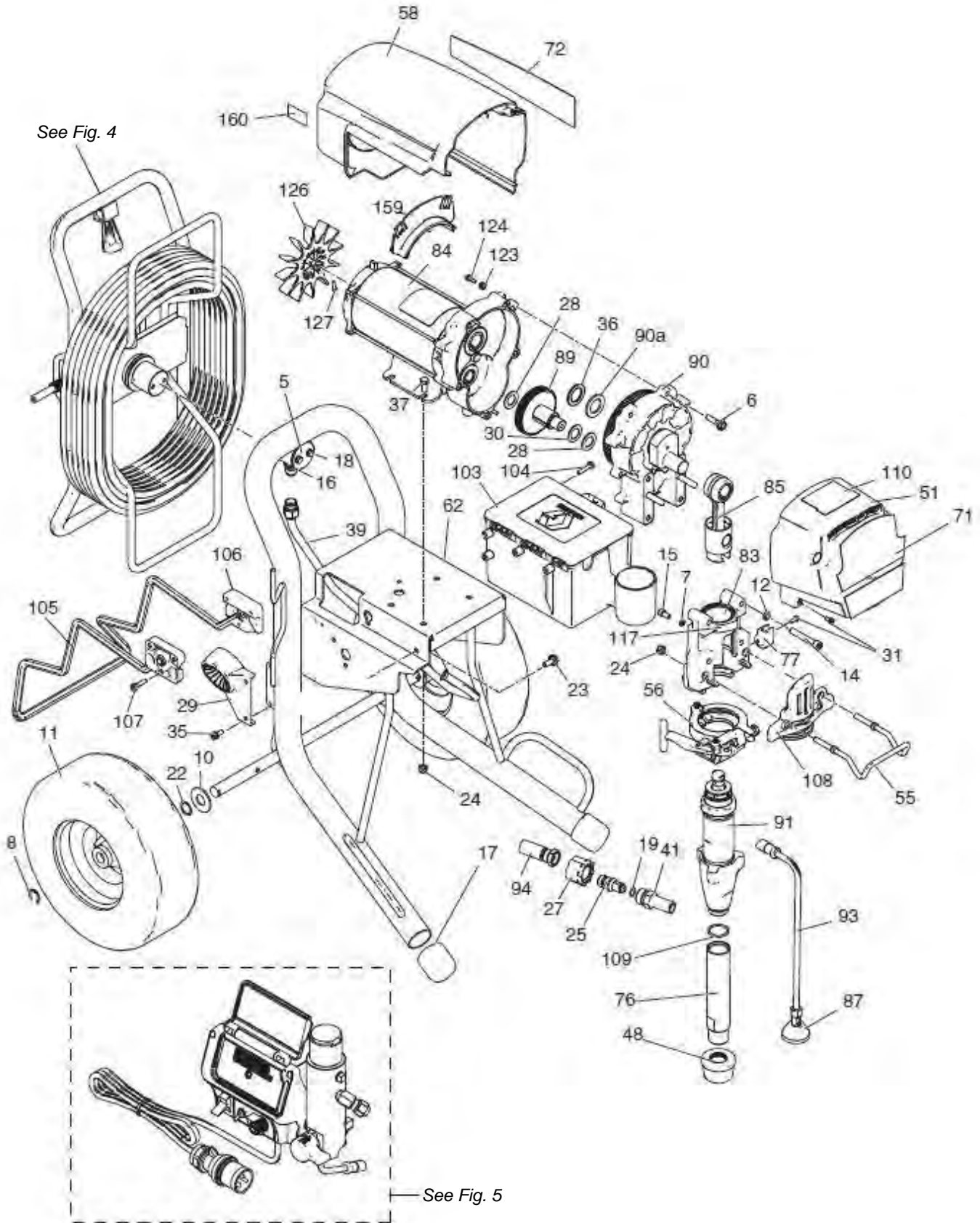
PART NUMBERS AND SCHEMATICS GUIDE

Graco® Ultra® Max II 1595 Electric Airless Spray Pump – ProContractor Series

Item #	Part #	Description	Item #	Part #	Description
Fig. 2					
—	20G16W903	Graco® Ultra® Max II 1595 Airless Spray Pump – ProContractor Series	72	20G16X370	Side Brand Label
5	20G16C975	Pivot Plate	76	20G248215	Intake Tube <i>(Includes Item #109)</i>
6	20G15C753	Hex Screw <i>(Quantity of Five)</i>	77	20G16X203	Drain Line Clip
7	20G105510	Lock Washer <i>(Quantity of Two)</i>	83	20G24V088	Bearing Housing <i>(Includes Item #'s: 7, 12, 14, 15, 24, 31, 55, 56, 77, 108, and 117)</i>
8	20G15E891	Retaining Clip <i>(Quantity of Two)</i>	84	20G257188	Electric Motor <i>(Includes Item #'s: 126 and 127)</i>
10	20G156306	Flat Washer <i>(Quantity of Two)</i>	85	20G24V085	Connecting Rod
11	20G119509	Pneumatic Wheel <i>(Quantity of Two)</i>	87	20G241920	Threaded Deflector
12	20G106115	Spring Lock Washer <i>(Quantity of Four)</i>	89	20G287290	Combination Gear <i>(Includes Item #'s: 28 and 30)</i>
14	20G114666	Cap Screw <i>(Quantity of Four)</i>	90	20G287295	M1 Drive Housing <i>(Includes Item #'s: 6, 36, and 90a)</i>
15	20G101550	Cap Screw <i>(Quantity of Two)</i>	90a	20G194173	Thrust Race Washer
16	20G121311	Connector Fitting	91	20G16X419	Displacement Pump <i>(See Fig. 8)</i> <i>(Includes Item #'s: 41, 76, and 109)</i>
17	20G276974	Leg Cap <i>(Quantity of Two)</i>	93	20G244240	Drain Hose <i>(Includes Item #87)</i>
18	20G260212	Hex Washer Head Screw <i>(Quantity of Two)</i>	94	20G16X904	Coupled Hose
19	20G107505	O-Ring Packing	103	20G287253	Tool Box <i>(Includes Item #104)</i>
22	20G116038	Wave Spring Washer <i>(Quantity of Two)</i>	104	20G118852	Thread Forming Hex Washer Head Screw <i>(Quantity of Three)</i>
23	20G117791	Cap Screw <i>(Quantity of Two)</i>	105	20G16X698	Cart Stand Hanger
24	20G111040	Hex Nut <i>(Quantity of Six)</i>	106	20G15C982	Cart Cam <i>(Quantity of Two)</i>
25	20G16X833	Quick Disconnect Fitting	107	20G114531	Hex Washer Mach Screw <i>(Quantity of Four)</i>
27	20G120583	Hand Nut	108	20G16X385	5900 PCII Front Plate
28	20G114672	Thrust Washer <i>(Quantity of Two)</i>	109	20G118494	O-Ring Packing
29	20G278083	Ultra Platinum Hose Guide	110	20G16X981	ProContractor Series Label
30	20G114699	Thrust Washer	117	20G187437	Torque Label
31	20G118444	Machine Screw <i>(Quantity of Five)</i>	123	20G276980	Cover Grommet <i>(Quantity of Two)</i>
35	20G117633	Slot Hex Washer Head Screw <i>(Quantity of Two)</i>	124	20G119250	Hex Washer Shoulder Screw <i>(Quantity of Three)</i>
36	20G116192	Thrust Washer	126	20G15D088	Motor Fan
37	20G100057	Cap Screw <i>(Quantity of Four)</i>	127	20G115477	Mach Screw
39	20G24J081	Ultra Platinum Formed Tube	159	20G278075	Wire Bracket
41	20G16Y579	Quick Disconnect Pump Fitting	160	20G15Y118	Made in USA Label
48	20G189920	Strainer	—	20G222385	Warning Tag
51	20G24V024	Drive Cover <i>(Includes Item #31)</i>			
55	20G16C457	Pail Hanger			
56	20G16X324	Large Pump Clamp			
58	20G287282	Painted Motor Shield <i>(Includes Item #'s: 123 and 124)</i>			
62	20G24P669	Platinum Frame			
71	20G16X371	Front Brand Label			

PART NUMBERS AND SCHEMATICS GUIDE

Figure 2: Graco® Ultra® Max II 1595 Electric Airless Spray Pump – ProContractor Series



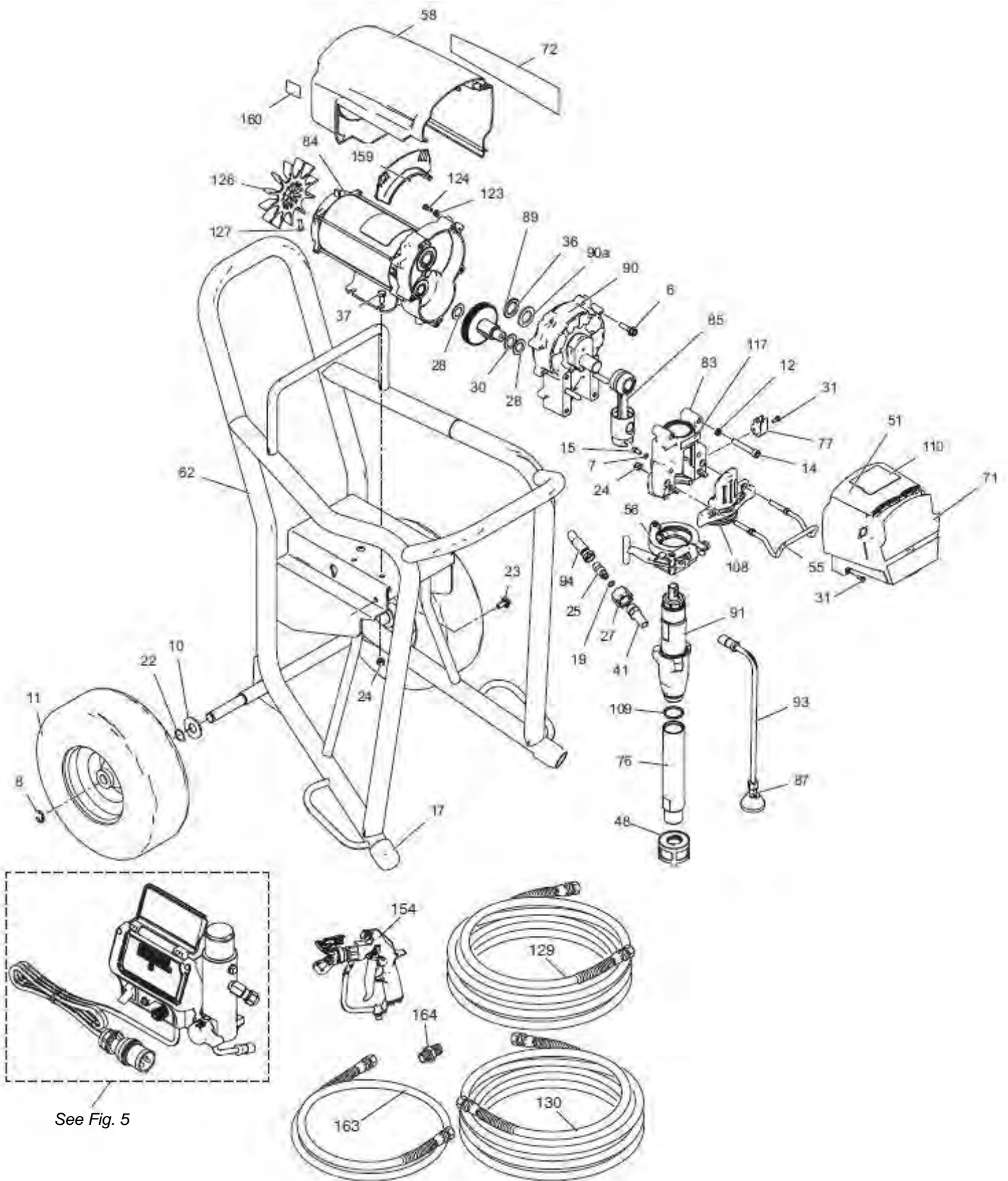
PART NUMBERS AND SCHEMATICS GUIDE

Graco® Ultra® Max II 1595 Electric Airless Spray Pump – IronMan Series

Item #	Part #	Description	Item #	Part #	Description
Fig. 3					
—	20G16W907	Graco® Ultra® Max II 1595 Airless Spray Pump – IronMan Series	85	20G24V085	Connecting Rod
6	20G15C753	Hex Screw (<i>Quantity of Five</i>)	87	20G241920	Threaded Deflector
7	20G105510	Lock Washer (<i>Quantity of Two</i>)	89	20G287290	Combination Gear (<i>Includes Item #'s: 28 and 30</i>)
8	20G120211	Retaining Clip (<i>Quantity of Two</i>)	90	20G287295	M1 Drive Housing
10	20G156306	Flat Washer (<i>Quantity of Two</i>)	90a		(<i>Includes Item #'s: 6, 36, and 90a</i>)
11	20G122267	Foam Wheel (<i>Quantity of Two</i>)		20G194173	Thrust Race Washer
12	20G106115	Spring Lock Washer (<i>Quantity of Four</i>)	91	20G16X420	Displacement Pump (<i>See Fig. 8</i>) (<i>Includes Item #'s: 41 and 109</i>)
14	20G114666	Cap Screw (<i>Quantity of Four</i>)	93	20G244240	Drain Hose (<i>Includes Item #87</i>)
15	20G101550	Cap Screw (<i>Quantity of Two</i>)	94	20G16X904	Coupled Hose
17	20G15C871	Leg Cap (<i>Quantity of Two</i>)	108	20G16X385	5900 PCII Front Plate
19	20G107505	O-Ring Packing	109	20G118494	O-Ring Packing
22	20G116038	Wave Spring Washer (<i>Quantity of Two</i>)	110	20G16X982	IronMan Series Label
23	20G117791	Cap Screw (<i>Quantity of Two</i>)	117	20G187437	Torque Label
24	20G111040	Hex Nut (<i>Quantity of Six</i>)	123	20G276980	Cover Grommet (<i>Quantity of Two</i>)
25	20G16X833	Quick Disconnect Fitting	124	20G119250	Hex Washer Shoulder Screw (<i>Quantity of Three</i>)
27	20G120583	Hand Nut (<i>Quantity of Six</i>)	126	20G15D088	Motor Fan
28	20G114672	Thrust Washer (<i>Quantity of Two</i>)	127	20G115477	Mach Screw
30	20G114699	Thrust Washer	129	20G240794	1/4" x 50' Coupled Hose
31	20G118444	Machine Screw (<i>Quantity of Five</i>)	130	20G240797	3/8" x 50' Coupled Hose
36	20G116192	Thrust Washer	154	20G246240	Silver Plus™ Airless Spray Gun
37	20G100057	Cap Screw (<i>Quantity of Four</i>)	159	20G278075	Wire Bracket
41	20G16Y579	Quick Disconnect Pump Fitting	160	20G15Y118	Made in USA Label
48	20G15V573	Strainer	163	20G277322	3/16" x 3' Coupled Hose
51	20G24V024	Drive Cover (<i>Includes Item #31</i>)	164	20G164672	Fitting
55	20G16C457	Pail Hanger	—	20G222385	Warning Tag
56	20G16X324	Large Pump Clamp			
58	20G287282	Painted Motor Shield (<i>Includes Item #'s: 123 and 124</i>)			
62	20G16X711	Cart Frame			
71	20G16X371	Front Brand Label			
72	20G16X370	Side Brand Label			
76	20G248215	Intake Tube (<i>Includes Item #109</i>)			
77	20G16X203	Drain Line Clip			
83	20G24V088	Bearing Housing (<i>Includes Item #'s: 7, 12, 14, 15, 24, 31, 55, 56, 77, 108, and 117</i>)			
84	20G257188	Electric Motor (<i>Includes Item #'s: 126 and 127</i>)			

PART NUMBERS AND SCHEMATICS GUIDE

Figure 3: Graco® Ultra® Max II 1595 Electric Airless Spray Pump – IronMan Series



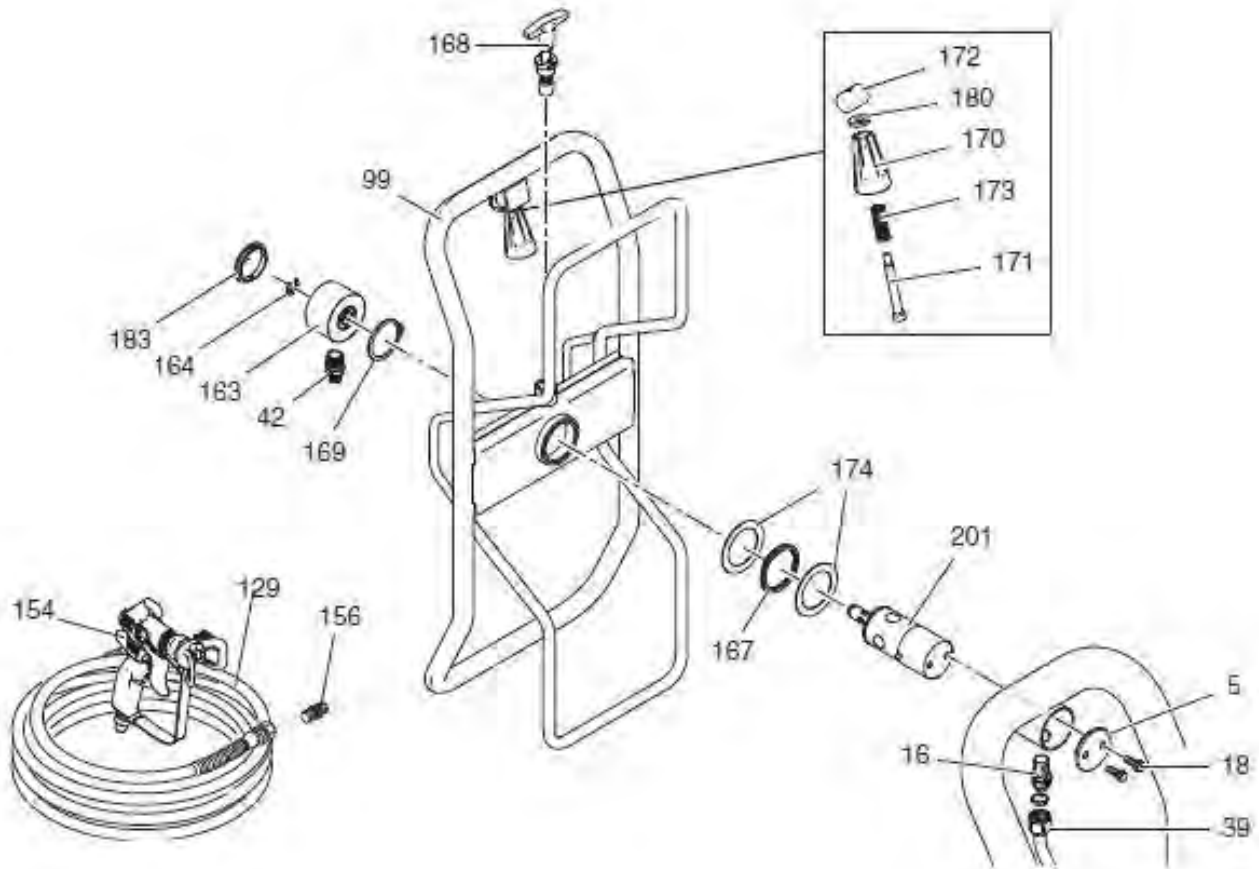
PART NUMBERS AND SCHEMATICS GUIDE

Hose Reel and Gun

Item #	Part #	Description
Fig. 4		
5	20G16C975	Pivot Mount Plate
16	20G121311	NPT x JIC Connector Fitting
18	20G260212	Hex Washer Head Screw (<i>Quantity of Two</i>)
39	20G24J081	Ultra Platinum Formed Tube
42	20G164672	3/8" NPT x 1/4" NPSM Hex Nipple
99	20G24B691	Ultra Hose Reel
129	20G240794	1/4" I.D. x 50' Coupled Hose (<i>Quantity of Two</i>)
154	20G288420	Contractor Airless Spray Gun with RAC X™ 517 Tip
156	20G162453	1/4" x 1/4" Nipple
163	20G24B248	Swivel Cap – Complete
164	20G122347	External Retaining Ring
167	20G122534	Wave Spring
168	20G24E400	Lock Out Pop Pin
169	20G122524	External Retaining Ring
170	20G278085	Swivel Handle
171	20G122518	Pin
172	20G15X618	Pin Nut
173	20G122542	Spring
174	20G122607	Flat Washer (<i>Quantity of Two</i>)
180	20G122669	Washer
183	20G122787	Cap
201	20G24E016	Hose Reel Pivot Tube

PART NUMBERS AND SCHEMATICS GUIDE

Figure 4: Hose Reel and Gun



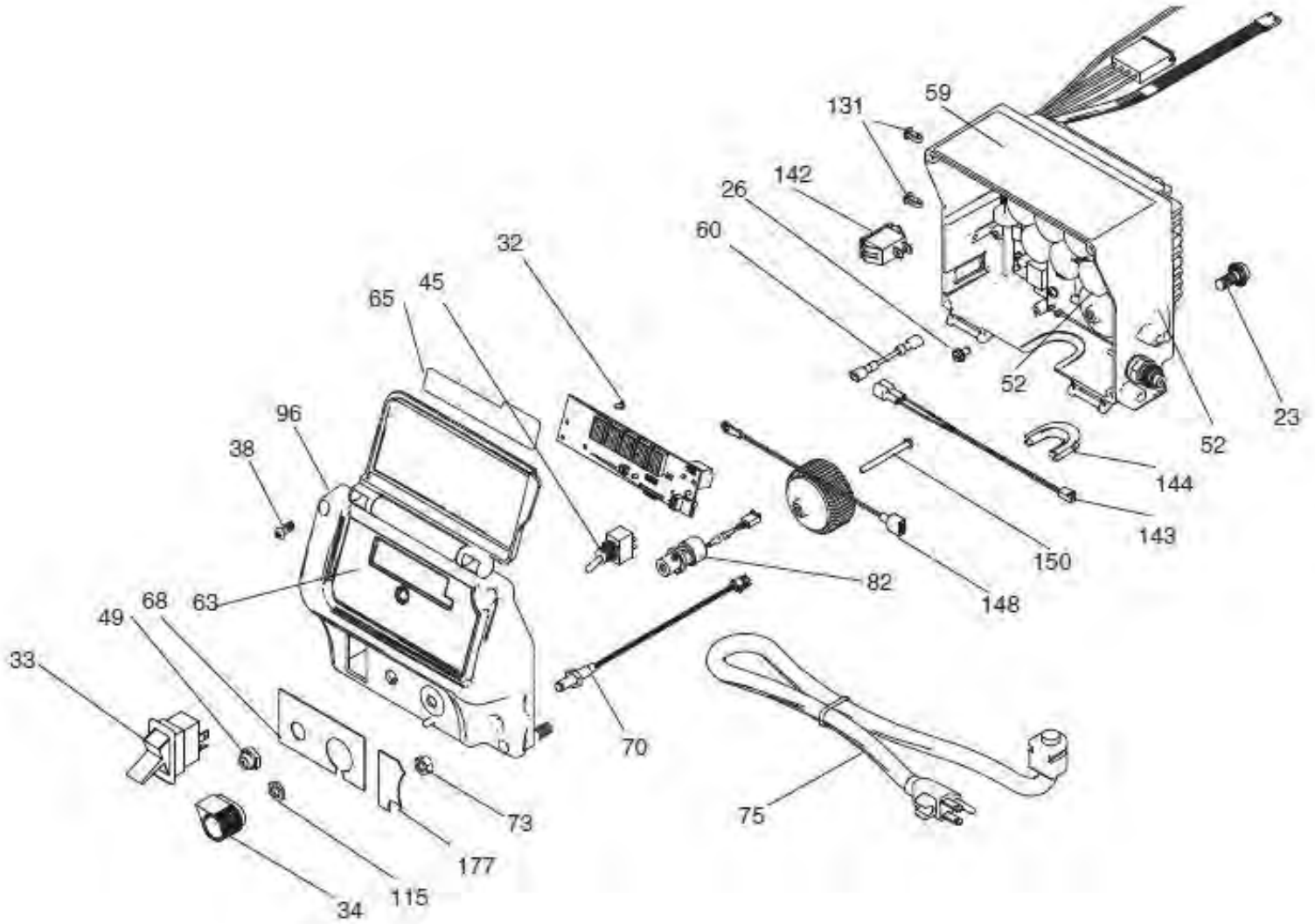
PART NUMBERS AND SCHEMATICS GUIDE

Control Box

Item #	Part #	Description
Fig. 5		
23	20G117791	Flange Head Cap Screw <i>(Quantity of Two)</i>
26	20G114391	Grounding Screw
32	20G115522	Machine Screw <i>(For use with ProContractor and IronMan Series) (Quantity of Three)</i>
33	20G15C979	Rocker Switch
34	20G116167	Potentiometer Knob
38	20G16V095	#10 Taptite Phil Screw <i>(Quantity of Four)</i>
45	20G119541	Toggle Switch <i>(For use with ProContractor and IronMan Series)</i>
49	20G195428	Toggle Boot <i>(For use with ProContractor and IronMan Series)</i>
52	20G24P847	Control Board <i>(Includes Item #'s: 23, 26, 60, 131, 142, and 144)</i>
59	20G16T784	Domestic Warning Label
60	20G16T541	Jumper Wire
63	20G16X796	LCD Label <i>(For use with ProContractor and IronMan Series)</i>
	20G16Y785	Control Box Cover Label <i>(For use with Standard Series)</i>
65	20G16X797	Control Box Cover Label <i>(For use with ProContractor and IronMan Series)</i>
68	20G16Y789	Control Label <i>(For use with ProContractor and IronMan Series)</i>
	20G16Y786	Control Label <i>(For use with Standard Series)</i>
70	20G122507	Reed Switch <i>(For use with ProContractor and IronMan Series)</i>
	20G16Z019	ProGuard Light <i>(For use with Standard Series)</i>
73	20G100187	Nut
75	20G15H065	Power Cord
82	20G256219	Assembly Potentiometer
96	20G24V061	Control Cover <i>(For use with ProContractor and IronMan Series)</i> <i>(Includes Item #'s: 32, 38, 63, 65, and 68)</i>
	20G24V062	Control Cover <i>(For use with Standard Series)</i> <i>(Includes Item #'s: 38, 63, and 68)</i>
115	20G15C973	Gasket
131	20G16T482	Snap Rivet <i>(Quantity of Two)</i>
142	20G120059	Switch/Plug
143	20G15G935	Electrical Connector
144	20G116171	Strain Relief
148	20G24V030	Coil Repair Kit <i>(Includes Item #150)</i>
150	20G16U215	Flat Head Machine Screw
177	20G16Y791	Electric Label <i>(For use with ProContractor and IronMan Series)</i>
	20G16Y790	Electric Label <i>(For use with Standard Series)</i>

PART NUMBERS AND SCHEMATICS GUIDE

Figure 5: Control Box



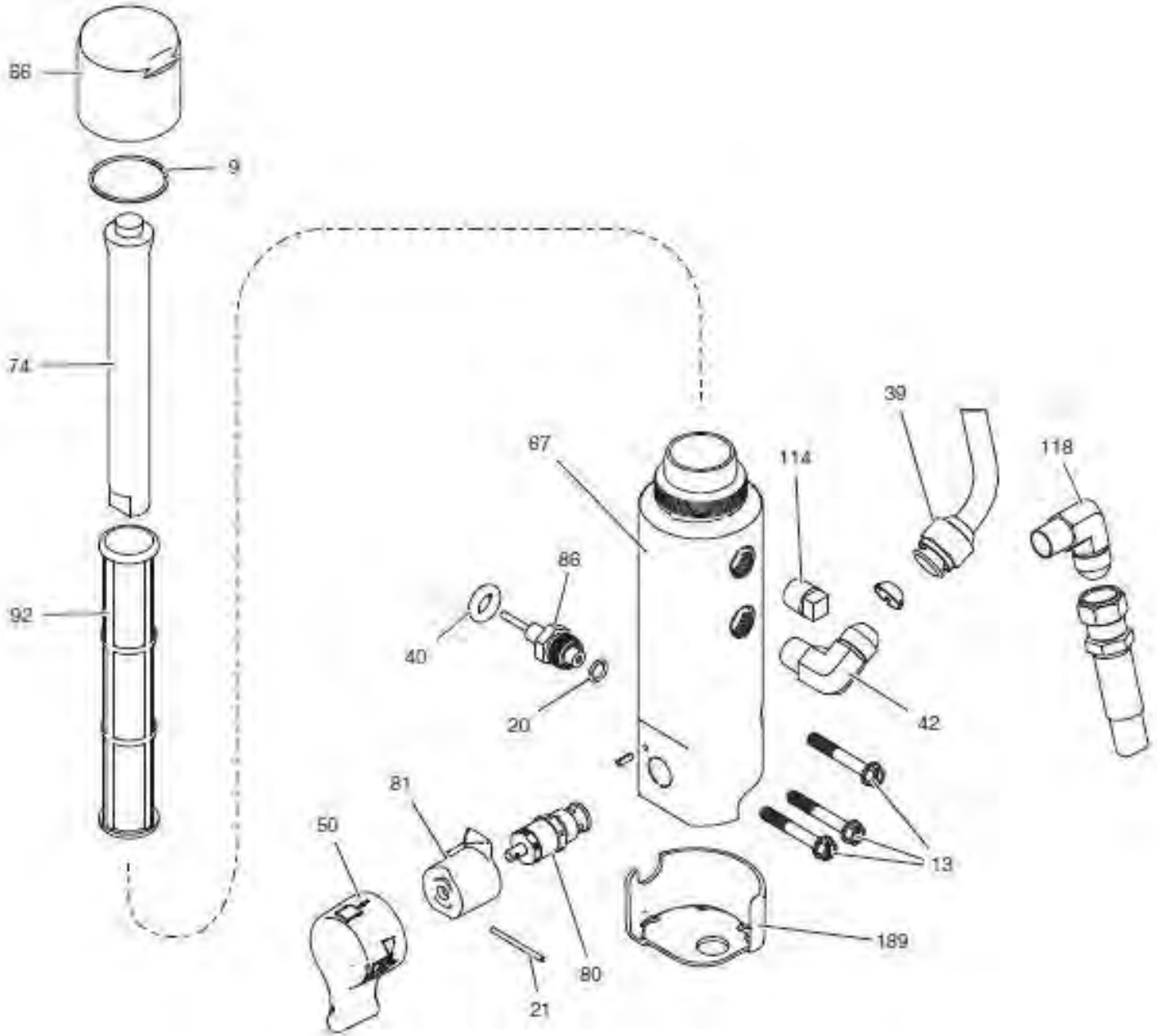
PART NUMBERS AND SCHEMATICS GUIDE

Filter

Item #	Part #	Description
Fig. 6		
9	20G117285	O-Ring Packing
13	20G16U013	Socket Head Cap Screw <i>(Quantity of Three)</i>
20	20G111457	O-Ring Packing
21	20G15C972	Grooved Pin
39	20G24J081	Formed Tube
40	20G121889	Transducer Grommet
42	20G122533	Fitting <i>(For use with ProContractor Series)</i>
	20G164672	Fitting <i>(For use with Standard Series)</i>
	20G196178	Fitting <i>(For use with IronMan Series)</i>
50	20G24E233	Handle Kit <i>(Includes Item #'s: 21 and 81) (For use with ProContractor and IronMan Series)</i>
	20G24E234	Handle Kit <i>(Includes Item #'s: 21 and 81) (For use with Standard Series)</i>
66	20G15C765	Filter Cap
67	20G16T543	Filter Base
74	20G15C766	Diffusion Tube
80	20G24B156	Prime Valve
81	20G24A382	Valve Base <i>(For use with Standard Series)</i>
	20G24D286	Valve Base <i>(For use with ProContractor and IronMan Series)</i>
86	20G243222	Pressure Control Transducer <i>(Includes Item #20)</i>
92	20G244071	Fluid Filter – 30 Mesh
	20G244067	Fluid Filter – 60 Mesh
	20G244068	Fluid Filter – 100 Mesh
	20G244069	Fluid Filter – 200 Mesh
114	20G104813	3/8" NPT Pipe Plug
118	20G125926	Elbow Fitting
189	20G17A197	Filter Base Guard

PART NUMBERS AND SCHEMATICS GUIDE

Figure 6: Filter



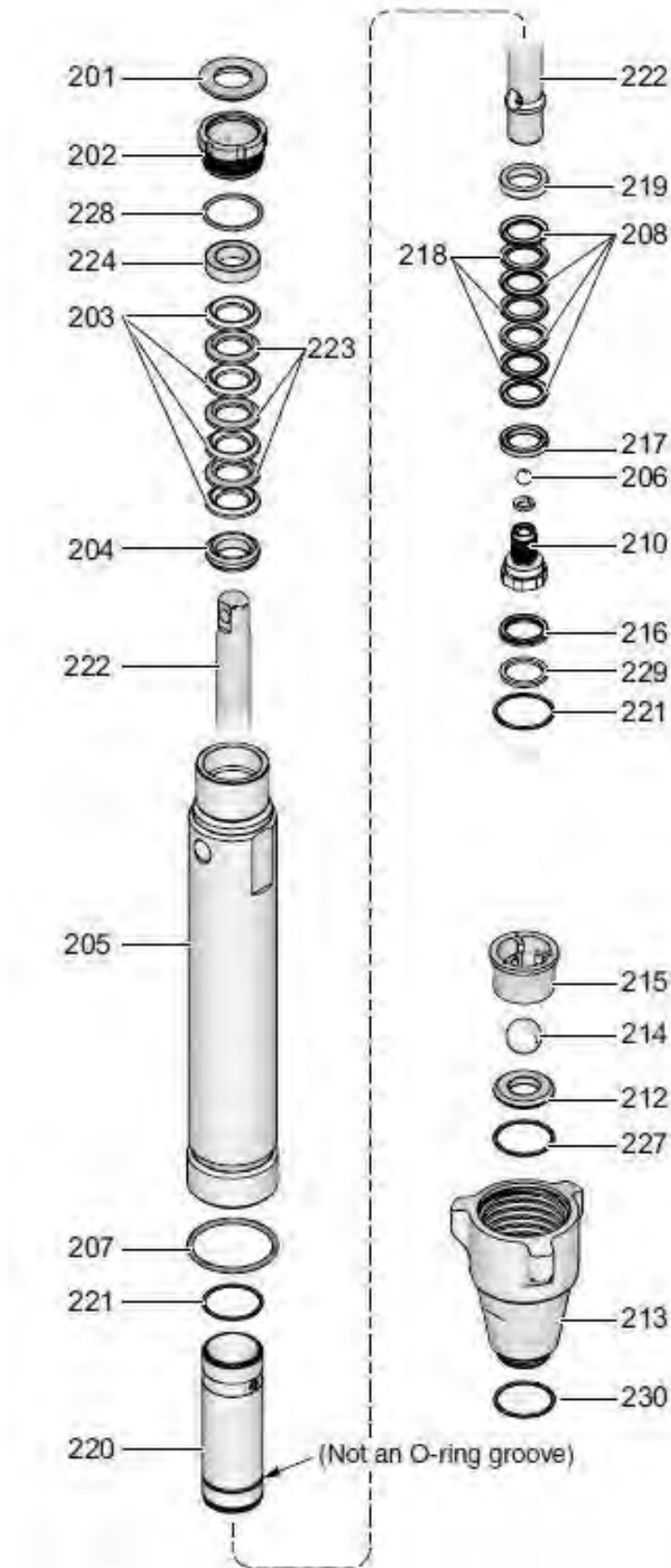
PART NUMBERS AND SCHEMATICS GUIDE

Standard Series Displacement Pump

Item #	Part #	Description
Fig. 7		
—	20G16Y706	Standard Series Displacement Pump
201	20G183174	Throat Seal
202	20G193032	Packing Nut
203	20G193124	Throat V-Packing, V-Max™ (Quantity of Four)
204	20G15C989	Male Throat Gland
205	20G243347	Pump Cylinder
206	20G101947	3/8" Stainless Steel Ball Bearing
207	20G156633	O-Ring Packing
208	20G193125	Piston V-Packing, V-Max™ (Quantity of Four)
210	20G24U993	Piston Valve
212	20G244199	Carbide Seat Kit (Includes Item #'s: 214 and 227)
213	20G15E654	Intake Housing Valve
214	20G102972	7/8" Stainless Steel Inlet Check Ball
215	20G193027	Ball Guide
216	20G118504	Piston Wiper
217	20G183185	Female Piston Gland
218	20G15E329	Piston V-Packing, Leather (Quantity of Three)
219	20G183178	Male Piston Gland
220	20G248210	Cylinder Sleeve
221	20G107098	O-Ring, PTFE (Quantity of Two)
222	20G248207	Piston Rod
223	20G183175	Throat V-Packing, Leather (Quantity of Three)
224	20G15C990	Female Throat Gland
227	20G108526	O-Ring, PTFE
228	20GC20987	Throat Adjustment O-Ring Spacer
229	20G15C998	Backup Washer
230	20G118494	O-Ring
—	20G248213	Pump Repair Kit (Includes Item #'s: 201, 203, 204, 208, 216, 217, 218, 219, 221, 223, 224, 228, 229, and 230)

PART NUMBERS AND SCHEMATICS GUIDE

Figure 7: Standard Series Displacement Pump



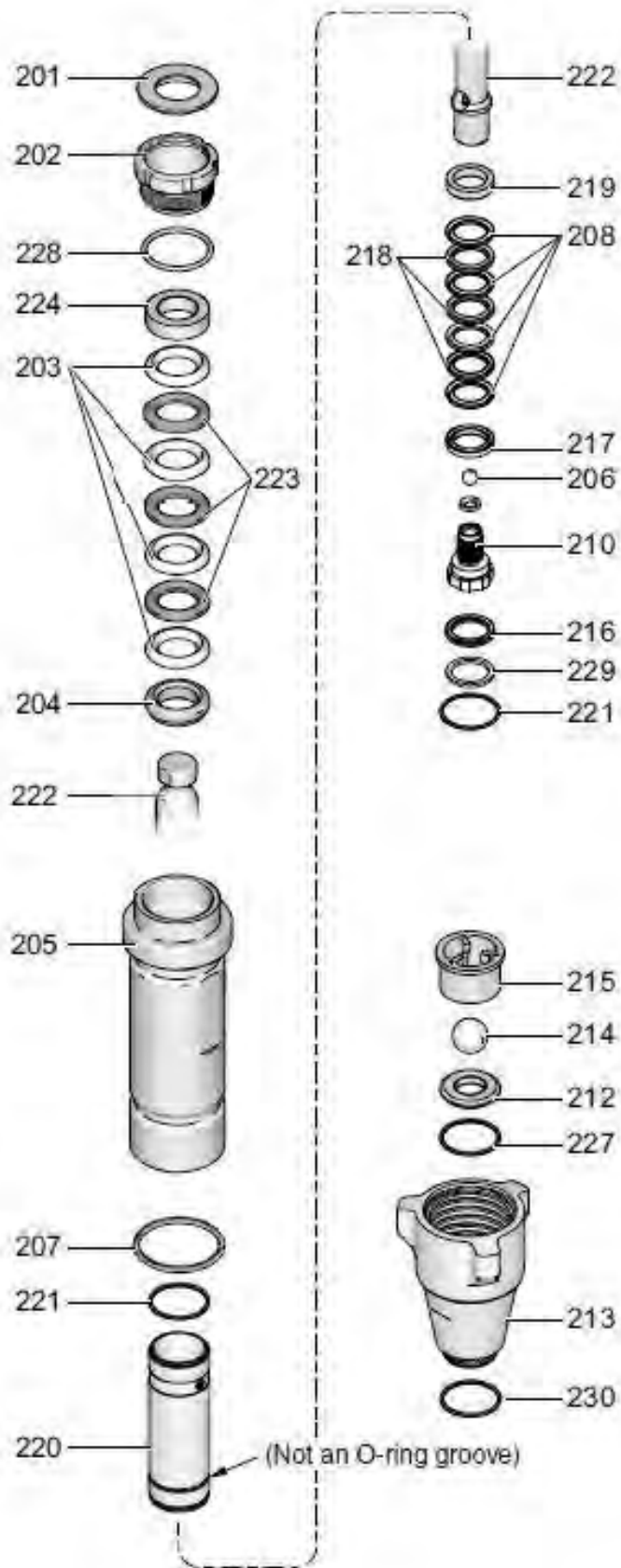
PART NUMBERS AND SCHEMATICS GUIDE

ProContractor and IronMan Series Displacement Pump


Item #	Part #	Description
Fig. 8		
—	20G16X419	ProContractor Series Displacement Pump
—	20G16X420	IronMan Series Displacement Pump
201	20G183171	Throat Seal
202	20G193032	Packing Nut
203	20G193124	Throat V-Packing, V-Max™ (Quantity of Four)
204	20G15C989	Male Throat Gland
205	20G16X451	Pump Cylinder (For use with ProContractor Series)
—	20G16X452	Pump Cylinder (For use with IronMan Series)
206	20G101947	3/8" Stainless Steel Ball Bearing
207	20G156633	O-Ring Packing
208	20G193125	Piston V-Packing, V-Max™ (Quantity of Four)
210	20G24U993	Piston Valve
212	20G244199	Carbide Seat Kit (Includes Item #'s: 214 and 227)
213	20G15E654	Intake Housing Valve
214	20G102972	7/8" Stainless Steel Inlet Check Ball
215	20G193027	Ball Guide
216	20G118504	Piston Wiper
217	20G183185	Female Piston Gland
218	20G15E329	Piston V-Packing, Leather (Quantity of Three)
219	20G183178	Male Piston Gland
220	20G248210	Cylinder Sleeve (For use with ProContractor Series)
—	20G257031	Cylinder Sleeve (For use with IronMan Series)
221	20G107098	O-Ring, PTFE (Quantity of Two)
222	20G16X435	Piston Rod (For use with ProContractor Series)
—	20G16X436	Piston Rod (For use with IronMan Series)
223	20G183175	Throat V-Packing, Leather (Quantity of Three)
224	20G15C990	Female Throat Gland
227	20G108526	O-Ring, PTFE
228	20GC20987	Throat Adjustment O-Ring Spacer
229	20G15C998	Backup Washer
230	20G118494	O-Ring
—	20G248213	Pump Repair Kit (Includes Item #'s: 201, 203, 204, 208, 216, 217, 218, 219, 221, 223, 224, 228, 229, and 230)


PART NUMBERS AND SCHEMATICS GUIDE


Figure 8: ProContractor and IronMan Series Displacement Pump






OPTIONAL ACCESSORIES



		LED DISPLAY
Part Numbers	Description	
	20G24V061	LED Display for SmartControl 3.0

		REPLACEMENT FILTERS		
Part Numbers	Screen	Color	U.O.M.	
	20G244071	30 Mesh	Grey	One Each
	20G244067	60 Mesh	Black	One Each
	20G244068	100 Mesh	Blue	One Each
	20G244069	200 Mesh	Red	One Each

		INLET SCREENS	
Part Numbers	Description		
	20G189920	Inlet Screen – Ultra Max II 1595	
	20G257033	Inlet Screen – IronMan 1595	

OPTIONAL ACCESSORIES

		THROAT SEAL LIQUID	
		Part Numbers	Description
	20G206994	Throat Seal Liquid – 8 oz.	
	20G206995	Throat Seal Liquid – 1 qt.	
	20G206996	Throat Seal Liquid – 1 gal.	

		PUMP ARMOR FLUID	
		Part Numbers	Description
	20G243103	Pump Armor Fluid – 1 qt.	
	20G245133	Pump Armor Fluid – 1 gal.	

LITERATURE REFERENCES

Graco® Ultra® Max II 1595 Electric Airless Spray Pump

201M632	Brochure – Graco® Electric Sprayers
206M632	Part Numbers and Schematics Guide – Graco® Ultra® Max II 1595 Electric Airless Spray Pump
209V600	Operator's Manual – Graco® Ultra® Max II 1595 Electric Airless Spray Pump

Graco® Contractor Airless Spray Guns

206M510	Part Numbers and Schematics Guide – Graco® Contractor Airless Spray Guns
109V510	Operator's Manual – Graco® Contractor Airless Spray Guns

Graco® Silver Plus™ Airless Spray Guns

206M362	Part Numbers and Schematics Guide – Graco® Silver Plus™ Airless Spray Guns
209V362	Operator's Manual – Graco® Silver and Flex Plus Airless Spray Guns

Graco® Ultra® Max II 1595 Displacement Pumps

209V608	Operator's Manual – Graco® Ultra® Max II 1595 Displacement Pump
209V609	Operator's Manual – Graco® Ultra® Max II 1595 ProContractor and IronMan Series Displacement Pump

PART NUMBERS AND SCHEMATICS GUIDE

GRACO® E-XTREME® EX35 ELECTRIC AIRLESS SPRAY PUMPS						
Part Numbers	MOUNT		Integrated Filter	Hopper	Hose and Graco® XTR™ 5 Spray Gun Included	Lower Pump
	Cart Mount	Wall Mount				
20G24Z905	X		X	X	X	180 cc
20G24Z906	X		X	X		180 cc
20G24Z901	X		X		X	180 cc
20G24Z902	X		X			180 cc
20G24Z907	X			X	X	180 cc
20G24Z908	X			X		180 cc
20G24Z903	X				X	180 cc
20G24Z904	X					180 cc
20G24Z909		X	X		X	180 cc
20G24Z910		X	X			180 cc
20G24Z911		X			X	180 cc
20G24Z912		X				180 cc

GRACO® E-XTREME® EX35 ELECTRIC AIRLESS SPRAY PUMP – SPECIFICATIONS	
Maximum Fluid Working Pressure	3500 psi
Pump Lower	180 cc
Maximum Continuous Cycle Rate	44 Cycles/min
Weight	295 lbs.
Operating Temperature Range	23° to 120° F
Oil Capacity	1.0-1.2 quarts

PART NUMBERS AND SCHEMATICS GUIDE



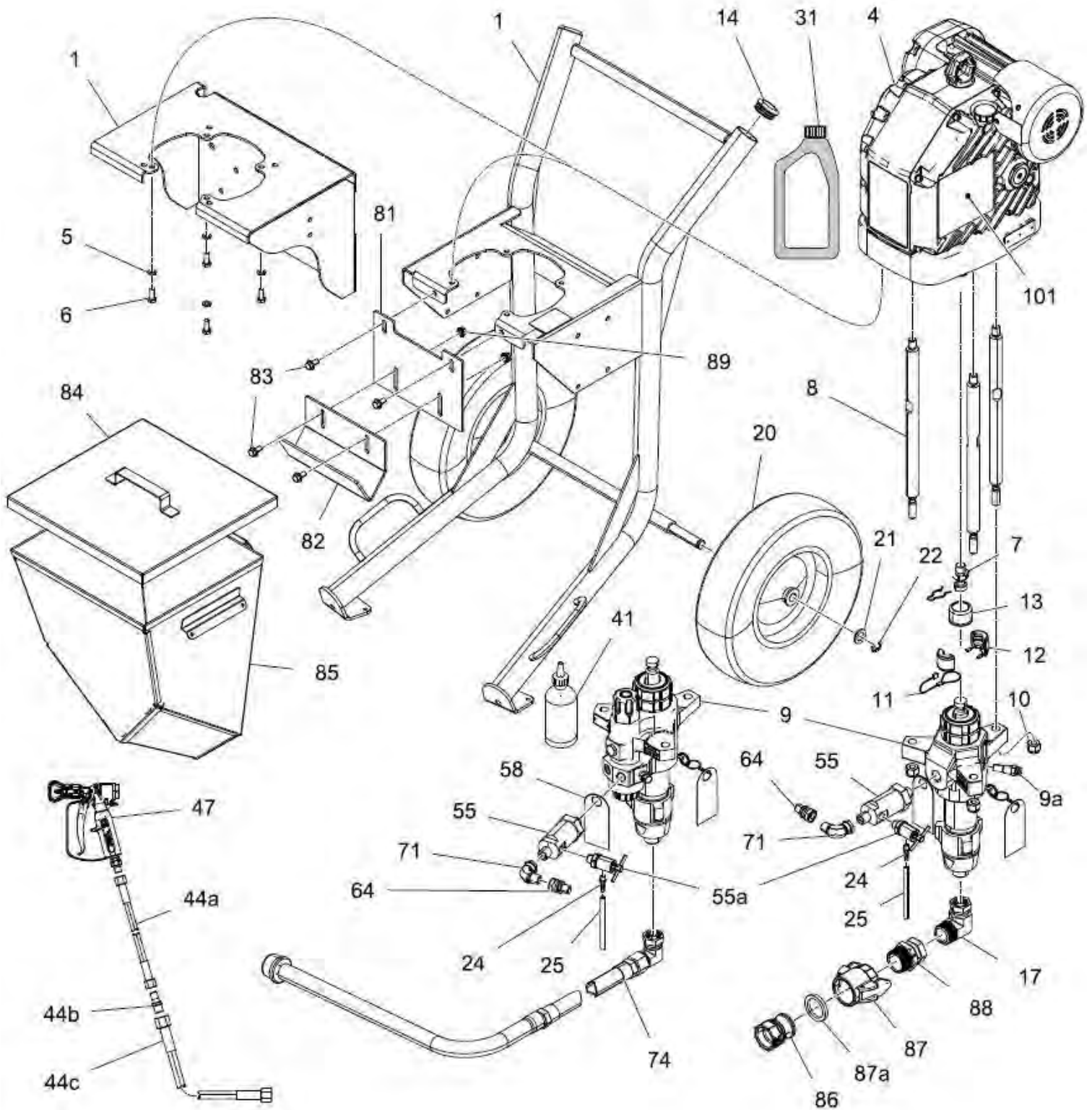
PART NUMBERS AND SCHEMATICS GUIDE

Graco® e-Xtreme® Ex35 Electric Airless Spray Pump

Item #	Part #	Description	Item #	Part #	Description
Fig. 1			81	20G17D554	Upper Bracket Hopper
1	20G255143	Wall Mounted Bracket <i>(Includes Item #'s: 5 and 6)</i>	82	20G17C474	Hopper Bracket
	20G24Y078	Heavy Duty Cart <i>(Includes Item #'s: 14, 20, 21 and 22)</i>	83	20G112395	Flanged Cap Screw <i>(Quantity of Four)</i>
4	20G24X901	e-Xtreme® Driver <i>(Includes Item #31) (See Fig. 2)</i>	84	20G16U537	Complete Cover
5	20G100133	3/8" Lockwasher Spring <i>(Quantity of Four)</i>	85	20G17E114	Xtreme® Weldment Hopper
6	20G100101	3/8-16 x 1" Long Screw <i>(Quantity of Four)</i>	86	20G120307	Male Hose Adapter Fitting
7	20G15H392	Xtreme® Rod Adapter	87	20G120308	Female Hose Adapter Fitting
8	20G257150	14-1/4" Long – Tie Rod <i>(Quantity of Three)</i>	87a	20G120781	Quick Coupler Gasket (PTFE)
9	20GL180CN	180cc Xtreme® Lower without Integrated Filter <i>(See Fig. 3)</i>	87b	20G17C453	Quick Coupler Gasket (Buna-N 6-Pack) <i>(Not Shown)</i>
	20GL180CL	180cc Xtreme® Lower with Integrated Filter <i>(See Fig. 3)</i>	88	20G17L152	Swivel Fitting
9a	20G258962	Rupture Disc Housing Assembly	89	20G112958	Flanged Hex Nut <i>(Quantity of Four)</i>
10	20G101712	Lock Nut <i>(Quantity of Three)</i>	101	20G17J476	Warning Label
11	20G244820	Connector Clip with Lanyard	—	20G25C188	Hopper Accessory Kit <i>(Includes Item #'s: 17, 71, 81, 82, 83, 84, 85, 86, 87, 87a, 87b, 88, and 89)</i>
12	20G244819	Xtreme® Rod Quick Coupling	—	201V626	Brochure – Graco® e-Xtreme® Electric Airless Spray Pumps
13	20G197340	Coupler Cover	—	206M508	Part Numbers & Schematics Guide – Graco® XTR™ 5 Airless Spray Gun
14	20G113361	Round Tube Cap <i>(Quantity of Two)</i>	—	206M626	Part Numbers & Schematics Guide – Graco® e-Xtreme® Ex35 Electric Airless Spray Pumps
17	20G17L151	Elbow Fitting	—	209V626	Operator's Manual – Graco® e-Xtreme® Electric Airless Spray Pumps
20	20G113362	Wheel <i>(Quantity of Two)</i>			
21	20G154628	Washer <i>(Quantity of Two)</i>			
22	20G113436	Retaining Ring <i>(Quantity of Two)</i>			
24	20G116746	Plated Barbed Fitting			
25	20G116750	Nylon Tube			
31	20G16W645	1 qt. Gear Oil <i>(Quantity of Two)</i>			
41	20G206994	Throat Seal Liquid – 8 oz.			
44a	2000027	1/4" x 6' Coupled Hose 5000 psi			
44b	20G164856	3/8" x 1/4" Nipple Fitting			
44c	2000050	3/8" x 50' Coupled Hose 4500 psi			
47	20GXTR504	XTR™ 5 Airless Paint Gun			
55	20G25C189	Subassembly Valve <i>(For models with no filters)</i>			
	20G127631	Subassembly Valve <i>(For models with integrated filters)</i>			
55a	20G245143	Bleed Off Valve <i>(See Fig. 5)</i>			
58	20G17A411	Instructions Label			
64	20G162505	3/8" (M) x 1/2" (F) Adapter			
71	20GC19024	Swivel Elbow Fitting			
74	20G24Z274	1" x 3' Suction Hose			

PART NUMBERS AND SCHEMATICS GUIDE

Figure 1: Graco® e-Xtreme® Ex35 Electric Airless Spray Pump



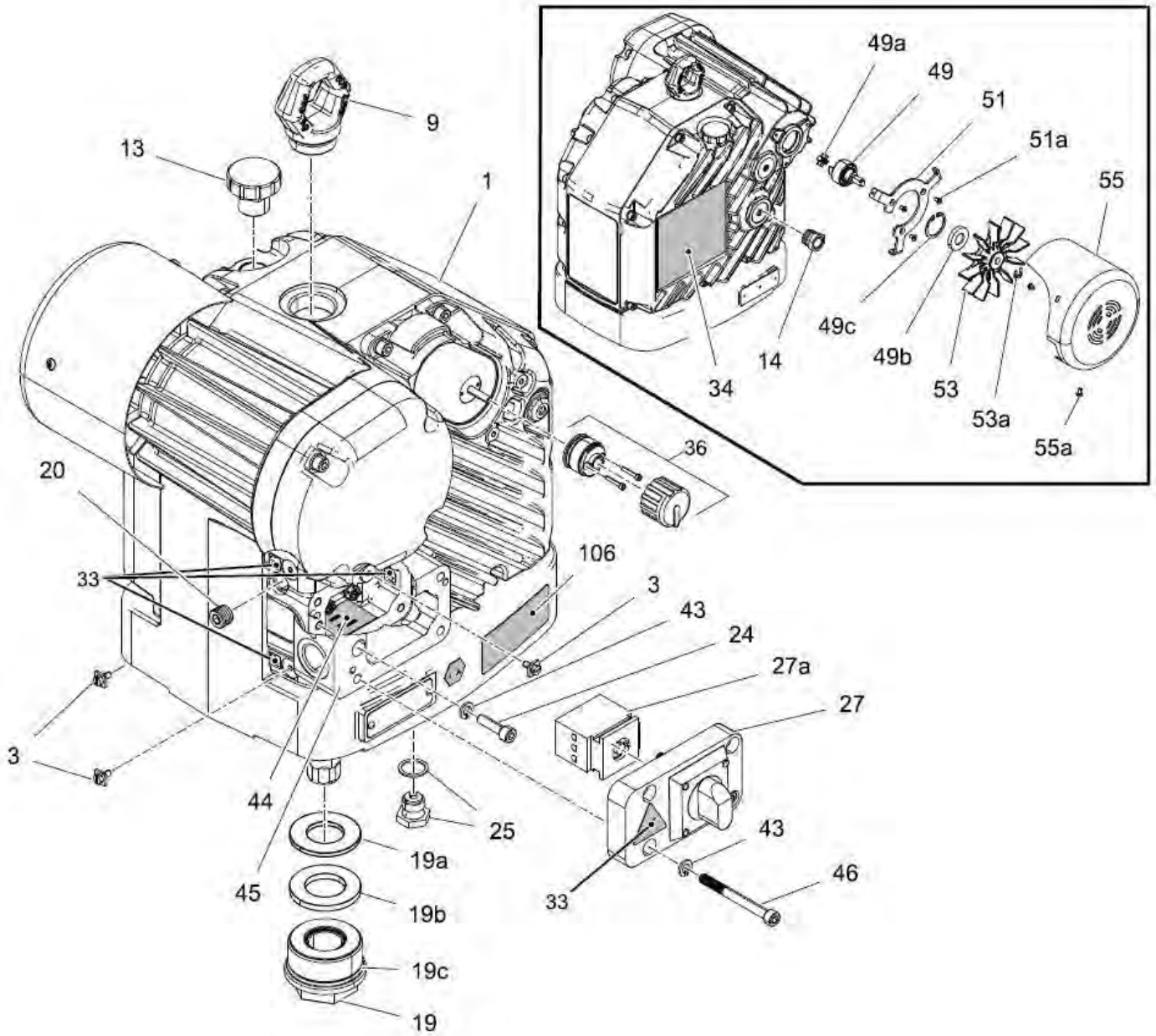
PART NUMBERS AND SCHEMATICS GUIDE

Graco® e-Xtreme® Driver

Item #	Part #	Description
Fig. 2		
—	20G24X901	Graco® e-Xtreme® Driver
1	—	Driver Housing
3	20G116343	Grounding Clamp (<i>Quantity of Three</i>)
9	20G15F931	Lift Ring
13	20G15H525	Oil Fill Cap
14	20G24E315	Sight Glass
19	20G25C164	Output Seal Cartridge
19a	20G25C162	Support Washer Kit
19b	20G25C163	Lower Bumper Kit
19c	20G25C165	O-Ring (<i>Pack of Two</i>)
20	20G25C161	3/8" Plug Kit
24	—	Socket Head Cap Screw (<i>Quantity of 28</i>)
25	20G15H432	Oil Drain Plug
27	20G25C172	Electrical Junction Box Cover
27a	20G123970	40A Disconnect Switch
33	20G16T764	Warning Label
34	20G17J476	Warning Label
36	20G16U113	Knob Kit
43	—	Spring Lockwasher (<i>Quantity of 32</i>)
44	20G16U979	Torque Specifications Label
45	20G25C171	Junction Box Housing Kit
46	20G25C170	1-1/4" Screw (<i>Quantity of Four</i>)
49	20G17M815	Fan Bearing with Coupler Kit
49a	—	Coupler
49b	20G25C182	Input Shaft Seal Kit
49c	20G119539	Internal Retaining Ring
51	20G25C181	Shroud Mount Bracket
51a	20G120668	Flat Head Screw
53	20G25C183	Fan Kit
53a	20G122347	External Retaining Ring
55	20G25C184	Shroud Cover Kit
55a	20G124165	Screw
106	20G17G768	Error Code Instruction Label
—	20G16W645	1 qt. Gear Oil (<i>Quantity of Two</i>)
—	209V571	Operator's Manual – Graco® e-Xtreme® Driver

PART NUMBERS AND SCHEMATICS GUIDE

Figure 2: Graco® e-Xtreme® Driver



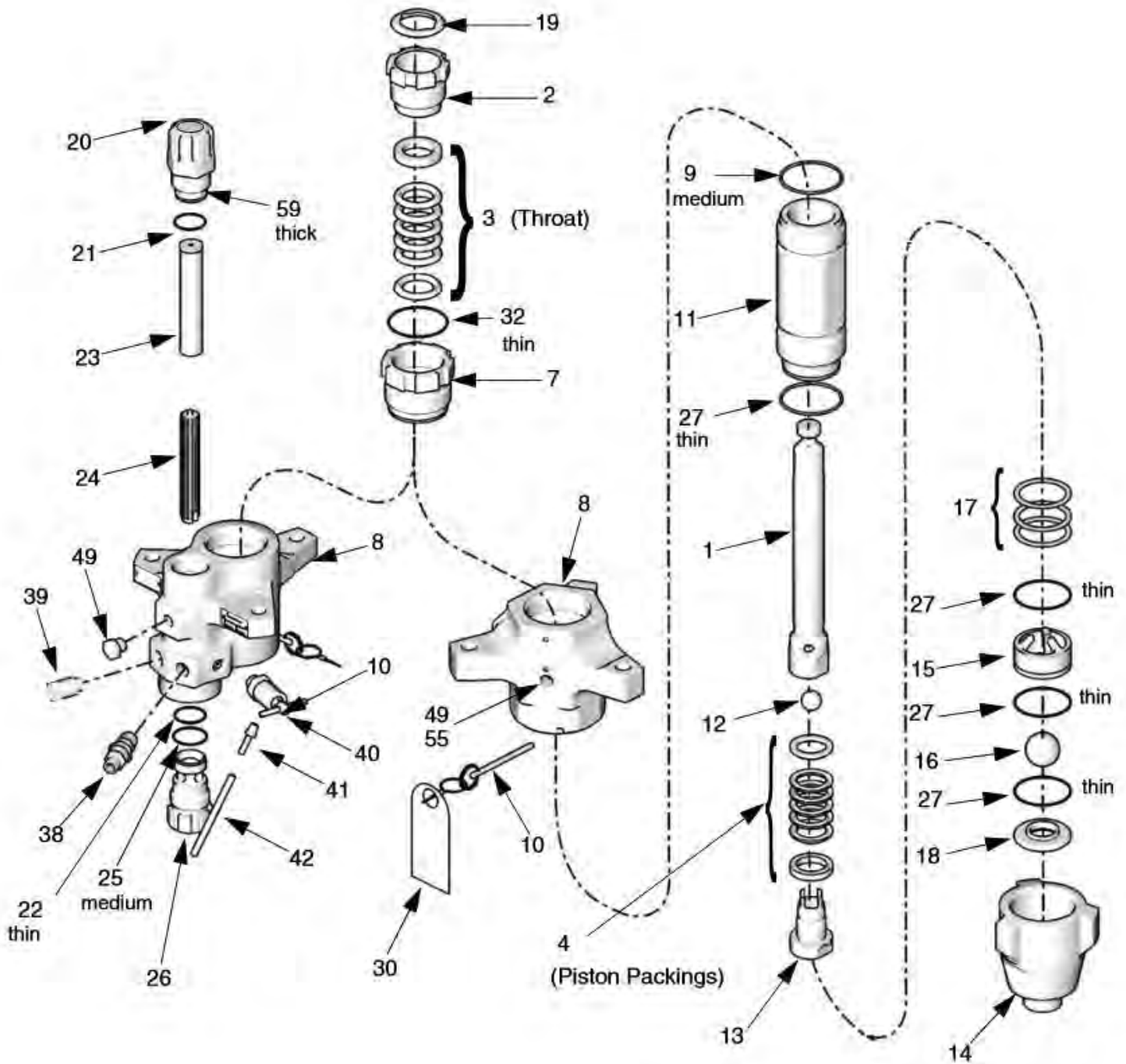
PART NUMBERS AND SCHEMATICS GUIDE

180cc e-Xtreme® Sprayer Lower Displacement Pump

Item #	20GL180CN (No Filter)	20GL180CL (Integrated Filter)	Description
Fig. 3			
1	20G24B822	20G24B822	Displacement Rod
2	20G15K030	20G15K030	Packing Nut
3	—	—	Stack Packings, Throat (See Repair Kit, Fig. 4)
4	—	—	Stack Packings, Piston (See Repair Kit, Fig. 4)
7	20G197326	20G197326	Packing Cartridge, Throat
8	20G197334	20G197336	Housing Outlet
9	20G244892	20G244892	O-Ring, Top Cylinder, PTFE Medium (Quantity of 10)
10	20G244826	20G244826	Self-Locking Pin
11	20G197316	20G197316	Lower Cylinder
12	20G253029	20G253029	Ball Piston (Quantity of Three)
13	20G24B827	20G24B827	Piston Valve
14	20G197303	20G197303	Inlet Housing
15	20G197307	20G197307	Inlet Ball Guide
16	20G245128	20G245128	Inlet Ball (Quantity of Three)
17	20G244855	20G244855	Inlet Shim Ball Guide (Quantity of Nine)
18	20G196358	20G196358	Inlet Seat
19	20G247394	20G247394	Throat Seal Plug (Quantity of 10)
20	—	20G16M461	Top Filler Cap
21	—	20G171941	Compression Spring
22	—	20G244895	Thin Filter O-Ring, PTFE (Quantity of 10)
23	—	20G224459	Strainer, 60 Mesh Screen
24	—	20G186075	Filter Support
25	—	20G262484	Filter O-Ring, Medium, PTFE (Quantity of 10)
26	—	20G16M462	Lower Filter Cap
27	20G244890	20G244890	Foot Valve and Cylinder Bottom O-Ring, PTFE Thin (Quantity of 10)
30	20G172479	20G172479	Warning Tag
32	20G244890	20G244890	Throat Cartridge O-Ring, PTFE Thin (Quantity of 10)
38	—	20G158491	Nipple Fitting, Outlet, 1/2"
39	—	20G24N518	Packless Plug, 1/2"
40	—	20G245143	Pressure Dump Valve
41	—	20G116746	Barbed Fitting, Plated
42	—	20G116750	Nylon Tube
49	20G101754	20G198292	Pipe Plug
55	20G258962	20G258962	Rupture Disc Housing
59	—	20G262483	Filter O-Ring, PTFE Thick (Quantity of 10)

PART NUMBERS AND SCHEMATICS GUIDE

Figure 3: 180cc e-Xtreme® Sprayer Lower Displacement Pump



Note: Lower Displacement Pump with Integrated Filter Shown

PART NUMBERS AND SCHEMATICS GUIDE

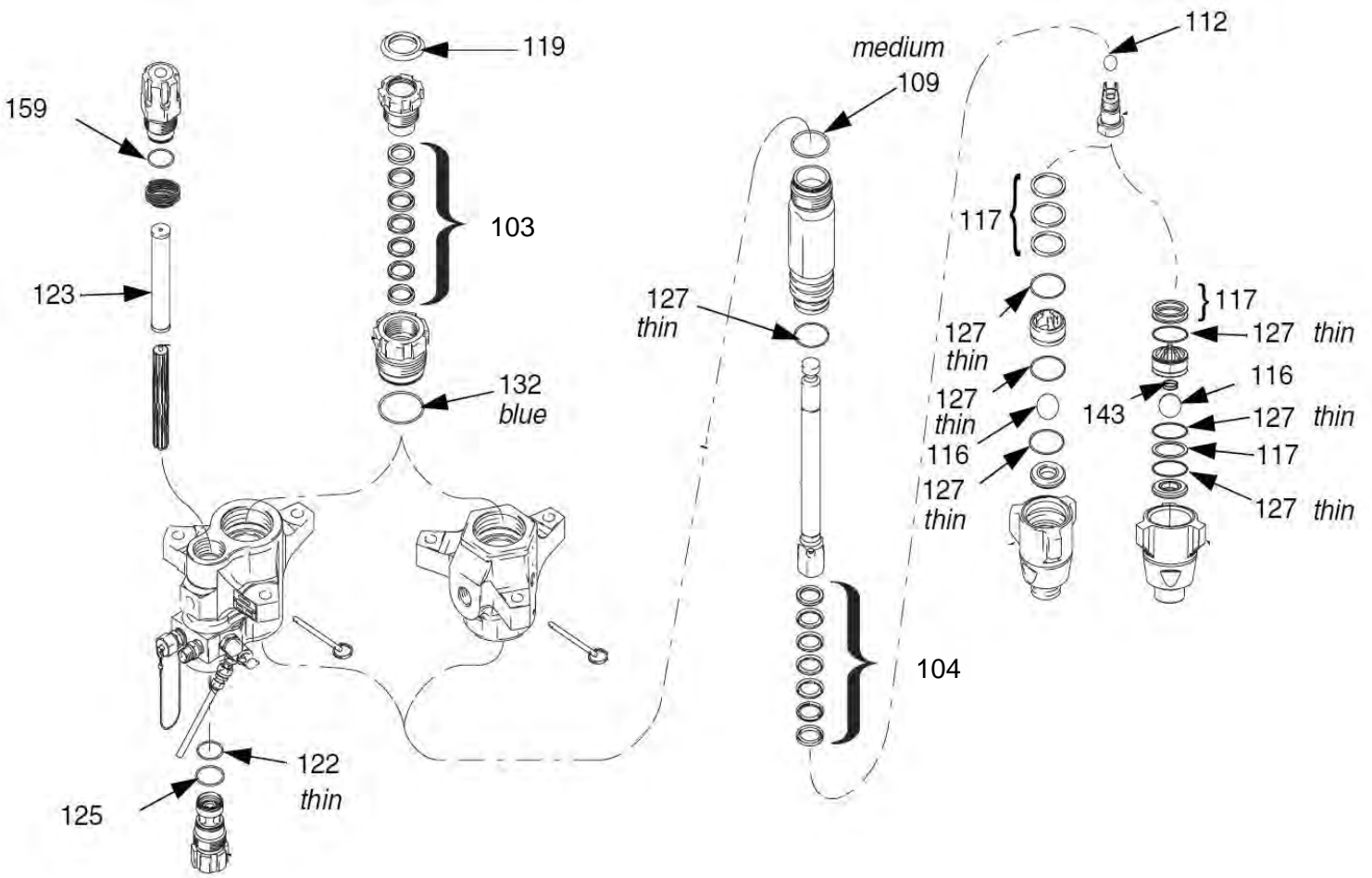
Xtreme® Seals Repair Kit for 180cc Lower Displacement Pump

Item #	Part #	Description
Fig. 4		
—	20G24F969	Xtreme® Seals Repair Kit <i>(Includes Item #'s: 1 (Quantity of Two); 2 (Quantity of Two); 3 (Quantity of Four); 4 (Quantity of Six); 5 (Quantity of Four); 6 (Quantity of Two); 7, 8, 9, 10 (Quantity of Three); and 11)</i>
103	—	Throat Packings
103a	20G244882	Male Gland <i>(Quantity of Four)</i>
103b	20G244876	Female Gland <i>(Quantity of Four)</i>
103c	20G244870	V-Packing, Leather <i>(Quantity of 10)</i>
103d	20G244858	V-Packing Carbon-Filled, PTFE/UHMWPE, Blue <i>(Quantity of 10)</i>
103e	20G244864	V-Packing, UHMWPE, Black <i>(Quantity of 10)</i>
104	—	Piston Packings
104a	20G244882	Male Gland <i>(Quantity of Four)</i>
104b	20G244876	Female Gland <i>(Quantity of Four)</i>
104c	20G244870	V-Packing, Leather <i>(Quantity of 10)</i>
104d	20G244858	V-Packing Carbon-Filled, PTFE/UHMWPE, Blue <i>(Quantity of 10)</i>
104e	20G244864	V-Packing, UHMWPE, Black <i>(Quantity of 10)</i>
109	20G244892	PTFE O-Ring, Top Cylinder Medium <i>(Quantity of 10)</i>
112	20G253029	Ball Piston, 3/4" (19 mm) <i>(Quantity of Three)</i>
116	20G245128	Ball Inlet, 1-1/4" (32 mm) <i>(Quantity of Three)</i>
117	20G244855	Shim Inlet, Ball Guide <i>(Quantity of Nine)</i>
119	20G244996	Throat Seal Plug, 1-3/4" <i>(Quantity of 10)</i>
—	20G247394	Throat Seal Plug, 2-1/2" <i>(Quantity of 10)</i>
122	20G244895	Filter O-Ring, Thin, PTFE <i>(Quantity of 10)</i>
123	20G238436	Strainer, 30 mesh screen, 5.65" <i>(Quantity of 25)</i>
—	20G224458	Strainer, 30 mesh, 5.65" <i>(Quantity of Two)</i>
—	20G238438	Strainer, 60 mesh, 5.65" <i>(Quantity of 25)</i>
—	20G224459	Strainer, 60 mesh, 5.65" <i>(Quantity of Two)</i>
125	20G262484	Filter O-Ring, Medium, PTFE <i>(Quantity of 10)</i>
—	20G244896	Filter O-Ring For Series A Pumps <i>(Quantity of 10)</i>
127	20G244890	O-Ring, PTFE, Thin <i>(Quantity of 10)</i>
143	20G116801	Foot Valve Spring
159	20G262483	Top Cap O-Ring, PTFE <i>(Quantity of 10)</i>
—	20G244895	Top Cap O-Ring For Series A Pumps <i>(Quantity of 10)</i>
—	209V021	Operator's Manual – Graco® Xtreme® Pump Lowers

*Quantities listed with repair kit are number of individual pieces.

PART NUMBERS AND SCHEMATICS GUIDE

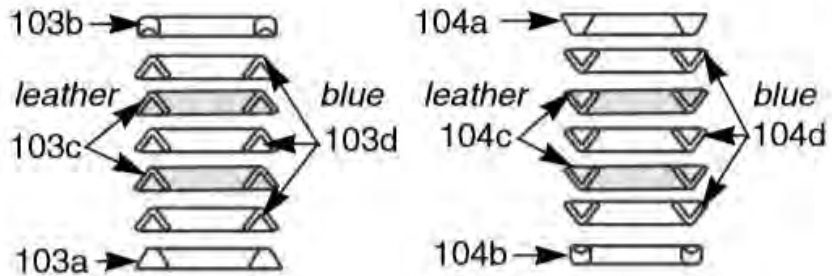
Figure 4: Xtreme® Seals Repair Kit for 180cc Lower Displacement Pump



Xtreme® Seal Repair Kit

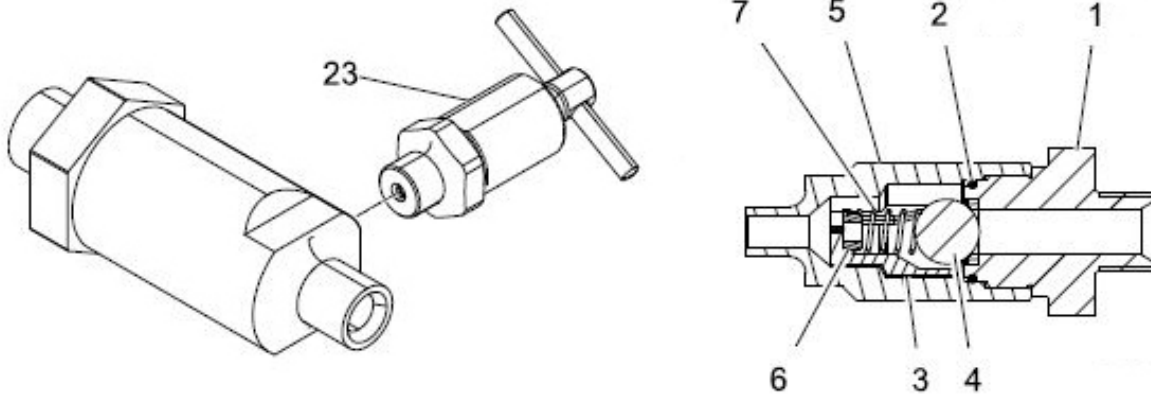
**Throat Packings:
Lips Face Down**

**Piston Packings:
Lips Face Up**



PART NUMBERS AND SCHEMATICS GUIDE

Figure 5: Outlet Check Valves



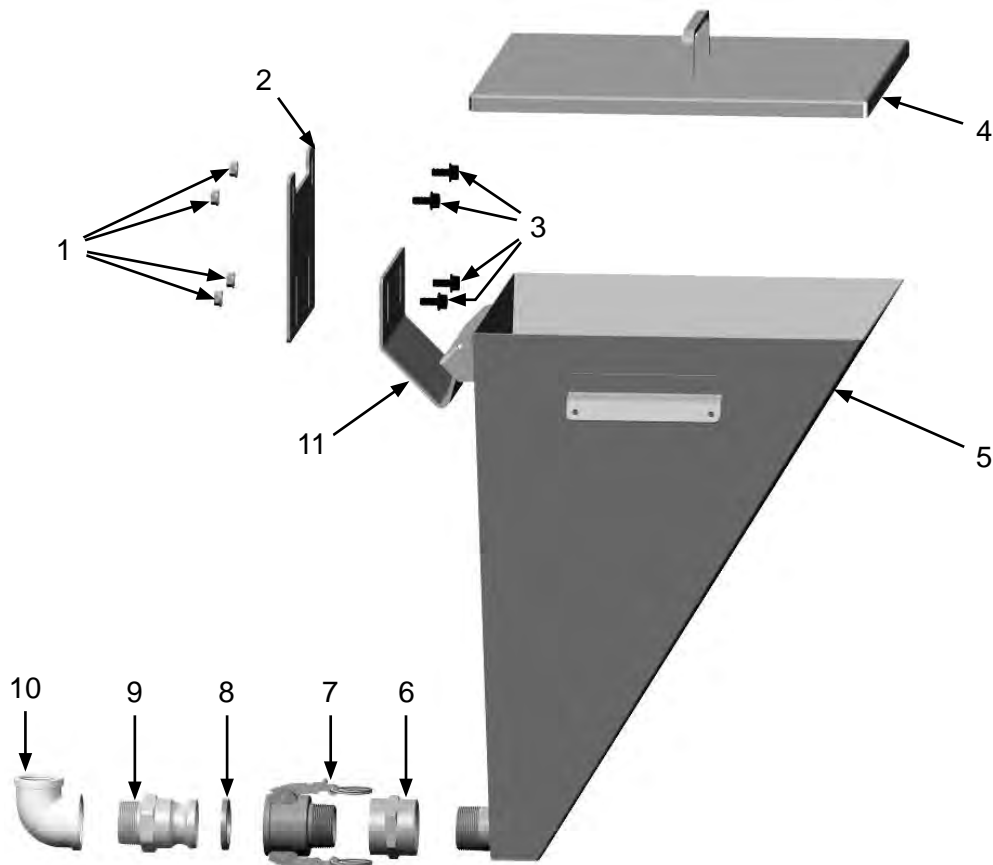
Item #	Part #	Description
--------	--------	-------------

Fig. 5

—	20G127631	Outlet Check Valve – 3/4" Male NPT Inlet
—	20G25C189	Outlet Check Valve – 1/2" Male NPT Inlet
1	20G127882	Seat Nut (Includes Item #'s: 2 and 4) (For model 20G127631)
—	20G25C190	Seat Nut (Includes Item #'s: 2 and 4) (For model 20G25C189)
2	20G102595	Packing O-Ring
3	20G181492	Ball Guide (Quantity of Three)
4	20G102971	Metallic Ball
5	20G17A091	Check Ball Housing
6	20G181535	Spring Retainer
7	20G108361	Compression Spring
23	20G245143	Bleed Off Valve

OPTIONAL ACCESSORIES

Figure 6: Spraymaster® 10 Gallon Pump Hopper









Item #	Part #	Description
--------	--------	-------------


Fig. 6

—	20101239	Spraymaster® 10 Gallon Pump Hopper
1	20101259	3/8-16 Serrated Flange Nut – Zinc
2	20101245	10 Gallon Hopper Mounting Bracket
3	20101258	3/8-16 x 3/4" Serrated Screw
4	20100614	Lid
5	20101240	10 Gallon Hopper Weldment
6	20101260	1-1/2" Hex Coupling
7	20101256	1-1/2" Aluminum Cam & Groove Socket
8	20101261	1-1/2" Cam Socket Gasket
9	20101257	1-1/2" Aluminum Cam & Groove Plug
10	20101255	1-1/2" x 1-1/4" 90° Elbow
11	20101243	10 Gallon Hopper Hanger Bracket

OPTIONAL ACCESSORIES

		SUCTION TUBE AND ACCESSORIES
Part Numbers	Description	
	20G197682	Suction Tube
	20G247301	1" I.D. x 6' Suction Hose with Couplings
	20G247302	1" I.D. x 10' Suction Hose with Couplings
	20G245136	55 Gallon Suction Tube Extension Kit <i>Includes Suction Tube and Couplings</i>
	20G181072	60 Mesh Strainer for 1" Suction Tube

		REPLACEMENT SCREEN FILTER ELEMENTS	
Part Numbers	Screen	Package	
	20G238436	30 Mesh	1 Pack
	20G224458	30 Mesh	2 Pack
	20G238438	60 Mesh	1 Pack
	20G224459	60 Mesh	2 Pack

		FILTER SUPPORTS		
Part Numbers	Type	Body Material	Maximum Working Pressure	
	Filter Support	Nylon	7,250 psi	

PART NUMBERS AND SCHEMATICS GUIDE

GRACO® E-XTREME® EX45 ELECTRIC AIRLESS SPRAY PUMPS						
Part Numbers	MOUNT		Integrated Filter	Hopper	Hose and Graco® XTR™ 5 Spray Gun Included	Lower Pump
	Cart Mount	Wall Mount				
20G24Y905	X		X	X	X	145 cc
20G24Y906	X		X	X		145 cc
20G24Y901	X		X		X	145 cc
20G24Y902	X		X			145 cc
20G24Y907	X			X	X	145 cc
20G24Y908	X			X		145 cc
20G24Y903	X				X	145 cc
20G24Y904	X					145 cc
20G24Y909		X	X		X	145 cc
20G24Y910		X	X			145 cc
20G24Y911		X			X	145 cc
20G24Y912		X				145 cc

GRACO® E-XTREME® EX45 ELECTRIC AIRLESS SPRAY PUMPS – SPECIFICATIONS

Maximum Fluid Working Pressure	4500 psi
Pump Lower	145 cc
Maximum Continuous Cycle Rate	44 Cycles/min
Weight	295 lbs.
Operating Temperature Range	23° to 120° F
Oil Capacity	1.0-1.2 quarts

PART NUMBERS AND SCHEMATICS GUIDE



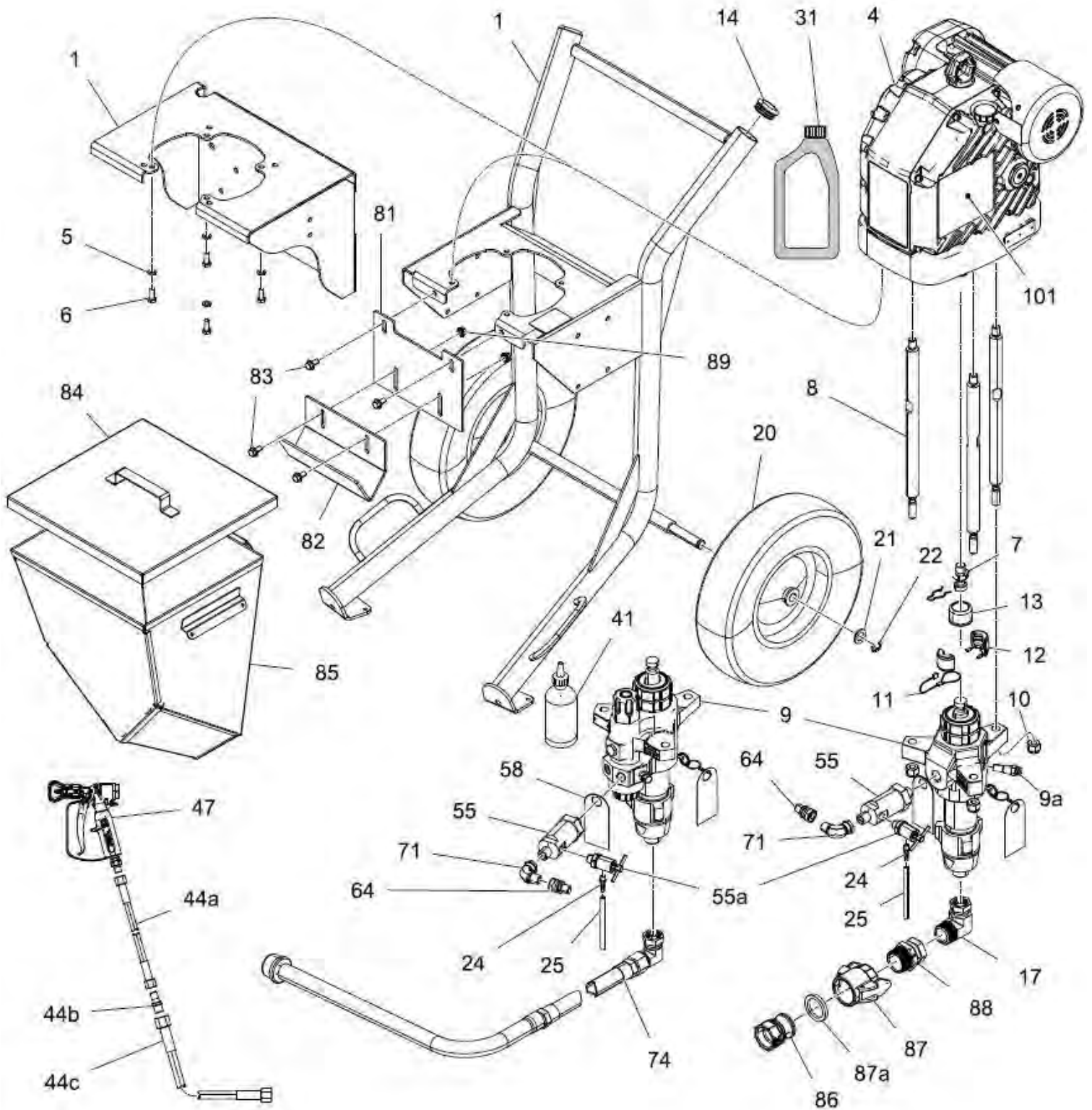
PART NUMBERS AND SCHEMATICS GUIDE

Graco® e-Xtreme® Ex45 Electric Airless Spray Pump

Item #	Part #	Description	Item #	Part #	Description
Fig. 1			81	20G17D554	Upper Bracket Hopper
1	20G255143	Wall Mounted Bracket <i>(Includes Item #'s: 5 and 6)</i>	82	20G17C474	Hopper Bracket
	20G24Y078	Heavy Duty Cart <i>(Includes Item #'s: 14, 20, 21 and 22)</i>	83	20G112395	Flanged Cap Screw <i>(Quantity of Four)</i>
4	20G24X901	e-Xtreme® Driver <i>(Includes Item #31) (See Fig. 2)</i>	84	20G16U537	Complete Cover
5	20G100133	3/8" Lockwasher Spring <i>(Quantity of Four)</i>	85	20G17E114	Xtreme® Weldment Hopper
6	20G100101	3/8-16 x 1" Long Screw <i>(Quantity of Four)</i>	86	20G120307	Male Hose Adapter Fitting
7	20G15H392	Xtreme® Rod Adapter	87	20G120308	Female Hose Adapter Fitting
8	20G257150	14-1/4" Long – Tie Rod <i>(Quantity of Three)</i>	87a	20G120781	Quick Coupler Gasket (PTFE)
9	20GL145CN	145cc Xtreme® Lower without Integrated Filter <i>(See Fig. 3)</i>	87b	20G17C453	Quick Coupler Gasket (Buna-N 6-Pack) <i>(Not Shown)</i>
	20GL145CL	145cc Xtreme® Lower with Integrated Filter <i>(See Fig. 3)</i>	88	20G17L152	Swivel Fitting
9a	20G258962	Rupture Disc Housing Assembly	89	20G112958	Flanged Hex Nut <i>(Quantity of Four)</i>
10	20G101712	Lock Nut <i>(Quantity of Three)</i>	101	20G17J476	Warning Label
11	20G244820	Connector Clip with Lanyard	—	20G25C188	Hopper Accessory Kit <i>(Includes Item #'s: 17, 71, 81, 82, 83, 84, 85, 86, 87, 87a, 87b, 88, and 89)</i>
12	20G244819	Xtreme® Rod Quick Coupling	—	201V626	Brochure – Graco® e-Xtreme® Electric Airless Spray Pumps
13	20G197340	Coupler Cover	—	206M627	Part Numbers & Schematics Guide – Graco® e-Xtreme® Ex45 Electric Airless Spray Pumps
14	20G113361	Round Tube Cap <i>(Quantity of Two)</i>	—	206M626	Part Numbers & Schematics Guide – Graco® XTR™ 5 Airless Spray Gun
17	20G17L151	Elbow Fitting	—	209V626	Operator's Manual – Graco® e-Xtreme® Electric Airless Spray Pumps
20	20G113362	Wheel <i>(Quantity of Two)</i>			
21	20G154628	Washer <i>(Quantity of Two)</i>			
22	20G113436	Retaining Ring <i>(Quantity of Two)</i>			
24	20G116746	Plated Barbed Fitting			
25	20G116750	Nylon Tube			
31	20G16W645	1 qt. Gear Oil <i>(Quantity of Two)</i>			
41	20G206994	Throat Seal Liquid – 8 oz.			
44a	2000027	1/4" x 6' Coupled Hose 5000 psi			
44b	20G164856	3/8" x 1/4" Nipple Fitting			
44c	2000050	3/8" x 50' Coupled Hose 4500 psi			
47	20GXTR504	XTR™ 5 Airless Paint Gun			
55	20G25C189	Subassembly Valve <i>(For models with no filters)</i>			
	20G127631	Subassembly Valve <i>(For models with integrated filters)</i>			
55a	20G245143	Bleed Off Valve <i>(See Fig. 5)</i>			
58	20G17A411	Instructions Label			
64	20G162505	3/8" (M) x 1/2" (F) Adapter			
71	20GC19024	Swivel Elbow Fitting			
74	20G24Z274	1" x 3' Suction Hose			

PART NUMBERS AND SCHEMATICS GUIDE

Figure 1: Graco® e-Xtreme® Ex45 Electric Airless Spray Pump



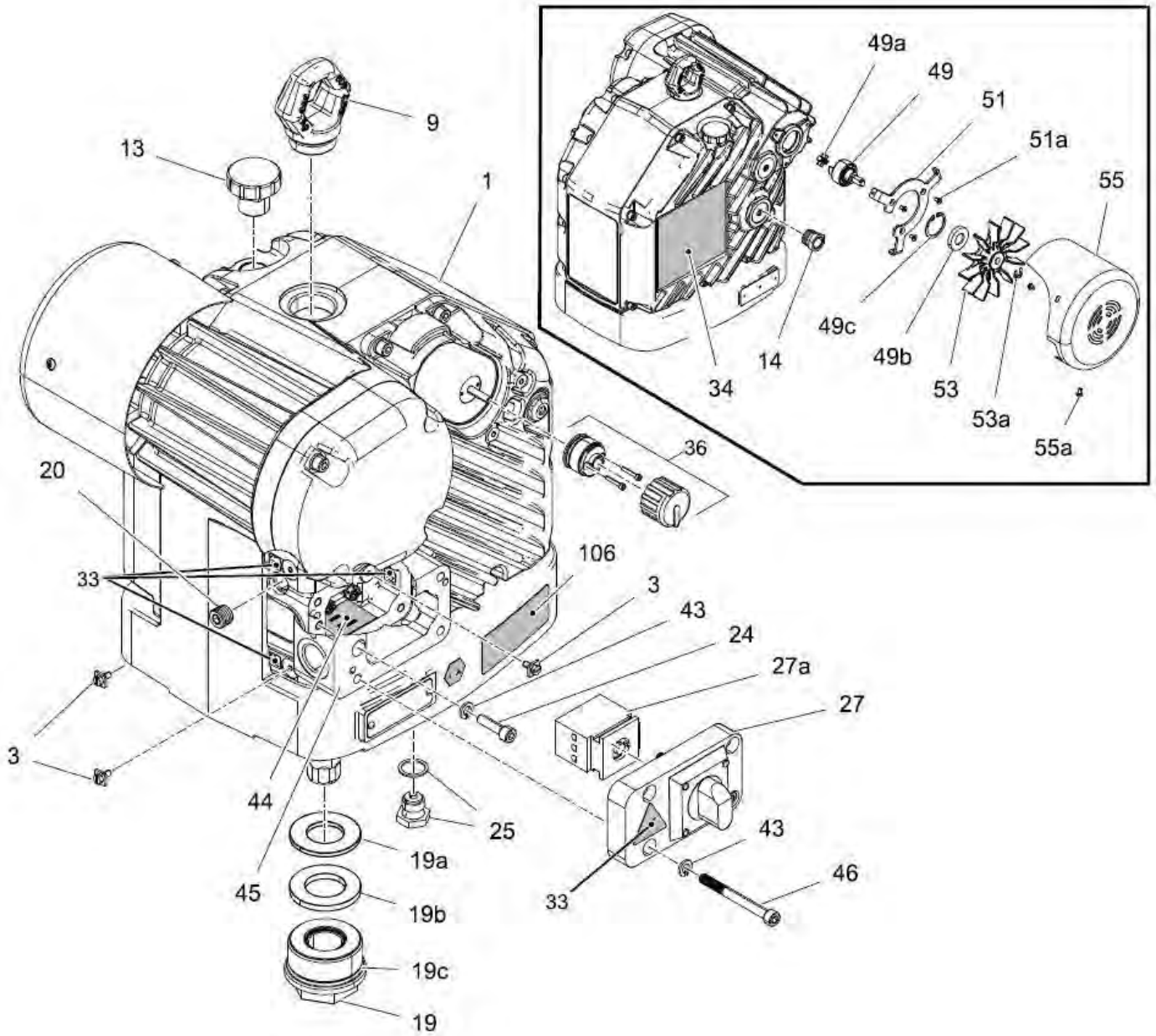
PART NUMBERS AND SCHEMATICS GUIDE

Graco® e-Xtreme® Driver

Item #	Part #	Description
Fig. 2		
—	20G24X901	Graco® e-Xtreme® Driver
1	—	Driver Housing
3	20G116343	Grounding Clamp (<i>Quantity of Three</i>)
9	20G15F931	Lift Ring
13	20G15H525	Oil Fill Cap
14	20G24E315	Sight Glass
19	20G25C164	Output Seal Cartridge
19a	20G25C162	Support Washer Kit
19b	20G25C163	Lower Bumper Kit
19c	20G25C165	O-Ring (<i>Pack of Two</i>)
20	20G25C161	3/8" Plug Kit
24	—	Socket Head Cap Screw (<i>Quantity of 28</i>)
25	20G15H432	Oil Drain Plug
27	20G25C172	Electrical Junction Box Cover
27a	20G123970	40A Disconnect Switch
33	20G16T764	Warning Label
34	20G17J476	Warning Label
36	20G16U113	Knob Kit
43	—	Spring Lockwasher (<i>Quantity of 32</i>)
44	20G16U979	Torque Specifications Label
45	20G25C171	Junction Box Housing Kit
46	20G25C170	1-1/4" Screw (<i>Quantity of Four</i>)
49	20G17M815	Fan Bearing with Coupler Kit
49a	—	Coupler
49b	20G25C182	Input Shaft Seal Kit
49c	20G119539	Internal Retaining Ring
51	20G25C181	Shroud Mount Bracket
51a	20G120668	Flat Head Screw
53	20G25C183	Fan Kit
53a	20G122347	External Retaining Ring
55	20G25C184	Shroud Cover Kit
55a	20G124165	Screw
106	20G17G768	Error Code Instruction Label
—	20G16W645	1 qt. Gear Oil (<i>Quantity of Two</i>)
—	209V571	Operator's Manual – Graco® e-Xtreme® Driver

PART NUMBERS AND SCHEMATICS GUIDE

Figure 2: Graco® e-Xtreme® Driver



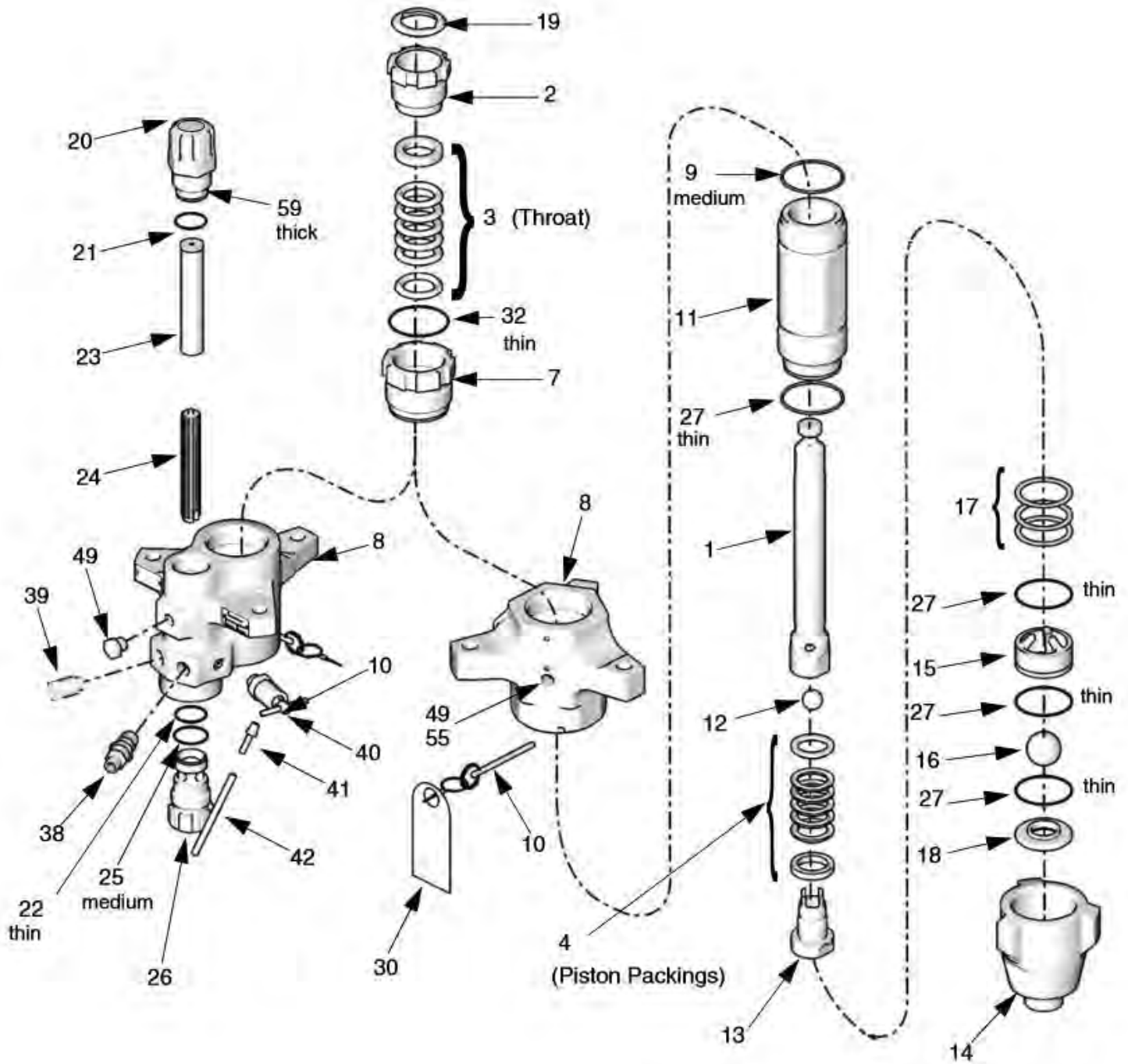
PART NUMBERS AND SCHEMATICS GUIDE

145cc e-Xtreme® Sprayer Lower Displacement Pump

Item #	20GL145CN (No Filter)	20GL145CL (Integrated Filter)	Description
Fig. 3			
1	20G24B821	20G24B821	Displacement Rod
2	20G15K030	20G15K030	Packing Nut
3	—	—	Stack Packings, Throat (See Repair Kit, Fig. 4)
4	—	—	Stack Packings, Piston (See Repair Kit, Fig. 4)
7	20G197325	20G197325	Packing Cartridge, Throat
8	20G197334	20G197336	Housing Outlet
9	20G244892	20G244892	O-Ring, Top Cylinder, PTFE Medium (Quantity of 10)
10	20G244826	20G244826	Self-Locking Pin
11	20G197315	20G197315	Lower Cylinder
12	20G253029	20G253029	Ball Piston (Quantity of Three)
13	20G24B826	20G24B826	Piston Valve
14	20G197303	20G197303	Inlet Housing
15	20G197307	20G197307	Inlet Ball Guide
16	20G245128	20G245128	Inlet Ball (Quantity of Three)
17	20G244855	20G244855	Inlet Shim Ball Guide (Quantity of Nine)
18	20G196358	20G196358	Inlet Seat
19	20G247394	20G247394	Throat Seal Plug (Quantity of 10)
20	—	20G16M461	Top Filler Cap
21	—	20G171941	Compression Spring
22	—	20G244895	Thin Filter O-Ring, PTFE (Quantity of 10)
23	—	20G224459	Strainer, 60 Mesh Screen
24	—	20G186075	Filter Support
25	—	20G262484	Filter O-Ring, Medium, PTFE (Quantity of 10)
26	—	20G16M462	Lower Filter Cap
27	20G244890	20G244890	Foot Valve and Cylinder Bottom O-Ring, PTFE Thin (Quantity of 10)
30	20G172479	20G172479	Warning Tag
32	20G244890	20G244890	Throat Cartridge O-Ring, PTFE Thin (Quantity of 10)
38	—	20G158491	Nipple Fitting, Outlet, 1/2"
39	—	20G24N518	Packless Plug, 1/2"
40	—	20G245143	Pressure Dump Valve
41	—	20G116746	Barbed Fitting, Plated
42	—	20G116750	Nylon Tube
49	20G101754	20G198292	Pipe Plug
55	20G127628	20G127628	Rupture Disc Housing
59	—	20G262483	Filter O-Ring, PTFE Thick (Quantity of 10)

PART NUMBERS AND SCHEMATICS GUIDE

Figure 3: 145cc e-Xtreme® Sprayer Lower Displacement Pump



Note: Lower Displacement Pump with Integrated Filter Shown

PART NUMBERS AND SCHEMATICS GUIDE

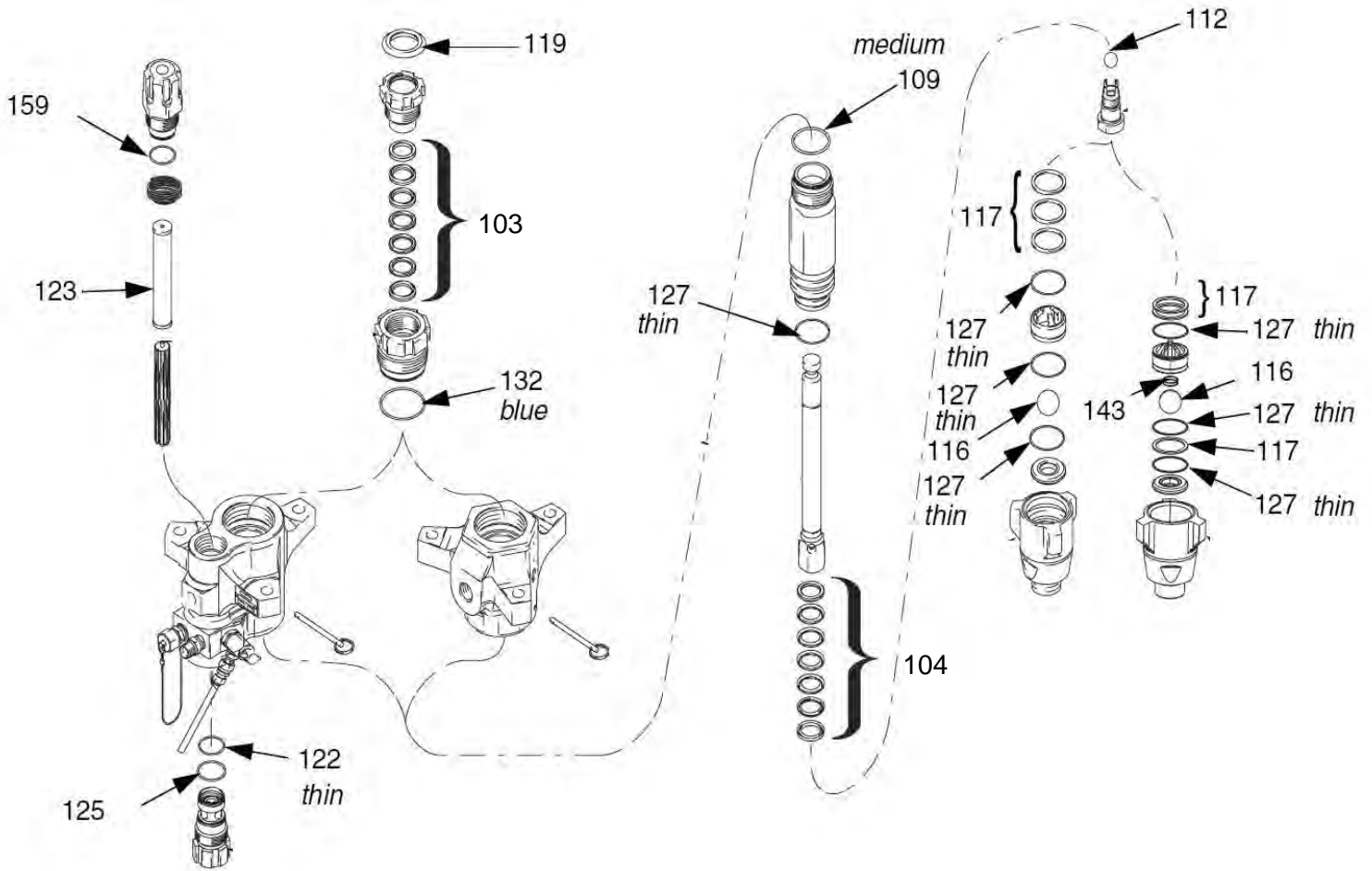
Xtreme® Seals Repair Kit for 145cc Lower Displacement Pump

Item #	Part #	Description
Fig. 4		
—	20G24F971	Xtreme® Seals Repair Kit for 145cc Lower Displacement Pump <i>(Includes Item #'s: 103, 104, 109, 112, 116, 119, 122, 125, 127, 143, and 159)</i>
103	—	Throat Packings
103a	20G244881	Male Gland <i>(Quantity of Four)</i>
103b	20G244875	Female Gland <i>(Quantity of Four)</i>
103c	20G244869	V-Packing, Leather <i>(Quantity of 10)</i>
103d	20G244863	V-Packing, UHMWPE <i>(Quantity of 10)</i>
104	—	Piston Packings
104a	20G244881	Male Gland <i>(Quantity of Four)</i>
104b	20G244875	Female Gland <i>(Quantity of Four)</i>
104c	20G244869	V-Packing, Leather <i>(Quantity of 10)</i>
104d	20G244863	V-Packing, UHMWPE <i>(Quantity of 10)</i>
109	20G244892	PTFE O-Ring, Top Cylinder Medium <i>(Quantity of 10)</i>
112	20G253029	Ball Piston, 3/4" (19 mm) <i>(Quantity of Three)</i>
116	20G245128	Ball Inlet, 1-1/4" (32 mm) <i>(Quantity of Three)</i>
117	20G244855	Shim Inlet, Ball Guide <i>(Quantity of Nine)</i>
119	20G244996	Throat Seal Plug, 1-3/4" <i>(Quantity of 10)</i>
—	20G247394	Throat Seal Plug, 2-1/2" <i>(Quantity of 10)</i>
122	20G244895	Filter O-Ring, Thin, PTFE <i>(Quantity of 10)</i>
123	20G238436	Strainer, 30 Mesh Screen, 5.65" <i>(Quantity of 25)</i>
—	20G224458	Strainer, 30 Mesh, 5.65" <i>(Quantity of Two)</i>
—	20G238438	Strainer, 60 Mesh, 5.65" <i>(Quantity of 25)</i>
—	20G224459	Strainer, 60 Mesh, 5.65" <i>(Quantity of Two)</i>
125	20G262484	Filter O-Ring, Medium, PTFE <i>(Quantity of 10)</i>
—	20G244896	Filter O-Ring For Series A Pumps <i>(Quantity of 10)</i>
127	20G244890	O-Ring, PTFE, Thin <i>(Quantity of 10)</i>
143	20G116801	Foot Valve Spring
159	20G262483	Top Cap O-Ring, PTFE <i>(Quantity of 10)</i>
—	20G244895	Top Cap O-Ring For Series A Pumps <i>(Quantity of 10)</i>
—	209V021	Operator's Manual – Graco® Xtreme® Pump Lowers

Quantities listed with repair kit are number of individual pieces.

PART NUMBERS AND SCHEMATICS GUIDE

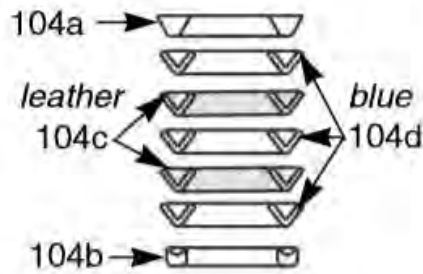
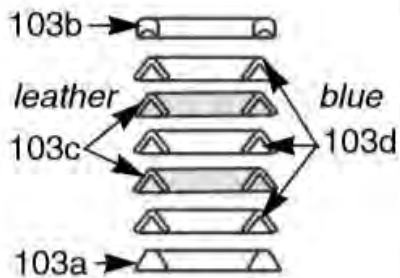
Figure 4: Xtreme® Seals Repair Kit for 145cc Lower Displacement Pump



Xtreme® Seal Repair Kit

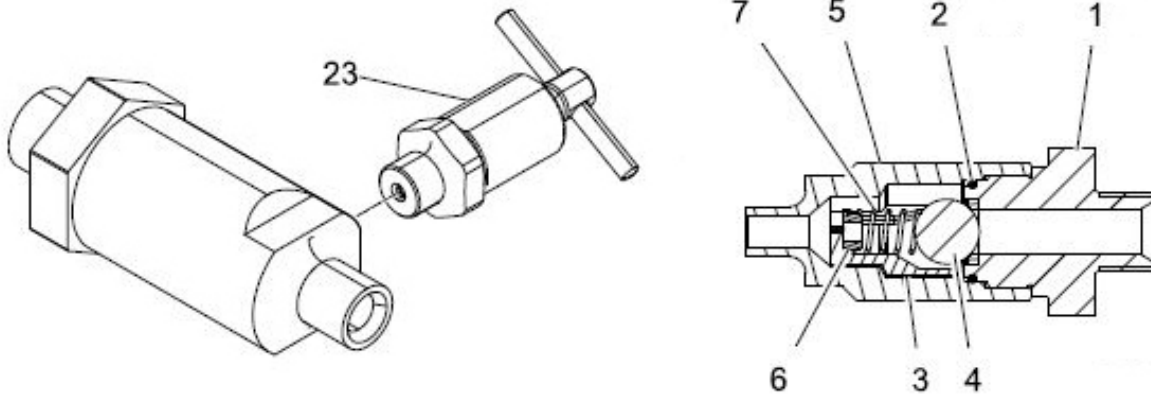
Throat Packings:
Lips Face Down

Piston Packings:
Lips Face Up



PART NUMBERS AND SCHEMATICS GUIDE

Figure 5: Outlet Check Valves



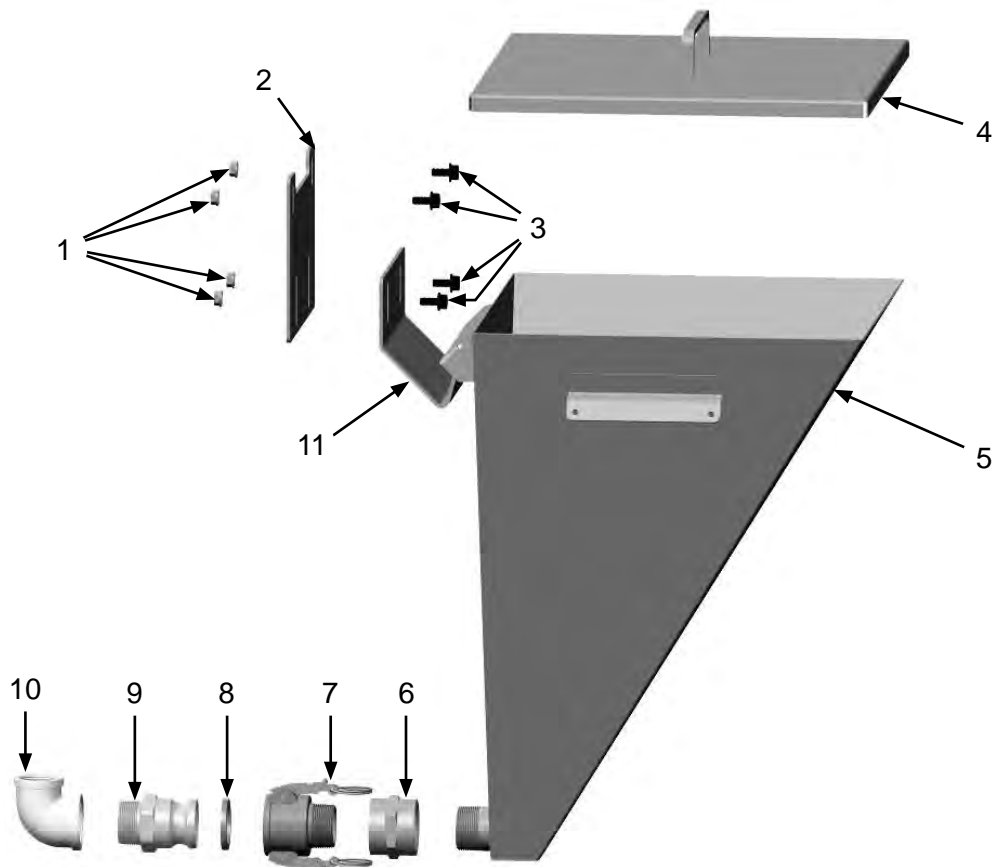
Item #	Part #	Description
--------	--------	-------------

Fig. 5

—	20G127631	Outlet Check Valve – 3/4" Male NPT Inlet
—	20G25C189	Outlet Check Valve – 1/2" Male NPT Inlet
1	20G127882	Seat Nut (Includes Item #'s: 2 and 4) (For model 20G127631)
—	20G25C190	Seat Nut (Includes Item #'s: 2 and 4) (For model 20G25C189)
2	20G102595	Packing O-Ring
3	20G181492	Ball Guide (Quantity of Three)
4	20G102971	Metallic Ball
5	20G17A091	Check Ball Housing
6	20G181535	Spring Retainer
7	20G108361	Compression Spring
23	20G245143	Bleed Off Valve






OPTIONAL ACCESSORIES


Figure 6: Spraymaster® 10 Gallon Pump Hopper




Item #	Part #	Description
Fig. 6		
—	20101239	Spraymaster® 10 Gallon Pump Hopper
1	20101259	3/8-16 Serrated Flange Nut – Zinc
2	20101245	10 Gallon Hopper Mounting Bracket
3	20101258	3/8-16 x 3/4" Serrated Screw
4	20100614	Lid
5	20101240	10 Gallon Hopper Weldment
6	20101260	1-1/2" Hex Coupling
7	20101256	1-1/2" Aluminum Cam & Groove Socket
8	20101261	1-1/2" Cam Socket Gasket
9	20101257	1-1/2" Aluminum Cam & Groove Plug
10	20101255	1-1/2" x 1-1/4" 90° Elbow
11	20101243	10 Gallon Hopper Hanger Bracket







OPTIONAL ACCESSORIES

		SUCTION TUBE AND ACCESSORIES
Part Numbers	Description	
	20G197682	Suction Tube
	20G247301	1" I.D. x 6' Suction Hose with Couplings
	20G247302	1" I.D. x 10' Suction Hose with Couplings
	20G245136	55 Gallon Suction Tube Extension Kit <i>Includes Suction Tube and Couplings</i>
	20G181072	60 Mesh Strainer for 1" Suction Tube

		REPLACEMENT SCREEN FILTER ELEMENTS	
Part Numbers	Screen	U.O.M.	
	20G238436	30 Mesh	One Each
	20G224458	30 Mesh	Two Each
	20G238438	60 Mesh	One Each
	20G224459	60 Mesh	Two Each



		FILTER SUPPORTS		
Part Numbers	Type	Body Material	Maximum Working Pressure	
	Filter Support	Nylon	7,250 psi	


PART NUMBERS AND SCHEMATICS GUIDE

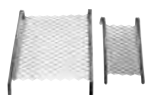
		JIFFY MIXERS						
		Container Size	Shaft Length	Shaft Diameter	Top Diameter	Bottom Diameter	Material of Construction	U.O.M.
Part Numbers								
	20JMHS2	1–2 Gallon	14-3/4"	1/4"	2-5/8"	2-5/8"	Stainless Steel	One Each
	20JHS3	1–2 Gallon	30"	1/4"	2-5/8"	2-5/8"	Stainless Steel	One Each
	20JMES210	2–5 Gallon	20-1/2"	3/8"	3-1/4"	3-3/4"	Stainless Steel	One Each
	20JMPS1	5–10 Gallon	20-1/2"	1/2"	3-1/4"	3-3/4"	Stainless Steel	One Each
	20JPS227	10–50 Gallon	27-1/2"	1/2"	4-5/8"	5-1/8"	Stainless Steel	One Each
	20JPS2	10–50 Gallon	40"	1/2"	4-5/8"	5-1/8"	Stainless Steel	One Each

		DRILL
		Description
Part Numbers		
	10HF936510VGA	1/2" Pneumatic Reversible Drill








PART NUMBERS AND SCHEMATICS GUIDE

		PLASTIC BUCKETS AND LIDS					
Part Numbers		Size	Bucket	Handle	Lid	Color	U.O.M.
	2070090	1 Gallon	X	X		White	One Each
	2070092	2 Gallon	X	X		White	One Each
	2070094	5 Gallon	X	X		White	One Each
	2070091	1 Gallon			X	White	One Each
	2070093	2 Gallon			X	White	One Each
	2070095	5 Gallon			X	White	One Each






		METAL BUCKETS			
Part Numbers		Size	Lid	Handle	U.O.M.
	2070057	1 Gallon	X	X	One Each
	2070058	5 Gallon	X	X	One Each






		BUCKET GRIDS			
Part Numbers		Bucket Size	Grid Width	Material	U.O.M.
	2070165	1 Gallon	4"	Metal	One Each
	2070155	2 Gallon	6"	Metal	One Each
	2070138	5 Gallon	9"	Metal	One Each


PART NUMBERS AND SCHEMATICS GUIDE

		MESH STRAINERS		
	Part Numbers	Size	Elastic Top	U.O.M.
	20BD14516B	1 Gallon		One Each
	2070182	1 Gallon	X	25/Package
	20BK20200	2 Gallon		20/Package
	20BD14517B	5 Gallon		12/Package
	20BD1513969	5 Gallon	X	12/Package
	2070096	5 Gallon	X	25/Box
	2070005	55 Gal Drum		One Each

PART NUMBERS AND SCHEMATICS GUIDE

		SUCTION HOSE AND TUBES	
Part Numbers	Description		
	20G197682	1" Suction Tube	
	20G245136	55 Gallon Suction Tube Extension Kit <i>(Includes Suction Tube and Couplings)</i>	
	20BE13499	3/4" I.D. x 3' Suction Hose	
	20BE132557	1" I.D. x 4' Suction Hose	
	20BE132558	1" I.D. x 5' Suction Hose	

		SUCTION HOSE WITH COUPLINGS	
Part Numbers	Description	Couplings	
	20BE13491	3/4" I.D. x 3-1/2' Suction Hose	3/4" NPT (M) x 3/4" NPT (M)
	20BE13492	3/4" I.D. x 6' Suction Hose	3/4" NPT (M) x 3/4" NPT (M)
	20BE132556	1" I.D. x 6' Suction Hose	1" NPT (M) Rigid x 1" NPT (M) Swivel
	20G247301	1" I.D. x 6' Suction Hose	1" MNPT x Quick Connect Fitting
	20G247302	1" I.D. x 10' Suction Hose	1" MNPT x Quick Connect Fitting

		SIPHON KITS				
Part Numbers	For Use With	Material	Suction Hose I.D.	Suction Hose Length	Swivel Fitting	
	20G207484	5 gal Pail	Aluminum	3/4"	3.5'	3/4" NPT (F)
	20G208920	5 gal Pail	Aluminum	1"	4'	3/4" NPT (F)
	20G208259	55 gal Drums	Carbon Steel	3/4"	6'	3/4" NPT (F)

PART NUMBERS AND SCHEMATICS GUIDE



Part Numbers

INLET STRAINERS					
Part Numbers	Size	Double Screen	Stainless Steel Cap	Nylon Cap	U.O.M.
20G181073	1/2"	X	X		One Each
20G181073	1/2"	X		X	One Each
20G183770	3/4"	X	X		One Each
20G183770	3/4"	X		X	One Each
20G181072	1"	X	X		One Each
20G181072	1"	X		X	One Each
20G189920	1"		X		One Each



Part Numbers


INLET STRAINERS - WIRE CAGE & BAG					
Part Numbers	Size	Stainless Steel Cap	Nylon Cap	Alternative	U.O.M.
20G207241	3/4" O.D.	X	X		One Each
20G207241B	3/4" O.D.	X	X	X	One Each
20G210726	1-1/4" O.D.	X	X		One Each
20G210726B	1-1/4" O.D.	X	X	X	One Each





Part Numbers

REPLACEMENT FILTER BAGS					
Part Numbers	Size	Stainless Steel Cap	Nylon Cap	Alternative	U.O.M.
20G207240	3/4"	X	X		12/PKG
20G207240B	3/4"	X	X	X	12/PKG
20G238769	1"	X	X		25/PKG
20G238769B	1"	X	X	X	25/PKG



PART NUMBERS AND SCHEMATICS GUIDE




		FILTER SUPPORTS			
		Type	Material	Maximum Working Pressure	
	Part Numbers	20G186075	Filter Support	Nylon	7,250 psi
	20G171939B	Filter Support	Aluminum	7,250 psi	

	REPLACEMENT SCREEN FILTER ELEMENTS	
	Part Numbers	Screen
20G167024B	30 Mesh	1 Pack
20G167025B	60 Mesh	1 Pack
20G224459	60 Mesh	2 Pack
20G167026B	100 Mesh	1 Pack
20G167027	200 Mesh	1 Pack
20G224469	200 Mesh	2 Pack


	MANIFOLD OUTLET FILTERS				
	Part Numbers	Airless Sprayer (For Use With)	Length & Color	Mesh Size	Alternative
20G244071	Ultra Max, GMax, GH 200, and Hydra Max	7.1" – Gray	30 Mesh		One Each
20G244071B	Ultra Max, GMax, GH 200, and Hydra Max	7.1" – Gray	30 Mesh	X	One Each
20G243080	ST PRO	3.5" – Black	60 Mesh		One Each
20G246384	ST, STX, Ultra 395/495/595	3.5" – Black	60 Mesh		One Each
20G244067	Ultra Max, GMax, GH 200, and Hydra Max	7.1" – Black	60 Mesh		One Each
20G244067B	Ultra Max, GMax, GH 200, and Hydra Max	7.1" – Black	60 Mesh	X	One Each
20G246382	ST, STX, Ultra 395/495/595	3.5" – Blue	100 Mesh		One Each
20G244068	Ultra Max, GMax, GH 200, and Hydra Max	7.1" – Blue	100 Mesh		One Each
20G244068B	Ultra Max, GMax, GH 200, and Hydra Max	7.1" – Blue	100 Mesh	X	One Each



PART NUMBERS AND SCHEMATICS GUIDE


		HIGH PRESSURE BALL VALVES		
Part Numbers		Thread Size	Seal Material	Working Pressure
	20G210657B	1/4" Male x 1/4" Male	Viton	5,000 psi
	20G210658B	3/8" Male x 3/8" Male	Viton	5,000 psi
	20G210659B	1/4" Male x 3/8" Male	Viton	5,000 psi
	20G214037	1/4" Male x 1/4" Male	Teflon	5,000 psi
	20G223959B	3/8" Male x 1/4" Male	Teflon	5,000 psi
	20G210658B	3/8" Male x 3/8" Male	Teflon	5,000 psi
	20DQVAE2AO14	1/4" Female x 1/4" Female	Nitrile	7,000 psi
	20DQVAE2AO38	3/8" Female x 3/8" Female	Nitrile	7,000 psi
	20DQVAE2AO12	1/2" Female x 1/2" Female	Nitrile	7,000 psi

		FLUID DRAIN VALVES		
Part Numbers	Inlet	Outlet	Maximum Working Pressure	
	1/4" NPT	1/4" NPT	5,000 psi	
	1/4" NPT	3/8" NPT	5,000 psi	
	3/8" NPT	3/8" NPT	5,000 psi	




PART NUMBERS AND SCHEMATICS GUIDE



AIR PRESSURE REGULATORS				
	Part Numbers	Size	Maximum SCFM	Maximum Initial Pressure
	20BE36712	1/4"	60	300 psi
	20BE36713	3/8"	90	300 psi
	20BE36714	1/2"	200	300 psi
	20BE36716	3/4"	380	300 psi
	20BE36718	1"	380	300 psi

AIR PRESSURE GAUGES				
	Part Numbers	Size	Maximum Working Pressure	Face
	20G108190	1/8" Back	100 psi	1-1/2" Glass
	20G113911	1/8" Back	160 psi	1-1/2" Glass
	1028606	1/4" Back	160 psi	2" Glass
	20G101689	1/4" Back	200 psi	2" Glass
	20G104655	1/8" Bottom	60 psi	1-1/2" Glass
	20G110436	1/8" Bottom	100 psi	1-1/2" Glass
	10BS19683	1/4" Bottom	30 psi	2" Glass
	20BK832727	1/4" Bottom	100 psi	2" Glass
	20BK831355	1/4" Bottom	100 psi	2-1/2" Glass
	10C00024	1/4" Bottom	160 psi	2" Glass
	20G100960	1/4" Bottom	200 psi	2" Plastic
	20G102814	1/4" Bottom	5000 psi	2-1/2" Glass – Liquid Filled

FLUID PRESSURE GAUGES				
	Part Numbers	Size	Maximum Working Pressure	Face
	20G102814B	1/4" Bottom	5,000 psi	2-1/2" Glass – Liquid Filled
	20G114434	1/4" Back	10,000 psi	2-1/2" Glass – Liquid Filled

PART NUMBERS AND SCHEMATICS GUIDE

		THROAT SEAL LIQUID
Part Numbers		Description
	20G206994	Throat Seal Liquid – 8 oz.
	20G206995	Throat Seal Liquid – 1 qt.
	20G206996	Throat Seal Liquid – 1 gal.

		PUMP ARMOR FLUID
Part Numbers		Description
	20G243103	Pump Armor Fluid – 1 qt.
	20G245133	Pump Armor Fluid – 1 gal.

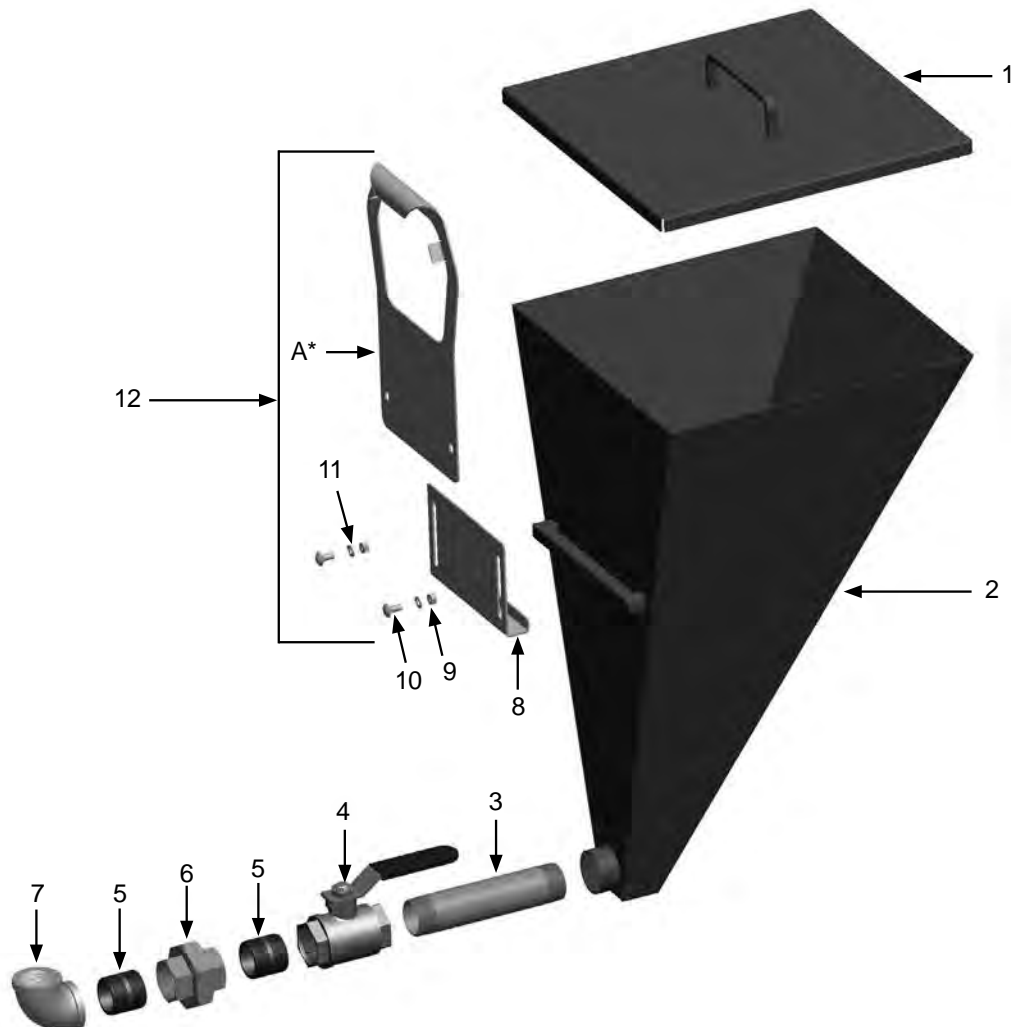
PART NUMBERS AND SCHEMATICS GUIDE

Figure 1: 15 Gallon Hopper – For Use With Graco® Airless Spray Pumps

Item #	Part #	Description
Fig. 1		
—	20100668	15 Gallon Hopper – for use with Graco® Airless Spray Pumps**
1	20100614	Stainless Steel Lid – 15 Gallon Hopper
2	20100610	Stainless Steel Hopper
3	20100667	1-1/2" x 7-1/2" Galvanized Pipe Nipple
4	1011603	1-1/2" Full Port Ball Valve
5	1014015	1-1/2" Galvanized Close Nipple (<i>Two Required</i>)
6	10102398	1-1/2" NPT Galvanized Pipe Union
7	1011842	1-1/2" 90° Galvanized Elbow
8	20100664	Hopper Mounting Bracket
9	1035046	5/16-18 Nut (<i>Two Required</i>)
10	20100670	Bolt (<i>Two Required</i>)
11	10L805014	5/16" Lock Washer (<i>Two Required</i>)
12	20G288603	Hopper Mounting Bracket Assembly (<i>Includes Items: A and 8–11</i>)
—	2090009	Technical Data Sheet – 15 Gallon Paint Hopper – for use with Graco® Airless Spray Pumps

*Item A is not available for individual sale

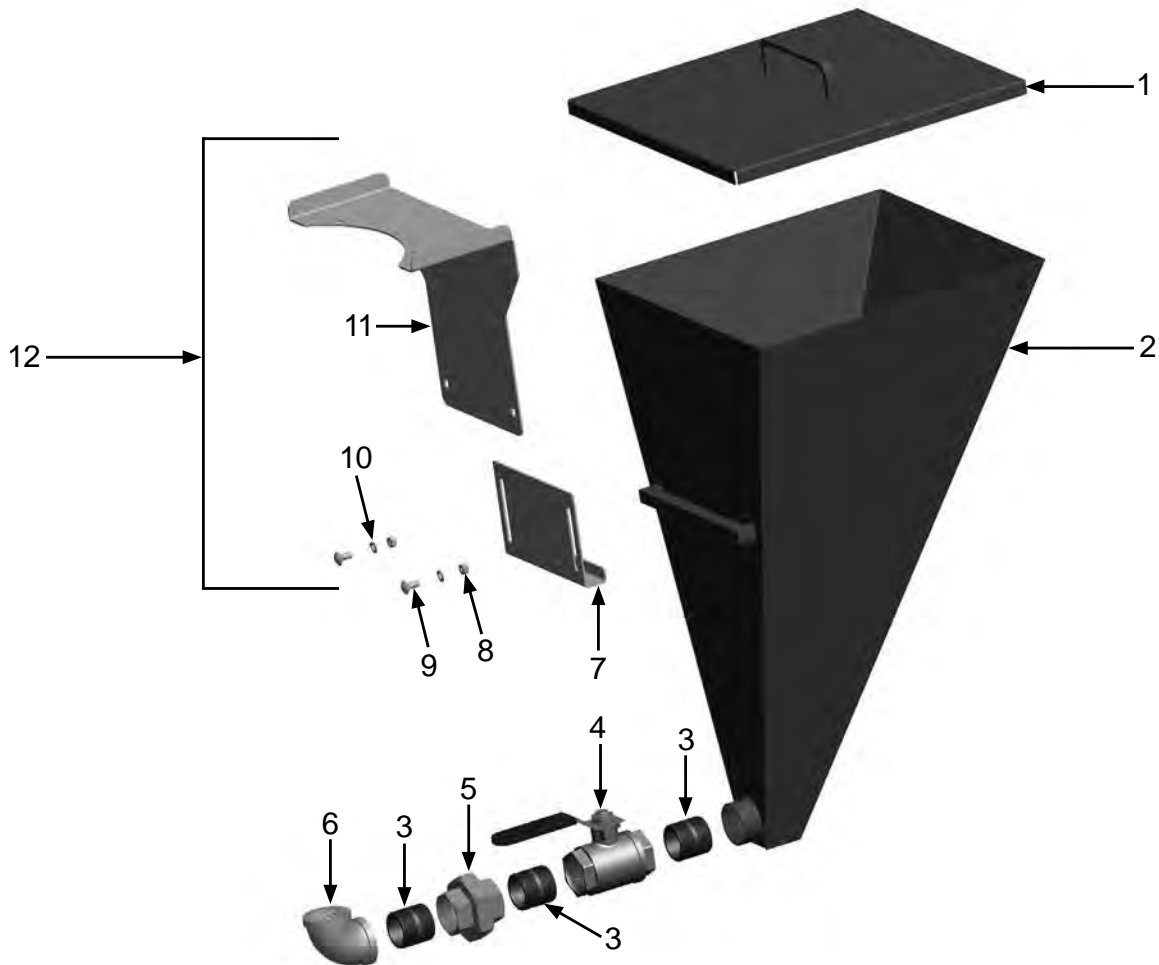
**Does not attach to Graco® XL Pumps



PART NUMBERS AND SCHEMATICS GUIDE

Figure 2: 15 Gallon Hopper – For Use With Cart Mounted Binks® Airless Spray Pumps

Item #	Part #	Description
Fig. 2		
—	20100669	15 Gallon Paint Hopper – for use with Binks® Cart Mounted Airless Spray Pumps
1	20100614	Stainless Steel Lid – 15 Gallon Hopper
2	20100610	Stainless Steel Hopper
3	1014015	1-1/2" Galvanized Close Nipple (<i>Three Required</i>)
4	1011603	1-1/2" Full Port Ball Valve
5	10102398	1-1/2" NPT Galvanized Pipe Union
6	1011842	1-1/2" 90° Galvanized Elbow
7	20100664	Hopper Mounting Bracket
8	1035046	5/16-18 Nut (<i>Two Required</i>)
9	20100670	Bolt (<i>Two Required</i>)
10	10L805014	5/16" Lock Washer (<i>Two Required</i>)
11	20100665	Binks® Airless Spray Pump Mounting Bracket
12	20G288603	Hopper Mounting Bracket Assembly (<i>Includes Item #'s: 7–11</i>)
—	2090010	Technical Data Sheet – 15 Gallon Paint Hopper – for use with Binks® Cart Mounted Airless Spray Pumps



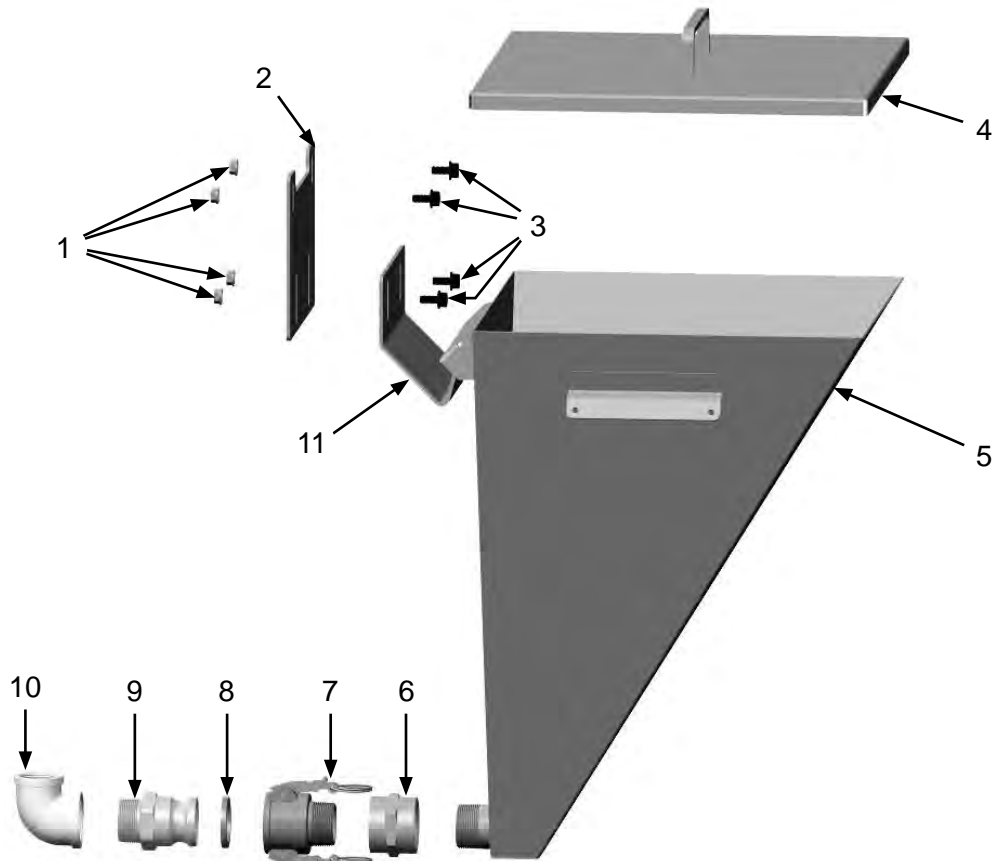
PART NUMBERS AND SCHEMATICS GUIDE

Part Numbers	SPRAYMASTER® 10 GALLON PUMP HOPPER
	Description
20101239	10 Gallon Stainless Steel Hopper



PART NUMBERS AND SCHEMATICS GUIDE

Figure 1: Spraymaster® 10 Gallon Pump Hopper



Item #	Part #	Description
Fig. 1		
—	20101239	Spraymaster® 10 Gallon Pump Hopper – Complete
1	20101259	3/8-16 Serrated Flange Nut – Zinc (<i>Quantity of Four</i>)
2	20101245	10 Gallon Hopper Mounting Bracket
3	20101258	3/8-16 x 3/4" Serrated Screw (<i>Quantity of Four</i>)
4	20100614	Lid – 10 Gallon Hopper
5	20101240	10 Gallon Hopper Weldment
6	20101260	1-1/2" Hex Coupling
7	20101256	1-1/2" Aluminum Cam & Groove Socket
8	20101261	1-1/2" Cam Socket Gasket
9	20101257	1-1/2" Aluminum Cam & Groove Plug
10	20101255	1-1/2" x 1-1/4" 90° Elbow
11	20101243	10 Gallon Hopper Hanger Bracket
—	206M118	Part Numbers and Schematics Guide – Spraymaster® 10 Gallon Pump Hopper
—	2090118	Service Kit Parts Listing – Spraymaster® 10 Gallon Pump Hopper

PART NUMBERS AND SCHEMATICS GUIDE

SPRAYMASTER® ELEVATOR AGITATOR – 55 GALLON (220 LITER) DRUM

Part Numbers	Air Motor	Gear Box 15:1 Reducer	Stationary Elevator	Agitator Blade
20101153	4 Horsepower	X	X	X

PART NUMBERS AND SCHEMATICS GUIDE



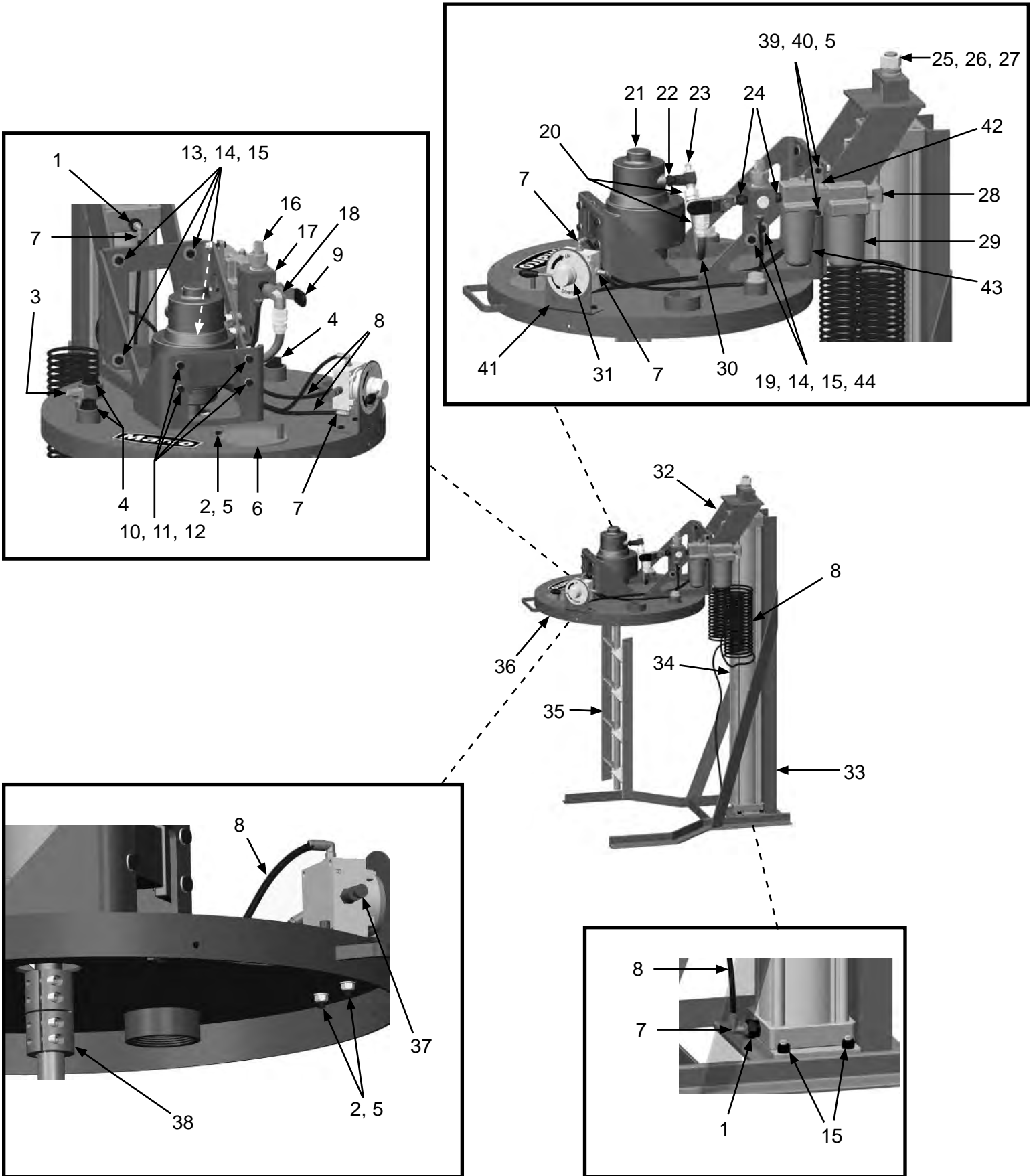
PART NUMBERS AND SCHEMATICS GUIDE

Spraymaster® Elevator Agitator – 55 Gallon (220 Liter) Drum


Item #	Part #	Description	Item #	Part #	Description
Fig. 1			30	10AH038	3/8" Air Hose
1	20PFHA24SB0804	1/2" (M) x 1/4" (F) Bushing <i>(Two Required)</i>	31	20101044	4 Way 3 Position 1/4" NPT Rotary Valve
2	20100125	1/4-20 x 3/4" Zinc Hex Bolt <i>(Five Required)</i>	32	20101164	Agitator Cylinder Bracket
3	20PFHA25UA0404	1/4" Male 90° Elbow	33	20101154	Drum Agitator Base
4	1011901	Galvanized 1" Square Head Pipe Plug <i>(Three Required)</i>	34	20101167	Cylinder 4" x 35" Double Acting Piston Agitator
5	1012323	1/4-20 Zinc Lock Nut <i>(Five Required)</i>	35	20101104	Agitator
6	20100558	Lid Door Weldment	36	20101051	Elevator Lid Weldment
7	20PFBA31095614	1/4" Tube x 1/4" NPT 90° <i>(Five Required)</i>	37	20101194	1/4" NPT Speed Control Muffler
8	20SUTR10805CLT500	1/4" Clear Tubing	38	20100843	1" to 1" Shaft Coupling
9	1080060	3/8" NPT Full Port Brass Ball Valve	39	10102582	1/4-20 x 1-1/4" Grade 8 Bolt <i>(Two Required)</i>
10	1014019	5/16-18 x 1-1/4" Hex Bolt <i>(Four Required)</i>	40	1014017	1/4" Flat Washer <i>(Two Required)</i>
11	10L805003	5/16" Flat Washer – Zinc <i>(Eight Required)</i>	41	20101169	Cylinder Lift Control Panel
12	20100900	5/16-18 Nylon Locknut <i>(Four Required)</i>	42	20101192	Lubricator & Filter Spacer
13	20100195	3/8-16 x 1" Zinc Bolt <i>(Four Required)</i>	43	20101191	3/8" NPT Lubricator
14	10102331	3/8 SAE Flat Washer Zinc <i>(12 Required)</i>	44	20101170	3/8" I.D. x 3/4" O.D. x 3/8" L Spacer <i>(Two Required)</i>
15	20100138	3/8-16 Hex Lock Nut Zinc <i>(10 Required)</i>	—	20101278	Filter Element
16	20PFHA24SA1208	1/2" x 3/4" Hex Nipple	—	20101279	Semi-Auto Drain Bowl
17	20100094	Air Inlet Manifold	—	20101280	Oil Drip Dome
18	20PFHA25UA0606	3/8" Male 90° Elbow	—	2090119	Hazard Decals
19	20101171	3/8-16 x 1-1/2" Bolt <i>(Two Required)</i>	—	1091017	Hazard Tag
20	2080020	3/8" Air / Fluid Hose Fitting <i>(Two Required)</i>	—	209V515	Operator's Manual – AM Series Lubricated Air Motors
21	20100827	15:1 Mixer Gear Drive	—	205M109	Features & Specifications Guide – Spraymaster® Elevator Agitator – 55 Gallon (220 Liter) Drum
22	20PFHA24SA0604	1/4" x 3/8" Hex Nipple	—	206M109	Part Numbers & Schematics Guide – Spraymaster® Elevator Agitator – 55 Gallon (220 Liter) Drum
23	20101193	3/8" NPT Needle Valve	—	2090109	Operator's Manual – Spraymaster® Elevator Agitator – 55 Gallon (220 Liter) Drum
24	20PFHA24SA0606	3/8" Hex Nipple <i>(Two Required)</i>			
25	20101247	1-14 Hex Nut			
26	20101248	1" Lock Washer			
27	20101249	1" Flat Washer			
28	20PFHA25UA0808	1/2" Male 90° Elbow			
29	20101190	3/8" NPT 25 Micron Filter			



PART NUMBERS AND SCHEMATICS GUIDE

Figure 1: Spraymaster® Elevator Agitator – 55 Gallon (220 Liter) Drum



OPTIONAL ACCESSORIES

		POWERBLANKET®		
Part Numbers		Size	Voltage	Series
	2070021	55 Gallon	120-Volt	Standard
	2070022	55 Gallon	120-Volt	Pro
	2070023	55 Gallon	240-Volt	Pro

		ACCESSORIES	
Part Numbers		Description	
	10IVDT1008	55 Gallon Drum Dolly	
	1098036	55 Gallon Steel Drum	

PART NUMBERS AND SCHEMATICS GUIDE

SPRAYMASTER® ELEVATOR AGITATOR – 5 GALLON (20 LITER) CONTAINER

Part Numbers	Air Motor Power	15:1 Mixer Gear Drive	Filter/Lubricator	5 Gallon Mixer Blade	Air Cylinder	Frame
20100998	1.25 HP	X	X	X	3-1/4" x 20" Double Acting Piston	Steel

PART NUMBERS AND SCHEMATICS GUIDE



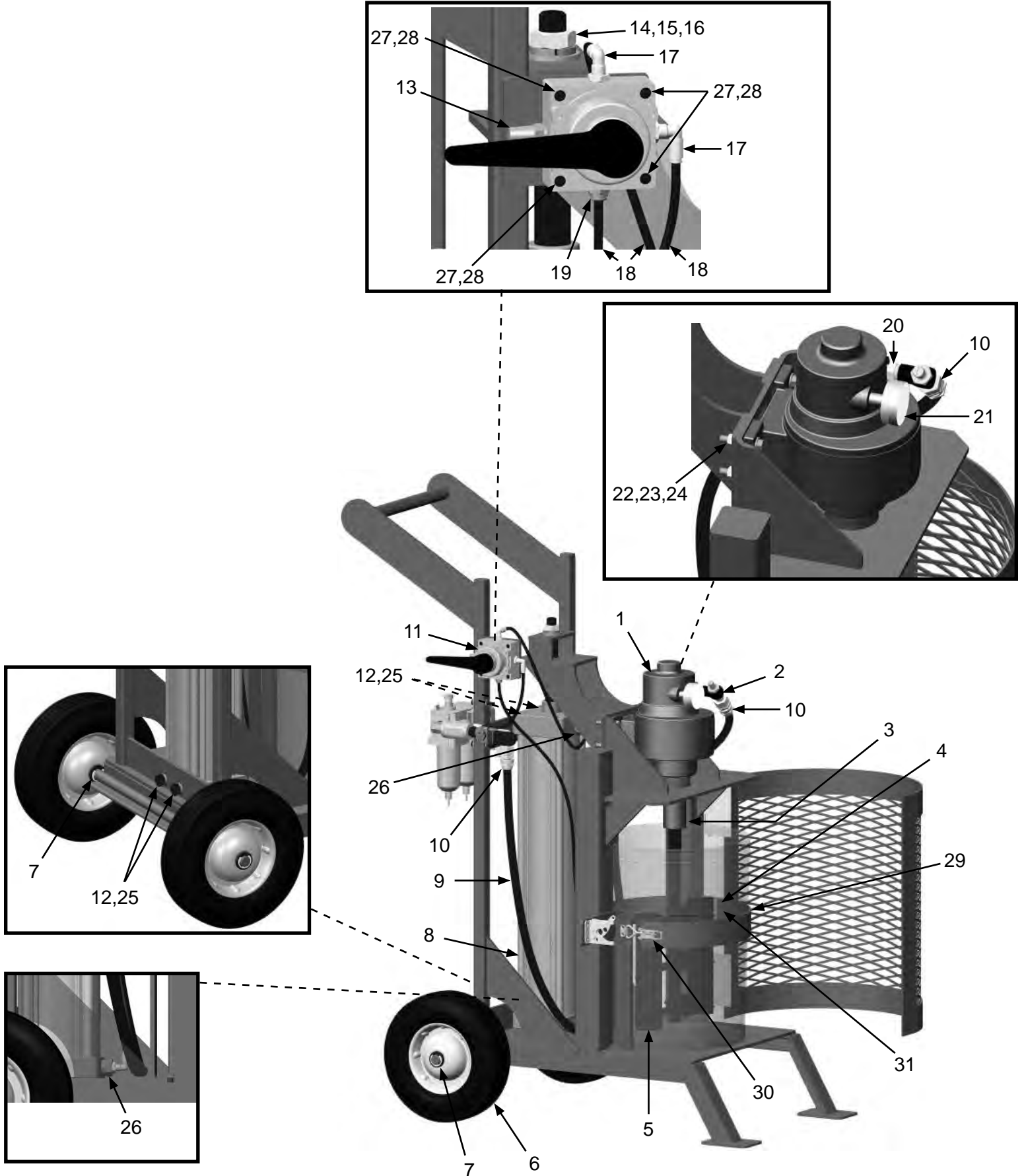
PART NUMBERS AND SCHEMATICS GUIDE

Spraymaster® Elevator Agitator – 5 Gallon (20 Liter) Container

Item #	Part #	Description	Item #	Part #	Description
Fig. 1					
—	20100998	Spraymaster® Elevator Agitator – 5 Gallon (20 Liter) Container	28	20101236	10-32 Locknut <i>(Four Required)</i>
1	20100827	15:1 Mixer Gear Drive	29	20101009	Bucket Clamp
2	20101193	3/8" NPT Needle Valve	30	20101023	Draw Pull Latch
3	20100843	1" To 1" Shaft Coupling	31	20101101	2" Stainless Steel Hinge
4	20101264	Screw	—	1091130	Hazard Identification Label
5	20101019	5 Gallon Mixer Blade	—	1091135	Hazard Identification Label
6	1006067	10" Wheel	—	1091017	Hazard Identification Tag
7	1006211	Wheel Clip	—	209V515	Operator's Manual – AM Series Lubricated Air Motors
8	20101046	Cylinder 3-1/4" x 20" Double Acting Piston	—	205M071	Features & Specifications Guide – Spraymaster® Elevator Agitator – 5 Gallon (20 Liter) Container
9	10AH038	Air Hose 3/8"	—	206M071	Part Numbers & Schematics Guide – Spraymaster® Elevator Agitator – 5 Gallon (20 Liter) Container
10	2080020	3/8" Air Fluid Hose Fitting <i>(Two Required)</i>	—	10901071	Operator's Manual – Spraymaster® Elevator Agitator – 5 Gallon (20 Liter) Container
11	20101044	4-Way 1/4 NPT Rotary Valve			
12	10104603	1/2-13 x 1-1/4" Bolt – Grade 5 – Zinc <i>(Four Required)</i>			
13	20101194	1/4" NPT Speed Control Muffler			
14	20100540	Jam Nut 3/4-16 UNF			
15	10100596	3/4" Lock Washer			
16	20100148	1" I.D. x 1-1/2" O.D. 10 Gage Washer			
17	20PFBA31095614	1/4" Tube x 1/4" NPT 90° Fitting			
18	20SUTR10805CLT500	1/4" Clear Tubing			
19	20PFBA31755614	1/4" Tube x 1/4" NPT Straight Fitting			
20	20PFHA24SA0604	1/4" x 3/8" Hex Nipple			
21	20BK350401	Air Motor Muffler Assembly			
22	20100661	5/16-18 x 1-3/4" Grade 8 Hex Bolt			
23	10L805003	5/16" Flat Washer – Zinc			
24	20100900	5/16-18 Nylon Locknut			
25	10100675	1/2" Lock Washer <i>(Four Required)</i>			
26	20PFHA24SB0804	1/2" M x 1/4" (F) Bushing			
27	20101235	10-32 x 1-3/4" SHCS <i>(Four Required)</i>			

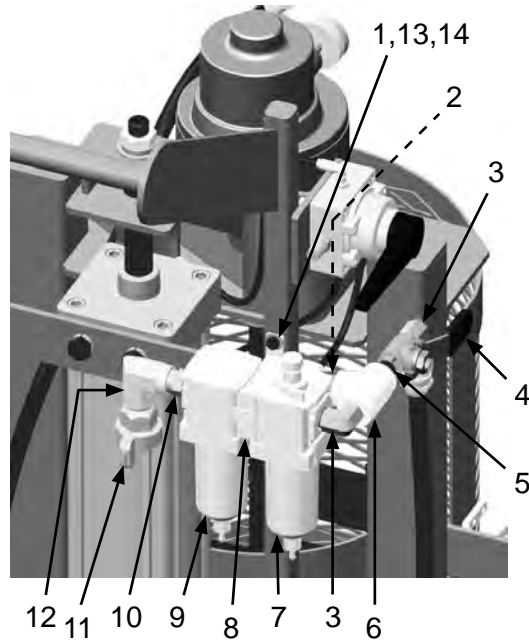
PART NUMBERS AND SCHEMATICS GUIDE

Figure 1: Spraymaster® Elevator Agitator – 5 Gallon (20 Liter) Container




PART NUMBERS AND SCHEMATICS GUIDE


Figure 2: Filter/Lubricator Assembly





Item #	Part #	Description
Fig. 2		
1	1019044	1/4-20 x 1-3/4" Zinc Bolt (<i>Two Required</i>)
2	20PFHA24SB0604	3/8" x 1/4" Reducing Bushing
3	20PFHA25UA0606	3/8" Male 90° Elbow (<i>Two Required</i>)
4	1080060	3/8" NPT Full Port Brass Ball Valve
5	20PFHA24SA0606	3/8" Hex Nipple
6	20PFHA25VJ06	3/8" Female Tee
7	20101191	3/8" NPT Lubricator
8	20101192	Lubricator & Filter Spacer
9	20101190	3/8" NPT 25 Micron Filter
10	20PFHA24SA0806	3/8" x 1/2" Hex Nipple
11	10ME122	1/2" NPT Male 2 Lug Coupling
12	20PFHA25UJ08	1/2" Female Elbow
13	1012323	1/4-20 Zinc Lock Nut with Nylon Insert (<i>Two Required</i>)
14	1014017	1/4" Flat Washer (<i>Two Required</i>)
—	20101278	25 Micron Filter Element
—	20101279	Semi-Auto Drain Replacement Bowl
—	20101280	Oil Drip Dome
—	10105291	Air Tool Oil – 4 oz.
—	1070517	Marvel Pneumatic Tool Oil – 32 oz.

OPTIONAL ACCESSORIES


		3/4" I.D. X 1-1/4" O.D. AIR HOSE				
Part Numbers		Working Pressure	Hose Cover Color	Length	Hose I.D.	Hose O.D.
	10AH034	200 PSI	Red	Per Ft.	3/4"	1-1/4"


		3/4" I.D. X 1-1/4" O.D. AIR HOSE WITH COUPLINGS INSTALLED					
Part Numbers		Working Pressure	Hose Cover Color	Length	Hose I.D.	Hose O.D.	Couplings
	10AH034AC	200 PSI	Red	50 Ft.	3/4"	1-1/4"	2-Lug Crimped On


		MALE HOSE END COUPLING AND GASKET FOR 3/4" I.D. AIR HOSE					
Part Numbers		Hose I.D.	Material	Coupling Style	GASKET		
					Rubber Gasket	Gasket I.D.	Gasket O.D.
	10HE1	3/4"	Plated Iron	2-Lug	10UG2	3/4"	1-3/8"


		BOSS® CLAMP FOR 3/4" I.D. AIR HOSE		
Part Numbers		Hose I.D.	Hose O.D. Range	Material
	10A9	3/4"	1-8/64" – 1-20/64"	Plated Steel


OPTIONAL ACCESSORIES

		1" I.D. X 1-1/2" O.D. AIR HOSE				
Part Numbers		Hose Cover Color	Working Pressure	Length	Hose I.D.	Hose O.D.
	10AH100B	Black	200 PSI	Per Ft.	1"	1-1/2"
	10AH100	Red	200 PSI	Per Ft.	1"	1-1/2"

		1" I.D. X 1-1/2" O.D. AIR HOSE WITH COUPLINGS INSTALLED					
Part Numbers		Working Pressure	Hose Cover Color	Length	Hose I.D.	Hose O.D.	Couplings
	10AH100AC	200 PSI	Red	50 Ft.	1"	1-1/2"	2-Lug Crimped On

		MALE HOSE END COUPLING AND GASKET FOR 1" I.D. AIR HOSE					
Part Numbers		Hose I.D.	Material	Coupling Style	GASKET		
					Rubber Gasket	Gasket I.D.	Gasket O.D.
	10HE2	1"	Plated Iron	2-Lug	10UG2	3/4"	1-3/8"

		HAMMER-LOCK GROUND JOINT FITTING FOR 1" I.D. AIR HOSE	
Part Numbers		Hose I.D.	Material
	10DXGF36	1"	Plated Steel

		BOSS® CLAMP FOR 1" I.D. AIR HOSE		
Part Numbers		Hose I.D.	Hose O.D. Range	Material
	10A14	1"	1-32/64" – 1-52/64"	Plated Steel

PART NUMBERS AND SCHEMATICS GUIDE

TOTE MIXERS					
Part Numbers	1-1/2 Hp Motor	Air Requirements	Application	Mounting Frame Width	Shaft
2070035	Air Motor	100 psi @ 70 CFM	Standard	Adjustable 34" to 48"	3/4" x 36" Stainless Steel
2070352	115/230 Volt AC, Electric Motor		Standard	Adjustable 34" to 48"	3/4" x 36" Stainless Steel
2070353	115/230 Volt AC, Electric Motor		Hazardous-Location	Adjustable 34" to 48"	3/4" x 36" Stainless Steel



PART NUMBERS AND SCHEMATICS GUIDE

Figure 1: 1-1/2 Hp Air Motor



Item #	Part #	Description
--------	--------	-------------

Fig. 1

—	1011780	Air Motor - 1.5 Hp Face Mount, Bi-rotational
—	20PFHA24SA0404	1/4" Steel Close Nipple
—	10101784	Muffler
—	10101781	Repair Kit
—	209V710	Data Sheet - Air Motor

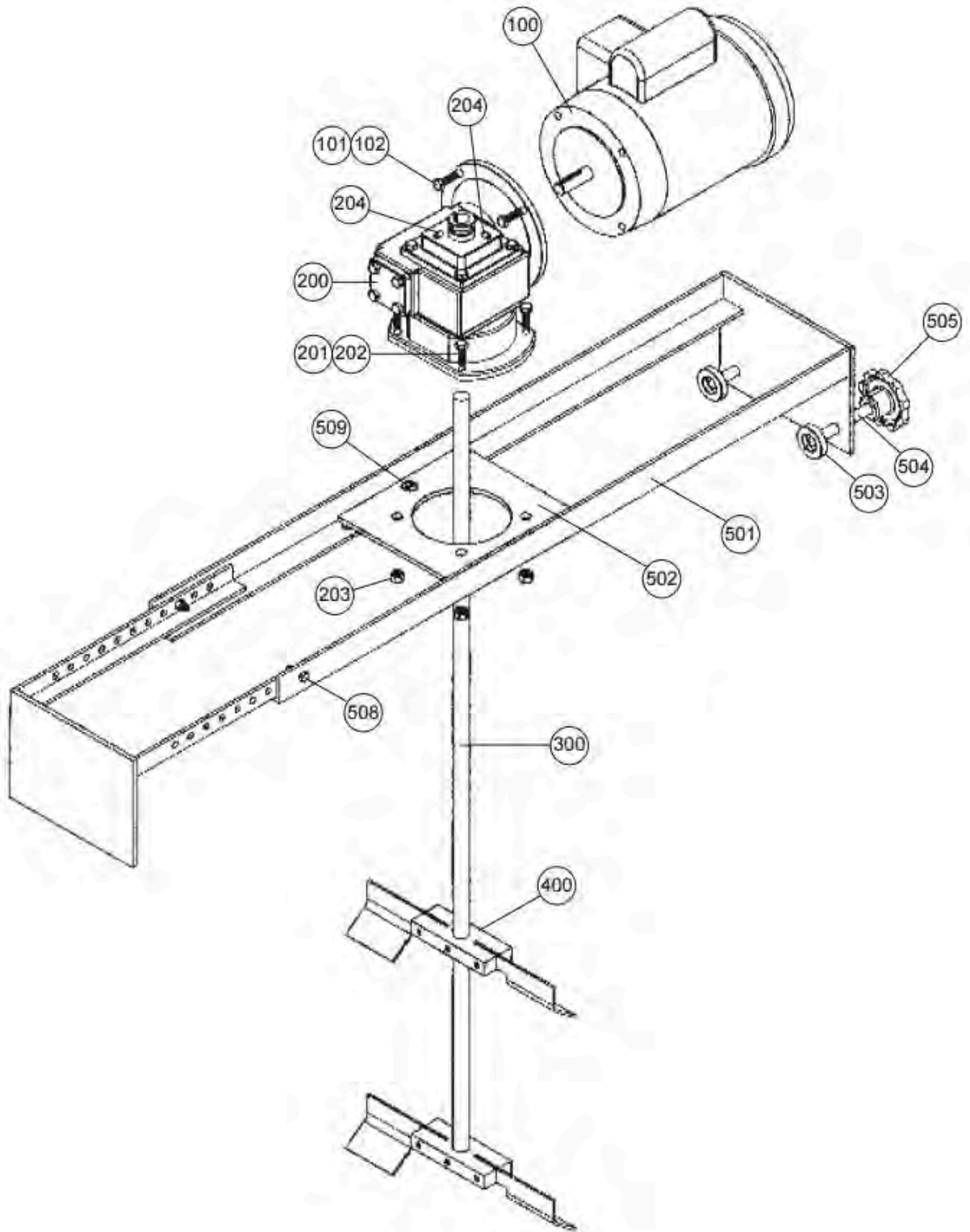
PART NUMBERS AND SCHEMATICS GUIDE

1-1/2 Hp Tote Mixer





Item #	Part #	Description
Fig. 2		
—	2070035	Tote Mixer – 1-1/2 Hp Air Gear Drive, Adjustable Bracket
—	2070352	Tote Mixer - 1-1/2 Hp Electric, Adjustable Bracket
—	2070353	Tote Mixer - 1-1/2 Hp Electric, Haz Location, Adjustable Bracket
100	1011780	Motor – Air
—	2070354	Motor – Electric
—	2070355	Motor – Electric (Hazardous-Location)
101	1011747	3/8-16 x 1" Bolt (<i>Four Required</i>)
102	10101936	3/8" Lock Washer (<i>Four Required</i>)
200	2070356	Gear Reducer – 7.5:1 ratio
201	1011747	3/8-16 x 1" Bolt (<i>Four Required</i>)
202	10101936	3/8" Lock Washer (<i>Four Required</i>)
203	1012318	3/8" Nut (<i>Four Required</i>)
204	20100150	1/4-20 Set Screw (<i>Two Required</i>)
300	2070357	3/4" x 43" Stainless Steel Impeller Shaft
400	2070358	3/4" x 10" Stainless Steel Folding Impeller (<i>Two Required</i>)
—	2070359	3/4" x 12" Stainless Steel Folding Impeller (<i>Two Required</i>)
—	2070360	3/4" x 14" Stainless Steel Folding Impeller (<i>Two Required</i>)
500	2070361	Bracket Assembly - Complete <i>Includes Item #'s: 501–507</i>
501	2070362	Adjustable Bracket Frame
502	2070363	Motor Mount Plate – 8" x 8" with 56C Mounting Pattern
503	2070364	Swivel Pad (<i>Two Required</i>)
504	2070365	1/2" x 4" Threaded Rod (<i>Two Required</i>)
505	2070366	Hand Knob, Cast Aluminum (<i>Two Required</i>)
508	1012154	1/4-20 x 1" Bolt (<i>Two Required</i>)
508	1012153	1/4" Lock Washer (<i>Two Required</i>)
508	10101347	1/4-20 Nut (<i>Two Required</i>)
—	206M637	Part Numbers and Schematics Guide - Tote Mixer
—	209V637	Operators Manual - Bracket Mount Mixers

PART NUMBERS AND SCHEMATICS GUIDE



Figure 2: 1-1/2 Hp Tote Mixer









PART NUMBERS & SCHEMATICS GUIDE

		GRACO® G40 AIR-ASSISTED SPRAY GUNS					
Part Numbers		Trigger Style	Tip Included	Gun Style	Tip Guard	Maximum Working Air Pressure	Maximum Working Fluid Pressure
	20G24C855AAM517	2-Finger	AAM517	G40 High Pressure	X	100 psi	4000 psi
	20G24C856AAM417	2-Finger	AAM417	G40 High Pressure, Hi-Flow Gun	X	100 psi	4000 psi
	20G24C856AAM419	2-Finger	AAM419	G40 High Pressure, Hi-Flow Gun	X	100 psi	4000 psi
	20G24C857LTX517	2-Finger	LTX517	G40 RAC® Spray Gun	X	100 psi	4000 psi

PART NUMBERS & SCHEMATICS GUIDE

		TIP GUARD SUMMARY		
Part Numbers		Description	Thread Size	U.O.M.
	20G24D439	For Use with AAM, AAF and GG4 Tips <i>(Includes O-Ring and Washer)</i>	7/8 Inch	One Each
	20G24C921	For Use with LTX, FFT and WRX Tips <i>(Includes Housing Cylinder)</i>	7/8 Inch	One Each

		TIP SPECIFICATION SUMMARY			
Part Numbers		Maximum Working Pressure	Color	Typical Applications	Typical Materials
	AAM Fine Finish Tips (20GAAMxxx)	4,000 psi	Gray	High finish quality applications at Low and Medium Pressures	Virtually all Paints and Coatings – Solvent and Water-base
	GG4 High Wear Industrial Tips (20GGG4xxx)	4,000 psi	Gray	High Pressure Applications	Architectural Coatings
	AAF Fine Finish Pre-Orifice Tips (20GAAFxxx)	4,000 psi	Gray	Thinning Materials, Waterborne and Lacquers	Lacquers, Varnishes, Urethanes, and other Fine Finish Materials
	RAC X Switch Tips (20GLTXxxx)	4,050 psi	Blue	Residential, Commercial or Industrial	Lacquers to Mastics Latex Paints
	WideRAC™ (20GWRXxxx)	4,050 psi	Blue	High Production, New Construction for Top Coats, Large Concrete and Block Surfaces	Lacquers to Mastics Latex Paints
	Fine Finish Tips (20GFFTxxx)	4,050 psi	Green	Cabinetry, Woodworking, Metal and Fine Finish Surfaces	Lacquers, Varnishes, Urethanes and Other Fine Finish Materials

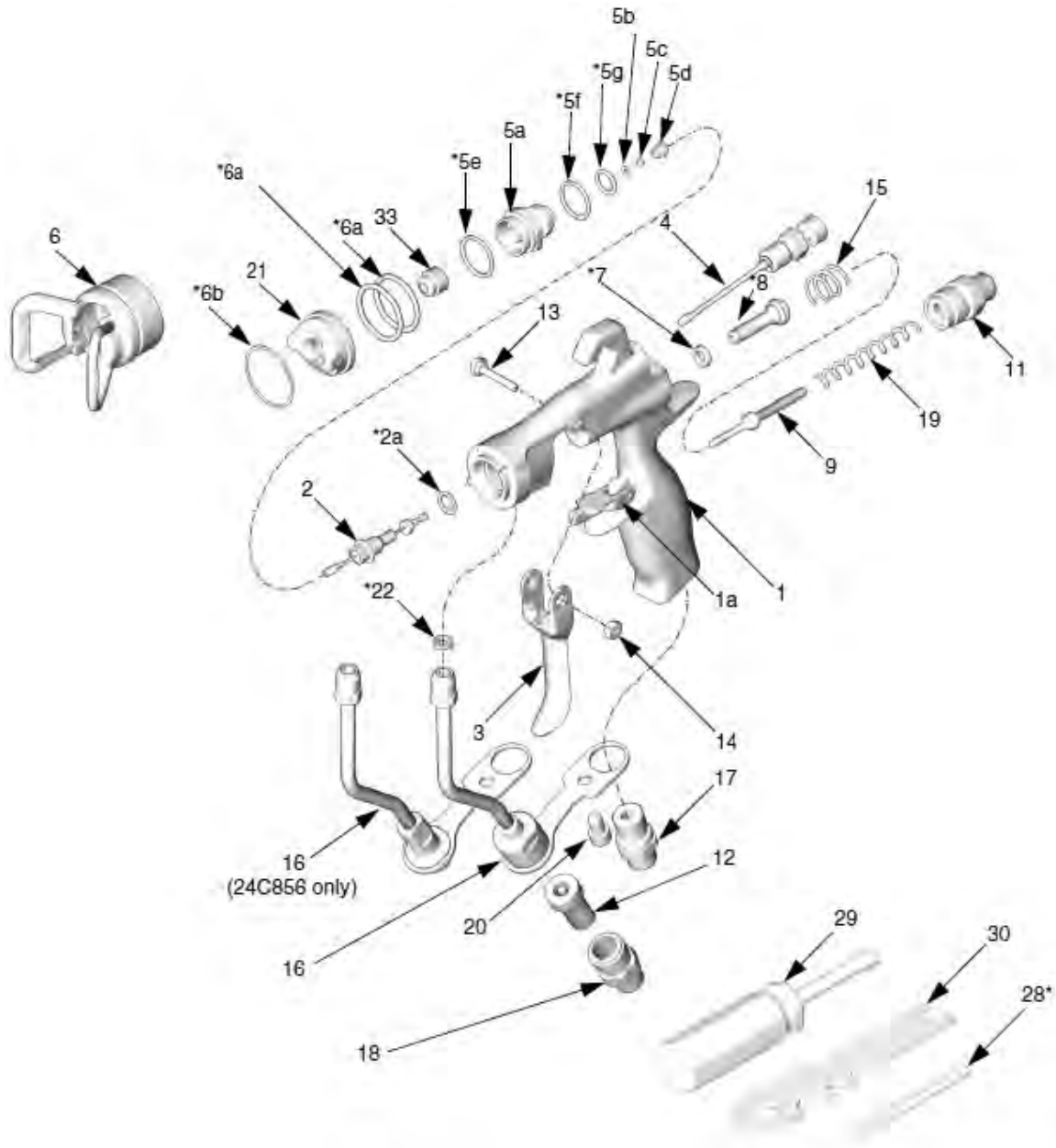
PART NUMBERS & SCHEMATICS GUIDE

Graco® G40 Air Assisted Spray Guns


Item #	Part #	Description	Item #	Part #	Description
Fig. 1			Fig. 1		
1	—	Body, Gun	28*	—	Tool, Installation Seal
1a	20G249423	Stop Trigger	29	20G117642	Tool, Nut Driver
2	20G24B789	Needle Assembly, 3/32 ball, carbide	30	20G15F446	Tool, Gun
2a*	20G110004	Packing, O-ring	31	20G222385	Card, Warning (<i>not shown</i>)
3	—	Trigger, Gun	32	20G172479	Tag, Warning (<i>not shown</i>)
4	20G249135	Valve, fan assembly	33	—	Spray Tip
5	20G249133	Diffuser, assembly	33a	20G183616	Gasket, Tip (<i>not shown</i>)
5a	—	Diffuser, housing	—	20G249422	Seal Repair Kit (Includes item #'s 2a, 5e, 5f, 5g, 6a, 6b, 7, 8, 22 and 28)
5b	20G288619	Gasket Seat, Nylon	—	20G249456	Carbide Seat Repair Kit (Includes item #'s 5b, 5c and 5d)
5c	—	Seat, carbide	—	20G249585	Trigger Repair Kit (Includes item #'s 3, 13 and 14)
5d	—	Nut, Seat	—	20G253032	Air Cap Seal Kit (Includes item #'s 6a and 6b)
5e*	20G111116	Packing, O-Ring, Seat	—	206M534	Part Numbers and Schematics Guide-Graco® G40 Spray Gun
5f*	20G109450	Packing, O-Ring	—	109V534	Operator's Manual – Graco® G40 Air Assisted Spray Guns
5g*	20G111457	Packing, O-Ring	* Items not sold separately		
6	20G24D439	Tip Guard			
6a*	20G109213	Packing, O-Ring			
6b*	20G15G320	Washer			
7*	20G188493	Packing, U-Cup			
8*	—	Valve, Air Assembly			
9	20G16A529	Shaft, Fluid Spring			
11	20G15F195	Cap, Spring			
12	20G224453	Filter, Tip (Package of Five, 24C855 only)			
13	20G15F739	Pin, Pivot			
14	20G15F740	Pin, Pivot Nut			
15	20G114069	Spring, Compression			
16	20G24D436	Tube, Assembly (24C855 only)			
—	20G249317	Tube, Assembly (24C856 only)			
17	20G15F202	Fitting, Air Inlet			
18	20G24D437	Fitting, Hose (24C855 only)			
19	20G115141	Spring, Compression			
20	20G119996	Screw, Cap Socket 1/4-20 x 3/8" (24C855 only)			
21	20G249180	Air Cap			
22*	20G115133	Gasket, Tube, Acetal			

PART NUMBERS & SCHEMATICS GUIDE

Figure 1: Graco® G40 Air Assisted Spray Guns



PART NUMBERS & SCHEMATICS GUIDE


		AAM FINE FINISH TIP SPECIFICATIONS				
Part Numbers		Maximum Working Pressure	Color	Typical Applications	Typical Materials	
	AAM Fine Finish Tips (20GAAMxxx)	4,000 psi	Gray	High Finish Quality Applications at Low and Medium Pressures	Virtually all Paints and Coatings – Solvent and Water-base	

AAM Fine Finish Tips (20GAAMxxx)

		ORIFICE SIZE – INCHES														
		.011	.013	.015	.017	.019	.021	.023	.025	.027	.029	.031	.033	.035	.037	.039
FAN WIDTH	IN															
	4-6	211	213	215	217	219										
	6-8	311	313	315	317	319	321									
	8-10	411	413	415	417	419	421	423	425			431		435		
	10-12	511	513	515	517	519	521	523		527						539
	12-14	611	613	615	617	619	621	623	625	627	629	631	633			639
	14-16	711	713	715	717	719	721	723	725						737	
	16-18			815	817	819	821		825	827			833			839
	18-20				917	919	921	923	925							
	Flow Rate (gpm)		.12	.18	.24	.31	.38	.47	.57	.67	.74	.90	1.03		1.31	

PART NUMBERS & SCHEMATICS GUIDE

GG4 HIGH WEAR INDUSTRIAL TIP SPECIFICATIONS

	Part Numbers	Maximum Working Pressure	Color	Typical Applications	Typical Materials
	GG4 High Wear Industrial Tips (20GG4xxx)	4,000 psi	Gray	High Pressure Applications	Architectural Coatings

GG4 High Wear Industrial Tips (20GG4xxx)

		ORIFICE SIZE – INCHES																
		IN	.011	.013	.015	.017	.019	.021	.023	.025	.027	.029	.031	.033	.035	.037	.039	
FAN WIDTH	4-6		211	213	215	217	219											
	6-8		311	313	315	317	319	321										
	8-10		411	413	415	417	419	421	423	425			431		435			
	10-12		511	513	515	517	519	521	523		527							539
	12-14		611	613	615	617	619	621	623	625	627	629	631	633				639
	14-16		711	713	715	717	719	721	723	725							737	
	16-18				815	817	819	821		825	827				833			839
	18-20					917	919	921	923	925								
	Flow Rate (gpm)		.12	.18	.24	.31	.38	.47	.57	.67	.74	.90	1.03		1.31			

PART NUMBERS & SCHEMATICS GUIDE

		AAF FINE FINISH PRE-ORIFICE TIP SPECIFICATIONS			
Part Numbers		Maximum Working Pressure	Color	Typical Applications	Typical Materials
	AAF Fine Finish Pre-Orifice Tips (20GAAFxxx)	4,000 psi	Gray	Thinning Materials, Waterborne and Lacquers	Lacquers, Varnishes, Urethanes, and other Fine Finish Materials

AAF Fine Finish Pre-Orifice Tips (20GAAFxxx)

		PRE-ORIFICE SIZE – INCHES				
		0.009	.011	.013	.015	.017
FAN WIDTH	IN					
	4-6	208	210	212		
	6-8	308	310	312		
	8-10	408	410	412	414	416
	10-12		510	512	514	516
	12-14		610	612	614	616
	14-16		710	712	714	716
	16-18					
	Flow Rate (gpm)		.12	.18	.24	.31

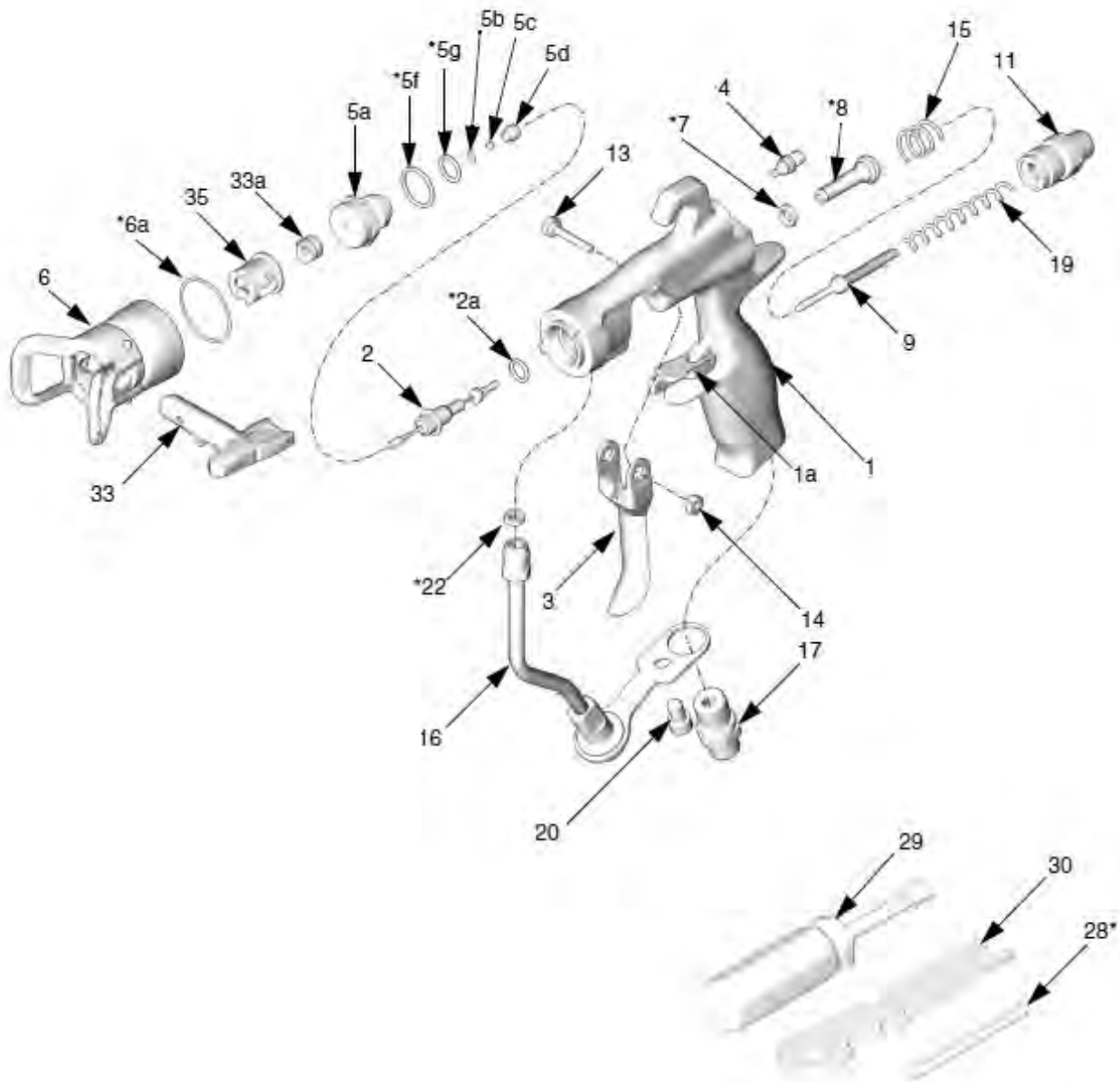
PART NUMBERS & SCHEMATICS GUIDE

Graco® G40 with RAC® Tip Air Assisted Spray Guns


Item #	Part #	Description	Item #	Part #	Description
Fig. 2			Fig. 2		
1	—	Body, Gun	32	20G172479	Tag, Warning (<i>not shown</i>)
1a	20G249423	Stop Trigger	33	—	Spray, Tip
2	20G24B789	Needle Assembly, 3/32 ball, carbide	33a	20G246453	RAC Gasket, Standard, Black
2a*	20G110004	Packing, O-ring	—	20G248936	RAC Gasket, Solvent Resistant, Orange
3	—	Trigger, Gun	35	20G15F442	Housing, Cylinder
4	20G15G713	Valve, fan assembly	—	20G249422	Seal Repair Kit (Includes item #'s 2a, 5e, 5f, 5g, 6a, 7, 8, 22 and 28)
5	20G249877	Diffuser, assembly	—	20G249456	Carbide Seat Repair Kit (Includes item #'s 5b, 5c and 5d)
5a	—	Diffuser, housing	—	20G249585	Trigger Repair Kit (Includes item #'s 3, 13 and 14)
5b	20G288619	Gasket Seat, Nylon	—	20G24C791	RAC Conversion Kit (Includes item #'s 4, 5, 5a, 5b, 5c, 5d, 5e, 5f, 5g, 6, 6a and 35)
5c	—	Seat, Carbide	—	206M534	Part Numbers and Schematics-Graco® G40 Spray Gun
5d	—	Gasket Seat, Carbide	—	109V534	Operator's Manual – Graco® G40 Air Assisted Spray Guns
5e*	20G111116	Packing, O-Ring, Seat	* Items not sold separately		
5f*	20G109450	Packing, O-Ring			
5g*	20G111457	Packing, O-Ring			
6	20G24C921	Tip Guard			
6a*	20G109213	Packing, O-Ring			
7*	20G188493	Packing, U-Cup			
8	—	Valve, Air Assembly			
9	20G16A529	Shaft, Fluid Spring			
11	20G15F195	Cap, Spring			
13	20G15F739	Pin, Pivot			
14	20G15F740	Pin, Pivot Nut			
15	20G114069	Spring, Compression			
16	20G249317	Tube, Assembly			
17	20G15F202	Fitting, Air Inlet			
19	20G115141	Spring, Compression			
20	20G119996	Screw, Cap Socket 1/4-20 x 3/8"			
22*	20G115133	Gasket, Tube, Acetal			
28*	—	Tool, Installation Seal			
29	20G117642	Tool, Nut Driver			
30	20G15F446	Tool, Gun			
31	20G222385	Card, Warning (<i>not shown</i>)			

PART NUMBERS & SCHEMATICS GUIDE

Figure 2: Graco® G40 with RAC® Tip Air Assisted Spray Guns



PART NUMBERS & SCHEMATICS GUIDE

RAC X SWITCHTIPS SPECIFICATIONS					
	Part Numbers	Maximum Working Pressure	Color	Typical Applications	Typical Materials
	RAC X SwitchTips (20GLTXxxx)	4,050 psi	Blue	Residential, Commercial or Industrial	Lacquers to Mastics Latex Paints


RAC X Switchtips (20GLTXxxx)

		ORIFICE SIZE – INCHES																
		IN	.007	.009	.011	.013	.015	.017	.019	.021	.023	.025	.027	.029	.031	.033	.035	
FAN WIDTH	2-4			109	111		115											
	4-6	207	209	211	213	215	217	219	221		225	227			231		235	
	6-8		309	311	313	315	317	319	321	323	325	327	329	331			335	
	8-10		409	411	413	415	417	419	421	423	425	427	429	431	433	435		
	10-12		509	511	513	515	517	519	521	523	525	527	529	531	533	535		
	12-14			611	613	615	617	619	621	623	625	627	629	631	633	635		
	14-16								721	723			729					735
	16-18							817	819	821			827		831	833	835	
	Flow Rate (gpm)		.05	.09	.12	.18	.24	.31	.38	.47	.57	.67	.74	.90	1.03	1.17	1.31	

RAC X Switchtips (20GLTXxxx) (continued)

		ORIFICE SIZE – INCHES										
		IN	.037	.039	.041	.043	.045	.051	.055	.061	.065	.071
FAN WIDTH	4-6											
	6-8											
	8-10		439	441	443	445	451	455				
	10-12	537	539	541	543	545	551	555	561			
	12-14	637	639	641	643	645	651	655	661	665	671	
	14-16											
	16-18											
	Flow Rate (gpm)		1.47	1.63	1.8	1.98	2.17	2.79	3.25	4.0	4.53	5.41

PART NUMBERS & SCHEMATICS GUIDE

WIDERAC™ SWITCHTIPS SPECIFICATIONS					
	Part Numbers	Maximum Working Pressure	Color	Typical Applications	Typical Materials
	WideRAC™ (20GWRXxxx)	4,050 psi	Blue	High Production, New Construction for Top Coats, Large Concrete and Block Surfaces	Lacquers to Mastics Latex Paints


WideRAC™ Switchtips (20GWRXxxx)

		ORIFICE SIZE – INCHES									
FAN WIDTH	IN	.021	.023	.025	.027	.029	.031	.033	.035	.037	.039
	24	1221	1223	1225	1227	1229	1231	1233	1235	1237	1239
	Flow Rate (gpm)	.47	.57	.67	.77	.90	1.03	1.17	1.31	1.47	1.63

WideRAC X Conversion (20GWRXxxx)

RAC X	WideRAC
415 or 515	1221 or 1223
417 or 517	1223 or 1225
419 or 519	1225 or 1227
421 or 621	1229 or 1231
523 or 623	1233 or 1235
525 or 625	1235 or 1237



PART NUMBERS & SCHEMATICS GUIDE

RAC X FINE FINISH SWITCHTIPS SPECIFICATIONS					
	Part Numbers	Maximum Working Pressure	Color	Typical Applications	Typical Materials
	RAC X Fine Finish Switchtips (20GFFTxxx)	4,050 psi	Green	Cabinetry, Woodworking, Metal and Fine Finish Surfaces	Lacquers, Varnishes, Urethanes and Other Fine Finish Materials



RAC X Fine Finish Switchtips (20GFFTxxx)


		ORIFICE SIZE – INCHES				
		IN	.008	.010	.012	.014
FAN WIDTH	2-4		108	110	112	
	4-6		208	210	212	214
	6-8		308	310	312	314
	8-10			410	412	414
	10-12			510	512	514
	12-14				612	614
	Flow Rate (gpm)		.07	.11	.15	.21


PART NUMBERS & SCHEMATICS GUIDE

		TIP GASKETS		
Part Numbers		Description	Color	Package Quantity
	20G246453	RAC X™ One Seal	Black	5/Package
	20G248936	RAC X™ Solvent Resistant Gaskets	Orange	5/Package

PART NUMBERS & SCHEMATICS GUIDE

		TIP FILTERS	
	Part Numbers	Mesh Size	Package Quantity
	20G224454	60 Mesh	5/Package
	20G224453	100 Mesh	5/Package

		TIP FILTER HOUSING	
	Part Numbers	Size	Package Quantity
	20G164120	7/8" x 11/16" Inches	One Each

		TIP BRUSHES	
	Part Numbers	Size	Bristle Material
	20G101892	5/8 x 2-1/4 Inches	Nylon

PART NUMBERS AND SCHEMATICS GUIDE

SPRAYMASTER® MOBILE SPRAYING SYSTEMS							
Part Numbers	Graco® XP50 Plural Component Sprayer	Electrical Enclosure	100' Heated Hose	Remote Manifold	Accessories	Trailer	Air Compressor/Generator
20101296	X	X	X	X	Graco® XTR-703 Spray Gun and Airless Spray Hose	Gooseneck 28' L x 8' W x 7' H	Next Generation Gen-Air-Ator® 120 CFM, 240 Volts, 35kW

PART NUMBERS AND SCHEMATICS GUIDE

Figure 1: Main Unit – Graco® XP50 Plural Component Sprayer




Item #	Part #	Description
Fig. 1		
—	20G282200	Main Unit – Graco® XP50 Plural Component Sprayer
—	20GN65DN0	NXT® Model 6500 De-Icing Air Motor
—	20GL18AC0	Xtreme® 180cc Resin Pump Lower
—	20GL090C0	Xtreme® 90cc Hardener Pump Lower
—	20G223160	Fluid Outlet Manifold (Includes: 0-10,000 psi Gauge (Quantity of Two), Recirculation Valve Assembly (Quantity of Two), Circulation Handle, and all necessary fittings to connect)
—	20G245869	4,000 watt, 240V In-line Paint Heaters with Preheat Circulation Valve and 1/2" Hose Kit (Quantity of Two)
—	20G256275	"A" & "B" 5:1 Ratio Feed Pump and Agitator
—	2070022	55 Gallon 120V Drum Blanket Heater (Quantity of Three)
—	20G262393	Merkur® 45:1 Flush Pump with Air Regulator
—	20100445	100' Heated Hose Bundle (Includes 1/2" x 100' Resin hose, 3/8" x 100' Catalyst hose, 1/4" x 100' Solvent hose, and Electric Heat Trace Tape)

See page 10 for product literature

PART NUMBERS AND SCHEMATICS GUIDE


Heated Hose Bundles


NON-RECIRCULATION GENERAL PURPOSE 5000 PSI WATER HEATED HOSE BUNDLES										
Part Numbers	Length				1/2" Fluid Hose	3/8" Fluid Hose	1/4" Fluid Hose	1/4" Moisture-Lock Hose	1/4" Flush Hose	3/8" Fluid Recirculating Hoses
	50 Ft.	100 Ft.	150 Ft.	200 Ft.						
20100444	X				1	1	1		1	2
20100445		X			4		1		1	2
20100446			X		1	1			1	2
20100253				X	4					2

INSULATED INTEGRATOR 5000 PSI HOSE BUNDLES										
	Part Numbers	Length		1/2" Fluid Hose	3/8" Fluid Hose	1/4" Fluid Hose	3/8" Fluid Recirculating Hoses	1/4" Moisture-Lock Hose	1/4" Flush Hose	
		25 Ft.	50 Ft.							
	20100254	X		1						
	20100847		X	1						

PART NUMBERS AND SCHEMATICS GUIDE

Accessories

GRACO® XTR™ 7 AIRLESS SPRAY GUNS						
Part Numbers	Trigger Style	Tip	Handle Style	Tip Guard	Maximum Working Pressure	
 20GXTR703	2-Finger	XHD™ 519 RAC® Tip	Oval	XHD™ RAC®	7250 psi	

STATIC MIXER						
Part Numbers	Diameter	Length	Pressure Limit	Housing Material	Element Material	
 2070039	1/2"	2"	5000 psi	Plastic	Plastic	

PART NUMBERS AND SCHEMATICS GUIDE

Trailer

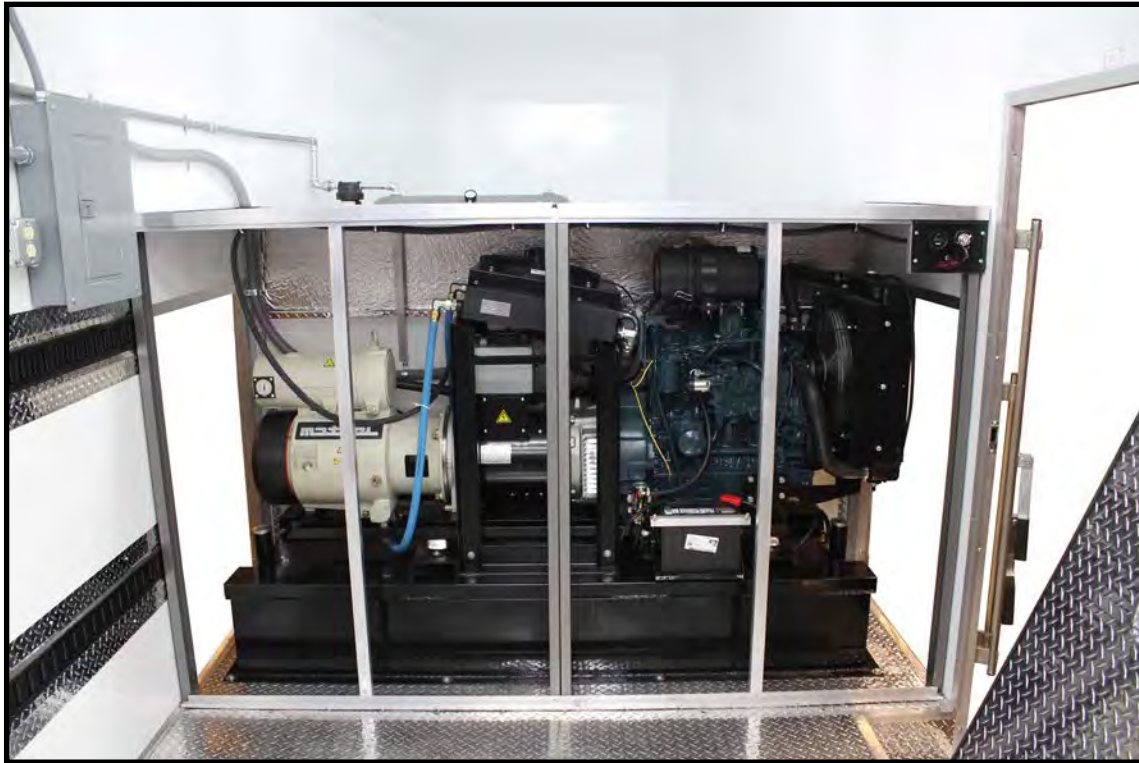


Part Numbers	TRAILER
	Description
20100780	Gooseneck – 28' L x 8' W x 7' H

TRAILER – SPECIFICATIONS	
Size	28' L x 8' W x 7' H
Style	Gooseneck
Inside Height	8'
Inside Lights	4' Florescent Lights (<i>Quantity of Four</i>)
Walls and Ceiling Material	Insulated Aluminum
E-Track	Two Rows on Both Walls
Floor	Diamond Plate Steel
Side Door	36" with RV Latch
Plugs	110 Volt (<i>Quantity of Six</i>)
Louvered Door	34" x 50" (<i>Quantity of Two</i>)
Axles	7k Torsion
Breaker Box	50 amp
Tires	14 Ply

PART NUMBERS AND SCHEMATICS GUIDE

Air Compressor/Generator



Part Numbers	AIR COMPRESSOR/GENERATOR	
	Description	
20100779	120 CFM Diesel Compressor/Generator Combination	

AIR COMPRESSOR/GENERATOR – SPECIFICATIONS	
Style	Next Generation Gen-Air-Ator® Combination Air Compressor/Generator
Air Capacity	120 CFM @ 100-125 psi
Power Generation	240 Volt
Air Receiver	30 Gallons
Electrical Power	35 kW Single Phase
Start	Remote Instrumentation with Key Start

LITERATURE REFERENCES


Main Unit


206M574	Part Numbers and Schematics Guide – Graco® XP50™ Plural Component Sprayer
209V573	Operator's Manual – Graco® XP™ Plural Component Sprayer


Accessories


206M325	Part Numbers and Schematics Guide – Spraymaster® Airless Spray Hose, Fittings, and Accessories
206M506	Part Numbers and Schematics Guide – Plural Component Sprayer Accessories
206M511	Part Numbers and Schematics Guide – Graco® XTR™ 7 Airless Spray Gun
109V508	Operator's Manual – Graco® XTR™ 5 and XTR™ 7 Airless Spray Gun

PAINT BRUSHES


		WHITE CHINA CHIP BRUSHES				
Part Numbers		Width	Bristle Material	Handle Material	Category	U.O.M.
	20CCA1005	1/2"	White China	Wood	Industrial	One Each
	2070110	1"	White China	Wood	Industrial	One Each
	20CCA1015	1-1/2"	White China	Wood	Industrial	One Each
	2070142	2"	White China	Wood	Industrial	One Each
	20CCA1025	2-1/2"	White China	Wood	Industrial	One Each
	2070144	3"	White China	Wood	Industrial	One Each
	2070112	4"	White China	Wood	Industrial	One Each


		BLACK CHINA CHIP BRUSHES				
Part Numbers		Width	Bristle Material	Handle Material	Category	U.O.M.
	20CCA2610	1"	Black China	Wood	Industrial	One Each
	20CCA2620	2"	Black China	Wood	Industrial	One Each
	20CCA2630	3"	Black China	Wood	Industrial	One Each


		NYLON/POLYESTER ANGLE SASH BRUSHES				
Part Numbers		Width	Bristle Material	Handle Material	Category	U.O.M.
	2070171	1"	Nylon/Polyester	Wood	Industrial	One Each

		WHITE CHINA/POLYESTER ANGLE SASH BRUSHES				
Part Numbers		Width	Bristle Material	Handle Material	Category	U.O.M.
	2070114	1-1/2"	White China/Polyester	Wood	Industrial	One Each
	2070115	2"	White China/Polyester	Wood	Industrial	One Each


PAINT BRUSHES


		FLAT SASH BRUSHES				
Part Numbers		Width	Bristle Material	Handle Material	Category	U.O.M.
	2070168	1-1/2"	Nylon/Polyester	Wood	Industrial	One Each
	2070167	2"	Nylon/Polyester	Wood	Industrial	One Each
	2070116	2"	Black China	Wood	Industrial	One Each
	2070169	2-1/2"	Nylon/Polyester	Wood	Industrial	One Each
	2070170	3"	Nylon/Polyester	Wood	Industrial	One Each
	2070117	3"	Black China	Wood	Industrial	One Each

		BLACK CHINA FLAT SASH BRUSHES				
Part Numbers		Width	Bristle Material	Handle Material	Category	U.O.M.
	2070116	2"	Black China	Wood	Industrial	One Each
	2070117	3"	Black China	Wood	Industrial	One Each


		OVAL SASH BRUSHES				
Part Numbers		Width	Bristle Material	Handle Material	Category	U.O.M.
	2070197	3/4"	Black China	Wood	Industrial	One Each
	2070198	1/2"	Black China	Wood	Industrial	One Each


PAINT BRUSHES


		BENT RADIATOR BRUSHES				
Part Numbers		Width	Bristle Material	Handle Material	Category	U.O.M.
	20CCA4010	1"	Black Bristle	Wood	Economy	One Each
	2070109	1-1/2"	Black Bristle	Wood	Industrial	One Each
	2070159	2"	Black Bristle	Wood	Industrial	One Each
	20CCA4020	2"	Black Bristle	Wood	Economy	One Each
	2070137	2-1/2"	Black Bristle	Wood	Industrial	One Each
	20CCA4025	2-1/2"	Black Bristle	Wood	Economy	One Each
	2070111	3"	Black Bristle	Wood	Industrial	One Each
	20CCA4030	3"	Black Bristle	Wood	Economy	One Each


		UTILITY BRUSH				
Part Numbers		Width	Bristle Material	Handle Material	Category	U.O.M.
	2070150	3"	Polyester	Plastic	Industrial	One Each

ROLLER COVERS

		DRALON MINI ROLLER COVERS					
Part Numbers		Length	Nap	Cover Material	Color	Category	U.O.M.
	2070158	4"	1/4"	Dralon	White	Industrial	2/PKG
	2070189	4"	1/4"	Dralon	White	Industrial	12/PKG

		MINI ROLLER COVERS					
Part Numbers		Length	Nap	Cover Material	Color	Category	U.O.M.
	2070121	4"	1/4"	Perlon	White	Economy	2/PKG
	2070146	4"	1/4"	Perlon	White/Yellow Striped	Economy	One Each
	2070185	4"	1/2"	Microfiber	White/Blue Striped	Economy	One Each
	2070130	6-1/2"	1/4"	Perlon	White/Yellow Striped	Economy	2/PKG
	2070166	6-1/2"	1/4"	Perlon	White/Yellow Striped	Economy	10/PKG

		FOAM ROLLER COVERS				
Part Numbers		Length	Nap	Cover Material	Category	U.O.M.
	2070156	4"	1/4"	Foam	Economy	4/PKG
	20L9030400	4"	3/8"	Foam	Economy	One Each

		WOVEN LINT FREE ROLLER COVERS					
Part Numbers		Length	Nap	Cover Material	Core Material	Category	U.O.M.
	2070148	9"	3/8"	Polyester	Phenolic	Industrial	One Each
	2070123	9"	1/2"	Polyester	Phenolic	Industrial	One Each


ROLLER COVERS


WOOSTER® PAINTER'S CHOICE ROLLER COVERS							
	Part Numbers	Length	Nap	Cover Material	Core Material	Category	U.O.M.
2070162	9"	3/8"	Polyester	Solvent Resistant	Industrial	One Each	
2070143	9"	1/2"	Polyester	Solvent Resistant	Industrial	One Each	
2070161	9"	3/4"	Polyester	Solvent Resistant	Industrial	One Each	
2070119	18"	1/2"	Polyester	Solvent Resistant	Industrial	One Each	


VELOUR ROLLER COVERS							
	Part Numbers	Length	Nap	Cover Material	Core Material	Category	U.O.M.

MERIT PRO INDUSTRIAL ROLLER COVERS							
	Part Numbers	Length	Nap	Cover Material	Core Material	Category	U.O.M.
2070107	9"	1/2"	Polyester	Phenolic	Industrial	One Each	
2070108	9"	3/4"	Polyester	Phenolic	Industrial	One Each	
2070120	18"	3/4"	Polyester	Phenolic	Industrial	One Each	


ROLLER COVERS


		MOHAIR ROLLER COVERS				
Part Numbers	Length	Nap	Core Material	Category	U.O.M.	
	20CCA3425	4"	1/4"	Solvent Resistant	Economy	One Each
	2070136	9"	3/16"	Solvent Resistant	Industrial	One Each


		LAMDEL ROLLER COVERS					
Part Numbers	Length	Nap	Cover Material	Core Material	Category	U.O.M.	
	2070132	4"	3/4"	Polyester	Solvent Resistant	Industrial	One Each
	2070135	7"	3/16"	Polyester	Solvent Resistant	Industrial	One Each
	2070141	7"	3/8"	Polyester	Solvent Resistant	Industrial	One Each
	2070129	7"	1/2"	Polyester	Solvent Resistant	Industrial	One Each

		ONE COAT HIGH DENSITY COVER					
Part Numbers	Length	Nap	Cover Material	Core Material	Category	U.O.M.	
	2070127	4"	3/8"	Polyester	Solvent Resistant	Industrial	One Each
	2070128	7"	3/8"	Polyester	Solvent Resistant	Industrial	One Each
	2070134	9"	1/2"	Polyester	Solvent Resistant	Industrial	One Each
	2070131	9"	3/4"	Polyester	Solvent Resistant	Industrial	One Each


ROLLER COVERS


		GENERAL PURPOSE HIGH DENSITY COVER					
Part Numbers		Length	Nap	Cover Material	Core Material	Category	U.O.M.
	2070163	9"	1/2"	Polyester	Solvent Resistant	Industrial	One Each

		POLY ROLLER COVERS					
Part Numbers		Length	Nap	Cover Material	Core Material	Category	U.O.M.
	2070160	9"	3/8"	Polyester	Solvent Resistant	Industrial	One Each
	2070218	9"	1/2"	Polyester	Solvent Resistant	Industrial	One Each


		PRESSURE ROLLER COVERS	
Part Numbers		Roller Length	Nap Length
	20G107589	9"	3/8"
	20G107590	9"	1/2"
	20G107591	9"	3/4"
	20G186944	12"	1/2"
	20G186945	12"	3/4"





ROLLER FRAMES

4-WIRE ROLLER FRAMES					
	Part Numbers	Roller Length	Cage	Category	U.O.M.
	20CCA3030	3"	4-Wire	Economy	One Each
	20CCA3040	4"	4-Wire	Economy	One Each
	2070176	4"	4-Wire	Economy	One Each
	20CCA3070	7"	4-Wire	Economy	One Each
	20CCA3090	9"	4-Wire	Economy	One Each







5-WIRE ROLLER FRAMES					
	Part Numbers	Roller Length	Cage	Category	U.O.M.
	2070118	9"	5-Wire/ Heavy-Duty	Industrial	One Each
	2070203	9"	5-Wire/ Heavy-Duty	Industrial	One Each
	2070173	9"	5-Wire/ Heavy-Duty	Industrial	One Each

ROLLER FRAMES

		MINI ROLLER FRAMES				
Part Numbers		Roller Length	Overall Length	Frame	Category	U.O.M.
	20CCA4012	4"	12"	Mini	Economy	One Each
	2070154	4"	12"	Mini	Industrial	One Each
	2070204	4"	12"	Mini	Industrial	One Each
	20CCA4016	4"	16"	Mini	Economy	One Each
	20L9036102	6-1/2"	24"	Mini	Economy	One Each


		PRESSURE ROLLER FRAMES			
Part Numbers		Roller Frame Size	Roller Frame Type	Thread Size	For Use With
	20G244623	9"	EvenFlow™	1/8"	Graco® Telescoping Extensions
	20G244271	9"	EvenFlow™	7/8"	Graco® Heavy-Duty Extensions
	20G240005	9"	Geospense™	7/8"	Fixed/Standard Extensions
	20G240055	12"	Geospense™	7/8"	Fixed/Standard Extensions


SUNDRIES


		PAINT SCRAPERS		
Part Numbers		Width	Category	U.O.M.
	2070229	1-1/2"	Industrial	One Each
	2070236	2-1/2"	Industrial	One Each
	2070072*	2-1/2"	Industrial	One Each
	20AFSCRAPER123W	2-1/2"	Industrial	One Each
	2070133	3"	Industrial	One Each
	2070140	4"	Industrial	One Each

*Replacement blades for 2070236


SUNDRIES


		WOODEN EXTENSION POLES		
Part Numbers		Length	Diameter	U.O.M.
	2070122	48"	15/16"	One Each
	2070139	72"	15/16"	One Each





		3 PIECE WOODEN EXTENSION POLES		
Part Numbers		Length	U.O.M.	
	20CCA0348	42"	One Each	

		BUCKET GRIDS		
Part Numbers		Size	Category	U.O.M.
	2070165	1 Gallon	Industrial	One Each
	2070155	2 Gallon	Economy	One Each
	2070138	5 Gallon	Economy	One Each







SUNDRIES

		STRAINERS		
Part Numbers		Description	Category	U.O.M.
	20BD14516B	1 Gal Mesh Strainer	Industrial	One Each
	2070182	1 Gal Mesh Strainer	Industrial	25/Box
	20BK20200	2 Gal Mesh Strainer	Industrial	20/Case
	20BD14517B	5 Gal Mesh Strainer	Industrial	12/PKG
	2070096	5 Gal Mesh Strainer	Industrial	25/Box
	2070005	55 Gal Drum Strainer	Industrial	One Each



		ALUMINUM SCREEN WIRE				
Part Numbers		Width	Length	Mesh Size	Wire Gauge	U.O.M.
	2070157	24"	100'	18 x 16	0.011 in.	One Each


		JETROLLER™ ACCESSORIES	
Part Numbers		Description	
	20G24V829	9" Roller Handle Assembly	
	20G24W130	18" Roller Handle Assembly	
	20G24V832	12" Roller Handle Extension	
	20G224399	7/8" x 7/8" 45° Swivel Kit	

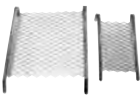
PART NUMBERS AND SCHEMATICS GUIDE

		JIFFY MIXERS						
Part Numbers	Container Size	Shaft Length	Shaft Diameter	Top Diameter	Bottom Diameter	Material of Construction	U.O.M.	
	20JMHS2	1–2 Gallon	14-3/4"	1/4"	2-5/8"	2-5/8"	Stainless Steel	One Each
	20JHS3	1–2 Gallon	30"	1/4"	2-5/8"	2-5/8"	Stainless Steel	One Each
	20JMES210	2–5 Gallon	20-1/2"	3/8"	3-1/4"	3-3/4"	Stainless Steel	One Each
	20JMPS1	5-10 Gallon	20-1/2"	1/2"	3-1/4"	3-3/4"	Stainless Steel	One Each
	20JPS227	10–50 Gallon	27-1/2"	1/2"	4-5/8"	5-1/8"	Stainless Steel	One Each
	20JPS2	10–50 Gallon	40"	1/2"	4-5/8"	5-1/8"	Stainless Steel	One Each








PART NUMBERS AND SCHEMATICS GUIDE


		PLASTIC BUCKETS AND LIDS					
Part Numbers		Size	Bucket	Handle	Lid	Color	U.O.M.
	2070090	1 Gallon	X	X		White	One Each
	2070092	2 Gallon	X	X		White	One Each
	2070094	5 Gallon	X	X		White	One Each
	2070091	1 Gallon			X	White	One Each
	2070093	2 Gallon			X	White	One Each
	2070095	5 Gallon			X	White	One Each

		METAL BUCKETS			
Part Numbers		Size	Lid	Handle	U.O.M.
	2070057	1 Gallon	X	X	One Each
	2070058	5 Gallon	X	X	One Each


		BUCKET GRIDS			
Part Numbers		Bucket Size	Grid Width	Material	U.O.M.
	2070165	1 Gallon	4"	Metal	One Each
	2070155	2 Gallon	6"	Metal	One Each
	2070138	5 Gallon	9"	Metal	One Each


PART NUMBERS AND SCHEMATICS GUIDE


		MESH STRAINERS		
	Part Numbers	Size	Elastic Top	U.O.M.
	20BD14516B	1 Gallon		One Each
	2070182	1 Gallon	X	25/Package
	20BK20200	2 Gallon		20/Package
	20BD14517B	5 Gallon		12/Package
	20BD1513969	5 Gallon	X	12/Package
	2070096	5 Gallon	X	25/Box
	2070005	55 Gal Drum		One Each


		PUMP STRAINERS		
	Part Numbers	Size	Drawstring	U.O.M.
	2070100	11" X 6" X 1.25"	X	12/PKG

PART NUMBERS AND SCHEMATICS GUIDE




		TUBE PAINT STRAINERS		
	Part Numbers	Description	U.O.M.	
	20BK149278	Binks® Fluid Pick-Up Tube Paint Strainer (For Siphon Tube for 2.0 Gal Pot and Siphon Cups)	10/PKG	


		POLYURETHANE SHEETING			
	Part Numbers	Thickness	Style	Size	U.O.M.
	10POLY0320C	3 Mil	Clear	20 Ft. x 100 Ft.	One Each
	1070370	3.1 Mil (6 Mil EQ)	Clear	20 Ft. x 100 Ft.	One Each
	10POLY0420C	4 Mil	Clear	20 Ft. x 100 Ft.	One Each
	10POLY0420FR	4 Mil	Frosted	20 Ft. x 100 Ft.	One Each
	10POLY0620B	6 Mil	Black	20 Ft. x 100 Ft.	One Each
	10POLY0620C	6 Mil	Clear	20 Ft. x 100 Ft.	One Each
	10POLY0620FR	6 Mil	Frosted	20 Ft. x 100 Ft.	One Each
	1070519	6 Mil	Reinforced/Flame Retardant	20 Ft. x 100 Ft.	One Each
	30BK209DC1	6 Mil	Reinforced	20 Ft. x 100 Ft.	One Each
	1070755	10 Mil	Clear	20 Ft. x 100 Ft.	One Each
	1070081	10 Mil	Reinforced	20 Ft. x 100 Ft.	One Each


		3M™ DIRT TRAP		
	Part Numbers	Description	Size	U.O.M.
	2070281	One-Sided Adhesive Backing	28" x 300'	One Each

		HEAVY-DUTY ALUMINUM FOIL		
	Part Numbers	Thickness	Size	U.O.M.
	2070074	0.78 Mil	18" X 500 Ft.	One Each


PART NUMBERS AND SCHEMATICS GUIDE







		MIXING CUPS		
		Part Numbers	Size	U.O.M.
		2070199	1 QT	One Each
		2070200	5 QT	One Each
		2070227	1 QT (Lid)	One Each

		STIR STICK			
		Part Numbers	Size	Material	U.O.M.
		2070244	12"	Wood	One Each


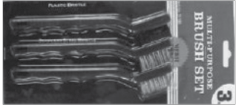


		TEST BEAKER			
		Part Numbers	Size	Material	U.O.M.
		20BEAKER1000ML	1000 mL	Plastic	One Each

PART NUMBERS AND SCHEMATICS GUIDE




SCOTCH-BRITE™ HAND PADS					
	Part Numbers	Size	Roughness Grade	Abrasive Material	U.O.M.
	1070343	6" x 9"	Very Fine	Aluminum Oxide	60/Package





PAINT SCRAPERS				
	Part Numbers	Width	Category	U.O.M.
	2070229	1-1/2"	Industrial	One Each
	2070236	2-1/2"	Industrial	One Each
	2070072	2-1/2"	Industrial	One Each
	20AFSCRAPER123W	2-1/2"	Industrial	One Each
	2070133	3"	Industrial	One Each
	2070140	4"	Industrial	One Each

PART NUMBERS AND SCHEMATICS GUIDE


WIRE BRUSHES				
	Part Numbers	Brush Length	Description	Bristle Material
	2070172	14"	Long Handle Brush	Stainless Steel
	2070177		3-Piece Mini Brush Set	Steel, Brass and Plastic
	2070178	16"	Refinishing Brush	Stainless Steel
	20CCA2416		Shoe Handle Brush	

PART NUMBERS AND SCHEMATICS GUIDE


		BULK BAGS						
Part Numbers	Capacity	Spout Top	Liner	Coated Outer Material	Bottom	Dimensions	U.O.M.	
	10BC58699	3000 lbs.	X	X		Spout	35" x 35" x 38"	One Each
	10BC3542SPCN467	4000 lbs.	X		X	Flat	35" x 35" x 42"	One Each
	10BC91681	4400 lbs.	X	X	X	Spout	35" x 35" x 50"	One Each

		PAINT SOCKS			
Part Numbers	Material	Fire Retardant	Color	U.O.M.	
	20PS5224	Jersey Knit		Multi-Color Paint Socks	25/Package
	20PS5224EA	Jersey Knit		Multi-Color Paint Socks	One Each
	20SS12PKB	Cotton		Off-White Paint Socks	12/Package
	20SSNHSDC1PK	Nomex/ Single Layer	X	Off-White Paint Socks	One Each

PART NUMBERS AND SCHEMATICS GUIDE

		RAZOR BLADES	
Part Numbers		Description	U.O.M.
	2070065	Straight Edge Razor Blades	100 Blades


		UTILITY KNIVES	
Part Numbers		Description	
	30UTILITYKNIFESR	Self-Retracting Utility Knife	


		UTILITY KNIFE REPLACEMENT BLADE	
Part Numbers		Description	U.O.M.
	30UTILITYKNIFEBLADE	Utility Knife Blade	100 Blades



		DISPOSABLE UTILITY KNIFE TWIN PACK	
Part Numbers		Description	
No Image Available	20AFKNIFETWINPACK	One Large Handle and One Small Handle	

		BOKER KNIFE	
Part Numbers		Description	
	1070089	Boker Knife	




PART NUMBERS AND SCHEMATICS GUIDE



GOJO HAND CLEANER		
	Part Numbers	Description
	1070559	1 Gallon Gojo Natural Orange Smooth Hand Cleaner

RUST INHIBITOR		
	Part Numbers	Description
	2070089	Hold*Blast Rust Inhibitor – 5 gal


AIR PRESSURE GAUGES				
	Part Numbers	Size	Maximum Working Pressure	Face
	20G108190	1/8" Back	100 psi	1-1/2" Glass
	20G113911	1/8" Back	160 psi	1-1/2" Glass
	1028606	1/4" Back	160 psi	2" Glass
	20G101689	1/4" Back	200 psi	2" Glass
	20G104655	1/8" Bottom	60 psi	1-1/2" Glass
	20G110436	1/8" Bottom	100 psi	1-1/2" Glass
	10BS19683	1/4" Bottom	30 psi	2" Glass
	20BK832727	1/4" Bottom	100 psi	2" Glass
	20BK831355	1/4" Bottom	100 psi	2-1/2" Glass
	10C00024B	1/4" Bottom	160 psi	2" Glass
	20G100960	1/4" Bottom	200 psi	2" Plastic
	20G102814	1/4 Bottom	5000 psi	2-1/2" Glass – Liquid Filled

PART NUMBERS AND SCHEMATICS GUIDE


MAGNETIC STEEL TEMPERATURE GAUGES			
	Part Numbers	Temperature Range	Dual Magnetic Back
	20CWTF20SGOMT	Up to 150° Fahrenheit	X
	20CWTF20SGVMTE	Up to 250° Fahrenheit	X
	20CWTF20SGYMTE	Up to 500° Fahrenheit	X


SURFACE THERMOMETER			
	Part Numbers	Temperature Range	Dual Magnetic Back
	2070300	Up to 250° Fahrenheit	X
	1070872	Up to 150° Fahrenheit	X

PART NUMBERS AND SCHEMATICS GUIDE


LASER POINT INFRARED TEMPERATURE GAUGE			
	Part Numbers	Description	Temperature Rating
	20ISRAYMT4U	Raytek® MT4 MiniTemp™ Infrared Thermometer with Laser Sighting	Up to 750° Fahrenheit


105V077 – Features & Specifications Guide – Raytek® MT4 MiniTemp™ Infrared Thermometer
 109V077 – Operator's Manual – Raytek® MT4 MiniTemp™ Infrared Thermometer


PORTABLE HANDWASH STATIONS						
	Part Numbers	Number of Washing Stations	Fresh Water Capacity	Dimensions (HxWxD)	Material	Foot Pump
	1070710	2	45 Gallons	48" x 35.25" x 30.25"	Molded Polyethylene	X

EPOXY COATINGS			
	Part Numbers	Description	U.O.M.
	2070285	3M™ Scotchkote™ Liquid Epoxy Coating 323 Application Gun Cartridges	6/Box









PART NUMBERS AND SCHEMATICS GUIDE


		ABRASIVE-RESISTANT TAPE				
Part Numbers		Size	Self-Adhesive Covering	Thickness	Color	U.O.M.
	1070551	2" x 45 Ft.	X	1 mm	White	14/Case
	1070550	30" x 45 Ft.	X	1 mm	White	1/Roll
	1070549	60" x 45 Ft.	X	1 mm	White	1/Roll

		DUCT TAPE				
Part Numbers		Thickness	Width	Color	Length	U.O.M.
	1070782	6 Mil	2"	Silver	60 Yards	One Roll
	1070781	7 Mil	2"	Silver	50 Yards	One Roll
	1070273	7 Mil	2"	Silver	60 Yards	One Roll
	1070467	9 Mil	2"	Green	60 Yards	One Roll
	1070492	9 Mil	2"	Red	60 Yards	One Roll
	1070377	9 Mil	2"	Silver	60 Yards	One Roll
	1070380	9 Mil	1.88"	Teal	60 Yards	One Roll
	1070274	11 Mil	2"	Silver	60 Yards	One Roll
	1070378	13 Mil	2"	White	60 Yards	One Roll


		MASKING TAPE				
Part Numbers		Thickness	Width	Color	Length	U.O.M.
	1070379	5.1 Mil	2"	Natural	60 Yards	One Roll
	1070376	5.7 Mil	2"	Blue	60 Yards	One Roll
	1070272	6 Mil	1"	Blue	60 Yards	One Roll
	2070201	6 Mil	1.88"	Blue	60 Yards	One Roll


PART NUMBERS AND SCHEMATICS GUIDE


		RAGS		
Part Numbers		Material	Color	U.O.M.
	10TTSCK10	T-Shirt	Multi	10 lbs./Box
	1070743	T-Shirt	Multi	25 lbs./Box
	1070000	T-Shirt	Recycled Multi	25 lbs./Box
	1070751	T-Shirt	White	25 lbs./Box
	10ABCWT30	T-Shirt	White	30 lbs./Box
	1070410	T-Shirt	White	50 lbs./Box
	1070001	T-Shirt	Recycled White	25 lbs./Box
	1070409	Lint-Free	White	50 lbs./Box

		CLEANING WIPES	
Part Numbers		Description	U.O.M.
	20BK293100K6	Scrubs-In-A-Bucket Wipes Hand Sanitizer Citrus Scent	6/Case

PART NUMBERS AND SCHEMATICS GUIDE

		FIRE EXTINGUISHER	
Part Numbers		Description	
	1070875	20 lb. Kiddie Fire Extinguisher Multi-Purpose Dry Chemical	

		PLASTIC COATED CABLE			
Part Numbers		Material	Size	Description	Length
	1070882	Plastic	3/16" x 1/4"	Coated	250 Feet

		MASKING PAPER		
Part Numbers		Size	Description	U.O.M
	1070929	12" x 180'	General Purpose	12/Case

PART NUMBERS AND SCHEMATICS GUIDE



Part Numbers


FINISHING BRANDS 2.8 GALLON PAINT TANKS 0-80 PSI						
	Zinc Plated Lid & Shell	Stainless Steel Lid & Zinc Plated Shell	Single Regulator <i>(0-100 psi Fluid Pressure)</i>	Dual Regulator <i>(0-100 psi Fluid & 0-60 psi Air Pressure)</i>	Direct Drive Agitation	Internal Volume (Gallon)
20BK83C210	X		X			2.8
20BK83C211	X		X		X	2.8
20BK83C220	X			X		2.8
20BK83C221	X			X	X	2.8
20BK83Z210		X	X			2.8
20BK83Z211		X	X		X	2.8
20BK83Z220		X		X		2.8
20BK83Z221		X		X	X	2.8

FINISHING BRANDS 2.8 GALLON PAINT TANKS 0-80 PSI – CAPACITY, DIMENSIONS, AND SHIPPING WEIGHTS

Inside Diameter	9-1/2"
Inside Height at Center	9-1/2"
Overall Height	20-1/2"
Overall Width	13-3/8"
Estimated Shipping Weight (Without Agitators)	31 lbs.
Estimated Shipping Weight (With Agitators)	38 lbs.

OPTIONAL ACCESSORIES

	Part Numbers	HEAD GASKET
	20BKPT331	One Each

	Part Numbers	DISPOSABLE TANK LINERS
	20BKPT78K10B	One Each
	20BKPT78K10	Package of 10
	20BKPT78K60	Package of 60

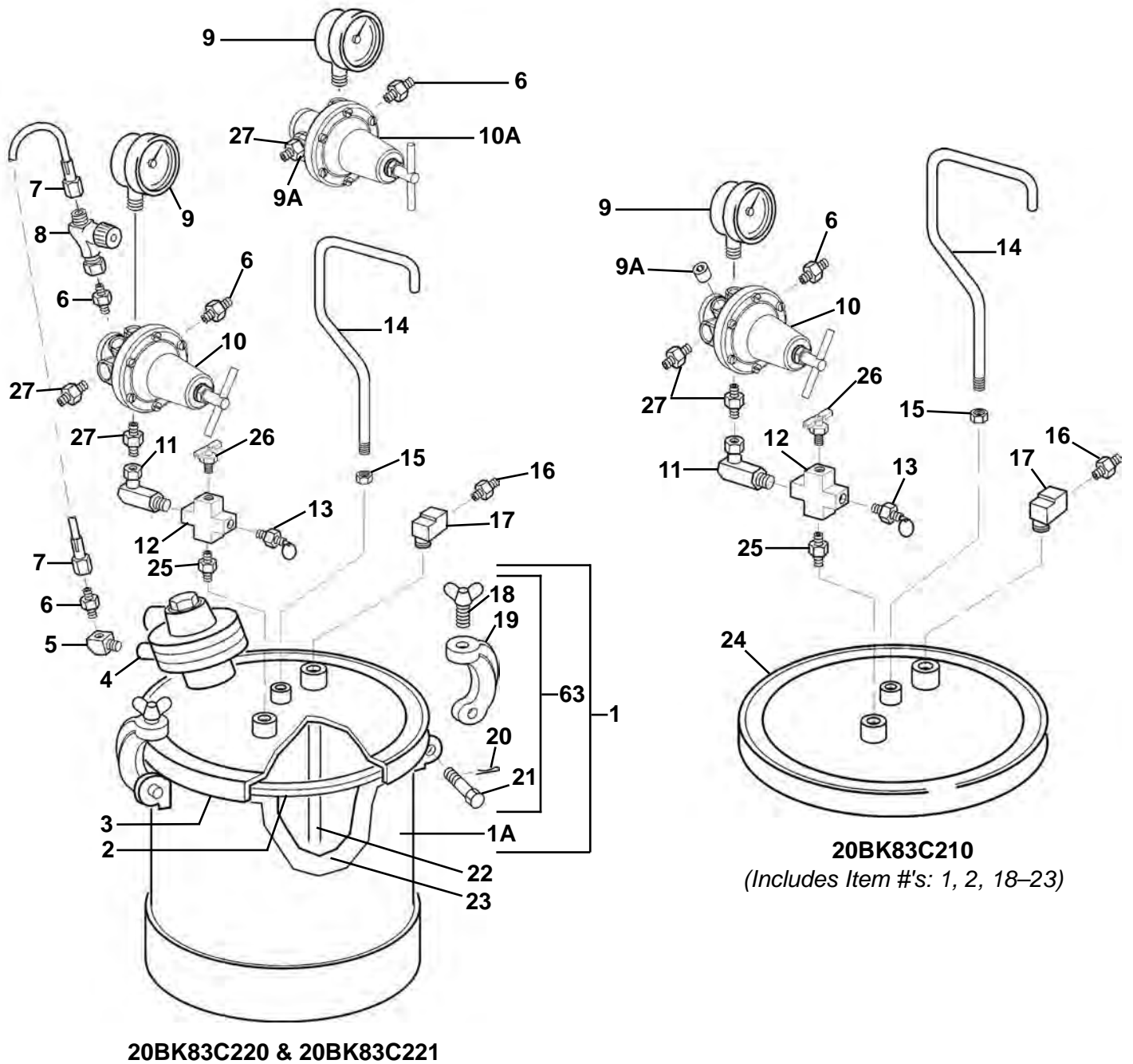
PART NUMBERS AND SCHEMATICS GUIDE

Finishing Brands 2.8 Gallon Paint Tank

Item #	Part #	Description
Fig. 1		
1	20BKPT423	Tank Assembly <i>(Includes Item #'s: 1A, 18, 19, 20, and 21)</i>
1A	20BKPT420	Tank Shell
2	20DPT331	Lid Gasket, Santoprene
3	20BKPT425	Lid, Zinc Plated <i>for use with 83C Series Pots</i>
—	20BKPT421	Lid, Stainless Steel <i>for use with 83Z Series Pots</i>
4	20BKPT418	Air Motor/Adapter Assembly <i>for use with Zinc Plated Lids</i>
—	20BKPT427	Air Motor/Adapter Assembly <i>for use with Stainless Steel Plated Lids</i>
5	20PFHA25UG0404	1/4" NPT (F) x 1/4" NPT (M) Street Elbow
6	20DH2008	1/4" NPT (M) x 1/4" NPS (M) Nipple <i>(Two Required for 20BK83C210 & 20BK83C220, Three Required for 20BK83C211 & 20BK83C221)</i>
7	20BKHA57011	Hose Assembly
8	20DHAV500	1/4" NPS (F) x 1/4" NPS (M) Air Adjusting Valve
9	20BK832727	Gauge <i>(One Required for 20BK83C210 & 20BK83C211, Two Required for 20BK83C220 & 20BK83C221)</i>
9A	1012052	1/4" NPT(M) Pipe Plug
10	20BKHAR511	Fluid Regulator
10A	20BKHAR507	Air Regulator <i>(For 20BK83C220 & 20BK83C221)</i>
11	20DSSP30ZN	1/4" NPS (F) x 1/4" NPT (M) 90° Swivel Adapter
12	20DX2280404	Cross 1/4" NPT (F)
13	20DTIA5080	80 psi Safety Valve
14	20BKPT32	Handle
15	10101938	Hex Nut 3/8-16
16	20BKAD11	3/8" NPT (M) x 3/8" NPT (M) Stainless Steel Nipple <i>For Zinc Plated Lids</i>
—	20DSSP459	3/8" NPT (M) x 3/8" NPT (M) Stainless Steel Nipple <i>For Stainless Steel Plated Lids</i>
17	20DSSP1939	3/8" NPT (F) x 3/8" NPT (M) Stainless Steel Street Elbow
18	—	Thumb Screw
19	—	Yoke Assembly
20	—	Cotter Pin 3/32 x 1"
21	—	Hinge Pin
22	20DPT31	Galvanized Fluid Tube
23	20BKPT78K10B	Tank Liner <i>(One Each)</i>
—	20BKPT78K10	Tank Liner <i>(Quantity of 10)</i>
—	20BKPT78K60	Tank Liner <i>(Quantity of 60)</i>
24	20BKPT426	Zinc Plated Lid
—	20BKPT422	Stainless Steel Plated Lid
25	20BKSSP462ZN	1/4" NPT (M) Hex Nipple
26	20DSS2707	Air Relief Valve
27	20BK834233	DM Nipple <i>(Two Required for 20BK83C210 & 20BK83C211, Three Required for 20BK83C220 & 20BK83C221)</i>
63	20BKKK5057	Clamp, Pin & Screw Kit <i>(Includes Item #'s: 18, 19, 20, and 21)</i>
—	206M363	Part Numbers and Schematics Guide – Finishing Brands 2.8 Gallon Paint Tanks
—	209V002	Operator's Manual – Finishing Brands 2.8 Gallon Paint Tank - Zinc Plated Lid
—	209V001	Operator's Manual – Finishing Brands 2.8 Gallon Paint Tank - Stainless Steel Plated Lid

PART NUMBERS AND SCHEMATICS GUIDE

Figure 1: Finishing Brands 2.8 Gallon Paint Tank



PART NUMBERS AND SCHEMATICS GUIDE

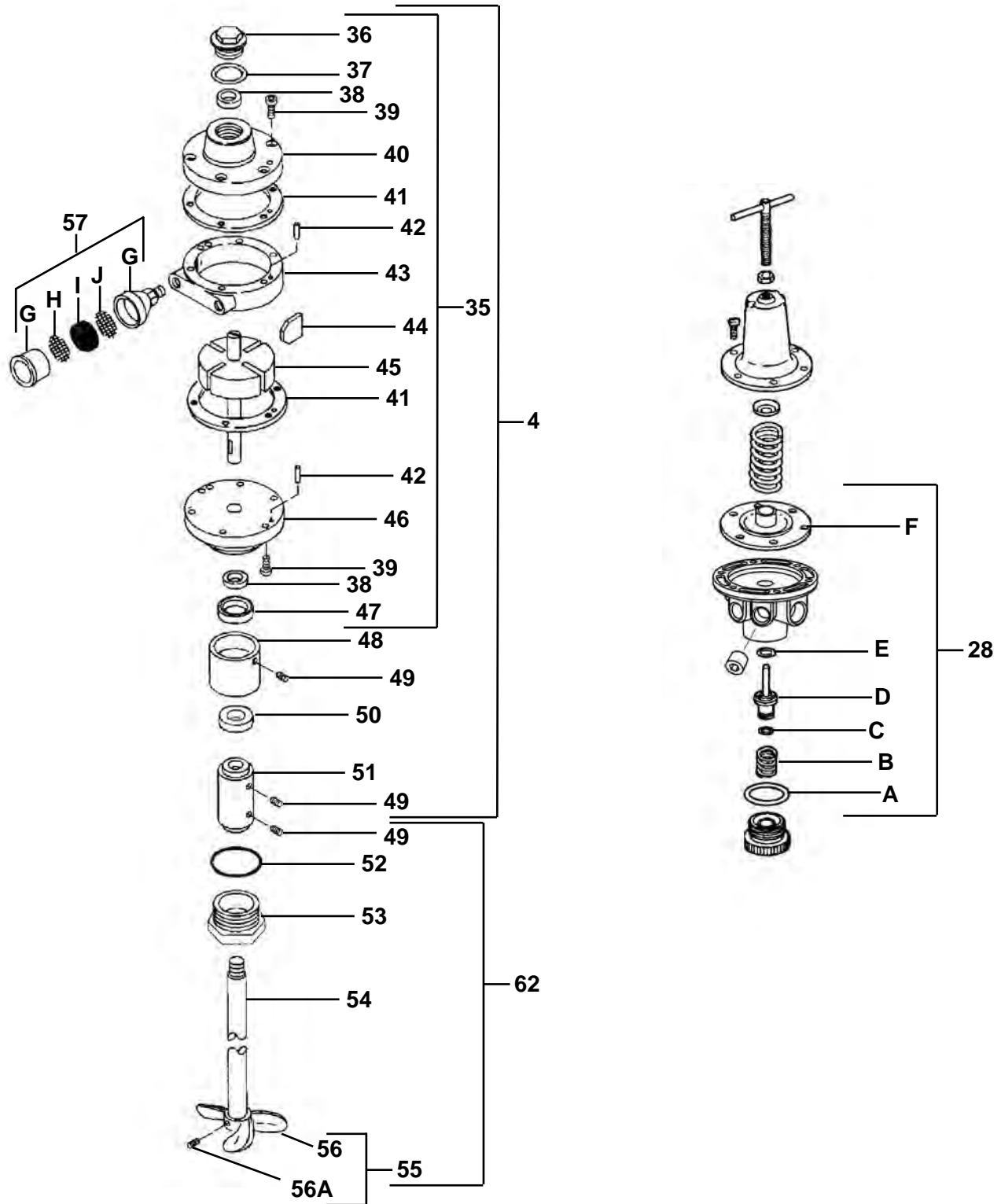
Finishing Brands 2.8 Gallon Paint Tank Regulators

Item #	Part #	Description
Fig. 2		
4	20BKPT418	Air Motor/Adapter Assembly <i>(Includes Item #'s: 36–51)</i>
28	20DKK4977	Repair Kit <i>(Includes Items: A, B, C, D, E, and F)</i>
35	20DPT410	Air Motor Assembly <i>(Includes Item #'s: 36–47) For use with Zinc Plated Lids</i>
—	20BKQMS455	Air Motor Assembly <i>(Includes Item #'s: 36–47) For use with Stainless Steel Plated Lids</i>
36	20DQS190	End Cap
37	—	End Cap Gasket
38	20DPT58	Bearing
39	—	1/4-28 x 1/2" Screw
40	—	Front Plate
41	20BKPT591K10	End Plate Spacer
42	20DQS1891K10	Dowel Pin <i>(Quantity of 10)</i>
43	—	Body
44	—	Vane
45	—	Rotor Assembly
46	—	End Plate
47	20DPT3790	Shaft Seal
48	20DPT50	Air Motor Adapter
49	20100150	1/4-20 x 1/4" Screw
50	20DKK5041	Seal Assembly
51	20DQMG441	Shaft Coupling Kit <i>(Includes Item #49) For use with Zinc Plated Lids</i>
—	20DQMS453	Shaft Coupling Kit <i>(Includes Item #49) For use with Stainless Steel Plated Lids</i>
52	20DSSG8096K5	O-ring <i>(Quantity of Five)</i>
53	20BKPT70	Adapter Nut
54	20DQMG56	Shaft <i>For use with Zinc Plated Lids</i>
—	20DQMS73	Shaft <i>For use with Stainless Steel Plated Lids</i>
55	20DQMS448	Propeller Assembly <i>(Includes Item #'s: 56 and 56A)</i>
56	—	Propeller
56A	—	1/4-20 x 3/8" Stainless Steel Set Screw
57	20BK350401	Muffler Assembly <i>(Includes Items: G, H (Quantity of Two), I (Quantity of Four), and J)</i>
62	20BKPT428	Agitator Shaft Assembly <i>For use with Zinc Plated Lids</i> <i>(Includes Item #'s: 49, 52, 53, 54, and 55)</i>
—	20DPT419	Agitator Shaft Assembly <i>For use with Stainless Steel Plated Lids</i> <i>(Includes Item #'s: 49, 52, 53, 54, and 55)</i>
—	20DKK50011	Air Motor Repair Kit <i>(Includes Item #'s: 37, 41, 44, and 60)</i>
—	206M363	Part Numbers and Schematics Guide – Finishing Brands 2.8 Gallon Paint Tanks
—	209V002	Operator's Manual – Finishing Brands 2.8 Gallon Paint Tank - Zinc Plated Lid
—	209V001	Operator's Manual – Finishing Brands 2.8 Gallon Paint Tank - Stainless Steel Plated Lid

**Items A through J not available individually*

PART NUMBERS AND SCHEMATICS GUIDE

Figure 2: Finishing Brands 2.8 Gallon Paint Tank Regulators



PART NUMBERS AND SCHEMATICS GUIDE



Part Numbers

2 GALLON FINISHING BRANDS PAINT TANKS – GALVANIZED Suitable for solvent borne coatings							
Part Numbers	Single Regulated	Dual Regulated	Single Regulated with Extra Sensitive Regulator	Dual Regulated with Extra Sensitive Regulator	Direct Drive Agitator	15:1 Gear Reduced Agitator	Internal Volume (Gallon)
20BK183G200							2.8
20BK183G210	X						2.8
20BK183G211	X				X		2.8
20BK183G213	X					X	2.8
20BK183G220		X					2.8
20BK183G221		X			X		2.8
20BK183G223		X				X	2.8
20BK183G230			X				2.8
20BK183G231			X		X		2.8
20BK183G233			X			X	2.8
20BK183G240				X			2.8
20BK183G241				X	X		2.8
20BK183G243				X		X	2.8

2 GALLON FINISHING BRANDS PAINT TANKS – GALVANIZED CAPACITY, DIMENSIONS, AND SHIPPING WEIGHTS

Inside Diameter	9-1/2"
Inside Height at Center	9-1/2"
Overall Height	23-5/8"
Overall Width	13-3/8"
Estimated Shipping Weight (Without Agitators)	45 lbs.
Estimated Shipping Weight (With Agitators)	59 lbs.

PART NUMBERS AND SCHEMATICS GUIDE



Part Numbers

5 GALLON FINISHING BRANDS PAINT TANKS – GALVANIZED Suitable for solvent borne coatings							
Part Numbers	Single Regulated	Dual Regulated	Single Regulated with Extra Sensitive Regulator	Dual Regulated with Extra Sensitive Regulator	Direct Drive Agitator	15:1 Gear Reduced Agitator	Internal Volume (Gallon)
20BK183G500							9.8
20BK183G510	X						9.8
20BK183G513	X					X	9.8
20BK183G520		X					9.8
20BK183G523		X				X	9.8
20BK183G530			X				9.8
20BK183G533			X			X	9.8
20BK183G540				X			9.8
20BK183G543				X		X	9.8

5 GALLON FINISHING BRANDS PAINT TANKS – GALVANIZED CAPACITY, DIMENSIONS, AND SHIPPING WEIGHTS

Inside Diameter	14"
Inside Height at Center	16"
Overall Height	30-5/16"
Overall Width	18-1/2"
Estimated Shipping Weight (Without Agitators)	80 lbs.
Estimated Shipping Weight (With Agitators)	99 lbs.

PART NUMBERS AND SCHEMATICS GUIDE



Part Numbers

10 GALLON FINISHING BRANDS PAINT TANKS – GALVANIZED Suitable for solvent borne coatings

	Single Regulated	Dual Regulated	Single Regulated with Extra Sensitive Regulator	Dual Regulated with Extra Sensitive Regulator	Direct Drive Agitator	15:1 Gear Reduced Agitator	Internal Volume (Gallon)
20BK183G1000							11.8
20BK183G1010	X						11.8
20BK183G1013	X					X	11.8
20BK183G1020		X					11.8
20BK183G1023		X				X	11.8
20BK183G1030			X				11.8
20BK183G1033			X			X	11.8
20BK183G1040				X			11.8
20BK183G1043				X		X	11.8

10 GALLON FINISHING BRANDS PAINT TANKS – GALVANIZED CAPACITY, DIMENSIONS, AND SHIPPING WEIGHTS

Inside Diameter	14"
Inside Height at Center	19-1/16"
Overall Height	33-3/8"
Overall Width	18-1/2"
Estimated Shipping Weight (Without Agitators)	86 lbs.
Estimated Shipping Weight (With Agitators)	105 lbs.

PART NUMBERS AND SCHEMATICS GUIDE



Part Numbers

15 GALLON FINISHING BRANDS PAINT TANKS – GALVANIZED Suitable for solvent borne coatings							
Part Numbers	Single Regulated	Dual Regulated	Single Regulated with Extra Sensitive Regulator	Dual Regulated with Extra Sensitive Regulator	Direct Drive Agitator	15:1 Gear Reduced Agitator	Internal Volume (Gallon)
20BK183G1500							19.8
20BK183G1510	X						19.8
20BK183G1513	X					X	19.8
20BK183G1520		X					19.8
20BK183G1523		X				X	19.8
20BK183G1530			X				19.8
20BK183G1533			X			X	19.8
20BK183G1540				X			19.8
20BK183G1543				X		X	19.8

15 GALLON FINISHING BRANDS PAINT TANKS – GALVANIZED CAPACITY, DIMENSIONS, AND SHIPPING WEIGHTS

Inside Diameter	14"
Inside Height at Center	26-1/16"
Overall Height	43-3/8"
Overall Width	18-1/2"
Estimated Shipping Weight (Without Agitators)	111 lbs.
Estimated Shipping Weight (With Agitators)	130 lbs.

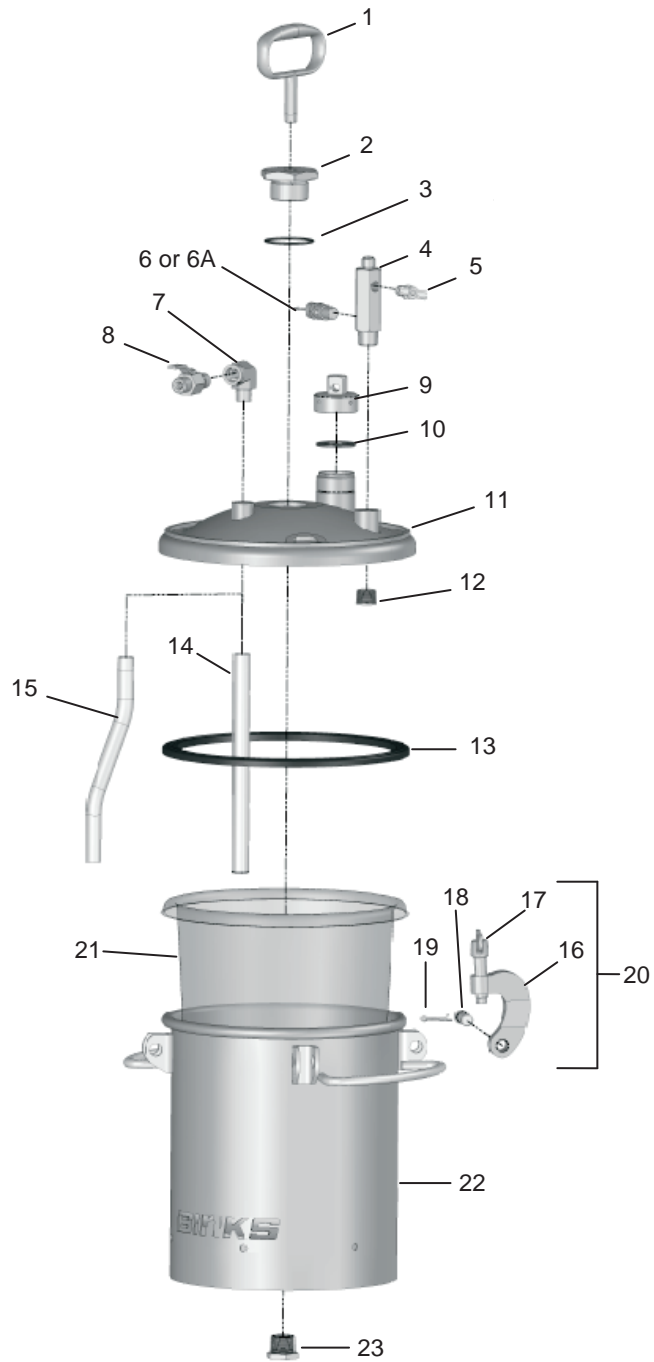
PART NUMBERS AND SCHEMATICS GUIDE

2 Gallon Finishing Brands Paint Tanks – Galvanized

Item #	Part #	Description
Fig. 1		
1	20BKQN97	Handle
2	20BKQMG17	Plug (<i>Non-Agitated Tanks Only</i>)
3	20BKSSG8184K2	O-ring (<i>Quantity of Two</i>)
4	20BKQMG21	Air Manifold
5	20BKSS2707	1/4" NPT (m) Air Relief Valve
6	20BKZIA5110	Safety Valve Assembly - 110 psi
6A	20BKZIA5040	Safety Valve Assembly - 40 psi (<i>For Extra Sensitive Tanks Only</i>)
7	20PFHA25UG0606	3/8-18 Brass Street Elbow
8	20BKVA540	3/8" NPS Outlet Ball Valve
9	20BK83524K	Fill Port Cap (<i>Includes Item #10</i>)
10	20BK831207K5	Fill Port Cap Gasket (<i>Quantity of Five</i>)
11	20BKQMG4001	Tank Lid
12	20BKSSP1439ZN	1/4-14 Plug
13	20BKQMS801	Tank Gasket
14	20BKPT31	Fluid Tube (<i>Direct Drive Agitator</i>)
15	20BKQMG35	Fluid Tube (<i>Gear Reduced Agitator</i>)
16	—	Clamp (<i>See Item #20</i>)
17	20BKQMG46	Thumb Screw (<i>Four Required</i>) (<i>See Item #20</i>)
18	—	Clevis Pin (<i>Four Required</i>) (<i>See Item #20</i>)
19	—	1/8" x 1" Cotter Pin (<i>Four Required</i>) (<i>See Item #20</i>)
20	20BKKK5013	Clamp, Pin, and Thumb Screw Kit (<i>Includes Item #'s: 16, 17, 18, and 19 (Quantity of One Each)</i>)
21	20BKPT78K10	Disposable Tank Liner (<i>Quantity of 10</i>)
22	20BKQMG5021	Tank and Lug Assembly
23	20PFHA24ST12	Bottom Plug
—	109V003	Operator's Manual – Finishing Brands Paint Tanks – Galvanized
—	206M403	Part Numbers and Schematics Guide – Finishing Brands Paint Tanks – Galvanized

PART NUMBERS AND SCHEMATICS GUIDE

Figure 1: 2 Gallon Finishing Brands Paint Tanks – Galvanized



PART NUMBERS AND SCHEMATICS GUIDE

2 Gallon Finishing Brands Paint Tanks – Galvanized – Agitator

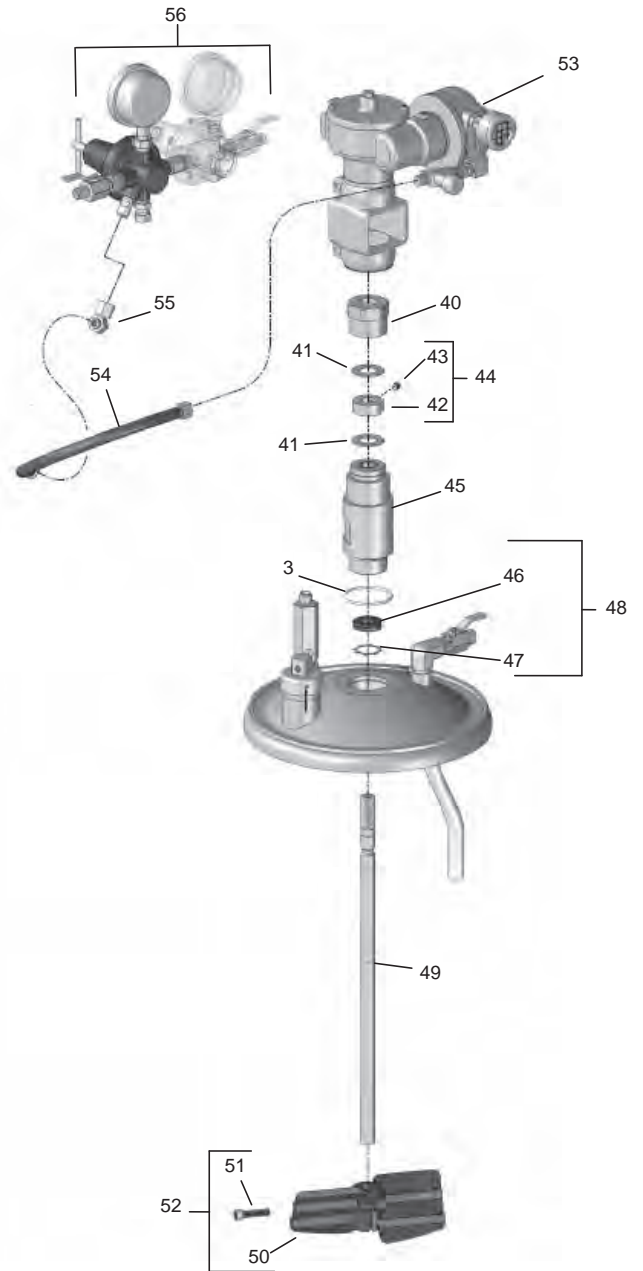
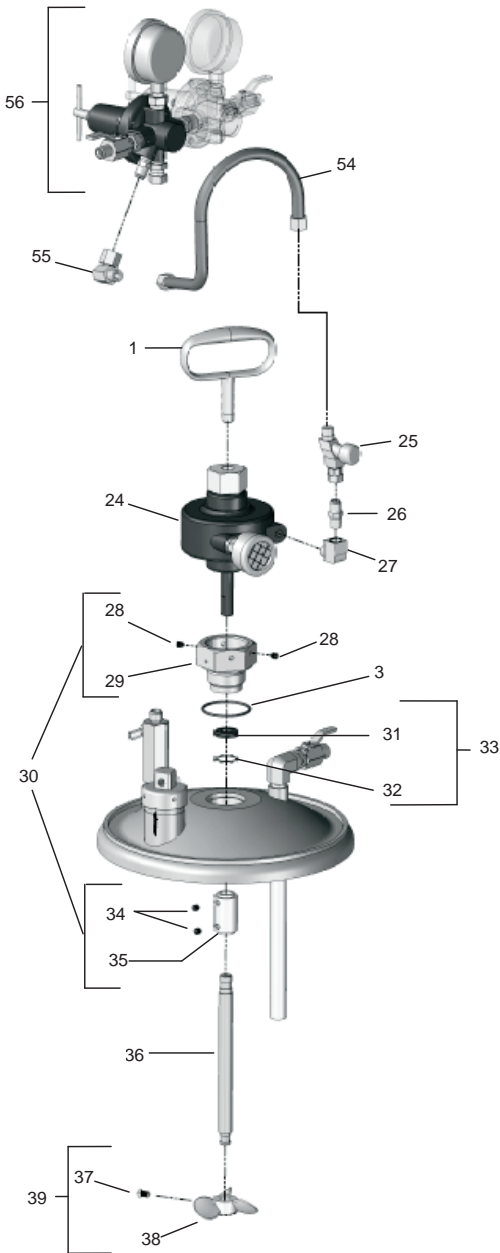
Item #	Part #	Description
Fig. 2		
1	20BKQN97	Handle
3	20BKSSG8184K2	O-ring (<i>Quantity of Two</i>)
24	20BKQMG429	Air Motor Assembly
25	20BKHAV500B	Air Adjusting Valve
26	20BKH2008	1/4" NPS x 1/4" NPT Nipple
27	20PFHA25UG0404	1/4-18 NPT Brass Street Elbow
28	20100150	1/4-20 x 1/4 Set Screw (<i>Quantity of Two</i>)
29	—	Adapter (<i>See Item #30</i>)
30	20BKKK4990	Seal Retainer Kit (<i>Includes Item #'s: 28, 29, 34, and 35</i>)
31	—	1/2" I.D. Shaft Seal (<i>For Direct Drive Agitator</i>)
32	—	Internal Retaining Ring (<i>For Direct Drive Agitator</i>)
33	20BKK5041	Shaft Seal Kit (<i>For Direct Drive Agitator</i>) (<i>Includes Item #'s: 31 and 32</i>)
34	20100150	1/4-20 x 1/4" Set Screw (<i>Quantity of Two</i>)
35	—	Shaft Coupling (<i>See Item #30</i>)
36	20BKQMG56	Agitator Shaft
37	—	1/4-20 x 3/8" Stainless Steel Square Head Set Screw
38	—	Propeller
39	20BKQMS448	Agitator Propeller Kit (<i>For Direct Drive Agitator</i>) (<i>Includes Item #'s: 37 and 38</i>)
40	20BKQMS46	Retaining Nut
41	20BKKK5049	Thrust Washer (<i>Quantity of Two</i>)
42	—	Thrust Collar
43	—	5/16-18 x 3/8" Set Screw
44	20BKQMS447	Thrust Collar Kit (<i>Includes Item #'s: 42 and 43</i>)
45	20BKQMG409	Bearing Assembly
46	—	5/8" I.D. Shaft Seal
47	—	Internal Retaining Ring (<i>Gear-Reduced Agitator</i>)
48	20BKKK5045	Shaft Seal Kit (<i>Gear-Reduced Agitator</i>) (<i>Includes Item #'s: 46 and 47</i>)
49	20BKQMG15	Agitator Shaft
50	—	Agitator Paddle
51	—	5/16-18 x 1-1/4" Stainless Steel Socket Head Cap Screw
52	20BKQMS449	Agitator Paddle Kit (<i>Includes Item #'s: 50 and 51</i>)
53	20BKQS5012	Air Motor/Gearbox Drive
54	20BKHA47011	Air Hose Assembly
55	20BKSSP30ZN	Swivel Elbow
56	—	Air Control (<i>See Figures 5 and 6</i>)
—	109V003	Operator's Manual – Finishing Brands Paint Tanks – Galvanized
—	206M403	Part Numbers and Schematics Guide – Finishing Brands Paint Tanks – Galvanized

PART NUMBERS AND SCHEMATICS GUIDE

Figure 2: 2 Gallon Finishing Brands Paint Tanks – Galvanized – Agitator

Direct Drive Agitator

Gear-Reduced Agitator



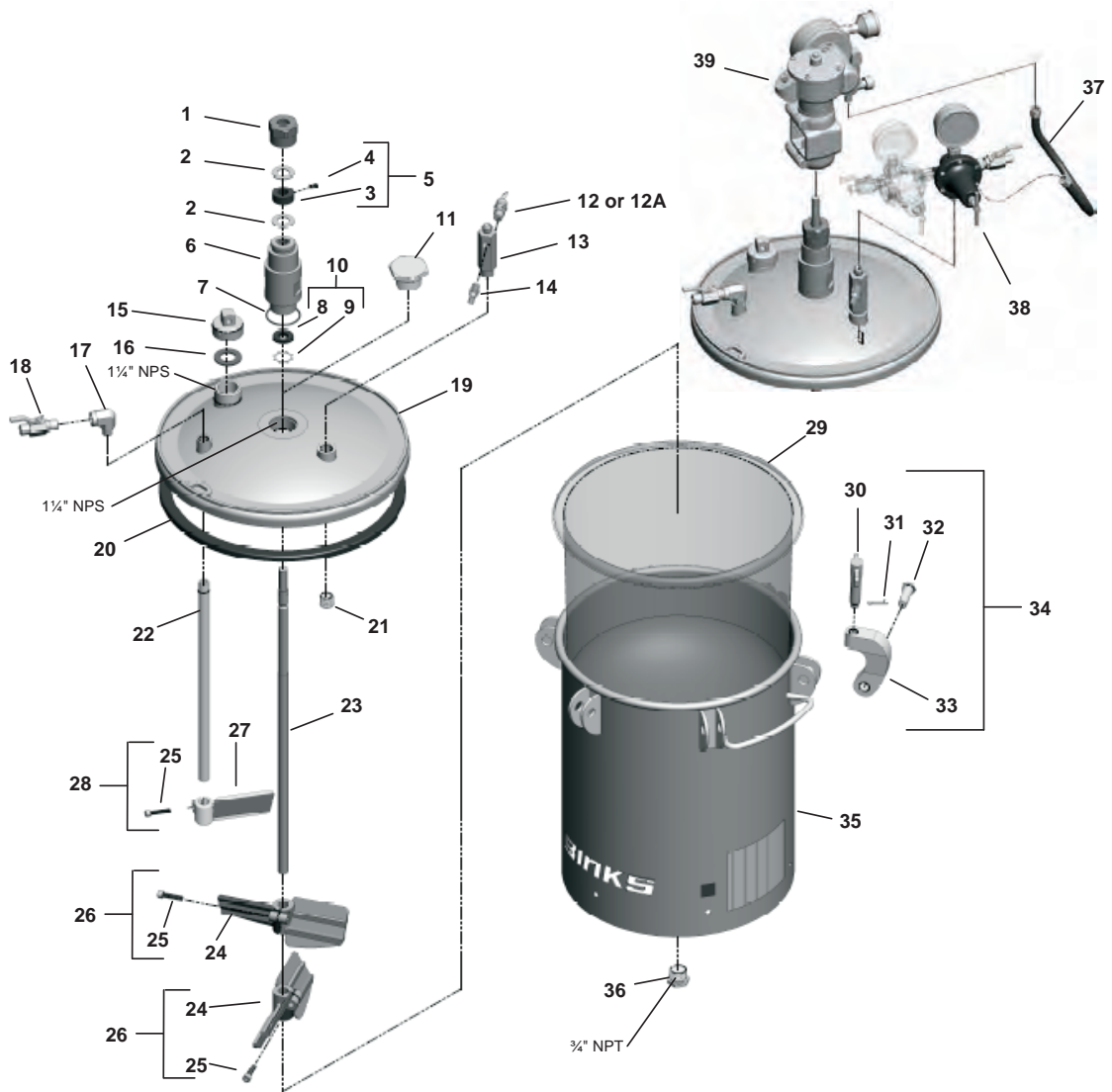
PART NUMBERS AND SCHEMATICS GUIDE

5, 10, and 15 Gallon Finishing Brands Paint Tanks – Galvanized

Item #	Part #	Description
Fig. 3		
1	20BKQMS46	Retaining Nut
2	20BKQMG85	Thrust Washer
3	—	Thrust Collar
4	—	5/16-18 x 3/8" Set Screw
5	20BKQMS447	Thrust Collar Kit <i>(Includes Item #'s: 3 and 4)</i>
6	20BKQMG409	Bearing Assembly - Plain Steel
7	20BKSSG8184K2	O-rings <i>(Quantity of Two)</i>
8	—	5/8" I.D. Shaft Seal
9	—	Internal Retaining Ring
10	20BKKK5042	Shaft Seal Kit <i>(Includes Item #'s: 8 and 9)</i>
11	20BKQMG19	Plug <i>(Non-Agitated Models Only)</i>
12	20BKTIA5110	Safety Valve Assembly, 110 psi
12A	20BKTIA5040	Safety Valve Assembly, 40 psi <i>(Extra Sensitive Models Only)</i>
13	20BKQMG21	Air Manifold
14	20BKSS2707	1/4" NPT (m) Air Relief Valve
15	20BK83524	Fill Port Cap
16	20BK831207	Fill Port Cap Gasket
17	—	3/8-18 NPT Brass Steel Elbow
18	20BKVA540	3/8" NPS Outlet Ball Valve
19	20BKQMG4021	Tank Lid
20	20BKQM14581	Tank Lid Gasket
21	—	1/2-14 NPT Plated Steel Plug
22	20BKQMG32	Fluid Tube
23	20BKQMG28	Agitator Shaft
24	—	Agitator Paddle <i>(Two Required)</i>
25	—	5/16-18 x 1-1/4" Stainless Steel Socket Head Cap Screw <i>(Quantity of Three)</i>
26	20BKQMS444	Agitator Paddle Kit <i>(Two Required)</i> <i>(Includes Item #'s: 24 and 25)</i>
27	—	Stationary Paddle
28	20BKQMS445	Stationary Paddle Kit <i>(Includes Item #'s: 25 and 27)</i>
29	20BKPTL408K20	Disposable Tank Liner - 5 Gallon
30	20BKQM1352	Thumb Screw <i>(Six Required)</i>
31	—	1/8" x 1" Cotter Pin <i>(Six Required)</i>
32	—	Clevis Pin <i>(Six Required)</i>
33	—	Clamp <i>(Six Required)</i>
34	20BKKK5014	Clamp, Pin, and Thumb Screw Kit <i>(Includes Item #'s: 30, 31, 32, and 33 (Quantity of One Each))</i>
35	20BKQMG5051	Tank and Lug Assembly <i>(5 Gallon Only)</i>
36	—	Bottom Plug
37	20BKHA57011	Air Hose Assembly
38	—	Air Controls <i>(See Figures 5, 6, 7, and 8)</i>
39	20BKQS5012	Air Motor/Gearbox Drive <i>(Includes Item #37)</i>
—	20BKQMG418	Agitator Assembly - 5 Gallon <i>(Includes Item #'s: 1, 2 (Quantity of Two), 3, 4, 6, 7, 8, 9, 23, 24, 25, and 27)</i>
—	109V004	Operator's Manual – 5, 10, and 15 Gallon Finishing Brands Paint Tanks – Galvanized
—	206M403	Part Numbers and Schematics Guide – Finishing Brands Paint Tanks – Galvanized

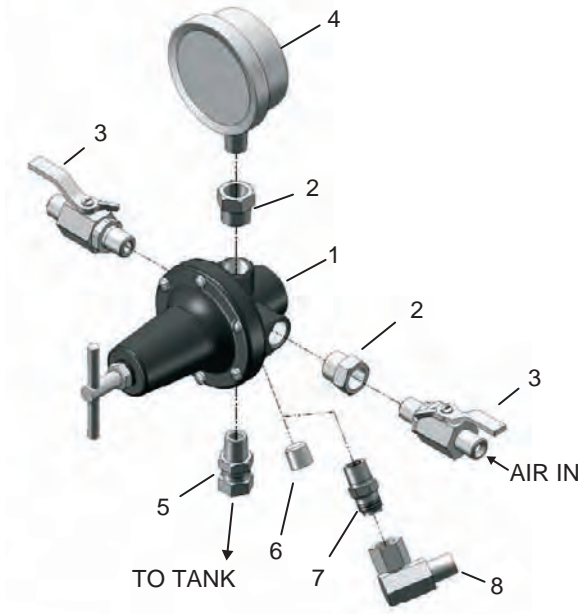
PART NUMBERS AND SCHEMATICS GUIDE

Figure 3: 5, 10, and 15 Gallon Finishing Brands Paint Tanks – Galvanized



PART NUMBERS AND SCHEMATICS GUIDE

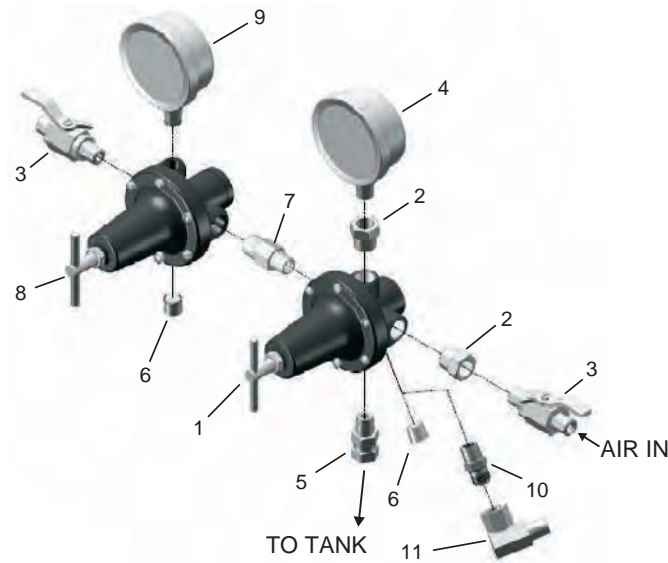
Figure 4: Single Regulator Air Controls



Item #	Part #	Description
Fig. 4		
—	20BK85470	Single Regulator Air Control – For Non-Agitated Tanks - Complete
—	20BK85471	Single Regulator Air Control – For Agitated Tanks - Complete
1	20BKHAR511	Air Regulator <i>(Includes Item #6)</i>
2	—	3/8"(M) x 1/4" (F) Steel Plated Bushing <i>(Two Required)</i>
3	10BKVA542	Ball Valve <i>(Two Required)</i>
4	20BK831290	Gauge – 150 psi
5	20BKSSP8217ZN	Swivel Adapter
6	—	1/4" NPT Plug <i>(Non-Agitated Tanks Only)</i>
7	20BKH2008	1/4" NPS x 1/4" NPT Nipple <i>(Agitated Tanks Only)</i>
8	20BKSSP30ZN	1/4" NPS (M) x 1/4" NPS Swivel Elbow <i>(Agitated Tanks Only)</i>

PART NUMBERS AND SCHEMATICS GUIDE

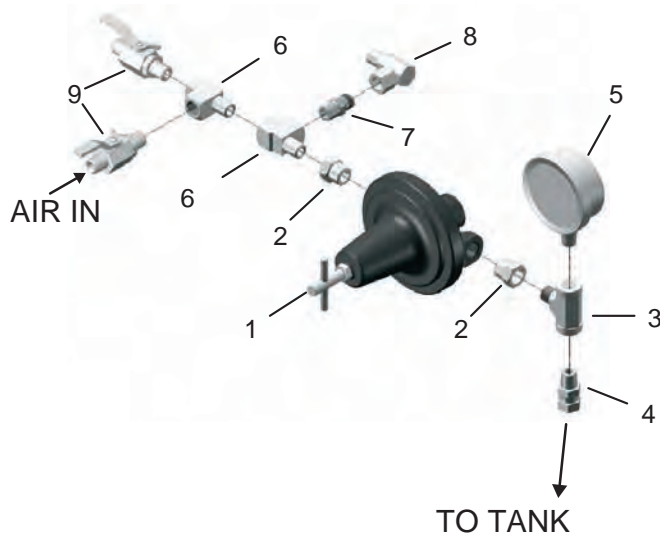
Figure 5: Dual Regulator Air Controls



Item #	Part #	Description
Fig. 5		
—	20BK85472	Dual Regulator Air Control for Non-Agitated Tanks - Complete
—	20BK85473	Dual Regulator Air Control for Agitated Tanks - Complete
1	20BKHAR511	Air Regulator <i>(Includes Item #6)</i>
2	—	3/8" (M) x 1/4" (F) Steel Plated Bushing <i>(Two Required)</i>
3	20BKVA542	Ball Valve <i>(Two Required)</i>
4	20BK831290	Gauge – 150 psi
5	20BKSSP8217ZN	Swivel Adapter
6	—	1/4" NPT Plug <i>(Two Required for Non-Agitated Tanks)</i>
7	20BK834233	1/4" x 3/8" DM Nipple
8	20BKHAR507	Air Regulator
9	20BK831355	Gauge - 100 psi
10	20BKH2008	1/4" NPS x 1/4" NPT Nipple <i>(Agitated Tanks Only)</i>
11	20BKSSP30ZN	1/4" NPS (M) x 1/4" NPS Swivel Elbow <i>(Agitated Tanks Only)</i>

PART NUMBERS AND SCHEMATICS GUIDE

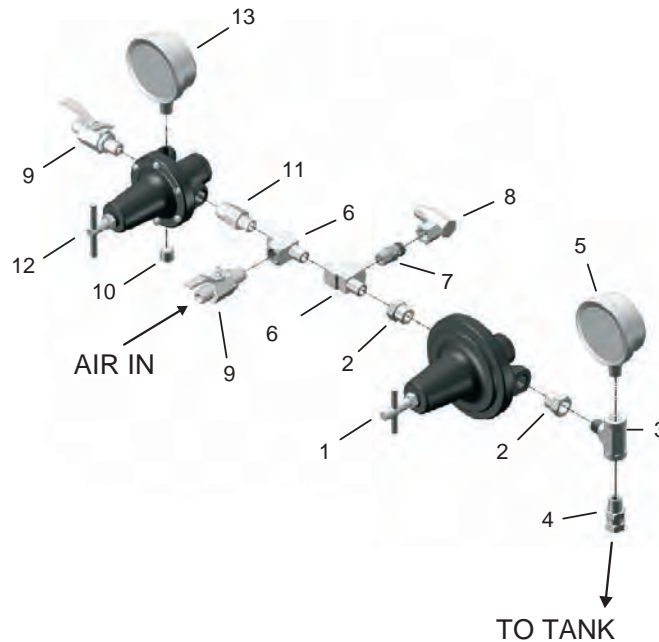
Figure 6: Extra Sensitive Single Regulator Air Controls



Item #	Part #	Description
Fig. 6		
—	20BK85490	Extra Sensitive Single Regulator Air Control for Non-Agitated Tanks – Complete
—	20BK85491	Extra Sensitive Single Regulator Air Control for Agitated Tanks – Complete
1	20BKHAR501	Extra Sensitive Regulator
2	—	3/8" (M) x 1/4" (F) Steel Plated Bushing (<i>Two Required</i>)
3	20BKSSP2629ZN	1/4" NPT Male Branch Tee
4	20BKSSP8217ZN	Swivel Adapter
5	20BK831414	Gauge - 30 psi
6	—	1/4" NPT Street Tee (<i>Two Required for Agitated Tanks</i>)
7	20BKH2008	1/4" NPS x 1/4" NPT Nipple
8	20BKSSPZN30	1/4" NPS (M) x 1/4" NPS Swivel Elbow
9	20BKVA542	Ball Valve (<i>Two Required</i>)
10	20BKTIA5040	Safety Valve - 40 psi (<i>Not Shown</i>)

PART NUMBERS AND SCHEMATICS GUIDE

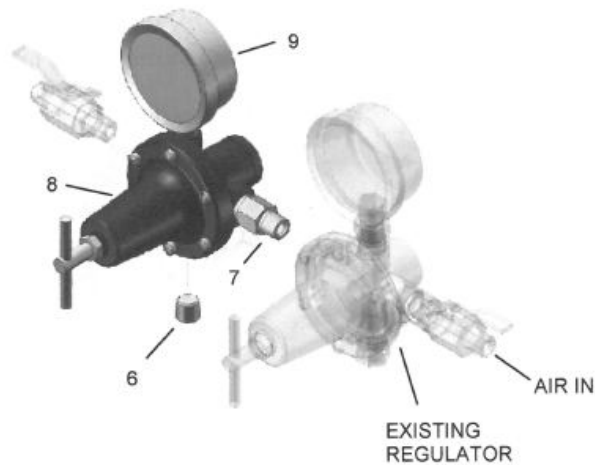
Figure 7: Extra Sensitive Dual Regulator Air Controls



Item #	Part #	Description
Fig. 7		
—	20BK85492	Extra Sensitive Dual Regulator Air Control for Non-Agitated Tanks
—	20BK85493	Extra Sensitive Dual Regulator Air Control for Agitated Tanks
1	20BKHAR501	Extra Sensitive Regulator <i>(Includes Item #10)</i>
2	—	3/8" (M) x 1/4" (F) Steel Plated Bushing <i>(Two Required)</i>
3	20BKSSP2629ZN1/4"	NPT Male Branch Tee
4	20BKSSP8217ZN	Swivel Adapter
5	20BK831414	Gauge - 30 psi
6	—	1/4" NPT Street Tee <i>(Two Required for Agitated Tanks)</i>
7	20BKH2008	1/4" NPS x 1/4" NPT Nipple
8	20BKSSPZN30	1/4" NPS (M) x 1/4" NPS Swivel Elbow
9	20BKVA542	Ball Valve <i>(Two Required)</i>
10	—	1/4" NPT Plug
11	20BK834233	1/4" x 3/8" DM Nipple
12	20BKHAR507	Air Regulator
13	20BK831355	Gauge - 100 psi
14	20BKTI A5040	Safety Valve - 40 psi <i>(Not Shown)</i>

PART NUMBERS AND SCHEMATICS GUIDE

Figure 8: Single to Dual Regulator Conversion Kit

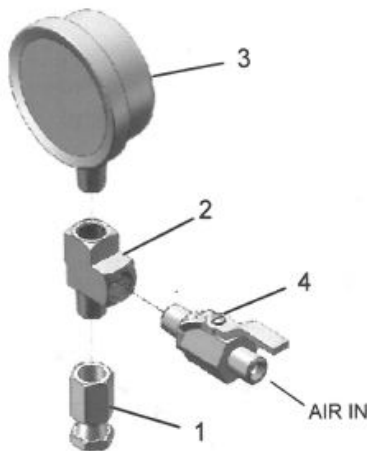


Item #	Part #	Description
--------	--------	-------------

Fig. 8

—	20BK85469	Single to Dual Regulator Conversion Kit - Complete
6	—	1/4" NPT Plug
7	20BK834233	DM Nipple 1/4" X 3/8"
8	20BKHAR507	Air Regulator (Includes Item #6)
9	20BK831355	Gauge - 100 psi

Figure 9: No Regulator Kit



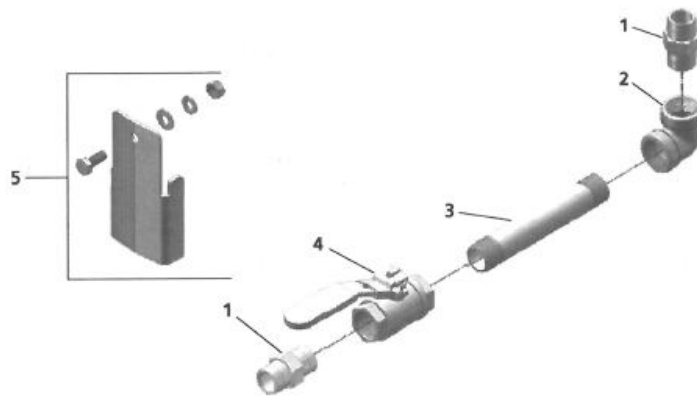
Item #	Part #	Description
--------	--------	-------------

Fig. 9

—	20BKQMS4003	No Regulator Kit - Complete
1	—	1/4" NPT (F) x 1/4" NPS Adapter
2	—	Street Tee
3	20BK831290	Gauge - 150 psi
4	20BKVA542	Ball Valve


PART NUMBERS AND SCHEMATICS GUIDE

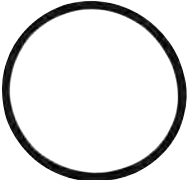
Figure 10: Leg and Bottom Outlet Kits



Item #	Part #	Description
Fig. 10		
—	20BK1833000	Leg Kits for 2 Gallon Tanks with 3/4" Bottom Outlets - Complete <i>(Includes Item #'s: 1, 2, 3, 4, and 5 (Quantity of Three))</i>
—	20BK1833001	Leg Kits for 5, 10, and 15 Gallon Tanks with 3/4" Bottom Outlets - Complete <i>(Includes Item #'s: 1, 2, 3, 4, and 5 (Quantity of Three))</i>
1	—	3/4" NPT - NPS Universal Adapter <i>(Two Required)</i>
2	—	3/4" NPT (F) Elbow
3	—	Pipe Nipple
4	—	3/4" NPT Full Port Ball Valve
5	20BK1833005	Leg Kit <i>(Three Required)</i>

PART NUMBERS AND SCHEMATICS GUIDE

		DISPOSABLE TANK LINERS		
Part Numbers		Tank Size	Liner Dimensions	Package Quantity
	20BK6228B	2 Gallon	9-1/8" x 9-3/16"	One Each
	20BK78K10	2 Gallon	10-11/32" x 9-5/8"	10
	20BK6239B	5 Gallon	12" x 15-5/8"	One Each
	20DPTL405K20B	5 Gallon	13-7/8" x 13-11/16"	One Each
	20DPTL406K20B	5 Gallon	13-7/8" x 16-1/8"	One Each
	20BK6239	5 Gallon	12" x 15-5/8"	24
	20DPTL406K20B20	5 Gallon	13-7/8" x 16-1/8"	20
	20BK6240B	10 Gallon	13-7/8" x 21-5/8"	One Each
	20DPTL410K8B	10 Gallon	13-7/8" x 19-7/16"	One Each
	20BK6240	10 Gallon	13-7/8" x 21-5/8"	12
	20BKPTL415K10	15 Gallon	13-7/8" x 29-1/16"	10

		HEAD GASKETS	
Part Numbers		Tank Size	Package Quantity
	20BKQMS801	2 Gallon	One Each
	20BKQM14581	5, 10, and 15 Gallon	One Each

PART NUMBERS AND SCHEMATICS GUIDE



Part Numbers

2 GALLON FINISHING BRANDS PAINT TANKS – STAINLESS STEEL Suitable for waterborne coatings

	Single Regulated	Dual Regulated	Single Regulated with Extra Sensitive Regulator	Dual Regulated with Extra Sensitive Regulator	Direct Drive Agitator	15:1 Gear Reduced Agitator	Internal Volume (Gallon)
20BK183S200							2.8
20BK183S210	X						2.8
20BK183S211	X				X		2.8
20BK183S213	X					X	2.8
20BK183S220		X					2.8
20BK183S221		X			X		2.8
20BK183S223		X				X	2.8
20BK183S230			X				2.8
20BK183S231			X		X		2.8
20BK183S233			X			X	2.8
20BK183S240				X			2.8
20BK183S241				X	X		2.8
20BK183S243				X		X	2.8

2 GALLON FINISHING BRANDS PAINT TANKS – STAINLESS STEEL CAPACITY, DIMENSIONS, AND SHIPPING WEIGHTS

Inside Diameter	9-1/2"
Inside Height at Center	9-1/2"
Overall Height	23-5/8"
Overall Width	13-3/8"
Estimated Shipping Weight (Without Agitators)	38 lbs.
Estimated Shipping Weight (With Agitators)	52 lbs.

PART NUMBERS AND SCHEMATICS GUIDE



Part Numbers

5 GALLON FINISHING BRANDS PAINT TANKS – STAINLESS STEEL Suitable for waterborne coatings

Part Numbers	Single Regulated	Dual Regulated	Single Regulated with Extra Sensitive Regulator	Dual Regulated with Extra Sensitive Regulator	Direct Drive Agitator	15:1 Gear Reduced Agitator	Internal Volume (Gallon)
20BK183S500							9.8
20BK183S510	X						9.8
20BK183S513	X					X	9.8
20BK183S520		X					9.8
20BK183S523		X				X	9.8
20BK183S530			X				9.8
20BK183S533			X			X	9.8
20BK183S540				X			9.8
20BK183S543				X		X	9.8

5 GALLON FINISHING BRANDS PAINT TANKS – STAINLESS STEEL CAPACITY, DIMENSIONS, AND SHIPPING WEIGHTS

Inside Diameter	14"
Inside Height at Center	16"
Overall Height	30-5/16"
Overall Width	18-1/2"
Estimated Shipping Weight (Without Agitators)	69 lbs.
Estimated Shipping Weight (With Agitators)	90 lbs.

PART NUMBERS AND SCHEMATICS GUIDE



Part
Numbers

10 GALLON FINISHING BRANDS PAINT TANKS – STAINLESS STEEL Suitable for waterborne coatings

	Single Regulated	Dual Regulated	Single Regulated with Extra Sensitive Regulator	Dual Regulated with Extra Sensitive Regulator	Direct Drive Agitator	15:1 Gear Reduced Agitator	Internal Volume (Gallon)
20BK183S1000							11.8
20BK183S1010	X						11.8
20BK183S1013	X					X	11.8
20BK183S1020		X					11.8
20BK183S1023		X				X	11.8
20BK183S1030			X				11.8
20BK183S1033			X			X	11.8
20BK183S1040				X			11.8
20BK183S1043				X		X	11.8

10 GALLON FINISHING BRANDS PAINT TANKS – STAINLESS STEEL CAPACITY, DIMENSIONS, AND SHIPPING WEIGHTS

Inside Diameter	14"
Inside Height at Center	19-1/16"
Overall Height	33-3/8"
Overall Width	18-1/2"
Estimated Shipping Weight (Without Agitators)	71 lbs.
Estimated Shipping Weight (With Agitators)	90 lbs.

PART NUMBERS AND SCHEMATICS GUIDE



Part Numbers

15 GALLON FINISHING BRANDS PAINT TANKS – STAINLESS STEEL Suitable for waterborne coatings

	Single Regulated	Dual Regulated	Single Regulated with Extra Sensitive Regulator	Dual Regulated with Extra Sensitive Regulator	Direct Drive Agitator	15:1 Gear Reduced Agitator	Internal Volume (Gallon)
20BK183S1500							19.8
20BK183S1510	X						19.8
20BK183S1513	X					X	19.8
20BK183S1520		X					19.8
20BK183S1523		X				X	19.8
20BK183S1530			X				19.8
20BK183S1533			X			X	19.8
20BK183S1540				X			19.8
20BK183S1543				X		X	19.8

15 GALLON FINISHING BRANDS PAINT TANKS – STAINLESS STEEL CAPACITY, DIMENSIONS, AND SHIPPING WEIGHTS

Inside Diameter	14"
Inside Height at Center	26-1/16"
Overall Height	43-3/8"
Overall Width	18-1/2"
Estimated Shipping Weight (Without Agitators)	89 lbs.
Estimated Shipping Weight (With Agitators)	108 lbs.

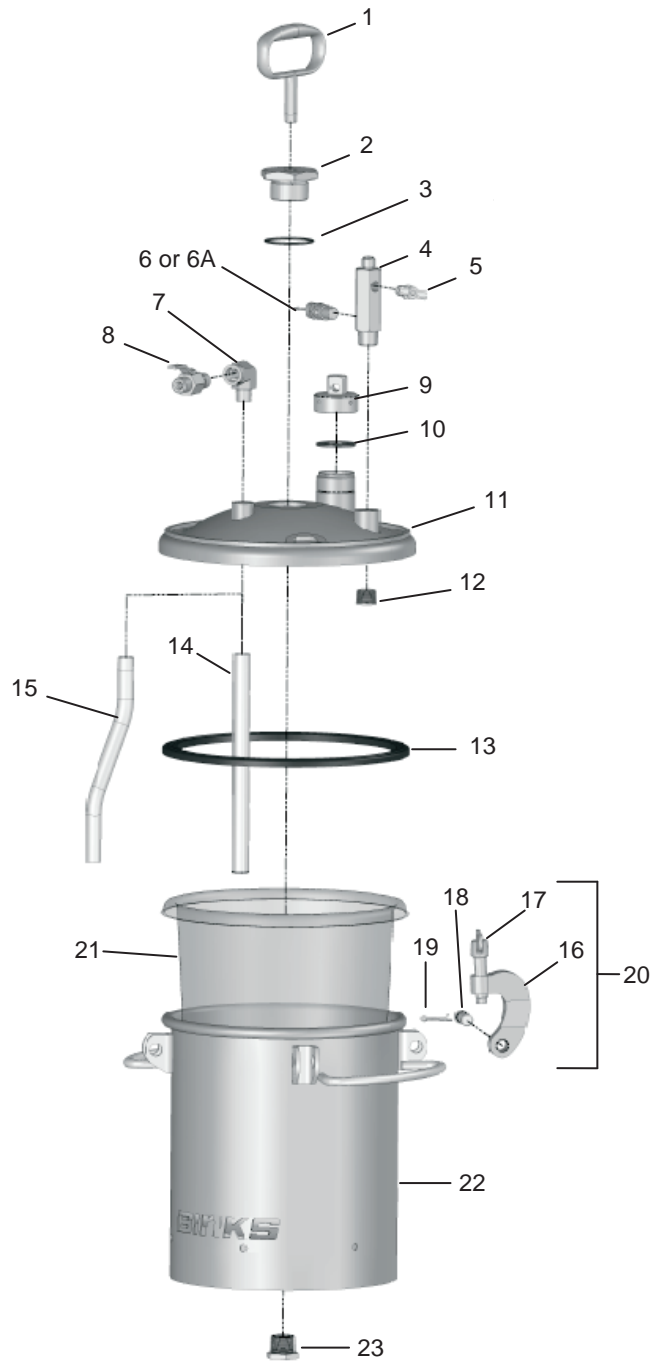
PART NUMBERS AND SCHEMATICS GUIDE

Finishing Brands Paint Tanks – Stainless Steel

Item #	Part #	Description
Fig. 1		
1	20BKQN97	Handle
2	20BKQMG17	Plug (<i>Non-Agitated Tanks Only</i>)
3	20BKSSG8184K2	O-ring (<i>Quantity of Two</i>)
4	20BKQMG21	Air Manifold
5	20BKSS2707	1/4" NPT (m) Air Relief Valve
6	20BKZIA5110	Safety Valve Assembly - 110 psi
6A	20BKZIA5040	Safety Valve Assembly - 40 psi (<i>For Extra Sensitive Tanks Only</i>)
7	20PFHA25UG0606	3/8-18 Brass Street Elbow
8	20BKVA540	3/8" NPS Outlet Ball Valve
9	20BK83524K	Fill Port Cap (<i>Includes Item #10</i>)
10	20BK831207K5	Fill Port Cap Gasket (<i>Quantity of Five</i>)
11	20BKQMG4001	Tank Lid
12	20BKSSP1439ZN	1/4-14 Plug
13	20BKQMS801	Tank Gasket
14	20BKPT31	Fluid Tube (<i>Direct Drive Agitator</i>)
15	20BKQMG35	Fluid Tube (<i>Gear Reduced Agitator</i>)
16	—	Clamp (<i>See Item #20</i>)
17	20BKQMG46	Thumb Screw (<i>Four Required</i>) (<i>See Item #20</i>)
18	—	Clevis Pin (<i>Four Required</i>) (<i>See Item #20</i>)
19	—	1/8" x 1" Cotter Pin (<i>Four Required</i>) (<i>See Item #20</i>)
20	20BKKK5013	Clamp, Pin, and Thumb Screw Kit (<i>Includes Item #'s: 16, 17, 18, and 19 (Quantity of One Each)</i>)
21	20BKPT78K10	Disposable Tank Liner (<i>Quantity of 10</i>)
22	20BKQMG5021	Tank and Lug Assembly
23	20PFHA24ST12	Bottom Plug
—	109V003	Operator's Manual – 2 Gallon Finishing Brands Paint Tanks
—	206M403	Part Numbers and Schematics Guide – Finishing Brands Paint Tanks

PART NUMBERS AND SCHEMATICS GUIDE

Figure 1: Finishing Brands Paint Tanks – Stainless Steel



PART NUMBERS AND SCHEMATICS GUIDE

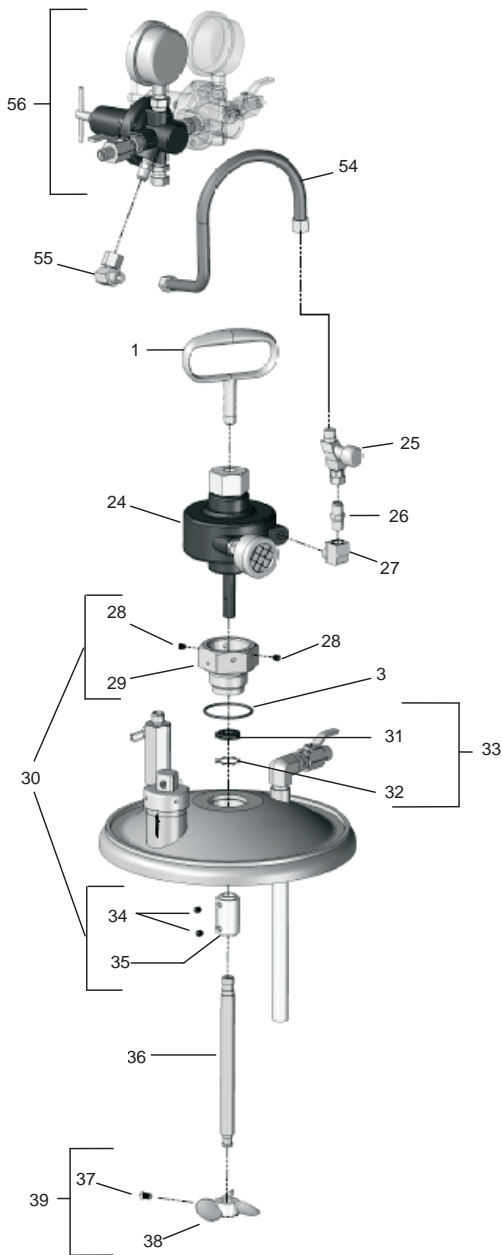
Finishing Brands Paint Tanks – Stainless Steel – Agitator

Item #	Part #	Description
Fig. 2		
1	20BKQN97	Handle
3	20BKSSG8184K2	O-ring (<i>Quantity of Two</i>)
24	20BKQMG429	Air Motor Assembly
25	20BKHAV500B	Air Adjusting Valve
26	20BKH2008	1/4" NPS x 1/4" NPT Nipple
27	20PFHA25UG0404	1/4-18 NPT Brass Street Elbow
28	20100150	1/4-20 x 1/4 Set Screw (<i>Quantity of Two</i>)
29	—	Adapter (<i>See Item #30</i>)
30	20BKKK4990	Seal Retainer Kit (<i>Includes Item #'s: 28, 29, 34, and 35</i>)
31	—	1/2" I.D. Shaft Seal (<i>For Direct Drive Agitator</i>)
32	—	Internal Retaining Ring (<i>For Direct Drive Agitator</i>)
33	20BKK5041	Shaft Seal Kit (<i>For Direct Drive Agitator</i>) (<i>Includes Item #'s: 31 and 32</i>)
34	20100150	1/4-20 x 1/4" Set Screw (<i>Quantity of Two</i>)
35	—	Shaft Coupling (<i>See Item #30</i>)
36	20BKQMG56	Agitator Shaft
37	—	1/4-20 x 3/8" Stainless Steel Square Head Set Screw
38	—	Propeller
39	20BKQMS448	Agitator Propeller Kit (<i>For Direct Drive Agitator</i>) (<i>Includes Item #'s: 37 and 38</i>)
40	20BKQMS46	Retaining Nut
41	20BKKK5049	Thrust Washer (<i>Quantity of Two</i>)
42	—	Thrust Collar
43	—	5/16-18 x 3/8" Set Screw
44	20BKQMS447	Thrust Collar Kit (<i>Includes Item #'s: 42 and 43</i>)
45	20BKQMG409	Bearing Assembly
46	—	5/8" I.D. Shaft Seal
47	—	Internal Retaining Ring (<i>Gear-Reduced Agitator</i>)
48	20BKKK5045	Shaft Seal Kit (<i>Gear-Reduced Agitator</i>) (<i>Includes Item #'s: 46 and 47</i>)
49	20BKQMG15	Agitator Shaft
50	—	Agitator Paddle
51	—	5/16-18 x 1-1/4" Stainless Steel Socket Head Cap Screw
52	20BKQMS449	Agitator Paddle Kit (<i>Includes Item #'s: 50 and 51</i>)
53	20BKQS5012	Air Motor/Gearbox Drive
54	20BKHA47011	Air Hose Assembly
55	20BKSSP30ZN	Swivel Elbow
56	—	Air Control (<i>See Figures 5 and 6</i>)
—	9V003	Operator's Manual – 2 Gallon Finishing Brands Paint Tanks
—	206M403	Part Numbers and Schematics Guide – Finishing Brands Paint Tanks

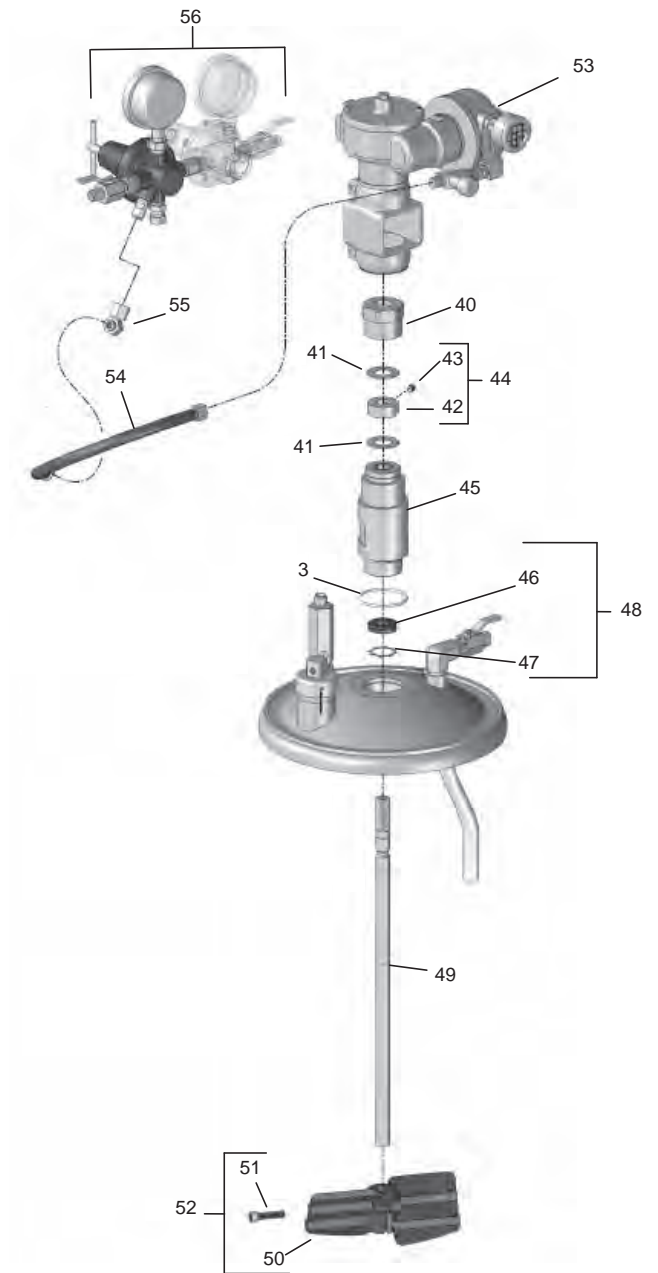
PART NUMBERS AND SCHEMATICS GUIDE

Figure 2: Finishing Brands Paint Tanks – Stainless Steel – Agitator

Direct Drive Agitator



Gear-Reduced Agitator



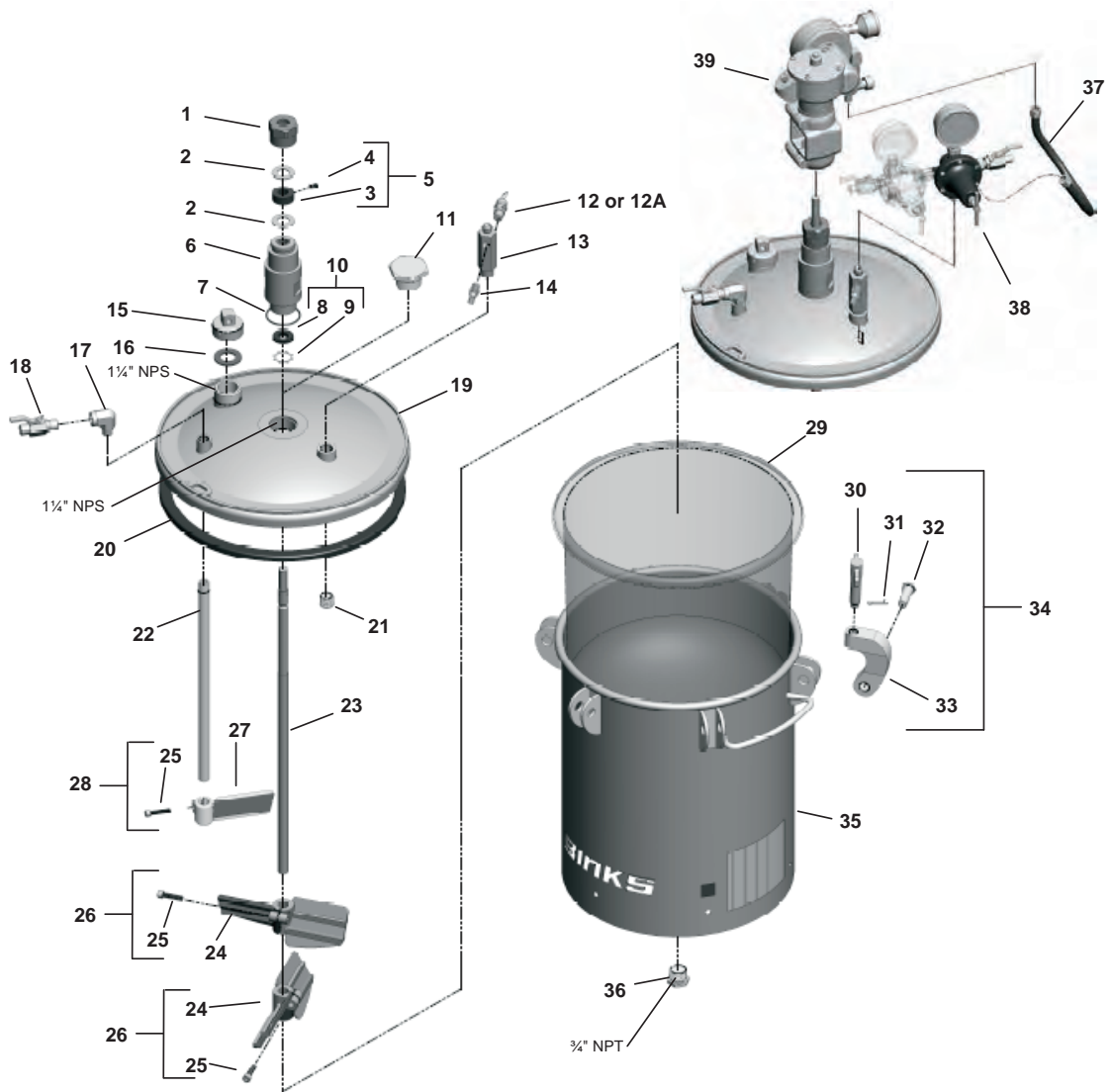
PART NUMBERS AND SCHEMATICS GUIDE

5, 10, and 15 Gallon Finishing Brands Paint Tanks – Stainless Steel

Item #	Part #	Description
Fig. 3		
1	20BKQMS46	Retaining Nut
2	20BKQMG85	Thrust Washer
3	—	Thrust Collar
4	—	5/16-18 x 3/8" Set Screw
5	20BKQMS447	Thrust Collar Kit <i>(Includes Item #'s: 3 and 4)</i>
6	20BKQMG409	Bearing Assembly - Plain Steel
7	20BKSSG8184K2	O-rings <i>(Quantity of Two)</i>
8	—	5/8" I.D. Shaft Seal
9	—	Internal Retaining Ring
10	20BKKK5042	Shaft Seal Kit <i>(Includes Item #'s: 8 and 9)</i>
11	20BKQMG19	Plug <i>(Non-Agitated Models Only)</i>
12	20BKTIA5110	Safety Valve Assembly, 110 psi
12A	20BKTIA5040	Safety Valve Assembly, 40 psi <i>(Extra Sensitive Models Only)</i>
13	20BKQMG21	Air Manifold
14	20BKSS2707	1/4" NPT (m) Air Relief Valve
15	20BK83524	Fill Port Cap
16	20BK831207	Fill Port Cap Gasket
17	—	3/8-18 NPT Brass Steel Elbow
18	20BKVA540	3/8" NPS Outlet Ball Valve
19	20BKQMG4021	Tank Lid
20	20BKQM14581	Tank Lid Gasket
21	—	1/2-14 NPT Plated Steel Plug
22	20BKQMG32	Fluid Tube
23	20BKQMG28	Agitator Shaft
24	—	Agitator Paddle <i>(Two Required)</i>
25	—	5/16-18 x 1-1/4" Stainless Steel Socket Head Cap Screw <i>(Quantity of Three)</i>
26	20BKQMS444	Agitator Paddle Kit <i>(Two Required)</i> <i>(Includes Item #'s: 24 and 25)</i>
27	—	Stationary Paddle
28	20BKQMS445	Stationary Paddle Kit <i>(Includes Item #'s: 25 and 27)</i>
29	20BKPTL408K20	Disposable Tank Liner - 5 Gallon
30	20BKQM1352	Thumb Screw <i>(Six Required)</i>
31	—	1/8" x 1" Cotter Pin <i>(Six Required)</i>
32	—	Clevis Pin <i>(Six Required)</i>
33	—	Clamp <i>(Six Required)</i>
34	20BKKK5014	Clamp, Pin, and Thumb Screw Kit <i>(Includes Item #'s: 30, 31, 32, and 33 (Quantity of One Each))</i>
35	20BKQMG5051	Tank and Lug Assembly <i>(5 Gallon Only)</i>
36	—	Bottom Plug
37	20BKHA57011	Air Hose Assembly
38	—	Air Controls <i>(See Figures 5, 6, 7, and 8)</i>
39	20BKQS5012	Air Motor/Gearbox Drive <i>(Includes Item #37)</i>
—	20BKQMG418	Agitator Assembly - 5 Gallon <i>(Includes Item #'s: 1, 2 (Quantity of Two), 3, 4, 6, 7, 8, 9, 23, 24, 25, and 27)</i>
—	9V004	Operator's Manual – 5, 10, and 15 Gallon Finishing Brands Paint Tanks
—	206M403	Part Numbers and Schematics Guide – Finishing Brands Paint Tanks

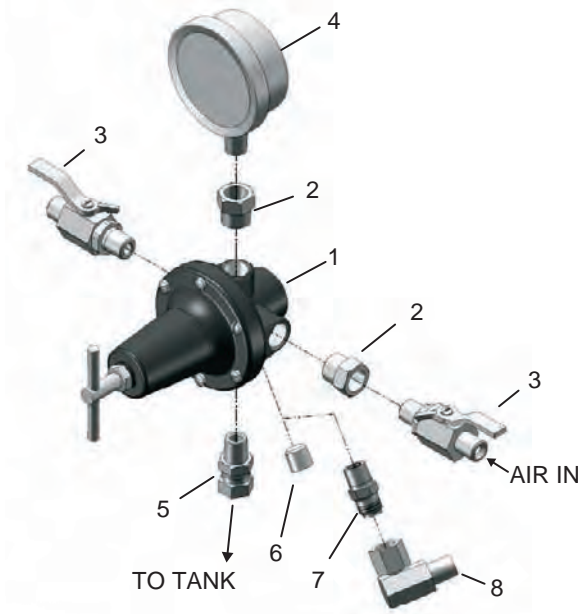
PART NUMBERS AND SCHEMATICS GUIDE

Figure 3: 5, 10, and 15 Gallon Finishing Brands Paint Tanks – Stainless Steel



PART NUMBERS AND SCHEMATICS GUIDE

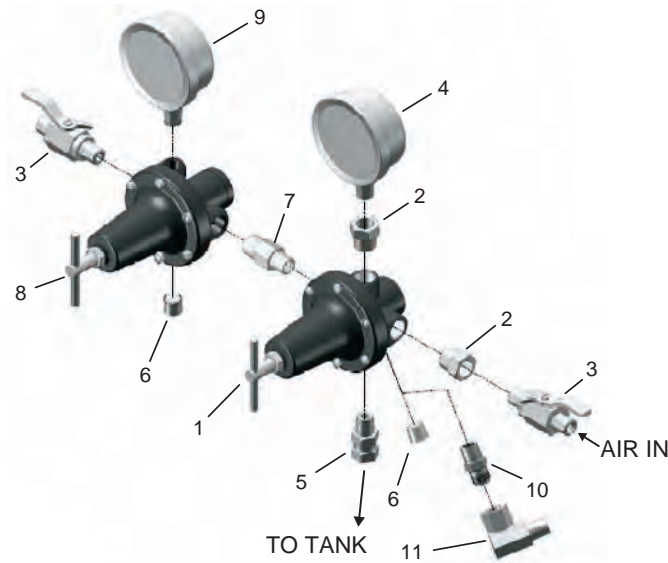
Figure 4: Single Regulator Air Controls



Item #	Part #	Description
Fig. 4		
—	20BK85470	Single Regulator Air Control – For Non-Agitated Tanks - Complete
—	20BK85471	Single Regulator Air Control – For Agitated Tanks - Complete
1	20BKHAR511	Air Regulator <i>(Includes Item #6)</i>
2	—	3/8"(M) x 1/4" (F) Steel Plated Bushing <i>(Two Required)</i>
3	10BKVA542	Ball Valve <i>(Two Required)</i>
4	20BK831290	Gauge – 150 psi
5	20BKSSP8217ZN	Swivel Adapter
6	—	1/4" NPT Plug <i>(Non-Agitated Tanks Only)</i>
7	20BKH2008	1/4" NPS x 1/4" NPT Nipple <i>(Agitated Tanks Only)</i>
8	20BKSSP30ZN	1/4" NPS (M) x 1/4" NPS Swivel Elbow <i>(Agitated Tanks Only)</i>

PART NUMBERS AND SCHEMATICS GUIDE

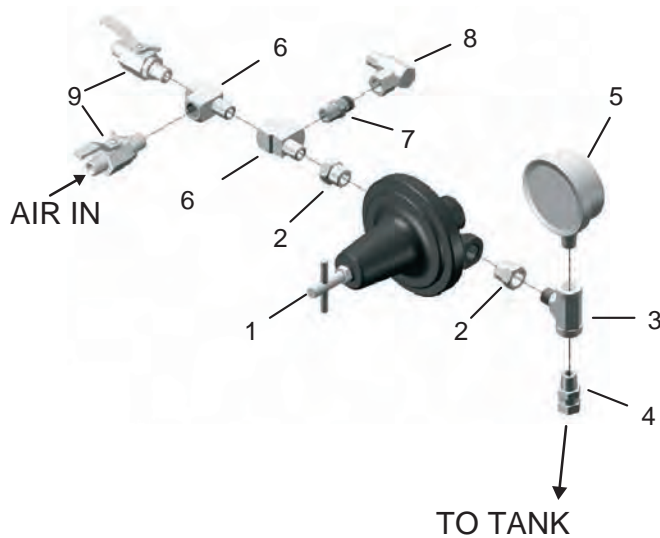
Figure 5: Dual Regulator Air Controls



Item #	Part #	Description
Fig. 5		
—	20BK85472	Dual Regulator Air Control for Non-Agitated Tanks - Complete
—	20BK85473	Dual Regulator Air Control for Agitated Tanks - Complete
1	20BKHAR511	Air Regulator <i>(Includes Item #6)</i>
2	—	3/8" (M) x 1/4" (F) Steel Plated Bushing <i>(Two Required)</i>
3	20BKVA542	Ball Valve <i>(Two Required)</i>
4	20BK831290	Gauge – 150 psi
5	20BKSSP8217ZN	Swivel Adapter
6	—	1/4" NPT Plug <i>(Two Required for Non-Agitated Tanks)</i>
7	20BK834233	1/4" x 3/8" DM Nipple
8	20BKHAR507	Air Regulator
9	20BK831355	Gauge - 100 psi
10	20BKH2008	1/4" NPS x 1/4" NPT Nipple <i>(Agitated Tanks Only)</i>
11	20BKSSP30ZN	1/4" NPS (M) x 1/4" NPS Swivel Elbow <i>(Agitated Tanks Only)</i>

PART NUMBERS AND SCHEMATICS GUIDE

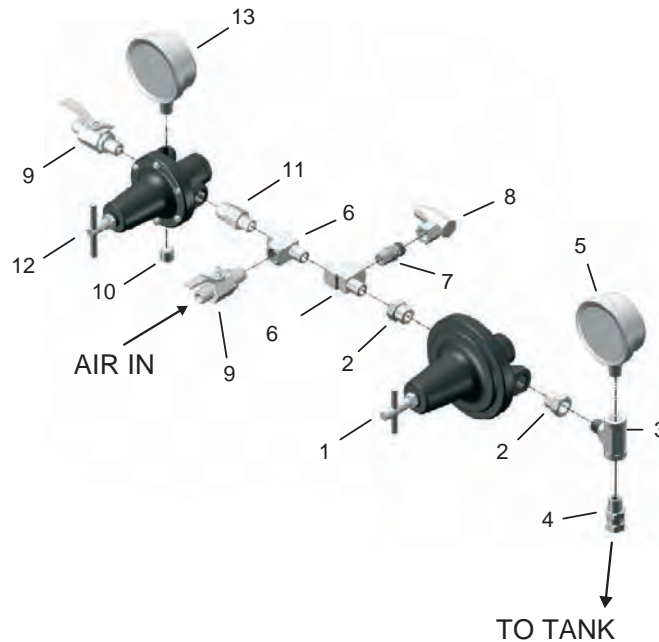
Figure 6: Extra Sensitive Single Regulator Air Controls



Item #	Part #	Description
Fig. 6		
—	20BK85490	Extra Sensitive Single Regulator Air Control for Non-Agitated Tanks – Complete
—	20BK85491	Extra Sensitive Single Regulator Air Control for Agitated Tanks – Complete
1	20BKHAR501	Extra Sensitive Regulator
2	—	3/8" (M) x 1/4" (F) Steel Plated Bushing (<i>Two Required</i>)
3	20BKSSP2629ZN	1/4" NPT Male Branch Tee
4	20BKSSP8217ZN	Swivel Adapter
5	20BK831414	Gauge - 30 psi
6	—	1/4" NPT Street Tee (<i>Two Required for Agitated Tanks</i>)
7	20BKH2008	1/4" NPS x 1/4" NPT Nipple
8	20BKSSPZN30	1/4" NPS (M) x 1/4" NPS Swivel Elbow
9	20BKVA542	Ball Valve (<i>Two Required</i>)
10	20BKZIA5040	Safety Valve - 40 psi (<i>Not Shown</i>)

PART NUMBERS AND SCHEMATICS GUIDE

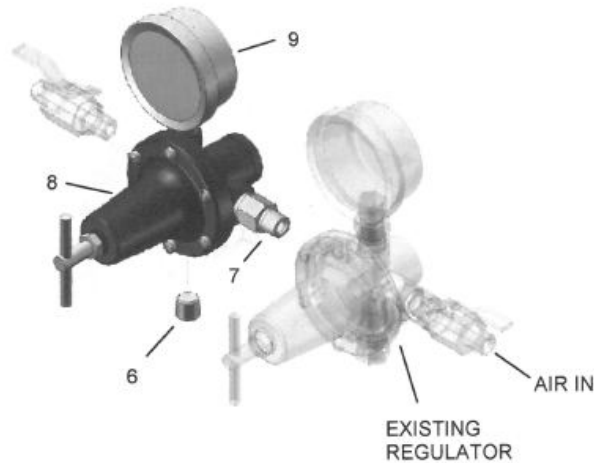
Figure 7: Extra Sensitive Dual Regulator Air Controls



Item #	Part #	Description
Fig. 7		
—	20BK85492	Extra Sensitive Dual Regulator Air Control for Non-Agitated Tanks
—	20BK85493	Extra Sensitive Dual Regulator Air Control for Agitated Tanks
1	20BKHAR501	Extra Sensitive Regulator <i>(Includes Item #10)</i>
2	—	3/8" (M) x 1/4" (F) Steel Plated Bushing <i>(Two Required)</i>
3	20BKSSP2629ZN	1/4" NPT Male Branch Tee
4	20BKSSP8217ZN	Swivel Adapter
5	20BK831414	Gauge - 30 psi
6	—	1/4" NPT Street Tee <i>(Two Required for Agitated Tanks)</i>
7	20BKH2008	1/4" NPS x 1/4" NPT Nipple
8	20BKSSPZN30	1/4" NPS (M) x 1/4" NPS Swivel Elbow
9	20BKVA542	Ball Valve <i>(Two Required)</i>
10	—	1/4" NPT Plug
11	20BK834233	1/4" x 3/8" DM Nipple
12	20BKHAR507	Air Regulator
13	20BK831355	Gauge - 100 psi
14	20BKTI A5040	Safety Valve - 40 psi <i>(Not Shown)</i>

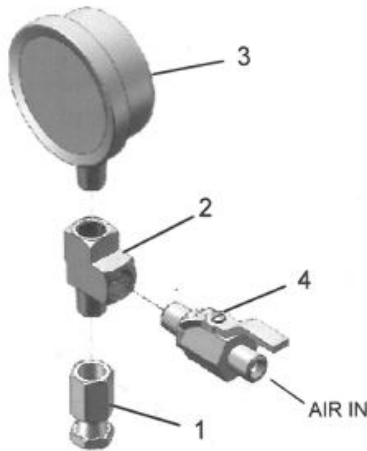
PART NUMBERS AND SCHEMATICS GUIDE

Figure 8: Single to Dual Regulator Conversion Kit



Item #	Part #	Description
Fig. 8		
—	20BK85469	Single to Dual Regulator Conversion Kit - Complete
6	—	1/4" NPT Plug
7	20BK834233	DM Nipple 1/4" X 3/8"
8	20BKHAR507	Air Regulator (Includes Item #6)
9	20BK831355	Gauge - 100 psi

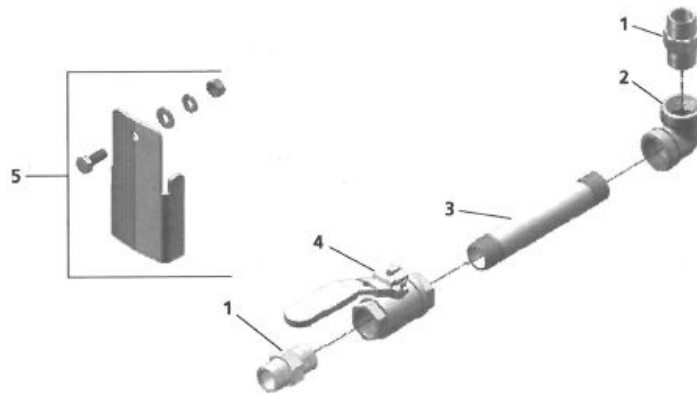
Figure 9: No Regulator Kit



Item #	Part #	Description
Fig. 9		
—	20BKQMS4003	No Regulator Kit - Complete
1	—	1/4" NPT (F) x 1/4" NPS Adapter
2	—	Street Tee
3	20BK831290	Gauge -150 psi
4	20BKVA542	Ball Valve


PART NUMBERS AND SCHEMATICS GUIDE

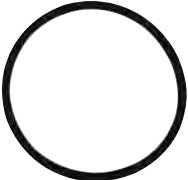
Figure 10: Leg and Bottom Outlet Kits



Item #	Part #	Description
Fig. 10		
—	20BK1833000	Leg Kits for 2 Gallon Tanks with 3/4" Bottom Outlets - Complete <i>(Includes Item #'s: 1, 2, 3, 4, and 5 (Quantity of Three))</i>
—	20BK1833001	Leg Kits for 5, 10, and 15 Gallon Tanks with 3/4" Bottom Outlets - Complete <i>(Includes Item #'s: 1, 2, 3, 4, and 5 (Quantity of Three))</i>
1	—	3/4" NPT - NPS Universal Adapter <i>(Two Required)</i>
2	—	3/4" NPT (F) Elbow
3	—	Pipe Nipple
4	—	3/4" NPT Full Port Ball Valve
5	20BK1833005	Leg Kit <i>(Three Required)</i>

PART NUMBERS AND SCHEMATICS GUIDE

		DISPOSABLE TANK LINERS		
Part Numbers		Tank Size	Liner Dimensions	Package Quantity
	20BK6228B	2 Gallon	9-1/8" x 9-3/16"	One Each
	20BK78K10	2 Gallon	10-11/32" x 9-5/8"	10
	20BK6239B	5 Gallon	12" x 15-5/8"	One Each
	20DPTL405K20B	5 Gallon	13-7/8" x 13-11/16"	One Each
	20DPTL406K20B	5 Gallon	13-7/8" x 16-1/8"	One Each
	20BK6239	5 Gallon	12" x 15-5/8"	24
	20DPTL406K20B20	5 Gallon	13-7/8" x 16-1/8"	20
	20BK6240B	10 Gallon	13-7/8" x 21-5/8"	One Each
	20DPTL410K8B	10 Gallon	13-7/8" x 19-7/16"	One Each
	20BK6240	10 Gallon	13-7/8" x 21-5/8"	12
	20BKPTL415K10	15 Gallon	13-7/8" x 29-1/16"	10

		HEAD GASKETS	
Part Numbers		Tank Size	Package Quantity
	20BKQMS801	2 Gallon	One Each
	20BKQM14581	5, 10, and 15 Gallon	One Each

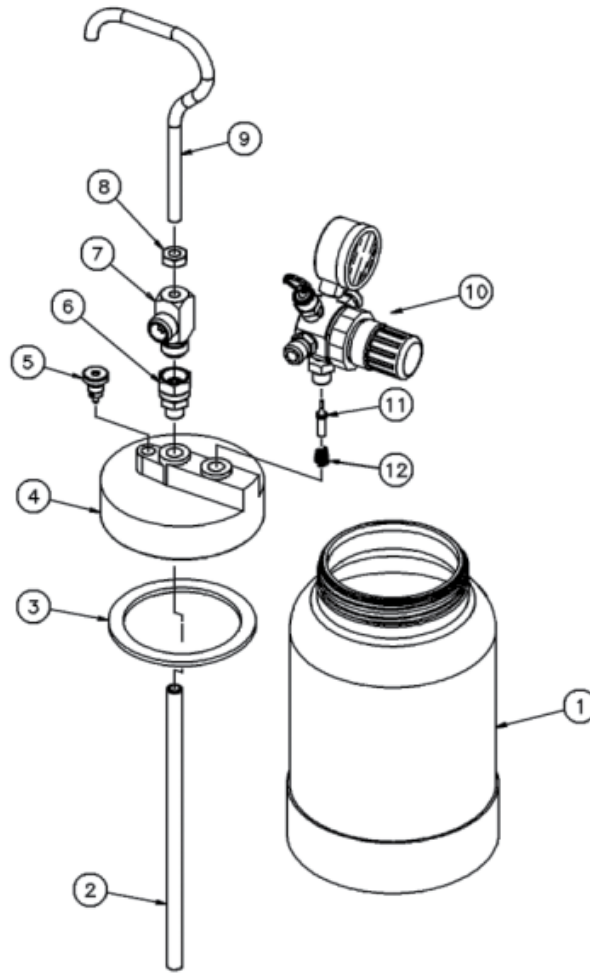
PART NUMBERS AND SCHEMATICS GUIDE

FINISHING BRANDS PAINT CUPS					
Part Numbers	Fluid Capacity	Max Cup Pressure	Liner Material	Air Inlet	Fluid In
20BK80295	2 Qts.	50 psi	Plastic	1/4" NPS (M)	3/8" NPS (M)

FINISHING BRANDS PAINT CUPS DIMENSIONS AND SHIPPING WEIGHTS	
Overall Height (with handle)	16-15/16"
Overall Height (without handle)	13"
Overall Width	5-1/4"
Estimated Shipping Weight	3 lbs. 3 oz.

PART NUMBERS AND SCHEMATICS GUIDE

Figure 1: Finishing Brands Paint Cups



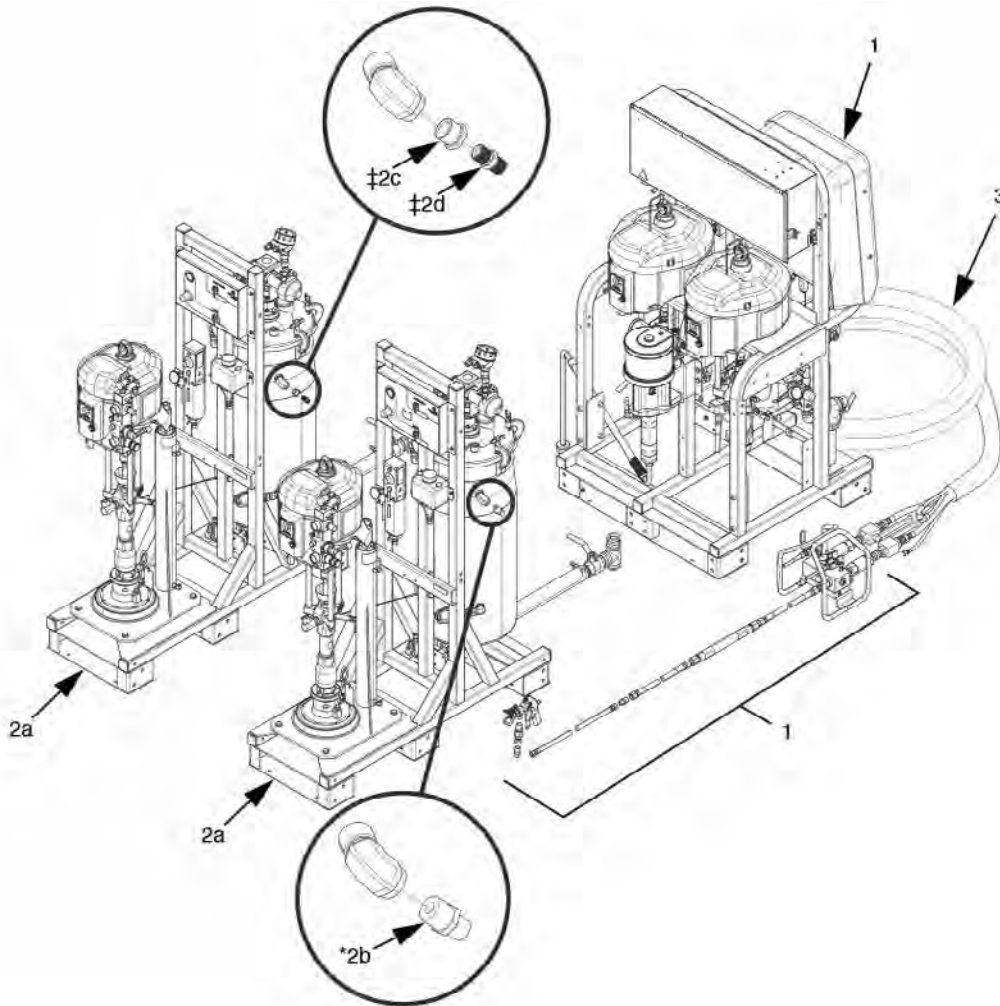
Item #	Part #	Description
Fig. 1		
—	20BK80295	Finishing Brands Paint Cups
1	20BK804	Cup – 2 Qt.
2	20BK8034	Tube
3	20BK8011	Tri-Seal Foam Gasket (<i>One Each</i>)
—	20BK80115	Tri-Seal Foam Gasket (<i>Package of Five</i>)
4	20BK80297	Cover
5	20BK8012	Air Release Valve
6	20BK721022	Centerpost Assembly
7	20BK8033	Outlet
8	20BK20353	5/16-18 Jam Nut
9	20BK831899	Handle
10	20BK85440	Air Regulator Assembly
11	20BK80267	Valve
12	20BK607	Spring
13	20BK85441	2nd Regulator Kit
—	209V530	Operator's Manual – Finishing Brands Paint Cups
—	206M530	Part Numbrs & Schematics Guide – Finishing Brands Paint Cups

PART NUMBERS AND SCHEMATICS GUIDE

GRACO® XM™ PASSIVE FIRE PROTECTION SPRAY SYSTEM										
Part Numbers	Assembled	Hot Water Flush Pump	Heated Hose Bundle (20G16T122)	20 Gal. Feed Modules with Agitators and Level Sensors	XHIF™ Gun with 429 Tip	30:1 Merkur® Solvent Flush Pump	Viscon® HF Primary Heaters	Mix Manifold	Pump	Skid Mount
20101060	X	X	50'	X	X	X	X	X	XM60	X
20101061	X	X	100'	X	X	X	X	X	XM60	X
20101062	X	X	150'	X	X	X	X	X	XM60	X
20101063	X	X	200'	X	X	X	X	X	XM60	X
20101056	X		50'	X	X	X	X	X	XM60	X
20101057	X		100'	X	X	X	X	X	XM60	X
20101058	X		150'	X	X	X	X	X	XM60	X
20101059	X		200'	X	X	X	X	X	XM60	X
20G262869			50'	X	X	X	X	X	XM60	X
20G262878						X	X	X	XM60	X

PART NUMBERS AND SCHEMATICS GUIDE

Figure 1: Graco® XM™ Passive Fire Protection Spray Systems 1 of 5



Item #	Part #	Description
Fig. 1		
1	20G262878	Mix Manifold Sub Assembly (See Fig. 17)
2	20G24P202	Feed Module Assembly (See Fig. 6 and Fig. 7)
2a	20G24P883	Feed Module <i>Includes 40:1 Check-Mate®, Heated Pressure Tank, Agitator, Level Sensor and Bottom Outlet Feed Hose and Connection</i>
2b	20GC20461	Reducing Nipple
2c	20G100505	Bushing
2d	20G156849	Nipple
2f	20G15U654	Label, A/B Identification
2g	20G061134	Nylon Hose
2h	—	Cable Tie
3	—	Heated Hose Bundle (See Page 36-37)

PART NUMBERS AND SCHEMATICS GUIDE

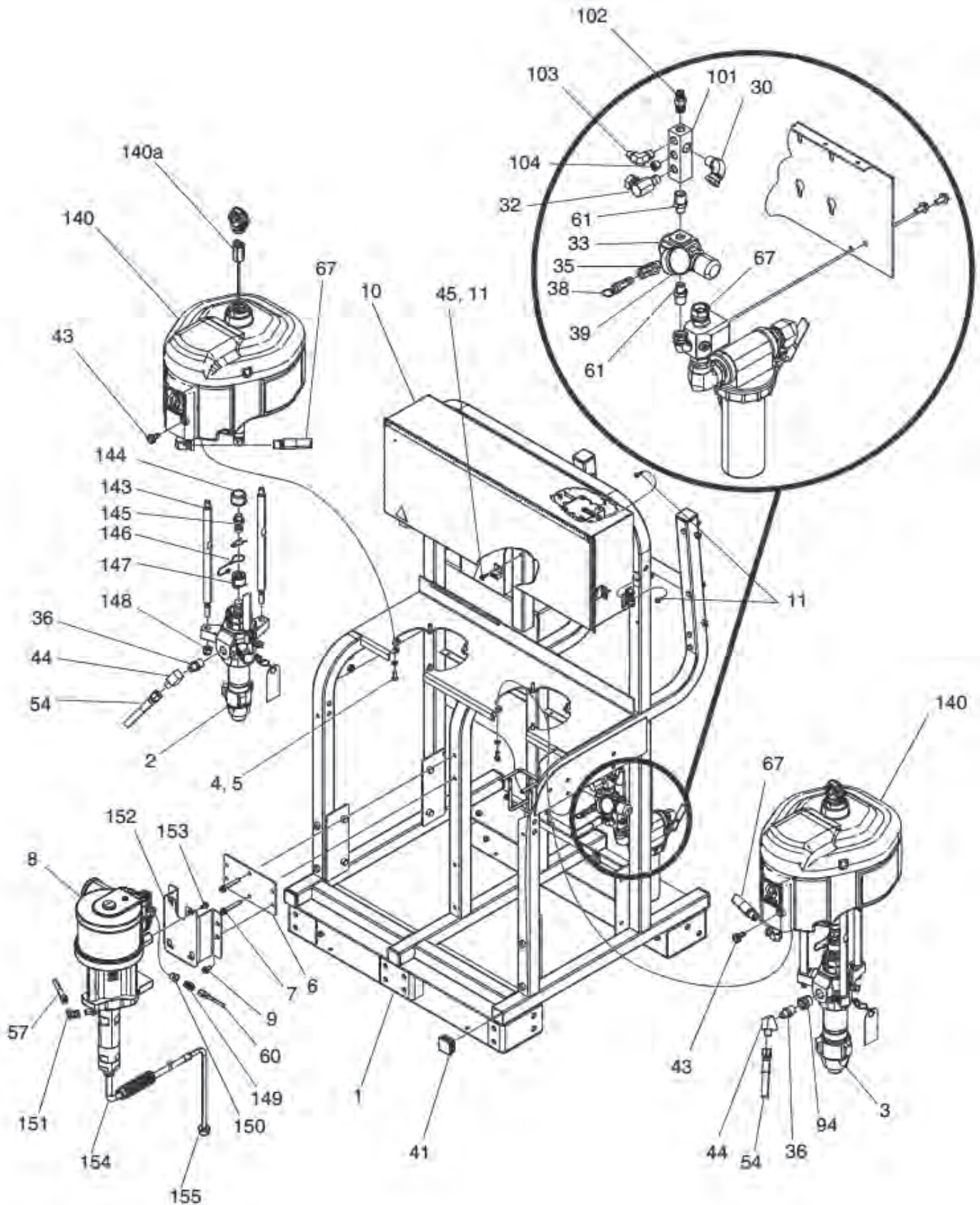
Base System 2 of 5

Item #	Part #	Description
Fig. 2		
1	—	Frame
2	20GL180C9	B Side Lower Pump
3	20GL220C9	A Side Lower Pump
4	20G100133	3/8" Lock Washer
5	20G100101	Hex Head Cap Screw
6	20G256169	Solvent Pump Plate
7	20G121488	Hex Head Screw, Flanged
8	20GW30CAS	6.0 in, 75 cc, Solvent Pump
9	20G112395	Flang Head Cap Screw
10	20G24N589	Junction Box (see Fig. 9)
11	20G113796	Flanged Head Screw
30	20GC19024	Swivel Elbow Fitting
32	20G217430	90° Union Swivel Fitting
33	20G15T536	3/8" NPT Air Regulator
35	20G116504	Tee Run Fitting
36	20GC20461	Hex Reducing Nipple
38	20G116643	Air Safety Relief Valve
39	20G101689	Air Pressure Gauge
41	20G115313	Tube Plug
43	20G15J277	De-Ice Control Assembly
44	20G15M987	60° Elbow Fitting
45	20G117666	Terminal Ground
54	20GH75003	1/2" I.D. x 3' Coupled Hose, 7250 psi
57	20GH42506	1/4" I.D. x 6' Coupled Hose, 4500 psi
60	20G248208	5/16" I.D. x 4' Coupled Air Hose
61	20G159239	Reducing Pipe Nipple
67	20G240900	3/4" I.D. x 30" Coupled Air Hose
94	20G158586	Bushing
101	20G158990	Air Manifold
102	20G165198	Reducing Nipple Fitting
103	20G121858	3/8" NPT x 1/4" NPT Elbow Fitting
104	20G101754	Plug
140	20G257055	Motor, 6500 with Sensor
140a	20G256893	Linear Sensor Assembly
143	20G257150	Tie Rod
144	20G197340	Coupler Cover
145	20G15H392	Adapter Rod

Item #	Part #	Description
146	20G244820	Hairpin Lanyard Clip
147	20G244819	Assembly Rod Coupling
148	20G101712	Nyloc Nut
149	20G157350	3/8" x 1/4" Adapter
150	20G100081	Bushing
151	20G116395	90° 1/4" M x 3/8" Swivel Union
152	20G256561	Pump Mount Plate
153	20G111799	M8 x 1.25 x 16 mm Screw
154	20G256421	Siphon Hose
155	20G181073	Inlet Strainer

PART NUMBERS AND SCHEMATICS GUIDE

Figure 2: Base System 2 of 5



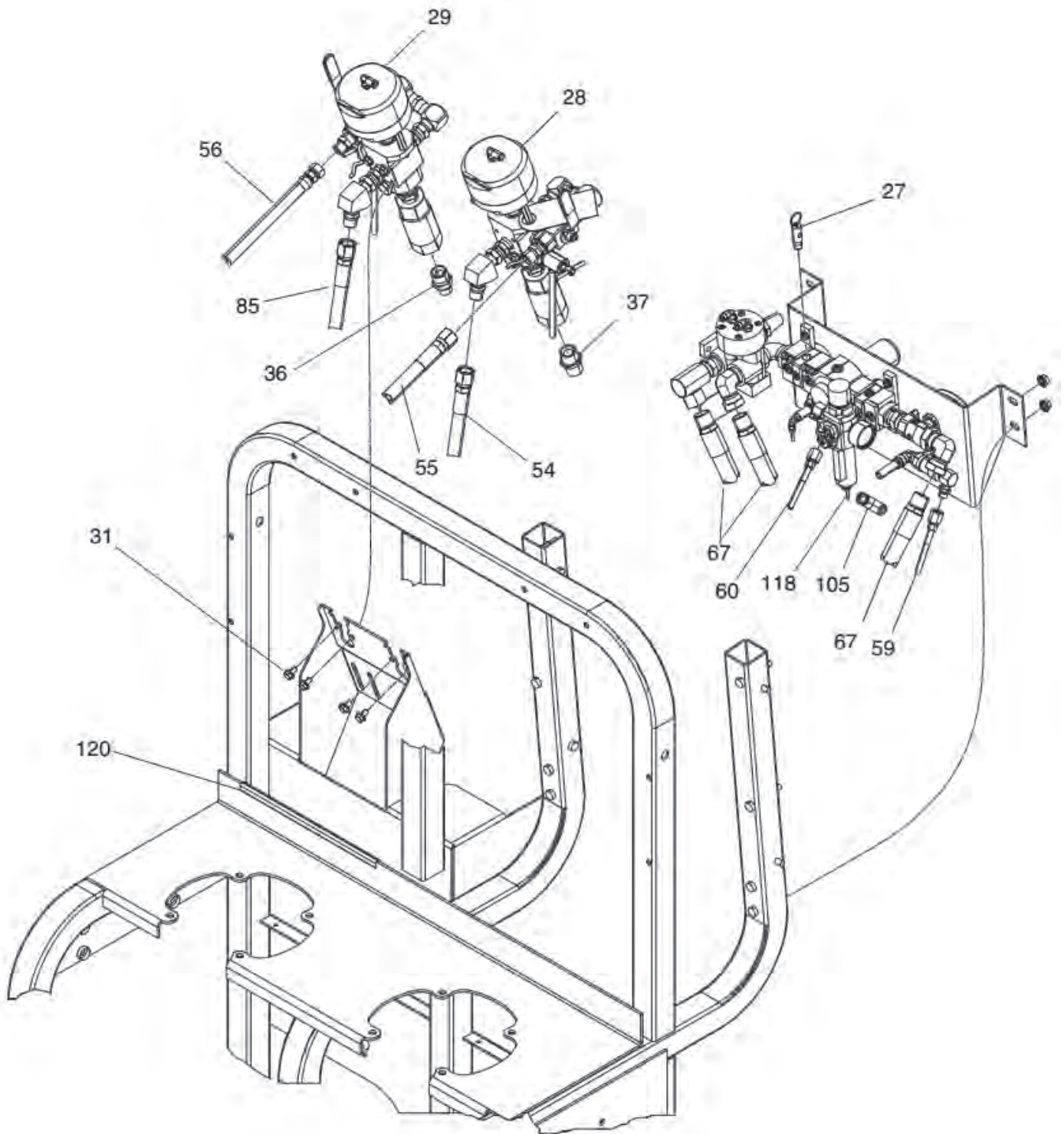
PART NUMBERS AND SCHEMATICS GUIDE

Base System 3 of 5

Item #	Part #	Description
Fig. 3		
27	20G113498	Safety Valve, 110 psi
28	—	Ratio Control Valve, Left (See Fig. 12)
29	—	Ratio Control Valve, Right (See Fig. 12)
31	20G111801	Hex Head Cap Screw
36	20GC20461	Hex Head Reducing Fitting
37	20G160032	Nipple
54	20GH75003	1/2" I.D. x 3' Coupled Hose, 7250 psi
55	20GH75004	1/2" I.D. x 4' Coupled Hose, 7250 psi
56	20GH73806	3/8" I.D. x 6' Coupled Hose, 7250 psi
59	20G16P244	5/16" I.D. x 3' Coupled Air Hose
60	20G248208	5/16" I.D. x 4' Coupled Air Hose
67	20G240900	3/4" I.D. x 30" Coupled Air Hose
85	20GH75002	1/2" I.D. x 2' Coupled Hose, 7250 psi
105	20G119798	Push-tube Connector Tee
118	20G054760	Polyurethane Tube, Black, Round
120	20G115901	Edge Trim

PART NUMBERS AND SCHEMATICS GUIDE

Figure 3: Base System 3 of 5



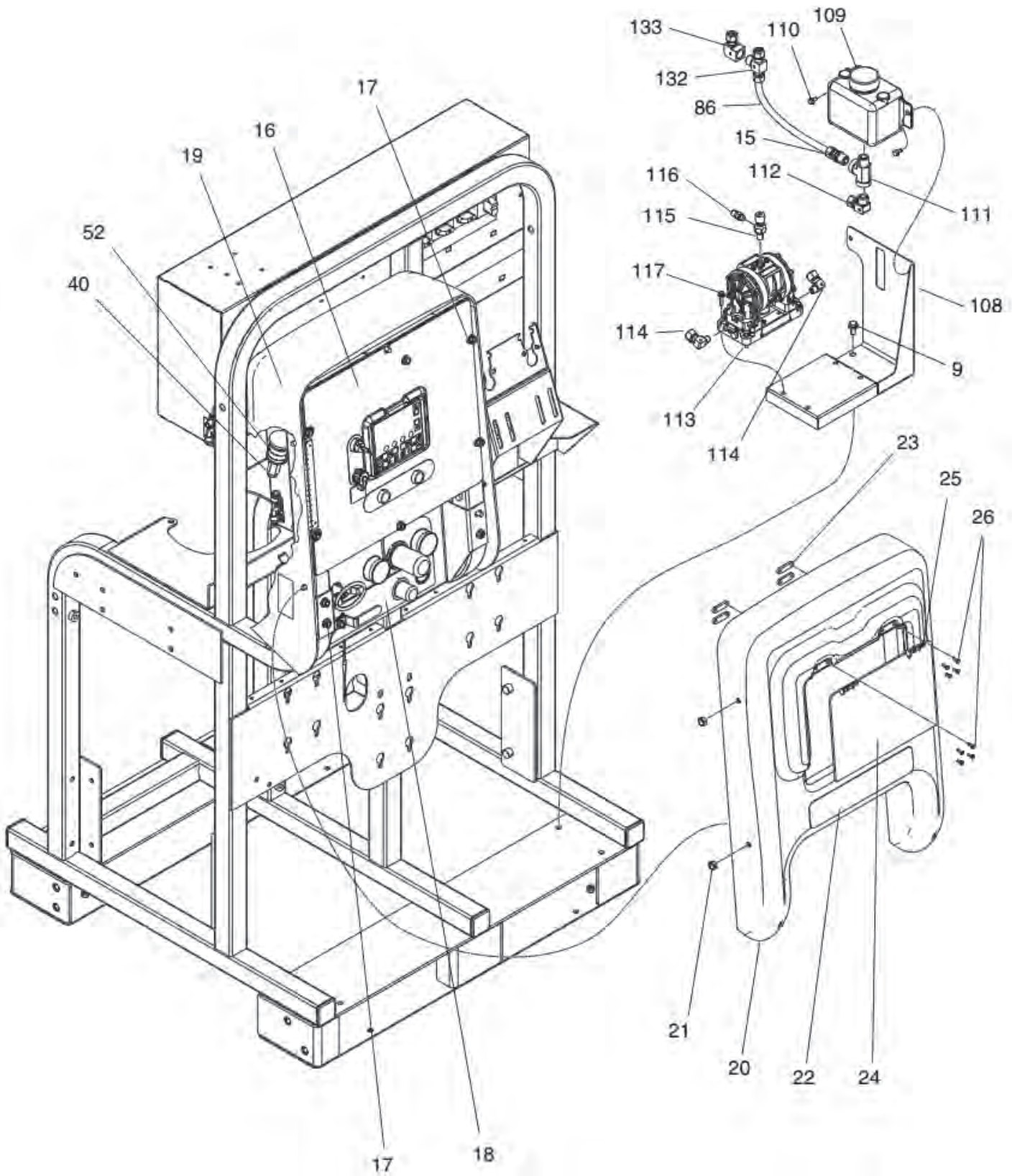
PART NUMBERS AND SCHEMATICS GUIDE

Base System 4 of 5

Item #	Part #	Description
Fig. 4		
9	20G112395	Flange Head Cap Screw
15	20G126899	Straight Compression Fitting
16	20G255771	Air/Electric Control Box
17	20G112958	Flanged Hex Nut
18	20G255761	Air Controls Module, Upper
19	—	Shroud Cover, Rear
20	20G256177	Shroud Cover, Front
21	20G117623	3/8-16 Cap Nut
22	—	XM PFP Label
23	20G15T567	Backup Plate Hinge Nut
24	20G15T568	Control Door Shroud
25	20G121471	Friction Positioning Hinge
26	20G112380	Pan Head Mach Screw
40	20G121688	3/8" NPT x 3/8" Tube Connector PTC
52	20G108636	Muffler
86	—	3/8" I.D. Blue Nylon Tube
108	20G16T745	Water Circulation Mount Bracket
109	20G16R871	1/2" NPT Overflow Bottle
110	20G113161	Hex Head Flange Screw
111	20G108126	Street Tee Fitting
112	20G126898	Elbow Fitting
113	20GD11021	Diaphragm Pump
114	20G126897	Elbow Fitting
115	20G206264	Needle Valve
116	20G151519	Reducing Nipple Fitting
117	20G15R472	1/4" x 1" Flanged Hex Head Fastener
132	20G126346	Tee Fitting, Tube x Tube x NPT (M)
133	20G126345	Elbow Fitting, Tube x NPT (F)

PART NUMBERS AND SCHEMATICS GUIDE

Figure 4: Base System 4 of 5



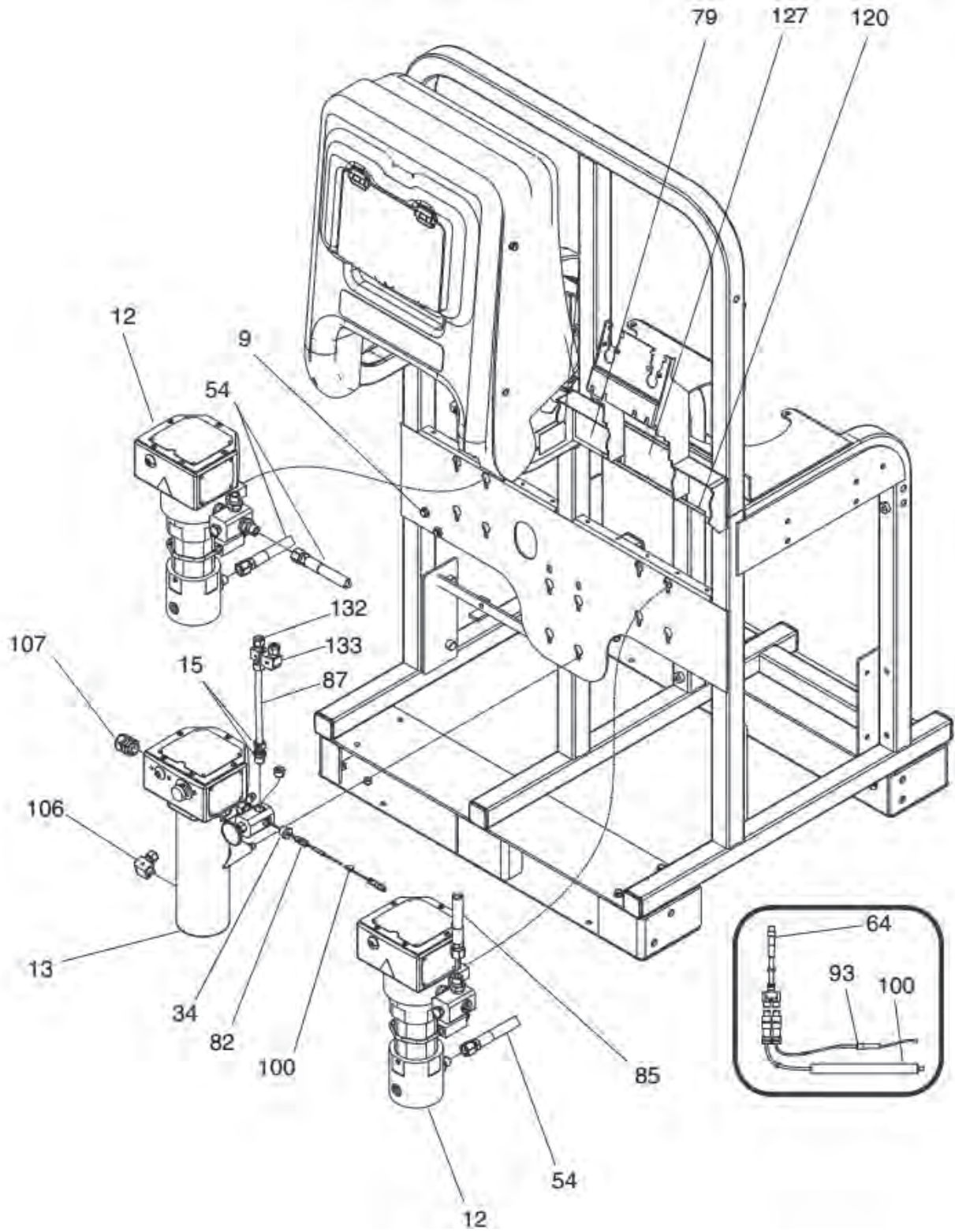
PART NUMBERS AND SCHEMATICS GUIDE

Base System 5 of 5

Item #	Part #	Description
Fig. 5		
9	20G112395	Flange Head Cap Screw
12	20G262853	Viscon® HF Heater
13	20G245869	Viscon® HP Heater
15	20G126899	Straight Compression Fitting
32	20G217430	90° Swivel Union Fitting
34	20G100329	Pipe Bushing
54	20GH75003	1/2" I.D. x 4' Coupled Hose, 7250 psi
64	20G125806	Cable Splitter, M8 4-Pin, Female x Female x Male, 1.5m
79	20G16P856	Codes Label, all languages
82	20G126351	Compression Fitting, Thermocouple
85	20GH75002	1/2" I.D. x 2' Coupled Hose, 7250 psi
93	20G24P242	Sensor, RTD, 1K ohm, Insulated
100	20G126427	Sensor, RTD, 1K ohm, 4 pin, 8"
106	20G126896	Elbow Fitting, Tube
107	20G121603	0.51-0.71, 3/4" Cord Grip
120	20G115901	Edge Trim
132	20G126346	Tee Fitting, Tube x Tube x NPT (M)
133	20G126346	Elbow Fitting, Tube x NPT (F)

PART NUMBERS AND SCHEMATICS GUIDE

Figure 5: Base System 5 of 5



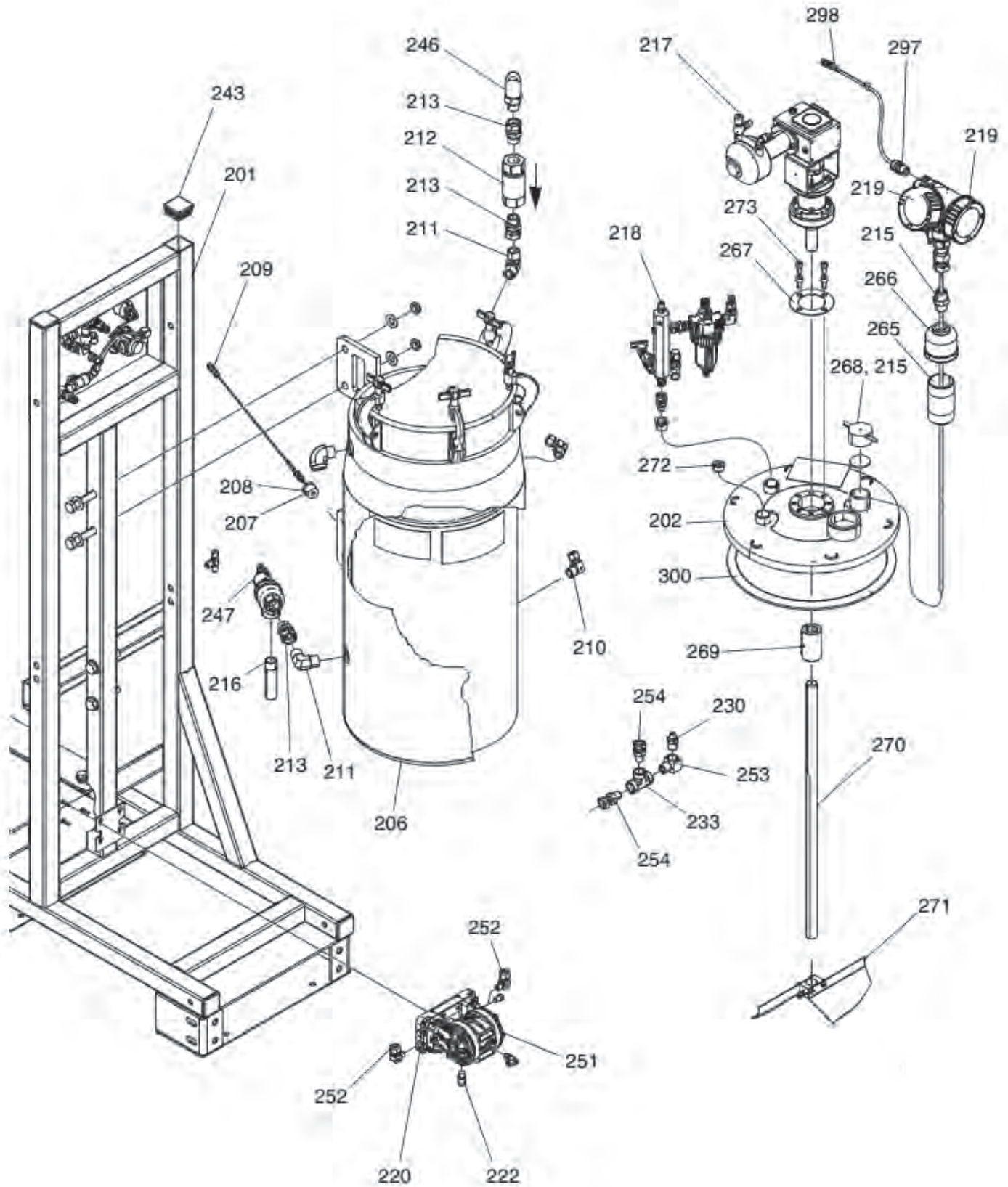
PART NUMBERS AND SCHEMATICS GUIDE

Feed Module 1 of 2

Item #	Part #	Description
Fig. 6		
201	—	Frame
202	20G24M683	Pressure Tank Assembly
206	20G16R869	Tank Wrap Cover
207	—	3/4" NPT x 1/8" NPT Steel Hex Head Bushing
208	20G126351	Compression Fitting, Thermocouple
209	20G126381	Sensor, RTD, 1k ohm, 4 pin, 3"
210	20G126898	Elbow Fitting
211	20G295847	90° 3/4" MPT Elbow Fitting
212	20G16T481	Check Valve (See Fig. 16)
213	20G157785	Swivel Fitting
215	20G171988	Inspection Cap Gasket
216	20G16T619	Nipple, thread on one end
217	20G24P885	Air Agitator Assembly
218	—	Air Manifold Assembly (See Fig. 17)
219	2G24T052	Level Sensor Assembly
220	20GD11021	Diaphragm Pump
222	20G102040	Hex Lock Nut
230	20G117426	Tube Insert
233	20G103475	Pipe Tee Fitting
243	20G115313	Tube Plug
246	20G215241	3/4" I.D. x 6' Hose, 6000 psi
247	20G16T244	3/4" NPT (F) Pressure Relief Valve
251	20G112782	90° Elbow Swivel Fitting
252	20G126897	Elbow Fitting
253	20G115764	90° Elbow Fitting
254	20G190451	Union Adapter
265	20G16R985	2" NPT Nipple
266	20G16R986	2" NPT to 3/4" NPT Adapter
267	20G24P837	Agitator Gasket
268	20G210575	Filler Cap
269	20G16T245	Coupling Shaft, one piece clamp
270	20G16T396	Lower Agitator Shaft
271	20G257604	Blade Assembly
297	20G260067	Strain Relief Fitting
298	20G127172	M12, 5 pin, 4 wire, Cable

PART NUMBERS AND SCHEMATICS GUIDE

Figure 6: Feed Module 1 of 2



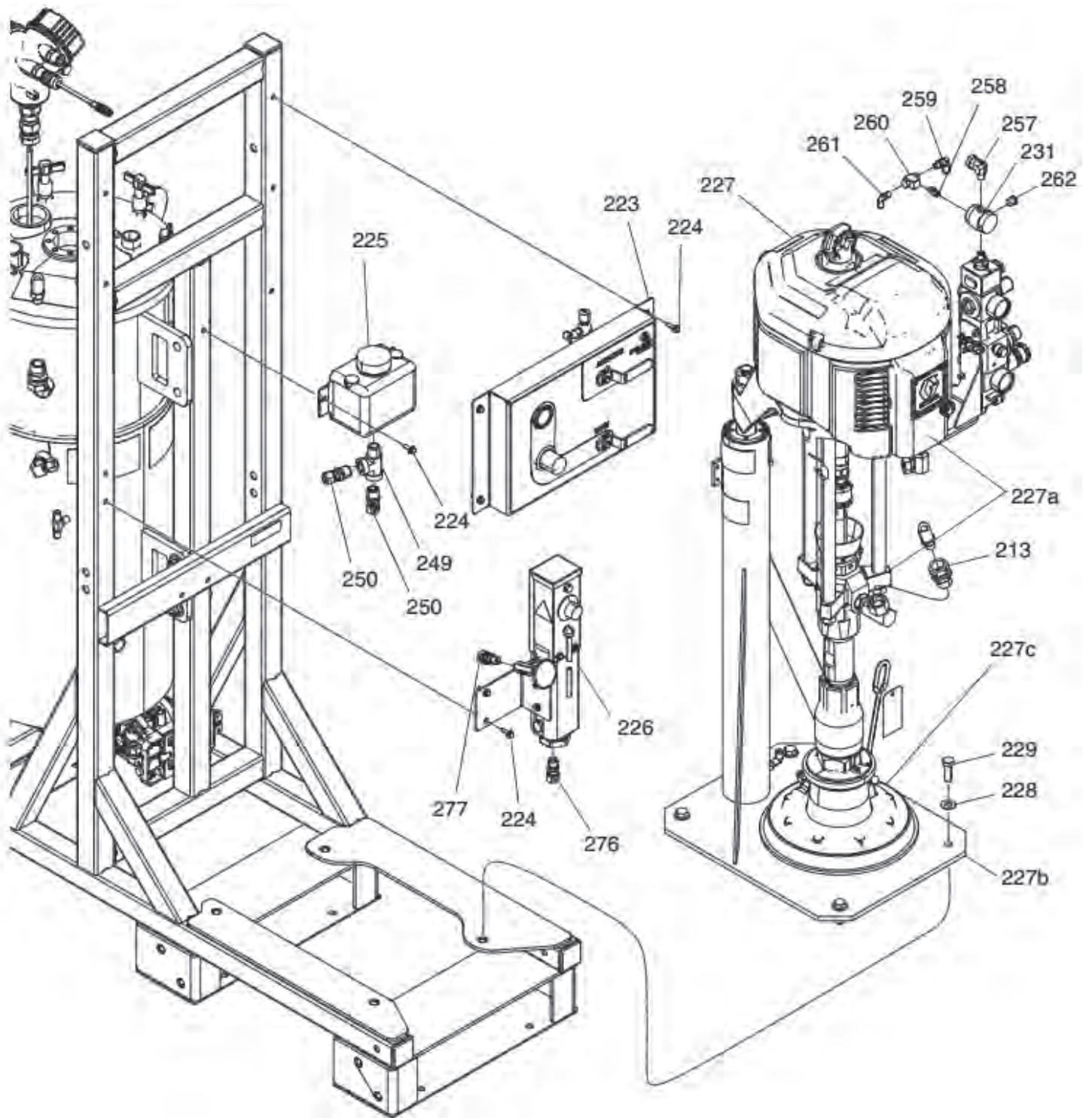
PART NUMBERS AND SCHEMATICS GUIDE

Feed Module 2 of 2

Item #	Part #	Description
Fig. 7		
213	20G157785	Swivel Fitting
223	20G262860	Air Panel Assembly
224	20G113796	Flanged Head Hex Screw
225	20G16R871	1/2" NPT Overflow Bottle
226	20G16T525	240V Viscon® LT Heater
227	20G262868	40:1, 0-Volt, S20, 20L, Supply Unit
227a	20GP40DCS	Pump and Motor (See Graco® Operator's Manual 312376)
227b	20G257620	S20 Ram (See Graco® Operator's Manual 313527)
227c	20G257727	Pail, Platen (See Graco® Operator's Manual 313527)
228	20GGC2041	1/2" Flat Washer
229	20G100017	Hex Head Cap Screw
231	20G104633	Pilot Valve
249	20G108126	Tee Street Fitting
250	20G126899	Straight Compression Fitting
257	20G116395	Swivel Elbow Fitting
258	20G103656	Hex Pipe Fitting
259	20G198171	Elbow Fitting
260	20G593538	1/8" NPT (F) Shuttle Valve
261	20G112781	90° Swivel Elbow
262	20G24K976	1/4" NPT Muffler
276	20G156172	Union Swivel Fitting
277	20G126692	Connector (M)

PART NUMBERS AND SCHEMATICS GUIDE

Figure 7: Feed Module 2 of 2



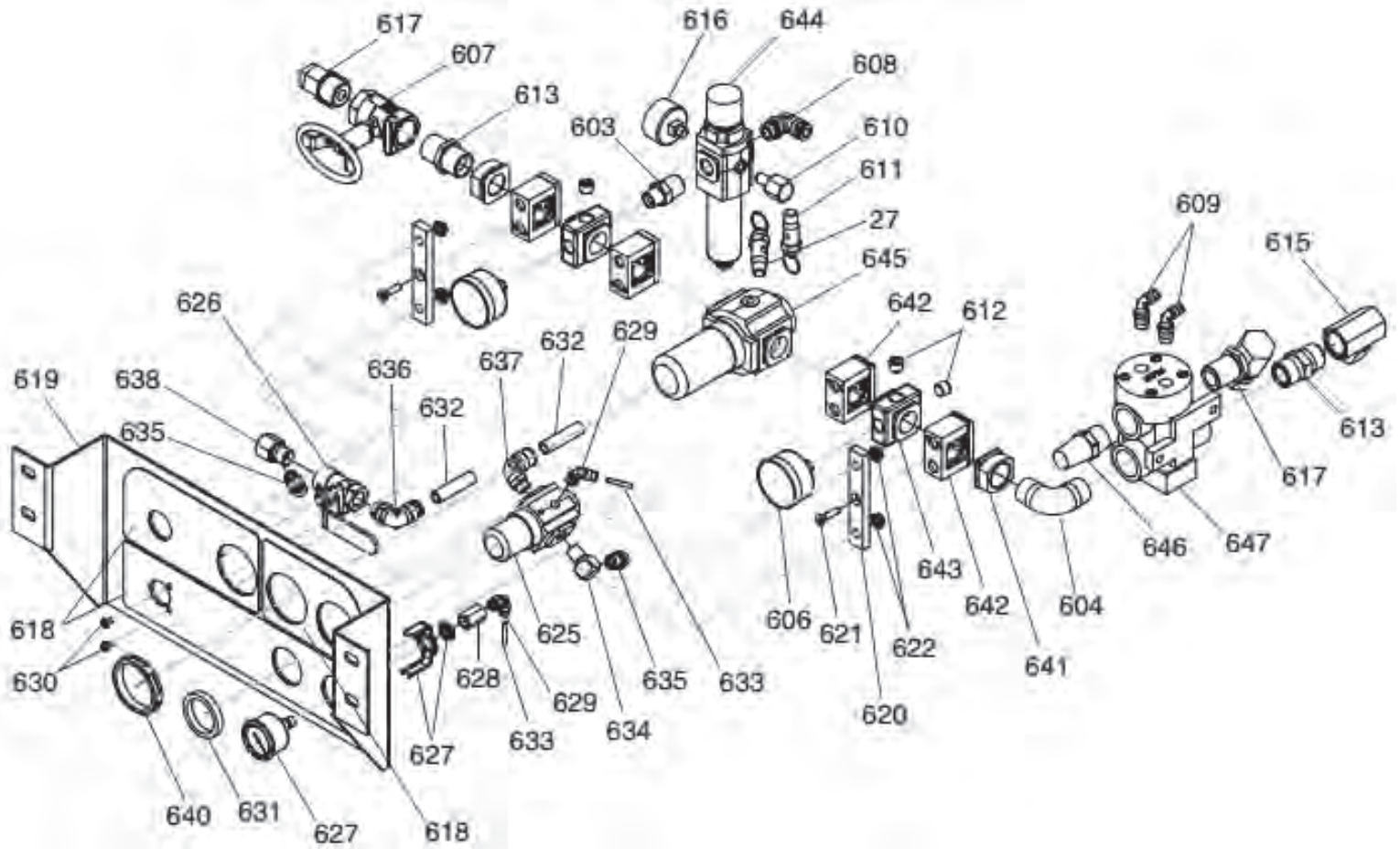
PART NUMBERS AND SCHEMATICS GUIDE

System Air Controls Module

Item #	Part #	Description
Fig. 8		
27	20G113498	Safety Relief Valve, 110 psi
603	20G157350	1/2" x 3/8" NPT Pipe Nipple
604	20G108307	Pipe Elbow (M)
607	20G117346	Vented Ball Valve
608	20G114316	Male Swivel Elbow
609	20G114109	Male Swivel Elbow, 1/4" O.D. Tube
610	20G158962	1/4" (F) x 1/8" (M) Street Elbow
611	20G116643	Safety Relief Valve
612	20G100721	Pipe Plug
613	20G119992	3/4" x 3/4" NPT Pipe Nipple
615	20G156589	90° Adapter Union
616	20G113911	Air Pressure Gauge
617	20G160327	90° Adapter Union
618	20G15T119	Control Label
619	—	Air Controls Bracket
620	20G15R437	Air Controls Bracket Adapter
621	20G121432	Hex Flat Head Machine Screw
622	20G115942	Flange Head Hex Nut
625	20G116513	Air Regulator
626	20G121457	Panel Mounted Air Ball Valve
627	20G121424	1-1/5" Panel Mount Pressure Gauge
628	20G100451	Coupling
629	20G114151	Male Elbow Swivel
630	20G100264	Pan Head Machine Screw
631	20G116514	Regulator Nut
632	20G054760	1-1/4" Round Black Polyurethane Tube
633	—	0.6 Ft Polyurethane Tube
634	20G100840	Street Elbow
635	20G162453	1/4" NPS (M) x 1/4" NPT Fitting
636	20G114114	Male Swivel Elbow
637	20G114128	Male Swivel Elbow
638	20G164259	Street Elbow
640	20G122336	Regulator Panel Nut
641	20G113440	Adapter
642	20G113431	Quick Clamp
643	20G113442	Porting Block
644	20G15R488	Regulator
645	20G15R487	Regulator
646	20G15R486	Muffler
647	20G15R485	Dual Pilot Valve
—	20G255772	Air Controls Kit <i>Includes Item #'s: 609, 640, 641, 642, 643, 644, 645, 646, and 647</i>

PART NUMBERS AND SCHEMATICS GUIDE

Figure 8: System Air Controls Module



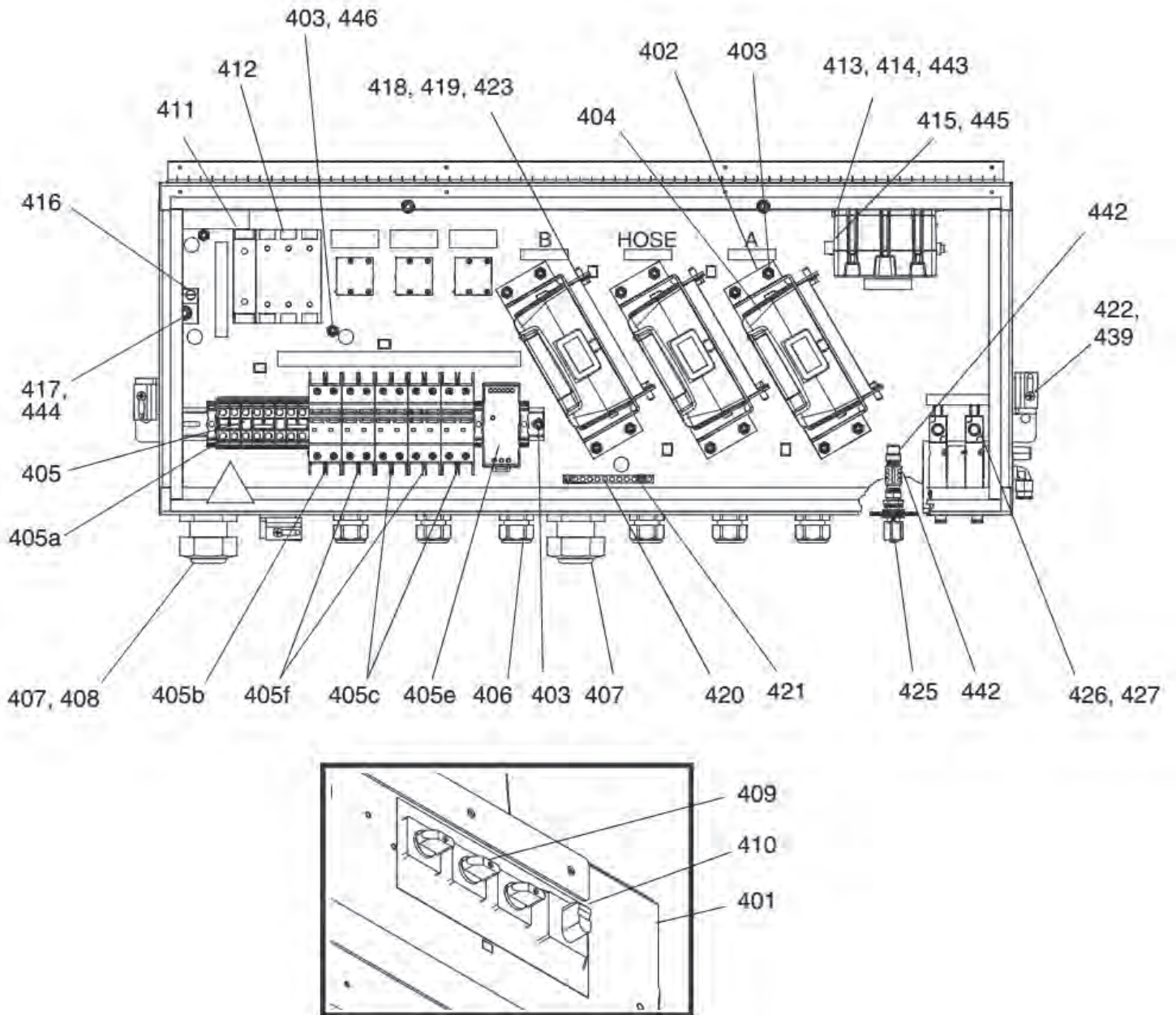
PART NUMBERS AND SCHEMATICS GUIDE

Junction Box

Item #	Part #	Description
Fig. 9		
401	—	Enclosure
402	—	Module Bracket
403	20G114231	Hex Lock Nut
404	20G255774	Module, GCA, HPTCM
405	—	Breaker Module
405a	20G126382	Terminal Block
405b	20G126129	Breaker, 25A
405c	20G126130	Breaker, 30A
405e	20G126453	24-Volt Power Supply
405f	20G126128	Breaker, 20A
406	20G121603	0.51-0.71, 3/4" Cord Grip
407	20G255047	M40 Thread Strain Relief Bushing
408	20G255048	M40 Thread Strain Relief Nut
409	20G15U423	Switch, 2p, 25a
410	20G123967	Operator Disconnect Knob
411	20G123968	Disconnect Switch, 100 amp
412	20G123969	Disconnect Switch, 100 amp
413	20G289696	Module, GCA, cube, base
414	20G104371	Screw, cap sch 10 x 0.375
415	20G289696	Module, GCA, cube, FCM
416	20G117666	Terminal Ground
417	20G115942	Flange Head Hex Nut
418	20G15U651	Bracket, High Power, GCA
419	20G117831	Pan Head Machine Screw
420	—	Bar, Ground
421	20G109466	Hex Lock Nut
422	20G104387	Pan Head Machine Screw
423	20G113161	Hex Head Flange Screw
425	20G126496	Connector, thru, M12, Male x Female, Reverse Key
426	—	Module Solenoid
427	20G106084	Pan Head Machine Screw
439	20G16P626	Latch Enclosure
442	20G16T072	Adapter, Cable, CAN
443	20G126687	Pan Head Machine Screw
444	20G558685	1/4" External-Type Lock Washer
445	20G277674	Cube Door Enclosure
446	20G555629	#10 External-Type Lock Washer

PART NUMBERS AND SCHEMATICS GUIDE

Figure 9: Junction Box



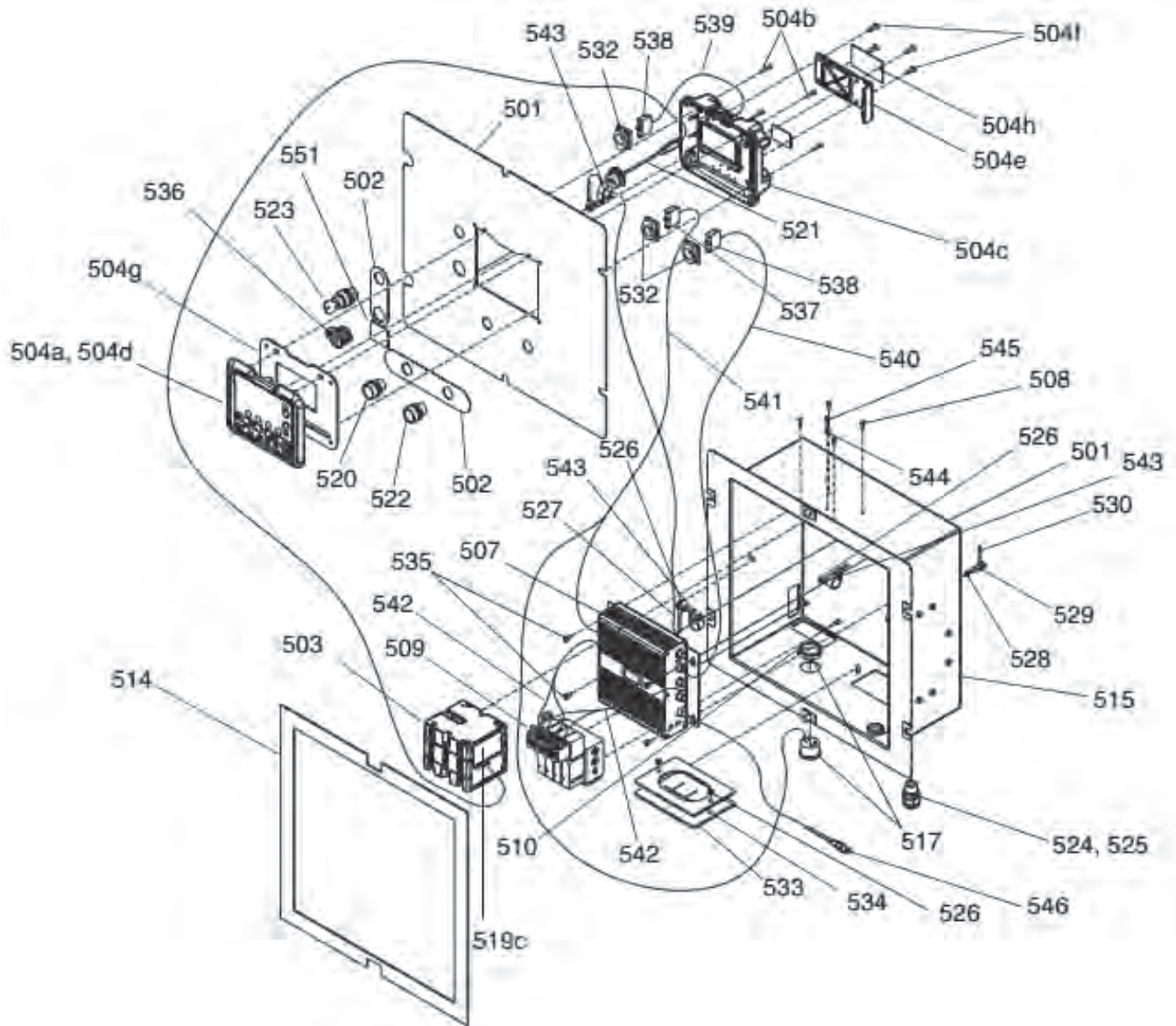
PART NUMBERS AND SCHEMATICS GUIDE

Control Box

Item #	Part #	Description	Item #	Part #	Description
Fig. 10			533	20G15H189	Wire Feed-Through Boot
501	—	Control Box	534	20G15G816	Wire Cover Plate
502	—	Control Display Label	535	20G110637	Pan Head Machine Screw
503	20G24R899	USB Replacement Kit <i>Includes Item #'s: 506 and 519</i>	536	20G15R325	Bulkhead Dust Cover Recepticle
504	20G257484	Display Kit Module	537	20G120494	Switch Block, Normally-Open
504a	20G15M483	Display Shield Membrane	538	20G120495	Switch Block, Normally-Closed
504b	—	#6 x 7/8" Pan Head Screw	539	20G15M974	Key Switch Harness
504c	20G288997	Rear Display Module Case IS Version	540	20G15M975	Start/Alarm Harness
504d	20G255727	Front Data Module Case	541	20G15M976	Stop Harness
504e	20G277463	Low Level Display Cover Access	542	20G15M977	Solenoid Harness
504f	20G113768	Flat Head Socket Screw	543	20G121988	Wire Harness Routing Retainer
504g	20G15R458	Front Panel Control Gasket	544	20G195875	Pan Head Machine Screw
504h	20G15W958	Battery Warning Label	545	20G102063	Lock Washer
506	—	Token Software	546	20G15U542	Motor Cable
507	20G24R898	FCM Replacement Kit <i>Includes Item #'s: 506 and 518</i>	551	20G15X214 20G15X393	Warning Label, USB, English Warning Label, USB, All Languages
508	—	Pan Head Screw	—	20G24R897	Replacement Kit <i>Includes Item #'s 504 and 506</i>
509	20G256555	Solenoid Module, IS Version			
509a	20G121636	Solenoid Valve, din Connector			
509b	20G15A798	Solenoid Gasket, Outlet			
509c	20G15A799	Solenoid Gasket, Inlet/Exhaust			
510	20G106087	Pan Head Machine Screw			
514	20G15R379	Control Box Gasket			
515	—	Label			
517	20G122000	Panel Mount Alarm			
518	20G255920	Fluid Control Module			
519	20G257088	USB Module Assembly			
519a	20G289899	Base			
519b	20G289900	USB Module			
519c	20G277674	Door Module			
520	20G121618	Start Switch, Green, Push Button			
521	20G15R324	USB Harness, Plug/Bulkhead, 32"			
522	20G121619	Stop Switch, Red			
523	20G121617	Key Controls Switch, 2 Position			
524	20G117745	Strain Relief Bushing			
525	20G117625	Locking Nut			
526	20G113505	Hex Head Nut, Keys			
527	20G15B090	Grounding Wire, Door			
528	—	1/2" External Lock Washer			
529	20G15R343	Electrical Ground Clamp			
530	—	Copper Wire			
532	20G120493	Mounting Latch			

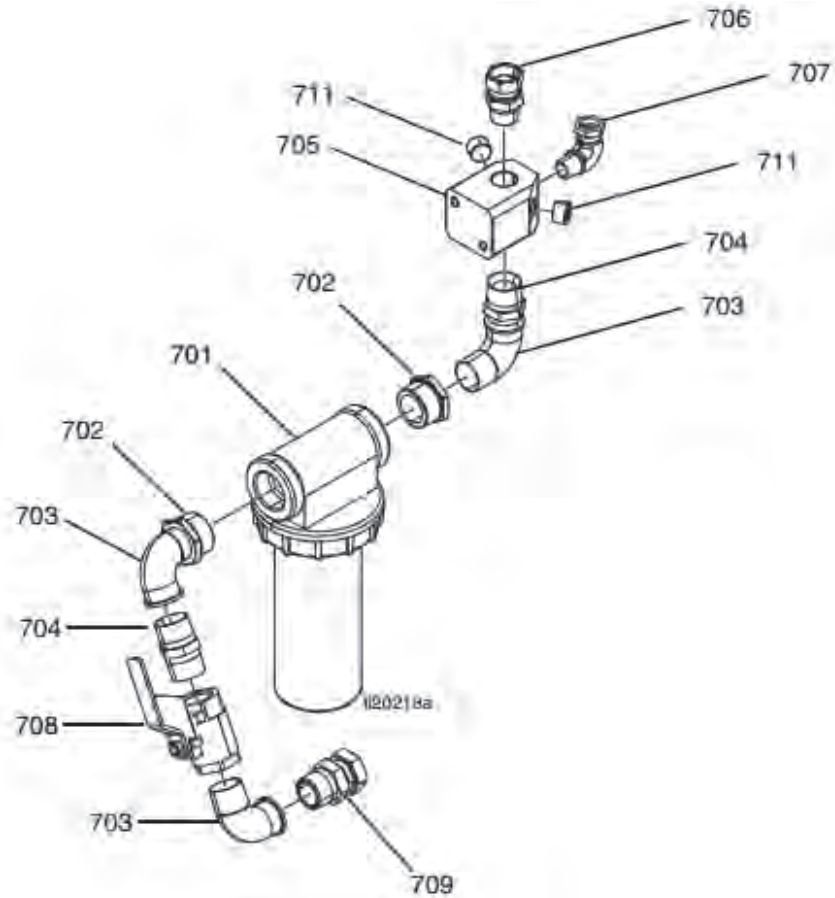
PART NUMBERS AND SCHEMATICS GUIDE

Figure 10: Control Box



PART NUMBERS AND SCHEMATICS GUIDE

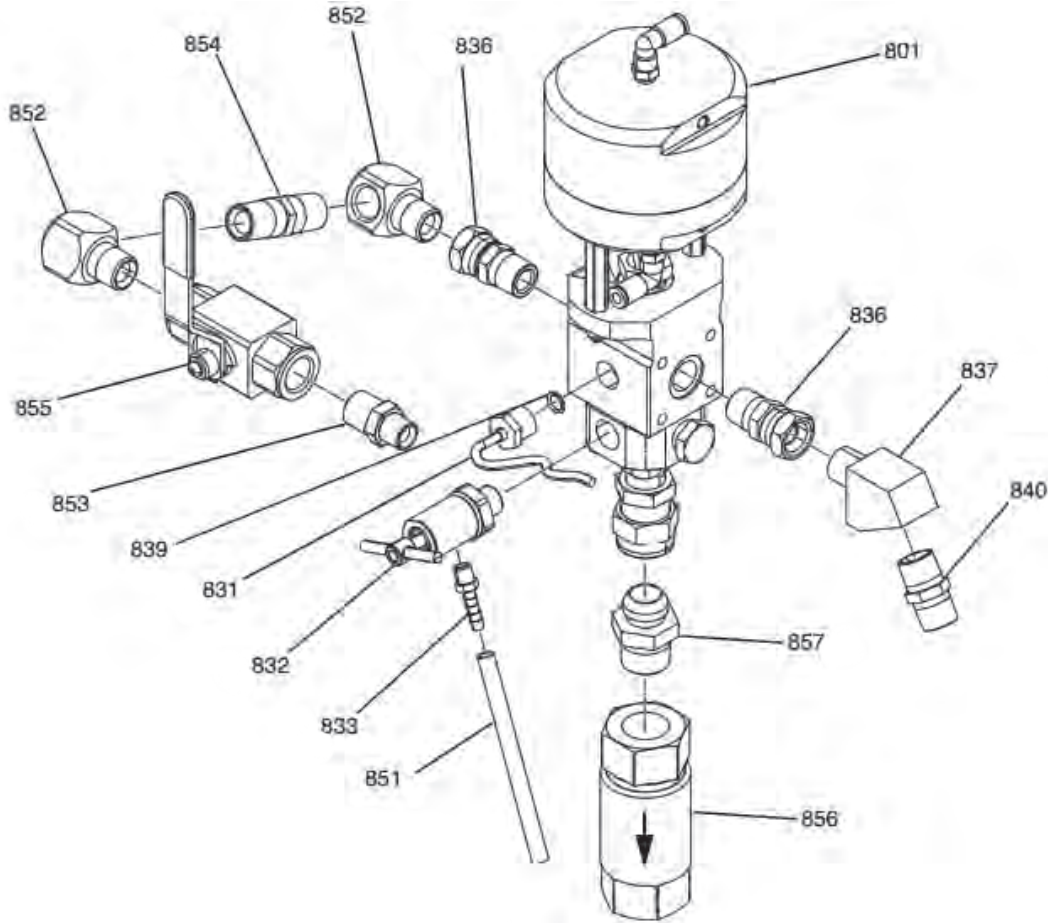
Figure 11: Air Filter



Item #	Part #	Description
Fig. 11		
701	20G16T236	1-1/4" Auto Drain Filter
701a	20G106204	Filter Element (<i>Not Shown</i>)
702	20GC19662	1-1/4" x 1" NPT Carbon Steel Bushing
703	20G110300	Steel Elbow Pipe Fitting
704	20G158585	Nipple
705	20G16R951	Air Distribution Manifold
706	20G157785	Swivel Fitting
707	20GC19024	Swivel Elbow Fitting
708	20G113163	1.00" Vented Ball Valve
709	20G160022	Union Adapter Fitting
711	20G100361	Pipe Plug

PART NUMBERS AND SCHEMATICS GUIDE

Figure 12: Ratio Control Valve Assemblies



Item #	Part #	Description
--------	--------	-------------

Fig. 12

801	20G255478	Dosing Valve
831	20G15M669	Fluid Outlet Pressure Sensor
832	20G161872	PFP Bleed Pressure Valve
833	20G116746	Plated Barbed Fitting
836	20G156684	Adapter Union Fitting
837	20G15M987	60° Elbow
839	20G121399	O-Ring Packing
840	20G158491	Nipple (<i>"A" Side, Two Required; "B" Side, One Required</i>)
851	20G116750	Nylon Tube
852	20G158683	90° Elbow
853	20G159239	Reducing Pipe Nipple (<i>"B" Side Only</i>)
854	20G156877	Long Nipple
855	20G262739	1/2" Ball Valve
856	20G16T481	Check Valve (<i>See Fig. 16</i>)
857	20G502033	Pipe Bushing

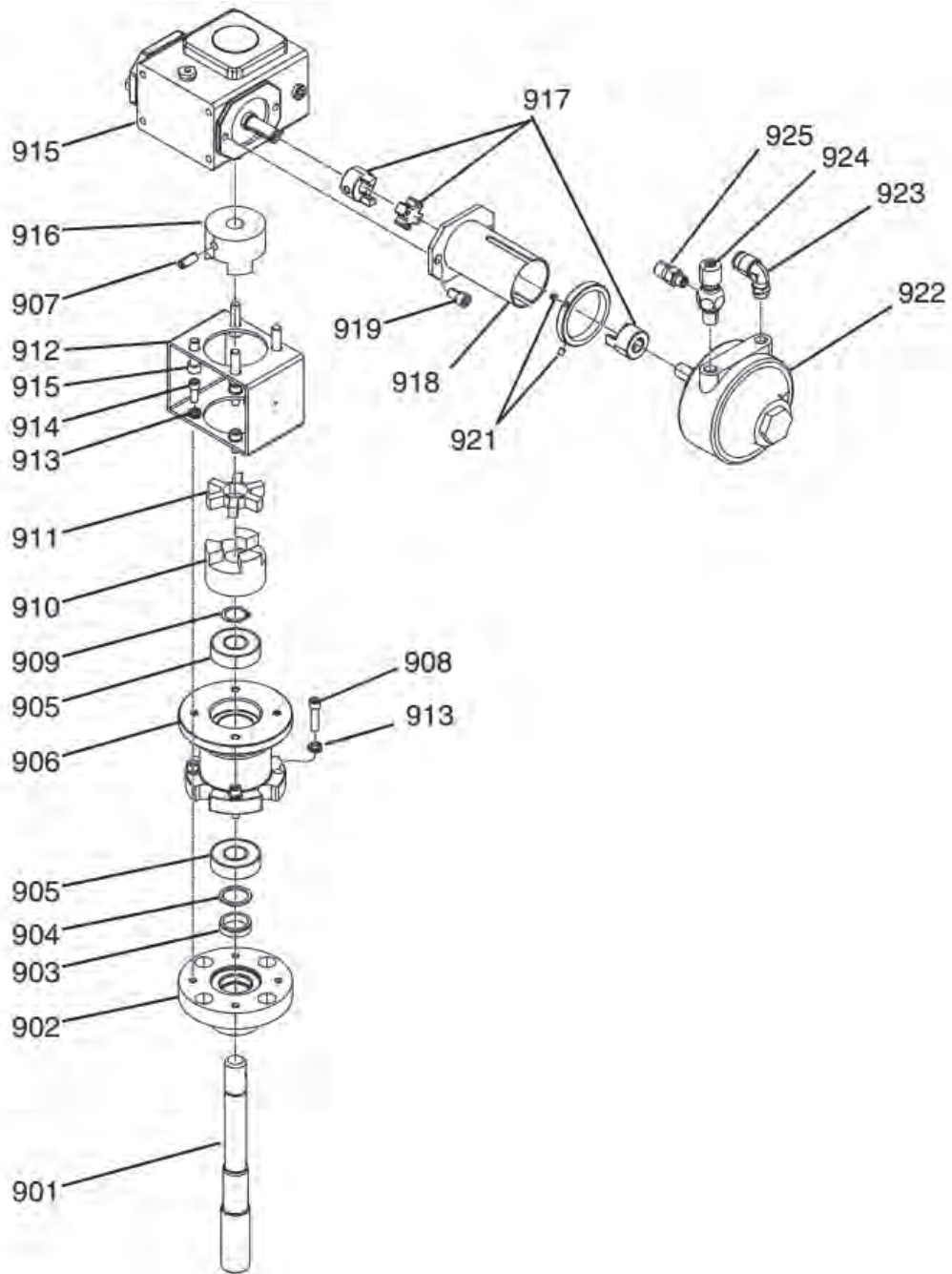
PART NUMBERS AND SCHEMATICS GUIDE

Air Powered Agitator

Item #	Part #	Description
Fig. 13		
901	20G16P919	Upper Agitator Shaft
902	20G16U219	Agitator Housing
903	—	0.875" I.D. x 1.125" O.D. PTFE Seal
904	—	ASME Agitator Shaft Spacer
905	20G122774	3/4 Bore x 1-3/4" diameter x 1/2" Ball Bearing
906	20G16P920	Agitator Bearing Housing
907	—	5/16-18 x 0.75 Socket Head Set Screw
908	20G112222	Cap Head Socket Screw
909	—	0.750" External Retaining Ring
910	20G122761	Hub Alignment Housing
911	20G122760	Disk Alignment Coupling, TPE
912	20G16P922	Agitator Adapter Bracket
913	20GC19209	Lock Washer
914	20G101682	Cap Head Socket Screw
915	20G181794	Reducer Gear
916	20G16P923	Adapter Coupler
917	20G100828	Flexible Coupling
918	20G16T063	Mounting Collar
919	20G116940	5/16-18 Socket Head Cap Screw
921	20G101118	Screw
922	20G111310	Rotary Air Motor
923	20G115841	Elbow Fitting
924	20G206264	Needle Valve
925	20G191842	Reducing Fitting

PART NUMBERS AND SCHEMATICS GUIDE

Figure 13: Air Powered Agitator



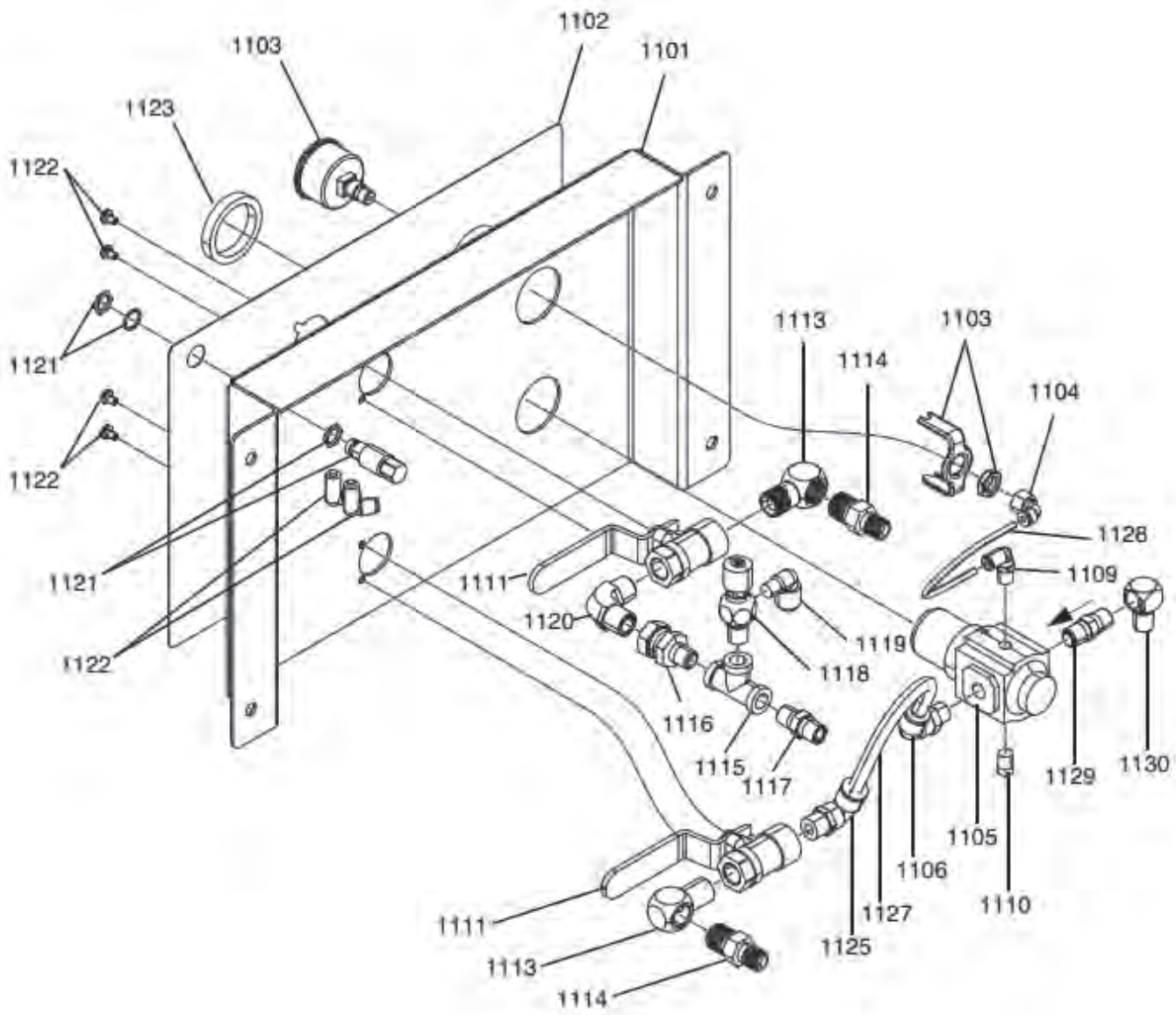
PART NUMBERS AND SCHEMATICS GUIDE

Feed Module Air Panel

Item #	Part #	Description
Fig. 14		
1101	—	Air Control Bracket
1102	—	Instruction Label
1103	20G121424	1-1/2" Panel Mount Pressure Gauge
1104	20F15T198	5/32" Tee x 1/8" NPT (F) 90° Swivel
1105	20G116513	Air Regulator
1106	20G121141	3/8" Tee x 1/4" NPT (M) Swivel Elbow
1109	20G198171	Elbow
1110	20G100403	Pipe Plug
1111	20G121457	Panel Mounted Air Ball Valve
1113	20G155699	Street Elbow
1114	20G165198	Reducing Nipple
1115	20G104984	Pipe Tee
1116	20G157705	Swivel Union
1117	20G156971	Short Nipple
1118	20G206264	Needle Valve
1119	20G114367	90° Elbow Tube, Quick-Disconnect
1120	20G109544	Pipe Elbow (M)
1121	20G110914	Push Button Valve
1122	20G100264	Panhead Machine Screw
1123	20G116514	Regulator Mount Nut
1125	20G109193	3/8" Tee x 3/8" NPT Swivel Elbow
1127	20G054134	3/8" O.D. Nylon Tube
1128	20G517305	5/32" O.D. Nylon Tube
1129	20G106495	1/4" MBE Brass Check Valve
1130	20G100840	Street Elbow

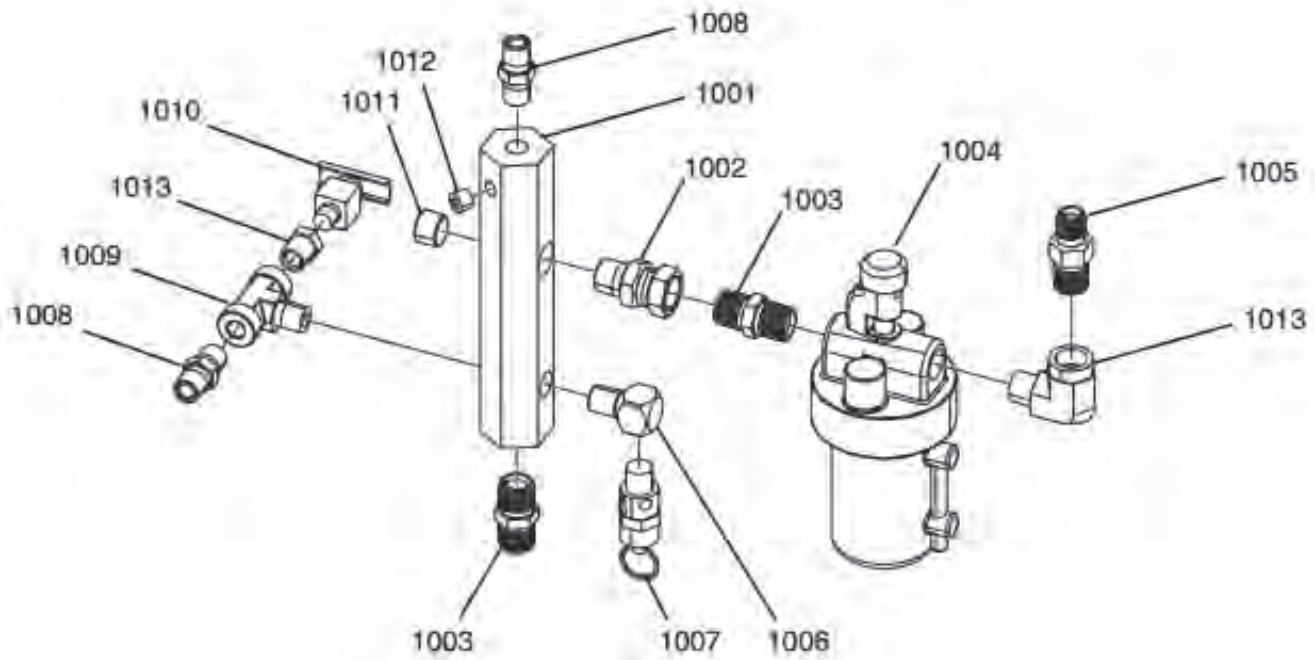
PART NUMBERS AND SCHEMATICS GUIDE

Figure 14: Feed Module Air Panel



PART NUMBERS AND SCHEMATICS GUIDE

Figure 15: Tank Air Manifold Assembly



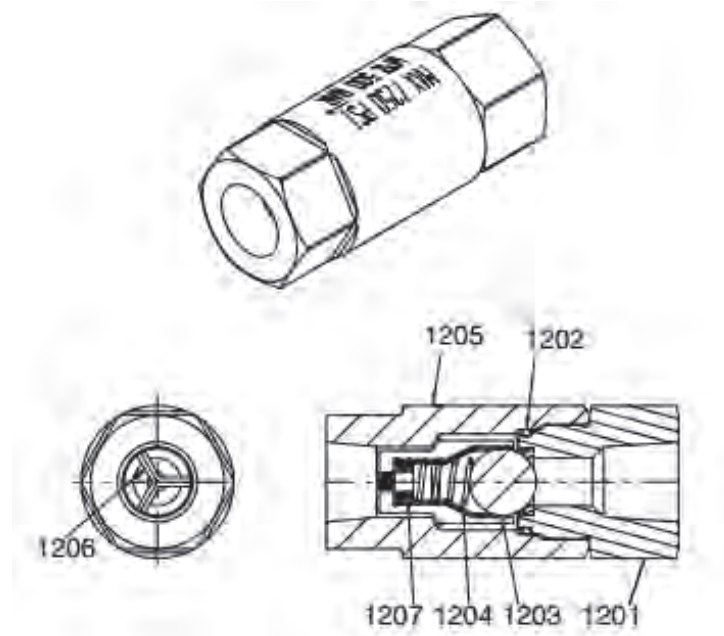
Item #	Part #	Description
--------	--------	-------------

Fig. 15

1001	20G189016	Air Inlet Manifold
1002	20G155665	Adapter Union
1003	20G156849	Pipe Nipple
1004	20G214847	Air Line Lubricator
1005	20G165198	Reducing Nipple
1006	20G100840	Street Elbow
1007	20G103347	Safety Valve, 100 psi
1008	20G156971	Short Nipple
1009	20G108638	Pipe Tee
1010	20G101759	Drain Cock Fitting
1011	20G101754	Pipe Plug
1012	20G100139	Pipe Plug
1013	20G100030	Bushing
1014	20G111856	Street Elbow

PART NUMBERS AND SCHEMATICS GUIDE

Figure 16: Check Valve



Item #	Part #	Description
--------	--------	-------------

Fig. 16

—	20G16T481	Check Valve
---	------------------	--------------------

1201	—	Seat Nut
------	---	----------

1202	20G102595	O-Ring Packing
------	-----------	----------------

1203	20G100279	Metallic Ball
------	-----------	---------------

1204	20G108361	Compression Spring
------	-----------	--------------------

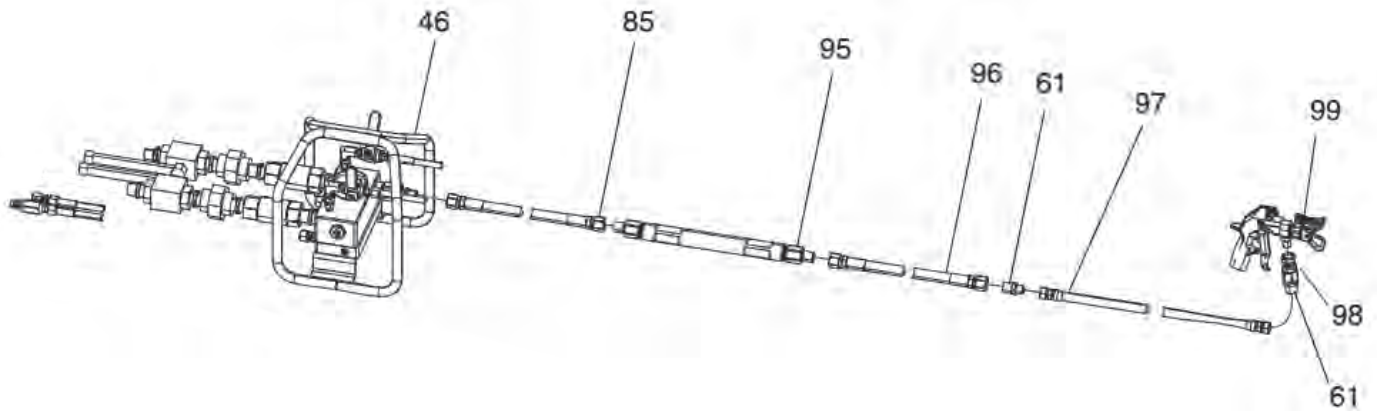
1205	—	Ball Check Housing
------	---	--------------------

1206	20G181492	Ball Guide
------	-----------	------------

1207	20G181535	Retainer Spring
------	-----------	-----------------

PART NUMBERS AND SCHEMATICS GUIDE

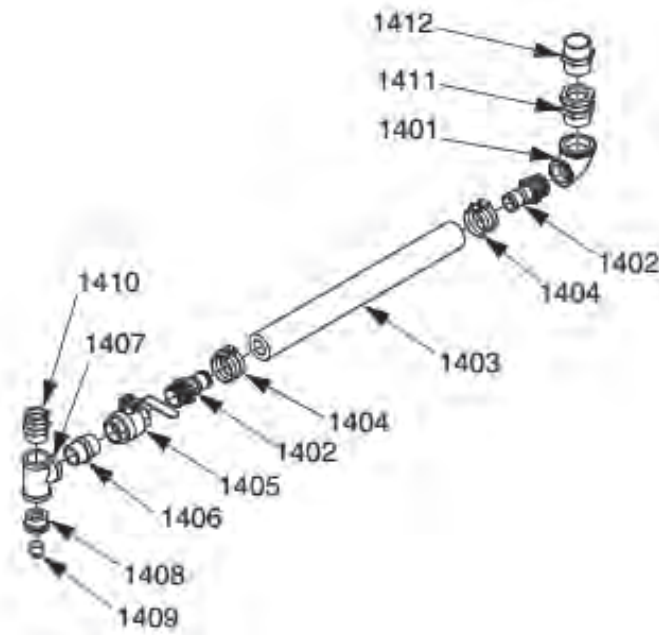
Figure 17: Mix Manifold Sub Assembly



Item #	Part #	Description
Fig. 17		
—	20G262878	Mix Manifold Sub Assembly
46	20G262893	Mix Manifold
61	20G159239	Reducing Pipe Nipple
85	20GH75002	1/2" I.D. x 2' Coupled Hose, 7250 psi
95	20G16T316	Static Mixer Assembly
96	20GH75010	1/2" I.D. x 10' Coupled Hose Assembly, 7250 psi
97	20GH73803	3/8" I.D. x 3' Coupled Hose Assembly, 7250 psi
98	20G24P834	Straight Swivel
99	20G262854	Graco® XHF™ 4-Finger Spray Gun with XHD 429 Tip

PART NUMBERS AND SCHEMATICS GUIDE

Figure 18: Flexible Fluid Connection Kit



Item #	Part #	Description
Fig. 18		
—	20G262820	Flexible Fluid Connection Kit
1401	20G120291	Female Pipe Elbow
1402	20G125995	1-1/2" NPT Barbed Hose Fitting
1403	20G126320	1-1/2" I.D. x 3' Hose, 200 psi
1404	20G126889	Hose Clamp
1405	20G121440	1-1/2" NPT Ball Valve
1406	20G121441	1-1/2" NPT Hex Nipple
1407	20G121443	1-1/2" NPT Tee
1408	20G101496	Pipe Bushing
1409	20G104663	Pipe Plug
1410	20G121445	1-1/2" x 1-1/4" Reducing Swivel
1411	20G121436	2" Male Swivel
1412	20G121435	2" Male Hex Nipple

PART NUMBERS AND SCHEMATICS GUIDE

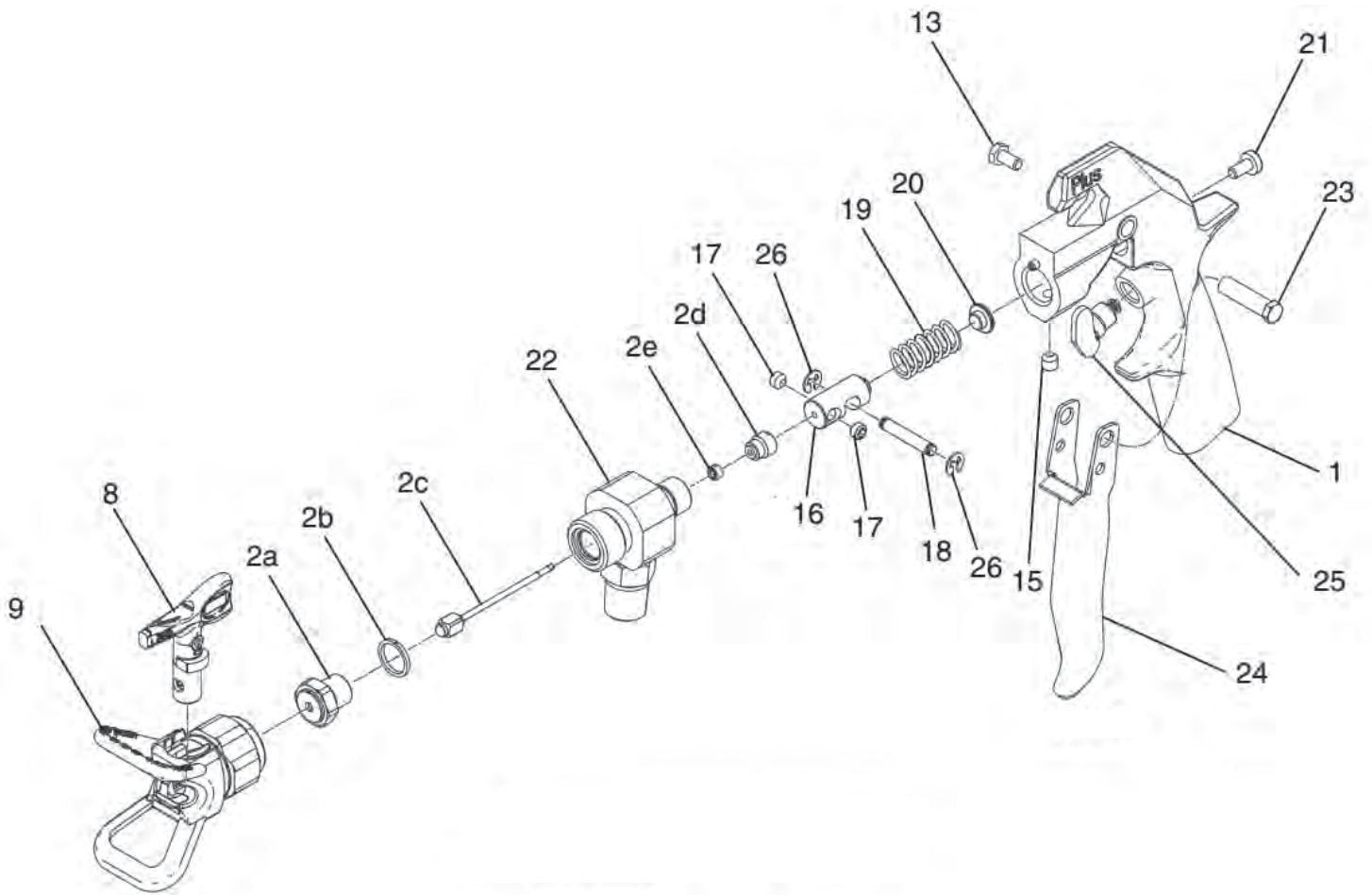
Graco® XHF™ Spray Gun Assembly

Item #	Part #	Description
Fig. 19		
—	20G262854	Graco® XHF™ 4-Finger Spray Gun with XHD 429 Tip
—	20G24P833	Graco® XHF™ 4-Finger Spray Gun with XHD 429 Tip and 17 Ft. Mix Line Kit, and Static Mixer
1	—	Gun Body*
2	20G237260	Kit <i>Includes: Needle and Seat</i>
2a	—	Valve Seat*
2b	—	Gasket*
2c	—	Needle*
2d	—	Seal Retainer*
2e	—	Seal*
8	20GXHD429	SwitchTip® – Size 429
9	20GXHD001	Kit – RAC™ Guard
13	20G203953	10-24 Hex Head Screw
15	20G102207	1/4-20 Set Screw
16	20G189960	Spring Guide
17	20G112729	Socket Head Set Screw <i>(Two Required)</i>
18	20G189958	Trigger Pin
19	20G112727	Spring
20	20G189990	Spring Adjuster
21	20G110637	Adjusting Screw
22	20G16P780	Fluid Housing
23	20G187965	Pivot Pin
24	20G189974	Gun Trigger
25	20G235468	Trigger Stop
26	20G112410	E-Clip <i>(Two Required)</i>
—	20G237260	Graco® XHF™ Gun Repair Kit
—	20G24P833	1/2" x 3/8" XHF™ Gun Swivel, 6500 psi, PTFE Packing
—	20G187987	Warning Tag
—	20G222385	Warning Card <i>(Not Shown)</i>
—	20G24P834	Graco® XHF Spray Gun Swivel, 1/2" x 3/8" NPSM, PTFE Packing
—	20G237260	Graco® XHF Spray Gun Repair Kit
—	209V500	Operator's Manual – Graco® XHF Spray Gun

*Item not for Individual Sale


PART NUMBERS AND SCHEMATICS GUIDE

Figure 19: Graco® XHF™ Spray Gun Assembly




PART NUMBERS AND SCHEMATICS GUIDE

HEATED HOSE BUNDLES

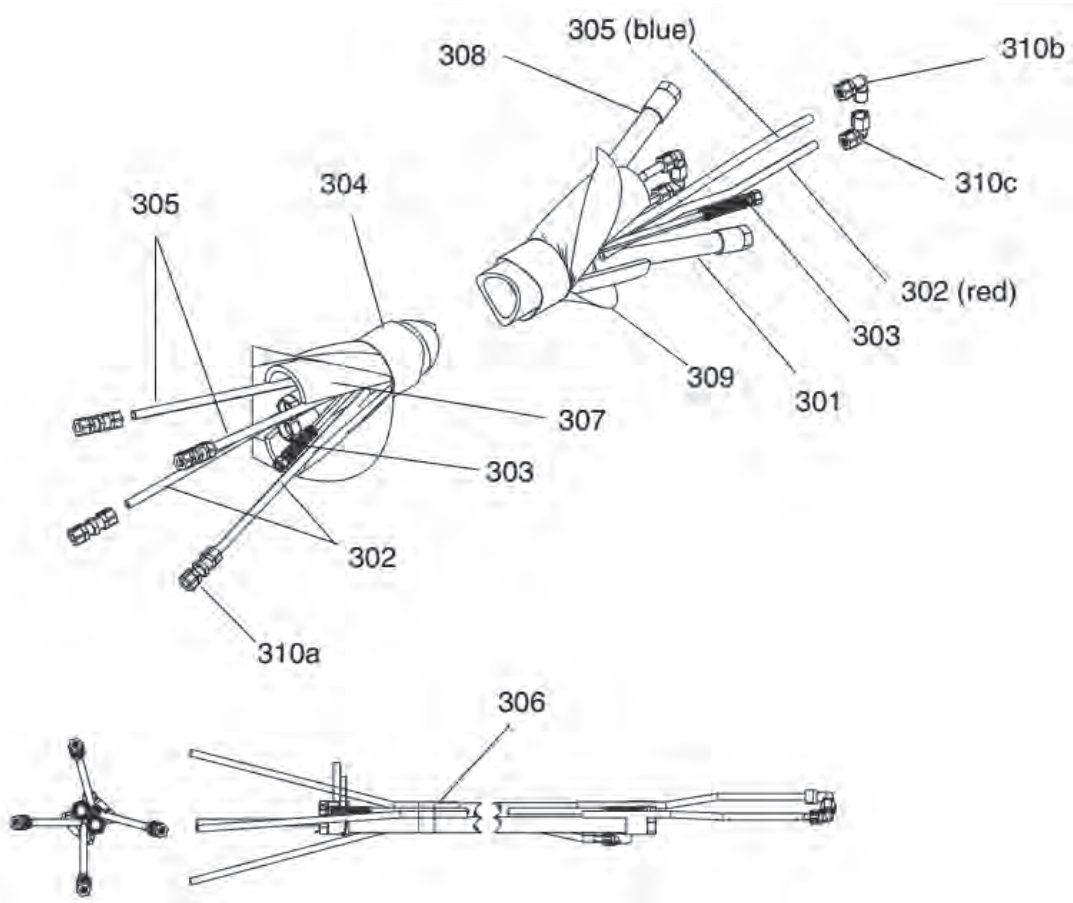
Part Numbers		Type	Quantity	Length (Feet)	Inner Diameter (Inches)	Working Pressure	Material	Scuff Guard
			20G16T122	Fluid Hose	1	50'	3/4" X 3/4"	6,500 PSI
	Flush Hose		1	50'	1/4"	4,500 PSI	---	Yes
	Heat Tubes		4	--	1/2"	--	---	--

FLUID HOSE

Part Numbers		Inner Diameter (Inches)	Length (Feet)	Working Pressure	Core Material	Scuff Guard
			20G16T484	3/4"	50'	6,500 PSI
20GH75050	1/2"		50'	7,250 PSI	Nylon	No
20GH75025	1/2"		25'	7,250 PSI	Nylon	No

PART NUMBERS AND SCHEMATICS GUIDE

Figure 20: Heated Hose Bundle



Item #	Part #	Description
Fig. 20		
—	20G16T122	3/4" x 3/4" Heated Hose Bundle, 50 Ft.
301	20GH67550	3/4" I.D x 50' Coupled Hose, 6500 psi
302	20G16X027	3/8" I.D. Red Nylon Tube Kit
303	20GG42550	1/4" I.D. x 50' Coupled Hose, 4500 psi
304	—	Identification Label
305	20G16X028	3/8" I.D. Blue Nylon Tube Kit
306	—	Electrical Tape
307	—	2-5/8" I.D x 50' Insulation Tube
308	20GH75050	1/2" I.D. x 50' Coupled Hose (for 20G16T121 only)
309	20G16T138	50' Scuff Jacket
310a	20G16U666	Tube Fittings Kit
310b	20G126894	1/2" x 1/2" Tube Union
310c	20G126898	1/2" Tube x 1/2" NPT (M) Elbow

PART NUMBERS AND SCHEMATICS GUIDE

Part Numbers	SUPPLY PROCESSING EQUIPMENT
	Description
20G24P883	Heated Supply Module <i>(Includes 40:1 Check-Mate[®], Heated Pressure Tank, Agitator, Level Sensor and Bottom Outlet Feed Hose and Connection)</i>
20G24P884	Level Sensor Kit for XM PFP
20G24P831	Level Sensor Probe Replacement
20G16T525	Viscon [®] LT Heater for Tank Heat Circulation, 1750W
20G24P885	XM PFP Feed Module Agitator
20G24P835	Husky [®] 205 Hot Water Circulation Pump for Tanks or Heated Hose
20G262896	Tank Dryer Kit
20G24P899	XM [™] PFP Main Line Air Filter Kit (1-1/4" NPT)
20G262853	Viscon [®] HF Heater Kit, Remote Controlled

Part Numbers	ACCESSORIES
	Description
20G16T859	Hot Water Flush Kit, 180°F with Auto Fill and Temp Control
20G255478	Dosing Valve, A or B Replacement Valve
20G262872	XM [™] PFP Sampling Valve
20G24P268	Ball Valve, 3/4" NPT, 6000 PSI
20GL220C9	XM [™] PFP Lower Replacement, 220 cc, X-Tuff [®]
20GL180C9	XM [™] PFP Lower Replacement, 180 cc, X-Tuff [®]
20G24P886	Mix Element Replacement, SST
20G262890	XM [™] PFP Mix Manifold with Ball Valves and Check Valves, 6000 PSI

PART NUMBERS AND SCHEMATICS GUIDE

GRACO® XTREME® NXT® PFP SPRAYERS					
Part Numbers	Model	Air Motor	Hoses	Gun	Mount
20G16T311	Xtreme® PFP	NXT®	75 Ft.	XHF™ Gun with 429 Tip	Cart
20G16P957	Xtreme® PFP	NXT®	75 Ft.	XHF™ Gun with 429 Tip	Floor

PART NUMBERS AND SCHEMATICS GUIDE



PART NUMBERS AND SCHEMATICS GUIDE

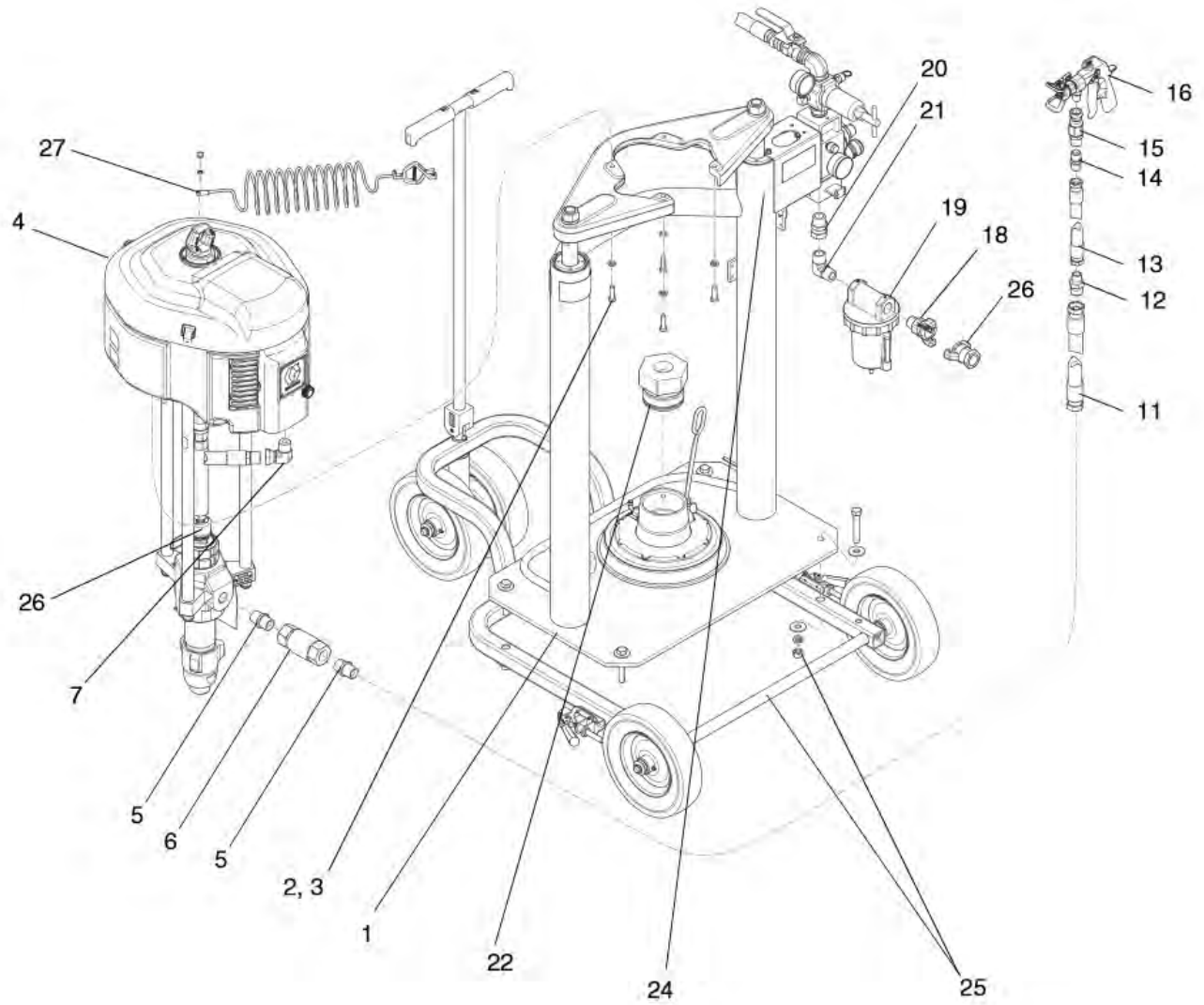
Graco® Xtreme® NXT® Passive Fire Protection Sprayers

Item #	Part #	Description
Fig. 1		
1	—	Ram, Dual Post Motor Regulator
2	20G100133	3/8" Lock Washer
3	—	Hex Head Cap Screw
4	—	Pump, Xtreme PFP
5	20G160032	Fitting, Nipple
6	20G16T481	Valve, Check
7	20G160327	Fitting, Union Adapter, 90°
11	20GH67550	Hose, Coupled, 3/4" ID, 6500 PSI
12	20G16R883	Fitting, Nipple, Reducing, 3/4" x 1/2"
13	20GH75025	Hose, Coupled, 7250 PSI, 0.50" ID, 25 Ft.
14	20G158491	Fitting, Nipple
15	20G24P834	Swivel, Straight
16	20G262854	Gun, Spray, XHF
18	20G113429	Coupling, Universal, 3/4-14 NPT, Male
19	20G117628	Filter, Air, 3/4 Auto Drain
20	20G157785	Fitting, Swivel
21	20G295847	Fitting, Elbow, 90 Degree, 3/4 MPT
22	—	Adapter, Platen
24	—	Label, Identification
25	20G16P434	Cart, Ram
26	20G113430	3/4-14 NPT (F) Coupling
27	20G238909	Wire, Grounding
—	20G206994	Fluid, TSL, 8 oz bottle (<i>Not Shown</i>)

**Item not available for individual sale*

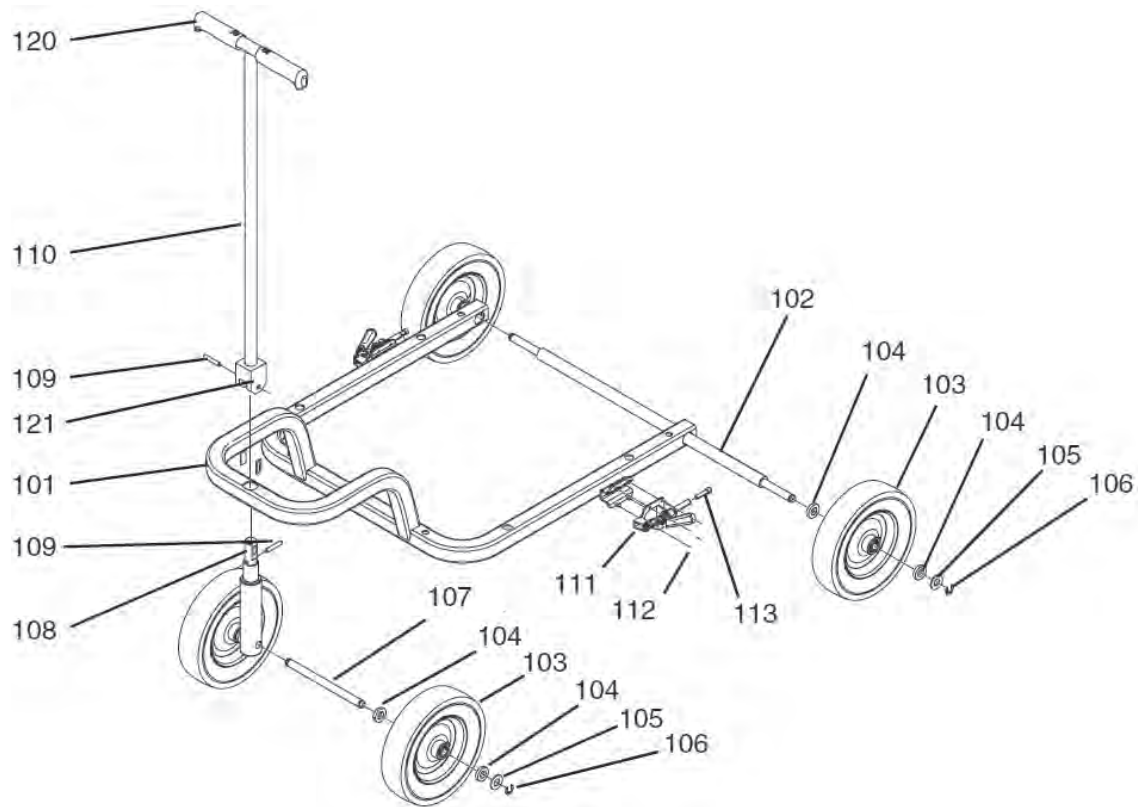
PART NUMBERS AND SCHEMATICS GUIDE

Figure 1: Graco® Xtreme® NXT® Passive Fire Protection Sprayers



PART NUMBERS AND SCHEMATICS GUIDE

Figure 2: Cart

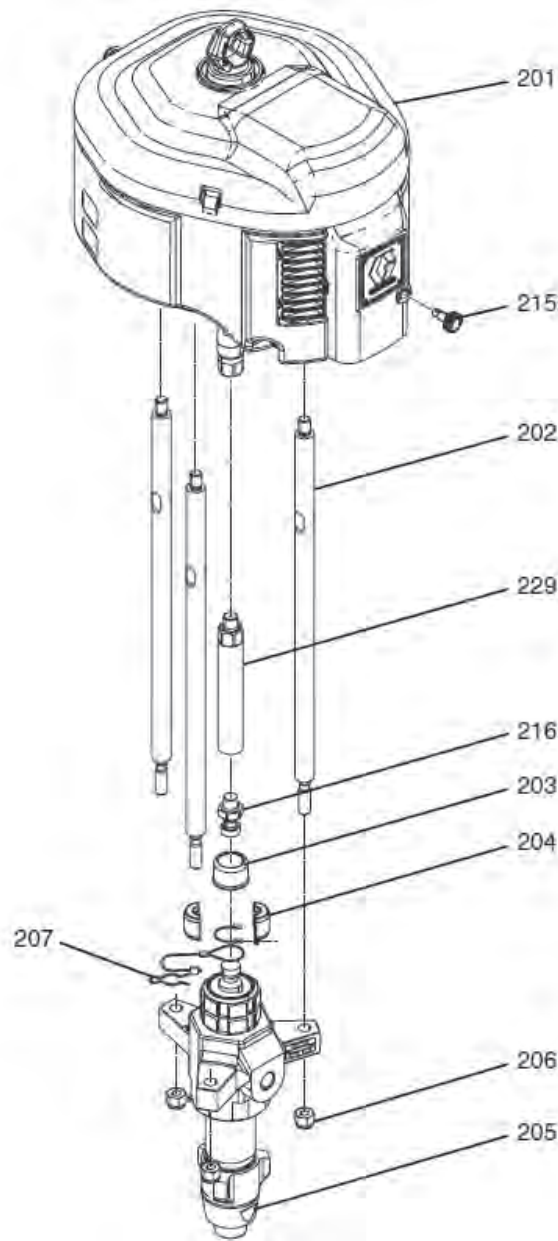


Item #	Part #	Description
Fig. 2		
101	—	Cart
102	—	Axle
103	20G113807	Urethane Wheel, Flat Free
104	20G191824	Space Washer
105	20G111841	5/8" Plain Washer
106	20G101242	External Retaining Ring
107	20G15A913	Axle
108	—	Axle
109	20G124291	Spring Pin
110	20G258982	Cart Handle
111	—	Brake
112	20G112788	Socket Head Cap Screw
113	20G102962	Socket Head Cap Screw
120	20G116139	Handle Grip
121	—	Arrow Label

— Not Available for Individual Sale

PART NUMBERS AND SCHEMATICS GUIDE

Figure 3: Pumpline



Item #	Part #	Description
Fig. 3		
201	20GN65DN0	6500 NXT® Air Motor
202	—	Tie Rod
203	20G197340	Coupler Cover
204	20G244819	Assembly Coupling
205	20GL180C7	Xtreme Lower
206	20G101712	Lock Nut
207	20G244820	Hairpin Clip with Lanyard
215	20G15J277	De-Ice Control
216	20G15H392	Xtreme Adapter Rod

— Not Available for Individual Sale

PART NUMBERS AND SCHEMATICS GUIDE

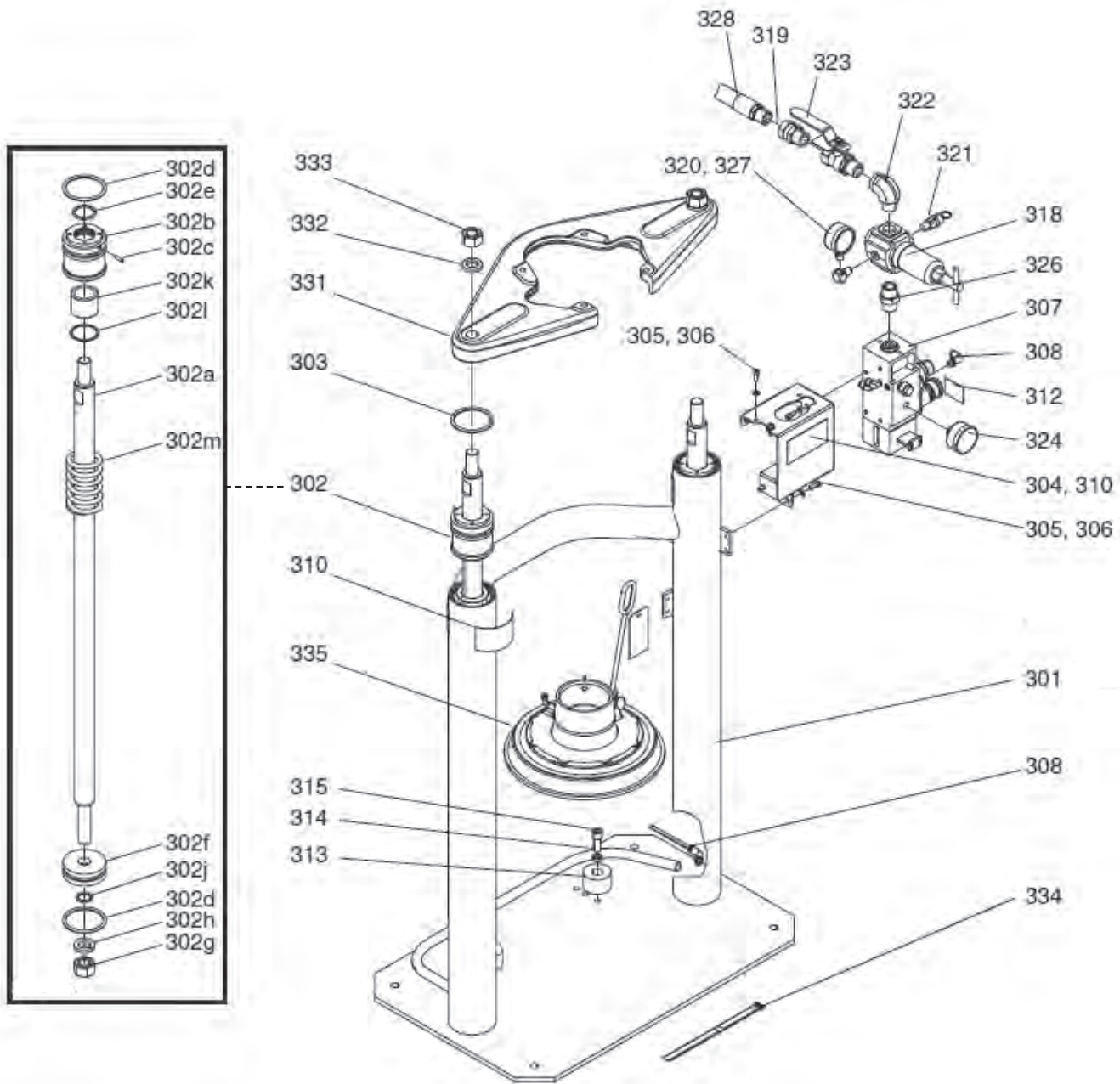
Ram Frame

Item #	Part #	Description
Fig. 4		
301	—	Ram Weldment
302	—	Ram Piston Subassembly <i>(Includes Item #'s: 302a – 302p)</i>
302a	—	Ram Piston Rod
302b	20G15M295	Ram End Cap Bearing
302c	20G15U979	Spring Straight Pin
302d	20G160258	O-ring Packing, Buna-n
302e	20G156698	O-ring Packing
302f	20G183943	Piston
302g	20G101535	Full Hex Nut
302h	20H101533	Spring Lock Washer
302j	20G156401	O-ring Packing
302k	—	Ram End Cap Bearing
302l	20G15F453	Retaining Ring Retainer
302m	20G160138	Compression Spring
302n	—	Lubricant, grease
302p	—	Thread Sealant
303	—	Retaining Ring
304	20G255296	Mounted Bracket
305	20G100016	Lock Washer
306	20G101682	Cap Head Socket Screw
307	20G24C824	Ram Air Control, Hydraulic
308	20G297151	Elbow Fitting
310	—	Crush/Pinch Safety Label
312	—	Shutoff Valve Label
313	20GC32467	Drum Stop
314	20GC38185	Lock Washer
315	20GC19853	Socket Head Cap Screw
318	20G16F014	Air Regulator, T-handle
319	20G157785	Swivel Fitting
320	20G100960	Air Pressure Gauge
321	20G103347	Safety Valve, 100 psi
322	—	3/4-14 Street Elbow
323	20G113218	Vented Ball Valve, 0.750
324	20G101689	Air Pressure Gauge
326	20GC20487	Hex Nipple
327	20G100840	Street Elbow
328	20GC12034	Coupled Hose, 72 Inch
331	—	Shelf Bracket, D60, 3400/6500
332	20G101533	Spring Lock Washer
333	20G101535	Full Hex Nut
334	20G198442	Mix Manifold Retaining Strap
335	20G16U676	Plate, 20 L Single Wiper
—	20G257622	Repair Kit <i>Includes Item #'s: 302 (all components), 303, and 310</i>

— Not Available for Individual Sale

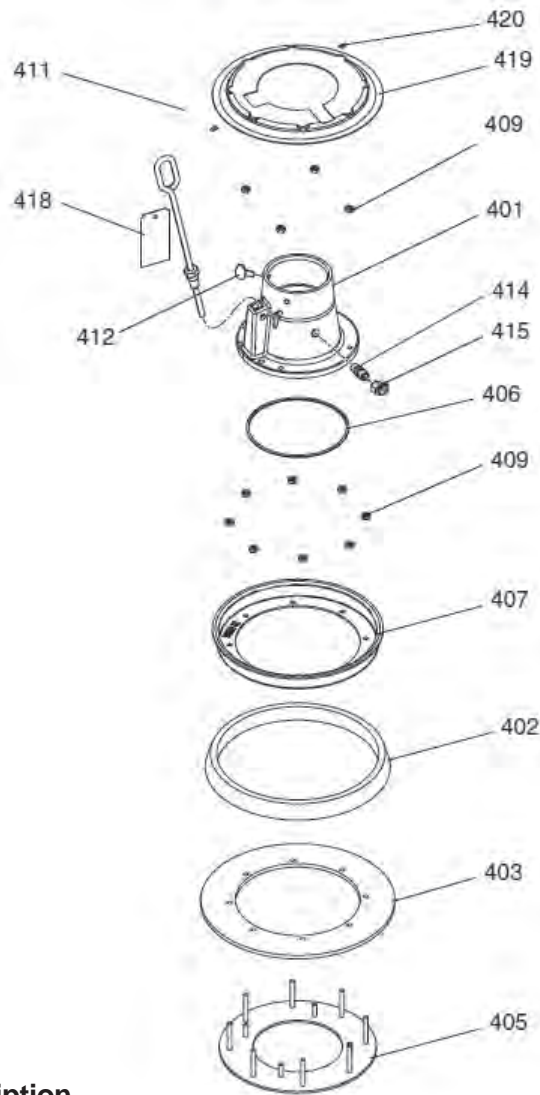
PART NUMBERS AND SCHEMATICS GUIDE

Figure 4: Ram Frame



PART NUMBERS AND SCHEMATICS GUIDE

Figure 5: Platen

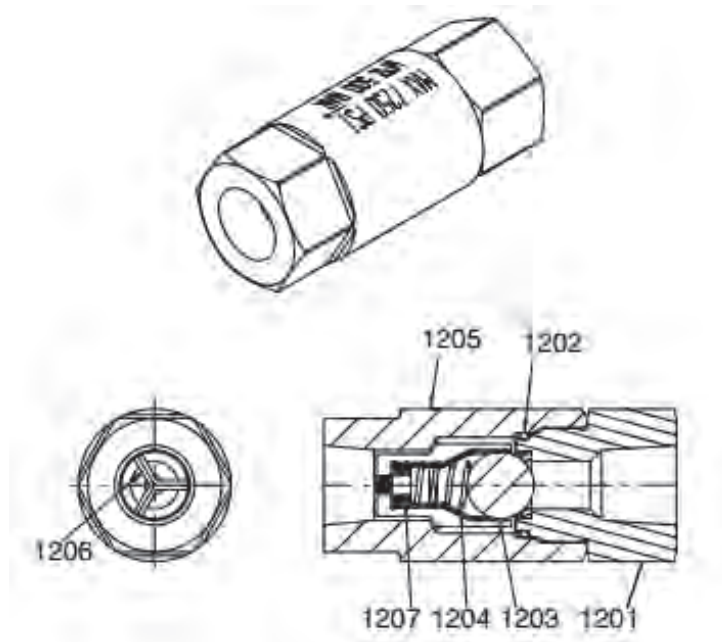


Item #	Part #	Description
Fig. 5		
401	—	20L Platen Base
402	20G276049	Spacer
403	20G262936	Main Wiper
405	—	Platen Bottom Plate
406	20G121829	Packing O-ring, -162
407	—	Clamp Retainer
409	—	1/4-20 Hex Head Keps Nut
411	20G257697	Stainless Steel Bleed Handle
412	—	5/16-18 x 1/2" Carbon Steel Thumb Screw
413	20G112358	O-ring Packing
414	20G122056	Check Valve
415	20GC20350	90° Elbow
418	—	Instruction Tag
419	20G15W184	20L Cover Shroud
420	20G16U740	Hairpin Cotter Pin (<i>Quantity of 10</i>)

— Not Available for Individual Sale

PART NUMBERS AND SCHEMATICS GUIDE

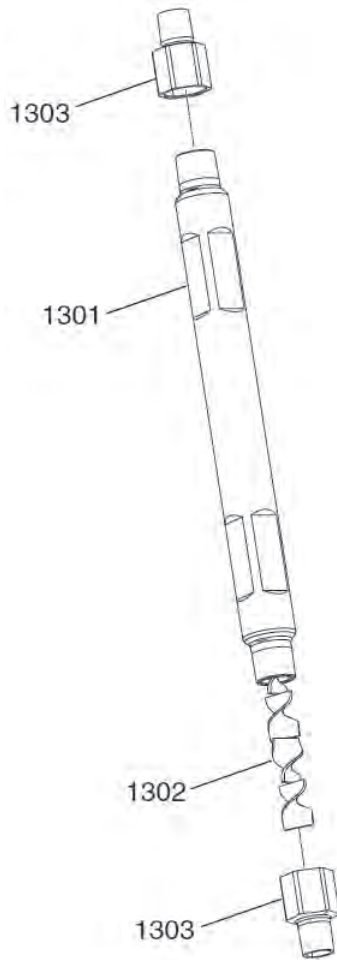
Figure 6: Check Valve



Item #	Part #	Description
Fig. 6		
—	20G16T481	Check Valve, 7250 psi
1201	—	Seat Nut
1202	20G102595	O-Ring Packing
1203	20G100279	Metallic Ball
1204	20G108361	Compression Spring
1205	—	Ball Check Housing
1206	20G181492	Ball Guide
1207	20G181535	Retainer Spring

PART NUMBERS AND SCHEMATICS GUIDE


Figure 7: Static Mixer




Item #	Part #	Description
Fig. 7		
—	20G16T316	Static Mixer, 12 Element, Stainless Steel
1301	—	Tube Mixer
1302	20G24P886	12 Element, Stainless Steel Mixer
1303	20G16T315	3/4" NPT (F) x 1/2" NPT Reducing Bushing
1304	—	Stainless Steel Pipe Sealant

— Not Available for Individual Sale

PART NUMBERS AND SCHEMATICS GUIDE

		1/2" I.D. AIRLESS SPRAY HOSE – COUPLED					
Part Numbers		Working Pressure	Length (Ft.)	Hose I.D.	Hose Cover Color	Braid Reinforcement Material	Couplings
	2000339	7,250 PSI	25	1/2"	Black	Aramid/Steel	Female x Female
	2000328	7,250 PSI	50	1/2"	Black	Aramid/Steel	Female x Female
	2000331	7,250 PSI	100	1/2"	Black	Aramid/Steel	Female x Female

		3/4" I.D. AIRLESS SPRAY HOSE – COUPLED					
Part Numbers		Working Pressure	Length (Ft.)	Hose I.D.	Hose Cover Color	Braid Reinforcement Material	Couplings
	2000101	6,500 PSI	25	3/4"	Black	Aramid/Steel	Male x Female
	2000100	6,500 PSI	50	3/4"	Black	Aramid/Steel	Male x Female

PART NUMBERS AND SCHEMATICS GUIDE

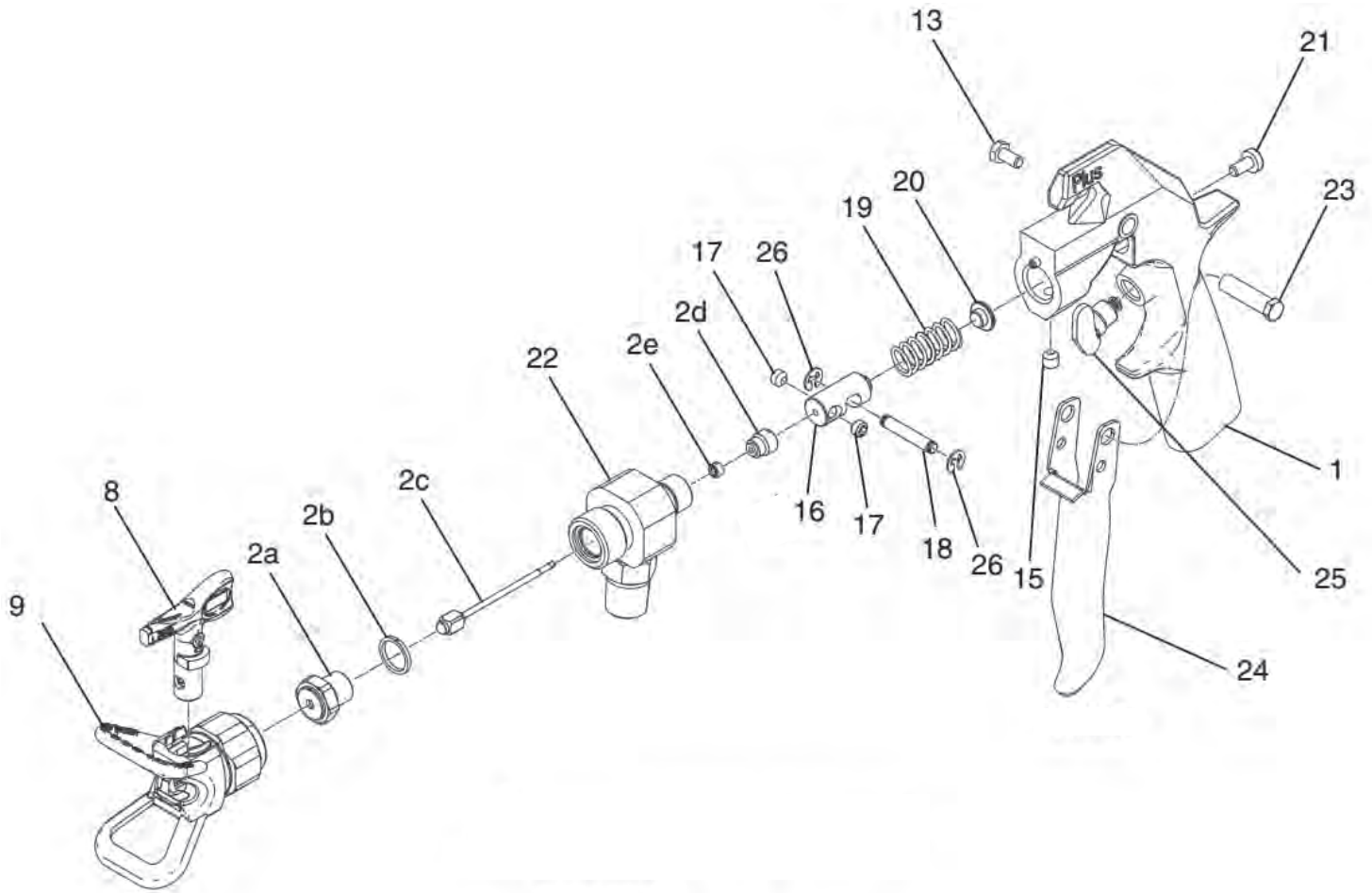
Graco® XHF™ Spray Gun Assembly

Item #	Part #	Description
Fig. 8		
—	20G262854	Graco® XHF™ 4-Finger Spray Gun with XHD 429 Tip
—	20G24P833	Graco® XHF™ 4-Finger Spray Gun with XHD 429 Tip and 17 Ft. Mix Line Kit, and Static Mixer
1	—	Gun Body*
2	20G237260	Kit <i>Includes: Needle and Seat</i>
2a	—	Valve Seat*
2b	—	Gasket*
2c	—	Needle*
2d	—	Seal Retainer*
2e	—	Seal*
8	20GXHD429	SwitchTip® – Size 429
9	20GXHD001	Kit – RAC™ Guard
13	20G203953	10-24 Hex Head Screw
15	20G102207	1/4-20 Set Screw
16	20G189960	Spring Guide
17	20G112729	Socket Head Set Screw <i>(Two Required)</i>
18	20G189958	Trigger Pin
19	20G112727	Spring
20	20G189990	Spring Adjuster
21	20G110637	Adjusting Screw
22	20G16P780	Fluid Housing
23	20G187965	Pivot Pin
24	20G189974	Gun Trigger
25	20G235468	Trigger Stop
26	20G112410	E-Clip <i>(Two Required)</i>
—	20G237260	Graco® XHF™ Gun Repair Kit
—	20G24P833	1/2" x 3/8" XHF™ Gun Swivel, 6500 psi, PTFE Packing
—	20G187987	Warning Tag
—	20G222385	Warning Card <i>(Not Shown)</i>
—	20G24P834	Graco® XHF Spray Gun Swivel, 1/2" x 3/8" NPSM, PTFE Packing
—	20G237260	Graco® XHF Spray Gun Repair Kit
—	209V500	Operator's Manual – Graco® XHF Spray Gun

*Item not for Individual Sale

PART NUMBERS AND SCHEMATICS GUIDE

Figure 8: Graco® XHF™ Spray Gun Assembly



PART NUMBERS AND SCHEMATICS GUIDE

GRACO® XTREME® XL PASSIVE FIRE PROTECTION SPRAYERS				
Part Numbers	Cart Included	Air Motor	1/2" I.D. Hose	Graco® XHF™ Spray Gun with XHD™ 429 Tip
20G24X069	X	Xtreme® XL	25 Ft.	X
20G24X068		Xtreme® XL	25 Ft.	X

GRACO® XTREME® XL PASSIVE FIRE PROTECTION SPRAYER – SPECIFICATIONS	
Maximum Fluid Working Pressure	7,250 psi
Pump Lower Output per Cycle	290cc
Motor	Xtreme® XL Air Motor
Maximum Air Working Pressure	100 psi
Maximum Air Inlet Pressure	100 psi

PART NUMBERS AND SCHEMATICS GUIDE



20G24X069

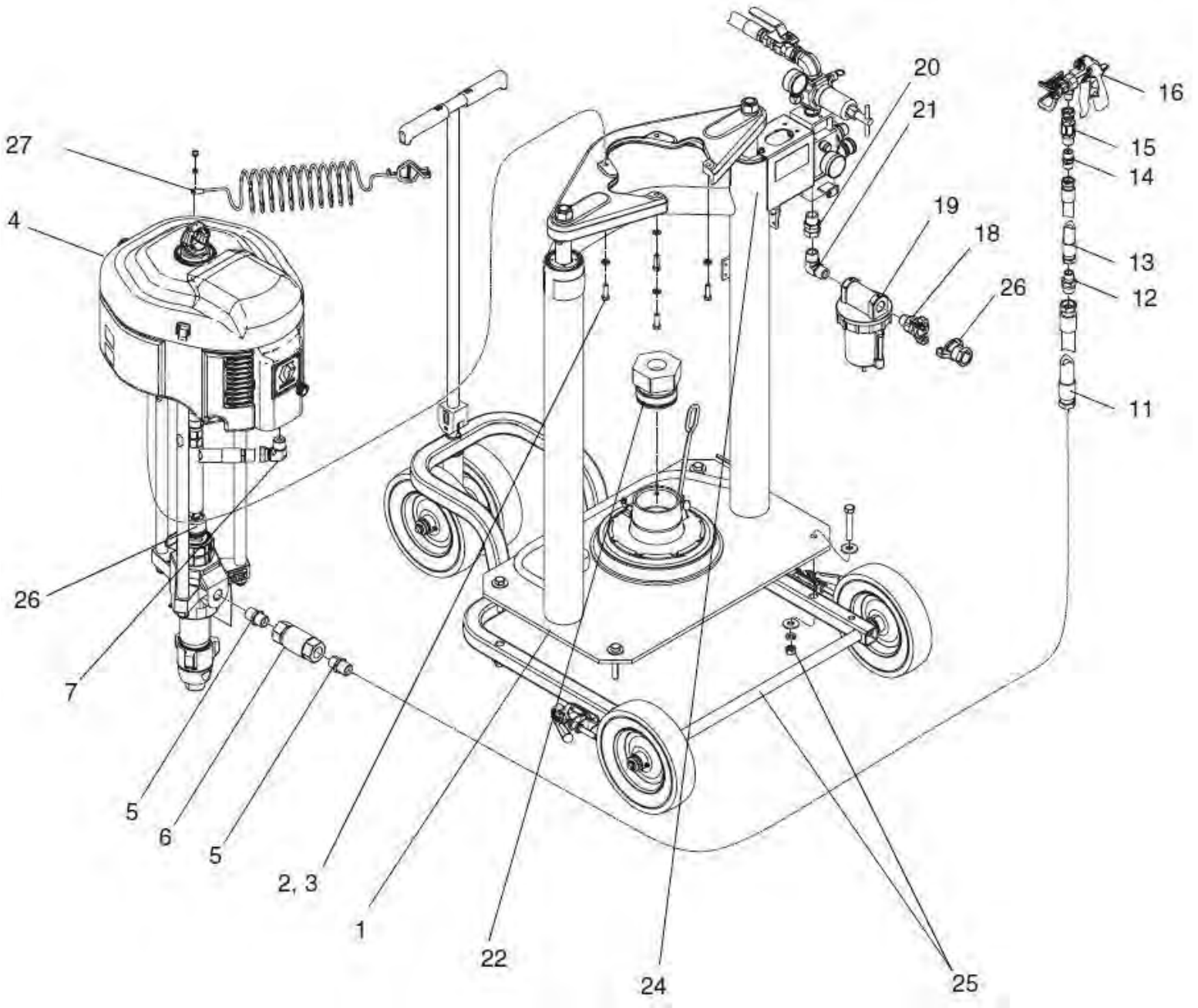
PART NUMBERS AND SCHEMATICS GUIDE

Graco® Xtreme® XL Passive Fire Protection Sprayer

Item#	Part#	Description
Fig. 1		
1	—	Dual Post Ram
2	20G100133	3/8" Lock Washer (<i>Quantity of Four</i>)
3	—	Hex Head Screw Cap (<i>Quantity of Four</i>)
4	—	Xtreme® Passive Fire Protection XL Pump
5	20G160032	Pipe Nipple (<i>Quantity of Two</i>)
6	20G16T481	3/4" Check Valve
7	20G160327	3/4" x 3/4" 90° Union Swivel
11	20GH67550	Coupled Hose, 3/4" I.D. – 6500 psi
12	20G16R883	3/4" x 1/2" Reducing Nipple Fitting
13	20GH75025	1/2" x 25' Airless Hose – 7250 psi
14	20G158491	1/2" x 1/2" Nipple
15	20G24P834	1/2" (F) x 3/8" Gun Swivel – 6500 psi
16	20G262854	XHF™ 4-Finger Gun with XHD™ 429 Tip
18	20G113429	Male Air Line Coupler – 3/4" NPT
19	20G117628	Filter Air 3/4" Auto Drain
20	20G157785	3/4" x 3/4" Union Swivel, Carbon Steel
21	20G295847	90° Elbow Fitting
22	—	Platen Adapter
24	—	Identification Label
25	20G16P434	Ram Cart (20G24X069 only)
26	20G113430	Female Airline Coupler – 3/4" NPT
27	20G238909	Ground Wire and Clamp
—	20G206994	Throat Seal Liquid – 8 oz.
—	20G24P832	Mix Line and Gun Kit (<i>Includes Item #'s: 5, 6, 11, 12, 13, 14, 15, and 16</i>)
—	206M566	Part Numbers and Schematics Guide – Graco® Xtreme® XL Passive Fire Protection Airless Spray Pumps
—	206M537	Part Numbers and Schematics Guide – Graco® XHF™ Spray Gun
—	209V508	Operator's Manual – Graco® Xtreme® Pump Packages

PART NUMBERS AND SCHEMATICS GUIDE

Figure 1: Graco® Xtreme® XL Passive Fire Protection Sprayer



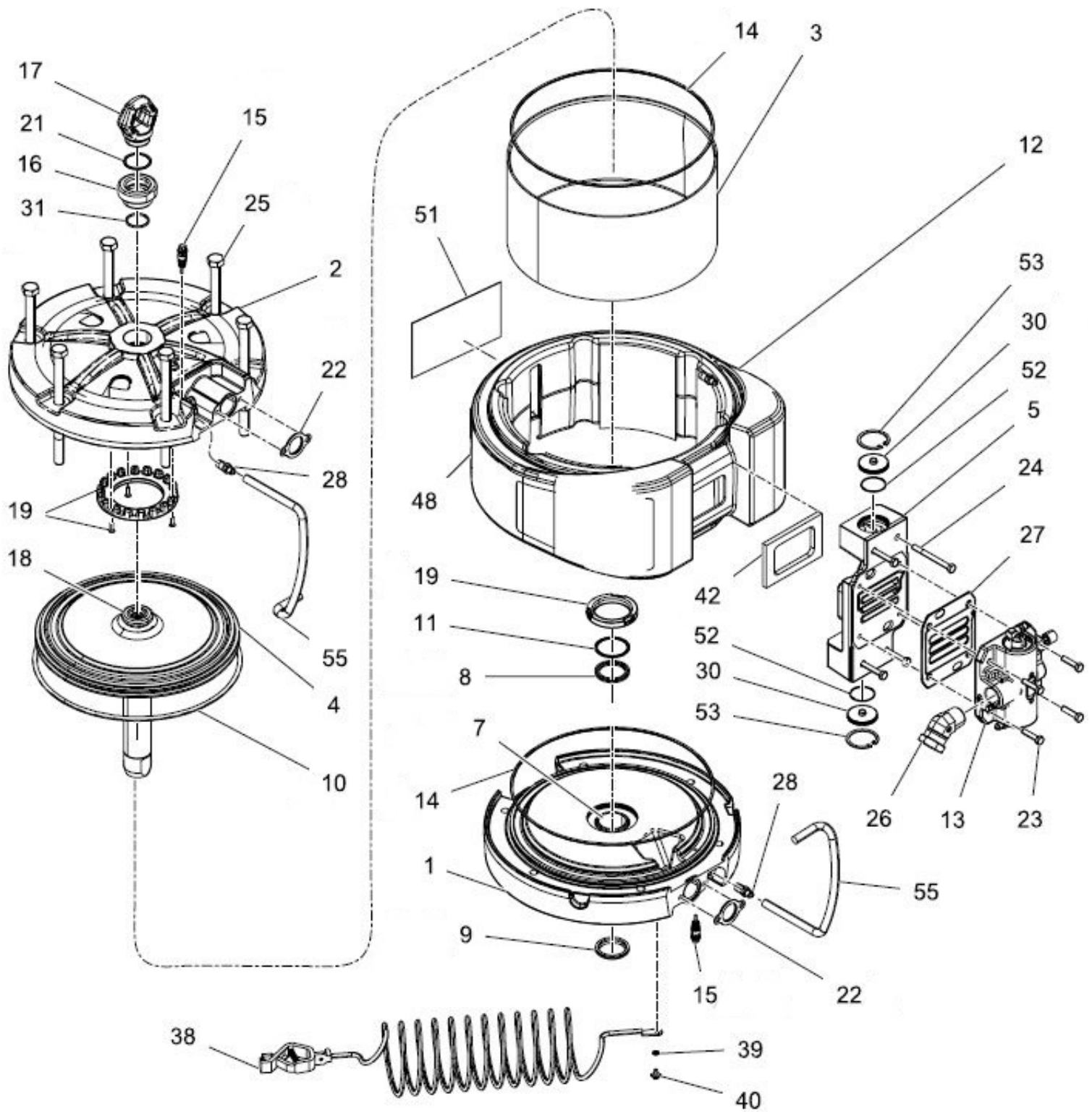
PART NUMBERS AND SCHEMATICS GUIDE

Graco® Xtreme® XL Air Motor

Item#	Part#	Description	Item#	Part#	Description
Fig. 2					
—	20G24X856	Xtreme® XL Air Motor	31	20GC20987	Packing O-Ring
1	20G24X559	Bottom Cover	38	20G244524	Ground Wire with Clamp <i>(Includes Item #: 38a)</i>
2	20G24W584	Top Cover	38a	20G290079	Grounding Warning Tag
3	20G24X561	Cylinder Kit	39	20G111307	External Washer Lock
4	20G24X557	Piston Motor Kit	40	20G116343	Ground Screw
5	20G16Y968	Manifold Exhaust	42	20G17C776	Muffler Gasket
7	—	Bearing Sleeve	51	20G15F674	Motor Safety Label
8	—	Packing U-Cup	52	20G205020	Packing O-Ring
9	—	Seal Rod Wiper	53	20G557832	Retainer Ring <i>(Quantity of Two)</i>
10	—	Piston O-Ring	55	20G128090	Coupled Hose <i>(Quantity of Two)</i>
11	—	Retaining Ring	—	20G24X557	Piston/Rod Assembly Repair Kit <i>(Includes Item #s: 4 and 18)</i>
12	20G24X560	Muffler Cover	—	20G24X558	Air Motor Soft Parts Repair Kit <i>(Includes Item #s: 8, 9, 10, 11, 14, 15a-d, 22, and 42)</i>
13	20G24X562	Air Valve	—	20G24X559	Bottom End Cap Repair Kit <i>(Includes Item #s: 1, 7, 8, 9, 11, and 19)</i>
14	20G109486	Packing O-Ring <i>(Quantity of Two)</i>	—	20G24X560	Muffler Repair Kit <i>(Includes Item #s: 12, 42, and 51)</i>
15	20G24A366	Pilot Valve <i>(Quantity of Two)</i>	—	20G24X561	Cylinder Repair Kit <i>(Includes Item #s: 3, 14, and 46)</i>
15a	20G155685	Packing O-Ring, Middle	—	20G24A915	Bumper Kit <i>(Includes Item #s: 19, 20, and 29)</i>
15b	—	Packing U-Cup, Shaft			
15c	20G154741	Packing O-Ring, Bottom			
15d	20G197650	Buna O-Ring, Top			
16	20G16D001	Lift Ring Adapter			
17	20G15F931	Lift Ring 1-9/16"			
18	20GNXT106	Bumper Piston, with Magnet			
19	20G24A916	Bumper Kit			
21	20G108014	Packing O-Ring			
22	—	End Cap Gasket <i>(Quantity of Two)</i>			
23	20G110036	Stud <i>(Quantity of Four)</i>			
24	20G17B389	Screw, M8 x 1.25 x 85mm <i>(Quantity of Four)</i>			
25	20G127582	Screw, 5/8-11 x 8.5" <i>(Quantity of Six)</i>			
26	—	Swivel Fitting			
27	20G24X565	Valve Gasket <i>(Quantity of Two)</i>			
28	20G555749	Adapter Fitting <i>(Quantity of Two)</i>			
30	20G17C974	Manifold XL Air Cap <i>(Quantity of Two)</i>			

PART NUMBERS AND SCHEMATICS GUIDE

Figure 2: Graco® Xtreme® XL Air Motor



PART NUMBERS AND SCHEMATICS GUIDE

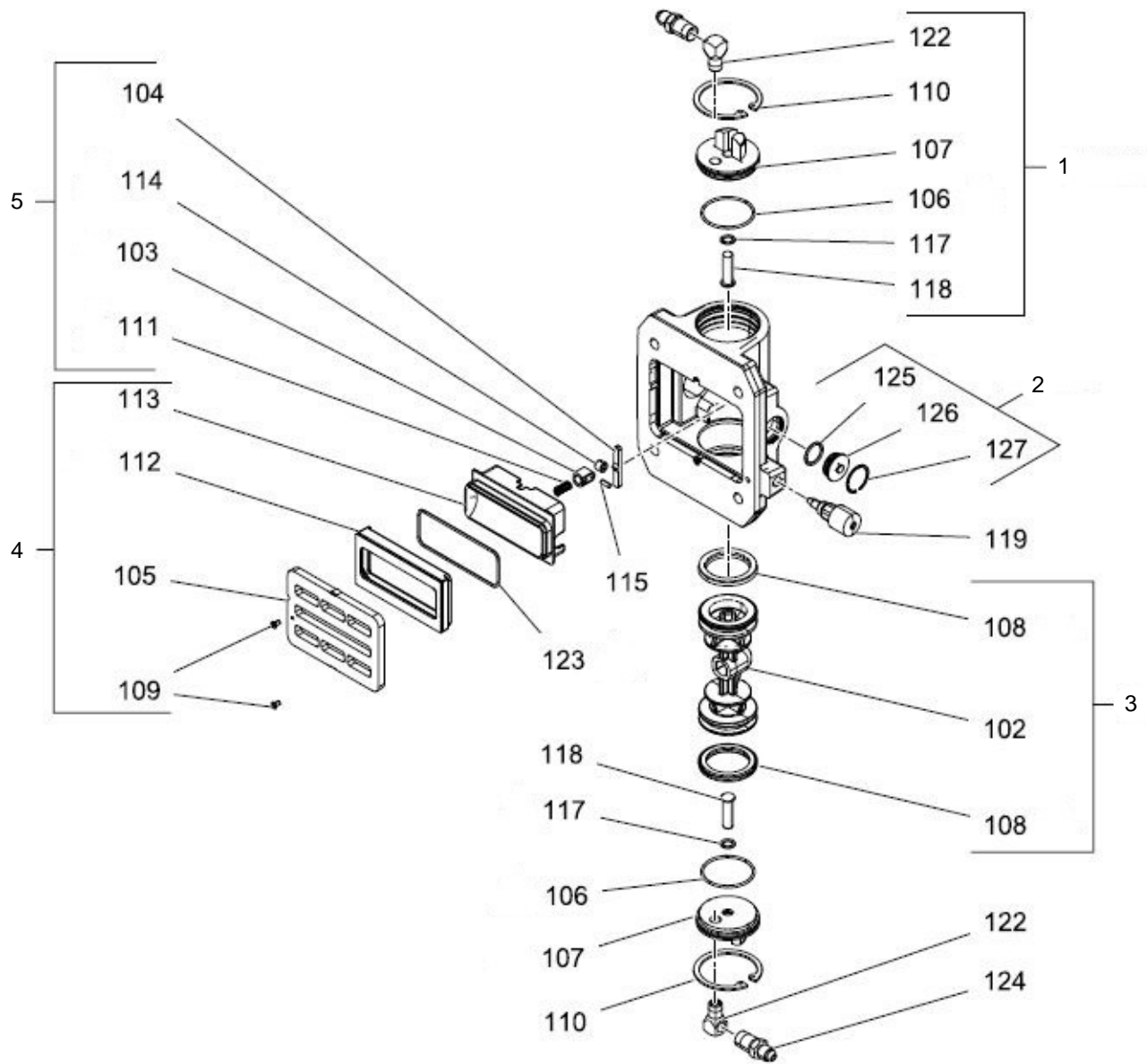
Graco® Xtreme® XL Air Valve

Item#	Part#	Description
Fig. 3		
—	20G24X562	Graco® Xtreme® XL Air Valve
1	20G24X566	Cap with Push Button Assembly <i>(Includes Item #'s: 106, 107, 110, 117, 118, 122, and 124)</i>
2	20G24X568	DataTrack™ Plug Assembly <i>(Includes Item #'s: 125, 126, and 127)</i>
3	20G24X569	Valve Piston with Seals Repair Kit <i>(Includes Item #'s: 102 and 108)</i>
4	20G24X564	Base/Cup Repair Assembly <i>(Includes Item #'s: 112, 113, 123, 105, and 109)</i>
5	20G24X567	Roller Assembly <i>(Includes Item #'s: 103, 104, 111, 114, and 115)</i>
—	—	Housing
102	—	Piston
103	—	Detent Piston
104	—	Detent Cam
105	—	Air Valve Plate
106	20G104010	Packing O-Ring <i>(Quantity of Two)</i>
107	—	Air Valve Cap <i>(Quantity of Two)</i>
108	—	U-Cup Packing <i>(Quantity of Two)</i>
109	—	Thread Forming Screw <i>(Quantity of Two)</i>
110	20G557832	Retainer Ring <i>(Quantity of Two)</i>
111	—	Detent Spring
112	—	Cup Base
113	—	Air Valve Cup
114	—	Detent Roller
115	—	Detent Pin
117	20G154741	Packing O-Ring <i>(Quantity of Two)</i>
118	—	Reset Button <i>(Quantity of Two)</i>
119	20G16Y668	Needle Valve
122	20G15K783	Street Elbow Fitting <i>(Quantity of Two)</i>
123	20G295640	O-Ring
124	20G555749	Connector <i>(Quantity of Two)</i>
125	20G104130	Packing O-Ring
126	—	Valve Plug
127	—	Retaining Ring

— Not Available for Individual Sale

PART NUMBERS AND SCHEMATICS GUIDE

Figure 3: Graco® Xtreme® XL Air Valve



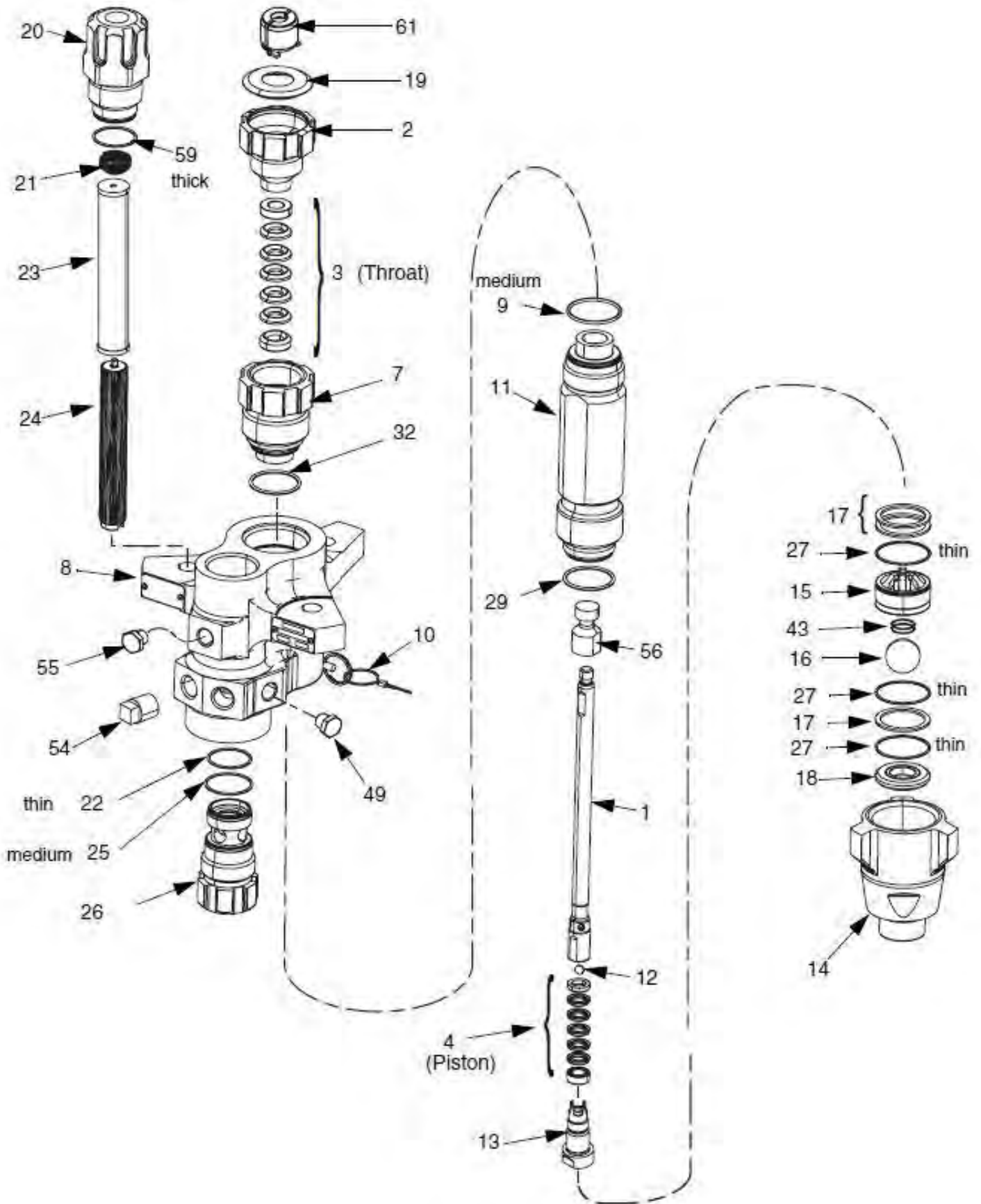
PART NUMBERS AND SCHEMATICS GUIDE

290cc Xtreme® Sprayer Lower Displacement Pump

Item#	20GL290C1	20GL290C2	Description
	20GL290C3 (No Built-In Filter)	(Built-In Filter)	
Fig. 4			
1	20G24B825	20G24B825	Displacement Rod
2	20G15K031	20G15K031	Packing Nut
3	—	—	Stack Packings, Throat (See Fig. 5, 6, and 7)
4	—	—	Stack Packings, Piston (See Fig. 5, 6, and 7)
7	20G197327	20G197327	Packing Cartridge, Throat
8	20G197335	20G197337	Housing Outlet
9	20G244893	20G244893	O-Ring, Top Cylinder, PTFE Medium (Quantity of 10)
10	20G244826	20G244826	Self-Locking Pin
11	20G197319	20G197319	Lower Cylinder
12	20G244899	20G244899	Ball Piston (Quantity of Three)
13	20G24B830	20G24B830	Piston Valve
14	20G197304	20G197304	Inlet Housing
15	20G198647	20G198647	Inlet Ball Guide
16	20G253030	20G253030	Inlet Ball (Quantity of Three)
17	20G244856	20G244856	Inlet Shim Ball Guide (Quantity of Nine)
18	20G197344	20G197344	Inlet Seat
19	20G247395	20G247395	Throat Seal Plug (Quantity of 10)
20	—	20G16M461	Top Filler Cap
21	—	20G171941	Compression Spring
22	—	20G244895	Thin Filter O-Ring, PTFE (Quantity of 10)
23	—	20G224459	Strainer, 60 mesh screen
24	—	20G186075	Filter Support
25	—	20G262484	Filter O-Ring, Medium, PTFE (Quantity of 10)
26	—	20G16M462	Lower Filter Cap
27	20G244894	20G244894	Foot Valve and Cylinder Bottom O-Ring, PTFE thin (Quantity of 10)
30	20G172479	20G172479	Warning Tag
32	20G244891	20G244891	Throat Cartridge O-Ring, PTFE thin (Quantity of 10)
38	—	20G158491	Nipple Fitting, Outlet, 1/2"
39	—	20G24N518	Packless Plug, 1/2"
40	—	20G245143	Pressure Dump Valve
41	—	20G116746	Barbed Fitting, Plated
42	—	20G116750	Nylon Tube
49	20G101754	20G198292	Pipe Plug
59	—	20G262483	Filter O-Ring, PTFE thick (Quantity of 10)

PART NUMBERS AND SCHEMATICS GUIDE

Figure 4: 290cc Xtreme® Sprayer Lower Displacement Pump



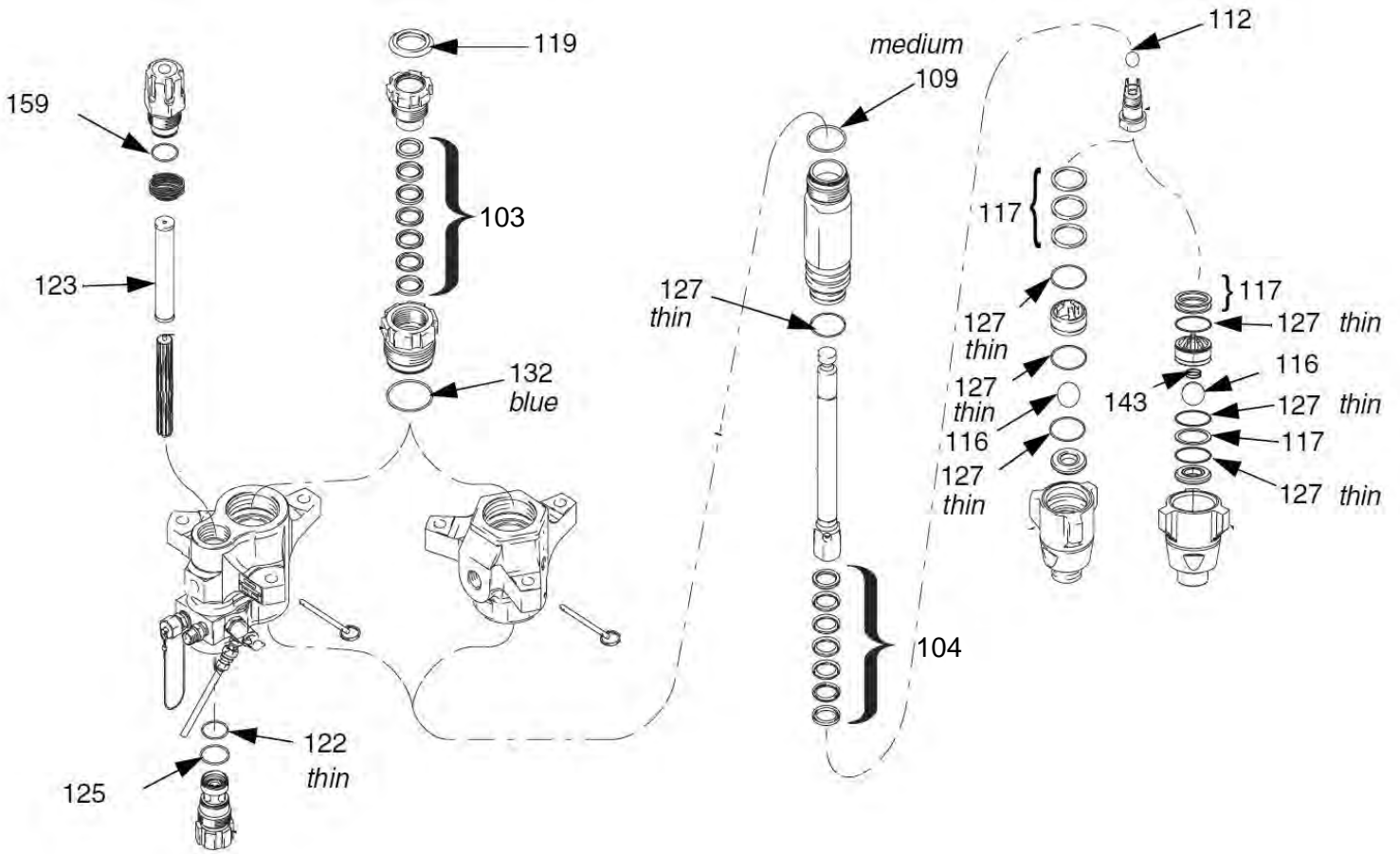
PART NUMBERS AND SCHEMATICS GUIDE

Xtreme® Seal Repair Kit for 290cc Lower Displacement Pump

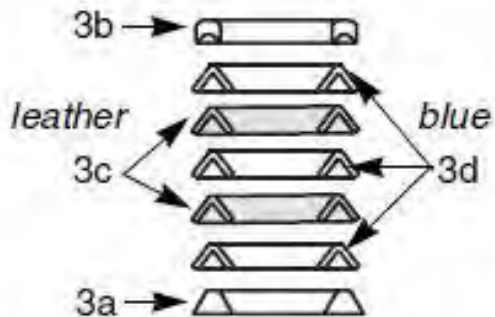
Item#	Part#	Description
Fig. 5		
—	20G24F963	Xtreme Seals™ Repair Kit <i>Includes Item #'s: 1 (Quantity of Two); 2 (Quantity of Two); 3 (Quantity of Four); 4 (Quantity of Six); 5 (Quantity of Four); 6 (Quantity of Two); 7, 8, 9, 10 (Quantity of Three); and 11</i>
103	—	Throat Packings
3a	20G244885	Male Gland (Quantity of Four)
3b	20G244879	Female Gland (Quantity of Four)
3c	20G244873	V-Packing, Leather (Quantity of 10)
3d	20G244867	V-Packing, UHMWPE (Quantity of 10)
104	—	Piston Packings
4a	20G244886	Male Gland (Quantity of Four)
4b	20G244880	Female Gland (Quantity of Four)
4c	20G244874	V-Packing, Leather (Quantity of 10)
4d	20G244868	V-Packing, UHMWPE (Quantity of 10)
109	20G244893	PTFE O-Ring, Top Cylinder Medium (Quantity of 10)
112	20G244899	Ball Piston, 1" (25 mm) (Quantity of Three)
116	20G253030	Ball Inlet, 1-1/2" (38 mm) (Quantity of Three)
117	20G244856	Shim Inlet, Ball Guide (Quantity of Nine)
119	20G244999	Throat Seal Plug, 1-3/4" (Quantity of 10)
—	20G247395	Throat Seal Plug, 2-1/2" (Quantity of 10)
122	20G244895	Filter O-Ring, Thin, PTFE (Quantity of 10)
123	20G238436	Strainer, 30 mesh screen, 5.65" (Quantity of 25)
—	20G224458	Strainer, 30 mesh, 5.65" (Quantity of Two)
—	20G238438	Strainer, 60 mesh, 5.65" (Quantity of 25)
—	20G224459	Strainer, 60 mesh, 5.65" (Quantity of Two)
125	20G262484	Filter O-Ring, Medium, PTFE (Quantity of 10)
—	20G244896	Filter O-Ring For Series A Pumps (Quantity of 10)
127	20G244894	O-Ring, PTFE, Thin (Quantity of 10)
143	20G116802	Foot Valve Spring (20G262795 only)
159	20G262483	Top Cap O-Ring, PTFE (Quantity of 10)
—	20G244895	Top Cap O-Ring For Series A Pumps (Quantity of 10)
—	209V021	Operator's Manual – Graco® Xtreme® Pump Lowers

PART NUMBERS AND SCHEMATICS GUIDE

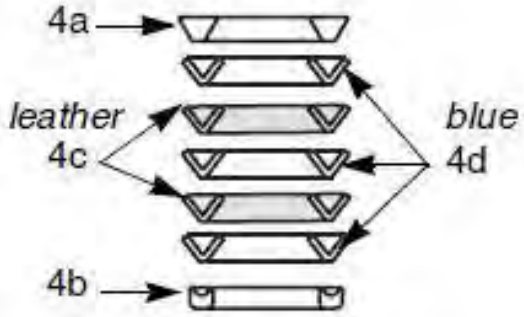
Figure 5: Xtreme® Seal Repair Kit for 290cc Lower Displacement Pump



Throat Packings: Lips Face Down



Piston Packings: Lips Face Up



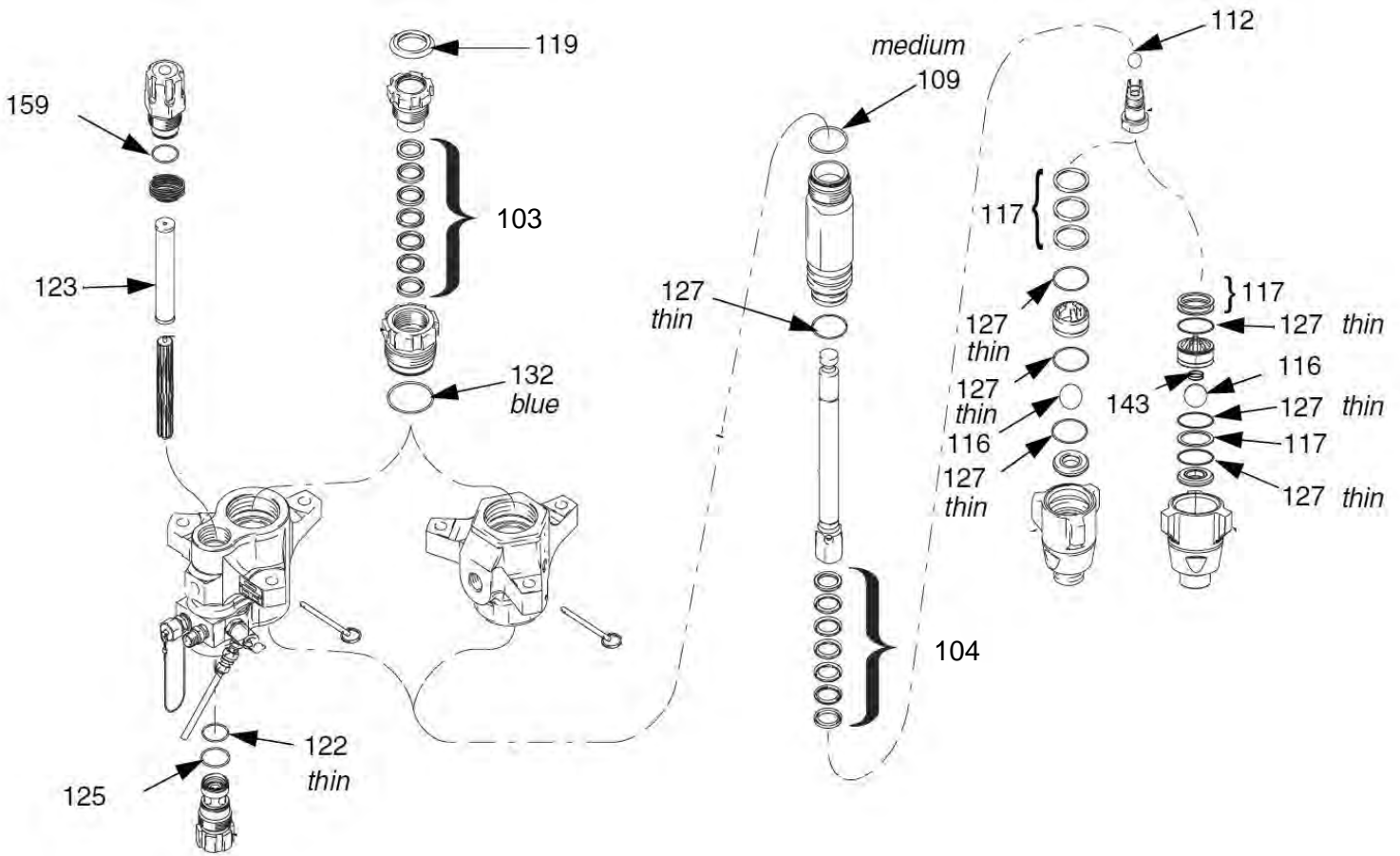
PART NUMBERS AND SCHEMATICS GUIDE

Tuff-Stack™ Repair Kit for 290cc Lower Displacement Pump

Item#	Part#	Description
Fig. 6		
—	20G24F964	Tuff-Stack™ Repair Kit <i>Includes Item #'s: 1 (Quantity of Two); 2 (Quantity of Two); 3 (Quantity of Four); 4 (Quantity of 10); 5 (Quantity of Two); 6 (Quantity of Four); 7, 8, 9 (Quantity of Three); and 10</i>
103	—	Throat Packings
103a	20G244885	Male Gland <i>(Quantity of Four)</i>
103b	20G244879	Female Gland <i>(Quantity of Four)</i>
103e	20G244861	V-Packing Carbon-Filled, PTFE/UHMWPE, Blue <i>(Quantity of 10)</i>
104	—	Piston Packings
104a	20G244886	Male Gland <i>(Quantity of Four)</i>
104b	20G244880	Female Gland <i>(Quantity of Four)</i>
104e	20G244862	V-Packing Carbon-Filled, PTFE/UHMWPE, Blue <i>(Quantity of 10)</i>
109	20G244893	PTFE O-Ring, Top Cylinder Medium <i>(Quantity of 10)</i>
112	20G244898	Ball Piston, 7/8" (22 mm) <i>(Quantity of Three)</i>
116	20G253030	Ball Inlet, 1.5" (38 mm) <i>(Quantity of Three)</i>
117	20G244856	Shim Inlet, Ball Guide <i>(Quantity of Nine)</i>
119	20G244999	Throat Seal Plug, 1-3/4" <i>(Quantity of 10)</i>
—	20G247395	Throat Seal Plug, 2-1/2" <i>(Quantity of 10)</i>
122	20G244895	Filter O-Ring, Thin, PTFE <i>(Quantity of 10)</i>
123	20G238436	Strainer, 30 mesh screen, 5.65" <i>(Quantity of 25)</i>
—	20G224458	Strainer, 30 mesh, 5.65" <i>(Quantity of Two)</i>
—	20G238438	Strainer, 60 mesh, 5.65" <i>(Quantity of 25)</i>
—	20G224459	Strainer, 60 mesh, 5.65" <i>(Quantity of Two)</i>
125	20G262484	Filter O-Ring, Medium, PTFE <i>(Quantity of 10)</i>
—	20G244896	Filter O-Ring For Series A Pumps <i>(Quantity of 10)</i>
127	20G244894	O-Ring, PTFE, Thin <i>(Quantity of 10)</i>
143	20G116802	Foot Valve Spring (20G262795 only)
159	20G262483	Top Cap O-Ring, PTFE <i>(Quantity of 10)</i>
—	20G244895	Filter O-Ring For Series A Pumps <i>(Quantity of 10)</i>
—	209V021	Operator's Manual – Graco® Xtreme® Pump Lowers

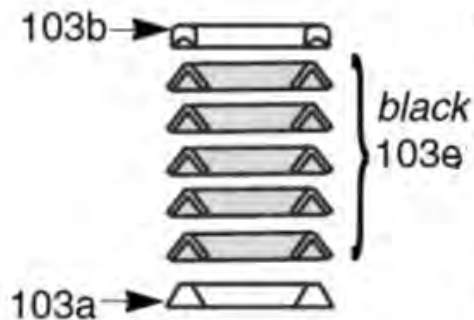
PART NUMBERS AND SCHEMATICS GUIDE

Figure 6: Tuff-Stack™ Repair Kit for 290cc Lower Displacement Pump

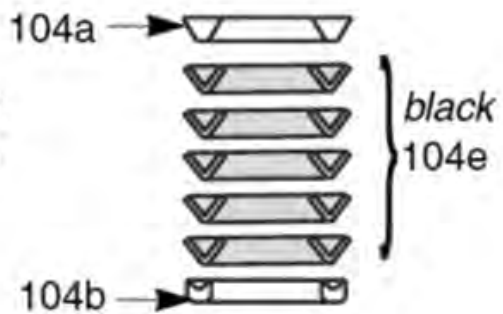


Tuff-Stack™ Seal Repair Kit 24F964

**Throat Packings:
Lips Face Down**



**Piston Packings:
Lips Face Up**



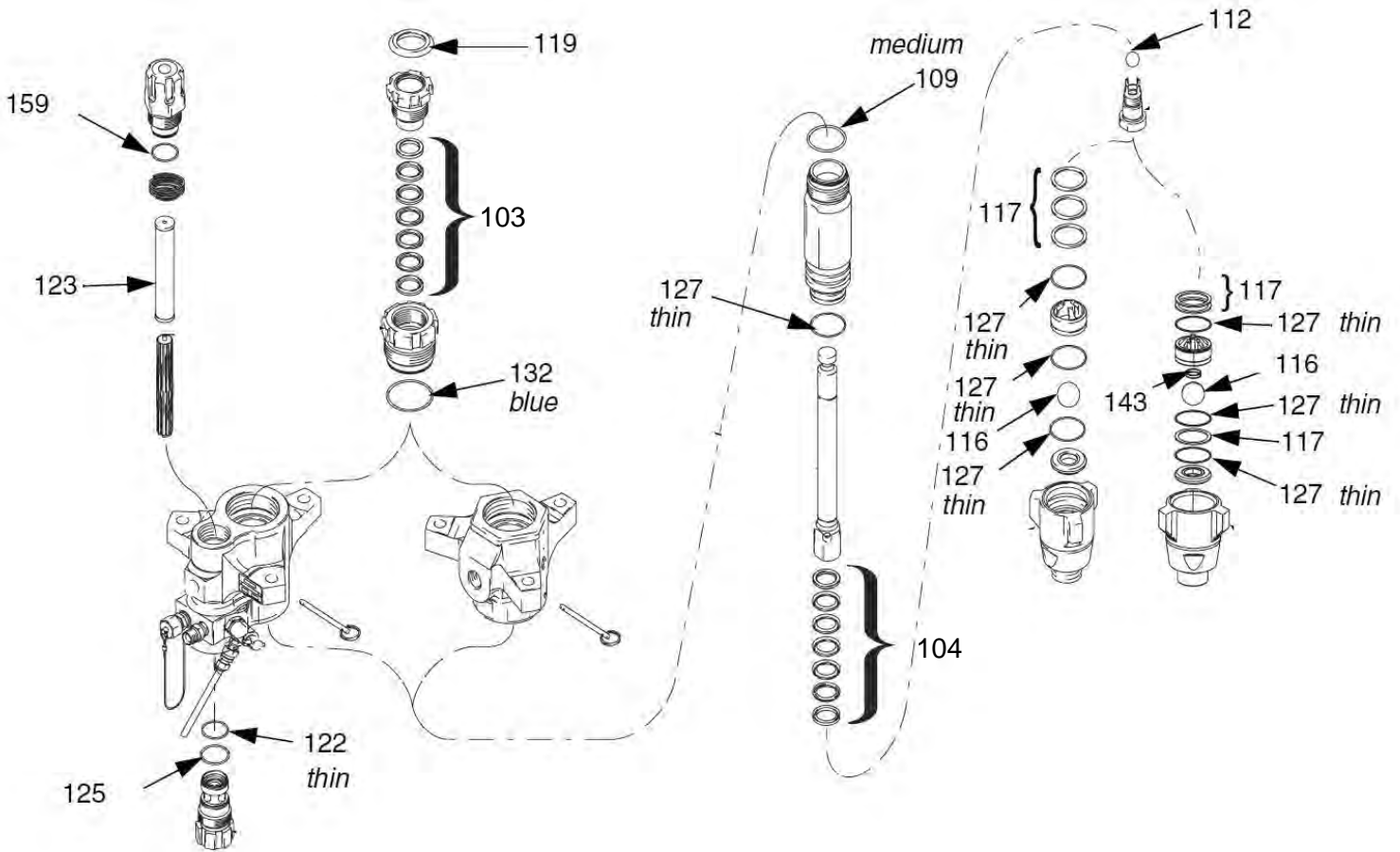
PART NUMBERS AND SCHEMATICS GUIDE

X-Tuff™ Repair Kit for 290cc Lower Displacement Pump

Item#	Part#	Description
Fig. 7		
—	20G262795	X-Tuff™ Repair Kit <i>Includes Item #'s: 1 (Quantity of Two); 2 (Quantity of Two); 3 (Quantity of Four); 4 (Quantity of Six); 5 (Quantity of Four); 6 (Quantity of Two); 7, 8, 9, 10 (Quantity of Three); and 11</i>
103	—	Throat Packings
103a	20G244885	Male Gland <i>(Quantity of Four)</i>
103b	20G244879	Female Gland <i>(Quantity of Four)</i>
103c	20G244861	V-Packing Carbon-Filled, PTFE/UHMWPE, Blue <i>(Quantity of 10)</i>
103d	20G244867	V-Packing, UHMWPE, Black <i>(Quantity of 10)</i>
104	—	Piston Packings
104a	20G244866	Male Gland <i>(Quantity of Four)</i>
104b	20G244880	Female Gland <i>(Quantity of Four)</i>
104c	20G244862	V-Packing Carbon-Filled, PTFE/UHMWPE, Blue <i>(Quantity of 10)</i>
104d	20G244868	V-Packing, UHMWPE, Black <i>(Quantity of 10)</i>
109	20G244893	PTFE O-Ring, Top Cylinder Medium <i>(Quantity of 10)</i>
112	20G244898	Ball Piston, 7/8" (22 mm) <i>(Quantity of Three)</i>
116	20G253030	Ball Inlet, 1.5" (38 mm) <i>(Quantity of Three)</i>
117	20G244856	Shim Inlet, Ball Guide <i>(Quantity of Nine)</i>
119	20G244999	Throat Seal Plug, 1-3/4" <i>(Quantity of 10)</i>
—	20G247395	Throat Seal Plug, 2-1/2" <i>(Quantity of 10)</i>
122	20G244895	Filter O-Ring, Thin, PTFE <i>(Quantity of 10)</i>
123	20G238436	Strainer, 30 mesh screen, 5.65" <i>(Quantity of 25)</i>
—	20G224458	Strainer, 30 mesh, 5.65" <i>(Quantity of Two)</i>
—	20G238438	Strainer, 60 mesh, 5.65" <i>(Quantity of 25)</i>
—	20G224459	Strainer, 60 mesh, 5.65" <i>(Quantity of Two)</i>
125	20G262484	Filter O-Ring, Medium, PTFE <i>(Quantity of 10)</i>
—	20G244896	Filter O-Ring For Series A Pumps <i>(Quantity of 10)</i>
127	20G244894	O-Ring, PTFE, Thin <i>(Quantity of 10)</i>
143	20G116802	Foot Valve Spring (20G262795 only)
159	20G262483	Top Cap O-Ring, PTFE <i>(Quantity of 10)</i>
—	20G244895	Filter O-Ring For Series A Pumps <i>(Quantity of 10)</i>
—	209V021	Operator's Manual – Graco® Xtreme® Pump Lowers

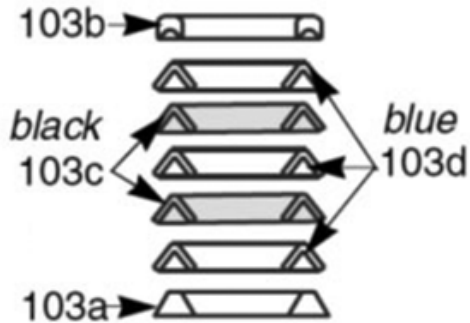
PART NUMBERS AND SCHEMATICS GUIDE

Figure 7: X-Tuff™ Repair Kit for 290cc Lower Displacement Pump

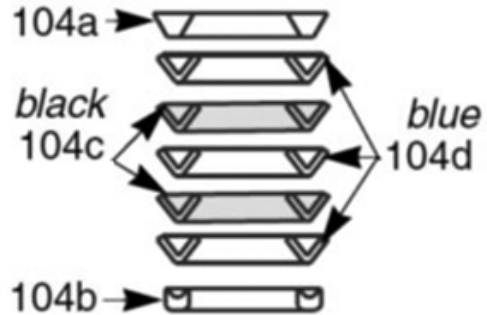


X-Tuff™ Seal Repair Kit 262795

**Throat Packings:
Lips Face Down**

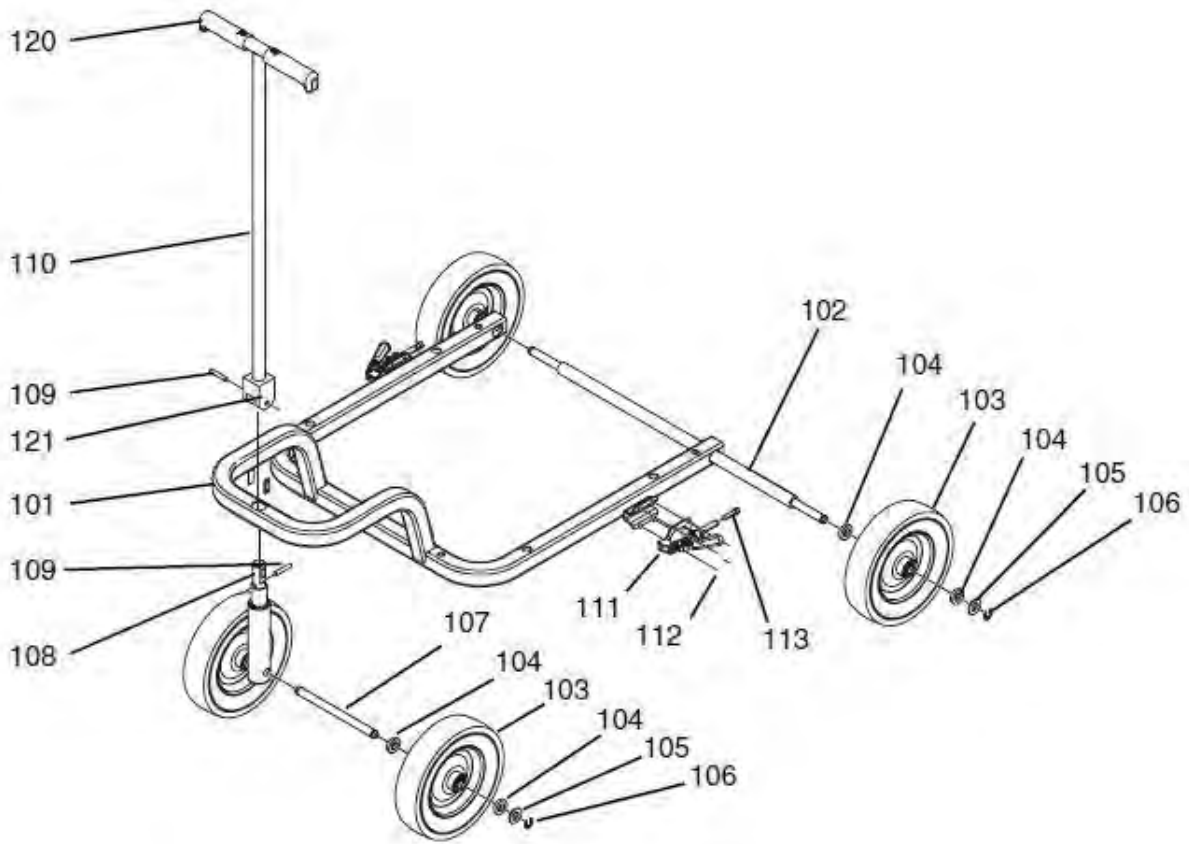


**Piston Packings:
Lips Face Up**



PART NUMBERS AND SCHEMATICS GUIDE

Figure 8: Cart

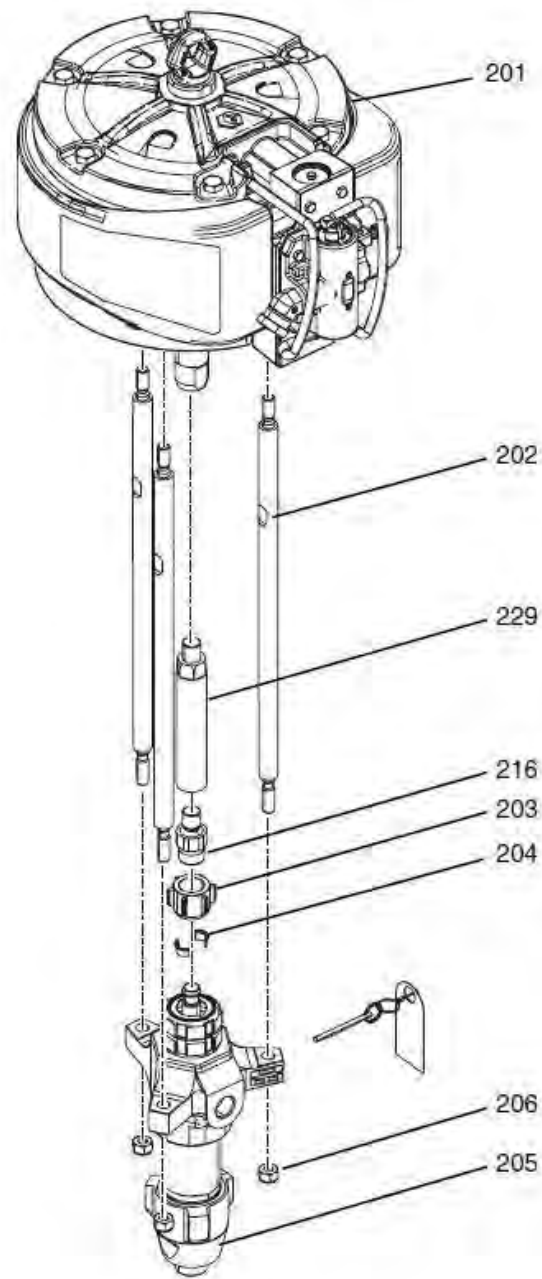


Item#	Part#	Description
Fig. 8		
101	20G16P434	Ram Cart
102	—	Axle
103	20G113807	Urethane Wheel, Flat Free
104	20G191824	Space Washer
105	20G111841	5/8" Plain Washer
106	20G101242	External Retaining Ring
107	20G15A913	Axle
108	—	Axle
109	20G124291	Spring Pin
110	20G258982	Cart Handle
111	—	Brake
112	20G112788	Socket Head Cap Screw
113	20G102962	Socket Head Cap Screw
120	20G116139	Handle Grip
121	—	Arrow Label

— Not Available for Individual Sale

PART NUMBERS AND SCHEMATICS GUIDE

Figure 9: Xtreme® XL Pumpline



Item#	Part#	Description
Fig. 9		
201	20G24X856	6500 Xtreme® XL Air Motor (See Fig. 2)
202	20G17D232	Tie Rod (Quantity of Three)
203	20G184129	Coupler Collar (Quantity of Two)
204	20G184098	Nut Coupling
205	20GL29HC7	Xtreme Lower (See Fig. 4)
206	20G15U606	Lock Nut (Quantity of Three)
216	20G184583	Adapter Rod
229	20G17D231	Adapter Rod

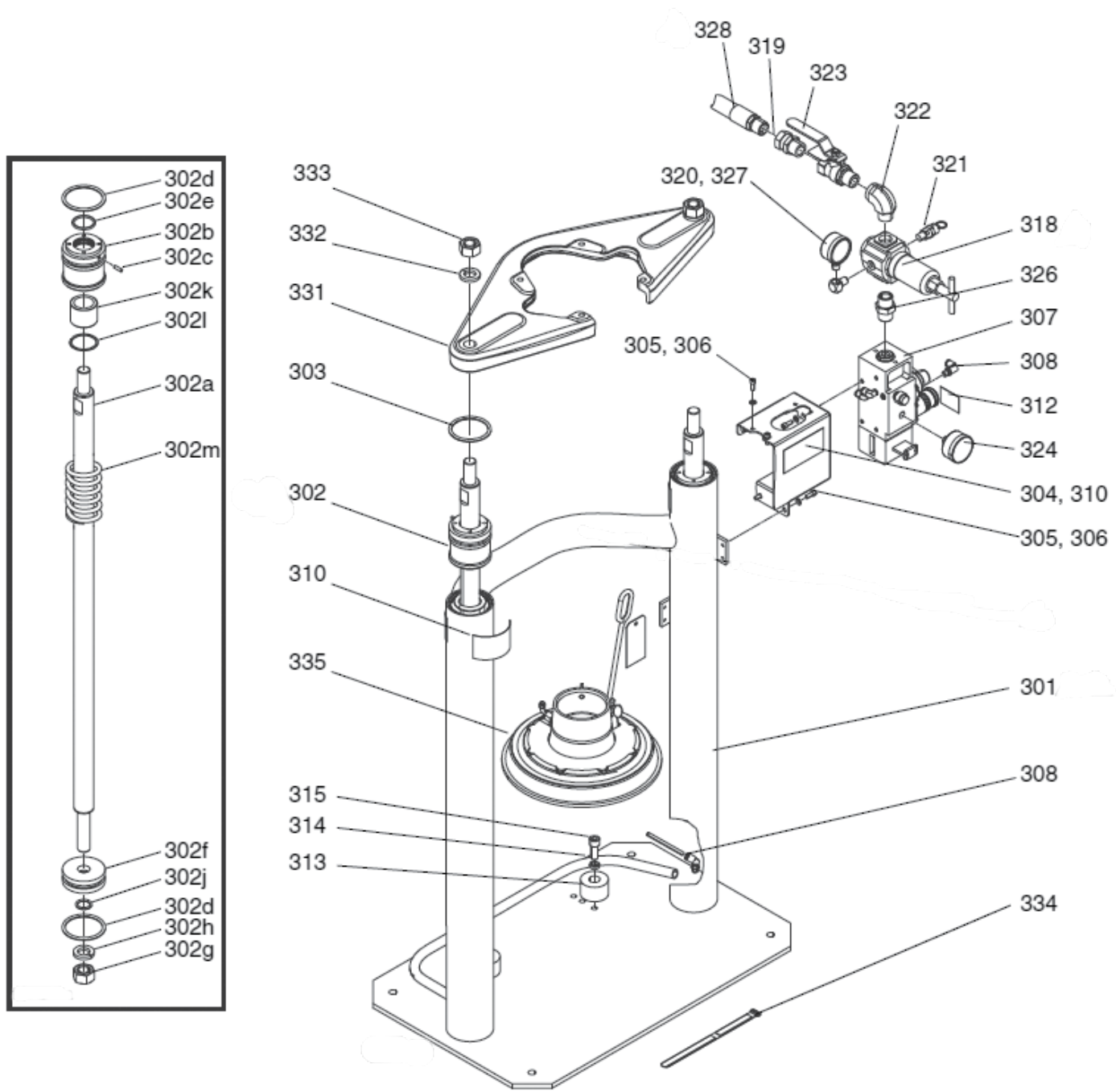
PART NUMBERS AND SCHEMATICS GUIDE

Ram Frame

Item#	Part#	Description
Fig. 10		
301	—	Ram Weldment
302	—	Ram Piston Subassembly <i>(Includes Item #'s: 302a – 302p)</i>
302a	—	Ram Piston Rod
302b	20G15M295	Ram End Cap Bearing
302c	20G15U979	Spring Straight Pin
302d	20G160258	O-Ring Packing, Buna-n
302e	20G156698	O-Ring Packing
302f	20G183943	Piston
302g	20G101535	Full Hex Nut
302h	20H101533	Spring Lock Washer
302j	20G156401	O-Ring Packing
302k	—	Ram End Cap Bearing
302l	20G15F453	Retaining Ring Retainer
302m	20G160138	Compression Spring
302n	—	Lubricant, grease
302p	—	Thread Sealant
303	—	Retaining Ring
304	20G255296	Mounted Bracket
305	20G100016	Lock Washer
306	20G101682	Cap Head Socket Screw
307	20G24C824	Ram Air Control, Hydraulic
308	20G297151	Elbow Fitting
310	—	Crush/Pinch Safety Label
312	—	Shutoff Valve Label
313	20GC32467	Drum Stop
314	20GC38185	Lock Washer
315	20GC19853	Socket Head Cap Screw
318	20G16F014	T-Handle Air Regulator
319	20G157785	Swivel Fitting
320	20G100960	Air Pressure Gauge
321	20G103347	Safety Valve, 100 psi
322	—	3/4-14 Street Elbow
323	20G113218	3/4" Vented Ball Valve
324	20G101689	Air Pressure Gauge
326	20GC20487	Hex Nipple
327	20G100840	Street Elbow
328	20GC12034	Coupled Hose, 72"
331	—	Shelf Bracket, D60, 3400/6500
332	20G101533	Spring Lock Washer
333	20G101535	Full Hex Nut
334	20G198442	Mix Manifold Retaining Strap
335	20G16U676	Inducter Plate – 20L Platen <i>(See Fig. 11)</i>
—	20G257622	Repair Kit <i>(Includes Item #'s: 302a – 302p, 303, and 310)</i>

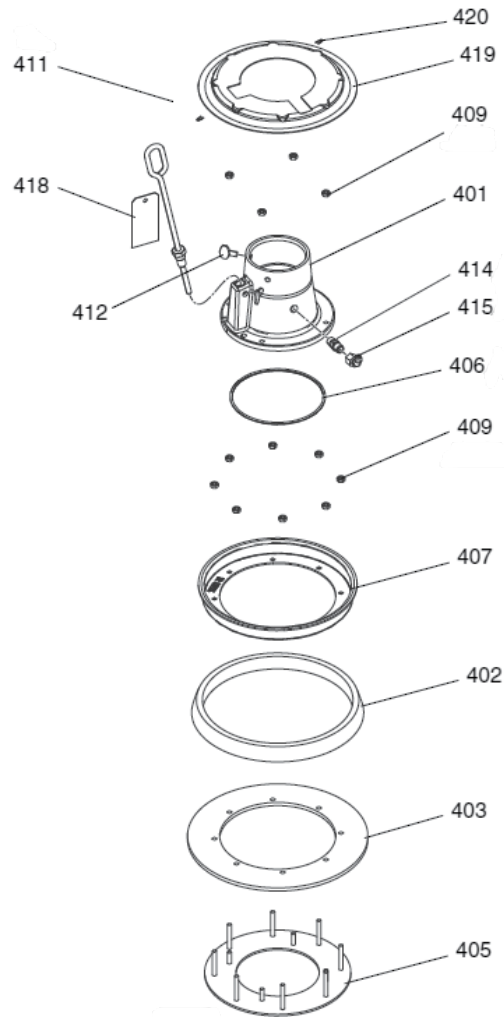
PART NUMBERS AND SCHEMATICS GUIDE

Figure 10: Ram Frame



PART NUMBERS AND SCHEMATICS GUIDE

Figure 11: Platen

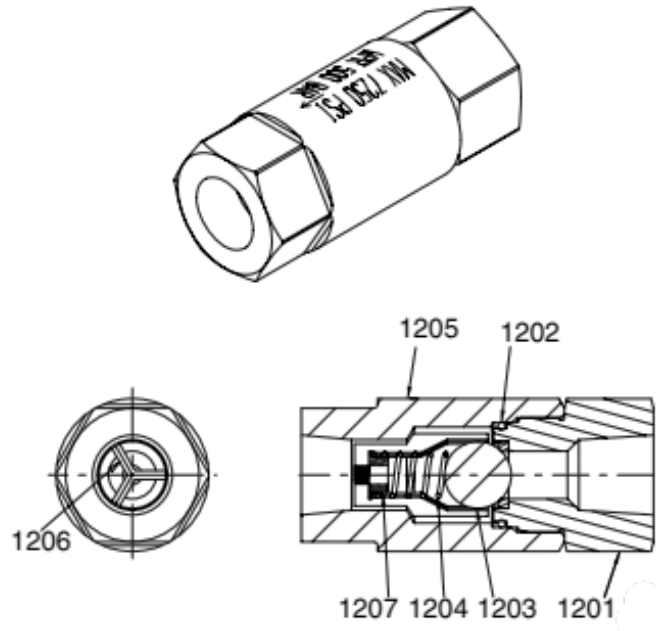


Item#	Part#	Description
Fig. 11		
—	20G16U676	20L Platen
401	—	Base
402	20G276049	Spacer
403	20G262936	Main Wiper
405	—	Platen Bottom Plate
406	20G121829	Packing O-Ring
407	—	Clamp Retainer
409	—	1/4-20 Hex Head Keps Nut
411	20G257697	Stainless Steel Bleed Handle
412	—	5/16-18 x 1/2" Carbon Steel Thumb Screw
413	20G112358	O-Ring Packing
414	20G122056	Check Valve
415	20GC20350	90° Elbow
418	—	Instruction Tag
419	20G15W184	20L Cover Shroud
420	20G16U740	Hairpin Cotter Pin (<i>Quantity of 10</i>)

— Not Available for Individual Sale

PART NUMBERS AND SCHEMATICS GUIDE

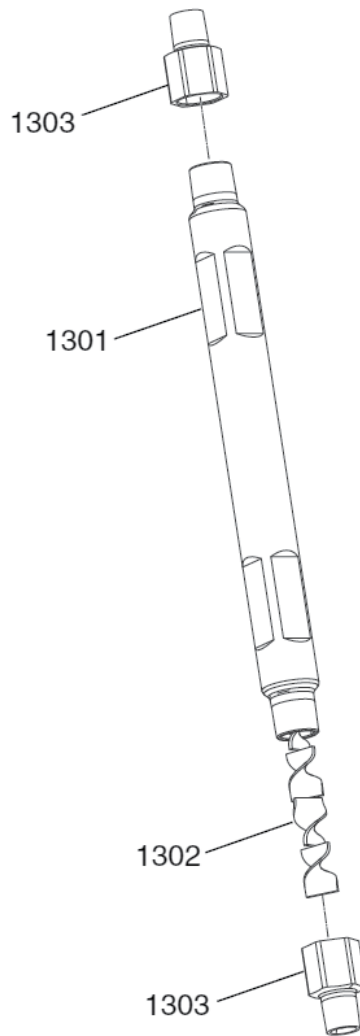
Figure 12: Check Valve



Item#	Part#	Description
Fig. 12		
—	20G16T481	Check Valve, 7250 psi
1201	—	Seat Nut
1202	20G102595	O-Ring Packing
1203	20G100279	Metallic Ball
1204	20G108361	Compression Spring
1205	—	Ball Check Housing
1206	20G181492	Ball Guide
1207	20G181535	Retainer Spring

PART NUMBERS AND SCHEMATICS GUIDE


Figure 13: Static Mixer




Item#	Part#	Description
Fig. 13		
—	20G16T316	Static Mixer, 12 Element, Stainless Steel
1301	—	Tube Mixer
1302	20G24P886	12 Element, Stainless Steel Mixer
1303	20G16T315	3/4" NPT (F) x 1/2" NPT Reducing Bushing
1304	—	Stainless Steel Pipe Sealant


— Not Available for Individual Sale


OPTIONAL ACCESSORIES

		STATIC MIXERS				
Part Numbers		Diameter	Length	Pressure Limit	Housing Material	Element Material
	20TAH100206	1/4"	3.75"	8,500 PSI	Stainless Steel	Stainless Steel
	20TAH100212	1/4"	7"	8,500 PSI	Stainless Steel	Stainless Steel
	20G511352	3/8"	9.5"	7,250 PSI	Stainless Steel	Stainless Steel
	20TAH100312	3/8"	9.5"	7,250 PSI	Stainless Steel	Stainless Steel
	20TAH7700195	3/8"	13.12"	7,250 PSI	Stainless Steel	Plastic
	2070039	1/2"	2"	5,000 PSI	Plastic	Plastic
	20TAH100412	1/2"	11"	7,250 PSI	Stainless Steel	Stainless Steel


		STATIC MIXER REPLACEMENT PARTS	
Part Numbers		Description	Quantity
	20G248925	1/4" x 12 Ft. Whip Hose Mixing Kit	20G15E592 Housings (<i>Quantity of Two</i>) and 20G248927 Mixing Elements (<i>Quantity of Six</i>)
	20TAH090312	3/8" x 12" Stainless Steel Mixing Element	12/Package
	20G248927	1/2" Plastic Mixing Element	25/Package
	20G15E592	1/2" x 5" Static Mix Housing	One Each
	20TAH100612	3/4" x 12" Stainless Steel Mixing Element	12/Package


OPTIONAL ACCESSORIES


		1/2" I.D. AIRLESS SPRAY HOSE – COUPLED					
	Part Numbers	Working Pressure	Length (Ft.)	Hose I.D.	Hose Cover Color	Braid Reinforcement Material	Couplings
	2000339	7,250 psi	25	1/2"	Black	Aramid/Steel	Female x Female
	2000328	7,250 psi	50	1/2"	Black	Aramid/Steel	Female x Female
	2000331	7,250 psi	100	1/2"	Black	Aramid/Steel	Female x Female

		3/4" I.D. AIRLESS SPRAY HOSE – COUPLED					
	Part Numbers	Working Pressure	Length (Ft.)	Hose I.D.	Hose Cover Color	Braid Reinforcement Material	Couplings
	2000101	6,500 psi	25	3/4"	Black	Aramid/Steel	Male x Female
	2000100	6,500 psi	50	3/4"	Black	Aramid/Steel	Male x Female


PART NUMBERS AND SCHEMATICS GUIDE


		NON-RECIRCULATION GENERAL PURPOSE 5000 PSI ELECTRIC HEATED HOSE BUNDLES							
		Length				1/2" Fluid Hose	3/8" Fluid Hose	1/4" Fluid Hose	1/4" Flush Hose
Part Numbers		50 Ft	100 Ft	150 Ft	200 Ft				
	20000024	X				1	1	1	1
	20000025		X			1	1	1	1
	20100431			X		1	1	1	1
	20100432				X	1	1	1	1
	20100982	X				2			1

		RECIRCULATION GENERAL PURPOSE 5000 PSI ELECTRIC HEATED HOSE BUNDLES									
		Length				1/2" Fluid Hose	3/8" Fluid Hose	1/4" Fluid Hose	3/8" Fluid Recirculating Hoses	1/4" Moisture-Lock Hose	1/4" Flush Hose
Part Numbers		50 Ft	100 Ft	150 Ft	200 Ft						
	20000052	X				1	1		2		1
	20000053		X			1	1	1	2		1
	20100433			X		1	1		2		1
	20100434				X	1	1	1	2		1
	20101025		X			1			2	1	1


		MOISTURE-LOK 5000 PSI ELECTRIC HEATED HOSE BUNDLES						
		Length				3/8" Fluid Hose	1/4" Moisture-Lock Hose	1/4" Flush Hose
Part Numbers		50 Ft	100 Ft	150 Ft	200 Ft			
	20000013		X			1	1	1
	20000015	X				1	1	1
	20100447			X		1	1	1
	20100448				X	1	1	1


PART NUMBERS AND SCHEMATICS GUIDE


		NON-RECIRCULATION HAZARDOUS LOCATION 5000 PSI ELECTRIC HEATED HOSE BUNDLES							
		Length				1/2" Fluid Hose	3/8" Fluid Hose	1/4" Fluid Hose	1/4" Flush Hose
		50 Ft	100 Ft	150 Ft	200 Ft				
	Part Numbers								
	20100436	X				1	1	1	1
	20100437		X			1	1	1	1
	20100438			X		1	1	1	1
	20100439				X	1	1		1
20101070	X					2		1	

		RECIRCULATION HAZARDOUS LOCATION 5000 PSI ELECTRIC HEATED HOSE BUNDLES							
		Length				1/2" Fluid Hose	3/8" Fluid Hose	3/8" Fluid Recirculating Hoses	1/4" Flush Hose
		50 Ft	100 Ft	150 Ft	200 Ft				
	Part Numbers								
	20100440	X				1	1	2	1
	20100441		X			1	1	2	1
	20100442			X		1	1	6	1
	20100443				X	1	1	2	1


PART NUMBERS AND SCHEMATICS GUIDE


		NON-RECIRCULATION GENERAL PURPOSE 7000 PSI ELECTRIC HEATED HOSE BUNDLES							
		Length				1/2" Fluid Hose	3/8" Fluid Hose	1/4" Fluid Hose	1/4" Flush Hose
		50 Ft	100 Ft	150 Ft	200 Ft				
	Part Numbers								
	20100226			X		1	1	1	1
	20100258		X			1	1	1	1
	20100272	X				1	1	1	1
	20100450				X	1	1	1	1
	20101043		X				1	1	1
20101195		X			2			1	

		RECIRCULATION GENERAL PURPOSE 7000 PSI ELECTRIC HEATED HOSE BUNDLES								
		Length				1/2" Fluid Hose	3/8" Fluid Hose	1/4" Fluid Hose	3/8" Fluid Recirculating Hoses	1/4" Flush Hose
		50 Ft	100 Ft	150 Ft	200 Ft					
	Part Numbers									
	20100451	X				1	1	1	2	1
	20100452		X			1	1	1	2	1
	20100453			X		1	1	1	2	1
	20100454				X	1	1	1	2	1
	20100747	X				1	1		2	1
20100758		X			2			2	1	

		MOISTURE-LOK 7000 PSI ELECTRIC HEATED HOSE BUNDLES							
		Length				3/8" Fluid Hose	1/4" Fluid Hose	1/4" Moisture-Lock Hose	1/4" Flush Hose
		50 Ft	100 Ft	150 Ft	200 Ft				
	Part Numbers								
	20100466	X				1	1	1	1
	20100467		X			1	1	1	1
	20100468			X		1	1	1	1
20100469				X	1	1	1	1	


PART NUMBERS AND SCHEMATICS GUIDE

		NON-RECIRCULATION HAZARDOUS LOCATION 7000 PSI ELECTRIC HEATED HOSE BUNDLES							
		Length				1/2" Fluid Hose	3/8" Fluid Hose	1/4" Fluid Hose	1/4" Flush Hose
		50 Ft	100 Ft	150 Ft	200 Ft				
	Part Numbers								
	20100456	X				1	1	1	1
	20100457		X			1	1	1	1
	20100458			X		1	1	1	1
	20100459				X	1	1	1	1


		RECIRCULATION HAZARDOUS LOCATION 7000 PSI ELECTRIC HEATED HOSE BUNDLES								
		Length				1/2" Fluid Hose	3/8" Fluid Hose	1/4" Fluid Hose	3/8" Fluid Recirculating Hoses	1/4" Flush Hose
		50 Ft	100 Ft	150 Ft	200 Ft					
	Part Numbers									
	20100073	X				1	1	1	2	1
	20100074		X			1	1	1	2	1
	20100460			X		1	1	1	2	1
	20100461				X	1	1	1	2	1

PART NUMBERS AND SCHEMATICS GUIDE


NON-RECIRCULATION GENERAL PURPOSE 5000 PSI WATER HEATED HOSE BUNDLES



	Part Numbers	Length				1/2" Fluid Hose	3/8" Fluid Hose	1/4" Fluid Hose	3/8" Fluid Recirculating Hoses	1/4" Flush Hose
		50 Ft	100 Ft	150 Ft	200 Ft					
			20100444	x						
	20100445		X			4		1	2	1
	20100446			X		1	1		2	1
	20100253				X	4			2	


NON-RECIRCULATION GENERAL PURPOSE 7000 PSI WATER HEATED HOSE BUNDLES


	Part Numbers	Length				1/2" Fluid Hose	3/8" Fluid Hose	1/4" Fluid Hose	3/8" Fluid Recirculating Hoses	1/4" Flush Hose
		50 Ft	100 Ft	150 Ft	200 Ft					
			20100462	X						
	20100463		X			1	1	1	2	1
	20100464			X		1	1	1	2	1
	20100465				X	1	1	1	2	1

PART NUMBERS AND SCHEMATICS GUIDE


		BAND HEATERS			
Part Numbers		Drum Size	Voltage	Diameter	Shipping Weight
	20EXTRX5HR110V	5 Gallon	120-Volt	11-1/4"	7 lbs.
	20EXTRX55HR240V	55 Gallon	240-Volt	22-1/2"	14 lbs.







		POWERBLANKET®				
Part Numbers		Size/Style	Voltage	Series	Thermostat	Shipping Weight
	2070021	55 Gallon	120-Volt	Standard	Preset to 100°F	13 lbs.
	2070022	55 Gallon	120-Volt	Pro	Adjustable up to 145°F	13 lbs.
	2070023	55 Gallon	240-Volt	Pro	Adjustable up to 145°F	13 lbs.
	2070024	5 Gallon	120-Volt	Standard	Preset to 100°F	4 lbs.
	2070025	Hot Box	120-Volt	Pro	Preset to 120°F	59 lbs.

		POWERBLANKET® REPAIR KIT	
	2070026	Powerblanket® Surface Repair Kit	

		DRUM VENT	
Part Numbers		Description	
	20100549	55-Gallon Desiccant Vent Kit For Drying Ambient Air in Drum During Storage	


PART NUMBERS AND SCHEMATICS GUIDE




1000 MILLILITER TEST BEAKER		
	20BEAKER1000ML	1000 Milliliter Test Beaker



JIFFY MIXERS								
	Part Numbers	Container Size	Shaft Length	Shaft Diameter	Top Diameter	Bottom Diameter	Material of Construction	U.O.M.
	20JMHS2	1-2 Gallon	14-3/4"	1/4"	2-5/8"	2-5/8"	Stainless Steel	One Each
	20JHS3	1-2 Gallon	30"	1/4"	2-5/8"	2-5/8"	Stainless Steel	One Each
	20JMES210	2-5 Gallon	20-1/2"	3/8"	3-1/4"	3-3/4"	Stainless Steel	One Each
	20JMPS1	5-10 Gallon	20-1/2"	1/2"	3-1/4"	3-3/4"	Stainless Steel	One Each
	20JPS227	10-50 Gallon	27-1/2"	1/2"	4-5/8"	5-1/8"	Stainless Steel	One Each
	20JPS2	10-50 Gallon	40"	1/2"	4-5/8"	5-1/8"	Stainless Steel	One Each

REVERSIBLE DRILL		
	10HF936510VGA	1/2" Reversible Air Drill

PART NUMBERS AND SCHEMATICS GUIDE

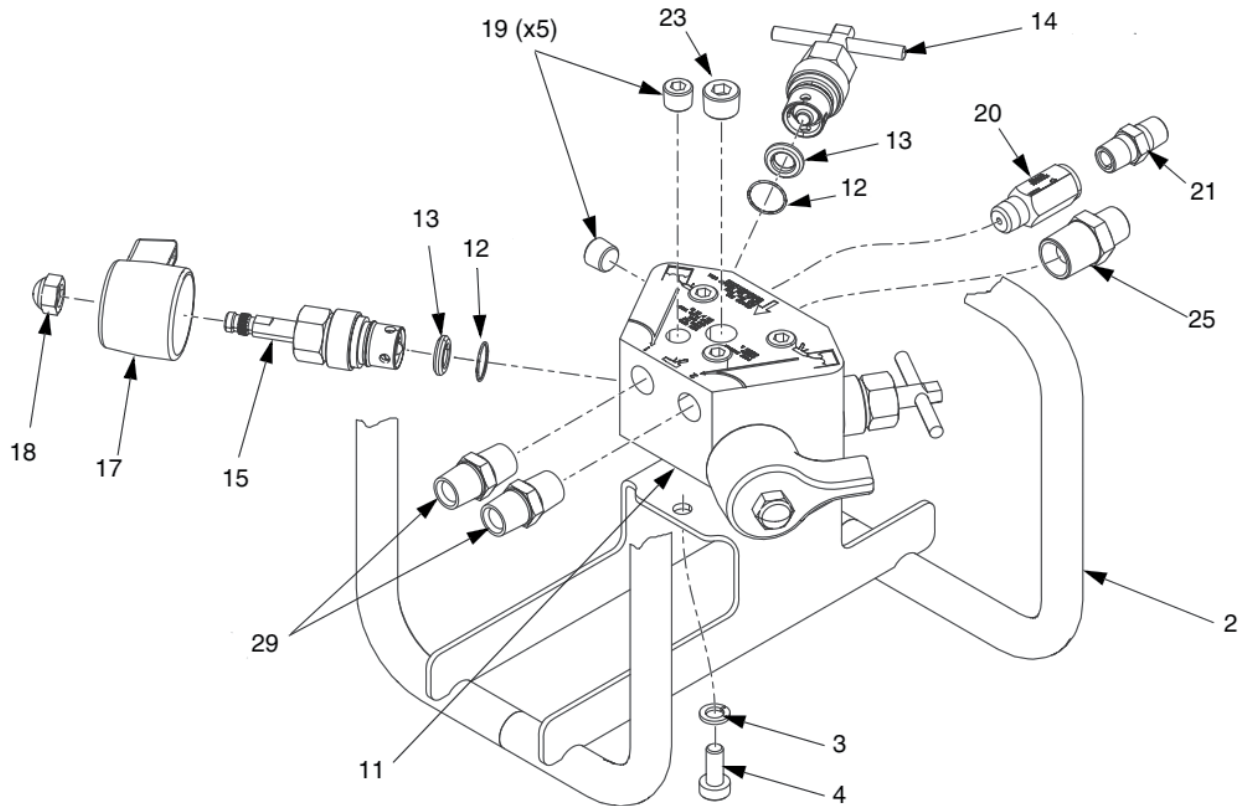
		STATIC MIXERS					
Part Numbers		Diameter	Number of Mixing Elements	Length	PSI	Housing Material	Element Material
	20TAH100206	1/4"	6	3.75"	8500	Stainless Steel	Stainless Steel
	20TAH100212	1/4"	12	7"	8500	Stainless Steel	Stainless Steel
	20TAH100312	3/8"	12	9.5"	7250	Stainless Steel	Stainless Steel
	20TAH7700195	3/8"	30	13.12"	7250	Stainless Steel	Plastic
	20TAH100412	1/2"	12	11"	7250	Stainless Steel	Stainless Steel
	20TAH100612	3/4"	12	14.75"	6000	Stainless Steel	Stainless Steel

		STATIC MIXER REPLACEMENT PARTS	
Part Numbers		Description	Quantity
	20TAH090312	3/8" x 12 Stainless Steel Mixing Elements	One Each
	20G262478	1/2" x 5" Static Mix Housing	One Each
	20G248927	1/2" Plastic Mixing Element	25/Package

		SPIRAL BELL MIXER			
Part Numbers		Diameter	PSI	Length	Number of Mixing Elements
	20TAH7701028	1/2"	270	14"	30
	20TAH7701059	3/4"	580	17"	23

PART NUMBERS AND SCHEMATICS GUIDE

Figure 1: Graco® Gun Splitter



Item #	Part #	Description
Fig. 1		
—	20G262826	Graco® Gun Splitter – Complete
1	—	Valve Splitter <i>Includes Item #'s: 11-29</i>
2	20G262816	Remote Valve Carriage
3	20G100214	Lock Washer <i>(Three Required)</i>
4	20G558673	5/16-18 x 3/4" Screw <i>(Three Required)</i>
11	20G262822	Gun Splitter Body
12	20G195136	PTFE O-ring <i>(Four Required)</i>
13	20G195132	Carbide Seat <i>(Four Required)</i>
14	20G24M220	Solvent Cartridge Valve <i>(Two Required)</i>
15	20G24M219	Pain Cartridge Valve <i>(Two Required)</i>
17	20G15R381	Handle <i>(Two Required)</i>
18	20G117623	3/8-16 Cap Nut <i>(Two Required)</i>
19	20G100721	1/4" NPT Pipe Plug <i>(Five Required)</i>
20	20G563210	1/4" NPT Check Valve, 5000 PSI
21	20G156971	1/4" NPT Nipple
23	20G101754	3/8" NPT Pipe Plug
25	20G159239	Reducing Pipe Nipple <i>(Two Required)</i>
29	20G156849	3/8" NPT Pipe Nipple <i>(Two Required)</i>
—	20G24M213	Valve Seal Repair Kit <i>Includes Item #'s: 12 and 13</i>

PART NUMBERS AND SCHEMATICS GUIDE

SPRAYMASTER® 60 GALLON HEATED COATING TANKS						
Part Numbers	Immersion Heater Power	5:1 Transfer Pump	10:1 Transfer Pump	ELECTRICAL	Agitator	AIR MOTOR
				Hazardous Location		15:1 Gear Driven
20101225	240-Volt AC	X		X	X	X
20101227	240-Volt AC		X	X	X	X
20101262	240-Volt AC			X	X	X
20101226	480-Volt AC	X		X	X	X
20101228	480-Volt AC		X	X	X	X
20101263	480-Volt AC			X	X	X

PART NUMBERS AND SCHEMATICS GUIDE



20101225
20101226



20101227
20101228



20101262
20101263

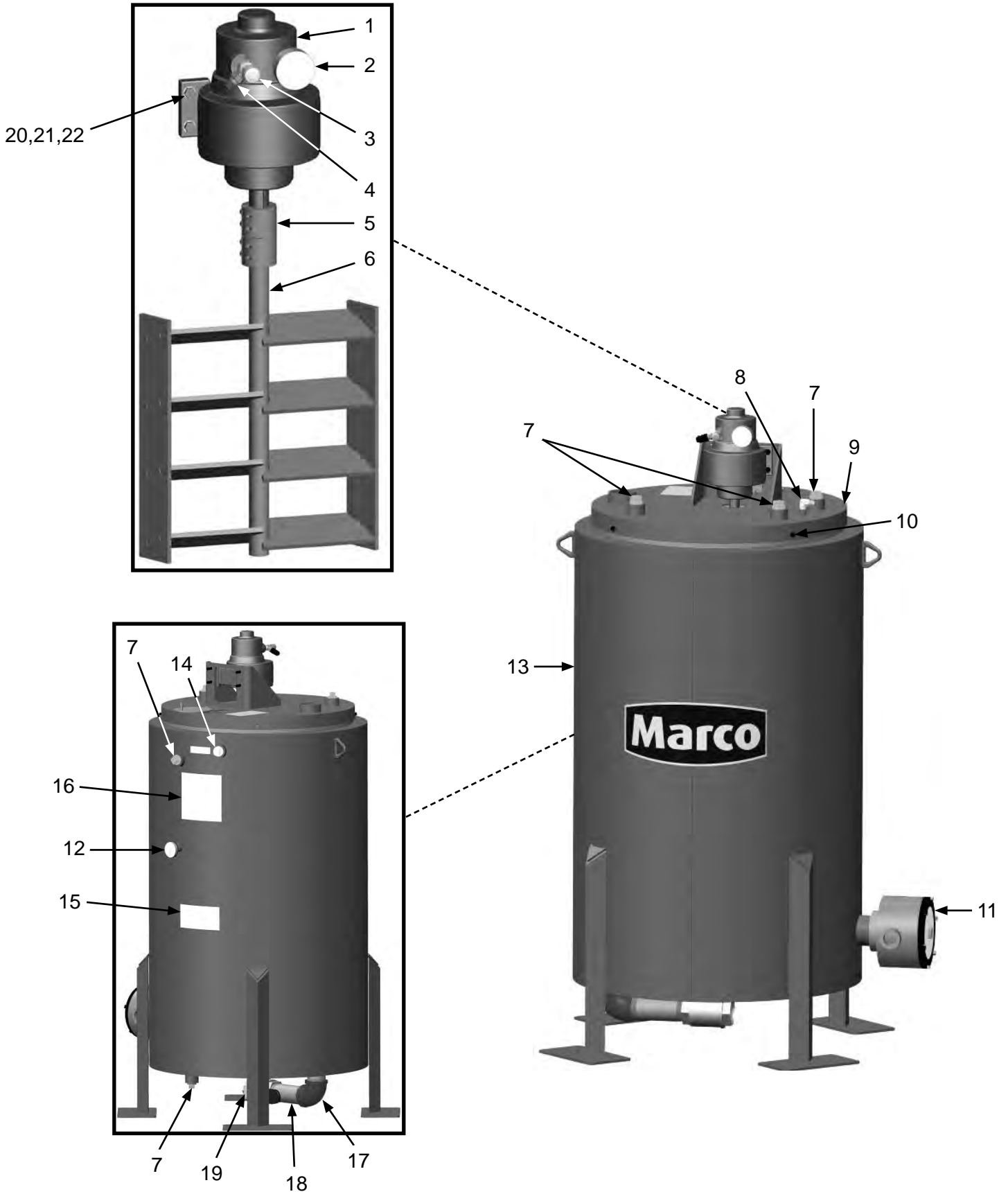
PART NUMBERS AND SCHEMATICS GUIDE

Spraymaster® 60 Gallon Heated Coating Tank 240/480-Volt AC Hazardous Location

Item#	Part#	Description
Fig. 1		
—	20101262	Spraymaster® 60 Gallon Heated Coating Tank 240-Volt AC Hazardous Location – Complete
—	20101263	Spraymaster® 60 Gallon Heated Coating Tank 480-Volt AC Hazardous Location – Complete
1	20100827	15:1 Gear Driven Air Motor <i>(Includes Item #2)</i>
2	20BK350401	Air Motor Muffler Assembly
3	10103292	1/4" NPT Needle Valve
4	20PFHA24SA0402	1/8" x 1/4" NPT Hex Nipple
5	20100843	1" x 1" Shaft Coupling
6	20101104	Mixer Blade
7	1011901	1" NPT Square Head Plug <i>(Five Required)</i>
8	20PFHA25UA0404	1/4" NPT (M) 90° Elbow
9	20101050	60 Gallon Round HVL Lid Weldment
10	20100131	1/4-14 x 1-1/2" Self-Tapping Screw <i>(Four Required)</i>
11	20100494	240V/480V Hazardous Location Immersion Heater
12	20HHH0254F47	1/4" NPT 0-250 Thermometer
13	20100531	Heated Supply Tank
14	20100186	1" NPT Square Head Plug with 1/8" Relief Hole
15	20100173	Hot Surfaces Warning Label
16	2090116	Heater Notice Label
17	10101339	2" NPT 90° Elbow
18	20100146	2" x 6" NPT Nipple
19	1011604	2" Full Port Ball Valve
20	20100897	5/16-18 x 1-1/2" Hex Bolt <i>(Four Required)</i>
21	10L805003	5/16" Flat Washer <i>(Eight Required)</i>
22	20100900	5/16-18 Hex Lock Nut <i>(Four Required)</i>
—	1091130	Hazard Identification Decal
—	2090117	Hazard Identification Decal
—	205M115	Features & Specifications Guide – Spraymaster® Heated Coating Tank
—	206M115	Part Numbers & Schematics Guide – Spraymaster® Heated Coating Tank
—	2090115	Operator's Manual – Spraymaster® Heated Coating Tank
—	209V515	Operator's Manual – AM Series Lubricated Air Motors

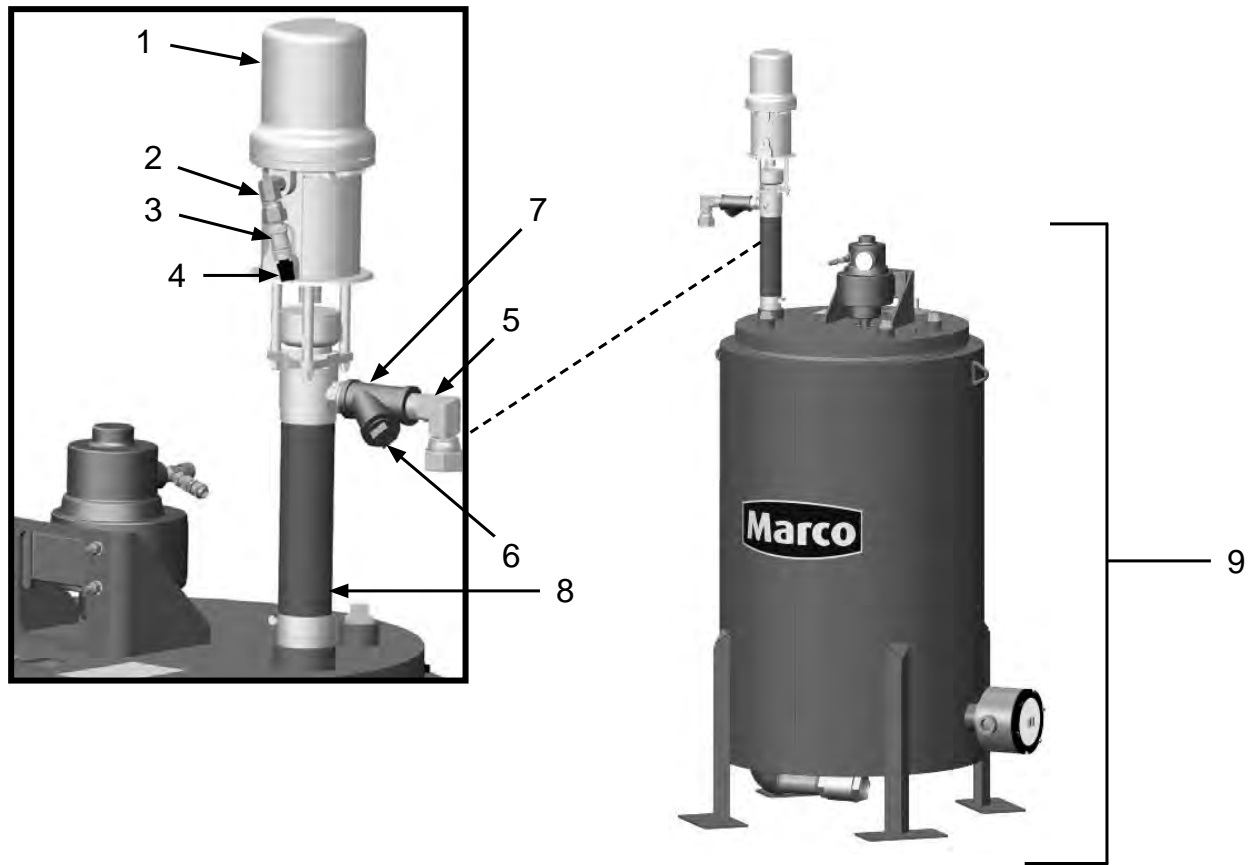
PART NUMBERS AND SCHEMATICS GUIDE

Figure 1: Spraymaster® 60 Gallon Heated Coating Tank 240/480-Volt AC Hazardous Location



PART NUMBERS AND SCHEMATICS GUIDE

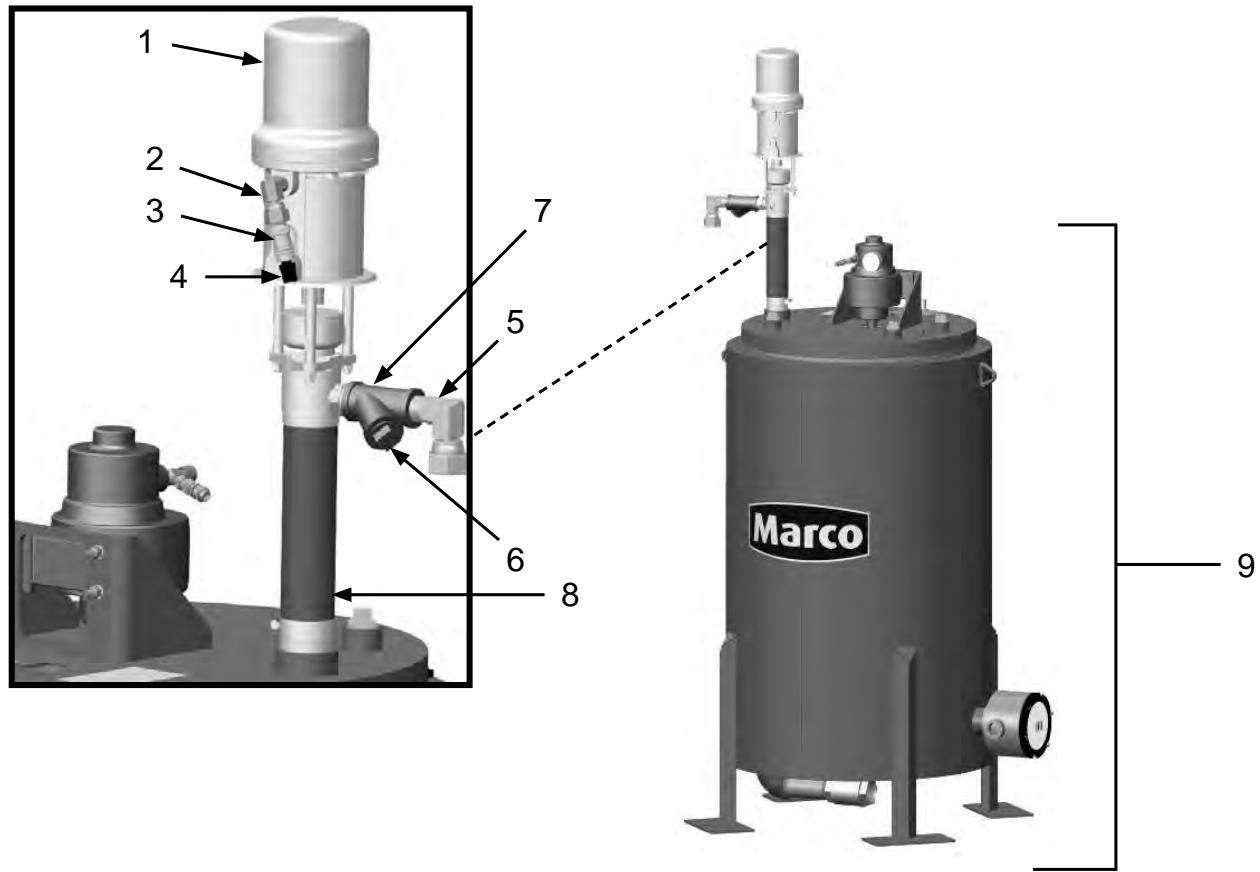
Figure 2: Spraymaster® 60 Gallon Heated Coating Tank 240/480-Volt AC Hazardous Location with 5:1 Transfer Pump



Item#	Part#	Description
Fig. 2		
—	20101225	Spraymaster® 60 Gallon Heated Coating Tank 240-Volt AC Hazardous Location with 5:1 Transfer Pump – Complete
—	20101226	Spraymaster® 60 Gallon Heated Coating Tank 480-Volt AC Hazardous Location with 5:1 Transfer Pump – Complete
1	20G248825	Monark® 5:1 Feed Pump
2	20PFHA60UA0606	3/8" NPT (M) x 3/8" (F) 90° Swivel Elbow
3	20100285	3/8" NPT 1/4" Male Quick Disconnect
4	20100286	3/8" NPT 1/4" Female Quick Disconnect
5	20PFHA60UA1616	1" NPT (M) x 1" (F) 90° Swivel Elbow
6	20PFHA24SA1612	1" x 3/4" NPT Hex Nipple
7	20000060	1" Wye Strainer
8	20101105	8-1/2" Tank Pump Spacer
9	20100531	Spraymaster® 60 Gallon Heated Coating Tank 240-Volt AC Hazardous Location
—	205M115	Features & Specifications Guide – Spraymaster® Heated Coating Tank
—	206M115	Part Numbers & Schematics Guide – Spraymaster® Heated Coating Tank
—	2090115	Operator's Manual – Spraymaster® Heated Coating Tank
—	209V510	Operator's Manual – Merkur® Displacement Pump
—	209V511	Operator's Manual – Graco® Feed and Solvent Flush Kits
—	209V513	Operator's Manual – 5:1 Ratio Monark® Pump
—	209V515	Operator's Manual – AM Series Lubricated Air Motors

PART NUMBERS AND SCHEMATICS GUIDE

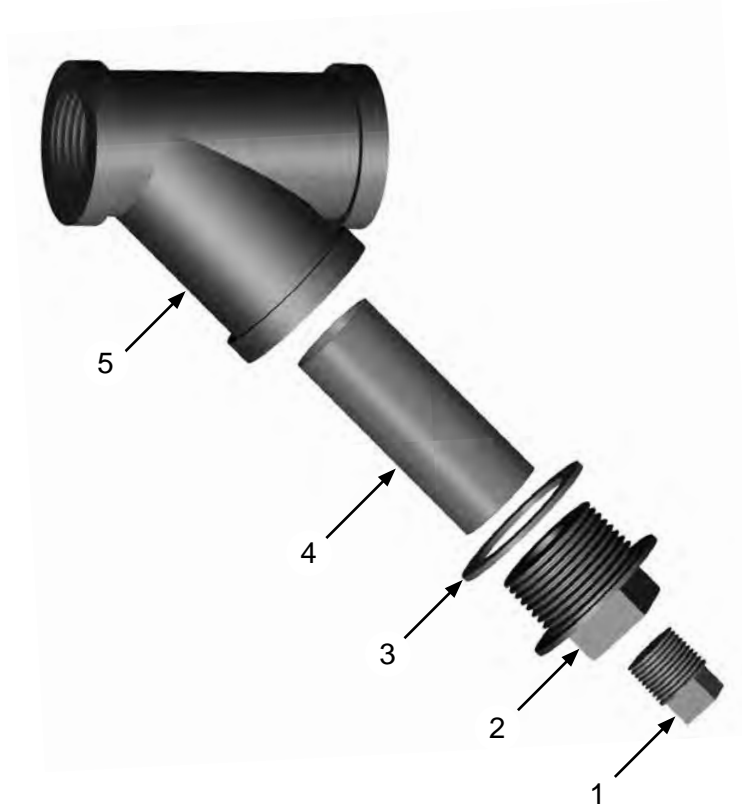
Figure 3: Spraymaster® 60 Gallon Heated Coating Tank 240/480-Volt AC Hazardous Location with 10:1 Transfer Pump



Item#	Part#	Description
Fig. 3		
—	20101227	Spraymaster® 60 Gallon Heated Coating Tank 240-Volt AC Hazardous Location with 10:1 Transfer Pump – Complete
—	20101228	Spraymaster® 60 Gallon Heated Coating Tank 480-Volt AC Hazardous Location with 10:1 Transfer Pump – Complete
1	20G256433	President® 10:1 Feed Pump
2	20PFHA60UA0606	3/8" NPT (M) x 3/8" (F) 90° Swivel Elbow
3	20100285	3/8" NPT 1/4" Male Quick Disconnect
4	20100286	3/8" NPT 1/4" Female Quick Disconnect
5	20PFHA60UA1616	1" NPT (M) x 1" (F) 90° Swivel Elbow
6	20PFHA24SA1612	1" x 3/4" NPT Hex Nipple
7	20000060	1" Wye Strainer
8	20101105	8-1/2" Tank Pump Spacer
9	20100531	Spraymaster® 60 Gallon Heated Coating Tank 240-Volt AC Hazardous Location
—	205M115	Features & Specifications Guide – Spraymaster® Heated Coating Tank
—	206M115	Part Numbers & Schematics Guide – Spraymaster® Heated Coating Tank
—	2090115	Operator's Manual – Spraymaster® Heated Coating Tank
—	209V510	Operator's Manual – Merkur® Displacement Pump
—	209V511	Operator's Manual – Graco® Feed and Solvent Flush Kits
—	209V514	Operator's Manual – 10:1 Ratio President® Pump
—	209V515	Operator's Manual – AM Series Lubricated Air Motors

PART NUMBERS AND SCHEMATICS GUIDE

Figure 4: Wye Strainer



Item#	Part#	Description
Fig. 4		
1	20PFHA24ST06	3/8" Pipe Plug
2	1011901	1" NPT Pipe Plug
3	20100666	Y-Strainer Gasket 1-3/4" O.D. x 1-1/4" I.D.
4	20100470	Strainer Screen
5	20000060	1" Wye Strainer

PART NUMBERS AND SCHEMATICS GUIDE

SPRAYMASTER® 25 GALLON HEATED COATING TANK WITH TRANSFER PUMP

Part Numbers	ELECTRICAL		Immersion Heater Power	5:1 Transfer Pump	10:1 Transfer Pump	MATERIAL		AIR MOTOR		
	Standard-Duty	Hazardous Location				For Use With High Viscosity	For Use With Low Viscosity	15:1 Gear Driven	Direct Driven	Horsepower
20101089	X		240-Volt AC	X		X		X		1.7
20101081	X		240-Volt AC	X			X		X	1.7
20101093	X		240-Volt AC		X	X		X		1.7
20101085	X		240-Volt AC		X		X		X	1.7
20101090	X		480-Volt AC	X		X		X		1.7
20101082	X		480-Volt AC	X			X		X	1.7
20101094	X		480-Volt AC		X	X		X		1.7
20101086	X		480-Volt AC		X		X		X	1.7
20101091		X	240-Volt AC	X		X		X		1.7
20101083		X	240-Volt AC	X			X		X	1.7
20101095		X	240-Volt AC		X	X		X		1.7
20101087		X	240-Volt AC		X		X		X	1.7
20101092		X	480-Volt AC	X		X		X		1.7
20101084		X	480-Volt AC	X			X		X	1.7
20101096		X	480-Volt AC		X	X		X		1.7
20101088		X	480-Volt AC		X		X		X	1.7



PART NUMBERS AND SCHEMATICS GUIDE

SPRAYMASTER® 25 GALLON HEATED COATING TANK WITHOUT TRANSFER PUMP								
Part Numbers	ELECTRICAL		Immersion Heater Power	MATERIAL		AIR MOTOR		
	Standard-Duty	Hazardous Location		<i>For Use With High Viscosity</i>	<i>For Use With Low Viscosity</i>	15:1 Gear Driven	Direct Driven	Horsepower
20100930	X		240-Volt AC	X		X		1.7
20100926	X		240-Volt AC		X		X	1.7
20100931	X		480-Volt AC	X		X		1.7
20100927	X		480-Volt AC		X		X	1.7
20100932		X	240-Volt AC	X		X		1.7
20100928		X	240-Volt AC		X		X	1.7
20100933		X	480-Volt AC	X		X		1.7
20100929		X	480-Volt AC		X		X	1.7



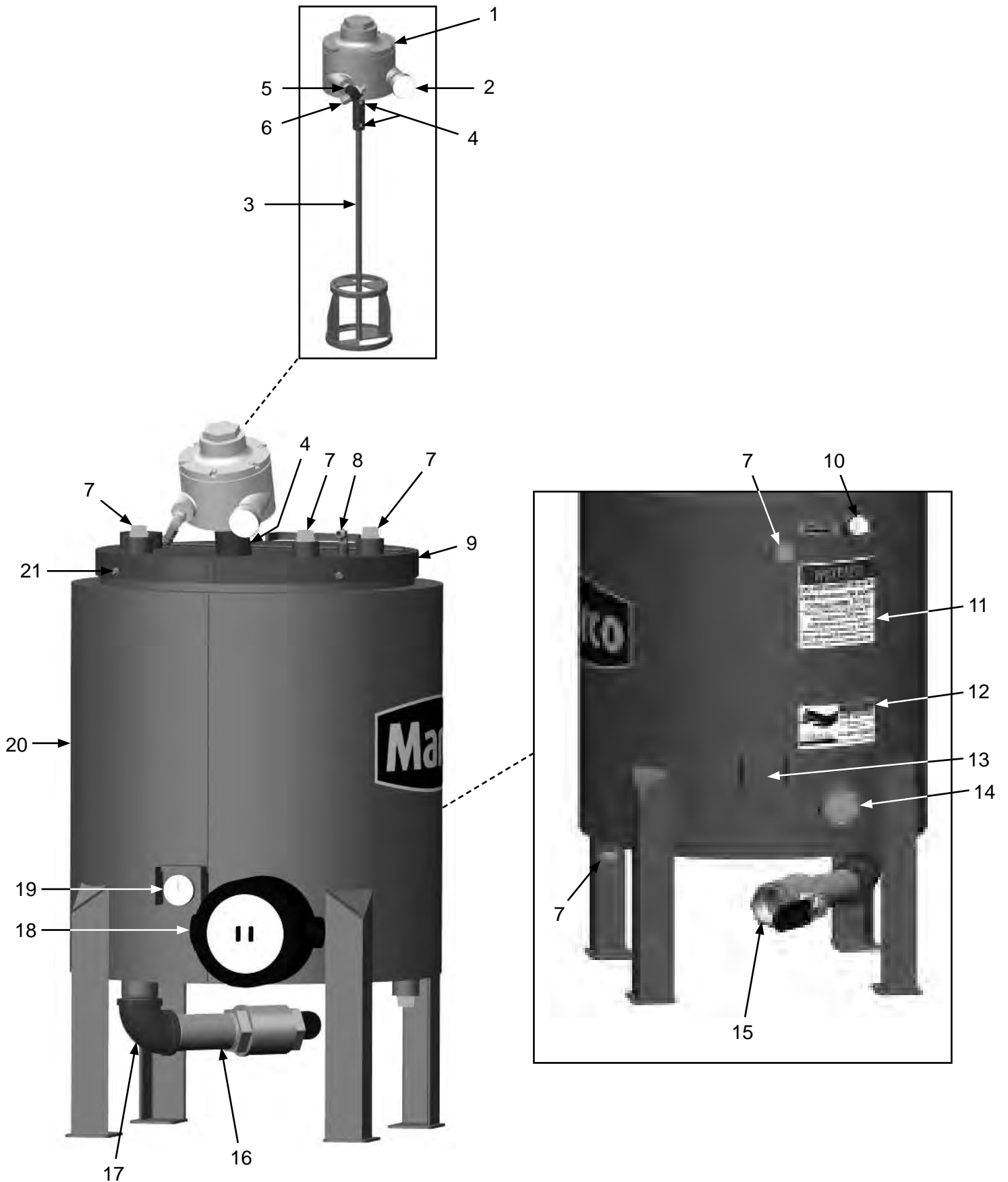
PART NUMBERS AND SCHEMATICS GUIDE

Spraymaster® 25 Gallon Heated Coating Tank 240/480-Volt AC

Item #	Part #	Description
Fig. 1		
—	20100926	Spraymaster® 25 Gallon Heated Coating Tank 240-Volts AC – Complete
—	20100927	Spraymaster® 25 Gallon Heated Coating Tank 480-Volts AC – Complete
1	20GA4AMNRV22B	4AM Air Motor <i>(Includes Item # 2)</i>
2	20BK350401	Air Motor Muffler Assembly
3	20100941	18" Mixer Blade
4	20100150	1/4-20 X 1/4" Set Screw <i>(Five Required)</i>
5	20PFHA24SA0604	1/4" X 3/8" Hex Nipple
6	20101193	3/8" NPT Needle Valve
7	1011901	1" NPT Square Head Plug <i>(Five Required)</i>
8	20PFHA25UA0404	1/4" NPT (M) 90° Elbow
9	20101079	Tank Lid
10	20100186	1" NPT Square Head Plug w/ 1/8" Relief Hole
11	20100173	Hot Surfaces Warning Label
12	20100174	Heater Notice Label
13	1012052	1/4" NPT Square Head Plug
14	1011823	2" NPT Square Head Plug
15	20101151	2" NPT Full Port Ball Valve
16	20100146	2" X 6" NPT Nipple
17	10101339	2" NPT 90° Elbow
18	20101106	240V GP Immersion Heater
—	20101107	480V GP Immersion Heater
19	20HHH0254F47	1/4" NPT 0-250 Thermometer
20	20100679	Heated Supply Tank
21	20100131	1/4-14 X 1-1/2" Self-Tapping Screw <i>(Four Required)</i>
—	2091000	PC Sprayer Label Kit - Misc.
—	2091001	PC Sprayer Label Kit - A/B
—	1091130	Rotating Parts Warning Label
—	209V515	Operator's Manual –AM Series Lubricated Air Motors
—	205M113	Features & Specifications Guide - Spraymaster® Heated Coating Tank
—	206M113	Part Numbers & Schematics Guide – Spraymaster® Heated Coating Tank
—	2090113	Operator's Manual – Spraymaster® Heated Coating Tank

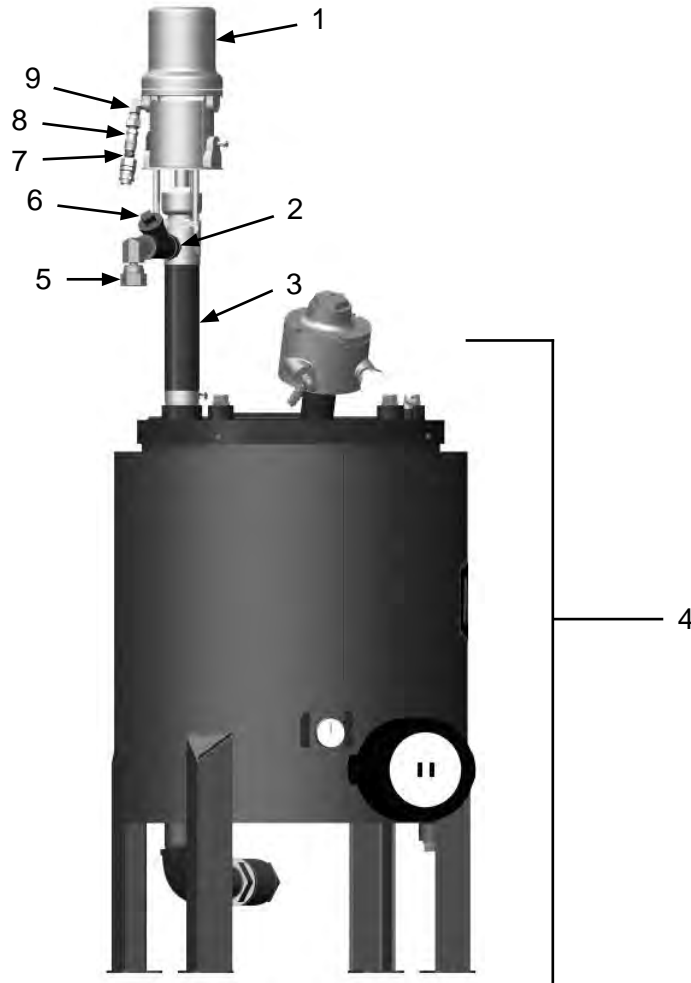
PART NUMBERS AND SCHEMATICS GUIDE

Figure 1: Spraymaster® 25 Gallon Heated Coating Tank 240/480-Volt AC



PART NUMBERS AND SCHEMATICS GUIDE

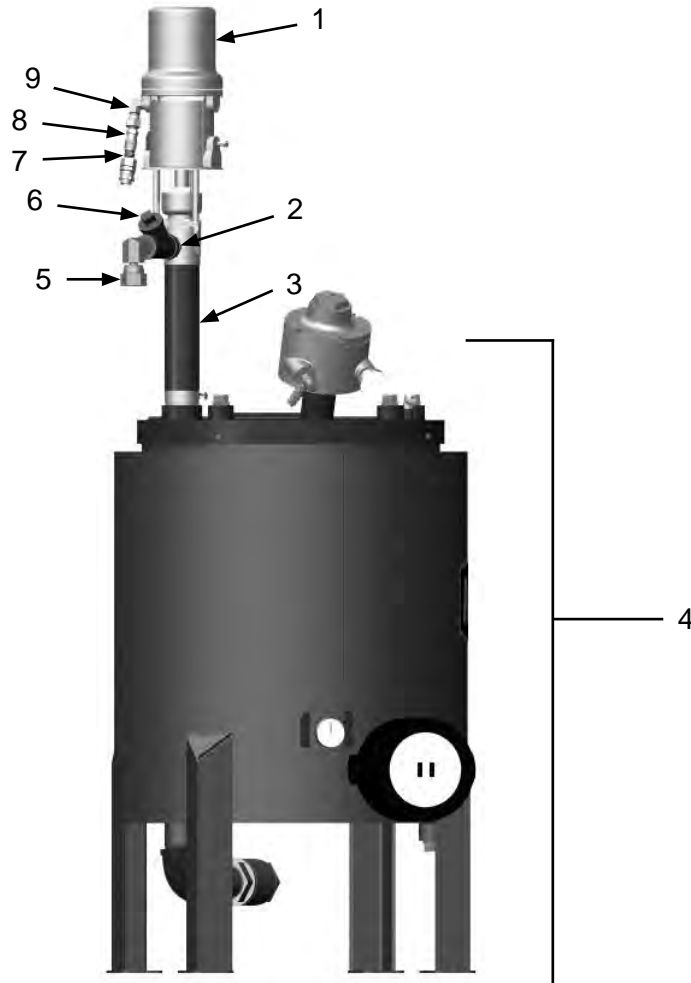
Figure 2: Spraymaster® 25 Gallon Tank 240-Volt AC with 5:1 Transfer Pump



Item #	Part #	Description
Fig. 2		
—	20101081	Spraymaster® 25 Gallon Heated Coating Tank 240-Volt AC with 5:1 Transfer Pump – Complete
1	20G248825	Monark® 5:1 Feed Pump
2	20PFHA24SA1612	1" X 3/4" NPT Hex Nipple
3	20100942	Tank Pump Spacer
4	20100926	Spraymaster® 25 Gallon Heated Coating Tank 240-Volt AC
5	20PFHA60UA1616	1" NPT (M) X 1" (F) 90° Swivel Elbow
6	20G110878	1" Wye Strainer
7	20100286	3/8" NPT 1/4" Female Quick Disconnect
8	20100285	3/8" NPT 1/4" Male Quick Disconnect
9	20PFHA60UA0606	3/8" NPT (M) X 3/8" (F) 90° Swivel Elbow
—	2091000	PC Sprayer Label Kit – Misc.
—	2091001	PC Sprayer Label Kit – A/B
—	205M113	Features & Specifications Guide – Spraymaster® 25 Gallon Heated Coating Tank
—	206M113	Part Numbers & Schematics Guide – Spraymaster® 25 Gallon Heated Coating Tank
—	206M555	Part Numbers & Schematics Guide – Graco® Monark® 5:1 Airless Spray Pump
—	2090113	Operator's Manual – Spraymaster® 25 Gallon Heated Coating Tank
—	209V510	Operator's Manual – Merkur® Displacement Pump
—	209V511	Operator's Manual – Graco® Feed and Solvent Flush Kits
—	209V513	Operator's Manual – 5:1 Ratio Monark® Pump
—	209V515	Operator's Manual – AM Series Lubricated Air Motors

PART NUMBERS AND SCHEMATICS GUIDE

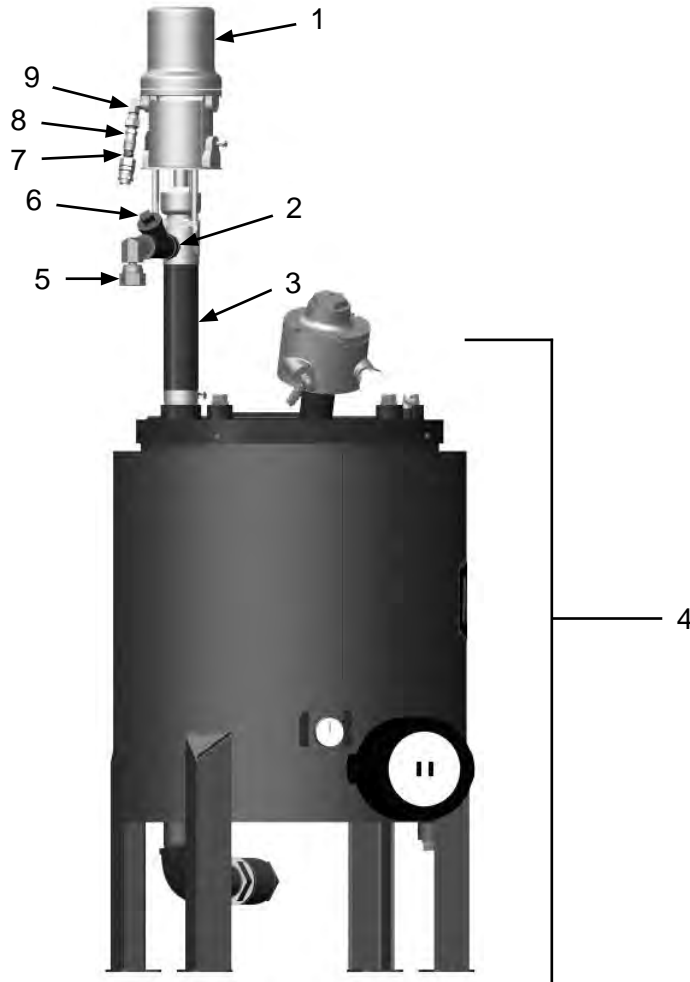
Figure 3: Spraymaster® 25 Gallon Tank 480-Volt AC with 5:1 Transfer Pump



Item #	Part #	Description
Fig. 3		
—	20101082	Spraymaster® 25 Gallon Heated Coating Tank 480-Volt AC with 5:1 Transfer Pump – Complete
1	20G248825	Monark® 5:1 Feed Pump
2	20PFHA24SA1612	1" X 3/4" NPT Hex Nipple
3	20100942	Tank Pump Spacer
4	20100927	Spraymaster® 25 Gallon Heated Coating Tank 480-Volt AC
5	20PFHA60UA1616	1" NPT (M) X 1" (F) 90° Swivel Elbow
6	20G110878	1" Wye Strainer
7	20100286	3/8" NPT 1/4" Female Quick Disconnect
8	20100285	3/8" NPT 1/4" Male Quick Disconnect
9	20PFHA60UA0606	3/8" NPT (M) X 3/8" (F) 90° Swivel Elbow
—	2091000	PC Sprayer Label Kit – Misc.
—	2091001	PC Sprayer Label Kit – A/B
—	205M113	Features & Specifications Guide – Spraymaster® 25 Gallon Heated Coating Tank
—	206M113	Part Numbers & Schematics Guide – Spraymaster® 25 Gallon Heated Coating Tank
—	206M555	Part Numbers & Schematics Guide – Graco® Monark® 5:1 Airless Spray Pump
—	2090113	Operator's Manual – Spraymaster® 25 Gallon Heated Coating Tank
—	209V510	Operator's Manual – Merkur® Displacement Pump
—	209V511	Operator's Manual – Graco® Feed and Solvent Flush Kits
—	209V513	Operator's Manual – 5:1 Ratio Monark® Pump
—	209V515	Operator's Manual – AM Series Lubricated Air Motors

PART NUMBERS AND SCHEMATICS GUIDE

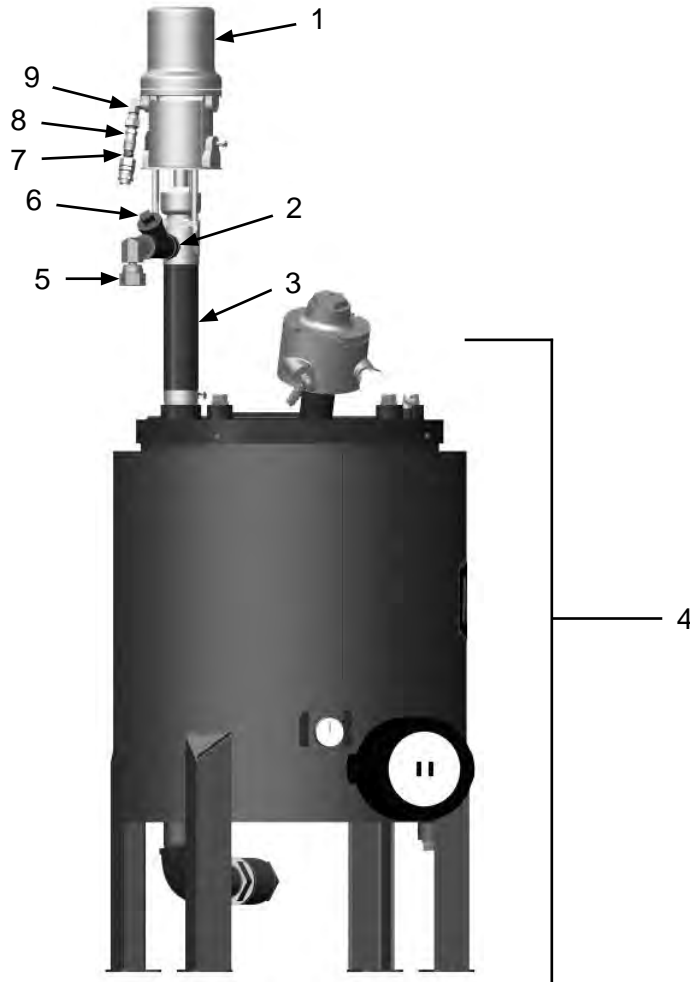
Figure 4: Spraymaster® 25 Gallon Tank 240-Volt AC with 10:1 Transfer Pump



Item #	Part #	Description
Fig. 4		
—	20101085	Spraymaster® 25 Gallon Heated Coating Tank 240-Volt AC with 10:1 Transfer Pump – Complete
1	20G256433	President® 10:1 Feed Pump
2	20PFHA24SA1612	1" X 3/4" NPT Hex Nipple
3	20100942	Tank Pump Spacer
4	20100926	Spraymaster® 25 Gallon Heated Coating Tank 240-Volt AC
5	20PFHA60UA1616	1" NPT (M) X 1" (F) 90° Swivel Elbow
6	20G110878	1" Wye Strainer
7	20100286	3/8" NPT 1/4" Female Quick Disconnect
8	20100285	3/8" NPT 1/4" Male Quick Disconnect
9	20PFHA60UA0606	3/8" NPT (M) X 3/8" (F) 90° Swivel Elbow
—	2091000	PC Sprayer Label Kit – Misc.
—	2091001	PC Sprayer Label Kit – A/B
—	205M113	Features & Specifications Guide – Spraymaster® Heated Coating Tank
—	206M113	Part Numbers & Schematics Guide – Spraymaster® Heated Coating Tank
—	206M557	Part Numbers & Schematics Guide – Graco® President® 10:1 Airless Spray Pump
—	2090113	Operator's Manual – Spraymaster® 25 Gallon Heated Coating Tank
—	209V510	Operator's Manual – Merkur® Displacement Pump
—	209V511	Operator's Manual – Graco® Feed and Solvent Flush Kits
—	209V514	Operator's Manual – 10:1 Ratio President® Pump
—	209V515	Operator's Manual – AM Series Lubricated Air Motors

PART NUMBERS AND SCHEMATICS GUIDE

Figure 5: Spraymaster® 25 Gallon Tank 480-Volt AC with 10:1 Transfer Pump



Item #	Part #	Description
Fig. 5		
—	20101086	Spraymaster® 25 Gallon Heated Coating Tank 480-Volt AC with 10:1 Transfer Pump – Complete
1	20G256433	President® 10:1 Feed Pump
2	20PFHA24SA1612	1" X 3/4" NPT Hex Nipple
3	20100942	Tank Pump Spacer
4	20100927	Spraymaster® 25 Gallon Heated Coating Tank 480-Volt AC
5	20PFHA60UA1616	1" NPT (M) X 1" (F) 90° Swivel Elbow
6	20G110878	1" Wye Strainer
7	20100286	3/8" NPT 1/4" Female Quick Disconnect
8	20100285	3/8" NPT 1/4" Male Quick Disconnect
9	20PFHA60UA0606	3/8" NPT (M) X 3/8" (F) 90° Swivel Elbow
—	2091000	PC Sprayer Label Kit – Misc.
—	2091001	PC Sprayer Label Kit – A/B
—	205M113	Features & Specifications Guide – Spraymaster® Heated Coating Tank
—	206M113	Part Numbers & Schematics Guide – Spraymaster® Heated Coating Tank
—	206M557	Part Numbers & Schematics Guide – Graco® President® 10:1 Airless Spray Pump
—	2090113	Operator's Manual – Spraymaster® 25 Gallon Heated Coating Tank
—	209V510	Operator's Manual – Merkur® Displacement Pump
—	209V511	Operator's Manual – Graco® Feed and Solvent Flush Kits
—	209V514	Operator's Manual – 10:1 Ratio President® Pump
—	209V515	Operator's Manual – AM Series Lubricated Air Motors

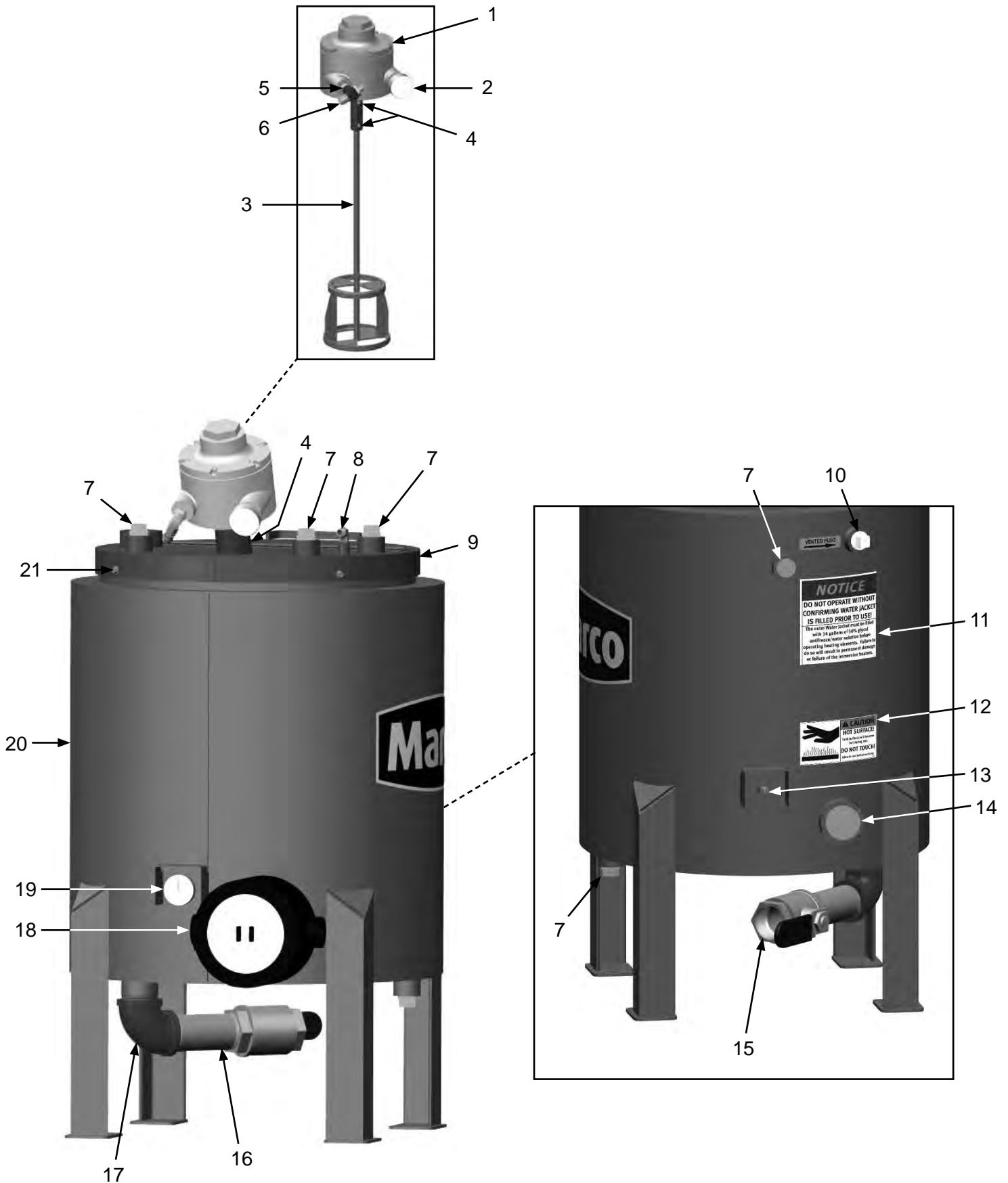
PART NUMBERS AND SCHEMATICS GUIDE

Spraymaster® 25 Gallon Heated Coating Tank 240/480-Volt AC Hazardous Location

Item #	Part #	Description
Fig. 6		
—	20100928	Spraymaster® 25 Gallon Heated Coating Tank 240-Volt AC Hazardous Location – Complete
—	20100929	Spraymaster® 25 Gallon Heated Coating Tank 480-Volt AC Hazardous Location – Complete
1	20GA4AMNRV22B	4AM Air Motor <i>(Includes Item #2)</i>
2	20BK350401	Air Motor Muffler Assembly
3	20100941	18" Mixer Blade
4	20100150	1/4-20 X 1/4" Set Screw <i>(Five Required)</i>
5	20PFHA24SA0604	1/4" X 3/8" Hex Nipple
6	20101193	3/8" NPT Needle Valve
7	1011901	1" NPT Square Head Plug <i>(Five Required)</i>
8	20PFHA25UA0404	1/4" NPT (M) 90° Elbow
9	20101079	Tank Lid
10	20100186	1" NPT Square Head Plug with 1/8" Relief Hole
11	20100173	Hot Surfaces Warning Label
12	20100174	Heater Notice Label
13	1012052	1/4" NPT Square Head Plug
14	1011823	2" NPT Square Head Plug
15	20101151	2" NPT Full Port Ball Valve
16	20100146	2" X 6" NPT Nipple
17	10101339	2" NPT 90° Elbow
18	20101108	240-Volt AC GP Immersion Heater
—	20101109	480-Volt AC GP Immersion Heater
19	20HHH0254F47	1/4" NPT 0-250 Thermometer
20	20100679	Heated Supply Tank
21	20100131	1/4-14 X 1-1/2" Self-Tapping Screw <i>(Four Required)</i>
—	2091000	PC Sprayer Label Kit – Misc.
—	2091001	PC Sprayer Label Kit – A/B
—	1091130	Hazardous Identification Label, Rotating Parts
—	209V515	Operator's Manual – AM Series Lubricated Air Motors
—	205M113	Features & Specifications Guide – Spraymaster® 25 Gallon Heated Coating Tank
—	206M113	Part Numbers & Schematics Guide – Spraymaster® 25 Gallon Heated Coating Tank
—	2090113	Operator's Manual – Spraymaster® 25 Gallon Heated Coating Tank

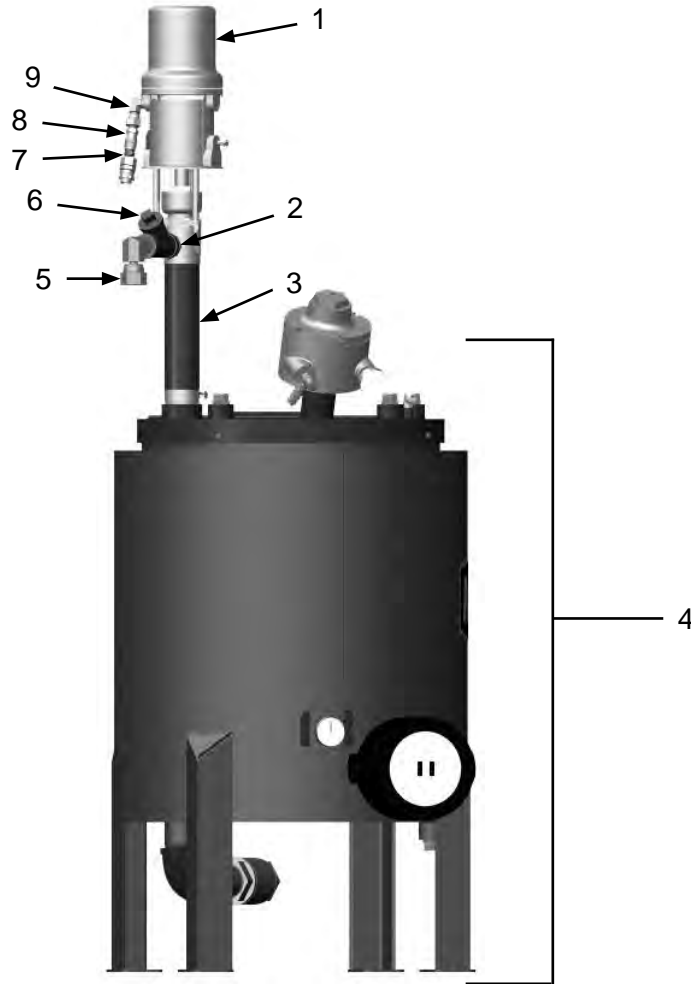
PART NUMBERS AND SCHEMATICS GUIDE

Figure 6: Spraymaster® 25 Gallon Heated Coating Tank 240/480-Volt AC Hazardous Location



PART NUMBERS AND SCHEMATICS GUIDE

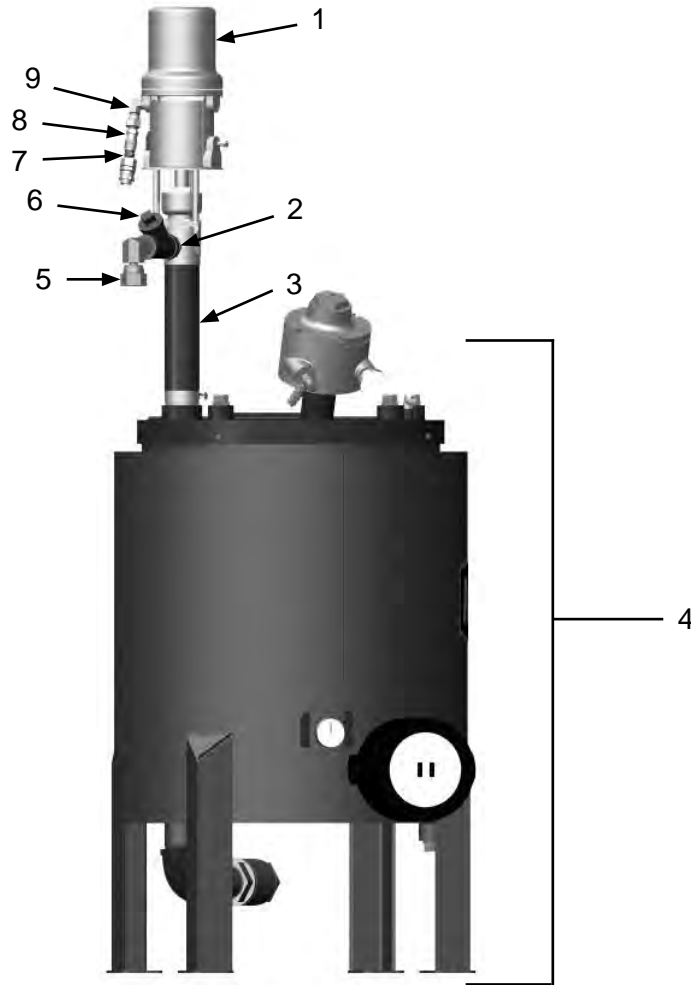
Figure 7: Spraymaster® 25 Gallon Tank 240-Volt AC Hazardous Location with 5:1 Transfer Pump



Item #	Part #	Description
Fig. 7		
—	20101083	Spraymaster® 25 Gallon Heated Coating Tank 240-Volt AC Hazardous Location with 5:1 Transfer Pump – Complete
1	20G248825	Monark® 5:1 Feed Pump
2	20PFHA24SA1612	1" X 3/4" NPT Hex Nipple
3	20100942	Tank Pump Spacer
4	20100928	Spraymaster® 25 Gallon Heated Coating Tank 240-Volt AC Hazardous Location
5	20PFHA60UA1616	1" NPT (M) X 1" (F) 90° Swivel Elbow
6	20G110878	1" Wye Strainer
7	20100286	3/8" NPT 1/4" Female Quick Disconnect
8	20100285	3/8" NPT 1/4" Male Quick Disconnect
9	20PFHA60UA0606	3/8" NPT (M) X 3/8" (F) 90° Swivel Elbow
—	2091000	PC Sprayer Label Kit – Misc.
—	2091001	PC Sprayer Label Kit – A/B
—	205M113	Features & Specifications Guide – Spraymaster® 25 Gallon Heated Coating Tank
—	206M113	Part Numbers & Schematics Guide – Spraymaster® 25 Gallon Heated Coating Tank
—	206M555	Part Numbers & Schematics Guide – Graco® Monark® 5:1 Airless Spray Pump
—	2090113	Operator's Manual – Spraymaster® 25 Gallon Heated Coating Tank
—	209V510	Operator's Manual – Merkur® Displacement Pump
—	209V511	Operator's Manual – Graco® Feed and Solvent Flush Kits
—	209V513	Operator's Manual – 5:1 Ratio Monark® Pump
—	209V515	Operator's Manual – AM Series Lubricated Air Motors

PART NUMBERS AND SCHEMATICS GUIDE

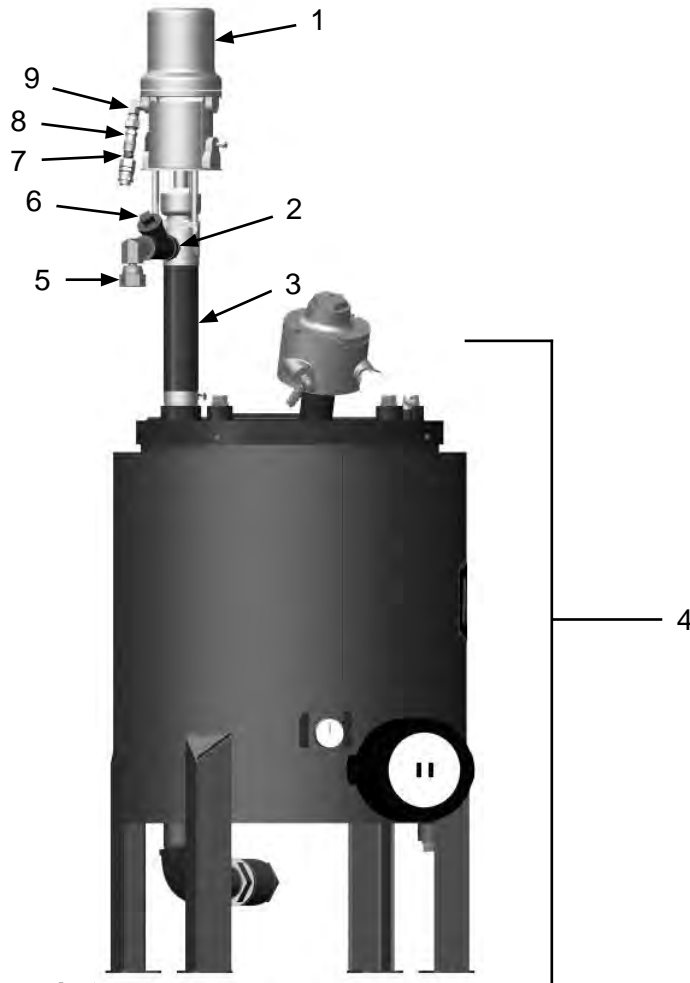
Figure 8: Spraymaster® 25 Gallon Tank 480-Volt AC Hazardous Location with 5:1 Transfer Pump



Item #	Part #	Description
Fig. 8		
—	20101084	Spraymaster® 25 Gallon Heated Coating Tank 480-Volt AC Hazardous Location with 5:1 Transfer Pump – Complete
1	20G248825	Monark® 5:1 Feed Pump
2	20PFHA24SA1612	1" X 3/4" NPT Hex Nipple
3	20100942	Tank Pump Spacer
4	20100929	Spraymaster® 25 Gallon Heated Coating Tank 480-Volt AC Hazardous Location
5	20PFHA60UA1616	1" NPT (M) X 1" (F) 90° Swivel Elbow
6	20G110878	1" Wye Strainer
7	20100286	3/8" NPT 1/4" Female Quick Disconnect
8	20100285	3/8" NPT 1/4" Male Quick Disconnect
9	20PFHA60UA0606	3/8" NPT (M) X 3/8" (F) 90° Swivel Elbow
—	2091000	PC Sprayer Label Kit – Misc.
—	2091001	PC Sprayer Label Kit – A/B
—	205M113	Features & Specifications Guide – Spraymaster® 25 Gallon Heated Coating Tank
—	206M113	Part Numbers & Schematics Guide – Spraymaster® 25 Gallon Heated Coating Tank
—	206M555	Part Numbers & Schematics Guide – Graco® Monark® 5:1 Airless Spray Pump
—	2090113	Operator Manual's – Spraymaster® 25 Gallon Heated Coating Tank
—	209V510	Operator Manual's – Merkur® Displacement Pump
—	209V511	Operator Manual's – Graco® Feed and Solvent Flush Kits
—	209V513	Operator Manual's – 5:1 Ratio Monark® Pump
—	209V515	Operator Manual's – AM Series Lubricated Air Motors

PART NUMBERS AND SCHEMATICS GUIDE

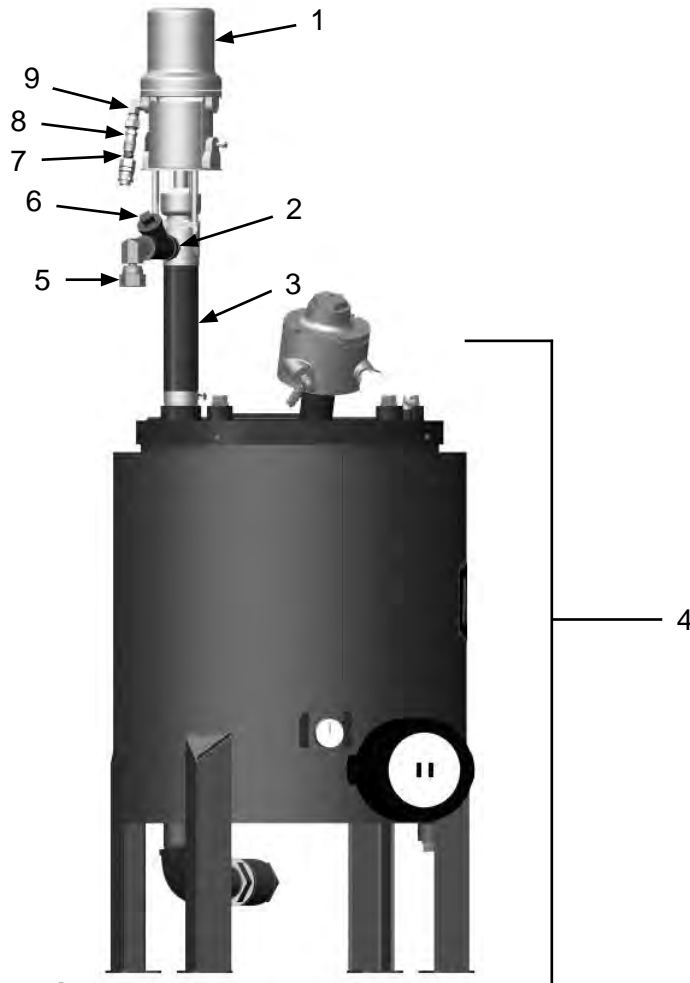
Figure 9: Spraymaster® 25 Gallon Tank 240-Volt AC Hazardous Location with 10:1 Transfer Pump



Item #	Part #	Description
Fig. 9		
—	20101087	Spraymaster® 25 Gallon Heated Coating Tank 240-Volt AC Hazardous Location with 10:1 Transfer Pump – Complete
1	20G256433	President® 10:1 Feed Pump
2	20PFHA24SA1612	1" X 3/4" NPT Hex Nipple
3	20100942	Tank Pump Spacer
4	20100928	Spraymaster® 25 Gallon Heated Coating Tank 240-Volt AC Hazardous Location
5	20PFHA60UA1616	1" NPT (M) X 1" (F) 90° Swivel Elbow
6	20G110878	1" Wye Strainer
7	20100286	3/8" NPT 1/4" Female Quick Disconnect
8	20100285	3/8" NPT 1/4" Male Quick Disconnect
9	20PFHA60UA0606	3/8" NPT (M) X 3/8" (F) 90° Swivel Elbow
—	2091000	PC Sprayer Label Kit – Misc.
—	2091001	PC Sprayer Label Kit – A/B
—	205M113	Features & Specifications Guide – Spraymaster® 25 Gallon Heated Coating Tank
—	206M113	Part Numbers & Schematics Guide – Spraymaster® 25 Gallon Heated Coating Tank
—	206M557	Part Numbers & Schematics Guide – Graco® President® 10:1 Airless Spray Pump
—	2090113	Operator's Manual – Spraymaster® 25 Gallon Heated Coating Tank
—	209V510	Operator's Manual – Merkur® Displacement Pump
—	209V511	Operator's Manual – Graco® Feed and Solvent Flush Kits
—	209V514	Operator's Manual – 10:1 Ratio President® Pump
—	209V515	Operator's Manual – AM Series Lubricated Air Motors

PART NUMBERS AND SCHEMATICS GUIDE

Figure 10: Spraymaster® 25 Gallon Tank 480-Volt AC Hazardous Location with 10:1 Transfer Pump



Item #	Part #	Description
Fig. 10		
—	20101088	Spraymaster® 25 Gallon Heated Coating Tank 480-Volt AC Hazardous Location with 10:1 Transfer Pump – Complete
1	20G256433	President® 10:1 Feed Pump
2	20PFHA24SA1612	1" X 3/4" NPT Hex Nipple
3	20100942	Tank Pump Spacer
4	20100929	Spraymaster® 25 Gallon Heated Coating Tank 480-Volt AC Hazardous Location
5	20PFHA60UA1616	1" NPT (M) X 1" (F) 90° Swivel Elbow
6	20G110878	1" Wye Strainer
7	20100286	3/8" NPT 1/4" Female Quick Disconnect
8	20100285	3/8" NPT 1/4" Male Quick Disconnect
9	20PFHA60UA0606	3/8" NPT (M) X 3/8" (F) 90° Swivel Elbow
—	2091000	PC Sprayer Label Kit – Misc.
—	2091001	PC Sprayer Label Kit – A/B
—	205M113	Features & Specifications Guide – Spraymaster® 25 Gallon Heated Coating Tank
—	206M113	Part Numbers & Schematics Guide – Spraymaster® 25 Gallon Heated Coating Tank
—	206M557	Part Numbers & Schematics Guide – Graco® President® 10:1 Airless Spray Pump
—	2090113	Operator's Manual – Spraymaster® 25 Gallon Heated Coating Tank
—	209V510	Operator's Manual – Merkur® Displacement Pump
—	209V511	Operator's Manual – Graco® Feed and Solvent Flush Kits
—	209V514	Operator's Manual – 10:1 Ratio President® Pump
—	209V515	Operator's Manual – AM Series Lubricated Air Motors

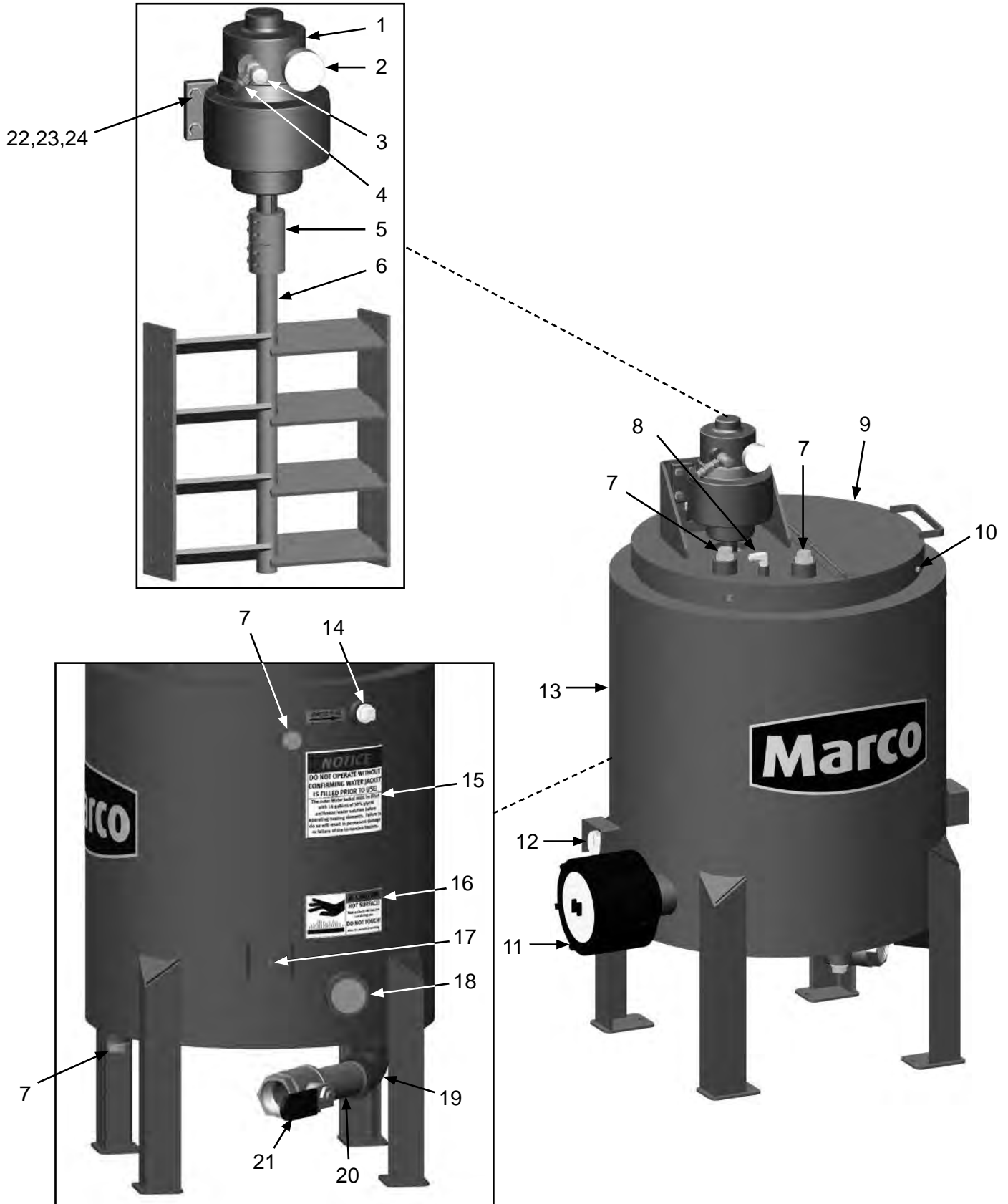
PART NUMBERS AND SCHEMATICS GUIDE

Spraymaster® 25 Gallon Heated Coating Tank 240/480-Volt AC for High Viscosity Liquid

Item #	Part #	Description
Fig. 11		
—	20100930	Spraymaster® 25 Gallon Heated Coating Tank 240-Volt AC for High Viscosity Liquid – Complete
—	20100931	Spraymaster® 25 Gallon Heated Coating Tank 480-Volt AC for High Viscosity Liquid – Complete
1	20100827	15:1 Gear Driven Air Motor <i>(Includes Item #2)</i>
2	20BK350401	Air Motor Muffler Assembly
3	20G206264	1/4" NPT Needle Valve
4	20PFHA24SA0402	1/8" X 1/4" NPT Hex Nipple
5	20100843	1" X 1" Shaft Coupling
6	20100815	6" Mixer Blade
7	1011901	1" NPT Square Head Plug <i>(Five Required)</i>
8	20PFHA25UA0404	1/4" NPT (M) 90° Elbow
9	20101098	25 Gallon Round HVL Lid Weldment
10	20100131	1/4-14 X 1-1/2" Self-Tapping Screw <i>(Four Required)</i>
11	20101106	240-Volt AC Immersion Heater
—	20101107	480-Volt AC Immersion Heater
12	20HHH0254F47	1/4" NPT 0-250 Thermometer
13	20100679	Heated Supply Tank
14	20100186	1" NPT Square Head Plug with 1/8" Relief Hole
15	20100173	Hot Surfaces Warning Label
16	20100174	Heater Notice Label
17	1012052	1/4" NPT Square Head Plug
18	1011823	2" NPT Square Head Plug
19	10101339	2" NPT 90° Elbow
20	20100146	2" X 6" NPT Nipple
21	20101151	2" NPT Full Port Ball Valve
22	20100897	5/16-18 X 1-1/2" Hex Bolt <i>(Four Required)</i>
23	10L805003	5/16" Flat Washer <i>(Eight Required)</i>
24	20100900	5/16-18 Hex Lock Nut <i>(Four Required)</i>
—	2091000	PC Sprayer Label Kit – Misc.
—	2091001	PC Sprayer Label Kit – A/B
—	1091130	Hazardous Identification Label, Rotating Parts
—	209V515	Operator's Manual – AM Series Lubricated Air Motors
—	205M113	Features & Specifications Guide – Spraymaster® 25 Gallon Heated Coating Tank
—	206M113	Part Numbers & Schematics Guide – Spraymaster® 25 Gallon Heated Coating Tank
—	2090113	Operator's Manual – Spraymaster® 25 Gallon Heated Coating Tank

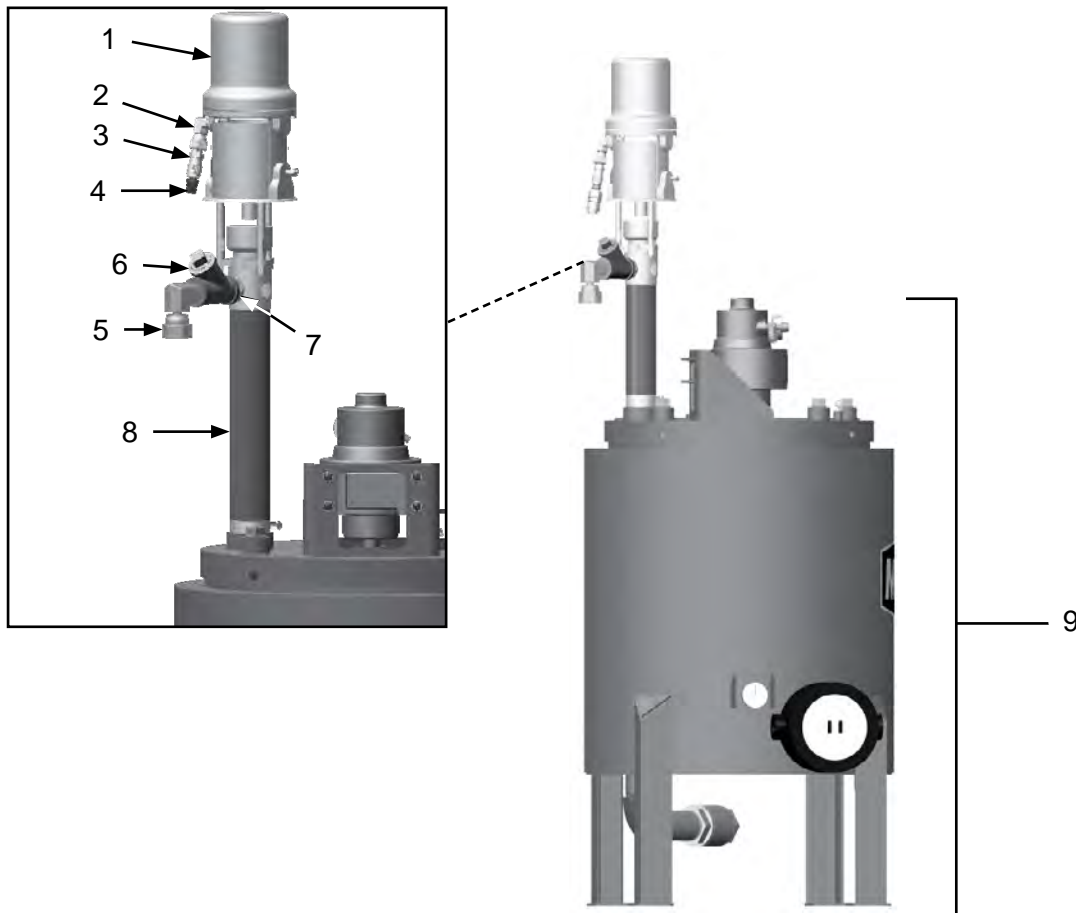
PART NUMBERS AND SCHEMATICS GUIDE

Figure 11: Spraymaster® 25 Gallon Heated Coating Tank 240/480-Volt AC for High Viscosity Liquid



PART NUMBERS AND SCHEMATICS GUIDE

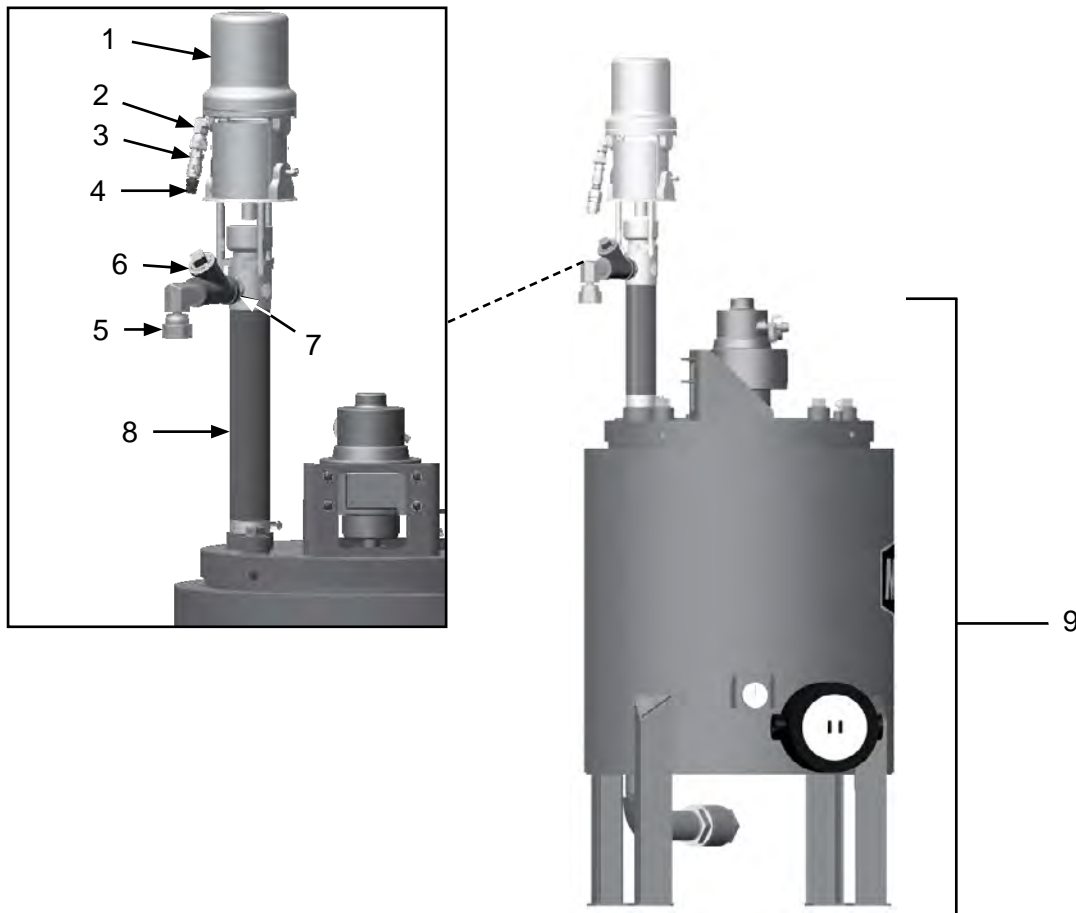
Figure 12: Spraymaster® 25 Gallon Heated Coating Tank 240-Volt AC for High Viscosity Liquid with 5:1 Transfer Pump



Item #	Part #	Description
Fig. 12		
—	20101089	Spraymaster® 25 Gallon Heated Coating Tank 240-Volt AC for High Viscosity Liquid with 5:1 Transfer Pump – Complete
1	20G248825	Monark® 5:1 Feed Pump
2	20PFHA60UA0606	3/8" NPT (M) X 3/8" (F) 90° Swivel Elbow
3	20100285	3/8" NPT 1/4" Male Quick Disconnect
4	20100286	3/8" NPT 1/4" Female Quick Disconnect
5	20PFHA60UA1616	1" NPT (M) X 1" (F) 90° Swivel Elbow
6	20G110878	1" Wye Strainer
7	20PFHA24SA1612	1" X 3/4" NPT Hex Nipple
3	20100942	Tank Pump Spacer
9	20100930	Spraymaster® 25 Gallon Heated Coating Tank 240-Volt AC for High Viscosity Liquid
—	2091000	PC Sprayer Label Kit – Misc.
—	2091001	PC Sprayer Label Kit – A/B
—	205M113	Features & Specifications Guide – Spraymaster® 25 Gallon Heated Coating Tank
—	206M113	Part Numbers & Schematics Guide – Spraymaster® 25 Gallon Heated Coating Tank
—	206M555	Part Numbers & Schematics Guide – Graco® Monark® 5:1 Airless Spray Pump
—	2090113	Operator's Manual – Spraymaster® 25 Gallon Heated Coating Tank
—	209V510	Operator's Manual – Merkur® Displacement Pump
—	209V511	Operator's Manual – Graco® Feed and Solvent Flush Kits
—	209V513	Operator's Manual – 5:1 Ratio Monark® Pump
—	209V515	Operator's Manual – AM Series Lubricated Air Motors

PART NUMBERS AND SCHEMATICS GUIDE

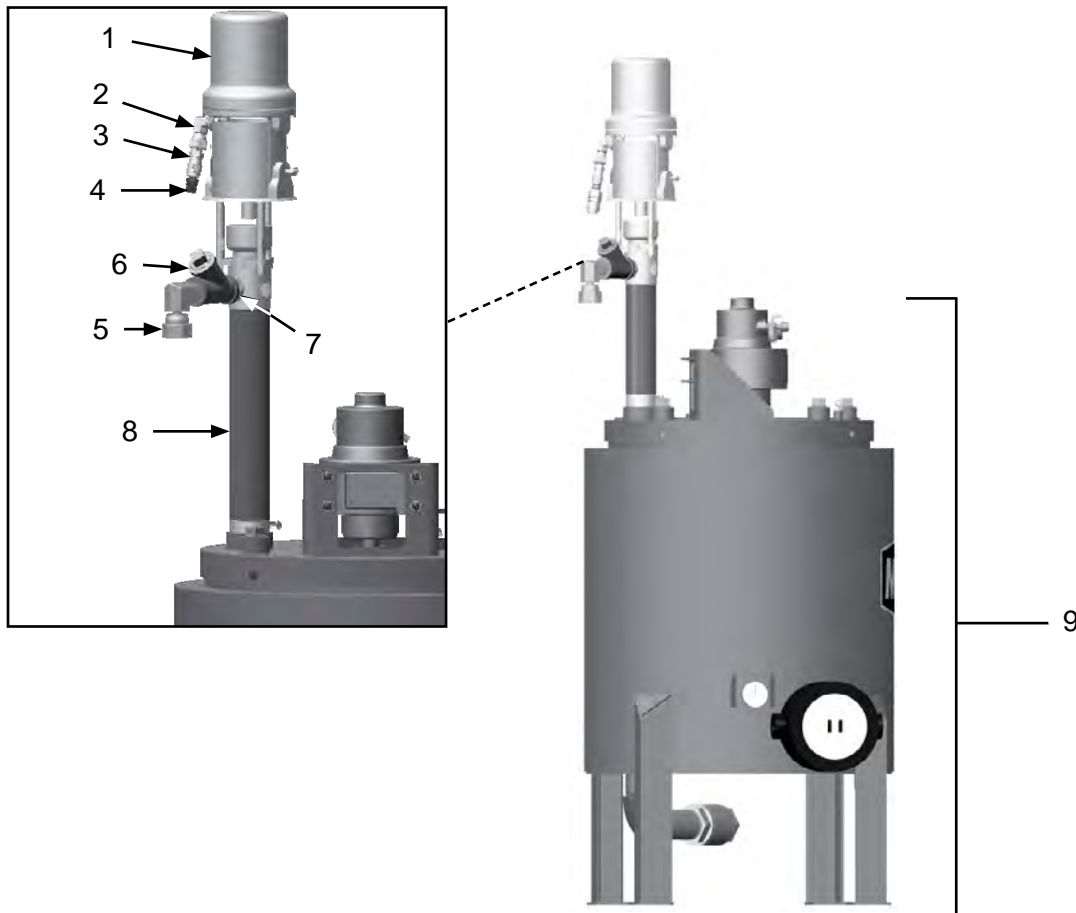
Figure 13: Spraymaster® 25 Gallon Heated Coating Tank 480-Volt AC for High Viscosity Liquid with 5:1 Transfer Pump



Item #	Part #	Description
Fig. 13		
—	20101090	Spraymaster® 25 Gallon Heated Coating Tank 480-Volt AC for High Viscosity Liquid with 5:1 Transfer Pump – Complete
1	20G248825	Monark® 5:1 Feed Pump
2	20PFHA60UA0606	3/8" NPT (M) X 3/8" (F) 90° Swivel Elbow
3	20100285	3/8" NPT 1/4" Male Quick Disconnect
4	20100286	3/8" NPT 1/4" Female Quick Disconnect
5	20PFHA60UA1616	1" NPT (M) X 1" (F) 90° Swivel Elbow
6	20G110878	1" Wye Strainer
7	20PFHA24SA1612	1" X 3/4" NPT Hex Nipple
3	20100942	Tank Pump Spacer
9	20100931	Spraymaster® 25 Gallon Heated Coating Tank 480-Volt AC for High Viscosity Liquid
—	2091000	PC Sprayer Label Kit – Misc.
—	2091001	PC Sprayer Label Kit – A/B
—	205M113	Features & Specifications Guide – Spraymaster® 25 Gallon Heated Coating Tank
—	206M113	Part Numbers & Schematics Guide – Spraymaster® 25 Gallon Heated Coating Tank
—	206M555	Part Numbers & Schematics Guide – Graco® Monark® 5:1 Airless Spray Pump
—	2090113	Operator's Manual – Spraymaster® 25 Gallon Heated Coating Tank
—	209V510	Operator's Manual – Merkur® Displacement Pump
—	209V511	Operator's Manual – Graco® Feed and Solvent Flush Kits
—	209V513	Operator's Manual – 5:1 Ratio Monark® Pump
—	209V515	Operator's Manual – AM Series Lubricated Air Motors

PART NUMBERS AND SCHEMATICS GUIDE

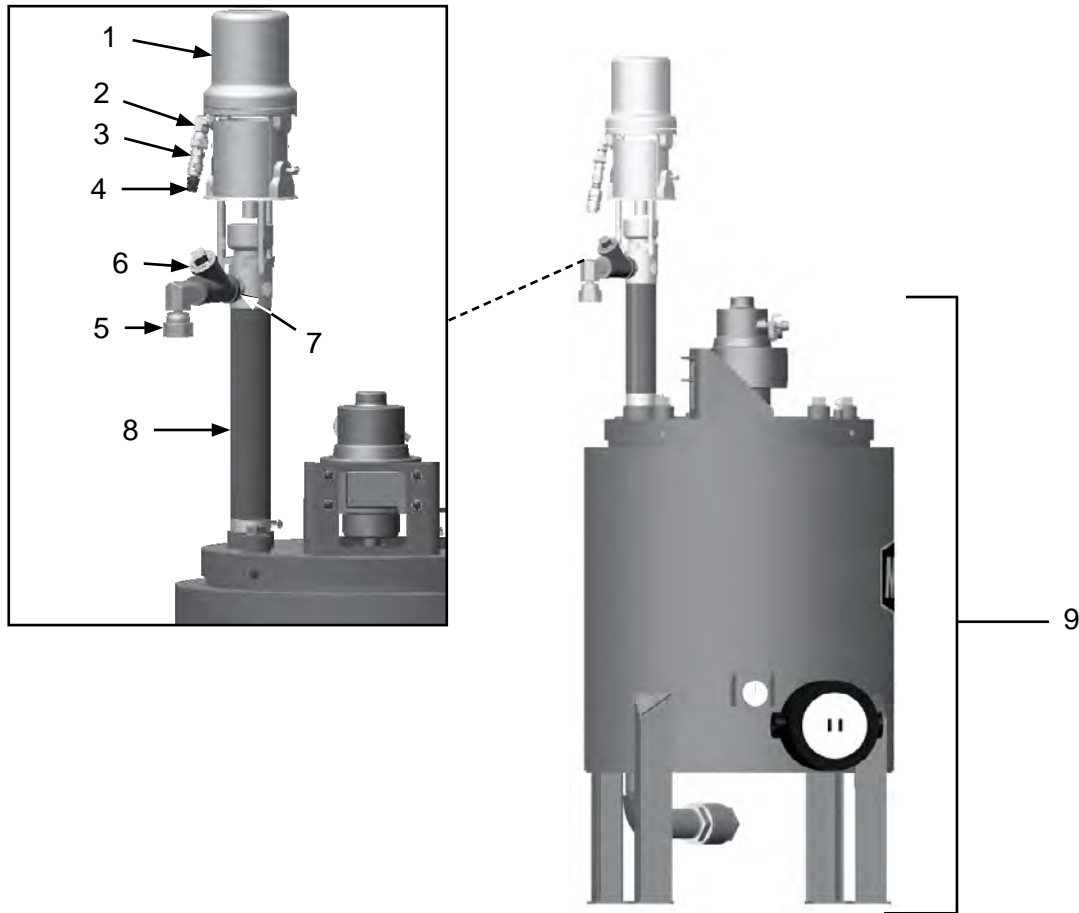
Figure 14: Spraymaster® 25 Gallon Heated Coating Tank 240-Volt AC for High Viscosity Liquid with 10:1 Transfer Pump



Item #	Part #	Description
Fig. 14		
—	20101093	Spraymaster® 25 Gallon Heated Coating Tank 240-Volt AC for High Viscosity Liquid with 10:1 Transfer Pump – Complete
1	20G256433	President® 10:1 Feed Pump
2	20PFHA60UA0606	3/8" NPT (M) X 3/8" (F) 90° Swivel Elbow
3	20100285	3/8" NPT 1/4" Male Quick Disconnect
4	20100286	3/8" NPT 1/4" Female Quick Disconnect
5	20PFHA60UA1616	1" NPT (M) X 1" (F) 90° Swivel Elbow
6	20G110878	1" Wye Strainer
7	20PFHA24SA1612	1" X 3/4" NPT Hex Nipple
3	20100942	Tank Pump Spacer
9	20100930	Spraymaster® 25 Gallon Heated Coating Tank 240-Volt AC for High Viscosity Liquid
—	2091000	PC Sprayer Label Kit – Misc.
—	2091001	PC Sprayer Label Kit – A/B
—	205M113	Features & Specifications Guide – Spraymaster® 25 Gallon Heated Coating Tank
—	206M113	Part Numbers & Schematics Guide – Spraymaster® 25 Gallon Heated Coating Tank
—	206M557	Part Numbers & Schematics Guide – Graco® President® 10:1 Airless Spray Pump
—	2090113	Operator's Manual – Spraymaster® 25 Gallon Heated Coating Tank
—	209V510	Operator's Manual – Merkur® Displacement Pump
—	209V511	Operator's Manual – Graco® Feed and Solvent Flush Kits
—	209V514	Operator's Manual – 10:1 Ratio President® Pump
—	209V515	Operator's Manual – AM Series Lubricated Air Motors

PART NUMBERS AND SCHEMATICS GUIDE

Figure 15: Spraymaster® 25 Gallon Heated Coating Tank 480-Volt AC for High Viscosity Liquid with 10:1 Transfer Pump



Item #	Part #	Description
Fig. 15		
—	20101094	Spraymaster® 25 Gallon Heated Coating Tank 480-Volt AC for High Viscosity Liquid with 10:1 Transfer Pump – Complete
1	20G256433	President® 10:1 Feed Pump
2	20PFHA60UA0606	3/8" NPT (M) X 3/8" (F) 90° Swivel Elbow
3	20100285	3/8" NPT 1/4" Male Quick Disconnect
4	20100286	3/8" NPT 1/4" Female Quick Disconnect
5	20PFHA60UA1616	1" NPT (M) X 1" (F) 90° Swivel Elbow
6	20G110878	1" Wye Strainer
7	20PFHA24SA1612	1" X 3/4" NPT Hex Nipple
3	20100942	Tank Pump Spacer
9	20100931	Spraymaster® 25 Gallon Heated Coating Tank 480-Volt AC for High Viscosity Liquid
—	2091000	PC Sprayer Label Kit – Misc.
—	2091001	PC Sprayer Label Kit – A/B
—	205M113	Features & Specifications Guide – Spraymaster® 25 Gallon Heated Coating Tank
—	206M113	Part Numbers & Schematics Guide – Spraymaster® 25 Gallon Heated Coating Tank
—	206M557	Part Numbers & Schematics Guide – Graco® President® 10:1 Airless Spray Pump
—	2090113	Operator's Manual – Spraymaster® 25 Gallon Heated Coating Tank
—	209V510	Operator's Manual – Merkur® Displacement Pump
—	209V511	Operator's Manual – Graco® Feed and Solvent Flush Kits
—	209V514	Operator's Manual – 10:1 Ratio President® Pump
—	209V515	Operator's Manual – AM Series Lubricated Air Motors

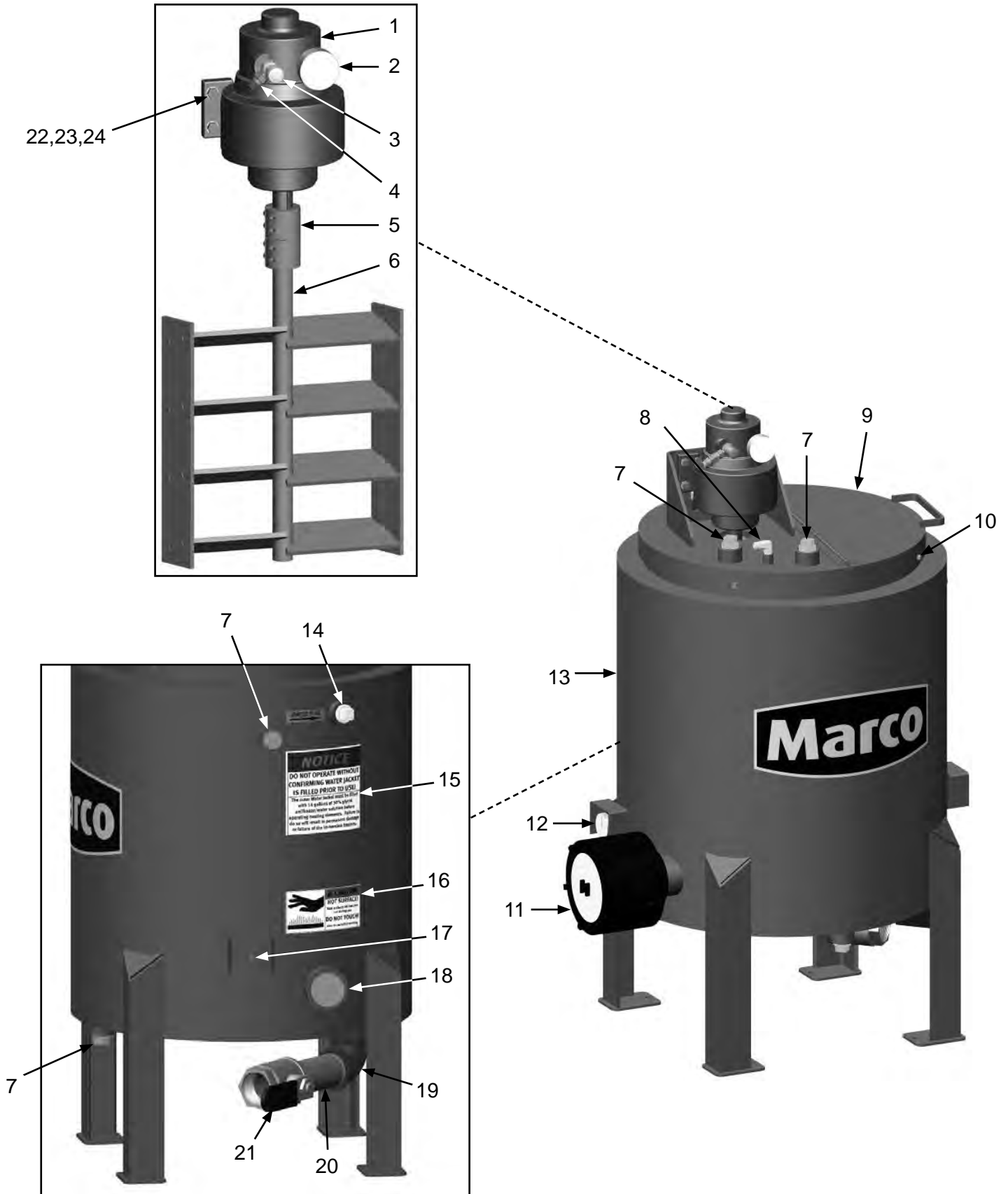
PART NUMBERS AND SCHEMATICS GUIDE

Spraymaster® 25 Gallon Heated Coating Tank 240/480-Volt AC Hazardous Location for High Viscosity Liquid

Item #	Part #	Description
Fig. 16		
—	20100932	Spraymaster® 25 Gallon Heated Coating Tank 240-Volt AC Hazardous Location for High Viscosity Liquid – Complete
—	20100933	Spraymaster® 25 Gallon Heated Coating Tank 480-Volt AC Hazardous Location for High Viscosity Liquid – Complete
1	20100827	15:1 Gear Driven Air Motor <i>(Includes Item #: 2)</i>
2	20BK350401	Air Motor Muffler Assembly
3	20G206264	1/4" NPT Needle Valve
4	20PFHA24SA0402	1/8" X 1/4" NPT Hex Nipple
5	20100843	1" X 1" Shaft Coupling
6	20100815	6" Mixer Blade
7	1011901	1" NPT Square Head Plug <i>(Five Required)</i>
8	20PFHA25UA0404	1/4" NPT (M) 90° Elbow
9	20101098	25 Gallon Round HVL Lid Weldment
10	20100131	1/4-14 X 1-1/2" Self-Tapping Screw <i>(Four Required)</i>
11	20101108	240V Haz. Duty Immersion Heater
—	20101109	480V Haz. Duty Immersion Heater
12	20HHH0254F47	1/4" NPT 0-250 Thermometer
13	20100679	Heated Supply Tank
14	20100186	1" NPT Square Head Plug with 1/8" Relief Hole
15	20100173	Hot Surfaces Warning Label
16	20100174	Heater Notice Label
17	1012052	1/4" NPT Square Head Plug
18	1011823	2" NPT Square Head Plug
19	10101339	2" NPT 90° Elbow
20	20100146	2" X 6" NPT Nipple
21	20101151	2" NPT Full Port Ball Valve
22	20100897	5/16-18 X 1-1/2" Hex Bolt <i>(Four Required)</i>
23	10L805003	5/16" Flat Washer <i>(Eight Required)</i>
24	20100900	5/16-18 Hex Lock Nut <i>(Four Required)</i>
—	2091000	PC Sprayer Label Kit – Misc.
—	2091001	PC Sprayer Label Kit – A/B
—	1091130	Hazardous Identification Label, Rotating Parts
—	209V515	Operator's Manual – AM Series Lubricated Air Motors
—	205M113	Features & Specifications Guide – Spraymaster® 25 Gallon Heated Coating Tank
—	206M113	Part Numbers & Schematics Guide – Spraymaster® 25 Gallon Heated Coating Tank
—	2090113	Operator's Manual – Spraymaster® 25 Gallon Heated Coating Tank

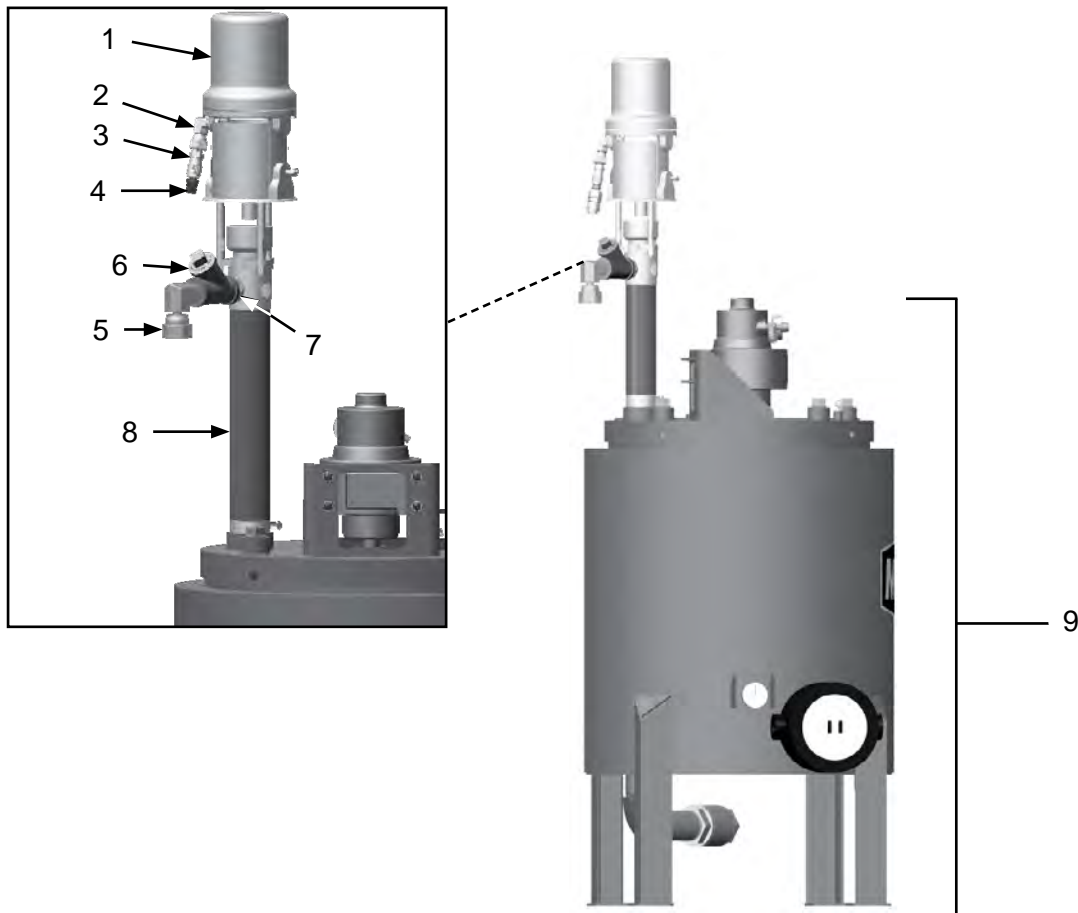
PART NUMBERS AND SCHEMATICS GUIDE

Figure 16: Spraymaster® 25 Gallon Heated Coating Tank 240/480-Volt AC Hazardous Location for High Viscosity Liquid



PART NUMBERS AND SCHEMATICS GUIDE

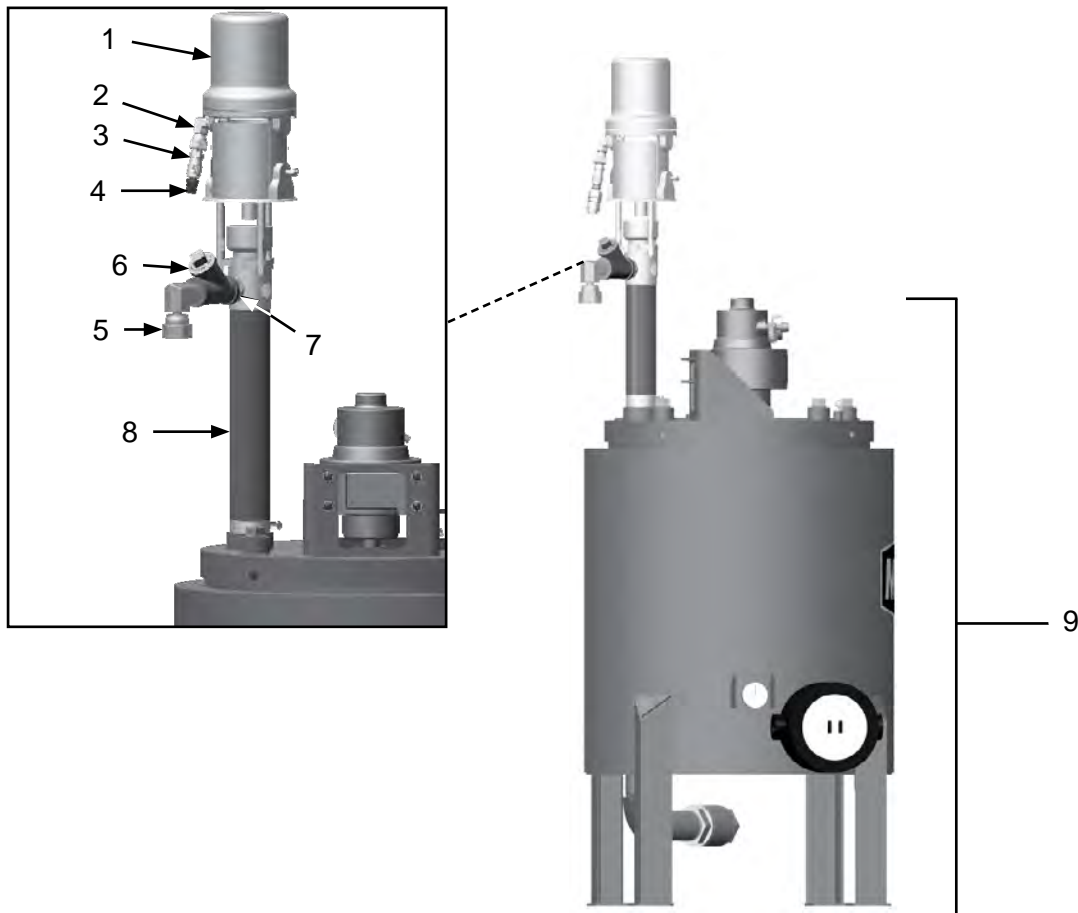
Figure 17: Spraymaster® 25 Gallon Heated Coating Tank 240-Volt AC Hazardous Location for High Viscosity Liquid with 5:1 Transfer Pump



Item #	Part #	Description
Fig. 17		
—	20101091	Spraymaster® 25 Gallon Heated Coating Tank 240-Volt AC Hazardous Location for High Viscosity Liquid with 5:1 Transfer Pump – Complete
1	20G248825	Monark® 5:1 Feed Pump
2	20PFHA60UA0606	3/8" NPT (M) X 3/8" (F) 90° Swivel Elbow
3	20100285	3/8" NPT 1/4" Male Quick Disconnect
4	20100286	3/8" NPT 1/4" Female Quick Disconnect
5	20PFHA60UA1616	1" NPT (M) X 1" (F) 90° Swivel Elbow
6	20G110878	1" Wye Strainer
7	20PFHA24SA1612	1" X 3/4" NPT Hex Nipple
3	20100942	Tank Pump Spacer
9	20100932	Spraymaster® 25 Gallon Heated Coating Tank 240-Volt AC Hazardous Location for High Viscosity Liquid
—	2091000	PC Sprayer Label Kit – Misc.
—	2091001	PC Sprayer Label Kit – A/B
—	205M113	Features & Specifications Guide – Spraymaster® 25 Gallon Heated Coating Tank
—	206M113	Part Numbers & Schematics Guide – Spraymaster® 25 Gallon Heated Coating Tank
—	206M555	Part Numbers & Schematics Guide – Graco® Monark® 5:1 Airless Spray Pump
—	2090113	Operator's Manual – Spraymaster® 25 Gallon Heated Coating Tank
—	209V510	Operator's Manual – Merkur® Displacement Pump
—	209V511	Operator's Manual – Graco® Feed and Solvent Flush Kits
—	209V513	Operator's Manual – 5:1 Ratio Monark® Pump
—	209V515	Operator's Manual – AM Series Lubricated Air Motors

PART NUMBERS AND SCHEMATICS GUIDE

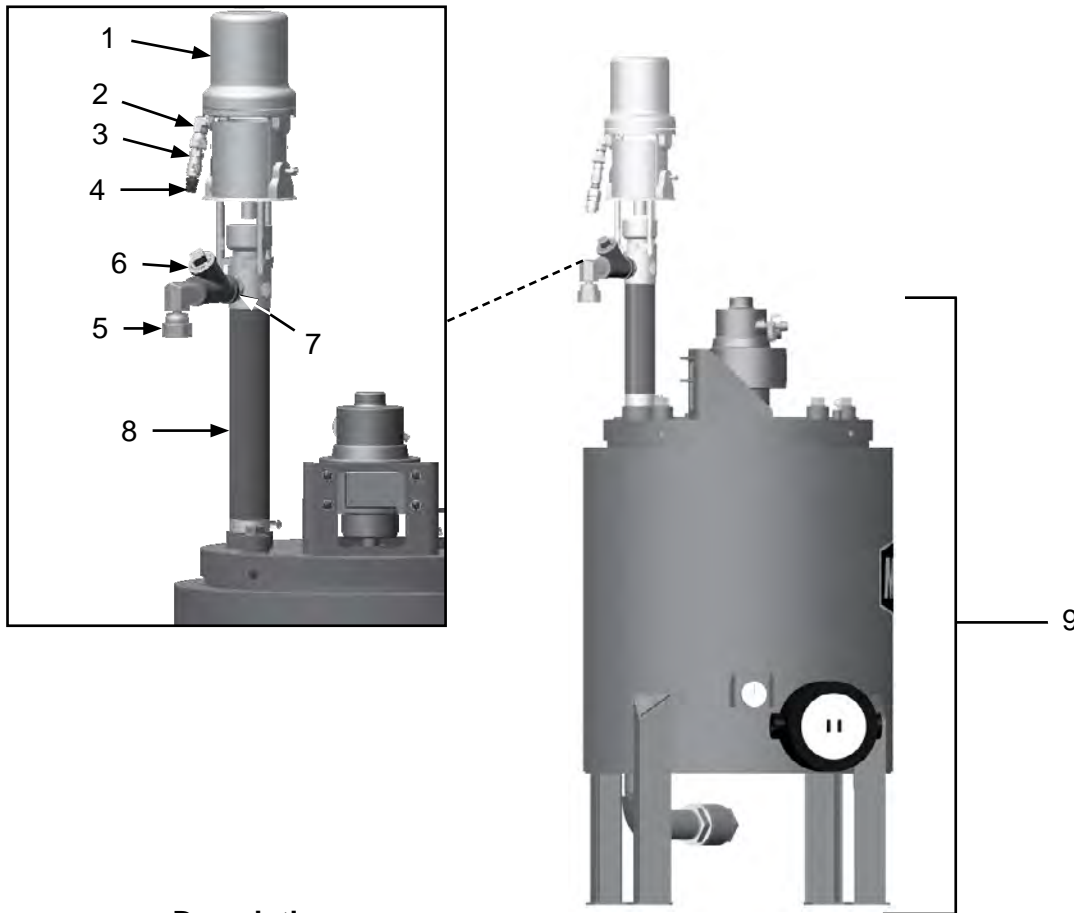
Figure 18: Spraymaster® 25 Gallon Heated Coating Tank 480-Volt AC Hazardous Location for High Viscosity Liquid with 5:1 Transfer Pump



Item #	Part #	Description
Fig. 18		
—	20101092	Spraymaster® 25 Gallon Heated Coating Tank 480-Volt AC Hazardous Location for High Viscosity Liquid with 5:1 Transfer Pump – Complete
1	20G248825	Monark® 5:1 Feed Pump
2	20PFHA60UA0606	3/8" NPT (M) X 3/8" (F) 90° Swivel Elbow
3	20100285	3/8" NPT 1/4" Male Quick Disconnect
4	20100286	3/8" NPT 1/4" Female Quick Disconnect
5	20PFHA60UA1616	1" NPT (M) X 1" (F) 90° Swivel Elbow
6	20G110878	1" Wye Strainer
7	20PFHA24SA1612	1" X 3/4" NPT Hex Nipple
3	20100942	Tank Pump Spacer
9	20100933	Spraymaster® 25 Gallon Heated Coating Tank 480-Volt AC Hazardous Location for High Viscosity Liquid
—	2091000	PC Sprayer Label Kit – Misc.
—	2091001	PC Sprayer Label Kit – A/B
—	205M113	Features & Specifications Guide – Spraymaster® 25 Gallon Heated Coating Tank
—	206M113	Part Numbers & Schematics Guide – Spraymaster® 25 Gallon Heated Coating Tank
—	206M555	Part Numbers & Schematics Guide – Graco® Monark® 5:1 Airless Spray Pump
—	2090113	Operator's Manual – Spraymaster® 25 Gallon Heated Coating Tank
—	209V510	Operator's Manual – Merkur® Displacement Pump
—	209V511	Operator's Manual – Graco® Feed and Solvent Flush Kits
—	209V513	Operator's Manual – 5:1 Ratio Monark® Pump
—	209V515	Operator's Manual – AM Series Lubricated Air Motors

PART NUMBERS AND SCHEMATICS GUIDE

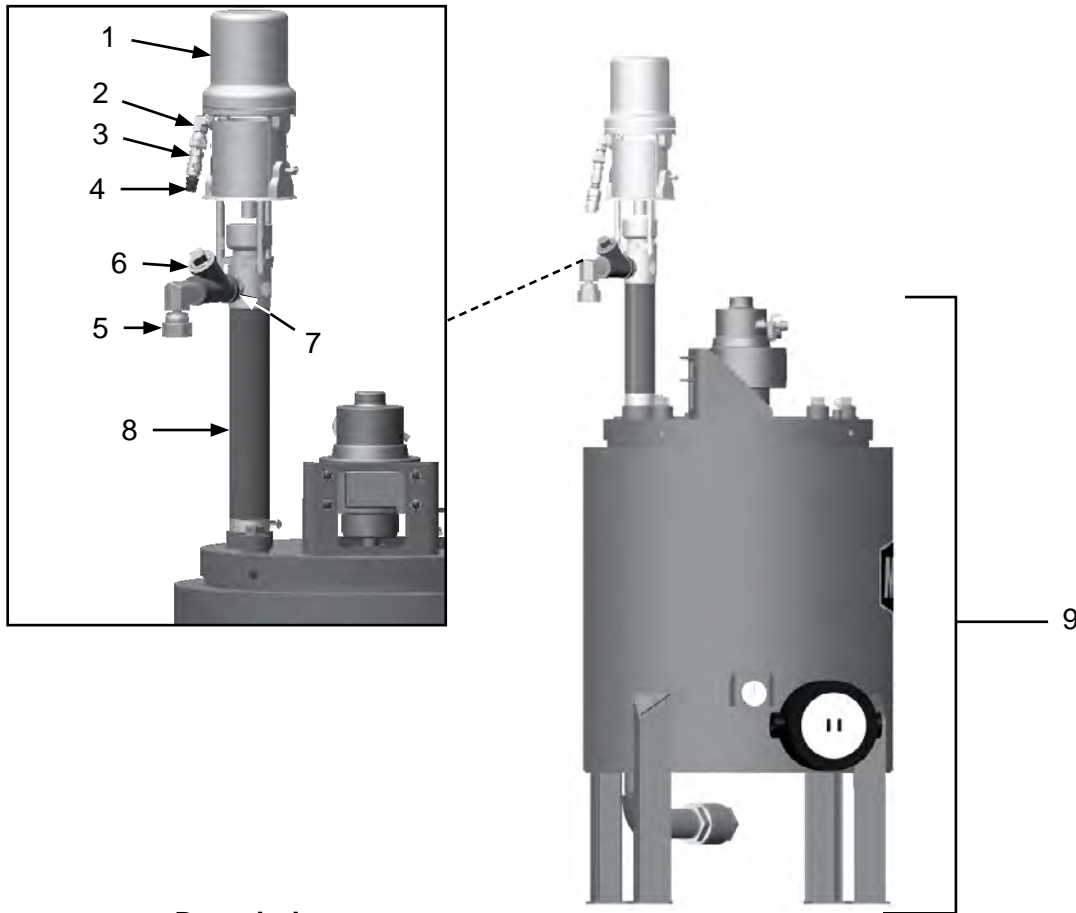
Figure 19: Spraymaster® 25 Gallon Heated Coating Tank 240-Volt AC Hazardous Location for High Viscosity Liquid with 10:1 Transfer Pump



Item #	Part #	Description
Fig. 19		
—	20101095	Spraymaster® 25 Gallon Heated Coating Tank 240-Volt AC Hazardous Location for High Viscosity Liquid with 10:1 Transfer Pump – Complete
1	20G256433	President® 10:1 Feed Pump
2	20PFHA60UA0606	3/8" NPT (M) X 3/8" (F) 90° Swivel Elbow
3	20100285	3/8" NPT 1/4" Male Quick Disconnect
4	20100286	3/8" NPT 1/4" Female Quick Disconnect
5	20PFHA60UA1616	1" NPT (M) X 1" (F) 90° Swivel Elbow
6	20G110878	1" Wye Strainer
7	20PFHA24SA1612	1" X 3/4" NPT Hex Nipple
3	20100942	Tank Pump Spacer
9	20100932	Spraymaster® 25 Gallon Heated Coating Tank 240-Volt AC Hazardous Location for High Viscosity Liquid
—	2091000	PC Sprayer Label Kit – Misc.
—	2091001	PC Sprayer Label Kit – A/B
—	205M113	Features & Specifications Guide – Spraymaster® 25 Gallon Heated Coating Tank
—	206M113	Part Numbers & Schematics Guide – Spraymaster® 25 Gallon Heated Coating Tank
—	206M557	Part Numbers & Schematics Guide – Graco® President® 10:1 Airless Spray Pump
—	2090113	Operator's Manual – Spraymaster® 25 Gallon Heated Coating Tank
—	209V510	Operator's Manual – Merkur® Displacement Pump
—	209V511	Operator's Manual – Graco® Feed and Solvent Flush Kits
—	209V514	Operator's Manual – 10:1 Ratio President® Pump
—	209V515	Operator's Manual – AM Series Lubricated Air Motors

PART NUMBERS AND SCHEMATICS GUIDE

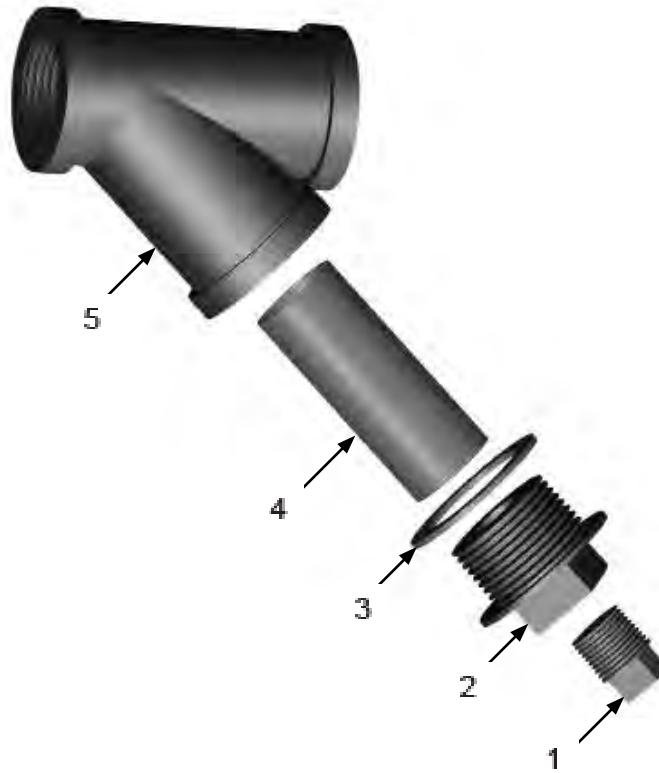
Figure 20: Spraymaster® 25 Gallon Heated Coating Tank 480-Volt AC Hazardous Location for High Viscosity Liquid with 10:1 Transfer Pump



Item #	Part #	Description
Fig. 20		
—	20101096	Spraymaster® 25 Gallon Heated Coating Tank 480-Volt AC Hazardous Location for High Viscosity Liquid with 10:1 Transfer Pump – Complete
1	20G256433	President® 10:1 Feed Pump
2	20PFHA60UA0606	3/8" NPT (M) X 3/8" (F) 90° Swivel Elbow
3	20100285	3/8" NPT 1/4" Male Quick Disconnect
4	20100286	3/8" NPT 1/4" Female Quick Disconnect
5	20PFHA60UA1616	1" NPT (M) X 1" (F) 90° Swivel Elbow
6	20G110878	1" Wye Strainer
7	20PFHA24SA1612	1" X 3/4" NPT Hex Nipple
3	20100942	Tank Pump Spacer
9	20100933	Spraymaster® 25 Gallon Heated Coating Tank 480-Volt AC Hazardous Location for High Viscosity Liquid
—	2091000	PC Sprayer Label Kit – Misc.
—	2091001	PC Sprayer Label Kit – A/B
—	205M113	Features & Specifications Guide – Spraymaster® 25 Gallon Heated Coating Tank
—	206M113	Part Numbers & Schematics Guide – Spraymaster® 25 Gallon Heated Coating Tank
—	206M557	Part Numbers & Schematics Guide – Graco® President® 10:1 Airless Spray Pump
—	2090113	Operator's Manual – Spraymaster® 25 Gallon Heated Coating Tank
—	209V510	Operator's Manual – Merkur® Displacement Pump
—	209V511	Operator's Manual – Graco® Feed and Solvent Flush Kits
—	209V514	Operator's Manual – 10:1 Ratio President® Pump
—	209V515	Operator's Manual – AM Series Lubricated Air Motors

PART NUMBERS AND SCHEMATICS GUIDE

Figure 21: Wye Strainer



Item #	Part #	Description
Fig. 21		
1	20PFHA24ST06	3/8" Pipe Plug
2	1011901	1" NPT Pipe Plug
3	20100666	Y-Strainer Gasket 1-3/4" O.D. X 1-1/4" I.D.
4	20100470	Strainer Screen
5	20G110878	1" Wye Strainer

PART NUMBERS AND SCHEMATICS GUIDE

SPRAYMASTER® EP-70 PLURAL COMPONENT SPRAYER - SKID MOUNTED

PART NUMBERS	Power Source	Hazardous Location	Spraymaster® 25 Gallon Round Component Tanks	Graco® XM70™ Bare Sprayer	Dosing Valves	Graco® 45:1 Merkur Solvent Flush Pump
20101039	240-Volt AC	X	X	1:1 – 10:1	X	X
20100987	240-Volt AC		X	1:1 – 10:1	X	X
20100997	480-Volt AC	X	X	1:1 – 10:1	X	X
20101040	480-Volt AC		X	1:1 – 10:1	X	X

SPRAYMASTER® EP-70 PLURAL COMPONENT SPRAYER - SHORT SKID MOUNTED

PART NUMBERS	Power Source	Hazardous Location	Spraymaster® 25 Gallon Round Component Tanks	Graco® XM70™ Bare Sprayer	Dosing Valves	Graco® 45:1 Merkur Solvent Flush Pump
20101143	240-Volt AC	X		1:1 – 10:1	X	X
20101141	240-Volt AC			1:1 – 10:1	X	X
20100527	480-Volt AC	X		1:1 – 10:1	X	X
20101142	480-Volt AC			1:1 – 10:1	X	X

SPRAYMASTER® EP-70 PLURAL COMPONENT SPRAYER - CART MOUNTED

PART NUMBERS	Power Source	Hazardous Location	Spraymaster® 25 Gallon Round Component Tanks	Graco® XM70™ Bare Sprayer	Dosing Valves	Graco® 45:1 Merkur Solvent Flush Pump
20101135	240-Volt AC	X	X	1:1 – 10:1	X	X
20101133	240-Volt AC		X	1:1 – 10:1	X	X
20101136	480-Volt AC	X	X	1:1 – 10:1	X	X
20101134	480-Volt AC		X	1:1 – 10:1	X	X

PART NUMBERS AND SCHEMATICS GUIDE

Spraymaster® EP-70 Plural Component Sprayer – Skid Mounted



General Purpose



Hazardous Location

Spraymaster® EP-70 Plural Component Sprayer – Short Skid Mounted



General Purpose



Hazardous Location

Spraymaster® EP-70 Plural Component Sprayer – Cart Mounted



General Purpose



Hazardous Location

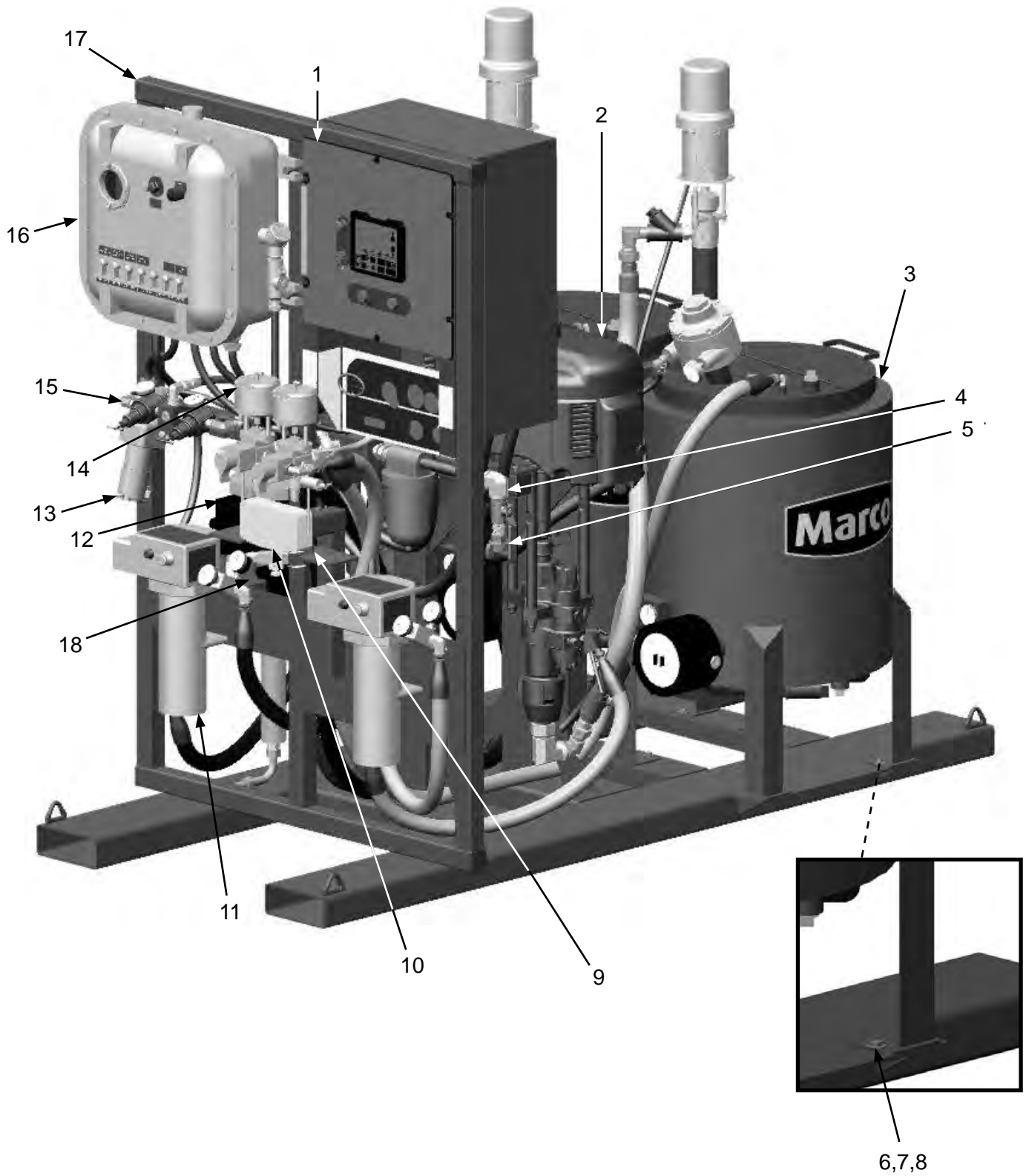
PART NUMBERS AND SCHEMATICS GUIDE

Spraymaster® EP 70:1 240-Volt AC Hazardous Location – Skid

Item #	Part #	Description
Fig. 1		
—	20101039	Spraymaster® EP 70:1 240-Volt AC Hazardous Location – Skid
1	20G255771	Control Box
2	—	Air Motor and Lower Pump Assembly <i>(See Fig. 13)</i>
3	20100926	Spraymaster® 25 Gallon Heated Coatings Tank – Complete <i>(Two Required)</i>
4	—	Air-In Manifold Assembly <i>(See Fig. 18)</i>
5	10ME1	Air Hose Coupling – 2-lug – 3/4" NPT (M)
6	20100195	3/8-16 x 1" Zinc Bolt <i>(Two Required)</i>
7	20100138	3/8-16 Hex Lock Nut Zinc <i>(Two Required)</i>
8	10102331	3/8 SAE Flat Washer Zinc <i>(Two Required)</i>
9	20100103	Dosing Manifold Bracket
10	20G255684	Mix Manifold
11	20G245864	In-line Paint Heater <i>(Two Required)</i>
12	20G262393	Flush Pump
13	20100279	30 AMP Receptacle
14	20G255478	Dose Valve <i>(Two Required)</i>
15	—	Air Manifold Assembly <i>(See Fig. 14)</i>
16	20MXPXCE161606N4	Hazardous Duty Distribution Panel <i>(See Fig. 16)</i>
17	20100921	Round Tank Frame
18	20100284	Flush Pump Mounting Bracket
—	20TAH100312	Static Mixer 3/8" Diameter x 12 <i>(Two Required) (Not Shown)</i>
—	20BEAKER1000ML	1000 Milliliter Test Beaker
—	2091000	Hazard Decals
—	20100564	Liquid Level Control Sensor Kit – Optional
—	2090114	Operator's Manual – Spraymaster® 25 Gallon Heated Coatings Tank
—	209V504	Operator's Manual – Merkur® Pump Assembly
—	209V505	Operator's Manual – Graco® Mix Manifold
—	209V506	Operator's Manual – Graco® Viscon High Pressure Fluid Heater
—	209V509	Operator's Manual – Graco® NXT® Air Motor
—	209V021	Operator's Manual – Graco® Xtreme® Lowers
—	209V510	Operator's Manual – Graco® Merkur® Displacement Pump
—	209V512	Operator's Manual – Graco® Low Volume Air Regulators
—	205M014	Features & Specifications Guide – Spraymaster® EP-70 Spray System
—	206M014	Part Numbers & Schematics Guide – Spraymaster® EP-70 Spray System
—	2090014	Operator's Manual – Spraymaster® EP-70 Spray System
—	209V512	Operator's Manual – Graco® Low Volume Air Regulators

PART NUMBERS AND SCHEMATICS GUIDE

Figure 1: Spraymaster® EP 70:1 240-Volt AC Hazardous Location – Skid



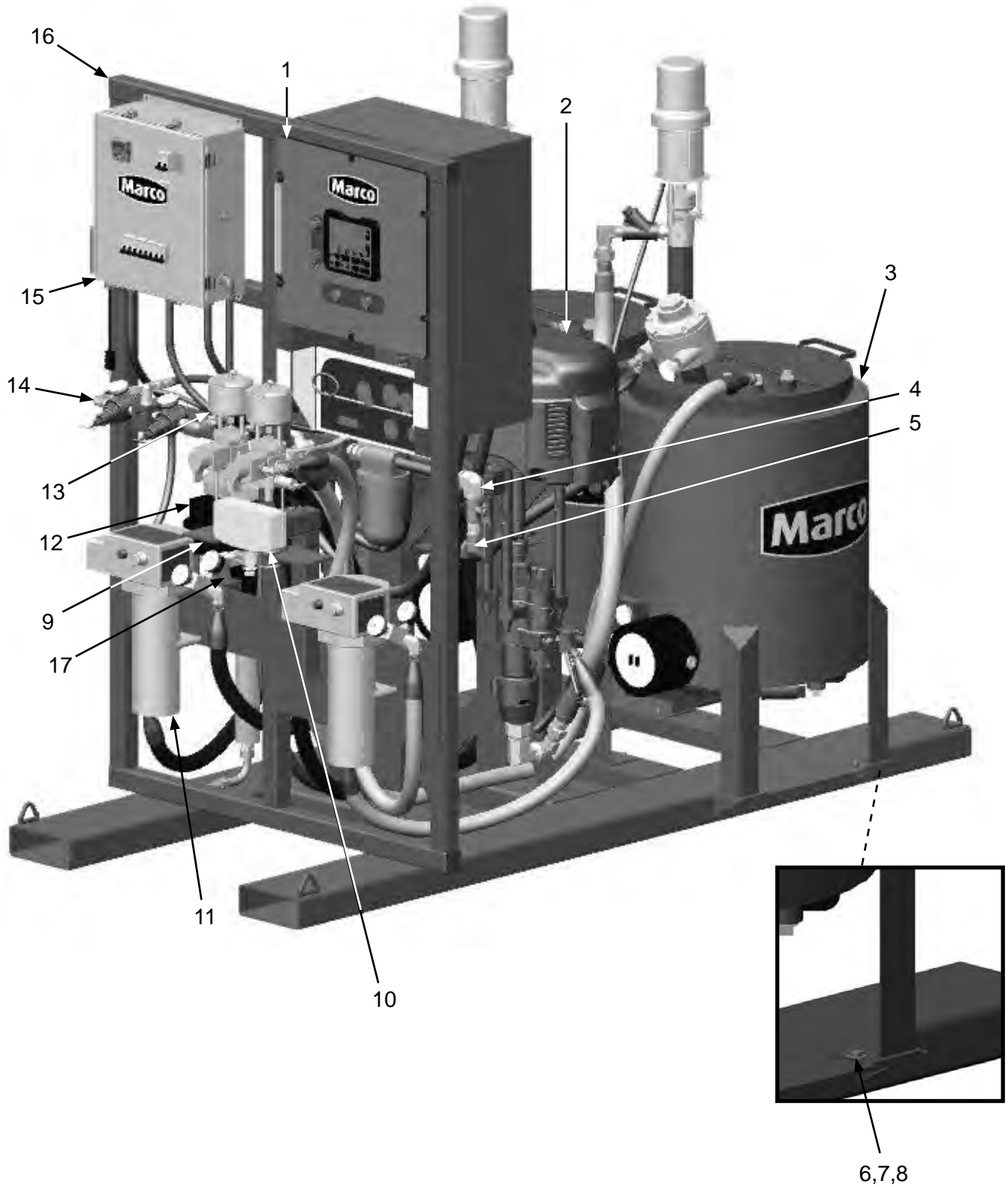
PART NUMBERS AND SCHEMATICS GUIDE

Spraymaster® EP 70:1 240-Volt AC General Purpose – Skid

Item #	Part #	Description
Fig. 2		
—	20100987	Spraymaster® EP 70:1 240-Volt AC General Purpose – Skid
1	20G255771	Control Box
2	—	Air Motor and Lower Pump Assembly <i>(See Fig. 13)</i>
3	20100926	Spraymaster® 25 Gallon Heated Coatings Tank – Complete <i>(Two Required)</i>
4	—	Air-In Manifold Assembly <i>(See Fig. 18)</i>
5	10ME1	Air Hose Coupling – 2-lug – 3/4" NPT (M)
6	20100195	3/8-16 x 1" Zinc Bolt <i>(Two Required)</i>
7	20100138	3/8-16 Hex Lock Nut Zinc <i>(Two Required)</i>
8	10102331	3/8 SAE Flat Washer Zinc <i>(Two Required)</i>
9	20100103	Dosing Manifold Bracket
10	20G255684	Mix Manifold
11	20G245864	In-line Paint Heater <i>(Two Required)</i>
12	20G262393	Flush Pump
13	20G255478	Dose Valve <i>(Two Required)</i>
14	—	Air Manifold Assembly <i>(See Fig. 14)</i>
15	—	Electrical Box <i>(See Fig. 15)</i>
16	20100921	Round Tank Frame – Skid
17	20100284	Flush Pump Mounting Bracket
—	20TAH100312	Static Mixer 3/8" Diameter x 12 <i>(Two Required) (Not Shown)</i>
—	20BEAKER1000ML	1000 Milliliter Test Beaker
—	2091000	Hazard Decals
—	20100564	Liquid Level Control Sensor Kit – Optional
—	2090114	Operator's Manual – Spraymaster® 25 Gallon Heated Coatings Tank
—	209V504	Operator's Manual – Merkur® Pump Assembly
—	209V505	Operator's Manual – Graco® Mix Manifold
—	209V506	Operator's Manual – Graco® Viscon High Pressure Fluid Heater
—	209V509	Operator's Manual – Graco® NXT® Air Motor
—	209V021	Operator's Manual – Graco® Xtreme® Lowers
—	209V510	Operator's Manual – Graco® Merkur® Displacement Pump
—	209V512	Operator's Manual – Graco® Low Volume Air Regulators
—	205M014	Features & Specifications Guide – Spraymaster® EP-70 Spray System
—	206M014	Part Numbers & Schematics Guide – Spraymaster® EP-70 Spray System
—	2090014	Operator's Manual – Spraymaster® EP-70 Spray System

PART NUMBERS AND SCHEMATICS GUIDE

Figure 2: Spraymaster® EP 70:1 240-Volt AC General Purpose – Skid



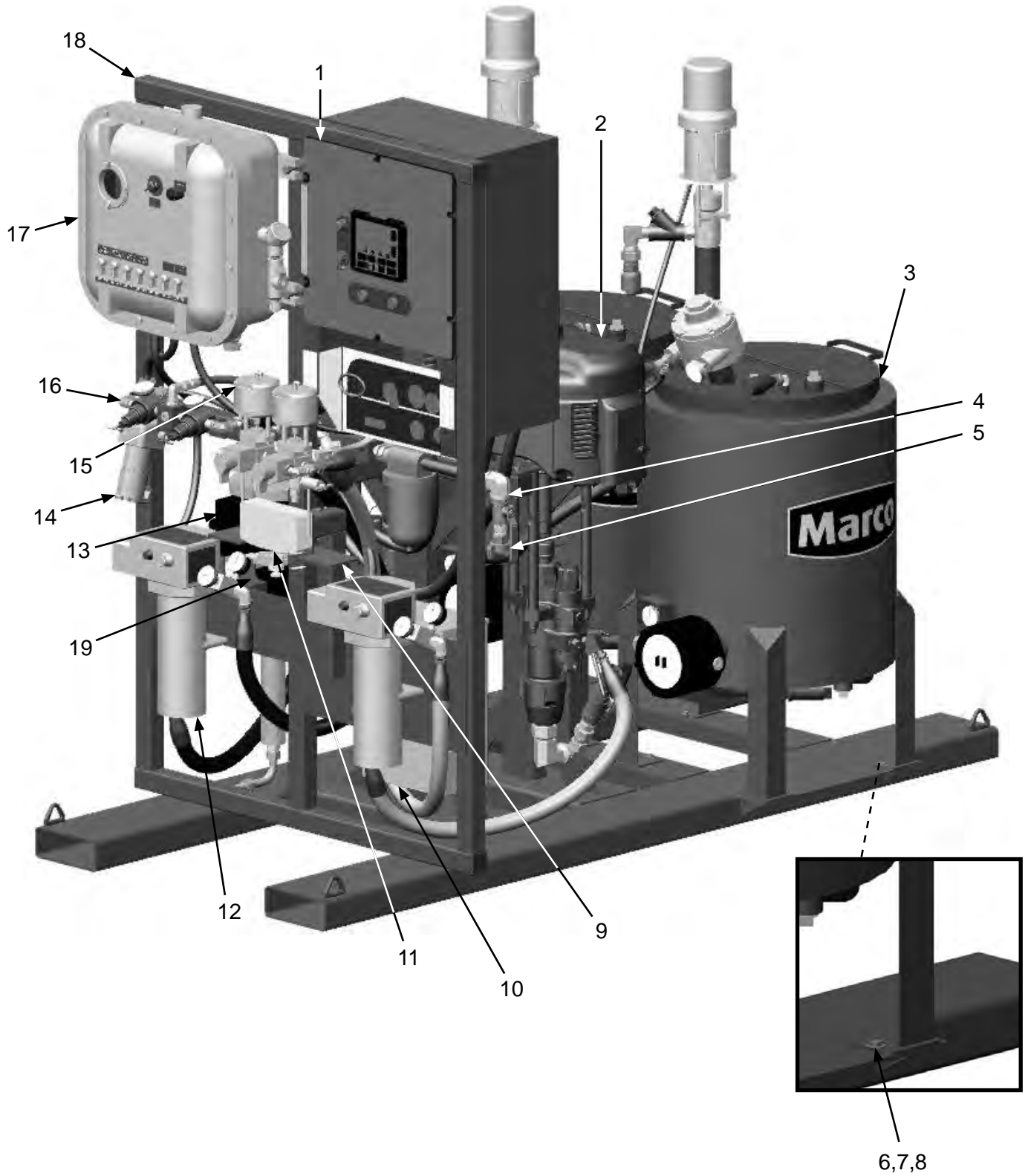
PART NUMBERS AND SCHEMATICS GUIDE

Spraymaster® EP 70:1 480-Volt AC Hazardous Location – Skid

Item #	Part #	Description
Fig. 3		
—	20100997	Spraymaster® EP 70:1 480-Volt AC Hazardous Location – Skid
1	20G255771	Control Box
2	—	Air Motor and Lower Pump Assembly (See Fig. 13)
3	20100926	Spraymaster® 25 Gallon Heated Coatings Tank – Complete (Two Required)
4	—	Air-In Manifold Assembly (See Fig. 18)
5	10ME1	X Coupling 2-Lug Male 3/4"
6	20100195	3/8-16 x 1" Zinc Bolt (Two Required)
7	20100138	3/8-16 Hex Lock Nut Zinc (Two Required)
8	10102331	3/8 SAE Flat Washer Zinc (Two Required)
9	20100103	Dosing Manifold Bracket
10	20100287	7.5 Kva Transformer
11	20G255684	Mix Manifold
12	20G245864	In-line Paint Heater (Two Required)
13	20G262393	Flush Pump
14	20100279	30 AMP Receptacle
15	20G255478	Dose Valve (Two Required)
16	—	Air Manifold Assembly (See Fig. 14)
17	20MXPXCE161606N4	Hazardous Duty Distribution Panel (See Fig. 16)
18	20100921	Round Tank Frame
19	20100284	Flush Pump Mounting Bracket
—	20TAH100312	Static Mixer 3/8" Diameter x 12 (Two Required) (Not Shown)
—	20BEAKER1000ML	1000 Milliliter Test Beaker
—	2091000	Hazard Decals
—	20100564	Liquid Level Control Sensor Kit – Optional
—	2090114	Operator's Manual – Spraymaster® 25 Gallon Heated Coatings Tank
—	209V504	Operator's Manual – Merkur® Pump Assembly
—	209V505	Operator's Manual – Graco® Mix Manifold
—	209V506	Operator's Manual – Graco® Viscon High Pressure Fluid Heater
—	209V509	Operator's Manual – Graco® NXT® Air Motor
—	209V021	Operator's Manual – Graco® Xtreme® Lowers
—	209V510	Operator's Manual – Graco® Merkur® Displacement Pump
—	209V512	Operator's Manual – Graco® Low Volume Air Regulators
—	205M014	Features & Specifications Guide – Spraymaster® EP-70 Spray System
—	206M014	Part Numbers & Schematics Guide – Spraymaster® EP-70 Spray System
—	2090014	Operator's Manual – Spraymaster® EP-70 Spray System

PART NUMBERS AND SCHEMATICS GUIDE

Figure 3: Spraymaster® EP 70:1 480-Volt AC Hazardous Location – Skid



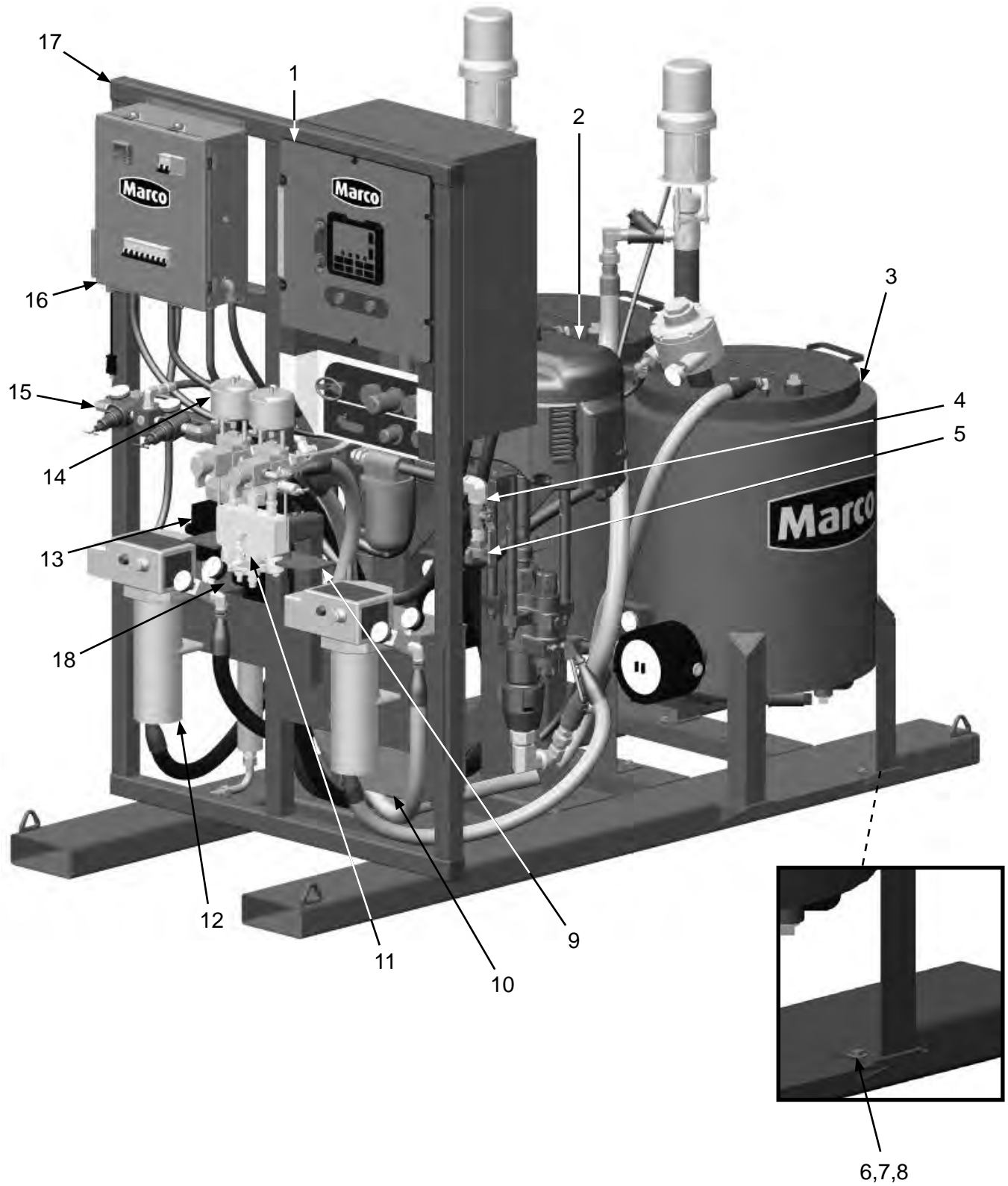
PART NUMBERS AND SCHEMATICS GUIDE

Spraymaster® EP 70:1 480-Volt AC General Purpose – Skid

Item #	Part #	Description
Fig. 4		
—	20101040	Spraymaster® EP 70:1 480-Volt AC General Purpose – Skid
1	20G255771	Control Box
2	—	Air Motor and Lower Pump Assembly (See Fig. 13)
3	20100926	Spraymaster® 25 Gallon Heated Coatings Tank – Complete (Two Required)
4	—	Air-In Manifold Assembly (See Fig. 18)
5	10ME1	Air Hose Coupling – 2-lug – 3/4" NPT (M)
6	20100195	3/8-16 x 1" Zinc Bolt (Two Required)
7	20100138	3/8-16 Hex Lock Nut Zinc (Two Required)
8	10102331	3/8 SAE Flat Washer Zinc (Two Required)
9	20100103	Dosing Manifold Bracket
10	20100287	7.5 Kva Transformer
11	20G255684	Mix Manifold
12	20G245864	In-line Paint Heater (Two Required)
13	20G262393	Flush Pump
14	20G255478	Dose Valve (Two Required)
15	—	Air Manifold Assembly (See Fig. 14)
16	20000051	Electrical Box
17	20100921	Round Tank Frame – Skid
18	20100284	Flush Pump Mounting Bracket
—	20TAH100312	Static Mixer 3/8" Diameter x 12 (Two Required) (Not Shown)
—	20BEAKER1000ML	1000 Milliliter Test Beaker
—	2091000	Hazard Decals
—	20100564	Liquid Level Control Sensor Kit – Optional
—	2090114	Operator's Manual – Spraymaster® 25 Gallon Heated Coatings Tank
—	209V504	Operator's Manual – Merkur® Pump Assembly
—	209V505	Operator's Manual – Graco® Mix Manifold
—	209V506	Operator's Manual – Graco® Viscon High Pressure Fluid Heater
—	209V509	Operator's Manual – Graco® NXT® Air Motor
—	209V021	Operator's Manual – Graco® Xtreme® Lowers
—	209V510	Operator's Manual – Graco® Merkur® Displacement Pump
—	209V512	Operator's Manual – Graco® Low Volume Air Regulators
—	205M014	Features & Specifications Guide – Spraymaster® EP-70 Spray System
—	206M014	Part Numbers & Schematics Guide – Spraymaster® EP-70 Spray System
—	2090014	Operator's Manual – Spraymaster® EP-70 Spray System
—	206M014	Part Numbers & Schematics Guide – Spraymaster® EP-70 Spray System
—	2090014	Operator's Manual – Spraymaster® EP-70 Spray System

PART NUMBERS AND SCHEMATICS GUIDE

Figure 4: Spraymaster® EP 70:1 480-Volt AC General Purpose – Skid



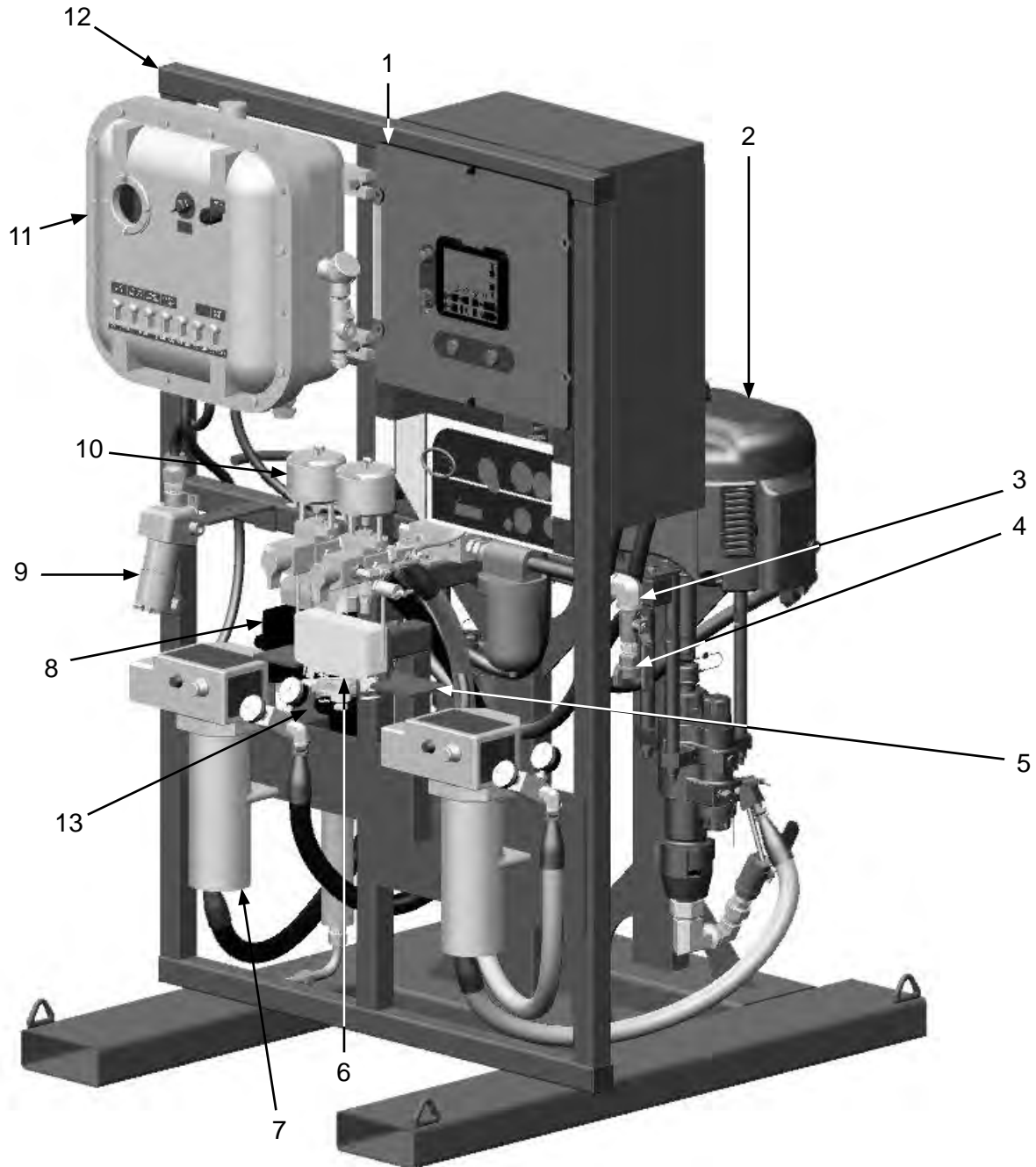
PART NUMBERS AND SCHEMATICS GUIDE

Spraymaster® EP 70:1 240-Volt AC Hazardous Location – Short Skid

Item #	Part #	Description
Fig. 5		
—	20101143	Spraymaster® EP 70:1 240-Volt AC Hazardous Location – Short Skid
1	20G255771	Control Box
2	—	Air Motor and Lower Pump Assembly <i>(See Fig. 13)</i>
3	—	Air-In Manifold Assembly <i>(See Fig. 18)</i>
4	10ME1	Air Hose Coupling – 2-lug – 3/4" NPT (M)
5	20100103	Dosing Manifold Bracket
6	20G255684	Mix Manifold
7	20G245864	In-line Paint Heater <i>(Two Required)</i>
8	20G262393	Flush Pump
9	20100279	30 AMP Receptacle
10	20G255478	Dose Valve <i>(Two Required)</i>
11	20MXPXCE161606N4	Hazardous Duty Distribution Panel <i>(See Fig. 16)</i>
12	20100488	Round Tank Frame – Short Skid
13	20100284	Flush Pump Mounting Bracket
—	20TAH100312	Static Mixer 3/8" Diameter x 12 <i>(Two Required) (Not Shown)</i>
—	20BEAKER1000ML	1000 Milliliter Test Beaker
—	2091000	Hazard Decals
—	20100564	Liquid Level Control Sensor Kit – Optional
—	2090114	Operator's Manual – Spraymaster® 25 Gallon Heated Coatings Tank
—	209V504	Operator's Manual – Merkur® Pump Assembly
—	209V505	Operator's Manual – Graco® Mix Manifold
—	209V506	Operator's Manual – Graco® Viscon High Pressure Fluid Heater
—	209V509	Operator's Manual – Graco® NXT® Air Motor
—	209V021	Operator's Manual – Graco® Xtreme® Lowers
—	209V510	Operator's Manual – Graco® Merkur® Displacement Pump
—	209V512	Operator's Manual – Graco® Low Volume Air Regulators
—	205M014	Features & Specifications Guide – Spraymaster® EP-70 Spray System
—	206M014	Part Numbers & Schematics Guide – Spraymaster® EP-70 Spray System
—	2090014	Operator's Manual – Spraymaster® EP-70 Spray System

PART NUMBERS AND SCHEMATICS GUIDE

Figure 5: Spraymaster® EP 70:1 240-Volt AC Hazardous Location – Short Skid



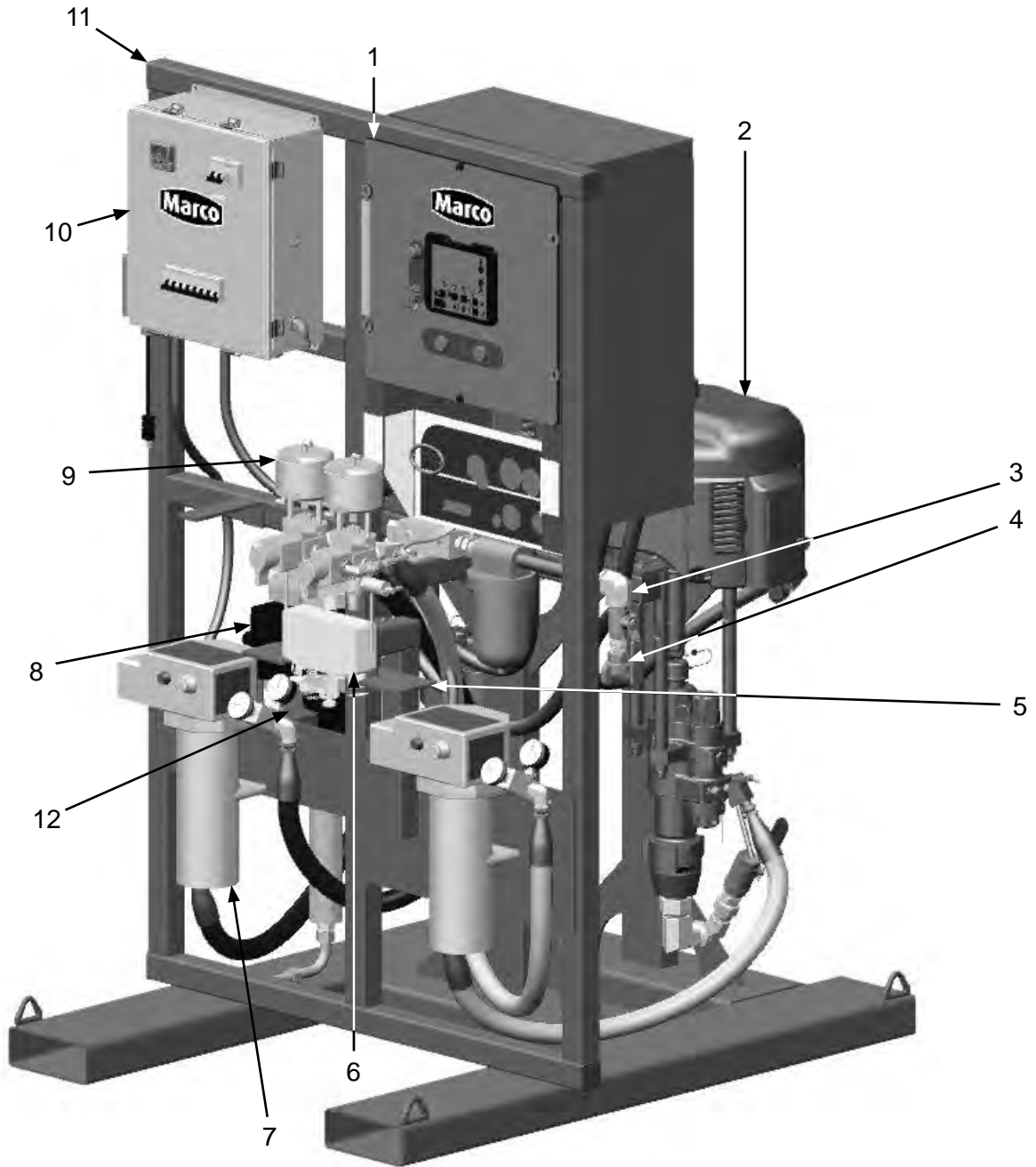
PART NUMBERS AND SCHEMATICS GUIDE

Spraymaster® EP 70:1 240-Volt AC General Purpose – Short Skid

Item #	Part #	Description
Fig. 6		
—	20101141	Spraymaster® EP 70:1 240-Volt AC General Purpose – Short Skid
1	20G255771	Control Box
2	—	Air Motor and Lower Pump Assembly <i>(See Fig. 13)</i>
3	—	Air-In Manifold Assembly <i>(See Fig. 18)</i>
4	10ME1	Air Hose Coupling – 2-lug – 3/4" NPT (M)
5	20100103	Dosing Manifold Bracket
6	20G255684	Mix Manifold
7	20G245864	In-line Paint Heater <i>(Two Required)</i>
8	20G262393	Flush Pump
9	20G255478	Dose Valve <i>(Two Required)</i>
10	20100072	Electrical Box <i>(See Fig. 15)</i>
11	20100488	Round Tank Frame – Short Skid
12	20100284	Flush Pump Mounting Bracket
—	20TAH100312	Static Mixer 3/8" Diameter x 12 <i>(Two Required) (Not Shown)</i>
—	20BEAKER1000ML	1000 Milliliter Test Beaker
—	2091000	Hazard Decals
—	20100564	Liquid Level Control Sensor Kit – Optional
—	2090114	Operator's Manual – Spraymaster® 25 Gallon Heated Coatings Tank
—	209V504	Operator's Manual – Merkur® Pump Assembly
—	209V505	Operator's Manual – Graco® Mix Manifold
—	209V506	Operator's Manual – Graco® Viscon High Pressure Fluid Heater
—	209V509	Operator's Manual – Graco® NXT® Air Motor
—	209V021	Operator's Manual – Graco® Xtreme® Lowers
—	209V510	Operator's Manual – Graco® Merkur® Displacement Pump
—	209V512	Operator's Manual – Graco® Low Volume Air Regulators
—	205M014	Features & Specifications Guide – Spraymaster® EP-70 Spray System
—	206M014	Part Numbers & Schematics Guide – Spraymaster® EP-70 Spray System
—	2090014	Operator's Manual – Spraymaster® EP-70 Spray System

PART NUMBERS AND SCHEMATICS GUIDE

Figure 6: Spraymaster® EP 70:1 240-Volt AC General Purpose – Short Skid



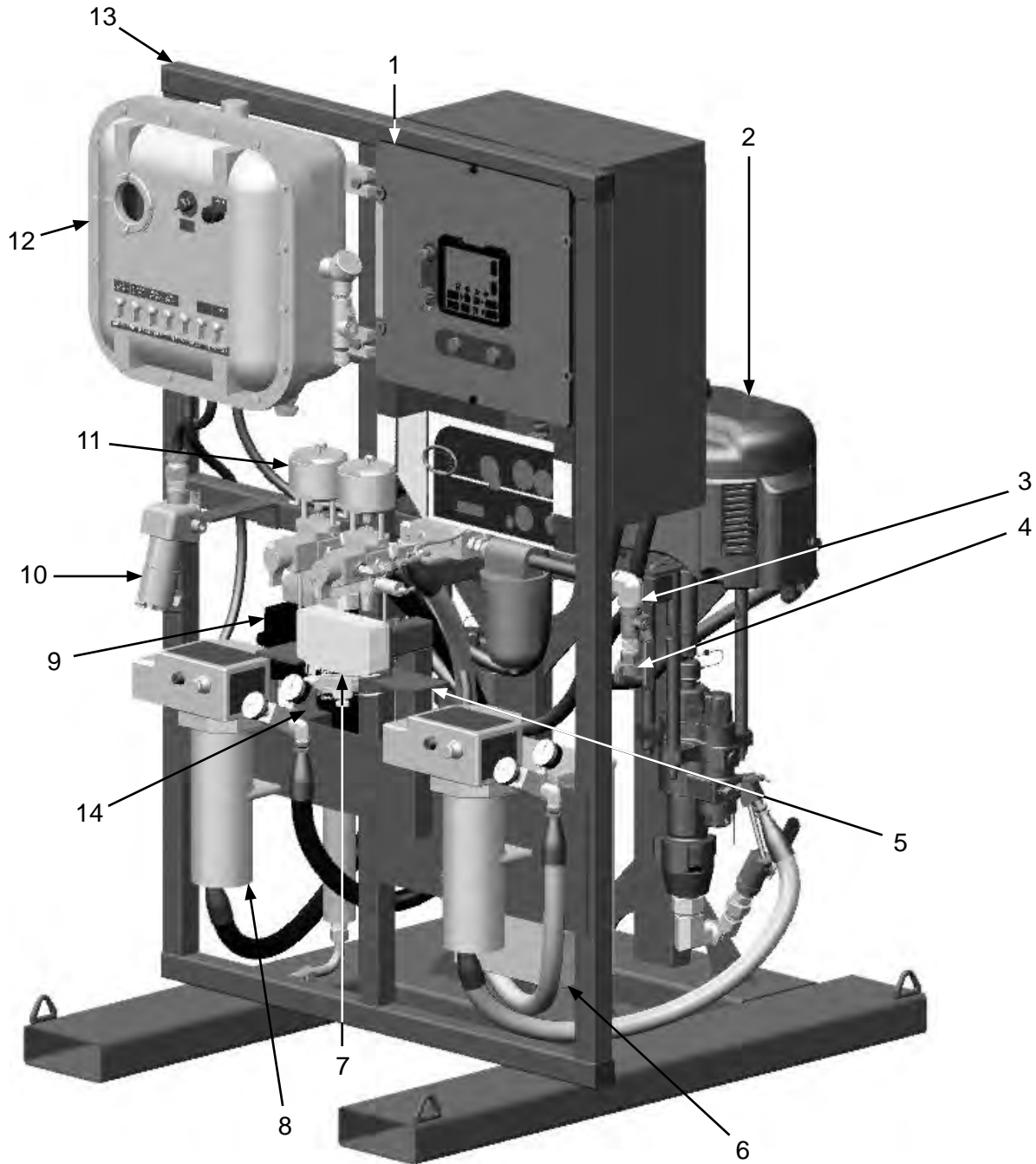
PART NUMBERS AND SCHEMATICS GUIDE

Spraymaster® EP 70:1 480-Volt AC Hazardous Location – Short Skid

Item #	Part #	Description
Fig. 7		
—	20100527	Spraymaster® EP 70:1 480-Volt AC Hazardous Location – Short Skid
1	20G255771	Control Box
2	—	Air Motor and Lower Pump Assembly <i>(See Fig. 13)</i>
3	—	Air-In Manifold Assembly <i>(See Fig. 18)</i>
4	10ME1	Air Hose Coupling – 2-lug – 3/4" NPT (M)
5	20100103	Dosing Manifold Bracket
6	20100287	7.5 Kva Transformer
7	20G255684	Mix Manifold
8	20G245864	In-line Paint Heater <i>(Two Required)</i>
9	20G262393	Flush Pump
10	20100279	30 AMP Receptacle
11	20G255478	Dose Valve <i>(Two Required)</i>
12	20MXPXCE161606N4	Hazardous Duty Distribution Panel <i>(See Fig. 16)</i>
13	20100488	Round Tank Frame – Short Skid
14	20100284	Flush Pump Mounting Bracket
—	20TAH100312	Static Mixer 3/8" Diameter x 12 <i>(Two Required) (Not Shown)</i>
—	20BEAKER1000ML	1000 Milliliter Test Beaker
—	2091000	Hazard Decals
—	20100564	Liquid Level Control Sensor Kit – Optional
—	2090114	Operator's Manual – Spraymaster® 25 Gallon Heated Coatings Tank
—	209V504	Operator's Manual – Merkur® Pump Assembly
—	209V505	Operator's Manual – Graco® Mix Manifold
—	209V506	Operator's Manual – Graco® Viscon High Pressure Fluid Heater
—	209V509	Operator's Manual – Graco® NXT® Air Motor
—	209V021	Operator's Manual – Graco® Xtreme® Lowers
—	209V510	Operator's Manual – Graco® Merkur® Displacement Pump
—	209V512	Operator's Manual – Graco® Low Volume Air Regulators
—	205M014	Features & Specifications Guide – Spraymaster® EP-70 Spray System
—	206M014	Part Numbers & Schematics Guide – Spraymaster® EP-70 Spray System
—	2090014	Operator's Manual – Spraymaster® EP-70 Spray System

PART NUMBERS AND SCHEMATICS GUIDE

Figure 7: Spraymaster® EP 70:1 480-Volt AC Hazardous Location – Short Skid



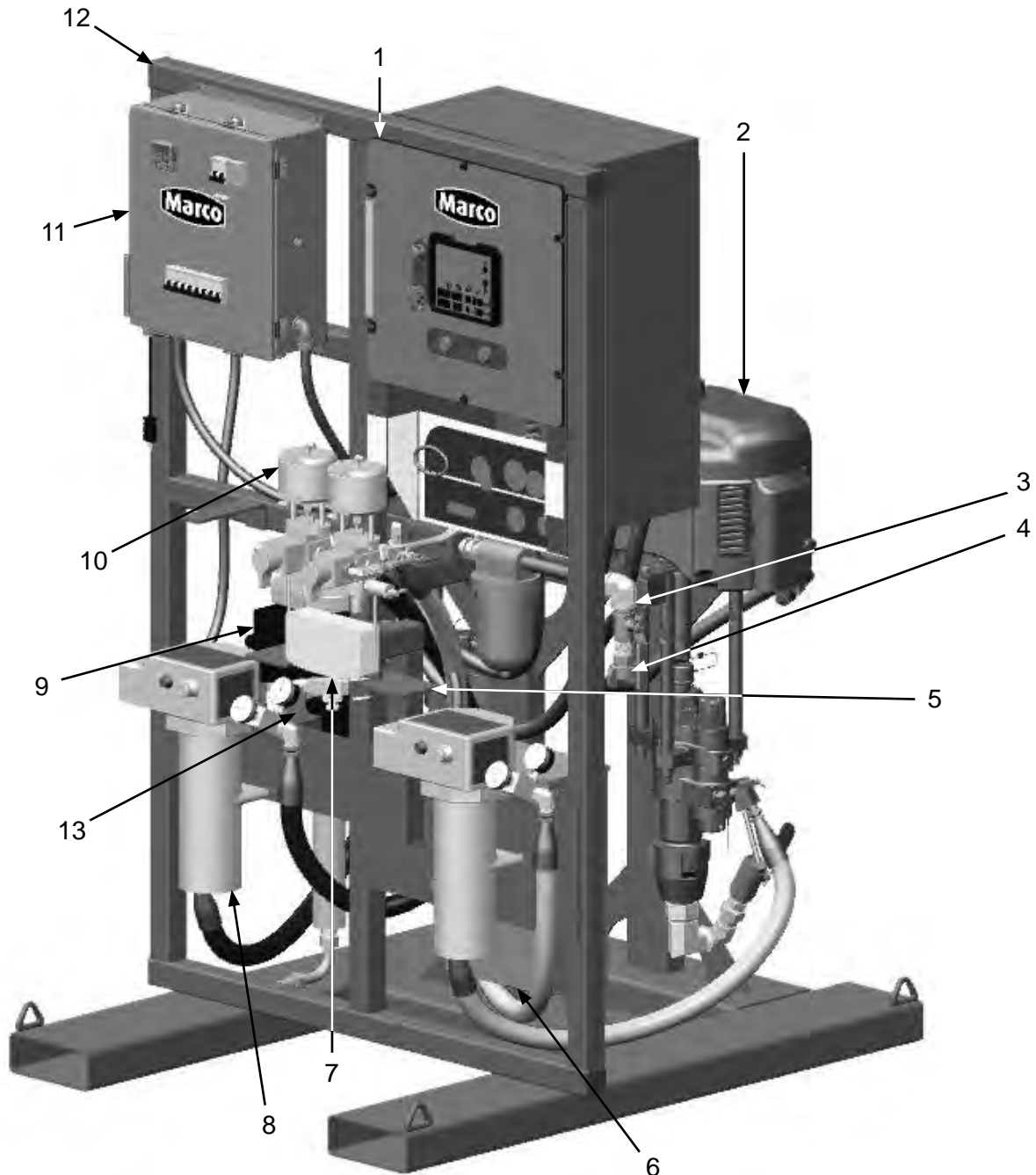
PART NUMBERS AND SCHEMATICS GUIDE

Spraymaster® EP 70:1 480-Volt AC General Purpose – Short Skid

Item #	Part #	Description
Fig. 8		
—	20101142	Spraymaster® EP 70:1 480-Volt AC General Purpose – Short Skid
1	20G255771	Control Box
2	—	Air Motor and Lower Pump Assembly <i>(See Fig. 13)</i>
3	—	Air-In Manifold Assembly <i>(See Fig. 18)</i>
4	10ME1	Air Hose Coupling – 2-lug – 3/4" NPT (M)
5	20100103	Dosing Manifold Bracket
6	20100287	7.5 Kva Transformer
7	20G255684	Mix Manifold
8	20G245864	In-line Paint Heater <i>(Two Required)</i>
9	20G262393	Flush Pump
10	20G255478	Dose Valve <i>(Two Required)</i>
11	20000051	Electrical Box
12	20100488	Round Tank Frame – Short Skid
13	20100284	Flush Pump Mounting Bracket
—	20TAH100312	Static Mixer 3/8" Diameter x 12 <i>(Two Required) (Not Shown)</i>
—	20BEAKER1000ML	1000 Milliliter Test Beaker
—	2091000	Hazard Decals
—	20100564	Liquid Level Control Sensor Kit – Optional
—	2090114	Operator's Manual – Spraymaster® 25 Gallon Heated Coatings Tank
—	209V504	Operator's Manual – Merkur® Pump Assembly
—	209V505	Operator's Manual – Graco® Mix Manifold
—	209V506	Operator's Manual – Graco® Viscon High Pressure Fluid Heater
—	209V509	Operator's Manual – Graco® NXT® Air Motor
—	209V021	Operator's Manual – Graco® Xtreme® Lowers
—	209V510	Operator's Manual – Graco® Merkur® Displacement Pump
—	209V512	Operator's Manual – Graco® Low Volume Air Regulators
—	205M014	Features & Specifications Guide – Spraymaster® EP-70 Spray System
—	206M014	Part Numbers & Schematics Guide – Spraymaster® EP-70 Spray System
—	2090014	Operator's Manual – Spraymaster® EP-70 Spray System

PART NUMBERS AND SCHEMATICS GUIDE

Figure 8: Spraymaster® EP 70:1 480-Volt AC General Purpose – Short Skid



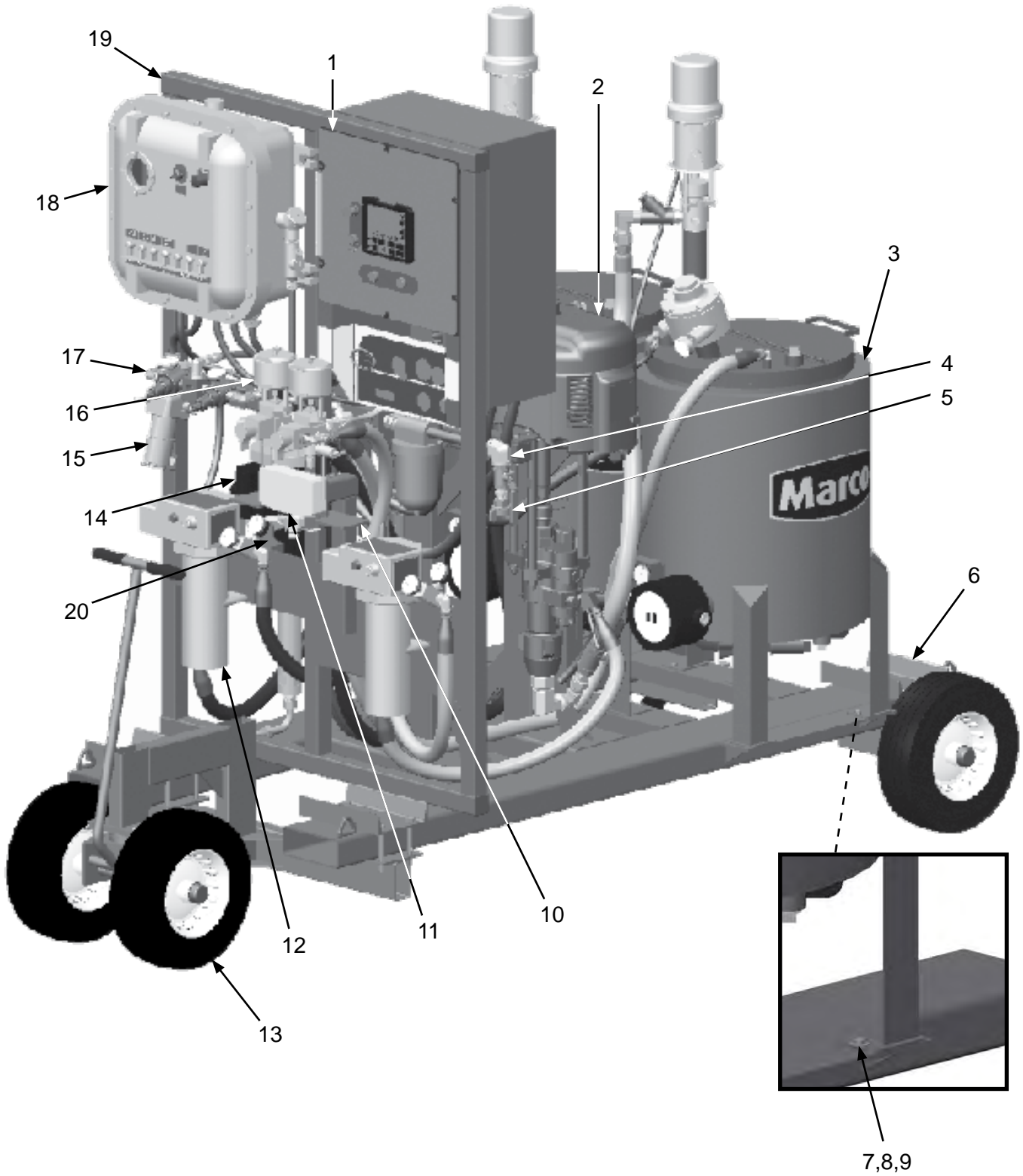
PART NUMBERS AND SCHEMATICS GUIDE

Spraymaster® EP 70:1 240-Volt AC Hazardous Location – Cart

Item #	Part #	Description
Fig. 9		
—	20101135	Spraymaster® EP 70:1 240-Volt AC Hazardous Location – Cart
1	20G255771	Control Box
2	—	Air Motor and Lower Pump Assembly <i>(See Fig. 13)</i>
3	20100926	Spraymaster® 25 Gallon Heated Coatings Tank – Complete <i>(Two Required)</i>
4	—	Air-In Manifold Assembly <i>(See Fig. 18)</i>
5	10ME1	Air Hose Coupling – 2-lug – 3/4" NPT (M)
6	20100698	Rear Wheel Assembly <i>(Two Required)</i>
7	20100195	3/8-16 x 1" Zinc Bolt <i>(Two Required)</i>
8	20100138	3/8-16 Hex Lock Nut Zinc <i>(Two Required)</i>
9	10102331	3/8 SAE Flat Washer Zinc <i>(Two Required)</i>
10	20100103	Dosing Manifold Bracket
11	20G255684	Mix Manifold
12	20G245864	In-line Paint Heater <i>(Two Required)</i>
13	20100692	Front Wheel Assembly
14	20G262393	Flash Pump
15	20100279	30 AMP Receptacle
16	20G255478	Dose Valve <i>(Two Required)</i>
17	—	Air Manifold Assembly <i>(See Fig. 14)</i>
18	20MXPXCE161606N4	Hazardous Duty Distribution Panel <i>(See Fig. 16)</i>
19	20100921	Round Tank Frame – Skid
20	20100284	Flush Pump Mounting Bracket
—	20TAH100312	Static Mixer 3/8" Diameter x 12 <i>(Two Required) (Not Shown)</i>
—	20BEAKER1000ML	1000 Milliliter Test Beaker
—	2091000	Hazard Decals
—	20100564	Liquid Level Control Sensor Kit – Optional
—	2090114	Operator's Manual – Spraymaster® 25 Gallon Heated Coatings Tank
—	209V504	Operator's Manual – Merkur® Pump Assembly
—	209V505	Operator's Manual – Graco® Mix Manifold
—	209V506	Operator's Manual – Graco® Viscon High Pressure Fluid Heater
—	209V509	Operator's Manual – Graco® NXT® Air Motor
—	209V021	Operator's Manual – Graco® Xtreme® Lowers
—	209V510	Operator's Manual – Graco® Merkur® Displacement Pump
—	209V512	Operator's Manual – Graco® Low Volume Air Regulators
—	205M014	Features & Specifications Guide – Spraymaster® EP-70 Spray System
—	206M014	Part Numbers & Schematics Guide – Spraymaster® EP-70 Spray System
—	2090014	Operator's Manual – Spraymaster® EP-70 Spray System

PART NUMBERS AND SCHEMATICS GUIDE

Figure 9: Spraymaster® EP 70:1 240-Volt AC Hazardous Location – Cart



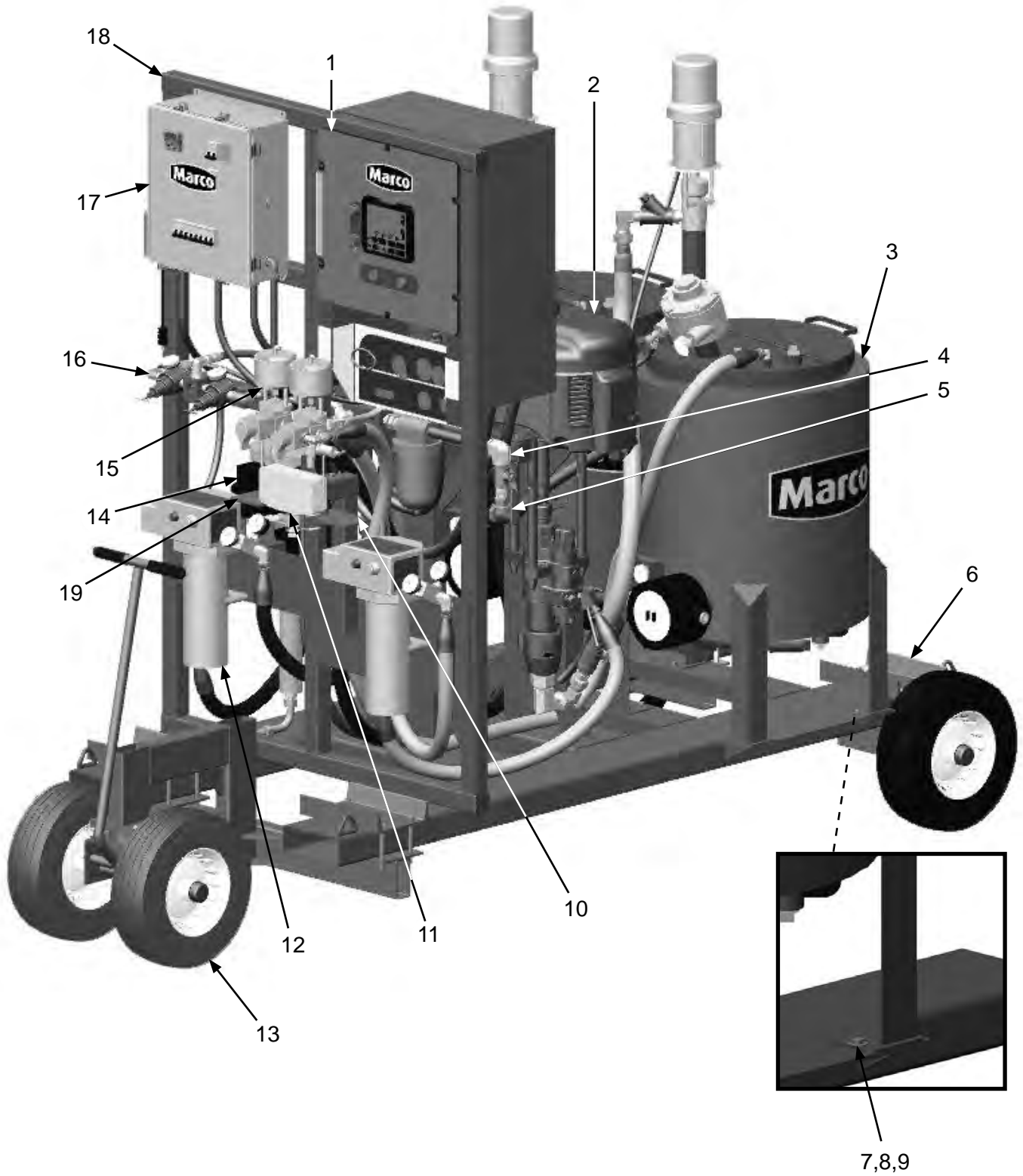
PART NUMBERS AND SCHEMATICS GUIDE

Spraymaster® EP 70:1 240-Volt AC General Purpose – Cart

Item #	Part #	Description
Fig. 10		
—	20101133	Spraymaster® EP 70:1 240-Volt AC General Purpose – Cart
1	20G255771	Control Box
2	—	Air Motor and Lower Pump Assembly <i>(See Fig. 13)</i>
3	20100926	Spraymaster® 25 Gallon Heated Coatings Tank – Complete <i>(Two Required)</i>
4	—	Air-In Manifold Assembly <i>(See Fig. 18)</i>
5	10ME1	Air Hose Coupling – 2-lug – 3/4" NPT (M)
6	20100698	Rear Wheel Assembly <i>(Two Required)</i>
7	20100195	3/8-16 x 1" Zinc Bolt <i>(Two Required)</i>
8	20100138	3/8-16 Hex Lock Nut Zinc <i>(Two Required)</i>
9	10102331	3/8 SAE Flat Washer Zinc <i>(Two Required)</i>
10	20100284	Flush Pump Mounting Bracket
11	20G255684	Mix Manifold
12	20G245864	In-line Paint Heater <i>(Two Required)</i>
13	20100692	Front Wheel Assembly
14	20G262393	Flush Pump
15	20G255478	Dose Valve <i>(Two Required)</i>
16	—	Air Manifold Assembly <i>(See Fig. 14)</i>
17	20100072	Electrical Box <i>(See Fig. 15)</i>
18	20100921	Round Tank Frame – Skid
19	20100103	Dosing Manifold Bracket
—	20TAH100312	Static Mixer 3/8" Diameter x 12 <i>(Two Required) (Not Shown)</i>
—	20BEAKER1000ML	1000 Milliliter Test Beaker
—	2091000	Hazard Decals
—	20100564	Liquid Level Control Sensor Kit – Optional
—	2090114	Operator's Manual – Spraymaster® 25 Gallon Heated Coatings Tank
—	209V504	Operator's Manual – Merkur® Pump Assembly
—	209V505	Operator's Manual – Graco® Mix Manifold
—	209V506	Operator's Manual – Graco® Viscon High Pressure Fluid Heater
—	209V509	Operator's Manual – Graco® NXT® Air Motor
—	209V021	Operator's Manual – Graco® Xtreme® Lowers
—	209V510	Operator's Manual – Graco® Merkur® Displacement Pump
—	209V512	Operator's Manual – Graco® Low Volume Air Regulators
—	205M014	Features & Specifications Guide – Spraymaster® EP-70 Spray System
—	206M014	Part Numbers & Schematics Guide – Spraymaster® EP-70 Spray System
—	2090014	Operator's Manual – Spraymaster® EP-70 Spray System

PART NUMBERS AND SCHEMATICS GUIDE

Figure 10: Spraymaster® EP 70:1 240-Volt AC General Purpose – Cart



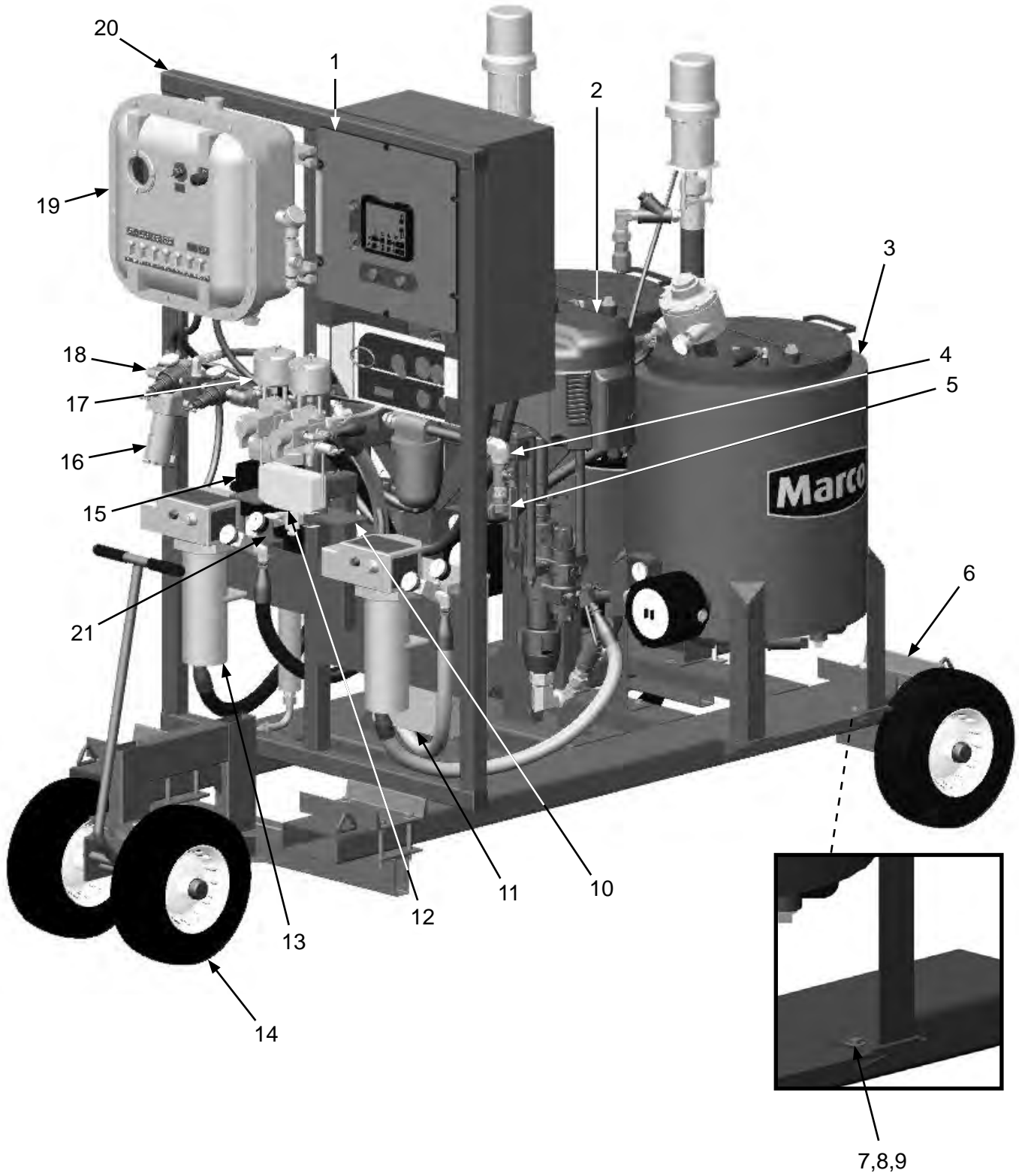
PART NUMBERS AND SCHEMATICS GUIDE

Spraymaster® EP 70:1 480-Volt AC Hazardous Location – Cart

Item #	Part #	Description
Fig. 11		
—	20101136	Spraymaster® EP 70:1 480-Volt AC Hazardous Location – Cart
1	20G255771	Control Box
2	—	Air Motor and Lower Pump Assembly <i>(See Fig. 13)</i>
3	20100926	Spraymaster® 25 Gallon Heated Coatings Tank – Complete <i>(Two Required)</i>
4	—	Air-In Manifold Assembly <i>(See Fig. 18)</i>
5	10ME1	Air Hose Coupling – 2-lug – 3/4" NPT (M)
6	20100698	Rear Wheel Assembly <i>(Two Required)</i>
7	20100195	3/8-16 x 1" Zinc Bolt <i>(Two Required)</i>
8	20100138	3/8-16 Hex Lock Nut Zinc <i>(Two Required)</i>
9	10102331	3/8 SAE Flat Washer Zinc <i>(Two Required)</i>
10	20100103	Dosing Manifold Bracket
11	20100287	7.5 Kva Transformer
12	20G255684	Mix Manifold
13	20G245864	In-line Paint Heater <i>(Two Required)</i>
14	20100692	Front Wheel Assembly
15	20G262393	Flash Pump
16	20100279	30 AMP Receptacle
17	20G255478	Dose Valve <i>(Two Required)</i>
18	—	Air Manifold Assembly <i>(See Fig. 14)</i>
19	20MXPXCE161606N4	Hazardous Duty Distribution Panel <i>(See Fig. 16)</i>
20	20100921	Round Tank Frame – Skid
21	20100284	Flush Pump Mounting Bracket
—	20TAH100312	Static Mixer 3/8" Diameter x 12 <i>(Two Required) (Not Shown)</i>
—	20BEAKER1000ML	1000 Milliliter Test Beaker
—	2091000	Hazard Decals
—	20100564	Liquid Level Control Sensor Kit – Optional
—	2090114	Operator's Manual – Spraymaster® 25 Gallon Heated Coatings Tank
—	209V504	Operator's Manual – Merkur® Pump Assembly
—	209V505	Operator's Manual – Graco® Mix Manifold
—	209V506	Operator's Manual – Graco® Viscon High Pressure Fluid Heater
—	209V509	Operator's Manual – Graco® NXT® Air Motor
—	209V021	Operator's Manual – Graco® Xtreme® Lowers
—	209V510	Operator's Manual – Graco® Merkur® Displacement Pump
—	209V512	Operator's Manual – Graco® Low Volume Air Regulators
—	205M014	Features & Specifications Guide – Spraymaster® EP-70 Spray System
—	206M014	Part Numbers & Schematics Guide – Spraymaster® EP-70 Spray System
—	2090014	Operator's Manual – Spraymaster® EP-70 Spray System

PART NUMBERS AND SCHEMATICS GUIDE

Figure 11: Spraymaster® EP 70:1 480-Volt AC Hazardous Location–Cart



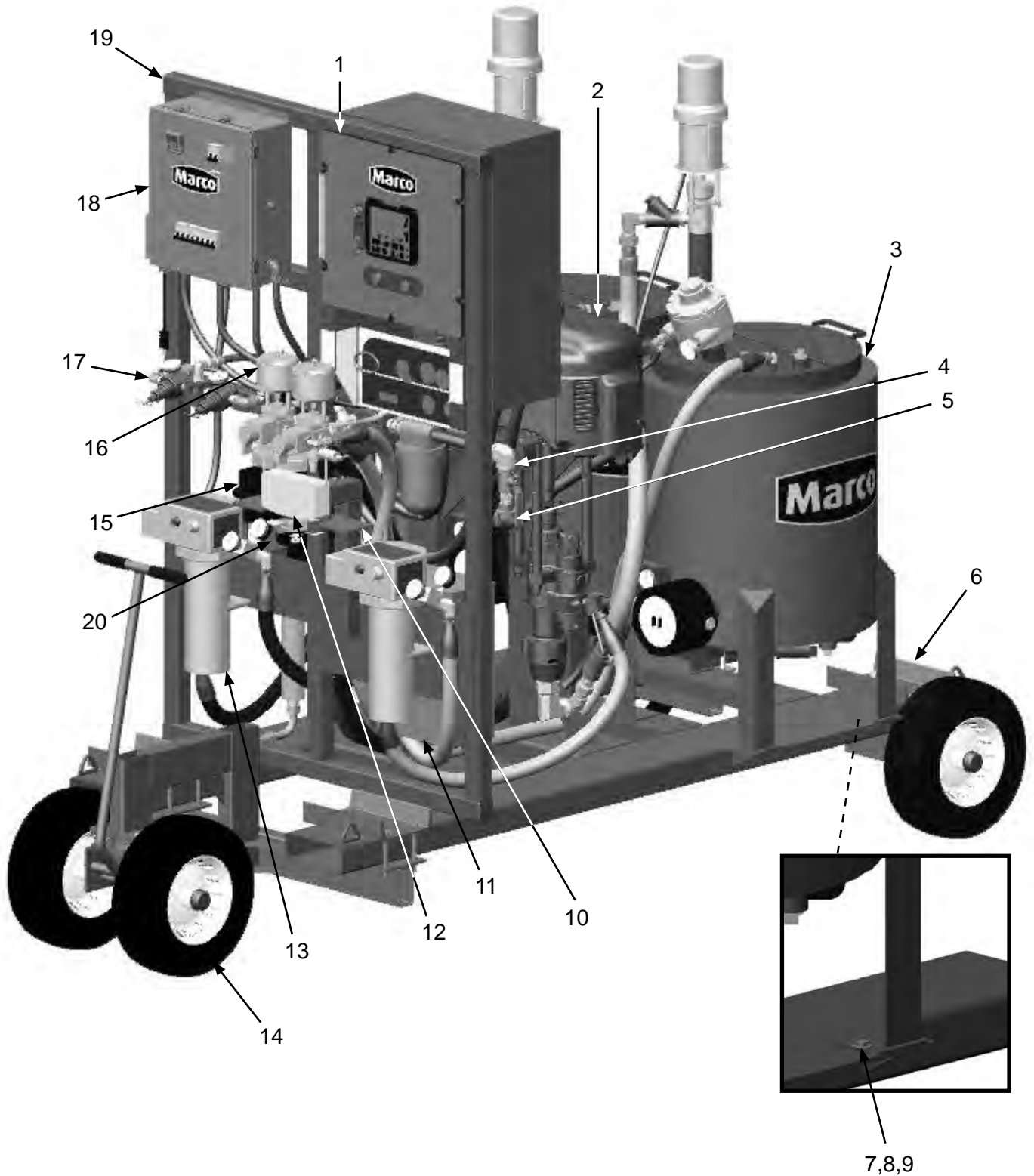
PART NUMBERS AND SCHEMATICS GUIDE

Spraymaster® EP 70:1 480-Volt AC General Purpose – Cart

Item #	Part #	Description
Fig. 12		
—	20101134	Spraymaster® EP 70:1 480-Volt AC General Purpose – Cart
1	20G255771	Control Box
2	—	Air Motor and Lower Pump Assembly <i>(See Fig. 13)</i>
3	20100926	Spraymaster® 25 Gallon Heated Coatings Tank – Complete <i>(Two Required)</i>
4	—	Air-In Manifold Assembly <i>(See Fig. 18)</i>
5	10ME1	Air Hose Coupling – 2-lug – 3/4" NPT (M)
6	20100698	Rear Wheel Assembly <i>(Two Required)</i>
7	20100195	3/8-16 x 1" Zinc Bolt <i>(Two Required)</i>
8	20100138	3/8-16 Hex Lock Nut Zinc <i>(Two Required)</i>
9	10102331	3/8 SAE Flat Washer Zinc <i>(Two Required)</i>
10	20100103	Dosing Manifold Bracket
11	20100287	7.5 Kva Transformer
12	20G255684	Mix Manifold
13	20G245864	In-line Paint Heater <i>(Two Required)</i>
14	20100692	Front Wheel Assembly
15	20G262393	Flash Pump
16	20G255478	Dose Valve <i>(Two Required)</i>
17	—	Air Manifold Assembly <i>(See Fig. 14)</i>
18	20000051	Electrical Box
19	20100921	Round Tank Frame – Skid
20	20100284	Flush Pump Mounting Bracket
—	20TAH100312	Static Mixer 3/8" Diameter x 12 <i>(Two Required) (Not Shown)</i>
—	20BEAKER1000ML	1000 Milliliter Test Beaker
—	2091000	Hazard Decals
—	20100564	Liquid Level Control Sensor Kit – Optional
—	2090114	Operator's Manual – Spraymaster® 25 Gallon Heated Coatings Tank
—	209V504	Operator's Manual – Merkur® Pump Assembly
—	209V505	Operator's Manual – Graco® Mix Manifold
—	209V506	Operator's Manual – Graco® Viscon High Pressure Fluid Heater
—	209V509	Operator's Manual – Graco® NXT® Air Motor
—	209V021	Operator's Manual – Graco® Xtreme® Lowers
—	209V510	Operator's Manual – Graco® Merkur® Displacement Pump
—	209V512	Operator's Manual – Graco® Low Volume Air Regulators
—	205M014	Features & Specifications Guide – Spraymaster® EP-70 Spray System
—	206M014	Part Numbers & Schematics Guide – Spraymaster® EP-70 Spray System
—	2090014	Operator's Manual – Spraymaster® EP-70 Spray System

PART NUMBERS AND SCHEMATICS GUIDE

Figure 12: Spraymaster® EP 70:1 480-Volt AC General Purpose – Cart



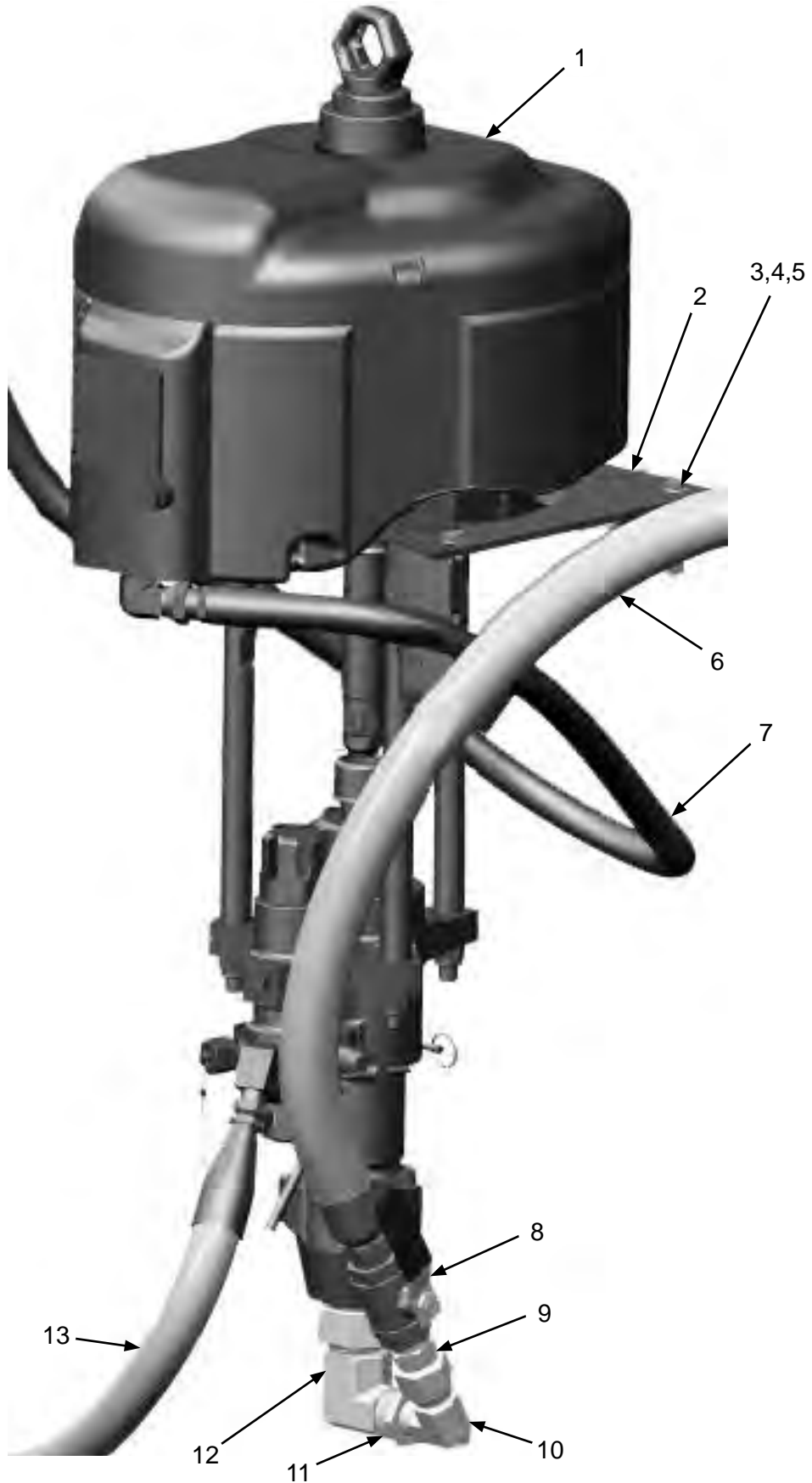
PART NUMBERS AND SCHEMATICS GUIDE

Spraymaster® EP-70 Air Motor & Lower Pump Assembly

Item #	Part #	Description
Fig. 13		
1	20G257055	Air Motor
2	20100063	Pump Mounting Plate
3	1014231	3/8-16 x 2-3/4" Grade 5 Hex
4	1014241	3/8" I.D. X 3/4" O.D. Washer
5	20100138	3/8-16 Hex Lock Nut Zinc
6	20100217	1" Fluid Hose – 4' Green
7	10AH012	Air Hose 1/2" I.D. 300 psi
8	1011601	1" Full Port Ball Valve
9	20PFHA24SA1616	1" Hex Nipple
10	20PFHA60UA1616	1" (M) x 1" (F) 90° Swivel Union
11	20PFHA24SB2016	1-1/4" x 1" Reducing Bushing
12	20PFHA60UG2020	1-1/4" (F) x 1-1/4" (F) 90°
13	20100207	1/2" Insulated Hose – 3' Green
—	20100213	1" Fluid Hose - 4' Blue
—	20100206	1/2" Insulated Hose – 3' Blue
—	209V503	Operator's Manual – Graco® XPTM Proportioners

PART NUMBERS AND SCHEMATICS GUIDE

Figure 13: Spraymaster® EP-70 Air Motor & Lower Pump Assembly



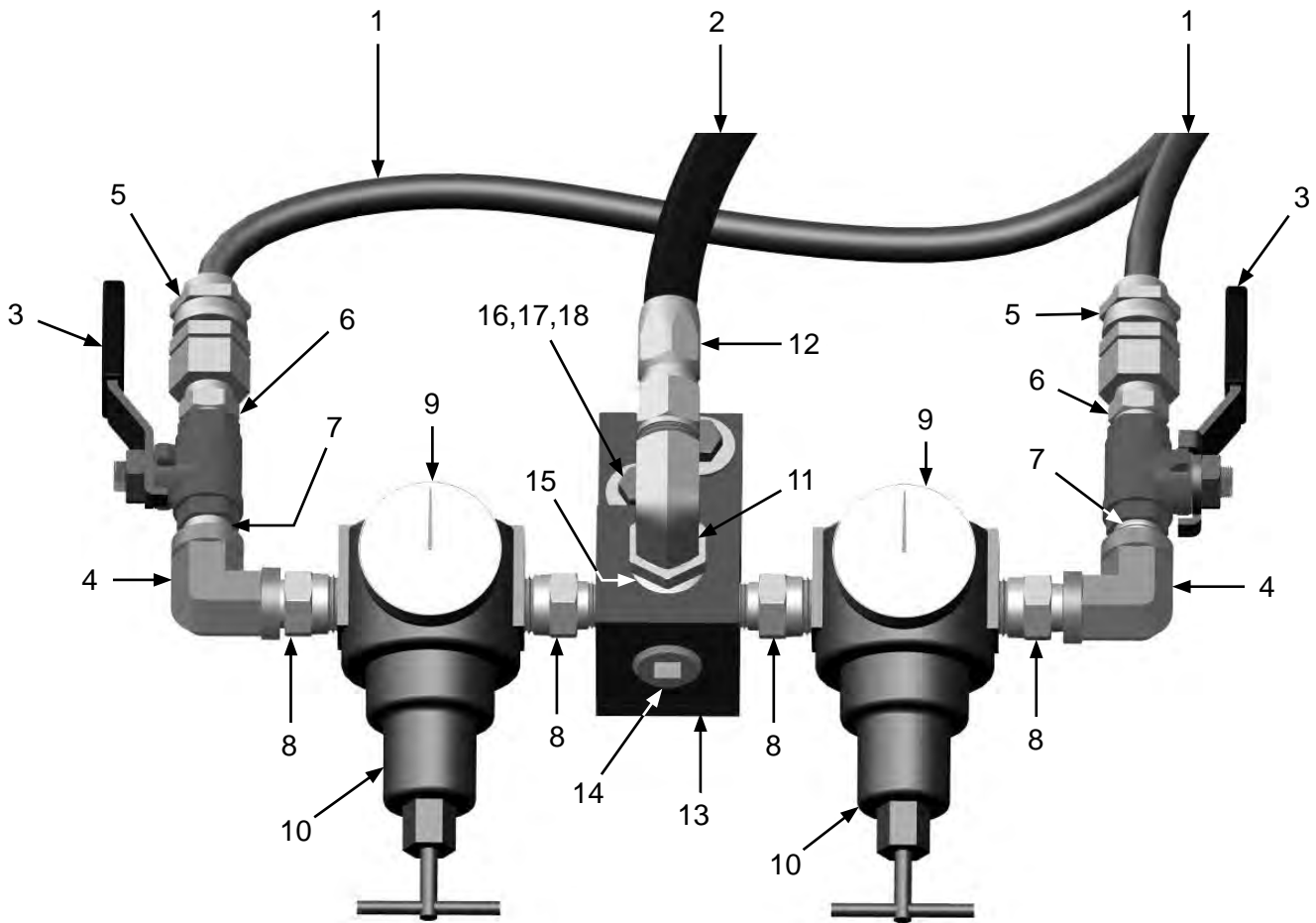
PART NUMBERS AND SCHEMATICS GUIDE

Air Manifold Assembly

Item #	Part #	Description
Fig. 14		
1	10AH038	3/8" I.D. Air Hose <i>(Two Required)</i>
2	10AH012	Air Hose 1/2" I.D. – 300 psi
3	1080060	3/8" Full Port Ball Valve <i>(Two Required)</i>
4	20PFHA25UJ06	3/8" NPT (F) 90° Elbow <i>(Two Required)</i>
5	208020	3/8" Air Fluid Hose Fitting <i>(Two Required)</i>
6	20PFHA24SA0606	3/8" Hex Nipple 7200 psi <i>(Two Required)</i>
7	1011209	3/8" Close Nipple <i>(Two Required)</i>
8	20PFHA24SA0806	3/8" x 1/2" Hex Nipple <i>(Four Required)</i>
9	20G101689B	0-200 PSI Gauge <i>(Two Required)</i>
10	20G104266	1/2" Air Regulator <i>(Two Required)</i>
11	20PFHA25UA0808	1/2" NPT (M) 90° Elbow
12	20PFHFHU0808ND	Crimp on Hose End 1/2" Female Pipe
13	20100094	Air Manifold
14	20RPLG75R	3/4" Recessed Plug
15	20PFHA24SB1208	3/4" to 1/2" NPT Bushing
16	20100195	3/8-16 x 1" Zinc Bolt
17	10100674	1/2" Flat Washer
18	20100138	3/8"-16 Hex Lock Nut Zinc

PART NUMBERS AND SCHEMATICS GUIDE

Figure 14: Air Manifold Assembly



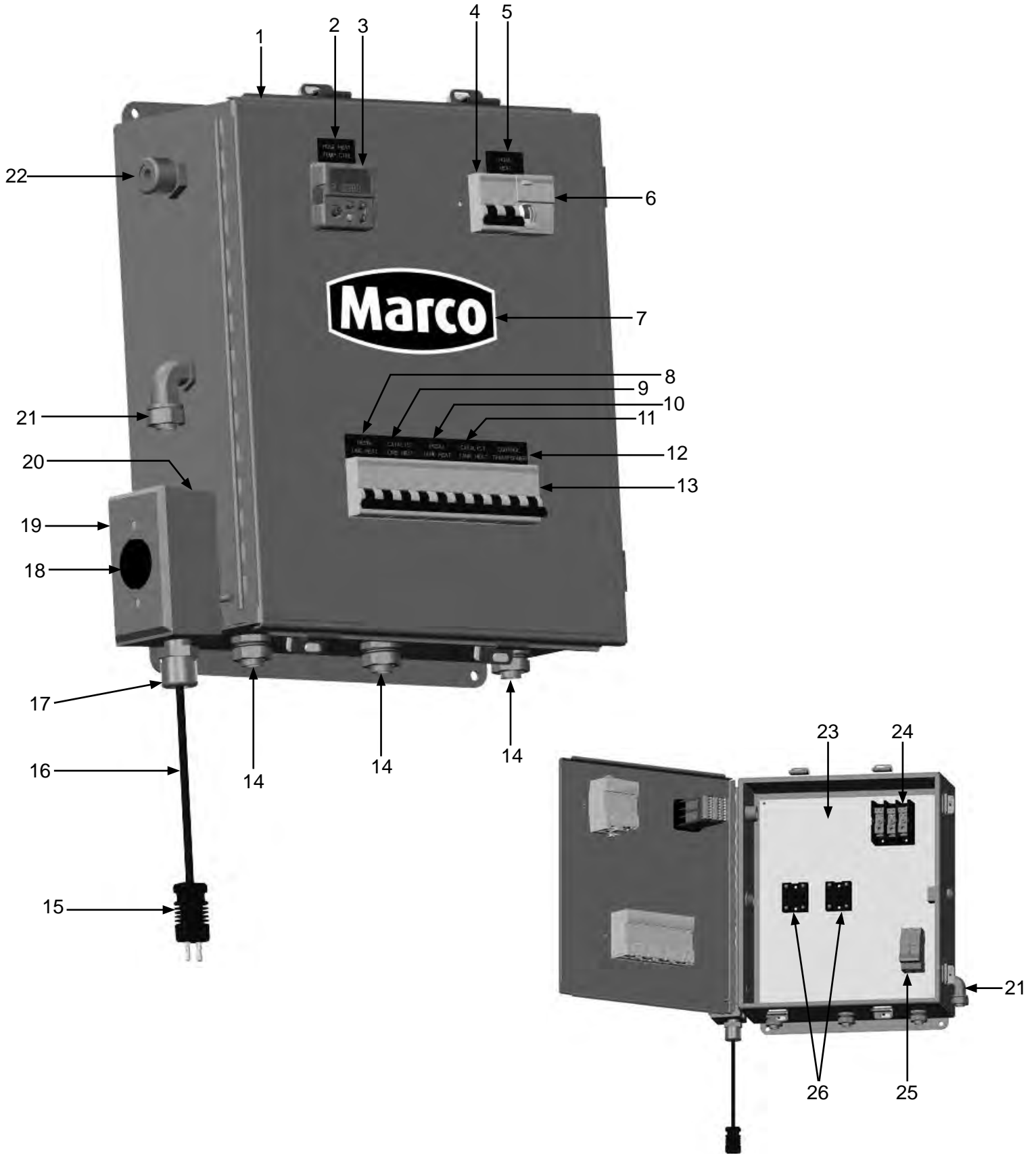
PART NUMBERS AND SCHEMATICS GUIDE

General Duty Control Box

Item #	Part #	Description
Fig. 15		
—	20100072	240-Volt Control Box, Four Circuit, Single Phase
1	20RMSJB161406CH44C	16" x 14" x 6" Enclosure, 4 Circuit
2	20MNPHTC	Nameplate – HOSE HEAT TEMP CTRL
3	20WTPM6C1CCARAAAAA	Hose Heat Control – 220-Volt
4	20RMG24456	50 Amp Circuit Breaker
5	20MNPHH	Nameplate – HOSE HEAT
6	20RMG26547	Double Pole GFI
7	1091042	Small Marco® Logo Sticker
8	20MNPRLH	Nameplate – RESIN LINE HEAT
9	20MNPCLH	Nameplate – CATALYST LINE HEAT
10	20MNPRTH	Nameplate – RESIN HEAT TANK
11	20MNPCTH	Nameplate – CATALYST TANK HEAT
12	20MNPTRANS	Nameplate – CONTROL TRANSFORMER
13	20RMG24453	25 Amp Circuit Breaker (<i>Four Required</i>)
14	20RST50	Straight Liquid Tite Connector (<i>Three Required</i>)
15	20CX308793	Female T/C Plug
16	20WTJ207502	Thermo Couple Wire, Non-Sheilded (<i>Per Foot</i>)
17	1019021	1/2" NPT Cord Grip, Aluminum .187–.312
18	20RHBL2620	L6-30 Twist-Lock Receptacle
19	20RLEV8402040	30 Amp Single Gang Cover, Stainless Steel
20	20RRX53200	Single Gang Electrical Box
21	20RST9050	90° Liquid Tite Connection Fitting
22	20RCG6275	3/4" Straight Cord Connector, Aluminum
23	20RP1614	16" x 14" Enclosure Back Panel
24	20R9080LBA362104	Power Distribution Block
25	20RUSM1	Fuse Holder with Indicator Light
26	20RW6250DSX1	50 Amp Solid State Relay

PART NUMBERS AND SCHEMATICS GUIDE

Figure 15: General Duty Control Box



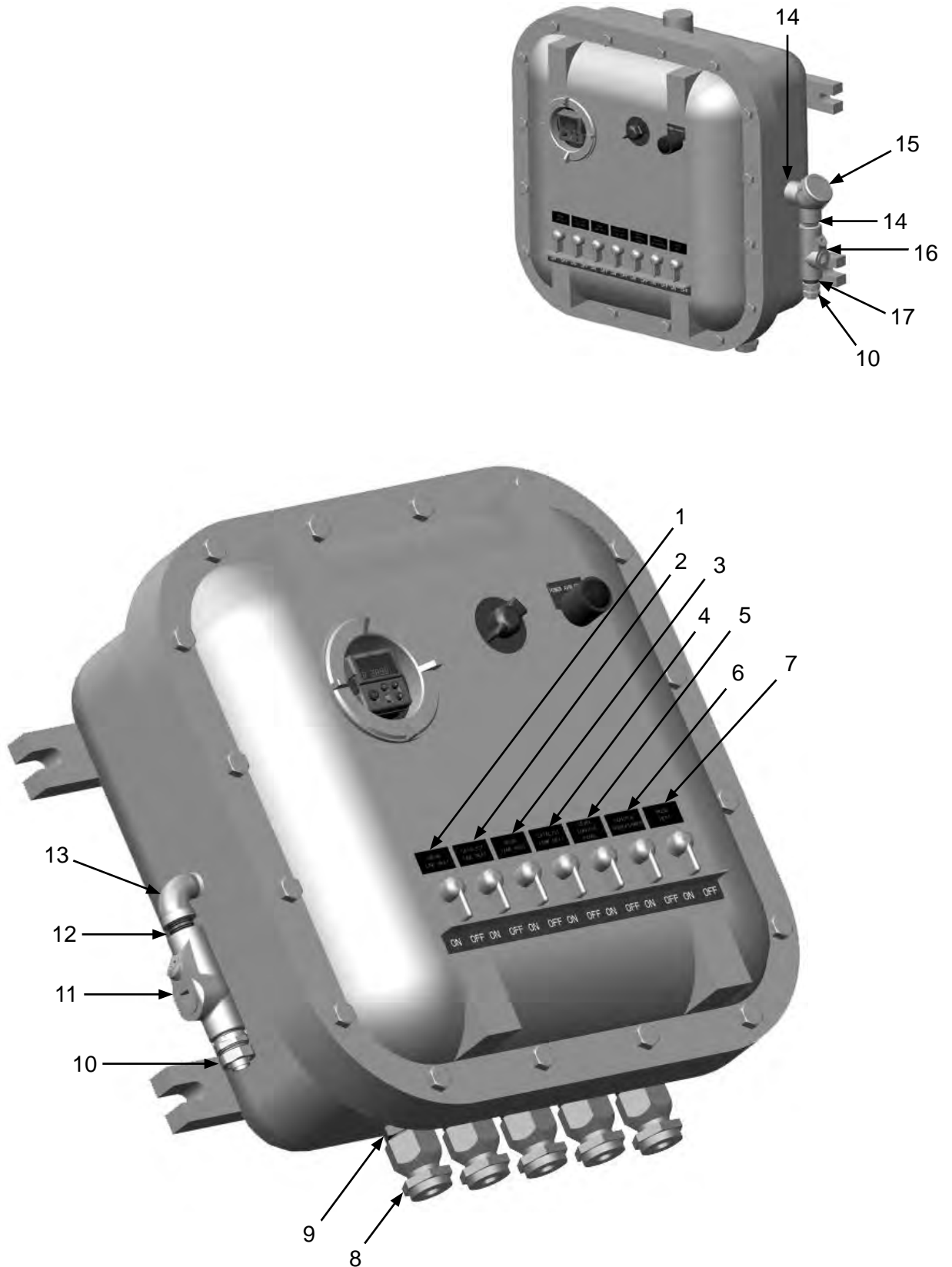
PART NUMBERS AND SCHEMATICS GUIDE

Hazardous Location Control Box

Item #	Part #	Description
Fig. 16		
—	20MXPXCE161606N4	Hazardous Duty Distribution Panel
1	20MNPRLH	Nameplate – Resin Line Heat
2	20MNPCLH	Nameplate – Catalyst Line Heat
3	20MNPPTH	Nameplate – Resin Heat Tank
4	20MNPCTH	Nameplate – Catalyst Tank Heat
5	20101152	Nameplate – Level Control Panel
6	20MNPTRANS	Nameplate – Control Transformer
7	20MNPXH	Nameplate – Hose Heat
8	1019021	Cord Grip 1/2"-NPT .187-.31
9	20PFHA24SA1612	3/4" x 1" Hex Nipple
10	20RST50	Straight Liquid Tite Connector
11	20REYM50	1/2" Mall Conduit Seal
12	10L803035	1/2" Close Nipple, Galvanized
13	10000057	1/2" x 1/2" NPT Street Elbow
14	1011213	3/4" Close Nipple, Galvanized
15	20100848	3/4" 90 Degree Pulling Elbow
16	20100660	3/4" Mall Conduit Seal
17	20RRB7550	3/4" to 1/2" Reducing Bushing

PART NUMBERS AND SCHEMATICS GUIDE

Figure 16: Hazardous Location Control Box



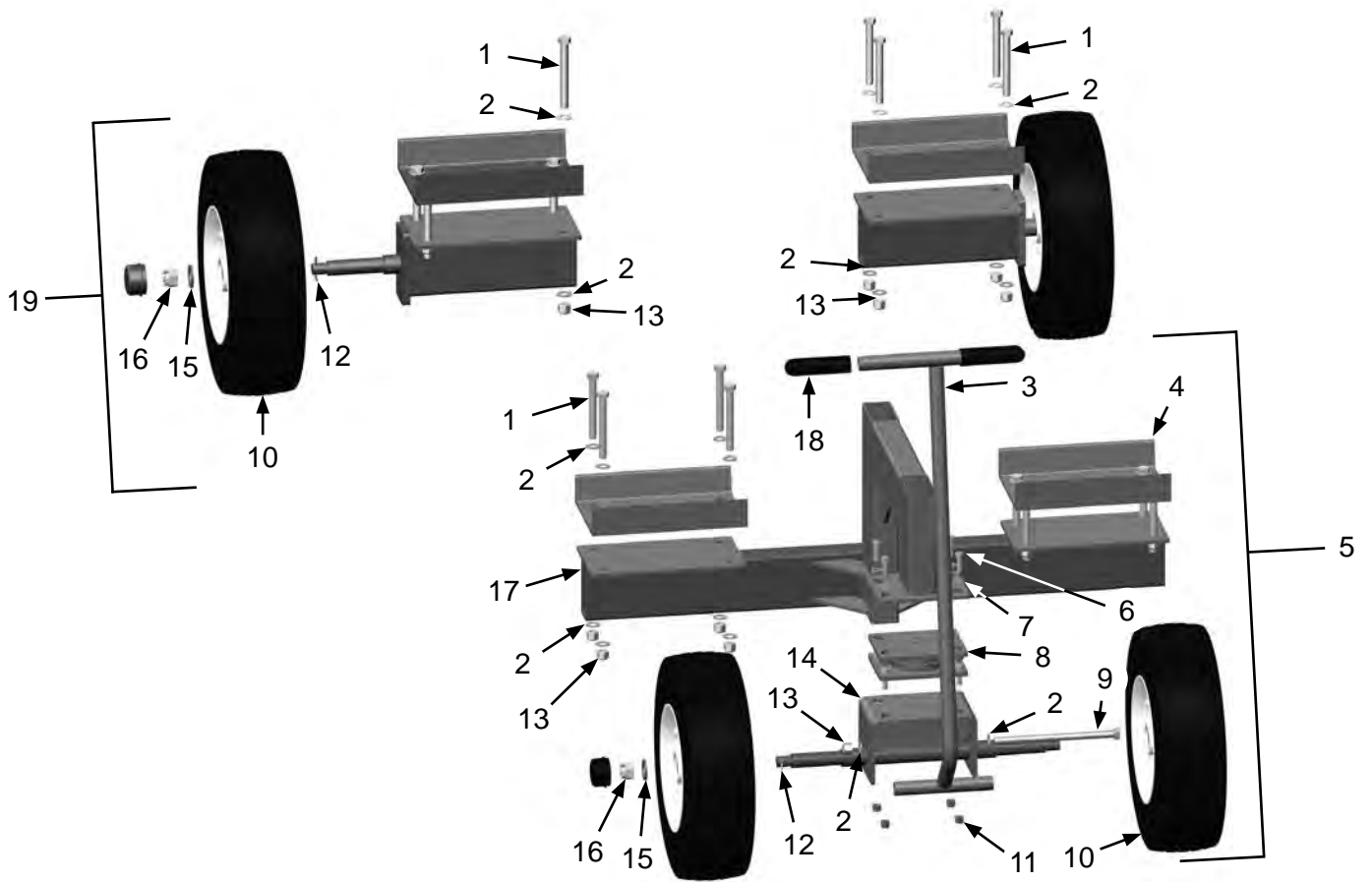
PART NUMBERS AND SCHEMATICS GUIDE

Wheel Kit

Item #	Part #	Description
Fig. 17		
1	20100160	1/2-13 x 4-1/2" Hex Bolt <i>(16 Required)</i>
2	10100674	1/2" Flat Washer <i>(34 Required)</i>
3	20100118	Cart Handle
4	20100696	Clamping Channel <i>(Four Required)</i>
5	20100698	Front Wheel Assembly <i>(Includes Item #'s: 1 (Quantity of Eight), 2 (Quantity of 18), 3, 4, 5, 6 (Quantity of Eight), 7 (Quantity of 12), 8, 9, 10, 11 (Quantity of Eight), 12 (Quantity of Two), 13 (Quantity of Nine), 14, 15 (Quantity of Two), 16 (Quantity of Two), 17 (Quantity of Two) and 18 (Quantity of Two))</i>
6	10104234	3/8-16 x 1-1/4" Hex Bolt <i>(Eight Required)</i>
7	1014241	3/8" Flat Washer <i>(16 Required)</i>
8	20100107	Front Swivel
9	20100123	1/2-13 X 8-1/2" Hex Bolt
10	1014241	16" Pneumatic Wheel Assembly <i>(Four Required)</i>
11	20100138	3/8-16 Hex Locknut <i>(Eight Required)</i>
12	20100147	1-1/2" Cotter Pin 7/64" Diameter <i>(Four Required)</i>
13	20100124	1/2-13 Hex Locknut <i>(17 Required)</i>
14	20100114	Front Axle Weldment
15	20100148	1" I.D. x 1-1/2" O.D. 10-GA Washer <i>(Four Required)</i>
16	20100149	3/4"-10 Slotted Hex Nut <i>(Four Required)</i>
17	20100693	Front Wheel Weldment
18	1011766	Moisture Separator Grip <i>(Two Required)</i>
19	20100692	Rear Wheel Assembly <i>(Two Required) (Includes Item #'s: 1 (Quantity of Four), 2 (Quantity of Eight), 4, 10, 12, 13 (Quantity of Four), 15, and 16)</i>

PART NUMBERS AND SCHEMATICS GUIDE

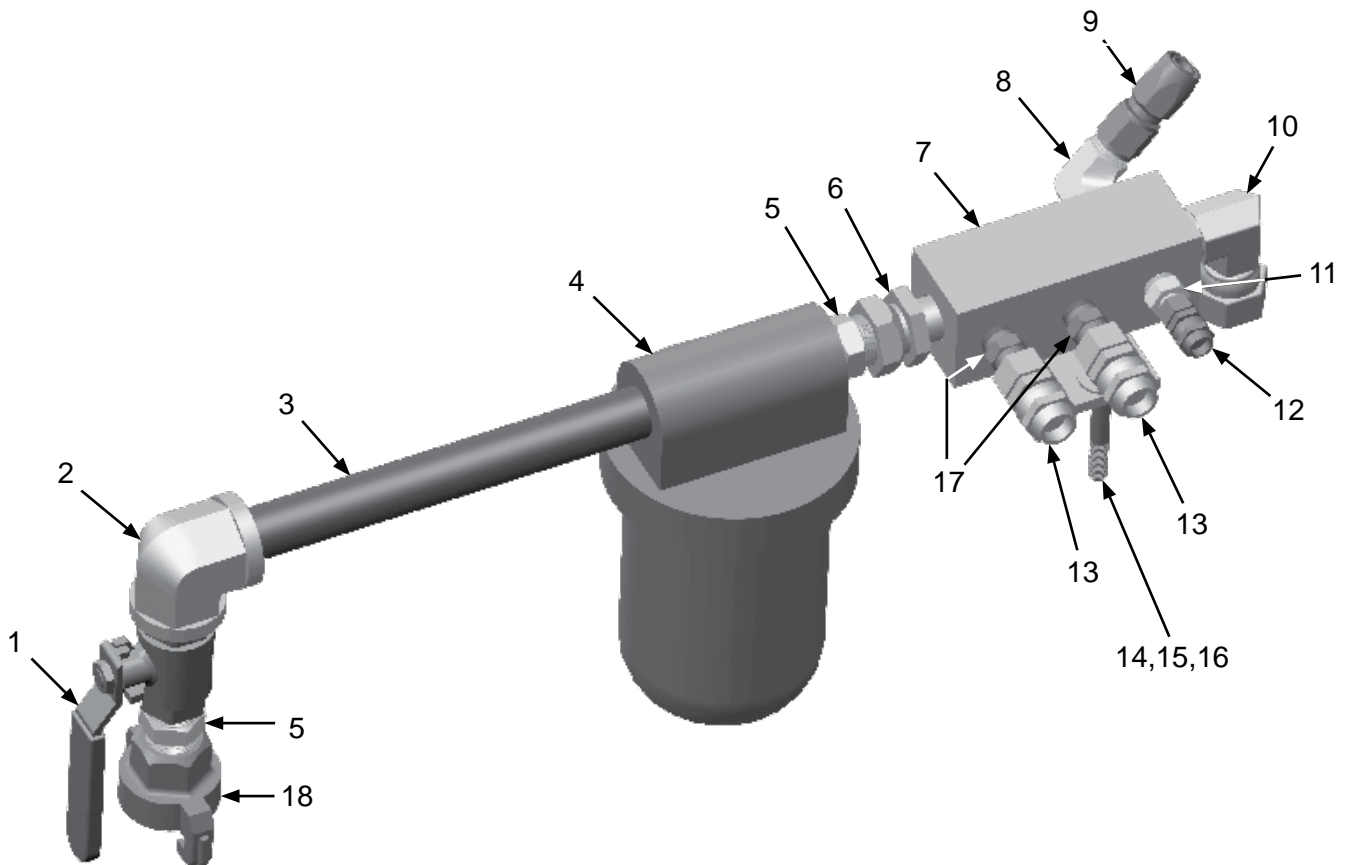
Figure 17: Wheel Kit



PART NUMBERS AND SCHEMATICS GUIDE

Figure 18: Air-In Manifold Assembly

Item #	Part #	Description
Fig. 18		
1	108074C	3/4" NPT Full Port Ball Valve
2	20100162	3/4" Galvanized 90 Degree Elbow
3	20100283	3/4" x 10" Galvanized Pipe
4	20G106150	Air Line Filter
5	20PFHA24SA1212	3/4" Hex Nipple (<i>Two Required</i>)
6	20PFHA60SA1212	3/4" M x 3/4" F Swivel Union
7	20100326	8 Port Air Manifold Block
8	20PFHA25UA0808	1/2" NPT (M) 90° Elbow
9	20PFHFHU0808ND	Crimp on Hose End 1/2" Female Pipe
10	20PFHA60UA1212	3/4" (M) x 3/4" (F) 90° Swivel Union
11	20PFHA24SA0604	1/4" x 3/8" Hex Nipple
12	2080010	5/16" Air Hose Coupling
13	2080020	3/8" Air Fluid Hose Fitting (<i>Two Required</i>)
14	20100195	3/8-16 x 1" Zinc Bolt
15	10100674	1/2" Flat Washer
16	20100138	3/8"-16 Hex Lock Nut Zinc
17	20PFHA24SA0606	3/8" Hex Nipple 7200 psi (<i>Two Required</i>)
18	10ME1	Air Hose Coupling – 2-lug – 3/4" NPT (M)



OPTIONAL ACCESSORIES

7250 PSI HEATED HOSE BUNDLES										
Part Numbers	Deadhead	Recirculating	Modified	Moisture-Lock	Airless Spray Hose I.D.	Solvent Hose I.D.	Length			
							50 Ft.	100 Ft.	150 Ft.	200 Ft.
20100272	X				1/4" x 3/8" x 1/2"	1/4"	X			
20100258	X				1/4" x 3/8" x 1/2"	1/4"		X		
20100226	X				1/4" x 3/8" x 1/2"	1/4"			X	
20100450	X				1/4" x 3/8" x 1/2"	1/4"				X
20101075	X		X		1/4" x 3/8" x 1/2"	1/4"	X			
20101077	X		X		1/4" x 3/8" x 1/2"	1/4"		X		
20100451		X			1/4" (Qty of 3) x 3/8" x 1/2"	1/4"	X			
20100452		X			1/4" x 3/8" (Qty of 3) x 1/2"	1/4"		X		
20100453		X			1/4" (Qty of 3) x 3/8" x 1/2"	1/4"			X	
20100454		X			1/4" (Qty of 3) x 3/8" x 1/2"	1/4"				X
20100939		X	X		3/8" (Qty of 3) x 1/2"	1/4"		X		
20100466				X	1/4" x 3/8" x 1/4"	1/4"	X			
20100467				X	1/4" x 3/8" x 1/4"	1/4"		X		
20100468				X	1/4" x 3/8" x 1/4"	1/4"			X	
20100469				X	1/4" x 3/8" x 1/4"	1/4"				X

DEFINITION OF HOSE TYPE

Deadhead: Non-recirculating

Modified: For coupling to another modified hose

Moisture-Lock: Used for moisture-sensitive coatings

Recirculating: Used to recirculate coatings back to the supply tanks from the mix manifold

PART NUMBERS AND SCHEMATICS GUIDE

SPRAYMASTER® EP-50 PLURAL COMPONENT SPRAYER - SKID MOUNT

Part Numbers	Power Source	Hazardous Location	Spraymaster® 25 Gallon Round Component Tanks	Graco® XM50™ Bare Sprayer	Dosing Valves	Graco® 45:1 Merkur® Solvent Flush Pump
20101041	240-Volt AC	X	X	1:1 – 10:1	X	X
20100992	240-Volt AC		X	1:1 – 10:1	X	X
20100983	480-Volt AC	X	X	1:1 – 10:1	X	X
20101042	480-Volt AC		X	1:1 – 10:1	X	X

SPRAYMASTER® EP-50 PLURAL COMPONENT SPRAYER - SHORT SKID MOUNT

Part Numbers	Power Source	Hazardous Location	Spraymaster® 25 Gallon Round Component Tanks	Graco® XM50™ Bare Sprayer	Dosing Valves	Graco® 45:1 Merkur® Solvent Flush Pump
20101145	240-Volt AC	X		1:1 – 10:1	X	X
20101144	240-Volt AC			1:1 – 10:1	X	X
20100528	480-Volt AC	X		1:1 – 10:1	X	X
20100676	480-Volt AC			1:1 – 10:1	X	X

SPRAYMASTER® EP-50 PLURAL COMPONENT SPRAYER - CART MOUNT

Part Numbers	Power Source	Hazardous Location	Spraymaster® 25 Gallon Round Component Tanks	Graco® XM50™ Bare Sprayer	Dosing Valves	Graco® 45:1 Merkur® Solvent Flush Pump
20101139	240-Volt AC	X	X	1:1 – 10:1	X	X
20101137	240-Volt AC		X	1:1 – 10:1	X	X
20101140	480-Volt AC	X	X	1:1 – 10:1	X	X
20101138	480-Volt AC		X	1:1 – 10:1	X	X

PART NUMBERS AND SCHEMATICS GUIDE

Spraymaster® EP-50 Plural Component Sprayer – Skid Mount



General Purpose



Hazardous Location

Spraymaster® EP-50 Plural Component Sprayer – Short Skid Mount



General Purpose



Hazardous Location

Spraymaster® EP-50 Plural Component Sprayer – Cart Mount



General Purpose



Hazardous Location

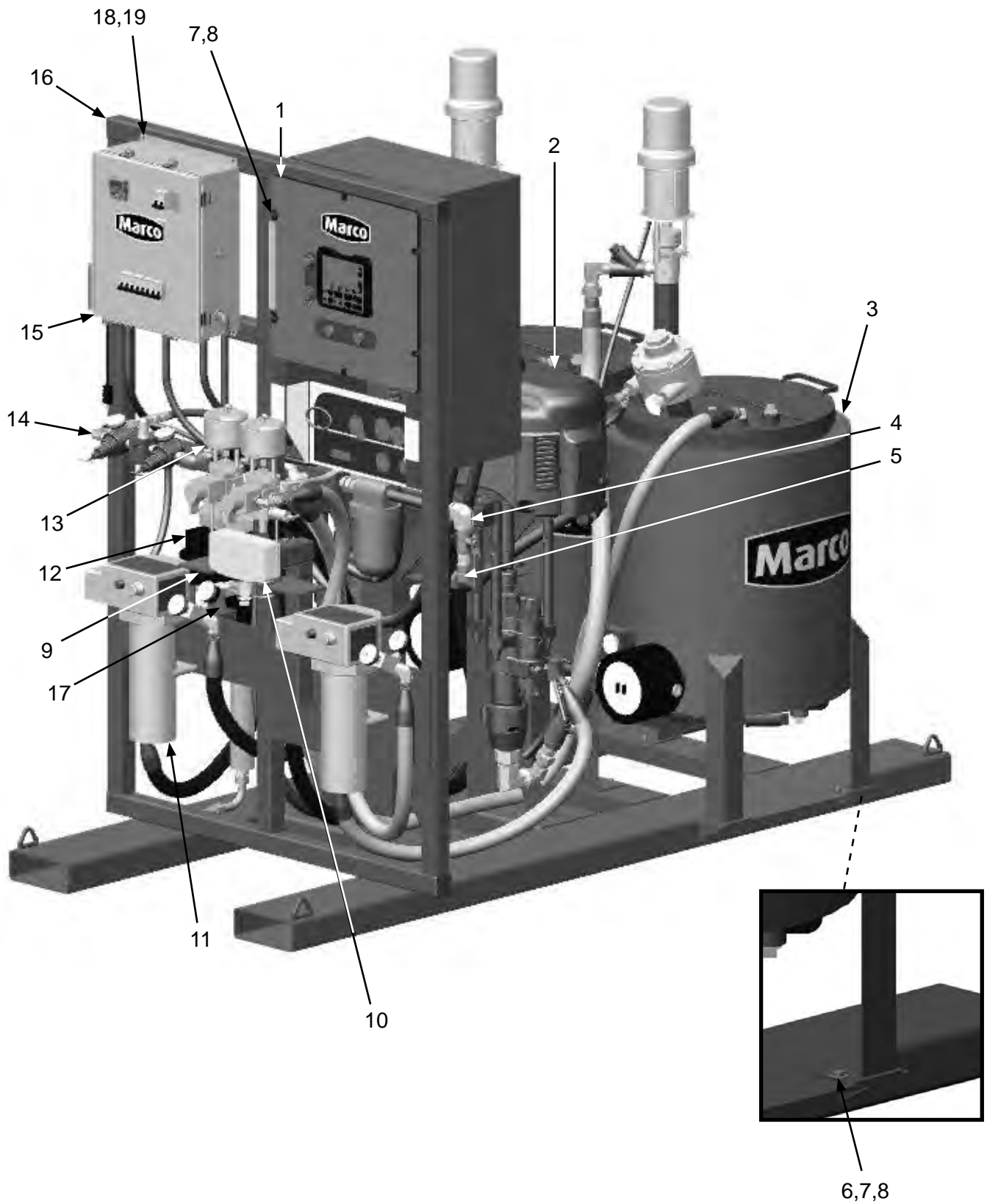
PART NUMBERS AND SCHEMATICS GUIDE

Spraymaster® EP 50:1 240-Volt AC General Purpose – Skid

Item #	Part #	Description
Fig. 1		
—	20100992	Spraymaster® EP 50:1 240-Volt AC General Purpose – Skid
1	20G255771	Control Box
2	—	Air Motor and Lower Pump Assembly <i>(See Fig. 13)</i>
3	20101081	Spraymaster® 25 Gallon Heated Coatings Tank – Complete <i>(Two Required)</i>
4	—	Air-In Manifold Assembly <i>(See Fig. 18)</i>
5	10ME1	Air Hose Coupling – 2-lug – 3/4" NPT (M)
6	20100195	3/8-16 x 1" Zinc Bolt <i>(Two Required)</i>
7	20100138	3/8-16 Hex Lock Nut Zinc <i>(12 Required)</i>
8	10102331	3/8 SAE Flat Washer Zinc <i>(12 Required)</i>
9	20100103	Dosing Manifold Bracket
10	20G255684	Mix Manifold
11	20G245869	In-line Paint Heater <i>(Two Required)</i>
12	20G262393	Flush Pump
13	20G255478	Dose Valve <i>(Two Required)</i>
14	—	Air Manifold Assembly <i>(See Fig. 14)</i>
15	20100072	Electrical Box <i>(See Fig. 16)</i>
16	20100921	Round Tank Frame – Skid
17	20100284	Flush Pump Mounting Bracket
18	20100125	1/4-20 x 3/4" Zinc Bolt <i>(Four Required)</i>
19	1012153	1/4" Lock Washer <i>(Four Required)</i>
—	20TAH100312	Static Mixer 3/8" Diameter x 12 <i>(Two Required) (Not Shown)</i>
—	20BEAKER1000ML	1000 Milliliter Test Beaker
—	2091000	Hazard Decals
—	20100564	Liquid Level Control Sensor Kit – Optional
—	2090114	Operator's Manual – Spraymaster® 25 Gallon Heated Coatings Tank
—	209V504	Operator's Manual – Merkur® Pump Assembly
—	209V505	Operator's Manual – Graco® Mix Manifold
—	209V506	Operator's Manual – Graco® Viscon High Pressure Fluid Heater
—	209V509	Operator's Manual – Graco® NXT® Air Motor
—	209V021	Operator's Manual – Graco® Xtreme® Lowers
—	209V510	Operator's Manual – Graco® Merkur® Displacement Pump
—	209V512	Operator's Manual – Graco® Low Volume Air Regulators
—	205M015	Features & Specifications Guide – Spraymaster® EP-50 Spray System
—	206M015	Part Numbers & Schematics Guide – Spraymaster® EP-50 Spray System
—	2090015	Operator's Manual – Spraymaster® EP-50 Spray System

PART NUMBERS AND SCHEMATICS GUIDE

Figure 1: Spraymaster® EP 50:1 240-Volt AC General Purpose – Skid



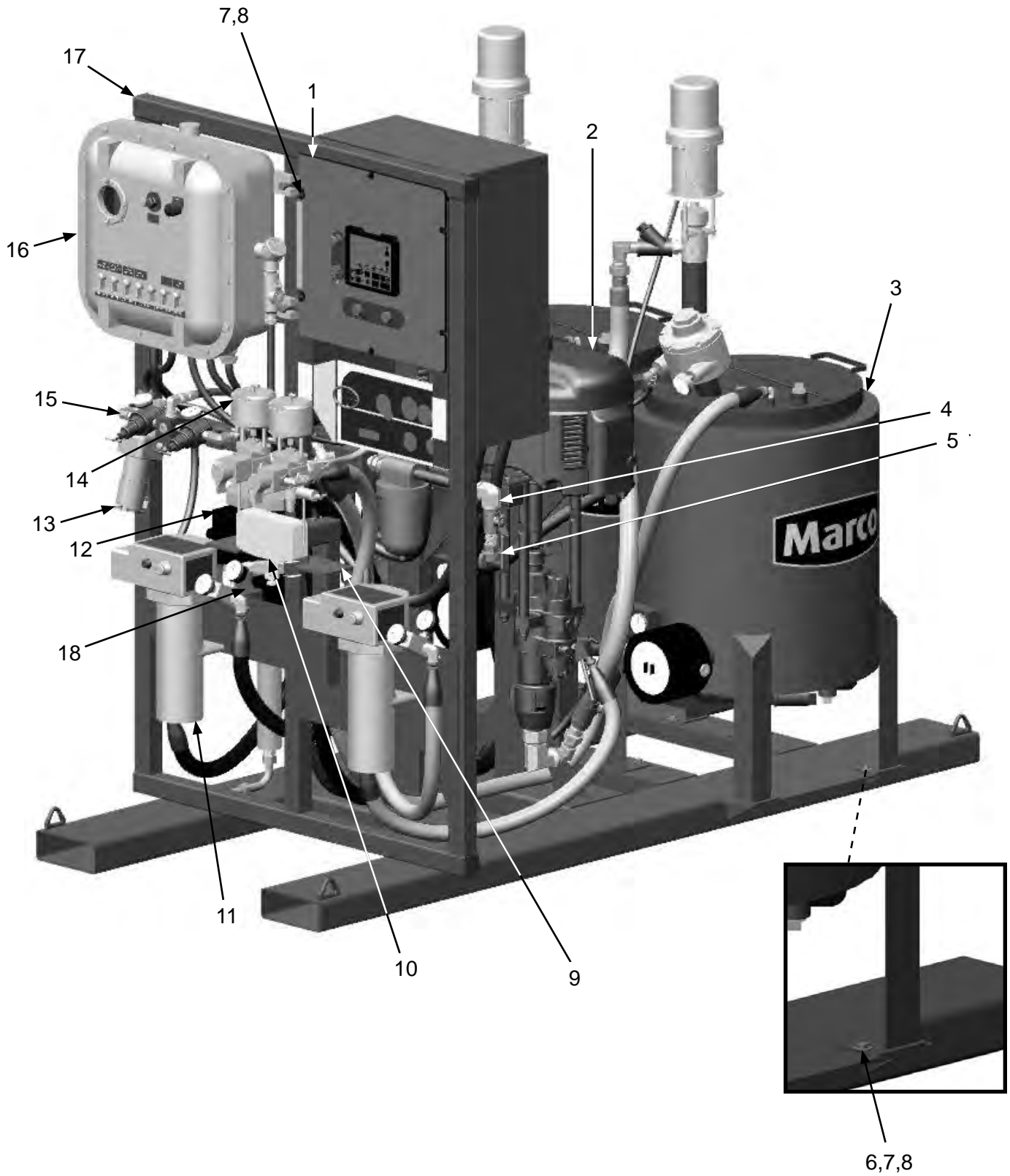
PART NUMBERS AND SCHEMATICS GUIDE

Spraymaster® EP 50:1 240-Volt AC Hazardous Location – Skid

Item #	Part #	Description
Fig. 2		
—	20101041	Spraymaster® EP 50:1 240-Volt AC Hazardous Location – Skid
1	20G255771	Control Box
2	—	Air Motor and Lower Pump Assembly (See Fig. 13)
3	20101081	Spraymaster® 25 Gallon Heated Coatings Tank – Complete (Two Required)
4	—	Air-In Manifold Assembly (See Fig. 18)
5	10ME1	Air Hose Coupling – 2-lug – 3/4" NPT (M)
6	20100195	3/8-16 x 1" Zinc Bolt (Two Required)
7	20100138	3/8-16 Hex Lock Nut Zinc (12 Required)
8	10102331	3/8 SAE Flat Washer Zinc (12 Required)
9	20100284	Flush Pump Mounting Bracket
10	20G255684	Mix Manifold
11	20G245869	In-line Paint Heater (Two Required)
12	20G262393	Flush Pump
13	20100279	30 AMP Receptacle
14	20G255478	Dose Valve (Two Required)
15	—	Air Manifold Assembly (See Fig. 14)
16	20MXPXCE161606N4	Hazardous Duty Distribution Panel (See Fig. 17)
17	20100921	Round Tank Frame
18	20100103	Dosing Manifold Bracket
—	20TAH100312	Static Mixer 3/8" Diameter x 12 (Two Required) (Not Shown)
—	20BEAKER1000ML	1000 Milliliter Test Beaker
—	2091000	Hazard Decals
—	20100564	Liquid Level Control Sensor Kit - Optional
—	2090114	Operator's Manual – Spraymaster® 25 Gallon Heated Coatings Tank
—	209V504	Operator's Manual – Merkur® Pump Assembly
—	209V505	Operator's Manual – Graco® Mix Manifold
—	209V506	Operator's Manual – Graco® Viscon High Pressure Fluid Heater
—	209V509	Operator's Manual – Graco® NXT® Air Motor
—	209V021	Operator's Manual – Graco® Xtreme® Lowers
—	209V510	Operator's Manual – Graco® Merkur® Displacement Pump
—	209V512	Operator's Manual – Graco® Low Volume Air Regulators
—	205M015	Features & Specifications Guide – Spraymaster® EP-50 Spray System
—	206M015	Part Numbers & Schematics Guide – Spraymaster® EP-50 Spray System
—	2090015	Operator's Manual – Spraymaster® EP-50 Spray System

PART NUMBERS AND SCHEMATICS GUIDE

Figure 2: Spraymaster® EP 50:1 240-Volt AC Hazardous Location – Skid



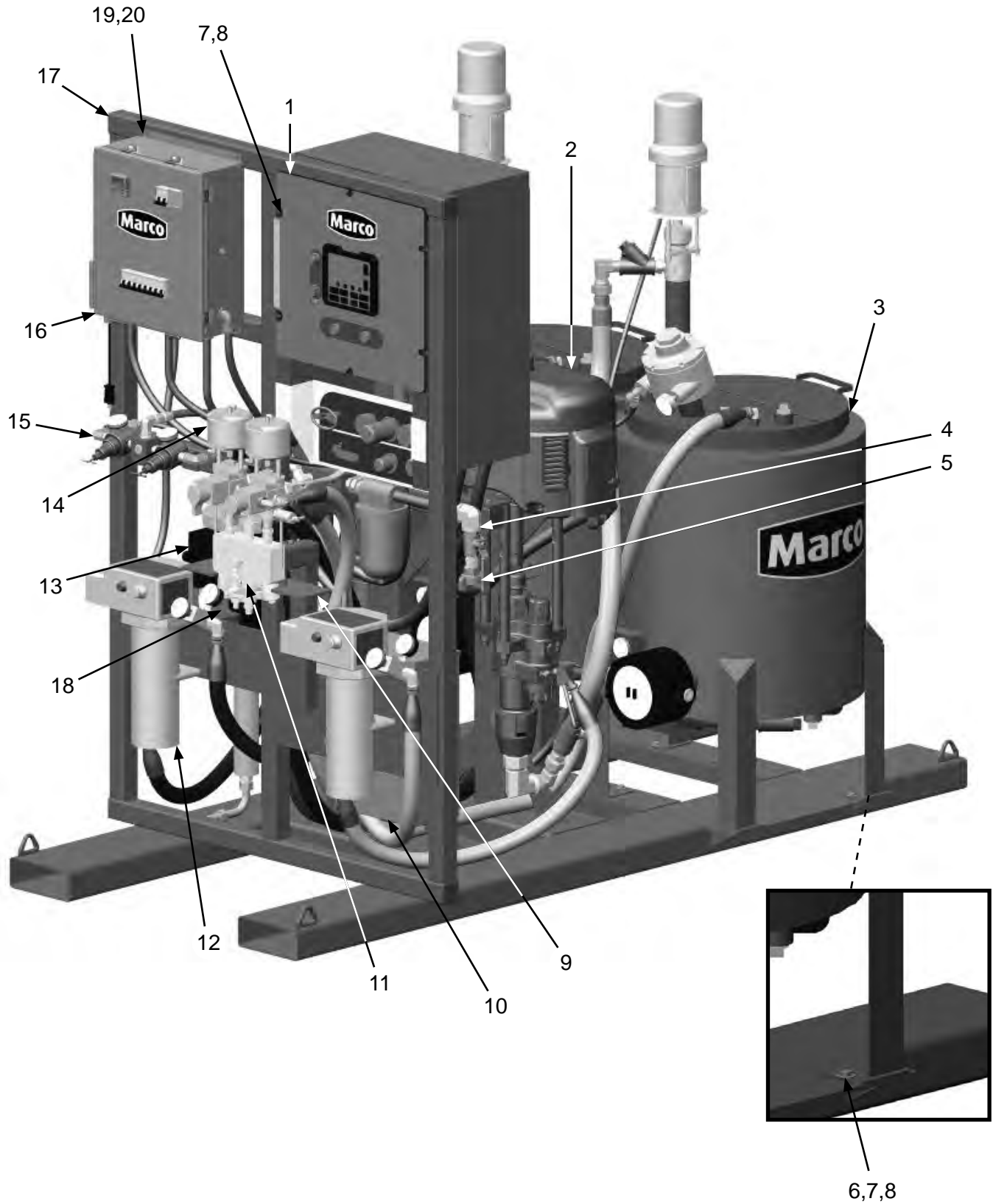
PART NUMBERS AND SCHEMATICS GUIDE

Spraymaster® EP 50:1 480-Volt AC General Purpose – Skid

Item #	Part #	Description
Fig. 3		
—	20101042	Spraymaster® EP 50:1 480-Volt AC General Purpose – Skid
1	20G255771	Control Box
2	—	Air Motor and Lower Pump Assembly <i>(See Fig. 13)</i>
3	20101082	Spraymaster® 25 Gallon Heated Coatings Tank – Complete <i>(Two Required)</i>
4	—	Air-In Manifold Assembly <i>(See Fig. 18)</i>
5	10ME1	Air Hose Coupling - 2-lug - 3/4" NPT (M)
6	20100195	3/8-16 x 1" Zinc Bolt <i>(Two Required)</i>
7	20100138	3/8-16 Hex Lock Nut Zinc <i>(12 Required)</i>
8	10102331	3/8 SAE Flat Washer Zinc <i>(12 Required)</i>
9	20100284	Flush Pump Mounting Bracket
10	20100287	7.5 Kva Transformer
11	20G255684	Mix Manifold
12	20G245864	In-line Paint Heater <i>(Two Required)</i>
13	20G262393	Flush Pump
14	20G255478	Dose Valve <i>(Two Required)</i>
15	—	Air Manifold Assembly <i>(See Fig. 14)</i>
16	20000051	Electrical Box <i>(See Fig. 16)</i>
17	20100921	Round Tank Frame – Skid
18	20100103	Dosing Manifold Bracket
19	20100125	1/4-20 x 3/4" Zinc Bolt <i>(Four Required)</i>
20	1012153	1/4" Lock Washer <i>(Four Required)</i>
—	20TAH100312	Static Mixer 3/8" Diameter x 12 <i>(Two Required) (Not Shown)</i>
—	20BEAKER1000ML	1000 Milliliter Test Beaker
—	2091000	Hazard Decals
—	20100564	Liquid Level Control Sensor Kit – Optional
—	2090114	Operator's Manual – Spraymaster® 25 Gallon Heated Coatings Tank
—	209V504	Operator's Manual – Merkur® Pump Assembly
—	209V505	Operator's Manual – Graco® Mix Manifold
—	209V506	Operator's Manual – Graco® Viscon High Pressure Fluid Heater
—	209V509	Operator's Manual – Graco® NXT® Air Motor
—	209V021	Operator's Manual – Graco® Xtreme® Lowers
—	209V510	Operator's Manual – Graco® Merkur® Displacement Pump
—	209V512	Operator's Manual – Graco® Low Volume Air Regulators
—	205M015	Features & Specifications Guide – Spraymaster® EP-50 Spray System
—	206M015	Part Numbers & Schematics Guide – Spraymaster® EP-50 Spray System
—	2090015	Operator's Manual – Spraymaster® EP-50 Spray System

PART NUMBERS AND SCHEMATICS GUIDE

Figure 3: Spraymaster® EP 50:1 480-Volt AC General Purpose – Skid



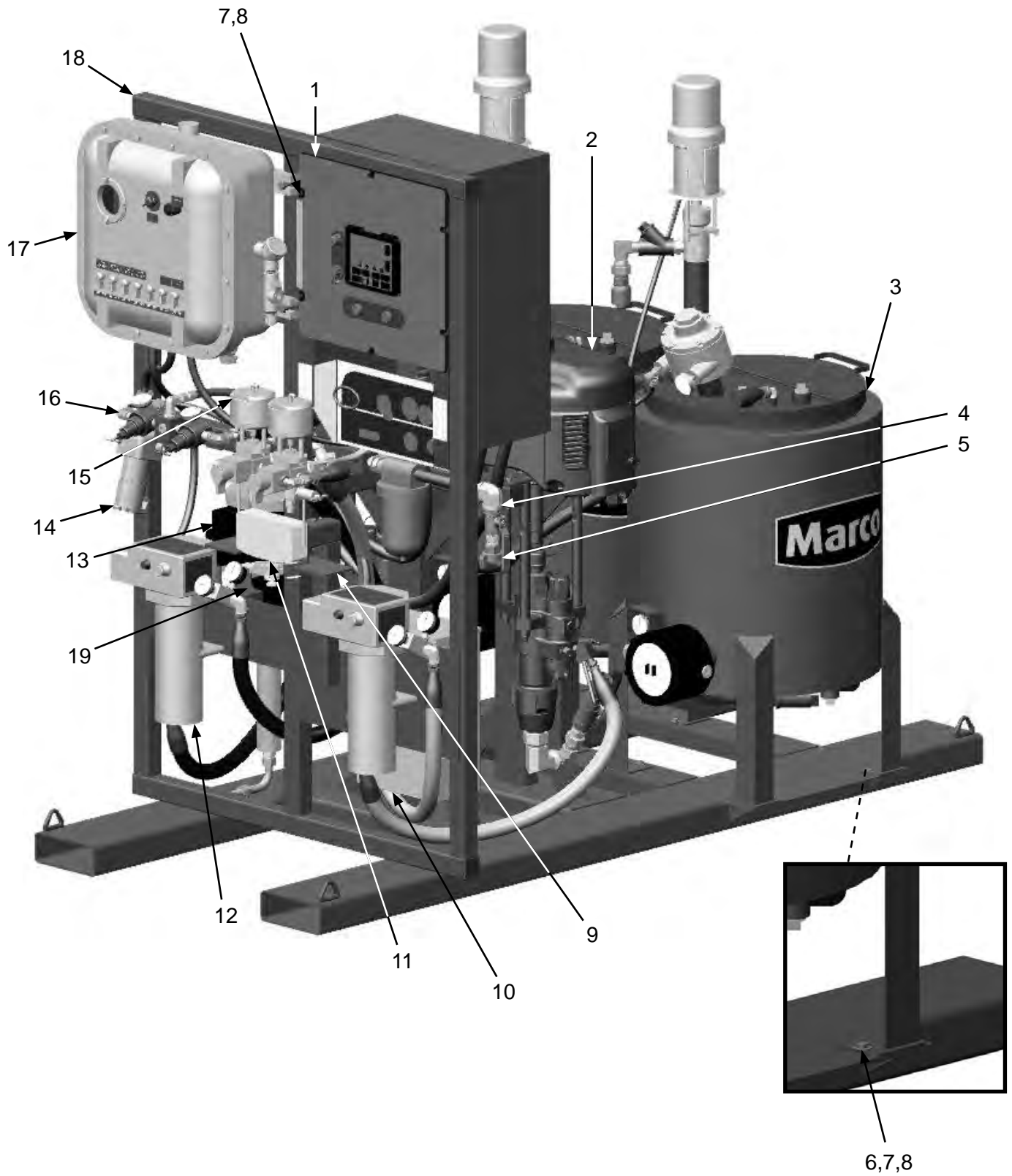
PART NUMBERS AND SCHEMATICS GUIDE

Spraymaster® EP 50:1 480-Volt AC Hazardous Location – Skid

Item #	Part #	Description
Fig. 4		
—	20100983	Spraymaster® EP 50:1 480-Volt AC Hazardous Location – Skid
1	20G255771	Control Box
2	—	Air Motor and Lower Pump Assembly <i>(See Fig. 13)</i>
3	20101082	Spraymaster® 25 Gallon Heated Coatings Tank – Complete <i>(Two Required)</i>
4	—	Air-In Manifold Assembly <i>(See Fig. 18)</i>
5	10ME1	X Coupling 2-Lug Male 3/4"
6	20100195	3/8-16 x 1" Zinc Bolt <i>(Two Required)</i>
7	20100138	3/8-16 Hex Lock Nut Zinc <i>(12 Required)</i>
8	10102331	3/8 SAE Flat Washer Zinc <i>(12 Required)</i>
9	20100284	Flush Pump Mounting Bracket
10	20100287	7.5 Kva Transformer
11	20G255684	Mix Manifold
12	20G245864	In-line Paint Heater <i>(Two Required)</i>
13	20G262393	Flush Pump
14	20100279	30 AMP Receptacle
15	20G255478	Dose Valve <i>(Two Required)</i>
16	—	Air Manifold Assembly <i>(See Fig. 14)</i>
17	20MXPXCE161606N4	Hazardous Duty Distribution Panel <i>(See Fig. 17)</i>
18	20100921	Round Tank Frame
19	20100103	Dosing Manifold Bracket
—	20TAH100312	Static Mixer 3/8" Diameter x 12 <i>(Two Required) (Not Shown)</i>
—	20BEAKER1000ML	1000 Milliliter Test Beaker
—	2091000	Hazard Decals
—	20100564	Liquid Level Control Sensor Kit – Optional
—	2090114	Operator's Manual – Spraymaster® 25 Gallon Heated Coatings Tank
—	209V504	Operator's Manual – Merkur® Pump Assembly
—	209V505	Operator's Manual – Graco® Mix Manifold
—	209V506	Operator's Manual – Graco® Viscon High Pressure Fluid Heater
—	209V509	Operator's Manual – Graco® NXT® Air Motor
—	209V021	Operator's Manual – Graco® Xtreme® Lowers
—	209V510	Operator's Manual – Graco® Merkur® Displacement Pump
—	209V512	Operator's Manual – Graco® Low Volume Air Regulators
—	205M015	Features & Specifications Guide – Spraymaster® EP-50 Spray System
—	206M015	Part Numbers & Schematics Guide – Spraymaster® EP-50 Spray System
—	2090015	Operator's Manual – Spraymaster® EP-50 Spray System

PART NUMBERS AND SCHEMATICS GUIDE

Figure 4: Spraymaster® EP 50:1 480-Volt AC Hazardous Location – Skid



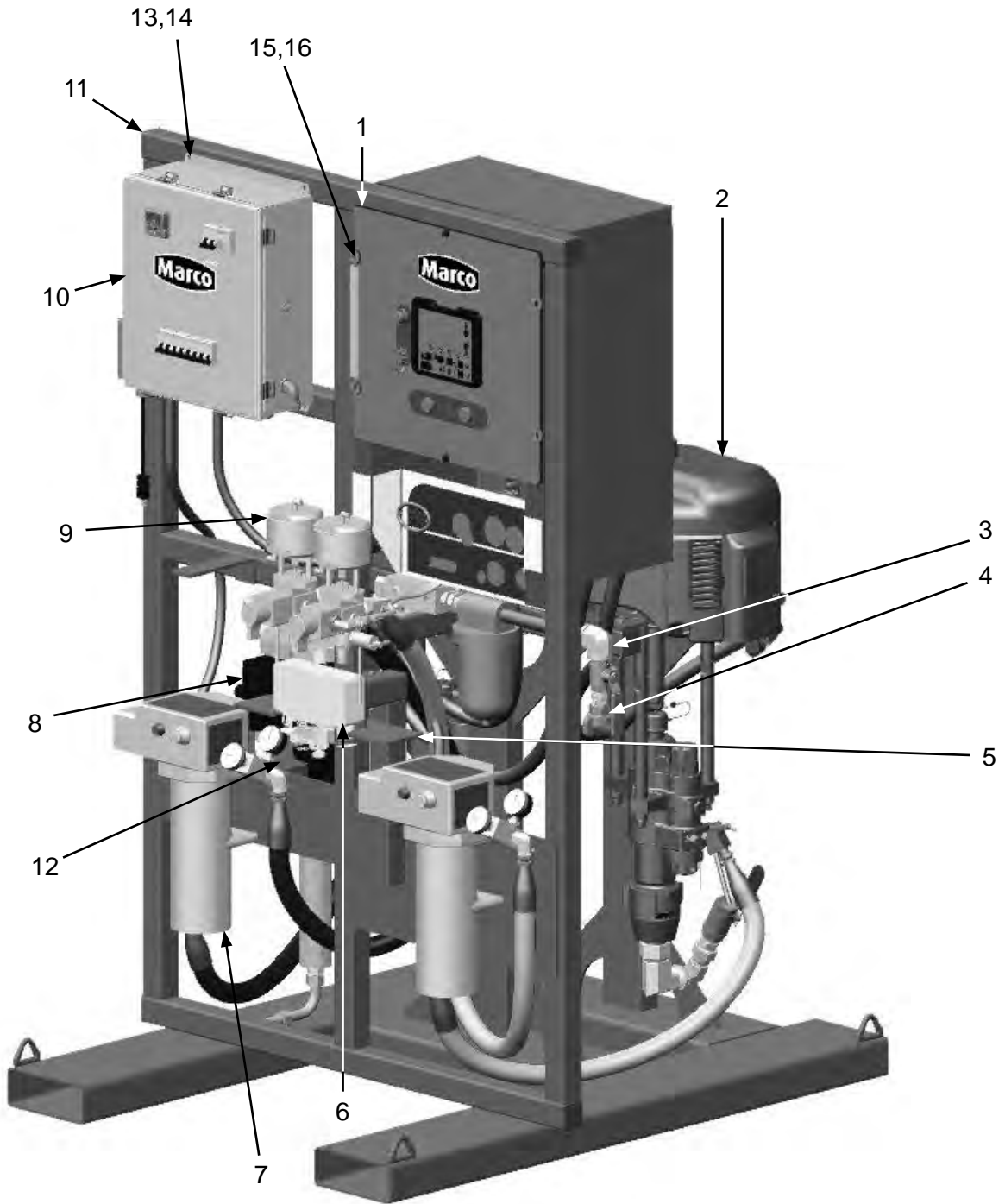
PART NUMBERS AND SCHEMATICS GUIDE

Spraymaster® EP 50:1 240-Volt AC General Purpose – Short Skid

Item #	Part #	Description
Fig. 5		
—	20101144	Spraymaster® EP 50:1 240-Volt AC General Purpose – Short Skid
1	20G255771	Control Box
2	—	Air Motor and Lower Pump Assembly <i>(See Fig. 13)</i>
3	—	Air-In Manifold Assembly <i>(See Fig. 18)</i>
4	10ME1	Air Hose Coupling – 2-lug – 3/4" NPT (M)
5	20100103	Dosing Manifold Bracket
6	20G255684	Mix Manifold
7	20G245869	In-line Paint Heater <i>(Two Required)</i>
8	20G262393	Flush Pump
9	20G255478	Dose Valve <i>(Two Required)</i>
10	20100072	Electrical Box <i>(See Fig. 16)</i>
11	20100488	Round Tank Frame – Short Skid
12	20100284	Flush Pump Mounting Bracket
13	20100125	1/4-20 x 3/4" Zinc Bolt <i>(Four Required)</i>
14	1012153	1/4" Lock Washer <i>(Four Required)</i>
15	20100138	3/8-16 Hex Lock Nut Zinc <i>(Four Required)</i>
16	10102331	3/8 SAE Flat Washer Zinc <i>(Four Required)</i>
—	20TAH100312	Static Mixer 3/8" Diameter x 12 <i>(Two Required) (Not Shown)</i>
—	20BEAKER1000ML	1000 Milliliter Test Beaker
—	2091000	Hazard Decals
—	20100564	Liquid Level Control Sensor Kit – Optional
—	2090114	Operator's Manual – Spraymaster® 25 Gallon Heated Coatings Tank
—	209V504	Operator's Manual – Merkur® Pump Assembly
—	209V505	Operator's Manual – Graco® Mix Manifold
—	209V506	Operator's Manual – Graco® Viscon High Pressure Fluid Heater
—	209V509	Operator's Manual – Graco® NXT® Air Motor
—	209V021	Operator's Manual – Graco® Xtreme® Lowers
—	209V510	Operator's Manual – Graco® Merkur® Displacement Pump
—	209V512	Operator's Manual – Graco® Low Volume Air Regulators
—	205M015	Features & Specifications Guide – Spraymaster® EP-50 Spray System
—	206M015	Part Numbers & Schematics Guide – Spraymaster® EP-50 Spray System
—	2090015	Operator's Manual – Spraymaster® EP-50 Spray System

PART NUMBERS AND SCHEMATICS GUIDE

Figure 5: Spraymaster® EP 50:1 240-Volt AC General Purpose – Short Skid



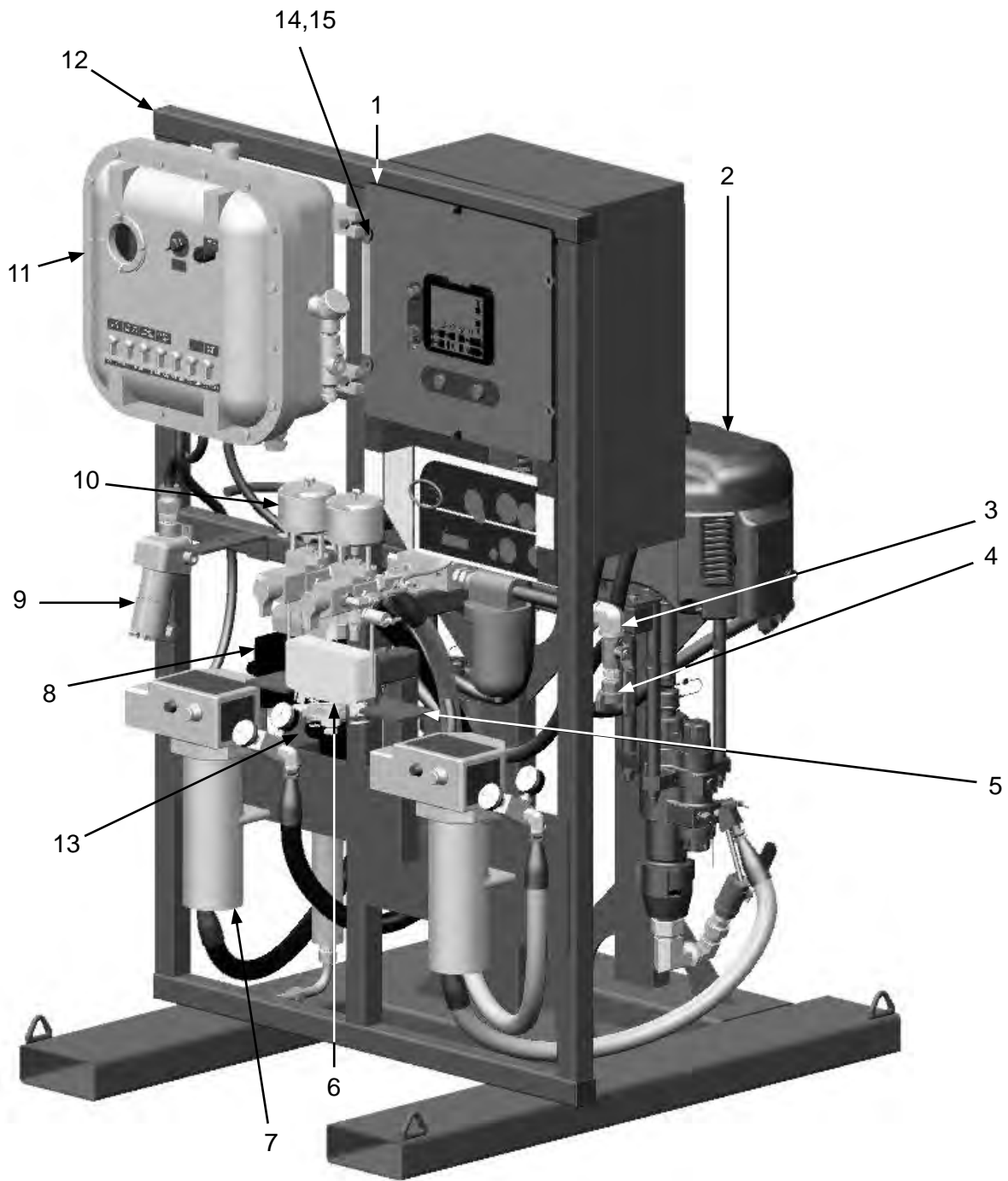
PART NUMBERS AND SCHEMATICS GUIDE

Spraymaster® EP 50:1 240-Volt AC Hazardous Location – Short Skid

Item #	Part #	Description
Fig. 6		
—	20101145	Spraymaster® EP 50:1 240-Volt AC Hazardous Location – Short Skid
1	20G255771	Control Box
2	—	Air Motor and Lower Pump Assembly <i>(See Fig. 13)</i>
3	—	Air-In Manifold Assembly <i>(See Fig. 18)</i>
4	10ME1	Air Hose Coupling – 2-lug – 3/4" NPT (M)
5	20100284	Flush Pump Mounting Bracket
6	20G255684	Mix Manifold
7	20G245869	In-line Paint Heater <i>(Two Required)</i>
8	20G262393	Flush Pump
9	20100279	30 AMP Receptacle
10	20G255478	Dose Valve <i>(Two Required)</i>
11	20MXPXCE161606N4	Hazardous Duty Distribution Panel <i>(See Fig. 17)</i>
12	20100488	Round Tank Frame – Short Skid
13	20100103	Dosing Manifold Bracket
14	20100138	3/8-16 Hex Lock Nut Zinc <i>(Four Required)</i>
15	10102331	3/8 SAE Flat Washer Zinc <i>(Four Required)</i>
—	20TAH100312	Static Mixer 3/8" Diameter x 12 <i>(Two Required) (Not Shown)</i>
—	20BEAKER1000ML	1000 Milliliter Test Beaker
—	2091000	Hazard Decals
—	20100564	Liquid Level Control Sensor Kit – Optional
—	2090114	Operator's Manual – Spraymaster® 25 Gallon Heated Coatings Tank
—	209V504	Operator's Manual – Merkur® Pump Assembly
—	209V505	Operator's Manual – Graco® Mix Manifold
—	209V506	Operator's Manual – Graco® Viscon High Pressure Fluid Heater
—	209V509	Operator's Manual – Graco® NXT® Air Motor
—	209V021	Operator's Manual – Graco® Xtreme® Lowers
—	209V510	Operator's Manual – Graco® Merkur® Displacement Pump
—	209V512	Operator's Manual – Graco® Low Volume Air Regulators
—	205M015	Features & Specifications Guide – Spraymaster® EP-50 Spray System
—	206M015	Part Numbers & Schematics Guide – Spraymaster® EP-50 Spray System
—	2090015	Operator's Manual – Spraymaster® EP-50 Spray System

PART NUMBERS AND SCHEMATICS GUIDE

Figure 6: Spraymaster® EP 50:1 240-Volt AC Hazardous Location – Short Skid



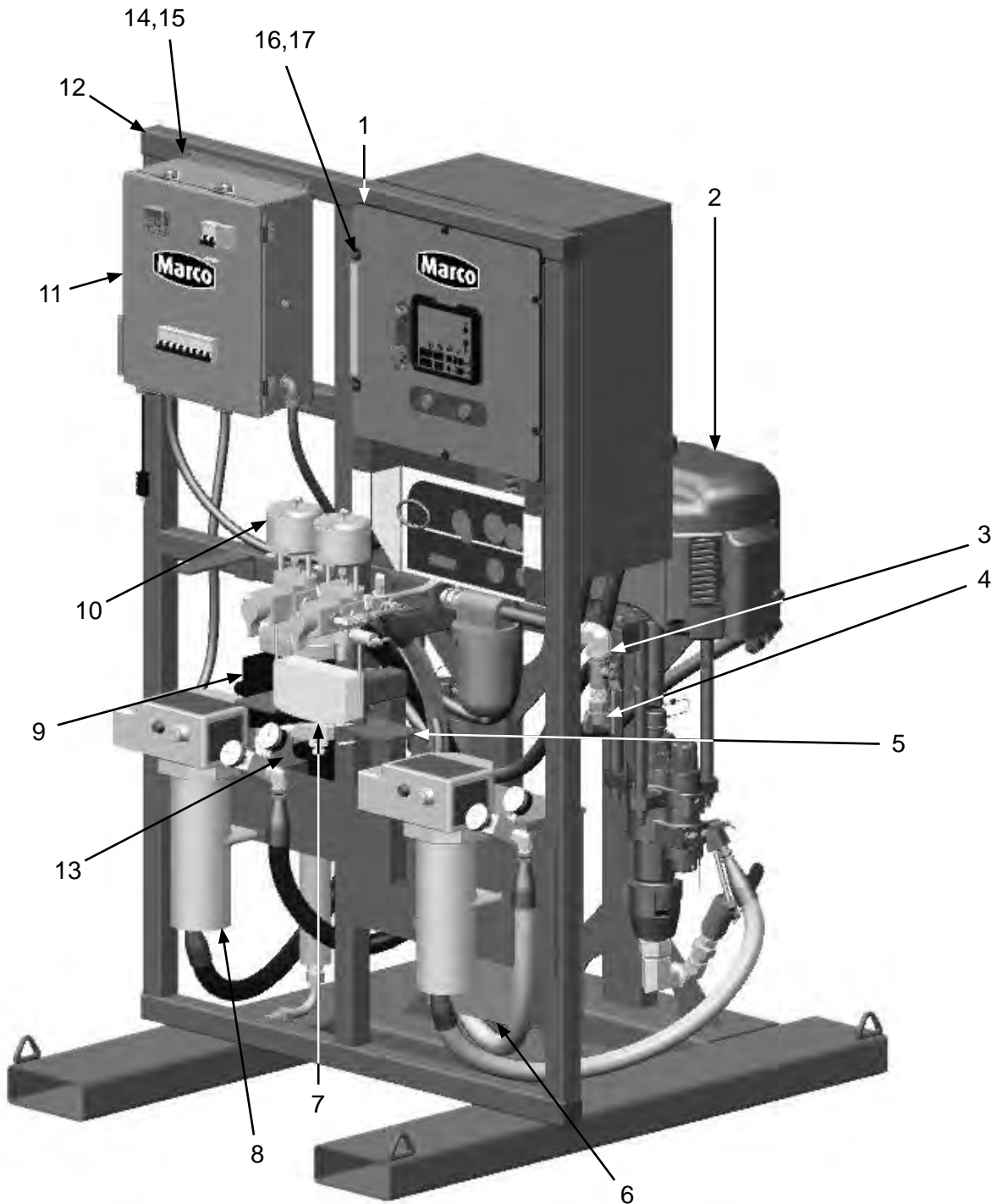
PART NUMBERS AND SCHEMATICS GUIDE

Spraymaster® EP 50:1 480-Volt AC General Purpose – Short Skid

Item #	Part #	Description
Fig. 7		
—	20100676	Spraymaster® EP 50:1 480-Volt AC General Purpose – Short Skid
1	20G255771	Control Box
2	—	Air Motor and Lower Pump Assembly <i>(See Fig. 13)</i>
3	—	Air-In Manifold Assembly <i>(See Fig. 18)</i>
4	10ME1	Air Hose Coupling – 2-lug – 3/4" NPT (M)
5	20G106150	Air Line Filter
6	20100287	7.5 Kva Transformer
7	20G255684	Mix Manifold
8	20G245864	In-line Paint Heater <i>(Two Required)</i>
9	20G262393	Flush Pump
10	20G255478	Dose Valve <i>(Two Required)</i>
11	20000051	Electrical Box <i>(See Fig. 16)</i>
12	20100488	Round Tank Frame – Short Skid
13	20100103	Dosing Manifold Bracket
14	20100125	1/4-20 x 3/4" Zinc Bolt <i>(Four Required)</i>
15	1012153	1/4" Lock Washer <i>(Four Required)</i>
16	20100138	3/8-16 Hex Lock Nut Zinc <i>(Four Required)</i>
17	10102331	3/8 SAE Flat Washer Zinc <i>(Four Required)</i>
—	20TAH100312	Static Mixer 3/8" Diameter x 12 <i>(Two Required) (Not Shown)</i>
—	20BEAKER1000ML	1000 Milliliter Test Beaker
—	2091000	Hazard Decals
—	20100564	Liquid Level Control Sensor Kit – Optional
—	2090114	Operator's Manual – Spraymaster® 25 Gallon Heated Coatings Tank
—	209V504	Operator's Manual – Merkur® Pump Assembly
—	209V505	Operator's Manual – Graco® Mix Manifold
—	209V506	Operator's Manual – Graco® Viscon High Pressure Fluid Heater
—	209V509	Operator's Manual – Graco® NXT® Air Motor
—	209V021	Operator's Manual – Graco® Xtreme® Lowers
—	209V510	Operator's Manual – Graco® Merkur® Displacement Pump
—	209V512	Operator's Manual – Graco® Low Volume Air Regulators
—	205M015	Features & Specifications Guide – Spraymaster® EP-50 Spray System
—	206M015	Part Numbers & Schematics Guide – Spraymaster® EP-50 Spray System
—	2090015	Operator's Manual – Spraymaster® EP-50 Spray System

PART NUMBERS AND SCHEMATICS GUIDE

Figure 7: Spraymaster® EP 50:1 480-Volt AC General Purpose – Short Skid



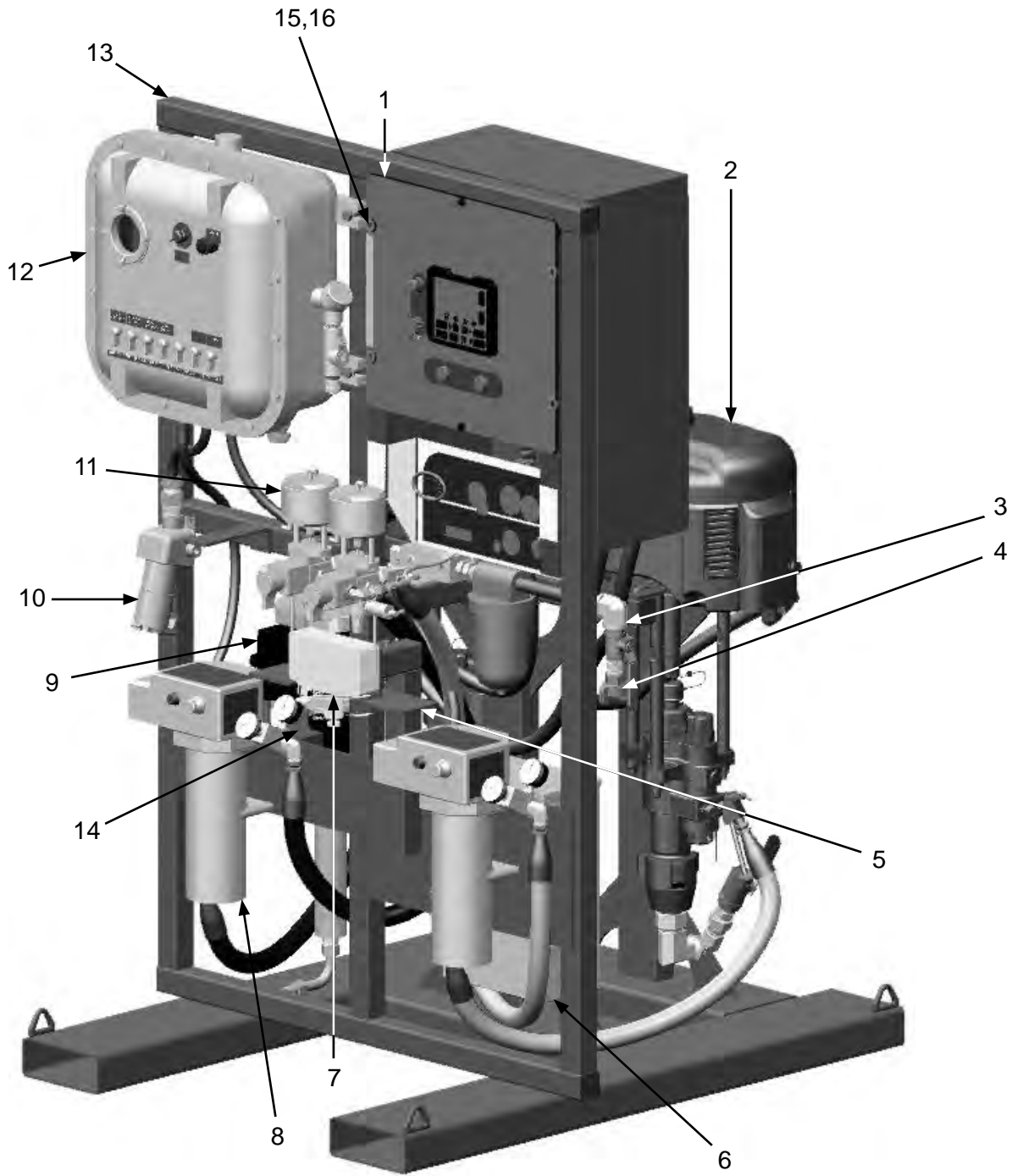
PART NUMBERS AND SCHEMATICS GUIDE

Spraymaster® EP 50:1 480-Volt AC Hazardous Location – Short Skid

Item #	Part #	Description
Fig. 8		
—	20100528	Spraymaster® EP 50:1 480-Volt AC Hazardous Location – Short Skid
1	20G255771	Control Box
2	—	Air Motor and Lower Pump Assembly <i>(See Fig. 13)</i>
3	—	Air-In Manifold Assembly <i>(See Fig. 18)</i>
4	10ME1	Air Hose Coupling – 2-lug – 3/4" NPT (M)
5	20100284	Flush Pump Mounting Bracket
6	20100287	7.5 Kva Transformer
7	20G255684	Mix Manifold
8	20G245864	In-line Paint Heater <i>(Two Required)</i>
9	20G262393	Flush Pump
10	20100279	30 AMP Receptacle
11	20G255478	Dose Valve <i>(Two Required)</i>
12	20MXPXCE161606N4	Hazardous Duty Distribution Panel <i>(See Fig. 17)</i>
13	20100488	Round Tank Frame – Short Skid
14	20100103	Dosing Manifold Bracket
15	20100138	3/8-16 Hex Lock Nut Zinc <i>(Four Required)</i>
16	10102331	3/8 SAE Flat Washer Zinc <i>(Four Required)</i>
—	20TAH100312	Static Mixer 3/8" Diameter x 12 <i>(Two Required) (Not Shown)</i>
—	20BEAKER1000ML	1000 Milliliter Test Beaker
—	2091000	Hazard Decals
—	20100564	Liquid Level Control Sensor Kit – Optional
—	2090114	Operator's Manual – Spraymaster® 25 Gallon Heated Coatings Tank
—	209V504	Operator's Manual – Merkur® Pump Assembly
—	209V505	Operator's Manual – Graco® Mix Manifold
—	209V506	Operator's Manual – Graco® Viscon High Pressure Fluid Heater
—	209V509	Operator's Manual – Graco® NXT® Air Motor
—	209V021	Operator's Manual – Graco® Xtreme® Lowers
—	209V510	Operator's Manual – Graco® Merkur® Displacement Pump
—	209V512	Operator's Manual – Graco® Low Volume Air Regulators
—	205M015	Features & Specifications Guide – Spraymaster® EP-50 Spray System
—	206M015	Part Numbers & Schematics Guide – Spraymaster® EP-50 Spray System
—	2090015	Operator's Manual – Spraymaster® EP-50 Spray System

PART NUMBERS AND SCHEMATICS GUIDE

Figure 8: Spraymaster® EP 50:1 480-Volt AC Hazardous Location – Short Skid



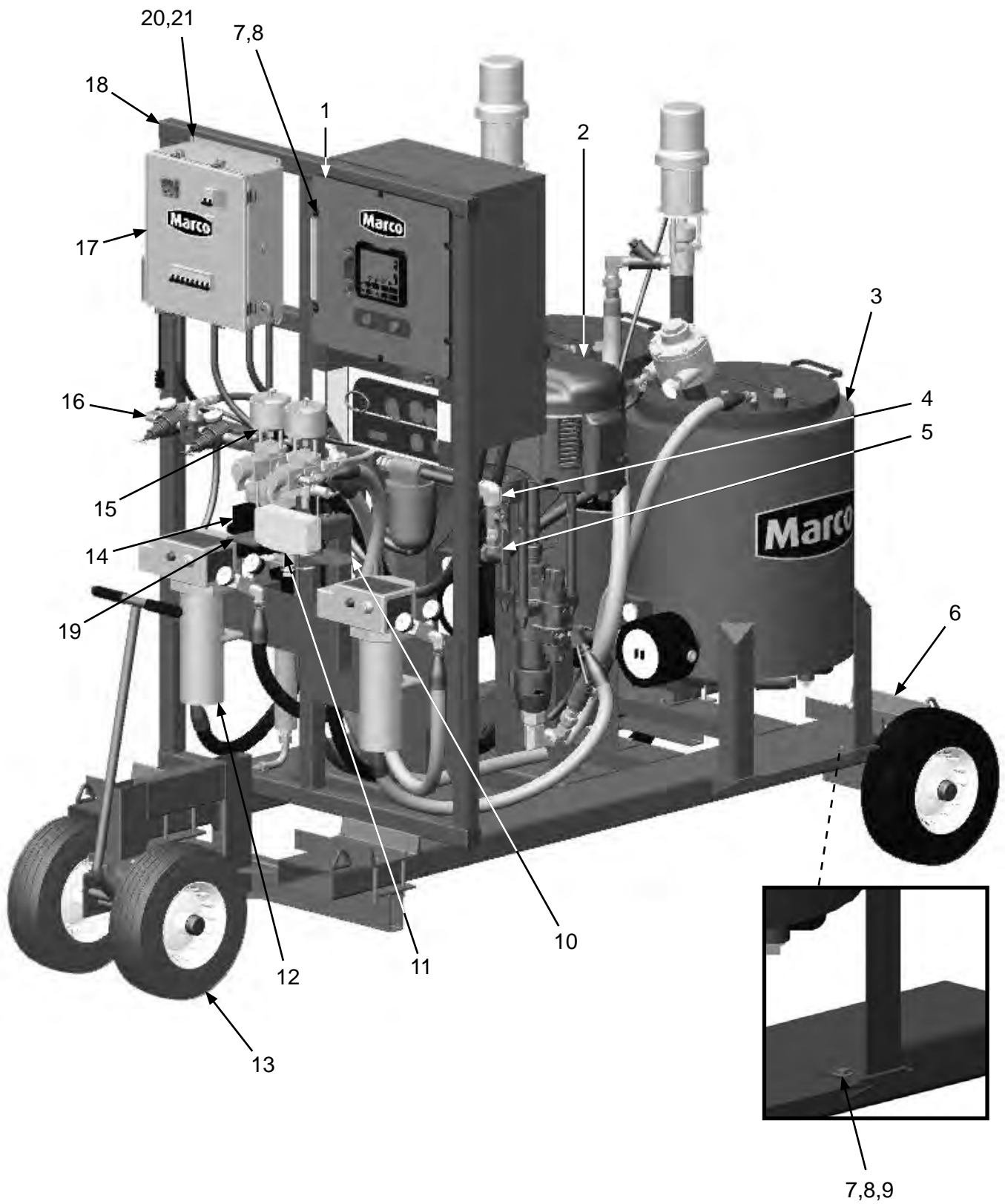
PART NUMBERS AND SCHEMATICS GUIDE

Spraymaster® EP 50:1 240-Volt AC General Purpose – Cart

Item #	Part #	Description
Fig. 9		
—	20101137	Spraymaster® EP 50:1 240-Volt AC General Purpose – Cart
1	20G255771	Control Box
2	—	Air Motor and Lower Pump Assembly <i>(See Fig. 13)</i>
3	20101081	Spraymaster® 25 Gallon Heated Coatings Tank – Complete <i>(Two Required)</i>
4	—	Air-In Manifold Assembly <i>(See Fig. 18)</i>
5	10ME1	Air Hose Coupling – 2-lug – 3/4" NPT (M)
6	20100692	Rear Wheel Assembly <i>(Two Required)</i>
7	20100138	3/8-16 Hex Lock Nut Zinc <i>(12 Required)</i>
8	10102331	3/8 SAE Flat Washer Zinc <i>(12 Required)</i>
9	10102331	3/8 SAE Flat Washer Zinc <i>(Two Required)</i>
10	20100284	Flush Pump Mounting Bracket
11	20G255684	Mix Manifold
12	20G245869	In-line Paint Heater <i>(Two Required)</i>
13	20100698	Front Wheel Assembly
14	20G262393	Flash Pump
15	20G255478	Dose Valve <i>(Two Required)</i>
16	—	Air Manifold Assembly <i>(See Fig. 14)</i>
17	20100072	Electrical Box <i>(See Fig. 16)</i>
18	20100921	Round Tank Frame – Skid
19	20100103	Dosing Manifold Bracket
20	20100125	1/4-20 x 3/4" Zinc Bolt <i>(Four Required)</i>
21	1012153	1/4" Lock Washer <i>(Four Required)</i>
—	20TAH100312	Static Mixer 3/8" Diameter x 12 <i>(Two Required) (Not Shown)</i>
—	20BEAKER1000ML	1000 Milliliter Test Beaker
—	2091000	Hazard Decals
—	20100564	Liquid Level Control Sensor Kit – Optional
—	2090114	Operator's Manual – Spraymaster® 25 Gallon Heated Coatings Tank
—	209V504	Operator's Manual – Merkur® Pump Assembly
—	209V505	Operator's Manual – Graco® Mix Manifold
—	209V506	Operator's Manual – Graco® Viscon High Pressure Fluid Heater
—	209V509	Operator's Manual – Graco® NXT® Air Motor
—	209V021	Operator's Manual – Graco® Xtreme® Lowers
—	209V510	Operator's Manual – Graco® Merkur® Displacement Pump
—	209V512	Operator's Manual – Graco® Low Volume Air Regulators
—	205M015	Features & Specifications Guide – Spraymaster® EP-50 Spray System
—	206M015	Part Numbers & Schematics Guide – Spraymaster® EP-50 Spray System
—	2090015	Operator's Manual – Spraymaster® EP-50 Spray System

PART NUMBERS AND SCHEMATICS GUIDE

Figure 9: Spraymaster® EP 50:1 240-Volt AC General Purpose – Cart



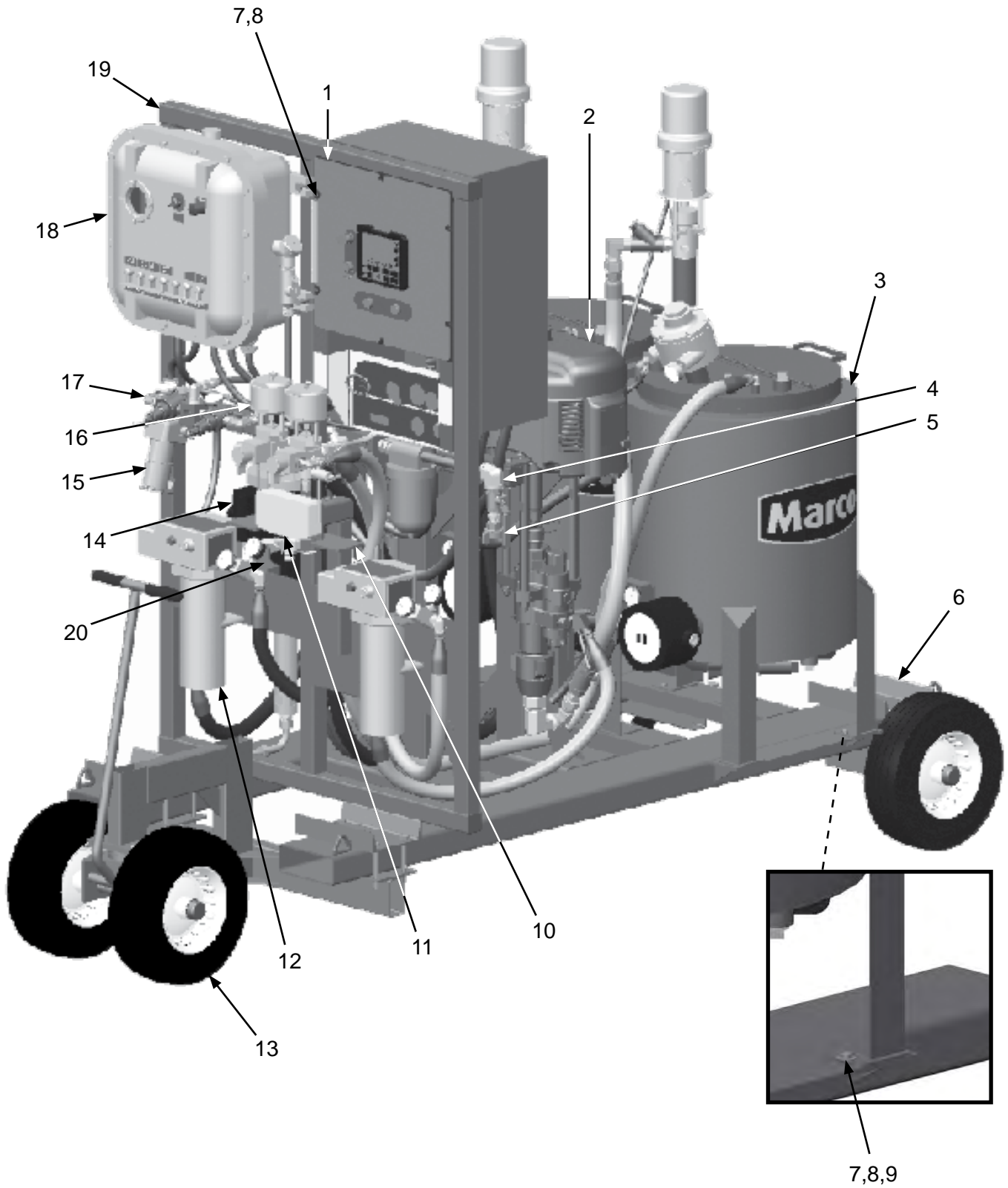
PART NUMBERS AND SCHEMATICS GUIDE

Spraymaster® EP 50:1 240-Volt AC Hazardous Location – Cart

Item #	Part #	Description
Fig. 10		
—	20101139	Spraymaster® EP 50:1 240-Volt AC Hazardous Location – Cart
1	20G255771	Control Box
2	—	Air Motor and Lower Pump Assembly <i>(See Fig. 13)</i>
3	20101081	Spraymaster® 25 Gallon Heated Coatings Tank – Complete <i>(Two Required)</i>
4	—	Air-In Manifold Assembly <i>(See Fig. 18)</i>
5	10ME1	Air Hose Coupling – 2-lug – 3/4" NPT (M)
6	20100692	Rear Wheel Assembly <i>(Two Required)</i>
7	20100138	3/8-16 Hex Lock Nut Zinc <i>(12 Required)</i>
8	10102331	3/8 SAE Flat Washer Zinc <i>(12 Required)</i>
9	10102331	3/8 SAE Flat Washer Zinc <i>(Two Required)</i>
10	20100284	Flush Pump Mounting Bracket
11	20G255684	Mix Manifold
12	20G245869	In-line Paint Heater <i>(Two Required)</i>
13	20100698	Front Wheel Assembly
14	20G262393	Flash Pump
15	20100279	30 AMP Receptacle
16	20G255478	Dose Valve <i>(Two Required)</i>
17	—	Air Manifold Assembly <i>(See Fig. 14)</i>
18	20MXPXCE161606N4	Hazardous Duty Distribution Panel <i>(See Fig. 17)</i>
19	20100921	Round Tank Frame – Skid
20	20100103	Dosing Manifold Bracket
—	20TAH100312	Static Mixer 3/8" Diameter x 12 <i>(Two Required) (Not Shown)</i>
—	20BEAKER1000ML	1000 Milliliter Test Beaker
—	2091000	Hazard Decals
—	20100564	Liquid Level Control Sensor Kit – Optional
—	2090114	Operator's Manual – Spraymaster® 25 Gallon Heated Coatings Tank
—	209V504	Operator's Manual – Merkur® Pump Assembly
—	209V505	Operator's Manual – Graco® Mix Manifold
—	209V506	Operator's Manual – Graco® Viscon High Pressure Fluid Heater
—	209V509	Operator's Manual – Graco® NXT® Air Motor
—	209V021	Operator's Manual – Graco® Xtreme® Lowers
—	209V510	Operator's Manual – Graco® Merkur® Displacement Pump
—	209V512	Operator's Manual – Graco® Low Volume Air Regulators
—	205M015	Features & Specifications Guide – Spraymaster® EP-50 Spray System
—	206M015	Part Numbers & Schematics Guide – Spraymaster® EP-50 Spray System
—	2090015	Operator's Manual – Spraymaster® EP-50 Spray System

PART NUMBERS AND SCHEMATICS GUIDE

Figure 10: Spraymaster® EP 50:1 240-Volt AC Hazardous Location – Cart



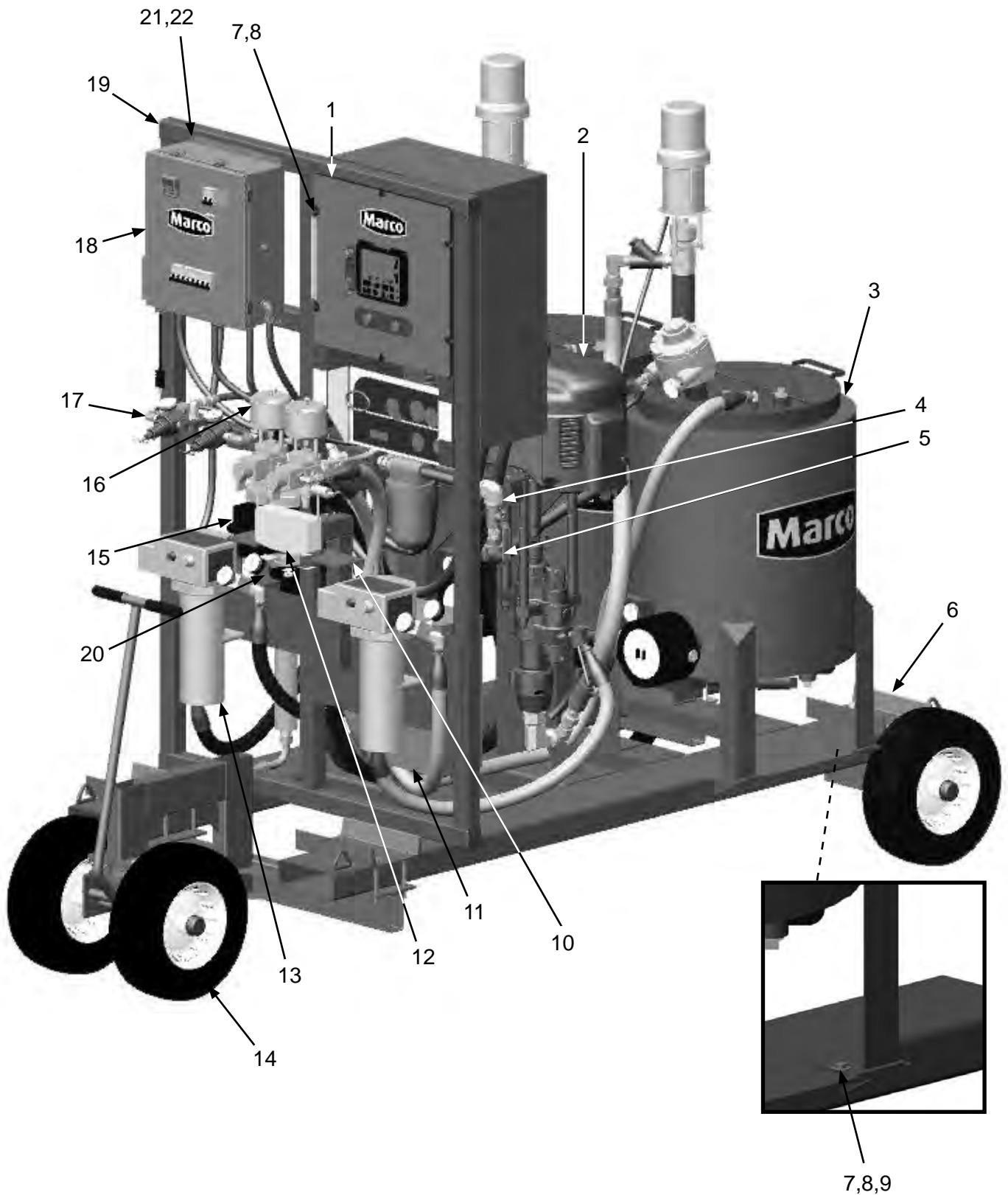
PART NUMBERS AND SCHEMATICS GUIDE

Spraymaster® EP 50:1 480-Volt AC General Purpose – Cart

Item #	Part #	Description
Fig. 11		
—	20101138	Spraymaster® EP 50:1 480-Volt AC General Purpose – Cart
1	20G255771	Control Box
2	—	Air Motor and Lower Pump Assembly <i>(See Fig. 13)</i>
3	20101082	Spraymaster® 25 Gallon Heated Coatings Tank – Complete <i>(Two Required)</i>
4	—	Air-In Manifold Assembly <i>(See Fig. 18)</i>
5	10ME1	Air Hose Coupling – 2-lug – 3/4" NPT (M)
6	20100692	Rear Wheel Assembly <i>(Two Required)</i>
7	20100138	3/8-16 Hex Lock Nut Zinc <i>(12 Required)</i>
8	10102331	3/8 SAE Flat Washer Zinc <i>(12 Required)</i>
9	10102331	3/8 SAE Flat Washer Zinc <i>(Two Required)</i>
10	20100284	Flush Pump Mounting Bracket
11	20100287	7.5 Kva Transformer
12	20G255684	Mix Manifold
13	20G245864	In-line Paint Heater <i>(Two Required)</i>
14	20100698	Front Wheel Assembly
15	20G262393	Flush Pump
16	20G255478	Dose Valve <i>(Two Required)</i>
17	—	Air Manifold Assembly <i>(See Fig. 14)</i>
18	20000051	Electrical Box <i>(See Fig. 16)</i>
19	20100921	Round Tank Frame – Skid
20	20100103	Dosing Manifold Bracket
21	20100125	1/4-20 x 3/4" Zinc Bolt <i>(Four Required)</i>
22	1012153	1/4" Lock Washer <i>(Four Required)</i>
—	20TAH100312	Static Mixer 3/8" Diameter x 12 <i>(Two Required) (Not Shown)</i>
—	20BEAKER1000ML	1000 Milliliter Test Beaker
—	2091000	Hazard Decals
—	20100564	Liquid Level Control Sensor Kit – Optional
—	2090114	Operator's Manual – Spraymaster® 25 Gallon Heated Coatings Tank
—	209V504	Operator's Manual – Merkur® Pump Assembly
—	209V505	Operator's Manual – Graco® Mix Manifold
—	209V506	Operator's Manual – Graco® Viscon High Pressure Fluid Heater
—	209V509	Operator's Manual – Graco® NXT® Air Motor
—	209V021	Operator's Manual – Graco® Xtreme® Lowers
—	209V510	Operator's Manual – Graco® Merkur® Displacement Pump
—	209V512	Operator's Manual – Graco® Low Volume Air Regulators
—	205M015	Features & Specifications Guide – Spraymaster® EP-50 Spray System
—	206M015	Part Numbers & Schematics Guide – Spraymaster® EP-50 Spray System
—	2090015	Operator's Manual – Spraymaster® EP-50 Spray System

PART NUMBERS AND SCHEMATICS GUIDE

Figure 11: Spraymaster® EP 50:1 480-Volt AC General Purpose – Cart



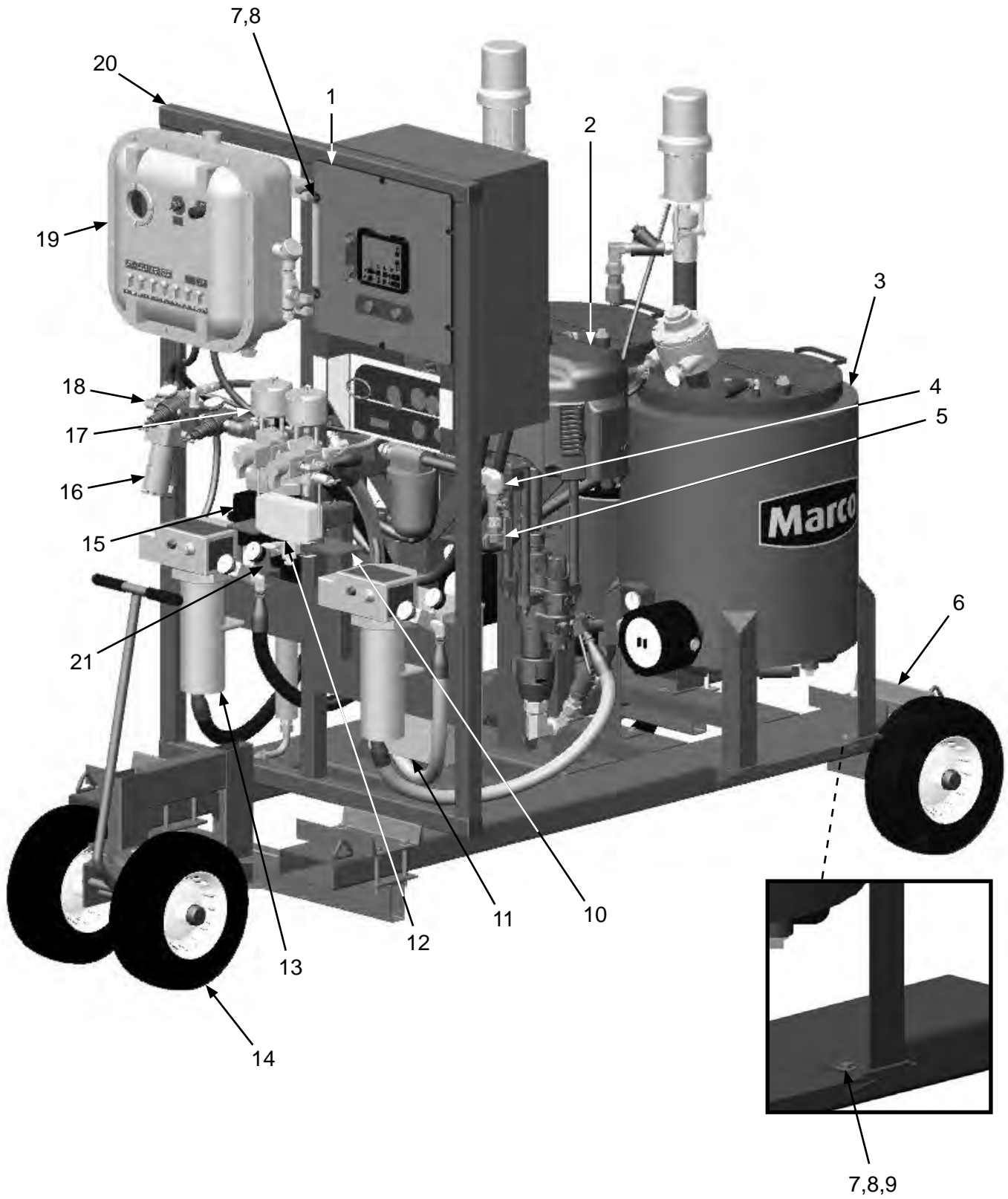
PART NUMBERS AND SCHEMATICS GUIDE

Spraymaster® EP 50:1 480-Volt AC Hazardous Location – Cart

Item #	Part #	Description
Fig. 12		
—	20101140	Spraymaster® EP 50:1 480-Volt AC Hazardous Location – Cart
1	20G255771	Control Box
2	—	Air Motor and Lower Pump Assembly <i>(See Fig. 13)</i>
3	20101082	Spraymaster® 25 Gallon Heated Coatings Tank – Complete <i>(Two Required)</i>
4	—	Air-In Manifold Assembly <i>(See Fig. 18)</i>
5	10ME1	Air Hose Coupling – 2-lug – 3/4" NPT (M)
6	20100692	Rear Wheel Assembly <i>(Two Required)</i>
7	20100138	3/8-16 Hex Lock Nut Zinc <i>(12 Required)</i>
8	10102331	3/8 SAE Flat Washer Zinc <i>(12 Required)</i>
9	10102331	3/8 SAE Flat Washer Zinc <i>(Two Required)</i>
10	20100284	Flush Pump Mounting Bracket
11	20100287	7.5 Kva Transformer
12	20G255684	Mix Manifold
13	20G245864	In-line Paint Heater <i>(Two Required)</i>
14	20100698	Front Wheel Assembly
15	20G262393	Flash Pump
16	20100279	30 AMP Receptacle
17	20G255478	Dose Valve <i>(Two Required)</i>
18	—	Air Manifold Assembly <i>(See Fig. 14)</i>
19	20MXPXCE161606N4	Hazardous Duty Distribution Panel <i>(See Fig. 17)</i>
20	20100921	Round Tank Frame – Skid
21	20100103	Dosing Manifold Bracket
—	20TAH100312	Static Mixer 3/8" Diameter x 12 <i>(Two Required) (Not Shown)</i>
—	20BEAKER1000ML	1000 Milliliter Test Beaker
—	2091000	Hazard Decals
—	20100564	Liquid Level Control Sensor Kit – Optional
—	2090114	Operator's Manual – Spraymaster® 25 Gallon Heated Coatings Tank
—	209V504	Operator's Manual – Merkur® Pump Assembly
—	209V505	Operator's Manual – Graco® Mix Manifold
—	209V506	Operator's Manual – Graco® Viscon High Pressure Fluid Heater
—	209V509	Operator's Manual – Graco® NXT® Air Motor
—	209V021	Operator's Manual – Graco® Xtreme® Lowers
—	209V510	Operator's Manual – Graco® Merkur® Displacement Pump
—	209V512	Operator's Manual – Graco® Low Volume Air Regulators
—	205M015	Features & Specifications Guide – Spraymaster® EP-50 Spray System
—	206M015	Part Numbers & Schematics Guide – Spraymaster® EP-50 Spray System
—	2090015	Operator's Manual – Spraymaster® EP-50 Spray System

PART NUMBERS AND SCHEMATICS GUIDE

Figure 12: Spraymaster® EP 50:1 480-Volt AC Hazardous Location – Cart



PART NUMBERS AND SCHEMATICS GUIDE

Spraymaster® EP-50 Air Motor & Lower Pump Assembly

Item #	Part #	Description
Fig. 13		
1	20G257055	Air Motor
2	20100063	Pump Mounting Plate
3	1014231	3/8-16 x 2-3/4" Grade 5 Hex
4	1014241	3/8" I.D. x 3/4" O.D. Washer
5	20100138	3/8-16 Zinc Hex Lock Nut
6	20100217	1" Fluid Hose – 4' Green
7	10AH012	Air Hose 1/2" I.D. 300 psi
8	1011601	1" Full Port Ball Valve
9	20PFHA24SA1616	1" Hex Nipple
10	20PFHA60UA1616	1" (M) x 1" (F) 90° Swivel
11	20PFHA24SB2016	1-1/4" x 1" Reducing Bushing
12	20PFHA60UG2020	1-1/4" (F) x 1-1/4" (F) 90°
13	20100207	1/2" Insulated Hose – Green 3'
—	209V503	Operator's Manual – Graco® XPTM Proportioners

PART NUMBERS AND SCHEMATICS GUIDE

Figure 13: Spraymaster® EP-50 Air Motor & Lower Pump Assembly



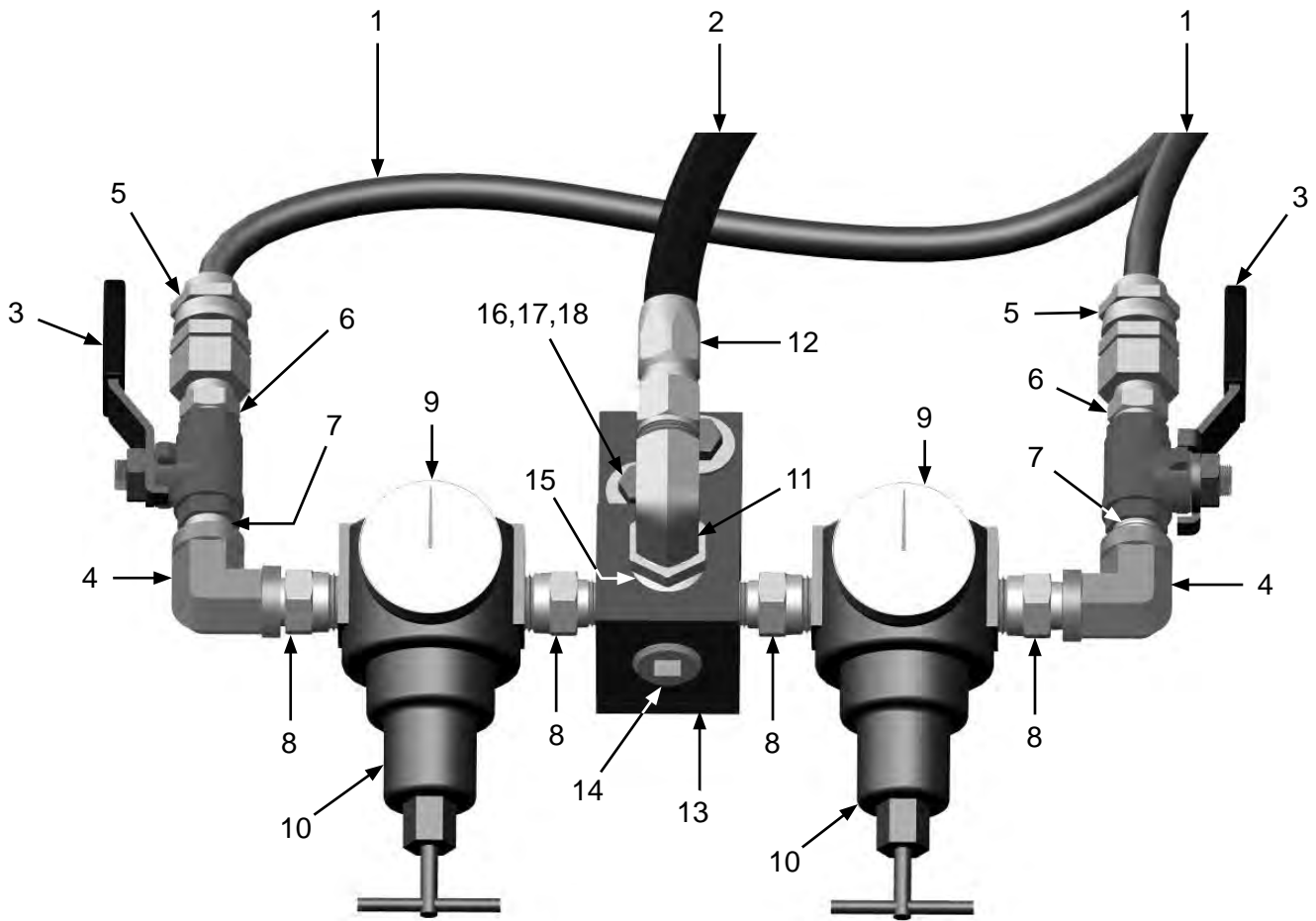
PART NUMBERS AND SCHEMATICS GUIDE

Air Manifold Assembly

Item #	Part #	Description
Fig. 14		
1	10AH038	3/8" I.D. Air Hose <i>(Two Required)</i>
2	10AH012	Air Hose 1/2" I.D. 300 psi
3	1080060	3/8" Full Port Ball Valve <i>(Two Required)</i>
4	20PFHA25UJ06	3/8" NPT (F) 90° Elbow <i>(Two Required)</i>
5	208020	3/8" Air Fluid Hose Fitting <i>(Two Required)</i>
6	20PFHA24SA0606	3/8" Hex Nipple 7200 Psi <i>(Two Required)</i>
7	1011209	3/8" Close Nipple <i>(Two Required)</i>
8	20PFHA24SA0806	3/8" x 1/2" Hex Nipple <i>(Four Required)</i>
9	20G101689B	0-200 psi Gauge <i>(Two Required)</i>
10	20G104266	1/2" Air Regulator <i>(Two Required)</i>
11	20PFHA25UA0808	1/2" NPT (M) 90° Elbow
12	20PFHFHU0808ND	Crimp on Hose End 1/2" Female Pipe
13	20100094	Air Manifold
14	20RPLG75R	3/4" Recessed Plug
15	20PFHA24SB1208	3/4" to 1/2" NPT Bushing
16	20100195	3/8-16 x 1" Zinc Bolt
17	10100674	1/2" Flat Washer
18	20100138	3/8-16 Hex Lock Nut Zinc

PART NUMBERS AND SCHEMATICS GUIDE

Figure 14: Air Manifold Assembly



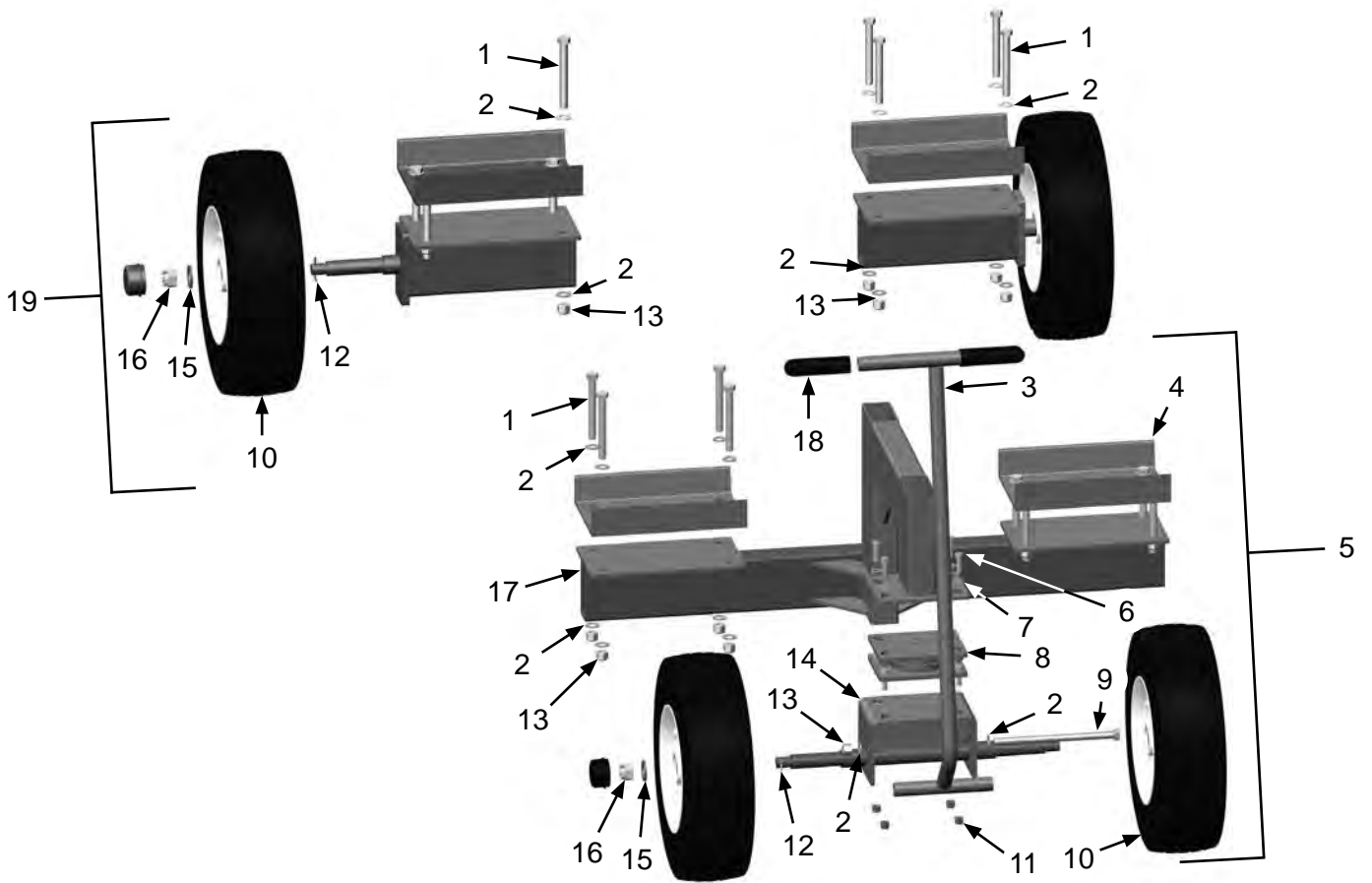
PART NUMBERS AND SCHEMATICS GUIDE

Wheel Kit

Item #	Part #	Description
Fig. 15		
1	20100160	1/2-13 x 4-1/2" Hex Bolt <i>(16 Required)</i>
2	10100674	1/2" Flat Washer <i>(34 Required)</i>
3	20100118	Cart Handle
4	20100696	Clamping Channel <i>(Four Required)</i>
5	20100698	Front Wheel Assembly <i>(Includes Item #'s: 1 (Quantity of Eight), 2 (Quantity of 18), 3, 4, 5, 6 (Quantity of Eight), 7 (Quantity of 12), 8, 9, 10, 11 (Quantity of Eight), 12 (Quantity of Two), 13 (Quantity of Nine), 14, 15 (Quantity of Two), 16 (Quantity of Two), 17 (Quantity of Two) and 18 (Quantity of Two))</i>
6	10104234	3/8-16 x 1-1/4" Hex Bolt <i>(Eight Required)</i>
7	1014241	3/8" Flat Washer <i>(16 Required)</i>
8	20100107	Front Swivel
9	20100123	1/2-13 x 8-1/2" Hex Bolt
10	1014241	16" Pneumatic Wheel Assembly <i>(Four Required)</i>
11	20100138	3/8-16 Hex Locknut <i>(Eight Required)</i>
12	20100147	1-1/2" Cotter Pin 7/64" Diameter <i>(Four Required)</i>
13	20100124	1/2-13 Hex Locknut <i>(17 Required)</i>
14	20100114	Front Axle Weldment
15	20100148	1" I.D. x 1-1/2" O.D. 10-GA Washer <i>(Four Required)</i>
16	20100149	3/4-10 Slotted Hex Nut <i>(Four Required)</i>
17	20100693	Front Wheel Weldment
18	1011766	Moisture Separator Grip <i>(Two Required)</i>
19	20100692	Rear Wheel Assembly <i>(Two Required) (Includes Item #'s: 1 (Quantity of Four), 2 (Quantity of Eight), 4, 10, 12, 13 (Quantity of Four), 15, and 16)</i>

PART NUMBERS AND SCHEMATICS GUIDE

Figure 15: Wheel Kit



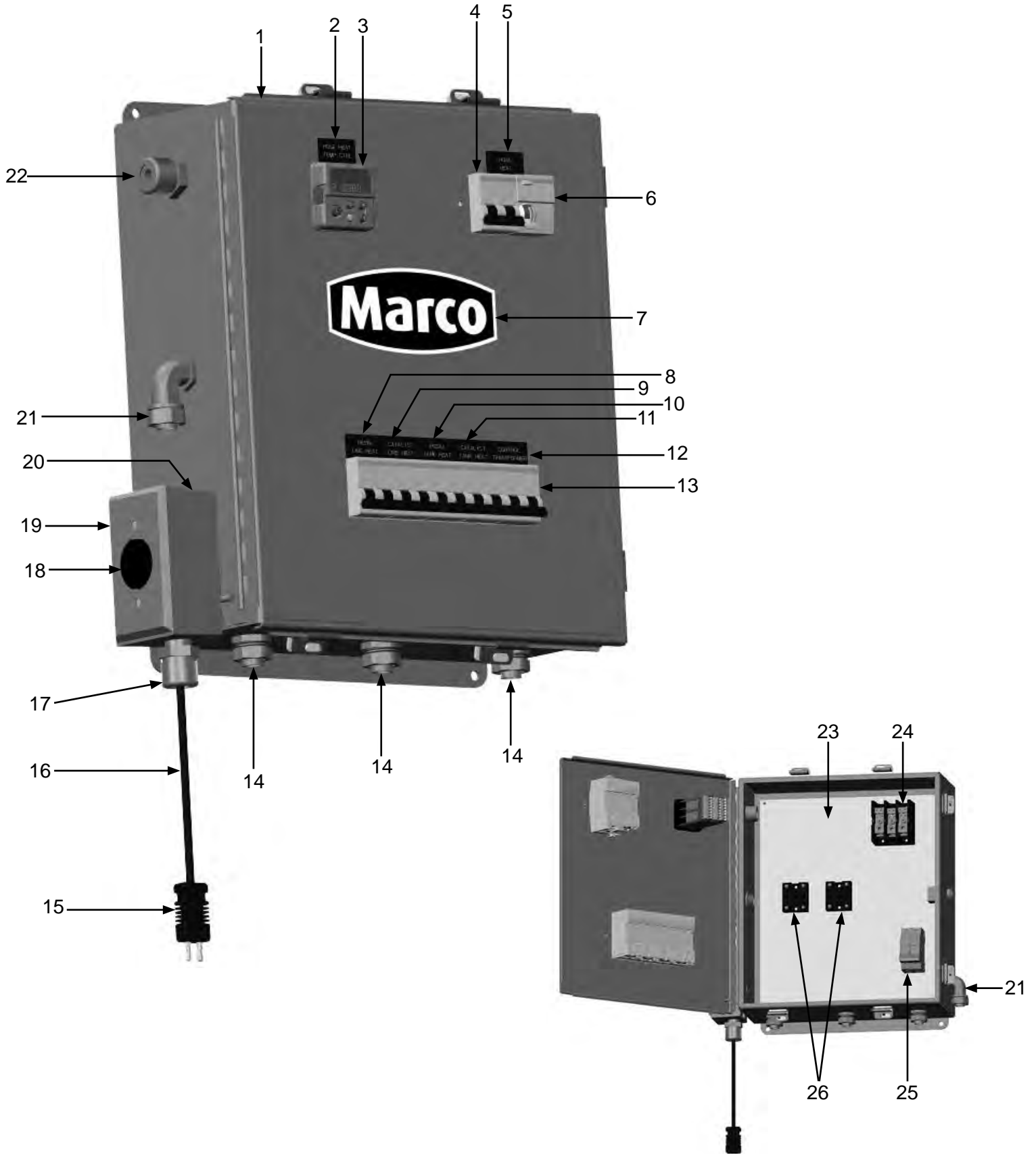
PART NUMBERS AND SCHEMATICS GUIDE

General Duty Control Box

Item #	Part #	Description
Fig. 16		
—	20100072	240-Volt Control Box, Four Circuit, Single Phase
1	20RMSJB161406CH44C	16" x 14" x 6" Enclosure, 4 Circuit
2	20MNPHTC	Nameplate – HOSE HEAT TEMP CTRL
3	20WTPM6C1CCARAAAAA	Hose Heat Control – 220-Volt
4	20RMG24456	50 Amp Circuit Breaker
5	20MNP HH	Nameplate – HOSE HEAT
6	20RMG26547	Double Pole GFI
7	1091042	Small Marco® Logo Sticker
8	20MNPRLH	Nameplate – RESIN LINE HEAT
9	20MNPCLH	Nameplate – CATALYST LINE HEAT
10	20MNP RTH	Nameplate – RESIN HEAT TANK
11	20MNPCTH	Nameplate – CATALYST TANK HEAT
12	20MNPTRANS	Nameplate – CONTROL TRANSFORMER
13	20RMG24453	25 Amp Circuit Breaker <i>(Four Required)</i>
14	20RST50	Straight Liquid Tite Connector <i>(Three Required)</i>
15	20CX308793	Female T/C Plug
16	20WTJ207502	Thermo Couple Wire, Non-Sheilded <i>(Per Foot)</i>
17	1019021	1/2" NPT Cord Grip, Aluminum .187–.312
18	20RHBL2620	L6-30 Twist-Lock Receptacle
19	20RLEV8402040	30 Amp Single Gang Cover, Stainless Steel
20	20RRX53200	Single Gang Electrical Box
21	20RST9050	90° Liquid Tite Connection Fitting
22	20RCG6275	3/4" Straight Cord Connector, Aluminum
23	20RP1614	16" x 14" Enclosure Back Panel
24	20R9080LBA362104	Power Distribution Block
25	20RUSM1	Fuse Holder with Indicator Light
26	20RW6250DSX1	50 Amp Solid State Relay

PART NUMBERS AND SCHEMATICS GUIDE

Figure 16: General Duty Control Box



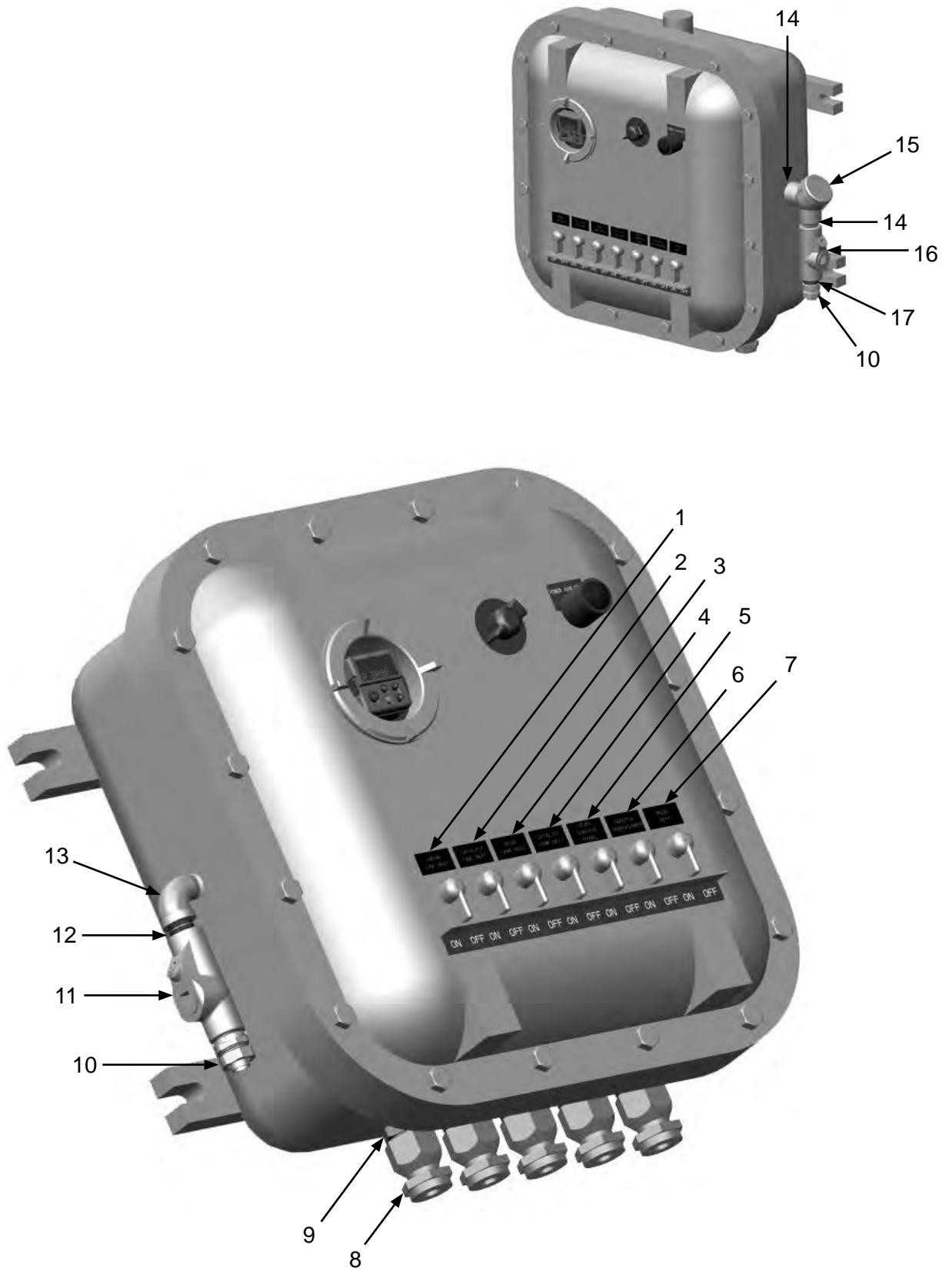
PART NUMBERS AND SCHEMATICS GUIDE

Hazardous Location Control Box

Item #	Part #	Description
Fig. 17		
—	20MXPXCE161606N4	Hazardous Duty Distribution Panel
1	20MNPRLH	Nameplate – Resin Line Heat
2	20MNPCLH	Nameplate – Catalyst Line Heat
3	20MNPPTH	Nameplate – Resin Heat Tank
4	20MNPCTH	Nameplate – Catalyst Tank Heat
5	20101152	Nameplate – Level Control Panel
6	20MNPTRANS	Nameplate – Control Transformer
7	20MNP HH	Nameplate – Hose Heat
8	1019021	Cord Grip 1/2"-NPT .187-.31
9	20PFHA24SA1612	3/4" x 1" Hex Nipple
10	20RST50	Straight Liquid Tite Connector
11	20REYM50	1/2" Mall Conduit Seal
12	10L803035	1/2" Close Nipple, Galvanized
13	20RELMFL9050	1/2" 90 Degree Electrical Fitting
14	1011213	3/4" Close Nipple, Galvanized
15	20100848	3/4" 90 Degree Pulling Elbow
16	20100660	3/4" Mall Conduit Seal
17	20RRB7550	3/4" to 1/2" Reducing Bushing

PART NUMBERS AND SCHEMATICS GUIDE

Figure 17: Hazardous Location Control Box



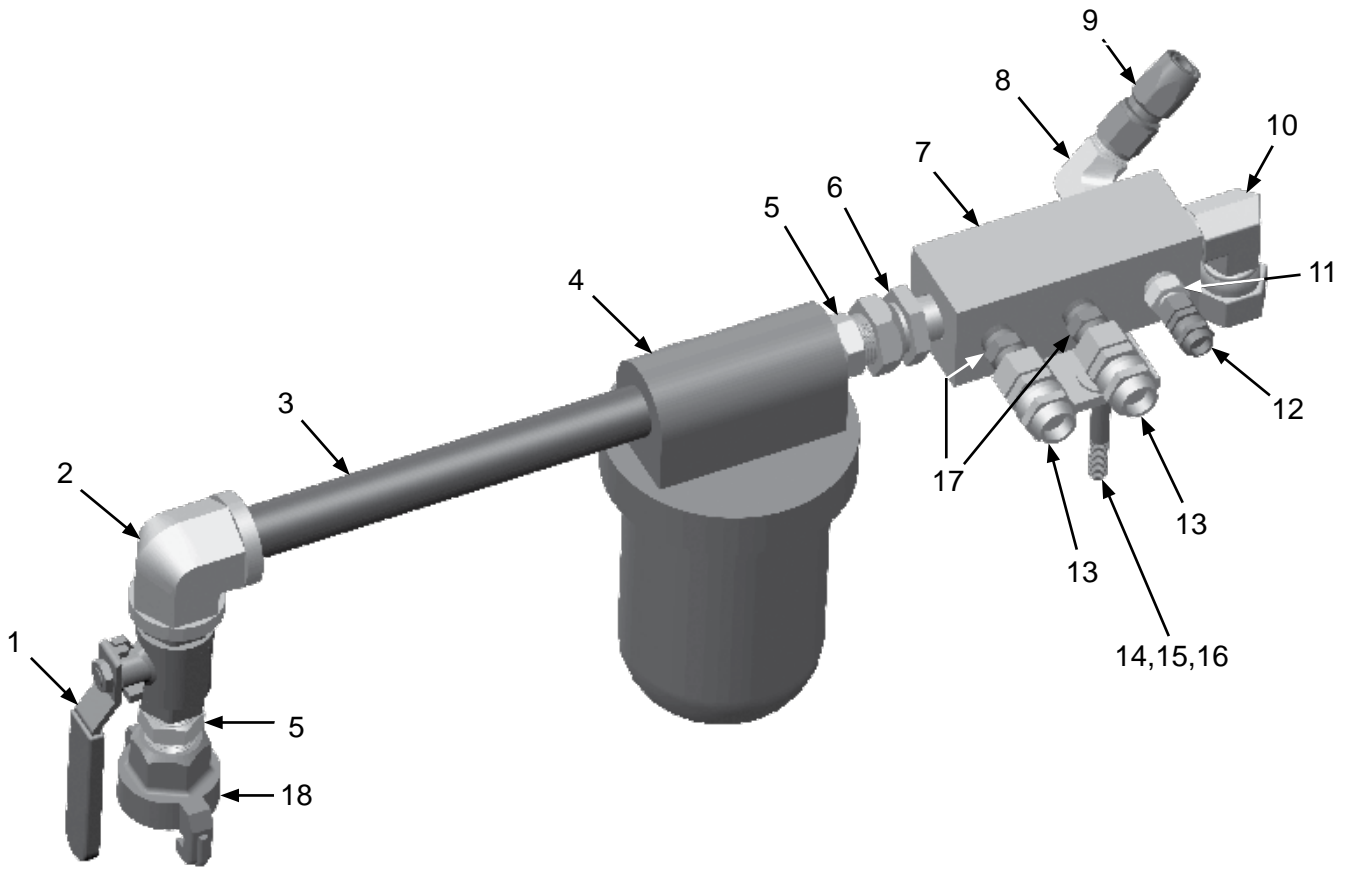
PART NUMBERS AND SCHEMATICS GUIDE

Air-In Manifold Assembly

Item #	Part #	Description
Fig. 18		
1	108074C	3/4" NPT Full Port Ball Valve
2	20100162	3/4" Galvanized 90° Elbow
3	20100283	3/4" x 10" Galvanized Pipe
4	20G106150	Air Line Filter
5	20PFHA24SA1212	3/4" Hex Nipple (<i>Two Required</i>)
6	20PFHA60SA1212	3/4" (M) x 3/4" (F) Swivel Union
7	20100326	8 Port Air Manifold Block
8	20PFHA25UA0808	1/2" NPT (M) 90° Elbow
9	20PFHFHU0808ND	Crimp on Hose End 1/2" Female Pipe
10	20PFHA60UA1212	3/4" (M) x 3/4" (F) 90° Swivel
11	20PFHA24SA0604	1/4" x 3/8" Hex Nipple
12	2080010	5/16" Air Hose Coupling
13	2080020	3/8" Air Fluid Hose Fitting (<i>Two Required</i>)
14	20100195	3/8-16 x 1" Zinc Bolt
15	10100674	1/2" Flat Washer
16	20100138	3/8-16 Hex Lock Nut Zinc
17	20PFHA24SA0606	3/8" Hex Nipple 7200 psi (<i>Two Required</i>)
18	10ME1	Air Hose Coupling – 2-lug – 3/4" NPT (M)

PART NUMBERS AND SCHEMATICS GUIDE

Figure 18: Air-In Manifold Assembly



OPTIONAL ACCESSORIES

Part Numbers	5000 PSI ELECTRIC HEATED HOSE BUNDLES											
	General Purpose	Intrinsically Safe	Deadhead	Recirculating	Modified	Moisture-Lock	Airless Spray Hose I.D.	Solvent Hose I.D.	Length			
									50 Ft.	100 Ft.	150 Ft.	200 Ft.
20100431	X		X				1/4" x 3/8" x 1/2"	1/4"			X	
20100432	X		X				1/4" x 3/8" x 1/2"	1/4"				X
20100433	X			X			1/4" (Qty of Two) x 3/8" x 1/2"	1/4"			X	
20100434	X			X			3/8" (Qty of Three) x 1/2"	1/4"				X
20101025	X			X			1/4" (Qty of Three) x 1/2"	1/4"		X		
20100447	X					X	1/4" x 3/8"	1/4"			X	
20100448	X					X	1/4" x 3/8"	1/4"				X
20100436		X	X				1/4" x 3/8" x 1/2"	1/4"	X			
20100437		X	X				1/4" x 3/8" x 1/2"	1/4"		X		
20100438		X	X				1/4" x 3/8" x 1/2"	1/4"			X	
20100439		X	X				3/8" x 1/2"	1/4"				X
20100440		X		X			3/8" (Qty of Three) x 1/2"	1/4"	X			
20100441		X		X			1/4" (Qty of Two) x 3/8" x 1/2"	1/4"		X		
20100442		X		X			1/4" (Qty of Two) x 3/8" x 1/2"	1/4"			X	
20100443		X		X			3/8" (Qty of Three) x 1/2"	1/4"				X

DEFINITION OF HOSE TYPE

Deadhead: Non-recirculating

Recirculating: Used to recirculate coatings back to the supply tanks from the mix manifold

Modified: For coupling to another modified hose

Moisture-Lock: Used for moisture-sensitive coatings

OPTIONAL ACCESSORIES

Part Numbers	7250 PSI HEATED HOSE BUNDLES									
	Deadhead	Recirculating	Modified	Moisture-Lock	Airless Spray Hose I.D.	Solvent Hose I.D.	Length			
							50 Ft.	100 Ft.	150 Ft.	200 Ft.
20100272	X				1/4" x 3/8" x 1/2"	1/4"	X			
20100258	X				1/4" x 3/8" x 1/2"	1/4"		X		
20100226	X				1/4" x 3/8" x 1/2"	1/4"			X	
20100450	X				1/4" x 3/8" x 1/2"	1/4"				X
20101075	X		X		1/4" x 3/8" x 1/2"	1/4"	X			
20101077	X		X		1/4" x 3/8" x 1/2"	1/4"		X		
20100451		X			1/4" (Qty of 3) x 3/8" x 1/2"	1/4"	X			
20100452		X			1/4" x 3/8" (Qty of 3) x 1/2"	1/4"		X		
20100453		X			1/4" (Qty of 3) x 3/8" x 1/2"	1/4"			X	
20100454		X			1/4" (Qty of 3) x 3/8" x 1/2"	1/4"				X
20100939		X	X		3/8" (Qty of 3) x 1/2"	1/4"		X		
20100466				X	1/4" x 3/8" x 1/4"	1/4"	X			
20100467				X	1/4" x 3/8" x 1/4"	1/4"		X		
20100468				X	1/4" x 3/8" x 1/4"	1/4"			X	
20100469				X	1/4" x 3/8" x 1/4"	1/4"				X

DEFINITION OF HOSE TYPE

Deadhead: Non-recirculating

Recirculating: Used to recirculate coatings back to the supply tanks from the mix manifold

Modified: For coupling to another modified hose

Moisture-Lock: Used for moisture-sensitive coatings

PART NUMBERS AND SCHEMATICS GUIDE

GRACO® XM70™ PLURAL COMPONENT SPRAYER												
Part Numbers	Type	Junction Box	Hopper Kit (20 gal)	Hopper Heater Kit	Hopper Fluid Inlet Kit	Hopper Universal Mount Kit	Twistork Agitator Kit	5:1 Pump Feed Kit	A Lower Pump	B Lower Pump	Pump Filters	Fluid Heaters
20GXM3B00	Standard	X							20GL180C4	20GL145C4	X	X
20GXM3B14	Standard	X	1	1	1	1	1		20GL180C4	20GL145C4	X	X
20GXM3B16	Standard	X	1	1		1	1	1	20GL180C4	20GL145C4	X	X
20GXM3B24	Standard	X	2	2	2	2	2		20GL180C4	20GL145C4	X	X
20GXM3B26	Standard	X	2	2		2	2	2	20GL180C4	20GL145C4	X	X
20GXM3C00	Standard								20GL180C4	20GL145C4	X	X
20GXM3C14	Standard		1	1	1	1	1		20GL180C4	20GL145C4	X	X
20GXM3C16	Standard		1	1		1	1	1	20GL180C4	20GL145C4	X	X
20GXM3C24	Standard		2	2	2	2	2		20GL180C4	20GL145C4	X	X
20GXM3C26	Standard		2	2		2	2	2	20GL180C4	20GL145C4	X	X
20GXM3E00	Hazardous Location								20GL180C4	20GL145C4	X	X
20GXM3E14	Hazardous Location		1	1	1	1	1		20GL180C4	20GL145C4	X	X
20GXM3E16	Hazardous Location		1	1		1	1	1	20GL180C4	20GL145C4	X	X
20GXM3E24	Hazardous Location		2	2	2	2	2		20GL180C4	20GL145C4	X	X
20GXM3E26	Hazardous Location		2	2		2	2	2	20GL180C4	20GL145C4	X	X

All sprayers include 3/8" x 25' airless spray hose, 1/4" x 10' whip hose, static mixers, and Graco® XTR7™ Airless Spray gun.

PART NUMBERS AND SCHEMATICS GUIDE

GRACO® XM70™ PLURAL COMPONENT SPRAYER WITH REMOTE MANIFOLD													
Part Numbers	Type	Junction Box	Hopper Kit (20 gal)	Hopper Heater Kit	Hopper Fluid Inlet Kit	Hopper Universal Mount Kit	Twistork Agitator Kit	5:1 Pump Feed Kit	A Lower Pump	B Lower Pump	Pump Filters	Fluid Heaters	Remote Manifold
20GXM7B00	Standard	X							20GL180C4	20GL180C4	X	X	X
20GXM7B14	Standard	X	1	1	1	1	1		20GL180C4	20GL180C4	X	X	X
20GXM7B16	Standard	X	1	1		1	1	1	20GL180C4	20GL180C4	X	X	X
20GXM7B24	Standard	X	2	2	2	2	2		20GL180C4	20GL180C4	X	X	X
20GXM7B26	Standard	X	2	2		2	2	2	20GL180C4	20GL180C4	X	X	X
20GXM7C00	Standard								20GL180C4	20GL180C4	X	X	X
20GXM7C14	Standard		1	1	1	1	1		20GL180C4	20GL180C4	X	X	X
20GXM7C16	Standard		1	1		1	1	1	20GL180C4	20GL180C4	X	X	X
20GXM7C24	Standard		2	2	2	2	2		20GL180C4	20GL180C4	X	X	X
20GXM7C26	Standard		2	2		2	2	2	20GL180C4	20GL180C4	X	X	X
20GXM7E00	Hazardous Location								20GL180C4	20GL180C4	X	X	X
20GXM7E14	Hazardous Location		1	1	1	1	1		20GL180C4	20GL180C4	X	X	X
20GXM7E16	Hazardous Location		1	1		1	1	1	20GL180C4	20GL180C4	X	X	X
20GXM7E24	Hazardous Location		2	2	2	2	2		20GL180C4	20GL180C4	X	X	X
20GXM7E26	Hazardous Location		2	2		2	2	2	20GL180C4	20GL180C4	X	X	X

All sprayers include 3/8" x 25' airless spray hose, 1/4" x 10' whip hose, static mixers, and Graco® XTR7™ Airless Spray gun.

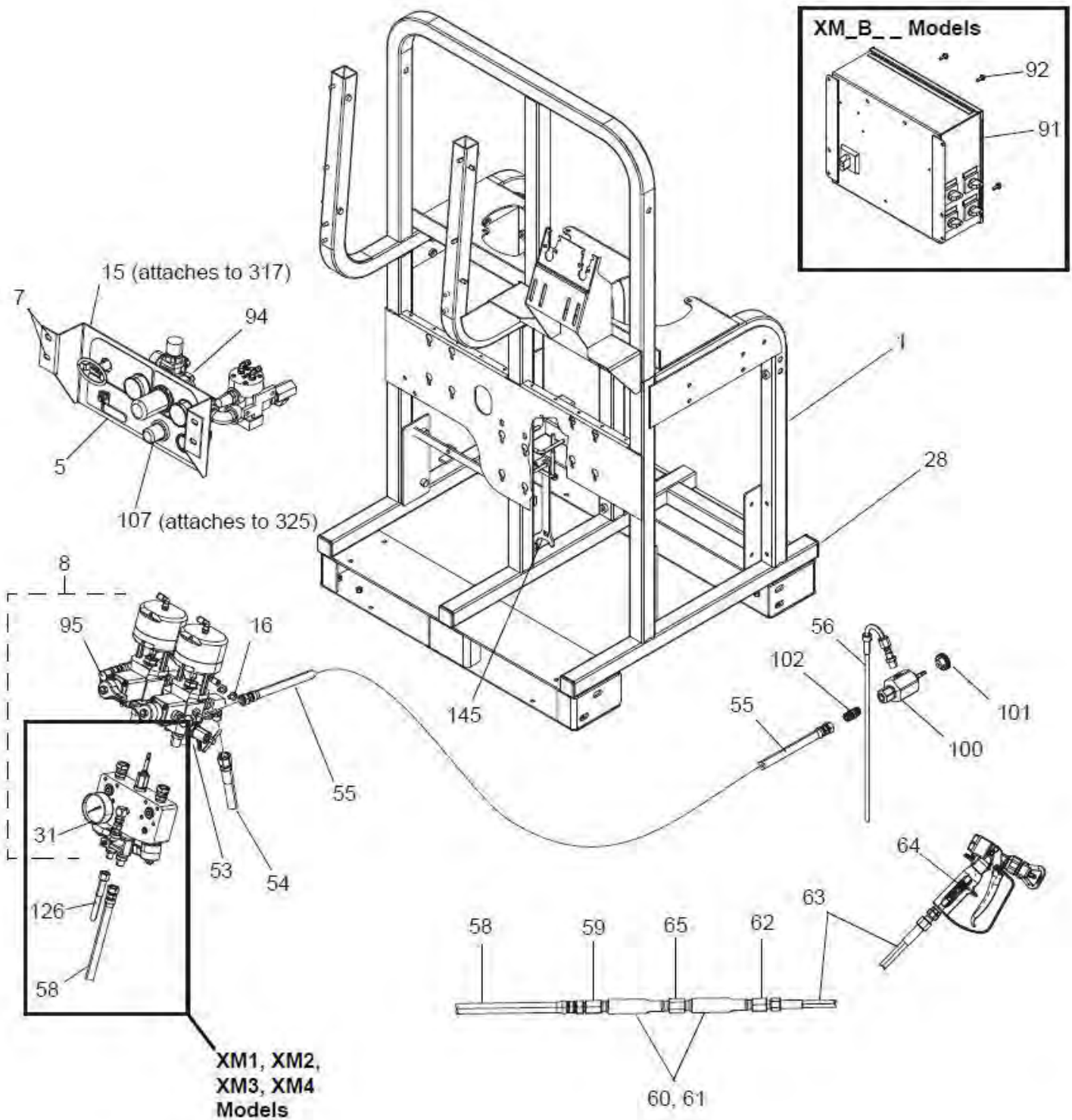
PART NUMBERS AND SCHEMATICS GUIDE

Graco® XM70™ Plural Component Sprayer

Item#	Part#	Description
Fig. 1		
1	—	Frame
5	20G255761	Upper Air Controls Module (See Fig. 5)
7	20G112958	Flanged Hex Nut (Quantity of Nine)
8	—	Fluid Control Assembly (See Fig. 7)
15	20G240900	3/4" x 30" Coupled Air Hose (Quantity of Three)
16	20G111801	Hex HD Screw Cap (Quantity of Ten)
28	20G115313	Tube Plug (Quantity of Eight)
31	20G114434	10,000 psi Pressure Gauge
53	20GH75003	1/2" x 3' Coupled Hose, 7250 psi (Quantity of Three)
54	20GH75002	1/2" x 2' Coupled Hose, 7250 psi
55	20GH53806	3/8" x 6' Coupled Hose, 5600 psi (Quantity of Two)
56	20G15T396	Recirculation Tube (Quantity of Two)
58	20GH73825	3/8" x 25' Coupled Hose, 7250 psi
59	20G15B729	3/8" NPT (F) x 3/8" NPSM (M) Adapter
60	20G262478	1/2" x 5" Static Housing Mixer Kit (Quantity of Two)
61	20G248927	Static Mixer Element, Pack of 25
62	20G150287	3/8" to 1/4" Reducing Coupling
63	20GH72510	1/4" x 10' Coupled Hose
64	20GXTR704	Graco® XTR-7™ Airless Spray Gun
65	20G162024	3/8" Coupling
91	20G256540	Junction Box (See Fig. 6)
92	20G111801	Hex HD Screw Cap
94	20G113498	Air Relief Valve, 100 psi
95	20G15U655	Identification Label
100	20G222200	Restrictor Valve (Quantity of Two)
101	20G114593	Restrictor Valve Knob (Quantity of Two)
102	20G156849	3/8" NPT x 3/8" Pipe Nipple (Quantity of Two)
107	20G248208	5/16" x 4' Coupled Hose
126	20GH42506	1/4" x 6' Coupled Hose, 4500 psi
145	20G15T258	Xtreme® Wrench
—	201V557	Brochure – Graco® XM™ Plural Component Sprayers
—	206M511	Part Numbers and Schematics Guide – Graco® XTR-7™ Airless Spray Gun
—	206M607	Part Numbers and Schematics Guide – Graco® XM70™ Plural Component Sprayer
—	209V557	Operator's Manual – Graco® XM™ Plural Component Sprayer

PART NUMBERS AND SCHEMATICS GUIDE

Figure 1: Graco® XM70™ Plural Component Sprayer



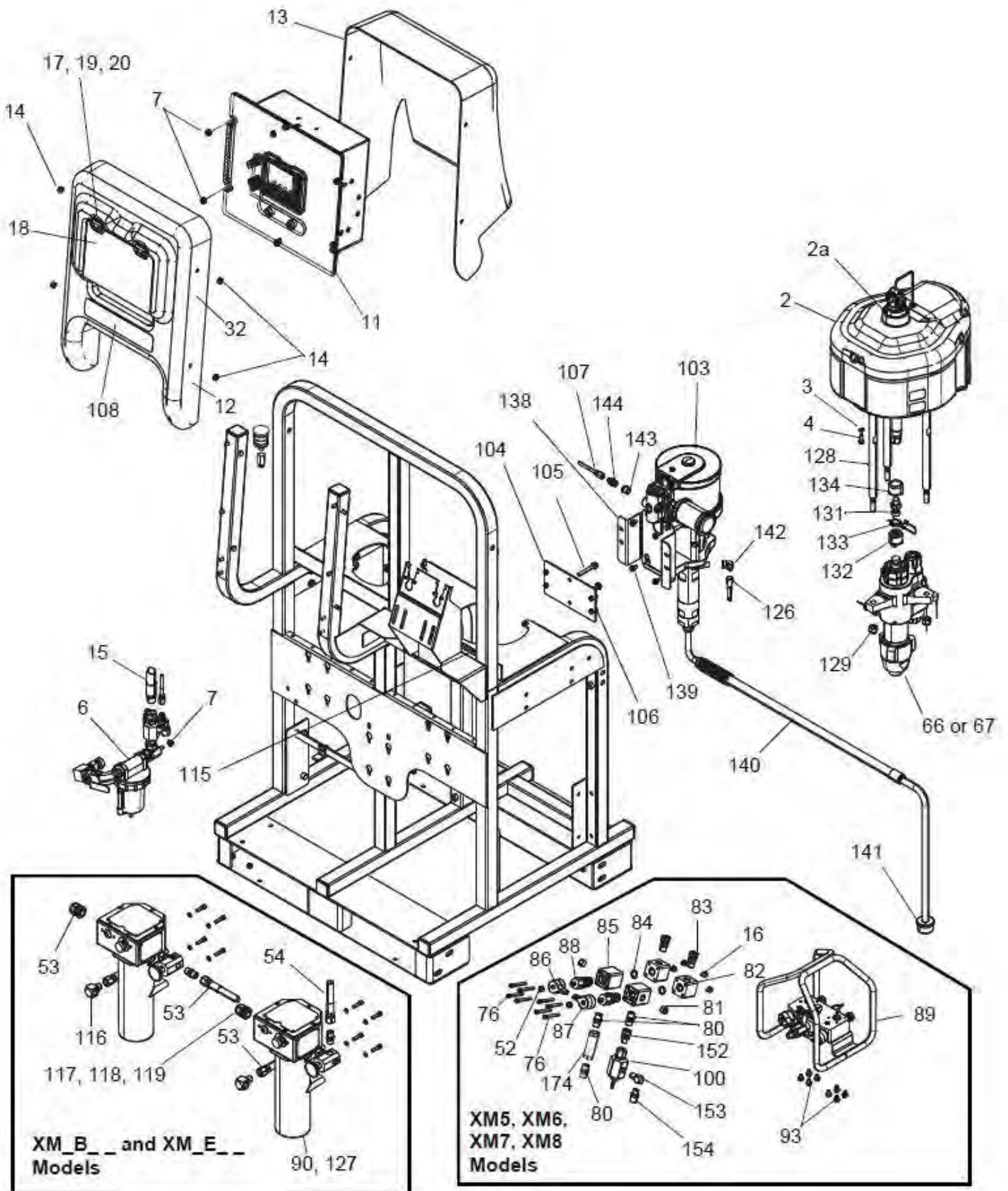
PART NUMBERS AND SCHEMATICS GUIDE

Graco® XM70™ Plural Component Sprayer

Item#	Part#	Description	Item#	Part#	Description
Fig. 2			87	20G15R380	Green Handle
2	20G257055	XM™ Air Motor 6500 De-Icing (Quantity of Two) (See Fig. 9)	88	20G255747	Valve Cartridge (Quantity of Two)
2a	20G256893	Linear Sensor (Quantity of Two)	89	20G24A034	Remote Mix Manifold Cartridge
3	20G100133	3/8" Lock Washer Spring (Quantity of Eight)	90	20G245869	Fluid Heater (Quantity of Two) (See Fig. 18)
4	20G100101	3/8-16 x 1" Long Screw (Quantity of Eight)	93	20G111801	Hex Head Screw Cap (Quantity of Eight)
6	20G255762	Air Inlet Manifold (See Fig. 8)	100	20G222200	Restrictor Valve (Quantity of Three)
7	20G112958	Flanged Hex Nut (Quantity of Nine)	103	20G257463	75cc XM™ Solvent Pump – 6" (See Fig. 19)
11	20G255771	XM™ Control Box (See Fig. 4)	104	20G256169	Solvent Pump Plate
12	20G256177	Front Shroud Cover	105	—	Flanged Hex Head Screw (Quantity of Two)
13	20G16P815	Rear Shroud Cover	106	20G112395	Flanged Cap Screw (Quantity of Four)
14	20G117623	3/8-16 Nut Cap (Quantity of Four)	107	20G248208	5/16" x 4' Coupled Hose
15	20G240900	3/4" x 30' Coupled Air Hose (Quantity of Three)	108	—	XM70™ Label
16	20G111801	Hex Head Screw Cap (Quantity of Ten)	115	20G115901	Edge Trim (Quantity of Two)
17	20G121471	Friction Positioning Hinge (Quantity of Two)	116	20G158683	1/2" 90° Elbow (Quantity of Two)
18	20G15T568	Door Control Shroud	117	20G15T967	Heater Cable (Quantity of Two)
19	20G15T567	Backup Plate Hinge Nut (Quantity of Four)	118	20G116171	Relief Bushing (Quantity of Two)
20	20G112380	Pan Head Machine Screw (Quantity of Eight)	119	20G122032	Wire Nut (Quantity of Four)
32	20G15T468	Warning Label (Quantity of Two)	126	20GH42506	1/4" x 6' Coupled Hose, 4500 psi
52	20G117623	3/8-16 Nut Cap	127	20G100527	Washer (Quantity of Eight)
53	20GH75003	1/2" x 3' Coupled Hose, 7250 psi (Quantity of Three)	128	20G257150	1/4" Tie Rod (Quantity of Six)
54	20GH75002	1/2" x 2' Coupled Hose, 7250 psi	129	20G101712	5/8-11 Lock Nut (Quantity of Six)
66	—	A Side Lower (See Fig. 10)	131	20G15H392	Rod Adapter (Quantity of Two)
67	—	B Side Lower (See Fig. 14)	132	20G244819	Xtreme® Rod Quick Coupling (Quantity of Two)
76	20G121295	Socket Head Screw Cap (Quantity of Eight)	133	20G244820	Connector Clip (Quantity of Two)
80	20G158491	1/2" x 1/2" Nipple (Quantity of Two)	134	20G197340	Coupler Cover (Quantity of Two)
81	20G100361	1/2" Pipe Plug (Quantity of Two)	138	20G256561	Solvent Pump Mounting Plate
82	20G15R529	Fluid Distribution Block (Quantity of Two)	139	20G111799	Flanged Hex Head Screw (Quantity of Four)
83	20G156684	Union Adapter (Quantity of Two)	140	20G256421	Suction Hose – Conventional
84	20G121139	O-Ring, PTFE (Quantity of Two)	141	20G181073	Inlet Strainer Kit
85	20G15J594	Check Valve Housing (Quantity of Two)	142	20G116935	Screw Cap
86	20G15J916	Blue Handle	143	20G100081	1/2" (M) x 3/8" (F) Steel Bushing
			144	20G157350	1/4" NPT x 3/8" NPT Nipple
			152	20G162505	3/8" (M) x 1/2" (F) Union Swivel
			153	20G155699	3/8-18 NPT Street Elbow
			154	20G159239	1/2" x 3/8" NPT Pipe Nipple
			174	20G16N367	1/2" x 3-1/2" Coupling

PART NUMBERS AND SCHEMATICS GUIDE

Figure 2: Graco® XM70™ Plural Component Sprayer



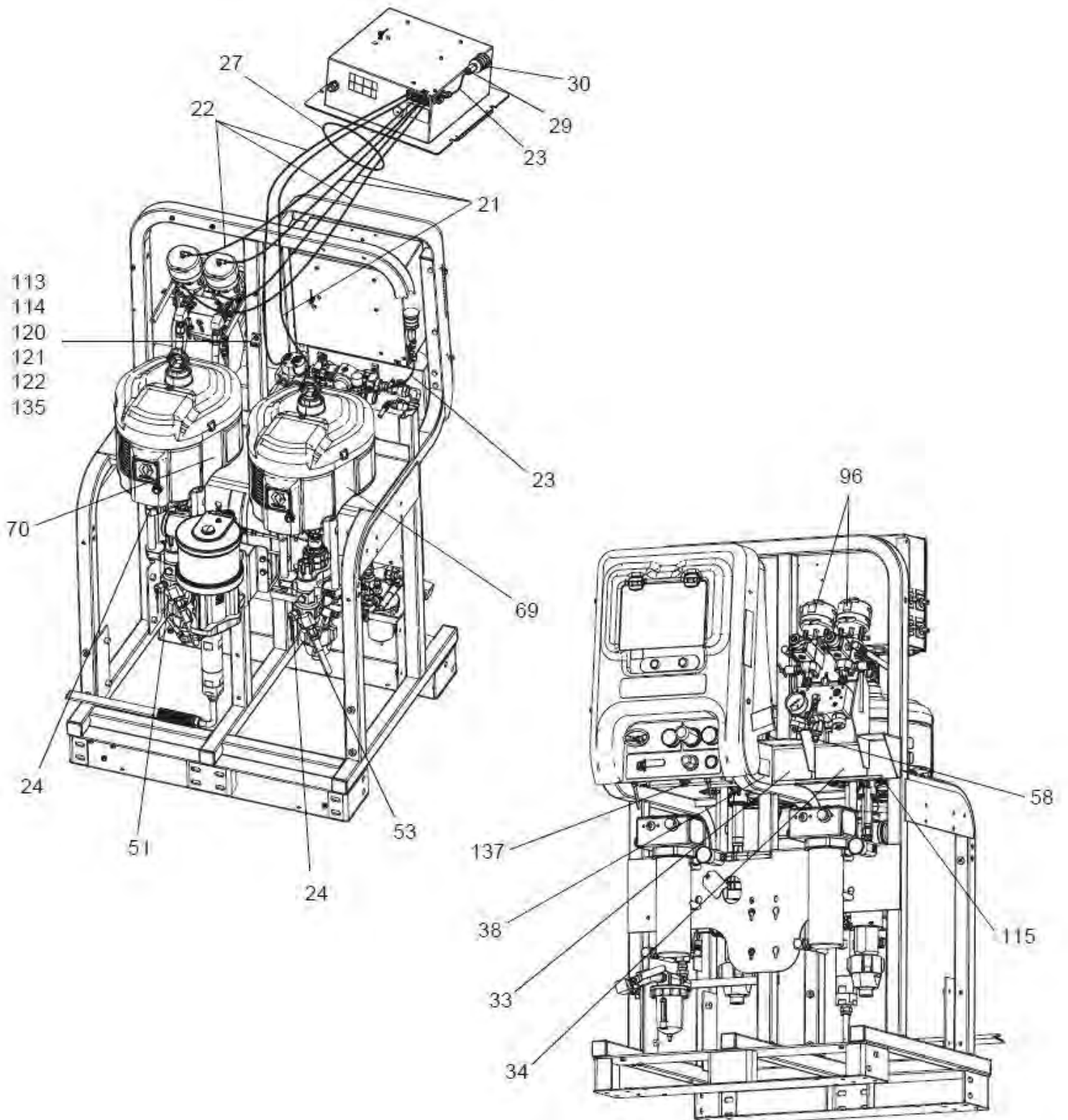
PART NUMBERS AND SCHEMATICS GUIDE

Graco® XM70™ Plural Component Sprayer

Item#	Part#	Description
Fig. 3		
21	20G054172	1/4" O.D. Nylon Tube – Black 10'
22	20G054175	1/4" O.D. Nylon Tube – Natural 7'
23	20GC12508	3/8" x 250' Black Nylon Tubing
24	20G160327	3/4" x 3/4" 90° Union Swivel (<i>Quantity of Two</i>)
27	20G114601	3' Non-Metallic, Flexible Conduit
29	20G121688	3/8" NPT x 3/8" Connector Tube
30	20G108636	Muffler
33	20G15U926	Codes & Alerts Label
34	20G15W598	Warning Label
38	20G293547	Identification Label
51	20G15M987	1/2" NPT (M) x 1/2" NPT (F) 60° Elbow
53	20GH75003	1/2" x 3' Coupled Hose, 7250 psi (<i>Quantity of Three</i>)
58	20GH73825	3/8" x 25' Coupled Hose, 7250 psi
69	20G15H652	A Side Motor Label
70	20G15H654	B Side Motor Label
96	20G15U654	Identification Label
113	20G117666	Ground Terminal
114	20G100028	Lock Washer
115	20G115901	Edge Trim (<i>Quantity of Two</i>)
120	—	Ground Assembly Wire
121	—	Electric Copper Wire
122	20G109025	Terminal Ring
135	20G113796	Flanged Hex Head Screw
137	20G054760	3-1/2' Black Polyurethane Tube

PART NUMBERS AND SCHEMATICS GUIDE

Figure 3: Graco® XM70™ Plural Component Sprayer



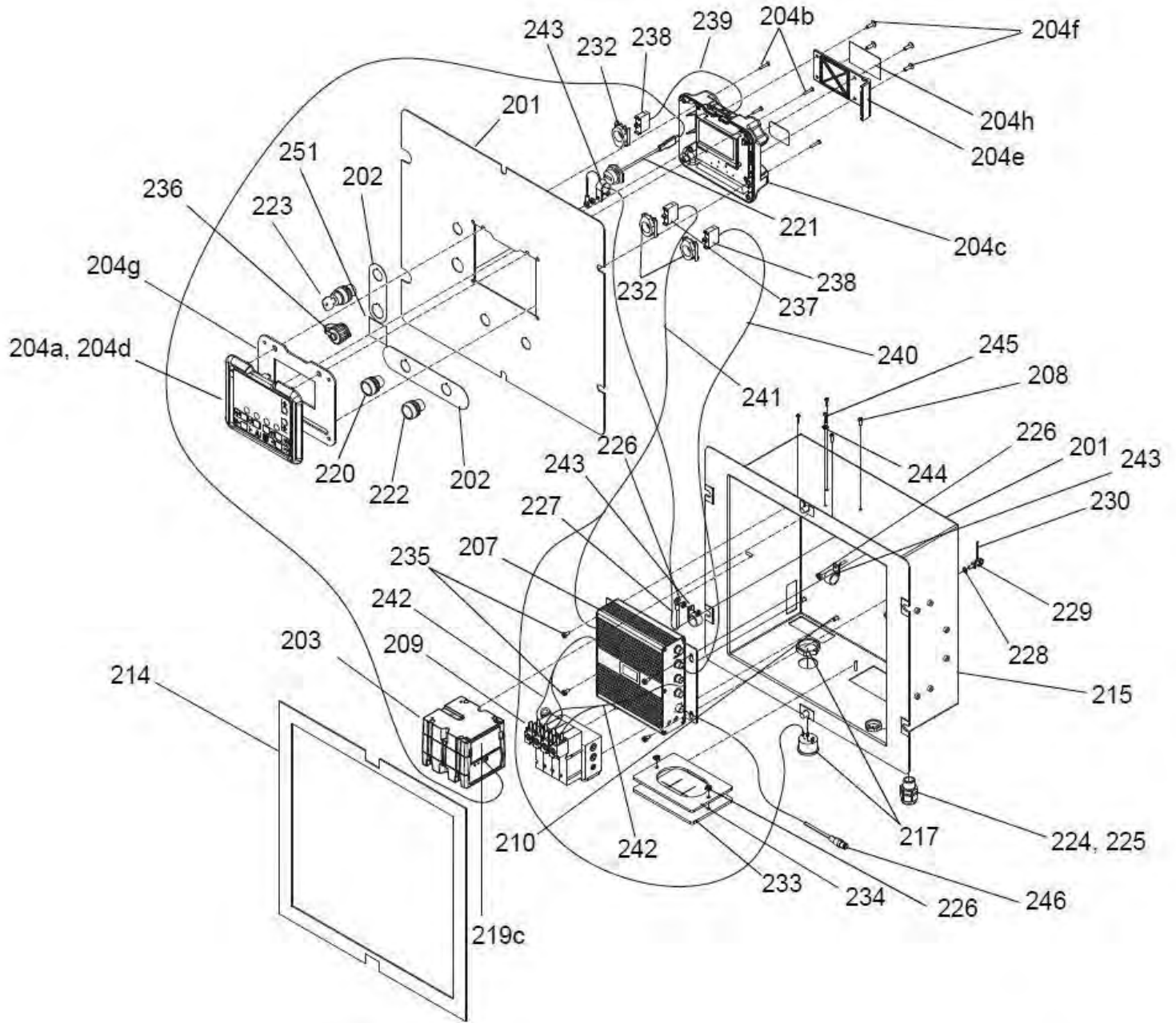
PART NUMBERS AND SCHEMATICS GUIDE

XM™ Control Box

Item#	Part#	Description	Item#	Part#	Description
Fig. 4					
—	20G255771	XM™ Control Box	225	20G117625	Locking Nut
201	—	Control Box	226	20G113505	Hex Head Nut (<i>Quantity of Six</i>)
202	—	Control Display Label	227	20G15B090	Grounding Door Wire
203	20G262641	USB Replacement Kit (<i>Includes Item #'s: 206 and 219</i>)	228	20G558685	External Lock Washer
204	20G257484	Displace Module Repair Kit (<i>Includes Item #'s: 204a–204h</i>)	229	20G15R343	Electrical Ground Clamp
204a	20G15M483	Membrane Shield (<i>Quantity of Ten</i>)	230	20G065213	Electrical Copper Wire (<i>Quantity of Three</i>)
204b	—	Pan Head Screw (<i>Quantity of Four</i>)	232	20G120493	Mounting Latch (<i>Quantity of Three</i>)
204c	20G288997	Rear Display Module Case	233	20G15H189	Wire Feed Through Boot
204d	20G255727	Front Display Module Case	234	20G15G816	Plate Wire Cover
204e	20G277463	Low Level Displace Access Cover	235	20G110637	Pan Head Screw (<i>Quantity of Four</i>)
204f	20G113768	Flat Head Socket Screw (<i>Quantity of Four</i>)	236	20G15R325	Bulkhead Receptacle Dust Cover
204g	20G15R458	Front Panel Control Gasket	237	20G120494	Switch Block, n.o. (<i>Quantity of Two</i>)
204h	20G15W958	Battery Warning Label	238	20G120495	Switch Block, n.c.
205	20G262642	Display Replacement Kit (<i>Includes Item #'s: 204 and 206</i>)	239	20G15M974	Key Switch Harness
206	20G17E110	XM™ PDP GCA Upgrade Token	240	20G15M975	Start/Alarm Harness
207	20G262643	FCM Replacement Kit (<i>Includes Item #'s: 206 and 218</i>)	241	20G15M976	Stop Harness
208	—	Pan Head Screw (<i>Quantity of Four</i>)	242	20G15M977	Solenoid Harness (<i>Quantity of Two</i>)
209	20G256555	Solenoid Module – IS Version (<i>Includes Item #'s: 209a–209c</i>)	243	20G121988	Wire Harness Routing Retainer (<i>Quantity of Four</i>)
209a	20G121636	Solenoid Connector Valve (<i>Quantity of Four</i>)	244	20G195875	Pan Head Screw
209b	20G15A789	Solenoid Outlet Gasket	245	20G102063	Lock Washer
209c	20G15A799	Solenoid Inlet/Exhaust Gasket	246	20G15U542	Cable Motor (<i>Quantity of Two</i>)
210	20G106084	Pan Head Screw (<i>Quantity of Two</i>)	251	20G15X214	USB Warning Label
214	20G15R379	Control Box Gasket	—	20G122829	3/4" Conduit
215	—	Label			
217	20G122000	XM™ Alarm – Panel Mount			
218	20G255920	Advanced Fluid Control Module			
219	20G257088	USB Module Assembly (<i>Includes Item #'s: 219a–219c</i>)			
219a	20G289899	Base			
219b	20G277674	USB Module			
219c	20G277674	Module Door			
220	20G121618	XM™ Push Button Start Switch			
221	20G15R324	USB Harness Plug/Bulkhead – 32"			
222	20G121619	Push Button Stop Switch – Red			
223	20G121617	Two Position Key Switch			
224	20G117745	Strain Relief Bushing			

PART NUMBERS AND SCHEMATICS GUIDE

Figure 4: XM™ Control Box



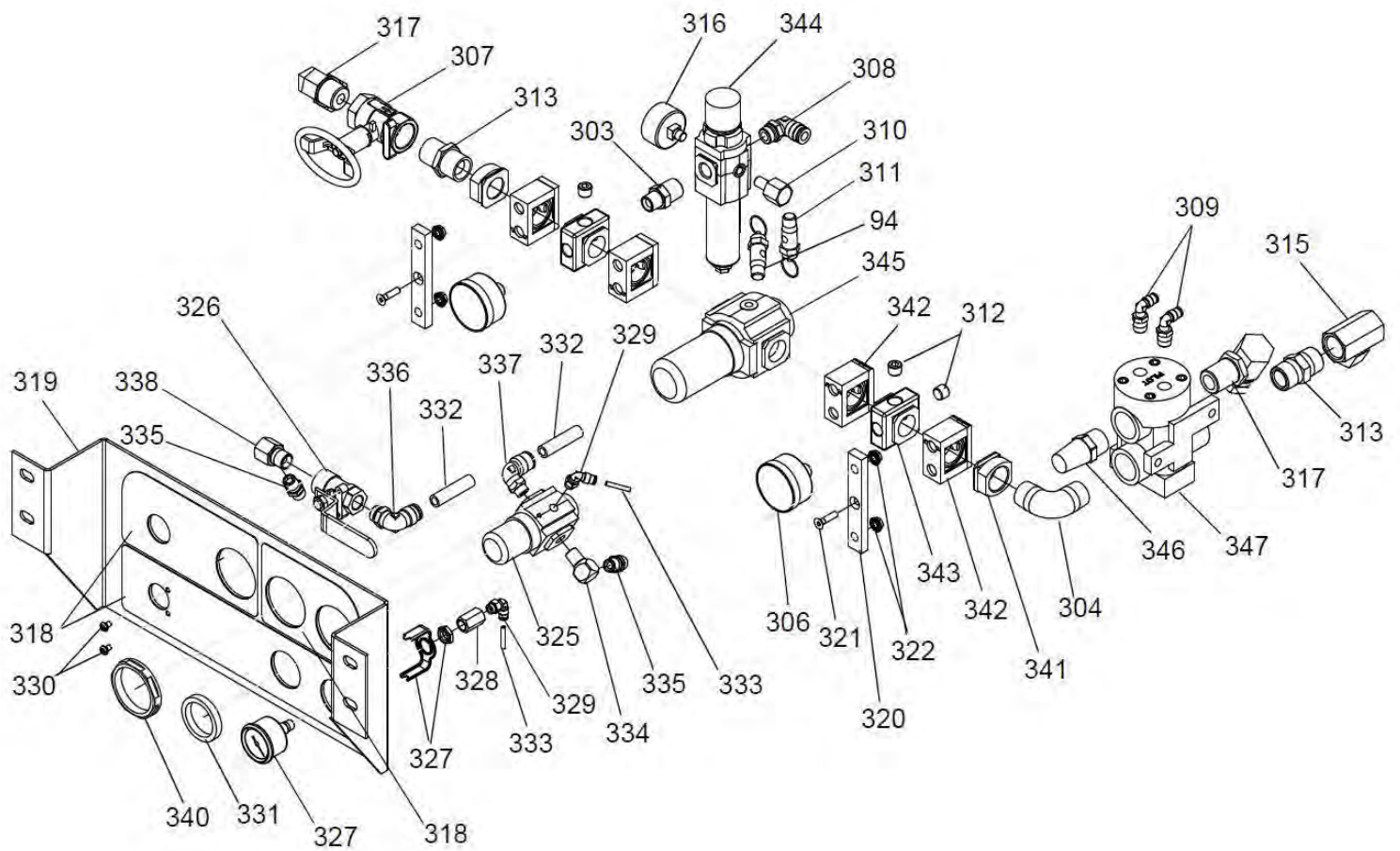
PART NUMBERS AND SCHEMATICS GUIDE

Air Controls Module

Item#	Part#	Description	Item#	Part#	Description
Fig. 5					
—	20G255761	Air Controls Module	340	20G122336	Regulator Panel Nut
94	20G116643	Pressure Relief Valve – 90 psi	341	20G113440	3/4" (F) Pipe Adapter <i>(Quantity of Two)</i>
303	20G157350	1/4" NPT x 3/8" NPT Nipple	342	20G113431	Quick Connector <i>(Quantity of Four)</i>
304	20G108307	3/4" NPT Elbow	343	20G113442	Porting Block <i>(Quantity of Two)</i>
306	20G101689	Air Gauge <i>(Quantity of Two)</i>	344	20G15R488	Air Regulator <i>(Includes Item #344a)</i>
307	20G117346	3/4" Ball Valve – Vented	344a	20G123454	5 Micron Air Filter Element
308	20G114316	Swivel Elbow, Male	345	20G15R487	Air Regulator
309	20G114109	Fitting Elbow Male Swivel <i>(Quantity of Two)</i>	346	20G15R486	Muffler
310	20G158962	1/4" (F) x 1/8" (M) Reducing Elbow	347	20G15R485	Dual Pilot Valve
311	20G116643	Pressure Relief Valve – 90 psi	—	20G255772	Air Controls Repair Kit <i>(Includes Item #'s: 340, 341, 342, 343, 344, 345, 346, and 347)</i>
312	20G100721	Pipe Plug <i>(Quantity of Three)</i>			
313	20G119992	3/4" x 3/4" NPT Pipe Nipple Fitting <i>(Quantity of Two)</i>			
315	20G156589	3/4" 90° Swivel Union			
316	20G113911	Air Pressure Gauge			
317	20G160327	3/4" x 3/4" 90° Union Adapter <i>(Quantity of Two)</i>			
318	20G15T119	Control Label			
319	—	Air Controls Bracket			
320	20G15R437	Air Controls Adapter Bracket <i>(Quantity of Two)</i>			
321	20G121432	Hex Flat Head Screw <i>(Quantity of Four)</i>			
322	20G115942	Hex Head Nut <i>(Quantity of Four)</i>			
325	20G116513	Air Regulator			
326	20G121457	Air Ball Valve – Panel Mounted			
327	20G121424	1-1/2" Pressure Gauge – Panel Mount			
328	20G100451	Coupling			
329	20G114151	Male Swivel Elbow Fitting <i>(Quantity of Two)</i>			
330	20G100264	Pan Head Screw <i>(Quantity of Two)</i>			
331	20G116514	Nut Regulator			
332	20G054760	1-1/4" Polyurethane Tube – Black			
333	—	0.6' Polyurethane Tube			
334	20G100840	1/4-18 NPT Elbow			
335	20G162453	1/4" x 1/4" Nipple <i>(Quantity of Two)</i>			
336	20G114114	Swivel Elbow – Male			
337	20G114128	1/4" x 1/2" Swivel Elbow – Male			
338	20G164259	3/8" (M) x 1/4" (F) Street Elbow			

PART NUMBERS AND SCHEMATICS GUIDE

Figure 5: Air Controls Module



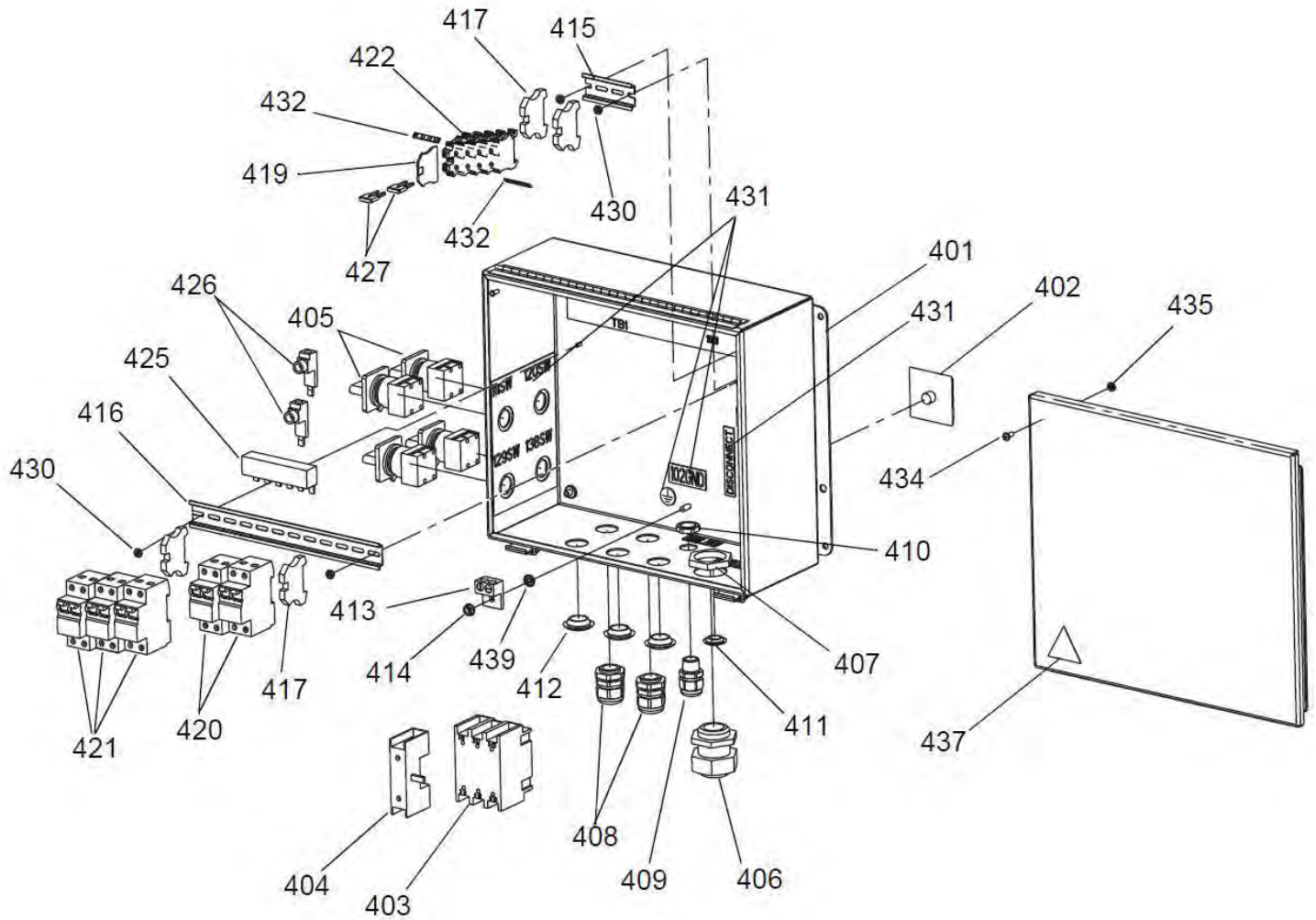
PART NUMBERS AND SCHEMATICS GUIDE

Junction Box

Item#	Part#	Description
Fig. 6		
—	20G256540	Junction Box
401	—	Electrical Enclosure
402	20G117545	Operator Disconnect Knob
403	20G117564	100A Disconnect Switch
404	20G117553	100A Disconnect Phase Expander Switch
405	20G15U423	25A Switch (<i>Quantity of Four</i>)
406	20G255047	Strain Relief Bushing
407	20G255048	Strain Relief Nut
408	20G116171	Strain Relief Bushing (<i>Quantity of Two</i>)
409	20G117745	Strain Relief Bushing
410	20G117625	Locking Nut
411	20G15U543	7/8" Hole Plug
412	20G15U544	1-1/8" Hole Plug (<i>Quantity of Three</i>)
413	20G117666	Ground Terminal
414	20G115942	Flanged Head Hex Nut
415	—	3" Mounting Rail
416	—	Mounting Rail
417	20G255045	Clamp End Block (<i>Quantity of Four</i>)
419	—	End Cover
420	20G255050	25A Circuit Breaker (<i>Quantity of Two</i>)
421	20G121623	10A Circuit Breaker (<i>Quantity of Three</i>)
422	20G120570	Terminal Block (<i>Quantity of Five</i>)
425	—	6-Pin Power Bus Bar
426	20G117679	Power Lug Connector (<i>Quantity of Two</i>)
427	20G120573	Plug-In Bridge (<i>Quantity of Two</i>)
430	20G113505	Hex Head Nut (<i>Quantity of Four</i>)
431	20G15U662	Identification Label
432	—	Terminal Blocker Marker (<i>Quantity of Two</i>)
434	20G112948	Machine Head Screw
435	20G100166	Full Hex Nut
437	20G196548	Caution Label
439	20G558685	1/4" External Washer
—	20G15U954	Junction Box Harness
—	20G15R344	Wiring Identification Label

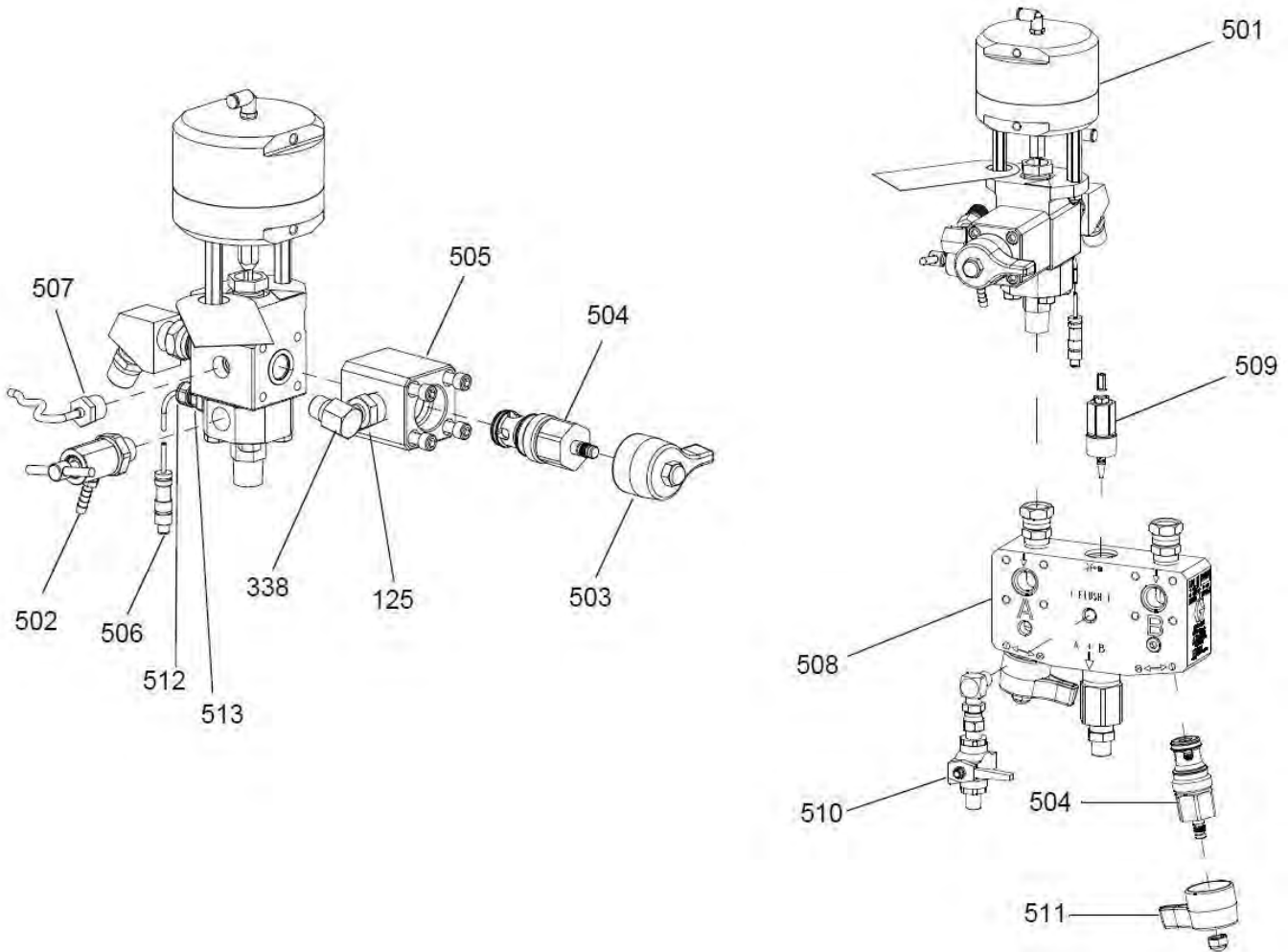
PART NUMBERS AND SCHEMATICS GUIDE

Figure 6: Junction Box



PART NUMBERS AND SCHEMATICS GUIDE

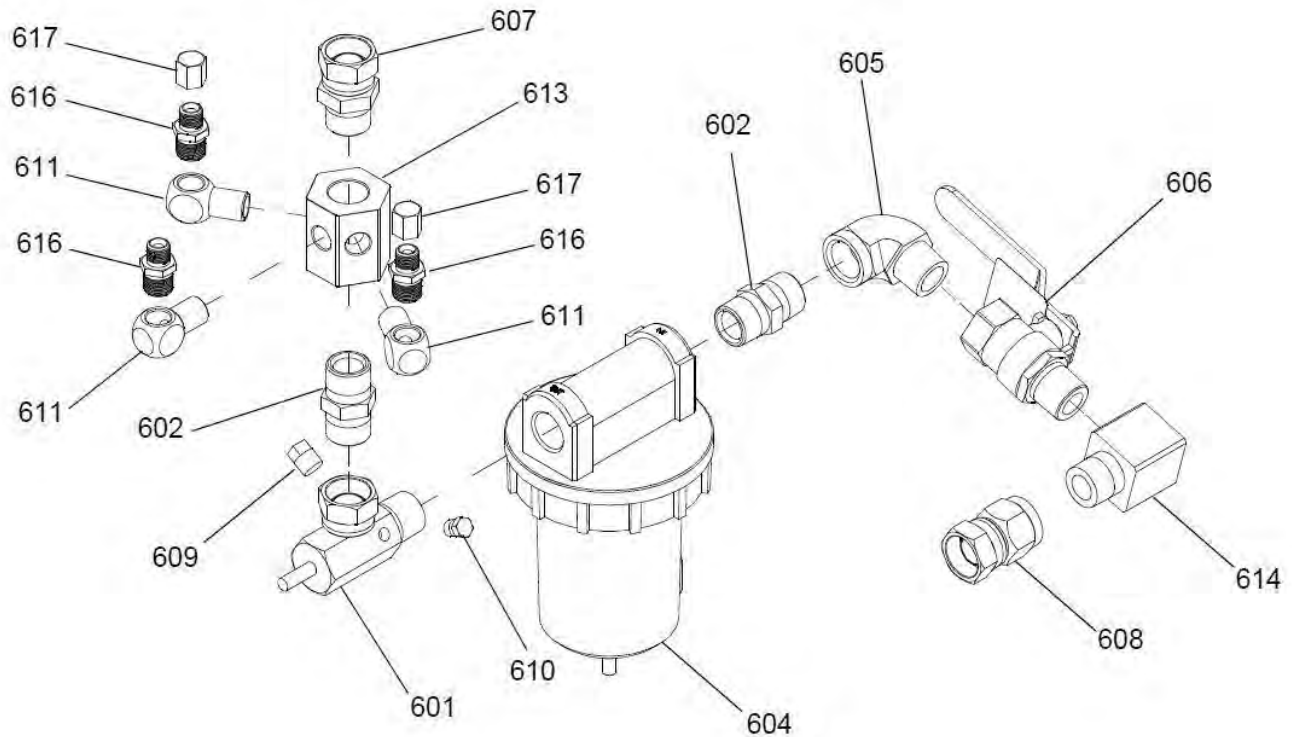
Figure 7: Fluid Control Assembly



Item#	Part#	Description
Fig. 7		
125	20G162449	1/4" x 1/2" Nipple
338	20G164259	3/8" (M) x 1/4" (F) Street Elbow
501	20G255478	Ration Control Valve (Quantity of Two)
502	20G245143	Bleed Off Valve (Quantity of Two)
503	20G15R381	Recirculation Valve Handle – Black (Quantity of Two)
504	20G255747	Circulation Valve Cartridge (Quantity of Four)
505	20G15J594	Check Valve Housing (Quantity of Two) (Includes Item #505a)
505a	20G121139	O-Ring Packing (Quantity of Two)
506	20G15R347	Fluid Control Sensor (Quantity of Two)
507	20G15M669	Fluid Pressure Sensor (Quantity of Two) (Includes Item #507a)
507a	20G121399	O-Ring, Solvent Resistant (Quantity of Two)
508	20G255684	Mix Manifold Assembly
509	—	Restrictor Valve Assembly
510	20G214037	1/4" x 1/4" Ball Valve, 5000 psi
511	—	Mix Manifold Valve Handle – Blue and Green (Quantity of Two)
512	20G15T072	Cord Grip (Quantity of Two)
513	20G15T071	Thermo-Well Fitting (Quantity of Two)

PART NUMBERS AND SCHEMATICS GUIDE

Figure 8: Air Inlet Manifold



Item#	Part#	Description
Fig. 8		
—	20G255762	Air Inlet Manifold
601	20G207675	Air Manifold
602	20G119992	3/4" x 3/4" NPT Pipe Nipple Fitting (<i>Quantity of Two</i>)
603	20G15E145	Air Distribution Manifold
604	20G117628	3/4" Filter Air Auto Drain (<i>Includes Item #604a</i>)
604a	20G106204	3/4" NPT Filter Element
605	20G122327	Pipe Elbow, Male
606	20G113218	3/4" Ball Valve – Vented M x F
607	20G157785	3/4" x 3/4" Carbon Steel Union Swivel
608	20G156172	3/4" NPT x 3/4" NPSM
609	20G100509	Pipe Plug – 1/4" Square Head
610	20G114234	Hex Head Plug
611	20G155699	3/8" 90° Street Elbow (<i>Quantity of Three</i>)
614	20G166590	Street Elbow
616	20G157350	1/4" NPT x 3/8" NPT Nipple, 5000 psi (<i>Quantity of Three</i>)
617	20G115781	Cap Plug (<i>Quantity of Two</i>)

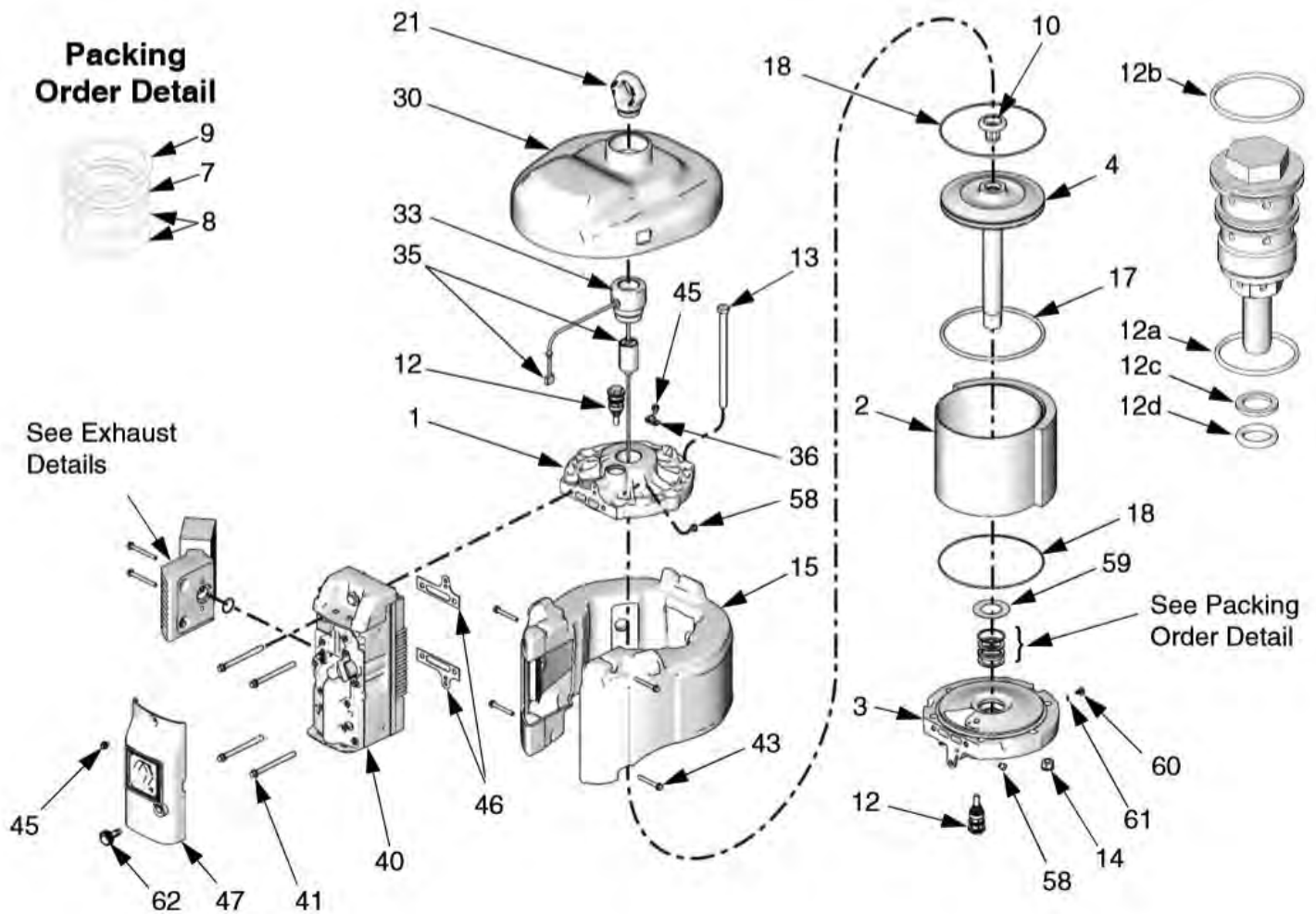
PART NUMBERS AND SCHEMATICS GUIDE

NXT® Model 6500 Air Motor

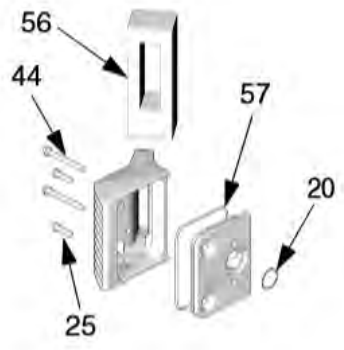
Item#	Part#	Description	Item#	Part#	Description
Fig. 9			45	20G107257	Thread-Forming Screw (Quantity of Four)
—	20G257055	NXT® Model 6500 De-Icing Air Motor	46	20G253476	Gasket
1	20G15F953	Top Cover	47	20G287844	Valve Cover, Outer
2	20GNXT604	Cylinder	51	20G15F674	Safety Label
3	20GNXT602	Bottom Cover	52	20G15F973	Safety Label
4	20GNXT601	Piston Assembly	56	20G15H190	Exhaust Seal
7	20G161562	Packing, V-block; Nitrile	57	20G15K345	Gasket, buna-N
8	20G15H610	Packing, Backup; Leather	58	20G120206	Poppet Muffler
9	20G16A026	Retaining Ring	59	20G277366	Bumper
10	20GNXT106	Piston Bumper, includes Magnet	60	20G116343	Ground Screw, M5 x 0.8
12	20GNXT100	Poppet (Includes Item #'s: 12a-12d)	61	20G111307	Lock Washer, 5 mm
12a	—	O-Ring, buna-N	62	20GNXT112	De-Ice Knob
12b	20GNXT101	O-Ring, buna-N	—	20GNXT600	Repair Kit NXT 6500 Air Motor (Includes Item #'s: 7, 8, 9, 17, 18, and 46)
12c	20GNXT101	O-Ring, Backup, buna-N	—	209V509	Operator's Manual – Graco® NXT® Air Motor
12d	—	O-Ring, buna-N			
13	20G119050	1/2-13 x 8" Hex Head Bolt, (203 mm)			
14	20G15F639	1/2-13 Nut with Lock Washer			
15	20GNXT603	Muffler			
17	20G122675	Piston O-Ring, Nitrile			
18	20G15F448	End Cap O-Ring, Nitrile			
20	20G119990	O-Ring, buna-N			
21	20G15F931	Lift Ring			
22	20GNXT110	De-Ice Exhaust Kit (Includes Item #'s: 20, 25, 44, 56, and 57)			
25	20G120730	1/4-20 x 1" Machine Screw, Hex Head, (25 mm) (Quantity of Two)			
30	20G15F880	Top Cover			
33	20G15F772	Lift Ring Adapter			
35	20G256893	Sensor Assembly			
36	20G120143	Strain Relief Guide			
41	20G120088	3/8-16 x 4" Screw (101 mm)			
43	20G120091	1/4-20 x 2" Screw, Thread Forming, (51 mm)			
44	20G120092	1/4-20 x 2-1/2" Thread Forming Screw, (63 mm)			

PART NUMBERS AND SCHEMATICS GUIDE

Figure 9: NXT® Model 6500 Air Motor



De-Ice Exhaust



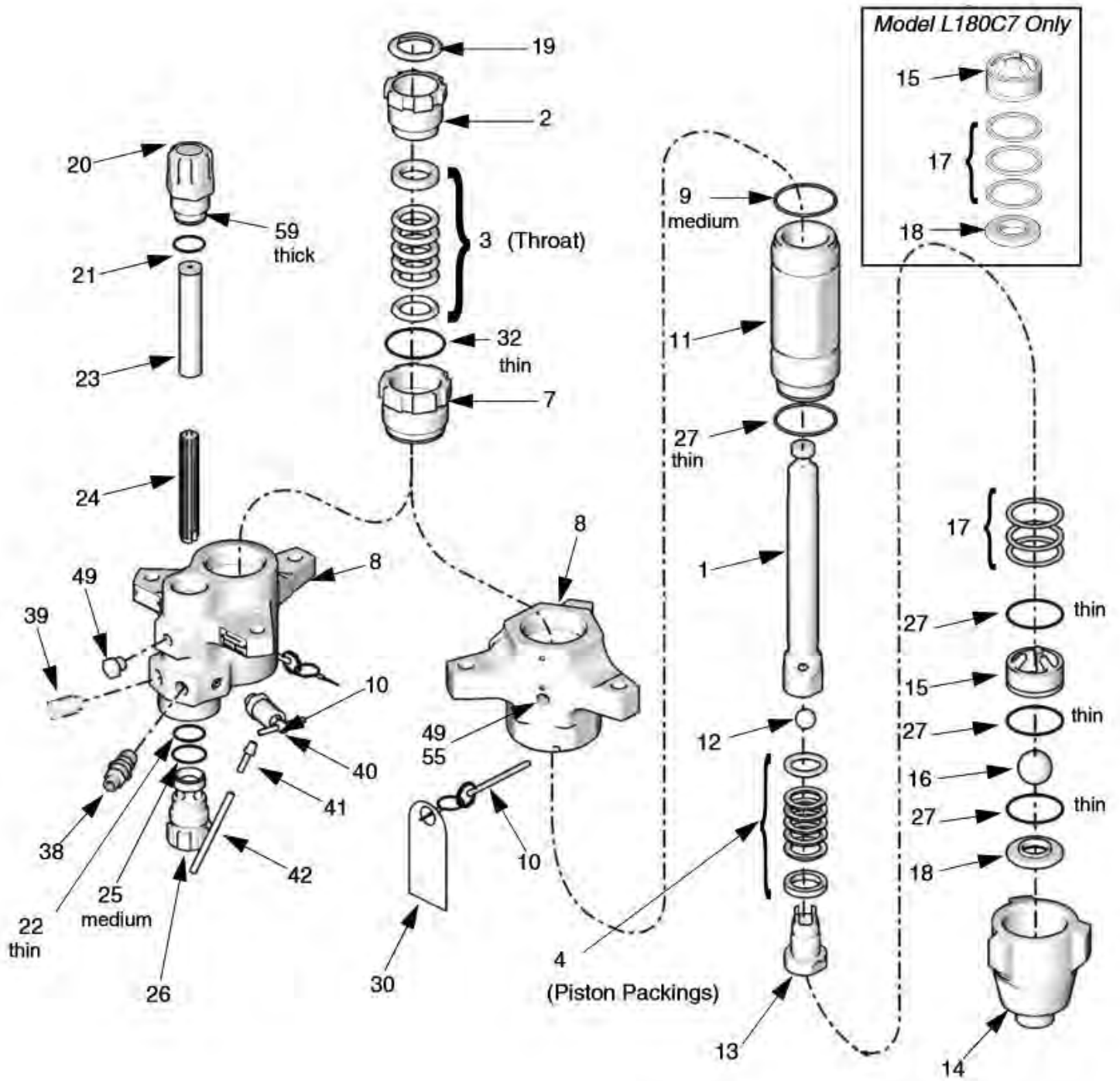
PART NUMBERS AND SCHEMATICS GUIDE

A Side Lower – 180cc Xtreme® Sprayer Lower Displacement Pump

Item#	20GL180C3 (No Built-In Filter)	20GL180C4 (Built-In Filter)	Description
Fig. 10			
1	20G24B822	20G24B822	Displacement Rod
2	20G15K030	20G15K030	Packing Nut
3	—	—	Stack Packings, Throat
4	—	—	Stack Packings, Piston
7	20G197326	20G197326	Packing Cartridge, Throat
8	20G197334	20G197336	Housing Outlet
9	20G244892	20G244892	O-Ring, Top Cylinder, PTFE Medium (<i>Quantity of 10</i>)
10	20G244826	20G244826	Self-Locking Pin
11	20G197316	20G197316	Lower Cylinder
12	20G253029	20G253029	Ball Piston (<i>Quantity of Three</i>)
13	20G24B827	20G24B827	Piston Valve
14	20G197303	20G197303	Inlet Housing
15	20G197307	20G197307	Inlet Ball Guide
16	20G245128	20G245128	Inlet Ball (<i>Quantity of Three</i>)
17	20G244855	20G244855	Inlet Shim Ball Guide (<i>Quantity of Nine</i>)
18	20G196358	20G196358	Inlet Seat
19	20G247394	20G247394	Throat Seal Plug (<i>Quantity of 10</i>)
20	—	20G16M461	Top Filler Cap
21	—	20G171941	Compression Spring
22	—	20G244895	Thin Filter O-Ring, PTFE (<i>Quantity of 10</i>)
23	—	20G224459	Strainer, 60 mesh screen
24	—	20G186075	Filter Support
25	—	20G262484	Filter O-Ring, Medium, PTFE (<i>Quantity of 10</i>)
26	—	20G16M462	Lower Filter Cap
27	20G244890	20G244890	Foot Valve and Cylinder Bottom O-Ring, PTFE thin (<i>Quantity of 10</i>)
30	20G172479	20G172479	Warning Tag
32	20G244890	20G244890	Throat Cartridge O-Ring, PTFE thin (<i>Quantity of 10</i>)
38	—	20G158491	Nipple Fitting, Outlet, 1/2 in
39	—	20G24N518	Packless Plug, 1/2 in
40	—	20G245143	Pressure Dump Valve
41	—	20G116746	Barbed Fitting, Plated
42	—	20G116750	Nylon Tube
49	20G101754	20G198292	Pipe Plug
55	—	—	Rupture Disc Housing
59	—	20G262483	Filter O-Ring, PTFE thick (<i>Quantity of 10</i>)

PART NUMBERS AND SCHEMATICS GUIDE

Figure 10: A Side Lower – 180cc Xtreme® Sprayer Lower Displacement Pump



Note: Lower Displacement Pump with Built-In Filter Shown.

PART NUMBERS AND SCHEMATICS GUIDE

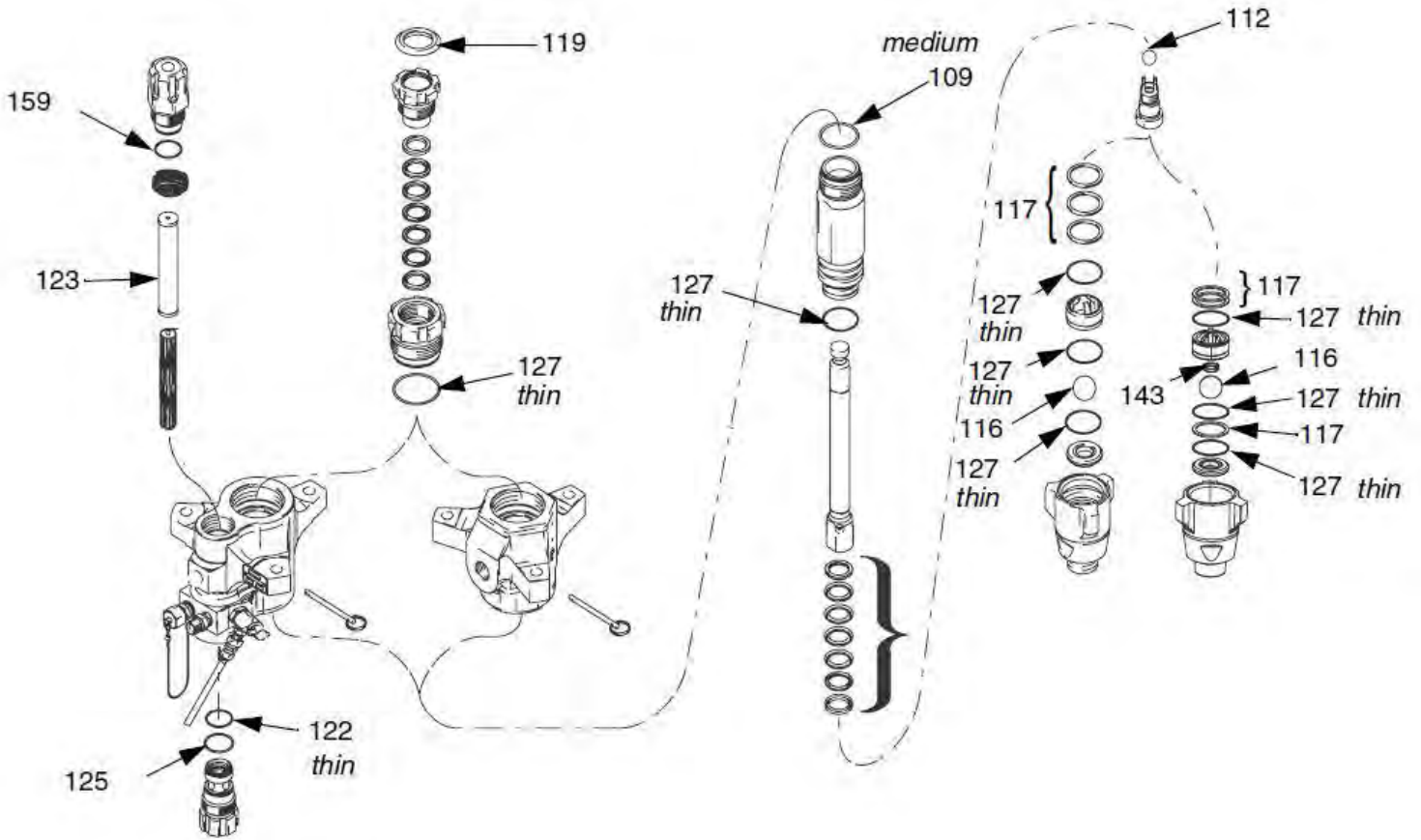
Xtreme® Seal Repair Kits for 180cc Lower Displacement Pump

Item#	Part#	Description
Fig. 11		
—	20G24F969	Xtreme® Seal Repair Kit for 180cc Lower Displacement Pump <i>(Includes Item #'s: 103, 104, 109, 112, 116, 119, 122, 125, 127, 143, and 159)</i>
103	—	Throat Packings
103a	20G244882	Male Gland <i>(Quantity of Four)</i>
103b	20G244876	Female Gland <i>(Quantity of Four)</i>
103c	20G244870	V-Packing, Leather <i>(Quantity of 10)</i>
103d	20G244864	V-Packing, UHMWPE <i>(Quantity of 10)</i>
104	—	Piston Packings
104a	20G244882	Male Gland <i>(Quantity of Four)</i>
104b	20G244876	Female Gland <i>(Quantity of Four)</i>
104c	20G244870	V-Packing, Leather <i>(Quantity of 10)</i>
104d	20G244864	V-Packing, UHMWPE, Black <i>(Quantity of 10)</i>
109	20G244892	PTFE O-Ring, Top Cylinder Medium <i>(Quantity of 10)</i>
112	20G253029	Ball Piston, 3/4" (19 mm) <i>(Quantity of Three)</i>
116	20G245128	Ball Inlet, 1-1/4" (32 mm) <i>(Quantity of Three)</i>
117	20G244855	Shim Inlet, Ball Guide <i>(Quantity of Nine)</i>
119	20G244996	Throat Seal Plug, 1-3/4" <i>(Quantity of 10)</i>
—	20G247394	Throat Seal Plug, 2-1/2" <i>(Quantity of 10)</i>
122	20G244895	Filter O-Ring, Thin, PTFE <i>(Quantity of 10)</i>
123	20G238436	Strainer, 30 mesh screen, 5.65" <i>(Quantity of 25)</i>
—	20G224458	Strainer, 30 mesh, 5.65" <i>(Quantity of Two)</i>
—	20G238438	Strainer, 60 mesh, 5.65" <i>(Quantity of 25)</i>
—	20G224459	Strainer, 60 mesh, 5.65" <i>(Quantity of Two)</i>
125	20G262484	Filter O-Ring, Medium, PTFE <i>(Quantity of 10)</i>
—	20G244896	Filter O-Ring For Series A Pumps <i>(Quantity of 10)</i>
127	20G244890	O-Ring, PTFE, Thin <i>(Quantity of 10)</i>
143	20G116801	Foot Valve Spring
159	20G262483	Top Cap O-Ring, PTFE <i>(Quantity of 10)</i>
—	20G244895	Top Cap O-Ring For Series A Pumps <i>(Quantity of 10)</i>
—	209V021	Operator's Manual – Graco® Xtreme® Pump Lowers

Quantities listed with repair kit are number of individual pieces.

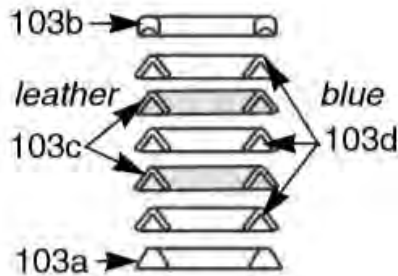
PART NUMBERS AND SCHEMATICS GUIDE

Figure 11: Xtreme® Seal Repair Kits for 180cc Lower Displacement Pump

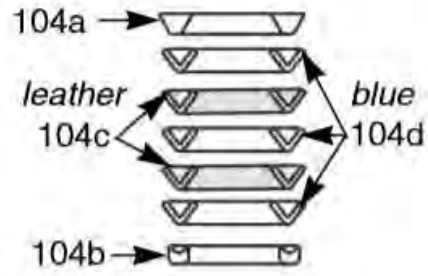


Xtreme® Seal Repair Kit

**Throat Packings:
Lips Face Down**



**Piston Packings:
Lips Face Up**



PART NUMBERS AND SCHEMATICS GUIDE

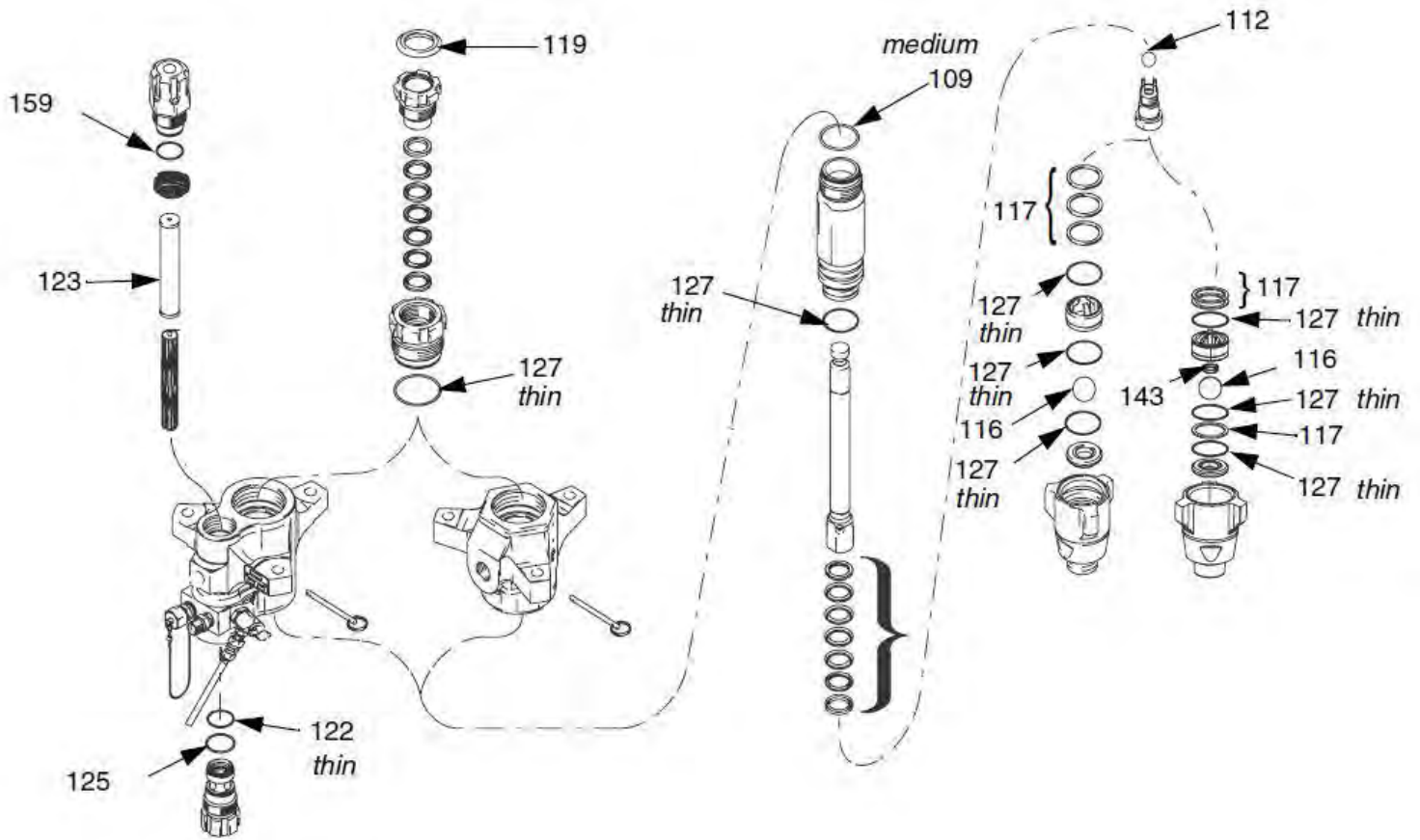
Tuff-Stack™ Repair Kit for 180cc Lower Displacement Pump

Item#	Part#	Description
Fig. 12		
—	20G24F970	Tuff-Stack™ Repair Kit for 180cc Lower Displacement Pump <i>(Includes Item #'s: 103, 104, 109, 112, 116, 119, 122, 125, 127, 143, and 159)</i>
103	—	Throat Packings
103a	20G244882	Male Gland <i>(Quantity of Four)</i>
103b	20G244876	Female Gland <i>(Quantity of Four)</i>
103e	20G244858	V-Packing Carbon-Filled, PTFE <i>(Quantity of 10)</i>
104	—	Piston Packings
104a	20G244882	Male Gland <i>(Quantity of Four)</i>
104b	20G244876	Female Gland <i>(Quantity of Four)</i>
104e	20G244858	V-Packing Carbon-Filled, PTFE <i>(Quantity of 10)</i>
109	20G244892	PTFE O-Ring, Top Cylinder Medium <i>(Quantity of 10)</i>
112	20G253029	Ball Piston, 3/4" (19 mm) <i>(Quantity of Three)</i>
116	20G245128	Ball Inlet, 1-1/4" (32 mm) <i>(Quantity of Three)</i>
117	20G244855	Shim Inlet, Ball Guide <i>(Quantity of Nine)</i>
119	20G244996	Throat Seal Plug, 1-3/4" <i>(Quantity of 10)</i>
—	20G247394	Throat Seal Plug, 2-1/2" <i>(Quantity of 10)</i>
122	20G244895	Filter O-Ring, Thin, PTFE <i>(Quantity of 10)</i>
123	20G238436	Strainer, 30 mesh screen, 5.65" <i>(Quantity of 25)</i>
—	20G224458	Strainer, 30 mesh, 5.65" <i>(Quantity of Two)</i>
—	20G238438	Strainer, 60 mesh, 5.65" <i>(Quantity of 25)</i>
—	20G224459	Strainer, 60 mesh, 5.65" <i>(Quantity of Two)</i>
125	20G262484	Filter O-Ring, Medium, PTFE <i>(Quantity of 10)</i>
—	20G244896	Filter O-Ring For Series A Pumps <i>(Quantity of 10)</i>
127	20G244890	O-Ring, PTFE, Thin <i>(Quantity of 10)</i>
143	20G116801	Foot Valve Spring
159	20G262483	Top Cap O-Ring, PTFE <i>(Quantity of 10)</i>
—	20G244895	Top Cap O-Ring For Series A Pumps <i>(Quantity of 10)</i>
—	209V021	Operator's Manual – Graco® Xtreme® Pump Lowers

Quantities listed with repair kit are number of individual pieces.

PART NUMBERS AND SCHEMATICS GUIDE

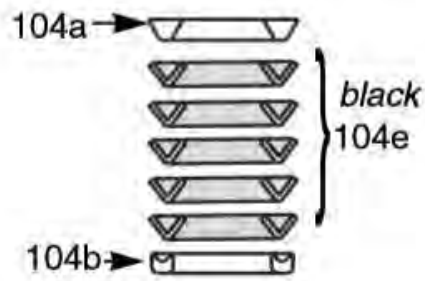
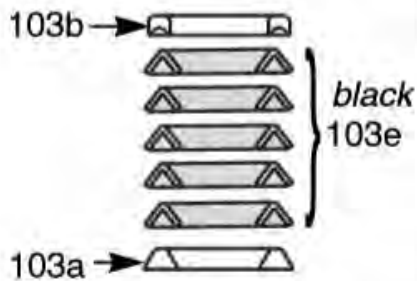
Figure 12: Tuff-Stack™ Repair Kit for 180cc Lower Displacement Pump



Tuff-Stack™ Seal Repair Kit

Throat Packings:
Lips Face Down

Piston Packings:
Lips Face Up



PART NUMBERS AND SCHEMATICS GUIDE

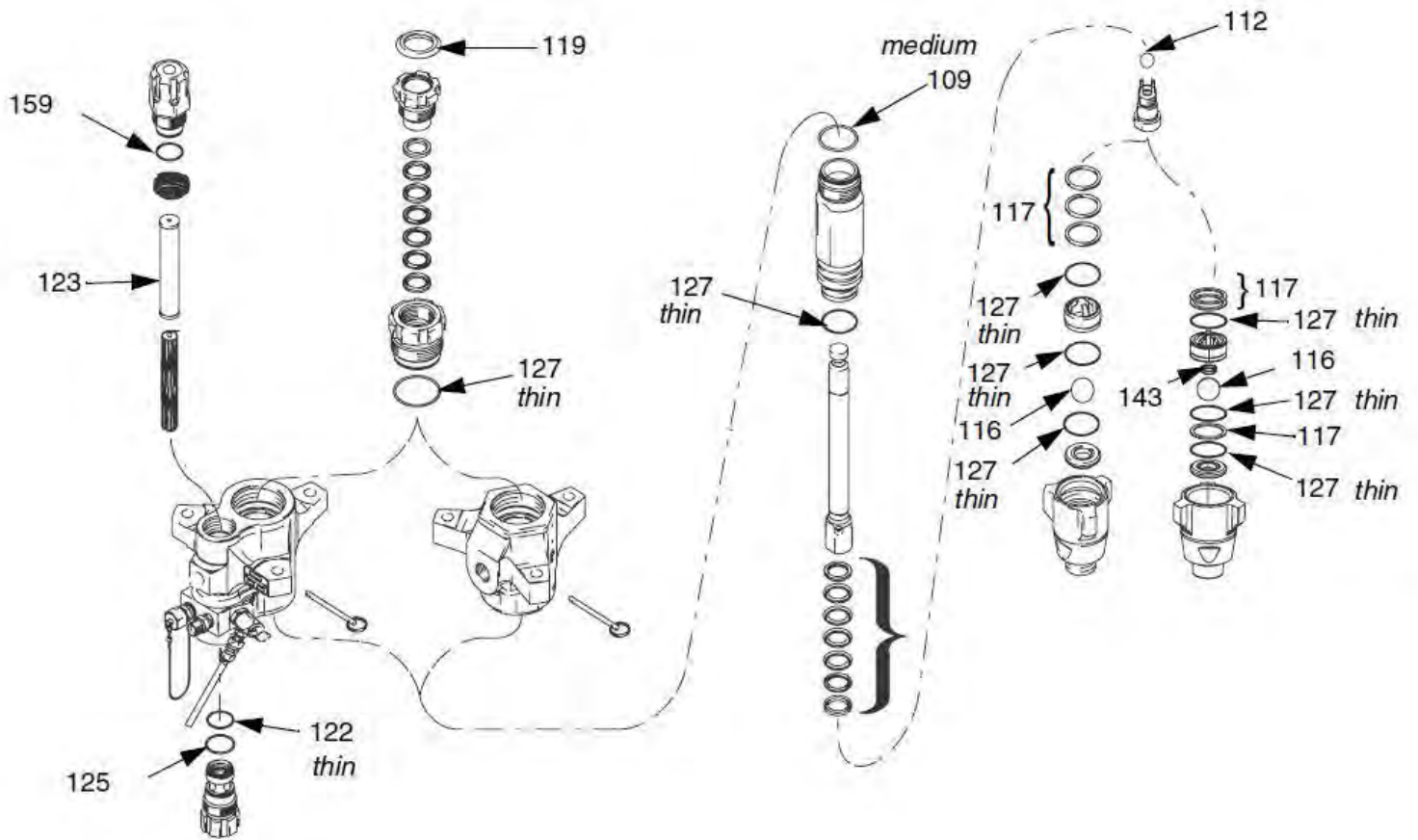
X-Tuff® Repair Kit for 180cc Lower Displacement Pump

Item#	Part#	Description
Fig. 13		
—	20G262792	X-Tuff™ Repair Kit for 180cc Lower Displacement Pump <i>(Includes Item #'s: 103, 104, 109, 112, 116, 119, 122, 125, 127, 143, and 159)</i>
103	—	Throat Packings
103a	20G244882	Male Gland <i>(Quantity of Four)</i>
103b	20G244876	Female Gland <i>(Quantity of Four)</i>
103d	20G244858	V-Packing Carbon-Filled, PTFE <i>(Quantity of 10)</i>
103e	20G244864	V-Packing, UHMWPE <i>(Quantity of 10)</i>
104	—	Piston Packings
104a	20G244882	Male Gland <i>(Quantity of Four)</i>
104b	20G244876	Female Gland <i>(Quantity of Four)</i>
104d	20G244858	V-Packing Carbon-Filled, PTFE <i>(Quantity of 10)</i>
104e	20G244864	V-Packing, UHMWPE <i>(Quantity of 10)</i>
109	20G244892	PTFE O-Ring, Top Cylinder Medium <i>(Quantity of 10)</i>
112	20G253029	Ball Piston, 3/4" (19 mm) <i>(Quantity of Three)</i>
116	20G245128	Ball Inlet, 1-1/4" (32 mm) <i>(Quantity of Three)</i>
117	20G244855	Shim Inlet, Ball Guide <i>(Quantity of Nine)</i>
119	20G244996	Throat Seal Plug, 1-3/4" <i>(Quantity of 10)</i>
—	20G247394	Throat Seal Plug, 2-1/2" <i>(Quantity of 10)</i>
122	20G244895	Filter O-Ring, Thin, PTFE <i>(Quantity of 10)</i>
123	20G238436	Strainer, 30 mesh screen, 5.65" <i>(Quantity of 25)</i>
—	20G224458	Strainer, 30 mesh, 5.65" <i>(Quantity of Two)</i>
—	20G238438	Strainer, 60 mesh, 5.65" <i>(Quantity of 25)</i>
—	20G224459	Strainer, 60 mesh, 5.65" <i>(Quantity of Two)</i>
125	20G262484	Filter O-Ring, Medium, PTFE <i>(Quantity of 10)</i>
—	20G244896	Filter O-Ring For Series A Pumps <i>(Quantity of 10)</i>
127	20G244890	O-Ring, PTFE, Thin <i>(Quantity of 10)</i>
143	20G116801	Foot Valve Spring
159	20G262483	Top Cap O-Ring, PTFE <i>(Quantity of 10)</i>
—	20G262483	Top Cap O-Ring For Series A Pumps <i>(Quantity of 10)</i>
—	209V021	Operator's Manual – Graco® Xtreme® Pump Lowers

Quantities listed with repair kit are number of individual pieces.

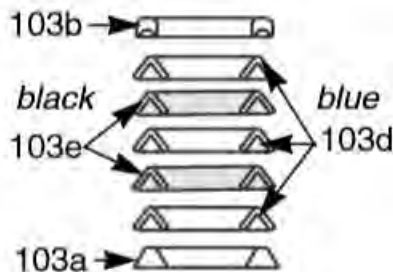
PART NUMBERS AND SCHEMATICS GUIDE

Figure 13: X-Tuff® Repair Kit for 180cc Lower Displacement Pump

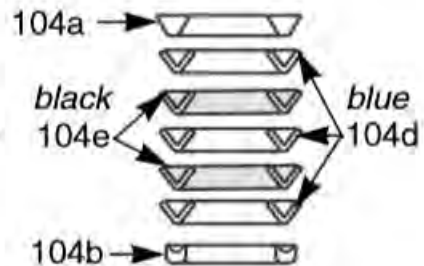


X-Tuff® Seal Repair Kit

**Throat Packings:
Lips Face Down**



**Piston Packings:
Lips Face Up**



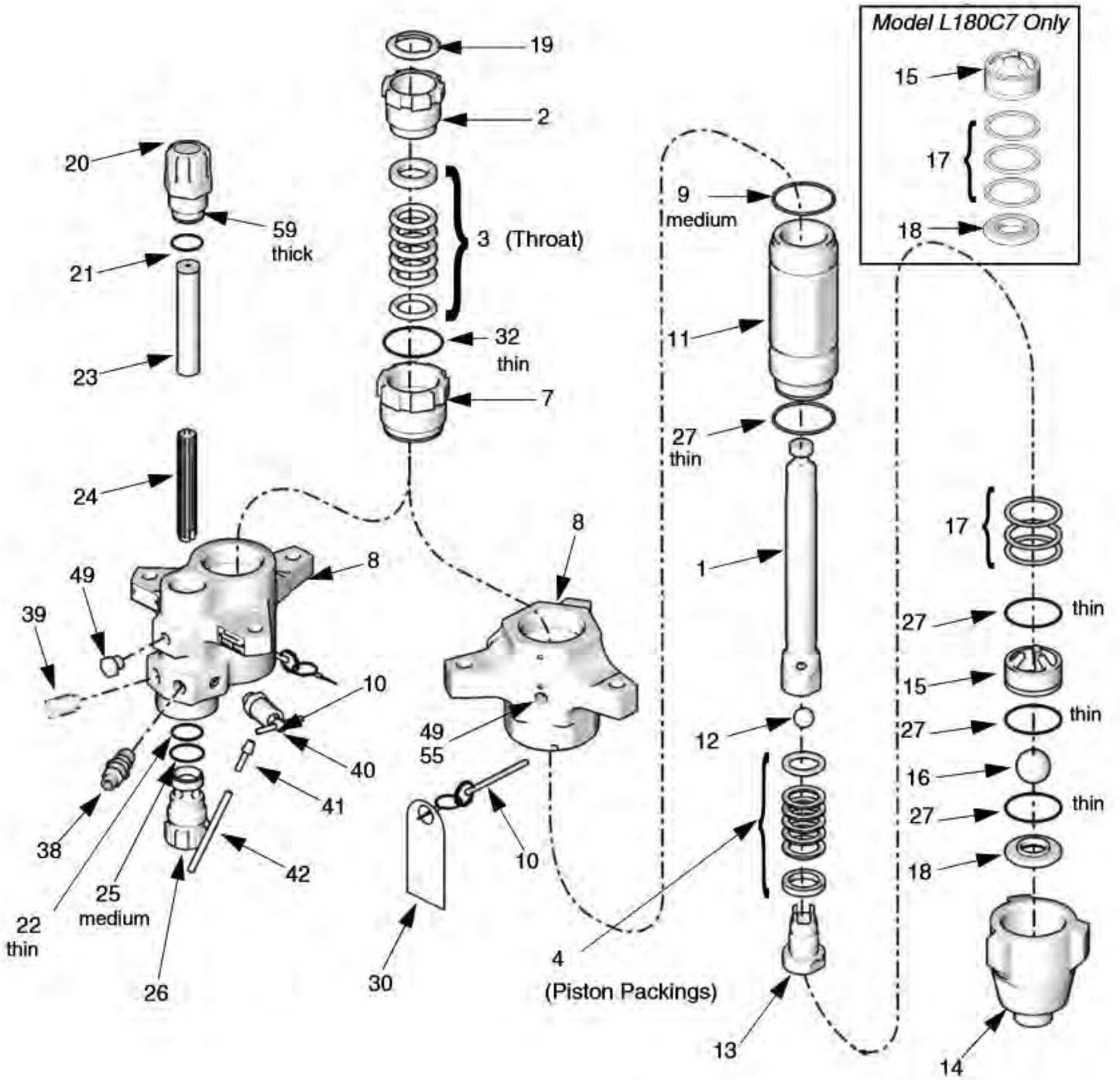
PART NUMBERS AND SCHEMATICS GUIDE

B Side Lower – 145cc Xtreme® Sprayer Lower Displacement Pump

Item#	20GL145C3 <i>(No Built-In Filter)</i>	20GL145C4 <i>(Built-In Filter)</i>	Description
Fig. 14			
1	20G24B821	20G24B821	Displacement Rod
2	20G15K030	20G15K030	Packing Nut
3	—	—	Stack Packings, Throat
4	—	—	Stack Packings, Piston
7	20G197325	20G197325	Packing Cartridge, Throat
8	20G197334	20G197336	Housing Outlet
9	20G244892	20G244892	O-Ring, Top Cylinder, PTFE Medium (<i>Quantity of 10</i>)
10	20G244826	20G244826	Self-Locking Pin
11	20G197315	20G197315	Lower Cylinder
12	20G253029	20G253029	Ball Piston (<i>Quantity of Three</i>)
13	20G24B826	20G24B826	Piston Valve
14	20G197303	20G197303	Inlet Housing
15	20G197307	20G197307	Inlet Ball Guide
16	20G245128	20G245128	Inlet Ball (<i>Quantity of Three</i>)
17	20G244855	20G244855	Inlet Shim Ball Guide (<i>Quantity of Nine</i>)
18	20G196358	20G196358	Inlet Seat
19	20G247394	20G247394	Throat Seal Plug (<i>Quantity of 10</i>)
20	—	20G16M461	Top Filler Cap
21	—	20G171941	Compression Spring
22	—	20G244895	Thin Filter O-Ring, PTFE (<i>Quantity of 10</i>)
23	—	20G224459	Strainer, 60 mesh screen
24	—	20G186075	Filter Support
25	—	20G262484	Filter O-Ring, Medium, PTFE (<i>Quantity of 10</i>)
26	—	20G16M462	Lower Filter Cap
27	20G244890	20G244890	Foot Valve and Cylinder Bottom O-Ring, PTFE thin (<i>Quantity of 10</i>)
30	20G172479	20G172479	Warning Tag
32	20G244890	20G244890	Throat Cartridge O-Ring, PTFE thin (<i>Quantity of 10</i>)
38	—	20G158491	Nipple Fitting, Outlet, 1/2"
39	—	20G24N518	Packless Plug, 1/2"
40	—	20G245143	Pressure Dump Valve
41	—	20G116746	Barbed Fitting, Plated
42	—	20G116750	Nylon Tube
49	20G101754	20G198292	Pipe Plug
55	—	—	Rupture Disc Housing
59	—	20G262483	Filter O-Ring, PTFE thick (<i>Quantity of 10</i>)

PART NUMBERS AND SCHEMATICS GUIDE

Figure 14: B Side Lower – 145cc Xtreme® Sprayer Lower Displacement Pump



Note: Lower Displacement Pump with Built-In Filter Shown.

PART NUMBERS AND SCHEMATICS GUIDE

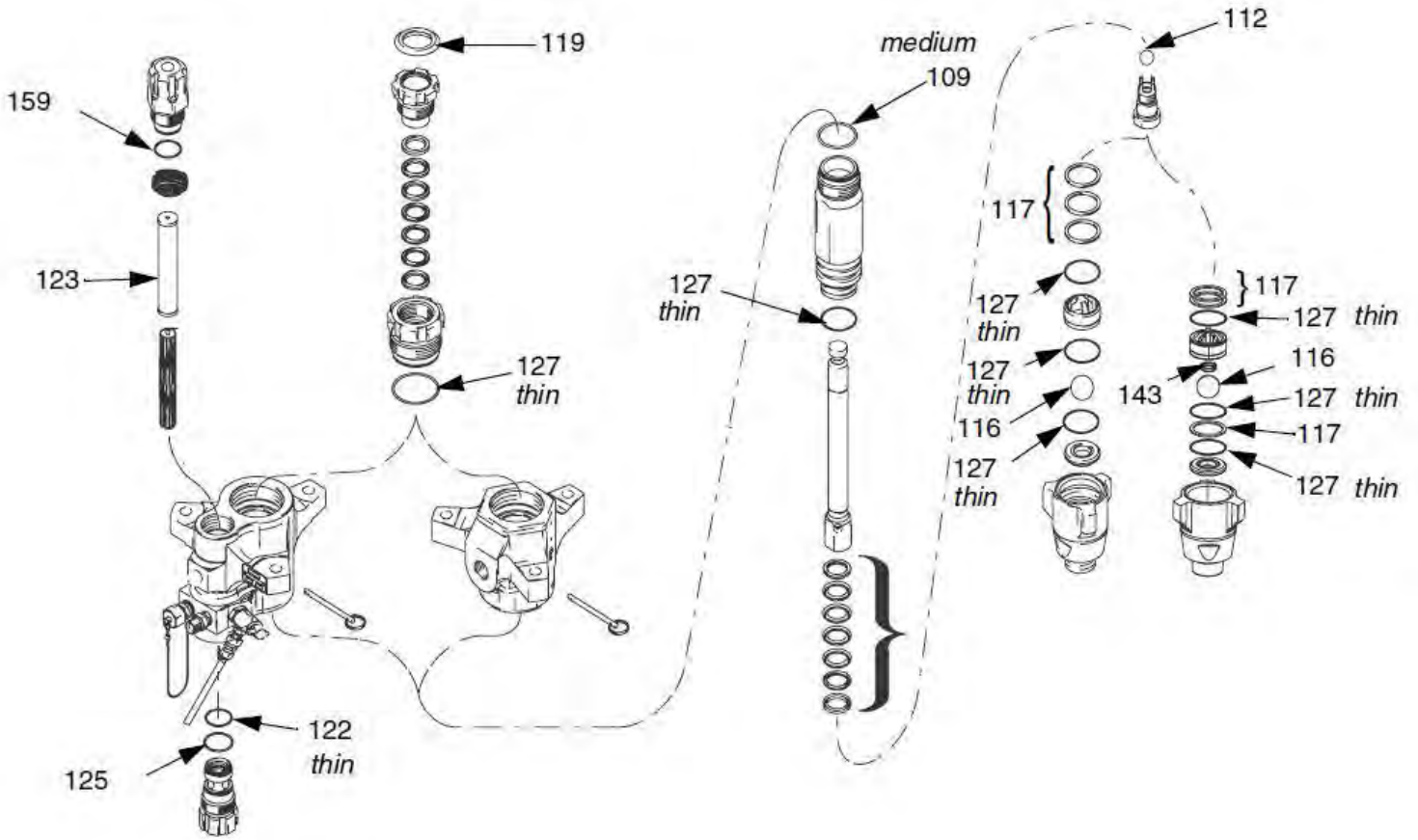
Xtreme® Seal Repair Kits for 145cc Lower Displacement Pump

Item#	Part#	Description
Fig. 15		
—	20G24F971	Xtreme® Seal Repair Kit for 145cc Lower Displacement Pump <i>(Includes Item #'s: 103, 104, 109, 112, 116, 119, 122, 125, 127, 143, and 159)</i>
103	—	Throat Packings
103a	20G244881	Male Gland <i>(Quantity of Four)</i>
103b	20G244875	Female Gland <i>(Quantity of Four)</i>
103c	20G244869	V-Packing, Leather <i>(Quantity of 10)</i>
103d	20G244863	V-Packing, UHMWPE <i>(Quantity of 10)</i>
104	—	Piston Packings
104a	20G244881	Male Gland <i>(Quantity of Four)</i>
104b	20G244875	Female Gland <i>(Quantity of Four)</i>
104c	20G244869	V-Packing, Leather <i>(Quantity of 10)</i>
104d	20G244863	V-Packing, UHMWPE <i>(Quantity of 10)</i>
109	20G244892	PTFE O-Ring, Top Cylinder Medium <i>(Quantity of 10)</i>
112	20G253029	Ball Piston, 3/4" (19 mm) <i>(Quantity of Three)</i>
116	20G245128	Ball Inlet, 1-1/4" (32 mm) <i>(Quantity of Three)</i>
117	20G244855	Shim Inlet, Ball Guide <i>(Quantity of Nine)</i>
119	20G244996	Throat Seal Plug, 1-3/4" <i>(Quantity of 10)</i>
—	20G247394	Throat Seal Plug, 2-1/2" <i>(Quantity of 10)</i>
122	20G244895	Filter O-Ring, Thin, PTFE <i>(Quantity of 10)</i>
123	20G238436	Strainer, 30 mesh screen, 5.65" <i>(Quantity of 25)</i>
—	20G224458	Strainer, 30 mesh, 5.65" <i>(Quantity of Two)</i>
—	20G238438	Strainer, 60 mesh, 5.65" <i>(Quantity of 25)</i>
—	20G224459	Strainer, 60 mesh, 5.65" <i>(Quantity of Two)</i>
125	20G262484	Filter O-Ring, Medium, PTFE <i>(Quantity of 10)</i>
—	20G244896	Filter O-Ring For Series A Pumps <i>(Quantity of 10)</i>
127	20G244890	O-Ring, PTFE, Thin <i>(Quantity of 10)</i>
143	20G116801	Foot Valve Spring
159	20G262483	Top Cap O-Ring, PTFE <i>(Quantity of 10)</i>
—	20G244895	Top Cap O-Ring For Series A Pumps <i>(Quantity of 10)</i>
—	209V021	Operator's Manual – Graco® Xtreme® Pump Lowers

Quantities listed with repair kit are number of individual pieces.

PART NUMBERS AND SCHEMATICS GUIDE

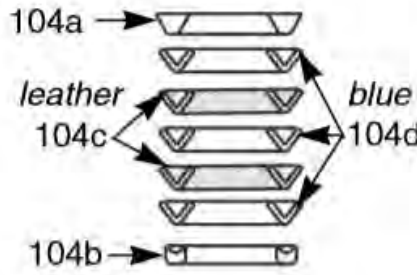
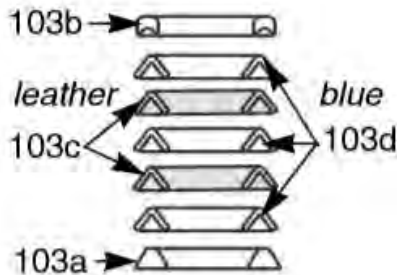
Figure 15: Xtreme® Seal Repair Kits for 145cc Lower Displacement Pump



Xtreme® Seal Repair Kit

**Throat Packings:
Lips Face Down**

**Piston Packings:
Lips Face Up**



PART NUMBERS AND SCHEMATICS GUIDE

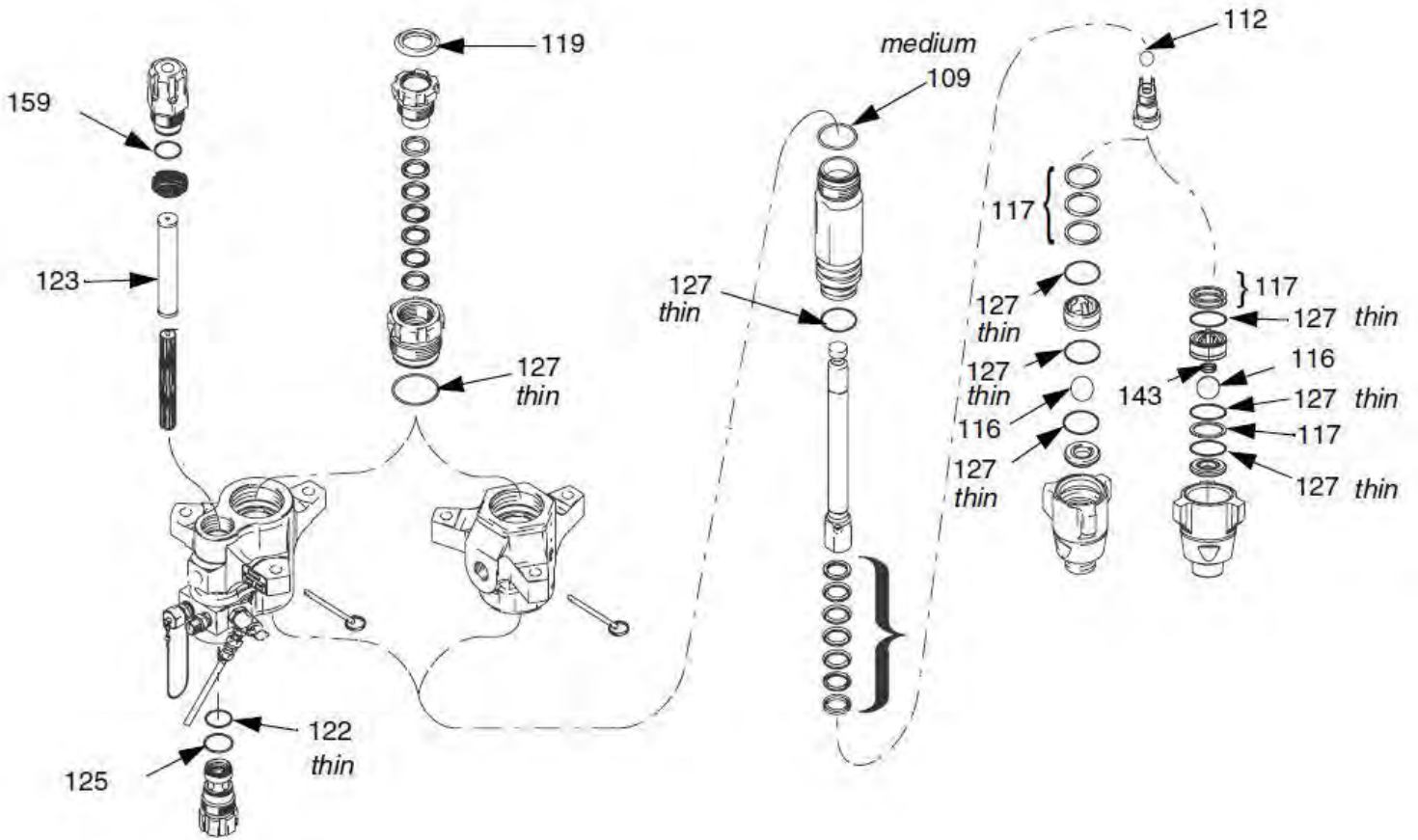
Tuff-Stack™ Repair Kit for 145cc Lower Displacement Pump

Item#	Part#	Description
Fig. 16		
—	20G262510	Tuff-Stack™ Repair Kit for 145cc Lower Displacement Pump <i>(Includes Item #'s: 103, 104, 109, 112, 116, 119, 122, 125, 127, 143, and 159)</i>
103	—	Throat Packings
103a	20G244881	Male Gland <i>(Quantity of Four)</i>
103b	20G244875	Female Gland <i>(Quantity of Four)</i>
103e	20G244857	V-Packing Carbon-Filled, PTFE <i>(Quantity of 10)</i>
104	—	Piston Packings
104a	20G244881	Male Gland <i>(Quantity of Four)</i>
104b	20G244875	Female Gland <i>(Quantity of Four)</i>
104e	20G244857	V-Packing Carbon-Filled, PTFE <i>(Quantity of 10)</i>
109	20G244892	PTFE O-Ring, Top Cylinder Medium <i>(Quantity of 10)</i>
112	20G253029	Ball Piston, 3/4" (19 mm) <i>(Quantity of Three)</i>
116	20G245128	Ball Inlet, 1-1/4" (32 mm) <i>(Quantity of Three)</i>
117	20G244855	Shim Inlet, Ball Guide <i>(Quantity of Nine)</i>
119	20G244996	Throat Seal Plug, 1-3/4" <i>(Quantity of 10)</i>
—	20G247394	Throat Seal Plug, 2-1/2" <i>(Quantity of 10)</i>
122	20G244895	Filter O-Ring, Thin, PTFE <i>(Quantity of 10)</i>
123	20G238436	Strainer, 30 mesh screen, 5.65" <i>(Quantity of 25)</i>
—	20G224458	Strainer, 30 mesh, 5.65" <i>(Quantity of Two)</i>
—	20G238438	Strainer, 60 mesh, 5.65" <i>(Quantity of 25)</i>
—	20G224459	Strainer, 60 mesh, 5.65" <i>(Quantity of Two)</i>
125	20G262484	Filter O-Ring, Medium, PTFE <i>(Quantity of 10)</i>
—	20G244896	Filter O-Ring For Series A Pumps <i>(Quantity of 10)</i>
127	20G244890	O-Ring, PTFE, Thin <i>(Quantity of 10)</i>
143	20G116801	Foot Valve Spring
159	20G262483	Top Cap O-Ring, PTFE <i>(Quantity of 10)</i>
—	20G244895	Top Cap O-Ring For Series A Pumps <i>(Quantity of 10)</i>
—	209V021	Operator's Manual – Graco® Xtreme® Pump Lowers

Quantities listed with repair kit are number of individual pieces.

PART NUMBERS AND SCHEMATICS GUIDE

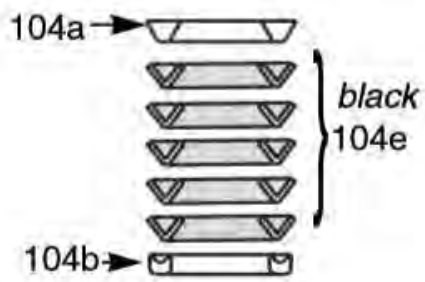
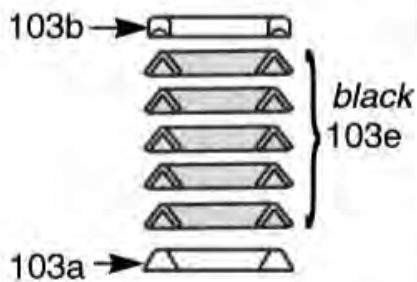
Figure 16: Tuff-Stack™ Repair Kit for 145cc Lower Displacement Pump



Tuff-Stack™ Seal Repair Kit

Throat Packings:
Lips Face Down

Piston Packings:
Lips Face Up



PART NUMBERS AND SCHEMATICS GUIDE

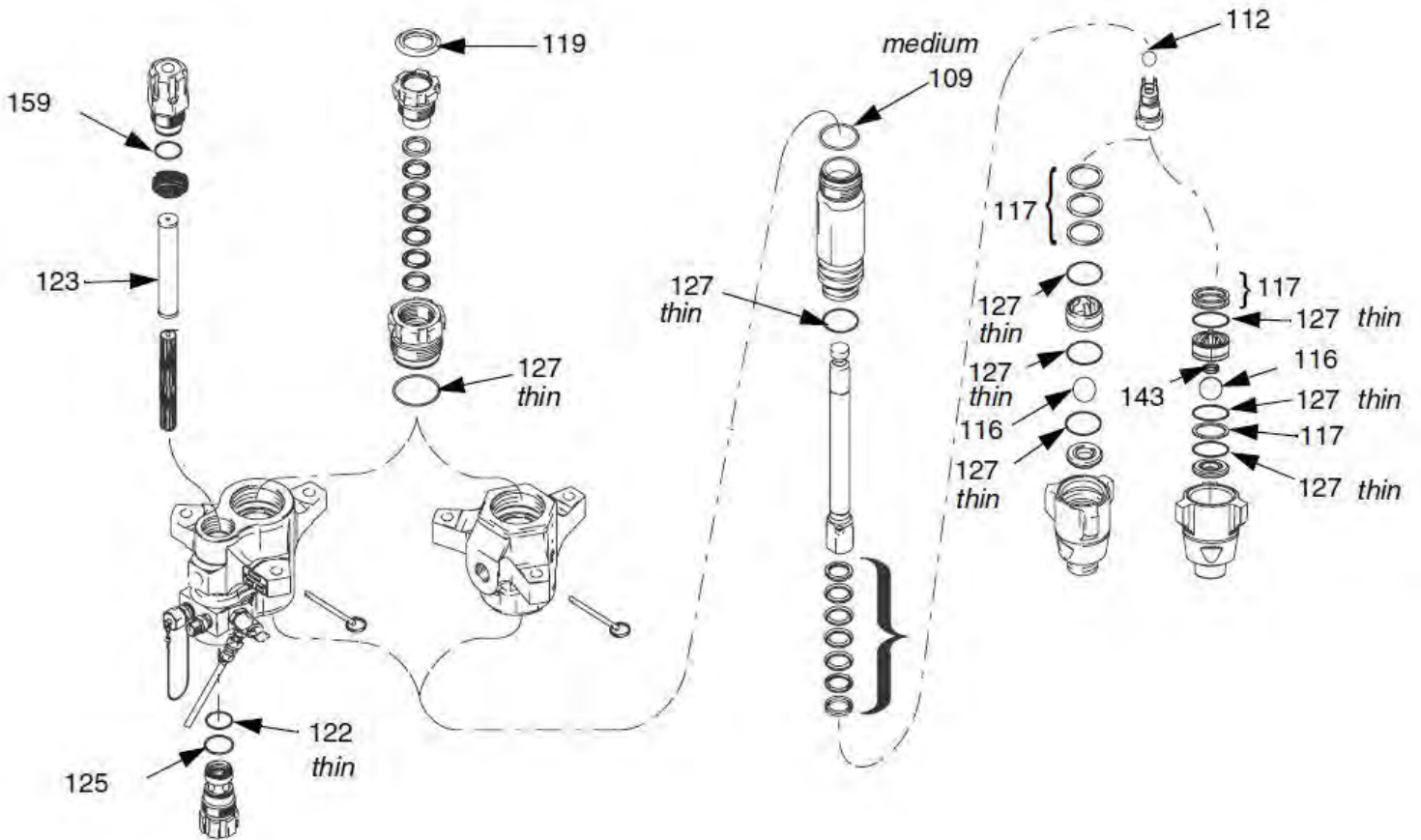
X-Tuff® Repair Kit for 145cc Lower Displacement Pump

Item#	Part#	Description
Fig. 17		
—	20G262791	X-Tuff™ Repair Kit for 145cc Lower Displacement Pump <i>(Includes Item #'s: 103, 104, 109, 112, 116, 119, 122, 125, 127, 143, and 159)</i>
103	—	Throat Packings
103a	20G244881	Male Gland <i>(Quantity of Four)</i>
103b	20G244875	Female Gland <i>(Quantity of Four)</i>
103c	20G244857	V-Packing Carbon-Filled, PTFE <i>(Quantity of 10)</i>
103d	20G244863	V-Packing, UHMWPE <i>(Quantity of 10)</i>
104	—	Piston Packings
104a	20G244881	Male Gland <i>(Quantity of Four)</i>
104b	20G244875	Female Gland <i>(Quantity of Four)</i>
104c	20G244857	V-Packing Carbon-Filled, PTFE <i>(Quantity of 10)</i>
104d	20G244863	V-Packing, UHMWPE <i>(Quantity of 10)</i>
109	20G244892	PTFE O-Ring, Top Cylinder Medium <i>(Quantity of 10)</i>
112	20G253029	Ball Piston, 3/4" (19 mm) <i>(Quantity of Three)</i>
116	20G245128	Ball Inlet, 1-1/4" (32 mm) <i>(Quantity of Three)</i>
117	20G244855	Shim Inlet, Ball Guide <i>(Quantity of Nine)</i>
119	20G244996	Throat Seal Plug, 1-3/4" <i>(Quantity of 10)</i>
—	20G247394	Throat Seal Plug, 2-1/2" <i>(Quantity of 10)</i>
122	20G244895	Filter O-Ring, Thin, PTFE <i>(Quantity of 10)</i>
123	20G238436	Strainer, 30 mesh screen, 5.65" <i>(Quantity of 25)</i>
—	20G224458	Strainer, 30 mesh, 5.65" <i>(Quantity of Two)</i>
—	20G238438	Strainer, 60 mesh, 5.65" <i>(Quantity of 25)</i>
—	20G224459	Strainer, 60 mesh, 5.65" <i>(Quantity of Two)</i>
125	20G262484	Filter O-Ring, Medium, PTFE <i>(Quantity of 10)</i>
—	20G244896	Filter O-Ring For Series A Pumps <i>(Quantity of 10)</i>
127	20G244890	O-Ring, PTFE, Thin <i>(Quantity of 10)</i>
143	20G116801	Foot Valve Spring
159	20G262483	Top Cap O-Ring, PTFE <i>(Quantity of 10)</i>
—	20G262483	Top Cap O-Ring For Series A Pumps <i>(Quantity of 10)</i>
—	209V021	Operator's Manual – Graco® Xtreme® Pump Lowers

Quantities listed with repair kit are number of individual pieces.

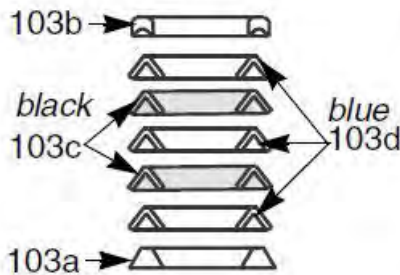
PART NUMBERS AND SCHEMATICS GUIDE

Figure 17: X-Tuff® Repair Kit for 145cc Lower Displacement Pump

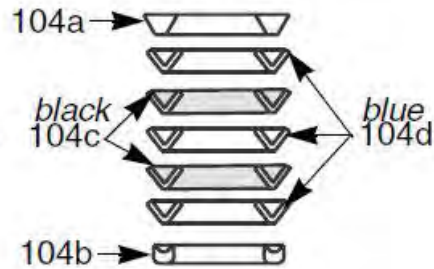


X-Tuff® Seal Kit

**Throat Packings:
Lips Face Down**



**Piston Packings:
Lips Face Up**



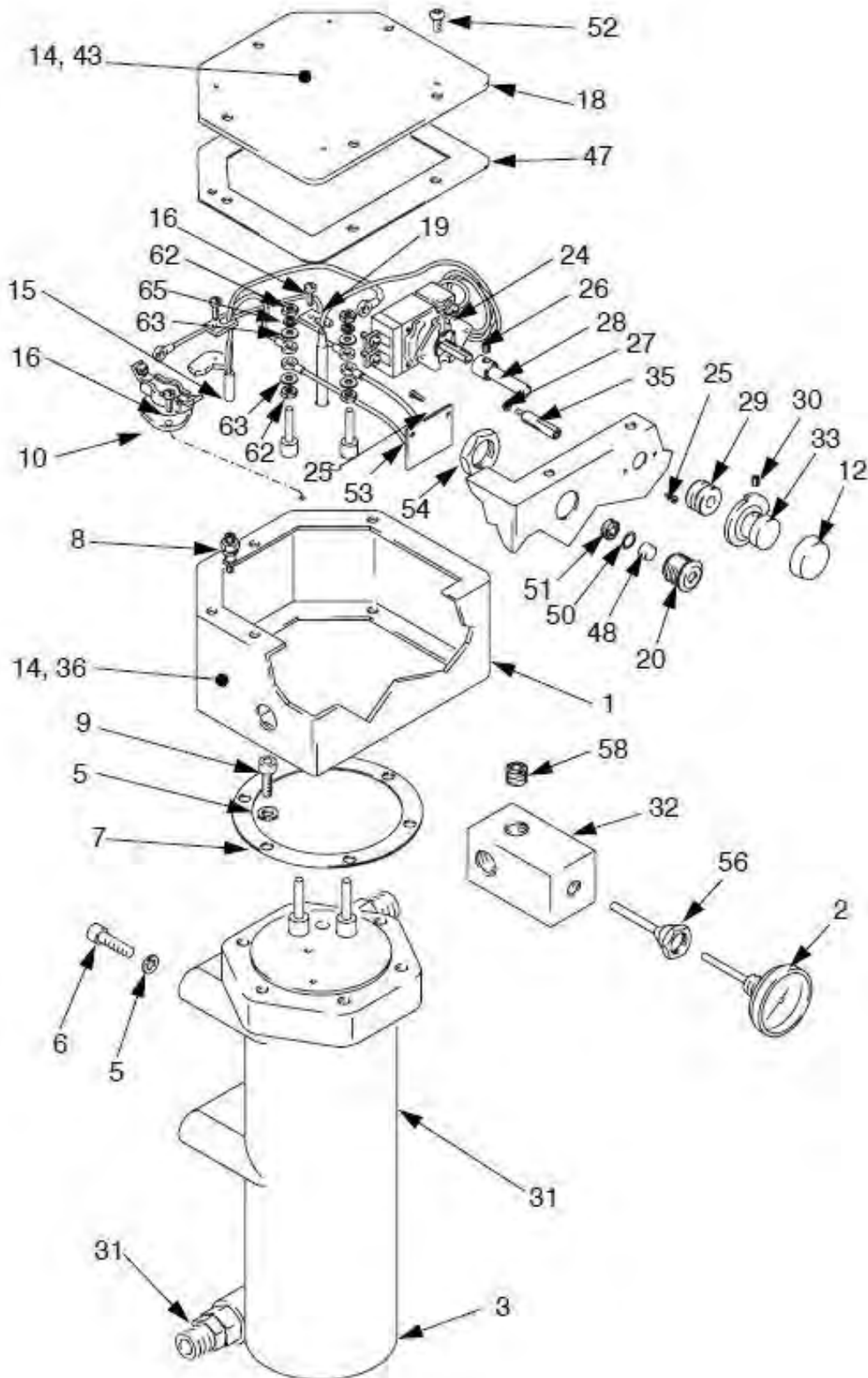
PART NUMBERS AND SCHEMATICS GUIDE

Fluid Heater

Item#	Part#	Description	Item#	Part#	Description
Fig. 18			52	20G111962	1/4-28 Screw (<i>Quantity of Five</i>)
—	20G245869	Fluid Heater	53	20G246014	Light Circuit Board
1	20G262891	Enclosure	54	20G106216	3/4-14 Nut
2	20G102124	Thermometer Dial	56	20G15D757	Thermometer Housing
3	20G246618	Heater Block (<i>Includes Item #'s: 2, 31, 32, and 56</i>)	58	20G100361	1/2" Pipe Plug
5	20G107542	Spring Lockwasher	62	20G100166	Full Hex Nut (<i>Quantity of Four</i>)
6	20G109114	Screw Cap (<i>Quantity of Six</i>)	63	20G102360	3/16" Flat Washer (<i>Quantity of Four</i>)
7	20G15A990	Gasket (<i>Quantity of Two</i>)	65	20G112906	Spring Lockwasher (<i>Quantity of Two</i>)
8	20G104029	Ground Clamp (<i>Quantity of Two</i>)	—	20G108664	6mm Allen Wrench
9	20G117367	Screw (<i>Quantity of Six</i>)	—	20G105747	2mm Allen Wrench
10	20G108674	Thermostat	—	20G101369	0.0927" Allen Wrench
11	20G235524	Wire Assembly	—	20G100633	5/32" Allen Wrench
12	20G177969	Adjusting Knob	—	209V506	Operator's Manual – Viscon High Pressure Fluid Heater
14	20G100055	Screw (<i>Quantity of Ten</i>)			
15	20G223126	Thermal Sensor			
16	20G105676	Screw (<i>Quantity of Four</i>)			
18	20G15A810	Top Cover			
19	20G183072	Bracket (<i>Quantity of Two</i>)			
20	20G15B828	Light Housing			
24	20G108676	Inline Heater Thermostat			
25	20G100032	Screw (<i>Quantity of Four</i>)			
26	20G105672	Set Screw			
27	20G114027	Flat Washer (<i>Quantity of Two</i>)			
28	20G183068	Switch Shaft			
29	20G112738	Grommet (<i>Quantity of Two</i>)			
30	20G101366	Set Screw			
31	20G117344	Compression Tube Fitting (<i>Quantity of Two</i>)			
32	20G15A808	T-Fitting			
33	20G177968	Control Knob			
35	20G117526	Spacer (<i>Quantity of Two</i>)			
36	20G15B623	Warning Plate			
37	20G246346	Wire Assembly (<i>Quantity of Two</i>)			
42	20G102478	Tie Strap			
43	20G15B625	Warning Plate			
47	20G15A991	Gasket			
48	20G15B827	Light Lens			
50	20G103338	Packing O-Ring			
51	20G117483	5/8-18 x 5/16" Socket Jam Screw			

PART NUMBERS AND SCHEMATICS GUIDE

Figure 18: Fluid Heater



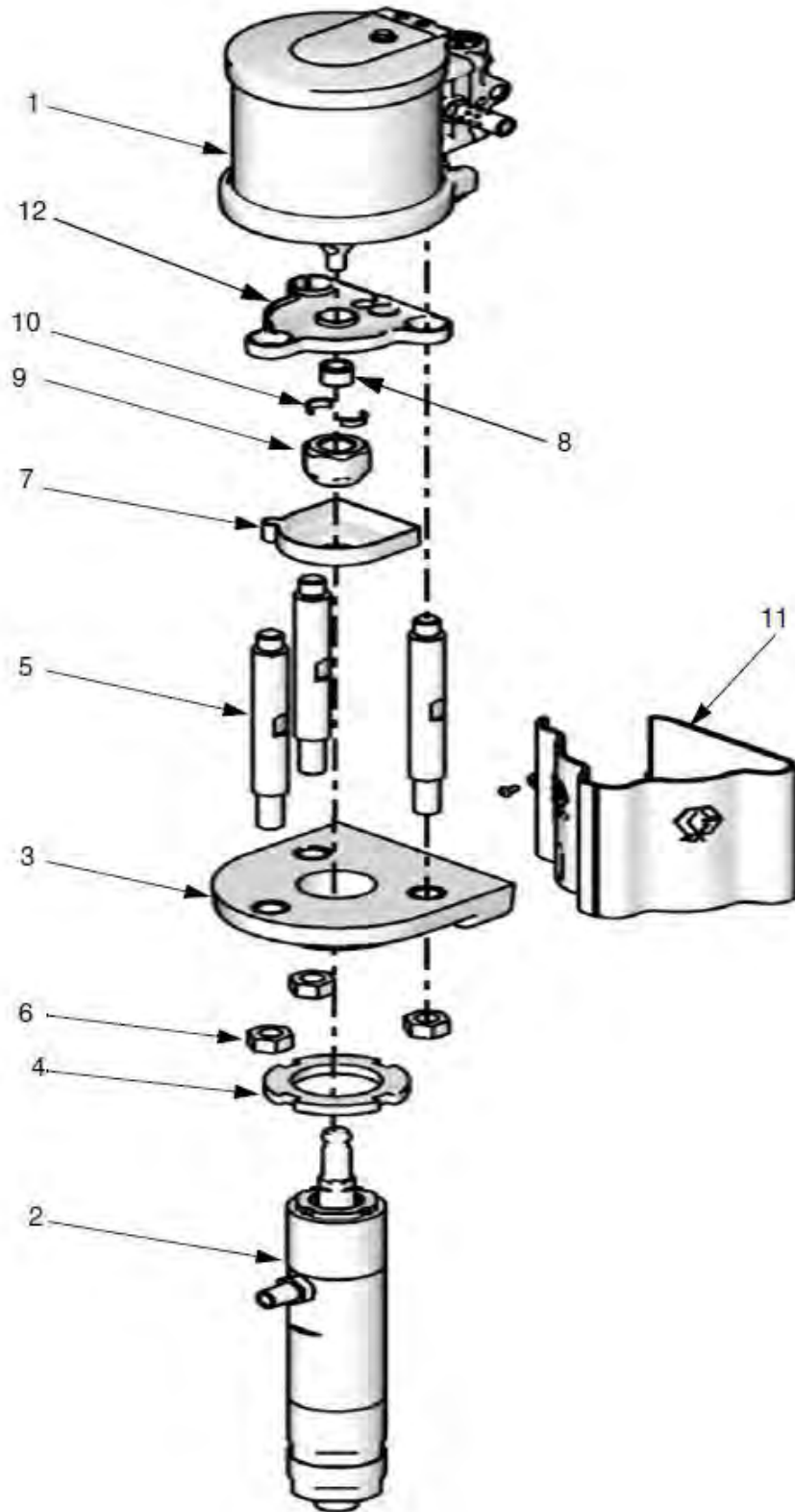
PART NUMBERS AND SCHEMATICS GUIDE

75cc XM™ Solvent Pump

Item#	Part#	Description
Fig. 19		
—	20G257463	75cc XM™ Solvent Pump – 6"
1	20GM12LN0	Motor (<i>See Fig. 20</i>)
2	20GLW075A	Displacement Pump (<i>See Fig. 21</i>)
3	20G16V435	Pump Adapter
4	20G24A636	Jam Nut
5	20G15M662	Tie Rod (<i>Quantity of Three</i>)
6	20G15U606	Tie Rod Nut (<i>Quantity of Three</i>)
7	20G24A625	TSL Reservoir
8	—	Adapter
9	20G15T311	Coupling Nut
10	—	Coupling Collar (<i>Quantity of Two</i>)
11	20G24A959	Tie Rod Shield
12	20G15V028	Drip Shield
—	20G244524	Grounding Assembly Wire
—	209V504	Operator's Manual – Merkur® Pump Assembly

PART NUMBERS AND SCHEMATICS GUIDE

Figure 19: 75cc XM™ Solvent Pump



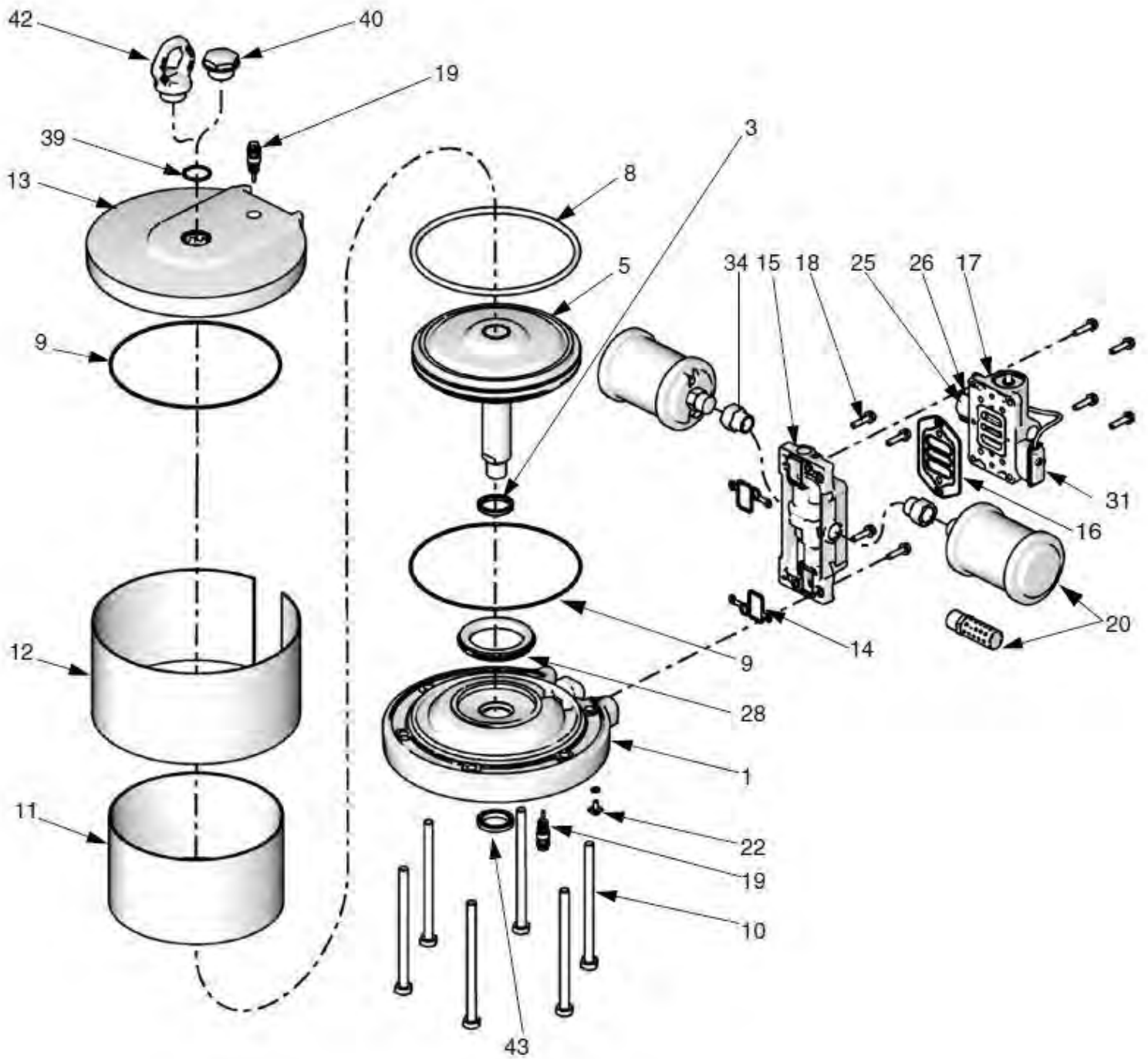
PART NUMBERS AND SCHEMATICS GUIDE

75cc XM™ Solvent Pump – Motor

Item#	Part#	Description
Fig. 20		
—	20GM12LN0	75cc XM™ Solvent Pump – Motor
1	20G24A549	Lower Assembly Cover <i>(Includes Item #'s: 3, 9, 19, 22, 28, and 43)</i>
3	—	U-Cup <i>(Quantity of Two)</i>
5	20G24A550	Motor Assembly Piston
8	—	Piston O-Ring
9	—	Cover O-Ring
10	20G15M316	Hex Head Tie Bolt <i>(Quantity of Four)</i>
11	20G15M672	Motor Cylinder
12	20G15M676	Cylinder Shield
13	20G15X354	Upper Assembly Cover <i>(Includes Item #'s: 9, 19, 39, 40, and 41)</i>
14	—	Manifold Gasket <i>(Quantity of Two)</i>
15	20G24A580	Manifold Assembly <i>(Includes Item #'s: 14, 16, and 18)</i>
16	—	Air Valve Gasket
17	20G24A352	Air Valve
18	—	M6 x 25 Screw <i>(Quantity of Four)</i>
19	20G24A366	Pilot Valve <i>(Quantity of Two)</i>
20	20G117237	Muffler
22	20G116343	Ground Screw
25	20G24B566	Solenoid/Reed Switch <i>(Includes Item #'s: 18, 26, 31, 32, and 33)</i>
26	—	Solenoid Bracket
28	20G24A914	Bumper Kit
31	—	Reed Switch
34	20G15T560	Muffler Adapter
39	—	Upper Cover Plug O-Ring
40	20G24E990	Upper Cover Plug
42	20G24E991	Hook Lift <i>(Not Included)</i>
43	—	U-Cup with Flange Seal
—	20G15W719	Label Warning
—	209V106	Operator's Manual – NXT® Air Motor

PART NUMBERS AND SCHEMATICS GUIDE

Figure 20: 75cc XM™ Solvent Pump – Motor



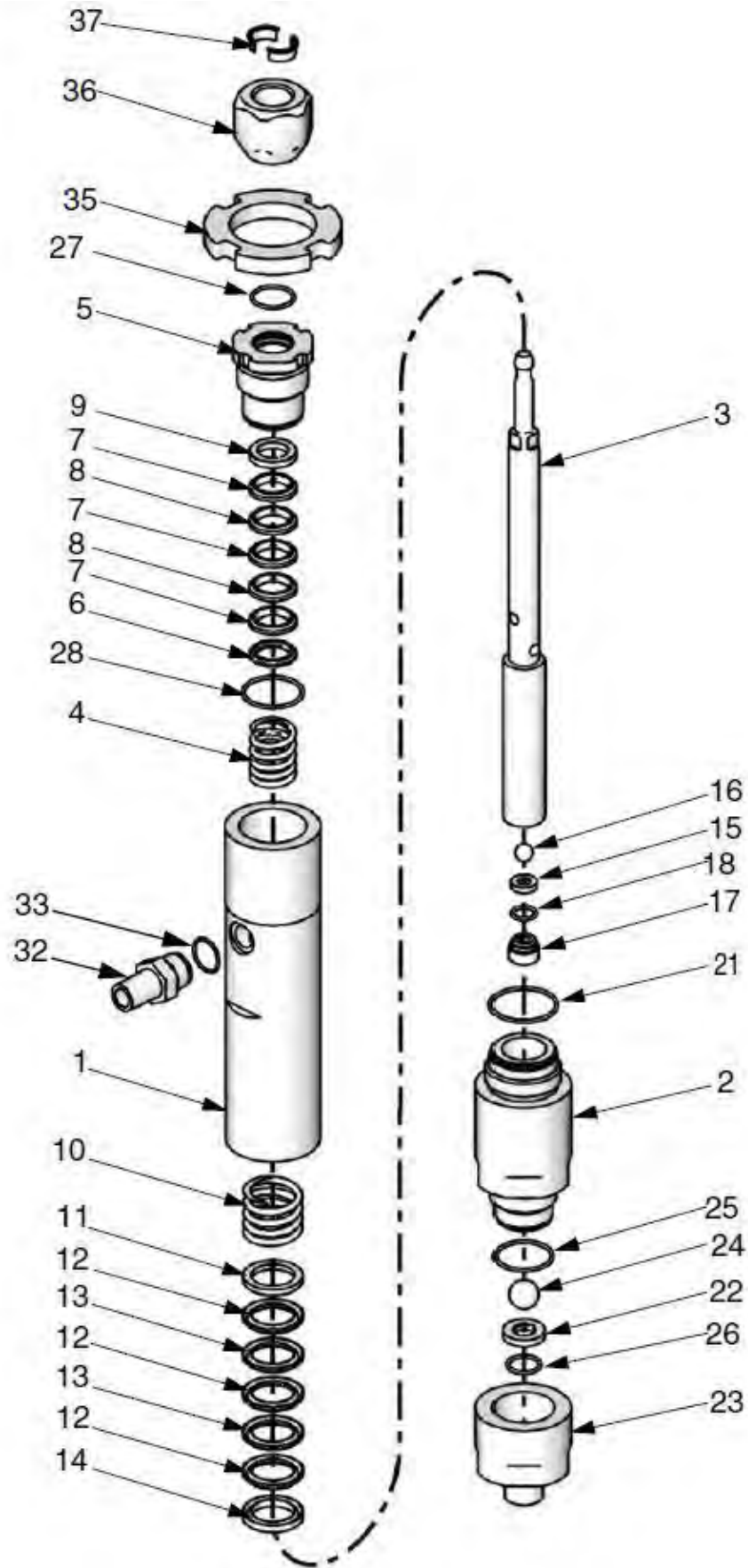
PART NUMBERS AND SCHEMATICS GUIDE

75cc XM™ Solvent Pump – Displacement Pump

Item#	Part#	Description
Fig. 21		
—	20GLW075A	75cc XM™ Solvent Pump – Displacement Pump
1	20G24A815	Upper Cylinder Kit <i>(Includes Item #'s: 21, 28, 32, and 33)</i>
2	20G24A824	Lower Cylinder Kit <i>(Includes Item #'s: 21 and 25)</i>
3	20G24A645	Piston/Rod Assembly <i>(Includes Item #'s: 15, 16, 17, 18, 36 and 37)</i>
4	—	Throat Spring
5	20G24A809	Wet Cup <i>(Includes Item #'s: 27 and 28)</i>
6	—	Male Throat Gland
7	—	UHMWPE Throat Packing <i>(Quantity of Three)</i>
8	—	PTFE Throat Packing <i>(Quantity of Two)</i>
9	—	Female Throat Gland
10	—	Piston Spring
11	—	Male Piston Gland
12	—	UHMWPE Piston Packing <i>(Quantity of Three)</i>
13	—	PTFE Piston Packing <i>(Quantity of Two)</i>
14	—	Female Piston Gland
15	—	Tungsten Carbide Piston Valve Seat
16	—	440 Stainless Steel Piston Valve Ball
17	—	Flow Through Nut
18	—	Piston O-Ring
21	—	Lower Cylinder O-Ring
22	—	Tungsten Carbide Intake Valve Seat
23	20G24A836	Intake Valve Kit <i>(Includes Item #: 26)</i>
24	—	440 Stainless Steel Intake Valve Ball
25	—	Lower Cylinder O-Ring <i>(Quantity of Two)</i>
26	—	Intake Valve O-Ring
27	20G24A631	Wet Cup O-Ring <i>(Quantity of Ten)</i>
28	—	Wet Cup O-Ring
32	20G24A840	3/8-18 NPT x 3/4-16 UNF Outlet Fitting <i>(Includes Item #: 33, Quantity of One)</i>
33	20G24E457	Outlet O-Ring <i>(Quantity of Ten)</i>
35	20G24A636	Jam Nut
36	20G15T311	Coupling Nut
37	20G24A619	Coupling Collar <i>(Quantity of Ten)</i>
—	20G24A253	Seal Repair Kit <i>(Includes Item #'s: 4, 6, 7, 8, 9, 10, 11, 12, 13, 14, 18, 21, 25, 26, 27, 28, and 33)</i>
—	20G24R167	V-Packing Repair Kit <i>(Includes Item #'s: 7, 8, 12, 13, 18, 21, 25, 26, 27, 28, and 33)</i>
—	20G24A783	Tungsten Carbide Seat Repair Kit <i>(Includes Item #'s: 15, 17, 18, 21, 22, 25, and 26)</i>
—	20G24A263	440 Stainless Steel Check Ball Kit <i>(Includes Item #'s: 16 and 24)</i>
—	209V510	Operator's Manual – Graco® Merkur® Displacement Pump

PART NUMBERS AND SCHEMATICS GUIDE

Figure 21: 75cc XM™ Solvent Pump – Displacement Pump



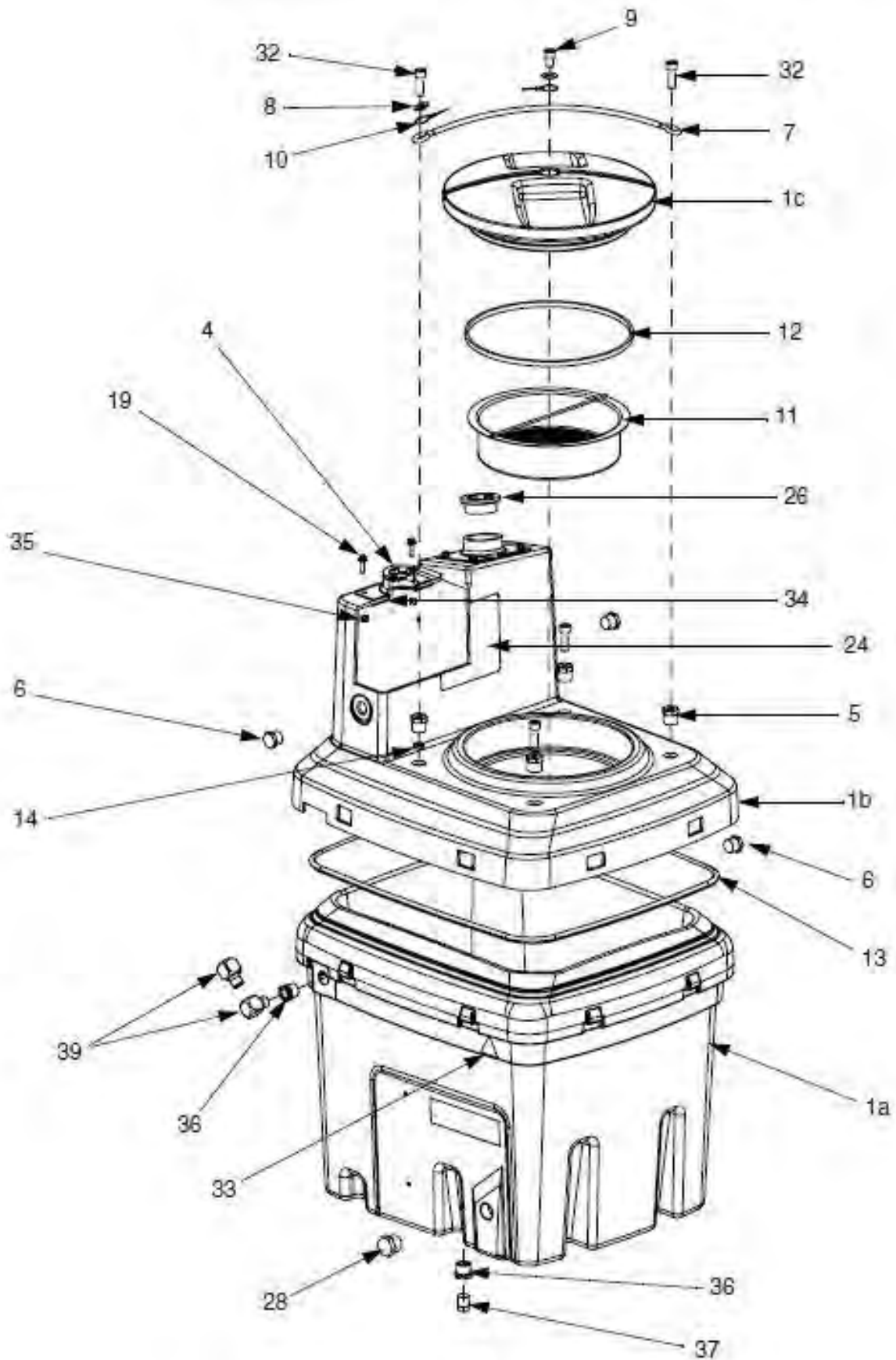
PART NUMBERS AND SCHEMATICS GUIDE

20 Gallon Hopper

Item#	Part#	Description
Fig. 22		
—	20G255963	20 Gallon Hopper
1a	—	Hopper
1b	—	Cover
1c	—	Lid
4	20G255965	Weldment Plate (<i>Quantity of Two</i>)
5	20G15T007	Return Tube Adapter (<i>Quantity of Four</i>)
6	20G121621	3/4" NPT Plug (<i>Quantity of Three</i>)
7	20G255966	Hopper Lid Spring Strap
8	20G109570	1/2" Plain Washer
9	20G513764	1/2-13 x 3/4" Socket Head Cap Screw
10	20G122097	12" Stainless Steel Lanyard Cable
11	20G256008	Strainer
12	20G15T010	Hopper Lid Gasket
13	20G15T011	Hopper Gasket (<i>Quantity of Two</i>)
14	20G15R403	Return Tube Seal (<i>Quantity of Two</i>)
19	20G112547	1/4-20 x 1" Hex Head Flange Screw (<i>Quantity of Eight</i>)
26	20G121378	2" Plug with Gasket (<i>Quantity of Two</i>)
28	20G121485	1" Plug (<i>Quantity of Two</i>)
32	20G121797	1/20-13 x 1-1/2" Socket Head Cap Screw (<i>Quantity of Two</i>)
33	20G189285	Caution Label (<i>Quantity of Two</i>)
34	20G15R331	Hopper Accessory Plate (<i>Quantity of Two</i>)
35	20G104105	1/4-20 Hex Lock Nut (<i>Quantity of Eight</i>)
36	20G117326	3/4" (M) x 1/2" (F) Bushing Fitting (<i>Quantity of Two</i>)
37	20G100737	1/2" Pipe Plug
39	20G158683	1/2" 90° Elbow Fitting (<i>Quantity of Two</i>)
—	20G15R424	A-B Identification Label
—	20G24K965	5:1 Pump Spacer Kit
—	209V567	Operator's Manual – Double Wall Hopper

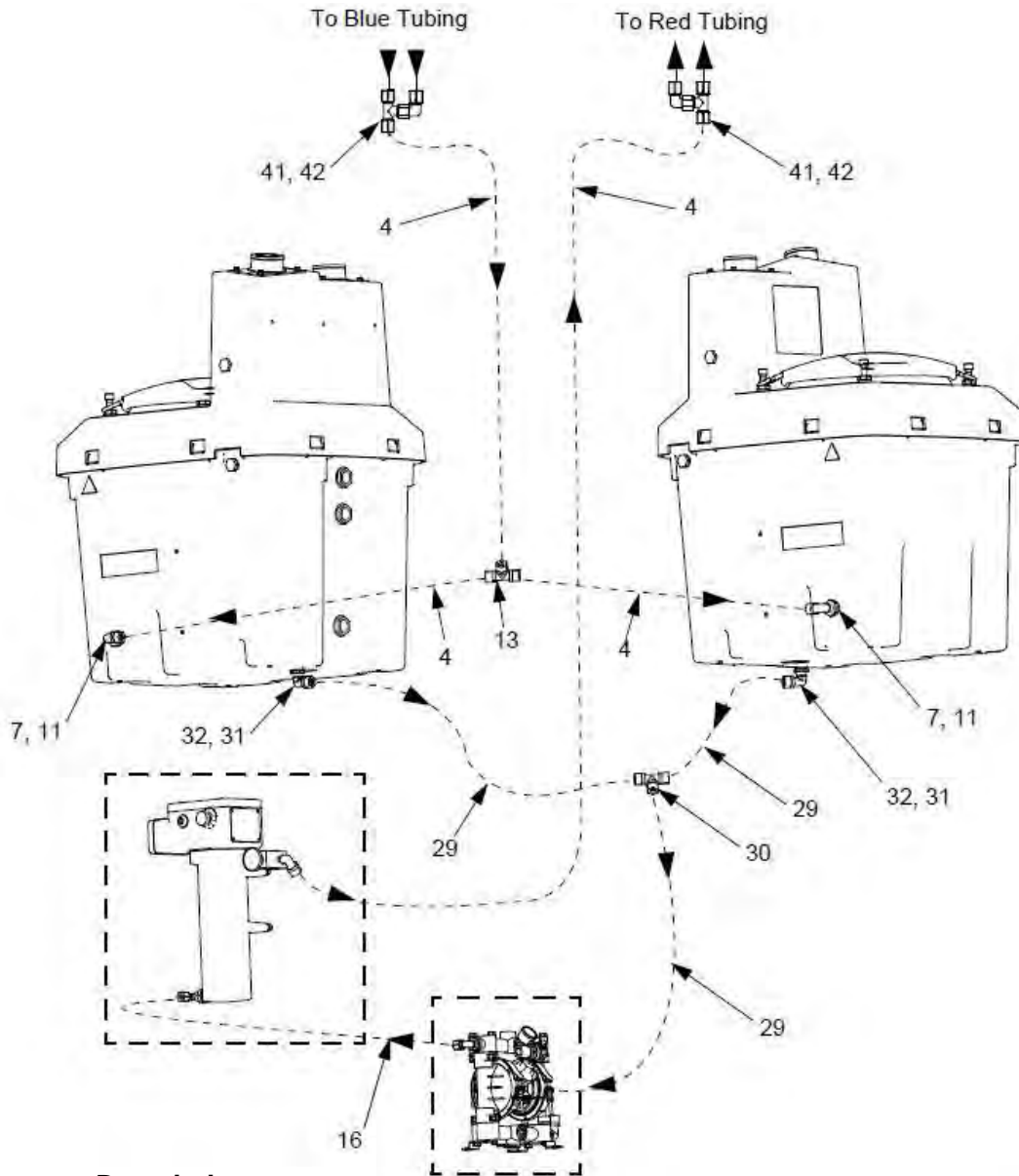
PART NUMBERS AND SCHEMATICS GUIDE

Figure 22: 20 Gallon Hopper



OPTIONAL ACCESSORIES

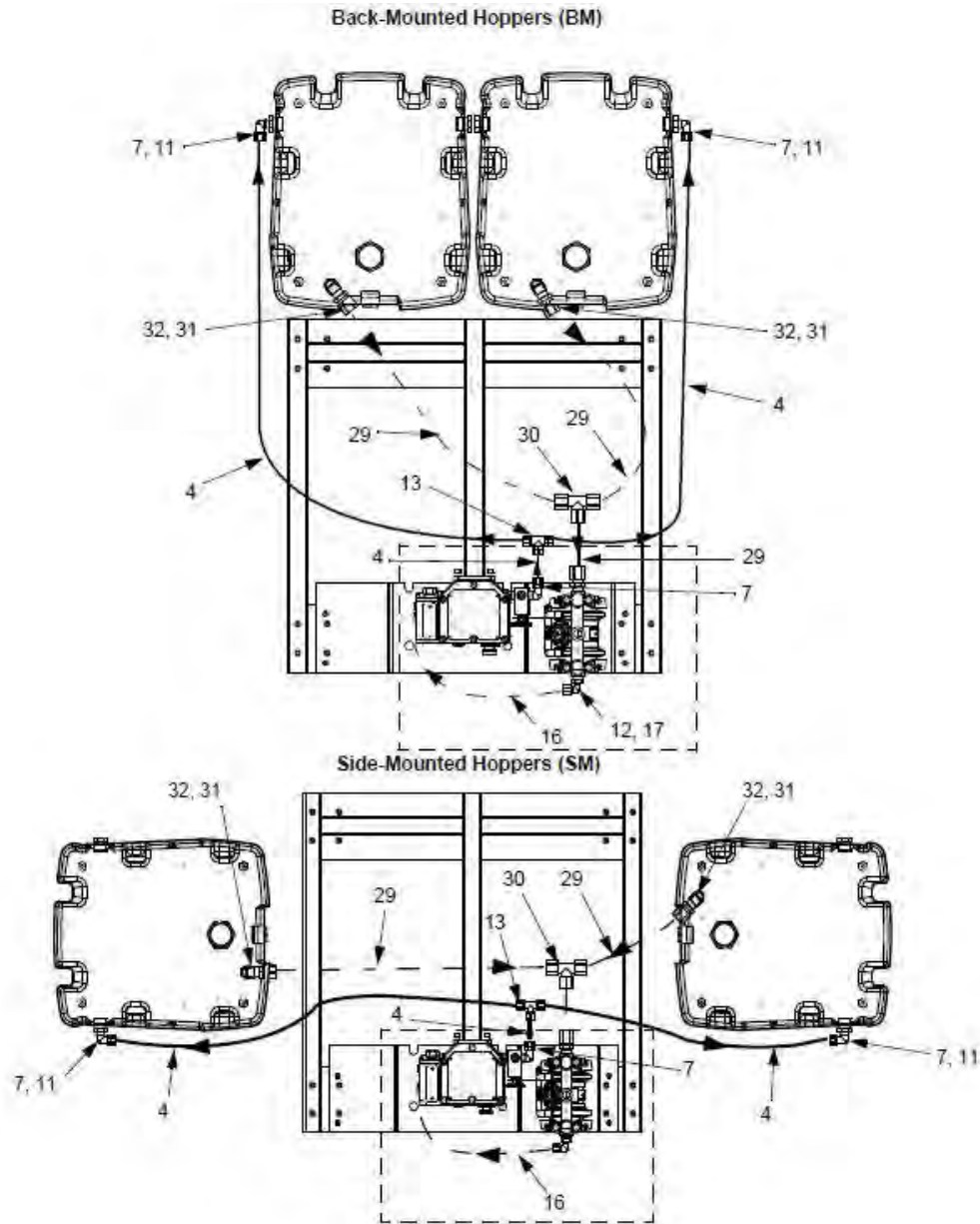
Figure 23: Heated Hopper and Hose Circulation Kit



Item#	Part#	Description
Fig. 23		
—	20G256273	Heated Hopper and Hose Circulation Kit
4	20G054139	1/2" O.D. x 17' Flexible Nylon Tube
7	20G126898	1/2" x 1/2" O.D. Elbow Fitting Tube (<i>Quantity of Five</i>)
11	20G124070	1" (M) x 1/2" (F) Pipe Bushing (<i>Quantity of Two</i>)
13	20G17E117	1/2" Tee Fitting
16	20G054134	3/8" x 3' Nylon Tube
29	20G054929	3/4" O.D. x 8' Flexible Nylon Tube
30	20G17H050	3/4" Union Tee Fitting
31	20G17H051	3/4" x 3/4" O.D. Male Connector Fitting (<i>Quantity of Three</i>)
32	20G124042	3/4" (M) x 3/4" (F) Street Elbow Fitting (<i>Quantity of Three</i>)
41	20G126896	1/2" Tube x 1/2" NPTF Elbow Fitting (<i>Quantity of Two</i>)
42	20G126895	1/2" Tube x 1/2" Tube x 1/2" NPTF Elbow Fitting

OPTIONAL ACCESSORIES

Figure 24: Heated Hopper and Hose Circulation Kit (Continued)



Item#	Part#	Description
-------	-------	-------------

Fig. 24

—	20G256273	Heated Hopper and Hose Circulation Kit
4	20G054139	1/2" O.D. x 17' Flexible Nylon Tube
7	20G126898	1/2" x 1/2" O.D. Elbow Fitting Tube (Quantity of Five)
11	20G124070	1" (M) x 1/2" (F) Pipe Bushing (Quantity of Two)
12	20GC19683	3/4" (M) x 3/8" (F) Reducing Bushing
13	20G17E117	1/2" Tee Fitting
16	20G054134	3/8" x 3' Nylon Tube
17	20G17E118	3/8-18 x 3/8" O.D. Male Elbow Fitting (Quantity of Two)
29	20G054929	3/4" O.D. x 8' Flexible Nylon Tube
30	20G17H050	3/4" Union Tee Fitting
31	20G17H051	3/4" x 3/4" O.D. Male Connector Fitting (Quantity of Three)
32	20G124042	3/4" (M) x 3/4" (F) Street Elbow Fitting (Quantity of Three)

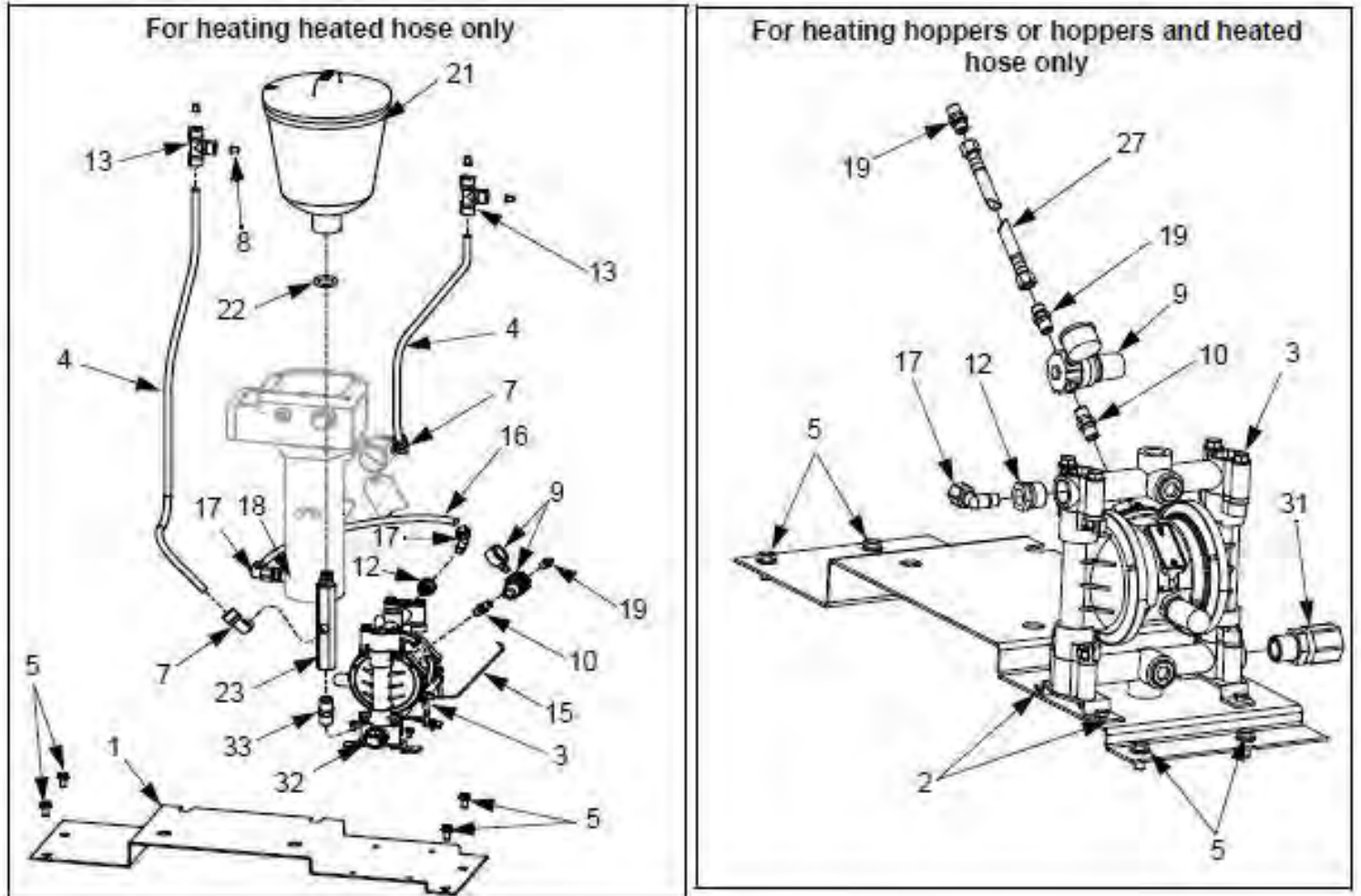
OPTIONAL ACCESSORIES

Heated Hopper and Hose Circulation Kit *(Continued)*

Item#	Part#	Description
Fig. 25		
—	20G256273	Heated Hopper and Hose Circulation Kit
1	20G256196	Mounting Plate
2	20G100333	1/4-20 x 1/2" Hex Cap Screw <i>(Quantity of Four)</i>
3	20GD53288	Husky™ 716 Pump <i>(See Fig. 26)</i>
4	20G054139	1/2" O.D. x 17' Flexible Nylon Tube
5	20G112395	Flange Head Cap Screw <i>(Quantity of Four)</i>
7	20G126898	1/2" x 1/2" O.D. Elbow Fitting Tube <i>(Quantity of Five)</i>
9	20G110147	1/4" Air Regulator
10	20G156971	1/4-18 NPT Short Nipple Fitting
12	20GC19683	3/4" (M) x 3/8" (F) Reducing Bushing
13	20G17E117	1/2" Tee Fitting
15	20G119402	Coiled Ground Cable
16	20G054134	3/8" x 3' Nylon Tube
17	20G17E118	3/8-18 x 3/8" O.D. Male Elbow Fitting <i>(Quantity of Two)</i>
18	20G122275	3/8" x 1/2" Reducing Coupling Fitting
19	20G162453	1/4" x 1/4" Nipple Fitting <i>(Quantity of Two)</i>
21	20G188787	1-1/2 Gallon Hopper
22	20G104938	O-Ring
23	20G15B338	Mounting Reservoir Fitting
27	20G212005	6' Coupled Hose
31	20G17H051	3/4" x 3/4" O.D. Male Connector Fitting <i>(Quantity of Three)</i>
32	20G124042	3/4" (M) x 3/4" (F) Street Elbow Fitting <i>(Quantity of Three)</i>
33	20G175013	3/4" Nipple Fitting
—	209V572	Operator's Manual – Graco® Hopper or Hose Heat Circulation Kit

OPTIONAL ACCESSORIES

Figure 25: Heated Hopper and Hose Circulation Kit (Continued)



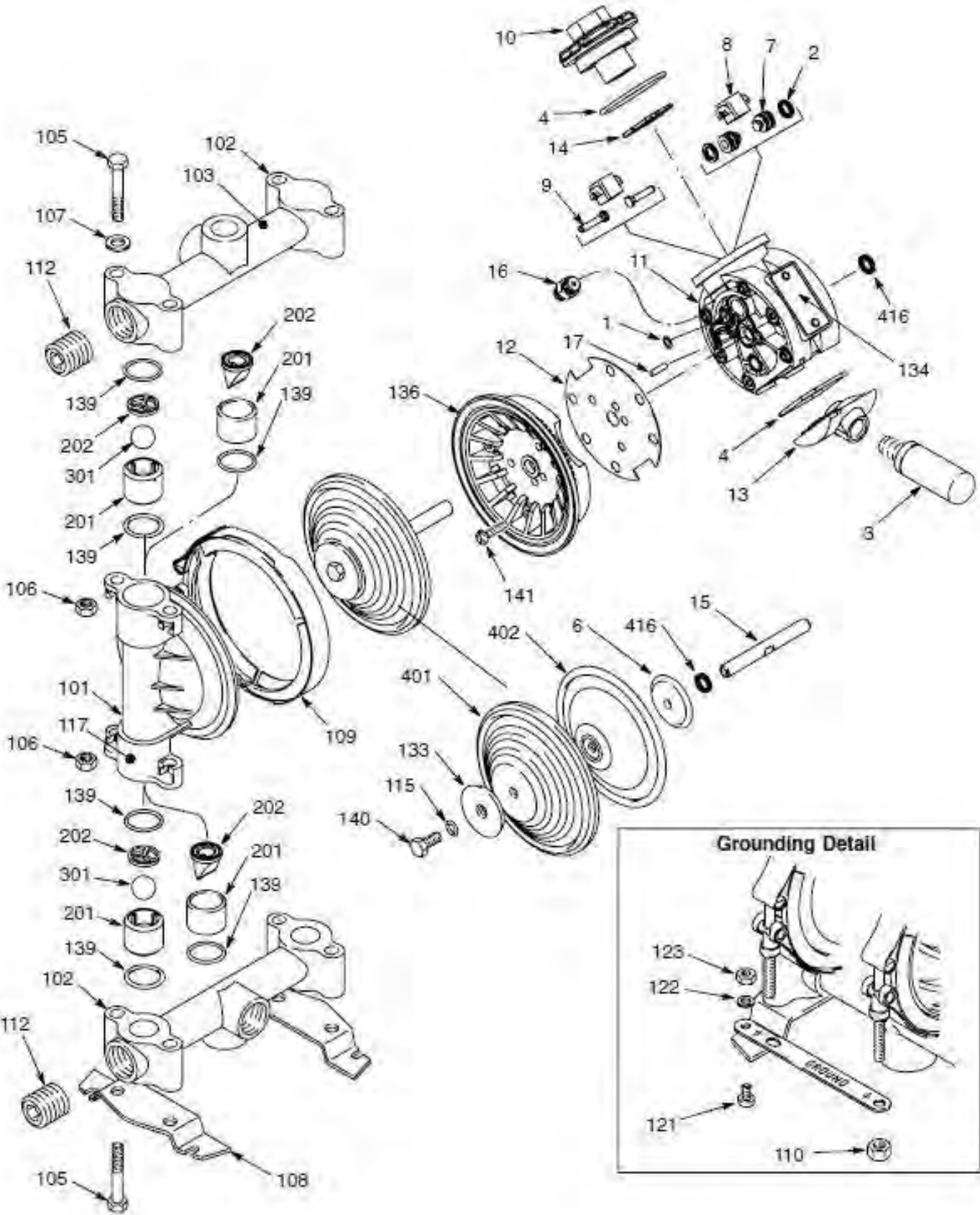
OPTIONAL ACCESSORIES

Husky™ 716 Pump

Item#	Part#	Description	Item#	Part#	Description
Fig. 26			121	20G102790	10-24 x 0.31" Screw
—	20GD53288	Husky™ 716 Pump	122	20G100718	Lockwasher
1	20G114866	O-Ring Packing (<i>Quantity of Two</i>)	123	20G100179	10-24 Hex Nut
2	20G108808	U-Cup Packing (<i>Quantity of Two</i>)	133	20G191837	Fluid Side Diaphragm Plate (<i>Quantity of Two</i>)
3	20G122933	Muffler	134	20G290045	Designation Plate
4	20G162942	O-Ring Packing (<i>Quantity of Two</i>)	136	20G194246	Air Cover (<i>Quantity of Two</i>)
6	20G195025	Air Side Diaphragm Plate (<i>Quantity of Two</i>)	139	20G110636	O-Ring, PTFE (<i>Quantity of Eight</i>)
7	20G15Y825	Carriage Plunger (<i>Quantity of Two</i>)	140	20G113747	Flange Hex Head Screw (<i>Quantity of Two</i>)
8	20G192595	Carriage (<i>Quantity of Two</i>)	141	20G114882	Machine Torx Screw (<i>Quantity of 12</i>)
9	20G192596	Carriage Pin (<i>Quantity of Two</i>)	142	20G111183	Rivet (<i>Quantity of Two</i>)
10	20G192597	Valve Chamber Cover	201	20G186691	Acetal Guide (<i>Quantity of Four</i>)
11	20G192602	Center Housing	202	20G186692	Acetal Stop (<i>Quantity of Four</i>)
—	20G194380	Center Housing	301	20G112959	Fluoroelastomer Ball (<i>Quantity of Four</i>)
12	20G192765	Gasket (<i>Quantity of Two</i>)	401	20G190149	Fluoroelastomer Diaphragm (<i>Quantity of Two</i>)
13	20G194247	Exhaust Cover	416	20G108808	U-Cup Packing (<i>Quantity of Two</i>)
14	20G194269	Valve Plate	—	20G241657	Air Valve Repair Kit (<i>Includes Item #'s: 4, 7, 8, 9, and 14</i>)
15	20G192601	Diaphragm Shaft	—	209V574	Operator's Manual – Graco® Husky™ 716 Pump
16	20G115671	Male Connector (<i>Quantity of Two</i>)			
101	20G185622	Fluid Cover (<i>Quantity of Two</i>)			
102	20G185624	NPT Manifold (<i>Quantity of Two</i>)			
—	20G192061	BSPT Manifold (<i>Quantity of Two</i>)			
—	20G190246	NPT Manifold (<i>Quantity of Two</i>)			
103	20G189220	Warning Label			
105	20G112912	3/8-16 x 2-1/4" Screw (<i>Quantity of Eight</i>)			
106	20G112913	3/8-16 Hex Nut (<i>Quantity of Eight</i>)			
107	20G112914	3/8" Flat Washer (<i>Quantity of Four</i>)			
108	20G186207	Feet Base (<i>Quantity of Two</i>)			
109	20G189540	Vee Clamp			
110	20G112499	1/4-28 Clamp Nut (<i>Quantity of Two</i>)			
111	20G191079	Grounding Strip			
112	20G102726	NPT Steel Plug (<i>Quantity of Two</i>)			
—	20G113989	BSPT Steel Plug (<i>Quantity of Two</i>)			
—	20G24H344	BSPB Plug with Seal (<i>Quantity of Two</i>)			
115	20G110004	O-Ring, PTFE (<i>Quantity of Two</i>)			
117	20G186205	Warning Label			
52	Graco® XM70™ Plural Component Sprayer				

OPTIONAL ACCESSORIES

Figure 26: Husky™ 716 Pump



OPTIONAL ACCESSORIES

NON-RECIRCULATION GENERAL PURPOSE 7000 PSI WATER HEATED HOSE BUNDLES

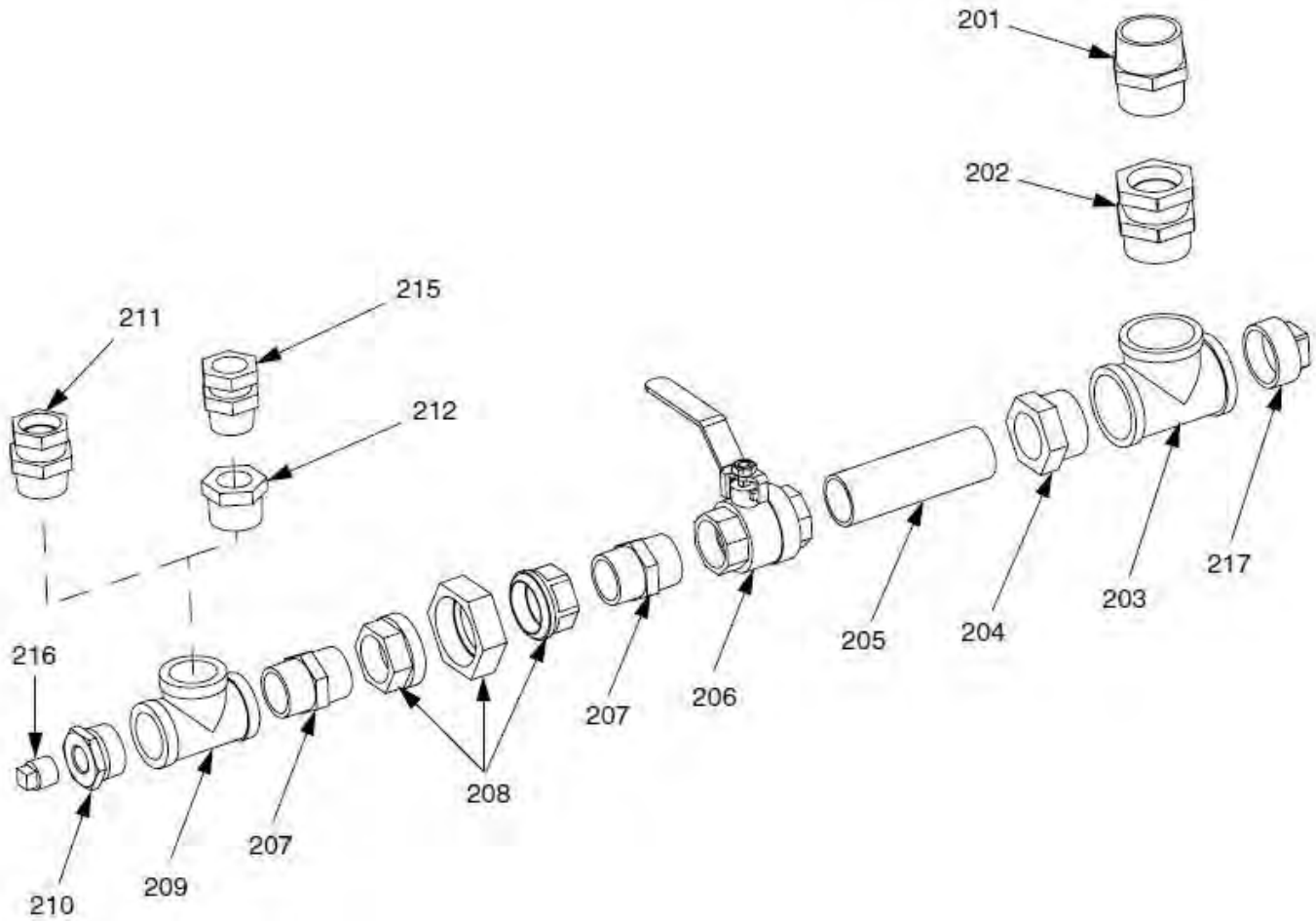
Part Numbers	1/2" Fluid Hose	3/8" Fluid Hose	1/4" Fluid Hose	3/8" Fluid Recirculating Hoses	1/4" Moisture-Lock Hose	1/4" Flush Hose	Length			
							50 Ft.	100 Ft.	150 Ft.	200 Ft.
20100462	1	1	1	2		1	X			
20100463	1	1	1	2		1		X		
20100464	1	1	1	2		1			X	
20100465	1	1	1	2		1				X

INSULATED INTEGRATOR 7000 PSI HOSE BUNDLES

Part Numbers	1/2" Fluid Hose	3/8" Fluid Hose	1/4" Fluid Hose	3/8" Fluid Recirculating Hoses	1/4" Moisture-Lock Hose	1/4" Flush Hose	Length	
							25 Ft.	50 Ft.
20100254	1						X	

OPTIONAL ACCESSORIES

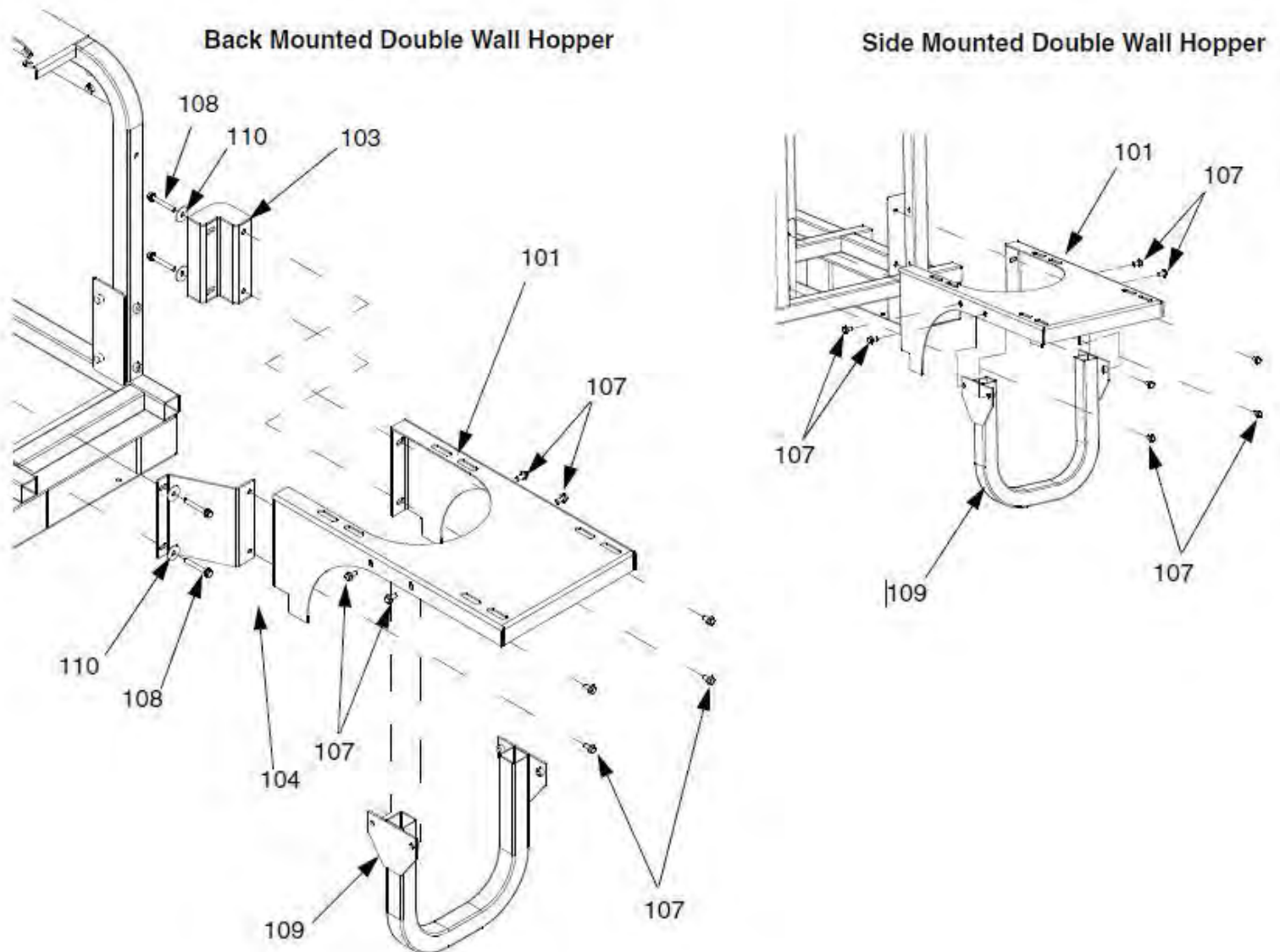
Figure 27: Hopper Fluid Outlet Kit



Item#	Part#	Description
Fig. 27		
—	20G256179	Hopper Fluid Outlet Kit
201	20G121435	2" Hex Nipple
202	20G121436	2" Male Swivel Fitting
203	20G121437	2" Female Tee Fitting
204	20G121438	2" x 1-1/2" Reducer Bushing
205	20G121439	1-1/2" x 6" Pipe Nipple
206	20G121440	1-1/2" Ball Valve
207	20G121441	1-1/2" Hex Nipple (<i>Quantity of Two</i>)
208	20G121442	1-1/2" Union Fitting
209	20G121443	1-1/2" Tee Fitting
210	20G101496	1-1/2" x 3/4" Pipe Bushing
211	20G121445	1-1/2" x 1-1/4" Reducing Swivel
212	20G121446	1-1/2" x 1-1/4" Reducer Bushing
215	20G121447	1-1/4" Swivel Fitting
216	20G104663	3/4" Pipe Plug
217	20G123807	2" Pipe Plug
—	209V567	Operator's Manual – Double Wall Hopper

OPTIONAL ACCESSORIES

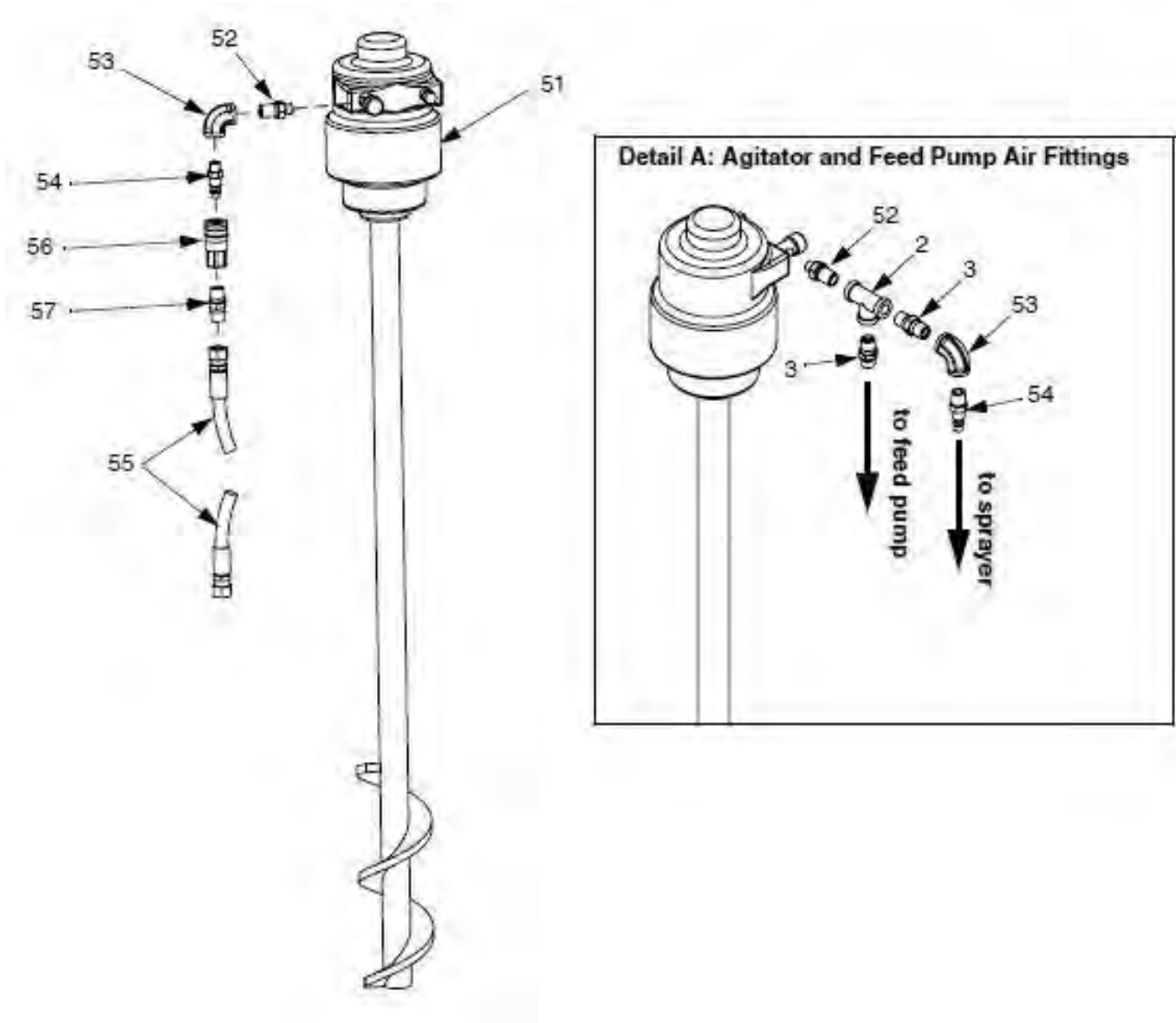
Figure 28: Hopper Mounting Kit



Item#	Part#	Description
Fig. 28		
—	20G256259	Hopper Mounting Kit
101	20G256224	20 Gallon Hopper Bracket
103	20G256254	Bottom Mount Hopper Bracket
104	20G256256	Lower Bottom Mount Hopper Bracket
107	20G112395	3/8-16 x 3/4" Flange Head Cap Screw (Quantity of 14)
108	20G121488	3/8-16 x 2-3/4" Flanged Hex Head Screw (Quantity of Four)
109	20G256928	Rear Hopper Bracket Support
110	20G115625	3/8" Fender Washer
—	209V567	Operator's Manual – Double Wall Hopper

OPTIONAL ACCESSORIES

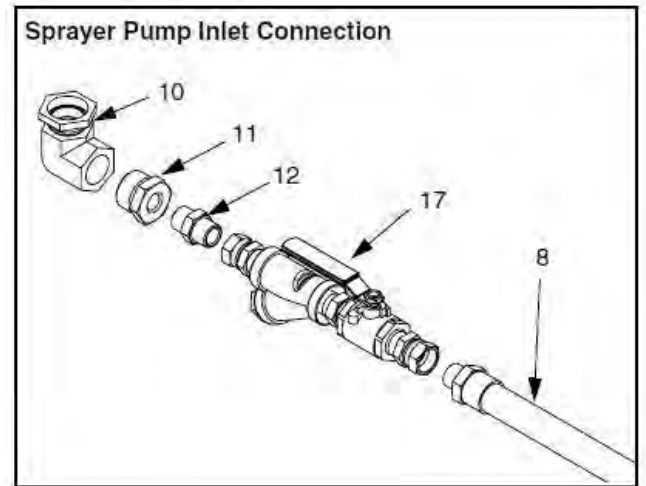
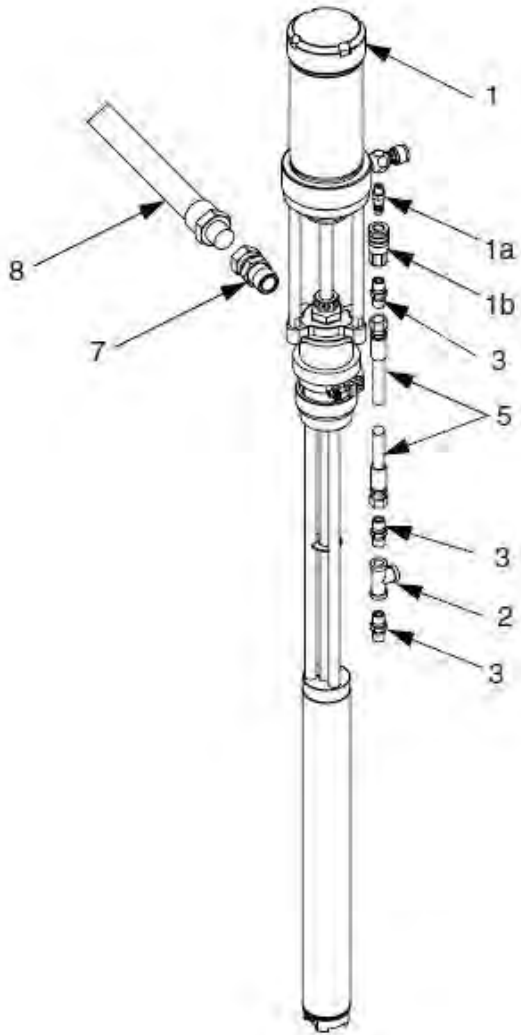
Figure 29: Twistork Agitator Kit



Item#	Part#	Description
Fig. 29		
—	20G256274	Twistork Agitator Kit
51	20G224854	Helix Agitator
52	20G151519	1/8" x 1/4" Reducing Nipple Fitting
53	20GC19425	90° Female Elbow Fitting
54	20G169970	Air Line Fitting
55	20G212005	6' Coupled Hose
56	20G114558	Air Line Coupler
57	20G166846	Adapter Fitting
—	209V569	Operator's Manual – Graco® Feed Pump and Agitator Kits

OPTIONAL ACCESSORIES

Figure 30: T2 Pump Feed



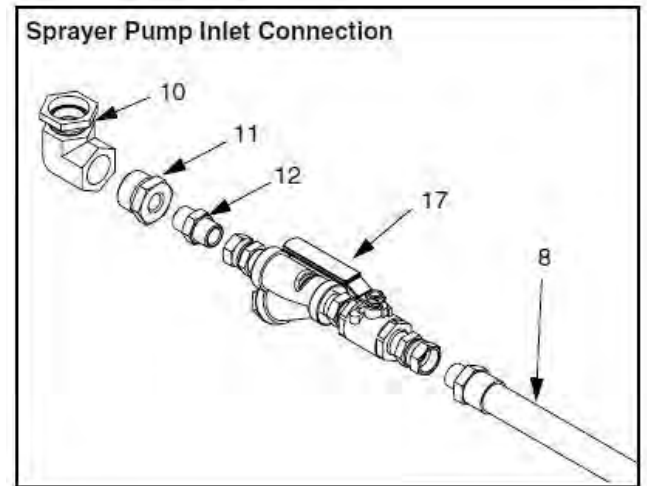
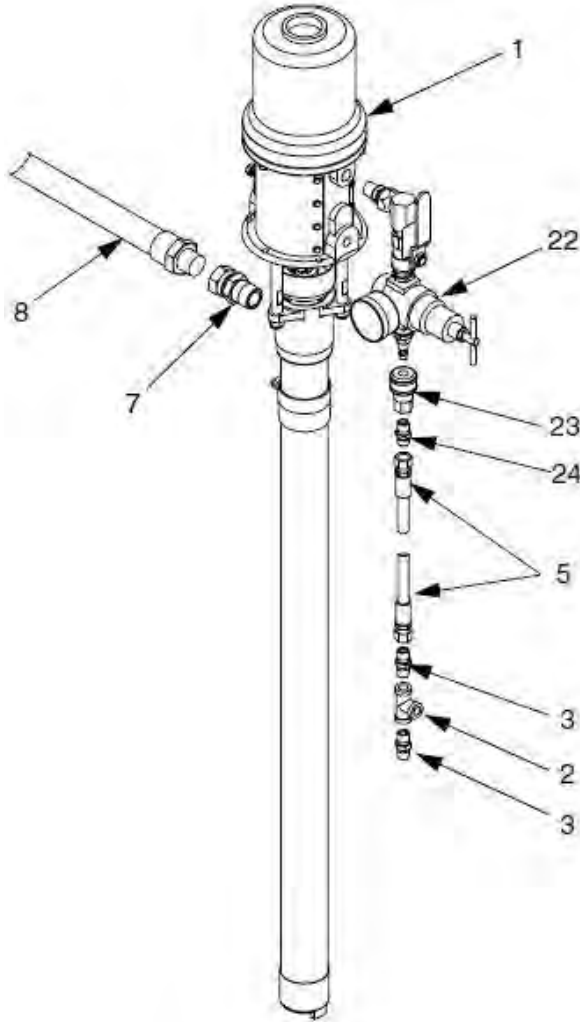
Item#	Part#	Description
-------	-------	-------------

Fig. 30

—	20G256275	T2 Pump Feed
1	20G295616	2:1 Transfer Pump (Includes Item #'s: 1a and 1b)
1a	—	Quick Disconnect Fitting
1b	—	Coupler
2	20G104984	1/4" Female Tee Fitting
3	20G156971	1/4-18 Short Nipple (Quantity of Three)
5	20G212005	6' Coupled Hose
7	20G118459	3/4" Swivel Union
8	20G217382	10' Coupled Hose
10	20G121571	Female Swivel Elbow
11	20G121620	1-1/4" x 3/4" Reducer
12	20GC20487	Hex Nipple
17	20G256653	Lower Strainer and Valve Kit
—	20G256275	T2 2:1 Pump Kit (Includes Item #'s: 1, 1a, and 1b)
—	209V569	Operator's Manual – Graco® Feed Pump and Agitator Kits

OPTIONAL ACCESSORIES

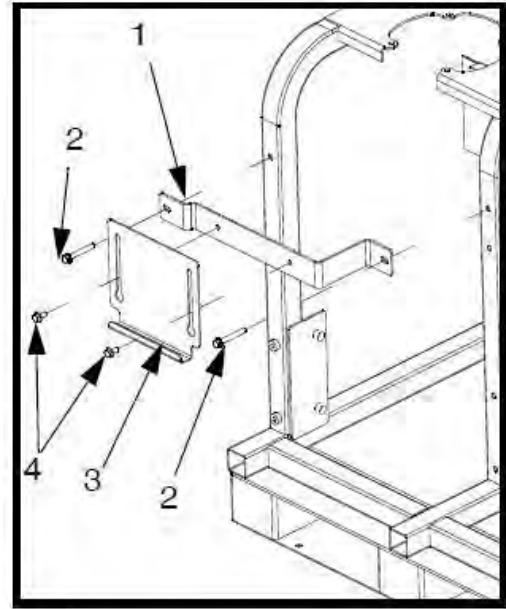
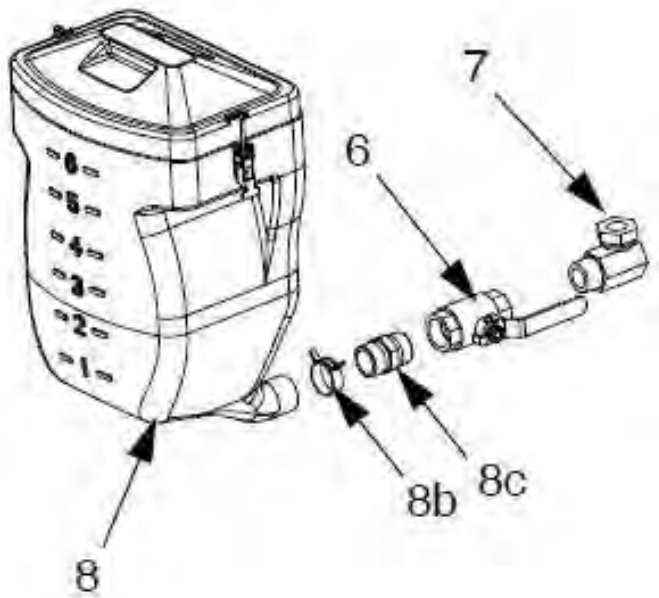
Figure 31: 5:1 Pump Feed



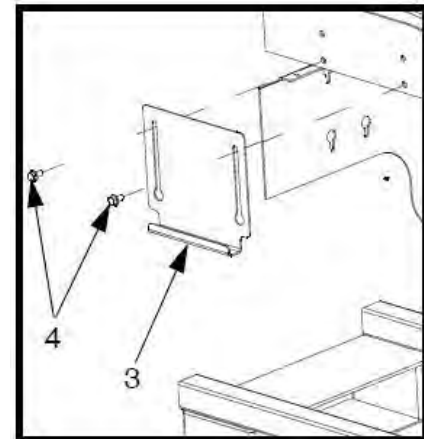
Item#	Part#	Description
Fig. 31		
—	20G256276	5:1 Pump Feed
1	20G218956	5:1 Monark® Pump
2	20G104984	1/4" Female Tee Fitting
3	20G156971	1/4-18 Short Nipple (<i>Quantity of Three</i>)
5	20G212005	6' Coupled Hose
7	20G118459	3/4" Swivel Union
8	20G217382	10' Coupled Hose
10	20G121571	Female Swivel Elbow
11	20G121620	1-1/4" x 3/4" Reducer
12	20GC20487	Hex Nipple
17	20G256653	Lower Strainer and Valve Kit
22	20G248829	Feed Pump Air Regulator Kit
23	20G208536	Air Line Coupler
24	20G162453	1/4" NPSM x 1/4" NPT Fitting
—	20G256276	Monark® 5:1 Pump Kit (<i>Includes Item #'s: 22, 23, and 24</i>)
—	209V569	Operator's Manual – Graco® Feed Pump and Agitator Kits

OPTIONAL ACCESSORIES

Figure 32: 7 Gallon Green and Blue Hopper and Bracket Kit



(Parts for Back Mounted Hoppers)



(Parts for Side Mounted Hoppers)

Item#	Part#	Description
Fig. 32		
—	20G256260	7 Gallon Green Hopper
—	20G24N011	7 Gallon Blue Hopper
1	20G256252	Upper Back Mounted Hopper Bracket
2	20G121488	Flanged Hex Head Screw (<i>Quantity of Two</i>)
3	20G256251	7 Gallon Hopper Bracket
4	20G112395	Flange Head Cap Screw (<i>Quantity of Two</i>)
6	20G122198	Ball Valve
7	20G112580	90° Swivel Union
8	20G234097	Green Fluid Hopper
—	20G234017	Blue Fluid Hopper
8b	20G124450	Clamp
8c	20GC20490	Fitting
—	209V575	Operator's Manual – Graco® XM™ Hopper Kit

PART NUMBERS AND SCHEMATICS GUIDE

GRACO® XM50™ PLURAL COMPONENT SPRAYER												
Part Numbers	Type	Junction Box	Hopper Kit (20 gal)	Hopper Heater Kit	Hopper Fluid Inlet Kit	Hopper Universal Mount Kit	Twistork Agitator Kit	5:1 Pump Feed Kit	A Lower Pump	B Lower Pump	Pump Filters	Fluid Heaters
20GXM1B00	Standard	X							20GL250C4	20GL220C4	X	X
20GXM1B14	Standard	X	1	1	1	1	1		20GL250C4	20GL220C4	X	X
20GXM1B16	Standard	X	1	1		1	1	1	20GL250C4	20GL220C4	X	X
20GXM1B24	Standard	X	2	2	2	2	2		20GL250C4	20GL220C4	X	X
20GXM1B26	Standard	X	2	2		2	2	2	20GL250C4	20GL220C4	X	X
20GXM1C00	Standard								20GL250C4	20GL220C4	X	X
20GXM1C14	Standard		1	1	1	1	1		20GL250C4	20GL220C4	X	X
20GXM1C16	Standard		1	1		1	1	1	20GL250C4	20GL220C4	X	X
20GXM1C24	Standard		2	2	2	2	2		20GL250C4	20GL220C4	X	X
20GXM1C26	Standard		2	2		2	2	2	20GL250C4	20GL220C4	X	X
20GXM1E00	Hazardous Location								20GL250C4	20GL220C4	X	X
20GXM1E14	Hazardous Location		1	1	1	1	1		20GL250C4	20GL220C4	X	X
20GXM1E16	Hazardous Location		1	1		1	1	1	20GL250C4	20GL220C4	X	X
20GXM1E24	Hazardous Location		2	2	2	2	2		20GL250C4	20GL220C4	X	X
20GXM1E26	Hazardous Location		2	2		2	2	2	20GL250C4	20GL220C4	X	X

All sprayers include 3/8" x 25' airless spray hose, 1/4" x 10' whip hose, static mixers, and Graco® XTR5™ Airless Spray gun.

PART NUMBERS AND SCHEMATICS GUIDE

GRACO® XM50™ PLURAL COMPONENT SPRAYER WITH REMOTE MANIFOLD													
Part Numbers	Type	Junction Box	Hopper Kit (20 gal)	Hopper Heater Kit	Hopper Fluid Inlet Kit	Hopper Universal Mount Kit	Twistork Agitator Kit	5:1 Pump Feed Kit	A Lower Pump	B Lower Pump	Pump Filters	Fluid Heaters	Remote Manifold
20GXM5B00	Standard	X							20GL250C4	20GL220C4	X	X	X
20GXM5B14	Standard	X	1	1	1	1	1		20GL250C4	20GL220C4	X	X	X
20GXM5B16	Standard	X	1	1		1	1	1	20GL250C4	20GL220C4	X	X	X
20GXM5B24	Standard	X	2	2	2	2	2		20GL250C4	20GL220C4	X	X	X
20GXM5B26	Standard	X	2	2		2	2	2	20GL250C4	20GL220C4	X	X	X
20GXM5C00	Standard								20GL250C4	20GL220C4	X	X	X
20GXM5C14	Standard		1	1	1	1	1		20GL250C4	20GL220C4	X	X	X
20GXM5C16	Standard		1	1		1	1	1	20GL250C4	20GL220C4	X	X	X
20GXM5C24	Standard		2	2	2	2	2		20GL250C4	20GL220C4	X	X	X
20GXM5C26	Standard		2	2		2	2	2	20GL250C4	20GL220C4	X	X	X
20GXM5E00	Hazardous Location								20GL250C4	20GL220C4	X	X	X
20GXM5E14	Hazardous Location		1	1	1	1	1		20GL250C4	20GL220C4	X	X	X
20GXM5E16	Hazardous Location		1	1		1	1	1	20GL250C4	20GL220C4	X	X	X
20GXM5E24	Hazardous Location		2	2	2	2	2		20GL250C4	20GL220C4	X	X	X
20GXM5E26	Hazardous Location		2	2		2	2	2	20GL250C4	20GL220C4	X	X	X

All sprayers include 3/8" x 25' airless spray hose, 1/4" x 10' whip hose, static mixers, and Graco® XTR5™ Airless Spray gun.

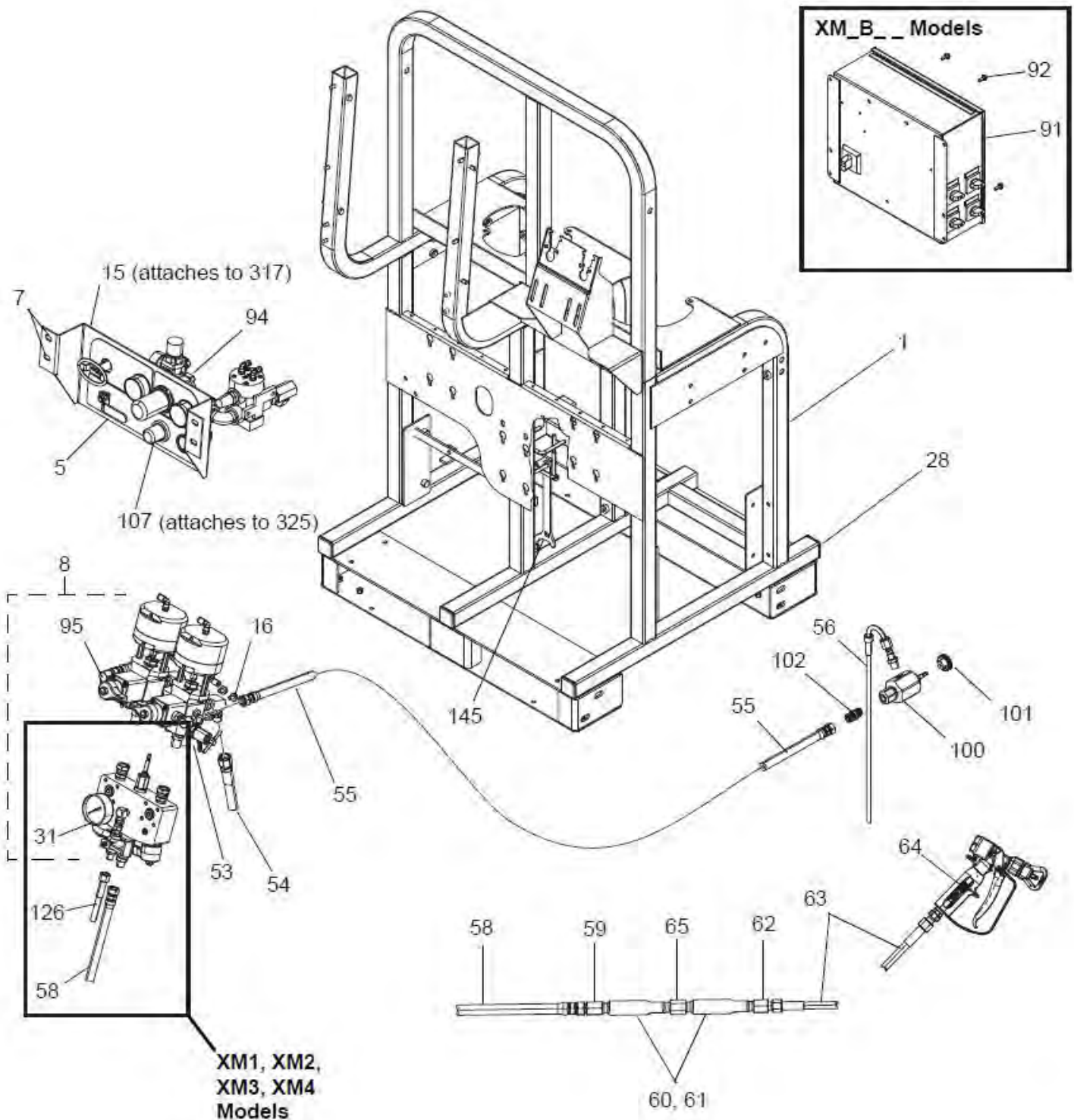
PART NUMBERS AND SCHEMATICS GUIDE

Graco® XM50™ Plural Component Sprayer

Item#	Part#	Description
Fig. 1		
1	—	Frame
5	20G255761	Upper Air Controls Module (See Fig. 5)
7	20G112958	Flanged Hex Nut (Quantity of Nine)
8	—	Fluid Control Assembly (See Fig. 7)
15	20G240900	3/4" x 30" Coupled Air Hose (Quantity of Three)
16	20G111801	Hex HD Screw Cap (Quantity of Ten)
28	20G115313	Tube Plug (Quantity of Eight)
31	20G114434	10,000 psi Pressure Gauge
53	20GH75003	1/2" x 3' Coupled Hose, 7250 psi (Quantity of Three)
54	20GH75002	1/2" x 2' Coupled Hose, 7250 psi
55	20GH53806	3/8" x 6' Coupled Hose, 5600 psi (Quantity of Two)
56	20G15T396	Recirculation Tube (Quantity of Two)
58	20GH73825	3/8" x 25' Coupled Hose, 7250 psi
59	20G15B729	3/8" NPT (F) x 3/8" NPSM (M) Adapter
60	20G262478	1/2" x 5" Static Housing Mixer Kit (Quantity of Two)
61	20G248927	Static Mixer Element, Pack of 25
62	20G150287	3/8" to 1/4" Reducing Coupling
63	20GH72510	1/4" x 10' Coupled Hose
64	20GXTR504	Graco® XTR-5™ Airless Spray Gun
65	20G162024	3/8" Coupling
91	20G256540	Junction Box (See Fig. 6)
92	20G111801	Hex HD Screw Cap
94	20G113498	Air Relief Valve, 100 psi
95	20G15U655	Identification Label
100	20G222200	Restrictor Valve (Quantity of Two)
101	20G114593	Restrictor Valve Knob (Quantity of Two)
102	20G156849	3/8" NPT x 3/8" Pipe Nipple (Quantity of Two)
107	20G248208	5/16" x 4' Coupled Hose
126	20GH42506	1/4" x 6' Coupled Hose, 4500 psi
145	20G15T258	Xtreme® Wrench
—	201V557	Brochure – Graco® XM™ Plural Component Sprayers
—	206M508	Part Numbers and Schematics Guide – Graco® XTR-5™ Airless Spray Gun
—	206M608	Part Numbers and Schematics Guide – Graco® XM50™ Plural Component Sprayer
—	209V557	Operator's Manual – Graco® XM™ Plural Component Sprayer

PART NUMBERS AND SCHEMATICS GUIDE

Figure 1: Graco® XM50™ Plural Component Sprayer



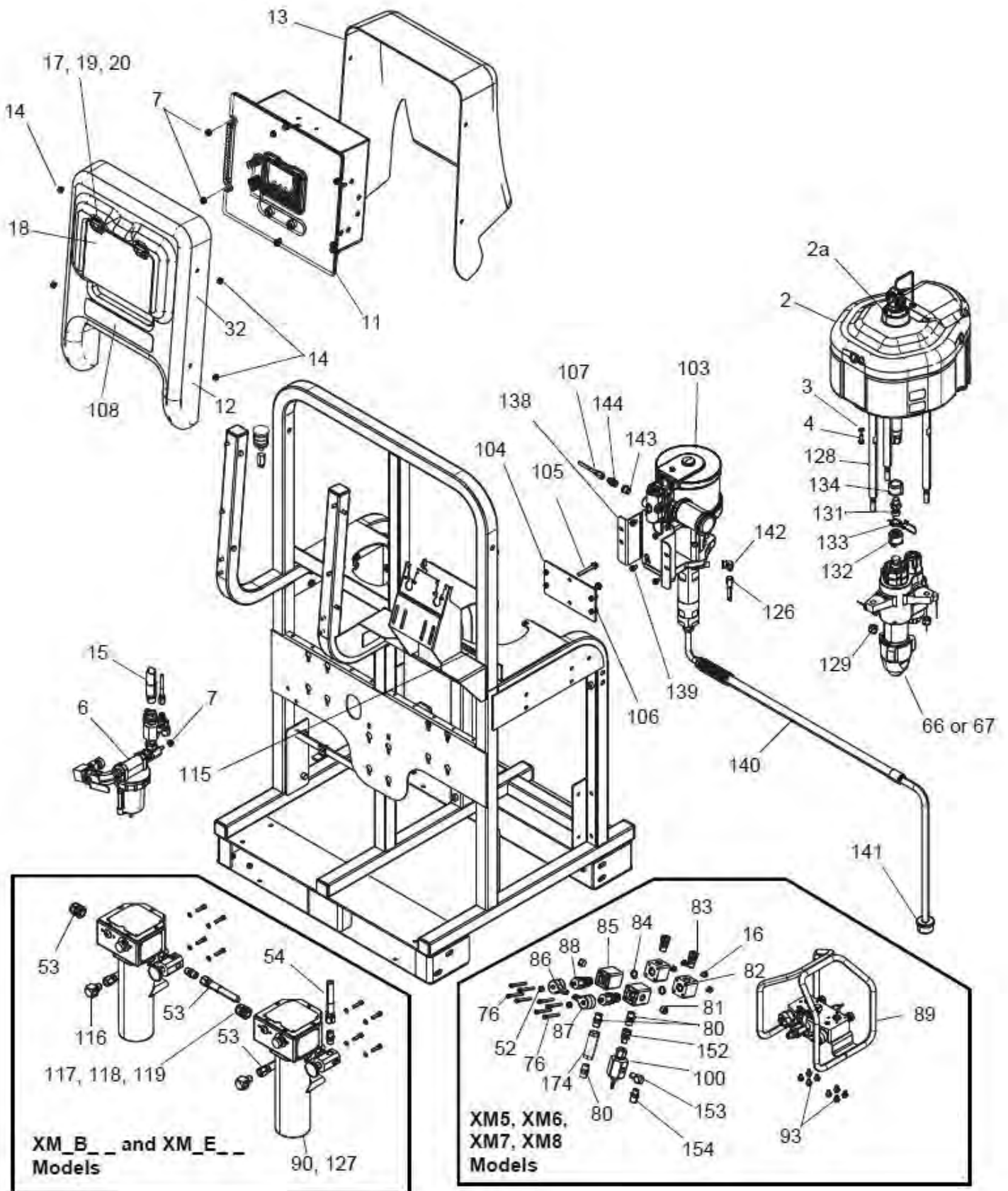
PART NUMBERS AND SCHEMATICS GUIDE

Graco® XM50™ Plural Component Sprayer

Item#	Part#	Description	Item#	Part#	Description
Fig. 2			87	20G15R380	Green Handle
2	20G257055	XM™ Air Motor 6500 De-Icing (Quantity of Two) (See Fig. 9)	88	20G255747	Valve Cartridge (Quantity of Two)
2a	20G256893	Linear Sensor (Quantity of Two)	89	20G24A034	Remote Mix Manifold Cartridge
3	20G100133	3/8" Lock Washer Spring (Quantity of Eight)	90	20G245869	Fluid Heater (Quantity of Two) (See Fig. 18)
4	20G100101	3/8-16 x 1" Long Screw (Quantity of Eight)	93	20G111801	Hex Head Screw Cap (Quantity of Eight)
6	20G255762	Air Inlet Manifold (See Fig. 8)	100	20G222200	Restrictor Valve (Quantity of Three)
7	20G112958	Flanged Hex Nut (Quantity of Nine)	103	20G257463	75cc XM™ Solvent Pump – 6" (See Fig. 19)
11	20G255771	XM™ Control Box (See Fig. 4)	104	20G256169	Solvent Pump Plate
12	20G256177	Front Shroud Cover	105	—	Flanged Hex Head Screw (Quantity of Two)
13	20G16P815	Rear Shroud Cover	106	20G112395	Flanged Cap Screw (Quantity of Four)
14	20G117623	3/8-16 Nut Cap (Quantity of Four)	107	20G248208	5/16" x 4' Coupled Hose
15	20G240900	3/4" x 30' Coupled Air Hose (Quantity of Three)	108	—	XM50™ Label
16	20G111801	Hex Head Screw Cap (Quantity of Ten)	115	20G115901	Edge Trim (Quantity of Two)
17	20G121471	Friction Positioning Hinge (Quantity of Two)	116	20G158683	1/2" 90° Elbow (Quantity of Two)
18	20G15T568	Door Control Shroud	117	20G15T967	Heater Cable (Quantity of Two)
19	20G15T567	Backup Plate Hinge Nut (Quantity of Four)	118	20G116171	Relief Bushing (Quantity of Two)
20	20G112380	Pan Head Machine Screw (Quantity of Eight)	119	20G122032	Wire Nut (Quantity of Four)
32	20G15T468	Warning Label (Quantity of Two)	126	20GH42506	1/4" x 6' Coupled Hose, 4500 psi
52	20G117623	3/8-16 Nut Cap	127	20G100527	Washer (Quantity of Eight)
53	20GH75003	1/2" x 3' Coupled Hose, 7250 psi (Quantity of Three)	128	20G257150	1/4" Tie Rod (Quantity of Six)
54	20GH75002	1/2" x 2' Coupled Hose, 7250 psi	129	20G101712	5/8-11 Lock Nut (Quantity of Six)
66	—	A Side Lower (See Fig. 10)	131	20G15H392	Rod Adapter (Quantity of Two)
67	—	B Side Lower (See Fig. 14)	132	20G244819	Xtreme® Rod Quick Coupling (Quantity of Two)
76	20G121295	Socket Head Screw Cap (Quantity of Eight)	133	20G244820	Connector Clip (Quantity of Two)
80	20G158491	1/2" x 1/2" Nipple (Quantity of Two)	134	20G197340	Coupler Cover (Quantity of Two)
81	20G100361	1/2" Pipe Plug (Quantity of Two)	138	20G256561	Solvent Pump Mounting Plate
82	20G15R529	Fluid Distribution Block (Quantity of Two)	139	20G111799	Flanged Hex Head Screw (Quantity of Four)
83	20G156684	Union Adapter (Quantity of Two)	140	20G256421	Suction Hose – Conventional
84	20G121139	O-Ring, PTFE (Quantity of Two)	141	20G181073	Inlet Strainer Kit
85	20G15J594	Check Valve Housing (Quantity of Two)	142	20G116935	Screw Cap
86	20G15J916	Blue Handle	143	20G100081	1/2" (M) x 3/8" (F) Steel Bushing
			144	20G157350	1/4" NPT x 3/8" NPT Nipple
			152	20G162505	3/8" (M) x 1/2" (F) Union Swivel
			153	20G155699	3/8-18 NPT Street Elbow
			154	20G159239	1/2" x 3/8" NPT Pipe Nipple
			174	20G16N367	1/2" x 3-1/2" Coupling

PART NUMBERS AND SCHEMATICS GUIDE

Figure 2: Graco® XM50™ Plural Component Sprayer



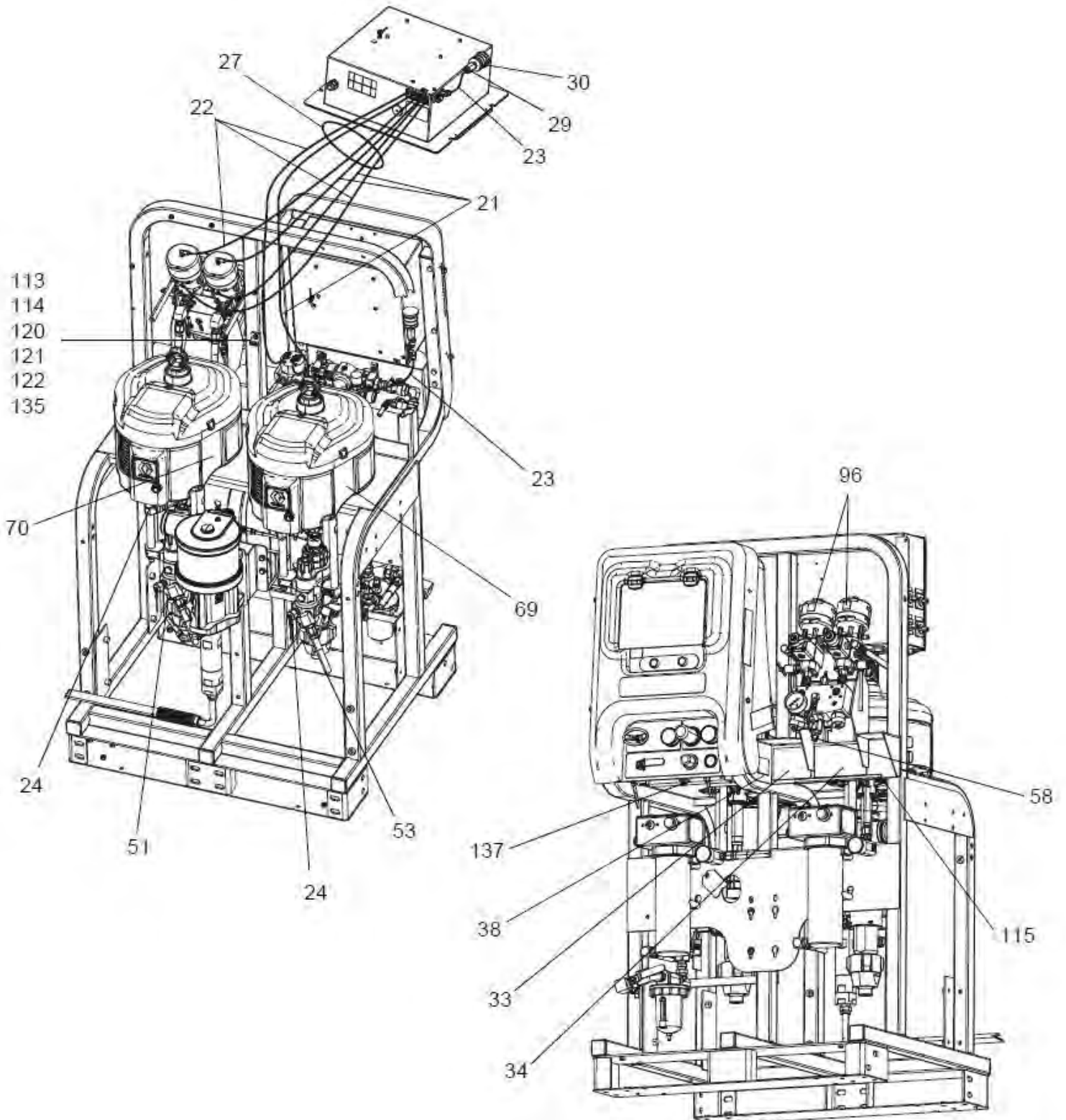
PART NUMBERS AND SCHEMATICS GUIDE

Graco® XM50™ Plural Component Sprayer

Item#	Part#	Description
Fig. 3		
21	20G054172	1/4" O.D. Nylon Tube – Black 10'
22	20G054175	1/4" O.D. Nylon Tube – Natural 7'
23	20GC12508	3/8" x 250' Black Nylon Tubing
24	20G160327	3/4" x 3/4" 90° Union Swivel (<i>Quantity of Two</i>)
27	20G114601	3' Non-Metallic, Flexible Conduit
29	20G121688	3/8" NPT x 3/8" Connector Tube
30	20G108636	Muffler
33	20G15U926	Codes & Alerts Label
34	20G15W598	Warning Label
38	20G293547	Identification Label
51	20G15M987	1/2" NPT (M) x 1/2" NPT (F) 60° Elbow
53	20GH75003	1/2" x 3' Coupled Hose, 7250 psi (<i>Quantity of Three</i>)
58	20GH73825	3/8" x 25' Coupled Hose, 7250 psi
69	20G15H652	A Side Motor Label
70	20G15H654	B Side Motor Label
96	20G15U654	Identification Label
113	20G117666	Ground Terminal
114	20G100028	Lock Washer
115	20G115901	Edge Trim (<i>Quantity of Two</i>)
120	—	Ground Assembly Wire
121	—	Electric Copper Wire
122	20G109025	Terminal Ring
135	20G113796	Flanged Hex Head Screw
137	20G054760	3-1/2' Black Polyurethane Tube

PART NUMBERS AND SCHEMATICS GUIDE

Figure 3: Graco® XM50™ Plural Component Sprayer



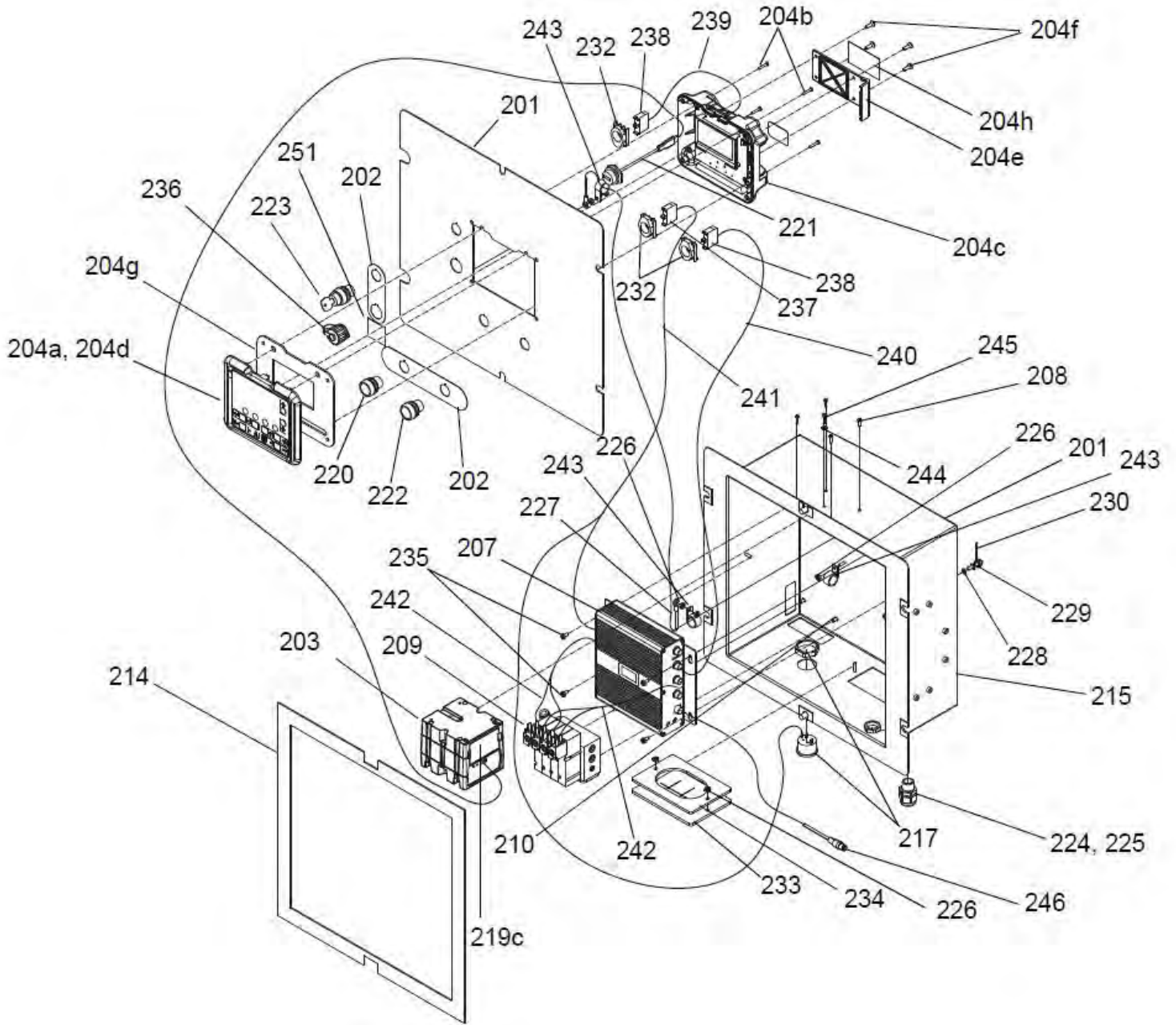
PART NUMBERS AND SCHEMATICS GUIDE

XM™ Control Box

Item#	Part#	Description	Item#	Part#	Description
Fig. 4					
—	20G255771	XM™ Control Box	225	20G117625	Locking Nut
201	—	Control Box	226	20G113505	Hex Head Nut (<i>Quantity of Six</i>)
202	—	Control Display Label	227	20G15B090	Grounding Door Wire
203	20G262641	USB Replacement Kit (<i>Includes Item #'s: 206 and 219</i>)	228	20G558685	External Lock Washer
204	20G257484	Displace Module Repair Kit (<i>Includes Item #'s: 204a–204h</i>)	229	20G15R343	Electrical Ground Clamp
204a	20G15M483	Membrane Shield (<i>Quantity of Ten</i>)	230	20G065213	Electrical Copper Wire (<i>Quantity of Three</i>)
204b	—	Pan Head Screw (<i>Quantity of Four</i>)	232	20G120493	Mounting Latch (<i>Quantity of Three</i>)
204c	20G288997	Rear Display Module Case	233	20G15H189	Wire Feed Through Boot
204d	20G255727	Front Display Module Case	234	20G15G816	Plate Wire Cover
204e	20G277463	Low Level Displace Access Cover	235	20G110637	Pan Head Screw (<i>Quantity of Four</i>)
204f	20G113768	Flat Head Socket Screw (<i>Quantity of Four</i>)	236	20G15R325	Bulkhead Receptacle Dust Cover
204g	20G15R458	Front Panel Control Gasket	237	20G120494	Switch Block, n.o. (<i>Quantity of Two</i>)
204h	20G15W958	Battery Warning Label	238	20G120495	Switch Block, n.c.
205	20G262642	Display Replacement Kit (<i>Includes Item #'s: 204 and 206</i>)	239	20G15M974	Key Switch Harness
206	20G17E110	XM™ PDP GCA Upgrade Token	240	20G15M975	Start/Alarm Harness
207	20G262643	FCM Replacement Kit (<i>Includes Item #'s: 206 and 218</i>)	241	20G15M976	Stop Harness
208	—	Pan Head Screw (<i>Quantity of Four</i>)	242	20G15M977	Solenoid Harness (<i>Quantity of Two</i>)
209	20G256555	Solenoid Module – IS Version (<i>Includes Item #'s: 209a–209c</i>)	243	20G121988	Wire Harness Routing Retainer (<i>Quantity of Four</i>)
209a	20G121636	Solenoid Connector Valve (<i>Quantity of Four</i>)	244	20G195875	Pan Head Screw
209b	20G15A789	Solenoid Outlet Gasket	245	20G102063	Lock Washer
209c	20G15A799	Solenoid Inlet/Exhaust Gasket	246	20G15U542	Cable Motor (<i>Quantity of Two</i>)
210	20G106084	Pan Head Screw (<i>Quantity of Two</i>)	251	20G15X214	USB Warning Label
214	20G15R379	Control Box Gasket	—	20G122829	3/4" Conduit
215	—	Label			
217	20G122000	XM™ Alarm – Panel Mount			
218	20G255920	Advanced Fluid Control Module			
219	20G257088	USB Module Assembly (<i>Includes Item #'s: 219a–219c</i>)			
219a	20G289899	Base			
219b	20G277674	USB Module			
219c	20G277674	Module Door			
220	20G121618	XM™ Push Button Start Switch			
221	20G15R324	USB Harness Plug/Bulkhead – 32"			
222	20G121619	Push Button Stop Switch – Red			
223	20G121617	Two Position Key Switch			
224	20G117745	Strain Relief Bushing			

PART NUMBERS AND SCHEMATICS GUIDE

Figure 4: XM™ Control Box



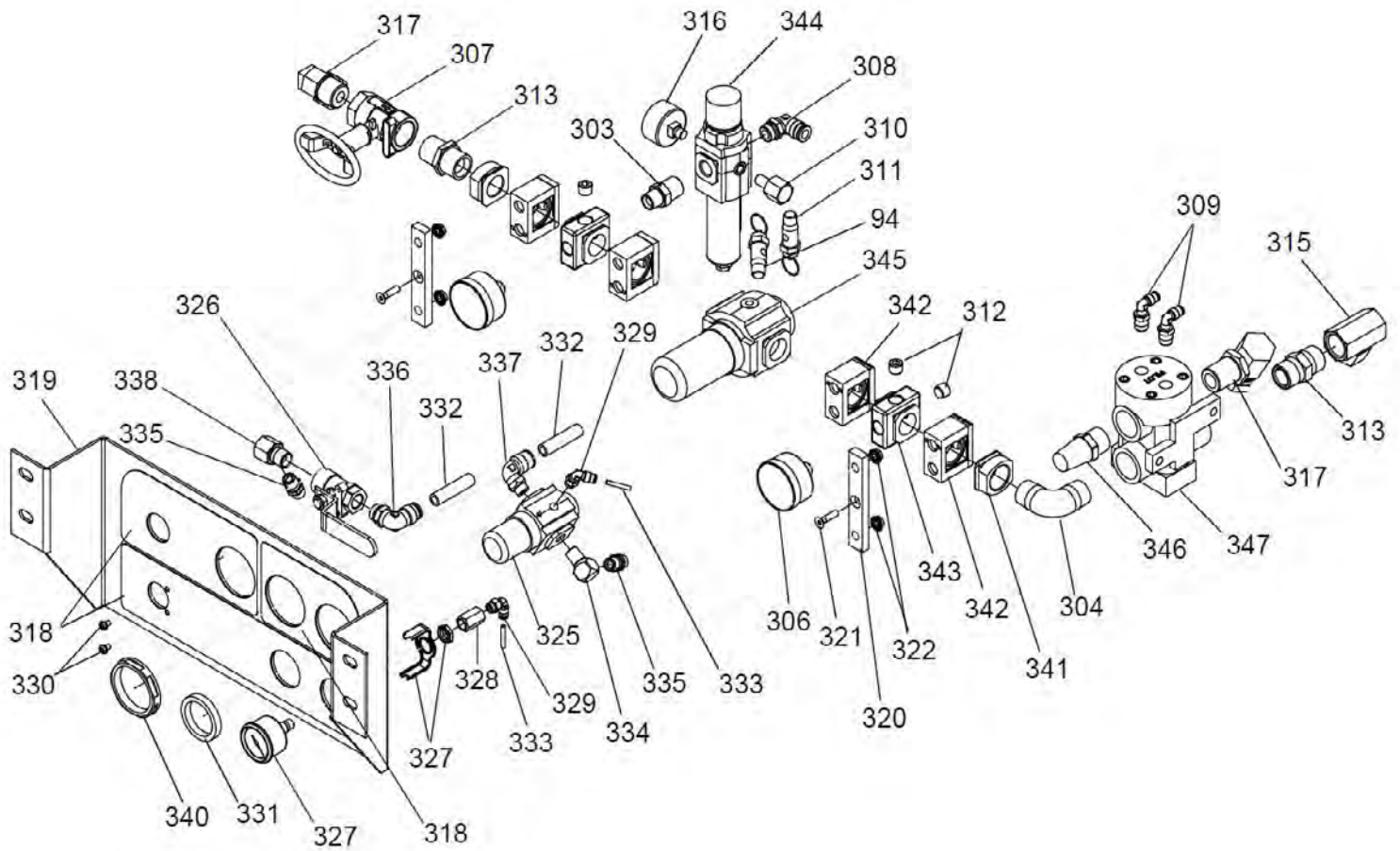
PART NUMBERS AND SCHEMATICS GUIDE

Air Controls Module

Item#	Part#	Description	Item#	Part#	Description
Fig. 5					
—	20G255761	Air Controls Module	337	20G114128	1/4" x 1/2" Swivel Elbow – Male
94	20G116643	Pressure Relief Valve – 90 psi	338	20G164259	3/8" (M) x 1/4" (F) Street Elbow
303	20G157350	1/4" NPT x 3/8" NPT Nipple	340	20G122336	Regulator Panel Nut
304	20G108307	3/4" NPT Elbow	341	20G113440	3/4" (F) Pipe Adapter (Quantity of Two)
306	20G101689	Air Gauge (Quantity of Two)	342	20G113431	Quick Connector (Quantity of Four)
307	20G117346	3/4" Ball Valve – Vented	343	20G113442	Porting Block (Quantity of Two)
308	20G114316	Swivel Elbow, Male	344	20G15R488	Air Regulator (Includes Item #344a)
309	20G114109	Fitting Elbow Male Swivel (Quantity of Two)	344a	20G123454	5 Micron Air Filter Element
310	20G158962	1/4" (F) x 1/8" (M) Reducing Elbow	345	20G15R487	Air Regulator
311	20G116643	Pressure Relief Valve – 90 psi	346	20G15R486	Muffler
312	20G100721	Pipe Plug (Quantity of Three)	347	20G15R485	Dual Pilot Valve
313	20G119992	3/4" x 3/4" NPT Pipe Nipple Fitting (Quantity of Two)	—	20G255772	Air Controls Repair Kit (Includes Item #'s: 340, 341, 342, 343, 344, 345, 346, and 347)
315	20G156589	3/4" 90° Swivel Union			
316	20G113911	Air Pressure Gauge			
317	20G160327	3/4" x 3/4" 90° Union Adapter (Quantity of Two)			
318	20G15T119	Control Label			
319	—	Air Controls Bracket			
320	20G15R437	Air Controls Adapter Bracket (Quantity of Two)			
321	20G121432	Hex Flat Head Screw (Quantity of Four)			
322	20G115942	Hex Head Nut (Quantity of Four)			
325	20G116513	Air Regulator			
326	20G121457	Air Ball Valve – Panel Mounted			
327	20G121424	1-1/2" Pressure Gauge – Panel Mount			
328	20G100451	Coupling			
329	20G114151	Male Swivel Elbow Fitting (Quantity of Two)			
330	20G100264	Pan Head Screw (Quantity of Two)			
331	20G116514	Nut Regulator			
332	20G054760	1-1/4" Polyurethane Tube – Black			
333	—	0.6' Polyurethane Tube			
334	20G100840	1/4-18 NPT Elbow			
335	20G162453	1/4" x 1/4" Nipple (Quantity of Two)			
336	20G114114	Swivel Elbow – Male			

PART NUMBERS AND SCHEMATICS GUIDE

Figure 5: Air Controls Module



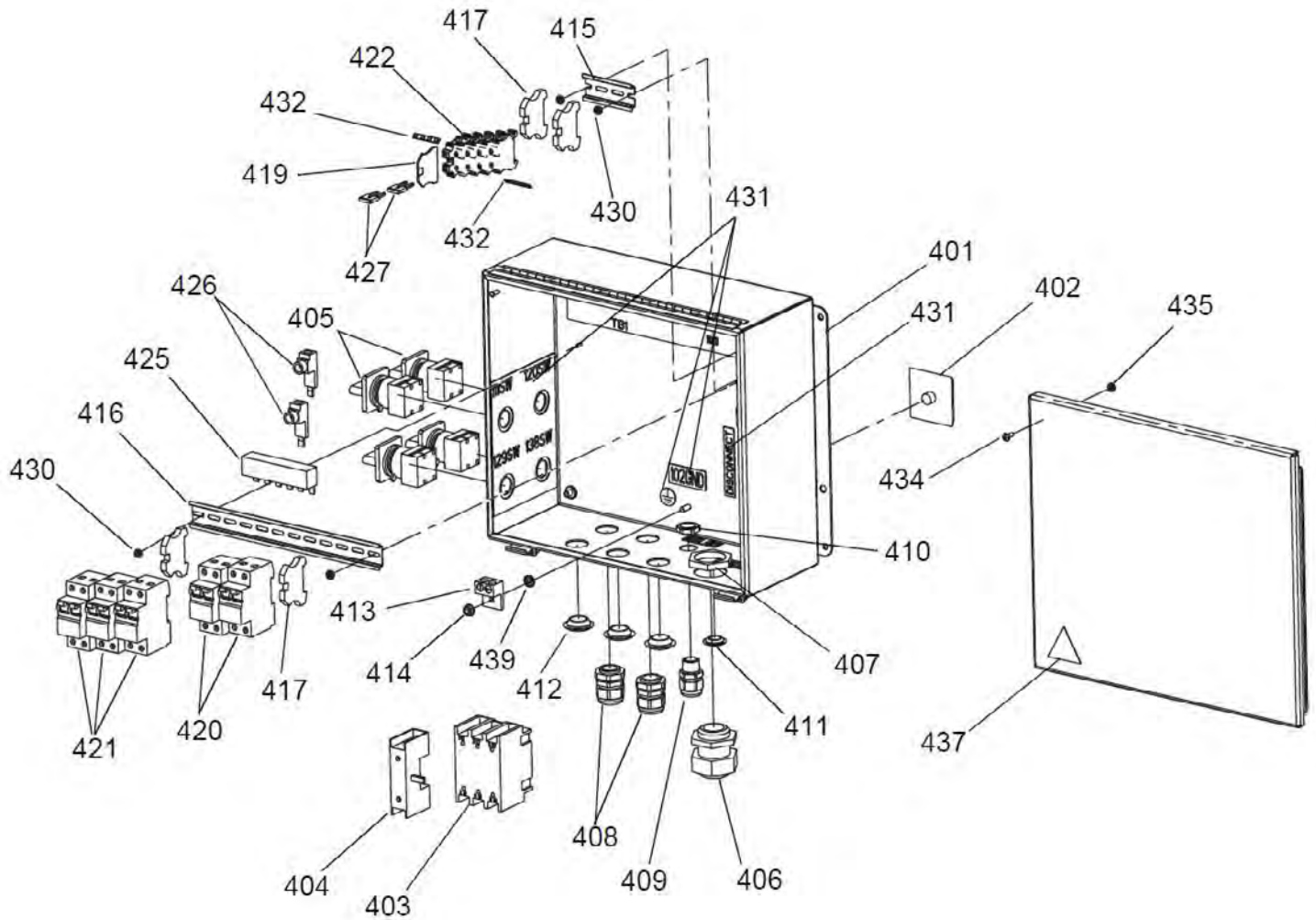
PART NUMBERS AND SCHEMATICS GUIDE

Junction Box

Item#	Part#	Description
Fig. 6		
—	20G256540	Junction Box
401	—	Electrical Enclosure
402	20G117545	Operator Disconnect Knob
403	20G117564	100A Disconnect Switch
404	20G117553	100A Disconnect Phase Expander Switch
405	20G15U423	25A Switch (<i>Quantity of Four</i>)
406	20G255047	Strain Relief Bushing
407	20G255048	Strain Relief Nut
408	20G116171	Strain Relief Bushing (<i>Quantity of Two</i>)
409	20G117745	Strain Relief Bushing
410	20G117625	Locking Nut
411	20G15U543	7/8" Hole Plug
412	20G15U544	1-1/8" Hole Plug (<i>Quantity of Three</i>)
413	20G117666	Ground Terminal
414	20G115942	Flanged Head Hex Nut
415	—	3" Mounting Rail
416	—	Mounting Rail
417	20G255045	Clamp End Block (<i>Quantity of Four</i>)
419	—	End Cover
420	20G255050	25A Circuit Breaker (<i>Quantity of Two</i>)
421	20G121623	10A Circuit Breaker (<i>Quantity of Three</i>)
422	20G120570	Terminal Block (<i>Quantity of Five</i>)
425	—	6-Pin Power Bus Bar
426	20G117679	Power Lug Connector (<i>Quantity of Two</i>)
427	20G120573	Plug-In Bridge (<i>Quantity of Two</i>)
430	20G113505	Hex Head Nut (<i>Quantity of Four</i>)
431	20G15U662	Identification Label
432	—	Terminal Blocker Marker (<i>Quantity of Two</i>)
434	20G112948	Machine Head Screw
435	20G100166	Full Hex Nut
437	20G196548	Caution Label
439	20G558685	1/4" External Washer
—	20G15U954	Junction Box Harness
—	20G15R344	Wiring Identification Label

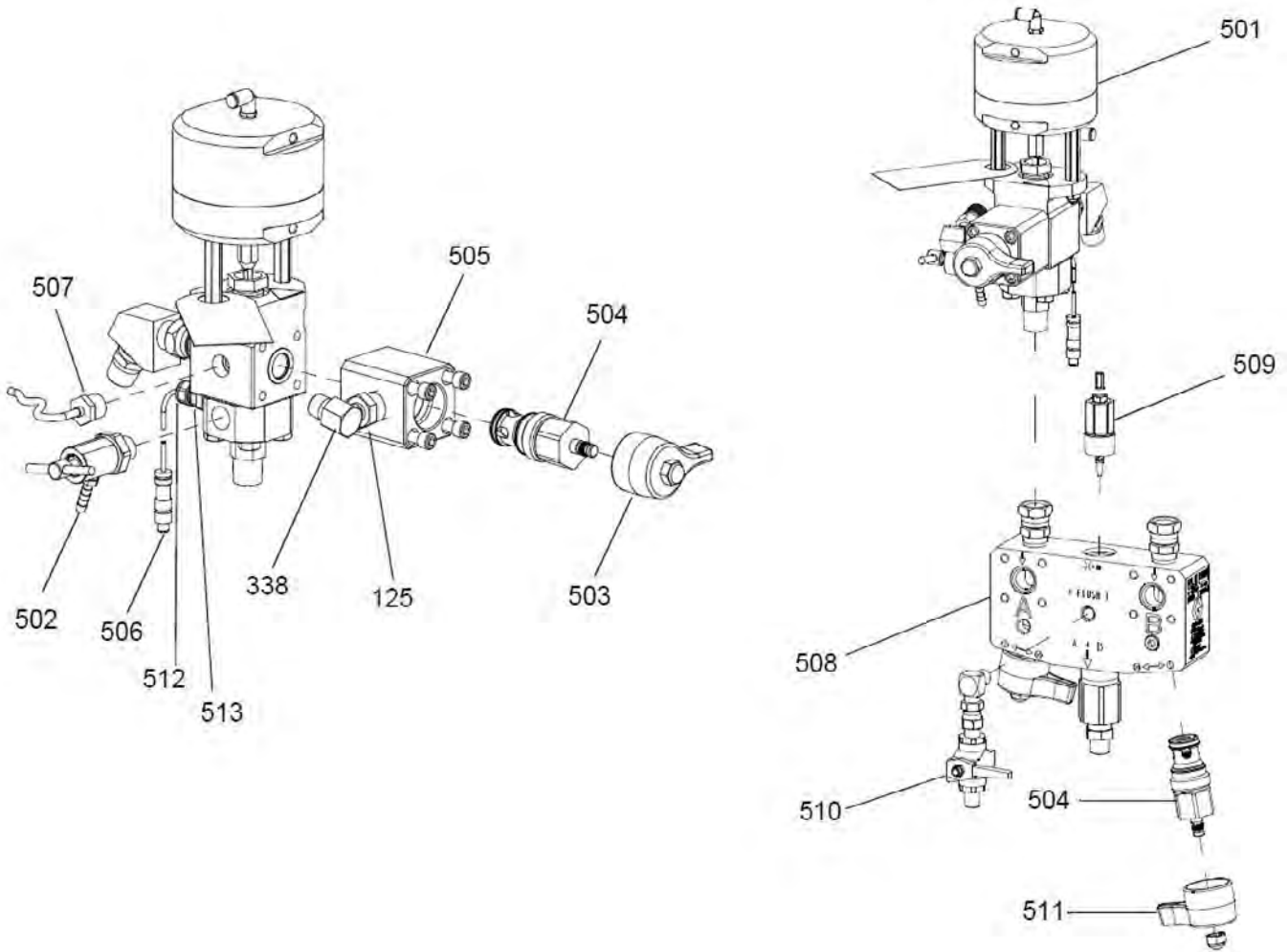
PART NUMBERS AND SCHEMATICS GUIDE

Figure 6: Junction Box



PART NUMBERS AND SCHEMATICS GUIDE

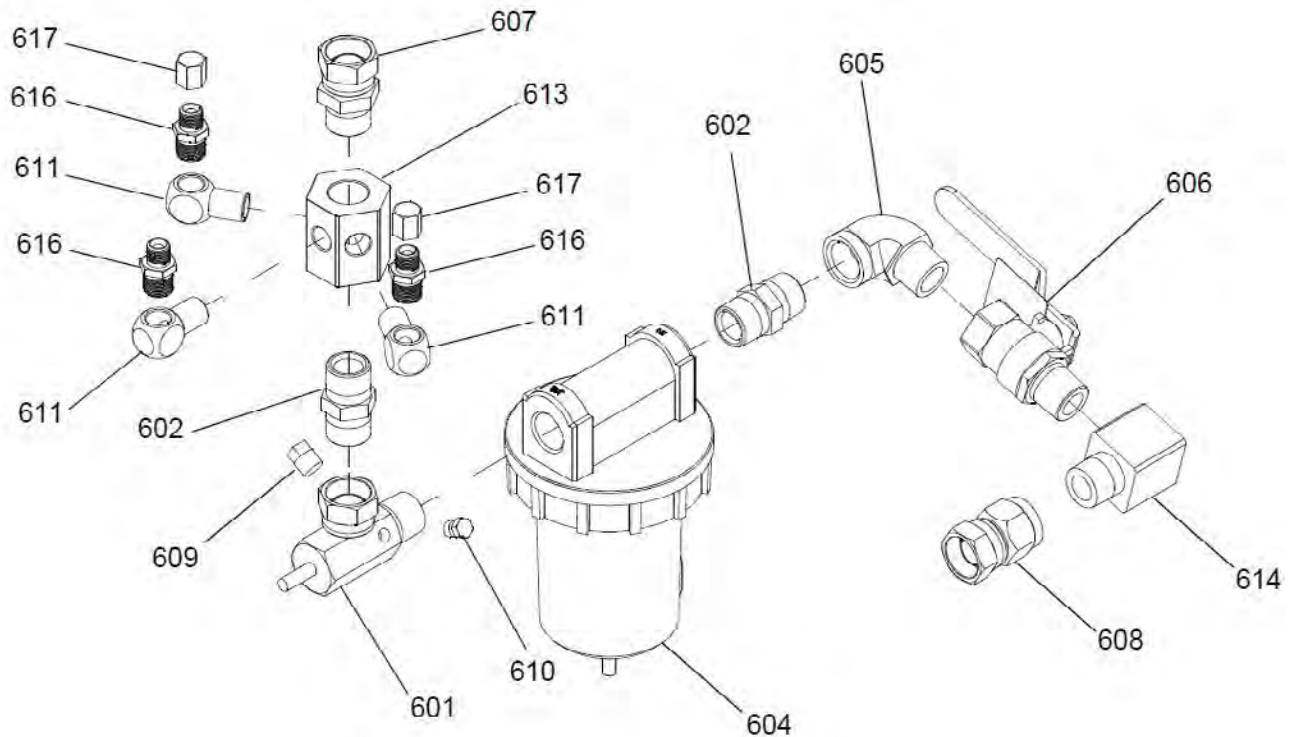
Figure 7: Fluid Control Assembly



Item#	Part#	Description
Fig. 7		
125	20G162449	1/4" x 1/2" Nipple
338	20G164259	3/8" (M) x 1/4" (F) Street Elbow
501	20G255478	Ration Control Valve (Quantity of Two)
502	20G245143	Bleed Off Valve (Quantity of Two)
503	20G15R381	Recirculation Valve Handle – Black (Quantity of Two)
504	20G255747	Circulation Valve Cartridge (Quantity of Four)
505	20G15J594	Check Valve Housing (Quantity of Two) (Includes Item #505a)
505a	20G121139	O-Ring Packing (Quantity of Two)
506	20G15R347	Fluid Control Sensor (Quantity of Two)
507	20G15M669	Fluid Pressure Sensor (Quantity of Two) (Includes Item #507a)
507a	20G121399	O-Ring, Solvent Resistant (Quantity of Two)
508	20G255684	Mix Manifold Assembly
509	—	Restrictor Valve Assembly
510	20G214037	1/4" x 1/4" Ball Valve, 5000 psi
511	—	Mix Manifold Valve Handle – Blue and Green (Quantity of Two)
512	20G15T072	Cord Grip (Quantity of Two)
513	20G15T071	Thermo-Well Fitting (Quantity of Two)

PART NUMBERS AND SCHEMATICS GUIDE

Figure 8: Air Inlet Manifold



Item#	Part#	Description
-------	-------	-------------

Fig. 8

—	20G255762	Air Inlet Manifold
601	20G207675	Air Manifold
602	20G119992	3/4" x 3/4" NPT Pipe Nipple Fitting (<i>Quantity of Two</i>)
603	20G15E145	Air Distribution Manifold
604	20G117628	3/4" Filter Air Auto Drain (<i>Includes Item #604a</i>)
604a	20G106204	3/4" NPT Filter Element
605	20G122327	Pipe Elbow, Male
606	20G113218	3/4" Ball Valve – Vented M x F
607	20G157785	3/4" x 3/4" Carbon Steel Union Swivel
608	20G156172	3/4" NPT x 3/4" NPSM
609	20G100509	Pipe Plug – 1/4" Square Head
610	20G114234	Hex Head Plug
611	20G155699	3/8" 90° Street Elbow (<i>Quantity of Three</i>)
614	20G166590	Street Elbow
616	20G157350	1/4" NPT x 3/8" NPT Nipple, 5000 psi (<i>Quantity of Three</i>)
617	20G115781	Cap Plug (<i>Quantity of Two</i>)

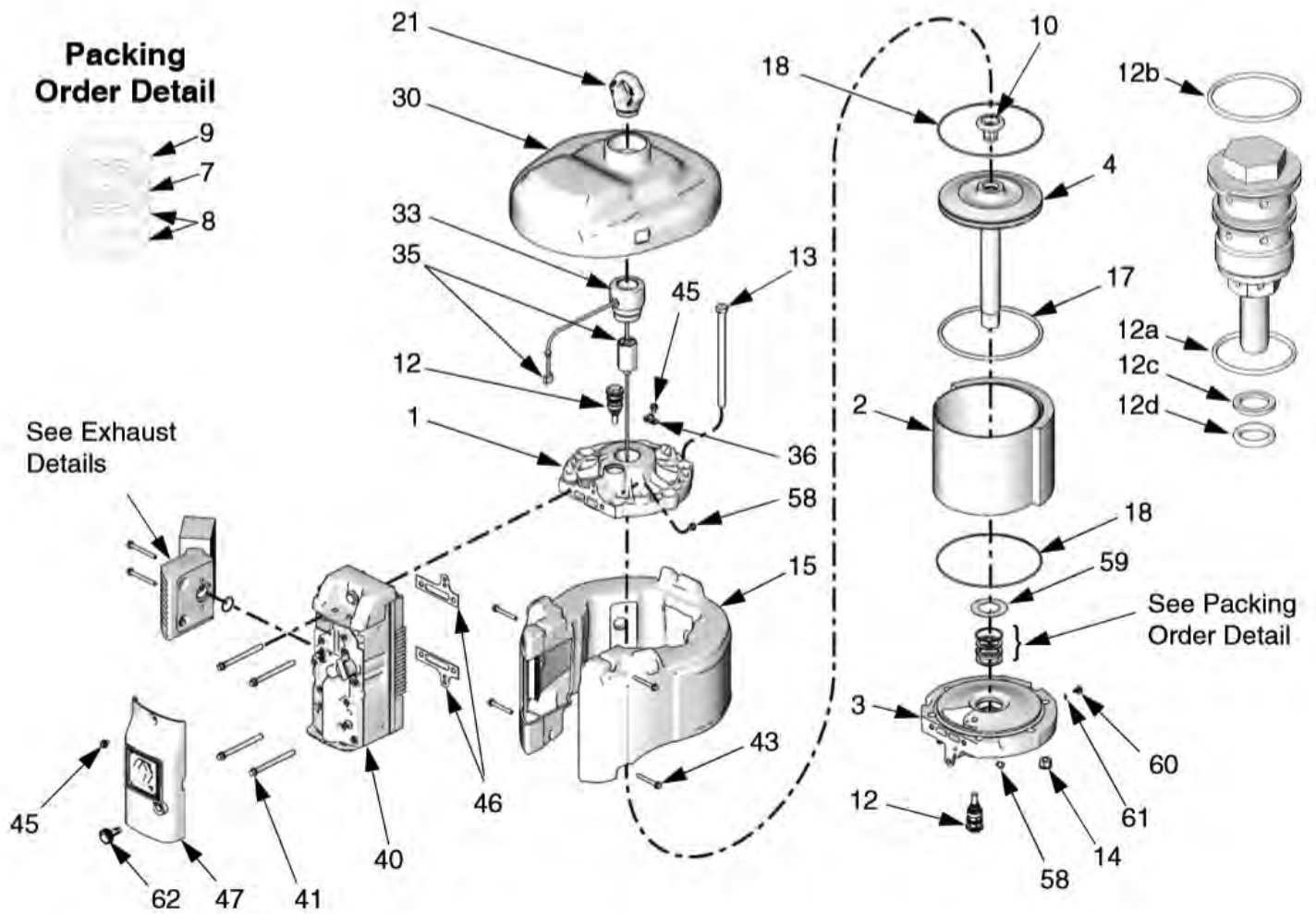
PART NUMBERS AND SCHEMATICS GUIDE

NXT® Model 6500 Air Motor

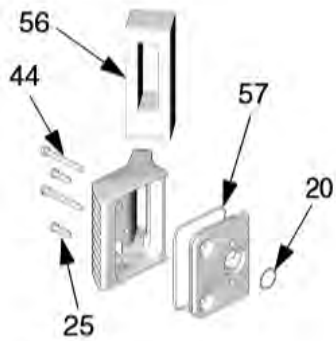
Item#	Part#	Description	Item#	Part#	Description
Fig. 9			45	20G107257	Thread-Forming Screw (Quantity of Four)
—	20G257055	NXT® Model 6500 De-Icing Air Motor	46	20G253476	Gasket
1	20G15F953	Top Cover	47	20G287844	Valve Cover, Outer
2	20GNXT604	Cylinder	51	20G15F674	Safety Label
3	20GNXT602	Bottom Cover	52	20G15F973	Safety Label
4	20GNXT601	Piston Assembly	56	20G15H190	Exhaust Seal
7	20G161562	Packing, V-block; Nitrile	57	20G15K345	Gasket, buna-N
8	20G15H610	Packing, Backup; Leather	58	20G120206	Poppet Muffler
9	20G16A026	Retaining Ring	59	20G277366	Bumper
10	20GNXT106	Piston Bumper, includes Magnet	60	20G116343	Ground Screw, M5 x 0.8
12	20GNXT100	Poppet (Includes Item #'s: 12a-12d)	61	20G111307	Lock Washer, 5 mm
12a	—	O-Ring, buna-N	62	20GNXT112	De-Ice Knob
12b	20GNXT101	O-Ring, buna-N	—	20GNXT600	Repair Kit NXT 6500 Air Motor (Includes Item #'s: 7, 8, 9, 17, 18, and 46)
12c	20GNXT101	O-Ring, Backup, buna-N	—	209V509	Operator's Manual – Graco® NXT® Air Motor
12d	—	O-Ring, buna-N			
13	20G119050	1/2-13 x 8" Hex Head Bolt, (203 mm)			
14	20G15F639	1/2-13 Nut with Lock Washer			
15	20GNXT603	Muffler			
17	20G122675	Piston O-Ring, Nitrile			
18	20G15F448	End Cap O-Ring, Nitrile			
20	20G119990	O-Ring, buna-N			
21	20G15F931	Lift Ring			
22	20GNXT110	De-Ice Exhaust Kit (Includes Item #'s: 20, 25, 44, 56, and 57)			
25	20G120730	1/4-20 x 1" Machine Screw, Hex Head, (25 mm) (Quantity of Two)			
30	20G15F880	Top Cover			
33	20G15F772	Lift Ring Adapter			
35	20G256893	Sensor Assembly			
36	20G120143	Strain Relief Guide			
41	20G120088	3/8-16 x 4" Screw (101 mm)			
43	20G120091	1/4-20 x 2" Screw, Thread Forming, (51 mm)			
44	20G120092	1/4-20 x 2-1/2" Thread Forming Screw, (63 mm)			

PART NUMBERS AND SCHEMATICS GUIDE

Figure 9: NXT® Model 6500 Air Motor



De-Ice Exhaust



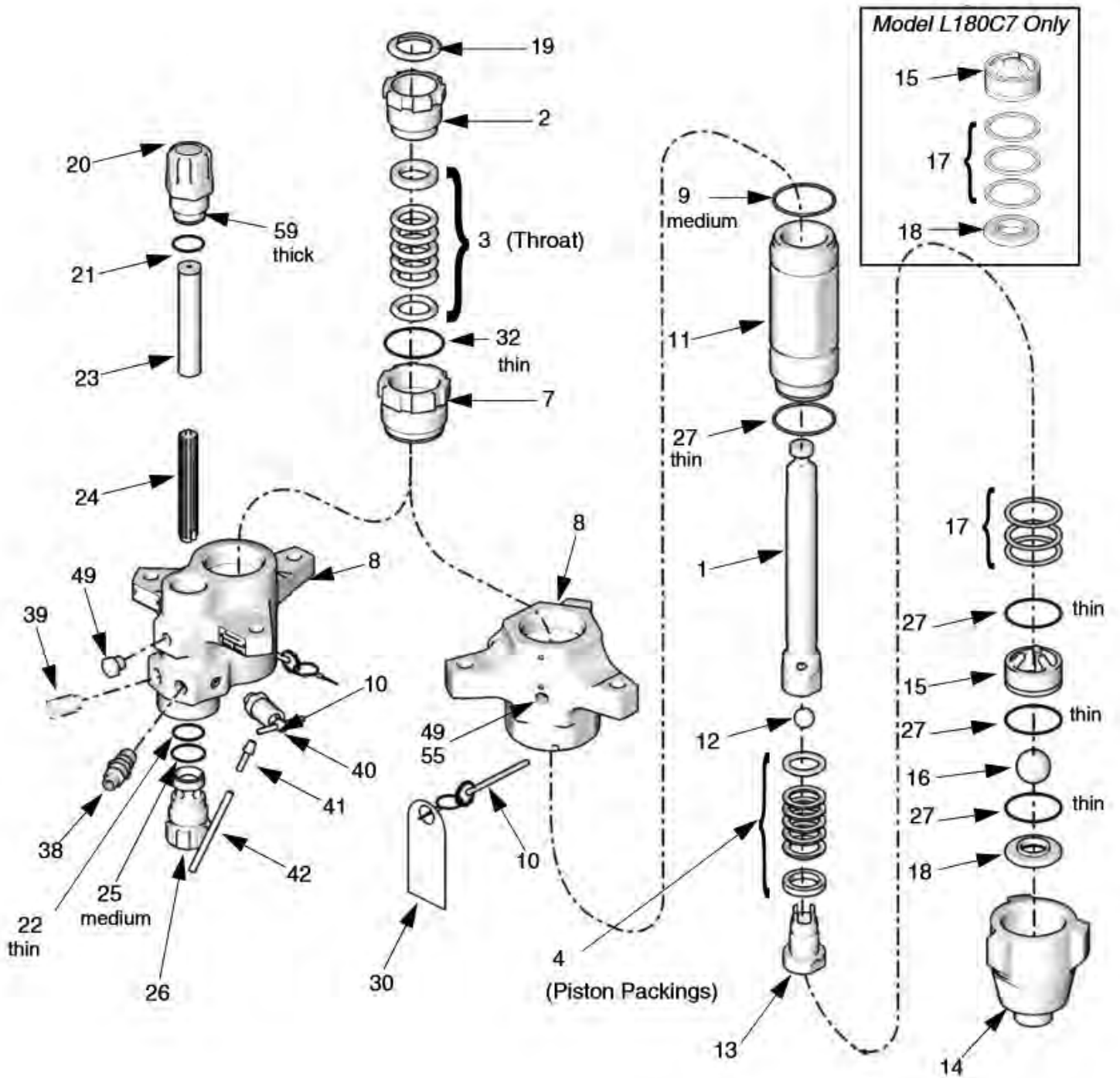
PART NUMBERS AND SCHEMATICS GUIDE

A Side Lower – 250cc Xtreme® Sprayer Lower Displacement Pump

Item#	20GL250C3 <i>(No Built-In Filter)</i>	20GL250C4 <i>(Built-In Filter)</i>	Description
Fig. 10			
1	20G24B824	20G24B824	Displacement Rod
2	20G15K031	20G15K031	Packing Nut
3	—	—	Stack Packings, Throat
4	—	—	Stack Packings, Piston
7	20G197328	20G197328	Packing Cartridge, Throat
8	20G197335	20G197337	Housing Outlet
9	20G244893	20G244893	O-Ring, Top Cylinder, PTFE Medium (<i>Quantity of 10</i>)
10	20G244826	20G244826	Self-Locking Pin
11	20G197318	20G197318	Lower Cylinder
12	20G244898	20G244898	Ball Piston (<i>Quantity of Three</i>)
13	20G24B829	20G24B829	Piston Valve
14	20G197304	20G197304	Inlet Housing
15	20G198647	20G198647	Inlet Ball Guide
16	20G253030	20G253030	Inlet Ball (<i>Quantity of Three</i>)
17	20G244856	20G244856	Inlet Shim Ball Guide (<i>Quantity of Nine</i>)
18	20G197344	20G197344	Inlet Seat
19	20G247395	20G247395	Throat Seal Plug (<i>Quantity of 10</i>)
20	—	20G16M461	Top Filler Cap
21	—	20G171941	Compression Spring
22	—	20G244895	Thin Filter O-Ring, PTFE (<i>Quantity of 10</i>)
23	—	20G224459	Strainer, 60 mesh screen
24	—	20G186075	Filter Support
25	—	20G262484	Filter O-Ring, Medium, PTFE (<i>Quantity of 10</i>)
26	—	20G16M462	Lower Filter Cap
27	20G244894	20G244894	Foot Valve and Cylinder Bottom O-Ring, PTFE thin (<i>Quantity of 10</i>)
30	20G172479	20G172479	Warning Tag
32	20G244891	20G244891	Throat Cartridge O-Ring, PTFE thin (<i>Quantity of 10</i>)
38	—	20G158491	Nipple Fitting, Outlet, 1/2 in
39	—	20G24N518	Packless Plug, 1/2 in
40	—	20G245143	Pressure Dump Valve
41	—	20G116746	Barbed Fitting, Plated
42	—	20G116750	Nylon Tube
49	20G101754	20G198292	Pipe Plug
55	—	—	Rupture Disc Housing
59	—	20G262483	Filter O-Ring, PTFE thick (<i>Quantity of 10</i>)

PART NUMBERS AND SCHEMATICS GUIDE

Figure 10: A Side Lower – 250cc Xtreme® Sprayer Lower Displacement Pump



Note: Lower Displacement Pump with Built-In Filter Shown.

PART NUMBERS AND SCHEMATICS GUIDE

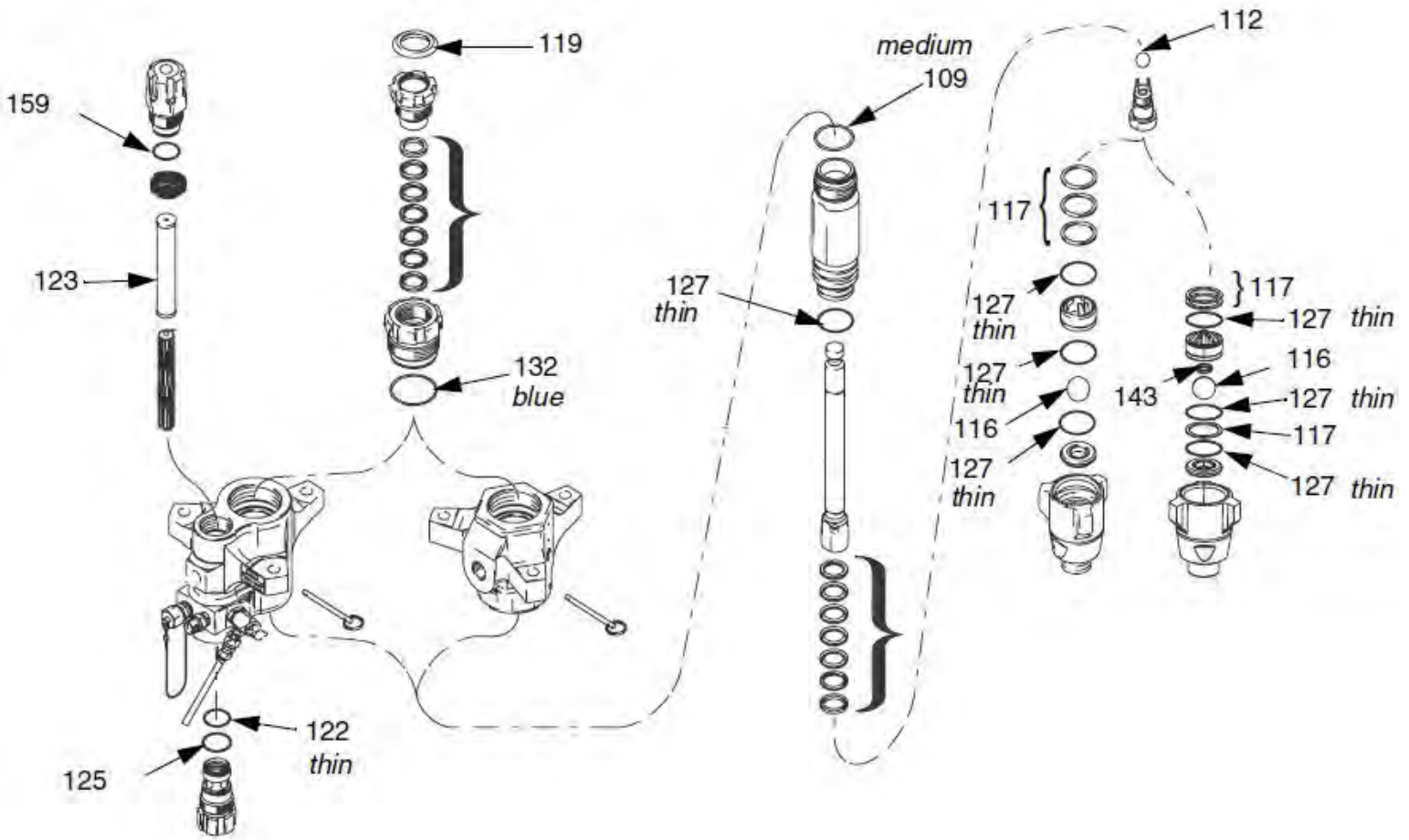
Xtreme® Seal Repair Kits for 250cc Lower Displacement Pump

Item#	Part#	Description
Fig. 11		
—	20G24F965	Xtreme® Seal Repair Kit for 250cc Lower Displacement Pump <i>(Includes Item #'s: 103, 104, 109, 112, 116, 119, 122, 125, 127, 143, and 159)</i>
103	—	Throat Packings
103a	20G245232	Male Gland <i>(Quantity of Four)</i>
103b	20G245233	Female Gland <i>(Quantity of Four)</i>
103c	20G245229	V-Packing, Leather <i>(Quantity of 10)</i>
103d	20G245231	V-Packing, UHMWPE, Black <i>(Quantity of 10)</i>
104	—	Piston Packings
104a	20G245232	Male Gland <i>(Quantity of Four)</i>
104b	20G245233	Female Gland <i>(Quantity of Four)</i>
104c	20G245229	V-Packing, Leather <i>(Quantity of 10)</i>
104d	20G245231	V-Packing, UHMWPE, Black <i>(Quantity of 10)</i>
109	20G244893	PTFE O-Ring, Top Cylinder Medium <i>(Quantity of 10)</i>
112	20G244898	Ball Piston, 7/8" (22 mm) <i>(Quantity of Three)</i>
116	20G253030	Ball Inlet, 1-1/2" (38 mm) <i>(Quantity of Three)</i>
117	20G244856	Shim Inlet, Ball Guide <i>(Quantity of Nine)</i>
119	20G244999	Throat Seal Plug, 1-3/4" <i>(Quantity of 10)</i>
—	20G247395	Throat Seal Plug, 2-1/2" <i>(Quantity of 10)</i>
122	20G244895	Filter O-Ring, Thin, PTFE <i>(Quantity of 10)</i>
123	20G238436	Strainer, 30 mesh screen, 5.65" <i>(Quantity of 25)</i>
—	20G224458	Strainer, 30 mesh, 5.65" <i>(Quantity of Two)</i>
—	20G238438	Strainer, 60 mesh, 5.65" <i>(Quantity of 25)</i>
—	20G224459	Strainer, 60 mesh, 5.65" <i>(Quantity of Two)</i>
125	20G262484	Filter O-Ring, Medium, PTFE <i>(Quantity of 10)</i>
—	20G244896	Filter O-Ring For Series A Pumps <i>(Quantity of 10)</i>
127	20G244894	O-Ring, PTFE, Thin <i>(Quantity of 10)</i>
132	20G244891	O-Ring, Blue, Thin <i>(Quantity of 10)</i>
143	20G116802	Foot Valve Spring
159	20G262483	Top Cap O-Ring, PTFE <i>(Quantity of 10)</i>
—	20G244895	Top Cap O-Ring For Series A Pumps <i>(Quantity of 10)</i>
—	209V021	Operator's Manual – Graco® Xtreme® Pump Lowers

Quantities listed with repair kit are number of individual pieces.

PART NUMBERS AND SCHEMATICS GUIDE

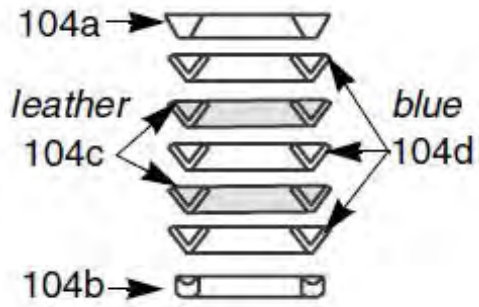
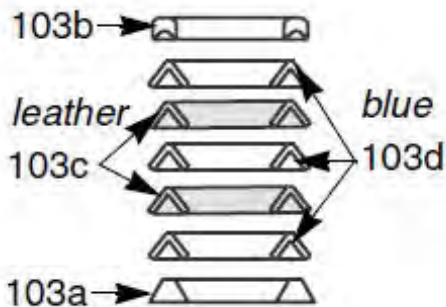
Figure 11: Xtreme® Seal Repair Kits for 250cc Lower Displacement Pump



Xtreme® Seal Repair Kit 24F965

**Throat Packings:
Lips Face Down**

**Piston Packings:
Lips Face Up**



PART NUMBERS AND SCHEMATICS GUIDE

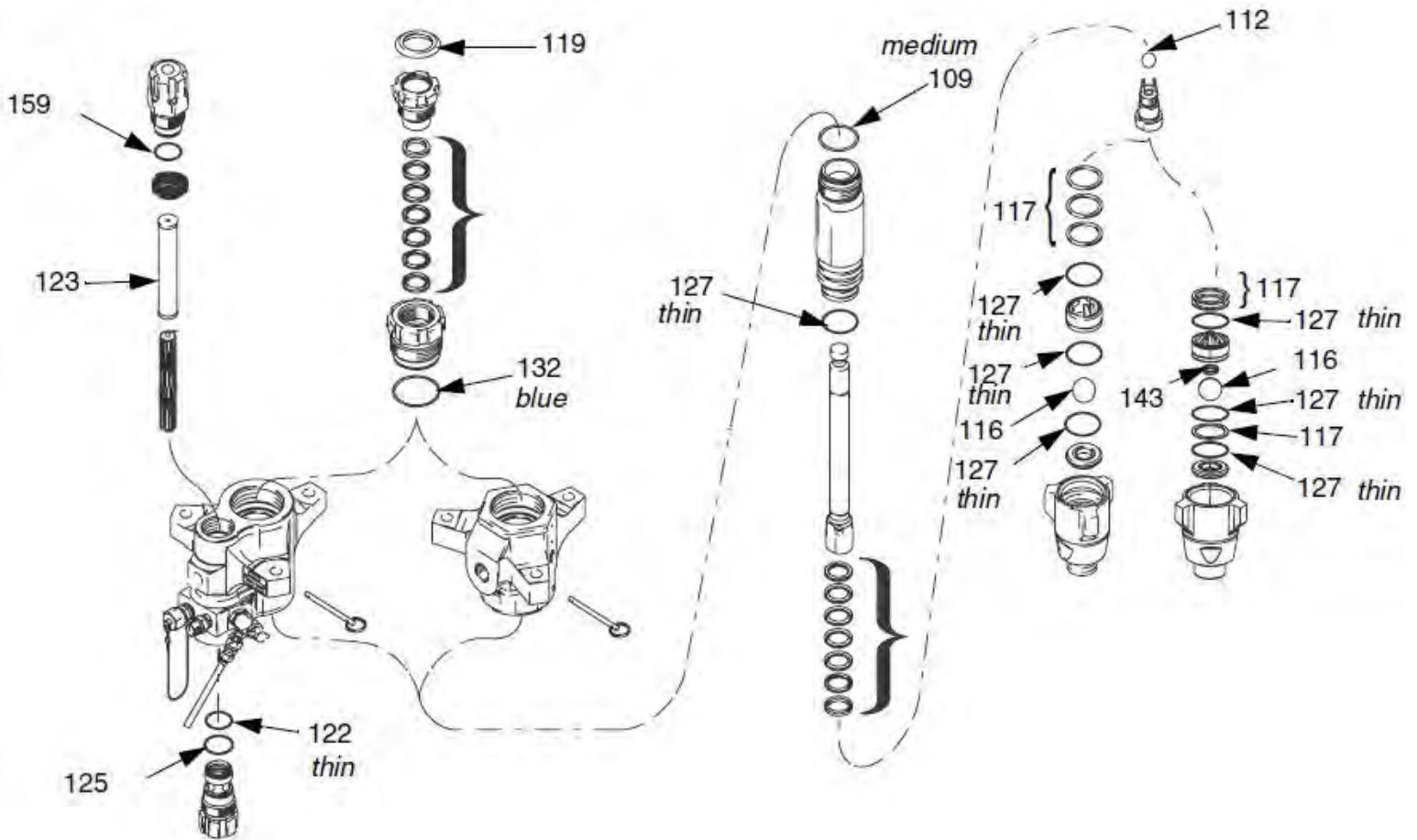
Tuff-Stack™ Repair Kit for 250cc Lower Displacement Pump

Item#	Part#	Description
Fig. 12		
—	20G24F966	Tuff-Stack™ Repair Kit for 250cc Lower Displacement Pump <i>(Includes Item #'s: 103, 104, 109, 112, 116, 119, 122, 125, 127, 143, and 159)</i>
103	—	Throat Packings
103a	20G245232	Male Gland <i>(Quantity of Four)</i>
103b	20G246530	Female Gland <i>(Quantity of Four)</i>
103e	20G245229	V-Packing Carbon-Filled PTFE <i>(Quantity of 10)</i>
104	—	Piston Packings
104a	20G245232	Male Gland <i>(Quantity of Four)</i>
104b	20G246530	Female Gland <i>(Quantity of Four)</i>
104e	20G245229	V-Packing Carbon-Filled PTFE <i>(Quantity of 10)</i>
109	20G244893	PTFE O-Ring, Top Cylinder Medium <i>(Quantity of 10)</i>
112	20G244898	Ball Piston, 7/8" (22 mm) <i>(Quantity of Three)</i>
116	20G253030	Ball Inlet, 1-1/2" (38 mm) <i>(Quantity of Three)</i>
117	20G244856	Shim Inlet, Ball Guide <i>(Quantity of Nine)</i>
119	20G244999	Throat Seal Plug, 1-3/4" <i>(Quantity of 10)</i>
—	20G247395	Throat Seal Plug, 2-1/2" <i>(Quantity of 10)</i>
122	20G244895	Filter O-Ring, Thin, PTFE <i>(Quantity of 10)</i>
123	20G238436	Strainer, 30 mesh screen, 5.65" <i>(Quantity of 25)</i>
—	20G224458	Strainer, 30 mesh, 5.65" <i>(Quantity of Two)</i>
—	20G238438	Strainer, 60 mesh, 5.65" <i>(Quantity of 25)</i>
—	20G224459	Strainer, 60 mesh, 5.65" <i>(Quantity of Two)</i>
125	20G262484	Filter O-Ring, Medium, PTFE <i>(Quantity of 10)</i>
—	20G244896	Filter O-Ring For Series A Pumps <i>(Quantity of 10)</i>
127	20G244894	O-Ring, PTFE, Thin <i>(Quantity of 10)</i>
143	20G116802	Foot Valve Spring
159	20G262483	Top Cap O-Ring, PTFE <i>(Quantity of 10)</i>
—	20G244895	Top Cap O-Ring For Series A Pumps <i>(Quantity of 10)</i>
—	209V021	Operator's Manual – Graco® Xtreme® Pump Lowers

Quantities listed with repair kit are number of individual pieces.

PART NUMBERS AND SCHEMATICS GUIDE

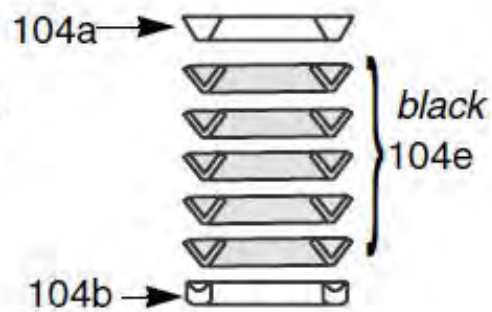
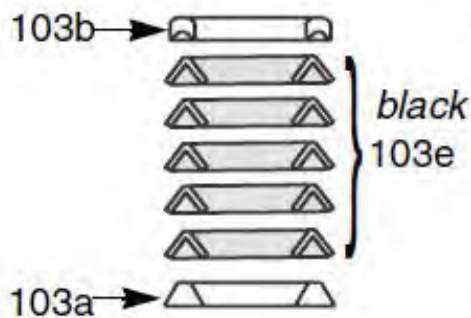
Figure 12: Tuff-Stack™ Repair Kit for 250cc Lower Displacement Pump



Tuff-Stack™ Seal Repair Kit 24F966

Throat Packings:
Lips Face Down

Piston Packings:
Lips Face Up



PART NUMBERS AND SCHEMATICS GUIDE

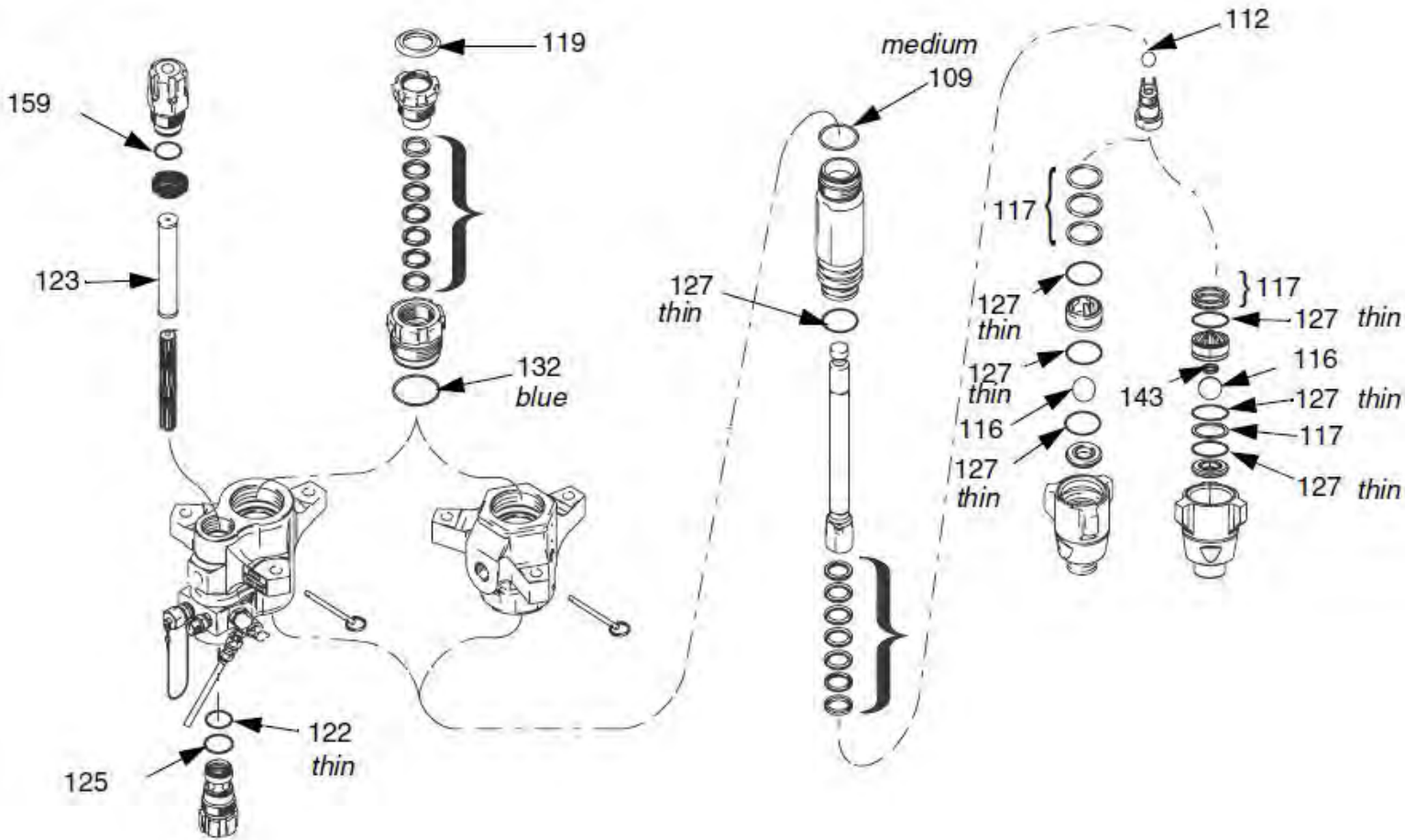
X-Tuff™ Repair Kit for 250cc Lower Displacement Pump

Item#	Part#	Description
Fig. 13		
—	20G262794	X-Tuff™ Repair Kit for 250cc Lower Displacement Pump <i>(Includes Item #'s: 103, 104, 109, 112, 116, 119, 122, 125, 127, 143, and 159)</i>
103	—	Throat Packings
103a	20G245232	Male Gland <i>(Quantity of Four)</i>
103b	20G245233	Female Gland <i>(Quantity of Four)</i>
103c	20G245229	V-Packing, Carbon-Filled PTFE <i>(Quantity of 10)</i>
103d	20G245231	V-Packing, UHMWPE <i>(Quantity of 10)</i>
104	—	Piston Packings
104a	20G245232	Male Gland <i>(Quantity of Four)</i>
104b	20G245233	Female Gland <i>(Quantity of Four)</i>
104c	20G245229	V-Packing Carbon-Filled, PTFE <i>(Quantity of 10)</i>
104d	20G245231	V-Packing, UHMWPE <i>(Quantity of 10)</i>
109	20G244893	PTFE O-Ring, Top Cylinder Medium <i>(Quantity of 10)</i>
112	20G244898	Ball Piston, 7/8" (22 mm) <i>(Quantity of Three)</i>
116	20G253030	Ball Inlet, 1-1/2" (38 mm) <i>(Quantity of Three)</i>
117	20G244856	Shim Inlet, Ball Guide <i>(Quantity of Nine)</i>
119	20G244999	Throat Seal Plug, 1-3/4" <i>(Quantity of 10)</i>
—	20G247395	Throat Seal Plug, 2-1/2" <i>(Quantity of 10)</i>
122	20G244895	Filter O-Ring, Thin, PTFE <i>(Quantity of 10)</i>
123	20G238436	Strainer, 30 mesh screen, 5.65" <i>(Quantity of 25)</i>
—	20G224458	Strainer, 30 mesh, 5.65" <i>(Quantity of Two)</i>
—	20G238438	Strainer, 60 mesh, 5.65" <i>(Quantity of 25)</i>
—	20G224459	Strainer, 60 mesh, 5.65" <i>(Quantity of Two)</i>
125	20G262484	Filter O-Ring, Medium, PTFE <i>(Quantity of 10)</i>
—	20G244896	Filter O-Ring For Series A Pumps <i>(Quantity of 10)</i>
127	20G244894	O-Ring, PTFE, Thin <i>(Quantity of 10)</i>
143	20G116802	Foot Valve Spring
159	20G262483	Top Cap O-Ring, PTFE <i>(Quantity of 10)</i>
—	20G244895	Top Cap O-Ring For Series A Pumps <i>(Quantity of 10)</i>
—	209V021	Operator's Manual – Graco® Xtreme® Pump Lowers

Quantities listed with repair kit are number of individual pieces.

PART NUMBERS AND SCHEMATICS GUIDE

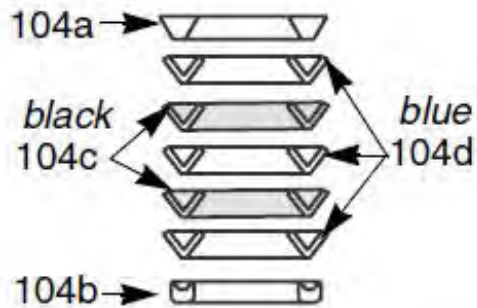
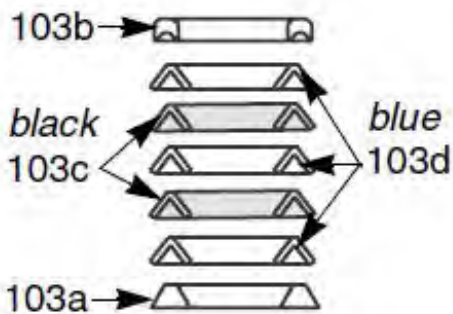
Figure 13: X-Tuff™ Repair Kit for 250cc Lower Displacement Pump



X-Tuff™ Seal Repair Kit 262794

Throat Packings:
Lips Face Down

Piston Packings:
Lips Face Up



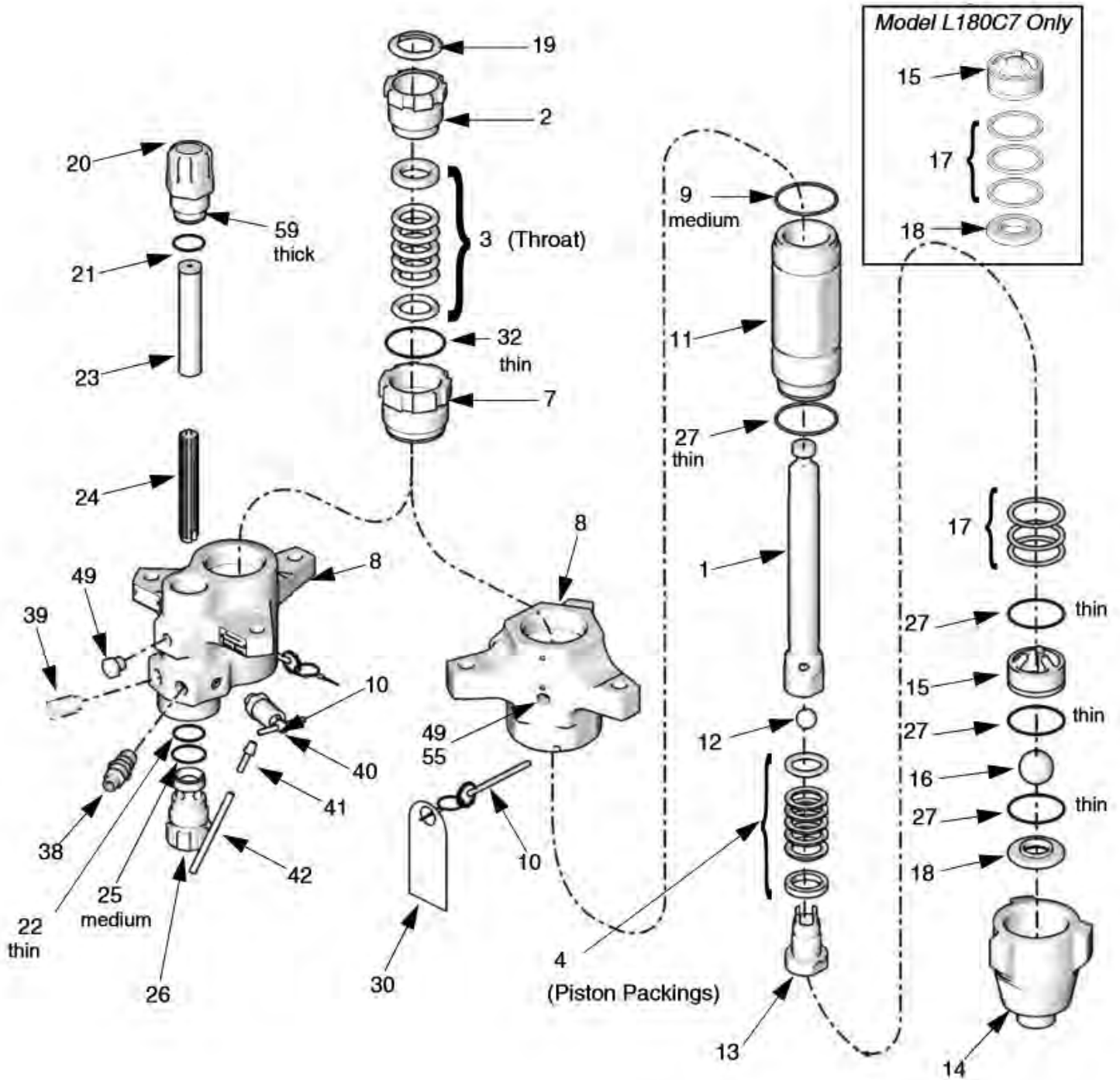
PART NUMBERS AND SCHEMATICS GUIDE

B Side Lower – 220cc Xtreme® Sprayer Lower Displacement Pump

Item#	20GL220C3 <i>(No Built-In Filter)</i>	20GL220C4 <i>(Built-In Filter)</i>	Description
Fig. 14			
1	20G24B823	20G24B823	Displacement Rod
2	20G15K031	20G15K031	Packing Nut
3	—	—	Stack Packings, Throat
4	—	—	Stack Packings, Piston
7	20G197327	20G197327	Packing Cartridge, Throat
8	20G197335	20G197337	Housing Outlet
9	20G244893	20G244893	O-Ring, Top Cylinder, PTFE Medium (<i>Quantity of 10</i>)
10	20G244826	20G244826	Self-Locking Pin
11	20G197317	20G197317	Lower Cylinder
12	20G244898	20G244898	Ball Piston (<i>Quantity of Three</i>)
13	20G24B828	20G24B828	Piston Valve
14	20G197304	20G197304	Inlet Housing
15	20G198647	20G198647	Inlet Ball Guide
16	20G253030	20G253030	Inlet Ball (<i>Quantity of Three</i>)
17	20G244856	20G244856	Inlet Shim Ball Guide (<i>Quantity of Nine</i>)
18	20G197344	20G197344	Inlet Seat
19	20G247395	20G247395	Throat Seal Plug (<i>Quantity of 10</i>)
20	—	20G16M461	Top Filler Cap
21	—	20G171941	Compression Spring
22	—	20G244895	Thin Filter O-Ring, PTFE (<i>Quantity of 10</i>)
23	—	20G224459	Strainer, 60 mesh screen
24	—	20G186075	Filter Support
25	—	20G262484	Filter O-Ring, Medium, PTFE (<i>Quantity of 10</i>)
26	—	20G16M462	Lower Filter Cap
27	20G244894	20G244894	Foot Valve and Cylinder Bottom O-Ring, PTFE thin (<i>Quantity of 10</i>)
30	20G172479	20G172479	Warning Tag
32	20G244891	20G244891	Throat Cartridge O-Ring, PTFE thin (<i>Quantity of 10</i>)
38	—	20G158491	Nipple Fitting, Outlet, 1/2 in
39	—	20G24N518	Packless Plug, 1/2 in
40	—	20G245143	Pressure Dump Valve
41	—	20G116746	Barbed Fitting, Plated
42	—	20G116750	Nylon Tube
49	20G101754	20G198292	Pipe Plug
55	—	—	Rupture Disc Housing
59	—	20G262483	Filter O-Ring, PTFE thick (<i>Quantity of 10</i>)

PART NUMBERS AND SCHEMATICS GUIDE

Figure 14: B Side Lower – 220cc Xtreme® Sprayer Lower Displacement Pump



Note: Lower Displacement Pump with Built-In Filter Shown.

PART NUMBERS AND SCHEMATICS GUIDE

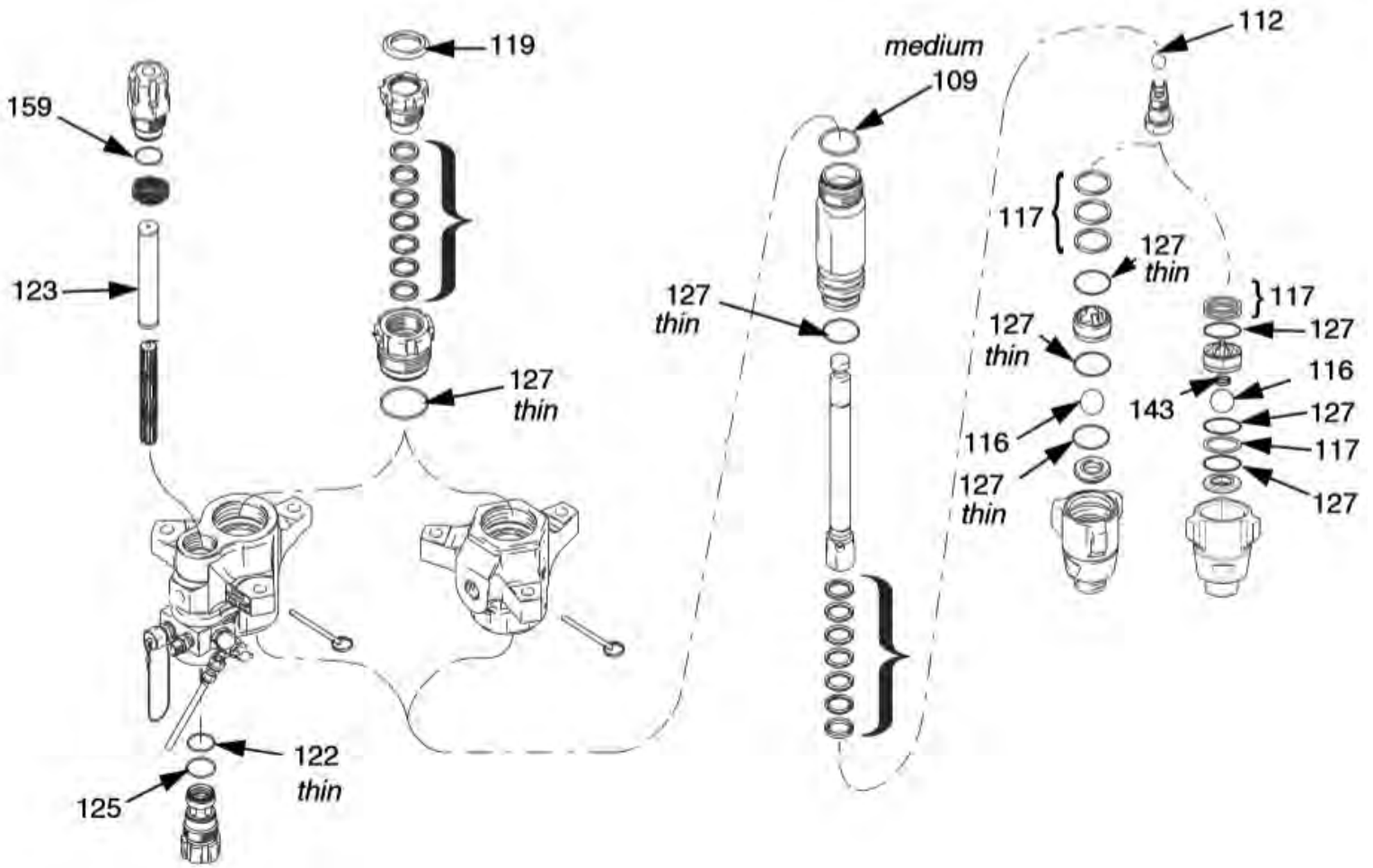
Xtreme® Seal Repair Kits for 220cc Lower Displacement Pump

Item#	Part#	Description
Fig. 15		
—	20G24F967	Xtreme® Seal Repair Kit for 220cc Lower Displacement Pump <i>(Includes Item #'s: 103, 104, 109, 112, 116, 119, 122, 125, 127, 143, and 159)</i>
103	—	Throat Packings
103a	20G244883	Male Gland <i>(Quantity of Four)</i>
103b	20G244877	Female Gland <i>(Quantity of Four)</i>
103c	20G244871	V-Packing, Leather <i>(Quantity of 10)</i>
103d	20G244865	V-Packing, UHMWPE, Black <i>(Quantity of 10)</i>
104	—	Piston Packings
104a	20G244884	Male Gland <i>(Quantity of Four)</i>
104b	20G244878	Female Gland <i>(Quantity of Four)</i>
104c	20G244872	V-Packing, Leather <i>(Quantity of 10)</i>
104d	20G244866	V-Packing, UHMWPE, Black <i>(Quantity of 10)</i>
109	20G244893	PTFE O-Ring, Top Cylinder Medium <i>(Quantity of 10)</i>
112	20G244898	Ball Piston, 7/8" (22 mm) <i>(Quantity of Three)</i>
116	20G253030	Ball Inlet, 1-1/2" (38 mm) <i>(Quantity of Three)</i>
117	20G244856	Shim Inlet, Ball Guide <i>(Quantity of Nine)</i>
119	20G244999	Throat Seal Plug, 1-3/4" <i>(Quantity of 10)</i>
—	20G247395	Throat Seal Plug, 2-1/2" <i>(Quantity of 10)</i>
122	20G244895	Filter O-Ring, Thin, PTFE <i>(Quantity of 10)</i>
123	20G238436	Strainer, 30 mesh screen, 5.65" <i>(Quantity of 25)</i>
—	20G224458	Strainer, 30 mesh, 5.65" <i>(Quantity of Two)</i>
—	20G238438	Strainer, 60 mesh, 5.65" <i>(Quantity of 25)</i>
—	20G224459	Strainer, 60 mesh, 5.65" <i>(Quantity of Two)</i>
125	20G262484	Filter O-Ring, Medium, PTFE <i>(Quantity of 10)</i>
—	20G244896	Filter O-Ring For Series A Pumps <i>(Quantity of 10)</i>
127	20G244894	O-Ring, PTFE, Thin <i>(Quantity of 10)</i>
143	20G116802	Foot Valve Spring
159	20G262483	Top Cap O-Ring, PTFE <i>(Quantity of 10)</i>
—	20G244895	Top Cap O-Ring For Series A Pumps <i>(Quantity of 10)</i>
—	209V021	Operator's Manual – Graco® Xtreme® Pump Lowers

Quantities listed with repair kit are number of individual pieces.

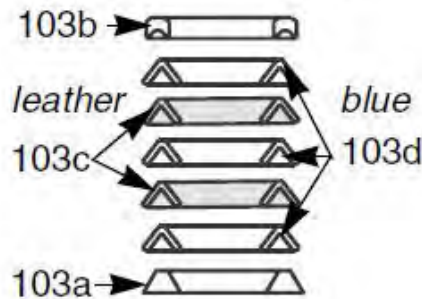
PART NUMBERS AND SCHEMATICS GUIDE

Figure 15: Xtreme® Seal Repair Kits for 220cc Lower Displacement Pump

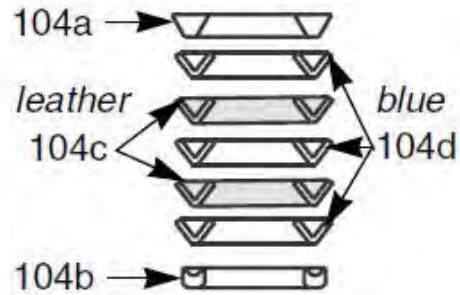


Xtreme™ Seal Repair Kit 24F967

**Throat Packings:
Lips Face Down**



**Piston Packings:
Lips Face Up**



PART NUMBERS AND SCHEMATICS GUIDE

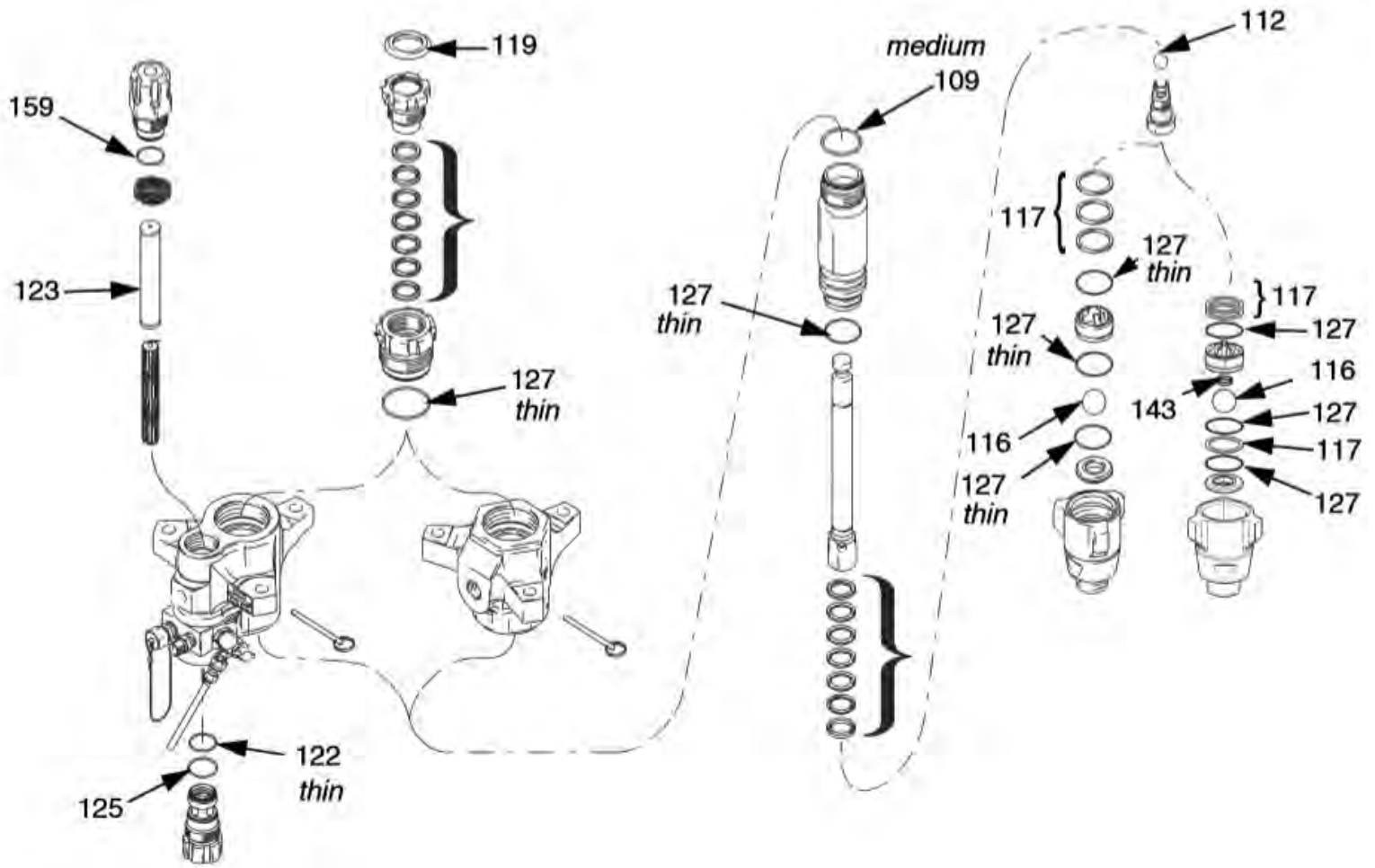
Tuff-Stack™ Repair Kit for 220cc Lower Displacement Pump

Item#	Part#	Description
Fig. 16		
—	20G24F968	Tuff-Stack™ Repair Kit for 220cc Lower Displacement Pump <i>(Includes Item #'s: 103, 104, 109, 112, 116, 119, 122, 125, 127, 143, and 159)</i>
103	—	Throat Packings
103a	20G244883	Male Gland <i>(Quantity of Four)</i>
103b	20G244877	Female Gland <i>(Quantity of Four)</i>
103e	20G244859	V-Packing Carbon-Filled, PTFE/UHMWPE, Blue <i>(Quantity of 10)</i>
104	—	Piston Packings
104a	20G244884	Male Gland <i>(Quantity of Four)</i>
104b	20G244878	Female Gland <i>(Quantity of Four)</i>
104e	20G244860	V-Packing Carbon-Filled, PTFE/UHMWPE, Blue <i>(Quantity of 10)</i>
109	20G244893	PTFE O-Ring, Top Cylinder Medium <i>(Quantity of 10)</i>
112	20G244898	Ball Piston, 7/8" (22 mm) <i>(Quantity of Three)</i>
116	20G253030	Ball Inlet, 1-1/2" (38 mm) <i>(Quantity of Three)</i>
117	20G244856	Shim Inlet, Ball Guide <i>(Quantity of Nine)</i>
119	20G244999	Throat Seal Plug, 1-3/4" <i>(Quantity of 10)</i>
—	20G247395	Throat Seal Plug, 2-1/2" <i>(Quantity of 10)</i>
122	20G244895	Filter O-Ring, Thin, PTFE <i>(Quantity of 10)</i>
123	20G238436	Strainer, 30 mesh screen, 5.65" <i>(Quantity of 25)</i>
—	20G224458	Strainer, 30 mesh, 5.65" <i>(Quantity of Two)</i>
—	20G238438	Strainer, 60 mesh, 5.65" <i>(Quantity of 25)</i>
—	20G224459	Strainer, 60 mesh, 5.65" <i>(Quantity of Two)</i>
125	20G262484	Filter O-Ring, Medium, PTFE <i>(Quantity of 10)</i>
—	20G244896	Filter O-Ring For Series A Pumps <i>(Quantity of 10)</i>
127	20G244894	O-Ring, PTFE, Thin <i>(Quantity of 10)</i>
143	20G116802	Foot Valve Spring
159	20G262483	Top Cap O-Ring, PTFE <i>(Quantity of 10)</i>
—	20G244895	Top Cap O-Ring For Series A Pumps <i>(Quantity of 10)</i>
—	209V021	Operator's Manual – Graco® Xtreme® Pump Lowers

Quantities listed with repair kit are number of individual pieces.

PART NUMBERS AND SCHEMATICS GUIDE

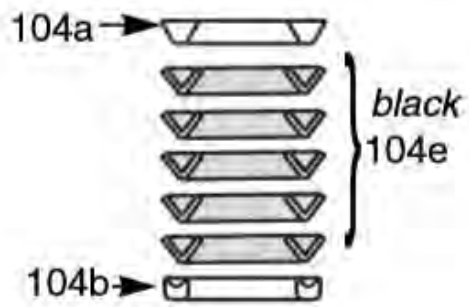
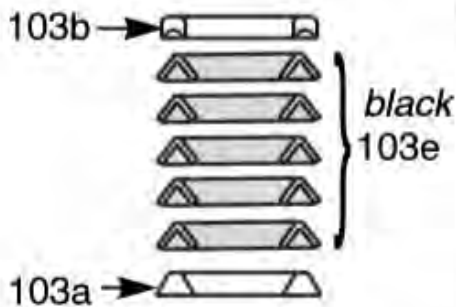
Figure 16: Tuff-Stack™ Repair Kit for 220cc Lower Displacement Pump



Tuff-Stack™ Seal Repair Kit

**Throat Packings:
Lips Face Down**

**Piston Packings:
Lips Face Up**



PART NUMBERS AND SCHEMATICS GUIDE

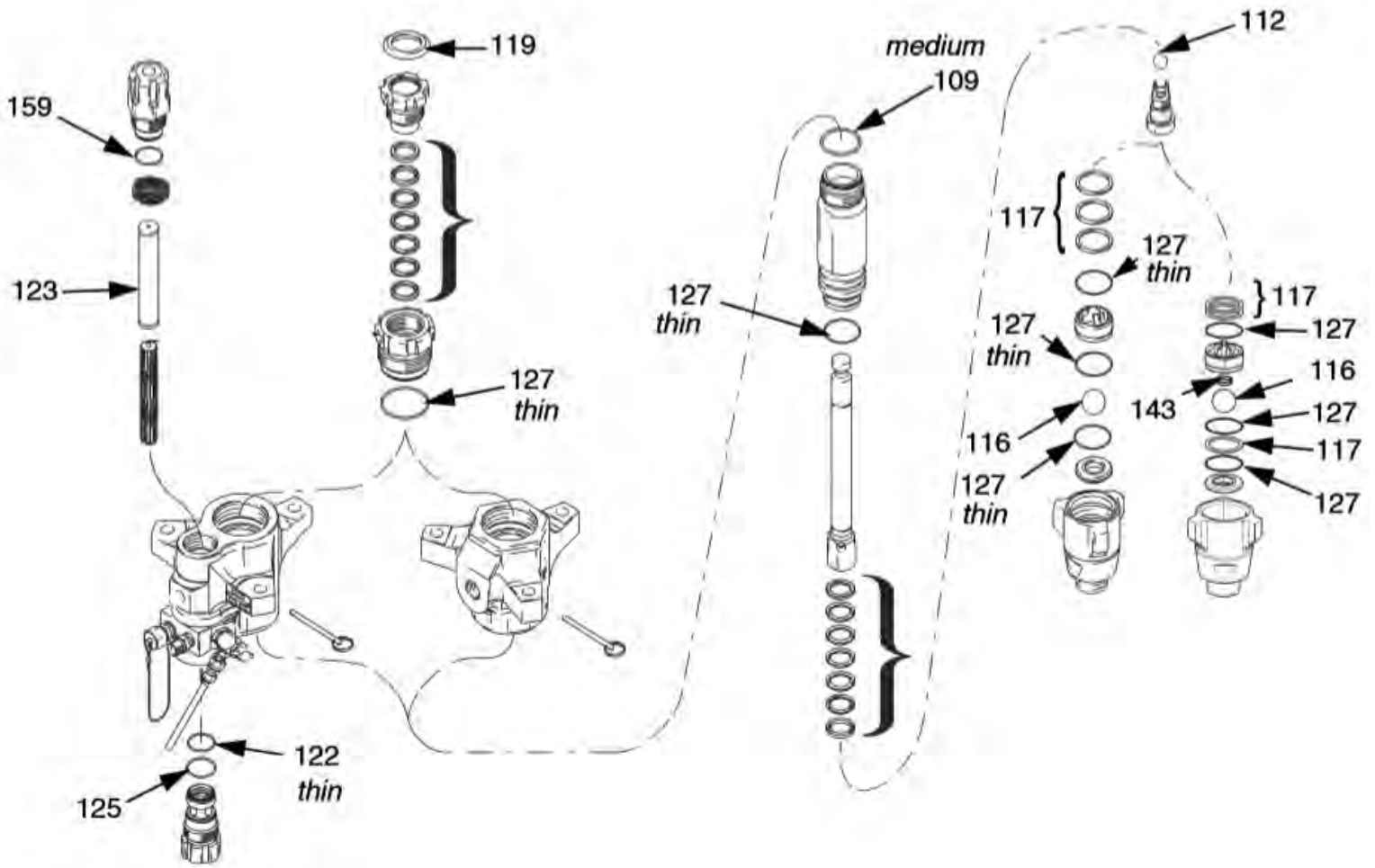
X-Tuff™ Repair Kit for 220cc Lower Displacement Pump

Item#	Part#	Description
Fig. 17		
—	20G262793	X-Tuff™ Repair Kit for 220cc Lower Displacement Pump <i>(Includes Item #'s: 103, 104, 109, 112, 116, 119, 122, 125, 127, 143, and 159)</i>
103	—	Throat Packings
103a	20G244883	Male Gland <i>(Quantity of Four)</i>
103b	20G244877	Female Gland <i>(Quantity of Four)</i>
103c	20G244859	V-Packing Carbon-Filled, PTFE/UHMWPE, Blue <i>(Quantity of 10)</i>
103d	20G244865	V-Packing, UHMWPE, Black <i>(Quantity of 10)</i>
104	—	Piston Packings
104a	20G244884	Male Gland <i>(Quantity of Four)</i>
104b	20G244878	Female Gland <i>(Quantity of Four)</i>
104c	20G244860	V-Packing Carbon-Filled, PTFE/UHMWPE, Blue <i>(Quantity of 10)</i>
104d	20G244866	V-Packing, UHMWPE, Black <i>(Quantity of 10)</i>
109	20G244893	PTFE O-Ring, Top Cylinder Medium <i>(Quantity of 10)</i>
112	20G244898	Ball Piston, 7/8" (22 mm) <i>(Quantity of Three)</i>
116	20G253030	Ball Inlet, 1-1/2" (38 mm) <i>(Quantity of Three)</i>
117	20G244856	Shim Inlet, Ball Guide <i>(Quantity of Nine)</i>
119	20G244999	Throat Seal Plug, 1-3/4" <i>(Quantity of 10)</i>
—	20G247395	Throat Seal Plug, 2-1/2" <i>(Quantity of 10)</i>
122	20G244895	Filter O-Ring, Thin, PTFE <i>(Quantity of 10)</i>
123	20G238436	Strainer, 30 mesh screen, 5.65" <i>(Quantity of 25)</i>
—	20G224458	Strainer, 30 mesh, 5.65" <i>(Quantity of Two)</i>
—	20G238438	Strainer, 60 mesh, 5.65" <i>(Quantity of 25)</i>
—	20G224459	Strainer, 60 mesh, 5.65" <i>(Quantity of Two)</i>
125	20G262484	Filter O-Ring, Medium, PTFE <i>(Quantity of 10)</i>
—	20G244896	Filter O-Ring For Series A Pumps <i>(Quantity of 10)</i>
127	20G244894	O-Ring, PTFE, Thin <i>(Quantity of 10)</i>
143	20G116802	Foot Valve Spring
159	20G262483	Top Cap O-Ring, PTFE <i>(Quantity of 10)</i>
—	20G244895	Top Cap O-Ring For Series A Pumps <i>(Quantity of 10)</i>
—	209V021	Operator's Manual – Graco® Xtreme® Pump Lowers

Quantities listed with repair kit are number of individual pieces.

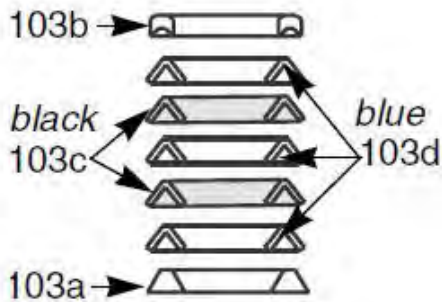
PART NUMBERS AND SCHEMATICS GUIDE

Figure 17: X-Tuff™ Repair Kit for 220cc Lower Displacement Pump

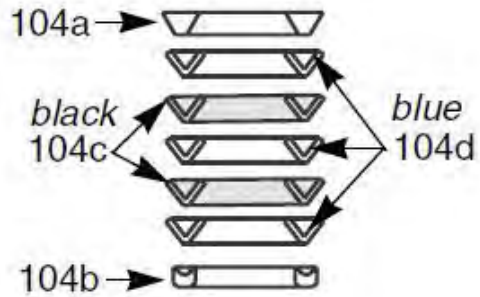


X-Tuff™ Seal Repair Kit 262793

Throat Packings:
Lips Face Down



Piston Packings:
Lips Face Up



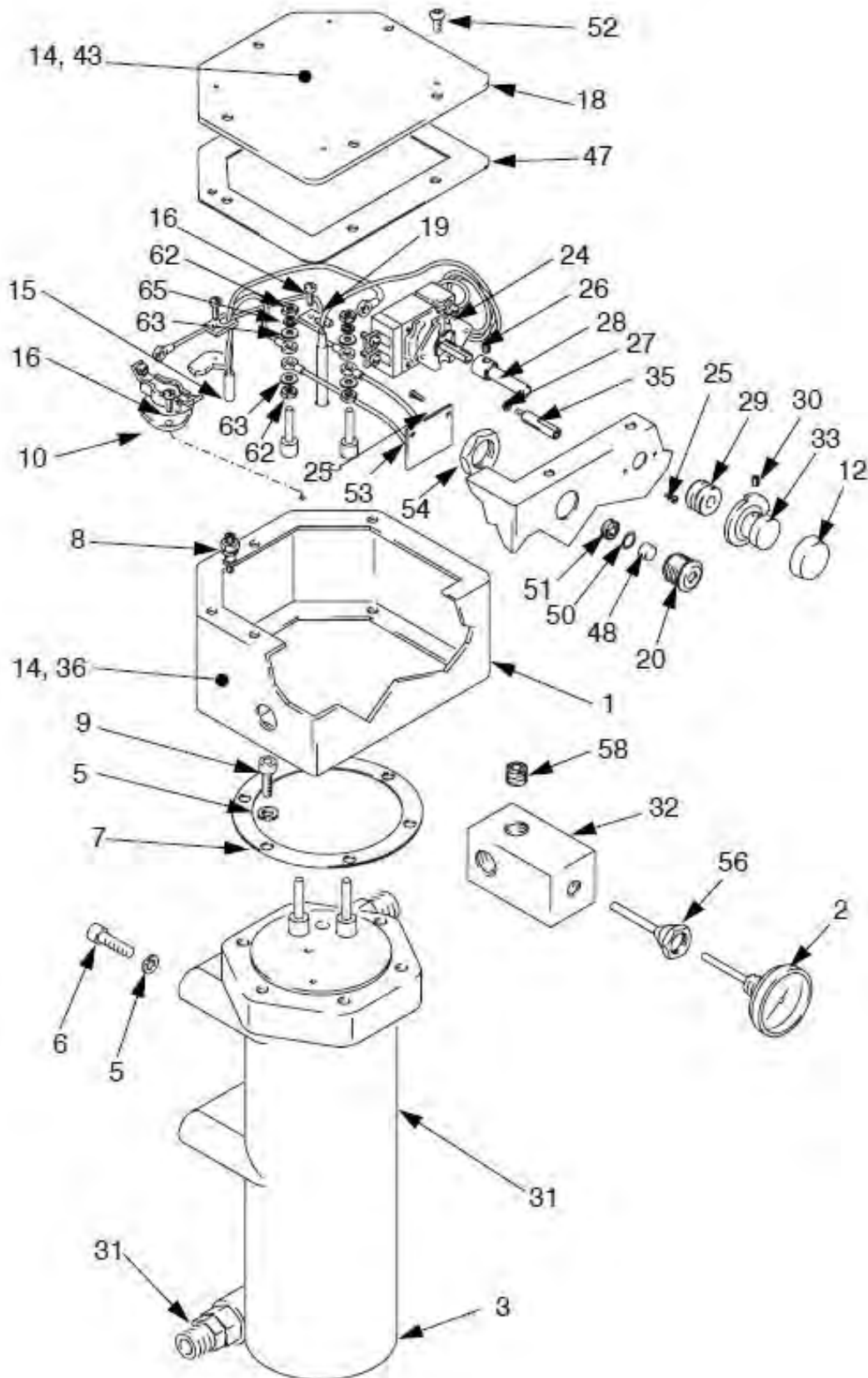
PART NUMBERS AND SCHEMATICS GUIDE

Fluid Heater

Item#	Part#	Description	Item#	Part#	Description
Fig. 18			52	20G111962	1/4-28 Screw (<i>Quantity of Five</i>)
—	20G245869	Fluid Heater	53	20G246014	Light Circuit Board
1	20G262891	Enclosure	54	20G106216	3/4-14 Nut
2	20G102124	Thermometer Dial	56	20G15D757	Thermometer Housing
3	20G246618	Heater Block (<i>Includes Item #'s: 2, 31, 32, and 56</i>)	58	20G100361	1/2" Pipe Plug
5	20G107542	Spring Lockwasher	62	20G100166	Full Hex Nut (<i>Quantity of Four</i>)
6	20G109114	Screw Cap (<i>Quantity of Six</i>)	63	20G102360	3/16" Flat Washer (<i>Quantity of Four</i>)
7	20G15A990	Gasket (<i>Quantity of Two</i>)	65	20G112906	Spring Lockwasher (<i>Quantity of Two</i>)
8	20G104029	Ground Clamp (<i>Quantity of Two</i>)	—	20G108664	6mm Allen Wrench
9	20G117367	Screw (<i>Quantity of Six</i>)	—	20G105747	2mm Allen Wrench
10	20G108674	Thermostat	—	20G101369	0.0927" Allen Wrench
11	20G235524	Wire Assembly	—	20G100633	5/32" Allen Wrench
12	20G177969	Adjusting Knob	—	209V506	Operator's Manual – Viscon High Pressure Fluid Heater
14	20G100055	Screw (<i>Quantity of Ten</i>)			
15	20G223126	Thermal Sensor			
16	20G105676	Screw (<i>Quantity of Four</i>)			
18	20G15A810	Top Cover			
19	20G183072	Bracket (<i>Quantity of Two</i>)			
20	20G15B828	Light Housing			
24	20G108676	Inline Heater Thermostat			
25	20G100032	Screw (<i>Quantity of Four</i>)			
26	20G105672	Set Screw			
27	20G114027	Flat Washer (<i>Quantity of Two</i>)			
28	20G183068	Switch Shaft			
29	20G112738	Grommet (<i>Quantity of Two</i>)			
30	20G101366	Set Screw			
31	20G117344	Compression Tube Fitting (<i>Quantity of Two</i>)			
32	20G15A808	T-Fitting			
33	20G177968	Control Knob			
35	20G117526	Spacer (<i>Quantity of Two</i>)			
36	20G15B623	Warning Plate			
37	20G246346	Wire Assembly (<i>Quantity of Two</i>)			
42	20G102478	Tie Strap			
43	20G15B625	Warning Plate			
47	20G15A991	Gasket			
48	20G15B827	Light Lens			
50	20G103338	Packing O-Ring			
51	20G117483	5/8-18 x 5/16" Socket Jam Screw			

PART NUMBERS AND SCHEMATICS GUIDE

Figure 18: Fluid Heater



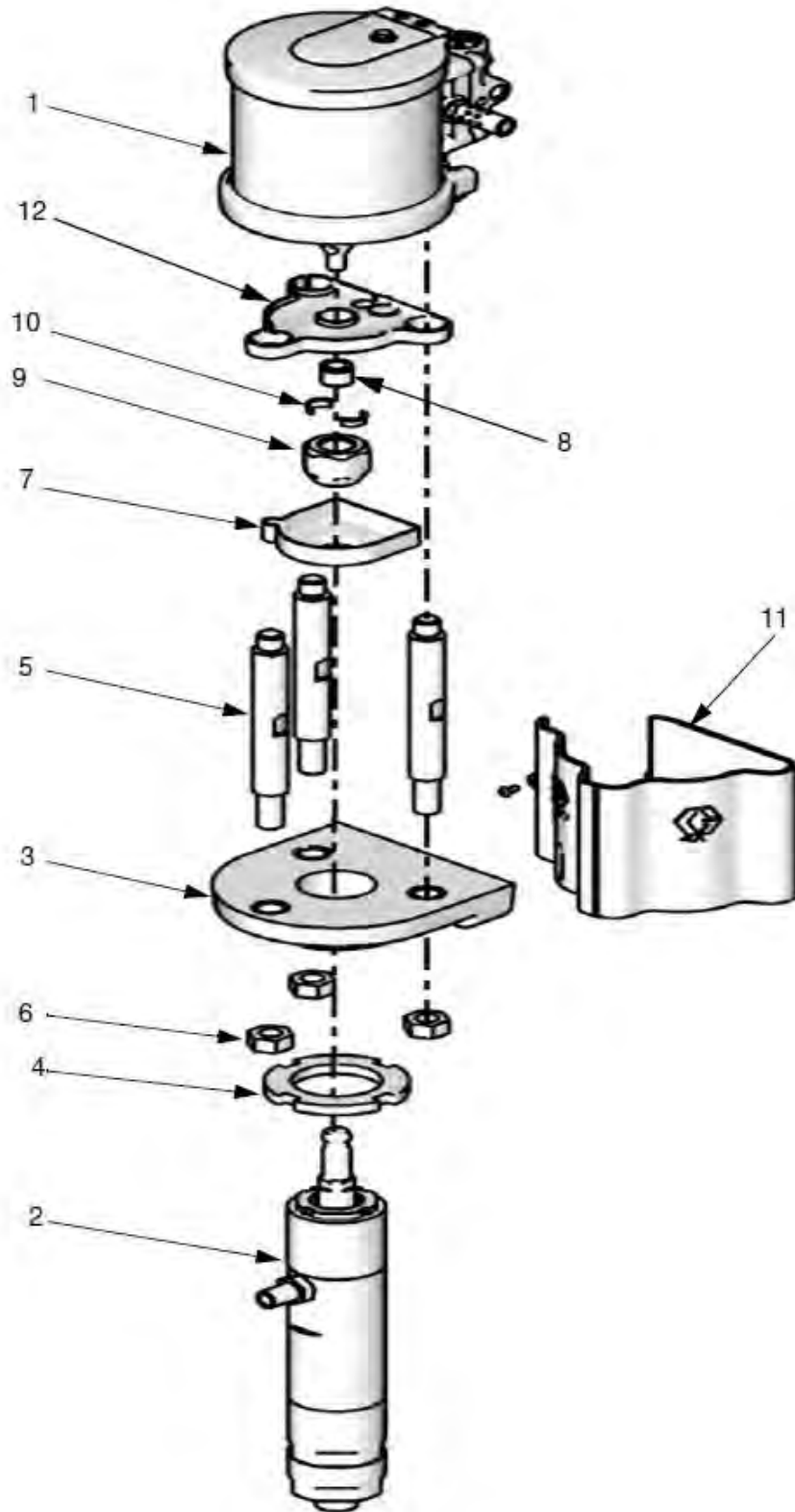
PART NUMBERS AND SCHEMATICS GUIDE

75cc XM™ Solvent Pump

Item#	Part#	Description
Fig. 19		
—	20G257463	75cc XM™ Solvent Pump – 6"
1	20GM12LN0	Motor (See Fig. 20)
2	20GLW075A	Displacement Pump (See Fig. 21)
3	20G16V435	Pump Adapter
4	20G24A636	Jam Nut
5	20G15M662	Tie Rod (Quantity of Three)
6	20G15U606	Tie Rod Nut (Quantity of Three)
7	20G24A625	TSL Reservoir
8	—	Adapter
9	20G15T311	Coupling Nut
10	—	Coupling Collar (Quantity of Two)
11	20G24A959	Tie Rod Shield
12	20G15V028	Drip Shield
—	20G244524	Grounding Assembly Wire
—	209V504	Operator's Manual – Merkur® Pump Assembly

PART NUMBERS AND SCHEMATICS GUIDE

Figure 19: 75cc XM™ Solvent Pump



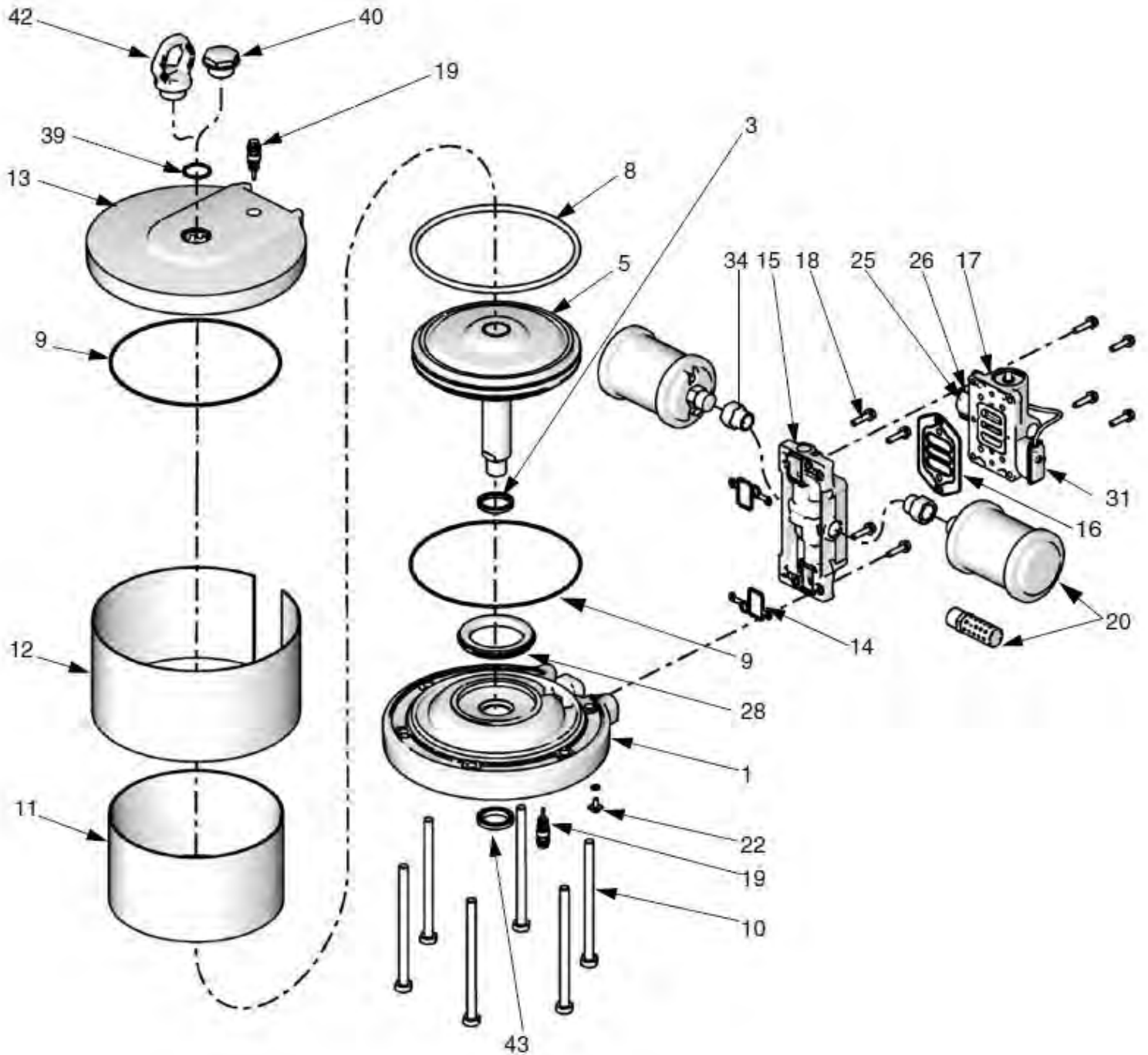
PART NUMBERS AND SCHEMATICS GUIDE

75cc XM™ Solvent Pump – Motor

Item#	Part#	Description
Fig. 20		
—	20GM12LN0	75cc XM™ Solvent Pump – Motor
1	20G24A549	Lower Assembly Cover <i>(Includes Item #'s: 3, 9, 19, 22, 28, and 43)</i>
3	—	U-Cup <i>(Quantity of Two)</i>
5	20G24A550	Motor Assembly Piston
8	—	Piston O-Ring
9	—	Cover O-Ring
10	20G15M316	Hex Head Tie Bolt <i>(Quantity of Four)</i>
11	20G15M672	Motor Cylinder
12	20G15M676	Cylinder Shield
13	20G15X354	Upper Assembly Cover <i>(Includes Item #'s: 9, 19, 39, 40, and 41)</i>
14	—	Manifold Gasket <i>(Quantity of Two)</i>
15	20G24A580	Manifold Assembly <i>(Includes Item #'s: 14, 16, and 18)</i>
16	—	Air Valve Gasket
17	20G24A352	Air Valve
18	—	M6 x 25 Screw <i>(Quantity of Four)</i>
19	20G24A366	Pilot Valve <i>(Quantity of Two)</i>
20	20G117237	Muffler
22	20G116343	Ground Screw
25	20G24B566	Solenoid/Reed Switch <i>(Includes Item #'s: 18, 26, 31, 32, and 33)</i>
26	—	Solenoid Bracket
28	20G24A914	Bumper Kit
31	—	Reed Switch
34	20G15T560	Muffler Adapter
39	—	Upper Cover Plug O-Ring
40	20G24E990	Upper Cover Plug
42	20G24E991	Hook Lift <i>(Not Included)</i>
43	—	U-Cup with Flange Seal
—	20G15W719	Label Warning
—	209V106	Operator's Manual – NXT® Air Motor

PART NUMBERS AND SCHEMATICS GUIDE

Figure 20: 75cc XM™ Solvent Pump – Motor



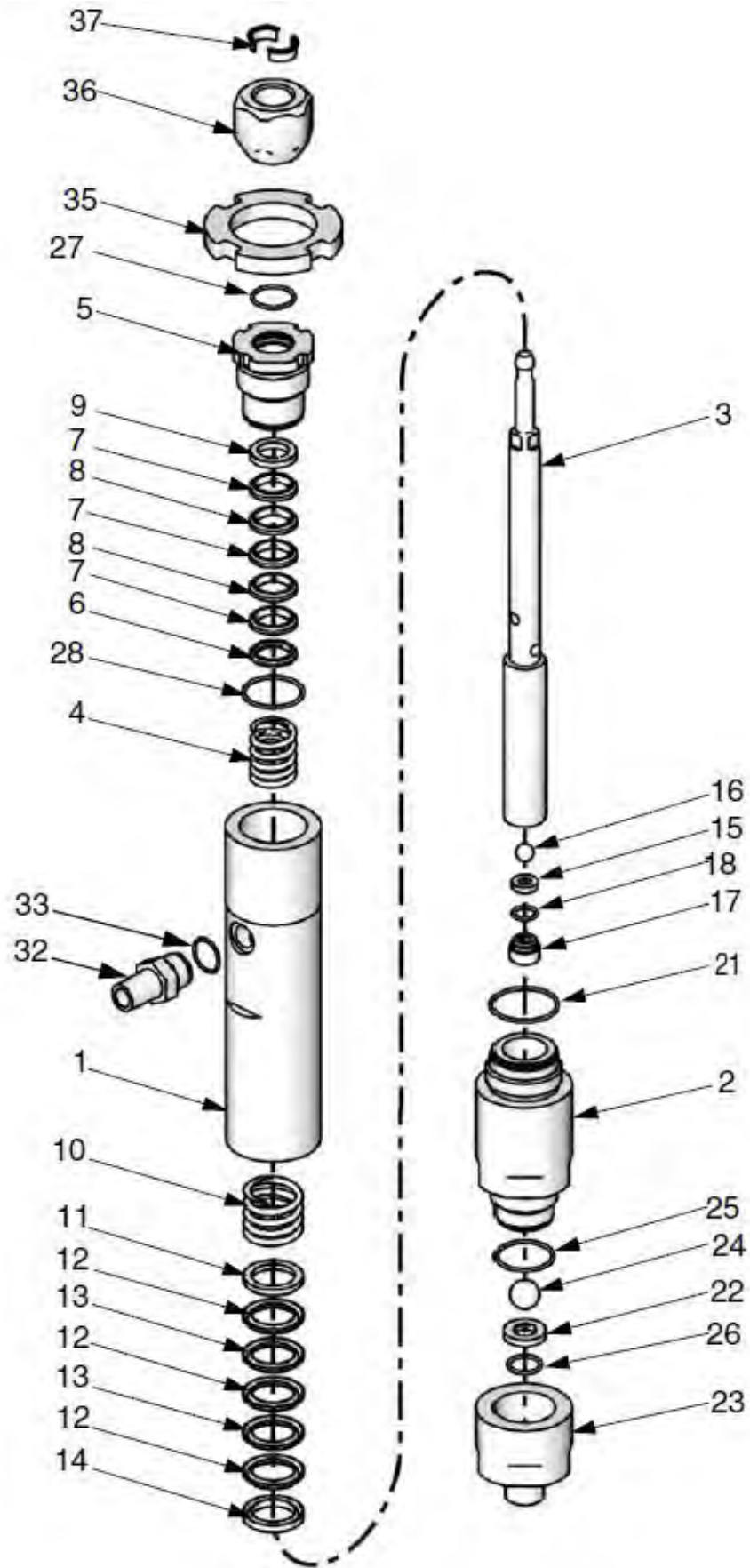
PART NUMBERS AND SCHEMATICS GUIDE

75cc XM™ Solvent Pump – Displacement Pump

Item#	Part#	Description
Fig. 21		
—	20GLW075A	75cc XM™ Solvent Pump – Displacement Pump
1	20G24A815	Upper Cylinder Kit <i>(Includes Item #'s: 21, 28, 32, and 33)</i>
2	20G24A824	Lower Cylinder Kit <i>(Includes Item #'s: 21 and 25)</i>
3	20G24A645	Piston/Rod Assembly <i>(Includes Item #'s: 15, 16, 17, 18, 36 and 37)</i>
4	—	Throat Spring
5	20G24A809	Wet Cup <i>(Includes Item #'s: 27 and 28)</i>
6	—	Male Throat Gland
7	—	UHMWPE Throat Packing <i>(Quantity of Three)</i>
8	—	PTFE Throat Packing <i>(Quantity of Two)</i>
9	—	Female Throat Gland
10	—	Piston Spring
11	—	Male Piston Gland
12	—	UHMWPE Piston Packing <i>(Quantity of Three)</i>
13	—	PTFE Piston Packing <i>(Quantity of Two)</i>
14	—	Female Piston Gland
15	—	Tungsten Carbide Piston Valve Seat
16	—	440 Stainless Steel Pison Valve Ball
17	—	Flow Through Nut
18	—	Piston O-Ring
21	—	Lower Cylinder O-Ring
22	—	Tungsten Carbide Intake Valve Seat
23	20G24A836	Intake Valve Kit <i>(Includes Item #: 26)</i>
24	—	440 Stainless Steel Intake Valve Ball
25	—	Lower Cylinder O-Ring <i>(Quantity of Two)</i>
26	—	Intake Valve O-Ring
27	20G24A631	Wet Cup O-Ring <i>(Quantity of Ten)</i>
28	—	Wet Cup O-Ring
32	20G24A840	3/8-18 NPT x 3/4-16 UNF Outlet Fitting <i>(Includes Item #: 33, Quantity of One)</i>
33	20G24E457	Outlet O-Ring <i>(Quantity of Ten)</i>
35	20G24A636	Jam Nut
36	20G15T311	Coupling Nut
37	20G24A619	Coupling Collar <i>(Quantity of Ten)</i>
—	20G24A253	Seal Repair Kit <i>(Includes Item #'s: 4, 6, 7, 8, 9, 10, 11, 12, 13, 14, 18, 21, 25, 26, 27, 28, and 33)</i>
—	20G24R167	V-Packing Repair Kit <i>(Includes Item #'s: 7, 8, 12, 13, 18, 21, 25, 26, 27, 28, and 33)</i>
—	20G24A783	Tungsten Carbide Seat Repair Kit <i>(Includes Item #'s: 15, 17, 18, 21, 22, 25, and 26)</i>
—	20G24A263	440 Stainless Steel Check Ball Kit <i>(Includes Item #'s: 16 and 24)</i>
—	209V510	Operator's Manual – Graco® Merkur® Displacement Pump

PART NUMBERS AND SCHEMATICS GUIDE

Figure 21: 75cc XM™ Solvent Pump – Displacement Pump



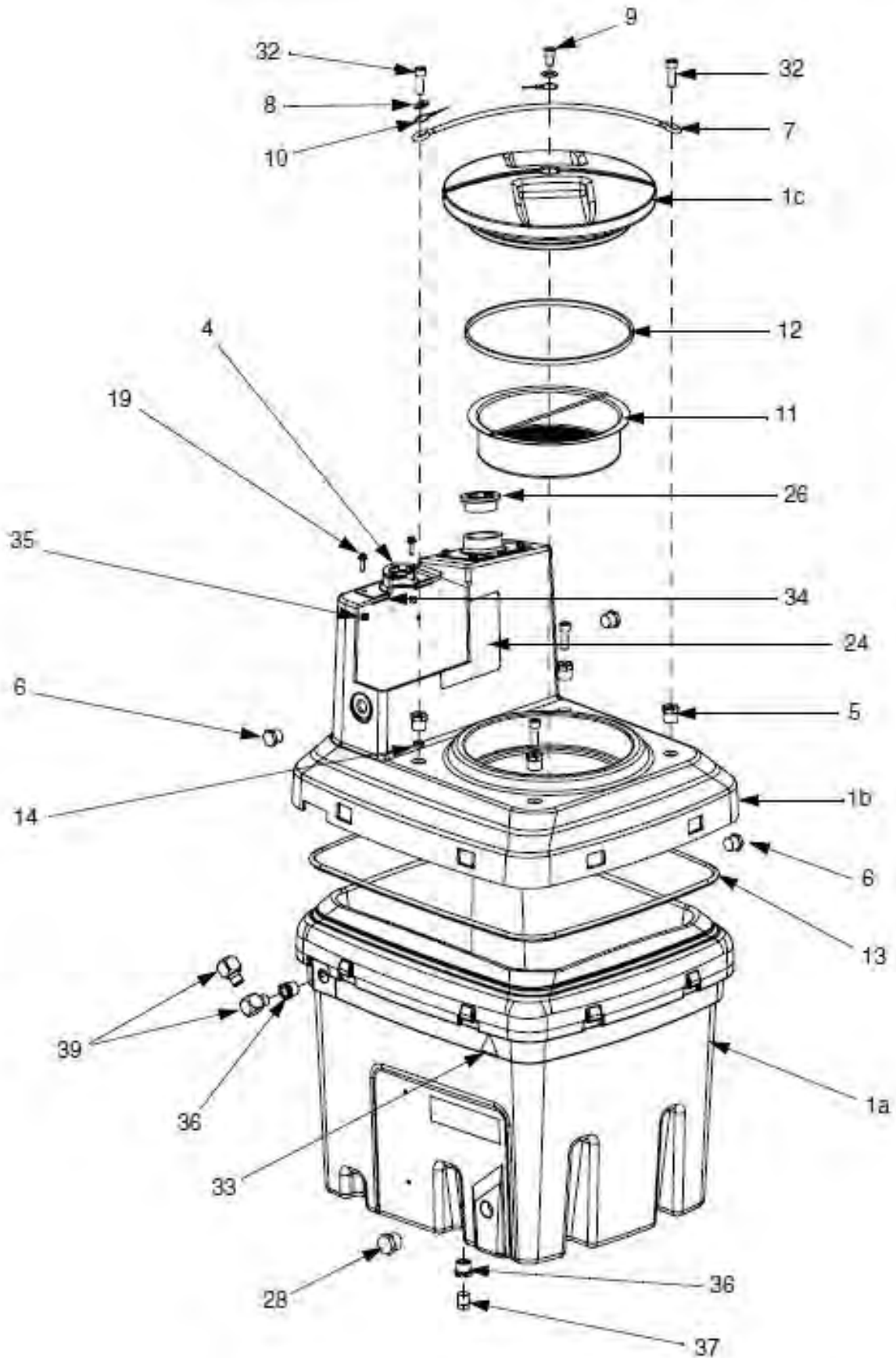
PART NUMBERS AND SCHEMATICS GUIDE

20 Gallon Hopper

Item#	Part#	Description
Fig. 22		
—	20G255963	20 Gallon Hopper
1a	—	Hopper
1b	—	Cover
1c	—	Lid
4	20G255965	Weldment Plate (<i>Quantity of Two</i>)
5	20G15T007	Return Tube Adapter (<i>Quantity of Four</i>)
6	20G121621	3/4" NPT Plug (<i>Quantity of Three</i>)
7	20G255966	Hopper Lid Spring Strap
8	20G109570	1/2" Plain Washer
9	20G513764	1/2-13 x 3/4" Socket Head Cap Screw
10	20G122097	12" Stainless Steel Lanyard Cable
11	20G256008	Strainer
12	20G15T010	Hopper Lid Gasket
13	20G15T011	Hopper Gasket (<i>Quantity of Two</i>)
14	20G15R403	Return Tube Seal (<i>Quantity of Two</i>)
19	20G112547	1/4-20 x 1" Hex Head Flange Screw (<i>Quantity of Eight</i>)
26	20G121378	2" Plug with Gasket (<i>Quantity of Two</i>)
28	20G121485	1" Plug (<i>Quantity of Two</i>)
32	20G121797	1/20-13 x 1-1/2" Socket Head Cap Screw (<i>Quantity of Two</i>)
33	20G189285	Caution Label (<i>Quantity of Two</i>)
34	20G15R331	Hopper Accessory Plate (<i>Quantity of Two</i>)
35	20G104105	1/4-20 Hex Lock Nut (<i>Quantity of Eight</i>)
36	20G117326	3/4" (M) x 1/2" (F) Bushing Fitting (<i>Quantity of Two</i>)
37	20G100737	1/2" Pipe Plug
39	20G158683	1/2" 90° Elbow Fitting (<i>Quantity of Two</i>)
—	20G15R424	A-B Identification Label
—	20G24K965	5:1 Pump Spacer Kit
—	209V567	Operator's Manual – Double Wall Hopper

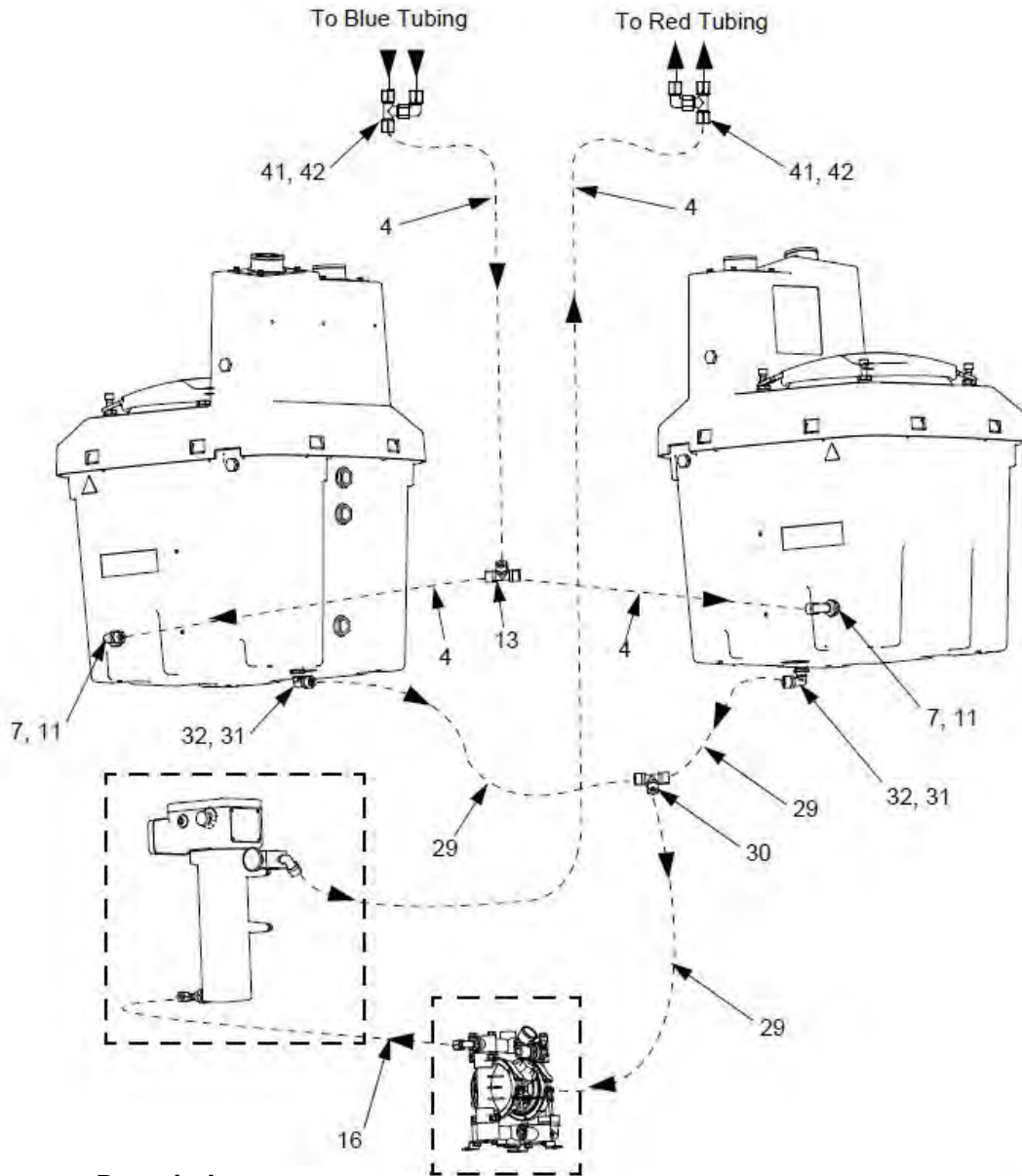
PART NUMBERS AND SCHEMATICS GUIDE

Figure 22: 20 Gallon Hopper



OPTIONAL ACCESSORIES

Figure 23: Heated Hopper and Hose Circulation Kit



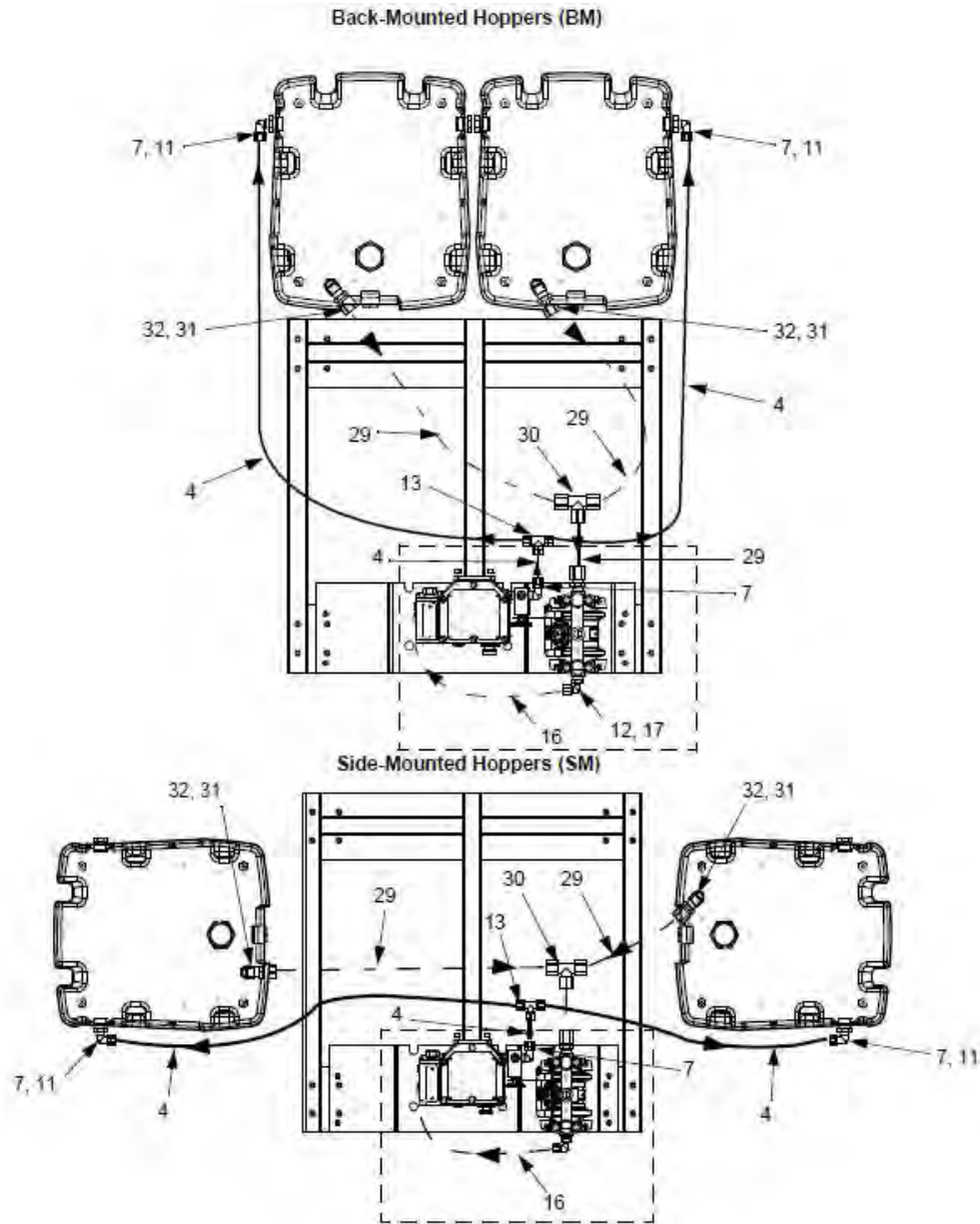
Item#	Part#	Description
-------	-------	-------------

Fig. 23

—	20G256273	Heated Hopper and Hose Circulation Kit
4	20G054139	1/2" O.D. x 17' Flexible Nylon Tube
7	20G126898	1/2" x 1/2" O.D. Elbow Fitting Tube (<i>Quantity of Five</i>)
11	20G124070	1" (M) x 1/2" (F) Pipe Bushing (<i>Quantity of Two</i>)
13	20G17E117	1/2" Tee Fitting
16	20G054134	3/8" x 3' Nylon Tube
29	20G054929	3/4" O.D. x 8' Flexible Nylon Tube
30	20G17H050	3/4" Union Tee Fitting
31	20G17H051	3/4" x 3/4" O.D. Male Connector Fitting (<i>Quantity of Three</i>)
32	20G124042	3/4" (M) x 3/4" (F) Street Elbow Fitting (<i>Quantity of Three</i>)
41	20G126896	1/2" Tube x 1/2" NPTF Elbow Fitting (<i>Quantity of Two</i>)
42	20G126895	1/2" Tube x 1/2" Tube x 1/2" NPTF Elbow Fitting

OPTIONAL ACCESSORIES

Figure 24: Heated Hopper and Hose Circulation Kit (Continued)



Item#	Part#	Description
-------	-------	-------------

Fig. 24

—	20G256273	Heated Hopper and Hose Circulation Kit
4	20G054139	1/2" O.D. x 17' Flexible Nylon Tube
7	20G126898	1/2" x 1/2" O.D. Elbow Fitting Tube (Quantity of Five)
11	20G124070	1" (M) x 1/2" (F) Pipe Bushing (Quantity of Two)
12	20GC19683	3/4" (M) x 3/8" (F) Reducing Bushing
13	20G17E117	1/2" Tee Fitting
16	20G054134	3/8" x 3' Nylon Tube
17	20G17E118	3/8-18 x 3/8" O.D. Male Elbow Fitting (Quantity of Two)
29	20G054929	3/4" O.D. x 8' Flexible Nylon Tube
30	20G17H050	3/4" Union Tee Fitting
31	20G17H051	3/4" x 3/4" O.D. Male Connector Fitting (Quantity of Three)
32	20G124042	3/4" (M) x 3/4" (F) Street Elbow Fitting (Quantity of Three)

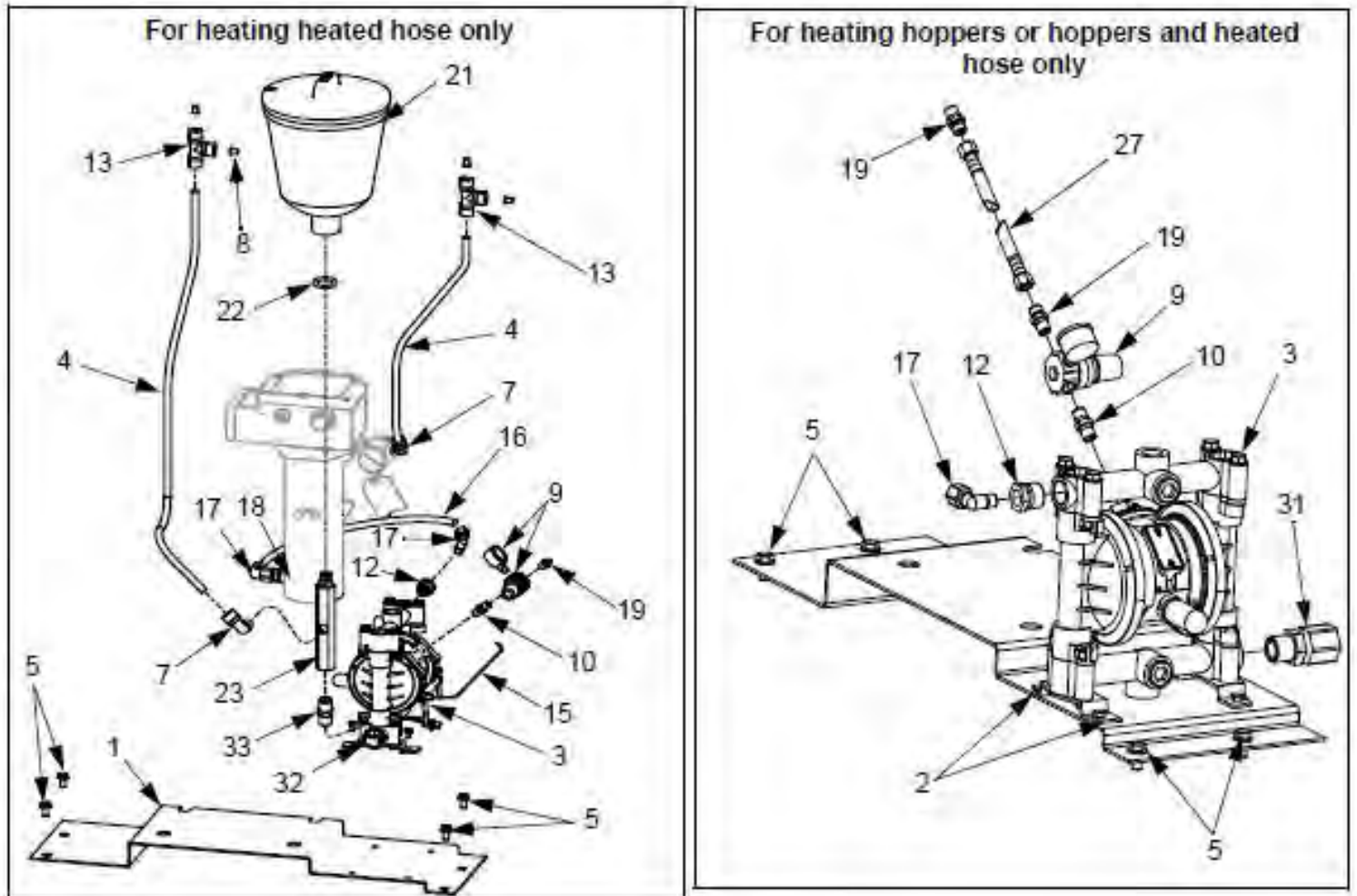
OPTIONAL ACCESSORIES

Heated Hopper and Hose Circulation Kit *(Continued)*

Item#	Part#	Description
Fig. 25		
—	20G256273	Heated Hopper and Hose Circulation Kit
1	20G256196	Mounting Plate
2	20G100333	1/4-20 x 1/2" Hex Cap Screw <i>(Quantity of Four)</i>
3	20GD53288	Husky™ 716 Pump <i>(See Fig. 26)</i>
4	20G054139	1/2" O.D. x 17' Flexible Nylon Tube
5	20G112395	Flange Head Cap Screw <i>(Quantity of Four)</i>
7	20G126898	1/2" x 1/2" O.D. Elbow Fitting Tube <i>(Quantity of Five)</i>
9	20G110147	1/4" Air Regulator
10	20G156971	1/4-18 NPT Short Nipple Fitting
12	20GC19683	3/4" (M) x 3/8" (F) Reducing Bushing
13	20G17E117	1/2" Tee Fitting
15	20G119402	Coiled Ground Cable
16	20G054134	3/8" x 3' Nylon Tube
17	20G17E118	3/8-18 x 3/8" O.D. Male Elbow Fitting <i>(Quantity of Two)</i>
18	20G122275	3/8" x 1/2" Reducing Coupling Fitting
19	20G162453	1/4" x 1/4" Nipple Fitting <i>(Quantity of Two)</i>
21	20G188787	1-1/2 Gallon Hopper
22	20G104938	O-Ring
23	20G15B338	Mounting Reservoir Fitting
27	20G212005	6' Coupled Hose
31	20G17H051	3/4" x 3/4" O.D. Male Connector Fitting <i>(Quantity of Three)</i>
32	20G124042	3/4" (M) x 3/4" (F) Street Elbow Fitting <i>(Quantity of Three)</i>
33	20G175013	3/4" Nipple Fitting
—	209V572	Operator's Manual – Graco® Hopper or Hose Heat Circulation Kit

OPTIONAL ACCESSORIES

Figure 25: Heated Hopper and Hose Circulation Kit (Continued)



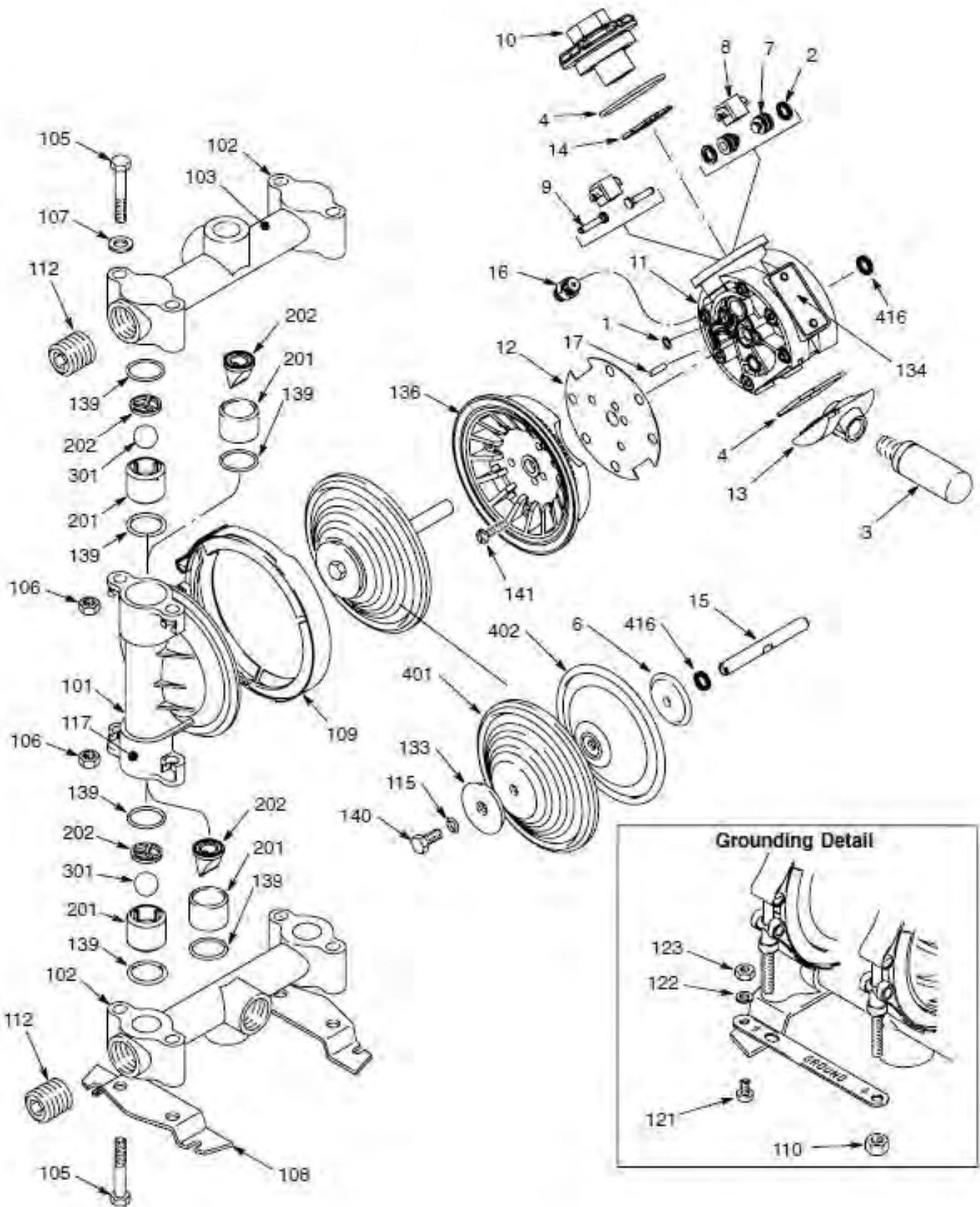
OPTIONAL ACCESSORIES

Husky™ 716 Pump

Item#	Part#	Description	Item#	Part#	Description
Fig. 26			121	20G102790	10-24 x 0.31" Screw
—	20GD53288	Husky™ 716 Pump	122	20G100718	Lockwasher
1	20G114866	O-Ring Packing (<i>Quantity of Two</i>)	123	20G100179	10-24 Hex Nut
2	20G108808	U-Cup Packing (<i>Quantity of Two</i>)	133	20G191837	Fluid Side Diaphragm Plate (<i>Quantity of Two</i>)
3	20G122933	Muffler	134	20G290045	Designation Plate
4	20G162942	O-Ring Packing (<i>Quantity of Two</i>)	136	20G194246	Air Cover (<i>Quantity of Two</i>)
6	20G195025	Air Side Diaphragm Plate (<i>Quantity of Two</i>)	139	20G110636	O-Ring, PTFE (<i>Quantity of Eight</i>)
7	20G15Y825	Carriage Plunger (<i>Quantity of Two</i>)	140	20G113747	Flange Hex Head Screw (<i>Quantity of Two</i>)
8	20G192595	Carriage (<i>Quantity of Two</i>)	141	20G114882	Machine Torx Screw (<i>Quantity of 12</i>)
9	20G192596	Carriage Pin (<i>Quantity of Two</i>)	142	20G111183	Rivet (<i>Quantity of Two</i>)
10	20G192597	Valve Chamber Cover	201	20G186691	Acetal Guide (<i>Quantity of Four</i>)
11	20G192602	Center Housing	202	20G186692	Acetal Stop (<i>Quantity of Four</i>)
—	20G194380	Center Housing	301	20G112959	Fluoroelastomer Ball (<i>Quantity of Four</i>)
12	20G192765	Gasket (<i>Quantity of Two</i>)	401	20G190149	Fluoroelastomer Diaphragm (<i>Quantity of Two</i>)
13	20G194247	Exhaust Cover	416	20G108808	U-Cup Packing (<i>Quantity of Two</i>)
14	20G194269	Valve Plate	—	20G241657	Air Valve Repair Kit (<i>Includes Item #'s: 4, 7, 8, 9, and 14</i>)
15	20G192601	Diaphragm Shaft	—	209V574	Operator's Manual – Graco® Husky™ 716 Pump
16	20G115671	Male Connector (<i>Quantity of Two</i>)			
101	20G185622	Fluid Cover (<i>Quantity of Two</i>)			
102	20G185624	NPT Manifold (<i>Quantity of Two</i>)			
—	20G192061	BSPT Manifold (<i>Quantity of Two</i>)			
—	20G190246	NPT Manifold (<i>Quantity of Two</i>)			
103	20G189220	Warning Label			
105	20G112912	3/8-16 x 2-1/4" Screw (<i>Quantity of Eight</i>)			
106	20G112913	3/8-16 Hex Nut (<i>Quantity of Eight</i>)			
107	20G112914	3/8" Flat Washer (<i>Quantity of Four</i>)			
108	20G186207	Feet Base (<i>Quantity of Two</i>)			
109	20G189540	Vee Clamp			
110	20G112499	1/4-28 Clamp Nut (<i>Quantity of Two</i>)			
111	20G191079	Grounding Strip			
112	20G102726	NPT Steel Plug (<i>Quantity of Two</i>)			
—	20G113989	BSPT Steel Plug (<i>Quantity of Two</i>)			
—	20G24H344	BSPP Plug with Seal (<i>Quantity of Two</i>)			
115	20G110004	O-Ring, PTFE (<i>Quantity of Two</i>)			
117	20G186205	Warning Label			
52	Graco® XM50™ Plural Component Sprayer				

OPTIONAL ACCESSORIES

Figure 26: Husky™ 716 Pump




OPTIONAL ACCESSORIES

NON-RECIRCULATION GENERAL PURPOSE 5000 PSI WATER HEATED HOSE BUNDLES

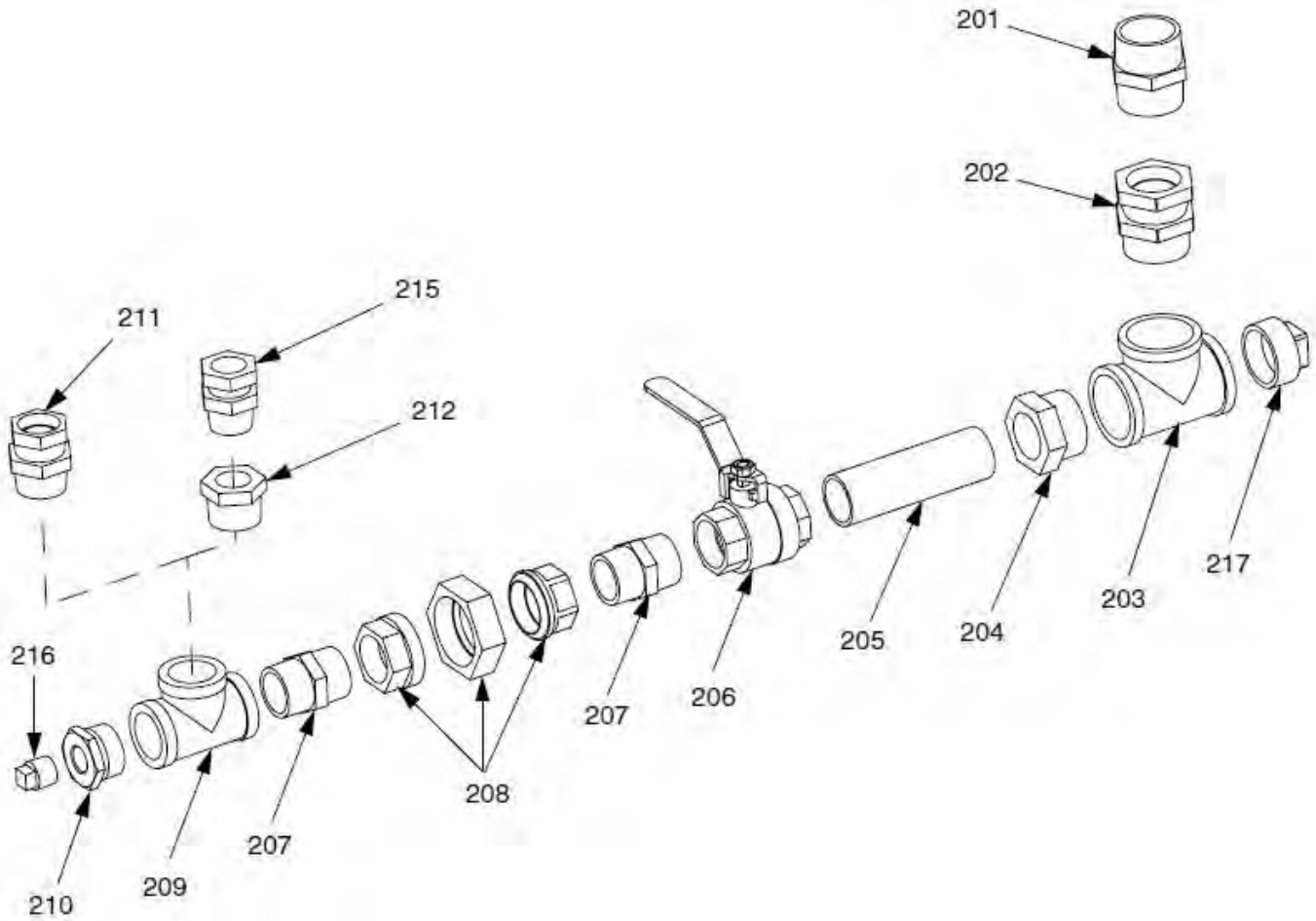
Part Numbers	Length				1/2" Fluid Hose	3/8" Fluid Hose	1/4" Fluid Hose	1/4" Moisture-Lock Hose	1/4" Flush Hose	3/8" Fluid Recirculating Hoses
	50 Ft.	100 Ft.	150 Ft.	200 Ft.						
20100444	X				1	1	1		1	2
20100445		X			4		1		1	2
20100446			X		1	1			1	2
20100253				X	4					2

INSULATED INTEGRATOR 5000 PSI HOSE BUNDLES

Part Numbers	Length		1/2" Fluid Hose	3/8" Fluid Hose	1/4" Fluid Hose	3/8" Fluid Recirculating Hoses	1/4" Moisture-Lock Hose	1/4" Flush Hose
	25 Ft.	50 Ft.						
 20100254	X		1					
20100847		X	1					

OPTIONAL ACCESSORIES

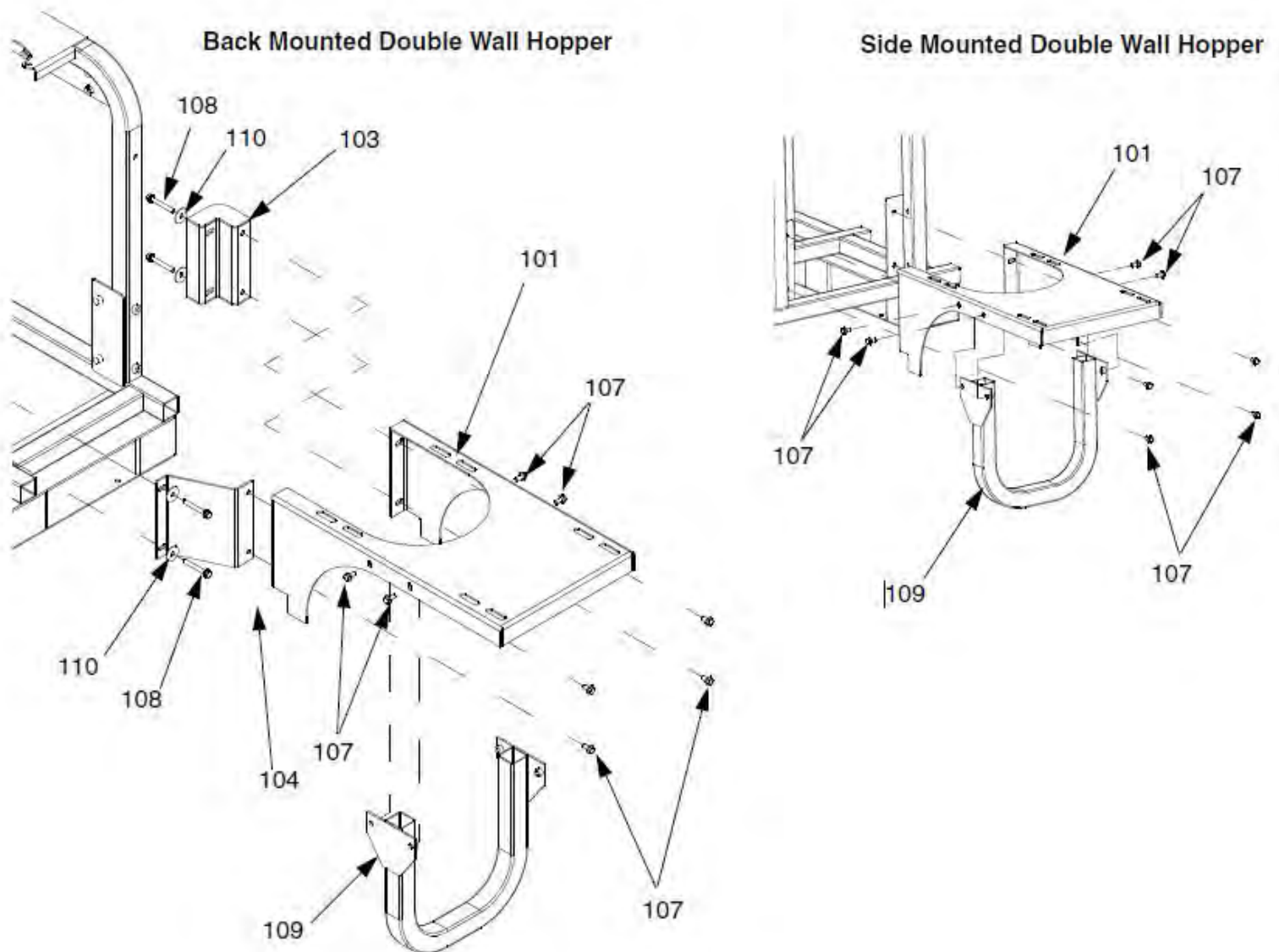
Figure 27: Hopper Fluid Outlet Kit



Item#	Part#	Description
Fig. 27		
—	20G256179	Hopper Fluid Outlet Kit
201	20G121435	2" Hex Nipple
202	20G121436	2" Male Swivel Fitting
203	20G121437	2" Female Tee Fitting
204	20G121438	2" x 1-1/2" Reducer Bushing
205	20G121439	1-1/2" x 6" Pipe Nipple
206	20G121440	1-1/2" Ball Valve
207	20G121441	1-1/2" Hex Nipple (<i>Quantity of Two</i>)
208	20G121442	1-1/2" Union Fitting
209	20G121443	1-1/2" Tee Fitting
210	20G101496	1-1/2" x 3/4" Pipe Bushing
211	20G121445	1-1/2" x 1-1/4" Reducing Swivel
212	20G121446	1-1/2" x 1-1/4" Reducer Bushing
215	20G121447	1-1/4" Swivel Fitting
216	20G104663	3/4" Pipe Plug
217	20G123807	2" Pipe Plug
—	209V567	Operator's Manual – Double Wall Hopper

OPTIONAL ACCESSORIES

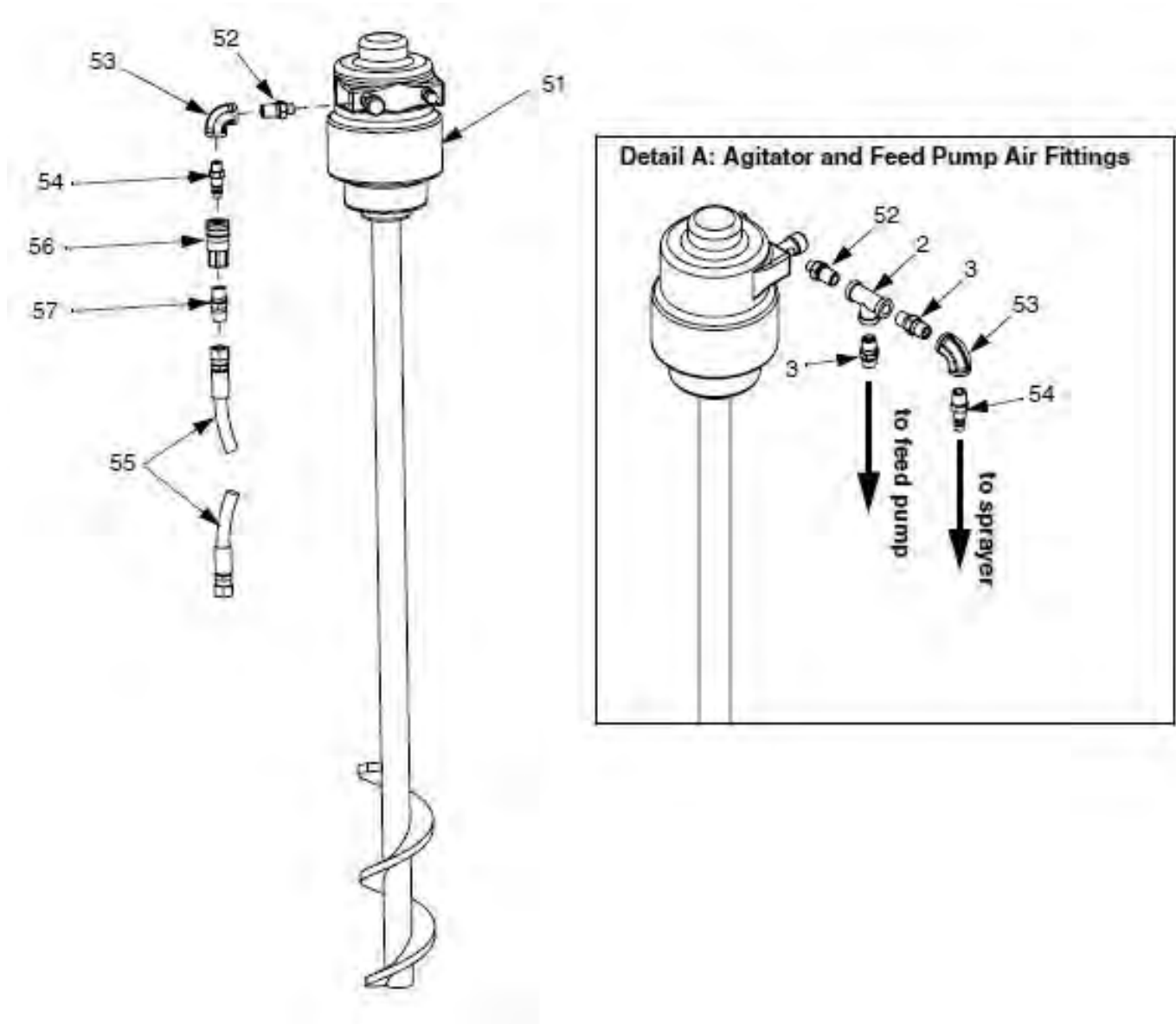
Figure 28: Hopper Mounting Kit



Item#	Part#	Description
Fig. 28		
—	20G256259	Hopper Mounting Kit
101	20G256224	20 Gallon Hopper Bracket
103	20G256254	Bottom Mount Hopper Bracket
104	20G256256	Lower Bottom Mount Hopper Bracket
107	20G112395	3/8-16 x 3/4" Flange Head Cap Screw (Quantity of 14)
108	20G121488	3/8-16 x 2-3/4" Flanged Hex Head Screw (Quantity of Four)
109	20G256928	Rear Hopper Bracket Support
110	20G115625	3/8" Fender Washer
—	209V567	Operator's Manual – Double Wall Hopper

OPTIONAL ACCESSORIES

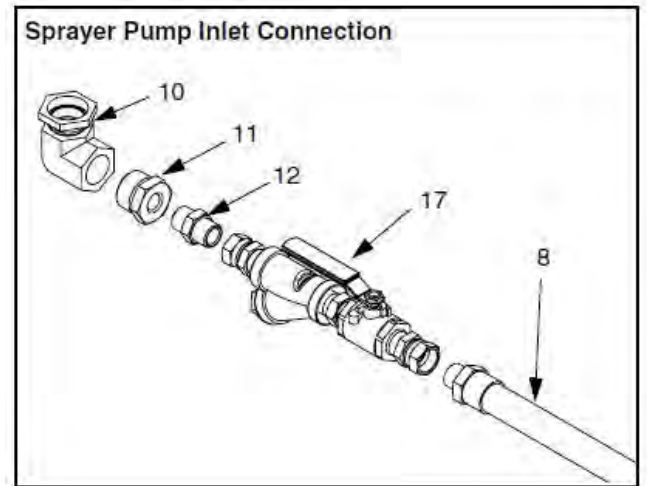
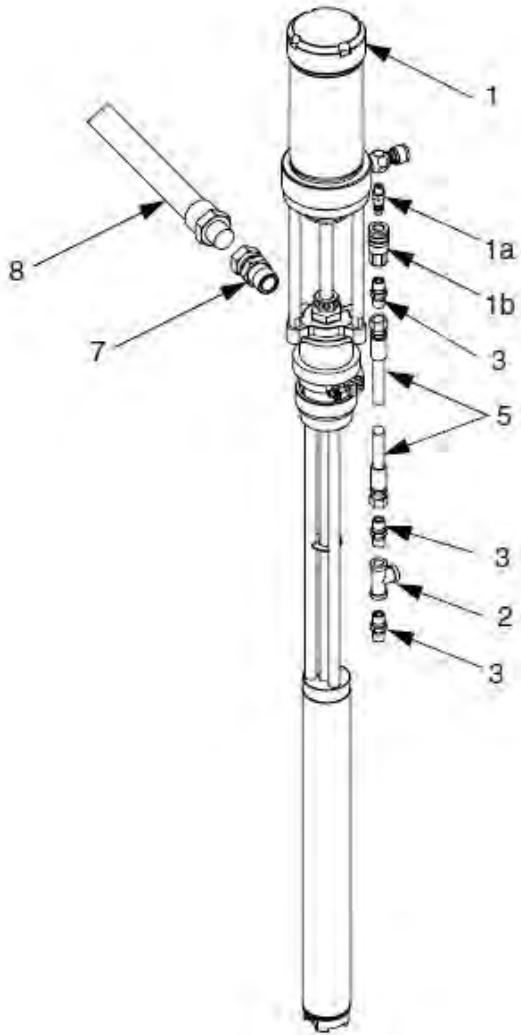
Figure 29: Twistork Agitator Kit



Item#	Part#	Description
Fig. 29		
—	20G256274	Twistork Agitator Kit
51	20G224854	Helix Agitator
52	20G151519	1/8" x 1/4" Reducing Nipple Fitting
53	20GC19425	90° Female Elbow Fitting
54	20G169970	Air Line Fitting
55	20G212005	6' Coupled Hose
56	20G114558	Air Line Coupler
57	20G166846	Adapter Fitting
—	209V569	Operator's Manual – Graco® Feed Pump and Agitator Kits

OPTIONAL ACCESSORIES

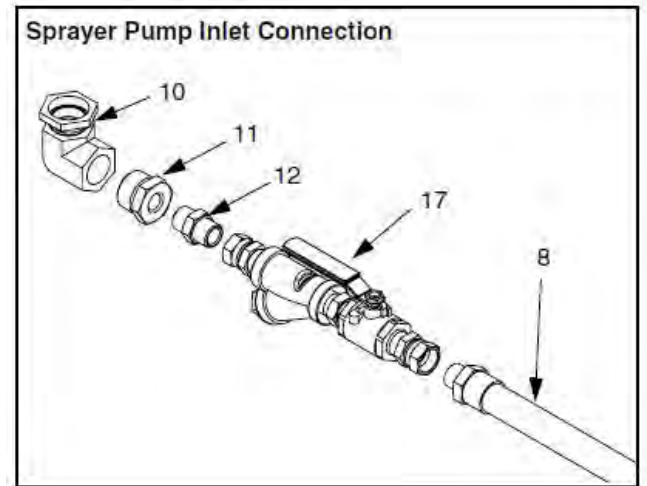
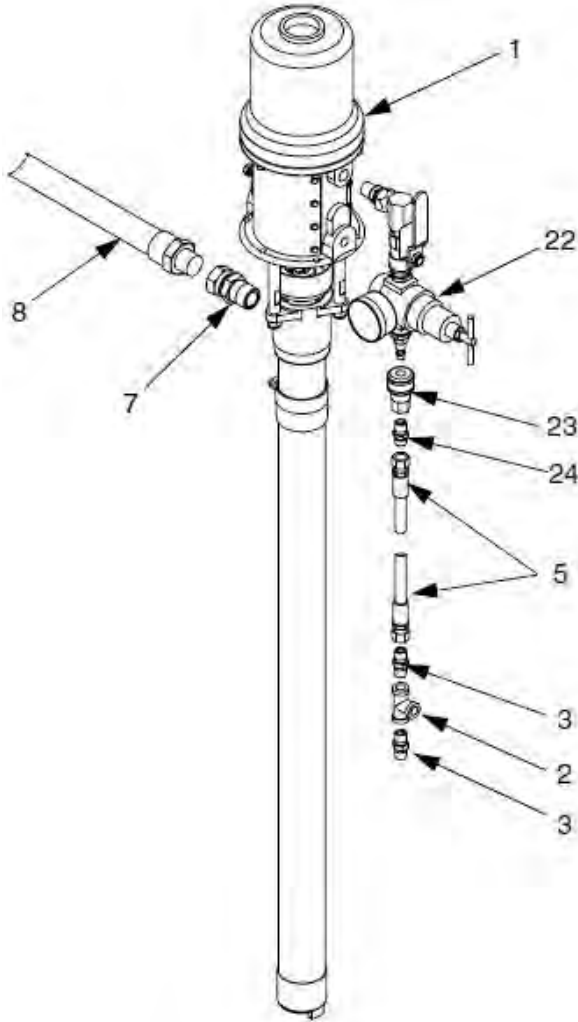
Figure 30: T2 Pump Feed



Item#	Part#	Description
Fig. 30		
—	20G256275	T2 Pump Feed
1	20G295616	2:1 Transfer Pump (Includes Item #'s: 1a and 1b)
1a	—	Quick Disconnect Fitting
1b	—	Coupler
2	20G104984	1/4" Female Tee Fitting
3	20G156971	1/4-18 Short Nipple (Quantity of Three)
5	20G212005	6' Coupled Hose
7	20G118459	3/4" Swivel Union
8	20G217382	10' Coupled Hose
10	20G121571	Female Swivel Elbow
11	20G121620	1-1/4" x 3/4" Reducer
12	20GC20487	Hex Nipple
17	20G256653	Lower Strainer and Valve Kit
—	20G256275	T2 2:1 Pump Kit (Includes Item #'s: 1, 1a, and 1b)
—	209V569	Operator's Manual – Graco® Feed Pump and Agitator Kits

OPTIONAL ACCESSORIES

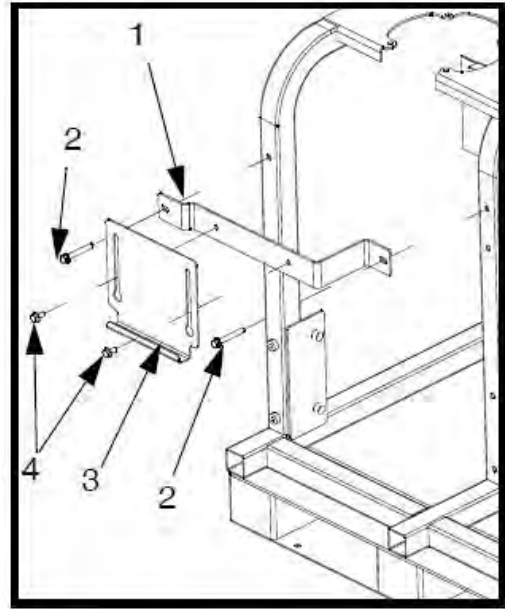
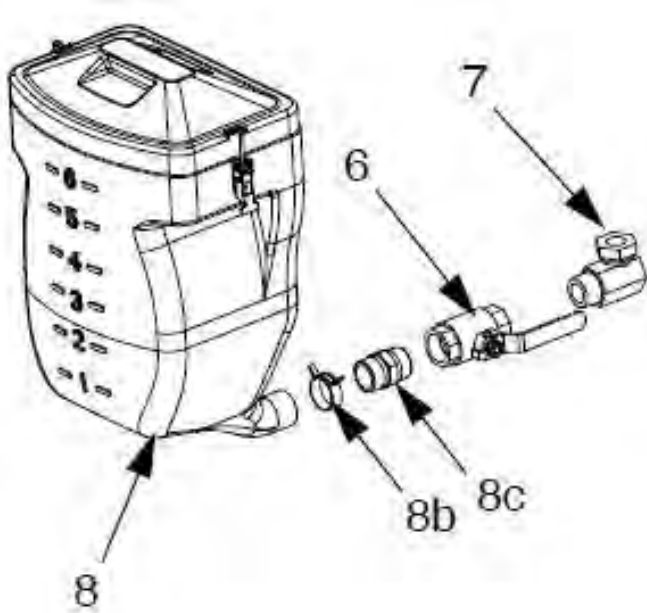
Figure 31: 5:1 Pump Feed



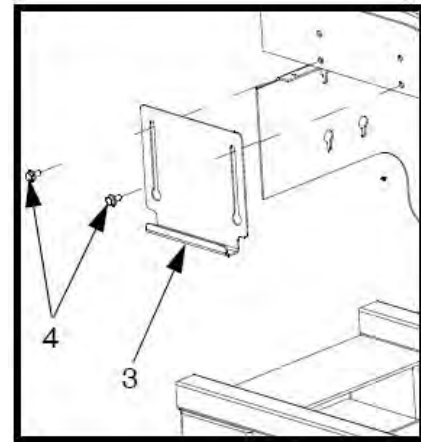
Item#	Part#	Description
Fig. 31		
—	20G256276	5:1 Pump Feed
1	20G218956	5:1 Monark® Pump
2	20G104984	1/4" Female Tee Fitting
3	20G156971	1/4-18 Short Nipple (<i>Quantity of Three</i>)
5	20G212005	6' Coupled Hose
7	20G118459	3/4" Swivel Union
8	20G217382	10' Coupled Hose
10	20G121571	Female Swivel Elbow
11	20G121620	1-1/4" x 3/4" Reducer
12	20GC20487	Hex Nipple
17	20G256653	Lower Strainer and Valve Kit
22	20G248829	Feed Pump Air Regulator Kit
23	20G208536	Air Line Coupler
24	20G162453	1/4" NPSM x 1/4" NPT Fitting
—	20G256276	Monark® 5:1 Pump Kit (<i>Includes Item #'s: 22, 23, and 24</i>)
—	209V569	Operator's Manual – Graco® Feed Pump and Agitator Kits

OPTIONAL ACCESSORIES

Figure 32: 7 Gallon Green and Blue Hopper and Bracket Kit



(Parts for Back Mounted Hoppers)



(Parts for Side Mounted Hoppers)

Item#	Part#	Description
-------	-------	-------------

Fig. 32

—	20G256260	7 Gallon Green Hopper
—	20G24N011	7 Gallon Blue Hopper
1	20G256252	Upper Back Mounted Hopper Bracket
2	20G121488	Flanged Hex Head Screw <i>(Quantity of Two)</i>
3	20G256251	7 Gallon Hopper Bracket
4	20G112395	Flange Head Cap Screw <i>(Quantity of Two)</i>
6	20G122198	Ball Valve
7	20G112580	90° Swivel Union
8	20G234097	Green Fluid Hopper
—	20G234017	Blue Fluid Hopper
8b	20G124450	Clamp
8c	20GC20490	Fitting
—	209V575	Operator's Manual – Graco® XM™ Hopper Kit

PART NUMBERS AND SCHEMATICS GUIDE

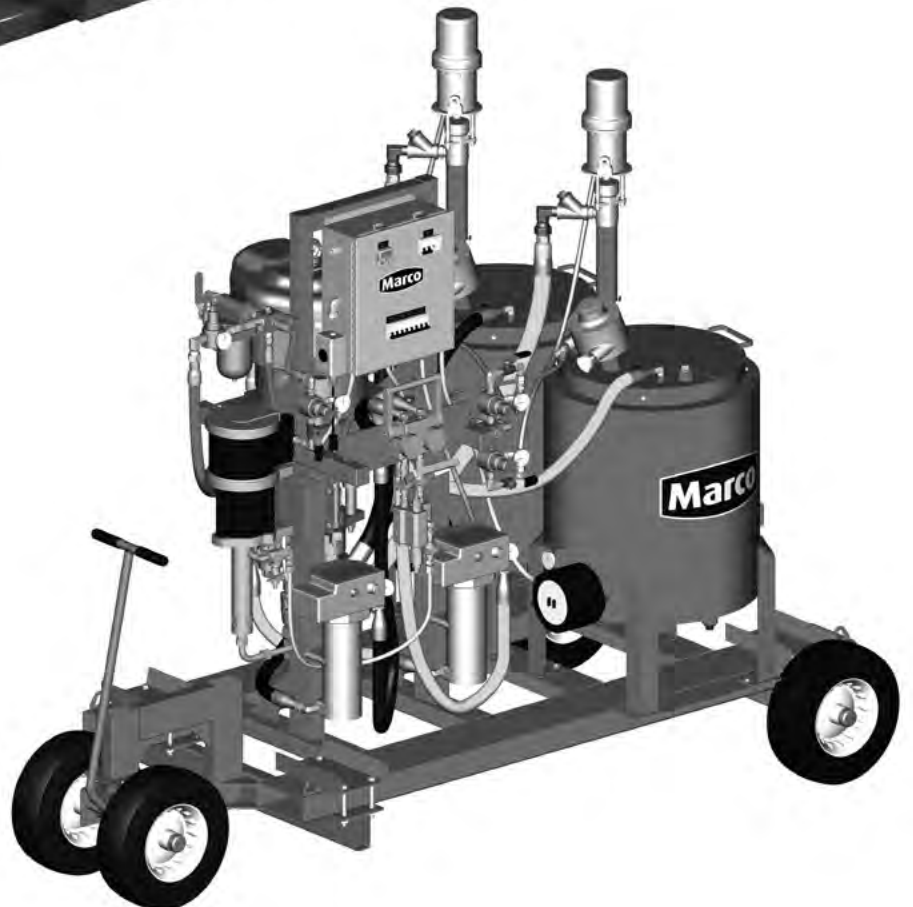
SPRAYMASTER® MP-70 PLURAL COMPONENT SPRAYER - SKID MOUNTED

PART NUMBERS	Graco® XP70™ Bare Sprayer	Mixer	Spraymaster® 25 Gallon Round Component Tanks	Graco® Monark Pump	Skid Mounted	Power Source
20100986	1:1	Standard-Duty	X	5:1	X	240-Volt
20101026	1.5:1	Standard-Duty	X	5:1	X	240-Volt
20100995	2:1	Standard-Duty	X	5:1	X	240-Volt
20101027	2.5:1	Standard-Duty	X	5:1	X	240-Volt
20101028	3:1	Standard-Duty	X	5:1	X	240-Volt
20101029	4:1	Standard-Duty	X	5:1	X	240-Volt

SPRAYMASTER® MP-70 PLURAL COMPONENT SPRAYER - CART MOUNTED

PART NUMBERS	Graco® XP70™ Bare Sprayer	Mixer	Spraymaster® 25 Gallon Round Component Tanks	Graco® Monark Pump	Cart Mounted	Power Source
20101116	1:1	Standard-Duty	X	5:1	X	240-Volt
20101117	1.5:1	Standard-Duty	X	5:1	X	240-Volt
20101118	2:1	Standard-Duty	X	5:1	X	240-Volt
20101119	2.5:1	Standard-Duty	X	5:1	X	240-Volt
20101120	3:1	Standard-Duty	X	5:1	X	240-Volt
20101121	4:1	Standard-Duty	X	5:1	X	240-Volt

PART NUMBERS AND SCHEMATICS GUIDE



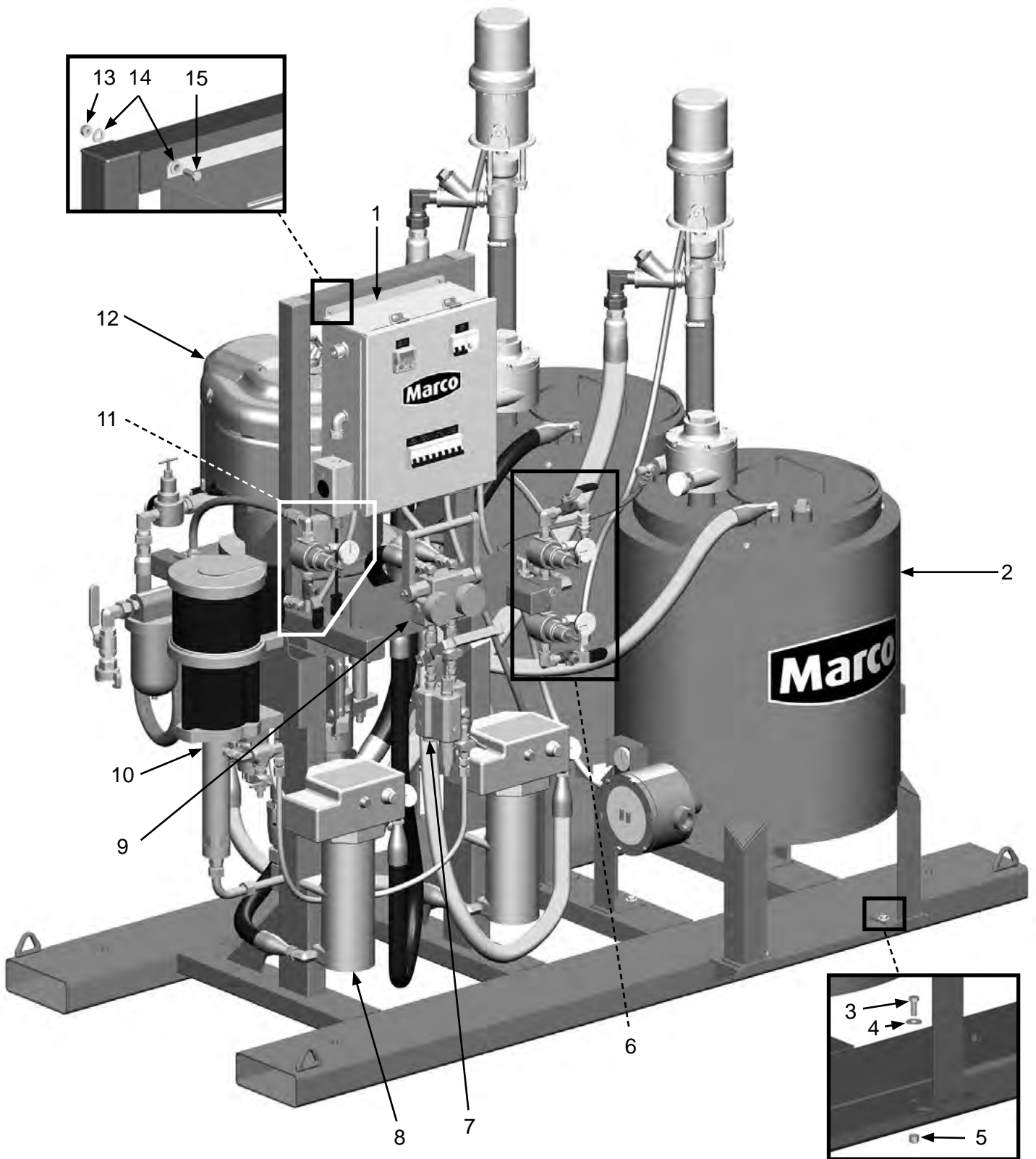
PART NUMBERS AND SCHEMATICS GUIDE

Spraymaster® MP-70 Spray System

Item #	Part #	Description
Fig. 1		
1	20100072	240-Volt Control Box, Four Circuit, Single Phase <i>(See Fig. 2)</i>
2	20101081	Spraymaster® 25 Gallon Heated Coatings Tank- 240-Volt AC with 5:1 Transfer Pump and Standard Heater <i>(Two Required) (See Literature 106M113)</i>
3	20100195	3/8-16 X 1" Hex Bolt <i>(Eight Required)</i>
4	10102331	3/8" Flat Washer <i>(Eight Required)</i>
5	20100138	3/8-16 Hex Locknut <i>(Eight Required)</i>
6	—	Pressure Gauge Assembly <i>(See Fig. 4)</i>
7	20G262807	Mix Manifold
8	20G245869	In-line Paint Heater <i>(Two Required)</i>
9	20G262806	MP-70 Fluid Recirculation Manifold
10	20G262393	Flush Pump Assembly
11	—	Flush Pump Regulator Assembly <i>(See Fig. 5)</i>
12	—	Air Motor & Lower Pump Assembly <i>(See Fig. 3)</i>
13	10101939	1/4-20 Hex Locknut <i>(Four Required)</i>
14	1014017	1/4" Flat Washer <i>(Eight Required)</i>
15	1012154	1/4-20 X 1" Hex Bolt <i>(Four Required)</i>
—	20BEAKER1000ML	1000 Milliliter Test Beaker
—	2091000	PC Sprayer Label Kit - Misc.
—	205M011	Features & Specifications Guide – Spraymaster® MP-70 Spray System
—	205M113	Features & Specifications Guide – Spraymaster® 25 Gallon Heated Coatings Tank
—	206M011	Part Numbers & Schematics Guide – Spraymaster® MP-70 Spray System
—	206M113	Part Numbers & Schematics Guide – Spraymaster® 25 Gallon Heated Coatings Tank
—	2090011	Operator's Manual – Spraymaster® MP-70 Spray System
—	2090113	Operator's Manual – Spraymaster® 25 Gallon Heated Coatings Tank
—	209V504	Operator's Manual – Merkur® Pump Assembly
—	209V505	Operator's Manual – Graco® Mix Manifold
—	209V506	Operator's Manual – Graco® Viscon High Pressure Fluid Heater
—	209V509	Operator's Manual – Graco® NXT® Air Motor
—	209V021	Operator's Manual – Graco® Xtreme® Lowers
—	209V510	Operator's Manual – Graco® Merkur® Displacement Pump
—	209V512	Operator's Manual – Graco® Low Volume Air Regulators

PART NUMBERS AND SCHEMATICS GUIDE

Figure 1: Spraymaster® MP-70 Spray System



PART NUMBERS AND SCHEMATICS GUIDE

240-Volt Control Box

Item #	Part #	Description
Fig. 2		
—	20100072	240-Volt Control Box, Four Circuit, Single Phase
1	20RMSJB161406CH44C	16" x 14" x 6" Enclosure, 4 Circuit
2	20MNPHTC	Nameplate – HOSE HEAT TEMP CTRL
3	20WTPM6C1CCARAAAAA	Hose Heat Control – 220-Volt
4	20RMG24456	50 Amp Circuit Breaker
5	20MNP HH	Nameplate – HOSE HEAT
6	20RMG26547	Double Pole GFI
7	1091042	Small Marco® Logo Sticker
8	20MNPRLH	Nameplate – RESIN LINE HEAT
9	20MNPCLH	Nameplate – CATALYST LINE HEAT
10	20MNP RTH	Nameplate – RESIN HEAT TANK
11	20MNPCTH	Nameplate – CATALYST TANK HEAT
12	20RMG24453	25 Amp Circuit Breaker <i>(Four Required)</i>
13	20RST50	Straight Liquid Tite Connector <i>(Three Required)</i>
14	20CX308793	Female T/C Plug
15	20WTJ207502	Thermo Couple Wire, Non-Sheilded <i>(Per Foot)</i>
16	1019021	1/2" NPT Cord Grip, Aluminum .187–.312
17	20RHBL2620	L6-30 Twist-Lock Receptacle
18	20RLEV8402040	30 Amp Single Gang Cover, Stainless Steel
19	20RRX53200	Single Gang Electrical Box
20	20RST9050	90° Liquid Tite Connection Fitting
21	20RCG6275	3/4" Straight Cord Connector, Aluminum
22	20RP1614	16" x 14" Enclosure Back Panel
23	20R9080LBA362104	Power Distribution Block
24	20RUSM1	Fuse Holder with Indicator Light
25	20RW6250DSX1	50 Amp Solid State Relay

PART NUMBERS AND SCHEMATICS GUIDE

Figure 2: 240-Volt Control Box



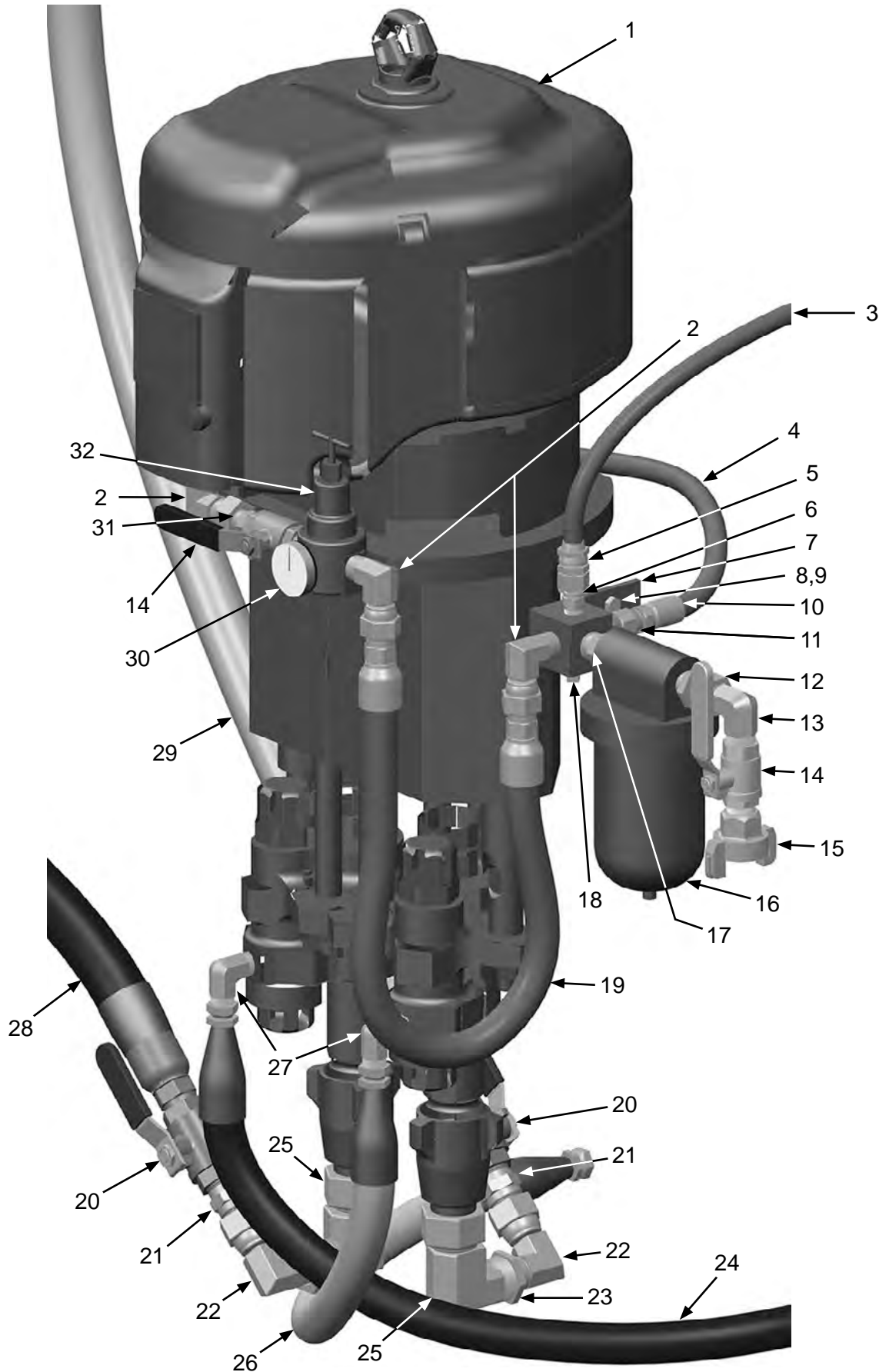
PART NUMBERS AND SCHEMATICS GUIDE

Spraymaster® MP-70 Air Motor & Lower Pump Assembly

Item #	Part #	Description
Fig. 3		
1	20G571100	Graco® XP70™ 1:1 Bare Sprayer
	20G571150	Graco® XP70™ 1.5:1 Bare Sprayer
	20G571200	Graco® XP70™ 2:1 Bare Sprayer
	20G571250	Graco® XP70™ 2.5:1 Bare Sprayer
	20G571300	Graco® XP70™ 3:1 Bare Sprayer
	20G571400	Graco® XP70™ 4:1 Bare Sprayer
2	20G160327	3/4" NPT (M) X 3/4" (F) 90° Elbow Union Swivel <i>(Three Required)</i>
3	10AH038	3/8" Air Hose
4	10AH012	1/2" ID Air Hose
5	2080020	3/8" Hose End
6	20PFHA24SA0606	3/8" NPT Hex Nipple
7	20100094	Air Manifold
8	1014231	3/8-16 X 2-3/4" Hex Bolt <i>(Two Required)</i>
9	20100138	3/8-16 Hex Locknut <i>(Two Required)</i>
10	20PFHFHU0808ND	1/2" NPT Crimp on Hose End
11	20PFHA24SA0806	1/2" X 3/8" NPT Hex Nipple
12	20PFHA60SA1212	3/4" Swivel Fitting
13	20PFHA25UA1212	3/4" NPT (M) 90° Elbow
14	20G113218	3/4" NPT (M) X 3/4" (F) Vented Ball Valve <i>(Two Required)</i>
15	10FE1	3/4" NPT (F) 2-Lug Air Hose coupling
16	20G117628	Air Filter with Auto Drain
17	20PFHA24SA1212	3/4" Hex Nipple
18	1028615	3/8" Pipe Plug
19	20G16E004	3/4" Coupled Air Hose
20	20100389	1" NPT Full Port Ball Valve – 2000 PSI Rated <i>(Two Required)</i>
21	20PFHA24SA1616	1" NPT Hex Nipple <i>(Two Required)</i>
22	20PFHA60UA1616	1" NPT (M) X 1" (F) 90° Swivel Elbow <i>(Two Required)</i>
23	20PFHA24SB2016	1-1/4" X 1" NPT Bushing <i>(Two Required)</i>
24	20100206	1/2" Blue Insulated Hose – 3ft
25	20PFHA60UG2020	1-1/4" NPT (F) 90° Swivel Elbow <i>(Two Required)</i>
26	20100207	1/2" Green Insulated Hose – 3ft
27	20PFHA25UA0808	1/2" NPT (M) 90° Swivel <i>(Two Required)</i>
28	20100213	1" Blue Fluid Hose – 4ft
29	20100217	1" Green Fluid Hose – 4ft
30	20G101689B	0-200 PSI Gauge
31	20G119992	3/4" NPT (M) Hex Nipple
32	20G16F014	3/4" NPT T-Handle Air Regulator
—	209V503	Operator's Manual – Graco® XP™ Proportioners

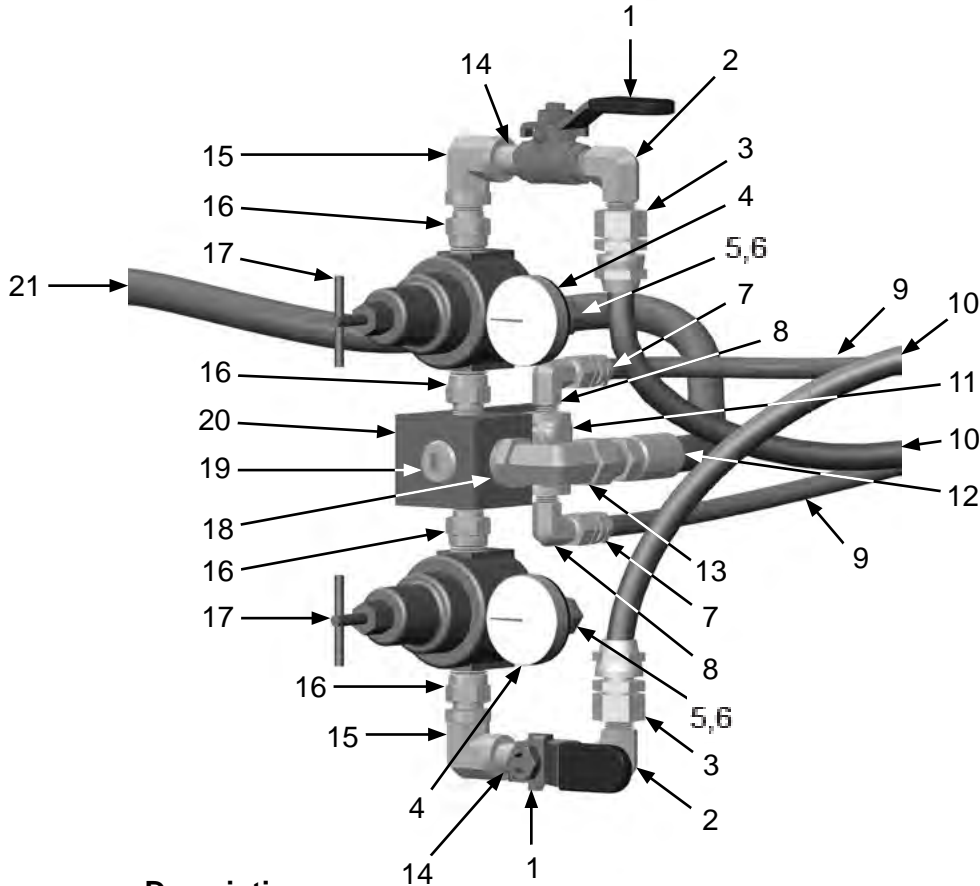
PART NUMBERS AND SCHEMATICS GUIDE

Figure 3: Spraymaster® MP-70 Air Motor & Lower Pump Assembly



PART NUMBERS AND SCHEMATICS GUIDE

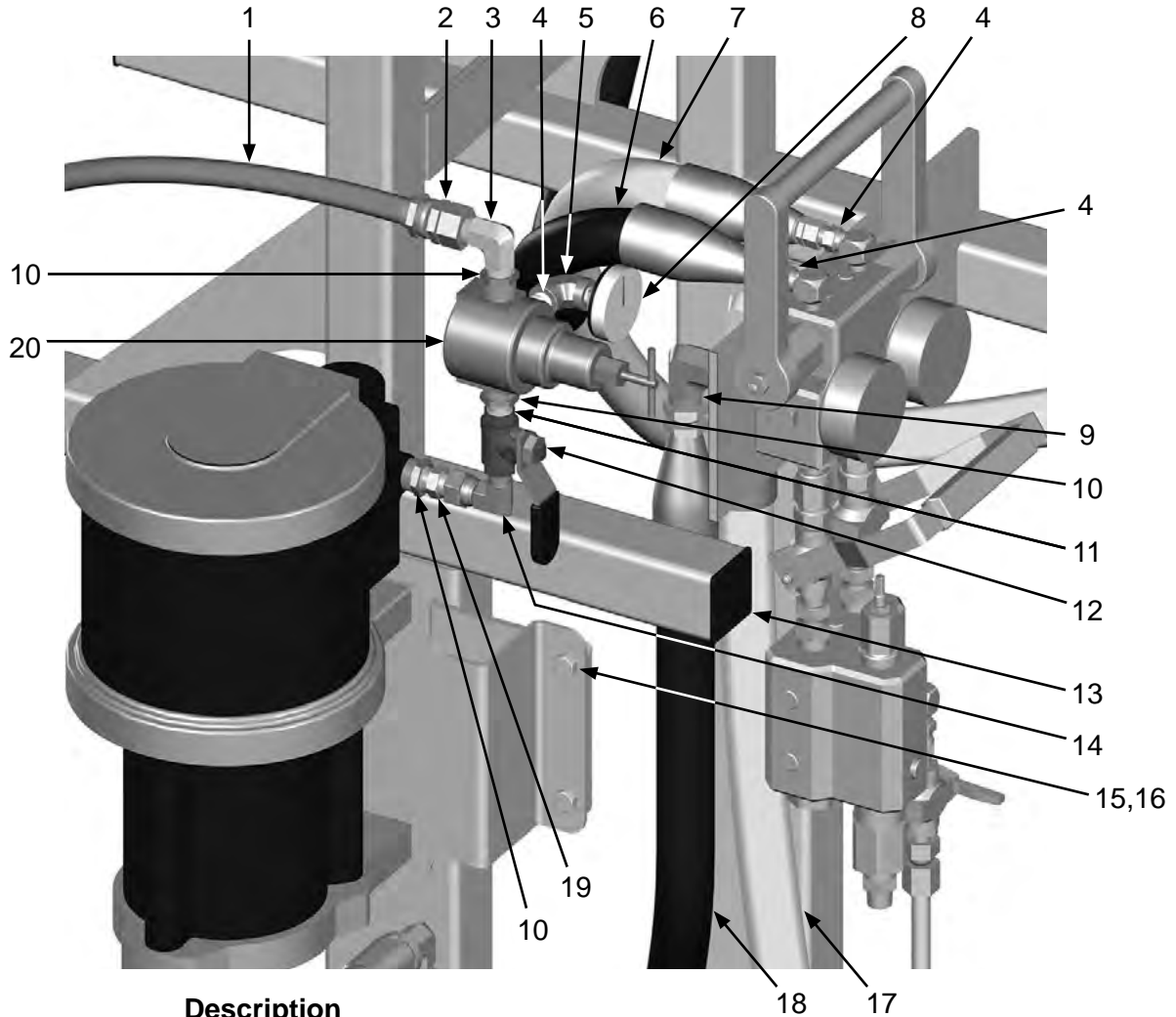
Figure 4: Pressure Gauge Assemblies



Item #	Part #	Description
Fig. 4		
1	20G113333	3/8" NPT Vented Ball Valve (Two Required)
2	20PFHA25UA0606	3/8" NPT (M) 90° Elbow (Two Required)
3	2080020	3/8" Hose End (Two Required)
4	20G101689B	0-200 PSI Gauge (Two Required)
5	20PFHA24SA0404	1/4" NPT Hex Nipple (Two Required)
6	20PFHA25UJ04	1/4" NPT (F) 90° Elbow (Two Required)
7	2080010	5/16" Hose End (Two Required)
8	20PFHA25UA0404	1/4" NPT (M) 90° Elbow (Two Required)
9	20AH0516	5/16" ID Air Hose
10	10AH038	3/8" ID Air Hose
11	20PFHA25VJ04	1/4" NPT (F) Tee
12	20PFHFHU0808ND	1/2" NPT Crimp on Hose End
13	20PFHA25UA0808	1/2" NPT (M) 90° Elbow
14	1011209	3/8" Close Nipple (Two Required)
15	20PFHA25UJ06	3/8" NPT (F) 90° Elbow (Two Required)
16	20PFHA24SA0806	1/2" X 3/8" NPT Hex Nipple (Four Required)
17	20G104266	1/2" Air Regulator (Two Required)
18	20PFHA24SB1208	3/4" to 1/2" NPT Bushing
19	20RPLG75R	3/4" Recessed Plug
20	20100094	Air Manifold
21	10AH012	1/2" ID Air Hose
12	Spraymaster® MP-70 Plural Component Sprayer	

PART NUMBERS AND SCHEMATICS GUIDE

Figure 5: Flush Pump Regulator Assembly



Item #	Part #	Description
Fig. 5		
1	10AH038	3/8" Air Hose
2	2080020	3/8" Hose End
3	20PFHA25UA0606	3/8" NPT (M) 90° Elbow
4	20PFHA24SA0404	1/4" NPT Hex Nipple <i>(Three Required)</i>
5	20PFHA25UJ04	1/4" NPT (F) 90° Elbow
6	20100362	1/4" Blue Insulated Hose- 6ft
7	20100363	1/4" Green Insulated Hose- 6ft
8	20G101689B	0-200 PSI Gauge
9	20PFHA25UA0808	1/2" NPT (M) 90° Elbow <i>(Two Required)</i>
10	20PFHA24SB0806	1/2" (M) X 3/8" (F) NPT Bushing <i>(Three Required)</i>
11	1011209	3/8" NPT Close Nipple
12	20G113333	3/8" NPT Vented Ball Valve
13	20100281	2" X 2" Plastic End Cap <i>(Six Required)</i>
14	20PFHA60UA0606	3/8" (M) X 3/8" (F) NPT 90° Swivel Union
15	20100195	3/16-16 X 1" Hex Bolt <i>(Four Required)</i>
16	20100138	3/16-16 Hex Locknut <i>(Four Required)</i>
17	20100205	1/2" Green Insulated Hose- 5ft
18	20100204	1/2" Blue Insulated Hose- 5ft
19	20PFHA24SA0606	3/8" NPT Hex Nipple
20	20G104266	1/2" Air Regulator

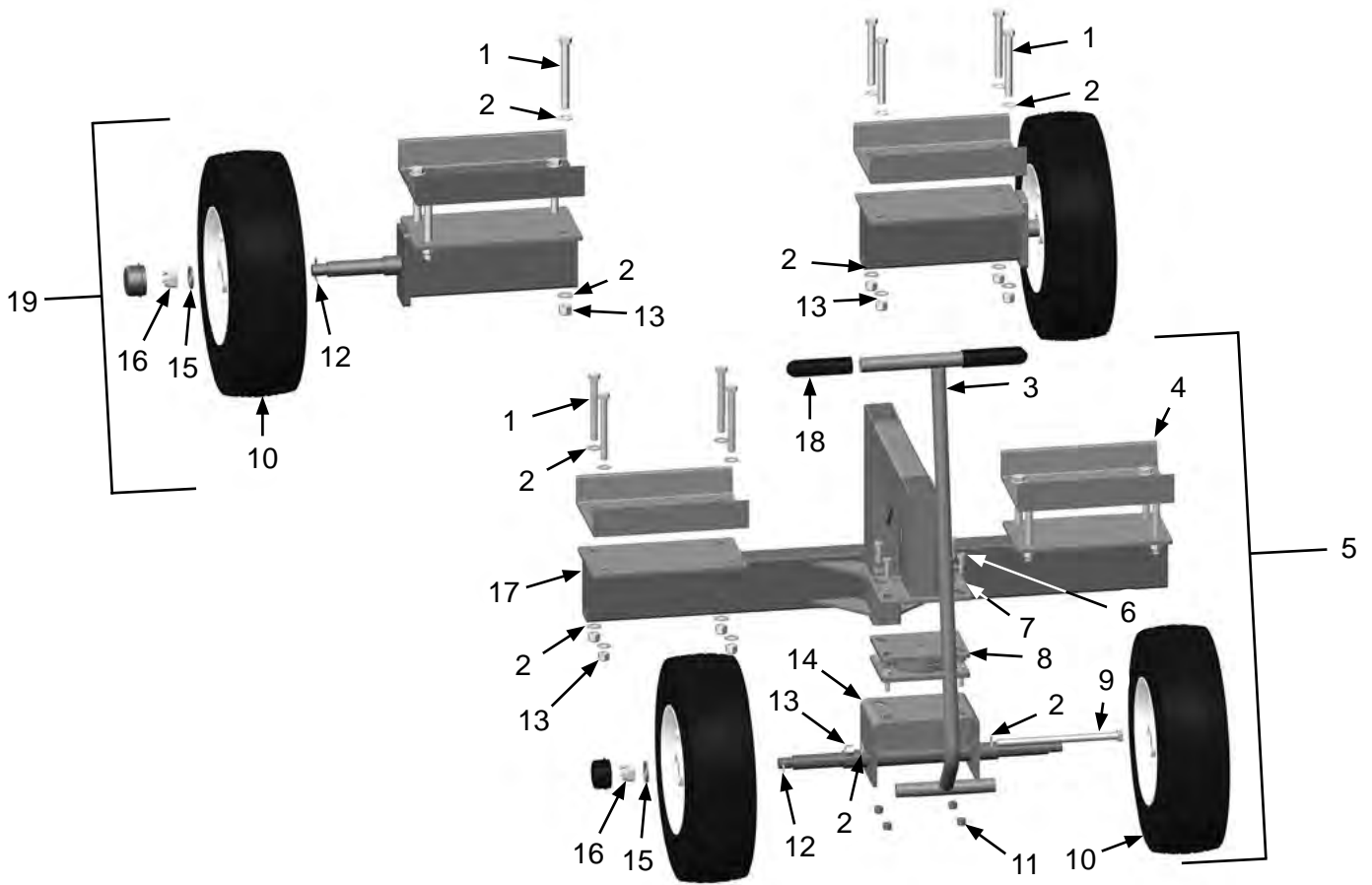
PART NUMBERS AND SCHEMATICS GUIDE

Wheel Conversion Kit

Item#	Part#	Description
Fig. 6		
—	20101076	Wheel Conversion Kit – Complete
1	20100160	1/2-13 X 4-1/2" Hex Bolt <i>(16 Required)</i>
2	10100674	1/2" Flat Washer <i>(34 Required)</i>
3	20100118	Cart Handle
4	20100696	Clamping Channel <i>(Four Required)</i>
5	20100698	Front Wheel Assembly <i>(Includes Item #'s: 1 (Quantity of Eight), 2 (Quantity of 18), 3, 4, 5, 6 (Quantity of Eight), 7 (Quantity of 12), 8, 9, 10, 11 (Quantity of Eight), 12 (Quantity of Two), 13 (Quantity of Nine), 14, 15 (Quantity of Two), 16 (Quantity of Two), 17 (Quantity of Two) and 18 (Quantity of Two))</i>
6	10104234	3/8-16 X 1-1/4" Hex Bolt <i>(Eight Required)</i>
7	1014241	3/8" Flat Washer <i>(16 Required)</i>
8	20100107	Front Swivel
9	20100123	1/2-13 X 8-1/2" Hex Bolt
10	20100120	16" Pneumatic Wheel Assembly <i>(Four Required)</i>
11	20100138	3/8-16 Hex Locknut <i>(Eight Required)</i>
12	20100147	1-1/2" Cotter Pin 7/64" diameter. <i>(Four Required)</i>
13	20100124	1/2-13 Hex Locknut <i>(17 Required)</i>
14	20100114	Front Axle Weldment
15	20100148	1" ID X 1-1/2" OD 10-GA Washer <i>(Four Required)</i>
16	20100149	3/4"-10 Slotted Hex Nut <i>(Four Required)</i>
17	20100693	Front Wheel Weldment
18	1011766	Moisture Separator Grip <i>(Two Required)</i>
19	20100692	Rear Wheel Assembly <i>(Two Required) (Includes Item #'s: 1 (Quantity of Four), 2 (Quantity of Eight), 4, 10, 12, 13 (Quantity of Four), 15, and 16)</i>

OPTIONAL ACCESSORIES

Figure 6: Wheel Conversion Kit



OPTIONAL ACCESSORIES

7,250 PSI HEATED HOSE BUNDLES										
Part Numbers	Deadhead	Recirculating	Modified	Moisture-Lock	Airless Spray Hose I.D.	Solvent Hose I.D.	Length			
							50 Ft.	100 Ft.	150 Ft.	200 Ft.
20100272	X				1/4" x 3/8" x 1/2"	1/4"	X			
20100258	X				1/4" x 3/8" x 1/2"	1/4"		X		
20100226	X				1/4" x 3/8" x 1/2"	1/4"			X	
20100450	X				1/4" x 3/8" x 1/2"	1/4"				X
20101075	X		X		1/4" x 3/8" x 1/2"	1/4"	X			
20101077	X		X		1/4" x 3/8" x 1/2"	1/4"		X		
20100451		X			1/4" (Qty of 3) x 3/8" x 1/2"	1/4"	X			
20100452		X			1/4" x 3/8" (Qty of 3) x 1/2"	1/4"		X		
20100453		X			1/4" (Qty of 3) x 3/8" x 1/2"	1/4"			X	
20100454		X			1/4" (Qty of 3) x 3/8" x 1/2"	1/4"				X
20100939		X	X		3/8" (Qty of 3) x 1/2"	1/4"		X		
20100466				X	1/4" x 3/8" x 1/4"	1/4"	X			
20100467				X	1/4" x 3/8" x 1/4"	1/4"		X		
20100468				X	1/4" x 3/8" x 1/4"	1/4"			X	
20100469				X	1/4" x 3/8" x 1/4"	1/4"				X

DEFINITION OF HOSE TYPE

Deadhead: Non-recirculating

Modified: For coupling to another modified hose

Moisture-Lock: Used for moisture-sensitive coatings

Recirculating: Used to recirculate coatings back to the supply tanks from the mix manifold

PART NUMBERS AND SCHEMATICS GUIDE

SPRAYMASTER® MP-50 PLURAL COMPONENT SPRAYER - SKID MOUNTED

PART NUMBERS	Graco® XP70™ Bare Sprayer	Mixer	Spraymaster® 25 Gallon Round Component Tanks	Graco® Monark Pump	Skid Mounted	Power Source
20100994	1:1	Standard-Duty	X	5:1	X	240-Volt
20101030	1.5:1	Standard-Duty	X	5:1	X	240-Volt
20101031	2:1	Standard-Duty	X	5:1	X	240-Volt
20101032	2.5:1	Standard-Duty	X	5:1	X	240-Volt
20100979	3:1	Standard-Duty	X	5:1	X	240-Volt
20100990	4:1	Standard-Duty	X	5:1	X	240-Volt

SPRAYMASTER® MP-50 PLURAL COMPONENT SPRAYER - CART MOUNTED

PART NUMBERS	Graco® XP70™ Bare Sprayer	Mixer	Spraymaster® 25 Gallon Round Component Tanks	Graco® Monark Pump	Cart Mounted	Power Source
20101122	1:1	Standard-Duty	X	5:1	X	240-Volt
20101123	1.5:1	Standard-Duty	X	5:1	X	240-Volt
20101124	2:1	Standard-Duty	X	5:1	X	240-Volt
20101125	2.5:1	Standard-Duty	X	5:1	X	240-Volt
20101126	3:1	Standard-Duty	X	5:1	X	240-Volt
20101127	4:1	Standard-Duty	X	5:1	X	240-Volt

PART NUMBERS AND SCHEMATICS GUIDE



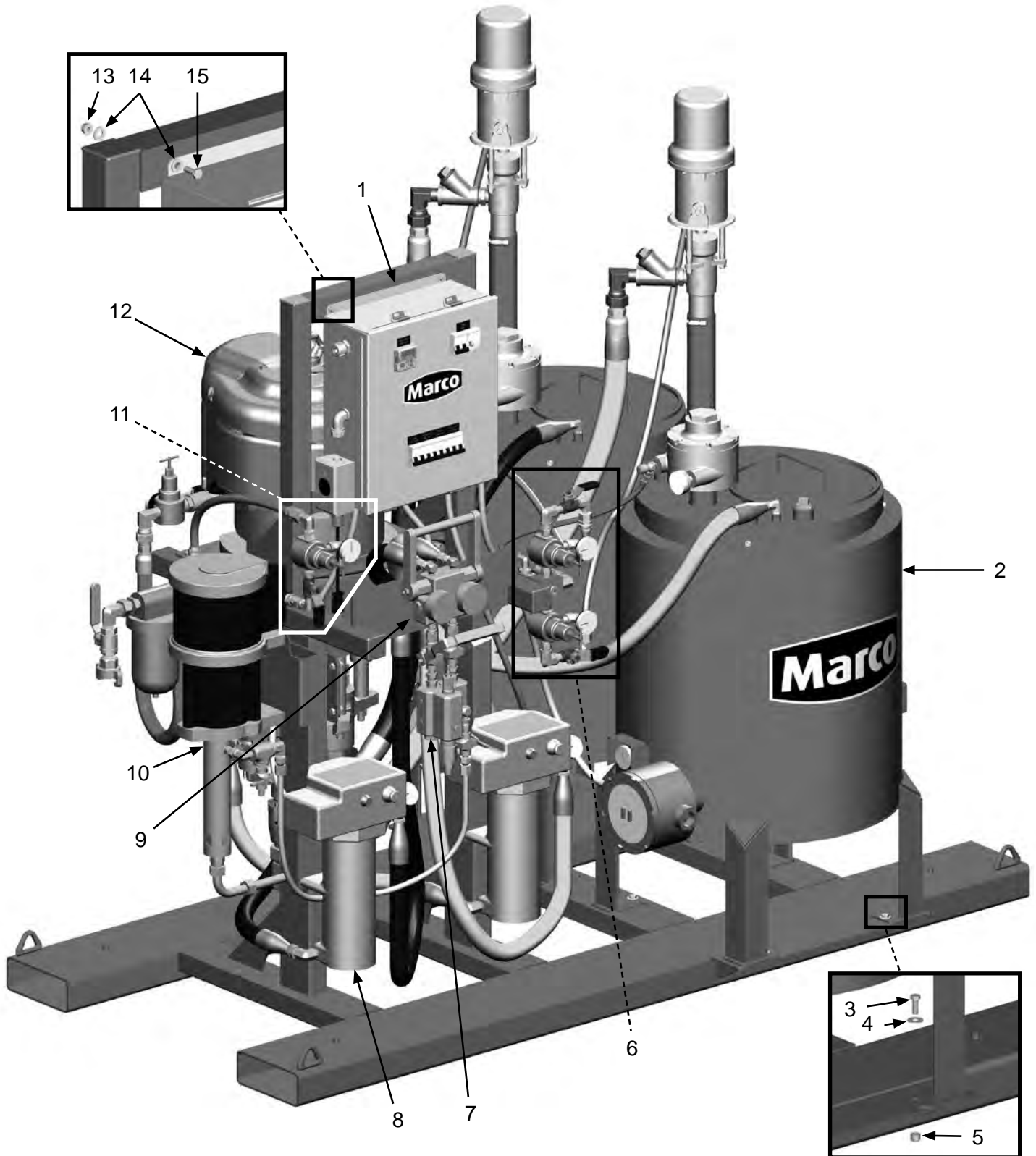
PART NUMBERS AND SCHEMATICS GUIDE

Spraymaster® MP-50 Spray System

Item #	Part #	Description
Fig. 1		
1	20100072	240-Volt Control Box, Four Circuit, Single Phase
2	20101081	Spraymaster® 25 Gallon Heated Coatings Tank- 240-Volt AC <i>(Two Required)</i>
3	20100195	3/8-16 X 1" Hex Bolt <i>(Eight Required)</i>
4	10102331	3/8" Flat Washer <i>(Eight Required)</i>
5	20100138	3/8-16 Hex Locknut <i>(Eight Required)</i>
6	—	Pressure Gauge Assembly <i>(See Fig. 3)</i>
7	20G262807	Mix Manifold
8	20G245869	In-line Paint Heater <i>(Two Required)</i>
9	20G262783	MP-50 Fluid Recirculation Manifold
10	20G262393	Flush Pump Assembly
11	—	Flush Pump Regulator Assembly <i>(See Fig. 4)</i>
12	—	Air Motor & Lower Pump Assembly <i>(See Fig. 2)</i>
13	10101939	1/4-20 Hex Locknut <i>(Four Required)</i>
14	1014017	1/4" Flat Washer <i>(Eight Required)</i>
15	1012154	1/4-20 X 1" Hex Bolt <i>(Four Required)</i>
—	20BEAKER1000ML	1000 Milliliter Test Beaker
—	2091000	PC Sprayer Label Kit - Misc.
—	205M012	Features & Specifications Guide – Spraymaster® MP-50 Spray System
—	206M012	Part Numbers & Schematics Guide – Spraymaster® MP-50 Spray System
—	2090012	Operator's Manual – Spraymaster® MP-50 Spray System
—	1090113	Operator's Manual – Spraymaster® 25 Gallon Heated Coatings Tank
—	209V504	Operator's Manual – Merkur® Pump Assembly
—	209V505	Operator's Manual – Graco® Mix Manifold
—	209V506	Operator's Manual – Graco® Viscon High Pressure Fluid Heater
—	209V509	Operator's Manual – Graco® NXT® Air Motor
—	209V021	Operator's Manual – Graco® Xtreme® Lowers
—	209V510	Operator's Manual – Graco® Merkur® Displacement Pump
—	209V512	Operator's Manual – Graco® Low Volume Air Regulators

PART NUMBERS AND SCHEMATICS GUIDE

Figure 1: Spraymaster® MP-50 Spray System



PART NUMBERS AND SCHEMATICS GUIDE

240-Volt Control Box

Item #	Part #	Description
Fig. 2		
—	20100072	240-Volt Control Box, Four Circuit, Single Phase
1	20RMSJB161406CH44C	16" x 14" x 6" Enclosure, 4 Circuit
2	20MNPHHTC	Nameplate – HOSE HEAT TEMP CTRL
3	20WTPM6C1CCARAAAAA	Hose Heat Control – 220-Volt
4	20RMG24456	50 Amp Circuit Breaker
5	20MNPHH	Nameplate – HOSE HEAT
6	20RMG26547	Double Pole GFI
7	1091042	Small Marco® Logo Sticker
8	20MNPR LH	Nameplate – RESIN LINE HEAT
9	20MNPCLH	Nameplate – CATALYST LINE HEAT
10	20MNP RTH	Nameplate – RESIN HEAT TANK
11	20MNPCTH	Nameplate – CATALYST TANK HEAT
12	20RMG24453	25 Amp Circuit Breaker (<i>Four Required</i>)
13	20RST50	Straight Liquid Tite Connector (<i>Three Required</i>)
14	20CX308793	Female T/C Plug
15	20WTJ207502	Thermo Couple Wire, Non-Sheilded (<i>Per Foot</i>)
16	1019021	1/2" NPT Cord Grip, Aluminum .187–.312
17	20RHBL2620	L6-30 Twist-Lock Receptacle
18	20RLEV8402040	30 Amp Single Gang Cover, Stainless Steel
19	20RRX53200	Single Gang Electrical Box
20	20RST9050	90° Liquid Tite Connection Fitting
21	20RCG6275	3/4" Straight Cord Connector, Aluminum
22	20RP1614	16" x 14" Enclosure Back Panel
23	20R9080LBA362104	Power Distribution Block
24	20RUSM1	Fuse Holder with Indicator Light
25	20RW6250DSX1	50 Amp Solid State Relay

PART NUMBERS AND SCHEMATICS GUIDE

Figure 2: 240-Volt Control Box



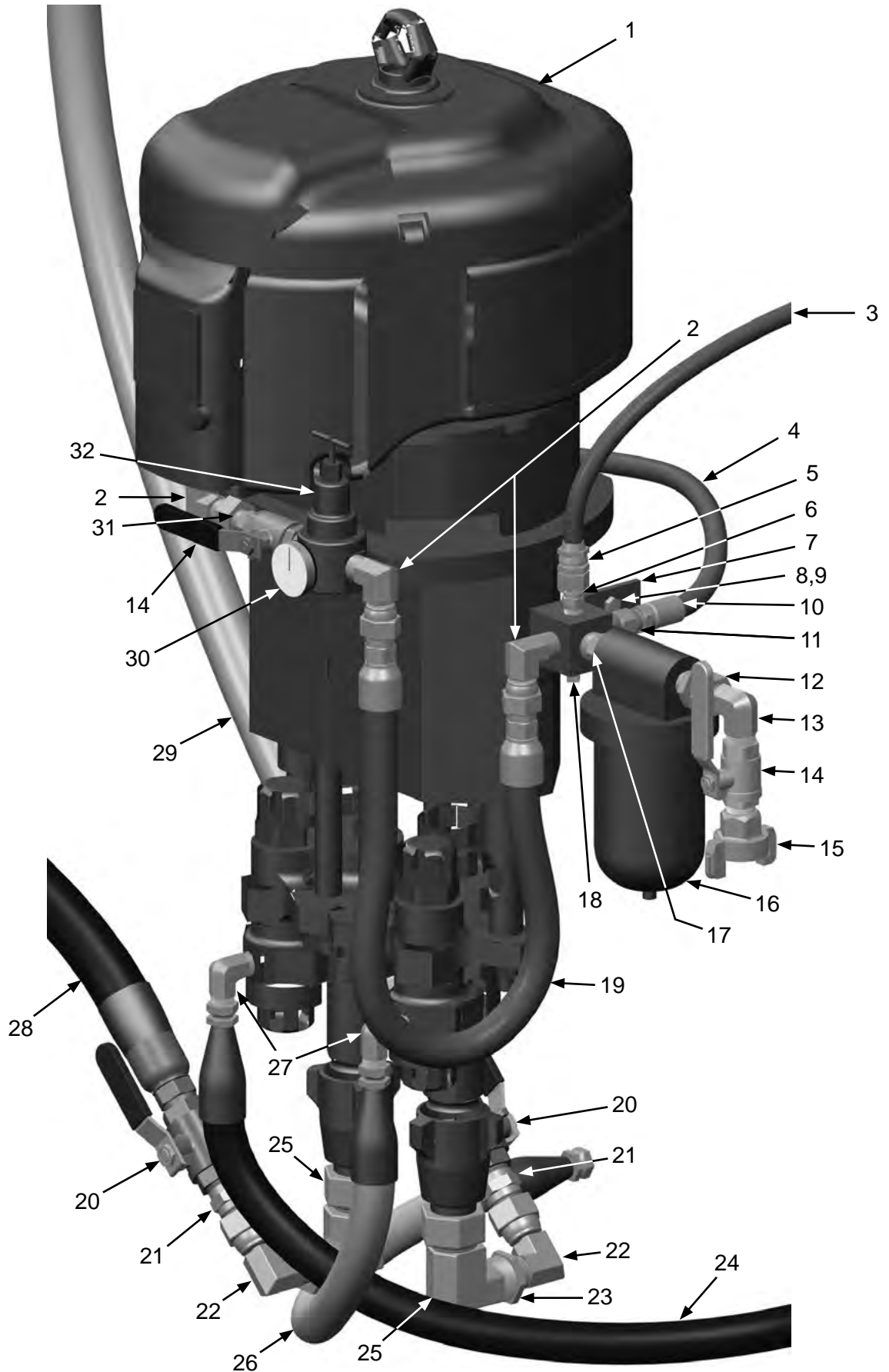
PART NUMBERS AND SCHEMATICS GUIDE

Spraymaster® MP-50 Air Motor & Lower Pump Assembly

Item #	Part #	Description
Fig. 2		
1	20G282100	Graco® XP50™ 1:1 Bare Sprayer
	20G282150	Graco® XP50™ 1.5:1 Bare Sprayer
	20G282200	Graco® XP50™ 2:1 Bare Sprayer
	20G282250	Graco® XP50™ 2.5:1 Bare Sprayer
	20G282300	Graco® XP50™ 3:1 Bare Sprayer
	20G282400	Graco® XP50™ 4:1 Bare Sprayer
2	20G160327	3/4" NPT (M) X 3/4" (F) 90° Elbow Union Swivel <i>(Three Required)</i>
3	10AH038	3/8" Air Hose
4	10AH012	1/2" ID Air Hose
5	2080020	3/8" Hose End
6	20PFHA24SA0606	3/8" NPT Hex Nipple
7	20100094	Air Manifold
8	1014231	3/8-16 X 2-3/4" Hex Bolt <i>(Two Required)</i>
9	20100138	3/8-16 Hex Locknut <i>(Two Required)</i>
10	20PFHFHU0808ND	1/2" NPT Crimp on Hose End
11	20PFHA24SA0806	1/2" X 3/8" NPT Hex Nipple
12	20PFHA60SA1212	3/4" Swivel Fitting
13	20PFHA25UA1212	3/4" NPT (M) 90° Elbow
14	20G113218	3/4" NPT (M) X 3/4" (F) Vented Ball Valve <i>(Two Required)</i>
15	10FE1	3/4" NPT (F) 2-Lug Air Hose coupling
16	20G117628	Air Filter with Auto Drain
17	20PFHA24SA1212	3/4" Hex Nipple
18	1028615	3/8" Pipe Plug
19	20G16E004	3/4" Coupled Air Hose
20	20100389	1" NPT Full Port Ball Valve - 2000 PSI Rated <i>(Two Required)</i>
21	20PFHA24SA1616	1" NPT Hex Nipple <i>(Two Required)</i>
22	20PFHA60UA1616	1" NPT (M) X 1" (F) 90° Swivel Elbow <i>(Two Required)</i>
23	20PFHA24SB2016	1-1/4" X 1" NPT Bushing <i>(Two Required)</i>
24	20100206	1/2" Blue Insulated Hose- 3ft
25	20PFHA60UG2020	1-1/4" NPT (F) 90° Swivel Elbow <i>(Two Required)</i>
26	20100207	1/2" Green Insulated Hose- 3ft
27	20PFHA25UA0808	1/2" NPT (M) 90° Elbow <i>(Two Required)</i>
28	20100213	1" Blue Fluid Hose- 4ft
29	20100217	1" Green Fluid Hose- 4ft
30	20G101689B	0-200 PSI Gauge
31	20G119992	3/4" NPT (M) Hex Nipple
32	20G16F014	3/4" NPT T-Handle Air Regulator
—	209V503	Operator's Manual – Graco® XP™ Proportioners

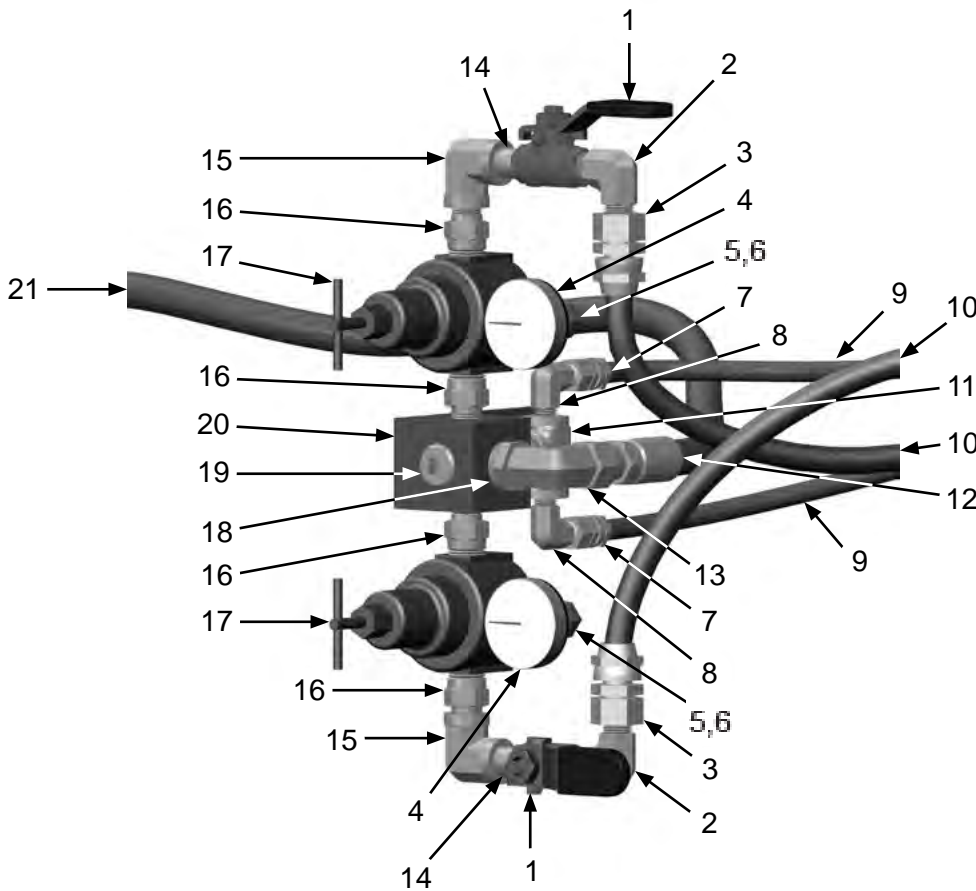
PART NUMBERS AND SCHEMATICS GUIDE

Figure 2: Spraymaster® MP-50 Air Motor & Lower Pump Assembly



PART NUMBERS AND SCHEMATICS GUIDE

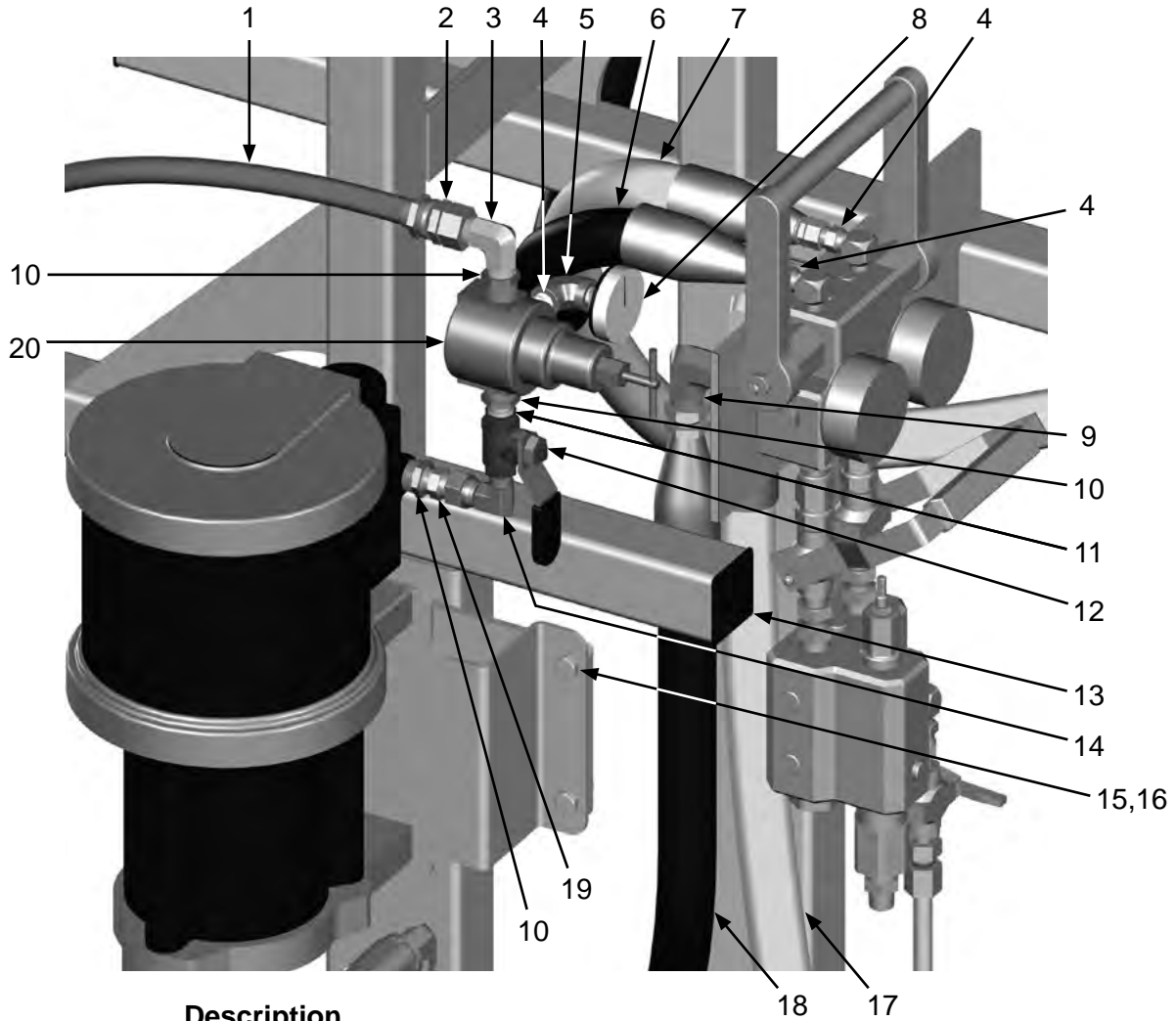
Figure 3: Pressure Gauge Assemblies



Item #	Part #	Description
Fig. 3		
1	20G113333	3/8" NPT Vented Ball Valve (Two Required)
2	20PFHA25UA0606	3/8" NPT (M) 90° Elbow (Two Required)
3	2080020	3/8" Hose End (Two Required)
4	20G101689B	0-200 PSI Gauge (Two Required)
5	20PFHA24SA0404	1/4" NPT Hex Nipple (Two Required)
6	20PFHA25UJ04	1/4" NPT (F) 90° Elbow (Two Required)
7	2080010	5/16" Hose End (Two Required)
8	20PFHA25UA0404	1/4" NPT (M) 90° Elbow (Two Required)
9	20AH0516	5/16" ID Air Hose
10	10AH038	3/8" ID Air Hose
11	20PFHA25VJ04	1/4" NPT (F) Tee
12	20PFHFHU0808ND	1/2" NPT Crimp on Hose End
13	20PFHA25UA0808	1/2" NPT (M) 90° Elbow
14	1011209	3/8" Close Nipple (Two Required)
15	20PFHA25UJ06	3/8" NPT (F) 90° Elbow (Two Required)
16	20PFHA24SA0806	1/2" X 3/8" NPT Hex Nipple (Four Required)
17	20G104266	1/2" Air Regulator (Two Required)
18	20PFHA24SB1208	3/4" to 1/2" NPT Bushing
19	20RPLG75R	3/4" Recessed Plug
20	20100094	Air Manifold
21	10AH012	1/2" ID Air Hose

PART NUMBERS AND SCHEMATICS GUIDE

Figure 4: Flush Pump Regulator Assembly



Item #	Part #	Description
Fig. 4		
1	10AH038	3/8" Air Hose
2	2080020	3/8" Hose End
3	20PFHA25UA0606	3/8" NPT (M) 90° Elbow
4	20PFHA24SA0404	1/4" NPT Hex Nipple (Three Required)
5	20PFHA25UJ04	1/4" NPT (F) 90° Elbow
6	20100362	1/4" Blue Insulated Hose- 6ft
7	20100363	1/4" Green Insulated Hose- 6ft
8	20G101689B	0-200 PSI Gauge
9	20PFHA25UA0808	1/2" NPT (M) 90° Elbow (Two Required)
10	20PFHA24SB0806	1/2" (M) X 3/8" (F) NPT Bushing (Three Required)
11	1011209	3/8" NPT Close Nipple
12	20G113333	3/8" NPT Vented Ball Valve
13	20100281	2" X 2" Plastic End Cap (Six Required)
14	20PFHA60UA0606	3/8" (M) X 3/8" (F) NPT 90° Swivel Union
15	20100195	3/16-16 X 1" Hex Bolt (Four Required)
16	20100138	3/16-16 Hex Locknut (Four Required)
17	20100205	1/2" Green Insulated Hose- 5ft
18	20100204	1/2" Blue Insulated Hose- 5ft
19	20PFHA24SA0606	3/8" NPT Hex Nipple
20	20G104266	1/2" Air Regulator

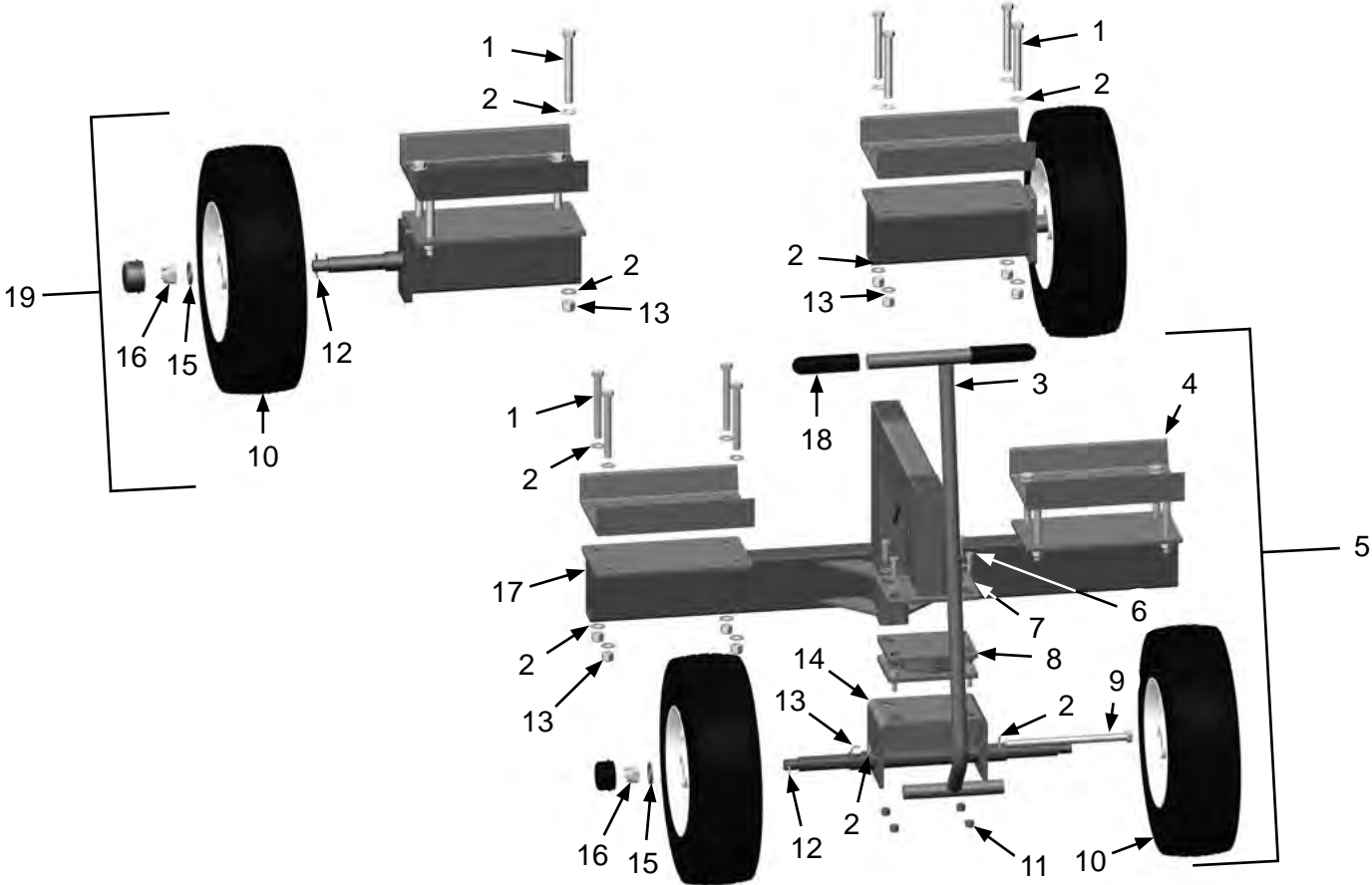
OPTIONAL ACCESSORIES

Wheel Conversion Kit

Item#	Part#	Description
—	20101076	Wheel Conversion Kit – Complete
1	20100160	1/2-13 X 4-1/2" Hex Bolt <i>(16 Required)</i>
2	10100674	1/2" Flat Washer <i>(34 Required)</i>
3	20100118	Cart Handle
4	20100696	Clamping Channel <i>(Four Required)</i>
5	20100698	Front Wheel Assembly <i>(Includes Item #'s: 1 (Quantity of Eight), 2 (Quantity of 18), 3, 4, 5, 6 (Quantity of Eight), 7 (Quantity of 12), 8, 9, 10, 11 (Quantity of Eight), 12 (Quantity of Two), 13 (Quantity of Nine), 14, 15 (Quantity of Two), 16 (Quantity of Two), 17 (Quantity of Two) and 18 (Quantity of Two))</i>
6	10104234	3/8-16 X 1-1/4" Hex Bolt <i>(Eight Required)</i>
7	1014241	3/8" Flat Washer <i>(16 Required)</i>
8	20100107	Front Swivel
9	20100123	1/2-13 X 8-1/2" Hex Bolt
10	1014241	16" Pneumatic Wheel Assembly <i>(Four Required)</i>
11	20100138	3/8-16 Hex Locknut <i>(Eight Required)</i>
12	20100147	1-1/2" Cotter Pin 7/64" diameter. <i>(Four Required)</i>
13	20100124	1/2-13 Hex Locknut <i>(17 Required)</i>
14	20100114	Front Axle Weldment
15	20100148	1" ID X 1-1/2" OD 10-GA Washer <i>(Four Required)</i>
16	20100149	3/4"-10 Slotted Hex Nut <i>(Four Required)</i>
17	20100693	Front Wheel Weldment
18	1011766	Moisture Separator Grip <i>(Two Required)</i>
19	20100692	Rear Wheel Assembly <i>(Two Required) (Includes Item #'s: 1 (Quantity of Four), 2 (Quantity of Eight), 4, 10, 12, 13 (Quantity of Four), 15, and 16)</i>

OPTIONAL ACCESSORIES

Figure 5: Wheel Conversion Kit



OPTIONAL ACCESSORIES

7,250 PSI HEATED HOSE BUNDLES										
Part Numbers	Deadhead	Recirculating	Modified	Moisture-Lock	Airless Spray Hose I.D.	Solvent Hose I.D.	Length			
							50 Ft.	100 Ft.	150 Ft.	200 Ft.
20100272	X				1/4" x 3/8" x 1/2"	1/4"	X			
20100258	X				1/4" x 3/8" x 1/2"	1/4"		X		
20100226	X				1/4" x 3/8" x 1/2"	1/4"			X	
20100450	X				1/4" x 3/8" x 1/2"	1/4"				X
20101075	X		X		1/4" x 3/8" x 1/2"	1/4"	X			
20101077	X		X		1/4" x 3/8" x 1/2"	1/4"		X		
20100451		X			1/4" (Qty of Three) x 3/8" x 1/2"	1/4"	X			
20100452		X			1/4" x 3/8" (Qty of Three) x 1/2"	1/4"		X		
20100453		X			1/4" (Qty of Three) x 3/8" x 1/2"	1/4"			X	
20100454		X			1/4" (Qty of Three) x 3/8" x 1/2"	1/4"				X
20100939		X	X		3/8" (Qty of Three) x 1/2"	1/4"		X		
20100466				X	1/4" x 3/8" x 1/4"	1/4"	X			
20100467				X	1/4" x 3/8" x 1/4"	1/4"		X		
20100468				X	1/4" x 3/8" x 1/4"	1/4"			X	
20100469				X	1/4" x 3/8" x 1/4"	1/4"				X

DEFINITION OF HOSE TYPE

Deadhead: Non-recirculating

Recirculating: Used to recirculate coatings back to the supply tanks from the mix manifold

Modified: For coupling to another modified hose

Moisture-Lock: Used for moisture-sensitive coatings

OPTIONAL ACCESSORIES

Part Numbers	5,000 PSI HEATED HOSE BUNDLES									
	Deadhead	Recirculating	Modified	Moisture-Lock	Airless Spray Hose I.D.	Solvent Hose I.D.	Length			
							50 Ft.	100 Ft.	150 Ft.	200 Ft.
20000024	X				1/4" x 3/8" x 1/2"	1/4"	X			
20000025	X				1/4" x 3/8" x 1/2"	1/4"		X		
20100431	X				1/4" x 3/8" x 1/2"	1/4"			X	
20100432	X				1/4" x 3/8" x 1/2"	1/4"				X
20100436	X				1/4" x 3/8" x 1/2"	1/4"	X			
20100437	X				1/4" x 3/8" x 1/2"	1/4"		X		
20100438	X				1/4" x 3/8" x 1/2"	1/4"			X	
20100439	X				3/8" x 1/2"	1/4"				X
20000052		X			3/8" (Qty of Three) x 1/2"	1/4"	X			
20000053		X			1/4" (Qty of Three) x 3/8" x 1/2"	1/4"		X		
20100433		X			1/4" (Qty of Two) x 3/8" x 1/2"	1/4"			X	
20100434		X			3/8" (Qty of Three) x 1/2"	1/4"				X
20100440		X			3/8" (Qty of Three) x 1/2"	1/4"	X			
20100441		X			1/4" (Qty of Two) x 3/8" x 1/2"	1/4"		X		
20100442		X			1/4" (Qty of Two) x 3/8" x 1/2"	1/4"			X	
20100443		X			3/8" (Qty of Three) x 1/2"	1/4"				X
20101025		X			1/4" (Qty of Three) x 1/2"	1/4"		X		
20000015				X	1/4" x 3/8"	1/4"	X			
20000013				X	1/4" x 3/8"	1/4"		X		
20100447				X	1/4" x 3/8"	1/4"			X	
20100448				X	1/4" x 3/8"	1/4"				X

DEFINITION OF HOSE TYPE

Deadhead: Non-recirculating

Recirculating: Used to recirculate coatings back to the supply tanks from the mix manifold

Modified: For coupling to another modified hose

Moisture-Lock: Used for moisture-sensitive coatings

PART NUMBERS AND SCHEMATICS GUIDE

SPRAYMASTER® MP-35 PLURAL COMPONENT SPRAYER - SKID MOUNTED

PART NUMBERS	Graco® XP70™ Bare Sprayer	Mixer	Spraymaster® 25 Gallon Round Component Tanks	Graco® Monark Pump	Skid Mounted	Power Source
20101033	1:1	Standard-Duty	X	5:1	X	240-Volt
20101035	2:1	Standard-Duty	X	5:1	X	240-Volt
20101036	2.5:1	Standard-Duty	X	5:1	X	240-Volt
20101037	3:1	Standard-Duty	X	5:1	X	240-Volt
20101038	4:1	Standard-Duty	X	5:1	X	240-Volt

SPRAYMASTER® MP-35 PLURAL COMPONENT SPRAYER - CART MOUNTED

PART NUMBERS	Graco® XP70™ Bare Sprayer	Mixer	Spraymaster® 25 Gallon Round Component Tanks	Graco® Monark Pump	Cart Mounted	Power Source
20101128	1:1	Standard-Duty	X	5:1	X	240-Volt
20101129	2:1	Standard-Duty	X	5:1	X	240-Volt
20101130	2.5:1	Standard-Duty	X	5:1	X	240-Volt
20101131	3:1	Standard-Duty	X	5:1	X	240-Volt
20101132	4:1	Standard-Duty	X	5:1	X	240-Volt

PART NUMBERS AND SCHEMATICS GUIDE



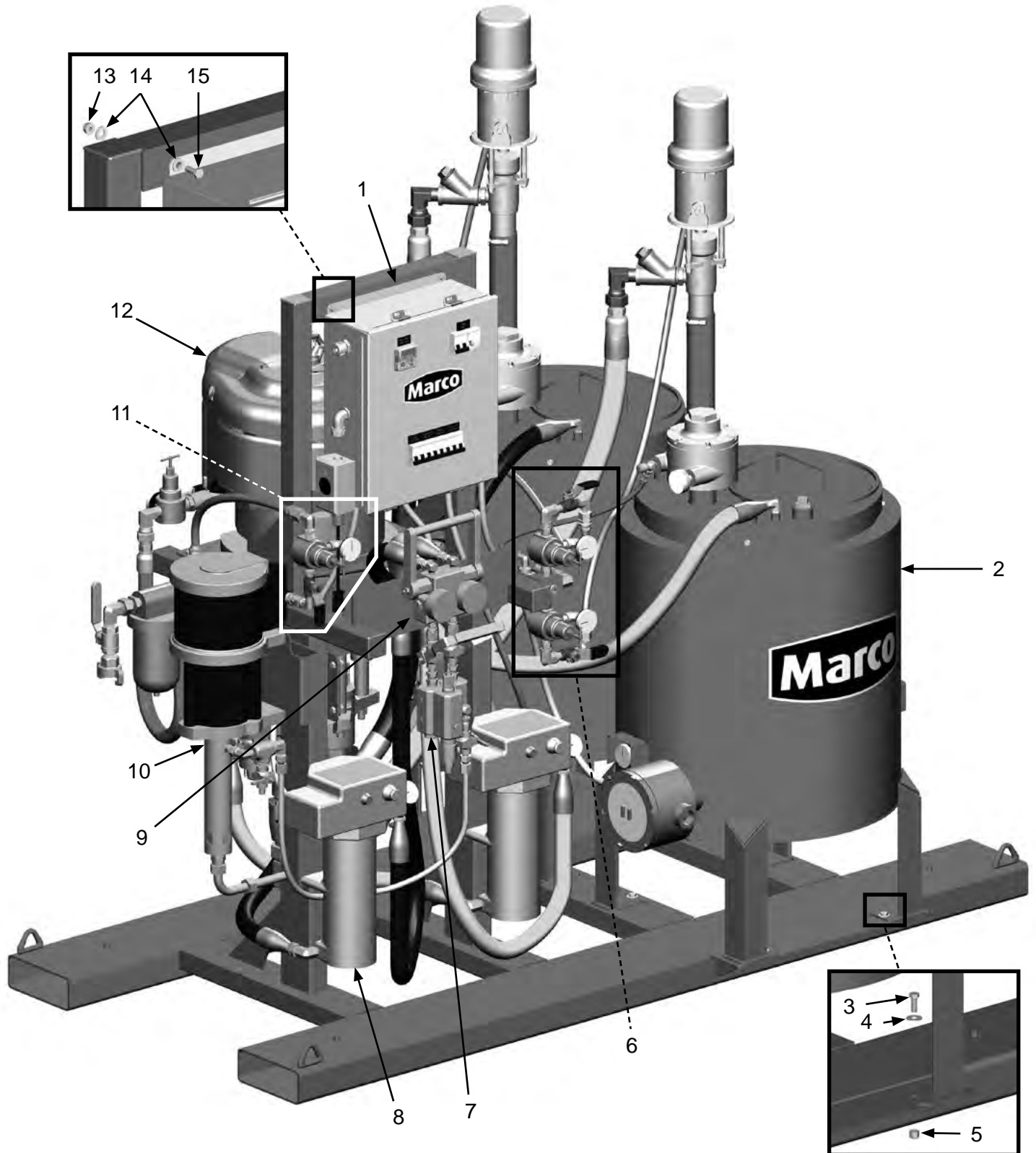
PART NUMBERS AND SCHEMATICS GUIDE

Spraymaster® MP-35 Spray System

Item #	Part #	Description
Fig. 1		
1	20100072	240-Volt Control Box, Four Circuit, Single Phase
2	20101081	Spraymaster® 25 Gallon Heated Coatings Tank- 240-Volt AC <i>(Two Required)</i>
3	20100195	3/8-16 X 1" Hex Bolt <i>(Eight Required)</i>
4	10102331	3/8" Flat Washer <i>(Eight Required)</i>
5	20100138	3/8-16 Hex Locknut <i>(Eight Required)</i>
6	—	Pressure Gauge Assembly <i>(See Fig. 3)</i>
7	20G262807	Mix Manifold
8	20G245869	In-line Paint Heater <i>(Two Required)</i>
9	20G262784	MP-35 Fluid Recirculation Manifold
10	20G262393	Flush Pump Assembly
11	—	Flush Pump Regulator Assembly <i>(See Fig. 4)</i>
12	—	Air Motor & Lower Pump Assembly <i>(See Fig. 2)</i>
13	10101939	1/4-20 Hex Locknut <i>(Four Required)</i>
14	1014017	1/4" Flat Washer <i>(Eight Required)</i>
15	1012154	1/4-20 X 1" Hex Bolt <i>(Four Required)</i>
—	20BEAKER1000ML	1000 Milliliter Test Beaker
—	2091000	PC Sprayer Label Kit - Misc.
—	205M013	Features & Specifications Guide – Spraymaster® MP-35 Spray System
—	206M013	Part Numbers & Schematics Guide – Spraymaster® MP-35 Spray System
—	1090013	Operator's Manual – Spraymaster® MP-35 Spray System
—	2090113	Operator's Manual – Spraymaster® 25 Gallon Heated Coatings Tank
—	209V504	Operator's Manual – Merkur® Pump Assembly
—	209V505	Operator's Manual – Graco® Mix Manifold
—	209V506	Operator's Manual – Graco® Viscon High Pressure Fluid Heater
—	209V509	Operator's Manual – Graco® NXT® Air Motor
—	209V021	Operator's Manual – Graco® Xtreme® Lowers
—	209V510	Operator's Manual – Graco® Merkur® Displacement Pump
—	209V512	Operator's Manual – Graco® Low Volume Air Regulators

PART NUMBERS AND SCHEMATICS GUIDE

Figure 1: Spraymaster® MP-35 Spray System



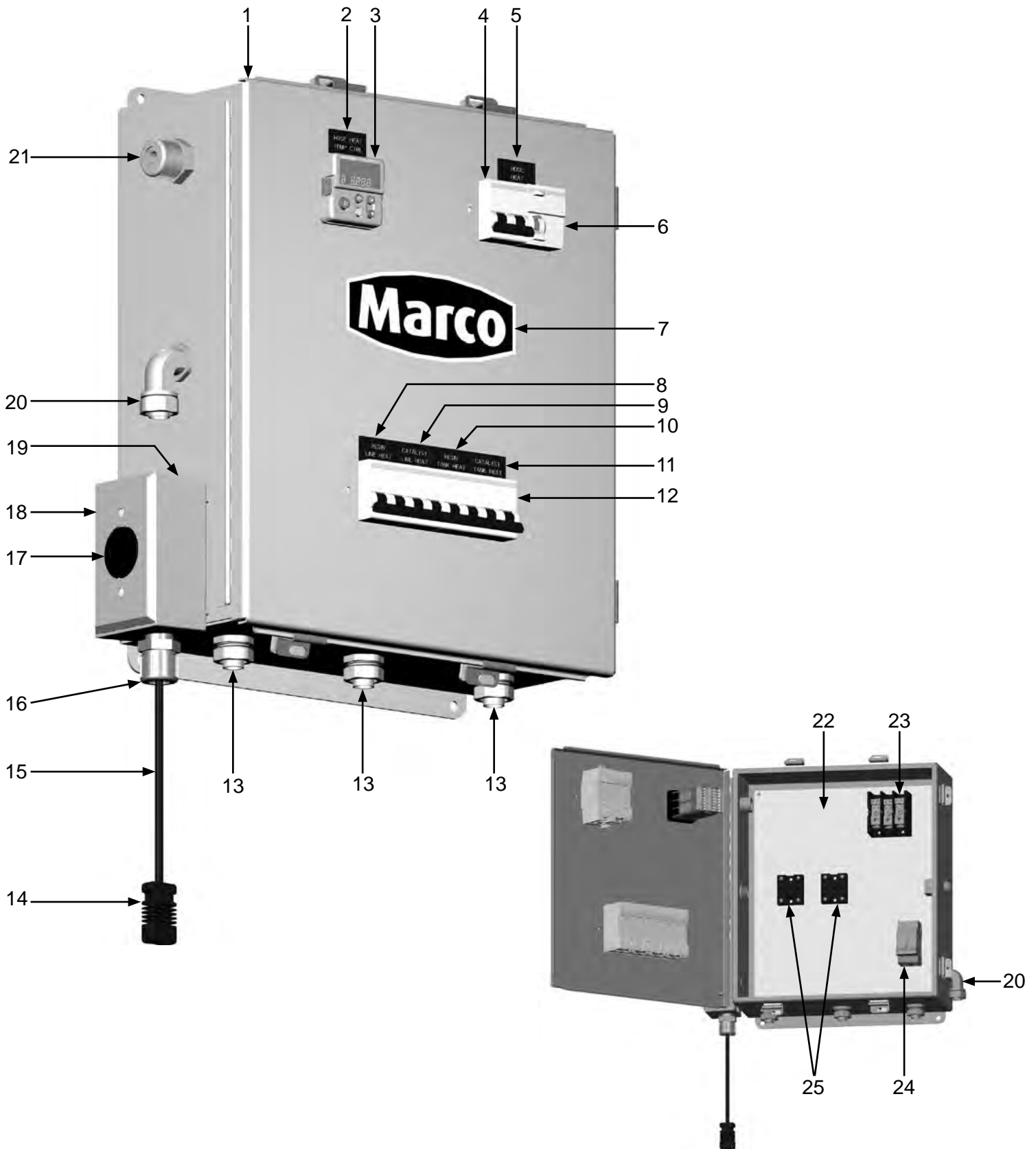
PART NUMBERS AND SCHEMATICS GUIDE

240-Volt Control Box

Item #	Part #	Description
Fig. 2		
—	20100072	240-Volt Control Box, Four Circuit, Single Phase
1	20RMSJB161406CH44C	16" x 14" x 6" Enclosure, 4 Circuit
2	20MNPHHTC	Nameplate – HOSE HEAT TEMP CTRL
3	20WTPM6C1CCARAAAAA	Hose Heat Control – 220-Volt
4	20RMG24456	50 Amp Circuit Breaker
5	20MNPHH	Nameplate – HOSE HEAT
6	20RMG26547	Double Pole GFI
7	1091042	Small Marco® Logo Sticker
8	20MNPRLH	Nameplate – RESIN LINE HEAT
9	20MNPCLH	Nameplate – CATALYST LINE HEAT
10	20MNPRTH	Nameplate – RESIN HEAT TANK
11	20MNPCTH	Nameplate – CATALYST TANK HEAT
12	20RMG24453	25 Amp Circuit Breaker <i>(Four Required)</i>
13	20RST50	Straight Liquid Tite Connector <i>(Three Required)</i>
14	20CX308793	Female T/C Plug
15	20WTJ207502	Thermo Couple Wire, Non-Sheilded <i>(Per Foot)</i>
16	1019021	1/2" NPT Cord Grip, Aluminum .187–.312
17	20RHBL2620	L6-30 Twist-Lock Receptacle
18	20RLEV8402040	30 Amp Single Gang Cover, Stainless Steel
19	20RRX53200	Single Gang Electrical Box
20	20RST9050	90° Liquid Tite Connection Fitting
21	20RCG6275	3/4" Straight Cord Connector, Aluminum
22	20RP1614	16" x 14" Enclosure Back Panel
23	20R9080LBA362104	Power Distribution Block
24	20RUSM1	Fuse Holder with Indicator Light
25	20RW6250DSX1	50 Amp Solid State Relay

PART NUMBERS AND SCHEMATICS GUIDE

Figure 2: 240-Volt Control Box



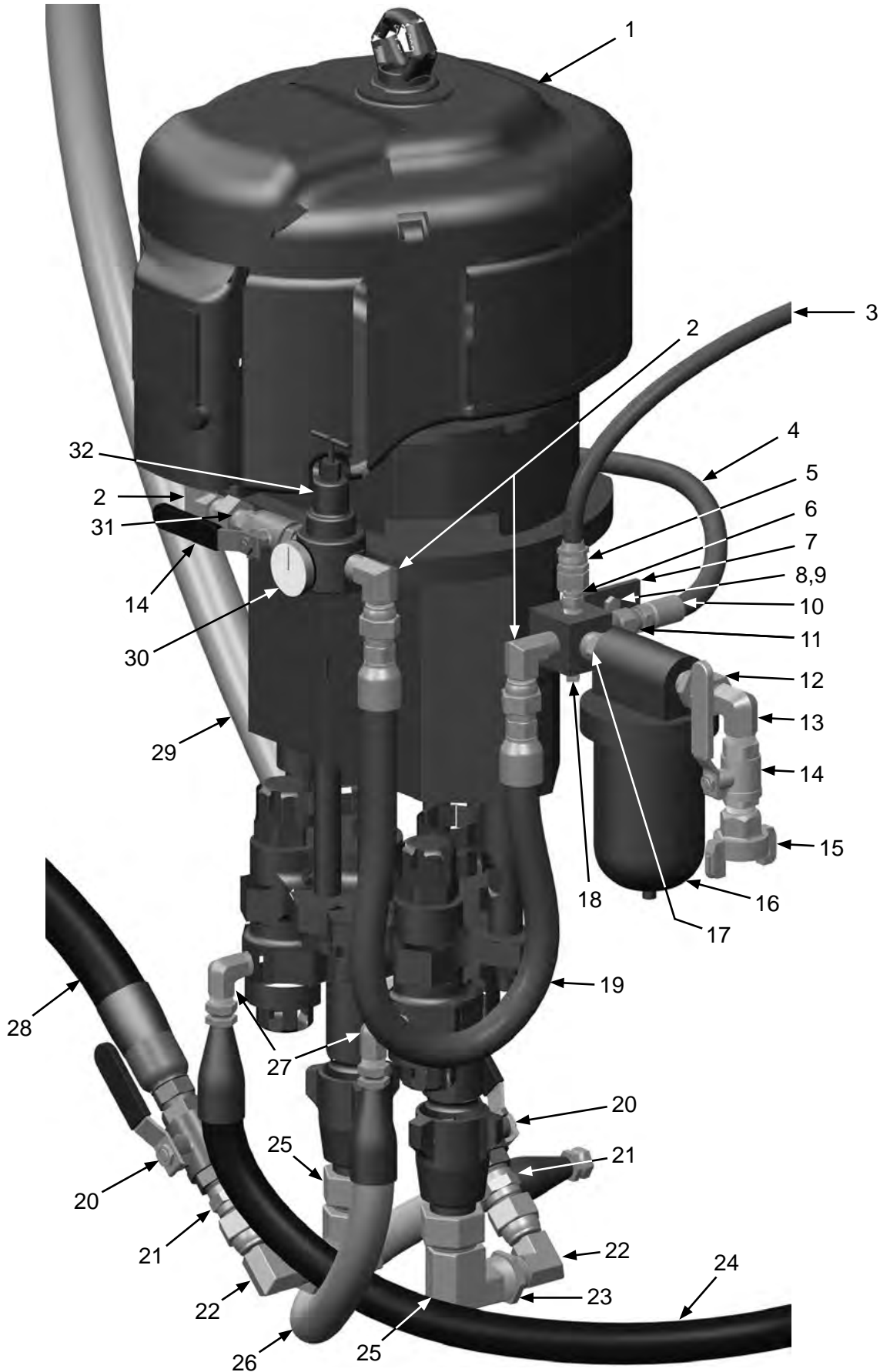
PART NUMBERS AND SCHEMATICS GUIDE

Spraymaster® MP-35 Air Motor & Lower Pump Assembly

Item #	Part #	Description
Fig. 2		
1	20G281100	Graco® XP35™ 1:1 Bare Sprayer
—	20G281200	Graco® XP35™ 2:1 Bare Sprayer
—	20G262803	Graco® XP35™ 2.5:1 Bare Sprayer
—	20G281300	Graco® XP35™ 3:1 Bare Sprayer
—	20G281400	Graco® XP35™ 4:1 Bare Sprayer
2	20G160327	3/4" NPT (M) X 3/4" (F) 90° Elbow Union Swivel <i>(Three Required)</i>
3	10AH038	3/8" Air Hose
4	10AH012	1/2" ID Air Hose
5	2080020	3/8" Hose End
6	20PFHA24SA0606	3/8" NPT Hex Nipple
7	20100094	Air Manifold
8	1014231	3/8-16 X 2-3/4" Hex Bolt <i>(Two Required)</i>
9	20100138	3/8-16 Hex Locknut <i>(Two Required)</i>
10	20PFHFHU0808ND	1/2" NPT Crimp on Hose End
11	20PFHA24SA0806	1/2" X 3/8" NPT Hex Nipple
12	20PFHA60SA1212	3/4" Swivel Fitting
13	20PFHA25UA1212	3/4" NPT (M) 90° Elbow
14	20G113218	3/4" NPT (M) X 3/4" (F) Vented Ball Valve <i>(Two Required)</i>
15	10FE1	3/4" NPT (F) 2-Lug Air Hose coupling
16	20G117628	Air Filter with Auto Drain
17	20PFHA24SA1212	3/4" Hex Nipple
18	1028615	3/8" Pipe Plug
19	20G16E004	3/4" Coupled Air Hose
20	20100389	1" NPT Full Port Ball Valve - 2000 PSI Rated <i>(Two Required)</i>
21	20PFHA24SA1616	1" NPT Hex Nipple <i>(Two Required)</i>
22	20PFHA60UA1616	1" NPT (M) X 1" (F) 90° Swivel Elbow <i>(Two Required)</i>
23	20PFHA24SB2016	1-1/4" X 1" NPT Bushing <i>(Two Required)</i>
24	20100206	1/2" Blue Insulated Hose- 3ft
25	20PFHA60UG2020	1-1/4" NPT (F) 90° Swivel Elbow <i>(Two Required)</i>
26	20100207	1/2" Green Insulated Hose- 3ft
27	20PFHA25UA0808	1/2" NPT (M) 90° Elbow <i>(Two Required)</i>
28	20100213	1" Blue Fluid Hose- 4ft
29	20100217	1" Green Fluid Hose- 4ft
30	20G101689B	0-200 PSI Gauge
31	20G119992	3/4" NPT (M) Hex Nipple
32	20G16F014	3/4" NPT T-Handle Air Regulator
—	209V503	Operator's Manual – Graco® XP™ Proportioners

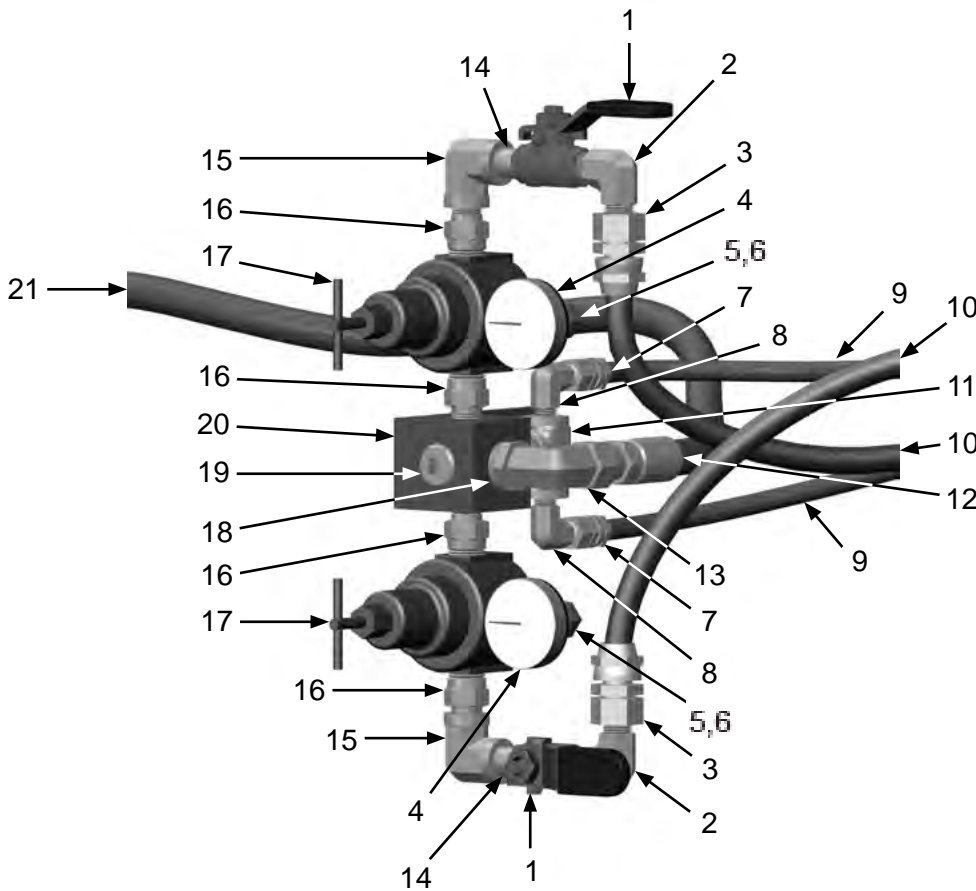
PART NUMBERS AND SCHEMATICS GUIDE

Figure 2: Spraymaster® MP-35 Air Motor & Lower Pump Assembly



PART NUMBERS AND SCHEMATICS GUIDE

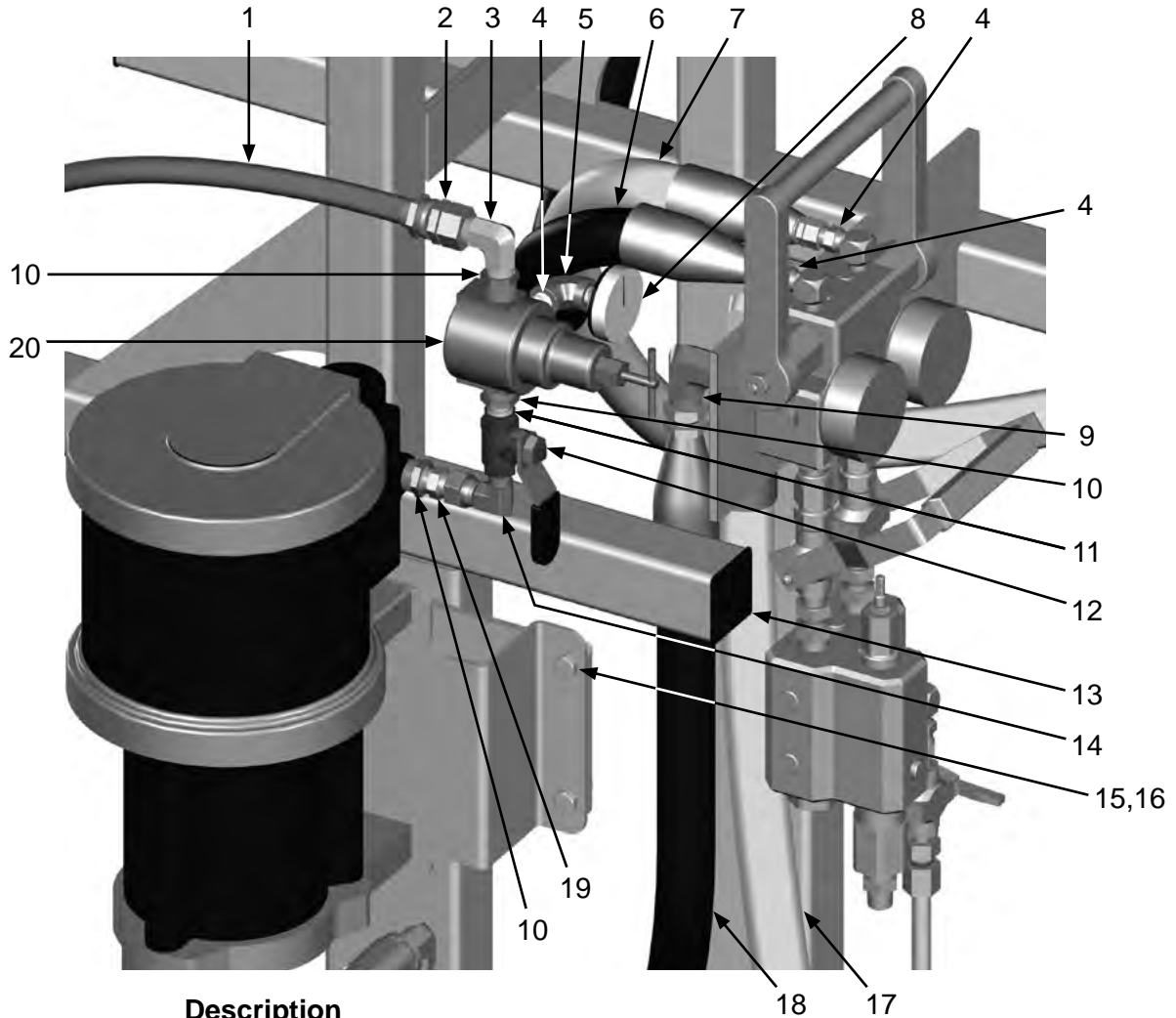
Figure 3: Pressure Gauge Assemblies



Item #	Part #	Description
Fig. 3		
1	20G113333	3/8" NPT Vented Ball Valve (Two Required)
2	20PFHA25UA0606	3/8" NPT (M) 90° Elbow (Two Required)
3	2080020	3/8" Hose End (Two Required)
4	20G101689B	0-200 PSI Gauge (Two Required)
5	20PFHA24SA0404	1/4" NPT Hex Nipple (Two Required)
6	20PFHA25UJ04	1/4" NPT (F) 90° Elbow (Two Required)
7	2080010	5/16" Hose End (Two Required)
8	20PFHA25UA0404	1/4" NPT (M) 90° Elbow (Two Required)
9	20AH0516	5/16" ID Air Hose
10	10AH038	3/8" ID Air Hose
11	20PFHA25VJ04	1/4" NPT (F) Tee
12	20PFHFHU0808ND	1/2" NPT Crimp on Hose End
13	20PFHA25UA0808	1/2" NPT (M) 90° Elbow
14	1011209	3/8" Close Nipple (Two Required)
15	20PFHA25UJ06	3/8" NPT (F) 90° Elbow (Two Required)
16	20PFHA24SA0806	1/2" X 3/8" NPT Hex Nipple (Four Required)
17	20G104266	1/2" Air Regulator (Two Required)
18	20PFHA24SB1208	3/4" to 1/2" NPT Bushing
19	20RPLG75R	3/4" Recessed Plug
20	20100094	Air Manifold
21	10AH012	1/2" ID Air Hose

PART NUMBERS AND SCHEMATICS GUIDE

Figure 4: Flush Pump Regulator Assembly



Item #	Part #	Description
Fig. 4		
1	10AH038	3/8" Air Hose
2	2080020	3/8" Hose End
3	20PFHA25UA0606	3/8" NPT (M) 90° Elbow
4	20PFHA24SA0404	1/4" NPT Hex Nipple (Three Required)
5	20PFHA25UJ04	1/4" NPT (F) 90° Elbow
6	20100362	1/4" Blue Insulated Hose- 6ft
7	20100363	1/4" Green Insulated Hose- 6ft
8	20G101689B	0-200 PSI Gauge
9	20PFHA25UA0808	1/2" NPT (M) 90° Elbow (Two Required)
10	20PFHA24SB0806	1/2" (M) X 3/8" (F) NPT Bushing (Three Required)
11	1011209	3/8" NPT Close Nipple
12	20G113333	3/8" NPT Vented Ball Valve
13	20100281	2" X 2" Plastic End Cap (Six Required)
14	20PFHA60UA0606	3/8" (M) X 3/8" (F) NPT 90° Swivel Union
15	20100195	3/16-16 X 1" Hex Bolt (Four Required)
16	20100138	3/16-16 Hex Locknut (Four Required)
17	20100205	1/2" Green Insulated Hose- 5ft
18	20100204	1/2" Blue Insulated Hose- 5ft
19	20PFHA24SA0606	3/8" NPT Hex Nipple
20	20G104266	1/2" Air Regulator

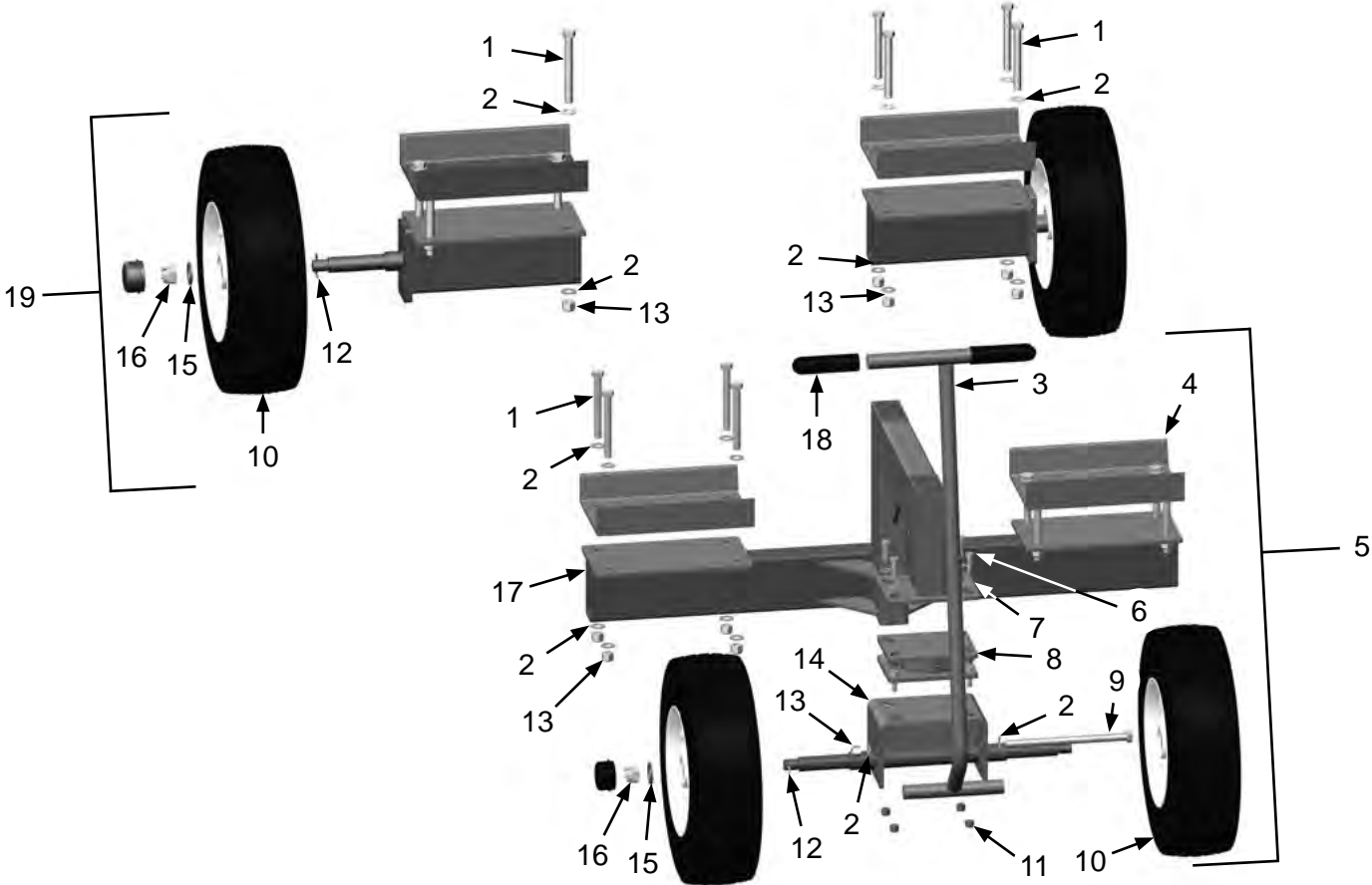
OPTIONAL ACCESSORIES

Wheel Conversion Kit

Item#	Part#	Description
—	20101076	Wheel Conversion Kit – Complete
1	20100160	1/2-13 X 4-1/2" Hex Bolt <i>(16 Required)</i>
2	10100674	1/2" Flat Washer <i>(34 Required)</i>
3	20100118	Cart Handle
4	20100696	Clamping Channel <i>(Four Required)</i>
5	20100698	Front Wheel Assembly <i>(Includes Item #'s: 1 (Quantity of Eight), 2 (Quantity of 18), 3, 4, 5, 6 (Quantity of Eight), 7 (Quantity of 12), 8, 9, 10, 11 (Quantity of Eight), 12 (Quantity of Two), 13 (Quantity of Nine), 14, 15 (Quantity of Two), 16 (Quantity of Two), 17 (Quantity of Two) and 18 (Quantity of Two))</i>
6	10104234	3/8-16 X 1-1/4" Hex Bolt <i>(Eight Required)</i>
7	1014241	3/8" Flat Washer <i>(16 Required)</i>
8	20100107	Front Swivel
9	20100123	1/2-13 X 8-1/2" Hex Bolt
10	1014241	16" Pneumatic Wheel Assembly <i>(Four Required)</i>
11	20100138	3/8-16 Hex Locknut <i>(Eight Required)</i>
12	20100147	1-1/2" Cotter Pin 7/64" diameter. <i>(Four Required)</i>
13	20100124	1/2-13 Hex Locknut <i>(17 Required)</i>
14	20100114	Front Axle Weldment
15	20100148	1" ID X 1-1/2" OD 10-GA Washer <i>(Four Required)</i>
16	20100149	3/4"-10 Slotted Hex Nut <i>(Four Required)</i>
17	20100693	Front Wheel Weldment
18	1011766	Moisture Separator Grip <i>(Two Required)</i>
19	20100692	Rear Wheel Assembly <i>(Two Required)</i> <i>(Includes Item #'s: 1 (Quantity of Four), 2 (Quantity of Eight), 4, 10, 12, 13 (Quantity of Four), 15, and 16)</i>

OPTIONAL ACCESSORIES

Figure 5: Wheel Conversion Kit



OPTIONAL ACCESSORIES

5,000 PSI HEATED HOSE BUNDLES										
Part Numbers	Deadhead	Recirculating	Modified	Moisture-Lock	Airless Spray Hose I.D.	Solvent Hose I.D.	Length			
							50 Ft.	100 Ft.	150 Ft.	200 Ft.
20000024	X				1/4" x 3/8" x 1/2"	1/4"	X			
20000025	X				1/4" x 3/8" x 1/2"	1/4"		X		
20100431	X				1/4" x 3/8" x 1/2"	1/4"			X	
20100432	X				1/4" x 3/8" x 1/2"	1/4"				X
20100436	X				1/4" x 3/8" x 1/2"	1/4"	X			
20100437	X				1/4" x 3/8" x 1/2"	1/4"		X		
20100438	X				1/4" x 3/8" x 1/2"	1/4"			X	
20100439	X				3/8" x 1/2"	1/4"				X
20000052		X			3/8" (Qty of Three) x 1/2"	1/4"	X			
20000053		X			1/4" (Qty of Three) x 3/8" x 1/2"	1/4"		X		
20100433		X			1/4" (Qty of Two) x 3/8" x 1/2"	1/4"			X	
20100434		X			3/8" (Qty of Three) x 1/2"	1/4"				X
20100440		X			3/8" (Qty of Three) x 1/2"	1/4"	X			
20100441		X			1/4" (Qty of Two) x 3/8" x 1/2"	1/4"		X		
20100442		X			1/4" (Qty of Two) x 3/8" x 1/2"	1/4"			X	
20100443		X			3/8" (Qty of Three) x 1/2"	1/4"				X
20101025		X			1/4" (Qty of Three) x 1/2"	1/4"		X		
20000015				X	1/4" x 3/8"	1/4"	X			
20000013				X	1/4" x 3/8"	1/4"		X		
20100447				X	1/4" x 3/8"	1/4"			X	
20100448				X	1/4" x 3/8"	1/4"				X

DEFINITION OF HOSE TYPE

Deadhead: Non-recirculating

Recirculating: Used to recirculate coatings back to the supply tanks from the mix manifold

Modified: For coupling to another modified hose

Moisture-Lock: Used for moisture-sensitive coatings

PART NUMBERS AND SCHEMATICS GUIDE

GRACO® XP70™ PLURAL COMPONENT SPRAYER – CART MOUNT

Part Numbers	Graco® XP70™ Bare Sprayer	7 gal Hopper	Maximum Fluid Working Pressure	Pressure Ratio	Graco® XTR-7™ Spray Gun with RAC® 519 Tip	3/8" x 25' Hose	1/4" x 10' Whip Hose
20G571102	1:1	X	7250 psi	76:1	X	X	X
20G571101	1:1		7250 psi	76:1	X	X	X
20G571152	1.5:1	X	7250 psi	91:1	X	X	X
20G571151	1.5:1		7250 psi	91:1	X	X	X
20G571202	2:1	X	7250 psi	76:1	X	X	X
20G571201	2:1		7250 psi	76:1	X	X	X
20G571252	2.5:1	X	6500 psi	65:1	X	X	X
20G571251	2.5:1		6500 psi	65:1	X	X	X
20G571302	3:1	X	6800 psi	68:1	X	X	X
20G571301	3:1		6800 psi	68:1	X	X	X
20G571402	4:1	X	7250 psi	73:1	X	X	X
20G571401	4:1		7250 psi	73:1	X	X	X

GRACO® XP70™ PLURAL COMPONENT SPRAYER – BARE PUMP PACKAGES

Part Numbers	Graco® XP70™ Bare Sprayer	A Side Pump	B Side Pump	Combined Fluid Output	Pressure Ratio	Fluid Flow @ 40 cpm	Maximum Fluid Working Pressure
20G571100	1:1	20GL090C0	20GL090C0	180cc	72:1	1.9 gpm	7250 psi
20G571150	1.5:1	20GL085C0	20GL058C0	144cc	91:1	1.5 gpm	7250 psi
20G571200	2:1	20GL115C0	20GL058C0	174cc	76:1	1.8 gpm	7250 psi
20G571250	2.5:1	20GL14AC0	20GL058C0	203cc	65:1	2.1 gpm	6500 psi
20G571300	3:1	20GL14AC0	20GL048C0	193cc	68:1	2.0 gpm	6800 psi
20G571400	4:1	20GL14AC0	20GL036C0	181cc	73:1	1.9 gpm	7250 psi

PART NUMBERS AND SCHEMATICS GUIDE



(Cart Mount)



(Bare Pump Package)

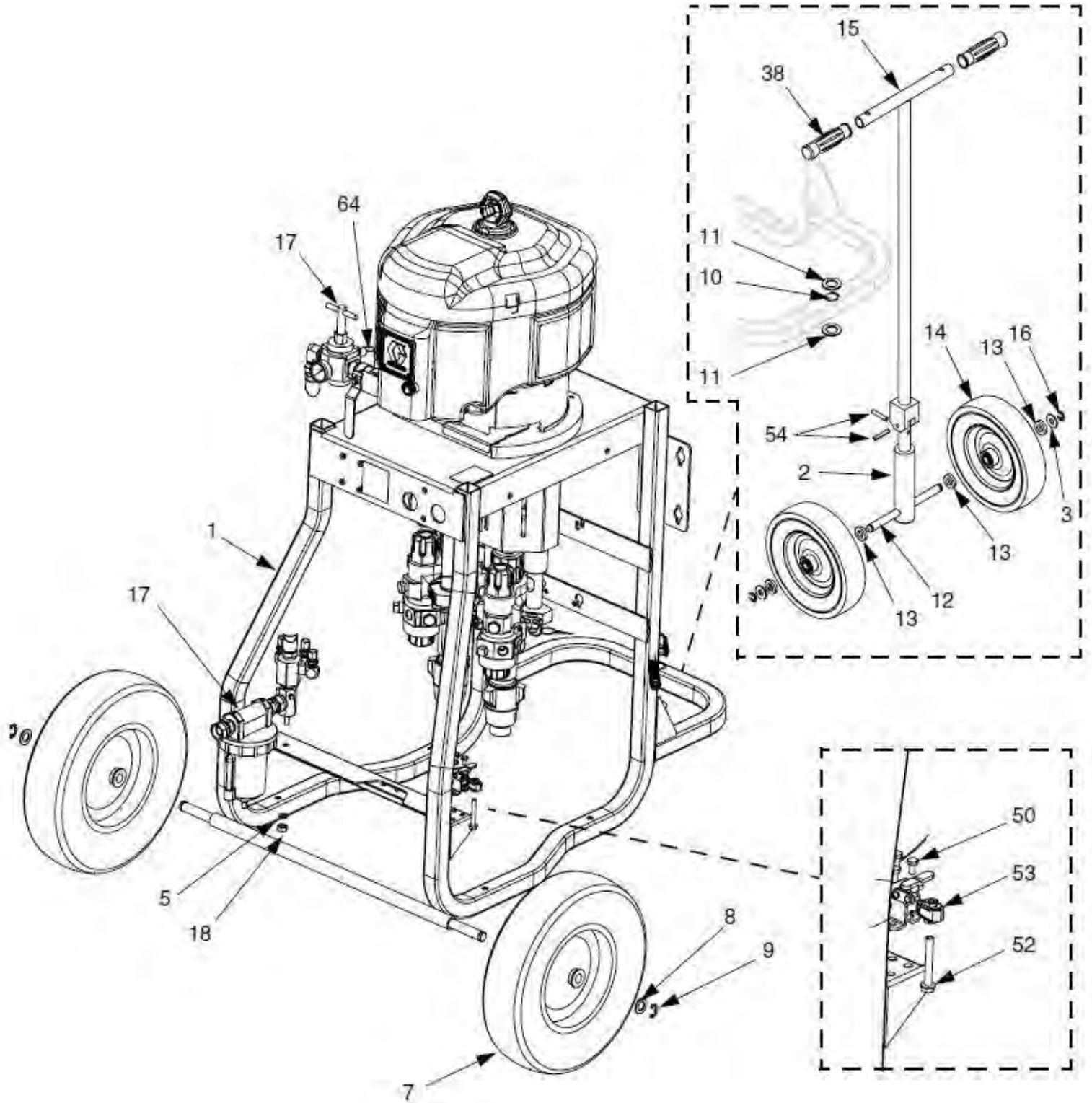
PART NUMBERS AND SCHEMATICS GUIDE

Graco® XP70™ Plural Component Sprayer – Cart Mount

Item#	Part#	Description
Fig. 1		
—	—	Graco® XP70™ Plural Component Sprayer – Cart Mount
1	20G258913	Cart
2	20G262476	Vertical Axle
3	20G111841	5/8" Flat Washer (<i>Quantity of Two</i>)
5	20G100133	3/8" Lock Washer (<i>Quantity of Seven</i>)
7	20G113362	Wheel (<i>Quantity of Two</i>)
8	20G154628	3/4" Washer (<i>Quantity of Two</i>)
9	20G113436	Retaining Ring (<i>Quantity of Two</i>)
10	20G124410	Sleeve Bearing 1 x 1-1/4 x 1-1/2
11	20G124664	Thrust Washer (<i>Quantity of Two</i>)
12	20G262477	Axle
13	20G191824	Space Washer (<i>Quantity of Four</i>)
14	20G113807	Free Flat Wheel – Urethane (<i>Quantity of Two</i>)
15	20G258982	Cart Handle
16	20G101242	Retaining Ring (<i>Quantity of Two</i>)
17	20G258983	Air Controls (<i>See Fig. 4</i>)
18	20G100131	3/8-16 Full Hex Nut (<i>Quantity of Seven with Hopper, Quantity of Three Without Hopper</i>)
38	20G108063	Grip Handle
50	20G100333	1/4 x 1/2 Screw, Hex HD (<i>Quantity of Four</i>)
52	20G124293	3/8-16 U-Bolt, 1" Diameter
53	20G124259	Plunger Clamp Brake
54	20G124291	Spring Pin (<i>Quantity of Two</i>)
64	20G113498	Air Relief Valve, 110 psi
—	20G116643	Air Relief Valve, 90 psi (<i>For models 20G571151 and 20G571152 only</i>)
—	20G114958	Tie Strap (<i>Quantity of Two</i>)
—	201V544	Brochure – Graco® Plural Component Sprayers
—	206M573	Part Numbers and Schematics Guide – Graco® XP70™ Plural Component Sprayer
—	209V573	Operator's Manual – Graco® XP70™ Plural Component Sprayer

PART NUMBERS AND SCHEMATICS GUIDE

Figure 1: Graco® XP70™ Plural Component Sprayer – Cart Mount



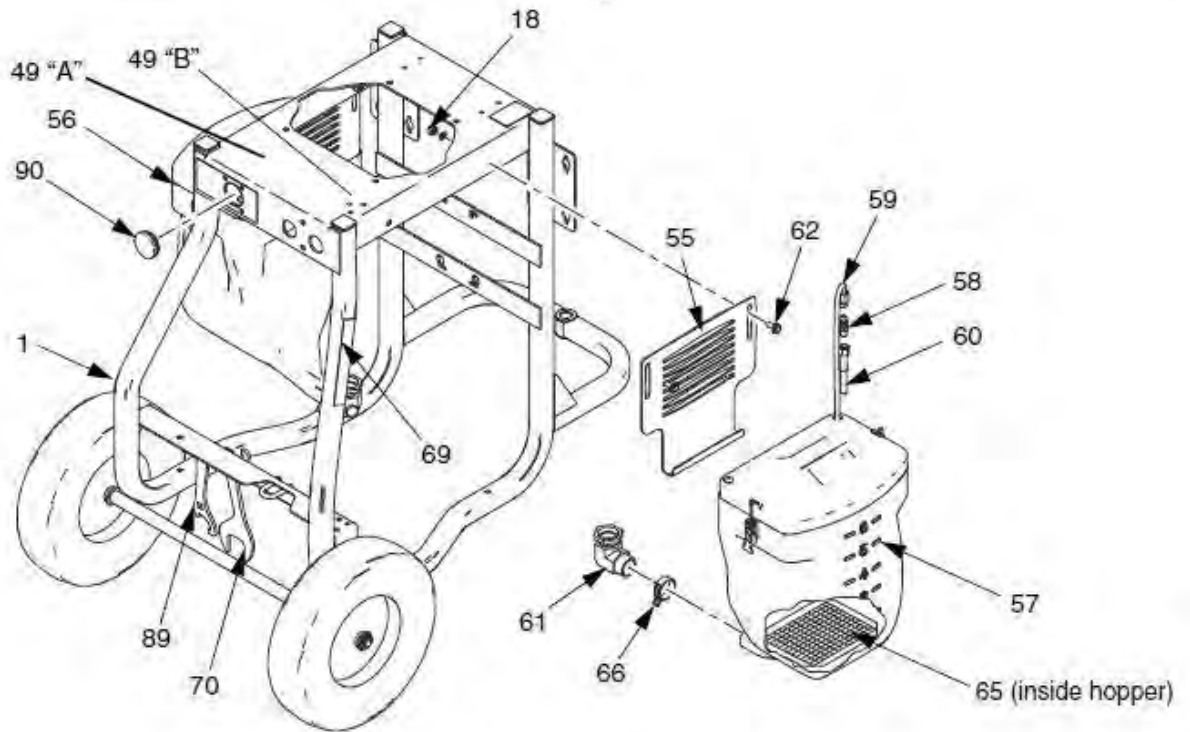
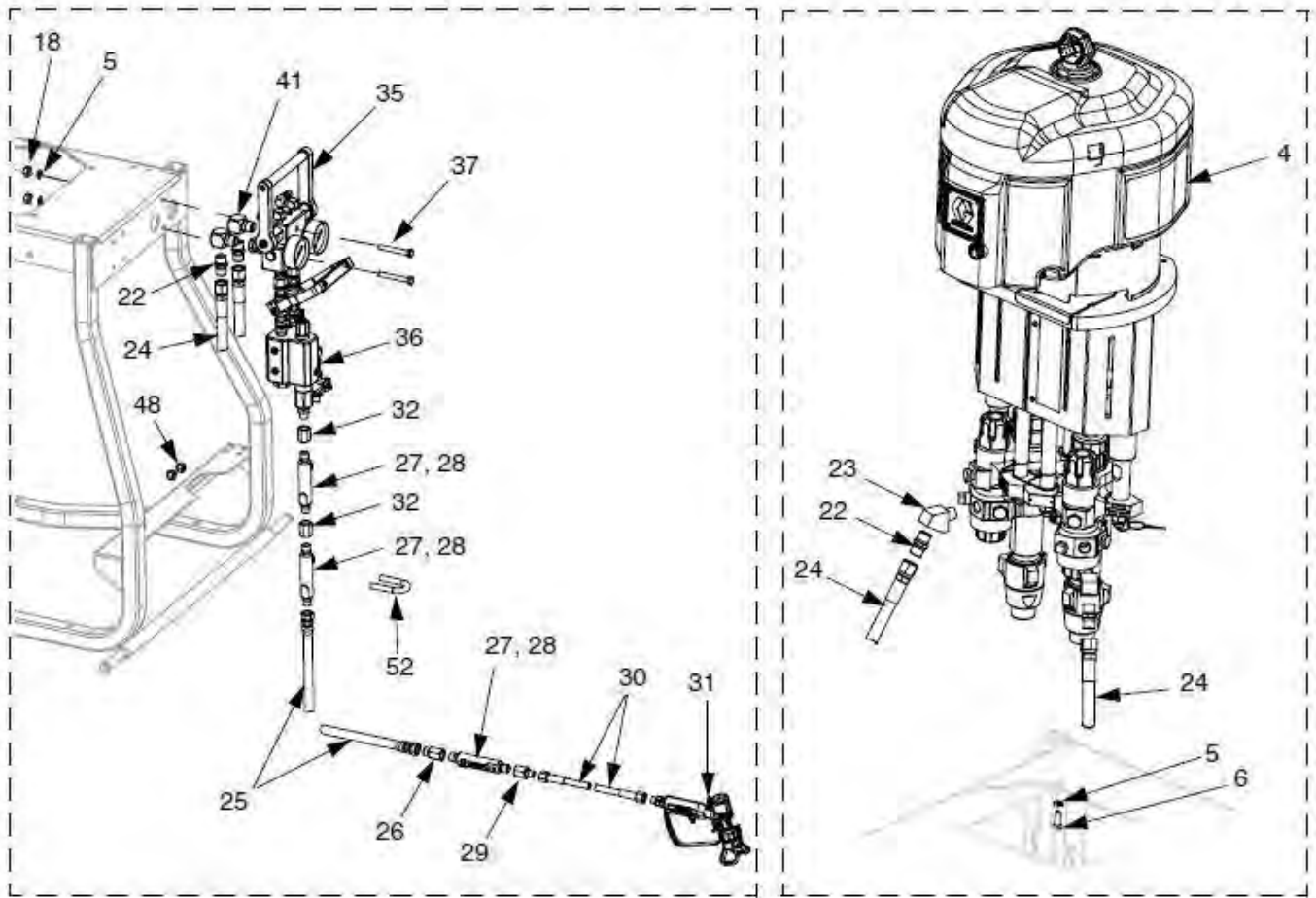
PART NUMBERS AND SCHEMATICS GUIDE

Graco® XP70™ Plural Component Sprayer – Cart Mount Continued

Item#	Part#	Description	Item#	Part#	Description
Fig. 2					
—	—	Graco® XP70™ Plural Component Sprayer – Cart Mount	56	20G262479	Blue Hopper – 7 gal (Hopper Included)
1	20G258913	Cart	57	20G262480	Green Hopper – 7 gal (Hopper Included)
4	—	Pump Package (See Fig. 3)	58	20G116704	Adapter – 1/4" NPT x 9/16-18 JIC (Quantity of Two)
5	20G100133	3/8" Lock Washer (Quantity of Seven)	59	20G262481	Recirculated Tube Kit (Quantity of Two)
6	20G100101	3/8-16 x 1" Long Screw (Quantity of Four)	60	2000034	1/4" x 6' Coupled Hose, 6100 psi, with Hopper (Quantity of Two)
—	20G111218	Cap (Quantity of Four)	—	20GH2510	1/4" x 10' Coupled Hose, 6100 psi, without Hopper (Quantity of Two)
18	20G100131	3/8-16 Full Hex Nut (Quantity of 7 with Hopper, Quantity of 3 without Hopper)	61	20G16D376	1-1/4" Swivel Fitting with Plug (Hopper Included) (Quantity of Two)
22	20G158491	1/2" x 1/2" Nipple Fitting (Quantity of Four)	62	20G111192	3/8-16 Bolt (Hopper Included) (Quantity of Four)
23	20G15M987	1/2" NPT (M) x 1/2" NPT (F) Elbow (Quantity of Two)	65	20G16791	Strainer (Hopper Included)
24	20GH75003	1/2" x 3' Coupled Hose, 7250 psi (Quantity of Two)	66	20G124450	Constant Tension Clamp Spring (Hopper Included)
25	20GH73825	3/8" x 25' Coupled Hose, 7250 psi	—	20G114958	Tie Strap (Quantity of Two)
26	20G15B729	3/8" NPT (F) x 3/8" NPSM (M) Adapter	69	20G15U654	Label, Warning
27	20G262478	Static Housing Mixer 1/2" x 5"	70	20G16F615	Wrench Tool
28	20G248927	Static Mixer Element, Pack of 25	89	20G16G819	Filter Cap Wrench
29	20G150287	Reducing Coupling 3/8" to 1/4"	90	20G16J688	Hole Gauge Plug
30	20GH72510	1/4" x 10' Coupled Hose, 7250 psi	—	20G15T468	Label, Warning (Hopper Included) (Quantity of Two)
31	20GXTR704	Graco® XTR-7™ 4-Finger Spray Gun with RAC® 519 Tip	—	201V019	Brochure – Graco® XTR™ Airless Spray Guns
32	20G162024	Coupling 3/8" (Quantity of Two)	—	206M511	Part Numbers and Schematics Guide – Graco® XTR-7™ Airless Spray Gun
—	20G552069	Label, Metalized	—	206M573	Part Numbers and Schematics Guide – Graco® XP70™ Plural Component Sprayer
35	20G262806	Fluid Manifold (See Fig. 5)	—	209V573	Operator's Manual – Graco® XP70™ Plural Component Sprayer
36	20G262807	Mix Manifold (See Fig. 6)	—	312145D	Operator's Manual – Graco® XTR-7™ Airless Spray Gun
37	20G106212	3/8-16 x 2-1/2 Screw Cap, Hex HD (Quantity of Two)			
41	20G158683	90° 1/2" Elbow Fitting (Quantity of Two)			
—	20G206995	Throat Seal Liquid – 1 qt.			
48	20G101566	Lock Nut 3/8-16 (Quantity of Two)			
49	20G15U654	Label, A and B, Set of Four			
52	20G124293	3/8-16 U-Bolt, 1" Diameter			
55	20G24E872	Hopper Bracket (Hopper Included) (Quantity of Two)			

PART NUMBERS AND SCHEMATICS GUIDE

Figure 2: Graco® XP70™ Plural Component Sprayer – Cart Mount Continued



PART NUMBERS AND SCHEMATICS GUIDE

Bare Proportioning Pump Package – Varying Parts

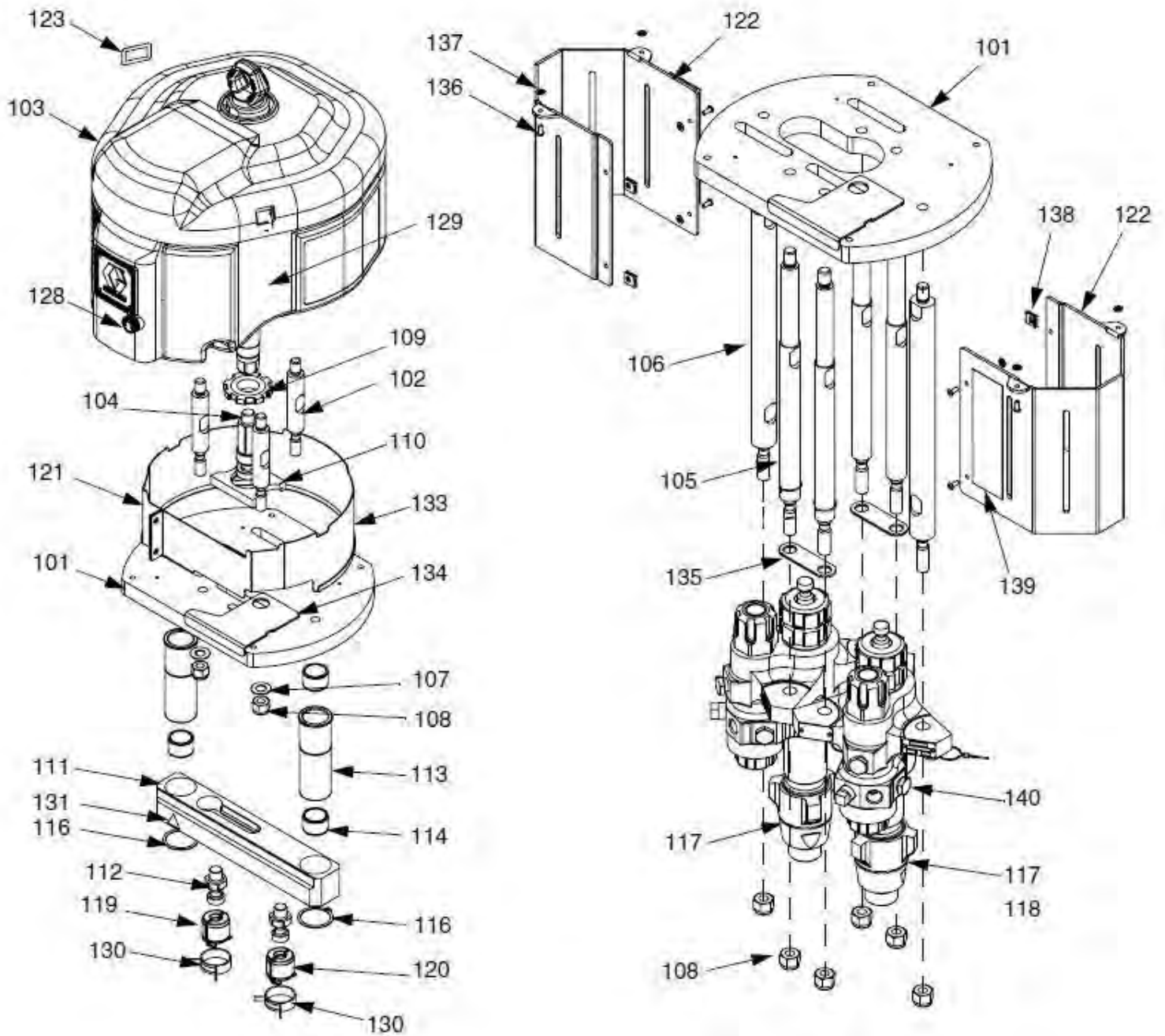
Item#	Description	20G571100	20G571150	20G571200	20G571250	20G571300	20G571400
Fig. 3							
117	A-Side Pump	20GL085C0	20GL085C0	20GL115C0	20GL14AC0	20GL14AC0	20GL14AC0
118	B-Side Pump	20GL085C0	20GL058C0	20GL058C0	20GL058C0	20GL048C0	20GL036C0
119	A-Side Coupler	20G247167	20G247167	20G247167	20G244819	20G244819	20G244819
120	B-Side Coupler	20G247167	20G247167	20G247167	20G247167	20G247167	20G247167
140	B-Side Rupture Disc	—	20G258962	20G258962	20G258962	20G258962	20G258962

Graco® XP70™ Plural Component Sprayer – Bare Proportioning Pump Package

Item#	Part#	Description
Fig. 3		
—	—	Bare Proportioning Pump Package (See Page 4)
101	20G262465	Motor Plate
102	20G262466	Rod Tie, 4" x 1" (Quantity of Three)
103	20GN65DN0	NXT® Air Motor 6500 (See Fig. 7)
104	20G262467	Rod Adapter
105	20G262468	Rod Tie, 14-1/4" with Shoulder (Quantity of Four)
106	20G262469	Rod Tie, 14-1/4" x 1-1/4" (Quantity of Two)
107	20G154636	Flat Washer 5/8" (Quantity of Three)
108	20G101712	Lock Nut with Nylon Inserts 5/8-11 (Quantity of Nine)
109	20G16D451	Yoke Nut
110	20G262470	Ratio Indicator Bracket
111	20G262471	Yoke Pump Assembly
112	20G15H392	Rod Adapter (Quantity of Two)
113	20G262472	Sleeve with Bearing (Quantity of Two)
114	20G15C244	Bearing Sleeve (Quantity of Four)
116	20G123976	External Snap Ring (Quantity of Two)
121	20G262473	Motor Rod Cover
122	20G262474	Pump Cover (Quantity of Two)
123	—	Label, Identification
128	20GNXT102	De-Ice Knob, Pack of Five
129	20G16D029	Label, XP70™
130	20G124078	Constant Tension Clamp Spring (Quantity of Two)
131	20G15H108	Label, Pinch Point
133	20G114225	Edge Protection Trim (Quantity of Two)
134	20G262475	Ratio Indicator Bracket
135	20G16E882	Lowers Strap (Quantity of Two)
136	—	Screw, Cap, Button HD (Quantity of Eight)
137	—	Washer, Retaining, Nylon (Quantity of Eight)
138	20G124665	Captive Nut (Quantity of Four)
139	20G15T468	Label, Warning (Quantity of Two)
141	20G206995	Throat Seal Liquid – 1 qt.
142	20G244524	Ground Wire Assembly with Clamp
10	Graco® XP70™ Plural Component Sprayer	

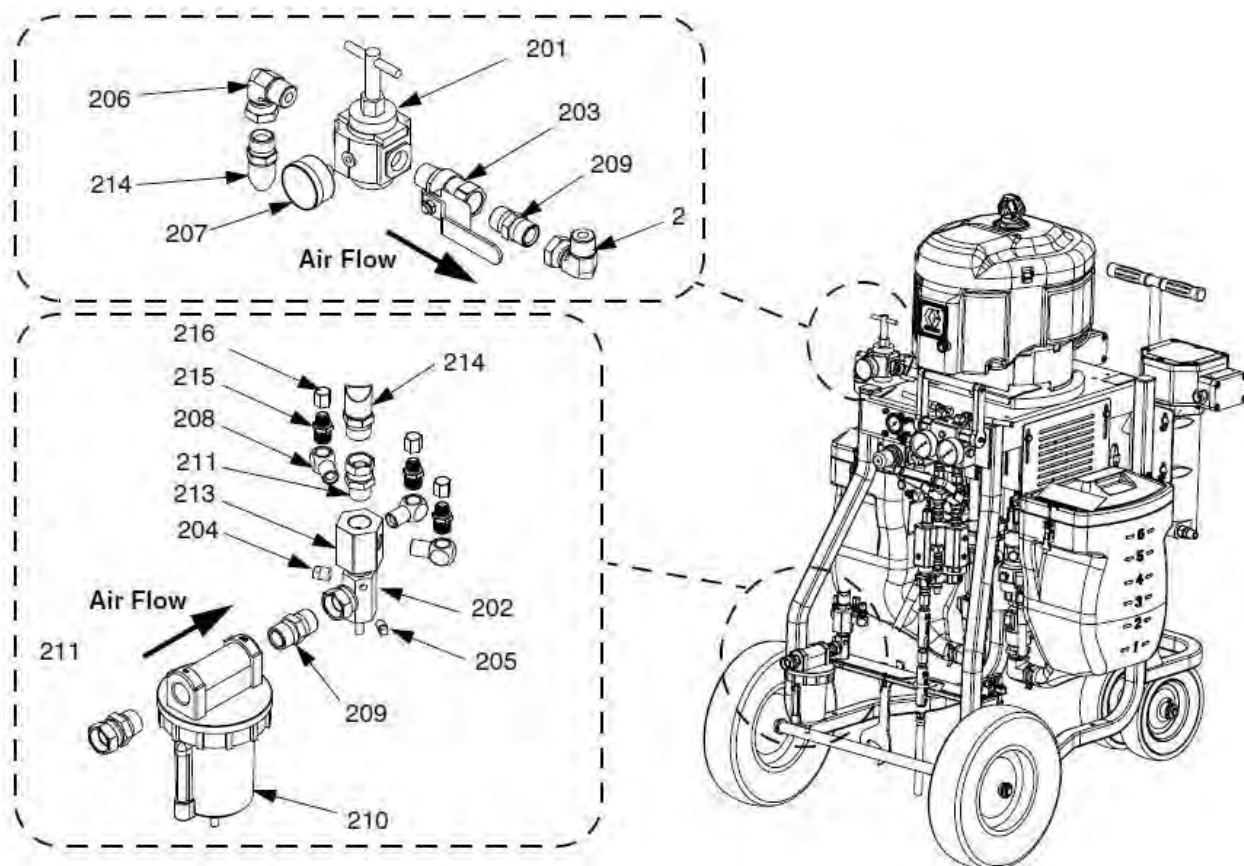
PART NUMBERS AND SCHEMATICS GUIDE

Figure 3: Graco® XP70™ Plural Component Sprayer – Bare Proportioning Pump Package



PART NUMBERS AND SCHEMATICS GUIDE

Figure 4: Air Controls



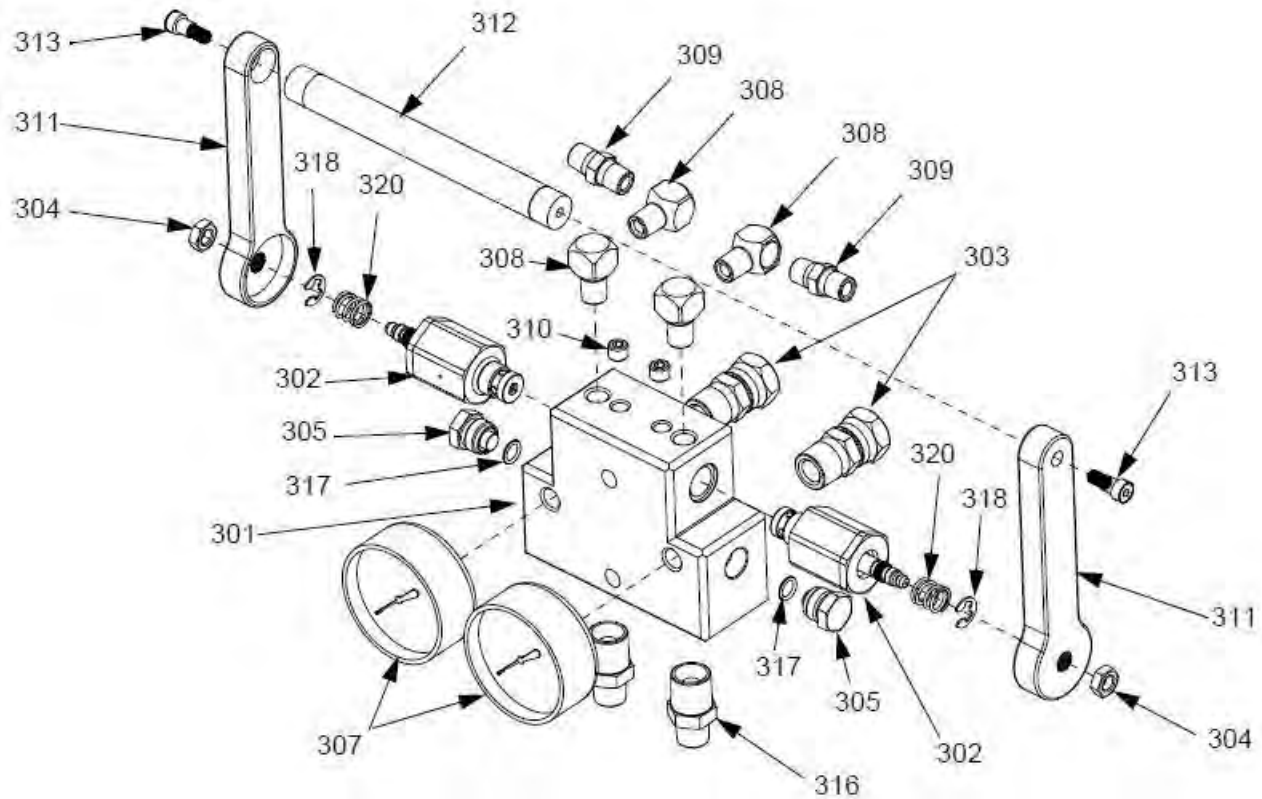
Item#	Part#	Description
-------	-------	-------------

Fig. 4

—	20G258983	Air Controls
201	20G16F014	T-Handle Air Regulator
202	20G207675	Air Manifold
203	20G113218	3/4" Ball Valve Vented M x F
204	20G100509	Pipe Plug – 1/4" Square Head
205	20G100403	Pipe Plug – 1/8" – NPTF
206	20G160327	90° Union Swivel, 3/4" x 3/4" (Quantity of Two)
207	20G101689	Air Gauge
208	20G155699	3/8" 90° Elbow (Quantity of Three)
209	20G119992	3/4" x 3/4" NPT Pipe Nipple Fitting (Quantity of Two)
210	20G117628	Filter Air 3/4" Auto Drain
—	20G106204	Filter Element
211	20G157785	Union Swivel, 3/4" x 3/4", Carbon Steel (Quantity of Two)
213	20G15E145	Air Distribution Manifold
214	20G16E004	Coupled Air Hose – 26" Section
215	20G157350	1/4" NPT x 3/8" NPT Nipple, 5000 psi (Quantity of Three)
216	20G115781	1/4" NPT Cap Plug (Quantity of Three)

PART NUMBERS AND SCHEMATICS GUIDE

Figure 5: Fluid Manifold



Item#	Part#	Description
-------	-------	-------------

Fig. 5

—	20G262806	Fluid Manifold
301	20G16D693	Recirculation Manifold Block
302	20G262520	Recirculation/Over Pressurization Valve (<i>Quantity of Two</i>)
303	20G156684	1/2" Union M x F (<i>Quantity of Two</i>)
304	20G112309	Jam Hex Nut (<i>Quantity of Two</i>)
305	20G198241	Pressure Port Plug, 11/16-24 (<i>Quantity of Two</i>)
306	20G156173	Union Swivel – 3/8" NPTF x 3/8" NPSF (<i>Quantity of Two</i>)
307	20G114434	1/4" Pressure Gauge, 10000 psi (<i>Quantity of Two</i>)
308	20G100840	1/4-18 NPT Elbow (<i>Quantity of Four</i>)
309	20G156971	1/4" x 1/4" Nipple (<i>Quantity of Two</i>)
310	20G557349	1/8" NPT Dry Seal Plug (<i>Quantity of Two</i>)
311	20G16E334	Manifold Handle (<i>Quantity of Two</i>)
312	20G16E332	Connecting Rod Handle
313	20G124859	1/4-20 x 5/16" Shoulder Bolt (<i>Quantity of Two</i>)
316	20G156684	1/2" x 1/2" Nipple (<i>Quantity of Two</i>)
317	20G121399	O-Ring Solvent Resistant (<i>Quantity of Two</i>)
318	20G124676	External Snap Ring (<i>Quantity of Two</i>)
320	20G150829	Spring for Swivel (<i>Quantity of Two</i>)
—	20G159239	3/8" x 1/2" Nipple (<i>Quantity of Two</i>)
—	20G156173	3/8" x 3/8" Swivel (<i>Quantity of Two</i>)

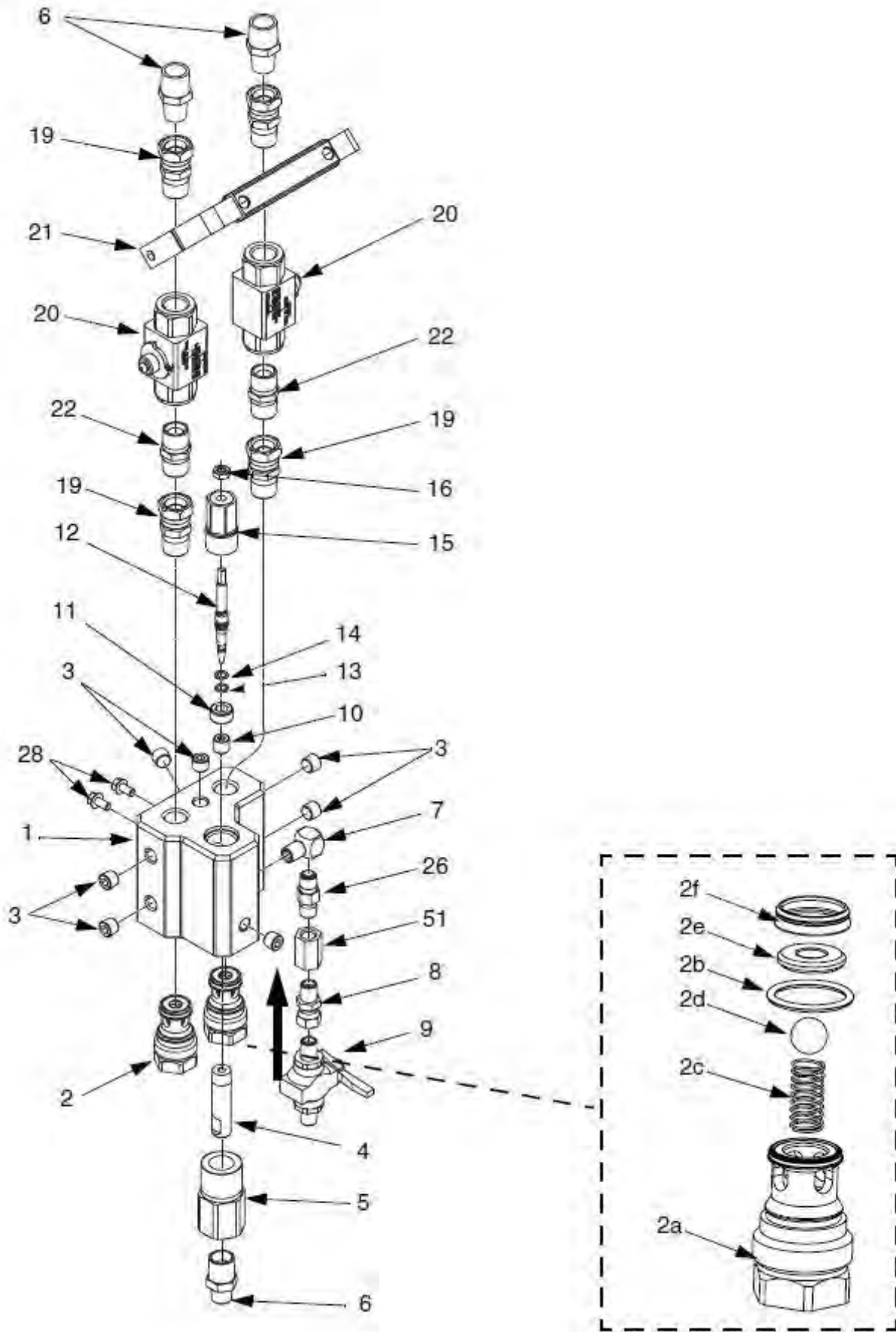
PART NUMBERS AND SCHEMATICS GUIDE

Mix Manifold

Item#	Part#	Description
Fig. 6		
—	20G262807	Mix Manifold
1	20G24P869	Mix Manifold Block
2	20G258986	Check Valve Cartridge <i>(Includes Item #'s: 2a, 2b, 2c, 2d, 2e, and 2f) (Quantity of Two)</i>
2a	20G16D614	Check Valve Housing
2b	20G121138	Packing O-Ring, PTFE, White
2c	20G15M530	Check Valve Spring
2d	20G116166	1/2" Carbide Ball
2e	20G15A968	Foot Valve Seat
2f	20G15K692	Retainer Seat
3	20G100721	1/4" NPT Pipe Plug <i>(Quantity of Seven)</i>
4	20G15R378	Hardener Injector Tube
5	20G15R067	Pipe Outlet
6	20G159239	3/8" x 1/2" Pipe Nipple <i>(Quantity of Three)</i>
7	20G100840	1/4-18 NPT Elbow
8	20G156823	1/4" NPT (M) x 1/4" NPSM (F) Adapter
9	20G214037	1/4" x 1/4" Ball Valve, 5000 psi
10	20G183951	Seat Valve for Restrictor
11	20G15R382	3/4-16 UNC x 0.375 Retainer Screw
12	20G235205	Restrictor Valve Stem
13	20G110004	Packing O-Ring, PTFE, White
14	20G113137	Packing O-Ring, Solvent Resistant, Black
15	20G15M969	Restrictor Housing
16	20G110005	Hex Nut Jam
19	20G156684	1/2" NPT Union Swivel <i>(Quantity of Four)</i>
20	20G262740	1/2" NPT (F) Ball Valve <i>(Quantity of Two)</i>
21	20G24M421	Valve Lever
22	20G158491	1/2" x 1/2" Nipple <i>(Quantity of Two)</i>
26	20G501867	1/4" Stainless Steel Check Valve
28	20G113161	1/4-20 x 1/2" Screw <i>(Quantity of Two)</i>
51	20G113093	1/2" x 1/2" Coupling, 7250 psi
—	20G126786	Restrictor Wrench
—	20G258992	Mix Manifold Repair Kit <i>(Includes Item #'s: 2b, 2c, 2d, 2e, 2f, 13, and 14)</i>
—	209V505	Operator's Manual – Graco® Mix Manifold

PART NUMBERS AND SCHEMATICS GUIDE

Figure 6: Mix Manifold



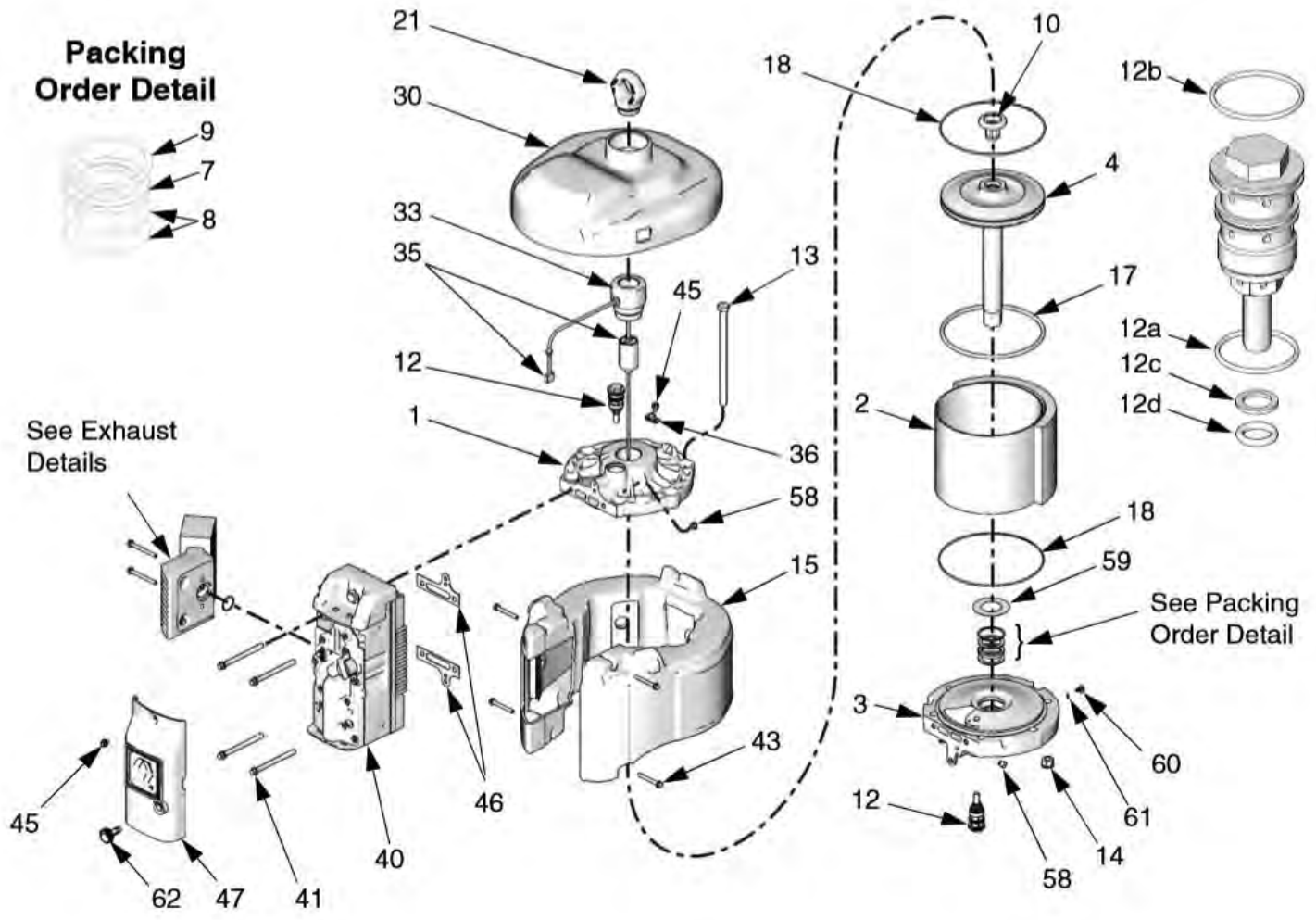
PART NUMBERS AND SCHEMATICS GUIDE

NXT® Model 6500 Air Motor and Exhaust

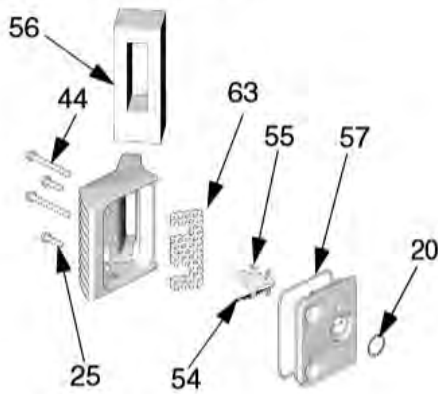
Item#	Part#	Description	Item#	Part#	Description
Fig. 7			25	20G120730	1/4-20 x 1" Machine Screw, Hex Head, (25 mm) (Quantity of Two)
—	20GN65DN0	NXT® Model 6500 De-Icing Air Motor	41	20G120088	3/8-16 x 4" Screw (101 mm) (Quantity of Four)
—	20GN65DH0	NXT® Model 6500 De-Icing Air Motor with Sensor	43	20G120091	1/4-20 x 2" Screw, Thread Forming, (51 mm) (Quantity of Four)
—	20GN65LN0	NXT® Model 6500 Low Noise Motor	44	20G120092	1/4-20 x 2-1/2" Thread Forming Screw, (63 mm) (Quantity of Two)
1	20G15F953	Top Cover	46	20G253476	Gasket
2	20GNXT604	Cylinder	47	20G287844	Valve Cover, Outer
3	20GNXT602	Bottom Cover	51	20G15F674	Safety Label
4	20GNXT601	Piston Assembly	52	20G15F973	Safety Label
7	20G161562	Packing, V-block; Nitrile	54	20G15H179	Deflector
8	20G15H610	Packing, Backup; Leather (Quantity of Two)	55	20G107257	1/4-20 x 1/2" Thread Forming Screw, (13 mm) (Quantity of Two)
9	20G16A026	Retaining Ring	56	20G15H190	Exhaust Seal
10	20GNXT106	Piston Bumper, includes Magnet	57	20G15K345	Gasket, buna-N
12	20GNXT100	Poppet (Quantity of Two) (Includes Item #'s: 12a-12d)	58	20G120206	Poppet Muffler (Quantity of Two)
12a	—	O-Ring, buna-N	59	20G277366	Bumper
12b	20GNXT101	O-Ring, buna-N	60	20G116343	Ground Screw, M5 x 0.8
12c	20GNXT101	O-Ring, Backup, buna-N	61	20G111307	Lock Washer, 5 mm
12d	—	O-Ring, buna-N	62	20GNXT112	De-Ice Knob
13	20G119050	1/2-13 x 8" Hex Head Bolt, (203 mm) (Quantity of Six)	63	20G15G689	Exhaust Diffuser
14	20G15F639	1/2-13 Nut with Lock Washer (Quantity of Six)	—	20GNXT600	Repair Kit NXT® 6500 Air Motor (Includes Item #'s: 7, 8, 9, 17, 18, and 46)
15	20GNXT603	Muffler	—	209V509	Operator's Manual – Graco® NXT® Air Motor
17	20G122675	Piston O-Ring, Nitrile			
18	20G15F448	End Cap O-Ring, Nitrile (Quantity of Two)			
20	20G119990	O-Ring, buna-N			
21	20G15F931	Lift Ring			
22	20GNXT110	De-Ice Exhaust Kit (Includes Item #'s: 20, 25, 44, 56, and 57)			
23	20GNXT105	Remote Exhaust Kit (Includes items 20, 44)			
24	20GNXT104	Low Noise Exhaust Kit (Includes item #'s: 20, 22, 25, 44, 54, 55, 56, and 57)			

PART NUMBERS AND SCHEMATICS GUIDE

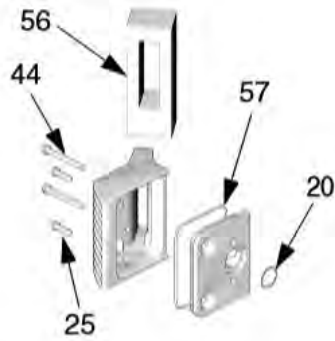
Figure 7: NXT® Model 6500 Air Motor and Exhaust



Low Noise Exhaust






De-Ice Exhaust




Remote Exhaust





OPTIONAL ACCESSORIES

		MANIFOLD VALVES			
	Part Numbers	Type	Maximum Working Pressure	Thread Size	Seals
	20G262740	Spare Valve (No Handle)	7250 psi	1/2" NPT	PTFE with PEEK seat
	20G262739	Spare Valve (Single Handle)	7250 psi	1/2" NPT	PTFE with PEEK seat
<i>No Image Available</i>	20G24M601	Ball Valve Repair Kit			
	20G262520	Recirculation/Over Pressurization Valve			

		PRESSURE MONITOR KIT
	Part Numbers	Description
	20G262940	XP70™ Pressure Monitor Kit, Electric
	20G262942	XP70™ Pressure Monitor Kit, Pneumatic

OPTIONAL ACCESSORIES

		STATIC MIXERS				
Part Numbers	Diameter	Length	Pressure Limit	Housing Material	Element Material	
	20TAH100206	1/4"	3.75"	8500 psi	Stainless Steel	Stainless Steel
	20TAH100212	1/4"	7"	8500 psi	Stainless Steel	Stainless Steel
	20G511352	3/8"	9.5"	7250 psi	Stainless Steel	Stainless Steel
	20TAH100312	3/8"	9.5"	7250 psi	Stainless Steel	Stainless Steel
	20TAH7700195	3/8"	13.12"	7250 psi	Stainless Steel	Plastic
	2070039	1/2"	2"	5000 psi	Plastic	Plastic
	20TAH100412	1/2"	11"	7250 psi	Stainless Steel	Stainless Steel

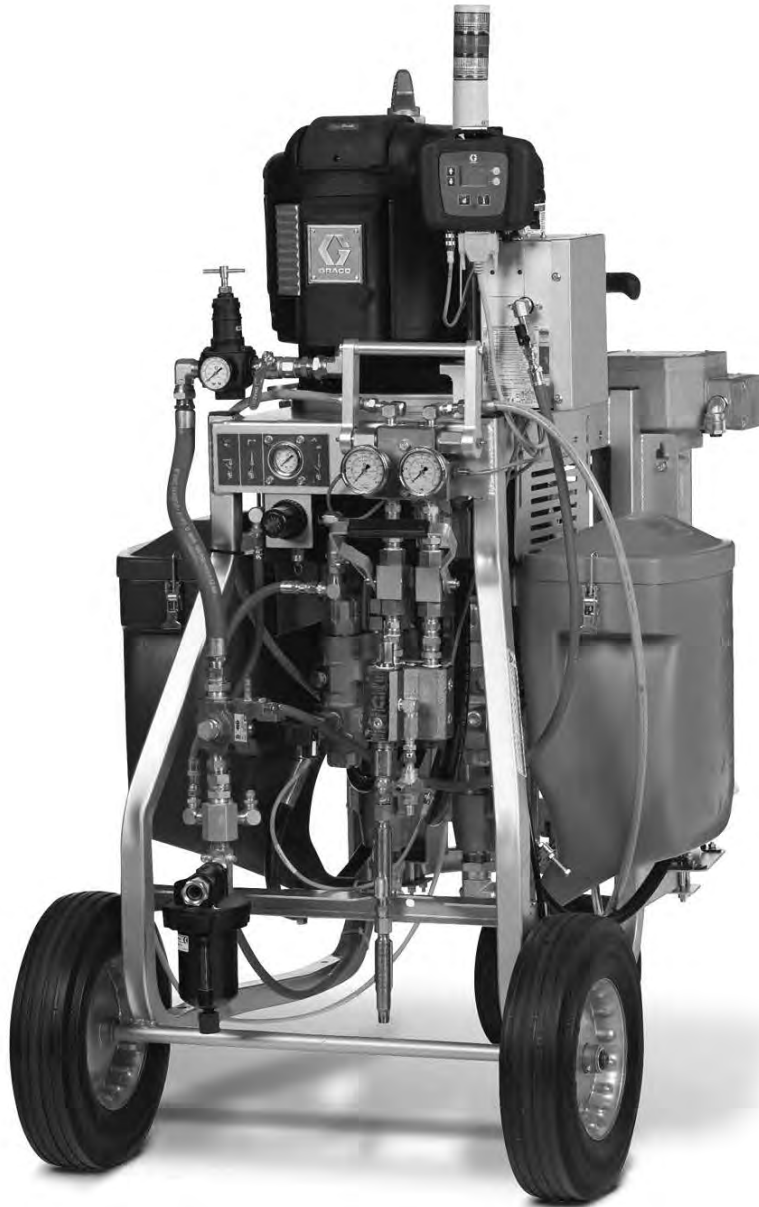
		STATIC MIXER REPLACEMENT PARTS	
Part Numbers	Description	Quantity	
	20G248925	1/4" x 12 Ft. Whip Hose Mixing Kit	20G15E592 Housings (<i>Quantity of Two</i>) and 20G248927 Mixing Elements (<i>Quantity of Six</i>)
	20TAH090312	3/8" x 12" Stainless Steel Mixing Element	12/Package
	20G248927	1/2" Plastic Mixing Element	25/Package
	20G15E592	1/2" x 5" Static Mix Housing	One Each
	20TAH100612	3/4" x 12" Stainless Steel Mixing Element	12/Package

PART NUMBERS AND SCHEMATICS GUIDE

GRACO® XP50™ PLURAL COMPONENT SPRAYER – CART MOUNT

Part Numbers	Mix Manifold	Mix Ratio	Fluid/Air Pressure Ratio	Maximum Fluid Working Pressure	7 Gallon Hopper	Airless Spray Gun Included	Hose Length
20G282000	Standard	—	—	—		XTR-5™	35'
20G282101	Standard	1:1	45:1	4500 psi		XTR-5™	35'
20G282102	Standard	1:1	45:1	4500 psi	X	XTR-5™	35'
20G282151	Standard	1.5:1	55:1	5000 psi		XTR-5™	35'
20G282152	Standard	1.5:1	55:1	5000 psi	X	XTR-5™	35'
20G282201	Standard	2:1	48:1	4500 psi		XTR-5™	35'
20G282202	Standard	2:1	48:1	4500 psi	X	XTR-5™	35'
20G282251	Standard	2.5:1	52:1	5000 psi		XTR-5™	35'
20G282252	Standard	2.5:1	52:1	5000 psi	X	XTR-5™	35'
20G282301	Standard	3:1	45:1	4500 psi		XTR-5™	35'
20G282302	Standard	3:1	45:1	4500 psi	X	XTR-5™	35'
20G282331	Standard	3.3:1	56:1	5000 psi		XTR-5™	35'
20G282332	Standard	3.3:1	56:1	5000 psi	X	XTR-5™	35'
20G282401	Standard	4:1	48:1	4800 psi		XTR-5™	35'
20G282402	Standard	4:1	48:1	4800 psi	X	XTR-5™	35'
20G283101	Quickset	1:1	45:1	4500 psi		Flex Plus™	10'
20G283102	Quickset	1:1	45:1	4500 psi	X	Flex Plus™	10'
20G283201	Quickset	2:1	48:1	4800 psi		Flex Plus™	10'
20G283202	Quickset	2:1	48:1	4800 psi	X	Flex Plus™	10'
20G283301	Quickset	3:1	45:1	4500 psi		Flex Plus™	10'
20G283302	Quickset	3:1	45:1	4500 psi	X	Flex Plus™	10'
20G283401	Quickset	4:1	48:1	4800 psi		Flex Plus™	10'
20G283402	Quickset	4:1	48:1	4800 psi	X	Flex Plus™	10'
20G282105	—	1:1	45:1	4500 psi		—	—
20G282106	—	1:1	45:1	4500 psi	X	—	—
20G282155	—	1.5:1	55:1	5000 psi		—	—
20G282156	—	1.5:1	55:1	5000 psi	X	—	—
20G282205	—	2:1	48:1	4500 psi		—	—
20G282206	—	2:1	48:1	4500 psi	X	—	—
20G282255	—	2.5:1	52:1	5000 psi		—	—
20G282256	—	2.5:1	52:1	5000 psi	X	—	—
20G282305	—	3:1	45:1	4500 psi		—	—
20G282306	—	3:1	45:1	4500 psi	X	—	—
20G282405	—	4:1	48:1	4800 psi		—	—
20G282406	—	4:1	48:1	4800 psi	X	—	—

PART NUMBERS AND SCHEMATICS GUIDE



(Cart Mount)

PART NUMBERS AND SCHEMATICS GUIDE

GRACO® XP50™ PLURAL COMPONENT SPRAYER – BARE BARE PACKAGES

Part Numbers	Mix Ratio	Fluid/Air Ratio	Maximum Fluid Working Pressure	Combined Fluid Output	Fluid Flow @ 40 cpm	A Side Pump	B Side Pump
20G282100	1:1	45:1	4500 psi	288cc	3.1 gpm	20GL14AC0	20GL14AC0
20G282150	1.5:1	55:1	5000 psi	240cc	2.6 gpm	20GL14AC0	20GL097C0
20G282200	2:1	48:1	4800 psi	270cc	2.9 gpm	20GL18AC0	20GL090C0
20G282250	2.5:1	52:1	5000 psi	252cc	2.7 gpm	20GL18AC0	20GL072C0
20G282300	3:1	45:1	4500 psi	288cc	3.1 gpm	20GL22AC0	20GL072C0
20G282330	3.3:1	56:1	5000 psi	234cc	2.5 gpm	20GL18AC0	20GL054C0
20G282400	4:1	48:1	4800 psi	270cc	2.9 gpm	20GL22AC0	20GL054C0

PART NUMBERS AND SCHEMATICS GUIDE



(Bare Bare Package)

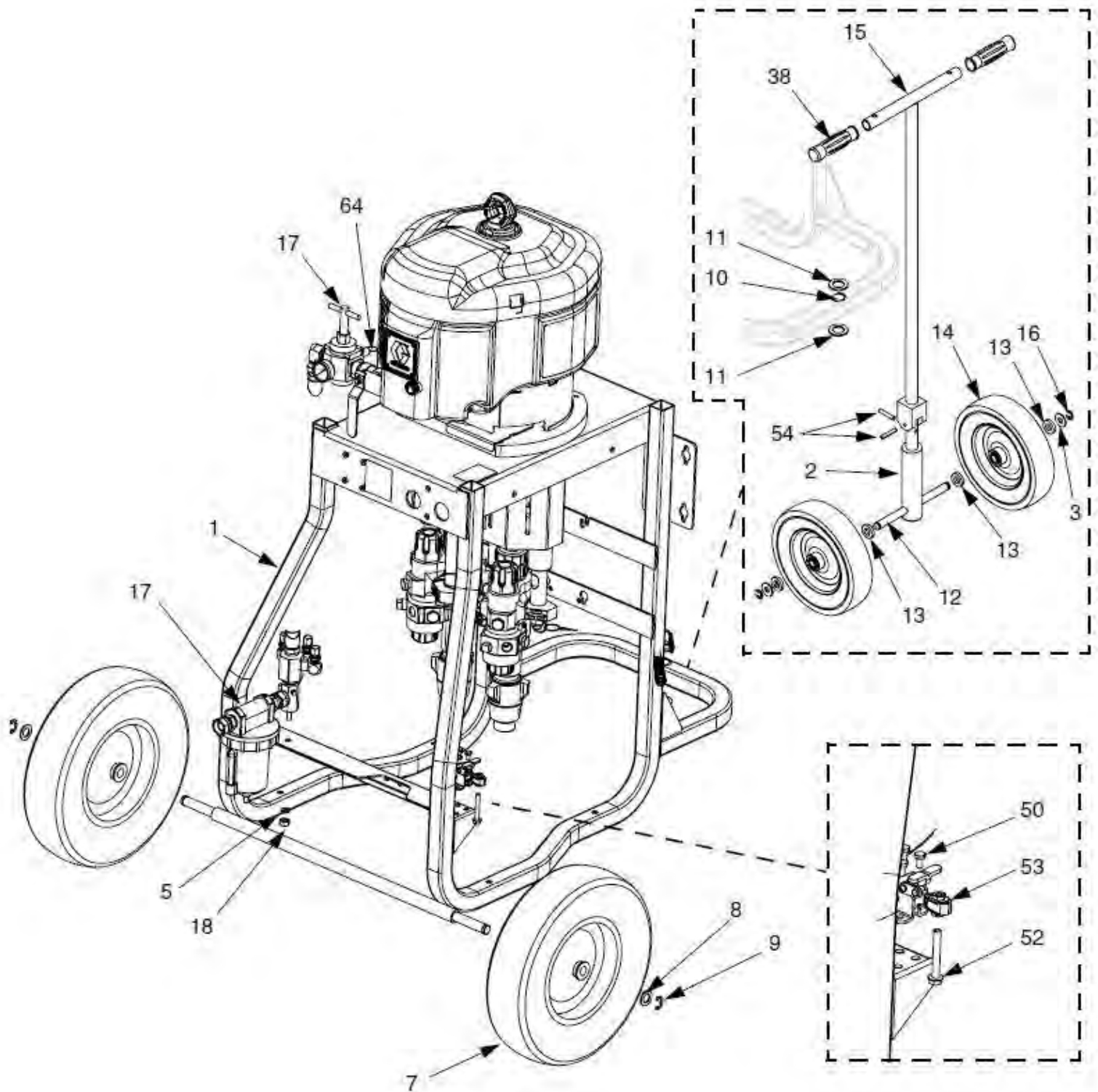
PART NUMBERS AND SCHEMATICS GUIDE

Graco® XP50™ Plural Component Sprayer – Cart Mount

Item#	Part#	Description
Fig. 1		
—	—	Graco® XP50™ Plural Component Sprayer – Cart Mount
1	20G258913	Cart
2	20G262476	Vertical Axle
3	20G111841	5/8" Flat Washer (<i>Quantity of Two</i>)
5	20G100133	3/8" Lock Washer (<i>Quantity of Seven</i>)
6	20G100101	3/8-16 x 1" Long Screw (<i>Quantity of Four</i>)
7	20G113362	Wheel (<i>Quantity of Two</i>)
8	20G154628	3/4" Washer (<i>Quantity of Two</i>)
9	20G113436	Retaining Ring (<i>Quantity of Two</i>)
10	20G124410	Sleeve Bearing 1 x 1-1/4 x 1-1/2
11	20G124664	Thrust Washer (<i>Quantity of Two</i>)
12	20G15A913	Horizontal Axle
13	20G191824	Space Washer (<i>Quantity of Four</i>)
14	20G113807	Free Flat Wheel – Urethane (<i>Quantity of Two</i>)
15	20G258982	Cart Handle
16	20G101242	Retaining Ring (<i>Quantity of Two</i>)
17	20G258983	Air Controls (<i>See Fig. 6</i>)
18	20G100131	3/8-16 Full Hex Nut (<i>Quantity of Seven with Hopper, Quantity of Three without Hopper</i>)
38	20G116139	Grip Handle (<i>Quantity of Two</i>)
50	20G555357	Screw (<i>Quantity of Four</i>)
53	20G124259	Plunger Clamp Brake
54	20G124291	Spring Pin (<i>Quantity of Two</i>)
64	20G113498	Relief Valve, 110 psi
—	20G103347	Relief Valve, 100 psi (<i>For 1.5:1 Mix Ratio Models</i>)
—	20G114055	Relief Valve, 105 psi (<i>For 2.5:1 Mix Ratio Models</i>)

PART NUMBERS AND SCHEMATICS GUIDE

Figure 1: Graco® XP50™ Plural Component Sprayer – Cart Mount



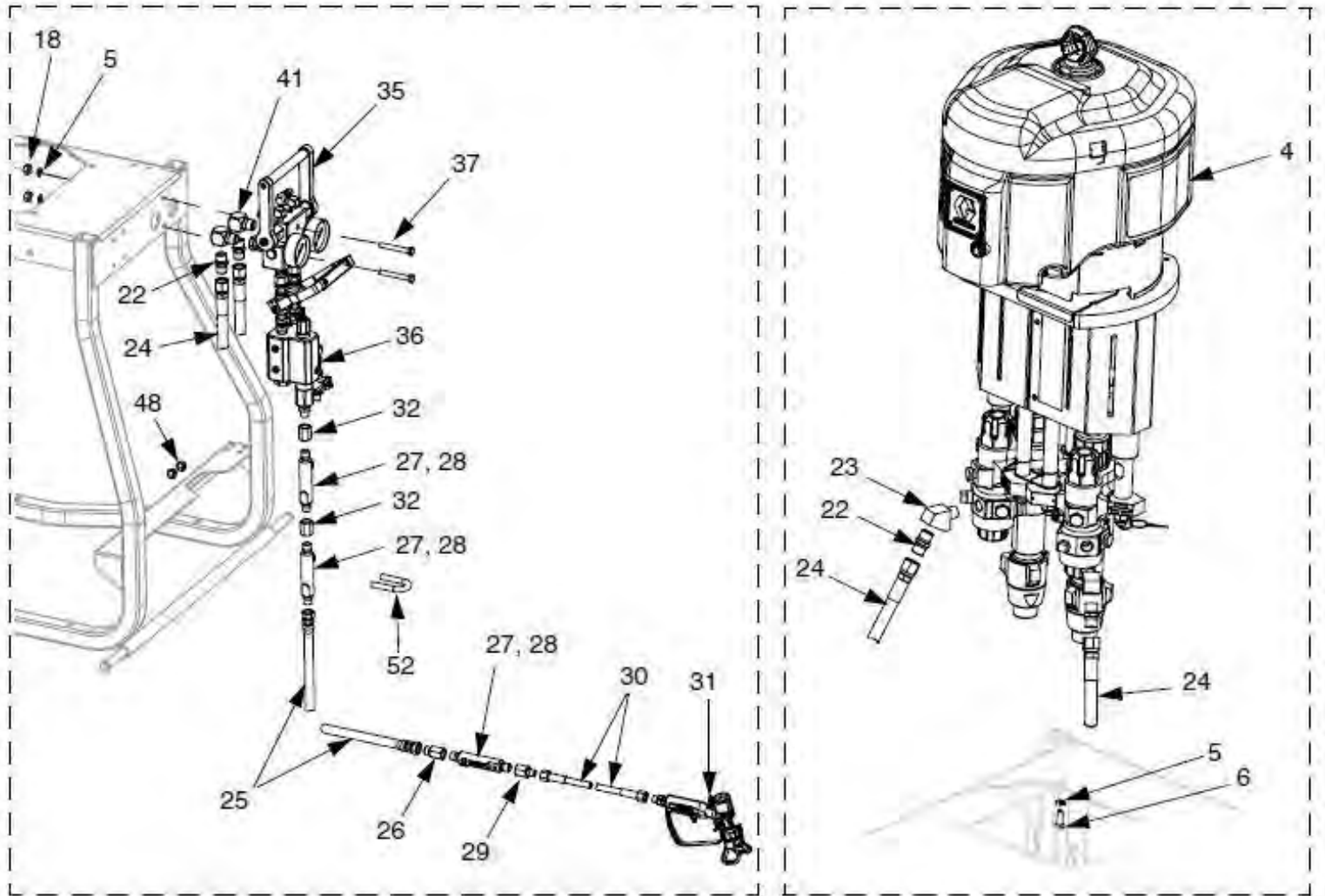
PART NUMBERS AND SCHEMATICS GUIDE

Graco® XP50™ Plural Component Sprayer – Cart Mount *(Continued)*

Item#	Part#	Description
Fig. 2		
—	—	Graco® XP50™ Plural Component Sprayer – Cart Mount
4	—	Pump <i>(See Fig. 4)</i>
5	20G100133	3/8" Lock Washer <i>(Quantity of Seven)</i>
6	20G100101	3/8-16 x 1" Long Screw <i>(Quantity of Four)</i>
—	20G111218	Cap <i>(Quantity of Four)</i>
18	20G100131	3/8-16 Full Hex Nut <i>(Quantity of Seven with Hopper, Quantity of Three without Hopper)</i>
22	20G158491	1/2" x 1/2" Nipple Fitting <i>(Quantity of Four)</i>
23	20G15M987	1/2" NPT (M) x 1/2" NPT (F) Elbow <i>(Quantity of Two)</i>
24	20GH75003	1/2" x 3' Coupled Hose, 7250 psi <i>(Quantity of Two)</i>
25	20GH53825	3/8" x 25' Coupled Hose, 5600 psi <i>(For Standard Mix Manifold Models)</i>
26	20G15B729	3/8" NPT (F) x 3/8" NPSM (M) Adapter <i>(For Standard Mix Manifold Models)</i>
27	20G262478	1/2" x 5" Static Housing Mixer Kit <i>(For Standard Models Only) (Quantity of Three)</i>
28	20G248927	Static Mixer Element, Pack of 25 <i>(For Standard Mix Manifold Models)</i>
29	20G150287	Reducing Coupling 3/8" to 1/4" Whip <i>(For Standard Mix Manifold Models)</i>
30	20GH72510	1/4" x 10' Coupled Hose, 7250 psi
31	20GXTR504	XTR-5™ Airless Spray Gun <i>(For Standard Mix Manifold Models)</i>
—	20G246468	Flex Plus™ Airless Spray Gun <i>(For Quickset Manifold Models)</i>
32	20G162024	3/8" Coupling <i>(For Standard Models Only) (Quantity of Two)</i>
—	20G552069	Label, Metalized
35	20G258990	XP50™ Fluid Manifold <i>(See Fig. 7)</i>
36	20G262807	Mix Manifold – No Carriage <i>(For Standard Mix Manifold Models)</i>
37	20G106212	3/8-16 x 2-1/2 Screw Cap, Hex HD <i>(Quantity of Two)</i>
41	20G158683	90° 1/2" Elbow Fitting <i>(Quantity of Two)</i>
48	20G101566	Lock Nut – 3/8-16 <i>(For Standard Mix Manifold Models) (Quantity of Two)</i>
52	20G124293	U-Bolt – 3/8-16, 1" Diameter <i>(For Standard Mix Manifold Models)</i>
—	20G206995	Throat Seal Liquid – 1 qt.

PART NUMBERS AND SCHEMATICS GUIDE

Figure 2: Graco® XP50™ Plural Component Sprayer – Cart Mount (Continued)



PART NUMBERS AND SCHEMATICS GUIDE

Graco® XP50™ Plural Component Sprayer – Cart Mount *(Continued)*

Item#	Part#	Description
Fig. 3		
—	—	Graco® XP50™ Plural Component Sprayer – Cart Mount
1	20G258913	Cart
—	20G111218	Cap <i>(Quantity of Four)</i>
18	20G100131	3/8-16 Full Hex Nut <i>(Quantity of Seven with Hopper, Quantity of Three without Hopper)</i>
—	20G512519	Mixing Element 1/2-12 <i>(Quantity of Three)</i>
49	20G15U654	Label, A and B, Set of Four
55	20G24E872	Hopper Bracket <i>(Quantity of Two with Hopper)</i>
56	20G262479	Blue Hopper – 7 gal <i>(For Models with Hopper Included)</i>
57	20G262480	Green Hopper – 7 gal <i>(For Models with Hopper Included)</i>
58	20G116704	Adapter – 1/4" NPT x 9/16-18 JIC <i>(Quantity of Two)</i>
59	20G15V421	Recirculated Tube – 3/8" <i>(Quantity of Two)</i>
—	20G114958	Tie Strap <i>(Quantity of Ten)</i>
60	20GH52506	1/4" I.D. x 6' Coupled Hose, 5600 psi <i>(Quantity of Two with Hopper)</i>
—	20GH52510	1/4" I.D. x 10' Coupled Hose, 5600 psi
61	20G16D376	1-1/4" Swivel Fitting <i>(Quantity of Two with Hopper)</i>
62	20G111192	Cap Flange Head Screw <i>(Quantity of Four with Hopper)</i>
65	20G262482	Hopper Strainer – 7 gal <i>(Quantity of Two with Hopper)</i>
66	20G15T468	Label, Warning <i>(Quantity of Two with Hopper)</i>
69	20G16F359	Label, Fire and Explosion Hazard
70	20G16F615	Wrench Tool
89	20G16G819	Filter Wrench
90	20G16J688	Gauge Plug
—	20G126786	Restrictor Valve Wrench

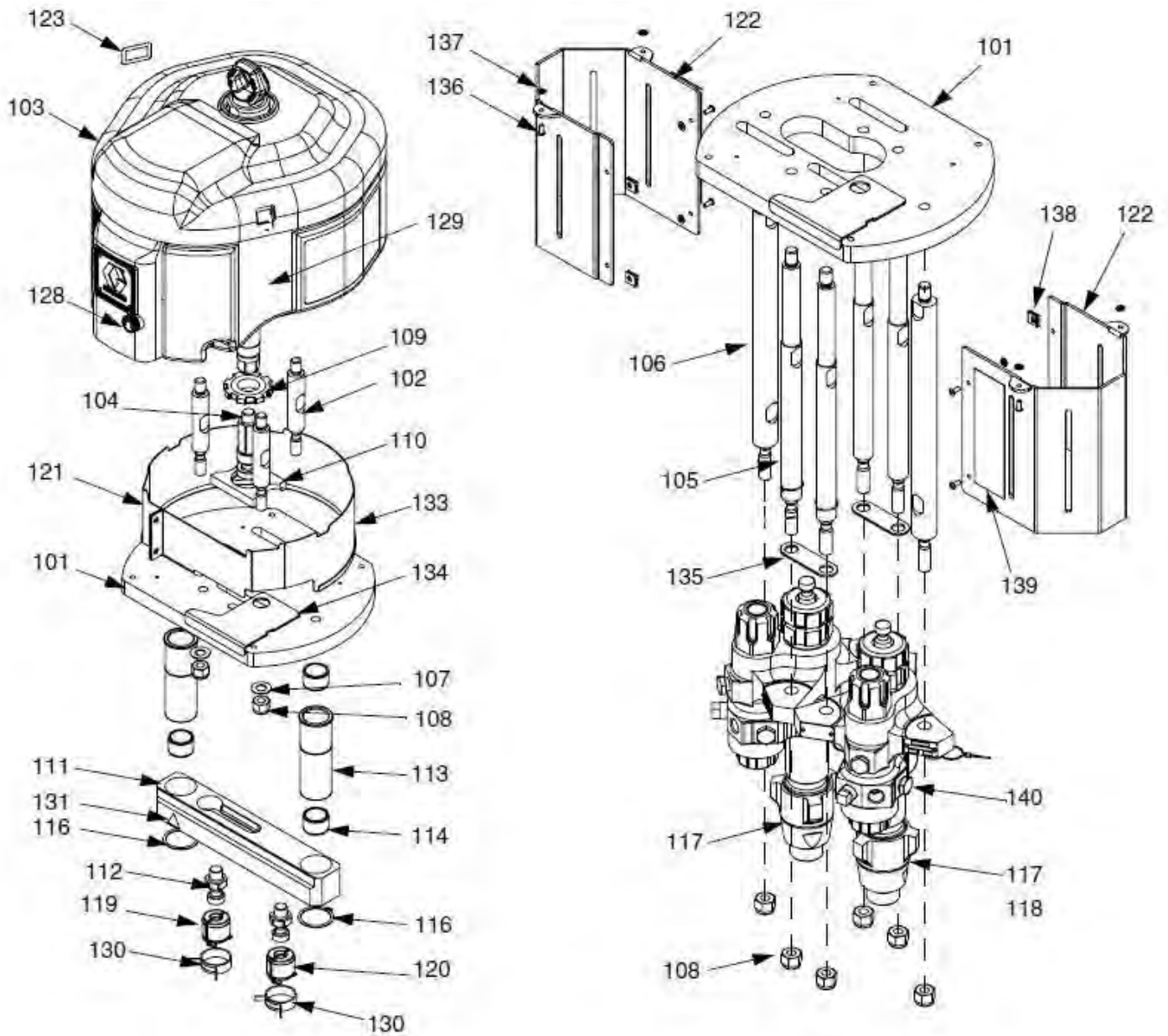
PART NUMBERS AND SCHEMATICS GUIDE

Graco® XP50™ Plural Component Sprayer – Bare Bare Proportioning Pump Package

Item#	Part#	Description
Fig. 4		
—	—	Bare Bare Proportioning Pump Package
101	20G262465	Motor Plate
102	20G262466	Rod Tie, 4" x 1" (<i>Quantity of Three</i>)
103	20GN65DN0	NXT® Air Motor 6500 (<i>See Fig. 5</i>)
104	20G262467	Rod Adapter
105	20G262468	Rod Tie, 14-1/4" with Shoulder (<i>Quantity of Four</i>)
106	20G262469	Rod Tie, 14-1/4" x 1-1/4" (<i>Quantity of Two</i>)
107	20G154636	Flat Washer 5/8" (<i>Quantity of Three</i>)
108	20G101712	Lock Nut with Nylon Inserts 5/8-11 (<i>Quantity of Nine</i>)
109	20G16D451	Yoke Nut
110	20G262470	Ratio Indicator Bracket
111	20G262471	Yoke Pump Assembly
112	20G15H392	Rod Adapter (<i>Quantity of Two</i>)
113	20G262472	Sleeve with Bearing (<i>Quantity of Two</i>)
116	20G123976	External Snap Ring (<i>Quantity of Two</i>)
117	20GL090C0	Pump Lower, 90cc (<i>For model 20G282200 only</i>)
—	20GL14AC0	Pump Lower, 145cc (<i>For models 20G282100 and 20G282150 only</i>) (<i>Quantity of Two for model 20G282100</i>)
—	20GL18AC0	Pump Lower, 180cc (<i>For models 20G282200, 20G282250, and 20G282330 only</i>)
—	20GL22AC0	Pump Lower, 220cc (<i>For models 20G282300 and 20G282400 only</i>)
118	20GL054C0	Pump Lower, 54cc (<i>For models 20G282330 and 20G282400 only</i>)
—	20GL072C0	Pump Lower, 72cc (<i>For models 20G282250 and 20G282300 only</i>)
—	20GL097C0	Pump Lower, 97cc (<i>For model 20G282150 only</i>)
119	20G244819	Graco® Xtreme® Rod Quick Coupling (<i>Quantity of Two for model 20G282100</i>)
—	20G247167	Coupling for Pump Lower (<i>Not Included for model 20G282100</i>)
121	20G262473	Motor Rod Cover
122	20G262474	Pump Cover (<i>Quantity of Two</i>)
123	—	Label, Identification
128	20GNXT102	De-Ice Knob, Pack of Five
129	20G16M178	Label, XP50™
130	20G124078	Constant Tension Clamp Spring (<i>Quantity of Two</i>)
131	20G15H108	Label, Pinch Point
133	20G114225	Edge Protection Trim (<i>Quantity of Two</i>)
134	20G262475	Ratio Indicator Bracket
135	20G16E882	Lowers Strap (<i>Quantity of Two</i>)
136	—	Screw, Cap, Button HD (<i>Quantity of Eight</i>)
137	—	Washer, Retaining, Nylon (<i>Quantity of Eight</i>)
138	20G124665	Captive Nut (<i>Quantity of Four</i>)
139	20G15T468	Label, Warning (<i>Quantity of Two</i>)
140	20G244524	Ground Wire Assembly with Clamp

PART NUMBERS AND SCHEMATICS GUIDE

Figure 4: Graco® XP50™ Plural Component Sprayer – Bare Bare Proportioning Pump Package



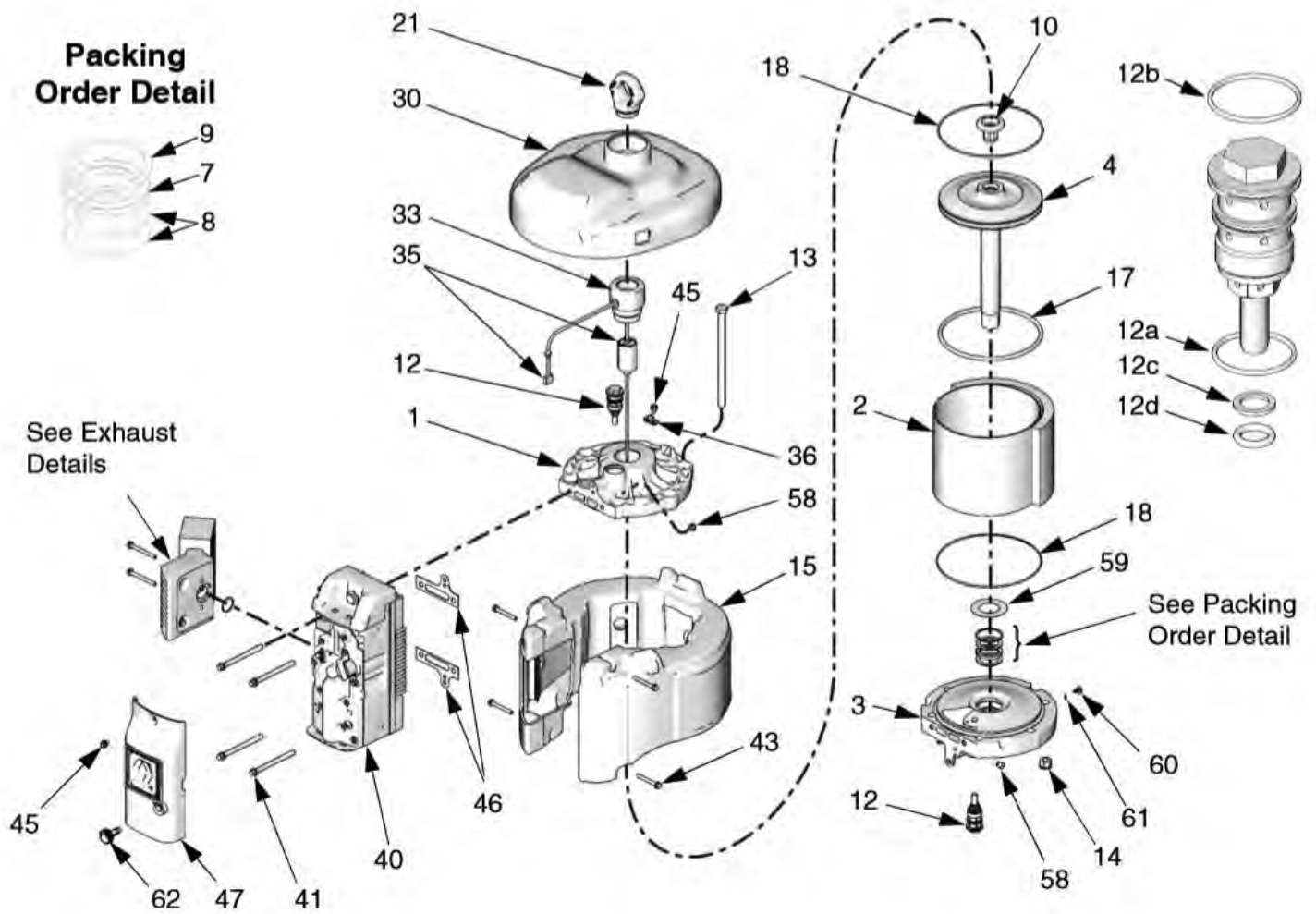
PART NUMBERS AND SCHEMATICS GUIDE

NXT® Model 6500 Air Motor and Exhaust

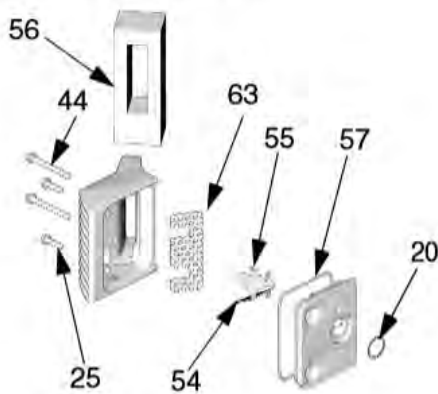
Item#	Part#	Description	Item#	Part#	Description
Fig. 5			41	20G120088	3/8-16 x 4" Screw (101 mm) <i>(Quantity of Four)</i>
—	20GN65DN0	NXT® Model 6500 De-Icing Air Motor	43	20G120091	1/4-20 x 2" Screw, Thread Forming, (51 mm) <i>(Quantity of Four)</i>
—	20GN65DH0	NXT® Model 6500 De-Icing Air Motor with Sensor	44	20G120092	1/4-20 x 2-1/2" Thread Forming Screw, (63 mm) <i>(Quantity of Two)</i>
—	20GN65LN0	NXT® Model 6500 Low Noise Motor	46	20G253476	Gasket
1	20G15F953	Top Cover	47	20G287844	Valve Cover, Outer
2	20GNXT604	Cylinder	51	20G15F674	Safety Label
3	20GNXT602	Bottom Cover	52	20G15F973	Safety Label
4	20GNXT601	Piston Assembly	54	20G15H179	Deflector
7	20G161562	Packing, V-block; Nitrile	55	20G107257	1/4-20 x 1/2" Thread Forming Screw, (13 mm) <i>(Quantity of Two)</i>
8	20G15H610	Packing, Backup; Leather <i>(Quantity of Two)</i>	56	20G15H190	Exhaust Seal
9	20G16A026	Retaining Ring	57	20G15K345	Gasket, buna-N
10	20GNXT106	Piston Bumper, includes Magnet	58	20G120206	Poppet Muffler <i>(Quantity of Two)</i>
12	20GNXT100	Poppet <i>(Quantity of Two)</i> <i>(Includes Item #'s: 12a-12d)</i>	59	20G277366	Bumper
12a	—	O-Ring, buna-N	60	20G116343	Ground Screw, M5 x 0.8
12b	20GNXT101	O-Ring, buna-N	61	20G111307	Lock Washer, 5 mm
12c	20GNXT101	O-Ring, Backup, buna-N	62	20GNXT112	De-Ice Knob
12d	—	O-Ring, buna-N	63	20G15G689	Exhaust Diffuser
13	20G119050	1/2-13 x 8" Hex Head Bolt, (203 mm) <i>(Quantity of Six)</i>	—	20GNXT600	Repair Kit NXT® 6500 Air Motor <i>(Includes Item #'s: 7, 8, 9, 17, 18, and 46)</i>
14	20G15F639	1/2-13 Nut with Lock Washer <i>(Quantity of Six)</i>			
15	20GNXT603	Muffler			
17	20G122675	Piston O-Ring, Nitrile			
18	20G15F448	End Cap O-Ring, Nitrile <i>(Quantity of Two)</i>			
20	20G119990	O-Ring, buna-N			
21	20G15F931	Lift Ring			
22	20GNXT110	De-Ice Exhaust Kit <i>(Includes Item #'s: 20, 25, 44, 56, and 57)</i>			
23	20GNXT105	Remote Exhaust Kit <i>(Includes items 20, 44)</i>			
24	20GNXT104	Low Noise Exhaust Kit <i>(Includes item #'s: 20, 22, 25, 44, 54, 55, 56, and 57)</i>			
25	20G120730	1/4-20 x 1" Machine Screw, Hex Head, (25 mm) <i>(Quantity of Two)</i>			

PART NUMBERS AND SCHEMATICS GUIDE

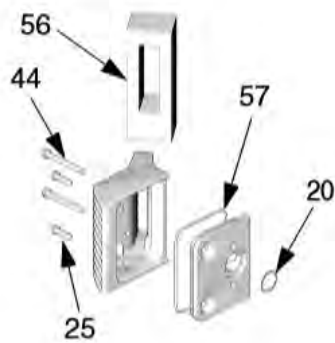
Figure 5: NXT® Model 6500 Air Motor and Exhaust



Low Noise Exhaust



De-Ice Exhaust

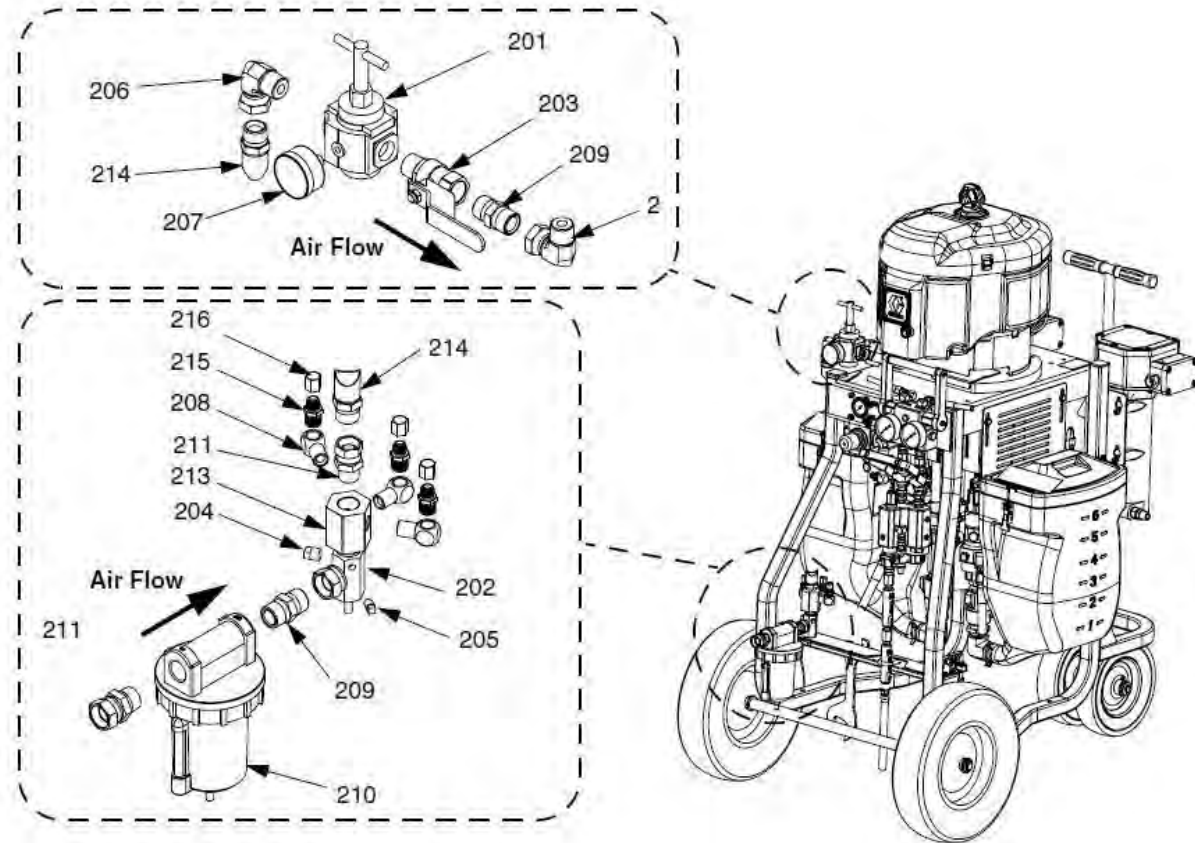


Remote Exhaust



PART NUMBERS AND SCHEMATICS GUIDE

Figure 6: Air Controls



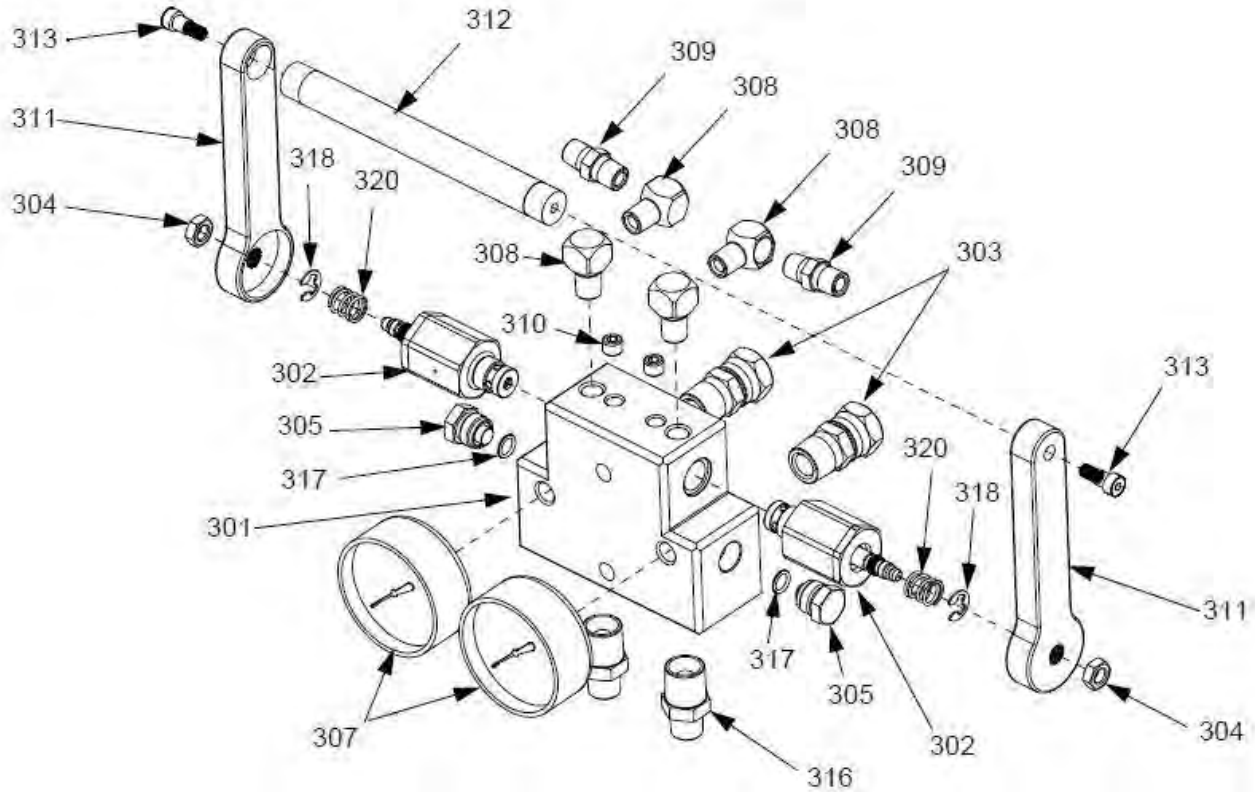
Item#	Part#	Description
-------	-------	-------------

Fig. 6

—	20G258983	Air Controls
201	20G16F014	T-Handle Air Regulator
202	20G207675	Air Manifold
203	20G113218	3/4" Ball Valve Vented M x F
204	20G100509	Pipe Plug – 1/4" Square Head
205	20G100403	Pipe Plug – 1/8" – NPTF
206	20G160327	90° Union Swivel, 3/4" x 3/4" (<i>Quantity of Two</i>)
207	20G101689	Air Gauge
208	20G155699	3/8" 90° Elbow (<i>Quantity of Three</i>)
209	20G119992	3/4" x 3/4" NPT Pipe Nipple Fitting (<i>Quantity of Two</i>)
210	20G117628	Filter Air 3/4" Auto Drain
—	20G106204	Filter Element
211	20G157785	Union Swivel, 3/4" x 3/4", Carbon Steel (<i>Quantity of Two</i>)
213	20G15E145	Air Distribution Manifold
214	20G16E004	Coupled Air Hose – 26" Section
215	20G157350	1/4" NPT x 3/8" NPT Nipple, 5000 psi (<i>Quantity of Three</i>)
216	20G115781	1/4" NPT Cap Plug (<i>Quantity of Three</i>)

PART NUMBERS AND SCHEMATICS GUIDE

Figure 7: Fluid Manifold



Item#	Part#	Description
-------	-------	-------------

Fig. 7

—	20G262783	Fluid Manifold
301	20G16D693	Recirculation Manifold Block
302	20G262809	Recirculation/Over Pressurization Valve (Quantity of Two)
303	20G156684	1/2" Union M x F (Quantity of Two)
304	20G112309	Jam Hex Nut (Quantity of Two)
305	20G198241	Pressure Port Plug, 11/16-24 (Quantity of Two)
306	20G156173	Union Swivel – 3/8" NPTF x 3/8" NPSF (Quantity of Two)
307	20G114434	1/4" Pressure Gauge, 10,000 psi (Quantity of Two)
308	20G100840	1/4-18 NPT Elbow (Quantity of Four)
309	20G156971	1/4" x 1/4" Nipple (Quantity of Two)
310	20G557349	1/8" NPT Dry Seal Plug (Quantity of Two)
311	20G16E334	Manifold Handle (Quantity of Two)
312	20G16E332	Connecting Rod Handle
313	20G124859	1/4-20 x 5/16" Shoulder Bolt (Quantity of Two)
316	20G156684	1/2" x 1/2" Nipple (Quantity of Two)
317	20G121399	O-Ring Solvent Resistant (Quantity of Two)
318	20G124676	External Snap Ring (Quantity of Two)
320	20G150829	Spring for Swivel (Quantity of Two)
—	20G159239	3/8" x 1/2" Nipple (Quantity of Two)
—	20G156173	3/8" x 3/8" Swivel (Quantity of Two)

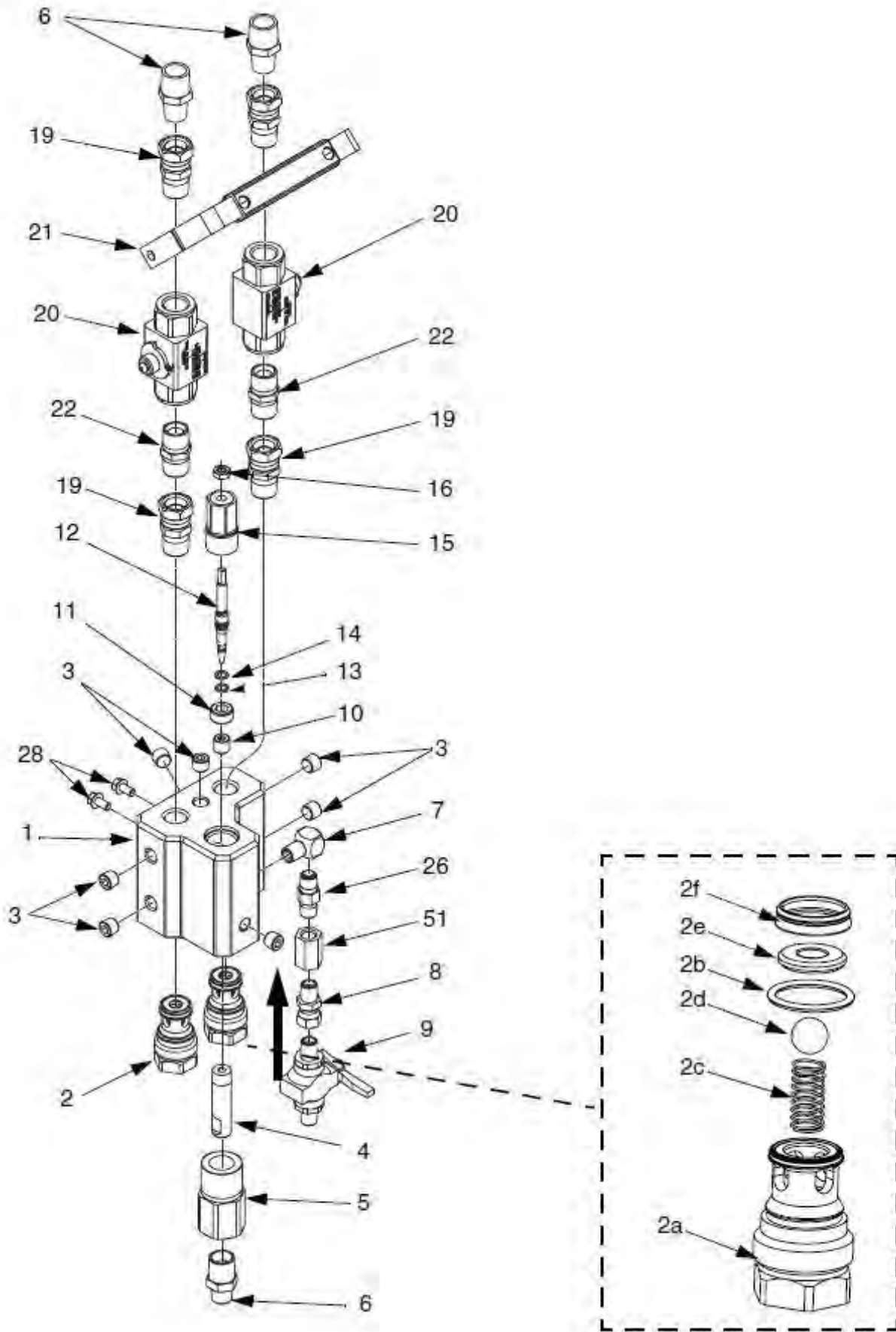
PART NUMBERS AND SCHEMATICS GUIDE

Mix Manifold

Item#	Part#	Description
Fig. 8		
—	20G262807	Mix Manifold
1	20G24P869	Mix Manifold Block
2	20G258986	Check Valve Cartridge <i>(Includes Item #'s: 2a, 2b, 2c, 2d, 2e, and 2f) (Quantity of Two)</i>
2a	20G16D614	Check Valve Housing
2b	20G121138	Packing O-Ring, PTFE, White
2c	20G15M530	Check Valve Spring
2d	20G116166	1/2" Carbide Ball
2e	20G15A968	Foot Valve Seat
2f	20G15K692	Retainer Seat
3	20G100721	1/4" NPT Pipe Plug <i>(Quantity of Seven)</i>
4	20G15R378	Hardener Injector Tube
5	20G15R067	Pipe Outlet
6	20G159239	3/8" x 1/2" Pipe Nipple <i>(Quantity of Three)</i>
7	20G100840	1/4-18 NPT Elbow
8	20G156823	1/4" NPT (M) x 1/4" NPSM (F) Adapter
9	20G214037	1/4" x 1/4" Ball Valve, 5000 psi
10	20G183951	Seat Valve for Restrictor
11	20G15R382	3/4-16 UNC x 0.375 Retainer Screw
12	20G235205	Restrictor Valve Stem
13	20G110004	Packing O-Ring, PTFE, White
14	20G113137	Packing O-Ring, Solvent Resistant, Black
15	20G15M969	Restrictor Housing
16	20G110005	Hex Nut Jam
19	20G156684	1/2" NPT Union Swivel <i>(Quantity of Four)</i>
20	20G262740	1/2" NPT (F) Ball Valve <i>(Quantity of Two)</i>
21	20G24M421	Valve Lever
22	20G158491	1/2" x 1/2" Nipple <i>(Quantity of Two)</i>
26	20G501867	1/4" Stainless Steel Check Valve
28	20G113161	1/4-20 x 1/2" Screw <i>(Quantity of Two)</i>
51	20G113093	1/2" x 1/2" Coupling, 7250 psi
—	20G126786	Restrictor Wrench
—	20G258992	Mix Manifold Repair Kit <i>(Includes Item #'s: 2b, 2c, 2d, 2e, 2f, 13, and 14)</i>

PART NUMBERS AND SCHEMATICS GUIDE

Figure 8: Mix Manifold



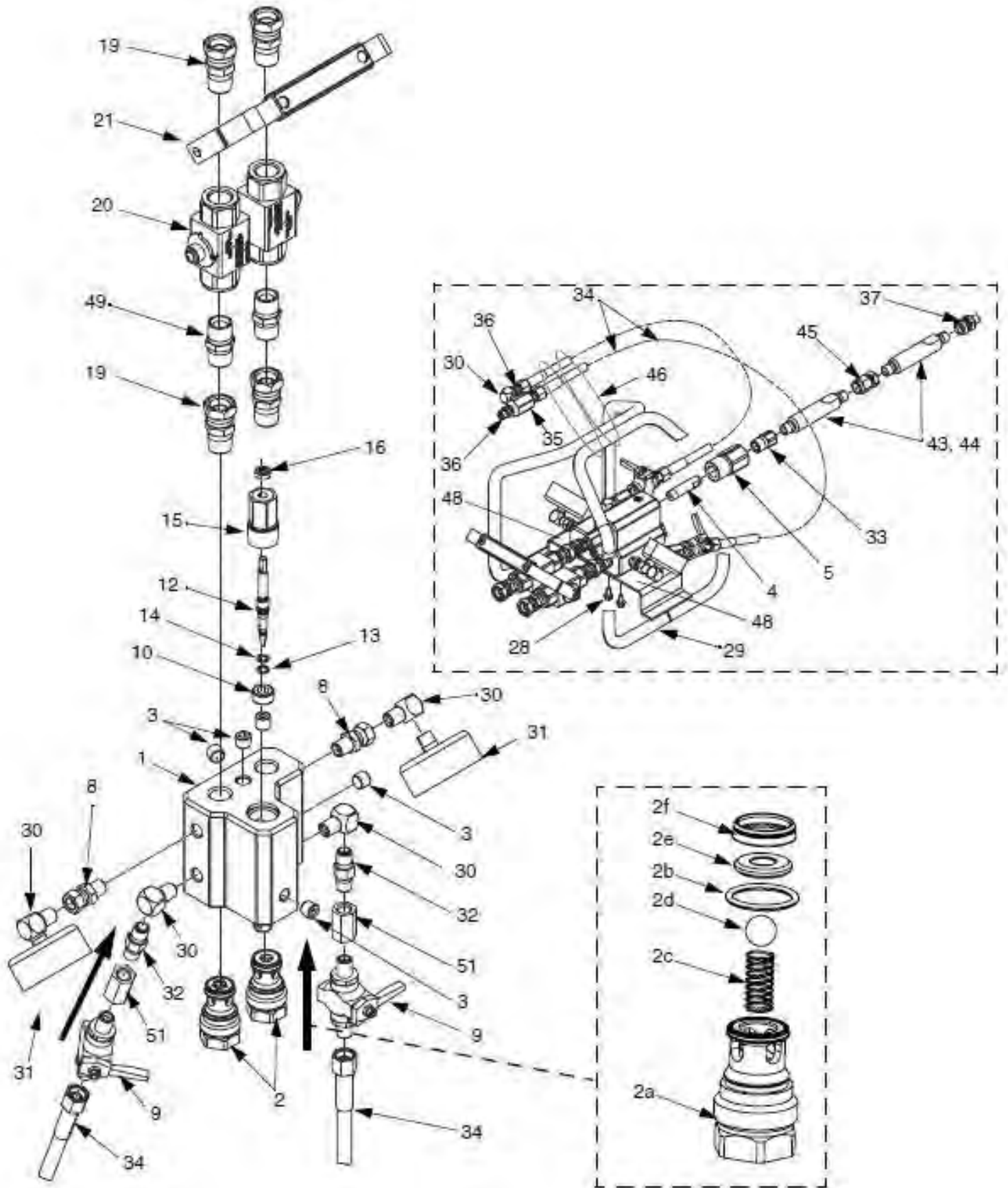
PART NUMBERS AND SCHEMATICS GUIDE

Quickset Mix Manifold

Item#	Part#	Description	Item#	Part#	Description
Fig. 9					
—	20G24M398	Mix Manifold	32	20G501867	1/4" Stainless Steel Check Valve (<i>Quantity of Two</i>)
1	20G24P866	Mix Manifold Block	33	20G121433	1/2" x 3/8" Brushing, 7250 psi
2	20G258986	Check Valve Cartridge (Includes Item #'s: 2a, 2b, 2c, 2d, 2e, and 2f) (<i>Quantity of Two</i>)	34	2000023	1/4" x 3' Coupled Hose (<i>Quantity of Two</i>)
2a	20G16D614	Check Valve Housing	35	20G15R875	1/4" M x F x F Tee Fitting
2b	20G121138	Packing O-Ring, PTFE, White	36	20G162453	1/4" x 1/4" Nipple (<i>Quantity of Two</i>)
2c	20G15M530	Check Valve Spring	37	20G157705	1/4" NPT (M) x 3/8" NPSM (F) Adapter
2d	20G116166	1/2" Carbide Ball	43	20G262478	1/2" x 5" Static Housing Mixer Kit (<i>Quantity of Two</i>)
2e	20G15A968	Foot Valve Seat	44	20G248927	Static Mixer Element (<i>Bag of 25</i>)
2f	20G15K692	Retainer Seat	45	20G156173	3/8" NPTF x 3/8" NPSF Swivel
3	20G100721	1/4" NPT Pipe Plug (<i>Quantity of Four</i>)	46	20G114958	Tie Strap (<i>Quantity of Two</i>)
4	20G15R378	Hardener Injector Tube	—	20G119400	Pipe Sealant
5	20G15R067	Pipe Outlet	48	20G15U654	A/B Identification Label
8	20G156823	1/4" NPT (M) x 1/4" NPSM (F) Adapter (<i>Quantity of Two</i>)	49	20G158491	1/2" x 1/2" Nipple (<i>Quantity of Two</i>)
9	20G214037	1/4" x 1/4" Ball Valve, 5000 psi (<i>Quantity of Two</i>)	51	20G113093	1/2" x 1/2" Coupling, 7250 psi
10	20G183951	Seat Valve for Restrictor	—	20G126786	Restrictor Wrench
11	20G15R382	3/4-16 UNC x 0.375 Retainer Screw	—	20G258992	Mix Manifold Repair Kit (Includes Item #'s: 2b-2f (<i>Quantity of Two</i>), 13, and 14)
12	20G235205	Restrictor Valve Stem			
13	20G110004	Packing O-Ring, PTFE, White			
14	20G113137	Packing O-Ring, Solvent Resistant, Black			
15	20G15M969	Restrictor Housing			
16	20G110005	Hex Nut Jam			
19	20G156684	1/2" NPT Union Swivel (<i>Quantity of Four</i>)			
20	20G262740	1/2" NPT (F) Ball Valve (<i>Quantity of Two</i>)			
21	20G24M421	Valve Lever			
22	20G158491	1/2" x 1/2" Nipple (<i>Quantity of Two</i>)			
28	20G113161	1/4-20 x 1/2" Screw (<i>Quantity of Two</i>)			
29	20G262522	Remote Manifold Carriage			
30	20G100840	1/4-18 NPT Street Elbow (<i>Quantity of Five</i>)			
31	20G114434	1/4" Pressure Gauge (<i>Quantity of Two</i>)			

PART NUMBERS AND SCHEMATICS GUIDE

Figure 9: Quickset Mix Manifold



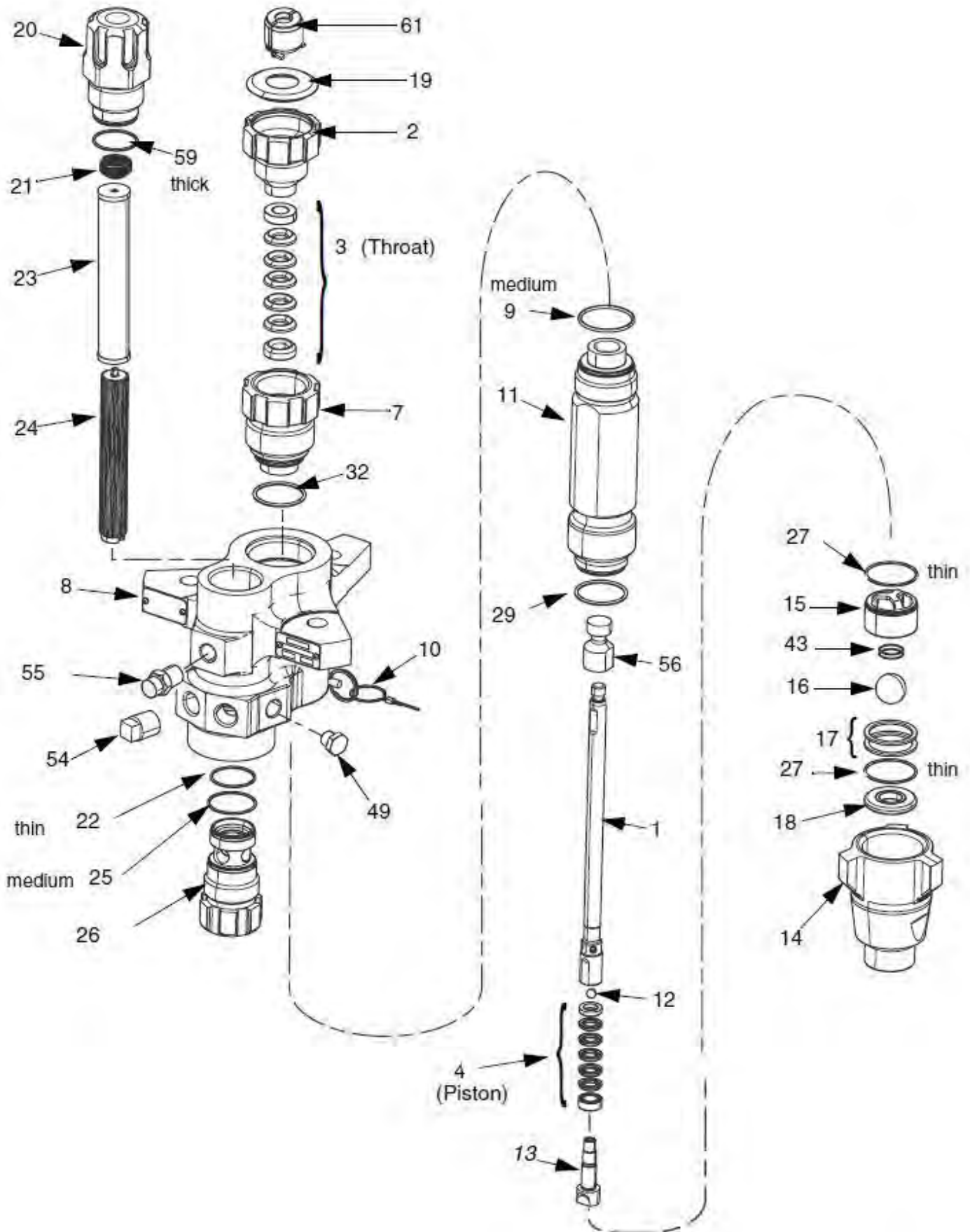
PART NUMBERS AND SCHEMATICS GUIDE

54cc, 72cc, 90cc, and 97cc XP™ Sprayer Lower Displacement Pump

Item#	54cc 20GL054C0	72cc 20GL072C0	90cc 20GL090C0	97cc 20GL097C0	Description
Fig. 10					
1	20G16J900	20J16J901	20G16J902	20G16J903	Displacement Rod
2	20G16D468	20G15K029	20G15K029	20G15K029	Packing Nut
3	—	—	—	—	Stack Packings, Throat
4	—	—	—	—	Stack Packings, Piston
7	20G16D467	20G16K490	20G16K490	20G16K490	Packing Cartridge, Throat
8	20G15F659	20G15F659	20G15F659	20G15F659	Housing Outlet
9	20G288067	20G288067	20G288067	20G288067	O-Ring, Top Cylinder, PTFE Medium (<i>Quantity of 10</i>)
10	20G244826	20G244826	20G244826	20G244826	Self-Locking Pin
11	20G16J906	20G16J907	20G16J908	20G16J909	Lower Cylinder
12	20G262485	20G262741	20G288065	20G288065	Ball Plston (<i>Quantity of Three</i>)
13	20G16D464	20G16K068	20G24B818	20G24B818	Piston Valve
14	20G15F667	20G15F667	20G15F667	20G15F667	Inlet Housing
15	20G16D472	20G16D472	20G16D472	20G16D472	Inlet Ball Guide
16	20G244899	20G244899	20G244899	20G244899	Inlet Ball (<i>Quantity of Three</i>)
17	20G288064	20G288064	20G288064	20G288064	Inlet Shim Ball Guide (<i>Quantity of Nine</i>)
18	20G15F665	20G15F665	20G15F665	20G15F665	Inlet Seat
19	20G247393	20G247393	20G247393	20G247393	Throat Seal Plug (<i>Quantity of 10</i>)
20	20G16M461	20G16M461	20G16M461	20G16M461	Top Filler Cap
21	20G171941	20G171941	20G171941	20G171941	Compression Spring
22	20G244895	20G244895	20G244895	20G244895	Thin Filter O-Ring, PTFE (<i>Quantity of 10</i>)
23	20G224458	20G224458	20G224458	20G224458	Strainer, 60 mesh screen
24	20G186075	20G186075	20G186075	20G186075	Filter Support
25	20G262484	20G262484	20G262484	20G262484	Filter O-Ring, Medium, PTFE (<i>Quantity of 10</i>)
26	20G16M462	20G16M462	20G16M462	20G16M462	Lower Filter Cap
27	20G288068	20G288068	20G288068	20G288068	Foot Valve and O-Ring, PTFE thin (<i>Quantity of 10</i>)
29	20G262512	20G262512	20G262512	20G262512	Cylinder Bottom O-Ring, PTFE medium (<i>Quantity of 10</i>)
30	20G172479	20G172479	20G172479	20G172479	Warning Tag
32	20G262512	20G262512	20G262512	20G262512	Throat Cartridge O-Ring, PTFE thin (<i>Quantity of 10</i>)
43	20G124007	20G124007	20G124007	20G124007	Foot Valve Spring
49	20G198292	20G198292	20G198292	20G198292	3/8" Pipe Plug
54	20G100737	20G100737	20G100737	20G100737	1/2" Pipe Plug
55	20G258962	20G258962	—	—	Rupture Disc Assembly Housing
	—	—	20G198292	20G198292	3/8" Hex Head Pipe Plug
56	20G15Y399	20G15Y399	—	—	Rod Adapter
59	20G262483	20G262483	20G262483	20G262483	O-Ring Filter, PTFE thick (<i>Quantity of 10</i>)
61	20G247167	20G247167	20G247167	20G247167	Assembly Coupler

PART NUMBERS AND SCHEMATICS GUIDE

Figure 10: 54cc, 72cc, 90cc, and 97cc XP™ Sprayer Lower Displacement Pump



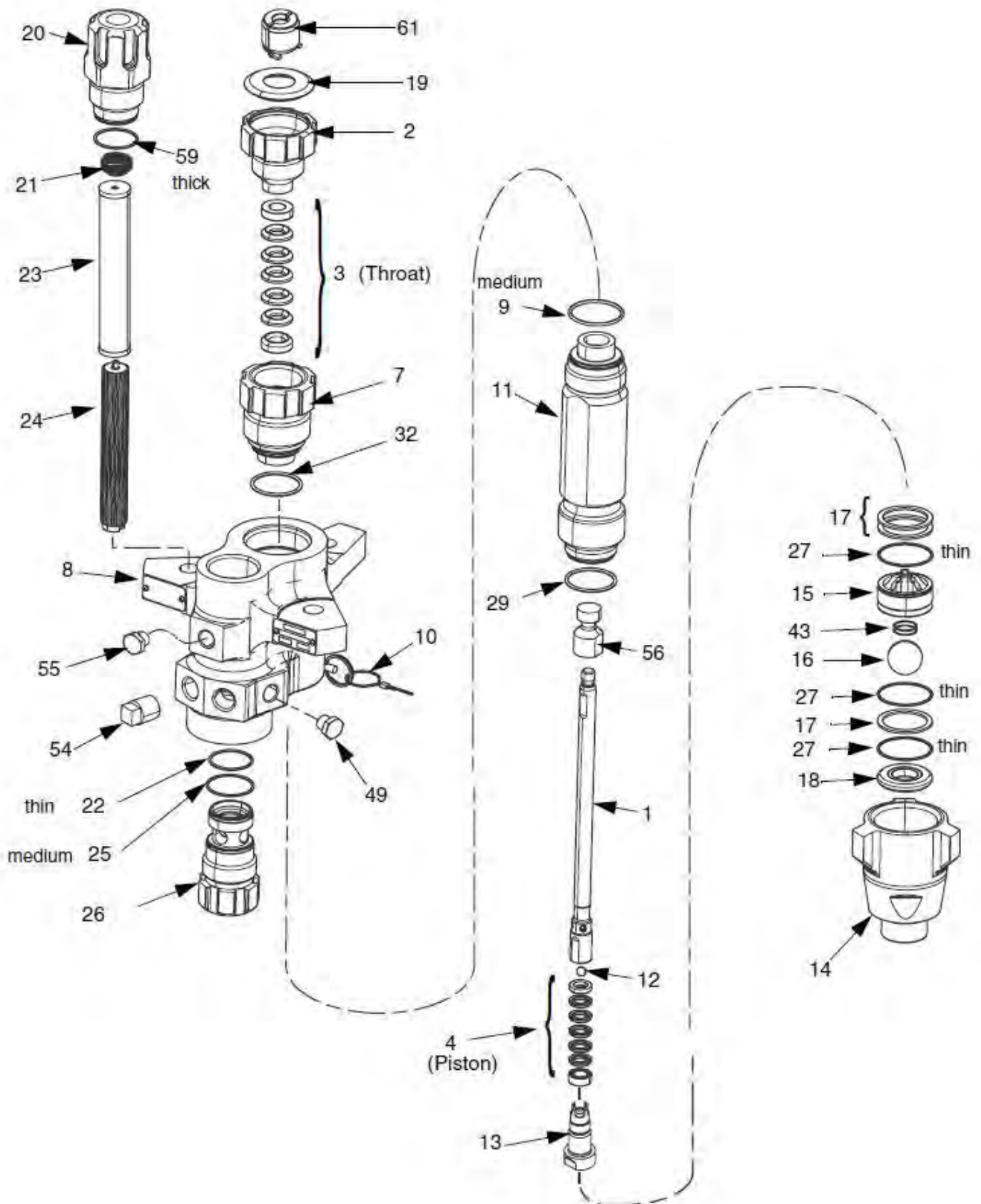
PART NUMBERS AND SCHEMATICS GUIDE

145cc, 180cc, and 220cc XP™ Sprayer Lower Displacement Pump


Item#	145cc	180cc	220cc	Description
	20GL14AC0	20GL18AC0	20GL22AC0	
Fig. 11				
1	20G24B821	20G24B822	20G24B823	Displacement Rod
2	20G15K030	20G15K031	20G15K031	Packing Nut
3	—	—	—	Stack Packings, Throat
4	—	—	—	Stack Packings, Piston
7	20G197325	20G197326	20G197327	Packing Cartridge, Throat
8	20G16E151	20G16E151	20G16A763	Housing Outlet
9	20G244892	20G244892	20G244893	O-Ring, Top Cylinder, PTFE Medium (<i>Quantity of 10</i>)
10	20G244826	20G244826	20G244826	Self-Locking Pin
11	20G197315	20G197316	20G197317	Lower Cylinder
12	20G253029	20G253029	20G244898	Ball Plston (<i>Quantity of Three</i>)
13	20G24B826	20G24B827	20G24B828	Piston Valve
14	20G197303	20G197303	20G197304	Inlet Housing
15	20G198646	20G198646	20G198647	Inlet Ball Guide
16	20G245128	20G245128	20G253030	Inlet Ball (<i>Quantity of Three</i>)
17	20G244855	20G244855	20G244856	Inlet Shim Ball Guide (<i>Quantity of Nine</i>)
18	20G196358	20G196358	20G197344	Inlet Seat
19	20G247394	20G247394	20G247395	Throat Seal Plug (<i>Quantity of 10</i>)
20	20G16M461	20G16M461	20G16M461	Top Filler Cap
21	20G171941	20G171941	20G171941	Compression Spring
22	20G244895	20G244895	20G244895	Thin Filter O-Ring, PTFE (<i>Quantity of 10</i>)
23	20G224458	20G224458	20G224458	Strainer, 30 mesh screen
24	20G186075	20G186075	20G186075	Filter Support
25	20G262484	20G262484	20G262484	Filter O-Ring, Medium, PTFE (<i>Quantity of 10</i>)
26	20G16M462	20G16M462	20G16M462	Lower Filter Cap
27	20G244890	20G244890	20G244894	Foot Valve and O-Ring, PTFE thin (<i>Quantity of 10</i>)
29	20G244890	20G244890	20G244894	Cylinder Bottom O-Ring, PTFE medium (<i>Quantity of 10</i>)
30	20G172479	20G172479	20G172479	Warning Tag
32	20G244890	20G244890	20G244891	Throat Cartridge O-Ring, PTFE thin (<i>Quantity of 10</i>)
43	20G116801	20G116801	20G116802	Foot Valve Spring
49	20G198292	20G198292	20G198292	3/8" Pipe Plug
54	20G100737	20G100737	20G100737	1/2" Pipe Plug
55	20G198292	20G198292	20G198292	Rupture Disc Assembly Housing
59	20G262483	20G262483	20G262483	O-Ring Filter, PTFE thick (<i>Quantity of 10</i>)
61	20G244819	20G244819	20G244819	Assembly Coupler



PART NUMBERS AND SCHEMATICS GUIDE

Figure 11: 145cc, 180cc, and 220cc XP™ Sprayer Lower Displacement Pump







OPTIONAL ACCESSORIES

1/4" I.D. AIRLESS SPRAY HOSE - COUPLED							
Part Numbers	Working Pressure	Length (feet)	Braid Reinforcement Material	Hose Cover Color	Couplings	U.O.M.	
	2000023	5,000 psi	3'	Steel	Black	Female x Female	One Each
	2000027	5,000 psi	6'	Steel	Black	Female x Female	One Each
	2000022	5,000 psi	10'	Steel	Black	Female x Female	One Each
	2000021	5,000 psi	25'	Steel	Black	Female x Female	One Each
	2000020	5,000 psi	50'	Steel	Black	Female x Female	One Each
	2000024	5,000 psi	100'	Steel	Black	Female x Female	One Each
	2000033	6,100 psi	3'	Steel/Polyester	Green	Female x Female	One Each
	2000034	6,100 psi	6'	Steel/Polyester	Green	Female x Female	One Each
	2000032	6,100 psi	10'	Steel/Polyester	Green	Female x Female	One Each
	2000031	6,100 psi	25'	Steel/Polyester	Green	Female x Female	One Each
	2000030	6,100 psi	50'	Steel/Polyester	Green	Female x Female	One Each
	2000035	6,100 psi	100'	Steel/Polyester	Green	Female x Female	One Each
	2000093	9,750 psi	3'	Aramid/Steel	Black	Female x Female	One Each
	2000094	9,750 psi	6'	Aramid/Steel	Black	Female x Female	One Each
	2000092	9,750 psi	10'	Aramid/Steel	Black	Female x Female	One Each
	2000091	9,750 psi	25'	Aramid/Steel	Black	Female x Female	One Each
	2000090	9,750 psi	50'	Aramid/Steel	Black	Female x Female	One Each
	2000095	9,750 psi	100'	Aramid/Steel	Black	Female x Female	One Each




1/4" I.D. AIRLESS SPRAY HOSE HEX NIPPLES				
Part Numbers	Thread Style	Working Pressure	U.O.M.	
	20PFHA24SA0404	1/4" Male x 1/4" Male	7,250 psi	One Each
	2073122	1/4" Male x 1/4" Male	15,000 psi	One Each
	20PFHA24SA0604	1/4" Male x 3/8" Male	6,000 psi	One Each
	2073123	1/4" Male x 3/8" Male	10,000 psi	One Each


OPTIONAL ACCESSORIES




		3/8" I.D. AIRLESS SPRAY HOSE - COUPLED					
Part Numbers		Working Pressure	Length (feet)	Braid Reinforcement Material	Hose Cover Color	Couplings	U.O.M.
	2000053	5,800 psi	3'	Steel	Navy	Female x Female	One Each
	2000054	5,800 psi	6'	Steel	Navy	Female x Female	One Each
	2000052	5,800 psi	10'	Steel	Navy	Female x Female	One Each
	2000051	5,800 psi	25'	Steel	Navy	Female x Female	One Each
	2000050	5,800 psi	50'	Steel	Navy	Female x Female	One Each
	2000049	5,800 psi	100'	Steel	Navy	Female x Female	One Each
	2000113	8,100 psi	3'	Aramid/Steel	Red	Female x Female	One Each
	2000114	8,100 psi	6'	Aramid/Steel	Red	Female x Female	One Each
	2000112	8,100 psi	10'	Aramid/Steel	Red	Female x Female	One Each
	2000111	8,100 psi	25'	Aramid/Steel	Red	Female x Female	One Each
	2000110	8,100 psi	50'	Aramid/Steel	Red	Female x Female	One Each
	2000115	8,100 psi	100'	Aramid/Steel	Red	Female x Female	One Each

		3/8" I.D. AIRLESS SPRAY HOSE HEX NIPPLES		
Part Numbers		Thread Style	Working Pressure	U.O.M.
	20PFHA24SA0606	3/8" Male x 3/8" Male	6,000 psi	One Each
	2073133	3/8" Male x 3/8" Male	15,000 psi	One Each
	20PFHA24SA0604	1/4" Male x 3/8" Male	6,000 psi	One Each
	2073123	1/4" Male x 3/8" Male	10,000 psi	One Each
	20PFHA24SA0806	3/8" Male x 1/2" Male	6,000 psi	One Each


OPTIONAL ACCESSORIES


		MANIFOLD VALVES			
	Part Numbers	Type	Maximum Working Pressure	Thread Size	Seals
	20G262740	Spare Valve (No Handle)	7250 psi	1/2" NPT	PTFE with PEEK seat
	20G262739	Spare Valve (Single Handle)	7250 psi	1/2" NPT	PTFE with PEEK seat
<i>No Image Available</i>	20G24M601	Ball Valve Repair Kit			
	20G262809	Recirculation/Over Pressurization Valve			

		PRESSURE MONITOR KIT	
	Part Numbers	Description	
	20G262940	Pressure Monitor Kit, Electric	
	20G262942	Pressure Monitor Kit, Pneumatic	

		THROAT SEAL LIQUID	
	Part Numbers	Description	
	20G206994	Throat Seal Liquid – 8 oz.	
	20G206995	Throat Seal Liquid – 1 qt.	
	20G206996	Throat Seal Liquid – 1 gal.	

OPTIONAL ACCESSORIES

STATIC MIXERS						
	Part Numbers	Diameter	Length	Pressure Limit	Housing Material	Element Material
	20TAH100206	1/4"	3.75"	8500 psi	Stainless Steel	Stainless Steel
	20TAH100212	1/4"	7"	8500 psi	Stainless Steel	Stainless Steel
	20G511352	3/8"	9.5"	7250 psi	Stainless Steel	Stainless Steel
	20TAH100312	3/8"	9.5"	7250 psi	Stainless Steel	Stainless Steel
	20TAH7700195	3/8"	13.12"	7250 psi	Stainless Steel	Plastic
	2070039	1/2"	2"	5000 psi	Plastic	Plastic
	20TAH100412	1/2"	11"	7250 psi	Stainless Steel	Stainless Steel

STATIC MIXER REPLACEMENT PARTS			
	Part Numbers	Description	Quantity
	20G248925	1/4" x 12 Ft. Whip Hose Mixing Kit	20G15E592 Housings (<i>Quantity of Two</i>) and 20G248927 Mixing Elements (<i>Quantity of Six</i>)
	20TAH090312	3/8" x 12" Stainless Steel Mixing Element	12/Package
	20G248927	1/2" Plastic Mixing Element	25/Package
	20G15E592	1/2" x 5" Static Mix Housing	One Each
	20TAH100612	3/4" x 12" Stainless Steel Mixing Element	12/Package

LITERATURE REFERENCES

Part#	Description
201V019	Brochure – Graco® XTR™ Airless Spray Guns
201V544	Brochure – Graco® Plural Component Sprayers
206M508	Part Numbers and Schematics Guide – Graco® XTR-5™ Airless Spray Gun
206M561	Part Numbers and Schematics Guide – Graco® Flex Plus™ Airless Spray Gun
206M574	Part Numbers and Schematics Guide – Graco® XP50™ Plural Component Sprayer
109V508	Operator's Manual – Graco® XTR-5™ Airless Spray Gun
209V021	Operator's Manual – Graco® Xtreme® Pump Lowers
209V505	Operator's Manual – Graco® Mix Manifold
209V509	Operator's Manual – Graco® NXT® Air Motor
209V561	Operator's Manual – Graco® Flex Plus™ Airless Spray Gun
209V573	Operator's Manual – Graco® Plural Component Sprayer

PART NUMBERS AND SCHEMATICS GUIDE

GRACO® XP35™ PLURAL COMPONENT SPRAYER – CART MOUNT

Part Numbers	Mix Manifold	Mix Ratio	Fluid/Air Pressure Ratio	Maximum Fluid Working Pressure	7 Gallon Hopper	Airless Spray Gun Included	Hose Length
20G281000	Standard	—	—	—		XTR-5™	35'
20G281101	Standard	1:1	38:1	3500 psi		XTR-5™	35'
20G281102	Standard	1:1	38:1	3500 psi	X	XTR-5™	35'
20G281201	Standard	2:1	40:1	3500 psi		XTR-5™	35'
20G281202	Standard	2:1	40:1	3500 psi	X	XTR-5™	35'
20G262804	Standard	2.5:1	34:1	3500 psi		XTR-5™	35'
20G281252	Standard	2.5:1	34:1	3500 psi	X	XTR-5™	35'
20G281301	Standard	3:1	36:1	3500 psi		XTR-5™	35'
20G281302	Standard	3:1	36:1	3500 psi	X	XTR-5™	35'
20G281401	Standard	4:1	38:1	3500 psi		XTR-5™	35'
20G281402	Standard	4:1	38:1	3500 psi	X	XTR-5™	35'
20G281105	—	1:1	38:1	3500 psi		—	—
20G281106	—	1:1	38:1	3500 psi	X	—	—
20G281205	—	2:1	40:1	3500 psi		—	—
20G281206	—	2:1	40:1	3500 psi	X	—	—
20G281255	—	2.5:1	34:1	3500 psi		—	—
20G281256	—	2.5:1	34:1	3500 psi	X	—	—
20G281305	—	3:1	36:1	3500 psi		—	—
20G281306	—	3:1	36:1	3500 psi	X	—	—
20G281405	—	4:1	38:1	3500 psi		—	—
20G281406	—	4:1	38:1	3500 psi	X	—	—

PART NUMBERS AND SCHEMATICS GUIDE



(Cart Mount)

PART NUMBERS AND SCHEMATICS GUIDE

GRACO® XP35™ PLURAL COMPONENT SPRAYER – BARE BARE PACKAGES

Part Numbers	Mix Ratio	Fluid/Air Ratio	Maximum Fluid Working Pressure	Combined Fluid Output	Fluid Flow @ 40 cpm	A Side Pump	B Side Pump
20G281100	1:1	38:1	3500 psi	180cc	1.9 gpm	20GL090C0	20GL090C0
20G281200	2:1	40:1	3500 psi	173cc	1.8 gpm	20GL115C0	20GL058C0
20G262803	2.5:1	34:1	3500 psi	202cc	2.1 gpm	20GL14AC0	20GL058C0
20G281300	3:1	36:1	3400 psi	192cc	2.0 gpm	20GL14AC0	20GL048C0
20G281400	4:1	38:1	3500 psi	180cc	1.9 gpm	20GL14AC0	20GL036C0

PART NUMBERS AND SCHEMATICS GUIDE



(Bare Bare Package)

PART NUMBERS AND SCHEMATICS GUIDE

Graco® XP35™ Plural Component Sprayer – Cart Mount

Item#	Part#	Description
Fig. 1		
—	—	Graco® XP35™ Plural Component Sprayer – Cart Mount
1	20G258913	Cart
2	20G262476	Vertical Axle
3	20G111841	5/8" Flat Washer (<i>Quantity of Two</i>)
5	20G100133	3/8" Lock Washer (<i>Quantity of Seven</i>)
6	20G100101	3/8-16 x 1" Long Screw (<i>Quantity of Four</i>)
7	20G113362	Wheel (<i>Quantity of Two</i>)
8	20G154628	3/4" Washer (<i>Quantity of Two</i>)
9	20G113436	Retaining Ring (<i>Quantity of Two</i>)
10	20G124410	Sleeve Bearing 1 x 1-1/4 x 1-1/2
11	20G124664	Thrust Washer (<i>Quantity of Two</i>)
12	20G15A913	Horizontal Axle
13	20G191824	Space Washer (<i>Quantity of Four</i>)
14	20G113807	Free Flat Wheel – Urethane (<i>Quantity of Two</i>)
15	20G258982	Cart Handle
16	20G101242	Retaining Ring (<i>Quantity of Two</i>)
17	20G258983	Air Controls (<i>See Fig. 6</i>)
18	20G100131	Full Hex Nut 3/8-16 (<i>Quantity of Seven with Hopper, Quantity of Three without Hopper</i>)
38	20G116139	Grip Handle (<i>Quantity of Two</i>)
50	20G555357	Screw (<i>Quantity of Four</i>)
53	20G124259	Plunger Clamp Brake
54	20G124291	Spring Pin (<i>Quantity of Two</i>)
64	20G113498	Relief Valve, 110 psi
—	20G103347	Relief Valve, 100 psi (<i>For 1.5:1 Mix Ratio Models</i>)
—	20G114055	Relief Valve, 105 psi (<i>For 2.5:1 Mix Ratio Models</i>)

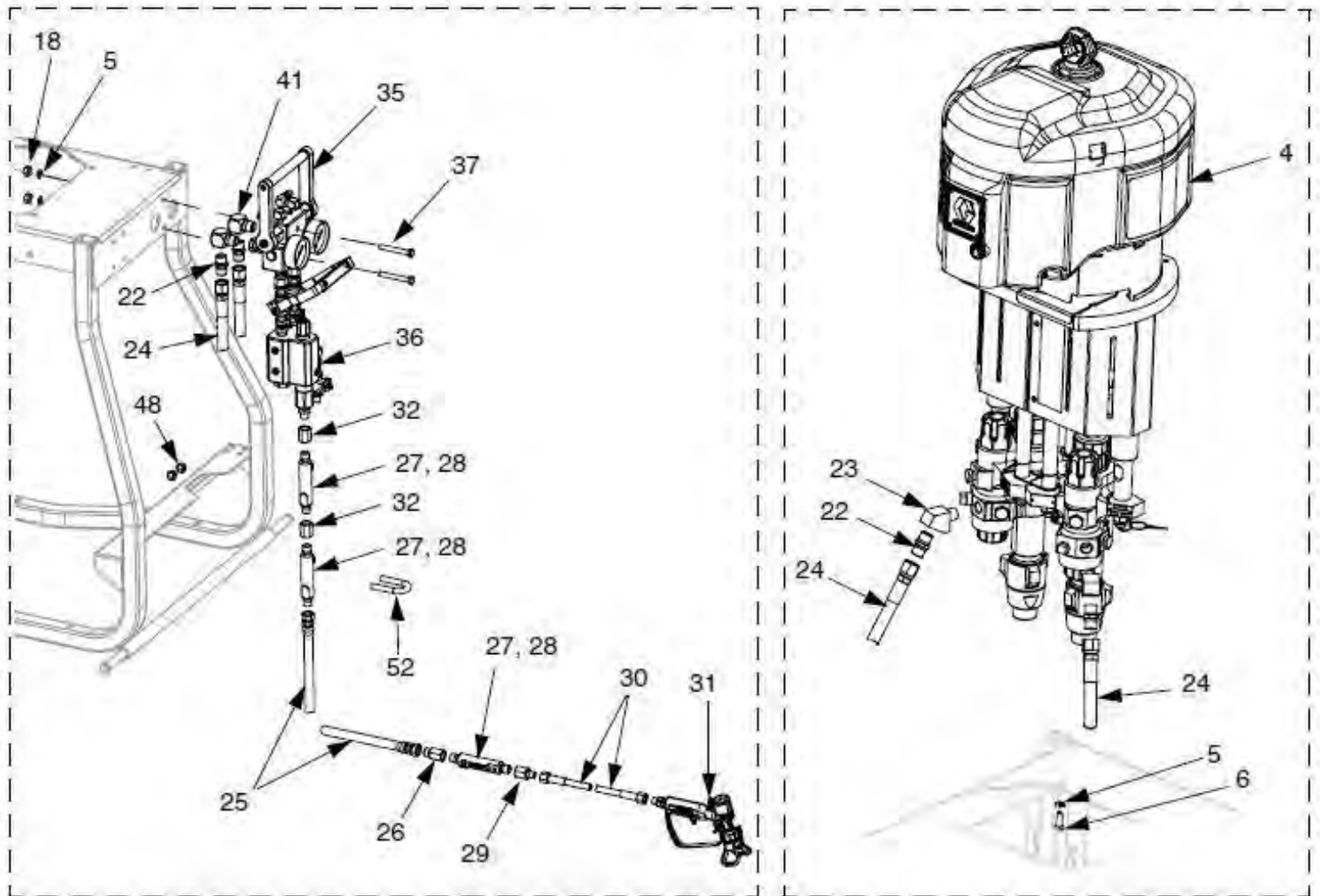
PART NUMBERS AND SCHEMATICS GUIDE

Graco® XP35™ Plural Component Sprayer – Cart Mount *(Continued)*

Item#	Part#	Description
Fig. 2		
—	—	Graco® XP35™ Plural Component Sprayer – Cart Mount
4	—	Pump <i>(See Fig. 4)</i>
5	20G100133	3/8" Lock Washer <i>(Quantity of Seven)</i>
6	20G100101	3/8-16 x 1" Long Screw <i>(Quantity of Four)</i>
—	20G111218	Cap <i>(Quantity of Four)</i>
18	20G100131	3/8-16 Full Hex Nut <i>(Quantity of Seven with Hopper, Quantity of Three without Hopper)</i>
22	20G158491	1/2" x 1/2" Nipple Fitting <i>(Quantity of Four)</i>
23	20G15M987	1/2" NPT (M) x 1/2" NPT (F) Elbow <i>(Quantity of Two)</i>
24	20GH75003	1/2" x 3' Coupled Hose, 7250 psi <i>(Quantity of Two)</i>
25	20GH53825	3/8" x 25' Coupled Hose, 5600 psi <i>(For Standard Mix Manifold Models)</i>
26	20G15B729	3/8" NPT (F) x 3/8" NPSM (M) Adapter <i>(For Standard Mix Manifold Models)</i>
27	20G262478	1/2" x 5" Static Housing Mixer Kit <i>(For Standard Models Only) (Quantity of Three)</i>
28	20G248927	Static Mixer Element, Pack of 25 <i>(For Standard Mix Manifold Models)</i>
29	20G150287	Reducing Coupling 3/8" to 1/4" Whip <i>(For Standard Mix Manifold Models)</i>
30	20GH72510	1/4" x 10' Coupled Hose, 7250 psi
31	20GXTR504	XTR-5™ Airless Spray Gun <i>(For Standard Models Only)</i>
32	20G162024	3/8" Coupling <i>(For Standard Models Only) (Quantity of Two)</i>
—	20G552069	Label, Metalized
35	20G258990	XP35™ Circulation Manifold <i>(See Fig. 7)</i>
36	20G262807	Mix Manifold – No Carriage <i>(For Standard Mix Manifold Models)</i>
37	20G106212	3/8-16 x 2-1/2 Screw Cap, Hex HD <i>(Quantity of Two)</i>
41	20G158683	90° 1/2" Elbow Fitting <i>(Quantity of Two)</i>
48	20G101566	Lock Nut – 3/8-16 <i>(For Standard Mix Manifold Models) (Quantity of Two)</i>
52	20G124293	U-Bolt – 3/8-16, 1" Diameter <i>(For Standard Models Only)</i>
—	20G206995	Throat Seal Liquid – 1 qt.

PART NUMBERS AND SCHEMATICS GUIDE

Figure 2: Graco® XP35™ Plural Component Sprayer – Cart Mount (Continued)



PART NUMBERS AND SCHEMATICS GUIDE

Graco® XP35™ Plural Component Sprayer – Cart Mount *(Continued)*

Item#	Part#	Description
Fig. 3		
—	—	Graco® XP35™ Plural Component Sprayer – Cart Mount
1	20G258913	Cart
—	20G111218	Cap <i>(Quantity of Four)</i>
18	20G100131	3/8-16 Full Hex Nut <i>(Quantity of Seven with Hopper, Quantity of Three without Hopper)</i>
49	20G15U654	Label, A and B, Set of Four
52	20G124293	U-Bolt – 3/8-16, 1" Diameter <i>(For Standard Models Only)</i>
55	20G24E872	Hopper Bracket <i>(Quantity of Two with Hopper)</i>
56	20G262479	Blue Hopper – 7 gal <i>(For Models with Hopper Included)</i>
57	20G262480	Green Hopper – 7 gal <i>(For Models with Hopper Included)</i>
58	20G116704	Adapter – 1/4" NPT x 9/16-18 JIC <i>(Quantity of Two)</i>
59	20G15V421	Recirculated Tube – 3/8" <i>(Quantity of Two)</i>
—	20G114958	Tie Strap <i>(Quantity of Ten)</i>
60	20GH52506	1/4" I.D. x 6' Coupled Hose, 5600 psi <i>(Quantity of Two with Hopper)</i>
—	20GH52510	1/4" I.D. x 10' Coupled Hose, 5600 psi
61	20G16D376	1-1/4" Swivel Fitting <i>(Quantity of Two with Hopper)</i>
62	20G111192	Cap Flange Head Screw <i>(Quantity of Four with Hopper)</i>
65	20G262482	Hopper Strainer – 7 gal <i>(Quantity of Two with Hopper)</i>
66	20G15T468	Label, Warning <i>(Quantity of Two with Hopper)</i>
69	20G16F359	Label, Fire and Explosion Hazard
70	20G16F615	Wrench Tool
89	20G16G819	Filter Wrench
90	20G16J688	Gauge Plug
—	20G126786	Restrictor Valve Wrench

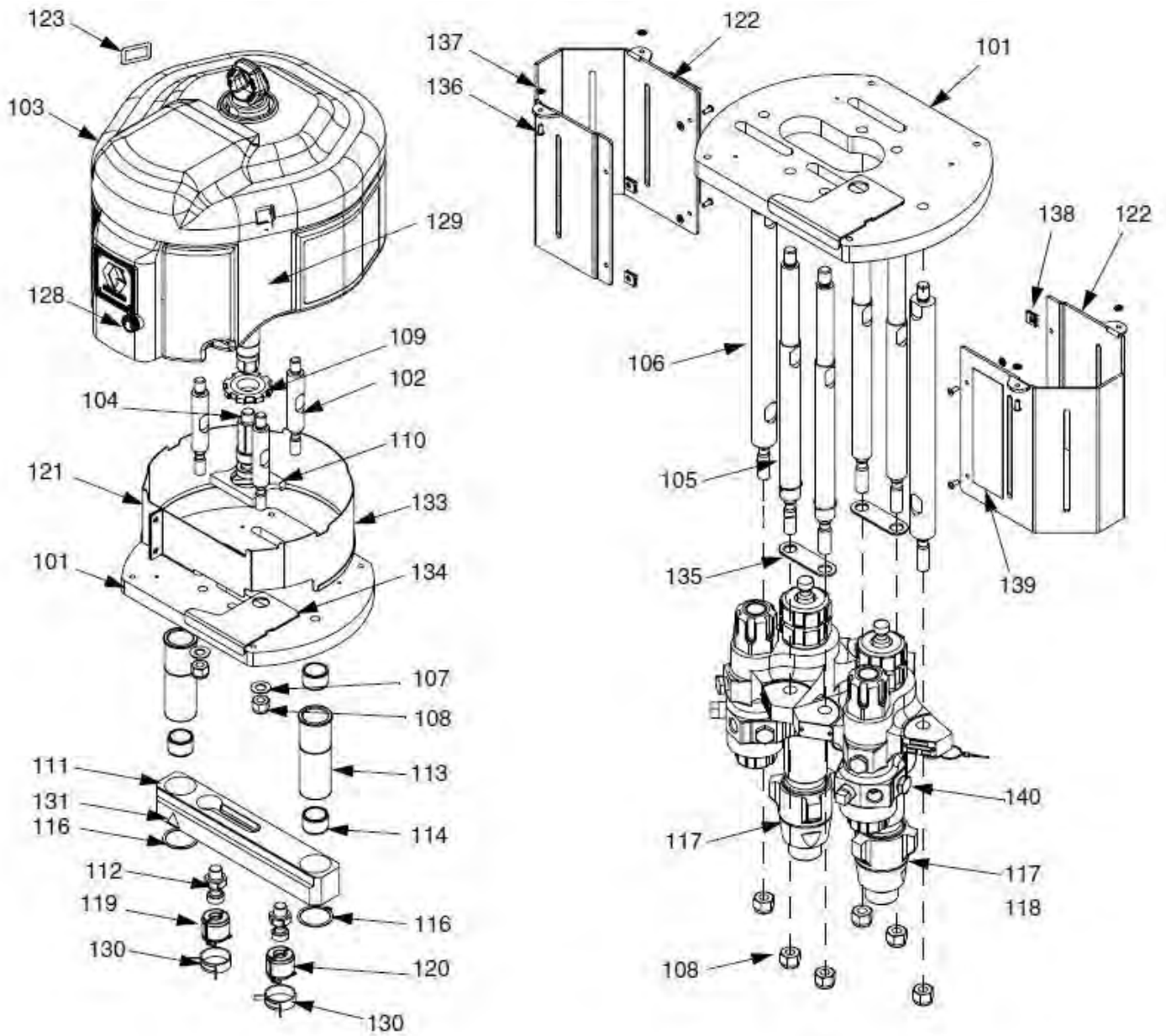
PART NUMBERS AND SCHEMATICS GUIDE

Graco® XP35™ Plural Component Sprayer – Bare Bare Proportioning Pump Package

Item#	Part#	Description
Fig. 4		
—	—	Bare Bare Proportioning Pump Package
101	20G262465	Motor Plate
102	20G262466	Rod Tie, 4" x 1" (<i>Quantity of Three</i>)
103	20GN65DN0	NXT® Air Motor 3400 (<i>See Fig. 5</i>)
104	20G262467	Rod Adapter
105	20G262468	Rod Tie, 14-1/4" with Shoulder (<i>Quantity of Four</i>)
106	20G262469	Rod Tie, 14-1/4" x 1-1/4" (<i>Quantity of Two</i>)
107	20G154636	Flat Washer 5/8" (<i>Quantity of Three</i>)
108	20G101712	Lock Nut with Nylon Inserts 5/8-11 (<i>Quantity of Nine</i>)
109	20G16D451	Yoke Nut
110	20G262470	Ratio Indicator Bracket
111	20G262471	Yoke Pump Assembly
112	20G15H392	Rod Adapter (<i>Quantity of Two</i>)
113	20G262472	Sleeve with Bearing (<i>Quantity of Two</i>)
116	20G123976	External Snap Ring (<i>Quantity of Two</i>)
117	20GL090C0	Pump Lower, 90cc (<i>For model 20G281100 only</i>) (<i>Quantity of Two</i>)
—	20GL115C0	Pump Lower, 115cc (<i>For model 20G281200 only</i>)
—	20GL14AC0	Pump Lower, 145cc (<i>For models 20G262803, 20G281300, and 20G281400 only</i>)
118	20GL036C0	Pump Lower, 36cc (<i>For model 20G281400 only</i>)
—	20GL048C0	Pump Lower, 48cc (<i>For model 20G281300 only</i>)
—	20GL058C0	Pump Lower, 58cc (<i>For models 20G262803 and 20G281200 only</i>)
119	20G244819	Graco® Xtreme® Rod Quick Coupling (<i>For models 20G262803, 20G281300, and 20G281400 only</i>)
—	20G247167	Coupling for Pump Lower (<i>Quantity of Two for models 20G281100 and 20G281200</i>)
121	20G262473	Motor Rod Cover
122	20G262474	Pump Cover (<i>Quantity of Two</i>)
123	—	Label, Identification
128	20GNXT102	De-Ice Knob, Pack of Five
129	20G16M178	Label, XP35™
130	20G124078	Constant Tension Clamp Spring (<i>Quantity of Two</i>)
131	20G15H108	Label, Pinch Point
133	20G114225	Edge Protection Trim (<i>Quantity of Two</i>)
134	20G262475	Ratio Indicator Bracket
135	20G16E882	Lowers Strap (<i>Quantity of Two</i>)
136	—	Screw, Cap, Button HD (<i>Quantity of Eight</i>)
137	—	Washer, Retaining, Nylon (<i>Quantity of Eight</i>)
138	20G124665	Captive Nut (<i>Quantity of Four</i>)
139	20G15T468	Label, Warning (<i>Quantity of Two</i>)
140	20G244524	Ground Wire Assembly with Clamp

PART NUMBERS AND SCHEMATICS GUIDE

Figure 4: Graco® XP35™ Plural Component Sprayer – Bare Bare Proportioning Pump Package



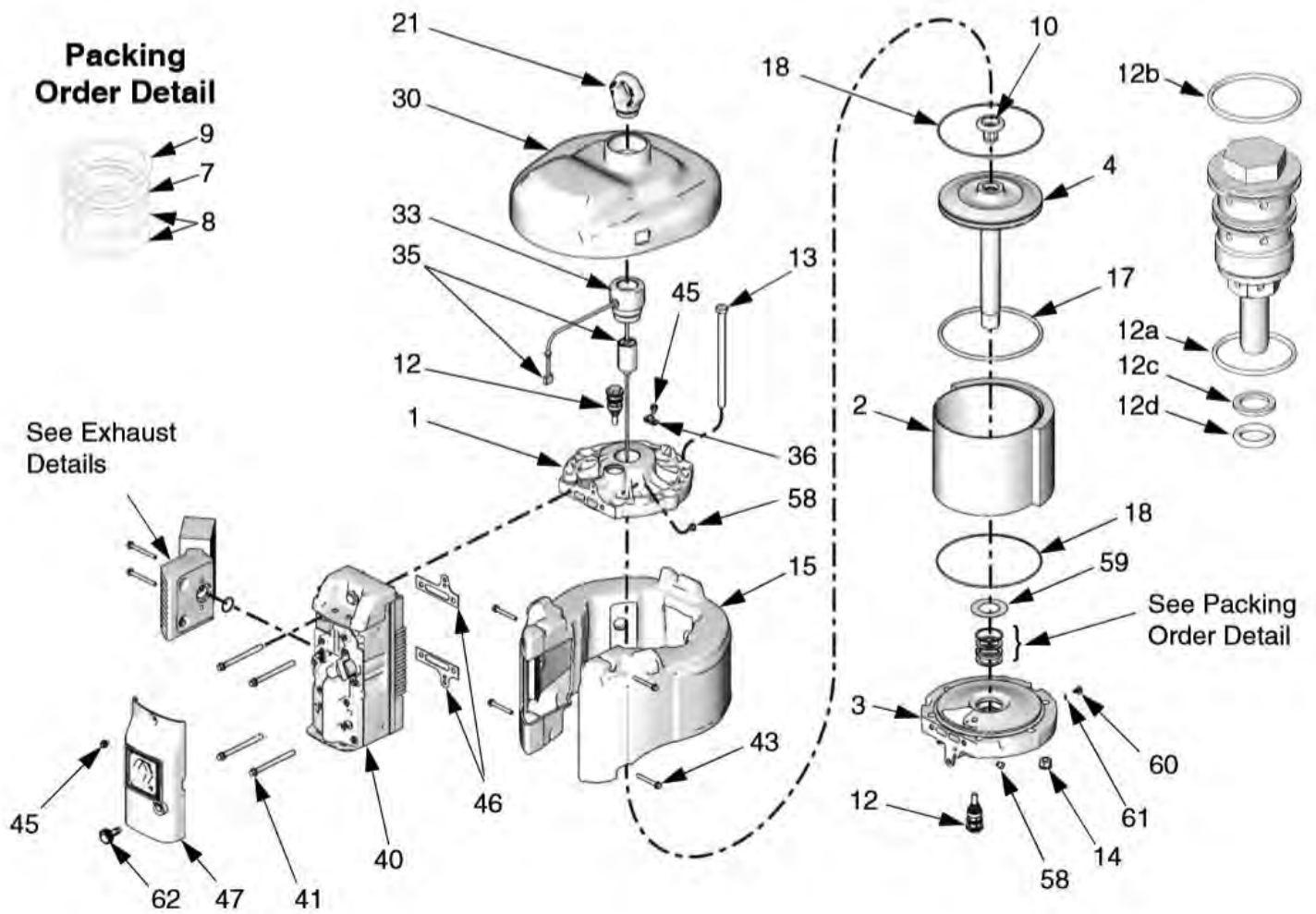
PART NUMBERS AND SCHEMATICS GUIDE

NXT® Model 3400 Air Motor and Exhaust

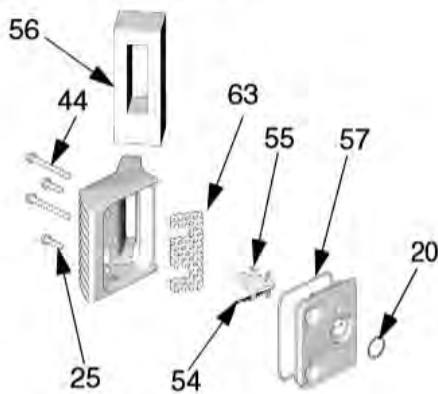
Item#	Part#	Description	Item#	Part#	Description
Fig. 5			41	20G120088	3/8-16 x 4" Screw (101 mm) (Quantity of Four)
—	20GN34DN0	NXT® Model 3400 De-Icing Air Motor	43	20G120091	1/4-20 x 2" Screw, Thread Forming, (51 mm) (Quantity of Four)
—	20GN34DH0	NXT® Model 3400 De-Icing Air Motor with Sensor	44	20G120092	1/4-20 x 2-1/2" Thread Forming Screw, (63 mm) (Quantity of Two)
—	20GN34LN0	NXT® Model 3400 Low Noise Motor	46	20G253476	Gasket
1	20G15F954	Top Cover	47	20G287844	Valve Cover, Outer
2	20GNXT304	Cylinder	51	20G15F674	Safety Label
3	20GNXT302	Bottom Cover	52	20G15F973	Safety Label
4	20GNXT301	Piston Assembly	54	20G15H179	Deflector
7	20G161562	Packing, V-block; Nitrile	55	20G107257	1/4-20 x 1/2" Thread Forming Screw, (13 mm) (Quantity of Two)
8	20G15H610	Packing, Backup; Leather (Quantity of Two)	56	20G15H190	Exhaust Seal
9	20G16A026	Retaining Ring	57	20G15K345	Gasket, buna-N
10	20GNXT106	Piston Bumper, includes Magnet	58	20G120206	Poppet Muffler (Quantity of Two)
12	20GNXT100	Poppet (Quantity of Two) (Includes Item #'s: 12a-12d)	59	20G277366	Bumper
12a	—	O-Ring, buna-N	60	20G116343	Ground Screw, M5 x 0.8
12b	20GNXT101	O-Ring, buna-N	61	20G111307	Lock Washer, 5 mm
12c	20GNXT101	O-Ring, Backup, buna-N	62	20GNXT112	De-Ice Knob
12d	—	O-Ring, buna-N	63	20G15G689	Exhaust Diffuser
13	20G119050	1/2-13 x 8" Hex Head Bolt, (203 mm) (Quantity of Six)	—	20GNXT300	Repair Kit NXT® 3400 Air Motor (Includes Item #'s: 7, 8, 9, 17, 18, and 46)
14	20G15F639	1/2-13 Nut with Lock Washer (Quantity of Six)	—	209V509	Operator's Manual – Graco® NXT® Air Motor
15	20GNXT303	Muffler			
17	20G122434	Piston O-Ring, Nitrile			
18	20G15F449	End Cap O-Ring, Nitrile (Quantity of Two)			
20	20G119990	O-Ring, buna-N			
21	20G15F931	Lift Ring			
22	20GNXT110	De-Ice Exhaust Kit (Includes Item #'s: 20, 25, 44, 56, and 57)			
23	20GNXT105	Remote Exhaust Kit (Includes items 20, 44)			
24	20GNXT104	Low Noise Exhaust Kit (Includes item #'s: 20, 22, 25, 44, 54, 55, 56, and 57)			
25	20G120730	1/4-20 x 1" Machine Screw, Hex Head, (25 mm) (Quantity of Two)			

PART NUMBERS AND SCHEMATICS GUIDE

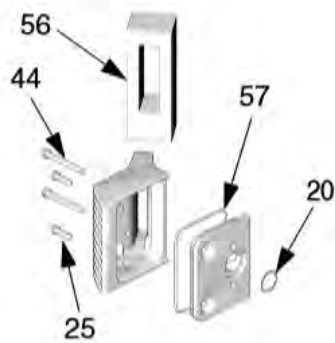
Figure 5: NXT® Model 3400 Air Motor and Exhaust



Low Noise Exhaust



De-Ice Exhaust

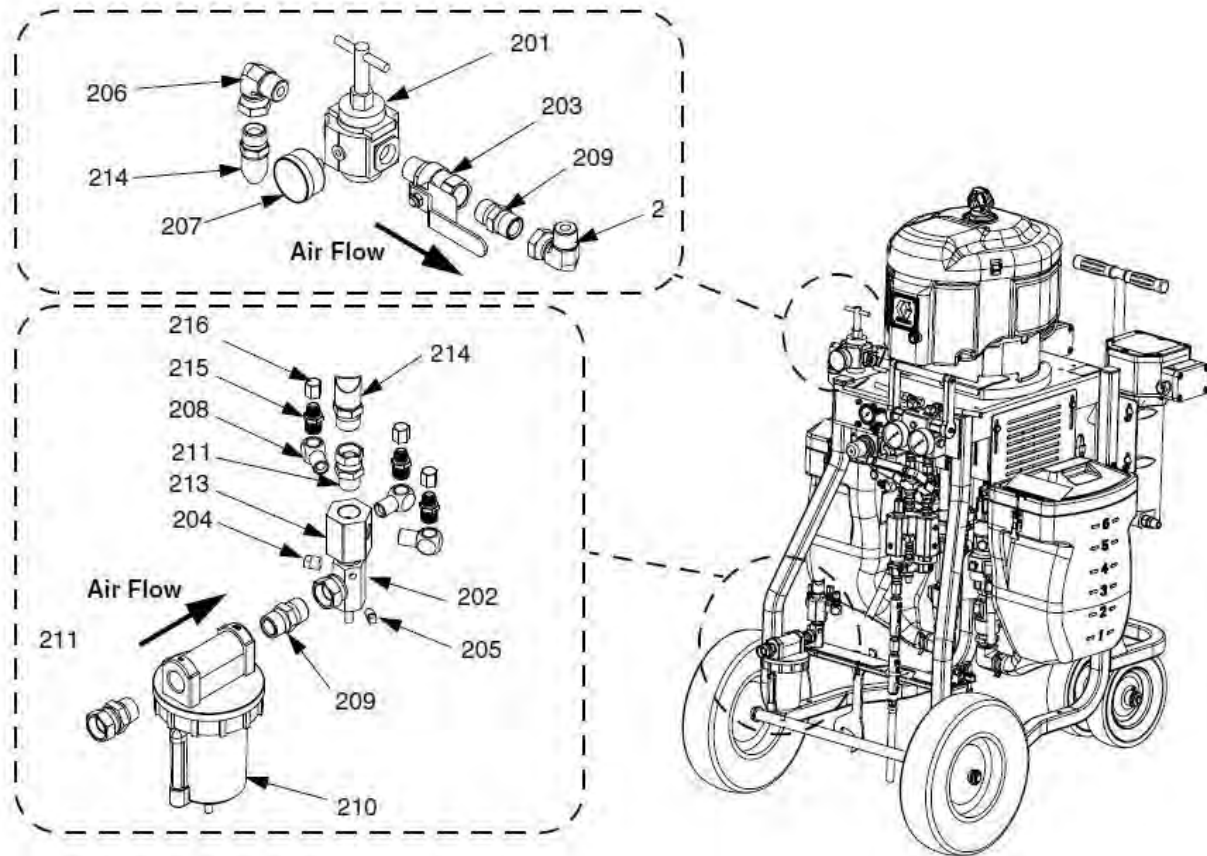


Remote Exhaust



PART NUMBERS AND SCHEMATICS GUIDE

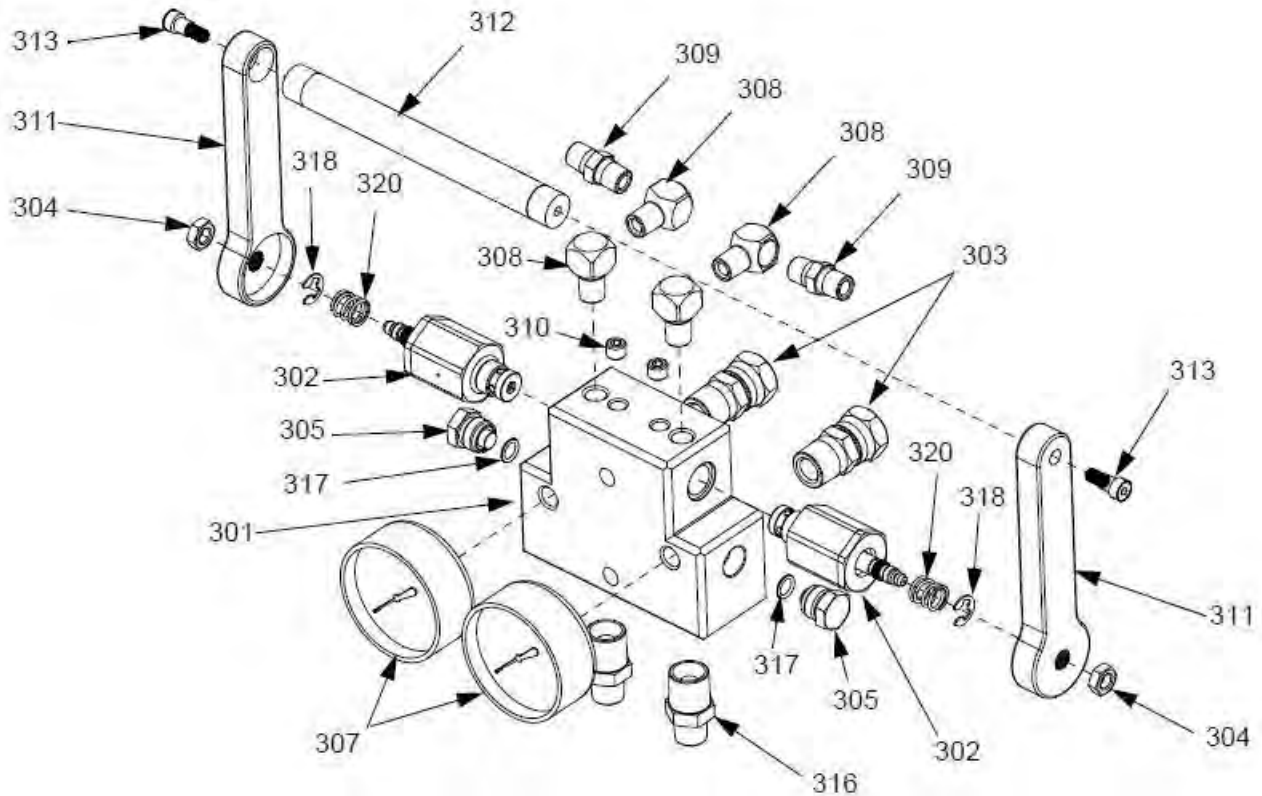
Figure 6: Air Controls



Item#	Part#	Description
Fig. 6		
—	20G258983	Air Controls
201	20G16F014	T-Handle Air Regulator
202	20G207675	Air Manifold
203	20G113218	3/4" Ball Valve Vented M x F
204	20G100509	Pipe Plug – 1/4" Square Head
205	20G100403	Pipe Plug – 1/8" – NPTF
206	20G160327	90° Union Swivel, 3/4" x 3/4" (<i>Quantity of Two</i>)
207	20G101689	Air Gauge
208	20G155699	3/8" 90° Elbow (<i>Quantity of Three</i>)
209	20G119992	3/4" x 3/4" NPT Pipe Nipple Fitting (<i>Quantity of Two</i>)
210	20G117628	Filter Air 3/4" Auto Drain
—	20G106204	Filter Element
211	20G157785	Union Swivel, 3/4" x 3/4", Carbon Steel (<i>Quantity of Two</i>)
213	20G15E145	Air Distribution Manifold
214	20G16E004	Coupled Air Hose – 26" Section
215	20G157350	1/4" NPT x 3/8" NPT Nipple, 5000 psi (<i>Quantity of Three</i>)
216	20G115781	1/4" NPT Cap Plug (<i>Quantity of Three</i>)

PART NUMBERS AND SCHEMATICS GUIDE

Figure 7: Fluid Manifold



Item#	Part#	Description
-------	-------	-------------

Fig. 7

—	20G262784	Fluid Manifold
301	20G16D693	Recirculation Manifold Block
302	20G262808	Recirculation/Over Pressurization Valve (Quantity of Two)
303	20G156684	1/2" Union M x F (Quantity of Two)
304	20G112309	Jam Hex Nut (Quantity of Two)
305	20G198241	Pressure Port Plug, 11/16-24 (Quantity of Two)
306	20G156173	Union Swivel – 3/8" NPTF x 3/8" NPSF (Quantity of Two)
307	20G113654	1/4" Pressure Gauge, 5000 psi (Quantity of Two)
308	20G100840	1/4-18 NPT Elbow (Quantity of Four)
309	20G156971	1/4" x 1/4" Nipple (Quantity of Two)
310	20G557349	1/8" NPT Dry Seal Plug (Quantity of Two)
311	20G16E334	Manifold Handle (Quantity of Two)
312	20G16E332	Connecting Rod Handle
313	20G124859	1/4-20 x 5/16" Shoulder Bolt (Quantity of Two)
316	20G156684	1/2" x 1/2" Nipple (Quantity of Two)
317	20G121399	O-Ring Solvent Resistant (Quantity of Two)
318	20G124676	External Snap Ring (Quantity of Two)
320	20G150829	Spring for Swivel (Quantity of Two)
—	20G159239	3/8" x 1/2" Nipple (Quantity of Two)
—	20G156173	3/8" x 3/8" Swivel (Quantity of Two)

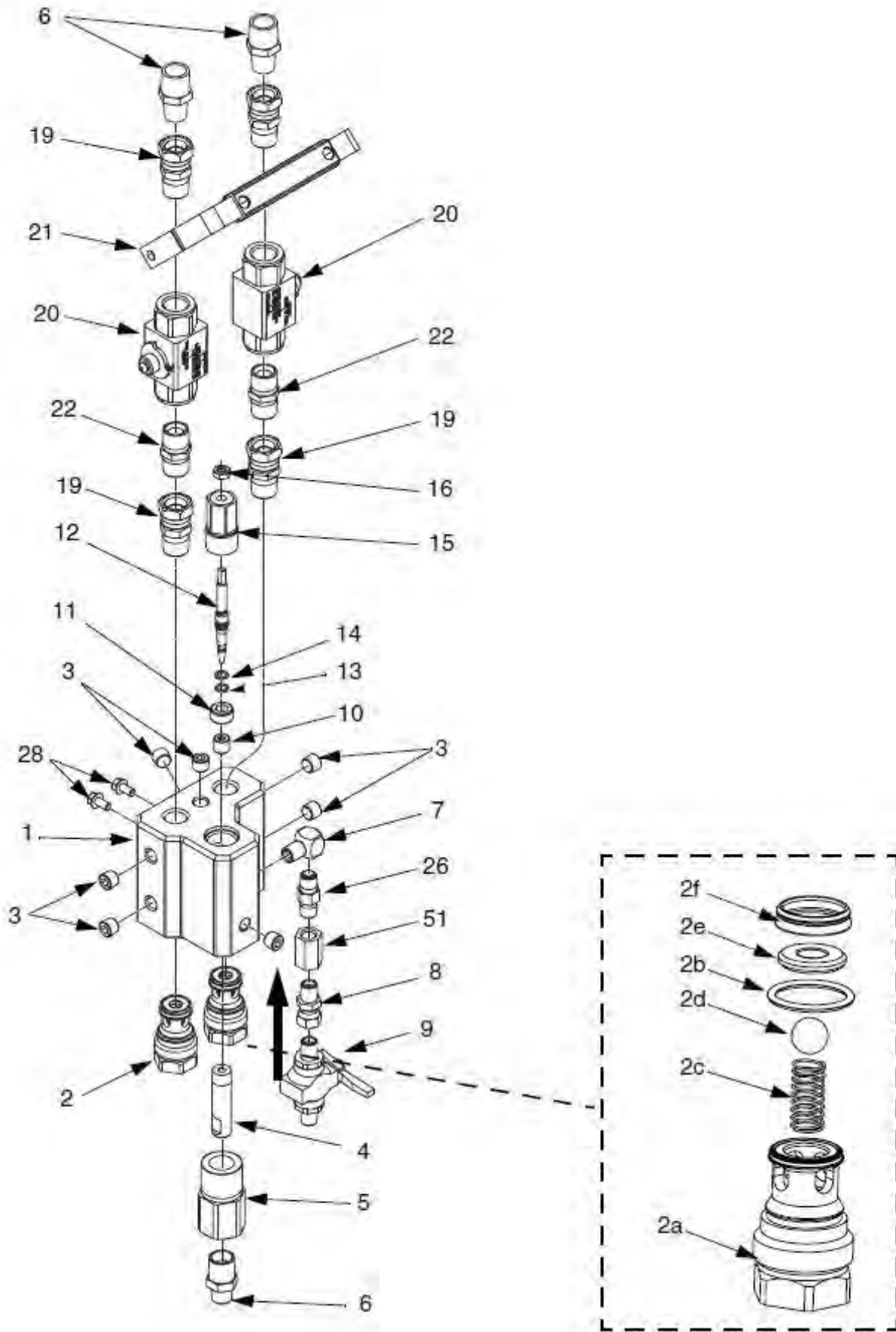
PART NUMBERS AND SCHEMATICS GUIDE

Mix Manifold

Item#	Part#	Description
Fig. 8		
—	20G262807	Mix Manifold
1	20G24P869	Mix Manifold Block
2	20G258986	Check Valve Cartridge <i>(Includes Item #'s: 2a, 2b, 2c, 2d, 2e, and 2f) (Quantity of Two)</i>
2a	20G16D614	Check Valve Housing
2b	20G121138	Packing O-Ring, PTFE, White
2c	20G15M530	Check Valve Spring
2d	20G116166	1/2" Carbide Ball
2e	20G15A968	Foot Valve Seat
2f	20G15K692	Retainer Seat
3	20G100721	1/4" NPT Pipe Plug <i>(Quantity of Seven)</i>
4	20G15R378	Hardener Injector Tube
5	20G15R067	Pipe Outlet
6	20G159239	3/8" x 1/2" Pipe Nipple <i>(Quantity of Three)</i>
7	20G100840	1/4-18 NPT Elbow
8	20G156823	1/4" NPT (M) x 1/4" NPSM (F) Adapter
9	20G214037	1/4" x 1/4" Ball Valve, 5000 psi
10	20G183951	Seat Valve for Restrictor
11	20G15R382	3/4-16 UNC x 0.375 Retainer Screw
12	20G235205	Restrictor Valve Stem
13	20G110004	Packing O-Ring, PTFE, White
14	20G113137	Packing O-Ring, Solvent Resistant, Black
15	20G15M969	Restrictor Housing
16	20G110005	Hex Nut Jam
19	20G156684	1/2" NPT Union Swivel <i>(Quantity of Four)</i>
20	20G262740	1/2" NPT (F) Ball Valve <i>(Quantity of Two)</i>
21	20G24M421	Valve Lever
22	20G158491	1/2" x 1/2" Nipple <i>(Quantity of Two)</i>
26	20G501867	1/4" Stainless Steel Check Valve
28	20G113161	1/4-20 x 1/2" Screw <i>(Quantity of Two)</i>
51	20G113093	1/2" x 1/2" Coupling, 7250 psi
—	20G126786	Restrictor Wrench
—	20G258992	Mix Manifold Repair Kit <i>(Includes Item #'s: 2b, 2c, 2d, 2e, 2f, 13, and 14)</i>
—	209V505	Operator's Manual – Graco® Mix Manifold

PART NUMBERS AND SCHEMATICS GUIDE

Figure 8: Mix Manifold



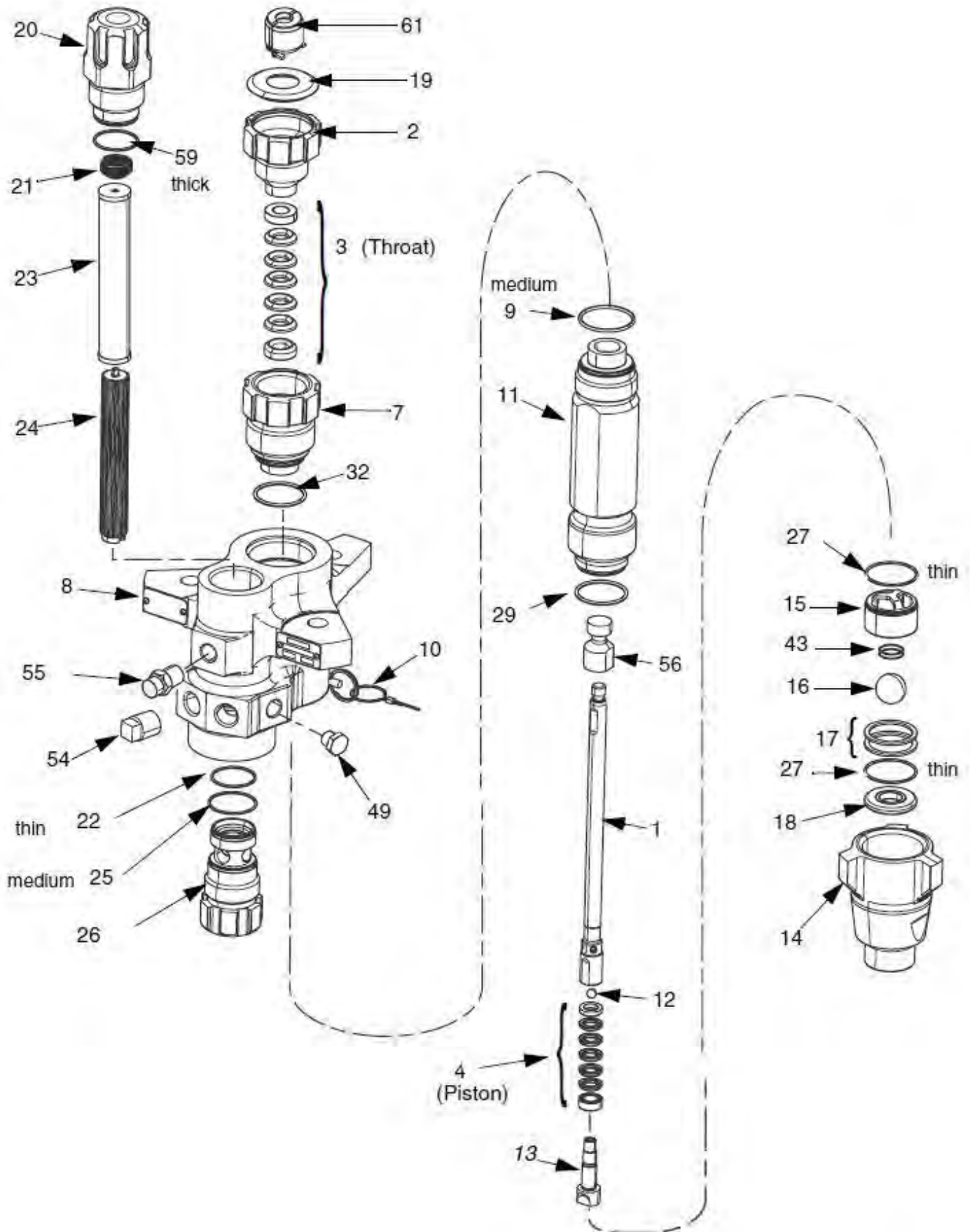
PART NUMBERS AND SCHEMATICS GUIDE

36cc, 48cc, and 58cc XP™ Sprayer Lower Displacement Pump

Item#	36cc	48cc	58cc	Description
	20GL036C0	20GL048C0	20GL058C0	
Fig. 9				
1	20G16D458	20G16D459	20G15D460	Displacement Rod
2	20G16D468	20G16D468	20G16D468	Packing Nut
3	—	—	—	Stack Packings, Throat
4	—	—	—	Stack Packings, Piston
7	20G16D467	20G16D467	20G16D467	Packing Cartridge, Throat
8	20G15F659	20G15F659	20G15F659	Housing Outlet
9	20G288067	20G288067	20G288067	O-Ring, Top Cylinder, PTFE Medium (<i>Quantity of 10</i>)
10	20G244826	20G244826	20G244826	Self-Locking Pin
11	20G16D469	20G16D470	20G16D471	Lower Cylinder
12	20G262485	20G262485	20G262485	Ball Plston (<i>Quantity of Three</i>)
13	20G16D464	20G16D464	20G16D464	Piston Valve
14	20G15F667	20G15F667	20G15F667	Inlet Housing
15	20G16D472	20G16D472	20G16D472	Inlet Ball Guide
16	20G244899	20G244899	20G244899	Inlet Ball (<i>Quantity of Three</i>)
17	20G288064	20G288064	20G288064	Inlet Shim Ball Guide (<i>Quantity of Nine</i>)
18	20G15F665	20G15F665	20G15F665	Inlet Seat
19	20G247393	20G247393	20G247393	Throat Seal Plug (<i>Quantity of 10</i>)
20	20G16M461	20G16M461	20G16M461	Top Filler Cap
21	20G171941	20G171941	20G171941	Compression Spring
22	20G244895	20G244895	20G244895	Thin Filter O-Ring, PTFE (<i>Quantity of 10</i>)
23	20G224458	20G224458	20G224458	Strainer, 60 mesh screen
24	20G186075	20G186075	20G186075	Filter Support
25	20G262484	20G262484	20G262484	Filter O-Ring, Medium, PTFE (<i>Quantity of 10</i>)
26	20G16M462	20G16M462	20G16M462	Lower Filter Cap
27	20G288068	20G288068	20G288068	Foot Valve and O-Ring, PTFE thin (<i>Quantity of 10</i>)
29	20G262512	20G262512	20G262512	Cylinder Bottom O-Ring, PTFE medium (<i>Quantity of 10</i>)
30	20G172479	20G172479	20G172479	Warning Tag
32	20G262512	20G262512	20G288068	Throat Cartridge O-Ring, PTFE thin (<i>Quantity of 10</i>)
43	20G124007	20G124007	20G124007	Foot Valve Spring
49	20G198292	20G198292	20G198292	3/8" Pipe Plug
54	20G100737	20G100737	20G100737	1/2" Pipe Plug
55	20G258962	20G258962	20G258962	Rupture Disc Assembly Housing
56	20G15Y399	20G15Y399	20G15Y399	Rod Adapter
59	20G262483	20G262483	20G262483	O-Ring Filter, PTFE thick (<i>Quantity of 10</i>)
61	20G247167	20G247167	20G247167	Assembly Coupler

PART NUMBERS AND SCHEMATICS GUIDE

Figure 9: 36cc, 48cc, and 58cc XP™ Sprayer Lower Displacement Pump



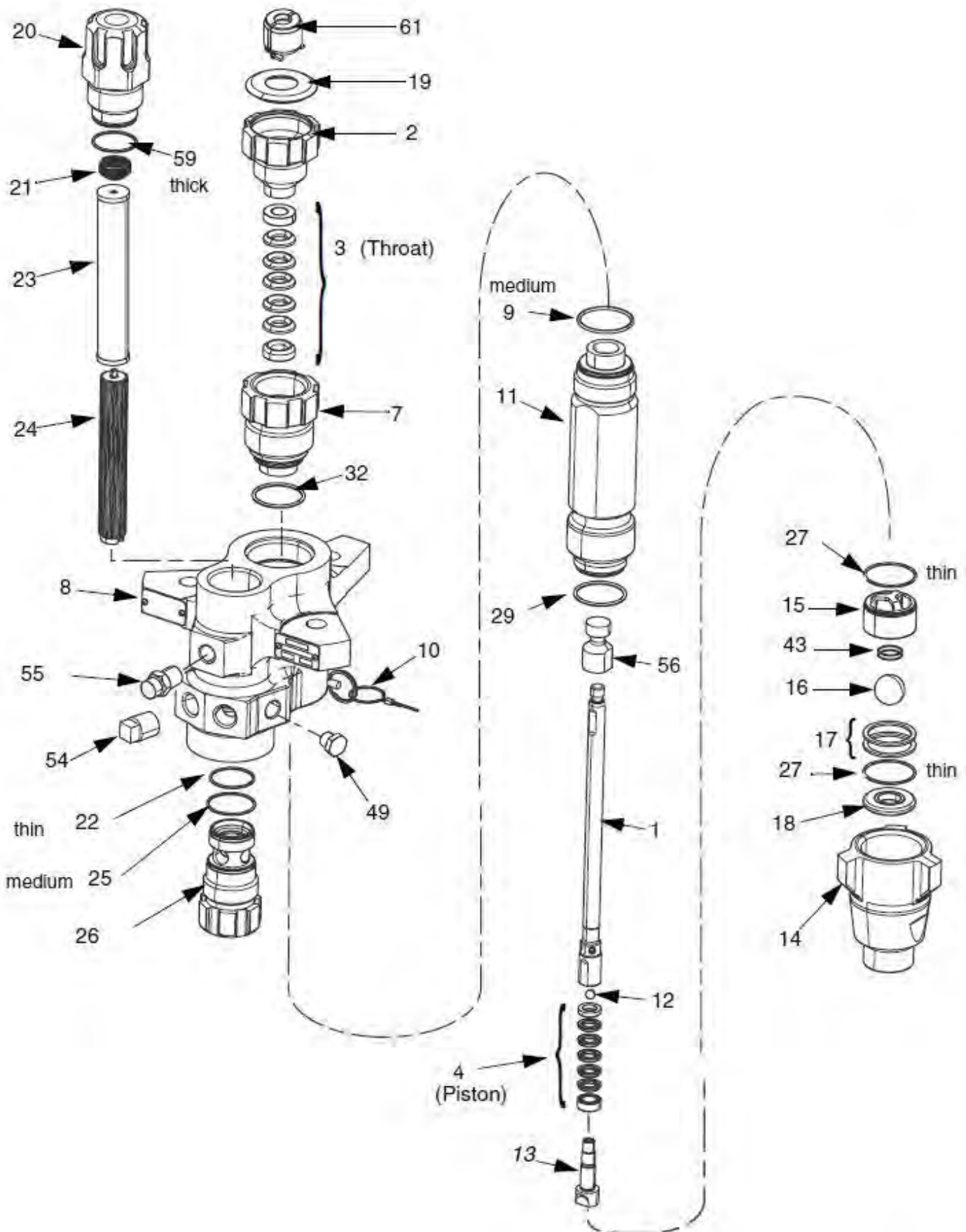
PART NUMBERS AND SCHEMATICS GUIDE

90cc and 115cc XP™ Sprayer Lower Displacement Pump

Item#	90cc	115cc	Description
	20GL090C0	20GL115C0	
Fig. 10			
1	20G16J902	20G24B820	Displacement Rod
2	20G15K029	20G15K029	Packing Nut
3	—	—	Stack Packings, Throat
4	—	—	Stack Packings, Piston
7	20G16K490	20G15F661	Packing Cartridge, Throat
8	20G15F659	20G15F659	Housing Outlet
9	20G288067	20G288067	O-Ring, Top Cylinder, PTFE Medium (<i>Quantity of 10</i>)
10	20G244826	20G244826	Self-Locking Pin
11	20G16J908	20G15F656	Lower Cylinder
12	20G288065	20G288065	Ball Plston (<i>Quantity of Three</i>)
13	20G24B818	20G24B817	Piston Valve
14	20G15F667	20G15F667	Inlet Housing
15	20G16D472	20G16D472	Inlet Ball Guide
16	20G244899	20G244899	Inlet Ball (<i>Quantity of Three</i>)
17	20G288064	20G288064	Inlet Shim Ball Guide (<i>Quantity of Nine</i>)
18	20G15F665	20G15F665	Inlet Seat
19	20G247393	20G247393	Throat Seal Plug (<i>Quantity of 10</i>)
20	20G16M461	20G16M461	Top Filler Cap
21	20G171941	20G171941	Compression Spring
22	20G244895	20G244895	Thin Filter O-Ring, PTFE (<i>Quantity of 10</i>)
23	20G224458	20G224458	Strainer, 60 mesh screen
24	20G186075	20G186075	Filter Support
25	20G262484	20G262484	Filter O-Ring, Medium, PTFE (<i>Quantity of 10</i>)
26	20G16M462	20G16M462	Lower Filter Cap
27	20G288068	20G288068	Foot Valve and O-Ring, PTFE thin (<i>Quantity of 10</i>)
29	20G262512	20G288068	Cylinder Bottom O-Ring, PTFE medium (<i>Quantity of 10</i>)
30	20G172479	20G172479	Warning Tag
32	20G262512	20G288068	Throat Cartridge O-Ring, PTFE thin (<i>Quantity of 10</i>)
43	20G124007	20G124007	Foot Valve Spring
49	20G198292	20G198292	3/8" Pipe Plug
54	20G100737	20G100737	1/2" Pipe Plug
55	20G198292	20G198292	3/8" Hex Head Pipe Plug
56	—	—	Rod Adapter
59	20G262483	20G262483	O-Ring Filter, PTFE thick (<i>Quantity of 10</i>)
61	20G247167	20G247167	Assembly Coupler

PART NUMBERS AND SCHEMATICS GUIDE

Figure 10: 90cc and 115cc XP™ Sprayer Lower Displacement Pump



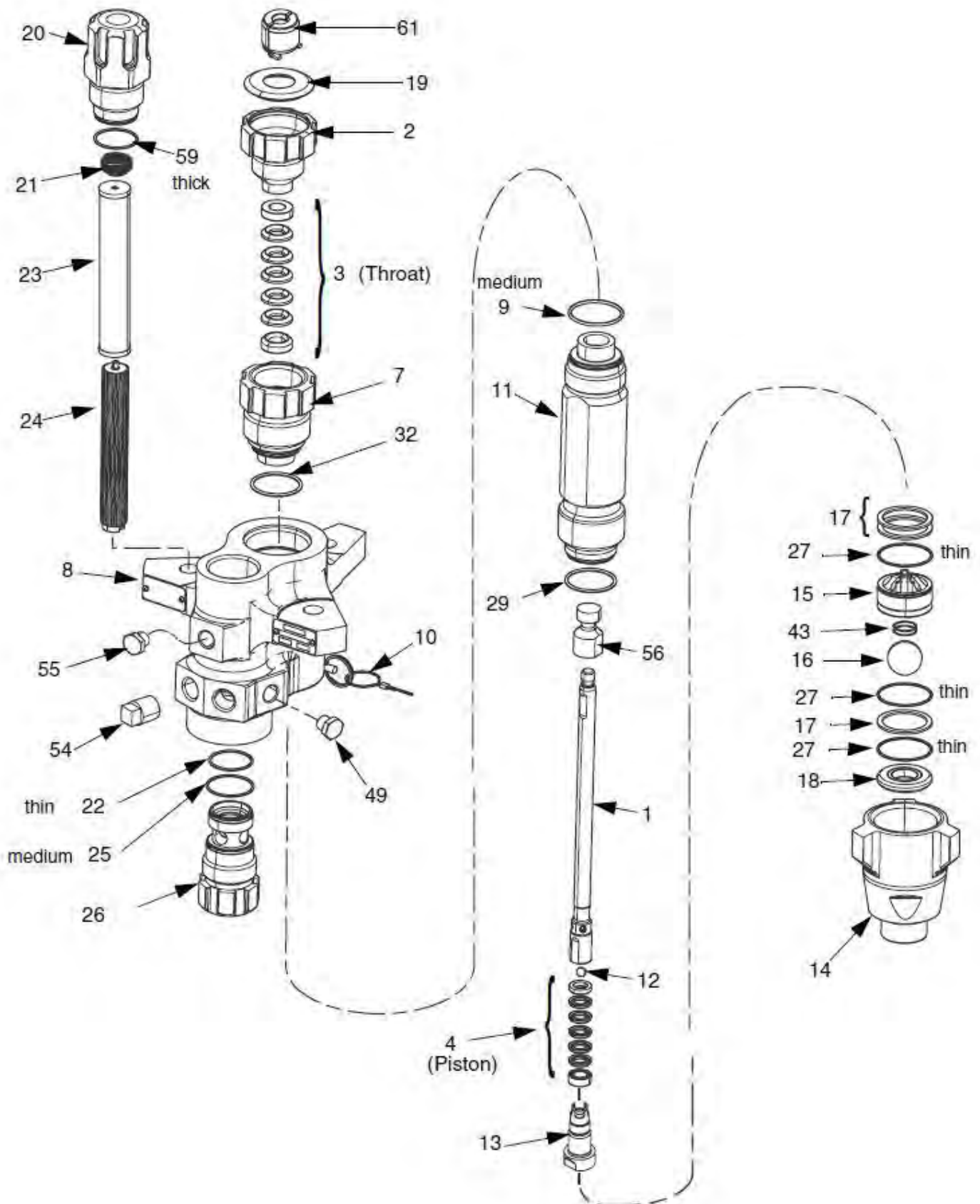
PART NUMBERS AND SCHEMATICS GUIDE

145cc XP™ Sprayer Lower Displacement Pump


Item#	145cc 20GL14AC0	Description
Fig. 11		
1	20G24B821	Displacement Rod
2	20G15K030	Packing Nut
3	—	Stack Packings, Throat
4	—	Stack Packings, Piston
7	20G197325	Packing Cartridge, Throat
8	20G16E151	Housing Outlet
9	20G244892	O-Ring, Top Cylinder, PTFE Medium (<i>Quantity of 10</i>)
10	20G244826	Self-Locking Pin
11	20G197315	Lower Cylinder
12	20G253029	Ball Plston (<i>Quantity of Three</i>)
13	20G24B826	Piston Valve
14	20G197303	Inlet Housing
15	20G198646	Inlet Ball Guide
16	20G245128	Inlet Ball (<i>Quantity of Three</i>)
17	20G244855	Inlet Shim Ball Guide (<i>Quantity of Nine</i>)
18	20G196358	Inlet Seat
19	20G247394	Throat Seal Plug (<i>Quantity of 10</i>)
20	20G16M461	Top Filler Cap
21	20G171941	Compression Spring
22	20G244895	Thin Filter O-Ring, PTFE (<i>Quantity of 10</i>)
23	20G224458	Strainer, 30 mesh screen
24	20G186075	Filter Support
25	20G262484	Filter O-Ring, Medium, PTFE (<i>Quantity of 10</i>)
26	20G16M462	Lower Filter Cap
27	20G244890	Foot Valve and O-Ring, PTFE thin (<i>Quantity of 10</i>)
29	20G244890	Cylinder Bottom O-Ring, PTFE medium (<i>Quantity of 10</i>)
30	20G172479	Warning Tag
32	20G244890	Throat Cartridge O-Ring, PTFE thin (<i>Quantity of 10</i>)
43	20G116801	Foot Valve Spring
49	20G198292	3/8" Pipe Plug
54	20G100737	1/2" Pipe Plug
55	20G198292	Rupture Disc Assembly Housing
59	20G262483	O-Ring Filter, PTFE thick (<i>Quantity of 10</i>)
61	20G244819	Assembly Coupler



PART NUMBERS AND SCHEMATICS GUIDE

Figure 11: 145cc XP™ Sprayer Lower Displacement Pump







OPTIONAL ACCESSORIES

1/4" I.D. AIRLESS SPRAY HOSE - COUPLED							
Part Numbers	Working Pressure	Length (feet)	Braid Reinforcement Material	Hose Cover Color	Couplings	U.O.M.	
	2000023	5,000 psi	3'	Steel	Black	Female x Female	One Each
	2000027	5,000 psi	6'	Steel	Black	Female x Female	One Each
	2000022	5,000 psi	10'	Steel	Black	Female x Female	One Each
	2000021	5,000 psi	25'	Steel	Black	Female x Female	One Each
	2000020	5,000 psi	50'	Steel	Black	Female x Female	One Each
	2000024	5,000 psi	100'	Steel	Black	Female x Female	One Each
	2000033	6,100 psi	3'	Steel/Polyester	Green	Female x Female	One Each
	2000034	6,100 psi	6'	Steel/Polyester	Green	Female x Female	One Each
	2000032	6,100 psi	10'	Steel/Polyester	Green	Female x Female	One Each
	2000031	6,100 psi	25'	Steel/Polyester	Green	Female x Female	One Each
	2000030	6,100 psi	50'	Steel/Polyester	Green	Female x Female	One Each
	2000035	6,100 psi	100'	Steel/Polyester	Green	Female x Female	One Each
	2000093	9,750 psi	3'	Aramid/Steel	Black	Female x Female	One Each
	2000094	9,750 psi	6'	Aramid/Steel	Black	Female x Female	One Each
	2000092	9,750 psi	10'	Aramid/Steel	Black	Female x Female	One Each
	2000091	9,750 psi	25'	Aramid/Steel	Black	Female x Female	One Each
	2000090	9,750 psi	50'	Aramid/Steel	Black	Female x Female	One Each
	2000095	9,750 psi	100'	Aramid/Steel	Black	Female x Female	One Each

1/4" I.D. AIRLESS SPRAY HOSE HEX NIPPLES				
Part Numbers	Thread Style	Working Pressure	U.O.M.	
	20PFHA24SA0404	1/4" Male x 1/4" Male	7,250 psi	One Each
	2073122	1/4" Male x 1/4" Male	15,000 psi	One Each
	20PFHA24SA0604	1/4" Male x 3/8" Male	6,000 psi	One Each
	2073123	1/4" Male x 3/8" Male	10,000 psi	One Each

OPTIONAL ACCESSORIES

3/8" I.D. AIRLESS SPRAY HOSE - COUPLED							
Part Numbers	Working Pressure	Length (feet)	Braid Reinforcement Material	Hose Cover Color	Couplings	U.O.M.	
	2000043	3,500 psi	3'	Steel	Red	Female x Female	One Each
	2000042	3,500 psi	10'	Steel	Red	Female x Female	One Each
	2000041	3,500 psi	25'	Steel	Red	Female x Female	One Each
	2000040	3,500 psi	50'	Steel	Red	Female x Female	One Each
	2000053	5,800 psi	3'	Steel	Navy	Female x Female	One Each
	2000054	5,800 psi	6'	Steel	Navy	Female x Female	One Each
	2000052	5,800 psi	10'	Steel	Navy	Female x Female	One Each
	2000051	5,800 psi	25'	Steel	Navy	Female x Female	One Each
	2000050	5,800 psi	50'	Steel	Navy	Female x Female	One Each
	2000049	5,800 psi	100'	Steel	Navy	Female x Female	One Each
	2000113	8,100 psi	3'	Aramid/Steel	Red	Female x Female	One Each
	2000114	8,100 psi	6'	Aramid/Steel	Red	Female x Female	One Each
	2000112	8,100 psi	10'	Aramid/Steel	Red	Female x Female	One Each
	2000111	8,100 psi	25'	Aramid/Steel	Red	Female x Female	One Each
	2000110	8,100 psi	50'	Aramid/Steel	Red	Female x Female	One Each
	2000115	8,100 psi	100'	Aramid/Steel	Red	Female x Female	One Each

3/8" I.D. AIRLESS SPRAY HOSE HEX NIPPLES				
Part Numbers	Thread Style	Working Pressure	U.O.M.	
	20PFHA24SA0606	3/8" Male x 3/8" Male	6,000 psi	One Each
	2073133	3/8" Male x 3/8" Male	15,000 psi	One Each
	20PFHA24SA0604	1/4" Male x 3/8" Male	6,000 psi	One Each
	2073123	1/4" Male x 3/8" Male	10,000 psi	One Each
	20PFHA24SA0806	3/8" Male x 1/2" Male	6,000 psi	One Each


OPTIONAL ACCESSORIES


		MANIFOLD VALVES			
	Part Numbers	Type	Maximum Working Pressure	Thread Size	Seals
	20G262740	Spare Valve (No Handle)	7250 psi	1/2" NPT	PTFE with PEEK seat
	20G262739	Spare Valve (Single Handle)	7250 psi	1/2" NPT	PTFE with PEEK seat
<i>No Image Available</i>	20G24M601	Ball Valve Repair Kit			
	20G262808	Recirculation/Over Pressurization Valve			

		PRESSURE MONITOR KIT	
	Part Numbers	Description	
	20G262940	Pressure Monitor Kit, Electric	
	20G262942	Pressure Monitor Kit, Pneumatic	

		THROAT SEAL LIQUID	
	Part Numbers	Description	
	20G206994	Throat Seal Liquid – 8 oz.	
	20G206995	Throat Seal Liquid – 1 qt.	
	20G206996	Throat Seal Liquid – 1 gal.	

OPTIONAL ACCESSORIES




		STATIC MIXERS				
Part Numbers		Diameter	Length	Pressure Limit	Housing Material	Element Material
	20TAH100206	1/4"	3.75"	8500 psi	Stainless Steel	Stainless Steel
	20TAH100212	1/4"	7"	8500 psi	Stainless Steel	Stainless Steel
	20G511352	3/8"	9.5"	7250 psi	Stainless Steel	Stainless Steel
	20TAH100312	3/8"	9.5"	7250 psi	Stainless Steel	Stainless Steel
	20TAH7700195	3/8"	13.12"	7250 psi	Stainless Steel	Plastic
	2070039	1/2"	2"	5000 psi	Plastic	Plastic
	20TAH100412	1/2"	11"	7250 psi	Stainless Steel	Stainless Steel


		STATIC MIXER REPLACEMENT PARTS	
Part Numbers		Description	Quantity
	20G248925	1/4" x 12 Ft. Whip Hose Mixing Kit	20G15E592 Housings (<i>Quantity of Two</i>) and 20G248927 Mixing Elements (<i>Quantity of Six</i>)
	20TAH090312	3/8" x 12" Stainless Steel Mixing Element	12/Package
	20G248927	1/2" Plastic Mixing Element	25/Package
	20G15E592	1/2" x 5" Static Mix Housing	One Each
	20TAH100612	3/4" x 12" Stainless Steel Mixing Element	12/Package

LITERATURE REFERENCES


Part#	Description
201V019	Brochure – Graco® XTR™ Airless Spray Guns
201V544	Brochure – Graco® Plural Component Sprayers
206M508	Part Numbers and Schematics Guide – Graco® XTR-5™ Airless Spray Gun
206M575	Part Numbers and Schematics Guide – Graco® XP35™ Plural Component Sprayer
109V508	Operator's Manual – Graco® XTR-5™ Airless Spray Gun
209V021	Operator's Manual – Graco® Xtreme® Pump Lowers
209V505	Operator's Manual – Graco® Mix Manifold
209V509	Operator's Manual – Graco® NXT® Air Motor
209V573	Operator's Manual – Graco® Plural Component Sprayer




PART NUMBERS & SCHEMATICS GUIDE

BOOTH FILTER GRIDS AND TRACKS					
	Part Numbers	Style	Size	Material	U.O.M.
	2070012	Grid	20" x 20"	Wire	One Each
	20C1152	Grid	20" x 20"	Wire	One Each
	2070014	Track	5'	Extruded Plastic	One Each


DOOR GASKETS					
	Part Numbers	Style	Size	Material	U.O.M.
	20CMGSK170	Gasket	3/8" x 30'	Open Cell Polyurethane	One Each

PART NUMBERS & SCHEMATICS GUIDE


		PAINT BOOTH FLOOR PAPER				
Part Numbers		Paper Weight (<i>Pound</i>)	Size	Flame Retardant	Color	U.O.M.
	20CH72NTFRP	70	72" x 500'	X	White	One Each
	20BK29863	80	36" x 300'	X	White	One Each
	20BK29864	80	42" x 300'	X	White	One Each
	20CH7280FRP	80	72" x 300'	X	White	One Each
	20CH8480FRP	80	84" x 300'	X	White	One Each
	20CH72SKFRP	100	72" x 300'	X	White	One Each
	20C9196	Tear-Resistant	60" x 300'		White	One Each
	20CH72HSFRP	Tear-Resistant	72" x 300'		White	One Each


		BOOTH COATS				
Part Numbers		Size	Color	Solvent Based	Peelable	U.O.M.
	25BK29248	1 gal	Clear		X	One Each
	25BK29249	5 gal	White		X	One Each
	2570264	5 gal	Clear	X	X	One Each
	2570265	5 gal	White	X	X	One Each
	25CH55CL791	55 gal	Clear	X	X	One Each
	25CH55WH791	55 gal	White	X	X	One Each

PART NUMBERS & SCHEMATICS GUIDE


		3M™ DIRT TRAP		
Part Numbers		Description	Size	U.O.M.
	2070281	One-Sided Adhesive Backing	28" x 300'	One Each


		3M™ HAND-MASKER™ DIRT CATCHER SUPER STICKY MAT		
Part Numbers		Description		U.O.M.
	2070262	3M™ Hand-Masker™ Dirt Catcher Super Sticky Mat (Includes Non-Skid Mat and 15 Easy-Peel Sheets, Size 26" X 32")		One Each


		LIGHT FIXTURE					
Part Numbers		Length	Width	Housing	Lamp Quantity	Voltage	U.O.M.
	1070385	4'	14-1/2"	20 Gauge Steel	4	120 volt/277 volt	One Each

		LIGHT FIXTURE COVERS				
Part Numbers		Material	DIMENSIONS			U.O.M.
			Thickness (Inches)	Width (Inches)	Length (Inches)	
	1070137	Lexan	0.015"	8"	13"	42/Pack
	1070138	Lexan	0.020"	8"	13"	42/Pack
	1070139	Lexan	0.040"	8"	13"	40/Pack
	1070201	Lexan	0.236"	14"	24"	12/Pack
	1070109	PETG	0.060"	24"	48"	4/Pack

PART NUMBERS & SCHEMATICS GUIDE

POWERBLANKET® BLANKET HEATERS					
	Part Numbers	Size	Temperature	Voltage	U.O.M.
	2070024	5 gal	Rapid Heat	120 volt	One Each
	2070021	55 gal	Rapid Heat	120 volt	One Each
	2070022	55 gal	Adjustable Heat	120 volt	One Each
	2070023	55 gal	Adjustable Heat	240 volt	One Each

POWERBLANKET® HOT BOX					
	Part Numbers	Size	Thermostatic Controller	Voltage	U.O.M.
	2070025	4' x 4' x 4'	X	120 volt	One Each

BAND HEATERS					
	Part Numbers	Size		Voltage	U.O.M.
	20EXTRX5HR110V	5 gal		120 volt	One Each
	20EXTRX55HR120V	55 gal		120 volt	One Each
	20EXTRX55HR240V	55 gal		240 volt	One Each

EXHAUST/OVERSPRAY FILTERS



Part Numbers

DUO FILTERS							
Part Numbers	Style	Description	Color	DIMENSIONS			U.O.M.
				Width	Length	Thickness	
20CH202050PD	Exhaust/ Overspray	Fiberglass Filter; Provides Longevity and Efficiency for Most Painting Applications	Green/ White	20"	20"	2"	50/Box
20CHGROLLDUO	Exhaust/ Overspray	Fiberglass Filter; Provides Longevity and Efficiency for Most Painting Applications	Green/ White	20"	300'	2"	Roll



Part Numbers

PD MEDIA FILTERS							
Part Numbers	Style	Description	Color	DIMENSIONS			U.O.M.
				Width	Length	Thickness	
20CH2020100PD	Exhaust/ Overspray	Thicker Version of the Duo; Provides Longevity and Efficiency for Most Painting Applications	Green	20"	20"	2"	100/ Box
20CH202550PD	Exhaust/ Overspray	Thicker Version of the Duo; Provides Longevity and Efficiency for Most Painting Applications	Green	20"	25"	2"	100/ Box
20CH48GROLLPD	Exhaust/ Overspray	Thicker Version of the Duo; Provides Longevity and Efficiency for Most Painting Applications	Green	48"	300'	2"	Roll
20CH60GROLLPD	Exhaust/ Overspray	Thicker Version of the Duo; Provides Longevity and Efficiency for Most Painting Applications	Green	60"	300'	2"	Roll

EXHAUST/OVERSPRAY FILTERS



Part Numbers

HS-2 FILTERS							
Style	Description	Color	DIMENSIONS			U.O.M.	
			Width	Length	Thickness		
2070266	Exhaust/ Overspray	Layered Fiberglass Filter; Provides Longevity and Efficiency for Most Painting Applications	Green/ White	20"	20"	2"	100/ Box



Part Numbers

BTO FILTERS							
Style	Description	Color	DIMENSIONS			U.O.M.	
			Width	Length	Thickness		
20CH20BROLLBTP	Exhaust/ Overspray	Specialized Fiberglass Filter; Tackified for use with Higher Efficiency Applications, Rapid Air-Dry Paints and Dust	Blue/ White	20"	300'	2-1/2"	One Each



Part Numbers

SLIM FILTERS							
Style	Description	Color	DIMENSIONS			U.O.M.	
			Width	Length	Thickness		
2070268	Exhaust/ Overspray	Fiberglass Filter; Provides Longevity and Efficiency for Most Painting Applications and Serves as Pre-Filter	Orange/ White	96"	300'	1"	Roll

PART NUMBERS & SCHEMATICS GUIDE



Part Numbers

FMP-18 FILTERS							
Style	Description	Color	DIMENSIONS			U.O.M.	
			Width	Length	Thickness		
20CH25NROLLFMP18	Exhaust/ Overspray	Fiberglass Filter; Unique Open Weave Construction for Increased Air Flow	Yellow	25"	300'	2"	Roll



Part Numbers

GPF ULTRA FILTERS							
Style	Description	Color	DIMENSIONS			U.O.M.	
			Width	Length	Thickness		
20CH2020100GPPF	Exhaust/ Overspray	Fiberglass Filter; Provides High Paint Holding Capacity	Green/ Yellow	20"	20"	1-5/8"	100/ Box
20CH60ROLLGPF	Exhaust/ Overspray	Fiberglass Filter; Provides High Paint Holding Capacity	Green/ Yellow	60"	300'	1-5/8"	Roll



Part Numbers

MONO FILTERS							
Style	Description	Color	DIMENSIONS			U.O.M.	
			Width	Length	Thickness		
20CH202050MP	Exhaust/ Overspray	Fiberglass Filter Pad; Eliminates Face Loading and Ensures Longevity and Efficiency	White	20"	20"	2"	100/ Box

EXHAUST/OVERSPRAY FILTERS



Part Numbers

MAXGUARD FILTERS						
Part Numbers	Style	Description	DIMENSIONS			U.O.M.
			Width	Length	Thickness	
20CH202050MPB	Exhaust/Overspray	2 Layer Fiberglass with Poly Backing	20"	20"	2"	50/Box
20C30ROLLMPB	Exhaust/Overspray	2 Layer Fiberglass with Poly Backing	30"	200'	2"	Roll
20C53ROLLMPB	Exhaust/Overspray	2 Layer Fiberglass with Poly Backing	53"	200'	2"	Roll
20CH60ROLLMPB	Exhaust/Overspray	2 Layer Fiberglass with Poly Backing	60"	200'	2"	Roll



Part Numbers

T-33 FILTERS							
Part Numbers	Style	Description	Color	DIMENSIONS			U.O.M.
				Width	Length	Thickness	
20CH2020T33	Exhaust/Overspray	Fiberglass Filter; Ideal for High Efficiency and High Holding Capacity Applications	White	20"	20"	3"	100/Box



Part Numbers

RIGI-PAK, FINAL 95% EFFICIENCY						
Part Numbers	Style	Description	DIMENSIONS			U.O.M.
			Width	Length	Thickness	
20COSV24241295RPAK	Final / Exhaust	Multi-Cell Filter; Plastic Separators to Hold Pleats in Place	24"	24"	12"	One Each

EXHAUST/OVERSPRAY FILTERS



Part Numbers	Style	Description	PAPER FILTERS			
			DIMENSIONS			U.O.M.
			Width	Length	Thickness	
20C91181	Exhaust/Overspray	5 Layer Paper with Poly Backing	20"	20"	Varies	50/Box
20C91171	Exhaust/Overspray	6 Layer Paper with Poly Backing	20"	20"	Varies	50/Box
20C91172	Exhaust/Overspray	6 Layer Paper with Poly Backing	20"	25"	Varies	50/Box
20C91183	Exhaust/Overspray	5 Layer Paper with Poly Backing	45"	30'	Varies	Roll
20CH4530BLKPS2	Exhaust/Overspray	6 Layer Paper with Poly Backing	45"	30"	Varies	Roll
2070187	Exhaust/Overspray	6 Layer Paper	45"	40'	Varies	Roll
20CH4540BLKPS2	Exhaust/Overspray	6 Layer Paper with Poly Backing	45"	40'	Varies	Roll



Part Numbers	Style	Description	ACCORDIAN FILTERS			
			DIMENSIONS			U.O.M.
			Width	Length	Thickness	
20BK2921863	Exhaust/Overspray	AF Paper, Accordion-Style	36"	30'	1"	3/PKG
20CH3630BLKAF	Exhaust/Overspray	AF Paper, Accordion-Style	36"	30'	1"	One Each
20CH3630BLKAFP	Exhaust/Overspray	AF Paper, Accordion-Style with Poly Backing	36"	30'	1"	One Each

EXHAUST/OVERSPRAY FILTERS



Part Numbers

PAINT POCKETS®							
Part Numbers	Style	Description	Color	DIMENSIONS			U.O.M.
				Width	Length	Thickness	
20CH202030PPW	Exhaust/Overspray	2 Layer Polyester Pockets with Mesh Back	White	20"	20"	2"	30/Box
20CH202040PPG	Exhaust/Overspray	2 Layer Polyester Pockets with Mesh Back	Green/White	20"	20"	2"	40/Box
20COSV202530PPW	Exhaust/Overspray	2 Layer Polyester Pockets with Mesh Back	White	20"	25"	2"	30/Box
20PP045050001	Exhaust/Overspray	2 Layer Polyester Pockets with Mesh Back	White	45"	50'	2"	Roll
20C91165	Exhaust/Overspray	2 Layer Polyester Pockets with Mesh Back	Green/White	48"	60'	2"	Roll



Part Numbers

MACH III FILTERS							
Part Numbers	Style	Description	DIMENSIONS			U.O.M.	
			Width	Length	Thickness		
20C1224MACH3H	Bag	3 Stage Arrestor System; Ideal For Extremely High Paint Capture Efficiency	12"	24"	15"	Box	
20C2424MACH3H	Bag	3 Stage Arrestor System; Ideal For Extremely High Paint Capture Efficiency	24"	24"	15"	Box	



Part Numbers

ONE LAYER TACKY, 2 POCKET FILTERS							
Part Numbers	Style	Description	DIMENSIONS			U.O.M.	
			Width	Length	Thickness		
20CH202015BAFGT	3 Stage Paint Arrestor/Exhaust/Overspray	2-Pocket Bag Self Sealing Extended Surface Area Filter; Primarily used in Wet Spray Applications	20"	20"	15"	Box	

PRE-FILTERS



Part Numbers

	N-POLY FILTERS					
	Style	Description	DIMENSIONS			U.O.M.
Width			Length	Thickness		
20CH40NROLLPOLY	Pre-Filter	Medium-Loft Single Layer; Provides maximum efficiency, optimal air flow	40"	90'	1"	Roll
20CH48NROLLPOLY	Pre-Filter	Medium-Loft Single Layer; Provides maximum efficiency, optimal air flow	48"	90'	1"	Roll
20CH50NROLLPOLY	Pre-Filter	Medium-Loft Single Layer; Provides maximum efficiency, optimal air flow	50"	90'	1"	Roll



Part Numbers

	CHEMLOFT FILTERS					
	Style	Description	DIMENSIONS			U.O.M.
Width			Length	Thickness		
1070402	Pre-Filter	High-Loft Filter with Extended Service Life and Efficiency. Serves as Liquid Paint Arrestor and Powder Coating Pre-Filter.	48"	60'	2"	Roll

INTAKE/HVAC FILTERS







Part Numbers

20COSV2048PAFIF


PAFIF FILTERS						
Style	Description	DIMENSIONS			U.O.M.	
		Width	Length	Thickness		
Intake	Polyester with Internal Wire Frame Filter	20"	48"	2"	10/Box	

GRIDS AND TRACKS


BOOTH FILTER GRIDS AND TRACKS					
Part Numbers	Style	Size	Material	U.O.M.	
 2070012	Grid	20" x 20"	Wire	One Each	
 20C1152	Grid	20" x 20"	Wire	One Each	
 2070014	Track	5'	Extruded Plastic	One Each	

GASKETS					
Part Numbers	Style	Size	Material	U.O.M.	
 20CMGSK170	Gasket	3/8" x 30 Ft.	Door Gasket	One Each	

FLOOR COVERINGS





Part Numbers	PAINT BOOTH FLOOR PAPER			
	Paper Weight (Pound)	Flame Retardant	Color	U.O.M.
25CH36NTFRP	70	X	White	36" x 500'
20BK29863	80	X	White	36" x 300'
20BK29864	80	X	White	42" x 300'
20CH7280FRP	80	X	White	72" x 300'
20CH8480FRP	80	X	White	84" x 300'
20CH72SKFRP	100	X	White	72" x 300'
20C9196	Tear-Resistant		White	60" x 300'
20CH72HSFRP	Tear-Resistant		White	72" x 300'



Part Numbers	LIGHT FIXTURE COVERS				U.O.M.
	Material	DIMENSIONS			
		Width (Inches)	Length (Inches)	Thickness (Inches)	
1070137	Lexan	8"	13"	0.015"	42/Pack
1070138	Lexan	8"	13"	0.020"	42/Pack
1070139	Lexan	8"	13"	0.040"	40/Pack
1070201	Lexan	14"	24"	0.236"	12/Pack
1070109	Lexan	24"	48"	0.060"	4/Pack

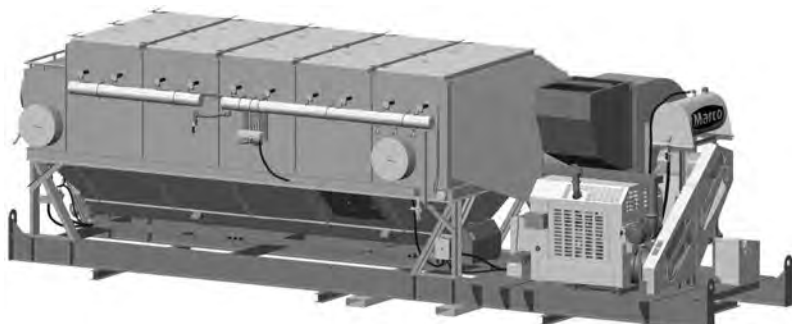
BOOTH COATS

BOOTH COATS				
	Part Numbers	Material	Size	U.O.M.
	25BK29248	Peelable Clear	1 Gal	One Each
	25BK29249	Peelable White	5 Gal	One Each
	25CH55CL791	Clear	55 Gal	One Each
	25CH55WH791	White	55 Gal	One Each

PART NUMBERS

DUSTMASTER® 50,000 CFM TIER 4 DIESEL DUST COLLECTORS

Part Numbers	Filter Cartridge Material						Trailer	Skid	Filter Cartridge Quantity
	None	85/15 Blend High Density Pleat Filters	85/15 Blend Reduced Pleat Filters	Fire Retardant	HEPA	Spunbond			
10106478	X						X		—
10106479		X					X		56
10106480			X				X		56
10106481				X			X		56
10106482					X		X		56
10106483						X	X		56
10106686	X							X	—
10106692		X						X	56
10106693			X					X	56
10106694				X				X	56
10106695					X			X	56
10106696						X		X	56



SPECIFICATIONS

Capacity:	CFM = 36,880 – 50,490 W.C. = 6 – 16"
Filter Cartridge Style:	Open Top with Flange, Closed Bottom 56 Required
Filter Cleaning:	Pulse System, 5–15 second intervals Pulse Duration: 200–350 millisecond
Air to Cloth Ratio:	3.43:1 @ 40,000 CFM
Filter Area:	11,662 square feet
Efficiency:	85/15 Blend High Density Pleat Filters – 99.8% @ 0.5 micron 85/15 Blend Reduced Pleat Filters – 99.8% @ 0.5 micron HEPA Filters – 99.99% @ 0.3 micron Fire Retardant Filters – 96.8% @ 2.0 micron Spunbond Filters – 97% @ 3.0 micron
Ducting Connections:	20" I.D., Quantity of Six
Clean-Out Ports:	One
Dust Removal Conveyor:	Main Auger, 6" Discharge Auger, Hydraulic Motor Drive
Fan:	Backward Inclined, non-overloading, spark resisting
Engine:	Diesel, Tier 4, 174 Horsepower
Fuel Capacity:	Type: Diesel Capacity: 116 Gallons
Air Requirements:	Clean, Dry, Compressed Air 24 CFM @ 90 PSI
Electrical System:	12-Volt DC
Engine Protection:	Engine Monitoring System with automatic shutdown measures: coolant temperature, intake air temperature, engine intake manifold pressure, engine oil pressure, pressure in fuel rail, engine speed and timing.
Fluid Specifications:	Hydraulic Oil: H46 or equivalent, 40 Gallons Diesel Fuel: See Engine Operator's Manual for type, 116 Gallons Grease/Lubricator: Shell Gadus S2 V100 2 or equivalent DEF: BlueDEF Diesel Exhaust Fluid
Unit Dimensions Trailer:	Weight: 19,900 pounds (empty) Tongue Weight: 3980 pounds Length: 35' 6" Width: 8' 6" Height: 11'
Unit Dimensions Skid:	Weight: 18,000 pounds (empty) Length: 32' 5" Width: 8' 6" Height: 9' 7"

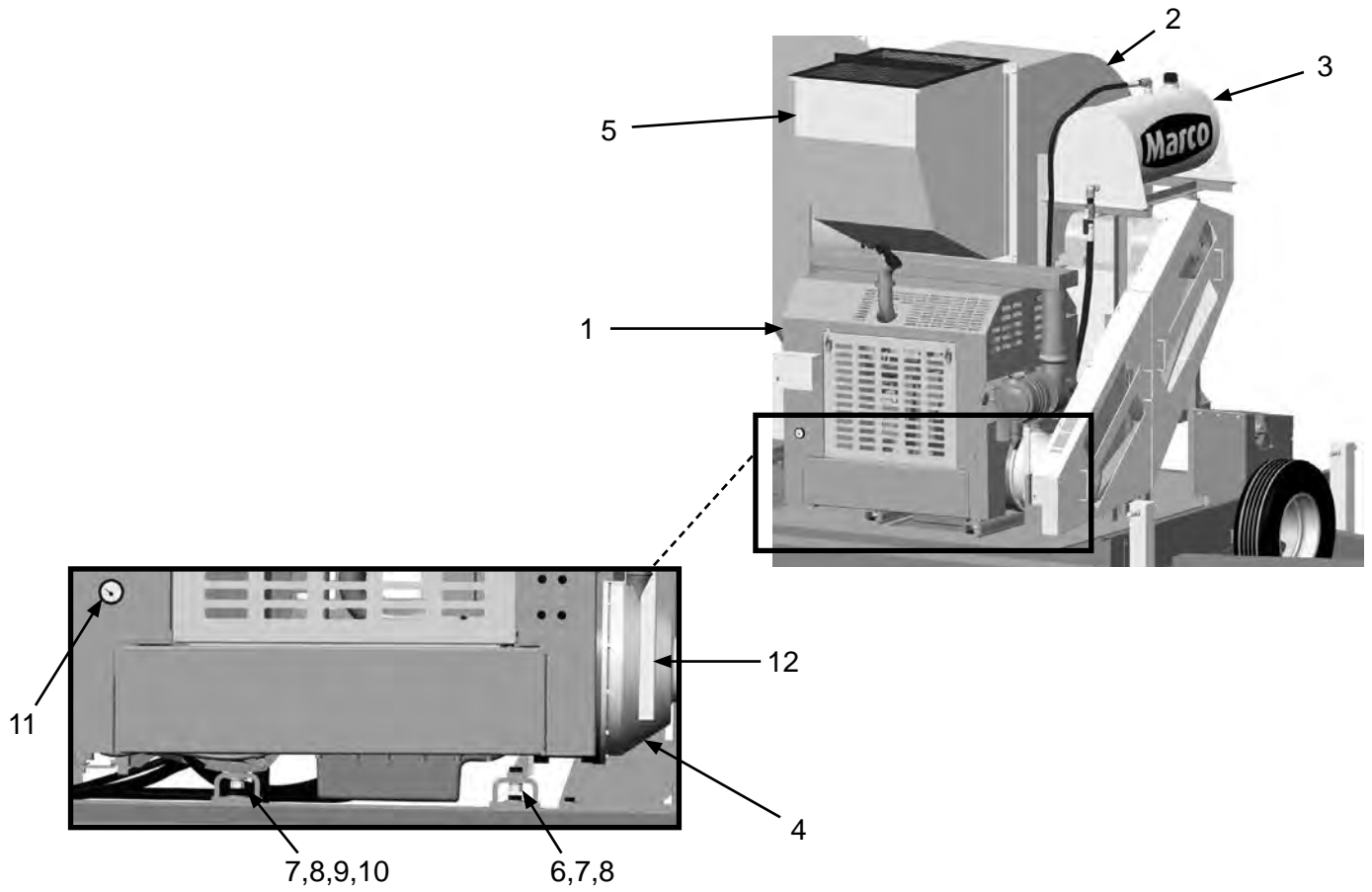
PART NUMBERS AND SCHEMATICS GUIDE

Front Assembly

Item #	Part #	Description
Fig. 1		
1	10106485	Perkins® Engine 174 HP Tier 4 CPU With DEF Tank
2	10103495	Fan BI-365 TH ARRG I Class IV (See Figure 7)
3	10105031	40 Gallon Hydraulic Tank (See Figure 4)
4	10103986	Twin Disc Clutch
5	10105951	Fan Exhaust
6	10103417	3/4-10 UNC x 1-3/4" Grade 8 Bolt (Two Required)
7	10103419	3/4" Lock Washer (Four Required)
8	10103420	3/4-10 Nut (Four Required)
9	10104067	3/4-10 x 2-3/4 Grade 8 Zinc Hex Bolt (Two Required)
10	10103418	Washer – 3/4" – Grade 8 (Four Required)
11	10104821	Fuel Level Gauge
12	10104001	Shifting Lever for 10103986
—	10104126	Oil Filter
—	10103958	Primary Fuel Filter
—	10104117	Secondary Fuel Filter
—	10106547	Fuel Filter Water Bowl
—	10104130	Outer Air Filter
—	10104131	Inner Air Filter
—	1091107	Hazard Identification Decals – Dustmaster® 50,000 CFM Tier 4 Diesel Dust Collectors
—	1091157	Hazard Identification Decals – Dust Collector Tier 4 Engines
—	109V565	Operator's Manual – Perkins® Engine
—	105M161	Features and Specifications Guide – Dustmaster® 50,000 CFM Tier 4 Diesel Dust Collectors
—	106M161	Part Numbers and Schematics Guide – Dustmaster® 50,000 CFM Tier 4 Diesel Dust Collectors
—	1091161	Operator's Manual – Dustmaster® 50,000 CFM Tier 4 Diesel Dust Collectors

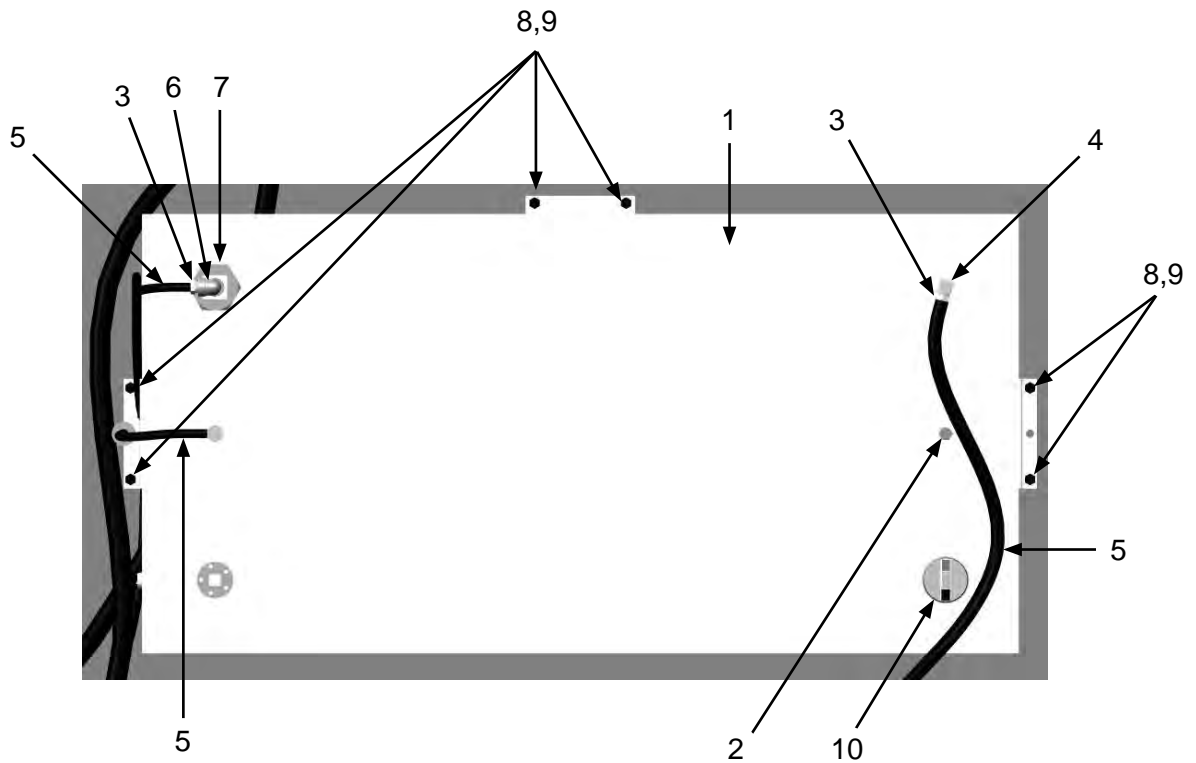
PART NUMBERS AND SCHEMATICS GUIDE

Figure 1: Front Assembly



PART NUMBERS AND SCHEMATICS GUIDE

Figure 2: Fuel Tank



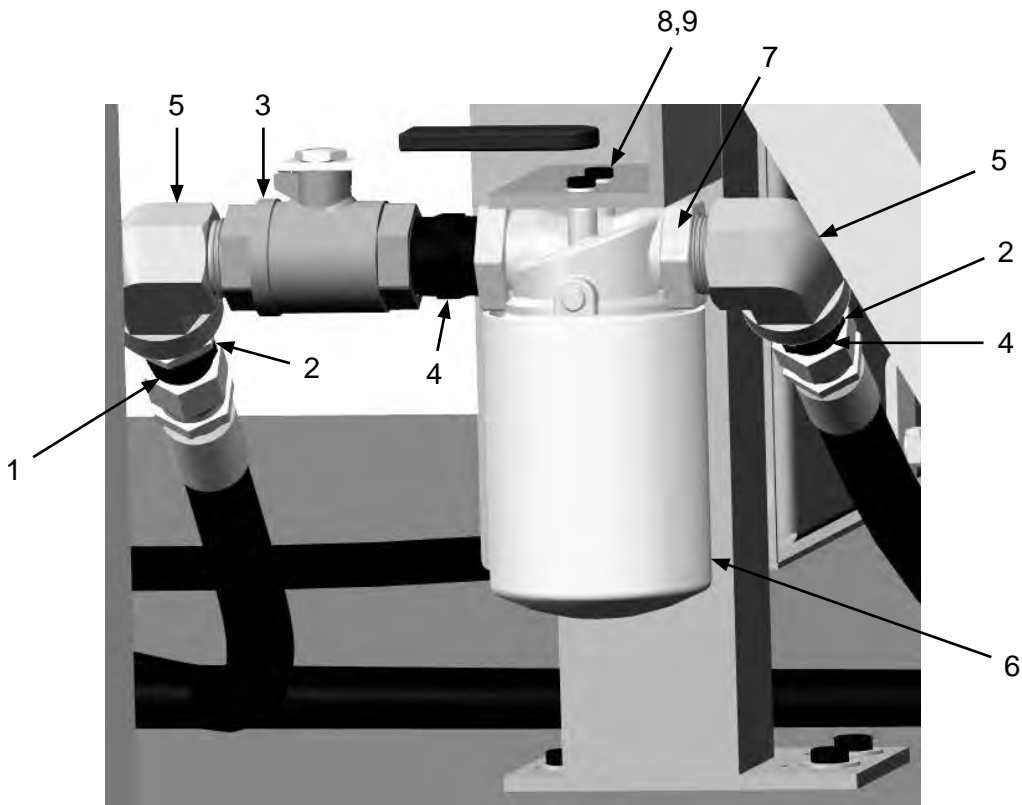
Item #	Part #	Description
--------	--------	-------------

Fig. 2

1	10104704	Fuel Tank – 116 Gallon
2	10106471	1/4" Pipe Plug
3	10106469	3/8" Barb x 3/8" NPT
4	10103617	Withdraw Tube – 16"
5	10103619	1/2" Fuel Hose (<i>Per Foot</i>)
6	10106470	3/8" NPT Street Elbow
7	10106484	Adapter
8	10104234	3/8-16 x 1-1/4" Bolt Zinc (<i>Six Required</i>)
9	1012318	3/8-16 Hex Nut (<i>Six Required</i>)
10	10103968	Locking Fuel Cap with Key
—	10103620	3/8" Inline Filter (<i>Not Shown</i>)
—	10103961	Fuel Tank Rubber Cushioning Pad (<i>Not Shown</i>)

PART NUMBERS AND SCHEMATICS GUIDE

Figure 3: Hydraulic Oil Filter Assembly



Item #	Part #	Description
--------	--------	-------------

Fig. 3

1	10103314	3/4" NPT x 12 JIC Straight Adapter
2	20PFHA24SB1612	1" x 3/4" Reducing Bushing (<i>Two Required</i>)
3	1011601	3/4" Full Port Brass Ball Valve
4	20PFHA24SA1616	1" Hex Nipple (<i>Two Required</i>)
5	20PFHA25UG1616	1" Street Elbow (<i>Two Required</i>)
6	10104058	Hydraulic Oil Filter
7	10104057	Hydraulic Oil Filter Head
8	1012153	1/4" Lock Washer
9	20100125	1/4-20 x 3/4" Zinc Bolt

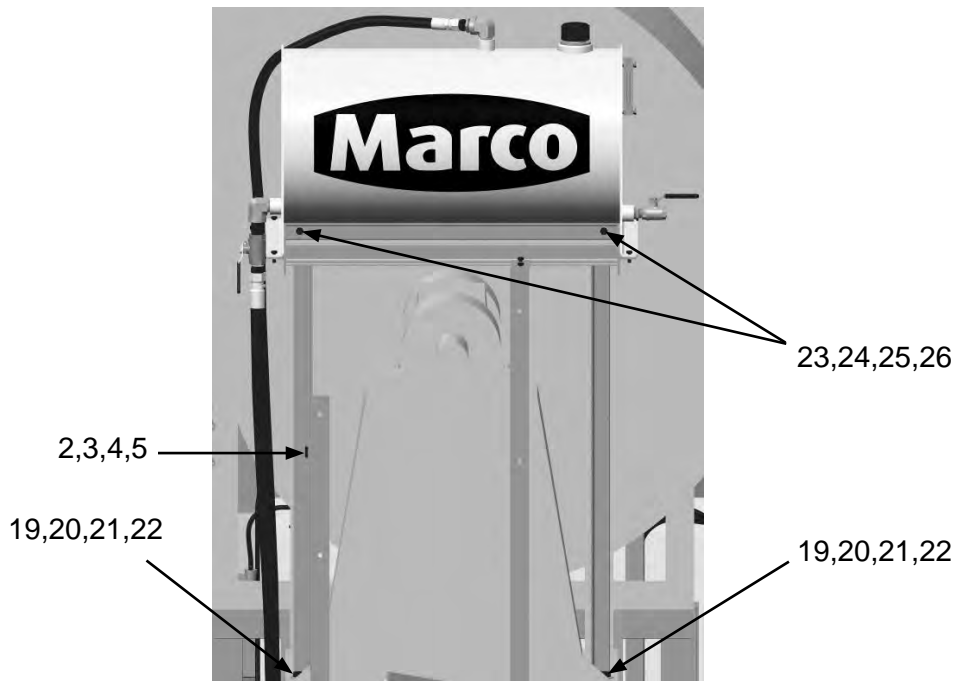
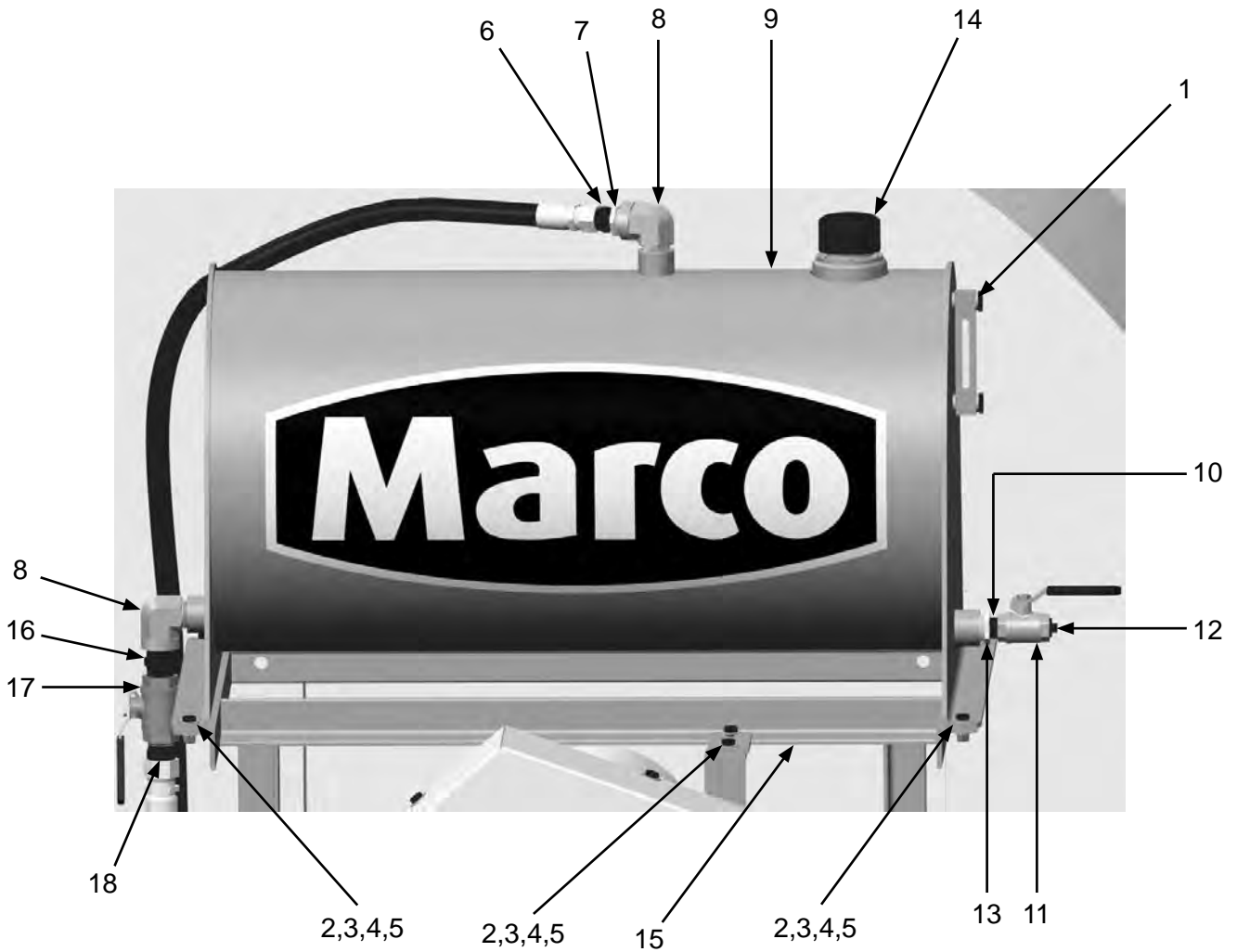
PART NUMBERS AND SCHEMATICS GUIDE

Hydraulic Oil Tank

Item #	Part #	Description
Fig. 4		
1	10103942	Sight Level Gauge
2	1011747	3/8-16 x 1" Bolt <i>(10 Required)</i>
3	10101942	Flat Washer – 3/8" <i>(20 Required)</i>
4	10101936	Lock Washer – 3/8" <i>(10 Required)</i>
5	1012318	Hex Nut – 3/8-16 <i>(10 Required)</i>
6	10103314	Straight Adapter – 3/4" NPT x 12 JIC
7	20PFHA24SB1612	Reducing Bushing – 1" NPT x 3/4" NPT
8	20PFHA25UG1616	Street Elbow – 90° – 1" NPT <i>(Two Required)</i>
9	10105031	Hydraulic Oil Reservoir – 40 Gallon
10	1011213	Close Nipple – 3/4" NPT – Galvanized
11	10L8074C	Full Port Ball Valve – 3/4" NPT
12	10DSHP75	Pipe Plug – Square Head – 3/4" NPT
13	10102479	Street Elbow – 90° – 3/4" NPT – Galvanized
14	10103971	Filler/Breather Cap
15	10102958	Hydraulic Oil Tank Mount
16	20PFHA24SA1616	Hex Nipple – 1" NPT
17	1011601	Full Port Ball Valve – 1" NPT
18	10103312	Straight Adapter – 1" NPT x 16 JIC
19	10103417	3/4-10 UNC x 1-3/4" Grade 8 Bolt <i>(Four Required)</i>
20	10103418	3/8" Galvanized Flat Washer <i>(Eight Required)</i>
21	10103419	3/4" Lock Washer <i>(Four Required)</i>
22	10103420	3/4-10 Nut <i>(Four Required)</i>
23	10104603	1/2-13 x 1-1/4" Bolt <i>(Two Required)</i>
24	1014022	1/2-13 Hex Nut <i>(Two Required)</i>
25	10100674	1/2" Flat Washer <i>(Two Required)</i>
26	10100675	1/2" Lock Washer <i>(Two Required)</i>

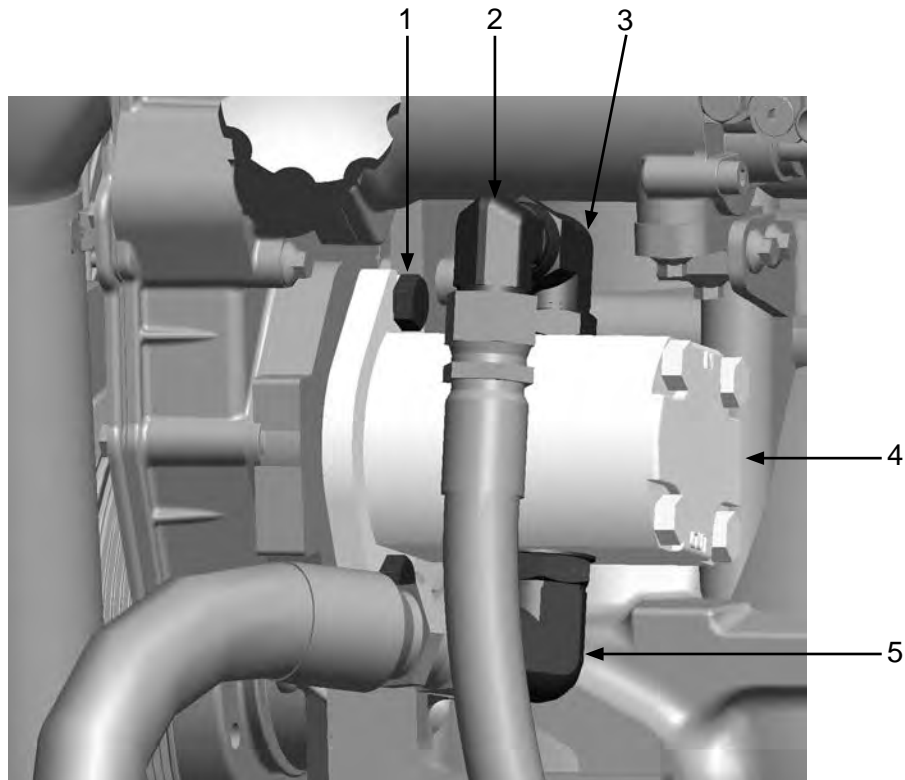
PART NUMBERS AND SCHEMATICS GUIDE

Figure 4: Hydraulic Oil Tank



PART NUMBERS AND SCHEMATICS GUIDE

Figure 5: Hydraulic Pump



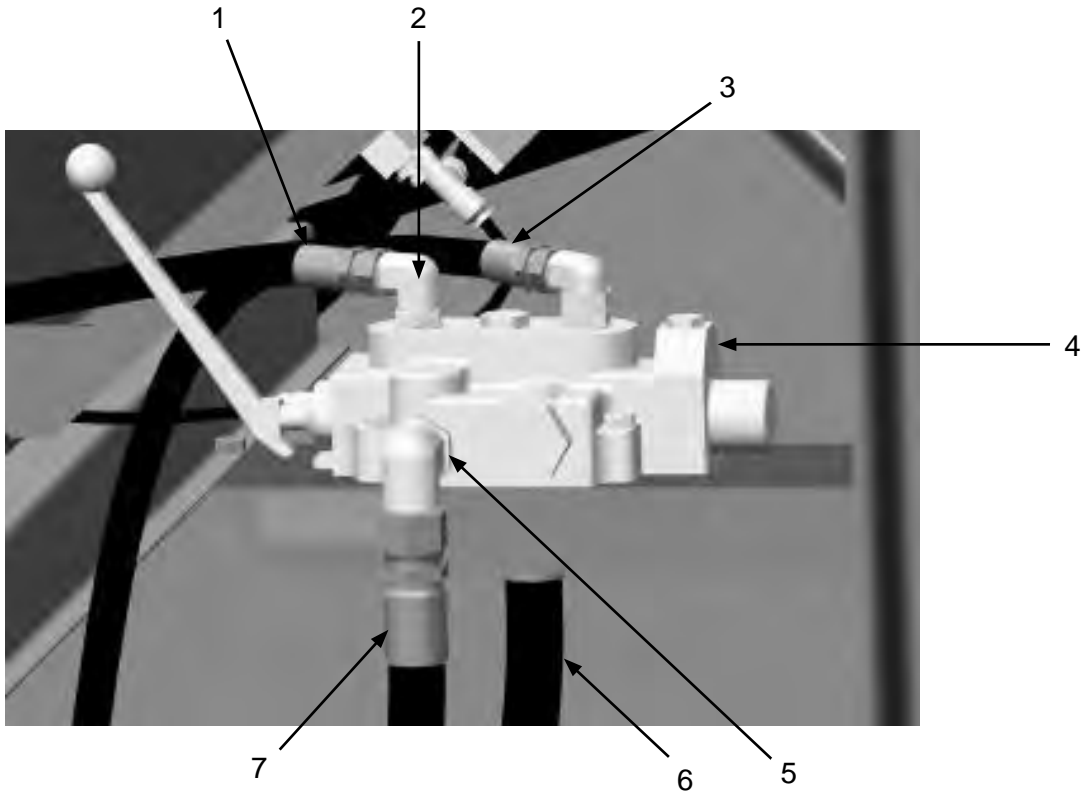
Item #	Part #	Description
--------	--------	-------------

Fig. 5

1	10101943	1/2-13 x 1-3/4" Galvanized Hex Bolt (<i>Two Required</i>)
2	10103610	JIC 12 x JIC 12 90° Elbow
3	10103310	JIC 12 x SAE 12 90° Elbow
4	10103269	2B Series 2.08 CI/REV Gear Pump
5	10103311	JIC 6 x SAE 16 90° Elbow

PART NUMBERS AND SCHEMATICS GUIDE

Figure 6: Hydraulic Control Assembly



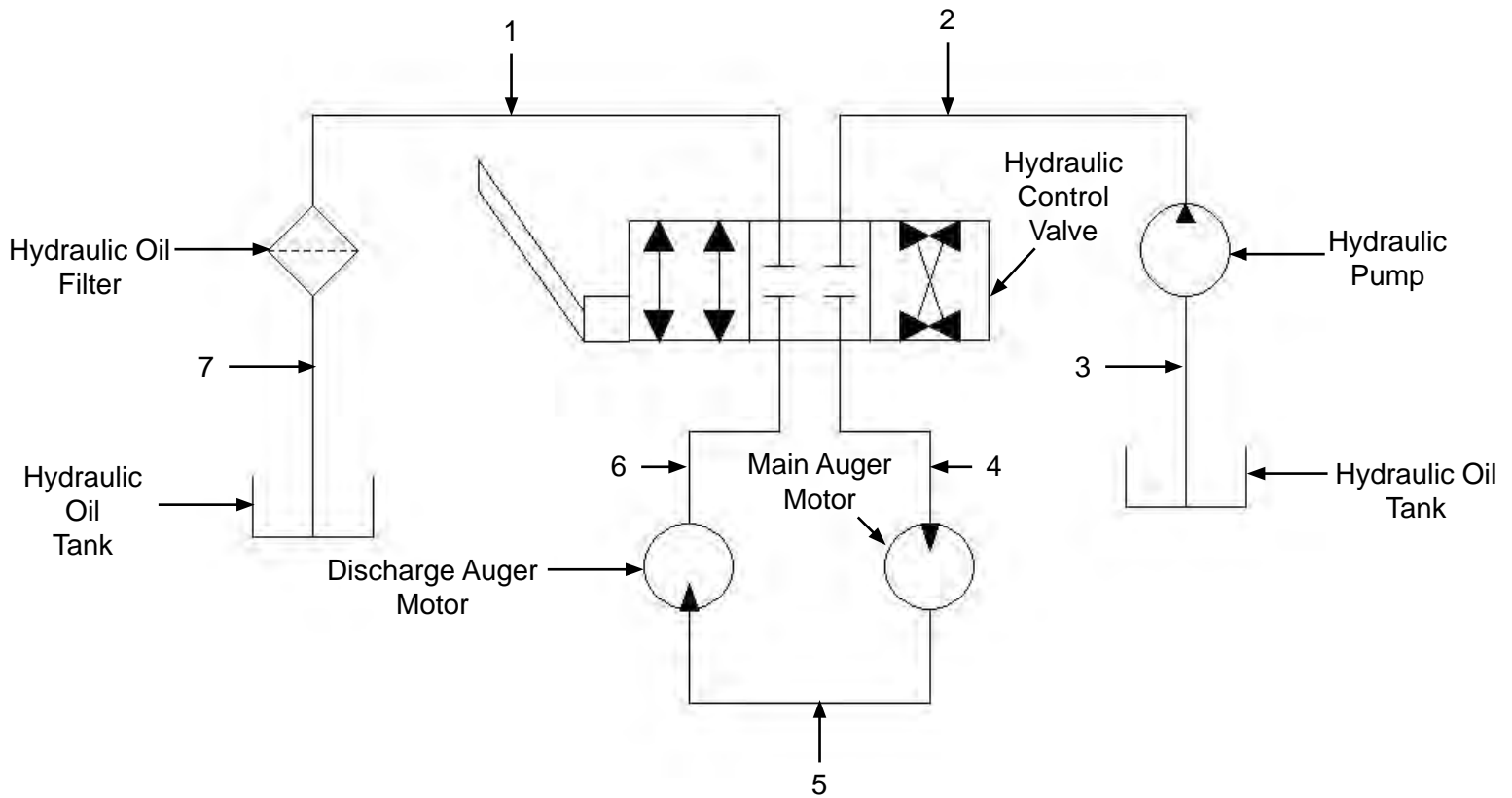
Item #	Part #	Description
--------	--------	-------------

Fig. 6

1	10103502	Hydraulic Hose – 1/2" I.D. x 20' – 4500 psi
2	10103309	JIC 8 x SAE 8 90° Elbow (<i>Two Required</i>)
3	10103409	Hydraulic Hose – 1/2" I.D. x 7' 1" – 2000 psi
4	10103267	Cross Hydraulic Control Valve with Handle
5	10103310	JIC 12 x SAE 12 90° Elbow (<i>Two Required. One Not Shown</i>)
6	10103412	Hydraulic Hose – 3/4" I.D. x 23' – 3045 psi
7	10103505	Hydraulic Hose – 3/4" I.D. x 33' – 3045 psi

PART NUMBERS AND SCHEMATICS GUIDE

Figure 7: Hydraulic Hoses



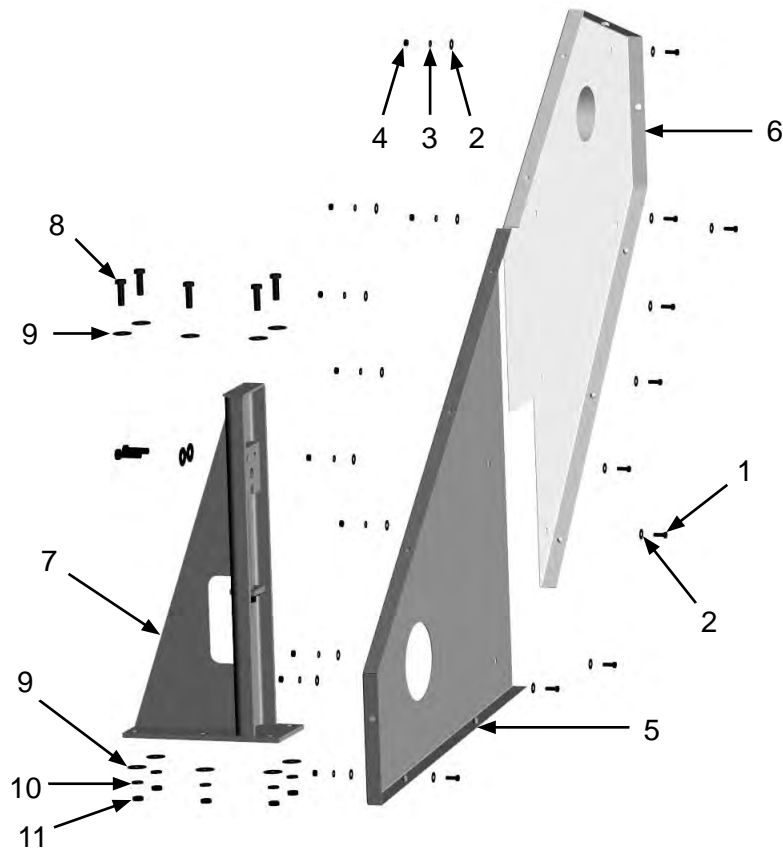
Item #	Part #	Description
--------	--------	-------------

Fig. 7

1	10103412	Hydraulic Hose – 3/4" I.D. x 23' – 3045 psi
2	10103505	Hydraulic Hose – 3/4" I.D. x 33' – 3045 psi
3	10105963	Hydraulic Hose – 1" I.D. x 12' – 2000 psi
4	10103502	Hydraulic Hose – 1/2" I.D. x 20' – 4500 psi
5	10104224	Hydraulic Hose – 1/2" I.D. x 24' – 2000 psi
6	10103409	Hydraulic Hose – 1/2" I.D. x 7' 1" – 2000 psi
7	10103707	Hydraulic Hose – 3/4" I.D. x 17' 7" – 3045 psi

PART NUMBERS AND SCHEMATICS GUIDE

Figure 8: Fan Belt Guard Back Assembly



Item #	Part #	Description
--------	--------	-------------

Fig. 8

1	1011747	3/8-16 x 1" Bolt (10 Required)
2	10101942	3/8" Galvanized Flat Washer (20 Required)
3	10101936	3/8" Zinc Lock Washer (10 Required)
4	1012318	3/8-16 Hex Nut (10 Required)
5	10105986	Lower Belt Guard Back
6	10106011	Upper Belt Guard Back
7	10105981	Tensioner Mount
8	10103397	5/8-11 x 2" Zinc Bolt (Seven Required)
9	10103398	5/8" Washer (14 Required)
10	10103399	5/8" Lock Washer (Five Required)
11	10103393	5/8-11 Zinc Nut (Five Required)

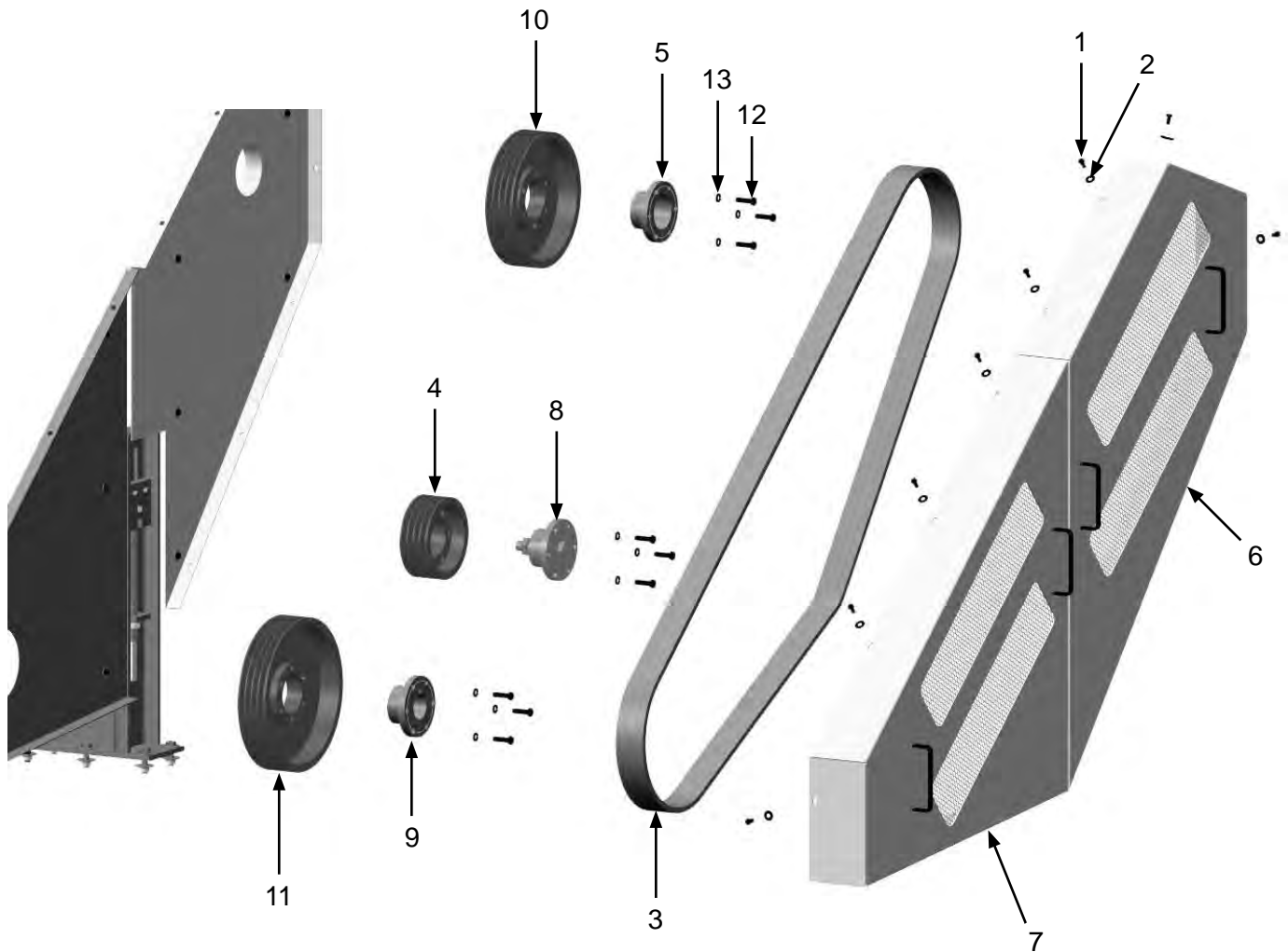
PART NUMBERS AND SCHEMATICS GUIDE

Fan Belt Assembly

Item #	Part #	Description
Fig. 9		
1	10103400	3/8-16 x 3/4" Bolt (<i>Eight Required</i>)
2	10101942	3/8" Galvanized Flat Washer (<i>Eight Required</i>)
3	10106029	4/5 VX 1700 Banded Drive Belt
4	10103483	8" Sheave
5	10103482	3.4375 Bushing
6	10106016	Top Belt Cover
7	10105988	Bottom Belt Cover
8	10103484	Idler Bushing
9	10103485	2.5 Bore Bushing
10	10106027	13.2" Sheave
11	10106028	15" Sheave
12	10101943	1/2-13 x 1-3/4" Hex Bolt (<i>Nine Required</i>)
13	10100675	1/2" Lock Washer (<i>Nine Required</i>)

PART NUMBERS AND SCHEMATICS GUIDE

Figure 9: Fan Belt Assembly



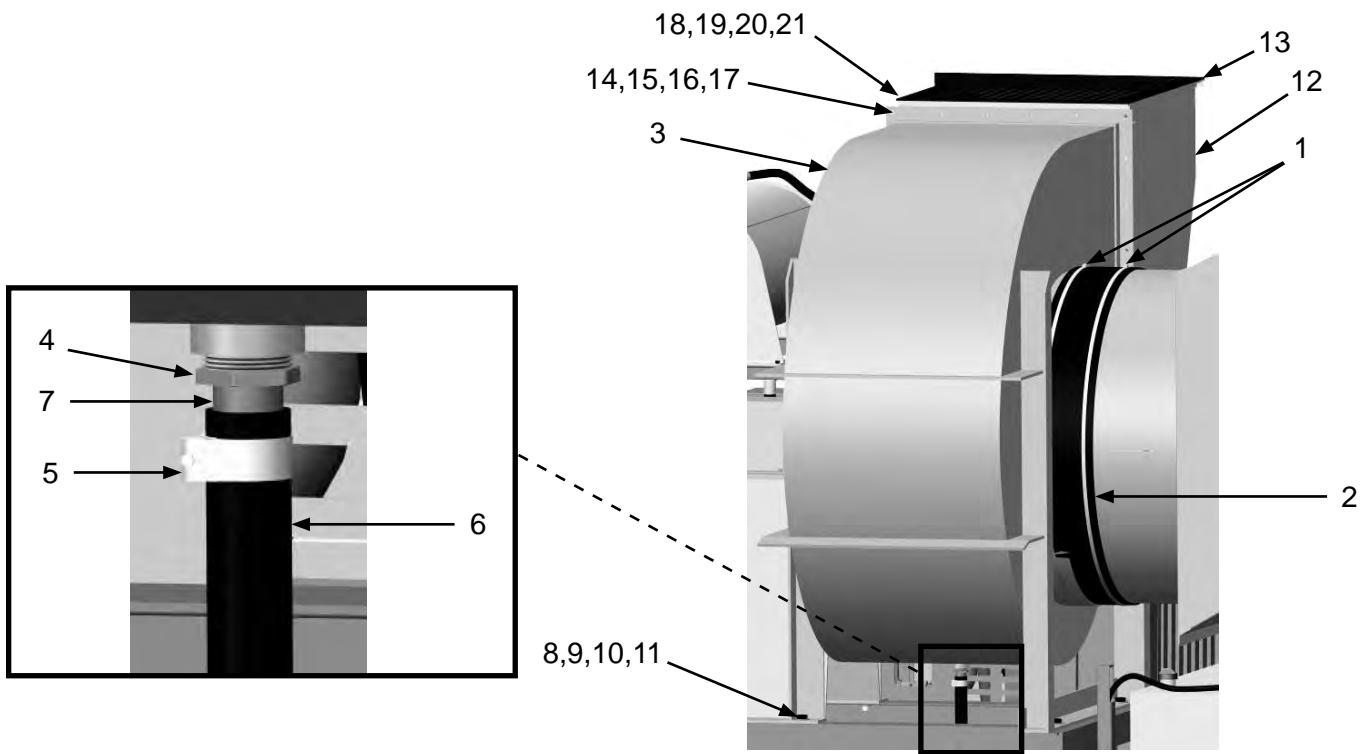
PART NUMBERS AND SCHEMATICS GUIDE

Fan Assembly

Item #	Part #	Description
Fig. 10		
1	10103416	Banding – Make A Clamp <i>(Two Required)</i>
2	10103962	Connection Rubber Gasket
3	10103495	Fan BI-365 TH ARRG I Class IV
4	20PFHA24SB2016	1-1/4" x 1" Reducing Bushing
5	10104136	T-Bolt Clamp 1-9/16" x 1-11/16" O.D.
6	10103654	1-1/4" I.D. Hose <i>(Per Foot)</i>
7	10000197	1" x 3" Toe Nipple
8	10103417	3/4-10 UNC x 1-3/4" Grade 8 Bolt <i>(Six Required)</i>
9	10103418	Washer – 3/4" – Grade 8 <i>(12 Required)</i>
10	10103419	Lock Washer – 3/4" HD <i>(Six Required)</i>
11	10103420	3/4-10 UNC Grade 8 Nut <i>(Six Required)</i>
12	10105951	Fan Exhaust
13	10103979	Bird Screen
14	10101937	1/4-20 x 1" Bolt Grade 5 – Galvanized <i>(12 Required)</i>
15	10101940	1/4" Galvanized Flat Washer <i>(12 Required)</i>
16	1012153	1/4" Lock Washer <i>(12 Required)</i>
17	10101347	1/4-20 Hex Bolt <i>(12 Required)</i>
18	10L805318	3/8-24 x 1-1/4 Grade 5 Bolt <i>(12 Required)</i>
19	10101942	3/8" Galvanized Flat Washer <i>(24 Required)</i>
20	10101936	3/8" Zinc Lock Washer <i>(12 Required)</i>
21	10L804303	3/8-24 Hex Nut <i>(12 Required)</i>

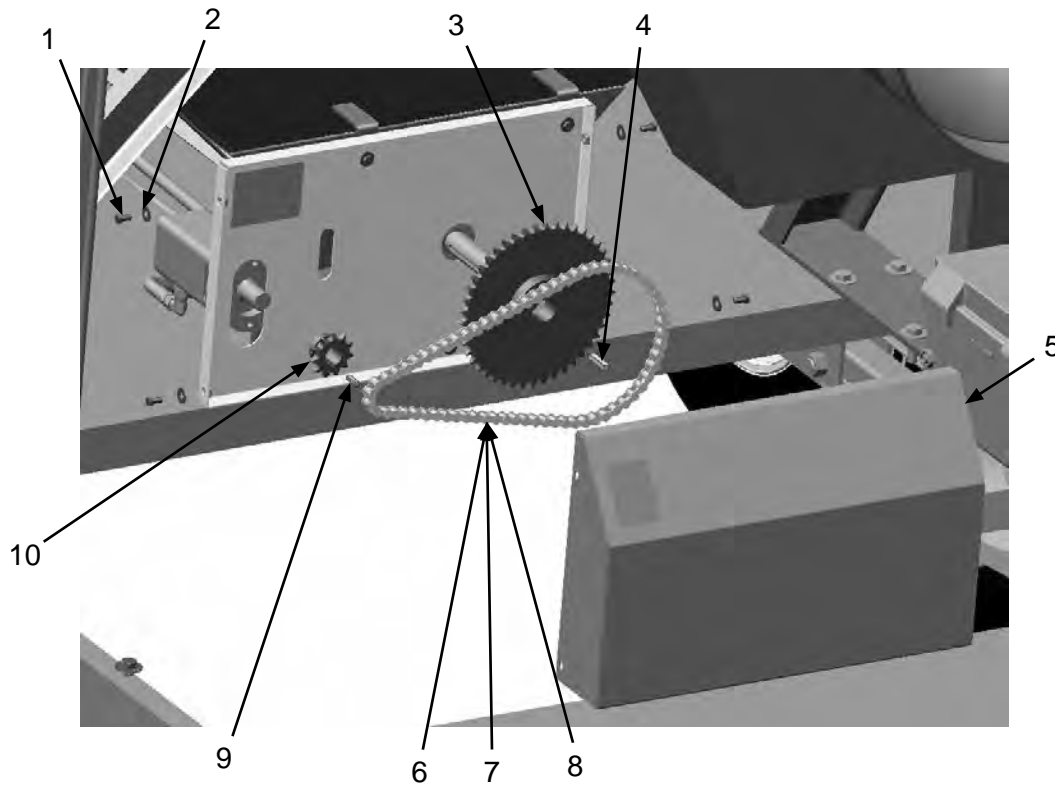
PART NUMBERS AND SCHEMATICS GUIDE

Figure 10: Fan Assembly



PART NUMBERS AND SCHEMATICS GUIDE

Figure 11: Main Auger Drive Assembly



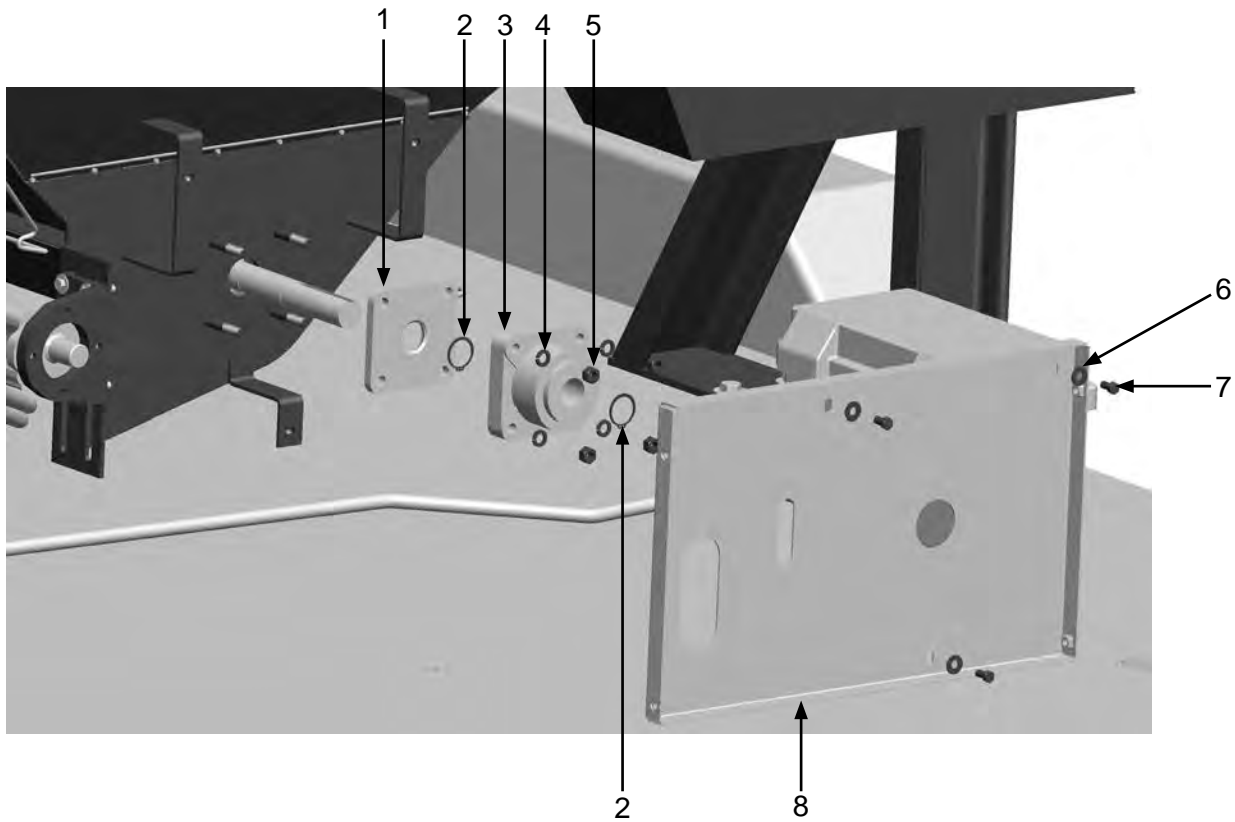
Item #	Part #	Description
--------	--------	-------------

Fig. 11

1	10103400	3/8-16 x 3/4" Bolt <i>(Four Required)</i>
2	10101942	3/8" Galvanized Flat Washer <i>(Four Required)</i>
3	10104218	45-Tooth Sprocket
4	10103641	3/8" Key Cut
5	10102952	Main Auger Motor Cover
6	10103391	#60 Cottered Roller Chain <i>(Per Foot)</i>
7	10103392	#60 Connecting Link
8	10103614	#60 Offset Link
9	10103642	5/16" x 1/4" x 1/8" x 1/8" Key
10	10103265	11-Tooth Sprocket
—	10104192	Main Auger Chain Kit <i>Includes Item #'s: 6 (5'), 7, and 8</i>

PART NUMBERS AND SCHEMATICS GUIDE

Figure 12: Main Auger Bearing



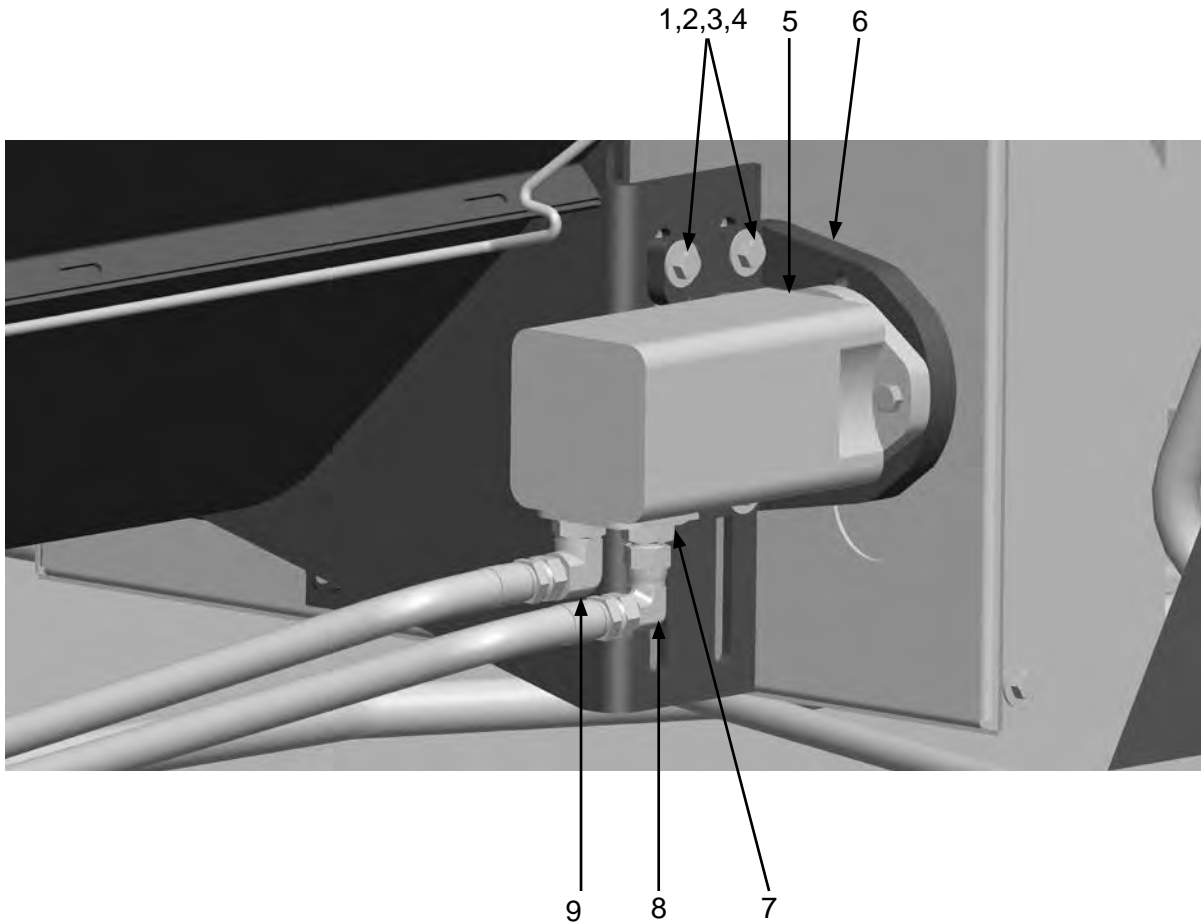
Item #	Part #	Description
--------	--------	-------------

Fig. 12

1	10102902	Seal Plate
2	10103605	Snap Ring <i>(Two Required)</i>
3	10102903	Thrust Bearing
4	10100675	1/2" Lock Washer <i>(Four Required)</i>
5	1014022	1/2-13 Hex Nut <i>(Four Required)</i>
6	10101942	3/8" Galvanized Flat Washer <i>(Three Required)</i>
7	10103400	3/8-16 x 3/4" Bolt <i>(Three Required)</i>
8	10102955	Main Auger Guard Back

PART NUMBERS AND SCHEMATICS GUIDE

Figure 13: Main Auger Motor



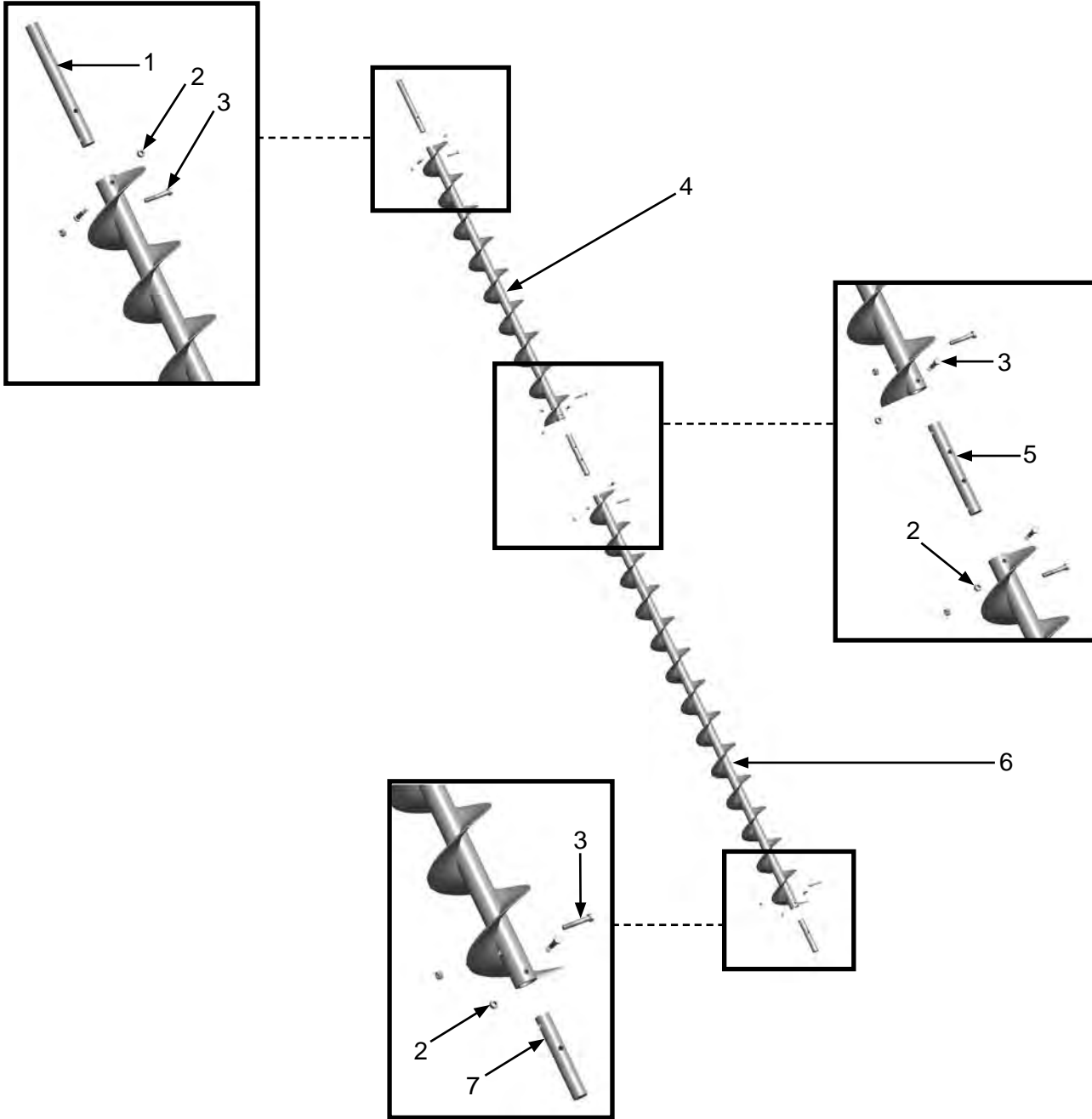
Item #	Part #	Description
--------	--------	-------------

Fig. 13

1	1028617	3/8-16 x 1-3/4" Shoulder Bolt (<i>Four Required</i>)
2	10101942	3/8" Galvanized Flat Washer (<i>Eight Required</i>)
3	10101936	3/8" Zinc Lock Washer (<i>Four Required</i>)
4	1012318	3/8-16 Hex Nut (<i>Four Required</i>)
5	10103266	18.7 Displacement Hydraulic Motor
6	10102881	Hydraulic Motor Mount with Hardware
7	10103612	JIC 8 x SAE 10 Straight Adapter
8	10103611	JIC 8 x JIC 8 90° Elbow
9	10103308	JIC 8 x SAE 10 90° Elbow
—	10103941	Seal Kit for 18.7 Displacement Hydraulic Motor

PART NUMBERS AND SCHEMATICS GUIDE

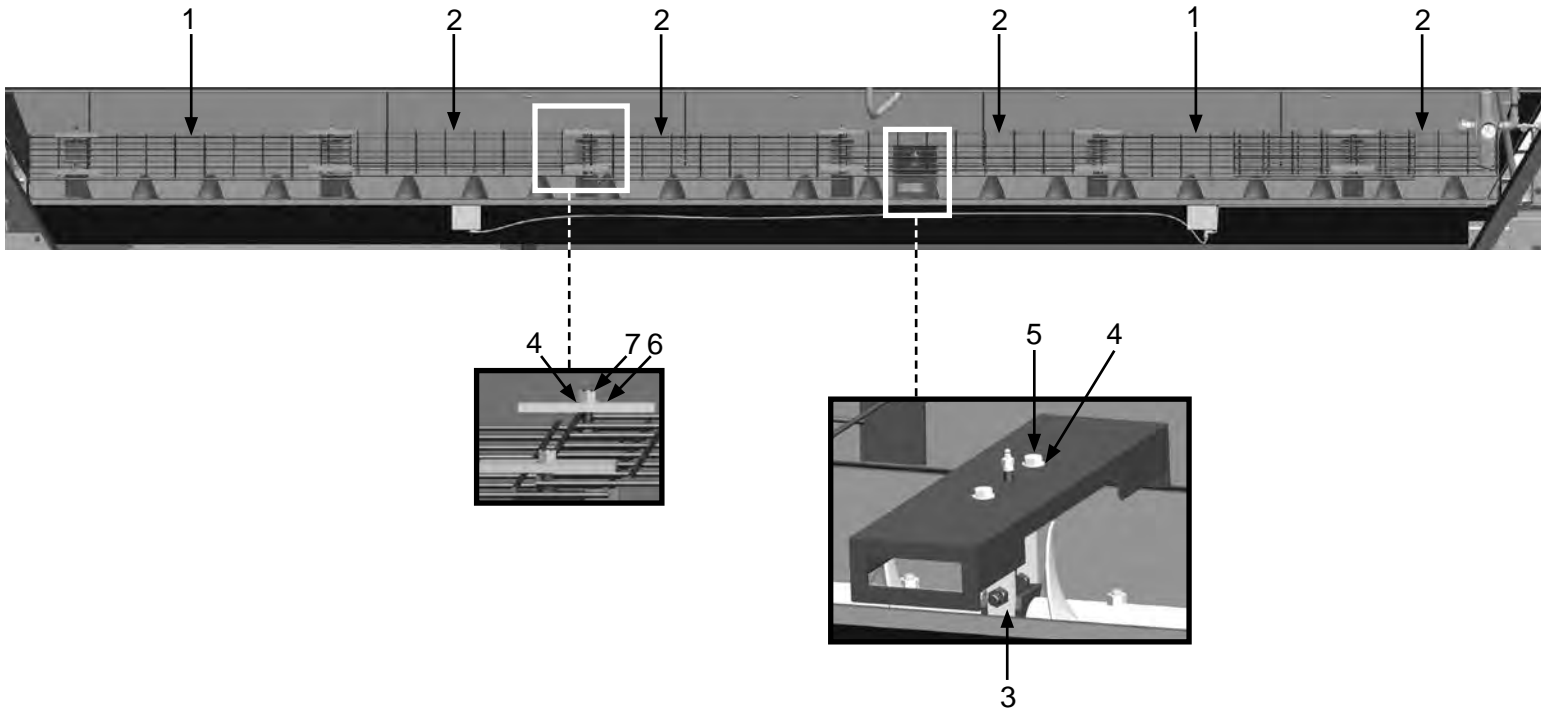
Figure 14: Main Auger



Item #	Part #	Description
Fig. 14		
1	10103306	Drive Shaft
2	10101941	1/2-13 Galvanized Hex Nut (<i>Four Required</i>)
3	10103401	1/2-13 x 3" Galvanized Bolt (<i>Four Required</i>)
4	10103490	9" x 78" Standard Pitch Auger
5	10103491	Coupling Shaft for 1-1/2" Shaft
6	10103262	118" x 9" Standard Pitch Auger
7	10102910	Auger Shaft End

PART NUMBERS AND SCHEMATICS GUIDE

Figure 15: Main Auger Protective Grate



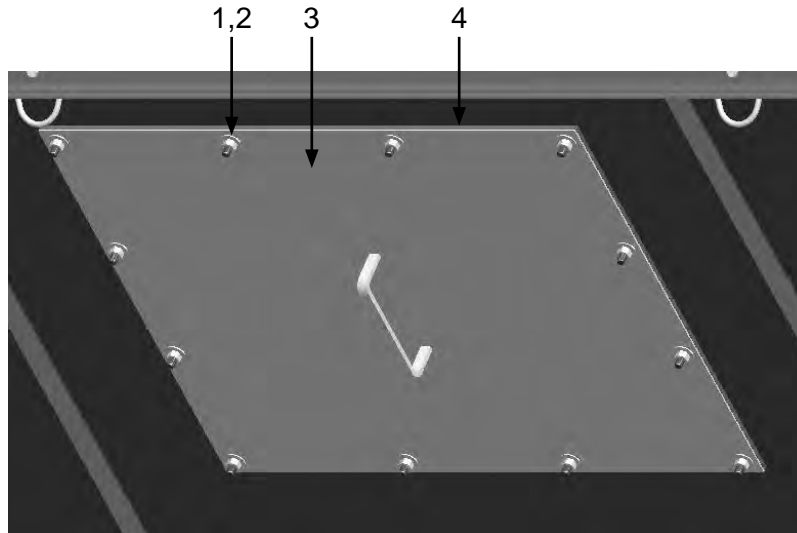
Item #	Part #	Description
--------	--------	-------------

Fig. 15

1	10103966	Protective Grate – 44 Inches <i>(Two Required)</i>
2	10103967	Protective Grate – 36 Inches <i>(Four Required)</i>
3	10102896	Main Auger Hanger Bearing Assembly
4	10100674	1/2" Flat Washer <i>(12 Required)</i>
5	10101943	1/2-13 x 1-3/4" Galvanized Hex Bolt <i>(Two Required)</i>
6	10102936	Protective Grate Bracket <i>(12 Required)</i>
7	1014022	1/2-13 Hex Nut <i>(12 Required)</i>

PART NUMBERS AND SCHEMATICS GUIDE

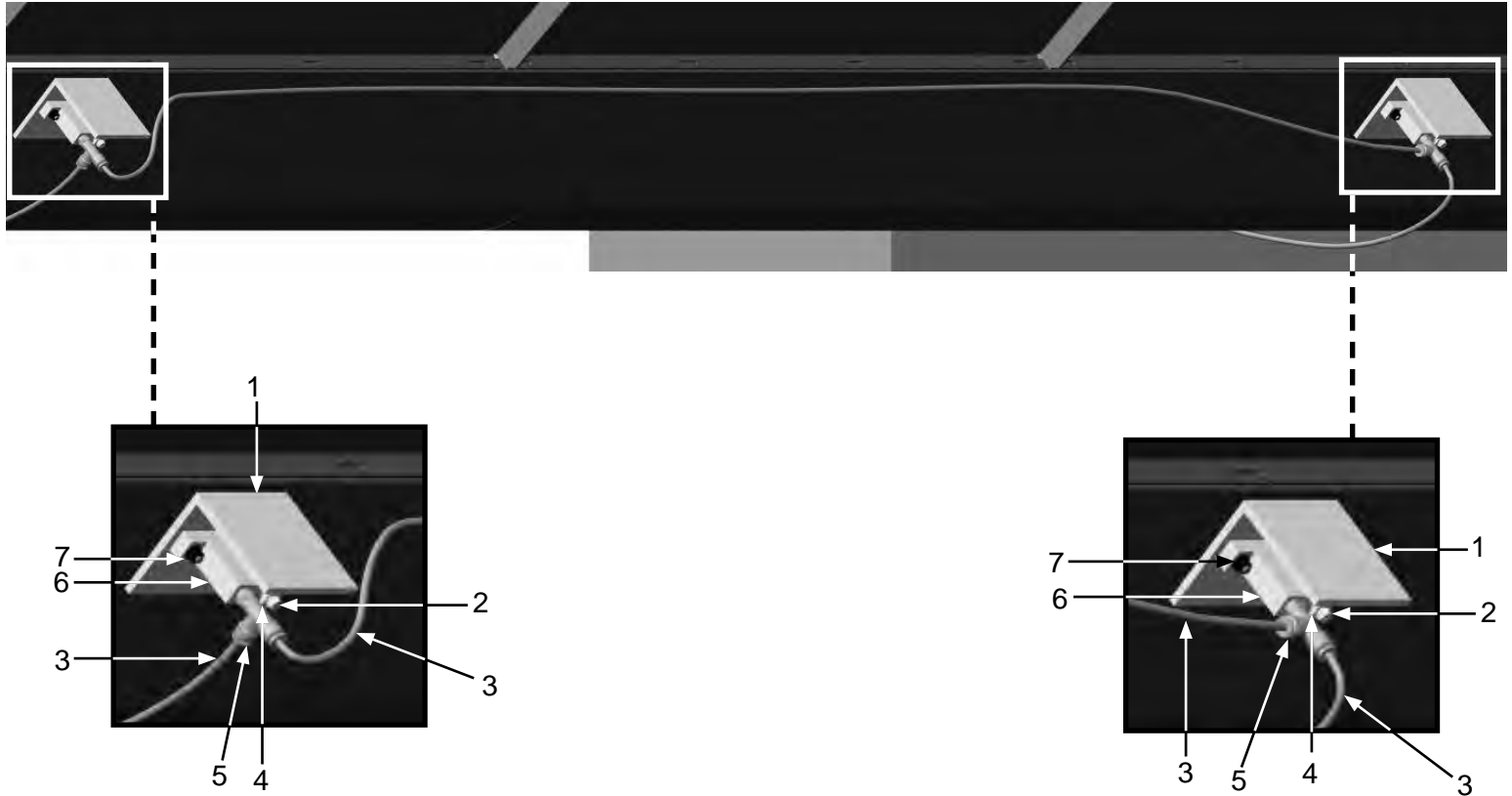
Figure 16: Access Panel Assembly



Item #	Part #	Description
Fig. 16		
1	10101938	3/8-16 Hex Nut (12 Required)
2	10101942	3/8" Flat Washer (12 Required)
3	10102933	20" Access Panel Door
4	10103344	1/4" x 1-1/2" Adhesive-Backed Gasket (Per Foot)

PART NUMBERS AND SCHEMATICS GUIDE

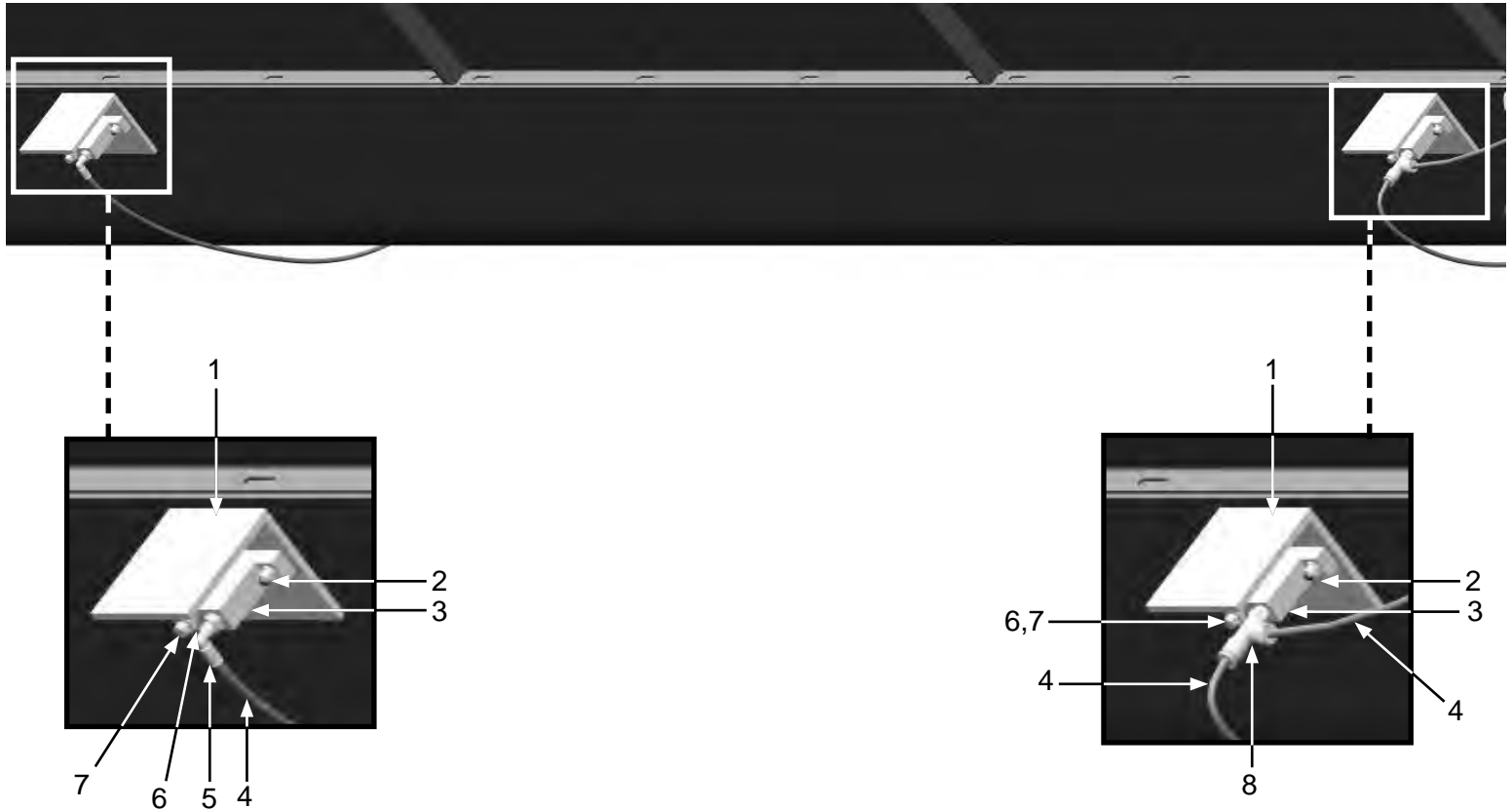
Figure 17: Left Side Pneumatic Ball Vibrators



Item #	Part #	Description
Fig. 17		
1	10103609	Vibrator Shield (<i>Two Required</i>)
2	1012905	1/8" Breather Muffler (<i>Two Required</i>)
3	10103322	1/4" I.D. Black Urethane Tubing (<i>Per Foot</i>)
4	20PFHA24SB0402	1/4" x 1/8" Reducing Bushing
5	10103261	1/4" Male Push-to-Connect Tee
6	10103258	Pneumatic Ball Vibrator (<i>Two Required</i>)
7	1012323	1/4-20 Zinc Lock Nut with Nylon Insert (<i>Four Required</i>)

PART NUMBERS AND SCHEMATICS GUIDE

Figure 18: Right Side Pneumatic Ball Vibrators



Item #	Part #	Description
--------	--------	-------------

Fig. 18

1	10103609	Vibrator Shield (<i>Two Required</i>)
2	1012323	1/4-20 Zinc Lock Nut with Nylon Insert (<i>Four Required</i>)
3	10103258	Pneumatic Ball Vibrator (<i>Two Required</i>)
4	10103322	1/4" I.D. Black Urethane Tubing (<i>Per Foot</i>)
5	20PFBA31095614	1/4" Tube x 1/4" NPT 90° Fitting
6	20PFHA24SB0402	1/4" x 1/8" Reducing Bushing
7	1012905	1/8" Breather Muffler (<i>Two Required</i>)
8	10103261	1/4" Male Push-to-Connect Tee

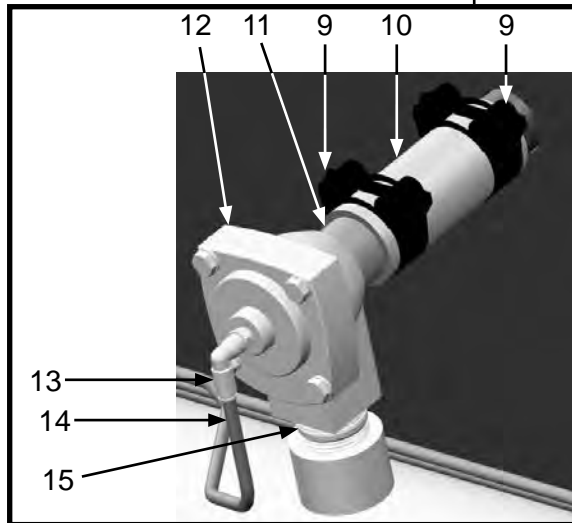
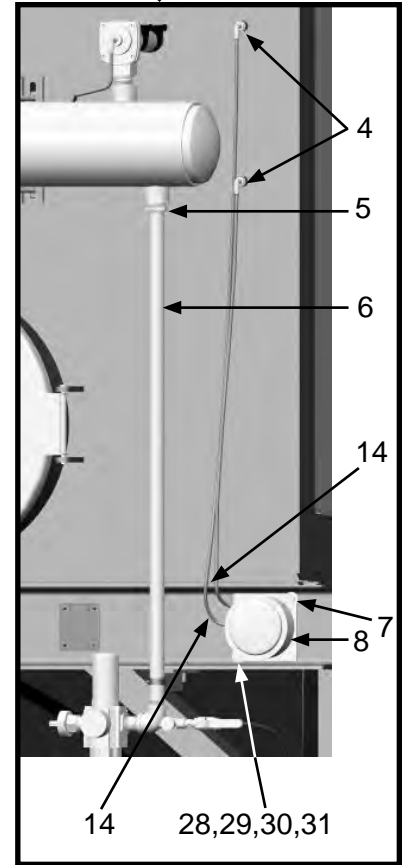
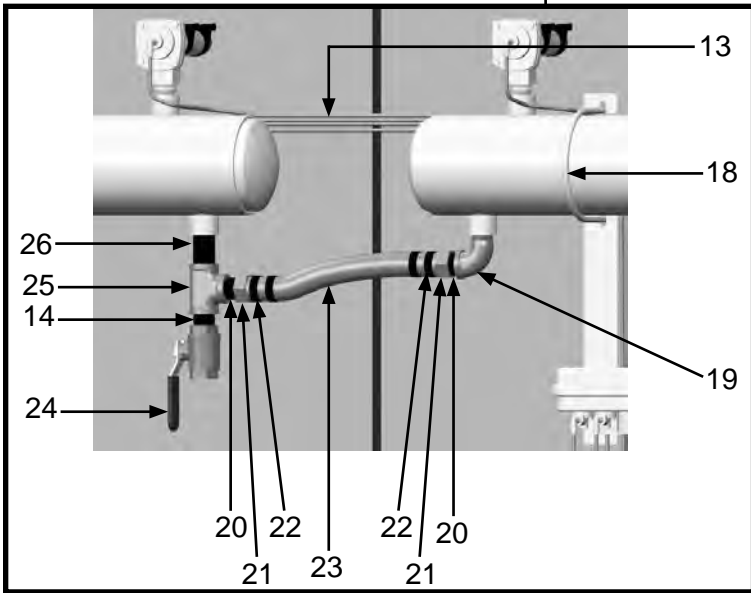
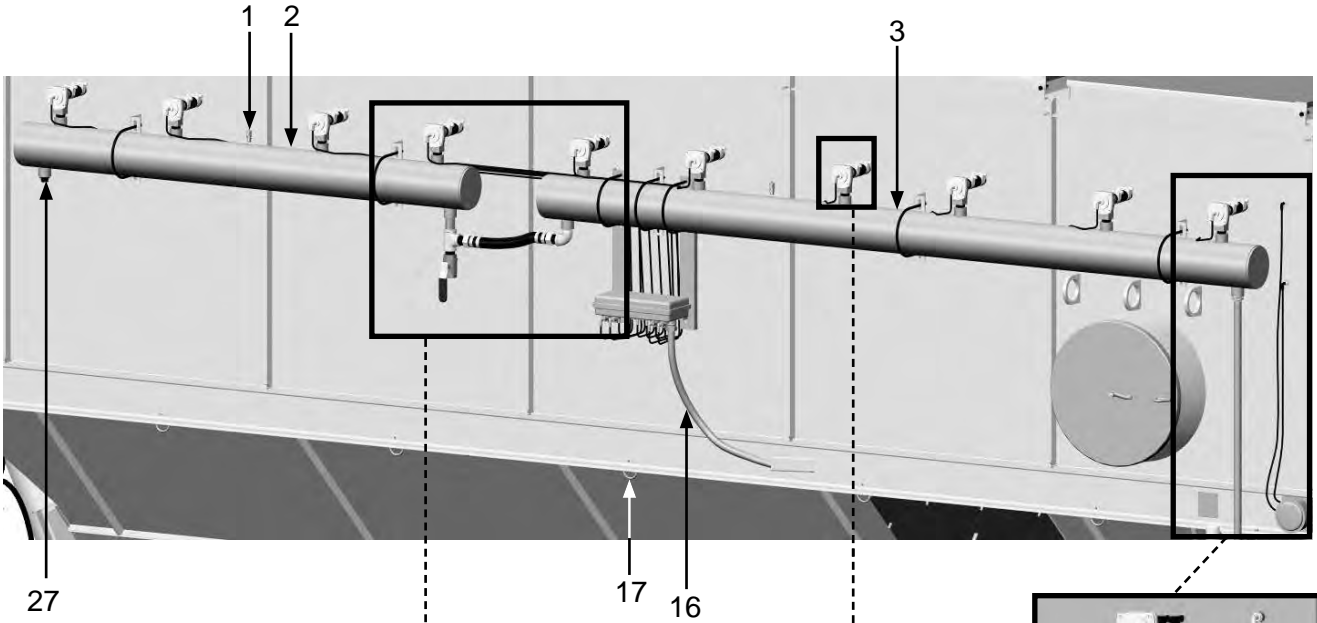
PART NUMBERS AND SCHEMATICS GUIDE

Pulser System Assembly

Item #	Part #	Description
Fig. 19		
1	1028607	1/4" NPT Pressure Relief Valve – 125 psi <i>(Two Required)</i>
2	10103452	4 Pipe Header
3	10102948	6 Pipe Header
4	20PFBA31095614	1/4" Tube x 1/4" NPT 90° Fitting <i>(Two Required)</i>
5	20PFHA24SB1612	1" x 3/4" Reducing Bushing
6	10103315	3/4" x 36" Pipe Nipple
7	10103608	Magnehelic Differential Pressure Gauge Mounting Bracket
8	10103259	Magnehelic Differential Pressure Gauge Assembly <i>Includes Mounting Hardware</i>
9	10104136	T-Bolt Clamp 1-9/16" x 1-11/16" O.D. <i>(20 Required)</i>
10	10103654	1-1/4" I.D. Marine Hose – 100 psi <i>(Per Foot)</i>
11	10105207	1" x 3" Toe Nipple <i>(Six Required)</i>
12	10103255	1" Diaphragm Valve <i>(See Figure 32)</i>
13	20100579	1/4" O.D. Tube x 1/8" NPT Swivel <i>(20 Required)</i>
14	10103322	1/4" O.D. Black Urethane Tubing <i>(Per Foot)</i>
15	10103318	1" x 2" Pipe Nipple <i>(11 Required)</i>
16	10103304	3/4" I.D. Flexible Conduit
17	10103625	D-Ring with Nut <i>(16 Required)</i>
18	10103394	3/8-16 x 6" U-Bolt Assembly <i>(Seven Required)</i>
19	1011801	1" Street Elbow
20	1012151	1" Galvanized Close Nipple <i>(Two Required)</i>
21	10SFE2	1" Female Swivel End <i>(Two Required)</i>
22	10AHCL1	Band Clamp <i>(Two Required)</i>
23	10AH100	1" I.D. Air Hose
24	1011601	1" Full Port Ball Valve
25	1011816	1" Pipe Tee
26	1011843	1" x 2-1/2" NPT Pipe Nipple
27	1011901	1" Pipe Plug
28	10104234	3/8-16 x 1-1/4 Hex Bolt Zinc Grade 5
29	10101942	3/8" Flat Washer – Galvanized
30	10101936	3/8" Lock Washer – Zinc
31	1012318	3/8-16 HD Hex Nut

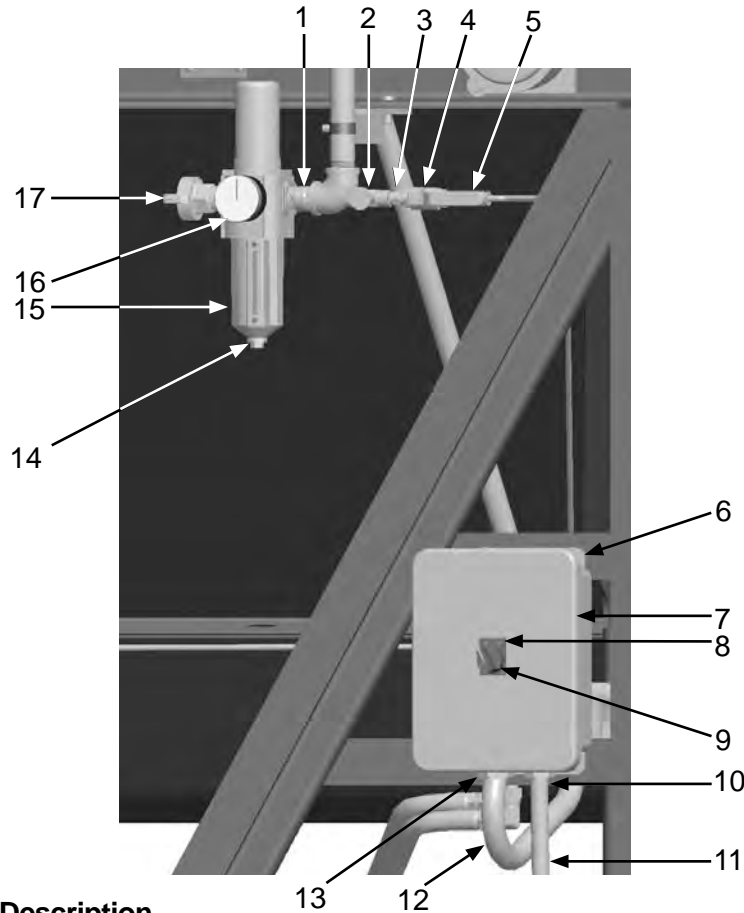
PART NUMBERS AND SCHEMATICS GUIDE

Figure 19: Pulsar System Assembly



PART NUMBERS AND SCHEMATICS GUIDE

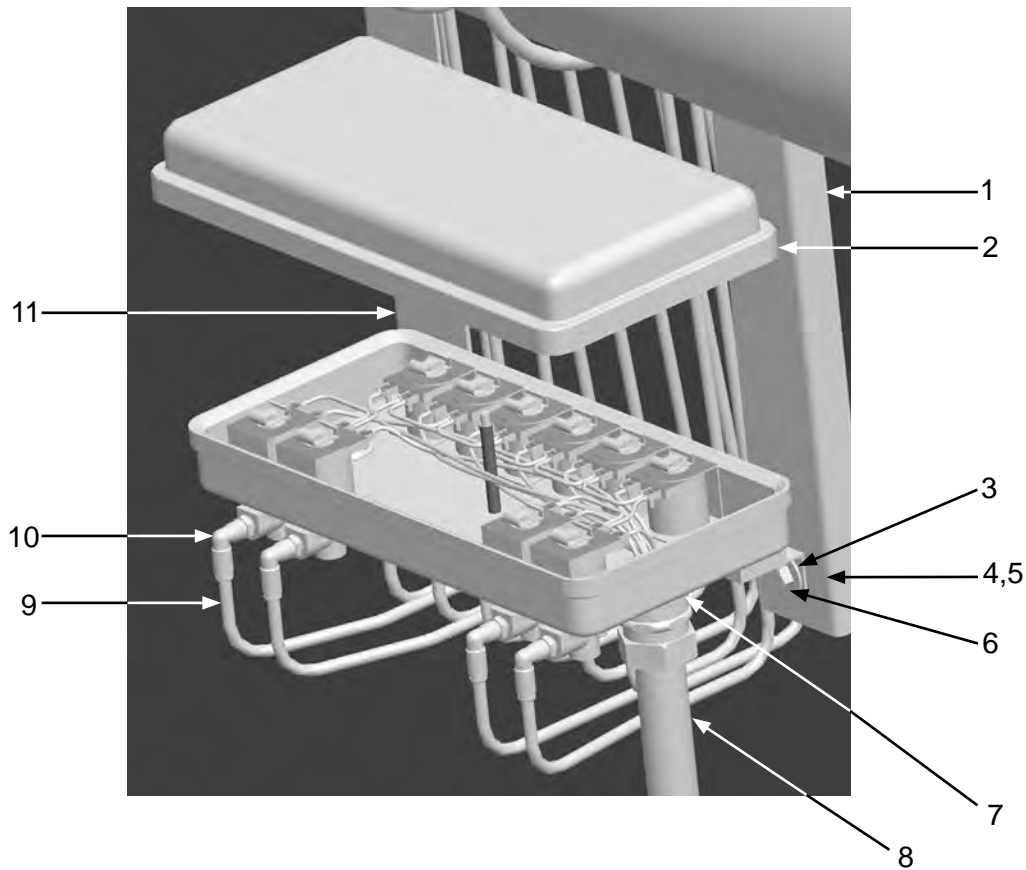
Figure 20: Pulsar Regulator and Timer Assembly



Item #	Part #	Description
Fig. 20		
1	10103317	3/4" x 2" Pipe Nipple
2	10103292	1/4" Needle Valve
3	1017019	1/4" x 1/4" Hex Nipple
4	1080050	1/4" Ball Valve
5	10103261	1/4" Prestolock Tee
6	20100125	1/4-20 x 3/4" Zinc Hex Bolt (<i>Four Required</i>)
7	10103488	Timer Box with Timer Board
—	10103935	Timer Box Only
—	10103949	Timer Board Only
8	10103414	On/Off Name Plate
9	10103305	2-Way Selector Switch
10	20RST50	Straight Liquid Tite Connection Fitting (<i>Two Required</i>)
11	20RSEL050UL	1/2" UL/UA Seal-Tite Conduit Pipe (<i>Per Foot</i>)
12	10103304	3/4" Flexible Conduit
13	10103303	3/4" Conduit Hub
14	10103952	Filter Auto Drain
15	10103257	Excelon 74 Series Filter/Regulator
16	10103953	Sight Glass Kit
17	10ME1	3/4" Male 2-Lug Coupling
—	10103950	Excelon 74 Series Filter/Regulator Service Kit
—	10103951	Filter Element (<i>Not Shown</i>)

PART NUMBERS AND SCHEMATICS GUIDE

Figure 21: Pulsar Solenoid Enclosure Assembly



Item #	Part #	Description
--------	--------	-------------

Fig. 21

1	10102970	Solenoid Enclosure Mount – Right
2	10103489	10 Solenoid Pilot Valve
3	10101942	3/8" Galvanized Flat Washer (<i>Four Required</i>)
4	10101936	3/8" Zinc Lock Washer (<i>Two Required</i>)
5	1012318	3/8-16 Hex Nut (<i>Two Required</i>)
6	1011747	3/8-16 x 1" Bolt
7	10103303	3/4" Conduit Hub
8	10103304	3/4" Flexible Conduit
9	10103322	1/4" O.D. Black Urethane Tubing (<i>Per Foot</i>)
10	20100579	1/4" O.D. Tube x 1/8" NPT Swivel (<i>10 Required</i>)
11	10102969	Solenoid Enclosure Mount – Left
—	10103955	Solenoid Valve (<i>10 Required</i>)
—	10103956	Solenoid Coil (<i>One Required per Solenoid</i>)
—	10103957	Solenoid Service Kit <i>Includes: O-Ring, Plunger, Spring, Ferrule</i>

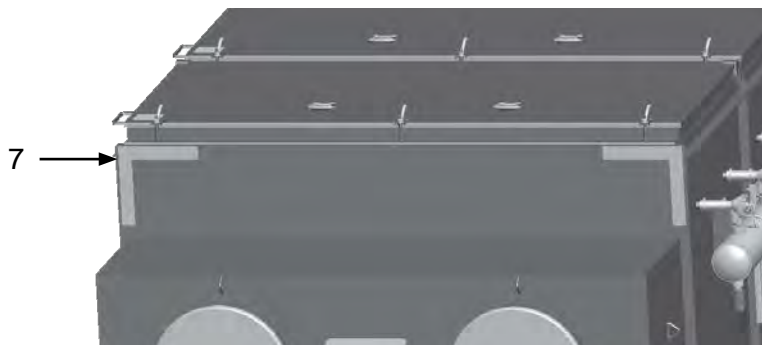
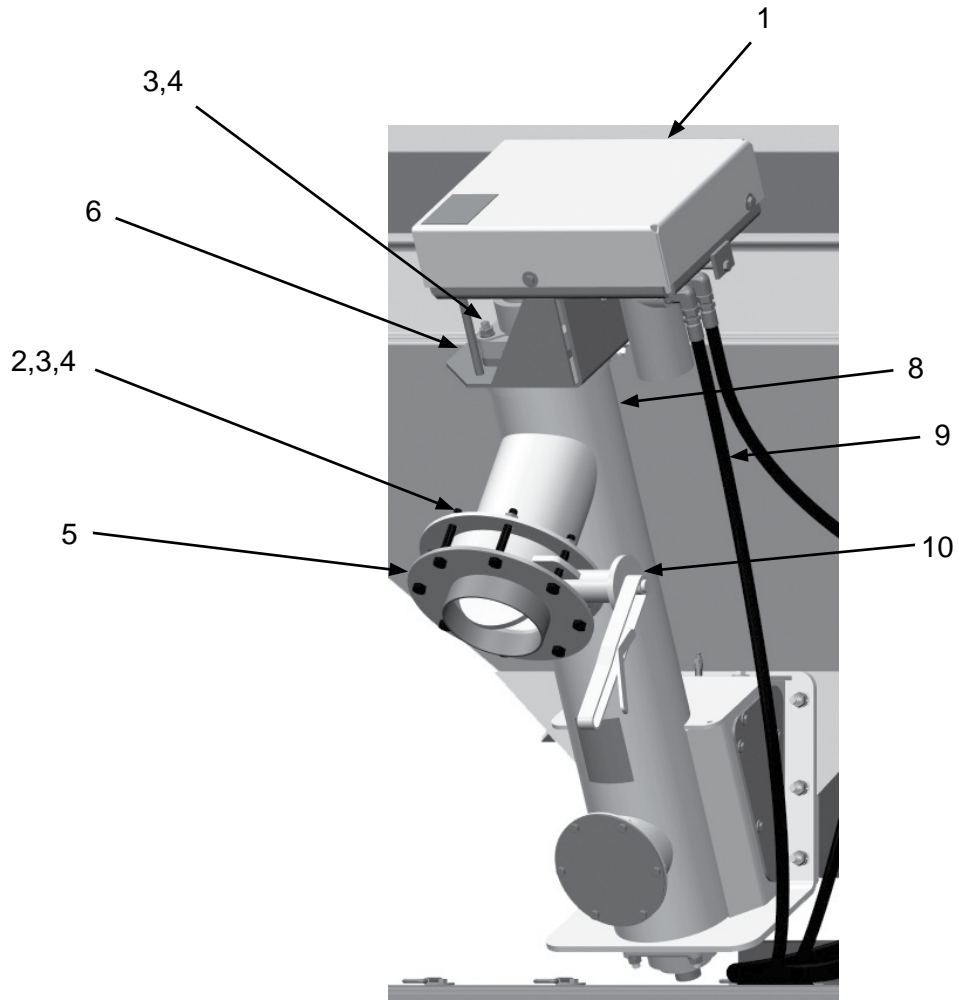
PART NUMBERS AND SCHEMATICS GUIDE

Discharge Auger Assembly – Trailer

Item #	Part #	Description
Fig. 22		
1	10103363	Discharge Chain Cover
2	10102703	1/2-13 x 3-1/2" Grade 5 Bolt (<i>Eight Required</i>)
3	10100675	1/2" Lock Washer (<i>12 Required</i>)
4	1014022	1/2-13 Hex Nut (<i>12 Required</i>)
5	10102971	Discharge Hose Connector
6	10104195	Discharge Auger Motor Mounting Bracket
7	10103880	White Conspicuity Tape (<i>Per Inch</i>)
8	10105936	Discharge Auger Tube (<i>See Figure 27</i>)
9	10103409	Hydraulic Hose – 1/2" I.D. x 7' 1" – 2000 psi
10	10103302	6" Series Wafer Butterfly Valve
—	10103881	Red Conspicuity Tape (<i>Per Inch</i>)

PART NUMBERS AND SCHEMATICS GUIDE

Figure 22: Discharge Auger Assembly – Trailer



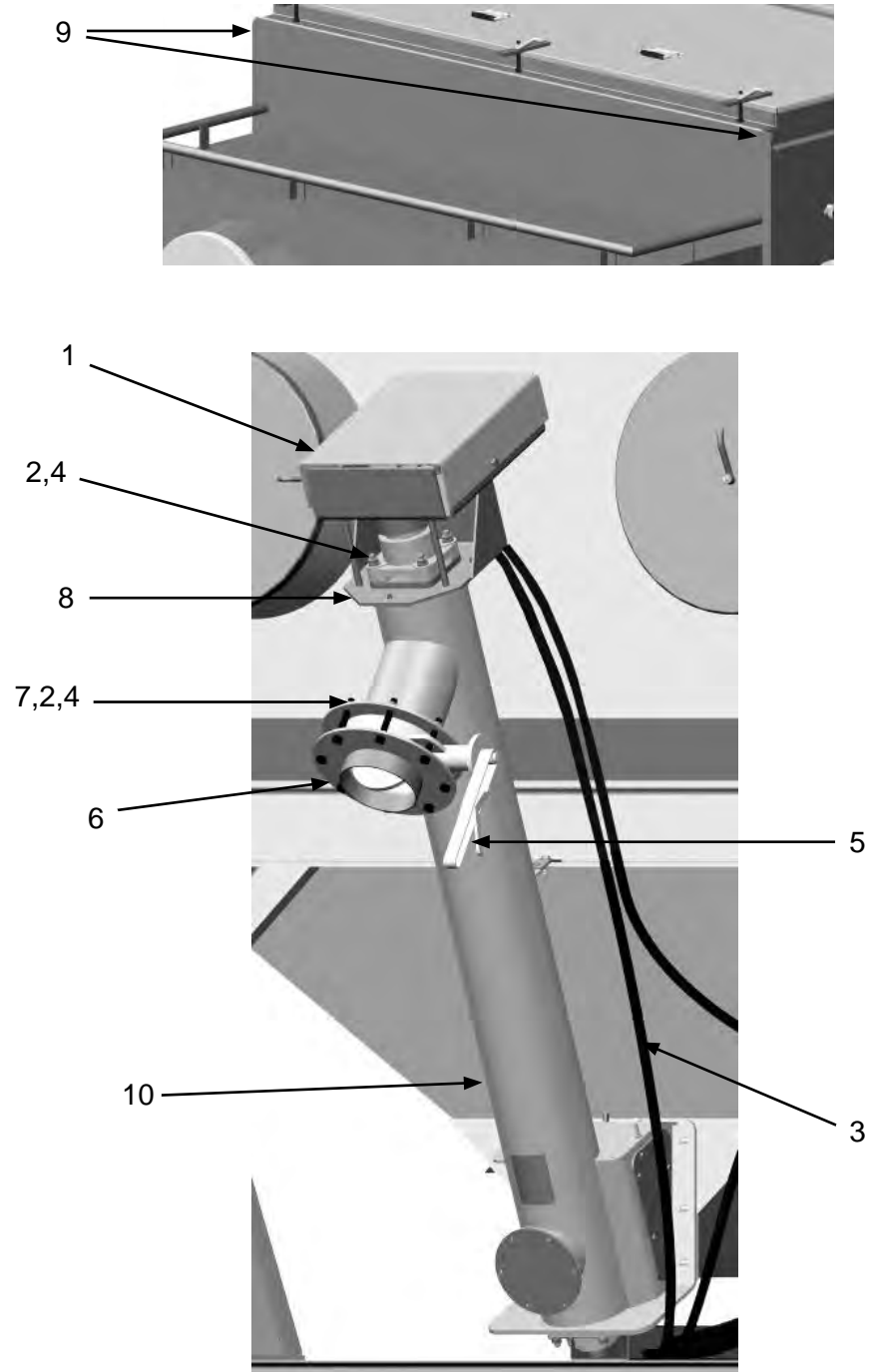
PART NUMBERS AND SCHEMATICS GUIDE

Discharge Auger Assembly – Skid

Item #	Part #	Description
Fig. 23		
1	10103363	Discharge Chain Cover
2	1014022	1/2-13 Hex Nut <i>(12 Required)</i>
3	10103409	Hydraulic Hose – 1/2" I.D. x 7' 1" – 2000 psi
4	10100675	1/2" Lock Washer <i>(12 Required)</i>
5	10103302	6" Series Wafer Butterfly Valve
6	10102971	Discharge Hose Connector
7	10102703	1/2-13 x 3-1/2" Grade 5 Bolt <i>(Eight Required)</i>
8	10103359	Discharge Auger Motor Mounting Bracket
9	10103880	White Conspicuity Tape <i>(Per Inch)</i>
10	10103216	Discharge Auger <i>(See Figure 25)</i>
—	10103881	Red Conspicuity Tape <i>(Per Inch)</i>

PART NUMBERS AND SCHEMATICS GUIDE

Figure 23: Discharge Auger Assembly – Skid



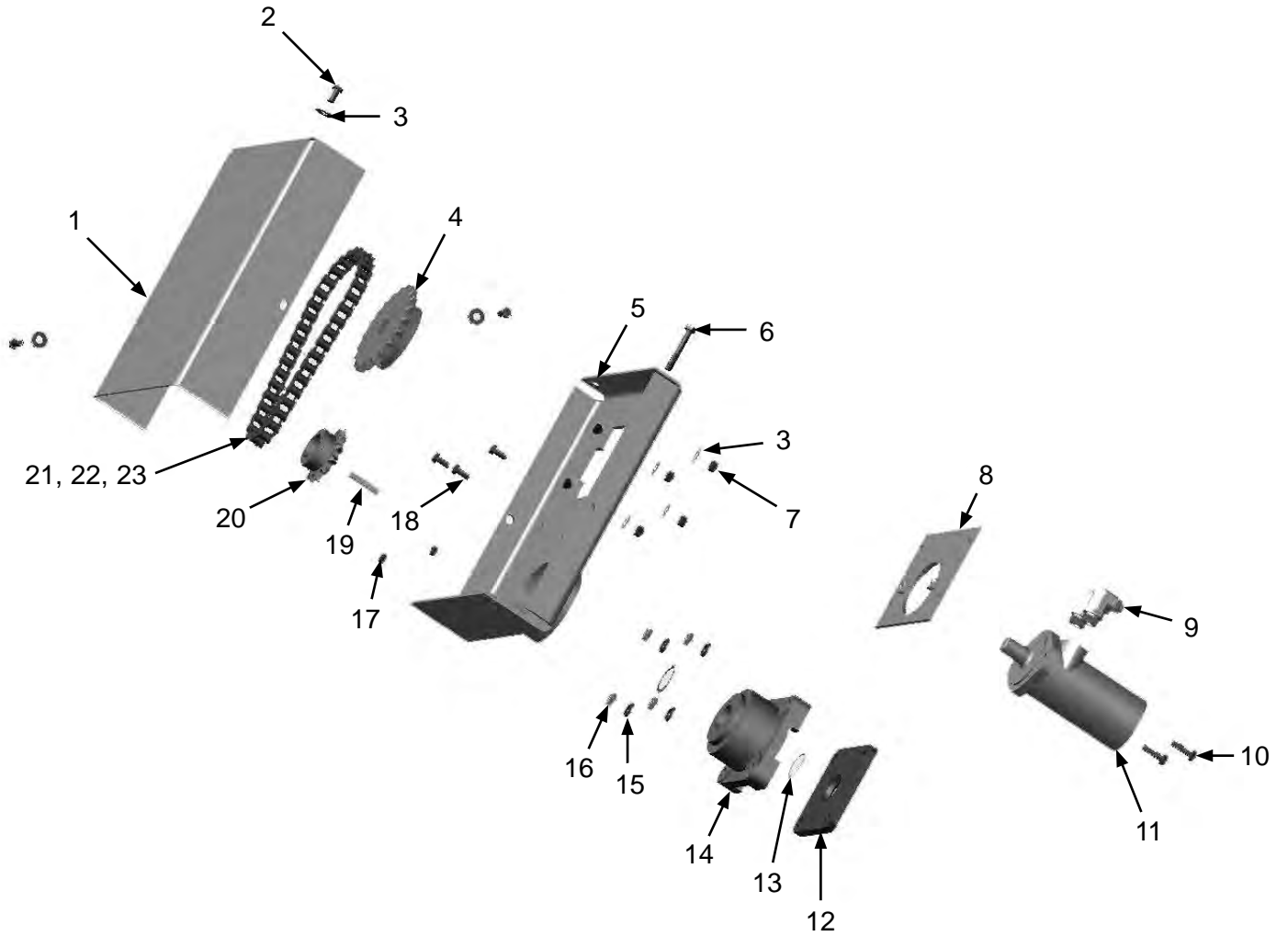
PART NUMBERS AND SCHEMATICS GUIDE

Discharge Auger Drive Assembly

Item #	Part #	Description
Fig. 24		
1	10103363	Chain Cover
2	10103400	3/8-16 x 3/4" Bolt <i>(Seven Required)</i>
3	1012318	3/8" Flat Washer <i>(Three Required)</i>
4	10104217	22-Tooth Sprocket
5	10104197	Chain Cover Base
6	10101933	3/8-16 x 2-1/2" Hex Bolt
7	10101938	3/8-16 Galvanized Hex Nut <i>(Four Required)</i>
8	10104199	Sliding Motor Mount
9	10103308	JIC 8 x SAE 10 90° Elbow <i>(Two Required)</i>
10	10101059	3/8-16 x 1-1/4" A307 Bolt Galvanized <i>(Two Required)</i>
11	10102887	Hydraulic Motor
12	10102902	Seal Plate
13	10103605	Snap Ring <i>(Two Required)</i>
14	10102903	Thrust Bearing
15	10100675	1/2" Lock Washer <i>(Four Required)</i>
16	1014022	1/2-13 Hex Nut <i>(Four Required)</i>
17	1035046	5/16-18 Nut <i>(Two Required)</i>
18	10101346	5/16-18 x 3/4" L Grade 5 Bolt <i>(Three Required)</i>
19	10103641	3/8 Key Cut
20	10102886	13-Tooth Sprocket
21	10103392	#60 Connecting Chain Link
22	10103391	#60 Cottered Roller Chain <i>(Per Foot)</i>
23	10103614	#60 Offset Chain Link
—	10104191	Discharge Auger Chain Kit <i>Includes Item #'s: 21, 22 (3'), and 23</i>
—	10103940	Seal Kit for Hydraulic Motor 10102887

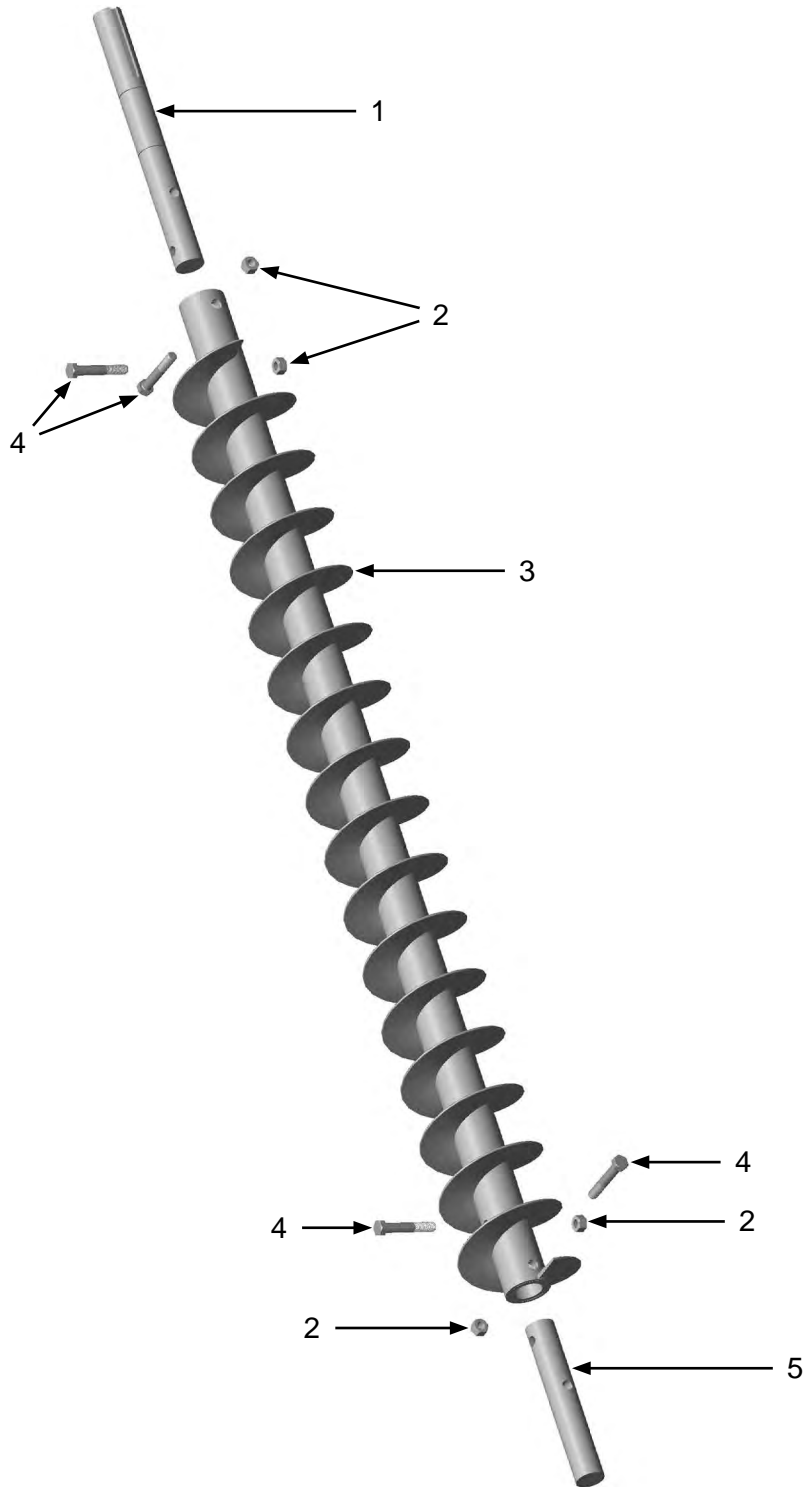
PART NUMBERS AND SCHEMATICS GUIDE

Figure 24: Discharge Auger Drive Assembly



PART NUMBERS AND SCHEMATICS GUIDE

Figure 25: Discharge Auger – Skid



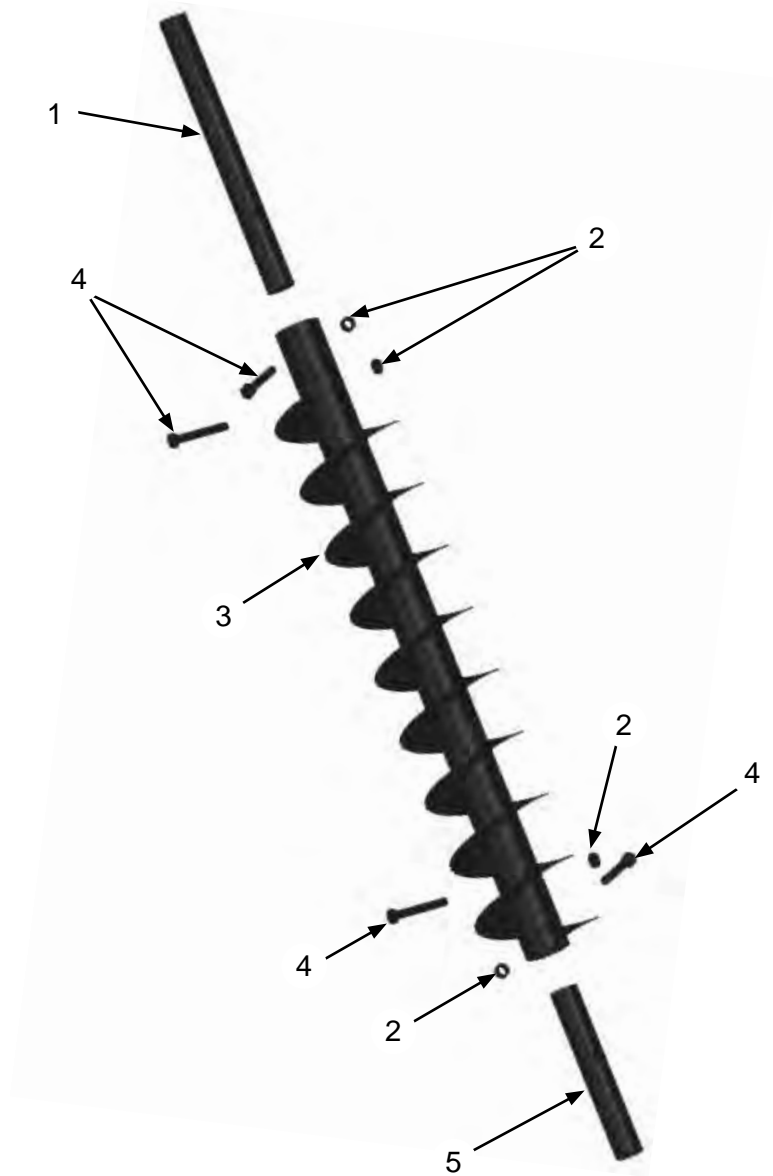
Item #	Part #	Description
--------	--------	-------------

Fig. 25

1	10103306	Drive Shaft
2	1014022	1/2-13 Hex Nut (<i>Four Required</i>)
3	10102883	58" x 6" Half Pitch Auger
4	10103401	1/2-13 x 3" Galvanized Bolt (<i>Four Required</i>)
5	10102910	Auger Shaft End

PART NUMBERS AND SCHEMATICS GUIDE

Figure 26: Discharge Auger – Trailer



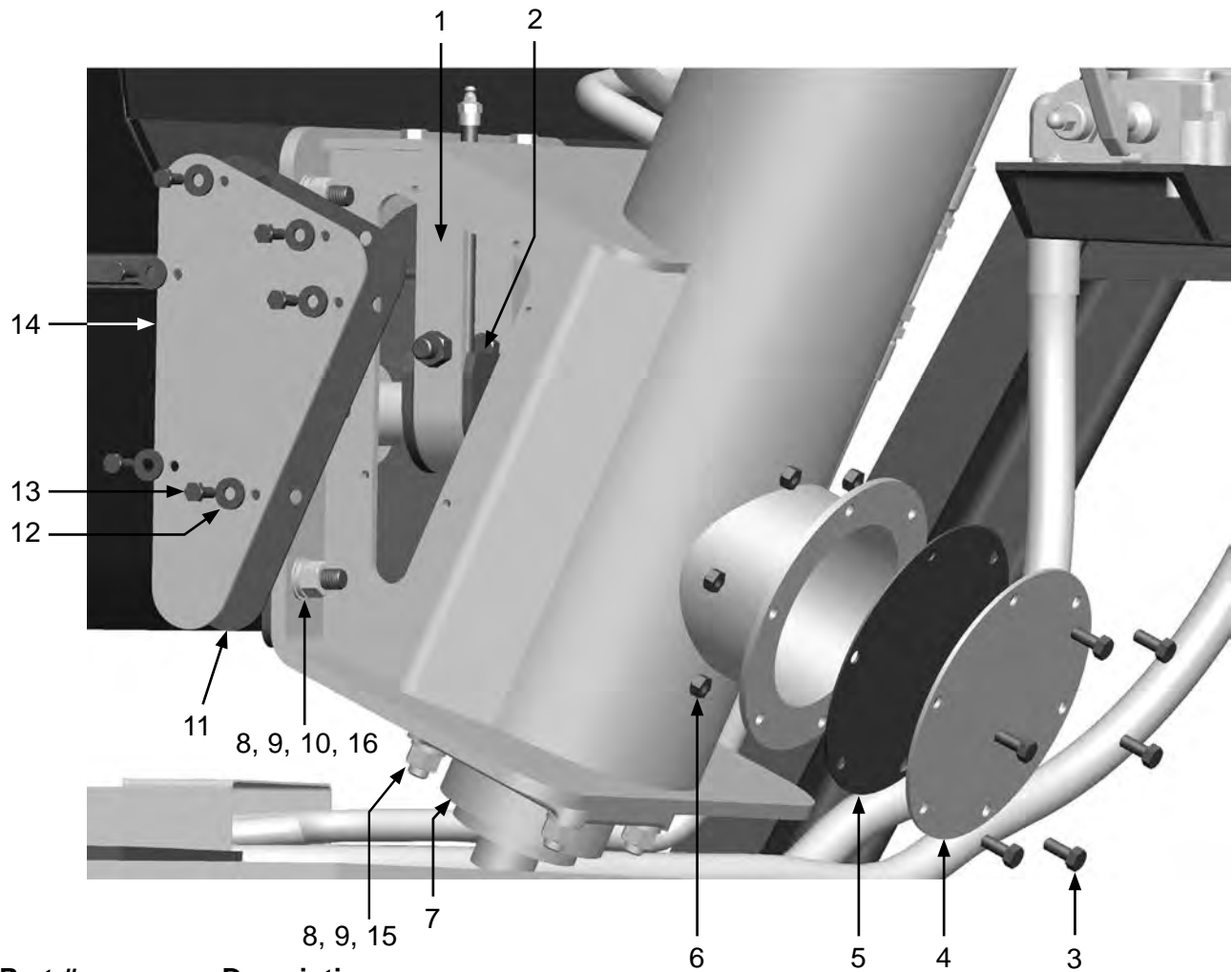
Item #	Part #	Description
--------	--------	-------------

Fig. 26

1	10103306	Drive Shaft
2	1014022	1/2-13 Hex Nut (<i>Four Required</i>)
3	10105943	34" x 6" Half Pitch Auger
4	10103401	1/2-13 x 3" Galvanized Bolt (<i>Four Required</i>)
5	10102910	Auger Shaft End

PART NUMBERS AND SCHEMATICS GUIDE

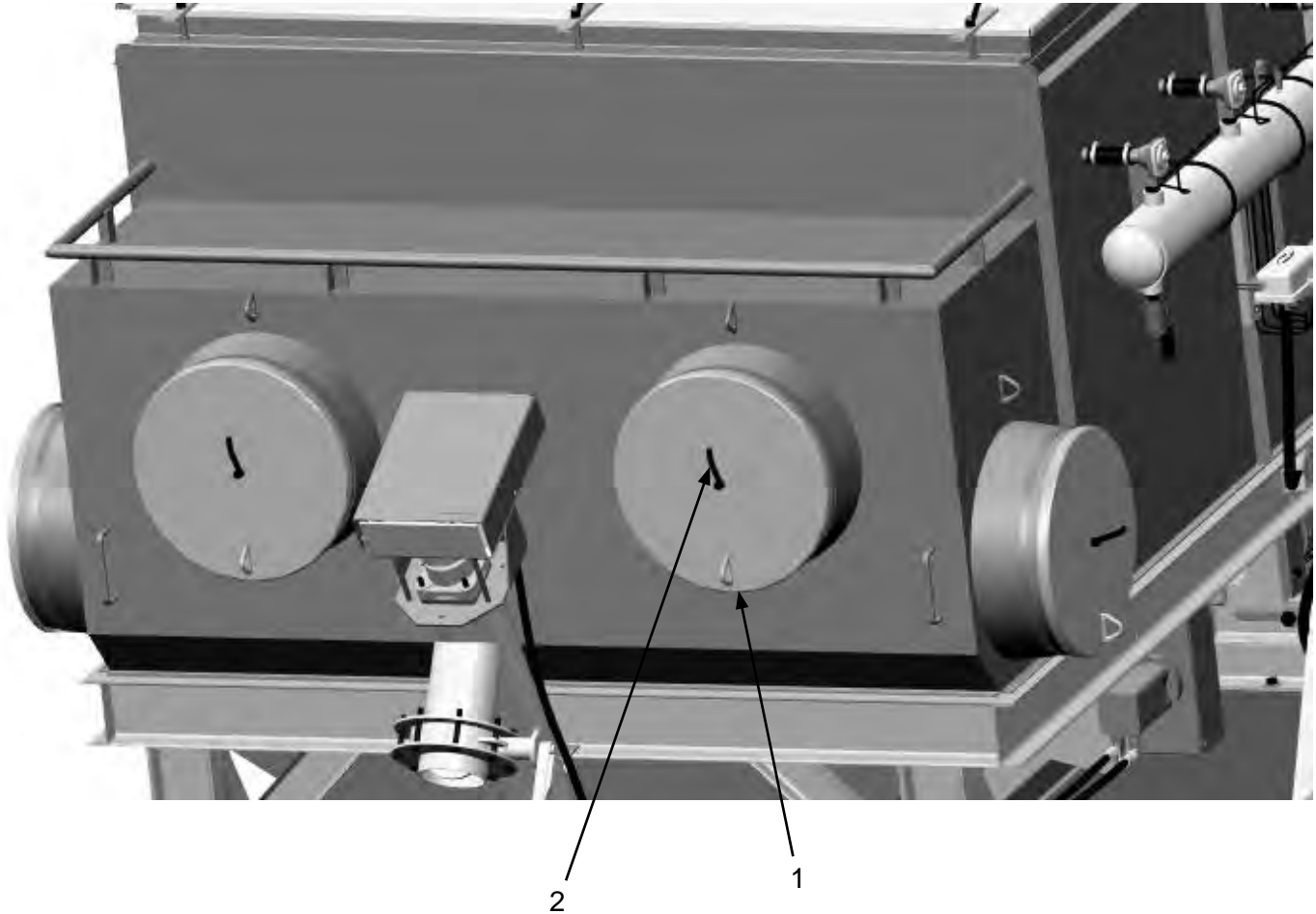
Figure 27: Discharge Auger Clean-Out Assembly



Item #	Part #	Description
1	10102896	Bearing Hanger
2	10103413	Bearing
3	10101346	5/16-18 x 3/4" Bolt (Six Required)
4	10103235	Auger Clean-Out Cover
5	10103716	Neoprene Auger Clean-Out Gasket
6	1035046	5/16-18 Nut (Six Required)
7	10102880	Discharge Auger Lower Bearing Assembly
8	10101941	1/2-13 Galvanized Hex Nut (10 Required)
9	10100675	1/2" Lock Washer (10 Required)
10	10100674	1/2" Flat Washer (Six Required)
11	10103717	Discharge Auger Side Gasket (Two Required)
12	10101940	1/4" Galvanized Flat Washer (12 Required)
13	20100125	1/4-20 x 3/4" Zinc Hex Bolt (12 Required)
14	10103236	Discharge Auger Side Cover (Two Required)
15	10102652	1/2-13 x 2-1/4" Grade 5 Bolt
16	10101943	1/2-13 x 1-3/4" Hex Bolt

PART NUMBERS AND SCHEMATICS GUIDE

Figure 28: Inlet Door Assembly



Item #	Part #	Description
Fig. 28		
1	10105945	20" Inlet Cover (Six Required)
2	10105960	3/8-16 Handle Zinc (Six Required)
—	10102339	Camlock Closure – Chain – 1/8" (Per Foot)
—	10102410	Spring Snap Hook – 1/4" (Eight Required)

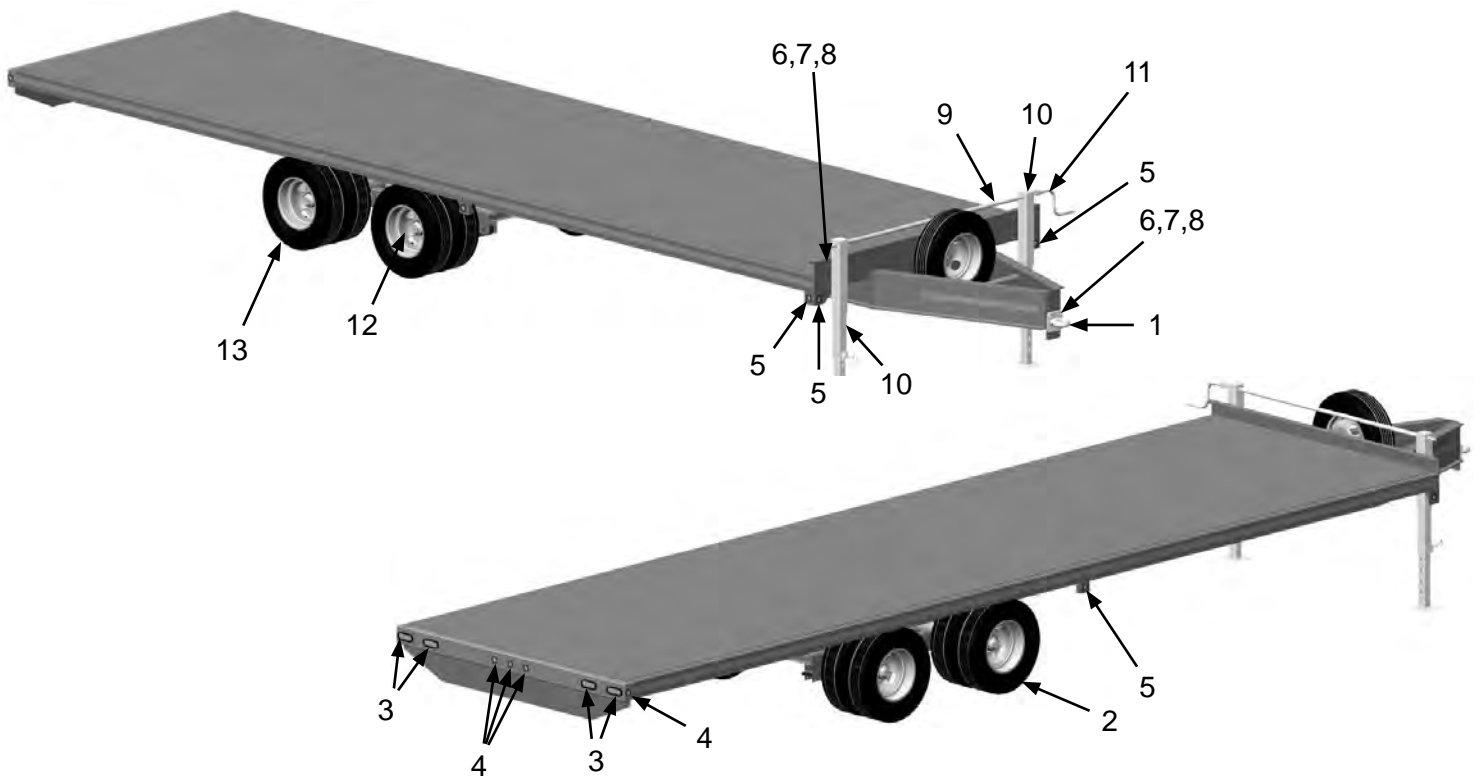
PART NUMBERS AND SCHEMATICS GUIDE

Trailer

Item #	Part #	Description
Fig. 29		
—	10105938	30' Long x 8' Wide Flat Steel Deck Trailer
1	10104079	Pintle Hitch with Flat Plate
2	10106290	ST235/85R16 14-Ply Dual-Rim and Tire <i>(Nine Required)</i>
3	10104084	Red LED Oval Tail Light <i>(Four Required)</i>
4	10104086	2" Round Red LED Clearance Light <i>(Five Required)</i>
5	10104087	2" Round Amber LED Clearance Light <i>(Six Required)</i>
6	10105746	5/8 x 2-1/2" Grade 8 Bolt <i>(Four Required)</i>
7	10105747	5/8 Reverse Lock Nut <i>(Four Required)</i>
8	10103398	5/8" Flat Washer <i>(Four Required)</i>
9	10106830	Jack Stand Assembly
10	10104082	10,000 # Heavy Spring Loaded Jack <i>(Two Required)</i>
11	10107329	Sidewind Crank with Hardware
12	10107324	Rim for Dual Wheel 12,000 lb Axle
13	10107369	ST235/85R 14-Ply Tire
—	10104081	Breakaway Kit
—	10107323	50K 12,000 lb Axle
—	10104135	Wire Harness
—	10105826	Redline 12V - 5AH Battery Sealed
—	10104080	3/8" x 35" Chain with Hook
—	109V582	Operator's Manual – Behnke Trailer

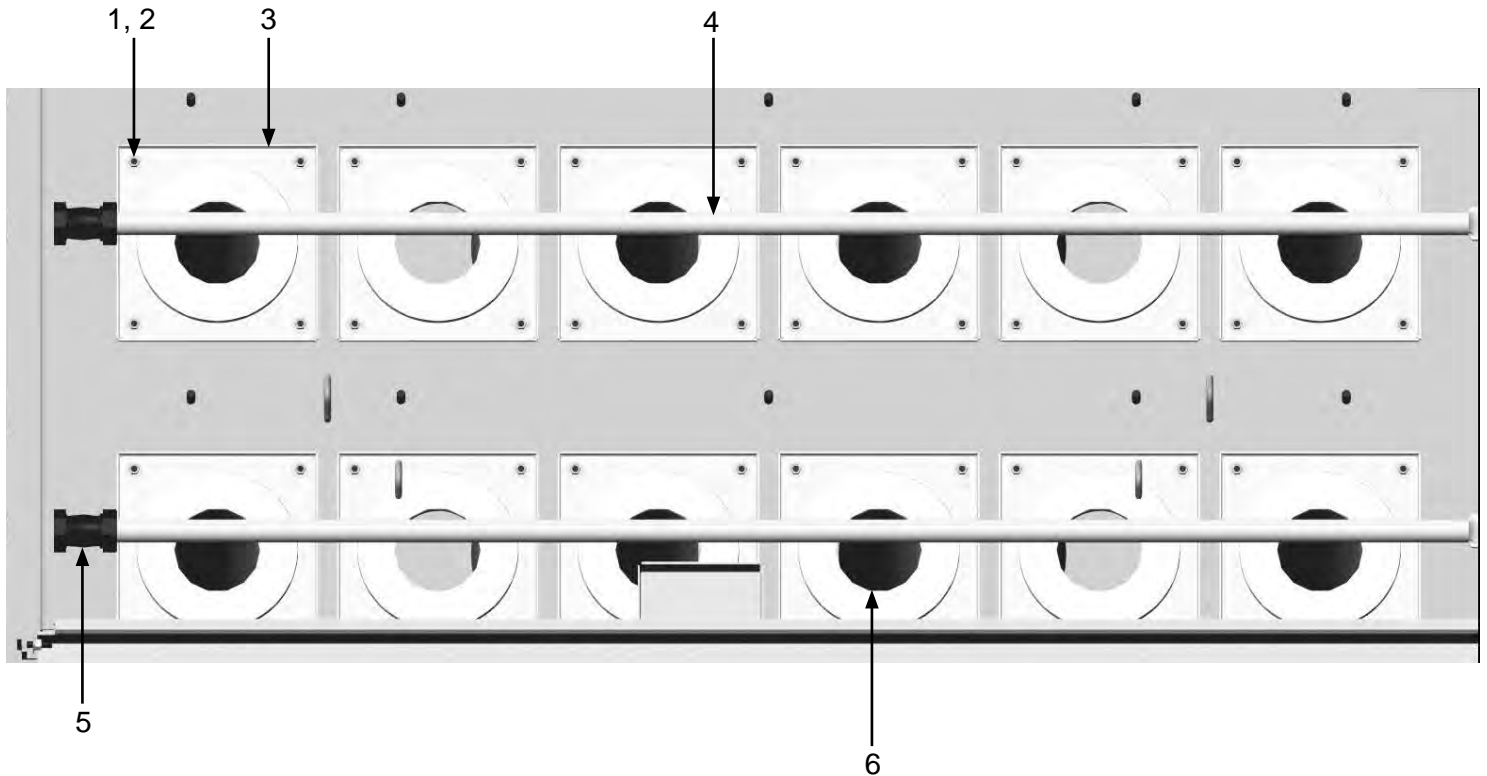
PART NUMBERS AND SCHEMATICS GUIDE

Figure 29: Trailer



PART NUMBERS AND SCHEMATICS GUIDE

Figure 30: Dust Collector Filter Cartridge Pulsers



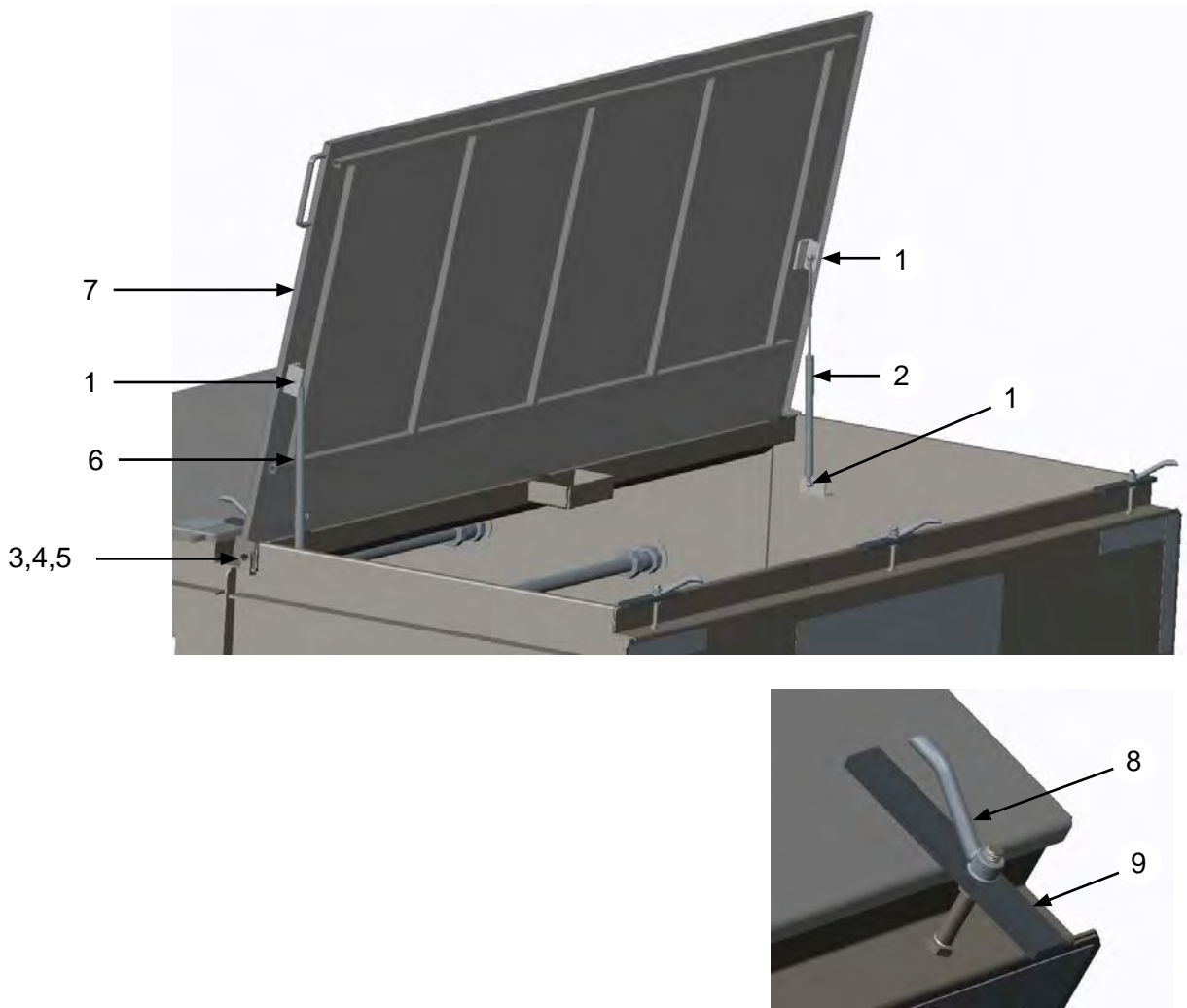
Item #	Part #	Description
--------	--------	-------------

Fig. 30

1	10101942	3/8" Flat Washer (4 Required Per Filter)
2	1012318	3/8" Hex Nut (4 Required Per Filter)
3	10105939	Filter Bolt-Down (1 Required Per Filter)
4	10105942	Small Filter Blowpipe (Two Required Per Hatch Opening)
5	10102599	Compression Coupling Assembly (Two Required Per Hatch Opening)
6	10105973	85/15 Blend High Density Pleat Filter – 4.87" I.D. – 9.22" O.D. – 35" Length
	10106218	85/15 Blend Reduced Pleat Filter – 4.87" I.D. – 9.22" O.D. – 35" Length
	10105974	Fire Retardant Filter – 4.87" I.D. – 9.22" O.D. – 35" Length
	101569046	HEPA Filter – 4.87" I.D. – 9.22" O.D. – 35" Length
	10105980	Spunbond Filter – 4.87" I.D. – 9.22" O.D. – 35" Length

PART NUMBERS AND SCHEMATICS GUIDE

Figure 31: Dust Collector Filter Cartridge Hatch Door



Item #	Part #	Description
--------	--------	-------------

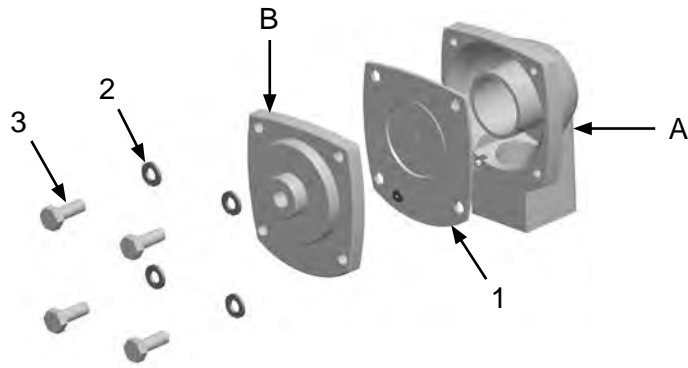
Fig. 31

1	1035046	5/16-18 Hex Nut (<i>Four Required</i>)
2	10103454	Non-Locking Gas Spring
3	1028617	3/8-16 x 1-3/4" Shoulder Bolt (<i>Two Required</i>)
4	10101942	3/8" Flat Washer (<i>Four Required</i>)
5	10101938	3/8-16 Hex Nut (<i>Two Required</i>)
6	10103455	Locking Gas Spring
7	10102917	Hopper Lid
8	10103395	1/2-13 Zinc Plated Handle (<i>Three Required</i>)
9	10104377	Latch Bar (<i>Three Required</i>)

Quantities specified are per hatch opening

PART NUMBERS AND SCHEMATICS GUIDE

Figure 32: Diaphragm Valve



Item #	Part #	Description
Fig. 32		
—	10103255	1" Diaphragm Valve – Complete <i>Includes Items: A, B, 1, 2, and 3</i>
1	10103954	1" Diaphragm Valve Service Kit
2	1012153	1/4" Lock Washer (<i>Four Required</i>)
3	20101232	M6 x 1 x 14 HHCS (<i>Four Required</i>)

OPTIONAL ACCESSORIES



Part Numbers

REPLACEMENT DUST COLLECTOR FILTER CARTRIDGES				
	Material	I.D.	O.D.	Length
10105973	85/15 Blend High Density Pleat	4.87"	9.22"	35"
10106218	85/15 Blend Reduced Pleat	4.87"	9.22"	35"
10105974	Fire Retardant	4.87"	9.22"	35"
101569046	HEPA	4.87"	9.22"	35"
10105980	Spunbond	4.87"	9.22"	35"



Part Numbers

20" I.D. DUCT HOSE								
	Duct Hose I.D.	Length	Pitch	Bend Radius	Body Material	Wear Strip Material	Wear Strip Color	Temperature Range (°F)
10DH2025HD	20"	25 Ft.	1-1/2"	17"	2-Ply Vinyl-Coated Polyester	PVC	Red	-20° – 180°
10DH2050HD	20"	50 Ft.	1-1/2"	17"	2-Ply Vinyl-Coated Polyester	PVC	Red	-20° – 180°
15DH2025	20"	25 Ft.	2"	17.9"	2-Ply Vinyl-Coated Polyester	PVC	Red	-20° – 180°



Part Numbers

20" I.D. DUCT HOSE COUPLINGS		
	Duct Hose I.D.	Material
1017120	20"	Stainless Steel



Part Numbers

20" I.D. DUCT HOSE SCREW CLAMPS		
	Duct Hose I.D.	Material
10DH062602000	20"	Stainless Steel

OPTIONAL ACCESSORIES



Part Numbers

3/4" I.D. X 1-1/4" O.D. AIR HOSE WITH COUPLINGS INSTALLED

	Length	Hose I.D.	Hose O.D.	Working Pressure	Hose Cover Color	Couplings
10AH034AC	50 Ft.	3/4"	1-1/4"	200 PSI	Red	2-Lug Crimped On



Part Numbers

3/4" I.D. X 1-1/4" O.D. AIR HOSE

	Length	Hose I.D.	Hose O.D.	Working Pressure	Hose Cover Color
10AH034	Per Ft.	3/4"	1-1/4"	200 PSI	Red



Part Numbers

MALE HOSE END COUPLING AND GASKET FOR 3/4" I.D. AIR HOSE

	Hose I.D.	Material	Coupling Style	GASKET		
				Rubber Gasket	Gasket I.D.	Gasket O.D.
10HE1	3/4"	Plated Iron	2-Lug	10UG2	3/4"	1-3/8"



Part Numbers

BOSS® CLAMP FOR 3/4" I.D. AIR HOSE

	Hose I.D.	Hose O.D. Range	Material
10A9	3/4"	1-1/8" – 1-5/16"	Plated Steel

PART NUMBER

DUSTMASTER® 50,000 CFM DUST COLLECTOR									
Part Number	Filter Cartridge Material						Engine Type		Filter Cartridge Quantity
	None	High Density 85% Cellulose/15% Poly Blend	85% Cellulose/15% Poly Blend	Fire Retardant	HEPA	Spunbond	Tier III	Tier 4	
10105527	X						X		—
10103497		X					X		38
10105528			X				X		38
10105529				X			X		38
10105530					X		X		38
10105531						X	X		38
10106478	X							X	—
10106479		X						X	56
10106480			X					X	56
10106481				X				X	56
10106482					X			X	56
10106483						X		X	56

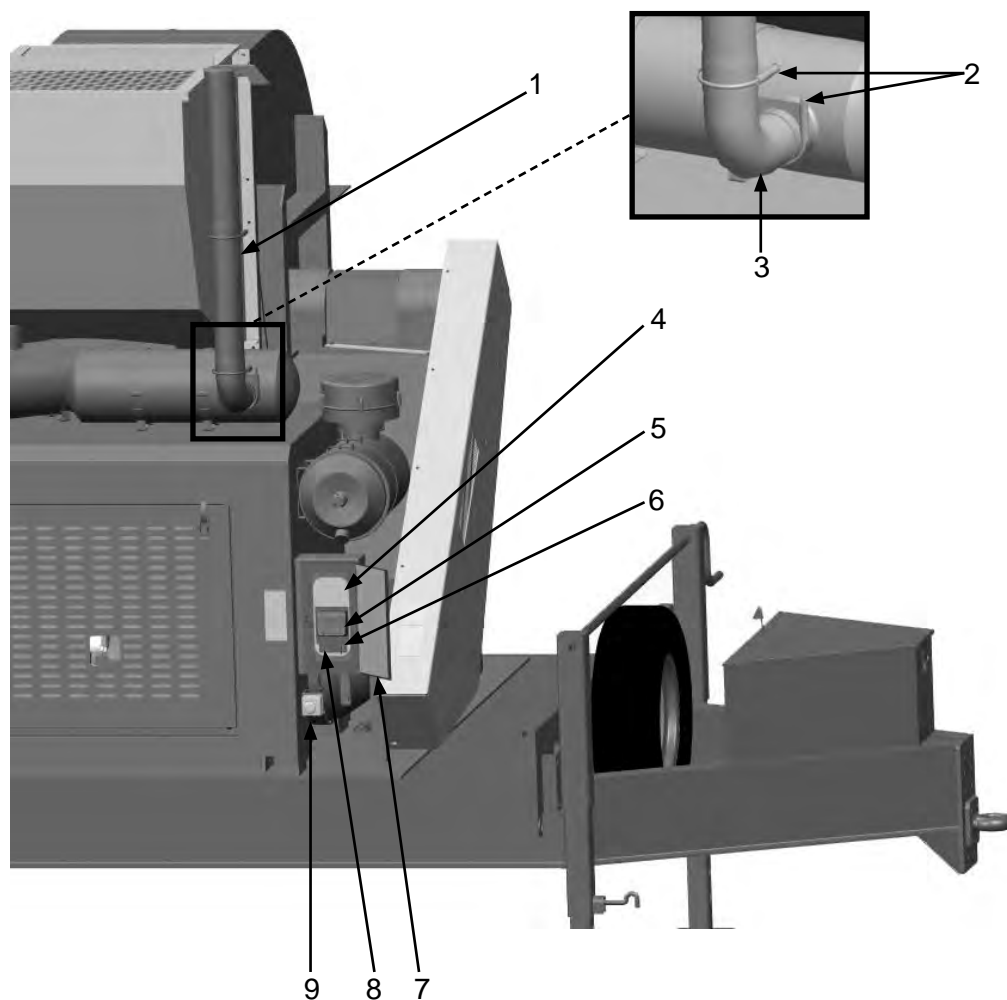


DUSTMASTER® 50,000 CFM DUST COLLECTOR SPECIFICATIONS

Capacity:	36,880 – 50,488 CFM 6 – 16" W.C. Static Pressure
Filter Cartridge Style:	Open Top with Flange, Closed Bottom 56 Required
Filter Cleaning:	Pulse System, 5–15 second intervals Pulse Duration: 200-350 millisecond
Filter Area:	11,662 square feet
Efficiency:	Standard 85/15 Blend Filters – 99.8% @ 0.5 micron High-Density 85/15 Blend Filters – 99.8% @ 0.5 micron HEPA Filters – 99.99% @ 0.3 micron Fire Retardant Filters – 96.8% @ 2.0 micron Spunbond Filters – 97% @ 3.0 micron
Ducting Connections:	20" I.D., Quantity of Six
Clean-out Ports:	One
Dust Removal Conveyor:	Main Auger, 6" Discharge Auger, Hydraulic Motor Drive
Fan:	Backward Inclined, non-overloading, spark resisting
Engine:	Diesel, Tier III, 174 Horsepower (TIER 4 OPTIONAL)
Fuel Capacity:	Type: Diesel Capacity: 160 Gallons (Two 80 Gallon Tanks)
Air Requirements:	Clean, Dry, Compressed Air 24 CFM @ 90 PSI
Electrical System:	12-Volt DC
Engine Protection:	Engine Monitoring System with automatic shutdown measures: coolant temperature, intake air temperature, engine intake manifold pressure, engine oil pressure, pressure in fuel rail, engine speed and timing.
Fluid Specifications:	Hydraulic Oil: H46 or equivalent, 40 Gallons Diesel Fuel: See Engine Operator's Manual for type, 160 Gallons Grease/Lubricator: Shell Alvania Grease EP or equivalent
Unit Dimensions:	Weight: 19,900 pounds empty Tongue Weight: 3,980 pounds Length: 35' 6" Width: 102" Height: 11'

PART NUMBERS AND SCHEMATICS

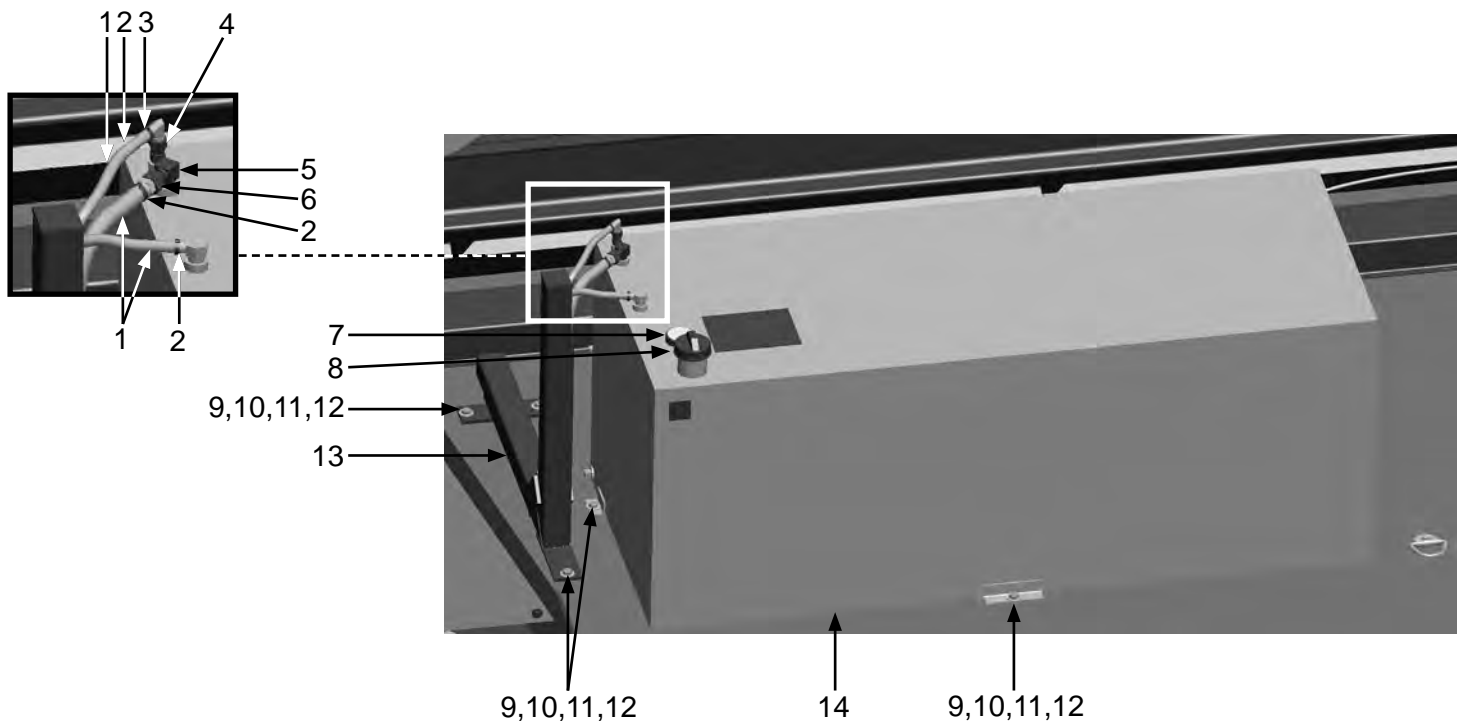
Figure 1: Front Assembly



Item#	Part#	Description
Fig. 1		
1	10103874	4" x 24" Straight Exhaust Pipe <i>(Two Required)</i>
2	10103875	4" Exhaust Clamp <i>(Two Required)</i>
3	10103873	4" Exhaust Pipe Elbow
4	10105358	Control Panel Back Plate
5	10103969	Murphy® PowerView™ Gauge
6	10103970	Key
7	10104072	Engine Control Panel Door
8	10103973	Engine Control Panel Toggle Switch
9	10104062	Emergency-Stop Station <i>(See Fig. 30)</i>
—	10103974	Key Switch
—	10103972	Engine Control Panel <i>Includes Item #'s: 5–8</i>
—	10104126	Engine Oil Filter
—	10103958	Diesel Fuel Filter
—	10104117	Secondary Diesel Fuel Filter
—	10104130	Outer Air Filter
—	10104131	Inner Air Filter

PART NUMBERS AND SCHEMATICS

Figure 2: Fuel Tank



Item #	Part #	Description
--------	--------	-------------

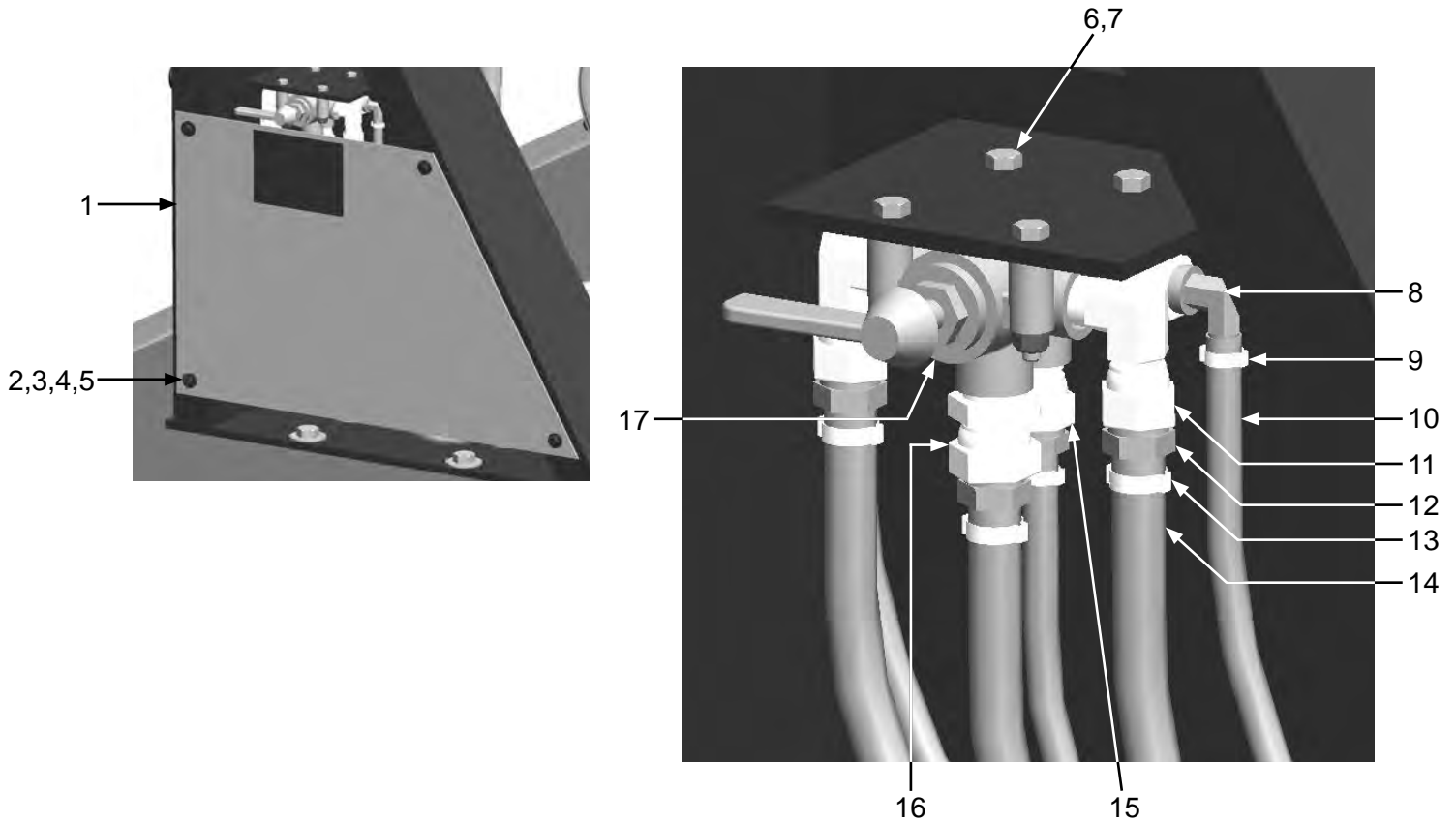
Fig. 2

1	10103619	1/2" Fuel Hose (Per Foot)
2	10104065	Hose Clamp - 3/8" I.D. Hose
3	10103421	3/8" Barb x 1/4" NPT Elbow Fitting
4	10SME025	1/4" NPT (M) x 1/4" NPS (F) Straight Swivel
5	20PFHA60SA0606	Swivel Union - 3/8" (M) x 3/8" (F)
6	10103618	3/8" NPT x 1/2" Barb Hose Fitting
7	10103424	Sight Gauge
8	10103968	Locking Fuel Cap with Key
9	10101059	3/8-16 x 1-1/4" Galvanized Bolt (12 Required)
10	10101942	3/8" Galvanized Flat Washer (24 Required)
11	10101938	3/8-16 Galvanized Hex Nut (12 Required)
12	10101936	3/8" Zinc Lock Washer (12 Required)
13	10103677	Fuel Line Guard
14	10103251	Fuel Tank - 80 gallon (Two Required)
—	10103617	Withdraw Tube - 16"
—	10103620	3/8" Inline Filter (Not Shown)
—	10103961	Fuel Tank Rubber Cushioning Pad (Not Shown)

*Right Side Fuel Tank Shown. Left Side Fuel Tank uses identical parts.

PART NUMBERS AND SCHEMATICS

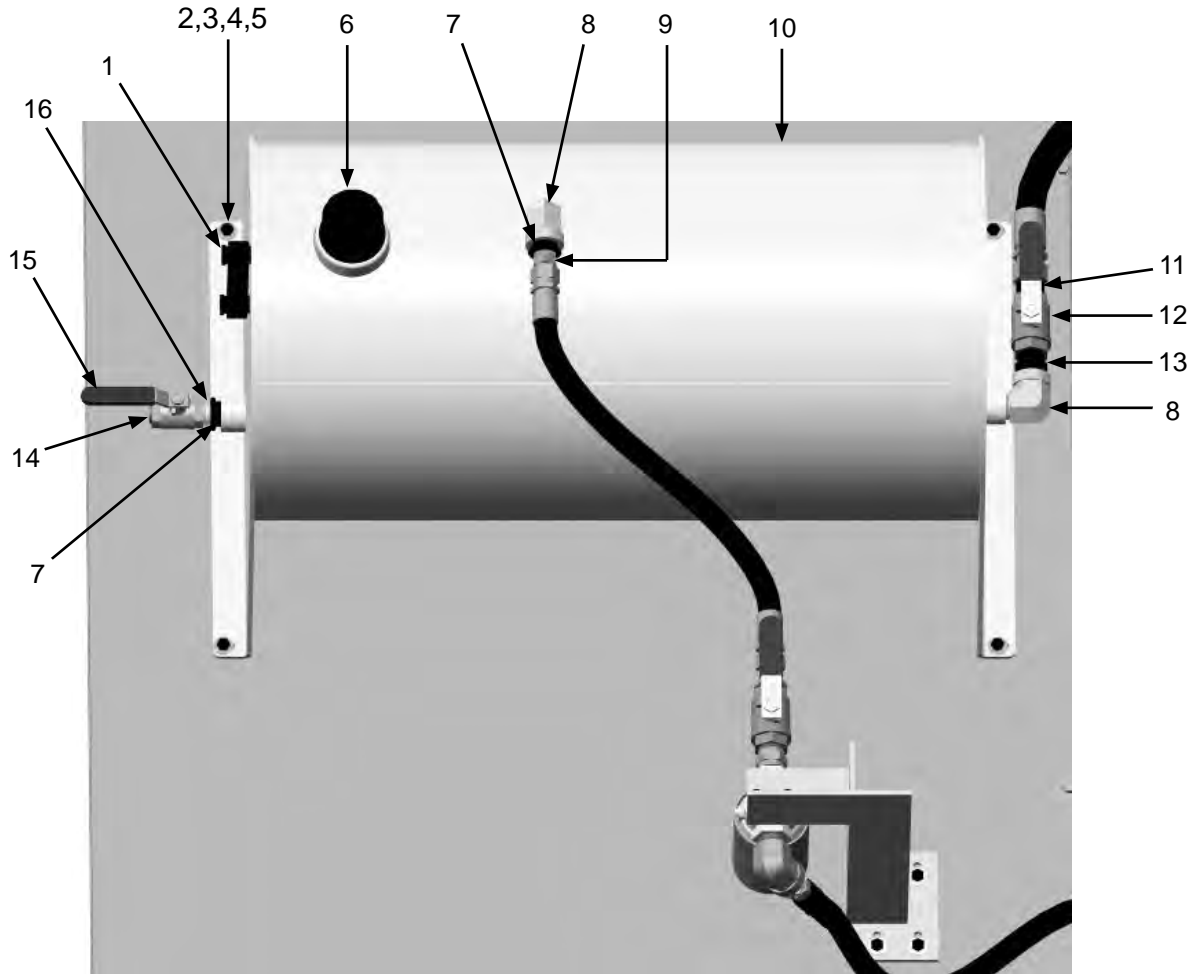
Figure 3: Fuel Tank Selector Valve Assembly



Item #	Part #	Description
Fig. 3		
1	10103861	Fuel Line Guard
2	10101937	1/4-20 X 1" Bolt Grade 5 - Galvanized
3	10101940	1/4" Galvanized Flat Washer
4	1012153	1/4" Lock Washer
5	10101347	1/4-20 Hex Bolt
6	1019044	1/4-20 x 1-3/4" Zinc Bolt
7	1012323	1/4-20 Lock Nut
8	10103422	3/8" NPT (F) - 3/8" Hose Barb Elbow
9	10104065	Hose Clamp - 3/8" I.D. Hose
10	10103423	Fuel Hose - SAE - Low Pressure - 3/8" I.D. (Per Foot)
11	20PFHA60UA0808	90° Swivel Union - 1/2" NPT (M) x 1/2" (F) JIC
12	10103507	1/2" NPT (F) X 1/2" Hose Barb
13	10104064	Hose Clamp - 1/2" O.D. Hose
14	10103619	Fuel Hose - Flexible - 1/2" I.D. (Per Foot)
15	20PFHA60SA0606	Straight Swivel Union - 3/8" NPT (M) x 3/8" (F) JIC
16	20PFHA60SA0808	Straight Swivel Union - 1/2" NPT (M) x 1/2" (F) JIC
17	10103508	Fuel Selector Valve - 6-port

PART NUMBERS AND SCHEMATICS

Figure 4: Hydraulic Oil Tank

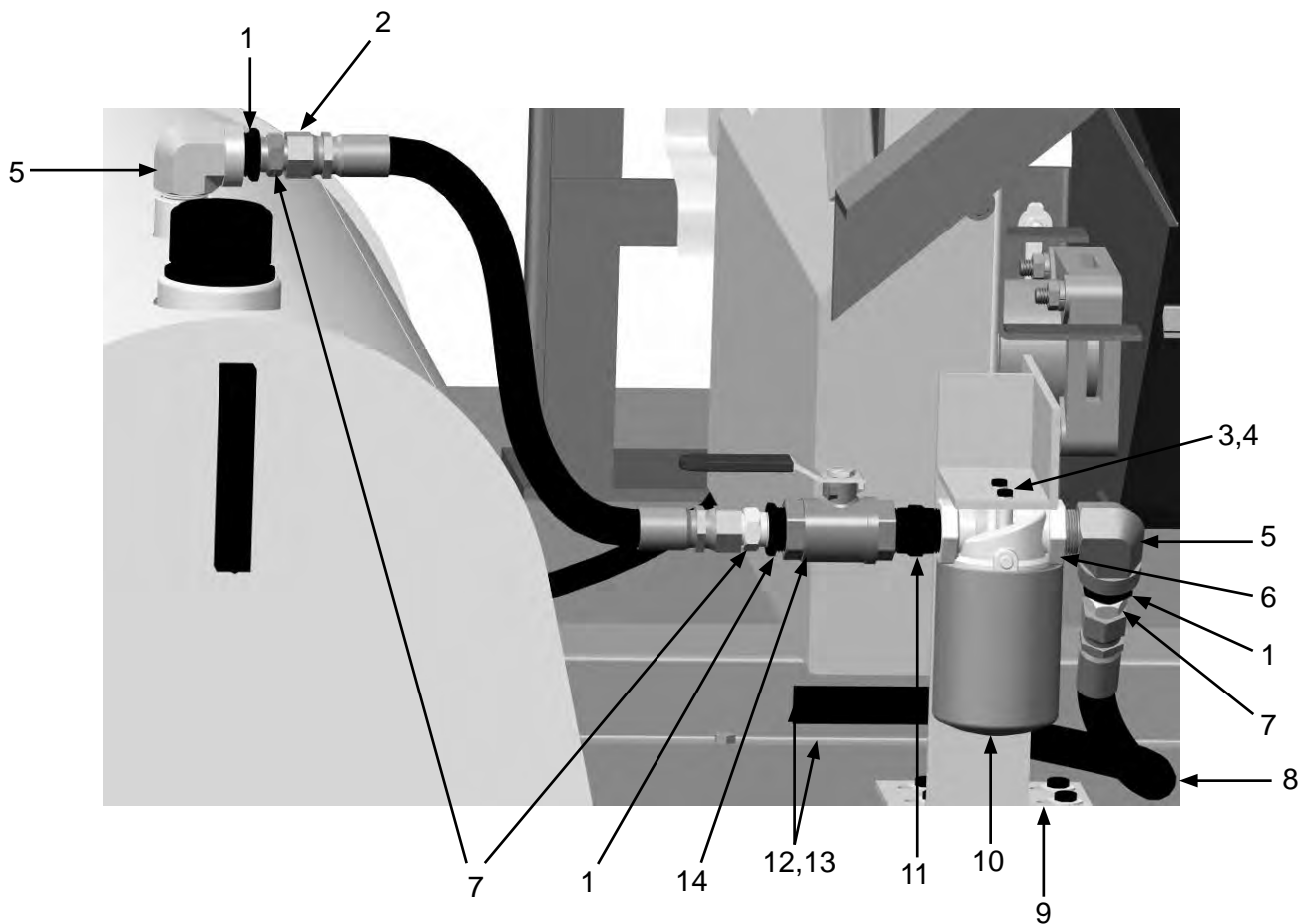


Hydraulic Oil Tank

Item #	Part #	Description
Fig. 4		
1	10103942	Sight Level Gauge
2	1011747	Bolt - 1/2-13 x 1-3/4" - Galvanized (Four Required)
3	10101942	Flat Washer - 1/2" (Eight Required)
4	10101936	Lock Washer - 1/2" (Four Required)
5	10101938	Hex Nut - 1/2-13 (Four Required)
6	10103971	Filler/Breather Cap
7	20PFHA24SB1612	Reducing Bushing - 1" NPT x 3/4" NPT
8	20PFHA25UG1616	Street Elbow - 90° - 1" NPT (Two Required)
9	10103314	Straight Adapter - 3/4" NPT x 12 JIC
10	10105031	Hydraulic Oil Reservoir - 40 Gallon
11	10103312	Straight Adapter - 1" NPT x 16 JIC
12	1011601	Full Port Ball Valve - 1" NPT
13	20PFHA24SA1616	Hex Nipple - 1" NPT
14	10DSHP75	Pipe Plug - Square Head - 3/4" NPT
15	10L8074C	Full Port Ball Valve - 3/4" NPT
16	1011213	Close Nipple - 3/4" NPT - Galvanized

PART NUMBERS & SCHEMATICS

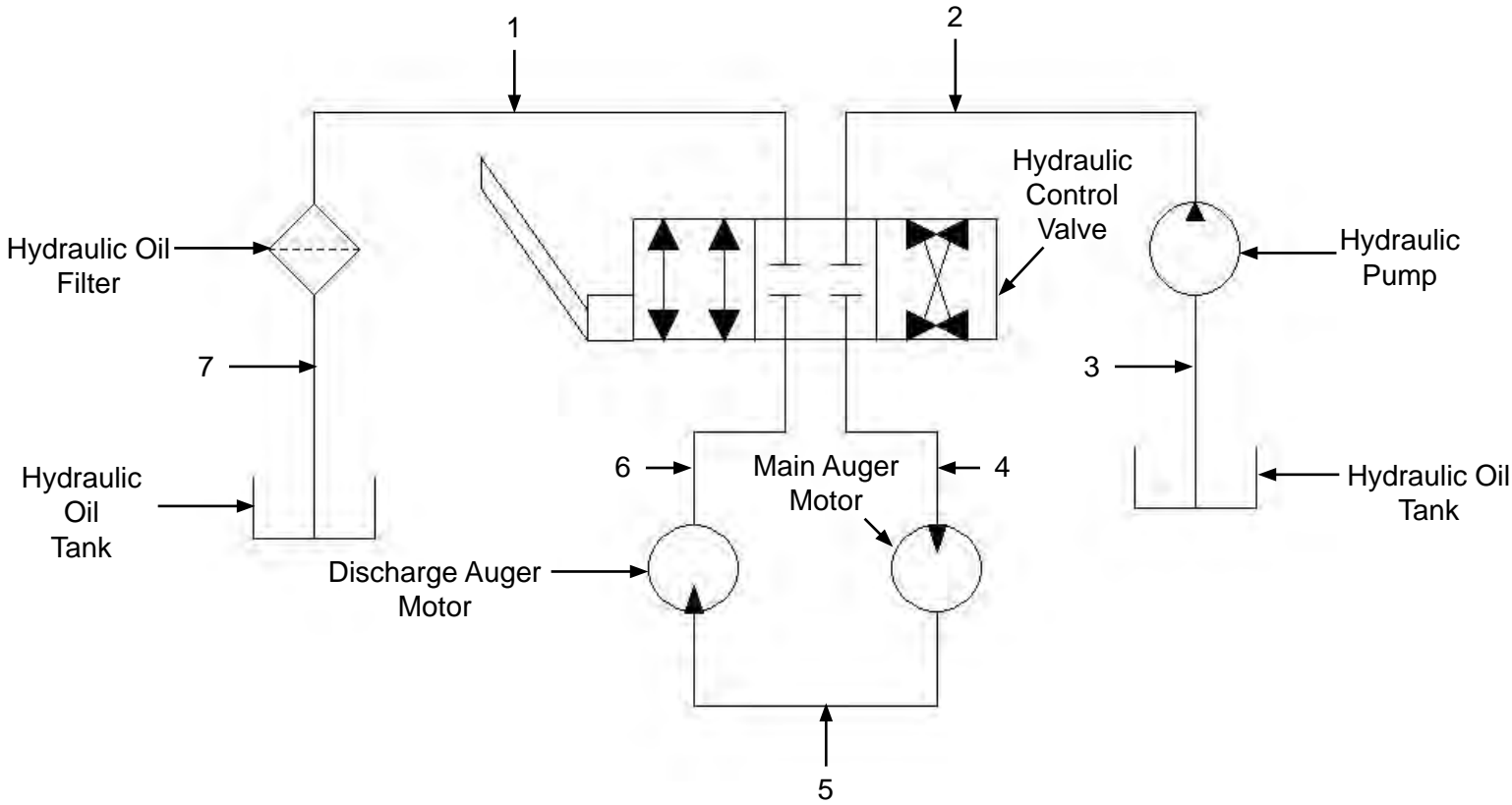
Figure 5: Hydraulic Oil Filter Assembly



Item #	Part #	Description
Fig. 5		
1	20PFHA24SB1612	1" x 3/4" Reducing Bushing (Three Required)
2	10104056	3/4" x 2' Hydraulic Hose
3	20100125	1/4-20 x 3/4" Zinc Bolt (Two Required)
4	1012153	1/4" Lock Washer (Two Required)
5	20PFHA25UG1616	1" Street Elbow (Two Required)
6	10104051	Bracket – Hydraulic Oil Filter Head
7	10103314	Straight Adapter - 3/4" NPT x 12 JIC (Three Required)
8	10103412	3/4" x 23' Hydraulic Hose
9	10104052	Hydraulic Oil Filter Head Mount
10	10104058	Hydraulic Oil Filter
11	20PFHA24SA1616	Hex Nipple - 1"
12	10101059	3/8-16 x 1-1/4" Galvanized Bolt (Four Required)
13	10101942	3/8" Flat Washer (Four Required)
14	1011601	3/4" Full Port Brass Ball Valve

PART NUMBERS & SCHEMATICS

Figure 6: Hydraulic Hoses



Item #	Part #	Description
Fig. 6		
1	10103412	Hydraulic Hose - 3/4" I.D. x 23' feet - 3045 psi
2	10103505	3/4" I.D. x 33' Hydraulic Hose – 3045 psi
3	10103405	Hydraulic Hose - 1-1/4" I.D. x 9.5 feet - 2000 psi
4	10103502	Hydraulic Hose - 1/2" I.D. x 20' – 4500 psi
5	10104224	Hydraulic Hose - 1/2" X 24' - 2000 psi
6	10103409	Hydraulic Hose - 1/2" I.D. x 7.08 feet - 2000 psi
7	10104056	Hydraulic Hose - 3/4" I.D. x 2' – 3045 psi

PART NUMBERS AND SCHEMATICS

Fan Belt Assembly

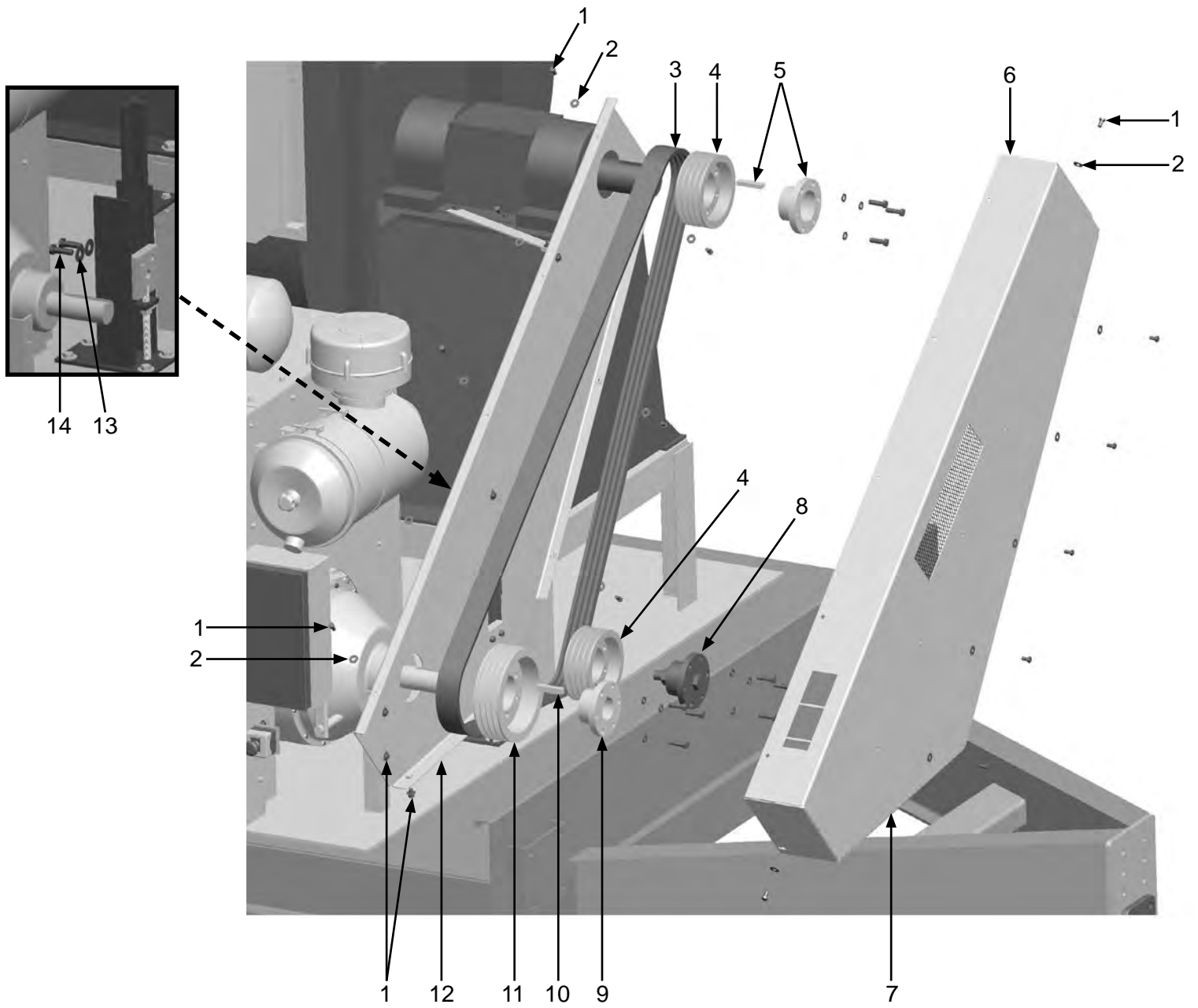
Item #	Part #	Description
--------	--------	-------------

Fig. 7

1	10103400	3/8-16 x 3/4" Bolt <i>(17 Required)</i>
2	10101942	3/8" Galvanized Flat Washer <i>(17 Required)</i>
3	10103487	160" 4-Stranded Drive Belt
4	10103483	8" Sheave <i>(Two Required)</i>
5	10103482	3.4375 Bushing
6	10103461	Top Belt Cover
7	10103459	Bottom Belt Cover
8	10103484	Idler Bushing
9	10103485	2.5 Bore Bushing
10	10103643	5/8" Key Cut
11	10103486	10.30" Sheave
12	10103457	Belt Guard Back
13	10103398	5/8" Washer <i>(Two Required)</i>
14	10103397	5/8-11 x 2" Zinc Bolt <i>(Two Required)</i>

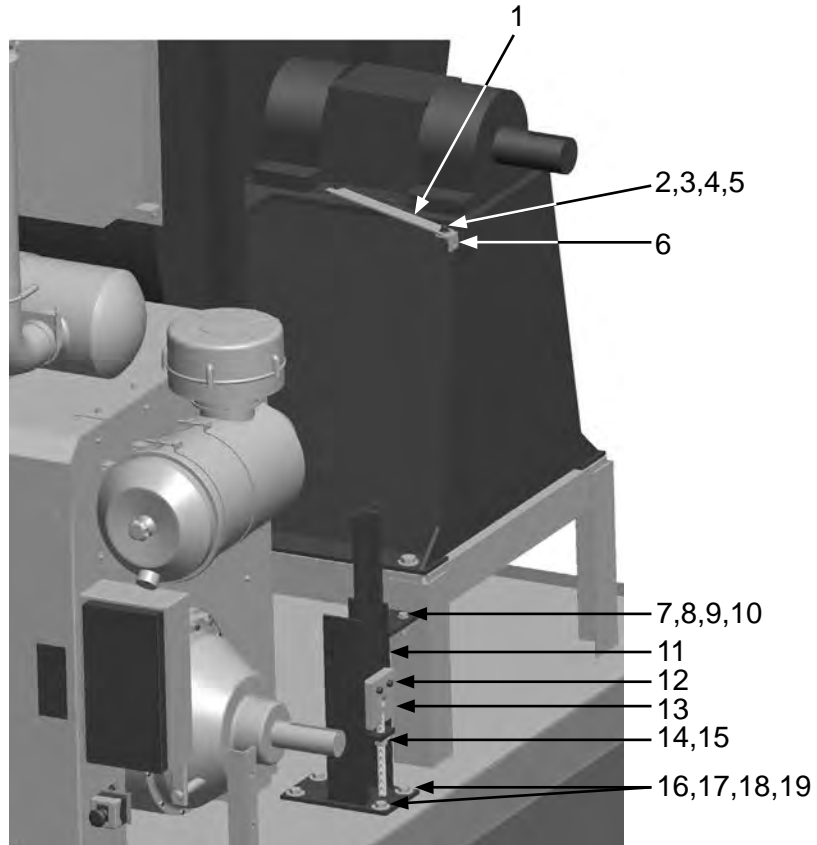
PART NUMBERS AND SCHEMATICS

Figure 7: Fan Belt Assembly



PART NUMBERS AND SCHEMATICS

Figure 8: Fan Belt Guard Back Assembly



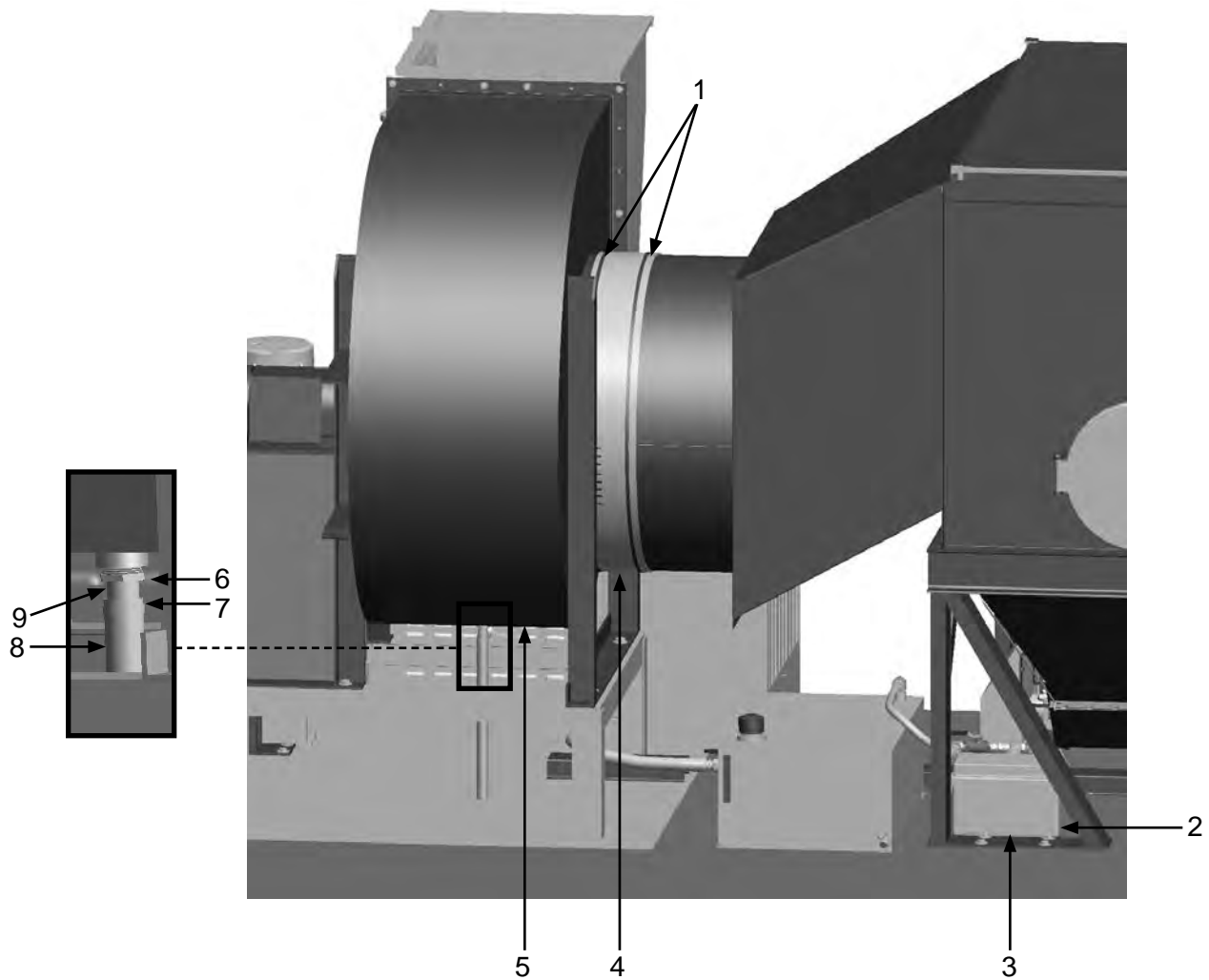
Item #	Part #	Description
--------	--------	-------------

Fig. 8

1	10103937	Belt Guard Brace
2	1011747	3/8-16 x 1" Bolt
3	10101936	3/8" Zinc Lock Washer
4	10101942	3/8" Galvanized Flat Washer
5	10101938	3/8-16 Galvanized Hex Nut
6	10103938	Belt Guard Angle
7	10101943	1/2-13 x 1-3/4" Galvanized Hex Bolt
8	10100674	1/2" Flat Washer
9	10100675	1/2" Lock Washer
10	1014022	1/2-13 Hex Nut
11	10103926	Belt Tightener Support
12	10103397	5/8-11 x 2" Zinc Bolt
13	10103637	Belt Tightener Mount
14	10103418	3/4" Washer
15	10103420	3/4-10 UNC Nut
16	10103398	5/8" Washer
17	10103397	5/8-11 x 2" Zinc Bolt
18	10103399	5/8" Lock Washer
19	10103393	5/8-11 Zinc Nut

PART NUMBERS AND SCHEMATICS

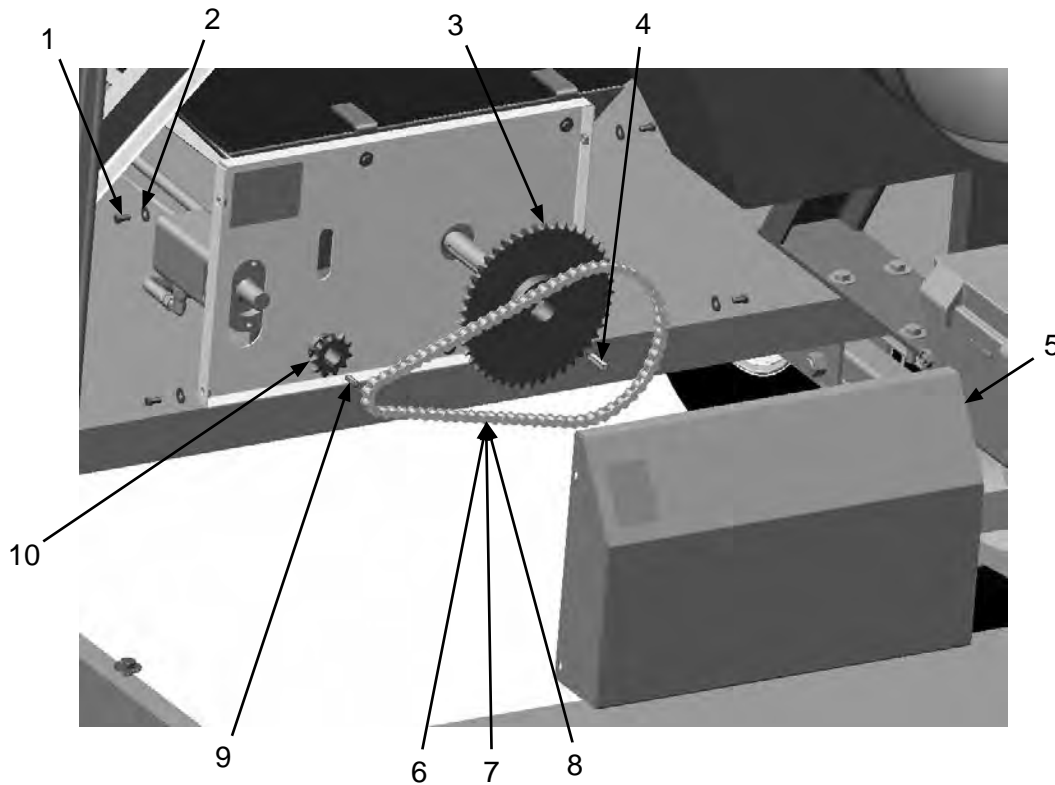
Figure 9: Fan Assembly and Battery Box



Item #	Part #	Description
Fig. 9		
1	10103623	Adjustable Clamp Fastener <i>(Two Required)</i>
2	10103963	Rubber Cushioning Pad
3	10103342	Battery Box
4	10103962	Connection Rubber Gasket
5	10103495	Fan
6	20PFHA24SB2016	1-1/4" x 1" Reducing Bushing
7	10103396	1-1/16" x 2" Hose Clamp
8	10103654	1-1/4" I.D. Hose <i>(Per Foot)</i>
9	10000197	1" x 3" Toe Nipple
—	10105866	Battery Cables <i>(Not Shown)</i>
—	10103341	Battery <i>(Not Shown)</i>

PART NUMBERS AND SCHEMATICS

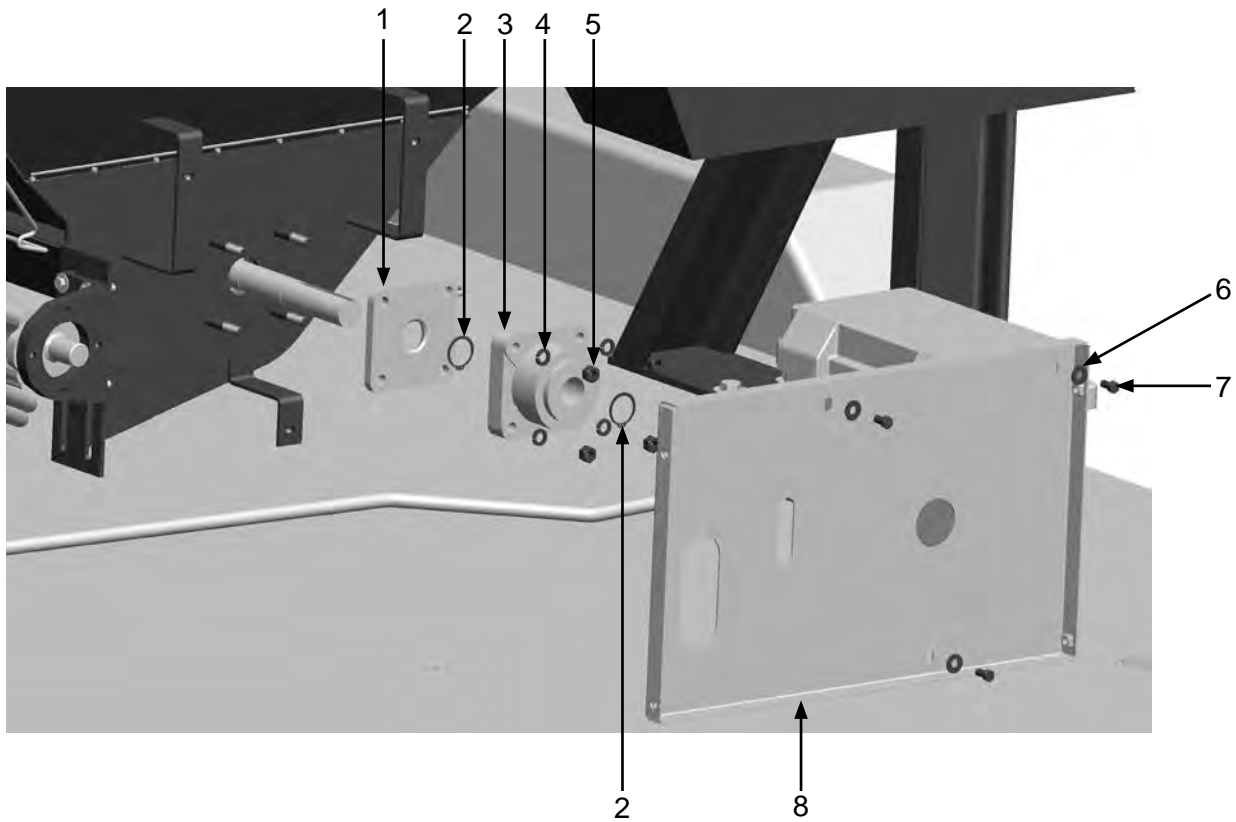
Figure 10: Main Auger Drive Assembly



Item #	Part #	Description
Fig. 10		
1	10103400	3/8-16 x 3/4" Bolt (<i>Four Required</i>)
2	10101942	3/8" Galvanized Flat Washer (<i>Four Required</i>)
3	10104218	45-Tooth Sprocket
4	10103641	3/8" Key Cut
5	10102952	Main Auger Motor Cover
6	10103391	60# Cotted Roller Chain (<i>Per Foot</i>)
7	10103392	60# Connecting Link
8	10103614	60# Offset Link
9	10103642	5/16" x 1/4" x 1/8" x 1/8" Key
10	10103265	11-Tooth Sprocket
—	10104192	Main Auger Chain Kit <i>Includes Item #'s: 7, 8, and 9</i>

PART NUMBERS AND SCHEMATICS

Figure 11: Main Auger Bearing



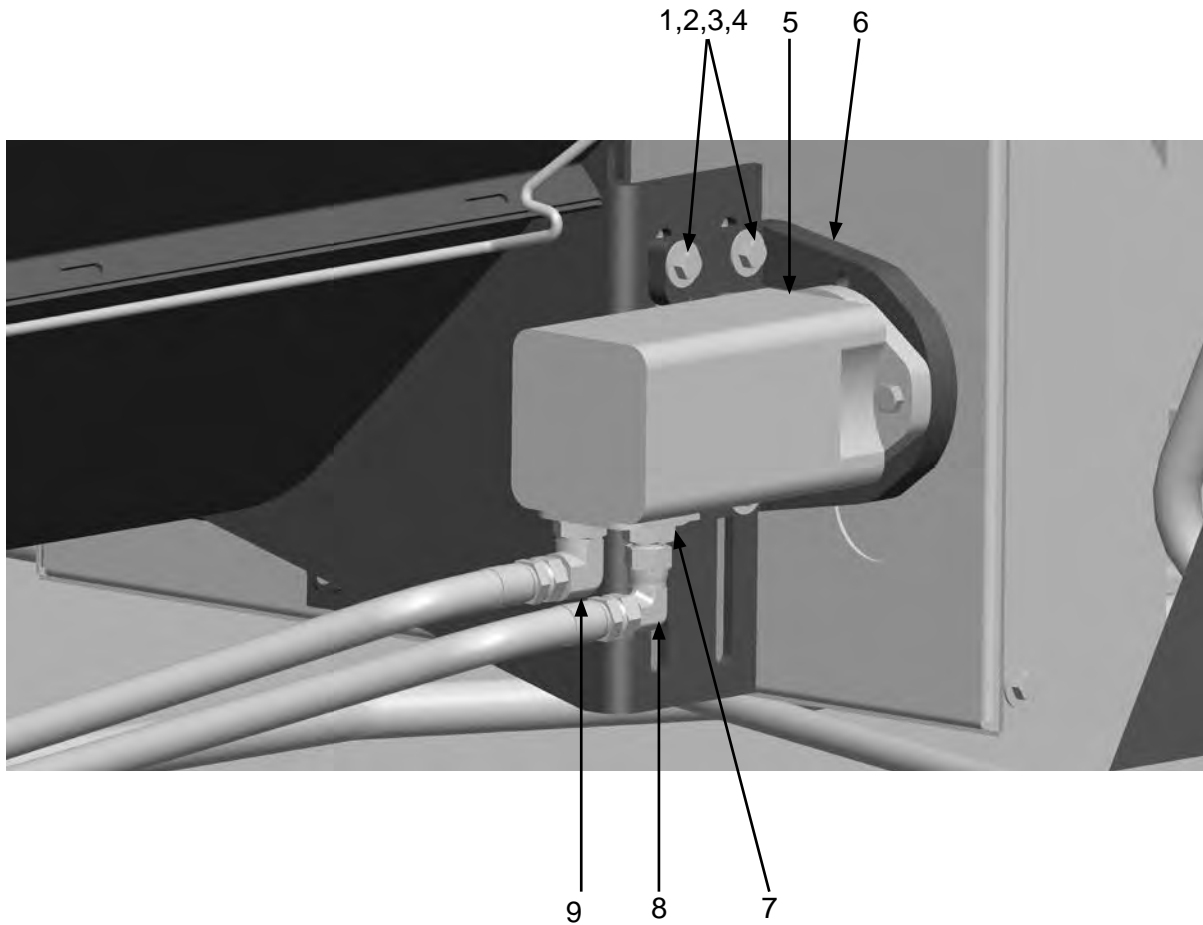
Item #	Part #	Description
--------	--------	-------------

Fig. 11

1	10102902	Seal Plate
2	10103605	Snap Ring <i>(Two Required)</i>
3	10102903	Thrust Bearing
4	10100675	1/2" Lock Washer <i>(Four Required)</i>
5	1014022	1/2-13 Hex Nut <i>(Four Required)</i>
6	10101942	3/8" Galvanized Flat Washer <i>(Three Required)</i>
7	10103400	3/8-16 x 3/4" Bolt <i>(Three Required)</i>
8	10102955	Main Auger Guard Back

PART NUMBERS AND SCHEMATICS

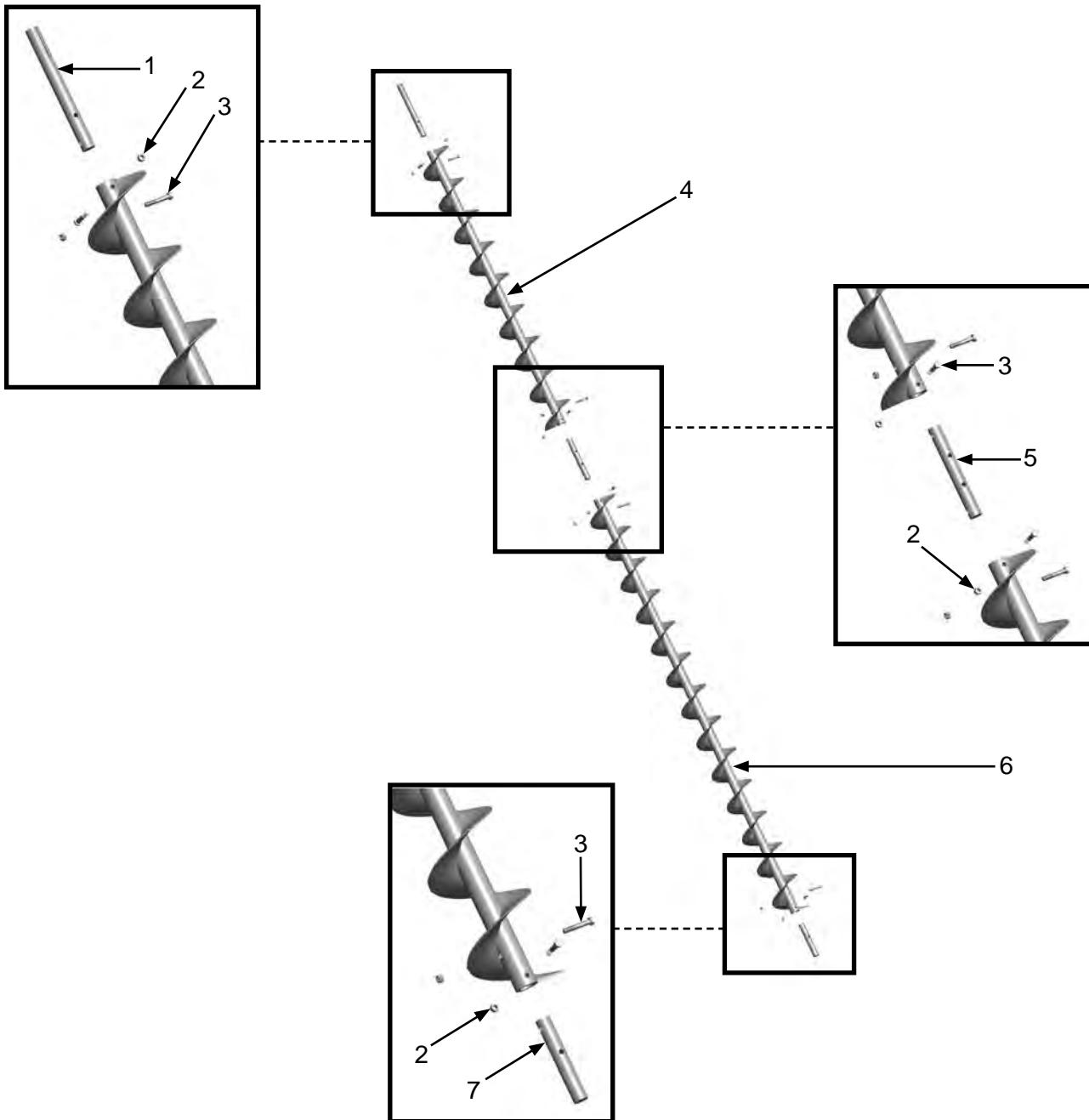
Figure 12: Main Auger Motor



Item #	Part #	Description
Fig. 12		
1	1028617	3/8-16 x 1-3/4" Shoulder Bolt (<i>Four Required</i>)
2	10101942	3/8" Galvanized Flat Washer (<i>Eight Required</i>)
3	10101936	3/8" Zinc Lock Washer (<i>Four Required</i>)
4	10101938	3/8-16 Galvanized Hex Nut (<i>Four Required</i>)
5	10103266	18.7 Displacement Hydraulic Motor
6	10102881	Hydraulic Motor Mount with Hardware
7	10103612	JIC 8 x SAE 10 Straight Adapter
8	10103611	JIC 8 x JIC 8 90° Elbow
9	10103308	JIC 8 x SAE 10 90° Elbow
—	10103941	Seal Kit for 18.7 Displacement Hydraulic Motor

PART NUMBERS AND SCHEMATICS

Figure 13: Main Auger



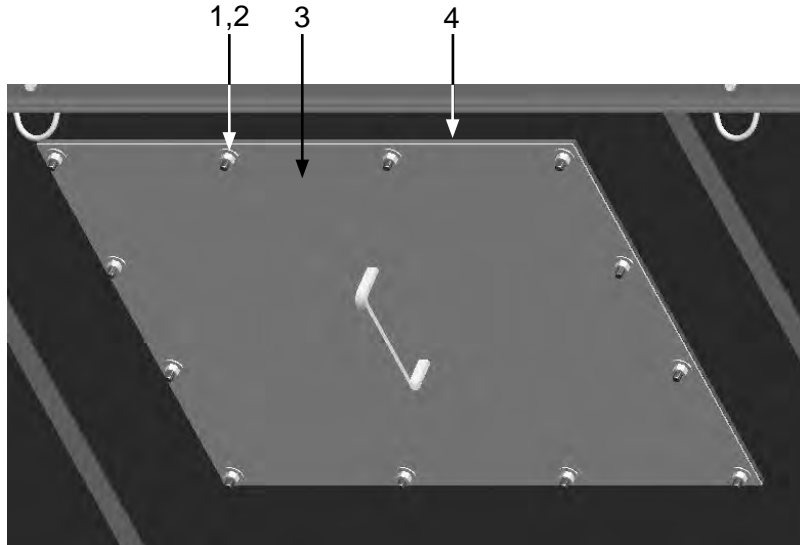
Item #	Part #	Description
--------	--------	-------------

Fig. 13

1	10103306	Drive Shaft
2	10101941	1/2-13 Galvanized Hex Nut (Four Required)
3	10103401	1/2-13 x 3" Galvanized Bolt (Four Required)
4	10103490	9" x 78" Standard Pitch Auger
5	10103491	Coupling Shaft for 1-1/2" Shaft
6	10103262	118" x 9" Standard Pitch Auger
7	10102910	Auger Shaft End

PART NUMBERS AND SCHEMATICS

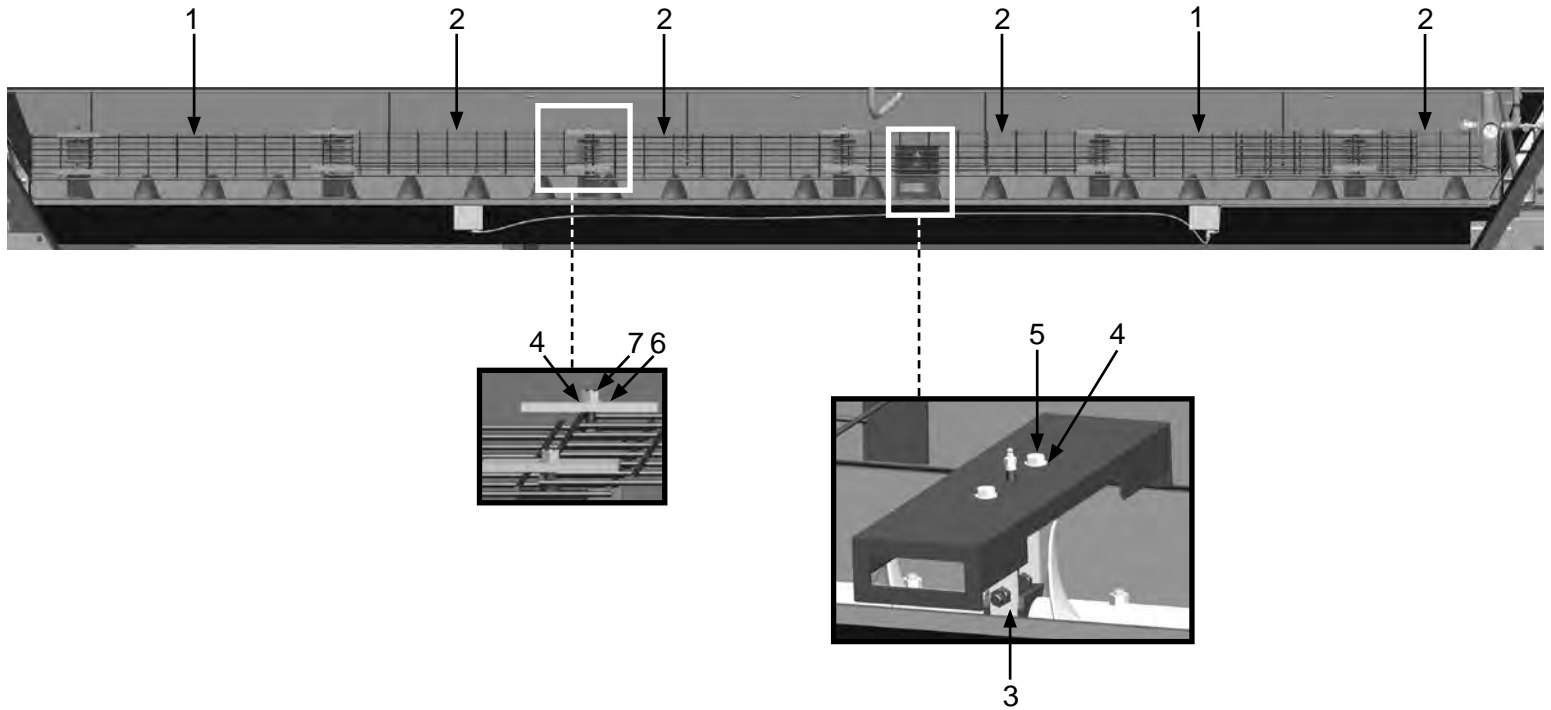
Figure 14: Access Panel Assembly



Item #	Part #	Description
Fig. 14		
1	10101938	3/8-16 Galvanized Hex Nut (12 Required)
2	10101942	3/8" Flat Washer (12 Required)
3	10102933	20" Access Panel Door
4	10103344	1/4" X 1-1/2" Adhesive-Backed Gasket (Per Foot)

PART NUMBERS AND SCHEMATICS

Figure 15: Main Auger Protective Grate



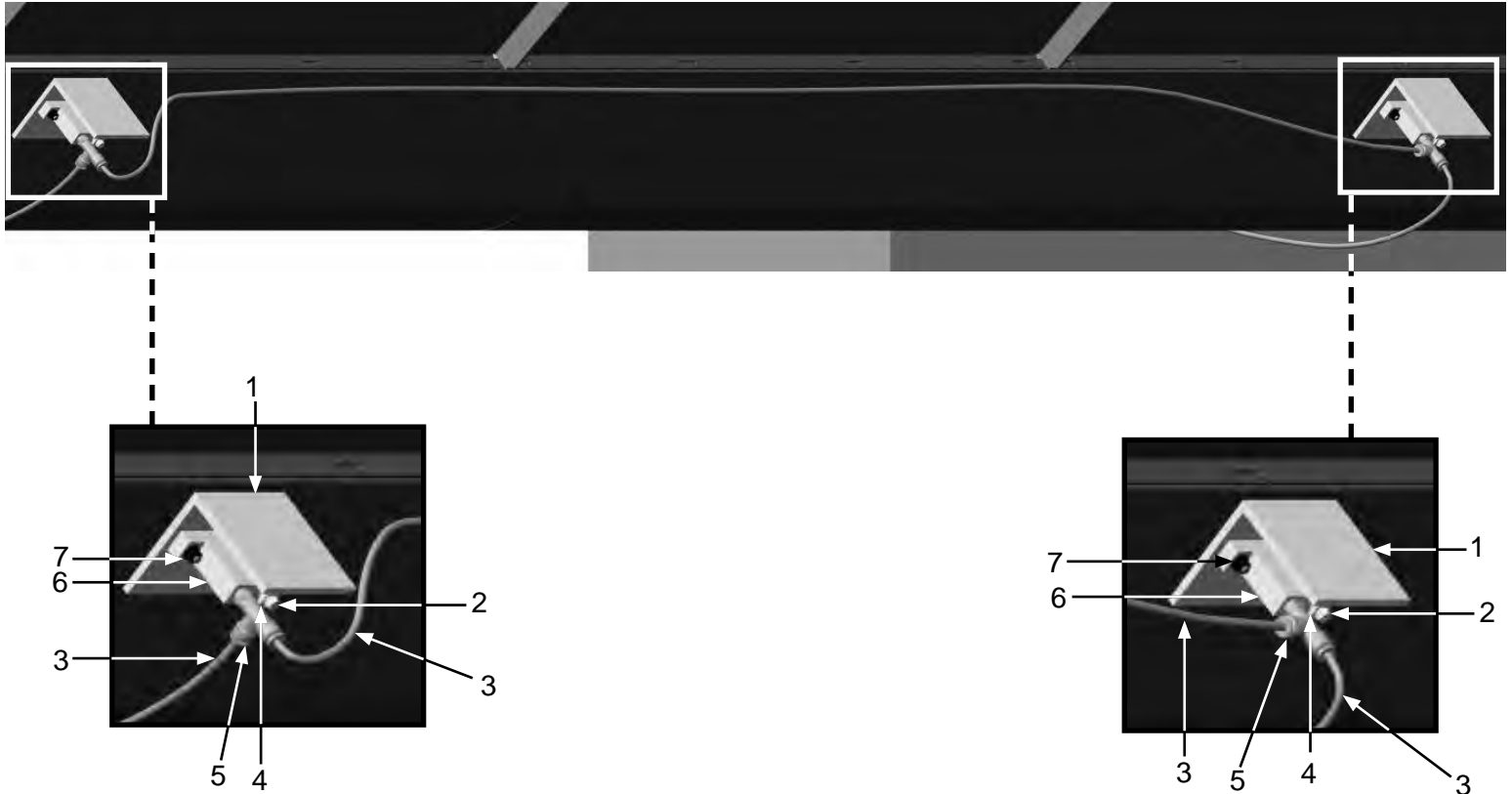
Item #	Part #	Description
--------	--------	-------------

Fig. 15

1	10103966	Protective Grate - 44 Inches <i>(Two Required)</i>
2	10103967	Protective Grate - 36 Inches <i>(Four Required)</i>
3	10102896	Main Auger Hanger Bearing Assembly
4	10100674	1/2" Flat Washer <i>(12 Required)</i>
5	10101943	1/2-13 x 1-3/4" Galvanized Hex Bolt <i>(Two Required)</i>
6	10102936	Protective Grate Bracket <i>(12 Required)</i>
7	1014022	1/2-13 Hex Nut <i>(12 Required)</i>

PART NUMBERS AND SCHEMATICS

Figure 16: Left Side Pneumatic Ball Vibrators



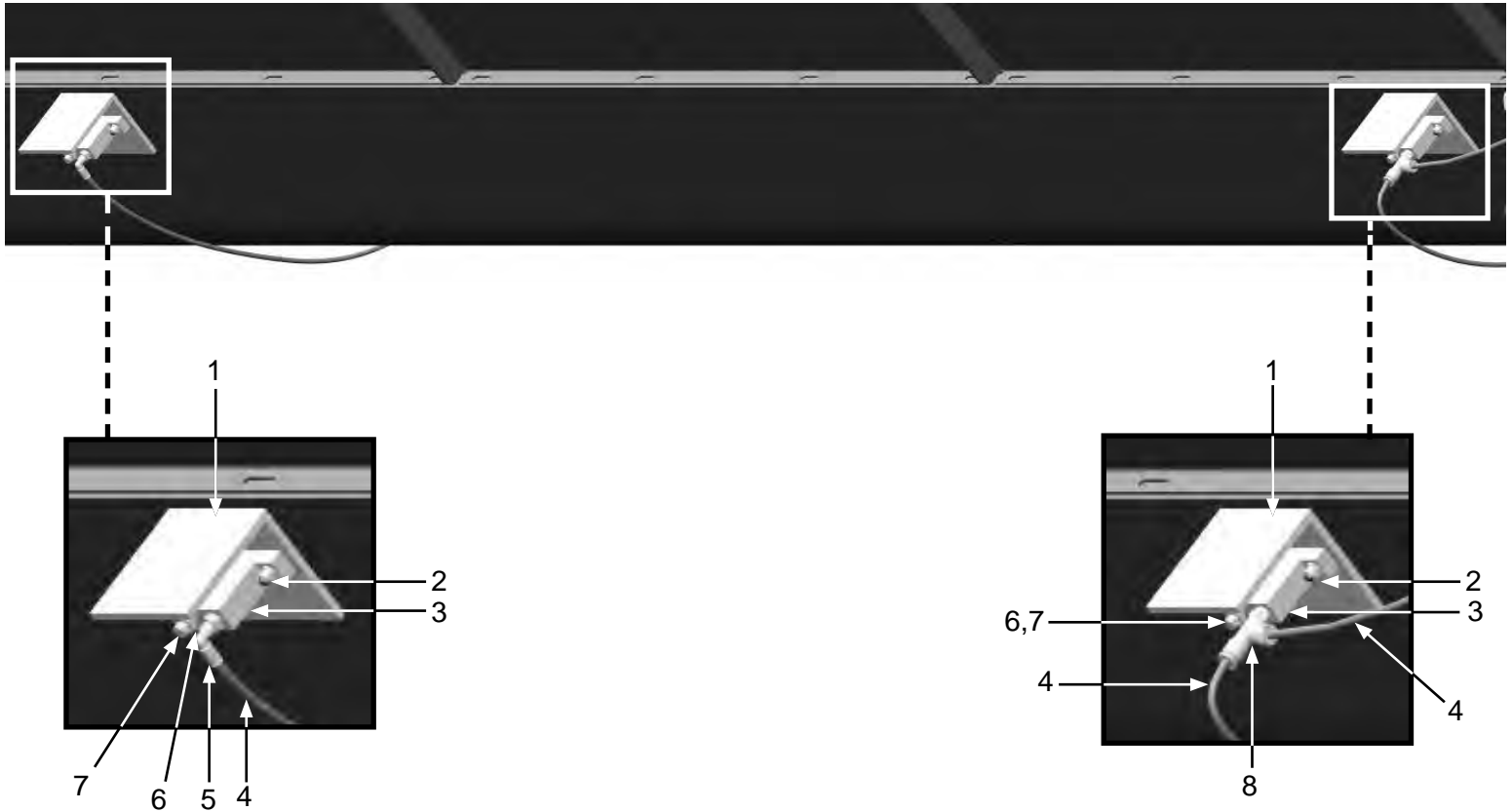
Item #	Part #	Description
--------	--------	-------------

Fig. 16

1	10103609	Vibrator Shield (<i>Two Required</i>)
2	1012905	1/8" Breather Muffler (<i>Two Required</i>)
3	10103322	1/4" I.D. Black Urethane Tubing (<i>Per Foot</i>)
4	20PFHA24SB0402	1/4" x 1/8" Reducing Bushing
5	10103261	1/4" Male Push-to-connect Tee
6	10103258	Pneumatic Ball Vibrator (<i>Two Required</i>)
7	1012323	1/4-20 Zinc Lock Nut with Nylon Insert (<i>Four Required</i>)

PART NUMBERS AND SCHEMATICS

Figure 17: Right Side Pneumatic Ball Vibrators



Item #	Part #	Description
--------	--------	-------------

Fig. 17

1	10103609	Vibrator Shield (<i>Two Required</i>)
2	1012323	1/4-20 Zinc Lock Nut with Nylon Insert (<i>Four Required</i>)
3	10103258	Pneumatic Ball Vibrator (<i>Two Required</i>)
4	10103322	1/4" I.D. Black Urethane Tubing (<i>Per Foot</i>)
5	20PFBA31095614	1/4" Tube x 1/4" NPT 90° Fitting
6	20PFHA24SB0402	1/4" x 1/8" Reducing Bushing
7	1012905	1/8" Breather Muffler (<i>Two Required</i>)
8	10103261	1/4" Male Push-to-connect Tee

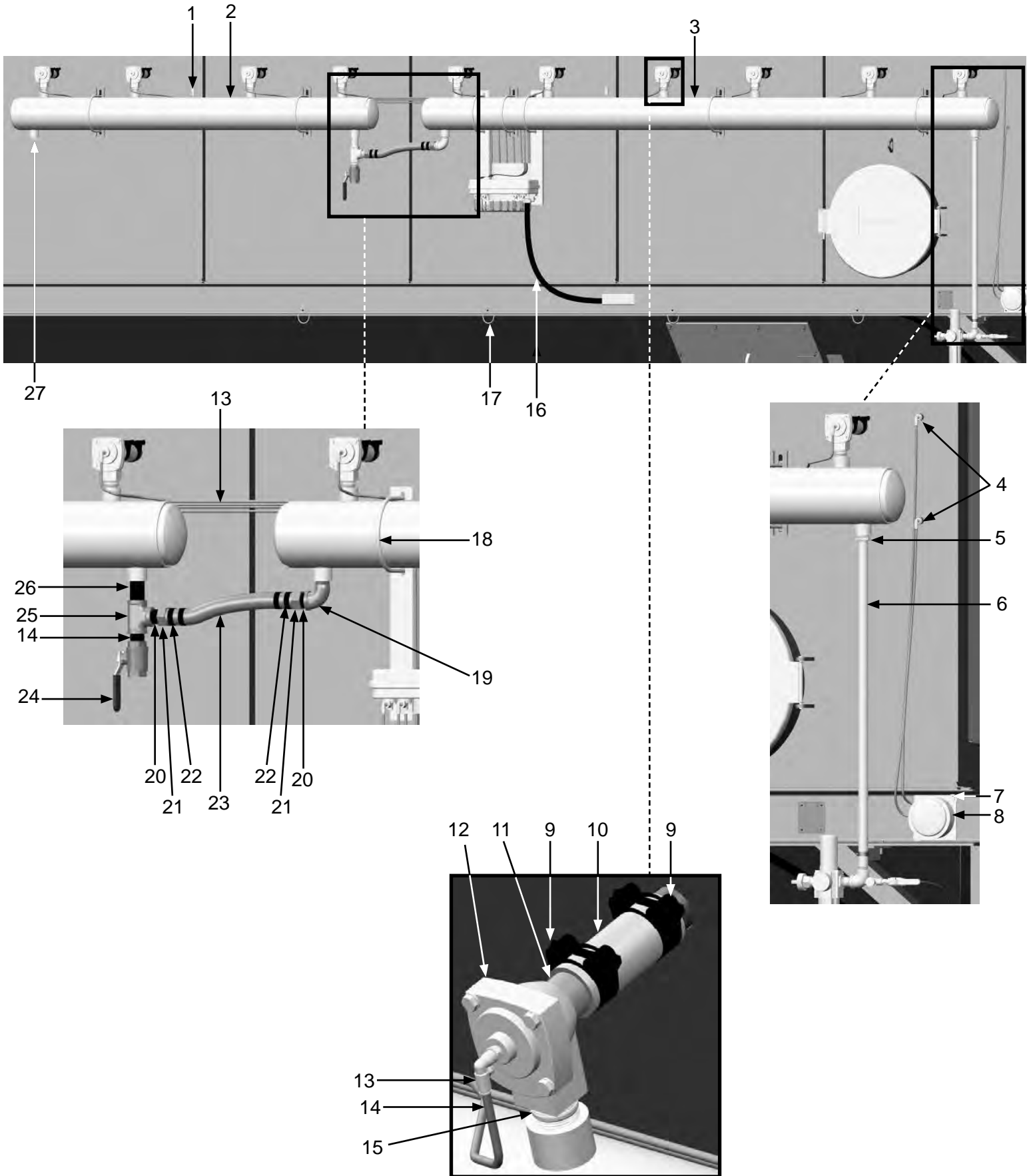
PART NUMBERS AND SCHEMATICS

Pulser System Assembly

Item #	Part #	Description
Fig. 18		
1	1028607	1/4" NPT Pressure Relief Valve – 125 PSI <i>(Two Required)</i>
2	10103452	4 Pipe Header
3	10102948	6 Pipe Header
4	20PFBA31095614	1/4" Tube x 1/4" NPT 90° Fitting <i>(Two Required)</i>
5	20PFHA24SB1612	1" x 3/4" Reducing Bushing
6	10103315	3/4" x 36" Pipe Nipple
7	10103608	Magnehelic Differential Pressure Gauge Mounting Bracket
8	10103259	Magnehelic Differential Pressure Gauge Assembly <i>Includes Mounting Hardware</i>
9	10104136	T-Bolt Clamp 1-9/16" X 1-11/16" OD <i>(20 Required)</i>
10	10103654	1-1/4" I.D. Marine Hose – 100 PSI <i>(Per Foot)</i>
11	10105207	1" x 3" Toe Nipple <i>(Six Required)</i>
12	10103255	1" Diaphragm Valve
13	20100579	1/4" O.D. Tube x 1/8" NPT Swivel <i>(20 Required)</i>
14	10103322	1/4" O.D. Black Urethane Tubing <i>(Per Foot)</i>
15	10103318	1" x 2" Pipe Nipple <i>(11 Required)</i>
16	10103304	3/4" I.D. Flexible Conduit
17	10103625	D-Ring with Nut <i>(16 Required)</i>
18	10103394	3/8-16 x 6" U-Bolt Assembly <i>(Seven Required)</i>
19	1011801	1" Street Elbow
20	1012151	1" Galvanized Close Nipple <i>(Two Required)</i>
21	10SFE2	1" Female Swivel End <i>(Two Required)</i>
22	10AHCL1	Band Clamp <i>(Two Required)</i>
23	10AH100	1" I.D. Air Hose
24	1011601	1" Full Port Ball Valve
25	1011816	1" Pipe Tee
26	1011843	1" x 2-1/2" NPT Pipe Nipple
27	1011901	1" Pipe Plug
—	10103954	1" Diaphragm Valve Service Kit <i>(Not Shown)</i>

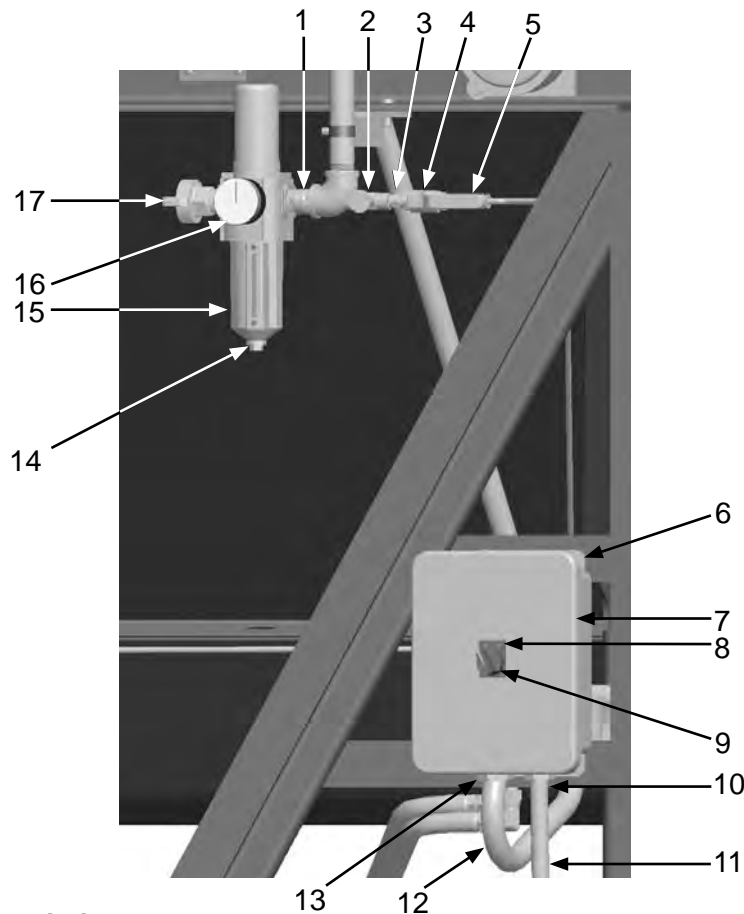
PART NUMBERS AND SCHEMATICS

Figure 18: Pulsar System Assembly



PART NUMBERS AND SCHEMATICS

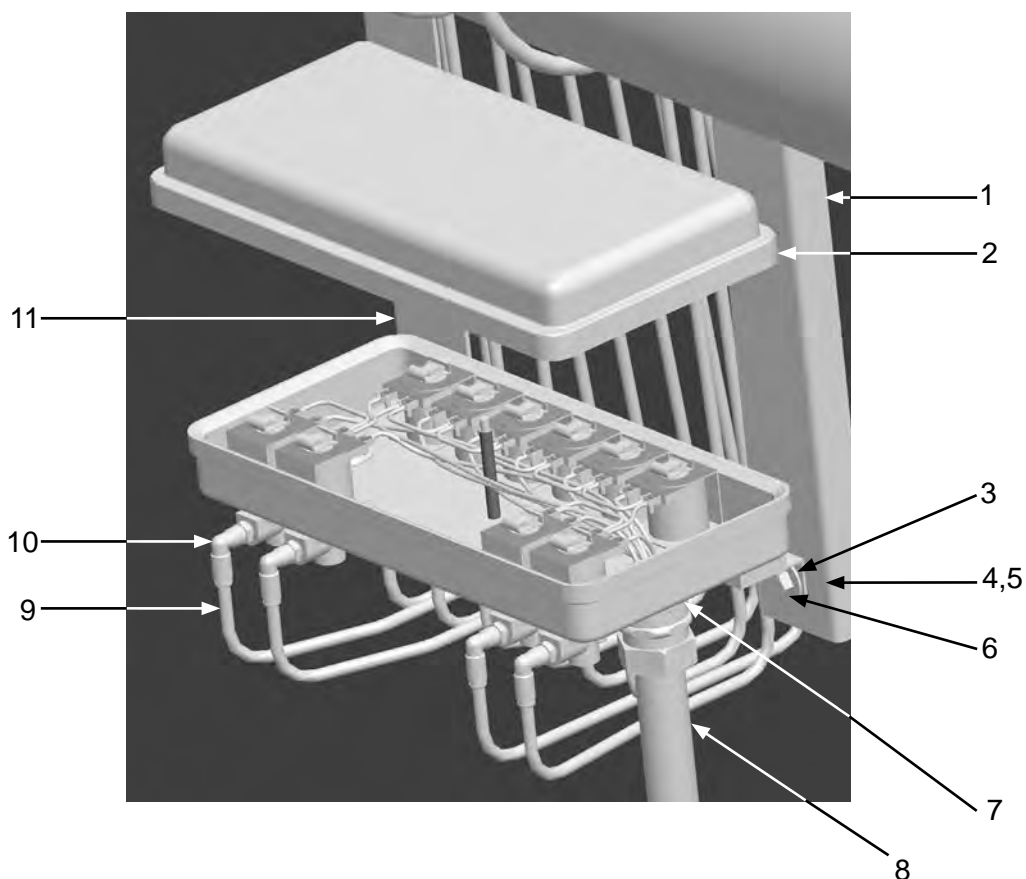
Figure 19: Pulsar Regulator and Timer Assembly



Item #	Part #	Description
Fig. 19		
1	10103317	3/4" x 2" Pipe Nipple
2	10103292	1/4" Needle Valve
3	1017019	1/4" x 1/4" Hex Nipple
4	1080050	1/4" Ball Valve
5	10103261	1/4" Prestolock Tee
6	20100125	1/4-20 x 3/4" Zinc Hex Bolt <i>(Four Required)</i>
7	10103254	Timer Box with Timer Board
—	10103935	Timer Box Only
—	10103949	Timer Board Only
8	10103414	On/Off Name Plate
9	10103305	2-Way Selector Switch
10	20RST50	Straight Liquid Tite Connection Fitting <i>(Two Required)</i>
11	20RSEL050UL	1/2" UL/UA Seal-Tite Conduit Pipe <i>(Per Foot)</i>
12	10103304	3/4" Flexible Conduit
13	10103303	3/4" Conduit Hub
14	10103952	Filter Auto Drain
15	10103257	Excelon 74 Series Filter/Regulator
16	10103953	Sight Glass Kit
17	10ME1	3/4" Male 2-lug Coupling
—	10103950	Excelon 74 Series Filter/Regulator Service Kit
—	10103951	Filter Element <i>(Not Shown)</i>

PART NUMBERS AND SCHEMATICS

Figure 20: Pulsar Solenoid Enclosure Assembly



Item #	Part #	Description
--------	--------	-------------

Fig. 20

1	10102970	Solenoid Enclosure Mount – Right
2	10103489	10 Solenoid Pilot Valve
3	10101942	3/8" Galvanized Flat Washer (<i>Four Required</i>)
4	10101936	3/8" Zinc Lock Washer (<i>Two Required</i>)
5	10101938	3/8-16 Galvanized Hex Nut (<i>Two Required</i>)
6	1011747	3/8-16 x 1" Bolt
7	10103303	3/4" Conduit Hub
8	10103304	3/4" Flexible Conduit
9	10103322	1/4" O.D. Black Urethane Tubing (<i>Per Foot</i>)
10	20100579	1/4" O.D. Tube x 1/8" NPT Swivel (<i>10 Required</i>)
11	10102969	Solenoid Enclosure Mount – Left
—	10103955	Solenoid Valve (<i>10 Required</i>)
—	10103956	Solenoid Coil (<i>One Required per Solenoid</i>)
—	10103957	Solenoid Service Kit <i>Includes: O-ring, Plunger, Spring, Ferrule</i>

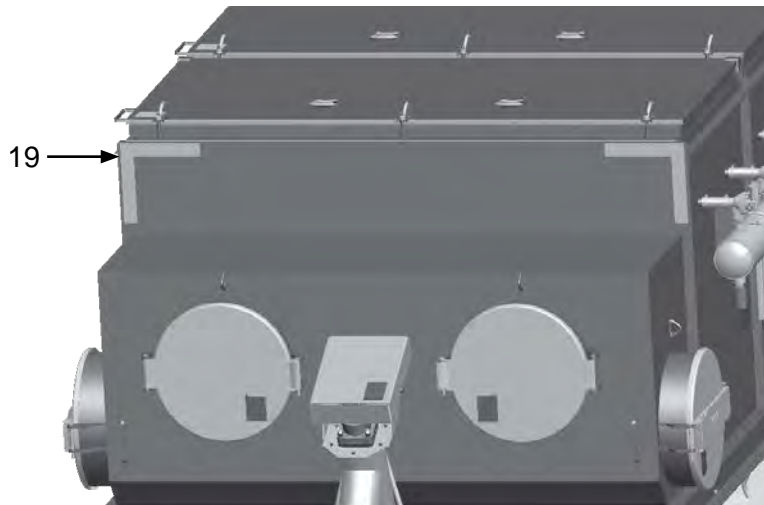
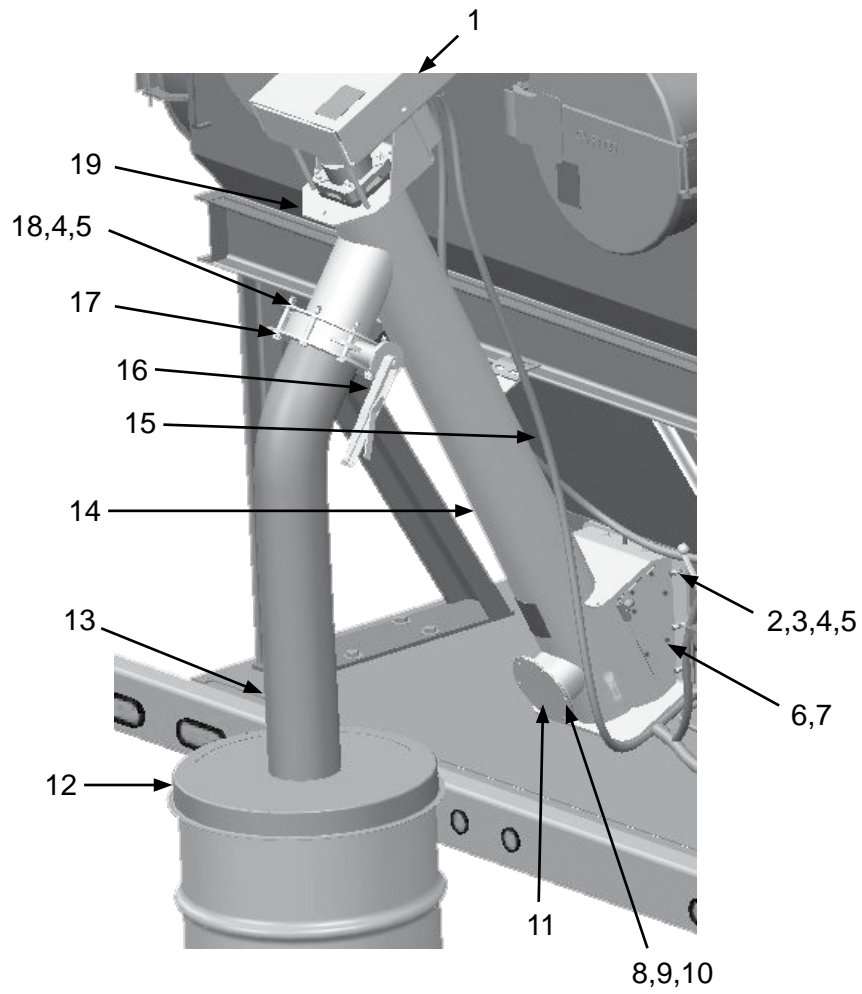
PART NUMBERS AND SCHEMATICS

Discharge Auger Assembly

Item #	Part #	Description
Fig. 21		
1	10103363	Discharge Chain Cover
2	10101943	1/2-13 X 1-3/4" Hex Bolt Galvanized
3	10100674	1/2" Flat Washer <i>(22 Required)</i>
4	10100675	1/2" Lock Washer <i>(14 Required)</i>
5	1014022	1/2-13 Hex Nut <i>(14 Required)</i>
6	20100125	1/4-20 X 3/4" Zinc Hex Bolt <i>(12 Required)</i>
7	10101940	1/4" Flat Washer <i>(12 Required)</i>
8	10101346	5/16-18 x 3/4" Grade 5 Bolt <i>(Six Required)</i>
9	1035046	5/16-18 Nut <i>(Six Required)</i>
10	10L805014	5/16" Lock Washer <i>(Six Required)</i>
11	10103235	Auger Clean-out Cover
12	10103650	Discharge Collection Drum Cover
13	10103777	6" Flexible Discharge Hose <i>(Per Foot)</i>
14	10103216	Discharge Auger Tube <i>(See Fig. 23)</i>
15	10104223	1/2" I.D. x 16' Hydraulic Hose with Fittings
16	10103302	6" Series Wafer Butterfly Valve
17	10102971	Discharge Hose Connector
18	10102703	1/2-13 x 3-1/2" Grade 5 Bolt <i>(Eight Required)</i>
18	10104195	Discharge Auger Motor Mounting Bracket
19	10103880	White Conspicuity Tape <i>(Per Inch)</i>
—	10103881	Red Conspicuity Tape <i>(Per Inch)</i>
—	1091121	Hazard Identification Decals – Dustmaster® 18,000 CFM Dust Collector <i>Includes all Dust Collector Hazard Identification Decals</i>

PART NUMBERS AND SCHEMATICS

Figure 21: Discharge Auger Assembly



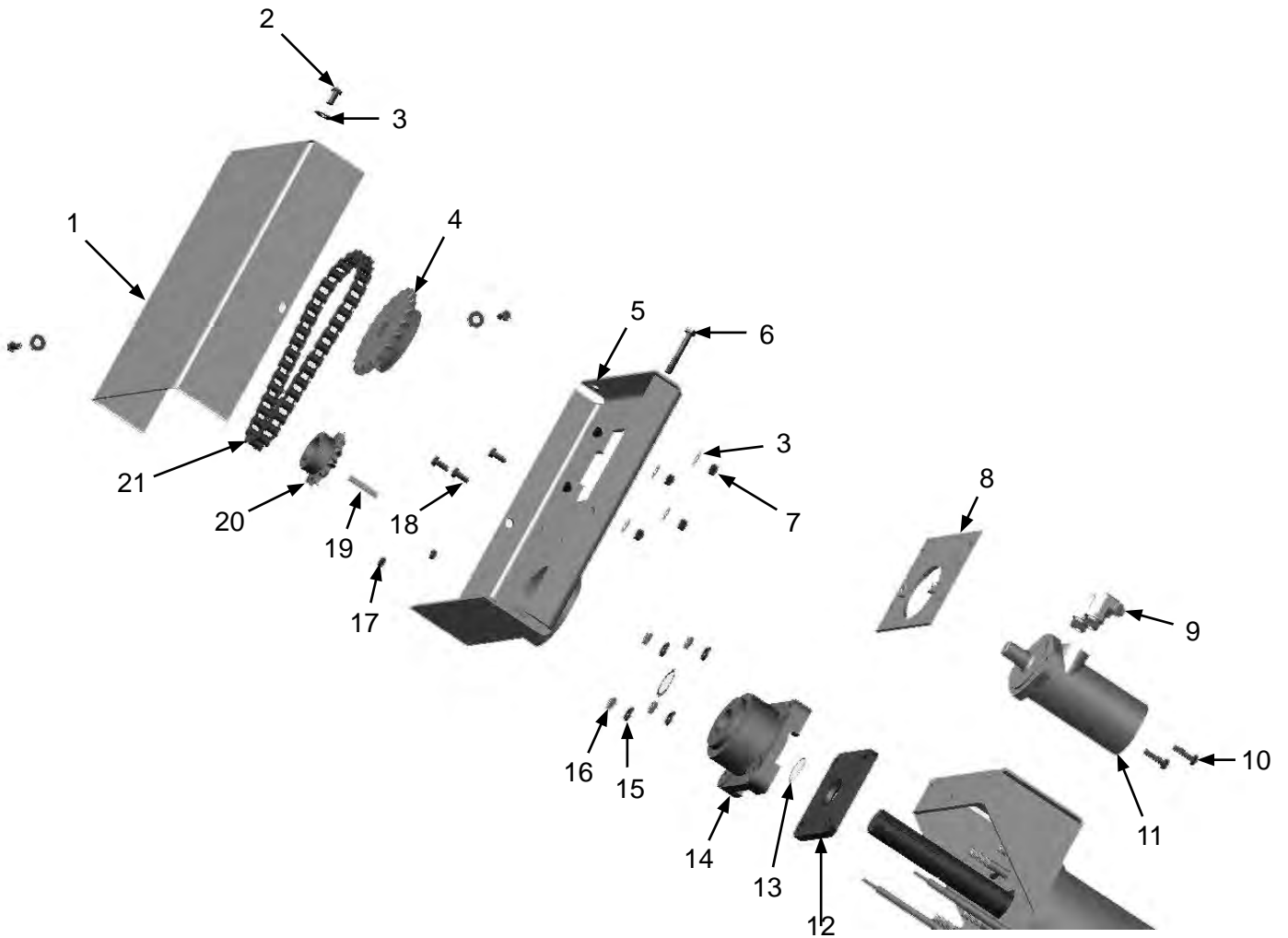
PART NUMBERS AND SCHEMATICS

Discharge Auger Drive Assembly

Item #	Part #	Description
Fig. 22		
1	10103363	Chain Cover
2	10103400	3/8-16 x 3/4" Bolt <i>(Seven Required)</i>
3	10101942	3/8" Galvanized Flat Washer <i>(Three Required)</i>
4	10104217	22-Tooth Sprocket
5	10104197	Chain Cover Base
6	10101933	3/8" - 16 X 2-1/2" Hex Bolt
7	10101938	3/8-16 Galvanized Hex Nut <i>(Four Required)</i>
8	10104199	Sliding Motor Mount
9	10103308	JIC 8 x SAE 10 90° Elbow <i>(Two Required)</i>
10	10101059	3/8-16 X 1-1/4" A307 Bolt Galv <i>(Two Required)</i>
11	10102887	Hydraulic Motor
12	10102902	Seal Plate
13	10103605	Snap Ring <i>(Two Required)</i>
14	10102903	Thrust Bearing
15	10100675	1/2" Lock Washer <i>(Four Required)</i>
16	1014022	1/2-13 Hex Nut <i>(Four Required)</i>
17	1035046	5/16"- 18 Nut <i>(Two Required)</i>
18	10101346	5/16-18 X 3/4" L GR 5 Bolt <i>(Three Required)</i>
19	10103641	3/8 Key Cut
20	10102886	13-Tooth Sprocket
21	10104191	Discharge Auger Chain Kit <i>Includes 60# Connecting Chain Link, 60# Cottered Roller Chain (Quantity of Three), and 60# Offset Chain Link.</i>
—	10103392	60# Connecting Chain Link
—	10103391	60# Cottered Roller Chain <i>(Per Foot)</i>
—	10103614	60# Offset Chain Link
—	10103940	Seal Kit for Hydraulic Motor

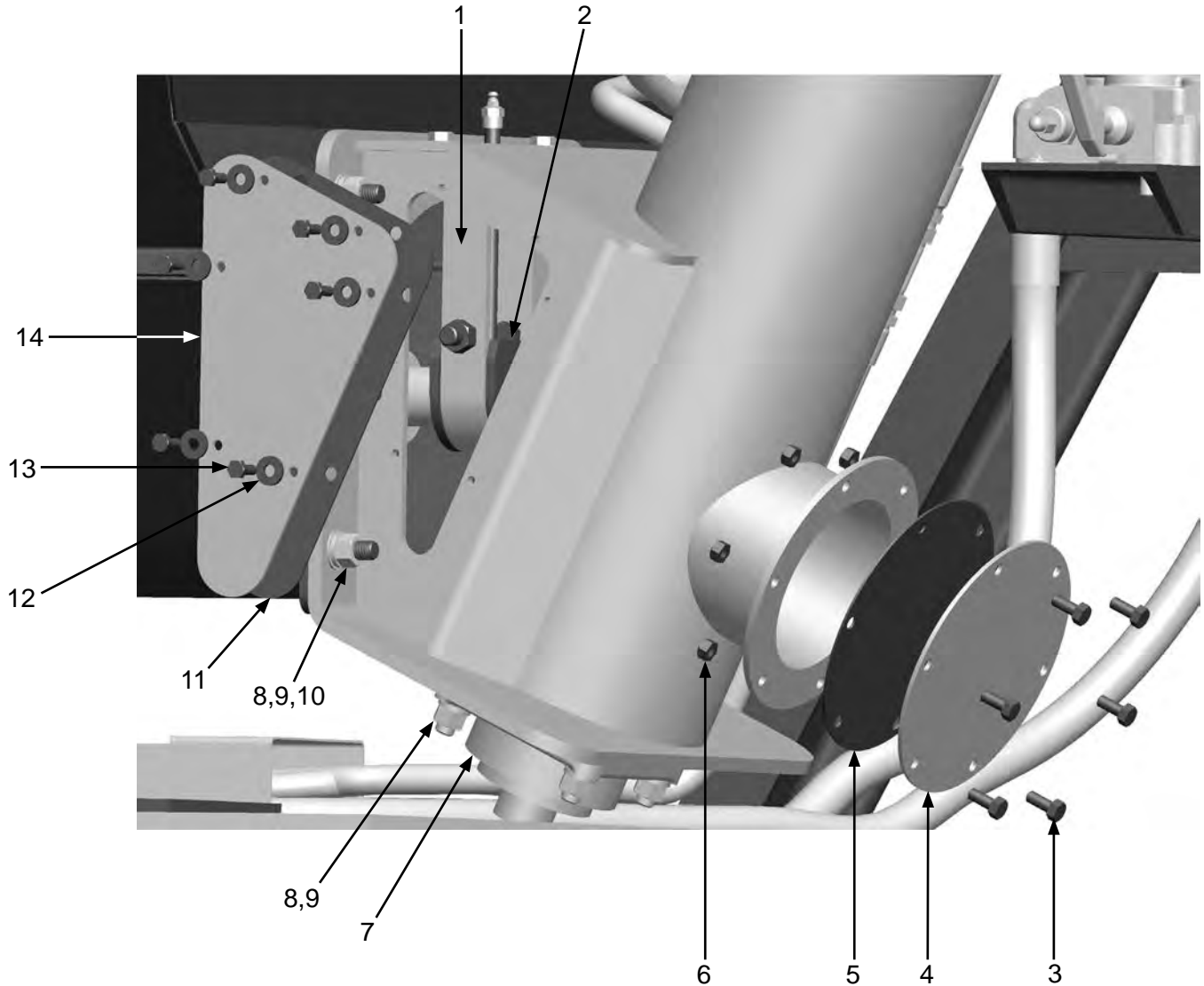
PART NUMBERS AND SCHEMATICS

Figure 22: Discharge Auger Drive Assembly



PART NUMBERS AND SCHEMATICS

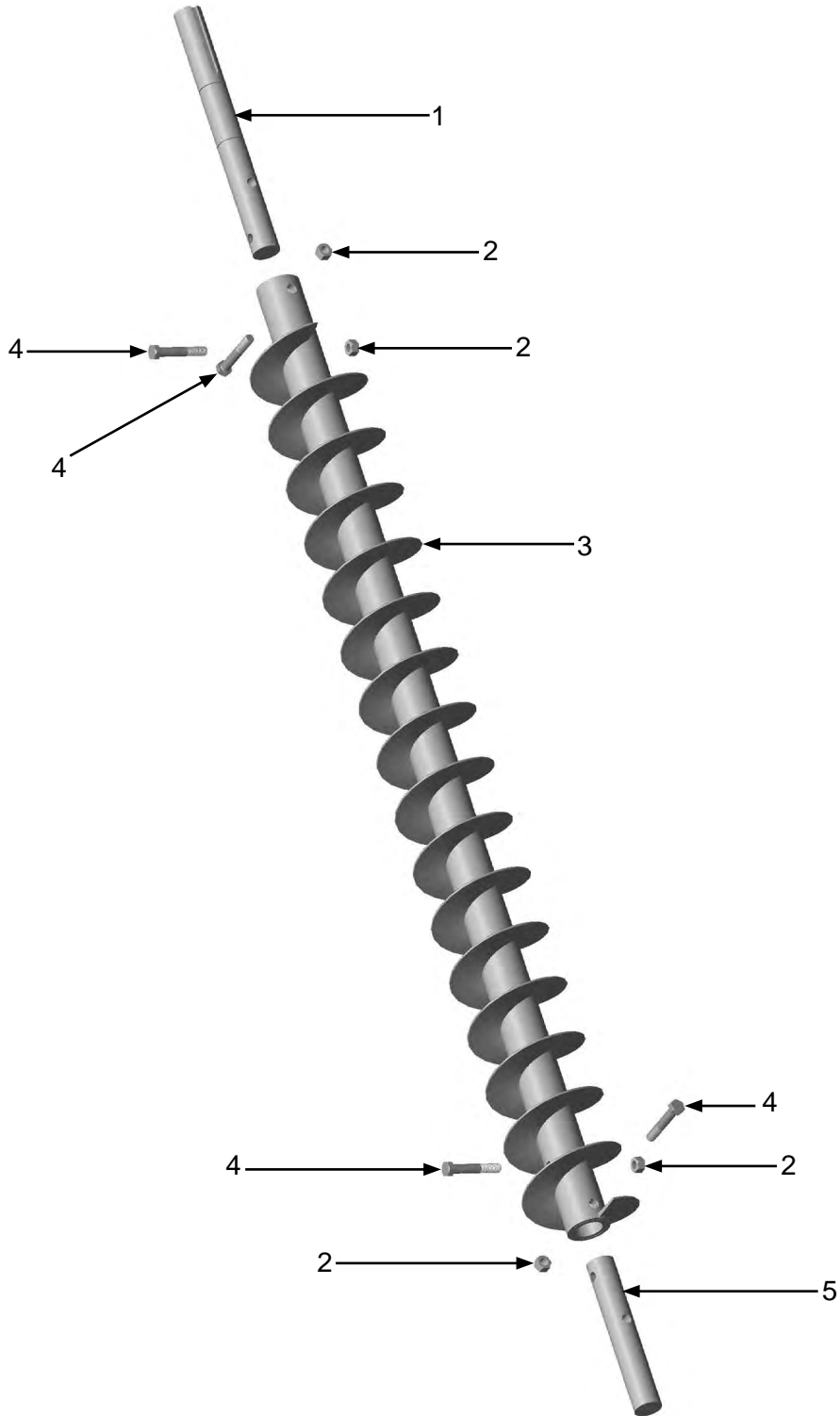
Figure 23: Discharge Auger Clean-out Assembly



Item #	Part #	Description
1	10102896	Bearing Hanger
2	10103413	Bearing
3	10101346	5/16-18 x 3/4" Bolt (Six Required)
4	10103235	Auger Clean-out Cover
5	10103716	Neoprene Auger Clean-out Gasket
6	1035046	5/16-18 Nut (Six Required)
7	10102880	Discharge Auger Lower Bearing Assembly
8	10101941	1/2-13 Galvanized Hext Nut (10 Required)
9	10100675	1/2" Lock Washer (10 Required)
10	10100674	1/2" Flat Washer (6 Required)
11	10103717	Discharge Auger Side Gasket (Two Required)
12	10101940	1/4" Galvanized Flat Washer (12 Required)
13	20100125	1/4-20 x 3/4" Zinc Hex Bolt (12 Required)
14	10103236	Discharge Auger Side Cover (Two Required)

PART NUMBERS AND SCHEMATICS

Figure 24: Discharge Auger



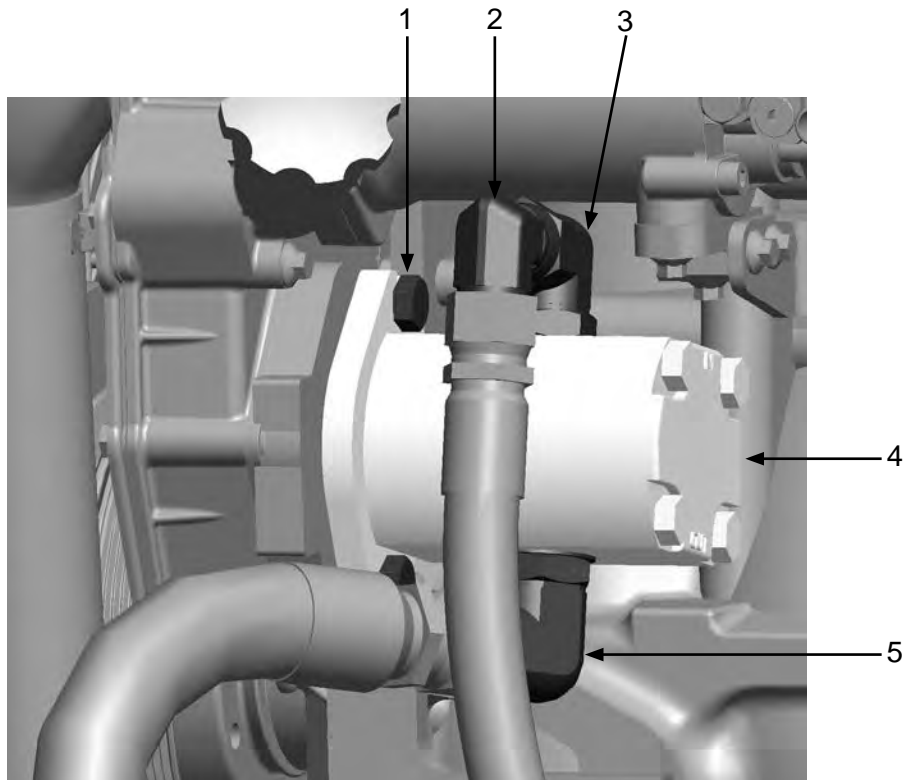
Item #	Part #	Description
--------	--------	-------------

Fig. 24

1	10103306	Drive Shaft
2	10101941	1/2-13 Galvanized Hex Nut (<i>Four Required</i>)
3	10102883	58" x 6" Half Pitch Auger
4	10103401	1/2-13 x 3" Galvanized Bolt (<i>Four Required</i>)
5	10102910	Auger Shaft End

PART NUMBERS AND SCHEMATICS

Figure 25: Hydraulic Pump



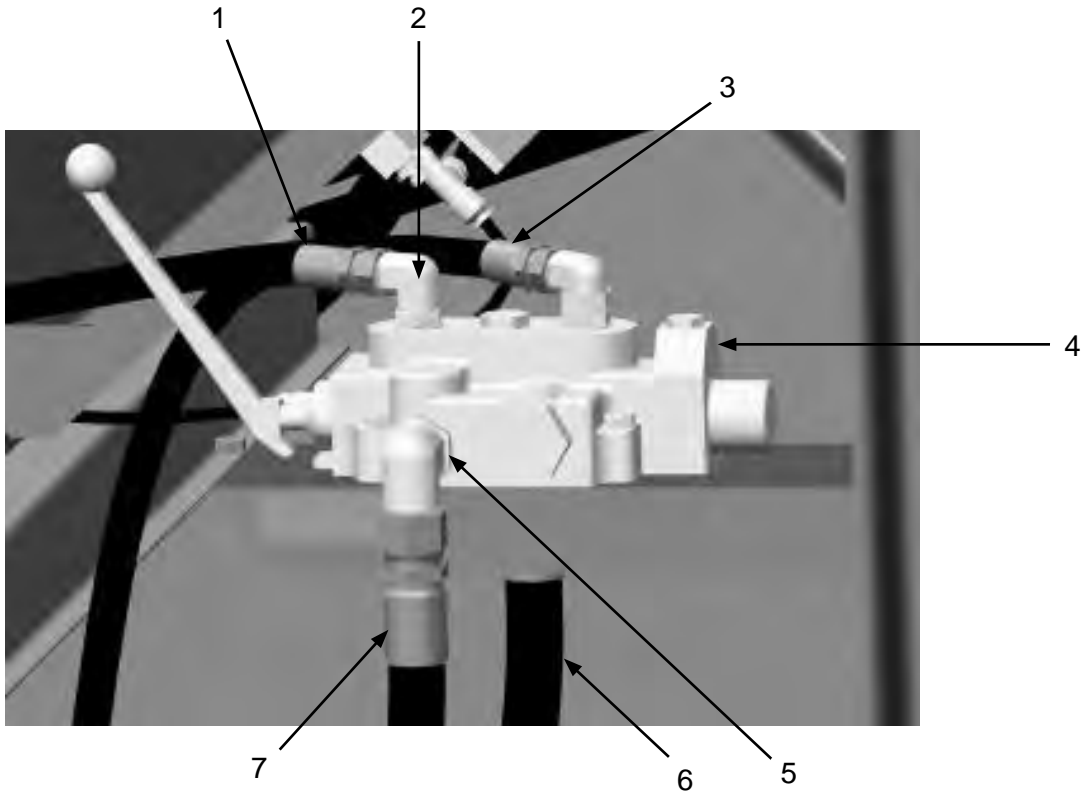
Item #	Part #	Description
--------	--------	-------------

Fig. 25

1	10101943	1/2-13 x 1-3/4" Galvanized Hex Bolt (<i>Two Required</i>)
2	10103610	JIC 12 x JIC 12 90° Elbow
3	10103310	JIC 12 x SAE 12 90° Elbow
4	10103269	2B Series 2.08 CI/REV Gear Pump
5	10103311	JIC 6 x SAE 16 90° Elbow

PART NUMBERS AND SCHEMATICS

Figure 26: Hydraulic Control Assembly



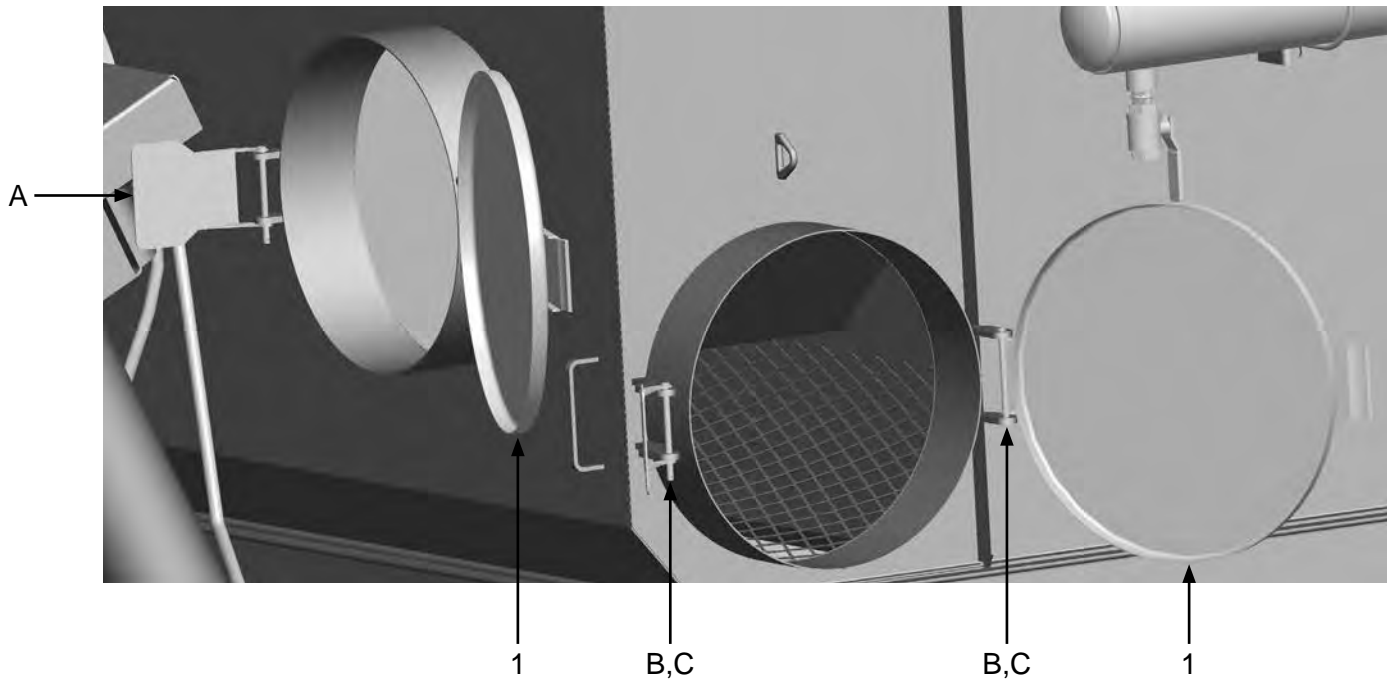
Item #	Part #	Description
--------	--------	-------------

Fig. 26

1	10103408	1/2" X 12'6" Hydraulic Hose with Fittings
2	10103309	JIC 8 x SAE 8 90° Elbow (<i>Two Required</i>)
3	10103409	1/2" X 7'1" Hydraulic Hose with Fittings
4	10103267	Cross Hydraulic Control Valve with Handle
5	10103310	JIC 12 x SAE 12 90° Elbow (<i>Two Required. One not shown</i>)
6	10103707	3/4" I.D. x 17.7' Hydraulic Hose with Fittings
7	10103710	3/4" I.D. x 13' Hydraulic Hose with Fittings

PART NUMBERS AND SCHEMATICS

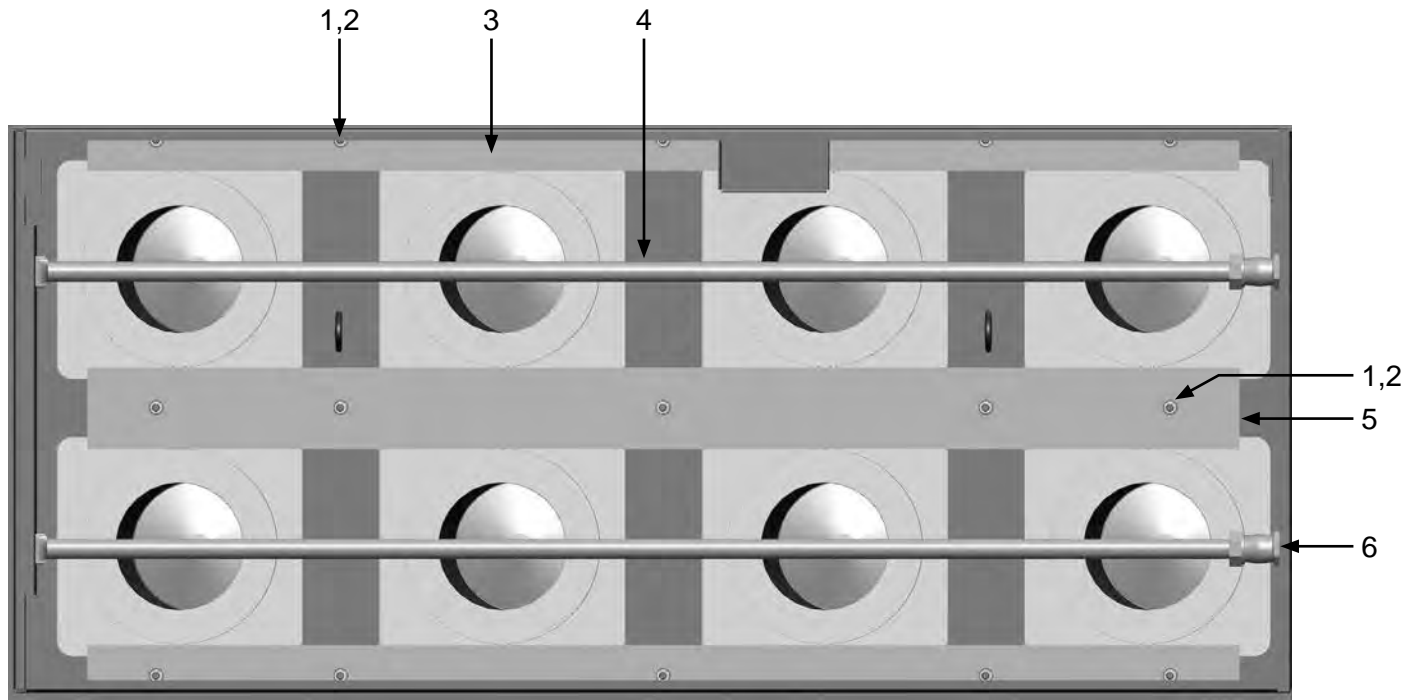
Figure 27: Inlet Door Assembly



Item #	Part #	Description
Fig. 27		
—	10102596	20" Inlet Door Assembly – Complete <i>Includes Items: A,B,C</i>
1	10102596	Inlet Door <i>(Four Required)</i>
—	10104408	Pin For Knappco Hatch <i>(Four Required)</i>
—	10104120	Inlet Door Gasket <i>(Four Required)</i>

PART NUMBERS AND SCHEMATICS

Figure 28: Dust Collector Filter Cartridge Pulsers

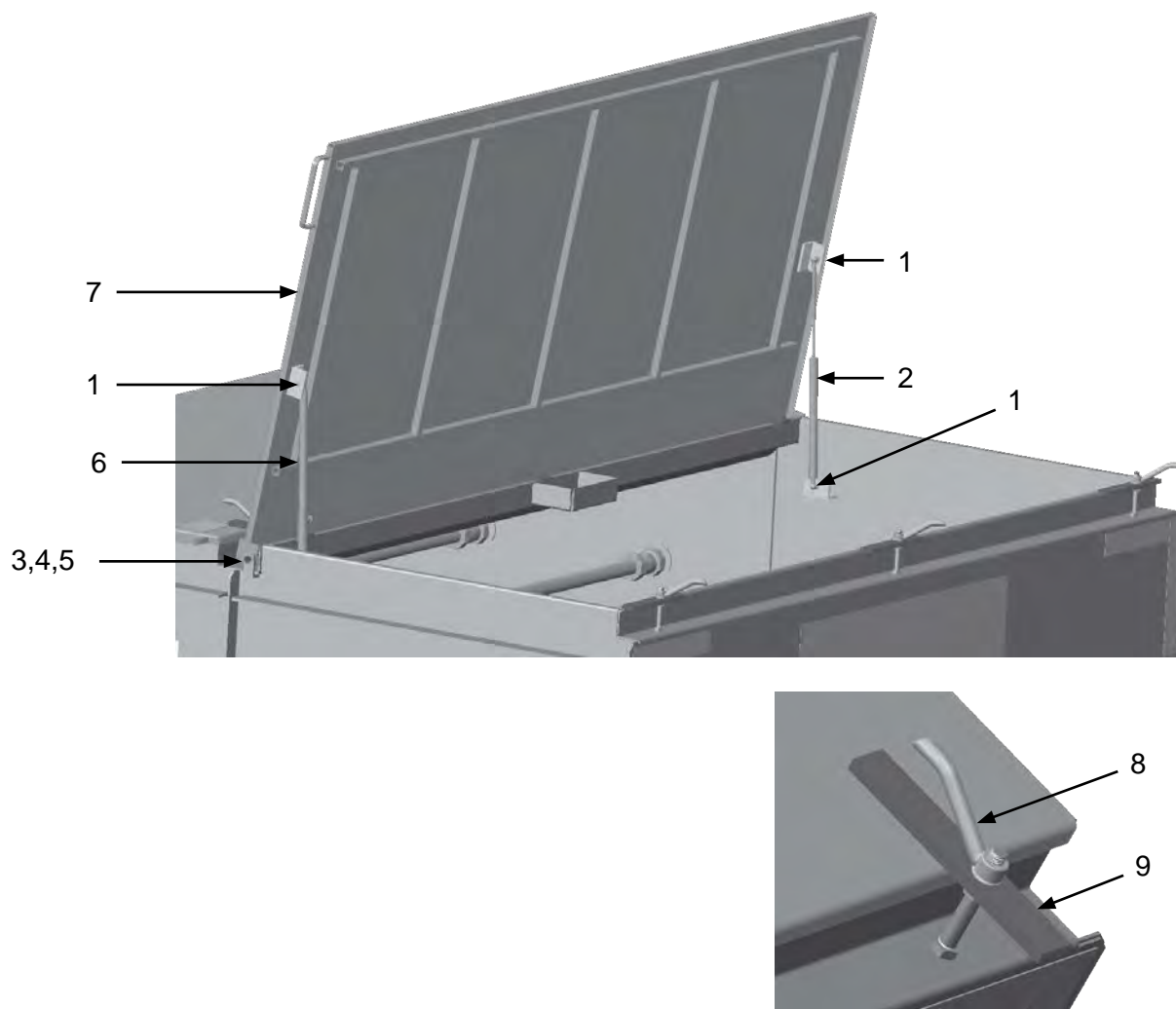


Item #	Part #	Description
Fig. 28		
1	10100674	1/2" Flat Washer (15 Required)
2	1014022	1/2" Hex Nut (15 Required)
3	10105027	Filter Bolt-Down (Two Required)
4	10105179	Standard DC Blowpipe - Smashed End (Two Required)
5	10102938	Filter Retainer
6	10102599	Compression Coupling Assembly (Two Required)

Quantities specified are per hatch opening

PART NUMBERS AND SCHEMATICS

Figure 29: Dust Collector Filter Cartridge Hatch Door



Item #	Part #	Description
--------	--------	-------------

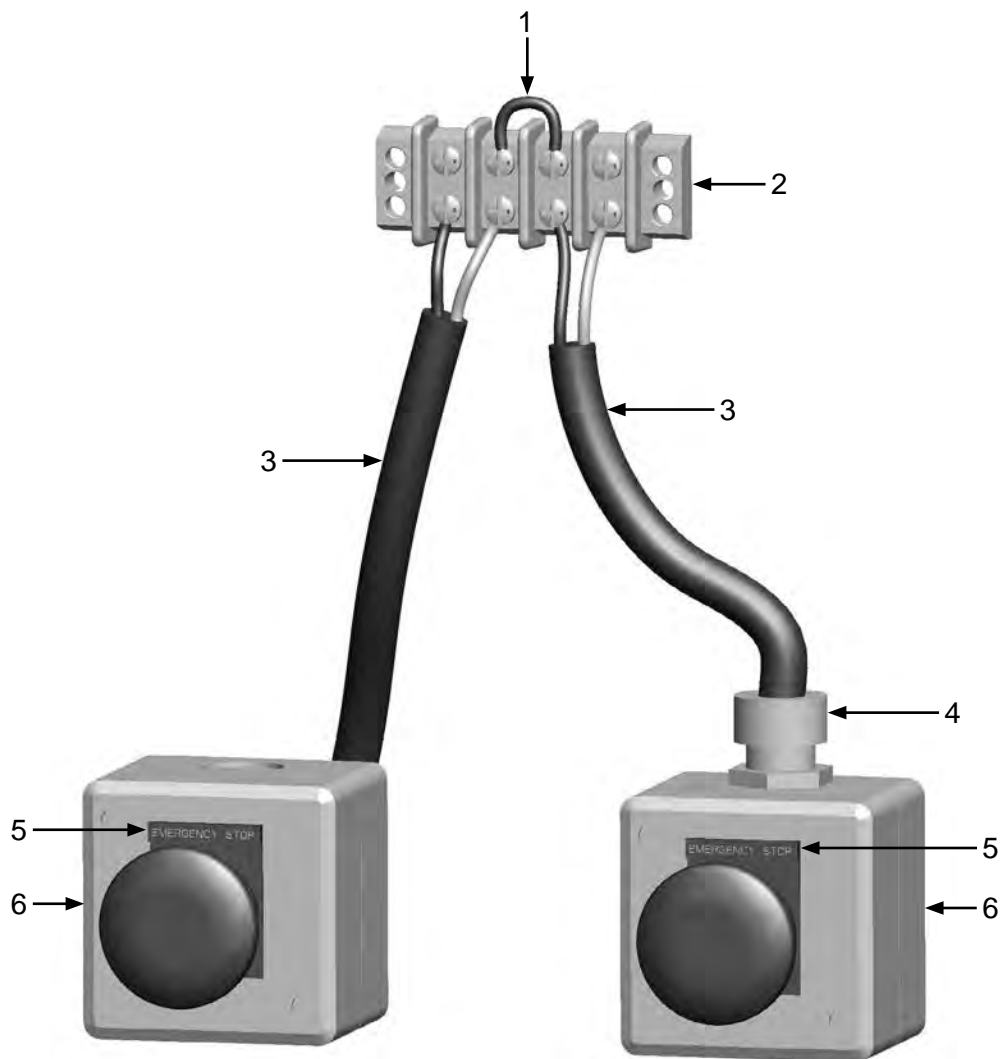
Fig. 29

1	1035046	5/16-18 Hex Nut (<i>Four Required</i>)
2	10103454	Non-Locking Gas Spring
3	1028617	3/8-16 X 1-3/4" Shoulder Bolt (<i>Two Required</i>)
4	10101942	3/8" Flat Washer (<i>Four Required</i>)
5	10101938	3/8"-16 Hex Nut (<i>Two Required</i>)
6	10103455	Locking Gas Spring
7	10102917	Hopper Lid
8	10103395	1/2-13 Zinc Plated Handle (<i>Three Required</i>)
9	10104377	Latch Bar (<i>Three Required</i>)

Quantities specified are per hatch opening

PART NUMBERS AND SCHEMATICS

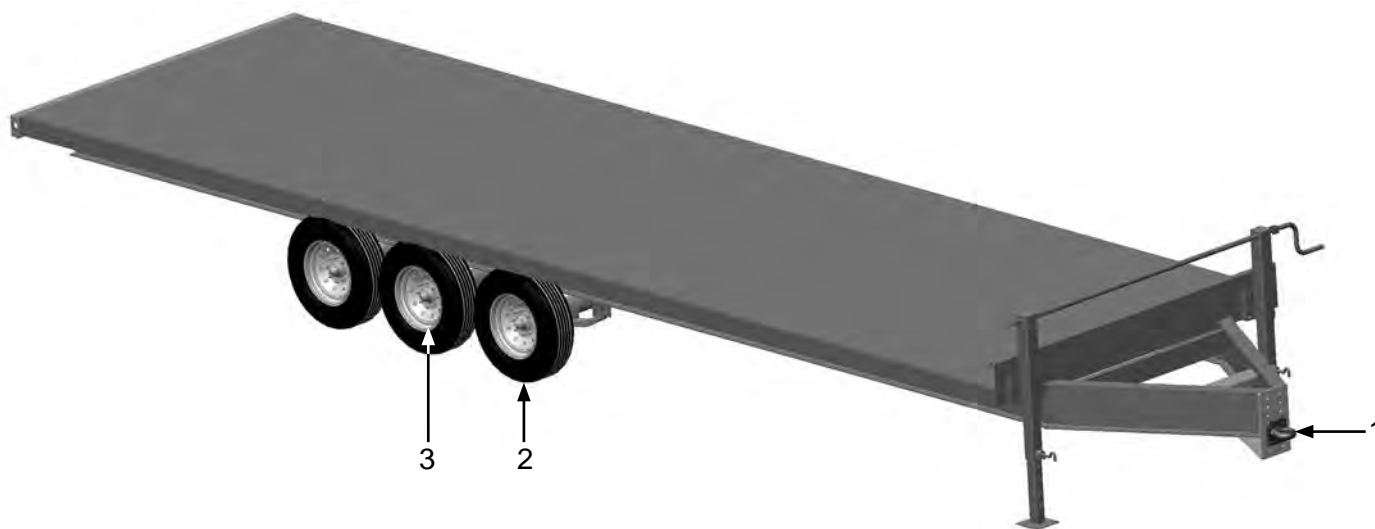
Figure 30: Emergency-Stop Stations



Item #	Part #	Description
Fig. 30		
1	20R12AWGBLACK	Stranded Wire - 12 AWG - Black
2	10104066	Terminal Strip - 4-Circuit - 30 amp
3	1015570	12/2 SO Electric Cord (Per Foot)
4	1019048	1/2" NPT Cord Grip
5	10104063	Legend Plate - Emergency-Stop Station
6	10104071	Emergency-Stop Control Station (Two Required)
—	1015009	8-32 x 1" Pan Head Phillips Screw (Four Required)
—	20000021	8-32 Zinc Nut (Four Required)
—	20000018	#8 Zinc Lock Washer (Four Required)
—	20000019	#8 Zinc Flat Washer (Four Required)

PART NUMBERS AND SCHEMATICS

Figure 31: Trailer



Item #	Part #	Description
Fig. 31		
1	10104079	Pintle Hitch with Flat Plate
2	10104089	16"- 8 Hole Pattern Rim with Tire <i>(Four Required)</i>
3	10104096	Tire - ST235/80R/16 - 10-ply
—	10104081	Breakaway Kit
—	10104135	Wire Harness
—	10104133	7000# Axle with Electric Brakes, Hubs, and Springs - 81" x 64" <i>(Three Required)</i>
—	10104134	Axle Beam/Tube
—	10104080	3/8" x 35" Chain with Hook
—	10104084	Red LED Oval Tail Light <i>(Four Required)</i>
—	10104085	Rubber Oval Grommet <i>(Four Required)</i>
—	10104086	2" Round Red LED Clearance Light <i>(Five Required)</i>
—	10104087	2" Round Amber LED Clearance Light <i>(Six Required)</i>
—	10104088	2" Round Rubber Grommet <i>(11 Required)</i>

OPTIONAL ACCESSORIES

REPLACEMENT DUST COLLECTOR FILTER CARTRIDGES

Part Numbers	Material	I.D.	O.D.	Length
10103499	85/15	8.38"	12.75"	35"
10103945	Fire Retardant	8.38"	12.75"	35"
1010008004	HEPA	8.38"	12.75"	35"
10103964	Spunbond	8.38"	12.75"	35"



DUCT HOSE

Part Numbers	I.D.	Length	Pitch
10DH2025HD	20"	25 Feet	1-1/2" Heavy-Duty
10DH2050HD	20"	50 Feet	1-1/2" Heavy-Duty



DUCT HOSE COUPLING AND CLAMPS

Part Numbers	Duct Hose I.D.	Style
1017120	20"	Coupling
10DH062602000	20"	Screw Clamp

OPTIONAL ACCESSORIES



Part Numbers

3/4" I.D. X 1-1/4" O.D. AIR HOSE WITH COUPLINGS INSTALLED						
	Length	Hose I.D.	Hose O.D.	Working Pressure	Hose Cover Color	Couplings
10AH034AC	50 Ft.	3/4"	1-1/4"	200 PSI	Red	2-Lug Crimped On



Part Numbers

3/4" I.D. X 1-1/4" O.D. AIR HOSE					
	Length	Hose I.D.	Hose O.D.	Working Pressure	Hose Cover Color
10AH034	Per Ft.	3/4"	1-1/4"	200 PSI	Red



Part Numbers

MALE HOSE END COUPLING AND GASKET FOR 3/4" I.D. AIR HOSE						
	Hose I.D.	Material	Coupling Style	GASKET		
				Rubber Gasket	Gasket I.D.	Gasket O.D.
10HE1	3/4"	Plated Iron	2-Lug	10UG2	3/4"	1-3/8"



Part Number

BOSS® CLAMP FOR 3/4" I.D. AIR HOSE			
	Hose I.D.	Hose O.D. Range	Material
10A9	3/4"	1-8/64" – 1-20/64"	Plated Steel

PART NUMBERS

DUSTMASTER® 50,000 CFM TIER III DIESEL DUAL AXLE – DUAL WHEEL DUST COLLECTORS								
Part Numbers	Filter Cartridge Material						Trailer	Filter Cartridge Quantity
	None	85/15 Blend High Density Pleat Filters	85/15 Blend Reduced Pleat Filters	Fire Retardant	HEPA	Spunbond		
10105946	X						X	—
10105947		X					X	56
10106217			X				X	56
10105948				X			X	56
10105949					X		X	56
10105950						X	X	56



SPECIFICATIONS

Capacity:	CFM = 36,880 – 50,490 W.C. = 6 – 16"
Filter Cartridge Style:	Open Top with Flange, Closed Bottom 56 Required
Filter Cleaning:	Pulse System, 5–15 second intervals Pulse Duration: 200–350 millisecond
Air to Cloth Ratio:	3.43:1 @ 40,000 CFM
Filter Area:	11,662 square feet
Efficiency:	85/15 Blend High Density Pleat Filters – 99.8% @ 0.5 micron 85/15 Blend Reduced Pleat Filters – 99.8% @ 0.5 micron HEPA Filters – 99.99% @ 0.3 micron Fire Retardant Filters – 96.8% @ 2.0 micron Spunbond Filters – 97% @ 3.0 micron
Ducting Connections:	20" I.D., Quantity of Six
Clean-Out Ports:	One
Dust Removal Conveyor:	Main Auger, 6" Discharge Auger, Hydraulic Motor Drive
Fan:	Backward Inclined, non-overloading, spark resisting
Engine:	Diesel, Tier III, 174 Horsepower
Fuel Capacity:	Type: Diesel Capacity: 116 Gallons
Air Requirements:	Clean, Dry, Compressed Air 24 CFM @ 90 PSI
Electrical System:	12-Volt DC
Engine Protection:	Engine Monitoring System with automatic shutdown measures: coolant temperature, intake air temperature, engine intake manifold pressure, engine oil pressure, pressure in fuel rail, engine speed and timing.
Fluid Specifications:	Hydraulic Oil: H46 or equivalent, 40 Gallons Diesel Fuel: See Engine Operator's Manual for type, 160 Gallons Grease/Lubricator: Shell Alvania Grease EP or equivalent
Unit Dimensions Trailer:	Weight: 19,900 pounds (empty) Tongue Weight: 3,980 pounds Length: 36' 3" Width: 8' 6" Height: 11' 2"

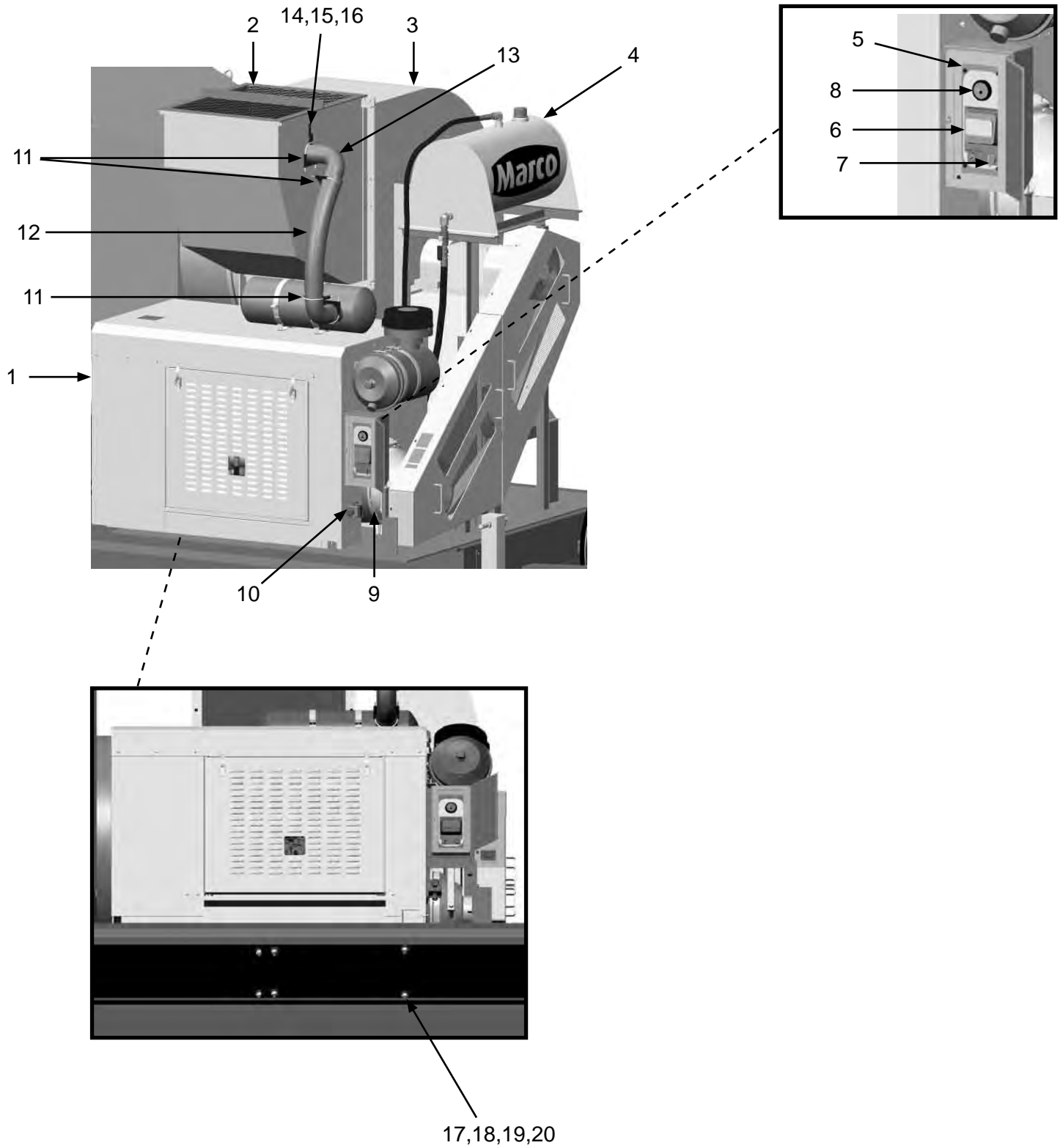
PART NUMBERS AND SCHEMATICS GUIDE

Front Assembly

Item#	Part#	Description
Fig. 1		
1	10103494	Perkins Engine 174 HP Tier III
2	10105951	Fan Exhaust Assembly (See Figure 11)
3	10103495	Fan BI-365 TH ARRG I Class IV (See Figure 10)
4	10105031	40 Gallon Hydraulic Tank (See Figure 4)
5	10103972	Engine Control Panel <i>Includes Item #'s: 6, 7</i>
6	10103969	Murphy® PowerView™ Gauge
7	10103970	Key
8	10104821	Analog Fuel Level Gauge
9	10103986	Twin Disc Clutch
10	10104071	Emergency-Stop Station (See Figure 24)
11	10103875	4" Exhaust Clamp (Three Required)
12	10105959	4" Flex Exhaust
13	10103873	4" Exhaust Pipe Elbow
14	10105958	4" Exhaust Hanger
15	10104234	3/8-16 x 1-1/4 Hex Bolt Zinc Grade 5
16	10101942	3/8" Flat Washer – Galvanized
17	10104067	3/4-10 x 2-3/4" Grade 8 Zinc Hext Bolt (Six Required)
18	10103418	Washer – 3/4" – Grade 8 (Six Required)
19	10103419	Lock Washer – 3/4" HD (Six Required)
20	10103420	3/4-10 UNC Grade 8 Nut (Six Required)
—	10104126	Oil Filter
—	10103958	Primary Fuel Filter
—	10104117	Secondary Fuel Filter
—	10106547	Fuel Filter Water Bowl
—	10104130	Outer Air Filter
—	10104131	Inner Air Filter
—	1091132	Dust Collector Label Set
—	109V565	Operator's Manual – Perkins® Engine
—	109V037	Operator's Manual – Dynamic Fan Corporation
—	109V039	Operator's Manual – Murphy PowerView®
—	105M111	Features and Specifications Guide – Dustmaster® 50,000 CFM Tier III Diesel Dual Axle – Dual Wheel Dust Collectors
—	106M111	Part Numbers and Schematics Guide – Dustmaster® 50,000 CFM Tier III Diesel Dual Axle – Dual Wheel Dust Collectors
—	1091111	Operator's Manual – Dustmaster® 50,000 CFM Tier III Diesel Dual Axle – Dual Wheel Dust Collectors

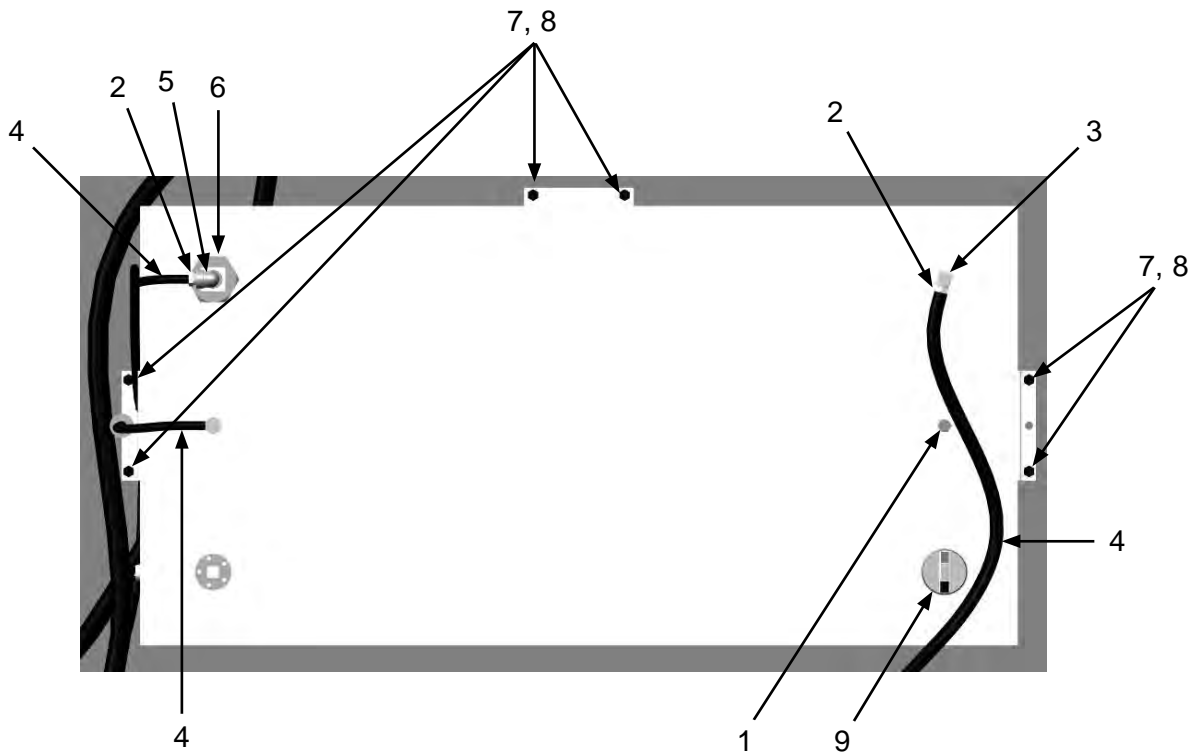
PART NUMBERS AND SCHEMATICS GUIDE

Figure 1: Front Assembly



PART NUMBERS AND SCHEMATICS GUIDE

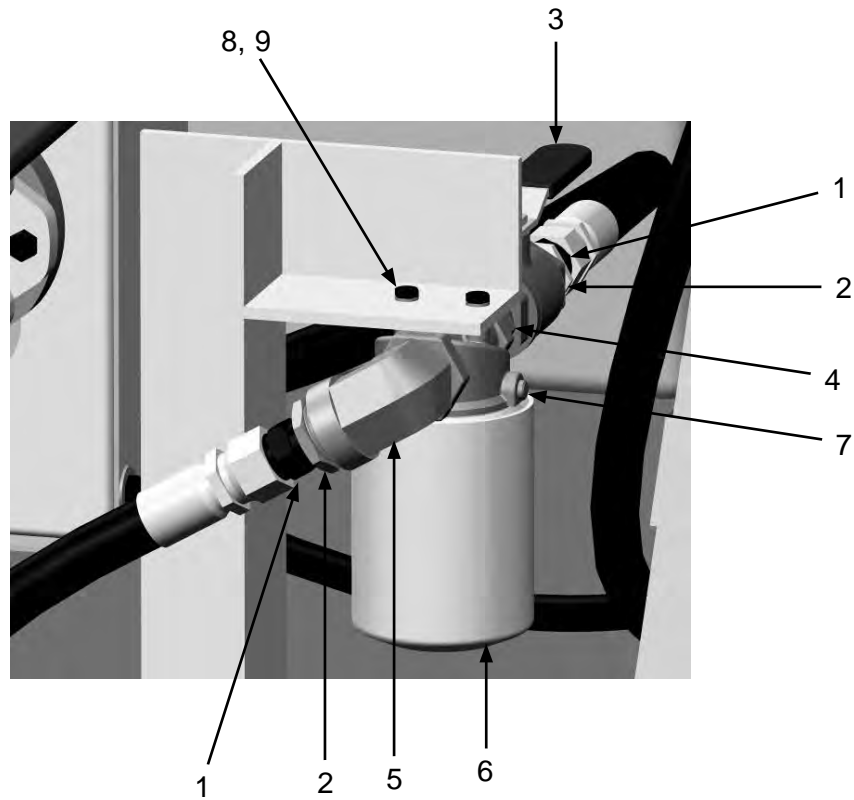
Figure 2: Fuel Tank



Item #	Part #	Description
Fig. 2		
—	10104704	Fuel Tank – 116 Gallon
1	10106471	1/4" Pipe Plug
2	10106469	3/8" Barb x 3/8" NPT
3	10103617	Withdraw Tube – 16"
4	10103619	1/2" Fuel Hose (<i>Per Foot</i>)
5	10106470	3/8" NPT Street Elbow
6	10106484	Adapter
7	10104234	3/8-16 x 1-1/4" Bolt Zinc (<i>Six Required</i>)
8	1012318	3/8-16 Hex Nut (<i>Six Required</i>)
9	10103968	Locking Fuel Cap with Key
—	10103620	3/8" Inline Filter (<i>Not Shown</i>)
—	10103961	Fuel Tank Rubber Cushioning Pad (<i>Not Shown</i>)

PART NUMBERS AND SCHEMATICS GUIDE

Figure 3: Hydraulic Oil Filter Assembly



Item #	Part #	Description
Fig. 3		
1	10103314	3/4" NPT x 12 JIC Straight Adapter
2	20PFHA24SB1612	1" x 3/4" Reducing Bushing (<i>Two Required</i>)
3	1011601	3/4" Full Port Brass Ball Valve
4	20PFHA24SA1616	1" Hex Nipple (<i>Two Required</i>)
5	20PFHA25UG1616	1" Street Elbow (<i>Two Required</i>)
6	10104058	Hydraulic Oil Filter
7	10104057	Hydraulic Oil Filter Head
8	1012153	1/4" Lock Washer
9	20100125	1/4-20 x 3/4" Zinc Bolt

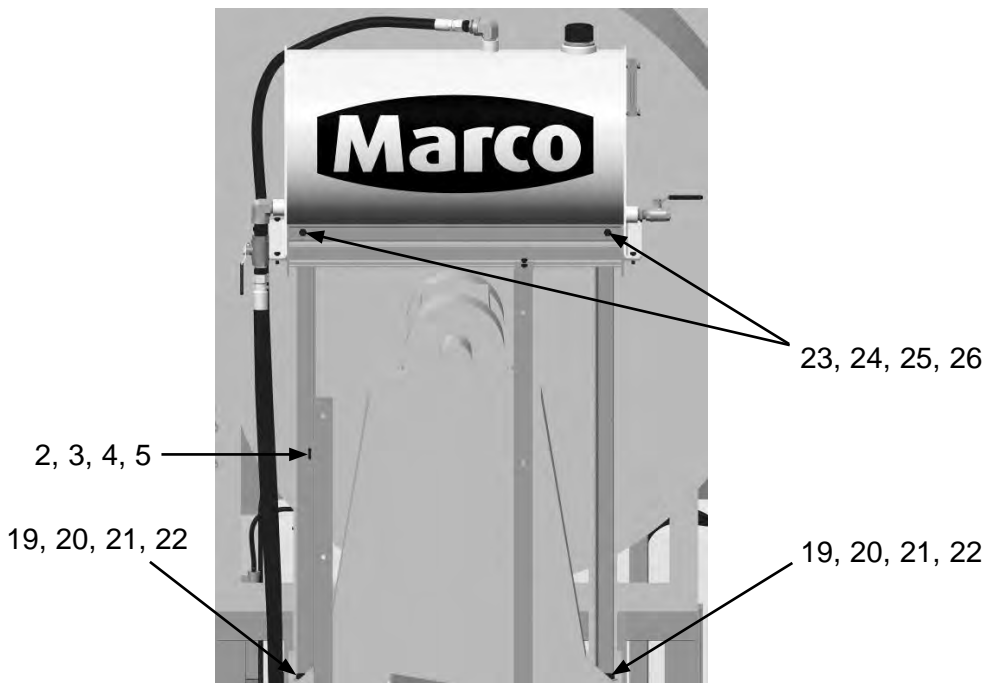
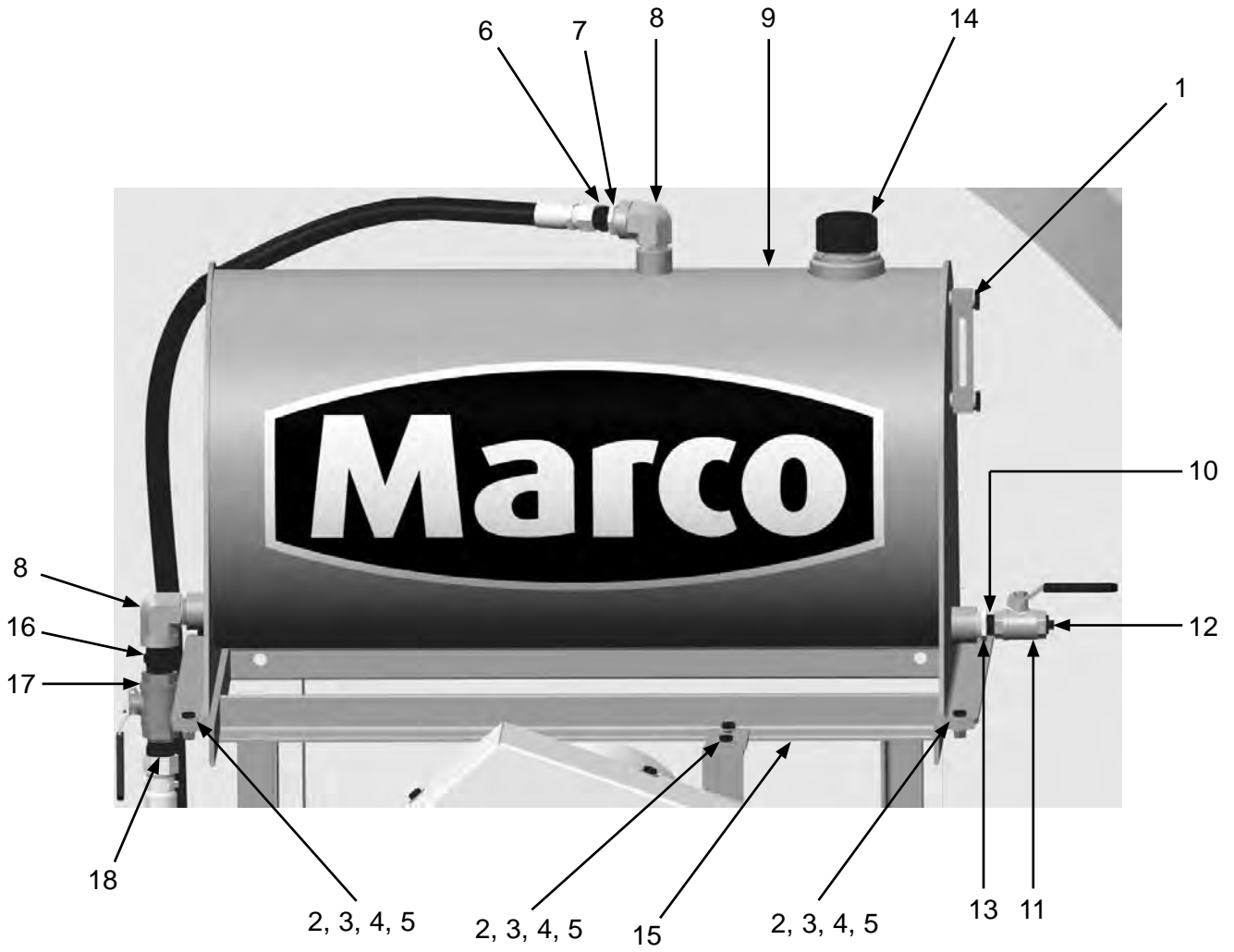
PART NUMBERS AND SCHEMATICS GUIDE

Hydraulic Oil Tank

Item #	Part #	Description
Fig. 4		
1	10103942	Sight Level Gauge
2	1011747	3/8-16 x 1" Bolt <i>(10 Required)</i>
3	10101942	Flat Washer – 3/8" <i>(20 Required)</i>
4	10101936	Lock Washer – 3/8" <i>(10 Required)</i>
5	1012318	Hex Nut – 3/8-16 <i>(10 Required)</i>
6	10103314	Straight Adapter – 3/4" NPT x 12 JIC
7	20PFHA24SB1612	Reducing Bushing – 1" NPT x 3/4" NPT
8	20PFHA25UG1616	Street Elbow – 90° – 1" NPT <i>(Two Required)</i>
9	10105031	Hydraulic Oil Reservoir – 40 Gallon
10	1011213	Close Nipple – 3/4" NPT – Galvanized
11	10L8074C	Full Port Ball Valve – 3/4" NPT
12	10DSHP75	Pipe Plug – Square Head – 3/4" NPT
13	10102479	Street Elbow – 90° – 3/4" NPT – Galvanized
14	10103971	Filler/Breather Cap
15	10102958	Hydraulic Oil Tank Mount
16	20PFHA24SA1616	Hex Nipple – 1" NPT
17	1011601	Full Port Ball Valve – 1" NPT
18	10103312	Straight Adapter – 1" NPT x 16 JIC
19	10103417	3/4-10 UNC x 1-3/4" Grade 8 Bolt <i>(Four Required)</i>
20	10103418	3/8" Galvanized Flat Washer <i>(Eight Required)</i>
21	10103419	3/4" Lock Washer <i>(Four Required)</i>
22	10103420	3/4-10 Nut <i>(Four Required)</i>
23	10104603	1/2-13 x 1-1/4" Bolt <i>(Two Required)</i>
24	1014022	1/2-13 Hex Nut <i>(Two Required)</i>
25	10100674	1/2" Flat Washer <i>(Two Required)</i>
26	10100675	1/2" Lock Washer <i>(Two Required)</i>

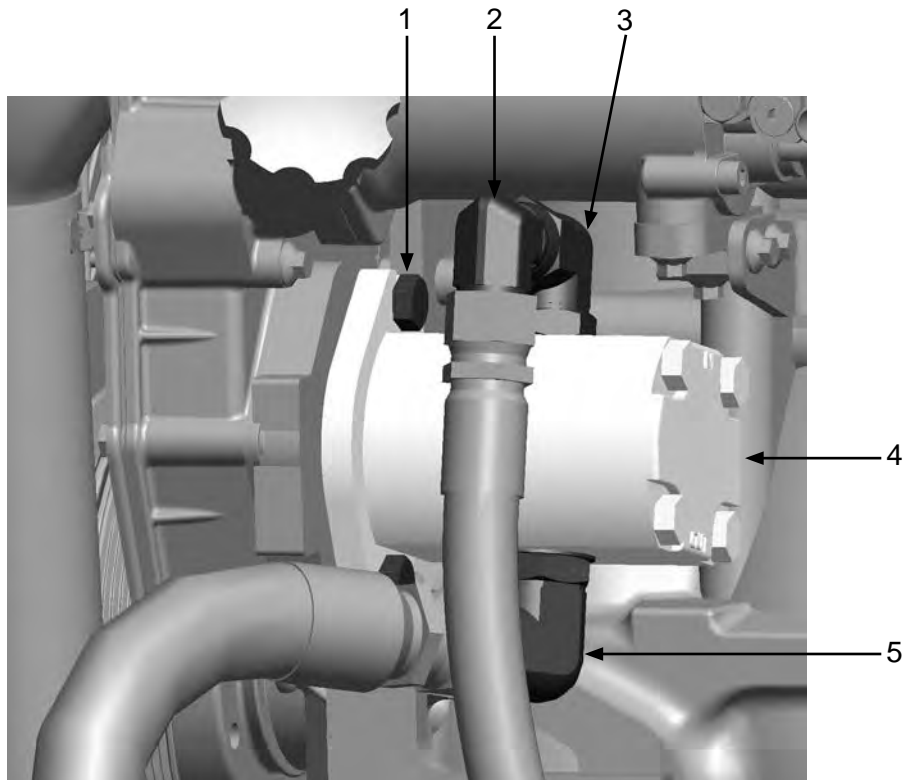
PART NUMBERS AND SCHEMATICS GUIDE

Figure 4: Hydraulic Oil Tank



PART NUMBERS AND SCHEMATICS GUIDE

Figure 5: Hydraulic Pump



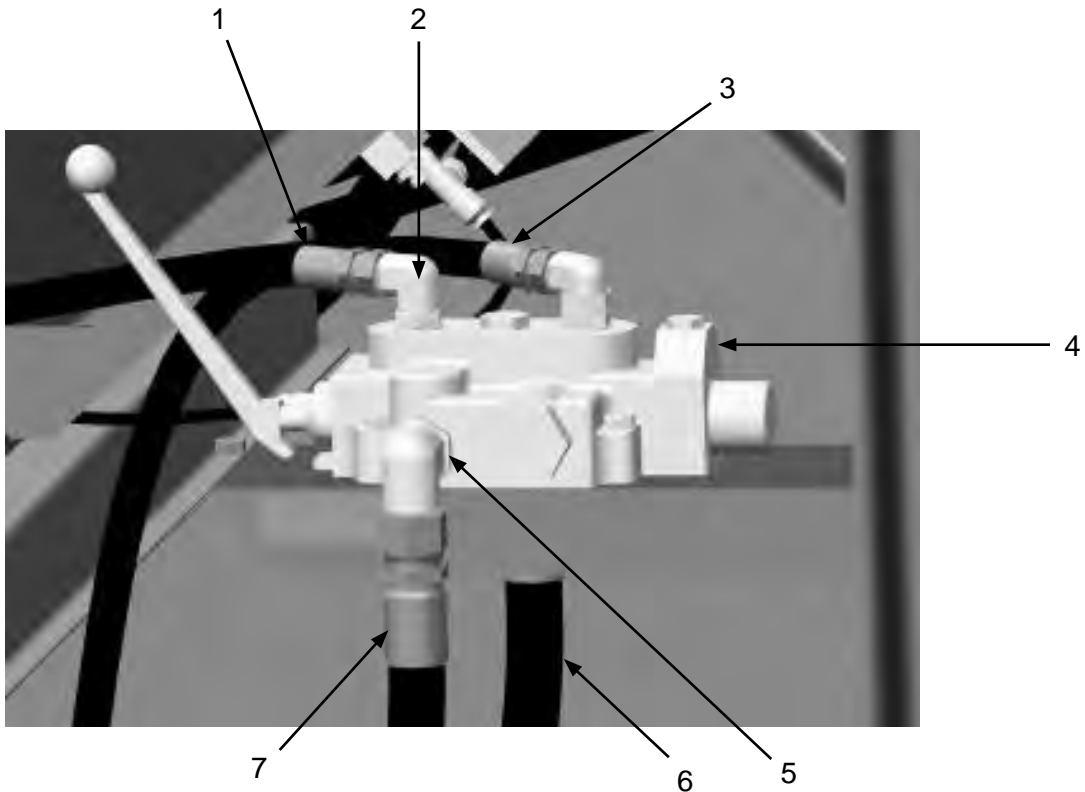
Item #	Part #	Description
--------	--------	-------------

Fig. 5

1	10101943	1/2-13 x 1-3/4" Galvanized Hex Bolt (<i>Two Required</i>)
2	10103610	JIC 12 x JIC 12 90° Elbow
3	10103310	JIC 12 x SAE 12 90° Elbow
4	10103269	2B Series 2.08 CI/REV Gear Pump
5	10103311	JIC 6 x SAE 16 90° Elbow

PART NUMBERS AND SCHEMATICS GUIDE

Figure 6: Hydraulic Control Assembly



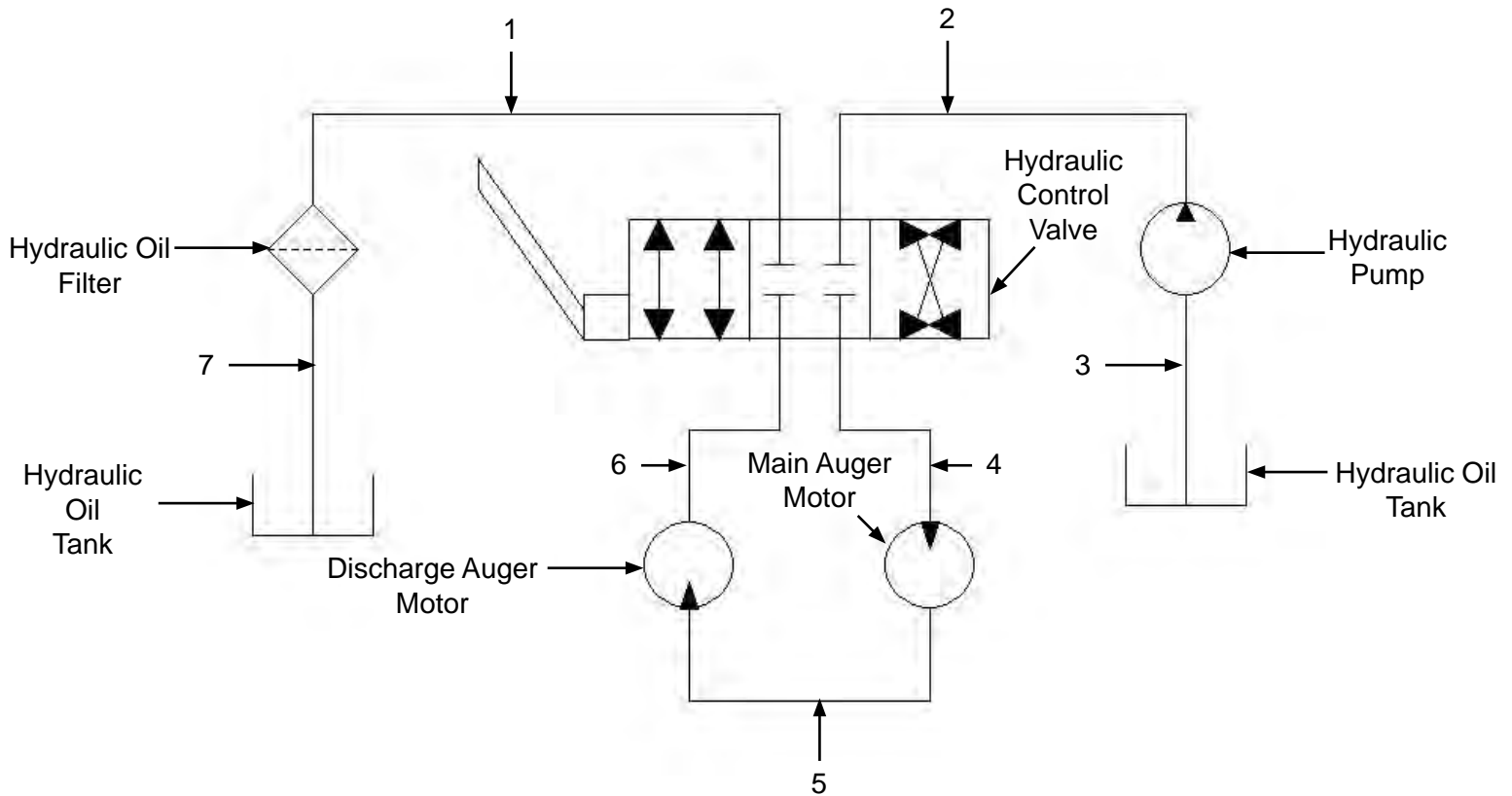
Item #	Part #	Description
--------	--------	-------------

Fig. 6

1	10103502	Hydraulic Hose – 1/2" I.D. x 20' – 4500 psi
2	10103309	JIC 8 x SAE 8 90° Elbow (<i>Two Required</i>)
3	10103409	Hydraulic Hose – 1/2" I.D. x 7' 1" – 2000 psi
4	10103267	Cross Hydraulic Control Valve with Handle
5	10103310	JIC 12 x SAE 12 90° Elbow (<i>Two Required, One Not Shown</i>)
6	10103707	Hydraulic Hose – 3/4" I.D. x 17' 7" – 3045 psi
7	10103505	Hydraulic Hose – 3/4" I.D. x 33' – 3045 psi

PART NUMBERS AND SCHEMATICS GUIDE

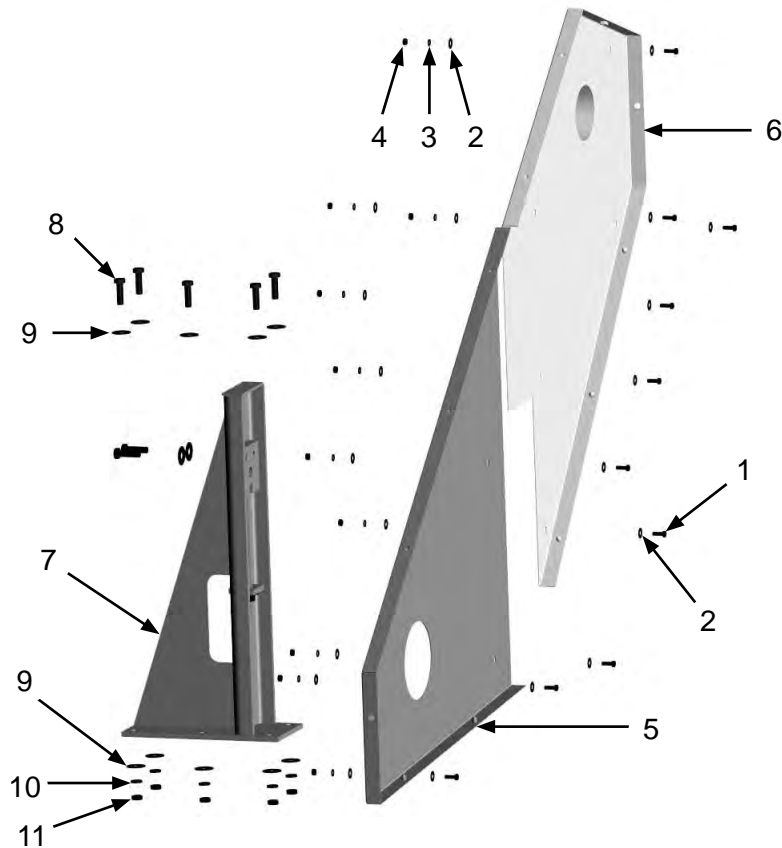
Figure 7: Hydraulic Hoses



Item #	Part #	Description
Fig. 7		
1	10103412	Hydraulic Hose – 3/4" I.D. x 23' – 3045 psi
2	10103505	Hydraulic Hose – 3/4" I.D. x 33' – 3045 psi
3	10105963	Hydraulic Hose – 1" I.D. x 12' – 2000 psi
4	10103502	Hydraulic Hose – 1/2" I.D. x 20' – 4500 psi
5	10104224	Hydraulic Hose – 1/2" I.D. x 24' – 2000 psi
6	10103409	Hydraulic Hose – 1/2" I.D. x 7' 1" – 2000 psi
7	10103707	Hydraulic Hose – 3/4" I.D. x 17' 7" – 3045 psi

PART NUMBERS AND SCHEMATICS GUIDE

Figure 8: Fan Belt Guard Back Assembly



Item #	Part #	Description
--------	--------	-------------

Fig. 8

1	1011747	3/8-16 x 1" Bolt (10 Required)
2	10101942	3/8" Galvanized Flat Washer (20 Required)
3	10101936	3/8" Zinc Lock Washer (10 Required)
4	1012318	3/8-16 Hex Nut (10 Required)
5	10105986	Lower Belt Guard Back
6	10106011	Upper Belt Guard Back
7	10105981	Tensioner Mount
8	10103397	5/8-11 x 2" Zinc Bolt (Seven Required)
9	10103398	5/8" Washer (14 Required)
10	10103399	5/8" Lock Washer (Five Required)
11	10103393	5/8-11 Zinc Nut (Five Required)

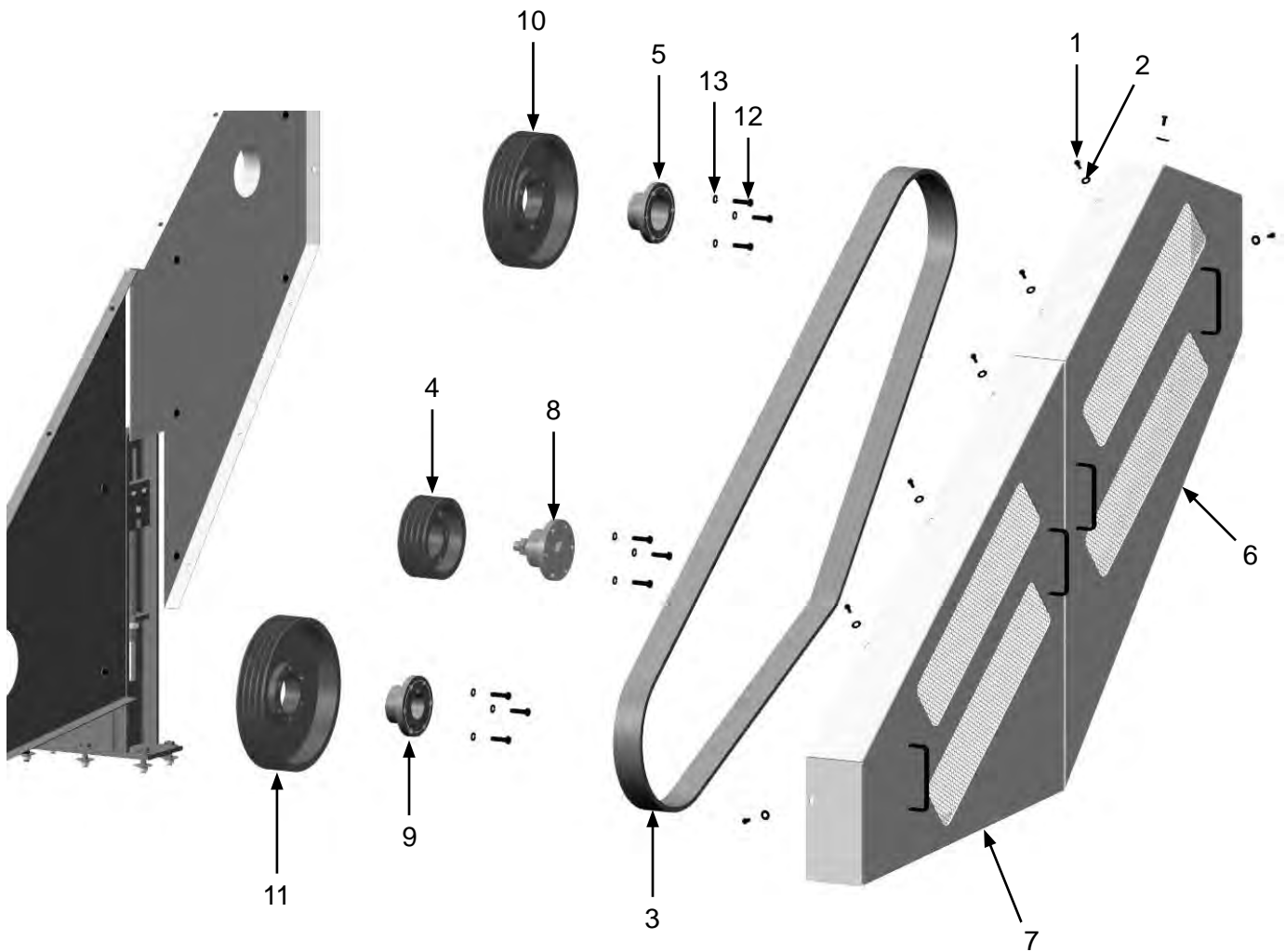
PART NUMBERS AND SCHEMATICS GUIDE

Fan Belt Assembly

Item #	Part #	Description
Fig. 9		
1	10103400	3/8-16 x 3/4" Bolt (<i>Eight Required</i>)
2	10101942	3/8" Galvanized Flat Washer (<i>Eight Required</i>)
3	10106029	4/5 VX 1700 Banded Drive Belt
4	10103483	8" Sheave
5	10103482	3.4375 Bushing
6	10106016	Top Belt Cover
7	10105988	Bottom Belt Cover
8	10103484	Idler Bushing
9	10103485	2.5 Bore Bushing
10	10106754	12.5" Sheave
11	10106028	14" Sheave
12	10101943	1/2-13 x 1-3/4" Hex Bolt (<i>Nine Required</i>)
13	10100675	1/2" Lock Washer (<i>Nine Required</i>)

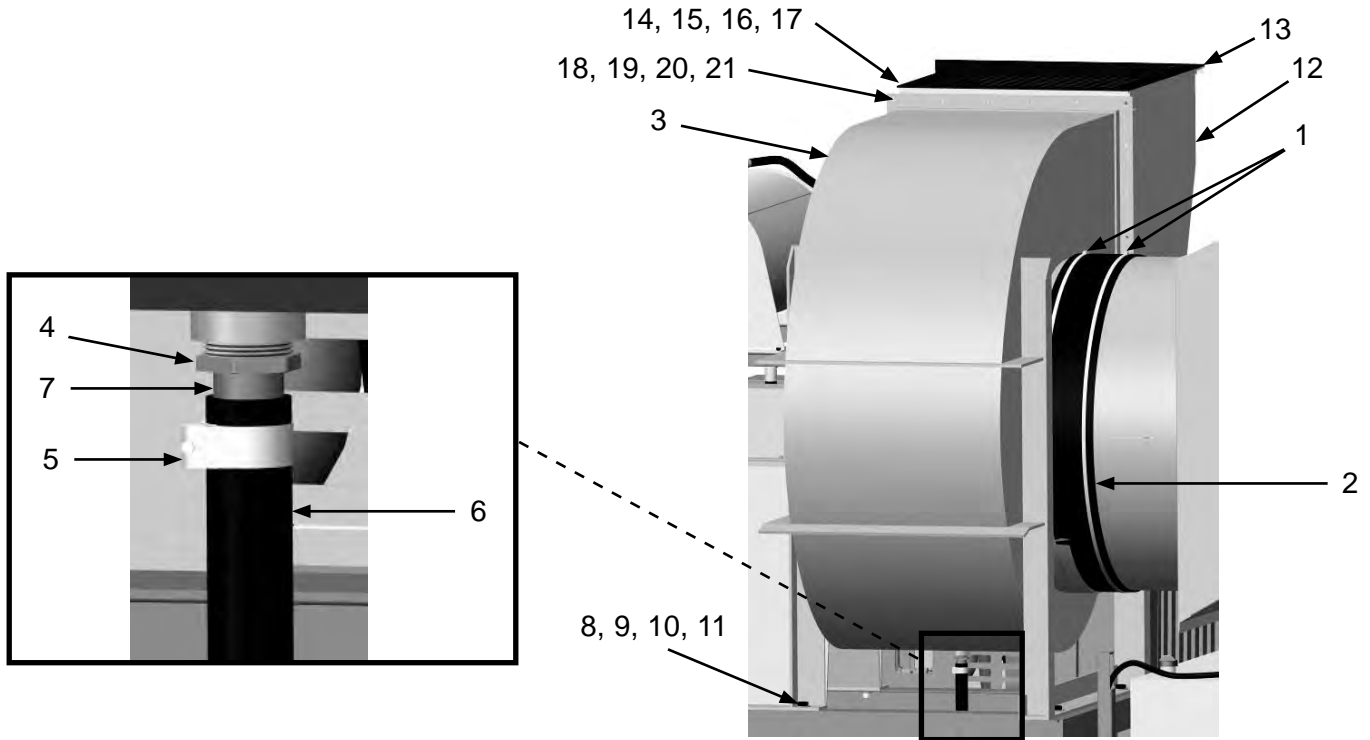
PART NUMBERS AND SCHEMATICS GUIDE

Figure 9: Fan Belt Assembly



PART NUMBERS AND SCHEMATICS GUIDE

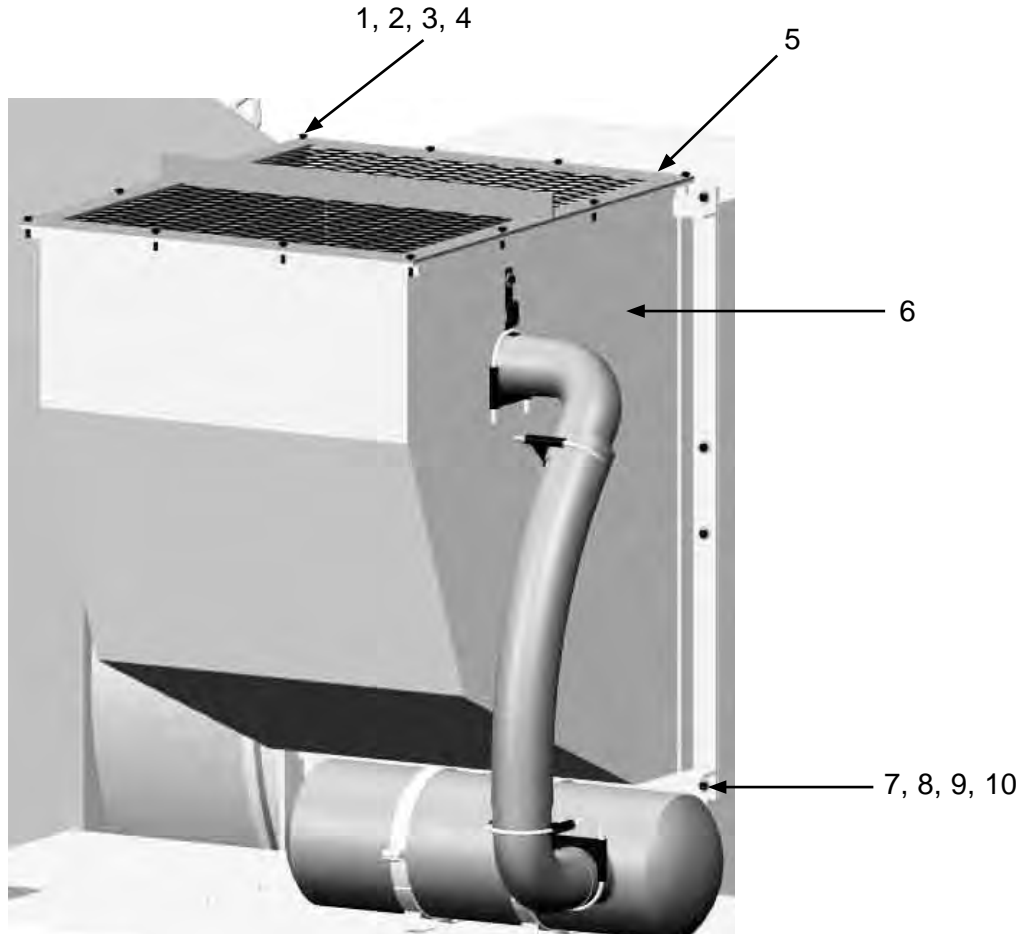
Figure 10: Fan Assembly



Item #	Part #	Description
Fig. 10		
1	10103416	Banding – Make A Clamp <i>(Two Required)</i>
2	10103962	Connection Rubber Gasket
3	10103495	Fan BI-365 TH ARRG I Class IV
4	20PFHA24SB2016	1-1/4" x 1" Reducing Bushing
5	10104136	T-Bolt Clamp 1-9/16" x 1-11/16" O.D.
6	10103654	1-1/4" I.D. Hose <i>(Per Foot)</i>
7	10000197	1" x 3" Toe Nipple
8	10103417	3/4-10 UNC x 1-3/4" Grade 8 Bolt <i>(Six Required)</i>
9	10103418	Washer – 3/4" – Grade 8 <i>(12 Required)</i>
10	10103419	Lock Washer – 3/4" HD <i>(Six Required)</i>
11	10103420	3/4-10 UNC Grade 8 Nut <i>(Six Required)</i>
12	10105951	Fan Exhaust <i>(See Figure 11)</i>
13	10103979	Bird Screen <i>(See Figure 11)</i>
14	1014019	5/16-18 x 1-1/4 Hex Bolt <i>(12 Required)</i>
15	10101935	5/16" Flat Washer – Galvanized <i>(12 Required)</i>
16	10L805014	5/16" Lock Washer <i>(12 Required)</i>
17	1035046	5/16-18 Nut <i>(12 Required)</i>
18	10104234	3/8-16 x 1-1/4 Hex Bolt Zinc Grade 5 <i>(12 Required)</i>
19	10101942	3/8" Galvanized Flat Washer <i>(24 Required)</i>
20	10101936	3/8" Zinc Lock Washer <i>(12 Required)</i>
21	1012318	3/8-16 Hex Nut <i>(12 Required)</i>

PART NUMBERS AND SCHEMATICS GUIDE

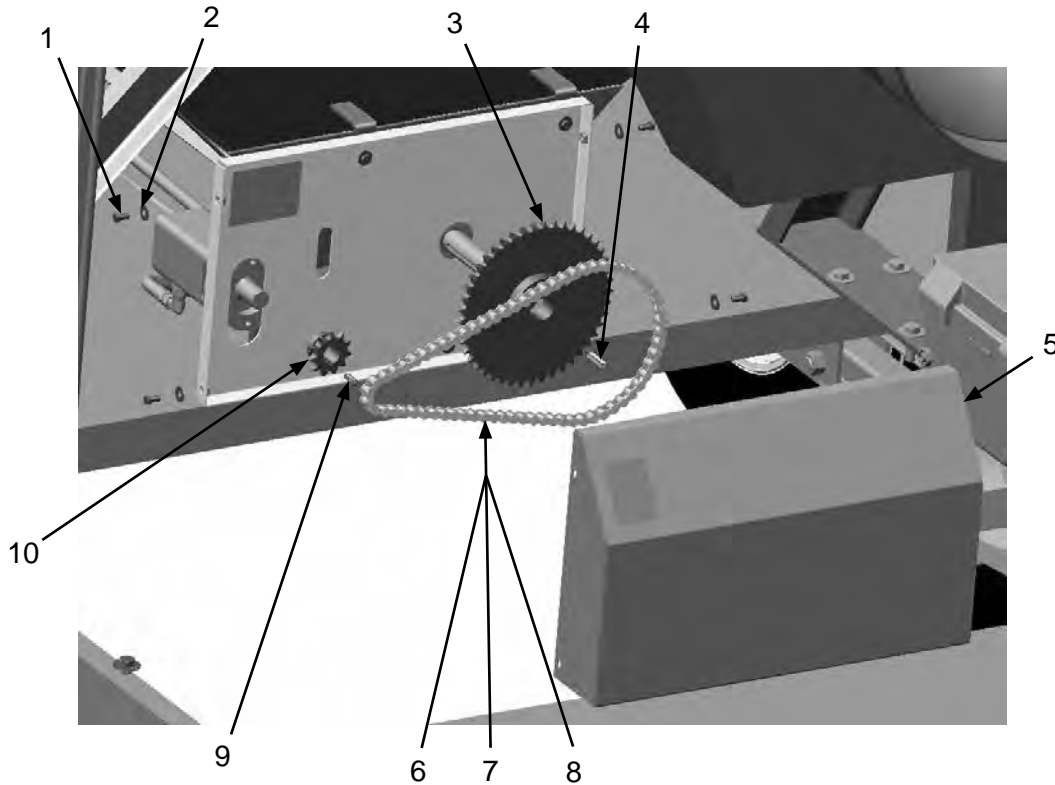
Figure 11: Fan Exhaust



Item #	Part #	Description
Fig. 11		
1	10L805014	5/16" Lock Washer (12 Required)
2	1035046	5/16-18 Nut (12 Required)
3	1014019	5/16-18 x 1-1/4 Hex Bolt (12 Required)
4	10101935	5/16" Flat Washer – Galvanized (12 Required)
5	10103979	Bird Screen
6	10105951	Fan Exhaust Weldment
7	10104234	3/8-16 x 1-1/4 Hex Bolt Zinc Grade 5 (12 Required)
8	10101942	3/8" Flat Washer – Galvanized (12 Required)
9	10101936	3/8" Lock Washer – Zinc (12 Required)
10	1012318	3/8-16 HD Hex Nut (12 Required)

PART NUMBERS AND SCHEMATICS GUIDE

Figure 12: Main Auger Drive Assembly



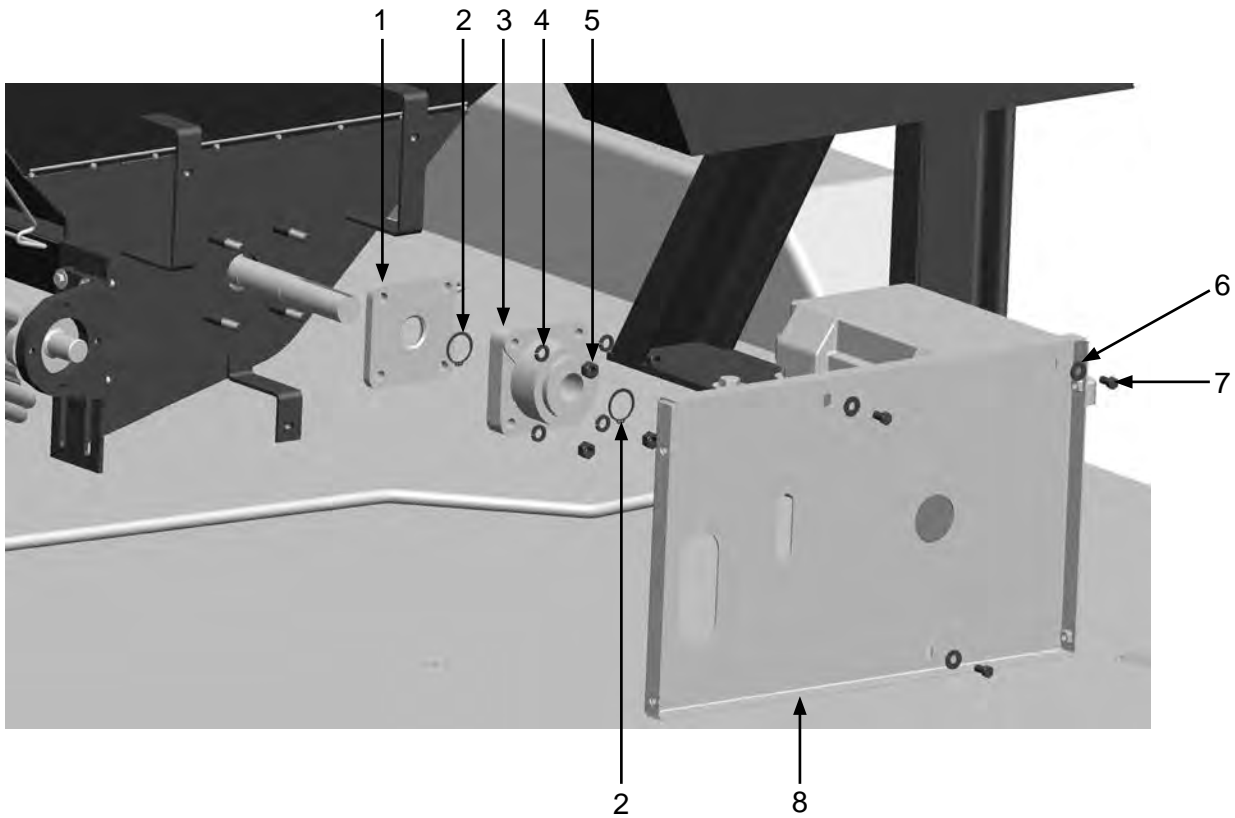
Item #	Part #	Description
--------	--------	-------------

Fig. 12

1	10103400	3/8-16 x 3/4" Bolt (<i>Four Required</i>)
2	10101942	3/8" Galvanized Flat Washer (<i>Four Required</i>)
3	10104218	45-Tooth Sprocket
4	10103641	3/8" Key Cut
5	10102952	Main Auger Motor Cover
6	10103391	#60 Cottered Roller Chain (<i>Per Foot</i>)
7	10103392	#60 Connecting Link
8	10103614	#60 Offset Link
9	10103642	5/16" x 1/4" x 1/8" x 1/8" Key
10	10103265	11-Tooth Sprocket
—	10104192	Main Auger Chain Kit <i>Includes Item #'s: 6 (5'), 7, and 8</i>

PART NUMBERS AND SCHEMATICS GUIDE

Figure 13: Main Auger Bearing



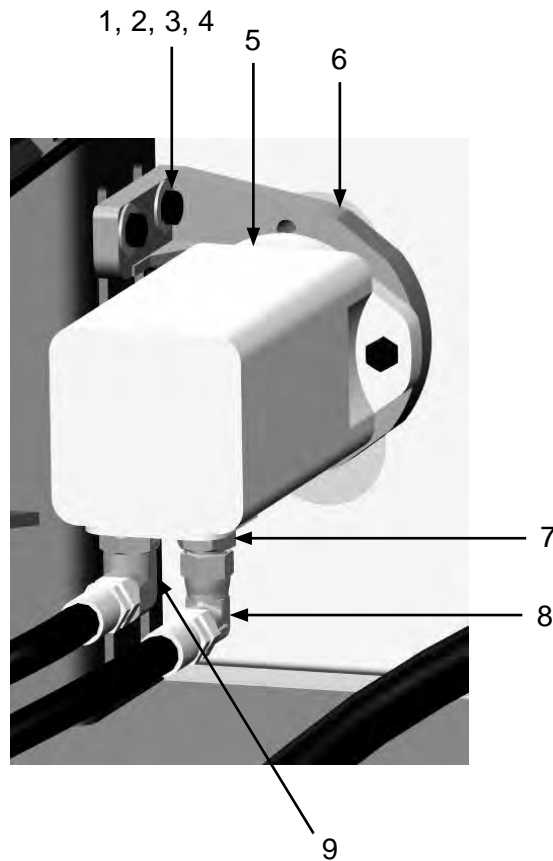
Item #	Part #	Description
--------	--------	-------------

Fig. 13

1	10102902	Seal Plate
2	10103605	Snap Ring <i>(Two Required)</i>
3	10102903	Thrust Bearing
4	10100675	1/2" Lock Washer <i>(Four Required)</i>
5	1014022	1/2-13 Hex Nut <i>(Four Required)</i>
6	10101942	3/8" Galvanized Flat Washer <i>(Three Required)</i>
7	10103400	3/8-16 x 3/4" Bolt <i>(Three Required)</i>
8	10102955	Main Auger Guard Back

PART NUMBERS AND SCHEMATICS GUIDE

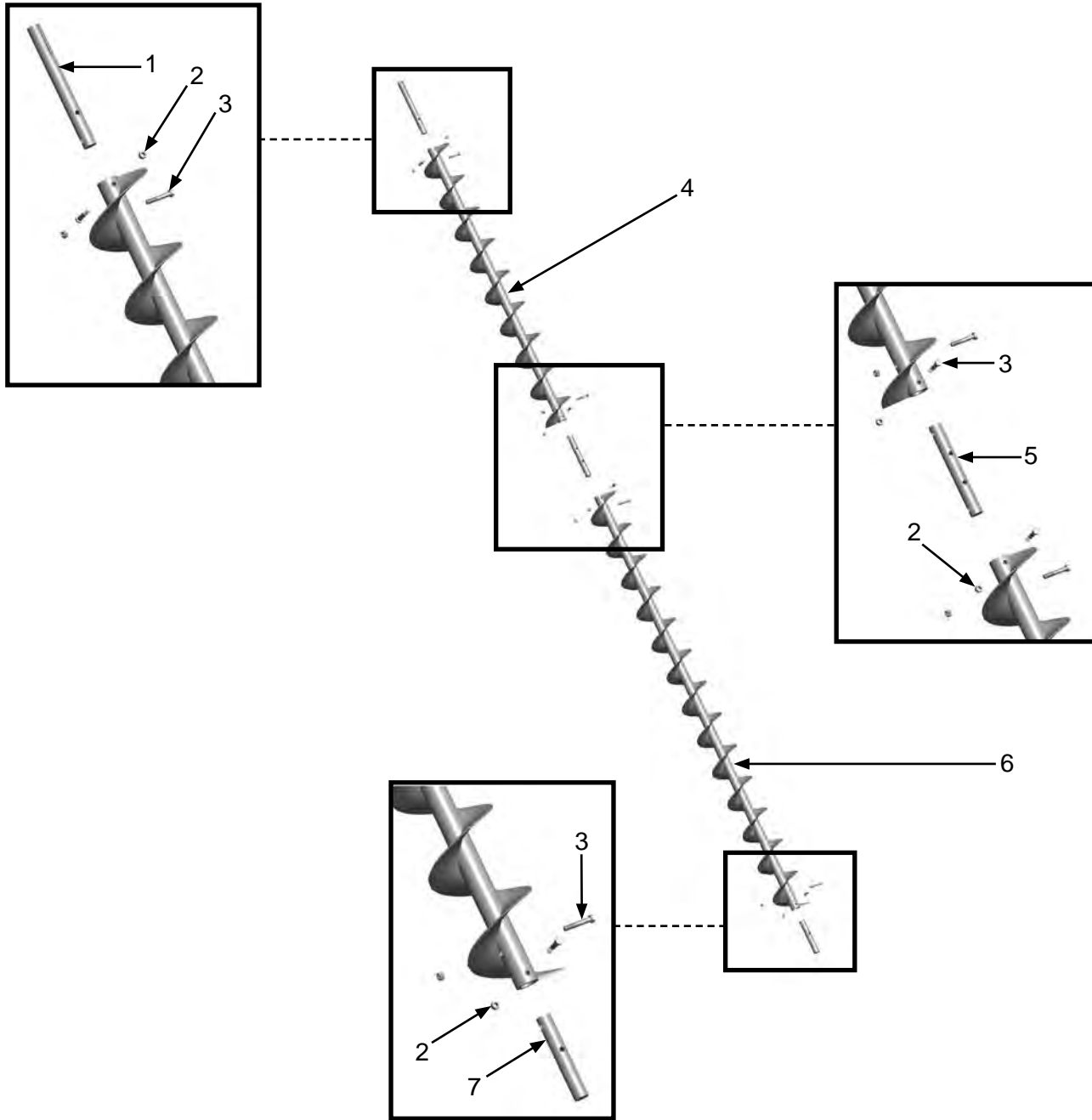
Figure 14: Main Auger Motor



Item #	Part #	Description
Fig. 14		
1	1028617	3/8-16 x 1-3/4" Shoulder Bolt (<i>Four Required</i>)
2	10101942	3/8" Galvanized Flat Washer (<i>Eight Required</i>)
3	10101936	3/8" Zinc Lock Washer (<i>Four Required</i>)
4	10101938	3/8-16 Galvanized Hex Nut (<i>Four Required</i>)
5	10103266	18.7 Displacement Hydraulic Motor
6	10102881	Hydraulic Motor Mount with Hardware
7	10103612	JIC 8 x SAE 10 Straight Adapter
8	10103611	JIC 8 x JIC 8 90° Elbow
9	10103308	JIC 8 x SAE 10 90° Elbow
—	10103941	Seal Kit for 18.7 Displacement Hydraulic Motor

PART NUMBERS AND SCHEMATICS GUIDE

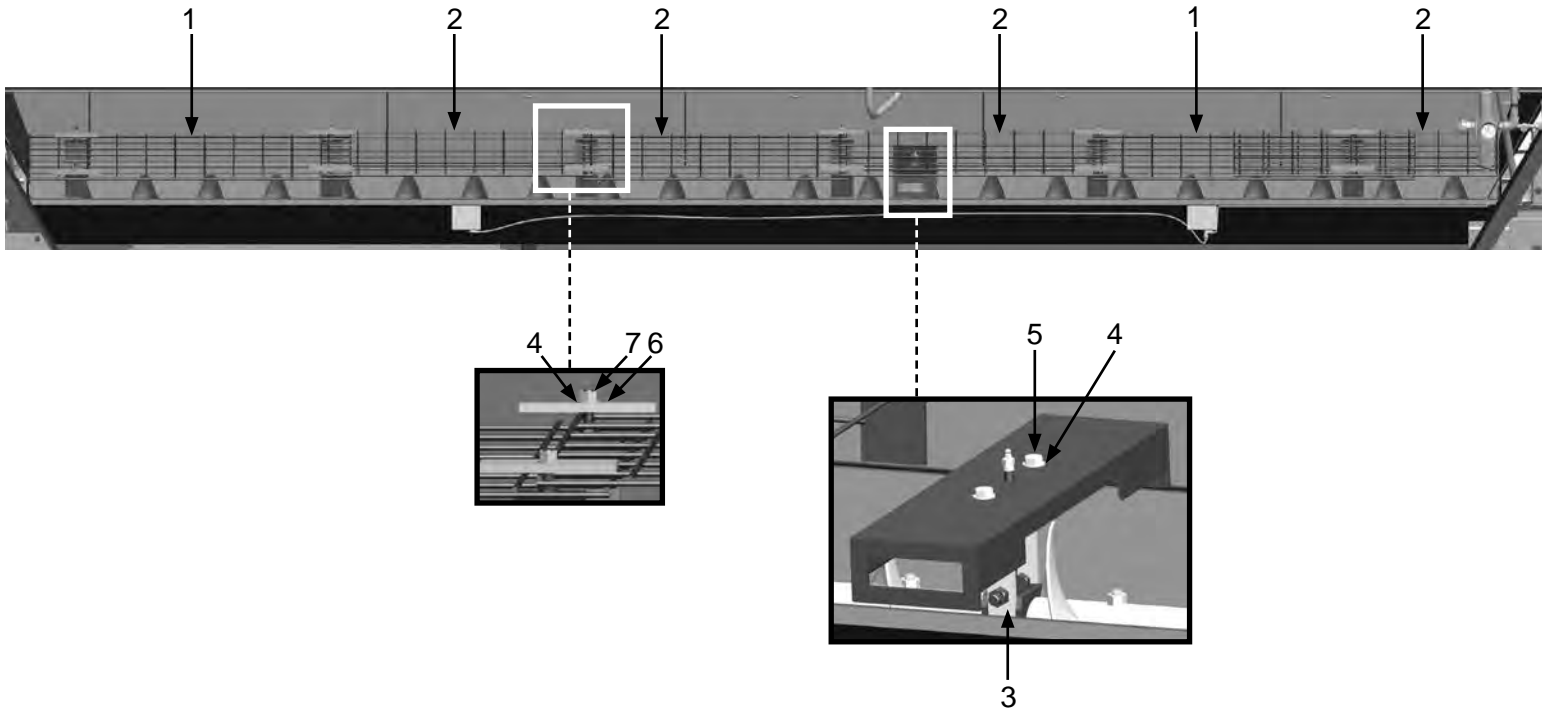
Figure 15: Main Auger



Item #	Part #	Description
Fig. 15		
1	10103306	Drive Shaft
2	10101941	1/2-13 Galvanized Hex Nut (<i>Four Required</i>)
3	10103401	1/2-13 x 3" Galvanized Bolt (<i>Four Required</i>)
4	10103490	9" x 78" Standard Pitch Auger
5	10103491	Coupling Shaft for 1-1/2" Shaft
6	10103262	118" x 9" Standard Pitch Auger
7	10102910	Auger Shaft End

PART NUMBERS AND SCHEMATICS GUIDE

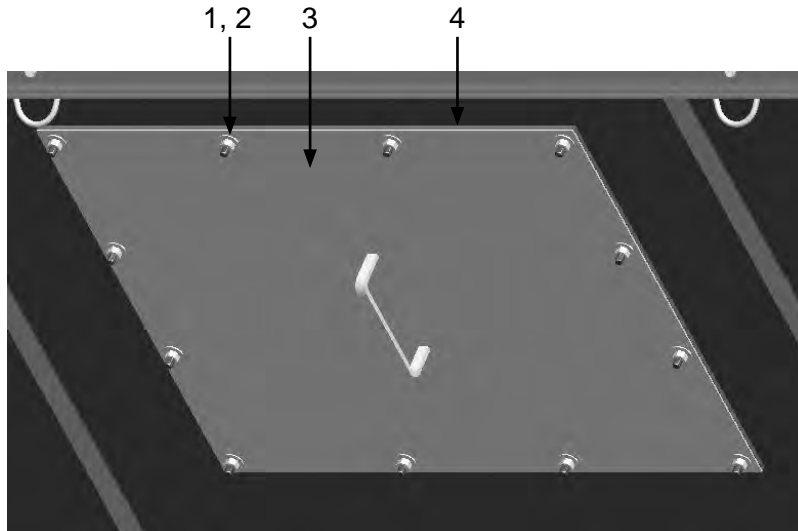
Figure 16: Main Auger Protective Grate



Item #	Part #	Description
Fig. 16		
1	10103966	Protective Grate – 44 Inches <i>(Two Required)</i>
2	10103967	Protective Grate – 36 Inches <i>(Four Required)</i>
3	10102896	Main Auger Hanger Bearing Assembly
4	10100674	1/2" Flat Washer <i>(12 Required)</i>
5	10101943	1/2-13 x 1-3/4" Galvanized Hex Bolt <i>(Two Required)</i>
6	10102936	Protective Grate Bracket <i>(12 Required)</i>
7	1014022	1/2-13 Hex Nut <i>(12 Required)</i>

PART NUMBERS AND SCHEMATICS GUIDE

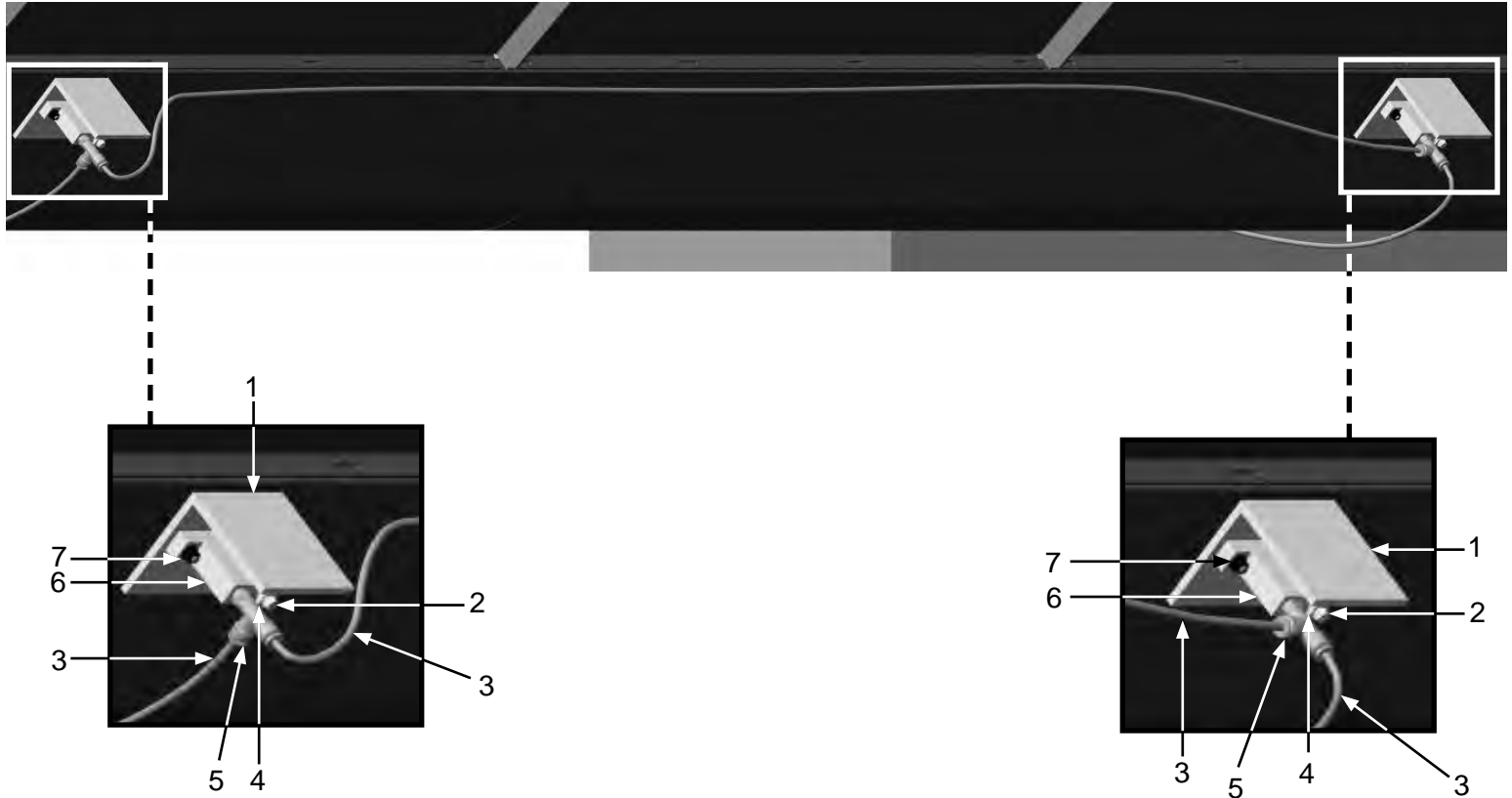
Figure 17: Access Panel Assembly



Item #	Part #	Description
Fig. 17		
1	10101938	3/8-16 Galvanized Hex Nut (12 Required)
2	10101942	3/8" Flat Washer (12 Required)
3	10102933	20" Access Panel Door
4	10103344	1/4" x 1-1/2" Adhesive-Backed Gasket (Per Foot)

PART NUMBERS AND SCHEMATICS GUIDE

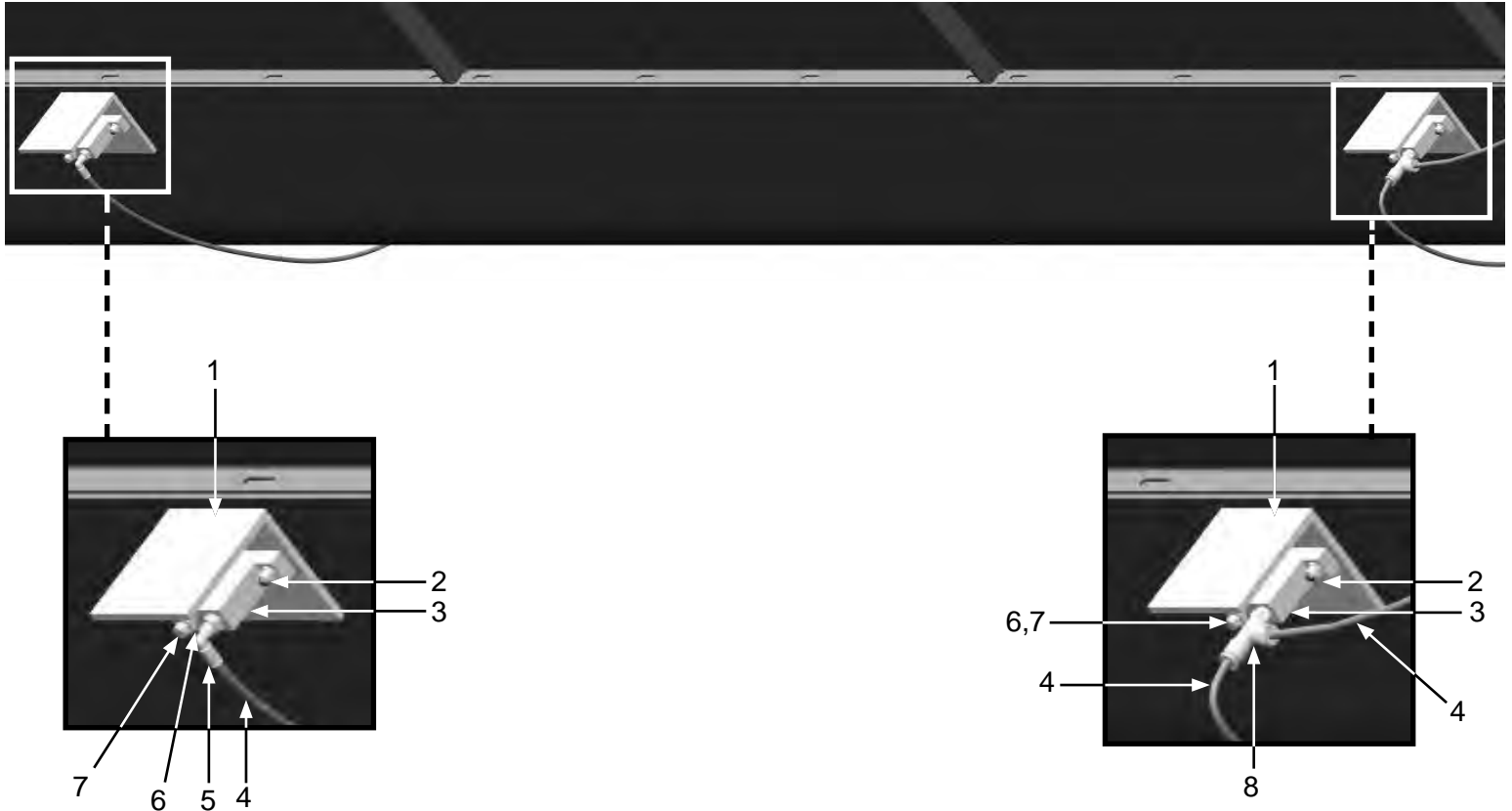
Figure 18: Left Side Pneumatic Ball Vibrators



Item #	Part #	Description
Fig. 18		
1	10103609	Vibrator Shield <i>(Two Required)</i>
2	1012905	1/8" Breather Muffler <i>(Two Required)</i>
3	10103322	1/4" I.D. Black Urethane Tubing <i>(Per Foot)</i>
4	20PFHA24SB0402	1/4" x 1/8" Reducing Bushing
5	10103261	1/4" Male Push-to-Connect Tee
6	10103258	Pneumatic Ball Vibrator <i>(Two Required)</i>
7	1012323	1/4-20 Zinc Lock Nut with Nylon Insert <i>(Four Required)</i>

PART NUMBERS AND SCHEMATICS GUIDE

Figure 19: Right Side Pneumatic Ball Vibrators



Item #	Part #	Description
--------	--------	-------------

Fig. 19

1	10103609	Vibrator Shield (<i>Two Required</i>)
2	1012323	1/4-20 Zinc Lock Nut with Nylon Insert (<i>Four Required</i>)
3	10103258	Pneumatic Ball Vibrator (<i>Two Required</i>)
4	10103322	1/4" I.D. Black Urethane Tubing (<i>Per Foot</i>)
5	20PFBA31095614	1/4" Tube x 1/4" NPT 90° Fitting
6	20PFHA24SB0402	1/4" x 1/8" Reducing Bushing
7	1012905	1/8" Breather Muffler (<i>Two Required</i>)
8	10103261	1/4" Male Push-to-Connect Tee

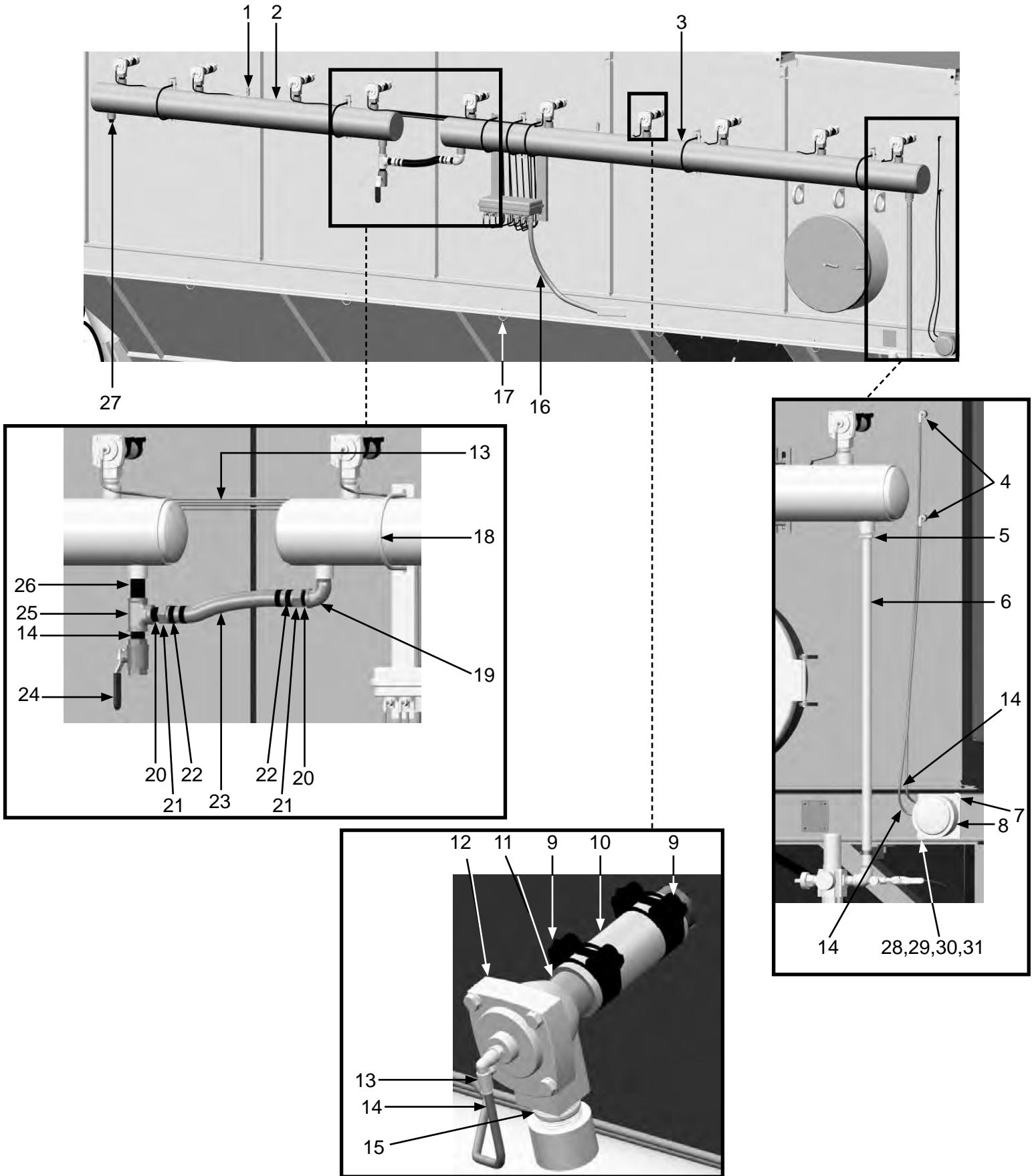
PART NUMBERS AND SCHEMATICS GUIDE

Pulser System Assembly

Item #	Part #	Description
Fig. 20		
1	1028607	1/4" NPT Pressure Relief Valve – 125 psi <i>(Two Required)</i>
2	10103452	4 Pipe Header
3	10102948	6 Pipe Header
4	20PFBA31095614	1/4" Tube x 1/4" NPT 90° Fitting <i>(Two Required)</i>
5	20PFHA24SB1612	1" x 3/4" Reducing Bushing
6	10103315	3/4" x 36" Pipe Nipple
7	10103608	Magnehelic Differential Pressure Gauge Mounting Bracket
8	10103259	Magnehelic Differential Pressure Gauge Assembly <i>Includes Mounting Hardware</i>
9	10104136	T-Bolt Clamp 1-9/16" x 1-11/16" O.D. <i>(20 Required)</i>
10	10103654	1-1/4" I.D. Marine Hose – 100 psi <i>(Per Foot)</i>
11	10105207	1" x 3" Toe Nipple <i>(Six Required)</i>
12	10103255	1" Diaphragm Valve <i>(See Figure 21)</i>
13	20100579	1/4" O.D. Tube x 1/8" NPT Swivel <i>(20 Required)</i>
14	10103322	1/4" O.D. Black Urethane Tubing <i>(Per Foot)</i>
15	10103318	1" x 2" Pipe Nipple <i>(11 Required)</i>
16	10103304	3/4" I.D. Flexible Conduit
17	10103625	D-Ring with Nut <i>(16 Required)</i>
18	10103394	3/8-16 x 6" U-Bolt Assembly <i>(Seven Required)</i>
19	1011801	1" Street Elbow
20	1012151	1" Galvanized Close Nipple <i>(Two Required)</i>
21	10SFE2	1" Female Swivel End <i>(Two Required)</i>
22	10AHCL1	Band Clamp <i>(Two Required)</i>
23	10AH100	1" I.D. Air Hose
24	1011601	1" Full Port Ball Valve
25	1011816	1" Pipe Tee
26	1011843	1" x 2-1/2" NPT Pipe Nipple
27	1011901	1" Pipe Plug
28	10104234	3/8-16 x 1-1/4 Hex Bolt Zinc Grade 5
29	10101942	3/8" Flat Washer – Galvanized
30	10101936	3/8" Lock Washer – Zinc
31	1012318	3/8-16 HD Hex Nut

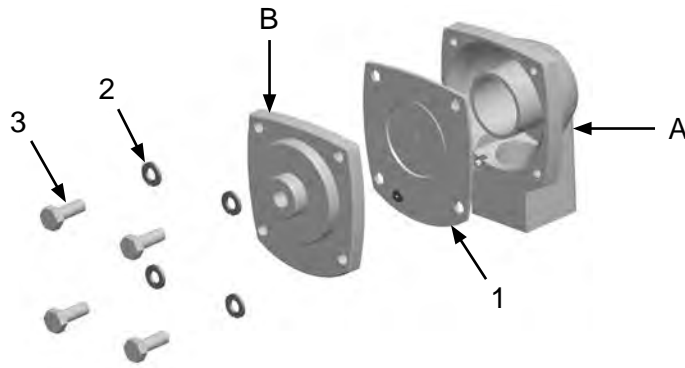
PART NUMBERS AND SCHEMATICS GUIDE

Figure 20: Pulsar System Assembly



PART NUMBERS AND SCHEMATICS GUIDE

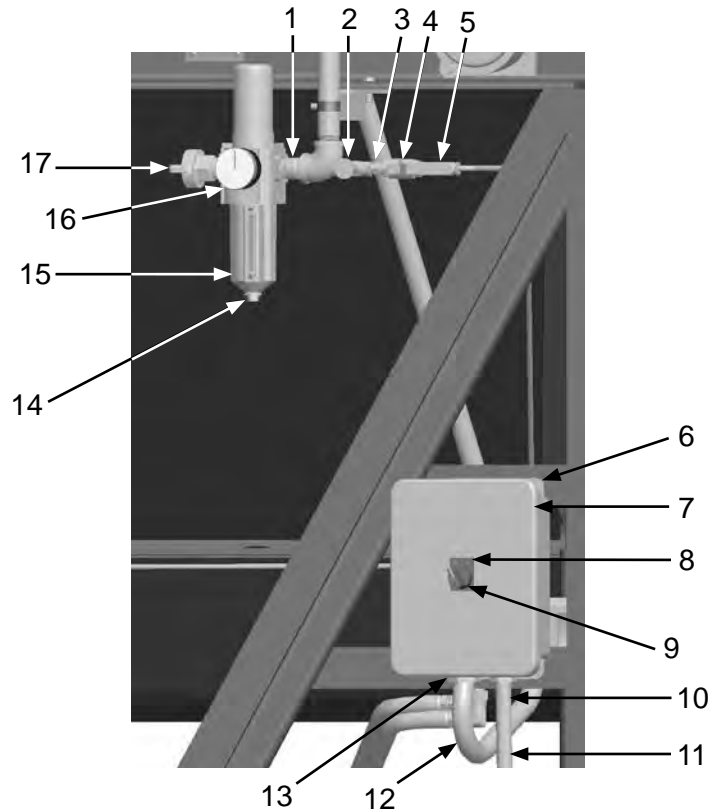
Figure 21: Diaphragm Valve



Item #	Part #	Description
Fig. 21		
—	10103255	1" Diaphragm Valve – Complete <i>Includes Items: A, B, 1, 2, and 3</i>
1	10103954	1" Diaphragm Valve Service Kit
2	1012153	1/4" Lock Washer <i>(Four Required)</i>
3	20101232	M6 x 1 x 14 HHCS <i>(Four Required)</i>

PART NUMBERS AND SCHEMATICS GUIDE

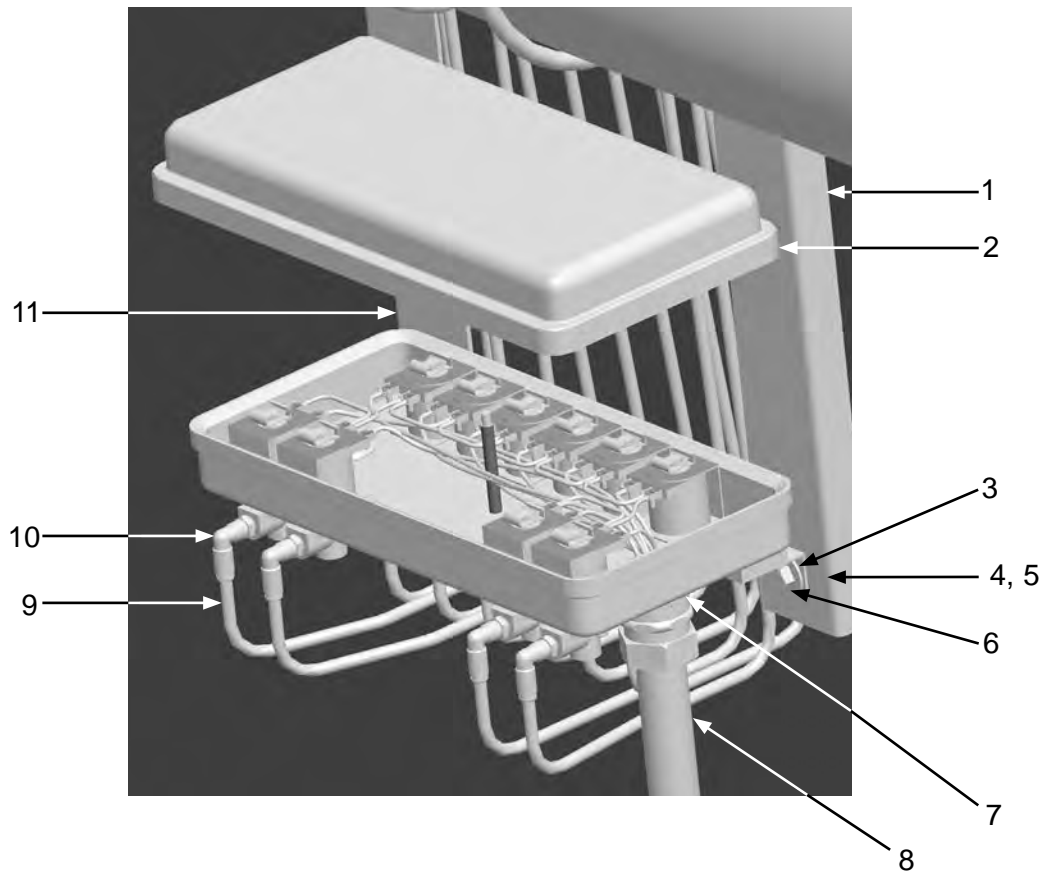
Figure 22: Pulsar Regulator and Timer Assembly



Item #	Part #	Description
Fig. 22		
1	10103317	3/4" x 2" Pipe Nipple
2	10103292	1/4" Needle Valve
3	1017019	1/4" x 1/4" Hex Nipple
4	1080050	1/4" Ball Valve
5	10103261	1/4" Prestolock Tee
6	20100125	1/4-20 x 3/4" Zinc Hex Bolt <i>(Four Required)</i>
7	10103488	Timer Controller – 10 Channel
—	10103935	Timer Box Only
—	10103949	Timer Board Only
8	10103414	On/Off Name Plate
9	10103305	2-Way Selector Switch
10	20RST50	Straight Liquid Tite Connection Fitting <i>(Two Required)</i>
11	20RSEL050UL	1/2" UL/UA Seal-Tite Conduit Pipe <i>(Per Foot)</i>
12	10103304	3/4" Flexible Conduit
13	10103303	3/4" Conduit Hub
14	10103952	Filter Auto Drain
15	10103257	Excelon 74 Series Filter/Regulator
16	10103953	Sight Glass Kit
17	10ME1	3/4" Male 2-Lug Coupling
—	10103950	Excelon 74 Series Filter/Regulator Service Kit
—	10103951	Filter Element <i>(Not Shown)</i>

PART NUMBERS AND SCHEMATICS GUIDE

Figure 23: Pulsar Solenoid Enclosure Assembly



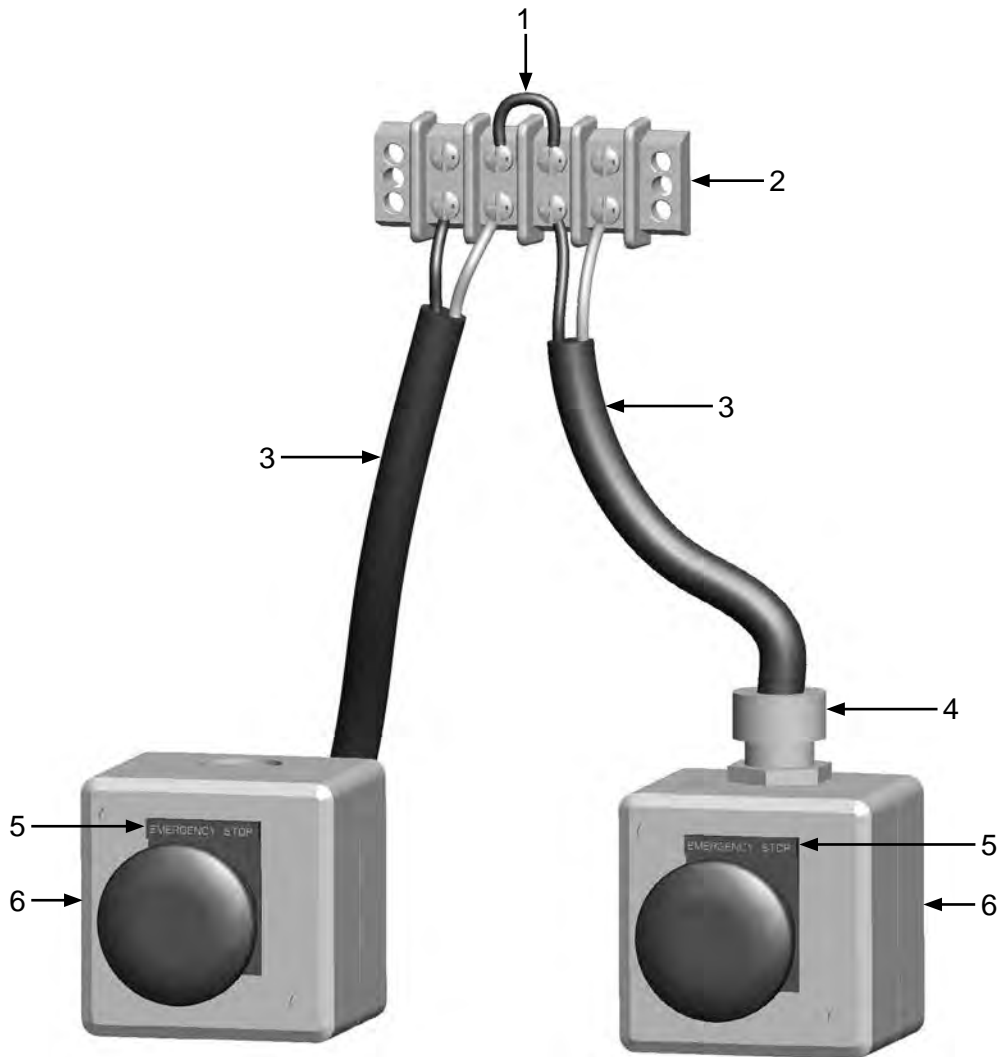
Item #	Part #	Description
--------	--------	-------------

Fig. 23

1	10102970	Solenoid Enclosure Mount – Right
2	10103489	10 Solenoid Pilot Valve
3	10101942	3/8" Galvanized Flat Washer (<i>Four Required</i>)
4	10101936	3/8" Zinc Lock Washer (<i>Two Required</i>)
5	1012318	3/8-16 Hex Nut (<i>Two Required</i>)
6	1011747	3/8-16 x 1" Bolt
7	10103303	3/4" Conduit Hub
8	10103304	3/4" Flexible Conduit
9	10103322	1/4" O.D. Black Urethane Tubing (<i>Per Foot</i>)
10	20100579	1/4" O.D. Tube x 1/8" NPT Swivel (<i>10 Required</i>)
11	10102969	Solenoid Enclosure Mount – Left
—	10103955	Solenoid Valve (<i>10 Required</i>)
—	10103956	Solenoid Coil (<i>One Required per Solenoid</i>)
—	10103957	Solenoid Service Kit <i>Includes: O-Ring, Plunger, Spring, Ferrule</i>

PART NUMBERS AND SCHEMATICS GUIDE

Figure 24: Emergency-Stop Stations



Item #	Part #	Description
Fig. 24		
1	20R12AWGBLACK	Stranded Wire – 12 AWG – Black
2	10104066	Terminal Strip – 4-Circuit – 30 amp
3	1015570	12/2 SO Electric Cord (<i>Per Foot</i>)
4	1019048	1/2" NPT Cord Grip
5	10104063	Legend Plate – Emergency-Stop Station
6	10104071	Emergency-Stop Control Station (<i>Two Required</i>)
—	1015009	8-32 x 1" Pan Head Phillips Screw (<i>Four Required</i>)
—	20000021	8-32 Zinc Nut (<i>Four Required</i>)
—	20000018	#8 Zinc Lock Washer (<i>Four Required</i>)
—	20000019	#8 Zinc Flat Washer (<i>Four Required</i>)

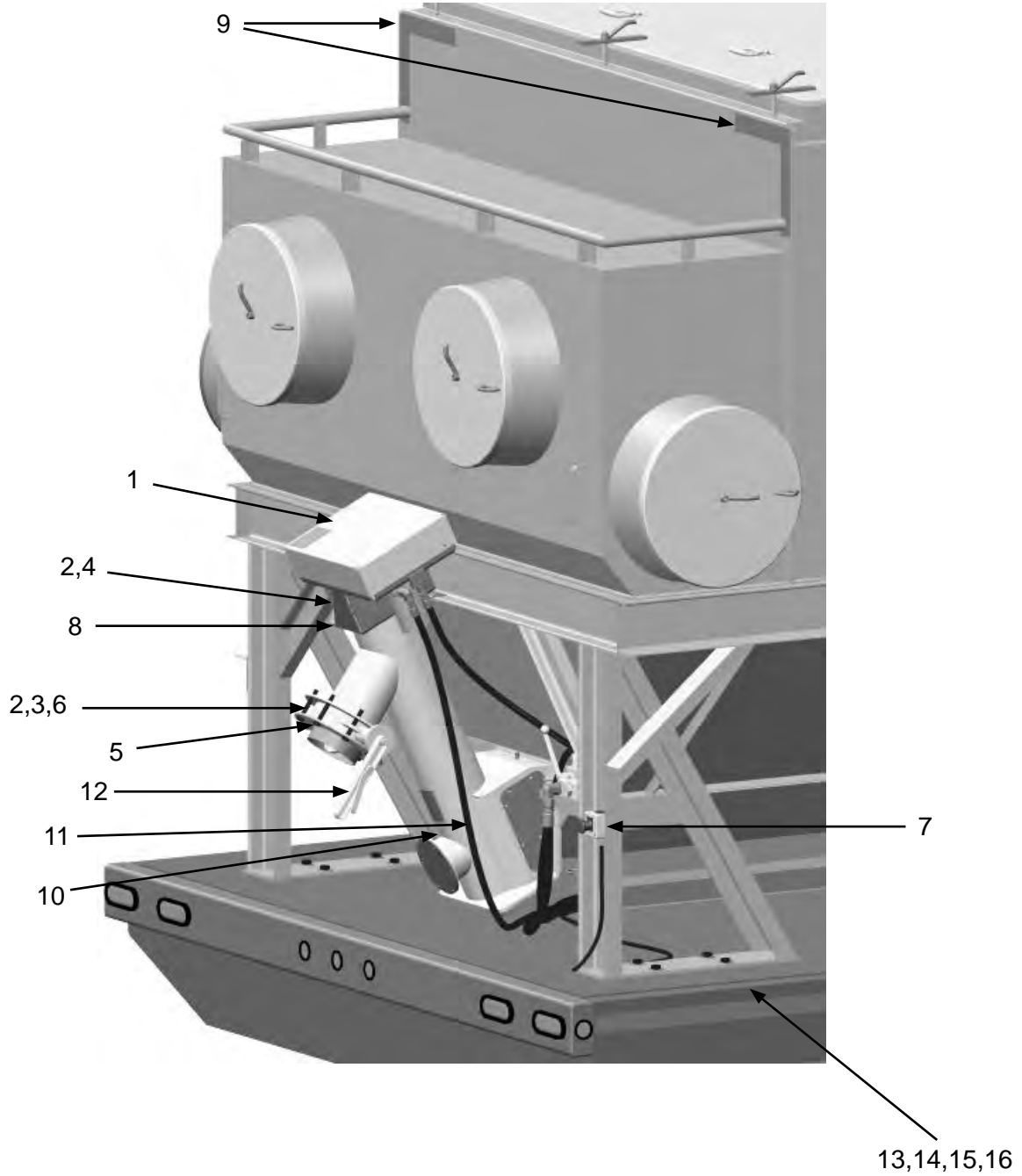
PART NUMBERS AND SCHEMATICS GUIDE

Discharge Auger Assembly

Item #	Part #	Description
Fig. 25		
1	10103363	Discharge Chain Cover
2	1014022	1/2-13 Hex Nut <i>(18 Required)</i>
3	10100674	1/2" Flat Washer <i>(Six Required)</i>
4	10100675	1/2" Lock Washer <i>(Eight Required)</i>
5	10102971	Discharge Hose Connector
6	10102703	1/2-13 x 3-1/2" Grade 5 Bolt <i>(Eight Required)</i>
7	10104071	Emergency-Stop Station <i>(See Figure 24)</i>
8	10103359	Discharge Auger Motor Mounting Bracket
9	10103880	White Conspicuity Tape <i>(Per Inch)</i>
10	10105936	Short Discharge Auger
11	10103409	Hydraulic Hose – 1/2" I.D. x 7' 1" – 2000 psi
12	10103302	6" Series Wafer Butterfly Valve
13	10103397	5/8-11 x 2" Grade 8 Bolt- Zinc <i>(16 Required)</i>
14	10103398	Washer – 5/8" Grade 8 <i>(32 Required)</i>
15	10103399	Lock Washer – 5/8" HD <i>(16 Required)</i>
16	10103393	Nut – 5/8-11 Grade 8 Zinc <i>(16 Required)</i>
—	10103881	Red Conspicuity Tape <i>(Per Inch)</i>

PART NUMBERS AND SCHEMATICS GUIDE

Figure 25: Discharge Auger Assembly



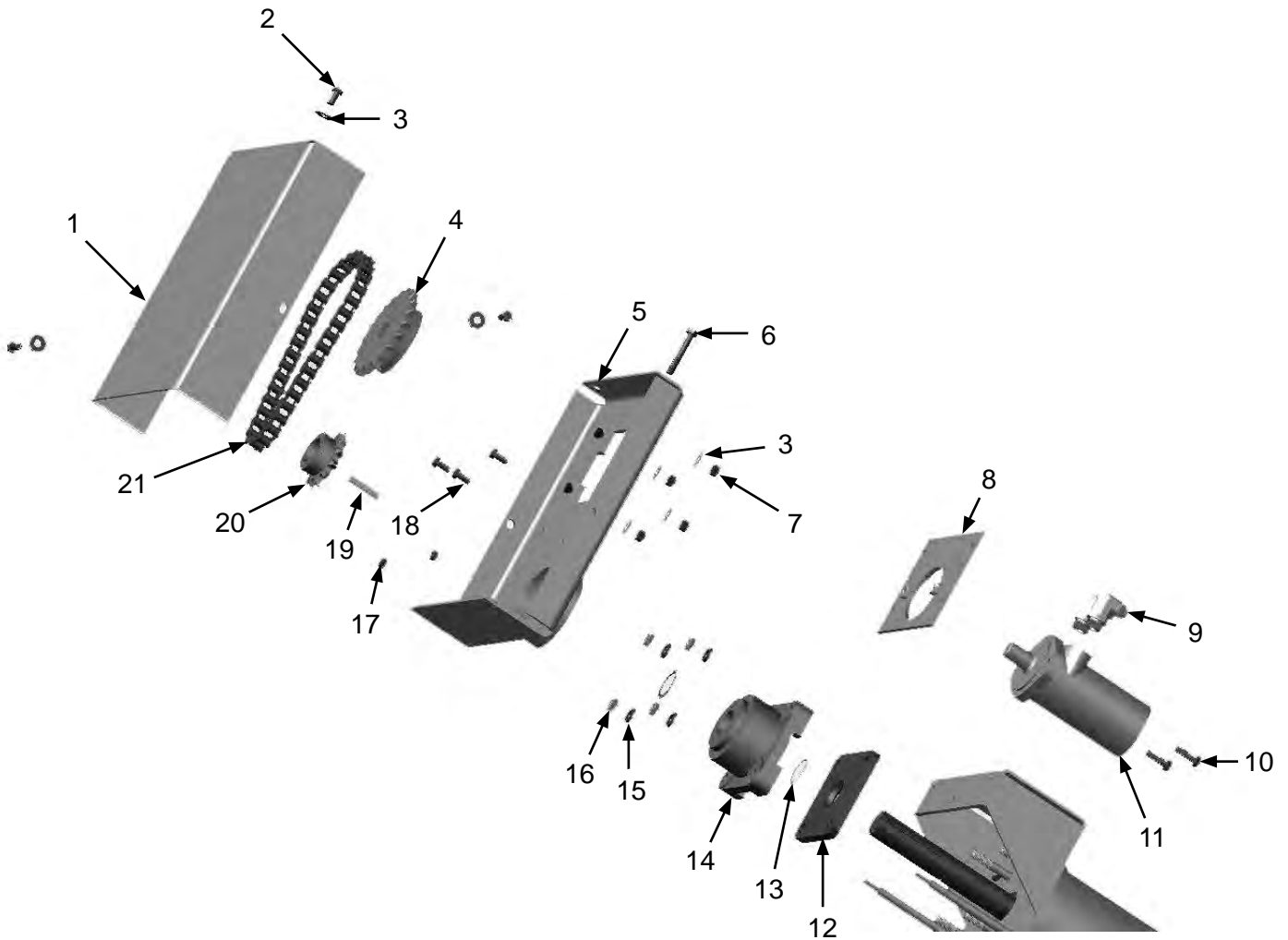
PART NUMBERS AND SCHEMATICS GUIDE

Discharge Auger Drive Assembly

Item #	Part #	Description
Fig. 26		
1	10103363	Chain Cover
2	10103400	3/8-16 x 3/4" Bolt <i>(Seven Required)</i>
3	10101942	3/8" Galvanized Flat Washer <i>(Three Required)</i>
4	10104217	22-Tooth Sprocket
5	10104197	Chain Cover Base
6	10101933	3/8"-16 x 2-1/2" Hex Bolt
7	1012318	3/8-16 Hex Nut <i>(Four Required)</i>
8	10104199	Sliding Motor Mount
9	10103308	JIC 8 x SAE 10 90° Elbow <i>(Two Required)</i>
10	10104234	3/8-16 x 1-1/4" Hex Bolt <i>(Two Required)</i>
11	10102887	Hydraulic Motor
12	10102902	Seal Plate
13	10103605	Snap Ring <i>(Two Required)</i>
14	10102903	Thrust Bearing
15	10100675	1/2" Lock Washer <i>(Four Required)</i>
16	1014022	1/2-13 Hex Nut <i>(Four Required)</i>
17	1035046	5/16"-18 Nut <i>(Two Required)</i>
18	10101346	5/16-18 x 3/4" L GR 5 Bolt <i>(Three Required)</i>
19	10103641	3/8 Key Cut
20	10102886	13-Tooth Sprocket
21	10104191	Discharge Auger Chain Kit <i>Includes part #'s 10103392, 10103391 (3'), and 10103614</i>
—	10103392	#60 Connecting Chain Link
—	10103391	#60 Cottered Roller Chain <i>(Per Foot)</i>
—	10103614	#60 Offset Chain Link
—	10103940	Seal Kit for Hydraulic Motor 10102887

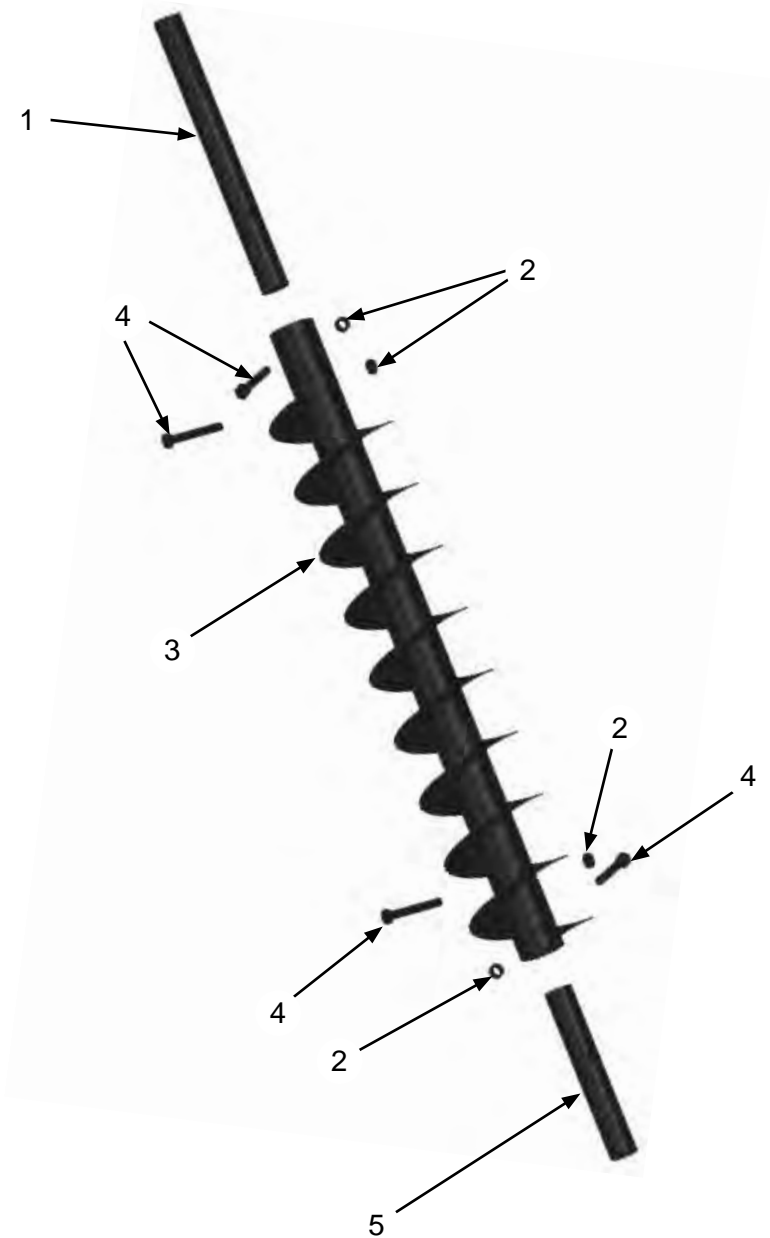
PART NUMBERS AND SCHEMATICS GUIDE

Figure 26: Discharge Auger Drive Assembly



PART NUMBERS AND SCHEMATICS GUIDE

Figure 27: Discharge Augers



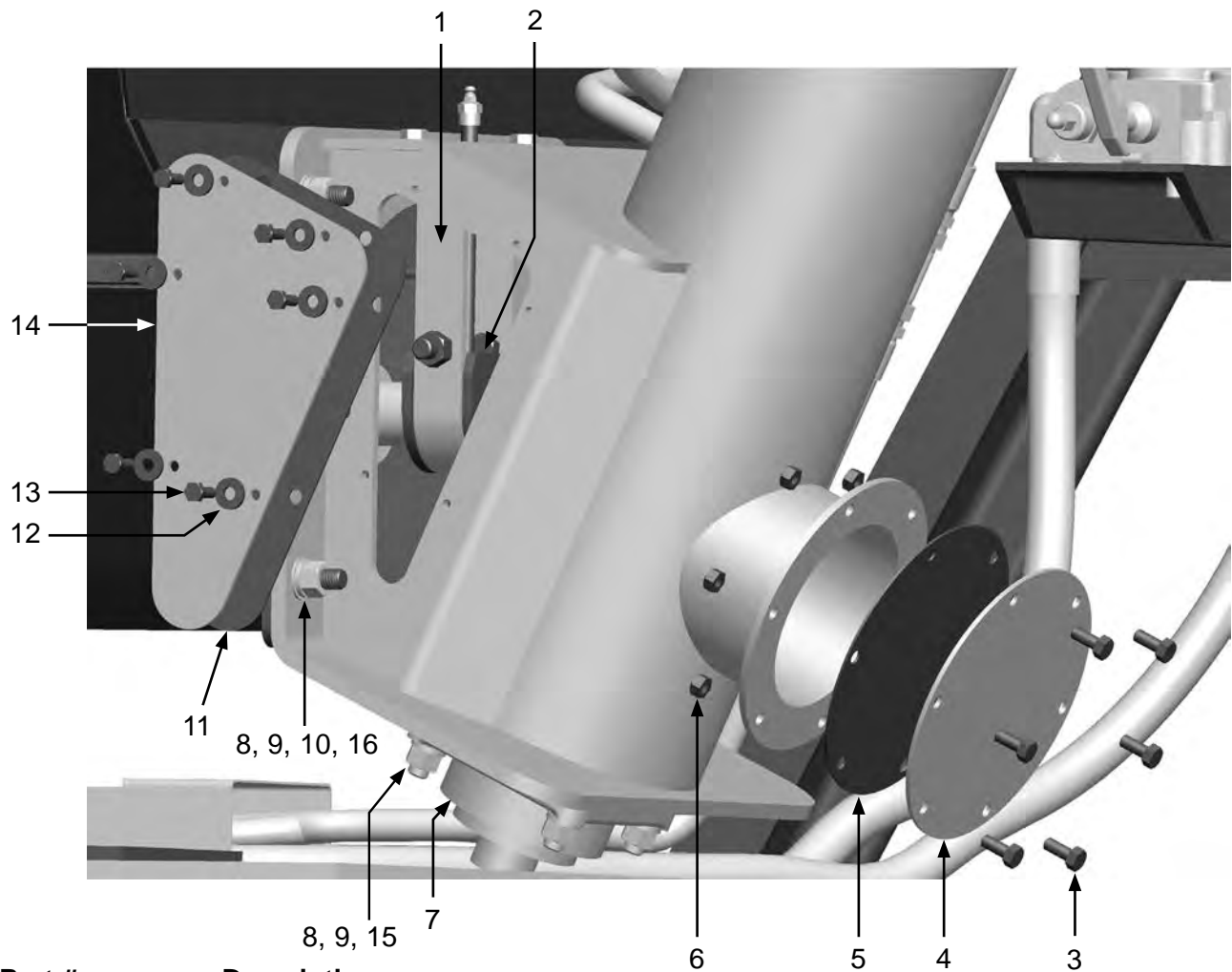
Item #	Part #	Description
--------	--------	-------------

Fig. 27

1	10103306	Drive Shaft
2	1014022	1/2-13 Hex Nut (<i>Four Required</i>)
3	10105943	34" x 6" Half Pitch Auger
4	10103401	1/2-13 x 3" Galvanized Bolt (<i>Four Required</i>)
5	10102910	Auger Shaft End

PART NUMBERS AND SCHEMATICS GUIDE

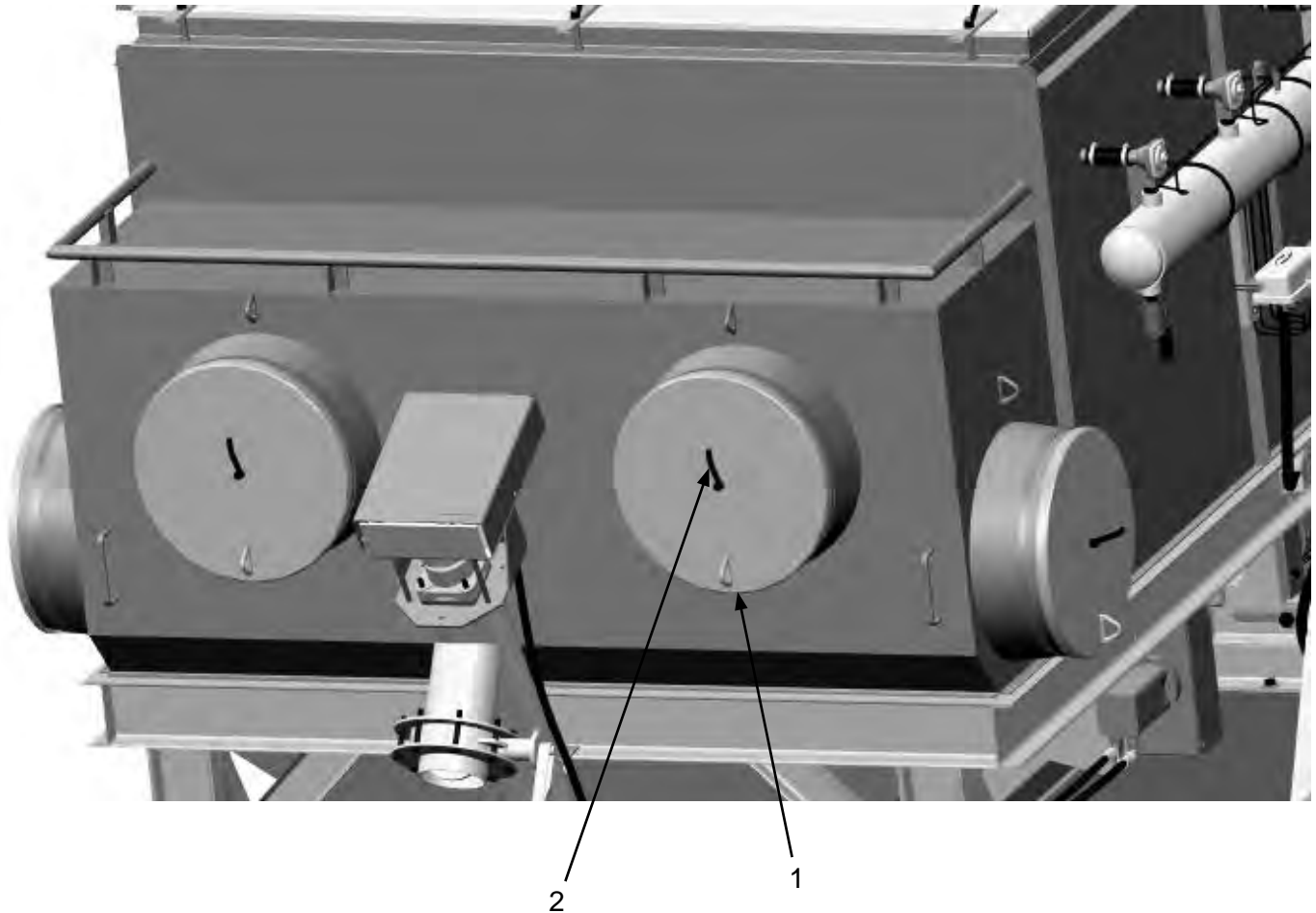
Figure 28: Discharge Auger Clean-Out Assembly



Item #	Part #	Description
Fig. 28		
1	10102896	Bearing Hanger
2	10103413	Bearing
3	10101346	5/16-18 x 3/4" Bolt (Six Required)
4	10103235	Auger Clean-Out Cover
5	10103716	Neoprene Auger Clean-Out Gasket
6	1035046	5/16-18 Nut (Six Required)
7	10102880	Discharge Auger Lower Bearing Assembly
8	10101941	1/2-13 Galvanized Hex Nut (10 Required)
9	10100675	1/2" Lock Washer (10 Required)
10	10100674	1/2" Flat Washer (Six Required)
11	10103717	Discharge Auger Side Gasket (Two Required)
12	10101940	1/4" Galvanized Flat Washer (12 Required)
13	20100125	1/4-20 x 3/4" Zinc Hex Bolt (12 Required)
14	10103236	Discharge Auger Side Cover (Two Required)
15	10102652	1/2-13 x 2-1/4" GR5 Bolt
16	10101943	1/2-13 x 1-3/4" Hex Bolt

PART NUMBERS AND SCHEMATICS GUIDE

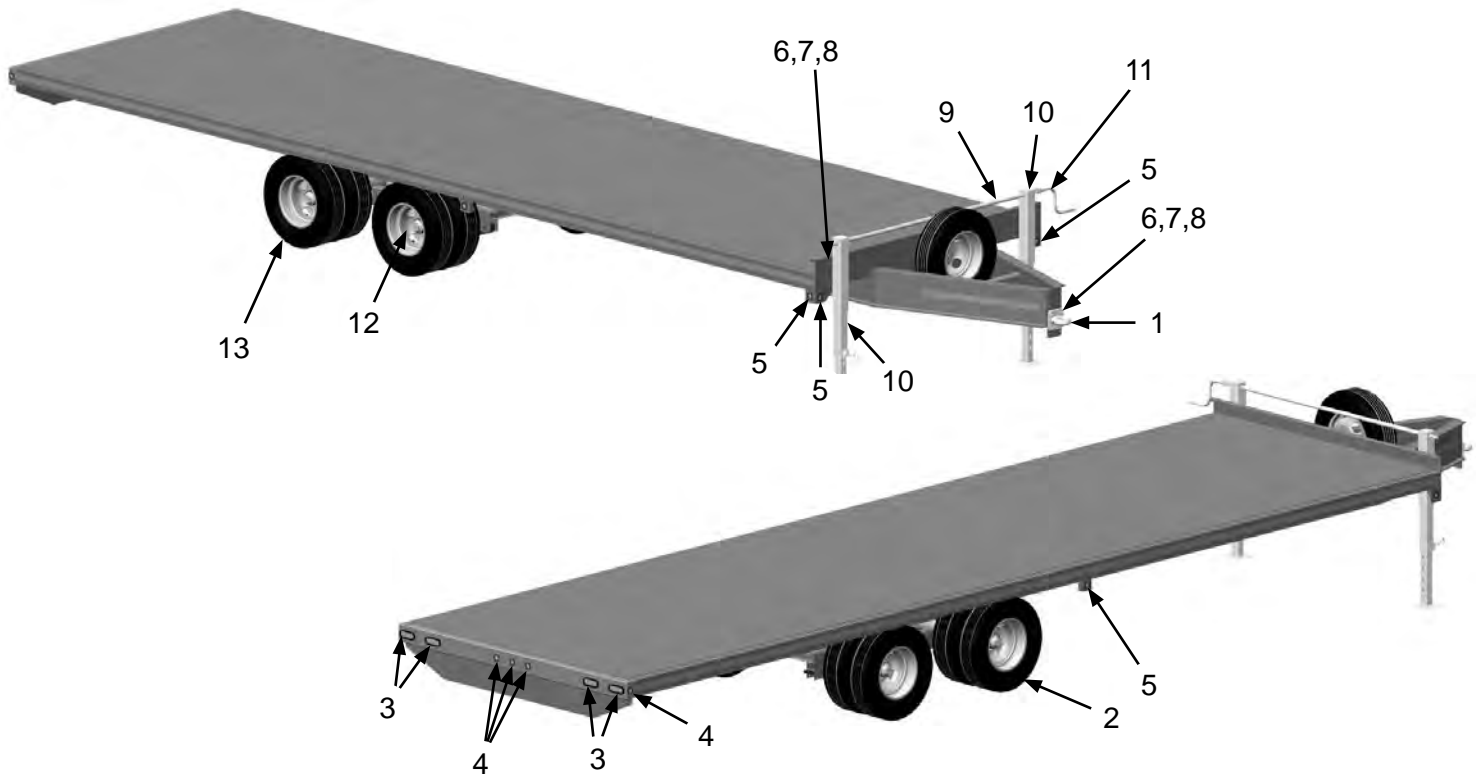
Figure 29: Inlet Door Assembly



Item #	Part #	Description
Fig. 29		
1	10105945	20" Inlet Cover (Six Required)
2	10105960	3/8-16 Handle Zinc (Six Required)
—	10102339	Camlock Closure – Chain – 1/8" (Per Foot)
—	10102410	Spring Snap Hook – 1/4" (Eight Required)

PART NUMBERS AND SCHEMATICS GUIDE

Figure 30: Trailer



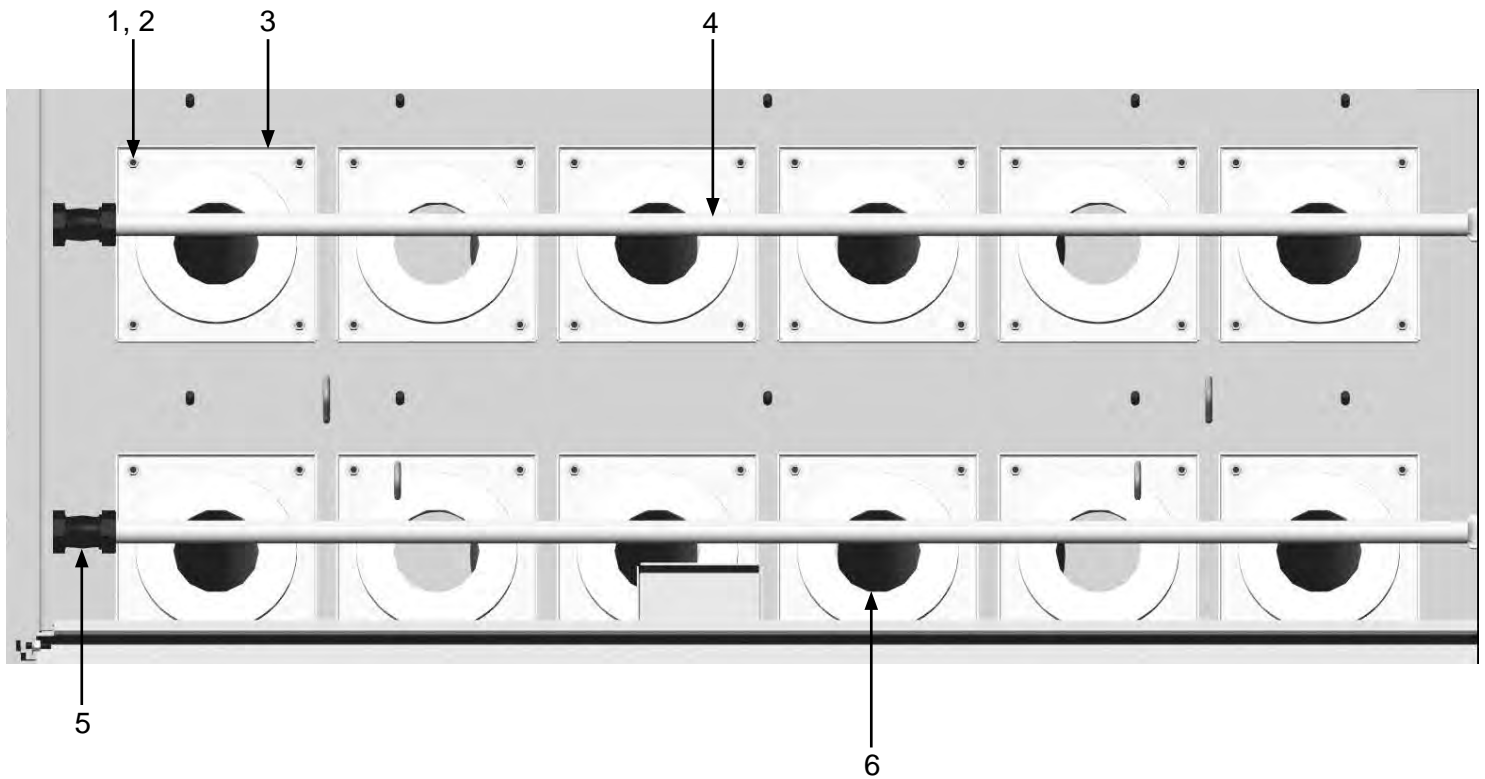
Item #	Part #	Description
--------	--------	-------------

Fig. 30

—	10105938	30' Long x 96" Wide Flat Steel Deck Trailer
1	10104079	Pintle Hitch with Flat Plate
2	10106290	ST235/85R16 14-Ply Dual-Rim / Tire <i>(Nine Required)</i>
3	10104084	Red LED Oval Tail Light <i>(Four Required)</i>
4	10104086	2" Round Red LED Clearance Light <i>(Five Required)</i>
5	10104087	2" Round Amber LED Clearance Light <i>(Six Required)</i>
6	10105746	5/8 x 2-1/2" Grade 8 Bolt <i>(Four Required)</i>
7	10105747	5/8 Reverse Lock Nut <i>(Four Required)</i>
8	10103398	5/8" Flat Washer <i>(Four Required)</i>
9	10106830	Jack Stand Assembly
10	10104082	10,000 # Heavy Spring Loaded Jack <i>(Two Required)</i>
11	10107329	Sidewind Crank with Hardware
12	10107324	Rim For Dual Wheel 12,000 lb Axle
13	10107369	ST235/85R 14-Ply Tire
—	10104081	Breakaway Kit
—	10107323	50K 12,000 lb Axle
—	10104135	Wire Harness
—	10105826	Redline 12V - 5AH Battery Sealed
—	10104080	3/8" x 35" Chain with Hook
—	109V582	Operator's Manual – Behnke Trailer

PART NUMBERS AND SCHEMATICS GUIDE

Figure 31: Dust Collector Filter Cartridge Pulsers



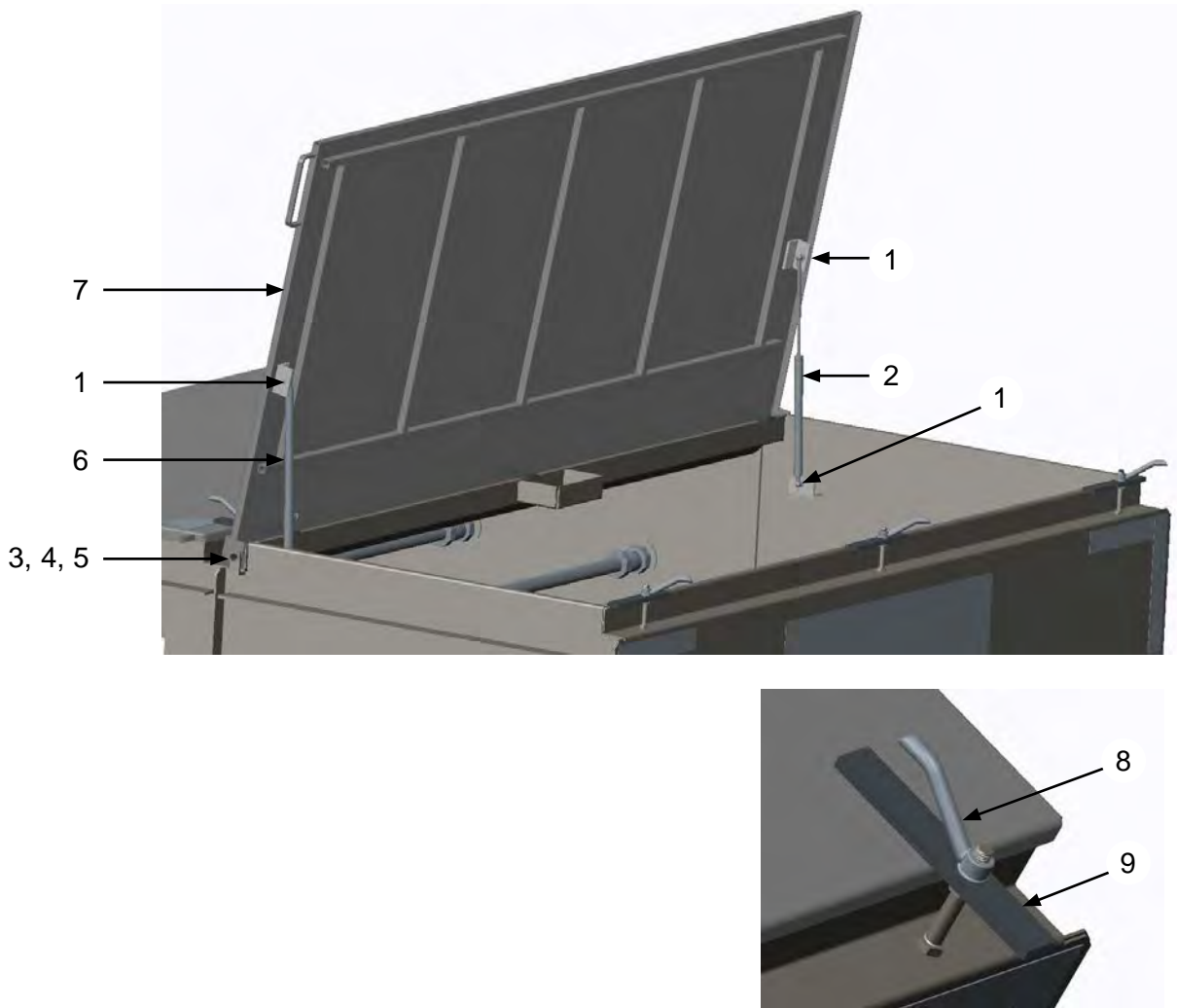
Item #	Part #	Description
--------	--------	-------------

Fig. 31

1	10101942	3/8" Flat Washer (4 Required Per Filter)
2	1012318	3/8" Hex Nut (4 Required Per Filter)
3	10105939	Filter Bolt-Down (1 Required Per Filter)
4	10105942	Small Filter Blowpipe (Two Required Per Hatch Opening)
5	10102599	Compression Coupling Assembly (Two Required Per Hatch Opening)
6	10105973	85/15 Blend High Density Pleat Filters – 4.87" I.D. – 9.22" O.D. – 35" Length
	10106218	85/15 Blend Reduced Pleat Filters – 4.87" I.D. – 9.22" O.D. – 35" Length
	10105974	Fire Retardant Filters – 4.87" I.D. – 9.22" O.D. – 35" Length
	101569046	HEPA Filters – 4.87" I.D. – 9.22" O.D. – 35" Length
	10105980	Spunbond Filters – 4.87" I.D. – 9.22" O.D. – 35" Length

PART NUMBERS AND SCHEMATICS GUIDE

Figure 32: Dust Collector Filter Cartridge Hatch Door



Item #	Part #	Description
--------	--------	-------------

Fig. 32

1	1035046	5/16-18 Hex Nut (<i>Four Required</i>)
2	10103454	Non-Locking Gas Spring
3	1028617	3/8-16 x 1-3/4" Shoulder Bolt (<i>Two Required</i>)
4	10101942	3/8" Flat Washer (<i>Four Required</i>)
5	10101938	3/8"-16 Hex Nut (<i>Two Required</i>)
6	10103455	Locking Gas Spring
7	10102917	Hopper Lid
8	10103395	1/2-13 Zinc Plated Handle (<i>Three Required</i>)
9	10104377	Latch Bar (<i>Three Required</i>)

Quantities specified are per hatch opening

OPTIONAL ACCESSORIES



Part Numbers

REPLACEMENT DUST COLLECTOR FILTER CARTRIDGES				
	Material	I.D.	O.D.	Length
10105973	85/15 Blend High Density Pleat	4.87"	9.22"	35"
10106218	85/15 Blend Reduced Pleat	4.87"	9.22"	35"
10105974	Fire Retardant	4.87"	9.22"	35"
101569046	HEPA	4.87"	9.22"	35"
10105980	Spunbond	4.87"	9.22"	35"



Part Numbers

20" I.D. DUCT HOSE								
	Duct Hose I.D.	Length	Pitch	Bend Radius	Body Material	Wear Strip Material	Wear Strip Color	Temperature Range (°F)
10DH2025HD	20"	25 Ft.	1-1/2"	17"	2-Ply Vinyl-Coated Polyester	PVC	Red	-20° – 180°
10DH2050HD	20"	50 Ft.	1-1/2"	17"	2-Ply Vinyl-Coated Polyester	PVC	Red	-20° – 180°



Part Numbers

20" I.D. DUCT HOSE COUPLINGS		
	Duct Hose I.D.	Material
1017120	20"	Stainless Steel



Part Numbers

20" I.D. DUCT HOSE SCREW CLAMPS		
	Duct Hose I.D.	Material
10DH062602000	20"	Stainless Steel

OPTIONAL ACCESSORIES



Part Numbers

3/4" I.D. X 1-1/4" O.D. AIR HOSE WITH COUPLINGS INSTALLED

	Length	Hose I.D.	Hose O.D.	Working Pressure	Hose Cover Color	Couplings
10AH034AC	50 Ft.	3/4"	1-1/4"	200 PSI	Red	2-Lug Crimped On



Part Numbers

3/4" I.D. X 1-1/4" O.D. AIR HOSE

	Length	Hose I.D.	Hose O.D.	Working Pressure	Hose Cover Color
10AH034	Per Ft.	3/4"	1-1/4"	200 PSI	Red



Part Numbers

MALE HOSE END COUPLING AND GASKET FOR 3/4" I.D. AIR HOSE

	Hose I.D.	Material	Coupling Style	GASKET		
				Rubber Gasket	Gasket I.D.	Gasket O.D.
10HE1	3/4"	Plated Iron	2-Lug	10UG2	3/4"	1-3/8"



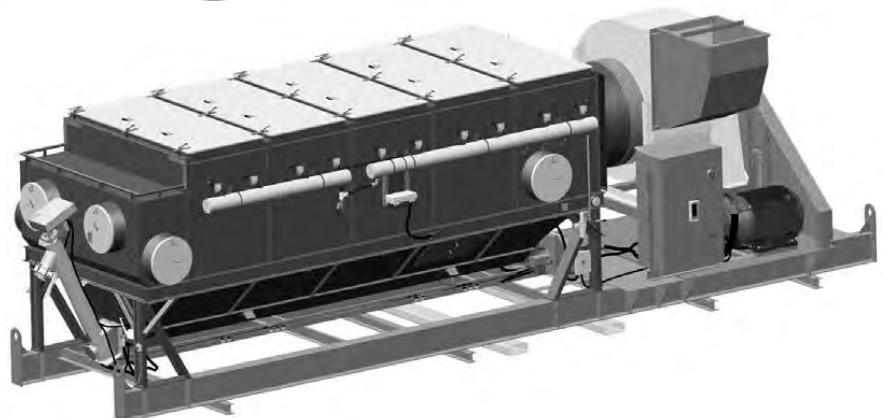
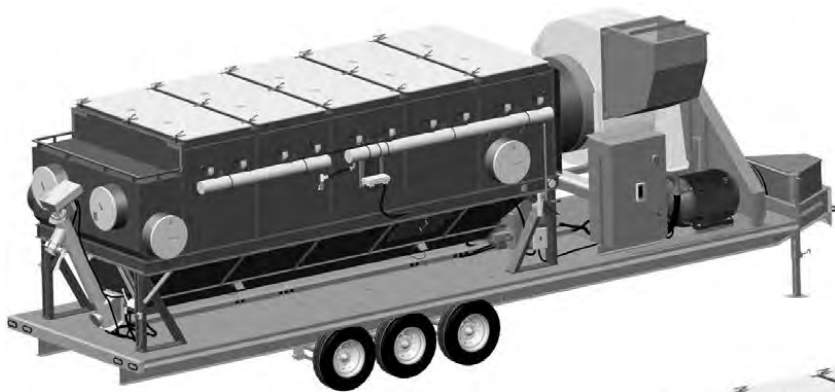
Part Numbers

BOSS® CLAMP FOR 3/4" I.D. AIR HOSE

	Hose I.D.	Hose O.D. Range	Material
10A9	3/4"	1-1/8" – 1-5/16"	Plated Steel

PART NUMBERS

DUSTMASTER® 50,000 CFM ELECTRIC DUST COLLECTORS									
Part Numbers	Filter Cartridge Material						Trailer	Skid	Filter Cartridge Quantity
	None	High Density Pleat 85% Cellulose/15% Poly Blend	Reduced Pleat 85% Cellulose/15% Poly Blend	Fire Retardant	HEPA	Spunbond			
10106092	X						X		-
10106093		X					X		56
10106094			X				X		56
10106095				X			X		56
10106096					X		X		56
10106097						X	X		56
10106158	X							X	-
10106159		X						X	56
10106160			X					X	56
10106161				X				X	56
10106162					X			X	56
10106163						X		X	56



SPECIFICATIONS

Capacity:	CFM = 36,880 – 50,490 W.C. = 6 – 16"
Filter Cartridge Style:	Open Top, Closed Bottom 56 Required
Filter Cleaning:	Pulse System, 5–15 second intervals Pulse Duration: 200–350 millisecond
Air to Cloth Ratio:	3.43:1 @ 40,000 CFM
Filter Area:	11,662 square feet
Efficiency:	85/15 High Density Pleat Blend Filters – 99.8% @ 0.5 micron 85/15 Reduced Pleat Blend Filters – 99.8% @ 0.5 micron HEPA Filters – 99.99% @ 0.3 micron Fire Retardant Filters – 96.8% @ 2.0 micron Spunbond Filters – 97% @ 3.0 micron
Ducting Connections:	20" I.D., Quantity of Six
Clean-out Ports:	One
Dust Removal Conveyor:	Main Auger, 6" Discharge Auger, Hydraulic Motor Drive
Fan:	Backward Inclined, non-overloading, spark resisting
Motor:	150 Horsepower Electric 3-Phase - Fan 10 Horsepower Electric 3-Phase - Hydraulic
Electrical System:	460 V, 60 Hz 170 FLA
Air Requirements:	Clean, Dry, Compressed Air 24 CFM @ 90 PSI
Motor Protection:	Motors are fused in control box
Fluid Specifications:	Hydraulic Oil: H46 or equivalent, 40 Gallons Grease/Lubricator: Mobil Polyrex EM or equivalent
Unit Dimensions Trailer Model:	Weight: 19,900 pounds (empty) Tongue Weight: 3980 pounds Length: 36' 3" Width: 8' 6" Height: 11' 2"
Unit Dimensions Skid Model:	Weight: 15,500 pounds (empty) Length: 32' 6" Width: 8' 6" Height: 9' 7"

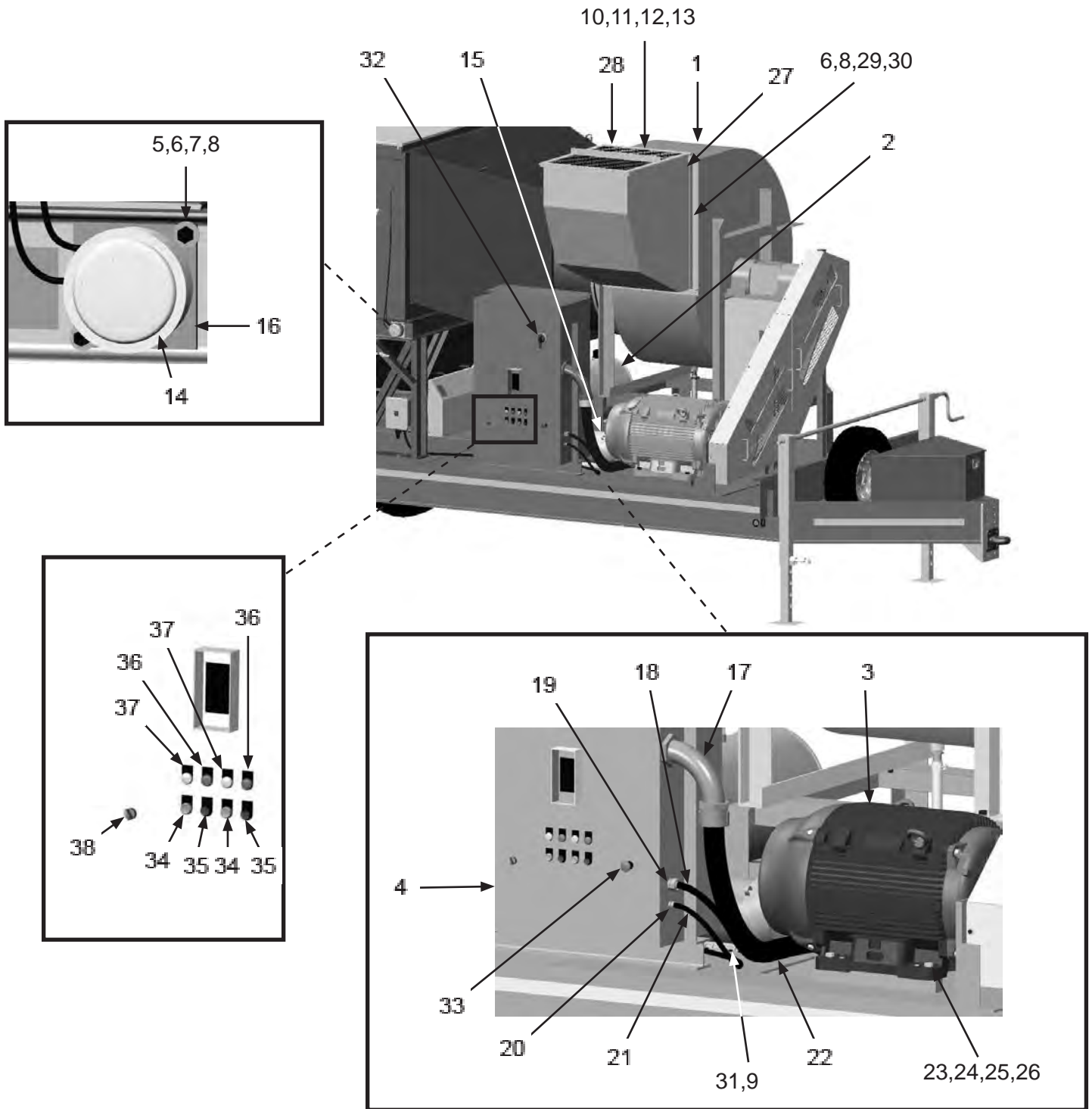
PART NUMBERS AND SCHEMATICS GUIDE

Front Assembly

Item #	Part #	Description
Fig. 1		
1	10103495	Fan BI-365 TH ARRG I Class IV
2	10105031	Hydraulic Oil Tank <i>(See Figure 2)</i>
3	10106015	Electric Motor - 150 HP, 3-Phase
4	10106112	Control Panel
5	1011747	3/8-16 x 1" Bolt <i>(Eight Required)</i>
6	10101936	3/8" Lock Washer – Zinc <i>(24 Required)</i>
7	1012318	3/8-16 Hex Nut <i>(12 Required)</i>
8	10101942	3/8" Flat Washer <i>(36 Required)</i>
9	10104234	3/8-16 x 1-1/4 Hex Bolt Zinc Grade 5 <i>(Four Required)</i>
10	10101937	1/4-20 x 1" Grade 5 Bolt <i>(12 Required)</i>
11	10101940	1/4" Flat Washer <i>(16 Required)</i>
12	1012153	1/4" Lock Washer <i>(12 Required)</i>
13	10101347	1/4-20 Hex Nut <i>(12 Required)</i>
14	10103259	Magnehelic Differential Pressure Gauge
15	10106002	Electric Motor 10 HP, 3-Phase
16	10103608	Magnehelic Differential Pressure Gauge Mounting Bracket
17	10106132	3" 90° Conduit Hub
18	10103853	1" Liquid-Tight Flexible Conduit
19	10103854	1" Straight Hub
20	20RST50	Straight Liquid Tite Connection Fitting
21	20RSEL050UL	1/2" UI/UA Seal-Tite Conduit
22	10106128	3" Flexible Sealtite Conduit
23	10106101	3/4-10 x 5-1/4" Grade 8 Bolt Zinc <i>(Four Required)</i>
24	10103418	Washer - 3/4" - Grade 8 <i>(Four Required)</i>
25	10103419	Lock Washer - 3/4" HD <i>(Four Required)</i>
26	10103420	3/4-10 UNC Grade 8 Nut <i>(Four Required)</i>
27	10103512	Fan Exhaust
28	10103979	Bird Screen Frame
29	10L805318	3/8-24 X 1-1/4 GRD 5 Bolt <i>(12 Required)</i>
30	10L804303	3/8-24 Hex Nut <i>(12 Required)</i>
31	10102331	3/8 SAE Flat Washer Zinc Plate <i>(Four Required)</i>
32	10105360	Black Handle Mechanism
33	10105371	40mm Red Mushroom NC twist release
34	10105372	Red NC Momentary switch
35	10105373	Black NO Momentary switch
36	10105374	Red Indicating light 120 VAC
37	10105375	Green Indicating light 120 VAC
38	10103305	Selector Switch - 2-Way
—	109V045	Operator's Manual – Dynamic Fan Corporation
—	109V563	Operator's Manual – WEG Electric Motor Manual - Fan
—	105M135	Features & Specifications Guide – Dustmaster® 50,000 CFM Electric Dust Collectors
—	106M135	Part Numbers & Schematics Guide – Dustmaster® 50,000 CFM Electric Dust Collectors
—	1090135	Operator's Manual – Dustmaster® 50,000 CFM Electric Dust Collectors

PART NUMBERS AND SCHEMATICS GUIDE

Figure 1: Front Assembly



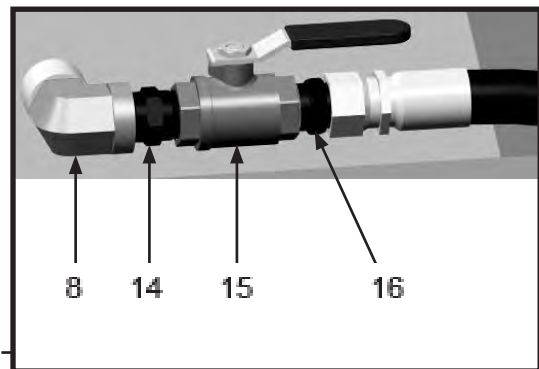
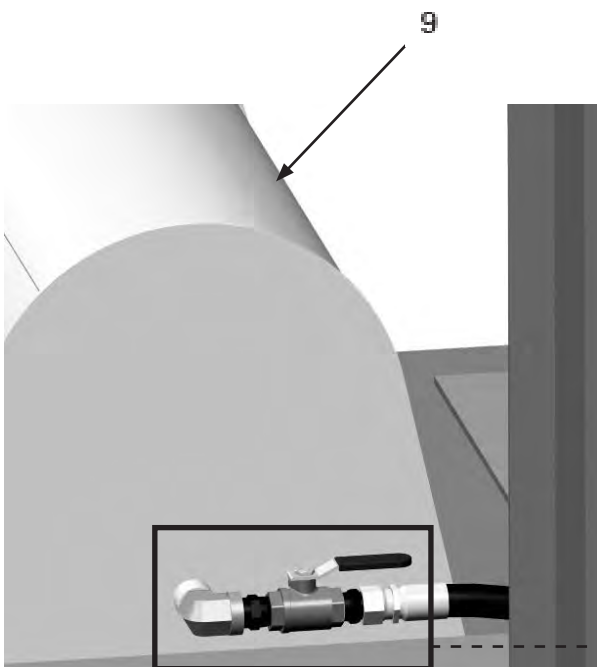
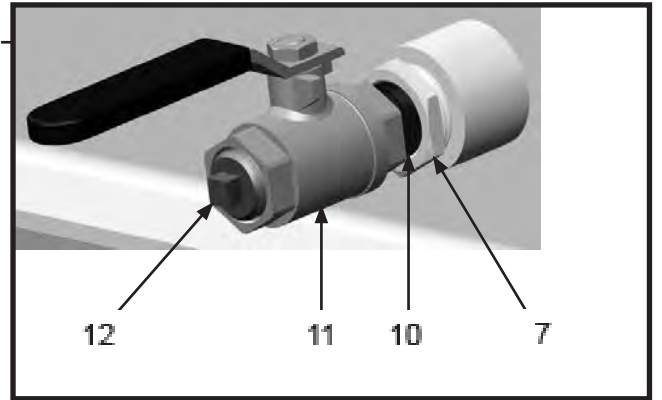
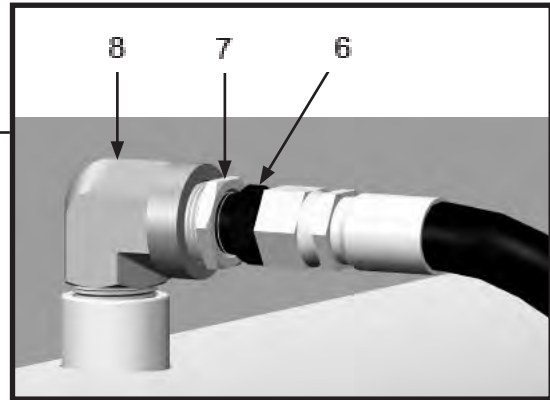
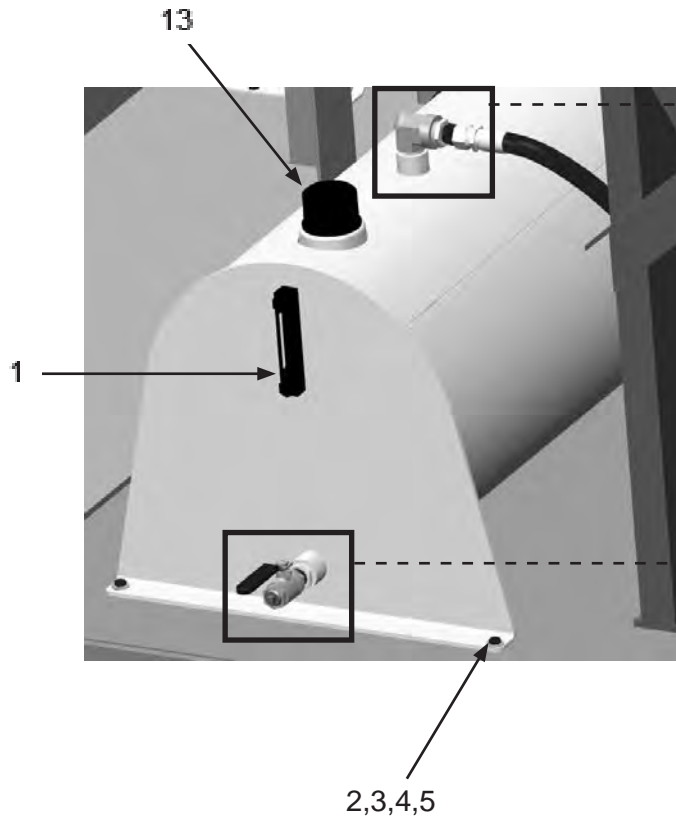
PART NUMBERS AND SCHEMATICS GUIDE

Hydraulic Oil Tank

Item #	Part #	Description
Fig. 2		
1	10103942	Sight Level Gauge
2	1011747	Bolt - 1/2-13 x 1-3/4" - Galvanized (<i>Four Required</i>)
3	10101942	Flat Washer - 3/8" (<i>Eight Required</i>)
4	10101936	Lock Washer - 3/8" (<i>Four Required</i>)
5	1012318	3/8-16 Hex Nut (<i>Four Required</i>)
6	10103314	Straight Adapter - 3/4" NPT x 12 JIC
7	20PFHA24SB1612	Reducing Bushing - 1" NPT x 3/4" NPT
8	20PFHA25UG1616	Street Elbow - 90° - 1" NPT (<i>Two Required</i>)
9	10105031	Hydraulic Oil Reservoir - 40 Gallon
10	1011213	Close Nipple - 3/4" NPT - Galvanized
11	10L8074C	Full Port Ball Valve - 3/4" NPT
12	10DSHP75	Pipe Plug - Square Head - 3/4" NPT
13	10103971	Filler/Breather Cap
14	20PFHA24SA1616	Hex Nipple - 1" NPT
15	1011601	Full Port Ball Valve - 1" NPT
16	10103312	Straight Adapter - 1" NPT x 16 JIC

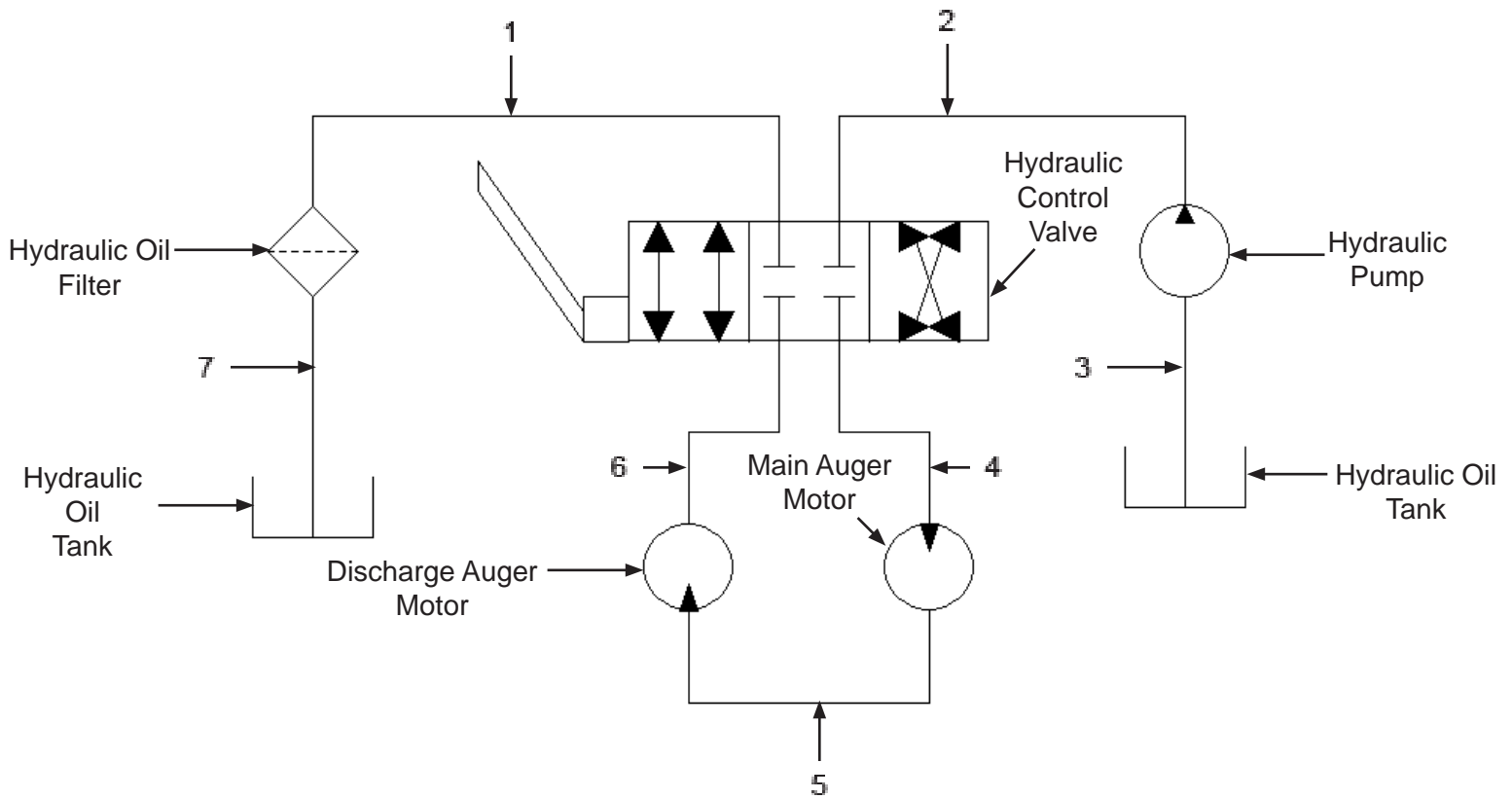
PART NUMBERS AND SCHEMATICS GUIDE

Figure 2: Hydraulic Oil Tank



PART NUMBERS AND SCHEMATICS GUIDE

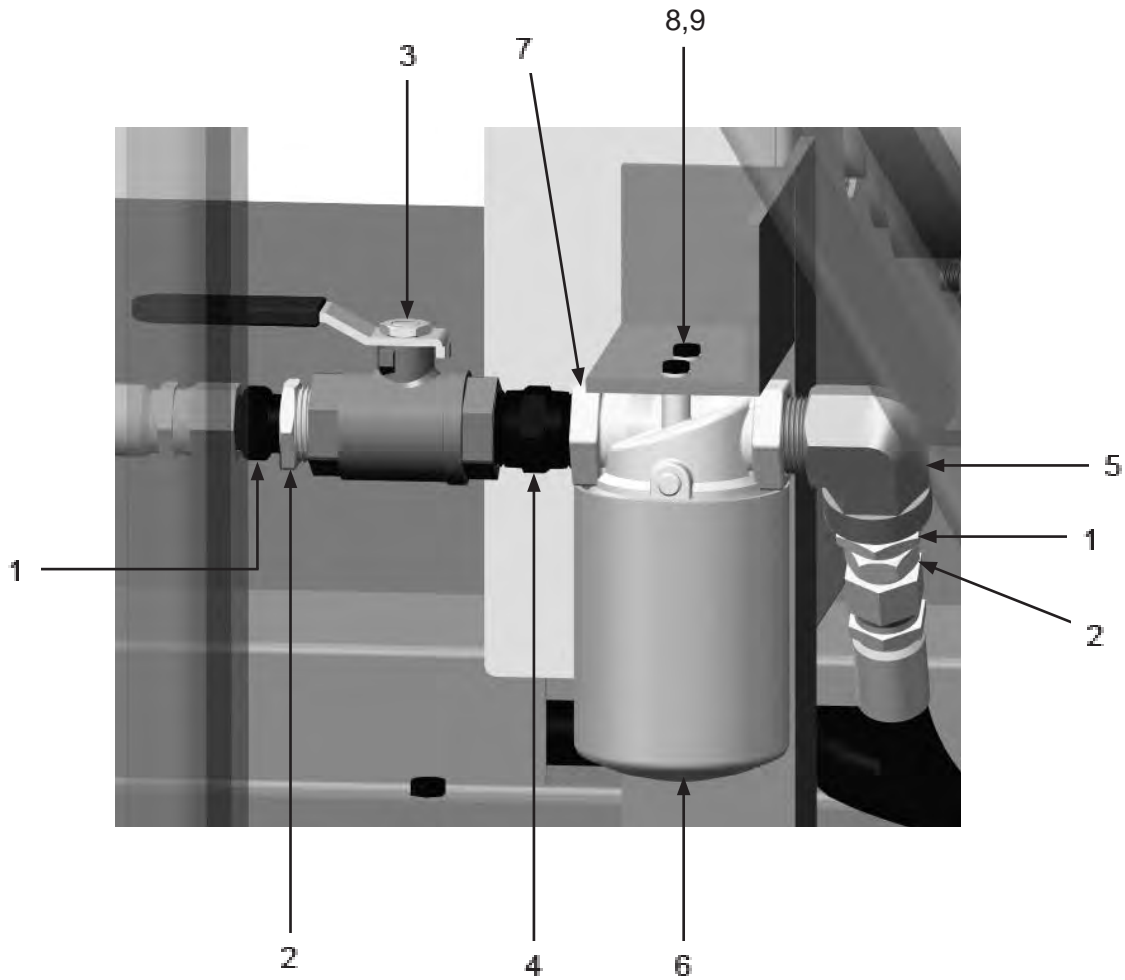
Figure 3: Hydraulic Hoses



Item #	Part #	Description
Fig. 3		
1	10103412	Hydraulic Hose - 3/4" I.D. x 23' - 3045 psi
2	10103505	Hydraulic Hose - 3/4" I.D. x 33' - 3045 psi
3	10103405	Hydraulic Hose - 1-1/4" I.D. x 9.5' - 2000 psi
4	10103502	Hydraulic Hose - 1/2" I.D. x 20' - 4500 psi
5	10104224	Hydraulic Hose - 1/2" I.D. X 24' - 2000 psi
6	10103409	Hydraulic Hose - 1/2" I.D. x 7' 1" - 2000 psi
7	10104056	Hydraulic Hose - 3/4" I.D. x 2' - 3045 psi

PART NUMBERS AND SCHEMATICS GUIDE

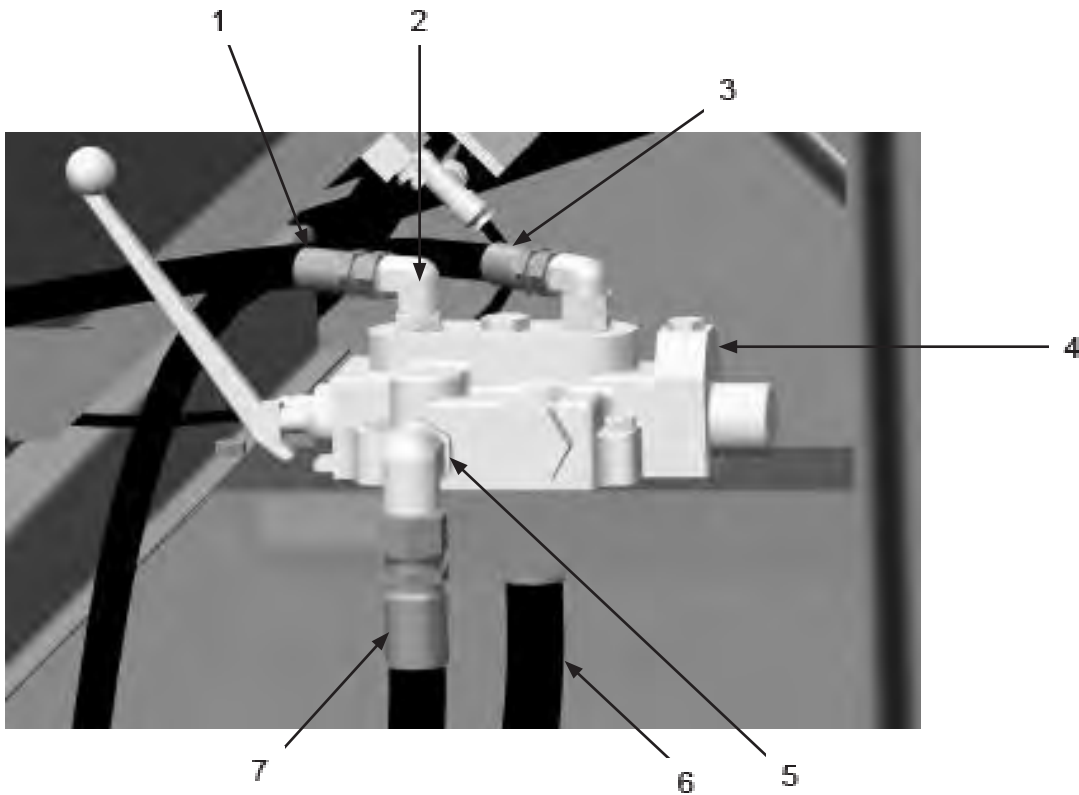
Figure 4: Hydraulic Oil Filter Assembly



Item #	Part #	Description
Fig. 4		
1	10103314	3/4" NPT x 12 JIC Straight Adapter <i>(Two Required)</i>
2	20PFHA24SB1612	1" x 3/4" Reducing Bushing <i>(Two Required)</i>
3	1011601	3/4" Full Port Brass Ball Valve
4	20PFHA24SA1616	1" Hex Nipple
5	20PFHA25UG1616	1" Street Elbow
6	10104058	Hydraulic Oil Filter
7	10104057	Hydraulic Oil Filter Head
8	1012153	1/4" Lock Washer <i>(Two Required)</i>
9	20100125	1/4-20 x 3/4" Zinc Bolt <i>(Two Required)</i>

PART NUMBERS AND SCHEMATICS GUIDE

Figure 5: Hydraulic Control Assembly



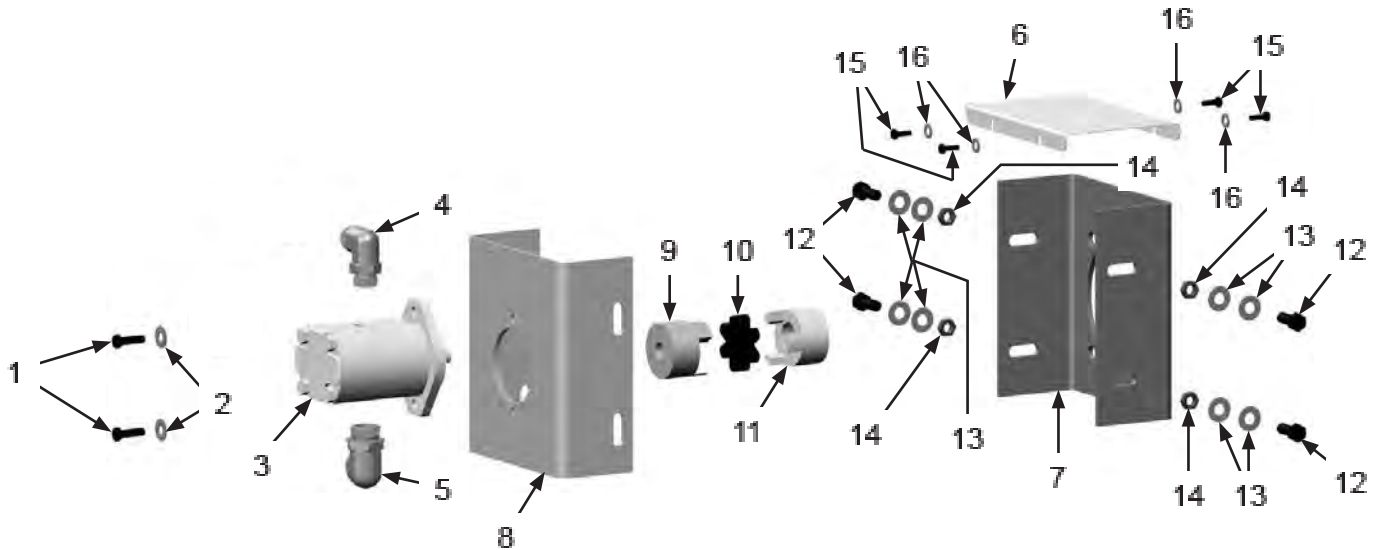
Item #	Part #	Description
--------	--------	-------------

Fig. 5

1	10103502	Hydraulic Hose - 1/2" I.D. x 20' – 4500 psi
2	10103309	JIC 8 x SAE 8 90° Elbow (<i>Two Required</i>)
3	10103409	Hydraulic Hose - 1/2" I.D. x 7' 1" – 2000 psi
4	10103267	Cross Hydraulic Control Valve with Handle
5	10103310	JIC 12 x SAE 12 90° Elbow (<i>Two Required. One not shown</i>)
6	10103505	Hydraulic Hose - 3/4" I.D. x 33' – 3045 psi
7	10103412	Hydraulic Hose - 3/4" I.D. x 23' – 3045 psi

PART NUMBERS AND SCHEMATICS GUIDE

Figure 6: Hydraulic Pump



Item #	Part #	Description
Fig. 6		
1	10104234	3/8-16 x 1-1/4" Bolt (Two Required)
2	10102331	3/8" Flat Washer (Two Required)
3	10106003	2.08 CI/REV Keyed Gear Pump
4	10103310	JIC 12 x JIC 12 90° Elbow
5	10103311	JIC 16 x SAE 16 90° Elbow
6	10106006	Coupling Cover
7	10106004	Bracket 10HP Motor Mount
8	10106005	Bracket Pump Mount
9	10106009	Jaw Coupling 3/4 Bore
10	10106010	Coupling Buna-N Spider
11	10106008	Jaw Coupling 1-3/8 Bore
12	10104603	1/2-13 x 1-1/4" Bolt - Gr 5 – Zinc
13	10100674	1/2" Flat Washer
14	1014022	1/2-13 Hex Nut
15	20100125	1/4-20 x 3/4" Zinc Hex Bolt
16	1014017	1/4" Flat Washer

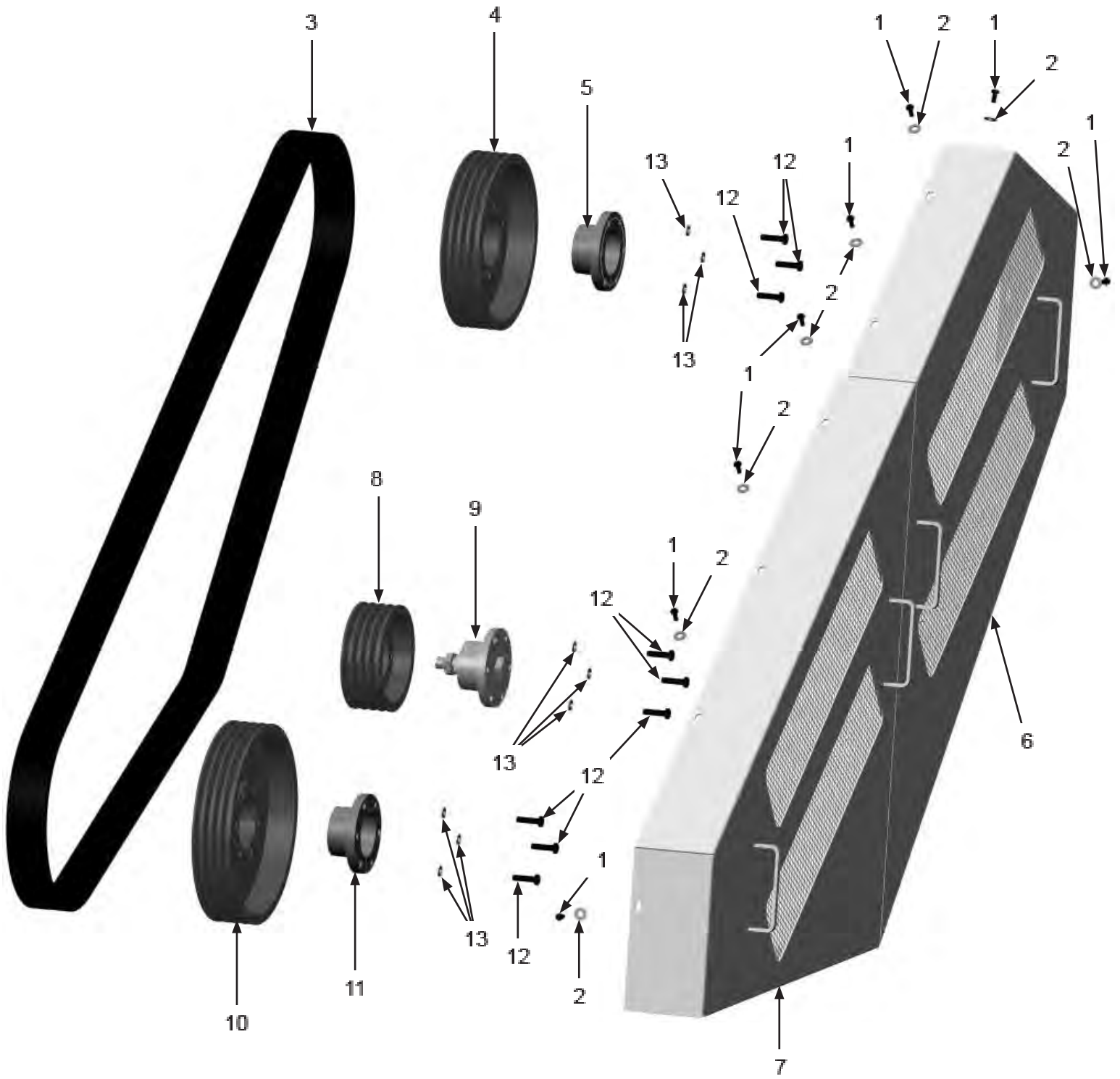
PART NUMBERS AND SCHEMATICS GUIDE

Fan Belt Assembly

Item #	Part #	Description
Fig. 7		
1	10103400	3/8-16 x 3/4" Bolt <i>(Seven Required)</i>
2	10101942	3/8" Galvanized Flat Washer <i>(Seven Required)</i>
3	10106029	4/5VX 1700 Banded Belt
4	10106027	13.2" Sheave
5	10103482	3-7/16" Bore Sheave Bushing <i>Includes Mounting Hardware</i>
6	10106017	Belt Guard Cover - Fan
7	10105989	Belt Guard Cover - Motor
8	10103483	8" Sheave
9	10103484	Idler Bushing
10	10106028	15" Sheave
11	10106107	3-3/8" Bore Sheave Bushing <i>Includes Mounting Hardware</i>
12	10101943	1/2-13 x 1-3/4" Bolt <i>(Nine Required)</i>
13	10100675	1/2" Lock Washer <i>(Nine Required)</i>

PART NUMBERS AND SCHEMATICS GUIDE

Figure 7: Fan Belt Assembly



PART NUMBERS AND SCHEMATICS GUIDE

Fan Belt Back Guard Assembly

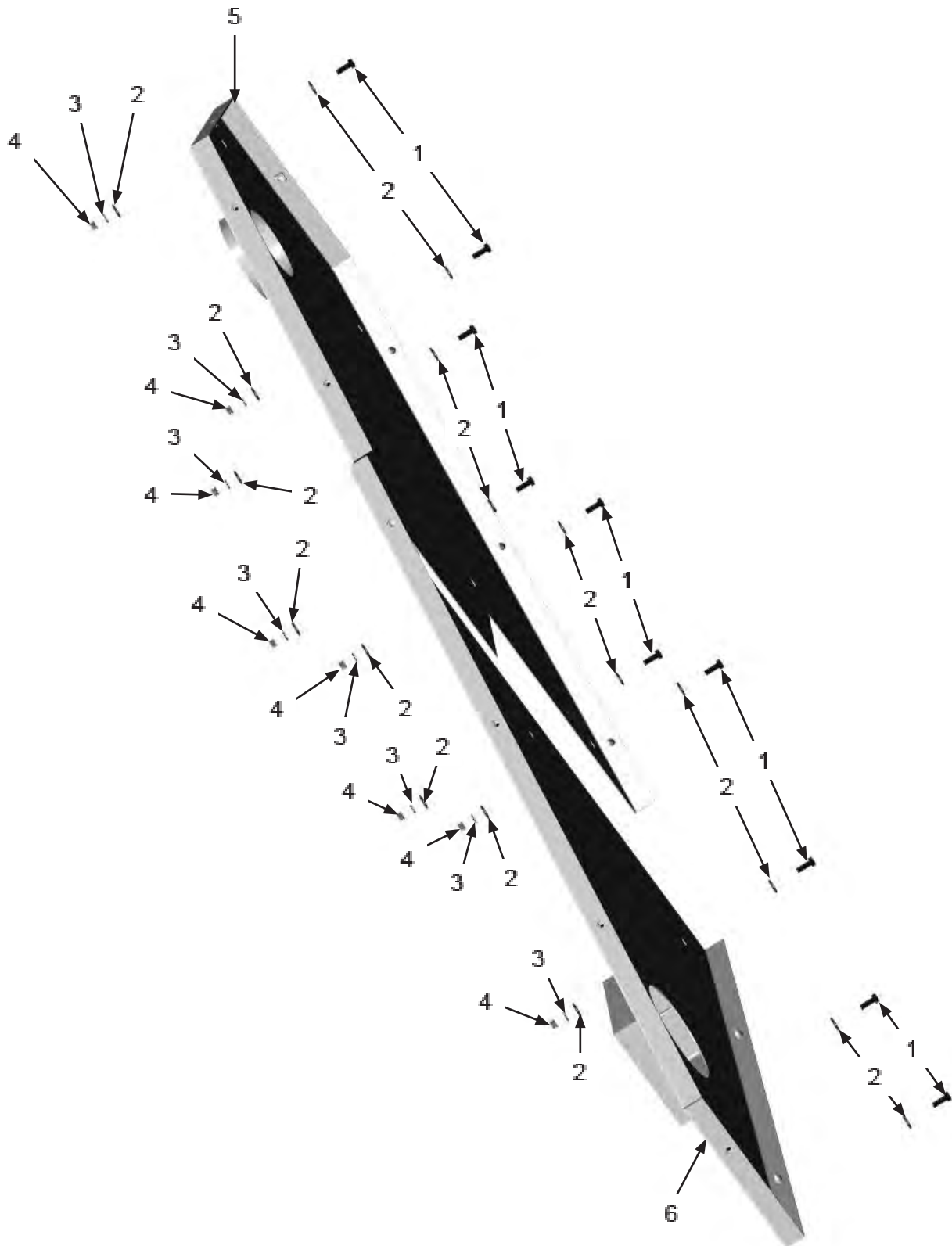
Item #	Part #	Description
--------	--------	-------------

Fig. 8

1	1011747	3/8-16 x 1" Bolt (<i>10 Required</i>)
2	10101942	3/8" Galvanized Flat Washer (<i>18 Required</i>)
3	10101936	3/8" Zinc Lock Washer (<i>Eight Required</i>)
4	1012318	3/8-16 Hex Nut (<i>Eight Required</i>)
5	10106016	Belt Guard Back - Fan
6	10105988	Belt Guard Back - Motor

PART NUMBERS AND SCHEMATICS GUIDE

Figure 8: Fan Belt Back Guard Assembly



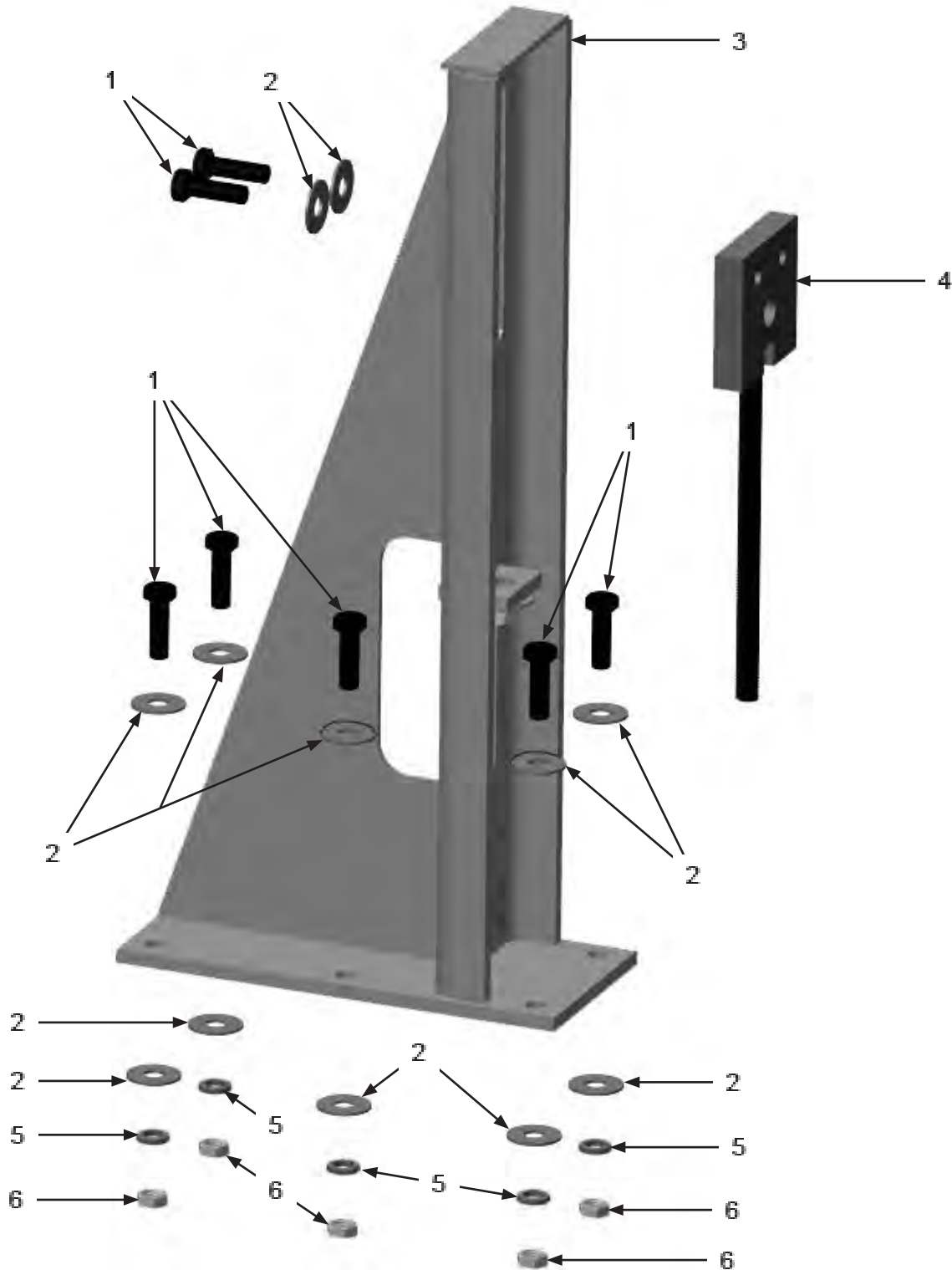
PART NUMBERS AND SCHEMATICS GUIDE

Fan Belt Tensioner Assembly

Item #	Part #	Description
Fig. 9		
1	10103397	5/8-11 x 2" Bolt- Zinc
2	10103398	5/8" Washer
3	10105981	Tensioner Mount
4	10106018	Tensioner
5	10103399	5/8" Lock Washer
6	10103393	5/8-11 Zinc Nut

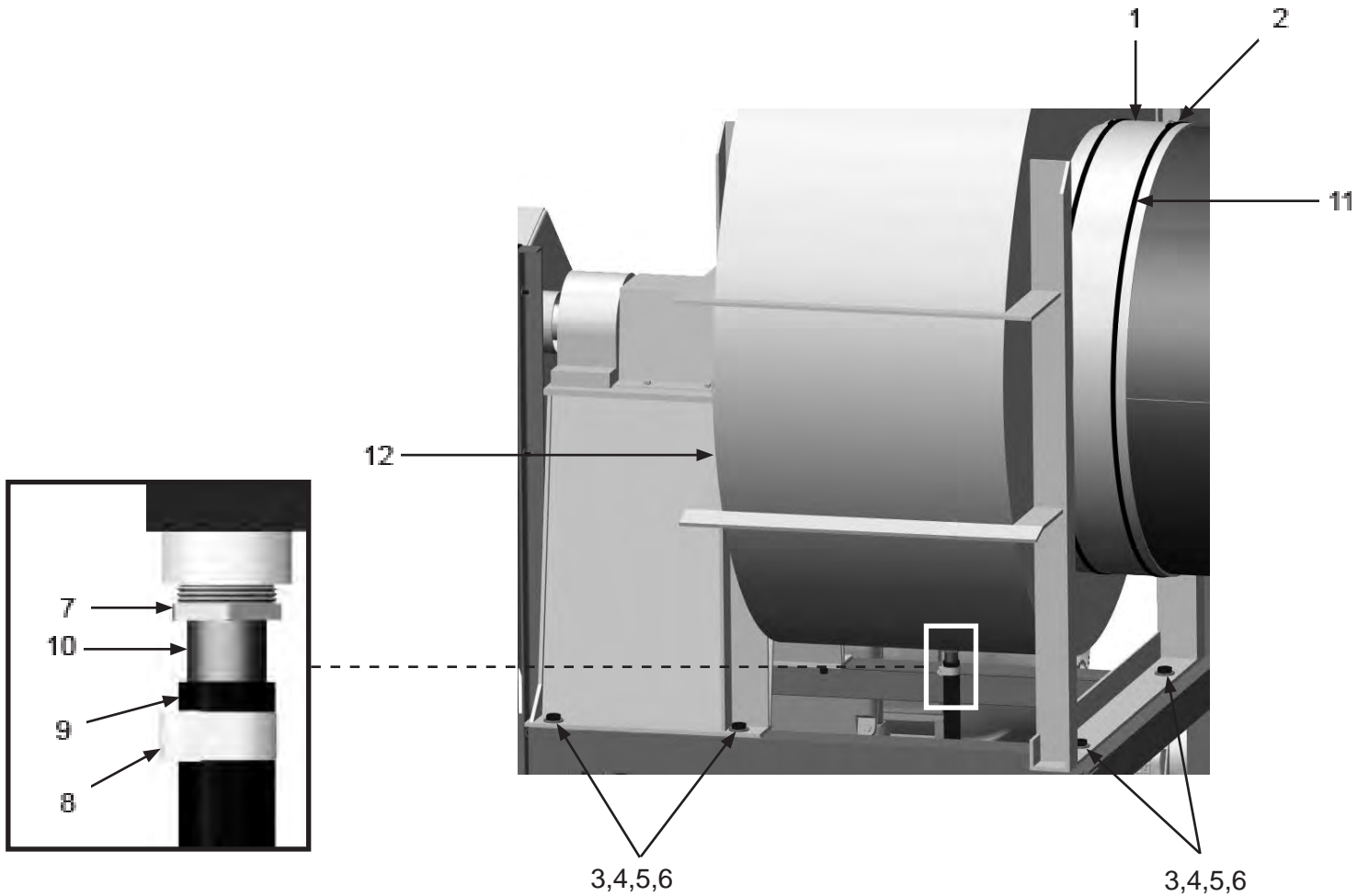
PART NUMBERS AND SCHEMATICS GUIDE

Figure 9: Fan Belt Tensioner Assembly



PART NUMBERS AND SCHEMATICS GUIDE

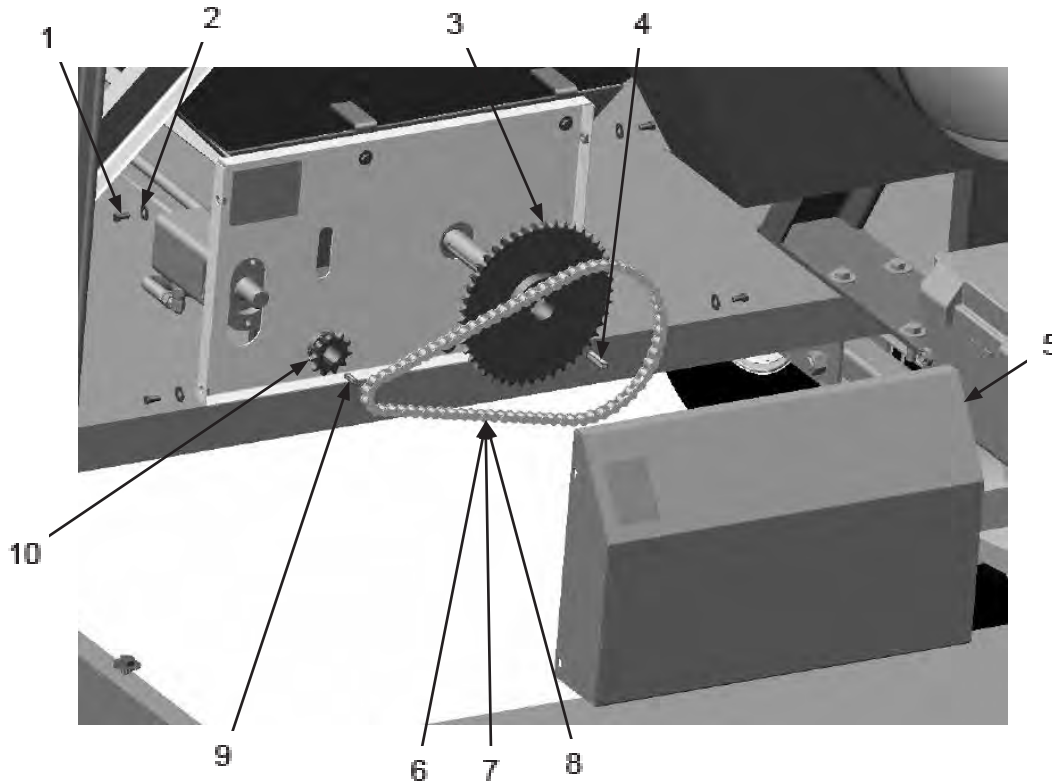
Figure 10: Fan Assembly



Item #	Part #	Description
Fig. 10		
1	10103962	Connection Rubber Gasket
2	10103416	Clamp Adjustable Fastener (25' Required)
3	10103417	3/4-10 UNC x 1-3/4" Grade 8 Bolt (Six Required)
4	10103418	3/4" Washer (12 Required)
5	10103420	3/4-10 UNC GR8 Nut (Six Required)
6	10103419	3/4" Lock Washer (Six Required)
7	20PFHA24SB2016	1-1/4" x 1" Reducing Bushing
8	10104136	Hose Clamp 1-1/16" x 2" O.D.
9	10103654	1-1/4" I.D. Hose (Per Foot)
10	10000197	1" NPT x 3" Toe Nipple
11	10103416	Banding - Make a Clamp (Per Foot)
12	10103495	Fan BI-365 TH ARRG I Class IV

PART NUMBERS AND SCHEMATICS GUIDE

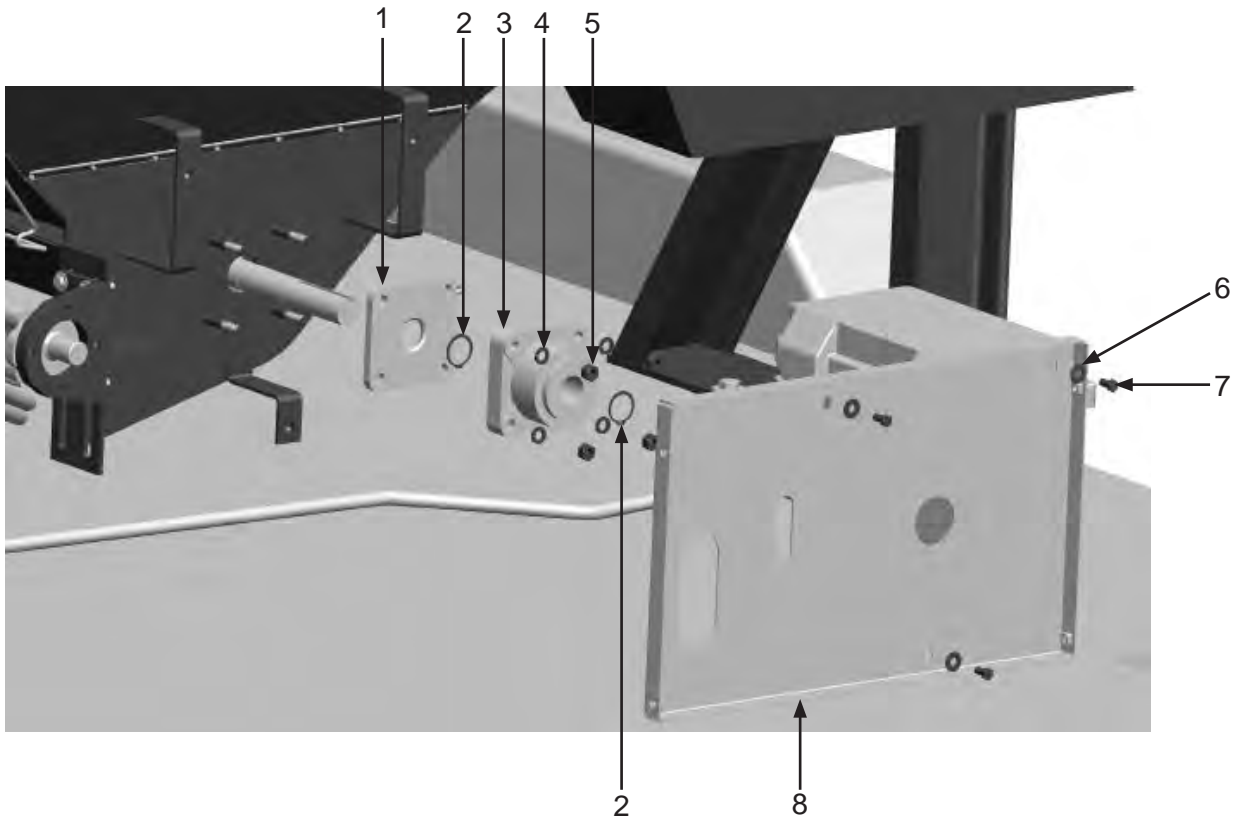
Figure 11: Main Auger Drive Assembly



Item #	Part #	Description
Fig. 11		
1	10103400	3/8-16 x 3/4" Bolt (<i>Four Required</i>)
2	10101942	3/8" Galvanized Flat Washer (<i>Four Required</i>)
3	10104218	45-Tooth Sprocket
4	10103641	3/8" Key Cut
5	10102952	Main Auger Motor Cover
6	10103391	60# Cottered Roller Chain (<i>Per Foot</i>)
7	10103392	60# Connecting Link
8	10103614	60# Offset Link
9	10103642	5/16" x 1/4" x 1/8" x 1/8" Key
10	10103265	11-Tooth Sprocket
—	10104192	Main Auger Chain Kit <i>Includes Item #'s: 6 (5'), 7, and 8</i>

PART NUMBERS AND SCHEMATICS GUIDE

Figure 12: Main Auger Bearing



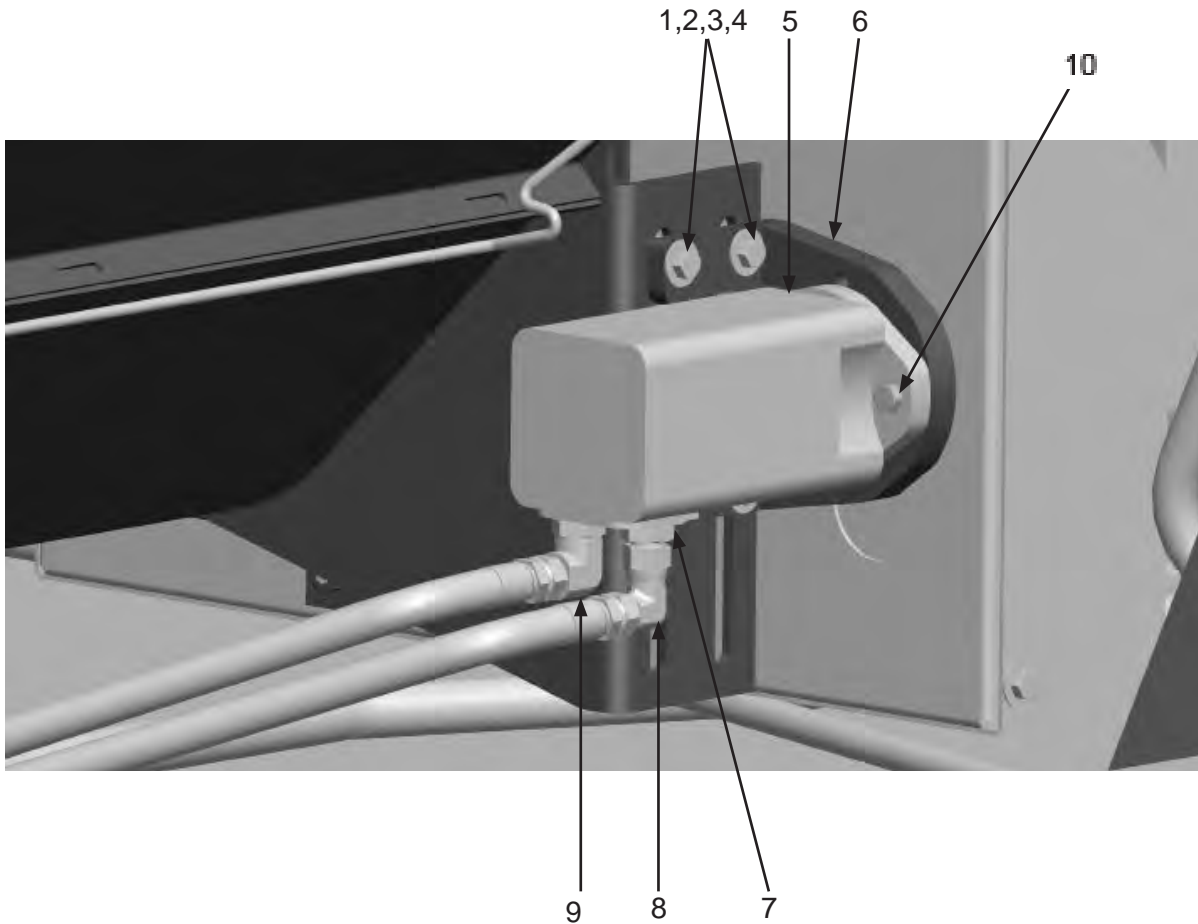
Item #	Part #	Description
--------	--------	-------------

Fig. 12

1	10102902	Seal Plate
2	10103605	Snap Ring (<i>Two Required</i>)
3	10102903	Thrust Bearing
4	10100675	1/2" Lock Washer (<i>Four Required</i>)
5	1014022	1/2-13 Hex Nut (<i>Four Required</i>)
6	10101942	3/8" Galvanized Flat Washer (<i>Three Required</i>)
7	10103400	3/8-16 x 3/4" Bolt (<i>Three Required</i>)
8	10102955	Main Auger Guard Back

PART NUMBERS AND SCHEMATICS GUIDE

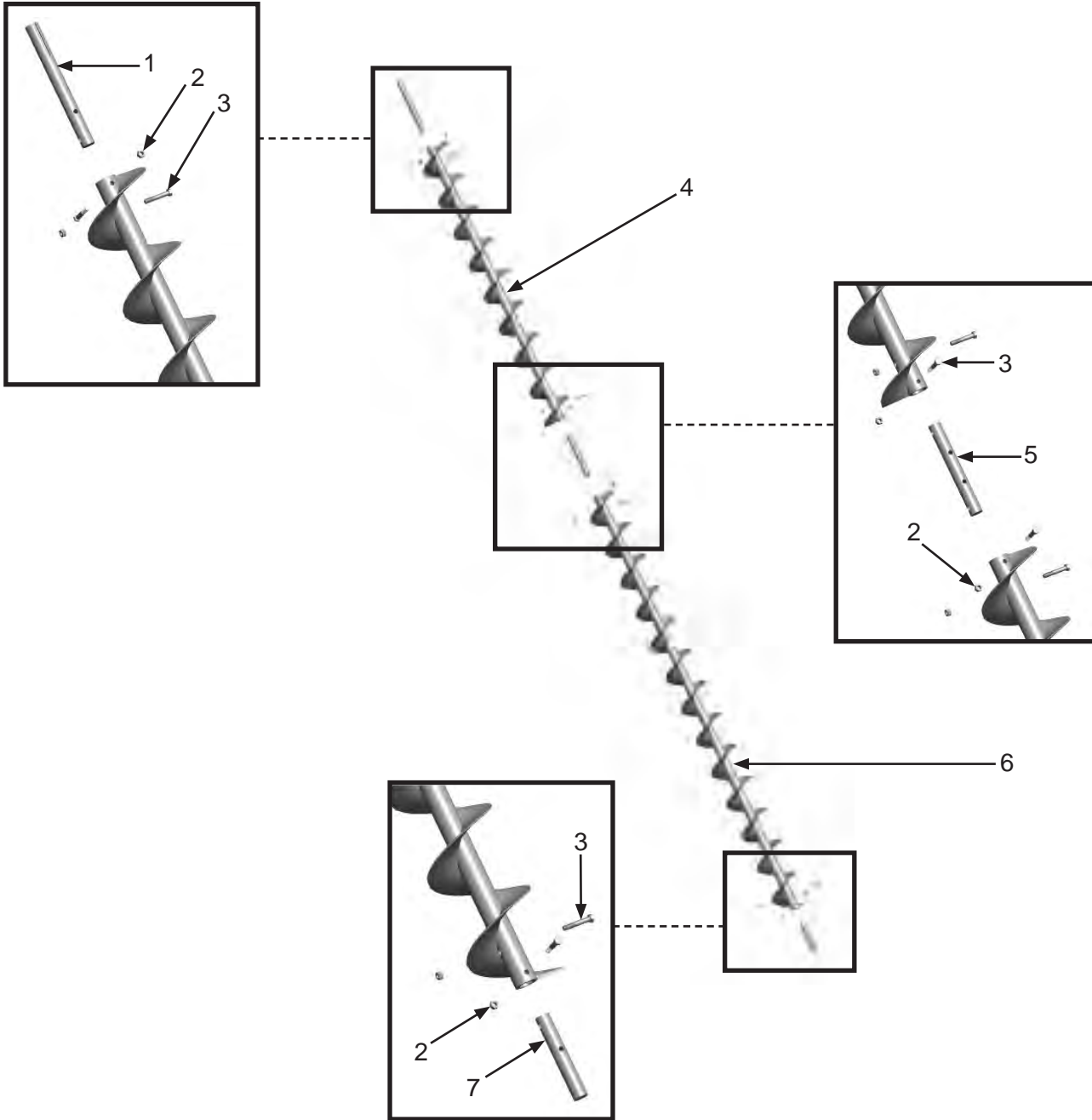
Figure 13: Main Auger Motor



Item #	Part #	Description
Fig. 13		
1	1028617	3/8-16 x 1-3/4" Shoulder Bolt (<i>Four Required</i>)
2	10101942	3/8" Galvanized Flat Washer (<i>Eight Required</i>)
3	10101936	3/8" Zinc Lock Washer (<i>Four Required</i>)
4	1012318	3/8-16 Galvanized Hex Nut (<i>Four Required</i>)
5	10103266	18.7 Displacement Hydraulic Motor
6	10102881	Hydraulic Motor Mount with Hardware
7	10103612	JIC 8 x SAE 10 Straight Adapter
8	10103611	JIC 8 x JIC 8 90° Elbow
9	10103308	JIC 8 x SAE 10 90° Elbow
10	10101059	3/8-16 x 1-1/4" A307 Bolt Galvanized
—	10103941	Seal Kit for 18.7 Displacement Hydraulic Motor

PART NUMBERS AND SCHEMATICS GUIDE

Figure 14: Main Auger



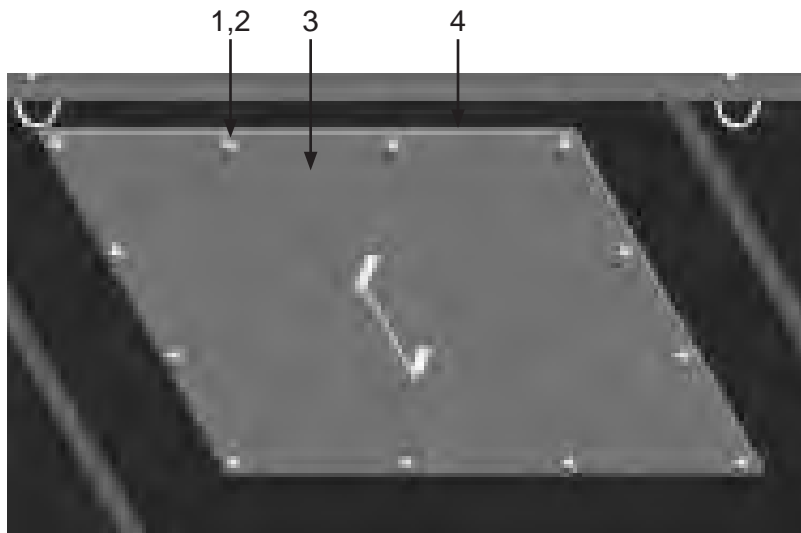
Item #	Part #	Description
--------	--------	-------------

Fig. 14

1	10103306	Drive Shaft
2	10101941	1/2-13 Galvanized Hex Nut (<i>Four Required</i>)
3	10103401	1/2-13 x 3" Galvanized Bolt (<i>Four Required</i>)
4	10103490	9" x 78" Standard Pitch Auger
5	10103491	Coupling Shaft for 1-1/2" Shaft
6	10103262	118" x 9" Standard Pitch Auger
7	10102910	Auger Shaft End

PART NUMBERS AND SCHEMATICS GUIDE

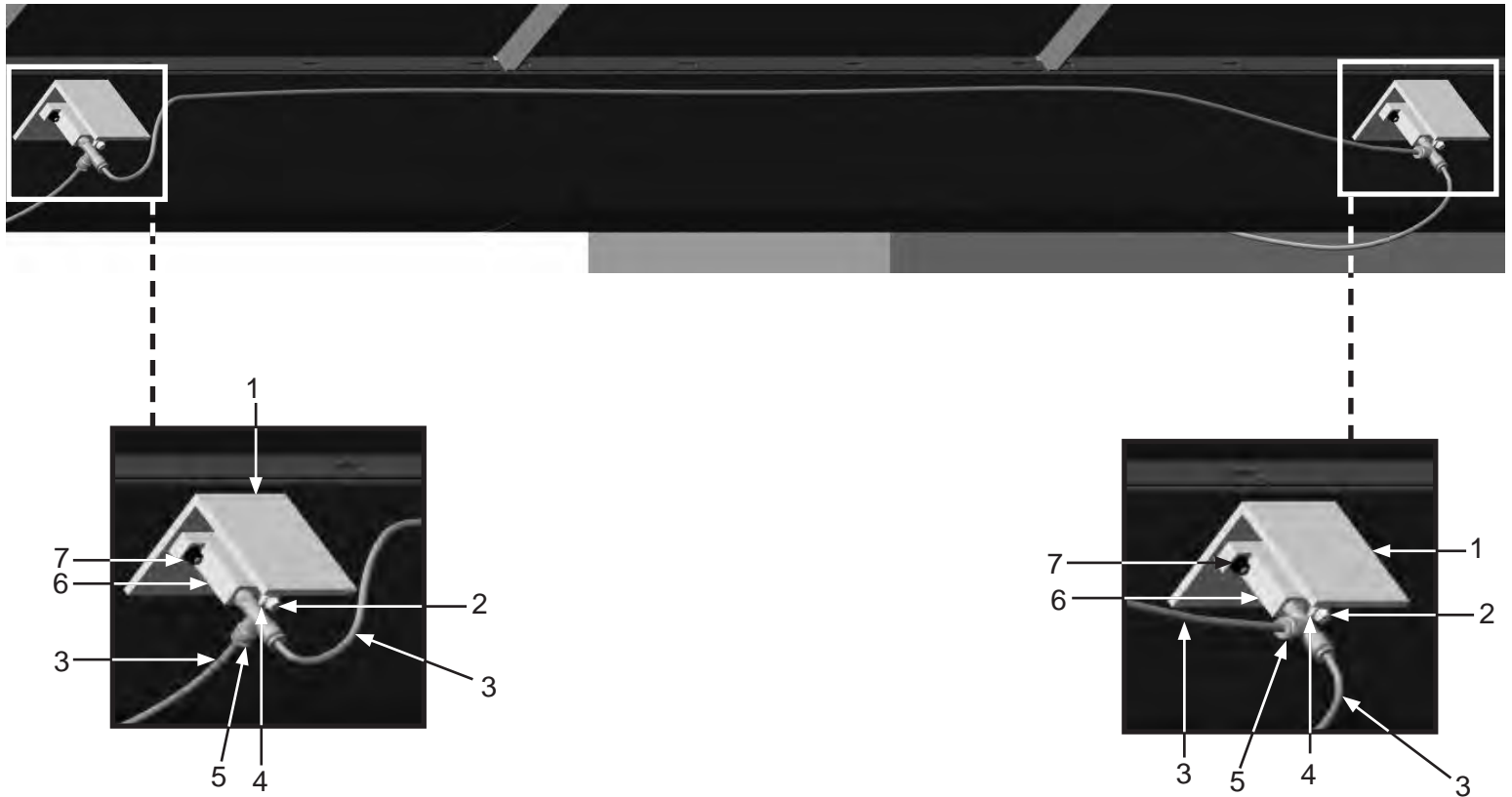
Figure 15: Access Panel Assembly



Item #	Part #	Description
Fig. 15		
1	1012318	3/8-16 Galvanized Hex Nut (12 Required)
2	10101942	3/8" Flat Washer (12 Required)
3	10102933	20" Access Panel Door
4	10103344	1/4" X 1-1/2" Adhesive-Backed Gasket (Per Foot)

PART NUMBERS AND SCHEMATICS GUIDE

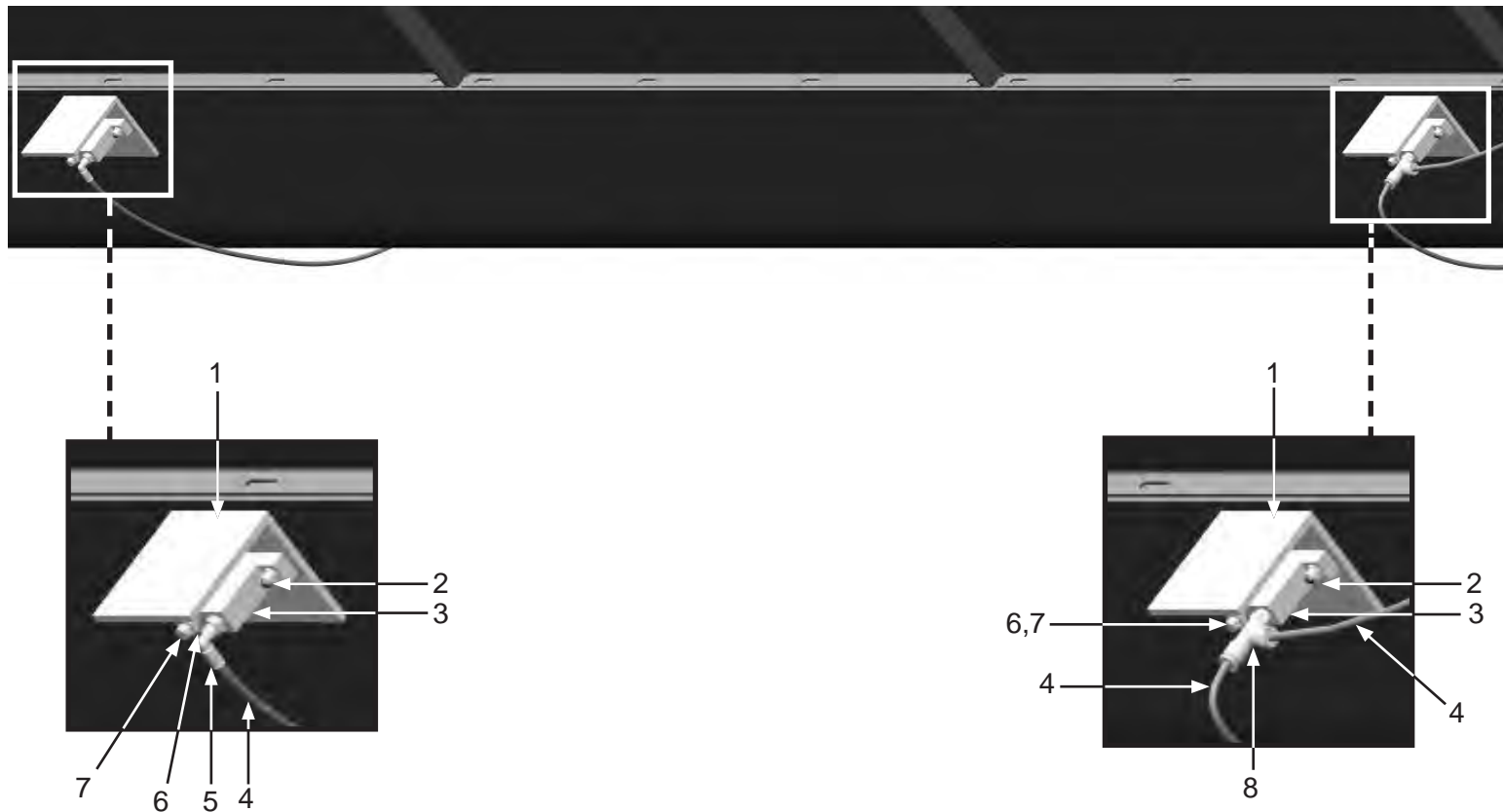
Figure 16: Left Side Pneumatic Ball Vibrators



Item #	Part #	Description
Fig. 16		
1	10103609	Vibrator Shield (<i>Two Required</i>)
2	1019024	1/8" Breather Muffler (<i>Two Required</i>)
3	10103322	1/4" I.D. Black Urethane Tubing (<i>Per Foot</i>)
4	20PFHA24SB0402	1/4" x 1/8" Reducing Bushing
5	10103261	1/4" Male Push-to-connect Tee
6	10103258	Pneumatic Ball Vibrator (<i>Two Required</i>)
7	1012323	1/4-20 Zinc Lock Nut with Nylon Insert (<i>Four Required</i>)

PART NUMBERS AND SCHEMATICS GUIDE

Figure 17: Right Side Pneumatic Ball Vibrators



Item #	Part #	Description
--------	--------	-------------

Fig. 17

1	10103609	Vibrator Shield (<i>Two Required</i>)
2	1012323	1/4-20 Zinc Lock Nut with Nylon Insert (<i>Four Required</i>)
3	10103258	Pneumatic Ball Vibrator (<i>Two Required</i>)
4	10103322	1/4" I.D. Black Urethane Tubing (<i>Per Foot</i>)
5	20PFBA31095614	1/4" Tube x 1/4" NPT 90° Fitting
6	20PFHA24SB0402	1/4" x 1/8" Reducing Bushing
7	1019024	1/8" Breather Muffler (<i>Two Required</i>)
8	10103261	1/4" Male Push-to-connect Tee

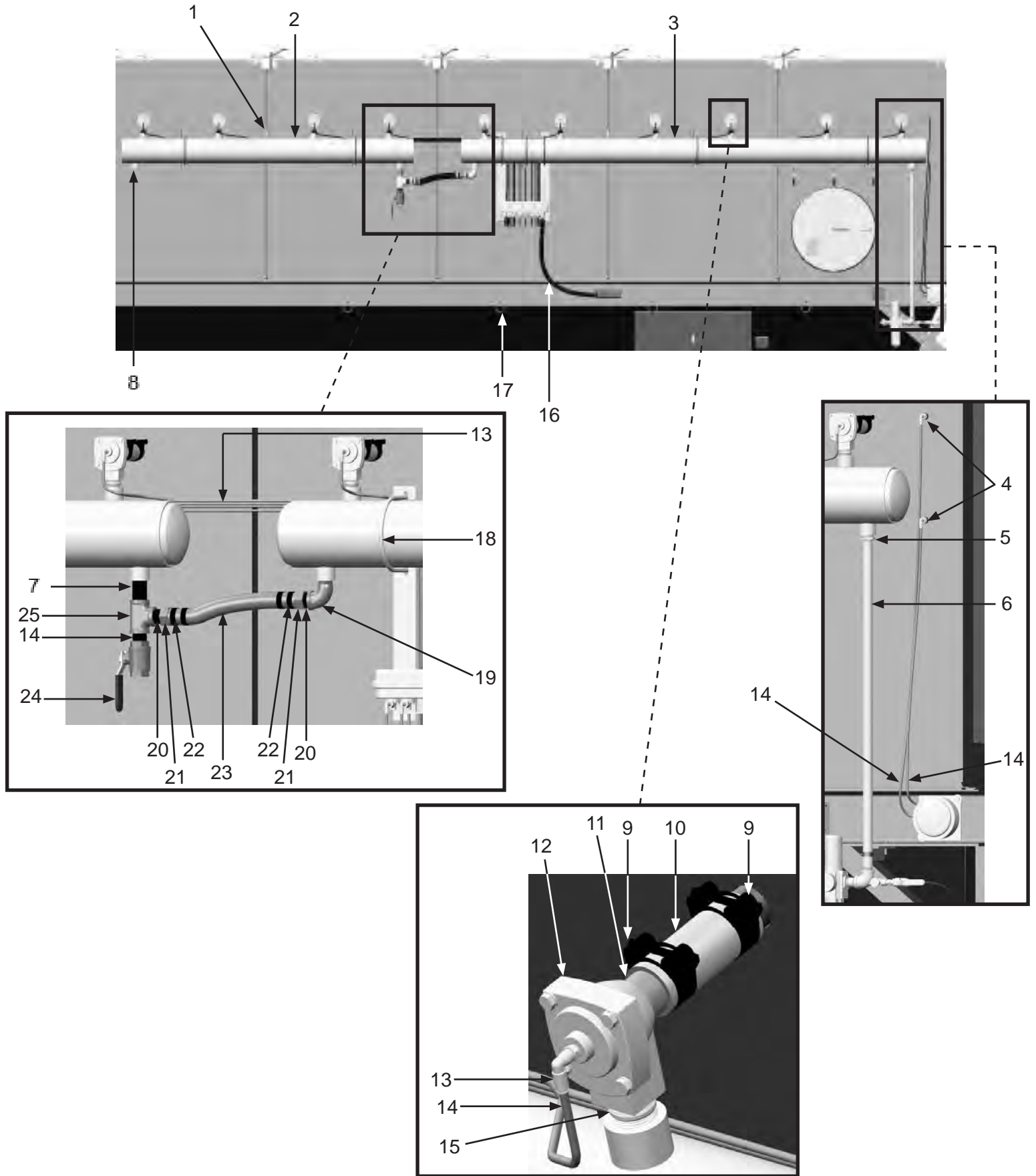
PART NUMBERS AND SCHEMATICS GUIDE

Pulser System Assembly

Item #	Part #	Description
Fig. 18		
1	1028607	1/4" NPT Pressure Relief Valve – 125 PSI <i>(Two Required)</i>
2	10103452	4 Pipe Header
3	10102948	6 Pipe Header
4	20PFBA31095614	1/4" Tube x 1/4" NPT 90° Fitting <i>(Two Required)</i>
5	20PFHA24SB1612	1" x 3/4" Reducing Bushing
6	10103315	3/4" x 36" Pipe Nipple
7	1011843	1" x 2-1/2" NPT Pipe Nipple
8	1011901	1" Pipe Plug
9	10104136	T-Bolt Clamp 1-9/16" X 1-11/16" OD <i>(20 Required)</i>
10	10103654	1-1/4" I.D. Marine Hose – 100 PSI <i>(Per Foot)</i>
11	10105207	1" x 3" Toe Nipple <i>(Six Required)</i>
12	10103255	1" Diaphragm Valve <i>(See Figure 31)</i>
13	20100579	1/4" O.D. Tube x 1/8" NPT Swivel <i>(20 Required)</i>
14	10103322	1/4" O.D. Black Urethane Tubing <i>(Per Foot)</i>
15	10103318	1" x 2" Pipe Nipple <i>(11 Required)</i>
16	10103304	3/4" I.D. Flexible Conduit
17	10103625	D-Ring with Nut <i>(16 Required)</i>
18	10103394	3/8-16 x 6" U-Bolt Assembly <i>(Seven Required)</i>
19	1011801	1" Street Elbow
20	1012151	1" Galvanized Close Nipple <i>(Two Required)</i>
21	10SFE2	1" Female Swivel End <i>(Two Required)</i>
22	10AHCL1	Band Clamp <i>(Two Required)</i>
23	10AH100	1" I.D. Air Hose
24	1011601	1" Full Port Ball Valve
25	1011816	1" Pipe Tee

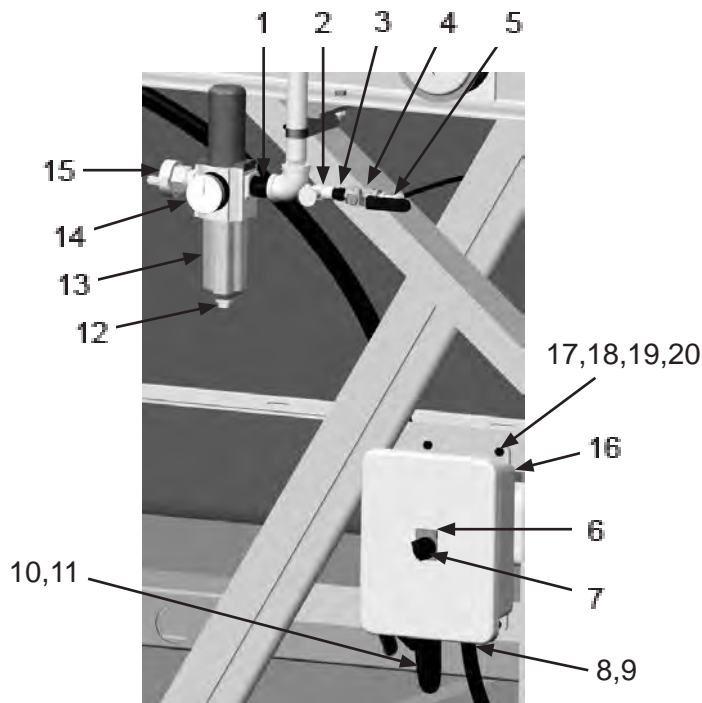
PART NUMBERS AND SCHEMATICS GUIDE

Figure 18: Pulsar System Assembly



PART NUMBERS AND SCHEMATICS GUIDE

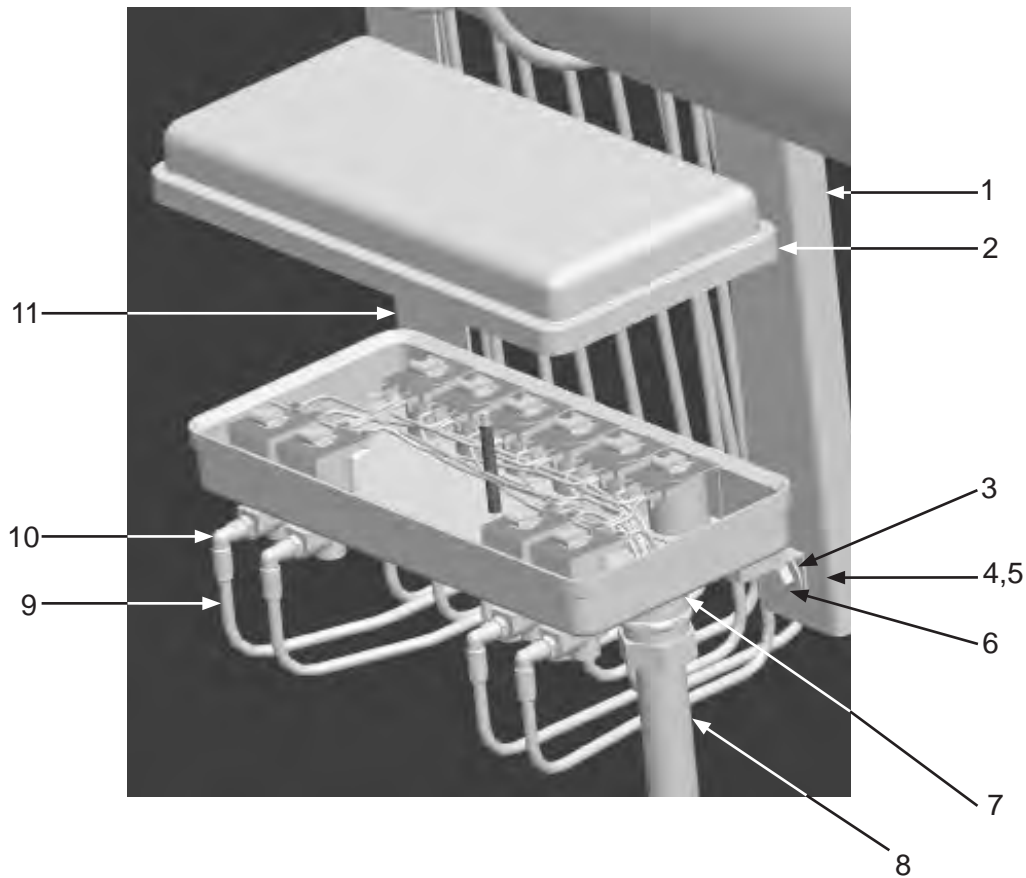
Figure 19: Pulsar Regulator and Timer Assembly



Item #	Part #	Description
Fig. 19		
1	10103317	3/4" x 2" Pipe Nipple
2	10103292	1/4" Needle Valve
3	1017019	1/4" x 1/4" Hex Nipple
4	1080050	1/4" Ball Valve
5	10103261	1/4" Prestolock Tee
6	10103414	On/Off Name Plate
7	10103305	2-Way Selector Switch
8	20RST50	Straight Liquid Tite Connection Fitting (<i>Two Required</i>)
9	20RSEL050UL	1/2" UL/UA Seal-Tite Conduit Pipe (<i>Per Foot</i>)
10	10103304	3/4" Flexible Conduit
11	10103303	3/4" Conduit Hub
12	10103952	Filter Auto Drain
13	10103257	Excelon 74 Series Filter/Regulator
14	10103953	Sight Glass Kit
15	10ME1	3/4" Male 2-lug Coupling
16	10106082	Timer Box with Timer Board
—	10103935	Timer Box Only
—	10106743	Timer Board Only
17	10101937	1/4-20 x 1" Grade 5 Bolt (<i>Four Required</i>)
18	10101940	1/4" Flat Washer (<i>Four Required</i>)
19	1012153	1/4" Lock Washer (<i>Four Required</i>)
20	10101347	1/4-20 Hex Nut (<i>Four Required</i>)
—	10103950	Filter/Regulator Service Kit
—	10103951	Filter Element (<i>Not Shown</i>)

PART NUMBERS AND SCHEMATICS GUIDE

Figure 20: Pulsar Solenoid Enclosure Assembly



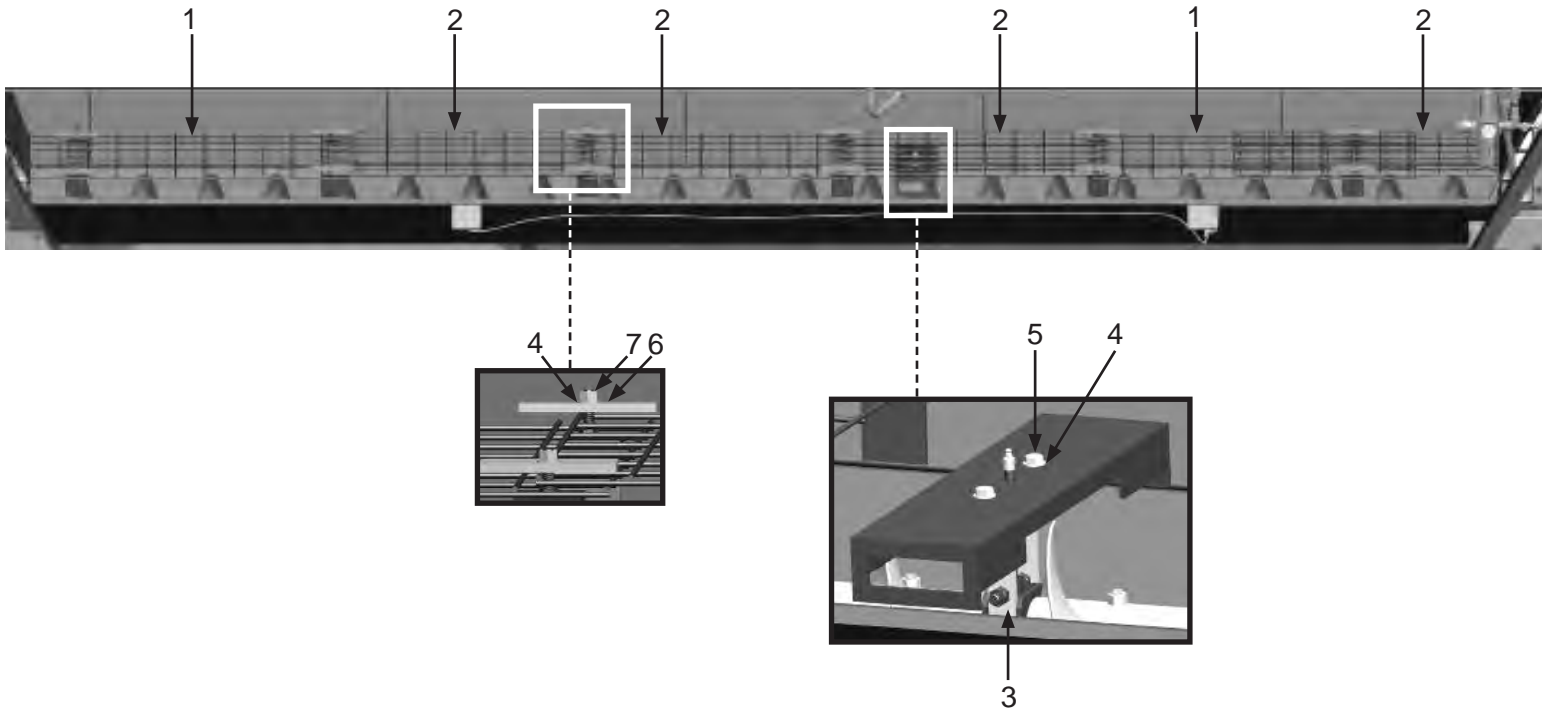
Item #	Part #	Description
--------	--------	-------------

Fig. 20

1	10102970	Solenoid Enclosure Mount – Right
2	10106083	10 Solenoid Pilot Valve
3	10101942	3/8" Galvanized Flat Washer <i>(Four Required)</i>
4	10101936	3/8" Zinc Lock Washer <i>(Two Required)</i>
5	10101938	3/8-16 Galvanized Hex Nut <i>(Two Required)</i>
6	1011747	3/8-16 x 1" Bolt
7	10103303	3/4" Conduit Hub
8	10103304	3/4" Flexible Conduit
9	10103322	1/4" O.D. Black Urethane Tubing <i>(Per Foot)</i>
10	20100579	1/4" O.D. Tube x 1/8" NPT Swivel <i>(10 Required)</i>
11	10102969	Solenoid Enclosure Mount – Left
—	10103955	Solenoid Valve <i>(10 Required)</i>
—	10103957	Solenoid Service Kit <i>Includes: O-ring, Plunger, Spring, Ferrule</i>

PART NUMBERS AND SCHEMATICS GUIDE

Figure 21: Main Auger Protective Grate



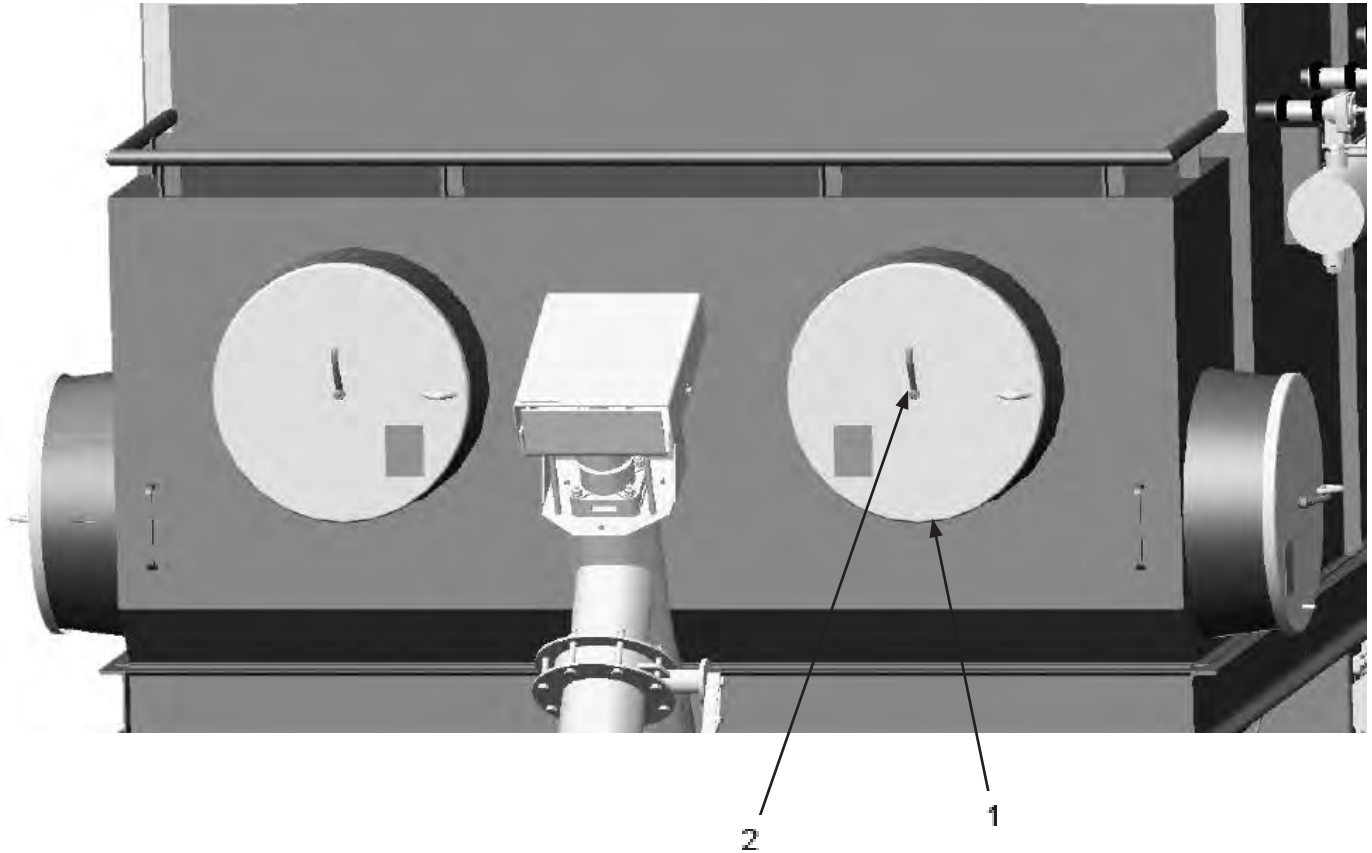
Item #	Part #	Description
--------	--------	-------------

Fig. 21

1	10103966	Protective Grate - 44 Inches (Two Required)
2	10103967	Protective Grate - 36 Inches (Four Required)
3	10102896	Main Auger Hanger Bearing Assembly
4	10100674	1/2" Flat Washer (12 Required)
5	10101943	1/2-13 x 1-3/4" Galvanized Hex Bolt (Two Required)
6	10102936	Protective Grate Bracket (12 Required)
7	1014022	1/2-13 Hex Nut (12 Required)

PART NUMBERS AND SCHEMATICS GUIDE

Figure 22: Inlet Door Assembly



Item #	Part #	Description
Fig. 22		
1	10105945	20" Inlet Cover (Six Required)
2	10105960	3/8-16 Handle Zinc (Six Required)
—	10102339	Camlock Closure - Chain (3' per Inlet. Not Shown)
—	10102410	Spring Snap Hook - 1/4" (Two Required per Inlet. Not Shown)

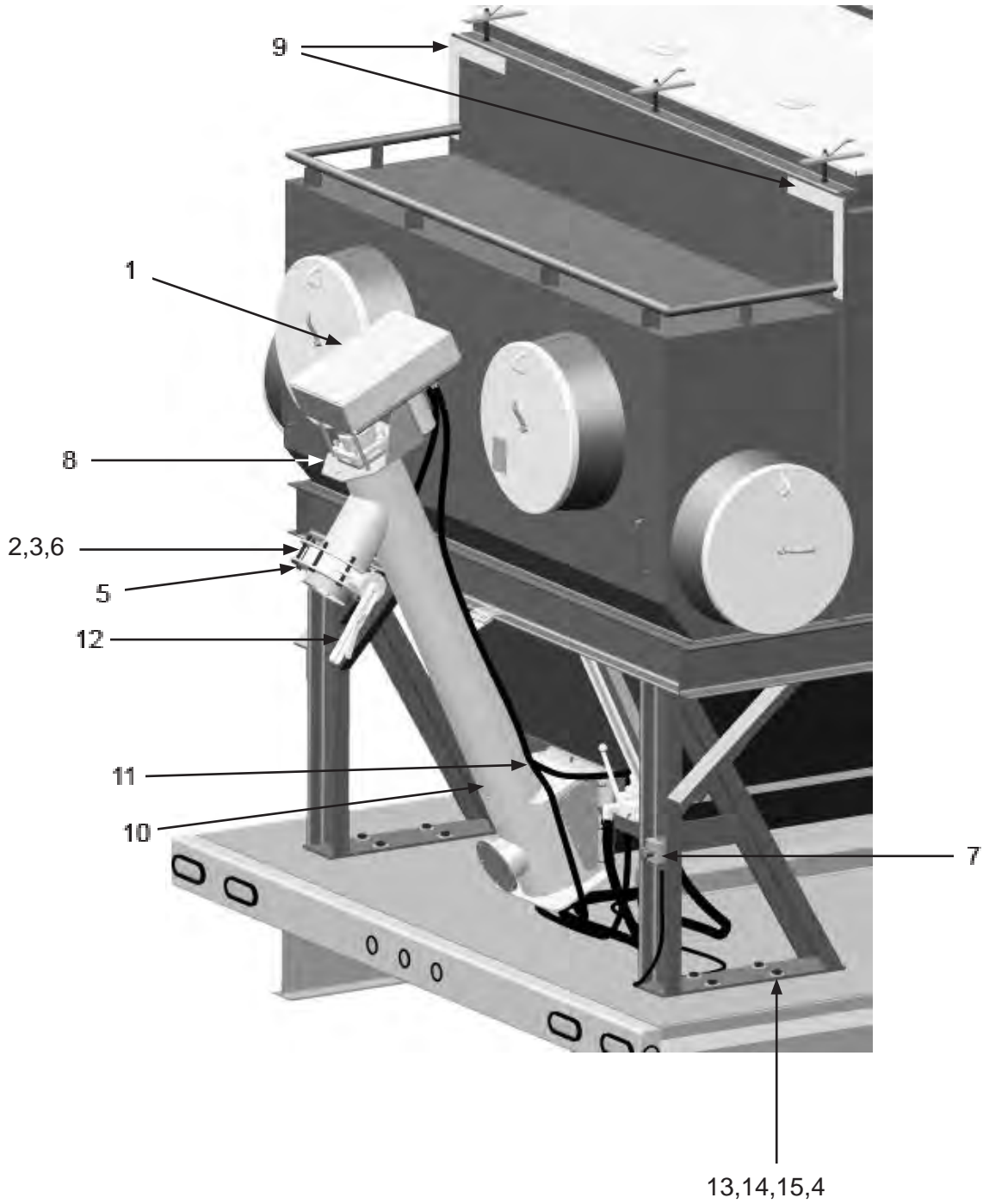
PART NUMBERS AND SCHEMATICS GUIDE

Discharge Auger Assembly

Item #	Part #	Description
Fig. 23		
1	10103363	Discharge Chain Cover
2	1014022	1/2-13 Hex Nut <i>(18 Required)</i>
3	10100674	1/2" Flat Washer <i>(Six Required)</i>
4	10103393	Nut - 5/8-11 Grade 8 Zinc <i>(16 Required)</i>
5	10102971	Discharge Hose Connector
6	10102703	1/2-13 x 3-1/2" Grade 5 Bolt <i>(Eight Required)</i>
7	10104071	Emergency-Stop Station <i>(See Figure 30)</i>
8	10103359	Discharge Auger Motor Mounting Bracket
9	10103880	White Conspicuity Tape (Per Inch)
10	10105936	Short Discharge Auger
11	10103409	Hydraulic Hose - 1/2" I.D. x 7' 1" - 2000 psi
12	10103302	6" Series Wafer Butterfly Valve
13	10103397	5/8-11 x 2" Grade 8 Bolt- Zinc <i>(16 Required)</i>
14	10103398	Washer - 5/8" Grade 8 <i>(32 Required)</i>
15	10103399	Lock Washer - 5/8" Hd <i>(16 Required)</i>
—	10103881	Red Conspicuity Tape (Per Inch)

PART NUMBERS AND SCHEMATICS GUIDE

Figure 23: Discharge Auger Assembly



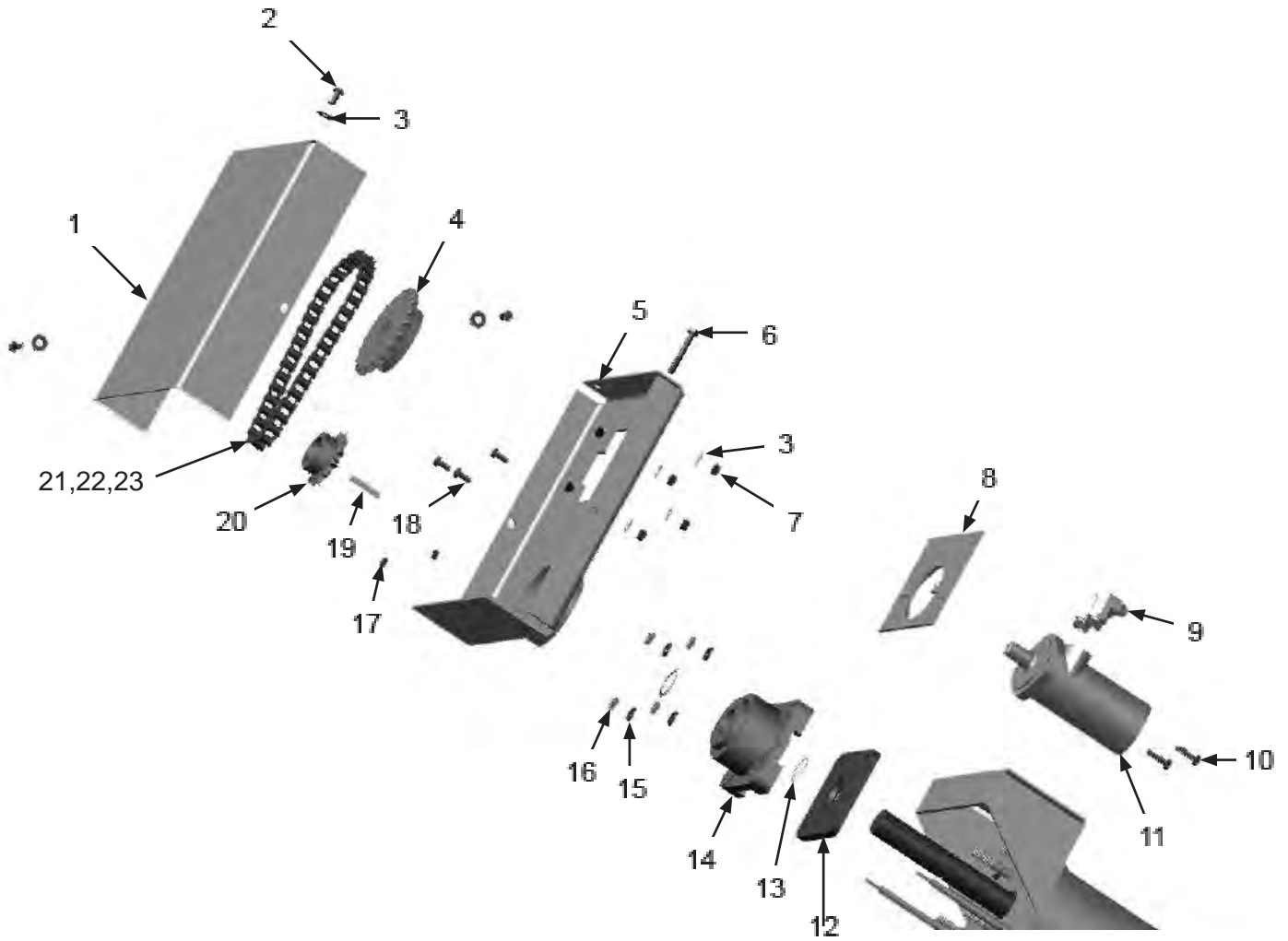
PART NUMBERS AND SCHEMATICS GUIDE

Discharge Auger Drive Assembly

Item #	Part #	Description
Fig. 24		
1	10103363	Chain Cover
2	10103400	3/8-16 x 3/4" Bolt <i>(Seven Required)</i>
3	10101942	3/8" Galvanized Flat Washer <i>(Three Required)</i>
4	10104217	22-Tooth Sprocket
5	10104197	Chain Cover Base
6	10101933	3/8" - 16 X 2-1/2" Hex Bolt
7	1012318	3/8-16 Galvanized Hex Nut <i>(Four Required)</i>
8	10104199	Sliding Motor Mount
9	10103308	JIC 8 x SAE 10 90° Elbow <i>(Two Required)</i>
10	10101059	3/8-16 X 1-1/4" A307 Bolt Galv <i>(Two Required)</i>
11	10102887	Hydraulic Motor
12	10102902	Seal Plate
13	10103605	Snap Ring <i>(Two Required)</i>
14	10102903	Thrust Bearing
15	10100675	1/2" Lock Washer <i>(Four Required)</i>
16	1014022	1/2-13 Hex Nut <i>(Four Required)</i>
17	1035046	5/16"- 18 Nut <i>(Two Required)</i>
18	10101346	5/16-18 X 3/4" L GR 5 Bolt <i>(Three Required)</i>
19	10103641	3/8 Key Cut
20	10102886	13-Tooth Sprocket
21	10103392	Connecting Link #60
22	10103391	Cottered Roller Chain #60 <i>(Per Foot)</i>
23	10103614	Offset Link #60
—	10104191	Discharge Auger Chain Kit <i>Includes part #'s 10103392, 10103391, 10103614.</i>
—	10103940	Seal Kit for Hydraulic Motor 10102887

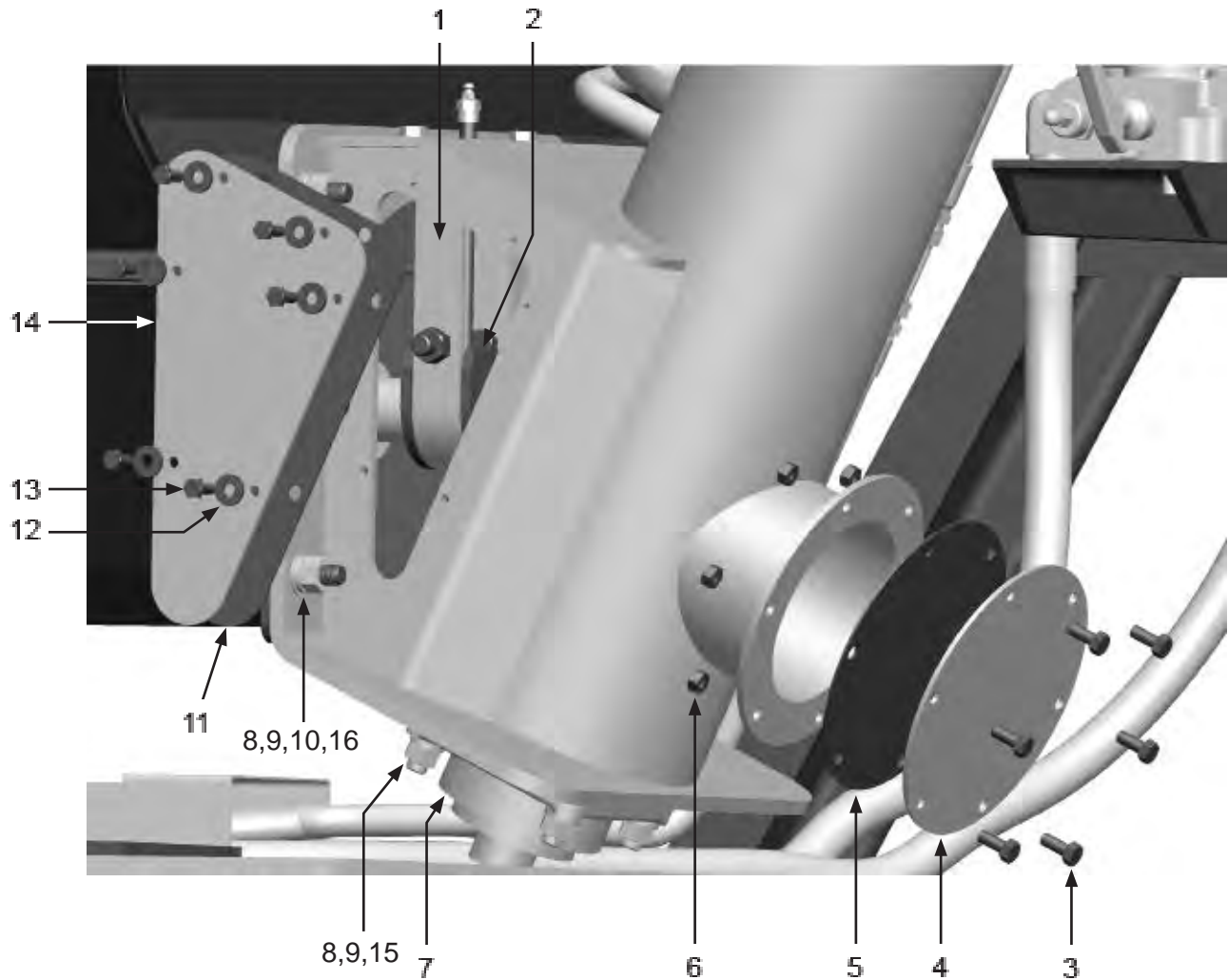
PART NUMBERS AND SCHEMATICS GUIDE

Figure 24: Discharge Auger Drive Assembly



PART NUMBERS AND SCHEMATICS GUIDE

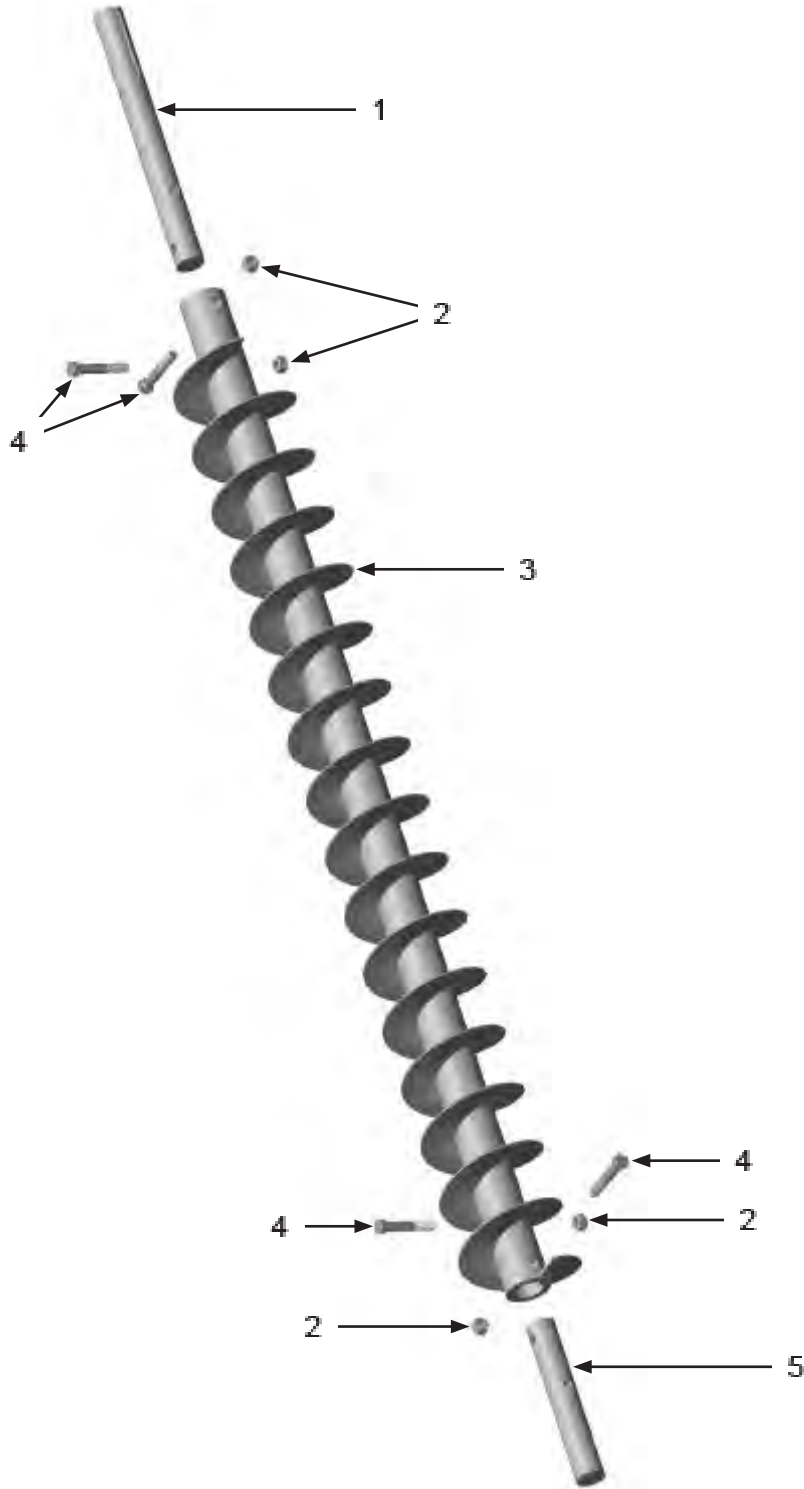
Figure 25: Discharge Auger Clean-out Assembly



Item #	Part #	Description
Fig. 25		
1	10102896	Bearing Hanger
2	10103413	Bearing
3	10101346	5/16-18 x 3/4" Bolt <i>(Six Required)</i>
4	10103235	Auger Clean-out Cover
5	10103716	Neoprene Auger Clean-out Gasket
6	1035046	5/16-18 Nut <i>(Six Required)</i>
7	10102880	Discharge Auger Lower Bearing Assembly
8	10101941	1/2-13 Galvanized Hex Nut <i>(10 Required)</i>
9	10100675	1/2" Lock Washer <i>(10 Required)</i>
10	10100674	1/2" Flat Washer <i>(Six Required)</i>
11	10103717	Discharge Auger Side Gasket <i>(Two Required)</i>
12	10101940	1/4" Galvanized Flat Washer <i>(12 Required)</i>
13	20100125	1/4-20 x 3/4" Zinc Hex Bolt <i>(12 Required)</i>
14	10103236	Discharge Auger Side Cover <i>(Two Required)</i>
15	10102652	1/2-13 X 2-1/4" GR5 Bolt
16	10101943	1/2-13 X 1-3/4" Hex Bolt

PART NUMBERS AND SCHEMATICS GUIDE

Figure 26: Discharge Auger



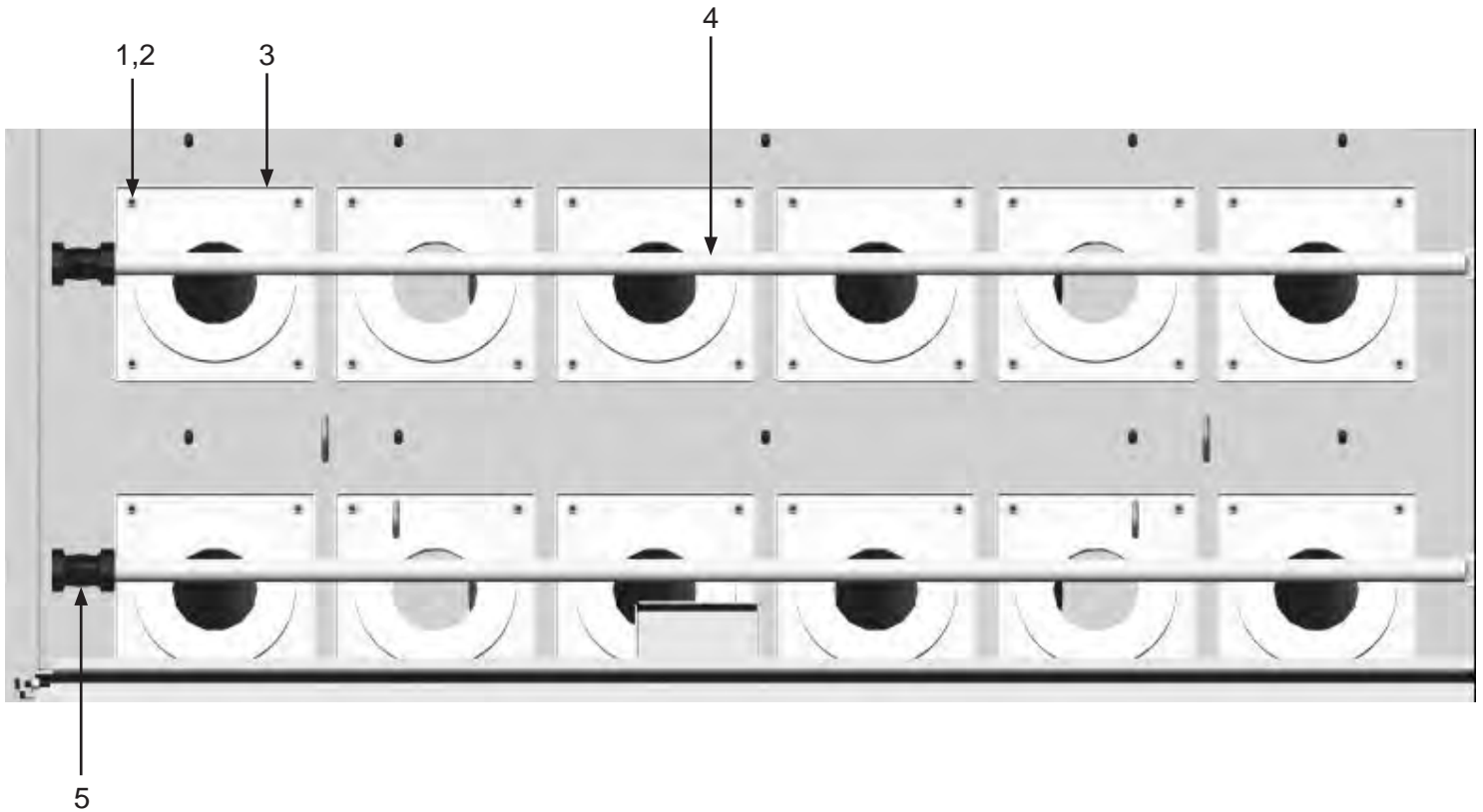
Item #	Part #	Description
--------	--------	-------------

Fig. 26

1	10103306	Drive Shaft
2	1014022	1/2-13 Hex Nut (<i>Four Required</i>)
3	10102883	58" x 6" Half Pitch Auger
4	10103401	1/2-13 x 3" Galvanized Bolt (<i>Four Required</i>)
5	10102910	Auger Shaft End

PART NUMBERS AND SCHEMATICS GUIDE

Figure 27: Dust Collector Filter Cartridge Pulsers



Item #	Part #	Description
--------	--------	-------------

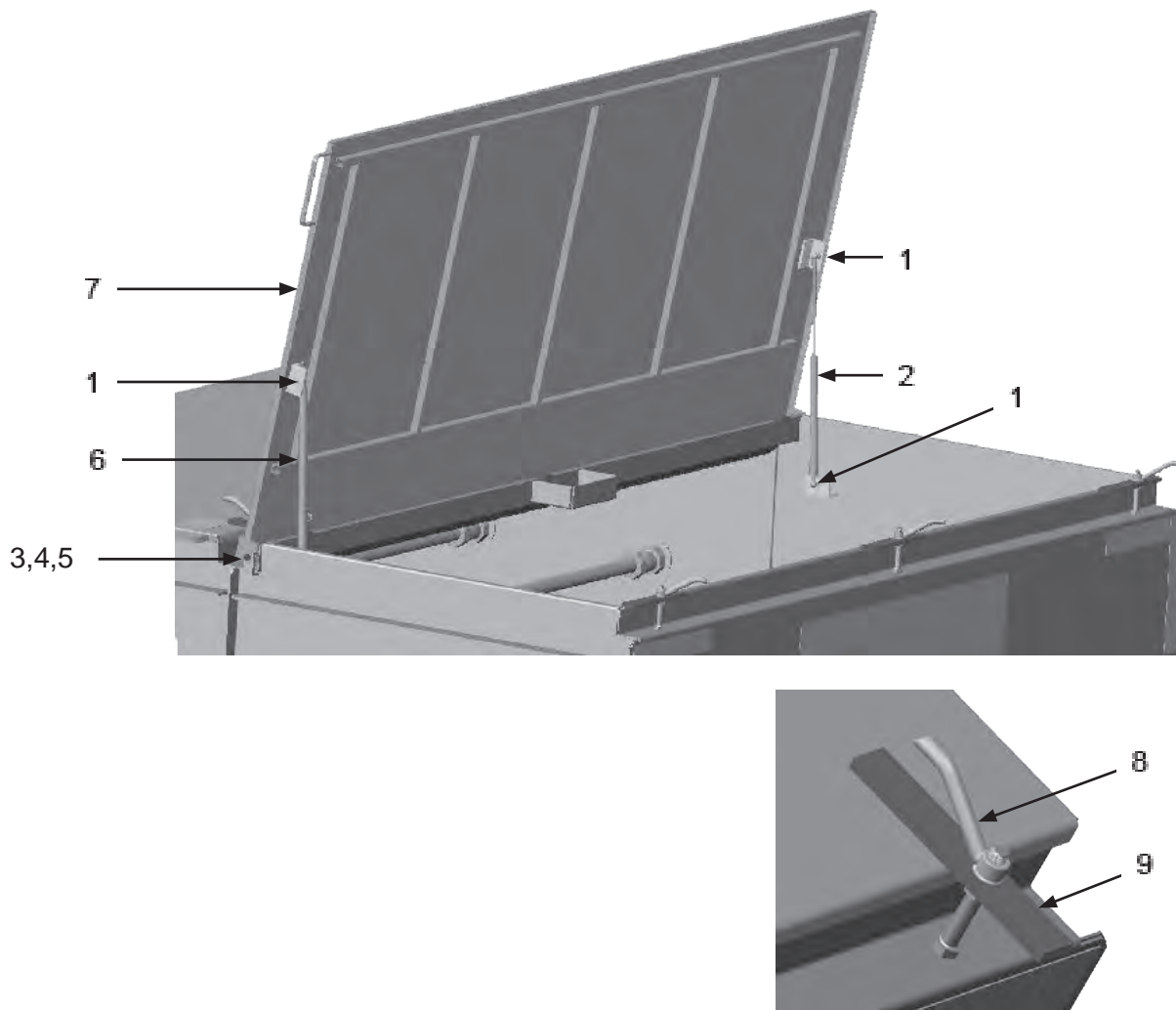
Fig. 27

1	10101942	3/8" Flat Washer (4 Required Per Filter)
2	1012318	3/8" Hex Nut (4 Required Per Filter)
3	10105939	Filter Bolt-Down (1 Required Per Filter)
4	10105942	Small Filter Blowpipe (Two Required Per Hatch Opening)
5	10102599	Compression Coupling Assembly (Two Required Per Hatch Opening)

See *Optional Accessories for Dust Collector Filter Cartridge* part numbers.

PART NUMBERS AND SCHEMATICS GUIDE

Figure 28: Dust Collector Filter Cartridge Hatch Door



Item #	Part #	Description
--------	--------	-------------

Fig. 28

1	1035046	5/16-18 Hex Nut <i>(Four Required)</i>
2	10103454	Non-Locking Gas Spring
3	1028617	3/8-16 X 1-3/4" Shoulder Bolt <i>(Two Required)</i>
4	10101942	3/8" Flat Washer <i>(Four Required)</i>
5	10101938	3/8"-16 Hex Nut <i>(Two Required)</i>
6	10103455	Locking Gas Spring
7	10102917	Hopper Lid
8	10103395	1/2-13 Zinc Plated Handle <i>(Three Required)</i>
9	10104377	Latch Bar <i>(Three Required)</i>

Quantities specified are per hatch opening

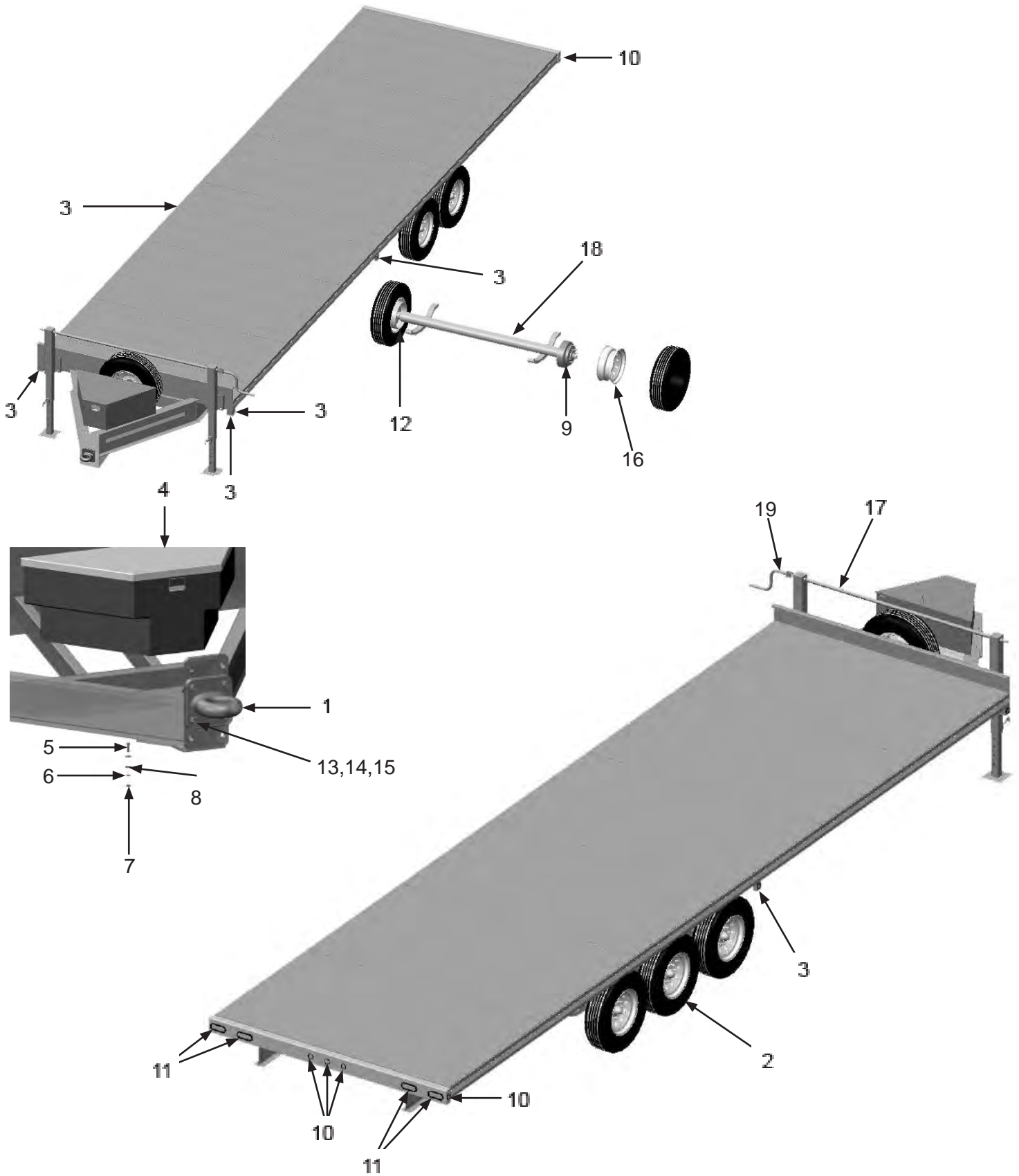
PART NUMBERS AND SCHEMATICS GUIDE

Trailer

Item #	Part #	Description
Fig. 29		
	10103496	Trailer 10.5 Ton 30' Long x 101" Wide
1	10104079	Pintle Hitch with Flat Plate
2	10104089	ST235/80R 16" 10-PLY Tire with Rim <i>(Six Required)</i>
—	10104096	ST235/80R 16" 14-PLY Tire <i>(Six Required)(optional)</i>
3	10104087	2" Round Amber LED Clearance Light <i>(Four Required)</i>
4	10103797	Tool Box (optional)
5	1012154	1/4-20 x 1" Bolt <i>(Five Required) (optional)</i>
6	1012153	1/4" Lock Washer <i>(Five Required) (optional)</i>
7	10101347	1/4-20 Hex Nut <i>(Five Required) (optional)</i>
8	10101940	1/4" Washer <i>(Ten Required) (optional)</i>
9	10106087	Left-Hand Electric Brake Assembly <i>(Three Required)</i>
10	10104086	2" Round Red LED Clearance Light <i>(Five Required)</i>
11	10104084	Red LED Oval Tail Light <i>(Four Required)</i>
12	10106088	Right-Hand Electric Brake Assembly <i>(Three Required)</i>
13	10105746	5/8 x 2-1/2" Gr 8 Bolt <i>(Four Required)</i>
14	10105747	5/8 Reverse Lock Nut <i>(Four Required)</i>
15	10103398	5/8" Flat Washer <i>(Four Required)</i>
16	10107126	16 x 6 8-Hole White Rim
17	10107218	Jack Stand Assembly
—	10104082	10,000# Heavy Spring Loaded Jack
18	10104077	7,000# Axle with Electric Brakes
19	10107329	Sidewind Crank with Hardware
—	10104081	Breakaway Kit
—	10105826	Redline 12V - 5AH Battery Sealed
—	10104082	Wire Harness
—	10104080	3/8" x 35" Chain with Hook
—	109V582	Operator's Manual - Behnke Trailer

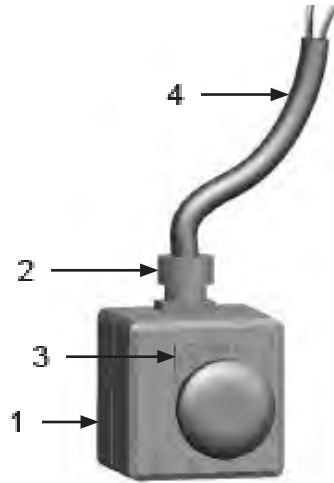
PART NUMBERS AND SCHEMATICS GUIDE

Figure 29: Trailer



PART NUMBERS AND SCHEMATICS GUIDE

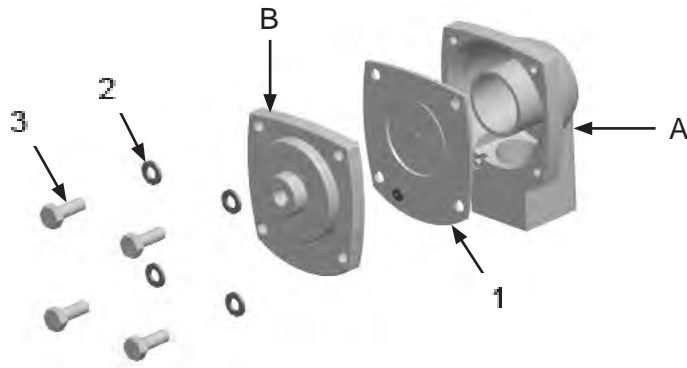
Figure 30: Emergency-Stop Station



Item #	Part #	Description
Fig. 30		
1	10104071	Emergency-Stop Control Station
2	10104703	Cord Grip Nylon 1/2"-NPT .2-.47 Diameter
3	10104063	Legend Plate - Emergency Stop
4	1015540	16/2 Xtreme Duty Power Cord - Red
—	1015009	8-32 x 1" Pan Head Phillips Screw <i>(Four Required)</i>
—	20000021	8-32 Zinc Nut <i>(Four Required)</i>
—	20000018	#8 Zinc Lock Washer <i>(Four Required)</i>
—	20000019	#8 Zinc Flat Washer <i>(Four Required)</i>

PART NUMBERS AND SCHEMATICS GUIDE

Figure 31: Diaphragm Valve



Item #	Part #	Description
Fig. 31		
—	10103255	1" Diaphragm Valve – Complete <i>(Three Required)</i> <i>Includes Items: A,B,1,2,3</i>
1	10103954	1" Diaphragm Valve Service Kit
2	1012153	1/4" Lock Washer <i>(Four Required)</i>
3	20101232	M6 x 1 x 14 HHCS <i>(Four Required)</i>
—	10103954	1" Diaphragm Valve Service Kit <i>(Not Shown)</i>

OPTIONAL ACCESSORIES



DUST COLLECTOR FILTER CARTRIDGES

Part Numbers	I.D.	O.D.	Material	Length	Serial Number
10105973	4.87"	9.22"	85/15 High Density	35"	0010 –
10106218	4.87"	9.22"	85/15 Reduced Pleat	35"	0010 –
10105974	4.87"	9.22"	Fire Retardant	35"	0010 –
101569046	4.87"	9.22"	HEPA	35"	0010 –
10105980	4.87"	9.22"	Spunbond	35"	0010 –



DUCT HOSE

Part Numbers	I.D.	Length	Pitch
10DH2025HD	20"	25 Feet	1-1/2" Heavy-Duty
10DH2050HD	20"	50 Feet	1-1/2" Heavy-Duty



DUCT HOSE COUPLING AND CLAMPS

Part Numbers	I.D.	Length
1017120	20"	Coupling
10DH062602000	20"	Screw Clamp

OPTIONAL ACCESSORIES



Part Numbers

3/4" I.D. X 1-1/4" O.D. AIR HOSE					
Part Numbers	Length	Hose I.D.	Hose O.D.	Working Pressure	Hose Cover Color
10AH034	Per Ft.	3/4"	1-1/4"	200 PSI	Red



Part Numbers

3/4" I.D. X 1-1/4" O.D. AIR HOSE WITH COUPLINGS INSTALLED							
Part Numbers	Length	Hose I.D.	Hose O.D.	Working Pressure	Hose Cover Color	Couplings	Band Clamps
10AH034AC	50 Ft.	3/4"	1-1/4"	200 PSI	Red	10HE1	10AHCL1



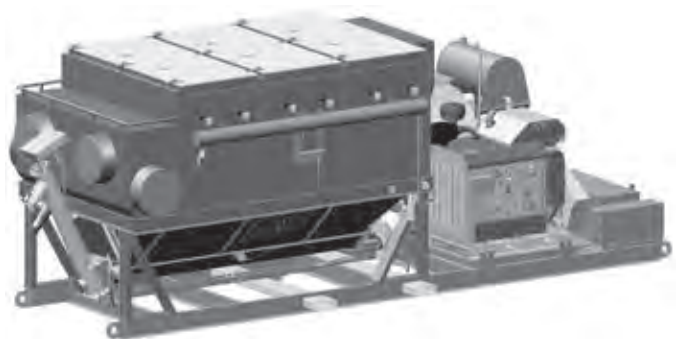
Part Numbers

MALE HOSE END COUPLING AND GASKET FOR 3/4" I.D. AIR HOSE						
Part Numbers	Hose I.D.	Material	Coupling Style	GASKET		
				Rubber Gasket	Gasket I.D.	Gasket O.D.
10HE1	3/4"	Plated Iron	2-Lug	10UG2	3/4"	1-3/8"

PART NUMBERS

DUSTMASTER® 28,000 CFM TIER 4 DIESEL DUST COLLECTORS

Part Numbers	Filter Cartridge Material						Trailer	Skid	Filter Cartridge Quantity
	None	High Density Pleat 85% Cellulose/15% Poly Blend	Reduced Pleat 85% Cellulose/15% Poly Blend	Fire Retardant	HEPA	Spunbond			
10106439	X						X		–
10106440		X					X		36
10106441			X				X		36
10106442				X			X		36
10106443					X		X		36
10106444						X	X		36
10106661	X							X	–
10106667		X						X	36
10106668			X					X	36
10106669				X				X	36
10106670					X			X	36
10106671						X		X	36

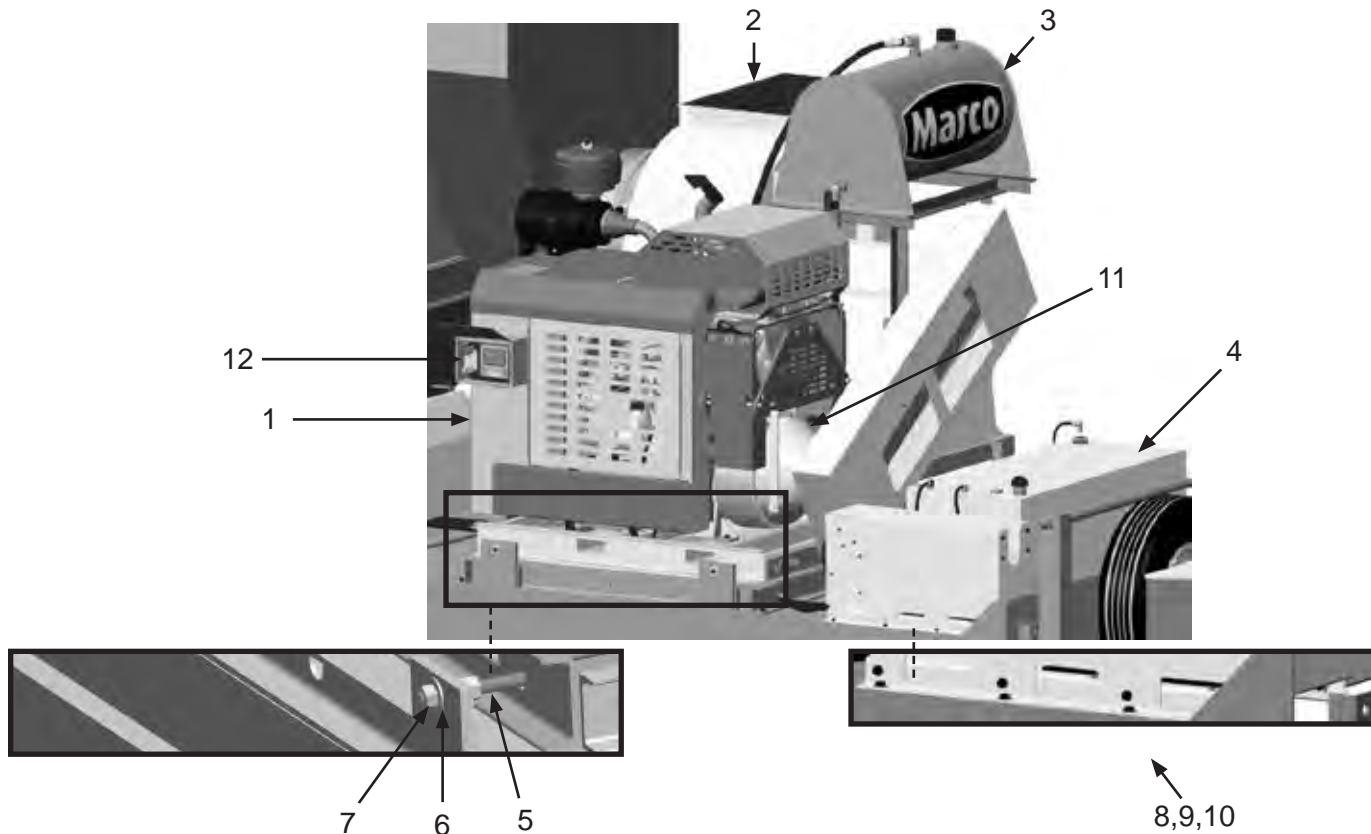


SPECIFICATIONS

Capacity:	CFM = 16,990 - 28,140 W.C. = 6 – 16"
Filter Cartridge Style:	Open Top with Flange, Closed Bottom - 36 Required
Filter Cleaning:	Pulse System, 5–15 second intervals Pulse Duration: 200–350 millisecond
Air to Cloth Ratio:	2.72:1 @ 20,000 CFM
Filter Area:	7,361 square feet
Efficiency:	85/15 High Density Pleat Blend Filters – 99.8% @ 0.5 micron 85/15 Reduced Pleat Blend Filters – 99.8% @ 0.5 micron HEPA Filters – 99.99% @ 0.3 micron Fire Retardant Filters – 96.8% @ 2.0 micron Spunbond Filters – 97% @ 3.0 micron
Ducting Connections:	20" I.D., Quantity of Four
Clean-out Ports:	One
Dust Removal Conveyor:	Main Auger, 6" Discharge Auger, Hydraulic Motor Drive
Fan:	Backward Inclined, non-overloading, spark resisting
Engine:	Diesel, Tier 4 Final, 120 Horsepower
Fuel Capacity:	Type: Diesel Capacity: 80 Gallons
Air Requirements:	Clean, Dry, Compressed Air 24 CFM @ 90 PSI
Electrical System:	12-Volt DC
Engine Protection:	Engine Monitoring System with automatic shutdown measures: coolant temperature, intake air temperature, engine intake manifold pressure, engine oil pressure, pressure in fuel rail, engine speed and timing.
Fluid Specifications:	Hydraulic Oil: H46 or equivalent, 40 Gallons Diesel Fuel: See Engine Operator's Manual for type, 80 Gallons Grease/Lubricator: Shell Gadus S2 V100 2 or equivalent DEF: BlueDEF Diesel Exhaust Fluid
Unit Dimensions Trailer:	Weight: 12,500 pounds (empty) Tongue Weight: 2620 pounds Length: 27' 10" Width: 8' 6" Height: 10' 4"
Unit Dimensions Skid:	Weight: 11,680 pounds (empty) Length: 19' 10" Width: 8' 6" Height: 8' 9"

PART NUMBERS AND SCHEMATICS GUIDE

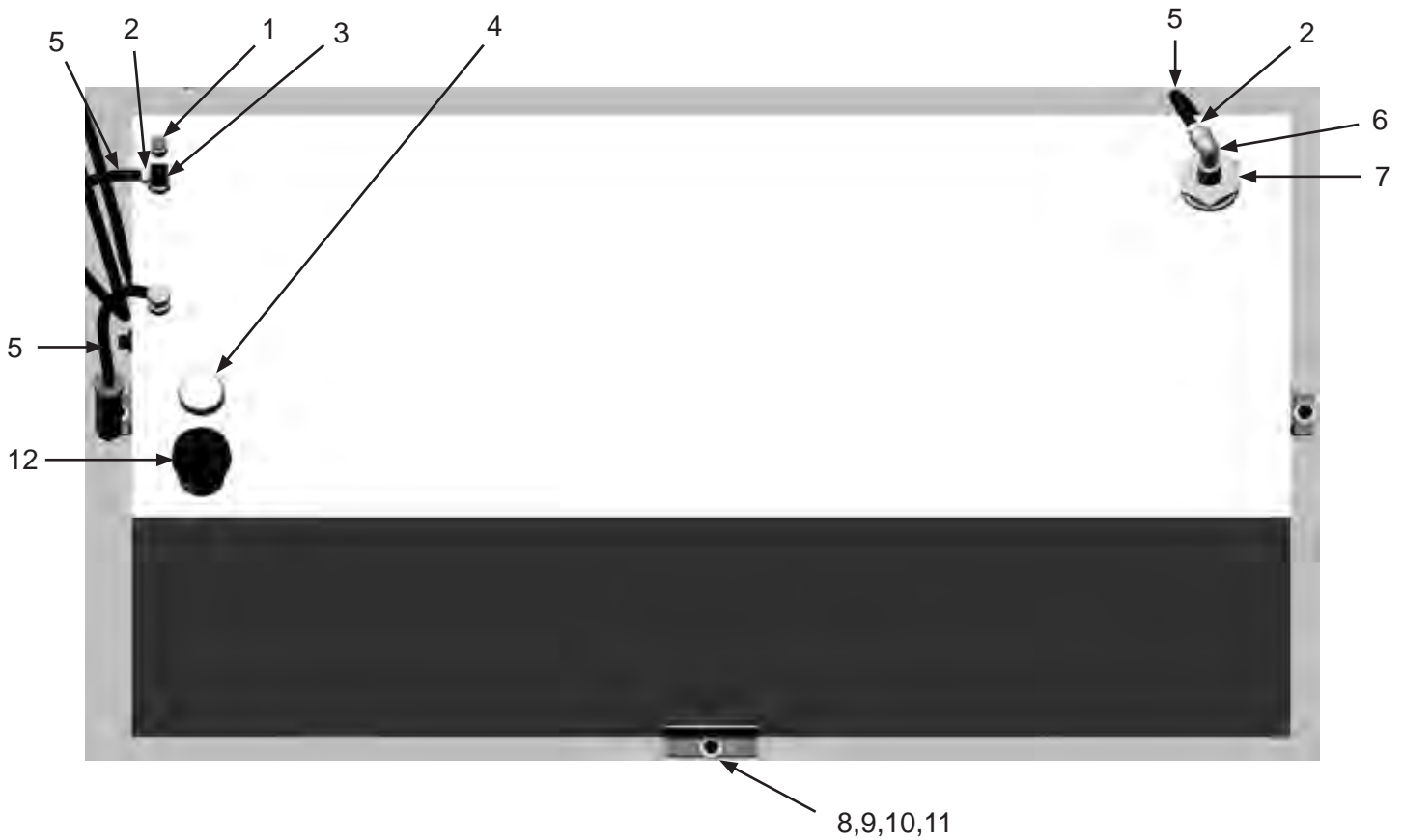
Figure 1: Front Assembly



Item#	Part#	Description
Fig. 1		
1	10105840	Perkins® Engine 120HP Tier 4 Final CPU with DEF Tank
2	10103626	BI 270 Fan (See Figure 8)
3	10105031	40 Gallon Hydraulic Tank (See Figure 3)
4	10103251	Fuel Tank - 80 Gallon (See Figure 2)
5	10103440	3/4-10 Draw Bolt (Two Required)
6	10103718	3/4" Washer (Four Required)
7	10103420	3/4-10 Nut (Four Required)
8	10104234	3/8-16 x 1-1/4" Bolt Zinc (Eight Required)
9	10101942	3/8" Galvanized Flat Washer (16 Required)
10	10102329	3/8-16 Hex Nut with Nylon Insert (Eight Required)
11	10104025	Twin Disc Clutch
12	10103969	Murphy Power View
—	10103970	Key
—	10106699	Oil Filter
—	10106701	Primary Fuel Filter
—	10106700	Secondary Fuel Filter
—	10106702	Breather Element
—	10106703	Outer Air Filter
—	10106704	Inner Air Filter
—	10106772	Clutch Arm Extension
—	109V565	Operator's Manual - Perkins® Engine
—	105M143	Features & Specifications Guide – Dustmaster® 28,000 CFM Tier 4 Diesel Dust Collector
—	106M143	Part Numbers & Schematics Guide – Dustmaster® 28,000 CFM Tier 4 Diesel Dust Collector
—	1090143	Operator's Manual – Dustmaster® 28,000 CFM Tier 4 Diesel Dust Collector

PART NUMBERS AND SCHEMATICS GUIDE

Figure 2: Fuel Tank



Item #	Part #	Description
Fig. 2		
—	10103251	Fuel Tank - 80 gallon
1	10106471	1/4" Pipe Plug
2	10106469	3/8" Barb x 3/8" NPT
3	10103617	Withdraw Tube - 16"
4	10103424	Sight Gauge
5	10103619	1/2" Fuel Hose (<i>Per Foot</i>)
6	10106470	3/8" NPT Street Elbow
7	10106484	Adapter
8	10101059	3/8-16 x 1-1/4" Bolt Galvanized (<i>Four Required</i>)
9	10101942	3/8" Galvanized Flat Washer (<i>Eight Required</i>)
10	1012318	3/8-16 Hex Nut (<i>Four Required</i>)
11	10101936	3/8" Zinc Lock Washer (<i>Four Required</i>)
12	10103968	Locking Fuel Cap with Key
—	10103620	3/8" Inline Filter (<i>Not Shown</i>)
—	10103961	Fuel Tank Rubber Cushioning Pad (<i>Not Shown</i>)

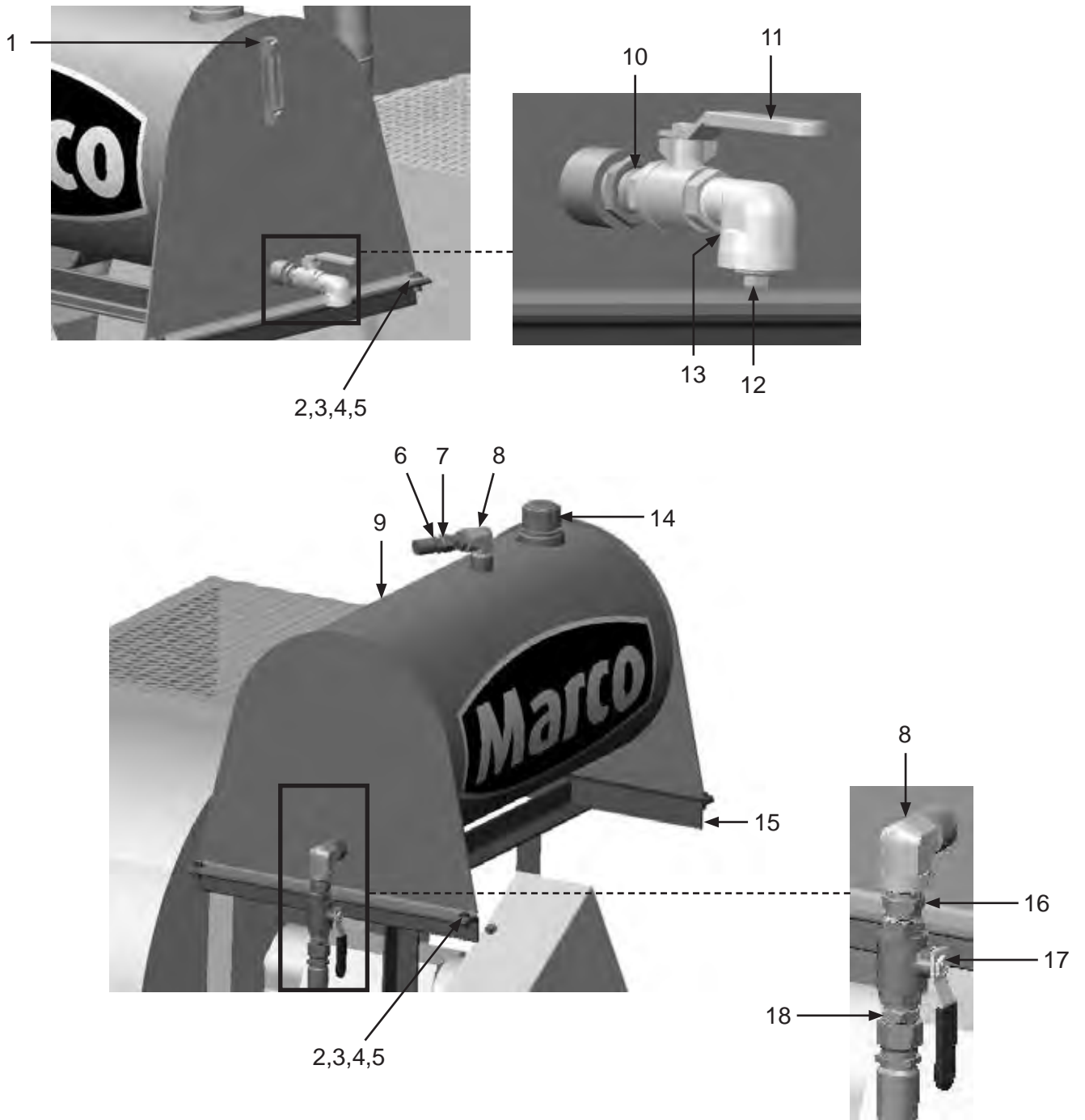
PART NUMBERS AND SCHEMATICS GUIDE

Hydraulic Oil Tank

Item #	Part #	Description
Fig. 3		
1	10103942	Sight Level Gauge
2	1011747	3/8 – 16 x 1" Bolt (<i>Four Required</i>)
3	10101942	Flat Washer – 3/8" (<i>Eight Required</i>)
4	10101936	Lock Washer – 3/8" (<i>Four Required</i>)
5	1012318	Hex Nut - 3/8-16 (<i>Four Required</i>)
6	10103314	Straight Adapter – 3/4" NPT x 12 JIC
7	20PFHA24SB1612	Reducing Bushing – 1" NPT x 3/4" NPT
8	20PFHA25UG1616	Street Elbow - 90° – 1" NPT (<i>Two Required</i>)
9	10105031	Hydraulic Oil Reservoir – 40 Gallon
10	1011213	Close Nipple – 3/4" NPT – Galvanized
11	10L8074C	Full Port Ball Valve – 3/4" NPT
12	10DSHP75	Pipe Plug – Square Head – 3/4" NPT
13	10102479	Street Elbow – 90° - 3/4" NPT – Galvanized
14	10103971	Filler/Breather Cap
15	10102958	Hydraulic Oil Tank Mount
16	20PFHA24SA1616	Hex Nipple – 1" NPT
17	1011601	Full Port Ball Valve – 1" NPT
18	10103312	Straight Adapter – 1" NPT x 16 JIC

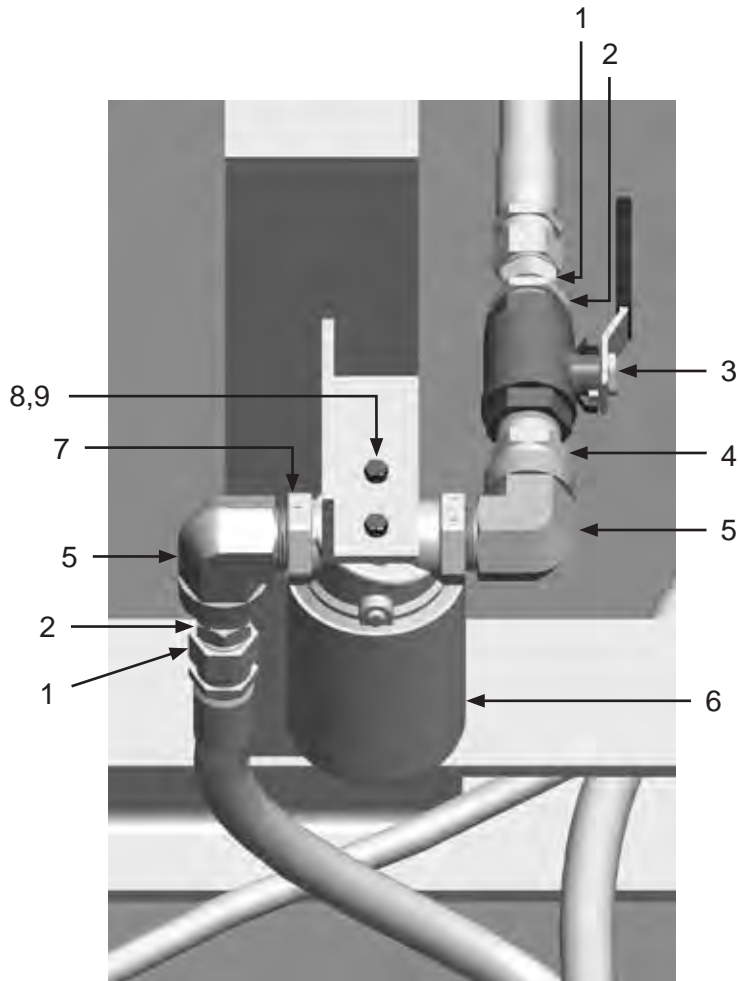
PART NUMBERS AND SCHEMATICS GUIDE

Figure 3: Hydraulic Oil Tank



PART NUMBERS AND SCHEMATICS GUIDE

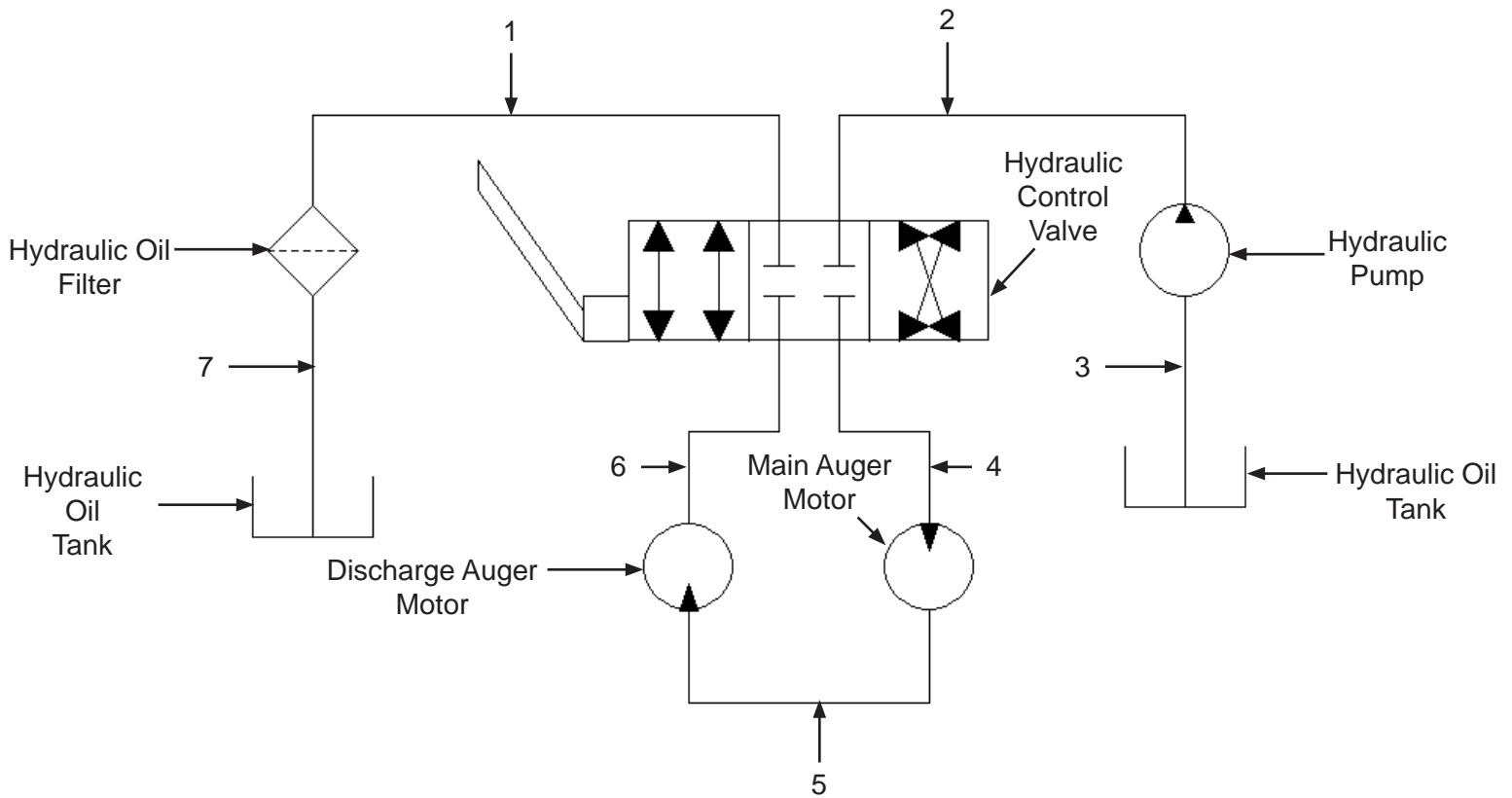
Figure 4: Hydraulic Oil Filter Assembly



Item #	Part #	Description
Fig. 4		
1	10103314	3/4" NPT x 12 JIC Straight Adapter
2	20PFHA24SB1612	1" x 3/4" Reducing Bushing
3	1011601	3/4" Full Port Brass Ball Valve
4	20PFHA24SA1616	1" Hex Nipple
5	20PFHA25UG1616	1" Street Elbow (<i>Two Required</i>)
6	10104058	Hydraulic Oil Filter
7	10104057	Hydraulic Oil Filter Head
8	1012153	1/4" Lock Washer
9	20100125	1/4-20 x 3/4" Zinc Bolt

PART NUMBERS AND SCHEMATICS GUIDE

Figure 5: Hydraulic Hoses



Item #	Part #	Description
--------	--------	-------------

Fig. 5

1	10104069	Hydraulic Hose - 3/4" I.D. x 17' - 3045 psi
2	10103406	Hydraulic Hose - 3/4" I.D. x 21' - 3045 psi
3	10103405	Hydraulic Hose - 1" I.D. x 9' 6" - 2000 psi
4	10103407	Hydraulic Hose - 1/2" I.D. X 14' - 2000 psi
5	10103501	Hydraulic Hose - 1/2" I.D. X 18' 8" - 2000 psi
6	10103409	Hydraulic Hose - 1/2" I.D. x 7' 1" - 2000 psi
7	10104055	Hydraulic Hose - 3/4" I.D. x 7' - 3045 psi

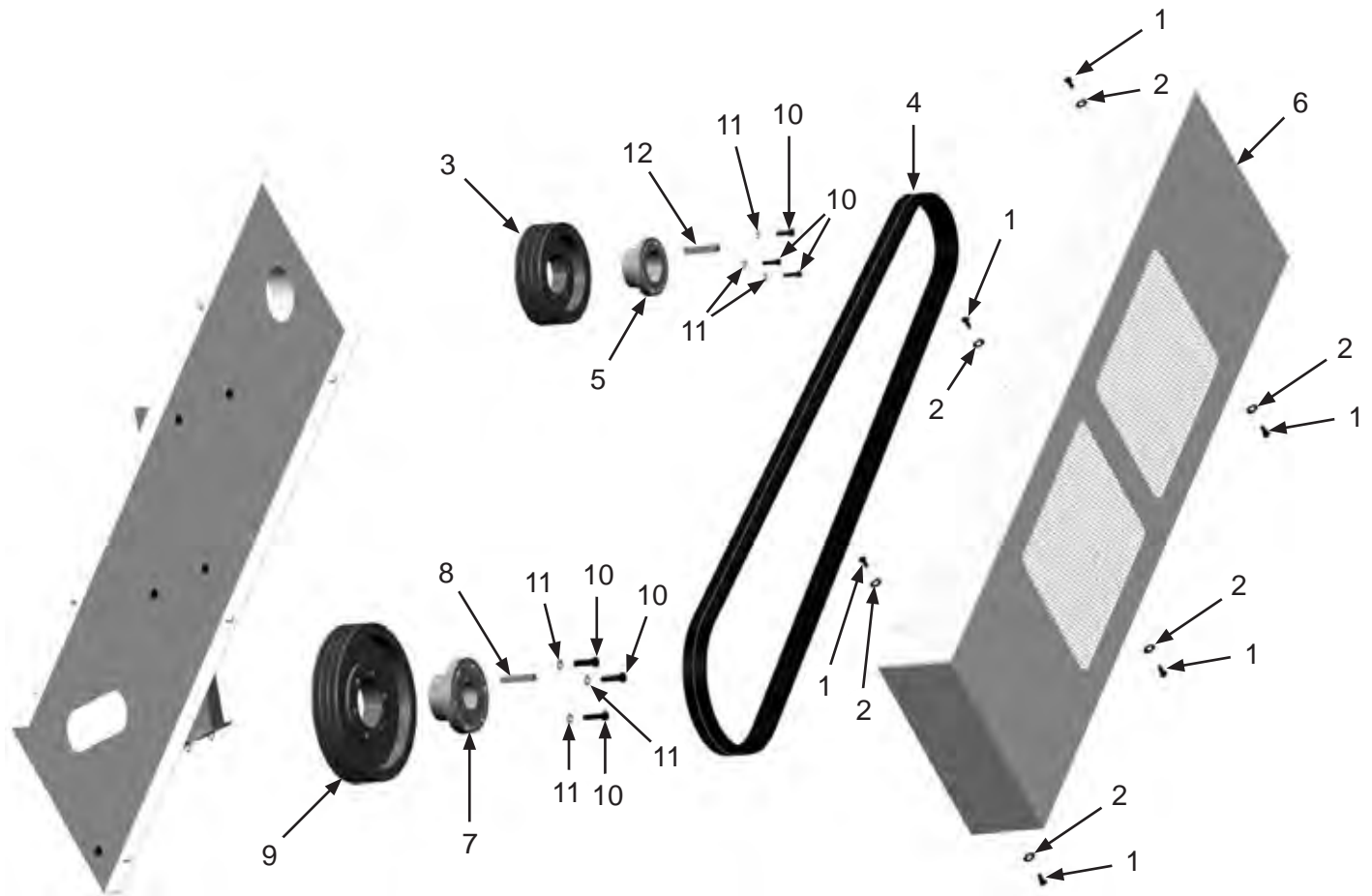
PART NUMBERS AND SCHEMATICS GUIDE

Fan Belt Assembly

Item #	Part #	Description
Fig. 6		
1	10103400	3/8-16 x 3/4" Bolt <i>(Six Required)</i>
2	10101942	3/8" Galvanized Flat Washer <i>(Six Required)</i>
3	10103324	8" Sheave
4	10103327	3-Band Fan Drive Belt – 125"
5	10103323	8" Sheave Bushing with Key <i>Includes Mounting Hardware</i>
6	10102965	Belt Guard Cover
7	10103325	12-1/2" Sheave Bushing <i>Includes Mounting Hardware</i>
8	10103644	1/2" x 1/4" x 5/8" x 5/16" Step Key
9	10103326	12-1/2" Sheave
10	10101943	1/2-13 x 1-3/4" Bolt <i>(Six Required)</i>
11	10100675	1/2" Lock Washer <i>(Six Required)</i>
12	10103643	5/8" Key Cut

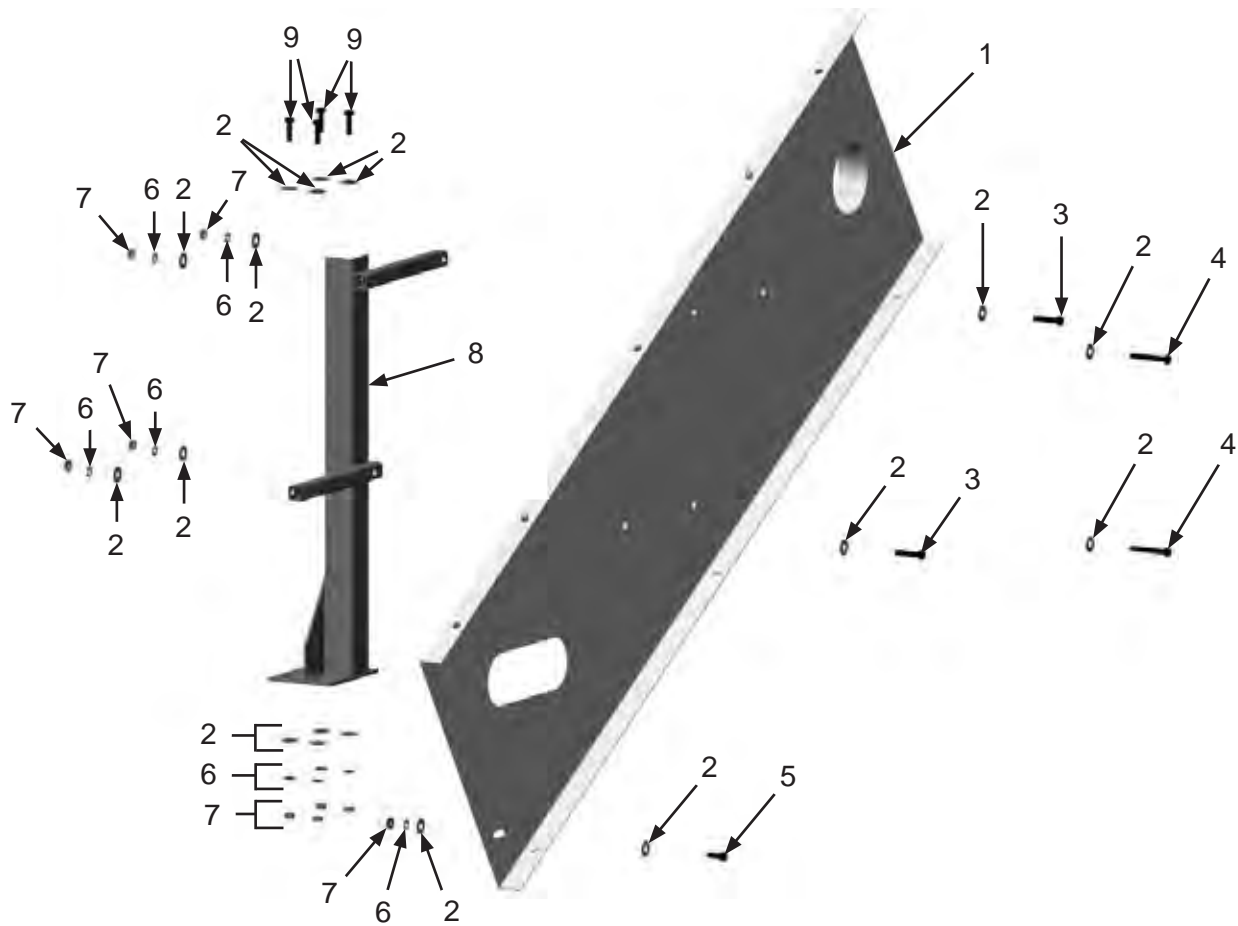
PART NUMBERS AND SCHEMATICS GUIDE

Figure 6: Fan Belt Assembly



PART NUMBERS AND SCHEMATICS GUIDE

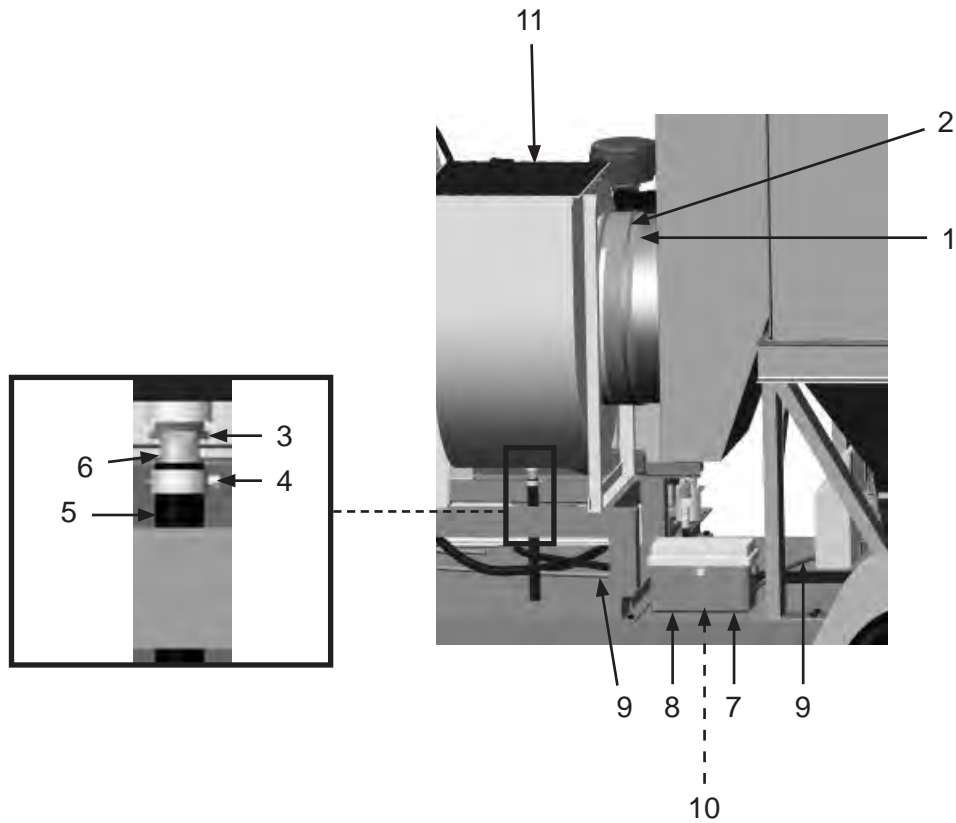
Figure 7: Fan Belt Guard Back Assembly



Item #	Part #	Description
Fig. 7		
1	10102968	Belt Guard Back
2	10101942	3/8" Galvanized Flat Washer (18 Required)
3	1028617	3/8-16 x 1-3/4" Shoulder Bolt (Two Required)
4	10101933	3/8-16 x 2-1/2" Bolt (Two Required)
5	1011747	3/8-16 x 1" Bolt
6	10101936	3/8" Zinc Lock Washer (Nine Required)
7	1012318	3/8-16 Hex Nut (Nine Required)
8	10103354	Belt Guard Mount
9	10101059	3/8-16 x 2-1/4" Bolt (Four Required)

PART NUMBERS AND SCHEMATICS GUIDE

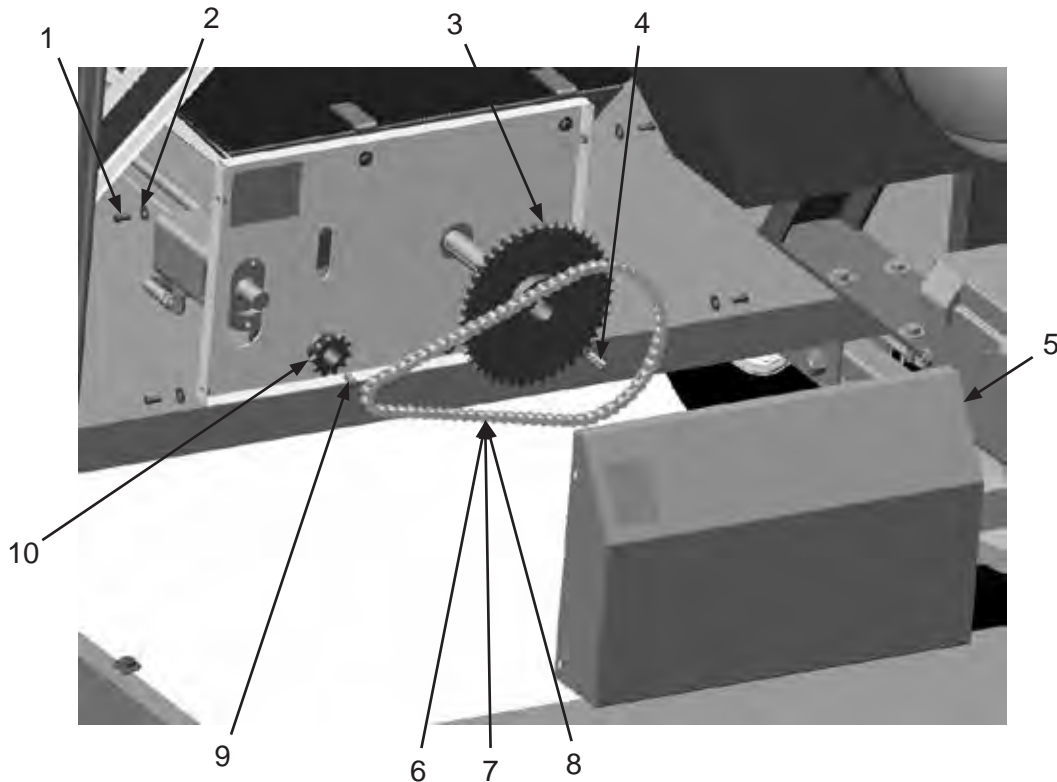
Figure 8: Fan Assembly and Battery Box



Item #	Part #	Description
Fig. 8		
—	10103626	BI 270 Fan
1	10103962	Connection Rubber Gasket
2	10103416	Adjustable Clamp Fastener <i>(Two Required)</i>
3	20PFHA24SB2016	1-1/4" x 1" Reducing Bushing
4	10104136	T-Bolt Clamp 1-9/16" X 1-11/16" OD
5	10103654	1-1/4" I.D. Hose <i>(Per Foot)</i>
6	10000197	1" x 3" Toe Nipple
7	10103342	Battery Box
8	10103963	Rubber Cushioning Pad
9	10105867	Battery Cables
10	10103341	Battery - Group 31
11	10103319	Bird Screen

PART NUMBERS AND SCHEMATICS GUIDE

Figure 9: Main Auger Drive Assembly



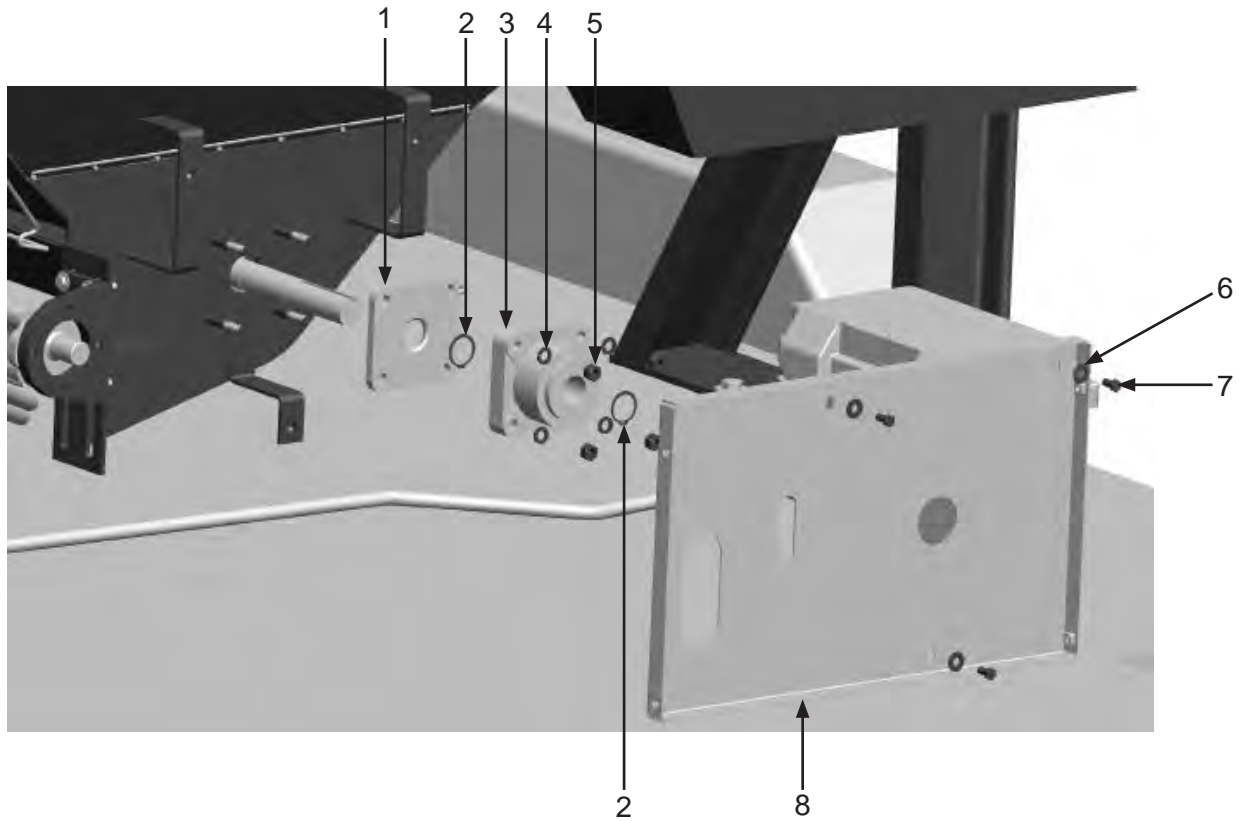
Item #	Part #	Description
--------	--------	-------------

Fig. 9

1	10103400	3/8-16 x 3/4" Bolt (<i>Four Required</i>)
2	10101942	3/8" Galvanized Flat Washer (<i>Four Required</i>)
3	10104218	45-Tooth Sprocket
4	10103641	3/8" Key Cut
5	10102952	Main Auger Motor Cover
6	10103391	60# Cottered Roller Chain (<i>Per Foot</i>)
7	10103392	60# Connecting Link
8	10103614	60# Offset Link
9	10103642	5/16" x 1/4" x 1/8" x 1/8" Key
10	10103265	11 – Tooth Sprocket
—	10104192	Main Auger Chain Kit <i>Includes Item #'s: 6 (5'), 7, and 8</i>

PART NUMBERS AND SCHEMATICS GUIDE

Figure 10: Main Auger Bearing



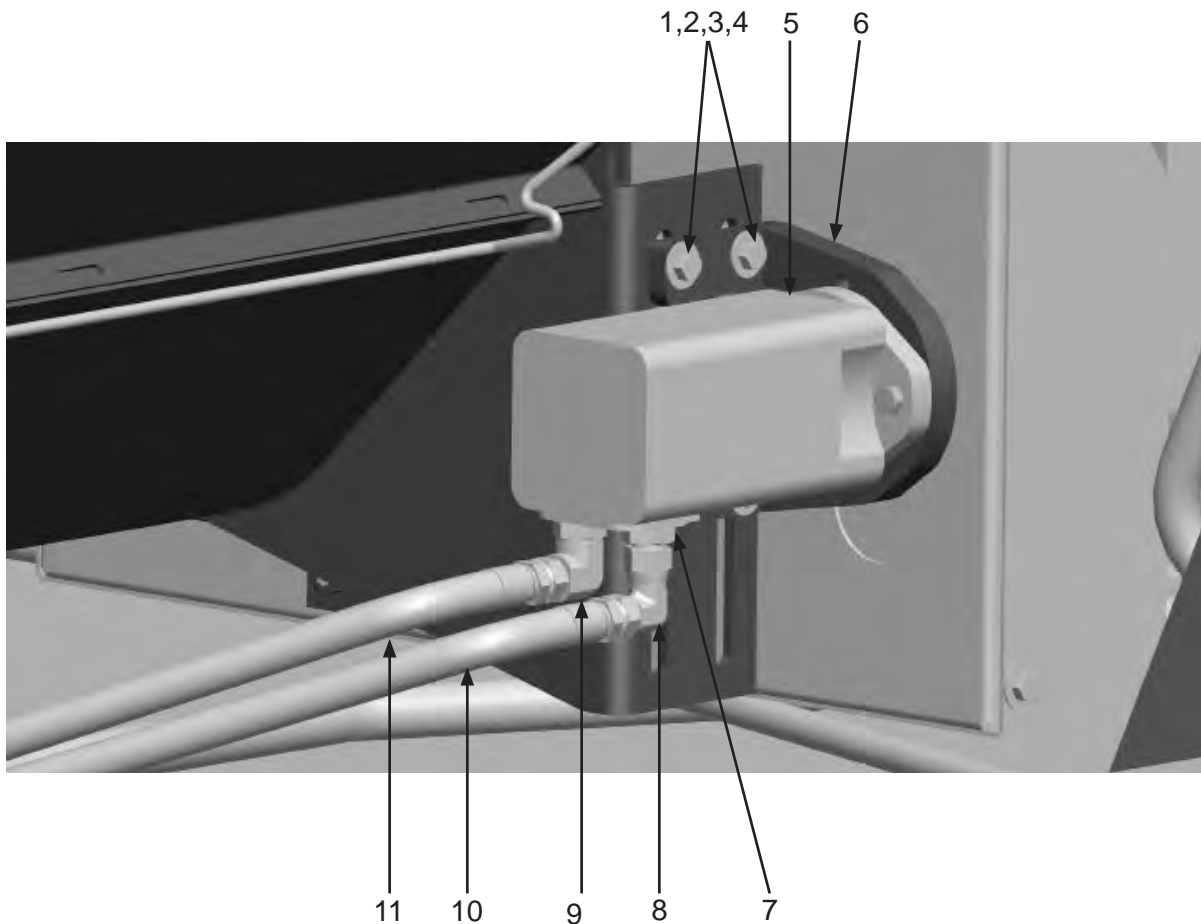
Item #	Part #	Description
--------	--------	-------------

Fig. 10

1	10102902	Seal Plate
2	10103605	Snap Ring (<i>Two Required</i>)
3	10102903	Thrust Bearing
4	10100675	1/2" Lock Washer (<i>Four Required</i>)
5	1014022	1/2-13 Hex Nut (<i>Four Required</i>)
6	10101942	3/8" Galvanized Flat Washer (<i>Three Required</i>)
7	10103400	3/8 – 16 x 3/4" Bolt (<i>Three Required</i>)
8	10102955	Main Auger Guard Back

PART NUMBERS AND SCHEMATICS GUIDE

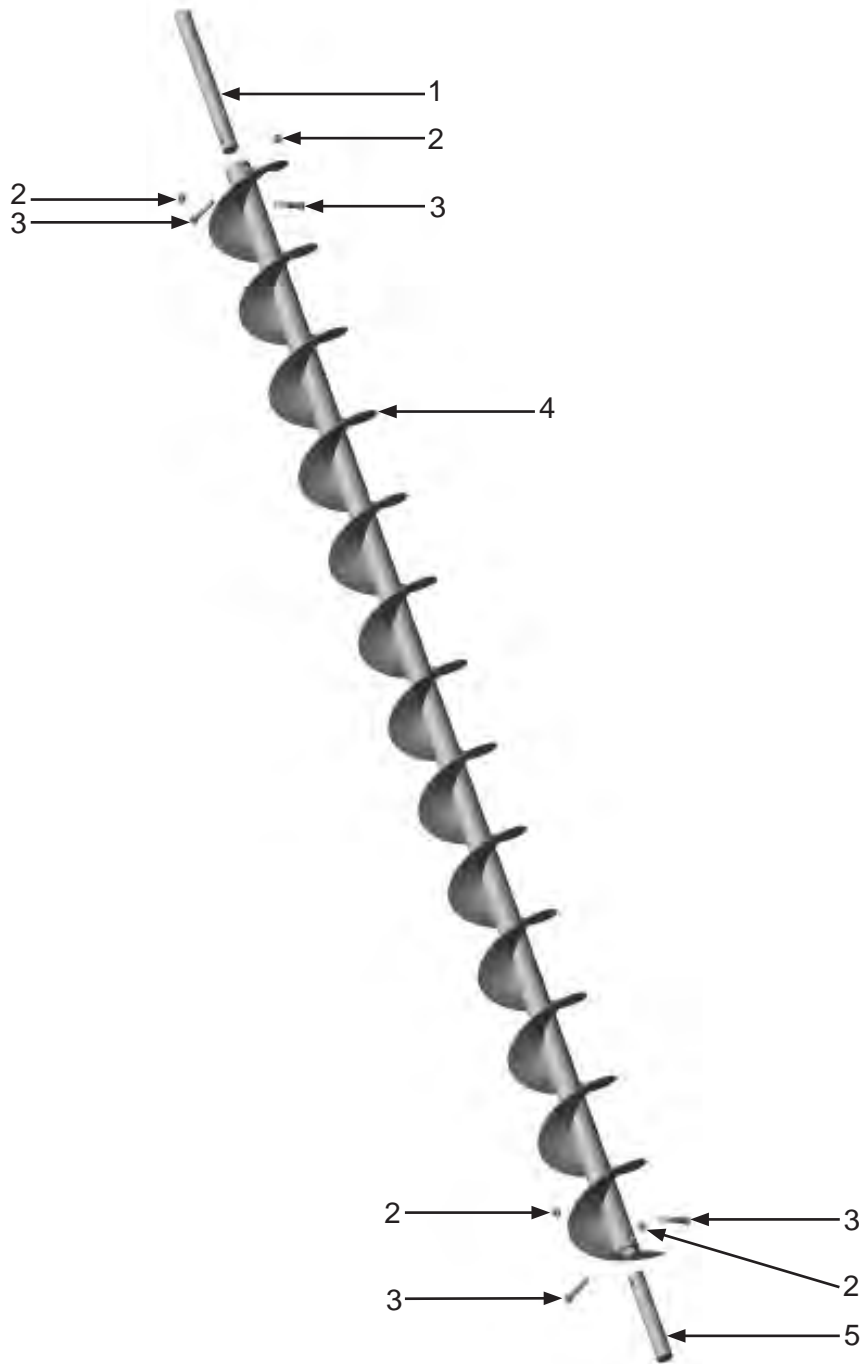
Figure 11: Main Auger Motor



Item #	Part #	Description
Fig. 11		
1	1028617	3/8-16 x 1-3/4" Shoulder Bolt (<i>Four Required</i>)
2	10101942	3/8" Galvanized Flat Washer (<i>Eight Required</i>)
3	10101936	3/8" Zinc Lock Washer (<i>Four Required</i>)
4	1012318	3/8-16 Hex Nut (<i>Four Required</i>)
5	10103266	18.7 Displacement Hydraulic Motor
6	10102881	Hydraulic Motor Mount with Hardware
7	10103612	JIC 8 x SAE 10 Straight Adapter
8	10103611	JIC 8 x JIC 8 90° Elbow
9	10103308	JIC 8 x SAE 10 90° Elbow
10	10103501	Hydraulic Hose - 1/2" I.D. X 18' 8" - 2000 psi
11	10103407	Hydraulic Hose - 1/2" I.D. X 14' - 2000 psi
—	10103941	Seal Kit for 18.7 Displacement Hydraulic Motor

PART NUMBERS AND SCHEMATICS GUIDE

Figure 12: Main Auger



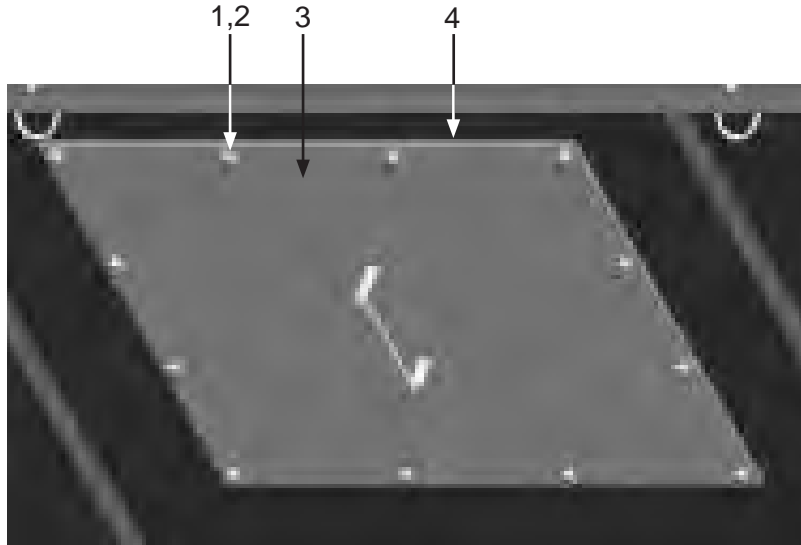
Item #	Part #	Description
--------	--------	-------------

Fig. 12

1	10103306	Drive Shaft
2	10101941	1/2-13 Galvanized Hex Nut (<i>Four Required</i>)
3	10103401	1/2-13 x 3" Galvanized Bolt (<i>Four Required</i>)
4	10103262	118" x 9" Standard Pitch Auger
5	10102910	Auger Shaft End

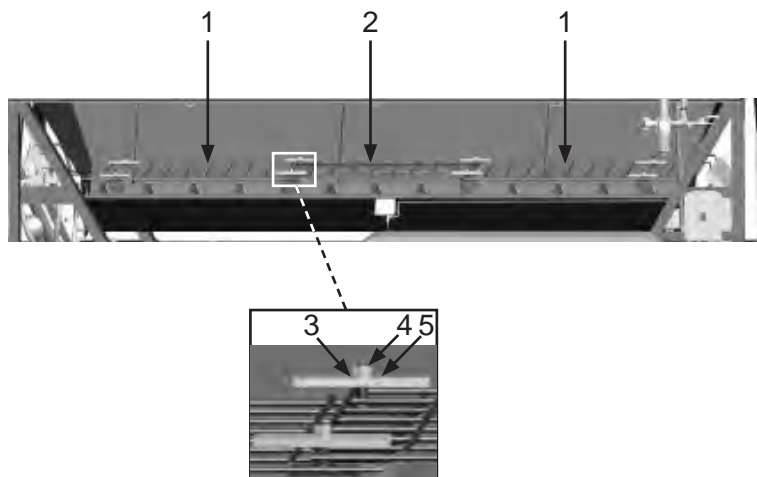
PART NUMBERS AND SCHEMATICS GUIDE

Figure 13: Access Panel Assembly



Item #	Part #	Description
Fig. 13		
1	1012318	3/8-16 Hex Nut (12 Required)
2	10101942	3/8" Flat Washer (12 Required)
3	10102933	20" Access Panel Door
4	10103344	1/4" X 1-1/2" Adhesive-Backed Gasket (Per Foot)

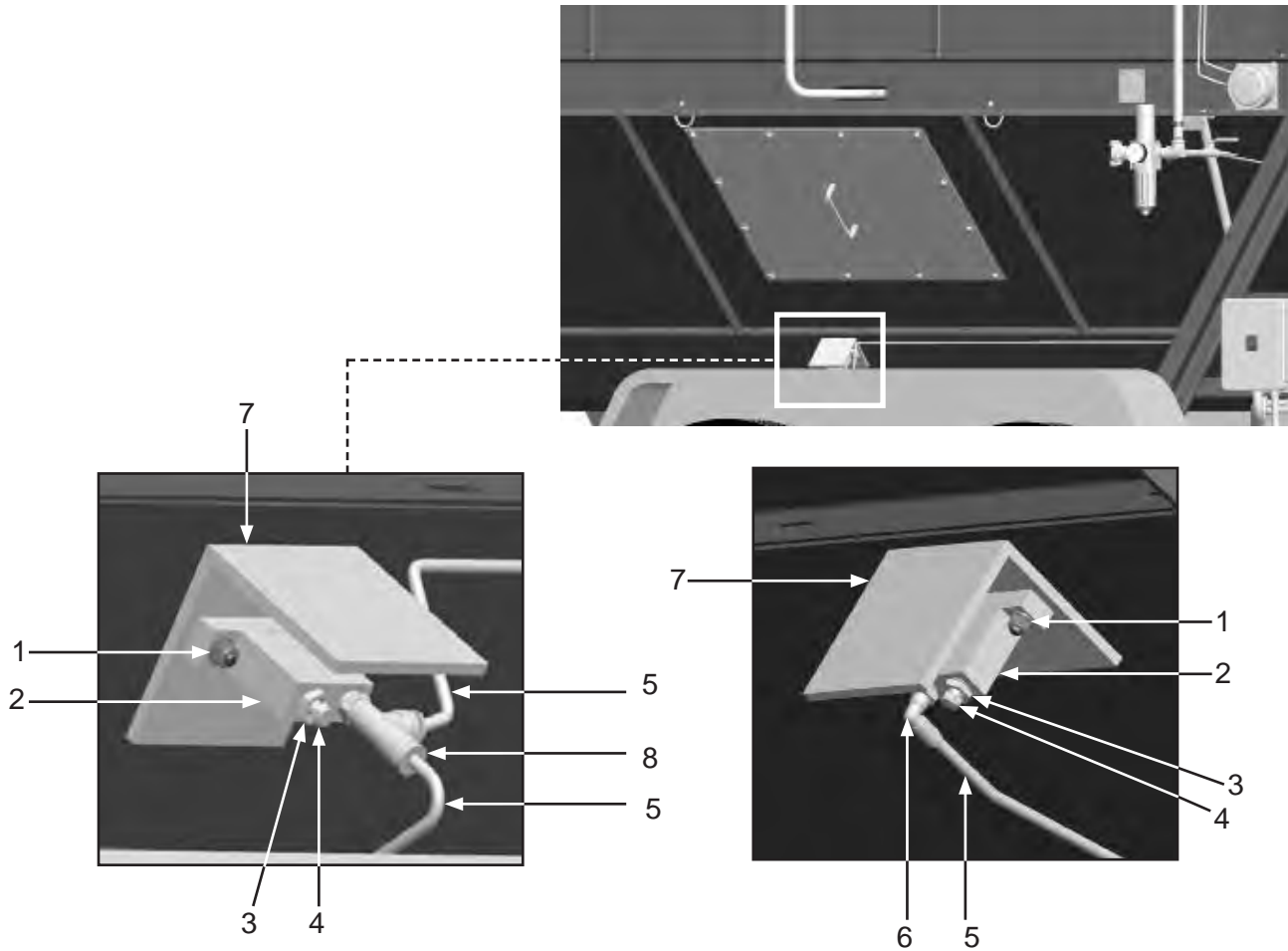
Figure 14: Main Auger Protective Grate



Item #	Part #	Description
Fig. 14		
1	10103966	Protective Grate - 44 Inches (Two Required)
2	10103967	Protective Grate - 36 Inches
3	10100674	Flat Washer - 1/2" (Eight Required)
4	1014022	1/2-13 Hex Nut (Eight Required)
5	10102936	Protective Grate Bracket (Eight Required)

PART NUMBERS AND SCHEMATICS GUIDE

Figure 15: Pneumatic Ball Vibrators



Item #	Part #	Description
Fig. 15		
1	1012323	1/4-20 Zinc Lock Nut with Nylon Insert (<i>Four Required</i>)
2	10103258	Pneumatic Ball Vibrator (<i>Two Required</i>)
3	20PFHA24SB0402	1/4" x 1/8" Reducing Bushing
4	1012905	1/8" Breather Muffler (<i>Two Required</i>)
5	10103322	1/4" I.D. Black Urethane Tubing (<i>Per Foot</i>)
6	20PFBA31095614	1/4" Tube x 1/4" NPT 90° Fitting
7	10103609	Vibrator Shield (<i>Two Required</i>)
8	10103261	1/4" Male Push-to-connect Tee

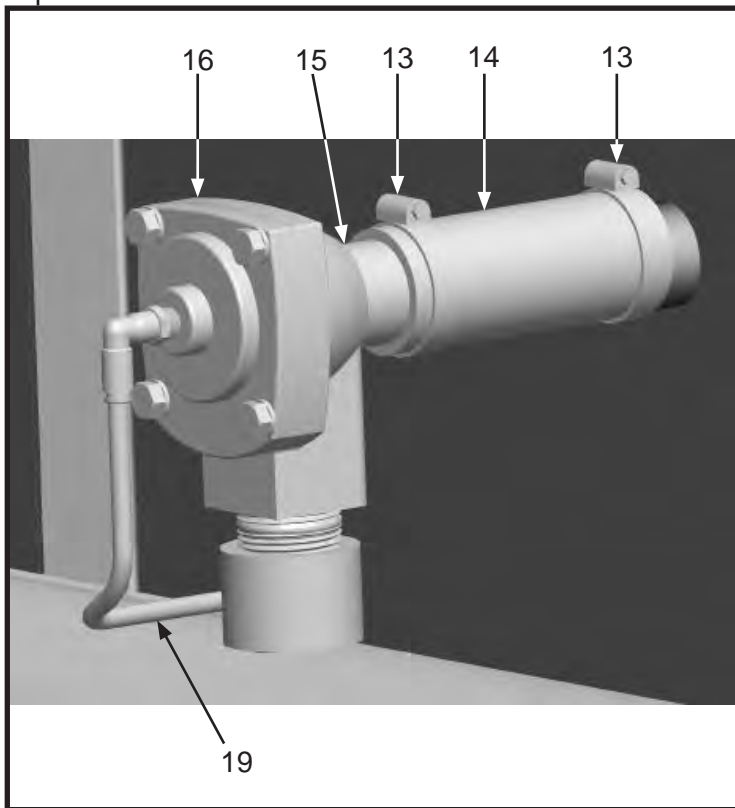
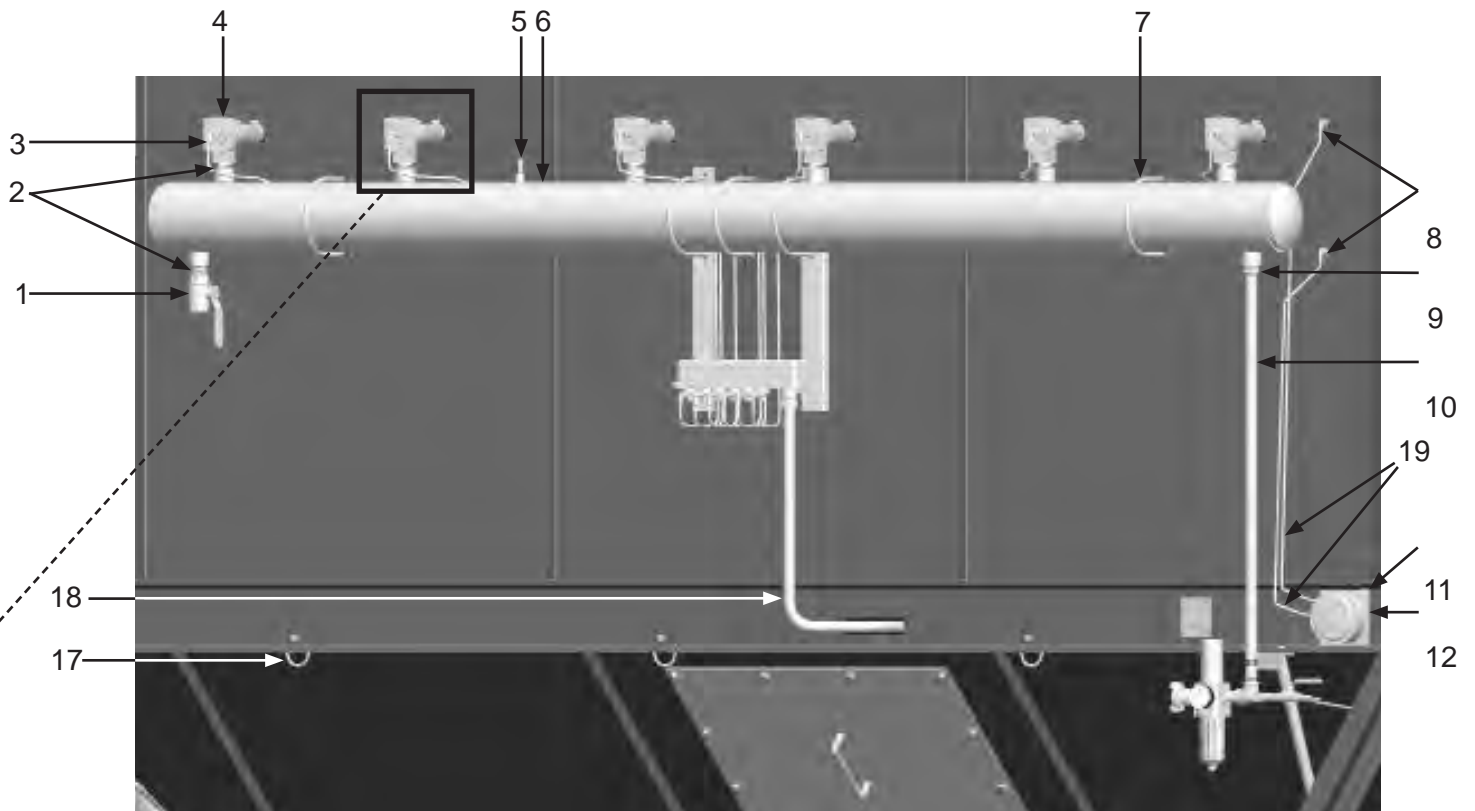
PART NUMBERS AND SCHEMATICS GUIDE

Pulser System Assembly

Item #	Part #	Description
Fig. 16		
1	1011601	1" Full Port Ball Valve
2	10103318	1" x 2" Pipe Nipple (<i>Seven Required</i>)
3	10103322	1/4" O.D. Black Urethane Tubing (<i>Per Foot</i>)
4	20100579	1/4" O.D. Tube x 1/8" NPT Swivel (<i>Six Required</i>)
5	1028607	1/4" NPT Pressure Relief Valve – 125 PSI
6	10102948	6" Pipe Header
7	10103394	3/8-16 x 6" U-Bolt Assembly (<i>Five Required</i>)
8	20PFBA31095614	1/4" Tube x 1/4" NPT 90° Fitting (<i>Two Required</i>)
9	20PFHA24SB1612	1" x 3/4" Reducing Bushing
10	10103315	3/4" x 36" Pipe Nipple
11	10103608	Magnehelic Differential Pressure Gauge Mounting Bracket
12	10103259	Magnehelic Differential Pressure Gauge Assembly <i>Includes Mounting Hardware</i>
13	10104136	T-Bolt Clamp 1-9/16" X 1-11/16" O.D.
14	10103654	1-1/4" I.D. Marine Hose – 100 PSI (<i>Per Foot</i>)
15	10105207	1" x 3" Toe Nipple (<i>Six Required</i>)
16	10103255	1" Diaphragm Valve (<i>See Figure 29</i>)
17	10103625	D-Ring (<i>16 Required</i>)
18	10103304	3/4" I.D. Flexible Conduit
19	10103322	Urethane Tube - Black - 1/4"

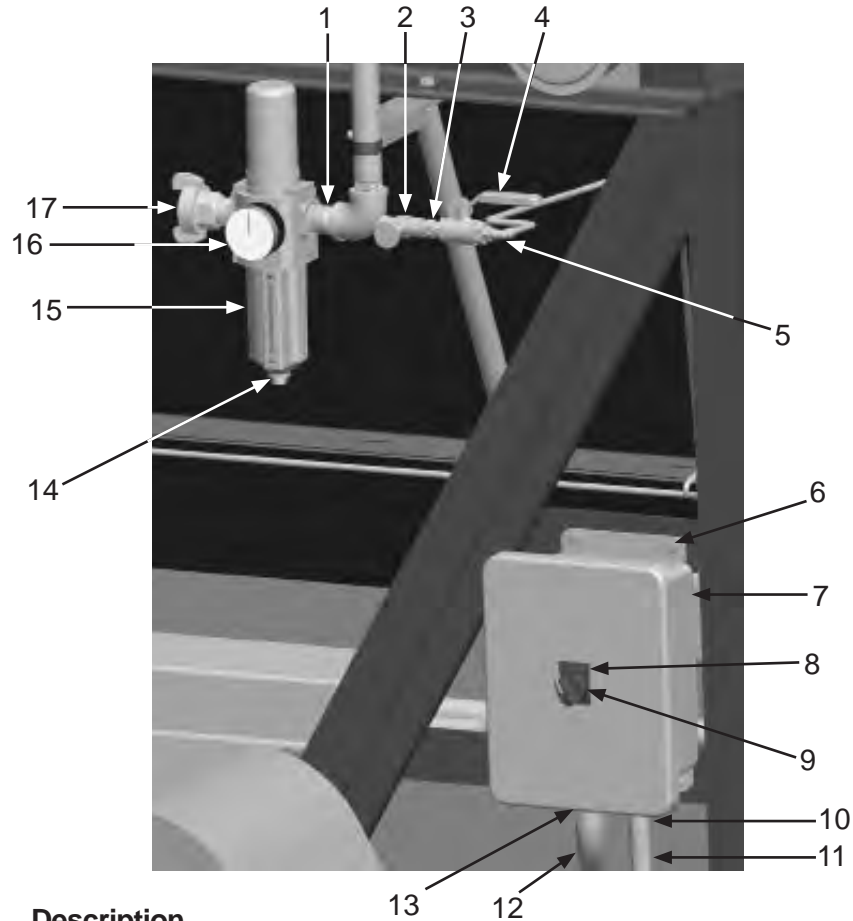
PART NUMBERS AND SCHEMATICS GUIDE

Figure 16: Pulsar System Assembly



PART NUMBERS AND SCHEMATICS GUIDE

Figure 17: Pulsar Regulator and Timer Assembly



Item # Part #

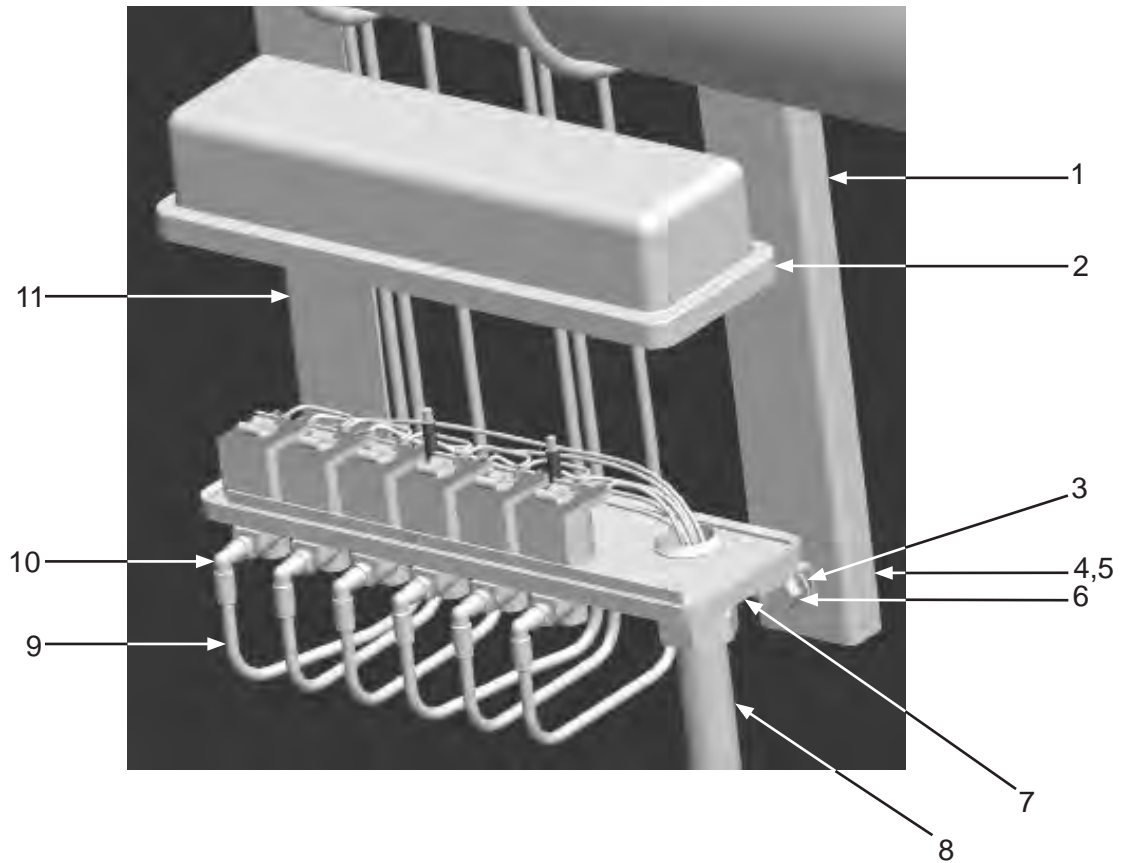
Description

Fig. 17

1	10103317	3/4" x 2" Pipe Nipple
2	10103292	1/4" Needle Valve
3	1017019	1/4" x 1/4" Hex Nipple
4	1080050	1/4" Ball Valve
5	20PFBA31095614	1/4" Tube x 1/4" NPT 90° Fitting (<i>Three Required</i>)
6	20100125	1/4-20 x 3/4" Zinc Hex Bolt (<i>Four Required</i>)
7	10103254	Timer Box with Timer Board
—	10103935	Timer Box Only
—	10103948	Timer Board Only
8	10103414	On/Off Name Plate
9	10103305	2-Way Selector Switch
10	20RST50	Straight Liquid Tite Connection Fitting (<i>Two Required</i>)
11	20RSEL050UL	1/2" UL/UA Seal-Tite Conduit Pipe (<i>Per Foot</i>)
12	10103304	3/4" Flexible Conduit
13	10103303	3/4" Conduit Hub
14	10103952	Filter Auto Drain
15	10103257	Excelon 74 Series Filter/Regulator
16	10103953	Sight Glass Kit
17	10ME1	3/4" Male 2-lug Coupling
—	10103950	Excelon 74 Series Filter/Regulator Service Kit
—	10103951	Filter Element (<i>Not Shown</i>)

PART NUMBERS AND SCHEMATICS GUIDE

Figure 18: Pulsar Solenoid Enclosure Assembly



Item #	Part #	Description
--------	--------	-------------

Fig. 18

1	10102970	Solenoid Enclosure Mount – Right
2	10103256	Solenoid Pilot Valve Enclosure
3	10101942	3/8" Galvanized Flat Washer <i>(Four Required)</i>
4	10101936	3/8" Zinc Lock Washer <i>(Two Required)</i>
5	1012318	3/8-16 Hex Nut
6	1011747	3/8-16 x 1" Bolt
7	10103303	3/4" Conduit Hub
8	10103304	3/4" Flexible Conduit
9	10103322	1/4" O.D. Black Urethane Tubing <i>(Per Foot)</i>
10	20100579	1/4" O.D. Tube x 1/8" NPT Swivel <i>(Six Required)</i>
11	10102969	Solenoid Enclosure Mount – Left
—	10103955	Solenoid Valve <i>(Six Required)</i>
—	10103956	Solenoid Coil <i>(One Required per Solenoid)</i>
—	10103957	Solenoid Service Kit <i>Includes: O-ring, Plunger, Spring, Ferrule</i>

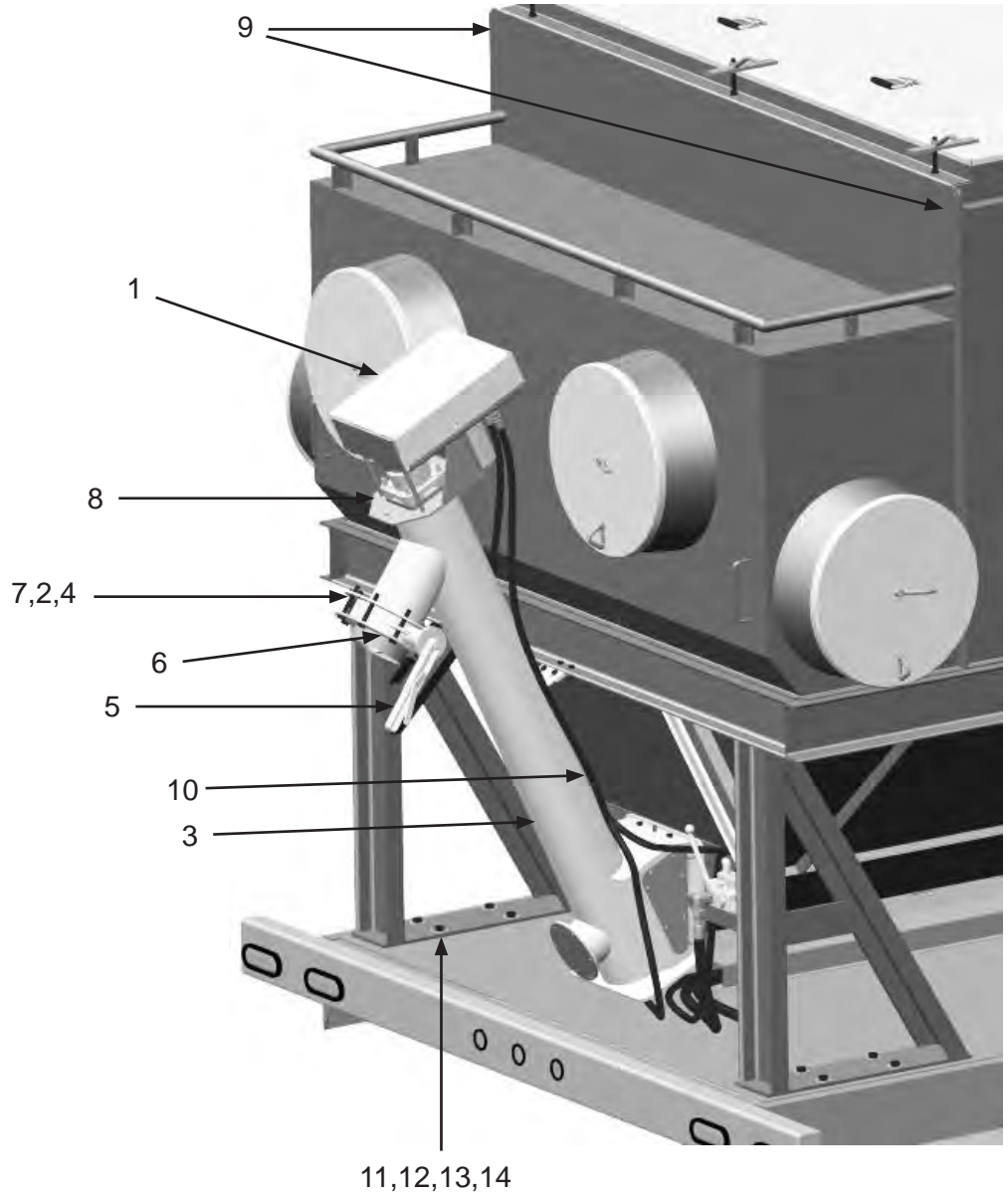
PART NUMBERS AND SCHEMATICS GUIDE

Discharge Auger Assembly

Item #	Part #	Description
Fig. 19		
1	10103363	Discharge Chain Cover
2	1014022	1/2-13 Hex Nut <i>(18 Required)</i>
3	—	Discharge Auger <i>(See Fig. 20)</i>
4	10100675	1/2" Lock Washer <i>(Eight Required)</i>
5	10103302	6" Series Wafer Butterfly Valve
6	10102971	Discharge Hose Connector
7	10102703	1/2-13 x 3-1/2" Grade 5 Bolt <i>(Eight Required)</i>
8	10103359	Discharge Auger Motor Mounting Bracket
9	10103880	White Conspicuity Tape (Per Inch)
10	10103409	Hydraulic Hose - 1/2" I.D. x 7' 1" - 2000 psi
11	10103397	5/8-11 x 2" Grade 8 Bolt- Zinc <i>(16 Required)</i>
12	10103398	Washer - 5/8" Grade 8 <i>(32 Required)</i>
13	10103399	Lock Washer - 5/8" Hd <i>(16 Required)</i>
14	10103393	Nut - 5/8-11 Grade 8 Zinc <i>(16 Required)</i>
—	10103881	Red Conspicuity Tape (Per Inch)

PART NUMBERS AND SCHEMATICS GUIDE

Figure 19: Discharge Auger Assembly



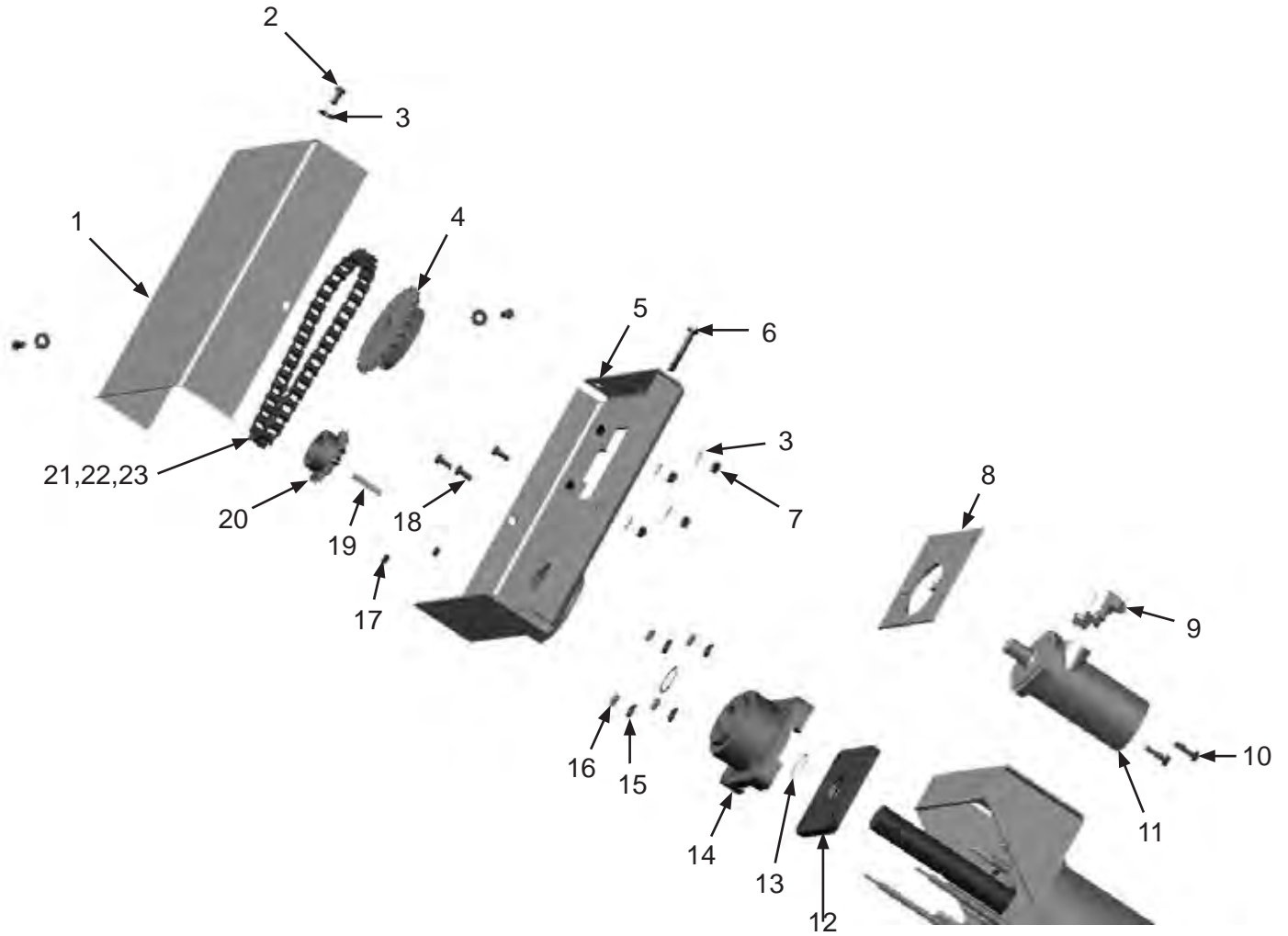
PART NUMBERS AND SCHEMATICS GUIDE

Discharge Auger Drive Assembly

Item #	Part #	Description
Fig. 20		
1	10103363	Chain Cover
2	10103400	3/8-16 x 3/4" Bolt <i>(Seven Required)</i>
3	10101942	3/8" Galvanized Flat Washer <i>(Three Required)</i>
4	10104217	22-Tooth Sprocket
5	10104197	Chain Cover Base
6	10101933	3/8" - 16 X 2-1/2" Hex Bolt
7	1012318	3/8-16 Hex Nut <i>(Four Required)</i>
8	10104199	Sliding Motor Mount
9	10103308	JIC 8 x SAE 10 90° Elbow <i>(Two Required)</i>
10	10104234	3/8-16 X 1-1/4" Bolt <i>(Two Required)</i>
11	10102887	Hydraulic Motor
12	10102902	Seal Plate
13	10103605	Snap Ring <i>(Two Required)</i>
14	10102903	Thrust Bearing
15	10100675	1/2" Lock Washer <i>(Four Required)</i>
16	1014022	1/2-13 Hex Nut <i>(Four Required)</i>
17	1035046	5/16"- 18 Nut <i>(Two Required)</i>
18	10101346	5/16-18 X 3/4" L GR 5 Bolt <i>(Three Required)</i>
19	10103641	3/8 Key Cut
20	10102886	13-Tooth Sprocket
21	10103392	Connecting Link #60
22	10103391	Cottered Roller Chain #60 <i>(Per Foot)</i>
23	10103614	Offset Link #60
—	10104191	Discharge Auger Chain Kit <i>Includes item # 21, 22 (3'), and 23</i>
—	10103940	Seal Kit for Hydraulic Motor 10102887

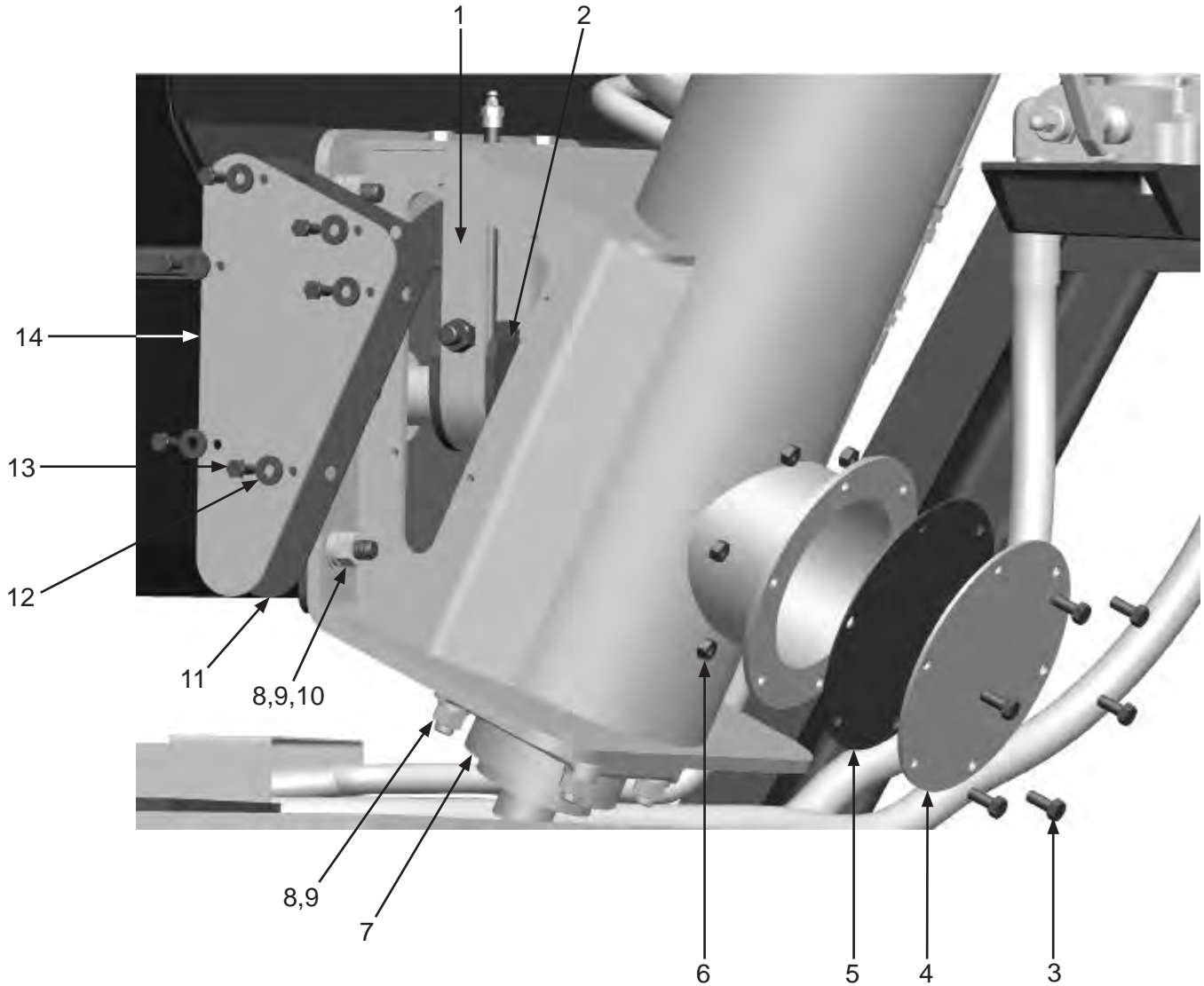
PART NUMBERS AND SCHEMATICS GUIDE

Figure 20: Discharge Auger Drive Assembly



PART NUMBERS AND SCHEMATICS GUIDE

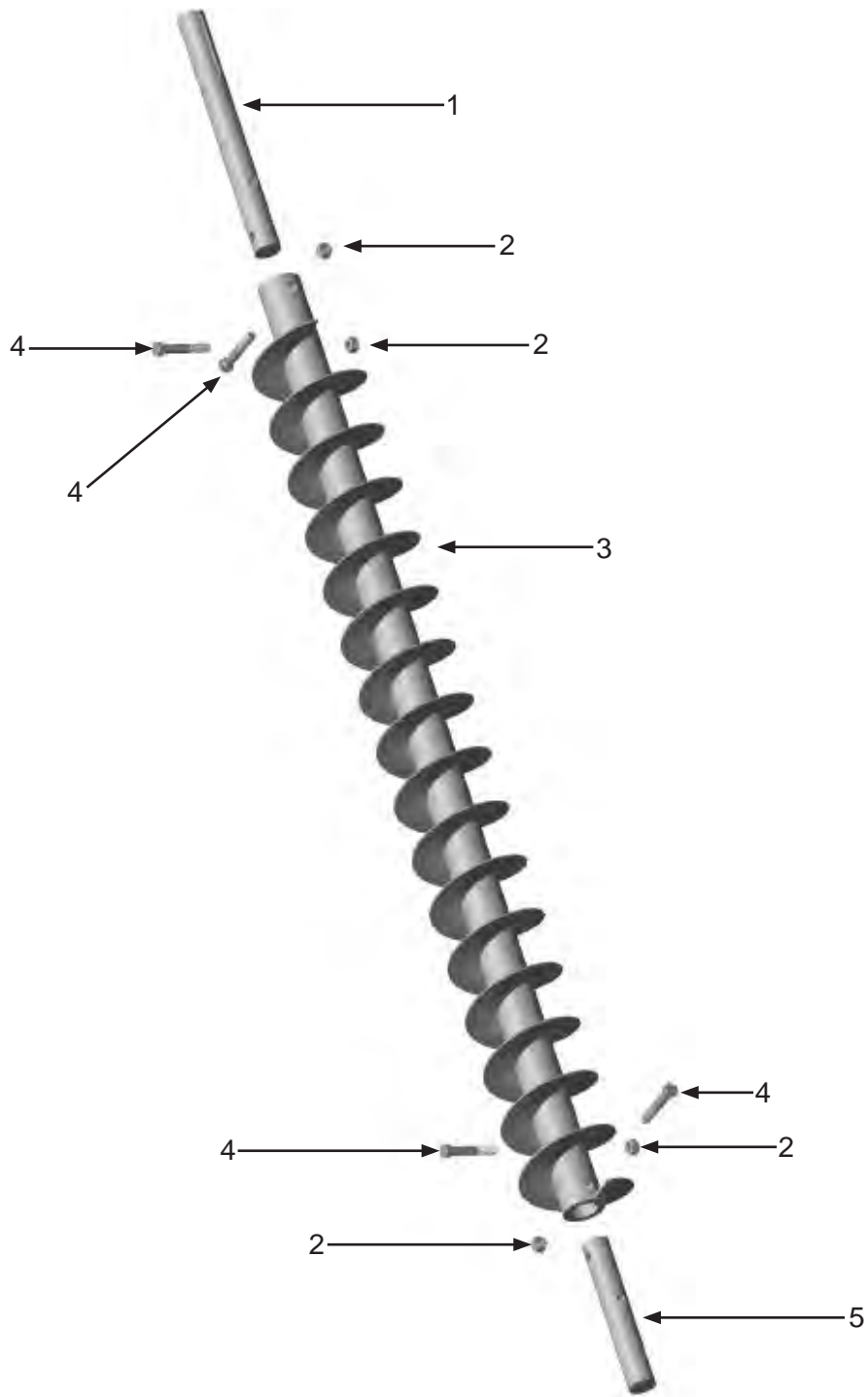
Figure 21: Discharge Auger Clean-out Assembly



Item #	Part #	Description
Fig. 21		
1	10102896	Bearing Hanger
2	10103413	Bearing
3	10101346	5/16-18 x 3/4" Bolt (Six Required)
4	10103235	Auger Clean-out Cover
5	10103716	Neoprene Auger Clean-out Gasket
6	1035046	5/16-18 Nut (Six Required)
7	10102880	Discharge Auger Lower Bearing Assembly
8	10101941	1/2-13 Galvanized Hext Nut (10 Required)
9	10100675	1/2" Lock Washer (10 Required)
10	10100674	1/2" Flat Washer (6 Required)
11	10103717	Discharge Auger Side Gasket (Two Required)
12	10101940	1/4" Galvanized Flat Washer (12 Required)
13	20100125	1/4-20 x 3/4" Zinc Hex Bolt (12 Required)
14	10103236	Discharge Auger Side Cover (Two Required)

PART NUMBERS AND SCHEMATICS GUIDE

Figure 22: Discharge Auger



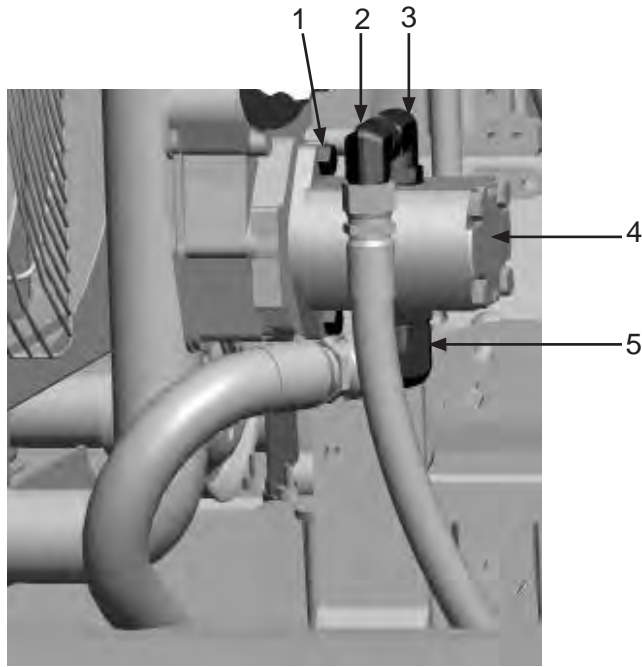
Item #	Part #	Description
--------	--------	-------------

Fig. 22

1	10103306	Drive Shaft
2	10101941	1/2-13 Galvanized Hex Nut (<i>Four Required</i>)
3	10102883	58" x 6" Half Pitch Auger
4	10103401	1/2-13 x 3" Galvanized Bolt (<i>Four Required</i>)
5	10102910	Auger Shaft End

PART NUMBERS AND SCHEMATICS GUIDE

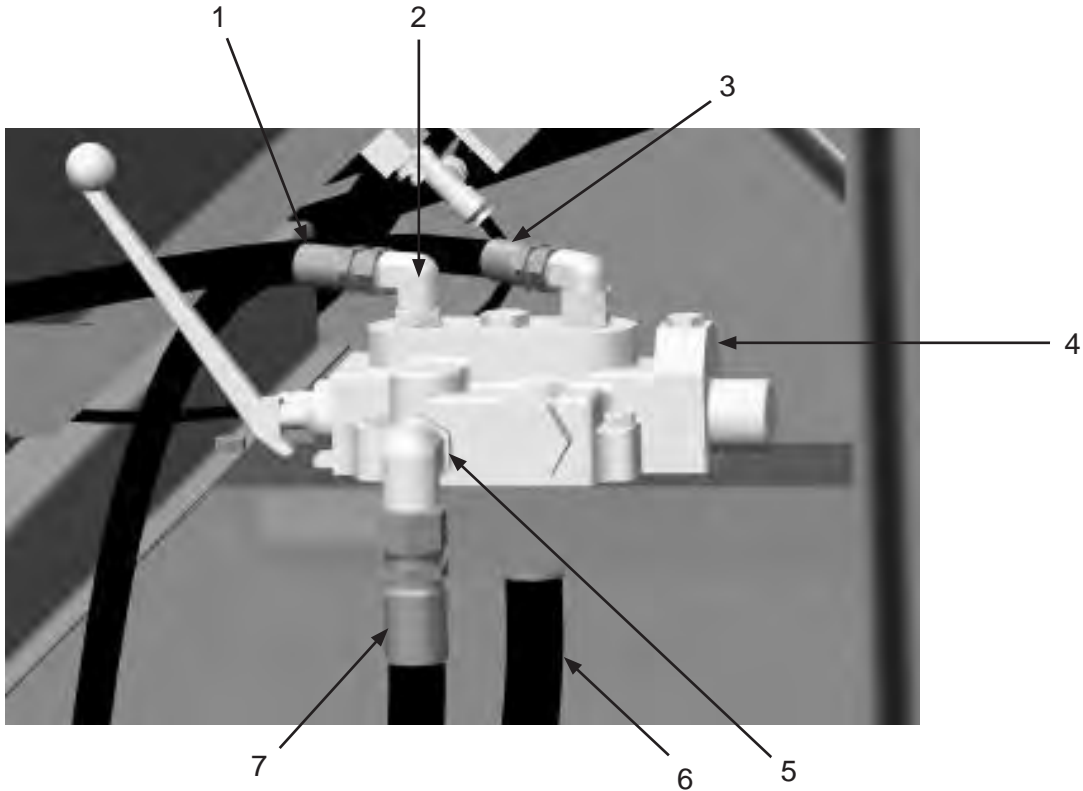
Figure 23: Hydraulic Pump



Item #	Part #	Description
Fig. 23		
1	10103615	M10 x 25 mm Zinc Bolt (<i>Two Required</i>)
2	10103610	JIC 12 x JIC 12 90° Elbow
3	10103310	JIC 12 x SAE 12 90° Elbow
4	10103269	2B Series 2.08 CI/REV Gear Pump
5	10103311	JIC 6 x SAE 16 90° Elbow
—	10105869	Flange Gasket

PART NUMBERS AND SCHEMATICS GUIDE

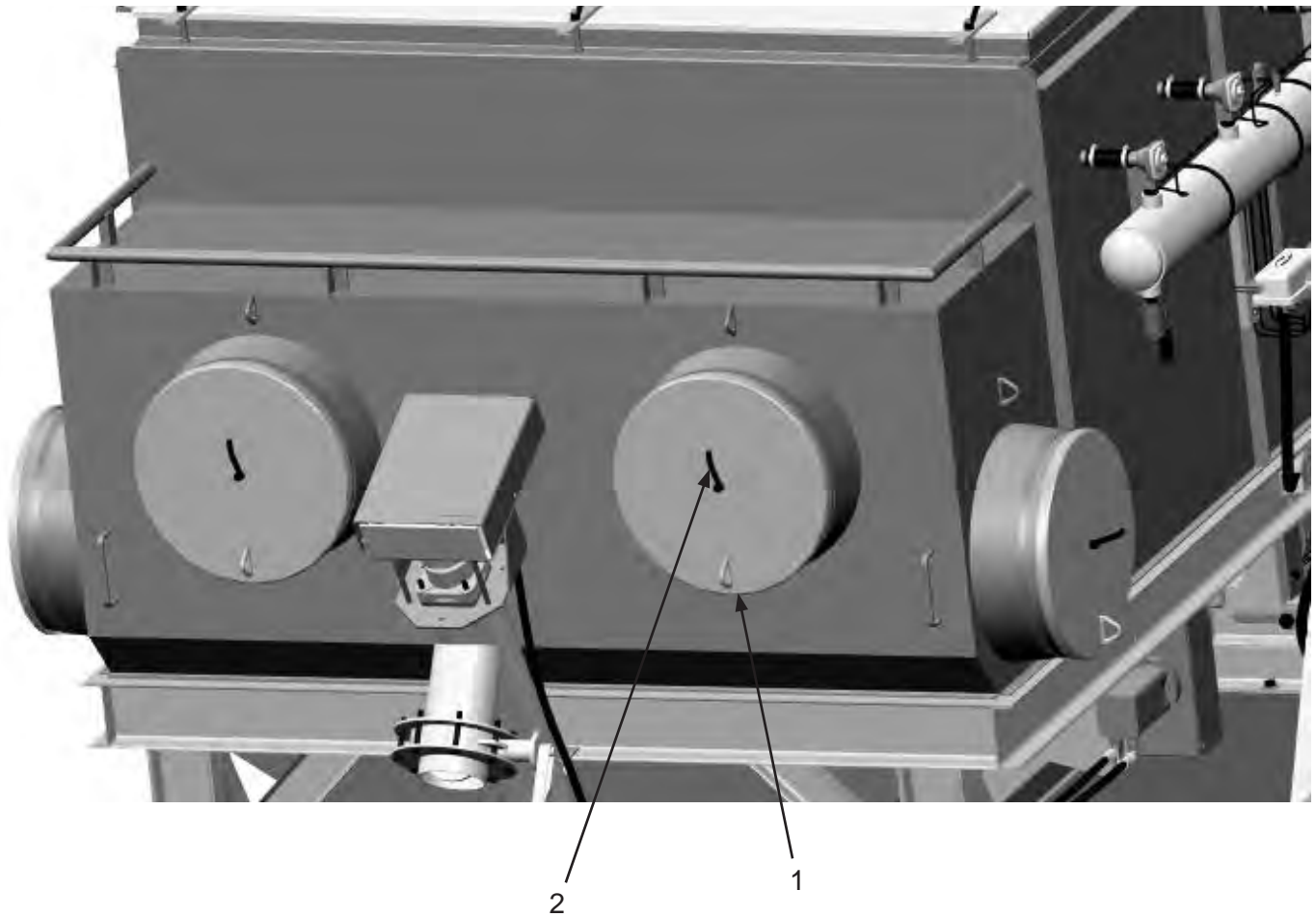
Figure 24: Hydraulic Control Assembly



Item #	Part #	Description
Fig. 24		
1	10103407	Hydraulic Hose - 1/2" X 14' - 2000 psi
2	10103309	JIC 8 x SAE 8 90° Elbow (<i>Two Required</i>)
3	10103409	Hydraulic Hose - 1/2" I.D. x 7' 1" - 2000 psi
4	10103267	Cross Hydraulic Control Valve with Handle
5	10103310	JIC 12 x SAE 12 90° Elbow (<i>Two Required. One not shown</i>)
6	10103406	Hydraulic Hose - 3/4" I.D. x 21' - 3045 psi
7	10104069	Hydraulic Hose - 3/4" I.D. x 17' - 3045 psi

PART NUMBERS AND SCHEMATICS GUIDE

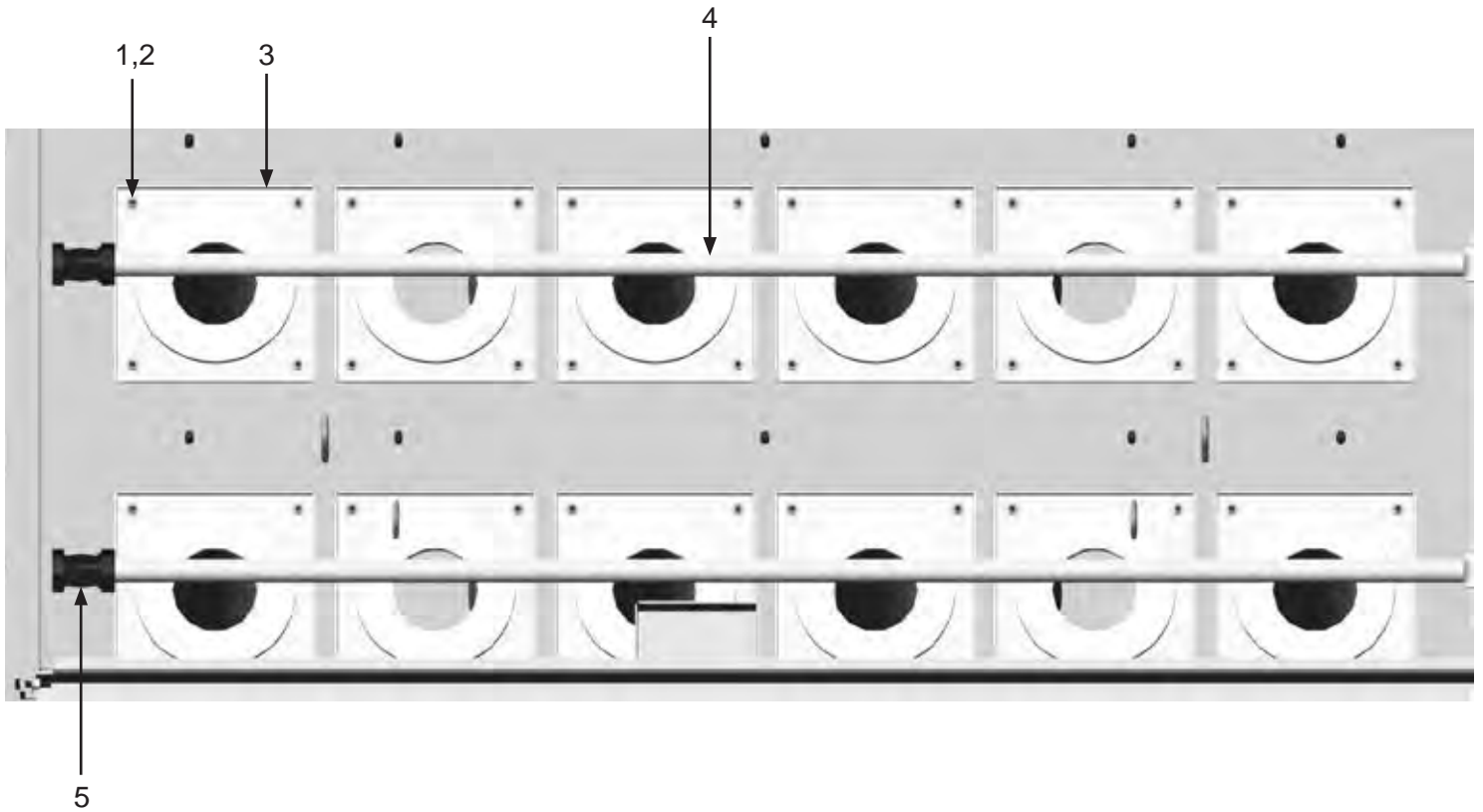
Figure 25: Inlet Door Assembly



Item #	Part #	Description
Fig. 25		
1	10105945	20" Inlet Cover (Four Required)
2	10105960	3/8-16 Handle Zinc (Four Required)
—	10102339	Camlock Closure - Chain (3' per Inlet)(Not Shown)
—	10102410	Spring Snap Hook - 1/4" (Six Required)(Not Shown)

PART NUMBERS AND SCHEMATICS GUIDE

Figure 26: Dust Collector Filter Cartridge Pulsers



Item #	Part #	Description
--------	--------	-------------

Fig. 26

1	10101942	3/8" Flat Washer (48 Required)
2	1012318	3/8" Hex Nut (48 Required)
3	10105939	Filter Bolt-Down (12 Required)
4	10105942	Small Filter Blowpipe (Two Required)
5	10102599	Compression Coupling Assembly (Two Required)

Quantities specified are per hatch opening

See Optional Accessories for Dust Collector Filter Cartridge part numbers

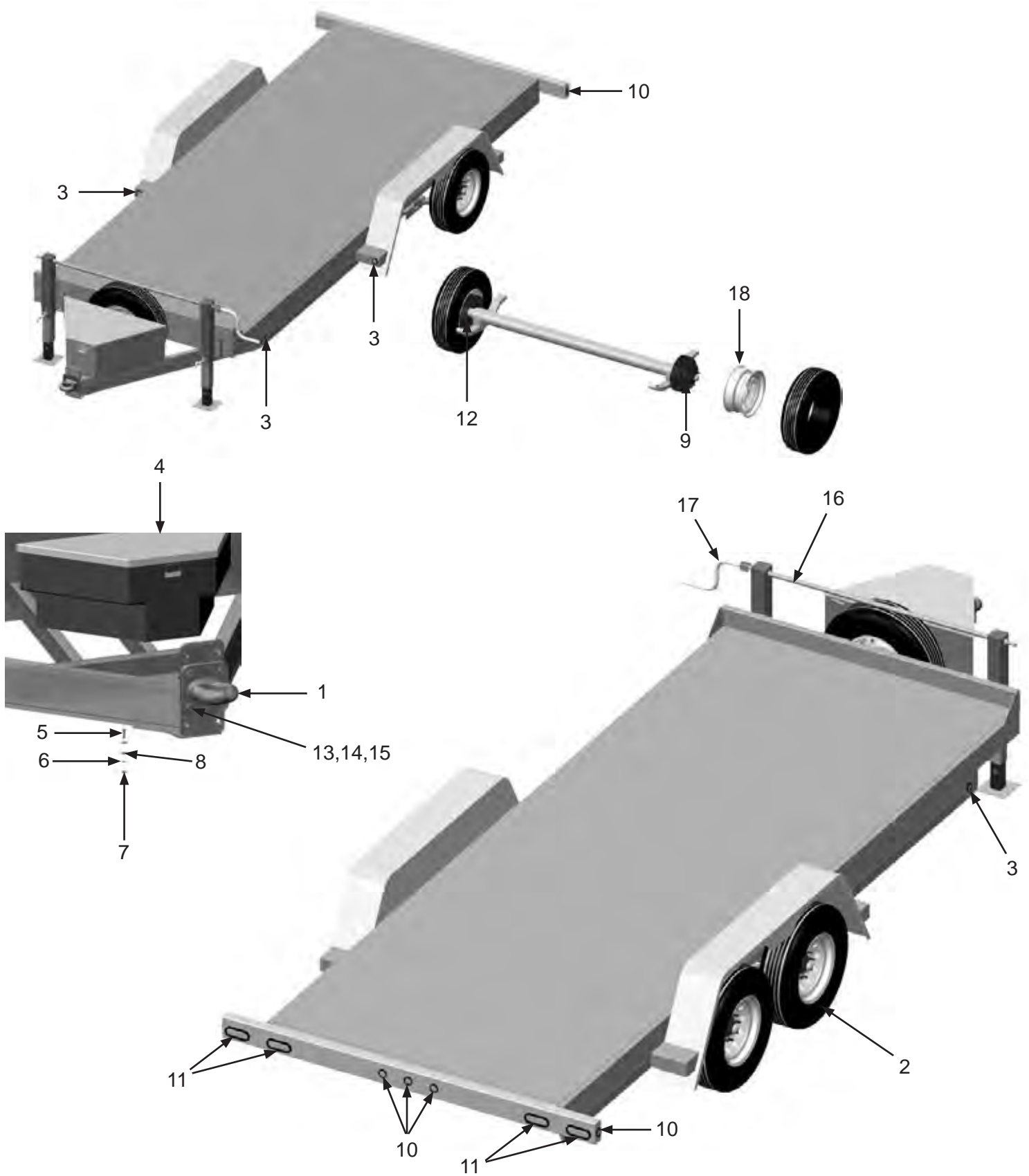
PART NUMBERS AND SCHEMATICS GUIDE

Trailer

Item #	Part #	Description
Fig. 29		
	10103696	Trailer 7 Ton 22' Long x 81" Wide
1	10104079	Pintle Hitch with Flat Plate
2	10104089	ST235/80R 16" 10-PLY Tire with Rim <i>(Five Required)</i>
—	10104096	ST235/80R 16" 14-PLY Tire <i>(Five Required)(optional)</i>
3	10104087	2" Round Amber LED Clearance Light <i>(Four Required)</i>
4	10103797	Tool Box (optional)
5	1012154	1/4-20 x 1" Bolt <i>(Five Required) (optional)</i>
6	1012153	1/4" Lock Washer <i>(Five Required) (optional)</i>
7	10101347	1/4-20 Hex Nut <i>(Five Required) (optional)</i>
8	10101940	1/4" Washer <i>(Ten Required) (optional)</i>
9	10106087	Left-Hand Electric Brake Assembly <i>(Two Required)</i>
10	10104086	2" Round Red LED Clearance Light <i>(Five Required)</i>
11	10104084	Red LED Oval Tail Light <i>(Four Required)</i>
12	10106088	Right-Hand Electric Brake Assembly <i>(Two Required)</i>
13	10105746	5/8 x 2-1/2" Gr 8 Bolt <i>(Four Required)</i>
14	10105747	5/8 Reverse Lock Nut <i>(Four Required)</i>
15	10103398	5/8" Flat Washer <i>(Four Required)</i>
16	10107218	Jack Stand Assembly
17	10107329	Sidewind Crank with Hardware
18	10107126	16 x 6 8-Hole White Rim <i>(Four Required)</i>
—	10105826	Redline 12V - 5AH Battery Sealed
—	10104081	Breakaway Kit
—	10104930	12V DC Breakaway Battery Kit
—	10104082	Wire Harness
—	10104080	3/8" x 35" Chain with Hook
—	109V582	Operator's Manual - Behnke Trailer

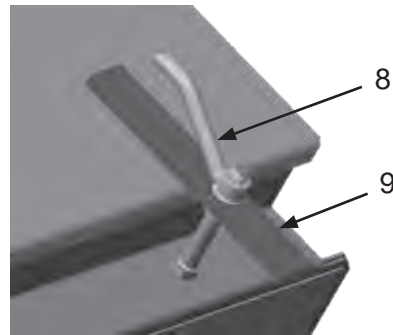
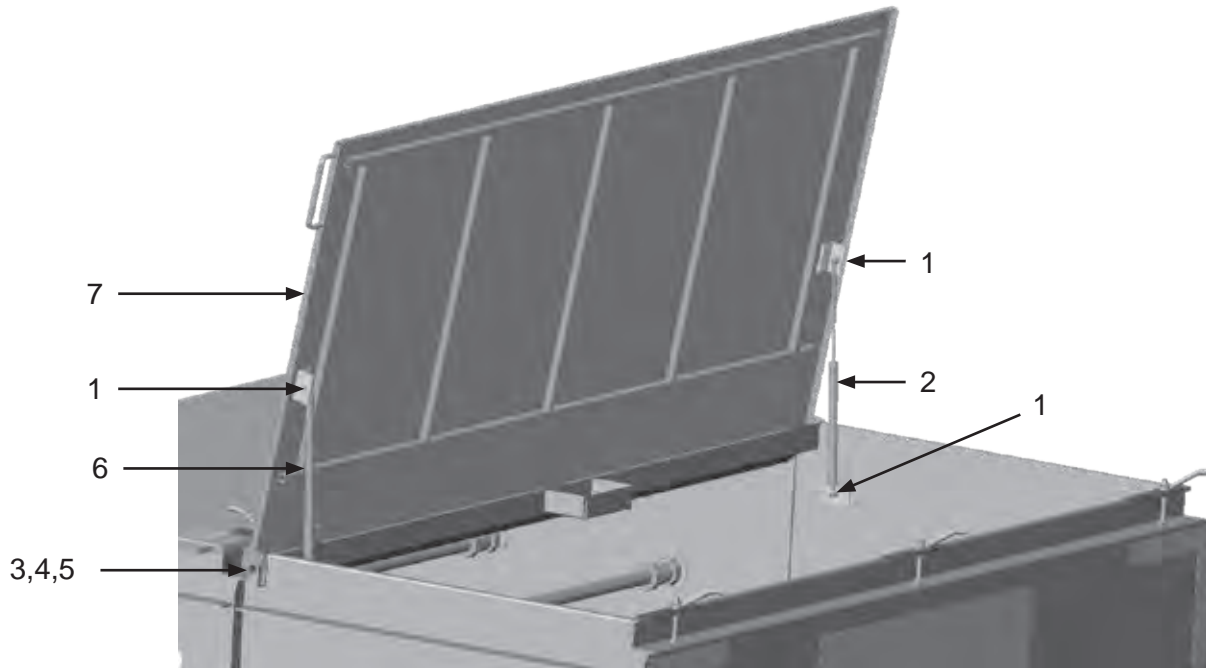
PART NUMBERS AND SCHEMATICS GUIDE

Figure 27: Trailer



PART NUMBERS AND SCHEMATICS GUIDE

Figure 28: Dust Collector Filter Cartridge Hatch Door



Item #	Part #	Description
--------	--------	-------------

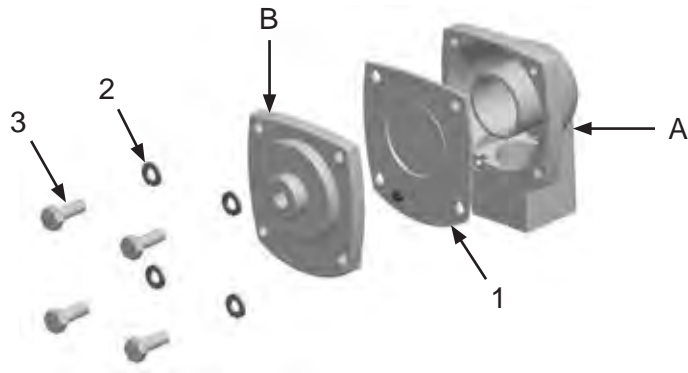
Fig. 28

1	1035046	5/16-18 Hex Nut <i>(Four Required)</i>
2	10103454	Non-Locking Gas Spring
3	1028617	3/8-16 X 1-3/4" Shoulder Bolt <i>(Two Required)</i>
4	10101942	3/8" Flat Washer <i>(Four Required)</i>
5	1012318	3/8"-16 Hex Nut <i>(Two Required)</i>
6	10103455	Locking Gas Spring
7	10102916	Hopper Lid
8	10103395	1/2-13 Zinc Plated Handle <i>(Three Required)</i>
9	10104377	Latch Bar <i>(Three Required)</i>

Quantities specified are per hatch opening

PART NUMBERS AND SCHEMATICS GUIDE

Figure 29: Diaphragm Valve



Item #	Part #	Description
Fig. 29		
—	10103255	1" Diaphragm Valve – Complete <i>(Three Required)</i> <i>Includes Items: A,B,1,2,3</i>
1	10103954	1" Diaphragm
2	1012153	1/4" Lock Washer <i>(Four Required)</i>
3	20101232	M6 x 1 x 14 HHCS <i>(Four Required)</i>
—	10103954	1" Diaphragm Valve Service Kit <i>(Not Shown)</i>

OPTIONAL ACCESSORIES



DUST COLLECTOR FILTER CARTRIDGES

Part Numbers	I.D.	O.D.	Material	Length	Serial Number
10103499	8.38"	12.75"	85/15 High Density	35"	001-0023
10105256	8.38"	12.75"	85/15 Reduced Pleat	35"	001-0023
10103945	8.38"	12.75"	Fire Retardant	35"	001-0023
1010008004	8.38"	12.75"	HEPA	35"	001-0023
10103964	8.38"	12.75"	Spunbond	35"	001-0023
10105973	4.87"	9.22"	85/15 High Density	35"	0024 –
10106218	4.87"	9.22"	85/15 Reduced Pleat	35"	0024 –
10105974	4.87"	9.22"	Fire Retardant	35"	0024 –
101569046	4.87"	9.22"	HEPA	35"	0024 –
10105980	4.87"	9.22"	Spunbond	35"	0024 –



DUCT HOSE

Part Numbers	I.D.	Length	Pitch
10DH2025HD	20"	25 Feet	1-1/2" Heavy-Duty
10DH2050HD	20"	50 Feet	1-1/2" Heavy-Duty



DUCT HOSE COUPLING AND CLAMPS

Part Numbers	I.D.	Length
1017120	20"	Coupling
10DH062602000	20"	Screw Clamp

OPTIONAL ACCESSORIES



Part Numbers

3/4" I.D. X 1-1/4" O.D. AIR HOSE					
	Length	Hose I.D.	Hose O.D.	Working Pressure	Hose Cover Color
10AH034	Per Ft.	3/4"	1-1/4"	200 PSI	Red



Part Numbers

3/4" I.D. X 1-1/4" O.D. AIR HOSE WITH COUPLINGS INSTALLED							
	Length	Hose I.D.	Hose O.D.	Working Pressure	Hose Cover Color	Couplings	Band Clamps
10AH034AC	50 Ft.	3/4"	1-1/4"	200 PSI	Red	10HE1	10AHCL1

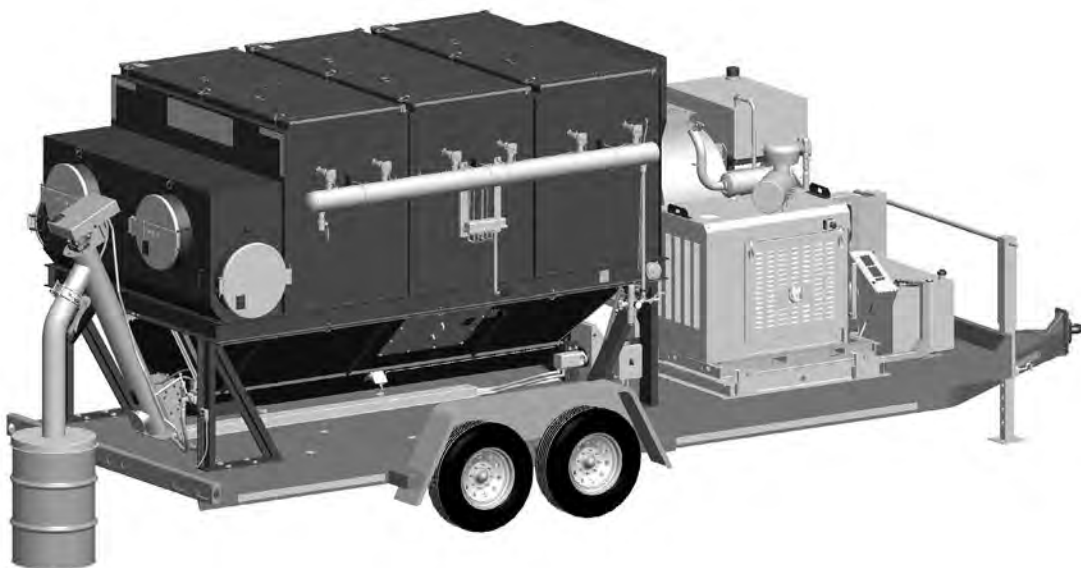


Part Numbers

MALE HOSE END COUPLING AND GASKET FOR 3/4" I.D. AIR HOSE						
	Hose I.D.	Material	Coupling Style	GASKET		
				Rubber Gasket	Gasket I.D.	Gasket O.D.
10HE1	3/4"	Plated Iron	2-Lug	10UG2	3/4"	1-3/8"

PART NUMBERS AND SCHEMATICS

DUSTMASTER® 28,000 CFM DUST COLLECTOR									
Part Number	Filter Cartridge Material					Engine Type		Filter Cartridge Quantity	
	None	High Density 85% Cellulose/15% Poly Blend	85% Cellulose/15% Poly Blend	Fire Retardant	HEPA	Spunbond	Tier III		Tier 4
10105532	X						X		—
10103481		X					X		24
10105533			X				X		24
10105534				X			X		24
10105535					X		X		24
10105536						X	X		24
10106439	X							X	—
10106440		X						X	36
10106441			X					X	36
10106442				X				X	36
10106443					X			X	36
10106444						X		X	36

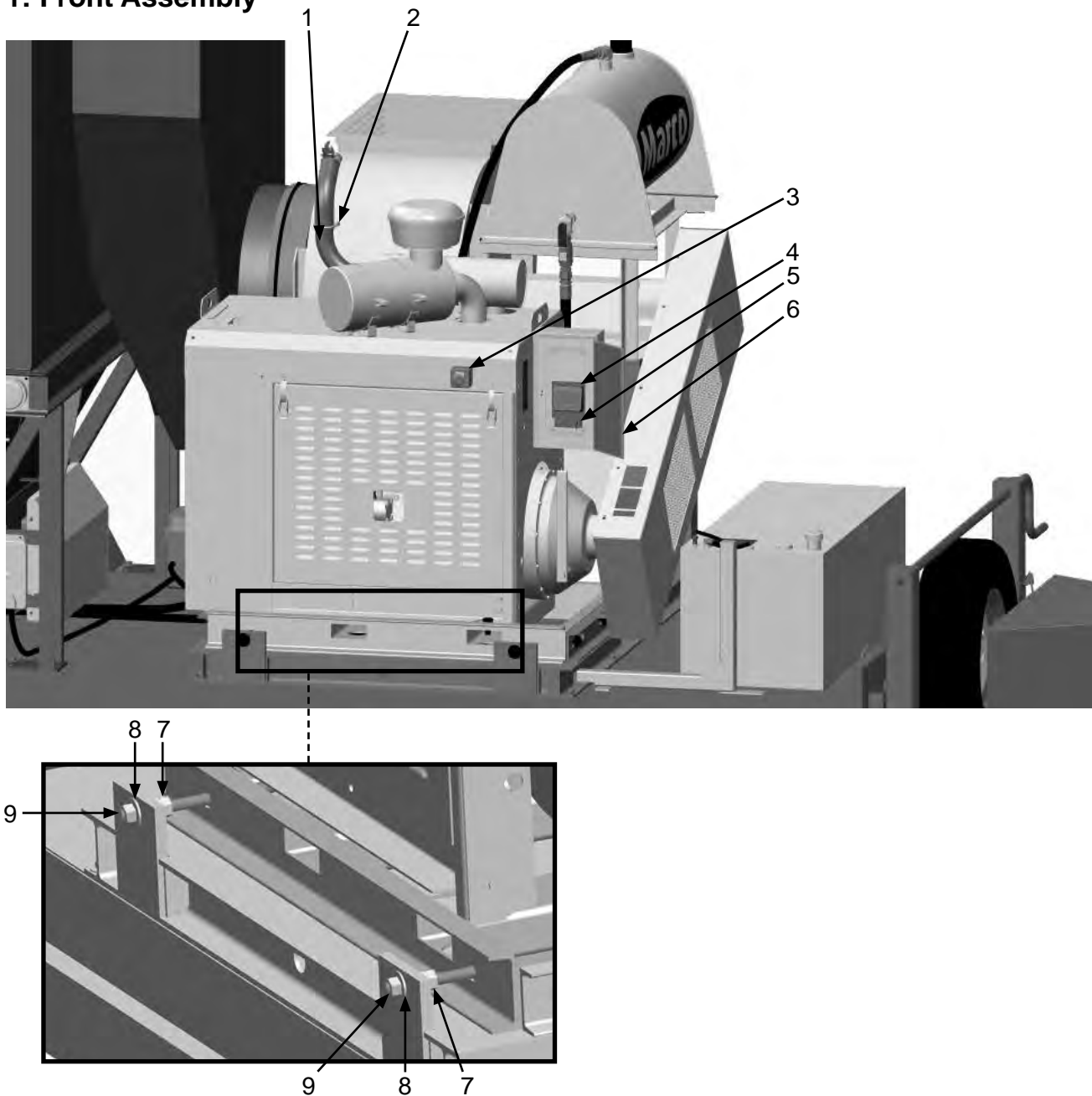


DUSTMASTER® 28,000 CFM DUST COLLECTOR SPECIFICATIONS

Capacity:	CFM = 16,990 - 28,140 W.C. = 0 – 16"
Filter Cartridge Style:	Open Top with Flange, Closed Bottom 24 Required
Filter Cleaning:	Pulse System, 5–15 second intervals Pulse Duration: 200–350 millisecond
Air to Cloth Ratio:	2.72:1 @ 20,000 CFM
Filter Area:	7,361 square feet
Efficiency:	85/15 Blend Filters – 99.8% @ 0.5 micron HEPA Filters – 99.99% @ 0.3 micron Fire Retardant Filters – 96.8% @ 2.0 micron Spunbond Filters – 97% @ 3.0 micron
Ducting Connections:	20" I.D., Quantity of Four
Clean-out Ports:	One
Dust Removal Conveyor:	Main Auger, 6" Discharge Auger, Hydraulic Motor Drive
Fan:	Backward Inclined, non-overloading, spark resisting
Engine:	Diesel, Tier III, 114 Horsepower (Tier 4 Optional)
Fuel Capacity:	Type: Diesel Capacity: 80 Gallons
Air Requirements:	Clean, Dry, Compressed Air 24 CFM @ 90 PSI
Electrical System:	12-Volt DC
Engine Protection:	Engine Monitoring System with automatic shutdown measures: coolant temperature, intake air temperature, engine intake manifold pressure, engine oil pressure, pressure in fuel rail, engine speed and timing.
Fluid Specifications:	Hydraulic Oil: H46 or equivalent, 40 Gallons Diesel Fuel: See Engine Operator's Manual for type, 80 Gallons Grease/Lubricator: Shell Alvania Grease EP or equivalent
Unit Dimensions:	Weight: 12,500 pounds (empty) Tongue Weight: 2620 pounds Length: 25' 7" Width: 8' Height: 9' 6"

PART NUMBERS AND SCHEMATICS

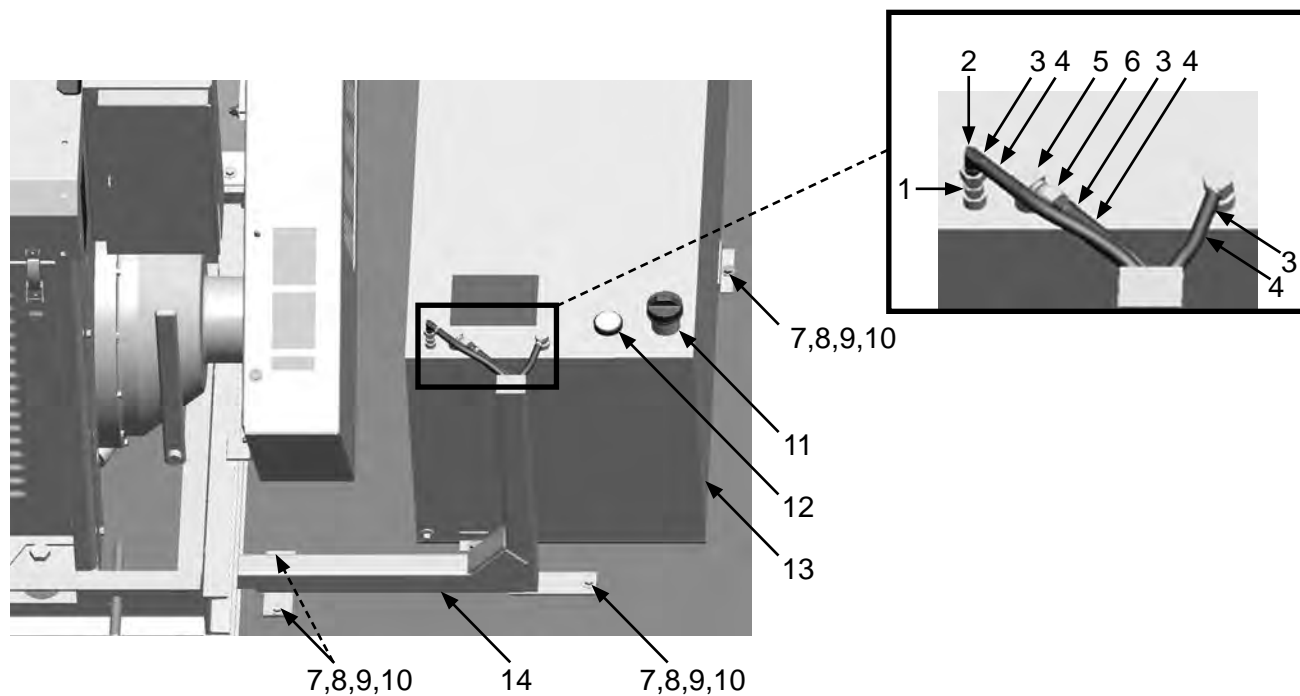
Figure 1: Front Assembly



Item#	Part#	Description
Fig. 1		
1	10103920	2-1/2" Exhaust Pipe Elbow
2	10103821	2-1/2" Exhaust Pipe Clamp
3	10104062	Emergency-Stop Station (See Fig. 28)
4	10103969	Murphy® PowerView™ Gauge
5	10103970	Engine Start-up Key
6	10104072	Engine Control Door Panel
7	10104025	Clutch Assembly
8	10103440	3/4-10 Draw Bolt (<i>Two Required</i>)
9	10103718	3/4" Washer (<i>Four Required</i>)
—	105M110	Features & Specifications Guide – Dustmaster® 28,000 CFM Dust Collector
—	106M110	Part Numbers and Schematics Guide – Dustmaster® 28,000 CFM Dust Collector
—	1090110	Operator's Manual – Dustmaster® 28,000 CFM Dust Collector

PART NUMBERS AND SCHEMATICS

Figure 2: Fuel Tank



Item #	Part #	Description
Fig. 2		
1	10SME025	1/4" NPT (M) x 1/4" NPS (F) Straight Swivel
2	10103421	3/8" Barb x 1/4" NPT Elbow Fitting
3	10104065	Hose Clamp - 3/8" I.D. Hose
4	10103619	1/2" Fuel Hose (Per Foot)
5	20PFHA60SA0606	3/8" (M) x 3/8" (F) Swivel Union
6	10103618	3/8" NPT x 1/2" Barb Hose Fitting
7	10101059	3/8-16 x 1-1/4" Galvanized Bolt (<i>Six Required</i>)
8	10101942	3/8" Galvanized Flat Washer (<i>12 Required</i>)
9	10101938	3/8-16 Galvanized Hex Nut (<i>Six Required</i>)
10	10101936	3/8" Zinc Lock Washer (<i>Six Required</i>)
11	10103968	Locking Fuel Cap with Key
12	10103424	Sight Gauge
13	10103251	Fuel Tank - 80 gallon
14	10103677	Fuel Line Guard
—	10103617	Withdraw Tube - 16"
—	10103620	3/8" Inline Filter (<i>Not Shown</i>)
—	10103961	Fuel Tank Rubber Cushioning Pad (<i>Not Shown</i>)

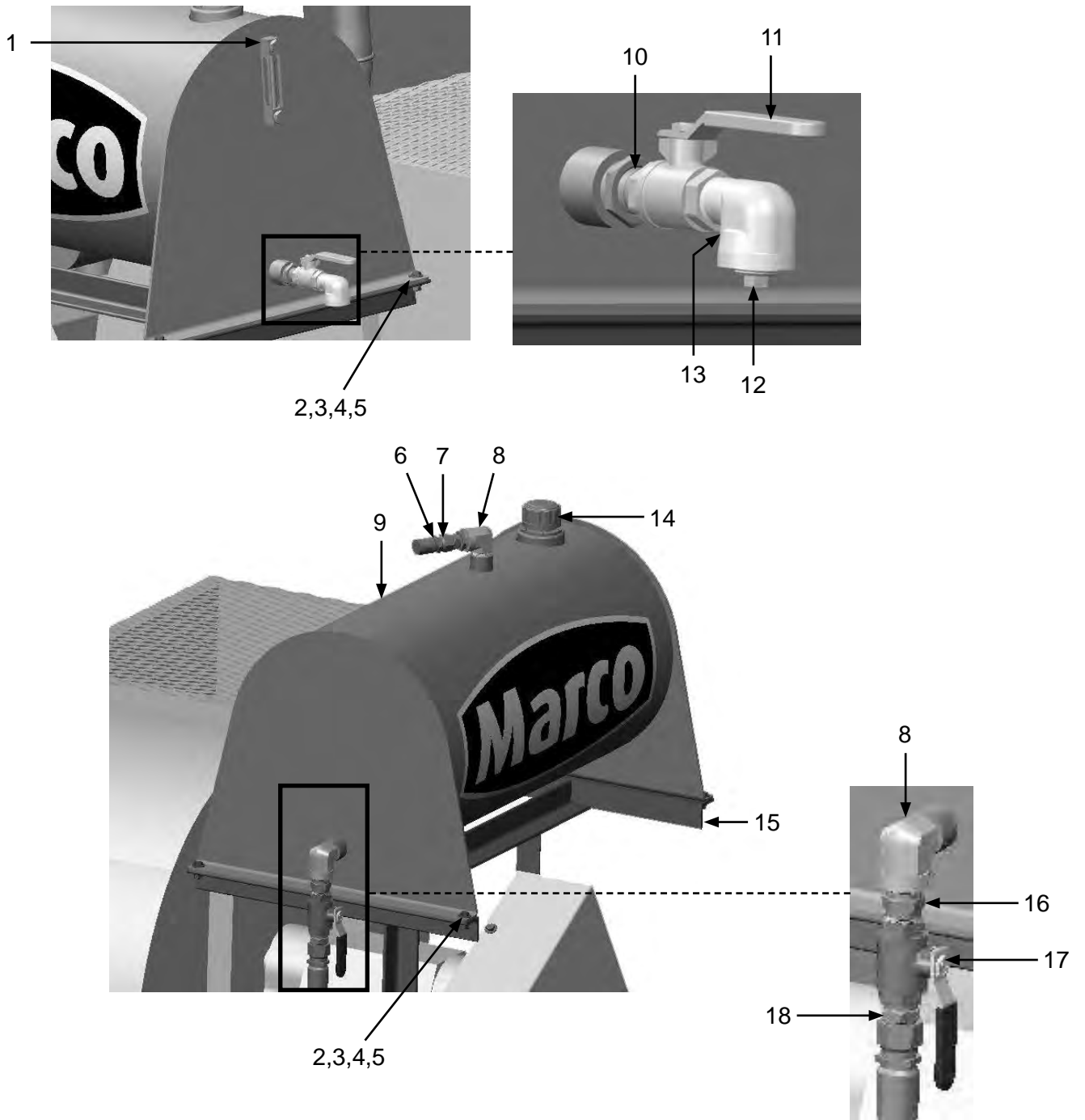
PART NUMBERS AND SCHEMATICS

Hydraulic Oil Tank

Item #	Part #	Description
Fig. 3		
1	10103942	Sight Level Gauge
2	1011747	Bolt - 1/2-13 x 1-3/4" - Galvanized (<i>Four Required</i>)
3	10101942	Flat Washer - 1/2" (<i>Eight Required</i>)
4	10101936	Lock Washer - 1/2" (<i>Four Required</i>)
5	10101938	Hex Nut - 1/2-13 (<i>Four Required</i>)
6	10103314	Straight Adapter - 3/4" NPT x 12 JIC
7	20PFHA24SB1612	Reducing Bushing - 1" NPT x 3/4" NPT
8	20PFHA25UG1616	Street Elbow - 90° - 1" NPT (<i>Two Required</i>)
9	10105031	Hydraulic Oil Reservoir - 40 Gallon
10	1011213	Close Nipple - 3/4" NPT - Galvanized
11	10L8074C	Full Port Ball Valve - 3/4" NPT
12	10DSHP75	Pipe Plug - Square Head - 3/4" NPT
13	10102479	Street Elbow - 90° - 3/4" NPT - Galvanized
14	10103971	Filler/Breather Cap
15	10102958	Hydraulic Oil Tank Mount
16	20PFHA24SA1616	Hex Nipple - 1" NPT
17	1011601	Full Port Ball Valve - 1" NPT
18	10103312	Straight Adapter - 1" NPT x 16 JIC

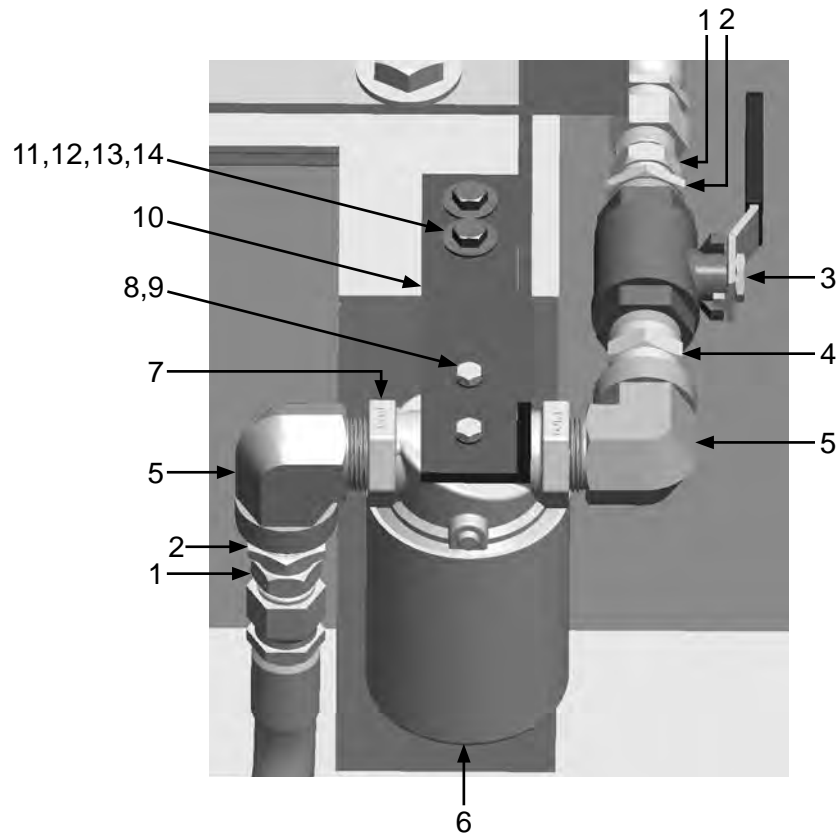
PART NUMBERS AND SCHEMATICS

Figure 3: Hydraulic Oil Tank



PART NUMBERS & SCHEMATICS

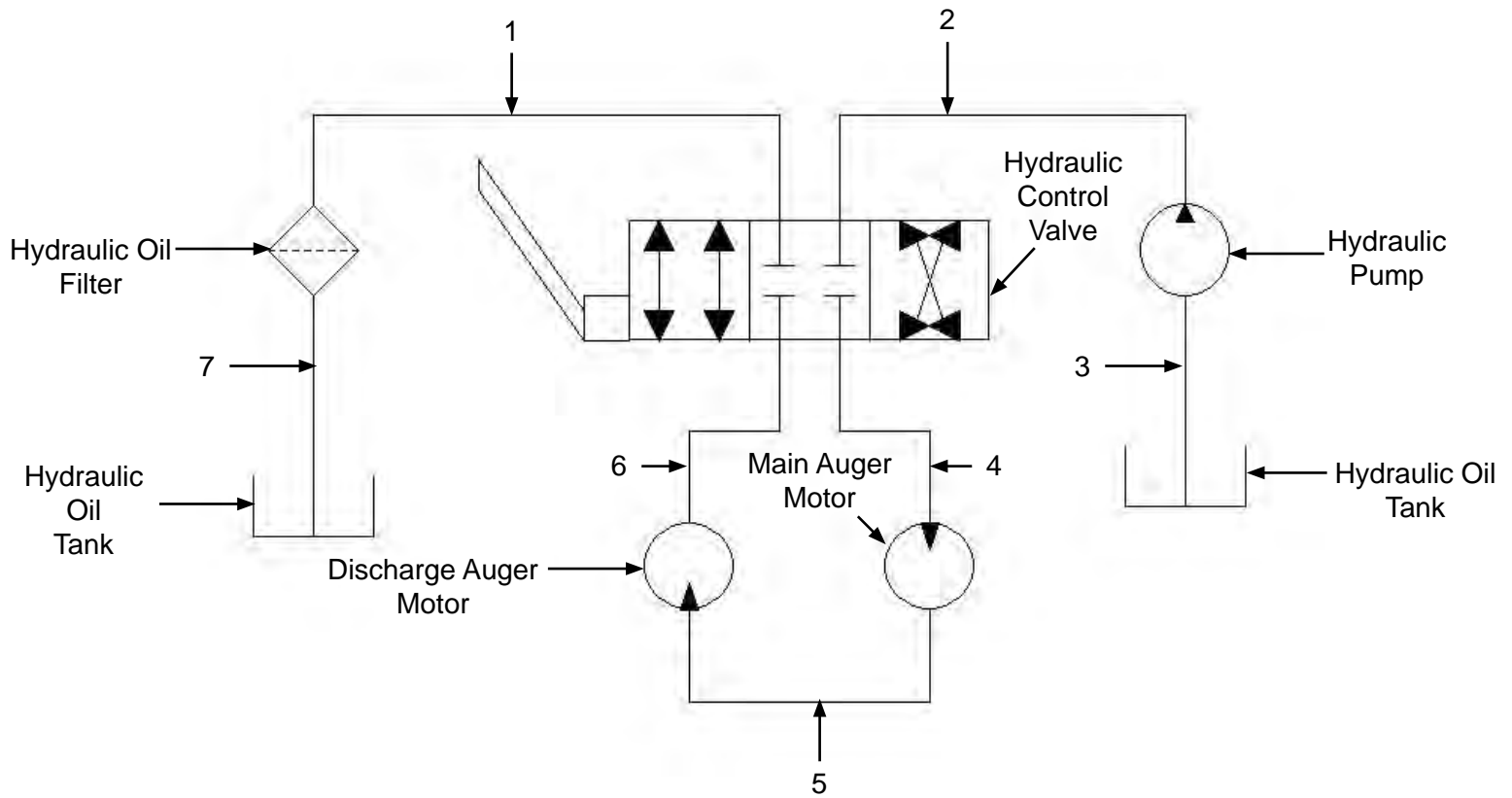
Figure 4: Hydraulic Oil Filter Assembly



Item #	Part #	Description
Fig. 4		
1	10103314	Straight Adapter - 3/4" NPT x 12 JIC
2	20PFHA24SB1612	Reducing Bushing - 1" x 3/4"
3	1011601	Full Port Brass Ball Valve - 3/4"
4	20PFHA24SA1616	Hex Nipple - 1"
5	20PFHA25UG1616	Street Elbow - 1"
6	10104058	Hydraulic Oil Filter
7	10104057	Hydraulic Oil Filter Head
8	1012153	Lock Washer - 1/4"
9	20100125	Bolt - 1/4-20 x 3/4" - Zinc
10	10104051	Bracket - Hydraulic Oil Filter Head
11	10101059	Bolt - 3/8-16 x 1-1/4" - Galvanized
12	10101942	Flat Washer - 3/8" - Galvanized
13	10101936	Lock Washer - 3/8" - Zinc
14	10101938	Hex Nut - 3/8-16 - Galvanized

PART NUMBERS & SCHEMATICS

Figure 5: Hydraulic Hoses



Item #	Part #	Description
--------	--------	-------------

Fig. 6

1	10104069	Hydraulic Hose - 3/4" I.D. x 17 feet - 3045 psi
2	10103406	Hydraulic Hose - 3/4" I.D. x 21 feet - 3045 psi
3	10103405	Hydraulic Hose - 1-1/4" I.D. x 9.5 feet - 2000 psi
4	10103407	Hydraulic Hose - 1/2" X 14' - 2000 psi
5	10103501	Hydraulic Hose - 1/2" X 18'8" - 2000 psi
6	10103409	Hydraulic Hose - 1/2" I.D. x 7.08 feet - 2000 psi
7	10104055	Hydraulic Hose - 3/4" I.D. x 7 feet - 3045 psi

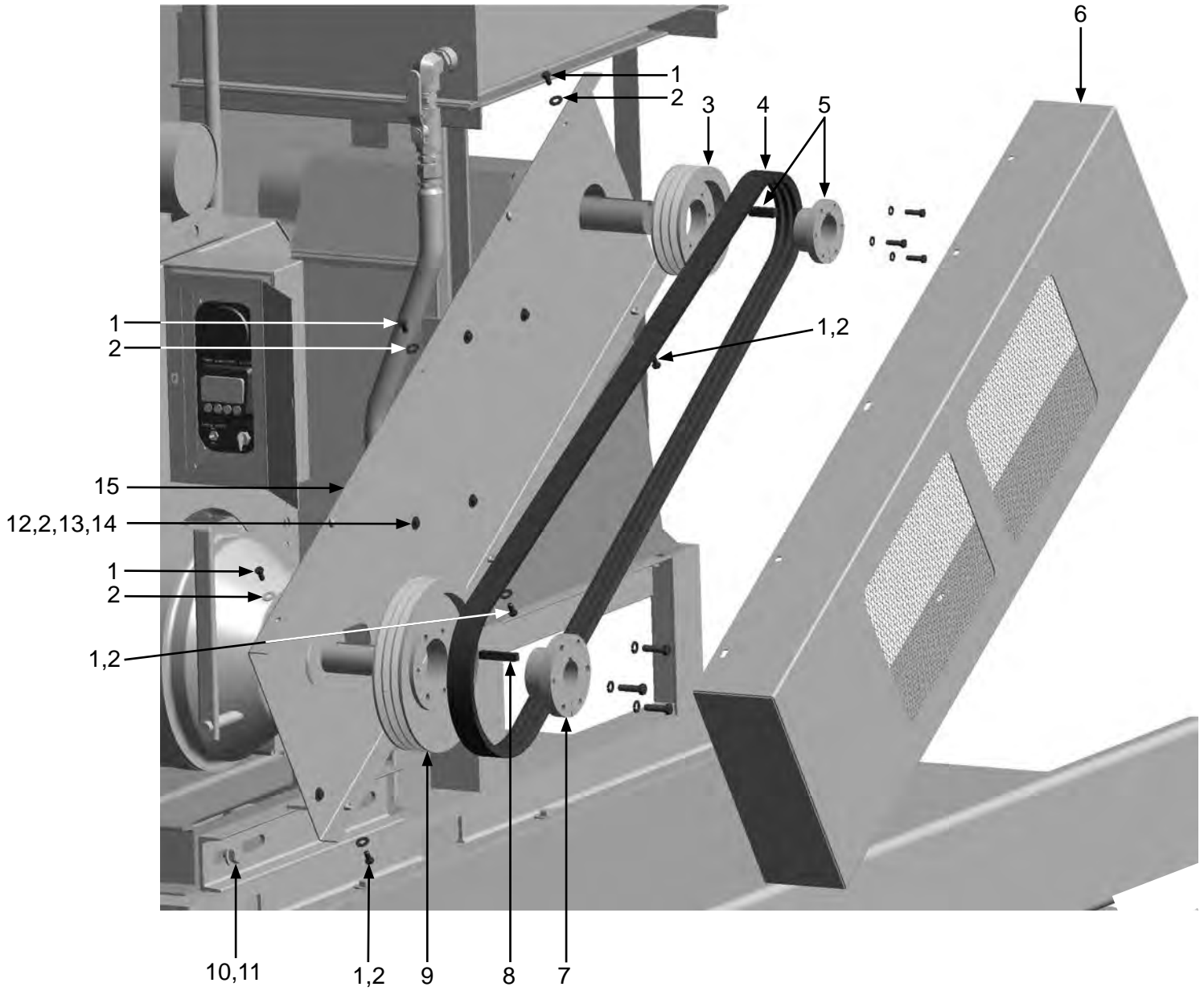
PART NUMBERS AND SCHEMATICS

Fan Belt Assembly

Item #	Part #	Description
Fig. 6		
1	10103400	3/8-16 x 3/4" Bolt <i>(Six Required)</i>
2	10101942	3/8" Galvanized Flat Washer <i>(16 Required)</i>
3	10103324	8" Sheave
4	10103327	3-Band Fan Drive Belt – 125"
5	10103323	8" Sheave Bushing with Key <i>Includes Mounting Hardware</i>
6	10102964	Belt Guard Cover
7	10103325	12-1/2" Sheave Bushing <i>Includes Mounting Hardware</i>
8	10103644	1/2" x 1/4" x 5/8" x 5/16" Step Key
9	10103326	12-1/2" Sheave
10	10103417	3/4-10 x 1-3/4" Bolt <i>(Four Required)</i>
11	10103418	3/4" Washer <i>(Four Required)</i>
12	1028617	3/8-16 x 1-3/4" Shoulder Bolt <i>(Five Required)</i>
13	10101936	3/8" Zinc Lock Washer <i>(Five Required)</i>
14	10101938	3/8" Galvanized Hex Nut <i>(Five Required)</i>
15	10102967	Belt Guard Back

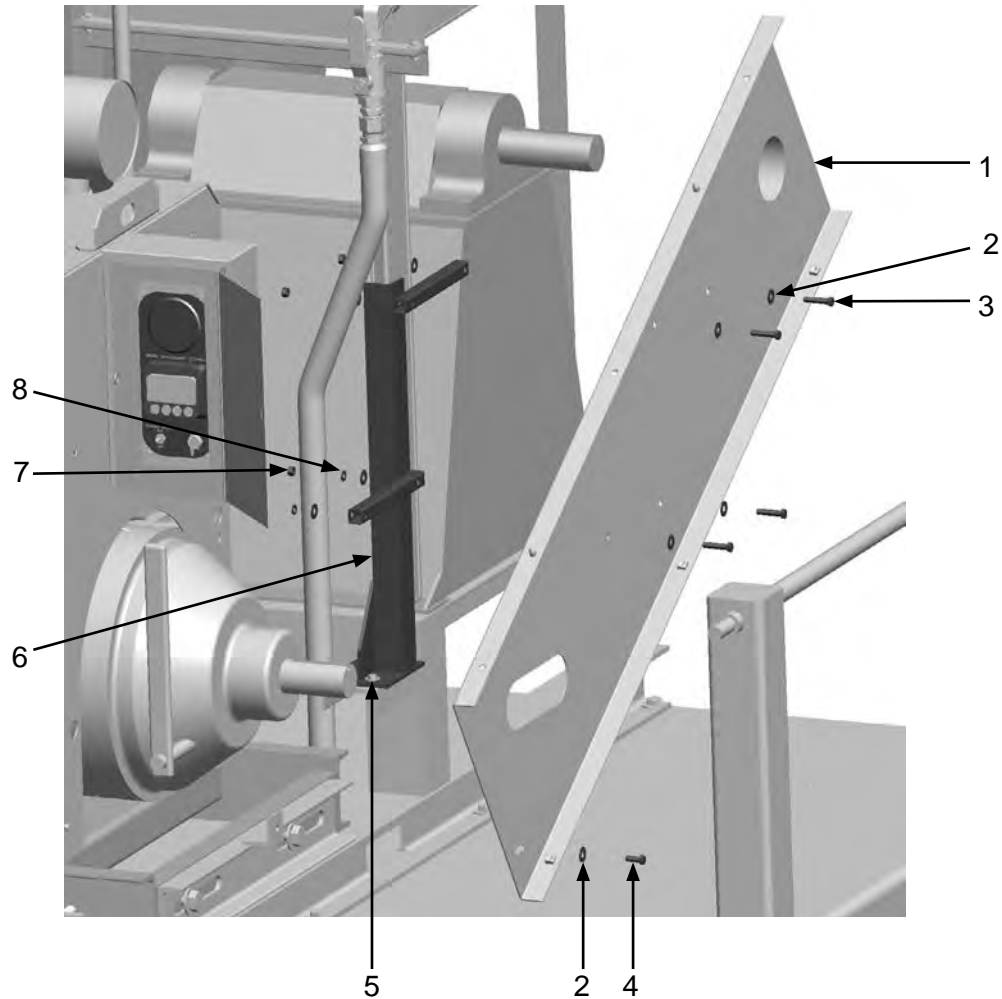
PART NUMBERS AND SCHEMATICS

Figure 6: Fan Belt Assembly



PART NUMBERS AND SCHEMATICS

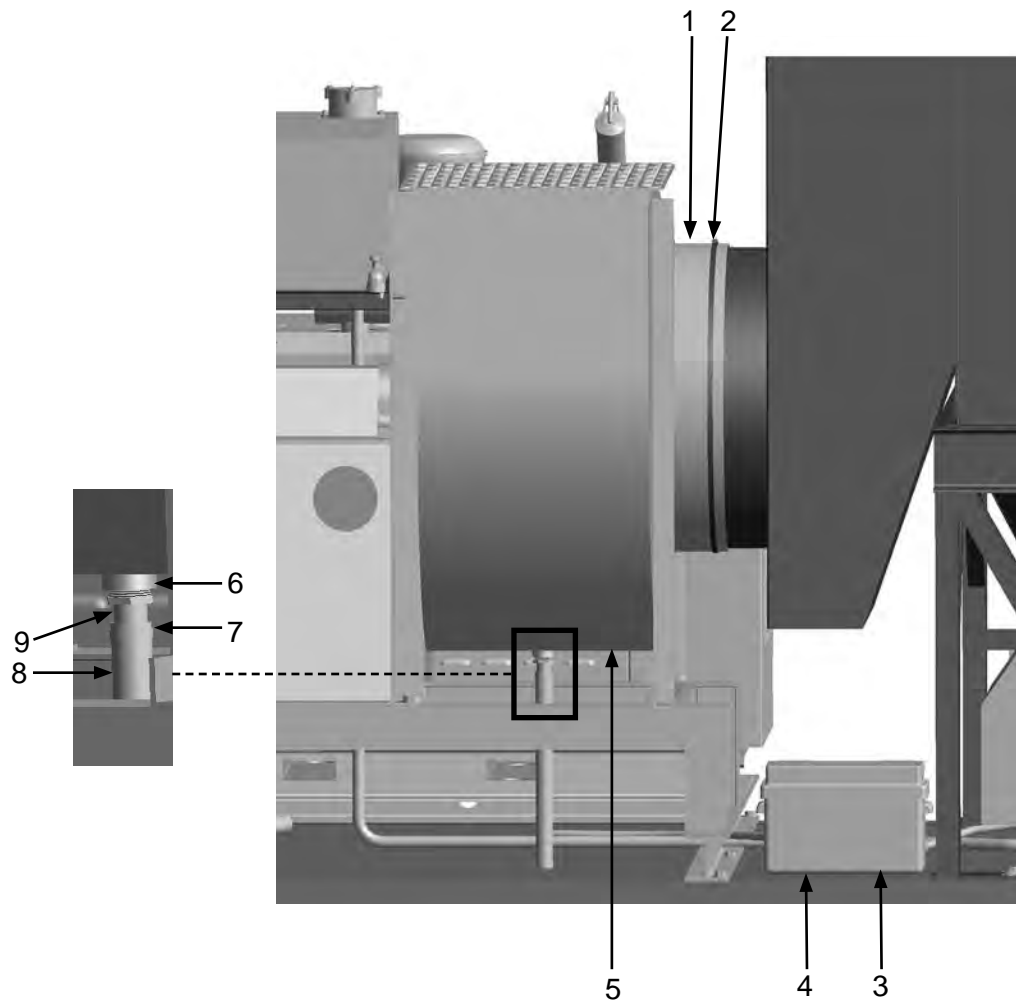
Figure 7: Fan Belt Guard Back Assembly



Item #	Part #	Description
Fig. 7		
1	10102967	Belt Guard Back
2	10101942	3/8" Galvanized Flat Washer (<i>18 Required</i>)
3	1028617	3/8-16 x 1-3/4" Shoulder Bolt (<i>Four Required</i>)
4	1011747	3/8-16 x 1" Bolt
5	10101059	3/8-16 x 1-1/4" Galvanized Bolt (<i>Four Required</i>)
6	10103354	Belt Guard Mount
7	10101938	3/8-16 Galvanized Hex Nut (<i>Nine Required</i>)
8	10101936	3/8" Zinc Lock Washer (<i>Nine Required</i>)

PART NUMBERS AND SCHEMATICS

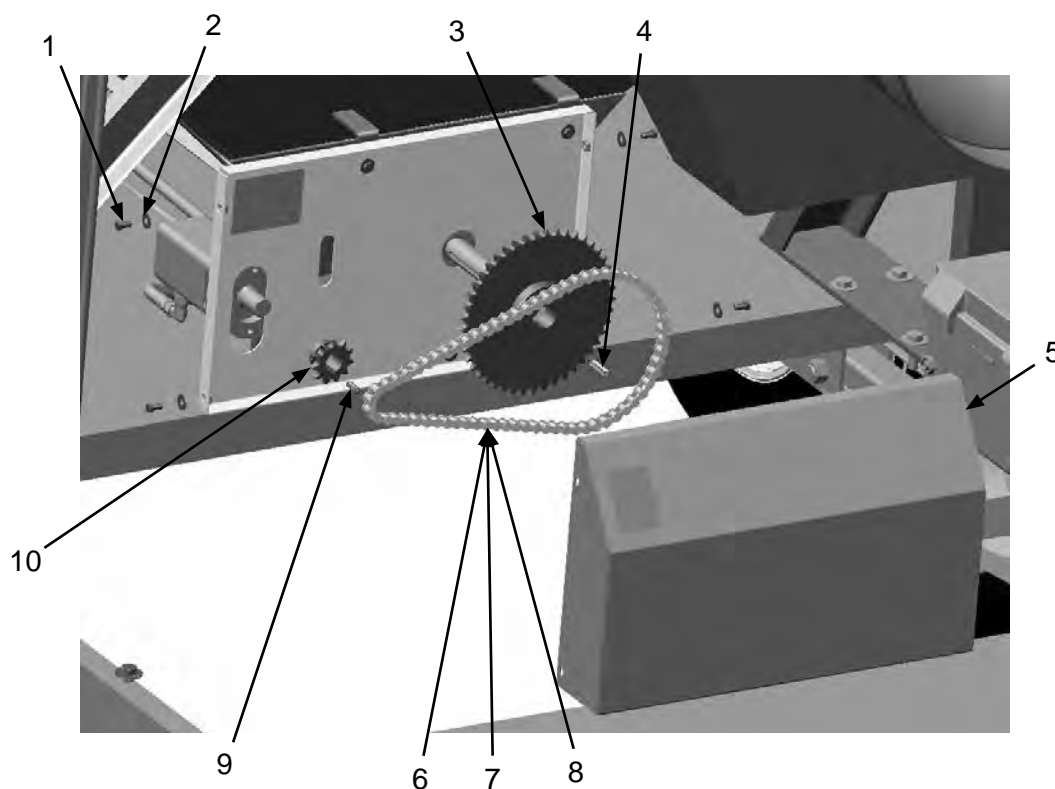
Figure 8: Fan Assembly and Battery Box



Item #	Part #	Description
Fig. 8		
1	10103962	Connection Rubber Gasket
2	10103623	Adjustable Clamp Fastener (<i>Two Required</i>)
3	10103342	Battery Box
4	10103963	Rubber Cushioning Pad
5	10103626	Fan
6	20PFHA24SB2016	1-1/4" x 1" Reducing Bushing
7	10104136	1-1/16" x 2" Hose Clamp
8	10103654	1-1/4" I.D. Hose (<i>Per Foot</i>)
9	10105207	1" x 3" Toe Nipple
—	10105867	Battery Cables (<i>Not Shown</i>)
—	10103341	Battery (<i>Not Shown</i>)

PART NUMBERS AND SCHEMATICS

Figure 9: Main Auger Drive Assembly



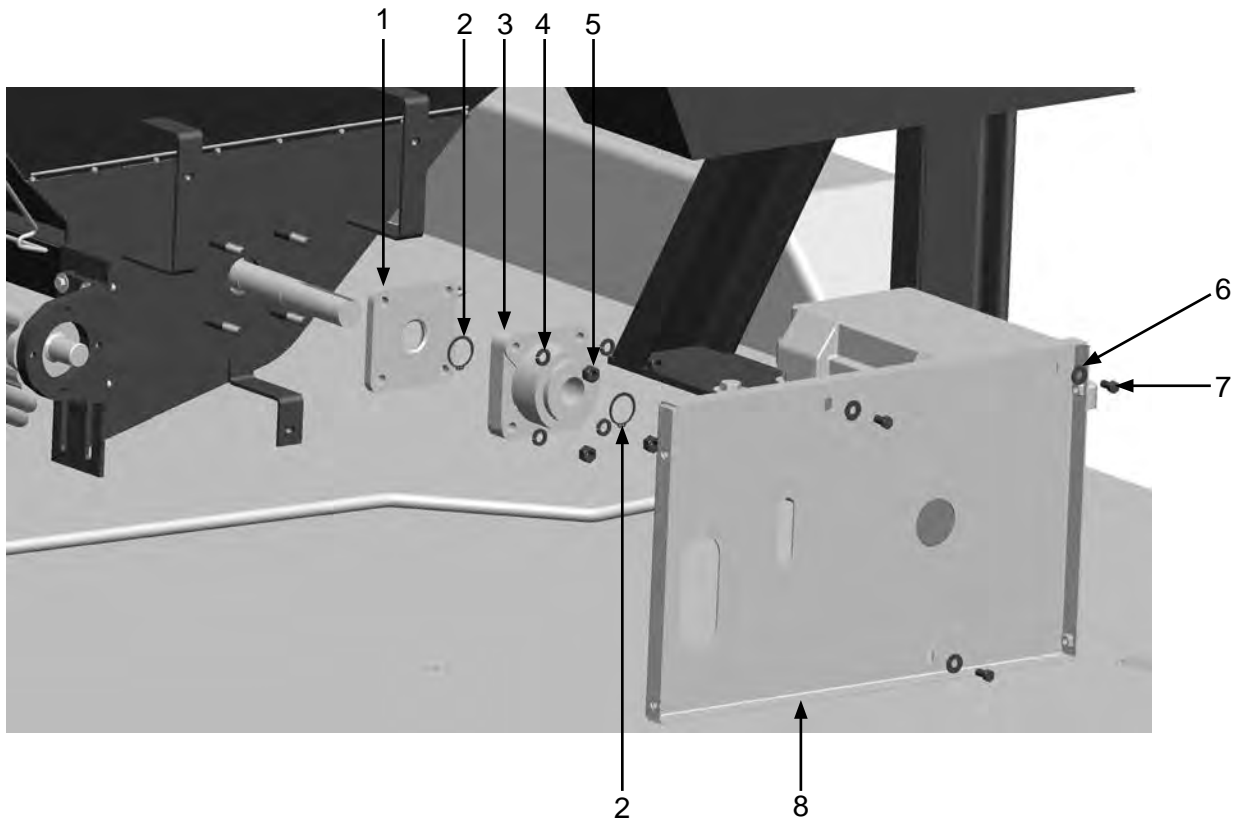
Item #	Part #	Description
--------	--------	-------------

Fig. 9

1	10103400	3/8-16 x 3/4" Bolt (<i>Four Required</i>)
2	10101942	3/8" Galvanized Flat Washer (<i>Four Required</i>)
3	10104218	45-Tooth Sprocket
4	10103641	3/8" Key Cut
5	10102952	Main Auger Motor Cover
6	10103391	60# Cottered Roller Chain (<i>Per Foot</i>)
7	10103392	60# Connecting Link
8	10103614	60# Offset Link
9	10103642	5/16" x 1/4" x 1/8" x 1/8" Key
10	10103265	11-Tooth Sprocket
—	10104192	Main Auger Chain Kit <i>Includes Item #'s: 7, 8, and 9</i>

PART NUMBERS AND SCHEMATICS

Figure 10: Main Auger Bearing



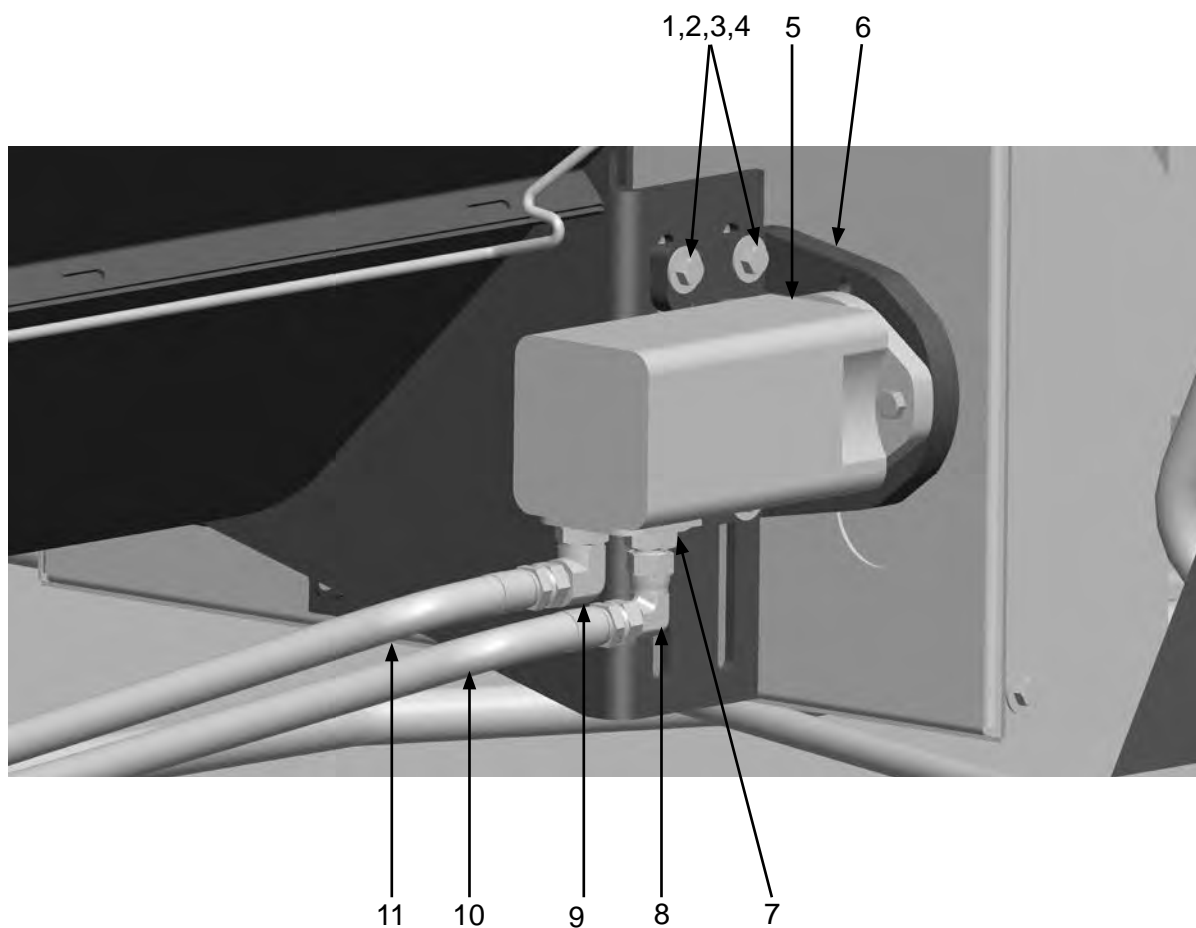
Item #	Part #	Description
--------	--------	-------------

Fig. 10

1	10102902	Seal Plate
2	10103605	Snap Ring (<i>Two Required</i>)
3	10102903	Thrust Bearing
4	10100675	1/2" Lock Washer (<i>Four Required</i>)
5	1014022	1/2-13 Hex Nut (<i>Four Required</i>)
6	10101942	3/8" Galvanized Flat Washer (<i>Three Required</i>)
7	10103400	3/8-16 x 3/4" Bolt (<i>Three Required</i>)
8	10102955	Main Auger Guard Back

PART NUMBERS AND SCHEMATICS

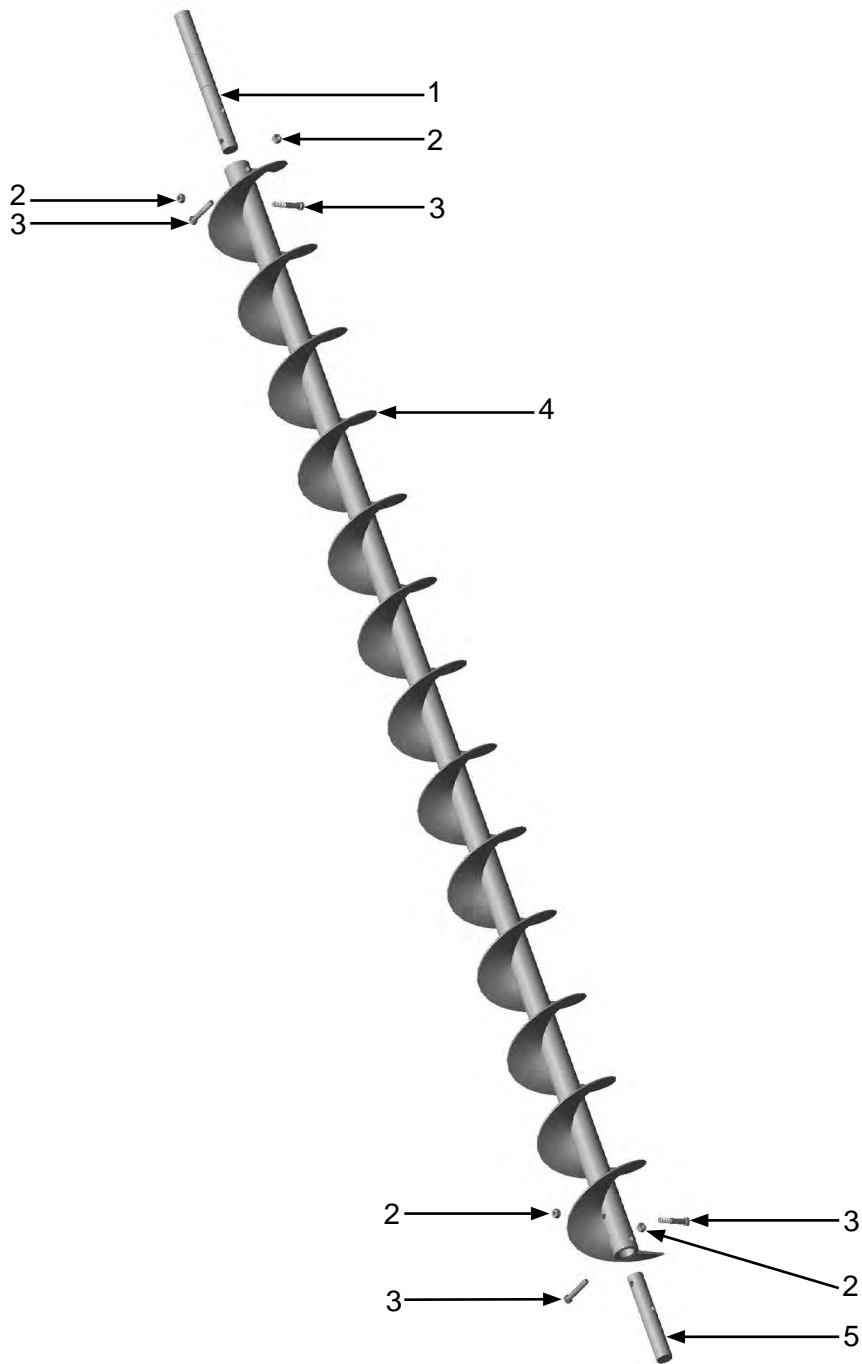
Figure 11: Main Auger Motor



Item #	Part #	Description
Fig. 11		
1	1028617	3/8-16 x 1-3/4" Shoulder Bolt (<i>Four Required</i>)
2	10101942	3/8" Galvanized Flat Washer (<i>Eight Required</i>)
3	10101936	3/8" Zinc Lock Washer (<i>Four Required</i>)
4	10101938	3/8-16 Galvanized Hex Nut (<i>Four Required</i>)
5	10103266	18.7 Displacement Hydraulic Motor
6	10102881	Hydraulic Motor Mount with Hardware
7	10103612	JIC 8 x SAE 10 Straight Adapter
8	10103611	JIC 8 x JIC 8 90° Elbow
9	10103308	JIC 8 x SAE 10 90° Elbow
10	10104224	1/2" x 12-1/2' Hydraulic Hose with Fittings
11	10103502	1/2" x 14' Hydraulic Hose with Fittings
—	10103941	Seal Kit for 18.7 Displacement Hydraulic Motor

PART NUMBERS AND SCHEMATICS

Figure 12: Main Auger



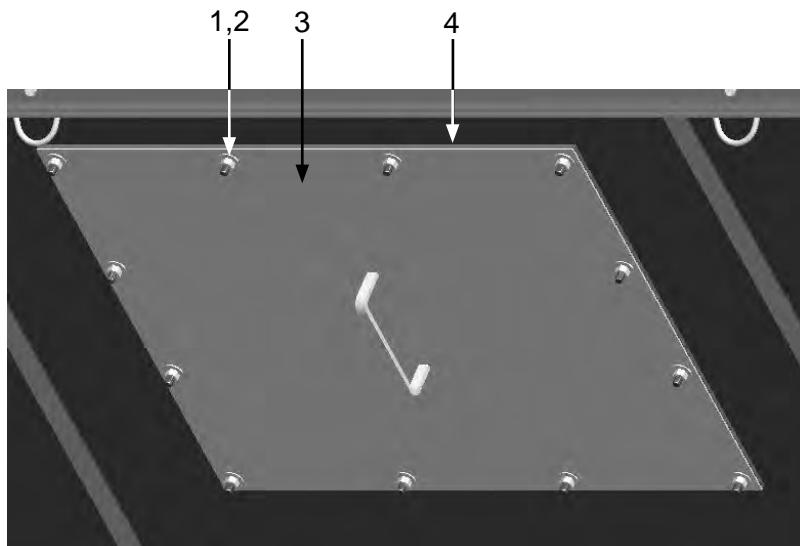
Item #	Part #	Description
--------	--------	-------------

Fig. 12

1	10103306	Drive Shaft
2	10101941	1/2-13 Galvanized Hex Nut (<i>Four Required</i>)
3	10103401	1/2-13 x 3" Galvanized Bolt (<i>Four Required</i>)
4	10103262	118" x 9" Standard Pitch Auger
5	10102910	Auger Shaft End

PART NUMBERS AND SCHEMATICS

Figure 13: Access Panel Assembly

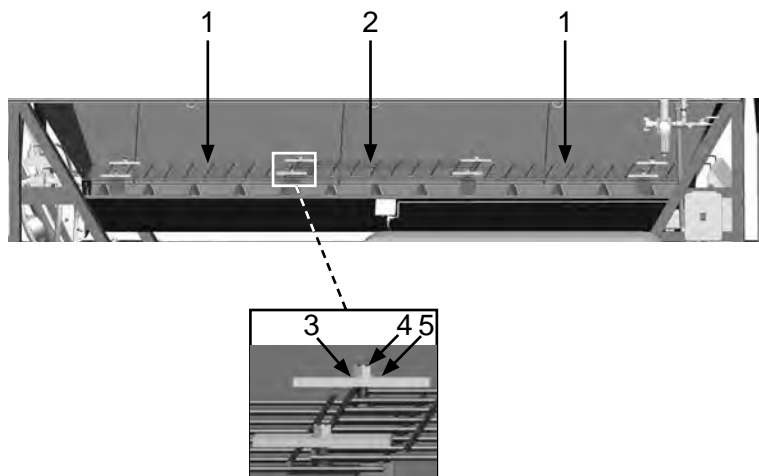


Item #	Part #	Description
--------	--------	-------------

Fig. 13

1	10101938	3/8-16 Galvanized Hex Nut (12 Required)
2	10101942	3/8" Flat Washer (12 Required)
3	10102933	20" Access Panel Door
4	10103344	1/4" X 1-1/2" Adhesive-Backed Gasket (Per Foot)

Figure 14: Main Auger Protective Grate



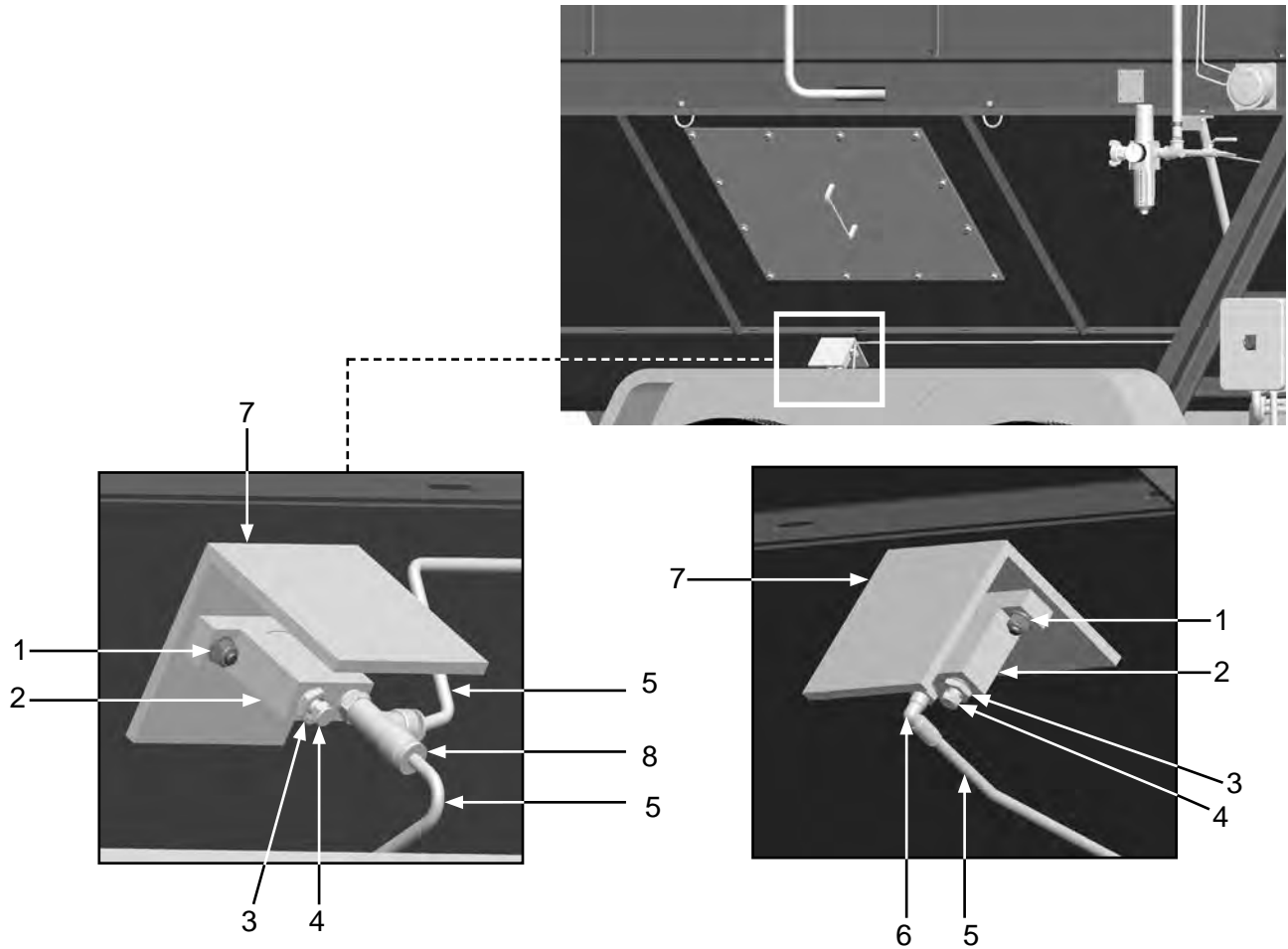
Item #	Part #	Description
--------	--------	-------------

Fig. 14

1	10103966	Protective Grate - 44 Inches (Two Required)
2	10103967	Protective Grate - 36 Inches
3	10100674	Flat Washer - 1/2" (Eight Required)
4	1014022	1/2-13 Hex Nut (Eight Required)
5	10102936	Protective Grate Bracket (Eight Required)

PART NUMBERS AND SCHEMATICS

Figure 15: Pneumatic Ball Vibrators



Item #	Part #	Description
Fig. 15		
1	1012323	1/4-20 Zinc Lock Nut with Nylon Insert (<i>Four Required</i>)
2	10103258	Pneumatic Ball Vibrator (<i>Two Required</i>)
3	20PFHA24SB0402	1/4" x 1/8" Reducing Bushing
4	1012905	1/8" Breather Muffler (<i>Two Required</i>)
5	10103322	1/4" I.D. Black Urethane Tubing (<i>Per Foot</i>)
6	20PFBA31095614	1/4" Tube x 1/4" NPT 90° Fitting
7	10103609	Vibrator Shield (<i>Two Required</i>)
8	10103261	1/4" Male Push-to-connect Tee

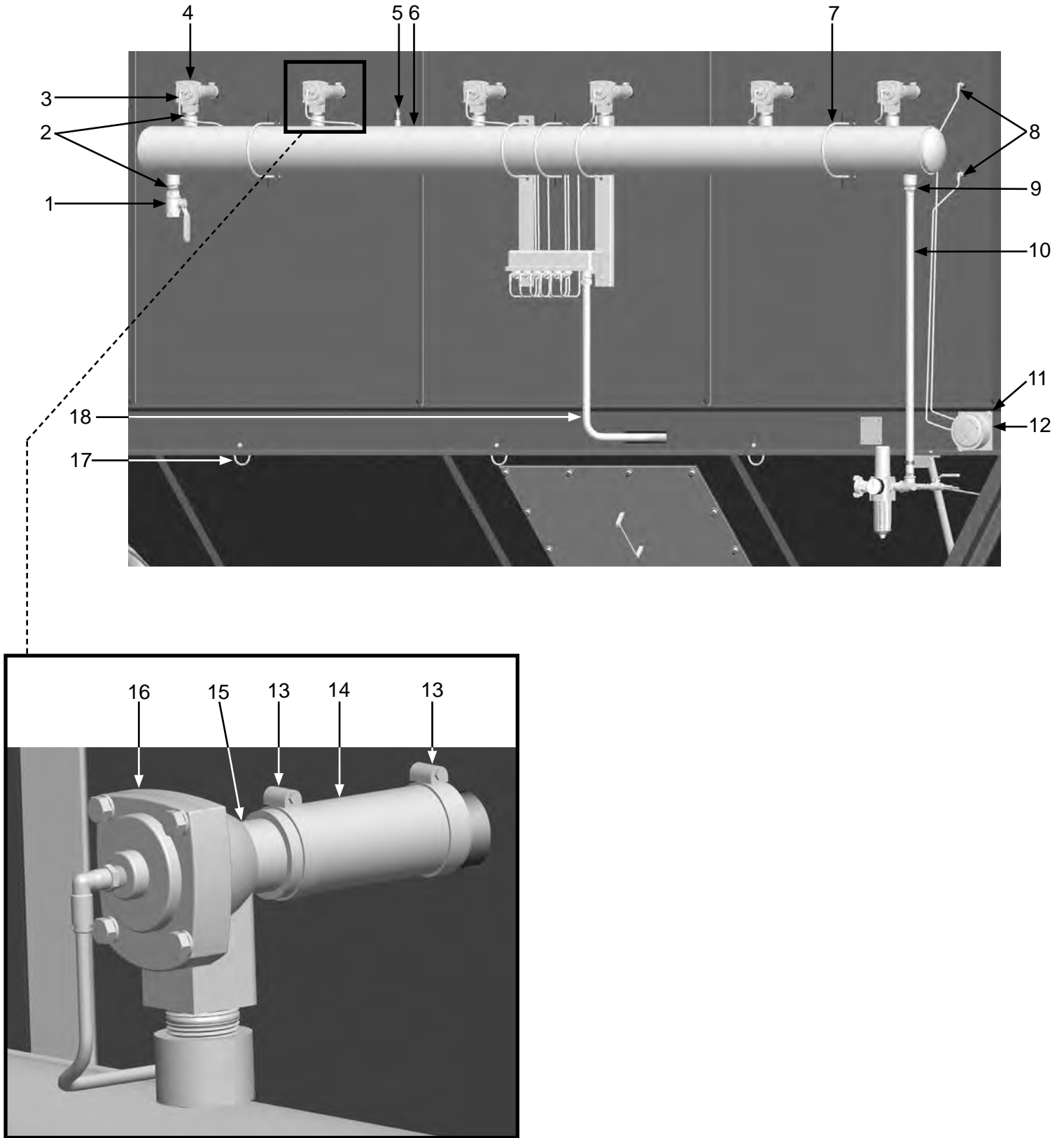
PART NUMBERS AND SCHEMATICS

Pulser System Assembly

Item #	Part #	Description
Fig. 16		
1	1011601	1" Full Port Ball Valve
2	10103318	1" x 2" Pipe Nipple (<i>Seven Required</i>)
3	10103322	1/4" O.D. Black Urethane Tubing (<i>Per Foot</i>)
4	20100579	1/4" O.D. Tube x 1/8" NPT Swivel (<i>Six Required</i>)
5	1028607	1/4" NPT Pressure Relief Valve – 125 PSI
6	10102948	6" Pipe Header
7	10103394	3/8-16 x 6" U-Bolt Assembly (<i>Five Required</i>)
8	20PFBA31095614	1/4" Tube x 1/4" NPT 90° Fitting (<i>Two Required</i>)
9	20PFHA24SB1612	1" x 3/4" Reducing Bushing
10	10103315	3/4" x 36" Pipe Nipple
11	10103608	Magnehelic Differential Pressure Gauge Mounting Bracket
12	10103259	Magnehelic Differential Pressure Gauge Assembly <i>Includes Mounting Hardware</i>
13	10104136	T-Bolt Clamp 1-9/16" X 1-11/16" OD
14	10103654	1-1/4" I.D. Marine Hose – 100 PSI (<i>Per Foot</i>)
15	10105207	1" x 3" Toe Nipple (<i>Six Required</i>)
16	10103255	1" Diaphragm Valve
17	10103625	D-Ring with Nut (<i>16 Required</i>)
18	10103304	3/4" I.D. Flexible Conduit
—	10103954	1" Diaphragm Valve Service Kit (<i>Not Shown</i>)

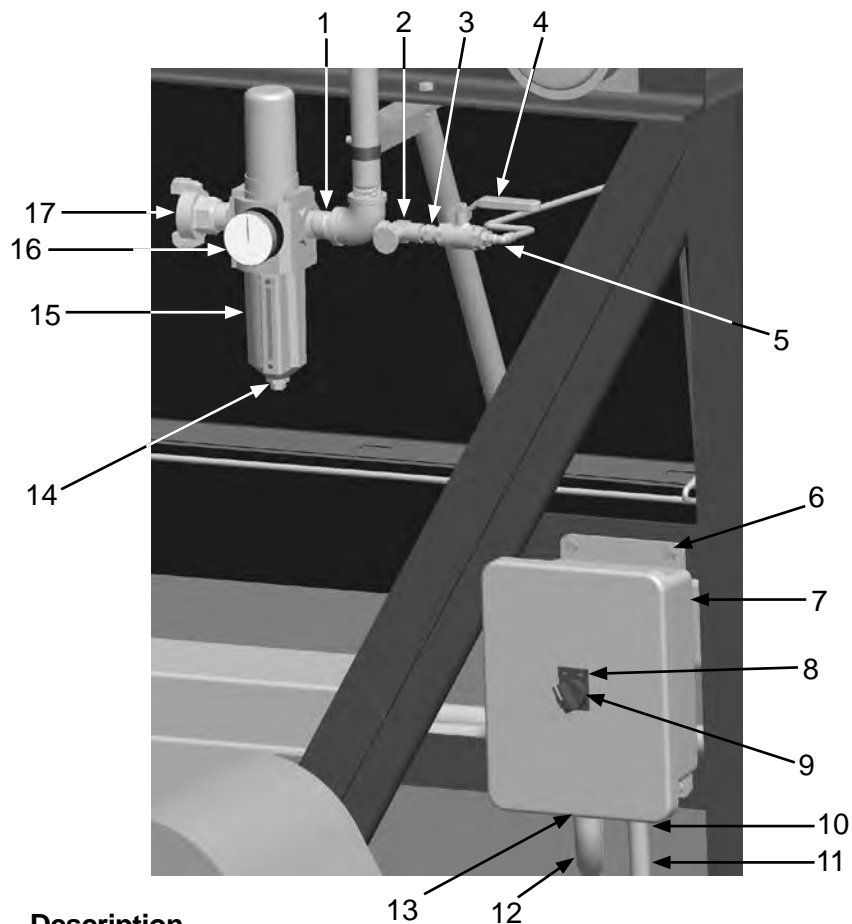
PART NUMBERS AND SCHEMATICS

Figure 16: Pulsar System Assembly



PART NUMBERS AND SCHEMATICS

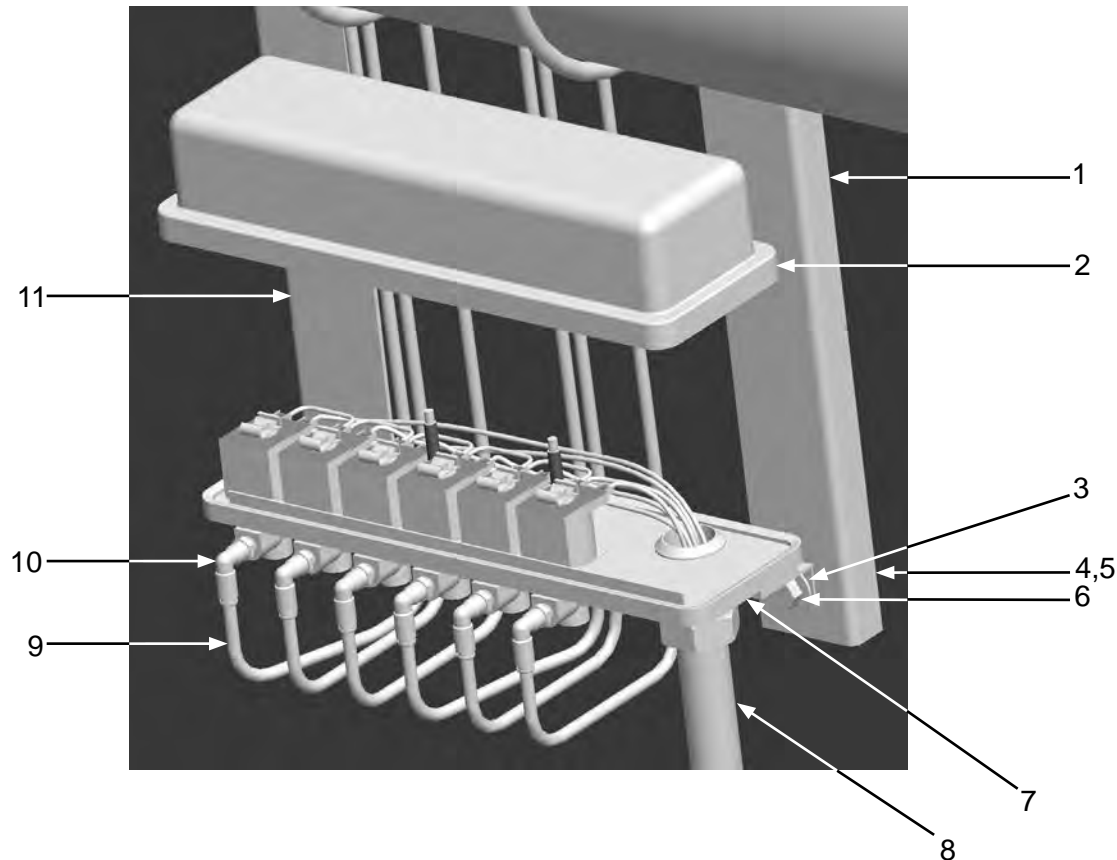
Figure 17: Pulsar Regulator and Timer Assembly



Item #	Part #	Description
Fig. 17		
1	10103317	3/4" x 2" Pipe Nipple
2	10103292	1/4" Needle Valve
3	1017019	1/4" x 1/4" Hex Nipple
4	1080050	1/4" Ball Valve
5	20PFBA31095614	1/4" Tube x 1/4" NPT 90° Fitting (<i>Three Required</i>)
6	20100125	1/4-20 x 3/4" Zinc Hex Bolt (<i>Four Required</i>)
7	10103254	Timer Box with Timer Board
—	10103935	Timer Box Only
—	10103948	Timer Board Only
8	10103414	On/Off Name Plate
9	10103305	2-Way Selector Switch
10	20RST50	Straight Liquid Tite Connection Fitting (<i>Two Required</i>)
11	20RSEL050UL	1/2" UL/UA Seal-Tite Conduit Pipe (<i>Per Foot</i>)
12	10103304	3/4" Flexible Conduit
13	10103303	3/4" Conduit Hub
14	10103952	Filter Auto Drain
15	10103257	Excelon 74 Series Filter/Regulator
16	10103953	Sight Glass Kit
17	10ME1	3/4" Male 2-lug Coupling
—	10103950	Excelon 74 Series Filter/Regulator Service Kit
—	10103951	Filter Element (<i>Not Shown</i>)

PART NUMBERS AND SCHEMATICS

Figure 18: Pulsar Solenoid Enclosure Assembly



Item #	Part #	Description
--------	--------	-------------

Fig. 18

1	10102970	Solenoid Enclosure Mount – Right
2	10103256	Solenoid Pilot Valve Enclosure
3	10101942	3/8" Galvanized Flat Washer <i>(Four Required)</i>
4	10101936	3/8" Zinc Lock Washer <i>(Two Required)</i>
5	10101938	3/8-16 Galvanized Hex Nut <i>(Two Required)</i>
6	1011747	3/8-16 x 1" Bolt
7	10103303	3/4" Conduit Hub
8	10103304	3/4" Flexible Conduit
9	10103322	1/4" O.D. Black Urethane Tubing <i>(Per Foot)</i>
10	20100579	1/4" O.D. Tube x 1/8" NPT Swivel <i>(Six Required)</i>
11	10102969	Solenoid Enclosure Mount – Left
—	10103955	Solenoid Valve <i>(Six Required)</i>
—	10103956	Solenoid Coil <i>(One Required per Solenoid)</i>
—	10103957	Solenoid Service Kit <i>Includes: O-ring, Plunger, Spring, Ferrule</i>

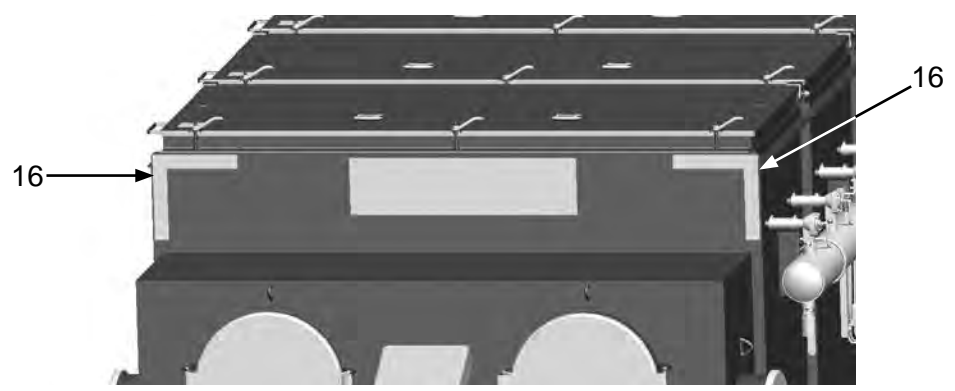
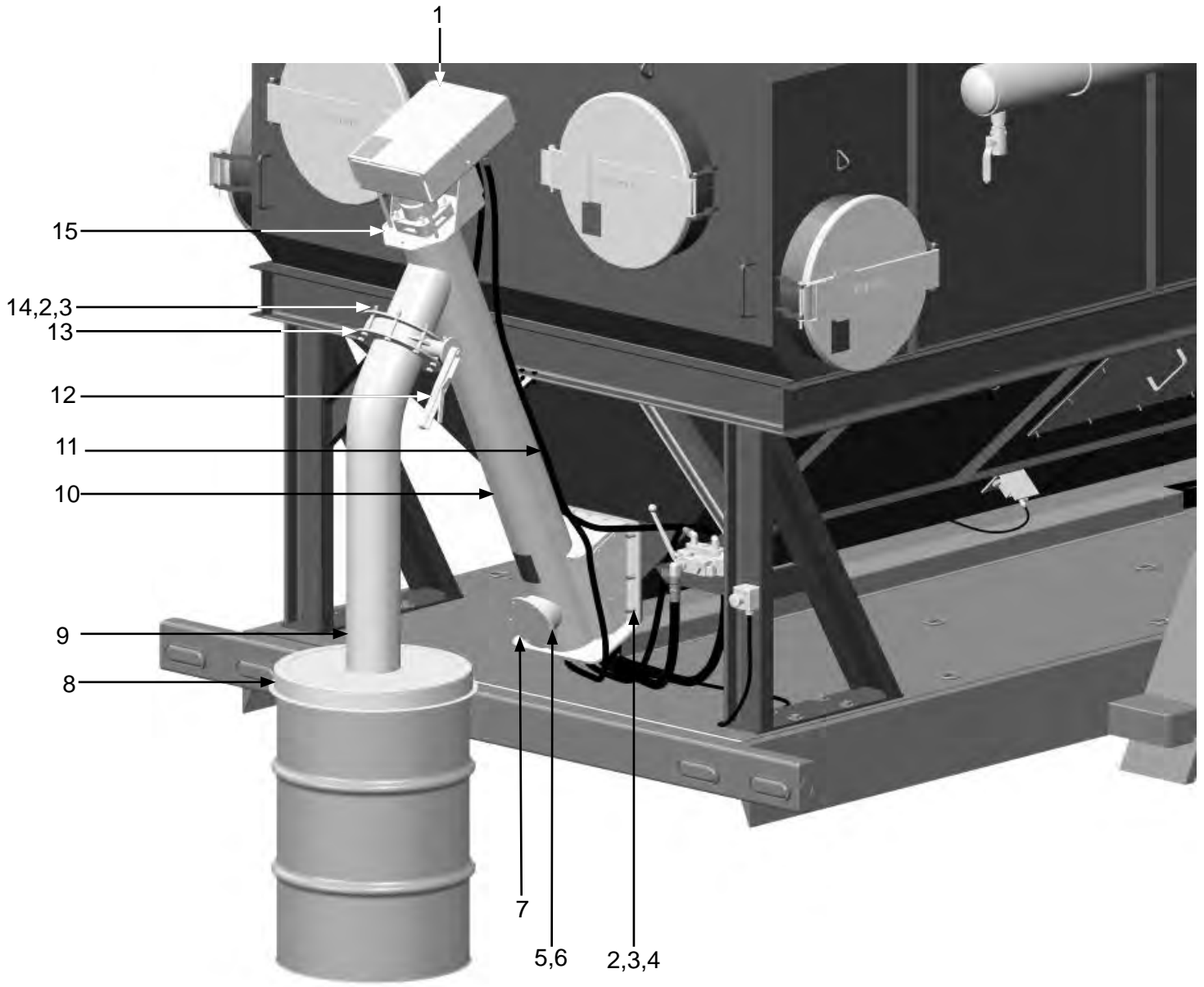
PART NUMBERS AND SCHEMATICS

Discharge Auger Assembly

Item #	Part #	Description
Fig. 19		
1	10103363	Discharge Chain Cover
2	10101941	1/2-13 Hex Nut (<i>14 Required</i>)
3	10100674	1/2" Flat Washer (<i>22 Required</i>)
4	10100675	1/2" Lock Washer (<i>14 Required</i>)
5	10101346	5/16-18 x 3/4" Grade 5 Bolt (<i>Six Required</i>)
6	1035046	5/16-18 Nut (<i>Six Required</i>)
7	10103235	Auger Clean-out Cover
8	10103650	Discharge Collection Drum Cover
9	10103777	6" Flexible Discharge Hose (<i>Per Foot</i>)
10	—	Discharge Auger (<i>See Fig. 20</i>)
11	10103411	1/2" I.D. x 4' Hydraulic Hose with Fittings
12	10103302	6" Series Wafer Butterfly Valve
13	10102471	Discharge Hose Connector
14	10102703	1/2-13 x 3-1/2" Grade 5 Bolt (<i>Eight Required</i>)
15	10103359	Discharge Auger Motor Mounting Bracket
16	10103880	White Conspicuity Tape (<i>Per Inch</i>)
—	10103881	Red Conspicuity Tape (<i>Per Inch</i>)

PART NUMBERS AND SCHEMATICS

Figure 19: Discharge Auger Assembly



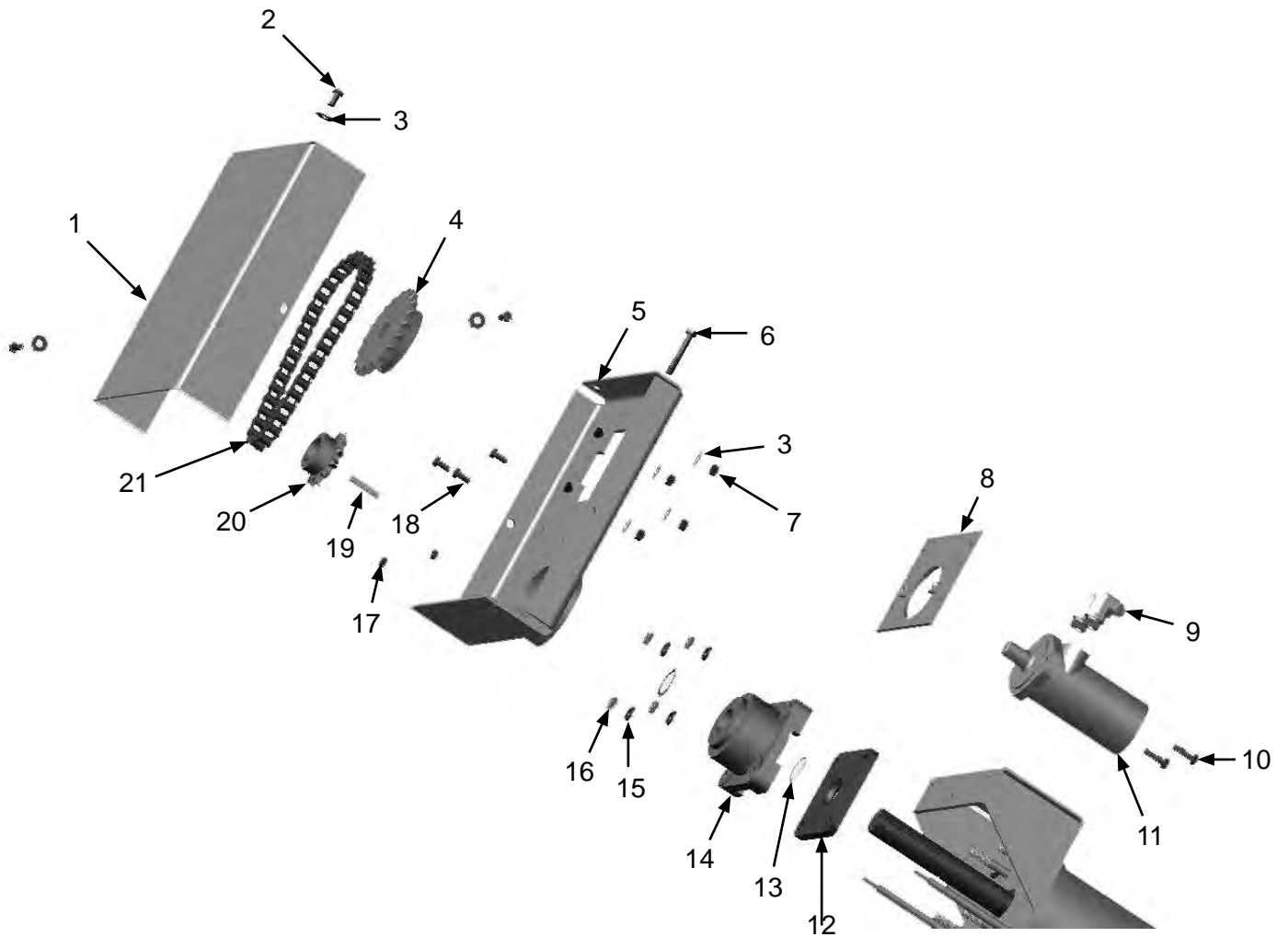
PART NUMBERS AND SCHEMATICS

Discharge Auger Drive Assembly

Item #	Part #	Description
Fig. 20		
1	10103363	Chain Cover
2	10103400	3/8-16 x 3/4" Bolt <i>(Seven Required)</i>
3	10101942	3/8" Galvanized Flat Washer <i>(Three Required)</i>
4	10104217	22-Tooth Sprocket
5	10104197	Chain Cover Base
6	10101933	3/8" - 16 X 2-1/2" Hex Bolt
7	10101938	3/8-16 Galvanized Hex Nut <i>(Four Required)</i>
8	10104199	Sliding Motor Mount
9	10103308	JIC 8 x SAE 10 90° Elbow <i>(Two Required)</i>
10	10101059	3/8-16 X 1-1/4" A307 Bolt Galv <i>(Two Required)</i>
11	10102887	Hydraulic Motor
12	10102902	Seal Plate
13	10103605	Snap Ring <i>(Two Required)</i>
14	10102903	Thrust Bearing
15	10100675	1/2" Lock Washer <i>(Four Required)</i>
16	1014022	1/2-13 Hex Nut <i>(Four Required)</i>
17	1035046	5/16"- 18 Nut <i>(Two Required)</i>
18	10101346	5/16-18 X 3/4" L GR 5 Bolt <i>(Three Required)</i>
19	10103641	3/8 Key Cut
20	10102886	13-Tooth Sprocket
21	10104191	Discharge Auger Chain Kit <i>Includes 60# Connecting Chain Link, 60# Cottered Roller Chain (Quantity of Three), and 60# Offset Chain Link.</i>
—	10103392	60# Connecting Chain Link
—	10103391	60# Cottered Roller Chain <i>(Per Foot)</i>
—	10103614	60# Offset Chain Link
—	10103940	Seal Kit for Hydraulic Motor

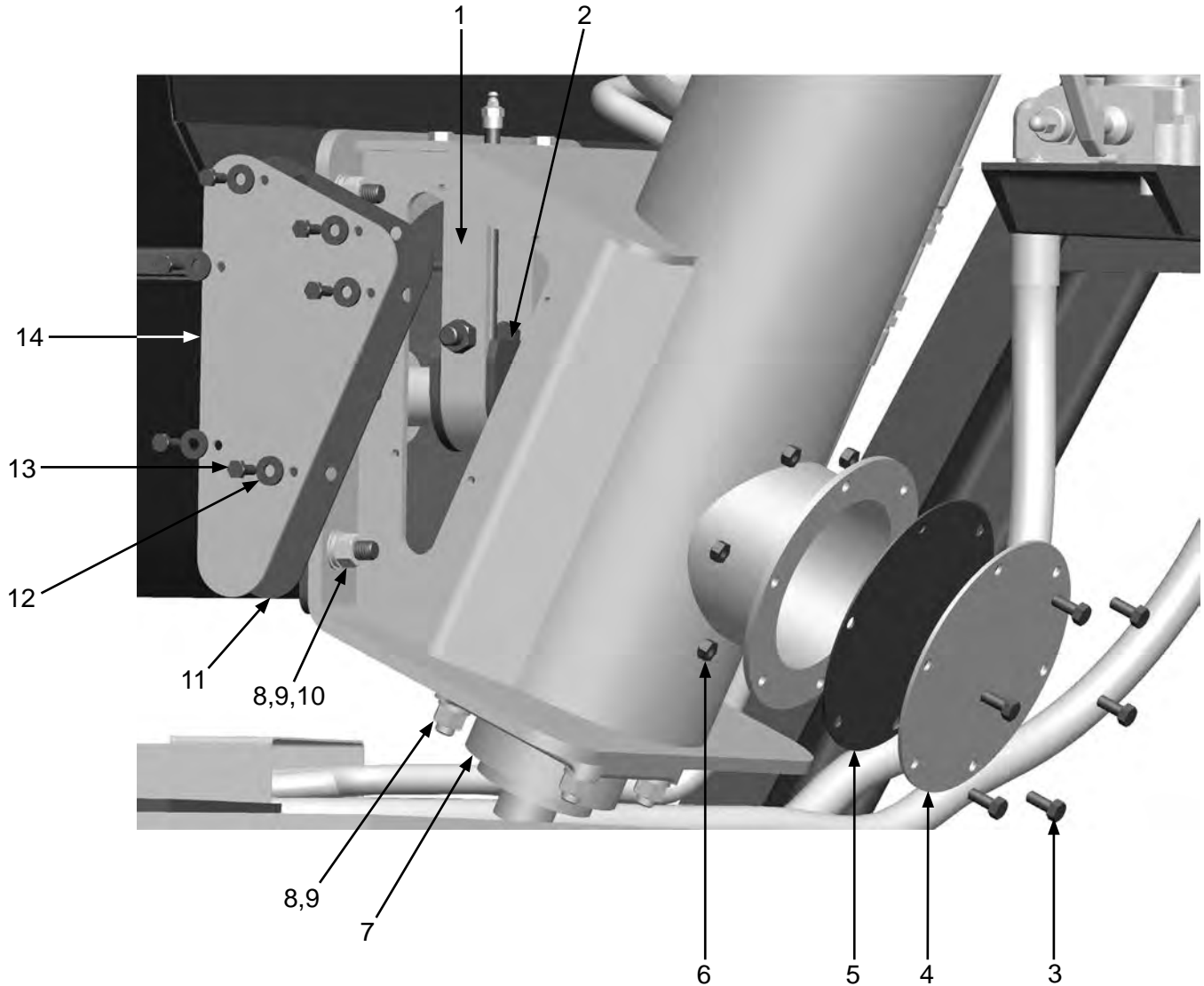
PART NUMBERS AND SCHEMATICS

Figure 20: Discharge Auger Drive Assembly



PART NUMBERS AND SCHEMATICS

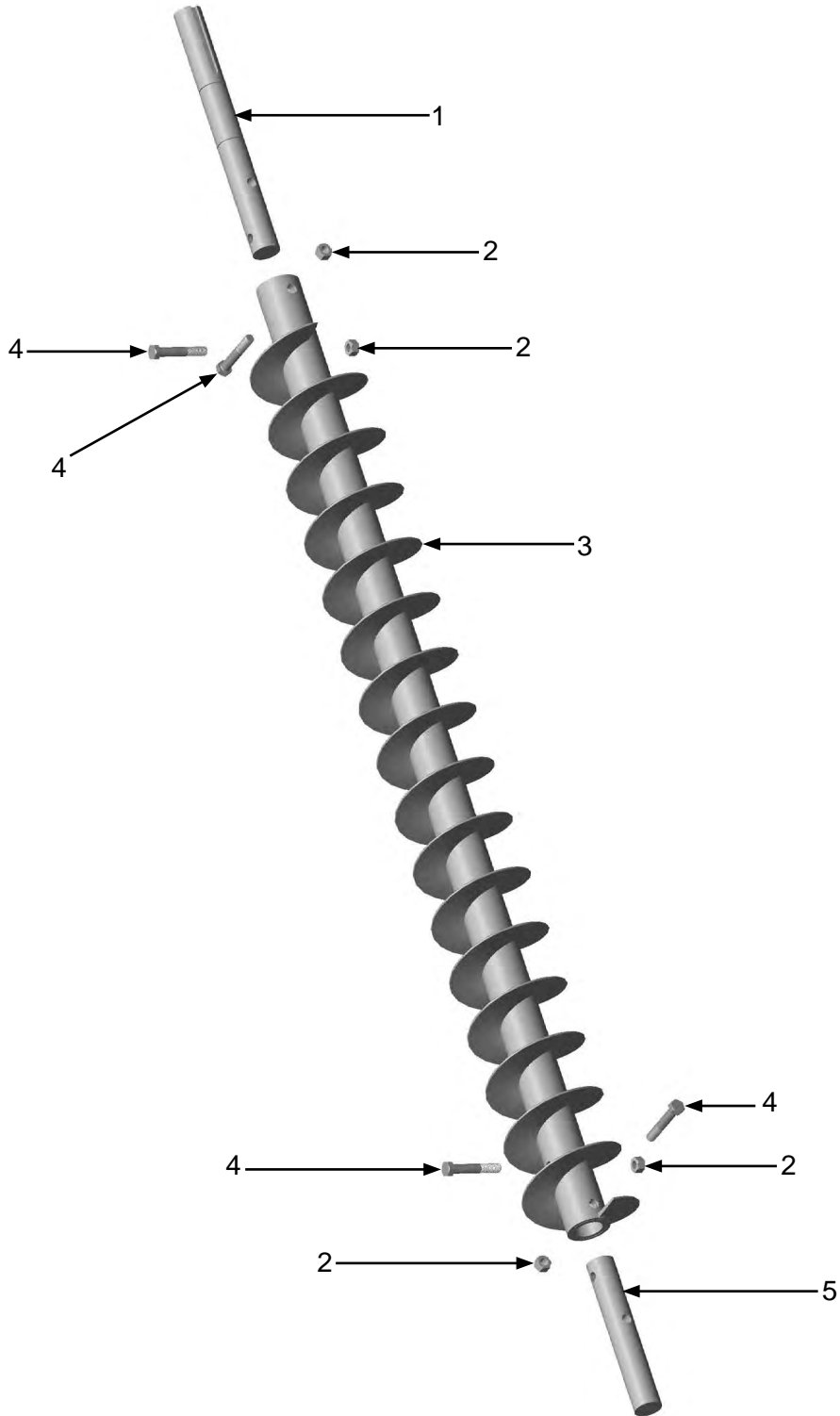
Figure 21: Discharge Auger Clean-out Assembly



Item #	Part #	Description
Fig. 21		
1	10102896	Bearing Hanger
2	10103413	Bearing
3	10101346	5/16-18 x 3/4" Bolt (Six Required)
4	10103235	Auger Clean-out Cover
5	10103716	Neoprene Auger Clean-out Gasket
6	1035046	5/16-18 Nut (Six Required)
7	10102880	Discharge Auger Lower Bearing Assembly
8	10101941	1/2-13 Galvanized Hext Nut (10 Required)
9	10100675	1/2" Lock Washer (10 Required)
10	10100674	1/2" Flat Washer (Six Required)
11	10103717	Discharge Auger Side Gasket (Two Required)
12	10101940	1/4" Galvanized Flat Washer (12 Required)
13	20100125	1/4-20 x 3/4" Zinc Hex Bolt (12 Required)
14	10103236	Discharge Auger Side Cover (Two Required)

PART NUMBERS AND SCHEMATICS

Figure 22: Discharge Auger Assembly



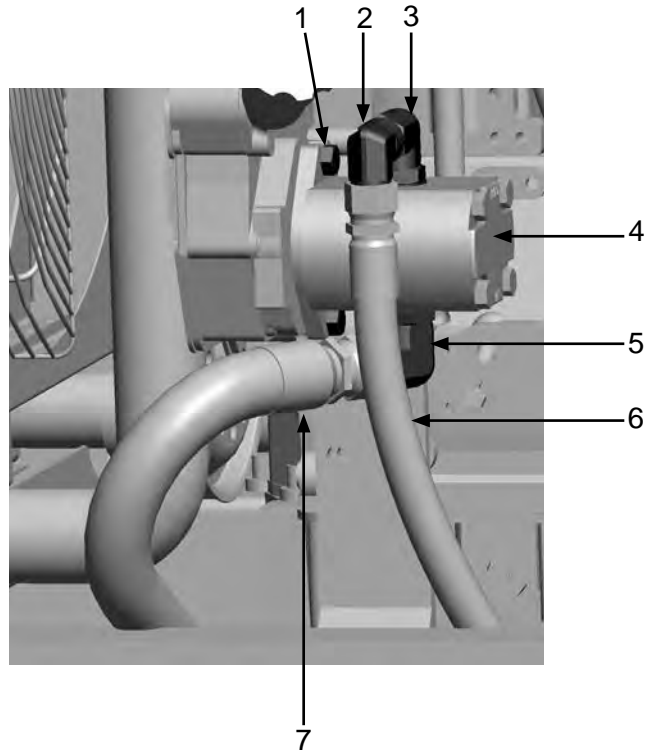
Item #	Part #	Description
--------	--------	-------------

Fig. 22

1	10103306	Drive Shaft
2	10101941	1/2-13 Galvanized Hex Nut (<i>Four Required</i>)
3	10102883	58" x 6" Half Pitch Auger
4	10103401	1/2-13 x 3" Galvanized Bolt (<i>Four Required</i>)
5	10102910	Auger Shaft End

PART NUMBERS AND SCHEMATICS

Figure 23: Hydraulic Pump



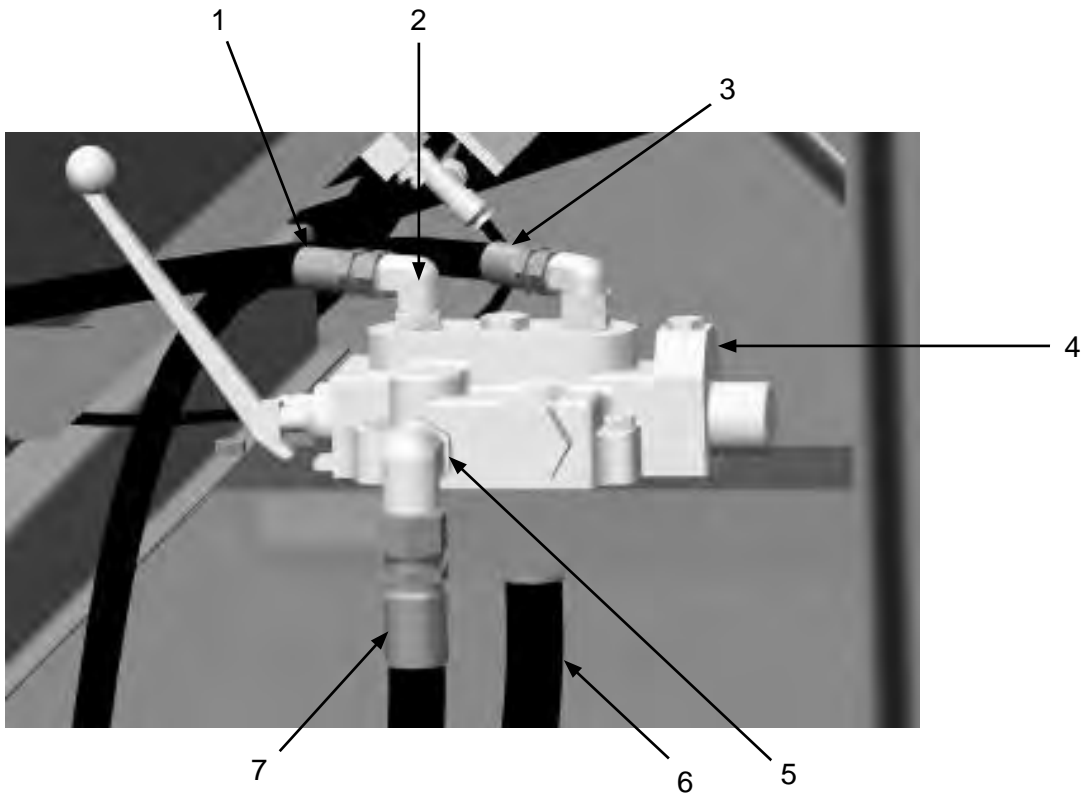
Item #	Part #	Description
--------	--------	-------------

Fig. 23

1	10103615	M10 x 25 mm Zinc Bolt (<i>Two Required</i>)
2	10103610	JIC 12 x JIC 12 90° Elbow
3	10103310	JIC 12 x SAE 12 90° Elbow
4	10103269	2B Series 2.08 CI/REV Gear Pump
5	10103311	JIC 6 x SAE 16 90° Elbow
6	10103406	3/4" I.D. x 21' Hydraulic Hose with Fittings
7	10103405	1-1/4" I.D. x 9-1/2" Hydraulic Hose with Fittings

PART NUMBERS AND SCHEMATICS

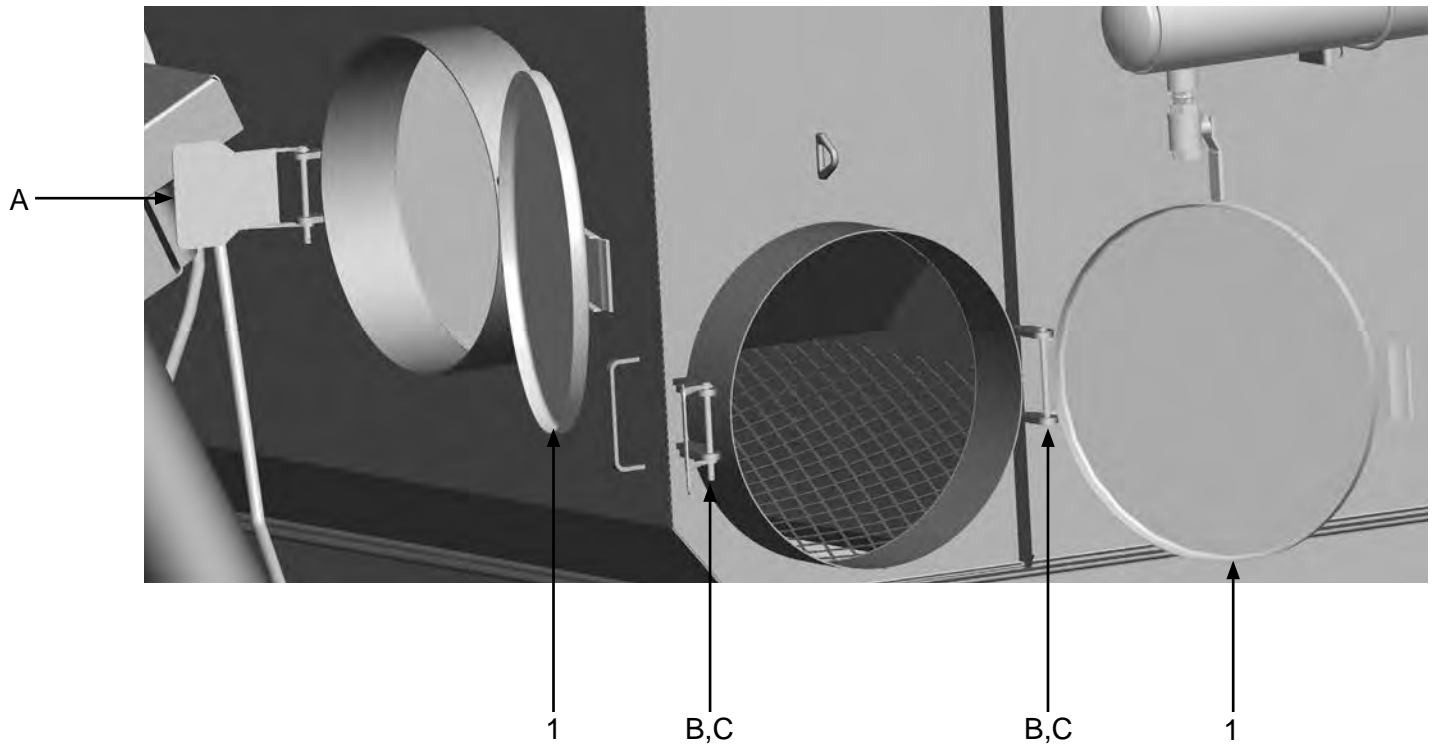
Figure 24: Hydraulic Control Assembly



Item #	Part #	Description
Fig. 24		
1	10103408	1/2" X 12'6" Hydraulic Hose with Fittings
2	10103309	JIC 8 x SAE 8 90° Elbow (<i>Two Required</i>)
3	10103409	1/2" X 7'1" Hydraulic Hose with Fittings
4	10103267	Cross Hydraulic Control Valve with Handle
5	10103310	JIC 12 x SAE 12 90° Elbow (<i>Two Required. One not shown</i>)
6	10103707	3/4" I.D. x 17.7' Hydraulic Hose with Fittings
7	10103710	3/4" I.D. x 13' Hydraulic Hose with Fittings

PART NUMBERS AND SCHEMATICS

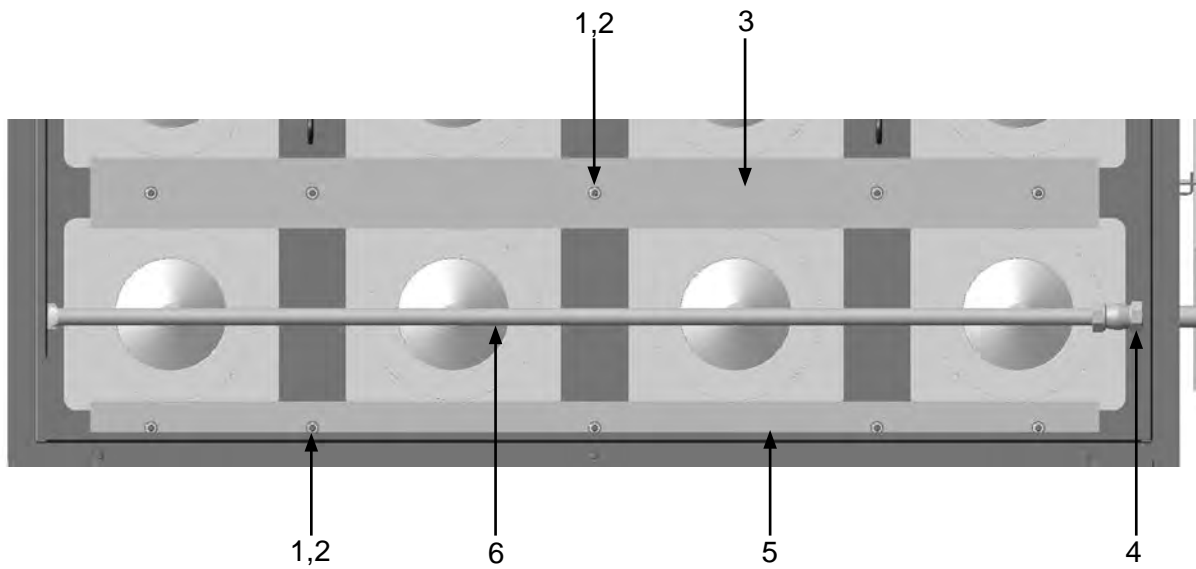
Figure 25: Inlet Door Assembly



Item #	Part #	Description
Fig. 25		
—	10102596	20" Inlet Door Assembly – Complete <i>Includes Items: A,B,C</i>
1	10102596	Inlet Door <i>(Four Required)</i>
—	10104408	Pin For Knappco Hatch <i>(Four Required)</i>
—	10104120	Inlet Door Gasket <i>(Four Required)</i>

PART NUMBERS AND SCHEMATICS

Figure 26: Dust Collector Filter Cartridge Pulsers



Item #	Part #	Description
--------	--------	-------------

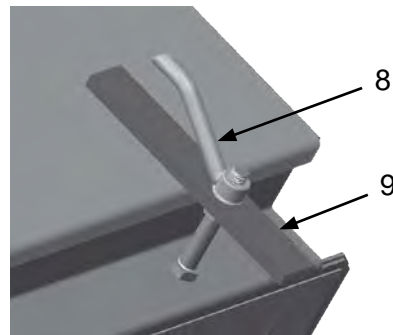
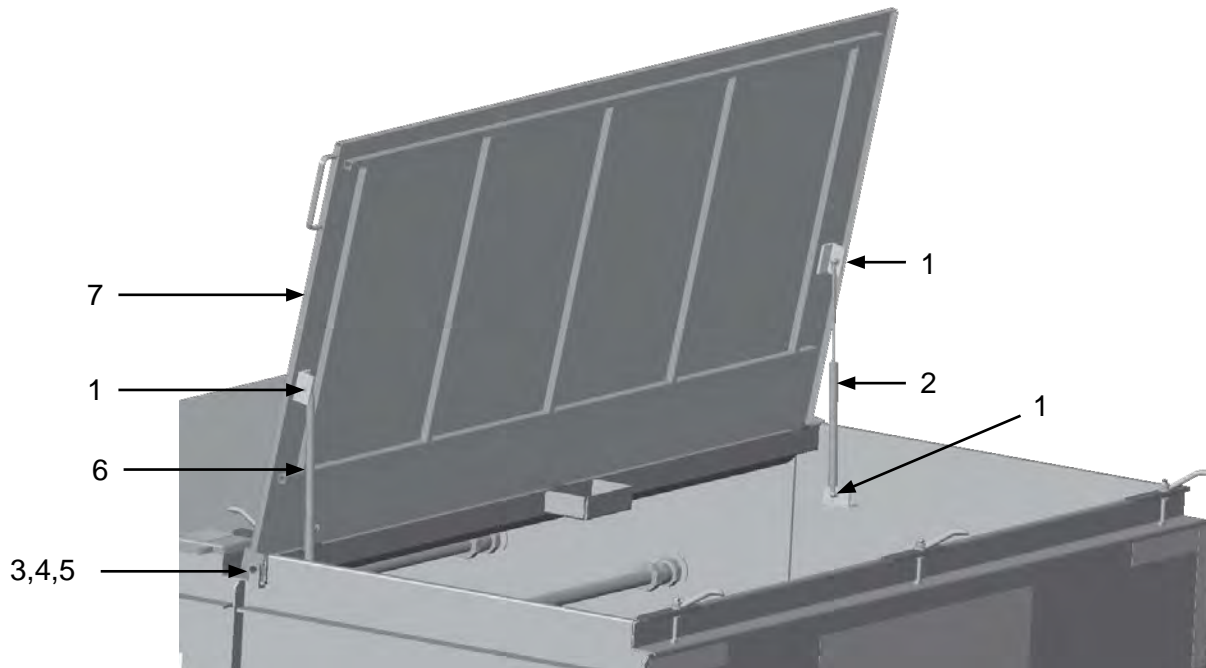
Fig. 26

1	10100674	1/2" Flat Washer (35 Required)
2	1014022	1/2" Hex Nut (35 Required)
3	10105027	Filter Bolt-Down (Three Required)
4	10102599	Compression Coupling Assembly (Six Required)
5	10102939	Filter Bolt-Down (Six Required)
6	10105179	Standard DC Blowpipe - Smashed End (Six Required)

Quantities Specified are Per Dust Collector

PART NUMBERS AND SCHEMATICS

Figure 27: Dust Collector Filter Cartridge Hatch Door



Item #	Part #	Description
--------	--------	-------------

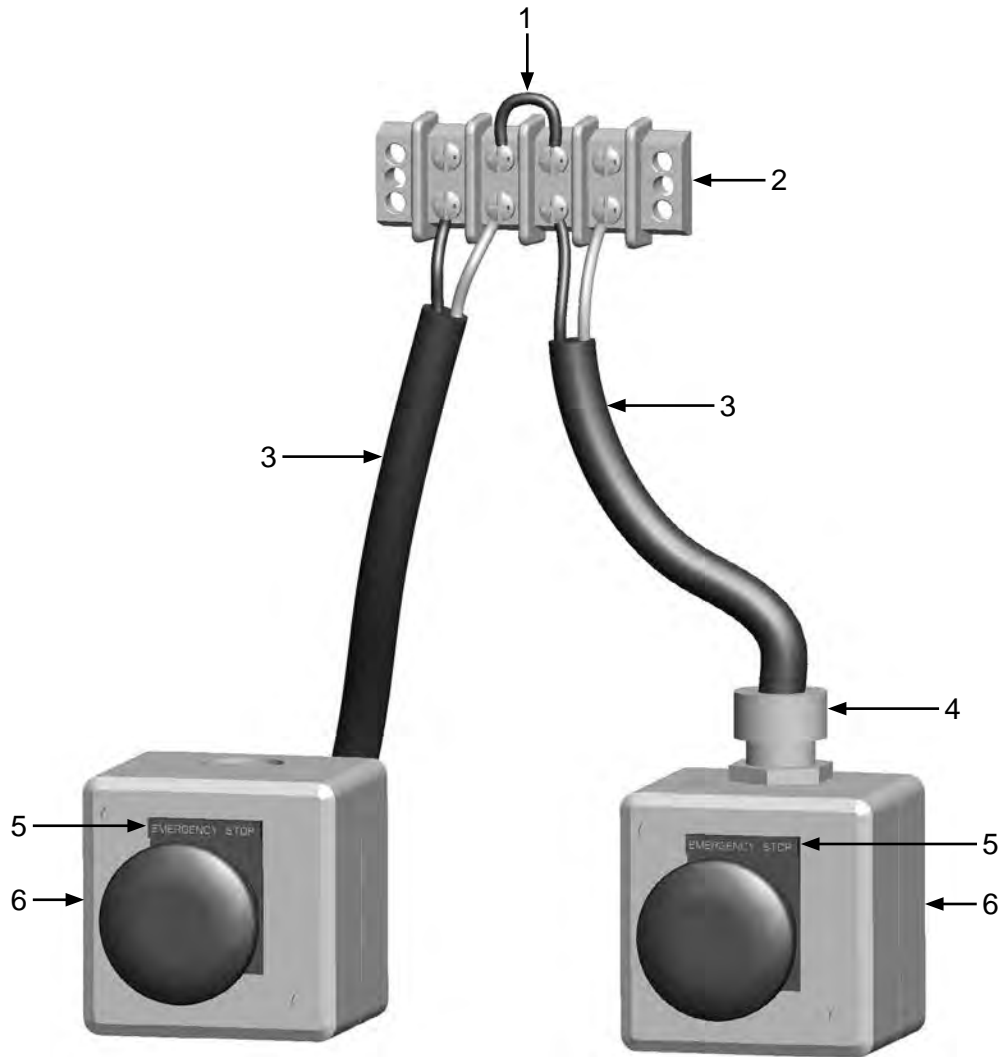
Fig. 27

1	1035046	5/16-18 Hex Nut (<i>Four Required</i>)
2	10103454	Non-Locking Gas Spring
3	1028617	3/8-16 X 1-3/4" Shoulder Bolt (<i>Two Required</i>)
4	10101942	3/8" Flat Washer (<i>Four Required</i>)
5	10101938	3/8"-16 Hex Nut (<i>Two Required</i>)
6	10103455	Locking Gas Spring
7	10102917	Hopper Lid
8	10103395	1/2-13 Zinc Plated Handle (<i>Three Required</i>)
9	10104377	Latch Bar (<i>Three Required</i>)

Quantities specified are per hatch opening

PART NUMBERS AND SCHEMATICS

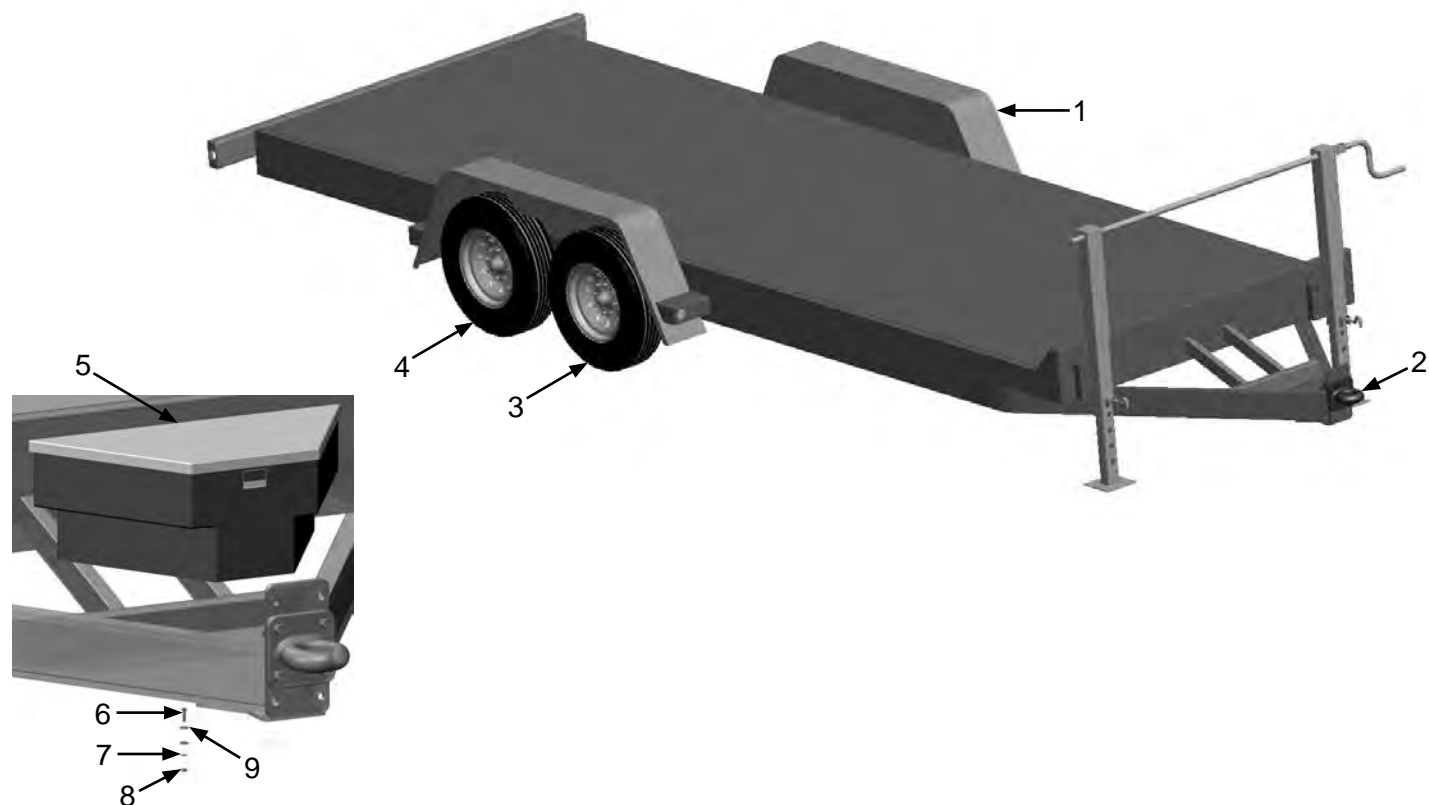
Figure 28: Emergency-Stop Stations



Item #	Part #	Description
Fig. 28		
1	20R12AWGBLACK	Stranded Wire - 12 AWG - Black
2	10104066	Terminal Strip - 4-Circuit - 30 amp
3	1015570	Electric Cord - 12/2 SO (xx Feet Required)
4	1019048	Cord Grip - 1/2" NPT
5	10104063	Legend Plate - Emergency-Stop Station
6	10104071	Emergency-Stop Control Station (2 Required)
—	1015009	Screw - 8-32 x 1" - Pan Head Phillips (Four Required)
—	20000021	Nut - 8-32 - Zinc (Four Required)
—	20000018	Lock Washer - #8 - Zinc (Four Required)
—	20000019	Flat Washer - #8 - Zinc (Four Required)

PART NUMBERS AND SCHEMATICS

Figure 29: Trailer



Item #	Part #	Description
Fig. 29		
1	10104090	Left and Right Fenders (Pair)
2	10104079	Pintle Hitch with Flat Plate
3	10104089	16"- 8 Hole Pattern Rim with Tire (Four Required)
4	10104096	Tire - ST235/80R/16 - 10-ply
5	10103797	Tool Box (optional)
6	1012154	1/4-20 X 1" Bolt (Five Required) (optional)
7	1012153	1/4" Lock Washer (Five Required) (optional)
8	10101347	1/4-20 Hex Nut (Five Required) (optional)
9	10101940	1/4" Washer (Ten Required) (optional)
—	10104081	Breakaway Kit
—	10104082	Wire Harness
—	10104077	7000# Axle with Electric Brakes, Hubs, and Springs - 93" x 78" (Two Required)
—	10104078	Axle Beam/Tube
—	10100493	3/8" x 35" Chain with Hook
—	10104084	Red LED Oval Tail Light (Four Required)
—	10104085	Rubber Oval Grommet (Four Required)
—	10104086	2" Round Red LED Clearance Light (Five Required)
—	10104087	2" Round Amber LED Clearance Light (Four Required)
—	10104088	2" Round Rubber Grommet (Nine Required)

OPTIONAL ACCESSORIES

REPLACEMENT DUST COLLECTOR FILTER CARTRIDGES

Part Numbers	Material	I.D.	O.D.	Length
10103499	85/15	8.38"	12.75"	35"
10103945	Fire Retardant	8.38"	12.75"	35"
1010008004	HEPA	8.38"	12.75"	35"
10103964	Spunbond	8.38"	12.75"	35"



DUCT HOSE

Part Numbers	I.D.	Length	Pitch
10DH2025HD	20"	25 Feet	1-1/2" Heavy-Duty
10DH2050HD	20"	50 Feet	1-1/2" Heavy-Duty



DUCT HOSE COUPLING AND CLAMPS

Part Numbers	Duct Hose I.D.	Style
1017120	20"	Coupling
10DH062602000	20"	Screw Clamp

OPTIONAL ACCESSORIES



Part Numbers

3/4" I.D. X 1-1/4" O.D. AIR HOSE WITH COUPLINGS INSTALLED						
Part Numbers	Length	Hose I.D.	Hose O.D.	Working Pressure	Hose Cover Color	Couplings
10AH034AC	50 Ft.	3/4"	1-1/4"	200 PSI	Red	2-Lug Crimped On



Part Numbers

3/4" I.D. X 1-1/4" O.D. AIR HOSE					
Part Numbers	Length	Hose I.D.	Hose O.D.	Working Pressure	Hose Cover Color
10AH034	Per Ft.	3/4"	1-1/4"	200 PSI	Red



Part Numbers

MALE HOSE END COUPLING AND GASKET FOR 3/4" I.D. AIR HOSE						
Part Numbers	Hose I.D.	Material	Coupling Style	GASKET		
				Rubber Gasket	Gasket I.D.	Gasket O.D.
10HE1	3/4"	Plated Iron	2-Lug	10UG2	3/4"	1-3/8"



Part Numbers

BOSS® CLAMP FOR 3/4" I.D. AIR HOSE			
Part Numbers	Hose I.D.	Hose O.D. Range	Material
10A9	3/4"	1-8/64" – 1-20/64"	Plated Steel

PART NUMBERS

DUSTMASTER® 28,000 CFM ELECTRIC DUST COLLECTORS

Part Numbers	Filter Cartridge Material								Filter Cartridge Quantity
	None	High Density Pleat 85% Cellulose/15% Poly Blend	Reduced Pleat 85% Cellulose/15% Poly Blend	Fire Retardant	HEPA	Spunbond			
10106069	X						X		–
10106070		X					X		36
10106071			X				X		36
10106072				X			X		36
10106073					X		X		36
10106074						X	X		36
10106152	X							X	–
10106153		X						X	36
10106154			X					X	36
10106155				X				X	36
10106156					X			X	36
10106157						X		X	36



SPECIFICATIONS

Performance:	CFM = 16,990 - 28,140 W.C. = 6 – 16"
Filter Cartridge Style:	Open Top with Flange, Closed Bottom 36 Required
Filter Cleaning:	Pulse System, 5–15 second intervals Pulse Duration: 200–350 millisecond
Air to Cloth Ratio:	2.72:1 @ 20,000 CFM
Filter Area:	7,350 square feet
Efficiency:	85/15 High Density Pleat Blend Filters – 99.8% @ 0.5 micron 85/15 Reduced Pleat Blend Filters – 99.8% @ 0.5 micron HEPA Filters – 99.99% @ 0.3 micron Fire Retardant Filters – 96.8% @ 2.0 micron Spunbond Filters – 97% @ 3.0 micron
Ducting Connections:	20" I.D., Quantity of Four
Clean-out Ports:	One
Dust Removal Conveyor:	Main Auger, 6" Discharge Auger, Hydraulic Motor Drive
Fan:	Backward Inclined, non-overloading, spark resisting
Motor:	75 Horsepower Electric 3-Phase - Fan 10 Horsepower Electric 3-Phase - Hydraulic
Electrical System:	460 V, 60 Hz 84.1 FLA
Air Requirements:	Clean, Dry, Compressed Air 24 CFM @ 90 PSI
Motor Protection:	Motors are fused in control box
Fluid Specifications:	Hydraulic Oil: H46 or equivalent, 40 Gallons Grease/Lubricator: Mobil Polyrex EM or equivalent
Unit Dimensions Trailer:	Weight: 12,500 pounds (empty) Tongue Weight: 2620 pounds Length: 27' 10" Width: 8' 6" Height: 10' 4"
Unit Dimensions Skid:	Weight: 11,680 pounds (empty) Length: 24' 5" Width: 8' 5" Height: 8' 11"

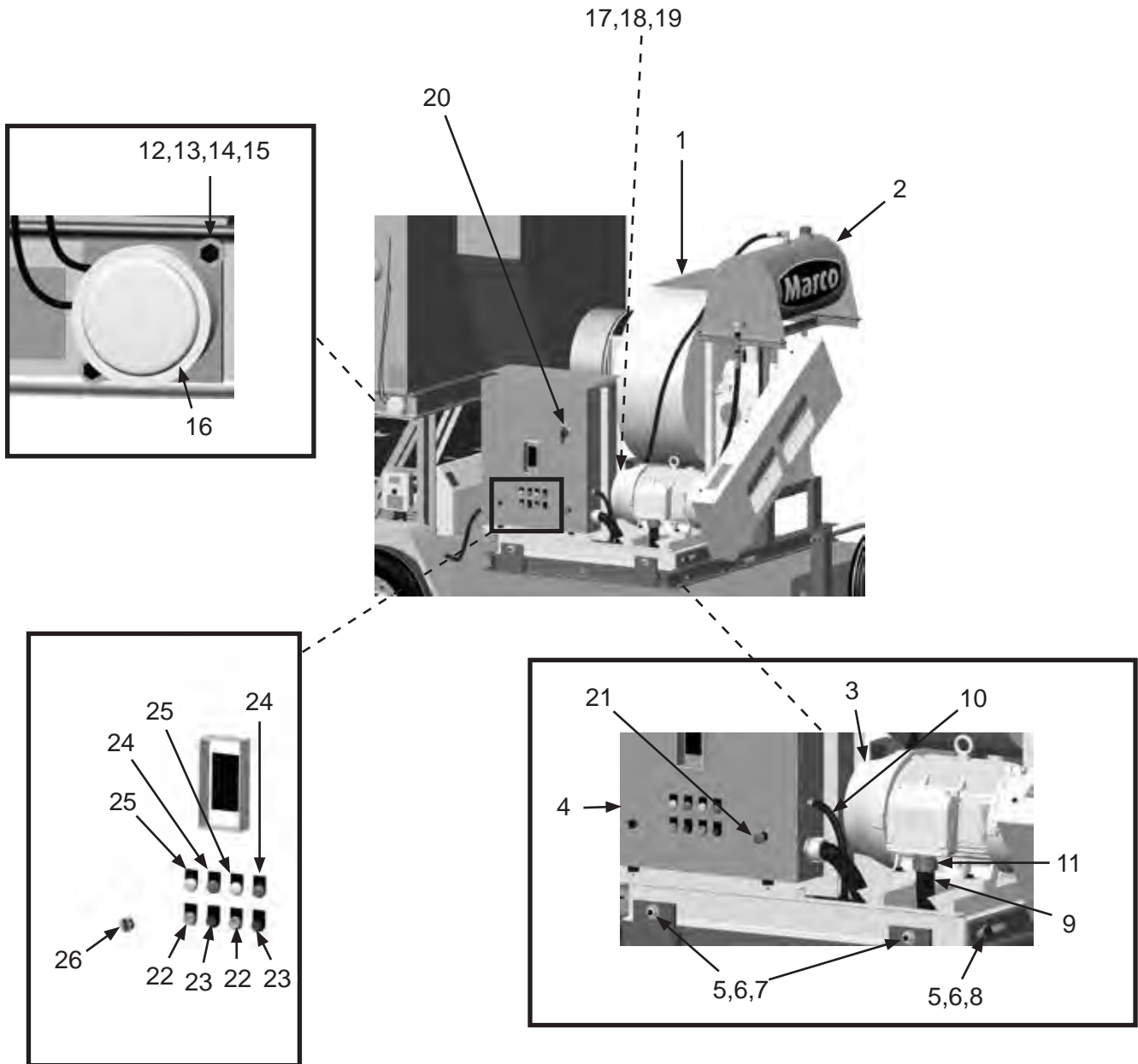
PART NUMBERS AND SCHEMATICS GUIDE

Front Assembly

Item #	Part #	Description
Fig. 1		
1	10103626	BI-270 Fan
2	10105031	Hydraulic Oil Tank <i>(See Figure 4)</i>
3	10106014	75 HP Electric Motor
4	10106111	Control Panel
5	10103420	3/4-10 Nut <i>(12 Required)</i>
6	10103418	3/4" Washer <i>(10 Required)</i>
7	10105495	3/4-10 Draw Bolt <i>(Two Required)</i>
8	10103417	3/4-10 UNC x 1-3/4" Grade 8 Bolt <i>(Four Required)</i>
9	10106128	3" Flexible Sealtite Conduit x 3'
10	20RSEL050UL	1/2" UL/UA Seal-Tite Conduit x 10'
11	10106129	3" Straight Conduit Hub <i>(Two Required)</i>
12	1011747	3/8-16 x 1" Bolt <i>(Eight Required)</i>
13	10101936	3/8" Lock Washer – Zinc <i>(Eight Required)</i>
14	1012318	3/8-16 Hex Nut <i>(Eight Required)</i>
15	10101942	3/8" Flat Washer <i>(12 Required)</i>
16	10103259	Magnehelic Differential Pressure Gauge
17	10106002	Electric Motor 10 HP, 3-Phase
18	10104234	3/8-16 x 1-1/4 Hex Bolt Zinc Grade 5 <i>(Four Required)</i>
19	10102331	3/8 SAE Flat Washer Zinc Plate <i>(Four Required)</i>
20	10105360	Black Handle Mechanism
21	10105371	40mm Red Mushroom NC twist release
22	10105372	Red NC Momentary switch
23	10105373	Black NO Momentary switch
24	10105374	Red Indicating light 120 VAC
25	10105375	Green Indicating light 120 VAC
26	10103305	Selector Switch - 2-Way
—	109V045	Operator's Manual – Dynamic Fan Corporation
—	109V563	Operator's Manual – WEG Electric Motor Manual
—	105M134	Features & Specifications Guide – Dustmaster® 28,000 CFM Electric Dust Collectors
—	106M134	Part Numbers & Schematics Guide – Dustmaster® 28,000 CFM Electric Dust Collectors
—	1090134	Operator's Manual – Dustmaster® 28,000 CFM Electric Dust Collectors

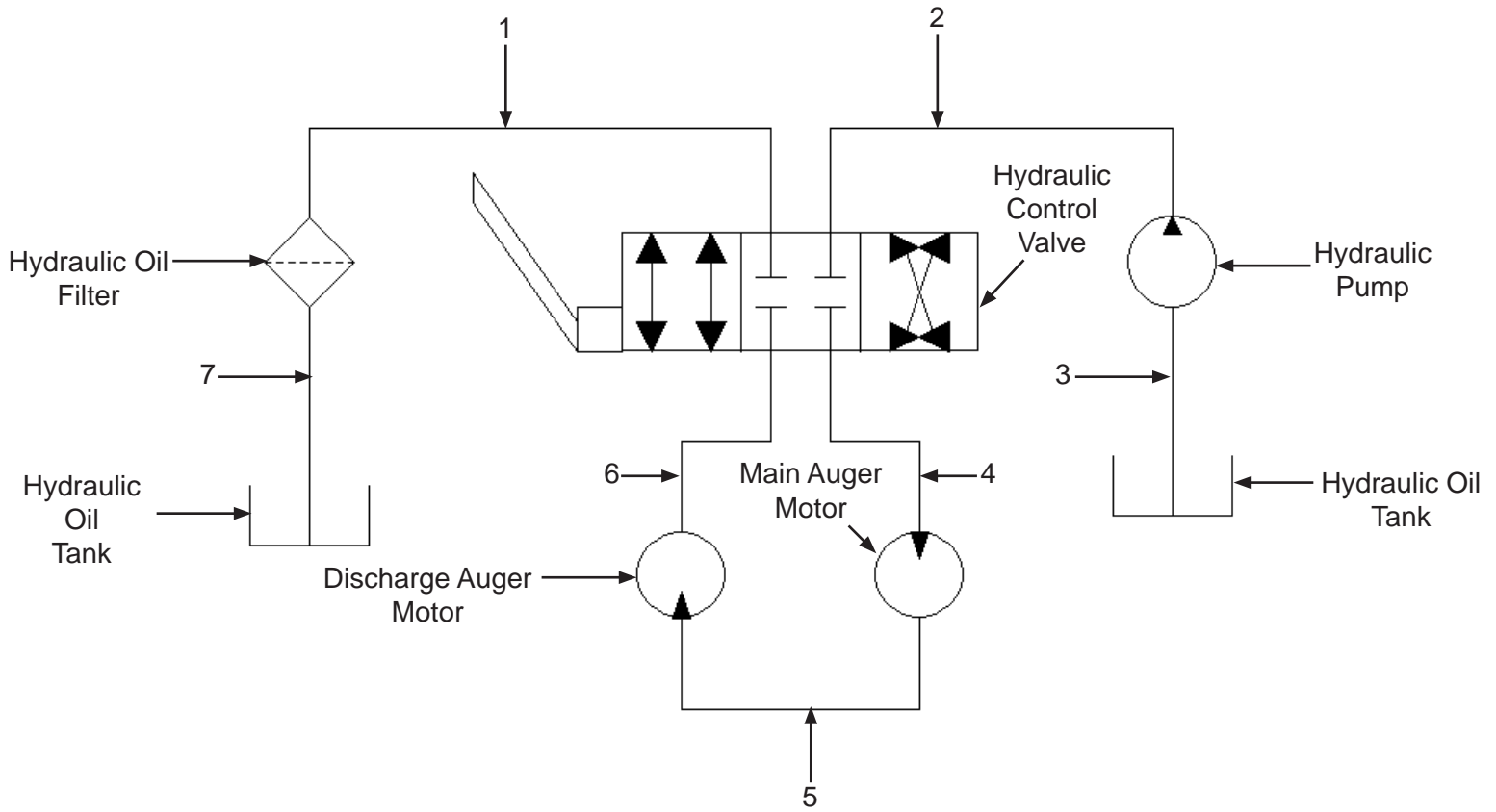
PART NUMBERS AND SCHEMATICS GUIDE

Figure 1: Front Assembly



PART NUMBERS AND SCHEMATICS GUIDE

Figure 2: Hydraulic Hoses



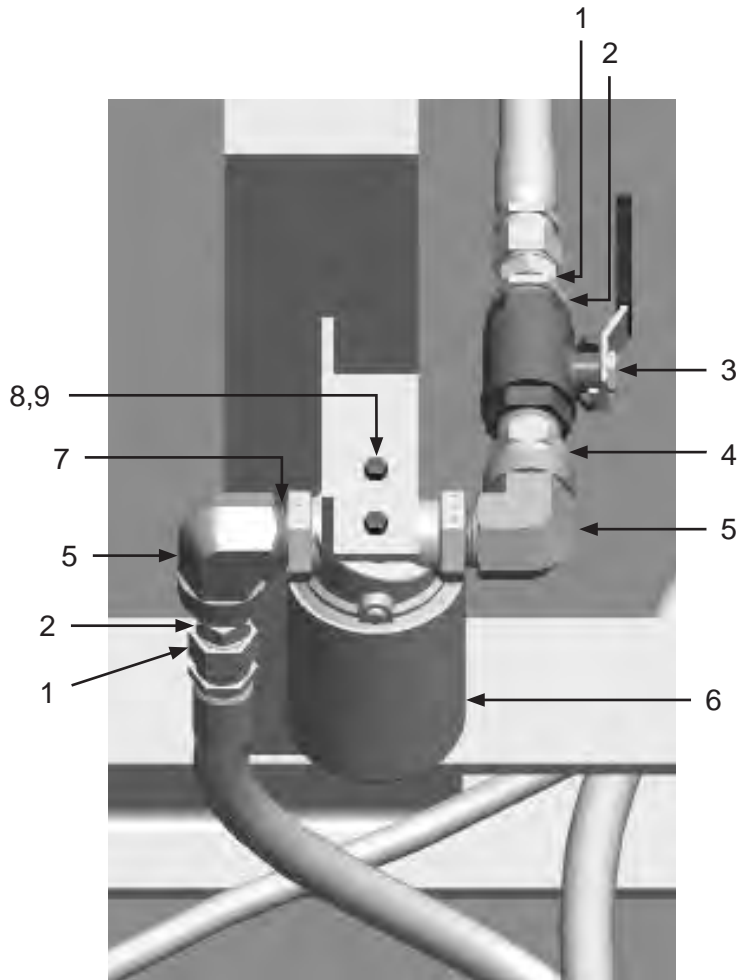
Item #	Part #	Description
--------	--------	-------------

Fig. 2

1	10104069	Hydraulic Hose - 3/4" I.D. x 13' - 3045 psi
2	10103406	Hydraulic Hose - 3/4" I.D. x 17'.58" - 3045 psi
3	10103405	Hydraulic Hose - 1-1/4" I.D. x 9'.5" - 2000 psi
4	10103407	Hydraulic Hose - 1/2" x 12' 6" - 2000 psi
5	10103501	Hydraulic Hose - 1/2" x 16' - 2000 psi
6	10103409	Hydraulic Hose - 1/2" I.D. x 7' 1"- 2000 psi
7	10104055	Hydraulic Hose - 3/4" I.D. x 7' 8" - 3045 psi

PART NUMBERS AND SCHEMATICS GUIDE

Figure 3: Hydraulic Oil Filter Assembly



Item #	Part #	Description
--------	--------	-------------

Fig. 3

1	10103314	3/4" NPT x 12 JIC Straight Adapter <i>(Two Required)</i>
2	20PFHA24SB1612	1" x 3/4" Reducing Bushing <i>(Two Required)</i>
3	1011601	3/4" Full Port Brass Ball Valve
4	20PFHA24SA1616	1" Hex Nipple
5	20PFHA25UG1616	1" Street Elbow <i>(Two Required)</i>
6	10104058	Hydraulic Oil Filter
7	10104057	Hydraulic Oil Filter Head
8	1012153	1/4" Lock Washer <i>(Two Required)</i>
9	20100125	1/4-20 x 3/4" Zinc Bolt <i>(Two Required)</i>

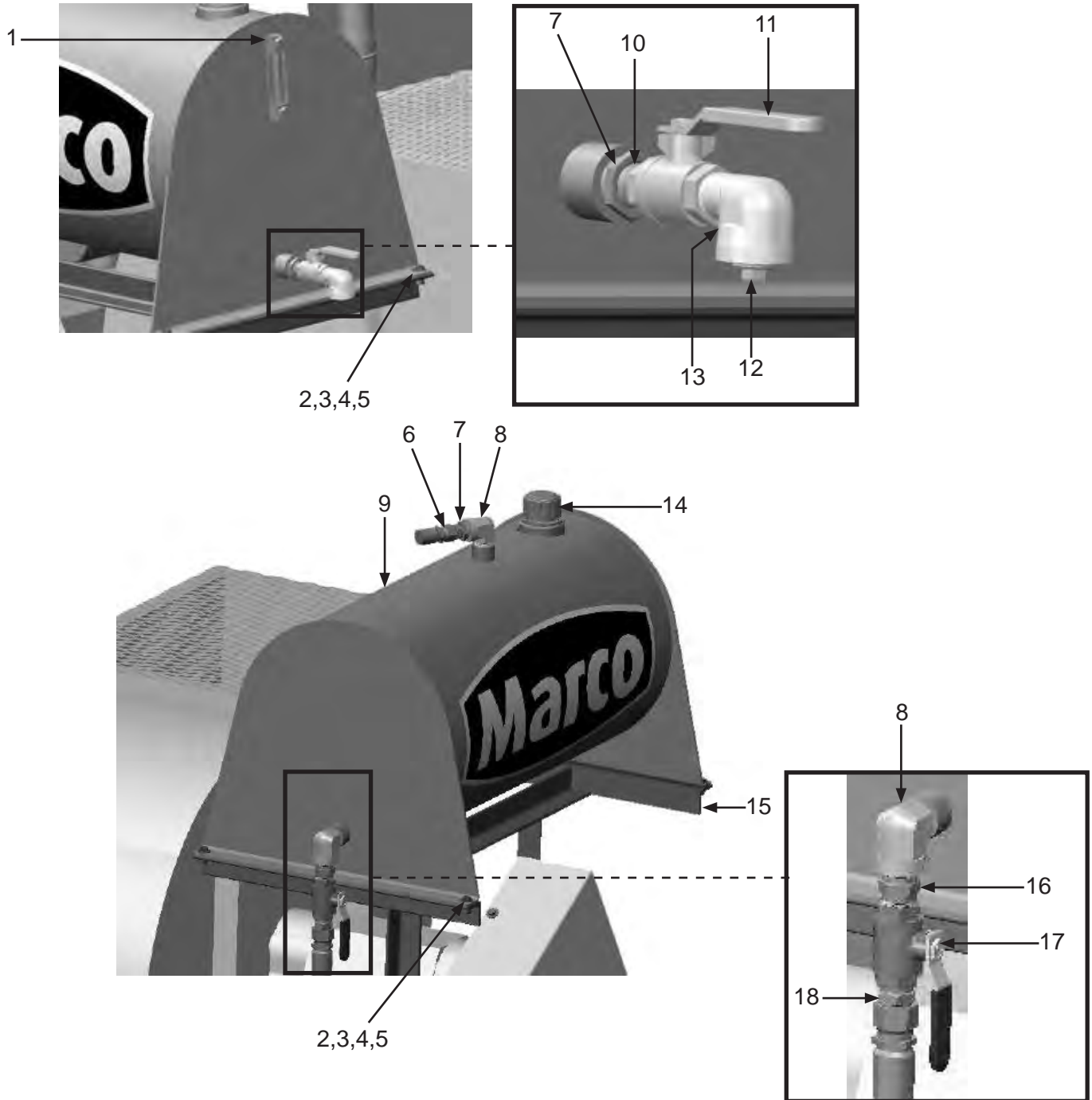
PART NUMBERS AND SCHEMATICS GUIDE

Hydraulic Oil Tank

Item #	Part #	Description
Fig. 4		
1	10103942	Sight Level Gauge
2	1011747	Bolt - 1/2-13 x 1-3/4" - Galvanized <i>(Four Required)</i>
3	10101942	Flat Washer - 3/8" <i>(Eight Required)</i>
4	10101936	Lock Washer - 3/8" <i>(Four Required)</i>
5	1012318	3/8-16 Hex Nut <i>(Four Required)</i>
6	10103314	Straight Adapter - 3/4" NPT x 12 JIC
7	20PFHA24SB1612	Reducing Bushing - 1" NPT x 3/4" NPT <i>(Two Required)</i>
8	20PFHA25UG1616	Street Elbow - 90° - 1" NPT <i>(Two Required)</i>
9	10105031	Hydraulic Oil Reservoir - 40 Gallon
10	1011213	Close Nipple - 3/4" NPT - Galvanized
11	10L8074C	Full Port Ball Valve - 3/4" NPT
12	10DSHP75	Pipe Plug - Square Head - 3/4" NPT
13	10102479	Street Elbow - 90° - 3/4" NPT - Galvanized
14	10103971	Filler/Breather Cap
15	10104255	Hydraulic Oil Tank Mount
16	20PFHA24SA1616	Hex Nipple - 1" NPT
17	1011601	Full Port Ball Valve - 1" NPT
18	10103312	Straight Adapter - 1" NPT x 16 JIC

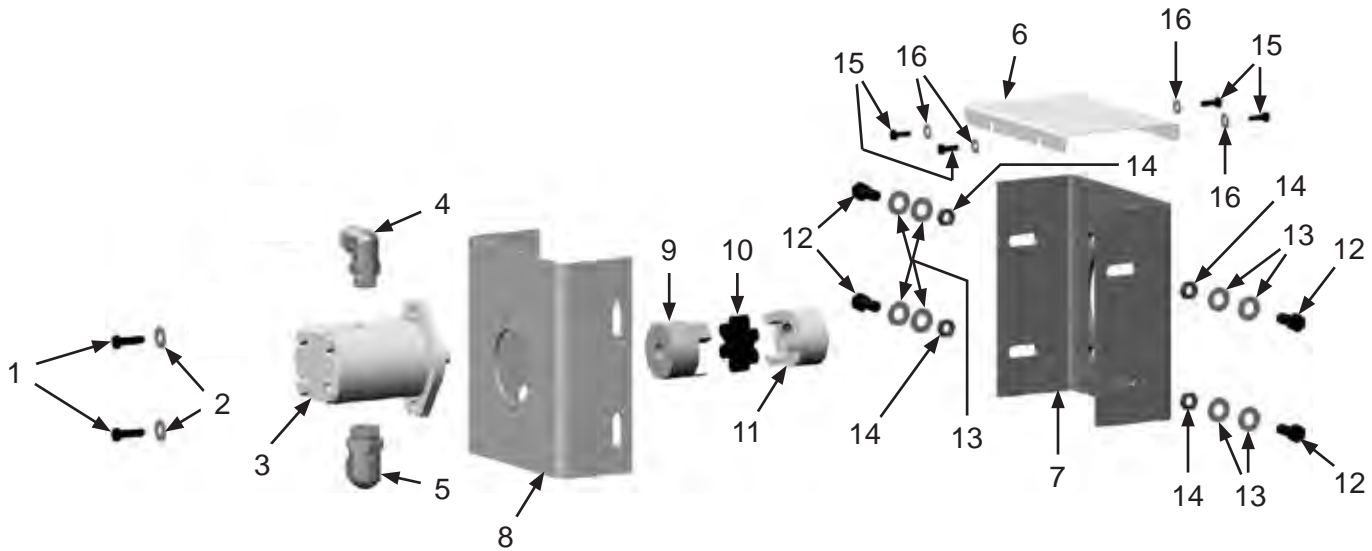
PART NUMBERS AND SCHEMATICS GUIDE

Figure 4: Hydraulic Oil Tank



PART NUMBERS AND SCHEMATICS GUIDE

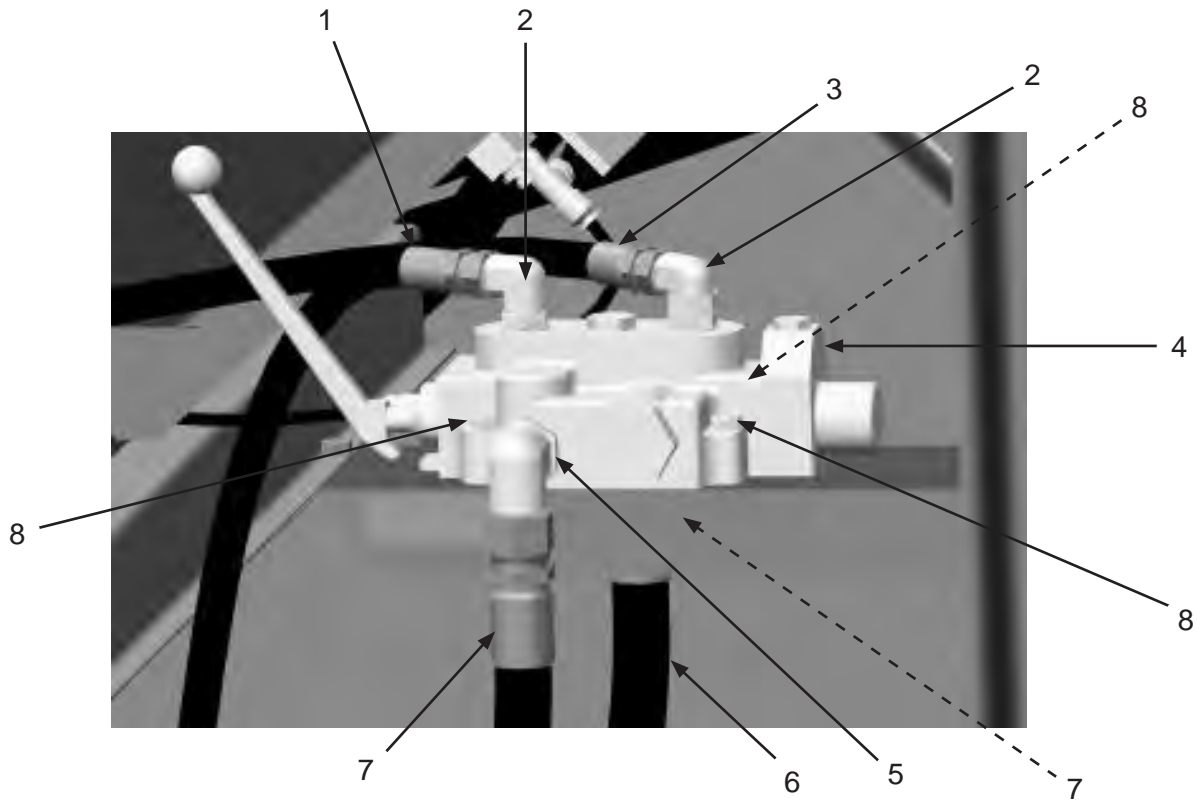
Figure 5: Hydraulic Pump



Item #	Part #	Description
Fig. 5		
1	10104234	3/8-16 x 1-1/4" Bolt (Two Required)
2	10102331	3/8" Flat Washer (Two Required)
3	10106003	2.08 CI/REV Keyed Gear Pump
4	10103310	JIC 12 x JIC 12 90° Elbow
5	10103311	JIC 16 x SAE 16 90° Elbow
6	10106006	Coupling Cover
7	10106004	Bracket 10HP Motor Mount
8	10106005	Bracket Pump Mount
9	10106009	Jaw Coupling 3/4 Bore
10	10106010	Coupling Buna-N Spider
11	10106008	Jaw Coupling 1-3/8 Bore
12	10104603	1/2-13 x 1-1/4" Bolt - Gr 5 – Zinc
13	10100674	1/2" Flat Washer
14	1014022	1/2-13 Hex Nut
15	20100125	1/4-20 x 3/4" Zinc Hex Bolt
16	1014017	1/4" Flat Washer

PART NUMBERS AND SCHEMATICS GUIDE

Figure 6: Hydraulic Control Assembly



Item #	Part #	Description
Fig. 6		
1	10103502	Hydraulic Hose - 1/2" I.D. x 20' - 4500 psi
2	10103309	JIC 8 x SAE 8 90° Elbow (<i>Two Required</i>)
3	10103409	Hydraulic Hose - 1/2" I.D. x 7' 1" - 2000 psi
4	10103267	Cross Hydraulic Control Valve with Handle
5	10103310	JIC 12 x SAE 12 90° Elbow (<i>Two Required. One not shown</i>)
6	10103505	Hydraulic Hose - 3/4" I.D. x 33' - 3045 psi
7	10103412	Hydraulic Hose - 3/4" I.D. x 23' - 3045 psi

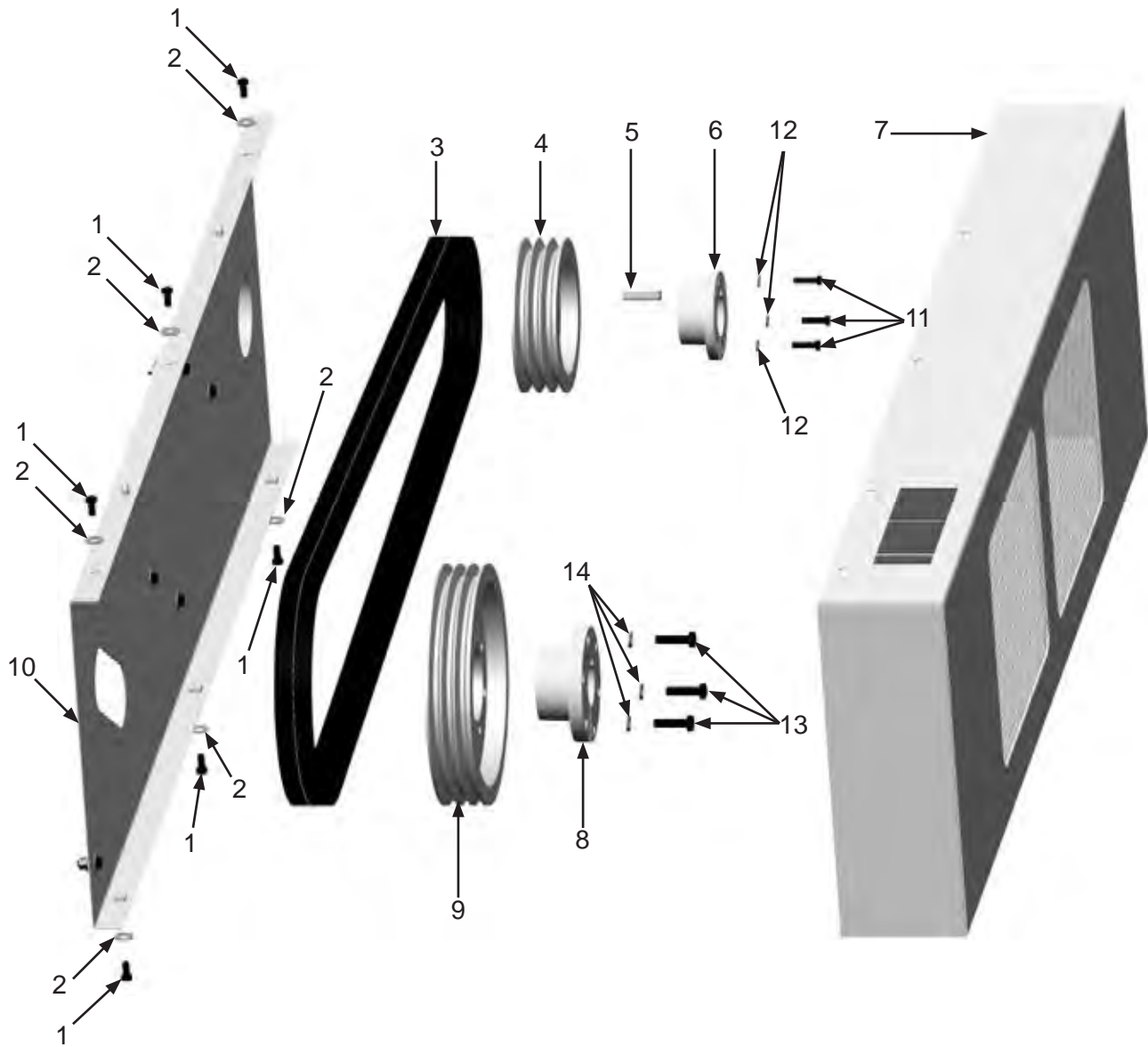
PART NUMBERS AND SCHEMATICS GUIDE

Fan Belt Assembly

Item #	Part #	Description
Fig. 7		
1	10103400	3/8-16 x 3/4" Bolt <i>(Six Required)</i>
2	10101942	3/8" Galvanized Flat Washer <i>(Six Required)</i>
3	10103327	3-Band Fan Drive Belt – 125"
4	10103324	8" Sheave
5	10104106	1/2" Square Key Cut
6	10103323	2-7/16" Bore Sheave Bushing <i>Includes Mounting Hardware</i>
7	10102964	Belt Guard Cover
8	10106048	2-3/8" Bore Sheave Bushing <i>Includes Mounting Hardware</i>
9	10103326	12.5" Sheave
10	10102967	Belt Guard Back
11	1028617	5/16-16 x 1-1/4" Hex Bolt <i>(Three Required)</i>
12	10101936	3/8" Zinc Lock Washer <i>(Three Required)</i>
13	10101943	1/2-13 x 1-3/4" Hex Bolt <i>(Three Required)</i>
14	10100675	1/2" Zinc Lock Washer <i>(Three Required)</i>

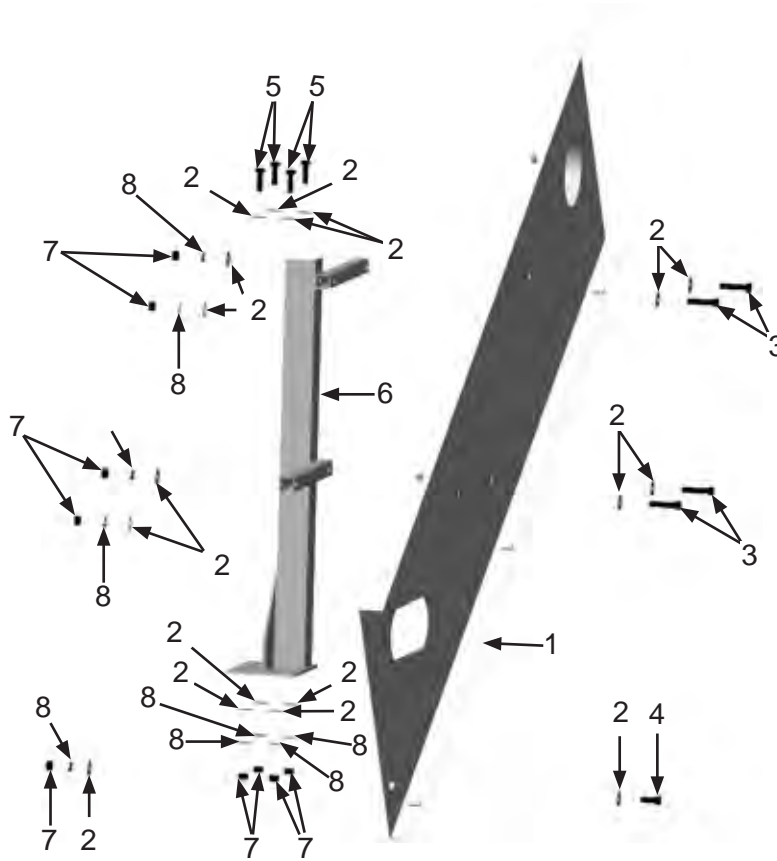
PART NUMBERS AND SCHEMATICS GUIDE

Figure 7: Fan Belt Assembly



PART NUMBERS AND SCHEMATICS GUIDE

Figure 8: Fan Belt Guard Back Assembly



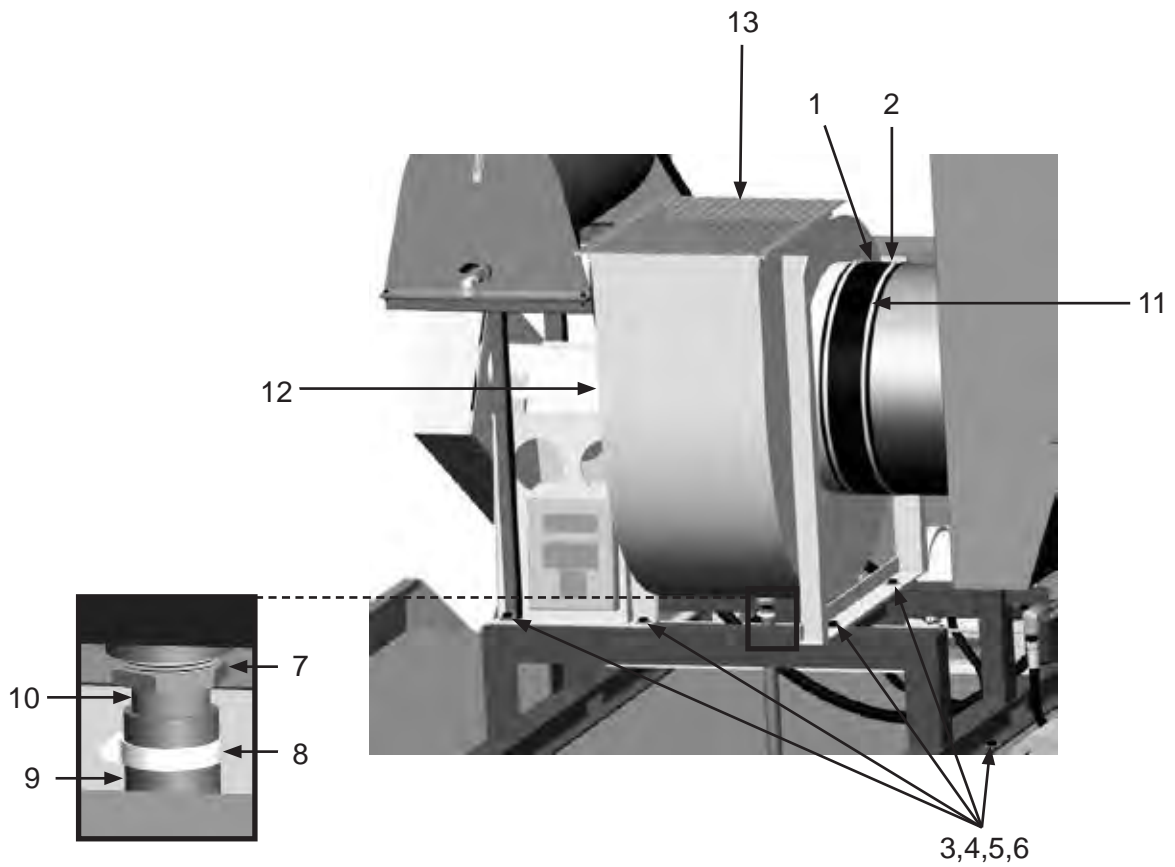
Item #	Part #	Description
--------	--------	-------------

Fig. 8

1	10102967	Belt Guard Back
2	10101942	3/8" Galvanized Flat Washer (18 Required)
3	1028617	3/8-16 x 1-3/4" Shoulder Bolt (Four Required)
4	1011747	3/8-16 x 1" Bolt
5	10104234	3/8-16 x 1-1/4" Bolt (Four Required)
6	10103354	Belt Guard Mount
7	1012318	3/8-16 Hex Nut (Nine Required)
8	10101936	3/8" Zinc Lock Washer (Nine Required)

PART NUMBERS AND SCHEMATICS GUIDE

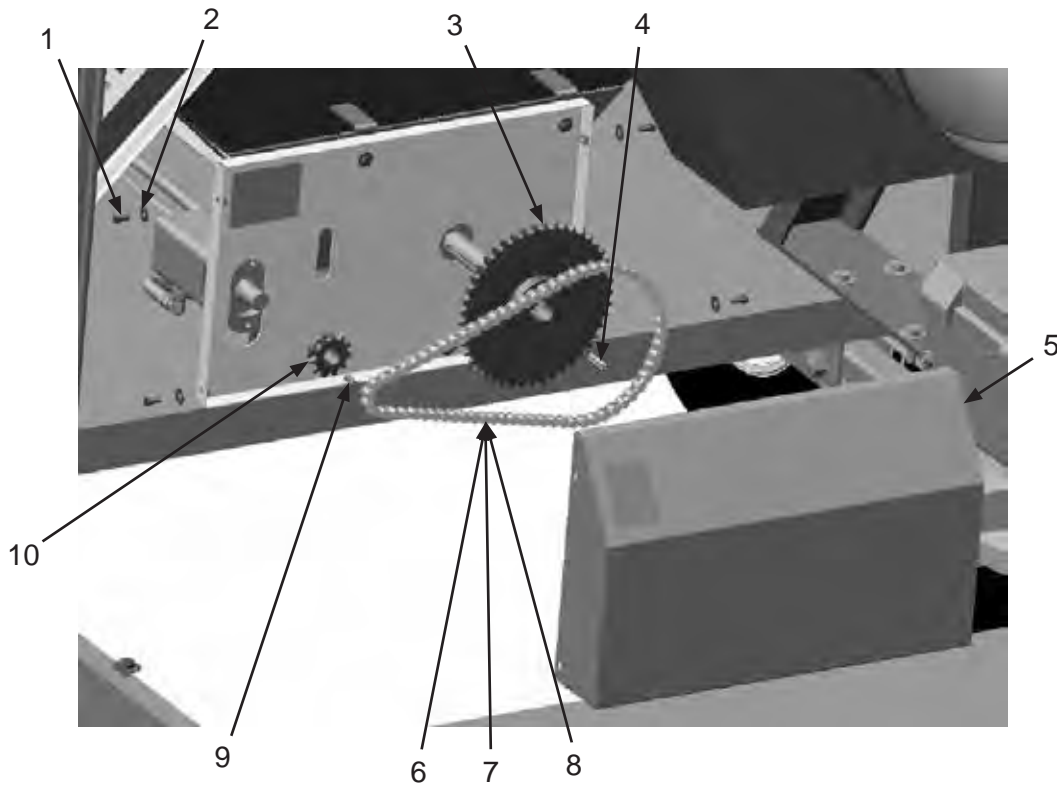
Figure 9: Fan Assembly



Item #	Part #	Description
Fig. 9		
1	10103962	Connection Rubber Gasket
2	10103623	Clamp Adjustable Fastener <i>(Two Required)</i>
3	10103397	3/4-10 UNC x 1-3/4" Grade 8 Bolt <i>(14 Required)</i>
4	10103398	3/4" Washer <i>(28 Required)</i>
5	10103420	3/4-10 UNC GR8 Nut <i>(14 Required)</i>
6	10103419	3/4" Lock Washer <i>(Six Required)</i>
7	20PFHA24SB2016	1-1/4" x 1" Reducing Bushing
8	10104136	Hose Clamp 1-1/16" x 2" O.D.
9	10103654	1-1/4" I.D. Hose <i>(Per Foot)</i>
10	10000197	1" NPT x 3" Toe Nipple
11	10103416	Banding - Make a Clamp <i>(Per Foot)</i>
12	10104248	BI-245 Backward Incline Fan
13	10103319	Bird Screen

PART NUMBERS AND SCHEMATICS GUIDE

Figure 10: Main Auger Drive Assembly



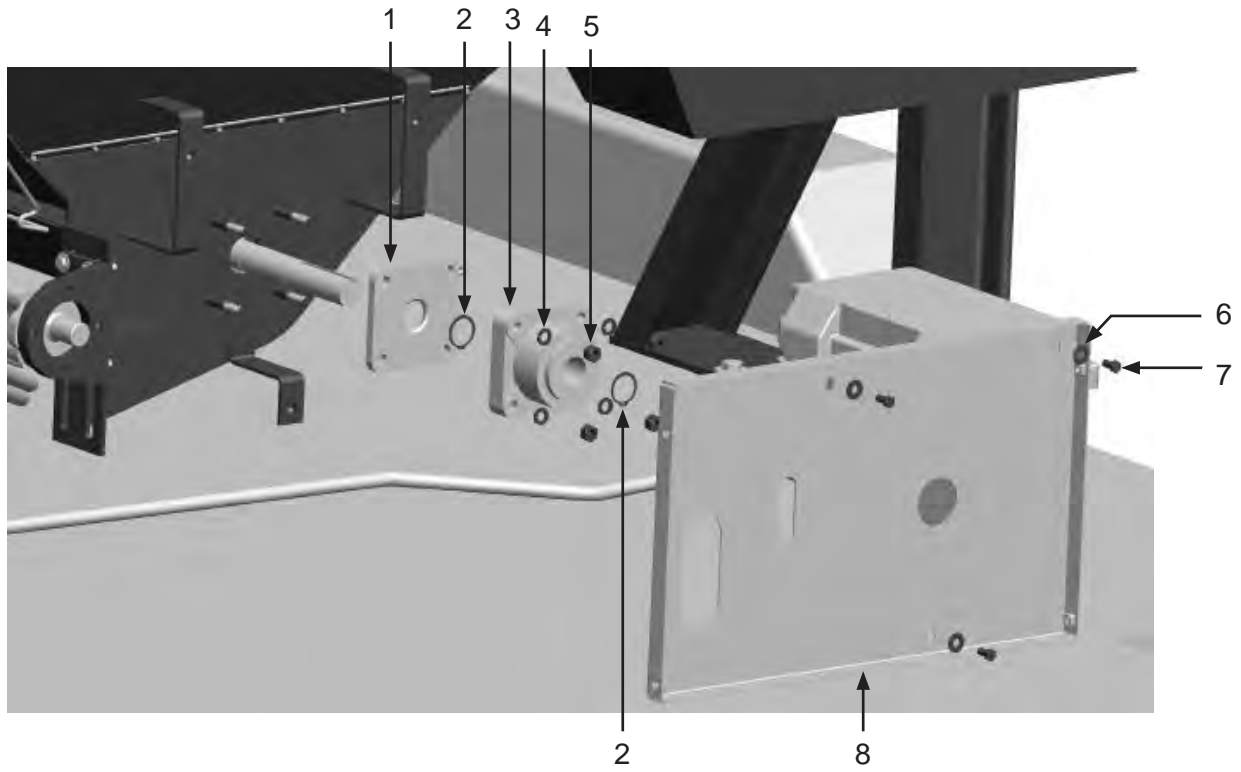
Item #	Part #	Description
--------	--------	-------------

Fig. 10

1	10103400	3/8-16 x 3/4" Bolt (<i>Four Required</i>)
2	10101942	3/8" Galvanized Flat Washer (<i>Four Required</i>)
3	10104218	45-Tooth Sprocket
4	10103641	3/8" Key Cut
5	10102952	Main Auger Motor Cover
6	10103391	60# Cottered Roller Chain (<i>Per Foot</i>)
7	10103392	60# Connecting Link
8	10103614	60# Offset Link
9	10103642	5/16" x 1/4" x 1/8" x 1/8" Key
10	10103265	11-Tooth Sprocket
—	10104192	Main Auger Chain Kit <i>Includes Item #'s: 6 (5'), 7, and 8</i>

PART NUMBERS AND SCHEMATICS GUIDE

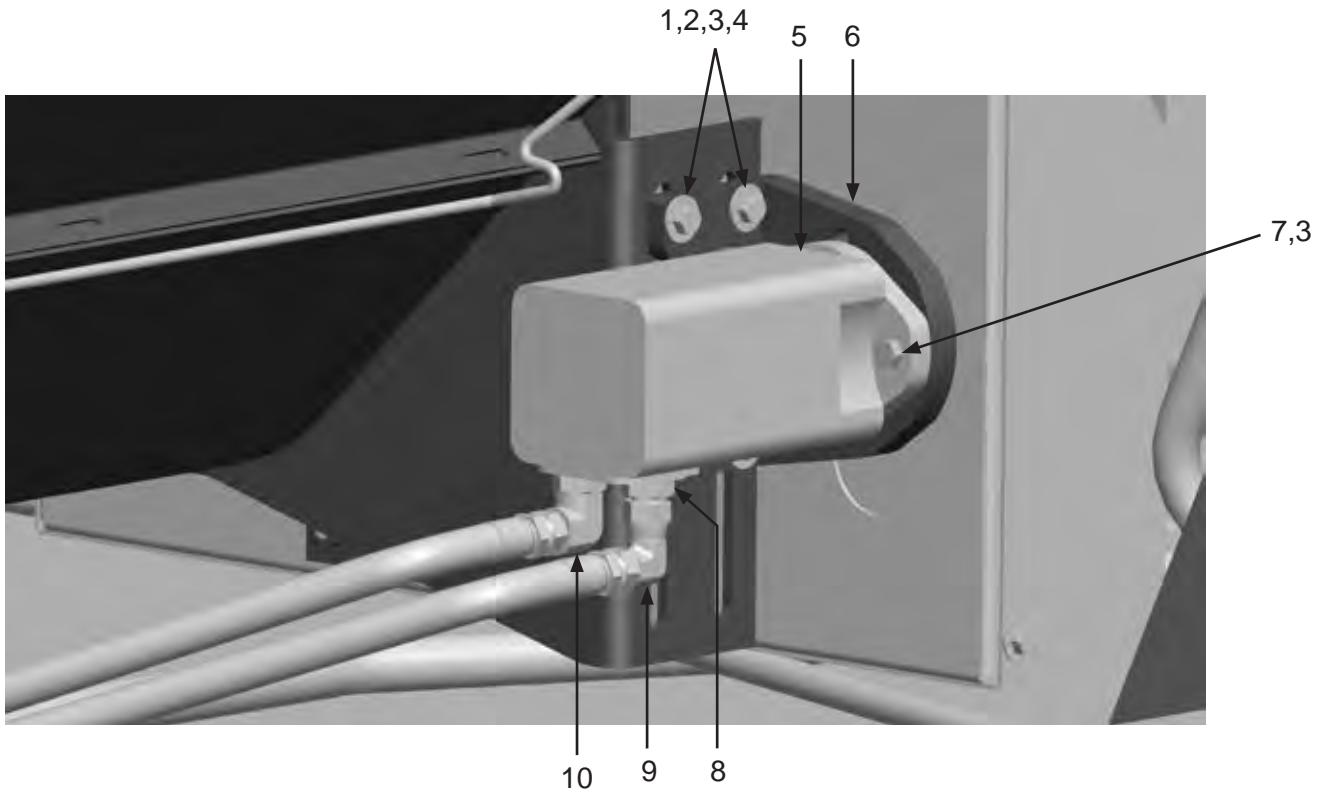
Figure 11: Main Auger Bearing



Item #	Part #	Description
Fig. 11		
1	10102902	Seal Plate
2	10103605	Snap Ring (<i>Two Required</i>)
3	10102903	Thrust Bearing
4	10100675	1/2" Lock Washer (<i>Four Required</i>)
5	1014022	1/2-13 Hex Nut (<i>Four Required</i>)
6	10101942	3/8" Galvanized Flat Washer (<i>Three Required</i>)
7	10103400	3/8-16 x 3/4" Bolt (<i>Three Required</i>)
8	10102955	Main Auger Guard Back

PART NUMBERS AND SCHEMATICS GUIDE

Figure 12: Main Auger Motor



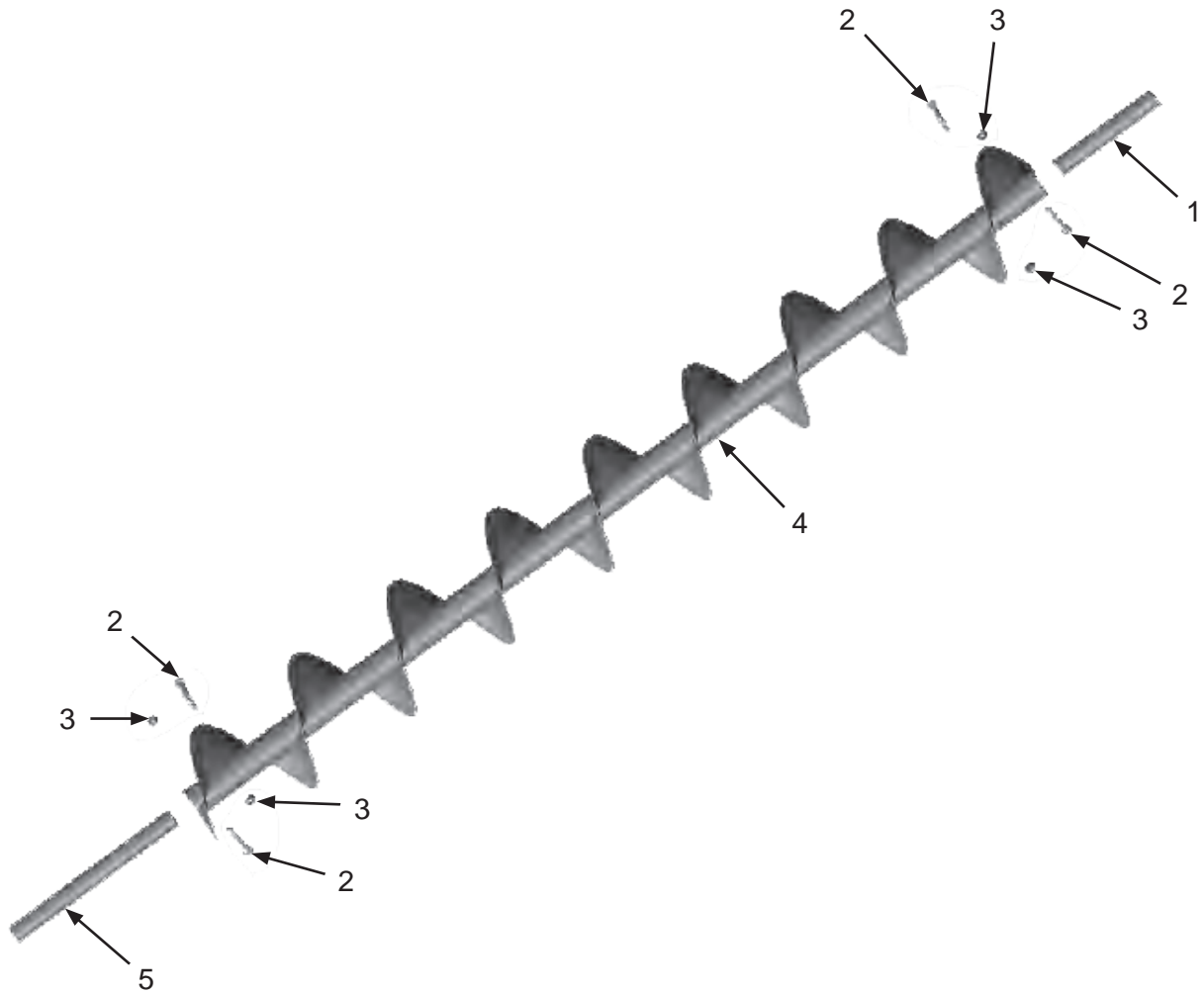
Item #	Part #	Description
--------	--------	-------------

Fig. 12

1	1028617	3/8-16 x 1-3/4" Shoulder Bolt (<i>Four Required</i>)
2	10101942	3/8" Galvanized Flat Washer (<i>Eight Required</i>)
3	10101936	3/8" Zinc Lock Washer (<i>Four Required</i>)
4	1012318	3/8-16 Galvanized Hex Nut (<i>Four Required</i>)
5	10103266	18.7 Displacement Hydraulic Motor
6	10102881	Hydraulic Motor Mount with Hardware
7	10101059	3/8-16 x 1-1/4" A307 Bolt Galvanized
8	10103612	JIC 8 x SAE 10 Straight Adapter
9	10103611	JIC 8 x JIC 8 90° Elbow
10	10103308	JIC 8 x SAE 10 90° Elbow
—	10103941	Seal Kit for 18.7 Displacement Hydraulic Motor 10103266

PART NUMBERS AND SCHEMATICS GUIDE

Figure 13: Main Auger



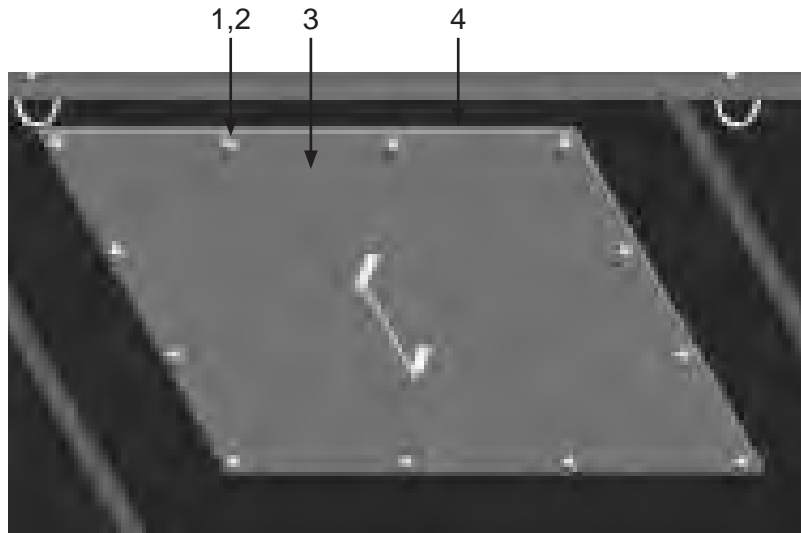
Item #	Part #	Description
--------	--------	-------------

Fig. 13

1	10103306	Drive Shaft
2	10101927	1/2-13 x 3" Galvanized Bolt (Four Required)
3	1014022	1/2-13 Galvanized Hex Nut (Four Required)
4	10103490	78" x 9" Standard Pitch Auger
5	10102910	Auger Shaft End

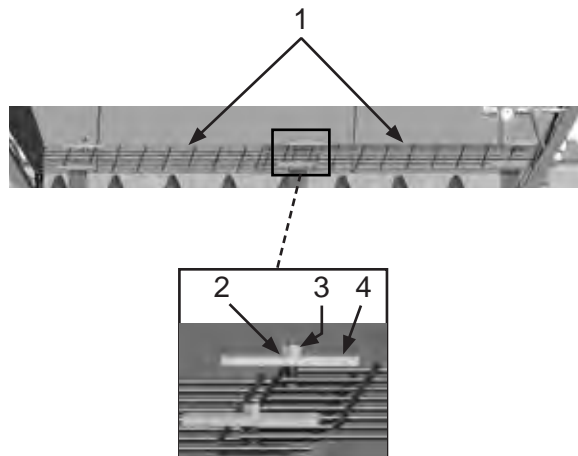
PART NUMBERS AND SCHEMATICS GUIDE

Figure 14: Access Panel Assembly



Item #	Part #	Description
Fig. 14		
1	1012318	3/8-16 Hex Nut (12 Required)
2	10101942	3/8" Flat Washer (12 Required)
3	10102933	20" Access Panel Door
4	10103344	1/4" x 1-1/2" Adhesive-Backed Gasket (Per Foot)

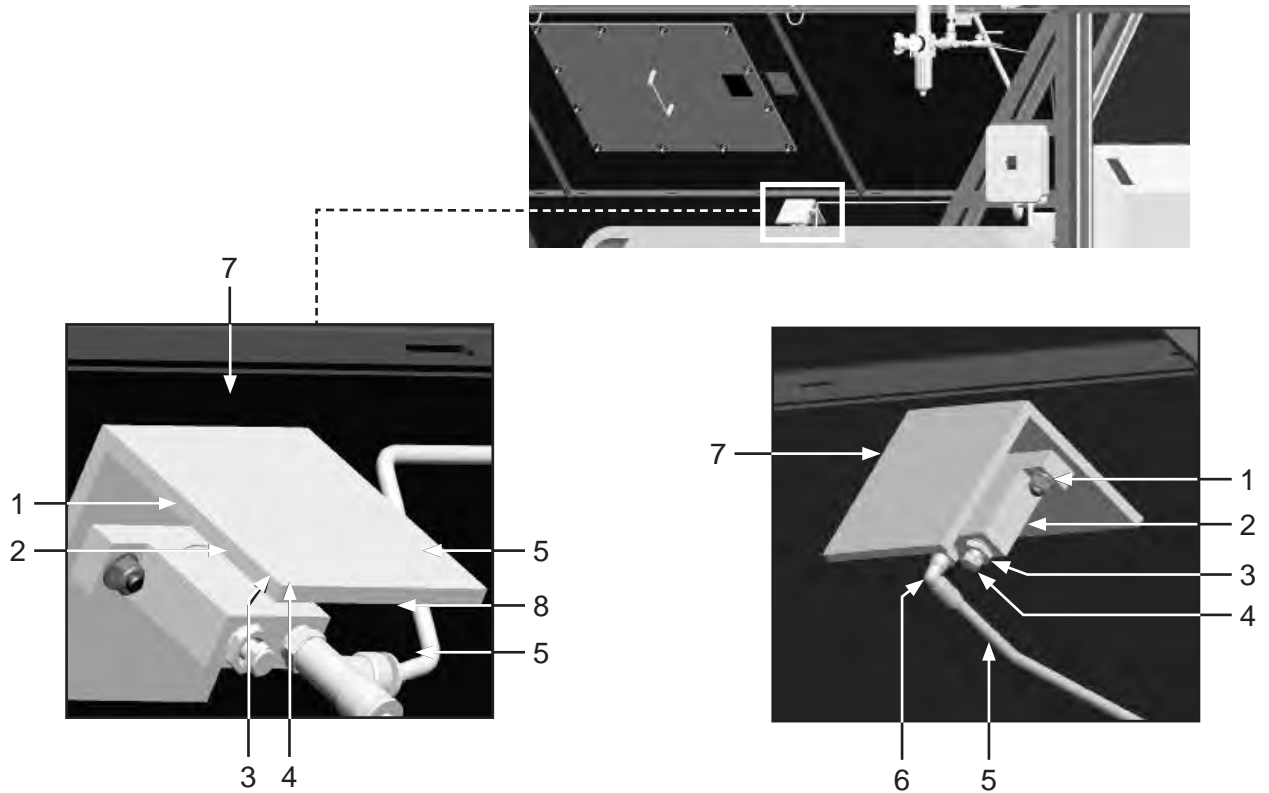
Figure 15: Main Auger Protective Grate



Item #	Part #	Description
Fig. 15		
1	10103966	Protective Grate - 44 Inches (Two Required)
2	10100674	Flat Washer - 1/2" (Six Required)
3	1014022	1/2-13 Hex Nut (Six Required)
4	10102936	Protective Grate Bracket (Six Required)

PART NUMBERS AND SCHEMATICS GUIDE

Figure 16: Pneumatic Ball Vibrators



Item #	Part #	Description
--------	--------	-------------

Fig. 16

1	1012323	1/4-20 Zinc Lock Nut with Nylon Insert (<i>Four Required</i>)
2	10103258	Pneumatic Ball Vibrator (<i>Two Required</i>)
3	20PFHA24SB0402	1/4" x 1/8" Reducing Bushing
4	1012905	1/8" Breather Muffler (<i>Two Required</i>)
5	10103322	1/4" I.D. Black Urethane Tubing (<i>Per Foot</i>)
6	20PFBA31095614	1/4" Tube x 1/4" NPT 90° Fitting
7	10103609	Vibrator Shield (<i>Two Required</i>)
8	10103261	1/4" Male Push-to-connect Tee

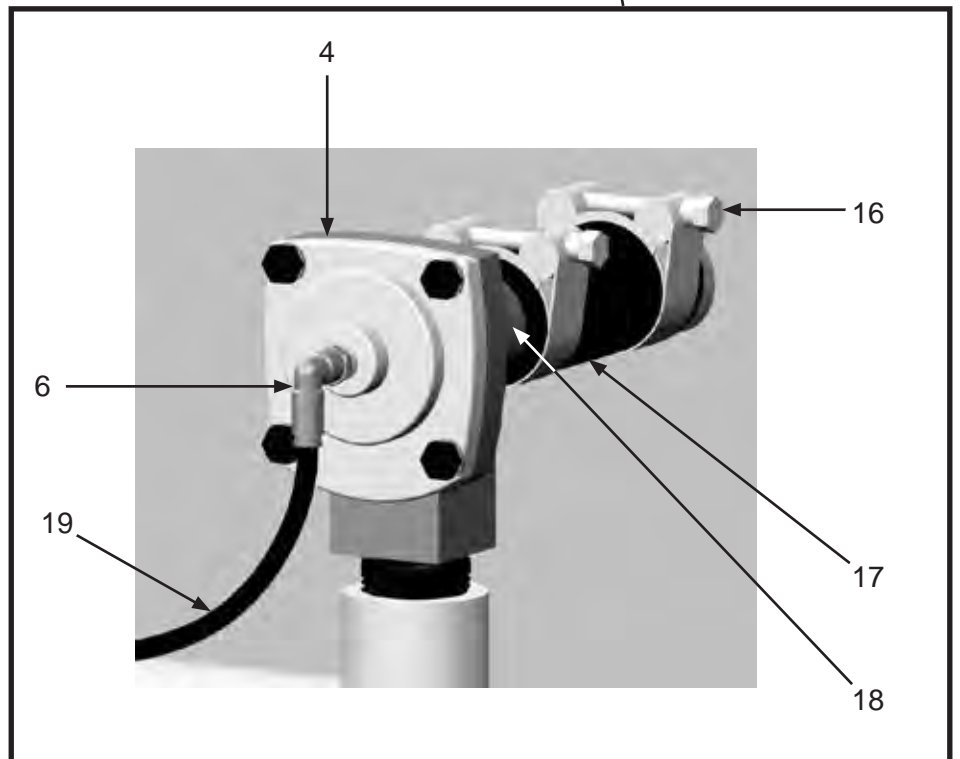
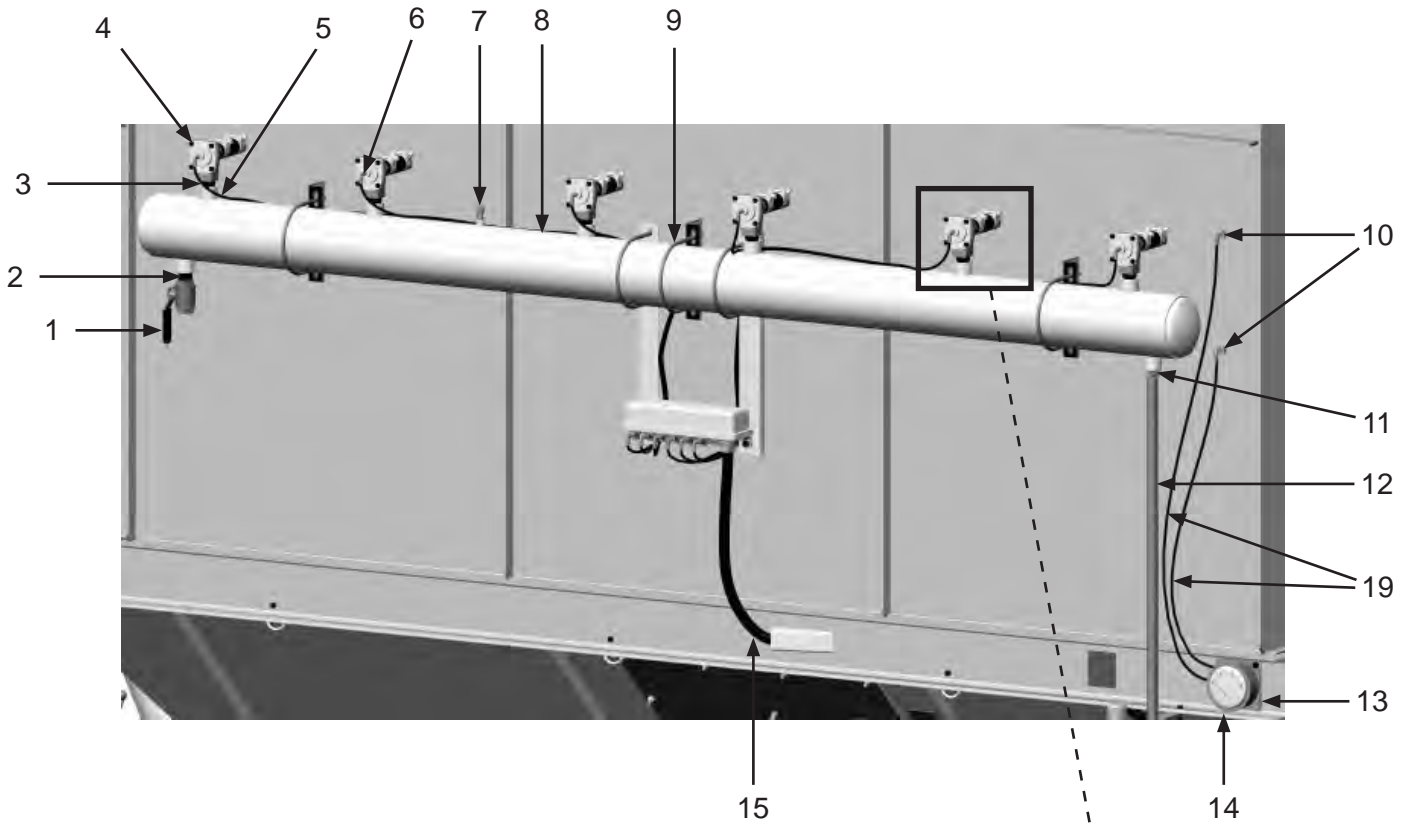
PART NUMBERS AND SCHEMATICS GUIDE

Pulser System Assembly

Item #	Part #	Description
Fig. 17		
1	1011601	1" Full Port Ball Valve
2	1012151	1" Closed Nipple
3	10103318	1" x 2" Pipe Nipple <i>(Six Required)</i>
4	10103255	1" Diaphragm Valve <i>(Six Required) (See Figure 18)</i>
5	10103322	1/4" O.D. Black Urethane Tubing <i>(Per Foot)</i>
6	20100579	1/4" O.D. Tube x 1/8" NPT Swivel <i>(Six Required)</i>
7	1028607	1/4" NPT Pressure Relief Valve – 125 PSI
8	10102948	6 Pipe Header Tube
9	10103394	3/8-16 x 6" U-Bolt Assembly <i>(Five Required)</i>
10	20PFBA31095614	1/4" Tube x 1/4" NPT 90° Fitting <i>(Two Required)</i>
11	20PFHA24SB1612	1" x 3/4" Reducing Bushing
12	10103315	3/4" x 36" Pipe Nipple
13	10103608	Magnehelic Differential Pressure Gauge Mounting Bracket
14	10103259	Magnehelic Differential Pressure Gauge Assembly <i>Includes Mounting Hardware</i>
15	10103304	Conduit - Flexible - 3/4"
16	10104136	T-Bolt Clamp 1-9/16" x 1-11/16" OD
17	10103654	1-1/4" I.D. Marine Hose – 100 PSI <i>(Per Foot)</i>
18	10105207	1" x 3" Toe Nipple <i>(Four Required)</i>
19	10103322	Urethane Tube - Black - 1/4"

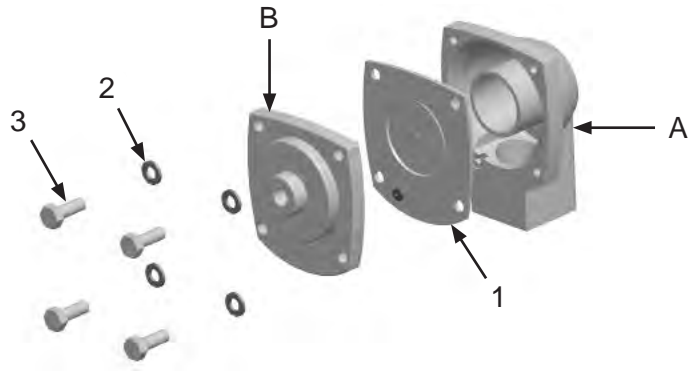
PART NUMBERS AND SCHEMATICS GUIDE

Figure 17: Pulsar System Assembly



PART NUMBERS AND SCHEMATICS GUIDE

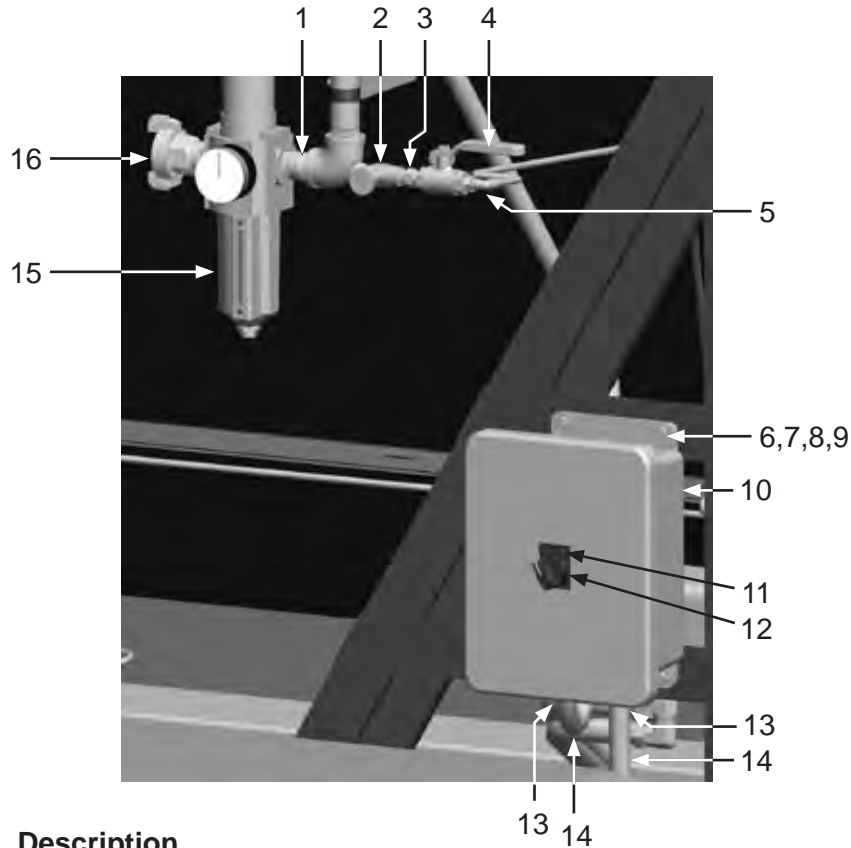
Figure 18: Diaphragm Valve



Item #	Part #	Description
Fig. 18		
—	10103255	1" Diaphragm Valve – Complete <i>(Three Required)</i> <i>Includes Items: A,B,1,2,3</i>
1	10103954	1" Diaphragm Valve Service Kit
2	1012153	1/4" Lock Washer <i>(Four Required)</i>
3	20101232	M6 x 1 x 14 HHCS <i>(Four Required)</i>
—	10103954	1" Diaphragm Valve Service Kit <i>(Not Shown)</i>

PART NUMBERS AND SCHEMATICS GUIDE

Figure 19: Pulsar Regulator and Timer Assembly



Item #	Part #	Description
Fig. 19		
1	10103317	3/4" x 2" Pipe Nipple
2	10103292	1/4" Needle Valve
3	1017019	1/4" x 1/4" Hex Nipple
4	1080050	1/4" Ball Valve
5	20PFBA31095614	1/4" Tube x 1/4" NPT 90° Fitting (<i>Three Required</i>)
6	10101937	1/4-20 x 1" L Gr 5 Bolt – Galv.
7	10101940	1/4" Flat Washer – Galv.
8	1012153	1/4 Lock Washer
9	10101347	1/4-20 Hex Nut
10	10106080	Timer Box with Timer Board
—	10103935	Timer Box Only
—	10107331	Timer Board Only
11	10103414	On/Off Name Plate
12	10103305	2-Way Selector Switch
13	20RST50	Straight Liquid Tite Connection Fitting (<i>Four Required</i>)
14	20RSEL050UL	1/2" UL/UA Seal-Tite Conduit Pipe (<i>Per Foot</i>)
15	10103257	Excelon 74 Series Filter/Regulator
16	10ME1	3/4" Male 2-lug Coupling
—	10103950	Excelon 74 Series Filter/Regulator Service Kit
—	10103951	Filter Element (<i>Not Shown</i>)
—	10103952	Filter Auto Drain
—	10103953	Sight Glass Kit

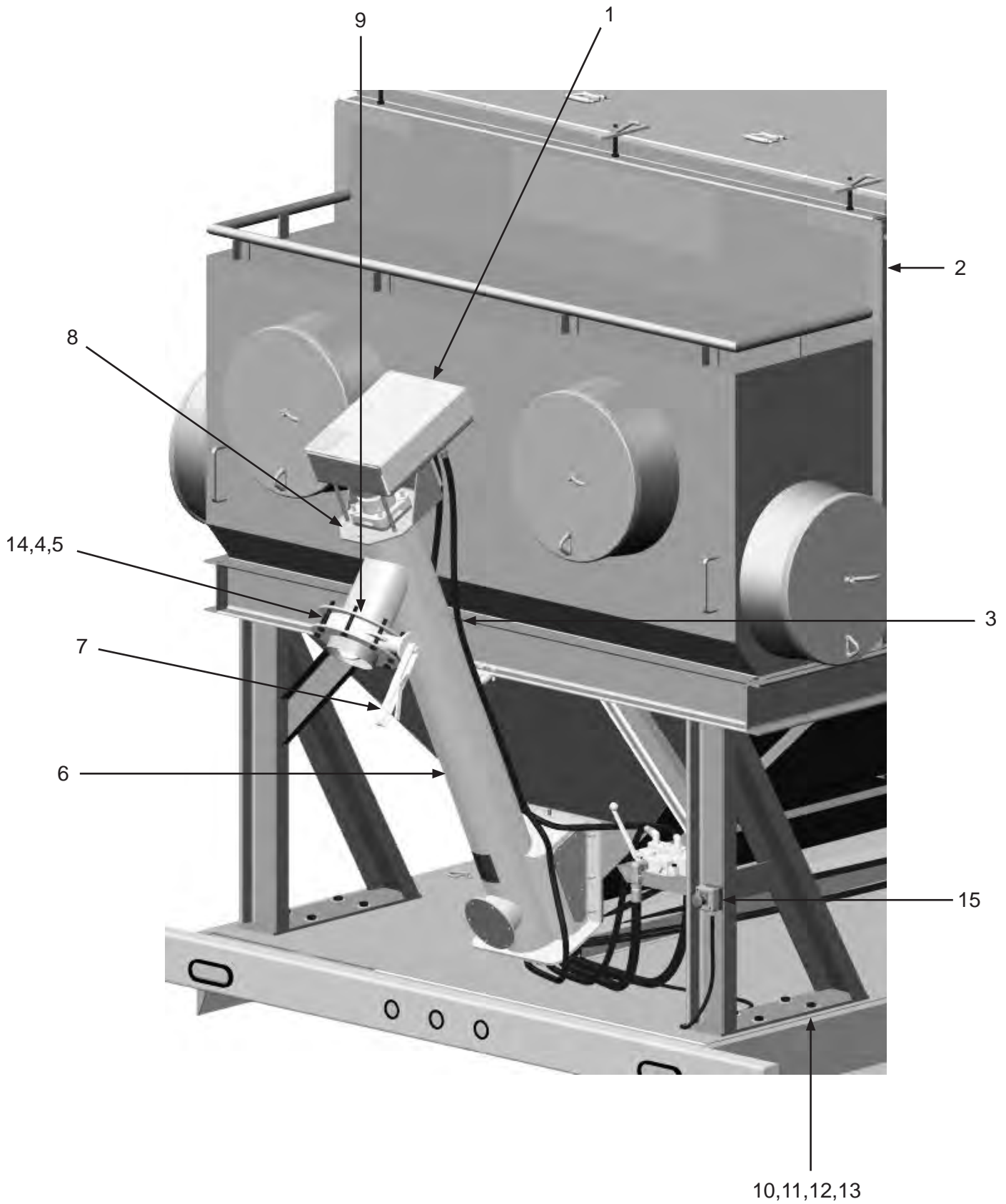
PART NUMBERS AND SCHEMATICS GUIDE

Discharge Auger Assembly

Item #	Part #	Description
Fig. 20		
1	10103363	Discharge Chain Cover
2	10103880	White Conspicuity Tape (<i>Per Inch</i>)
3	10103409	Hydraulic Hose - 1/2" I.D. x 7' 1" - 2000 psi
4	10100675	1/2" Lock Washer (<i>14 Required</i>)
5	1014022	1/2-13 Hex Nut (<i>14 Required</i>)
6	10103218	Discharge Auger Tube (<i>See Fig. 23</i>)
7	10103302	6" Series Wafer Butterfly Valve
8	10104195	Discharge Auger Motor Mounting Bracket
9	10102971	Discharge Hose Connector
10	10103397	5/8-11 x 2" Grade 8 Bolt- Zinc (<i>16 Required</i>)
11	10103398	Washer - 5/8" Grade 8 (<i>32 Required</i>)
12	10103399	Lock Washer - 5/8" Hd (<i>16 Required</i>)
13	10103393	Nut - 5/8-11 Grade 8 Zinc (<i>16 Required</i>)
14	10102703	1/2-13 x 3-1/2" Grade 5 Bolt (<i>Eight Required</i>)
15	10104071	Emergency-Stop Station (<i>See Fig. 29</i>)
—	10103881	Red Conspicuity Tape (<i>Per Inch</i>)
—	1091154	Hazard Identification Decals – Dustmaster® 28,000 CFM Electric Dust Collectors <i>Includes all Dust Collector Hazard Identification Decals</i>

PART NUMBERS AND SCHEMATICS GUIDE

Figure 20: Discharge Auger Assembly



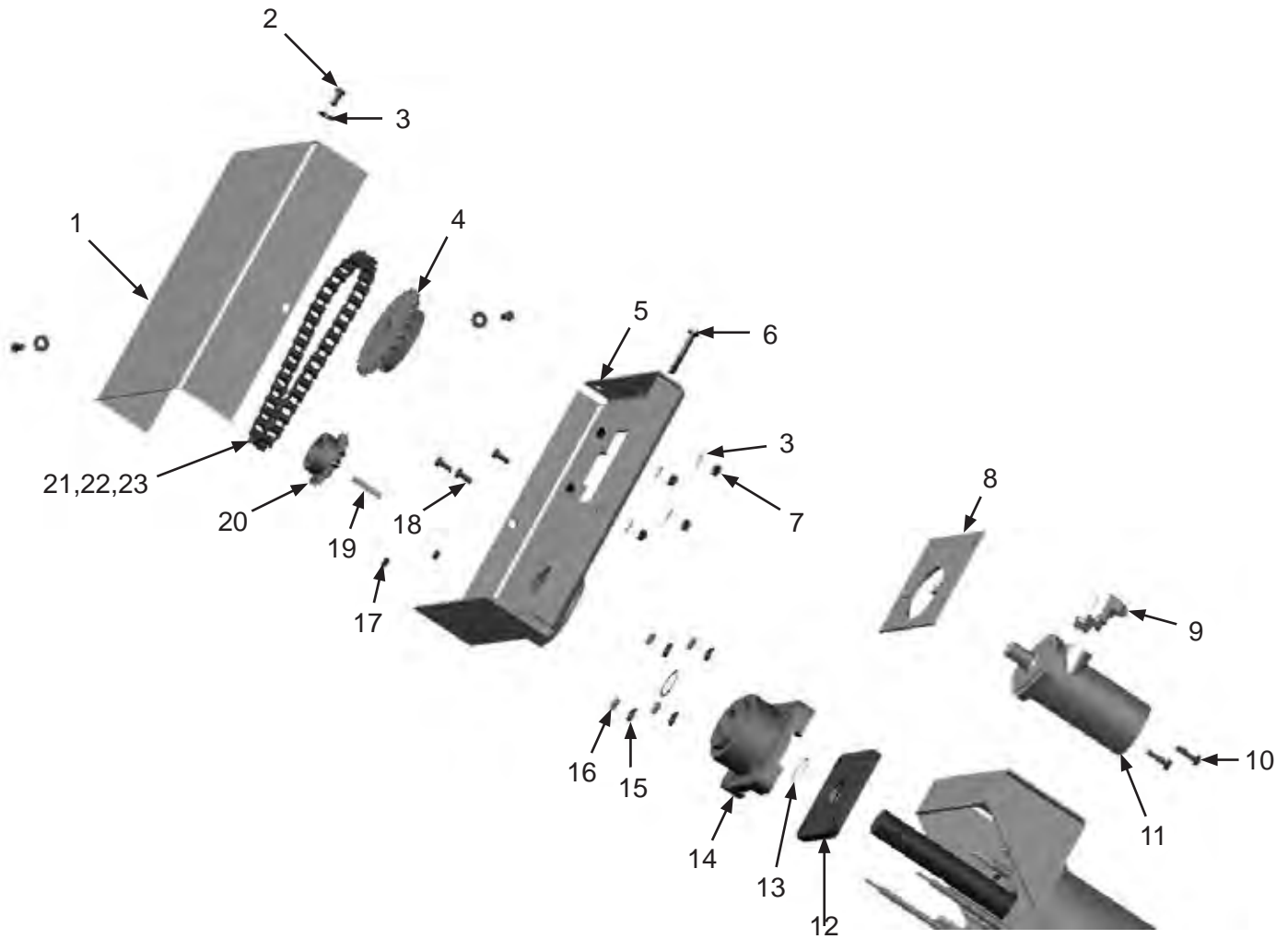
PART NUMBERS AND SCHEMATICS GUIDE

Discharge Auger Drive Assembly

Item #	Part #	Description
Fig. 21		
1	10103363	Chain Cover
2	10103400	3/8-16 x 3/4" Bolt <i>(Seven Required)</i>
3	10101942	3/8" Galvanized Flat Washer <i>(Three Required)</i>
4	10104217	22-Tooth Sprocket
5	10104197	Chain Cover Base
6	10101933	3/8" - 16 x 2-1/2" Hex Bolt
7	1012318	3/8-16 Hex Nut <i>(Four Required)</i>
8	10104199	Sliding Motor Mount
9	10103308	JIC 8 x SAE 10 90° Elbow <i>(Two Required)</i>
10	10104234	3/8-16 x 1-1/4" A307 Bolt Zinc <i>(Two Required)</i>
11	10102887	Hydraulic Motor
12	10102902	Seal Plate
13	10103605	Snap Ring <i>(Two Required)</i>
14	10102903	Thrust Bearing
15	10100675	1/2" Lock Washer <i>(Four Required)</i>
16	1014022	1/2-13 Hex Nut <i>(Four Required)</i>
17	1035046	5/16"- 18 Nut <i>(Two Required)</i>
18	10101346	5/16-18 x 3/4" L GR 5 Bolt <i>(Three Required)</i>
19	10103641	3/8 Key Cut
20	10102886	13-Tooth Sprocket
21	10103392	Connecting Link #60
22	10103391	Cottered Roller Chain #60 <i>(Per Foot)</i>
23	10103614	Offset Link #60
—	10104191	Discharge Auger Chain Kit <i>Includes item # 21, 22 (3'), and 23</i>
—	10103940	Seal Kit for Hydraulic Motor 10102887

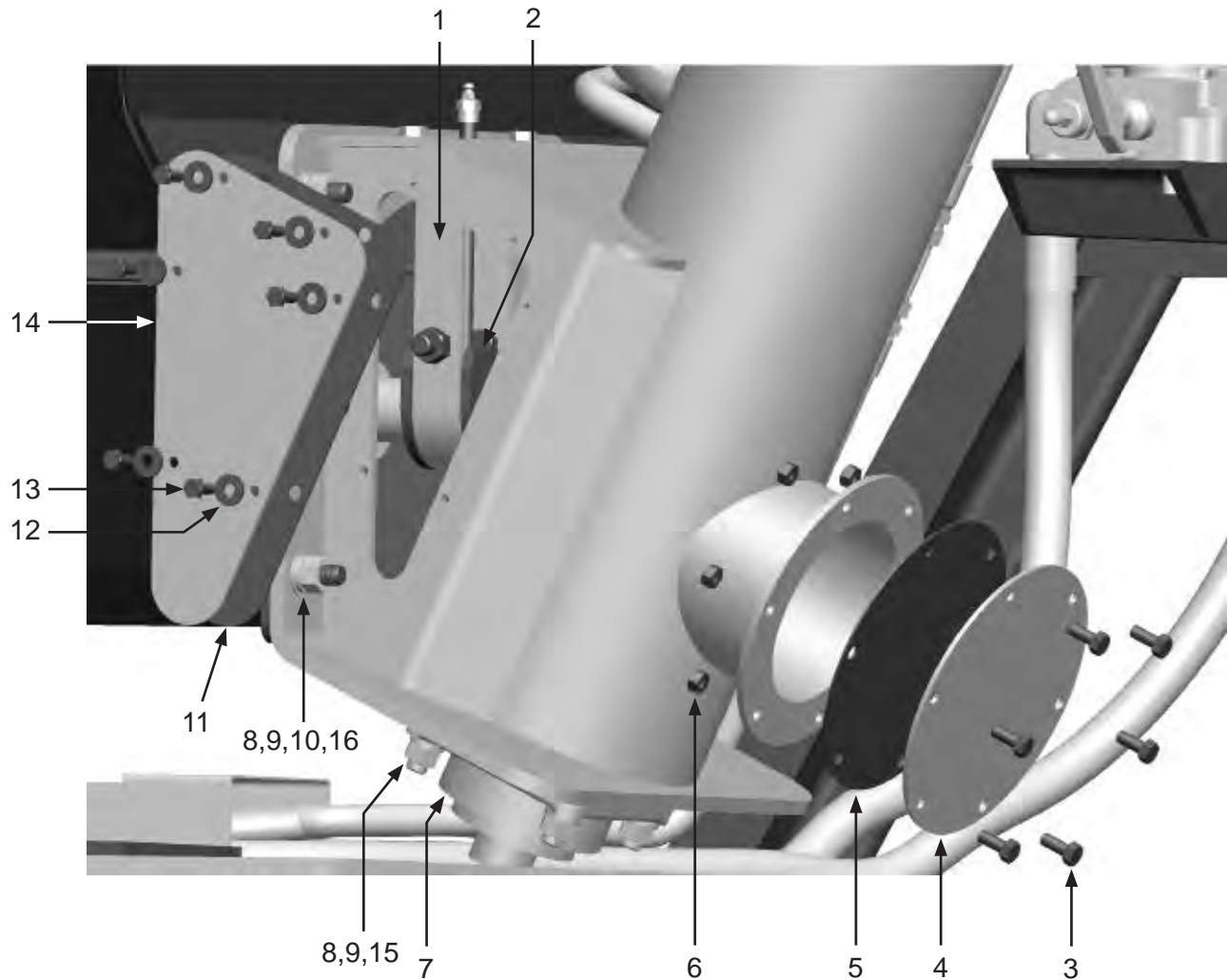
PART NUMBERS AND SCHEMATICS GUIDE

Figure 21: Discharge Auger Drive Assembly



PART NUMBERS AND SCHEMATICS GUIDE

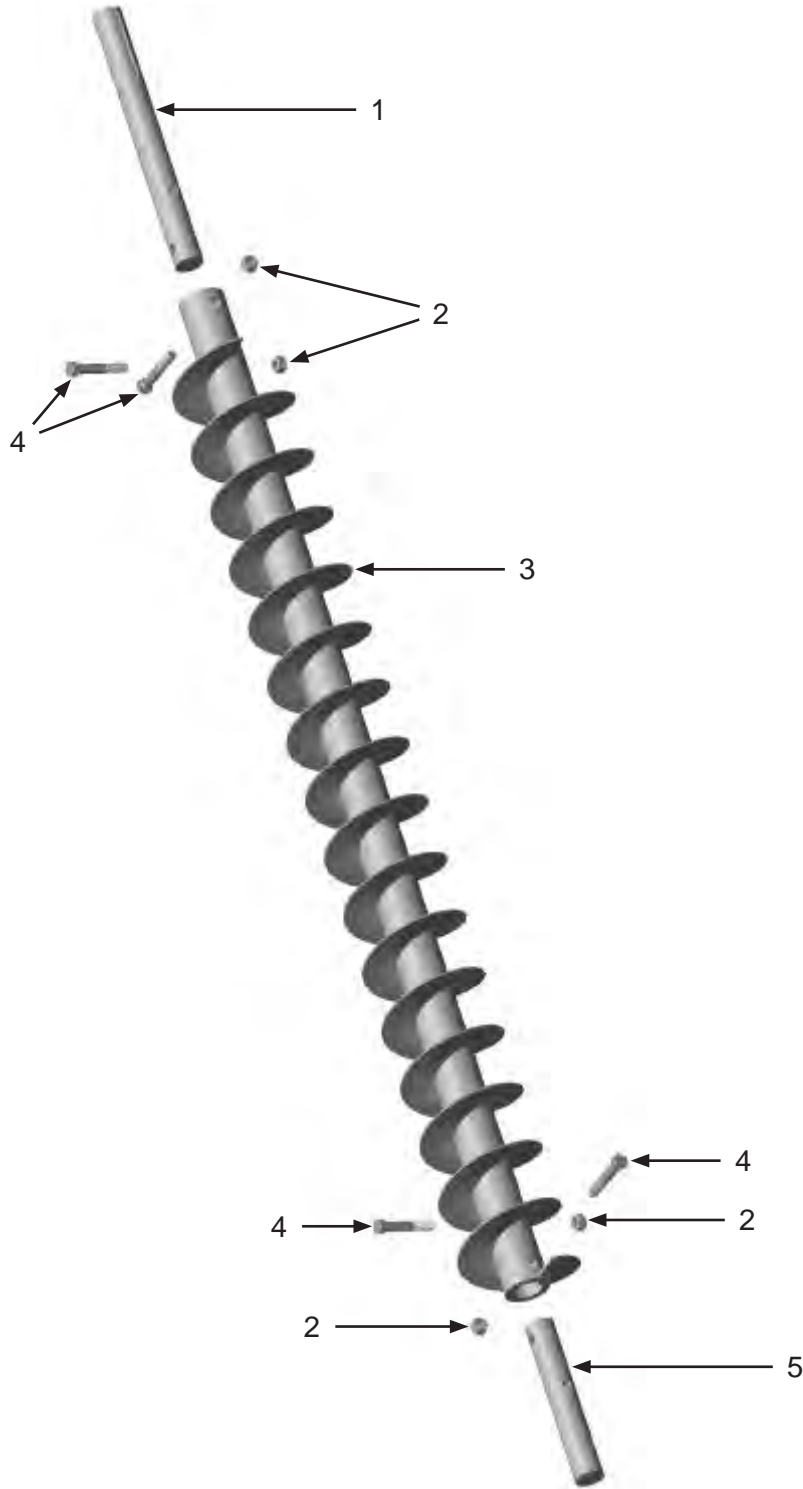
Figure 22: Discharge Auger Clean-out Assembly



Item #	Part #	Description
Fig. 22		
1	10102896	Bearing Hanger
2	10103413	Bearing
3	10101346	5/16-18 x 3/4" Bolt (Six Required)
4	10103235	Auger Clean-out Cover
5	10103716	Neoprene Auger Clean-out Gasket
6	1035046	5/16-18 Nut (Six Required)
7	10102880	Discharge Auger Lower Bearing Assembly
8	10101941	1/2-13 Galvanized Hex Nut (10 Required)
9	10100675	1/2" Lock Washer (10 Required)
10	10100674	1/2" Flat Washer (Six Required)
11	10103717	Discharge Auger Side Gasket (Two Required)
12	10101940	1/4" Galvanized Flat Washer (12 Required)
13	20100125	1/4-20 x 3/4" Zinc Hex Bolt (12 Required)
14	10103236	Discharge Auger Side Cover (Two Required)
15	10102652	1/2-13 x 2-1/4" GR5 Bolt
16	10101943	1/2-13 x 1-3/4" Hex Bolt

PART NUMBERS AND SCHEMATICS GUIDE

Figure 23: Discharge Auger Clean-out Assembly



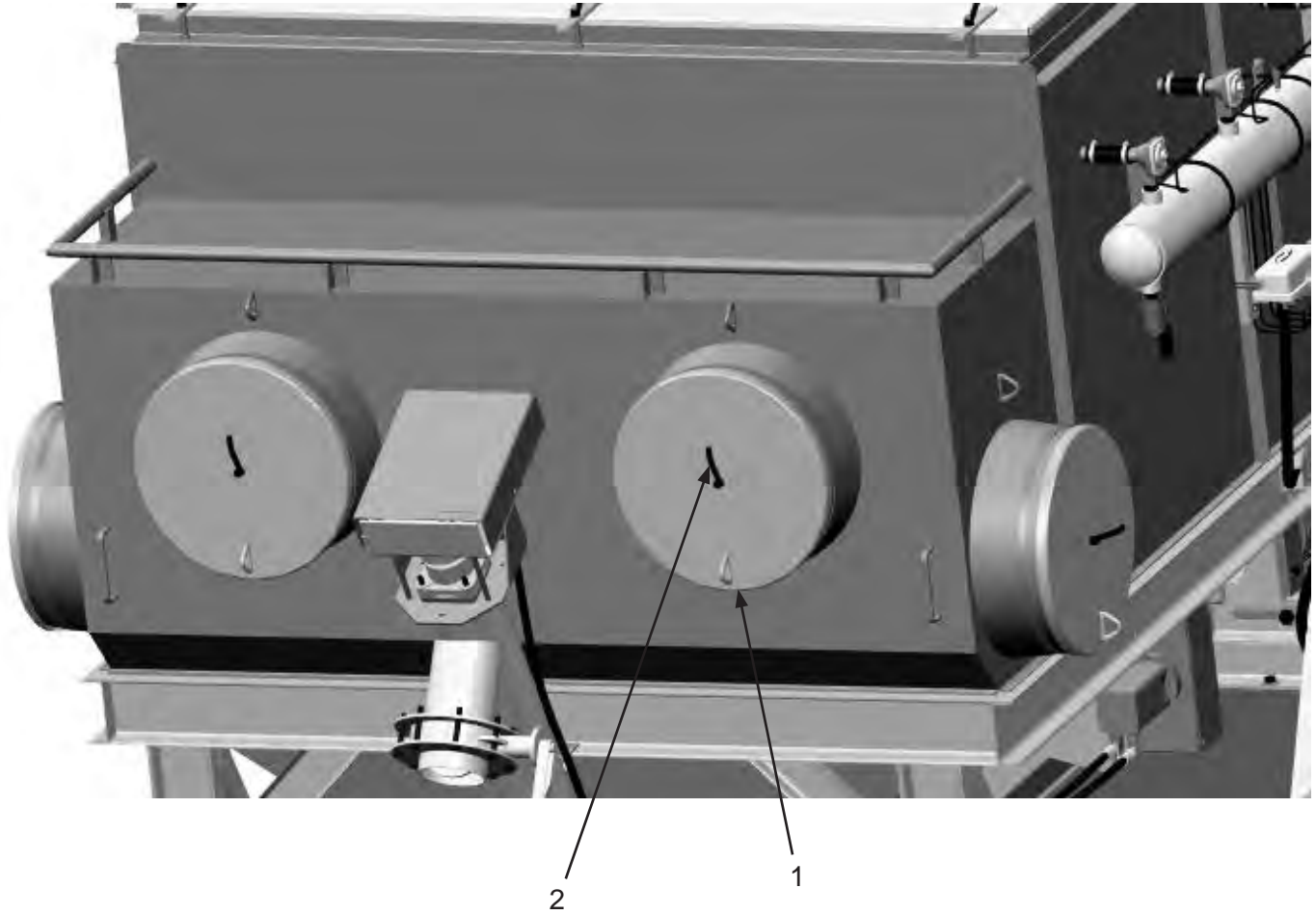
Item #	Part #	Description
--------	--------	-------------

Fig. 23

1	10103306	Drive Shaft
2	1014022	1/2-13 Hex Nut (<i>Four Required</i>)
3	10102883	58" x 6" Half Pitch Auger
4	10103401	1/2-13 x 3" Galvanized Bolt (<i>Four Required</i>)
5	10102910	Auger Shaft End

PART NUMBERS AND SCHEMATICS GUIDE

Figure 24: Inlet Door Assembly



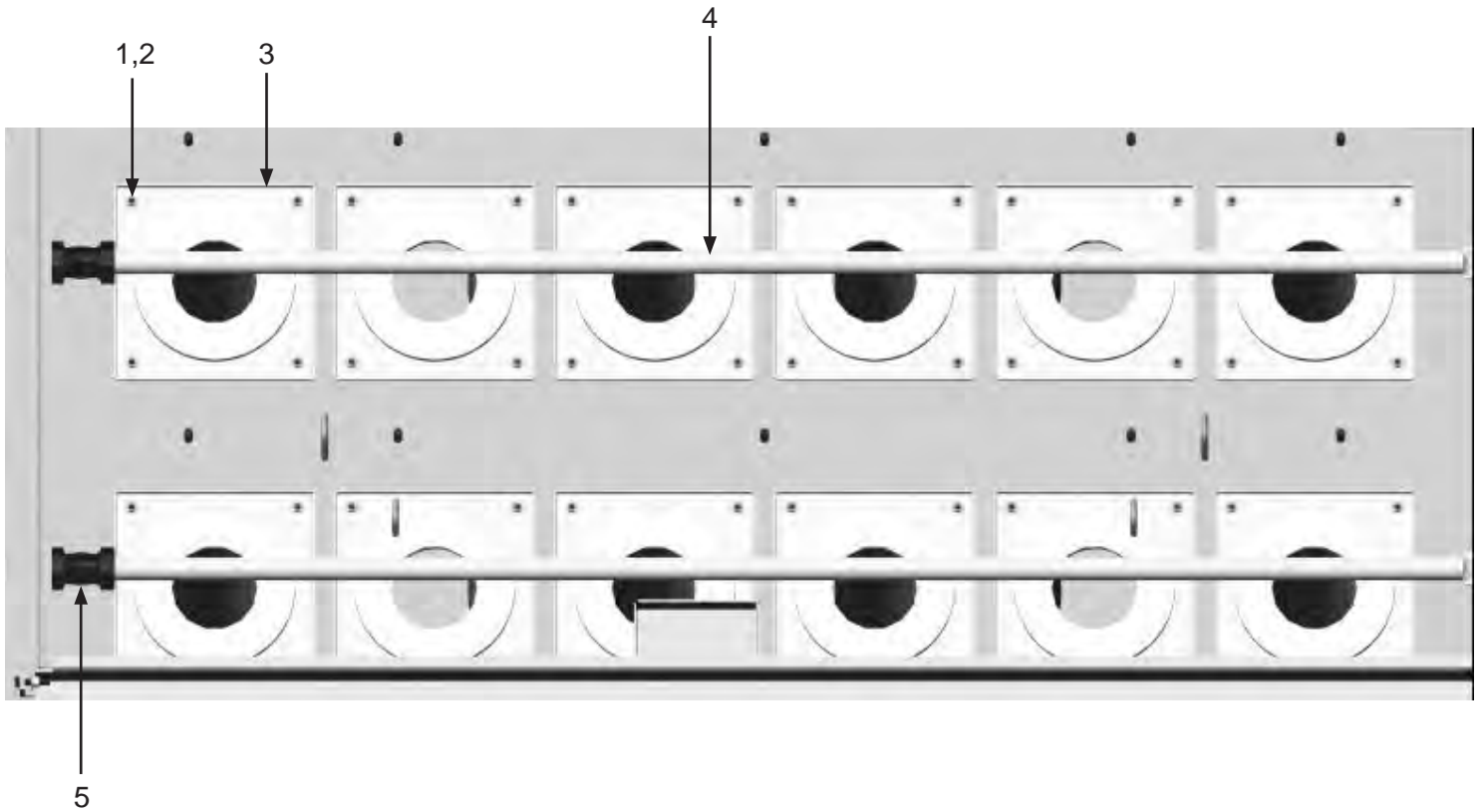
Item #	Part #	Description
--------	--------	-------------

Fig. 24

1	10105945	20" Inlet Cover (Four Required)
2	10105960	3/8-16 Handle Zinc (Four Required)
—	10102339	Camlock Closure - Chain (3' per Inlet. Not Shown)
—	10102410	Spring Snap Hook - 1/4" (Two Required per Inlet. Not Shown)

PART NUMBERS AND SCHEMATICS GUIDE

Figure 25: Dust Collector Filter Cartridge Pulsers



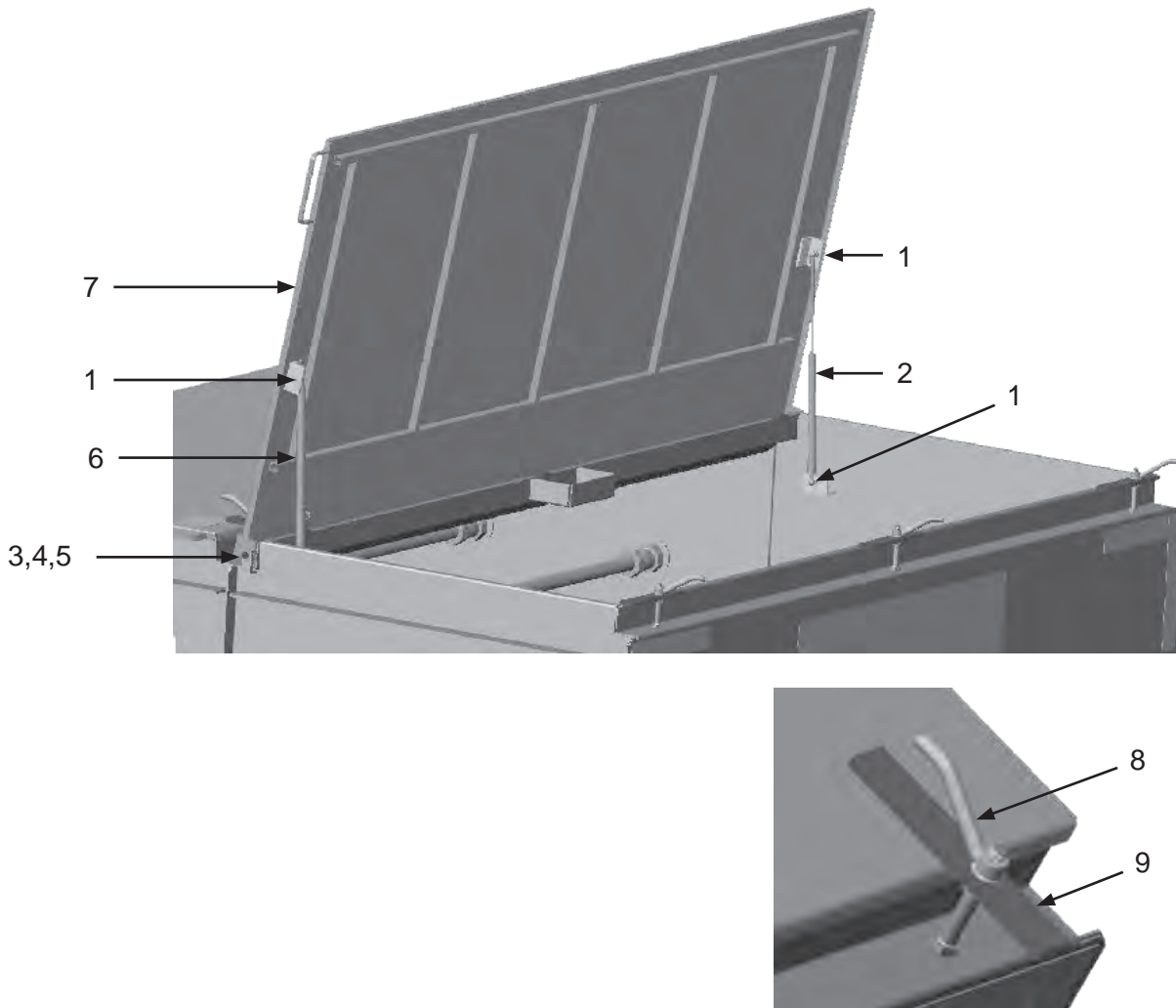
Item #	Part #	Description
Fig. 25		
1	10101942	3/8" Flat Washer (48 Required)
2	1012318	3/8" Hex Nut (48 Required)
3	10105939	Filter Bolt-Down (12 Required)
4	10105942	Small Filter Blowpipe (Two Required)
5	10102599	Compression Coupling Assembly (Two Required)

Quantities specified are per hatch opening

See *Optional Accessories for Dust Collector Filter Cartridge* part numbers

PART NUMBERS AND SCHEMATICS GUIDE

Figure 26: Dust Collector Filter Cartridge Hatch Door



Item #	Part #	Description
--------	--------	-------------

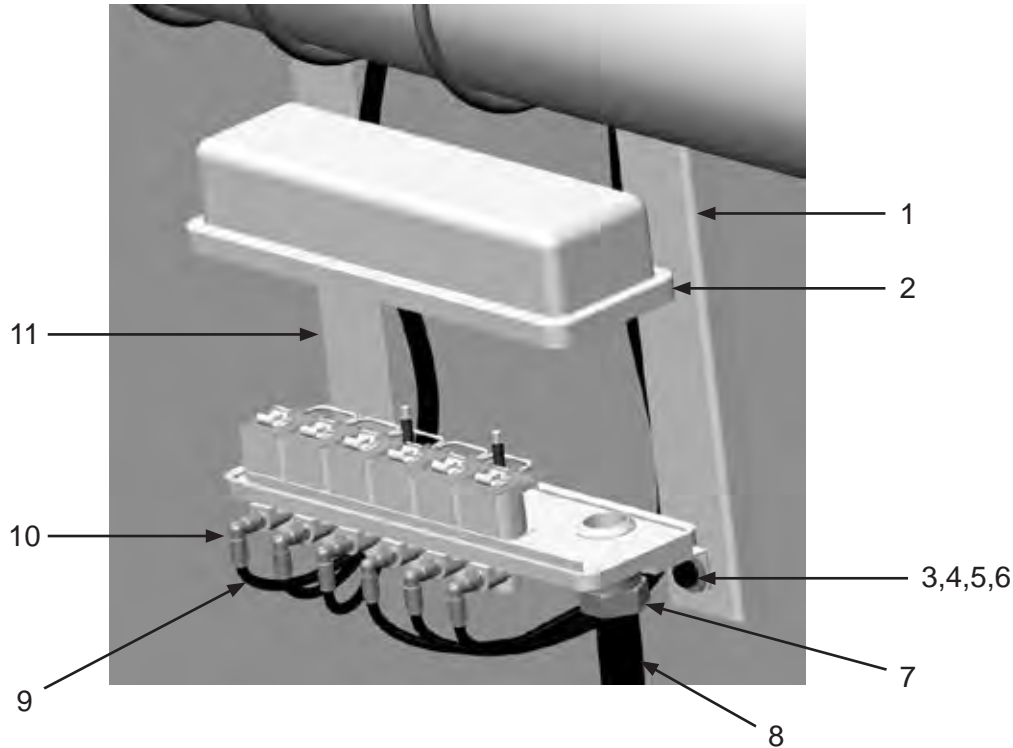
Fig. 26

1	1035046	5/16-18 Hex Nut <i>(Four Required)</i>
2	10103454	Non-Locking Gas Spring
3	1028617	3/8-16 x 1-3/4" Shoulder Bolt <i>(Two Required)</i>
4	10101942	3/8" Flat Washer <i>(Four Required)</i>
5	1012318	3/8"-16 Hex Nut <i>(Two Required)</i>
6	10103455	Locking Gas Spring
7	10102916	Hopper Lid
8	10103395	1/2-13 Zinc Plated Handle <i>(Three Required)</i>
9	10104377	Latch Bar <i>(Three Required)</i>

Quantities specified are per hatch opening

PART NUMBERS AND SCHEMATICS GUIDE

Figure 27: Pulsar Solenoid Enclosure Assembly



Item #	Part #	Description
--------	--------	-------------

Fig. 27

1	10102970	Solenoid Enclosure Mount – Right
2	10106081	Solenoid Pilot Valve Enclosure
3	10101936	3/8" Zinc Lock Washer (<i>Two Required</i>)
4	1012318	3/8-16 Hex Nut (<i>Two Required</i>)
5	10101942	3/8" Galvanized Flat Washer (<i>Four Required</i>)
6	1011747	3/8-16 x 1" Bolt
7	20RST50	Straight Liquid Tite Connection Fitting
8	20RSEL050UL	1/2" I.D. UL/UA Seal-Tite Conduit
9	10103322	1/4" O.D. Black Urethane Tubing (<i>Per Foot</i>)
10	20100579	1/4" O.D. Tube x 1/8" NPT Swivel (<i>Four Required</i>)
11	10102969	Solenoid Enclosure Mount – Left
—	10103955	Solenoid Valve (<i>10 Required</i>)
—	10103957	Solenoid Service Kit <i>Includes: O-ring, Plunger, Spring, Ferrule</i>

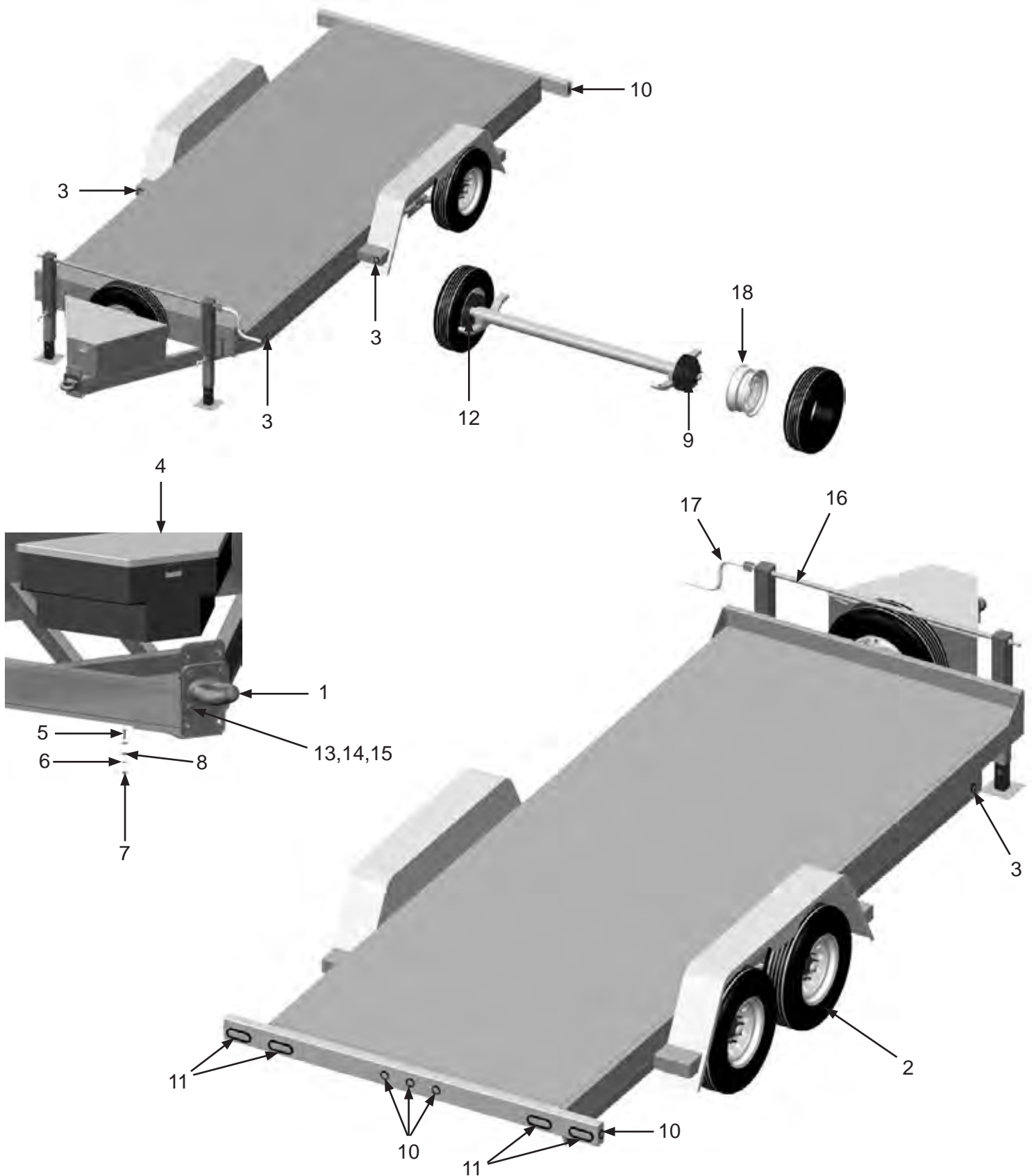
PART NUMBERS AND SCHEMATICS GUIDE

Trailer

Item #	Part #	Description
Fig. 29	10103696	Trailer 7 Ton 22' Long x 81" Wide
1	10104079	Pintle Hitch with Flat Plate
2	10104089	ST235/80R 16" 10-PLY Tire with Rim <i>(Five Required)</i>
—	10104096	ST235/80R 16" 14-PLY Tire <i>(Five Required)(optional)</i>
3	10104087	2" Round Amber LED Clearance Light <i>(Four Required)</i>
4	10103797	Tool Box (optional)
5	1012154	1/4-20 x 1" Bolt <i>(Five Required) (optional)</i>
6	1012153	1/4" Lock Washer <i>(Five Required) (optional)</i>
7	10101347	1/4-20 Hex Nut <i>(Five Required) (optional)</i>
8	10101940	1/4" Washer <i>(Ten Required) (optional)</i>
9	10106087	Left-Hand Electric Brake Assembly <i>(Two Required)</i>
10	10104086	2" Round Red LED Clearance Light <i>(Five Required)</i>
11	10104084	Red LED Oval Tail Light <i>(Four Required)</i>
12	10106088	Right-Hand Electric Brake Assembly <i>(Two Required)</i>
13	10105746	5/8 x 2-1/2" Gr 8 Bolt <i>(Four Required)</i>
14	10105747	5/8 Reverse Lock Nut <i>(Four Required)</i>
15	10103398	5/8" Flat Washer <i>(Four Required)</i>
16	10107218	Jack Stand Assembly
17	10107329	Sidewind Crank with Hardware
18	10107126	16 x 6 8-Hole White Rim <i>(Four Required)</i>
—	10105826	Redline 12V - 5AH Battery Sealed
—	10104081	Breakaway Kit
—	10104930	12V - 5AH Battery Sealed
—	10104082	Wire Harness
—	10104080	3/8" x 35" Chain with Hook
—	109V582	Operator's Manual - Behnke Trailer

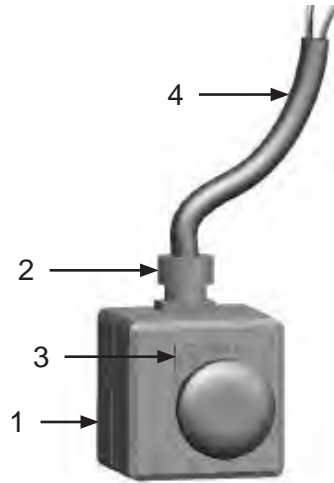
PART NUMBERS AND SCHEMATICS GUIDE

Figure 28: Trailer



PART NUMBERS AND SCHEMATICS GUIDE

Figure 29: Emergency-Stop Station



Item #	Part #	Description
Fig. 29		
1	10104071	E-Stop Control Station
2	10104703	Cord Grip Nylon 1/2"-NPT .2-.47 Diameter
3	10104063	Legend Plate - Emergency Stop
4	1015540	16/2 Xtreme Duty Power Cord - Red
—	1015009	8-32 x 1" Pan Head Phillips Screw <i>(Four Required)</i>
—	20000021	8-32 Zinc Nut <i>(Four Required)</i>
—	20000018	#8 Zinc Lock Washer <i>(Four Required)</i>
—	20000019	#8 Zinc Flat Washer <i>(Four Required)</i>

OPTIONAL ACCESSORIES



Part Numbers

DUST COLLECTOR FILTER CARTRIDGES					
Part Numbers	I.D.	O.D.	Material	Length	Serial Number
10105973	4.87"	9.22"	85/15 High Density	35"	0024 –
10106218	4.87"	9.22"	85/15 Reduced Pleat	35"	0024 –
10105974	4.87"	9.22"	Fire Retardant	35"	0024 –
101569046	4.87"	9.22"	HEPA	35"	0024 –
10105980	4.87"	9.22"	Spunbond	35"	0024 –



Part Numbers

DUCT HOSE			
Part Numbers	I.D.	Length	Pitch
10DH2025HD	20"	25 Feet	1-1/2" Heavy-Duty
10DH2050HD	20"	50 Feet	1-1/2" Heavy-Duty



Part Numbers

DUCT HOSE COUPLING AND CLAMPS		
Part Numbers	I.D.	Length
1017120	20"	Coupling
10DH062602000	20"	Screw Clamp

OPTIONAL ACCESSORIES



Part Numbers

3/4" I.D. X 1-1/4" O.D. AIR HOSE					
Part Numbers	Length	Hose I.D.	Hose O.D.	Working Pressure	Hose Cover Color
10AH034	Per Ft.	3/4"	1-1/4"	200 PSI	Red



Part Numbers

3/4" I.D. X 1-1/4" O.D. AIR HOSE WITH COUPLINGS INSTALLED							
Part Numbers	Length	Hose I.D.	Hose O.D.	Working Pressure	Hose Cover Color	Couplings	Band Clamps
10AH034AC	50 Ft.	3/4"	1-1/4"	200 PSI	Red	10HE1	10AHCL1



Part Numbers

MALE HOSE END COUPLING AND GASKET FOR 3/4" I.D. AIR HOSE						
Part Numbers	Hose I.D.	Material	Coupling Style	GASKET		
				Rubber Gasket	Gasket I.D.	Gasket O.D.
10HE1	3/4"	Plated Iron	2-Lug	10UG2	3/4"	1-3/8"

PART NUMBERS

DUSTMASTER® 18,000 CFM TIER 4 DIESEL DUST COLLECTORS

Part Numbers	Filter Cartridge Material						Trailer	Skid	Filter Cartridge Quantity
	None	High Density Pleat 85% Cellulose/15% Poly Blend	Reduced Pleat 85% Cellulose/15% Poly Blend	Fire Retardant	HEPA	Spunbond			
10106472	X						X		–
10106473		X					X		24
10106474			X				X		24
10106475				X			X		24
10106476					X		X		24
10106477						X	X		24
10106673	X							X	–
10106679		X						X	24
10106680			X					X	24
10106681				X				X	24
10106682					X			X	24
10106683						X		X	24

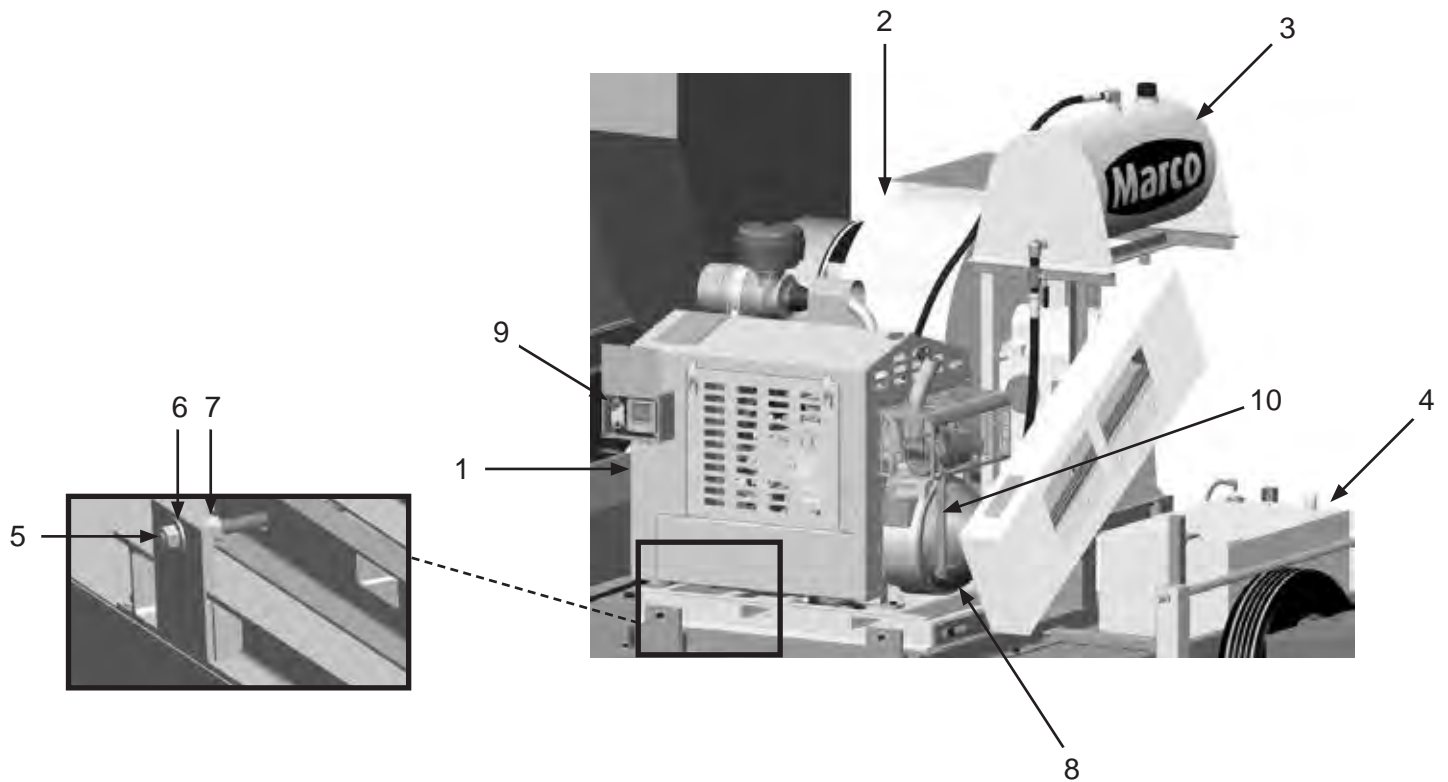


SPECIFICATIONS

Capacity:	CFM = 10,880-18,350 W.C. = 6 – 16”
Filter Cartridge Style:	Open Top with Flange, Closed Bottom - 24 Required
Filter Cleaning:	Pulse System, 5–15 second intervals Pulse Duration: 200–350 millisecond
Air to Cloth Ratio:	2.72:1 @ 20,000 CFM
Filter Area:	7,361 square feet
Efficiency:	85/15 High Density Pleat Blend Filters – 99.8% @ 0.5 micron 85/15 Blend Reduced Pleat Filters – 99.8% @ 0.5 micron HEPA Filters – 99.99% @ 0.3 micron Fire Retardant Filters – 96.8% @ 2.0 micron Spunbond Filters – 97% @ 3.0 micron
Ducting Connections:	20" I.D., Quantity of Four
Clean-out Ports:	One
Dust Removal Conveyor:	Main Auger, 6" Discharge Auger, Hydraulic Motor Drive
Fan:	Backward Inclined, non-overloading, spark resisting
Engine:	Diesel, Tier 4 Final, 74 Horsepower
Fuel Capacity:	Type: Diesel Capacity: 55 Gallons
Air Requirements:	Clean, Dry, Compressed Air 24 CFM @ 90 PSI
Electrical System:	12-Volt DC
Engine Protection:	Engine Monitoring System with automatic shutdown measures: coolant temperature, intake air temperature, engine intake manifold pressure, engine oil pressure, pressure in fuel rail, engine speed and timing.
Fluid Specifications:	Hydraulic Oil: H46 or equivalent, 40 Gallons Diesel Fuel: See Engine Operator's Manual for type, 80 Gallons Grease/Lubricator: Shell Gadus S2 V100 2 or equivalent
Unit Dimensions Trailer:	Weight: 11,680 pounds (empty) Tongue Weight: 2620 pounds Length: 23' 9" Width: 8' 6" Height: 10' 4"
Unit Dimensions Skid:	Weight: 10,120 pounds (empty) Length: 19' 10" Width: 8' 6" Height: 8' 9"

PART NUMBERS AND SCHEMATICS GUIDE

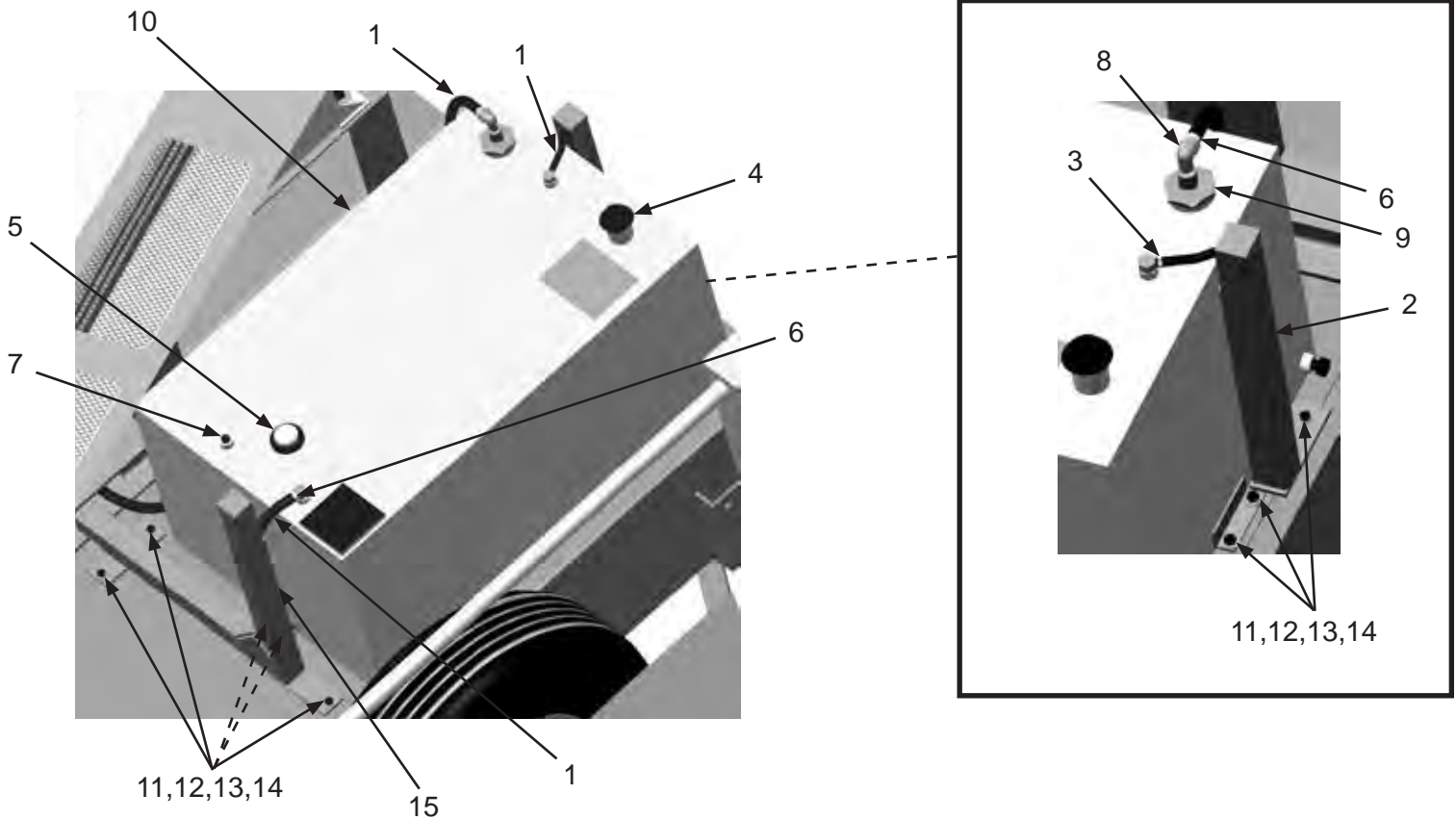
Figure 1: Front Assembly



Item#	Part#	Description
Fig. 1		
1	10106492	Perkins Engine 74HP Tier 4F CPU
2	10104253	245 Fan with Screen (See Figure 10)
3	10105031	40 Gallon Hydraulic Tank (See Figure 5)
4	10103711	Fuel Tank - 55 Gallon (See Figure 2)
5	10103440	3/4-10 Draw Bolt (Two Required)
6	10103718	3/4" Washer (Four Required)
7	10103420	3/4-10 Nut (Four Required)
8	10104025	Twin Disc Clutch
9	—	E-stop
10	10104030	Shifting Lever For 10104025
—	10106699	Oil Filter
—	10106701	Primary Fuel Filter
—	10106700	Secondary Fuel Filter
—	10106710	Outer Air Filter
—	10106711	Inner Air Filter
—	10106772	Clutch Arm Extension
—	1091132	Dust Collector Labels
—	1091162	Tier 4 Labels
—	109V565	Operator's Manual - Perkins® Engine
—	109V568	Operator's Manual - Twin Disc Clutch
—	109V037	Operator's Manual – Dynamic Fan Corporation
—	105M144	Features and Specifications Guide – Dustmaster® 18,000 CFM Tier 4 Diesel Dust Collectors
—	106M144	Part Numbers and Schematics Guide – Dustmaster® 18,000 CFM Tier 4 Diesel Dust Collectors
—	1090144	Operator's Manual – Dustmaster® 18,000 CFM Tier 4 Diesel Dust Collectors

PART NUMBERS AND SCHEMATICS GUIDE

Figure 2: 55 Gallon Fuel Tank



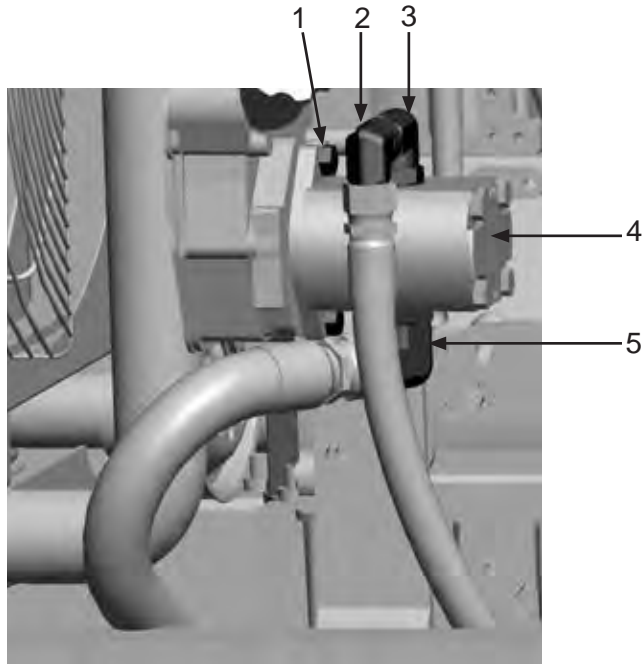
Item #	Part #	Description
--------	--------	-------------

Fig. 2

1	10103423	3/8" I.D. Fuel Hose (<i>Per Foot</i>)
2	10104153	Fuel Line Guard
3	10104065	Oetiker Clamp - 3/8" I.D. Hose
4	10103968	Locking Fuel Cap with Keys
5	10103810	Sight Gauge
6	10103631	3/8" Barb x 3/8" NPT Brass Female Fitting
7	10106471	1/4" Pipe Plug
8	10106470	3/8" Street Elbow
9	10106484	Fuel Return Adapter
10	10103711	Fuel Tank - Rectangular - 55 gallon
11	10101059	3/8-16 x 1-1/4" Galvanized Bolt (<i>Eight Required</i>)
12	10101942	3/8" Galvanized Flat Washer (<i>16 Required</i>)
13	1012318	3/8-16 Hex Nut (<i>Eight Required</i>)
14	10101936	3/8" Zinc Lock Washer (<i>Eight Required</i>)
15	10103677	Fuel Line Guard
—	10103617	Withdraw Tube - 16"
—	10103620	3/8" Inline Filter (<i>Not Shown</i>)
—	10103961	Fuel Tank Rubber Cushioning Pad (<i>Not Shown</i>)

PART NUMBERS AND SCHEMATICS GUIDE

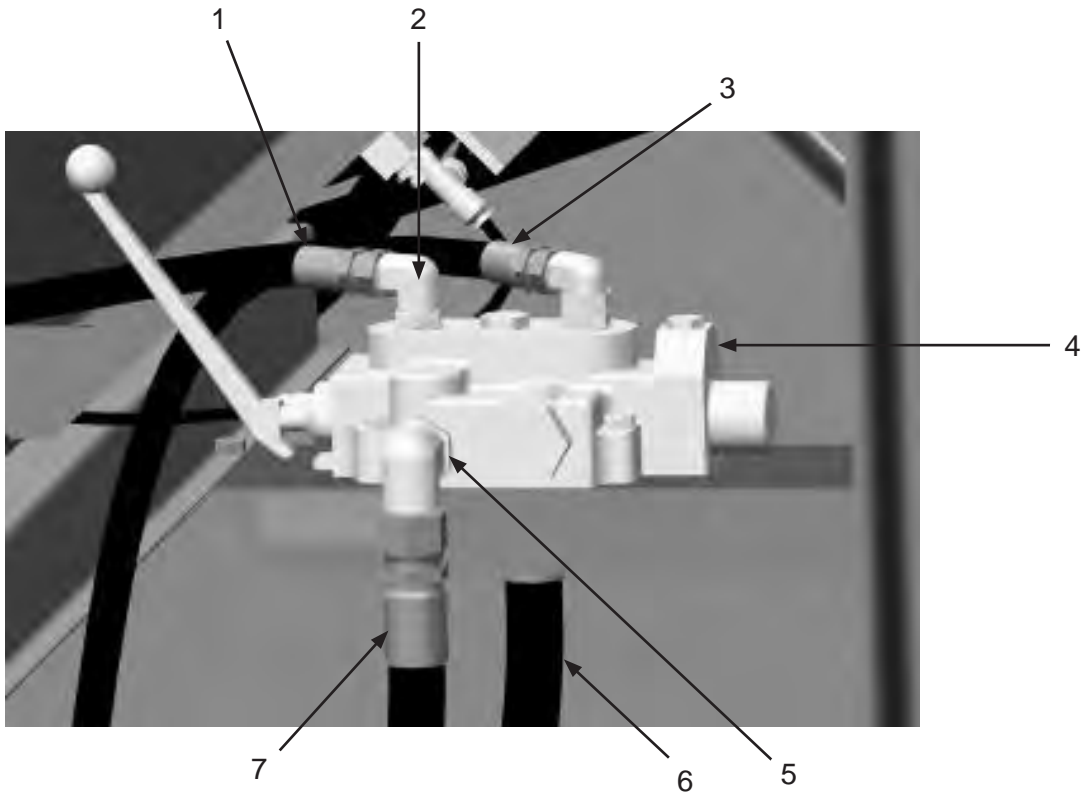
Figure 3: Hydraulic Pump



Item #	Part #	Description
Fig. 3		
1	10103615	M10 x 25 mm Zinc Bolt (<i>Two Required</i>)
2	10103610	JIC 12 x JIC 12 90° Elbow
3	10103310	JIC 12 x SAE 12 90° Elbow
4	10103269	2B Series 2.08 CI/REV Gear Pump
5	10103311	JIC 6 x SAE 16 90° Elbow
—	10105869	Flange Gasket

PART NUMBERS AND SCHEMATICS GUIDE

Figure 4: Hydraulic Control Assembly



Item #	Part #	Description
Fig. 4		
1	10103408	Hydraulic Hose - 1/2" I.D. x 12' 6" - 2000 psi
2	10103309	JIC 8 x SAE 8 90° Elbow (<i>Two Required</i>)
3	10103409	Hydraulic Hose - 1/2" I.D. x 7' 1" - 2000 psi
4	10103267	Cross Hydraulic Control Valve with Handle
5	10103310	JIC 12 x SAE 12 90° Elbow (<i>Two Required. One not shown</i>)
6	10103707	Hydraulic Hose - 3/4" I.D. x 17' 7" - 3045 psi
7	10103710	Hydraulic Hose - 3/4" I.D. x 13' - 3045 psi

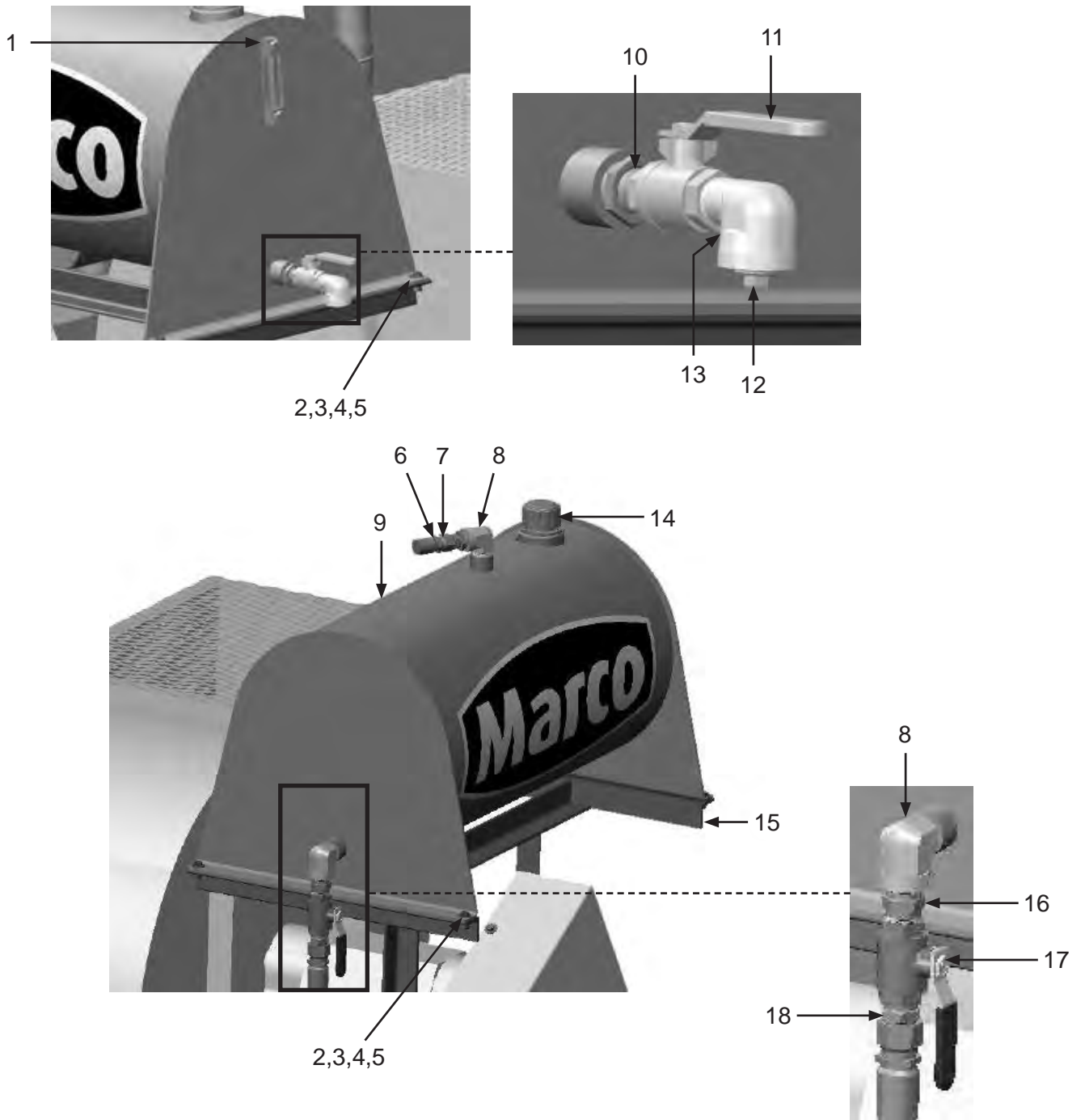
PART NUMBERS AND SCHEMATICS GUIDE

Hydraulic Oil Tank

Item #	Part #	Description
Fig. 4		
1	10103942	Sight Level Gauge
2	1011747	3/8-16 x 1" Bolt (<i>Four Required</i>)
3	10101942	Flat Washer - 3/8" (<i>Eight Required</i>)
4	10101936	Lock Washer - 3/8" (<i>Four Required</i>)
5	1012318	Hex Nut - 3/8-16 (<i>Four Required</i>)
6	10103314	Straight Adapter - 3/4" NPT x 12 JIC
7	20PFHA24SB1612	Reducing Bushing - 1" NPT x 3/4" NPT
8	20PFHA25UG1616	Street Elbow - 90° - 1" NPT (<i>Two Required</i>)
9	10105031	Hydraulic Oil Reservoir - 40 Gallon
10	1011213	Close Nipple - 3/4" NPT - Galvanized
11	10L8074C	Full Port Ball Valve - 3/4" NPT
12	10DSHP75	Pipe Plug - Square Head - 3/4" NPT
13	10102479	Street Elbow - 90° - 3/4" NPT - Galvanized
14	10103971	Filler/Breather Cap
15	10102958	Hydraulic Oil Tank Mount
16	20PFHA24SA1616	Hex Nipple - 1" NPT
17	1011601	Full Port Ball Valve - 1" NPT
18	10103312	Straight Adapter - 1" NPT x 16 JIC

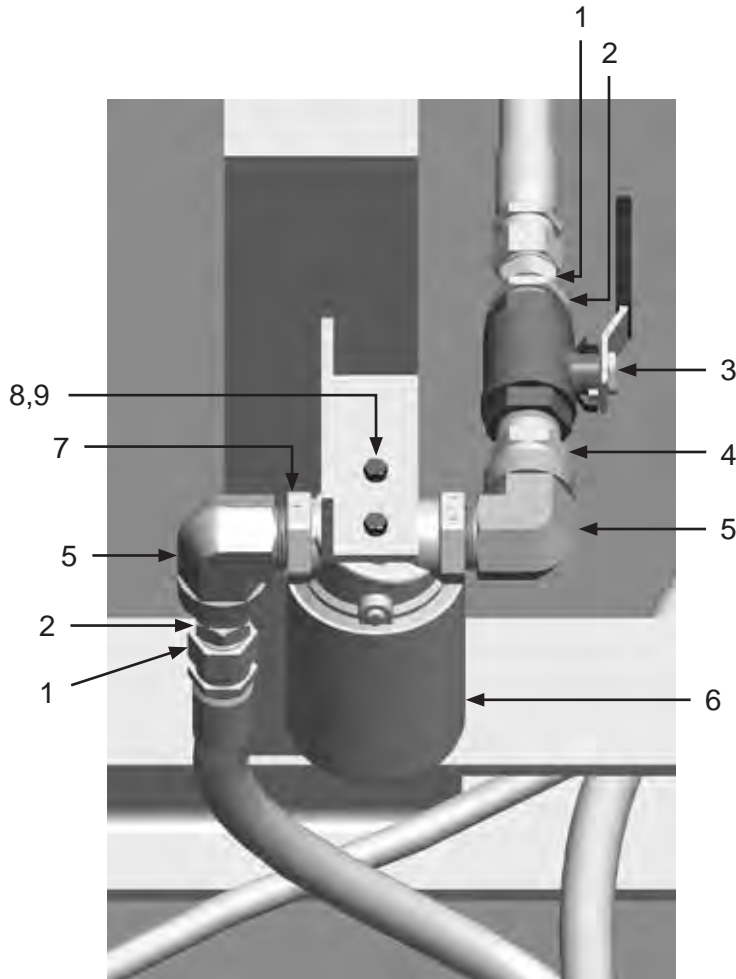
PART NUMBERS AND SCHEMATICS GUIDE

Figure 5: Hydraulic Oil Tank



PART NUMBERS AND SCHEMATICS GUIDE

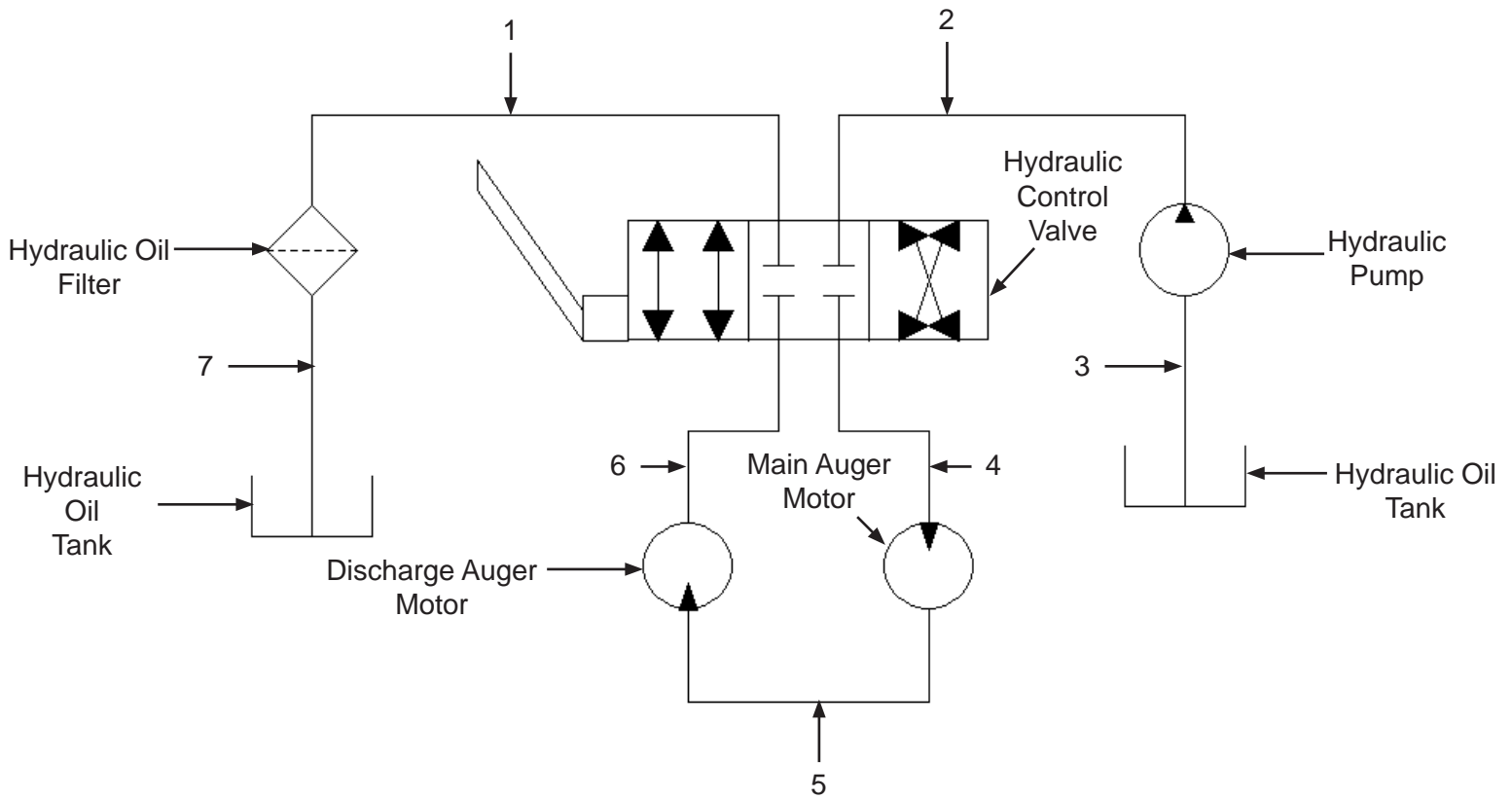
Figure 6: Hydraulic Oil Filter Assembly



Item #	Part #	Description
Fig. 5		
1	10103314	3/4" NPT x 12 JIC Straight Adapter
2	20PFHA24SB1612	1" x 3/4" Reducing Bushing
3	1011601	3/4" Full Port Brass Ball Valve
4	20PFHA24SA1616	1" Hex Nipple
5	20PFHA25UG1616	1" Street Elbow (<i>Two Required</i>)
6	10104058	Hydraulic Oil Filter
7	10104057	Hydraulic Oil Filter Head
8	1012153	1/4" Lock Washer
9	20100125	1/4-20 x 3/4" Zinc Bolt

PART NUMBERS AND SCHEMATICS GUIDE

Figure 7: Hydraulic Hoses



Item #	Part #	Description
--------	--------	-------------

Fig. 7

1	10103710	Hydraulic Hose - 3/4" I.D. x 13' - 3045 psi
2	10103707	Hydraulic Hose - 3/4" I.D. x 17' 7" - 3045 psi
3	10103405	Hydraulic Hose - 1" I.D. x 9' 6" - 2000 psi
4	10103408	Hydraulic Hose - 1/2" I.D. x 12' 6" - 2000 psi
5	10104223	Hydraulic Hose - 1/2" I.D. x 16' - 2000 psi
6	10103409	Hydraulic Hose - 1/2" I.D. x 7' 1" - 2000 psi
7	10104055	Hydraulic Hose - 3/4" I.D. x 7' - 3045 psi

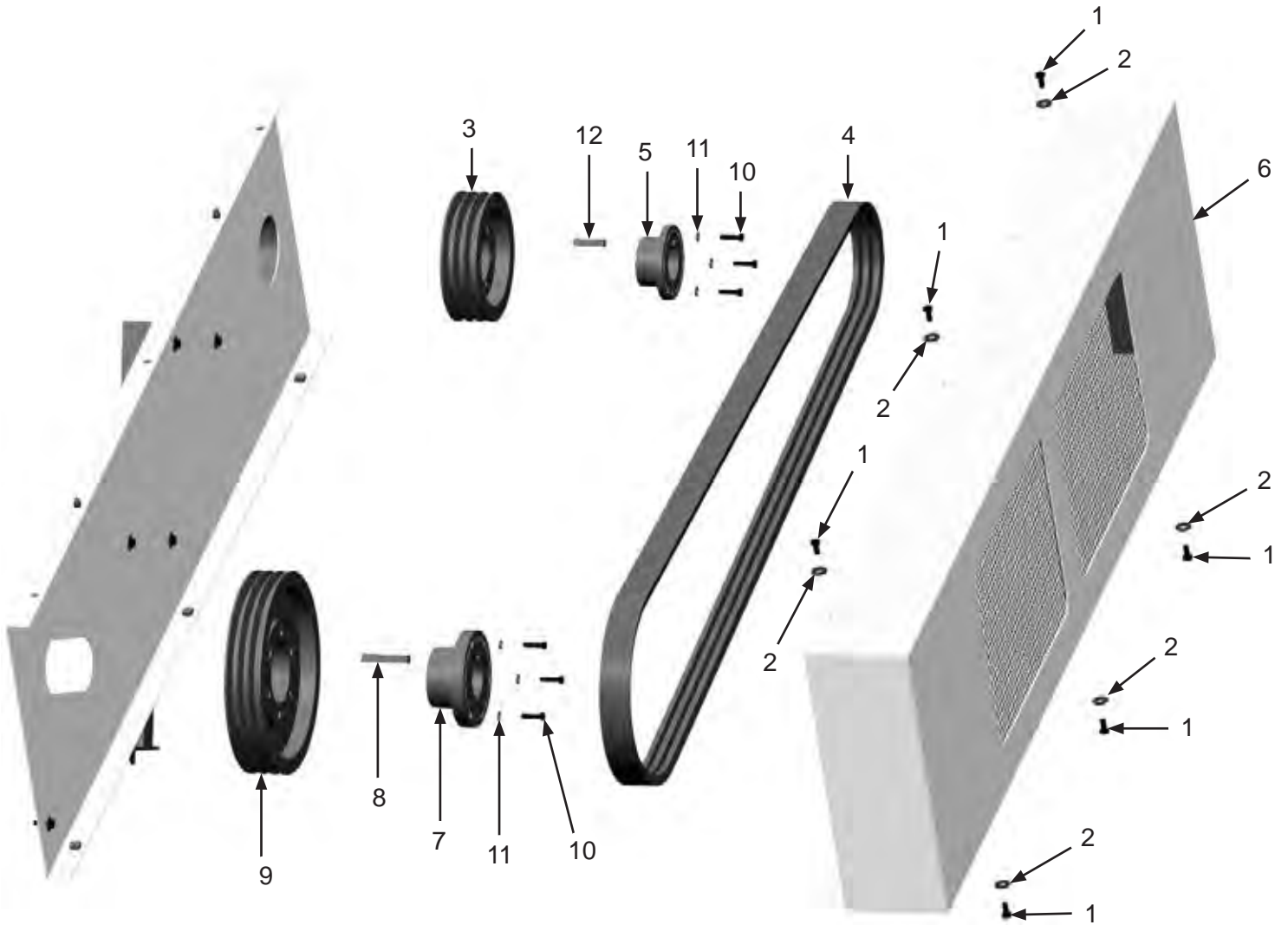
PART NUMBERS AND SCHEMATICS GUIDE

Fan Belt Assembly

Item #	Part #	Description
Fig. 7		
1	10103400	3/8-16 x 3/4" Bolt <i>(Six Required)</i>
2	10101942	3/8" Galvanized Flat Washer <i>(Six Required)</i>
3	10103324	8" Sheave
4	10103327	3-Band Fan Drive Belt – 125"
5	10104250	2-3/16" Bore SF Bushing
6	10102964	Belt Guard Cover
7	10103325	12-1/2" Sheave Bushing <i>Includes Mounting Hardware</i>
8	10103644	1/2" x 1/4" x 5/8" x 5/16" Step Key
9	10103326	12-1/2" Sheave
10	1014019	5/16-18 x 1-1/4" Bolt <i>(Six Required)</i>
11	10101936	3/8" Lock Washer <i>(Six Required)</i>
12	10104106	5/8" Key Cut

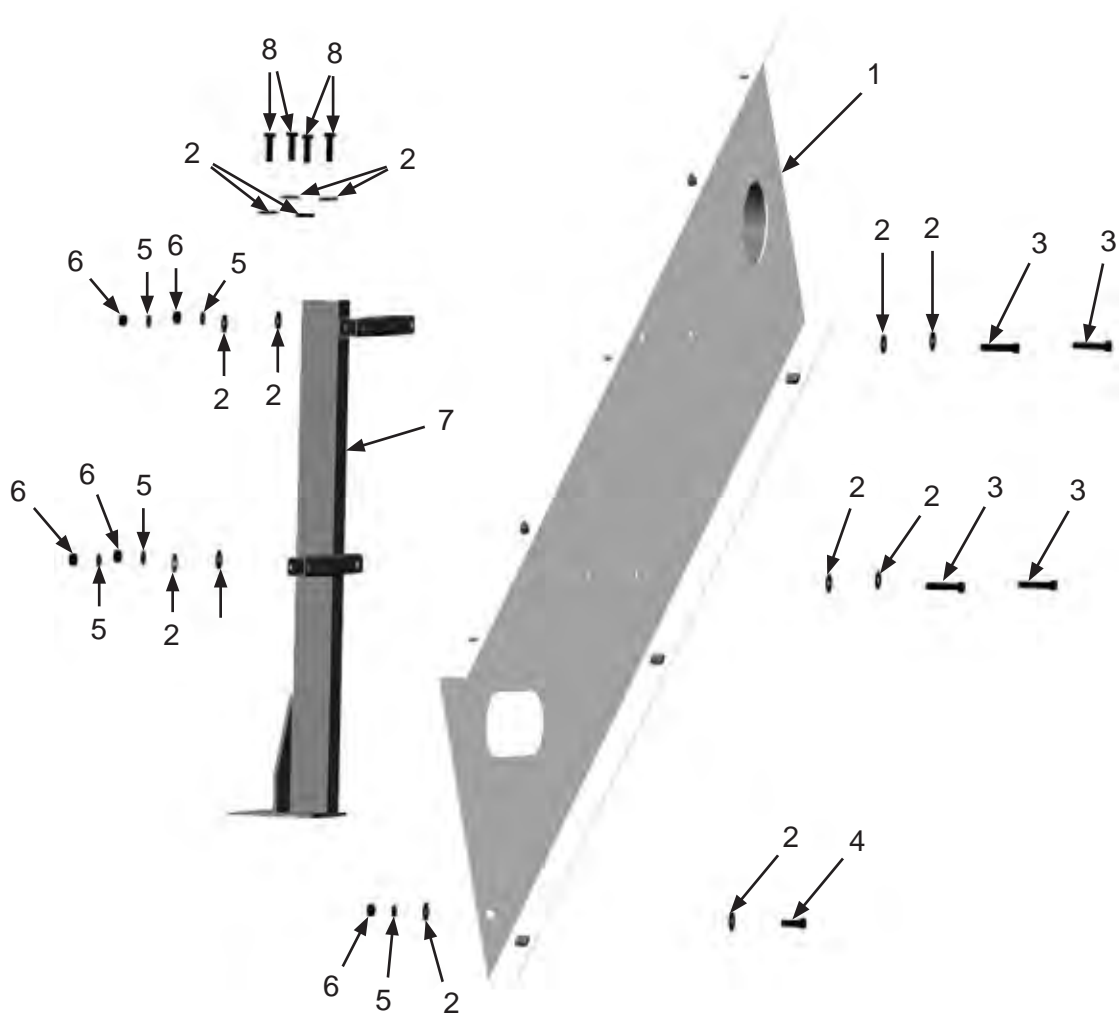
PART NUMBERS AND SCHEMATICS GUIDE

Figure 8: Fan Belt Assembly



PART NUMBERS AND SCHEMATICS GUIDE

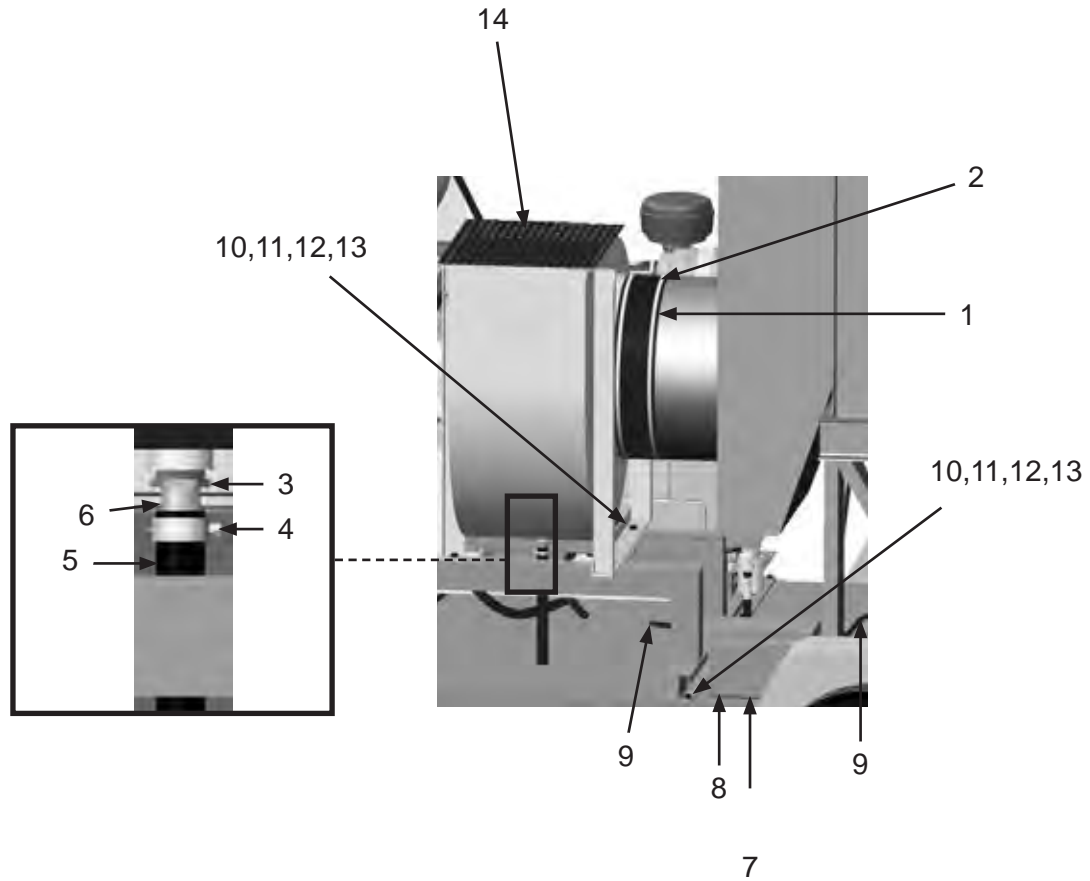
Figure 9: Fan Belt Guard Back Assembly



Item #	Part #	Description
Fig. 8		
1	10102967	Belt Guard Back
2	10101942	3/8" Galvanized Flat Washer (18 Required)
3	1028617	3/8-16 x 1-3/4" Shoulder Bolt (Two Required)
4	1011747	3/8-16 x 1" Bolt
5	10101936	3/8" Zinc Lock Washer (Nine Required)
6	1012318	3/8-16 Hex Nut (Nine Required)
7	10103354	Belt Guard Mount
8	10101059	3/8-16 x 2-1/4" Bolt (Four Required)

PART NUMBERS AND SCHEMATICS GUIDE

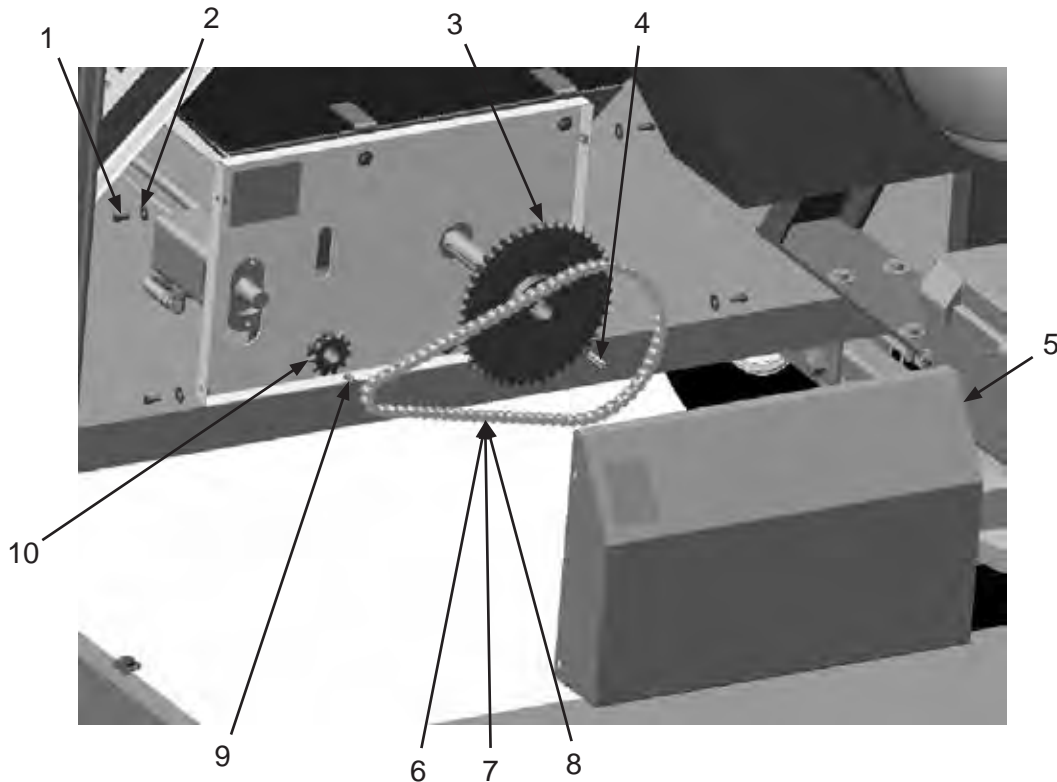
Figure 10: Fan Assembly and Battery Box



Item #	Part #	Description
Fig. 10		
—	10104253	245 Fan with Screen
1	10103962	Connection Rubber Gasket
2	10103416	Adjustable Clamp Fastener <i>(Two Required)</i>
3	20PFHA24SB2016	1-1/4" x 1" Reducing Bushing
4	10103396	Hose Clamp 1-1/16" x 2"
5	10103654	1-1/4" I.D. Hose <i>(Per Foot)</i>
6	10000197	1" x 3" Toe Nipple
7	10103342	Battery Box
8	10103963	Rubber Cushioning Pad
9	10105867	Battery Cables
10	10103397	5/8-11 x 2" Grade 8 Bolt <i>(14 Required)</i>
11	10103398	5/8" Washer <i>(28 Required)</i>
12	10103393	5/8-11 Grade 8 Nut <i>(14 Required)</i>
13	10103399	5/8" Lock Washer <i>(14 Required)</i>
14	10104254	Bird Screen
—	10103341	Battery <i>(not Shown)</i>

PART NUMBERS AND SCHEMATICS GUIDE

Figure 11: Main Auger Drive Assembly



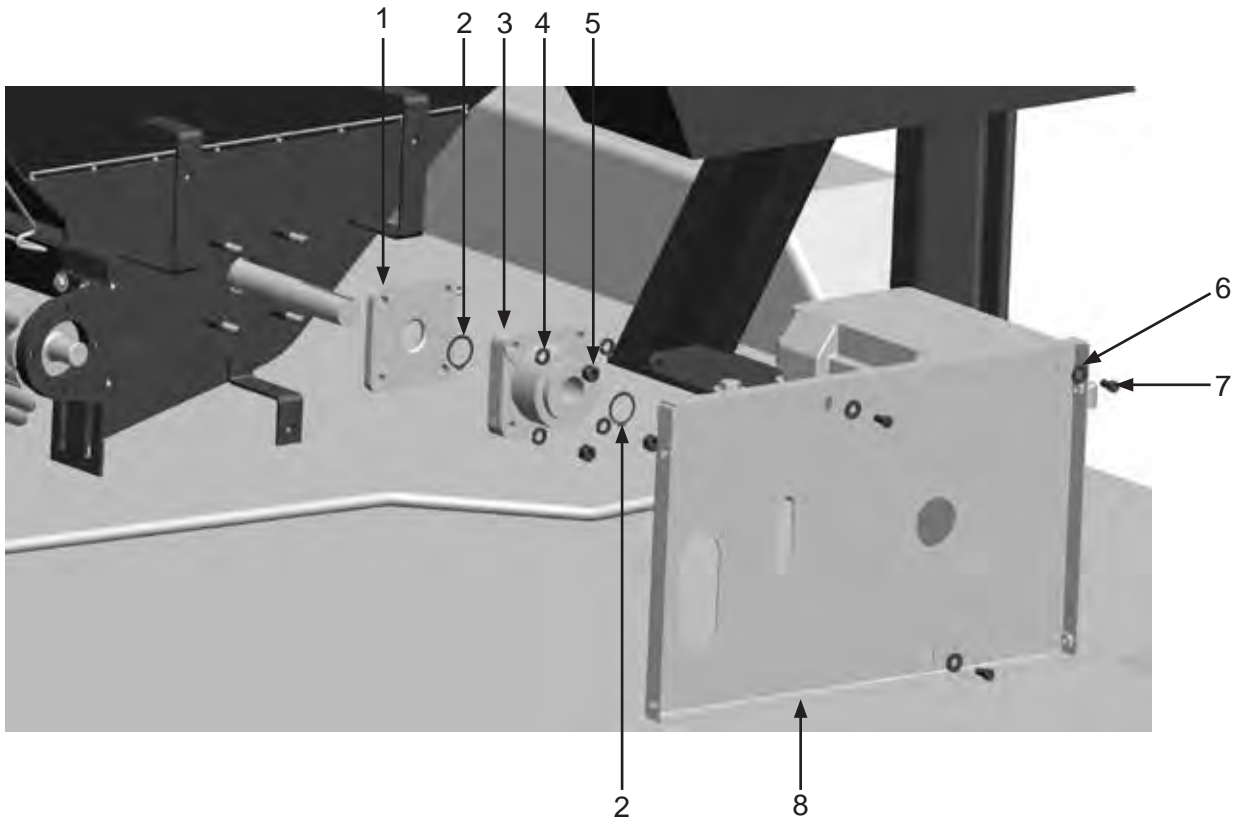
Item #	Part #	Description
--------	--------	-------------

Fig. 10

1	10103400	3/8-16 x 3/4" Bolt (<i>Four Required</i>)
2	10101942	3/8" Galvanized Flat Washer (<i>Four Required</i>)
3	10104218	45-Tooth Sprocket
4	10103641	3/8" Key Cut
5	10102952	Main Auger Motor Cover
6	10103391	60# Cottered Roller Chain (<i>Per Foot</i>)
7	10103392	60# Connecting Link
8	10103614	60# Offset Link
9	10103642	5/16" x 1/4" x 1/8" x 1/8" Key
10	10103265	11-Tooth Sprocket
—	10104192	Main Auger Chain Kit <i>Includes Item #'s: 6 (5'), 7, and 8</i>

PART NUMBERS AND SCHEMATICS GUIDE

Figure 12: Main Auger Bearing



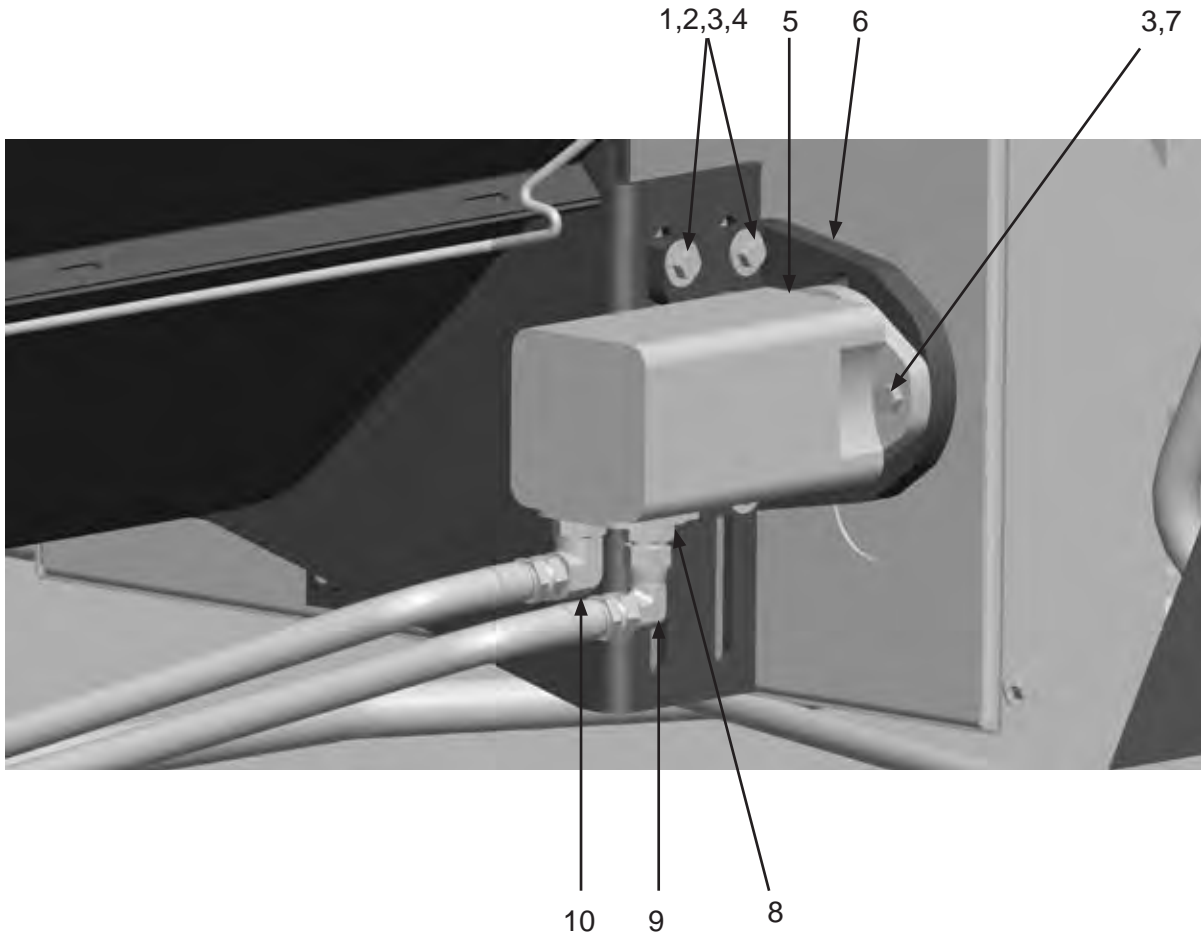
Item #	Part #	Description
--------	--------	-------------

Fig. 11

1	10102902	Seal Plate
2	10103605	Snap Ring (<i>Two Required</i>)
3	10102903	Thrust Bearing
4	10100675	1/2" Lock Washer (<i>Four Required</i>)
5	1014022	1/2-13 Hex Nut (<i>Four Required</i>)
6	10101942	3/8" Galvanized Flat Washer (<i>Three Required</i>)
7	10103400	3/8-16 x 3/4" Bolt (<i>Three Required</i>)
8	10102955	Main Auger Guard Back

PART NUMBERS AND SCHEMATICS GUIDE

Figure 13: Main Auger Motor



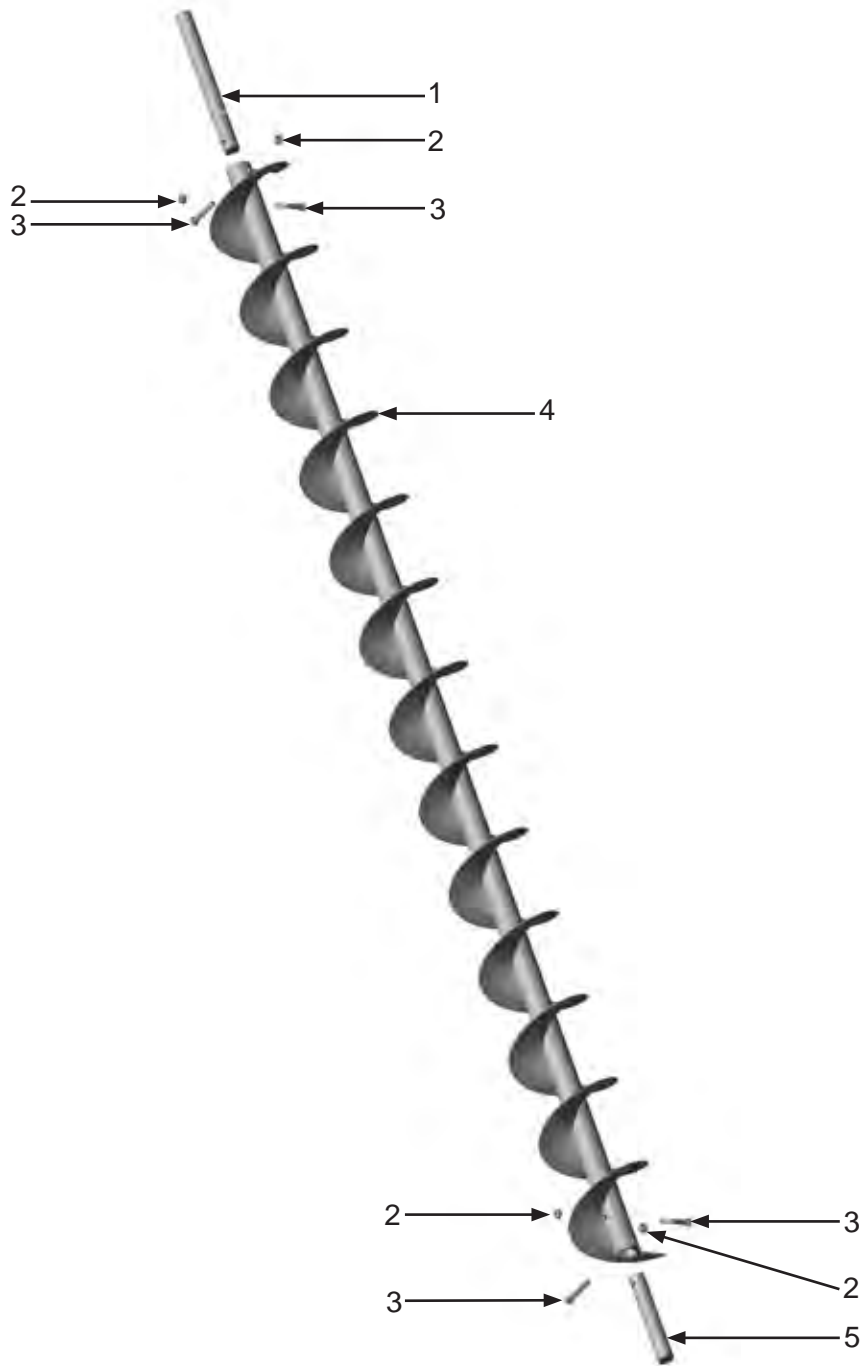
Item #	Part #	Description
--------	--------	-------------

Fig. 13

1	1028617	3/8-16 x 1-3/4" Shoulder Bolt <i>(Four Required)</i>
2	10101942	3/8" Galvanized Flat Washer <i>(Eight Required)</i>
3	10101936	3/8" Zinc Lock Washer <i>(Four Required)</i>
4	1012318	3/8-16 Hex Nut <i>(Four Required)</i>
5	10103266	18.7 Displacement Hydraulic Motor
6	10102881	Hydraulic Motor Mount with Hardware
7	10104234	3/8-16 x 1-1/4 Hex Bolt Zinc GR 5
8	10103612	JIC 8 x SAE 10 Straight Adapter
9	10103611	JIC 8 x JIC 8 90° Elbow
10	10103308	JIC 8 x SAE 10 90° Elbow
—	10103941	Seal Kit for 18.7 Displacement Hydraulic Motor

PART NUMBERS AND SCHEMATICS GUIDE

Figure 14: Main Auger



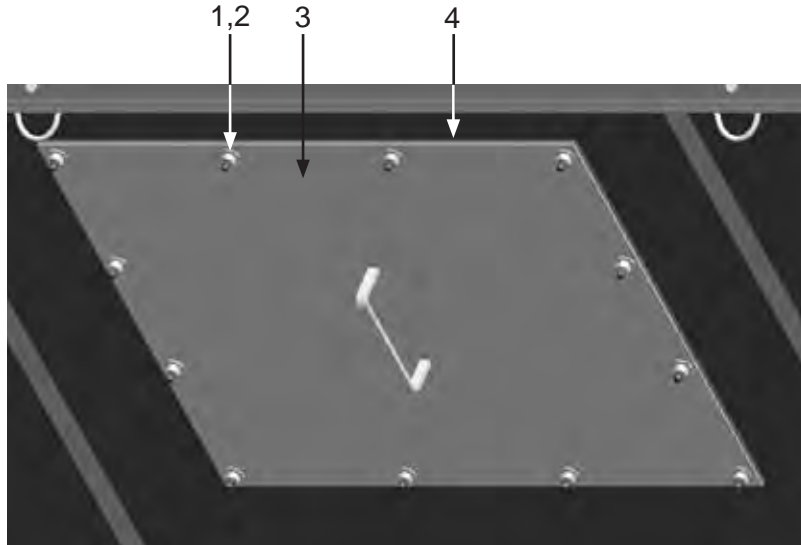
Item #	Part #	Description
--------	--------	-------------

Fig. 13

1	10103306	Drive Shaft
2	10101941	1/2-13 Galvanized Hex Nut (<i>Four Required</i>)
3	10103401	1/2-13 x 3" Galvanized Bolt (<i>Four Required</i>)
4	10103262	118" x 9" Standard Pitch Auger
5	10102910	Auger Shaft End

PART NUMBERS AND SCHEMATICS GUIDE

Figure 15: Access Panel Assembly

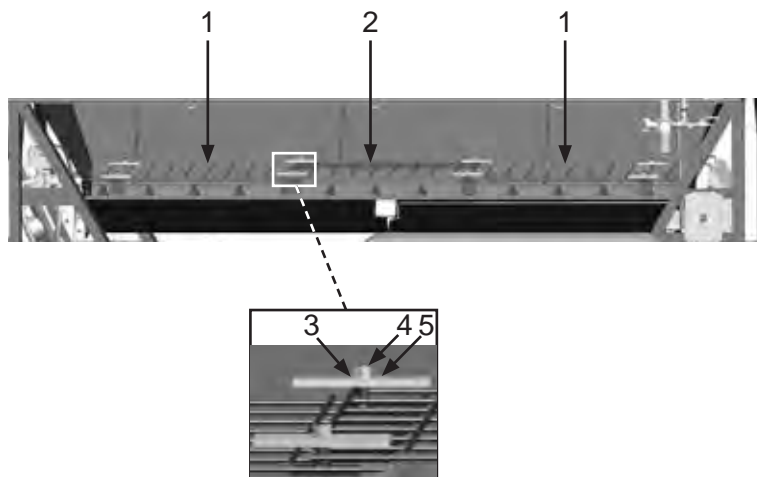


Item #	Part #	Description
--------	--------	-------------

Fig. 14

1	1012318	3/8-16 Hex Nut (12 Required)
2	10101942	3/8" Flat Washer (12 Required)
3	10102933	20" Access Panel Door
4	10103344	1/4" X 1-1/2" Adhesive-Backed Gasket (Per Foot)

Figure 16: Main Auger Protective Grate



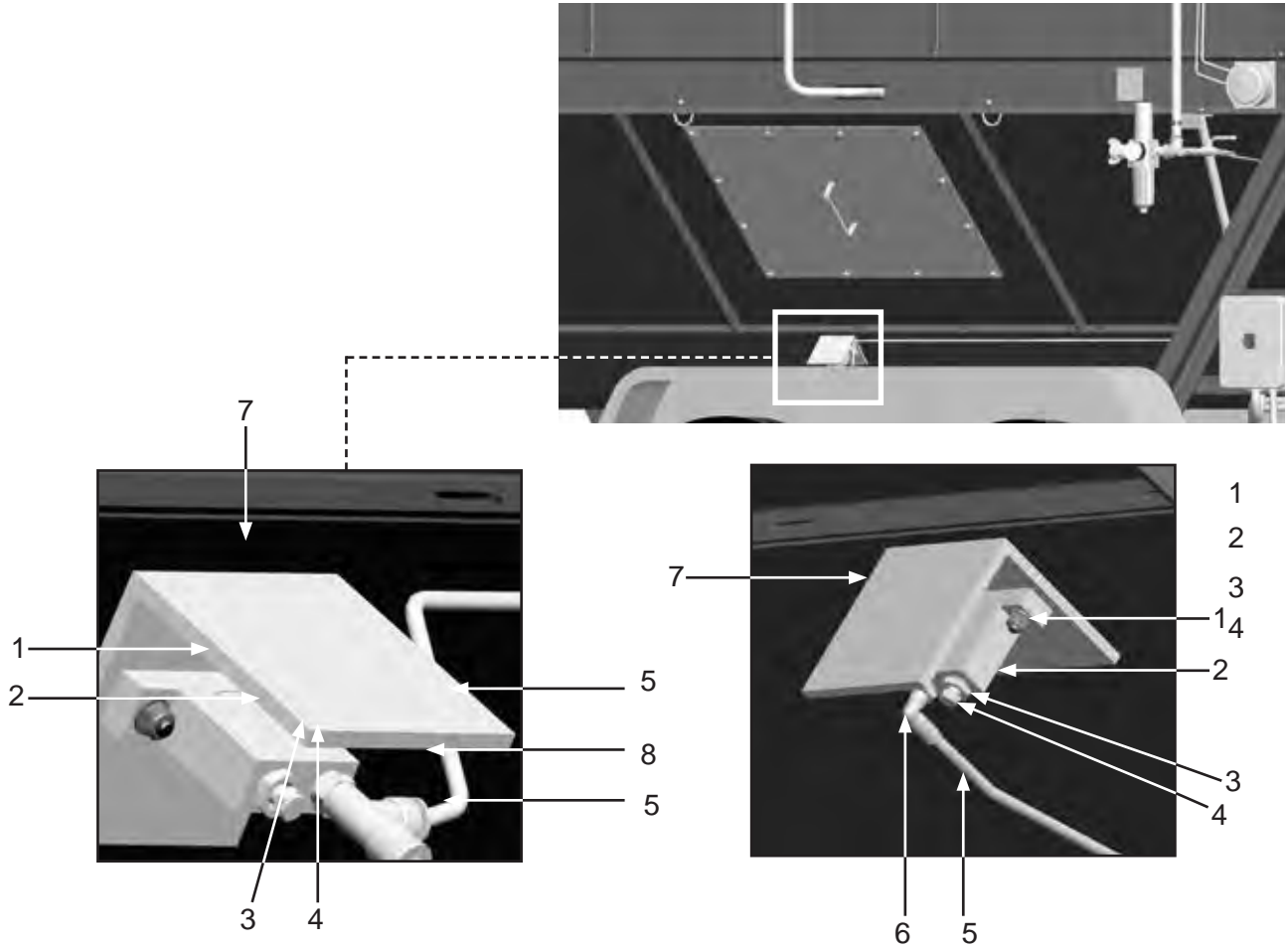
Item #	Part #	Description
--------	--------	-------------

Fig. 15

1	10103966	Protective Grate - 44 Inches (Two Required)
2	10103967	Protective Grate - 36 Inches
3	10100674	Flat Washer - 1/2" (Eight Required)
4	1014022	1/2-13 Hex Nut (Eight Required)
5	10102936	Protective Grate Bracket (Eight Required)

PART NUMBERS AND SCHEMATICS GUIDE

Figure 17: Pneumatic Ball Vibrators



Item #	Part #	Description
Fig. 16		
1	1012323	1/4-20 Zinc Lock Nut with Nylon Insert (<i>Four Required</i>)
2	10103258	Pneumatic Ball Vibrator (<i>Two Required</i>)
3	20PFHA24SB0402	1/4" x 1/8" Reducing Bushing
4	1012905	1/8" Breather Muffler (<i>Two Required</i>)
5	10103322	1/4" I.D. Black Urethane Tubing (<i>Per Foot</i>)
6	20PFBA31095614	1/4" Tube x 1/4" NPT 90° Fitting
7	10103609	Vibrator Shield (<i>Two Required</i>)
8	10103261	1/4" Male Push-to-connect Tee

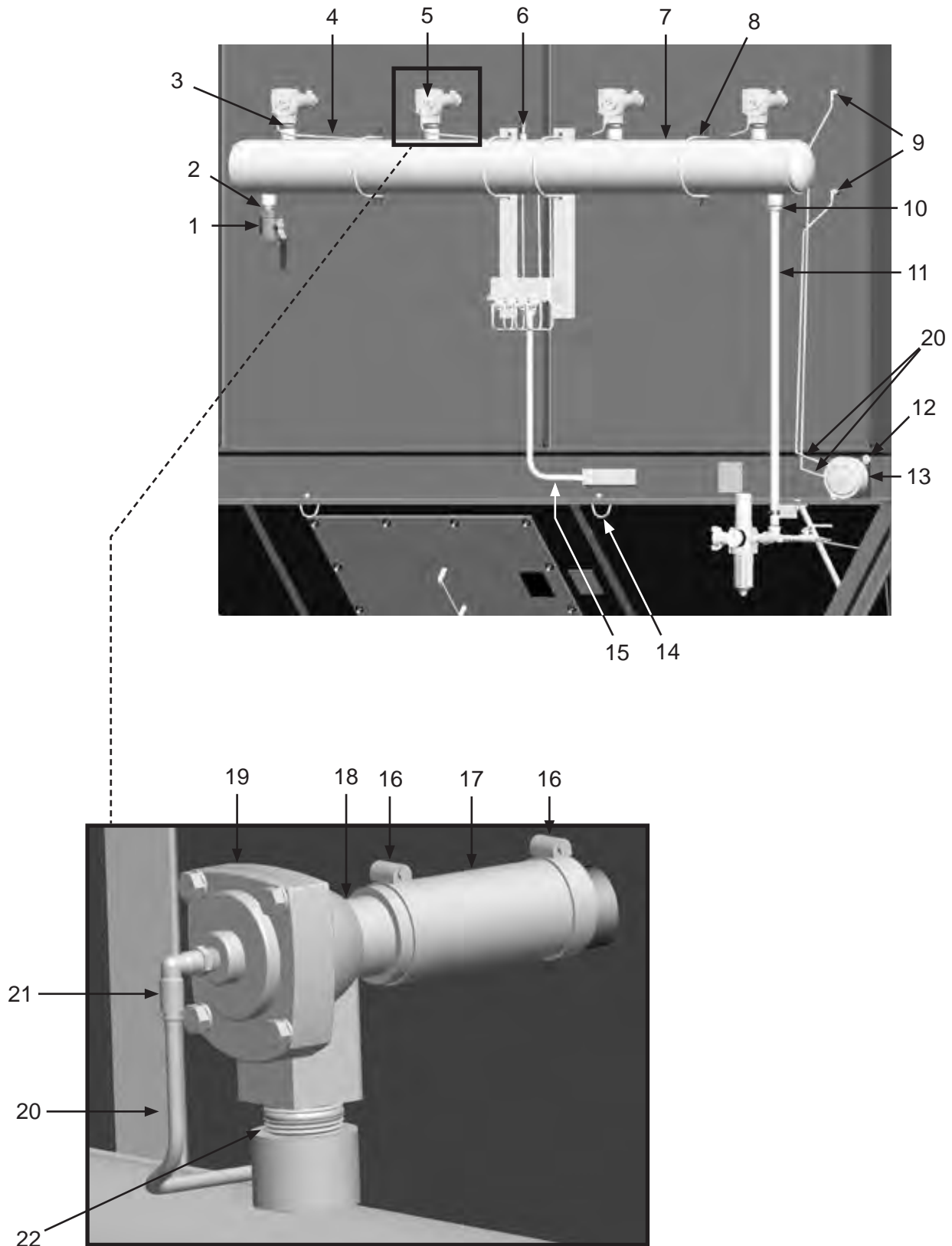
PART NUMBERS AND SCHEMATICS GUIDE

Pulser System Assembly

Item #	Part #	Description
Fig. 18		
1	1011601	1" Full Port Ball Valve
2	1012151	1" Close Nipple
3	10103318	1" x 2" Pipe Nipple <i>(Four Required)</i>
4	10103322	1/4" O.D. Black Urethane Tubing <i>(Per Foot)</i>
5	20100579	1/4" O.D. Tube x 1/8" NPT Swivel <i>(Four Required)</i>
6	1028607	1/4" NPT Pressure Relief Valve – 125 PSI
7	10103452	4 Pipe Header
8	10103394	3/8-16 x 6" U-Bolt Assembly <i>(Four Required)</i>
9	20PFBA31095614	1/4" Tube x 1/4" NPT 90° Fitting <i>(Two Required)</i>
10	20PFHA24SB1612	1" x 3/4" Reducing Bushing
11	10103315	3/4" x 36" Pipe Nipple
12	10103608	Magnehelic Differential Pressure Gauge Mounting Bracket
13	10103259	Magnehelic Differential Pressure Gauge Assembly <i>Includes Mounting Hardware</i>
14	10103625	D-Ring <i>(10 Required)</i>
15	20RSEL050UL	1/2" I.D. UL/UA Seal-Tite Conduit
16	10104136	T-Bolt Clamp 1-9/16" X 1-11/16" O.D.
17	10103654	1-1/4" I.D. Marine Hose – 100 PSI <i>(Per Foot)</i>
18	10105207	1" x 3" Toe Nipple <i>(Four Required)</i>
19	10103255	1" Diaphragm Valve <i>(See Figure 28)</i>
20	10103322	1/4" O.D. Black Urethane Tubing <i>(Per Foot)</i>
21	20100579	1/4" O.D. Tube x 1/8" NPT Swivel <i>(20 Required)</i>
22	10103318	1" x 2" Pipe Nipple <i>(11 Required)</i>

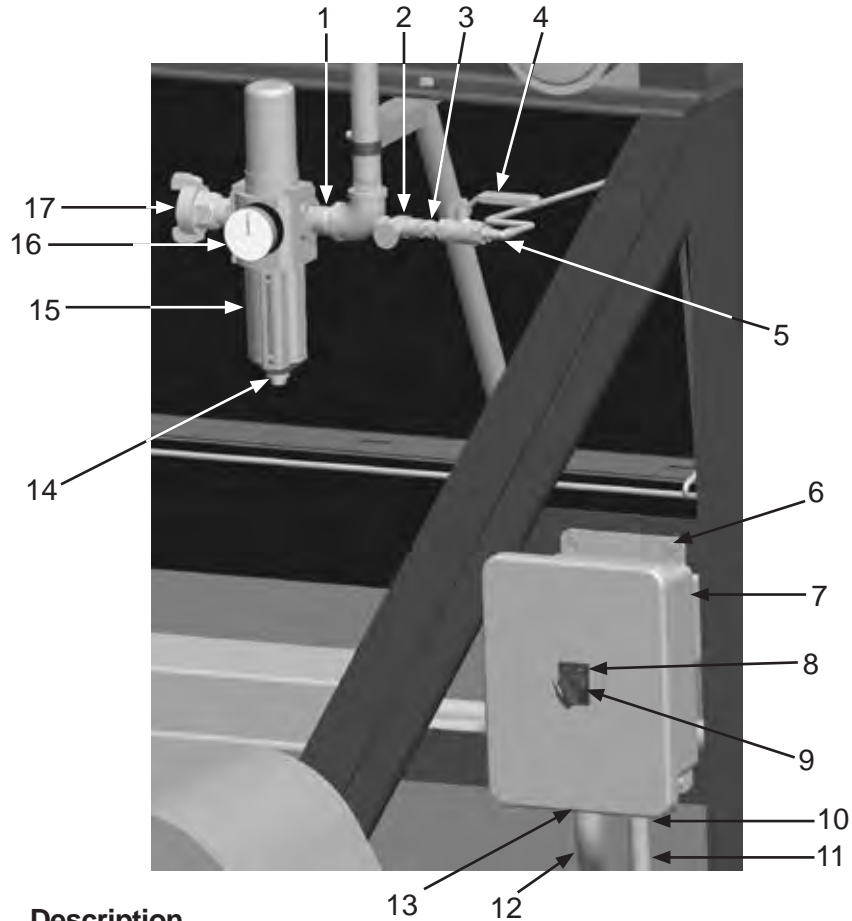
PART NUMBERS AND SCHEMATICS GUIDE

Figure 18: Pulsar System Assembly



PART NUMBERS AND SCHEMATICS GUIDE

Figure 19: Pulsar Regulator and Timer Assembly



Item # Part #

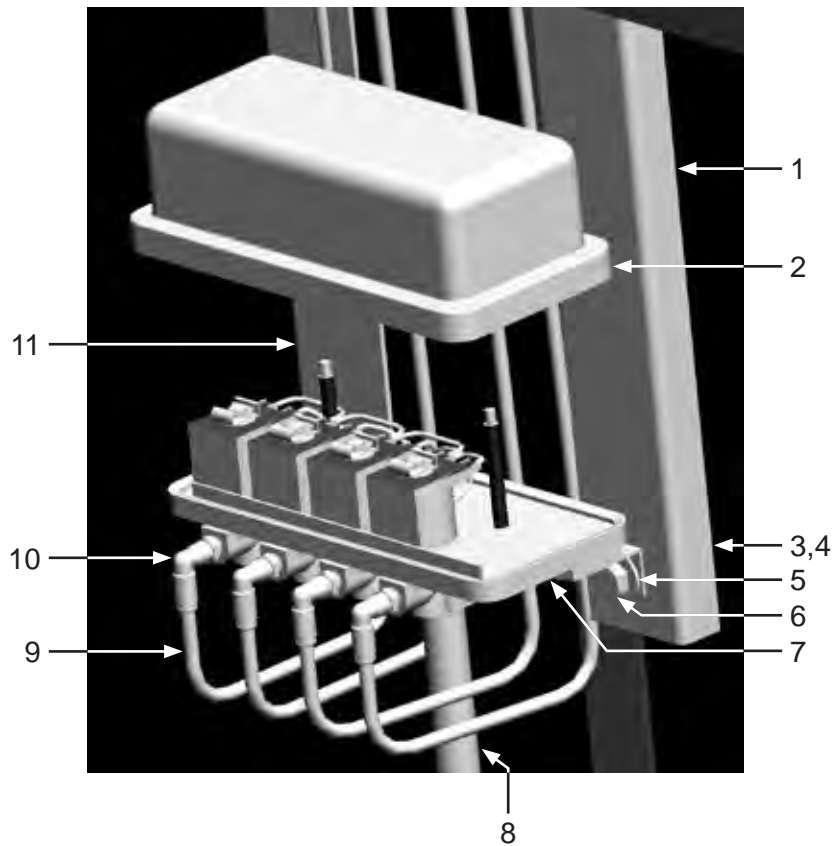
Description

Fig. 18

1	10103317	3/4" x 2" Pipe Nipple
2	10103292	1/4" Needle Valve
3	1017019	1/4" x 1/4" Hex Nipple
4	1080050	1/4" Ball Valve
5	20PFBA31095614	1/4" Tube x 1/4" NPT 90° Fitting (<i>Three Required</i>)
6	20100125	1/4-20 x 3/4" Zinc Hex Bolt (<i>Four Required</i>)
7	10103254	Timer Box with Timer Board
—	10103935	Timer Box Only
—	10103948	Timer Board Only
8	10103414	On/Off Name Plate
9	10103305	2-Way Selector Switch
10	20RST50	Straight Liquid Tite Connection Fitting (<i>Two Required</i>)
11	20RSEL050UL	1/2" UL/UA Seal-Tite Conduit Pipe (<i>Per Foot</i>)
12	10103304	3/4" Flexible Conduit
13	10103303	3/4" Conduit Hub
14	10103952	Filter Auto Drain
15	10103257	Excelon 74 Series Filter/Regulator
16	10103953	Sight Glass Kit
17	10ME1	3/4" Male 2-lug Coupling
—	10103950	Excelon 74 Series Filter/Regulator Service Kit
—	10103951	Filter Element (<i>Not Shown</i>)

PART NUMBERS AND SCHEMATICS GUIDE

Figure 20: Pulsar Solenoid Enclosure Assembly



Item #	Part #	Description
Fig. 19		
1	10102970	Solenoid Enclosure Mount – Right
2	10103705	Solenoid Pilot Valve Enclosure
3	10101936	3/8" Zinc Lock Washer <i>(Two Required)</i>
4	1012318	3/8-16 Hex Nut <i>(Two Required)</i>
5	10101942	3/8" Galvanized Flat Washer <i>(Four Required)</i>
6	1011747	3/8-16 x 1" Bolt
7	20RST50	Straight Liquid Tite Connection Fitting
8	20RSEL050UL	1/2" I.D. UL/UA Seal-Tite Conduit
9	10103322	1/4" O.D. Black Urethane Tubing <i>(Per Foot)</i>
10	20100579	1/4" O.D. Tube x 1/8" NPT Swivel <i>(Four Required)</i>
11	10102969	Solenoid Enclosure Mount – Left
—	10103955	Solenoid Valve <i>(Four Required)</i>
—	10103956	Solenoid Coil <i>(One Required per Solenoid)</i>
—	10103957	Solenoid Service Kit <i>Includes: O-ring, Plunger, Spring, Ferrule</i>

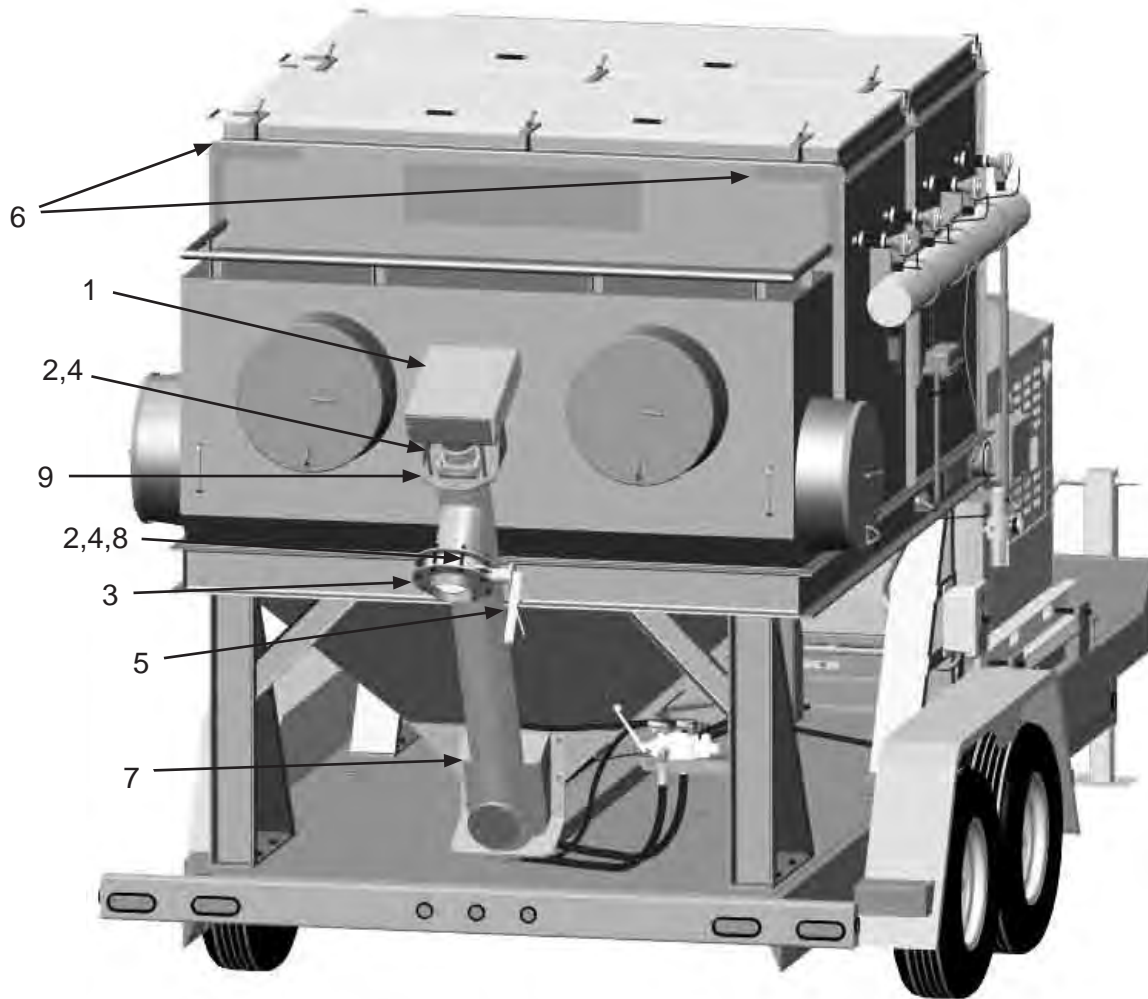
PART NUMBERS AND SCHEMATICS GUIDE

Discharge Auger Assembly

Item #	Part #	Description
Fig. 20		
1	10103363	Discharge Chain Cover
2	1014022	1/2-13 Hex Nut (<i>12 Required</i>)
3	10102971	Discharge Hose Connector
4	10100675	1/2" Lock Washer (<i>12 Required</i>)
5	10103302	6" Series Wafer Butterfly Valve
6	10103880	White Conspicuity Tape (Per Inch)
7	—	Discharge Auger (<i>See Fig. 23</i>)
8	10102703	1/2-13 x 3-1/2" Grade 5 Bolt (<i>Eight Required</i>)
9	10103359	Discharge Auger Motor Mounting Bracket
—	10103881	Red Conspicuity Tape (Per Inch)

PART NUMBERS AND SCHEMATICS GUIDE

Figure 21: Discharge Auger Assembly



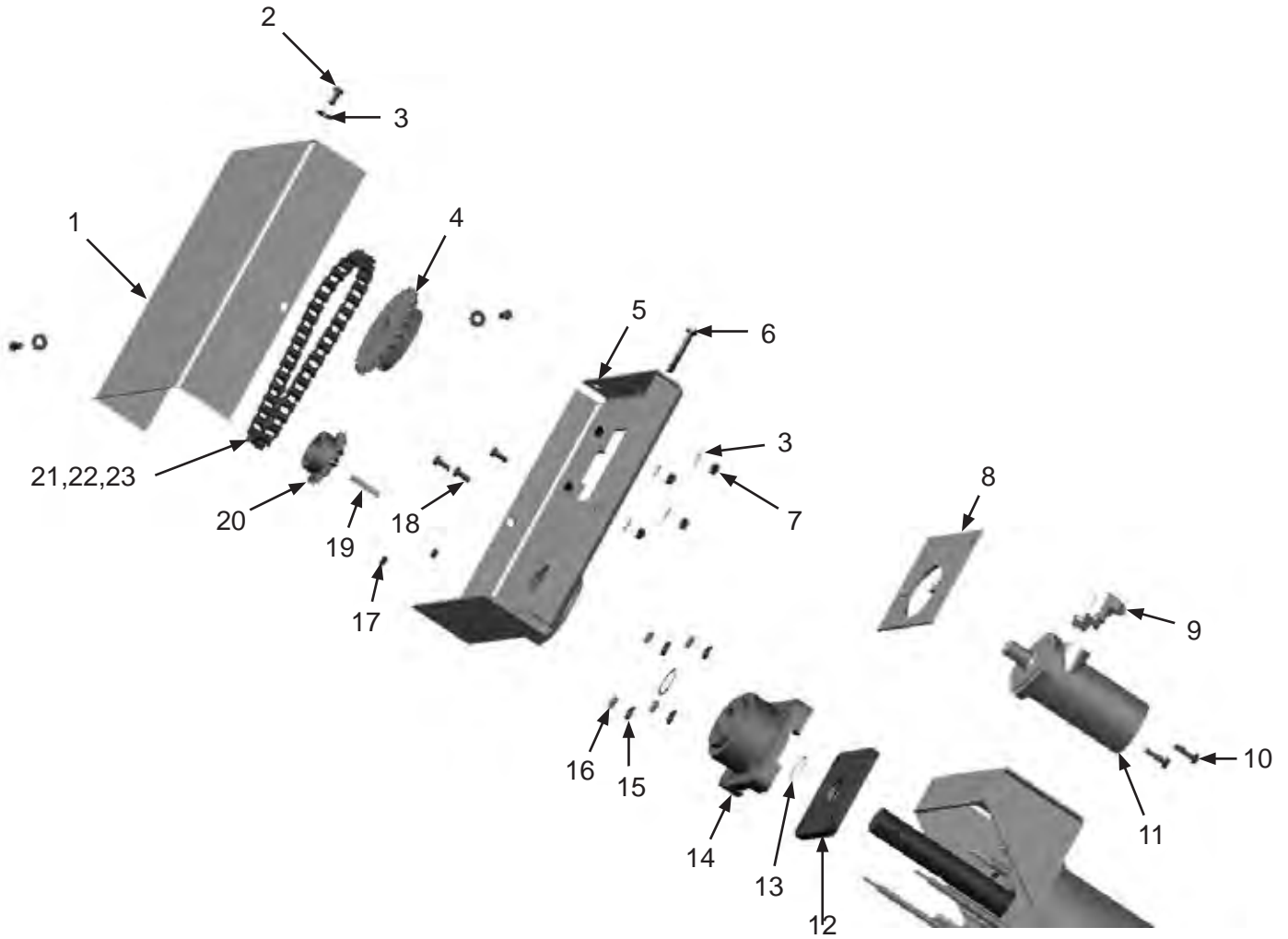
PART NUMBERS AND SCHEMATICS GUIDE

Discharge Auger Drive Assembly

Item #	Part #	Description
Fig. 22		
1	10103363	Chain Cover
2	10103400	3/8-16 x 3/4" Bolt <i>(Seven Required)</i>
3	10101942	3/8" Galvanized Flat Washer <i>(Three Required)</i>
4	10104217	22-Tooth Sprocket
5	10104197	Chain Cover Base
6	10101933	3/8" - 16 X 2-1/2" Hex Bolt
7	1012318	3/8-16 Hex Nut <i>(Four Required)</i>
8	10104199	Sliding Motor Mount
9	10103308	JIC 8 x SAE 10 90° Elbow <i>(Two Required)</i>
10	10104234	3/8-16 X 1-1/4" Bolt <i>(Two Required)</i>
11	10102887	Hydraulic Motor
12	10102902	Seal Plate
13	10103605	Snap Ring <i>(Two Required)</i>
14	10102903	Thrust Bearing
15	10100675	1/2" Lock Washer <i>(Four Required)</i>
16	1014022	1/2-13 Hex Nut <i>(Four Required)</i>
17	1035046	5/16"- 18 Nut <i>(Two Required)</i>
18	10101346	5/16-18 X 3/4" L GR 5 Bolt <i>(Three Required)</i>
19	10103641	3/8 Key Cut
20	10102886	13-Tooth Sprocket
21	10103392	Connecting Link #60
22	10103391	Cottered Roller Chain #60 <i>(Per Foot)</i>
23	10103614	Offset Link #60
—	10104191	Discharge Auger Chain Kit <i>Includes item # 21, 22 (3'), and 23</i>
—	10103940	Seal Kit for Hydraulic Motor 10102887

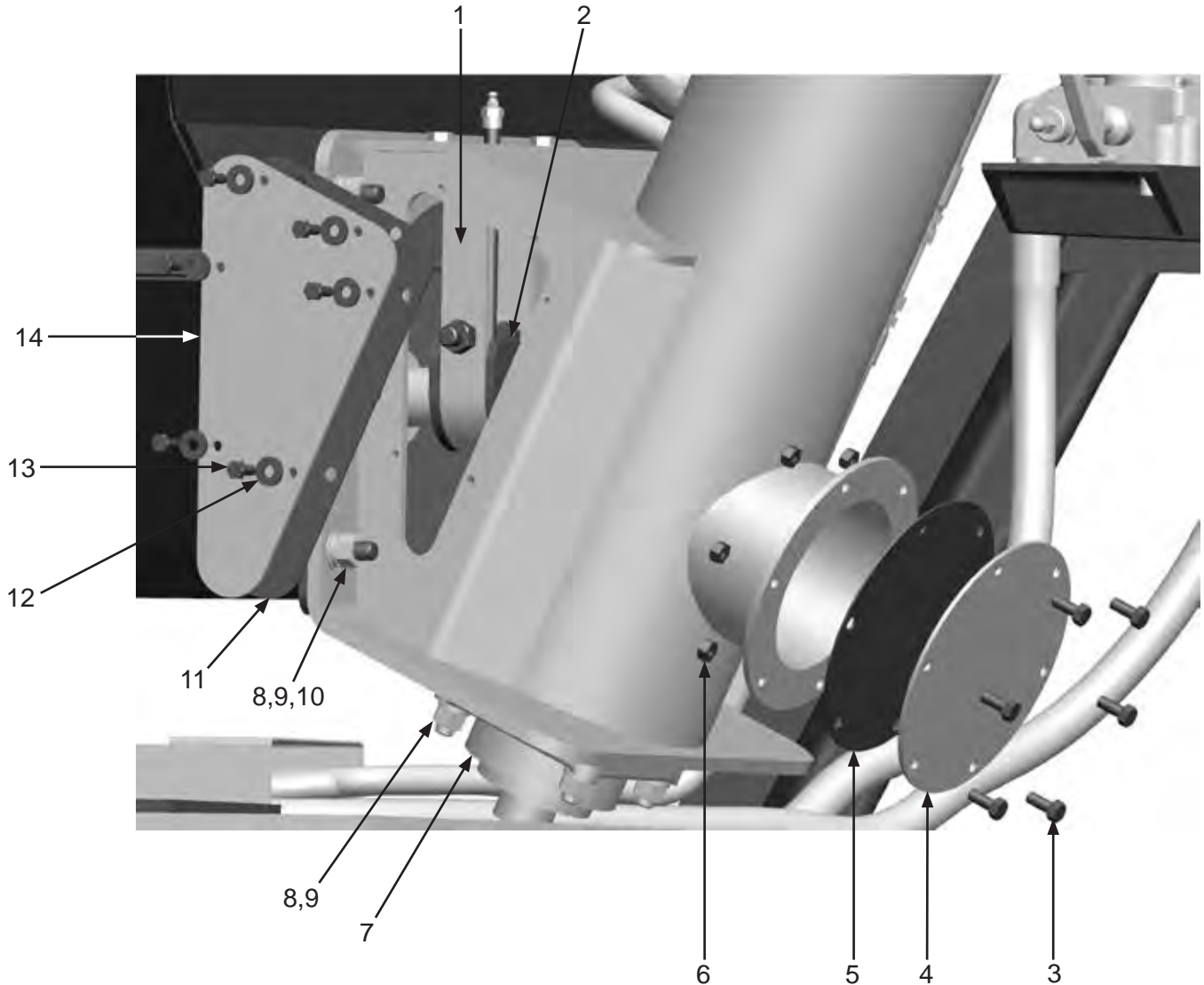
PART NUMBERS AND SCHEMATICS GUIDE

Figure 22: Discharge Auger Drive Assembly



PART NUMBERS AND SCHEMATICS GUIDE

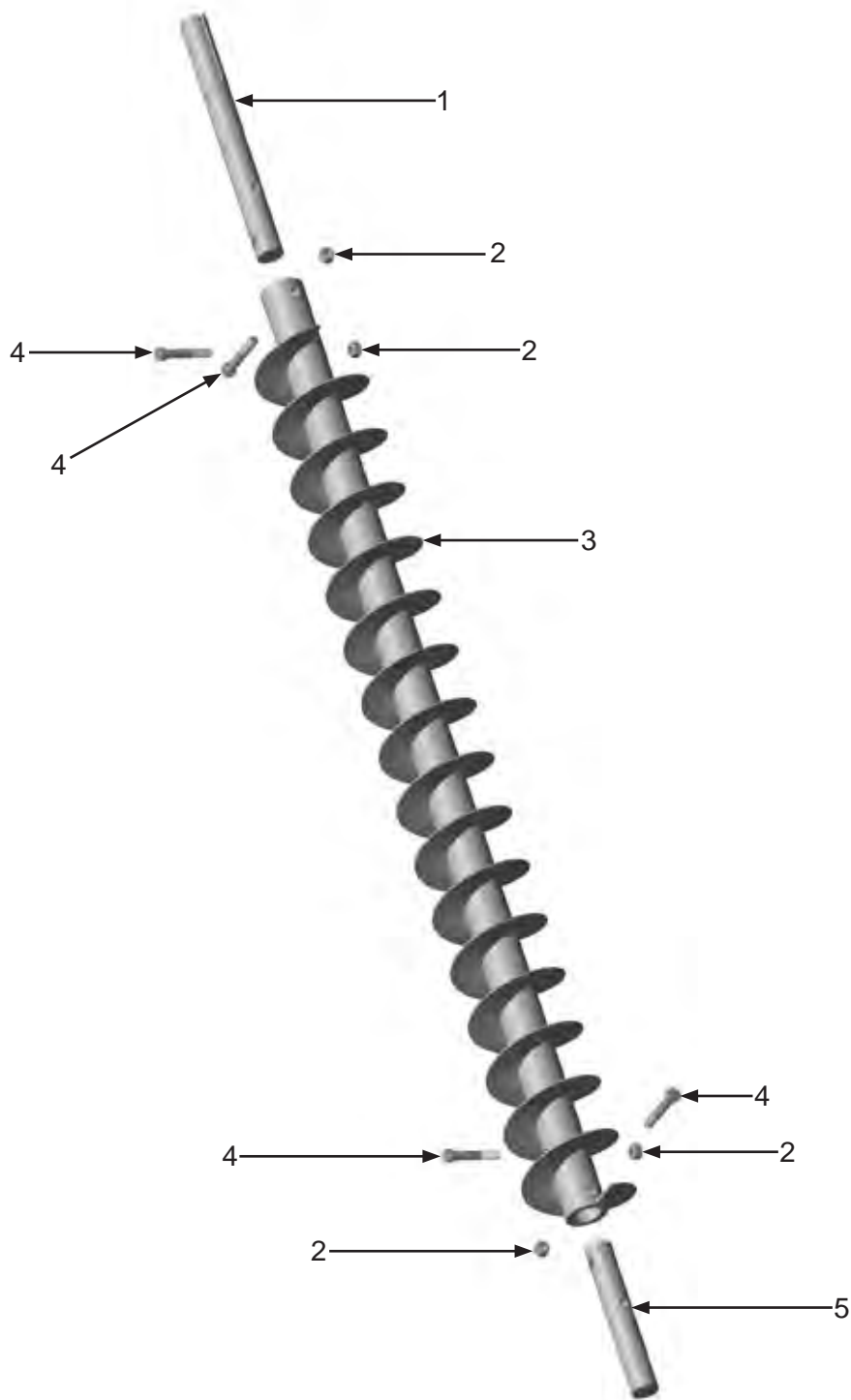
Figure 23: Discharge Auger Clean-out Assembly



Item #	Part #	Description
Fig. 22		
1	10102896	Bearing Hanger
2	10103413	Bearing
3	10101346	5/16-18 x 3/4" Bolt (Six Required)
4	10103235	Auger Clean-out Cover
5	10103716	Neoprene Auger Clean-out Gasket
6	1035046	5/16-18 Nut (Six Required)
7	10102880	Discharge Auger Lower Bearing Assembly
8	10101941	1/2-13 Galvanized Hext Nut (10 Required)
9	10100675	1/2" Lock Washer (10 Required)
10	10100674	1/2" Flat Washer (6 Required)
11	10103717	Discharge Auger Side Gasket (Two Required)
12	10101940	1/4" Galvanized Flat Washer (12 Required)
13	20100125	1/4-20 x 3/4" Zinc Hex Bolt (12 Required)
14	10103236	Discharge Auger Side Cover (Two Required)

PART NUMBERS AND SCHEMATICS GUIDE

Figure 24: Discharge Auger



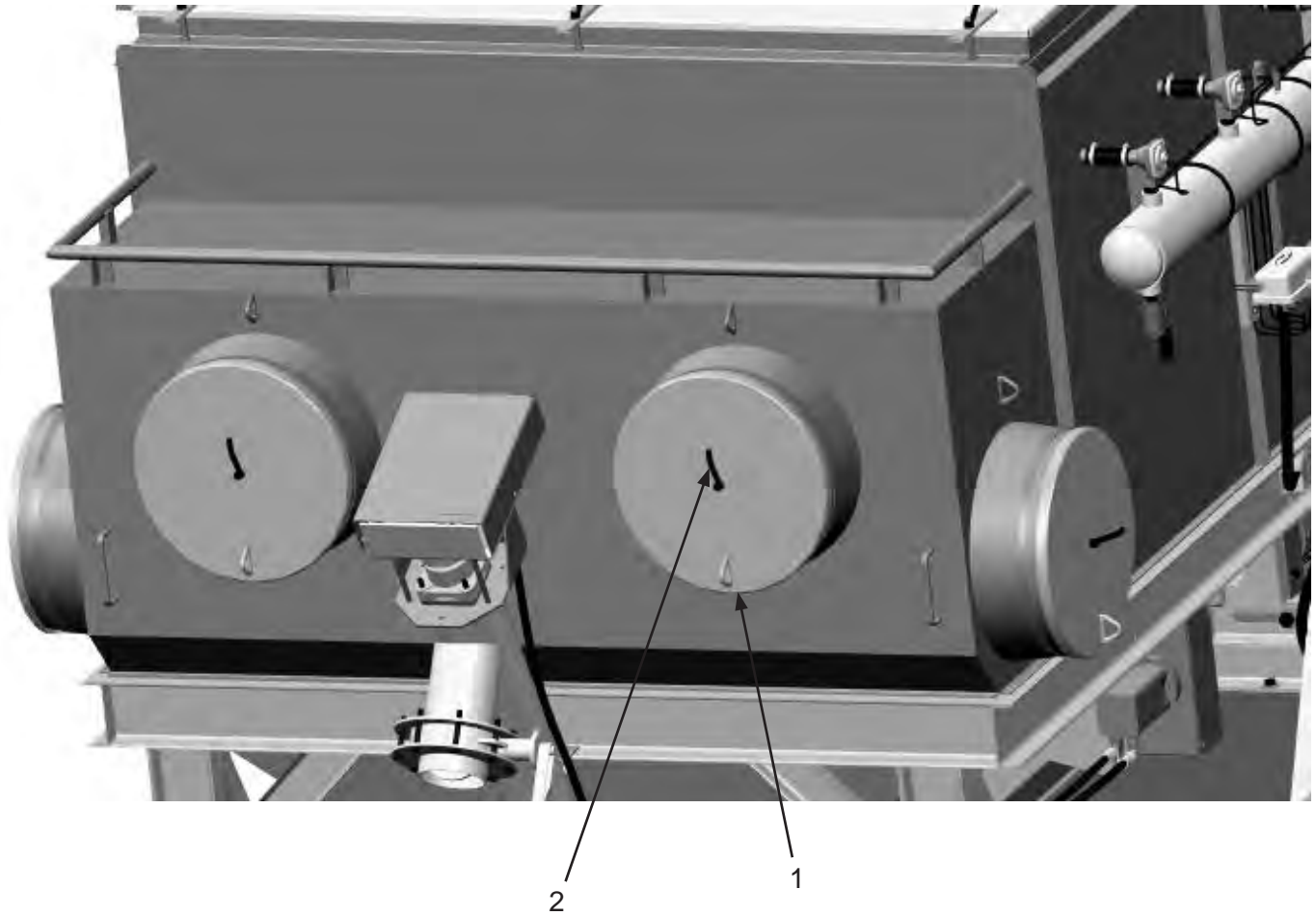
Item #	Part #	Description
--------	--------	-------------

Fig. 23

1	10103306	Drive Shaft
2	10101941	1/2-13 Galvanized Hex Nut (<i>Four Required</i>)
3	10102883	58" x 6" Half Pitch Auger
4	10103401	1/2-13 x 3" Galvanized Bolt (<i>Four Required</i>)
5	10102910	Auger Shaft End

PART NUMBERS AND SCHEMATICS GUIDE

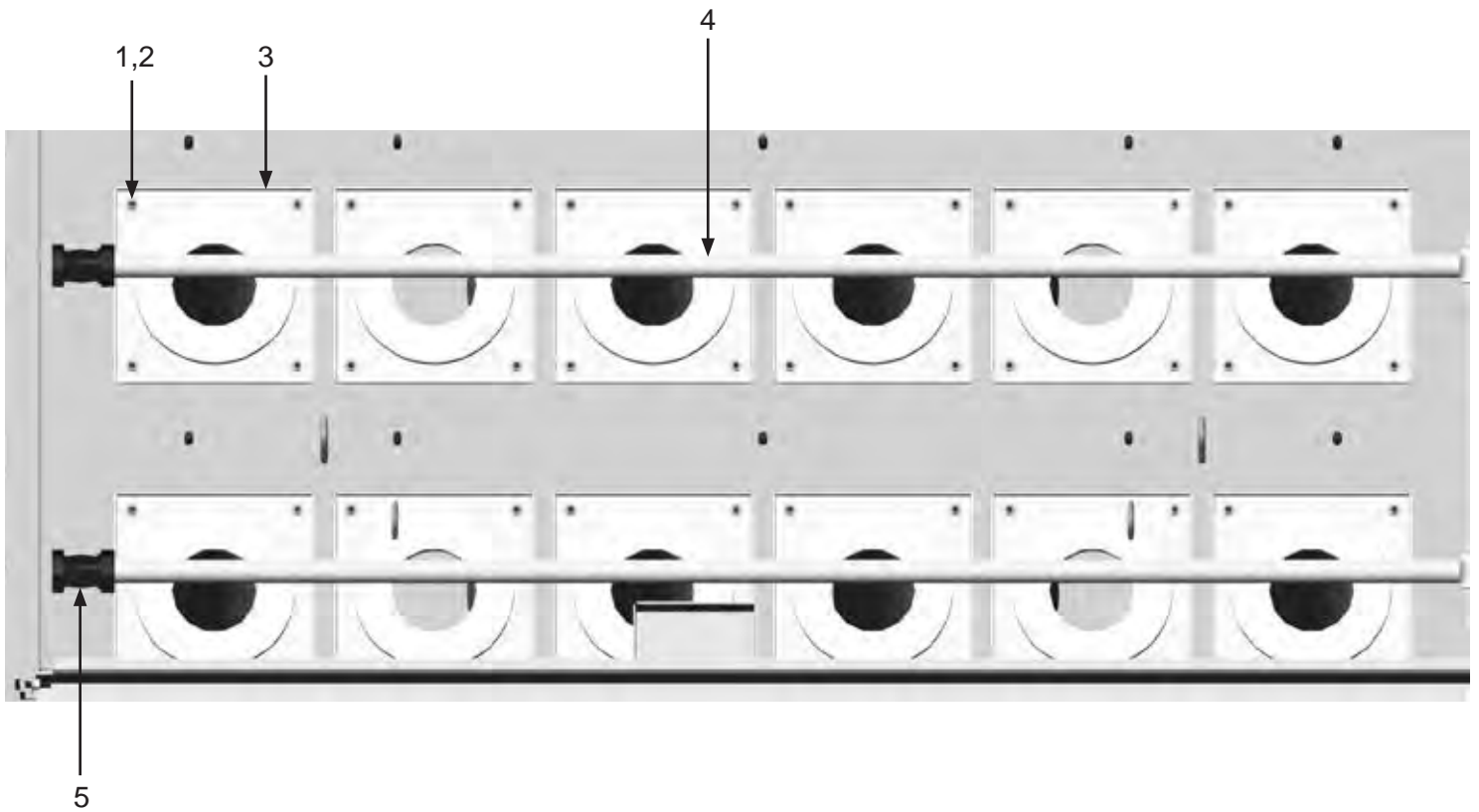
Figure 25: Inlet Door Assembly



Item #	Part #	Description
Fig. 26		
1	10105945	20" Inlet Cover (<i>Four Required</i>)
2	10105960	3/8-16 Handle Zinc (<i>Four Required</i>)
—	10102339	Camlock Closure - Chain
—	10102410	Spring Snap Hook - 1/4" (<i>Six Required</i>)

PART NUMBERS AND SCHEMATICS GUIDE

Figure 26: Dust Collector Filter Cartridge Pulsers



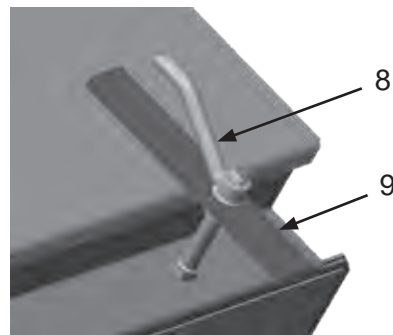
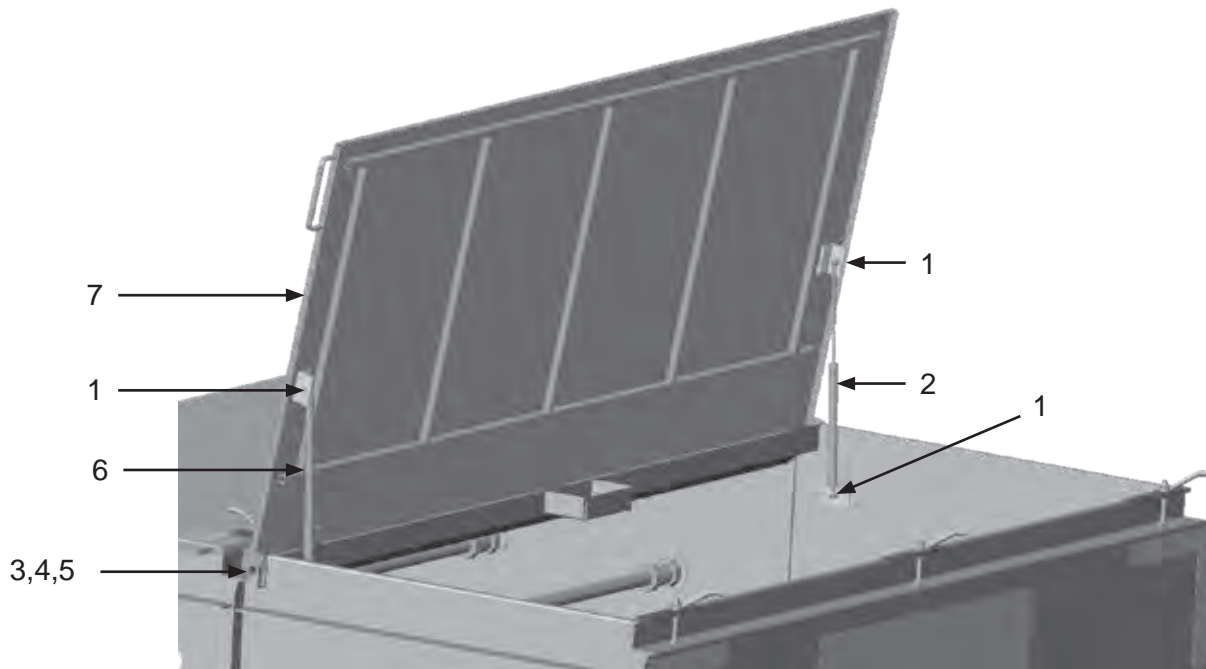
Item #	Part #	Description
Fig. 26		
1	10101942	3/8" Flat Washer (48 Required)
2	1012318	3/8" Hex Nut (48 Required)
3	10105939	Filter Bolt-Down (12 Required)
4	10105942	Small Filter Blowpipe (Two Required)
5	10102599	Compression Coupling Assembly (Two Required)

Quantities specified are per hatch opening

See *Optional Accessories for Dust Collector Filter Cartridges* part numbers

PART NUMBERS AND SCHEMATICS GUIDE

Figure 27: Dust Collector Filter Cartridge Hatch Door



Item #	Part #	Description
--------	--------	-------------

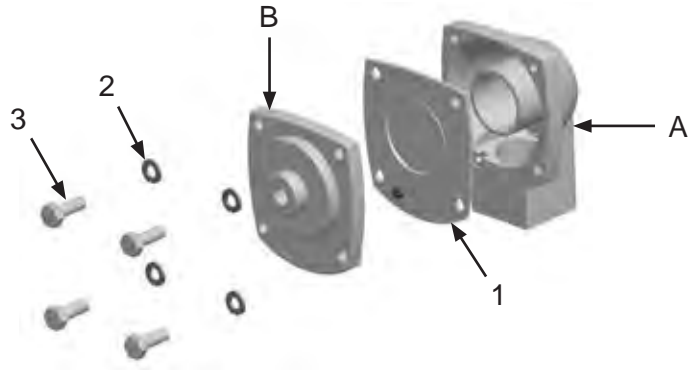
Fig. 28

1	1035046	5/16-18 Hex Nut (<i>Four Required</i>)
2	10103454	Non-Locking Gas Spring
3	1028617	3/8-16 X 1-3/4" Shoulder Bolt (<i>Two Required</i>)
4	10101942	3/8" Flat Washer (<i>Four Required</i>)
5	1012318	3/8"-16 Hex Nut (<i>Two Required</i>)
6	10103455	Locking Gas Spring
7	10102916	Hopper Lid
8	10103395	1/2-13 Zinc Plated Handle (<i>Three Required</i>)
9	10104377	Latch Bar (<i>Three Required</i>)

Quantities specified are per hatch opening

PART NUMBERS AND SCHEMATICS GUIDE

Figure 28: Diaphragm Valve



Item #	Part #	Description
Fig. 29		
—	10103255	1" Diaphragm Valve – Complete <i>(Three Required)</i> <i>Includes Items: A,B,1,2,3</i>
1	10103954	1" Diaphragm
2	1012153	1/4" Lock Washer <i>(Four Required)</i>
3	20101232	M6 x 1 x 14 HHCS <i>(Four Required)</i>
4	10103954	1" Diaphragm Valve Service Kit <i>(Not Shown)</i>

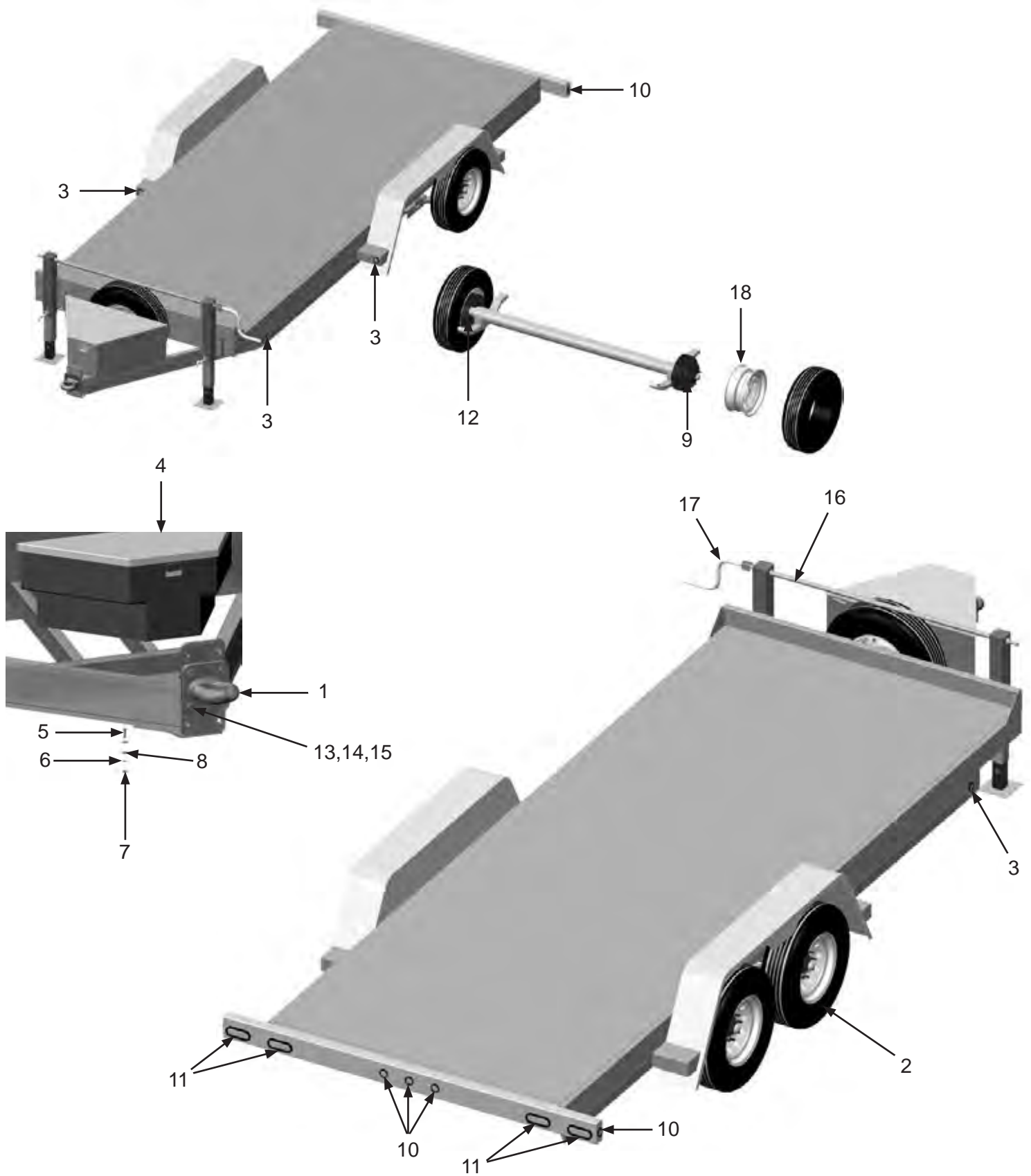
PART NUMBERS AND SCHEMATICS GUIDE

Trailer

Item #	Part #	Description
Fig. 29		
	10103696	Trailer 7 Ton 18' Long x 81" Wide
1	10104079	Pintle Hitch with Flat Plate
2	10104089	ST235/80R 16" 10-PLY Tire with Rim <i>(Five Required)</i>
—	10104096	ST235/80R 16" 14-PLY Tire <i>(Five Required)(optional)</i>
3	10104087	2" Round Amber LED Clearance Light <i>(Four Required)</i>
4	10103797	Tool Box (optional)
5	1012154	1/4-20 x 1" Bolt <i>(Five Required) (optional)</i>
6	1012153	1/4" Lock Washer <i>(Five Required) (optional)</i>
7	10101347	1/4-20 Hex Nut <i>(Five Required) (optional)</i>
8	10101940	1/4" Washer <i>(Ten Required) (optional)</i>
9	10106087	Left-Hand Electric Brake Assembly <i>(Two Required)</i>
10	10104086	2" Round Red LED Clearance Light <i>(Five Required)</i>
11	10104084	Red LED Oval Tail Light <i>(Four Required)</i>
12	10106088	Right-Hand Electric Brake Assembly <i>(Two Required)</i>
13	10105746	5/8 x 2-1/2" Gr 8 Bolt <i>(Four Required)</i>
14	10105747	5/8 Reverse Lock Nut <i>(Four Required)</i>
15	10103398	5/8" Flat Washer <i>(Four Required)</i>
16	10107218	Jack Stand Assembly
17	10107329	Sidewind Crank with Hardware
18	10107126	16 x 6 8-Hole White Rim <i>(Four Required)</i>
—	10105826	Redline 12V - 5AH Battery Sealed
—	10104081	Breakaway Kit
—	10104082	Wire Harness
—	10104080	3/8" x 35" Chain with Hook
—	109V582	Operator's Manual - Behnke Trailer

PART NUMBERS AND SCHEMATICS GUIDE

Figure 29: Trailer



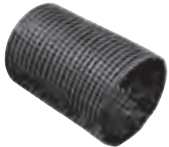
OPTIONAL ACCESSORIES



Part Numbers

DUST COLLECTOR FILTER CARTRIDGES

Part Numbers	I.D.	O.D.	Material	Length	Serial Number
10103499	8.38"	12.75"	85/15 High Density	35"	001-003
10105256	8.38"	12.75"	85/15 Reduced Pleat	35"	001-003
10103945	8.38"	12.75"	Fire Retardant	35"	001-003
1010008004	8.38"	12.75"	HEPA	35"	001-003
10103964	8.38"	12.75"	Spunbond	35"	001-003
10105973	4.87"	9.22"	85/15 High Density	35"	004 –
10106218	4.87"	9.22"	85/15 Reduced Pleat	35"	004 –
10105974	4.87"	9.22"	Fire Retardant	35"	004 –
101569046	4.87"	9.22"	HEPA	35"	004 –
10105980	4.87"	9.22"	Spunbond	35"	004 –



Part Numbers

DUCT HOSE

Part Numbers	I.D.	Length	Pitch
10DH2025HD	20"	25 Feet	1-1/2" Heavy-Duty
10DH2050HD	20"	50 Feet	1-1/2" Heavy-Duty



Part Numbers

DUCT HOSE COUPLING AND CLAMPS

Part Numbers	I.D.	Length
1017120	20"	Coupling
10DH062602000	20"	Screw Clamp

OPTIONAL ACCESSORIES



Part Numbers

3/4" I.D. X 1-1/4" O.D. AIR HOSE					
	Length	Hose I.D.	Hose O.D.	Working Pressure	Hose Cover Color
10AH034	Per Ft.	3/4"	1-1/4"	200 PSI	Red



Part Numbers

3/4" I.D. X 1-1/4" O.D. AIR HOSE WITH COUPLINGS INSTALLED							
	Length	Hose I.D.	Hose O.D.	Working Pressure	Hose Cover Color	Couplings	Band Clamps
10AH034AC	50 Ft.	3/4"	1-1/4"	200 PSI	Red	10HE1	10AHCL1



Part Numbers

MALE HOSE END COUPLING AND GASKET FOR 3/4" I.D. AIR HOSE						
	Hose I.D.	Material	Coupling Style	GASKET		
				Rubber Gasket	Gasket I.D.	Gasket O.D.
10HE1	3/4"	Plated Iron	2-Lug	10UG2	3/4"	1-3/8"

PART NUMBERS

DUSTMASTER® 18,000 CFM DUST COLLECTOR									
Part Number	Filter Cartridge Material						Engine Type		Filter Cartridge Quantity
	None	High Density 85% Cellulose/15% Poly Blend	85% Cellulose/15% Poly Blend	Fire Retardant	HEPA	Spunbond	Tier III	Tier 4	
10105537	X						X		—
10104249		X					X		16
10105538			X				X		16
10105539				X			X		16
10105540					X		X		16
10105541						X	X		16
10106472	X							X	—
10106473		X						X	24
10106474			X					X	24
10106475				X				X	24
10106476					X			X	24
10106477						X		X	24



SPECIFICATIONS

Capacity:	CFM : 10,880-18,350 cfm W.C. 0"-16"
Filter Cartridge Style:	Open Top with Flange, Closed Bottom 16 Required
Filter Cleaning:	Pulse System, 5–15 second intervals Pulse Duration: 200–350 millisecond
Air to Cloth Ratio:	3.67:1 @ 18,000 CFM
Filter Area:	4,901 square feet
Efficiency:	85/15 Blend Filters – 99.8% @ 0.5 micron HEPA Filters – 99.99% @ 0.3 micron Fire Retardant Filters – 96.8% @ 2.0 micron Spunbond Filters – 97% @ 3.0 micron
Ducting Connections:	20" I.D., Quantity of Four
Clean-out Ports:	One
Dust Removal Conveyor:	Main Auger, 6" Discharge Auger, Hydraulic Motor Drive
Fan:	Backward Inclined, non-overloading, spark resisting
Engine:	Diesel, Tier III, 97 Horsepower (Tier 4 Optional)
Fuel Capacity:	Type: Diesel Capacity: 55 Gallons
Air Requirements:	Clean, Dry, Compressed Air 24 CFM @ 90 PSI
Electrical System:	12-Volt DC
Engine Protection:	Engine Monitoring System with automatic shutdown measures: coolant temperature, intake air temperature, engine intake manifold pressure, engine oil pressure, pressure in fuel rail, engine speed and timing.
Fluid Specifications:	Hydraulic Oil: H46 or equivalent, 40 Gallons Diesel Fuel: See Engine Operator's Manual for type, 55 Gallons Grease/Lubricator: Shell Alvania Grease EP or equivalent
Unit Dimensions:	Weight: 11,680 pounds (empty) Tongue Weight: 1560 pounds Length: 21' 10" Width: 8' 6" Height: 10' 3"

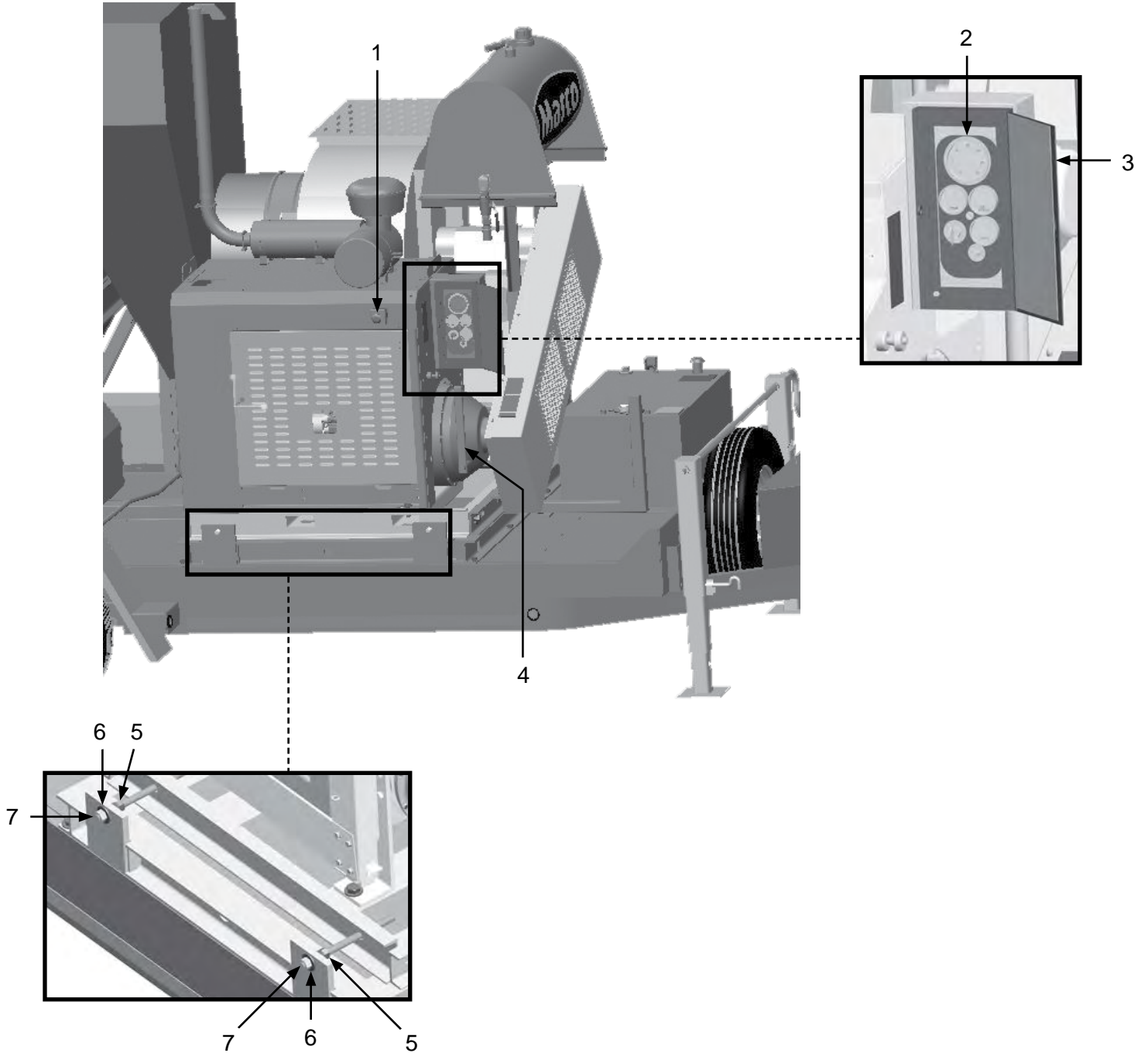
PART NUMBERS AND SCHEMATICS

Front Assembly

Item #	Part #	Description
Fig. 1		
1	10104062	Emergency-Stop Station (See Fig. 29)
2	10105030	97HP Engine Control Panel - Complete
3	10104072	Engine Control Panel Door
4	10104025	Clutch Assembly
5	10103420	3/4-10 Nut (Four Required)
6	10103718	3/4" Washer (Four Required)
7	10103440	3/4-10 Draw Bolt (Two Required)
—	105M113	Features & Specifications Guide – Dustmaster® 18,000 CFM CFM Dust Collector
—	106M113	Part Numbers and Schematics Guide – Dustmaster® 18,000 CFM CFM Dust Collector
—	1090118	Operator's Manual – Dustmaster® 18,000 CFM CFM Dust Collector

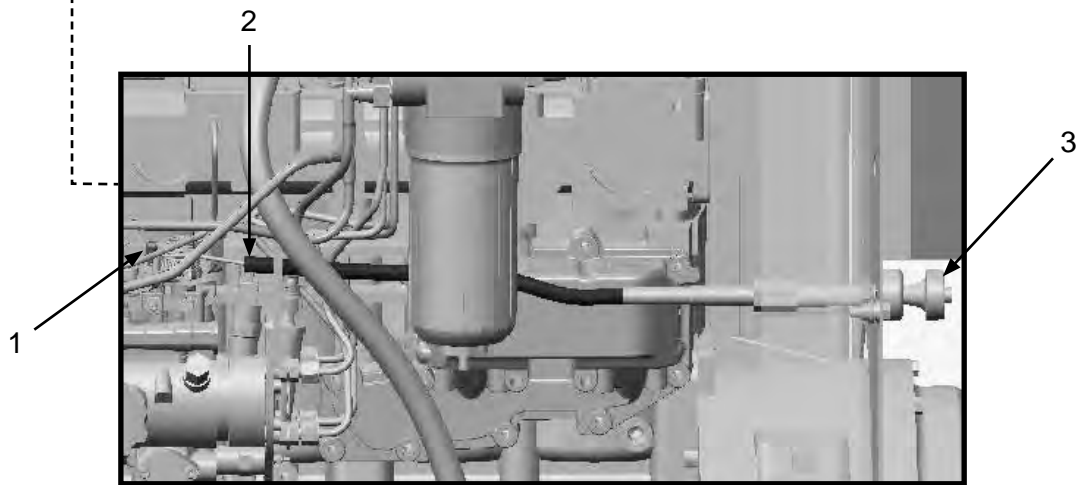
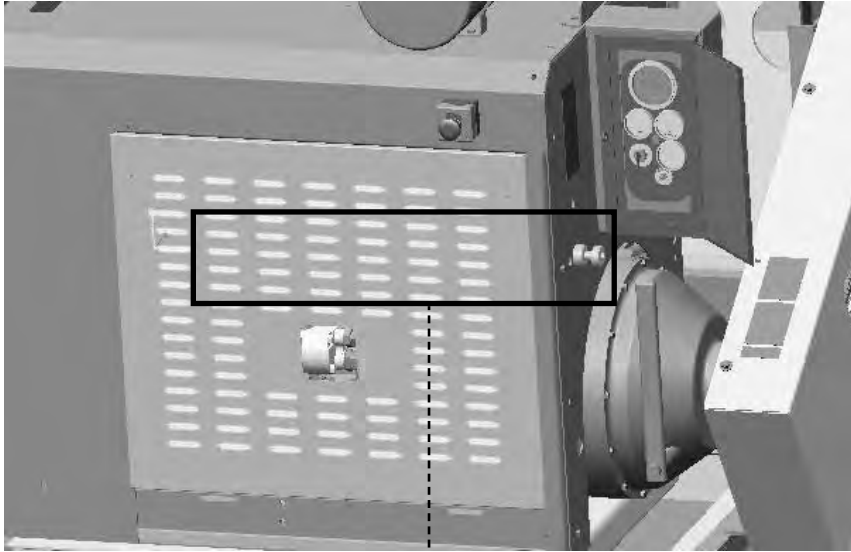
PART NUMBERS AND SCHEMATICS

Figure 1: Front Assembly



PART NUMBERS AND SCHEMATICS

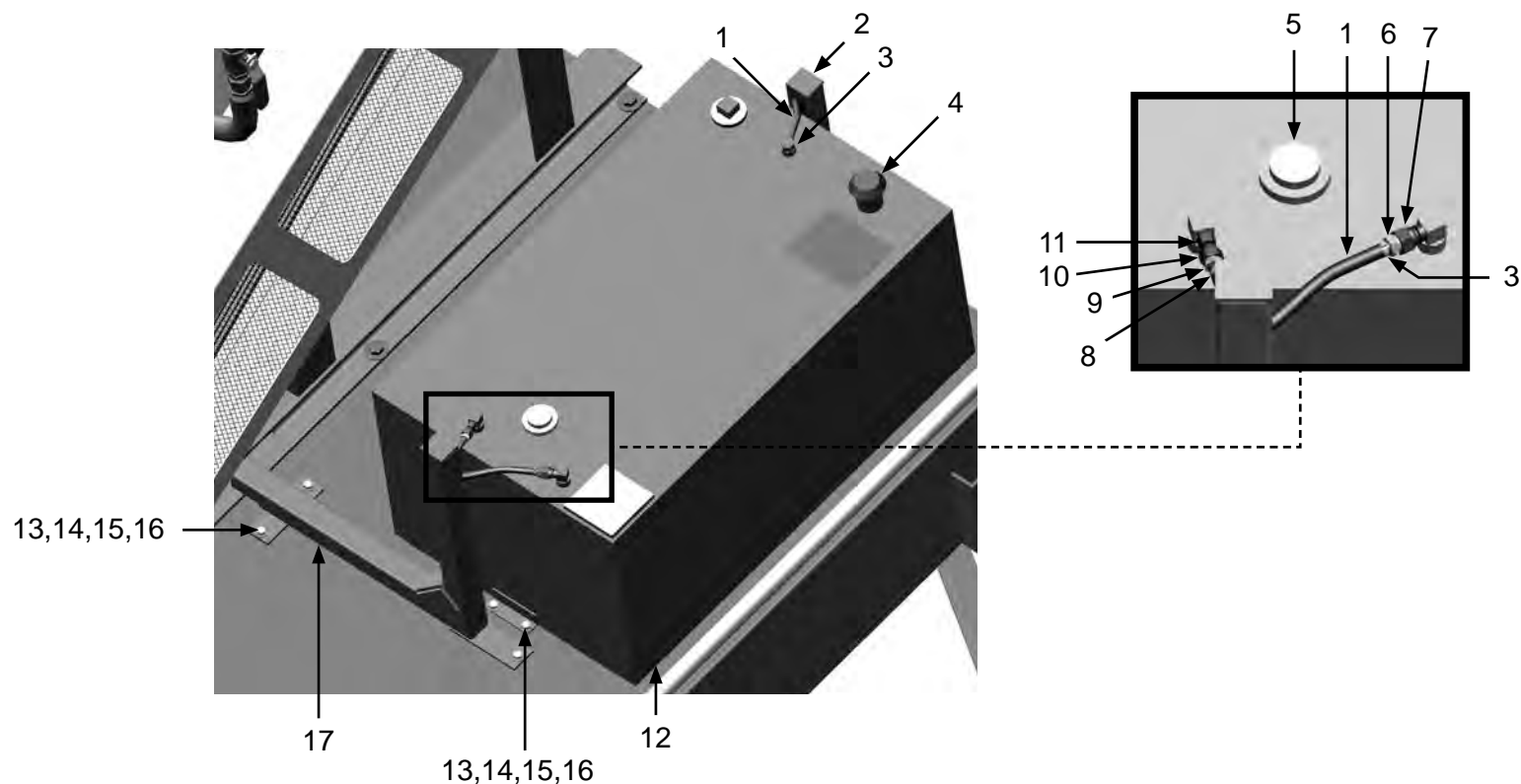
Figure 2: Throttle Cable



Item #	Part #	Description
Fig. 2		
1	10104208	Throttle Retainer
2	10104209	Nut and Ferrule
3	10104095	Throttle Cable <i>(Item #'s 1 and 2 Not Included)</i>

PART NUMBERS AND SCHEMATICS

Figure 3: Fuel Tank



Item #	Part #	Description
Fig. 3		
1	10103423	3/8" I.D. Fuel Hose (<i>Per Foot</i>)
2	10104153	Fuel Line Guard
3	10104065	Oetiker Clamp - 3/8" I.D. Hose
4	10103968	Locking Fuel Cap with Keys
5	10103810	Sight Gauge
6	10103631	3/8" Barb x 3/8" NPT Brass Female Fitting
7	20PFHA60SA0606	3/8" (M) x 3/8" (F) Swivel Union
8	10104099	5/16" I.D. Fuel Hose (<i>Per Foot</i>)
9	10104101	Oetiker Clamp - 5/16" I.D. Hose
10	10104100	5/16" Barb x 1/4" NPT Fitting
11	10SME025	1/4" NPT (M) x 1/4" NPS (F) Straight Swivel
12	10103711	Fuel Tank - 55 gallon
13	10101059	3/8-16 x 1-1/4" Galvanized Bolt (<i>Eight Required</i>)
14	10101942	3/8" Galvanized Flat Washer (<i>16 Required</i>)
15	10101938	3/8-16 Galvanized Hex Nut (<i>Eight Required</i>)
16	10101936	3/8" Zinc Lock Washer (<i>Eight Required</i>)
17	10103677	Fuel Line Guard
—	10103617	Withdraw Tube - 16"
—	10103620	3/8" Inline Filter (<i>Not Shown</i>)
—	10103961	Fuel Tank Rubber Cushioning Pad (<i>Not Shown</i>)

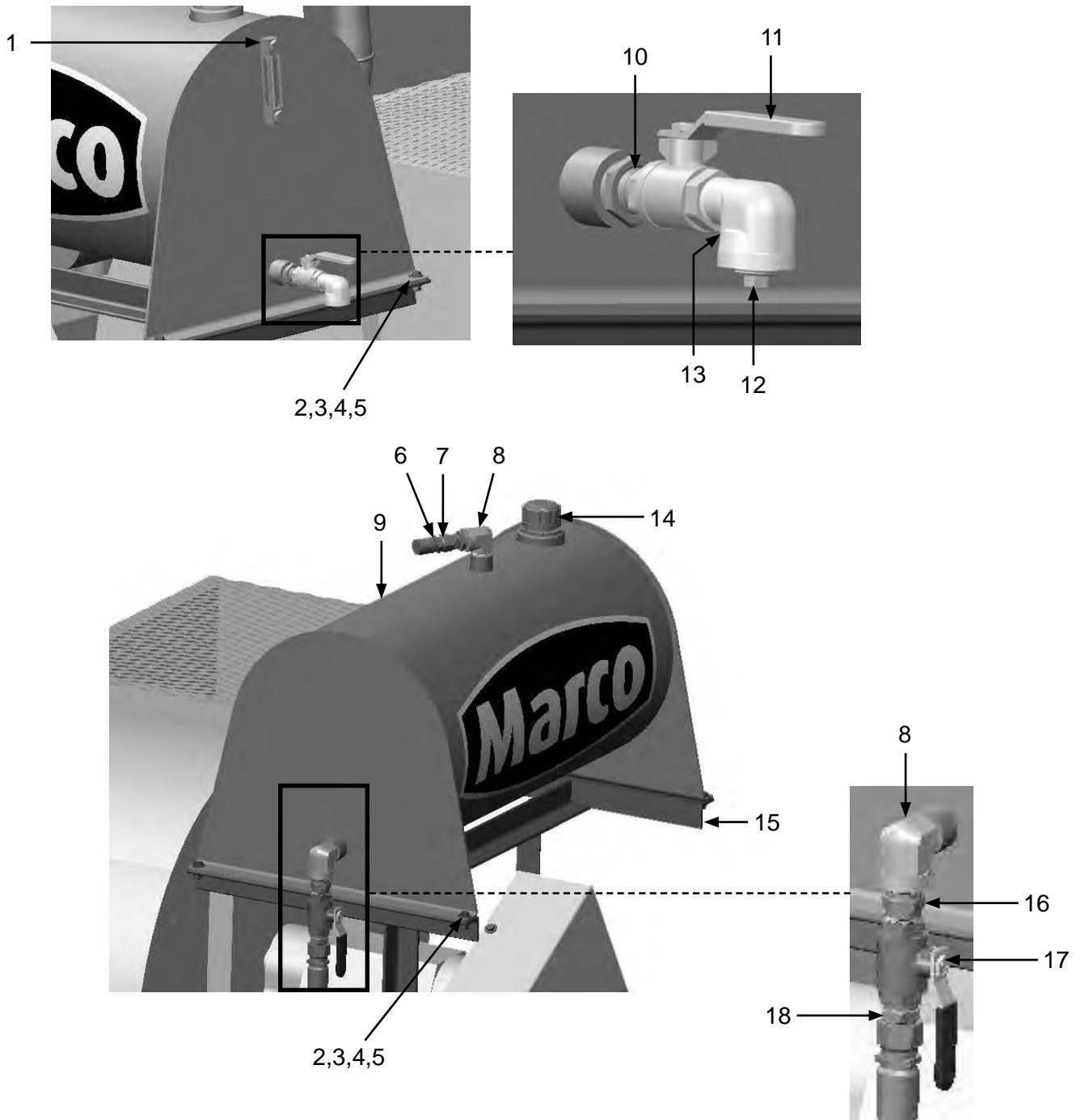
PART NUMBERS AND SCHEMATICS

Hydraulic Oil Tank

Item #	Part #	Description
Fig. 4		
1	10103942	Sight Level Gauge
2	1011747	Bolt - 1/2-13 x 1-3/4" - Galvanized (<i>Four Required</i>)
3	10101942	Flat Washer - 1/2" (<i>Eight Required</i>)
4	10101936	Lock Washer - 1/2" (<i>Four Required</i>)
5	10101938	Hex Nut - 1/2-13 (<i>Four Required</i>)
6	10103314	Straight Adapter - 3/4" NPT x 12 JIC
7	20PFHA24SB1612	Reducing Bushing - 1" NPT x 3/4" NPT
8	20PFHA25UG1616	Street Elbow - 90° - 1" NPT (<i>Two Required</i>)
9	10105031	Hydraulic Oil Reservoir - 40 Gallon
10	1011213	Close Nipple - 3/4" NPT - Galvanized
11	10L8074C	Full Port Ball Valve - 3/4" NPT
12	10DSHP75	Pipe Plug - Square Head - 3/4" NPT
13	10102479	Street Elbow - 90° - 3/4" NPT - Galvanized
14	10103971	Filler/Breather Cap
15	10104255	Hydraulic Oil Tank Mount
16	20PFHA24SA1616	Hex Nipple - 1" NPT
17	1011601	Full Port Ball Valve - 1" NPT
18	10103312	Straight Adapter - 1" NPT x 16 JIC

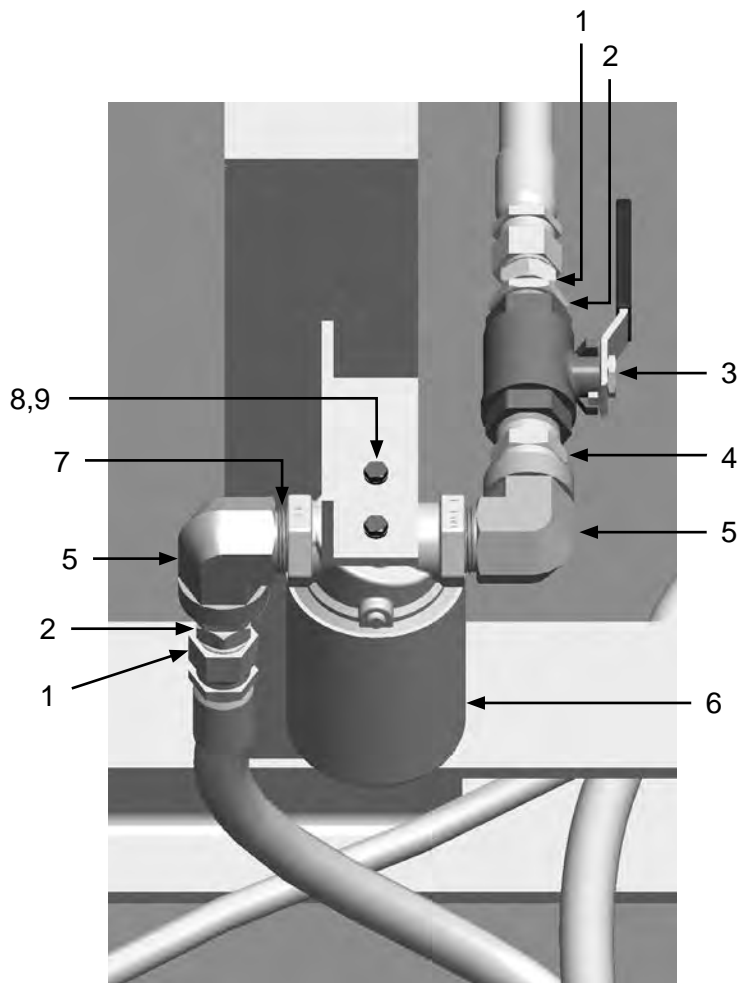
PART NUMBERS AND SCHEMATICS

Figure 4: Hydraulic Oil Tank



PART NUMBERS AND SCHEMATICS

Figure 5: Hydraulic Oil Filter Assembly



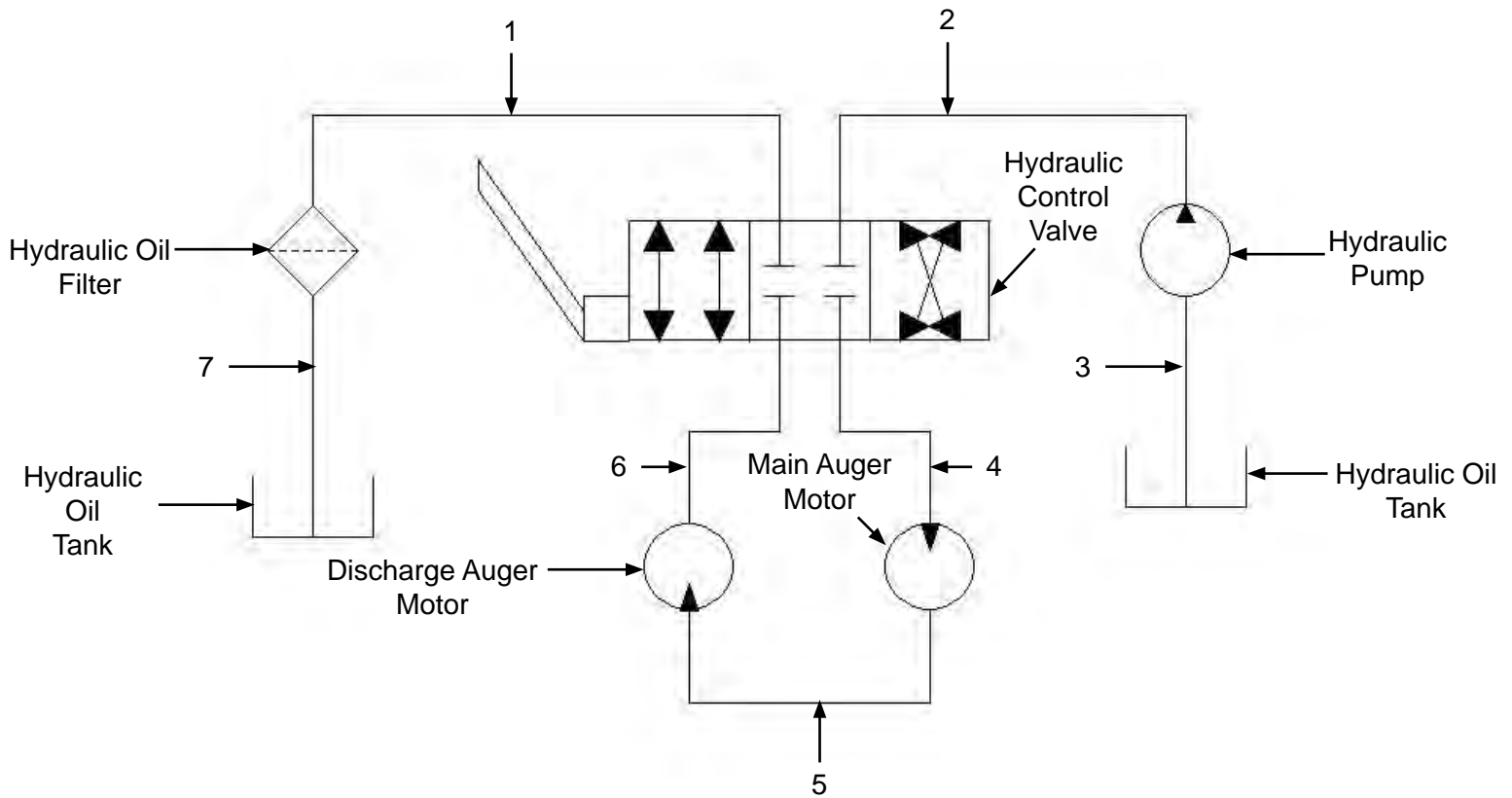
Item #	Part #	Description
--------	--------	-------------

Fig. 5

1	10103314	3/4" NPT x 12 JIC Straight Adapter
2	20PFHA24SB1612	1" x 3/4" Reducing Bushing
3	1011601	3/4" Full Port Brass Ball Valve
4	20PFHA24SA1616	1" Hex Nipple
5	20PFHA25UG1616	1" Street Elbow
6	10104058	Hydraulic Oil Filter
7	10104057	Hydraulic Oil Filter Head
8	1012153	1/4" Lock Washer
9	20100125	1/4-20 x 3/4" Zinc Bolt

PART NUMBERS AND SCHEMATICS

Figure 6: Hydraulic Hoses



Item #	Part #	Description
--------	--------	-------------

Fig. 6

1	10103710	Hydraulic Hose - 3/4" I.D. x 13 feet - 3045 psi
2	10103707	Hydraulic Hose - 3/4" I.D. x 17.58 feet - 3045 psi
3	10103405	Hydraulic Hose - 1-1/4" I.D. x 9.5 feet - 2000 psi
4	10103408	Hydraulic Hose - 1/2" X 12'6" - 2000 psi
5	10104223	Hydraulic Hose - 1/2" X 16' - 2000 psi
6	10103409	Hydraulic Hose - 1/2" I.D. x 7.08 feet - 2000 psi
7	10104055	Hydraulic Hose - 3/4" I.D. x 7 feet - 3045 psi

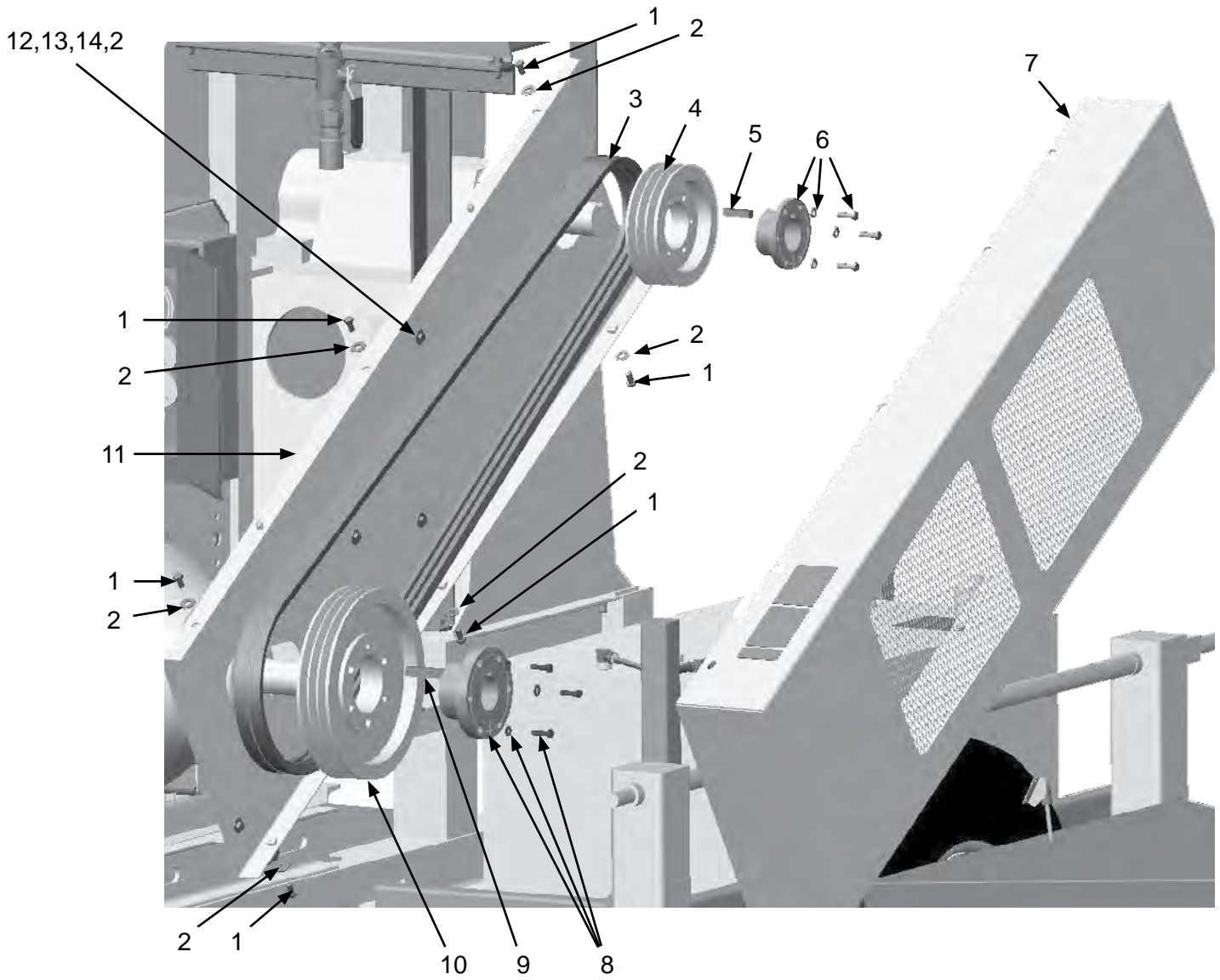
PART NUMBERS AND SCHEMATICS

Fan Belt Assembly

Item #	Part #	Description
Fig. 7		
1	10103400	3/8-16 x 3/4" Bolt <i>(Six Required)</i>
2	10101942	3/8" Galvanized Flat Washer <i>(16 Required)</i>
3	10103703	3-Band Fan Drive Belt – 112"
4	10103700	6" Sheave
5	10104106	1/2" Square Key Cut
6	10103699	1.9375" Bore Sheave Bushing <i>Includes Mounting Hardware</i>
7	10102964	Belt Guard Cover
8	10103701	2.25" Bore Sheave Bushing <i>Includes Mounting Hardware</i>
9	10103644	1/2" x 3/16" x 5/8" x 5/16" Key Cut
10	10103702	10.6" Sheave
11	10102967	Belt Guard Back
12	1028617	3/8-16 x 1-3/4" Shoulder Bolt <i>(Five Required)</i>
13	10101936	3/8" Zinc Lock Washer <i>(Five Required)</i>
14	10101938	3/8" Galvanized Hex Nut <i>(Five Required)</i>

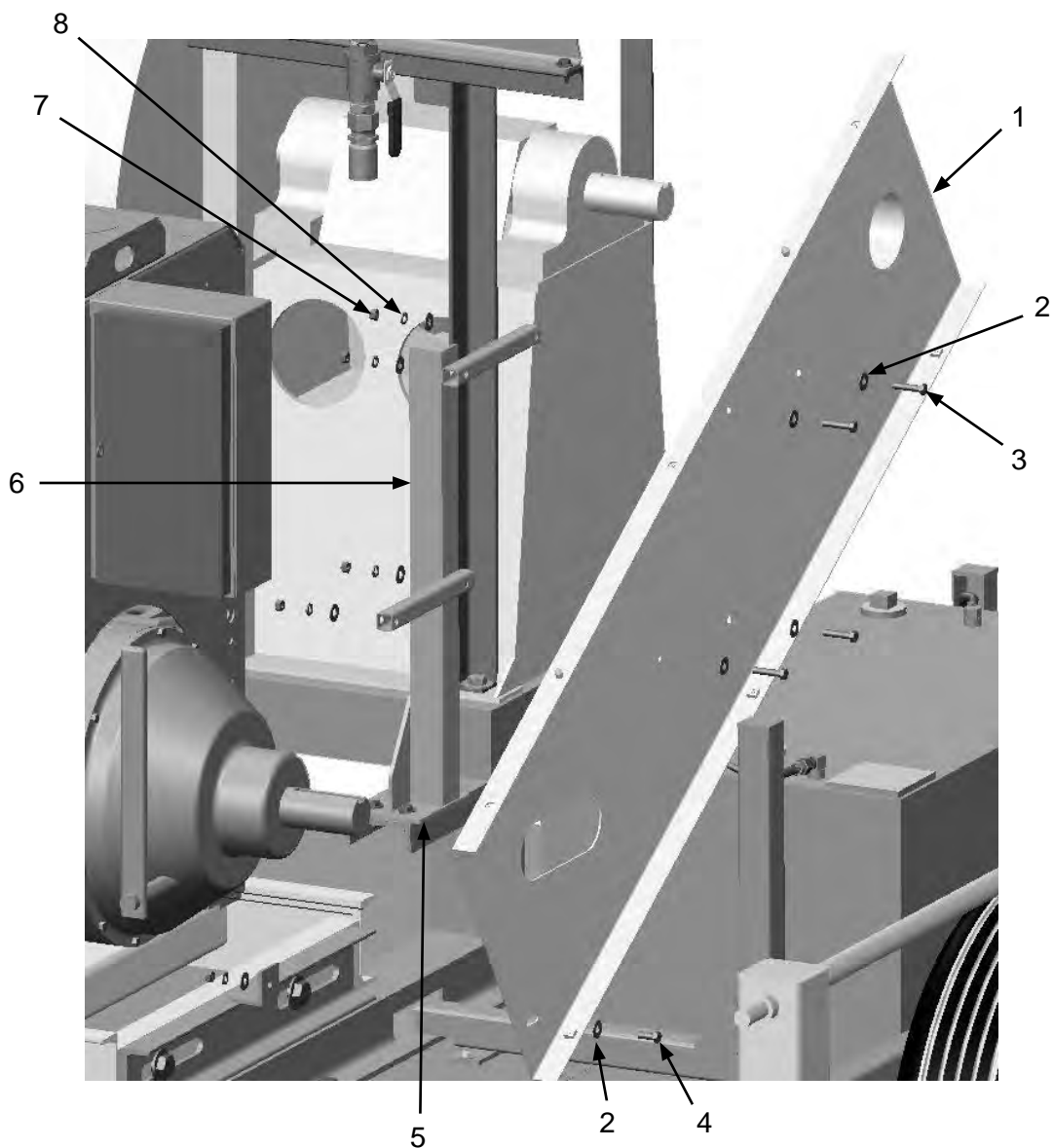
PART NUMBERS AND SCHEMATICS

Figure 7: Fan Belt Assembly



PART NUMBERS AND SCHEMATICS

Figure 8: Fan Belt Guard Back Assembly



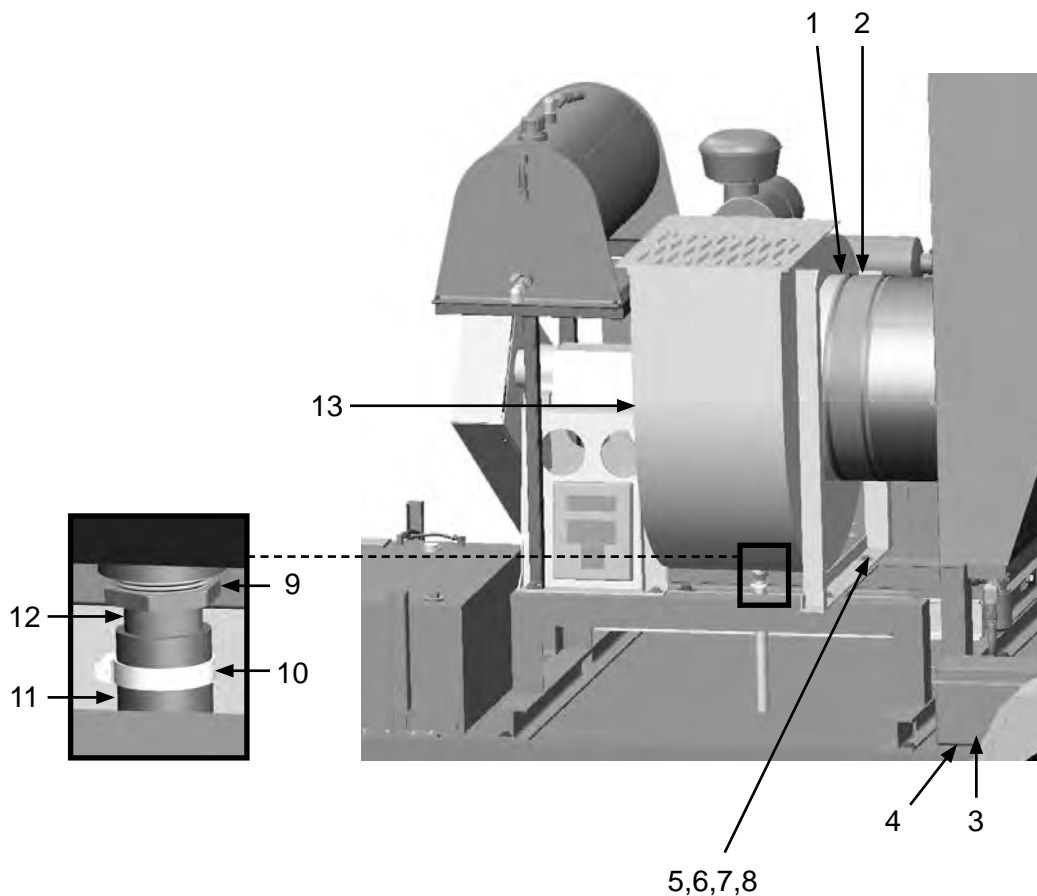
Item #	Part #	Description
--------	--------	-------------

Fig. 8

1	10102967	Belt Guard Back
2	10101942	3/8" Galvanized Flat Washer (<i>18 Required</i>)
3	1028617	3/8-16 x 1-3/4" Shoulder Bolt (<i>Four Required</i>)
4	1011747	3/8-16 x 1" Bolt
5	10101059	3/8-16 x 1-1/4" Galvanized Bolt (<i>Four Required</i>)
6	10103354	Belt Guard Mount
7	10101938	3/8-16 Galvanized Hex Nut (<i>Nine Required</i>)
8	10101936	3/8" Zinc Lock Washer (<i>Nine Required</i>)

PART NUMBERS AND SCHEMATICS

Figure 9: Fan Assembly and Battery Box



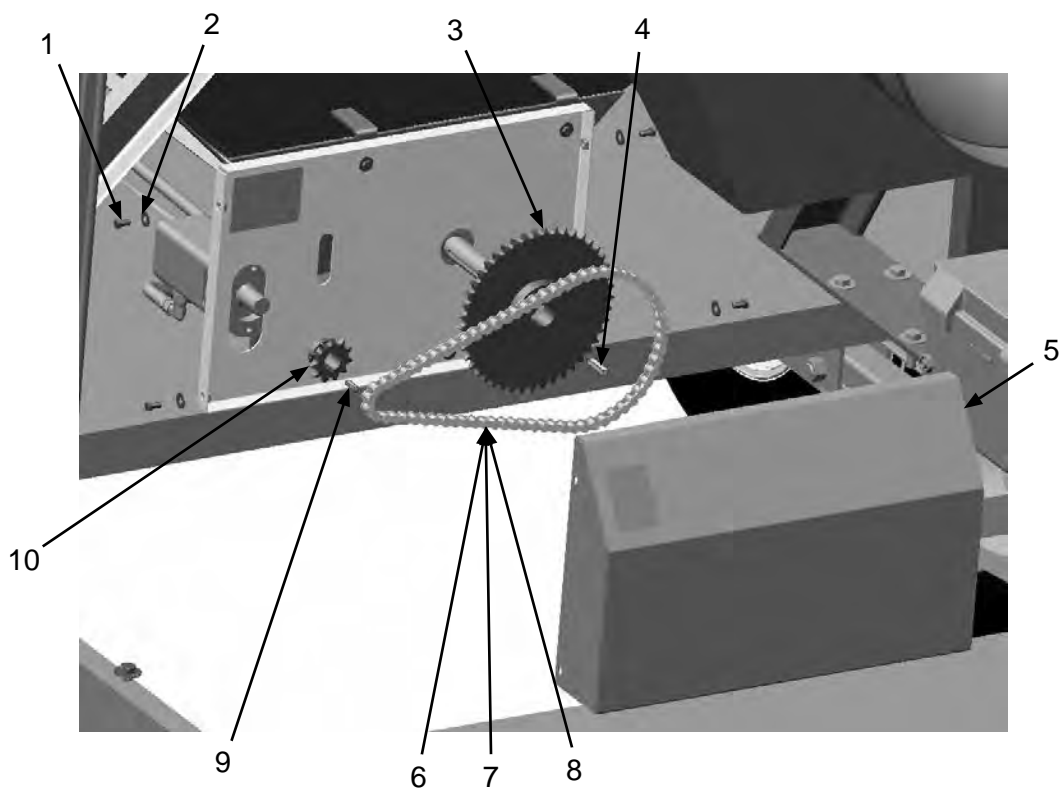
Item #	Part #	Description
--------	--------	-------------

Fig. 9

1	10103962	Connection Rubber Gasket
2	10103623	Adjustable Clamp Fastener <i>(Two Required)</i>
3	10103342	Battery Box
4	10103963	Rubber Cushioning Pad
5	10103417	3/4-10 UNC X 1-3/4" GR8 BOLT <i>(Six Required)</i>
6	10103418	3/4" Washer <i>(12 Required)</i>
7	10103420	3/4-10 UNC GR8 Nut <i>(Six Required)</i>
8	10103419	3/4" Lock Washer <i>(Six Required)</i>
9	20PFHA24SB2016	1-1/4" x 1" Reducing Bushing
10	10104136	T-Bolt Clamp 1-9/16" X 1-11/16" OD
11	10103654	1-1/4" I.D. Hose <i>(Per Foot)</i>
12	10105207	1" NPT X 3" Toe Nipple
13	10104253	BI-245 Backward Incline Fan
—	10105867	Battery Cables, 156" Long <i>(Not Shown)</i>
—	10103341	Battery, Group 31 <i>(Not Shown)</i>

PART NUMBERS AND SCHEMATICS

Figure 10: Main Auger Drive Assembly



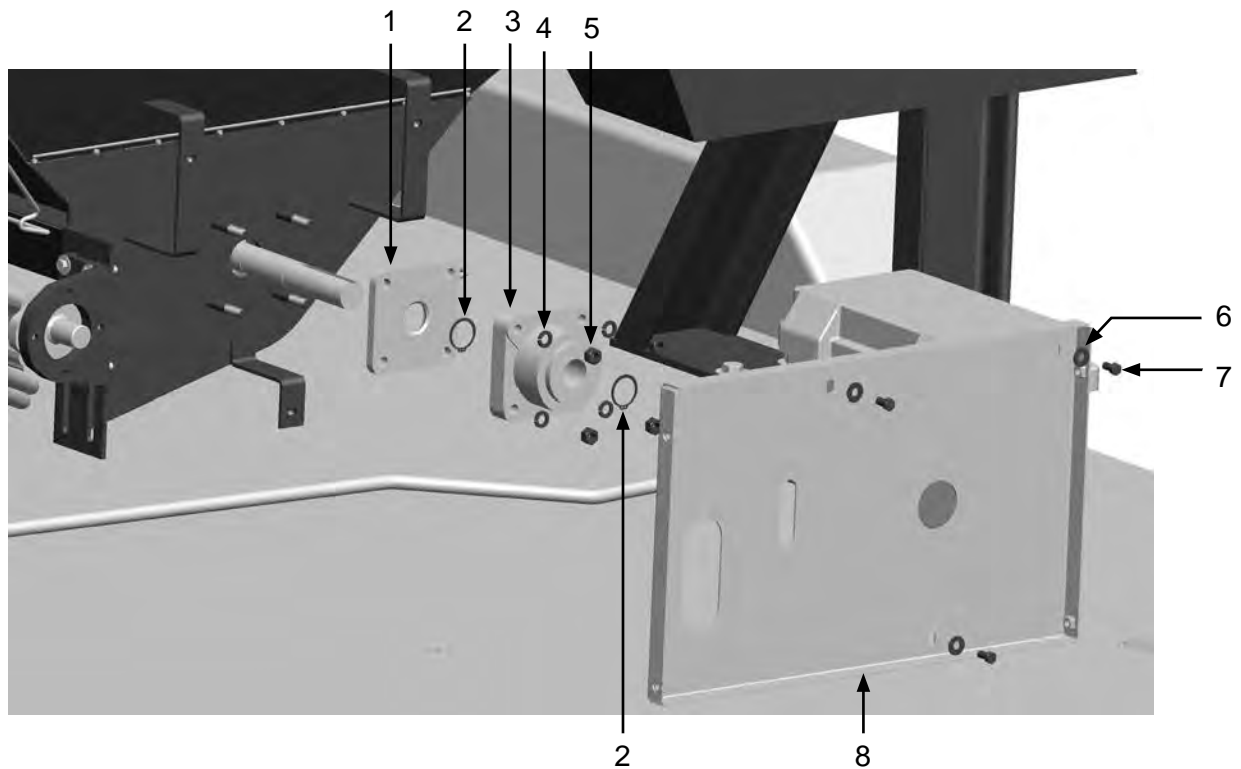
Item #	Part #	Description
--------	--------	-------------

Fig. 10

1	10103400	3/8-16 x 3/4" Bolt (<i>Four Required</i>)
2	10101942	3/8" Galvanized Flat Washer (<i>Four Required</i>)
3	10104218	45-Tooth Sprocket
4	10103641	3/8" Key Cut
5	10102952	Main Auger Motor Cover
6	10103391	60# Cottered Roller Chain (<i>Per Foot</i>)
7	10103392	60# Connecting Link
8	10103614	60# Offset Link
9	10103642	5/16" x 1/4" x 1/8" x 1/8" Key
10	10103265	11-Tooth Sprocket
—	10104192	Main Auger Chain Kit <i>Includes Item #'s: 7, 8, and 9</i>

PART NUMBERS AND SCHEMATICS

Figure 11: Main Auger Bearing



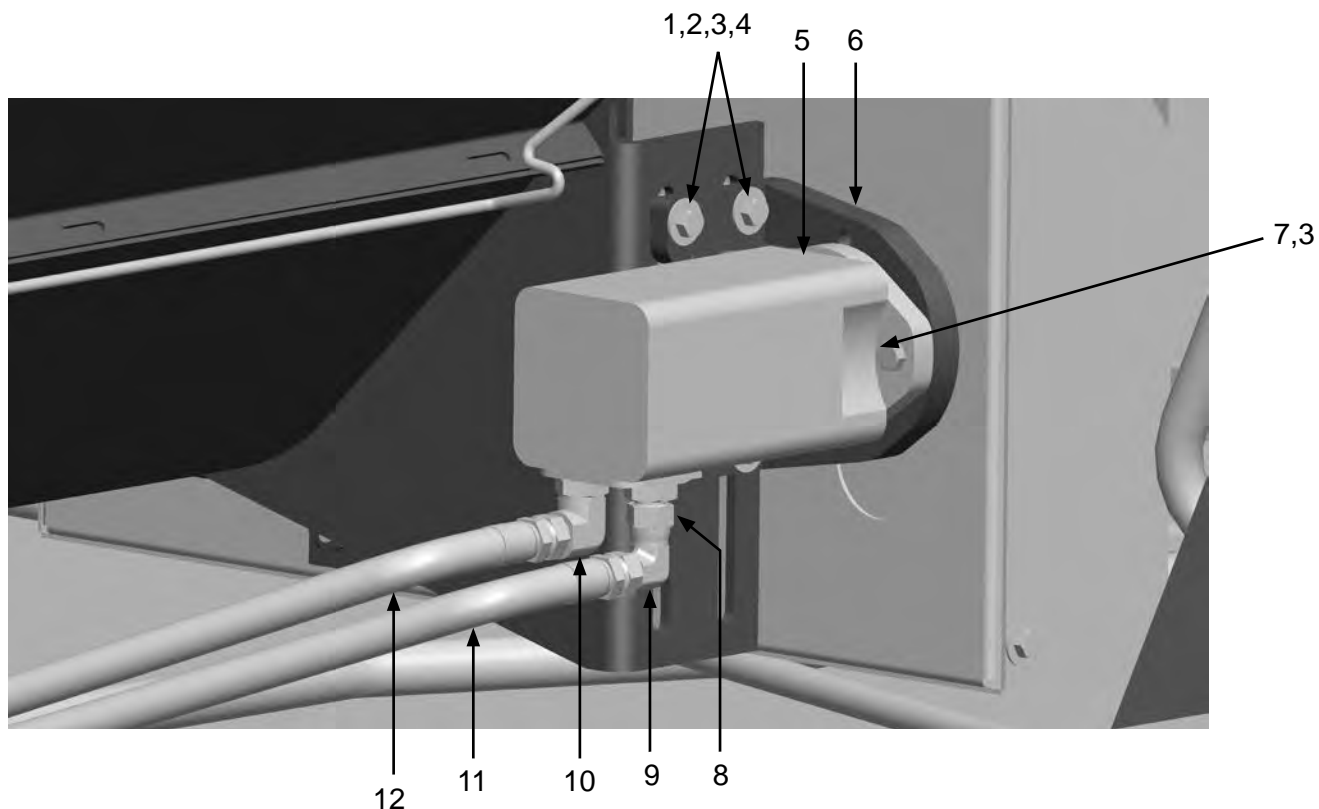
Item #	Part #	Description
--------	--------	-------------

Fig. 11

1	10102902	Seal Plate
2	10103605	Snap Ring (<i>Two Required</i>)
3	10102903	Thrust Bearing
4	10100675	1/2" Lock Washer (<i>Four Required</i>)
5	1014022	1/2-13 Hex Nut (<i>Four Required</i>)
6	10101942	3/8" Galvanized Flat Washer (<i>Three Required</i>)
7	10103400	3/8-16 x 3/4" Bolt (<i>Three Required</i>)
8	10102955	Main Auger Guard Back

PART NUMBERS AND SCHEMATICS

Figure 12: Main Auger Motor



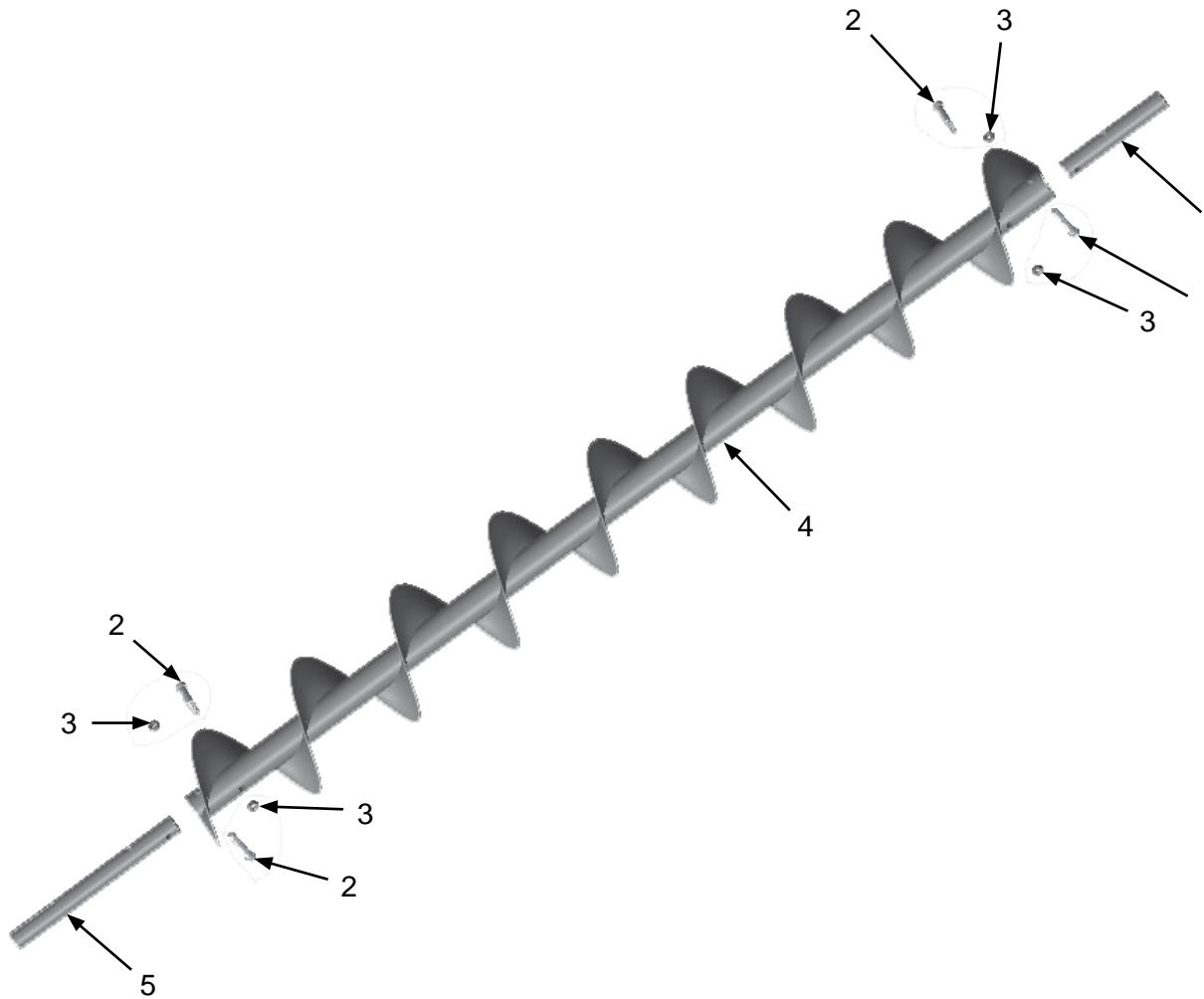
Item #	Part #	Description
--------	--------	-------------

Fig. 12

1	1028617	3/8-16 x 1-3/4" Shoulder Bolt (<i>Four Required</i>)
2	10101942	3/8" Galvanized Flat Washer (<i>Eight Required</i>)
3	10101936	3/8" Zinc Lock Washer (<i>Four Required</i>)
4	10101938	3/8-16 Galvanized Hex Nut (<i>Four Required</i>)
5	10103266	18.7 Displacement Hydraulic Motor
6	10102881	Hydraulic Motor Mount with Hardware
7	10104234	3/8-16 X 1-1/4 Hex Bolt Zinc GR 5
8	10103612	JIC 8 x SAE 10 Straight Adapter
9	10103611	JIC 8 x JIC 8 90° Elbow
10	10103308	JIC 8 x SAE 10 90° Elbow
11	10103408	1/2" x 12-1/2' Hydraulic Hose with Fittings
12	10103407	1/2" x 14' Hydraulic Hose with Fittings
—	10103941	Seal Kit for 18.7 Displacement Hydraulic Motor

PART NUMBERS AND SCHEMATICS

Figure 13: Main Auger



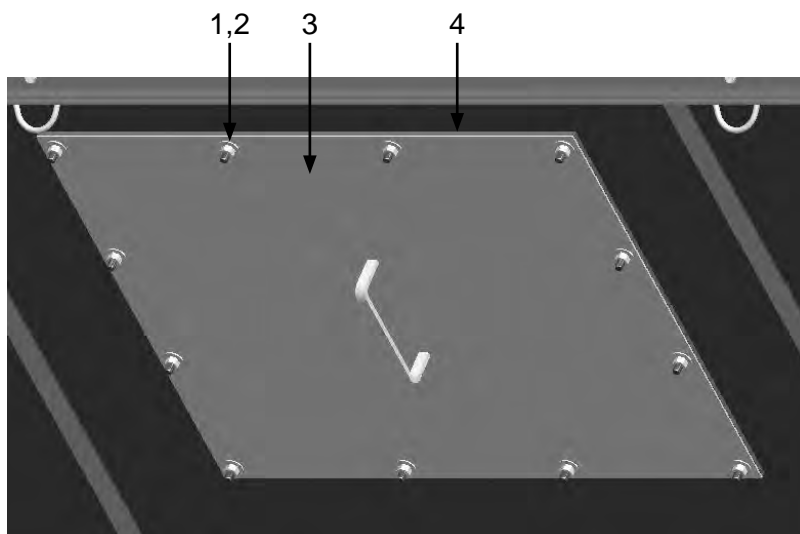
Item #	Part #	Description
--------	--------	-------------

Fig. 13

1	10103306	Drive Shaft
2	10101927	1/2-13 x 3" Galvanized Bolt (Four Required)
3	1014022	1/2-13 Galvanized Hex Nut (Four Required)
4	10103490	78" x 9" Standard Pitch Auger
5	10102910	Auger Shaft End

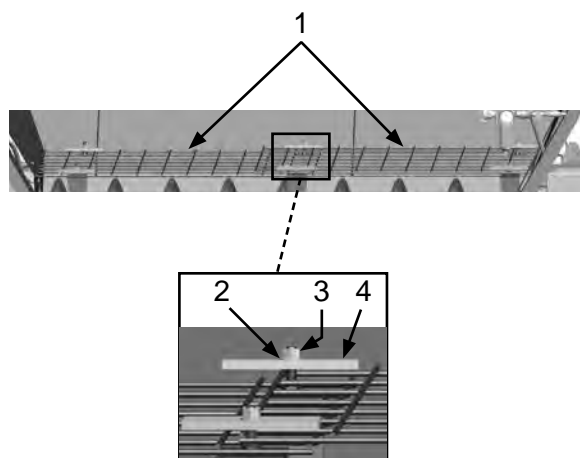
PART NUMBERS AND SCHEMATICS

Figure 14: Access Panel Assembly



Item #	Part #	Description
Fig. 14		
1	10101938	3/8-16 Galvanized Hex Nut (12 Required)
2	10101942	3/8" Flat Washer (12 Required)
3	10102933	20" Access Panel Door
4	10103344	1/4" X 1-1/2" Adhesive-Backed Gasket (Per Foot)

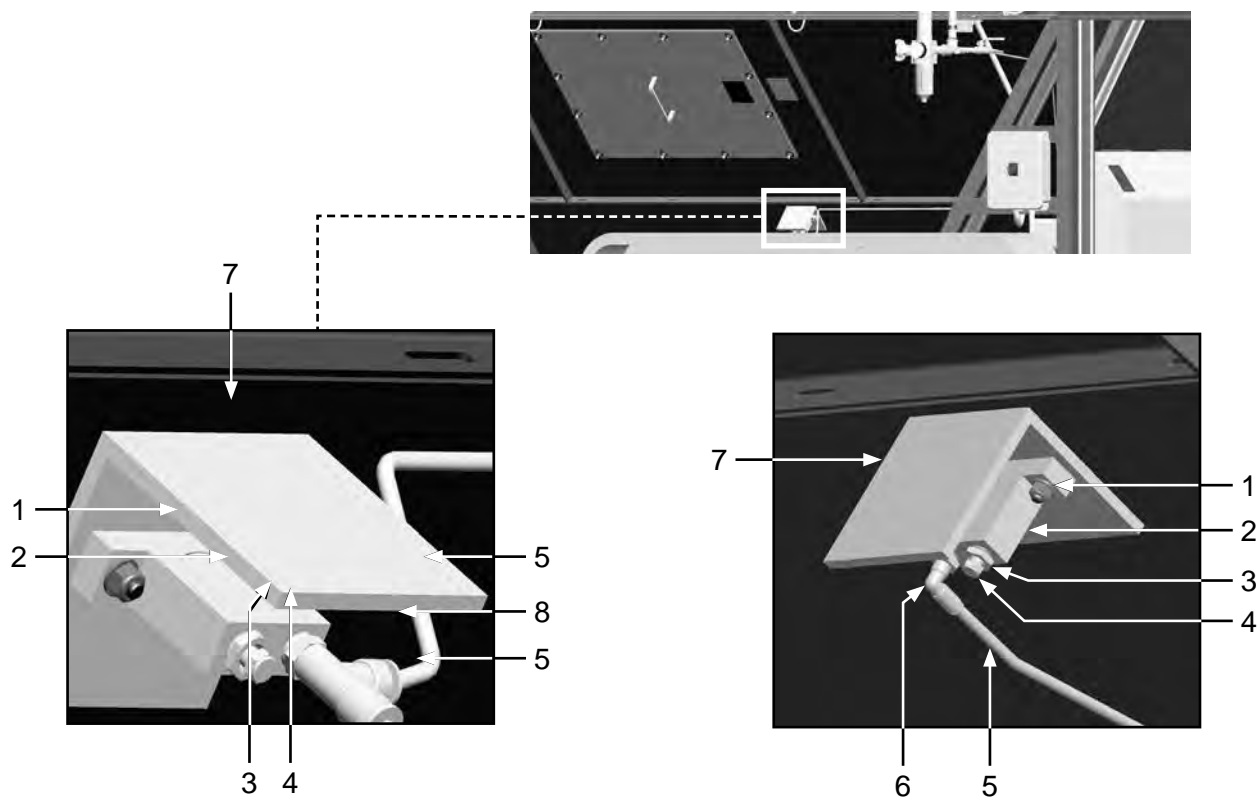
Figure 15: Main Auger Protective Grate



Item #	Part #	Description
Fig. 15		
1	10103966	Protective Grate - 44 Inches (Two Required)
2	10100674	Flat Washer - 1/2" (Six Required)
3	1014022	1/2-13 Hex Nut (Six Required)
4	10102936	Protective Grate Bracket (Six Required)

PART NUMBERS AND SCHEMATICS

Figure 16: Pneumatic Ball Vibrators



Item #	Part #	Description
--------	--------	-------------

Fig. 16

1	1012323	1/4-20 Zinc Lock Nut with Nylon Insert (<i>Four Required</i>)
2	10103258	Pneumatic Ball Vibrator (<i>Two Required</i>)
3	20PFHA24SB0402	1/4" x 1/8" Reducing Bushing
4	1012905	1/8" Breather Muffler (<i>Two Required</i>)
5	10103322	1/4" I.D. Black Urethane Tubing (<i>Per Foot</i>)
6	20PFBA31095614	1/4" Tube x 1/4" NPT 90° Fitting
7	10103609	Vibrator Shield (<i>Two Required</i>)
8	10103261	1/4" Male Push-to-connect Tee

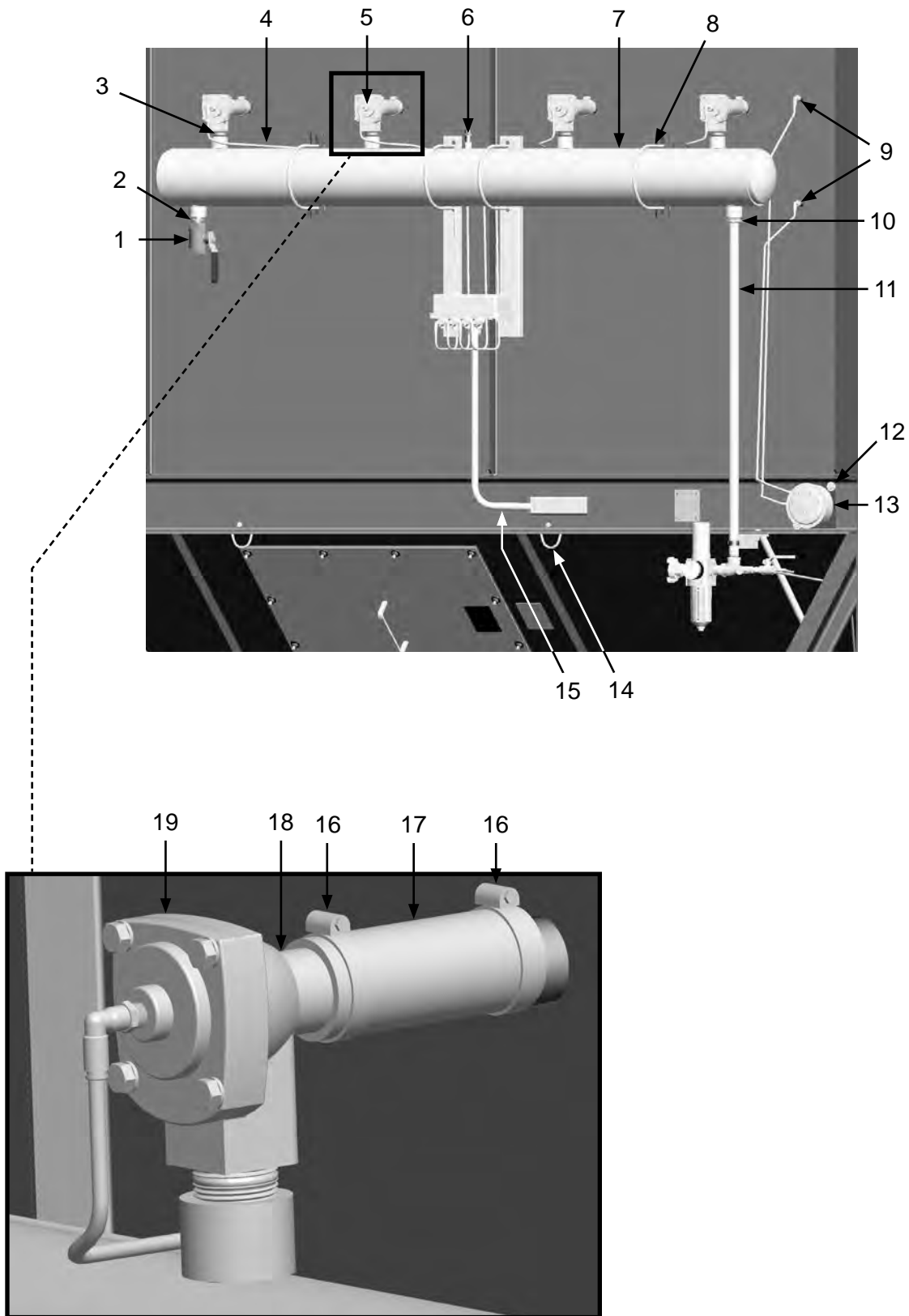
PART NUMBERS AND SCHEMATICS

Pulser System Assembly

Item #	Part #	Description
Fig. 17		
1	1011601	1" Full Port Ball Valve
2	1012151	1" GALV. Close Nipple
3	10103318	1" x 2" Pipe Nipple <i>(Four Required)</i>
4	10103322	1/4" O.D. Black Urethane Tubing <i>(Per Foot)</i>
5	20100579	1/4" O.D. Tube x 1/8" NPT Swivel <i>(Four Required)</i>
6	1028607	1/4" NPT Pressure Relief Valve – 125 PSI
7	10103452	4 Pipe Header
8	10103394	3/8-16 x 6" U-Bolt Assembly <i>(Four Required)</i>
9	20PFBA31095614	1/4" Tube x 1/4" NPT 90° Fitting <i>(Two Required)</i>
10	20PFHA24SB1612	1" x 3/4" Reducing Bushing
11	10103315	3/4" x 36" Pipe Nipple
12	10103608	Magnehelic Differential Pressure Gauge Mounting Bracket
13	10103259	Magnehelic Differential Pressure Gauge Assembly <i>Includes Mounting Hardware</i>
14	10103625	D-Ring with Nut <i>(10 Required)</i>
15	20RSEL050UL	1/2" I.D. UL/UA Seal-Tite Conduit
16	10104136	Hose Clamp - 1-1/16" - 2"
17	10103654	1-1/4" I.D. Marine Hose – 100 PSI <i>(Per Foot)</i>
18	10105207	1" x 3" Toe Nipple <i>(Four Required)</i>
19	10103255	1" Diaphragm Valve
—	10103954	1" Diaphragm Valve Service Kit <i>(Not Shown)</i>

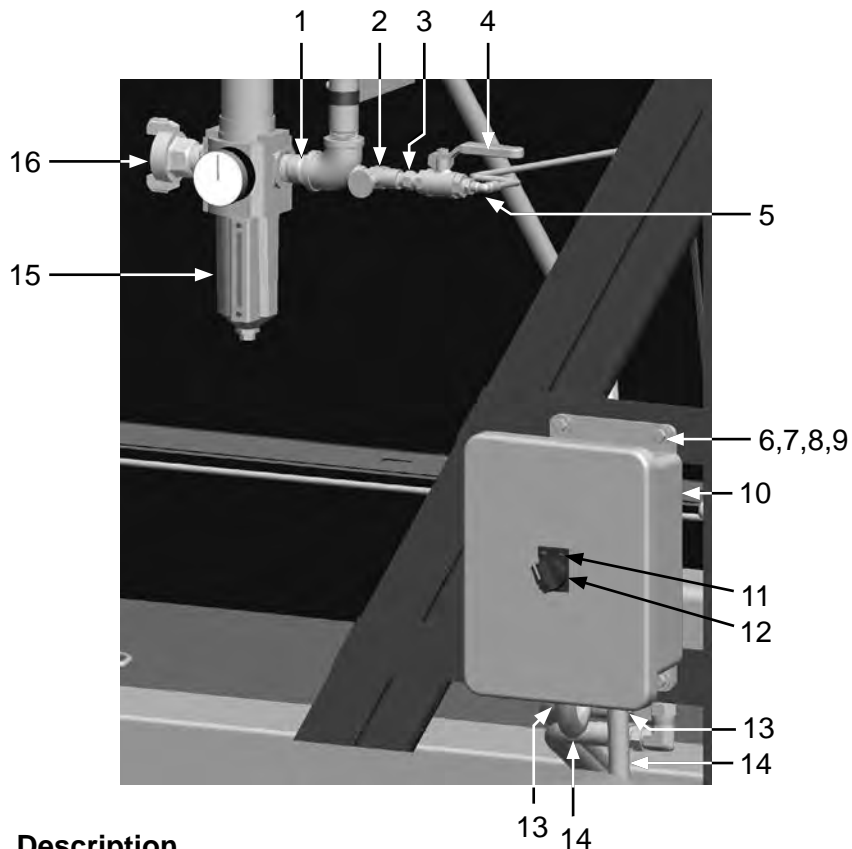
PART NUMBERS AND SCHEMATICS

Figure 17: Pulsar System Assembly



PART NUMBERS AND SCHEMATICS

Figure 18: Pulsar Regulator and Timer Assembly



Item # Part #

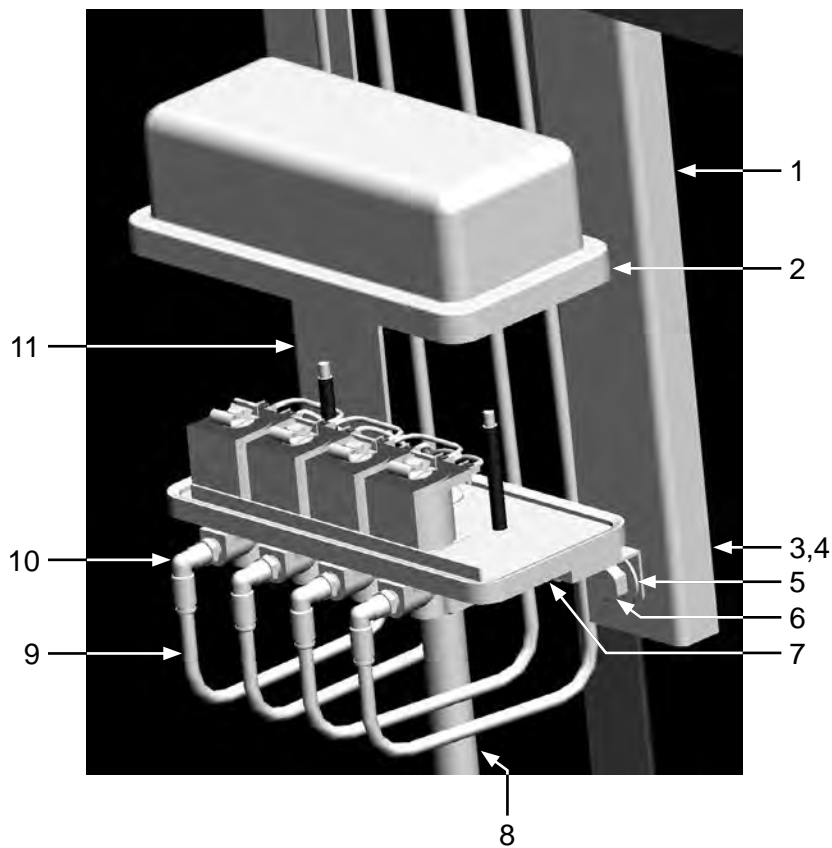
Description

Fig. 18

1	10103317	3/4" x 2" Pipe Nipple
2	10103292	1/4" Needle Valve
3	1017019	1/4" x 1/4" Hex Nipple
4	1080050	1/4" Ball Valve
5	20PFBA31095614	1/4" Tube x 1/4" NPT 90° Fitting (Three Required)
6	10101937	1/4-20 X 1" L Gr 5 Bolt – Galv.
7	10101940	1/4" Flat Washer – Galv.
8	1012153	1/4 Lock Washer
9	10101347	1/4-20 Hex Nut
10	10103704	Timer Box with Timer Board
—	10103935	Timer Box Only
—	10103947	Timer Board Only
11	10103414	On/Off Name Plate
12	10103305	2-Way Selector Switch
13	20RST50	Straight Liquid Tite Connection Fitting (Four Required)
14	20RSEL050UL	1/2" UL/UA Seal-Tite Conduit Pipe (Per Foot)
15	10103257	Excelon 74 Series Filter/Regulator
16	10ME1	3/4" Male 2-lug Coupling
—	10103950	Excelon 74 Series Filter/Regulator Service Kit
—	10103951	Filter Element (Not Shown)
—	10103952	Filter Auto Drain
—	10103953	Sight Glass Kit

PART NUMBERS AND SCHEMATICS

Figure 19: Pulsar Solenoid Enclosure Assembly



Item #	Part #	Description
--------	--------	-------------

Fig. 19

1	10102970	Solenoid Enclosure Mount – Right
2	10103705	Solenoid Pilot Valve Enclosure
3	10101936	3/8" Zinc Lock Washer (<i>Two Required</i>)
4	10101938	3/8-16 Galvanized Hex Nut (<i>Two Required</i>)
5	10101942	3/8" Galvanized Flat Washer (<i>Four Required</i>)
6	1011747	3/8-16 x 1" Bolt
7	20RST50	Straight Liquid Tite Connection Fitting
8	20RSEL050UL	1/2" I.D. UL/UA Seal-Tite Conduit
9	10103322	1/4" O.D. Black Urethane Tubing (<i>Per Foot</i>)
10	20100579	1/4" O.D. Tube x 1/8" NPT Swivel (<i>Four Required</i>)
11	10102969	Solenoid Enclosure Mount – Left
—	10103955	Solenoid Valve (<i>Four Required</i>)
—	10103956	Solenoid Coil (<i>One Required per Solenoid</i>)
—	10103957	Solenoid Service Kit <i>Includes: O-ring, Plunger, Spring, Ferrule</i>

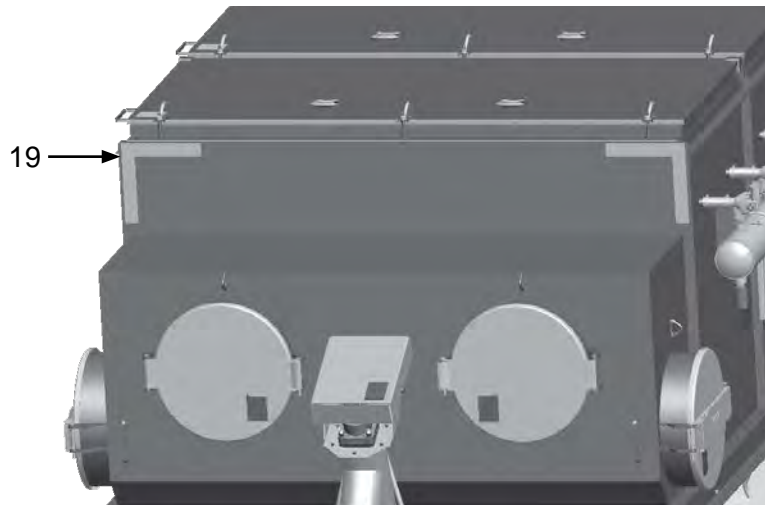
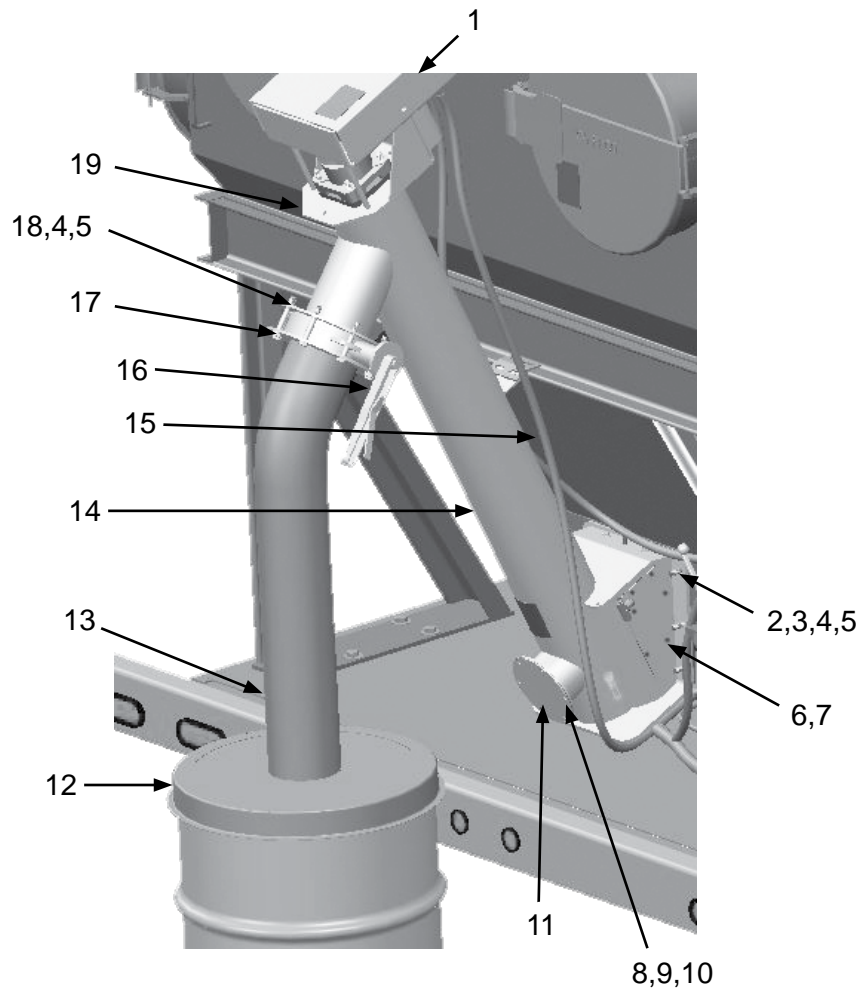
PART NUMBERS AND SCHEMATICS

Discharge Auger Assembly

Item #	Part #	Description
Fig. 20		
1	10103363	Discharge Chain Cover
2	10101943	1/2-13 X 1-3/4" Hex Bolt Galvanized
3	10100674	1/2" Flat Washer <i>(22 Required)</i>
4	10100675	1/2" Lock Washer <i>(14 Required)</i>
5	1014022	1/2-13 Hex Nut <i>(14 Required)</i>
6	20100125	1/4-20 X 3/4" Zinc Hex Bolt <i>(12 Required)</i>
7	10101940	1/4" Flat Washer <i>(12 Required)</i>
8	10101346	5/16-18 x 3/4" Grade 5 Bolt <i>(Six Required)</i>
9	1035046	5/16-18 Nut <i>(Six Required)</i>
10	10L805014	5/16" Lock Washer <i>(Six Required)</i>
11	10103235	Auger Clean-out Cover
12	10103650	Discharge Collection Drum Cover
13	10103777	6" Flexible Discharge Hose <i>(Per Foot)</i>
14	10103216	Discharge Auger Tube <i>(See Fig. 23)</i>
15	10104223	1/2" I.D. x 16' Hydraulic Hose with Fittings
16	10103302	6" Series Wafer Butterfly Valve
17	10102971	Discharge Hose Connector
18	10102703	1/2-13 x 3-1/2" Grade 5 Bolt <i>(Eight Required)</i>
18	10104195	Discharge Auger Motor Mounting Bracket
19	10103880	White Conspicuity Tape <i>(Per Inch)</i>
—	10103881	Red Conspicuity Tape <i>(Per Inch)</i>
—	1091121	Hazard Identification Decals – Dustmaster® 18,000 CFM Dust Collector <i>Includes all Dust Collector Hazard Identification Decals</i>

PART NUMBERS AND SCHEMATICS

Figure 20: Discharge Auger Assembly



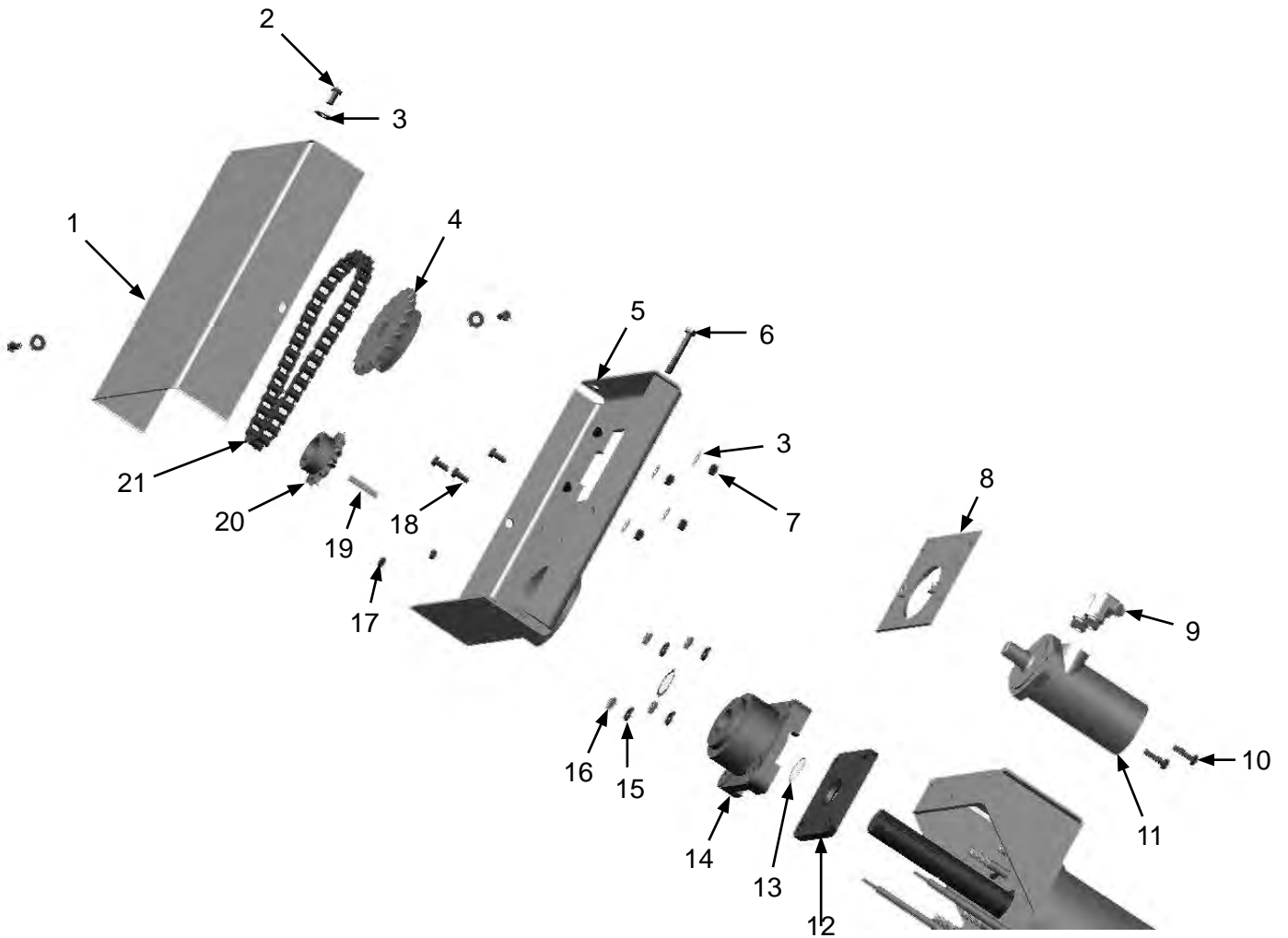
PART NUMBERS AND SCHEMATICS

Discharge Auger Drive Assembly

Item #	Part #	Description
Fig. 21		
1	10103363	Chain Cover
2	10103400	3/8-16 x 3/4" Bolt <i>(Seven Required)</i>
3	10101942	3/8" Galvanized Flat Washer <i>(Three Required)</i>
4	10104217	22-Tooth Sprocket
5	10104197	Chain Cover Base
6	10101933	3/8" - 16 X 2-1/2" Hex Bolt
7	10101938	3/8-16 Galvanized Hex Nut <i>(Four Required)</i>
8	10104199	Sliding Motor Mount
9	10103308	JIC 8 x SAE 10 90° Elbow <i>(Two Required)</i>
10	10101059	3/8-16 X 1-1/4" A307 Bolt Galv <i>(Two Required)</i>
11	10102887	Hydraulic Motor
12	10102902	Seal Plate
13	10103605	Snap Ring <i>(Two Required)</i>
14	10102903	Thrust Bearing
15	10100675	1/2" Lock Washer <i>(Four Required)</i>
16	1014022	1/2-13 Hex Nut <i>(Four Required)</i>
17	1035046	5/16"- 18 Nut <i>(Two Required)</i>
18	10101346	5/16-18 X 3/4" L GR 5 Bolt <i>(Three Required)</i>
19	10103641	3/8 Key Cut
20	10102886	13-Tooth Sprocket
21	10104191	Discharge Auger Chain Kit <i>Includes 60# Connecting Chain Link, 60# Cottered Roller Chain (Quantity of Three), and 60# Offset Chain Link.</i>
—	10103392	60# Connecting Chain Link
—	10103391	60# Cottered Roller Chain <i>(Per Foot)</i>
—	10103614	60# Offset Chain Link
—	10103940	Seal Kit for Hydraulic Motor

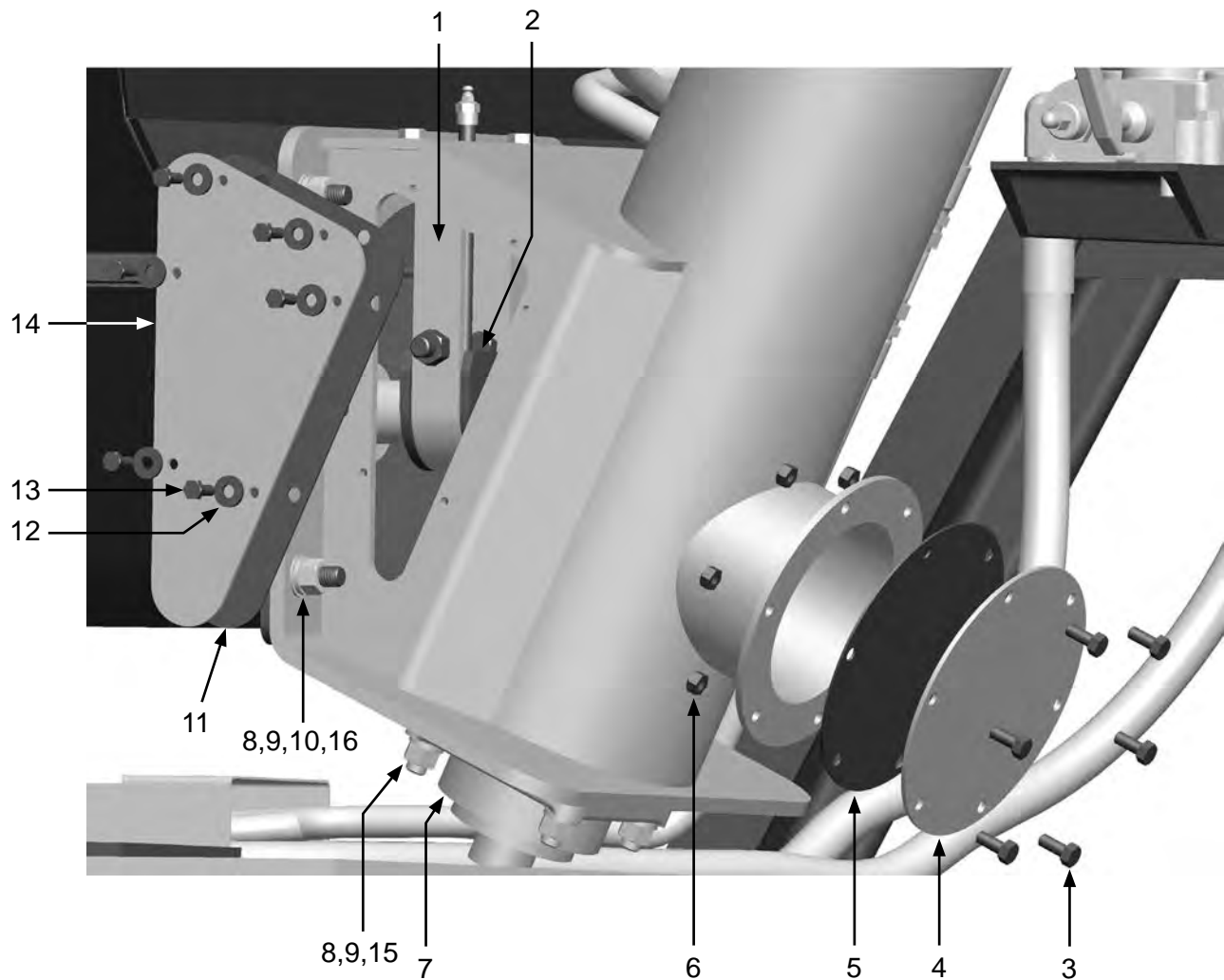
PART NUMBERS AND SCHEMATICS

Figure 21: Discharge Auger Drive Assembly



PART NUMBERS AND SCHEMATICS

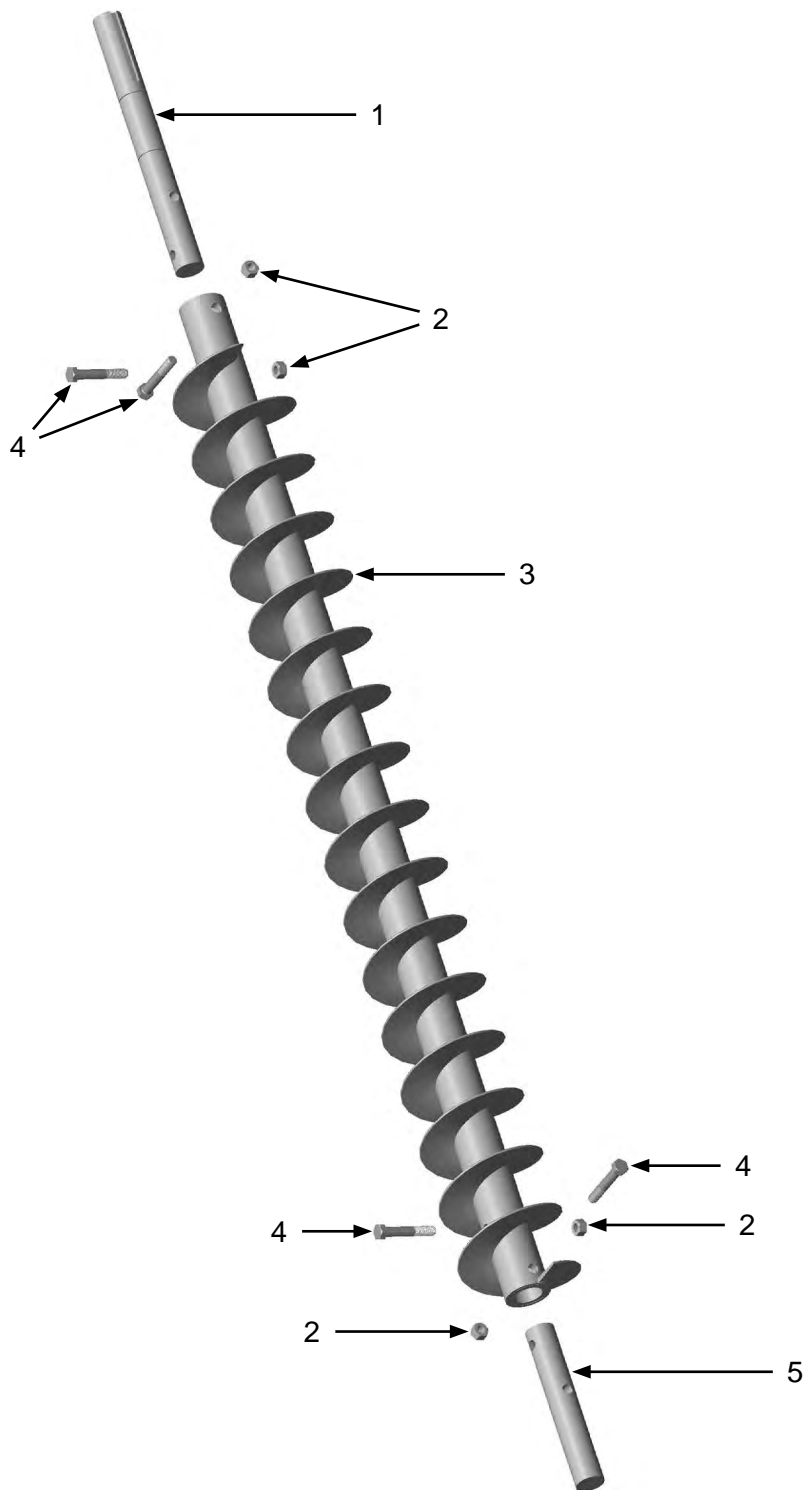
Figure 22: Discharge Auger Clean-out Assembly



Item #	Part #	Description
Fig. 22		
1	10102896	Bearing Hanger
2	10103413	Bearing
3	10101346	5/16-18 x 3/4" Bolt (Six Required)
4	10103235	Auger Clean-out Cover
5	10103716	Neoprene Auger Clean-out Gasket
6	1035046	5/16-18 Nut (Six Required)
7	10102880	Discharge Auger Lower Bearing Assembly
8	10101941	1/2-13 Galvanized Hex Nut (10 Required)
9	10100675	1/2" Lock Washer (10 Required)
10	10100674	1/2" Flat Washer (Six Required)
11	10103717	Discharge Auger Side Gasket (Two Required)
12	10101940	1/4" Galvanized Flat Washer (12 Required)
13	20100125	1/4-20 x 3/4" Zinc Hex Bolt (12 Required)
14	10103236	Discharge Auger Side Cover (Two Required)
15	10102652	1/2-13 X 2-1/4" GR5 Bolt
16	10101943	1/2-13 X 1-3/4" Hex Bolt

PART NUMBERS AND SCHEMATICS

Figure 23: Discharge Auger Assembly



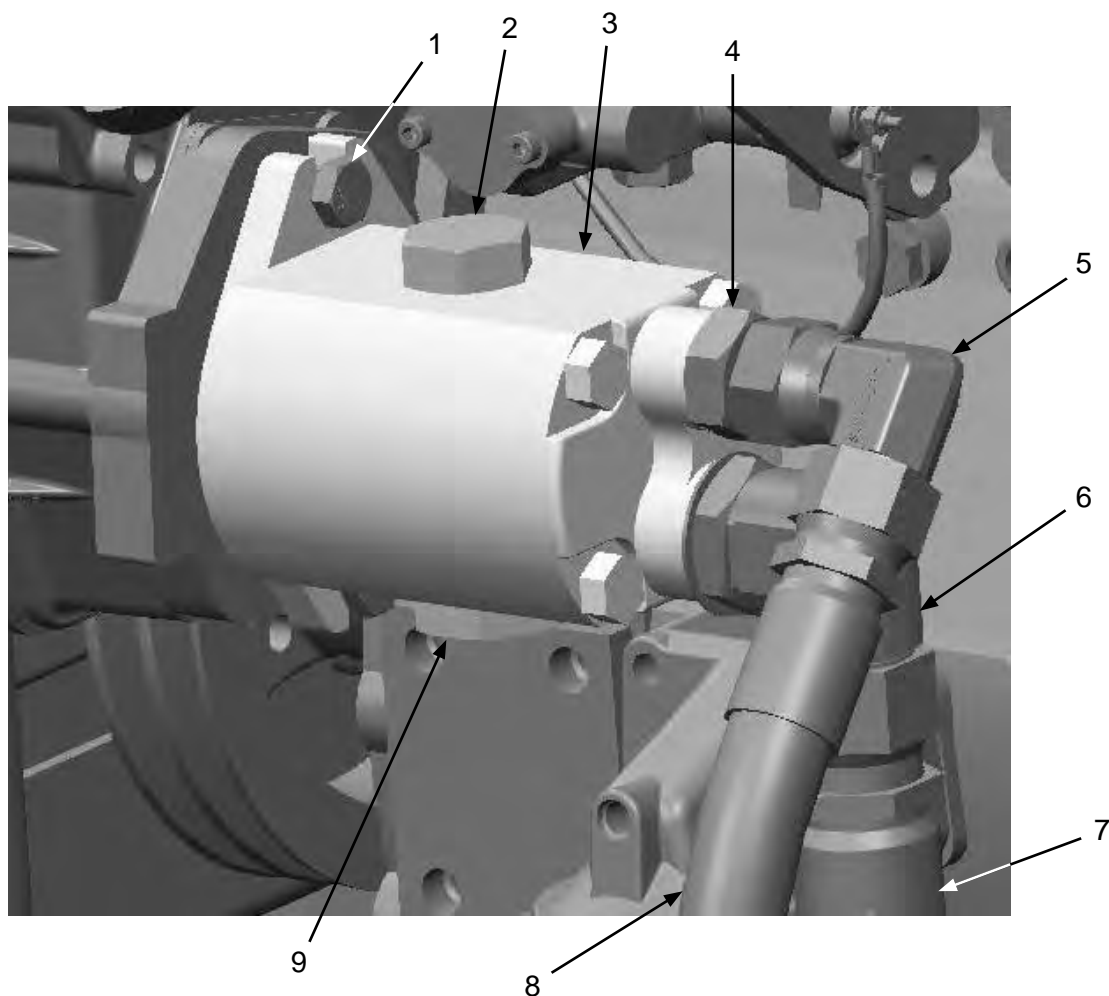
Item #	Part #	Description
--------	--------	-------------

Fig. 23

1	10103306	Drive Shaft
2	1014022	1/2-13 Hex Nut (<i>Four Required</i>)
3	10102883	58" x 6" Half Pitch Auger
4	10103401	1/2-13 x 3" Galvanized Bolt (<i>Four Required</i>)
5	10102910	Auger Shaft End

PART NUMBERS AND SCHEMATICS

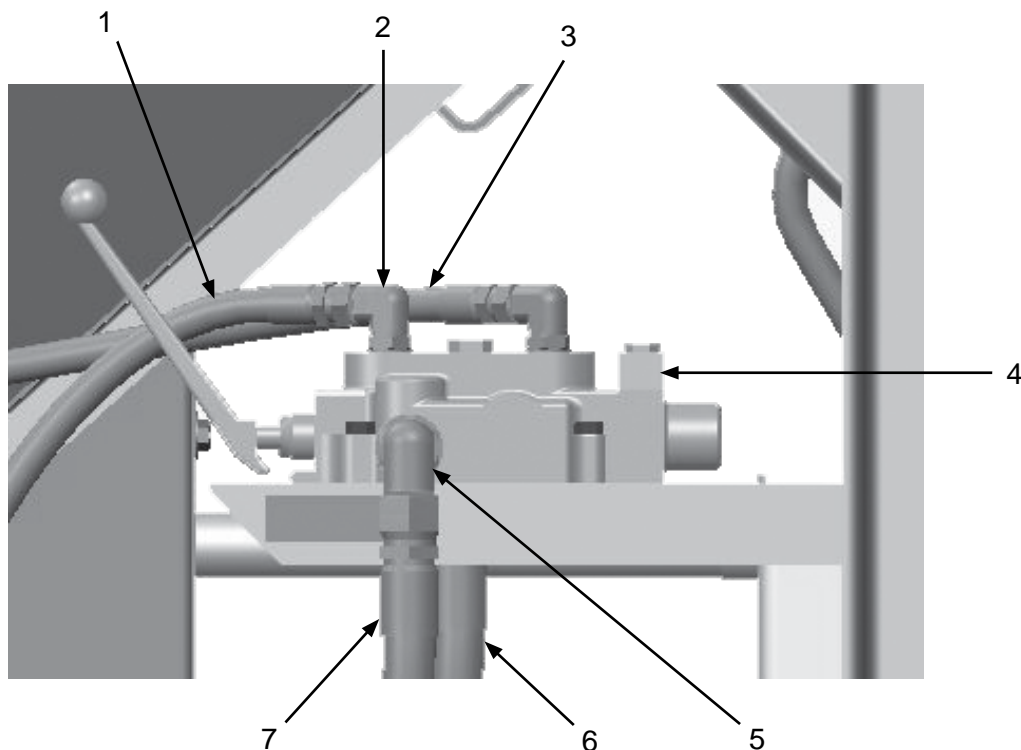
Figure 24: Hydraulic Pump



Item #	Part #	Description
Fig. 24		
1	10103615	M10 x 25 mm Zinc Bolt (<i>Two Required</i>)
2	10104558	SAE 12 Hex Plug
3	10104501	2G Series 2.08 CI/REV Gear Pump
4	10104556	Straight Adapter JIC 12 X SAE 1
5	10103610	JIC 12 x JIC 12 90° Elbow
6	10103311	JIC 16 x SAE 16 90° Elbow
7	10103405	1-1/4" I.D. x 9-1/2" Hydraulic Hose with Fittings
8	10103707	3/4" I.D. x 17.7' Hydraulic Hose with Fittings
9	10104557	SAE 16 Hex Plug

PART NUMBERS AND SCHEMATICS

Figure 25: Hydraulic Control Assembly



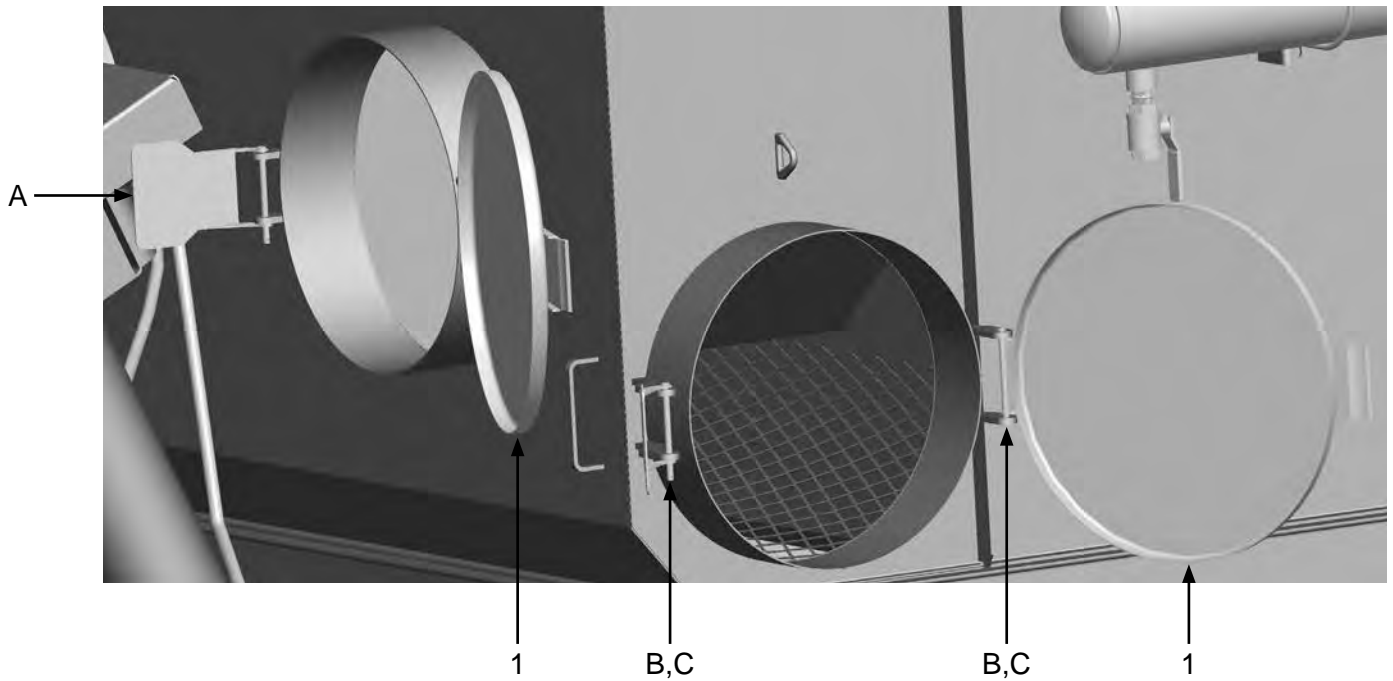
Item #	Part #	Description
--------	--------	-------------

Fig. 25

1	10103408	1/2" X 12'6" Hydraulic Hose with Fittings
2	10103309	JIC 8 x SAE 8 90° Elbow (<i>Two Required</i>)
3	10103409	1/2" X 7'1" Hydraulic Hose with Fittings
4	10103267	Cross Hydraulic Control Valve with Handle
5	10103310	JIC 12 x SAE 12 90° Elbow (<i>Two Required. One not shown</i>)
6	10103707	3/4" I.D. x 17.7' Hydraulic Hose with Fittings
7	10103710	3/4" I.D. x 13' Hydraulic Hose with Fittings

PART NUMBERS AND SCHEMATICS

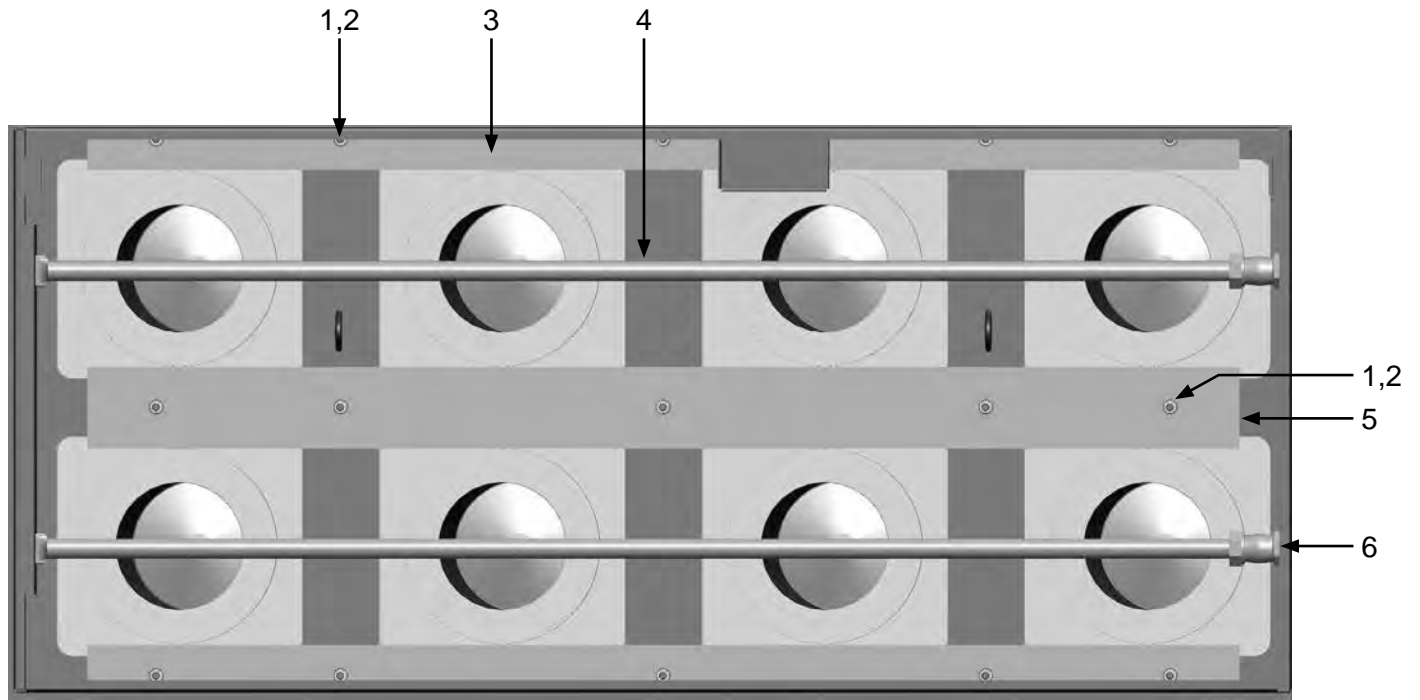
Figure 26: Inlet Door Assembly



Item #	Part #	Description
Fig. 26		
—	10102596	20" Inlet Door Assembly – Complete <i>Includes Items: A,B,C</i>
1	10102596	Inlet Door <i>(Four Required)</i>
—	10104408	Pin For Knappco Hatch <i>(Four Required)</i>
—	10104120	Inlet Door Gasket <i>(Four Required)</i>

PART NUMBERS AND SCHEMATICS

Figure 27: Dust Collector Filter Cartridge Pulsers



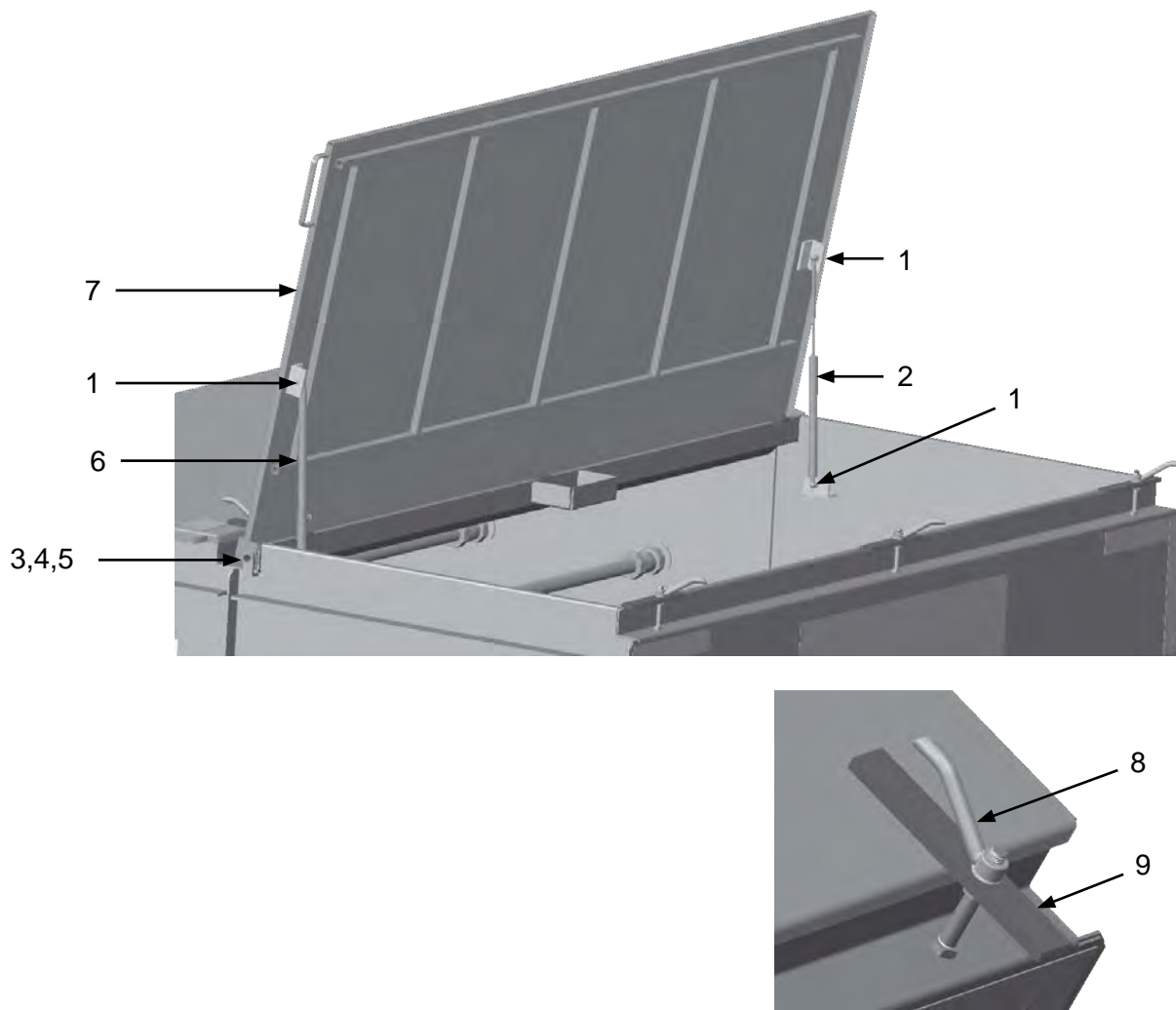
Item #	Part #	Description
1	10100674	1/2" Flat Washer (15 Required)
2	1014022	1/2" Hex Nut (15 Required)
3	10105027	Filter Bolt-Down (Two Required)
4	10105179	Pulser System Blowpipe (Two Required)
5	10102938	Filter Retainer
6	10102599	Compression Coupling Assembly (Two Required)

Fig. 27

Quantities specified are per hatch opening

PART NUMBERS AND SCHEMATICS

Figure 28: Dust Collector Filter Cartridge Hatch Door



Item #	Part #	Description
--------	--------	-------------

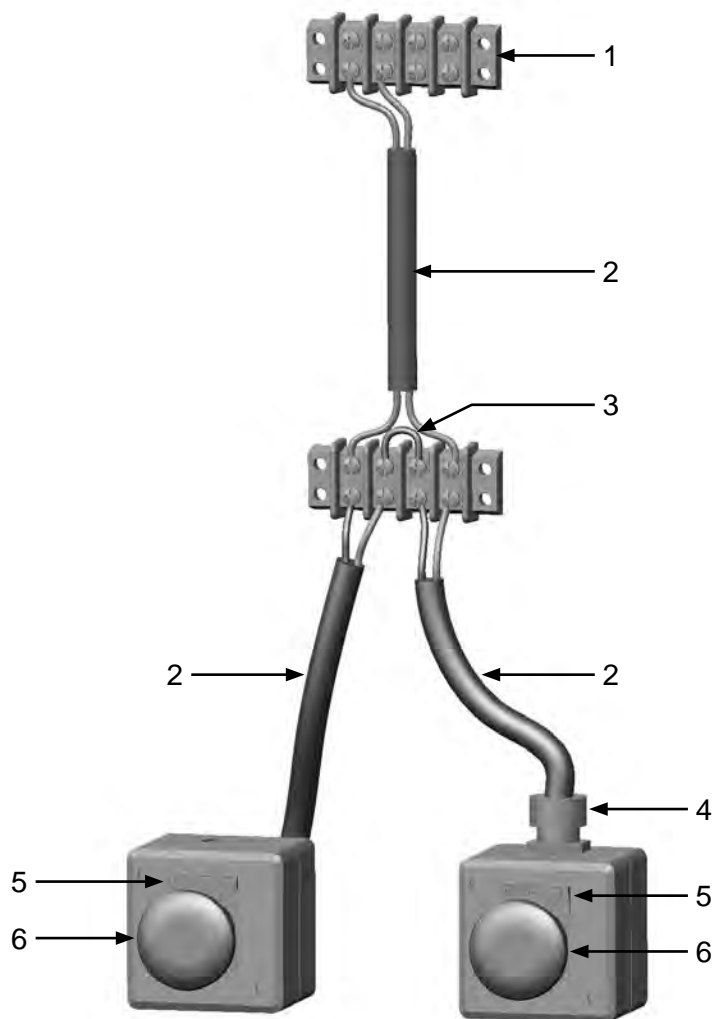
Fig. 28

1	1035046	5/16-18 Hex Nut <i>(Four Required)</i>
2	10103454	Non-Locking Gas Spring
3	1028617	3/8-16 X 1-3/4" Shoulder Bolt <i>(Two Required)</i>
4	10101942	3/8" Flat Washer <i>(Four Required)</i>
5	10101938	3/8"-16 Hex Nut <i>(Two Required)</i>
6	10103455	Locking Gas Spring
7	10102917	Hopper Lid
8	10103395	1/2-13 Zinc Plated Handle <i>(Three Required)</i>
9	10104377	Latch Bar <i>(Three Required)</i>

Quantities specified are per hatch opening

PART NUMBERS AND SCHEMATICS

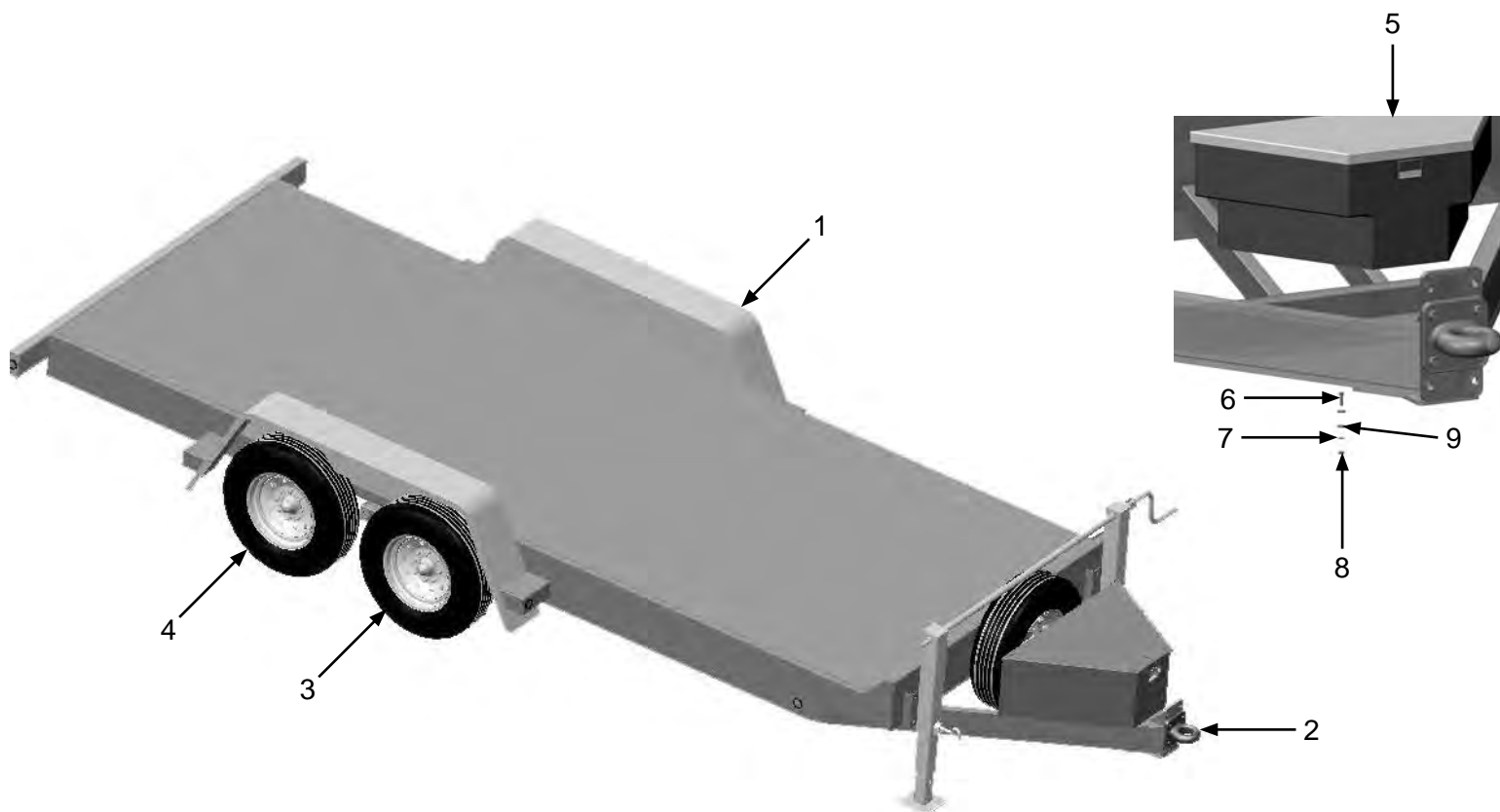
Figure 29: Emergency-Stop Stations



Item #	Part #	Description
Fig. 29		
1	10104066	Terminal Strip - 4-Circuit - 30 amp
2	1015570	12/2 SO Electric Cord (Per Foot)
3	20R12AWGBLACK	Stranded Wire - 12 AWG - Black
4	20RCG5050	Cord Grip 1/2"-Npt .5-.625
5	10104063	Legend Plate - Emergency-Stop Station
6	10104071	Emergency-Stop Control Station (Two Required)
—	1015009	8-32 x 1" Pan Head Phillips Screw (Four Required)
—	20000021	8-32 Zinc Nut (Four Required)
—	20000018	#8 Zinc Lock Washer (Four Required)
—	20000019	#8 Zinc Flat Washer (Four Required)

PART NUMBERS AND SCHEMATICS

Figure 30: Trailer



Item #	Part #	Description
--------	--------	-------------

Fig. 30

1	10104090	Left and Right Fenders (Pair)
2	10104079	Pintle Hitch with Flat Plate
3	10104089	16" - 8 Hole Pattern Rim with Tire (Four Required)
4	10104096	Tire - ST235/80R/16 - 10-ply
5	10103797	Tool Box (optional)
6	1012154	1/4-20 X 1" Bolt (Five Required) (optional)
7	1012153	1/4" Lock Washer (Five Required) (optional)
8	10101347	1/4-20 Hex Nut (Five Required) (optional)
9	10101940	1/4" Washer (Ten Required) (optional)
—	10104081	Breakaway Kit
—	10104082	Wire Harness
—	10104077	7000# Axle with Electric Brakes, Hubs, and Springs - 93" x 78" (Two Required)
—	10104078	Axle Beam/Tube
—	10100493	3/8" x 35" Chain with Hook
—	10104084	Red LED Oval Tail Light (Four Required)
—	10104085	Rubber Oval Grommet (Four Required)
—	10104086	2" Round Red LED Clearance Light (Five Required)
—	10104087	2" Round Amber LED Clearance Light (Four Required)
—	10104088	2" Round Rubber Grommet (Nine Required)

OPTIONAL ACCESSORIES

REPLACEMENT DUST COLLECTOR FILTER CARTRIDGES

Part Numbers	Material	I.D.	O.D.	Length
10103499	85/15	8.38"	12.75"	35"
10103945	Fire Retardant	8.38"	12.75"	35"
1010008004	HEPA	8.38"	12.75"	35"
10103964	Spunbond	8.38"	12.75"	35"



DUCT HOSE

Part Numbers	I.D.	Length	Pitch
10DH2025HD	20"	25 Feet	1-1/2" Heavy-Duty
10DH2050HD	20"	50 Feet	1-1/2" Heavy-Duty



DUCT HOSE COUPLING AND CLAMPS

Part Numbers	Duct Hose I.D.	Style
1017120	20"	Coupling
10DH062602000	20"	Screw Clamp

OPTIONAL ACCESSORIES



Part Numbers

3/4" I.D. X 1-1/4" O.D. AIR HOSE WITH COUPLINGS INSTALLED						
Part Numbers	Length	Hose I.D.	Hose O.D.	Working Pressure	Hose Cover Color	Couplings
10AH034AC	50 Ft.	3/4"	1-1/4"	200 PSI	Red	2-Lug Crimped On



Part Numbers

3/4" I.D. X 1-1/4" O.D. AIR HOSE					
Part Numbers	Length	Hose I.D.	Hose O.D.	Working Pressure	Hose Cover Color
10AH034	Per Ft.	3/4"	1-1/4"	200 PSI	Red



Part Numbers

Part Numbers	Hose I.D.	Material	Coupling Style	GASKET		
				Rubber Gasket	Gasket I.D.	Gasket O.D.
				10HE1	3/4"	Plated Iron

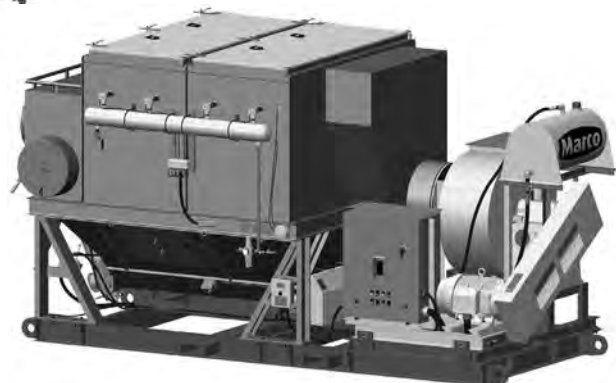


Part Numbers

BOSS® CLAMP FOR 3/4" I.D. AIR HOSE			
Part Numbers	Hose I.D.	Hose O.D. Range	Material
10A9	3/4"	1-8/64" – 1-20/64"	Plated Steel

PART NUMBERS

DUSTMASTER® 18,000 CFM ELECTRIC DUST COLLECTORS								
Part Numbers	Filter Cartridge Material					Trailer	Skid	Filter Cartridge Quantity
	None	85/15 Blend High Density Pleat Filters	85/15 Blend Reduced Pleat Filters	Fire Retardant	HEPA			
10106020	X					X		—
10106021		X				X		24
10106022			X			X		24
10106023				X		X		24
10106024					X	X		24
10106025						X		24
10106146	X						X	—
10106147		X					X	24
10106148			X				X	24
10106149				X			X	24
10106150					X		X	24
10106151						X	X	24



SPECIFICATIONS

Capacity:	CFM : 10,880-18,350 cfm W.C. 6"-16"
Filter Cartridge Style:	Open Top with Flange, Closed Bottom 24 Required
Filter Cleaning:	Pulse System, 5–15 second intervals Pulse Duration: 200–350 millisecond
Air to Cloth Ratio:	3.67:1 @ 18,000 CFM
Filter Area:	4,900 square feet
Efficiency:	85/15 Blend High Density Pleat Filters – 99.8% @ 0.5 micron 85/15 Blend Reduced Pleat Filters – 99.8% @ 0.5 micron HEPA Filters – 99.99% @ 0.3 micron Fire Retardant Filters – 96.8% @ 2.0 micron Spunbond Filters – 97% @ 3.0 micron
Ducting Connections:	20" I.D., Quantity of Four
Clean-Out Ports:	One
Dust Removal Conveyor:	Main Auger, 6" Discharge Auger, Hydraulic Motor Drive
Fan:	Backward Inclined, non-overloading, spark resisting
Motor:	50 Horsepower Electric 3-Phase – Fan 10 Horsepower Electric 3-Phase – Hydraulic
Electrical System:	460 V, 60 Hz 59 FLA
Air Requirements:	Clean, Dry, Compressed Air 24 CFM @ 90 PSI
Motor Protection:	Motor fused in control box
Fluid Specifications:	Hydraulic Oil: H46 or equivalent, 40 Gallons Grease/Lubricator: Mobil Polyrex EM or equivalent
Unit Dimensions Trailer:	Weight: 11,680 pounds (empty) Tongue Weight: 1,560 pounds Length: 21' 10" Width: 8' 6" Height: 10' 3"
Unit Dimensions Skid:	Weight: 10,500 pounds (empty) Length: 17' 6" Width: 8' 6" Height: 8' 9"

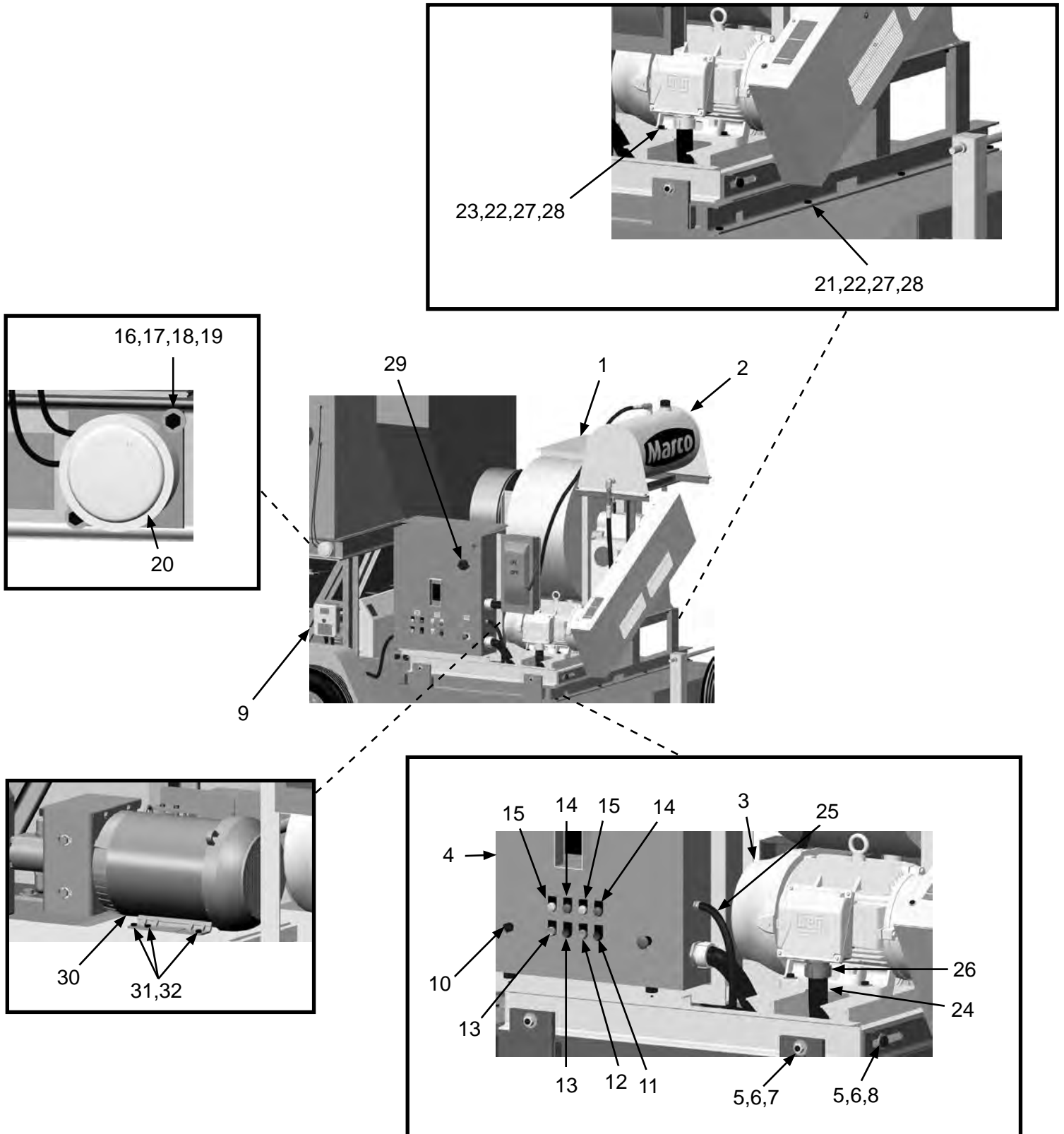
PART NUMBERS AND SCHEMATICS GUIDE

Front Assembly

Item #	Part #	Description
Fig. 1		
1	10104253	Fan
2	10105031	Hydraulic Oil Tank <i>(See Figure 2)</i>
3	10106001	Electric Motor 50 HP, 3-Phase
4	10106110	Control Panel
5	10103420	3/4-10 Nut <i>(12 Required)</i>
6	10103718	3/4" Washer <i>(10 Required)</i>
7	10105495	3/4-10 Draw Bolt <i>(Two Required)</i>
8	10103417	3/4-10 UNC x 1-3/4" Grade 8 Bolt <i>(Four Required)</i>
9	10103848	4 Ch. 120-Volt Timer Board with Enclosure <i>(See Figure 17)</i>
10	10103305	Selector Switch – 2-Way
11	10105371	Twist Release E-Stop
12	10105372	Red NC Momentary Switch <i>(Two Required)</i>
13	10105373	Black NO Momentary Switch <i>(Two Required)</i>
14	10105374	Red Indicating Light 120 VAC <i>(Two Required)</i>
15	10105375	Green Indicating Light 120 VAC <i>(Two Required)</i>
16	1011747	3/8-16 x 1" Bolt <i>(Eight Required)</i>
17	10101936	3/8" Lock Washer – Zinc <i>(Eight Required)</i>
18	1012318	3/8-16 Hex Nut <i>(Eight Required)</i>
19	10101942	3/8" Flat Washer <i>(12 Required)</i>
20	10103259	Magnehelic Differential Pressure Gauge
21	10103397	5/8-11 x 2" Grade 8 Bolt – Zinc <i>(Eight Required)</i>
22	10103398	Washer – 5/8" Grade 8 <i>(24 Required)</i>
23	10101058	5/8-11 x 3" L Bolt Grade 8 <i>(Four Required)</i>
24	10106128	3" Flexible Sealtite Conduit x 3'
25	20RSEL050UL	1/2" UL/UA Seal-Tite Conduit x 10'
26	10106129	3" Straight Conduit Hub <i>(Two Required)</i>
27	10103399	Lock Washer – 5/8" HD <i>(12 Required)</i>
28	10103393	Nut – 5/8-11 Grade 8 Zinc <i>(12 Required)</i>
29	10105360	Main Power Switch
30	10106002	Electric Motor 10 HP, 3-Phase
31	10104234	3/8-16 x 1-1/4 Hex Bolt Zinc Grade 5 <i>(Four Required)</i>
32	10102331	3/8 SAE Flat Washer Zinc Plate <i>(Four Required)</i>
—	105M133	Features and Specifications Guide – Dustmaster® 18,000 CFM Electric Dust Collectors
—	106M133	Part Numbers and Schematics Guide – Dustmaster® 18,000 CFM Electric Dust Collectors
—	1090133	Operator's Manual – Dustmaster® 18,000 CFM Electric Dust Collectors
—	109V045	Operator's Manual – Dynamic Fan Corporation
—	109V563	Operator's Manual – WEG Electric Motor Manual

PART NUMBERS AND SCHEMATICS GUIDE

Figure 1: Front Assembly



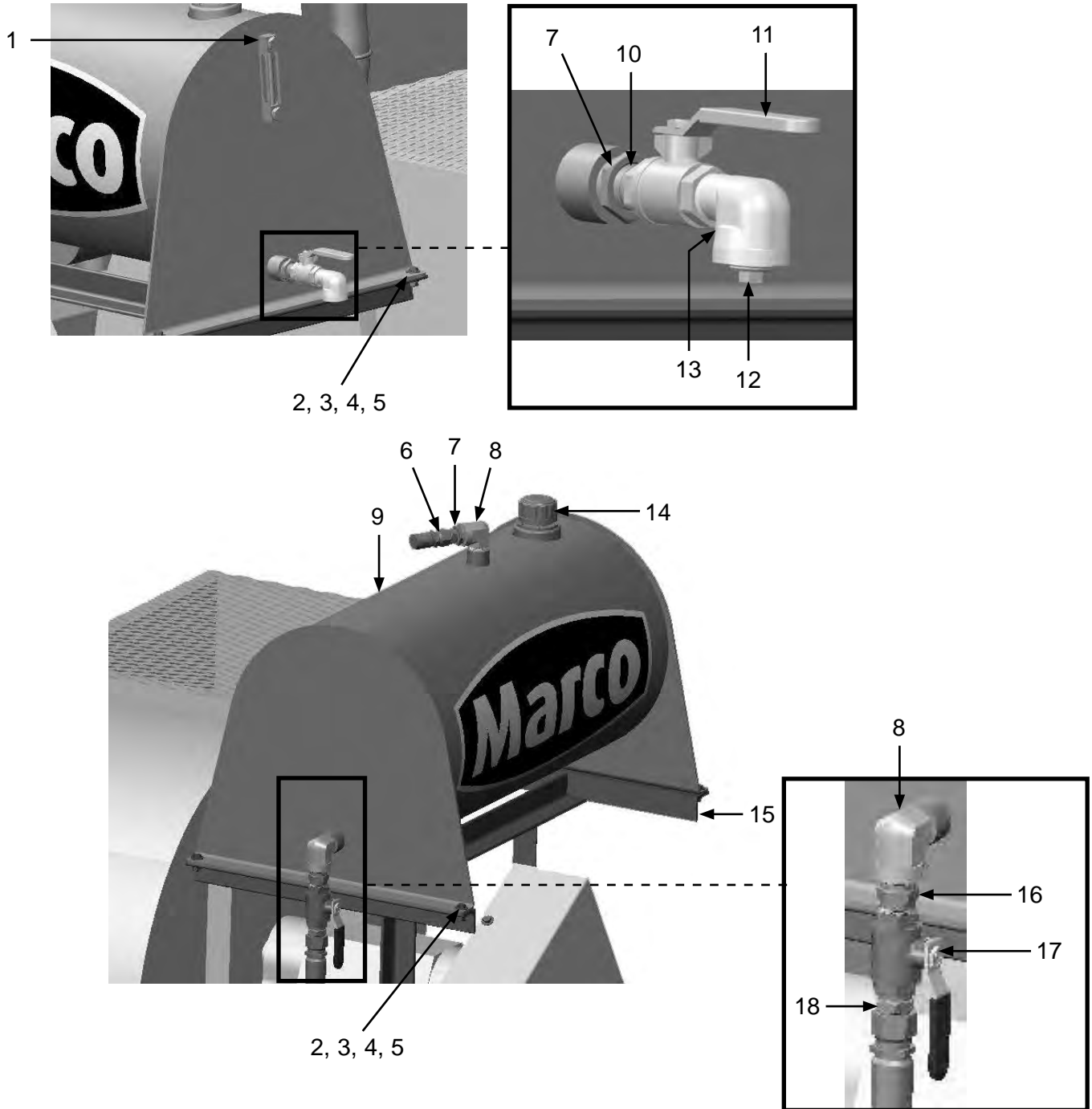
PART NUMBERS AND SCHEMATICS GUIDE

Hydraulic Oil Tank

Item #	Part #	Description
Fig. 2		
1	10103942	Sight Level Gauge
2	1011747	Bolt – 1/2-13 x 1-3/4" – Galvanized (<i>Four Required</i>)
3	10101942	Flat Washer – 3/8" (<i>Eight Required</i>)
4	10101936	Lock Washer – 3/8" (<i>Four Required</i>)
5	1012318	3/8-16 Hex Nut (<i>Four Required</i>)
6	10103314	Straight Adapter – 3/4" NPT x 12 JIC
7	20PFHA24SB1612	Reducing Bushing – 1" NPT x 3/4" NPT
8	20PFHA25UG1616	Street Elbow – 90° – 1" NPT (<i>Two Required</i>)
9	10105031	Hydraulic Oil Tank – 40 Gallon
10	1011213	Close Nipple – 3/4" NPT – Galvanized
11	10L8074C	Full Port Ball Valve – 3/4" NPT
12	10DSHP75	Pipe Plug – Square Head – 3/4" NPT
13	10102479	Street Elbow – 90° – 3/4" NPT – Galvanized
14	10103971	Filler/Breather Cap
15	10104255	Hydraulic Oil Tank Mount
16	20PFHA24SA1616	Hex Nipple – 1" NPT
17	1011601	Full Port Ball Valve – 1" NPT
18	10103312	Straight Adapter – 1" NPT x 16 JIC

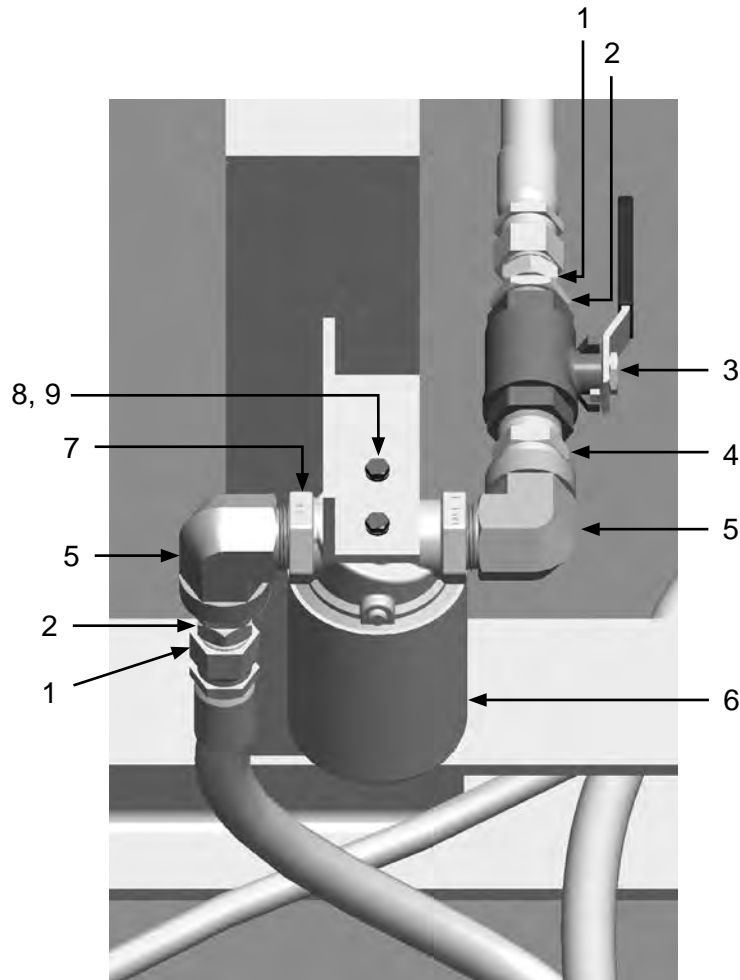
PART NUMBERS AND SCHEMATICS GUIDE

Figure 2: Hydraulic Oil Tank



PART NUMBERS AND SCHEMATICS GUIDE

Figure 3: Hydraulic Oil Filter Assembly



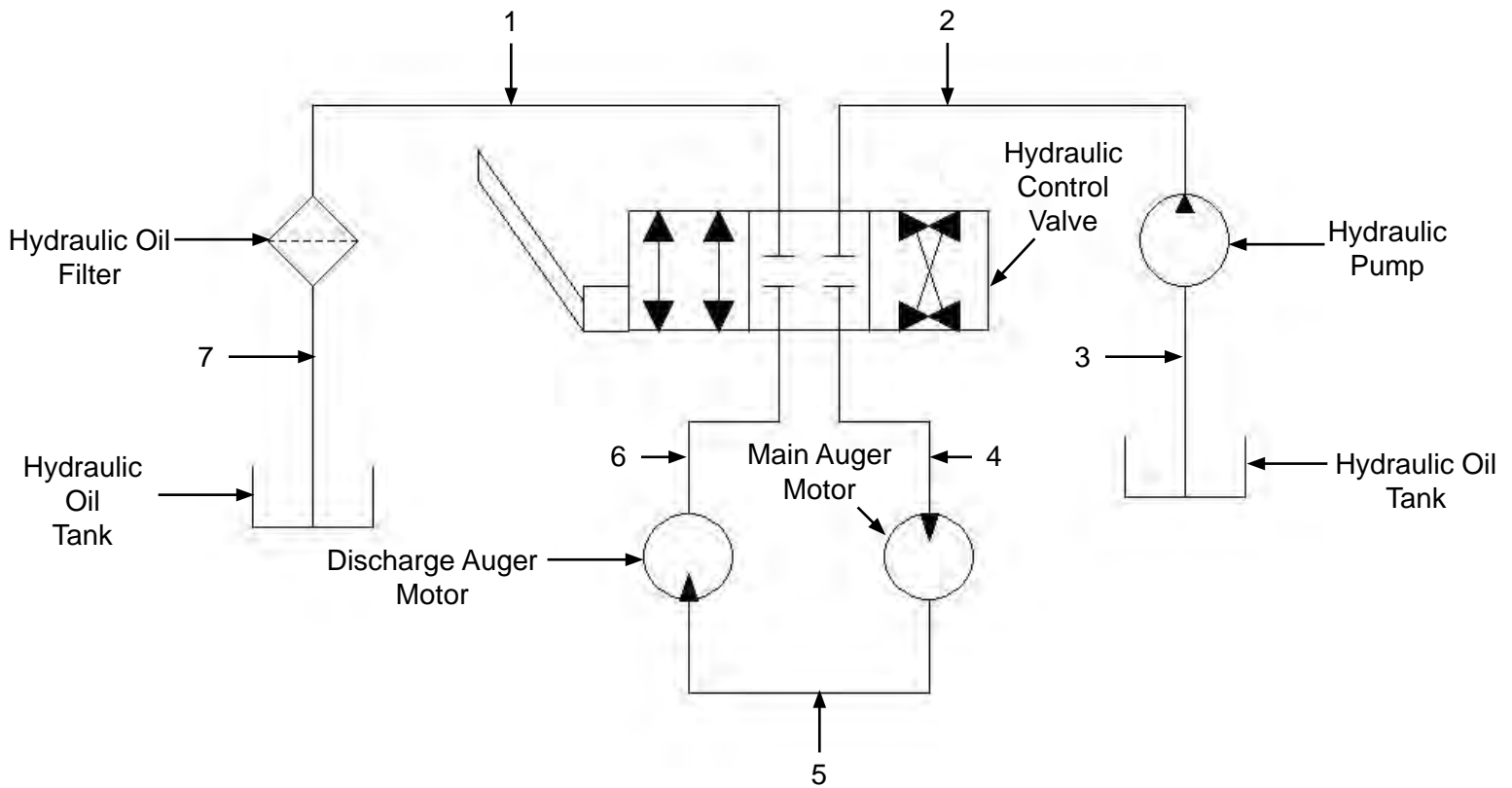
Item #	Part #	Description
--------	--------	-------------

Fig. 3

1	10103314	3/4" NPT x 12 JIC Straight Adapter
2	20PFHA24SB1612	1" x 3/4" Reducing Bushing
3	1011601	3/4" Full Port Brass Ball Valve
4	20PFHA24SA1616	1" Hex Nipple
5	20PFHA25UG1616	1" Street Elbow
6	10104058	Hydraulic Oil Filter
7	10104057	Hydraulic Oil Filter Head
8	1012153	1/4" Lock Washer
9	20100125	1/4-20 x 3/4" Zinc Bolt

PART NUMBERS AND SCHEMATICS GUIDE

Figure 4: Hydraulic Hoses



Item #	Part #	Description
--------	--------	-------------

Fig. 4

1	10103710	Hydraulic Hose – 3/4" I.D. x 13' – 3045 psi
2	10103707	Hydraulic Hose – 3/4" I.D. x 17' 7" – 3045 psi
3	10103405	Hydraulic Hose – 1-1/4" I.D. x 9' 6" – 2000 psi
4	10103408	Hydraulic Hose – 1/2" I.D. x 12' 6" – 2000 psi
5	10104223	Hydraulic Hose – 1/2" I.D. x 16' – 2000 psi
6	10103409	Hydraulic Hose – 1/2" I.D. x 7' 1" – 2000 psi
7	10104055	Hydraulic Hose – 3/4" I.D. x 7' 8" – 3045 psi

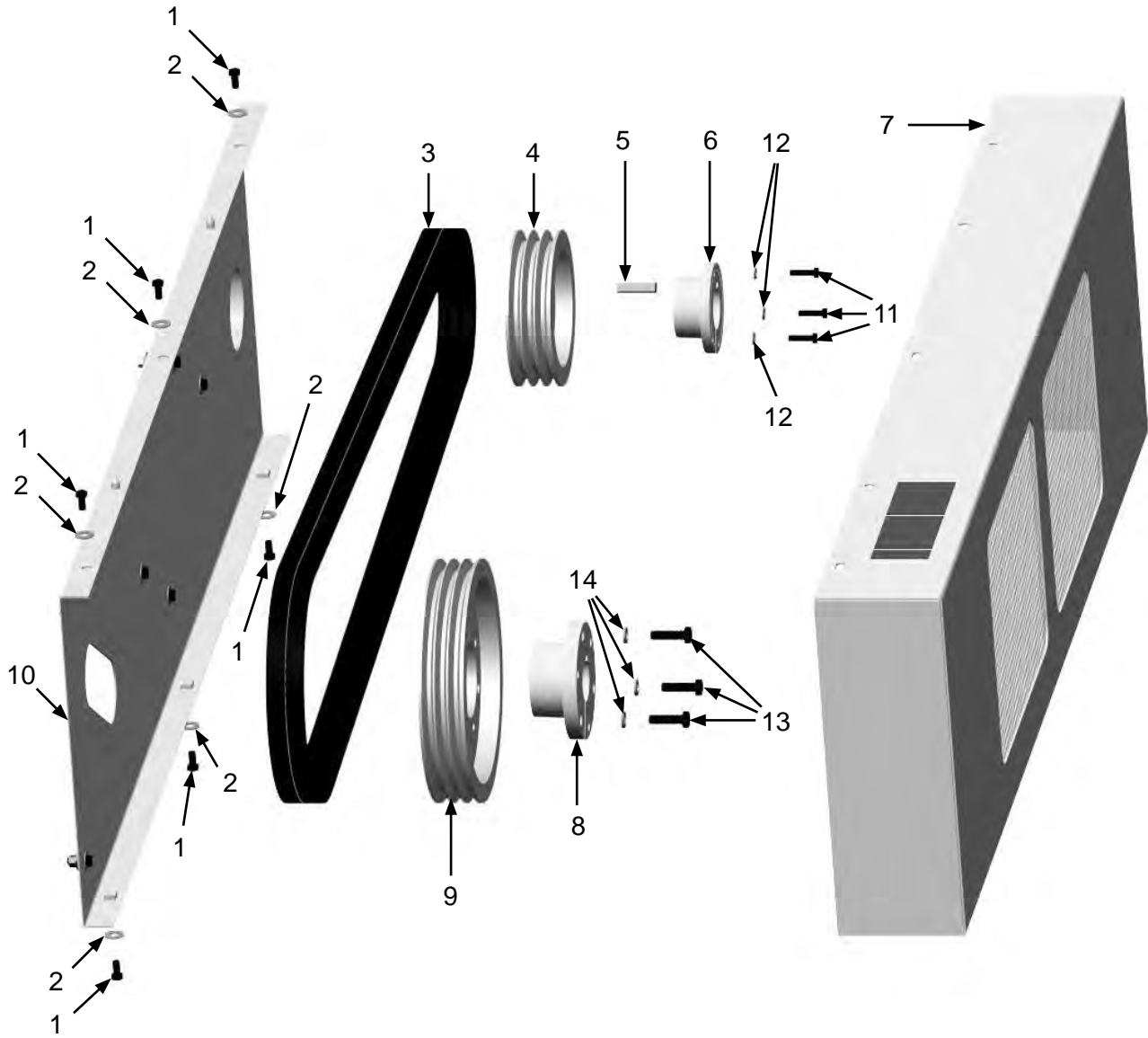
PART NUMBERS AND SCHEMATICS GUIDE

Fan Belt Assembly

Item #	Part #	Description
Fig. 5		
1	10103400	3/8-16 x 3/4" Bolt <i>(Six Required)</i>
2	10101942	3/8" Galvanized Flat Washer <i>(Six Required)</i>
3	10103327	3-Band Fan Drive Belt – 125"
4	10103324	8" Sheave
5	10104106	1/2" Square Key Cut
6	10104250	2-3/16" Bore Sheave Bushing <i>Includes Item #'s: 11 (Quantity of Three) and 12 (Quantity of Three)</i>
7	10102964	Belt Guard Cover
8	10106043	2-1/8" Bore Sheave Bushing <i>Includes Item #'s: 13 (Quantity of Three) and 14 (Quantity of Three)</i>
9	10103326	12.5" Sheave
10	10102967	Belt Guard Back
11	1028617	5/16-16 x 1-1/4" Hex Bolt <i>(Three Required)</i>
12	10101936	3/8" Zinc Lock Washer <i>(Three Required)</i>
13	10101943	1/2-13 x 1-3/4" Hex Bolt <i>(Three Required)</i>
14	10100675	1/2" Zinc Lock Washer <i>(Three Required)</i>

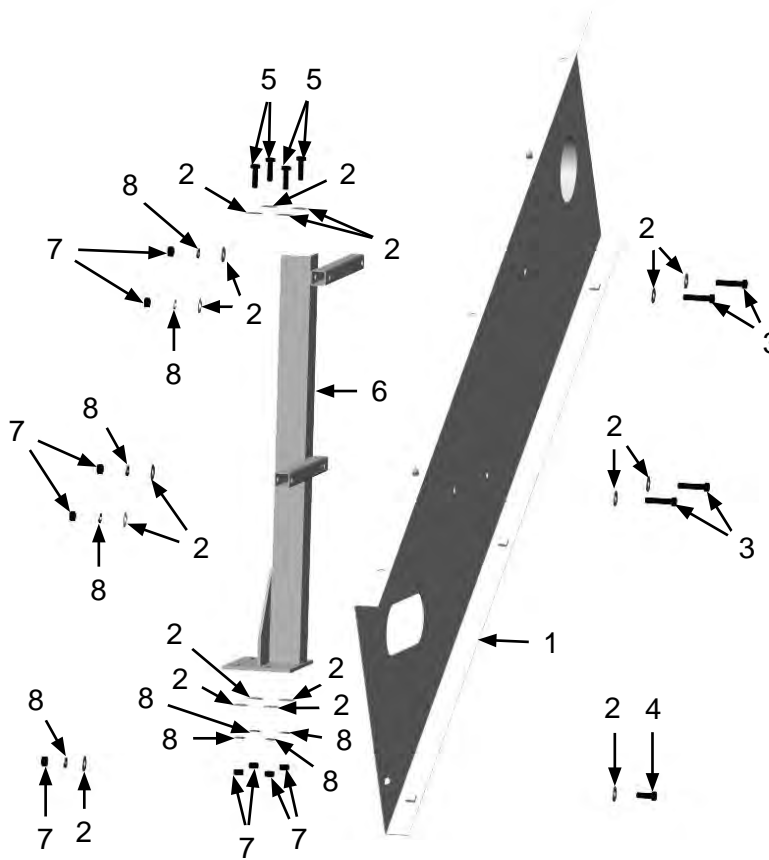
PART NUMBERS AND SCHEMATICS GUIDE

Figure 5: Fan Belt Assembly



PART NUMBERS AND SCHEMATICS GUIDE

Figure 6: Fan Belt Guard Back Assembly



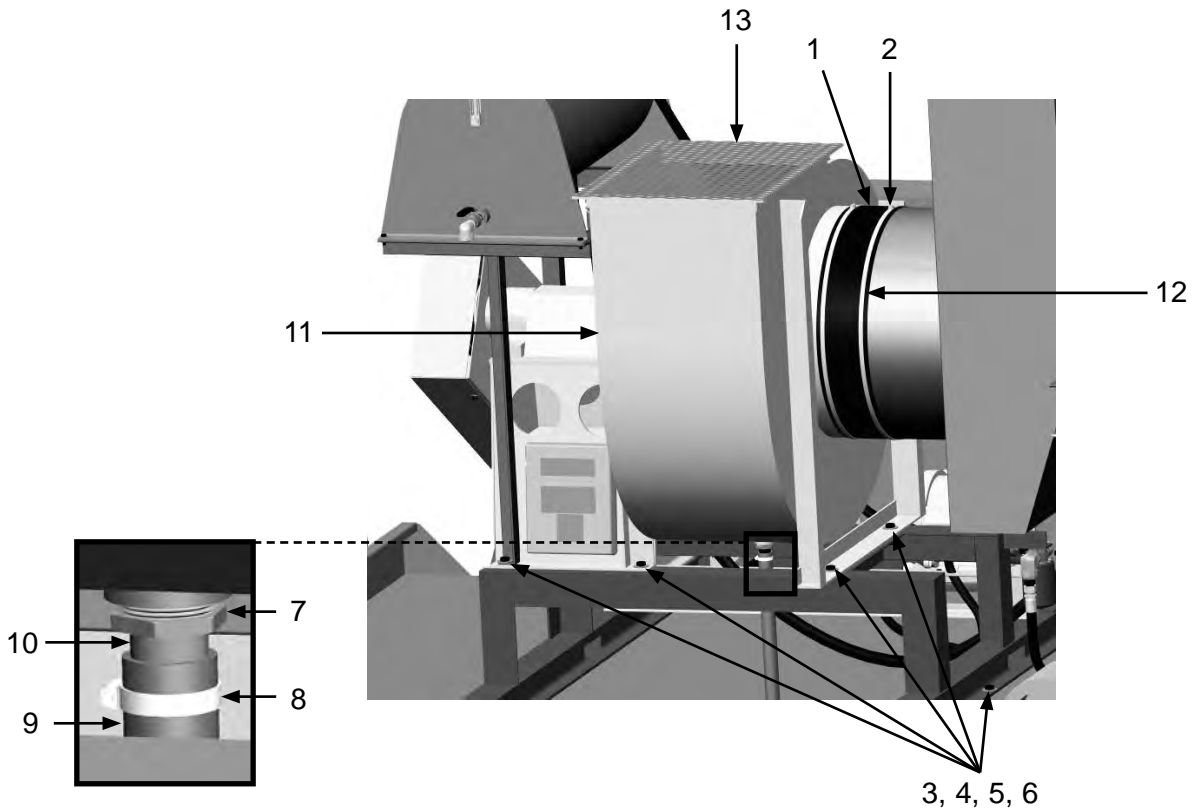
Item #	Part #	Description
--------	--------	-------------

Fig. 6

1	10102967	Belt Guard Back
2	10101942	3/8" Galvanized Flat Washer (18 Required)
3	1028617	3/8-16 x 1-3/4" Shoulder Bolt (Four Required)
4	1011747	3/8-16 x 1" Bolt
5	10104234	3/8-16 x 1-1/4" Bolt (Four Required)
6	10103354	Belt Guard Mount
7	1012318	3/8-16 Hex Nut (Nine Required)
8	10101936	3/8" Zinc Lock Washer (Nine Required)

PART NUMBERS AND SCHEMATICS GUIDE

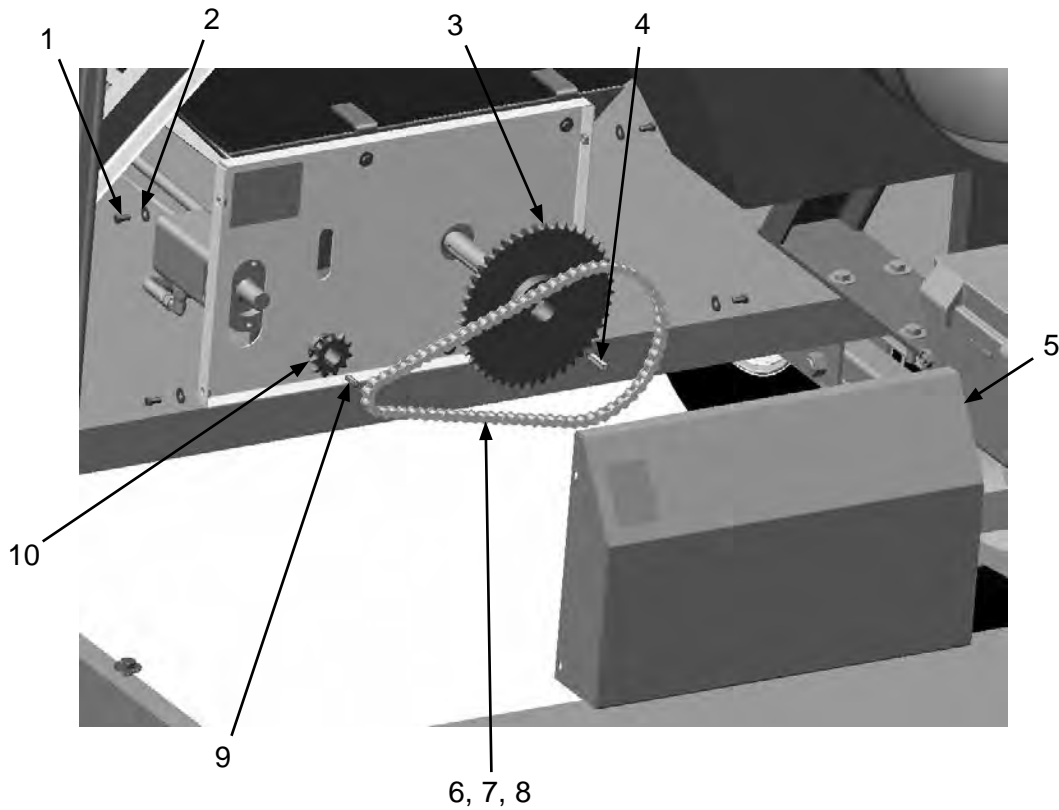
Figure 7: Fan Assembly



Item #	Part #	Description
Fig. 7		
1	10103962	Connection Rubber Gasket
2	10103416	Adjustable Clamp Fastener (<i>Two Required</i>)
3	10103397	3/4-10 UNC x 1-3/4" Grade 8 Bolt (<i>14 Required</i>)
4	10103398	3/4" Washer (<i>28 Required</i>)
5	10103420	3/4-10 UNC Grade 8 Nut (<i>14 Required</i>)
6	10103419	3/4" Lock Washer (<i>Six Required</i>)
7	20PFHA24SB2016	1-1/4" x 1" Reducing Bushing
8	10104136	Hose Clamp 1-1/16" x 2" O.D.
9	10103654	1-1/4" I.D. Hose (<i>Per Foot</i>)
10	10000197	1" NPT x 3" Toe Nipple
11	10104253	BI-245 Backward Incline Fan
12	10103416	Banding – Make A Clamp (<i>Per Foot</i>)
13	10104254	Bird Screen

PART NUMBERS AND SCHEMATICS GUIDE

Figure 8: Main Auger Drive Assembly



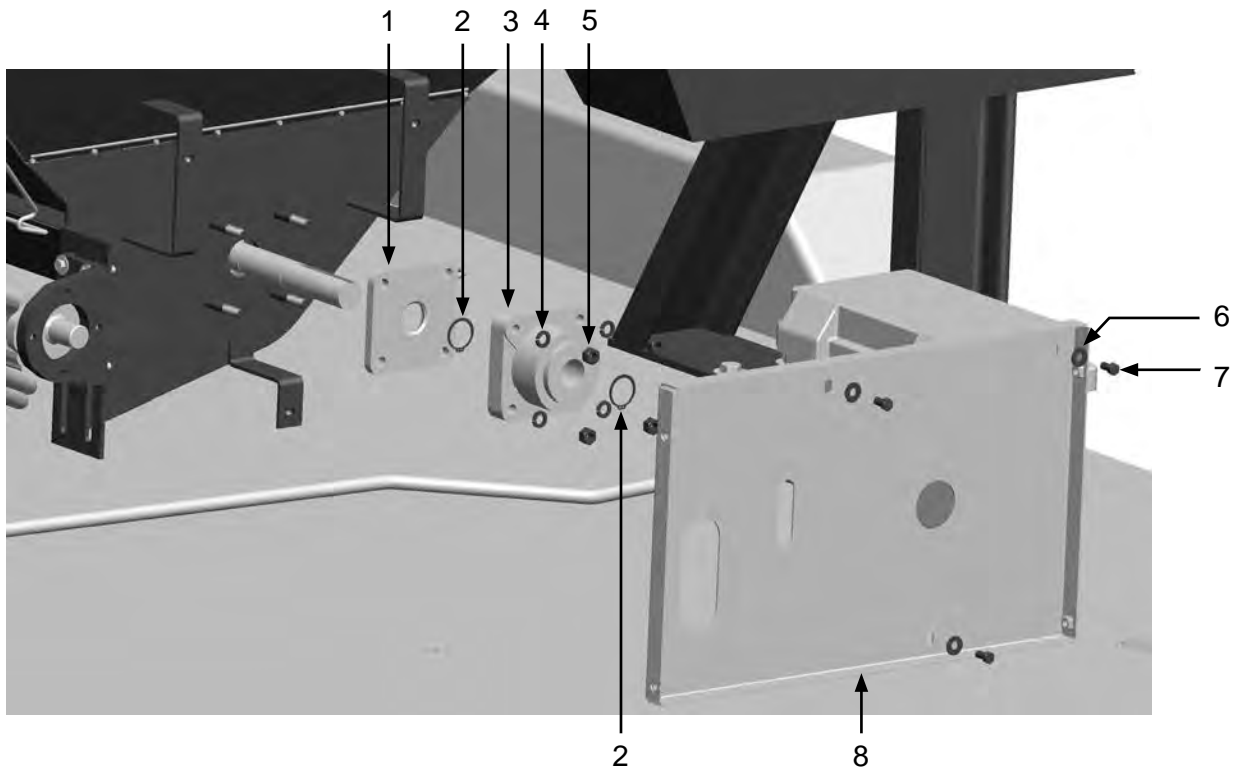
Item #	Part #	Description
--------	--------	-------------

Fig. 8

1	10103400	3/8-16 x 3/4" Bolt (Four Required)
2	10101942	3/8" Galvanized Flat Washer (Four Required)
3	10104218	45-Tooth Sprocket
4	10103641	3/8" Key Cut
5	10102952	Main Auger Motor Cover
6	10103391	#60 Cottered Roller Chain (Per Foot)
7	10103392	#60 Connecting Link
8	10103614	#60 Offset Link
9	10103642	5/16" x 1/4" x 1/8" x 1/8" Key
10	10103265	11-Tooth Sprocket
—	10104192	Main Auger Chain Kit Includes Item #'s: 6 (5'), 7, and 8

PART NUMBERS AND SCHEMATICS GUIDE

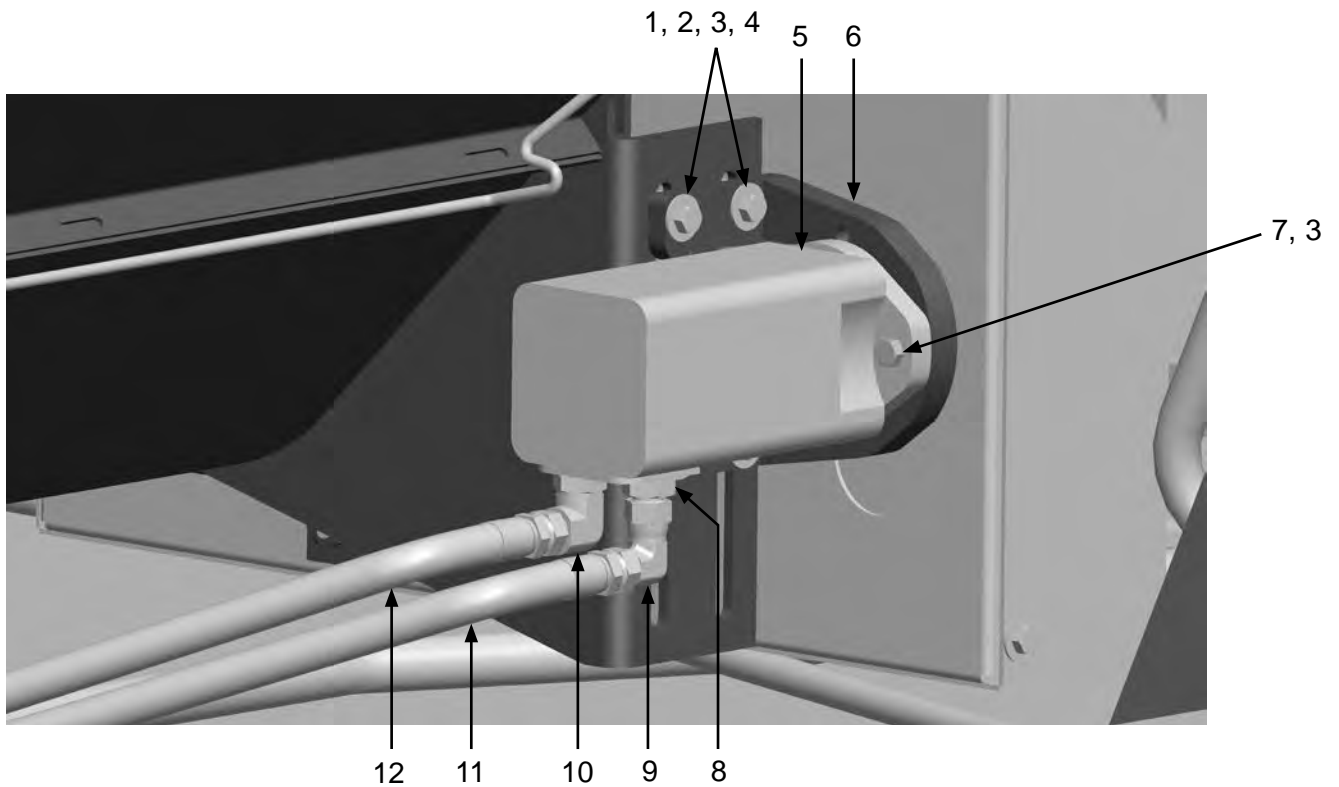
Figure 9: Main Auger Bearing



Item #	Part #	Description
Fig. 9		
1	10102902	Seal Plate
2	10103605	Snap Ring (<i>Two Required</i>)
3	10102903	Thrust Bearing
4	10100675	1/2" Lock Washer (<i>Four Required</i>)
5	1014022	1/2-13 Hex Nut (<i>Four Required</i>)
6	10101942	3/8" Galvanized Flat Washer (<i>Three Required</i>)
7	10103400	3/8-16 x 3/4" Bolt (<i>Three Required</i>)
8	10102955	Main Auger Guard Back

PART NUMBERS AND SCHEMATICS GUIDE

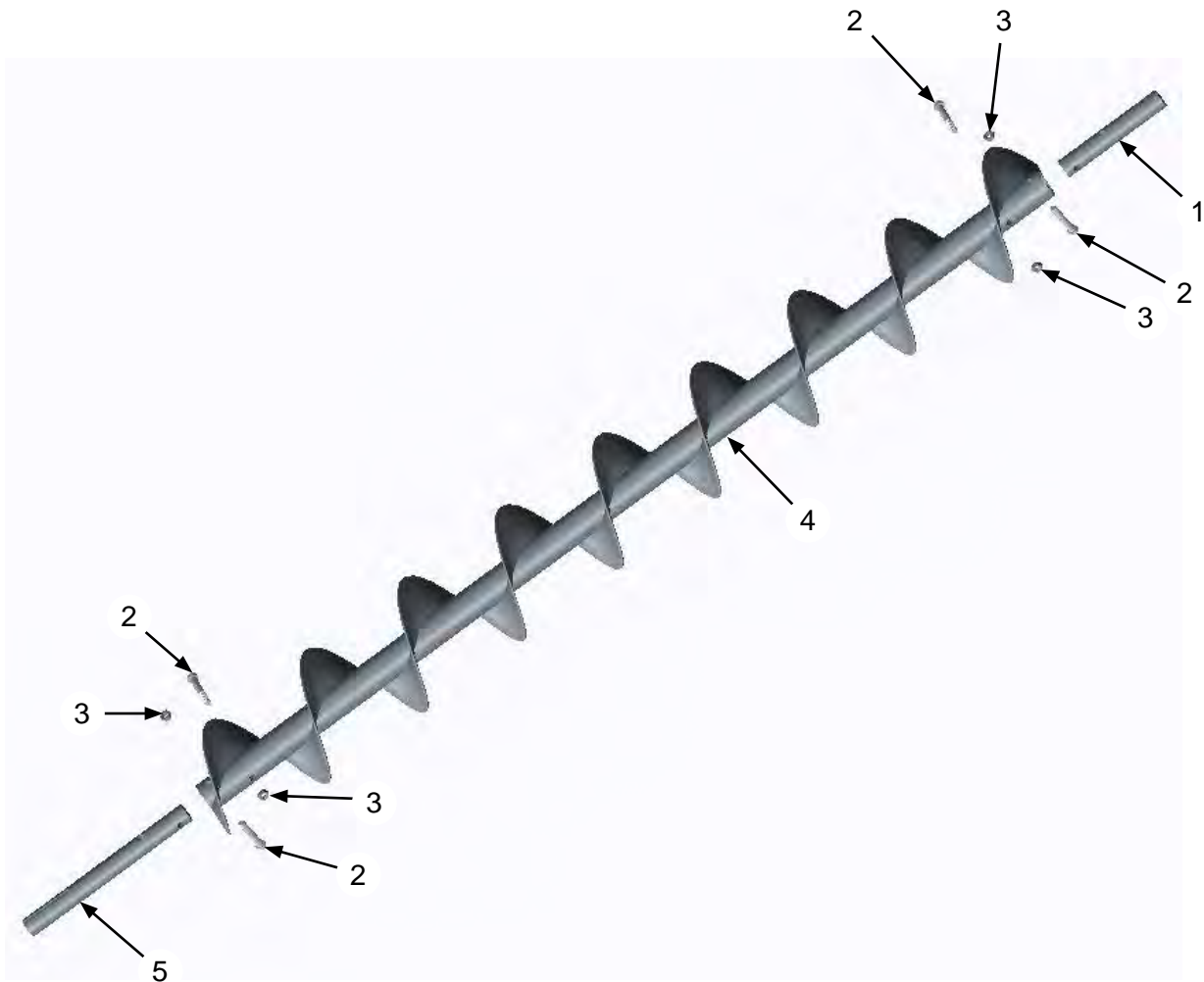
Figure 10: Main Auger Motor



Item #	Part #	Description
Fig. 10		
1	1028617	3/8-16 x 1-3/4" Shoulder Bolt (<i>Four Required</i>)
2	10101942	3/8" Galvanized Flat Washer (<i>Eight Required</i>)
3	10101936	3/8" Zinc Lock Washer (<i>Four Required</i>)
4	1012318	3/8-16 Hex Nut (<i>Four Required</i>)
5	10103266	18.7 Displacement Hydraulic Motor
6	10102881	Hydraulic Motor Mount with Hardware
7	10104234	3/8-16 x 1-1/4 Hex Bolt Zinc Grade 5
8	10103612	JIC 8 x SAE 10 Straight Adapter
9	10103611	JIC 8 x JIC 8 90° Elbow
10	10103308	JIC 8 x SAE 10 90° Elbow
11	10103408	Hydraulic Hose – 1/2" I.D. x 12' 6" – 2000 psi
12	10104223	Hydraulic Hose – 1/2" I.D. x 16' – 2000 psi
—	10103941	Seal Kit for 18.7 Displacement Hydraulic Motor

PART NUMBERS AND SCHEMATICS GUIDE

Figure 11: Main Auger



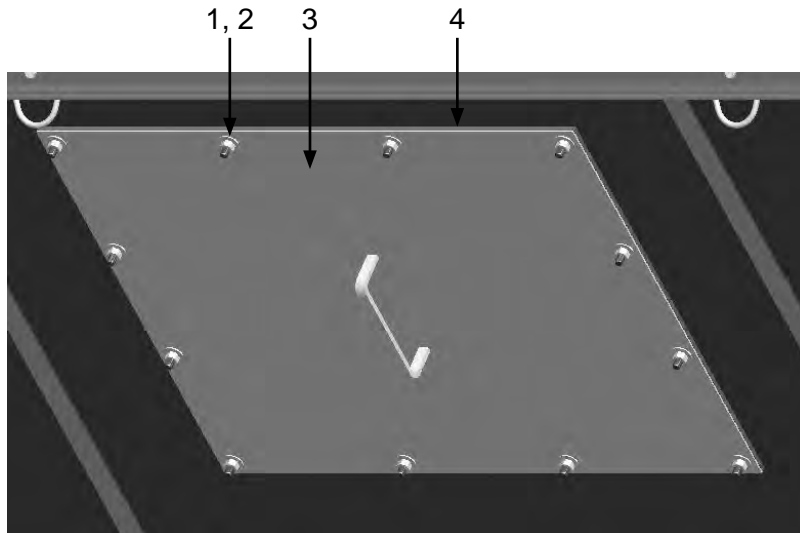
Item #	Part #	Description
--------	--------	-------------

Fig. 11

1	10103306	Drive Shaft
2	10101927	1/2-13 x 3" Galvanized Bolt (<i>Four Required</i>)
3	1014022	1/2-13 Galvanized Hex Nut (<i>Four Required</i>)
4	10103490	78" x 9" Standard Pitch Auger
5	10102910	Auger Shaft End

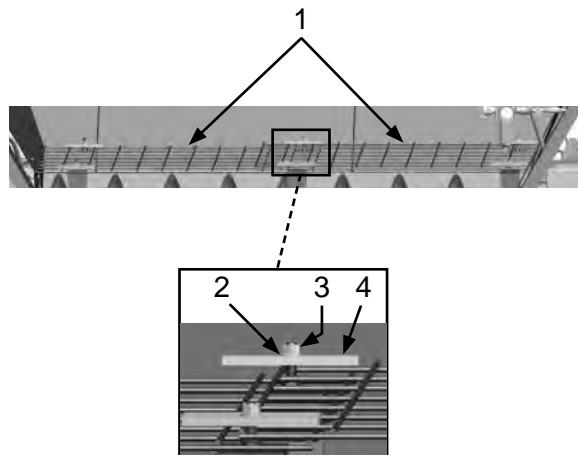
PART NUMBERS AND SCHEMATICS GUIDE

Figure 12: Access Panel Assembly



Item #	Part #	Description
Fig. 12		
1	1012318	3/8-16 Hex Nut (12 Required)
2	10101942	3/8" Flat Washer (12 Required)
3	10102933	20" Access Panel Door
4	10103344	1/4" x 1-1/2" Adhesive-Backed Gasket (Per Foot)

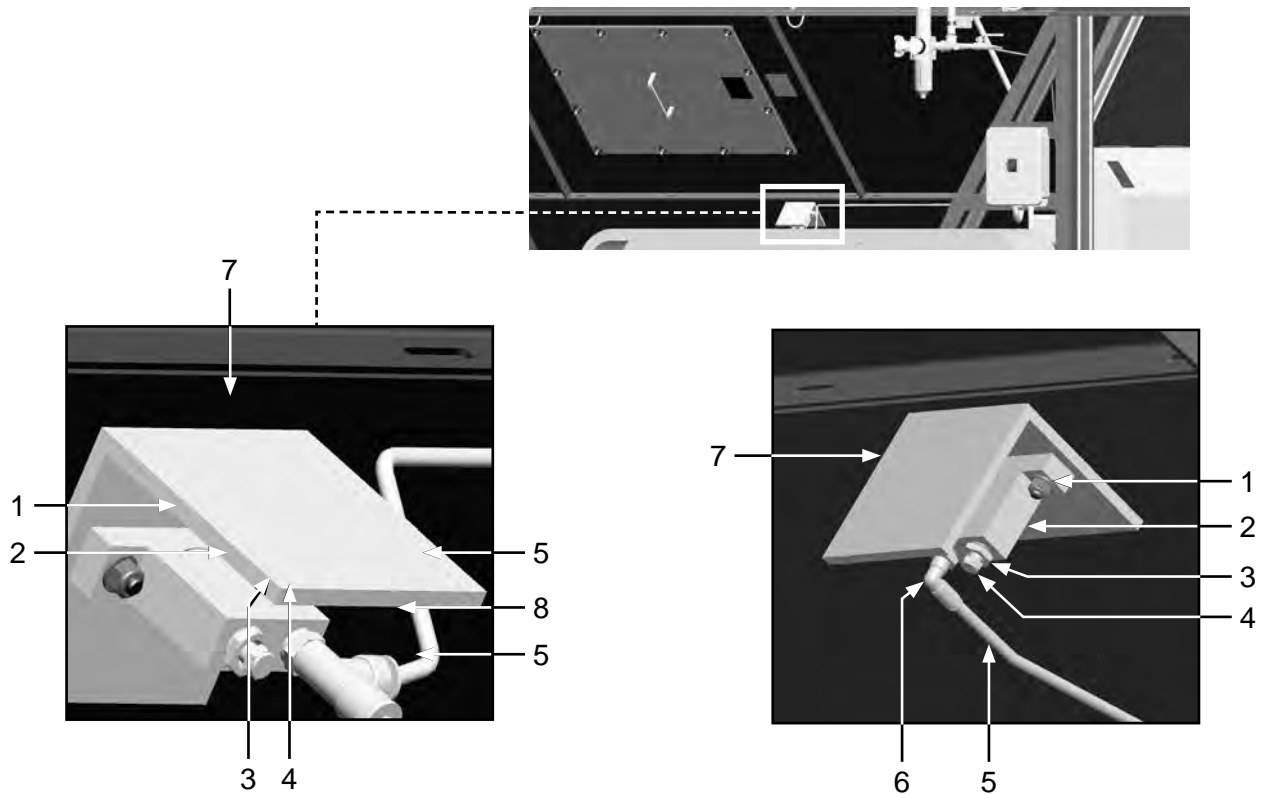
Figure 13: Main Auger Protective Grate



Item #	Part #	Description
Fig. 13		
1	10103966	Protective Grate – 44" (Two Required)
2	10100674	Flat Washer – 1/2" (Six Required)
3	1014022	1/2-13 Hex Nut (Six Required)
4	10102936	Protective Grate Bracket (Six Required)

PART NUMBERS AND SCHEMATICS GUIDE

Figure 14: Pneumatic Ball Vibrators



Item #	Part #	Description
--------	--------	-------------

Fig. 14

1	1012323	1/4-20 Zinc Lock Nut with Nylon Insert <i>(Four Required)</i>
2	10103258	Pneumatic Ball Vibrator <i>(Two Required)</i>
3	20PFHA24SB0402	1/4" x 1/8" Reducing Bushing
4	1012905	1/8" Breather Muffler <i>(Two Required)</i>
5	10103322	1/4" I.D. Black Urethane Tubing <i>(Per Foot)</i>
6	20PFBA31095614	1/4" Tube x 1/4" NPT 90° Fitting
7	10103609	Vibrator Shield <i>(Two Required)</i>
8	10103261	1/4" Male Push-To-Connect Tee

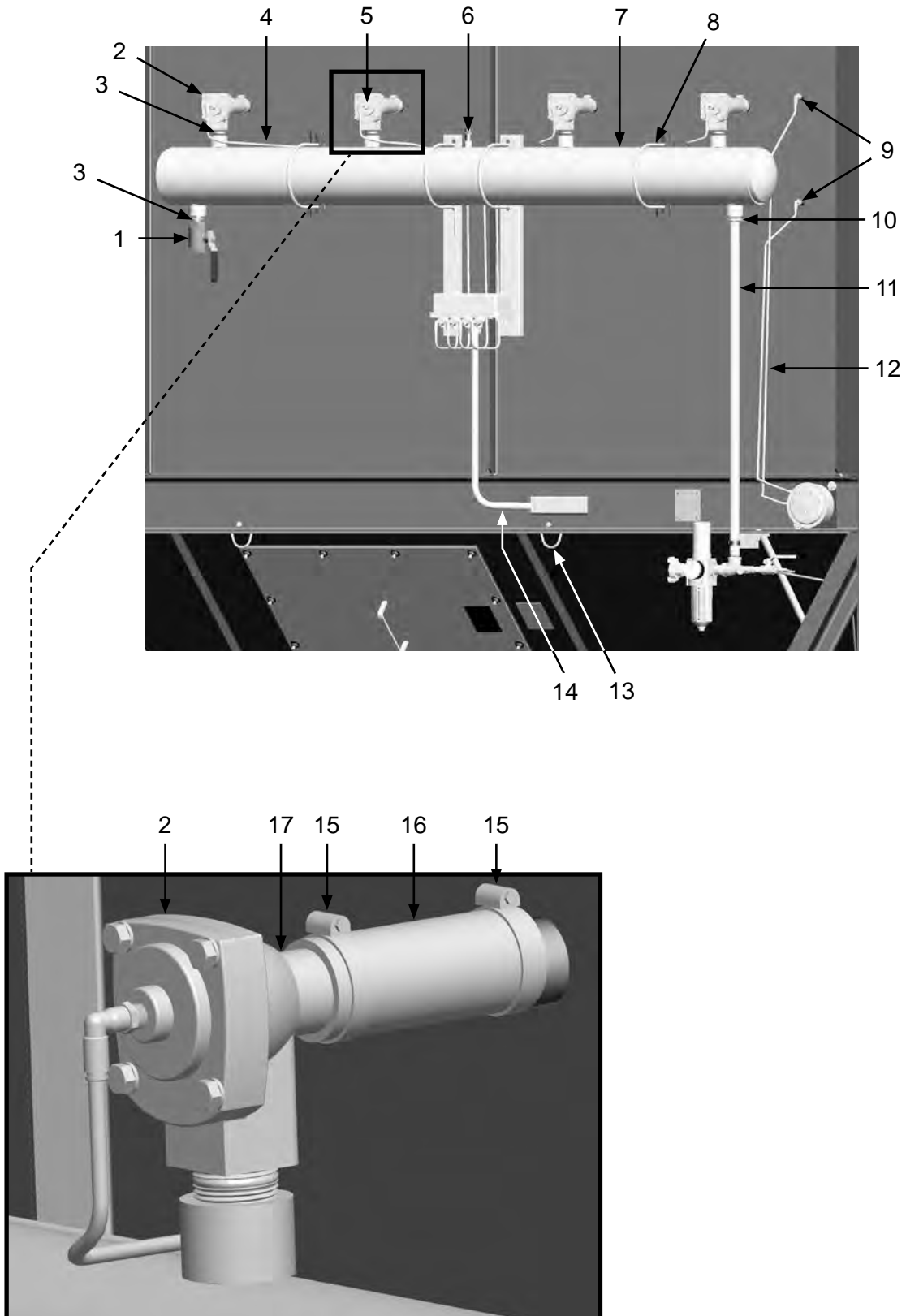
PART NUMBERS AND SCHEMATICS GUIDE

Pulser System Assembly

Item #	Part #	Description
Fig. 15		
1	1011601	1" Full Port Ball Valve
2	10103255	1" Diaphragm Valve (<i>See Figure 16</i>)
3	10103318	1" x 2" Pipe Nipple (<i>Five Required</i>)
4	10103322	1/4" O.D. Black Urethane Tubing (<i>Per Foot</i>)
5	20100579	1/4" O.D. Tube x 1/8" NPT Swivel (<i>Four Required</i>)
6	1028607	1/4" NPT Pressure Relief Valve – 125 psi
7	10103453	4 Pipe Header Tube
8	10103394	3/8-16 x 6" U-Bolt Assembly (<i>Four Required</i>)
9	20PFBA31095614	1/4" Tube x 1/4" NPT 90° Fitting (<i>Two Required</i>)
10	20PFHA24SB1612	1" x 3/4" Reducing Bushing
11	10103315	3/4" x 36" Pipe Nipple
12	10103322	1/4" Urethane Tube – Black (<i>Quantity of Two</i>)
13	10103625	D-Ring with Nut (<i>10 Required</i>)
14	20RSEL050UL	1/2" I.D. UL/UA Seal-Tite Conduit
15	10104136	T-Bolt Clamp 1-9/16" x 1-11/16" O.D.
16	10103654	1-1/4" I.D. Marine Hose – 100 psi (<i>Per Foot</i>)
17	10105207	1" x 3" Toe Nipple (<i>Four Required</i>)

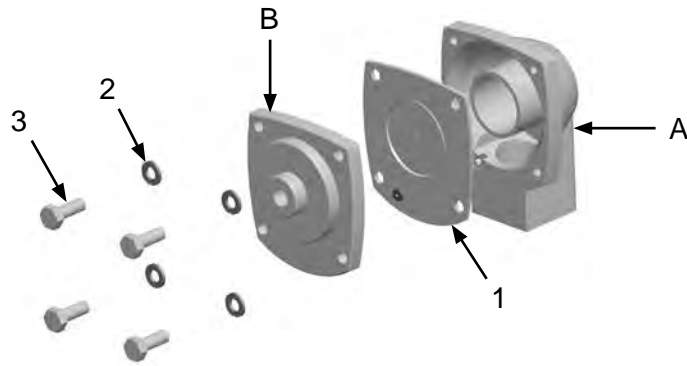
PART NUMBERS AND SCHEMATICS GUIDE

Figure 15: Pulsar System Assembly



PART NUMBERS AND SCHEMATICS GUIDE

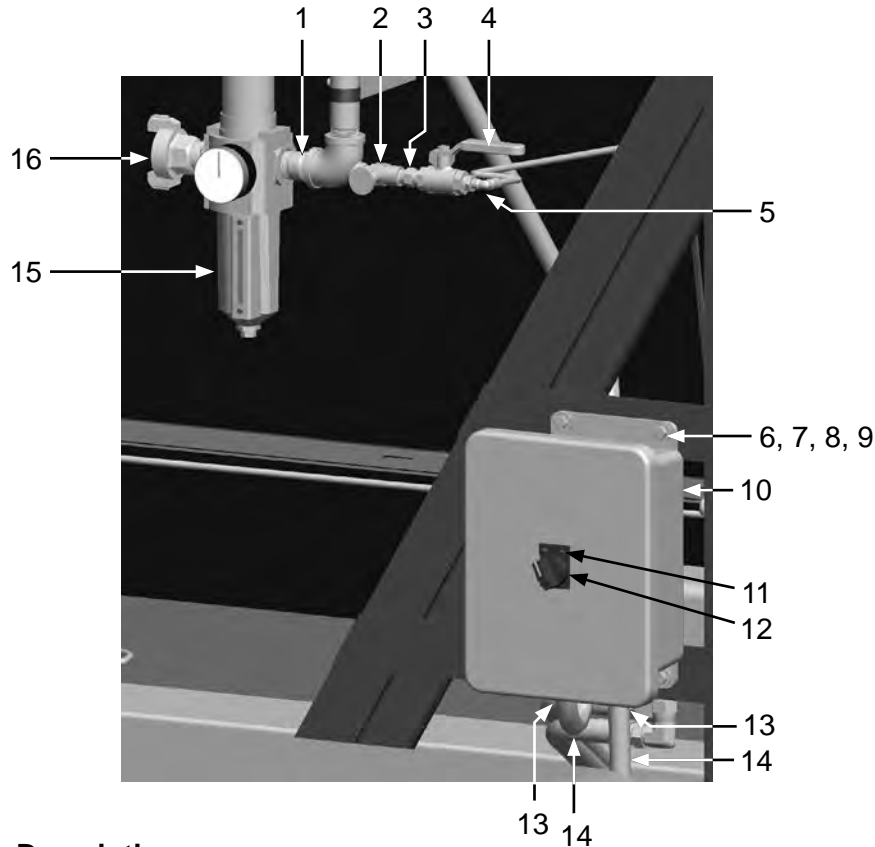
Figure 16: Diaphragm Valve



Item #	Part #	Description
Fig. 16		
—	10103255	1" Diaphragm Valve – Complete <i>(Three Required)</i> <i>Includes Items: A, B, 1, 2, and 3</i>
1	10103954	1" Diaphragm Valve Service Kit
2	1012153	1/4" Lock Washer <i>(Four Required)</i>
3	20101232	M6 x 1 x 14 HHCS <i>(Four Required)</i>

PART NUMBERS AND SCHEMATICS GUIDE

Figure 17: Pulsar Regulator and Timer Assembly



Item #	Part #	Description
Fig. 17		
1	10103317	3/4" x 2" Pipe Nipple
2	10103292	1/4" Needle Valve
3	1017019	1/4" x 1/4" Hex Nipple
4	1080050	1/4" Ball Valve
5	20PFBA31095614	1/4" Tube x 1/4" NPT 90° Fitting (<i>Three Required</i>)
6	10101937	1/4-20 x 1" L Grade 5 Bolt – Galvanized
7	10101940	1/4" Flat Washer – Galvanized
8	1012153	1/4" Lock Washer
9	10101347	1/4-20 Hex Nut
10	10103848	4 Ch. 120-Volt Timer Board with Enclosure
—	10103935	Timer Box Only
—	10105781	Timer Board Only
11	10103414	On/Off Name Plate
12	10103305	2-Way Selector Switch
13	20RST50	Straight Liquid Tite Connection Fitting (<i>Four Required</i>)
14	20RSEL050UL	1/2" UL/UA Seal-Tite Conduit Pipe (<i>Per Foot</i>)
15	10103257	Excelon 74 Series Filter/Regulator
16	10ME1	3/4" Male 2-Lug Coupling
—	10103950	Excelon 74 Series Filter/Regulator Service Kit
—	10103951	Filter Element
—	10103952	Filter Auto Drain
—	10103953	Sight Glass Kit

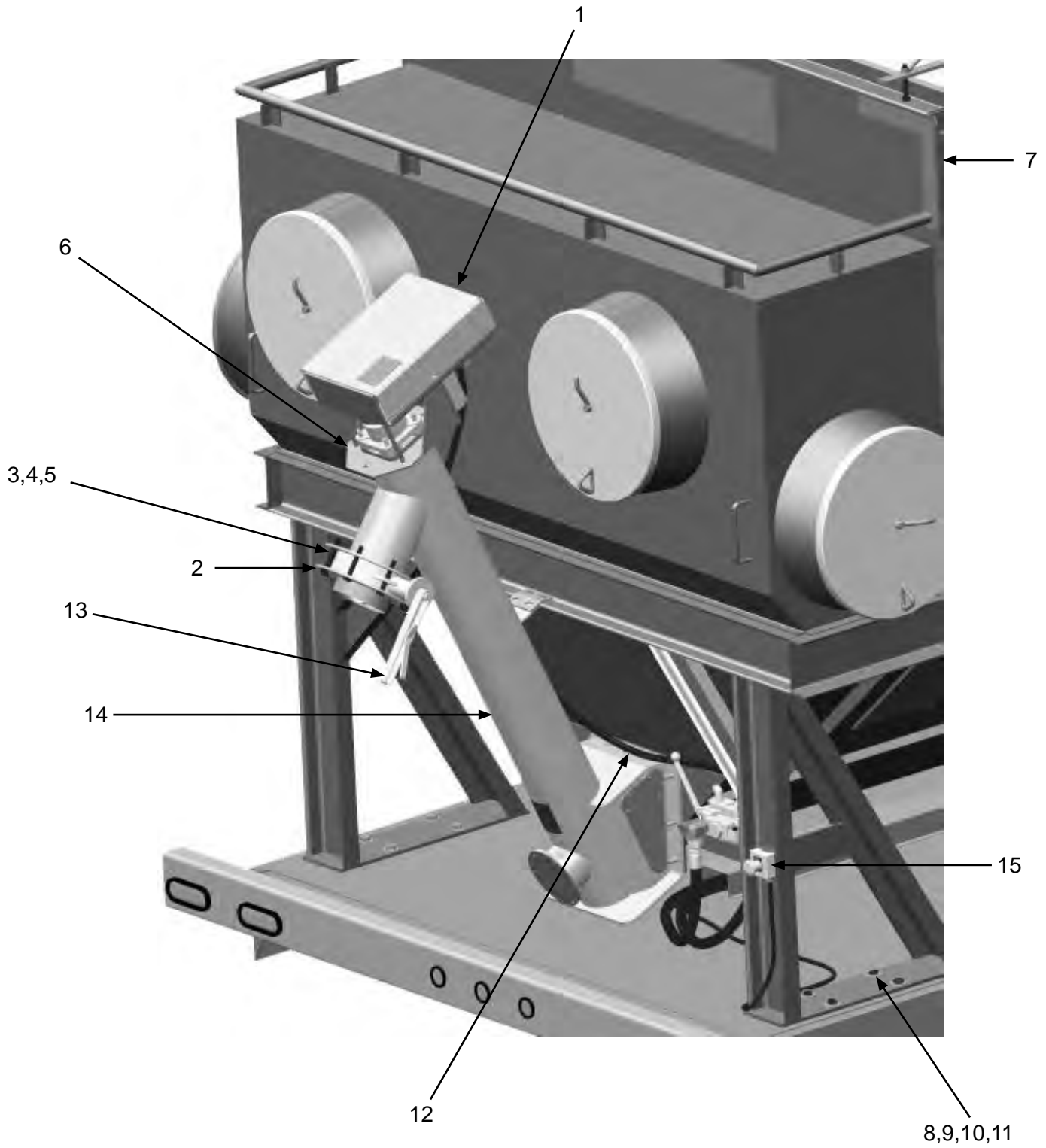
PART NUMBERS AND SCHEMATICS GUIDE

Discharge Auger Assembly

Item #	Part #	Description
Fig. 18		
1	10103363	Discharge Chain Cover
2	10102971	Discharge Hose Connector
3	10102703	1/2-13 x 3-1/2" Grade 5 Bolt (<i>Eight Required</i>)
4	10100675	1/2" Lock Washer (<i>14 Required</i>)
5	1014022	1/2-13 Hex Nut (<i>14 Required</i>)
6	10104195	Discharge Auger Motor Mounting Bracket
7	10103880	White Conspicuity Tape (<i>Per Inch</i>)
8	10103397	5/8-11 x 2" Grade 8 Bolt – Zinc (<i>16 Required</i>)
9	10103398	Washer – 5/8" Grade 8 (<i>32 Required</i>)
10	10103399	Lock Washer – 5/8" HD (<i>16 Required</i>)
11	10103393	Nut – 5/8-11 Grade 8 Zinc (<i>16 Required</i>)
12	10103409	Hydraulic Hose – 1/2" I.D. x 7' 1" – 2000 psi
13	10103302	6" Series Wafer Butterfly Valve
14	10103216	Discharge Auger Tube
15	10104071	E-Stop Control Station (<i>See Figure 29</i>)
—	10103881	Red Conspicuity Tape (<i>Per Inch</i>)
—	1091154	Hazard Identification Decals – Dustmaster® 18,000-50,000 CFM Electric Dust Collectors <i>Includes all Dust Collector Hazard Identification Decals</i>

PART NUMBERS AND SCHEMATICS GUIDE

Figure 18: Discharge Auger Assembly



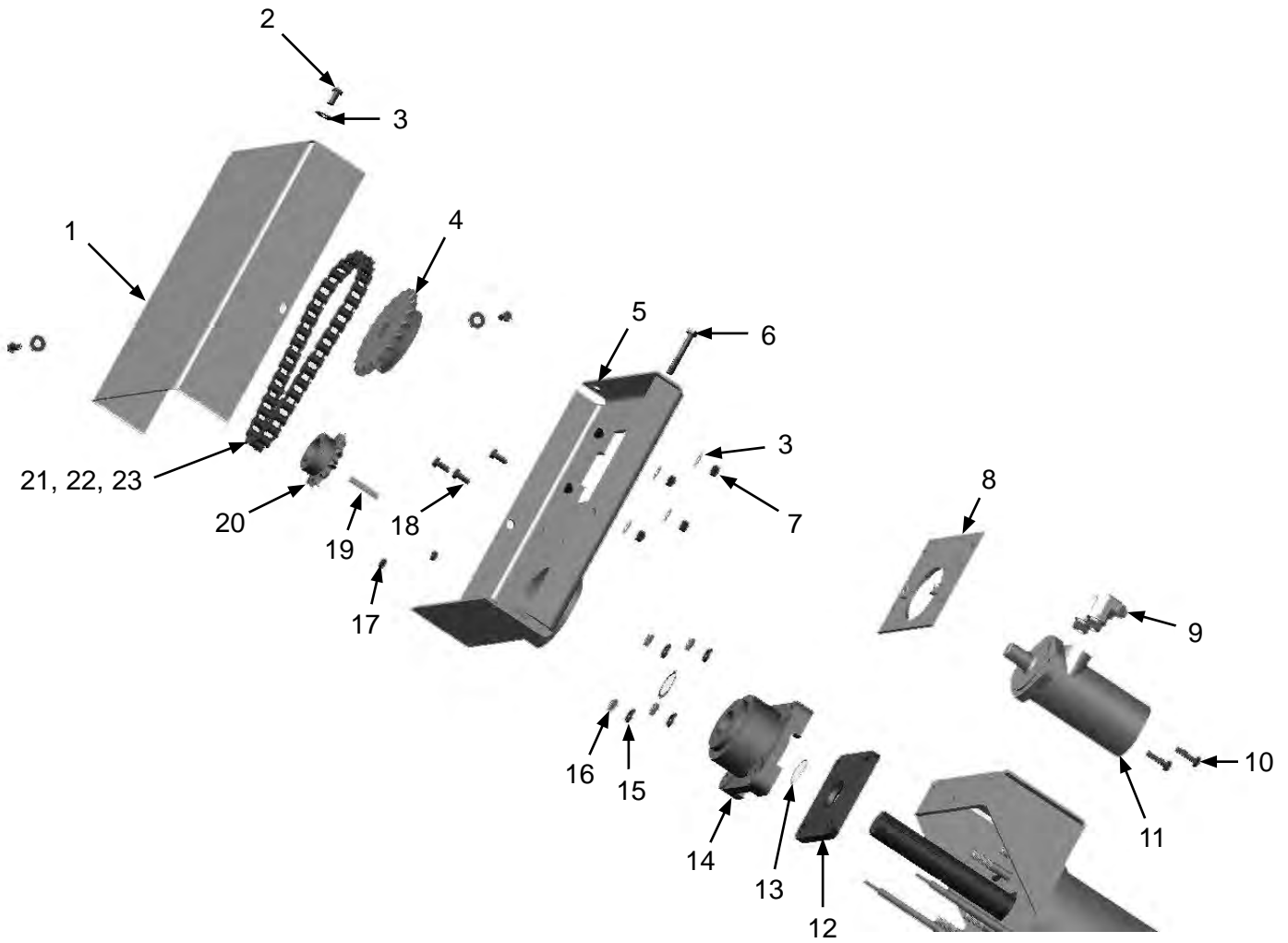
PART NUMBERS AND SCHEMATICS GUIDE

Discharge Auger Drive Assembly

Item #	Part #	Description
Fig. 19		
1	10103363	Chain Cover
2	10103400	3/8-16 x 3/4" Bolt <i>(Seven Required)</i>
3	10101942	3/8" Galvanized Flat Washer <i>(Three Required)</i>
4	10104217	22-Tooth Sprocket
5	10104197	Chain Cover Base
6	10101933	3/8-16 x 2-1/2" Hex Bolt
7	1012318	3/8-16 Hex Nut <i>(Four Required)</i>
8	10104199	Sliding Motor Mount
9	10103308	JIC 8 x SAE 10 90° Elbow <i>(Two Required)</i>
10	10104234	3/8-16 x 1-1/4" A307 Bolt Zinc <i>(Two Required)</i>
11	10102887	Young Powertech® Hydraulic Motor
12	10102902	Seal Plate
13	10103605	Snap Ring <i>(Two Required)</i>
14	10102903	Thrust Bearing
15	10100675	1/2" Lock Washer <i>(Four Required)</i>
16	1014022	1/2-13 Hex Nut <i>(Four Required)</i>
17	1035046	5/16-18 Nut <i>(Two Required)</i>
18	10101346	5/16-18 x 3/4" Grade 5 Bolt <i>(Three Required)</i>
19	10103641	3/8 Key Cut
20	10102886	13-Tooth Sprocket
21	10103392	#60 Connecting Chain Link
22	10103391	#60 Cottered Roller Chain <i>(Per Foot)</i>
23	10103614	#60 Offset Chain Link
—	10104191	Discharge Auger Chain Kit <i>Includes Item #'s: 21, 22 (3'), and 23</i>
—	10103940	Seal Kit for Hydraulic Motor 10102887

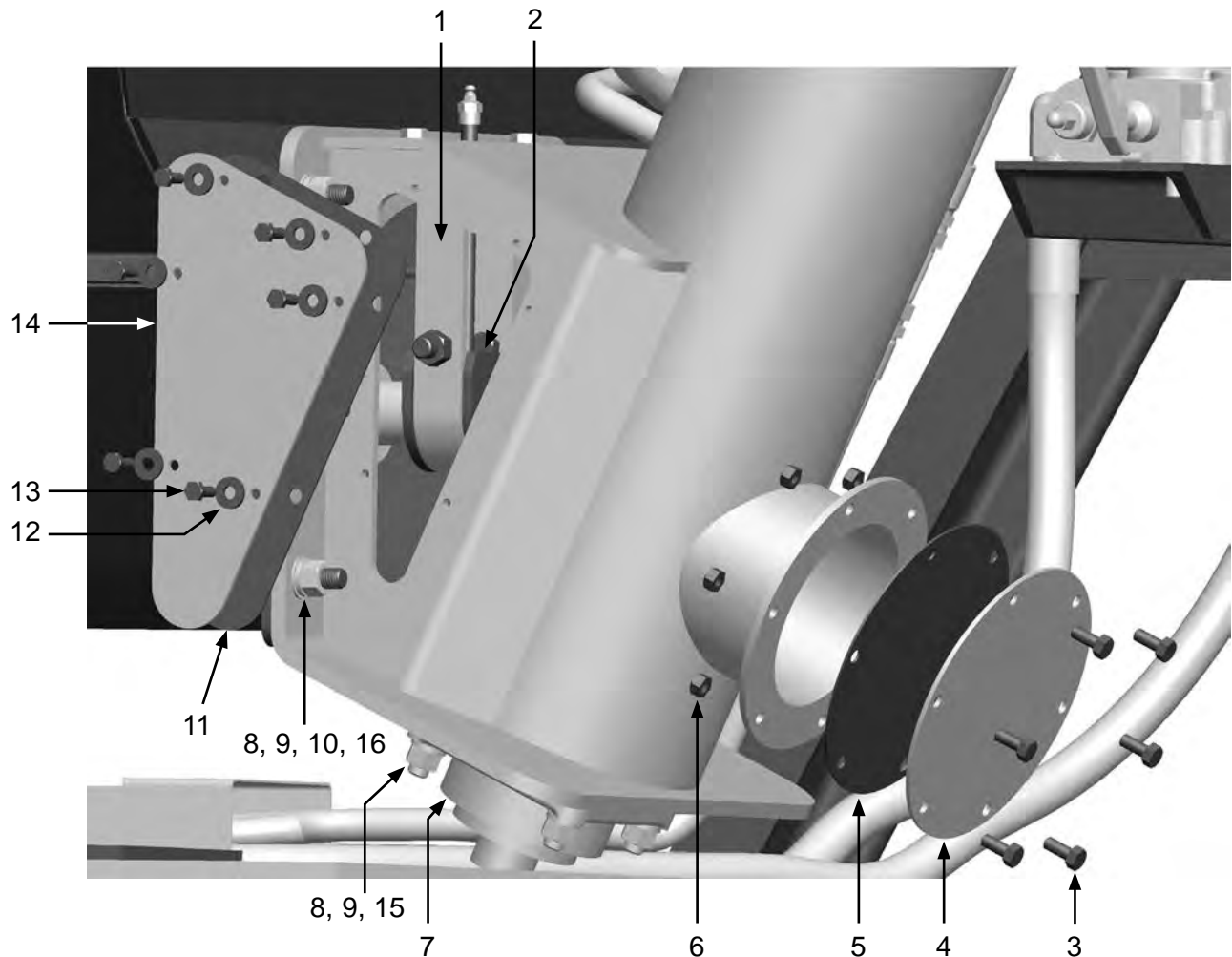
PART NUMBERS AND SCHEMATICS GUIDE

Figure 19: Discharge Auger Drive Assembly



PART NUMBERS AND SCHEMATICS GUIDE

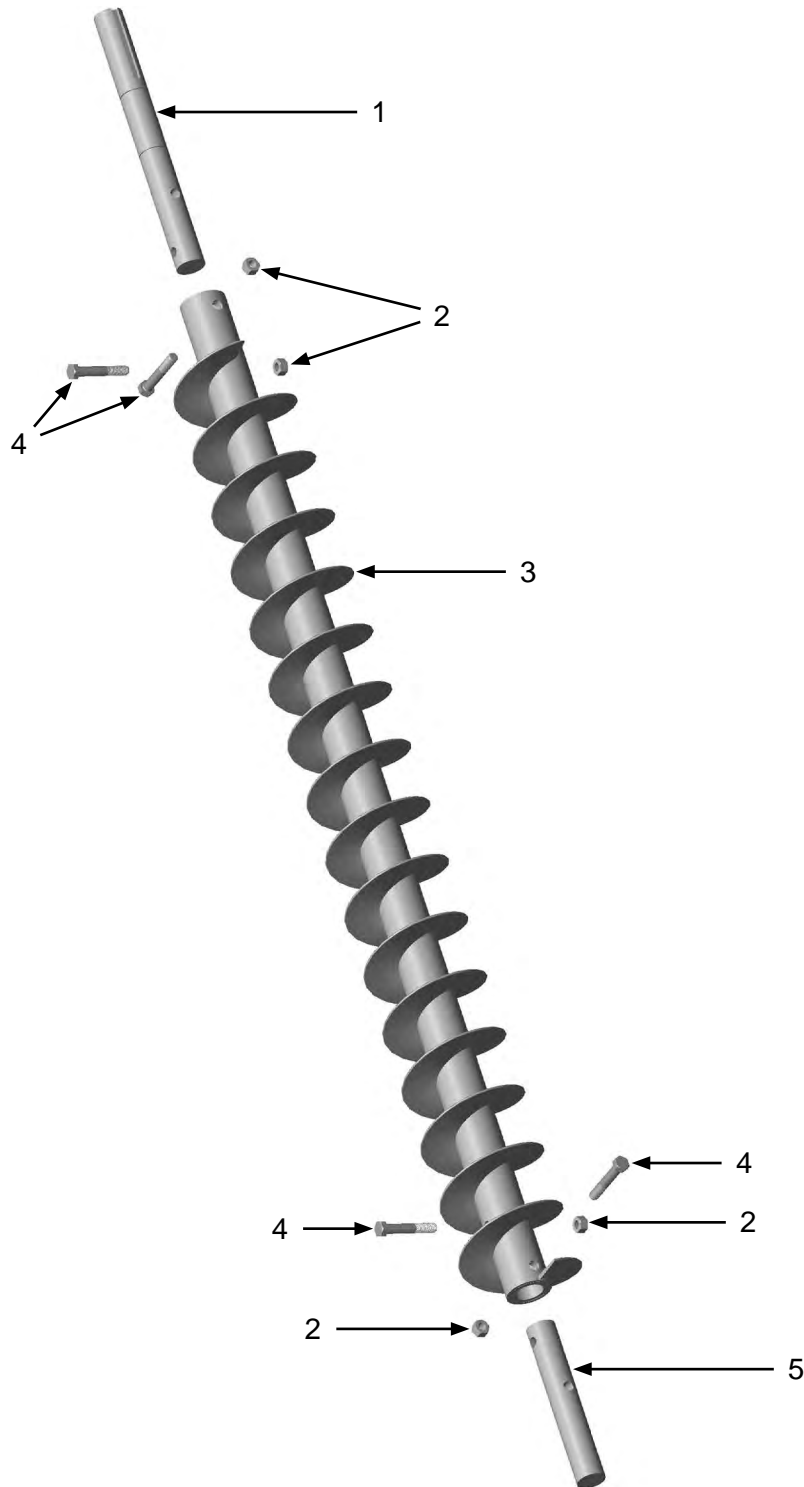
Figure 20: Discharge Auger Clean-Out Assembly



Item #	Part #	Description
Fig. 20		
1	10102896	Bearing Hanger
2	10103413	Bearing
3	10101346	5/16-18 x 3/4" Bolt (Six Required)
4	10103235	Auger Clean-Out Cover
5	10103716	Neoprene Auger Clean-Out Gasket
6	1035046	5/16-18 Nut (Six Required)
7	10102880	Discharge Auger Lower Bearing Assembly
8	10101941	1/2-13 Galvanized Hex Nut (10 Required)
9	10100675	1/2" Lock Washer (10 Required)
10	10100674	1/2" Flat Washer (Six Required)
11	10103717	Discharge Auger Side Gasket (Two Required)
12	10101940	1/4" Galvanized Flat Washer (12 Required)
13	20100125	1/4-20 x 3/4" Zinc Hex Bolt (12 Required)
14	10103236	Discharge Auger Side Cover (Two Required)
15	10102652	1/2-13 x 2-1/4" Grade 5 Bolt
16	10101943	1/2-13 x 1-3/4" Hex Bolt

PART NUMBERS AND SCHEMATICS GUIDE

Figure 21: Discharge Auger Clean-Out Assembly



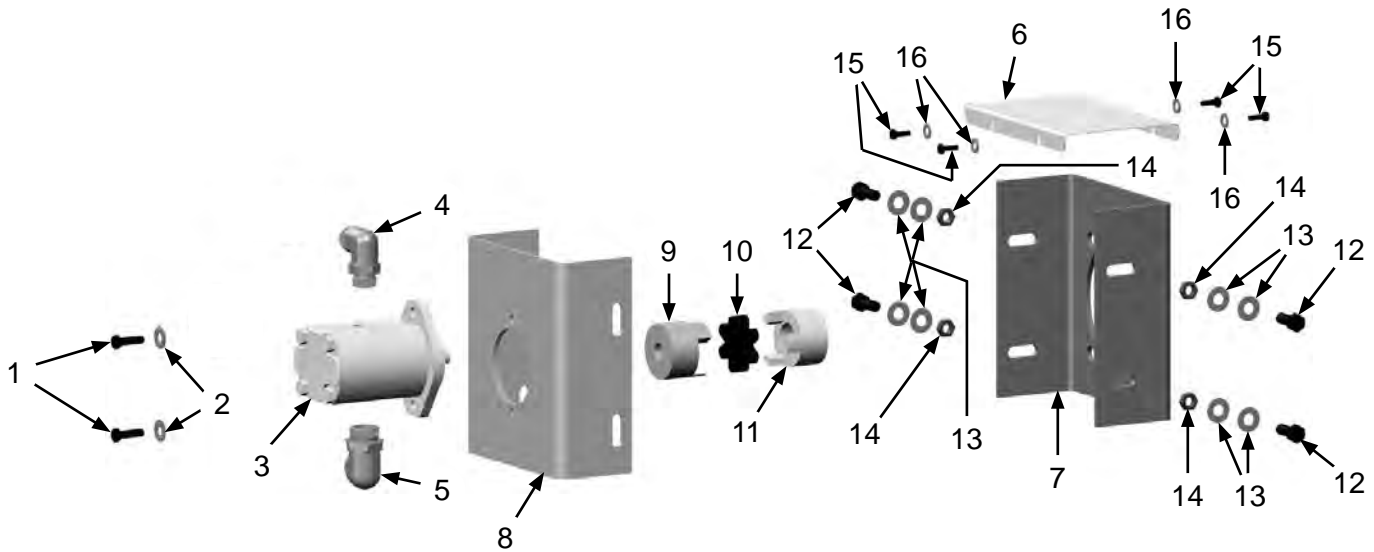
Item #	Part #	Description
--------	--------	-------------

Fig. 21

1	10103306	Drive Shaft
2	1014022	1/2-13 Hex Nut (Four Required)
3	10102883	58" x 6" Half Pitch Auger
4	10103401	1/2-13 x 3" Galvanized Bolt (Four Required)
5	10102910	Auger Shaft End

PART NUMBERS AND SCHEMATICS GUIDE

Figure 22: Hydraulic Pump



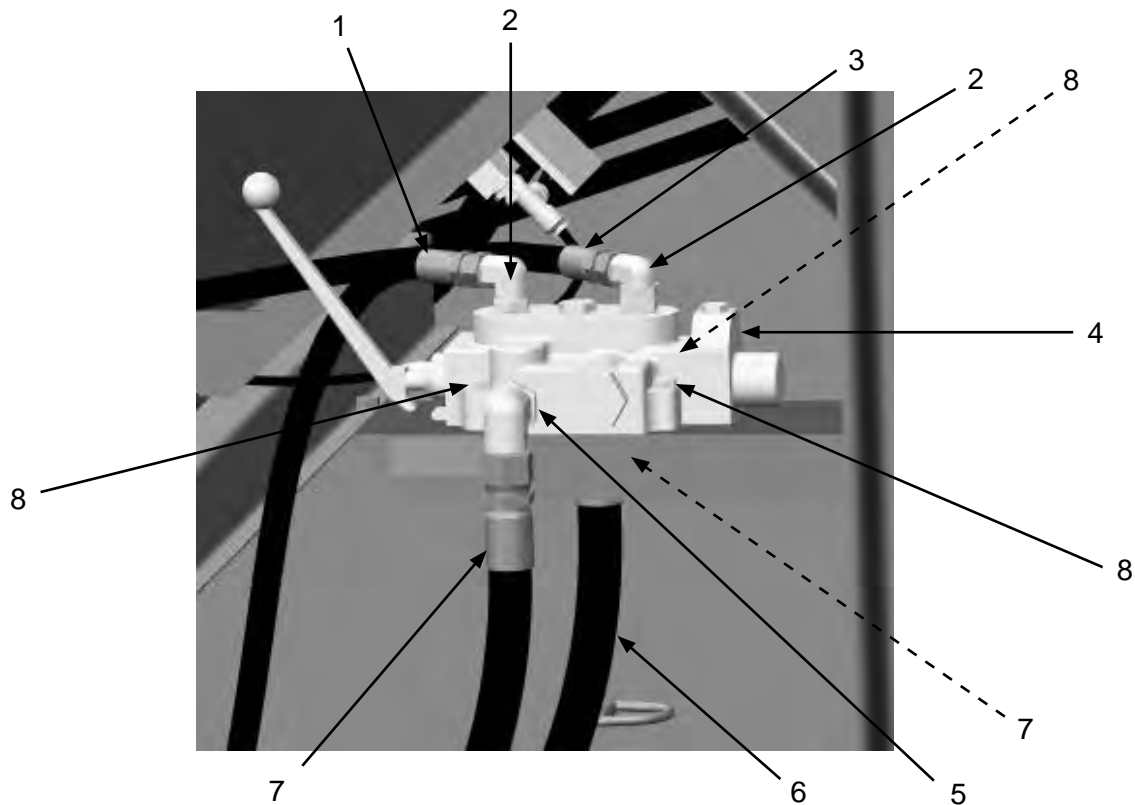
Item #	Part #	Description
--------	--------	-------------

Fig. 22

1	10104234	3/8-16 x 1-1/4" Bolt (Two Required)
2	10102331	3/8" Flat Washer (Two Required)
3	10106003	2.08 CI/REV Keyed Gear Pump
4	10103310	JIC 12 x JIC 12 90° Elbow
5	10103311	JIC 16 x SAE 16 90° Elbow
6	10106006	Coupling Cover
7	10106004	Bracket 10HP Motor Mount
8	10106005	Bracket Pump Mount
9	10106009	Jaw Coupling 3/4 Bore
10	10106010	Coupling Buna-N Spider
11	10106008	Jaw Coupling 1-3/8 Bore
12	10104603	1/2-13 x 1-1/4" Bolt – Grade 5 – Zinc
13	10100674	1/2" Flat Washer
14	1014022	1/2-13 Hex Nut
15	20100125	1/4-20 x 3/4" Zinc Hex Bolt
16	1014017	1/4" Flat Washer

PART NUMBERS AND SCHEMATICS GUIDE

Figure 23: Hydraulic Control Assembly



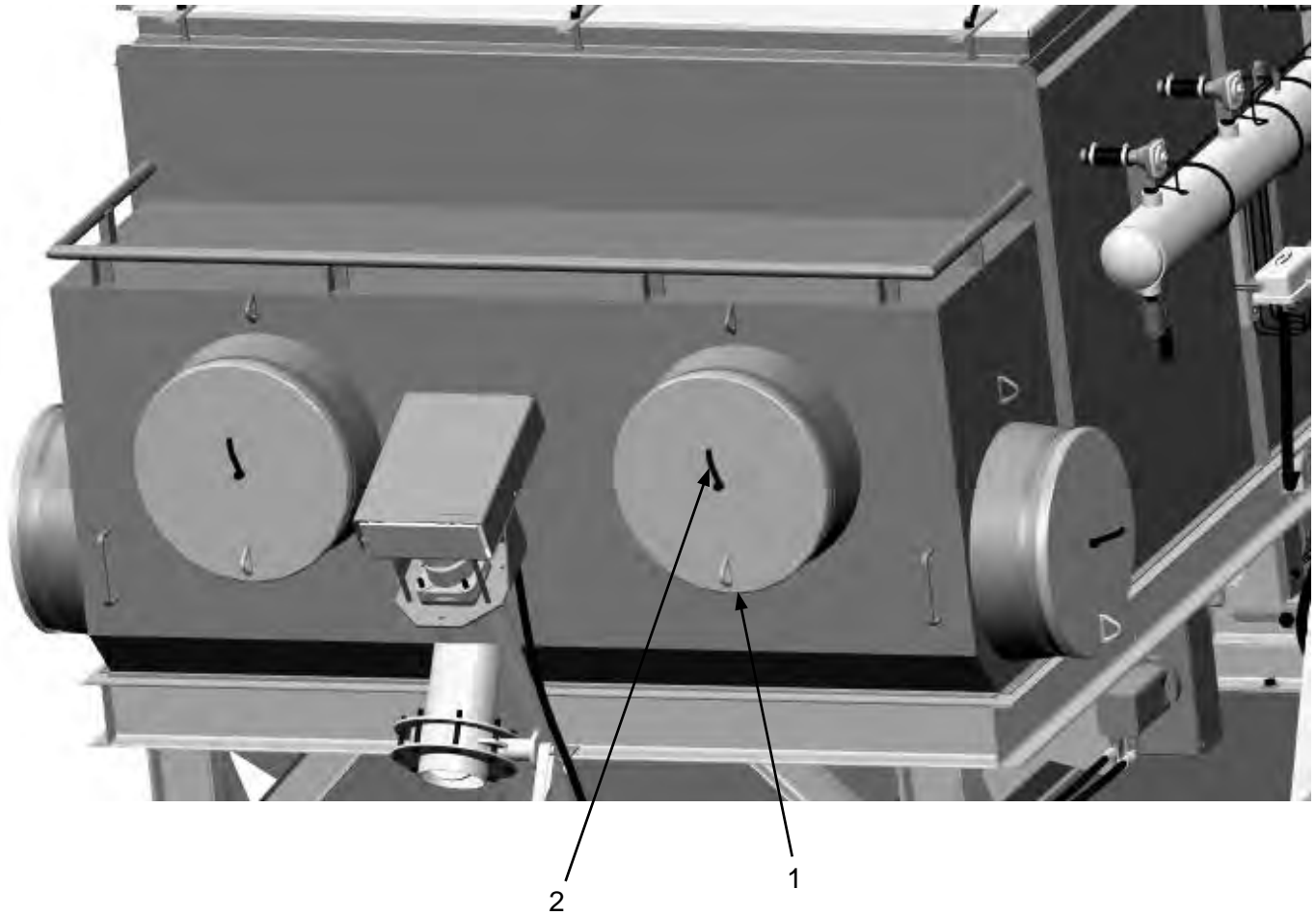
Item #	Part #	Description
--------	--------	-------------

Fig. 23

1	10103408	Hydraulic Hose – 1/2" I.D. x 12' 6" – 2000 psi
2	10103309	JIC 8 x SAE 8 90° Elbow (<i>Two Required</i>)
3	10103409	Hydraulic Hose – 1/2" I.D. x 7' 1" – 2000 psi
4	10103267	Cross Hydraulic Control Valve with Handle
5	10103310	JIC 12 x SAE 12 90° Elbow (<i>Two Required</i>)
6	10103707	Hydraulic Hose – 3/4" I.D. x 17' 7" – 3045 psi
7	10103710	Hydraulic Hose – 3/4" I.D. x 13' – 3045 psi (<i>Two Required</i>)
8	1028617	3/8-16 x 1-3/4" Shoulder Bolt (<i>Three Required</i>)

PART NUMBERS AND SCHEMATICS GUIDE

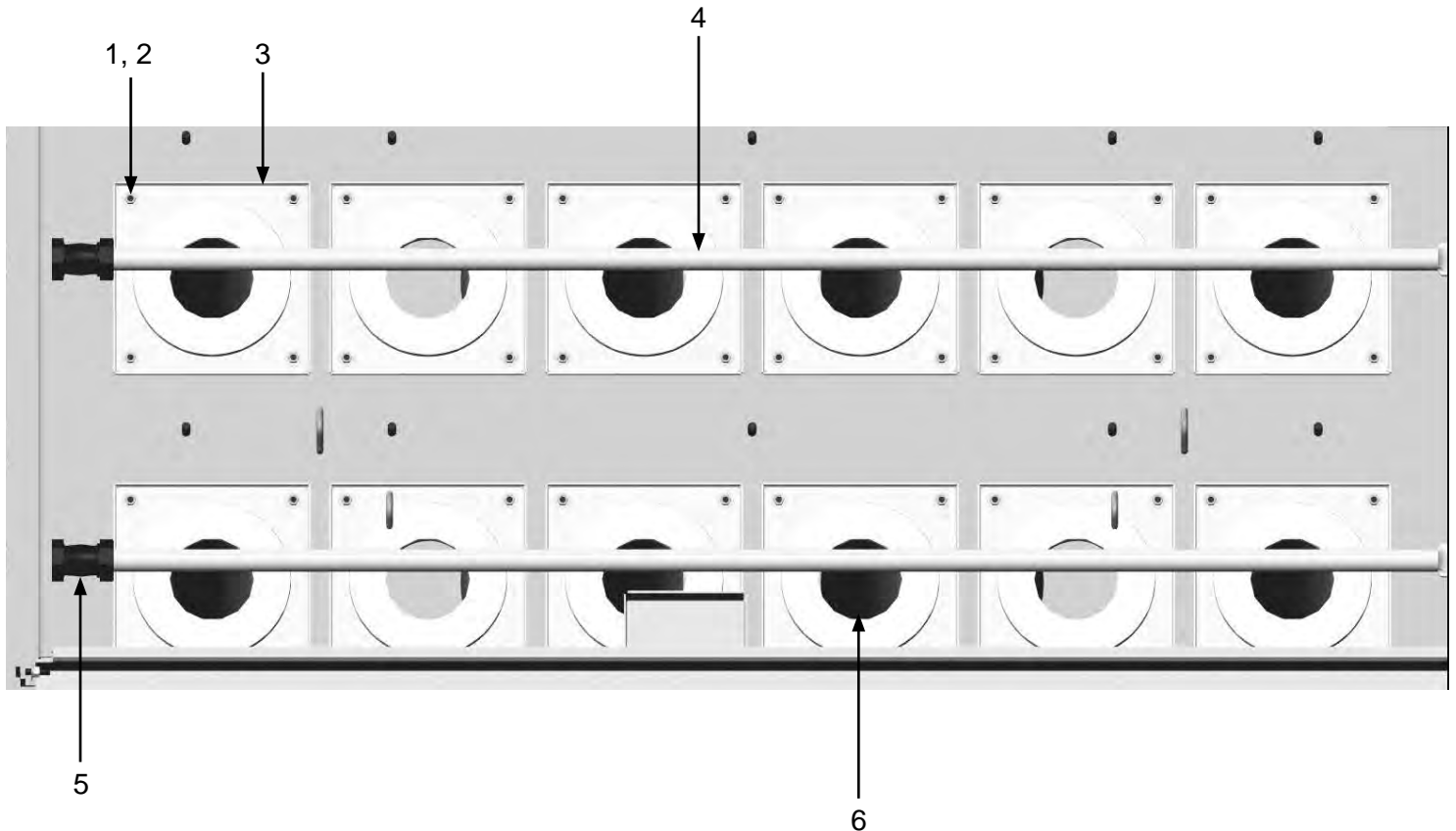
Figure 24: Inlet Door Assembly



Item #	Part #	Description
Fig. 24		
1	10105945	20" Inlet Cover (Four Required)
2	10105960	3/8-16 Handle – Zinc (Four Required)
—	10102339	Camlock Closure – Chain – 1/8" (Per Foot)
—	10102410	Spring Snap Hook – 1/4" (Eight Required)

PART NUMBERS AND SCHEMATICS GUIDE

Figure 25: Dust Collector Filter Cartridge Pulsers



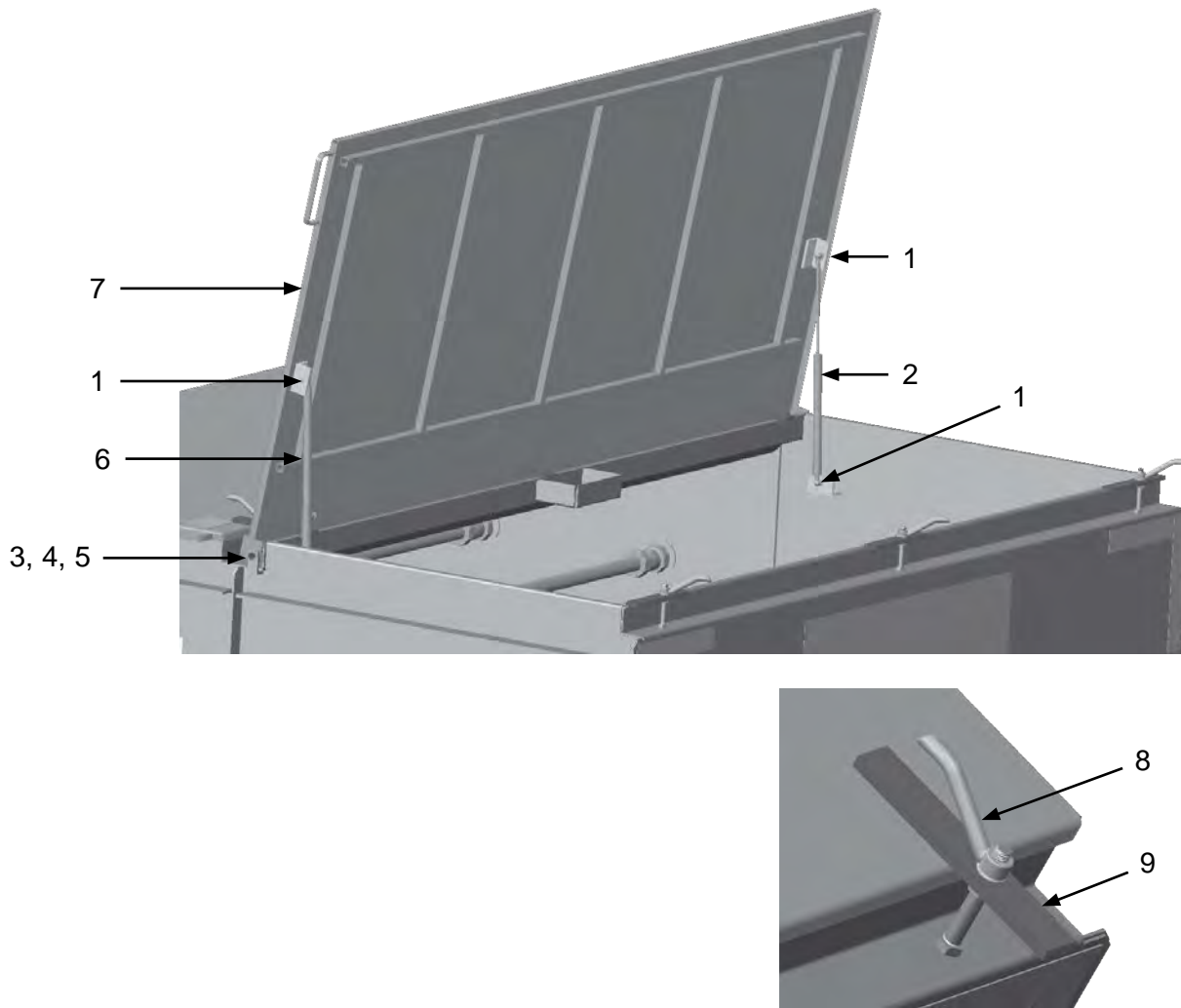
Item #	Part #	Description
--------	--------	-------------

Fig. 25

1	10101942	3/8" Flat Washer (4 Required Per Filter)
2	1012318	3/8" Hex Nut (4 Required Per Filter)
3	10105939	Filter Bolt-Down (1 Required Per Filter)
4	10105942	Small Filter Blowpipe (Two Required Per Hatch Opening)
5	10102599	Compression Coupling Assembly (Two Required Per Hatch Opening)
—	10105973	85/15 Blend High Density Pleat Filter – 4.87" I.D. – 9.22" O.D. – 35" Length
	10106218	85/15 Blend Reduced Pleat Filter – 4.87" I.D. – 9.22" O.D. – 35" Length
	10105974	Fire Retardant Filter – 4.87" I.D. – 9.22" O.D. – 35" Length
	101569046	HEPA Filter – 4.87" I.D. – 9.22" O.D. – 35" Length
	10105980	Spunbond Filter – 4.87" I.D. – 9.22" O.D. – 35" Length

PART NUMBERS AND SCHEMATICS GUIDE

Figure 26: Dust Collector Filter Cartridge Hatch Door



Item #	Part #	Description
--------	--------	-------------

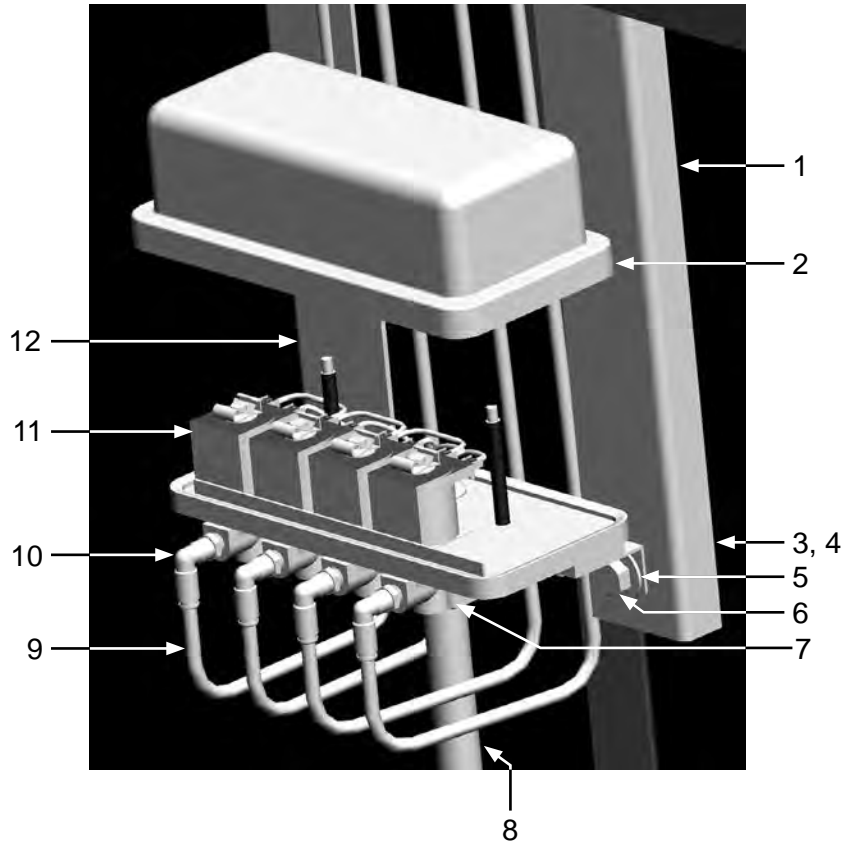
Fig. 26

1	1035046	5/16-18 Hex Nut (<i>Four Required</i>)
2	10103454	Non-Locking Gas Spring
3	1028617	3/8-16 x 1-3/4" Shoulder Bolt (<i>Two Required</i>)
4	10101942	3/8" Flat Washer (<i>Four Required</i>)
5	1012318	3/8-16 Hex Nut (<i>Two Required</i>)
6	10103455	Locking Gas Spring
7	10102917	Hopper Lid
8	10103395	1/2-13 Zinc Plated Handle (<i>Three Required</i>)
9	10104377	Latch Bar (<i>Three Required</i>)

Quantities specified are per hatch opening

PART NUMBERS AND SCHEMATICS GUIDE

Figure 27: Pulsar Solenoid Enclosure Assembly



Item #	Part #	Description
--------	--------	-------------

Fig. 27

1	10102970	Solenoid Enclosure Mount – Right
2	10106064	Solenoid Pilot Valve Enclosure
3	10101936	3/8" Zinc Lock Washer (<i>Two Required</i>)
4	1012318	3/8-16 Hex Nut (<i>Two Required</i>)
5	10101942	3/8" Galvanized Flat Washer (<i>Four Required</i>)
6	1011747	3/8-16 x 1" Bolt
7	20RST50	Straight Liquid Tite Connection Fitting
8	20RSEL050UL	1/2" I.D. UL/UA Seal-Tite Conduit
9	10103322	1/4" O.D. Black Urethane Tubing (<i>Per Foot</i>)
10	20100579	1/4" O.D. Tube x 1/8" NPT Swivel (<i>Four Required</i>)
11	10107493	120VAC Solenoid Valve Assembly (<i>Six Required</i>)
12	10102969	Solenoid Enclosure Mount – Left
—	10107494	120VAC Solenoid Coil (<i>One Required per Solenoid</i>)
—	10103957	Solenoid Service Kit <i>Includes: O-Ring, Plunger, Spring, Ferrule</i>

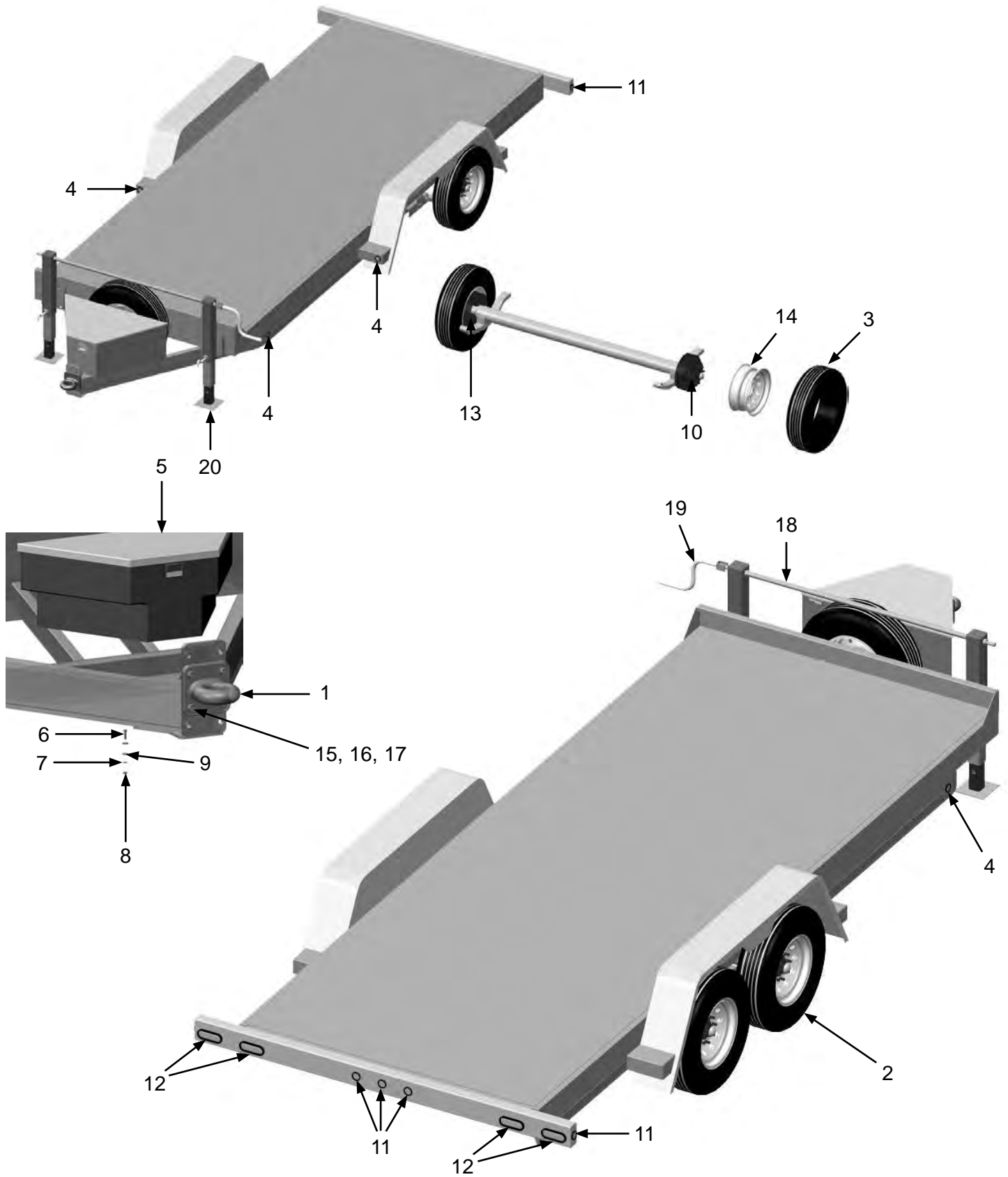
PART NUMBERS AND SCHEMATICS GUIDE

Trailer

Item #	Part #	Description
Fig. 28		
—	10103696	Trailer – 7 Ton – 18' Long x 6.75' Wide
1	10104079	Pintle Hitch with Flat Plate
2	10104089	ST235/85R 16" 14-Ply Tire with Rim <i>(Four Required)</i>
3	10104096	ST235/85R 16" 14-Ply Tire <i>(Four Required)</i>
4	10104087	2" Round Amber LED Clearance Light <i>(Four Required)</i>
5	10103797	Tool Box <i>(Optional)</i>
6	1012154	1/4-20 x 1" Bolt <i>(Five Required)</i>
7	1012153	1/4" Lock Washer <i>(Five Required)</i>
8	10101347	1/4-20 Hex Nut <i>(Five Required)</i>
9	10101940	1/4" Washer <i>(Ten Required)</i>
10	10106087	Left-Hand Electric Brake Assembly <i>(Two Required)</i>
11	10104086	2" Round Red LED Clearance Light <i>(Five Required)</i>
12	10104084	Red LED Oval Tail Light <i>(Four Required)</i>
13	10106088	Right-Hand Electric Brake Assembly <i>(Two Required)</i>
14	10105736	17.5" 8-Hole Rim – No Tire
15	10105746	5/8 x 2-1/2" Grade 8 Bolt <i>(Four Required)</i>
16	10105747	5/8 Reverse Lock Nut <i>(Four Required)</i>
17	10103398	5/8" Flat Washer <i>(Four Required)</i>
18	10107498	Jack Assembly Crossbar
19	10107329	Sidewind Crank with Hardware
20	10104082	10,000# Heavy Spring Loaded Jack
—	10106830	Jack Stand Assembly <i>Includes Item #'s: 18, 19, and 20 (Quantity of Two)</i>
—	10104081	Breakaway Kit
—	10104083	Wiring Harness
—	10100493	3/8" x 35" Safety Chain with Hook
—	109V582	Operator's Manual – Behnke Trailer

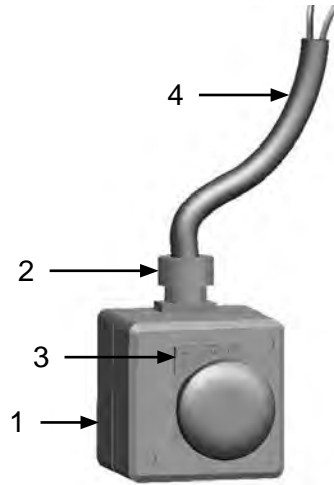
PART NUMBERS AND SCHEMATICS GUIDE

Figure 28: Trailer



PART NUMBERS AND SCHEMATICS GUIDE

Figure 29: Emergency-Stop Station



Item #	Part #	Description
Fig. 29		
1	10104071	E-Stop Control Station
2	10104703	Cord Grip Nylon 1/2"-NPT .2-.47 Diameter
3	10104063	Legend Plate – Emergency Stop
4	1015540	16/2 Xtreme-Duty® Power Cord – Red (<i>Per Foot</i>)
—	1015009	8-32 x 1" Pan Head Phillips Screw (<i>Four Required</i>)
—	20000021	8-32 Zinc Nut (<i>Four Required</i>)
—	20000018	#8 Zinc Lock Washer (<i>Four Required</i>)
—	20000019	#8 Zinc Flat Washer (<i>Four Required</i>)

OPTIONAL ACCESSORIES



Part Numbers

REPLACEMENT DUST COLLECTOR FILTER CARTRIDGES				
	Material	I.D.	O.D.	Length
10105973	85/15 Blend High Density Pleat	4.87"	9.22"	35"
10106218	85/15 Blend Reduced Pleat	4.87"	9.22"	35"
10105974	Fire Retardant	4.87"	9.22"	35"
101569046	HEPA	4.87"	9.22"	35"
10105980	Spunbond	4.87"	9.22"	35"



Part Numbers

20" I.D. DUCT HOSE								
	Duct Hose I.D.	Length	Pitch	Bend Radius	Body Material	Wear Strip Material	Wear Strip Color	Temperature Range (°F)
10DH2025HD	20"	25 Ft.	1-1/2"	17"	2-Ply Vinyl-Coated Polyester	PVC	Red	-20° – 180°
10DH2050HD	20"	50 Ft.	1-1/2"	17"	2-Ply Vinyl-Coated Polyester	PVC	Red	-20° – 180°
15DH2025	20"	25 Ft.	2"	17.9"	2-Ply Vinyl-Coated Polyester	PVC	Red	-20° – 180°



Part Numbers

20" I.D. DUCT HOSE COUPLINGS		
	Duct Hose I.D.	Material
1017120	20"	Stainless Steel



Part Numbers

20" I.D. DUCT HOSE SCREW CLAMPS		
	Duct Hose I.D.	Material
10DH062602000	20"	Stainless Steel

OPTIONAL ACCESSORIES



Part Numbers

3/4" I.D. X 1-1/4" O.D. AIR HOSE WITH COUPLINGS INSTALLED

	Length	Hose I.D.	Hose O.D.	Working Pressure	Hose Cover Color	Couplings
10AH034AC	50 Ft.	3/4"	1-1/4"	200 PSI	Red	2-Lug Crimped On



Part Numbers

3/4" I.D. X 1-1/4" O.D. AIR HOSE

	Length	Hose I.D.	Hose O.D.	Working Pressure	Hose Cover Color
10AH034	Per Ft.	3/4"	1-1/4"	200 PSI	Red



Part Numbers

MALE HOSE END COUPLING AND GASKET FOR 3/4" I.D. AIR HOSE

	Hose I.D.	Material	Coupling Style	GASKET		
				Rubber Gasket	Gasket I.D.	Gasket O.D.
10HE1	3/4"	Plated Iron	2-Lug	10UG2	3/4"	1-3/8"



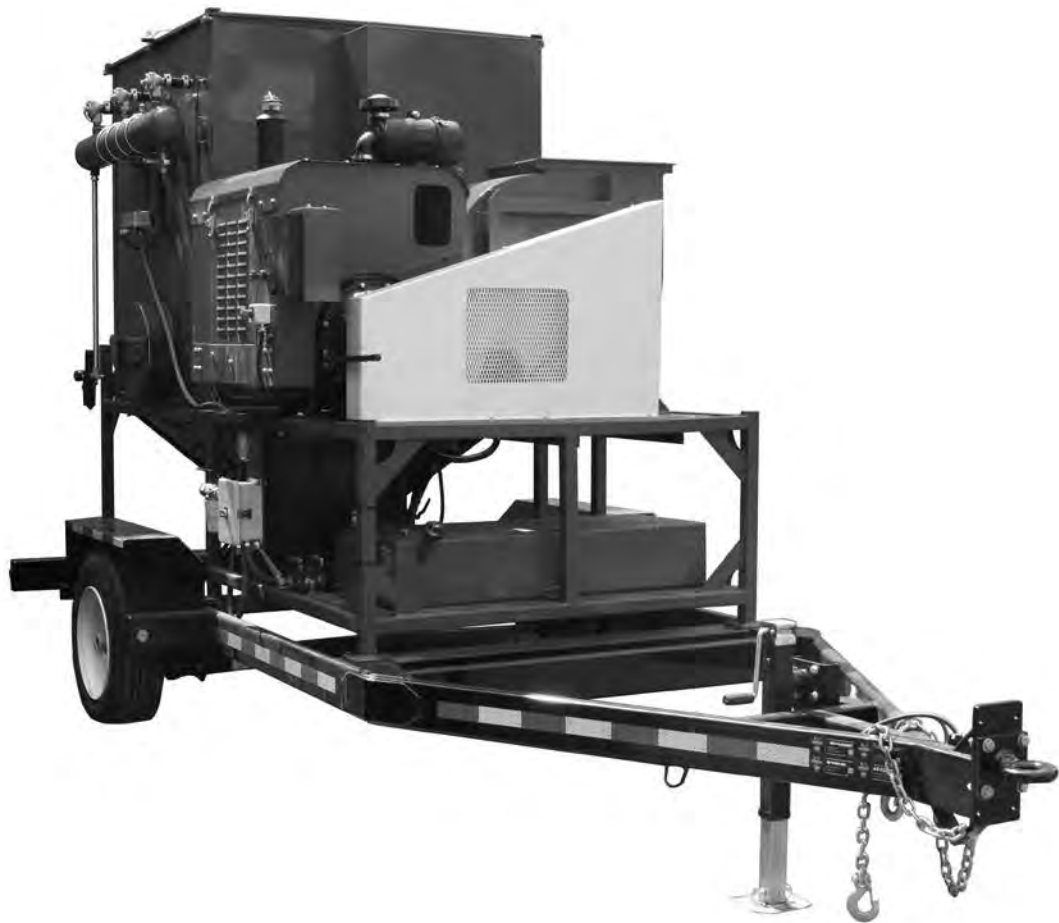
Part Numbers

BOSS® CLAMP FOR 3/4" I.D. AIR HOSE

	Hose I.D.	Hose O.D. Range	Material
10A9	3/4"	1-1/8" – 1-5/16"	Plated Steel

PART NUMBERS

DUSTMASTER® 8,000 CFM DUST COLLECTOR							
Part Number	Filter Cartridge Material						Filter Cartridge Quantity
	None	High Density 85% Cellulose/15% Poly Blend	85% Cellulose/15% Poly Blend	Fire Retardant	HEPA	Spunbond	
10105542	X						1
10104857		X					9
10105543			X				9
10105544				X			9
10105545					X		9
10105546						X	9



SPECIFICATIONS

Capacity:	8,000 CFM @ 12" W.C. Static Pressure
Filter Cartridge Style:	Open Top with Flange, Closed Bottom 9 Required
Filter Cleaning:	Pulse System, 5–15 second intervals Pulse Duration: 200–350 millisecond
Efficiency:	85/15 Blend Filters – 99.8% @ 0.5 micron HEPA Filters – 99.99% @ 0.3 micron Fire Retardant Filters – 96.8% @ 2.0 micron Spunbond Filters – 97% @ 3.0 micron
Ducting Connections:	16" I.D., Quantity of Two
Clean-out Ports:	One
Dust Removal Conveyor:	Single 6" Discharge Auger, Hydraulic Motor Drive
Fan:	Backward Inclined, non-overloading, spark resisting
Engine:	Diesel, 50 Horsepower Tier 4i
Fuel Capacity:	Type: Diesel Capacity: 32 Gallons
Air Requirements:	Clean, Dry, Compressed Air 24 CFM @ 80 PSI
Electrical System:	12-Volt DC
Engine Protection:	Engine Monitoring System with automatic shutdown measures: coolant temperature, intake air temperature, engine intake manifold pressure, engine oil pressure, pressure in fuel rail, engine speed and timing.
Fluid Specifications:	Hydraulic Oil: H46 or equivalent, 20 Gallons Diesel Fuel: See Engine Operator's Manual for type, 32 Gallons Grease/Lubricator: Shell Alvania Grease EP or equivalent
Unit Dimensions:	Weight: 6060 pounds (empty) Length: 19' 8" Width: 8' Height: 9' 11"

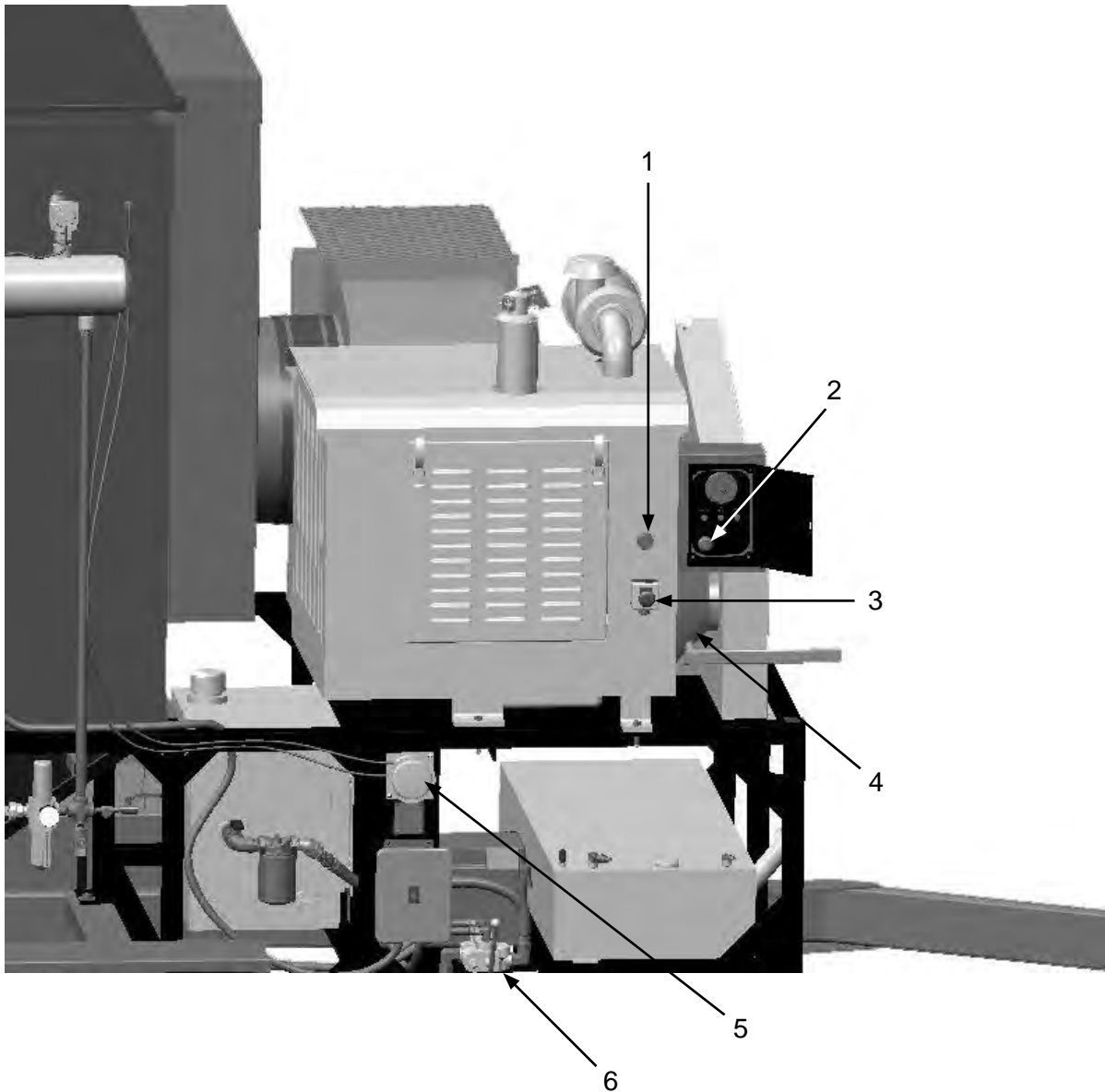
PART NUMBERS AND SCHEMATICS

Front Assembly

Item #	Part #	Description
Fig. 1		
1	10104095	Throttle Control
2	10105322	50HP Engine Keyswitch
3	10104071	Emergency-Stop Station
4	10105341	Clutch
5	10103259	Magnehelic Differential
6	10103267	Cross Hydraulic Control Valve
—	10105323	50HP Replacement Key
—	105M112	Features & Specifications Guide – Dustmaster® 8,000 CFM Dust Collector
—	106M112	Part Numbers and Schematics Guide – Dustmaster® 8,000 CFM Dust Collector
—	1090112	Operator's Manual – Dustmaster® 8,000 CFM Dust Collector

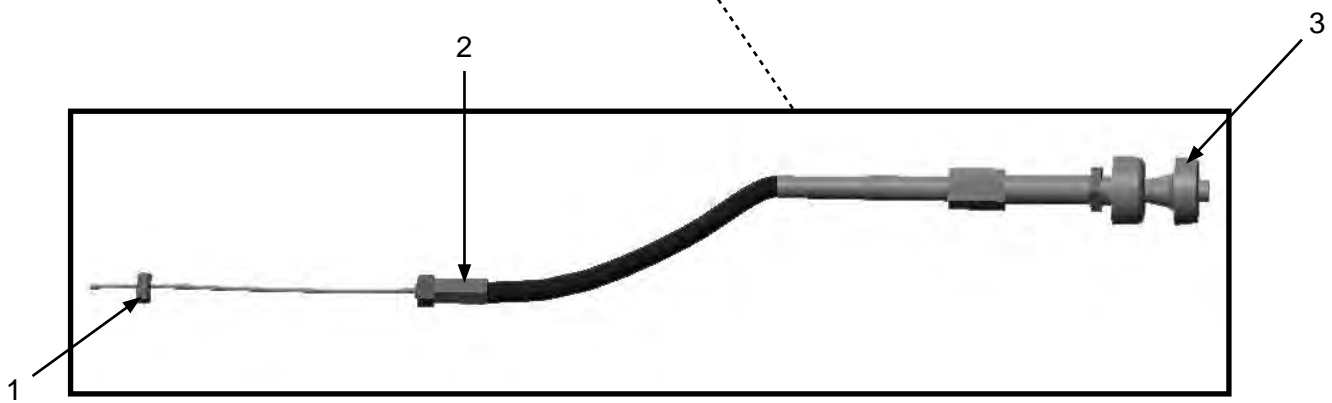
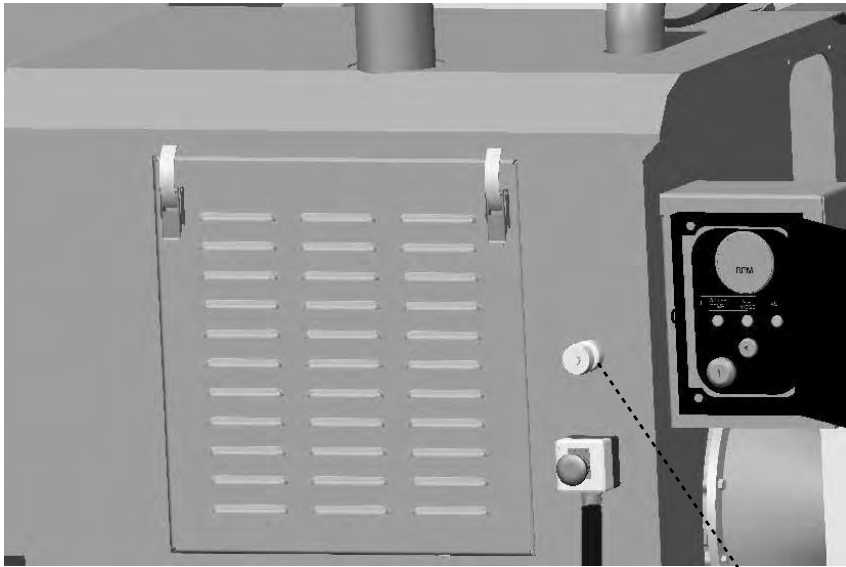
PART NUMBERS AND SCHEMATICS

Figure 1: Front Assembly



PART NUMBERS AND SCHEMATICS

Figure 2: Throttle Cable



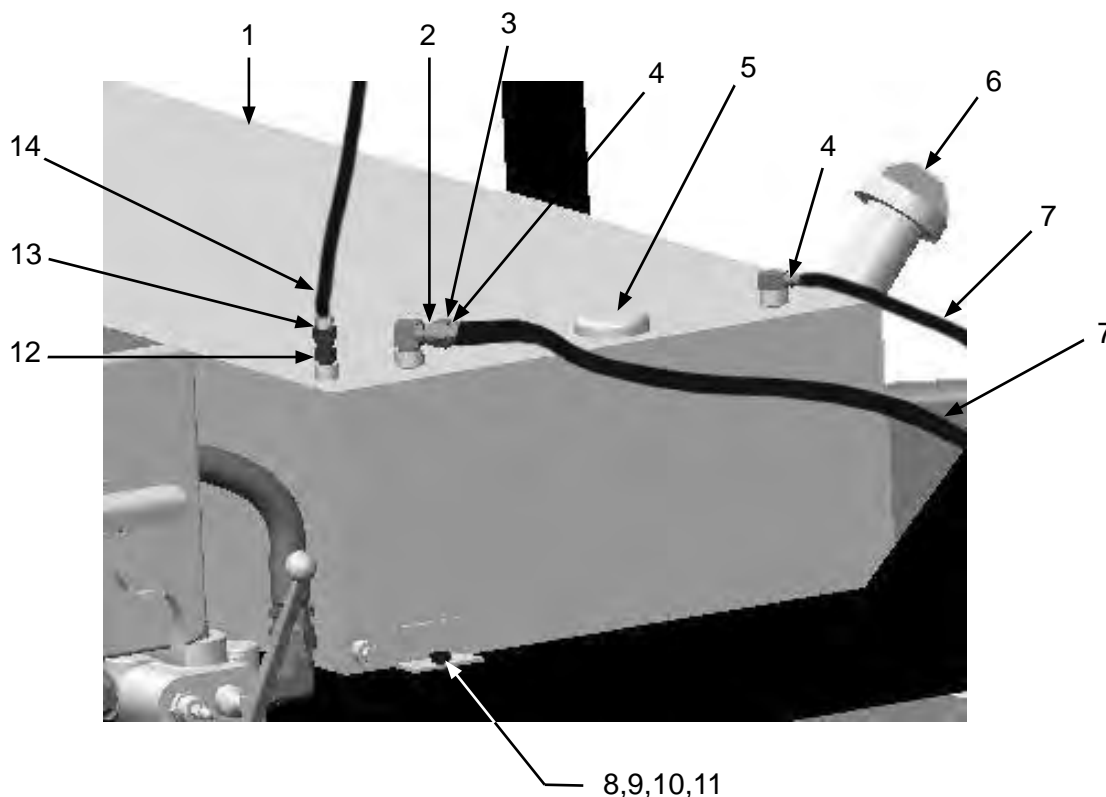
Item #	Part #	Description
--------	--------	-------------

Fig. 2

1	10104208	Throttle Retainer
2	10104209	Nut and Ferrule
3	10104095	Throttle Cable <i>(Item #'s 1 and 2 Not Included)</i>

PART NUMBERS AND SCHEMATICS

Figure 3: Fuel Tank



Item #	Part #	Description
Fig. 3		
1	10104924	32 Gal Fuel Tank W/ Sight Glass
2	20PFHA60SA0606	3/8" (M) x 3/8" (F) Swivel Union
3	10103631	3/8" Barb x 3/8" NPT Brass Female Fitting
4	10104065	Oetiker Clamp - 3/8" I.D. Hose
5	10105337	Sight Gauge
6	10103968	Locking Fuel Cap with Keys
7	10103423	3/8" I.D. Fuel Hose (<i>Per Foot</i>)
8	1011747	3/8-16 x 1" Bolt (Three Required)
9	10101942	3/8" Galvanized Flat Washer (<i>Three Required</i>)
10	10101938	3/8-16 Galvanized Hex Nut (<i>Three Required</i>)
11	10101936	3/8" Zinc Lock Washer (<i>Three Required</i>)
12	10SME025	1/4" NPT (M) x 1/4" NPS (F) Straight Swivel
13	10105200	3/16" Barb x 1/2" NPT Fitting
14	10105199	3/16" Fuel Hose (<i>Per Foot</i>)
—	10105338	Withdraw Tube - 16"
—	10103620	3/8" Inline Filter (<i>Not Shown</i>)
—	10103961	Fuel Tank Rubber Cushioning Pad (<i>Not Shown</i>)

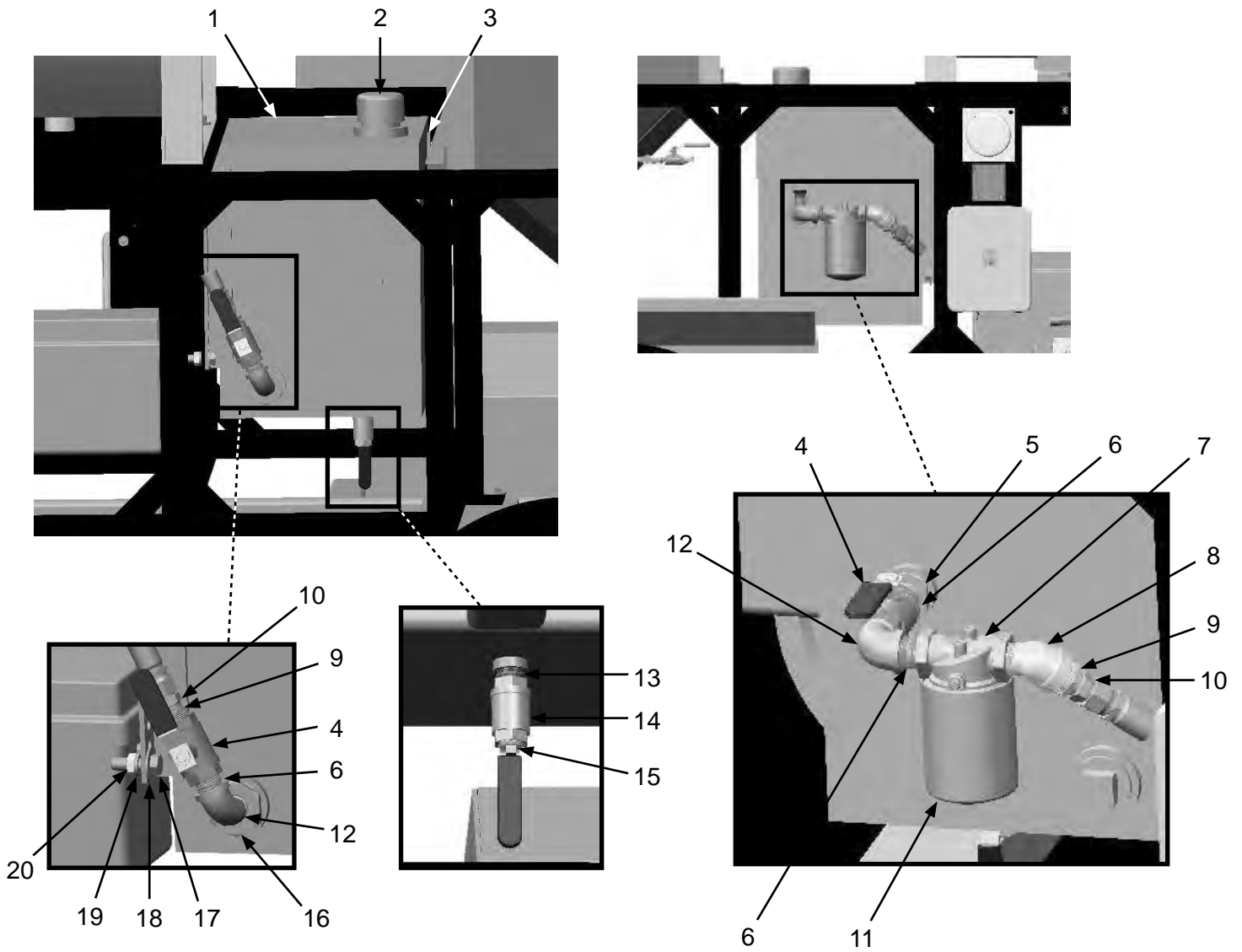
PART NUMBERS AND SCHEMATICS

Hydraulic Oil Tank With Filter

Item #	Part #	Description
Fig. 4		
1	10104922R	25 Gallon Hydraulic Tank
2	10103971	Filler/Breather Cap
3	10103942	Sight Level Gauge
4	1011601	Full Port Ball Valve - 1" NPT <i>(Two Required)</i>
5	20PFHA24SB2016	1-1/4" X 1" Reducing Bushing
6	1012151	1" Galvanized Close Nipple <i>(Three Required)</i>
7	10104057	Hydraulic Spin-On Filter Head
8	1011838	Galvanized 1" 45 DEG. Street Elbow
9	20PFHA24SB1612	Reducing Bushing - 1" NPT x 3/4" NPT <i>(Two Required)</i>
10	10103314	Straight Adapter - 3/4" NPT x 1/2" JIC <i>(Two Required)</i>
11	10104058	Hydraulic Spin-On Filter
12	1011801	1" Street Elbow - Galvanized <i>(Two Required)</i>
13	1011213	Close Nipple - 3/4" NPT - Galvanized
14	10L8074C	Full Port Ball Valve - 3/4" NPT
15	10DSHP75	Pipe Plug - Square Head - 3/4" NPT
16	10104657	2" (M) X 1" (F) Npt Adapter / B
17	10103397	5/8-11 X 2" GR8 Bolt Zinc <i>(Four Required)</i>
18	10103398	Washer - 5/8" GR8 <i>(Four Required)</i>
19	10103399	Lock Washer - 5/8" HD <i>(Four Required)</i>
20	10103393	Hex Nut - 5/8-11 GR8 Zinc <i>(Four Required)</i>

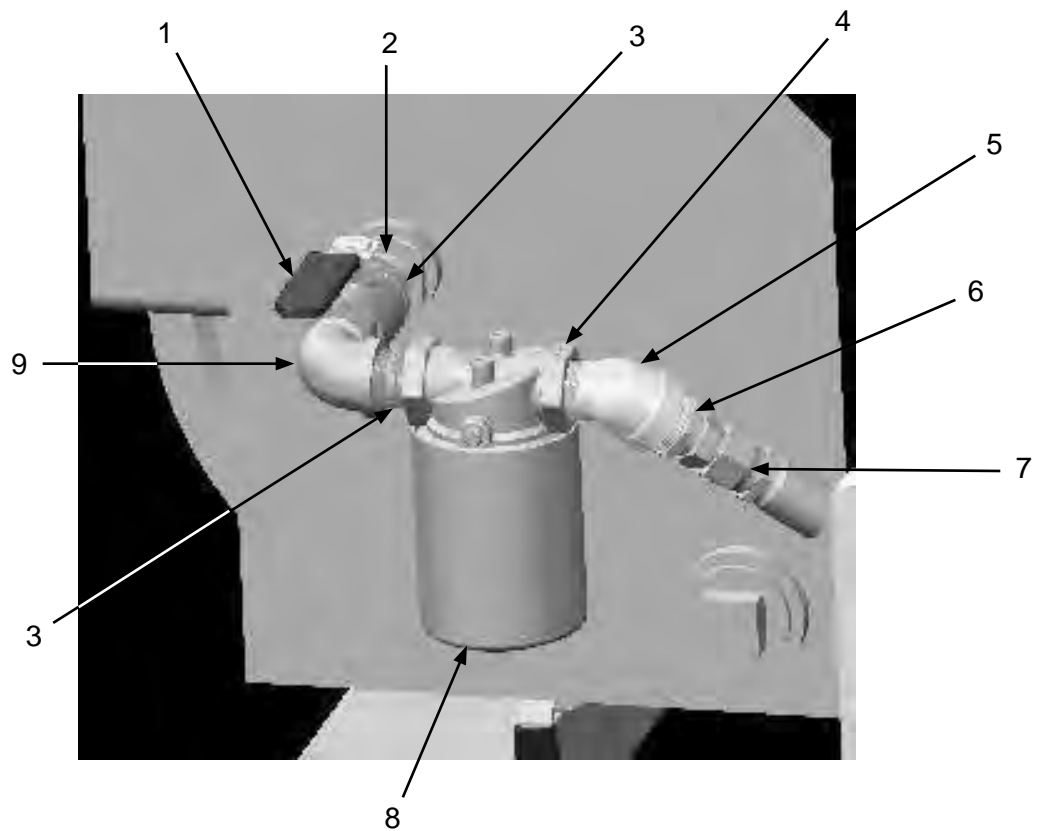
PART NUMBERS AND SCHEMATICS

Figure 4: Hydraulic Oil Tank With Filter



PART NUMBERS AND SCHEMATICS

Figure 5: Hydraulic Oil Filter Assembly



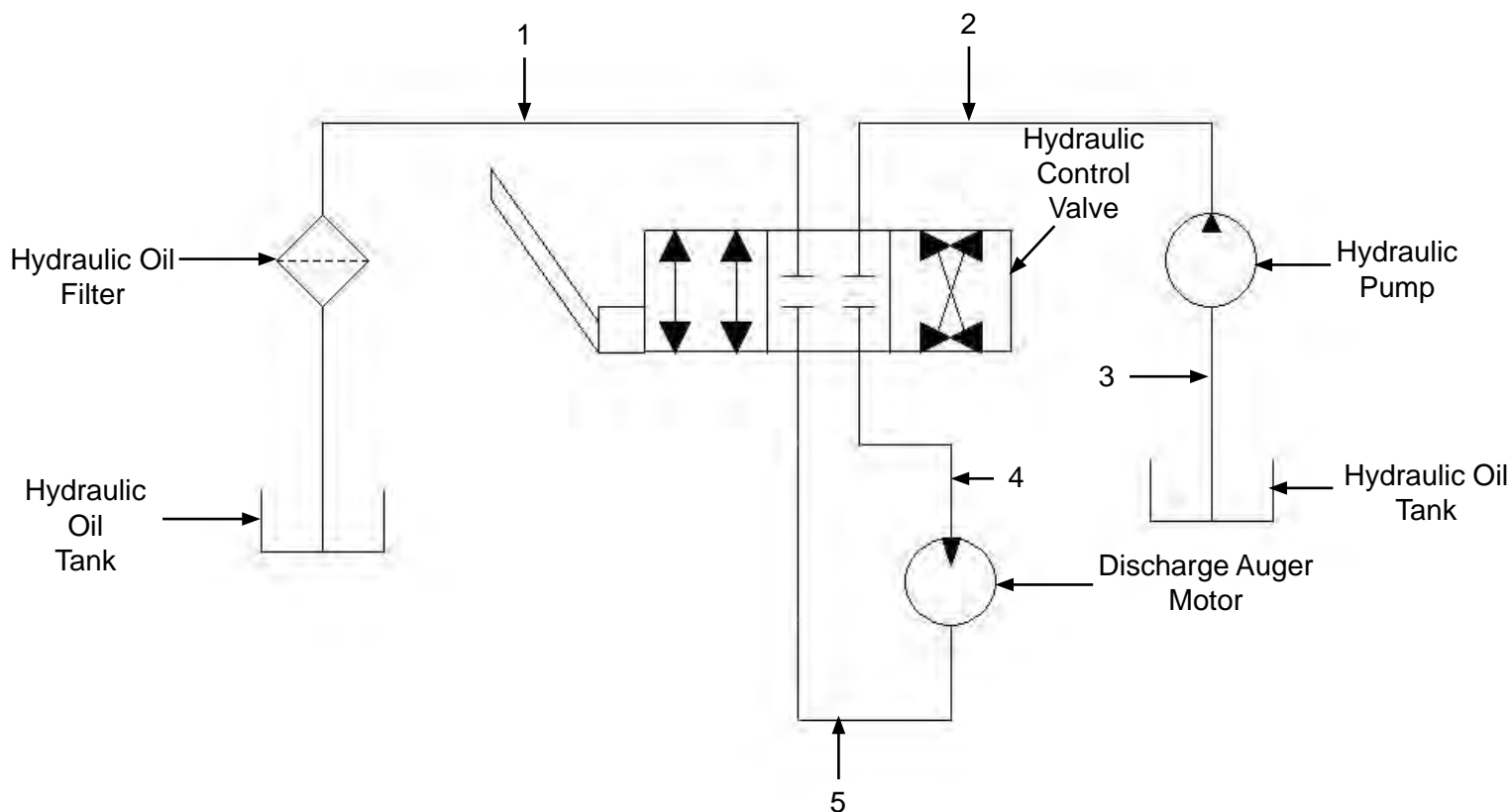
Item #	Part #	Description
--------	--------	-------------

Fig. 5

1	1011601	Full Port Ball Valve - 1" NPT
2	20PFHA24SB2016	1-1/4" X 1" Reducing Bushing
3	1012151	1" Galvanized Close Nipple (<i>Two Required</i>)
4	10104057	Hydraulic Spin-On Filter Head
5	1011838	Galvanized 1" 45 DEG. Street Elbow
6	20PFHA24SB1612	Reducing Bushing - 1" NPT x 3/4" NPT
7	10103314	Straight Adapter - 3/4" NPT x 12 JIC
8	10104058	Hydraulic Spin-On Filter
9	1011801	1" Street Elbow - Galvanized

PART NUMBERS AND SCHEMATICS

Figure 6: Hydraulic Hoses



Item #	Part #	Description
Fig. 6		
1	10104927	Hydraulic Hose - 3/4' X 3' Hyd Hose 3045 Psi
2	10104055	Hydraulic Hose - 3/4" X 7'8" Hyd Hose Assy 3045 Psi
3	10104926	Hydraulic Hose - 3/4" X 5' Hyd Hose 3045 Psi
4	10103408	Hydraulic Hose - 1/2" X 12'6" Hyd Hose Assy 2000 Psi
5	10103408	Hydraulic Hose - 1/2" X 12'6" Hyd Hose Assy 2000 Psi

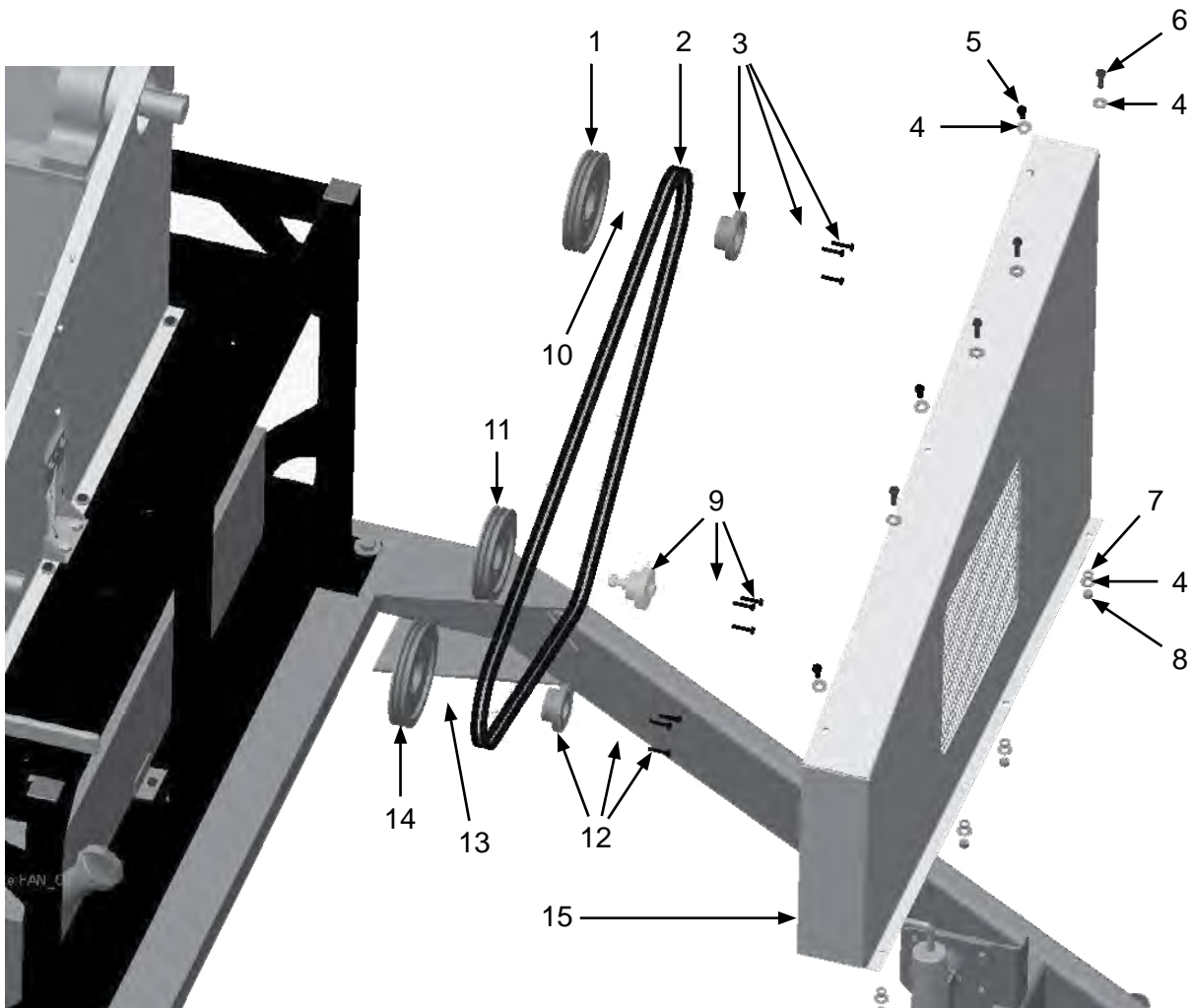
PART NUMBERS AND SCHEMATICS

Fan Belt Assembly

Item #	Part #	Description
Fig. 7		
1	10104913	2/3V Sheave 6.50"
2	10104912	3VX 974 Belt <i>(Two Required)</i>
3	10104330	SDS Bushing 1-15/16" Bore With Hardware
4	10101942	3/8" Galvanized Flat Washer <i>(11 Required)</i>
5	10103400	3/8-16 X 3/4" Bolt <i>(Three Required)</i>
6	1011747	3/8-16 X 1" Bolt <i>(Four Required)</i>
7	10101936	3/8" Zinc Lock Washer <i>(Four Required)</i>
8	10101938	3/8" Galvanized Hex Nut <i>(Four Required)</i>
9	10104915	QD SH Idler Bushing With Hardware
10	10104106	1/2" Square Key Cut
11	10104327	2/3V Sheave 6.00"
12	10104914	SDS Bushing - 1-7/16" Bore With Hardware
13	10103641	3/8" Square Key Cut
14	10104329	2/3V Sheave 6.9"
15	10104902	Belt Guard Cover

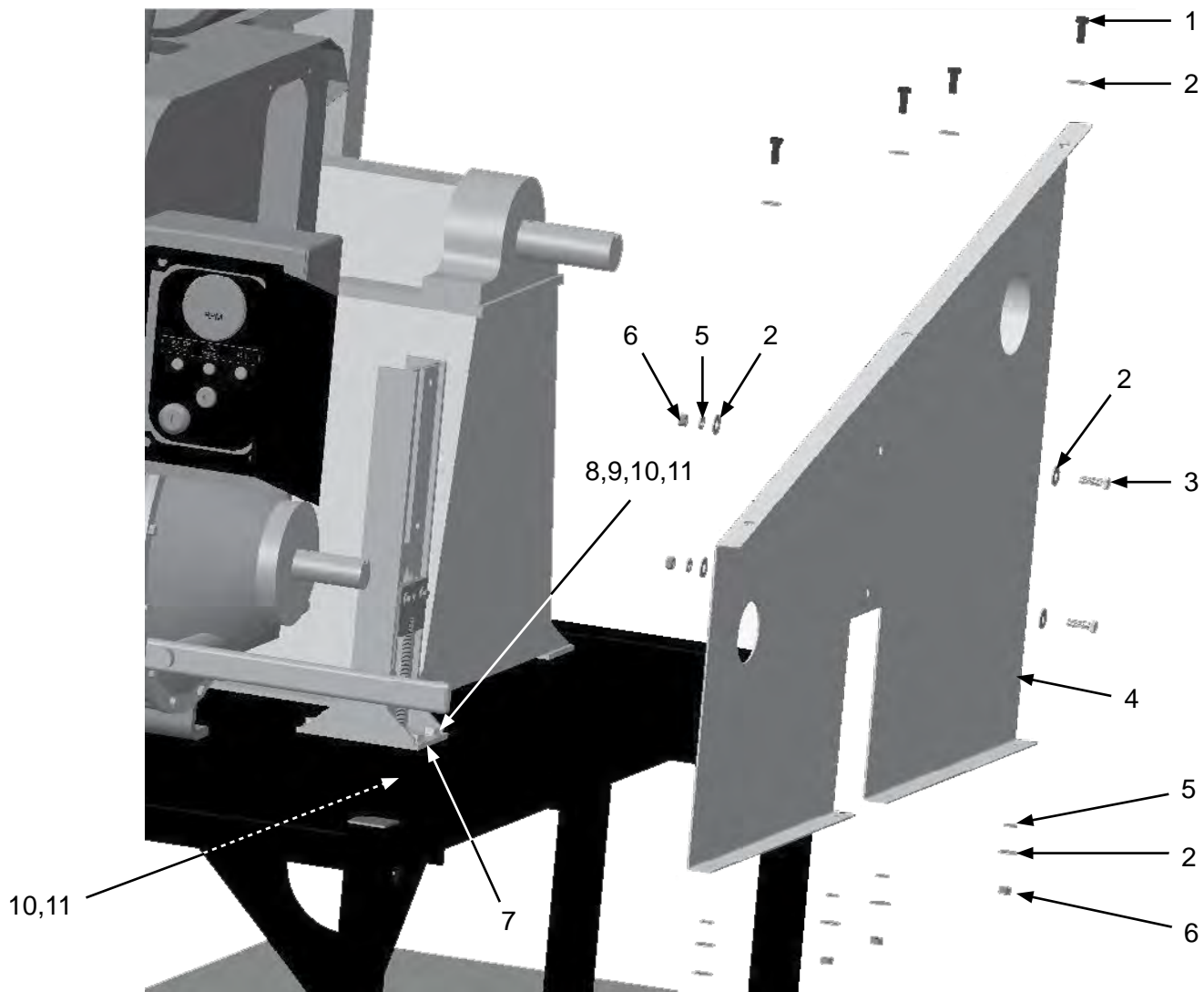
PART NUMBERS AND SCHEMATICS

Figure 7: Fan Belt Assembly



PART NUMBERS AND SCHEMATICS

Figure 8: Fan Belt Guard Back Assembly



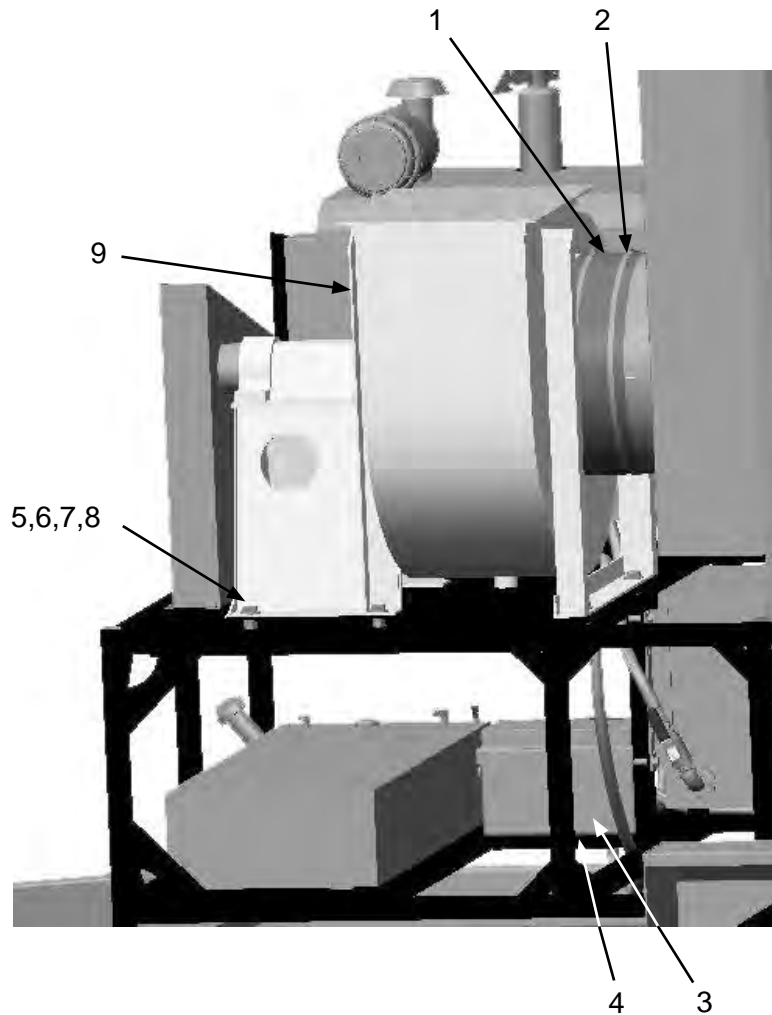
Item #	Part #	Description
--------	--------	-------------

Fig. 8

1	1011747	3/8-16 X 1" Bolt (<i>Four Required</i>)
2	10101942	3/8" Galvanized Flat Washer (<i>13 Required</i>)
3	10104234	3/8-16 X 1-1/4 Hex Bolt Zinc Gr 5 (<i>Two Required</i>)
4	10104899	Belt Guard Back
5	10101936	3/8" Zinc Lock Washer (<i>Six Required</i>)
6	10101938	3/8-16 Galvanized Hex Nut (<i>Six Required</i>)
7	10104891	Belt Guard Mount
8	1014021	1/2"-13 X 1-3/4" Hex Bolt (<i>Four Required</i>)
9	10100674	1/2" Flat Washer (<i>Five Required</i>)
10	10100675	1/2" Lock Washer (<i>Four Required</i>)
11	1014022	1/2" 13 Hex Nut (<i>Six Required</i>)

PART NUMBERS AND SCHEMATICS

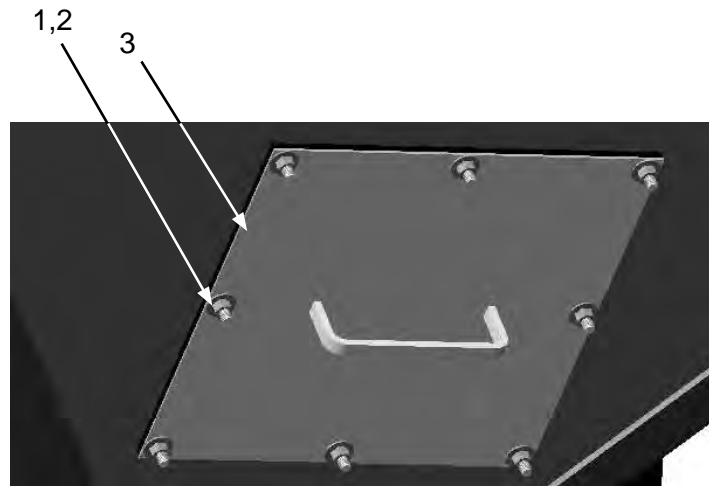
Figure 9: Fan Assembly and Battery Box



Item #	Part #	Description
Fig. 9		
1	10103962	Connection Rubber Gasket
2	10103416	Adjustable Clamp Fastener <i>(Two Required)</i>
3	10103342	Battery Box
4	10104890	Rubber Cushioning Pad
5	10103417	3/4-10 UNC X 1-3/4" GR8 Bolt <i>(Six Required)</i>
6	10103418	3/4" Washer <i>(12 Required)</i>
7	10103420	3/4-10 UNC GR8 Nut <i>(Six Required)</i>
8	10103419	3/4" Lock Washer <i>(Six Required)</i>
9	10104928	BI-200 Fan
—	10104920	Battery Cables <i>(Not Shown)</i>
—	10104918	Battery <i>(Not Shown)</i>

PART NUMBERS AND SCHEMATICS

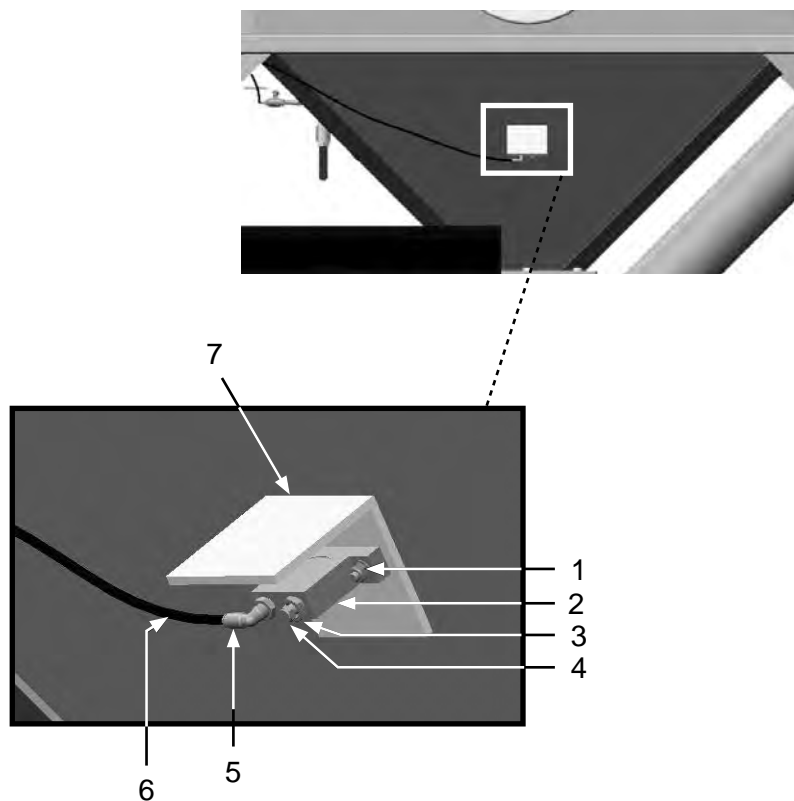
Figure 10: Access Panel Assembly



Item #	Part #	Description
Fig. 10		
1	10101938	3/8-16 Galvanized Hex Nut (<i>Eight Required</i>)
2	10101942	3/8" Flat Washer (<i>Eight Required</i>)
3	10103792	Access Panel Door

PART NUMBERS AND SCHEMATICS

Figure 11: Pneumatic Ball Vibrators



Item #	Part #	Description
Fig. 11		
1	10101939	1/4-20 SS Lock Nut with Nylon Insert (<i>Two Required</i>)
2	10103258	Pneumatic Ball Vibrator
3	20PFHA24SB0402	1/4" x 1/8" Reducing Bushing
4	1012905	1/8" Breather Muffler
5	20PFBA31095614	1/4" Tube x 1/4" NPT 90° Fitting
6	10103322	1/4" I.D. Black Urethane Tubing (<i>Per Foot</i>)
7	10103609	Vibrator Shield

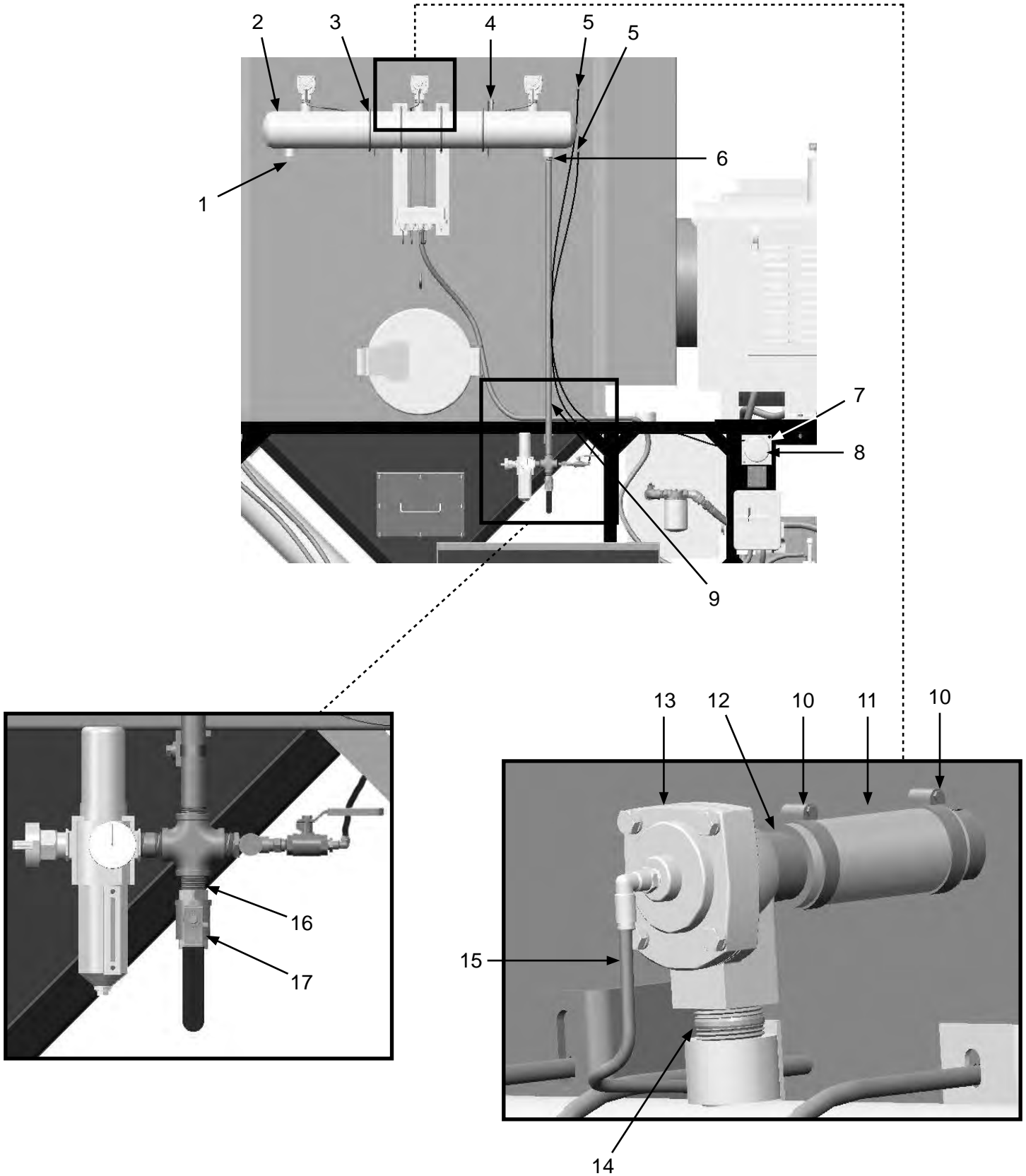
PART NUMBERS AND SCHEMATICS

Pulser System Assembly

Item #	Part #	Description
Fig. 12		
1	1011901	Galvanized 1" Square Head Plug
2	10103490	3 Pipe Header Tube
3	10103394	3/8-16 x 6" U-Bolt Assembly (Four Required)
4	1028607	1/4" NPT Pressure Relief Valve – 125 PSI
5	20PFBA31095614	1/4" Tube x 1/4" NPT 90° Fitting (Two Required)
6	20PFHA24SB1612	1" x 3/4" Reducing Bushing
7	10103608	Magnehelic Differential Pressure Gauge Mounting Bracket
8	10103259	Magnehelic Differential Pressure Gauge Assembly - Includes Mounting Hardware
9	10105197	3/4" x 48" Pipe Nipple
10	10104136	T-Bolt Clamp for 1-9/16" to 1-11/16" O.D. Hose (Six Required)
11	10103654	1-1/4" I.D. Marine Hose – 100 PSI (Per Foot)
12	10105207	1" x 3" Toe Nipple (Three Required)
13	10103255	1" Diaphragm Valve
14	10103318	1" x 2" Pipe Nipple (Three Required)
15	10103322	1/4" O.D. Black Urethane Tubing (Per Foot)
16	1011213	3/4" NPT Close Nipple - Galvanized
17	10L8074C	3/4" Full Port Ball Valve
—	10103654	Pulser Hose Assembly (<i>Three Required</i>)
—	10103954	1" Diaphragm Valve Service Kit (<i>Not Shown</i>)

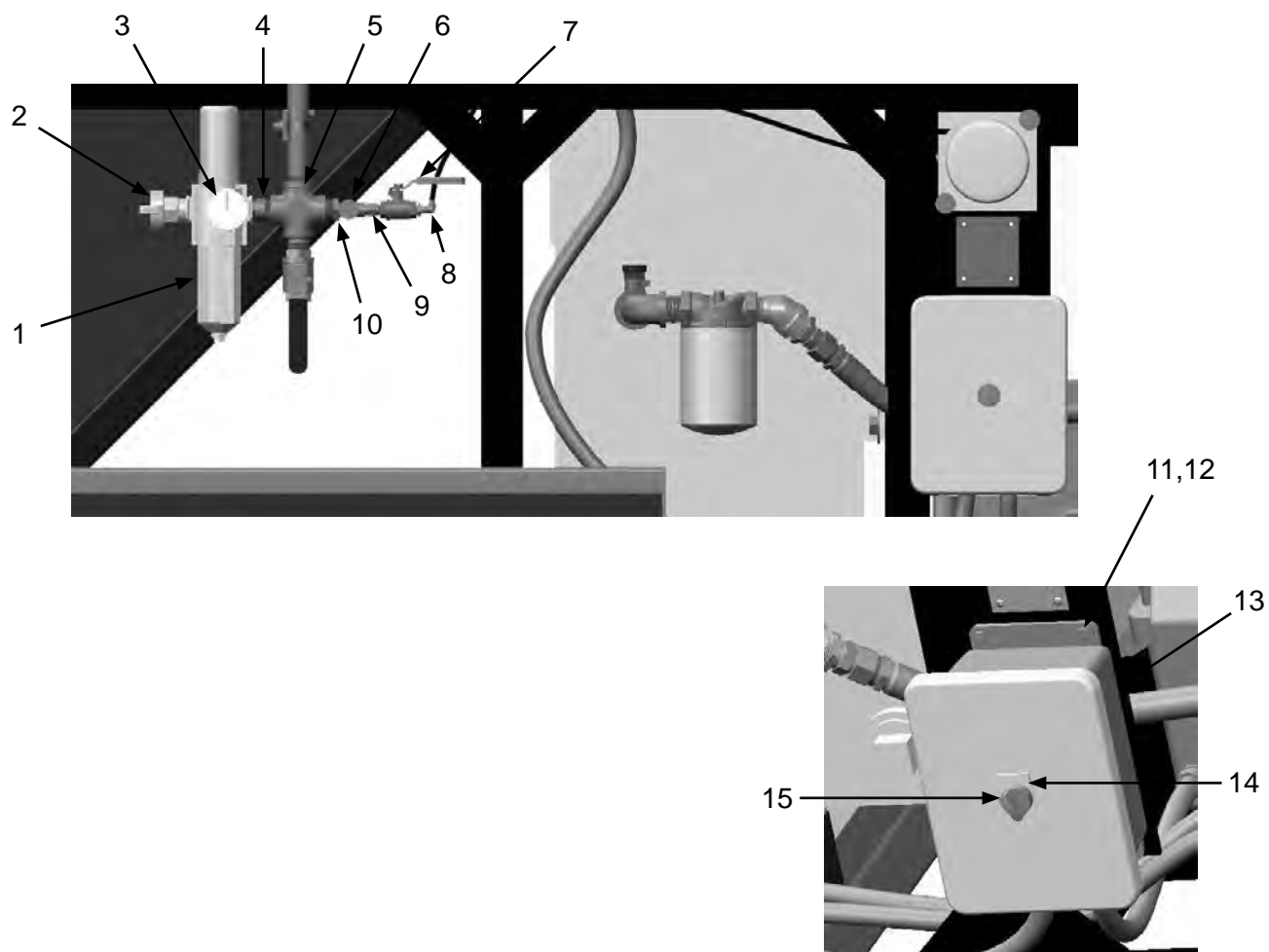
PART NUMBERS AND SCHEMATICS

Figure 12: Pulsar System Assembly



PART NUMBERS AND SCHEMATICS

Figure 13: Pulsar Regulator and Timer Assembly



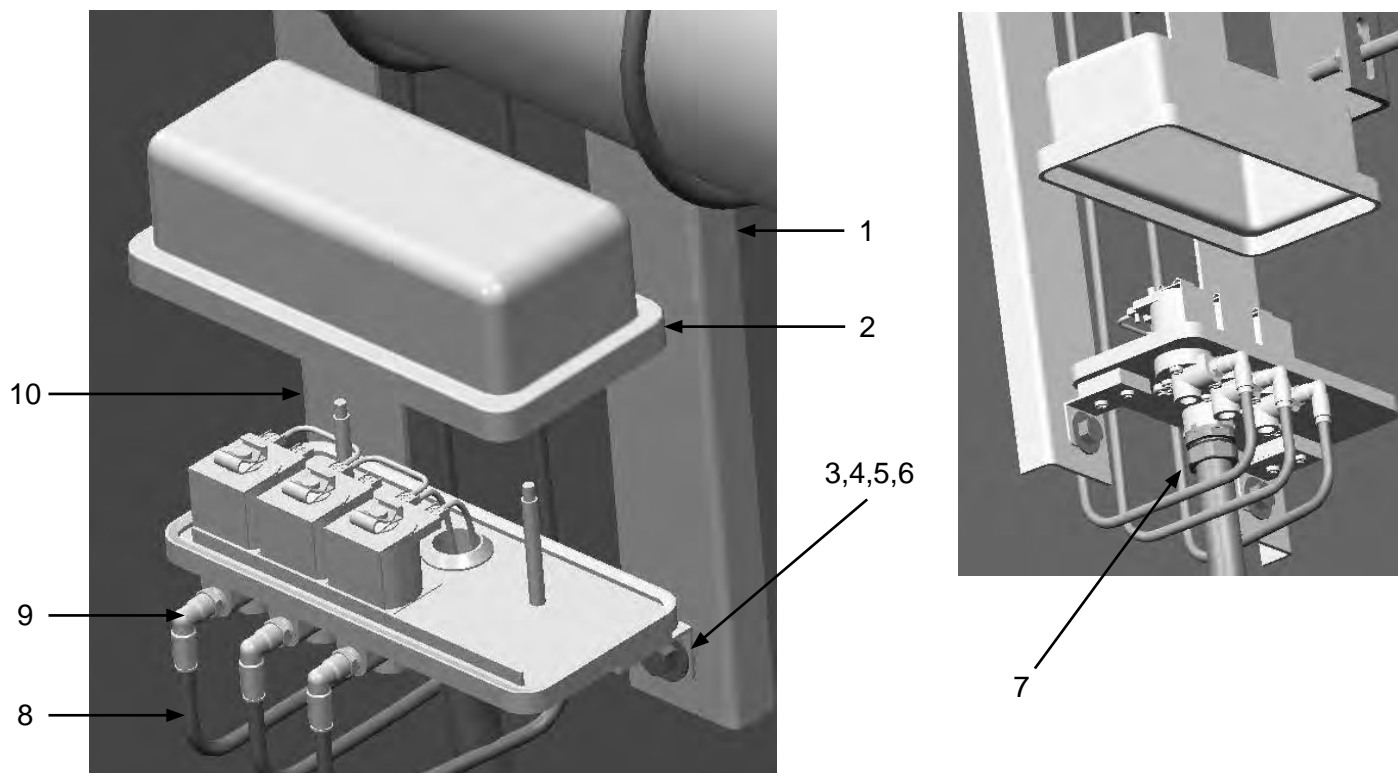
Item #	Part #	Description
--------	--------	-------------

Fig. 13

1	10103257	Excelon 74 Series Filter/Regulator
2	10ME1	3/4" Male 2-lug Coupling
3	1028606	Pressure Guage 160 PSI 1/4" Back
4	10103317	3/4" x 2" Pipe Nipple
5	10105198	3/4" NPT Galv. Cross
6	10103292	1/4" Needle Valve
7	1080050	1/4" Ball Valve
8	20PFBA31095614	1/4" Tube x 1/4" NPT 90° Fitting
9	1017019	1/4" x 1/4" Hex Nipple
10	20PFHA24SB1204	3/4" X 1/4" Reducing Bushing
11	10101937	1/4-20 x 1" Hex Bolt <i>(Four Required)</i>
12	10101940	1/4" Flat Washer <i>(Four Required)</i>
13	10103704	4 CH. 120V Timer Board
14	10103414	On/Off Name Plate
15	10103305	2-Way Selector Switch
—	10103950	Excelon 74 Series Filter/Regulator Service Kit
—	10103951	Filter Element <i>(Not Shown)</i>

PART NUMBERS AND SCHEMATICS

Figure 14: Pulsar Solenoid Enclosure Assembly



Item #	Part #	Description
--------	--------	-------------

Fig. 14

1	10102970	Solenoid Enclosure Mount – Right
2	10103705	Solenoid Pilot Valve Enclosure
3	10101936	3/8" Zinc Lock Washer (<i>Two Required</i>)
4	10101938	3/8-16 Galvanized Hex Nut (<i>Two Required</i>)
5	10101942	3/8" Galvanized Flat Washer (<i>Four Required</i>)
6	1011747	3/8-16 x 1" Bolt (<i>Two Required</i>)
7	20RST50	Straight Liquid Tite Connection Fitting
8	10103322	1/4" O.D. Black Urethane Tubing (<i>Per Foot</i>)
9	20100579	1/4" O.D. Tube x 1/8" NPT Swivel (<i>Three Required</i>)
10	10102969	Solenoid Enclosure Mount – Left
—	10103955	Solenoid Valve (<i>Three Required</i>)
—	10103956	Solenoid Coil (<i>One Required per Solenoid</i>)
—	10103957	Solenoid Service Kit <i>Includes: O-ring, Plunger, Spring, Ferrule</i>

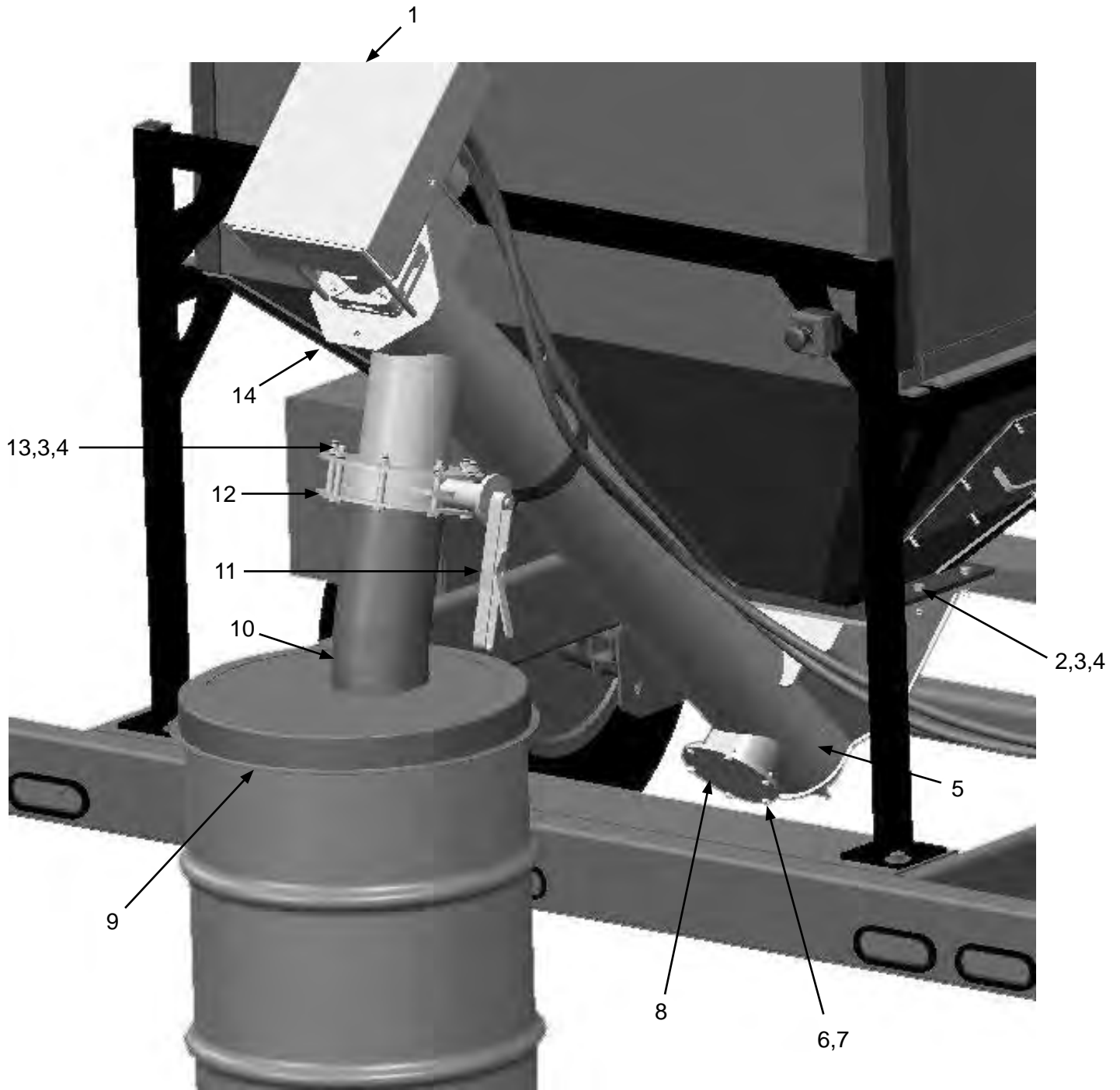
PART NUMBERS AND SCHEMATICS

Discharge Auger Assembly

Item #	Part #	Description
Fig. 15		
1	10103363	Discharge Chain Cover
2	10100674	1/2" Flat Washer (22 Required)
3	10100675	1/2" Lock Washer (14 Required)
4	1014022	1/2-13 Hex Nut (14 Required)
5	10103218	Discharge Auger Tube (See Fig. 23)
6	10101346	5/16-18 x 3/4" Grade 5 Bolt (Six Required)
7	1035046	5/16-18 Nut (Six Required)
8	10103235	Auger Clean-out Cover
9	10103650	Discharge Collection Drum Cover
10	10103777	6" Flexible Discharge Hose (Per Foot)
11	10103302	6" Series Wafer Butterfly Valve
12	10102971	Auger Discharge Drop Flange
13	10102703	1/2-13 x 3-1/2" Grade 5 Bolt (Eight Required)
14	10104196	Discharge Auger Motor Mounting Bracket
—	10103880	White Conspicuity Tape (<i>Per Inch</i>)
—	10103881	Red Conspicuity Tape (<i>Per Inch</i>)
—	1091131	Hazard Identification Decals – Dust Collector

PART NUMBERS AND SCHEMATICS

Figure 15: Discharge Auger Assembly



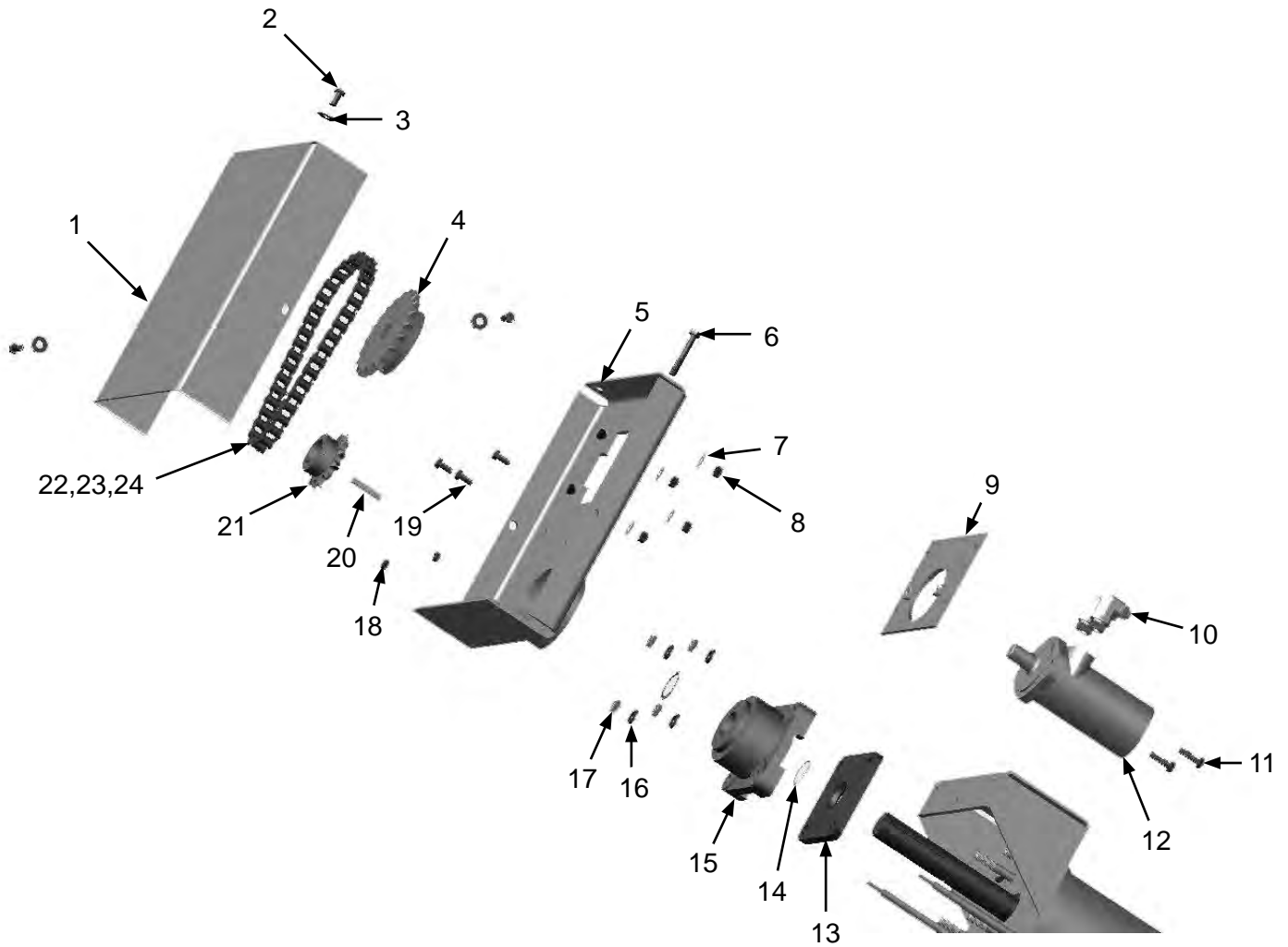
PART NUMBERS AND SCHEMATICS

Discharge Auger Drive Assembly

Item #	Part #	Description
Fig. 16		
1	10103363	Chain Cover
2	10103400	3/8-16 x 3/4" Bolt <i>(Three Required)</i>
3	10102331	3/8" Flat Washer <i>(Three Required)</i>
4	10104916	26-Tooth Sprocket
5	10104197	Chain Cover Base
6	10101933	3/8" - 16 X 2-1/2" Hex Bolt
7	10102331	3/8 SAE Flat Washer Zinc PL <i>(Four Required)</i>
8	10101938	3/8-16 Galvanized Hex Nut <i>(Four Required)</i>
9	10104199	Sliding Motor Mount
10	10103308	JIC 8 x SAE 10 90° Elbow <i>(Two Required)</i>
11	10104234	3/8-16 X 1-1/4" A307 Bolt Galv <i>(Two Required)</i>
12	10102887	Hydraulic Motor
13	10102902	Seal Plate
14	10103605	Snap Ring <i>(Two Required)</i>
15	10102903	Thrust Bearing
16	10100675	1/2" Lock Washer <i>(Four Required)</i>
17	1014022	1/2-13 Hex Nut <i>(Four Required)</i>
18	1035046	5/16"- 18 Nut <i>(Two Required)</i>
19	10101346	5/16-18 X 3/4" L GR 5 Bolt <i>(Three Required)</i>
20	10103641	3/8 Key Cut
21	10102886	13-Tooth Sprocket
22	10103392	60# Connecting Chain Link
23	10103391	60# Cottered Roller Chain <i>(Per Foot)</i>
24	10103614	60# Offset Chain Link
—	10104191	Discharge Auger Chain Kit <i>Includes Item #'s: 22, 23, and 24</i>
—	10103940	Seal Kit for Hydraulic Motor

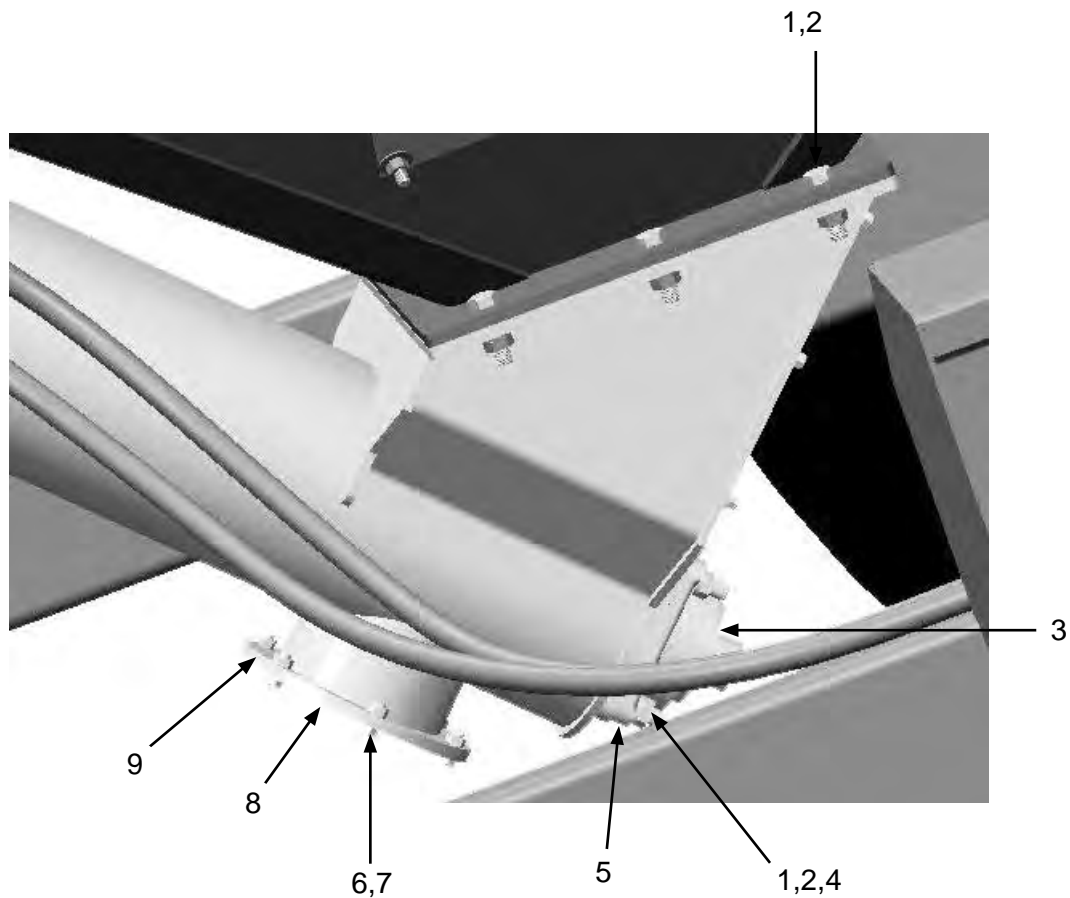
PART NUMBERS AND SCHEMATICS

Figure 16: Discharge Auger Drive Assembly



PART NUMBERS AND SCHEMATICS

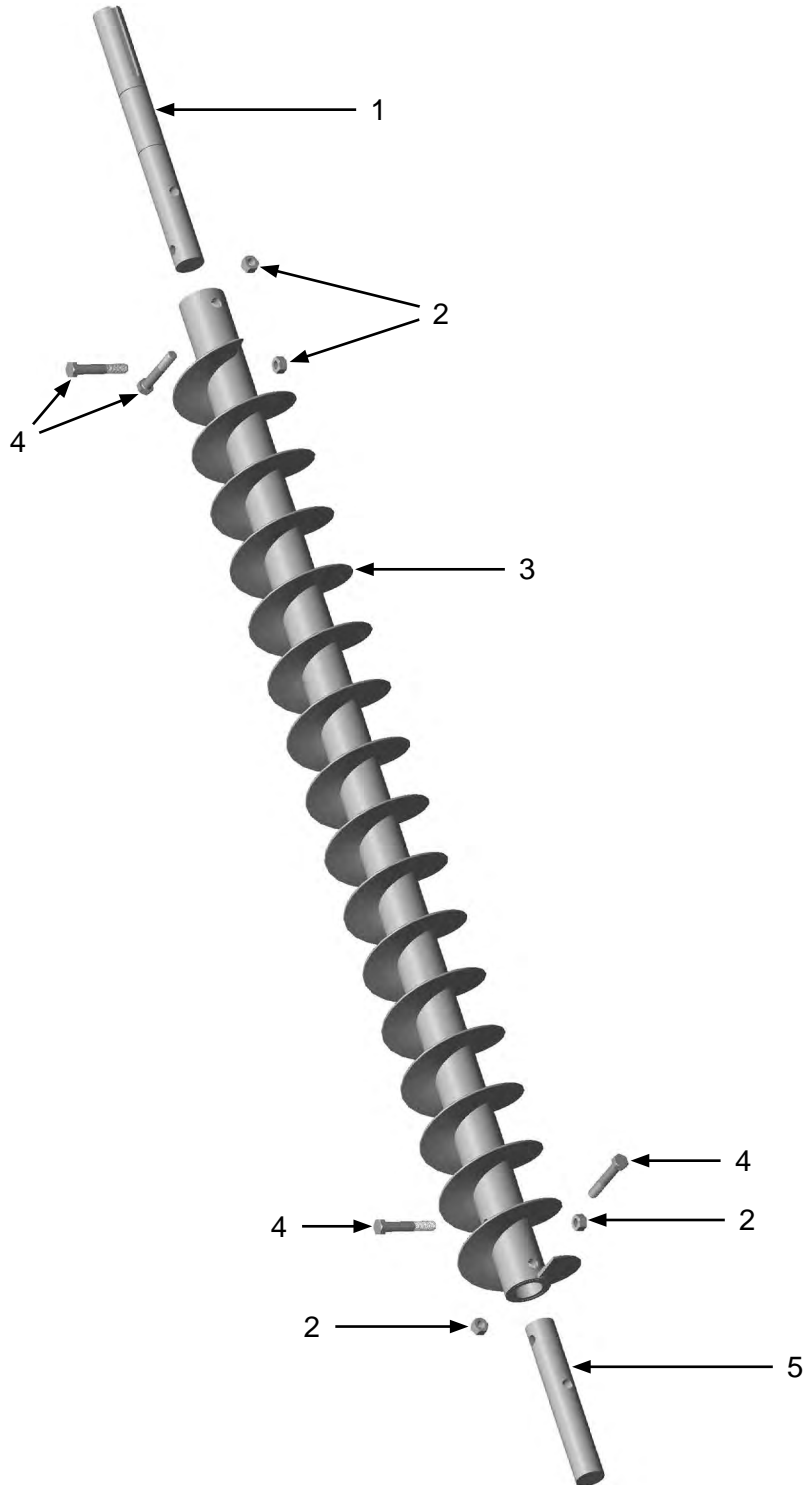
Figure 17: Discharge Auger Clean-out Assembly



Item #	Part #	Description
Fig. 17		
1	10100675	1/2" Lock Washer (10 Required)
2	1014022	1/2-13 Hex Nut (10 Required)
3	10102880	Discharge Auger Lower Bearing Assembly
4	10102652	1/2-13 X X2-1/4" GR5 Bolt (Four Required)
5	10102902	Seal Plate
6	10101346	5/16-18 x 3/4" Bolt (Six Required)
7	1035046	5/16-18 Nut (Six Required)
8	10103235	Auger Clean-out Cover
9	10103716	Neoprene Auger Clean-out Gasket

PART NUMBERS AND SCHEMATICS

Figure 18: Discharge Auger Assembly



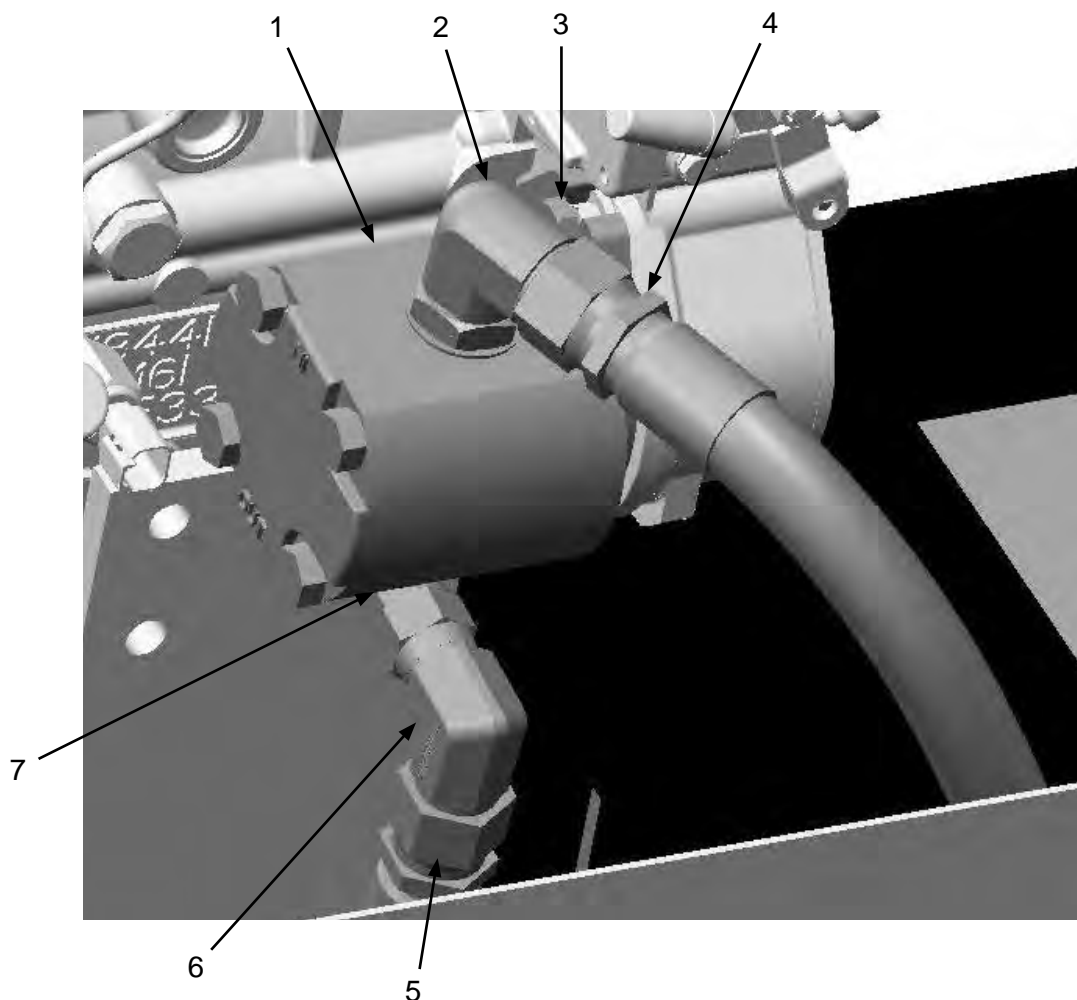
Item #	Part #	Description
--------	--------	-------------

Fig. 18

1	10103306	Drive Shaft
2	1014022	1/2-13 Hex Nut (<i>Four Required</i>)
3	10102883	58" x 6" Half Pitch Auger
4	10103401	1/2-13 x 3" Galvanized Bolt (<i>Four Required</i>)
5	10102910	Auger Shaft End

PART NUMBERS AND SCHEMATICS

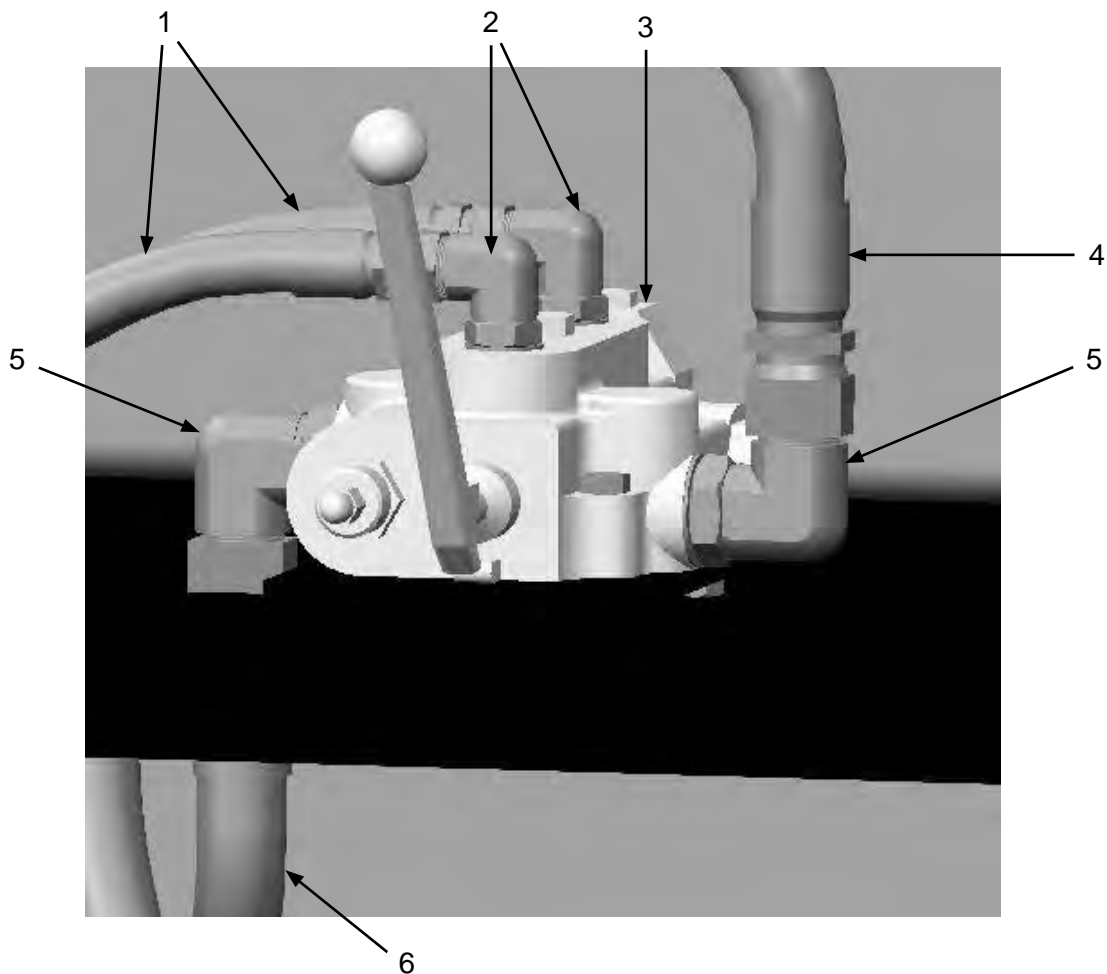
Figure 19: Hydraulic Pump



Item #	Part #	Description
Fig. 19		
1	10104921	.87 Cubic IN/REV - RH Pump - 11T
2	10103310	Elbow - 90 DEG - JIC 12 X SAE 12
3	10105206	3/8-16 X 4-1/2 GR 5 Zinc Bolt <i>(Two Required)</i>
4	10104926	3/4" X 5' Hyd Hose 3045 Psi
5	10104055	3/4" X 7' 8" Hydr Hose 3045 Psi
6	10104923	Elbow 90 DEG JIC 10 F X JIC 12 M
7	10104653	Elbow - 90 DEG - SAE 10 X JIC 10

PART NUMBERS AND SCHEMATICS

Figure 20: Hydraulic Control Assembly



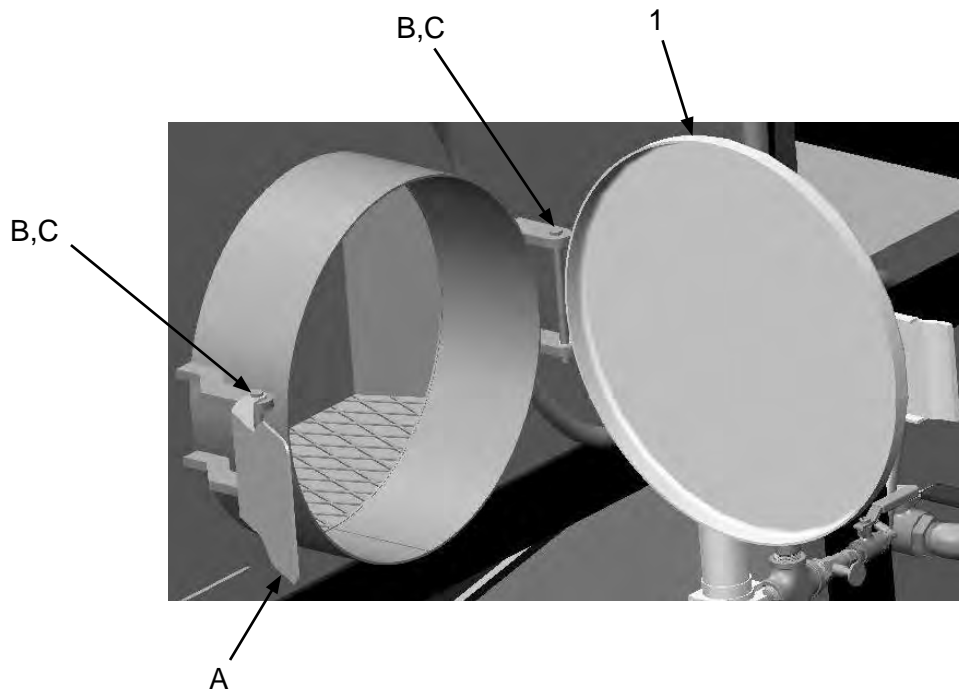
Item #	Part #	Description
--------	--------	-------------

Fig. 20

1	10103408	1/2" X 12' 6" Hydraulic Hose with Fittings
2	10103309	JIC 8 x SAE 8 90° Elbow (<i>Two Required</i>)
3	10103267	Cross Hydraulic Control Valve with Handle
4	10104927	3/4' X 3' Hyd Hose 3045 Psi
5	10103310	JIC 12 x SAE 12 90° Elbow (<i>Two Required</i>)
6	10104055	3/4" X 7'8" Hydr Hose 3045 Psi

PART NUMBERS AND SCHEMATICS

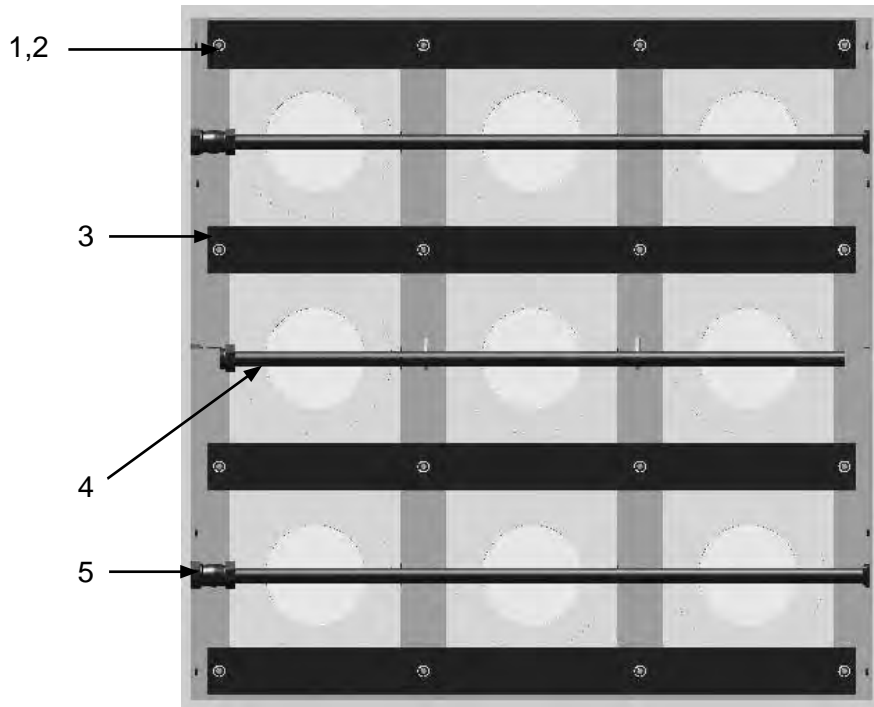
Figure 21: Inlet Door Assembly



Item #	Part #	Description
Fig. 21		
1	10104179	16" Inlet Door Assembly – Complete <i>(Two Required)</i> <i>Includes Items: A,B,C</i>
—	10105340	Inlet Door Gasket <i>(Two Required)</i>
—	10104408	Pin

PART NUMBERS AND SCHEMATICS

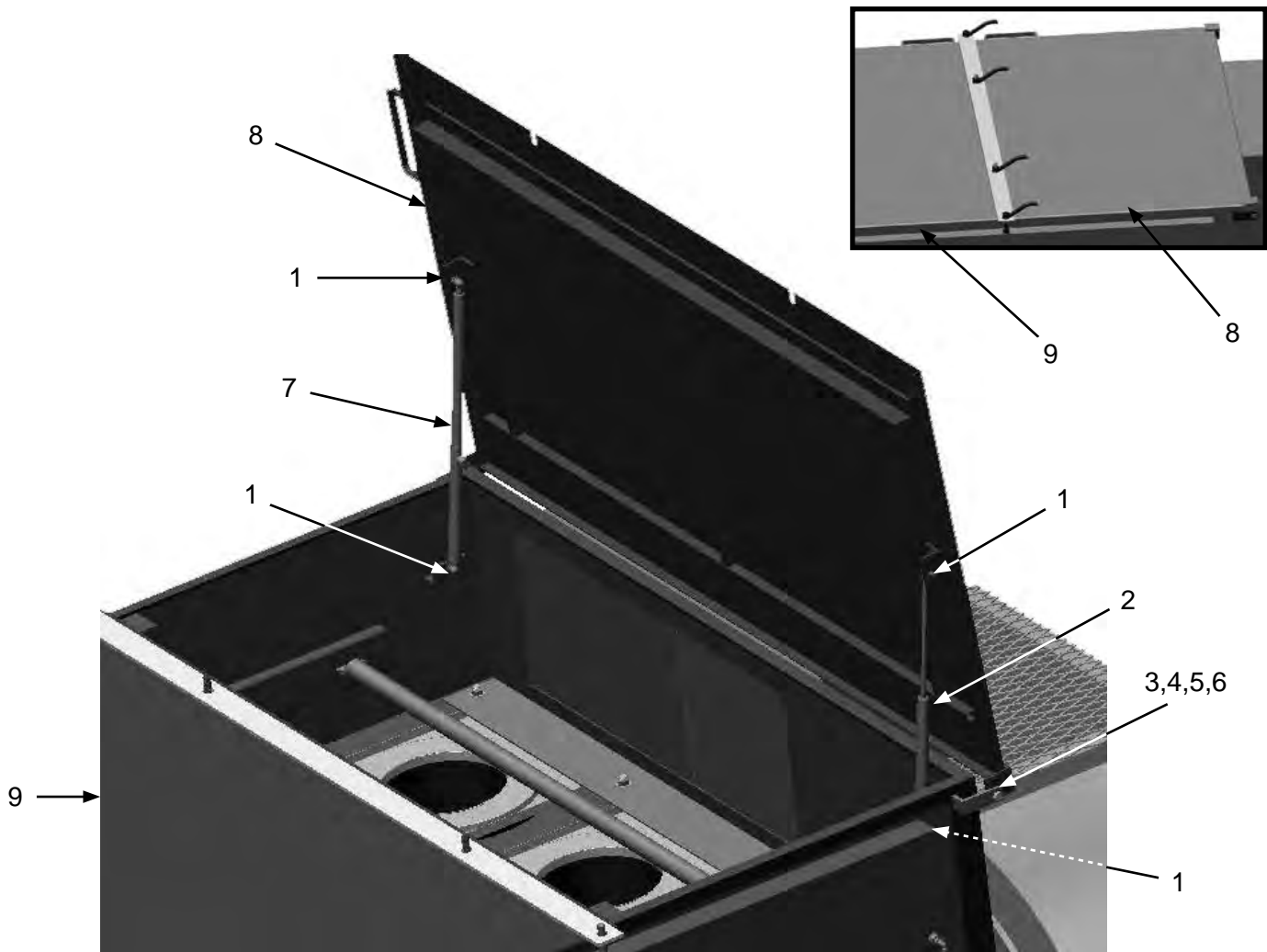
Figure 22: Dust Collector Filter Cartridge Pulsers



Item #	Part #	Description
Fig. 22		
1	10100674	1/2" Flat Washer (16 Required)
2	1014022	1/2" Hex Nut (16 Required)
3	10103823	Filter Bolt-Down (Four Required)
4	10103791	Pulser System Blowpipe (Three Required)
5	10102599	Compression Coupling Assembly (Three Required)

PART NUMBERS AND SCHEMATICS

Figure 23: Dust Collector Filter Cartridge Hatch Door

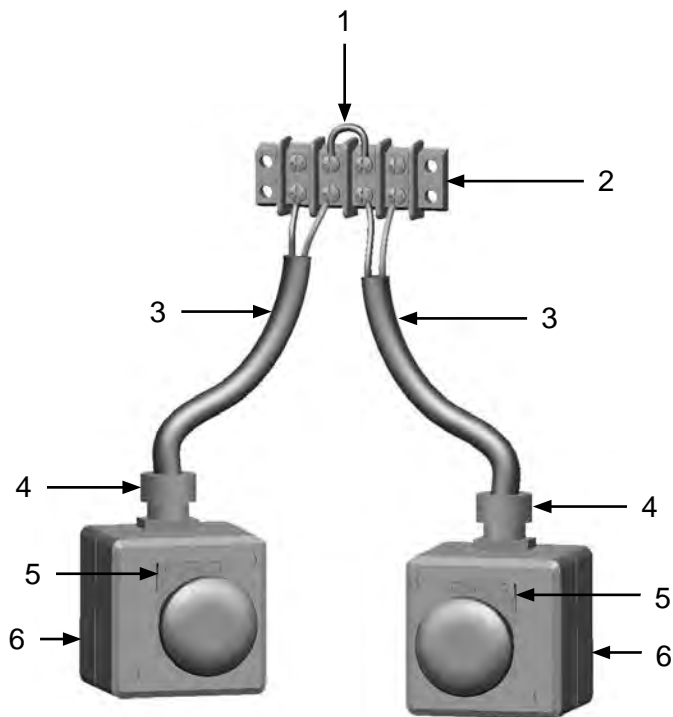


Item #	Part #	Description
Fig. 23		
1	1035046	5/16-18 Hex Nut <i>(Four Required)</i>
2	10103844	Non-Locking Gas Spring
3	10101059	3/8-16 X 1-1/4" A307 Bolt Galv.
4	10101942	3/8" Flat Washer <i>(Four Required)</i>
5	10101936	3/8" Lock Washer- Zinc
6	10101938	3/8"-16 Hex Nut <i>(Two Required)</i>
7	10103845	Locking Gas Spring
8	10103802	Front Hatch Door
9	10103978	Rear Hatch Door

Quantities specified are per hatch opening

PART NUMBERS AND SCHEMATICS

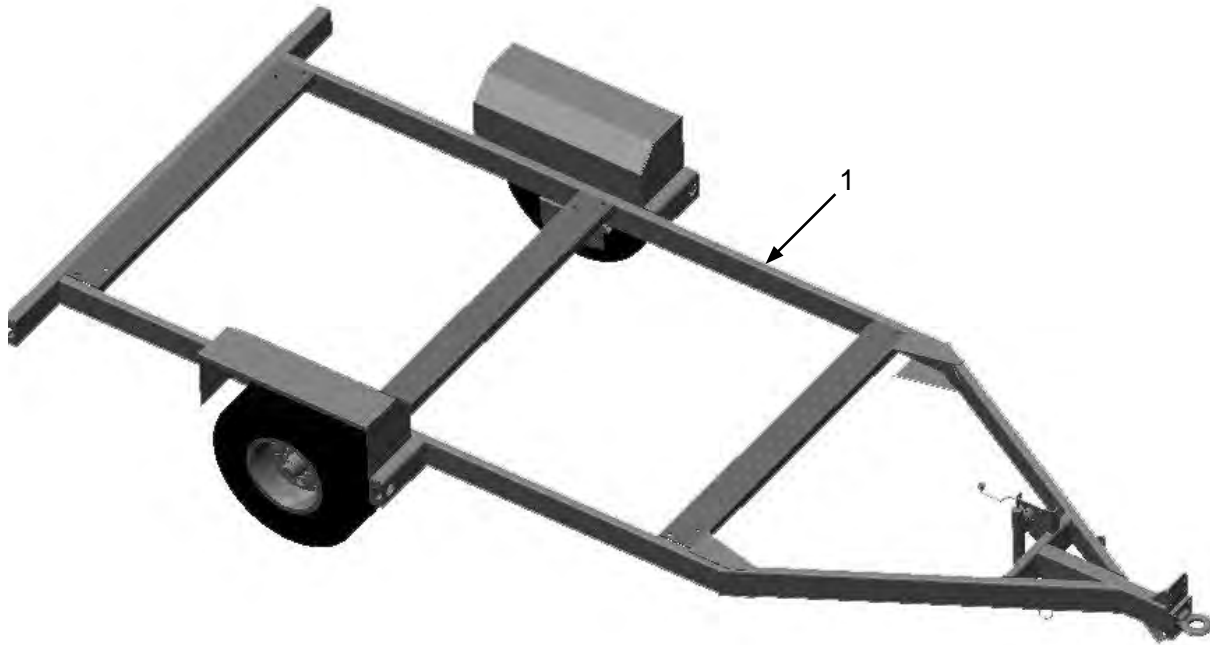
Figure 24: Emergency-Stop Stations



Item #	Part #	Description
Fig. 24		
1	20R12AWGBLACK	Stranded Wire - 12 AWG - Black
2	10104066	Terminal Strip - 4-Circuit - 30 amp
3	1015570	12/2 SO Electric Cord (Per Foot)
4	20RCG5050	Cord Grip 1/2"-Npt .5-.625
5	10104063	Legend Plate - Emergency-Stop Station
6	10104071	Emergency-Stop Control Station (Two Required)
—	1015009	8-32 x 1" Pan Head Phillips Screw (Four Required)
—	20000021	8-32 Zinc Nut (Four Required)
—	20000018	#8 Zinc Lock Washer (Four Required)
—	20000019	#8 Zinc Flat Washer (Four Required)

PART NUMBERS AND SCHEMATICS

Figure 25: Trailer



Item #	Part #	Description
--------	--------	-------------

Fig. 25


1	10104333	4 Ton Trailer
—	10104081	Breakaway Kit
—	10104082	Wire Harness
—	10100493	3/8" x 35" Chain with Hook
—	10104084	Red LED Oval Tail Light <i>(Four Required)</i>
—	10104085	Rubber Oval Grommet <i>(Four Required)</i>
—	10104086	2" Round Red LED Clearance Light <i>(Five Required)</i>
—	10104087	2" Round Amber LED Clearance Light <i>(Four Required)</i>
—	10104088	2" Round Rubber Grommet <i>(Nine Required)</i>

OPTIONAL ACCESSORIES



REPLACEMENT DUST COLLECTOR FILTER CARTRIDGES

Part Numbers	Material	I.D.	O.D.	Length
10102033	85/15	8.38"	12.75"	30"
10105561	Reduced Pleat	8.38"	12.75"	30"
10105562	Fire Retardant	8.38"	12.75"	30"
1010005946	HEPA	8.38"	12.75"	30"
10105563	Spunbond	8.38"	12.75"	30"


16" I.D. DUCT HOSE

Part Numbers	Length	Pitch	Bend Radius	Body Material	Wear Strip Material	Wear Strip Color	
	10DH1625HD	25 Ft.	1-1/2"	14"	2-Ply Vinyl-Coated Polyester	PVC	Red
	10DH1650HD	50 Ft.	1-1/2"	14"	2-Ply Vinyl-Coated Polyester	PVC	Red
	15DH1625	25 Ft.	2"	16.8"	2-Ply Vinyl-Coated Polyester	PVC	Red

16" I.D. DUCT HOSE COUPLING AND SCREW CLAMP

Part Numbers	Style	Hose I.D.
	Stainless Steel Coupling	16"
	Stainless Steel Screw Clamp	16"

DUCT HOSE ADAPTERS

Part Numbers	Dimensions	Material
	24" x 16"	Carbon Steel

OPTIONAL ACCESSORIES



Part Numbers

3/4" I.D. X 1-1/4" O.D. AIR HOSE WITH COUPLINGS INSTALLED						
Part Numbers	Length	Hose I.D.	Hose O.D.	Working Pressure	Hose Cover Color	Couplings
10AH034AC	50 Ft.	3/4"	1-1/4"	200 PSI	Red	2-Lug Crimped On



Part Numbers

3/4" I.D. X 1-1/4" O.D. AIR HOSE					
Part Numbers	Length	Hose I.D.	Hose O.D.	Working Pressure	Hose Cover Color
10AH034	Per Ft.	3/4"	1-1/4"	200 PSI	Red



Part Numbers

MALE HOSE END COUPLING AND GASKET FOR 3/4" I.D. AIR HOSE						
Part Numbers	Hose I.D.	Material	Coupling Style	GASKET		
				Rubber Gasket	Gasket I.D.	Gasket O.D.
10HE1	3/4"	Plated Iron	2-Lug	10UG2	3/4"	1-3/8"



Part Numbers

BOSS® CLAMP FOR 3/4" I.D. AIR HOSE			
Part Numbers	Hose I.D.	Hose O.D. Range	Material
10A9	3/4"	1-8/64" – 1-20/64"	Plated Steel

PART NUMBERS

Part Numbers	DUSTMASTER® 8,000 CFM ELECTRIC DUST COLLECTOR						Trailer	Filter Cartridge Quantity
	Filter Cartridge Material							
	None	High Density 85% Cellulose/15% Poly Blend	Reduced Pleat 85% Cellulose/15% Poly Blend	Fire Retardant	HEPA	Spunbond		
10105547	X						X	1
10104316		X					X	9
10105548			X				X	9
10105549				X			X	9
10105550					X		X	9
10105551						X	X	9



SPECIFICATIONS

Capacity:	CFM : 4770–8241 W.C. 0–2”
Filter Cartridge Style:	Open Top with Flange, Closed Bottom 9 Required
Filter Cleaning:	Pulse System, 5–15 second intervals Pulse Duration: 200–350 millisecond
Air to Cloth Ratio:	3.04:1 @ 8,000 CFM
Filter Area:	2,632 square feet
Efficiency:	85/15 Blend Filters – 99.8% @ 0.5 micron Reduced Pleat – 99.8% @ 0.5 micron HEPA Filters – 99.99% @ 0.3 micron Fire Retardant Filters – 96.8% @ 2.0 micron Spunbond Filters – 97% @ 3.0 micron
Ducting Connections:	16" I.D., Quantity of Two
Clean-out Ports:	One
Dust Removal Conveyor:	Single 6" Discharge Auger, Electric Motor Drive
Fan:	Backward Inclined, non-overloading, spark resisting
Motor:	25 Horsepower Electric 3-Phase
Electrical System:	460 V, 60 Hz 27 FLA
Air Requirements:	Clean, Dry, Compressed Air 24 CFM @ 90 PSI
Unit Dimensions:	Weight: Approximately 5,509 pounds (empty) Length: 19' 8" Width: 8' Height: 9' 11"

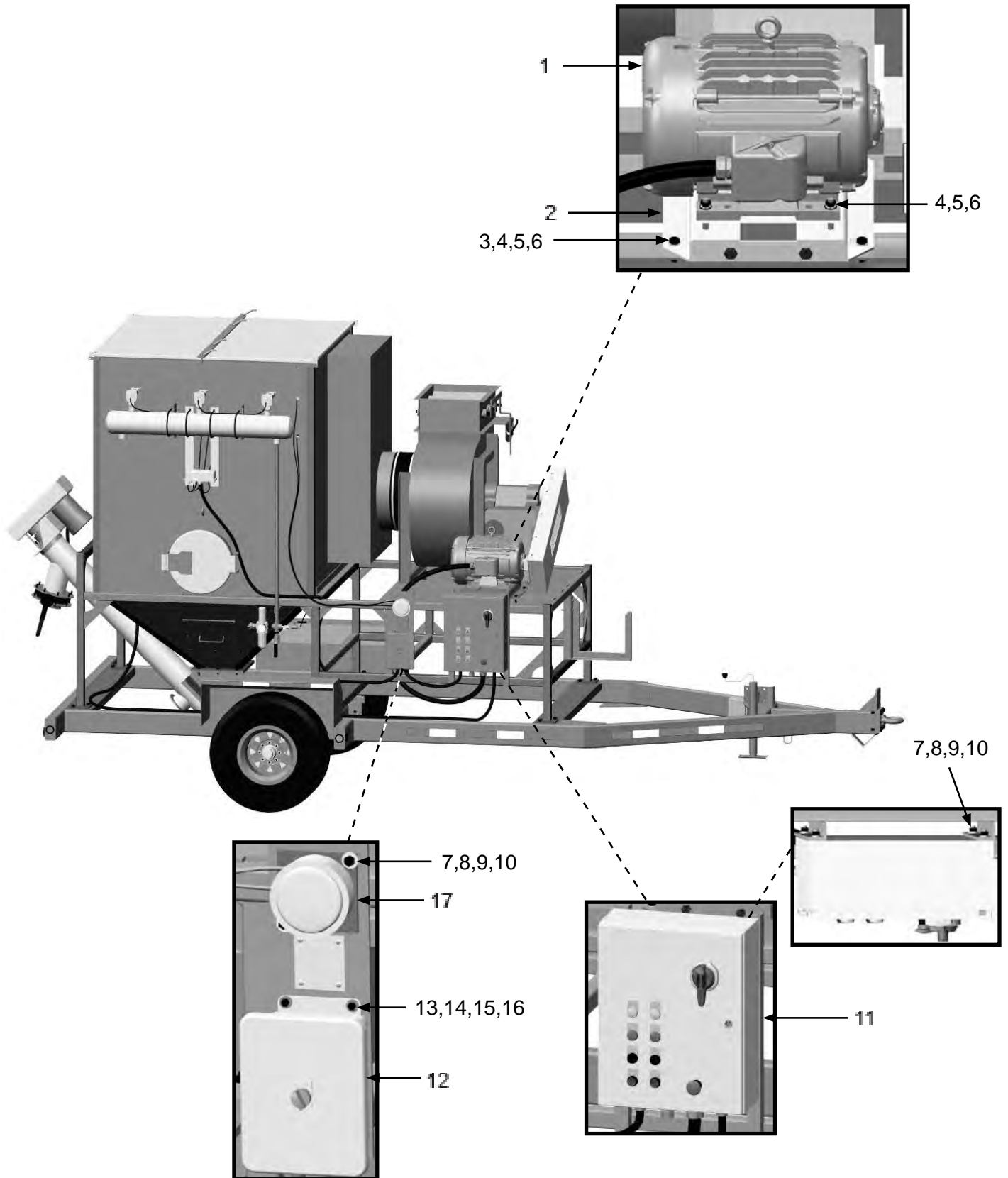
PART NUMBERS AND SCHEMATICS

Front Assembly

Item #	Part #	Description
Fig. 1		
1	10104334	25hp Motor
2	10104335	Adjustable Motor Base
3	1014021	1/2-13 x 1-3/4 Hex Bolt <i>(Four Required)</i>
4	10100674	1/2" Flat Washer <i>(12 Required)</i>
5	1014022	1/2-13 Hex Nut <i>(Eight Required)</i>
6	10100675	1/2" Lock Washer <i>(Eight Required)</i>
7	1011747	3/8-16 x 1" Bolt <i>(Eight Required)</i>
8	10101936	3/8" Lock Washer – Zinc <i>(Eight Required)</i>
9	10101938	3/8-16 Hex Nut – Galvanized <i>(Eight Required)</i>
10	10101942	3/8" Flat Washer <i>(12 Required)</i>
11	10104356	Control Panel for Dustmaster® 8,000 CFM Electric Dust Collector
12	10103848	4 Ch. 12--Volt Timer Board with Enclosure
13	10101937	1/4-20 x 1" Grade 5 Bolt <i>(Four Required)</i>
14	10101940	1/4" Flat Washer <i>(Eight Required)</i>
15	1012153	1/4" Lock Washer <i>(Four Required)</i>
16	10101347	1/4-20 Hex Nut <i>(Four Required)</i>
17	10103259	Magnehelic Differential Pressure Gauge
—	1015590	8/4 SO Power Cord — Black <i>(Per Foot)</i>
—	10104364	12/4 SJ Power Cord <i>(Per Foot)</i>
—	105M129	Features & Specifications Guide - Dustmaster® 8,000 CFM Electric Dust Collector
—	106M129	Part Numbers & Schematics Guide – Dustmaster® 8,000 CFM Electric Dust Collector
—	1090129	Operator's Manual – Dustmaster® 8,000 CFM Electric Dust Collector

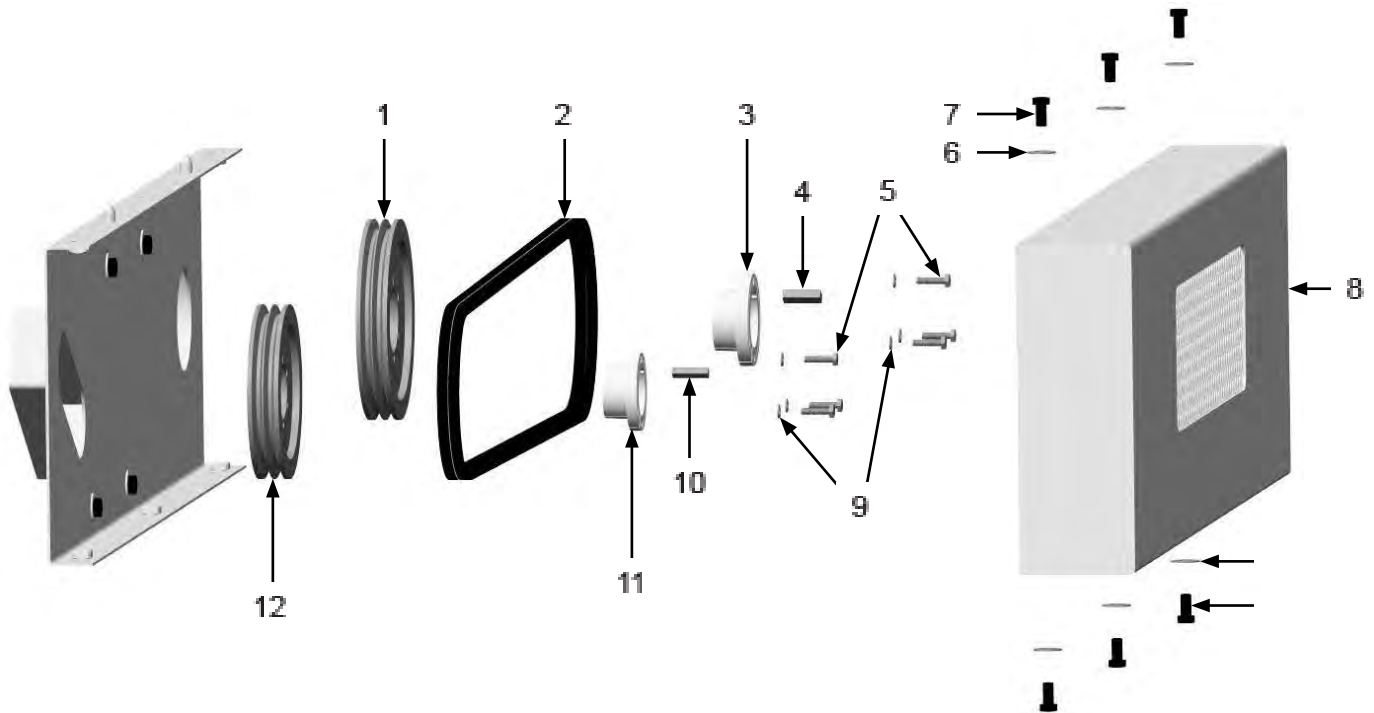
PART NUMBERS AND SCHEMATICS

Figure 1: Front Assembly



PART NUMBERS AND SCHEMATICS

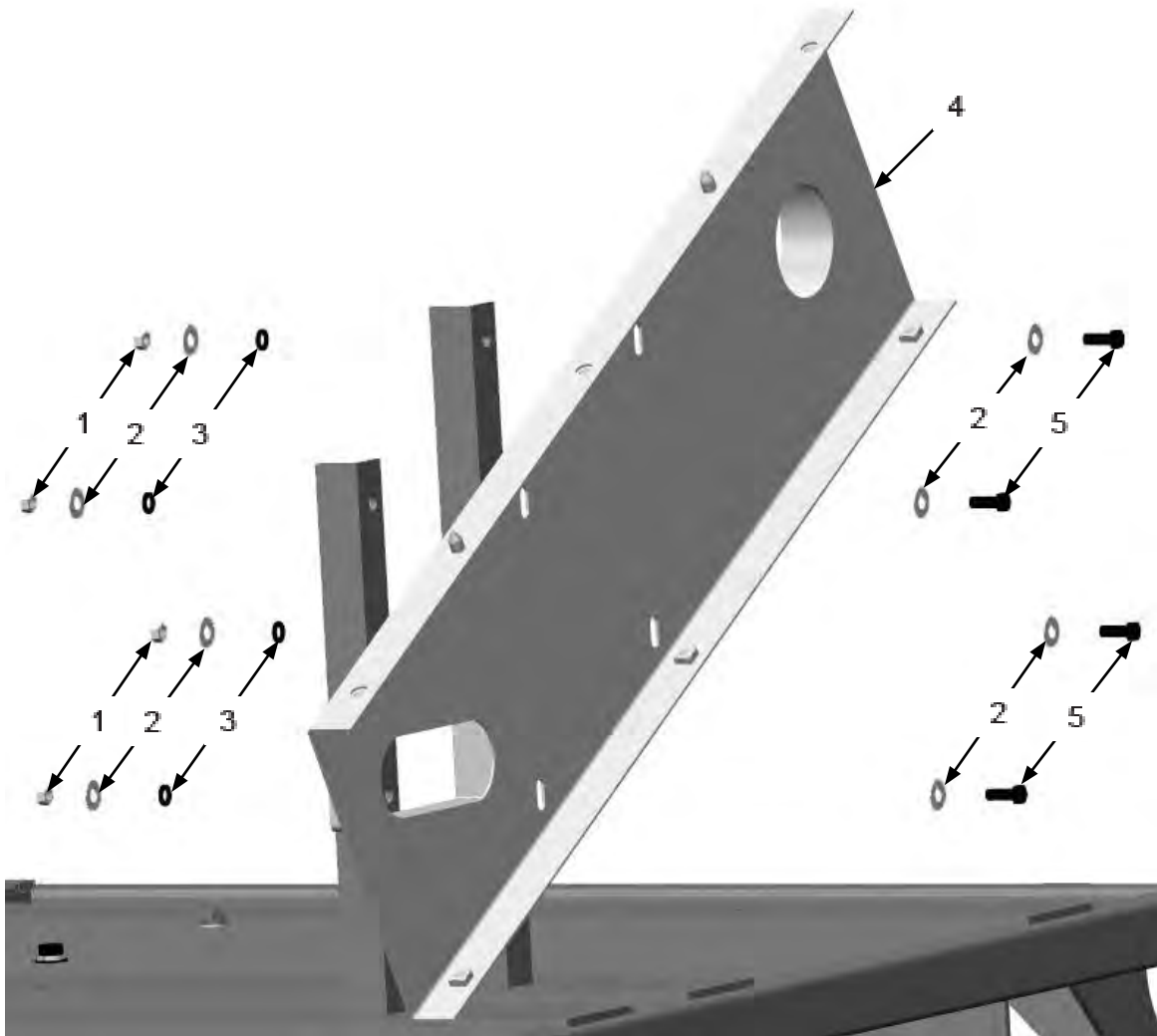
Figure 2: Fan Belt Assembly



Item #	Part #	Description
Fig. 2		
1	10104329	2/3 V Sheave 6.9"
2	10104326	2/3 VX 750 Banded Belt
3	10104330	SDS Bushing 1-15/16" Bore <i>(Includes Item #'s: 5 and 9 (Three Each))</i>
4	10104362	1/2" x 5/16" Key Cut
5	10101937	1/4-20 x 1" L Gr 5 Bolt <i>(Six Required)</i>
6	10101942	3/8" Flat Washer <i>(Six Required)</i>
7	10103400	3/8-16 x 3/4" Bolt <i>(Six Required)</i>
8	10104320	Belt Guard Cover for Dustmaster® 8,000 CFM Electric Dust Collector
9	1012153	1/4 Lock Washer <i>(Six Required)</i>
10	10104361	3/8" x 1/4" Key Cut
11	10104328	SH Bushing 1-5/8" Bore <i>(Includes Item #'s: 5 and 9 (Three Each))</i>
12	10104327	2/3 V Sheave 6.00"

PART NUMBERS AND SCHEMATICS

Figure 3: Fan Belt Guard Back Assembly



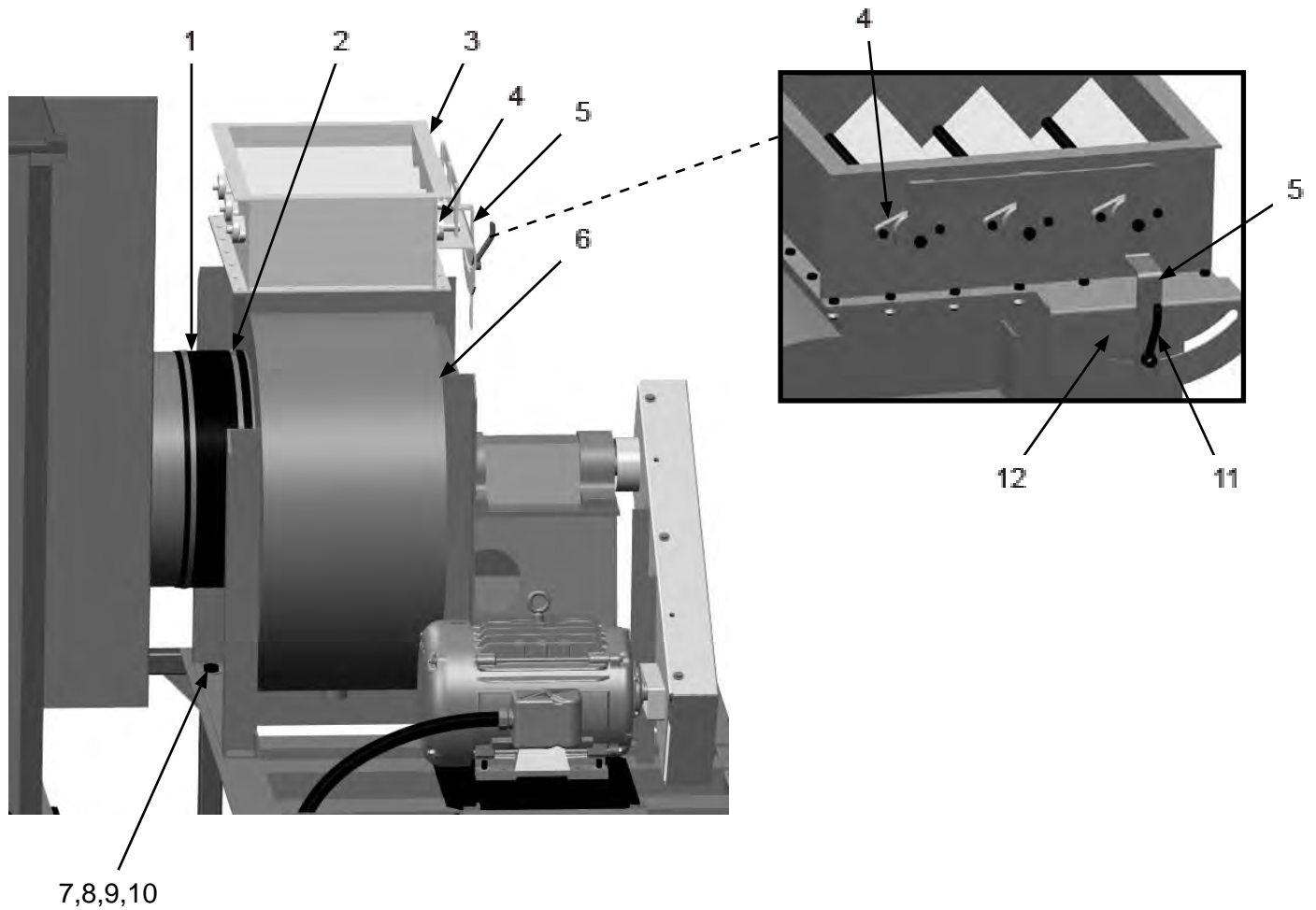
Item #	Part #	Description
--------	--------	-------------

Fig. 3

1	10101938	3/8-16 Galvanized Hex Nut (<i>Four Required</i>)
2	10101942	3/8" Galvanized Flat Washer (<i>Four Required</i>)
3	10101936	3/8" Zinc Lock Washer (<i>Four Required</i>)
4	10104317	Belt Guard Back
5	1011747	3/8-16 x 1" Bolt (<i>Four Required</i>)

PART NUMBERS AND SCHEMATICS

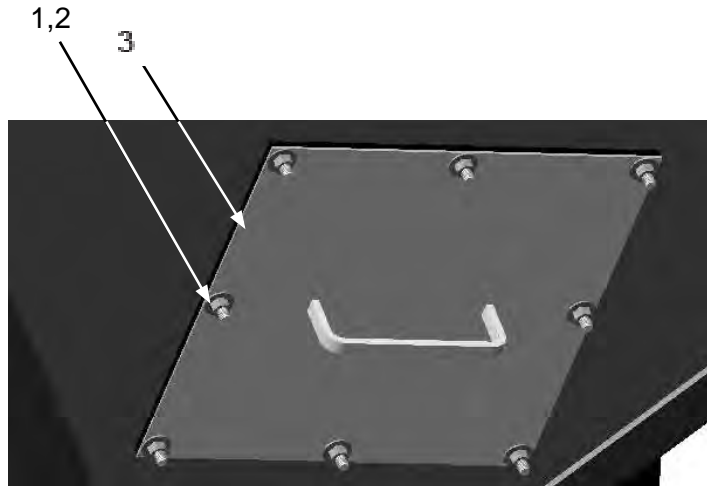
Figure 4: Fan Assembly



Item #	Part #	Description
Fig. 4		
1	10103962	Connection Rubber Gasket
2	10103416	Adjustable Clamp Fastener (<i>Two Required</i>)
3	10104332	Fan Damper
4	10105775	Damper Bearing (<i>Six Required</i>)
5	10105774	Damper Handle
6	10104331	BI-200 Fan
7	10103417	3/4-10 UNC x 1-3/4" Grade 8 Bolt (<i>Six Required</i>)
8	10103418	3/4" Washer (<i>12 Required</i>)
9	10103420	3/4-10 UNC GR 8 Nut (<i>Six Required</i>)
10	10103419	3/4" Lock Washer (<i>Six Required</i>)
11	10103395	Handle 1/2-13 Zinc Plated
12	1091140	Hazard Identification Decal
—	10105776	Damper Hardware Kit (<i>Includes: 1/2 x 1-3/4 Bolt, 1/2" Star Washer, 1/2" Flat Washer, 1/2" Lock Washer</i>)

PART NUMBERS AND SCHEMATICS

Figure 5: Access Panel Assembly

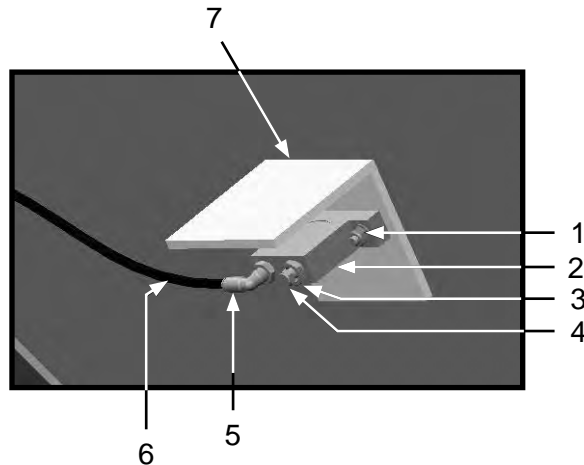


Item #	Part #	Description
--------	--------	-------------

Fig. 5

1	10101938	3/8-16 Galvanized Hex Nut (<i>Eight Required</i>)
2	10101942	3/8" Flat Washer (<i>Eight Required</i>)
3	10103792	Access Panel Door

Figure 6: Pneumatic Ball Vibrators



Item #	Part #	Description
--------	--------	-------------

Fig. 6

1	10101939	1/4-20 SS Lock Nut with Nylon Insert (<i>Two Required</i>)
2	10103258	Pneumatic Ball Vibrator
3	20PFHA24SB0402	1/4" x 1/8" Reducing Bushing
4	1012905	1/8" Breather Muffler
5	20PFBA31095614	1/4" Tube x 1/4" NPT 90° Fitting
6	10103322	1/4" I.D. Black Urethane Tubing (<i>Per Foot</i>)
7	10103609	Vibrator Shield

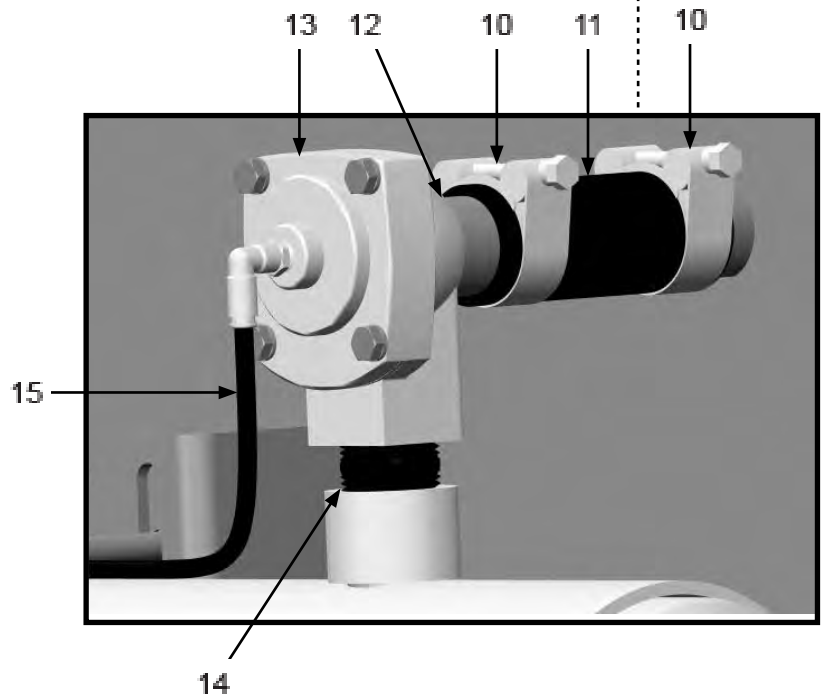
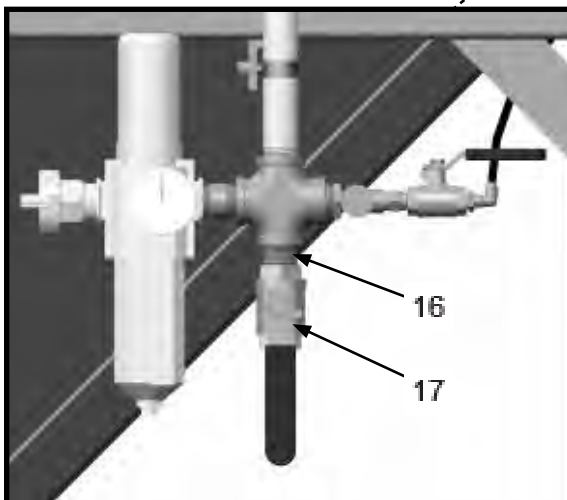
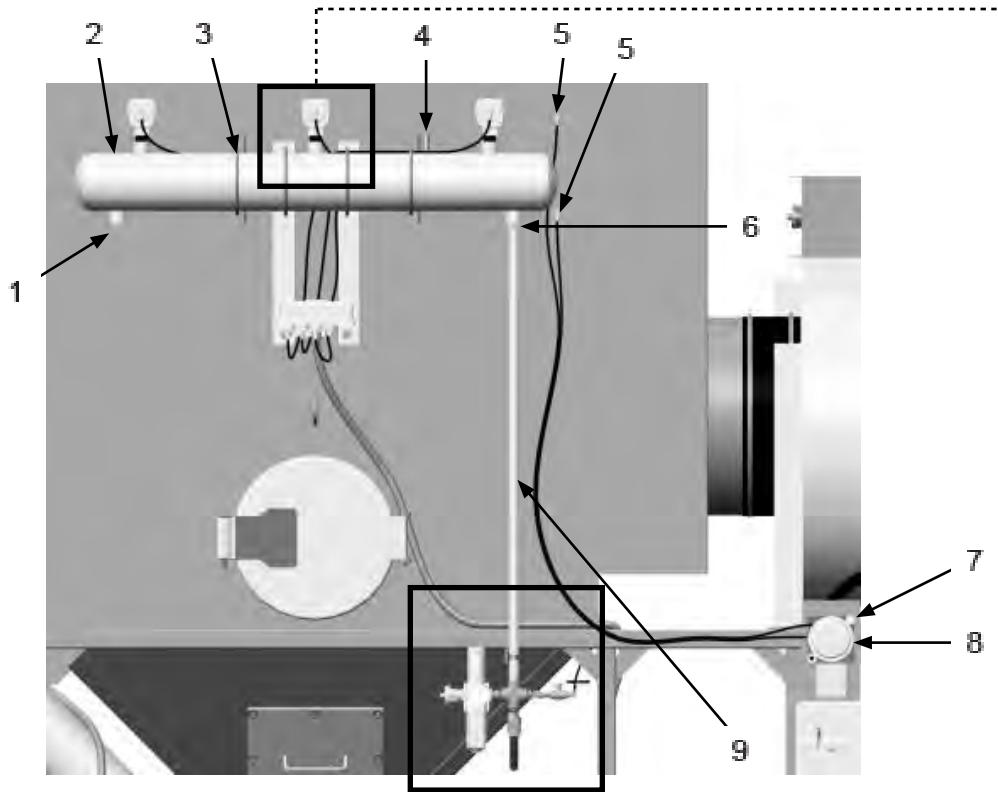
PART NUMBERS AND SCHEMATICS

Pulser System Assembly

Item #	Part #	Description
Fig. 7		
1	1011901	Galvanized 1" Square Head Plug
2	10103789	3 Pipe Header Tube
3	10103394	3/8-16 x 6" U-Bolt Assembly <i>(Four Required)</i>
4	1028607	1/4" NPT Pressure Relief Valve – 125 PSI
5	20PFBA31095614	1/4" Tube x 1/4" NPT 90° Fitting <i>(Two Required)</i>
6	20PFHA24SB1612	1" x 3/4" Reducing Bushing
7	10103608	Magnehelic Differential Pressure Gauge Mounting Bracket
8	10103259	Magnehelic Differential Pressure Gauge Assembly - Includes Mounting Hardware
9	10105197	3/4" x 48" Pipe Nipple
10	10104136	T-Bolt Clamp for 1-9/16" to 1-11/16" O.D. Hose <i>(Six Required)</i>
11	10103654	1-1/4" I.D. Marine Hose – 100 PSI <i>(Per Foot)</i>
12	10105207	1" x 3" Toe Nipple <i>(Three Required)</i>
13	10103255	1" Diaphragm Valve <i>(Three Required)</i>
14	10103318	1" x 2" Pipe Nipple <i>(Three Required)</i>
15	10103322	1/4" O.D. Black Urethane Tubing <i>(Per Foot)</i>
16	1011213	3/4" NPT Close Nipple - Galvanized
17	10L8074C	3/4" Full Port Ball Valve
—	10103954	1" Diaphragm Valve Service Kit <i>(Not Shown)</i>

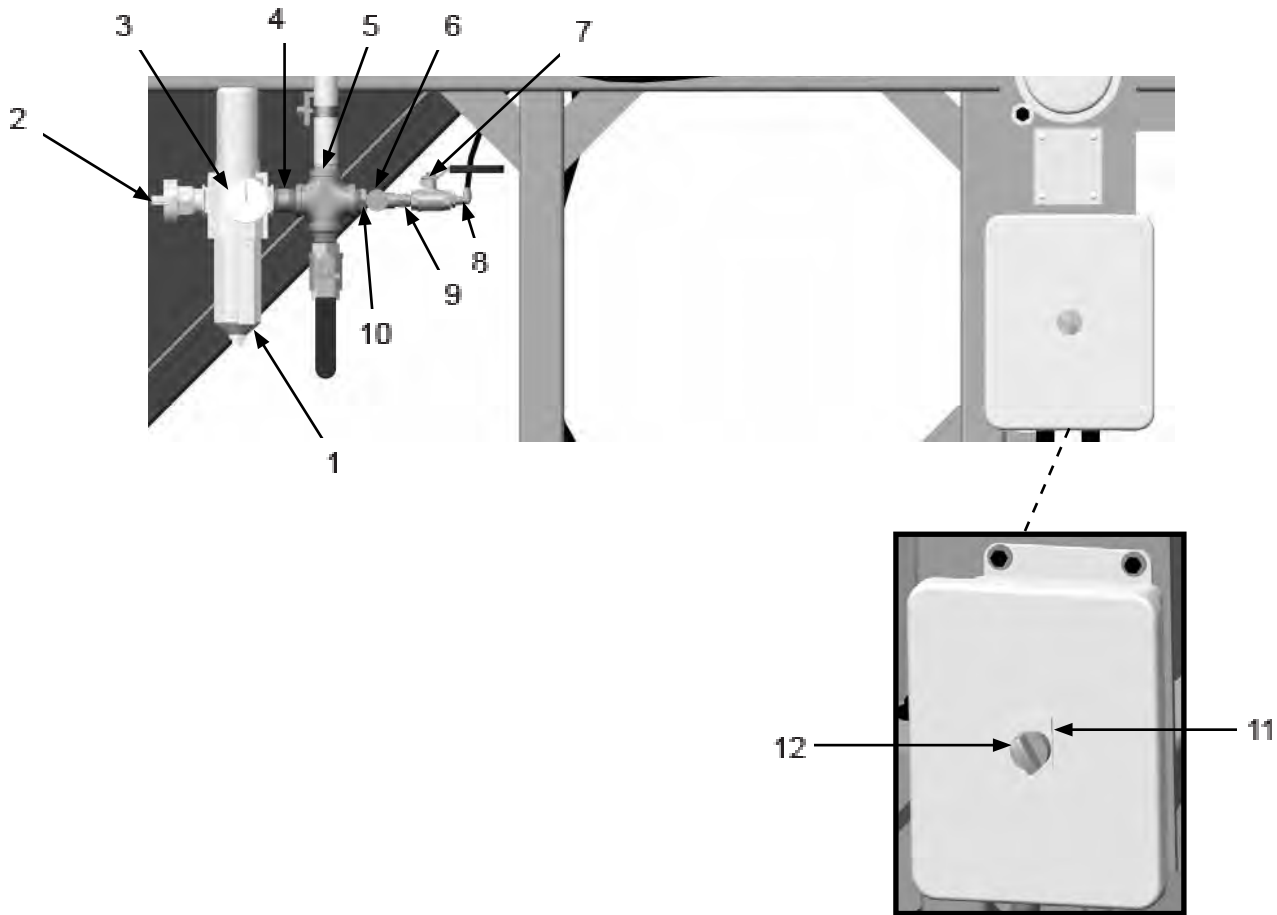
PART NUMBERS AND SCHEMATICS

Figure 7: Pulsar System Assembly



PART NUMBERS AND SCHEMATICS

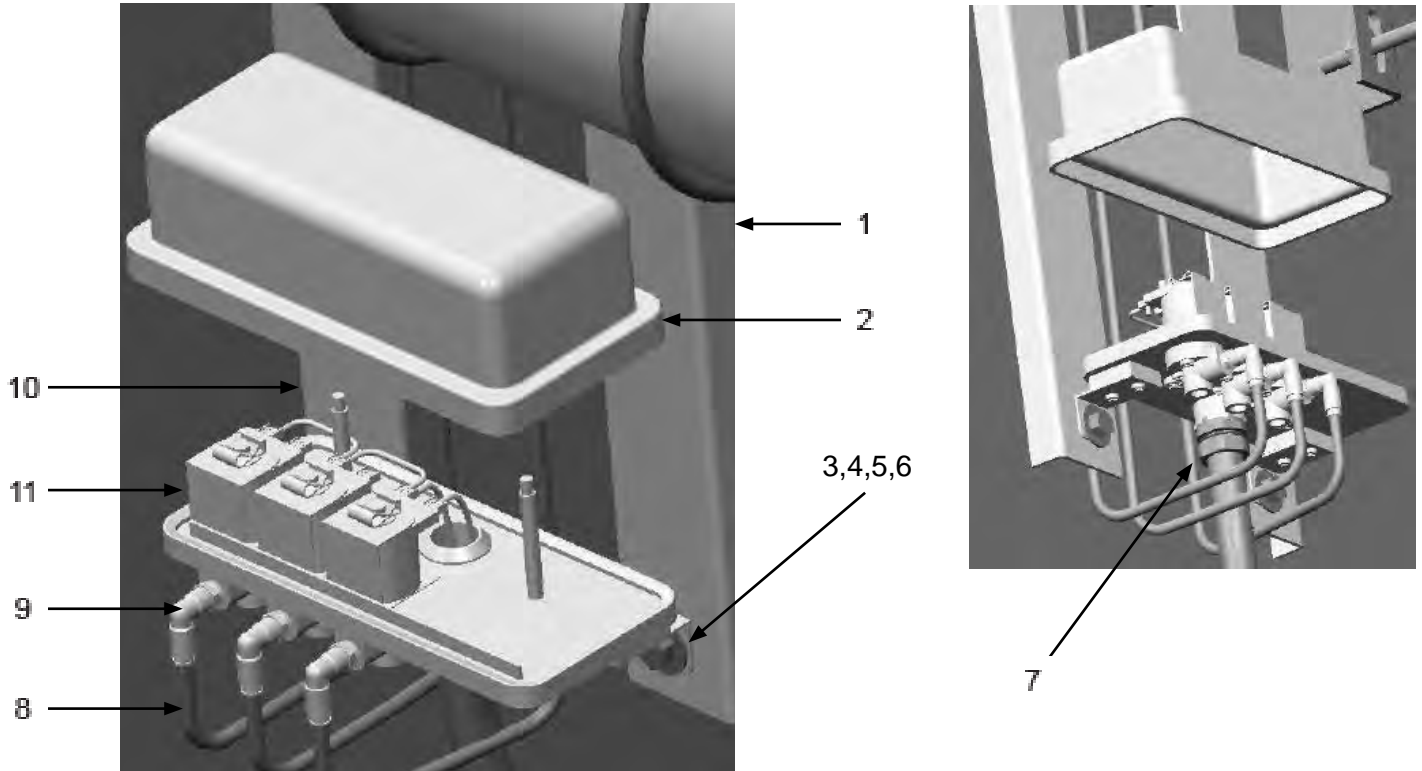
Figure 8: Pulsar Regulator and Timer Assembly



Item #	Part #	Description
Fig. 8		
1	10103257	Excelon 74 Series Filter/Regulator
2	10ME1	3/4" Male 2-Lug Coupling
3	1028606	Pressure Gauge 160 PSI 1/4" Back
4	10103317	3/4" x 2" Pipe Nipple
5	10105198	3/4" NPT Galvanized Cross
6	10103292	1/4" Needle Valve
7	1080050	1/4" Ball Valve
8	20PFBA31095614	1/4" Tube x 1/4" NPT 90° Fitting
9	1017019	1/4" x 1/4" Hex Nipple
10	20PFHA24SB1204	3/4" x 1/4" Reducing Bushing
11	10103414	On/Off Name Plate
12	10103305	2-Way Selector Switch
—	10103950	Excelon 74 Series Filter/Regulator Service Kit
—	10103951	Filter Element (<i>Not Shown</i>)

PART NUMBERS AND SCHEMATICS

Figure 9: Pulsar Solenoid Enclosure Assembly



Item #	Part #	Description
--------	--------	-------------

Fig. 9

1	10102970	Solenoid Enclosure Mount – Right
2	10103849	Solenoid Pilot Valve Enclosure
3	10101936	3/8" Zinc Lock Washer <i>(Two Required)</i>
4	10101938	3/8-16 Galvanized Hex Nut <i>(Two Required)</i>
5	10101942	3/8" Galvanized Flat Washer <i>(Four Required)</i>
6	1011747	3/8-16 x 1" Bolt <i>(Two Required)</i>
7	20RST50	Straight Liquid Tite Connection Fitting
8	10103322	1/4" O.D. Black Urethane Tubing <i>(Per Foot)</i>
9	20100579	1/4" O.D. Tube x 1/8" NPT Swivel <i>(Three Required)</i>
10	10102969	Solenoid Enclosure Mount – Left
11	10103955	Solenoid Valve <i>(Three Required)</i>
—	10103956	Solenoid Coil <i>(One Required per Solenoid)</i>
—	10103957	Solenoid Service Kit <i>(Includes: O-ring, Plunger, Spring, Ferrule)</i>

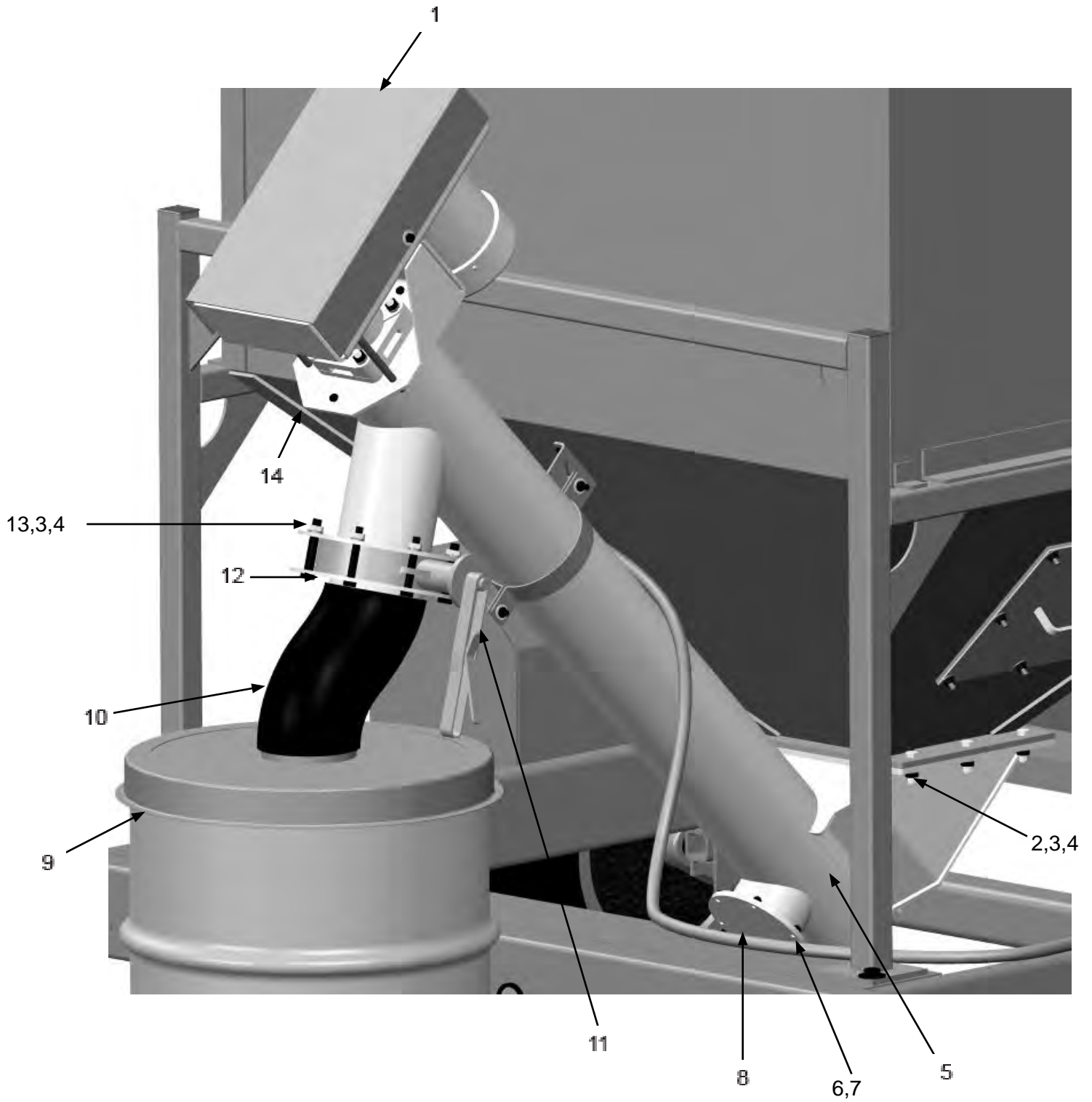
PART NUMBERS AND SCHEMATICS

Discharge Auger Assembly

Item #	Part #	Description
Fig. 10		
1	10104287	Discharge Chain Cover
2	10100674	1/2" Flat Washer (<i>22 Required</i>)
3	10100675	1/2" Lock Washer (<i>14 Required</i>)
4	1014022	1/2-13 Hex Nut (<i>14 Required</i>)
5	10104277	Discharge Auger Tube
6	10101346	5/16-18 x 3/4" Grade 5 Bolt (<i>Six Required</i>)
7	1035046	5/16-18 Nut (<i>Six Required</i>)
8	10103235	Auger Clean-out Cover
9	10103650	Discharge Collection Drum Cover (<i>Optional</i>)
10	10103777	6" Flexible Discharge Hose (<i>Per Foot</i>) (<i>Optional</i>)
11	10103302	6" Series Wafer Butterfly Valve
12	10102971	Auger Discharge Drop Flange
13	10102703	1/2-13 x 3-1/2" Grade 5 Bolt (<i>Eight Required</i>)
14	10104196	Discharge Auger Motor Mounting Bracket
—	10103880	White Conspicuity Tape (<i>Per Inch</i>)
—	10103881	Red Conspicuity Tape (<i>Per Inch</i>)
—	1091140	Hazard Identification Decals (<i>Includes all Dust Collector Hazard Identification Decals</i>)

PART NUMBERS AND SCHEMATICS

Figure 10: Discharge Auger Assembly



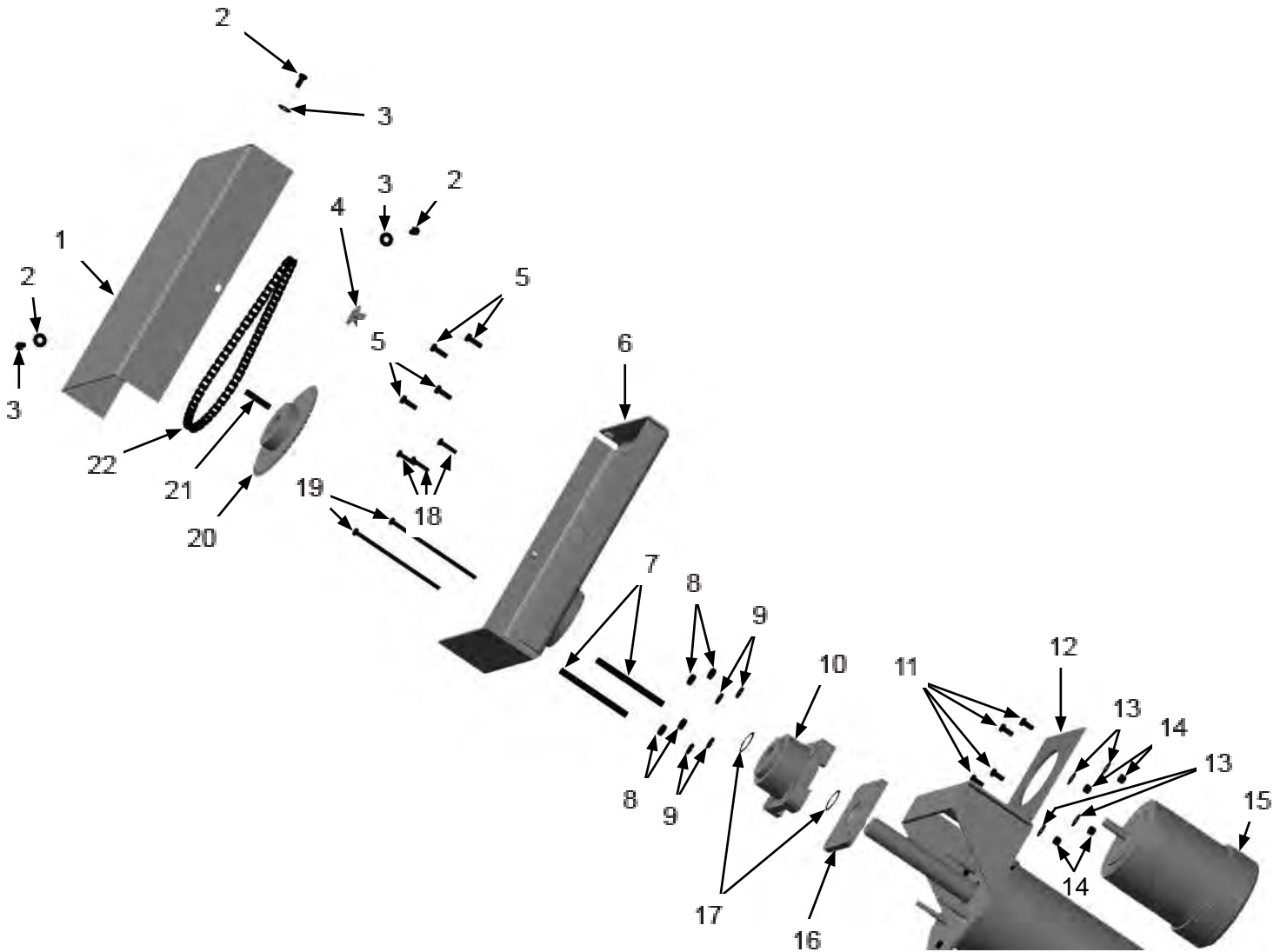
PART NUMBERS AND SCHEMATICS

Discharge Auger Drive Assembly

Item #	Part #	Description
Fig. 11		
1	10104287	Chain Cover
2	10103400	3/8-16 x 3/4" Bolt (<i>Three Required</i>)
3	10102331	3/8" Flat Washer (<i>Three Required</i>)
4	10104288	9T #40 Sprocket - 5/8" Bore (Includes Hardware)
5	1011747	3/8-16 x 1" Bolt (<i>Four Required</i>)
6	10104284	8K Chain Cover Base Weldment
7	10104206	Motor Mount Spacer (<i>Two Required</i>)
8	1014022	1/2-13 Hex Nut (<i>Four Required</i>)
9	10100675	1/2" Lock Washer (<i>Four Required</i>)
10	10102903	Thrust Bearing
11	10103400	3/8-16 x 3/4" Bolt (<i>Four Required</i>)
12	10104286	Sliding Motor Mount
13	10102331	3/8 Sae Flat Washer Zinc (<i>Four Required</i>)
14	20100138	3/8-16 Hex Lock Nut Zinc (<i>Four Required</i>)
15	10104290	3/4 Hp Electric Motor
16	10102902	Seal Plate
17	10103605	Snap Ring For 1.5" Shaft (<i>Two Required</i>)
18	1014019	5/16-18 x 1-1/4" Hex Bolt (<i>Three Required</i>)
19	10104201	5/16-18 x 7" Bolt Zinc (<i>Two Required</i>)
20	10104289	45T #40 Sprocket - 1-1/2" Bore (Includes Hardware)
21	10103641	3/8 Key Cut
22	10104344	#40 Chain Ft 3

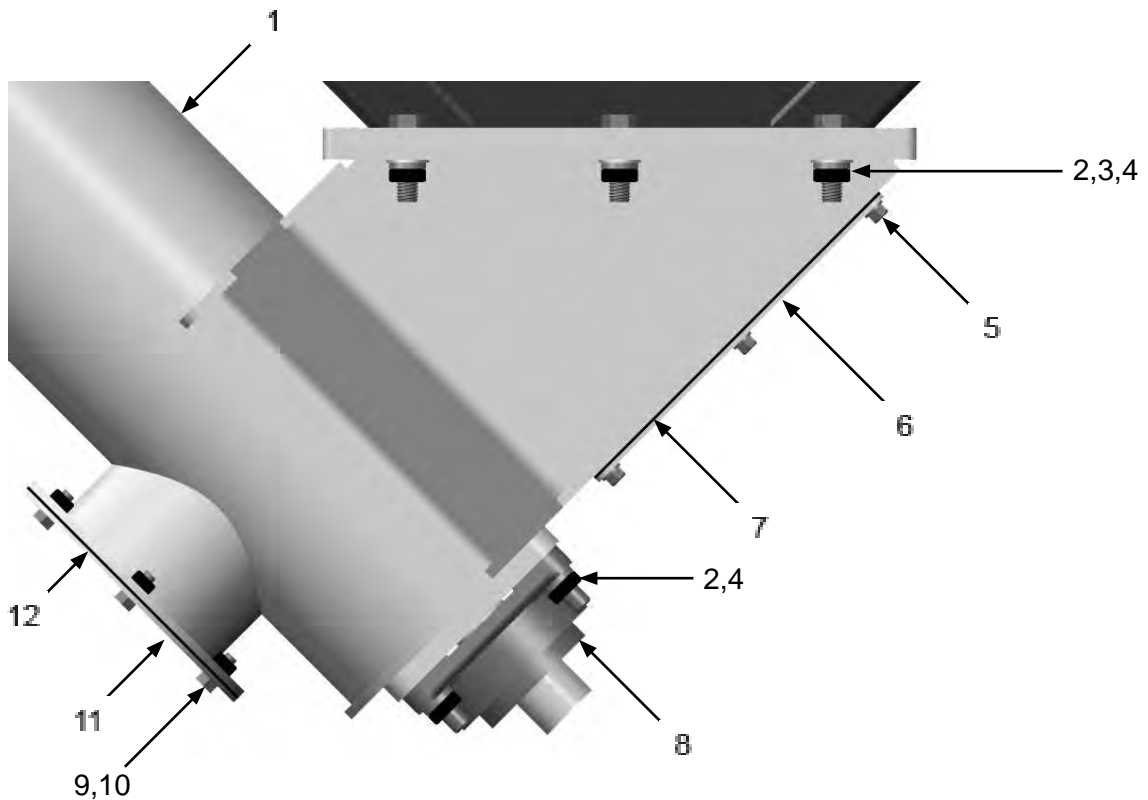
PART NUMBERS AND SCHEMATICS

Figure 11: Discharge Auger Drive Assembly



PART NUMBERS AND SCHEMATICS

Figure 12: Discharge Auger Clean-out Assembly



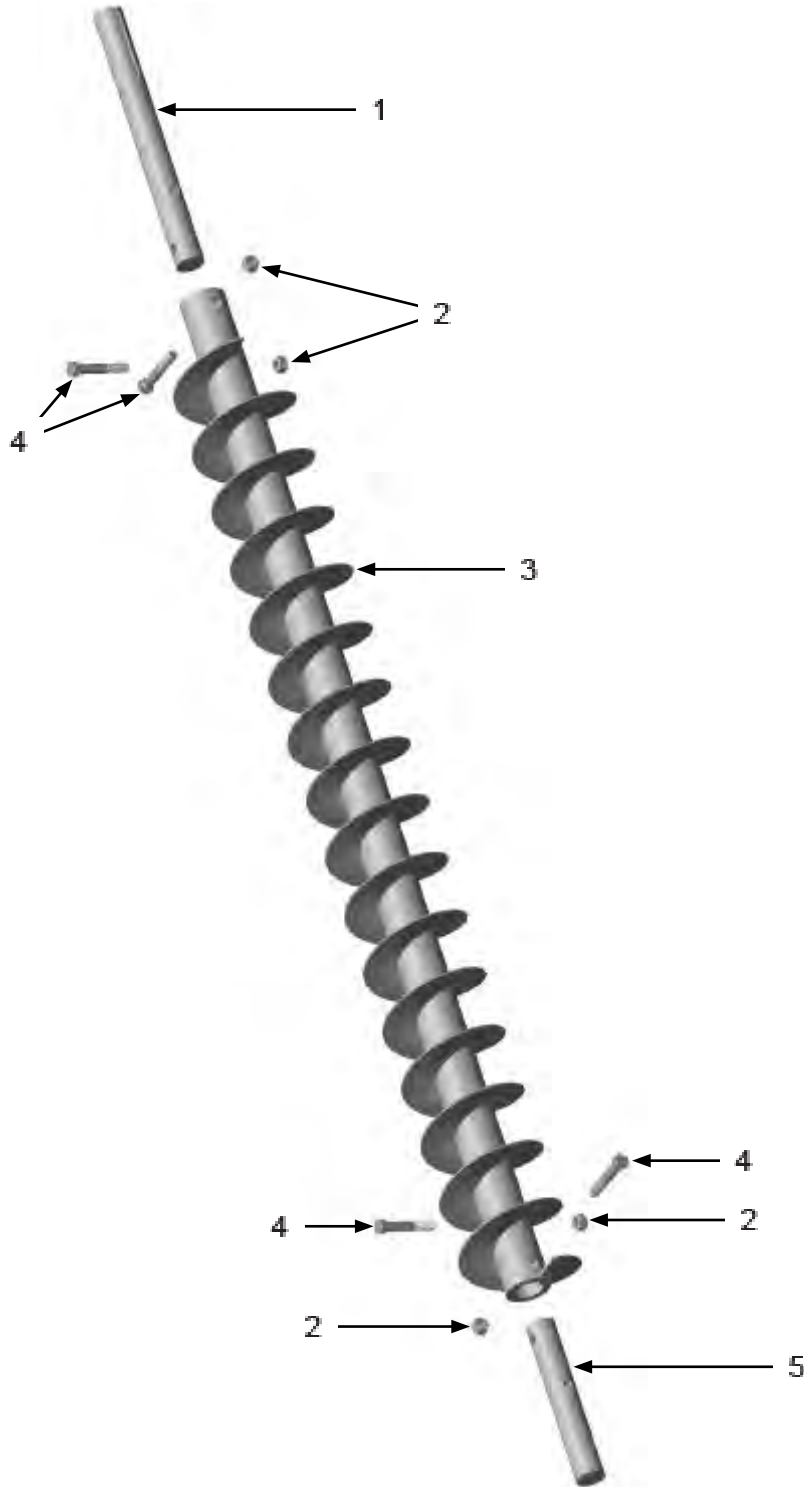
Item #	Part #	Description
--------	--------	-------------

Fig. 12

1	10104276	Discharge Auger Weldment
2	10100675	1/2" Lock Washer (<i>10 Required</i>)
3	10100674	1/2" Flat Washer (<i>Six Required</i>)
4	1014022	1/2-13 Hex Nut (<i>10 Required</i>)
5	10101939	1/4-20 Stainless Steel Lock Nut with Nylon (<i>Eight Required</i>)
6	10104283	Clean Out Cover
7	10104336	Clean Out Cover Gasket
8	10102880	Auger Lower Bearing Assy
9	10101346	5/16-18 x 3/4" Grade 5 Bolt (<i>Six Required</i>)
10	1035046	5/16-18 Nut (<i>Six Required</i>)
11	10103235	Auger Clean-Out Cover
12	10103716	Auger Clean Out Gasket

PART NUMBERS AND SCHEMATICS

Figure 13: Discharge Auger Assembly



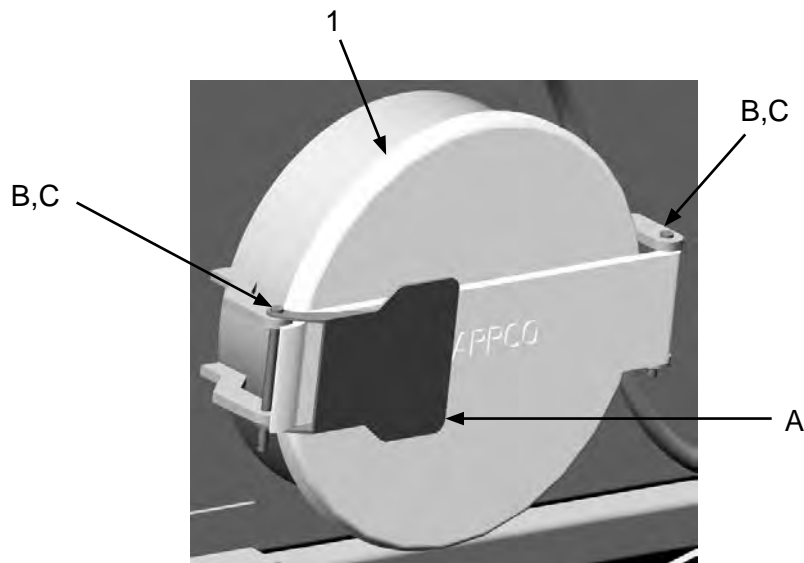
Item #	Part #	Description
--------	--------	-------------

Fig. 13

1	10103306	Drive Shaft
2	1014022	1/2-13 Hex Nut (<i>Four Required</i>)
3	10102883	58" x 6" Half Pitch Auger
4	10103401	1/2-13 x 3" Galvanized Bolt (<i>Four Required</i>)
5	10102910	Auger Shaft End

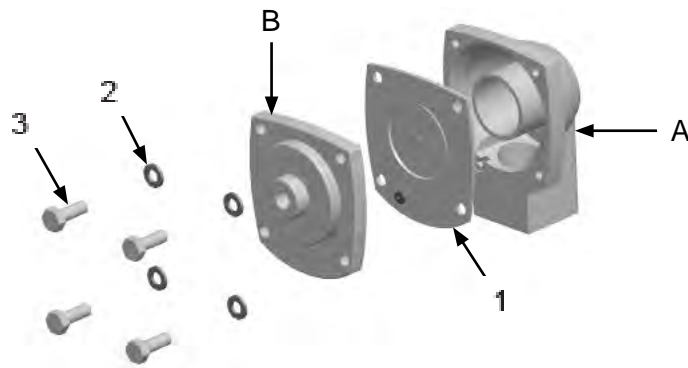
PART NUMBERS AND SCHEMATICS

Figure 14: Inlet Door Assembly



Item #	Part #	Description
Fig. 14		
1	10104179	16" Inlet Door Assembly – Complete <i>(Two Required)</i> <i>Includes Items: A,B,C</i>
—	10105340	Inlet Door Gasket <i>(Two Required)</i>
—	10104408	Pin <i>(Two Required)</i>

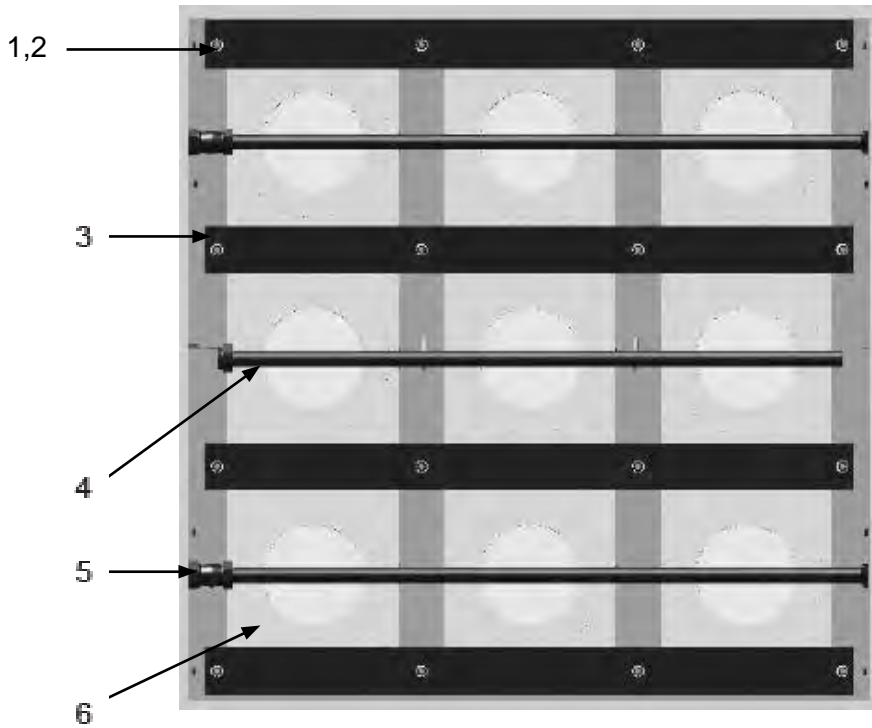
Figure 15: Diaphragm Valve



Item #	Part #	Description
Fig. 15		
—	10103255	1" Diaphragm Valve – Complete <i>(Three Required)</i> <i>Includes Items: A,B,1,2,3</i>
1	10103954	1" Diaphragm Valve Service Kit
2	1012153	1/4" Lock Washer <i>(Four Required)</i>
3	20101232	M6 x 1 x 14 HHCS <i>(Four Required)</i>

PART NUMBERS AND SCHEMATICS

Figure 16: Dust Collector Filter Cartridge Pulsers And Filters



Item #	Part #	Description
--------	--------	-------------

Fig. 16

1	10100674	1/2" Flat Washer (16 Required)
2	1014022	1/2" Hex Nut (16 Required)
3	10103823	Filter Bolt-Down (Four Required)
4	10103791	Pulser System Blowpipe (Three Required)
5	10102599	Compression Coupling Assembly (Three Required)
6	10102033	85/15 Blend Filters – 99.8% @ 0.5 micron (Nine Required) (Optional)
	10105561	Reduced Pleat – 99.8% @ 0.5 micron (Nine Required) (Optional)
	1010005946	HEPA Filters – 99.99% @ 0.3 micron (Nine Required) (Optional)
	10105562	Fire Retardant Filters – 96.8% @ 2.0 micron (Nine Required) (Optional)
	10105563	Spunbond Filters – 97% @ 3.0 micron (Nine Required) (Optional)

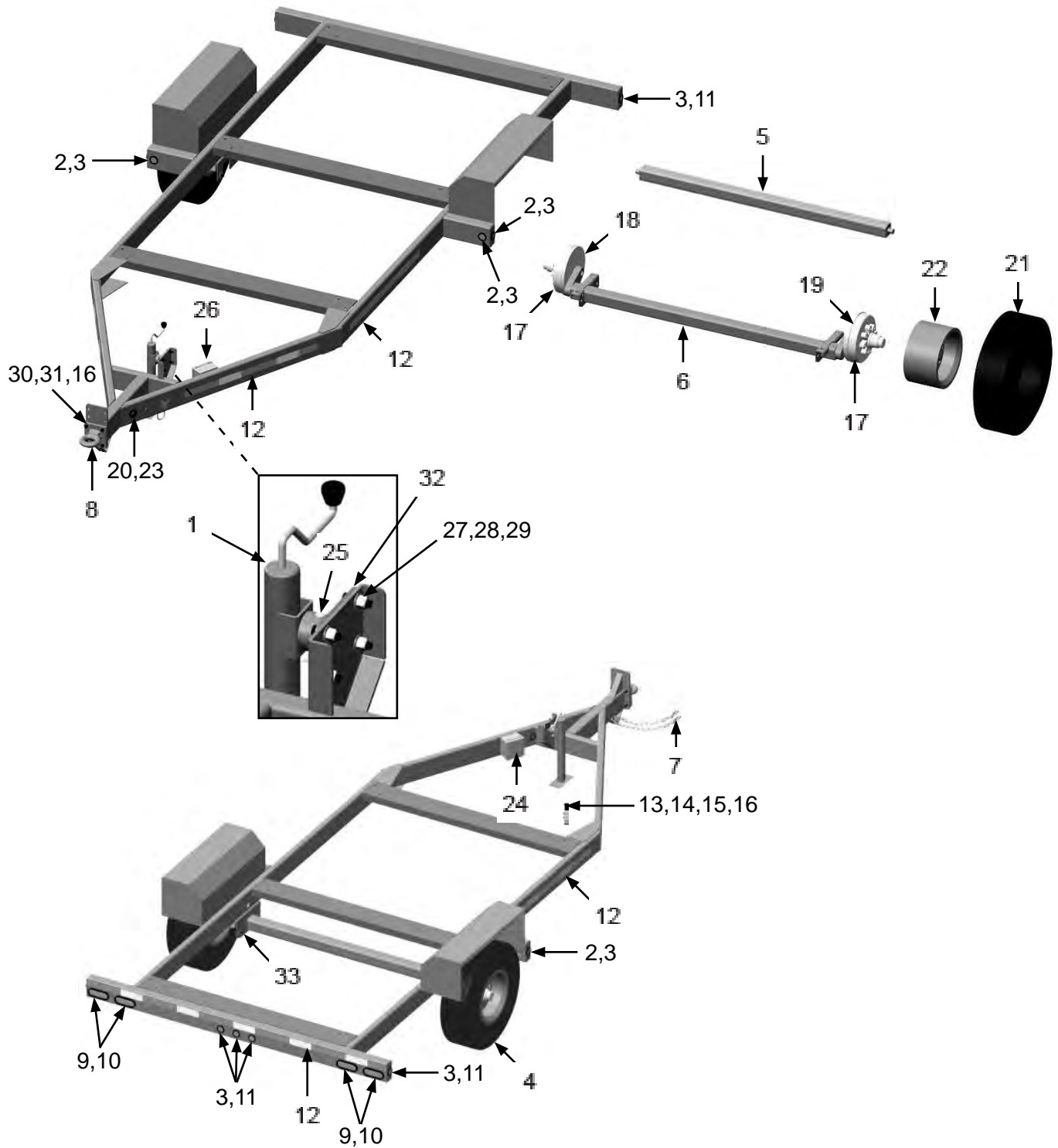
PART NUMBERS AND SCHEMATICS

Trailer

Item #	Part #	Description
Fig. 17		
—	10104333	Highway Trailer
1	10104141	7,000 # Heavy Duty Drop Leg Side Mount Top-Wind Jack
2	10104087	2" Round LED Amber Clearance Light <i>(Four Required)</i>
3	10104088	2" Round Rubber Grommet <i>(Nine Required)</i>
4	10104143	215/75R17.5 16-Ply Tire with 17.5" 8-Hole Mod Rim <i>(Two Required)</i>
5	10105905	Axle Beam/Tube No Hubs or Springs
6	10105904	8,000 # Axle With Electric Brakes, Complete With Hubs And Springs 88" HF x 70" OB
7	10104769	3/8" x 41" Safety Chain with Hook
8	10104079	Pintle Hitch with Flat Plate
9	10104085	Oval Rubber Grommet <i>(Four Required)</i>
10	10104084	Oval LED Red Tail Light <i>(Four Required)</i>
11	10104086	2" Round LED Red Clearance Light <i>(Five Required)</i>
12	10103879	2" x 6" x 6" Red/White Conspicuity Tape
13	10103397	5/8-11 x 2" GR8 Bolt - Zinc <i>(12 Required)</i>
14	10103399	5/8" Lock Washer <i>(12 Required)</i>
15	10103393	5/8-11 GR8 Nut <i>(12 Required)</i>
16	10103398	5/8" Flat Washer <i>(28 Required)</i>
17	10105734	Axle Hub Only - No Bearings or Seal <i>(Two Required)</i>
18	10105738	Left-Hand Electric Brake Assembly <i>(Two Required)</i>
19	10105739	Right-Hand Electric Brake Assembly <i>(Two Required)</i>
20	10105825	Electrical Break Away Grommet
21	10105735	Hercules Lt215/75R17.5 16-Ply Tire Only <i>(Four Required)</i>
22	10105736	17.5" 8-Hole Rim - No Tire <i>(Four Required)</i>
23	10105829	Cable With Plug
24	10105826	Redline 12V - 5AH Battery Sealed
25	10104709	1/2" x 3-1/2" Pin
26	10104081	Breakaway Kit
27	10105874	1/2-13 x 1-1/2" Grade 5 Bolt <i>(Four Required)</i>
28	20100124	1/2-13 Nylon Lock Nut <i>(Four Required)</i>
29	10100674	1/2" Flat Washer <i>(Eight Required)</i>
30	10105746	5/8" x 2-1/2" Grade 8 Bolt <i>(Four Required)</i>
31	10105747	5/8" Reverse Lock Nut <i>(Four Required)</i>
32	10105876	Jack Plate with Four Holes
33	10105875	Weld on Mounting Bracket with Hardware - Axle Mount <i>(Four Required)</i> - 9/16-18 x 1-1/2" Grade 5 Hex Bolt <i>(Six Required)</i> - 9/16" Flat Washer <i>(12 Required)</i> - 9/16" Hex Nut <i>(Six Required)</i>
—	10104142	Wire Harness - Complete <i>(Front, Middle & Rear)</i>
—	10105783	Breakaway Switch with LED
—	10105784	Replacement Pin and Cable for 10105783
—	109V582	Operator's Manual - Behnke Trailer

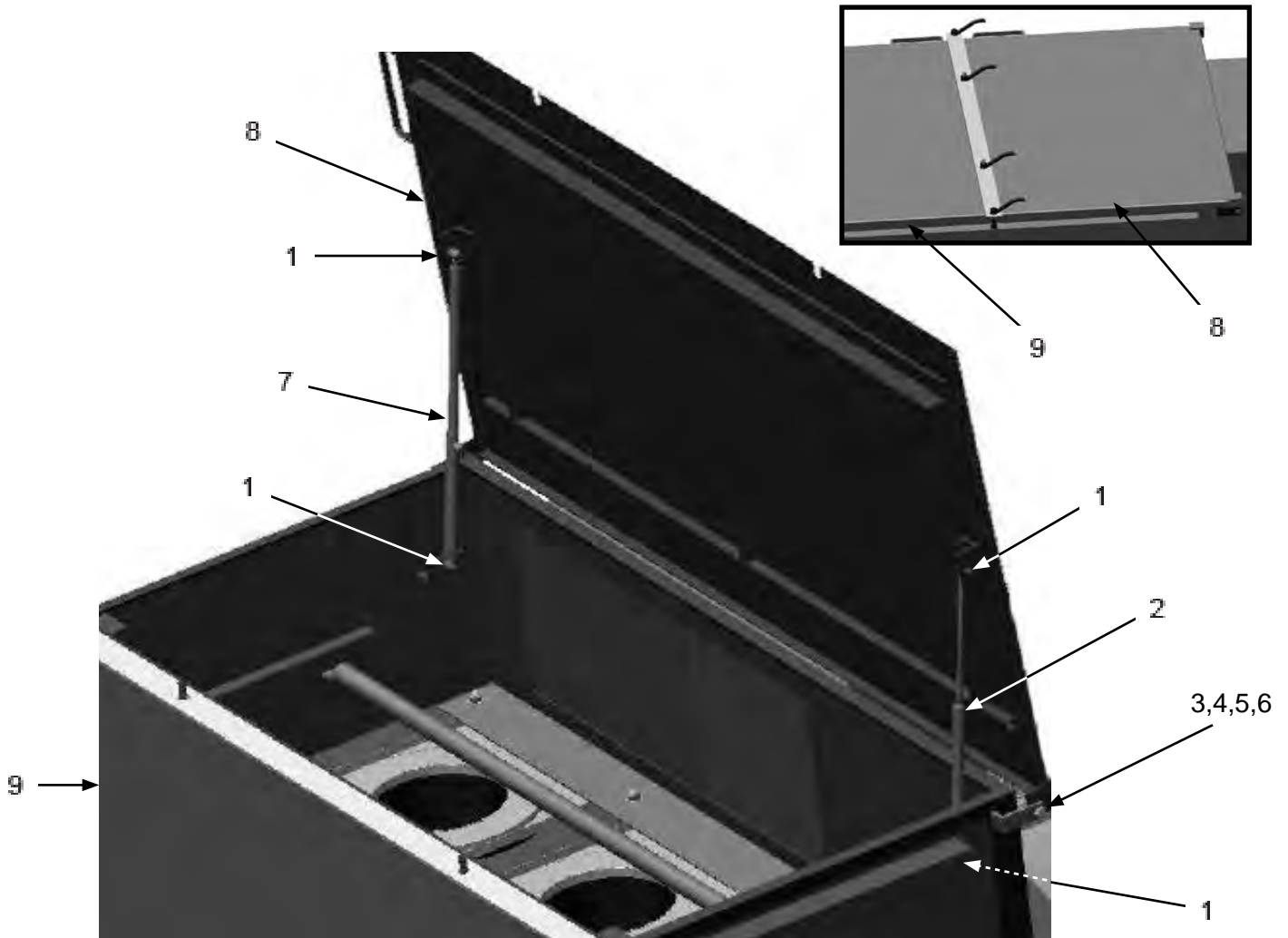
PART NUMBERS AND SCHEMATICS

Figure 17: Trailer



PART NUMBERS AND SCHEMATICS


Figure 18: Dust Collector Filter Cartridge Hatch Door






Item #	Part #	Description
Fig. 18		
1	1035046	5/16-18 Hex Nut (<i>Four Required</i>)
2	10103454	Non-Locking Gas Spring
3	10101059	3/8-16 X 1-1/4" A307 Bolt - Galvanized (<i>Two Required</i>)
4	10101942	3/8" Flat Washer (<i>Four Required</i>)
5	10101936	3/8" Lock Washer - Zinc (<i>Two Required</i>)
6	10101938	3/8-16 Hex Nut (<i>Two Required</i>)
7	10103455	Locking Gas Spring
8	10103802	Front Hatch Door
9	10103798	Rear Hatch Door



Quantities specified are per hatch opening

OPTIONAL ACCESSORIES

		16" I.D. DUCT HOSE					
Part Numbers		Length	Pitch	Bend Radius	Body Material	Wear Strip Material	Wear Strip Color
	10DH1625HD	25 Ft.	1-1/2"	14"	2-Ply Vinyl-Coated Polyester	PVC	Red
	10DH1650HD	50 Ft.	1-1/2"	14"	2-Ply Vinyl-Coated Polyester	PVC	Red
	15DH1625	25 Ft.	2"	16.8"	2-Ply Vinyl-Coated Polyester	PVC	Red

		16" I.D. DUCT HOSE COUPLING AND SCREW CLAMP		
Part Numbers		Style	Hose I.D.	
	1017116	Stainless Steel Coupling	16"	
	10DH202201600	Stainless Steel Screw Clamp	16"	

		DUCT HOSE ADAPTERS	
Part Numbers		Dimensions	Material
	15DH73795060	24" x 16"	Carbon Steel

		DISCHARGE COLLECTION ACCESSORIES
Part Numbers		Description
	10103650	Discharge Collection Drum Cover
	10103777	6" Flexible Discharge Hose <i>(Per Foot)</i>

OPTIONAL ACCESSORIES



Part Numbers

3/4" I.D. X 1-1/4" O.D. AIR HOSE WITH COUPLINGS INSTALLED						
	Length	Hose I.D.	Hose O.D.	Working Pressure	Hose Cover Color	Couplings
10AH034AC	50 Ft.	3/4"	1-1/4"	200 PSI	Red	2-Lug Crimped On



Part Numbers

3/4" I.D. X 1-1/4" O.D. AIR HOSE					
	Length	Hose I.D.	Hose O.D.	Working Pressure	Hose Cover Color
10AH034	Per Ft.	3/4"	1-1/4"	200 PSI	Red



Part Numbers

MALE HOSE END COUPLING AND GASKET FOR 3/4" I.D. AIR HOSE						
	Hose I.D.	Material	Coupling Style	GASKET		
				Rubber Gasket	Gasket I.D.	Gasket O.D.
10HE1	3/4"	Plated Iron	2-Lug	10UG2	3/4"	1-3/8"



Part Numbers

BOSS® CLAMP FOR 3/4" I.D. AIR HOSE			
	Hose I.D.	Hose O.D. Range	Material
10A9	3/4"	1-8/64" – 1-20/64"	Plated Steel

PART NUMBERS

DUSTMASTER® 6,000 CFM ELECTRIC DUST COLLECTOR							
Part Number	Filter Cartridge Material					Filter Cartridge Quantity	Duct Hose
	None	High Density 85% Cellulose/15% Poly Blend	Fire Retardant	HEPA	Spunbond		
10105975	X					—	25 Ft. of 18" I.D. Duct Hose
10105426		X				6	25 Ft. of 18" I.D. Duct Hose
10105976			X			6	25 Ft. of 18" I.D. Duct Hose
10105977				X		6	25 Ft. of 18" I.D. Duct Hose
10105978					X	6	25 Ft. of 18" I.D. Duct Hose



SPECIFICATIONS

Capacity:	CFM : 3270 — 6350 W.C. 0 – 10”														
Filter Cartridge Style:	Open Top with Flange, Closed Bottom 6 Required														
Filter Cleaning:	Pulse System, 5–15 second intervals Pulse Duration: 200–350 millisecond														
Air to Cloth Ratio:	3.66:1 @ 6000 cfm														
Filter Area:	1365 square feet														
Efficiency:	85/15 Blend Filters – 99.8% @ 0.5 micron HEPA Filters – 99.99% @ 0.3 micron Fire Retardant Filters – 96.8% @ 2.0 micron Spunbond Filters – 97% @ 3.0 micron														
Ducting Connections:	Inlet: 16" I.D., Quantity of One Outlet: 18" I.D., Quantity of One														
Dust Removal Conveyor:	Direct Dump, Slide Gate														
Fan:	Backward Inclined, non-overloading, spark resisting														
	<table><thead><tr><th>Speed Setting</th><th>Approximate Air Flow (cfm)</th></tr></thead><tbody><tr><td>4</td><td>3270</td></tr><tr><td>5</td><td>4125</td></tr><tr><td>6</td><td>5241</td></tr><tr><td>7</td><td>5780</td></tr><tr><td>8</td><td>5869</td></tr><tr><td>9</td><td>6350</td></tr></tbody></table>	Speed Setting	Approximate Air Flow (cfm)	4	3270	5	4125	6	5241	7	5780	8	5869	9	6350
Speed Setting	Approximate Air Flow (cfm)														
4	3270														
5	4125														
6	5241														
7	5780														
8	5869														
9	6350														
Motor:	15 Horsepower Electric 3-Phase														
Air Requirements:	Clean, Dry, Compressed Air 24 CFM @ 90 PSI														
Electrical System:	460 V, 60 Hz 17.5 FLA														
Unit Dimensions:	Hopper: 4' x 4' x 7'5" Weight: 1233 Fan Skid: 4' x 4' x 3'5" Weight: 1054														

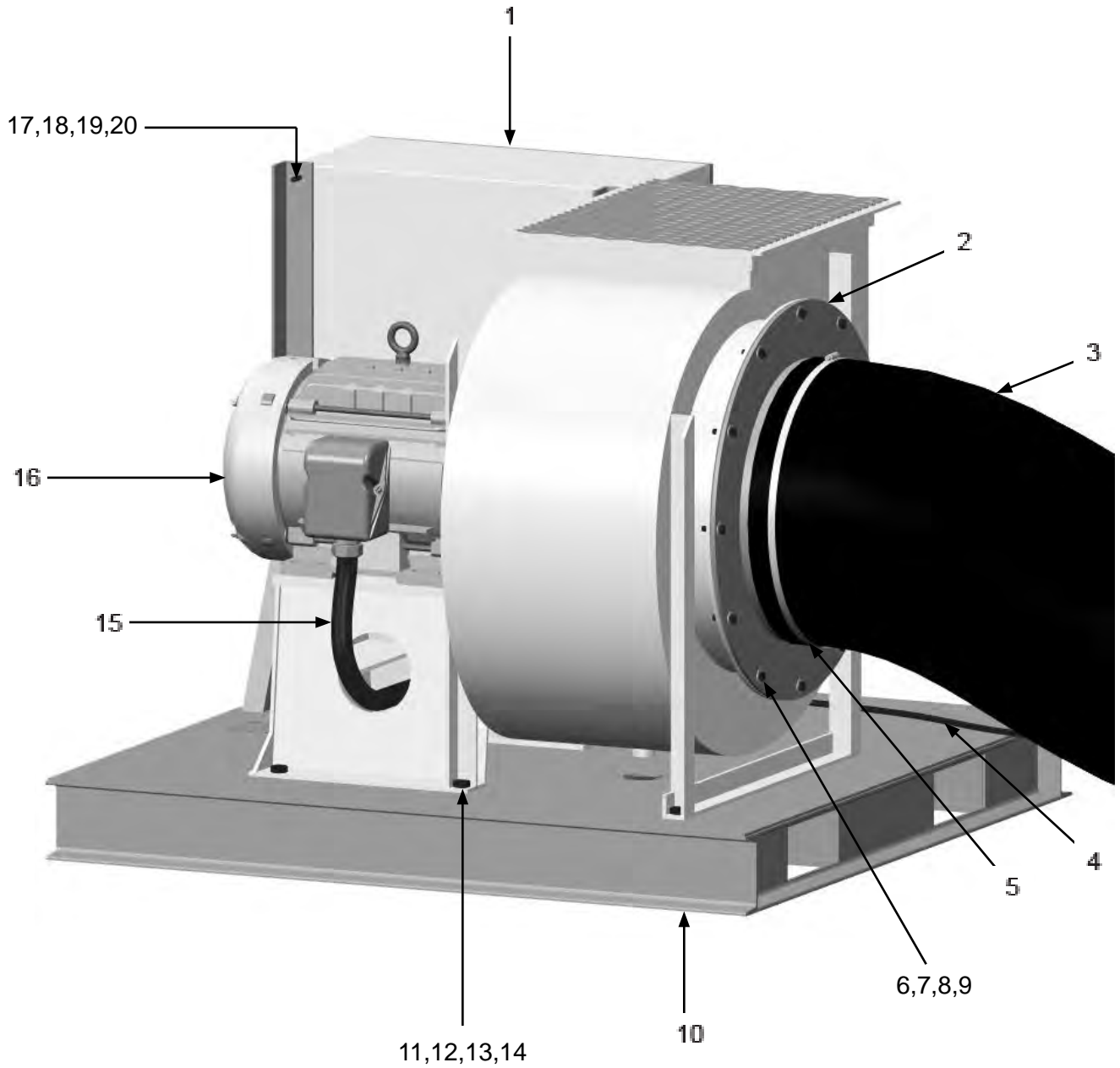
PART NUMBERS AND SCHEMATICS

Fan Skid Assembly

Item #	Part #	Description
Fig. 1		
1	10105526	Main Control Box
2	10105523	Inlet Adapter
3	10DH1825HD	Duct Hose 1-1/2" Pitch - 18" I.D. x 25' Long
4	1015540	16/2 SJ Electrical Cord <i>(Per Foot)</i>
5	10DH202201800	Screw Clamps For Duct Hose
6	10104234	3/8-16 x 1-1/4 Hex Bolt Zinc <i>(12 Required)</i>
7	10101942	3/8" Flat Washer - Galvanized <i>(24 Required)</i>
8	10101936	3/8" Lock Washer - Zinc <i>(12 Required)</i>
9	1012318	3/8-16 HD Hex Nut <i>(12 Required)</i>
10	10105449	Fan / Motor Skid Weldment
11	10103397	5/8-11 x 2" Grade 8 Bolt- Zinc <i>(Six Required)</i>
12	10103398	Washer - 5/8" Grade 8 <i>(Six Required)</i>
13	10103399	Lock Washer - 5/8" HD <i>(Six Required)</i>
14	10103393	Nut - 5/8-11 Grade 8 Zinc <i>(Six Required)</i>
15	1015590	8/4 SO Electrical Cord <i>(Per Foot)</i>
16	10105447	Fan with 15 HP Motor
17	1035046	5/16-18 Nut <i>(Four Required)</i>
18	10L805014	5/16" Lock Washer <i>(Four Required)</i>
19	10101935	5/16" Flat Washer - Galvanized <i>(Eight Required)</i>
20	1014019	5/16-18 x 1-1/4" Hex Bolt <i>(Four Required)</i>

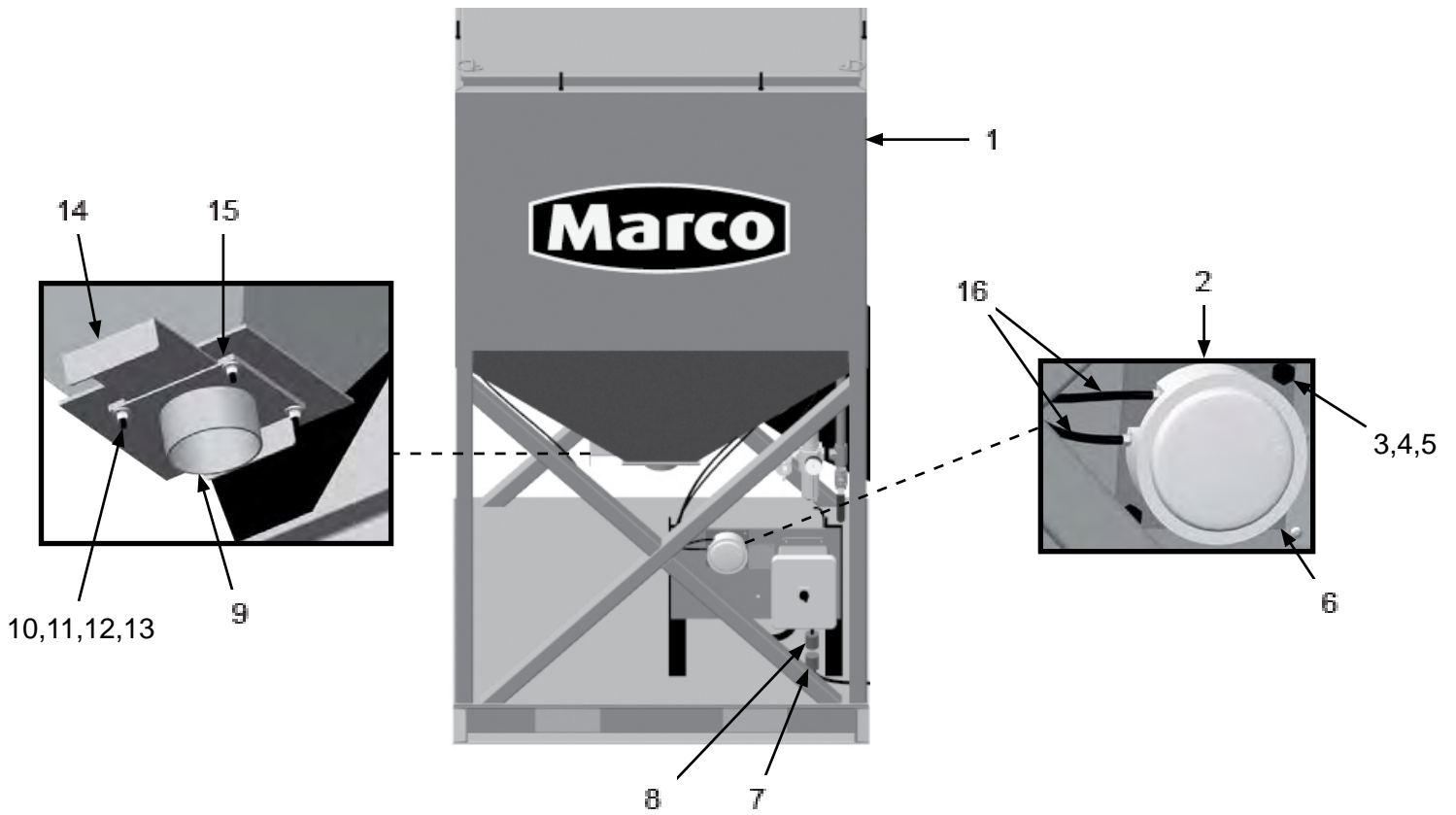
PART NUMBERS AND SCHEMATICS

Figure 1: Fan Skid Assembly



PART NUMBERS AND SCHEMATICS

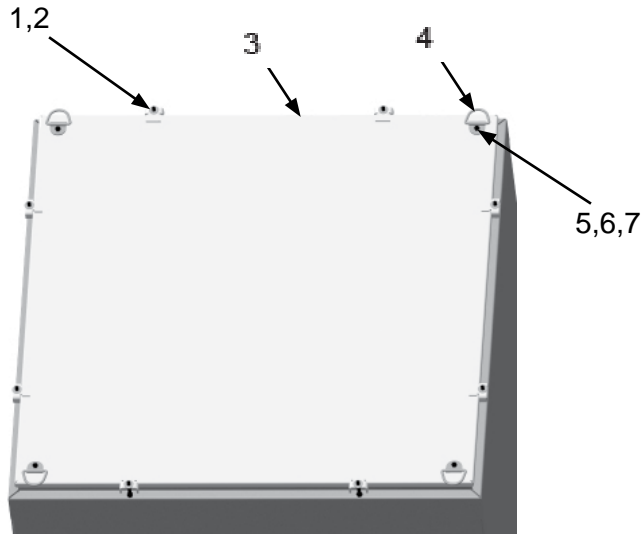
Figure 2: Hopper Skid Assembly



Item #	Part #	Description
Fig. 2		
1	10105405	Dustmaster® Hopper Weldment
2	10103259	Magnehelic Differential Pressure Gauge
3	1011747	3/8-16 x 1" Bolt (<i>Two Required</i>)
4	10101936	3/8" Lock Washer - Zinc (<i>Two Required</i>)
5	1012318	3/8-16 HD Hex Nut (<i>Two Required</i>)
6	10103608	Magnahelic Mount
7	1015552	Female Twist Lock Plug Two Prong
8	1015551	Male Twist Lock Plug Two Prong
9	10104949	Slide Gate Bottom Weldment
10	10102582	1/4-20 x 1-1/4" Grade 8 Bolt (<i>Four Required</i>)
11	10101347	1/4-20 Hex Nut (<i>Four Required</i>)
12	1012153	1/4" Lock Washer (<i>Four Required</i>)
13	10101940	1/4" Flat Washer - Galvanized (<i>Four Required</i>)
14	10104947	Slide Plate
15	10104946	Slide Gate Side Bar
16	10103322	1/4" Black Urethane Tubing (<i>Per Foot</i>)


PART NUMBERS AND SCHEMATICS

Figure 3: Dust Collector Filter Cartridge Lid Assembly



Item #	Part #	Description
Fig. 3		
1	1012318	3/8-16 HD Hex Nut <i>(Eight Required)</i>
2	10101942	3/8" Flat Washer - Galvanized <i>(Eight Required)</i>
3	10105437	Lid
4	10103625	D-Ring <i>(Four Required)</i>
5	10101346	5/16-18 x 3/4" L Grade 5 Bolt <i>(Four Required)</i>
6	10L805014	5/16" Lock Washer <i>(Four Required)</i>
7	1035046	5/16-18 Nut <i>(Four Required)</i>

REPLACEMENT DUST COLLECTOR FILTER CARTRIDGES

	Part Numbers	Material	I.D.	O.D.	Length
	10105828	85/15	8.38"	12.75"	26"
	10105732	Fire Retardant	8.38"	12.75"	26"
	1010007893	HEPA	8.38"	12.75"	26"
	10105733	Spunbond	8.38"	12.75"	26"

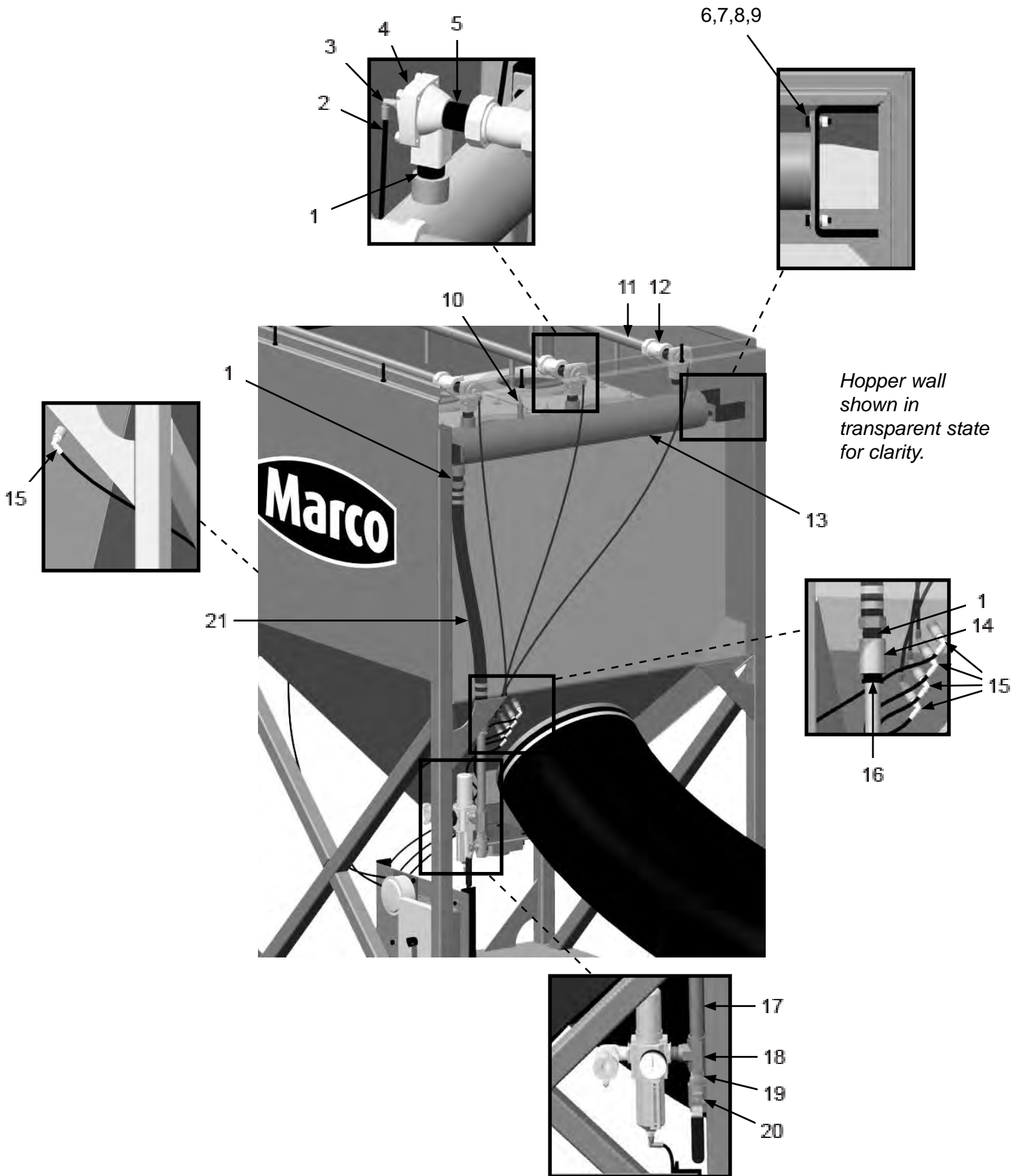
PART NUMBERS AND SCHEMATICS

Pulser System Assembly

Item #	Part #	Description
Fig. 4		
1	1012151	1" Galvanized Close Nipple <i>(Three Required)</i>
2	10103322	1/4" Black Urethane Tubing <i>(Per Foot)</i>
3	20100579	1/4" O.D. Tube x 1/8" NPT PTC Swivel
4	10103255	1" Diaphragm Valve
5	10000197	1" x 3" Toe Nipple
6	10104234	3/8-16 x 1-1/4" Hex Bolt Zinc <i>(Four Required)</i>
7	10101942	3/8" Flat Washer - Galvanized <i>(Eight Required)</i>
8	10101936	3/8" Lock Washer - Zinc <i>(Four Required)</i>
9	1012318	3/8 -16 HD Hex Nut <i>(Four Required)</i>
10	1028607	1/4" NPT Pressure Relief Valve
11	10105442	Blowpipe <i>(Three Required)</i>
12	10102599	Compression Coupling <i>(Three Required)</i>
13	10105427	Header Weldment
14	10101149	1" Full Coupling - 3000 PSI
15	20PFBA31095614	1/4" Tube x 1/4" NPT 90° Fitting <i>(Five Required)</i>
16	20PFHA24SB1612	1" x 3/4" Reducing Bushing
17	20100283	3/4" x 10" Galvanized Pipe
18	20PFHA25VJ12	3/4" Female Tee
19	1011213	3/4" NPT Close Nipple
20	10L8074C	3/4" NPT Full Port Ball Valve
21	10AH100B	Air Hose 1" I.D. 200 PSI - Black
—	10103954	1" Diaphragm Valve Service Kit <i>(Not Shown)</i>

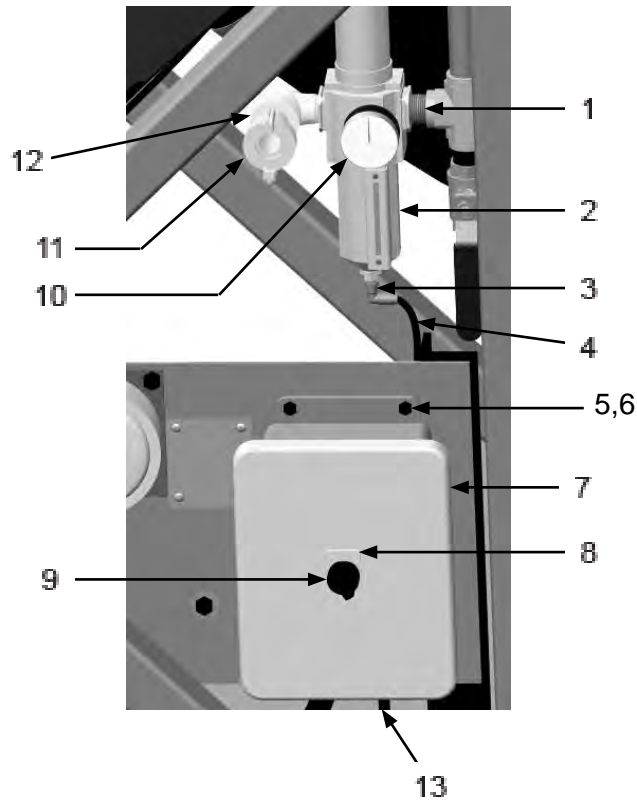
PART NUMBERS AND SCHEMATICS

Figure 4: Pulser System Assembly



PART NUMBERS AND SCHEMATICS

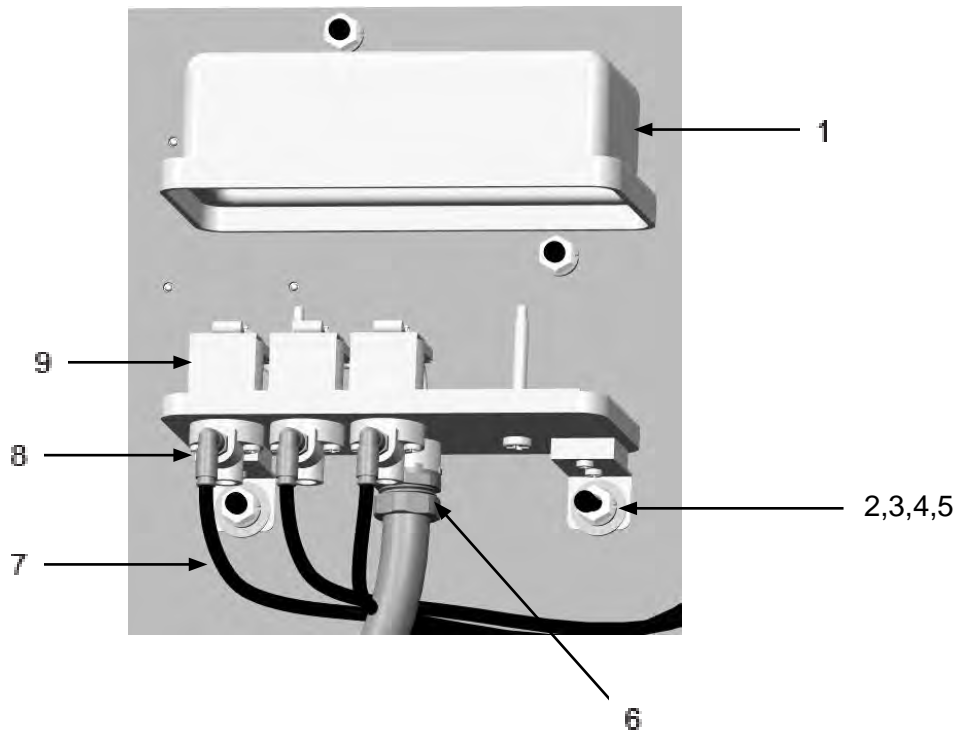
Figure 5: Pulsar Regulator and Timer Assembly



Item #	Part #	Description
Fig. 5		
1	1011213	3/4" NPT Close Nipple
2	10103257	Filter/Regulator
3	20100579	1/4" O.D. Tube x 1/8" NPT PTC
4	10103322	1/4" Black Urethane Tubing (<i>Per Foot</i>)
5	20100125	1/4-20 x 3/4" Zinc Hex Bolt
6	10101939	1/4-20 Stainless Steel Lock Nut
7	10103848	4 Ch. 120V Timer Board With Enclosure
—	10105781	120-Volt AC Timer Controller – 4 Ch
8	10103414	On/Off Name Plate
9	10103305	2-Way Selector Switch
10	1028606	Pressure Gauge 160 PSI 1/4" Back
11	10ME1	3/4" Male 2-lug Coupling
12	10102479	3/4" 90° Street Elbow
13	1015540	16/2 SJ Electrical Cord (<i>Per Foot</i>)
—	10103950	Filter/Regulator Service Kit
—	10103951	Filter Element (<i>Not Shown</i>)


PART NUMBERS AND SCHEMATICS



Figure 6: Pulsar Solenoid Enclosure Assembly




Item #	Part #	Description
Fig. 6		
1	10103849	Solenoid Pilot Valve Enclosure
2	10101936	3/8" Zinc Lock Washer (<i>Two Required</i>)
3	1012318	3/8-16 HD Hex Nut (<i>Two Required</i>)
4	10101942	3/8" Galvanized Flat Washer (<i>Four Required</i>)
5	1011747	3/8-16 x 1" Bolt (<i>Two Required</i>)
6	20RST50	Straight Liquid Tite Connection Fitting
7	10103322	1/4" Black Urethane Tubing (<i>Per Foot</i>)
8	20PFBA31095614	1/4" Tube x 1/4" NPT 90° Fitting (<i>Three Required</i>)
9	10103955	Solenoid Valve (<i>Three Required</i>)
—	10105676	Solenoid Coil — 120-Volt AC (<i>One Required per Solenoid</i>)
—	10103957	Solenoid Service Kit <i>Includes: O-ring, Plunger, Spring, Ferrule</i>

OPTIONAL ACCESSORIES

		DUCT HOSE						
Part Numbers		Hose I.D.	Length	Pitch	Bend Radius	Body Material	Wear Strip Material	Wear Strip Color
	10DH1625HD	16"	25 Ft.	1-1/2"	14"	2-Ply Vinyl-Coated Polyester	PVC	Red
	10DH1650HD	16"	50 Ft.	1-1/2"	14"	2-Ply Vinyl-Coated Polyester	PVC	Red
	15DH1625	16"	25 Ft.	2"	16.8"	2-Ply Vinyl-Coated Polyester	PVC	Red
	10DH1825HD	18"	25 Ft.	1-1/2"	16"	2-Ply Vinyl-Coated Polyester	PVC	Red
	10DH1850HD	18"	50 Ft.	1-1/2"	16"	2-Ply Vinyl-Coated Polyester	PVC	Red
	15DH1825	18"	25 Ft.	2"	17.3"	2-Ply Vinyl-Coated Polyester	PVC	Red

		DUCT HOSE COUPLINGS AND SCREW CLAMPS	
Part Numbers		Hose I.D.	Style
	1017116	16"	Stainless Steel Coupling
	1017118	18"	Stainless Steel Coupling
	10DH202201600	16"	Stainless Steel Screw Clamp
	10DH202201800	18"	Stainless Steel Screw Clamp

		DUCT HOSE ADAPTERS	
Part Numbers		Dimensions	Material
	15DH73795060	24" x 16"	Carbon Steel

OPTIONAL ACCESSORIES



Part Numbers

3/4" I.D. X 1-1/4" O.D. AIR HOSE WITH COUPLINGS INSTALLED						
Part Numbers	Length	Hose I.D.	Hose O.D.	Working Pressure	Hose Cover Color	Couplings
10AH034AC	50 Ft.	3/4"	1-1/4"	200 PSI	Red	2-Lug Crimped On



Part Numbers

3/4" I.D. X 1-1/4" O.D. AIR HOSE					
Part Numbers	Length	Hose I.D.	Hose O.D.	Working Pressure	Hose Cover Color
10AH034	Per Ft.	3/4"	1-1/4"	200 PSI	Red



Part Numbers

MALE HOSE END COUPLING AND GASKET FOR 3/4" I.D. AIR HOSE						
Part Numbers	Hose I.D.	Material	Coupling Style	GASKET		
				Rubber Gasket	Gasket I.D.	Gasket O.D.
10HE1	3/4"	Plated Iron	2-Lug	10UG2	3/4"	1-3/8"

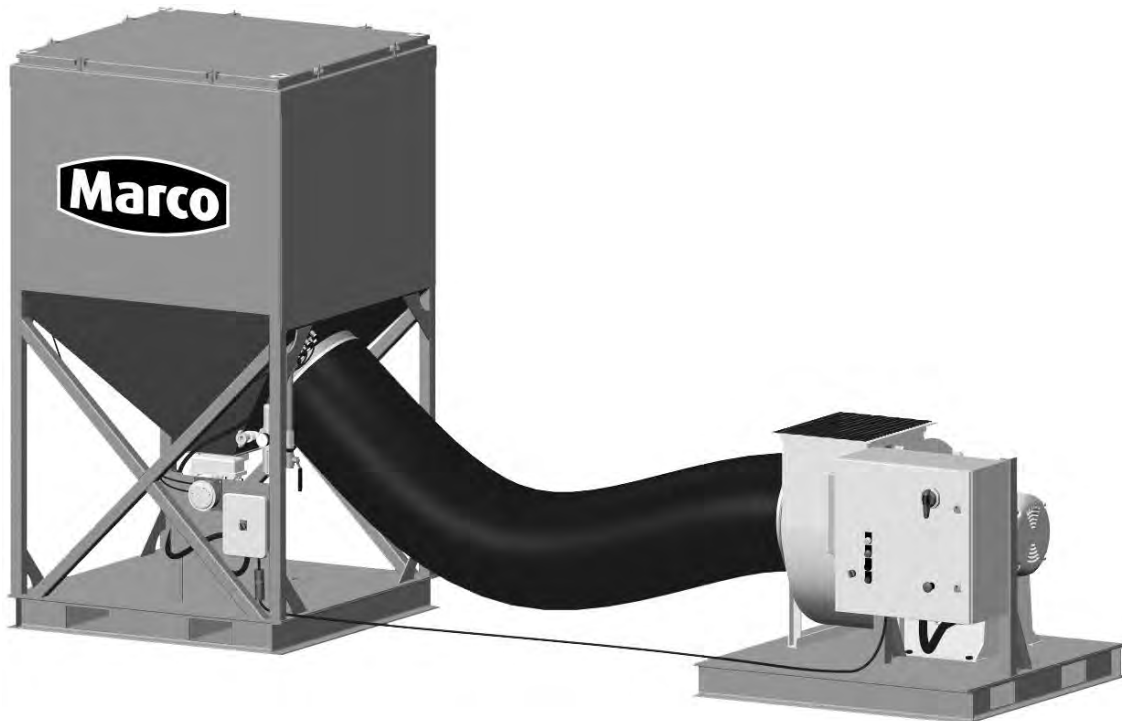


Part Numbers

BOSS® CLAMP FOR 3/4" I.D. AIR HOSE			
Part Numbers	Hose I.D.	Hose O.D. Range	Material
10A9	3/4"	1-8/64" – 1-20/64"	Plated Steel

PART NUMBERS

DUSTMASTER® 6,000 CFM 575-V ELECTRIC DUST COLLECTORS				
Part Numbers	Filter Cartridge Material		Filter Cartridge Quantity	Duct Hose
	High Density 85% Cellulose/15% Poly Blend	Spunbond		
10106973	X		6	25 Ft. of 18" I.D. Duct Hose
10107348		X	6	25 Ft. of 18" I.D. Duct Hose



SPECIFICATIONS

Capacity:	CFM : 3270 — 6350 W.C. 0 – 10"														
Filter Cartridge Style:	Open Top with Flange, Closed Bottom 6 Required														
Filter Cleaning:	Pulse System, 5–15 second intervals Pulse Duration: 200–350 millisecond														
Air to Cloth Ratio:	3.66:1 @ 6,000 CFM														
Filter Area:	1,365 square feet														
Efficiency:	85/15 Blend High Density Pleat Filters – 99.8% @ 0.5 micron Spunbond Filters – 97% @ 3.0 micron														
Ducting Connections:	Inlet: 16" I.D., Quantity of One Outlet: 18" I.D., Quantity of One														
Dust Removal Conveyor:	Direct Dump, Slide Gate														
Fan:	Backward Inclined, non-overloading, spark resisting <table><thead><tr><th>Speed Setting</th><th>Approximate Air Flow (cfm)</th></tr></thead><tbody><tr><td>4</td><td>3270</td></tr><tr><td>5</td><td>4125</td></tr><tr><td>6</td><td>5241</td></tr><tr><td>7</td><td>5780</td></tr><tr><td>8</td><td>5869</td></tr><tr><td>9</td><td>6350</td></tr></tbody></table>	Speed Setting	Approximate Air Flow (cfm)	4	3270	5	4125	6	5241	7	5780	8	5869	9	6350
Speed Setting	Approximate Air Flow (cfm)														
4	3270														
5	4125														
6	5241														
7	5780														
8	5869														
9	6350														
Motor:	15 Horsepower Electric 3-Phase														
Air Requirements:	Clean, Dry, Compressed Air 24 CFM @ 90 PSI														
Electrical System:	575-V, 60 Hz 14.1 FLA														
Unit Dimensions:	Hopper: 4' L x 4' W x 7' 5" H Dry Weight: 1233 pounds Fan Skid: 4' L x 4' W x 3' 5" H Dry Weight: 1054 pounds														

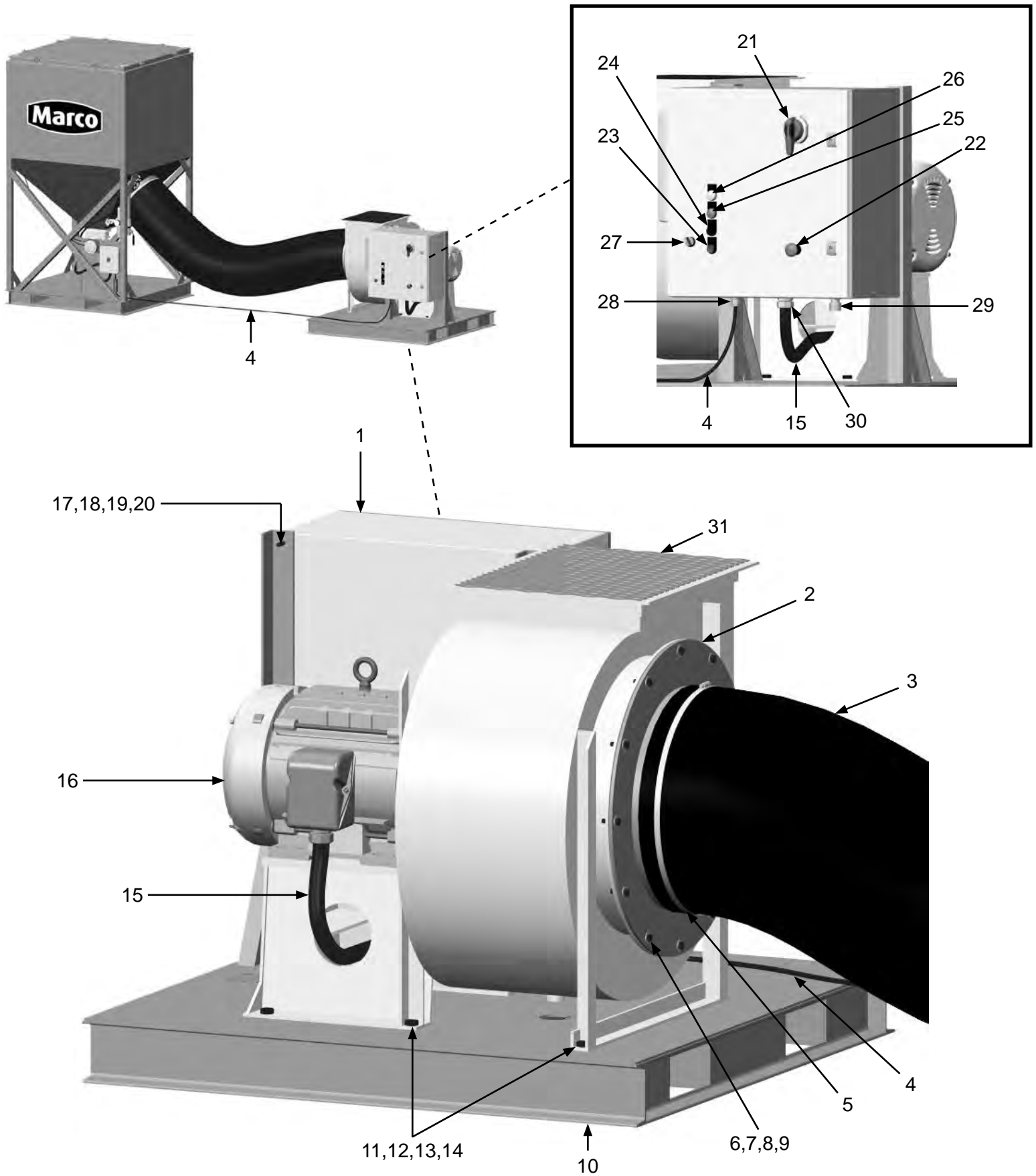
PART NUMBERS AND SCHEMATICS GUIDE

Fan Skid Assembly

Item #	Part #	Description
Fig. 1		
1	10106974	Main Control Box
2	10105523	Inlet Adapter
3	10DH1825HD	Duct Hose 1-1/2" Pitch – 18" I.D. x 25' Long
4	1015540	16/2 Xtreme-Duty® Electric Cord <i>(Per Foot)</i>
5	10DH202201800	18" Screw Clamp
6	10104234	3/8-16 x 1-1/4 Hex Bolt Zinc <i>(12 Required)</i>
7	10101942	3/8" Flat Washer – Galvanized <i>(24 Required)</i>
8	10101936	3/8" Lock Washer – Zinc <i>(12 Required)</i>
9	1012318	3/8-16 HD Hex Nut <i>(12 Required)</i>
10	10105449	Fan/Motor Skid Weldment
11	10103397	5/8-11 x 2" Grade 8 Bolt – Zinc <i>(Six Required)</i>
12	10103398	Washer – 5/8" Grade 8 <i>(Six Required)</i>
13	10103399	Lock Washer – 5/8" HD <i>(Six Required)</i>
14	10103393	Nut – 5/8-11 Grade 8 Zinc <i>(Six Required)</i>
15	1015590	8/4 SO Electrical Cord <i>(Per Foot)</i>
16	10106976	Fan with 15 HP Motor
17	1035046	5/16-18 Nut <i>(Four Required)</i>
18	10L805014	5/16" Lock Washer <i>(Four Required)</i>
19	10101935	5/16" Flat Washer – Galvanized <i>(Eight Required)</i>
20	1014019	5/16-18 x 1-1/4" Hex Bolt <i>(Four Required)</i>
21	10105360	Main Power Switch
22	10105371	Twist Release E-Stop
23	10105372	Red Normally Closed Momentary Switch
24	10105373	Black Normally Open Momentary Switch
25	10105374	Red Indicating Light 120 VAC
26	10105375	Green Indicating Light 120 VAC
27	10103305	Selector Switch – 2-Way
28	10103854	1" Straight Hub
29	10104703	Cord Grip Nylon 1/2"-NPT .2-.47 Diameter
30	10103855	Cord Grip 3/4"-NPT .750-.875 Diameter
31	10105448	Bird Screen
—	1091143	Hazard Identification Decals – Dustmaster® 6,000 CFM 575-V Electric Dust Collectors
—	105M150	Features and Specifications Guide – Dustmaster® 6,000 CFM 575-V Electric Dust Collectors
—	106M150	Part Numbers and Schematics Guide – Dustmaster® 6,000 CFM 575-V Electric Dust Collectors
—	1090150	Operator's Manual – Dustmaster® 6,000 CFM 575-V Electric Dust Collectors
—	109V045	Operator's Manual – Dynamic Fan Corporation
—	109V561	Operator's Manual – Marathon Motor 5554E

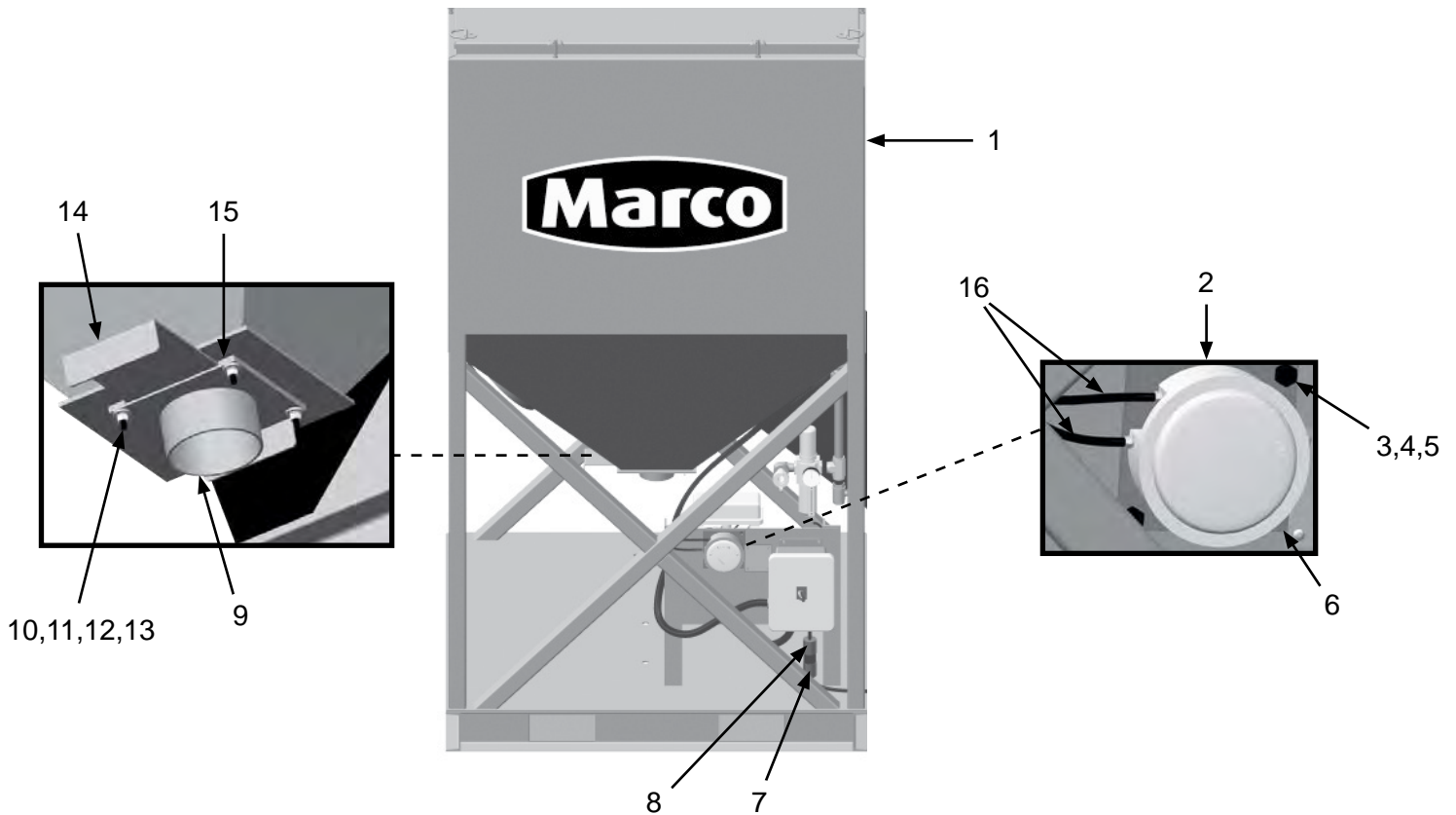
PART NUMBERS AND SCHEMATICS GUIDE

Figure 1: Fan Skid Assembly



PART NUMBERS AND SCHEMATICS GUIDE

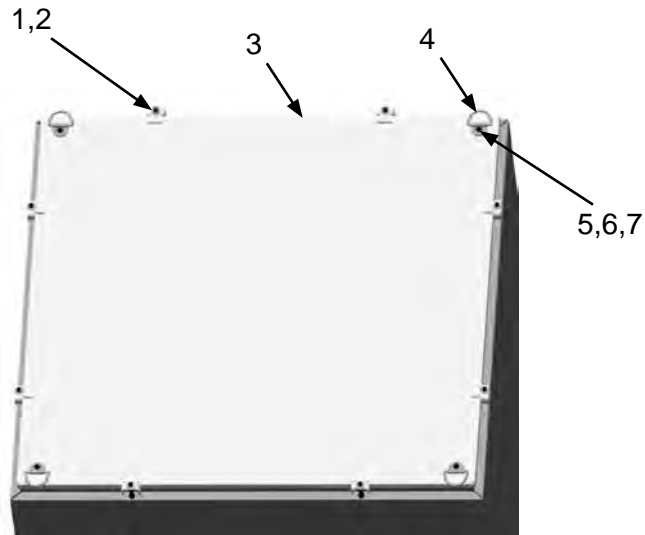
Figure 2: Hopper Skid Assembly



Item #	Part #	Description
Fig. 2		
1	10105405	Dustmaster® Hopper Weldment
2	10103259	Magnehelic Differential Pressure Gauge <i>Includes Mounting Hardware</i>
3	1011747	3/8-16 x 1" Bolt (<i>Two Required</i>)
4	10101936	3/8" Lock Washer – Zinc (<i>Two Required</i>)
5	1012318	3/8-16 HD Hex Nut (<i>Two Required</i>)
6	10103608	Magnehelic Mount
7	1015552	2-Prong Twist-Lock Plug – Female
8	1015551	2-Prong Twist-Lock Plug – Male
9	10104949	Slide Gate Bottom Weldment
10	10102582	1/4-20 x 1-1/4" Grade 8 Bolt (<i>Four Required</i>)
11	10101347	1/4-20 Hex Nut (<i>Four Required</i>)
12	1012153	1/4" Lock Washer (<i>Four Required</i>)
13	10101940	1/4" Flat Washer – Galvanized (<i>Four Required</i>)
14	10104947	Slide Plate
15	10104946	Slide Gate Side Bar
16	10103322	1/4" Black Urethane Tubing (<i>Per Foot</i>)

PART NUMBERS AND SCHEMATICS GUIDE

Figure 3: Dust Collector Filter Cartridge Lid Assembly



Item #	Part #	Description
Fig. 3		
1	1012318	3/8-16 HD Hex Nut <i>(Eight Required)</i>
2	10101942	3/8" Flat Washer – Galvanized <i>(Eight Required)</i>
3	10105437	Lid
4	10103625	D-Ring <i>(Four Required)</i>
5	10101346	5/16-18 x 3/4" L Grade 5 Bolt <i>(Four Required)</i>
6	10L805014	5/16" Lock Washer <i>(Four Required)</i>
7	1035046	5/16-18 Nut <i>(Four Required)</i>
—	10105828	85/15 Blend High Density Pleat Filter – 99.8% @ 0.5 micron <i>(Six Required)</i>
	10105563	Spunbond Filter – 97% @ 3.0 micron <i>(Six Required)</i>

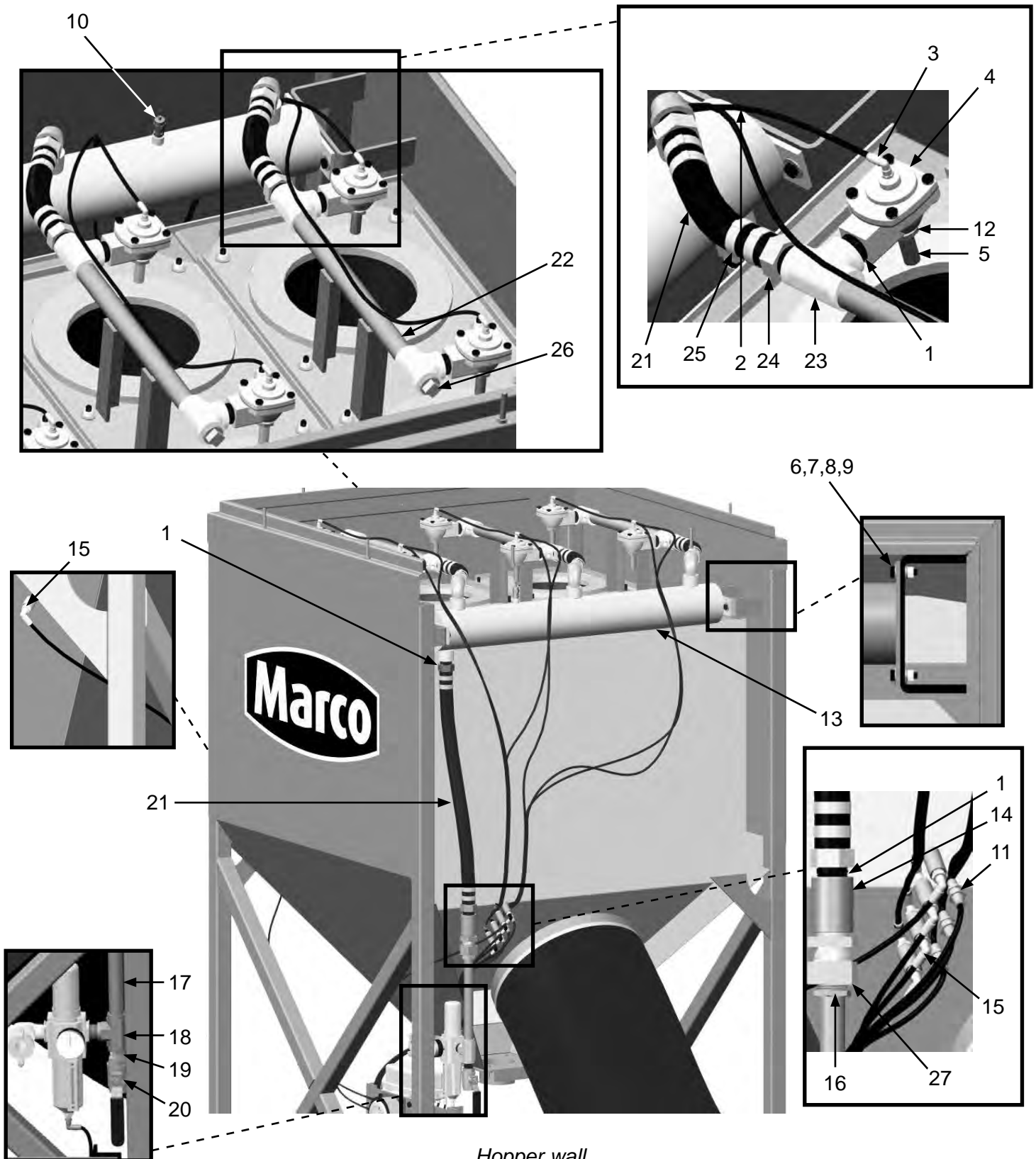
PART NUMBERS AND SCHEMATICS GUIDE

Pulser System Assembly

Item #	Part #	Description
Fig. 4		
1	1012151	1" Galvanized Close Nipple <i>(Eight Required)</i>
2	10103322	1/4" Black Urethane Tubing <i>(Per Foot)</i>
3	20100579	1/4" O.D. Tube x 1/8" NPT PTC Swivel <i>(Six Required)</i>
4	10103255	1" Diaphragm Valve <i>(Six Required)</i> <i>(See Figure 7)</i>
5	10000139	3/8" x 2" Toe Nipple <i>(Six Required)</i>
6	10104234	3/8-16 x 1-1/4" Hex Bolt Zinc <i>(Four Required)</i>
7	10101942	3/8" Flat Washer – Galvanized <i>(Eight Required)</i>
8	10101936	3/8" Lock Washer – Zinc <i>(Four Required)</i>
9	1012318	3/8-16 HD Hex Nut <i>(Four Required)</i>
10	1028607	1/4" NPT Pressure Relief Valve
11	10105700	1/4" Prestolok Bulkhead Union <i>(Three Required)</i>
12	10107328	1" x 3/8" Reducing Bushing <i>(Six Required)</i>
13	10105427	Header Weldment
14	10101149	1" Full Coupling – 3000 psi
15	20PFBA31095614	1/4" Tube x 1/4" NPT 90° Fitting <i>(Five Required)</i>
16	20PFHA24SB1612	1" x 3/4" Reducing Bushing
17	20100283	3/4" x 10" Galvanized Pipe
18	20PFHA25VJ12	3/4" Female Tee
19	1011213	3/4" NPT Close Nipple
20	10L8074C	3/4" NPT Full Port Ball Valve
21	10AH100B	Air Hose 1" I.D. 200 psi – Black
22	10107327	Pulse Valve Mount Weldment
23	1011816	1" Pipe Tee – Galvanized
24	10SFE2	1" Swivel Female End <i>(Eight Required)</i>
25	10AHCL1	Band Clamp up to 1.5" O.D. <i>(14 Required)</i>
26	1011901	Galvanized 1" Square Head Pipe Plug <i>(Three Required)</i>
27	20PFHA60SA1616	1" (M) x 1" (F) Swivel Union

PART NUMBERS AND SCHEMATICS GUIDE

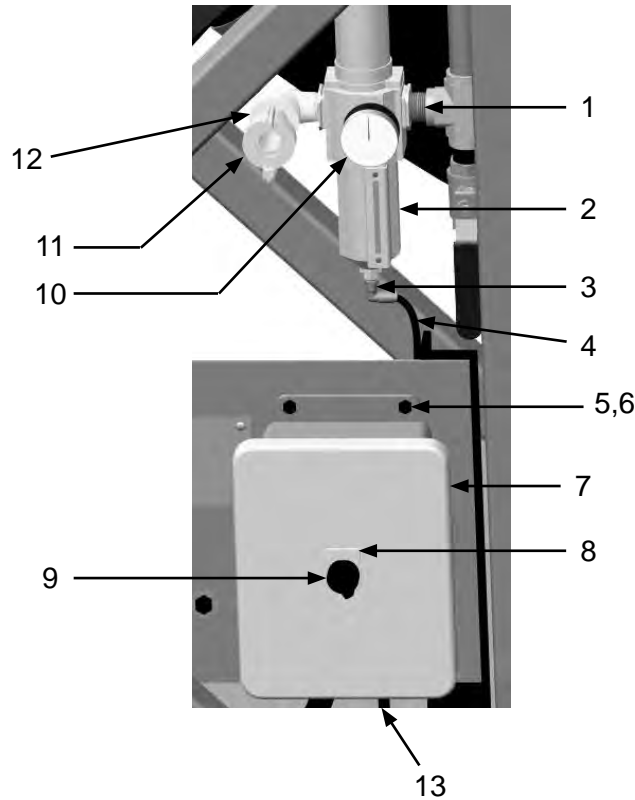
Figure 4: Pulser System Assembly



*Hopper wall
shown in
transparent state
for clarity.*

PART NUMBERS AND SCHEMATICS GUIDE

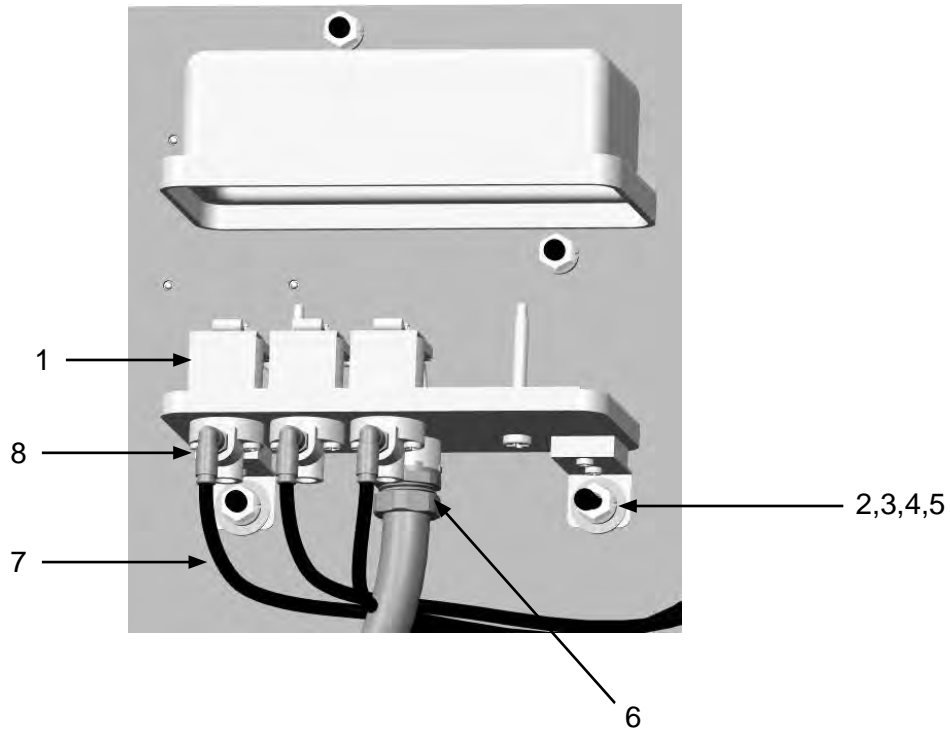
Figure 5: Pulser Regulator and Timer Assembly



Item #	Part #	Description
Fig. 5		
1	1011213	3/4" NPT Close Nipple
2	10103257	Filter/Regulator
3	20100579	1/4" O.D. Tube x 1/8" NPT PTC
4	10103322	1/4" Black Urethane Tubing (<i>Per Foot</i>)
5	20100125	1/4-20 x 3/4" Zinc Hex Bolt
6	10101939	1/4-20 Stainless Steel Lock Nut
7	10106080	6 Ch. 120V Timer Board with Enclosure
—	10103935	Timer Board Enclosure
—	10107331	6 Ch. Timer Board – 102-132 VAC
8	10103414	On/Off Name Plate
9	10103305	2-Way Selector Switch
10	1028606	Pressure Gauge 160 psi 1/4" Back
11	10ME1	3/4" Male 2-Lug Coupling
12	10102479	3/4" 90° Street Elbow
13	1015540	16/2 Xtreme-Duty® Electric Cord (<i>Per Foot</i>)
—	10103950	Filter/Regulator Service Kit
—	10103951	Filter Element (<i>Not Shown</i>)

PART NUMBERS AND SCHEMATICS GUIDE

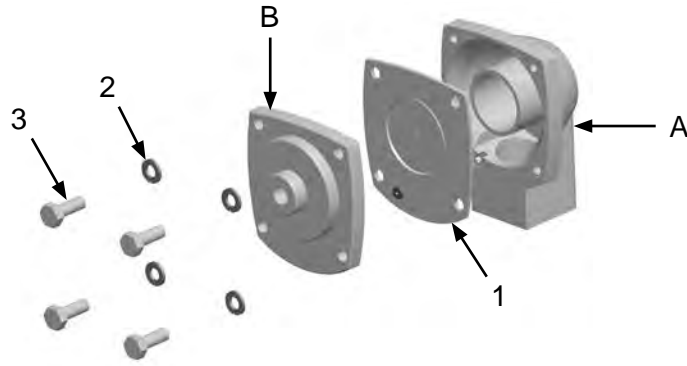
Figure 6: Pulsar Solenoid Enclosure Assembly



Item #	Part #	Description
Fig. 6		
—	10103849	120V – 3 Solenoid Pilot Valve Assembly (Two Required)
1	10103955	Solenoid Valve (Three Required Per Assembly)
2	10101936	3/8" Zinc Lock Washer (Two Required Per Assembly)
3	1012318	3/8-16 HD Hex Nut (Two Required Per Assembly)
4	10101942	3/8" Galvanized Flat Washer (Four Required Per Assembly)
5	1011747	3/8-16 x 1" Bolt (Two Required Per Assembly)
6	20RST50	Straight Liquid Tite Connection Fitting
7	10103322	1/4" Black Urethane Tubing (Per Foot)
8	20PFBA31095614	1/4" Tube x 1/4" NPT 90° Fitting (Three Required Per Assembly)
—	10105676	Solenoid Coil – 120V AC (One Required per Solenoid) Includes Mounting Hardware
—	10103957	Solenoid Service Kit Includes: O-Ring, Plunger, Spring, Ferrule

PART NUMBERS AND SCHEMATICS GUIDE


Figure 7: Diaphragm Valve




Item #	Part #	Description
—	10103255	1" Diaphragm Valve – Complete <i>Includes Items: A, B, 1, 2, and 3</i>
1	10103954	1" Diaphragm Valve Service Kit
2	1012153	1/4" Lock Washer (<i>Four Required</i>)
3	20101232	M6 x 1 x 14 HHCS (<i>Four Required</i>)

OPTIONAL ACCESSORIES



REPLACEMENT DUST COLLECTOR FILTER CARTRIDGES

	Part Numbers	Material	I.D.	O.D.	Length
	10105828	85/15 High Density	8.38"	12.75"	26"
	10105563	Spunbond	8.38"	12.75"	26"


DUCT HOSE

	Part Numbers	Hose I.D.	Length	Pitch	Bend Radius	Body Material	Wear Strip Material	Wear Strip Color
	10DH1625HD	16"	25 Ft.	1-1/2"	14"	2-Ply Vinyl-Coated Polyester	PVC	Red
	10DH1650HD	16"	50 Ft.	1-1/2"	14"	2-Ply Vinyl-Coated Polyester	PVC	Red
	15DH1625	16"	25 Ft.	2"	16.8"	2-Ply Vinyl-Coated Polyester	PVC	Red
	10DH1825HD	18"	25 Ft.	1-1/2"	16"	2-Ply Vinyl-Coated Polyester	PVC	Red
	10DH1850HD	18"	50 Ft.	1-1/2"	16"	2-Ply Vinyl-Coated Polyester	PVC	Red
	15DH1825	18"	25 Ft.	2"	17.3"	2-Ply Vinyl-Coated Polyester	PVC	Red

DUCT HOSE COUPLINGS AND SCREW CLAMPS

	Part Numbers	Hose I.D.	Style
	1017116	16"	Stainless Steel Coupling
	1017118	18"	Stainless Steel Coupling
	10DH202201600	16"	Stainless Steel Screw Clamp
	10DH202201800	18"	Stainless Steel Screw Clamp

DUCT HOSE ADAPTERS

	Part Numbers	Dimensions	Material
	15DH73795060	24" x 16"	Carbon Steel

OPTIONAL ACCESSORIES



Part Numbers

3/4" I.D. X 1-1/4" O.D. AIR HOSE WITH COUPLINGS INSTALLED

	Length	Hose I.D.	Hose O.D.	Working Pressure	Hose Cover Color	Couplings
10AH034AC	50 Ft.	3/4"	1-1/4"	200 PSI	Red	2-Lug Crimped On



Part Numbers

3/4" I.D. X 1-1/4" O.D. AIR HOSE

	Length	Hose I.D.	Hose O.D.	Working Pressure	Hose Cover Color
10AH034	Per Ft.	3/4"	1-1/4"	200 PSI	Red



Part Numbers

MALE HOSE END COUPLING AND GASKET FOR 3/4" I.D. AIR HOSE

	Hose I.D.	Material	Coupling Style	GASKET		
				Rubber Gasket	Gasket I.D.	Gasket O.D.
10HE1	3/4"	Plated Iron	2-Lug	10UG2	3/4"	1-3/8"



Part Numbers

BOSS® CLAMP FOR 3/4" I.D. AIR HOSE

	Hose I.D.	Hose O.D. Range	Material
10A9	3/4"	1-8/64" – 1-20/64"	Plated Steel

DUST COLLECTOR FILTER CARTRIDGE STYLES

Open Top/Bottom



Closed Top/Bottom



Closed with Bolt Hole Top/Bottom



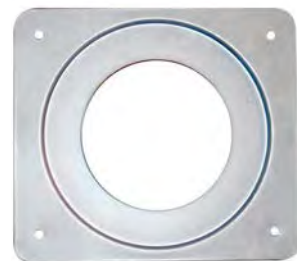
Open with Bolt Holes Top



Round Flanged Top/Bottom



Rectangle Flanged Top/Bottom



CUSTOMER PRODUCT PROFILE

Please complete the form below so we can better serve your needs and fax it back to your Account Manager at 563.324.6258.

Name: _____

Company: _____

Phone: () _____

FILTER END CAP ORIENTATION

End Cap Description

- Open x Open
- Open x Closed
- Open Flanged x Closed

Flange Size

_____ Height (*thickness*)

_____ Width

_____ Length

Is there a Bolt Hole? (*Closed Only*)

- Yes
Size: _____
- No

FILTER DIMENSIONS & GASKET INFORMATION

Filter Inside Diameter

- 8.375"
- 9.5"
- Other _____

Filter Outside Diameter

- 7.875"
- 12.75"
- 14"
- Other _____

Gasket Quantity & Location

- _____ Top
- _____ Bottom
- _____ Under Flange

Gasket Dimensions – Width x Height

- .375" x .5"
- .5" x .5"
- .375" x 1"
- Other _____

Total Height – End Cap to End Cap

Not Including Gaskets

- 26"
- 30"
- 36"
- Other _____

Distance from I.D. of End Cap to I.D. of Gasket

FILTER MEDIA TYPE

Media

- 85/15 Blend
- Fire Retardant – 85/15 Blend
 - Yes No
- Spunbond
- Other _____

Projected Quantity Per Year

Projected Quantity Purchase at One Time

OPEN TOP/OPEN BOTTOM STYLE FILTER CARTRIDGES



Part Numbers

Part Numbers	Filter Material				Height	I.D.	O.D.	Bottom Gasket	Cartridge Top	Cartridge Bottom
	85% Cellulose/ 15% Polyester Blend	Spunbond	Fire Retardant	HEPA						
10102035	X				25.25"	9.5"	13.9"	X	Open	Open
10102026	X				26"	8.375"	12.75"	X	Open	Open
10102036	X				26"	9.5"	13.9"	X	Open	Open
10102037	X				27"	9.5"	13.9"	X	Open	Open
10102221	X				28"	9.75"	15"	X	Open	Open
10102141	X				30"	8.375"	12.75"	X	Open	Open
10102093	X				30"	9.5"	13.9"	X	Open	Open
10102245		X			26"	8.375"	12.75"	X	Open	Open
10103939		X			26"	9.5"	13.9"	X	Open	Open
10102346		X			28"	9.5"	13.9"	X	Open	Open
10102347		X			28"	9.5"	13.9"	X	Open	Open
10102377		X			28"	9.5"	13.9"	X	Open	Open
10102378		X			28"	9.5"	13.9"	X	Open	Open
10103301			X		25.25"	9.5"	13.90"	—	Open	Open
10101991			X		26"	9.5"	13.9"	X	Open	Open
10102034			X		26"	9.5"	13.9"	X	Open	Open
10102092			X		26"	9.5"	13.9"	X	Open	Open
10102000			X		28"	9.5"	13.9"	X	Open	Open

Contact Marco for additional filter specifications.

OPEN TOP/CLOSED BOTTOM STYLE FILTER CARTRIDGES



**Part
Numbers**

	OPEN TOP/CLOSED BOTTOM										
	Filter Material				Height	I.D.	O.D.	Bolt Hole	Cartridge Top	Cartridge Bottom	Bottom Gasket
85% Cellulose/ 15% Polyester Blend	Spunbond	Fire Retardant	HEPA								
10102230	X				20"	8.375"	12.75"	.54"	Open	Closed	X
10102027	X				26"	8.375"	12.75"	.54"	Open	Closed	X
10102117	X				26"	9.5"	13.9"	—	Open	Closed	X
10102119	X				26"	9.5"	13.9"	.54"	Open	Closed	X
10102340	X				27"	9.50"	13.90"	.54"	Open	Closed	X
10102238	X				36"	8.375"	12.75"	.875"	Open	Closed	X
10102239	X				36"	8.375"	12.75"	.75"	Open	Closed	X
10102559	X				36"	8.375"	12.75"	.50"	Open	Closed	X
10102382	X				48"	8.375"	12.75"	.54"	Open	Closed	X
10102244		X			26"	8.375"	12.75"	.54"	Open	Closed	X
10102253			X		36"	8.375"	12.75"	.54"	Open	Closed	X

Contact Marco for additional filter specifications.

OPEN TOP WITH FLANGE/CLOSED BOTTOM STYLE FILTER CARTRIDGES



OPEN TOP WITH FLANGE/CLOSED BOTTOM

Part Numbers	Filter Material				Height	I.D.	O.D.	Cartridge Top	Cartridge Bottom	Bottom Gasket	Gasket Location on Flange
	85% Cellulose/ 15% Polyester Blend	Spunbond	Fire Retardant	HEPA							
10102028	X				26"	8.375"	12.75"	Open, Flanged	Closed	X	Bottom
10102334	X				26"	8.375"	12.75"	Open, Flanged	Closed	X	Top
10104374	X				26"	8.38"	12.75"	Open, Flanged	Closed	X	Top
10104581	X				26"	8.38"	12.75"	Open, Flanged	Closed	X	Bottom
10105098	X				26"	8.38"	12.75"	Open, Flanged	Closed	X	Top
10102242	X				30"	8.375"	12.75"	Open, Flanged	Closed	X	Bottom
10105561	X				30"	8.38"	12.75"	Open, Flanged	Closed	X	Bottom
10102033	X				30"	8.38"	12.75"	Open, Flanged	Closed	X	Bottom
10102031	X				34"	8.375"	12.75"	Open, Flanged	Closed	X	Top
10103499	X				35"	8.38"	12.75"	Open, Flanged	Closed	X	Bottom
10102310	X				36"	3.5"	7.875"	Open, Flanged	Closed	X	Top
10102021	X				36"	4.375"	9.22"	Open, Flanged	Closed	—	—
10102032	X				36"	8.375"	12.75"	Open, Flanged	Closed	X	Top
10102029	X				36"	8.375"	12.75"	Open, Flanged	Closed	X	Bottom
10102030	X				36"	8.375"	12.75"	Open, Flanged	Closed	X	Top
10102559	X				36"	8.38"	12.75"	Open, Flanged	Closed	X	Bottom
10102475	X				39"	10.60"	15.10"	Open, Flanged	Closed	X	Top
10102091	X				52"	8.375"	12.75"	Open, Flanged	Closed	X	Top
10102236	X				52"	8.375"	12.75"	Open, Flanged	Closed	X	Top
10105733		X			26"	8.375"	12.75"	Open, Flanged	Closed	X	Bottom
10105563		X			30"	8.38"	12.75"	Open, Flanged	Closed	X	Bottom
10103964		X			35"	8.38"	12.75"	Open, Flanged	Closed	X	Bottom
10102237		X			36"	8.375"	12.75"	Open, Flanged	Closed	X	Top
10102389		X			36"	3.5"	7.875"	Open, Flanged	Closed	X	Top
10105732			X		26"	8.375"	12.75"	Open, Flanged	Closed	X	Bottom
10105562			X		35"	8.38"	12.75"	Open, Flanged	Closed	X	Bottom
10103945			X		35"	8.38"	12.75"	Open, Flanged	Closed	X	Bottom
1010007893				X	26"	8.38"	12.75"	Open, Flanged	Closed	X	Bottom
1010008004				X	35"	8.38"	12.75"	Open, Flanged	Closed	X	Bottom

Contact Marco for additional filter specifications.

OPTIONAL ACCESSORIES

DUST COLLECTOR FILTER CARTRIDGE RETRIEVAL KIT		
Part Numbers	Description	U.O.M.
10102534	Dust Collector Filter Cartridges Retrieval Kit <i>(Includes box and clear polyester bag for returning filter cartridges)</i>	One Each

PART NUMBERS & SCHEMATICS GUIDE

6" I.D. DUCT HOSE								
Part Numbers	Duct Hose I.D.	Length	Pitch	Bend Radius	Body Material	Wear Strip Material	Wear Strip Color	Temperature Range (°F)
10DH0625HD	6"	25 Ft.	1-1/2"	5.3"	2-Ply Vinyl-Coated Polyester	PVC	Red	-40° – 200°
10DH0650HD	6"	50 Ft.	1-1/2"	5.3"	2-Ply Vinyl-Coated Polyester	PVC	Red	-40° – 200°

8" I.D. DUCT HOSE								
Part Numbers	Duct Hose I.D.	Length	Pitch	Bend Radius	Body Material	Wear Strip Material	Wear Strip Color	Temperature Range (°F)
10DH0825HD	8"	25 Ft.	1-1/2"	6.9"	2-Ply Vinyl-Coated Polyester	PVC	Red	-40° – 200°
10DH0850HD	8"	50 Ft.	1-1/2"	6.9"	2-Ply Vinyl-Coated Polyester	PVC	Red	-40° – 200°

10" I.D. DUCT HOSE								
Part Numbers	Duct Hose I.D.	Length	Pitch	Bend Radius	Body Material	Wear Strip Material	Wear Strip Color	Temperature Range (°F)
15DH1025HD	10"	25 Ft.	1-1/2"	8.6"	2-Ply Vinyl-Coated Polyester	PVC	Red	-40° – 200°
15DH1050HD	10"	50 Ft.	1-1/2"	8.6"	2-Ply Vinyl-Coated Polyester	PVC	Red	-40° – 200°


PART NUMBERS & SCHEMATICS GUIDE


12" I.D. DUCT HOSE								
Part Numbers	Duct Hose I.D.	Length	Pitch	Bend Radius	Body Material	Wear Strip Material	Wear Strip Color	Temperature Range (°F)
10DH1225HD	12"	25 Ft.	1-1/2"	10"	2-Ply Vinyl-Coated Polyester	PVC	Red	-40° – 200°
10DH1250HD	12"	50 Ft.	1-1/2"	10"	2-Ply Vinyl-Coated Polyester	PVC	Red	-40° – 200°


14" I.D. DUCT HOSE								
Part Numbers	Duct Hose I.D.	Length	Pitch	Bend Radius	Body Material	Wear Strip Material	Wear Strip Color	Temperature Range (°F)
10DH1425HD	14"	25 Ft.	1-1/2"	12"	2-Ply Vinyl-Coated Polyester	PVC	Red	-40° – 200°
10DH1450HD	14"	50 Ft.	1-1/2"	12"	2-Ply Vinyl-Coated Polyester	PVC	Red	-40° – 200°

PART NUMBERS & SCHEMATICS GUIDE

16" I.D. DUCT HOSE								
Part Numbers	Duct Hose I.D.	Length	Pitch	Bend Radius	Body Material	Wear Strip Material	Wear Strip Color	Temperature Range (°F)
10DH1625HD	16"	25 Ft.	1-1/2"	14"	2-Ply Vinyl-Coated Polyester	PVC	Red	-20° – 180°
10DH1650HD	16"	50 Ft.	1-1/2"	14"	2-Ply Vinyl-Coated Polyester	PVC	Red	-20° – 180°
15DH1625	16"	25 Ft.	2"	16.8"	2-Ply Vinyl-Coated Polyester	PVC	Red	-20° – 180°


16" I.D. DUCT HOSE COUPLINGS			
	Part Numbers	Duct Hose I.D.	Material
	1017116	16"	Stainless Steel


16" I.D. DUCT HOSE SCREW CLAMPS			
	Part Numbers	Duct Hose I.D.	Material
	10DH202201600	16"	Stainless Steel

DUCT HOSE ADAPTERS		
Part Numbers	Dimensions	Material
	24" x 16"	Carbon Steel

PART NUMBERS & SCHEMATICS GUIDE


18" I.D. DUCT HOSE								
Part Numbers	Duct Hose I.D.	Length	Pitch	Bend Radius	Body Material	Wear Strip Material	Wear Strip Color	Temperature Range (°F)
10DH1825HD	18"	25 Ft.	1-1/2"	16"	2-Ply Vinyl-Coated Polyester	PVC	Red	-20° – 180°
10DH1850HD	18"	50 Ft.	1-1/2"	16"	2-Ply Vinyl-Coated Polyester	PVC	Red	-20° – 180°
15DH1825	18"	25 Ft.	1-1/2"	17.3"	2-Ply Vinyl-Coated Polyester	PVC	Red	-20° – 180°


18" I.D. DUCT HOSE COUPLINGS			
	Part Numbers	Duct Hose I.D.	Material
	1017118	18"	Stainless Steel

18" I.D. DUCT HOSE SCREW CLAMPS			
	Part Numbers	Duct Hose I.D.	Material
	10DH202201800	18"	Stainless Steel

PART NUMBERS & SCHEMATICS GUIDE


20" I.D. DUCT HOSE								
Part Numbers	Duct Hose I.D.	Length	Pitch	Bend Radius	Body Material	Wear Strip Material	Wear Strip Color	Temperature Range (°F)
10DH2025HD	20"	25 Ft.	1-1/2"	17"	2-Ply Vinyl-Coated Polyester	PVC	Red	-20° – 180°
10DH2050HD	20"	50 Ft.	1-1/2"	17"	2-Ply Vinyl-Coated Polyester	PVC	Red	-20° – 180°
15DH2025	20"	25 Ft.	2"	17.9"	2-Ply Vinyl-Coated Polyester	PVC	Red	-20° – 180°


20" I.D. DUCT HOSE COUPLINGS			
	Part Numbers	Duct Hose I.D.	Material
	1017120	20"	Stainless Steel


20" I.D. DUCT HOSE SCREW CLAMPS			
	Part Numbers	Duct Hose I.D.	Material
	10DH202202000	20"	Stainless Steel


PART NUMBERS & SCHEMATICS GUIDE

24" I.D. DUCT HOSE								
Part Numbers	Duct Hose I.D.	Length	Pitch	Bend Radius	Body Material	Wear Strip Material	Wear Strip Color	Temperature Range (°F)
10DH2425HD	24"	25 Ft.	1-1/2"	21"	2-Ply Vinyl-Coated Polyester	PVC	Red	-20° – 180°
10DH2450HD	24"	50 Ft.	1-1/2"	21"	2-Ply Vinyl-Coated Polyester	PVC	Red	-20° – 180°
15DH2425	24"	25 Ft.	2"	21.2"	2-Ply Vinyl-Coated Polyester	PVC	Red	-20° – 180°

24" I.D. DUCT HOSE COUPLINGS			
	Part Numbers	Duct Hose I.D.	Material
	1017124	24"	Stainless Steel

24" I.D. DUCT HOSE SCREW CLAMPS			
	Part Numbers	Duct Hose I.D.	Material
	10DH202202400	24"	Stainless Steel

24" I.D. DUCT HOSE CONNECTOR			
	Part Numbers	Duct Hose I.D.	Material
	1070834	24"	Stainless Steel

DUCT HOSE ADAPTERS			
	Part Numbers	Dimensions	Material
	15DH73795060	24" x 16"	Carbon Steel

PART NUMBERS AND SCHEMATICS GUIDE

Part Numbers	BARRICADE® 286 AIRLINE FILTERS
	Description
1028600	Barricade® 286 Airline Filter with Regulator – 2-Outlet
1028601	Barricade® 286 Airline Filter with Regulator – 6-Outlet
1028602	Barricade® 286 Airline Filter without Regulator – 1-Outlet

PART NUMBERS AND SCHEMATICS GUIDE



1028602

1028601

1028600

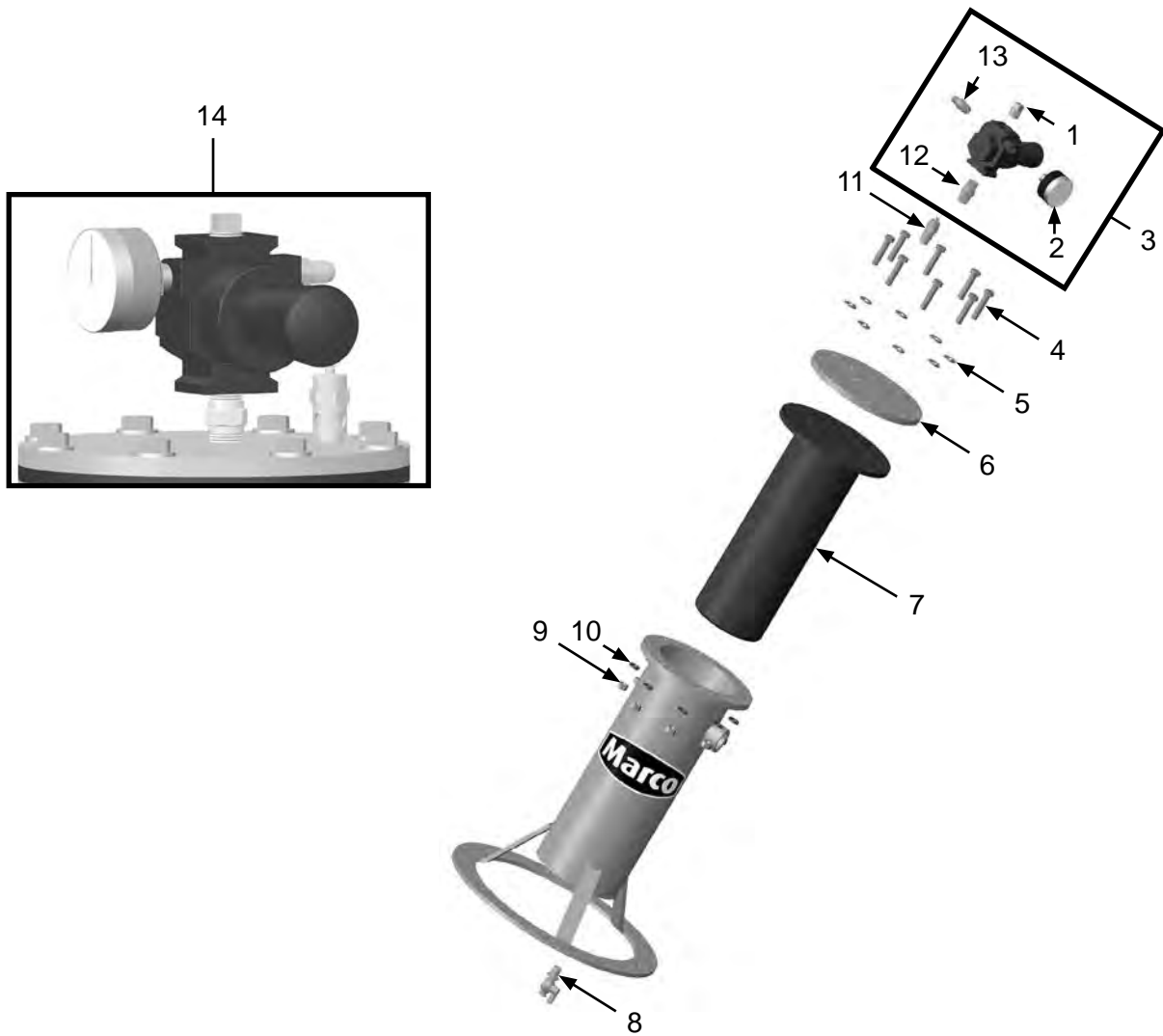
PART NUMBERS AND SCHEMATICS GUIDE

Barricade® 286 Airline Filter with Regulator – 2-Outlet

Item #	Part #	Description
Fig. 1		
—	1028600	Barricade® 286 Airline Filter – 2-Outlet – Complete
1	1028615	3/8" NPT Pipe Plug
2	1028606	Pressure Gauge – 1/4" NPT – Back-Mount – 160 psi
3	1028614	Pressure Regulator Assembly <i>(Includes Item #'s: 1, 2, 11, and 12)</i>
4	10102252	Bolt – 3/8-16 x 2" <i>(Eight Required)</i>
5	10101942	Washer – 3/8"
6	1028605	Lid for 1028600
7	1028633	Filter Cartridge
8	1012101	Petcock – 1/4" NPT
9	1028619	Nut – 3/8-16 <i>(Eight Required)</i>
10	10101936	Lock Washer – 3/8" <i>(16 Required)</i>
11	1028607	Pressure Relief Valve – 1/4" NPT – 125 psi
12	1028610	Hex Nipple – 3/8" NPT
13	1028611	Adapter – 1/4" NPT x 5/8 Flare
14	1028603	2-Outlet Manifold Assembly <i>(Includes Item #'s: 3, 4, 5, 6, 9, and 10)</i>
—	1091044	Hazard Identification Label – Airline Filter
—	1091122	Hazard Identification Label – Airline Filter Cartridge
—	105M045	Features and Specifications Guide – Barricade® 286 Airline Filters
—	106M045	Part Number and Schematics Guide – Barricade® 286 Airline Filters
—	1090045	Operator's Manual – Barricade® 286 Airline Filters

PART NUMBERS AND SCHEMATICS GUIDE

Figure 1: Barricade® 286 Airline Filter with Regulator – 2-Outlet



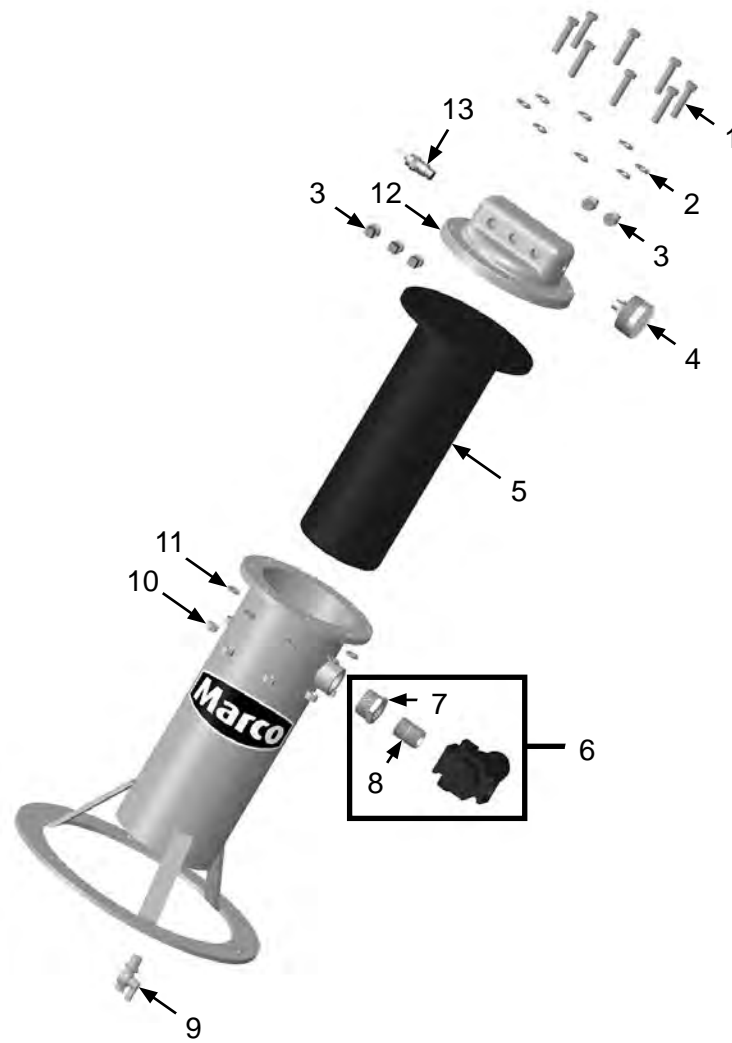
PART NUMBERS AND SCHEMATICS GUIDE

Barricade® 286 Airline Filter with Regulator – 6-Outlet

Item #	Part #	Description
Fig. 2		
—	1028601	Barricade® 286 Airline Filter – 6-Outlet – Complete
1	10102252	Bolt – 3/8-16 x 2" (<i>Eight Required</i>)
2	10101942	Washer – 3/8" (<i>Eight Required</i>)
3	1028615	3/8" NPT Pipe Plug (<i>Five Required</i>)
4	1028606	Pressure Gauge – 1/4" NPT – Back-Mount – 160 psi
5	1028633	Filter Cartridge
6	1028613	Pressure Regulator Assembly (<i>Includes Item #'s: 7 and 8</i>)
7	1011505	Bushing – 1" NPT (M) x 3/4" NPT (M)
8	1011213	Close Nipple – 3/4" NPT
9	1012101	Petcock – 1/4" NPT
10	1028619	Nut – 3/8-16 (<i>Eight Required</i>)
11	10101936	Lock Washer – 3/8" (<i>Eight Required</i>)
12	10101243	Lid for 1028601
13	1028607	Pressure Relief Valve – 1/4" NPT – 125 psi
—	1028631	6-Outlet Conversion Kit (<i>Includes Item #'s: 1, 2, 3, 4, 6, 10, 11, and 12</i>)
—	1091044	Hazard Identification Label – Airline Filter
—	1091122	Hazard Identification Label – Airline Filter Cartridge
—	105M045	Features and Specifications Guide – Barricade® 286 Airline Filters
—	106M045	Part Number and Schematics Guide – Barricade® 286 Airline Filters
—	1090045	Operator's Manual – Barricade® 286 Airline Filters

PART NUMBERS AND SCHEMATICS GUIDE

Figure 2: Barricade® 286 Airline Filter with Regulator – 6-Outlet



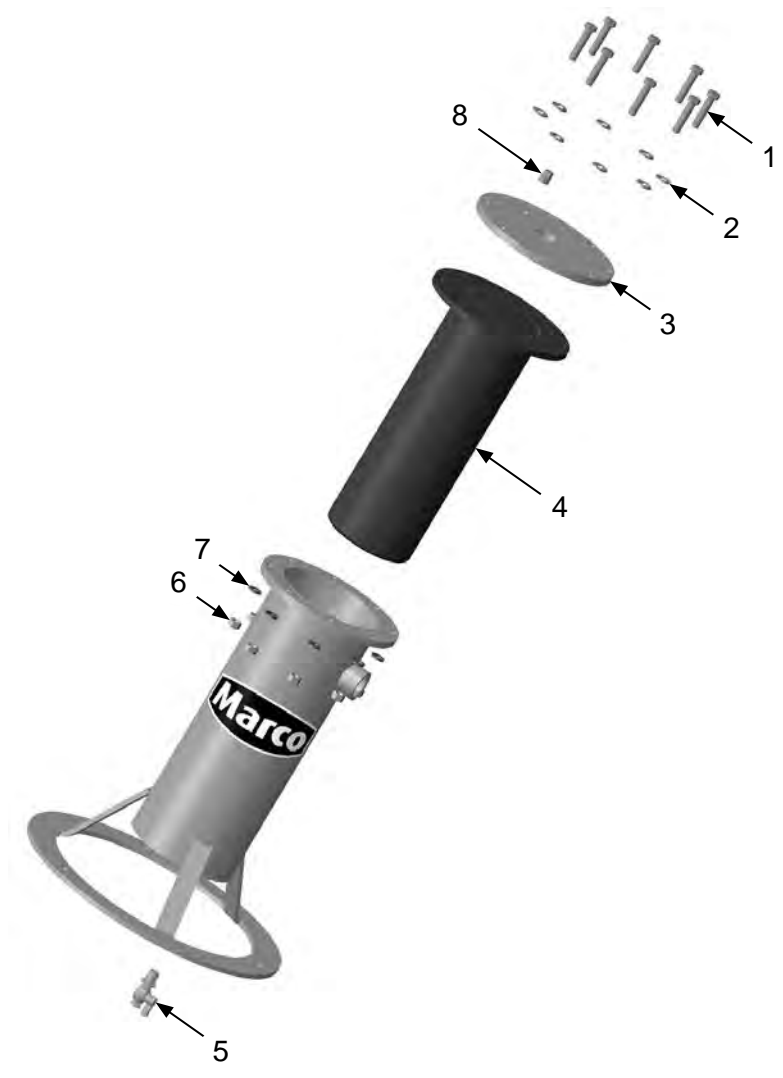
PART NUMBERS AND SCHEMATICS GUIDE

Barricade® 286 Airline Filter without Regulator – 1-Outlet




Item #	Part #	Description
Fig. 3		
—	1028602	Barricade® 286 Airline Filter – 1-Outlet – Complete
1	10102252	Bolt – 3/8-16 x 2" (<i>Eight Required</i>)
2	10102258	Washer – 3/8" (<i>Eight Required</i>)
3	1028620	Lid for 1028602
4	1028633	Filter Cartridge
5	1012101	Petcock – 1/4" NPT
6	1028619	Nut – 3/8-16 (<i>Eight Required</i>)
7	10101936	Lock Washer – 3/8" (<i>Eight Required</i>)
8	1012052	Pipe Plug – 1/4" NPT – Galvanized
—	1091044	Hazard Identification Label – Airline Filter
—	1091122	Hazard Identification Label – Airline Filter Cartridge
—	105M045	Features and Specifications Guide – Barricade® 286 Airline Filters
—	106M045	Part Number and Schematics Guide – Barricade® 286 Airline Filters
—	1090045	Operator's Manual – Barricade® 286 Airline Filters



PART NUMBERS AND SCHEMATICS GUIDE

Figure 3: Barricade® 286 Airline Filter without Regulator – 1-Outlet



OPTIONAL ACCESSORIES

		FITTINGS AND QUICK-DISCONNECT COUPLINGS	
Part Numbers	Description		
	10BV13	3/8" Male NPT Pipe Thread to 3/8" Male Hose Adapter Hex Nipple	
	10BV15	1/4" Female Quick-Disconnect Coupling, Shut-Off with 3/8" Male Pipe Thread	
	10BV17	1/4" Male Industrial Interchange Quick-Disconnect Coupling, 3/8" Female NPT Pipe Thread <i>Add to 10BV13 to make quick-disconnect at airline filter</i>	

		THREADED METAL END COUPLINGS AND GASKETS							
Part Numbers	Thread Size	Compatible Airline Filter	Style	Material	Coupling Style	GASKET OPTIONS			
						Rubber Gasket	Gasket I.D.	Gasket O.D.	
	10ME1	3/4"	6-Outlet	Male	Zinc-Plated Iron	2-Lug	10UG2	3/4"	1-3/8"
	10ME2	1"	1-Outlet 2-Outlet	Male	Zinc-Plated Iron	2-Lug	10UG2	3/4"	1-3/8"

OPTIONAL ACCESSORIES



Part Numbers

3/4" I.D. X 1-1/4" O.D. AIR HOSE					
Part Numbers	Length	Hose I.D.	Hose O.D.	Working Pressure	Hose Cover Color
10AH034	Per Foot	3/4"	1-1/4"	200 psi	Red



Part Numbers

3/4" I.D. X 1-1/4" O.D. AIR HOSE WITH COUPLINGS INSTALLED						
Part Numbers	Length	Hose I.D.	Hose O.D.	Working Pressure	Hose Cover Color	Couplings
10AH034AC	50 Ft.	3/4"	1-1/4"	200 psi	Red	2-Lug Crimped On



Part Numbers

MALE HOSE END COUPLING AND GASKET FOR 3/4" I.D. AIR HOSE						
Part Numbers	Hose I.D.	Material	Coupling Style	GASKET		
				Rubber Gasket	Gasket I.D.	Gasket O.D.
10HE1	3/4"	Zinc-Plated Iron	2-Lug	10UG2	3/4"	1-3/8"



Part Numbers

BOSS CLAMP FOR 3/4" I.D. AIR HOSE			
Part Numbers	Hose I.D.	Hose O.D. Range	Material
10A9	3/4"	1-1/8"—1-5/16"	Plated Steel

OPTIONAL ACCESSORIES



Part Numbers

1" I.D. X 1-1/2" O.D. AIR HOSE					
Part Numbers	Length	Hose I.D.	Hose O.D.	Working Pressure	Hose Cover Color
10AH100	Per Foot	1"	1-1/2"	200 psi	Red



Part Numbers

1" I.D. X 1-1/2" O.D. AIR HOSE WITH COUPLINGS INSTALLED						
Part Numbers	Length	Hose I.D.	Hose O.D.	Working Pressure	Hose Cover Color	Couplings Band Clamps
10AH100AC	50 Ft.	1"	1-1/2"	200 psi	Red	2-Lug Crimped On



Part Numbers

MALE HOSE END COUPLING AND GASKET FOR 1" I.D. AIR HOSE						
Part Numbers	Hose I.D.	Material	Coupling Style	GASKET		
				Rubber Gasket	Gasket I.D.	Gasket O.D.
10HE2	1"	Plated Iron	2-Lug	10UG2	3/4"	1-3/8"



Part Numbers

HAMMER-LOCK FITTING FOR 1" I.D. AIR HOSE		
Part Numbers	Hose I.D.	Material
10DXGF36	1"	Plated Steel



Part Numbers

BOSS CLAMP FOR 1" I.D. AIR HOSE		
Part Numbers	Hose I.D.	Hose O.D. Range Material
10A14	1"	1-1/2"–1-13/16" Plated Steel

PART NUMBERS

BULLARD® 41 SERIES AIRLINE FILTERS		
Part Numbers	Style	Number of Outlets
10B41P2	Stationary	2-Outlet
10B41P6	Stationary	6-Outlet
10B41A	Stationary	1-Outlet
10B41P2WM	Wall Mount	2-Outlet
10B41P6WM	Wall Mount	6-Outlet

BULLARD® 41 SERIES AIRLINE FILTERS



10B41P2



10B41P6



10B41A



10B41P2WM



10B41P6WM

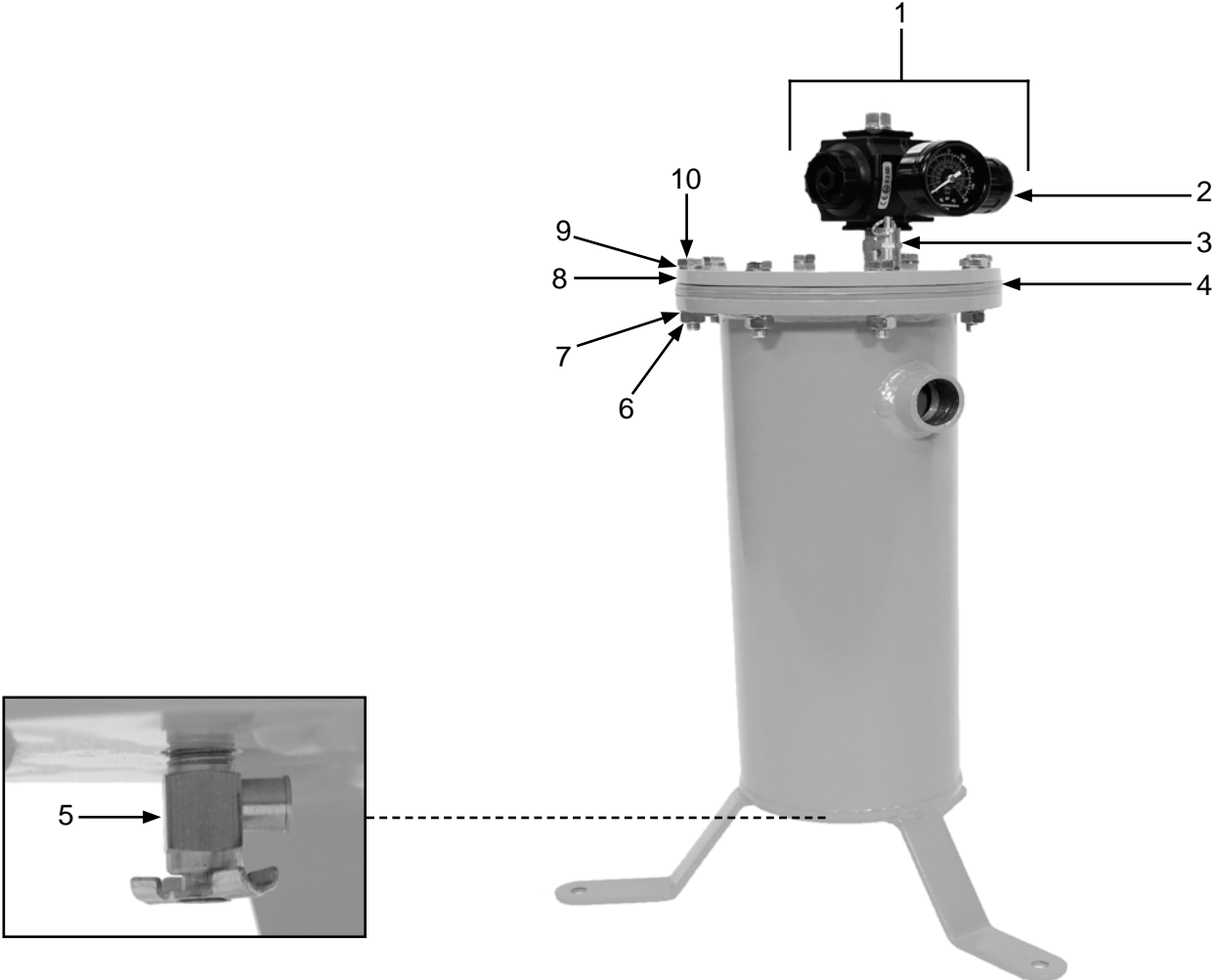
PART NUMBERS & SCHEMATICS GUIDE

Bullard® 41P2 Airline Filter

Item #	Part #	Description
Fig. 1		
—	10B41P2	Bullard® 41P2 Airline Filter – 2-Outlet
—	10B41P2WM	Bullard® 41P2 Airline Filter – 2-Outlet – Wall Mount <i>Wall Mount Bracket not available separately</i>
1	10B41P2R	Regulator and Assembly <i>Includes Item #2</i>
2	10B41KB2	Regulator Knob
3	1028607	Pressure Relief Valve – 1/4" NPT – 125 psi
4	1028633 10B41AF	Marco Filter Cartridge (<i>Alternative</i>) Filter Cartridge
5	10B41DRAIN	Drain
6	1028619	3/8-16 Nut (<i>Eight Required</i>)
7	10101936	3/8" Lock Washer (<i>Eight Required</i>)
8	10B41ATOPYLW	Lid
9	1014241	3/8" Flat Washer (<i>Eight Required</i>)
10	10102252	3/8-16 x 2" Zinc Hex Head Cap Screw (<i>Eight Required</i>)
—	10B41P2M	2-Outlet Manifold Assembly <i>Includes Item #'s: 1, 2, 3, and 5</i>
—	10B41HK	Handle Kit (<i>not shown</i>)
—	105V483	Features and Specifications Guide – Bullard 41 Series Airline Filters
—	106M483	Part Numbers & Schematics Guide – Bullard 41 Series Airline Filters
—	109V483	Operator's Manual – Bullard 41 Series Airline Filters

PART NUMBERS & SCHEMATICS GUIDE

Figure 1: Bullard® 41P2 Airline Filter



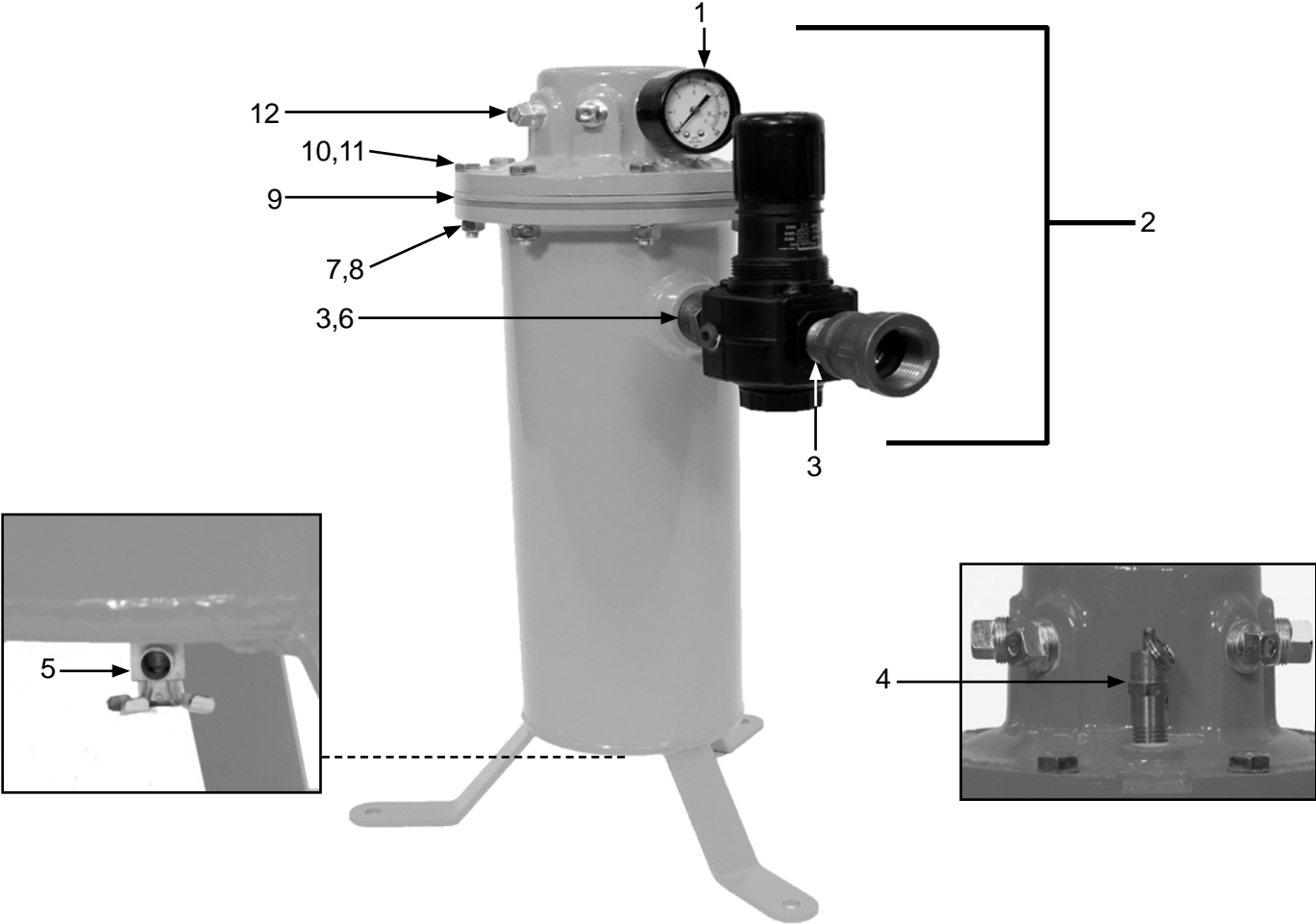
PART NUMBERS & SCHEMATICS GUIDE

Bullard® 41P6 Airline Filter

Item #	Part #	Description
Fig. 2		
—	10B41P6	Bullard® 41P6 Airline Filter – 6-Outlet
—	10B41P6WM	Bullard® 41P6 Airline Filter – 2-Outlet – Wall Mount <i>Wall Mount Bracket not available separately</i>
1	10B41RG	Outlet Air Pressure Gauge
2	10B41P6UPK	6-Outlet Manifold Upgrade <i>Includes Item #1, Bell Reducer, and Regulator Assembly</i>
3	20PFHA24SB1612	1" x 3/4" Reducing Bushing
4	1011213	3/4" Close Nipple
5	1028607	Pressure Relief Valve – 1/4" NPT – 125 psi
6	10B41DRAIN	Drain
7	1011505	1" x 3/4" Bushing
8	1028619	3/8-16 Nut (<i>Eight Required</i>)
9	10101936	3/8" Lock Washer (<i>Eight Required</i>)
10	1028633 10B41AF	Marco Filter Cartridge (<i>Alternative</i>) Filter Cartridge
11	1014241	3/8" Flat Washer (<i>Eight Required</i>)
12	10102252	3/8-16 x 2" Zinc Hex Head Cap Screw (<i>Eight Required</i>)
13	1028615	3/8" NPT Pipe Plug
—	10B41HK	Handle Kit (<i>not shown</i>)
—	105V483	Features and Specifications Guide – Bullard 41 Series Airline Filters
—	106M483	Part Numbers & Schematics Guide – Bullard 41 Series Airline Filters
—	109V483	Operator's Manual – Bullard 41 Series Airline Filters

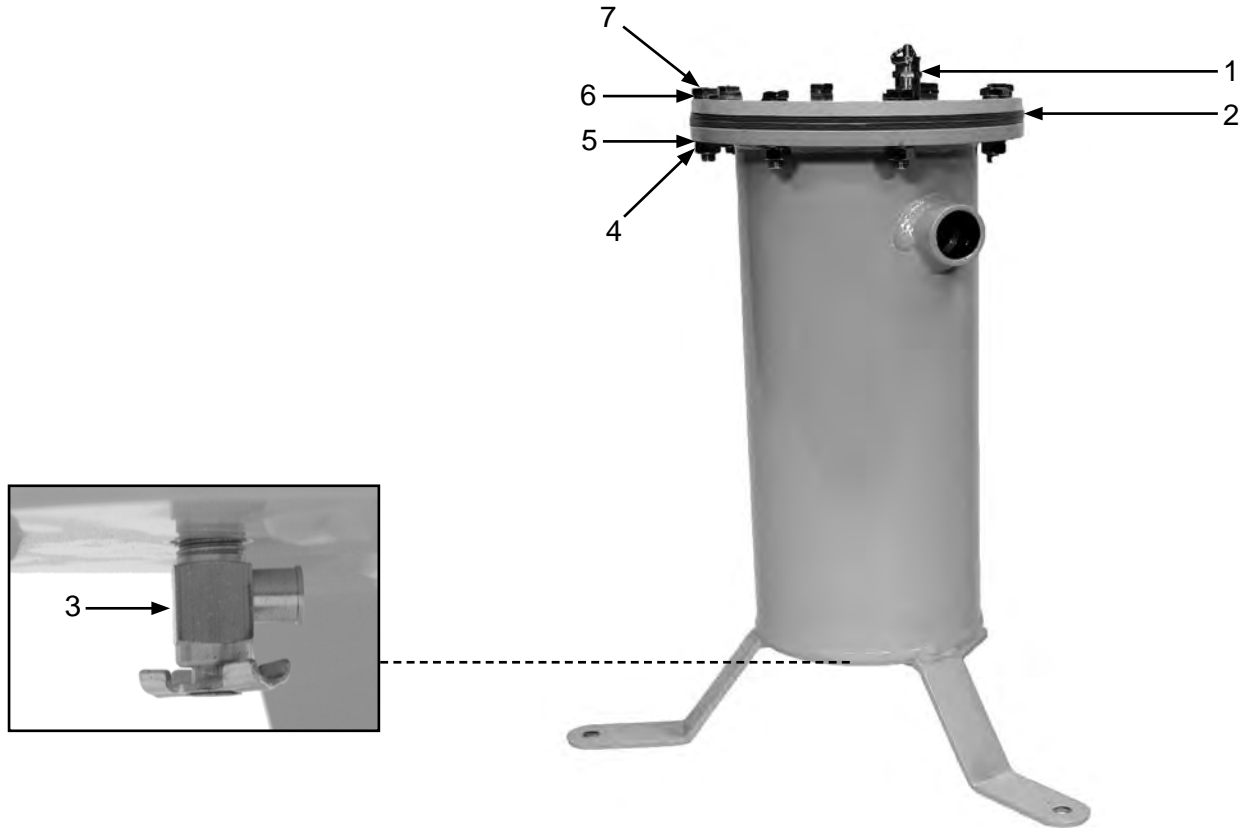
PART NUMBERS & SCHEMATICS GUIDE

Figure 2: Bullard® 41P6 Airline Filter













PART NUMBERS & SCHEMATICS

Figure 3: Bullard® 41A Airline Filter





Item #	Part #	Description
Fig. 3		
—	10B41A	Bullard® 41A Airline Filter – 1-Outlet
1	1028607	Pressure Relief Valve – 1/4" NPT – 125 psi
2	1028633 10B41AF	Marco Filter Cartridge (<i>Alternative</i>) Filter Cartridge
3	1028607	Pressure Relief Valve – 1/4" NPT – 125 psi
4	1028619	3/8-16 Nut (<i>Eight Required</i>)
5	10101936	3/8" Lock Washer (<i>Eight Required</i>)
6	1014241	3/8" Flat Washer (<i>Eight Required</i>)
7	10102252	3/8-16 x 2" Zinc Hex Head Cap Screw (<i>Eight Required</i>)
—	105V483	Features and Specifications Guide – Bullard 41 Series Airline Filters
—	106M483	Part Numbers & Schematics Guide – Bullard 41 Series Airline Filters
—	109V483	Operator's Manual – Bullard 41 Series Airline Filters


OPTIONAL ACCESSORIES


Part Numbers	BREATHING LINE FITTINGS AND QUICK-DISCONNECT COUPLINGS	
	Description	
	10BV11	3/8" Male x 3/8" Male Hose to Hose Connector Hex Nipple <i>Replace 10BV11 with 10BV27 if not using 10B4696 Starter Hose</i>
	10BV12	3/8" Male NPT Pipe Thread to 1/4" Male Hose Adapter Hex Nipple <i>Included in 10BV27</i>
	10BV13	3/8" Male NPT Pipe Thread to 3/8" Male Hose Adapter Hex Nipple <i>Comes on 10B5454, 10B5457 and 10B5458</i>
	10BV14	1/4" Female Quick-Disconnect Coupling, Shut-Off with 1/4" Female Pipe Thread <i>Included in 10BV27</i>
	10BV19	1/4" Female Snap-Tite Quick-Disconnect Coupling, Shut-off with 1/4" Female Pipe Thread
	10BV15	1/4" Female Quick-Disconnect Coupling, Shut-Off with 3/8" Male Pipe Thread <i>Install on airline filter to make quick-disconnect</i>
	10BV27	1/4" Female Industrial Interchange Coupling Assembly <i>Includes 10BV12 and 10BV14</i> <i>Replaces 10BV13 at the hood to make quick-disconnect if not using 10B4696 Starter Hose</i>
	10BV17	1/4" Male Industrial Interchange Quick-Disconnect Coupling, 3/8" Female NPT Pipe Thread <i>Add to 10BV13 to make quick-disconnect at airline filter</i>
	10BS19442	1/4" Male Snap-Tite Quick-Disconnect Coupling With 1/4" Female NPT Pipe Thread
	10BS19432	1/4" Male Schrader® Coupling with 1/4" Male Pipe Thread

OPTIONAL ACCESSORIES


		3/4" I.D. X 1-1/4" O.D. AIR HOSE				
	Part Numbers	Length	Hose I.D.	Hose O.D.	Working Pressure	Hose Cover Color
	10AH034	Per Ft.	3/4"	1-1/4"	200 PSI	Red


		3/4" I.D. X 1-1/4" O.D. AIR HOSE WITH COUPLINGS INSTALLED					
	Part Numbers	Length	Hose I.D.	Hose O.D.	Working Pressure	Hose Cover Color	Couplings
	10AH034AC	50 Ft.	3/4"	1-1/4"	200 PSI	Red	2-Lug Crimped On


		MALE HOSE END COUPLING AND GASKET FOR 3/4" I.D. AIR HOSE					
	Part Numbers	Hose I.D.	Material	Coupling Style	GASKET		
					Rubber Gasket	Gasket I.D.	Gasket O.D.
	10HE1	3/4"	Zinc-Plated Iron	2-Lug	10UG2	3/4"	1-3/8"


		BOSS CLAMP FOR 3/4" I.D. AIR HOSE		
	Part Numbers	Hose I.D.	Hose O.D. Range	Material
	10A9	3/4"	1-1/8"–1-5/16"	Plated Steel


OPTIONAL ACCESSORIES

		1" I.D. X 1-1/2" O.D. AIR HOSE				
	Part Numbers	Length	Hose I.D.	Hose O.D.	Working Pressure	Hose Cover Color
	10AH100	Per Ft.	1"	1-1/2"	200 PSI	Red

		1" I.D. X 1-1/2" O.D. AIR HOSE WITH COUPLINGS INSTALLED						
	Part Numbers	Length	Hose I.D.	Hose O.D.	Working Pressure	Hose Cover Color	Couplings	Band Clamps
	10AH100AC	50 Ft.	1"	1-1/2"	200 PSI	Red	2-Lug Crimped On	

		MALE HOSE END COUPLING AND GASKET FOR 1" I.D. AIR HOSE					
	Part Numbers	Hose I.D.	Material	Coupling Style	GASKET		
					Rubber Gasket	Gasket I.D.	Gasket O.D.
	10HE2	1"	Plated Iron	2-Lug	10UG2	3/4"	1-3/8"

		HAMMER-LOCK FITTING FOR 1" I.D. AIR HOSE	
	Part Numbers	Hose I.D.	Material
	10DXGF36	1"	Plated Steel

		BOSS CLAMP FOR 1" I.D. AIR HOSE		
	Part Numbers	Hose I.D.	Hose O.D. Range	Material
	10A14	1"	1-1/2"–1-13/16"	Plated Steel

PART NUMBERS

CLEMCO® CPF BREATHING AIR FILTERS		
Part Numbers	Style	Number of Outlets
10C03578	Stationary, with Regulator	2-Outlet
10C03577	Stationary, without Regulator	2-Outlet
10C03527	Stationary, with Regulator	6-Outlet

CLEMCO® CPF BREATHING AIR FILTERS



10C03578



10C03577



10C03527

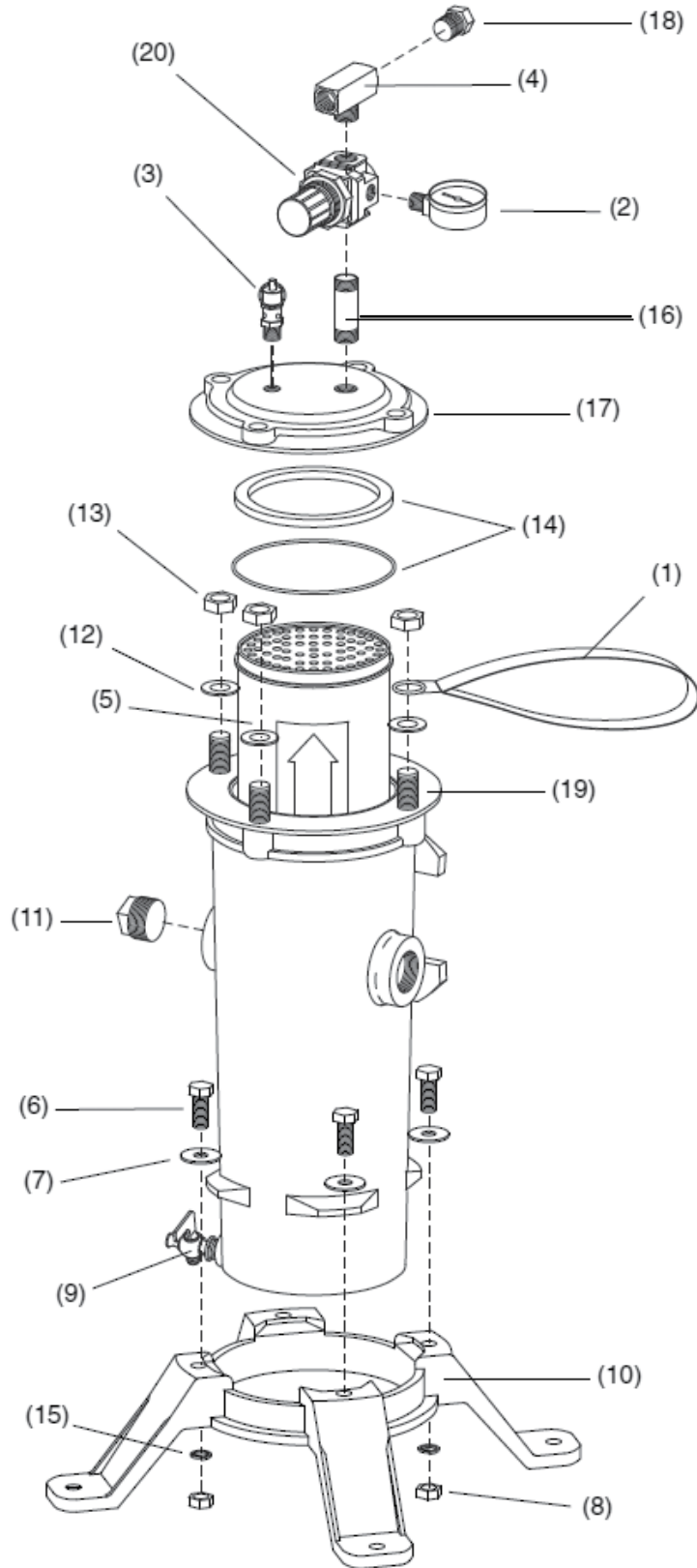
PART NUMBERS & SCHEMATICS GUIDE

Clemco® CPF-20 Breathing Air Filter

Item #	Part #	Description
Fig. 1		
—	10C03578	Clemco CPF-20 Breathing Air Filter with Regulator
	10C03577	Clemco CPF-20 Breathing Air Filter without Regulator <i>Does Not Include Item #20</i>
1	10C03623	Handle Strap
2	10C00024B	1/4" NPT 0 – 160 psi Pressure Gauge
3	10C01909	Pressure Relief Valve
4	10C22843	3/8" NPT Male Branch Tee
5	10105326 10C03547	Airline Filter Cartridge (<i>Alternative</i>) Filter Cartridge
6	10C03252	3/8" NC x 1" Hex Head Cap Screw
7	10C03310	3/8" I.D. x 1-1/4" O.D. Washer
8	10C03311	3/8" NC Hex Nut
9	10C01993	1/4" Petcock
10	10C03557	Base Bracket
11	10C03532	1" NPT Pipe Plug
12	10C03515	1/2" SAE Flat Washer
13	10C03511	1/2" NC Hex Nut
14	10C08942	Gasket and O-Ring Kit
15	10C03318	3/8" Lock Washer
16	10C03720	3/8" NPT x 2" Brass Nipple
17	10C03584	Air Filter Cap
18	10C03536	3/8" NPT Brass Plug
19	10C03545	Filter Cap Stud
20	10C03594	Pressure Regulator
—	10C03582	Regulator Kit <i>Includes Item #'s: 4, 16, 18, and 20</i>
—	105V485	Features Guide – Clemco® CPF Air Filters
—	106M485	Part Numbers & Schematics Guide – Clemco® CPF Air Filters
—	109V485	Operator's Manual – Clemco® CPF Air Filters

PART NUMBERS & SCHEMATICS GUIDE

Figure 1: Clemco® CPF-20 Breathing Air Filter



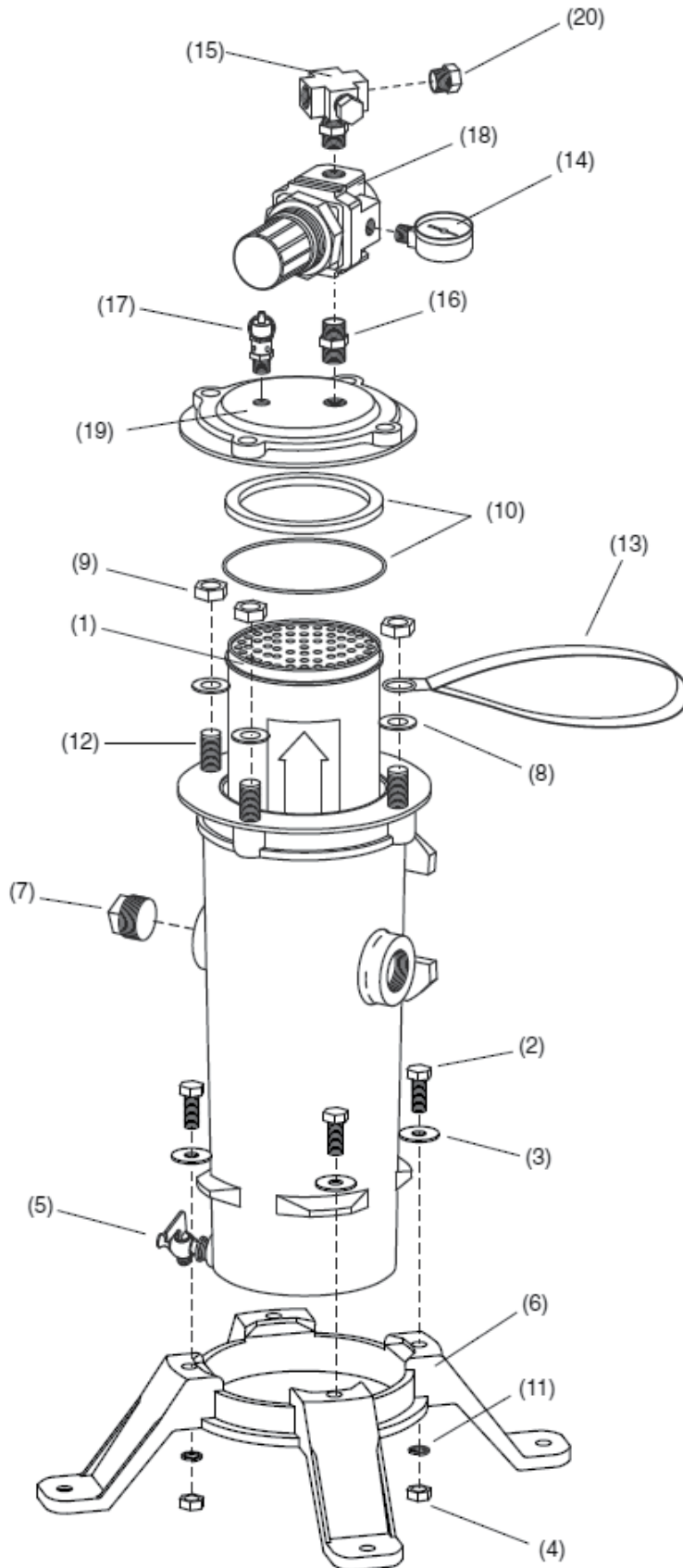
PART NUMBERS & SCHEMATICS GUIDE

Clemco® CPF-80 Breathing Air Filter











Item #	Part #	Description
Fig. 2		
—	10C03527	Clemco CPF-80 Breathing Air Filter with Regulator
1	10105326 10C03547	Airline Filter Cartridge (<i>Alternative</i>) Filter Cartridge
2	10C03252	3/8" NC x 1" Hex Head Cap Screw
3	10C03310	3/8" I.D. x 1-1/4" O.D. Washer
4	10C03311	3/8" NC Hex Nut
5	10C01993	1/4" Petcock
6	10C03557	Base Bracket
7	10C03532	1" NPT Pipe Plug
8	10C03515	1/2" SAE Flat Washer
9	10C03511	1/2" NC Hex Nut
10	10C08942	Gasket and O-Ring Kit
11	10C03318	3/8" Lock Washer
12	10C03545	1/2" NC x 2" Stud
13	10C03623	Handle Strap
14	10C00024	Pressure Gauge
15	10C22941	3/8" NPT Cross Manifold
16	10C03596	3/8" NPT Hex Nipple
17	10C01909	1/4" NPT Relief Valve
18	10C22939	3/8" NPT Large Body Pressure Regulator
19	10C03584	CPF Filter Cap
20	10C03536	3/8" NPT Brass Plug
—	10C23477	Pressure Regulator Conversion Kit (Converts old style CPF-80 Cap to New Style) <i>Includes Item #'s: 13, 15, 18, and 19</i>
—	105V485	Features Guide – Clemco® CPF Air Filters
—	106M485	Part Numbers & Schematics Guide – Clemco® CPF Air Filters
—	109V485	Operator's Manual – Clemco® CPF Air Filters

PART NUMBERS & SCHEMATICS


Figure 2: Clemco® CPF-80 Breathing Air Filter





OPTIONAL ACCESSORIES


		BREATHING LINE FITTINGS AND QUICK-DISCONNECT COUPLINGS
Part Numbers	Description	
	10BV11	3/8" Male x 3/8" Male Hose to Hose Connector Hex Nipple <i>Replace 10BV11 with 10BV27 if not using 10B4696 Starter Hose</i>
	10BV12	3/8" Male NPT Pipe Thread to 1/4" Male Hose Adapter Hex Nipple <i>Included in 10BV27</i>
	10BV13	3/8" Male NPT Pipe Thread to 3/8" Male Hose Adapter Hex Nipple <i>Comes on 10B5454, 10B5457 and 10B5458</i>
	10BV14	1/4" Female Quick-Disconnect Coupling, Shut-Off with 1/4" Female Pipe Thread <i>Included in 10BV27</i>
	10BV19	1/4" Female Snap-Tite Quick-Disconnect Coupling, Shut-off with 1/4" Female Pipe Thread
	10BV15	1/4" Female Quick-Disconnect Coupling, Shut-Off with 3/8" Male Pipe Thread <i>Install on airline filter to make quick-disconnect</i>
	10BV27	1/4" Female Industrial Interchange Coupling Assembly <i>Includes 10BV12 and 10BV14</i> <i>Replaces 10BV13 at the hood to make quick-disconnect if not using 10B4696 Starter Hose</i>
	10BV17	1/4" Male Industrial Interchange Quick-Disconnect Coupling, 3/8" Female NPT Pipe Thread <i>Add to 10BV13 to make quick-disconnect at airline filter</i>
	10BS19442	1/4" Male Snap-Tite Quick-Disconnect Coupling With 1/4" Female NPT Pipe Thread
	10BS19432	1/4" Male Schrader® Coupling with 1/4" Male Pipe Thread

OPTIONAL ACCESSORIES


		3/4" I.D. X 1-1/4" O.D. AIR HOSE				
	Part Numbers	Length	Hose I.D.	Hose O.D.	Working Pressure	Hose Cover Color
	10AH034	Per Ft.	3/4"	1-1/4"	200 psi	Red


		3/4" I.D. X 1-1/4" O.D. AIR HOSE WITH COUPLINGS INSTALLED					
	Part Numbers	Length	Hose I.D.	Hose O.D.	Working Pressure	Hose Cover Color	Couplings
	10AH034AC	50 Ft.	3/4"	1-1/4"	200 psi	Red	2-Lug Crimped On


		MALE HOSE END COUPLING AND GASKET FOR 3/4" I.D. AIR HOSE					
	Part Numbers	Hose I.D.	Material	Coupling Style	GASKET		
					Rubber Gasket	Gasket I.D.	Gasket O.D.
	10HE1	3/4"	Zinc-Plated Iron	2-Lug	10UG2	3/4"	1-3/8"


		BOSS CLAMP FOR 3/4" I.D. AIR HOSE		
	Part Numbers	Hose I.D.	Hose O.D. Range	Material
	10A9	3/4"	1-1/8"–1-5/16"	Plated Steel


OPTIONAL ACCESSORIES

		1" I.D. X 1-1/2" O.D. AIR HOSE				
	Part Numbers	Length	Hose I.D.	Hose O.D.	Working Pressure	Hose Cover Color
	10AH100	Per Ft.	1"	1-1/2"	200 psi	Red

		1" I.D. X 1-1/2" O.D. AIR HOSE WITH COUPLINGS INSTALLED						
	Part Numbers	Length	Hose I.D.	Hose O.D.	Working Pressure	Hose Cover Color	Couplings	Band Clamps
	10AH100AC	50 Ft.	1"	1-1/2"	200 psi	Red	2-Lug Crimped On	

		MALE HOSE END COUPLING AND GASKET FOR 1" I.D. AIR HOSE					
	Part Numbers	Hose I.D.	Material	Coupling Style	GASKET		
					Rubber Gasket	Gasket I.D.	Gasket O.D.
	10HE2	1"	Plated Iron	2-Lug	10UG2	3/4"	1-3/8"

		HAMMER-LOCK FITTING FOR 1" I.D. AIR HOSE	
	Part Numbers	Hose I.D.	Material
	10DXGF36	1"	Plated Steel

		BOSS CLAMP FOR 1" I.D. AIR HOSE		
	Part Numbers	Hose I.D.	Hose O.D. Range	Material
	10A14	1"	1-1/2"–1-13/16"	Plated Steel

PART NUMBERS & SCHEMATICS GUIDE

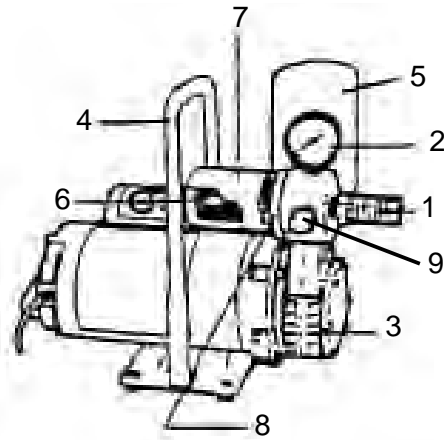
BULLARD EDP 10 FREE-AIR PUMP			
Part Numbers	Motor Type	Number of Outlets	CFM
10BEDP10	Electric-Driven	1	10

**Actual number of respirators that may be connected to these products is dependent on the inlet pressure to the panel, and the airflow and pressure requirements of the respirator.*














PART NUMBERS & SCHEMATICS GUIDE

Figure 1: EDP 10 Free-Air Pump



Item #	Part #	Description
Fig.1		
—	10BEDP10	Bullard EDP 10 Free-Air Pump – Complete
1	10BS16483	1/2" Industrial Interchange Quick-Disconnect Coupling with 3/4" NPT Pipe Thread
2	10BS19681	Pressure Gauge, 0 – 15 PSI
3	10B15921	Service Kit <i>Includes Item #'s 5, 6, and Four Carbon Vanes</i>
4	10B222752	Handle
5	10B23611	Inlet Filter
6	10BS17101	Carbofine Outlet Filter Cartridge
7	10B244852	Outlet Filter Jar
8	10B263552	Outlet Filter Assembly O-Ring
9	10BED910PRV	Pressure Adjustment Knob
—	10B609400072	Male Hex adapter
—	10B60980030	3/4" Female Coupling
—	106M333	Part Numbers and Schematics Guide - Bullard EDP 10 Free-Air Pump
—	109V333	Operator's Manual - Bullard EDP 10 Free-Air Pump

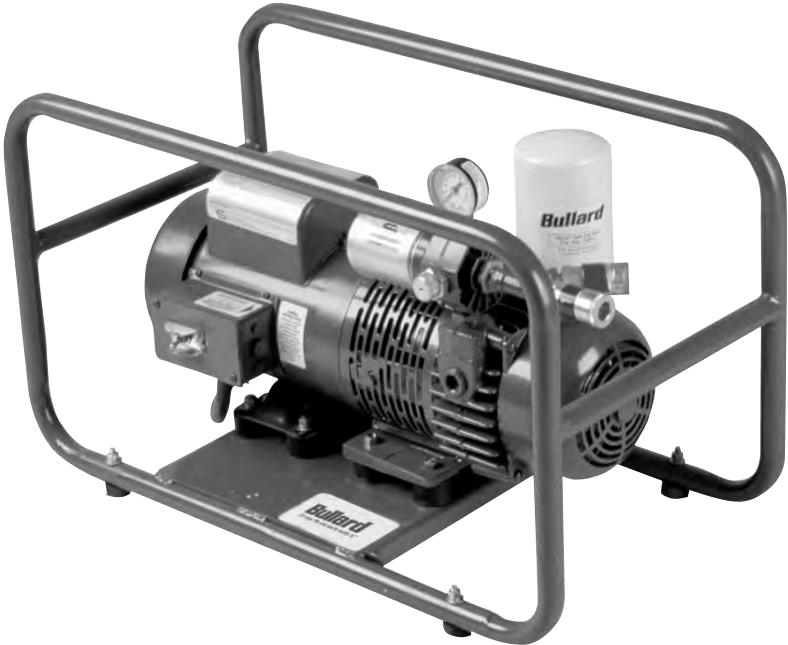
OPTIONAL ACCESSORIES

		EDP 10 FREE-AIR® PUMP ACCESSORIES
Part Numbers	Description	
	10BV22	Quick-Disconnect Adapter, Converts Pumps Quick-Disconnect Coupler To Double 3/8" Female NPT
	10BV23	Quick-Disconnect Adapter, Converts Pumps Quick-Disconnect Coupler To Single 3/8" Female NPT
	10BF35B	1/2" Industrial Interchange Quick-Disconnect Constant Flow Coupling with Threaded Hose Connector and 10B4612 Belt
	10BV24	Quick-Disconnect Splitter/Adapter, Converts Pumps Quick-Disconnect Coupler To Double 1/2" Industrial Interchange Female Couplers <i>(one flow-through, one shut-off)</i>
	10BINLINE10	Inline Filter Assembly for Remote Re-locating of Outlet
	10BS16483	1/2" Industrial Interchange Quick-Disconnect Coupling with 3/4" NPT Pipe Thread
	10B263552	Outlet Filter O-ring
	10BV50EX	Remote Extension Hose – 50 Ft.
	10BV50IN	Remote Inlet Air Hose And Fittings – 50 Ft.
	10BV2050ST	1/2" I.D. Breathing Line with 1/2" Male And Female Quick-Disconnect Coupling – 50 Ft.
	10BV20100ST	1/2" I.D. Breathing Line with 1/2" Male And Female Quick-Disconnect Coupling – 100 Ft.

PART NUMBERS & SCHEMATICS GUIDE

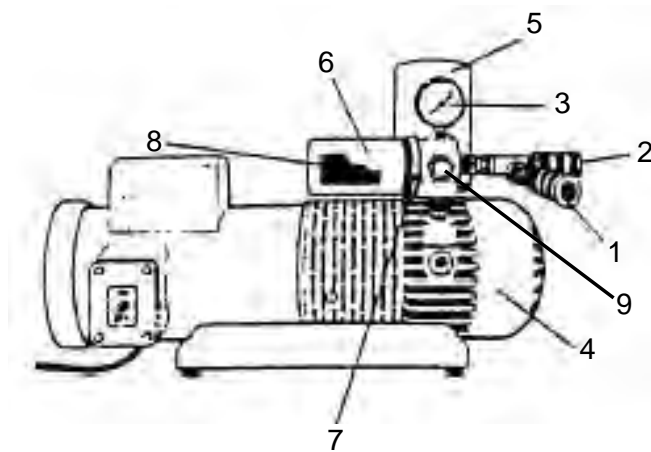
BULLARD® EDP 16TE FREE-AIR® PUMP			
Part Numbers	Motor Type	Number of Outlets	CFM
10BEDP16TE	Electric-Driven	2	16

**Actual number of respirators that may be connected to these products is dependent on the inlet pressure to the panel, and the airflow and pressure requirements of the respirator.*














PART NUMBERS & SCHEMATICS GUIDE

Figure 1: EDP 16TE Free-Air® Pump



Item #	Part #	Description
Fig. 1		
—	10BEDP16TE	Bullard® EDP 16TE Free-Air® Pump – Complete
1	10BS16191	1/2" Industrial Interchange Quick-Disconnect Shut-Off With 3/8" NPT Pipe Thread
2	10BS16481	1/2" Industrial Interchange Quick-Disconnect Flow-Through With 3/8" NPT Pipe Thread
3	10BS19683	Pressure Gauge, Outlet Air Pressure, 0 – 30 psi
4	10B15922	Service Kit (Includes Item #'s: 5, 8, and four Carbon Vanes)
5	10B23611	Inlet Filter
6	10B244852	Outlet Filter Jar
7	10B263552	Outlet Filter Assembly O-Ring
8	10BS17101	Carbofine Outlet Filter Cartridge
9	10BEDP10PRV	Pressure Adjustment Knob
—	106M491	Part Numbers and Schematics Guide - Bullard® EDP 16TE Free-Air® Pump
—	109V491	Operator's Manual - Bullard® EDP 16TE Free-Air® Pump

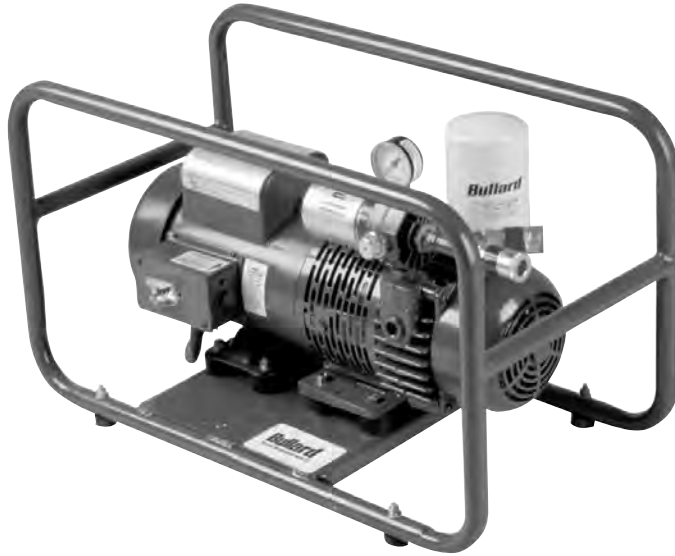
OPTIONAL ACCESSORIES

	Part Numbers	EDP 16TE FREE-AIR PUMP® ACCESSORIES
		Description
	10BV22	Quick-Disconnect Adapter, Converts Pumps Quick-Disconnect Coupler To Double 3/8" Female NPT
	10BV23	Quick-Disconnect Adapter, Converts Pumps Quick-Disconnect Coupler To Single 3/8" Female NPT
	10BF35B	1/2" Industrial Interchange Quick-Disconnect Constant Flow Coupling with Threaded Hose Connector and 10B4612 Belt
	10BV24	Quick-Disconnect Splitter/Adapter, Converts Pumps Quick-Disconnect Coupler To Double 1/2" Industrial Interchange Female Couplers (<i>one flow-through, one shut-off</i>)
	10BINLINE16	Inline Filter Assembly for Remote Re-locating of Outlet
	10BS16483	1/2" Industrial Interchange Quick-Disconnect Coupling with 3/4" NPT Pipe Thread
	10B263552	Outlet Filter O-ring
	10BV50EX	Remote Extension Hose – 50 Ft.
	10BV50IN	Remote Inlet Air Hose And Fittings – 50 Ft.
	10BV2050ST	1/2" I.D. Breathing Line with 1/2" Male And Female Quick-Disconnect Coupling – 50 Ft.
	10BV20100ST	1/2" I.D. Breathing Line with 1/2" Male And Female Quick-Disconnect Coupling – 100 Ft.

PART NUMBERS & SCHEMATICS GUIDE

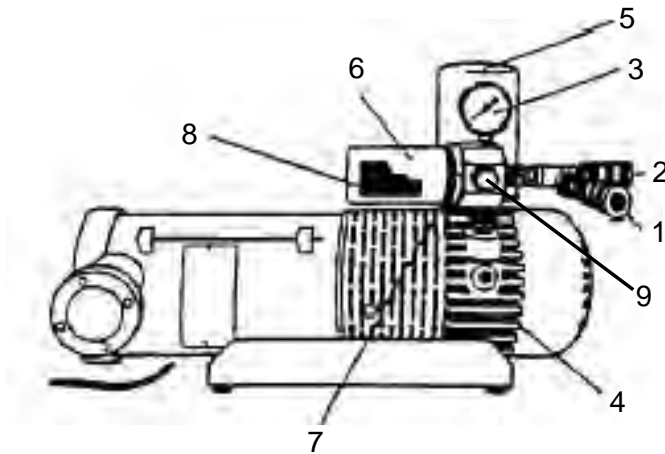
BULLARD® EDP 16HAZ FREE-AIR® PUMPS				
Part Numbers	Motor Type	Number of Outlets	CFM	Hazardous Duty
10BEDP16HAZ	Electric-Driven	2	16	Yes

**Actual number of respirators that may be connected to these products is dependent on the inlet pressure to the panel, and the airflow and pressure requirements of the respirator.*














PART NUMBERS & SCHEMATICS GUIDE

Figure 1: Bullard® EDP 16HAZ Free-Air® Pump



Item #	Part #	Description
Fig. 1		
—	10BEDP16HAZ	Bullard® EDP 16HAZ Free-Air® Pump – Complete
1	10BS16191	1/2" Industrial Interchange Quick-Disconnect Shut-Off With 3/8" NPT Pipe Thread
2	10BS16481	1/2" Industrial Interchange Quick-Disconnect Shut-Off With 3/8" NPT Pipe Thread
3	10BS19683	Pressure Gauge, Outlet Air Pressure, 0 – 30 psi
4	10B15922	Service Kit <i>(Includes Item #'s: 5, 8, and four Carbon Vanes)</i>
5	10B23611	Inlet Filter
6	10B244852	Outlet Filter Jar
7	10B263552	Outlet Filter Assembly O-Ring
8	10BS17101	Carbofine Outlet Filter Cartridge
9	10BEDP10PRV	Pressure Adjustment Knob
—	106M492	Part Numbers and Schematics Guide - Bullard® EDP 16HAZ Free-Air® Pump
—	109V492	Operator's Manual - Bullard® EDP 16HAZ Free-Air® Pump

OPTIONAL ACCESSORIES

		EDP 16HAZ FREE-AIR® PUMP ACCESSORIES
Part Numbers	Description	
	10BV22	Quick-Disconnect Adapter, Converts Pumps Quick-Disconnect Coupler To Double 3/8" Female NPT
	10BV23	Quick-Disconnect Adapter, Converts Pumps Quick-Disconnect Coupler To Single 3/8" Female NPT
	10BF35B	1/2" Industrial Interchange Quick-Disconnect Constant Flow Coupling with Threaded Hose Connector and 10B4612 Belt
	10BV24	Quick-Disconnect Splitter/Adapter, Converts Pumps Quick-Disconnect Coupler To Double 1/2" Industrial Interchange Female Couplers <i>(one flow-through, one shut-off)</i>
	10BINLINE16	Inline Filter Assembly for Remote Re-locating of Outlet
	10BS16483	1/2" Industrial Interchange Quick-Disconnect Coupling with 3/4" NPT Pipe Thread
	10B263552	Outlet Filter O-ring
	10BV50EX	Remote Extension Hose – 50 Ft.
	10BV50IN	Remote Inlet Air Hose And Fittings – 50 Ft.
	10BV2050ST	1/2" I.D. Breathing Line with 1/2" Male And Female Quick-Disconnect Coupling – 50 Ft.
	10BV20100ST	1/2" I.D. Breathing Line with 1/2" Male And Female Quick-Disconnect Coupling – 100 Ft.

PART NUMBERS & SCHEMATICS GUIDE

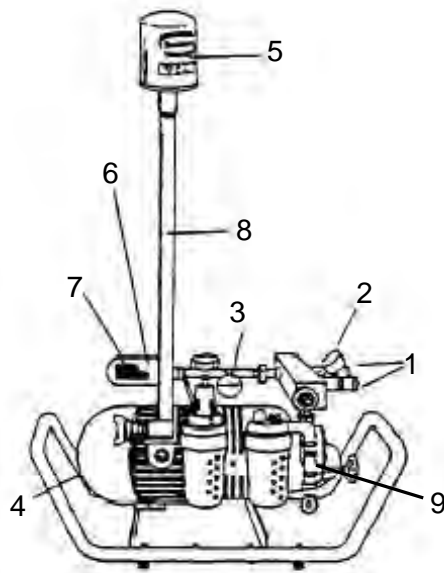
BULLARD ADP 20 FREE-AIR PUMPS			
Part Numbers	Motor Type	Number of Outlets	CFM
10BADP20	Air-Driven	2	31

**Actual number of respirators that may be connected to these products is dependent on the inlet pressure to the panel, and the airflow and pressure requirements of the respirator.*











PART NUMBERS & SCHEMATICS GUIDE

Figure 1: ADP 20 Free-Air Pump





Item #	Part #	Description
Fig.1		
—	10BADP20	Bullard ADP 20 Free-Air Pump – Complete
1	10BS16191	1/2" Industrial Interchange Quick-Disconnect Shut-Off With 3/8" NPT Pipe Thread <i>(Two Included)</i>
2	10BS16222	Pressure Gauge, Outlet Air Pressure, 0 – 30 PSI NPT Pipe Thread
3	10BS09853	Pressure Gauge 0 – 200 PSI
4	10B15922	Service Kit <i>Includes Item #'s: 5, 7, and four Carbon Vanes</i>
5	10B23611	Inlet Filter
6	10B244852	Outlet Filter Jar
7	10BS17101	Carbofine Outlet Filter Cartridge
8	10B609400045	Air Inlet Stand Pipe
9	10B17761	Service Kit for Air Motor
—	10B609400072	Male Hex adapter
—	10B60980030	3/4" Female Coupling
—	106M493	Part Numbers and Schematics Guide - Bullard ADP 20 Free-Air Pump
—	109V493	Operator's Manual - Bullard ADP 20 Free-Air Pump


OPTIONAL ACCESSORIES

	Part Numbers	ADP 20 FREE-AIR PUMP ACCESSORIES
		Description
	10BV23	Quick-Disconnect Adapter, Converts Pumps Quick-Disconnect Coupler to Single 3/8" Female NPT
	10BS16191	1/2" Industrial Interchange Quick-Disconnect Shut-Off With 3/8" NPT Pipe Thread
	10BF35B	1/2" Industrial Interchange Quick-Disconnect Constant Flow Coupling with Threaded Hose Connector and 10B4612 Belt
	10B263552	Outlet Filter O-ring
	10BV50EX	Remote Extension Hose – 50 Ft.
	10BV50IN	Remote Inlet Air Hose And Fittings – 50 Ft.
	10BV2050ST	1/2" I.D. Breathing Line with 1/2" Male And Female Quick-Disconnect Coupling – 50 Ft.
	10BV20100ST	1/2" I.D. Breathing Line with 1/2" Male And Female Quick-Disconnect Coupling – 100 Ft.



PART NUMBERS & SCHEMATICS GUIDE


		RED ULTRALITE NYLON BLAST SUITS					
Part Numbers	Size	Inseam	Waist	Chest	Knee Material	Cuff Style	
							
	1029501	Medium	29"	33"	38 – 40"	Leather	Knit
	1029502	Large	32"	37"	42 – 44"	Leather	Knit
	1029503	X-Large	35"	42"	46 – 48"	Leather	Knit
	1029504	XX-Large	35"	47"	50 – 52"	Leather	Knit
	1029505	3X-Large	35"	48 – 50"	54 – 56"	Leather	Knit
	1029506	4X-Large	35"	52 – 54"	58 – 60"	Leather	Knit
	1029507	5X-Large	35"	56 – 58"	62 – 64"	Leather	Knit


		BLUE NYLON BLAST SUITS					
Part Numbers	Size	Inseam	Waist	Chest	Knee Material	Cuff Style	
							
	1029502B	Large	32"	37"	42 – 44"	Canvas	Hook & Loop Strap
	1029503B	X-Large	35"	42"	46 – 48"	Canvas	Hook & Loop Strap
	1029504B	XX-Large	35"	47"	50 – 52"	Canvas	Hook & Loop Strap
	1029505B	3X-Large	35"	48 – 50"	54 – 56"	Canvas	Hook & Loop Strap
	1029506B	4X-Large	35"	52 – 54"	58 – 60"	Canvas	Hook & Loop Strap

		LEATHER BLAST SUITS				
Part Numbers	Size	Inseam	Waist	Chest	Cuff Style	
						
	1029602	Large	32"	37"	42 – 44"	Leather Strap
	1029603	X-Large	35"	42"	46 – 48"	Leather Strap
	1029604	XX-Large	35"	47"	50 – 52"	Leather Strap
	1029605	3X-Large	35"	48 – 50"	54 – 56"	Leather Strap
	1029606	4X-Large	35"	52 – 54"	58 – 60"	Leather Strap
	1029607	5X-Large	35"	56 – 58"	62 – 64"	Leather Strap

PART NUMBERS & SCHEMATICS GUIDE

BLAST ARMOR APRONS			
	Part Numbers	Description	Size
	10N5010WH	Split Leg	One Size
	3070139	Blue Vinyl 6 mil Thickness	One Size

BLAST ARMOR CAPE WITH SLEEVES			
	Part Numbers	Size	Description
	10N5015WH	Large	Elastic Back
	10N5015WHXL	X-Large	Elastic Back
	10N5015WHXXL	XX-Large	Elastic Back
	10N5015WHXXXL	3X-Large	Elastic Back

LEATHER (CHAPS)			
	Part Numbers	Description	Size
	3070108	Brown Tillman Leather Chaps	24" x 38"

PART NUMBERS

88VX SERIES ABRASIVE BLASTING RESPIRATORS					
Part Numbers	Air Flow Fitting (Constant Flow)	Breathing Tube	Headband Suspension	Belt	Cape
10B88MVX	10BF30B	10B88VXBT	10B88VXRTP	10B4612	10B46416VX 28" Orange
10B88VX3230	10BF30B	10B88VXBT	10B88VXRTP	10B4612	10B46VX 28" Tan
10B88VX1330	10BF30B	10B88VXBT	10B88VXRTP	10B4612	10B13VX 38" Tan
10B88VX3630*	10BF30B	10B88VXBT	10B88VXRTP	10B4612	10B36VX 38" Hibernia
10B88VX36XL30*	10BF30B	10B88VXBT	10B88VXRTP	10B4612	10B36XLVX 38" XL Hibernia
10B88VX3235	10BF35B	10B88VXBT	10B88VXRTP	10B4612	10B46VX 28" Tan
10B88VX1335	10BF35B	10B88VXBT	10B88VXRTP	10B4612	10B13VX 38" Tan

*not shown



10B88MVX
10B88VX3230
10B88VX3235



10B88VX1330
10B88VX1335

PART NUMBERS

88VX SERIES ABRASIVE BLASTING RESPIRATORS AND SYSTEMS

Part Numbers	Free-Air® Pump	Climate Control Device	Cape	Air Flow Fitting (Constant Flow)	Breathing Tube	Headband Suspension	Belt	Breathing Line
10B88VXFAPKIT	10BEDP10	N/A	10B46VX 28" Tan	10BF35B	10B88VXBT	10B88VXRTP	10B4612	10BV2050ST
10B88VXSYS16TE	10BEDP16TE	N/A	10B46VX 28" Tan	10BF35B	10B88VXBT	10B88VXRTP	10B4612	10BV2050ST
10B88VXSYS	10BADP20	10BFRIGITRON2000	10B46VX 28" Tan	10BF35B	10B88VXBT	10B88VXRTP	10B4612	10BV2050ST



10B88VXFAPKIT



10B88VXSYS16TE



10B88VXSYS

88VX SERIES LENSES

OVAL 88VX SERIES ABRASIVE BLASTING RESPIRATOR INNER LENSES



Part Numbers

	Dimensions	Thickness	Material	U.O.M.
10B771B	4-1/2" x 13"	.040"	Tritan	25/Pk

RECTANGLE 88VX SERIES ABRASIVE BLASTING RESPIRATOR OUTER LENSES



Part Numbers

	Dimensions	Protective Peel-Off Film	Thickness	Color	Material	U.O.M.
10B771D015	5" x 14"	Two-Sided	.015"	Clear	PETG	50/Pk
10B771R015	5" x 14"	One-Sided	.015"	Clear	PETG	50/Pk
10B771R020	5" x 14"	One-Sided	.020"	Clear	PETG	50/Pk

OVAL 88VX SERIES ABRASIVE BLASTING RESPIRATOR OUTER LENSES



Part Numbers

	Dimensions	Protective Peel-Off Film	Color	Thickness	Material	U.O.M.
10B771020	5" x 14"	One-Sided	Clear	.020"	PETG	50/Pk
10B771040	5" x 14"	One-Sided	Clear	.040"	Acetate	25/Pk
10B88VXOLT	5" x 14"	One-Sided	Smoke	.030"	PETG	25/Pk
10B88VXOLG	5" x 14"	One-Sided	Green	.042"	PETG	25/Pk






88VX SERIES ABRASIVE BLASTING RESPIRATOR TEAR-OFF LENSES






Part Numbers

	Dimensions	Tear-Off	Thickness	Material	U.O.M.
10B7714	8" x 4"	Adhesive	.010"	Mylar	25/Pk
10B88VXLC	13" x 5"	Perforated	.010"	Mylar	25/Pk

CLIMATE CONTROL TUBES

	Part Numbers	BULLARD® SUPPLIED-AIR RESPIRATOR CLIMATE CONTROL DEVICES
		Description
	10BCT30	Air Conditioner with 1/4" Industrial Interchange Quick-Disconnect Fitting and 10B4612 Belt
	10BHCT30	Hot/Cold Tube with 1/4" Industrial Interchange Quick-Disconnect Fitting and 10B4612 Belt
	10BAC1000	Air Conditioner with 1/4" Industrial Interchange and 10B4612 Belt
	10BHC2400	Hot/Cold Tube and 10B4612 Belt
	10BFRIGITRON2000	Air Conditioner and 10B4612 Belt

	Part Numbers	BULLARD SUPPLIED-AIR RESPIRATOR CLIMATE CONTROL DEVICE ACCESSORIES
		Description
	10BMV2400	Hot/Cold Muffler Assembly <i>Includes Green Flow Valve</i>
	10B4612	Belt
	10BHS	Heat Shield

88VX SERIES CAPES

88VX SERIES ABRASIVE BLASTING RESPIRATOR CAPES

Part Numbers	Cape Color	Length	Description
10B46416VX	Orange	28"	Sleeveless
10B136416VX	Orange	38"	Sleeveless
10B46VX	Tan	28"	Sleeveless
10B13VX	Tan	38"	Sleeveless
10B21VX	Tan	38"	"Golden Gate" Cape, Cap Sleeves
10B36VX	Tan	38"	Hibernia Parka, Long Sleeves
10B36XLVX	Tan	38"	X-Large Hibernia Parka, Long Sleeves



10B46VX
10B46416VX



10B13VX
10B136416VX



10B21VX



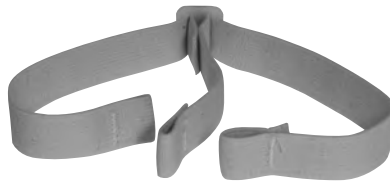
10B36VX
10B36XLVX

88VX SERIES INTERNAL REPAIR PARTS

Part Numbers	88VX SERIES ABRASIVE BLASTING RESPIRATOR INTERNAL REPAIR PARTS	
	Description	
10B20NC	Chin Strap <i>For use with 10B88VXRTP and 10B88VXTGP</i>	
10B88CS	Chin Strap <i>For use with old style 88VX Respirators with Discontinued Headband Suspension 88VXRT and 88VXTG, and discontinued 99PL plenum</i>	
10BRBPCOOL	Polartec® Replacement Brow Pad	
10B88VXRTP	VX Headband Suspension With Plenum - Ratchet Style	
10B88VXTGP	VX Headband Suspension With Plenum - Baseball Style	



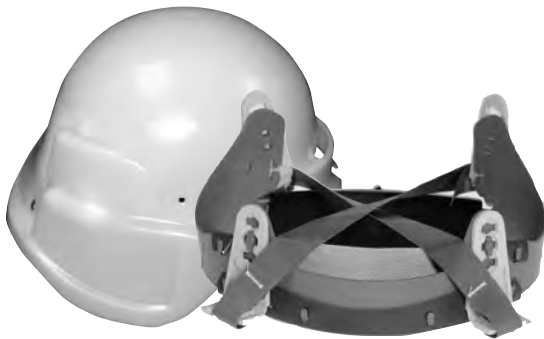
10B20NC



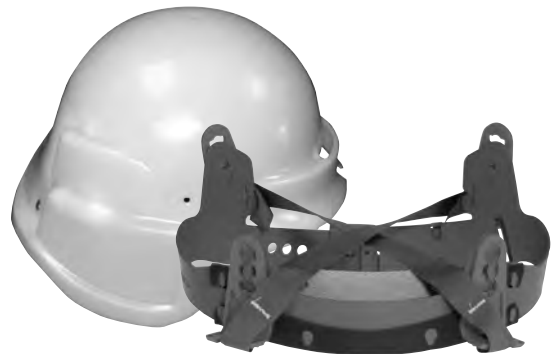
10B88CS



10BRBPCOOL



10B88VXRTP



10B88VXTGP

EXTERNAL REPAIR PARTS

Part Numbers	88VX SERIES ABRASIVE BLASTING RESPIRATOR EXTERNAL REPAIR PARTS	
	Description	
10B88VXAK	Maintenance Kit - Oval Door, Gasket, Inner Lens, Bail, and Hinge Pin*	
10BG7713	Window Frame Gasket, Oval	
10B88VXBAIL	Bail (Package of 10)	
10B88VXRAK	Maintenance Kit - Rectangular Door, Gasket, Inner Lens, Bail, and Hinge Pin*	
10B4612	Belt	
10B88CA	Carrying Strap	
10BBFW	Box Front Window Frame Adapter	
10B77LG	Lens Gasket for use with 10B77BFW2	
10B77GLT	Box Front Glass Lens	
10B88VXHP	Hinge Pin Replacement (Package of 10)	

*Connector clip mounted on the helmet not included with maintenance kits and is not replaceable.



10B88VXAK



10BG7713



10B88VXBAIL



10B88VXRAK



10B4612



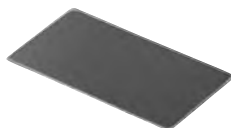
10B88CA



10BBFW



10B77LG



10B77GLT



10B88VXHP

BREATHING TUBES, REPAIR PARTS, QUICK-DISCONNECT COUPLINGS

Part Numbers	88VX SERIES ABRASIVE BLASTING RESPIRATOR BREATHING TUBES AND REPAIR PARTS
	Description
10B88CK	Breathing Tube Connector Kit - Connector with Sleeve, Hardware, Gasket and O-Ring
10B88VXBT	Breathing Tube
10BEVX30	Breathing Tube Assembly With 10BF30B 1/4" Industrial Interchange Quick-Disconnect Constant Flow Coupling and 10B4612 Belt
10BEVX40	Breathing Tube Assembly With 10BF40B 1/4" Industrial Interchange Quick-Disconnect Adjustable Flow Coupling and 10B4612 Belt
10BEVX35	Breathing Tube Assembly With 10BF35B 1/2" Industrial Interchange Quick-Disconnect Constant Flow Coupling and 10B4612 Belt



10B88CK



10B88VXBT



10BEVX30



10BEVX40



10BEVX35

Part Numbers	BULLARD® QUICK-DISCONNECT COUPLINGS
	Description
10BF30B	1/4" Industrial Interchange Quick-Disconnect Constant Flow Coupling with Threaded Hose Connector and 10B4612 Belt <i>For use with 110B88VXBT and 10B20BT</i>
10BF40B	1/4" Industrial Interchange Quick-Disconnect Adjustable Flow Control Coupling with Threaded Hose Connector and 10B4612 Belt <i>For use with 10B88VXBT, 10B20BT, and 10BGVXBT</i>
10BF35B	1/2" Industrial Interchange Quick-Disconnect Constant Flow Coupling with Threaded Hose Connector and 10B4612 Belt <i>For use with 10B88VXBT and 10B20BT; For use with Free-Air® Pump</i>



10BF30B






10BF40B




10BF35B

PART NUMBERS & SCHEMATICS GUIDE



3/8" I.D. HOSE FOR HIGH PRESSURE COMPRESSED AIR SOURCE – BLACK


	Part Numbers	<i>Length (Feet)</i>	<i>Hose Color</i>	Installed Fittings				
				10BV11	10BV13	10BV17	10BV19	Quick-Disconnect Coupler
	10B5454	25	Black	X	X			N/A
	10B5457	50	Black	X	X			N/A
	10B5458	100	Black	X	X			N/A
	10B4696	25	Black		X	X		1/4" Female
	10B46915	25	Black		X		X	1/4" Female

3/8" I.D. HOSE FOR HIGH PRESSURE COMPRESSED AIR SOURCE – BLUE

	Part Numbers	<i>Length (Feet)</i>	<i>Hose Color</i>	Installed Fittings				
				10BV11	10BV13	10BV17	10BV19	Quick-Disconnect Coupler
	10B54514	25	Blue	X	X			N/A
	10B54513	50	Blue	X	X			N/A
	10B54512	100	Blue	X	X			N/A
	10B46918	25	Blue		X		X	1/4" Female

PART NUMBERS & SCHEMATICS GUIDE

		3/8" I.D. HOSE FOR HIGH PRESSURE COMPRESSED AIR SOURCE – GREEN						
Part Numbers	Length (Feet)	Hose Color	Installed Fittings				Quick-Disconnect Coupler	
			10BV11	10BV13	10BV17	10BV19		
	10B54510	25	Green	X	X			N/A
	10B54511	50	Green	X	X			N/A
	10B54512	100	Green	X	X			N/A
	10B46916	25	Green		X		X	
	10B46917FF	50	Green		X		X	

		1/2" I.D. HOSE FOR LOW PRESSURE AMBIENT AIR PUMP – BLACK		
Part Numbers	Length (Feet)	Hose Color	Installed Fittings	
			Quick-Disconnect Coupler	
	10BV2050ST	50	Black	1/2" Male and Female
	10BV20100ST	100	Black	1/2" Male and Female

PART NUMBERS & SCHEMATICS GUIDE

BREATHING LINE FITTINGS AND QUICK-DISCONNECT COUPLINGS		
Part Numbers	Description	
	10BF30B	1/4" Industrial Interchange Quick-Disconnect Constant Flow Coupling with Threaded Hose Connector and 10B4612 Belt <i>For use with 10B88VXBT or 10B20BT</i>
	10BF40B	1/4" Industrial Interchange Quick-Disconnect Adjustable Flow Coupling with Threaded Hose Connector and 10B4612 Belt <i>For use with 10B88VXBT or 10B20BT</i>
	10BF35B	1/2" Industrial Interchange Quick-Disconnect Constant Flow Coupling with Threaded Hose Connector and 10B4612 Belt <i>For use with 10B88VXBT or 10B20BT</i>
	10BV11	3/8" Male x 3/8" Male Hose to Hose Connector Hex Nipple <i>Replace 10BV11 with 10BV27 if not using 10B4696 Starter Hose</i>
	10BV12	3/8" Male NPT Pipe Thread to 1/4" Male Hose Adapter Hex Nipple <i>Included in 10BV27</i>
	10BV13	3/8" Male NPT Pipe Thread to 3/8" Male Hose Adapter Hex Nipple <i>Comes on 10B5454, 10B5457 and 10B5458</i>
	10BV14	1/4" Female Quick-Disconnect Coupling, Shut-Off with 1/4" Female Pipe Thread <i>Included in 10BV27</i>
	10BV19	1/4" Female Snap-Tite Quick-Disconnect Coupling, Shut-off with 1/4" Female Pipe Thread
	10BV15	1/4" Female Quick-Disconnect Coupling, Shut-Off with 3/8" Male Pipe Thread <i>Install on airline filter to make quick-disconnect</i>
	10BV27	1/4" Female Industrial Interchange Coupling Assembly <i>Includes 10BV12 and 10BV14</i> <i>Replaces 10BV13 at the hood to make quick-disconnect if not using 10B4696 Starter Hose</i>
	10BV17	1/4" Male Industrial Interchange Quick-Disconnect Coupling, 3/8" Female NPT Pipe Thread <i>Add to 10BV13 to make quick-disconnect at airline filter</i>
	10BS19442	1/4" Male Snap-Tite Quick-Disconnect Coupling With 1/4" Female NPT Pipe Thread
	10BS19432	1/4" Male Schrader® Coupling with 1/4" Female Pipe Thread

PART NUMBERS

GenVX™ ABRASIVE BLASTING RESPIRATORS								
Part Numbers	Cape	Flow Control			Body Temperature Management			
		10BF30 1/4" Continuous Flow	10BF35 1/2" Adjustable Flow	10BF40 1/4" Adjustable Flow	10BCT30 Cool Tube	10BAC1000 Air Conditioner	10BHCT30 Climate Control Tube	10BHC2400 Climate Control Tube
10BGVX2830	28"	X						
10BGVX2835	28"		X					
10BGVX2840	28"			X				
10BGVX2830CT	28"				X			
10BGVX2830AC1000	28"	X				X		
10BGVX2830HCT	28"						X	
10BGVX2830HC2400	28"	X						X
10BGVX3830	38"	X						
10BGVX3840	38"			X				
10BGVX3830CT	38"				X			
10BGVX3830AC1000	38"	X				X		
10BGVX3830HCT	38"						X	
10BGVX3830HC2400	38"	X						X
10BGVXP30	38" Parka	X						
10BGVXP30	38" Parka			X				
10BGVXP30CT	38" Parka				X			
10BGVXP30AC1000	38" Parka	X				X		
10BGVXP30HCT	38" Parka						X	
10BGVXP30HC2400	38" Parka	X						X
10BGVXP30XLCT	38" XL Parka				X			



GenVX™ SERIES LENSES



Part Numbers

GenVX™ ABRASIVE BLASTING RESPIRATOR INNER LENSES				
Part Numbers	Dimensions	Thickness	Material	U.O.M.
10BBGVXIL	4-3/4" x 10"	0.040"	Tritan™	25/Pk

GenVX™ ABRASIVE BLASTING RESPIRATOR OUTER LENSES – TINTED

Part Numbers	Lens Tint	Dimensions	Protective Peel-Off Film	Thickness	Material	U.O.M.
10BBGVXOL15	Clear	5-3/16" x 10-3/4"	One-Sided	.015"	PETG	50/Pk
10BBGVXOL40	Clear	5-3/16" x 10-3/4"	One-Sided	.040"	PETG	25/Pk
10BGVXOLT	Smoke	5-3/16" x 10-3/4"	One-Sided	.030"	PETG	50/Pk
10BGVXOLG	Green	5-3/16" x 10-3/4"	One-Sided	.042"	PETG	25/Pk



Part Numbers

GenVX™ ABRASIVE BLASTING RESPIRATOR TEAR-OFF LENSES					
Part Numbers	Dimensions	Peel-Off	Thickness	Material	U.O.M.
10BGVXLC	3-3/4" x 9"	Adhesive	.010"	Mylar	25/Pk

BODY TEMPERATURE MANAGEMENT

Part Numbers	BULLARD® CLIMATE CONTROL DEVICES
	Description
10BCT30	Air Conditioner with 1/4" Industrial Interchange Quick-Disconnect Fitting and 10B4612 Belt
10BHCT30	Hot/Cold Tube with 1/4" Industrial Interchange Quick-Disconnect Fitting and 10B4612 Belt
10BAC1000	Air Conditioner and 10B4612 Belt
10BHC2400	Hot/Cold Tube and 10B4612 Belt
10BFRIGITRON2000	Air Conditioner and 10B4612 Belt <i>For use with 10BADP20 Free-Air® Pump</i>



10BCT30



10BHCT30



10BAC1000



10BHC2400



10BFRIGITRON2000

Part Numbers	BULLARD® CLIMATE CONTROL DEVICE ACCESSORIES
	Description
10BMV2400	Hot/Cold Muffler Assembly; Includes Green Flow Valve
10B4612	Belt
10BHS	Heat Shield



10BMV2400



10B4612



10BHS

GenVX™ SERIES CAPES

GenVX™ ABRASIVE BLASTING RESPIRATOR CAPES

Part Numbers	Cape Color	Length	Description
10B28VX	Tan	28"	Sleeveless
10B38VX	Tan	38"	Sleeveless
10BPKVX	Tan	38"	Long Sleeve Parka
10BPKXLVX	Tan	38"	Extra-Large Long Sleeve Parka
BGGVX	Tan	38"	"Golden Gate" Cape, Cap Sleeves



10B28VX



10B38VX



10BPKVX
10BPKXLVX



10BGGVX

GenVX™ SERIES INTERNAL REPAIR PARTS

Part Numbers	GenVX™ ABRASIVE BLASTING RESPIRATOR INTERNAL REPAIR PARTS	
	Description	
10BGVXCS	Chin Strap <i>(Pack of 10)</i>	
10BGVXRT	Ratchet Style Headband Suspension	
10BGVXPL	Pinlock Style Headband Suspension	
10BGVXCP	Cheek Pads	
10BRBPCOTTON	Cotton Brow Pad	
10BRBPVINYL	Vinyl Brow Pad	
10BRBPCOOL	Polartec® Replacement Brow Pad	



10BGVXCS



10BGVXRT



10BGVXPL



10BGVXCP



10BRBPCOTTON



10BRBPVINYL



10BRBPCOOL

EXTERNAL REPAIR PARTS

Part Numbers	GenVX™ ABRASIVE BLASTING RESPIRATOR EXTERNAL REPAIR PARTS
	Description
10BGVXDMK	Door Maintenance Kit - Door, Gasket, Inner Lens, and Bail
10B4612	Belt
10BGVXHP	Hinge Pin <i>(Not Shown)</i>
10BGVXCA	Carrying Assembly <i>(Not Shown)</i>



10BGVXDMK



10B4612

Part Numbers	GenVX™ ABRASIVE BLASTING RESPIRATOR BREATHING TUBES
	Description
10BGVXBT	Breathing Tube
10BGVXCT	Breathing Tube Connector Kit <i>(Not Shown)</i>



10BGVXBT

Part Numbers	GenVX™ ABRASIVE BLASTING RESPIRATOR QUICK-DISCONNECT COUPLINGS
	Description
10BF30B	1/4" Industrial Interchange Quick-Disconnect Constant Flow Coupling with Threaded Hose Connector and 10B4612 Belt <i>For use with 110B88VXBT and 10B20BT</i>
10BF40B	1/4" Industrial Interchange Quick-Disconnect Adjustable Flow Control Coupling with Threaded Hose Connector and 10B4612 Belt <i>For use with 10B88VXBT, 10B20BT, and 10BGVXBT</i>
10BF35B	1/2" Industrial Interchange Quick-Disconnect Constant Flow Coupling with Threaded Hose Connector and 10B4612 Belt <i>For use with 10B88VXBT and 10B20BT; For use with Free-Air® Pump</i>



10BF30B



10BF40B



10BF35B

BREATHING LINE

Part Numbers	BULLARD® BREATHING LINE								
	Compressed Air	Use With Free-Air® Pump	Breathing Line I.D.	Length	Installed Couplings				
					10BV13 Male x Male	10BV11 Male x Male	10BV17 Male x Female	10BV19 Female x Female	Quick-Disconnect Couplings
10B5454	X		3/8"	25 Ft.	X	X			N/A
10B4696	X		3/8"	25 Ft.	X		X		1/4" Female
10B46915	X		3/8"	25 Ft.	X			X	N/A
10B5457	X		3/8"	50 Ft.	X	X			N/A
10B5458	X		3/8"	100 Ft.	X	X			N/A
10BV2050ST		X	1/2"	50 Ft.					1/2" Male And Female
10BV20100ST		X	1/2"	100 Ft.					1/2" Male And Female



10BV2050ST
10BV20100ST



10B5454
10B5457
10B5458












10B4696
(Starter Hose)



10B46915
(Starter Hose)

BREATHING LINE FITTINGS AND QUICK-DISCONNECT COUPLINGS

BREATHING LINE FITTINGS AND QUICK-DISCONNECT COUPLINGS		
	Part Numbers	Description
	10BF40B	1/4" Industrial Interchange Quick-Disconnect Adjustable Flow Coupling with Threaded Hose Connector and 10B4612 Belt <i>For use with 10B88VXBT or 10B20BT</i>
	10BF35B	1/2" Industrial Interchange Quick-Disconnect Constant Flow Coupling with Threaded Hose Connector and 10B4612 Belt <i>For use with 10B88VXBT or 10B20BT</i>
	10BV11	3/8" Male x 3/8" Male Hose to Hose Connector Hex Nipple <i>Replace 10BV11 with 10BV27 if not using 10B4696 Starter Hose</i>
	10BV12	3/8" Male NPT Pipe Thread to 1/4" Male Hose Adapter Hex Nipple <i>Included in 10BV27</i>
	10BV13	3/8" Male NPT Pipe Thread to 3/8" Male Hose Adapter Hex Nipple <i>Comes on 10B5454, 10B5457 and 10B5458</i>
	10BV14	1/4" Female Quick-Disconnect Coupling, Shut-Off with 1/4" Female Pipe Thread <i>Included in 10BV27</i>
	10BV19	1/4" Female Snap-Tite Quick-Disconnect Coupling, Shut-off with 1/4" Female Pipe Thread
	10BV15	1/4" Female Quick-Disconnect Coupling, Shut-Off with 3/8" Male Pipe Thread <i>Install on airline filter to make quick-disconnect</i>
	10BV27	1/4" Female Industrial Interchange Coupling Assembly <i>Includes 10BV12 and 10BV14</i> <i>Replaces 10BV13 at the hood to make quick-disconnect if not using 10B4696 Starter Hose</i>
	10BV17	1/4" Male Industrial Interchange Quick-Disconnect Coupling, 3/8" Female NPT Pipe Thread <i>Add to 10BV13 to make quick-disconnect at airline filter</i>
	10BS19442	1/4" Male Snap-Tite Quick-Disconnect Coupling With 1/4" Female NPT Pipe Thread
	10BS19432	1/4" Male Schrader® Coupling with 1/4" Female Pipe Thread

LITEVX LIGHTS

Part Numbers	LiteVX LIGHTS
	Description
10BLITEVXASSY	LiteVX Light and Mount Assembly
10BLITEVX	LiteVX Light Only
10BLITEVXHM	LiteVX Mount Assembly Only
10BLITEVXLRK	LiteVX Lens Replacement Kit



10BLITEVXASSY

PART NUMBERS

MB30 SERIES ABRASIVE BLASTING RESPIRATORS								
Part Numbers	For Use With Compressed Air	For Use With Free-Air® Pump	Free-Air® Pump Included	Air Flow Fitting	Cape	Headband Suspension	Breathing Tube	Belt
10BMB3030	X			10BF30B (Constant Flow)	38" Tan	10B20TG	10B20BT	10B4612
10BMB3040	X			10BF40B (Adjustable Flow)	38" Tan	10B20TG	10B20BT	10B4612
10BMB3035		X		10BF35B (Constant Flow)	38" Tan	10B20TG	10B20BT	10B4612
10BMB3035FAPKIT		X	10BEDP10	10BF35B (Constant Flow)	38" Tan	10B20TG	10B20BT	10B4612



10BMB3030
10BMB3040
10BMB3035



10BM3035FAPKIT



10B20TG



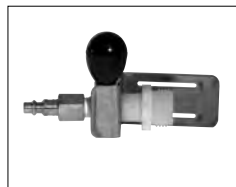
10B20BT



10B4612



10BF30B





10BF40B



10BF35B

MB30 SERIES LENSES AND INTERNAL REPAIR PARTS

		MB30 SERIES ABRASIVE BLASTING RESPIRATOR LENSES				
Part Numbers		Description	Dimensions	Thickness	Material	U.O.M.
	10BMB1	Snap-On, Two-Sided Protective Peel-Off	6-1/2" x 14"	.015"	PETG	10/Pk
	10B20LC	Tear-Off, Adhesive	13-1/4" x 6"	.010"	Mylar	25/Pk

Part Numbers	MB30 SERIES ABRASIVE BLASTING RESPIRATOR INTERNAL REPAIR PARTS
10B20NC	Chin Strap
10B20TG	Headband Suspension - Baseball Style
10B20RT	Headband Suspension - Ratchet Style



10B20NC



10B20TG



10B20RT



		BULLARD® C30-SERIES HARD HATS					
Part Numbers	Series	Style	Brow Pad Material	6-Point Ratchet Suspension	6-Point Pinlock Suspension	Color	Minimum Order Quantity
10BC30R	C30R	Cap Style	Cotton	X		White	One Each
10BC30P	C30R	Cap Style	Cotton		X	White	One Each

MB30 SERIES BREATHING TUBES AND QUICK-DISCONNECT FITTINGS

Part Numbers	BULLARD® ABRASIVE BLASTING RESPIRATOR BREATHING TUBES AND REPAIR PARTS
10BS18051	Breathing Tube Clamp
10B20BT	Breathing Tube
10BV30	Breathing Tube Assembly with Constant Flow 10BF30B 1/4" Industrial Interchange Quick-Disconnect Fitting and 10B4612 Belt
10BV40	Breathing Tube Assembly with Adjustable Flow 10BF40B 1/4" Industrial Interchange Quick-Disconnect Fitting and 10B4612 Belt
10BV35	Breathing Tube Assembly with Constant Flow 10BF35B 1/2" Industrial Interchange Quick-Disconnect Fitting and 10B4612 Belt



10BS18051



10B20BT



10BV30



10BV40

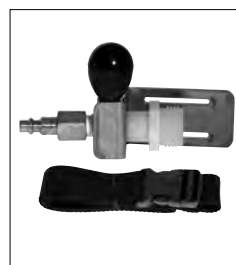


10BV35

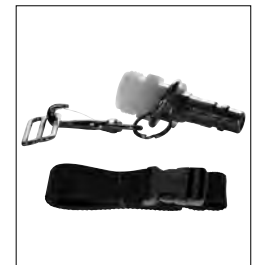
Part Numbers	BULLARD® QUICK-DISCONNECT FITTINGS
10BF30B	1/4" Industrial Interchange Quick-Disconnect Constant Flow Fitting with Threaded Hose Connector and 10B4612 Belt <i>For use with 10B88VXBT and 10B20BT</i>
10BF40B	1/4" Industrial Interchange Quick-Disconnect Adjustable Flow Control Coupling with Threaded Hose Connector and 10B4612 Belt <i>For use with 10B88VXBT, 10B20BT, and 10BGVXBT</i>
10BF35B	1/2" Industrial Interchange Quick-Disconnect Constant Flow Fitting with Threaded Hose Connector and 10B4612 Belt <i>For use with 10B88VXBT and 10B20BT; for use with Free-Air® Pump</i>



10BF30B



10BF40B



10BF35B

CLIMATE CONTROL DEVICES

Part Numbers	BULLARD® CLIMATE CONTROL DEVICES
10BAC1000	Air Conditioner and 10B4612 Belt
10BHC2400	Hot/Cold Tube and 10B4612 Belt
10BFRIGITRON2000	Air Conditioner and 10B4612 Belt <i>For use with 10BADP20 Free-Air® Pump</i>



10BAC1000



10BHC2400



10BFRIGITRON2000

Part Numbers	BULLARD® CLIMATE CONTROL DEVICE ACCESSORIES
10BMV2400	Hot/Cold Muffler Assembly; Includes Green Flow Valve <i>For use with HC2400 only</i>
10B4612	Belt
10BHS	Heat Shield



10BMV2400



10B4612



10BHS

BREATHING LINE

Part Numbers	BULLARD® BREATHING LINE									
	Compressed Air	Use with Free-Air® Pump	Breathing Line I.D.	Length	Hose Color	Installed Couplings				
						10BV13 Male x Male	10BV11 Male x Male	10BV17 Male x Female	10BV19 Female x Female	Quick-Disconnect Couplings
10B4696	X		3/8"	25 Ft.	Black	X		X		1/4" Female
10B46915	X		3/8"	25 Ft.	Black	X			X	N/A
10B46918	X		3/8"	25 Ft.	Blue	X				1/4" Female Snap-Tite
10B5454	X		3/8"	25 Ft.	Black	X	X			N/A
10B54514	X		3/8"	25 Ft.	Blue	X	X			N/A
10B5457	X		3/8"	50 Ft.	Black	X	X			N/A
10B5458	X		3/8"	100 Ft.	Black	X	X			N/A
10BV2050ST		X	1/2"	50 Ft.	Black					1/2" Male and Female
10BV20100ST		X	1/2"	100 Ft.	Black					1/2" Male and Female



10B4696
(Starter Hose)



10B46915
10B46918
(Starter Hose)



10B5454
10B54514
10B5457
10B5458



10BV2050ST
10BV20100ST

BREATHING LINE FITTINGS AND QUICK-DISCONNECT COUPLINGS

BREATHING LINE FITTINGS AND QUICK-DISCONNECT COUPLINGS		
Part Numbers	Description	
	10BF30B	1/4" Industrial Interchange Quick-Disconnect Constant Flow Coupling with Threaded Hose Connector and 10B4612 Belt <i>For use with 10B88VXBT or 10B20BT</i>
	10BF40B	1/4" Industrial Interchange Quick-Disconnect Adjustable Flow Coupling with Threaded Hose Connector and 10B4612 Belt <i>For use with 10B88VXBT or 10B20BT</i>
	10BF35B	1/2" Industrial Interchange Quick-Disconnect Constant Flow Coupling with Threaded Hose Connector and 10B4612 Belt <i>For use with 10B88VXBT or 10B20BT</i>
	10BV11	3/8" Male x 3/8" Male Hose to Hose Connector Hex Nipple <i>Replace 10BV11 with 10BV27 if not using 10B4696 Starter Hose</i>
	10BV12	3/8" Male NPT Pipe Thread to 1/4" Male Hose Adapter Hex Nipple <i>Included in 10BV27</i>
	10BV13	3/8" Male NPT Pipe Thread to 3/8" Male Hose Adapter Hex Nipple <i>Comes on 10B5454, 10B5457 and 10B5458</i>
	10BV14	1/4" Female Quick-Disconnect Coupling, Shut-Off with 1/4" Female Pipe Thread <i>Included in 10BV27</i>
	10BV19	1/4" Female Snap-Tite Quick-Disconnect Coupling, Shut-off with 1/4" Female Pipe Thread
	10BV15	1/4" Female Quick-Disconnect Coupling, Shut-Off with 3/8" Male Pipe Thread <i>Install on airline filter to make quick-disconnect</i>
	10BV27	1/4" Female Industrial Interchange Coupling Assembly <i>Includes 10BV12 and 10BV14</i> <i>Replaces 10BV13 at the hood to make quick-disconnect if not using 10B4696 Starter Hose</i>
	10BV17	1/4" Male Industrial Interchange Quick-Disconnect Coupling, 3/8" Female NPT Pipe Thread <i>Add to 10BV13 to make quick-disconnect at airline filter</i>
	10BS19442	1/4" Male Snap-Tite Quick-Disconnect Coupling With 1/4" Female NPT Pipe Thread
	10BS19432	1/4" Male Schrader® Coupling with 1/4" Male Pipe Thread

PART NUMBERS

CLEMCO® APOLLO 600 BLASTING HELMETS								
Part Numbers	For Use with Compressed Air	For Use with Ambient Air Pump	Climate Control Device	Air Flow Fitting	Headband Suspension	Breathing Tube	Cape	Belt
10C25194	X		10C23825 Clem-Cool Air Conditioner		10C25189 <i>(DLX Suspension)</i>	10C22811	10C23818 36" Silver/Grey	10C04430
10C25192	X		10C04410 Cool-Air Tube		10C25189 <i>(DLX Suspension)</i>	10C22811	10C23818 36" Silver/Grey	10C04430
10C25193	X		10C04411 Climate Control Hot/Cold Tube		10C25189 <i>(DLX Suspension)</i>	10C22811	10C23818 36" Silver/Grey	10C04430
10C25190	X			10C21415 <i>(Constant Flow)</i>	10C25189 <i>(DLX Suspension)</i>	10C22811	10C23818 36" Silver/Grey	10C04430
10C24001	X			10C21415 <i>(Constant Flow)</i>	10C23802 <i>(Web Suspension)</i>	10C22811	10C23818 36" Silver/Grey	10C04430
10C24002	X			10C100024 <i>(Adjustable Flow)</i>	10C23802 <i>(Web Suspension)</i>	10C22811	10C23818 36" Silver/Grey	10C04430
10C25191	X			10C100024 <i>(Adjustable Flow)</i>	10C25189 <i>(DLX Suspension)</i>	10C22811	10C23818 36" Silver/Grey	10C04430
10C24010		X		10C21429 <i>(Constant Flow)</i>	10C23802 <i>(Web Suspension)</i>	10C22811	10C23818 36" Silver/Grey	10C04430
10C25195		X		10C21429 <i>(Constant Flow)</i>	10C25189 <i>(DLX Suspension)</i>	10C22811	10C23818 36" Silver/Grey	10C04430



10C24001
10C24002
10C24010



10C25190
10C25191
10C25195



10C25194



10C25192



10C25193

LENSES AND CLIMATE CONTROL DEVICES

APOLLO 600 ABRASIVE BLASTING RESPIRATOR INNER LENSES



Part Numbers	Style	Lens Style	Dimensions	Thickness	Material	U.O.M.
1060041	Alternative	Inner	14-3/8" x 5-7/16"	.040"	PETG	25/Pk
10C23065	Clemco	Inner	14-3/8" x 5-7/16"	.040"	Acetate	5/Pk

APOLLO 600 ABRASIVE BLASTING RESPIRATOR OUTER LENSES



Part Numbers	Style	Lens Style	Dimensions	Thickness	Material	U.O.M.
106002	Alternative	Two-Sided Outer	17" x 5-5/8"	.020"	PETG	25/Pk
10C23067	Clemco	Two-Sided Outer	17" x 5-5/8"	.020"	Acetate	25/Pk

APOLLO 600 ABRASIVE BLASTING RESPIRATOR TEAR-OFF LENSES



Part Numbers	Style	Lens Style	Dimensions	Thickness	Material	U.O.M.
1060004	Alternative	Perforated Tear-Off	16-7/8" x 5-3/4"	.004"	PETG	25/Pk
1060007	Alternative	Perforated Tear-Off	16-7/8" x 5-3/4"	.007"	PETG	25/Pk
10C23064	Clemco	Perforated Tear-Off	16-7/8" x 5-3/4"	.0075"	Acetate	25/Pk

Part Numbers

CLEMCO CLIMATE CONTROL DEVICES

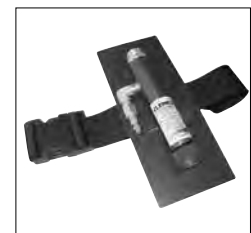
10C04411	Climate Control Hot/Cold Tube with Belt 10C04430
10C23825	Clem-Cool Air Conditioner with Belt 10C04430
10C04410	Cool-Air Tube with Belt 10C04430



10C04411



10C23825



10C04410

PART NUMBERS & SCHEMATICS

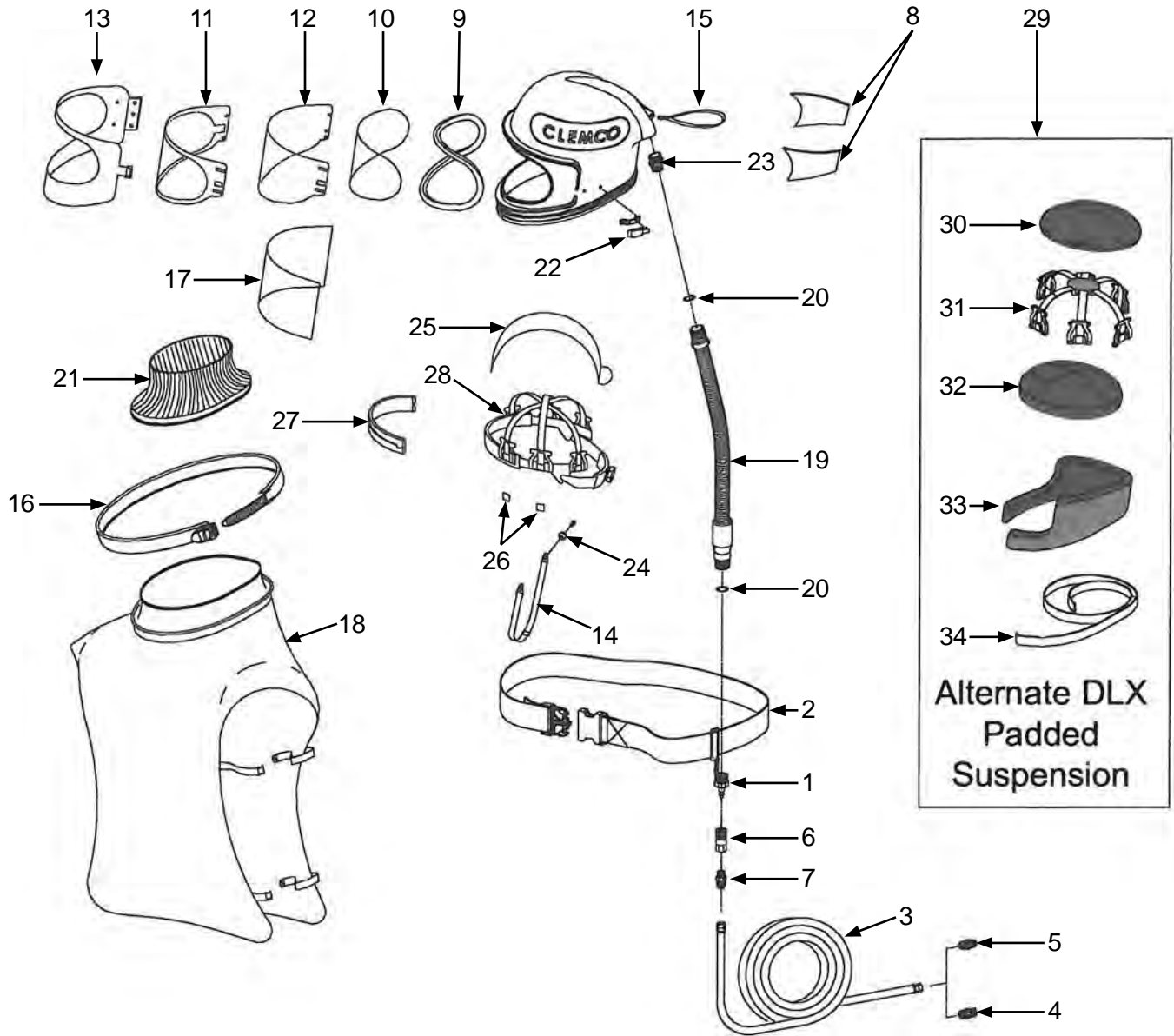
Clemco® Apollo 600 High Pressure Blasting Helmet

Item #	Part #	Description
Fig. 1		
1	10C21415	Constant-Flow Connector, Low Pressure without Belt
2a	10C04430B	Belt (<i>Alternative</i>)
2b	10C04430	Belt
3a	10C04397	3/8" x 25 Feet of Breathing Line (<i>Includes Item #'s: 6 and 7</i>)
3b	10C04415	3/8" x 50 Feet of Breathing Line (<i>Includes Item #'s: 6 and 7</i>)
3c	10C04398	3/8" x 100 Feet of Breathing Line (<i>Includes Item #'s: 6 and 7</i>)
4	10BV13	3/8" Male NPT Pipe Thread to 3/8" Male Hose Adapter Hex Nipple
5	10BV11	3/8" Male x 3/8" Male Hose to Hose Connector Hex Nipple
6	10BV14	1/4" Female Quick-Disconnect Coupling, Shut-Off with 1/4" Female Pipe Thread
7	10BV12	3/8" Male NPT Pipe Thread to 1/4" Male Hose Adapter Hex Nipple
8	10C04369	Acoustical Foam Kit Sides
9	10C23819	Window Gasket
10a	106004I	Alternative Inner Lens, .040" Thickness (<i>See Page 5</i>)
10b	10C23065	Inner Lens, .040" Thickness (<i>See Page 5</i>)
11a	1060004	Alternative Tear-Off Lens, .004" Thickness (<i>See Page 5</i>)
11b	1060007	Alternative Tear-Off Lens, .007" Thickness (<i>See Page 5</i>)
11c	10C23064	Tear-Off Lens, .0075" Thickness (<i>See Page 5</i>)
12a	106002	Alternative Outer Lens, .020" Thickness (<i>See Page 5</i>)
12b	10C23067	Outer Lens, .020" Thickness (<i>See Page 5</i>)
13	10C24012	Window Frame with Screws
14	10C04460	Adjustable Chin Strap
15	10C03623	Handle Strap
16	10C23801	Cape Attachment Strap
17	10C24005	Rectangular Outer Lens (<i>Optional</i>)
18a	10C23818B	Cape, Silver/Grey, with Red Inner Collar (<i>Alternative</i>)
18b	10C23818	Cape, Silver/Grey, with Red Inner Collar
19	10C22811	Breathing Tube With Swivel Ends
20	10C22815	O-Ring, 11/16" I.D. x 7/8" O.D. (<i>Two Required</i>)
21a	10C08740B	Inner Collar (<i>Alternative</i>)
21b	10C08740	Inner Collar

Item #	Part #	Description
22	10C24006	Window Latch Kit (<i>Includes: Base and Screws</i>)
23	10C23804	Inlet Fitting
24	10C24008	Chin Strap Fasteners (<i>Two Required</i>)
25	10C23811	Partition, Air Baffle
26	10C24773	Suspension Clips (<i>Quantity of Four</i>)
27	10C23817	Sweatband (<i>For use with item #28</i>)
28	10C23802	Web Suspension with Sweatband (<i>Optional</i>)
29	10C25189	DLX Padded Suspension Kit (<i>Optional</i>) (<i>Includes Item #'s: 30, 31, 32, 33, and 34</i>)
30	10C25181	Top Pad
31	10C25184	Suspension Web
32	10C25182	Middle Pad
33a	10C25183	Side Pad - Black/Grey (<i>Fits Most Head Sizes</i>)
33b	10C25187	Side Pad - Black/Blue (<i>For Smaller Head Sizes</i>)
34	10C24656	Hook and Loop Fastener Tape, 1" Wide with Adhesive Back, 3 Feet
—	106M344	Part Numbers and Schematics Guide - Clemco® Apollo 600 High Pressure Blasting Helmet
—	109V703	Operator's Manual - Clemco® Apollo 600 High Pressure Blasting Helmet

PART NUMBERS & SCHEMATICS

Figure 1: Clemco® Apollo 600 High Pressure Blasting Helmet



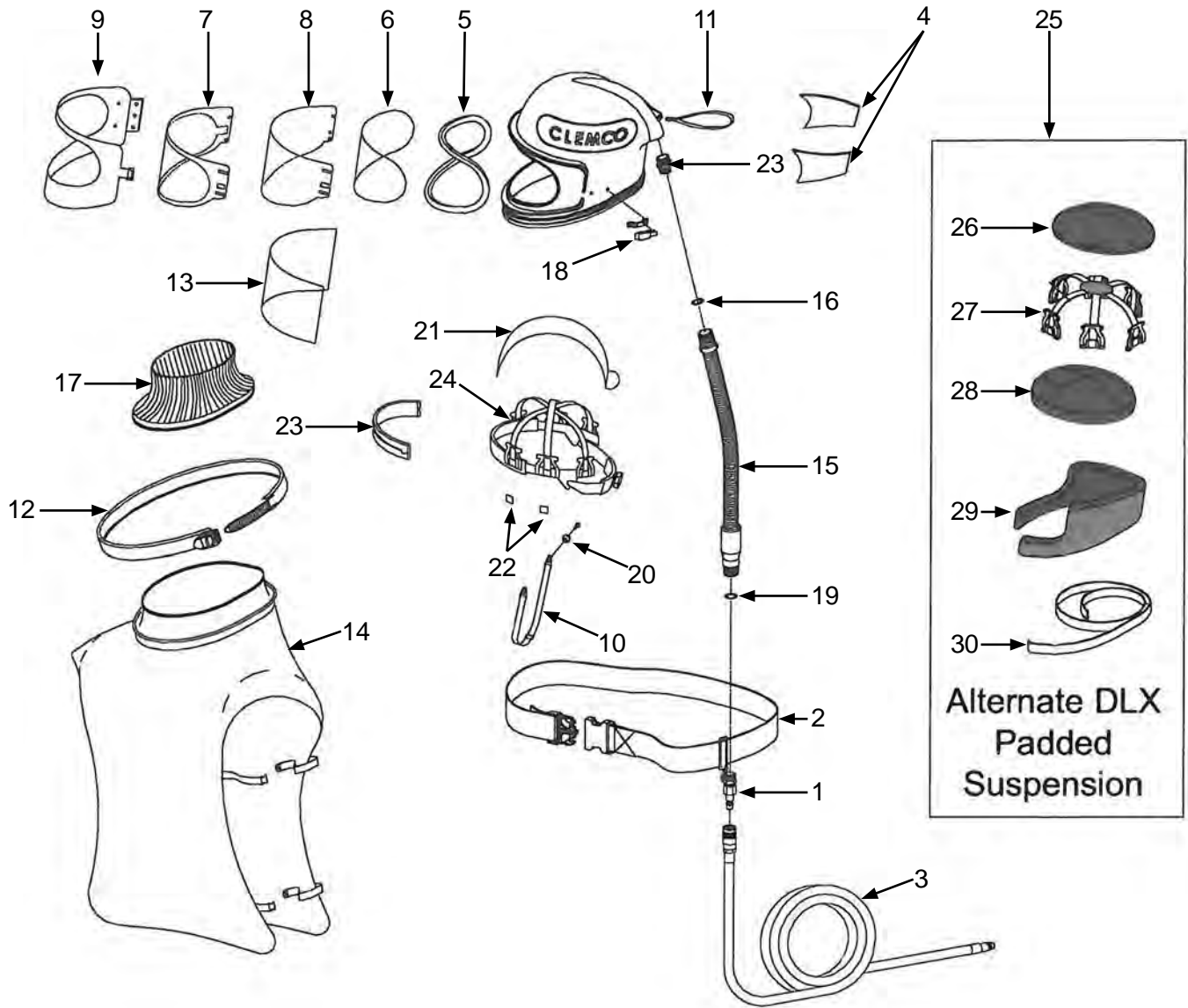
PART NUMBERS & SCHEMATICS

Clemco® Apollo 600 Low Pressure Blasting Helmet

Item #	Part #	Description
Fig. 2		
1	10C21429	Constant-Flow Connector, Low Pressure without Belt
2a	10C04430B	Belt (<i>Alternative</i>)
2b	10C04430	Belt
3a	10C22510	1/2" x 50 Feet of Breathing Line
3b	10C21413	1/2" x 100 Feet of Breathing Line
4	10C04369	Acoustical Foam Kit Sides
5	10C23819	Window Gasket
6a	106004I	Alternative Inner Lens, .040" Thickness (<i>See Page 5</i>)
6b	10C23065	Inner Lens, .040" Thickness (<i>See Page 5</i>)
7a	1060004	Alternative Tear-Off Lens, .004" Thickness (<i>See Page 5</i>)
7b	1060007	Alternative Tear-Off Lens, .007" Thickness (<i>See Page 5</i>)
7c	10C25021	Tear-Off Lens, .0075" Thickness (<i>See Page 5</i>)
8a	106002	Alternative Outer Lens, .020" Thickness (<i>See Page 5</i>)
8b	10C23067	Outer Lens, .020" Thickness (<i>See Page 5</i>)
9	10C24012	Window Frame with Screws
10	10C04460	Adjustable Chin Strap
11	10C03623	Handle Strap
12	10C23801	Cape Attachment Strap
13	10C24005	Rectangular Outer Lens (<i>Optional</i>)
14a	10C23818B	Cape, Silver/Grey, With Red Inner Collar (<i>Alternative</i>)
14b	10C23818	Cape, Silver/Grey, With Red Inner Collar
15	10C22811	Breathing Tube With Swivel Ends
16	10C22815	O-Ring, 11/16" I.D. x 7/8" O.D. (<i>Two Required</i>)
17a	10C08740B	Inner Collar (<i>Alternative</i>)
17b	10C08740	Inner Collar
18	10C24006	Window Latch Kit (<i>Includes: Base and Screws</i>)
19	10C23804	Inlet Fitting
20	10C24008	Chin Strap Fasteners (<i>Two Required</i>)
21	10C23811	Partition, Air Baffle
22	10C24773	Suspension Clips (<i>Quantity of Four</i>)
23	10C23817	Sweatband (<i>For Use with Item #24</i>)
24	10C23802	Web Suspension with Sweatband (<i>Optional</i>)
25	10C25189	DLX Padded Suspension Kit (<i>Optional</i>) (<i>Includes Item #'s: 26, 27, 28, 29, and 30</i>)
26	10C25181	Top Pad
27	10C25184	Suspension Web
28	10C25182	Middle Pad
29a	10C25183	Side Pad - Black/Grey (<i>Fits Most Head Sizes</i>)
29b	10C25187	Side Pad - Black/Blue (<i>For Smaller Head Sizes</i>)
30	10C24656	Hook & Loop Fastener Tape, 1" Wide with Adhesive Back, 3 Feet
—	106M344	Part Numbers and Schematics Guide - Clemco® Apollo 600 Low Pressure Blasting Helmet
—	109V704	Operator's Manual - Clemco® Apollo 600 Low Pressure Blasting Helmet

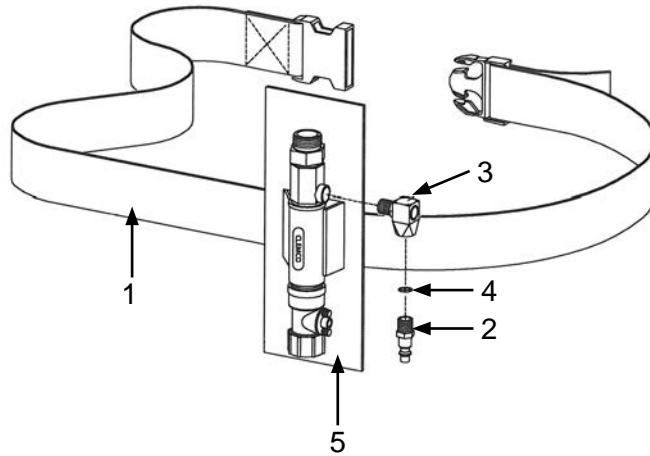
PART NUMBERS & SCHEMATICS

Figure 2: Clemco® Apollo 600 Low Pressure Blasting Helmet



PART NUMBERS & SCHEMATICS

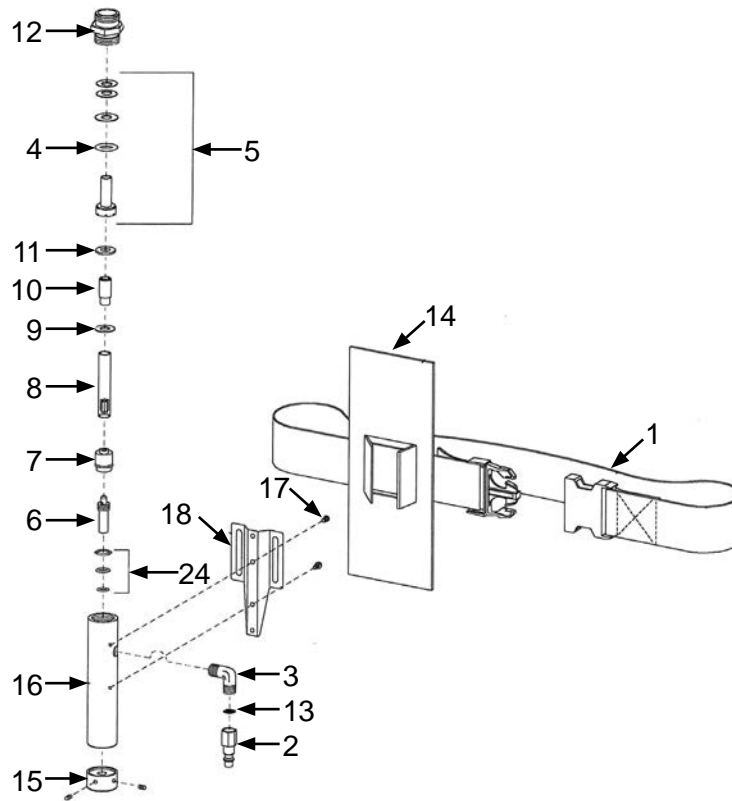
Figure 3: Apollo Clem-Cool Air Conditioner with Belt



Item #	Part #	Description
Fig. 3		
—	10C23825	Clem-Cool Air Conditioner with Belt 10C04430
1	10C04430	Belt
2	10C00015	Quick-Disconnect x 1/4" Male NPT
3	10C23829	Elbow, 1/4" NPT Swivel
4	10C08973	Screen
5	10C08981	Heat Shield
—	109V700	Operator's Manual – Clem-Cool Air Conditioner

PART NUMBERS & SCHEMATICS

Figure 4: Apollo Cool-Air Tube with Belt



Item #	Part #	Description
Fig. 4		
—	10C04410	Cool-Air Tube with Belt 10C04430
1	10C04430	Belt
2	10C08449	Quick-Disconnect x 1/4" Female NPT
3	10C08869	Elbow, 1/4" Male
4	10C08870	Seal Kit (Includes: O-Rings (Quantity Of 4); And Item #6))
5	10C08871	Cool-End Venturi Kit (Includes: Cool-End Venturi O-Ring (Not Shown))
6	10C08962	Valve Stem
7	10C08963	Valve Insert
8	10C23030	Vortex Tube Assembly
9	10C08966	Narrow Spacer
10	10C08967	Venturi Tube
11	10C08968	Wide Spacer
12	10C08971	Helmet Tube Connection
13	10C08973	Screen
14	10C08981	Heat Shield
15	10C08985	Knob With Set Screws
16	10C08961	Body
17	10C08980	Machine Screw, Round Head 10-24 x 1/4"
18	10C08974	Belt Clip
—	109V701	Operator's Manual – Cool-Air Tube with Belt

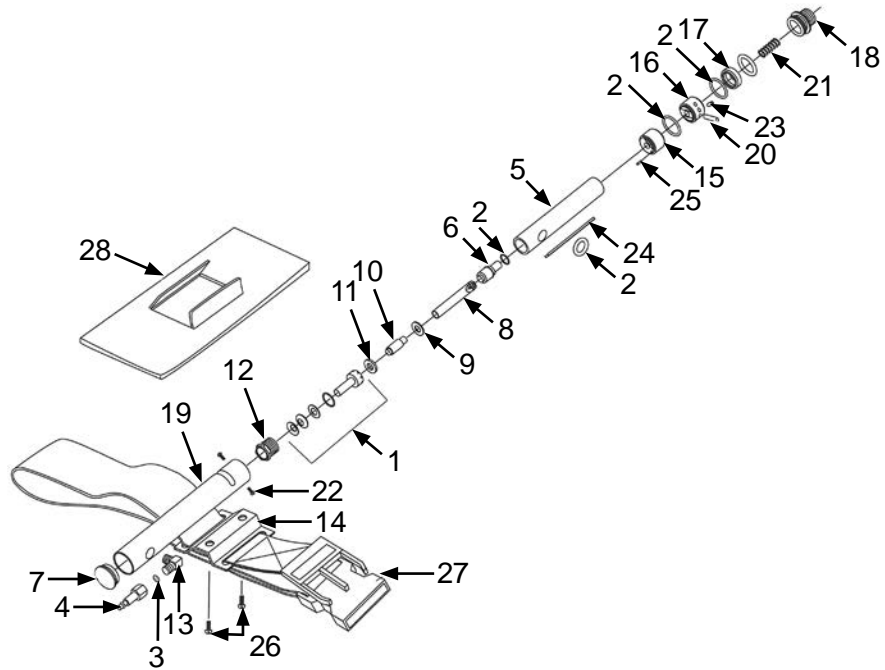
PART NUMBERS & SCHEMATICS

Apollo Climate Control Hot/Cold Tube with Belt

Item #	Part #	Description
Fig. 5		
—	10C04411	Climate Control Hot/Cold Tube with Belt 10C04430
1	10C08846	Cool-End Venturi <i>(Includes Cool-End Venturi O-Ring (Not Shown))</i>
2	10C08845	Seal Kit <i>(Includes O-Rings (Quantity of 6) and Seals (Not Shown))</i>
3	10C08983	Screen
4	10C08449	Quick-Disconnect x 1/4" Female NPT
5	10C08825	Body
6	10C08826	Hot-End Orifice
7	10C08827	Plug
8	10C23030	Vortex Tube Assembly
9	10C08968	Narrow Spacer
10	10C08967	Venturi
11	10C08968	Wide Spacer
12	10C08829	Threaded Retainer
13	10C08869	1/4" Male Elbow
14	10C08974	Belt Clip
15	10C08830	Lower Valve Plate
16	10C08831	Upper Valve Plate
17	10C08832	Support Washer
18	10C08833	Outlet Fitting
19	10C08834	Body Housing
20	10C08835	Control Lever
21	10C08844	Spring
22	10C03870	Machine Screw, 6-32 x 1/4"
23	10C03072	Set Screw, 1/4-NC x 1/2"
24	10C08836	Spacer
25	10C08838	Valve Plate Pin
26	10C03886	Machine Screw, 10-24 x 1/2"
27	10C04430	Belt
28	10C08981	Heat Shield
—	109V702	Operator's Manual – Climate Control Hot/Cold Tube

PART NUMBERS & SCHEMATICS

Figure 5: Apollo Climate Control Hot/Cold Tube with Belt



BREATHING LINE

Part Numbers	CLEMCO® BREATHING LINE					
	Compressed Air	Use with Ambient Air Pump	Breathing Line I.D.	Length	Installed Couplings	
					10BV11 Male x Male	10BV13 Male x Male
10C04397	X		3/8"	25 Feet	X	X
10C04415	X		3/8"	50 Feet	X	X
10C04398	X		3/8"	100 Feet	X	X
10C22510		X	1/2"	50 Feet		
10C21413		X	1/2"	100 Feet		







10C04397
10C04415
10C04398



10C22510
10C21413

Part Numbers BREATHING LINE HEX NIPPLES AND QUICK-DISCONNECT COUPLINGS

	10BV12	3/8" Male NPT Pipe Thread to 1/4" Male Hose Adapter Hex Nipple
	10BV13	3/8" Male NPT Pipe Thread to 3/8" Male Hose Adapter Hex Nipple
	10BV11	3/8" Male x 3/8" Male Hose to Hose Connector Hex Nipple
	10BV14	1/4" Female Quick-Disconnect Coupling, Shut-Off with 1/4" Female Pipe Thread

PART NUMBERS

Part Numbers	CLEMCO APOLLO 60 BLASTING HELMET							
	For Use with Compressed Air	For Use with Ambient Air	Climate Control Device	Air Flow Fitting	Headband Suspension	Breathing Tube	Cape	Belt
10C10509	X		10C04411 Climate Control Hot/Cold Tube		10C10532	10C22811	10C04435 28" Red	10C04430
10C24930	X		10C23825 Clem-Cool Air Conditioner		10C10532	10C22811	10C04435 28" Red	10C04430
10C10508	X		10C04410 Cool-Air Tube		10C10532	10C22811	10C04435 28" Red	10C04430
10C10505	X			10C100024 <i>(Adjustable Flow)</i>	10C10532	10C22811	10C04435 28" Red	10C04430
10C21300	X			10C21422 <i>(Constant Flow)</i>	10C10532	10C22811	10C04435 28" Red	10C04430
10C22081		X		10C21429 <i>(Constant Flow)</i>	10C10532	10C22811	10C04435 28" Red	10C04430
10C22082		X		10C21429 <i>(Constant Flow)</i>	10C10532	10C22811	10C04435 28" Red	10C04430



10C10505
10C21300
10C22081
10C22082



10C10509



10C24930



10C10508

Part Numbers

CLEMCO CLIMATE CONTROL DEVICES	
10C04411	Climate Control Hot/Cold Tube and Belt 10C04430
10C23825	Clem-Cool Air Conditioner and Belt 10C04430
10C04410	Cool-Air Tube and Belt 10C04430



10C04411



10C23825



10C04410

LENSES

CLEMCO APOLLO 60 BLASTING HELMET INNER LENSES



Part
Numbers

	Style	Lens Style	Dimensions	Thickness	Material	U.O.M.
106004I	Alternative	Inner	14-3/8" x 5-7/16"	.040"	PETG	25/Pk
10C23065	Clemco	Inner	14-3/8" x 5-7/16"	.040"	Acetate	5/Pk

CLEMCO APOLLO 60 BLASTING HELMET OUTER LENSES



Part
Numbers

	Style	Lens Style	Dimensions	Thickness	Material	U.O.M.
106002	Alternative	Two-Sided Outer	17" x 5-5/8"	.020"	PETG	25/Pk
10C23067	Clemco	Two-Sided Outer	17" x 5-5/8"	.020"	Acetate	25/Pk

CLEMCO APOLLO 60 BLASTING HELMET TEAR-OFF LENSES



Part
Numbers

	Style	Lens Style	Dimensions	Thickness	Material	U.O.M.
1060004	Alternative	Perforated Tear-Off	16-7/8" x 5-3/4"	.004"	PETG	25/Pk
1060007	Alternative	Perforated Tear-Off	16-7/8" x 5-3/4"	.007"	PETG	25/Pk
10C25021	Clemco	Perforated Tear-Off	16-7/8" x 5-3/4"	.0075"	Acetate	25/Pk

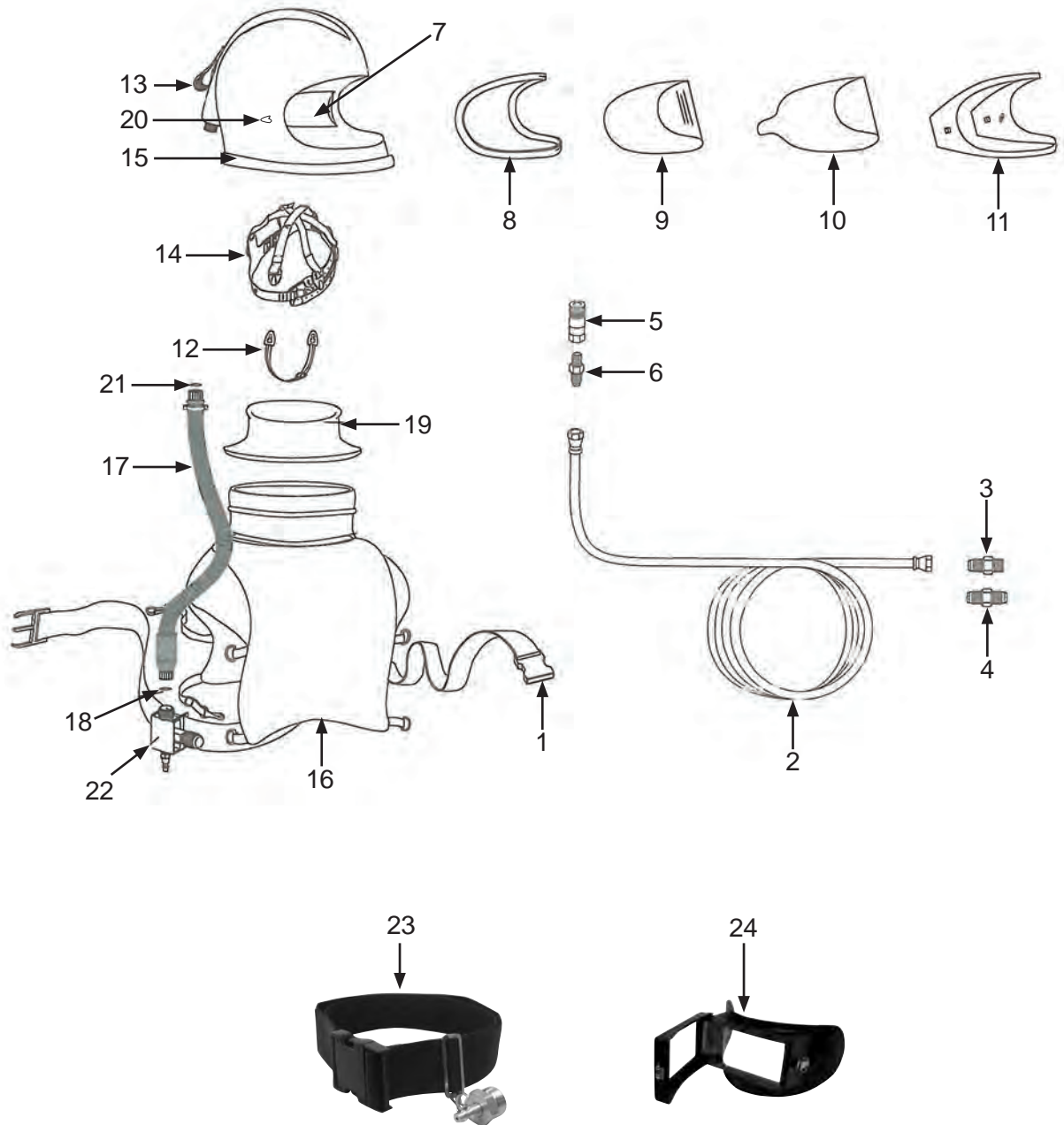
PART NUMBERS & SCHEMATICS

Clemco Apollo 60 High Pressure Blasting Helmet

Item #	Part #	Description
Fig. 1		
1	10C04430B	Belt (<i>Alternative</i>)
—	10C04430	Belt
2a	10C04397	3/8" x 25 Feet of Breathing Line (Includes Item #'s: 3 and 4)
2b	10C04415	3/8" x 50 Feet of Breathing Line (Includes Item #'s: 3 and 4)
2c	10C04398	3/8" x 100 Feet of Breathing Line (Includes Item #'s: 3 and 4)
3	10BV13	3/8" Male NPT Pipe Thread to 3/8" Male Hose Adapter Hex Nipple
4	10BV11	3/8" Male x 3/8" Male Hose to Hose Connector Hex Nipple
5	10BV14	1/4" Female Quick-Disconnect Coupling, Shut-Off with 1/4" Female Pipe Thread
6	10BV12	3/8" Male NPT Pipe Thread to 1/4" Male Hose Adapter Hex Nipple
7	10C04369	Acoustical Foam Kit Sides
8	10C04452	Window Gasket
9a	106004I	Alternate Inner Lens, .040" Thickness (<i>See Page 5</i>)
9b	10C23065	Inner Lens, .040" Thickness (<i>See Page 5</i>)
10a	106002	Alternate Outer Lens, .020" Thickness (<i>See Page 5</i>)
10b	10C23067	Outer Lens, .020" Thickness (<i>See Page 5</i>)
10c	1060004	Alternate Tear-Off Lens, .004" Thickness (<i>See Page 5</i>)
10d	1060007	Alternate Tear-Off Lens, .007" Thickness (<i>See Page 5</i>)
10e	10C25021	Tear-Off Lens, .0075" Thickness (<i>See Page 5</i>)
11	10C08741	Window Frame with Screws
12	10C04460	Adjustable Chin Strap
13	10C03623	Handle Strap
14	10C10532	Headband Suspension
15	10C10534	Cape Attachment Strap
16	10C04435B	Cape, Red, with Inner Collar (<i>Alternative</i>)
—	10C04435	Cape, Red, with Inner Collar
17	10C22811	Breathing Tube
18	10C04370	Breathing Tube Washers (<i>Quantity of Six</i>)
19	10C08740B	Inner Collar (<i>Alternative</i>)
—	10C08740	Inner Collar
20	10C04368	Window Latch Kit (Includes: Latch and Bail)
21	10C21561	O-Ring
22	10C100024	Adjustable-Flow Control Valve with Belt
23	10C04515	1/4" Constant Flow Industrial Interchange Quick-Disconnect Fitting x Threaded Hose Connector and 10C04430 Belt
24	10C04515	Box-Front Window Assembly (<i>Optional</i>)
—	106M343	Part Numbers and Schematics Guide
—	109V598	Operator's Manual – Apollo 60 High Pressure Supplied Air Respirator

PART NUMBERS & SCHEMATICS

Figure 1: Clemco Apollo 60 High Pressure Blasting Helmet



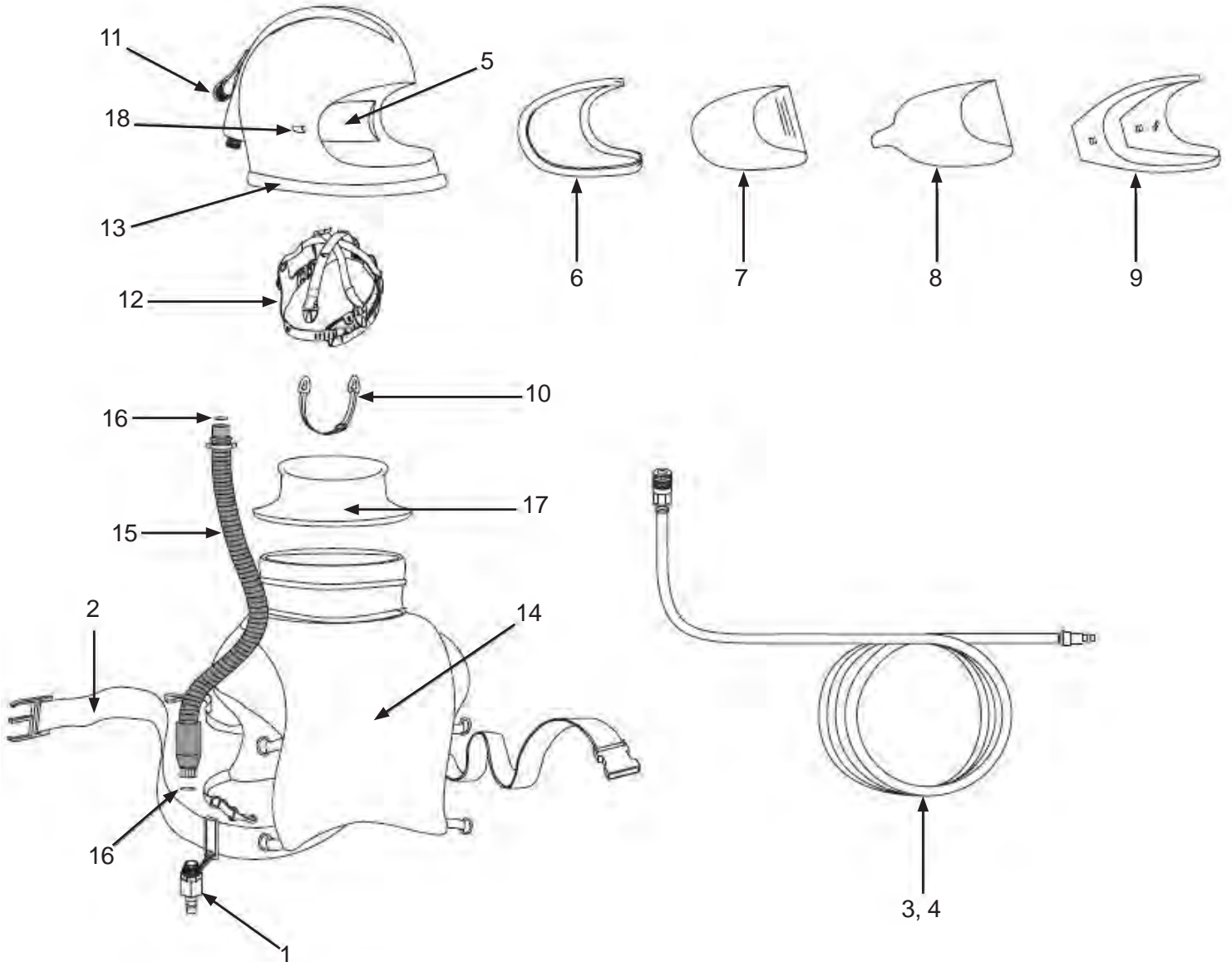
PART NUMBERS & SCHEMATICS

Clemco Apollo 60 Low Pressure Blasting Helmet

Item #	Part #	Description
Fig. 2		
1	10C21429	Constant-Flow Connector, LP, without Belt
2	10C04430B	Belt (<i>Alternative</i>)
—	10C04430	Belt
3	10C21413	Respirator Hose, 1/2" x 100'
4	10C22510	Respirator Hose, 1/2" x 50'
5	10C04369	Acoustical Foam Kit, Sides
6	10C04452	Window Gasket
7	106004I	Alternate Inner Lens, .040" Thickness (<i>See Page 5</i>)
—	10C23065	Inner Lens, .040" Thickness (<i>See Page 5</i>)
8	106002	Alternate Outer Lens, .020" Thickness (<i>See Page 5</i>)
—	10C23067	Outer Lens, .020" Thickness (<i>See Page 5</i>)
—	1060004	Alternate Tear-Off Lens, .004" Thickness (<i>See Page 5</i>)
—	1060007	Alternate Tear-Off Lens, .007" Thickness (<i>See Page 5</i>)
—	10C25021	Tear-Off Lens, .0075" Thickness (<i>See Page 5</i>)
9	10C08741	Window with Screws
10	10C04460	Adjustable Chin Strap
11	10C03623	Handle Strap
12	10C10532	Headband Suspension
13	10C10534	Cape Attachment Strap
14	10C04435B	Cape, Red, with Inner Collar (<i>Alternative</i>)
—	10C04435	Cape, Red, with Inner Collar
15	10C22811	Breathing Tube
16	10C22815	O-Ring, 11/16" I.D. x 7/8" O.D. (<i>Two Required</i>)
17	10C08740B	Inner Collar (<i>Alternative</i>)
—	10C08740	Inner Collar
18	10C04368	Window Latch Kit (<i>Includes: Latch and Bail</i>)
—	106M343	Part Numbers and Schematics Guide
—	109V599	Operator's Manual – Apollo 60 Low Pressure Supplied Air Respirator

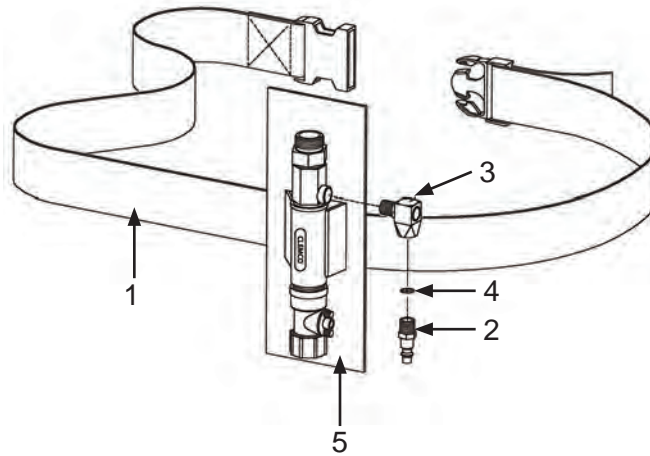
PART NUMBERS & SCHEMATICS

Figure 2: Clemco Apollo 60 Low Pressure Blasting Helmet



PART NUMBERS & SCHEMATICS

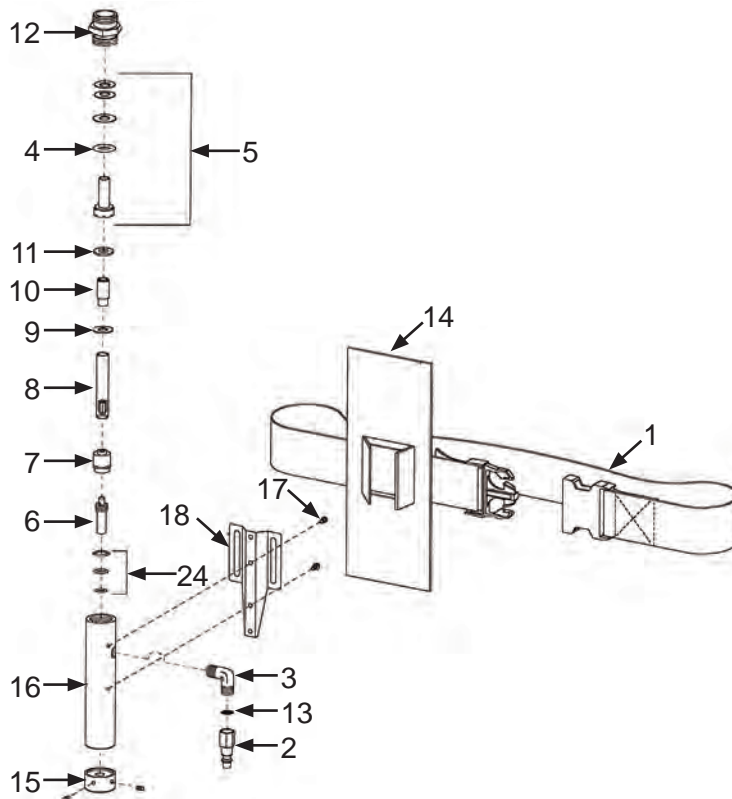
Figure 3: Apollo Clem-Cool Air Conditioner with Belt



Item #	Part #	Description
Fig. 3		
—	10C23825	Clem-Cool Air Conditioner with Belt 10C04430
1	10C04430	Belt
2	10C00015	Quick-Disconnect x 1/4" Male NPT
3	10C23829	Elbow, 1/4" NPT Swivel
4	10C08973	Screen
5	10C08981	Heat Shield
—	109V700	Operator's Manual – Clem-Cool Air Conditioner

PART NUMBERS & SCHEMATICS

Figure 4: Apollo Cool-Air Tube with Belt



Item #	Part #	Description
Fig. 4		
—	10C04410	Cool-Air Tube with Belt 10C04430
1	10C04430	Belt
2	10C08449	Quick-Disconnect x 1/4" Female NPT
3	10C08869	Elbow, 1/4" Male
4	10C08870	Seal Kit (Includes: O-Rings (Quantity of Four); and Item #6)
5	10C08871	Cool-End Venturi Kit (Includes: Cool-End Venturi O-Ring (Not Shown))
6	10C08962	Valve Stem
7	10C08963	Valve Insert
8	10C23030	Vortex Tube Assembly
9	10C08966	Narrow Spacer
10	10C08967	Venturi Tube
11	10C08968	Wide Spacer
12	10C08971	Helmet Tube Connection
13	10C08973	Screen
14	10C08981	Heat Shield
15	10C08985	Knob with Set Screws
16	10C08961	Body
17	10C08980	Machine Screw, Round Head 10-24 x 1/4"
18	10C08974	Belt Clip
—	109V701	Operator's Manual – Cool-Air Tube with Belt

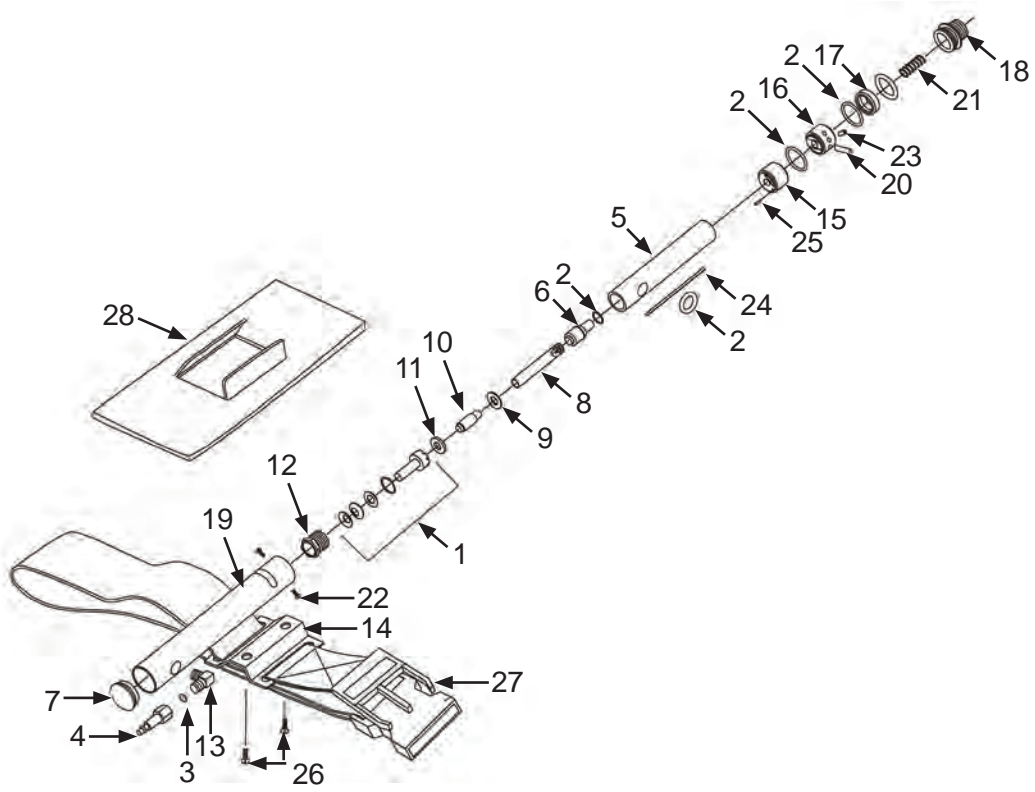
PART NUMBERS & SCHEMATICS

Apollo Climate Control Hot/Cold Tube with Belt

Item #	Part #	Description
Fig. 5		
—	10C04411	Climate Control Hot/Cold Tube with Belt 10C04430
1	10C08846	Cool-End Venturi <i>(Includes Cool-End Venturi O-Ring (Not Shown))</i>
2	10C08845	Seal Kit <i>(Includes O-Rings (Quantity of Six) and Seals (Not Shown))</i>
3	10C08983	Screen
4	10C08449	Quick-Disconnect x 1/4" Female NPT
5	10C08825	Body
6	10C08826	Hot-End Orifice
7	10C08827	Plug
8	10C23030	Vortex Tube Assembly
9	10C08968	Narrow Spacer
10	10C08967	Venturi
11	10C08968	Wide Spacer
12	10C08829	Threaded Retainer
13	10C08869	1/4" Male Elbow
14	10C08974	Belt Clip
15	10C08830	Lower Valve Plate
16	10C08831	Upper Valve Plate
17	10C08832	Support Washer
18	10C08833	Outlet Fitting
19	10C08834	Body Housing
20	10C08835	Control Lever
21	10C08844	Spring
22	10C03870	Machine Screw, 6-32 x 1/4"
23	10C03072	Set Screw, 1/4-NC x 1/2"
24	10C08836	Spacer
25	10C08838	Valve Plate Pin
26	10C03886	Machine Screw, 10-24 x 1/2"
27	10C04430	Belt
28	10C08981	Heat Shield
—	109V702	Operator's Manual – Climate Control Hot/Cold Tube

PART NUMBERS & SCHEMATICS

Figure 5: Apollo Climate Control Hot/Cold Tube with Belt



BREATHING LINE

Part Numbers	CLEMCO BREATHING LINE					
	Compressed Air	Use with Ambient Air Pump	Breathing Line I.D.	Length	Included Couplings	
					10BV11 <i>Male x Male</i>	10BV13 <i>Male x Male</i>
10C04397	X		3/8"	25 Feet	X	X
10C04415	X		3/8"	50 Feet	X	X
10C04398	X		3/8"	100 Feet	X	X
10C22510		X	1/2"	50 Feet		
10C21413		X	1/2"	100 Feet		







10C04397
10C04415
10C04398



10C22510
10C21413

Part Numbers BREATHING LINE HEX NIPPLES AND QUICK-DISCONNECT COUPLINGS

	10BV12	3/8" Male NPT Pipe Thread to 1/4" Male Hose Adapter Hex Nipple
	10BV13	3/8" Male NPT Pipe Thread to 3/8" Male Hose Adapter Hex Nipple
	10BV11	3/8" Male x 3/8" Male Hose to Hose Connector Hex Nipple
	10BV14	1/4" Female Quick-Disconnect Coupling, Shut-Off with 1/4" Female Pipe Thread

PART NUMBERS

APOLLO 20 ABRASIVE BLASTING RESPIRATOR								
Part Numbers	For use with Compressed Air	For use with Ambient Air Pump	Climate Control Device	Air Flow Fitting	Headband Suspension	Breathing Tube	Cape	Belt
10C21420	X		10C23825 Clem-Cool Air Conditioner		10C25189 (DLX Suspension)	10C22811	10C21301 28" Black	10C04430
10C21421	X		10C04410 Cool-Air Tube		10C25189 (DLX Suspension)	10C22811	10C21301 28" Black	10C04430
10C21419	X			10C100024 (Adjustable Flow)	10C25189 (DLX Suspension)	10C22811	10C21301 28" Black	10C04430
10C21299		X		10C21777 (Constant Flow)	10C25189 (DLX Suspension)	10C22811	10C21301 28" Black	10C04430
10C20975		X		10C21415 (Constant Flow)	10C25189 (DLX Suspension)	10C22811	10C21301 28" Black	10C04430



10C20975
10C21419
10C21299



10C21420



10C21421

LENSES AND CLIMATE CONTROL DEVICES



Part Numbers

APOLLO 20 ABRASIVE BLASTING RESPIRATOR INNER LENSES						
Style	Protective Peel-Off Film	Dimensions	Thickness	Material	U.O.M.	
10C21409	Clemco	One-Sided	4-5/8" x 6-5/8"	.040"	Acetate	5/Package



Part Numbers

APOLLO 20 ABRASIVE BLASTING RESPIRATOR OUTER LENSES						
Style	Protective Peel-Off Film	Dimensions	Thickness	Material	U.O.M.	
10C21410	Clemco	Two-Sided	5" x 7"	.094"	Acetate	5/Package



Part Numbers

APOLLO 20 ABRASIVE BLASTING RESPIRATOR TEAR-OFF LENSES						
Style	Tear-Off	Dimensions	Thickness	Material	U.O.M.	
10C21411	Clemco	Perforated	5-1/2" x 8"	.0075"	Acetate	25/Package

Part Numbers

CLEMCO CLIMATE CONTROL DEVICES	
10C04411	Climate Control Hot/Cold Tube and Belt 10C04430
10C23825	Clem-Cool Air Conditioner and Belt 10C04430
10C04410	Cool-Air Tube and Belt 10C04430



10C04411



10C23825



10C04410

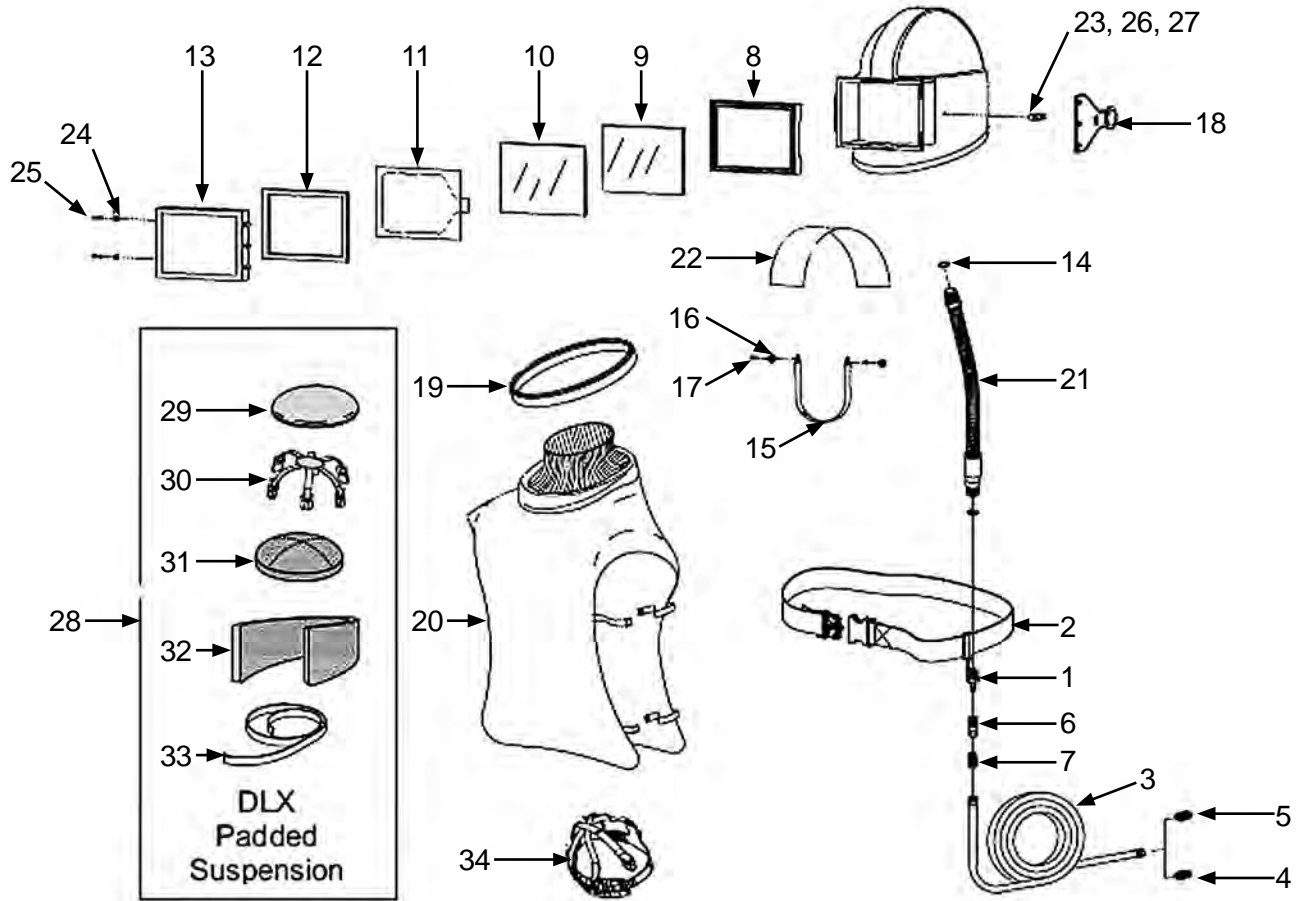
PART NUMBERS & SCHEMATICS

Apollo 20 High Pressure Abrasive Blasting Respirator

Item #	Part #	Description
Fig. 1		
1	10C21415	Constant-Flow Connector, without Belt
2a	10C04430B	Belt (<i>Alternative</i>)
2b	10C04430	Belt
3a	10C04397	3/8" x 25 Feet of Breathing Line (Includes Item #'s: 6 and 7)
3b	10C04415	3/8" x 50 Feet of Breathing Line (Includes Item #'s: 6 and 7)
3c	10C04398	3/8" x 100 Feet of Breathing Line (Includes Item #'s: 6 and 7)
4	10BV13	3/8" Male NPT Pipe Thread to 3/8" Male Hose Adapter Hex Nipple
5	10BV11	3/8" Male x 3/8" Male Hose to Hose Connector Hex Nipple
6	10BV14	1/4" Female Quick-Disconnect Coupling, Shut-Off with 1/4" Female Pipe Thread
7	10BV12	3/8" Male NPT Pipe Thread to 1/4" Male Hose Adapter Hex Nipple
8	10C99996	Molded Window Gasket
9	10C21409	Inner Lens, .040" Thickness (<i>See Page 5</i>)
10	10C21410	Outer Lens, .094" Thickness (<i>See Page 5</i>)
11	10C21411	Tear-Off Lens, .0075" Thickness (<i>See Page 5</i>)
12	10C21041	Lens Frame Gasket
13	10C20976	Lens Frame
14	10C22815	O-Ring
15	10C04460	Adjustable Chin Strap
16	10C21696	Chin Strap Fasteners (<i>Two Required</i>)
17	10C21119	Screw, 8-32 x 1/2", Pan Head (<i>Two Required</i>)
18	10C21298	Latch Assembly (Includes: Latch and Lens Frame)
19	10C10534	Cape Attachment Strap
20	10C21301	Cape, Black, with Inner Collar
21	10C22811	Breathing Tube
22	10C21118	Partition, Air Baffle
23	10C21040	Button Rubber Latch
24	10C90041	Nut, Lens Frame
25	10C90295	Screw, Lens Frame
26	10C21402	Screw, 8-32 x 1/2"
27	10C21403	Screw, 8-32 x 1"
28	10C25215	DLX Padded Suspension Kit (<i>Optional</i>) (Includes Item #'s: 29, 30, 31, 32, and 33)
29	10C25216	Top Pad
30	10C25219	Suspension Web
31	10C25182	Middle Pad
32	10C25218	Side Pad
33	10C24655	Hook and Loop Fastener Tape, 1" Wide with Adhesive Back, 2 Feet
34	10C10532	Web Suspension with Sweatband (<i>Optional</i>)
—	106M345	Part Numbers and Schematics Guide - Apollo 20 High Pressure Abrasive Blasting Respirator
—	109V705	Operator's Manual - Apollo 20 High Pressure Abrasive Blasting Respirator

PART NUMBERS & SCHEMATICS

Figure 1: Apollo 20 High Pressure Abrasive Blasting Respirator



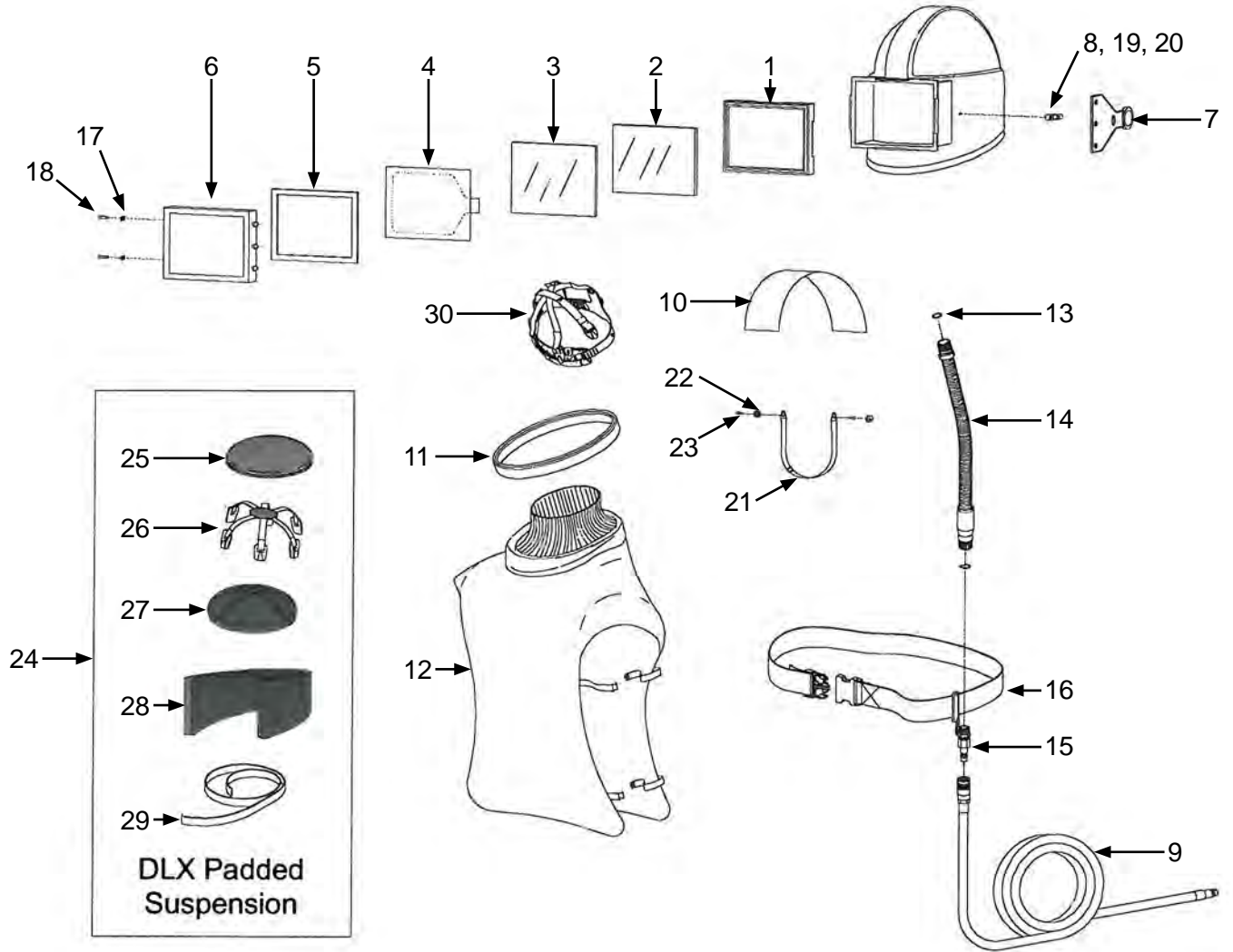
PART NUMBERS & SCHEMATICS

Apollo 20 Low Pressure Abrasive Blasting Respirator

Item #	Part #	Description
Fig. 2		
1	10C99996	Molded Window Gasket
2	10C21409	Inner Lens, .040" Thickness (<i>See Page 5</i>)
3	10C21410	Outer Lens, .094" Thickness (<i>See Page 5</i>)
4	10C21411	Tear-Off Lens, .0075" Thickness (<i>See Page 5</i>)
5	10C21041	Lens Frame Gasket
6	10C20976	Lens Frame
7	10C21298	Lens Frame Latch
8	10C21040	Button Rubber Latch
9a	10C22510	1/2" x 50 Feet of Breathing Line
9b	10C21413	1/2" x 100 Feet of Breathing Line
10	10C21118	Air Channel Partition Kit
11	10C10534	Cape Attachment Strap
12	10C21301	Cape, Black, with Inner Collar
13	10C22815	O-Ring
14	10C22811	Breathing Tube with Swivel Ends
15	10C21429	Constant-Flow Connector without Belt
16a	10C04430B	Belt (<i>Alternative</i>)
16b	10C04430	Belt
17	10C90041	Lens Frame Nut (<i>Two Required</i>)
18	10C90295	Lens Frame Screw (<i>Two Required</i>)
19	10C21402	Screw, 8-32 x 1/2"
20	10C21403	Screw, 8-32 x 1"
21	10C04460	Adjustable Chin Strap
22	10C21696	Chin Strap Fasteners (<i>Two Required</i>)
23	10C21119	Pan Head Screw 8-32 x 1/2"
24	10C25215	DLX Padded Suspension Kit (<i>Optional</i>) (<i>Includes Item #'s: 25, 26, 27, 28, and 29</i>)
25	10C25216	Top Pad
26	10C25219	Web Suspension
27	10C25182	Middle Pad
28	10C25218	Side Pad
29	10C24655	Hook and Loop Fastener Tape, 1" Wide with Adhesive Back, 2 Feet
30	10C10532	Web Suspension with Sweatband (<i>Optional</i>)
—	106M345	Part Numbers and Schematics Guide - Apollo 20 High Pressure Abrasive Blasting Respirator
—	109V706	Operator's Manual - Apollo 20 Low Pressure Abrasive Blasting Respirator

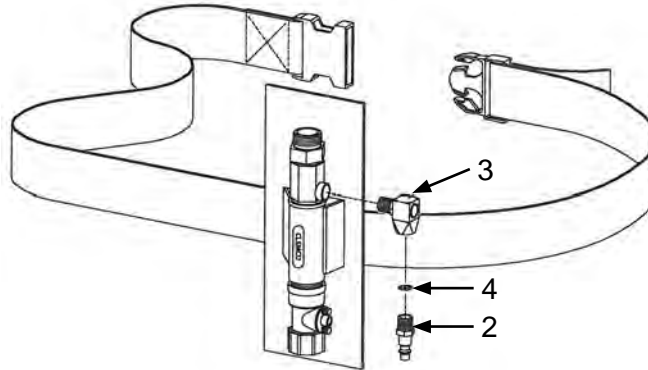
PART NUMBERS & SCHEMATICS

Figure 2: Apollo 20 Low Pressure Abrasive Blasting Respirator



PART NUMBERS & SCHEMATICS

Figure 3: Apollo Clem-Cool Air Conditioner with Belt



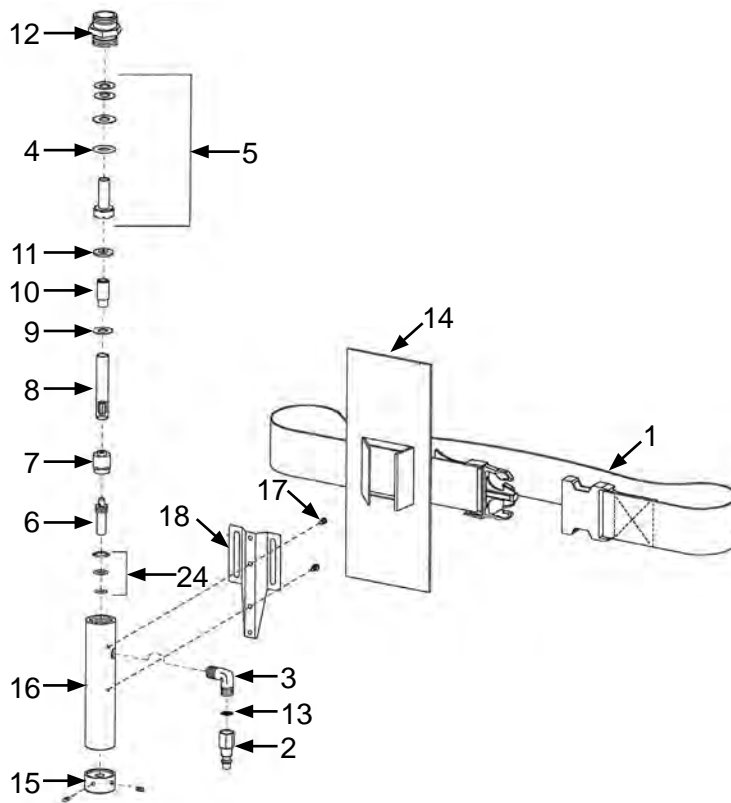
Item #	Part #	Description
--------	--------	-------------

Fig. 3

—	10C23825	Clem-Cool Air Conditioner with Belt 10C04430
1	10C04430	Belt
2	10C00015	Quick-Disconnect x 1/4" Male NPT
3	10C23829	Elbow, 1/4" NPT Swivel
4	10C08973	Screen
5	10C08981	Heat Shield
—	109V700	Operator's Manual – Clem-Cool Air Conditioner

PART NUMBERS & SCHEMATICS

Figure 4: Apollo Cool-Air Tube with Belt



Item #	Part #	Description
Fig. 4		
—	10C04410	Cool-Air Tube with Belt 10C04430
1	10C04430	Belt
2	10C08449	Quick-Disconnect x 1/4" Female NPT
3	10C08869	Elbow, 1/4" Male
4	10C08870	Seal Kit (Includes: O-Rings (Quantity of Four); and Item #6))
5	10C08871	Cool-End Venturi Kit (Includes: Cool-End Venturi O-Ring (Not Shown))
6	10C08962	Valve Stem
7	10C08963	Valve Insert
8	10C23030	Vortex Tube Assembly
9	10C08966	Narrow Spacer
10	10C08967	Venturi Tube
11	10C08968	Wide Spacer
12	10C08971	Helmet Tube Connection
13	10C08973	Screen
14	10C08981	Heat Shield
15	10C08985	Knob With Set Screws
16	10C08961	Body
17	10C08980	Machine Screw, Round Head 10-24 x 1/4"
18	10C08974	Belt Clip
—	109V701	Operator's Manual – Cool-Air Tube with Belt

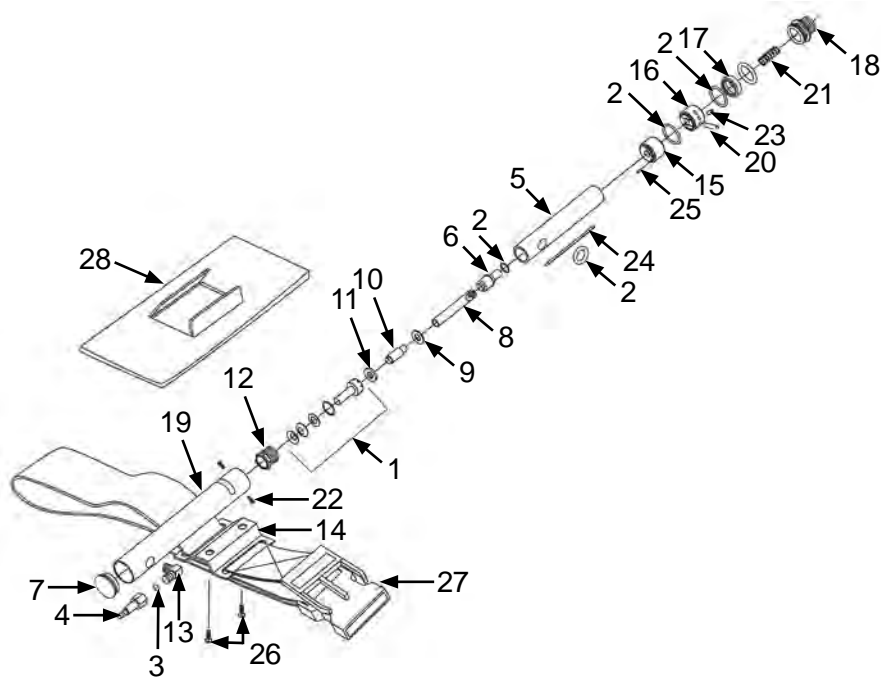
PART NUMBERS & SCHEMATICS

Apollo Climate Control Hot/Cold Tube with Belt

Item #	Part #	Description
Fig. 5		
—	10C04411	Climate Control Hot/Cold Tube with Belt 10C04430
1	10C08846	Cool-End Venturi <i>(Includes Cool-End Venturi O-Ring (Not Shown))</i>
2	10C08845	Seal Kit <i>(Includes O-Rings (Quantity of Six) and Seals (Not Shown))</i>
3	10C08983	Screen
4	10C08449	Quick-Disconnect x 1/4" Female NPT
5	10C08825	Body
6	10C08826	Hot-End Orifice
7	10C08827	Plug
8	10C23030	Vortex Tube Assembly
9	10C08968	Narrow Spacer
10	10C08967	Venturi
11	10C08968	Wide Spacer
12	10C08829	Threaded Retainer
13	10C08869	1/4" Male Elbow
14	10C08974	Belt Clip
15	10C08830	Lower Valve Plate
16	10C08831	Upper Valve Plate
17	10C08832	Support Washer
18	10C08833	Outlet Fitting
19	10C08834	Body Housing
20	10C08835	Control Lever
21	10C08844	Spring
22	10C03870	Machine Screw, 6-32 x 1/4"
23	10C03072	Set Screw, 1/4-NC x 1/2"
24	10C08836	Spacer
25	10C08838	Valve Plate Pin
26	10C03886	Machine Screw, 10-24 x 1/2"
27	10C04430	Belt
28	10C08981	Heat Shield
—	109V702	Operator's Manual – Climate Control Hot/Cold Tube

PART NUMBERS & SCHEMATICS

Figure 5: Apollo Climate Control Hot/Cold Tube with Belt



BREATHING LINE

Part Numbers	CLEMCO BREATHING LINE					
	Compressed Air	Use with Ambient Air Pump	Breathing Line I.D.	Length	Installed Couplings	
					10BV11 Male x Male	10BV13 Male x Male
10C04397	X		3/8"	25 Feet	X	X
10C04415	X		3/8"	50 Feet	X	X
10C04398	X		3/8"	100 Feet	X	X
10C22510		X	1/2"	50 Feet		
10C21413		X	1/2"	100 Feet		







10C04397
10C04415
10C04398



10C22510
10C21413

Part Numbers BREATHING LINE HEX NIPPLES AND QUICK-DISCONNECT COUPLINGS

	10BV12	3/8" Male NPT Pipe Thread to 1/4" Male Hose Adapter Hex Nipple
	10BV13	3/8" Male NPT Pipe Thread to 3/8" Male Hose Adapter Hex Nipple
	10BV11	3/8" Male x 3/8" Male Hose to Hose Connector Hex Nipple
	10BV14	1/4" Female Quick-Disconnect Coupling, Shut-Off with 1/4" Female Pipe Thread

PART NUMBERS

MSA ABRASI-BLAST™ ABRASIVE BLASTING RESPIRATORS

Part Numbers	Working Pressure	Quick-Disconnect Style	HOOD	
			Material	Length
10MSA468720	10 – 15 psi	Snap-Tite®	Hepalon	Shoulder
10MSA468726	10 – 15 psi	Snap-Tite®	Hepalon	Waist
10MSA468722	35 – 40 psi	Snap-Tite®	Hepalon	Shoulder
10MSA468718	35 – 40 psi	Snap-Tite®	Hepalon	Waist



LENS CARTRIDGES



MSA FACEPIECE ASSEMBLY PROTECTIVE LENS CARTRIDGES

Part Numbers	Thickness	Lens	Case Quantity
10MSA473798	.09	Untempered	12 Cartridges; 3 Lenses per Cartridge
10MSA473800	.09	Tempered	12 Cartridges; 3 Lenses per Cartridge
10MSA473802	.12	Untempered	12 Cartridges; 2 Lenses per Cartridge
10MSA481742	.12	Untempered	12 Cartridges; 3 Lenses per Cartridge

ABRASI-BLAST™ HOODS

ABRASI-BLAST™ ABRASIVE BLASTING RESPIRATOR HOODS

Part Numbers	Material	Length
10MSA468725	Hepalon	Shoulder
10MSA468724	Hepalon	Waist
10MSA480699	Duck Cloth	Chest
10MSA486303	Neoprene	Waist
10MSA486329	Knit Back, Hypalon Front	Shoulder

Facepiece and Breathing Tubes not included



10MSA468725



10MSA468724

ABRASI-BLAST™ HOOD ACCESSORIES

Part Numbers	ABRASI-BLAST™ ABRASIVE BLASTING RESPIRATOR HOOD ACCESSORIES
	Description
10MSA468705	Replacement Collar Assembly
10MSA465626	Hood Plug (<i>For use when breathing tube worn inside hood</i>)
10MSA473902	Vinyl Belt
10MSA9961	Web Belt



10MSA468705



10MSA473902
10MSA9961

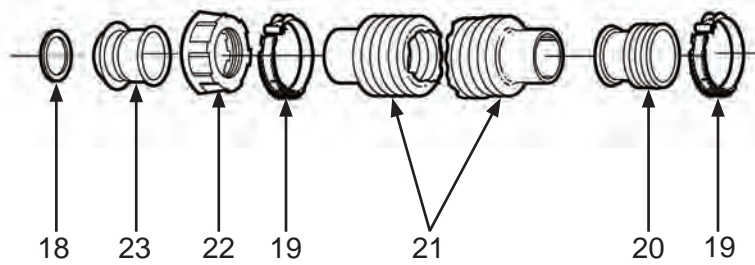
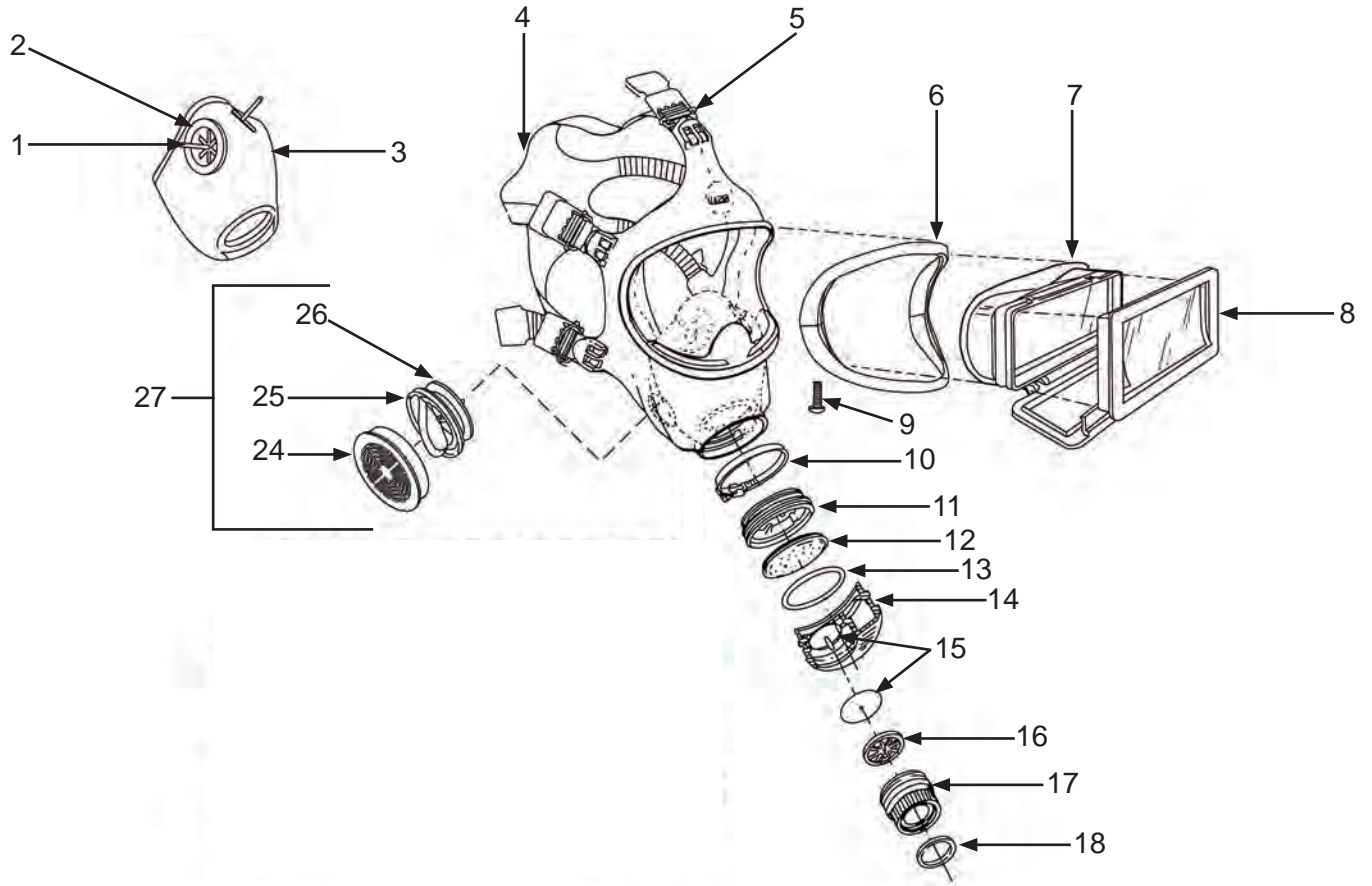
PART NUMBERS & SCHEMATICS

MSA Facepiece Assembly

Item #	Part #	Description
Fig. 2		
1	10MSA491125	Valve Disc
2	10MSA491124	Valve Seat <i>(Two Required)</i>
3	10MSA471710	Nosecup Assembly – Small
—	10MSA471711	Nosecup Assembly – Medium
—	10MSA471712	Nosecup Assembly – Large
4	10MSA458173	Harness
5	10MSA457190	Buckle Assembly with D-Ring <i>(Two Required)</i>
6	10MSA470909	Lens Ring – Small <i>(Gray, Two Required)</i>
—	10MSA462709	Lens Ring – Medium <i>(Black, Two Required)</i>
—	10MSA470910	Lens Ring – Large <i>(Gold, Two Required)</i>
7	10MSA480020	Lens Housing
8	—	Lens Cartridge Assembly <i>(See Page 5)</i>
9	10MSA60532	Screw <i>(Two Required)</i>
10	10MSA628210	Clamp
11	10MSA9666	Retainer Ring
12	10MSA488875	Speaking Diaphragm
13	10MSA629935	O-Ring
14	10MSA470039	Inlet Housing
15	10MSA813103	Disc Valve
16	10MSA491934	Gasket and Valve Spider
17	10MSA96547	Adapter Assembly
18	10MSA3532	Gasket <i>(Two Required)</i>
19	10MSA57909	Clamp <i>(Two Required)</i>
20	10MSA84930	Threaded Insert for 20" Breathing Tube 10MSA470734
—	10MSA475279	Threaded Insert for 28" Breathing Tube 10MSA457158
21	10MSA470734	20" Breathing Tube
—	10MSA457158	28" Breathing Tube
22	10MSA15756	Coupling Nut
23	10MSA17554	Breathing Tube Insert for 20" Breathing Tube 10MSA470734
—	10MSA475275	Breathing Tube Insert for 28" Breathing Tube 10MSA457158
24	10MSA82382	Exhalation Valve <i>(Two Required)</i>
25	10MSA78703	Exhalation Flapper Valve <i>(Two Required)</i>
26	10MSA461958	Exhalation Valve Body <i>(Two Required)</i>
27	10MSA462185	Exhalation Valve Assembly <i>(Include Item #'s: 24, 25, and 26)</i>
—	10MSA454819	Prescription Spectacle Kit <i>(Not Shown)</i>
—	106M441	Part Numbers & Schematics Guide – MSA Abrasi-Blast™ Abrasive Blasting Respirator

PART NUMBERS & SCHEMATICS

Figure 2: MSA Facepiece Assembly






OPTIONAL ACCESSORIES



Part
Numbers

MSA V-GARD® SERIES HARD HATS						
Series	Style	Fas-Trac® Ratchet Suspension	Staz-On® Pinlock Suspension	Color	Minimum Order Quantity	
30MSA475368	V-Gard®	Cap Style	X	Blue	One Each	
10MSA475364	V-Gard®	Cap Style	X	Gray	One Each	
10MSA475361	V-Gard®	Cap Style	X	Orange	One Each	
30MSA463948	V-Gard®	Cap Style		Gray	One Each	
30MSA463945	V-Gard®	Cap Style		Orange	One Each	
30MSA463942	V-Gard®	Cap Style		White	One Each	

MSA V-GARD® SERIES HARD HAT ACCESSORIES

Part Numbers	Description
 10MSA10087220	Fas-Trac®, 4-Point Ratchet Suspension
 10MSA10087218	Staz-On®, 4-Point Pinlock Suspension
 10MSA10061123	1-Touch® Slide, 4-Point Suspension

BREATHING LINE

Part Numbers	MSA BREATHING LINE			
	Compressed Air	Breathing Line I.D.	Length	Hose Material
10MSA481071	X	3/8"	8 Feet	Neoprene
10MSA455020	X	3/8"	15 Feet	Neoprene
10MSA455021	X	3/8"	25 Feet	Neoprene
10MSA455022	X	3/8"	50 Feet	Neoprene
10MSA481051	X	3/8"	8 Feet	PVC
10MSA471511	X	3/8"	15 Feet	PVC
10MSA471512	X	3/8"	25 Feet	PVC
10MSA471513	X	3/8"	50 Feet	PVC
10MSA484225	X	3/8"	100 Feet	PVC
10MSA491513	X	3/8"	8 Feet	Coiled Nylon
10MSA491514	X	3/8"	15 Feet	Coiled Nylon
10MSA491515	X	3/8"	25 Feet	Coiled Nylon
10MSA474043	X	3/8"	50 Feet	Coiled Nylon



10MSA455020
10MSA455021
10MSA455022
10MSA455022



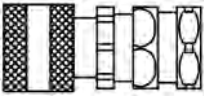
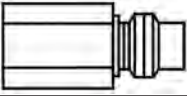
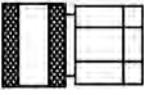
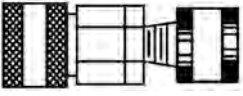
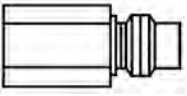
10MSA451051
10MSA471511
10MSA471513
10MSA484225

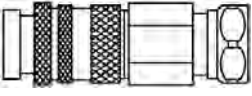
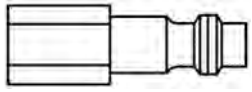


10MSA491513
10MSA491514
10MSA491515
10MSA474043

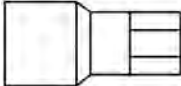

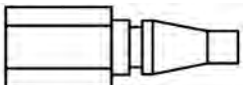
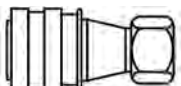
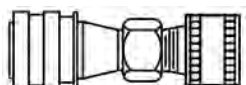
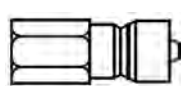
QUICK-DISCONNECT COUPLINGS

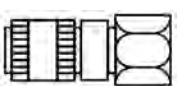
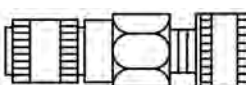
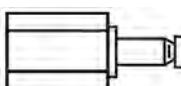
	Part Numbers	AIR SUPPLY HOSE CONNECTOR
		Description
	10MSA69541	1/4" NPT Air Supply Hose Connector <i>For use with all style Sockets</i>

SNAP-TITE® FITTINGS				
	Part Numbers	Type	Style	Material
	10MSA479032	Locking	Socket	Aluminum
	10MSA479027	Locking	Plug for Quick-Disconnect	Aluminum
	10MSA66272	Non-Locking	Socket	Aluminum
	10MSA630305	Non-Locking	Socket	Brass
	10MSA629673	Non-Locking	Socket	Stainless Steel
	10MSA455019	Non-Locking	Socket Assembly	Aluminum
	10MSA471777	Non-Locking	Socket Assembly	Brass
	10MSA471778	Non-Locking	Socket Assembly	Stainless Steel
	10MSA66274	Non-Locking	Plug for Quick-Disconnect	Aluminum
	10MSA630307	Non-Locking	Plug for Quick-Disconnect	Brass
	10MSA629672	Non-Locking	Plug for Quick-Disconnect	Stainless Steel

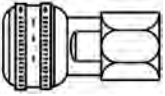
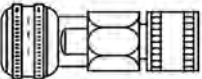
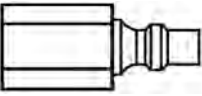
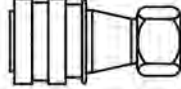
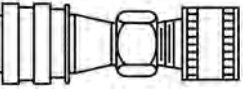
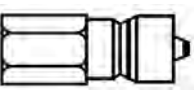
CEJN FITTINGS				
	Part Numbers	Type	Style	Material
	10MSA476956	Locking	Socket	Chrome
	10MSA479026	Locking	Plug for Quick-Disconnect	Chrome

QUICK-DISCONNECT COUPLINGS

FOSTER® FITTINGS				
	Part Numbers	Type	Style	Material
	10MSA628770	Non-Locking	Socket	Steel
	10MSA636459	Non-Locking	Socket	Stainless Steel
	10MSA467044	Non-Locking	Socket Assembly	Steel
	10MSA801016	Non-Locking	Socket Assembly	Stainless Steel
	10MSA55716	Non-Locking	Plug for Quick-Disconnect	Steel
	10MSA636460	Non-Locking	Plug for Quick-Disconnect	Stainless Steel
	10MSA629980	Non-Locking with Check Valve	Socket	Brass
	10MSA470194	Non-Locking with Check Valve	Socket Assembly	Brass
	10MSA629981	Non-Locking with Check Valve	Plug for Quick-Disconnect	Brass

DUFF-NORTON® FITTINGS				
	Part Numbers	Type	Style	Material
	10MSA630308	Non-Locking	Socket	Brass
	10MSA471780	Non-Locking	Socket Assembly	Brass
	10MSA630309	Non-Locking	Plug for Quick-Disconnect	Brass

QUICK-DISCONNECT COUPLINGS

		HANSEN FITTINGS		
	Part Numbers	Type	Style	Material
	10MSA630311	Non-Locking	Socket	Brass
	10MSA471501	Non-Locking	Socket Assembly	Brass
	10MSA630313	Non-Locking	Plug for Quick-Disconnect	Brass
	10MSA628768	Non-Locking with Check Valve	Socket	Stainless Steel
	10MSA471779	Non-Locking with Check Valve	Socket Assembly	Stainless Steel
	10MSA628208	Non-Locking with Check Valve	Plug for Quick-Disconnect	Stainlesss Steel

PART NUMBERS

Part Numbers	ABRASIVE BLASTING POT PACKAGES
	Description
10103908	Base Abrasive Blasting Respirator Package
10103909	Full Abrasive Blasting Respirator Package
10103910	MB30 Abrasive Blasting Respirator Package

PART NUMBERS & SCHEMATICS

Figure 1: Base Abrasive Blasting Respirator Package



Item #	Part #	Description
Fig. 1		
—	10103908	Base Abrasive Blasting Respirator Package
1	10BGVX2840	Bullard® GenVX™ Abrasive Blasting Respirator with 28" Tan Cape
2	10B5457	3/8" x 50' Breathing Line
3	10GL14	Leather Gloves
4	10BV27	1/4" Quick-Disconnect Coupling
5	30MCRBK110	Crews Bearkat Clear Safety Glasses
6	30EAR420075	Neon Blast Ear Plugs (Box of 200 Pair)
7	1028600	2-Outlet Blastmaster® 286 Airline Filter
8	10ME2	2-Lug 1" Male Coupling
9	10BGVXLC	Mylar Adhesive Lenses, .010 Thickness (Package of 25)
10	10BBGVXIL	Inner Lenses, .040 Thickness (Package of 25)
11	10BBGVXOL15	Outer Lenses, .015 Thickness (Package of 50)

PART NUMBERS & SCHEMATICS

Full Abrasive Blasting Respirator Package

Item #	Part #	Description
Fig. 2		
—	10103909	Full Abrasive Blasting Respiratory Package
1	1050136	CO Monitor Calibration Kit – Complete
2	1050001	CO Monitor
3	1050102	12-Volt DC Electric Cord for CO Monitor
4	10BGVX2840	Bullard® GenVX™ Abrasive Blasting Respirator with 28" Tan Cape
5	10GL14	Leather Gloves
6	30MCRBK110	Crews Bearkat Clear Safety Glasses
7	30EAR420075	Neon Blast Ear Plugs (<i>Box of 200 Pair</i>)
8	10B5457	3/8" x 50' Breathing Line
9	10BV27	1/4" Quick-Disconnect Coupling
10	10BGVXLC	Mylar Adhesive Lenses, .010 Thickness (<i>Package of 25</i>)
11	10BBGVXIL	Inner Lenses, .040 Thickness (<i>Package of 25</i>)
12	10BBGVXOL15	Outer Lenses, .015 Thickness (<i>Package of 50</i>)
13	1069538	3/8" x 5' Air Hose with Fittings
14	1028600	2-Outlet Blastmaster® 286 Airline Filter
15	10ME2	2-Lug 1" Coupling

PART NUMBERS & SCHEMATICS

Figure 2: Full Abrasive Blasting Respirator Package












PART NUMBERS & SCHEMATICS

Figure 3: MB30 Abrasive Blasting Respirator Package









Item #	Part #	Description
Fig. 3		
—	10103910	MB30 Abrasive Blasting Respirator Package
1	10BMB3030	MB30 Abrasive Blasting Respirator
2	10BMB1	Snap-On Outer Lens, .020 (Package of 10)
3	10B5457	3/8" x 50' Breathing Line
4	10BV27	1/4" Quick-Disconnect Coupling
5	1028600	2-Outlet Blastmaster® 286 Airline Filter
6	10ME2	2-Lug 1" Male Coupling
7	10B20LC	Adhesive Lens (Package of 25)







PART NUMBERS & SCHEMATICS GUIDE

	Part Numbers	BULLARD DUAL-COOL™ VEST SYSTEM	
		Description	Compatible With
	10BDC70ML	Medium/Large DUAL-COOL Vest	DUAL-COOL Vest System
	10BDC70XLXXL	X-Large/XX-Large DUAL-COOL Vest	DUAL-COOL Vest System
	10BDC5040	DUAL-COOL™ with 10BCH60 Connector Hose and 10B4612 Belt	DUAL-COOL Vest System with Supplied-Air Respirators
	10BCH60	DUAL-COOL Connector Hose	10BDC5040
	10BAC1000DC	DUAL-COOL Air Conditioner. <i>Includes 10BAC1000 and 10BCH1000</i>	DUAL-COOL Vest
	10BCT30DC	Air Conditioner for DUAL-COOL Vest <i>Includes: 10BHCT30, 10B4612, 10BHS, and 10BCH1000</i>	DUAL-COOL Vest
	10BCH1000	DUAL-COOL Connector Hose with 10B4612 Belt	10BCT30DC or 10BAC1000DC
	10B4612	Belt	10BAC1000, 10BCT30
	10BHS	Heat Shield	10BAC1000, 10BCT30

PART NUMBERS & SCHEMATICS GUIDE




	Part Numbers	CLEMCO COMFORT VEST	
		Description	Compatible With
	10C25266	Comfort Vest with 10C23825 Clem-Cool Cool Tube	Clemco Comfort Vest
	10C24856	Comfort Vest with 10C04411 Climate Control Tube	Clemco Comfort Vest
	10C24854	Comfort Vest	Clemco Comfort Vest
	10C23825	Clem-Cool Air Conditioner and Belt 10C04430	Clemco Comfort Vest
	10C04411	Climate Control Hot/Cold Tube and Belt 10C04430	Clemco Comfort Vest
	10C04430	Belt	10C23825 and 10C04411

PART NUMBERS & SCHEMATICS GUIDE

		BULLARD ISOTHERM® 2 COOL VEST	
Part Numbers		Color	Size
	10BISO2	Blue	Large
	10BISO2XL	Blue	X-Large
	10BISO2HY	Yellow	Large
	10BISO2HYXL	Yellow	X-Large
	10BISOC2	Class 2 Hi-Viz Yellow	X-Large
	10BISO2P	Set of 2 Replacement Cool Packs	


105V089 - Bullard® ISOTHERM - Features Guide

PART NUMBERS & SCHEMATICS GUIDE

		BULLARD EVAPORATIVE COOLING PRODUCTS		
Part Numbers		Description	Size	Color
	10BECCN	Crown and Neck Shade	One Size	Yellow
	10BECB	Beanie	One Size	Blue
	10BECVL	Vest	One Size	Blue


105V091 - Bullard® Evaporative Cooling Products - Features Guide

PART NUMBERS & SCHEMATICS GUIDE






AIR SYSTEMS® COOL-BOXES™				
Part Numbers		Regulator	Pressure Gauge	Flow Capacity
	10BCACB196	0–125 psi	0–160 psi	75 cfm
	10BCACB196LP	0–15 psi	0–30 psi	75 cfm

109V088 – Operator's Manual – Air Systems Cool-Boxes

PART NUMBERS & SCHEMATICS GUIDE

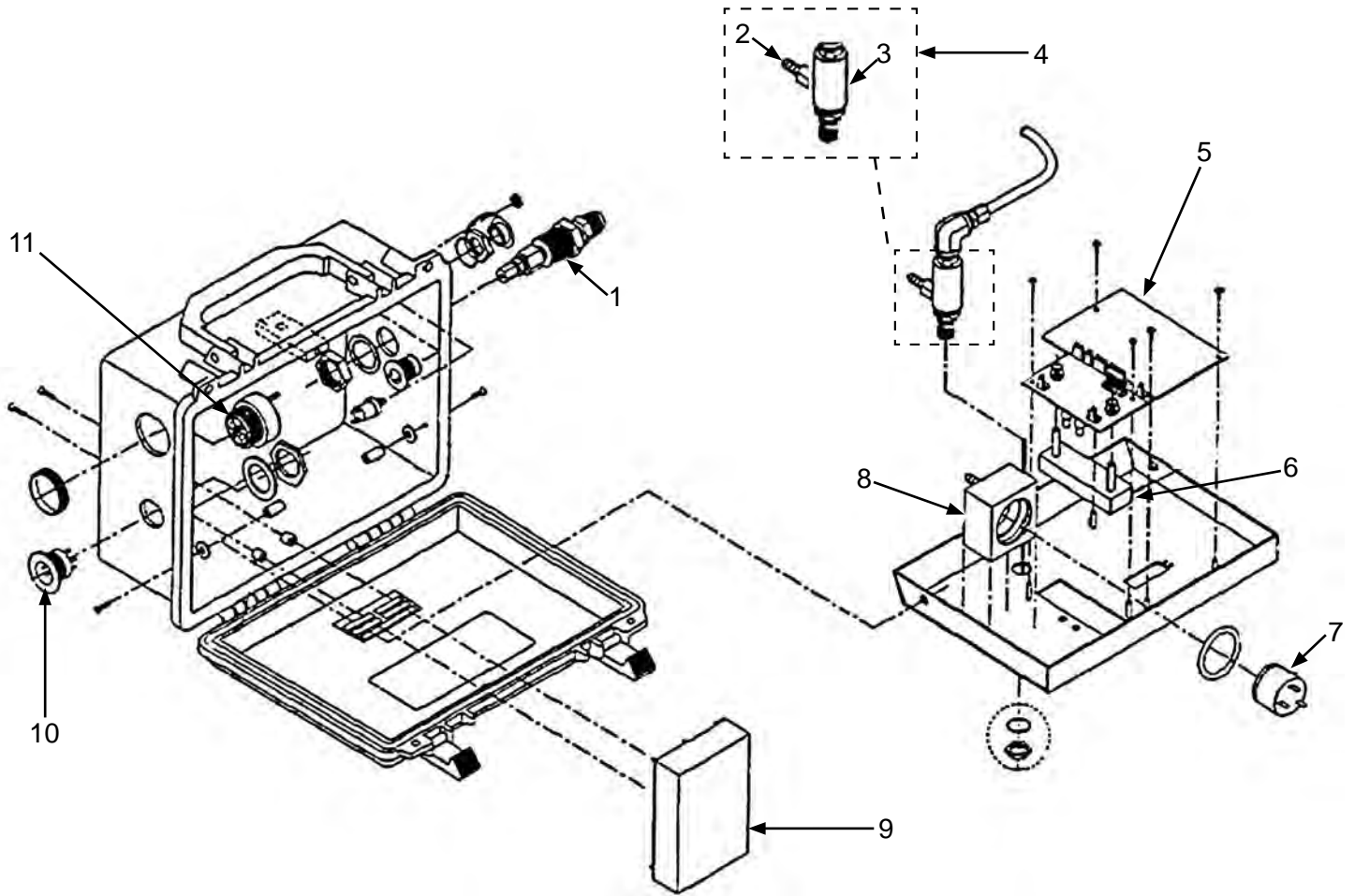
				COOLERS		
Part Numbers		Capacity	Brand			
	10ORS16850111	5 Gallon	Igloo®			

PART NUMBERS

		BARRICADE® CO MONITOR				
		Barricade® CO Monitor	12-Volt DC Power Cord	120-Volt AC Power Cord	5 Ft. x 3/8" I.D. Air Hose	Calibration Kit
Part Numbers						
	1050001	X				
	1050125	X	X			
	1050126	X	X		X	X
	1050130	X		X		
	1050131	X		X	X	X















PART NUMBERS & SCHEMATICS

Figure 1: Barricade® CO Monitor





Item #	Part #	Description
Fig. 1		
1	1050117	Flow Screen
2	1050116	Flow Restrictor
3	1050115	Pressure Regulator
4	1050135	Regulator Kit (Includes Item #'s 2 and 3)
5	1050119	Circuit Board
6	1050113	Flow Meter
7	1050108	Sensor
8	1050112	Flow Block
9	1050121	Power Supply with Regulator
10	1050127	Female Plug Inlet
11	10501021	Alarm
—	1050120	Potentiometer Tool
—	105M022	Features & Specifications Guide – Barricade® CO Monitor
—	106M005	Part Numbers and Schematics Guide – Barricade® CO Monitor & Accessories
—	1090005	Operator's Manual – Barricade® CO Monitor

OPTIONAL ACCESSORIES

Part Numbers		BARRICADE® CO MONITOR ACCESSORIES
		Description
	1050139	12-Volt DC Power Cord – 100'
	1050102	12-Volt DC Power Cord – 110"
	1050103	120-Volt AC Power Cord – 94"
	1050110	External Strobe and Alarm with 20 Feet Power Cord
	1050111	50 Feet Extension Cord for 1050110 External Strobe and Alarm
	1050136	Calibration Kit Complete <i>(Includes: 1050105, 1050106, 1050114, 1050129, 1050120 , 1050122)</i>
	1050105	95 ppm Calibration Gas
	1050106	Zero Calibration Gas
	1069538	5 Ft. x 3/8" I.D. Air Hose for Hook-Up
	1050120	Potentiometer Tool For Calibration
	1050122	Calibration Gas Regulator Valve
	1050114	Calibration Adapter Fitting
	1050129	Hose For Calibration
	1030718	Battery Clamps



PART NUMBERS & SCHEMATICS GUIDE

		BULLARD® 15 CFM CLEAN AIR BOX						
Part Numbers		Maximum Air Flow at 110 psi	Outlet Coupling Style	Number of Outlets	PPM	6' 110-Volt AC Power Cord	Mounting	Independent Regulators
	10BCAB15HA	15 cfm	Hansen	1	10	X	Pelican® Case	
	10BCAB15PMHA	15 cfm	Hansen	1	10		Wall Mount	
	10BCAB15PMIRHA	15 cfm	Hansen	1	10	X	Wall Mount	X
	10BCAB15PMIRHA5	15 cfm	Hansen	1	5	X	Wall Mount	X





**Actual number of respirators that may be connected to these products is dependent on the inlet pressure to the panel, and the airflow and pressure requirements of the respirator.*

Product details are based on published information at the time of publication. Product details are subject to change without notice. Contact Marco for more information.



PART NUMBERS & SCHEMATICS GUIDE

		BULLARD 30 CFM CLEAN AIR BOX						
Part Numbers		Maximum Air Flow at 110 psi	Outlet Coupling Style	Number of Outlets	PPM	6' 110-Volt AC Power Cord	Mounting	Independent Regulators
	10BCAB30HA	30 cfm	Hansen	2	10	X	Pelican Case	
	10BCAB30IRHA	30 cfm	Hansen	2	10	X	Pelican Case	X
	10BCAB30PMHA	30 cfm	Hansen	2	10	X	Wall Mount	
	10BCAB30PMIRHA	30 cfm	Hansen	2	10	X	Wall Mount	X
	10BCAB30PMIRHA5	30 cfm	Hansen	2	5	X	Wall Mount	X

*Actual number of respirators that may be connected to these products is dependent on the inlet pressure to the panel, and the airflow and pressure requirements of the respirator.





		BULLARD 15 CFM AND 30 CFM CLEAN AIR BOX FILTER ELEMENTS	
Part Numbers		Description	
	10BCAB30FEA	Particulate Filter Element A	
	10BCAB30FEB	Particulate Filter Element B	
	10BCAB30FEC	Charcoal Filter Element	
	10BCAB30FK	Filter Element Kit <i>Includes: Filter Element A, Filter Element B, and Activated Charcoal Element</i>	

PART NUMBERS & SCHEMATICS GUIDE


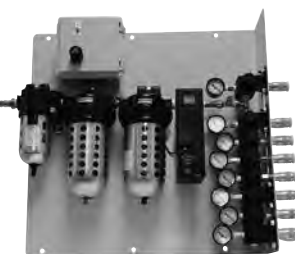
		BULLARD 50 CFM CLEAN AIR BOX						
Part Numbers		Maximum Air Flow at 110 psi	Outlet Coupling Style	Number of Outlets	PPM	6' 110-Volt AC Power Cord	Mounting	Independent Regulators
	10BCAB50HA	50 cfm	Hansen	4	10	X	Pelican Case	
	10BCAB50IRHA	50 cfm	Hansen	4	10	X	Pelican Case	X
	10BCAB50IRSN	50 cfm	SnapTite	4	10	X	Pelican Case	X
	10BCAB50PMHA	50 cfm	Hansen	4	10	X	Wall Mount	
	10BCAB50PMIRHA	50 cfm	Hansen	4	10	X	Wall Mount	X
	10BCAB50PMIRHA5	50 cfm	Hansen	4	5	X	Wall Mount	X

**Actual number of respirators that may be connected to these products is dependent on the inlet pressure to the panel, and the airflow and pressure requirements of the respirator.*

PART NUMBERS & SCHEMATICS GUIDE





		BULLARD 50 CFM CLEAN AIR BOX FILTER ELEMENTS	
Part Numbers		Description	
	10BCAB50FEA	Particulate Filter Element A	
	10BCAB50FEB	Particulate Filter Element B	
	10BCAB50FEC	Charcoal Filter Element	
	10BCAB50FK	Filter Element Kit <i>Includes: Filter Element A, Filter Element B, and Activated Charcoal Element</i>	

PART NUMBERS & SCHEMATICS GUIDE








		BULLARD 100 CFM CLEAN AIR BOX						
		Maximum Air Flow at 110 psi	Outlet Coupling Style	Number of Outlets	PPM	6' 110-Volt AC Power Cord	Mounting	Independent Regulators
Part Numbers								
	10BCAB100HA	100 cfm	Hansen	8	10	X	Pelican Case	
	10BCAB100IRHA	100 cfm	Hansen	8	10	X	Pelican Case	X
	10BCAB100PMHA	100 cfm	Hansen	8	10	X	Wall Mount	
	10BCAB100PMIRHA	100 cfm	Hansen	8	10	X	Wall Mount	X
	10BCAB100PMIRHA5	100 cfm	Hansen	8	5	X	Wall Mount	X

**Actual number of respirators that may be connected to these products is dependent on the inlet pressure to the panel, and the airflow and pressure requirements of the respirator.*

PART NUMBERS & SCHEMATICS GUIDE

		BULLARD 100 CFM CLEAN AIR BOX FILTER ELEMENTS	
Part Numbers		Description	
	10BCAB100FEA	Particulate Filter Element A	
	10BCAB100FEB	Particulate Filter Element B	
	10BCAB100FEC	Charcoal Filter Element	
	10BCAB100FK	Filter Element Kit <i>Includes: Filter Element A, Filter Element B, and Activated Charcoal Element</i>	

OPTIONAL ACCESSORIES

	Part Numbers	BULLARD CO MONITOR ACCESSORIES
		Description
	10BCABPC	120-Volt AC Power Cord – 10 Foot
	10BCOM10	Replacement CO Monitor – 10 ppm Alarm Set Point
	10BCABCK	Calibration Kit Complete <i>(Includes: 10 ppm Calibration Gas, Zero Gas, Regulator, and Case)</i>
	10BCABCG1017L	10 ppm Calibration Gas, 17 Liter
	10BCABCG017L	Zero Calibration Gas, 17 Liter
	10BCABREGTB	Tygon Tubing with Black Tip
	10BRA	Remote Strobe Light and Alarm with 50' Power Cord

PART NUMBERS & SCHEMATICS GUIDE



Part Numbers

BB15 AIR SYSTEMS INTERNATIONAL® BREATHER BOX™

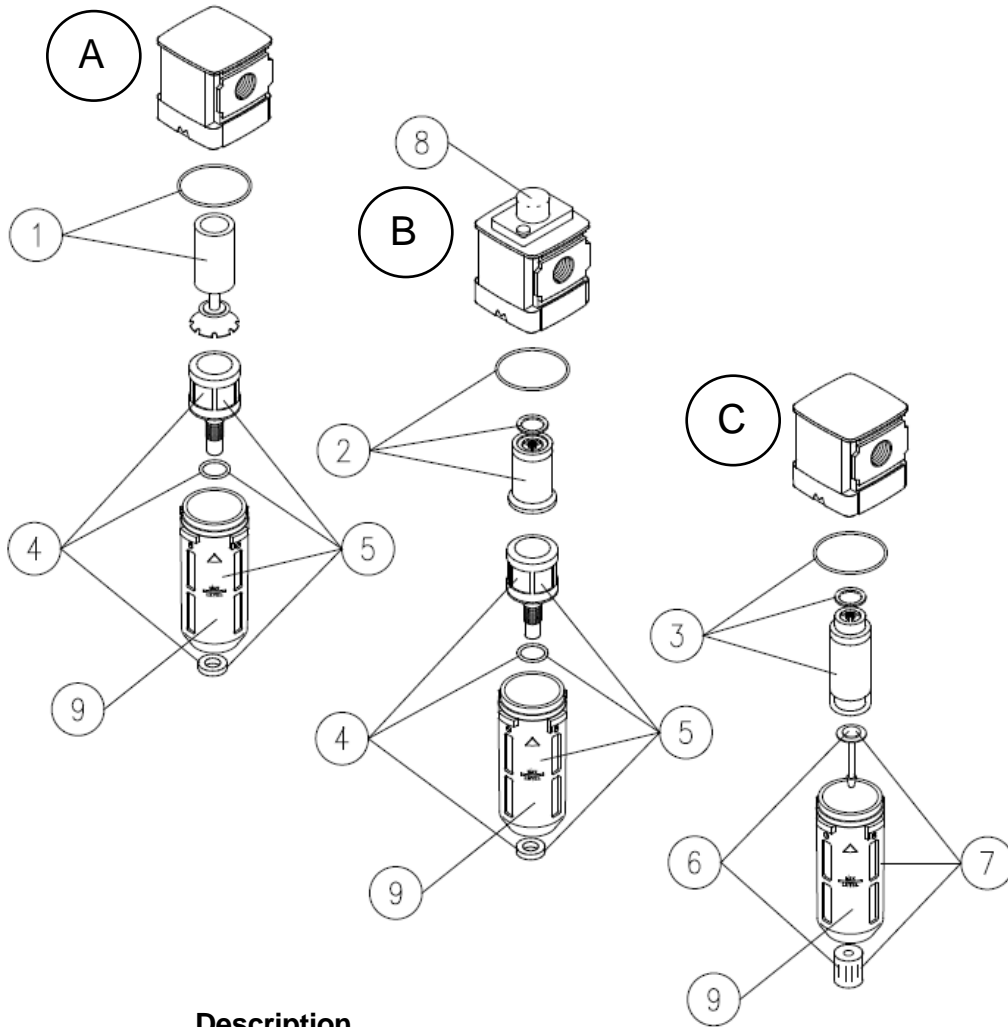
	Flow Capacity	Number of Couplings	Outlet Coupling	Carbon Monoxide Monitoring	Oxygen Monitoring	Intrinsically Safe	Independent Regulators	Pressure Gauge	Remote Alarm Jack
10ASBB15CO	15 cfm	1	Hansen	X					
10ASBB15COSCH	15 cfm	1	Schrader	X					
10ASBB15CO2	15 cfm	2	Hansen	X					
10ASBB15CO2SCH	15 cfm	2	Schrader	X					

Air Systems International® Breather Box™ BB15 Specifications

Maximum Air Flow @ 110 psi:	15 cfm
Number of Outlets:	1-2
Size:	19"L x 13"H x 7"D
Weight:	12.3 lbs
Inlet Size:	1/4"
Maximum Inlet Pressure:	150 psi
Relief Valve:	125 psi
Power Source:	9-Volt Battery/120 - volt AC

PART NUMBERS & SCHEMATICS GUIDE

Figure 1: Air Systems International® Breather Box™ BB15-CO Filter Breakdown



Item #	Part #	Description
Fig. 1		
A	10ASBWL251	1st Stage Filter Assembly
B	10ASBWL253	2nd Stage Filter Assembly
C	10ASBWL255	3rd Stage Filter Assembly
1	10ASBB15AW	"A" Filter Element and O-Ring
2	10ASBB15CW	"C" Filter Element and O-Ring
3	10ASBB15DW	"D" Filter Element and O-Ring
4	10AS15ADW	Auto Drain Assembly
5	10AS15PBAW	Filter Bowl with Auto Drain Assembly
6	10ASB15MDW	Manual Drain
7	10ASB15PBMW	Filter Bowl with Manual Drain
8	10ASB15DPW	Filter Change Indicator
9	10ASB15PBGW	Filter Bowl with Guard
—	10ASBB15FK	Filter Kit for BB15 Series (Includes item #'s 1,2 and 3)
—	306M538	Part Numbers and Schematics Guide– Air Systems International® Breather Box™
—	309V103	Operator's Manual – Air Systems International® Breather Box™
—	309V104	Flyer– Air Systems International® Breather Box™

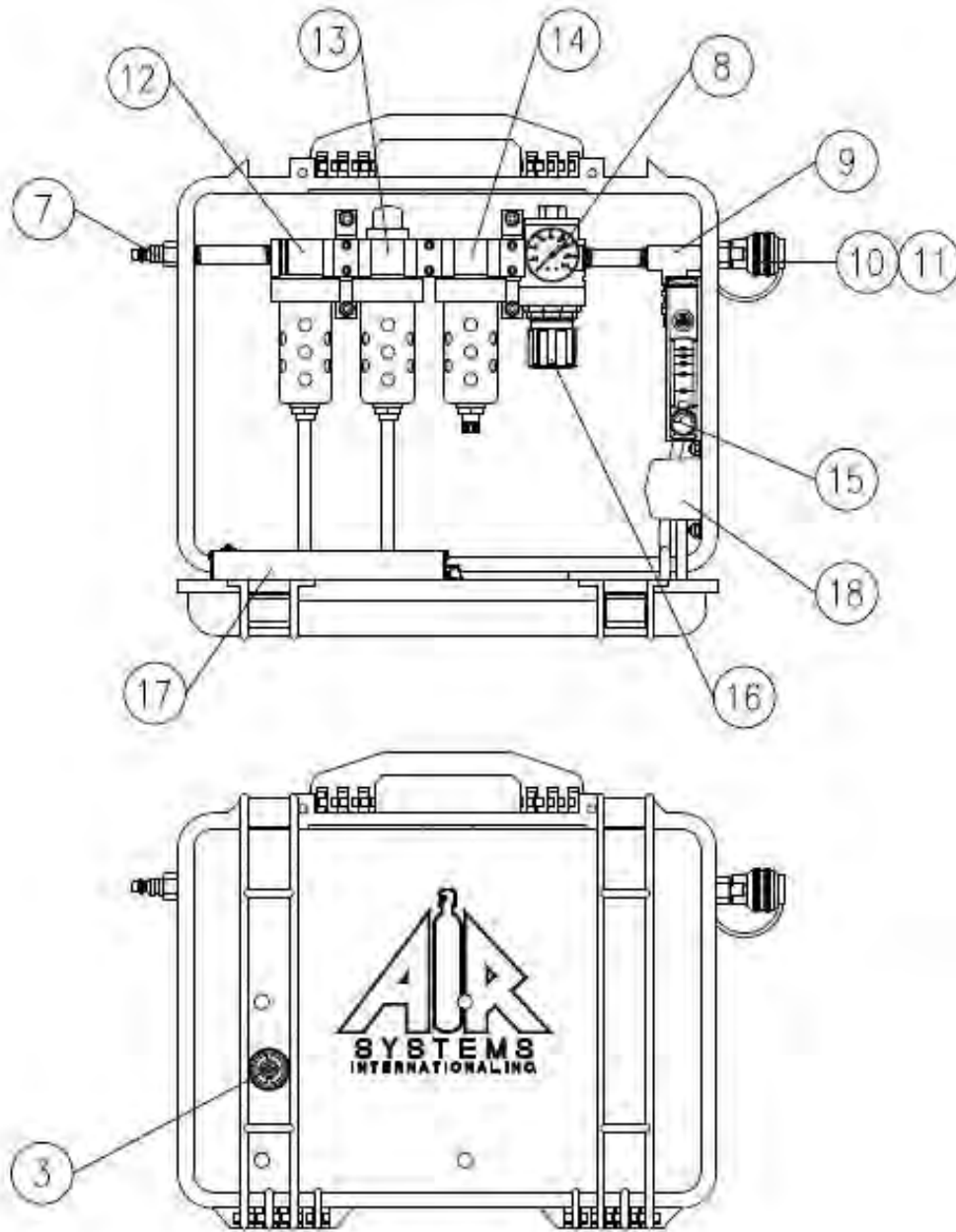
PART NUMBERS & SCHEMATICS GUIDE

Air Systems International® Breather Box™ BB15-CO

Item #	Part #	Description
Fig. 2		
7	10ASQDH3PL6M	Inlet Fitting
8	10ASGA20160B	Pressure Gauge
9	10ASVR4125BR	Relief Valve
10	10ASQDH3SL6M	Hansen Coupling
10a	10QDSSL6M	Schrader Coupling
11	10ASQD3DCAP	Hansen Dust Cap
11a	10ASQDSCAP	Schrader Dust Cap
12	10AS15FLTRAW	1st Stage Filter Assembly (See Figure 1)
13	10AS15FLTRCW	2nd Stage Filter Assembly (See Figure 1)
14	10AS15FLTRDW	3rd Stage Filter Assembly (See Figure 1)
15	10ASWLO33NS	Flowmeter
16	10AS15REGW	Pressure Regulator
17	10ASCO91AB	Carbon Monoxide Monitor
18	10ASELJ006	115 VAC Recessed Plug
—	306M538	Part Numbers and Schematics Guide– Air Systems International® Breather Box™
—	309V103	Operator's Manual – Air Systems International® Breather Box™
—	309V104	Flyer– Air Systems International® Breather Box™

PART NUMBERS & SCHEMATICS GUIDE

Figure 2: Air Systems International® Breather Box™ BB15-CO Breakdown



PART NUMBERS & SCHEMATICS GUIDE



Part Numbers

BB30 AIR SYSTEMS INTERNATIONAL® BREATHER BOX™

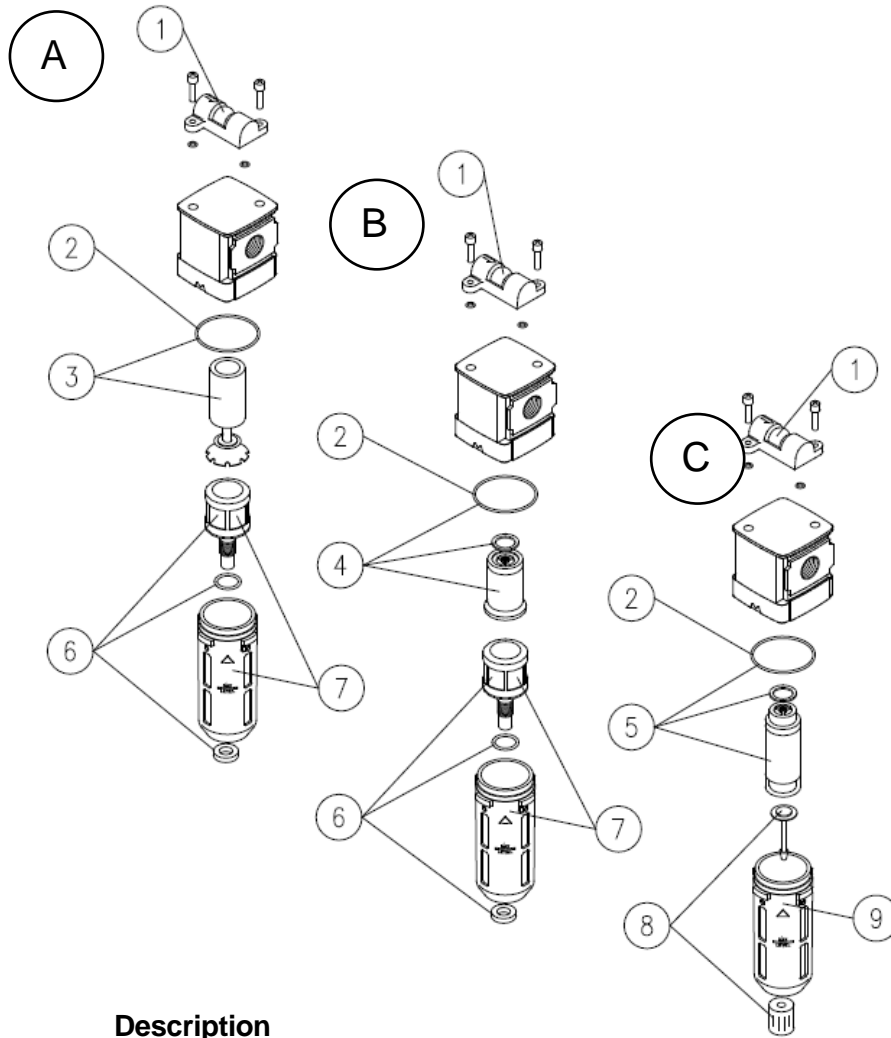
Part Numbers	Flow Capacity	Number of Couplings	Outlet Coupling	Carbon Monoxide Monitoring	Oxygen Monitoring	Intrinsically Safe	Independent Regulators	Pressure Gauge	Remote Alarm Jack
10ASBB30CO2R	30 cfm	2	Hansen	X			2	2	X
10ASBB30CO	30 cfm	2	Hansen	X					X
10ASBB30COO2	30 cfm	2	Hansen	X	X				X
10ASBB30COIS	30 cfm	2	Hansen	X		X			X
10ASBB30CO2RSCH	30 cfm	2	Schrader	X			2	2	X
10ASBB30COSCH	30 cfm	2	Schrader	X					X
10ASBB30COO2SCH	30 cfm	2	Schrader	X	X				X
10ASBB30COISSCH	30 cfm	2	Schrader	X		X			X
10ASBB30CO3	30 cfm	3	Hansen	X					X
10ASBB30CO3SCH	30 cfm	3	Schrader	X					X

Air Systems International® Breather Box™ BB30 Specifications

Maximum Air Flow @ 110 psi:	30 cfm
Number of Outlets:	2
Size:	19"L x 13"H x 7"D
Weight:	19.7 lbs
Inlet Size:	1/2"
Maximum Inlet Pressure:	150 psi
Relief Valve:	125 psi
Power Source:	9-Volt Battery/120 - volt AC

PART NUMBERS & SCHEMATICS GUIDE

Figure 3: Air Systems International® Breather Box™ BB30-CO Filter Breakdown



Item #	Part #	Description
--------	--------	-------------

Fig. 3

A	10ASBWL251	1st Stage Filter Assembly
B	10ASBWL253	2nd Stage Filter Assembly
C	10ASBWL255	3rd Stage Filter Assembly
1	10ASWL261	Filter Change Indicator
2	10ASBWL266	Filter Bowl O-Ring
3	10ASBB30A	"A" Filter Element and O-Ring
4	10ASBB30C	"C" Filter Element and O-Ring
5	10ASBB30D	"D" Filter Element and O-Ring
6	10ASWL024	Auto Drain Assembly
7	10ASBWL264	Filter Bowl with Guard and Auto Drain
8	10ASBWL262	Manual Drain
9	10ASWL267	Filter Bowl with Guard (No Drain)
—	10ASBB30FK	Filter Kit for BB30 Series (Includes item #'s 3,4 and 5)
—	306M538	Part Numbers and Schematics Guide— Air Systems International® Breather Box™
—	309V103	Operator's Manual – Air Systems International® Breather Box™
—	309V104	Flyer— Air Systems International® Breather Box™

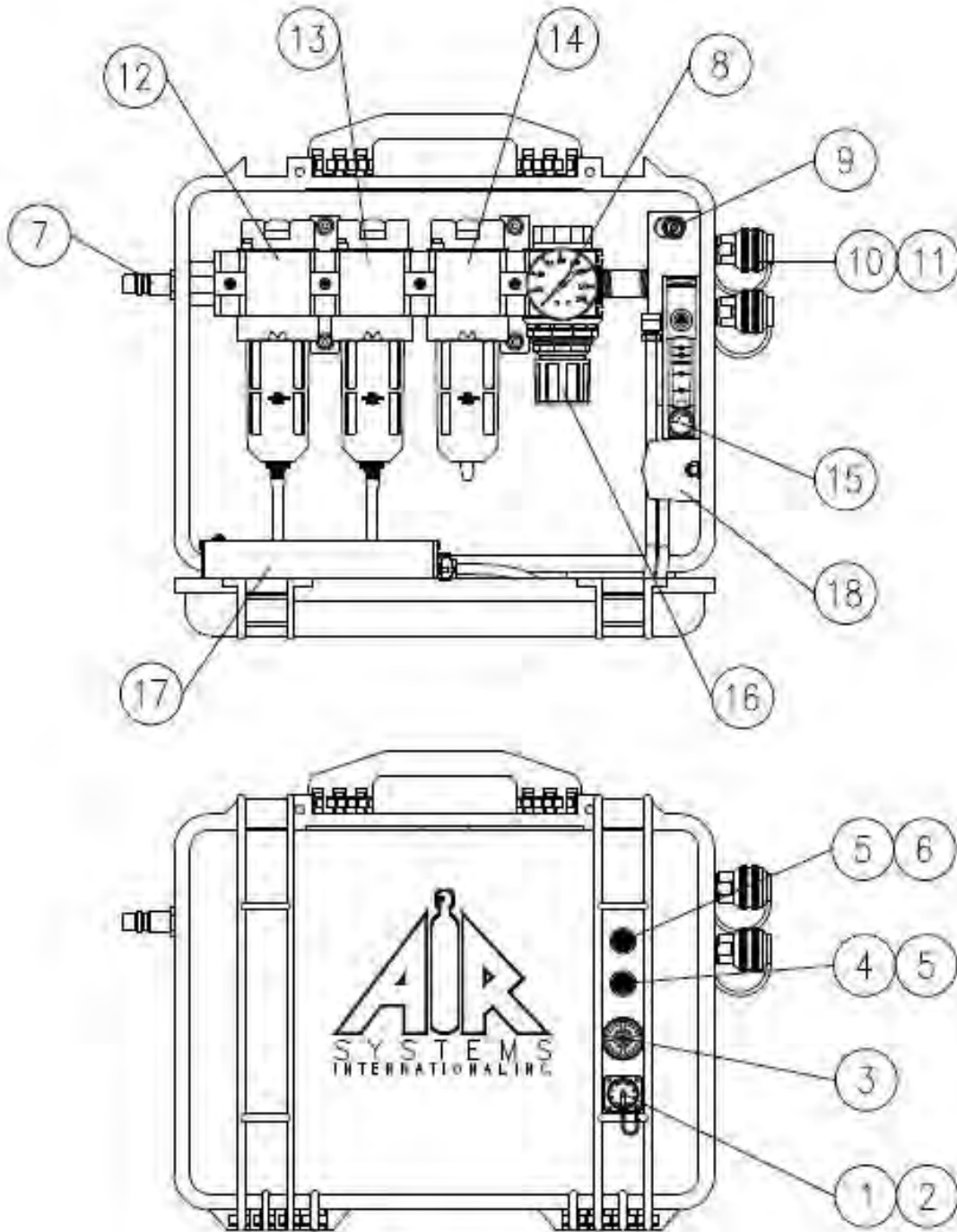
PART NUMBERS & SCHEMATICS GUIDE

Air Systems International® Breather Box™ BB30-CO

Item #	Part #	Description
Fig. 4		
1	10ASELJP004	Remote Alarm Jack
2	10ASELJP005	Remote Alarm Jack Cover
3	10ASELLS004	High CO Audible Alarm
4	10ASMONC004	High CO Indicator
5	10ASELDS013	Clear LED Lens
6	10ASMONC005	Normal Operation Indicator
7	10ASQDH3PL6M	Inlet Fitting
8	10ASGA20160B	Pressure Gauge
9	10ASVR4125BR	Relief Valve
10	10ASQDH3SL6M	Hansen Coupling
10a	10ASQDSSL6M	Schrader Coupling
11	10ASQDH3DCAP	Hansen Dust Cap
11a	10ASQDSDCAP	Schrader Dust Cap
12	10ASWL251	1st Stage Filter Assembly <i>(See Figure 3)</i>
13	10ASWL253	2nd Stage Filter Assembly <i>(See Figure 3)</i>
14	10ASWL255	3rd Stage Filter Assembly <i>(See Figure 3)</i>
15	10ASWL033NS	Flowmeter
16	10ASWL257	Pressure Regulator
17	10ASCO91	Carbon Monoxide Monitor
18	10ASELJP006	115 VAC Recessed Plug
—	306M538	Part Numbers and Schematics Guide— Air Systems International® Breather Box™
—	309V103	Operator's Manual – Air Systems International® Breather Box™
—	309V104	Flyer— Air Systems International® Breather Box™

PART NUMBERS & SCHEMATICS GUIDE

Figure 4: Air Systems International® Breather Box™ BB30-CO Breakdown



PART NUMBERS & SCHEMATICS GUIDE



Part Numbers

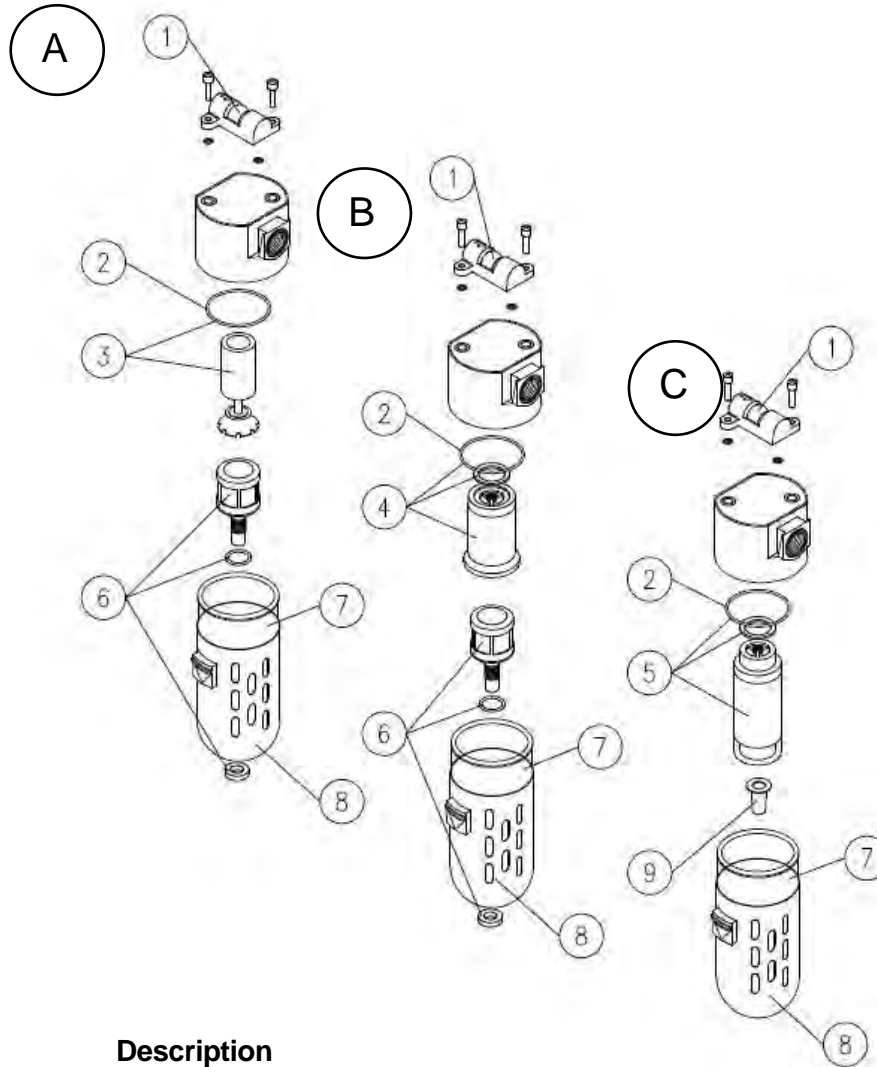
BB50 AIR SYSTEMS INTERNATIONAL® BREATHER BOX™									
Part Numbers	Flow Capacity	Number of Couplings	Outlet Coupling	Carbon Monoxide Monitoring	Oxygen Monitoring	Intrinsically Safe	Independent Regulators	Pressure Gauge	Remote Alarm Jack
10ASBB50CO	50 cfm	4	Hansen	X					X
10ASBB50COO2	50 cfm	4	Hansen	X	X				X
10ASBB50CO4R	50 cfm	4	Hansen	X			4	4	X
10ASBB50COIS	50 cfm	4	Hansen	X		X			X
10ASBB50COSCH	50 cfm	4	Schrader	X					X
10ASBB50COO2SCH	50 cfm	4	Schrader	X	X				X
10ASBB50CO4RSCH	50 cfm	4	Schrader	X			4	4	X
10ASBB50COISSCH	50 cfm	4	Schrader	X		X			X

Air Systems International® Breather Box™ BB50 Specifications

Maximum Air Flow @ 110 psi:	50 cfm
Number of Outlets:	4
Size:	24"L x 17"H x 8.5"D
Weight:	26.4 lbs
Inlet Size:	1/2"
Maximum Inlet Pressure:	150 psi
Relief Valve:	125 psi
Power Source:	9-Volt Battery/120 - volt AC

PART NUMBERS & SCHEMATICS GUIDE

Figure 5: Air Systems International® Breather Box™ BB50-CO Filter Breakdown



Item #	Part #	Description
Fig. 5		
A	10ASBWL007	1st Stage Filter Assembly
B	10ASBWL008	2nd Stage Filter Assembly
C	10ASWL009	3rd Stage Filter Assembly
1	10ASWL056	Filter Change Indicator
2	10ASWL091	Filter Bowl O-Ring
3	10ASBB50A	"A" Filter Element and O-Ring
4	10ASBB50C	"C" Filter Element and O-Ring
5	10ASBB50D	"D" Filter Element and O-Ring
6	10ASWL024	Auto Drain Assembly
7	10ASWL049	Plastic Filter Bowl
8	10ASBWL094	Metal Filter Bowl Guard
9	10ASBWL153	Manual Drain
—	10ASBB50FK	Filter Kit for BB50 Series (Includes item #'s 3,4 and 5)
—	306M538	Part Numbers and Schematics Guide— Air Systems International® Breather Box™
—	309V103	Operator's Manual – Air Systems International® Breather Box™
—	309V104	Flyer— Air Systems International® Breather Box™

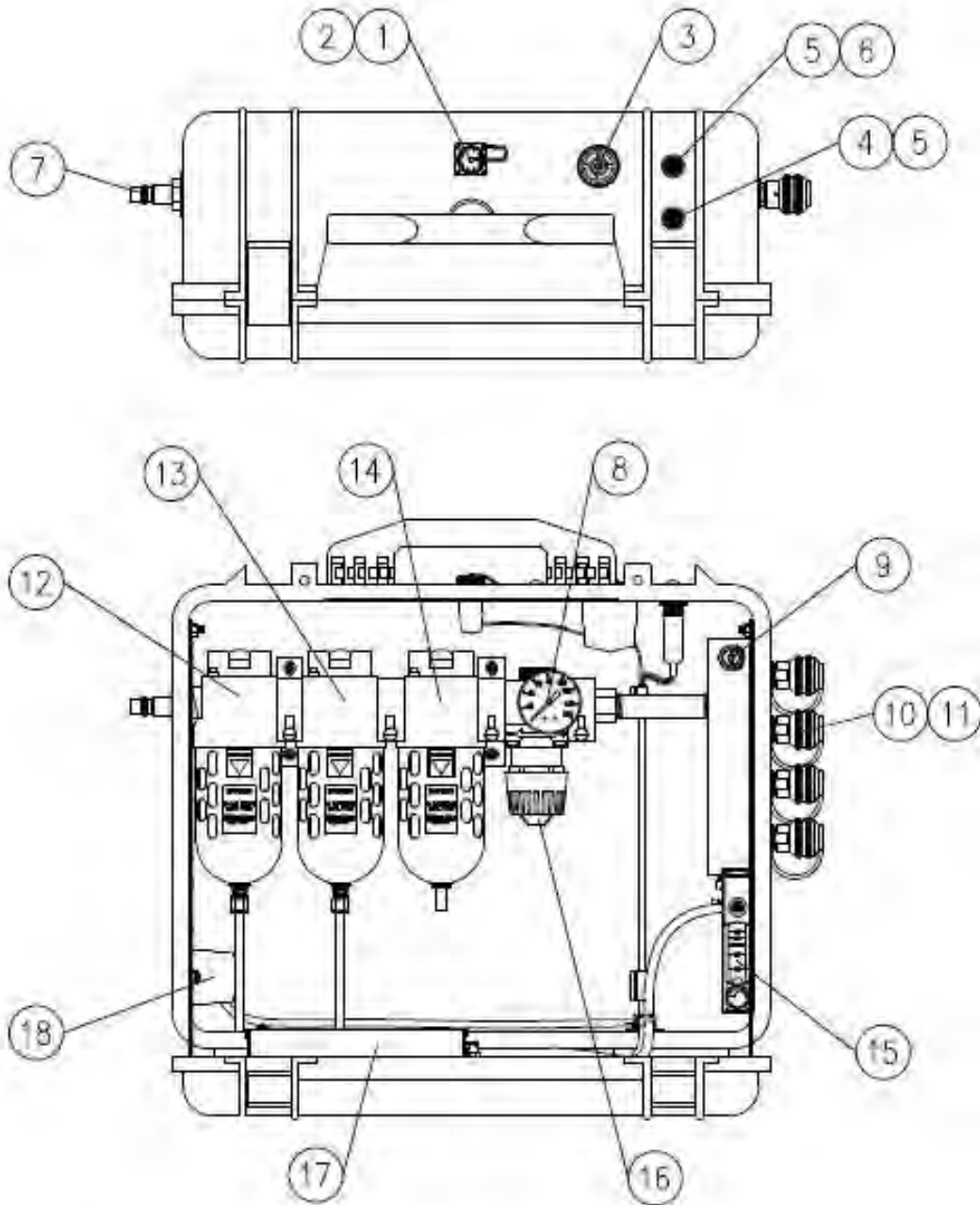
PART NUMBERS & SCHEMATICS GUIDE

Air Systems International® Breather Box™ BB50-CO

Item #	Part #	Description
Fig. 6		
1	10ASELJP004	Remote Alarm Jack
2	10ASELJP005	Remote Alarm Jack Cover
3	10ASELLS004	High CO Audible Alarm
4	10ASMONC004	High CO Indicator
5	10ASELDS013	Clear LED Lens
6	10ASMONC005	Normal Operation Indicator
7	10ASQDH3PL6M	Inlet Fitting
8	10ASGA20160B	Pressure Gauge
9	10ASVR4125BR	Relief Valve
10	10ASQDH3SL6M	Hansen Coupling
10a	10ASQDSSL6M	Schrader Coupling
11	10ASQDH3DCAP	Hansen Dust Cap
11a	10ASQDSDCAP	Schrader Dust Cap
12	10ASWL007	1st Stage Filter Assembly <i>(See Figure 5)</i>
13	10ASWL008	2nd Stage Filter Assembly <i>(See Figure 5)</i>
14	10ASWL009	3rd Stage Filter Assembly <i>(See Figure 5)</i>
15	10ASWL033NS	Flowmeter
16	10ASWL015	Pressure Regulator
17	10ASCO91	Carbon Monoxide Monitor
18	10ASELJP006	115 VAC Recessed Plug
—	306M538	Part Numbers and Schematics Guide— Air Systems International® Breather Box™
—	309V103	Operator's Manual – Air Systems International® Breather Box™
—	309V104	Flyer— Air Systems International® Breather Box™

PART NUMBERS & SCHEMATICS GUIDE

Figure 6: Air Systems International® Breather Box™ BB50-CO Breakdown



PART NUMBERS & SCHEMATICS GUIDE



Part Numbers

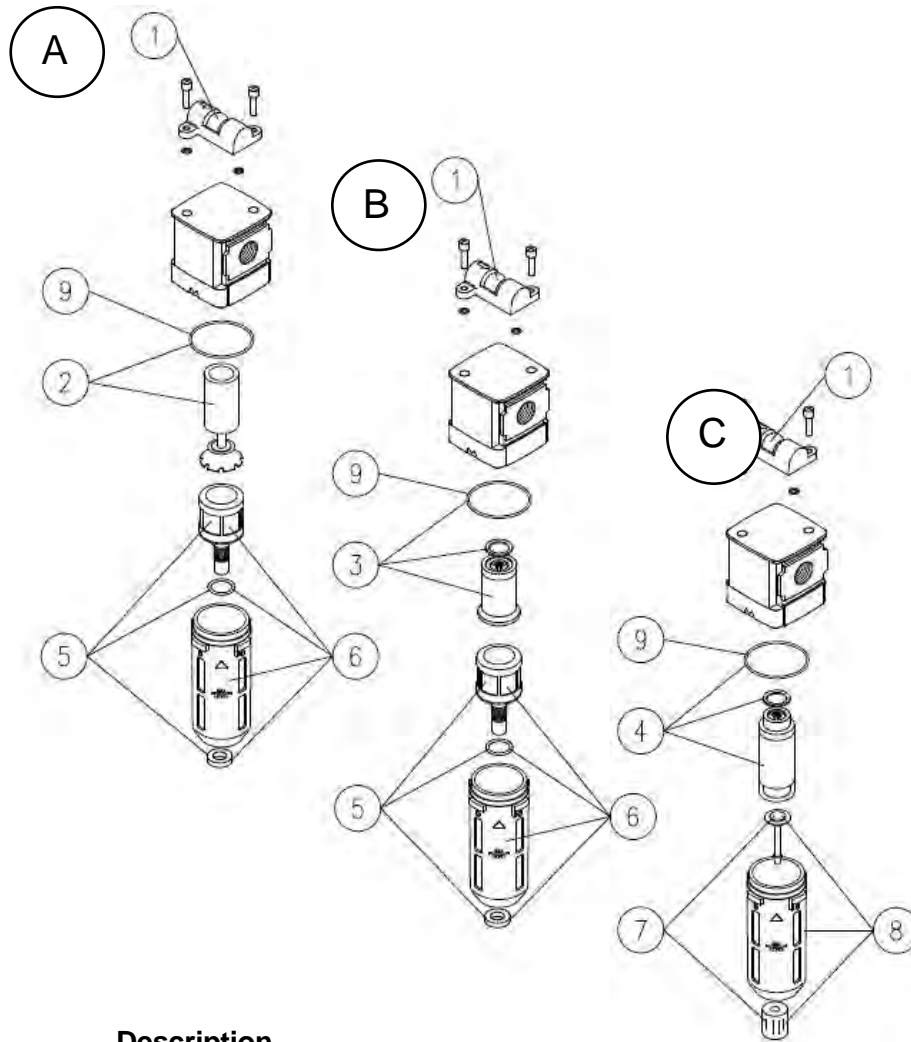
BB75 AIR SYSTEMS INTERNATIONAL® BREATHER BOX™									
Part Numbers	Flow Capacity	Number of Couplings	Outlet Coupling	Carbon Monoxide Monitoring	Oxygen Monitoring	Intrinsically Safe	Independent Regulators	Pressure Gauge	Remote Alarm Jack
10ASBB75CO6	75 cfm	6	Hansen	X					X
10ASBB75CO6SCH	75 cfm	6	Schrader	X					X

Air Systems International® Breather Box™ BB75 Specifications

Maximum Air Flow @ 110 psi:	75 cfm
Number of Outlets:	6
Size:	24"L x 17"H x 8.5"D
Weight:	34.2 lbs
Inlet Size:	1/2"
Maximum Inlet Pressure:	150 psi
Relief Valve:	125 psi
Power Source:	9-Volt Battery/120 - volt AC

PART NUMBERS & SCHEMATICS GUIDE

Figure 7: Air Systems International® Breather Box™ BB75-CO Filter Breakdown



Item #	Part #	Description
Fig. 7		
A	10ASBWL175	1st Stage Filter Assembly
B	10ASBWL177	2nd Stage Filter Assembly
C	10ASBWL179	3rd Stage Filter Assembly
1	10ASWL261	Filter Change Indicator
2	10ASBB75A	"A" Filter Element and O-Ring
3	10ASBB75C	"C" Filter Element and O-Ring
4	10ASBB75D	"D" Filter Element and O-Ring
5	10ASBWL024	Auto Drain Assembly
6	10ASBWL187	Filter Bowl with Auto Drain
7	10ASBWL262	Manual Drain
8	10ASBWL188	Filter Bowl with Manual Drain
9	10ASBWL189	Filter Bowl O-Ring
—	10ASBB75FK	Filter Kit for BB75 Series (Includes item #'s 2,3 and 4)
—	306M538	Part Numbers and Schematics Guide— Air Systems International® Breather Box™
—	309V103	Operator's Manual – Air Systems International® Breather Box™
—	309V104	Flyer— Air Systems International® Breather Box™

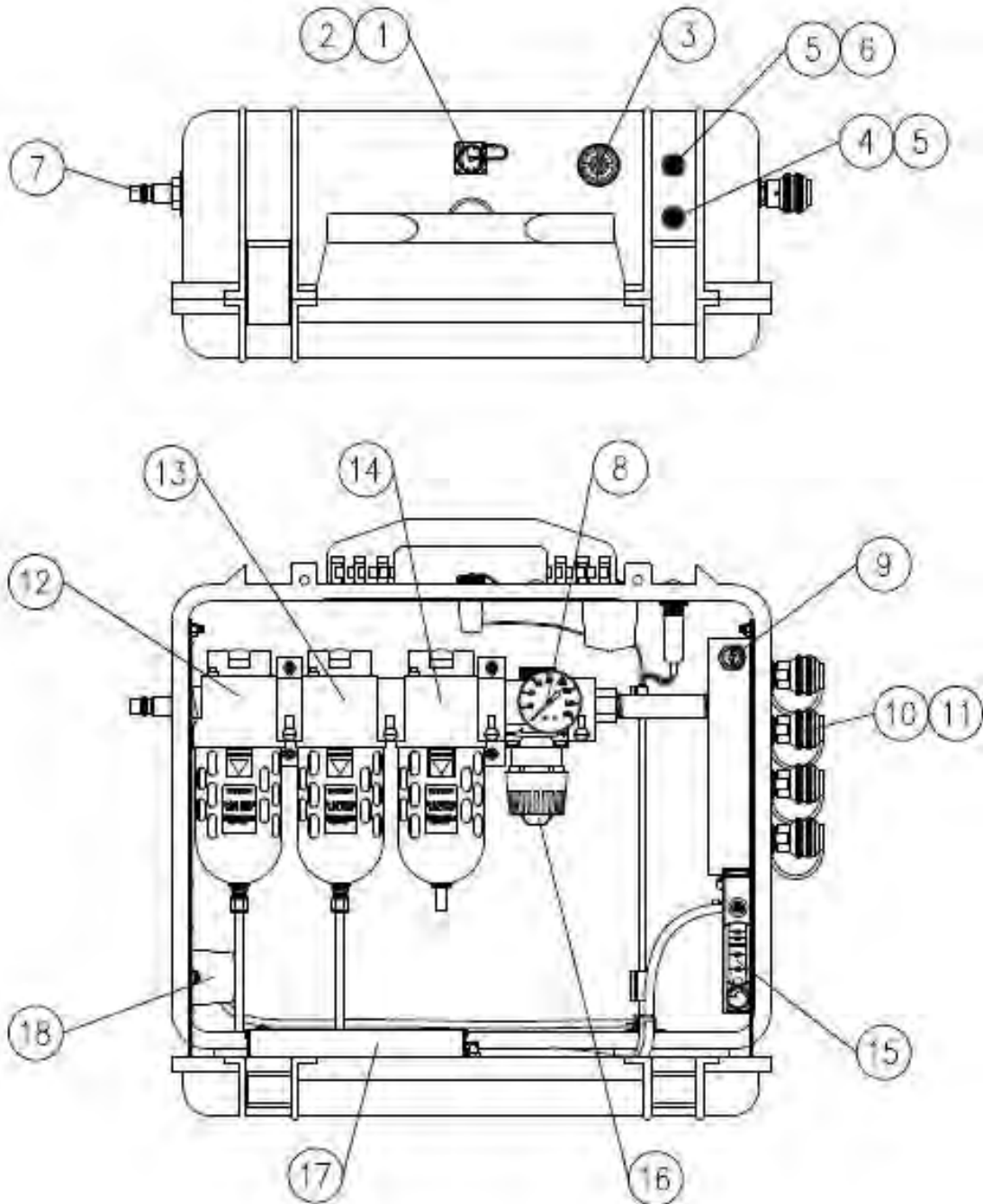
PART NUMBERS & SCHEMATICS GUIDE

Air Systems International® Breather Box™ BB75-CO

Item #	Part #	Description
Fig. 8		
1	10ASELJP004	Remote Alarm Jack
2	10ASELJP005	Remote Alarm Jack Cover
3	10ASELLS004	High CO Audible Alarm
4	10ASMONC004	High CO Indicator
5	10ASELDS013	Clear LED Lens
6	10ASMONC005	Normal Operation Indicator
7	10ASQDCHI16M	Inlet Fitting
9	10ASVR4125BR	Relief Valve
10	10ASQDH5SL12M	Hansen Coupling
12	10ASWL132	1st Stage Filter Assembly (<i>See Figure 7</i>)
13	10ASWL059S	2nd Stage Filter Assembly (<i>See Figure 7</i>)
14	10ASWL060S	3rd Stage Filter Assembly (<i>See Figure 7</i>)
15	10ASWL033NS	Flowmeter
16	10ASWL013A	Pressure Regulator
17	10ASCO91	Carbon Monoxide Monitor
18	10ASELJP006	115 VAC Recessed Plug
—	306M538	Part Numbers and Schematics Guide– Air Systems International® Breather Box™
—	309V103	Operator's Manual – Air Systems International® Breather Box™
—	309V104	Flyer– Air Systems International® Breather Box™

PART NUMBERS & SCHEMATICS GUIDE

Figure 8: Air Systems International® Breather Box™ BB75-CO Breakdown



PART NUMBERS & SCHEMATICS GUIDE



Part Numbers

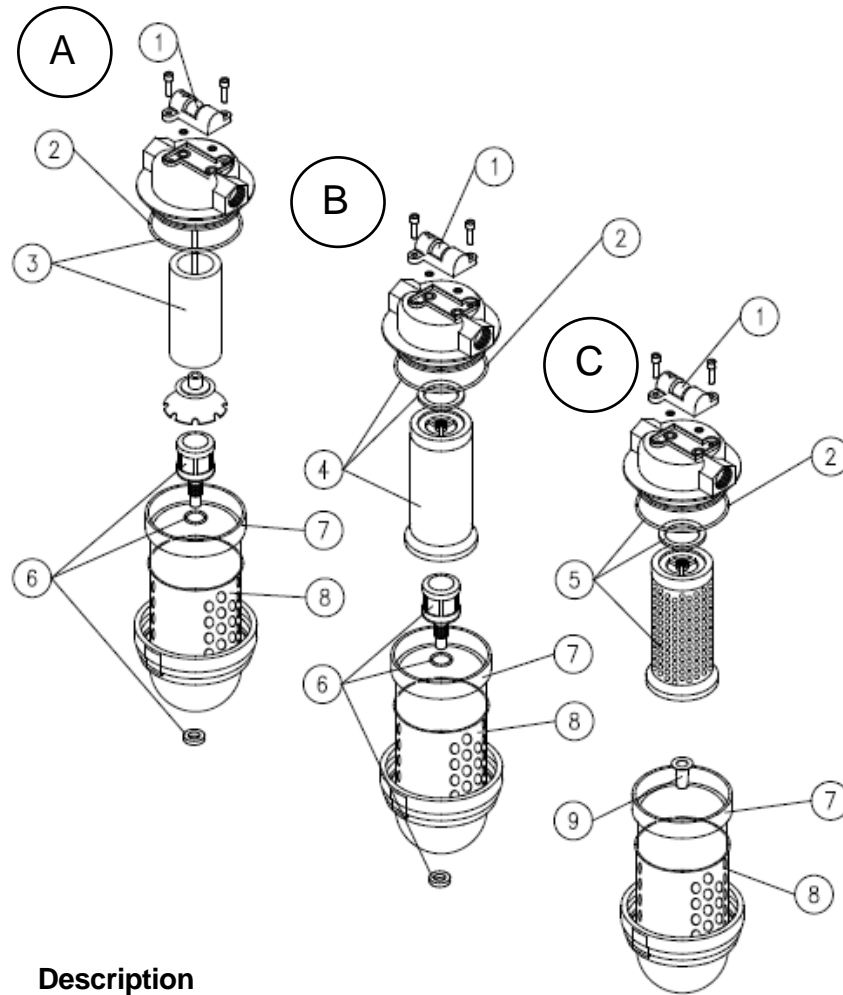
BB100 AIR SYSTEMS INTERNATIONAL® BREATHER BOX™									
Part Number	Flow Capacity	Number of Couplings	Outlet Coupling	Carbon Monoxide Monitoring	Oxygen Monitoring	Intrinsically Safe	Independent Regulators	Pressure Gauge	Remote Alarm Jack
10ASBB100CO	100 cfm	4	Hansen	X					X
10ASBB100COO2	100 cfm	4	Hansen	X	X				X
10BB100CO4R	100 cfm	4	Hansen	X			4	4	X
10ASBB100COIS	100 cfm	4	Hansen	X		X			X
10ASBB100COSCH	100 cfm	4	Schrader	X					X
10ASBB100COO2SCH	100 cfm	4	Schrader	X	X				X
10BB100CO4RSCH	100 cfm	4	Schrader	X			4	4	X
10ASBB100COISSCH	100 cfm	4	Schrader	X		X			X
10ASBB100C06	100 cfm	6	Hansen	X					X
10ASBB100C06SCH	100 cfm	6	Schrader	X					X
10ASBB100C08	100 cfm	8	Hansen	X					X
10ASBB100C08SCH	100 cfm	8	Schrader	X					X

Air Systems International® Breather Box™ BB100 Specifications

Maximum Air Flow @ 110 psi:	100 cfm
Number of Outlets:	4-8
Size:	26.5"L x 21"H x 9"D
Weight:	38.8 lbs
Inlet Size:	1/2"
Maximum Inlet Pressure:	150 psi
Relief Valve:	125 psi
Power Source:	9-Volt Battery/120 - volt AC

PART NUMBERS & SCHEMATICS GUIDE

Figure 9: Air Systems International® Breather Box™ BB100-CO Filter Breakdown



Item #	Part #	Description
Fig. 9		
A	10ASBWL066	1st Stage Filter Assembly
B	10ASBWL017	2nd Stage Filter Assembly
C	10ASBWL018	3rd Stage Filter Assembly
1	10ASWL056	Filter Change Indicator
2	10ASBWL113	Filter Bowl O-Ring
3	10ASBB100A	"A" Filter Element and O-Ring
4	10ASBB100C	"C" Filter Element and O-Rings
5	10ASBB100D	"D" Filter Element and O-Rings
6	10ASWL024	Auto Drain Assembly
7	10ASBWL055	Plastic Filter Bowl
8	10ASBWL092	Metal Filter Bowl Guard
9	10ASBWL153	Manual Drain
—	10ASBB100FK	Filter Kit for BB100 Series (Includes item #'s 3,4 and 5)
—	10ASBB150FK	Filter Kit for BB150 Series (Includes item #'s 3,4 and 5)
—	306M538	Part Numbers and Schematics Guide— Air Systems International® Breather Box™
—	309V103	Operator's Manual – Air Systems International® Breather Box™
—	309V104	Flyer— Air Systems International® Breather Box™

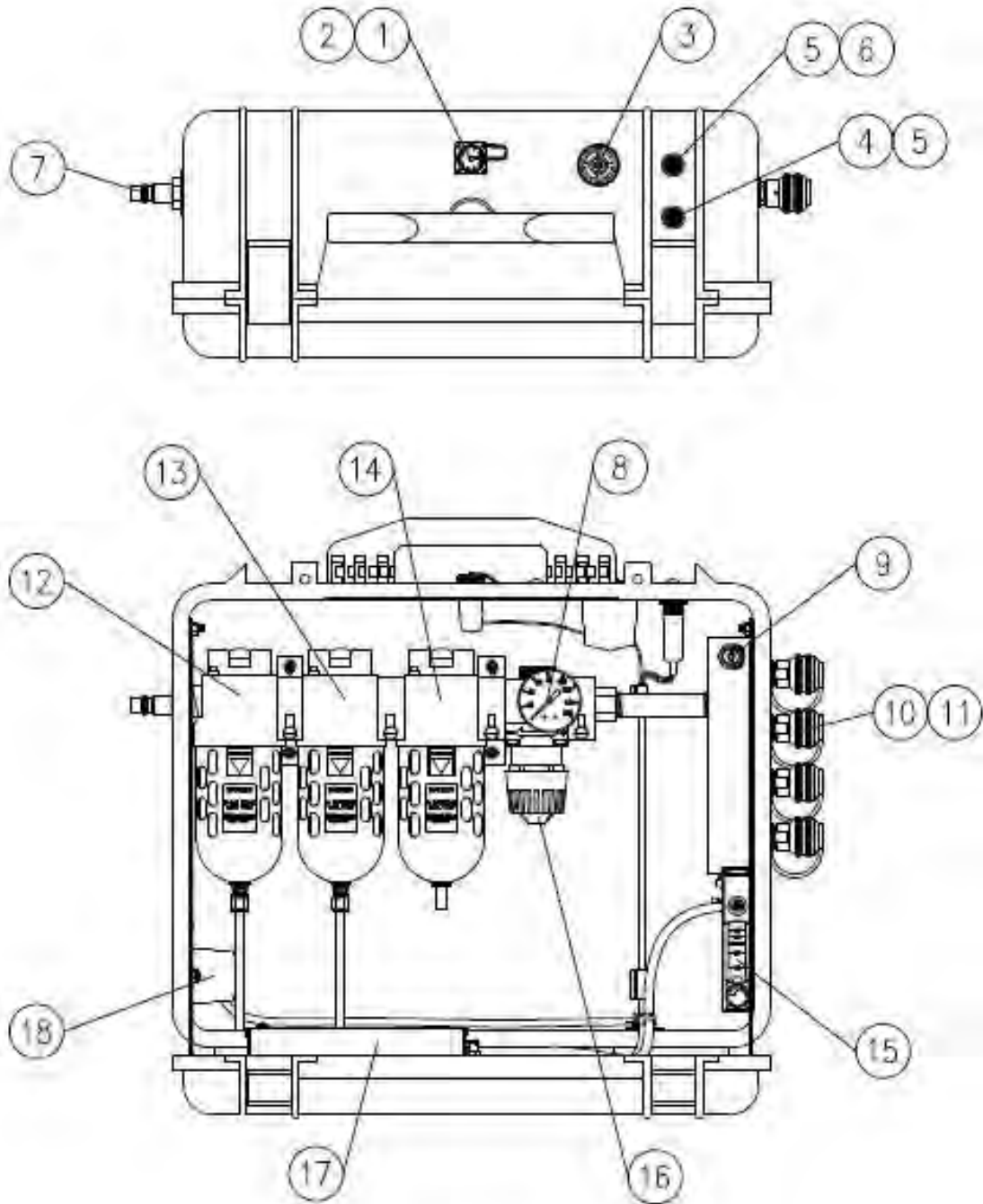
PART NUMBERS & SCHEMATICS GUIDE

Air Systems International® Breather Box™ BB100-CO Breakdown

Item #	Part #	Description
Fig. 10		
1	10ASELJP004	Remote Alarm Jack
2	10ASELJP005	Remote Alarm Jack Cover
3	10ASELLS004	High CO Audible Alarm
4	10ASMONC004	High CO Indicator
5	10ASELDS013	Clear LED Lens
6	10ASMONC005	Normal Operation Indicator
7	10ASQDCHI16M	Inlet Fitting
9	10ASVR4125BR	Relief Valve
10	10ASQDH5SL12M	Hansen Coupling
12	10ASWL132	1st Stage Filter Assembly <i>(See Figure 9)</i>
13	10ASWL059S	2nd Stage Filter Assembly <i>(See Figure 9)</i>
14	10ASWL060S	3rd Stage Filter Assembly <i>(See Figure 9)</i>
15	10ASWL033NS	Flowmeter
16	10ASWL013A	Pressure Regulator
17	10ASCO91	Carbon Monoxide Monitor
18	10ASELJP006	115 VAC Recessed Plug
—	306M538	Part Numbers and Schematics Guide— Air Systems International® Breather Box™
—	309V103	Operator's Manual – Air Systems International® Breather Box™
—	309V104	Flyer— Air Systems Intenational® Breather Box™

PART NUMBERS & SCHEMATICS GUIDE

Figure 10: Air Systems International® Breather Box™ BB100-CO Filter Breakdown



PART NUMBERS & SCHEMATICS GUIDE



Part Numbers

BB150 AIR SYSTEMS INTERNATIONAL® BREATHER BOX™

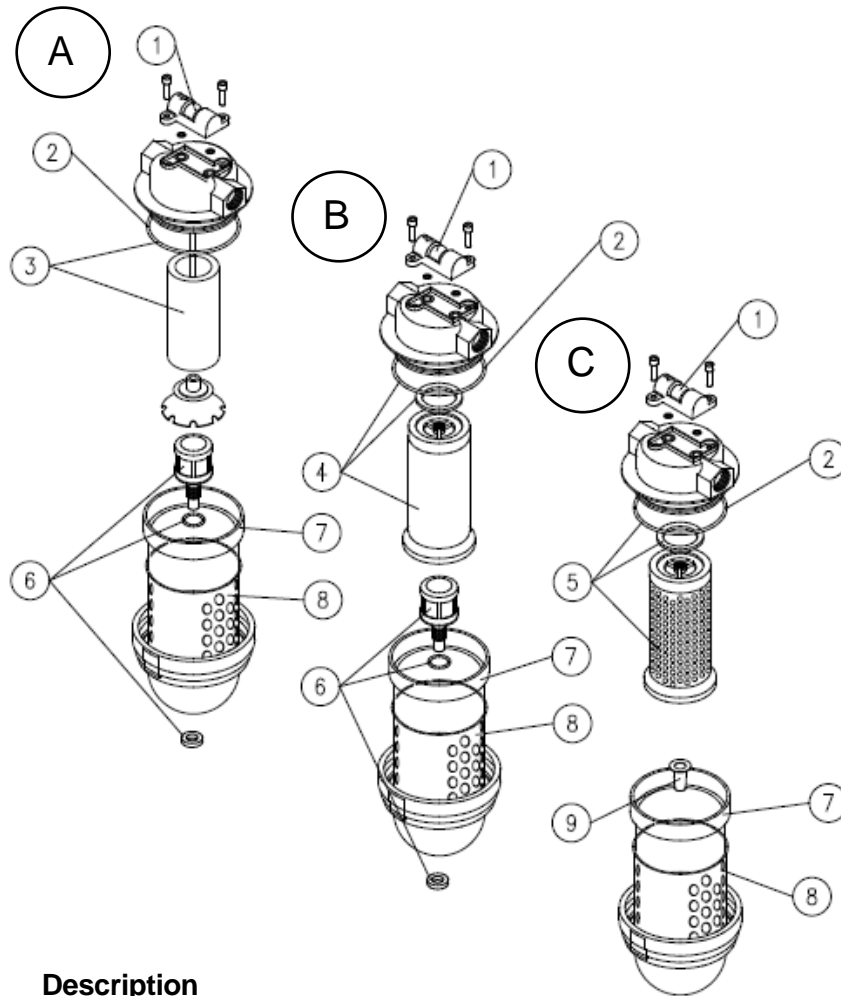
Part Numbers	Flow Capacity	Number of Couplings	Outlet Coupling	Carbon Monoxide Monitoring	Oxygen Monitoring	Intrinsically Safe	Independent Regulators	Pressure Gauge	Remote Alarm Jack
10ASBB150CO	150 cfm	3 (1/2")	Hansen	X					X
10ASBB150COSCH	150 cfm	3 (1/2")	Schrader	X					X

Air Systems International® Breather Box™ BB150 Specifications

Maximum Air Flow @ 110 psi:	150 cfm
Number of Outlets:	3
Size:	26.5"L x 21"H x 9"D
Weight:	38.8 lbs
Inlet Size:	1"
Maximum Inlet Pressure:	150 psi
Relief Valve:	125 psi
Power Source:	9-Volt Battery/120 - volt AC

PART NUMBERS & SCHEMATICS GUIDE

Figure 11: Air Systems International® Breather Box™ BB150-CO Filter Breakdown



Item #	Part #	Description
--------	--------	-------------

Fig. 11

A	10ASBWL066	1st Stage Filter Assembly
B	10ASBWL017	2nd Stage Filter Assembly
C	10ASBWL018	3rd Stage Filter Assembly
1	10ASWL056	Filter Change Indicator
2	10ASBWL113	Filter Bowl O-Ring
3	10ASBB100A	"A" Filter Element and O-Ring
4	10ASBB100C	"C" Filter Element and O-Rings
5	10ASBB100D	"D" Filter Element and O-Rings
6	10ASWL024	Auto Drain Assembly
7	10ASBWL055	Plastic Filter Bowl
8	10ASBWL092	Metal Filter Bowl Guard
9	10ASBWL153	Manual Drain
—	10ASBB100FK	Filter Kit for BB100 Series (Includes item #'s 3,4 and 5)
—	10ASBB150FK	Filter Kit for BB150 Series (Includes item #'s 3,4 and 5)
—	306M538	Part Numbers and Schematics Guide— Air Systems International® Breather Box™
—	309V103	Operator's Manual – Air Systems International® Breather Box™
—	309V104	Flyer— Air Systems International® Breather Box™

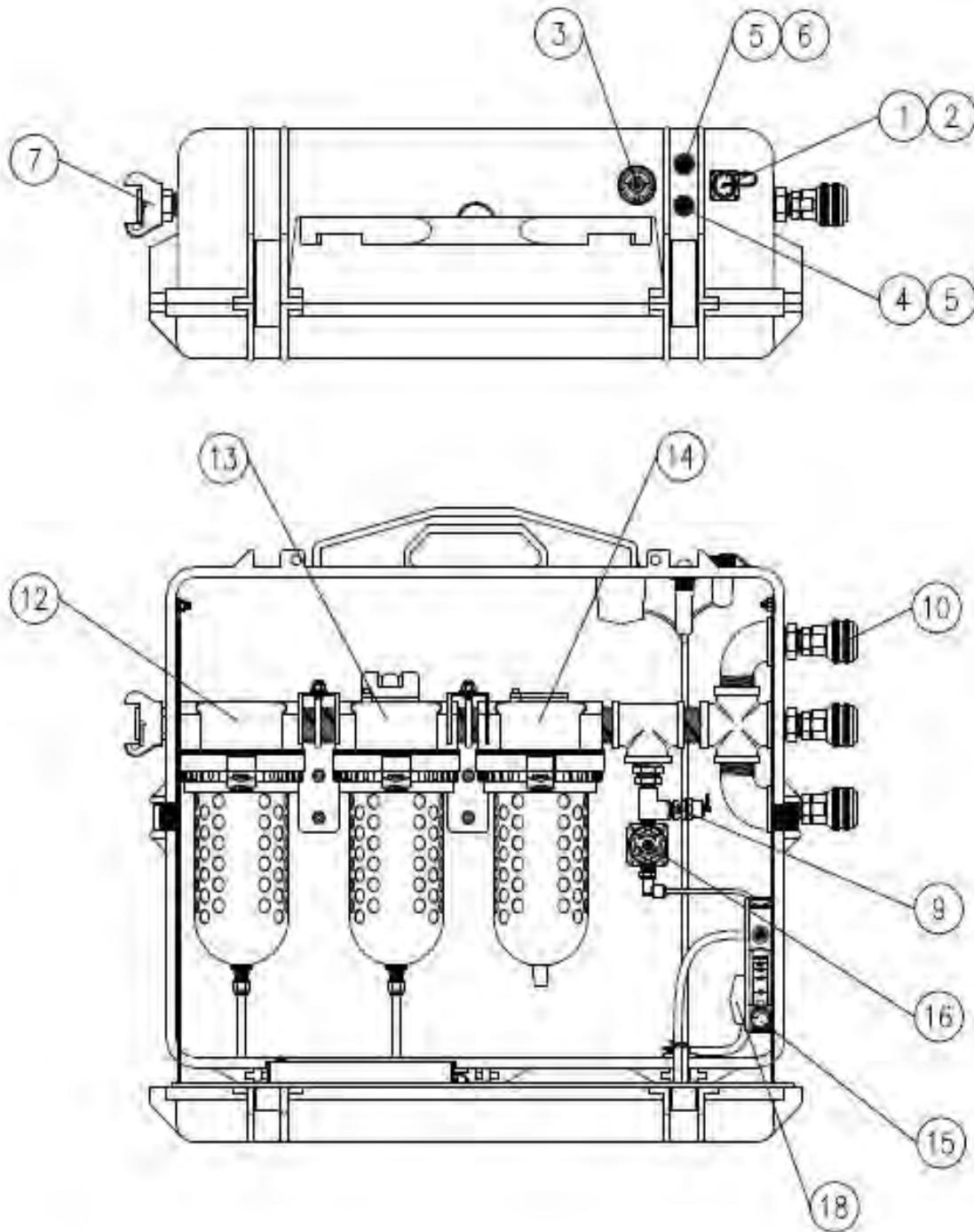
PART NUMBERS & SCHEMATICS GUIDE

Air Systems International® Breather Box™ BB150-CO


Item #	Part #	Description
Fig. 12		
1	10ASELJP004	Remote Alarm Jack
2	10ASELJP005	Remote Alarm Jack Cover
3	10ASELLS004	High CO Audible Alarm
4	10ASMONC004	High CO Indicator
5	10ASELDS013	Clear LED Lens
6	10ASMONC005	Normal Operation Indicator
7	10ASQDCHI16M	Inlet Fitting
9	10ASVR4125BR	Relief Valve
10	10ASQDH5SL12M	Hansen Coupling
12	10ASWL132	1st Stage Filter Assembly (<i>See Figure 11</i>)
13	10ASWL059S	2nd Stage Filter Assembly (<i>See Figure 11</i>)
14	10ASWL060S	3rd Stage Filter Assembly (<i>See Figure 11</i>)
15	10ASWL033NS	Flowmeter
16	10ASWL013A	Pressure Regulator
17	10ASCO91	Carbon Monoxide Monitor
18	10ASELJP006	115 VAC Recessed Plug
—	306M538	Part Numbers and Schematics Guide– Air Systems International® Breather Box™
—	309V103	Operator's Manual – Air Systems International® Breather Box™
—	309V104	Flyer– Air Systems International® Breather Box™


PART NUMBERS & SCHEMATICS GUIDE


Figure 12: Air Systems International® Breather Box™ BB150-CO Breakdown




PART NUMBERS & SCHEMATICS GUIDE


AIR SYSTEMS INTERNATIONAL® BREATHER BOX™ FILTER ELEMENTS - BB15			
	Part Numbers	Model	Type
	10ABB15FK	BB15	Filter Kit BB15 Series (Includes Filter Elements A,C and D)
	10ASBB15A	BB15	"A" Filter Element and O-Ring
	10ASBB15C	BB15	"C" Filter Element and O-Ring
	10ASBB15D	BB15	"D" Filter Element and O-Ring

AIR SYSTEMS INTERNATIONAL® BREATHER BOX™ FILTER ELEMENTS - BB30			
	Part Numbers	Model	Type
	10ABB30FK	BB30	Filter Kit BB30 Series (Includes Filter Elements A,C and D)
	10ASBB30A	BB30	"A" Filter Element and O-Ring
	10ASBB30C	BB30	"C" Filter Element and O-Ring
	10ASBB30D	BB30	"D" Filter Element and O-Ring











AIR SYSTEMS INTERNATIONAL® BREATHER BOX™ FILTER ELEMENTS - BB50			
	Part Numbers	Model	Type
	10ABB50FK	BB50	Filter Kit BB50 Series (Includes Filter Elements A,C and D)
	10ASBB50A	BB50	"A" Filter Element and O-Ring
	10ASBB50C	BB50	"C" Filter Element and O-Ring
	10ASBB50D	BB50	"D" Filter Element and O-Ring

PART NUMBERS & SCHEMATICS GUIDE

AIR SYSTEMS INTERNATIONAL® BREATHER BOX™ FILTER ELEMENTS - BB75			
	Part Numbers	Model	Type
	10ABB75FK	BB50	Filter Kit BB75 Series <i>(Includes Filter Elements A,C and D)</i>
	10ASBB75A	BB75	"A" Filter Element and O-Ring
	10ASBB75C	BB75	"C" Filter Element and O-Ring
	10ASBB75D	BB75	"D" Filter Element and O-Ring

AIR SYSTEMS INTERNATIONAL® BREATHER BOX™ FILTER ELEMENTS - BB100/BB150			
	Part Numbers	Model	Type
	10ABB100FK	BB100	Filter Kit BB100 Series <i>(Includes Filter Elements A,C and D)</i>
	10ABB150FK	BB150	Filter Kit BB150 Series
	10ASBB100A	BB100/BB150	"A" Filter Element and O-Ring
	10ASBB100C	BB100/BB150	"C" Filter Element and O-Ring
	10ASBB100D	BB100/BB150	"D" Filter Element and O-Ring

OPTIONAL ACCESSORIES

		AIR SYSTEMS INTERNATIONAL® BREATHER BOX™ ACCESSORIES
Part Numbers	Description	
	10ASELCB035	120-volt AC Power Cord – Per Foot
	10ASCO91NS	Replacement CO Sensor
	10AS50SLMDT	DC Audible Alarm with Mounted Visual Strobe
	10AS50SLMDTH	High Intensity (123 Db) Audible Alarm with Mounted Visual Strobe
	10ASMONC703	Replacement Monitor
	1050120	Potentiometer Tool
	10ASBBG20	20 ppm Calibration Gas, 17 Liter
	1050106	Zero Calibration Gas, 17 Liter
	10ASBBG02	Oxygen Sensor Calibration Gas, 20.9% Nitrogen, 17 Liter
	10ASBBK20	Calibration Kit <i>(includes Zero Gas, 20 PPM CO, Calibration Hose and Fitting, Flow Regulator with Indicator Gauge and Potentiometer Tool in a convenient storage case)</i>

OPTIONAL ACCESSORIES

BATTERIES

**Part
Numbers**

Description






10103346

9 Volt Alkaline Battery







PART NUMBERS & SCHEMATICS GUIDE

Part Numbers	MST RESPIRATORY PROTECTOR				
	CO Monitor	Pelican® Case	Outlet Fittings	Inlet Fittings	9-Volt Batteries
10COC50	X	X	X	X	X



	Part Numbers	MST RESPIRATORY PROTECTOR POWER SOURCES
		Description
	10RP80123	12-Volt DC Battery Adapter
	10RP80247	120-Volt AC Adapter
	10103346	9-Volt Battery <i>(Two Required)</i>

PART NUMBERS & SCHEMATICS GUIDE

		MST RESPIRATORY PROTECTOR CALIBRATION PARTS
Part Numbers		Description
	1050136	Calibration Kit Complete <i>(Includes: 1050105, 1050106, 1050114, 1050129, 1050120 , 1050122)</i>
	1050105	Span Gas – 95 ppm Calibration Gas
	1050106	Zero Calibration Gas
	1050120	Potentiometer Tool For Calibration
	1050122	Calibration Gas Regulator Valve
	1050129	3 Ft. Hose For Calibration

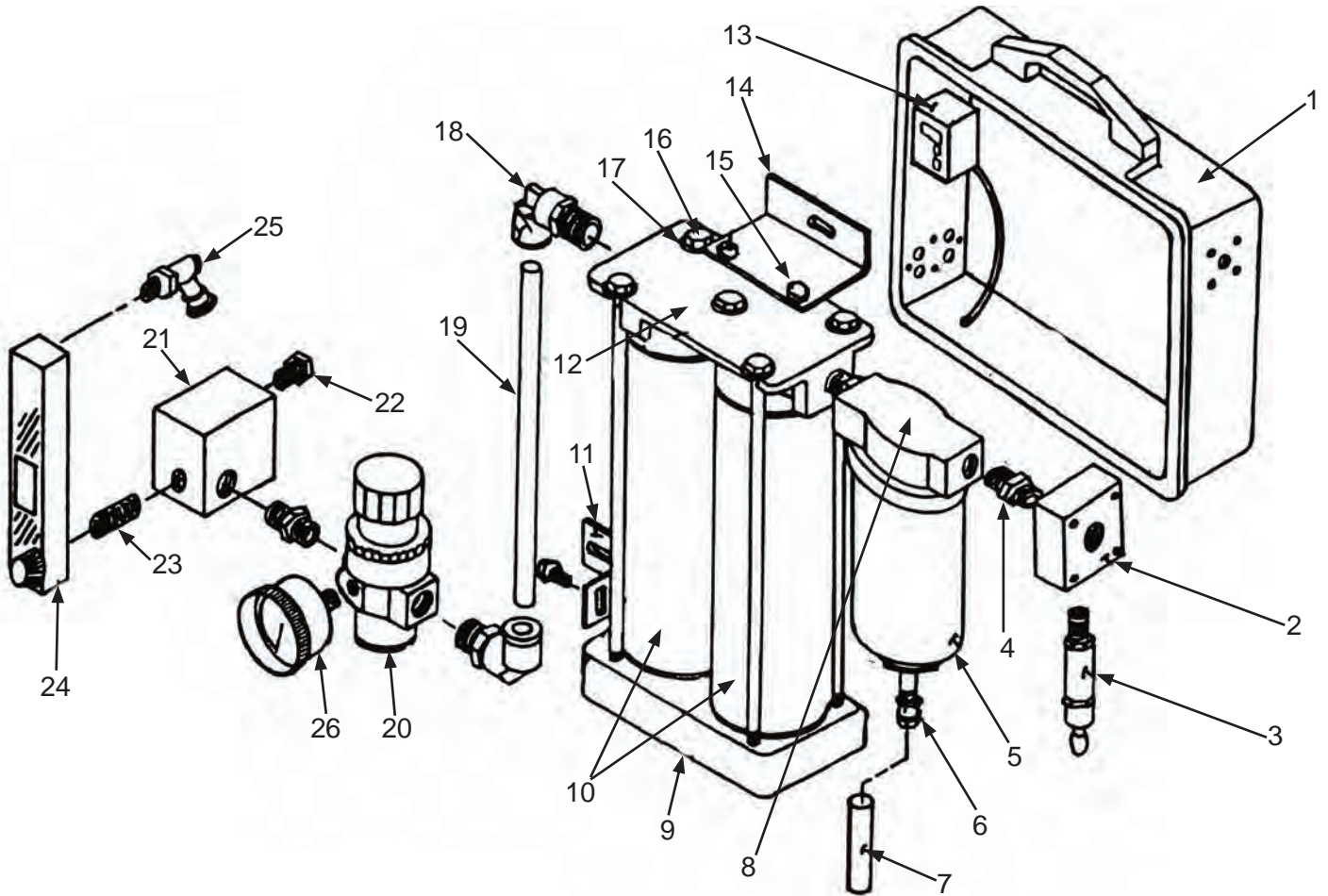
PART NUMBERS & SCHEMATICS GUIDE

MST® Respiratory Protector









Item #	Part #	Description
Fig. 1		
—	10COC50	MST Respiratory Protector <i>Includes: 9V Batteries (Quantity of Two), 1/4" Female Quick-Disconnects (Quantity of Four), Inlet Fitting And Potentiometer Tool</i>
1	10RP80143	Orange Exterior Case With Holes
2	10RP80008	Black Porting Block
3	10RP80014	Pressure Relief Valve
4	10RPS608005	3/8" Hex Nipple <i>(Three Required)</i>
5	10RP80090	3/8" Pre-Filter, 50 CFM
6	10RP80051	Tube Fitting
7	10RPS710005	Drain Tube
8	10RP80095	Water And Oil Separator Manifold
9	10RP80001	Black Filter Base
10	10RP80005	Aluminum Tube – Third and Fourth Stage Filters
11	10RP80114	Base Bracket
12	10RP80078	Black Filter Manifold
13	10RP80127	Internal Carbon Monoxide Monitor With Sensor
14	10RP80009	Manifold Filter Bracket
15	10RPS006148	Bracket Bolts <i>(Three Required)</i>
16	10RPS011040	Manifold Filter Bolts <i>(Five Required)</i>
17	10RP12021	Manifold Filter Washers <i>(Five Required)</i>
18	10RP80116	3/8" Tubing Street Elbow <i>(Two Required)</i>
19	10RP80117B	Connecting Tube
20	10RP80080	Air Regulator
21	10RP80047	Black Outlet Porting Block
22	10RPS687001	1/8" Hex Pipe Plug <i>(Three Required)</i>
23	10RPS603001	1/8" Close Nipple
24	10RP80213	Sampling Flow Meter
25	10RP80261	90° Tube Lock Collar
26	10RP80076	Pressure Gauge, 1 – 160 PSI
—	105M326	Features and Specifications Guide – MST Respiratory Protector
—	106M326	Part Numbers and Schematics Guide – MST Respiratory Protector
—	109V326	Operator's Manual – MST Respiratory Protector

PART NUMBERS & SCHEMATICS GUIDE




Figure 1: MST[®] Respiratory Protector



OPTIONAL ACCESSORIES

		MST RESPIRATORY PROTECTOR ACCESSORIES
Part Numbers	Description	
	10COC50FILX	Replacement Filters with 3 Filter Elements
	10RP80006	End Caps for Stage Three and Four Filters
	10ME38	3/8" Male Coupling, 2-Lug for Air Inlet
	10BV17	1/4" Male Quick-Disconnect for Breathing Line
	10BV15	1/4" Female Quick-Disconnect Coupling, Shut-Off with 3/8" Male Pipe Thread
	10RP806691	Remote Strobe and Alarm with 20 Ft. of Cord
	10RP80326	Y Adapter for Alarm and Strobe
	10RP80459	50 Ft. Extension Cord for Alarm and Strobe




PART NUMBERS & SCHEMATICS GUIDE




		3M™ 6000 SERIES RESPIRATORS HALF FACE MASK		
Part Numbers		Face Mask	Size	U.O.M.
	303M6100	Half	Small	One Each
	303M6200	Half	Medium	One Each
	303M6300	Half	Large	One Each

105V341 – Brochure – 3M Reusable Respirators

109V080 – User Instructions – 3M 6000 Series Respirators

PART NUMBERS & SCHEMATICS GUIDE

		3M™ 6000 SERIES RESPIRATORS FULL FACE MASK		
Part Numbers		Face Mask	Size	U.O.M.
	303M6700	Full	Small	One Each
	303M6800	Full	Medium	One Each
	303M6900	Full	Large	One Each

		3M™ 6000 SERIES RESPIRATORS FULL FACE MASK LENSES		
Part Numbers		Style	Material	U.O.M.
	303M6885B	Alternate	Clear	25/Package
	303M6885	3M™	Clear	25/Package
	303M6886	3M™	Tinted	25/Package

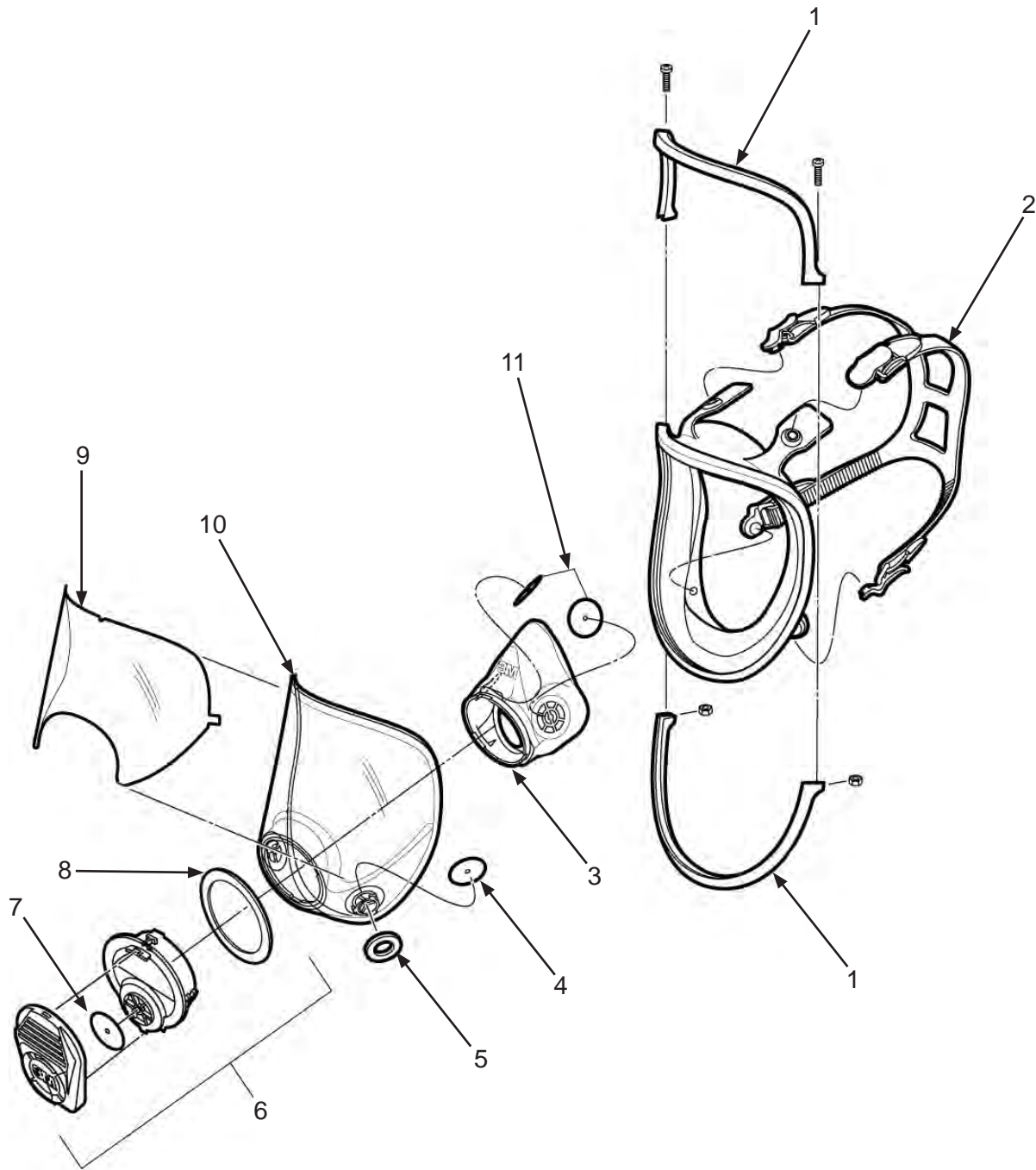
PART NUMBERS & SCHEMATICS

3M™ 6000 Series Respirators Full Face Mask Assembly










Item #	Part #	Description
Fig. 1		
1	303M6899	Lens Frame Kit
2	303M6897	Full Face Head Strap Assembly
3	303M6894	Nose Cup
4	303M6893	Inhalation Valve Flap (<i>Quantity of 40</i>)
5	303M6895	Inhalation Gasket (<i>Quantity of 20</i>)
6	303M7583	Center Adapter Assembly (For units manufactured after 2006)
—	303M6894	Center Adapter Assembly (For units manufactured before 2006)
7	303M6889	Exhalation Flaps (<i>Quantity of 10</i>)
8	303M6896	Center Adapter Gasket (<i>Quantity of 10</i>)
9	303M6885	Clear Lens Covers (<i>Quantity of 25</i>)
	303M6885B	Alternative Clear Lens Covers (<i>Quantity of 25</i>)
	303M6886	Tinted Lens Covers (<i>Quantity of 25</i>)
10	303M6898	Full Face Lens Assembly
12	303M6893	Inhalation Valve Flap (<i>Quantity of 40</i>)
—	303M900601	Fit Test Adapter
—	303M906878	Spectacle Kit
—	105V341	Brochure – 3M Reusable Respirators
—	109V080	User Instructions – 3M 6000 Series Respirators

PART NUMBERS & SCHEMATICS





Figure 1: 3M™ 6000 Series Respirators Full Face Mask Assembly






PART NUMBERS & SCHEMATICS GUIDE




		3M™ RESPIRATOR VAPOR CARTRIDGES		
Part Numbers		Description	Label Color	U.O.M.
	303M6001	OV Vapor Cartridge	Black	2/Package
	303M6002	Acid Gas Cartridge	White	2/Package
	303M6003	OV/AG Vapor Cartridge	Yellow	2/Package
	303M6004	Ammonia and Methylamine Cartridge	Emerald Green	2/Package
	303M6006	Multi Gas Vapor Cartridge	Olive Green	2/Package
	303M6009	Chlorine Vapor Cartridge	Orange	2/Package
	303M60921	P100 Organic Vapor Cartridge	Black Label, Pink Lid	2/Package
	303M60923	Acid Gas Vapor Filter Cartridge	Yellow Label, Pink Lid	2/Package
	303M60926	Multi-Gas Vapor Filter Cartridge	Olive Green Label, Pink Lid	2/Package

PART NUMBERS & SCHEMATICS GUIDE

3M™ RESPIRATOR PRE-FILTER CARTRIDGES			
	Part Numbers	Description	U.O.M.
	303M501	Filter Cartridge Retainer	2/Package
	303M502	Filter Cartridge Adapter	20/Box
	303M5N11	Particulate Pre-Filter, N95	10/Box
	303M5P71	Particulate Pre-Filter, P95	10/Box


3M™ RESPIRATOR PARTICULATE FILTER CARTRIDGES				
	Part Numbers	Description	Color	U.O.M.
	303M2071	Particulate Filter P95	White	2/Package
	303M2091	Particulate Filter P100	Pink	2/Package
	303M2097	Particulate Filter P101 Nuisance Level	Pink	2/Package

PART NUMBERS & SCHEMATICS GUIDE


		3M™ 7500 SERIES RESPIRATORS HALF FACE MASK		
Part Numbers		Face Mask	Size	U.O.M.
	303M7501	Half	Small	One Each
	303M7502	Half	Medium	One Each
	303M7503	Half	Large	One Each







105V341 – Brochure – 3M Reusable Respirators

109V081 – User Instructions – 3M 7500 Series Respirators




		3M™ 7500 SERIES RESPIRATORS FILTER CARTRIDGE ADAPTER	
Part Numbers		Description	U.O.M.
	303M701	Filter Cartridge Adapter Converts 6000 Series to 7500 Series	2/Package

PART NUMBERS & SCHEMATICS GUIDE

3M™ 7500 SERIES RESPIRATORS PARTICULATE FILTER CARTRIDGES			
	Part Numbers	Description	U.O.M.
	303M7093	Particulate Filter P100 HEPA	12/Box

3M™ 7500 SERIES RESPIRATORS REPLACEMENT PARTS			
	Part Numbers	Description	U.O.M.
	303M7282	Black Inhalation Flap	50/Package
	303M7582	Blue Inhalation Valve	10/Package
	303M7283	Black Exhalation Flap	One Each
	303M7583	Blue Exhalation Valve	10/Package
	303M7581	Head Harness Assembly	5/Package
	303M7586	Cart Filter Adapter	5/Package

PART NUMBERS & SCHEMATICS GUIDE

		3M™ 7800 SERIES RESPIRATORS FULL FACE MASK		
		Face Mask	Size	U.O.M.
Part Numbers				
	303M7800SS	Full	Small	One Each
	303M7800SM	Full	Medium	One Each
	303M7800SL	Full	Large	One Each

105V341 – Brochure – 3M Reusable Respirators

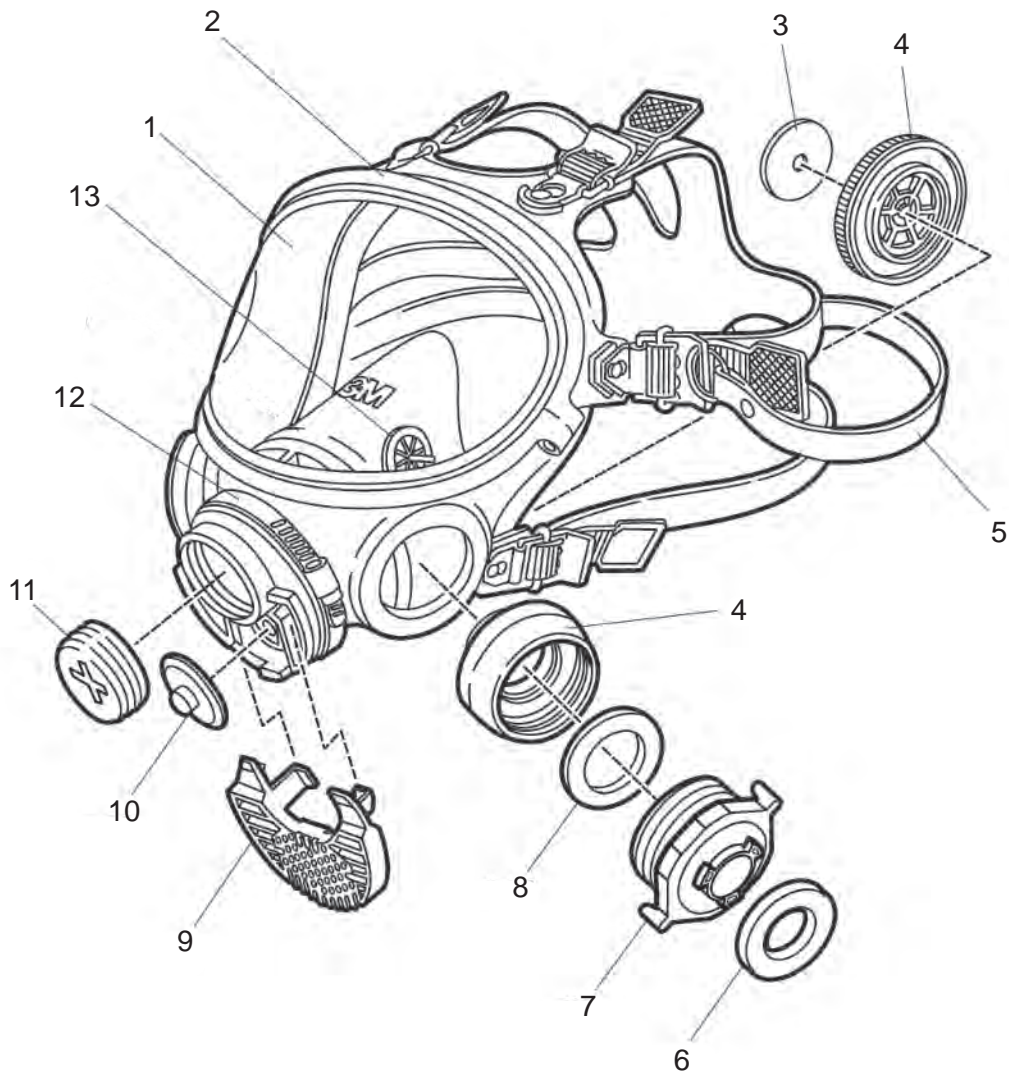
109V082 – User Instructions – 3M 7800 Series Respirators

3M™ 7800 Series Full Face Mask Assembly







Item #	Part #	Description
Fig. 2		
1	303M7884	Replacement Lens
2	303M7885	Lens Frame Kit
3	303M7282	Inhalation Flap (<i>Quantity of 50</i>)
4	303M7886	Bottom and Top DIN Connectors (<i>Quantity of Two</i>)
5	303M7893S	Head Strap Harness Assembly
6	303M6895	Inhalation Gasket (<i>Quantity of 20</i>)
7	303M701	Filter Cartridge Adapter
8	303M7887	Inhalation Valve
9	303M7918	Exhalation Valve Cover
10	303M7283	Exhalation Valve
11	303M7890	Face Mask Plug
12	303M7914	Band Clamp
13	303M7882	Nose Cup Assembly
—	303M7899100	Lens Covers (<i>Quantity of 100</i>)
—	303M789925	Lens Covers (<i>Quantity of 25</i>)
—	303M7986	Tinted Lens Covers (<i>Quantity of 25</i>)
—	105V341	<i>Brochure – 3M Reusable Respirators</i>
—	109V082	<i>User Instructions – 3M 7800 Series Respirators</i>

PART NUMBERS & SCHEMATICS GUIDE

Figure 2: 3M™ 7800 Series Full Face Mask Assembly












PART NUMBERS & SCHEMATICS GUIDE

3M™ 5000 SERIES DISPOSABLE RESPIRATORS HALF FACE MASK					
	Part Numbers	Style	Filter Cartridges	Size	U.O.M.
	303M5101	Disposable	OV	Small	One Each
	303M5201	Disposable	OV	Medium	One Each
	303M5301	Disposable	OV	Large	One Each
	303M52P71	Disposable	P95, OV	Medium	One Each
	303M53P71	Disposable	P95, OV	Large	One Each




109V085 – Operator's Manual – 3M 5000 Series Respirators

OPTIONAL ACCESSORIES



ALCOHOL WIPES					
	Part Numbers	Brand	Size	Description	U.O.M.
	303M430071	Big Ones	8" x 11"	Individually Wrapped	50 Wipes/Box
	303M430073	Procare	5" x 8"	Individually Wrapped	100 Wipes/Box
	303M504	3M™	8" x 10"	Individually Wrapped, Alcohol-Free	100 Wipes/Box
	303M660034	PDI® Sani-Dex®	6" x 7.5"	Individually Wrapped	100 Wipes/Box



FIT TESTING					
	Part Numbers	Description	Manufacturer	Contents	U.O.M.
	303MFT10	Qualitative Fit Test Kit	3M™	FT-11, FT-12, FT-14, FT-15, FT-13 (2)	One Kit
	303M430090	Banana Oil	Allegro	10 Glass Ampules Solution	10 Ampules/Box
	303M900601	Fit Test Adapter	3M™	Adapter, Connectors, Hose	One Kit
	303MFT12	Sweet Solution	3M™	Solution	6/Case
	303MF11	Saccharin Solution	3M™	Solution	6/Case

OPTIONAL ACCESSORIES



	Part Numbers	ADAPTER KITS*
		Description
	303MSA2000	3M™ Dual Airline Back-Mounted Adapter Kit
	303MSA1000	3M™ Dual Airline Front-Mounted Adapter Kit
	303MSA2100	3M™ Combination Dual Airline Back-Mounted Adapter Kit


* Compatible with 3M™ 6000-Series and 7000-Series Cartridge-Style Respirators

	Part Numbers	SUPPLIED AIR HOSE
		Description
	303MW943550	3M™ 50' 3/8" Breathing Line
	303MW302050	3M™ 50' 1/2" Low Pressure Breathing Line












	Part Numbers	BREATHING TUBE
		Description
	303MGVP123	Breathing Tube for 7800S Full Face Piece Respirators
	303M5200177	Breathing Tube for 6800 Series

PART NUMBERS & SCHEMATICS GUIDE

		MSA® ULTRA-TWIN® FULL FACE RESPIRATOR			
Part Numbers		Size	Face Mask	Facepiece Material	U.O.M.
	10MSA480259	Small	Full	Silicone	One Each
	10MSA480259	Medium	Full	Silicone	One Each
	10MSA480267	Large	Full	Silicone	One Each
	10MSA471298	Small	Full	Hycar	One Each
	10MSA471286	Medium	Full	Hycar	One Each
	10MSA471310	Large	Full	Hycar	One Each

		MSA® ULTRA ELITE® FULL FACE RESPIRATOR			
Part Numbers		Size	Face Mask	Facepiece Material	U.O.M.
	10MSA10016755	Small	Full	Silicone	One Each
	10MSA10016756	Medium	Full	Silicone	One Each
	10MSA10016757	Large	Full	Silicone	One Each

PART NUMBERS & SCHEMATICS GUIDE

MSA® FULL FACE RESPIRATOR CARTRIDGES & FILTERS				
	Part Numbers	Description	Color	U.O.M.
	10MSA815178	Organic Vapor Cartridge with P100 Particulate Filter	Pink and Black Label	6/Package
	10MSA815180	Organic Vapor, Chlorine, Sulfur Dioxide, Chlorine Dioxide, Hydrogen Chloride, Hydrogen Sulfide Cartridge with P100 Particulate Filter	Pink and Yellow Label	6/Package
	10MSA815181	Ammonia and Methylamine Cartridge with P100 Particulate Filter	Pink and Green Label	6/Package
	10MSA815182	Multi-Purpose Cartridge with P100 Particulate Filter	Pink and Olive Label	6/Package
	10MSA464031	Organic Vapor Cartridge	Black Lid with Black Label	10/Package
	10MSA464046	Organic Vapor, Chlorine, Sulfur Dioxide, Chlorine Dioxide, Hydrogen Chloride, Hydrogen Sulfide Cartridge with R95 and N95 Particulate Filter	Yellow Lid with Yellow Label	10/Package
	10MSA464033	Ammonia and Methylamine Cartridge with R95 and N95 Particulate Filter	Green Lid with Green Label	10/Package
	10MSA492790	Multi-Purpose Cartridge with R95 and N95 Particulate Filter	Olive Lid with Olive Label	10/Package
	10MSA815175	P100 Particulate Filter	Pink Lid	10/Package
	10MSA816662	N95 Particulate Filter	White	10/Package
	10MSA489353	Reusable Snap-On Cover	Black	One Each

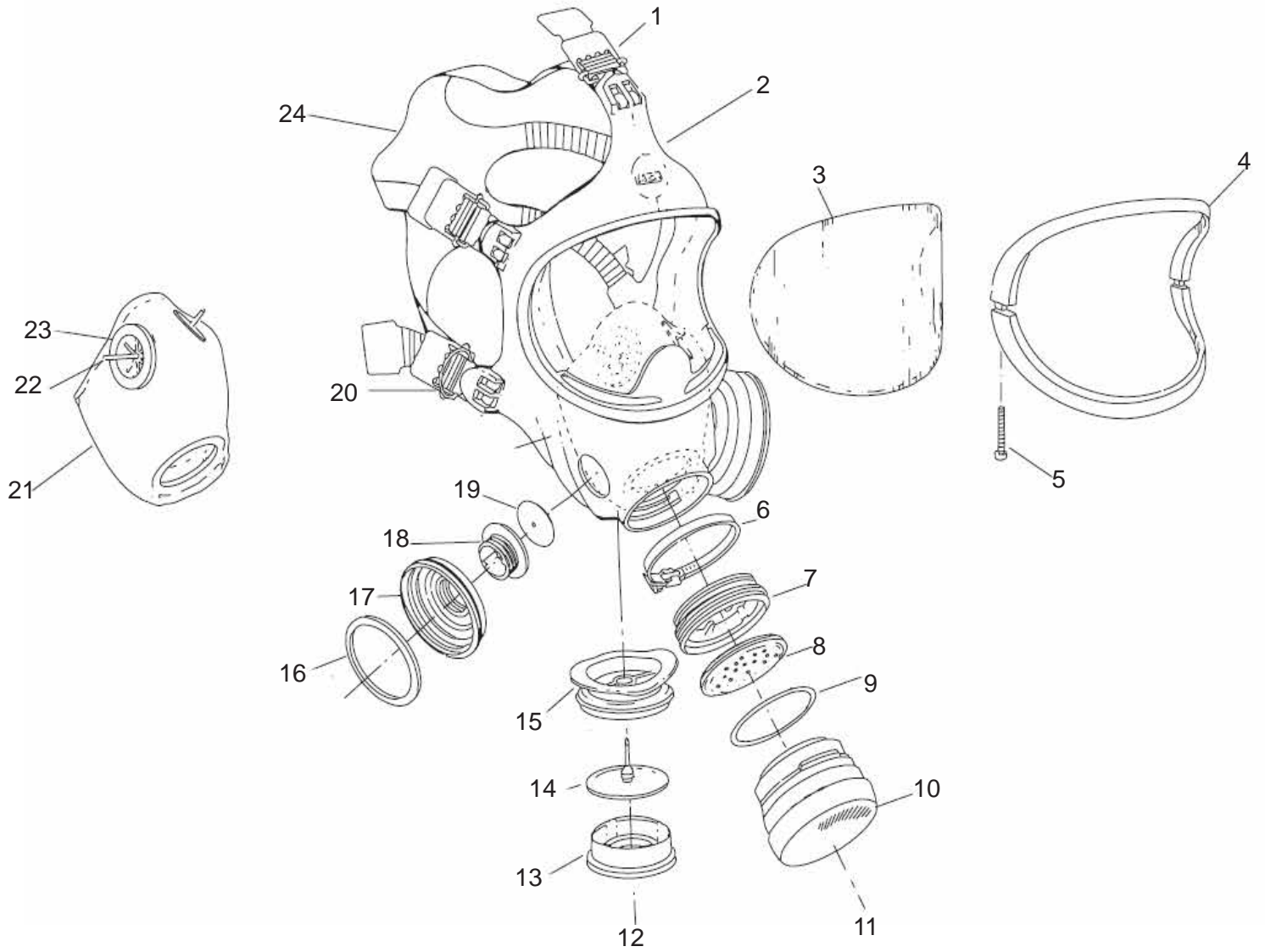
PART NUMBERS & SCHEMATICS GUIDE

MSA® Ultra-Twin® Full Face Respirator

Item #	Part #	Description
Fig. 1		
1	10MSA96662	Buckle for Harness
2	10MSA466202	Facepiece Blank, Medium, Black, Hycar
—	10MSA480214	Facepiece Blank, Medium, Black, Silicone
—	10MSA471587	Facepiece Blank, Large, Black, Hycar
—	10MSA480216	Facepiece Blank, Large, Black, Silicone
3	10MSA96677	Lens
4	10MSA47090	Lens Ring, Small, Gray
—	10MSA462709	Lens Ring, Medium, Black
—	10MSA470910	Lens Ring, Large, Gold
5	10MSA60532	Screw <i>(Two Required)</i>
6	10MSA458212	Clamp
7	10MSA96666	Retainer Ring
8	10MSA488875	Speaking Diaphragm
9	10MSA629935	O-Ring
10	10MSA473699	Speaking Diaphragm Housing
11	10MSA47038	Speaking Diaphragm Assembly <i>(Includes Item #'s: 6,7,8,9, and 10)</i>
12	10MSA82382	Exhalation Valve Assembly <i>(Includes Item #'s: 13,14, and 15)</i>
13	10MSA82382	Exhalation Valve Cover
14	10MSA78703	Exhalation Flapper Valve
15	10MSA461958	Exhalation Valve Body
16	10MSA459035	Cartridge Receptacle Gasket <i>(Two Required)</i>
17	10MSA460184	Cartridge Receptacle
18	10MSA459711	Inhalation Valve Seat <i>(Two Required)</i>
19	10MSA78584	Inhalation Valve <i>(Two Required)</i>
20	10MSA457190	Buckle Assembly with D-Ring <i>(Two Required)</i>
21	10MSA471711	Nose Cup Assembly, Medium
21	10MSA471712	Nose Cup Assembly, Large
22	10MSA491125	Valve Disc <i>(Two Required)</i>
23	10MSA491124	Valve Seat <i>(Two Required)</i>
24	10MSA458173	Head Harness
—	306M497	Part Numbers and Schematics Guide – MSA Full Face Respirators
—	109V103	Operating Instructions – MSA® Ultra-Twin® Full Face Respirator

PART NUMBERS & SCHEMATICS GUIDE

Figure 1: MSA® Ultra-Twin® Full Face Respirator



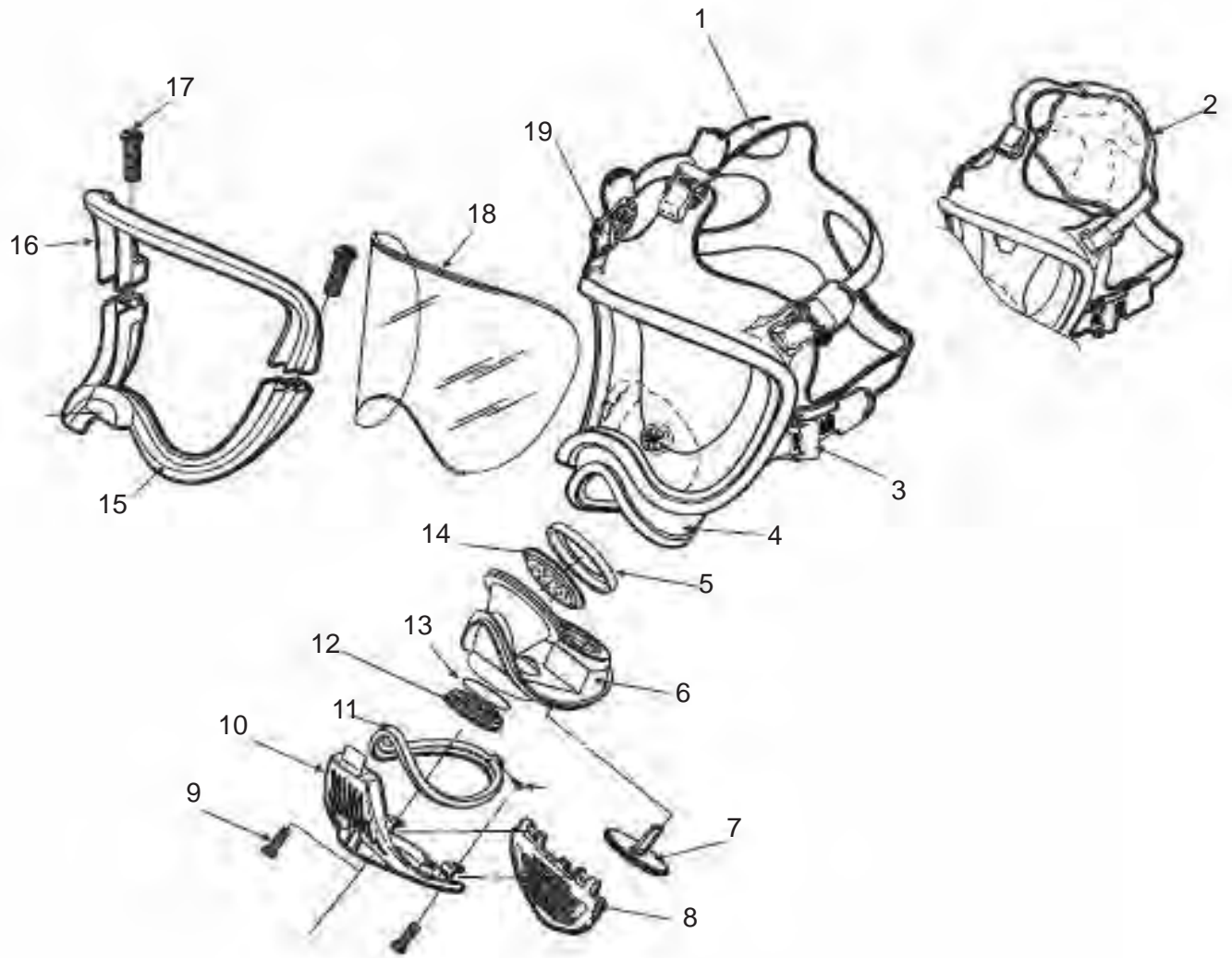
PART NUMBERS & SCHEMATICS GUIDE

MSA® Ultra Elite® Full Face Respirator



Item #	Part #	Description
Fig. 2		
1	10MSA804830	Rubber Harness with Buckles
2	10MSA805015	E-Z Don Harness, Medium with Buckles
—	10MSA805017	E-Z Don Harness, Large with Buckles
3	10MSA804807	Buckle Assembly with D-Ring
4	10MSA490138	Faceblank, Medium, Hycar
—	10MSA491039	Faceblank, Large, Hycar
—	10MSA491387	Faceblank, Medium, Silicone
—	10MSA491389	Faceblank, Large, Silicone
5	10MSA804808	Speaking Diaphragm Retainer
6	10MSA804810	Component Housing
7	10MSA804832	Exhalation Valve
8	10MSA804831	Door, Component Housing
9	10MSA804821	Component Housing Screw <i>(Two Required)</i>
10	10MSA804820	Cover, Component Housing
11	10MSA804809	Speaking Diaphragm
12	10MSA805011	Valve Spider
13	10MSA804813	Inlet Disc
14	10MSA804809	Speaking Diaphragm
15	10MSA804805	Lower Lens Ring
16	10MSA804804	Upper Lens Ring
17	10MSA804806	Lens Ring Screw
18	10MSA805019	Lens Hardcoat
19	10MSA804828	Buckle Assembly <i>(Three Required)</i>
—	306M497	Part Numbers and Schematics Guide – MSA® Full Face Respirators
—	109V104	Operating Instructions – MSA® Ultra Elite® Full Face Respirator

PART NUMBERS & SCHEMATICS GUIDE









Figure 2: MSA® Ultra Elite® Full Face Respirator



PART NUMBERS AND SCHEMATICS GUIDE





		MSA® ADVANTAGE® 200 LS HALF FACE RESPIRATOR			
Part Numbers		Size	Face Mask	Neck Style	U.O.M.
	10MSA815448	Small	Half	Single	One Each
	10MSA815444	Medium	Half	Single	One Each
	10MSA815452	Large	Half	Single	One Each
	10MSA815696	Small	Half	2-Piece	One Each
	10MSA815692	Medium	Half	2-Piece	One Each
	10MSA815700	Large	Half	2-Piece	One Each






PART NUMBERS AND SCHEMATICS GUIDE

MSA® ADVANTAGE® 200 LS RESPIRATOR CARTRIDGES & FILTERS				
	Part Numbers	Description	Color	U.O.M.
	10MSA815362	Organic Vapor Cartridge with P100 Particulate Filter	Pink and Black Label	6/Package
	10MSA815364	Organic Vapor, Chlorine, Sulfur Dioxide, Chlorine Dioxide, Hydrogen Chloride, Hydrogen Sulfide Cartridge with P100 Particulate Filter	Pink and Yellow Label	6/Package
	10MSA815365	Ammonia and Methylamine Cartridge with P100 Particulate Filter	Pink and Green Label	6/Package
	10MSA815366	Multi-Purpose Cartridge with P100 Particulate Filter	Pink and Olive Label	6/Package
	10MSA815355	Organic Vapor Cartridge	Black Lid with Black Label	10/Package
	10MSA815369	P100 Particulate Filter	Pink Lid	10/Package
	10MSA815394	N95 Particulate Filter and Cover	White	10/Package
	10MSA815397	R95 Snap-On Filter and Cover	White and Black	20/Package




101V498 – Flyer – MSA® Advantage® Respirator Cartridge and Filter Reference Chart

OPTIONAL ACCESSORIES

ALCOHOL WIPES					
	Part Numbers	Brand	Size	Description	U.O.M.
	303M430071	Big Ones	8" x 11"	Individually wrapped	50 Wipes/Box
	303M430073	Procare	5" x 8"	Individually wrapped	100 Wipes/Box
	303M504	3M™	8" x 10"	Individually wrapped, Alcohol-Free	100 Wipes/Box
	303M660034	PDI® Sani-Dex®	6" x 7.5"	Individually wrapped	100 Wipes/Box

FIT TESTING					
	Part Numbers	Description	Manufacturer	Contents	U.O.M.
	303MFT10	Qualitative Fit Test Kit	3M™	FT-11, FT-12, FT-14, FT-15, FT-13 (2)	One Kit
	303M430090	Banana Oil	Allegro	10 Glass Ampules Solution	10 Ampules/Box
	303M900601	Fit Test Adapter	3M™	Adapter, Connectors, Hose	One Kit
	303MFT12	Sweet Solution	3M™	Solution	6/Case
	303MF11	Saccharin Solution	3M™	Solution	6/Case






PART NUMBERS & SCHEMATICS GUIDE

		NORTH® 7700 SERIES HALF FACE RESPIRATORS		
Part Numbers		Face Mask	Size	U.O.M.
	30NR7700S	Half	Small	One Each
	30NR7700M	Half	Medium	One Each
	30NR7700L	Half	Large	One Each



105V083 – Brochure – North Cartridge and Filter Reference Chart

109V083 – User Instructions – North 7700 Series Respirators

PART NUMBERS & SCHEMATICS GUIDE

NORTH® 7700 SERIES RESPIRATORS REPLACEMENT PARTS			
	Part Numbers	Description	U.O.M.
	30NR770011L	Large Facepiece	One Each
	30NR770016	Cartridge Connector	2/Package
	30NR770017	Inhalation Valve	6/Package
	30NR770018	Exhalation Valve	4/Package
	30NR770092	Cradle Suspension	One Each

PART NUMBERS & SCHEMATICS GUIDE

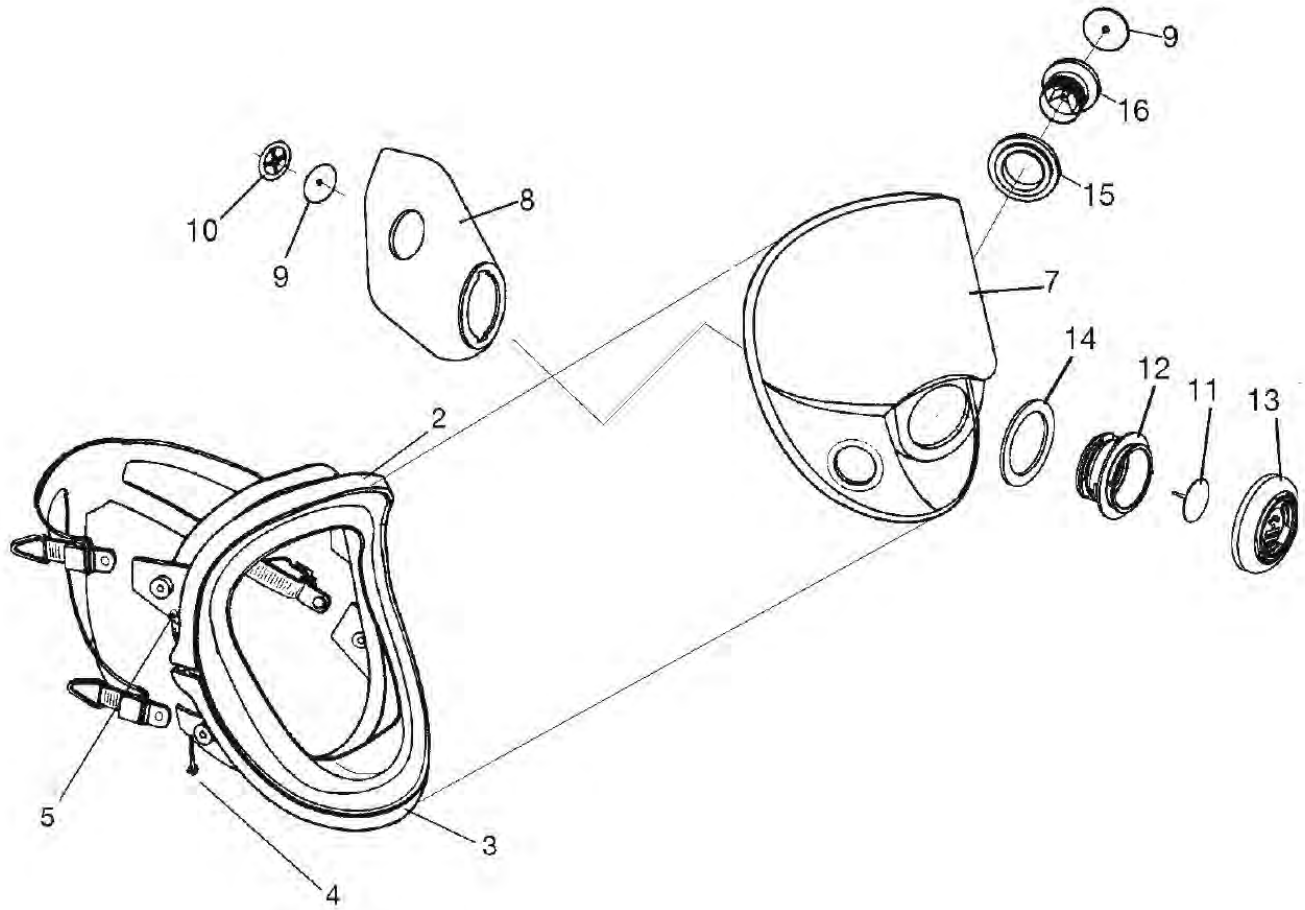
		NORTH® 5400 SERIES FULL FACE RESPIRATORS		
Part Numbers		Face Mask	Size	U.O.M.
	30NR54001S	Full	Small	One Each
	30NR54001	Full	Medium/Large	One Each

North® 5400 Series Full Face Respirator




Item #	Part #	Description
Fig. 1		
2	30NR80798	Upper and Lower Lens Clamps
3	30NR80798	Upper and Lower Lens Clamps
4	30NR80843A	Lens Clamp Screw (<i>Quantity of Two</i>)
5	30NR80844A	Lens Clamp Nut
7	30NR54005	Lens
8	30NR54006	Oral/Nasal Cup
9	30NR770017	Inhalation Valve
10	30NR80814A	Valve Seat for Oral/Nasal Cup
11	30NR770018	Exhalation Valve
12	30NR54007	Exhalation Housing
13	30NR54008	Cover, Exhalation Housing
14	30NR54003	Gasket (<i>Quantity of Five</i>)
15	30NR80871A	Inhalation Connector
16	30NR770016	Grommet

PART NUMBERS & SCHEMATICS GUIDE

Figure 1: North® 5400 Series Full Face Respirator



PART NUMBERS & SCHEMATICS GUIDE

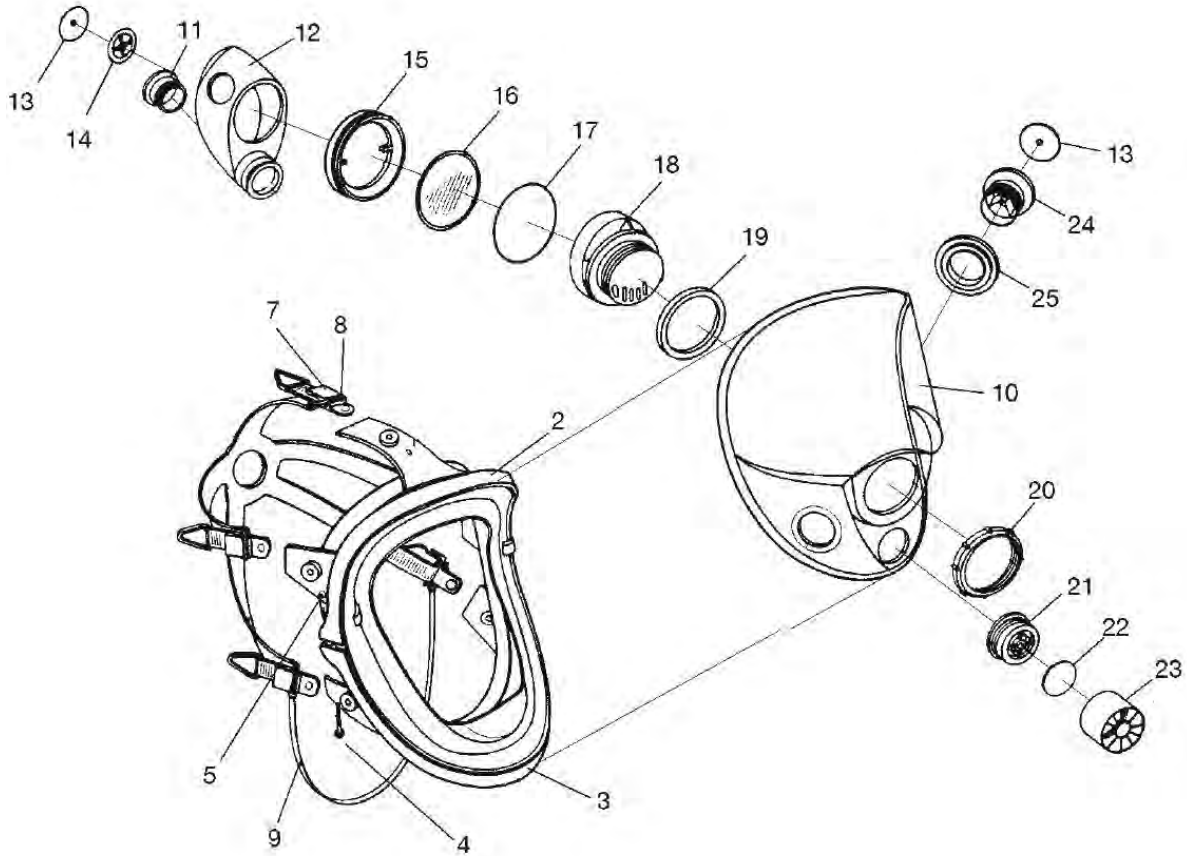
		NORTH® 7600 SERIES FULL FACE RESPIRATORS		
		Face Mask	Size	U.O.M.
	Part Numbers	Full	Small	One Each
	30NR76008AS	Full	Medium/Large	One Each
	30NR76008A	Full WELDING	Medium/Large	One Each

North® 7600 Series Full Face Respirator








Item #	Part #	Description
Fig. 2		
2	30NR80798	Upper and Lower Lens Clamps
3	30NR80798	Upper and Lower Lens Clamps
4	30NR80843A	Lens Clamp Screw (<i>Quantity of Two</i>)
5	30NR80844A	Lens Clamp Nut
7	30NR80846A	Headstrap Latch (<i>Quantity of Five</i>)
8	30NR80847A	Headstrap Bail, Metal (<i>Quantity of Five</i>)
9	30NR80848	Neckstrap Assembly
10	30NR80849	Lens
11	30NR80852	Flange
12	30NR80815	Oral/Nasal Cup, Medium/Large
13	30NR770017	Inhalation Valve
14	30NR80814A	Valve Seat for Oral/Nasal Cup
15	30NR80855	Locking Ring
16	30NR80856	Speaker Diaphragm
17	30NR80857A	O-Ring, Speaker Diaphragm
18	30NR80858	Housing, Speaker Diaphragm
19	30NR80861A	O-Ring, Speaker Diaphragm Housing
20	30NR80862	Adapter Nut
21	30NR80863	Exhalation Valve Seat
22	30NR770018	Exhalation Valve
23	30NR80867	Exhalation Valve Guard
24	30NR770016	Cartridge Connector
25	30NR80871A	Inhalation Connector
—	106V084	Technical Data Sheet – North 7600 Series Respirators
—	109V084	Operator's Manual – North 5400 and 7600 Series Respirators

PART NUMBERS & SCHEMATICS GUIDE

Figure 2: North® 7600 Series Full Face Respirator





PART NUMBERS & SCHEMATICS GUIDE





NORTH® RESPIRATORS CARTRIDGES & FILTERS				
Part Numbers	Description	Color	U.O.M.	
	30NR460550	Organic Vapor Cartridge	Black Lid, Black Label	2/Package
	30NRN75002	Acid Gas and Formaldehyde Cartridge	Black Lid, White Label	2/Package
	30NR7581	Organic Vapor Cartridge With P100 Particulate Filter	Pink Lid, Black Label	2/Package
	30NR460585	Organic Vapor Cartridge With P100 Particulate Filter	Pink Lid, Yellow Label	2/Package
	30NR75SCP100	Multi-Purpose Cartridge and P100 Particulate Filter	Pink Lid, Olive Green Label	2/Package
	30NR7584P100	Ammonia and Methylamine Cartridge with P100 Particulate Filter	Pink Lid, Green Label	2/Package
	30NR460615	P100 Particulate Filter	Pink	2/Package
	30NR7506N95	N95 Non-Oil Particulate Filter	White with Blue Text	10/Package
	30NR7506N99	N99 Particulate Non-Oil Filter	White with Black Text	10/Package
	30NR75FFP100	Low Profile P100 Particulate Filter	Pink	2/Package
	30NRN750035	Adapter for 30NR75FFP100	Black	One Each

105V083 – Brochure – North Cartridge and Filter Reference Chart






PART NUMBERS & SCHEMATICS GUIDE

		NORTH® DISPOSABLE PARTICULATE RESPIRATORS			
	Part Numbers	Style	Filters	Size	U.O.M.
	30NR7190N99	Metal Fumes from Welding Settings	N99	One Size	12/Case
	30NR719009N99	Replacement Filter Only	N99	One Size	12/Case







OPTIONAL ACCESSORIES

		ALCOHOL WIPES			
Part Numbers	Brand	Size	Description	U.O.M.	
	303M430071	Big Ones	8" x 11"	Individually wrapped	50 Wipes/Box
	303M430073	Procure	5" x 8"	Individually wrapped	100 Wipes/Box
	303M504	3M™	8" x 10"	Individually wrapped, Alcohol-Free	100 Wipes/Box
	303M660034	PDI® Sani-Dex®	6" x 7.5"	Individually wrapped	100 Wipes/Box







OPTIONAL ACCESSORIES

FIT TESTING					
Part Numbers	Description	Manufacturer	Contents	U.O.M.	
	303MFT10	Qualitative Fit Test Kit	3M™	FT-11, FT-12, FT-14, FT-15, FT-13 (2)	One Kit
	303M430090	Banana Oil	Allegro	10 Glass Ampules Solution	10 Ampules/Box
	303M900601	Fit Test Adapter	3M™	Adapter, Connectors, Hose	One Kit
	303MFT12	Sweet Solution	3M™	Solution	6/Case
	303MF11	Saccharin Solution	3M™	Solution	6/Case







EYE PROTECTION

		CLEAR SAFETY GLASSES						
Part Numbers		Manufacturer	Style	Anti-Fog Lens	Category	Lens Color	ANSI Z87.1 Rating	U.O.M.
	3070124	Ironwear®	Derby	No	Economy	Clear	X	One Each
	3070129	Ironwear®	Harmony	No	Economy	Clear	X	One Each
	3070424	Ironwear®	Monroe	No	Economy	Clear	X	One Each
	3070127	Ironwear®	Porter	Yes	Economy	Clear	X	One Each
	30MCRBK110	MCR®	Bearkat®	No	Premium	Clear	X	One Each
	3070008	MCR®	Klondike®	No	Premium	Clear	X	One Each







EYE PROTECTION

		TINTED SAFETY GLASSES						
Part Numbers		Manufacturer	Style	Anti-Fog Lens	Category	Lens Color	ANSI Z87.1 Rating	U.O.M.
	3070125	Ironwear®	Derby	No	Economy	Grey	X	One Each
	3070128	Ironwear®	Porter	Yes	Economy	Grey	X	One Each
	3070425	Ironwear®	Monroe	No	Economy	Grey	X	One Each
	3070250	Ironwear®	Harmony	No	Economy	Smoke	X	One Each
	30MCRBK112	MCR®	Bearkat®	No	Premium	Grey	X	One Each
	3070018	MCR®	Klondike®	No	Premium	Grey	X	One Each

EYE PROTECTION

		MIRRORED SAFETY GLASSES						
Part Numbers		Manufacturer	Style	Lens Color	Anti-Fog Lens	Category	ANSI Z87.1 Rating	U.O.M.
	3070126	Ironwear®	Derby	Mirror Indoor/Outdoor	No	Economy	X	One Each
	3070131	Ironwear®	Harmony	Clear Mirror Indoor/Outdoor	No	Economy	X	One Each
	3070130	Ironwear®	Harmony	Grey with Gold Mirror	No	Economy	X	One Each
	3070401	Ironwear®	Porter	Mirror Indoor/Outdoor	No	Economy	X	One Each
	3070398	Ironwear®	Troy	Orange Mirror	No	Economy	X	One Each
	30MCRBK119	MCR®	Bearkat®	Mirror	No	Premium	X	One Each



EYE PROTECTION

Part Numbers	CLEAR SAFETY GOGGLES								
	Manufacturer	Style	Fit	Anti-Fog Lens	Category	Lens Color	ANSI Z87.1 Rating	U.O.M.	
	3070132	Ironwear®	Rockport (General Purpose)	Breathable Fit; Fits Over Glasses	No	Economy	Clear	X	One Each
	3070133	Ironwear®	Hope	Close Fit with Nylon Band	Yes	Economy	Clear*	X	One Each
	30MCR2220R	MCR®	General Purpose	Breathable Fit; Fits Over Glasses	No	Premium	Clear	X	One Each
	303M418121	3M™	Maxim™	Close Fit with Air Bladder Cushion	No	Premium	Clear	X	One Each
	3070002	Pyramex™	V2G	Close Fit with Air Bladder Cushion	No	Premium	Clear	X	One Each
	30BK142S3960C	UVEX™	Stealth	Close Fit with Neoprene Band	No	Premium	Clear*	X	One Each

*replaceable

Part Numbers	SAFETY GOGGLES REPLACEMENT PARTS	
	Description	U.O.M.
3070134	Ironwear Hope Clear Polycarbonate Replacement Lens for 3070133	One Each
30BK142S700C	UVEX Clear Replacement Lens for 30BK142S3960C	One Each
30BK142S701C	UVEX Smoke Replacement Lens for 30BK142S3960C	One Each


EYE PROTECTION

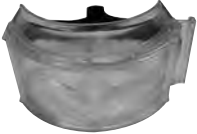


		TINTED SAFETY GOGGLES							
		Manufacturer	Style	Fit	Category	Anti-Fog Lens	Lens Color	ANSI Z87.1 Rating	U.O.M.
Part Numbers									
	3070249	Ironwear®	Hope	Close Fit with Nylon Band	Economy	No	Grey*	X	One Each
	3070003	Pyramex™	V2G	Close Fit with Air Bladder Cushion	Premium	No	Smoke	X	One Each



*replaceable

Part Numbers	SAFETY GOGGLES REPLACEMENT PARTS	
	Description	U.O.M.
3070135	Ironwear Hope Grey Polycarbonate Replacement Lens for 3070249	One Each

EYE PROTECTION

		PTQ SAFETY GOGGLES					
Part Numbers	Lens Cartridge	Fit	Category	Lens Color	ANSI Z87.1 Rating	U.O.M.	
 3070004	14 Lenses	Close Fit	Premium	Clear	X	One Each	

		PTQ SAFETY GOGGLES REPLACEMENT PARTS	
Part Numbers	Description	U.O.M	
 3070005	PTQ Clear Goggle Only <i>Includes Goggle, Face Piece, and Strap</i>	One Each	
 3070007	PTQ Goggle Strap	One Each	
 3070006	PTQ Replacement Lens Canister <i>14 Lenses/Canister</i>	One Each	

		ADVANZ SAFETY					
Part Numbers	Lens Cartridge	Fit	Category	Lens Color	ANSI Z87.1 Rating	U.O.M.	
 3070109	30 Lenses	Breathable Fit; Fits Over Glasses	Economy	Clear/ Anti-Fog	N/A	One Each	
 3070549	36 Lenses	Fits Over Full-Faced Respirators	Economy	Clear	N/A	One Each	

EYE PROTECTION

Part Numbers

EYE WASH AND SKIN FLUSH STATION

Description



10EYEWASHSTATION

Eye Wash and Skin Flush Station
Dual 16 oz. Bottles

FALL PROTECTION

WEB DEVICES HA 105P HARNESES					
Part Numbers	Style	Back D-Ring	Mating Chest Strap Buckle	Leg Strap Buckle	Harness Size
3070207	Universal 3-Point	X	X	Tongue	Small
3070208	Universal 3-Point	X	X	Tongue	Medium-X-Large
3070209	Universal 3-Point	X	X	Tongue	XX-Large
3070210	Universal 3-Point	X	X	Tongue	3X-Large
3070211	Universal 3-Point	X	X	Tongue	4X-Large

309V102 - Brochure- Web Devices 120P Harness



FALL PROTECTION

WEB DEVICES 120P ECO HARNESES					
Part Numbers	Style	Back D-Ring	Mating Chest Strap Buckle	Leg Strap Buckle	Harness Size
3070156	Full Body	X	X	Tongue	Small
3070199	Full Body	X	X	Tongue	Medium-X-Large
3070200	Full Body	X	X	Tongue	XX-Large
3070201	Full Body	X	X	Tongue	3X-Large
3070202	Full Body	X	X	Tongue	4X-Large

309V098 - Brochure - Web Devices 120P ECO Harness



FALL PROTECTION

WEB DEVICES 120P HARNESSES					
Part Numbers	Style	Back D-Ring	Mating Chest Strap Buckle	Leg Strap Buckle	Harness Size
3070157	Full Body	X	X	Tongue	Small
3070203	Full Body	X	X	Tongue	Medium-X-Large
3070204	Full Body	X	X	Tongue	XX-Large
3070205	Full Body	X	X	Tongue	3X-Large
3070206	Full Body	X	X	Tongue	4X-Large

309V098 - Brochure - Web Devices 120P Harness



FALL PROTECTION

WEB DEVICES 190P HARNESSSES					
Part Numbers	Style	Back D-Ring	Mating Chest Strap Buckle	Leg Strap Buckle	Harness Size
3070155	Polyurethane Coated Full Body 5-Point Universal	X	X	Tongue	Small
3070195	Polyurethane Coated Full Body 5-Point Universal	X	X	Tongue	Medium-X-Large
3070196	Polyurethane Coated Full Body 5-Point Universal	X	X	Tongue	XX-Large
3070197	Polyurethane Coated Full Body 5-Point Universal	X	X	Tongue	3X-Large
3070198	Polyurethane Coated Full Body 5-Point Universal	X	X	Tongue	4X-Large

309V099 - Brochure - Web Devices 190P Harness



FALL PROTECTION

DELTA™ VEST-STYLE HARNESS					
Part Numbers	Style	Back D-Ring	Mating Chest Strap Buckle	Leg Strap Buckle	Harness Size
3070561	Full Body	X	X	Tongue	Universal

309V105 Operator's Manual – Delta™ Vest-Style Harnesses



FALL PROTECTION

MILLER® REVOLUTION™ VINYL-COATED CONSTRUCTION HARNESSES

Part Numbers	Style	Back D-Ring	Sub-Pelvic Strap	Mating Chest Strap Buckle	Pull-Down Strap Adjustment	Pull-Free Lanyard Ring	Leg Strap Buckle	Shoulder Strap Buckle	Harness Size
3070073	Revolution™ Construction	X	X	X	X	X	Tongue	Friction	Small-Medium
3070037	Revolution™ Construction	X	X	X	X	X	Tongue	Friction	Large-X-Large
3070074	Revolution™ Construction	X	X	X	X	X	Tongue	Friction	XX-Large-XXX-Large

309V048 Operator's Manual – Miller® Revolution™ Construction Harnesses



FALL PROTECTION

STANDARD MILLER® HARNESSES									
Part Numbers	Style	Back D-Ring	Sub-Pelvic Strap	Mating Chest Strap Buckle	Pull-Down Strap Adjustment	Pull-Free Lanyard Ring	Leg Strap Buckle	Shoulder Strap Buckle	Harness Size
30ML470005M	Standard Non-Stretch	X	X	X	X	X	Mating	Friction	Small–Medium
30ML470005L	Standard Non-Stretch	X	X	X	X	X	Mating	Friction	Large–X-Large
3070068	Standard Non-Stretch	X	X	X	X	X	Mating	Friction	XX-Large

309V049 Operator's Manual – Miller® Harnesses & Body Belts



FALL PROTECTION

MILLER® REVOLUTION™ CONSTRUCTION HARNESES									
Part Numbers	Style	Back D-Ring	Sub-Pelvic Strap	Mating Chest Strap Buckle	Pull-Down Strap Adjustment	Pull-Free Lanyard Ring	Leg Strap Buckle	Shoulder Strap Buckle	Harness Size
3070071	Revolution™ Construction	X	X	X	X	X	Mating	Cam	Small-Medium
30MLR10CNMBBDPUGN	Revolution™ Construction	X	X	X	X	X	Mating	Cam	Large-X-Large
3070072	Revolution™ Construction	X	X	X	X	X	Mating	Cam	XX-Large-XXX-Large

309V048 Operator's Manual – Miller® Revolution™ Construction Harnesses



FALL PROTECTION

MILLER® DURAFLEX® WAREHOUSE PICKERS HARNESSES







Part Numbers	Style	Back D-Ring	Sub-Pelvic Strap	Mating Chest Strap Buckle	Pull-Down Strap Adjustment	Pull-Free Lanyard Ring	Leg Strap Buckle	Shoulder Strap Buckle	Harness Size
3070069	Duraflex® Warehouse Pickers	X	X	X	X	X	Mating	Friction	Small-Medium
30ML470023	Duraflex® Warehouse Pickers	X	X	X	X	X	Mating	Friction	Large-X-Large
3070070	Duraflex® Warehouse Pickers	X	X	X	X	X	Mating	Friction	XX-Large

309V049 Operator's Manual – Miller® Harnesses & Body Belts



FALL PROTECTION







SINGLE LEG LANYARDS

Part Numbers	Brand	Style	ANSI Rating	Anchorage Connection	Length (Ft.)	Color	Description	
	30ML470063	Miller®	General	A10.32	Locking Snap Hook	6	Yellow	Adjustable
	30ML470073	Miller®	Manyard	A10.32	Locking Snap Hook	6	Yellow	Web-Style, Shock Absorber
	30ML470081	Miller®	StretchStop®	A10.32	Locking Snap Hook	6	Green	SofStop™ Shock Absorber
	3070657	Web Devices	General	A10.32	Locking Snap Hook	3	Yellow	Web Style
	3070264	Web Devices	General	A10.32	Locking Snap Hook	6	Yellow	Web Style
	3070262	Web Devices	Polyurethane Coated	A10.32	Locking Snap Hook	6	Yellow	Polyurethane

309V050 Operator's Manual – Miller® Lanyards & Shock Absorbers



FALL PROTECTION

DOUBLE LEG LANYARDS

Part Numbers	Brand	Style	ANSI Rating	Anchorage Connection	Length (Ft.)	Color	Description
	Web Devices	ShockSorb™	Z359	Locking Snap Hook	3	Yellow	Double Leg, Small Hooks
	Web Devices	ShockSorb™	Z359	Locking Snap Hook	6	Yellow	Double Leg, Small Tie Backs
	Web Devices	Double Action	Z359	Locking Snap Hook	6	Yellow	Double Leg, Small Tie Backs
	Web Devices	ShockSorb™	Z359	Locking Snap Hook	6	Yellow	Double Leg, Large Tie Backs
	Web Devices	ShockSorb™	Z359	Locking Snap Hook	6	Yellow	Polyurethane
	Miller®	BackBiter®	Z359	Locking Rebar Hooks	6	Green	SofStop™ Shock Absorber, Double Leg




309V050 Operator's Manual – Miller® Lanyards & Shock Absorbers

FALL PROTECTION


		BODY BELT				
	Part Numbers	Brand	Style	Back Pad Width	Tongue Buckle	D-Rings
	30ML3NA	Miller®	Standard	3"	X	Single
	3070040	Miller®	Titan™	3"	X	Sides


309V049 Operator's Manual – Miller® Harnesses & Body Belts

FALL PROTECTION

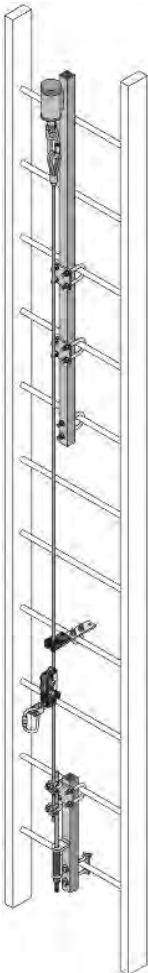
		TAYLORTEC FALL WORK VEST					
	Part Numbers	Style	Size	Chest Size	Reflective Tape	D-Ring Slot	USCG Approval
	3070059	Seahorse	Standard	Up to 56"	X	X	160.053/88/0
	3070011	Seahorse	X-Large	56"–62"	X	X	160.053/88/0
	3070060	Seahorse	XX-Large	62"–68"	X	X	160.053/88/0

309V052 Operator's Manual – Taylortec Fall Work Vest

		SEACHOICE FALL WORK VEST				
	Part Numbers	Style	Size	Chest Size	Color	USCG Approval
	3070153	Seachoice	Large	30" - 52"	Orange/Yellow	Type III


		ANCHOR		
	Part Numbers	Brand	Length	Description
	3070602	Web Devices	75"	Polyester Rope with Hook on Each End

FALL PROTECTION


MILLER® CLIMBING SYSTEMS*			
	Part Numbers	3/8" Galvanized Steel Cable Lifeline	Description
	30MLTRS20FT	20'	Top and bottom bracket assemblies, manual pass-through intermediate cable guides
	30MLTRS30FT	30'	Top and bottom bracket assemblies, manual pass-through intermediate cable guides
	30MLTRS40FT	40'	Top and bottom bracket assemblies, manual pass-through intermediate cable guides
	10MLTRS50FT	50'	Top and bottom bracket assemblies, manual pass-through intermediate cable guides
	10MLTRS90FT	90'	Top and bottom bracket assemblies, manual pass-through intermediate cable guides
	30MLTRS100FT	100'	Top and bottom bracket assemblies, manual pass-through intermediate cable guides
	30MLTRS140FT	140'	Top and bottom bracket assemblies, manual pass-through intermediate cable guides

*Ladder not included





309V051 Operator's Manual – Miller® Vi-Go Vertical Cable Lifeline Systems


MANUAL CABLE SLEEVE			
	Part Numbers	Manufacturer	Description
	30MLTRCS	Miller®	Vi-Go Use with manual system only

FALL PROTECTION



		ROPE			
Part Numbers		Material	Length	Description	ANSI Rating
	3070012	5/8" I.D. Polyester Rope	100 Ft.	Double Locking Snap Hook, Both Ends	Z359.1-07


303V052 Technical Data Sheet – Web Devices Lifeline





		ROPE ACCESSORIES			
Part Numbers		Manufacturer	Material	Style	Rope Diameter
	30ML8174	Miller®	Stainless Steel	Manual	5/8" or 3/4"
	30BKWFT479	Miller®	Stainless Steel	MicroLoc Trailing	5/8"
	30ML8175	Miller®	Stainless Steel	Trailing	5/8"
	3070013	Web Devices	Stainless Steel	Trailing	5/8"

		I-BEAM CROSSOVER STRAP			
Part Numbers		Material	Length	Description	Weight Limit
	3070159	1/4" Vinyl Coated Cable	4 Ft.	Ring on One End and Locking Snap Hook on Other	5,000 Lbs.

FALL PROTECTION


		CABLE GRIP		
Part Numbers	Manufacturer	Cable	Description	
 3070010	Klein Havens®	1/4"	For Light, Compact Grip	
 3070137	Klein Havens®	1/8" – 1/2"	For Light, Compact Grip	

		BEAM TROLLEY		
Part Numbers	Brand	Maximum Weight	Beam Size Range	
 30ML9065	Miller®	400 Lbs.	3"–4-1/2"	

		TOOL HOOKS AND LANYARDS			
Part Numbers	Brand	Maximum Weight	Length	Description	
 3070407	Proto	N/A	28"	Adjustable hard hat lanyard*	
 3070043	Tool Spider	10 Lbs.	35"–42"	Loop and Carabiner	
 3070050	Tool Spider	15 Lbs.	18"–30"	Loop and Carabiner	
 3070138	Swivel Snap Hook	150 Lbs	5/8"	Bronze swivel snap hook	


Hard hat not included

FALL PROTECTION


		PLASTIC COATED CABLE			
Part Numbers		Material	Size	Description	Length
	1070882	Plastic	3/16" x 1/4"	Coated	250 Feet

PART NUMBERS & SCHEMATICS GUIDE



DUPONT™ DISPOSABLE SHOE COVERS

	Part Numbers	Material	Bottom	Color	Size	Package
	1029747	Pro-Shield® NextGen®	PVC Sole	White	X-Large	100/Case

DUPONT™ DISPOSABLE BOOT COVERS

	Part Numbers	Material	Bottom	Height (Inches)	Color	Size	Package
	1029750	Tyvek®	Skid Resistant	10	White	Universal	100/Case
	1029748	Tyvek®	Skid Resistant	18	Grey	Universal	100/Case
	1029749	Pro-Shield®	Skid Resistant	18	Grey	Universal	100/Case
	1029758	Tyvek®	Skid Resistant	18	White	Universal	100/Case
	1029759	Tyvek®	Skid Resistant	18	White	X-Large	100/Case

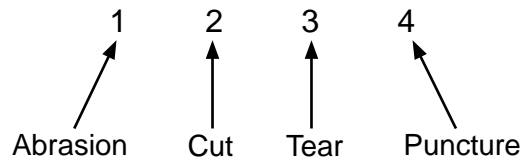
PART NUMBERS & SCHEMATICS GUIDE

		STEEL TOE RUBBER BOOTS				
Part Numbers		Size	Height	Material	Manufacturer	Certification
	3070341	5	16"	PVC	IRONWEAR®	ASTM F2412-11
	3070342	6	16"	PVC	IRONWEAR®	ASTM F2412-11
	3070343	7	16"	PVC	IRONWEAR®	ASTM F2412-11
	3070344	8	16"	PVC	IRONWEAR®	ASTM F2412-11
	3070345	9	16"	PVC	IRONWEAR®	ASTM F2412-11
	3070346	10	16"	PVC	IRONWEAR®	ASTM F2412-11
	3070347	11	16"	PVC	IRONWEAR®	ASTM F2412-11
	3070348	12	16"	PVC	IRONWEAR®	ASTM F2412-11
	3070349	13	16"	PVC	IRONWEAR®	ASTM F2412-11
	3070350	14	16"	PVC	IRONWEAR®	ASTM F2412-11
	3070115	8	16"	PVC	Servus	ASTM F2413-05
	3070116	9	16"	PVC	Servus	ASTM F2413-05
	3070117	10	16"	PVC	Servus	ASTM F2413-05
	3070118	11	16"	PVC	Servus	ASTM F2413-05
	3070119	12	16"	PVC	Servus	ASTM F2413-05

PART NUMBERS AND SCHEMATICS GUIDE

Glove Selection Guide

CE Rating Scale





This numbering sequence provides a rating in abrasion, blade cut, tear, and puncture. The number indicates a rating of 1 through 5 (1 the lowest, 5 the highest).


The rating is intended as a general guide on attributes of the glove. If no rating is shown, information is not available from the manufacturer.

ABRASIVE BLASTING GLOVES							
Part Numbers	Material	Description	Color	CE Rating	Size	Package Quantity	
 10GL14	Leather	Welder Glove	Blue	N/A	One Size	1 Pair	
 3070182	Leather	Leather Palm, Rubberized Cuff, Canvas Top	Grey	N/A	X-Large	12 Pairs	
 3070183	Triple Leather	Triple Leather Palm, Pasted Cuff	Grey	N/A	X-Large	12 Pairs	
 10NGL3232	Rubber	Textured	Varies	4141	One Size	1 Pair	
 3070218	PVC	Textured	Black	N/A	X-Large	12 Pairs	


PART NUMBERS AND SCHEMATICS GUIDE

		KEYSTONE-THUMB SPLIT LEATHER DRIVER GLOVES					
		Material	Description	Color	CE Rating	Size	Package Quantity
	Part Numbers	Split Leather	Keystone Thumb	Gold	N/A	Small	12 Pairs
	3070213	Split Leather	Keystone Thumb	Gold	N/A	Medium	12 Pairs
	3070214	Split Leather	Keystone Thumb	Gold	N/A	Large	12 Pairs
	3070215	Split Leather	Keystone Thumb	Gold	N/A	X-Large	12 Pairs
	3070216	Split Leather	Keystone Thumb	Gold	N/A	XX-Large	12 Pairs
	3070190	Smooth Palm	Keystone-Thumb	Grey	N/A	Small	12 Pairs
	3070191	Smooth Palm	Keystone-Thumb	Grey	N/A	Medium	12 Pairs
	3070179	Smooth Palm	Keystone-Thumb	Grey	N/A	Large	12 Pairs
	3070184	Smooth Palm	Keystone-Thumb	Grey	N/A	X-Large	12 Pairs
	3070192	Smooth Palm	Keystone-Thumb	Grey	N/A	XX-Large	12 Pairs


PART NUMBERS AND SCHEMATICS GUIDE

MECHANIX® GLOVES – FASTFIT STYLE							
Part Numbers	Style	Description	Color	CE Rating	Size	Package Quantity	
	3070075	FastFit	Synthetic Leather Palm, TekDry® Top	Hi-Viz Yellow	2121	Small	1 Pair
	3070076	FastFit	Synthetic Leather Palm, TekDry® Top	Hi-Viz Yellow	2121	Medium	1 Pair
	3070047	FastFit	Synthetic Leather Palm, TekDry® Top	Hi-Viz Yellow	2121	Large	1 Pair
	3070077	FastFit	Synthetic Leather Palm, TekDry® Top	Hi-Viz Yellow	2121	X-Large	1 Pair
	3070078	FastFit	Synthetic Leather Palm, TekDry® Top	Hi-Viz Yellow	2121	XX-Large	1 Pair


PART NUMBERS AND SCHEMATICS GUIDE


		IRONWEAR® MECHANICS GLOVES					
		Style	Description	Color	CE Rating	Size	Package Quantity
Part Numbers							
	3070219	Mechanics	Synthetic Leather Palm	Hi-Viz Green	N/A	Small	1 Pair
	3070220	Mechanics	Synthetic Leather Palm	Hi-Viz Green	N/A	Medium	1 Pair
	3070221	Mechanics	Synthetic Leather Palm	Hi-Viz Green	N/A	Large	1 Pair
	3070222	Mechanics	Synthetic Leather Palm	Hi-Viz Green	N/A	X-Large	1 Pair

PART NUMBERS AND SCHEMATICS GUIDE


		MECHANIX® GLOVES – M-PACT STYLE					
Part Numbers		Style	Description	Color	CE Rating	Size	Package Quantity
	3070080	M-Pact	Molded Thermal Plastic Rubber Top, Poron® XRD™ Palm	Black	4131	Small	1 Pair
	3070081	M-Pact	Molded Thermal Plastic Rubber Top, Poron® XRD™ Palm	Black	4131	Medium	1 Pair
	3070049	M-Pact	Molded Thermal Plastic Rubber Top, Poron® XRD™ Palm	Black	4131	Large	1 Pair
	3070082	M-Pact	Molded Thermal Plastic Rubber Top, Poron® XRD™ Palm	Black	4131	X-Large	1 Pair
	3070083	M-Pact	Molded Thermal Plastic Rubber Top, Poron® XRD™ Palm	Black	4131	XX-Large	1 Pair


PART NUMBERS AND SCHEMATICS GUIDE

		IRONWEAR® MECHANICS GLOVES					
Part Numbers		Style	Description	Color	CE Rating	Size	Package Quantity
	3070223	Impact	TPR Thermal Plastic Padding Rubber Palm	Orange	N/A	Small	1 Pair
	3070224	Impact	TPR Thermal Plastic Padding Rubber Palm	Orange	N/A	Medium	1 Pair
	3070225	Impact	TPR Thermal Plastic Padding Rubber Palm	Orange	N/A	Large	1 Pair
	3070226	Impact	TPR Thermal Plastic Padding Rubber Palm	Orange	N/A	X-Large	1 Pair
	3070227	Impact	TPR Thermal Plastic Padding Rubber Palm	Orange	N/A	XX-Large	1 Pair





		MECHANICS GLOVES				
Part Numbers		Description	Color	CE Rating	Size	Package Quantity
	3070601	13 Gauge HPPE/Glass Fiber Cut Resistant Shell, Nitrile Palm Coating, Interior Foam Padding	Yellow	388	Large	1 Pair

PART NUMBERS AND SCHEMATICS GUIDE

		IRONWEAR® DRIVER GLOVES					
Part Numbers		Style	Description	Color	CE Rating	Size	Package Quantity
	3070427	Original	Leather	Orange and Beige	N/A	Small	12 Pairs
	3070426	Original	Leather	Orange and Beige	N/A	Medium	12 Pairs
	3070428	Original	Leather	Orange and Beige	N/A	Large	12 Pairs
	3070618	Original	Leather	Orange and Beige	N/A	X-Large	12 Pairs
	3070429	Original	Leather	Orange and Beige	N/A	2X-Large	12 Pairs
	3070430	Original	Leather	Orange and Beige	N/A	3X-Large	12 Pairs




		NINJA FLEX GLOVES					
Part Numbers		Material	Description	Color	CE Rating	Size	Package Quantity
	3070651	Crinkle Latex Coating, Nylon Shell	15 Gauge Thread	Red	N/A	Medium	1 Pair
	3070652	Crinkle Latex Coating, Nylon Shell	15 Gauge Thread	Red	N/A	X-Large	1 Pair



PART NUMBERS AND SCHEMATICS GUIDE

		WELDERS GLOVES					
Part Numbers		Material	Lining	Color	CE Rating	Size	Package Quantity
	3070555	Leather	Fleece	Brown	N/A	Large	1 Pair
	3070556	Leather	Fleece	Brown	N/A	X-Large	1 Pair
	3070574	Leather	Cotton	Gray	N/A	X-Large	1 Pair
	3070654	Split Leather	Cotton	White and Yellow	N/A	Large	12 Pairs
	3070631	Elkskin	Nomex	White and Yellow	N/A	Large	1 Pair

		COLD WEATHER GLOVES					
Part Numbers		Material	Description	Color	CE Rating	Size	Package Quantity
	3070066	Leather Palm, Rubber Cuff	Insulated	Blue/Gold	N/A	Medium	1 Pair
	3070042	Leather Palm, Rubber Cuff	Insulated	Blue/Gold	N/A	Large	1 Pair
	3070067	Leather Palm, Rubber Cuff	Insulated	Blue/Gold	N/A	X-Large	1 Pair

PART NUMBERS AND SCHEMATICS GUIDE


		COTTON GLOVES					
		Material	Description	Color	CE Rating	Size	Package Quantity
Part Numbers							
	3070185	Cotton	PVC Double Dot	Cream	N/A	Large	12 Pairs
	3070193	Cotton	PVC Double Dot	Cream	N/A	X-Large	12 Pairs
	3070265	Cotton	Cotton Canvas	Cream	N/A	One Size	12 Pairs
	3070063	Polyester Knit	Economy Weight	Cream	N/A	Small	12 Pairs
	3070064	Polyester Knit	Economy Weight	Cream	N/A	Medium	12 Pairs
	3070256	Polyester Knit	Economy Weight	Cream	N/A	Large	12 Pairs
	3070065	Polyester Knit	Economy Weight	Cream	N/A	X-Large	12 Pairs


		KEVLAR® GLOVES					
		Material	Description	Color	CE Rating	Size	Package Quantity
Part Numbers							
	3070559	Kevlar®	PVC Double Dot	Yellow	N/A	Large	12 Pairs
	3070594	Kevlar®	Flex-Tuff	Blue/Yellow	N/A	X-Large	12 Pairs

PART NUMBERS AND SCHEMATICS GUIDE


		SKINNY DIP GLOVES					
Part Numbers		Material	Description	Color	CE Rating	Size	Package Quantity
	3070228	String Knit	String Knit Glove with Latex Palm and Fingers	Blue/ Yellow	N/A	Small	12 Pairs
	3070229	String Knit	String Knit Glove with Latex Palm and Fingers	Blue/ Yellow	N/A	Medium	12 Pairs
	3070230	String Knit	String Knit Glove with Latex Palm and Fingers	Blue/ Yellow	N/A	Large	12 Pairs
	3070231	String Knit	String Knit Glove with Latex Palm and Fingers	Blue/ Yellow	N/A	X-Large	12 Pairs
	3070232	String Knit	String Knit Glove with Nitrile Palm and Fingers, Fleece Liner	Orange/ Black	N/A	Small	12 Pairs
	3070233	String Knit	String Knit Glove with Nitrile Palm and Fingers, Fleece Liner	Orange/ Black	N/A	Medium	12 Pairs
	3070234	String Knit	String Knit Glove with Nitrile Palm and Fingers, Fleece Liner	Orange/ Black	N/A	Large	12 Pairs
	3070235	String Knit	String Knit Glove with Nitrile Palm and Fingers, Fleece Liner	Orange/ Black	N/A	X-Large	12 Pairs
	3070181	Fleece Jersey	Knit Wrist Cuff, 4-Layer Nitrile Fully Dipped	White/ Blue	N/A	Large	12 Pairs
	3070180	Fleece Jersey	Knit Wrist Cuff, 4-Layer Nitrile Fully Dipped	White/ Blue	N/A	X-Large	12 Pairs
	3070647	Nitrile	Iron-Tek® Nitrile/PU Coated Smooth Finish Glove, Palm Dipped	Gray	N/A	Small	12 Pairs
	3070582	Nitrile	Iron-Tek® Nitrile/PU Coated Smooth Finish Glove, Palm Dipped	Gray	N/A	Large	12 Pairs
	3070579	Nitrile	Iron-Tek® Nitrile/PU Coated Smooth Finish Glove, Palm Dipped	Gray	N/A	2X-Large	12 Pairs


PART NUMBERS AND SCHEMATICS GUIDE


		POLYURETHANE COATED GLOVES					
Part Numbers		Glove Material	Coating Material	Coating Coverage	Color	Size	Package Quantity
	3070596	Nylon	Polyurethane	Palm and Fingers	Black	Medium	12 Pairs
	3070586	Nylon	Polyurethane	Palm and Fingers	Black	Large	12 Pairs
	3070587	Nylon	Polyurethane	Palm and Fingers	Black	X-Large	12 Pairs

		GRACO® CONDUCTIVE GLOVES			
Part Numbers		Material	Size	Thickness	Package
	20G117823	Polyurethane Film, Nylon Backing	Small	0.063 mm	12 Pairs/Box
	20G117824	Polyurethane Film, Nylon Backing	Medium	0.063 mm	12 Pairs/Box
	20G117825	Polyurethane Film, Nylon Backing	Large	0.063 mm	12 Pairs/Box

PART NUMBERS AND SCHEMATICS GUIDE

		IRONWEAR® LIVE HAUL/HANG GLOVES					
Part Numbers	Style	Description	Color	CE Rating	Size	Package Quantity	
	3070604	Impact	TPU Padding PE Engineered Yarn High Visibility	Grey/White	4544	Medium	12 Pairs
	3070605	Impact	TPU Padding PE Engineered Yarn High Visibility	Grey/White	4544	Large	12 Pairs
	3070606	Impact	TPU Padding PE Engineered Yarn High Visibility	Grey/White	4544	X-Large	12 Pairs
	3070607	Impact	TPU Padding PE Engineered Yarn High Visibility	Grey/White	4544	2X-Large	12 Pairs

		ENGINEERED YARN CUT					
Part Numbers	Glove Material	Coating Material	Coating Coverage	Color	Size	Package Quantity	
	3070627	Engineered Yarn	Nitrile	Palm	Brown Hem	Large	72/Case
	3070639	Engineered Yarn	Nitrile	Palm	Black/White	Large	One Each

		CABINET GLOVES				
Part Numbers	Gloves	Size	Material	Color	Package Quantity	
	1070730	Both	33" x 8"	Textured Hand Finish, Naugahyde Gauntlet	Yellow	One Pair
	1070731	Left Hand Only	33" x 8"	Textured Hand Finish, Naugahyde Gauntlet	Yellow	One Each

PART NUMBERS AND SCHEMATICS GUIDE



**Part
Numbers**

9.5" NITRILE GLOVES								
Part Numbers	Length	Thickness	Powdered	Textured	Color	CE Rating	Size	Package Quantity
3070236	9.5"	5 mm	No	Yes	Blue	N/A	Small	100 Pairs
3070237	9.5"	5 mm	No	Yes	Blue	N/A	Medium	100 Pairs
3070238	9.5"	5 mm	No	Yes	Blue	N/A	Large	100 Pairs
3070239	9.5"	5 mm	No	Yes	Blue	N/A	X-Large	100 Pairs



**Part
Numbers**

LATEX GLOVES								
Part Numbers	Length	Thickness	Powdered	Textured	Size	Color	CE Rating	Package Quantity
3070245	9.5"	5 mm	No	Yes	Small	Natural	N/A	100/Box
3070246	9.5"	5 mm	No	Yes	Medium	Natural	N/A	100/Box
3070247	9.5"	5 mm	No	Yes	Large	Natural	N/A	100/Box
3070258	9.5"	14 mm	No	Yes	Medium	Blue	N/A	50 Pairs
3070259	9.5"	14 mm	No	Yes	Large	Blue	N/A	50 Pairs
3070260	9.5"	14 mm	No	Yes	X-Large	Blue	N/A	50 Pairs

PART NUMBERS AND SCHEMATICS GUIDE



Part Numbers

12" NATURAL RUBBER LATEX GLOVES							
Length	Thickness	Textured	Color	CE Rating	Size	Package Quantity	
3070542	12"	20 mm	Yes	Natural	N/A	8	12 Pairs



Part Numbers

13" NITRILE GLOVES								
Length	Thickness	Lined	Textured	Color	CE Rating	Size	Package Quantity	
3070240	13"	15 mm	Yes	Yes	Green	N/A	7	12 Pairs
3070241	13"	15 mm	Yes	Yes	Green	N/A	8	12 Pairs
3070242	13"	15 mm	Yes	Yes	Green	N/A	9	12 Pairs
3070243	13"	15 mm	Yes	Yes	Green	N/A	10	12 Pairs
3070244	13"	15 mm	Yes	Yes	Green	N/A	11	12 Pairs



Part Numbers

13" NEOPRENE GLOVES								
Length	Thickness	Lined	Textured	Color	CE Rating	Size	Package Quantity	
3070619	13"	18 mils	Yes	Yes	Black	N/A	10	12 Pairs




PART NUMBERS AND SCHEMATICS GUIDE





Part Numbers

13" NEOPRENE COATED LATEX GLOVES								
Part Numbers	Size	Thickness	Lined	Textured	Color	CE Rating	Size	Package Quantity
3070625	13"	28 mils	Yes	Yes	Blue/Yellow	N/A	Medium	12 Pairs
3070624	13"	28 mils	Yes	Yes	Blue/Yellow	N/A	Large	12 Pairs







PART NUMBERS AND SCHEMATICS


		IRONWEAR® HARD HATS			
	Part Numbers	Style	Color	Suspension	U.O.M.
	1070267	Cap Style with Rain Guard Edge	White	4/6 Convertible Point Ratchet	One Each
	1070268	Cap Style with Smooth Edge	White	4/6 Convertible Point Ratchet	One Each
	1070269	Full Brim	Blue	4/6 Convertible Point Ratchet	One Each

		IRONWEAR® HARD HAT SUSPENSIONS*			
	Part Numbers	Points	Style	Brow Pad Material	U.O.M.
	1070270	4/6 Convertible	Ratchet	Soft Foam	One Each
	1070271	4	Pinlock	Soft Foam	One Each


**Hard Hat Not Included*





PART NUMBERS AND SCHEMATICS


		VISORS BRACKETS FOR IRONWEAR® HARD HATS				
Part Numbers	Material	Hard Hat Style	Mounting Location	For Use With	U.O.M	
	30HHHG	Aluminum	Standard Brim	Front	Universal Alternative	One Each
	3070273	Aluminum	Standard Brim	Front	Universal Alternative	One Each
	3070271	Aluminum	Standard Brim	Front	Universal Alternative	One Each
	3070272	Aluminum	Full Brim	Front	Universal Alternative	One Each
	3070274	Aluminum	Full Brim	Front	Universal Alternative	One Each
	3070270	Plastic	Standard Brim	Front	Universal Alternative	One Each

		VISORS FOR IRONWEAR® HARD HATS					
Part Numbers	Material	U.O.M.	Dimensions	Thickness	Color	For Use With	
	3070051	Acetate	100/Box	8" x 15"	.040"	Clear	Universal Alternative


PART NUMBERS AND SCHEMATICS





		MSA V-GUARD® SERIES HARD HATS				
Part Numbers		Fas-Trac® Ratchet Suspension	Staz-On® Pinlock Suspension	Color	Style	U.O.M.
	30MSA475368	X		Blue	Cap Style	One Each
	10MSA475364	X		Gray	Cap Style	One Each
	10MSA475361	X		Orange	Cap Style	One Each
	30MSA463948		X	Gray	Cap Style	One Each
	30MSA463945		X	Orange	Cap Style	One Each
	30MSA463942		X	White	Cap Style	One Each

		VISOR BRACKETS FOR MSA V-GUARD® SERIES				
Part Numbers		Material	Hard Hat Style	Mounting Location	For Use With	U.O.M.
	30HHHG	Aluminum	Standard Brim	Front	Universal Alternative	One Each
	3070273	Aluminum	Standard Brim	Front	Universal Alternative	One Each
	3070271	Aluminum	Standard Brim	Front	Universal Alternative	One Each
	3070270	Plastic	Standard Brim	Front	Universal Alternative	One Each


		VISORS FOR MSA V-GUARD® SERIES HARD HATS					
Part Numbers		Material	U.O.M.	Dimensions	Thickness	Color	For Use With
	3070051	Acetate	100/Box	8" x 15"	.040"	Clear	Universal Alternative


PART NUMBERS AND SCHEMATICS

		3M™ HARD HAT			
Part Numbers		Style	4-Point Ratchet Suspension	Color	U.O.M.
	303MW32585	Cap Style	X	White	5/Package


		VISOR BRACKETS FOR 3M™ HARD HATS				
Part Numbers		Material	Hard Hat Style	Mounting Location	For Use With	U.O.M.
	30HHHG	Aluminum	Standard Brim	Front	Universal Alternative	One Each
	3070273	Aluminum	Standard Brim	Front	Universal Alternative	One Each
	3070271	Aluminum	Standard Brim	Front	Universal Alternative	One Each
	3070270	Plastic	Standard Brim	Front	Universal Alternative	One Each



PART NUMBERS AND SCHEMATICS


		VISORS FOR 3M™ HARD HATS					
Part Numbers		Material	U.O.M.	Dimensions	Thickness	Color	For Use With
	3070051	Acetate	100/Box	8" x 15"	.040"	Clear	Universal Alternative

		3M™ ADHESIVE FACESHIELD COVERS				
Part Numbers		Adhesive	Dimensions	Material	Color	U.O.M.
	303MW94103	All Sides	5-1/2" x 10-1/2"	Acetate	Clear	200/Case


PART NUMBERS AND SCHEMATICS



NORTH® SAFETY HARD HAT					
	Part Numbers	Style	Ratchet Suspension	Color	U.O.M.
	3070036	Full Brim	4-Point	Blue	One Each


VISOR BRACKETS FOR NORTH® SAFETY HARD HATS							
	Part Numbers	Color	Hard Hat Style	Material	Mounting Location	For Use With	U.O.M.
	3070274	Silver	Full Brim	Aluminum	Front	Universal Alternative	One Each
	3070272	Black	Full Brim	Aluminum	Front	Universal Alternative	One Each

VISORS FOR NORTH® SAFETY HARD HATS							
	Part Numbers	Material	U.O.M.	Dimensions	Thickness	Color	For Use With
	3070051	Acetate	100/Box	8" x 15"	.040"	Clear	Universal Alternative


PART NUMBERS AND SCHEMATICS


DIRECT SAFETY® HARD HAT					
	Part Numbers	Style	4-Point Ratchet Suspension	Color	U.O.M.
	3070030	Full Brim	X	White	One Each

VISOR BRACKETS FOR DIRECT SAFETY® HARD HATS							
	Part Numbers	Color	Hard Hat Style	Material	Mounting Location	For Use With	U.O.M.
	3070274	Silver	Full Brim	Aluminum	Front	Universal Alternative	One Each
	3070272	Black	Full Brim	Aluminum	Front	Universal Alternative	One Each





VISORS FOR DIRECT SAFETY® HARD HATS							
	Part Numbers	Material	U.O.M.	Dimensions	Thickness	Color	For Use With
	3070051	Acetate	100/Box	8" x 15"	.040"	Clear	Universal Alternative





PART NUMBERS AND SCHEMATICS

BULLARD® C30-SERIES HARD HATS							
	Part Numbers	4-Point Pinlock Suspension	6-Point Ratchet Suspension	Color	Brow Pad Material	Style	U.O.M.
	10BC30R		X	White	Cotton	Cap Style	One Each
	10B30YLP	X		Yellow	Cotton	Cap Style	One Each


BULLARD® C30-SERIES HARD HAT ACCESSORIES			
	Part Numbers	Description	U.O.M.
	10BES42	Chin Strap For C30R-Series, S51R-Series and S51P-Series Hard Hats	One Each



PART NUMBERS AND SCHEMATICS





		VISOR BRACKETS FOR BULLARD® C30-SERIES HARD HATS				
Part Numbers	Material	Hard Hat Style	Mounting Location	For Use With	U.O.M	
	30HHHG	Aluminum	Standard Brim	Front	Universal Alternative	One Each
	3070273	Aluminum	Standard Brim	Front	Universal Alternative	One Each
	3070271	Aluminum	Standard Brim	Front	Universal Alternative	One Each
	3070270	Plastic	Standard Brim	Front	Universal Alternative	One Each

		VISORS FOR BULLARD® C30-SERIES HARD HATS						
Part Numbers	Material	Dimensions	Color	For Use With	U.O.M.	For Use With	Thickness	
	10B840M	Acetate	8" x 15"	Clear	Bullard®	One Each	Sentinel 1	.040"
	10B840MG	Acetate	8" x 15"	Dark Green	Bullard®	One Each	Sentinel 1	.040"
	10B1040	Acetate	10" x 15"	Clear	Bullard®	50/ Package	Sentinel 1	.040"
	10B840P	Formed Polycarbonate	8" x 15"	Clear	Bullard®	One Each	Sentinel 1	.040"


PART NUMBERS AND SCHEMATICS


		BULLARD® C33-SERIES HARD HATS				
Part Numbers		Color	Style	6-Point Ratchet Suspension	Brow Pad Material	U.O.M.
	10BC33DGR	Gray	Full Brim	X	Cotton	20/Case
	10BC33WHR	White	Full Brim	X	Cotton	20/Case

		VISOR BRACKETS FOR BULLARD® C33-SERIES HARD HATS					
Part Numbers		Color	Hard Hat Style	Material	Mounting Location	For Use With	U.O.M.
	3070274	Silver	Full Brim	Aluminum	Front	Universal Alternative	One Each
	3070272	Black	Full Brim	Aluminum	Front	Universal Alternative	One Each


		VISORS FOR BULLARD® C33-SERIES HARD HATS						
Part Numbers		Material	Dimensions	Color	For Use With	U.O.M.	For Use With	Thickness
	10B840M	Acetate	8" x 15"	Clear	Bullard®	One Each	Sentinel 1	.040"
	10B840MG	Acetate	8" x 15"	Dark Green	Bullard®	One Each	Sentinel 1	.040"
	10B1040	Acetate	10" x 15"	Clear	Bullard®	50/Package	Sentinel 1	.040"
	10B840P	Formed Polycarbonate	8" x 15"	Clear	Bullard®	One Each	Sentinel 1	.040"

PART NUMBERS AND SCHEMATICS





		BULLARD® S51-SERIES HARD HATS					
		4-Point Ratchet Suspension	4-Point Pinlock Suspension	Color	Brow Pad Material	Style	U.O.M.
Part Numbers							
	10B51PBR	X		Pacific Blue	Poly	Cap Style	One Each
	10B51WHR	X		White	Poly	Cap Style	One Each
	10BS51HYR	X		Yellow (Hi-Viz)	Poly	Cap Style	One Each
	10B51YLR	X		Yellow	Poly	Cap Style	One Each
	10B51RDP		X	Red	Poly	Cap Style	One Each
	10B51WHP		X	White	Poly	Cap Style	One Each
	10B51YLP		X	Yellow	Poly	Cap Style	One Each





		BULLARD® S51-SERIES HARD HAT SUSPENSIONS*			
		Points	Style	Brow Pad Material	U.O.M.
Part Numbers					
	10BRS4RC	4	Ratchet	Cotton	One Each

*Hard Hat Not Included


		BULLARD® S51-SERIES HARD HAT ACCESSORIES	
		Description	U.O.M.
Part Numbers			
	10BES42	Chin Strap For C30R-Series, S51R-Series and S51P-Series Hard Hats	One Each

PART NUMBERS AND SCHEMATICS

		VISOR BRACKETS FOR BULLARD® S51-SERIES HARD HATS				
Part Numbers	Material	Hard Hat Style	Mounting Location	For Use With	U.O.M.	
	30HHHG	Aluminum	Standard Brim	Front	Universal Alternative	One Each
	3070273	Aluminum	Standard Brim	Front	Universal Alternative	One Each
	3070271	Aluminum	Standard Brim	Front	Universal Alternative	One Each
	3070270	Plastic	Standard Brim	Front	Universal Alternative	One Each





		VISORS FOR BULLARD® S51-SERIES HARD HATS						
Part Numbers	Material	Dimensions	Color	For Use With	U.O.M.	For Use With	Thickness	
	10B840M	Acetate	8" x 15"	Clear	Bullard®	One Each	Sentinel 1	.040"
	10B840MG	Acetate	8" x 15"	Dark Green	Bullard®	One Each	Sentinel 1	.040"
	10B1040	Acetate	10" x 15"	Clear	Bullard®	50/ Package	Sentinel 1	.040"
	10B840P	Formed Polycarbonate	8" x 15"	Clear	Bullard®	One Each	Sentinel 1	.040"

PART NUMBERS AND SCHEMATICS

BULLARD® SENTINEL 1 SERIES FACE PROTECTION HEADGEAR*					
	Part Numbers	Style	Brow Pad	Crown Protector	U.O.M.
	10BSENTINEL1	Ratchet	Sportek™	X	10/Package


*Faceshield not included

BULLARD® SENTINEL 1 SERIES BROW PAD	
Part Numbers	Description
	10BTT3 Sportek™ Brow Pad (Quantity of One)

VISORS FOR BULLARD® SENTINEL 1 SERIES								
Part Numbers	Material	Dimensions	Color	For Use With	U.O.M.	For Use With	Thickness	
	Acetate	8" x 15"	Clear	Bullard®	One Each	Sentinel 1	.040"	
	Acetate	8" x 15"	Dark Green	Bullard®	One Each	Sentinel 1	.040"	
	Acetate	10" x 15"	Clear	Bullard®	50/Package	Sentinel 1	.040"	
	Formed Polycarbonate	8" x 15"	Clear	Bullard®	One Each	Sentinel 1	.040"	



PART NUMBERS AND SCHEMATICS

BULLARD® SENTINEL 2 SERIES FACE PROTECTION HEADGEAR*


	Part Numbers	Style	Brow Pad	Crown Protector	Chin Protector	U.O.M.
	10BSENTINEL2	Ratchet	Sportek™	X	X	10/Package

*Faceshield not included



BULLARD® SENTINEL 2 SERIES CHIN PROTECTORS

	Part Numbers	Style	U.O.M.
	10BCP1	Black ABS	One Each
	10BCP2	Clear Polycarbonate	One Each




BULLARD® SENTINEL 2 SERIES BROW PAD

Part Numbers	Description
 10BTT3	Sportek™ Brow Pad (Quantity of One)





BULLARD® SENTINEL 2 SERIES VISORS

Part Numbers	Material	Dimensions	Thickness	Color	U.O.M.
 10B840MX2	Acetate	8" x 15"	.040"	Clear	50/Package
 10B840PX2	Polycarbonate	8" x 15"	.040"	Clear	50/Package

OPTIONAL ACCESSORIES



HARD HAT LINERS			
	Part Numbers	Description	U.O.M.
	3070046	Polyester Fleece Winter Liner with Neck Cover	One Each
	30HL404019	Thermal Quilted Winter Liner	One Each
	30HL404029	Polyester Fleece Winter Liner	One Each

PART NUMBERS & SCHEMATICS GUIDE







		EAR PLUGS				
Part Numbers		Decibel Rating (NRR*)	Style	Cord	Category	UOM
	30EAR420049	29	E•A•R Classic™	No	Premium	200 Pairs/Box
	3070400	29	3M™ Ear Plugs	Yes	Premium	100/PKG
	30EAR420092	30	E•A•R™ Classic™ SuperFit 30™	No	Premium	500 Pairs/Bottle
	30MAX420033	30	Howard Leight® Max Lite®	Yes	Premium	100/Box
	3070161	32	Elvex™ Uni-Fit™	No	Economy	220 Pairs/Box
	3070162	32	Elvex™ Uni-Fit™	Yes	Economy	100/Box
	3070163	32	Elvex™ Uni-Fit™ Refill for Dispenser	No	Economy	500 Pairs/Bag
	30EAR420044	32	Howard Leight® Laser Lite®	No	Premium	200 Pairs/Box
	30EAR420075	33	E•A•Rsoft™ Blasts™	No	Premium	200 Pairs/Box
	30EAR420091	33	E•A•R™ Classic™ SuperFit 33™	No	Premium	400 Pairs/Bottle
	30EAR420094	33	E•A•Rsoft™ Yellow Neons™	No	Premium	500 Pairs/Bottle
	3070562	33	Howard Leight® Max®	Yes	Premium	100/Box

*Noise Reduction Rating

PART NUMBERS & SCHEMATICS GUIDE




EAR PLUG DISPENSERS				
	Part Number	Description	Category	UOM
	30EAR420090	E•A•R™ One Touch™ Ear Plug Dispenser	Premium	One Each
	3070164	Elvex™ Uni-Fit™ 32 NRR Ear Plug Dispenser with 500 Pairs Uncorded Ear Plugs	Economy	One Each

PART NUMBERS & SCHEMATICS GUIDE

		EAR MUFFS			
Part Numbers		Decibel Rating (NRR*)	Style	Category	UOM
	30BV422113	20	Howard Leight® Viking™ V1	Premium	One Each
	3070165	21	Elvex™ Sonic Slim™	Economy	One Each
	10C23886	23	Peltor™ Optime™ 95	Premium	One Each
	3070166	25	Elvex™ Value Muff™	Economy	One Each
	3070167	26	Elvex™ HB 640 Flat-Liner™	Economy	One Each
	30BK127SL01301D	26	Howard Leight® Thunder® T1	Premium	One Each


*Noise Reduction Rating




3M™ PAINT HOODS

		3M™ H-SERIES TYCHEM® QC HOOD ASSEMBLIES							
Part Numbers		Inner Collar	Inner Shroud	Cap Suspension	Hard Hat Included	Chin Strap	Faceshield	Squeeze Clamp	U.O.M.
	303MH412	X			X	X	X	X	One Each
	303MH411	X		X		X	X	X	One Each
	303MH422		X		X	X	X	X	One Each



3M™ H-SERIES TYCHEM® QC REPLACEMENT HOODS		
Part Numbers	Description	U.O.M.
303MH41010	Replacement Hood for 303MH411 and 303MH412	10/Case
303MH42010	Replacement Hood for 303MH422	10/Case

3M™ PAINT HOODS

		LENS FOR H-SERIES HOODS	
	Part Numbers	Description	U.O.M.
	303MH111	3M™ Faceshield Cover	100/PKG


		INTERNAL PARTS FOR H-SERIES HOODS	
	Part Numbers	Description	U.O.M.
	303MW3258	3M™ Hatshell <i>(For use with 303MW28782 Head Suspension)</i>	5/Case
	303MW28782	3M™ Head Suspension No Ratchet <i>(For use with H-Series Hoods)</i>	2/PKG
	303MH1142	3M™ Chin Strap <i>(For use with H-Series Hoods with cap suspension or hardhat)</i>	2/PKG




3M™ PAINT HOODS

Part Numbers		3M™ H-SERIES TYCHEM® SL HOOD ASSEMBLIES							
		Inner Collar	Inner Shroud	Cap Suspension	Hard Hat Included	Chin Strap	Faceshield	Squeeze Clamp	U.O.M.
	303MH611	X		X					One Each
	303MH612	X			X	X	X	X	One Each


3M™ H-SERIES TYCHEM® SL REPLACEMENT HOODS		
Part Numbers	Description	U.O.M.
303MH6105	Replacement Hood for 303MH611 and 303MH612	5/Case


3M™ PAINT HOODS


		LENS FOR H-SERIES HOODS	
	Part Numbers	Description	U.O.M.
	303MH111	3M™ Faceshield Cover	100/PKG

		INTERNAL PARTS FOR H-SERIES HOODS	
	Part Numbers	Description	U.O.M.
	303MW3258	3M™ Hatshell <i>(For use with 303MW28782 Head Suspension)</i>	5/Case
	303MW28782	3M™ Head Suspension No Ratchet <i>(For use with H-Series Hoods)</i>	2/PKG
	303MH1142	3M™ Chin Strap <i>(For use with H-Series Hoods with cap suspension or hardhat)</i>	2/PKG


3M™ PAINT HOODS


3M™ VERSAFLO™ HEADCOVER PAPR KIT					
		Size (Headcover)	Description	U.O.M.	
	303MTR300HKS	Small	<i>(Includes 303MS133 Headcover, 303MTR307N PAPR System with Easy Clean Belt and 303MBT30 Breathing Tube, Battery Charger, 303MTR3710N and Storage Bag)</i>	One Each	
	303MTR300HKL	Large		One Each	

3M™ VERSAFLO™ S-SERIES LOOSE-FITTING WITH INTEGRATED SUSPENSION HEADCOVERS						
Part Numbers		Size	Color	Hood Material	Lens Material	U.O.M.
	303MS133SB5	Small/Medium	Blue	Polypropylene	PETG	5/Case
	303MS133S5	Small/Medium	White	Polypropylene	PETG	5/Case
	303MS133LB5	Medium/Large	Blue	Polypropylene	PETG	5/Case
	303MS133L5	Medium/Large	White	Polypropylene	PETG	5/Case


3M™ VERSAFLO™ S-SERIES LOOSE-FITTING WITH INTEGRATED SUSPENSION HEADCOVERS-ECONOMY						
Part Numbers		Size	Color	Hood Material	Lens Material	U.O.M.
	303MS103S20	Small/Medium	White	Polypropylene	PETG	20/Case
	303MS103L20	Medium/Large	White	Polypropylene	PETG	20/Case



3M™ PAINT HOODS

		3M™ VERSAFLO™ S-SERIES FACESEAL WITH INTERGRATED SUSPENSION HOODS - ECONOMY					
Part Numbers		Size	Inner Collar	Inner Shroud	Hood Material	Lens Material	U.O.M.
	303MS403S20	Small/ Medium		X	Polypropylene	PETG	20/Case
	303MS403L20	Medium/ Large		X	Polypropylene	PETG	20/Case

		3M™ VERSAFLO™ S-SERIES FACESEAL WITH INTERGRATED SUSPENSION HOODS - HIGH DURABILITY					
Part Numbers		Size	Inner Collar	Hood Material	Lens Material	U.O.M.	
	303MS533S	Small/ Medium	X	Polyurethane	Polycarbonate	One Each	
	303MS533L	Medium/ Large	X	Polyurethane	Polycarbonate	One Each	


3M™ PAINT HOODS



3M™ VERSAFLO™ EASY CLEAN PAPR KIT			
		Description	U.O.M.
	303MTR300ECK	<i>(Includes 303MS655 Hood, 303MTR307N PAPR System with Easy Clean Belt, 303MBT30 Breathing Tube, Battery Charger, 303MTR3710)</i>	One Each

3M™ VERSAFLO™ S-600 SERIES PREMIUM REUSABLE SUSPENSION HOOD ASSEMBLIES								
	Part Numbers	Inner Collar	Double Shroud	Sealed Seam	Hood Material	Lens Material	S-950 Premium Head Suspension	U.O.M.
	303MS655	X			Polypropylene	PETG	X	One Each
	303MS657		X		Polypropylene	PETG	X	One Each

REPLACEMENT HOODS FOR 3M™ VERSAFLO™ S-600 SERIES HOODS		
Part Numbers	Description	U.O.M.
303MS60510	Replacement Hood for 303MS655	10/Case
303MS60710	Replacement Hood for 303MS657	10/Case


3M™ PAINT HOODS

VISOR COVERS FOR 3M™ VERSAFLO™ HOODS			
	Part Numbers	Description	U.O.M.
	303MS922	3M™ Versaflo™ Peel Off Visor Cover <i>(For Use with S-600, S-700 and S-800 Hood Assemblies)</i>	40/Box

REPLACEMENT INTERNAL PARTS FOR 3M™ VERSAFLO™ S-600 SERIES HOODS			
		Description	U.O.M.
	303MS950	3M™ Versaflo™ Premium Head Suspension <i>(For Use with S-600, S-700 and S-800 Assemblies)</i>	One Each
	303MS951	3M™ Replacement Headband for Premium Head Suspension	One Each

3M™ PAINT HOODS


3M™ VERSAFLO™ S-700 SERIES PREMIUM REUSABLE SUSPENSION HOOD ASSEMBLIES



Part Numbers		Inner Collar	Single Shroud	Double Shroud	Sealed Seam	Hood Material	Lens Material	S-950 Premium Head Suspension	U.O.M.
	303MS757		X			Polypropylene	PETG	X	One Each

REPLACEMENT HOODS FOR 3M™ VERSAFLO™ S-700 SERIES HOODS

Part Numbers	Description	U.O.M.
303MS70710	Replacement Hood for 303MS757	10/Case

3M™ PAINT HOODS

VISOR COVERS FOR 3M™ VERSAFLO™ HOODS			
	Part Numbers	Description	U.O.M.
	303MS922	3M™ Versaflo™ Peel Off Visor Cover <i>(For Use with S-600, S-700 and S-800 Hood Assemblies)</i>	40/Box


REPLACEMENT INTERNAL PARTS FOR 3M™ VERSAFLO™ S-700 SERIES HOODS			
		Description	U.O.M.
	303MS950	3M™ Versaflo™ Premium Head Suspension <i>(For Use with S-600, S-700 and S-800 Assemblies)</i>	One Each
	303MS951	3M™ Replacement Headband for Premium Head Suspension	One Each



3M™ PAINT HOODS

		3M™ VERSAFLO™ S-800 SERIES PREMIUM REUSABLE SUSPENSION HOOD ASSEMBLIES							
Part Numbers	Inner Collar	Single Shroud	Double Shroud	Sealed Seam	Hood Material	Lens Material	S-950 Premium Head Suspension	U.O.M.	
	303MS855	X			X	Kappler® Zytron® 200	Acetate	X	One Each
	303MS857			X	X	Kappler® Zytron® 200	Acetate	X	One Each


REPLACEMENT HOODS FOR 3M™ VERSAFLO™ S-800 SERIES HOODS		
Part Numbers	Description	U.O.M.
303MS8055	Replacement Hood for 303MS855	5/Case


3M™ PAINT HOODS

VISOR COVERS FOR 3M™ VERSAFLO™ HOODS			
	Part Numbers	Description	U.O.M.
	303MS922	3M™ Versaflo™ Peel Off Visor Cover <i>(For Use with S-600, S-700 and S-800 Hood Assemblies)</i>	40/Box


REPLACEMENT INTERNAL PARTS FOR 3M™ VERSAFLO™ S-800 SERIES HOODS			
		Description	U.O.M.
	303MS950	3M™ Versaflo™ Premium Head Suspension <i>(For Use with S-600, S-700 and S-800 Assemblies)</i>	One Each
	303MS951	3M™ Replacement Headband for Premium Head Suspension	One Each


3M™ PAINT HOODS



		3M™ BREATHE EASY™ BE-SERIES INTEGRATED SUSPENSION HEADCOVERS					
Part Numbers		Size	Color	Hood Material	Lens Material	Lightweight	U.O.M.
	303MBE12B50	Regular	Blue	Tychem® QC	Polycarbonate	X	50/Case
	303MBE12BL50	Large	Blue	Tychem® QC	Polycarbonate	X	50/Case
	303MBE1250	Regular	White	Tychem® QC	Polycarbonate	X	50/Case
	303MBE12L50	Large	White	Tychem® QC	Polycarbonate	X	50/Case

		3M™ BREATHE EASY™ BE-SERIES INTEGRATED SUSPENSION HOODS						
Part Numbers		Size	Double Bib Hood	Lightweight	Hood Material	Lens Material	Color	U.O.M.
	303MBE1020	Regular	X	X	Tychem® QC	Polycarbonate	White	20/Case
	303MBE10L3	Large	X	X	Tychem® QC	Polycarbonate	White	3/Case


3M™ PAINT HOODS





3M™ VERSAFLO™ M-100 SERIES RESPIRATORY FACESHIELD					
Part Numbers		303MM925 Visor	303MM935 Faceseal	Visor Material	U.O.M.
	303MM105	X	X	Polycarbonate	One Each

3M™ VERSAFLO™ M-100 SERIES HEADCOVERS			
Part Numbers		Description	U.O.M.
	303MM976	3M™ Versaflo™ Head, Neck and Shoulder Cover (For Use with M-100 and M-300 Series)	One Each

3M™ VERSAFLO™ M-100 SERIES FACESEALS AND VISORS			
Part Numbers		Description	U.O.M.
	303MM925	3M™ Versaflo™ Standard Visor (For Use with M-Series Products)	5/Case
	303MM935	3M™ Versaflo™ Standard Faceseal (For Use with M-100 and M-300 Series)	One Each

3M™ PAINT HOODS

3M™ GVP PAPR ASSEMBLY			
		Description	U.O.M.
	303MGVP1	3M™ GVP Belt-Mounted PAPR Assembly <i>(Includes PAPR Unit, Power Cord, Battery Pack, Battery Charger, Flow Meter, Blower Plugs and Waist Belt)</i>	One Each


3M™ GVP PAPR SYSTEMS ACCESSORIES			
		Description	U.O.M.
	303MCB1000	3M™ Comfort Belt <i>(For use with 3M™ GVP-Series Belt-Mounted PAPR)</i>	One Each
	303MGVP127	3M™ Waist Belt GVP-127 <i>(For use with 3M™ GVP-Series Belt-Mounted PAPR)</i>	One Each
	303MGVP111	3M™ Power Cord GVP-110 <i>(For use with 3M™ GVP-Series Belt-Mounted PAPR)</i>	One Each
	303MGVP112	3M™ Battery Charger GVP-112	One Each





3M™ PAINT HOODS

		BREATHING TUBES FOR GVP PAPR SYSTEMS	
	Part Numbers	Description	U.O.M.
	303MH115	3M™ Breathing Tube Assembly (Includes Breathing Tube, W-5102-2 Thumbscrew Clamp and 303M3222 Clamp)	One Each
	303MGVP122	3M™ GVP-122 Breathing Tube (For use with 3M™ GVP Systems with H-Series Hoods)	One Each
	303MBT20S	3M™ Versaflo™ Breathing Tube (Size is Small/Medium, 28")	One Each
	303MBT20L	3M™ Versaflo™ Breathing Tube (Size is Medium/Large, 38")	One Each
	303MBT30	3M™ Versaflo™ BT-30 Length Adjusting Breathing Tube (For use with SA-100-PSK)	One Each
	303MBT40	3M™ Versaflo™ Heavy Tube Breathing Tube	One Each
	303MBT922	3M™ Versaflo™ Breathing Tube Cover (For Use with BT-Series Breathing Tubes, Breathing tube not included)	10/Case







* All BT-Series includes QRS (Quick Release Swivel) connection for maximum comfort and ease of use.

3M™ PAINT HOODS


3M™ NiMH BREATHE EASY™ PAPR SYSTEMS			
	Part Numbers	Description	U.O.M.
	303MR5201500	3M™ Breathe Easy™ Turbo Belt-Mounted Powered Air Purifying Respirator Assembly <i>(Includes 3M™ Motor Blower, Battery Pack, Belt and Airflow Indicator)</i>	One Each





REPLACEMENT PARTS FOR 3M™ NiMH BREATHE EASY™ PAPR UNIT			
	Part Numbers	Description	U.O.M.
	303M0220003R01	3M™ Breathe Easy™ Turbo PAPR Unit <i>(Includes Turbo Blower Unit Only)</i>	One Each
	303M5200290R01	3M™ Belt Assembly <i>(For Use with 3M™ Breathe Easy™, Size 60" X 2")</i>	One Each
	303M5200121	3M™ Airflow Indicator <i>(For Use with 3M™ Breathe Easy™ Systems)</i>	One Each
	303MBP17IS	3M™ NiMH Intrinsicly Safe Battery Pack <i>(For Use with 3M™ Breathe Easy™ and Supplied-Air Systems)</i>	One Each

3M™ PAINT HOODS







		BREATHING TUBES FOR NIH BREATHE EASY™ PAPR SYSTEMS		
		Length	Description	U.O.M.
	303M5200294R01	25"	3M™ Breathe Easy™ Breathing Tube (For use with 3M™ Breathe Easy™ 10 PAPR Systems, Size 25")	One Each
	303M5200180R01	25"	3M™ Breathe Easy™ Breathing Tube (For use with 3M™ Breathe Easy™ 12 PAPR Systems, Size 25")	One Each
	303M5200332R01	33"	3M™ Breathe Easy™ Breathing Tube (For use with 3M™ Breathe Easy™ 12 PAPR Systems, Size 33")	One Each
	303M5200177	34"	3M™ Breathing Tube Assembly w/ Clamp (For use with 3M™ Breathe Easy™ PAPR and RRPARS)	One Each
	303M5200100R01	36"	3M™ Breathe Easy™ Breathing Tube (For use with 3M™ Breathe Easy™ 10 PAPR Systems, Size 36")	One Each
	303MBE324	36"	3M™ Breathing Tube (For use with 3M™ Breathe Easy™ S-Series Hoods and Headcovers)	One Each

3M™ PAINT HOODS



3M™ NiCd BREATHE EASY™ PAPR SYSTEMS			
	Part Numbers	Description	U.O.M.
	303MR5201700	3M™ Breathe Easy™ Turbo Belt-Mounted Powered Air Purifying Respirator Assembly <i>(Includes 3M™ Motor Blower, NiCd Battery Pack, Belt and Airflow Indicator)</i>	One Each

REPLACEMENT PARTS FOR 3M™ NiCd BREATHE EASY™ PAPR UNIT			
	Part Numbers	Description	U.O.M.
	303M0220003R01	3M™ Breathe Easy™ Turbo PAPR Unit <i>(Includes Turbo Blower Unit Only)</i>	One Each
	303M5200290R01	3M™ Belt Assembly <i>(For Use with 3M™ Breathe Easy™, Size 60" X 2")</i>	One Each
	303M5200121	3M™ Airflow Indicator <i>(For Use with 3M™ Breathe Easy™ Systems)</i>	One Each
	303MBP17IS	3M™ NiCd Intrinsically Safe Battery Pack <i>(For Use with 3M™ Breathe Easy™ and Supplied-Air Systems)</i>	One Each

3M™ PAINT HOODS


		BREATHING TUBES FOR NiCd BREATHE EASY™ PAPR SYSTEMS		
		Length	Description	U.O.M.
	303M5200294R01	25"	3M™ Breathe Easy™ Breathing Tube (For use with 3M™ Breathe Easy™ 10 PAPR Systems, Size 25")	One Each
	303M5200180R01	25"	3M™ Breathe Easy™ Breathing Tube (For use with 3M™ Breathe Easy™ 12 PAPR Systems, Size 25")	One Each
	303M5200332R01	33"	3M™ Breathe Easy™ Breathing Tube (For use with 3M™ Breathe Easy™ 12 PAPR Systems, Size 33")	One Each
	303M5200177	34"	3M™ Breathing Tube Assembly w/ Clamp (For use with 3M™ Breathe Easy™ PAPR and RRPARS)	One Each
	303M5200100R01	36"	3M™ Breathe Easy™ Breathing Tube (For use with 3M™ Breathe Easy™ 10 PAPR Systems, Size 36")	One Each
	303MBE324	36"	3M™ Breathing Tube (For use with 3M™ Breathe Easy™ S-Series Hoods and Headcovers)	One Each

3M™ PAINT HOODS

OPTIONAL ACCESSORIES FOR 3M™ BREATHE EASY™ P APR SERIES			
	Part Numbers	Description	U.O.M.
	303M5270122R01	3M™ Neck Protector-Full <i>(For Use with 3M™ Breathe Easy™ and Supplied-Air Systems)</i>	One Each
	303M5270124R01	3M™ Neck Protector-Front <i>(For Use with 3M™ Breathe Easy™ and Supplied-Air Systems)</i>	One Each


3M™ PAINT HOODS

1/2" I.D. SUPPLIED-AIR HOSE - LOW PRESSURE


	Part Numbers	Length (Feet)	Industrial Interchange Fittings	Hose I.D.	Color
	303MW302050	50	MPT's on both ends to accept 3/8" FPT fittings	1/2"	Red
303MW3020100	100	MPT's on both ends to accept 3/8" FPT fittings	1/2"	Red	

3M™ PAINT HOODS


3/8" I.D. SUPPLIED-AIR HOSE - HIGH PRESSURE



	Part Numbers	Length (Feet)	Coiled	Industrial Interchange Fittings	Hose I.D.	Color
	303MW943525	25		MPT's on both ends to accept 1/4" FPT fittings	3/8"	Blue
	303MW943550	50		MPT's on both ends to accept 1/4" FPT fittings	3/8"	Blue
	303M292950	50	X	MPT's on both ends to accept 1/4" FPT fittings	3/8"	Blue
	303MW9435100	100		MPT's on both ends to accept 1/4" FPT fittings	3/8"	Blue




3/8" I.D. SUPPLIED-AIR HOSE - HIGH PRESSURE

	Part Numbers	Length (Feet)	Schrader Fittings	Hose I.D.	Color
	303MW944525	25	X	3/8"	Black
	303MW944550	50	X	3/8"	Black
	303MW9445100	100	X	3/8"	Black

3M™ PAINT HOODS







3M™ VERSAFLO™ VORTEX COOLING ASSEMBLY			
	Part Numbers	Description	U.O.M.
	303MV300	3M™ Versaflo™ Air Regulating Valve Assembly V-300 (For Use with 3M™ High Pressure SARS that use L-Series Headgear)	One Each

3M™ VERSAFLO™ VORTEX CLIMATE CONTROL DEVICES			
	Part Numbers	Description	U.O.M.
	303MV100	3M™ Versaflo™ Vortex Cooling Assembly (Includes breathing tube, muffler, wasit belt, holder and heat shield)	One Each
	303MV200	3M™ Versaflo™ Vortemp™ Heating Assembly V-200 Series (For use with 3M™ SARS that use L-Series Headgear)	One Each







3M™ VERSAFLO™ VORTEX CLIMATE CONTROL DEVICES ACCESSORIES			
	Part Numbers	Description	U.O.M.
	303MV111	3M™ Versaflo™ Vortex Muffler Kit	One Each
	303MV150	3M™ Versaflo™ Vortex Cooling Tube	One Each
	303MW31862	3M™ Versaflo™ Plug, 1/4" MPT Steel Fitting (For Use with Air Control Valves)	One Each

PART NUMBERS & SCHEMATICS GUIDE




BULLARD® CC20 DuPont™ TYCHEM® SUPPLIED-AIR PAINTING RESPIRATORS

	Part Numbers	Acetate Lens	Bib Style		Flow Control		Head Suspension	
			Single	Double	10BV30 High Pressure Breathing Tube Assembly	10BV35 Low Pressure Breathing Tube Assembly	10B20RT Headband Suspension	Hard Hat Included
	10B20TJ30	X	X		X		X	
	10B20TJ35	X	X			X	X	
	10B20TIC30	X		X	X		X	
	10B20TICH30	X		X	X			
	10B20TIC35	X		X		X	X	
	10B20TICH35	X		X		X		10BC30R

PART NUMBERS & SCHEMATICS GUIDE



		DuPont™ TYCHEM® QC POLYETHYLENE-COATED REPLACEMENT HOOD			
Part Numbers		Lense Material	Bib Style		10B20RT Headband Suspension
			Single	Double	
	10B20TJ	Acetate	X		X
	10B20TJN	Acetate	X		
	10B20TIC	Acetate		X	X
	10B20TICN	Acetate		X	
	10B20TICH	Acetate		X	
	10B20TP	Polyester	X		X




DuPont™ Tychem® QC: Polyethylene - coated Tyvek® fabric for light liquid splash protection against up to 42 chemicals.

		DuPont™ TYCHEM® SL SARANEX-LAMINATED REPLACEMENT HOOD			
Part Numbers		Lense Material	Bib Style		10B20RT Headband Suspension
			Single	Double	
	10B20SICH	Acetate		X	
	10B20SIC	Acetate		X	X
	10B20SICN	Acetate		X	

DuPont™ Tychem® SL: Saranex™ 23-P film laminated to Tyvek® fabric to protect against up to 124 chemicals.

PART NUMBERS & SCHEMATICS GUIDE






		TEAR-OFF LENSES				
		Dimensions	Tear-Off	Thickness	Material	U.O.M.
Part Numbers						
	10B20LC	13-1/4" x 6"	Adhesive	.010"	Mylar	25/Pk
	10B20LCLBP	17" x 6"	Adhesive	.010"	Mylar	25/Pk

Part Numbers	CLIMATE CONTROL DEVICES	
	10BAC1000	Air Conditioner and 10B4612 Belt
	10BHC2400	Hot/Cold Tube and 10B4612 Belt
	10BFRIGITRON2000	Air Conditioner and 10B4612 Belt <i>For Use With 10BADP20 Free-Air® Pump</i>

PART NUMBERS & SCHEMATICS GUIDE




Part Numbers

BREATHING TUBES & BREATHING TUBE REPAIR PARTS




	10BV30	Breathing Tube Assembly with Constant Flow 10BF30B 1/4" Industrial Interchange Quick-Disconnect Fitting and 10B4612 Belt
	10BV40	Breathing Tube Assembly with Adjustable Flow 10BF40B 1/4" Industrial Interchange Quick-Disconnect Fitting and 10B4612 Belt
	10BV35	Breathing Tube Assembly with Constant Flow 10BF35B 1/2" Industrial Interchange Quick-Disconnect Fitting and 10B4612 Belt
	10B20BT	Breathing Tube
	10BS18051	Breathing Tube Clamp







Part Numbers

QUICK-DISCONNECT FITTINGS

	10BF30B	1/4" Industrial Interchange Quick-Disconnect Constant Flow Fitting with Threaded Hose Connector and 10B4612 Belt <i>For Use With 10B88VXBT And 10B20BT</i>
	10BF40B	1/4" Industrial Interchange Quick-Disconnect Adjustable Flow Control Fitting with Threaded Hose Connector and 10B4612 Belt <i>For use with 10B88VXBT and 10B20BT</i>
	10BF35B	1/2" Industrial Interchange Quick-Disconnect Constant Flow Fitting with Threaded Hose Connector and 10B4612 Belt <i>For use with 10B88VXBT and 10B20BT; For use with Free-Air® Pump</i>




PART NUMBERS & SCHEMATICS GUIDE

	Part Numbers	INTERNAL REPAIR PARTS
	10B20NC	Chin Strap
	10B20TG	Headband Suspension - Baseball Style
	10B20RT	Headband Suspension - Ratchet Style



	Part Numbers	HARD HATS & ACCESSORIES
	10BC30R	White, C30 Series Hard Hat with 10BRS6RC 6-Point Suspension
	10BS51R	White, S51 Series Hard Hat with 10BRS4RC 4-Point Suspension
	10BRS6RC	6-Point Headband Suspension for C30 Series Hard Hat - Ratchet Style <i>Hard Hat Not Included</i>
	10BRS4RC	4-Point Headband Suspension for S51 Series Hard Hat - Ratchet Style <i>Hard Hat Not Included</i>
	10RBPCOOL	Polartec® Replacement Brow Pad
	10BES42	Chin Strap for 10BC30R and 10BS51R Hard Hats

PART NUMBERS & SCHEMATICS GUIDE



3/8" I.D. HOSE FOR HIGH PRESSURE COMPRESSED AIR SOURCE – BLACK


Part Numbers	Length (Feet)	Hose Color	Installed Fittings					
			10BV11	10BV13	10BV17	10BV19	Quick-Disconnect Coupler	
	10B5454	25	Black	X	X			N/A
	10B5457	50	Black	X	X			N/A
	10B5458	100	Black	X	X			N/A
	10B4696	25	Black		X	X		1/4" Female
	10B46915	25	Black		X		X	1/4" Female

3/8" I.D. HOSE FOR HIGH PRESSURE COMPRESSED AIR SOURCE – BLUE


Part Numbers	Length (Feet)	Hose Color	Installed Fittings					
			10BV11	10BV13	10BV17	10BV19	Quick-Disconnect Coupler	
	10B54514	25	Blue	X	X			N/A
	10B54513	50	Blue	X	X			N/A
	10B54512	100	Blue	X	X			N/A
	10B46918	25	Blue		X		X	1/4" Female

PART NUMBERS & SCHEMATICS GUIDE

		3/8" I.D. HOSE FOR HIGH PRESSURE COMPRESSED AIR SOURCE – GREEN						
Part Numbers	Length (Feet)	Hose Color	Installed Fittings					Quick-Disconnect Coupler
			10BV11	10BV13	10BV17	10BV19		
	10B54510	25	Green	X	X			N/A
	10B54511	50	Green	X	X			N/A
	10B54512	100	Green	X	X			N/A
	10B46916	25	Green		X		X	
	10B46917FF	50	Green		X		X	

		1/2" I.D. HOSE FOR LOW PRESSURE AMBIENT AIR PUMP – BLACK				
Part Numbers	Length (Feet)	Hose Color	Installed Fittings			
			Quick-Disconnect Coupler			
	10BV2050ST	50	Black	1/2" Male and Female		
	10BV20100ST	100	Black	1/2" Male and Female		

PART NUMBERS & SCHEMATICS GUIDE





		BREATHING LINE FITTINGS & QUICK-DISCONNECTS	
Part Numbers		Description	
	10BV11	3/8" Male x 3/8" Male Hose To Hose Connector <i>Replace 10BV11 with 10BV27 if not using 10B4696 Starter Hose</i>	
	10BV12	3/8" Male NPT Pipe Thread to 1/4" Male Hose Adapter <i>Comes with 10BV27</i>	
	10BV13	3/8" Male NPT Pipe Thread To 3/8" Male Hose Adapter <i>Comes on 10B5454, 10B5457 and 10B5458</i>	
	10BV14	1/4" Female Quick-Disconnect Coupler, Shut-Off with 1/4" Female Pipe Thread	
	10BV19	1/4" Female Snap-Tite Quick-Disconnect Coupler with 1/4" Female Pipe Thread	
	10BV15	1/4" Female Quick-Disconnect Coupler, Shut-Off with 3/8" Male Pipe Thread <i>Install on Airline Filter to Make Quick-Disconnect</i>	
	10BV27	1/4" Female Industrial Interchange Coupler Assembly <i>Includes 10BV12</i> <i>Replaces 10BV13 at the Hood to Make Quick-Disconnect if not using 10B4696 Starter Hose</i>	
	10BV17	1/4" Male Industrial Interchange Quick-Disconnect Nipple, 3/8" Female NPT Pipe Thread <i>Add to 10BV13 to Make Quick-Disconnect at Airline Filter</i>	
	10BS19442	1/4" Male Snap-Tite Steel Quick-Disconnect Nipple with 1/4" Female NPT Pipe Thread	
	10BS19432	1/4" Male Schrader® Nipple with 1/4" Male Pipe Thread	

PAINT SUITS

DISPOSABLE PROTECTIVE PAINT SUITS - SIZING CHART





Height	Weight	Men's Size
5'	110 – 140 lbs.	Small
5' 2"	110 – 160 lbs.	Small/Medium
5' 4"	110 – 160 lbs.	Small/Medium
5' 6"	110 – 200 lbs.	Medium/Large
5' 8"	130 – 220 lbs.	Large/X-Large
5' 10"	130 – 220 lbs.	Large/X-Large
6'	160 – 250 lbs.	X-Large/2X-Large
6' 2"	160 – 250 lbs.	X-Large/2X-Large
6' 4"	180 – 280 lbs.	2X-Large/3X-Large
6' 6"	220 – 300 lbs.	3X-Large/4X-Large
6' 8"	240 – 300 lbs.	4X-Large/5X-Large
6' 11"	250 – 315 lbs.	5X-Large

PAINT SUITS

DUPONT™ TYVEK® 400 DISPOSABLE PAINT SUITS						
Part Numbers	Size	Elastic	Hood	Boots	Package	
	1029702	Medium	No	No	25/Case	
	1029703	Large	No	No	25/Case	
	1029704	X-Large	No	No	25/Case	
	1029705	2X-Large	No	No	25/Case	
	1029706	3X-Large	No	No	25/Case	
	1029707	4X-Large	No	No	25/Case	
	1029708	5X-Large	No	No	25/Case	
	1029722	Medium	Wrist/Ankles	No	25/Case	
	1029723	Large	Wrist/Ankles	No	25/Case	
	1029724	X-Large	Wrist/Ankles	No	25/Case	
	1029725	2X-Large	Wrist/Ankles	No	25/Case	
	1029726	3X-Large	Wrist/Ankles	No	25/Case	
	1029727	4X-Large	Wrist/Ankles	No	25/Case	
	1029728	5X-Large	Wrist/Ankles	No	25/Case	
	1029712	Medium	Wrist/Ankles	Yes	No	25/Case
	1029713	Large	Wrist/Ankles	Yes	No	25/Case
	1029714	X-Large	Wrist/Ankles	Yes	No	25/Case
	1029715	2X-Large	Wrist/Ankles	Yes	No	25/Case
	1029716	3X-Large	Wrist/Ankles	Yes	No	25/Case
	1029717	4X-Large	Wrist/Ankles	Yes	No	25/Case
	1029718	5X-Large	Wrist/Ankles	Yes	No	25/Case
	1029732	Medium	Wrist/Ankles	Yes	Yes	25/Case
	1029733	Large	Wrist/Ankles	Yes	Yes	25/Case
	1029734	X-Large	Wrist/Ankles	Yes	Yes	25/Case
	1029735	2X-Large	Wrist/Ankles	Yes	Yes	25/Case
	1029736	3X-Large	Wrist/Ankles	Yes	Yes	25/Case
	1029737	4X-Large	Wrist/Ankles	Yes	Yes	25/Case
	1029738	5X-Large	Wrist/Ankles	Yes	Yes	25/Case

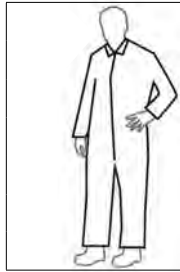
PAINT SUITS

DUPONT™ PROSHIELD® 60 DISPOSABLE PAINT SUITS

	Part Numbers	Size	Elastic	Hood	Boots	Package
	1029801	Small	No	No	No	25/Case
	1029802	Medium	No	No	No	25/Case
	1029803	Large	No	No	No	25/Case
	1029804	X-Large	No	No	No	25/Case
	1029805	2X-Large	No	No	No	25/Case
	1029806	3X-Large	No	No	No	25/Case
	1029807	4X-Large	No	No	No	25/Case
	1029808	5X-Large	No	No	No	25/Case
	1029821	Small	Wrist/Ankles	No	No	25/Case
	1029822	Medium	Wrist/Ankles	No	No	25/Case
	1029823	Large	Wrist/Ankles	No	No	25/Case
	1029824	X-Large	Wrist/Ankles	No	No	25/Case
	1029825	2X-Large	Wrist/Ankles	No	No	25/Case
	1029826	3X-Large	Wrist/Ankles	No	No	25/Case
	1029827	4X-Large	Wrist/Ankles	No	No	25/Case
	1029828	5X-Large	Wrist/Ankles	No	No	25/Case
	1029811	Small	Wrist/Ankles	Yes	No	25/Case
	1029812	Medium	Wrist/Ankles	Yes	No	25/Case
	1029813	Large	Wrist/Ankles	Yes	No	25/Case
	1029814	X-Large	Wrist/Ankles	Yes	No	25/Case
	1029815	2X-Large	Wrist/Ankles	Yes	No	25/Case
	1029816	3X-Large	Wrist/Ankles	Yes	No	25/Case
	1029817	4X-Large	Wrist/Ankles	Yes	No	25/Case
	1029818	5X-Large	Wrist/Ankles	Yes	No	25/Case
	1029831	Small	Wrist/Ankles	Yes	Yes	25/Case
	1029832	Medium	Wrist/Ankles	Yes	Yes	25/Case
	1029833	Large	Wrist/Ankles	Yes	Yes	25/Case
	1029834	X-Large	Wrist/Ankles	Yes	Yes	25/Case
	1029835	2X-Large	Wrist/Ankles	Yes	Yes	25/Case
	1029836	3X-Large	Wrist/Ankles	Yes	Yes	25/Case
	1029837	4X-Large	Wrist/Ankles	Yes	Yes	25/Case
	1029838	5X-Large	Wrist/Ankles	Yes	Yes	25/Case




PAINT SUITS

DUPONT™ TYCHEM® 4000 DISPOSABLE PAINT SUITS







Part Numbers	Size	Elastic	Hood	Boots	Package
1029852	Medium	No	No	No	12/Case
1029853	Large	No	No	No	12/Case
1029854	X-Large	No	No	No	12/Case
1029855	2X-Large	No	No	No	12/Case
1029856	3X-Large	No	No	No	12/Case
1029857	4X-Large	No	No	No	12/Case
1029850	5X-Large	No	No	No	12/Case

PAINT SUITS

		IRONWEAR® DISPOSABLE PAINT SUITS				
Part Numbers		Size	Elastic	Hood	Boots	Package
	1070346	Small	Wrist/Ankles	No	No	25/Case
	1070347	Medium	Wrist/Ankles	No	No	25/Case
	1070348	Large	Wrist/Ankles	No	No	25/Case
	1070349	X-Large	Wrist/Ankles	No	No	25/Case
	1070350	2X-Large	Wrist/Ankles	No	No	25/Case
	1070351	3X-Large	Wrist/Ankles	No	No	25/Case
	1070352	4X-Large	Wrist/Ankles	No	No	25/Case
	1070353	5X-Large	Wrist/Ankles	No	No	25/Case
	1070354	Small	Wrist/Ankles	Yes	No	25/Case
	1070355	Medium	Wrist/Ankles	Yes	No	25/Case
	1070356	Large	Wrist/Ankles	Yes	No	25/Case
	1070357	X-Large	Wrist/Ankles	Yes	No	25/Case
	1070358	2X-Large	Wrist/Ankles	Yes	No	25/Case
	1070359	3X-Large	Wrist/Ankles	Yes	No	25/Case
	1070360	4X-Large	Wrist/Ankles	Yes	No	25/Case
	1070361	5X-Large	Wrist/Ankles	Yes	No	25/Case
	1070362	Small	Wrist	Yes	Yes	25/Case
	1070363	Medium	Wrist	Yes	Yes	25/Case
	1070364	Large	Wrist	Yes	Yes	25/Case
	1070365	X-Large	Wrist	Yes	Yes	25/Case
	1070366	2X-Large	Wrist	Yes	Yes	25/Case
	1070367	3X-Large	Wrist	Yes	Yes	25/Case
	1070368	4X-Large	Wrist	Yes	Yes	25/Case
	1070369	5X-Large	Wrist	Yes	Yes	25/Case

PAINT SUITS


		MICROMAX® DISPOSABLE PAINT SUITS				
Part Numbers		Size	Elastic	Hood	Boots	Package
	1029865	Small	No	No	No	25/Case
	1029866	Medium	No	No	No	25/Case
	1029867	Large	No	No	No	25/Case
	1029868	X-Large	No	No	No	25/Case
	1029869	2X-Large	No	No	No	25/Case
	1029870	3X-Large	No	No	No	25/Case
	1029871	4X-Large	No	No	No	25/Case
	1070238	Small	Wrist/Ankles	No	No	25/Case
	1070239	Medium	Wrist/Ankles	No	No	25/Case
	1070240	Large	Wrist/Ankles	No	No	25/Case
	1070241	X-Large	Wrist/Ankles	No	No	25/Case
	1070242	2X-Large	Wrist/Ankles	No	No	25/Case
	1070243	3X-Large	Wrist/Ankles	No	No	25/Case
	1070244	4X-Large	Wrist/Ankles	No	No	25/Case
1070245	5X-Large	Wrist/Ankles	No	No	25/Case	
	1070246	Small	Wrist/Ankles	Yes	No	25/Case
	1070247	Medium	Wrist/Ankles	Yes	No	25/Case
	1070248	Large	Wrist/Ankles	Yes	No	25/Case
	1070249	X-Large	Wrist/Ankles	Yes	No	25/Case
	1070250	2X-Large	Wrist/Ankles	Yes	No	25/Case
	1070251	3X-Large	Wrist/Ankles	Yes	No	25/Case
	1070252	4X-Large	Wrist/Ankles	Yes	No	25/Case
1070253	5X-Large	Wrist/Ankles	Yes	No	25/Case	
	1070254	Small	Wrist/Ankles	Yes	Yes	25/Case
	1070255	Medium	Wrist/Ankles	Yes	Yes	25/Case
	1070256	Large	Wrist/Ankles	Yes	Yes	25/Case
	1070257	X-Large	Wrist/Ankles	Yes	Yes	25/Case
	1070258	2X-Large	Wrist/Ankles	Yes	Yes	25/Case
	1070259	3X-Large	Wrist/Ankles	Yes	Yes	25/Case
	1070260	4X-Large	Wrist/Ankles	Yes	Yes	25/Case
1070261	5X-Large	Wrist/Ankles	Yes	Yes	25/Case	

PAINT SUITS

		ZONE GARD® DISPOSABLE PAINT SUITS				
Part Numbers		Size	Elastic	Hood	Boots	Package
	1029877	Large	Wrist/Ankles	Yes	No	25/Case
	1029878	X-Large	Wrist/Ankles	Yes	No	25/Case
	1029879	2X-Large	Wrist/Ankles	Yes	No	25/Case
	1029880	3X-Large	Wrist/Ankles	Yes	No	25/Case
	1029881	4X-Large	Wrist/Ankles	Yes	No	25/Case

PAINT SUITS

PROSHIELD® 6 SFR DISPOSABLE FLAME RESISTANT PAINT SUITS

		PROSHIELD® 6 SFR DISPOSABLE FLAME RESISTANT PAINT SUITS						
		Size	Elastic	Hood	Boots	Certification	Color	Package
	Part Numbers	Medium	No	No	No	NFPA 2112	Light Blue	25/Case
	1070209	Large	No	No	No	NFPA 2112	Light Blue	25/Case
	1029842	X-Large	No	No	No	NFPA 2112	Light Blue	25/Case
	1029843	2X-Large	No	No	No	NFPA 2112	Light Blue	25/Case
	1029844	3X-Large	No	No	No	NFPA 2112	Light Blue	25/Case
	1029846	4X-Large	No	No	No	NFPA 2112	Light Blue	25/Case
	1070210							
	1070211	Medium	Yes	Yes	Yes	NFPA 2112	Light Blue	25/Case
	1070212	Large	Yes	Yes	Yes	NFPA 2112	Light Blue	25/Case
	1070213	X-Large	Yes	Yes	Yes	NFPA 2112	Light Blue	25/Case
	1070214	2X-Large	Yes	Yes	Yes	NFPA 2112	Light Blue	25/Case
	1029846	3X-Large	Yes	Yes	Yes	NFPA 2112	Light Blue	25/Case
	1070215	4X-Large	Yes	Yes	Yes	NFPA 2112	Light Blue	25/Case

PAINT SUITS


IRONWEAR® DISPOSABLE FLAME RESISTANT COVERALLS

Part Numbers	Size	Elastic	Hood	Boots	Certification	Color	Package
1070423	Small	No	No	No	NFPA 701	Blue	25/Case
1070424	Medium	No	No	No	NFPA 701	Blue	25/Case
1070425	Large	No	No	No	NFPA 701	Blue	25/Case
1070426	X-Large	No	No	No	NFPA 701	Blue	25/Case
1070427	2X-Large	No	No	No	NFPA 701	Blue	25/Case
1070428	3X-Large	No	No	No	NFPA 701	Blue	25/Case
1070429	4X-Large	No	No	No	NFPA 701	Blue	25/Case
1070430	5X-Large	No	No	No	NFPA 701	Blue	25/Case
1070431	Small	Yes	Yes	No	NFPA 701	Blue	25/Case
1070432	Medium	Yes	Yes	No	NFPA 701	Blue	25/Case
1070433	Large	Yes	Yes	No	NFPA 701	Blue	25/Case
1070434	X-Large	Yes	Yes	No	NFPA 701	Blue	25/Case
1070435	2X-Large	Yes	Yes	No	NFPA 701	Blue	25/Case
1070436	3X-Large	Yes	Yes	No	NFPA 701	Blue	25/Case
1070437	4X-Large	Yes	Yes	No	NFPA 701	Blue	25/Case
1070438	5X-Large	Yes	Yes	No	NFPA 701	Blue	25/Case
1070439	Small	Yes	Yes	Yes	NFPA 701	Blue	25/Case
1070440	Medium	Yes	Yes	Yes	NFPA 701	Blue	25/Case
1070441	Large	Yes	Yes	Yes	NFPA 701	Blue	25/Case
1070442	X-Large	Yes	Yes	Yes	NFPA 701	Blue	25/Case
1070443	2X-Large	Yes	Yes	Yes	NFPA 701	Blue	25/Case
1070444	3X-Large	Yes	Yes	Yes	NFPA 701	Blue	25/Case
1070445	4X-Large	Yes	Yes	Yes	NFPA 701	Blue	25/Case
1070446	5X-Large	Yes	Yes	Yes	NFPA 701	Blue	25/Case




PAINT SUITS


PYROLON® PLUS 2 DISPOSABLE FLAME RESISTANT COVERALLS

	Part Numbers	Size	Elastic	Hood	Boots	Certification	Color	Package
	1029781	Small	No	No	No	NFPA 701	White	25/Case
	1029782	Medium	No	No	No	NFPA 701	White	25/Case
	1029783	Large	No	No	No	NFPA 701	White	25/Case
	1029784	X-Large	No	No	No	NFPA 701	White	25/Case
	1029785	2X-Large	No	No	No	NFPA 701	White	25/Case
	1029786	3X-Large	No	No	No	NFPA 701	White	25/Case
	1029787	4X-Large	No	No	No	NFPA 701	White	25/Case


DUPONT™ TYVEK® 400 DISPOSABLE APRONS


	Part Numbers	Closure	Dimensions	Package
	1029904	Ties Around Neck & Waist	28" x 36"	100/Case
	1029905	Ties Around Neck & Waist	28" x 44"	100/Case

RIVER CITY® DISPOSABLE APRONS





	Part Numbers	Closure	Dimensions	Color	Package
	3070139	Ties Around Neck & Waist	35" x 45"	Blue	One Each

PAINT SUITS




DUPONT™ TYVEK® 400 DISPOSABLE SLEEVES				
	Part Numbers	Description	Length	Package
	1085018	Elastic on Top & Bottom	18"	100/Case
	1085024	Elastic on Top & Bottom	24"	100/Case


DUPONT™ TYVEK® 400 LONG SLEEVE SHIRT				
	Part Numbers	Description	Length	Package
	1029934	Long Sleeves, Snap Front	Waist Length	50/Case

PAINT SUITS




		PAINT SOCKS			
Part Numbers		Material	Fire Retardant	Color	U.O.M.
	20PS5224	Jersey Knit		Multi-Color Paint Socks	25/Package
	20PS5224EA	Jersey Knit		Multi-Color Paint Socks	One Each
	20SS12PKB	Cotton		Off-White Paint Socks	12/Package
	20SSNHSDC1PK	Nomex/ Single Layer	X	Off-White Paint Socks	One Each


PART NUMBERS & SCHEMATICS GUIDE

RASCO FLAME RETARDANT SHIRTS 7.5 OZ						
	Part Numbers	Size	Color	Closure	Certification	Package
	3070328	Medium	Denim Blue	Snap Front	NFPA 2112	One Each
	3070329	Large	Denim Blue	Snap Front	NFPA 2112	One Each
	3070330	X-Large	Denim Blue	Snap Front	NFPA 2112	One Each
	3070331	2X-Large	Denim Blue	Snap Front	NFPA 2112	One Each
	3070332	3X-Large	Denim Blue	Snap Front	NFPA 2112	One Each
	3070333	4X-Large	Denim Blue	Snap Front	NFPA 2112	One Each
	3070334	5X-Large	Denim Blue	Snap Front	NFPA 2112	One Each
	3070575	Medium	Grey	Button Front	NFPA 2112	One Each
	3070168	Medium	Grey	Snap Front	NFPA 2112	One Each
	3070169	Large	Grey	Snap Front	NFPA 2112	One Each
	3070170	X-Large	Grey	Snap Front	NFPA 2112	One Each
	3070171	2X-Large	Grey	Snap Front	NFPA 2112	One Each
	3070318	3X-Large	Grey	Snap Front	NFPA 2112	One Each
	3070319	4X-Large	Grey	Snap Front	NFPA 2112	One Each
	3070320	5X-Large	Grey	Snap Front	NFPA 2112	One Each
	3070312	Medium	Khaki	Button Front	NFPA 2112	One Each
	3070313	Large	Khaki	Button Front	NFPA 2112	One Each
	3070314	X-Large	Khaki	Button Front	NFPA 2112	One Each
	3070573	X-Large	Khaki	Snap Front	NFPA 2112	One Each
	3070315	2X-Large	Khaki	Button Front	NFPA 2112	One Each
	3070316	3X-Large	Khaki	Button Front	NFPA 2112	One Each
	3070252	4X-Large	Khaki	Button Front	NFPA 2112	One Each
	3070317	5X-Large	Khaki	Button Front	NFPA 2112	One Each


RASCO WOMEN'S FLAME RETARDANT SHIRTS 7.5 OZ						
	Part Numbers	Size	Color	Closure	Certification	Package
	3070597	Medium	Blue	Snap Front	NFPA 2112	One Each
	3070598	Medium	Khaki	Snap Front	NFPA 2112	One Each


PART NUMBERS & SCHEMATICS GUIDE


		RASCO FLAME RETARDANT SHIRTS 10 OZ				
Part Numbers		Size	Color	Closure	Certification	Package
	3070305	Medium	Duck Brown	Snap Front	NFPA 2112	One Each
	3070306	Large	Duck Brown	Snap Front	NFPA 2112	One Each
	3070307	X-Large	Duck Brown	Snap Front	NFPA 2112	One Each
	3070308	2X-Large	Duck Brown	Snap Front	NFPA 2112	One Each
	3070309	3X-Large	Duck Brown	Snap Front	NFPA 2112	One Each
	3070310	4X-Large	Duck Brown	Snap Front	NFPA 2112	One Each
	3070311	5X-Large	Duck Brown	Snap Front	NFPA 2112	One Each
	3070321	Medium	Grey	Snap Front	NFPA 2112	One Each
	3070322	Large	Grey	Snap Front	NFPA 2112	One Each
	3070323	X-Large	Grey	Snap Front	NFPA 2112	One Each
	3070324	2X-Large	Grey	Snap Front	NFPA 2112	One Each
	3070325	3X-Large	Grey	Snap Front	NFPA 2112	One Each
	3070326	4X-Large	Grey	Snap Front	NFPA 2112	One Each
	3070327	5X-Large	Grey	Snap Front	NFPA 2112	One Each
	3070335	Medium	Khaki	Button Front	NFPA 2112	One Each
	3070121	Large	Khaki	Button Front	NFPA 2112	One Each
	3070336	X-Large	Khaki	Button Front	NFPA 2112	One Each
	3070337	2X-Large	Khaki	Button Front	NFPA 2112	One Each
	3070338	3X-Large	Khaki	Button Front	NFPA 2112	One Each
	3070339	4X-Large	Khaki	Button Front	NFPA 2112	One Each
	3070340	5X-Large	Khaki	Button Front	NFPA 2112	One Each

		RASCO FLAME RETARDANT SHIRTS 11.5 OZ				
Part Numbers		Size	Color	Closure	Certification	Package
	3070142	Medium	Denim Blue	Snap Front	NFPA 2112	One Each
	3070120	Large	Denim Blue	Snap Front	NFPA 2112	One Each
	3070143	X-Large	Denim Blue	Snap Front	NFPA 2112	One Each
	3070144	2X-Large	Denim Blue	Snap Front	NFPA 2112	One Each
	3070145	3X-Large	Denim Blue	Snap Front	NFPA 2112	One Each
	3070146	4X-Large	Denim Blue	Snap Front	NFPA 2112	One Each
	3070147	5X-Large	Denim Blue	Snap Front	NFPA 2112	One Each


PART NUMBERS & SCHEMATICS GUIDE




		RASCO FLAME RETARDANT PLAID SHIRT 7.7 OZ				
Part Numbers		Size	Color	Closure	Certification	Package
	3070432	Medium	Green	Button Front	NFPA 2112	One Each
	3070433	Large	Green	Button Front	NFPA 2112	One Each
	3070434	X-Large	Green	Button Front	NFPA 2112	One Each
	3070435	2X-Large	Green	Button Front	NFPA 2112	One Each
	3070436	3X-Large	Green	Button Front	NFPA 2112	One Each
	3070437	4X-Large	Green	Button Front	NFPA 2112	One Each
	3070438	5X-Large	Green	Button Front	NFPA 2112	One Each

		RASCO FLAME RETARDANT PLAID SHIRT 7.7 OZ				
Part Numbers		Size	Color	Closure	Certification	Package
	3070439	Medium	Red	Button Front	NFPA 2112	One Each
	3070440	Large	Red	Button Front	NFPA 2112	One Each
	3070441	X-Large	Red	Button Front	NFPA 2112	One Each
	3070442	2X-Large	Red	Button Front	NFPA 2112	One Each
	3070443	3X-Large	Red	Button Front	NFPA 2112	One Each
	3070444	4X-Large	Red	Button Front	NFPA 2112	One Each
	3070445	5X-Large	Red	Button Front	NFPA 2112	One Each


		RASCO FLAME RETARDANT PLAID SHIRT 7.7 OZ				
Part Numbers		Size	Color	Closure	Certification	Package
	3070592	Medium	Blue	Button Front	NFPA 2112	One Each


PART NUMBERS & SCHEMATICS GUIDE


RASCO FLAME RETARDANT TWO TONE SHIRT 7.5 OZ						
Part Numbers	Size	Color	Closure	Certification	Package	
	3070446	Medium	Brown/Denim	Button Front	NFPA 2112	One Each
	3070447	Large	Brown/Denim	Button Front	NFPA 2112	One Each
	3070448	X-Large	Brown/Denim	Button Front	NFPA 2112	One Each
	3070449	2X-Large	Brown/Denim	Button Front	NFPA 2112	One Each
	3070450	3X-Large	Brown/Denim	Button Front	NFPA 2112	One Each
	3070451	4X-Large	Brown/Denim	Button Front	NFPA 2112	One Each
	3070452	5X-Large	Brown/Denim	Button Front	NFPA 2112	One Each

RASCO FLAME RETARDANT TWO TONE SHIRT 10 OZ						
Part Numbers	Size	Color	Closure	Certification	Package	
	3070567	3X-Large	Brown/Denim	Snap Front	NFPA 2112	One Each
	3070568	3X-Large	Khaki/Green	Snap Front	NFPA 2112	One Each
	3070569	3X-Large	Khaki/Brown	Snap Front	NFPA 2112	One Each


PART NUMBERS & SCHEMATICS GUIDE


		RASCO FLAME RETARDANT HENLEY SHIRT 7.1 OZ				
Part Numbers		Size	Color	Closure	Certification	Package
	3070453	Medium	Navy	3 Button Front	NFPA 2112	One Each
	3070454	Large	Navy	3 Button Front	NFPA 2112	One Each
	3070455	X-Large	Navy	3 Button Front	NFPA 2112	One Each
	3070456	2X-Large	Navy	3 Button Front	NFPA 2112	One Each
	3070457	3X-Large	Navy	3 Button Front	NFPA 2112	One Each
	3070458	4X-Large	Navy	3 Button Front	NFPA 2112	One Each
	3070459	5X-Large	Navy	3 Button Front	NFPA 2112	One Each
	3070572	X-Large	Gray	3 Button Front	NFPA 2112	One Each


		RASCO FLAME RETARDANT DENIM JEANS 11.5 OZ			
Part Numbers		Size	Closure	Certification	Package
	3070172	32" x 30"	Button Waist, Brass Zipper	NFPA 2112	One Each
	3070174	32" x 32"	Button Waist, Brass Zipper	NFPA 2112	One Each
	3070175	32" x 36"	Button Waist, Brass Zipper	NFPA 2112	One Each
	3070173	34" x 32"	Button Waist, Brass Zipper	NFPA 2112	One Each
	3070177	36" x 34"	Button Waist, Brass Zipper	NFPA 2112	One Each
	3070176	36" x 36"	Button Waist, Brass Zipper	NFPA 2112	One Each
	3070251	40" X 32"	Button Waist, Brass Zipper	NFPA 2112	One Each

		RASCO FLAME RETARDANT CARPENTER PANTS 10 OZ					
Part Numbers		Size	Material	Color	Closure	Certification	Package
	3070593	30" x 30"	Duck Canvas	Brown	Button Waist, Brass Zipper	NFPA 2112	One Each
	3070614	34" x 30"	Duck Canvas	Brown	Button Waist, Brass Zipper	NFPA 2112	One Each
	3070615	34" x 30"	Duck Canvas	Gray	Button Waist, Brass Zipper	NFPA 2112	One Each

PART NUMBERS & SCHEMATICS GUIDE

RASCO FLAME RETARDANT DRESS PANTS 7.5 OZ					
	Part Numbers	Size	Closure	Certification	Package
3070490	32" x 32"	Button Waist, Brass Zipper	NFPA 2112	One Each	
3070491	32" x 36"	Button Waist, Brass Zipper	NFPA 2112	One Each	
3070489	34" x 32"	Button Waist, Brass Zipper	NFPA 2112	One Each	
3070550	35" x 33"	Button Waist, Brass Zipper	NFPA 2112	One Each	
3070493	36" x 32"	Button Waist, Brass Zipper	NFPA 2112	One Each	
3070492	36" x 34"	Button Waist, Brass Zipper	NFPA 2112	One Each	
3070494	40" x 34"	Button Waist, Brass Zipper	NFPA 2112	One Each	
3070495	42" x 34"	Button Waist, Brass Zipper	NFPA 2112	One Each	
3070496	44" x 34"	Button Waist, Brass Zipper	NFPA 2112	One Each	

RASCO FLAME RETARDANT FIELD PANTS 7.5 OZ						
	Part Numbers	Size	Closure	Certification	Color	Package
3070571	38" x 34"	Button Waist, Brass Zipper	NFPA 2112	Navy	One Each	

RASCO WOMEN'S FLAME RETARDANT PANTS 7.5 OZ						
	Part Numbers	Size (Waist x Inseam)	Closure	Certification	Color	Package
3070600	9 x 36"	Button Waist	NFPA 2112	Khaki	One Each	

PART NUMBERS & SCHEMATICS GUIDE

RASCO FLAME RESISTANT COTTON COVERALLS 7.5 OZ						
Part Numbers	Size	Color	Weight	Chest	Certification	
	3070290	Small	Navy	7.5 OZ	34"	NFPA 2112
	3070291	Small	Navy	7.5 OZ	36"	NFPA 2112
	3070292	Medium	Navy	7.5 OZ	38"	NFPA 2112
	3070293	Medium	Navy	7.5 OZ	40"	NFPA 2112
	3070294	Large	Navy	7.5 OZ	42"	NFPA 2112
	3070295	Large	Navy	7.5 OZ	44"	NFPA 2112
	3070296	X-Large	Navy	7.5 OZ	46"	NFPA 2112
	3070608	X-Large - Tall	Navy	7.5 OZ	46"	NFPA 2112
	3070297	X-Large	Navy	7.5 OZ	48"	NFPA 2112
	3070298	2X-Large	Navy	7.5 OZ	50"	NFPA 2112
	3070299	2X-Large	Navy	7.5 OZ	52"	NFPA 2112
	3070300	3X-Large	Navy	7.5 OZ	54"	NFPA 2112
	3070301	3X-Large	Navy	7.5 OZ	56"	NFPA 2112
	3070302	4X-Large	Navy	7.5 OZ	58"	NFPA 2112
	3070303	4X-Large	Navy	7.5 OZ	60"	NFPA 2112
	3070304	5X-Large	Navy	7.5 OZ	62"	NFPA 2112
	3070355	Small	Orange	7.5 OZ	34"	NFPA 2112
	3070356	Small	Orange	7.5 OZ	36"	NFPA 2112
	3070357	Medium	Orange	7.5 OZ	38"	NFPA 2112
	3070358	Medium	Orange	7.5 OZ	40"	NFPA 2112
	3070359	Large	Orange	7.5 OZ	42"	NFPA 2112
	3070360	Large	Orange	7.5 OZ	44"	NFPA 2112
	3070361	X-Large	Orange	7.5 OZ	46"	NFPA 2112
	3070362	X-Large	Orange	7.5 OZ	48"	NFPA 2112
	3070363	2X-Large	Orange	7.5 OZ	50"	NFPA 2112
	3070364	2X-Large	Orange	7.5 OZ	52"	NFPA 2112
	3070365	3X-Large	Orange	7.5 OZ	54"	NFPA 2112
	3070366	3X-Large	Orange	7.5 OZ	56"	NFPA 2112
	3070367	4X-Large	Orange	7.5 OZ	58"	NFPA 2112
	3070368	4X-Large	Orange	7.5 OZ	60"	NFPA 2112
	3070369	5X-Large	Orange	7.5 OZ	62"	NFPA 2112





PART NUMBERS & SCHEMATICS GUIDE


RASCO FLAME RESISTANT COTTON COVERALLS 10 OZ						
Part Numbers	Size	Color	Weight	Chest	Certification	
3070275	Small	Navy	10 OZ	34"	NFPA 2112	
3070276	Small	Navy	10 OZ	36"	NFPA 2112	
3070277	Medium	Navy	10 OZ	38"	NFPA 2112	
3070278	Medium	Navy	10 OZ	40"	NFPA 2112	
3070279	Large	Navy	10 OZ	42"	NFPA 2112	
3070280	Large	Navy	10 OZ	44"	NFPA 2112	
3070281	X-Large	Navy	10 OZ	46"	NFPA 2112	
3070282	X-Large	Navy	10 OZ	48"	NFPA 2112	
3070283	2X-Large	Navy	10 OZ	50"	NFPA 2112	
3070284	2X-Large	Navy	10 OZ	52"	NFPA 2112	
3070285	3X-Large	Navy	10 OZ	54"	NFPA 2112	
3070286	3X-Large	Navy	10 OZ	56"	NFPA 2112	
3070287	4X-Large	Navy	10 OZ	58"	NFPA 2112	
3070288	4X-Large	Navy	10 OZ	60"	NFPA 2112	
3070289	5X-Large	Navy	10 OZ	62"	NFPA 2112	
3070377	Small	Khaki	10 OZ	36"	NFPA 2112	
3070378	Medium	Khaki	10 OZ	38"	NFPA 2112	
3070379	Medium	Khaki	10 OZ	40"	NFPA 2112	
3070380	Large	Khaki	10 OZ	42"	NFPA 2112	
3070381	Large	Khaki	10 OZ	44"	NFPA 2112	
3070382	X-Large	Khaki	10 OZ	46"	NFPA 2112	
3070383	X-Large	Khaki	10 OZ	48"	NFPA 2112	
3070384	2X-Large	Khaki	10 OZ	50"	NFPA 2112	
3070385	2X-Large	Khaki	10 OZ	52"	NFPA 2112	
3070386	3X-Large	Khaki	10 OZ	54"	NFPA 2112	
3070387	3X-Large	Khaki	10 OZ	56"	NFPA 2112	
3070388	4X-Large	Khaki	10 OZ	58"	NFPA 2112	
3070389	4X-Large	Khaki	10 OZ	60"	NFPA 2112	
3070390	5X-Large	Khaki	10 OZ	62"	NFPA 2112	




PART NUMBERS & SCHEMATICS GUIDE


		DEFENDER FR™ COVERALL					
Part Numbers		Size	Color	Description	Design	Certification	Quantity
	1070721	2X-Large	Blue	Zipper Front and Collar, Elastic Wrists and Back	Designed to Be Worn Over Primary Flame Resistant Clothing	NFPA 701	25


		NOMEX® FLAME RESISTANT COVERALLS					
Part Numbers		Size	Color	Inseam	Waist	Certification	Category
	1029761	Small	Navy	29"	32"	NFPA 2112	Premium
	1029762	Medium	Navy	29"	36"	NFPA 2112	Premium
	1029763	Large	Navy	29"	41"	NFPA 2112	Premium
	1029764	X-Large	Navy	29"	45"	NFPA 2112	Premium
	1029765	2X-Large	Navy	29"	50"	NFPA 2112	Premium
	1029766	3X-Large	Navy	29"	54"	NFPA 2112	Premium
	1029767	4X-Large	Navy	29"	58"	NFPA 2112	Premium
	1029768	5X-Large	Navy	29"	62"	NFPA 2112	Premium


		CHEMMAX 2 COVERALLS				
Part Numbers		Size	Color	Zipper Front	Elastic Wrists and Ankles	Package
	1070954	X-Large	White	X	X	6/Pack
	1070955	2X-Large	White	X	X	6/Pack
	1070956	3X-Large	White	X	X	6/Pack

PART NUMBERS & SCHEMATICS GUIDE

RASCO FLAME RESISTANT JACKET								
Part Numbers	Size	Color	Weight	Closure	Certification	Removeable Hood	Ribknit Cuffs and Waistband	
	3070453	2X-Large	Brown	10 OZ	Zipper	NFPA 2112	X	X

RAIN COAT WITH HOOD							
Part Numbers	Size	Length	Thickness	Color	Snap Closure	Removeable Hood	
	1070612	2X-Large	49"	35 mil	Yellow	X	X

RAIN SUITS							
Part Numbers	Size	Thickness	Color	Pants	Jacket	Removeable Hood	
	1070344	Small	35 mil	Yellow	X	X	X
	1070345	Medium	35 mil	Yellow	X	X	X
	1070326	Large	35 mil	Yellow	X	X	X
	1070330	X-Large	35 mil	Yellow	X	X	X
	1070331	2X-Large	35 mil	Yellow	X	X	X
	1070332	3X-Large	35 mil	Yellow	X	X	X
	1070333	4X-Large	35 mil	Yellow	X	X	X
	1070334	5X-Large	35 mil	Yellow	X	X	X
1070335	6X-Large	35 mil	Yellow	X	X	X	

CHEMICAL TWO-PIECE SUITS							
Part Numbers	Size	Material	Color	Zipper Front	Removeable Hood	Flame Retardant	
	3070535	Large	.45mm PVC	Green	X	X	X
	3070534	2X-Large	.45mm PVC	Green	X	X	X
	3070533	4X-Large	.45mm PVC	Green	X	X	X


PART NUMBERS & SCHEMATICS GUIDE


TurtleSkin® WaterArmor Pressure Washer Clothing










Item #	Part Number	Description
1	10TSVEST	Vest Panel
2	10TSRIGHTWAIST	Right Waist Panel
3	10TSBELT	Belt
4	10TSRIGHTHIP	Right Hip Panel
5	10TSRIGHTTHIGH	Right Thigh Panel
6	10TSRIGHTKNEE	Right Knee
7	10TSRIGHTSHIN	Right Shin
8	10LEFTWAIST	Left Waist Panel
9	10TSGROINGUARD	Groin Guard
10	10TSLEFTHIP	Left Hip Panel
11	10TSLEFTTHIGH	Left Thigh Panel
12	10TSLEFTKNEE	Left Knee
13	10TSLEFTSHIN	Left Shin
14	10TSRIGHTGAITER	Right Gaiter Shin
15	10TSRIGHTMETA	Right Metatarsal
16	10TSTOE	Toe
17	10TSLEFTGAITER	Left Gaiter Shin
18	10TSANKLE	Ankle
19	10TSLEFTMETA	Left Metatarsal


PART NUMBERS & SCHEMATICS GUIDE

		IRONWEAR® BOMBER FLEECE LINED JACKETS					
Part Numbers		Size	Color	Classification	Elastic	Hidden Collar Hood	High Visibility Reflective Tape
	3070393	Medium	Lime/Black	ANSI/ISEA 107-2010, Class 2	Wrist/Hem	X	X
	3070392	Large	Lime/Black	ANSI/ISEA 107-2010, Class 2	Wrist/Hem	X	X
	3070354	X-Large	Lime/Black	ANSI/ISEA 107-2010, Class 2	Wrist/Hem	X	X
	3070394	2X-Large	Lime/Black	ANSI/ISEA 107-2010, Class 2	Wrist/Hem	X	X
	3070395	3X-Large	Lime/Black	ANSI/ISEA 107-2010, Class 2	Wrist/Hem	X	X
	3070396	4X-Large	Lime/Black	ANSI/ISEA 107-2010, Class 2	Wrist/Hem	X	X
	3070397	5X-Large	Lime/Black	ANSI/ISEA 107-2010, Class 2	Wrist/Hem	X	X





		TYVEK® COVERALLS				
Part Numbers		Size	Color	Zip	Elastic	Serged Seams
	1070777	Large	Blue/White	Front	Wrists and Ankles	X
	1070775	Large	Blue/White	Front	Wrists, Waist, and Ankles	
	1070776	2X-Large	Blue/White	Front	Wrists, Waist, and Ankles	


PART NUMBERS & SCHEMATICS GUIDE

		REFLECTIVE VESTS			
	Part Numbers	Color	Description	Reflective Stripe	Size
	3070021	Safety Lime Green	General Purpose, Non-Rated, Hook and Loop Closure	X	One Size
	3070622	Safety Lime Green	Flame Resistant, Class 2, Zip Closure	X	Medium
	3070565	Safety Lime Green	Flame Resistant, Class 2, Zip Closure	X	Large
	3070566	Safety Lime Green	Flame Resistant, Class 2, Zip Closure	X	X-Large
	3570621	Safety Lime Green	Cordova Class 3 Vest, Zip Closure	X	X-Large
	30SAFETYVEST	Safety Orange	General Purpose, Non-Rated, Hook and Loop Closure	X	One Size
	3070140	Safety Orange	Glowear Class 2 Vest with D-Ring Access, Zip Closure	X	One Size

		KEVLAR® SLEEVE			
	Part Numbers	Material	Length	Description	Size
	1070789	Kevlar®	18"	Single-Ply, Thumb Slot	One Size Fits All

PART NUMBERS & SCHEMATICS GUIDE

		KNEE PADS	
Part Numbers		Style	Closure
	1070016	Plastic Knee	Buckle
	3070122	Nylon Knee	Hook and Loop
	1070146	Neoprene	Velcro®
	3070123	EVA Foam	Elastic

		APRON			
Part Numbers	Material	Size	Description	Package	
	3070628	Leather	24" x 36"	Bib Apron	One Each

PART NUMBERS & SCHEMATICS GUIDE

MARCO LOCATION

Rates do not include: Parts and shipping/freight for equipment to and from our location

STANDARD TIME - MARCO TECHNICIAN			
Part Numbers	Blast Equipment	Airless and Conventional Spray Equipment	Plural Component and Fireproofing Equipment
24BESERVIN	X		
24PSERVIN		X	
24PCFSERVIN			X

OVERTIME - MARCO TECHNICIAN			
Part Numbers	Blast Equipment	Airless and Conventional Spray Equipment	Plural Component and Fireproofing Equipment
24BESERVINOT	X		
24PSERVINOT		X	
24PCFSERVINOT			X

Associated Literature

- 241M464 [Brochure - Service, Repair, and Modernization](#)
- 245M464 [Rate Card - Service, Repair, and Modernization](#)

PART NUMBERS & SCHEMATICS GUIDE

CUSTOMER FACILITY OR LOCATION

Rates Include: Travel time from Marco to you (portal to portal)

Rates do not include: Parts, hotel expenses, travel expenses (airfare, cab, rental car), daily meal allowance based on national GSA rates for your location.

STANDARD TIME - MARCO TECHNICIAN				
Part Numbers	Blast Equipment	Airless and Conventional Spray Equipment	Plural Component and Fireproofing Equipment	Advanced Plural Component and Fireproofing Equipment
24BESERVOUT	X			
24PSERVOUT		X		
24PCFSERVOUT			X	
24PCFSSERVOUT				X

OVERTIME - MARCO TECHNICIAN				
Part Numbers	Blast Equipment	Airless and Conventional Spray Equipment	Plural Component and Fireproofing Equipment	Advanced Plural Component and Fireproofing Equipment
24BESERVOUTOT	X			
24PSERVOUTOT		X		
24PCFSERVOUTOT			X	
24PCFSSERVOUTOT				X

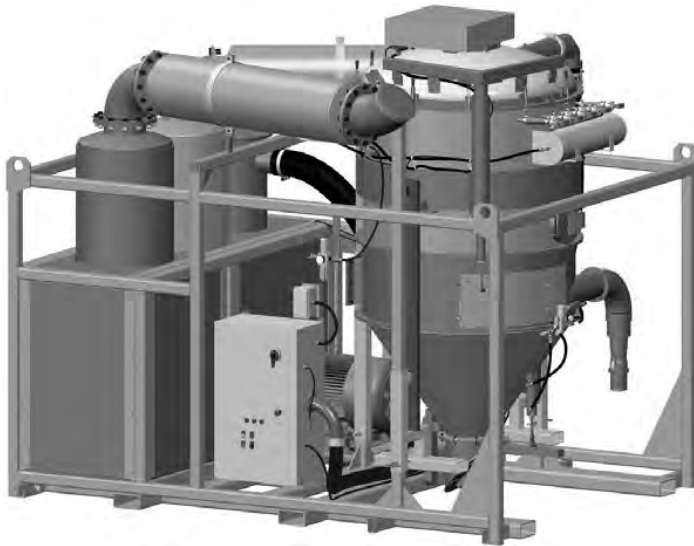
DOUBLE TIME* - MARCO TECHNICIAN				
Part Numbers	Blast Equipment	Airless and Conventional Spray Equipment	Plural Component and Fireproofing Equipment	Advanced Plural Component and Fireproofing Equipment
24BESERVOUTDBL	X			
24PSERVOUTDBL		X		
24PCFSERVOUTDBL			X	
24PCFSSERVOUTDBL				X

*applies to national holidays only

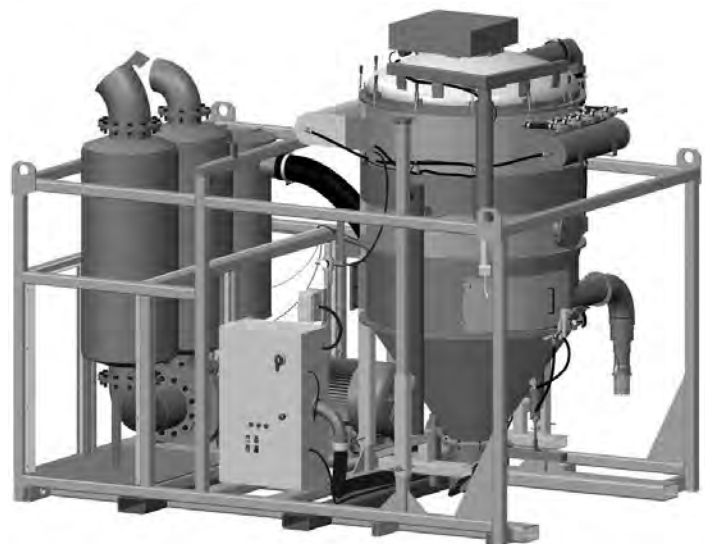
PART NUMBERS

VACMASTER® 8T ELECTRIC ABRASIVE VACUUMS

Part Numbers	Sound Reduction	100 Horsepower Electric Motor	Acrylic-Coated Filter Bags	Filter Cartridge Quantity
10106336	X	X	X	37
10106731		X	X	37



(10106336)



(10106731)

SPECIFICATIONS

Performance:	MAX 1355 CFM
Filter Cartridge Style:	Acrylic-Coated Filter Bags 37 Required
Filter Cleaning:	Pulse System, 25–30 second intervals. Pulse Duration: 200–350 millisecond
Vacuum	24" Hg
Ducting Connections:	6" I.D. Inlet with 4" adapter
Inspection Ports:	One 10" Viewable to Filters with access ports to hopper
Material Removal:	Automatic Direct Dump
Blower:	Rotary lobe, positive displacement with jet inlet
Motor:	100 Horsepower Electric 3-Phase
Electrical System:	460 V, 60 Hz 112.5 FLA
Air Requirements:	Clean, Dry, Compressed Air 24 CFM @ 90 PSI
Motor Protection:	Motors are fused in control box.
Fluid Specifications:	Grease/Lubricator: Mobil Polyrex EM or equivalent Vibrator Lubricator: 4 oz. pneumatic air tool oil Blower Oil: ROOTS™ synthetic lubricating oil
Unit Dimensions:	Weight: 10,500 pounds (empty) Length: 12' Width: 8' 6" Height: 10' 5" Raised Height: 15' 8" Dump Clearance: 7' 9"
Unit Dimensions with Sound Reduction Package:	Weight: 9,500 pounds (empty) Length: 12' Width: 8' 6" Height: 10' 5" Raised Height: 15' 8" Dump Clearance: 7' 9"

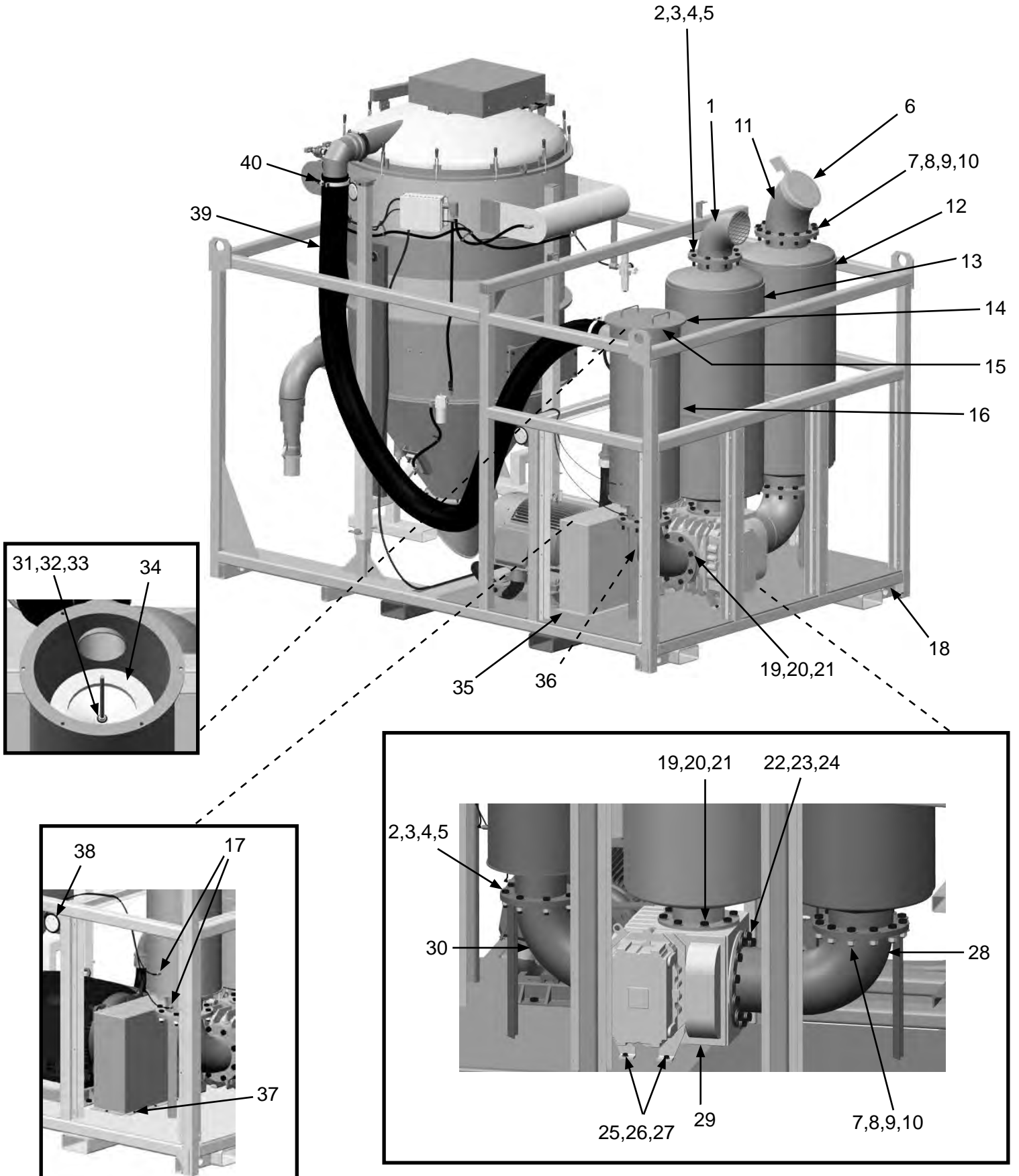
PART NUMBERS AND SCHEMATICS GUIDE

Front Assembly

Item #	Part #	Description	Item #	Part #	Description
Fig. 1			26	10104711	1/2" Grade 8 Flat (Eight Required)
1	10106385	Jet Port Inlet Flange	27	10104712	1/2" Grade 8 Lock Washer (Four Required)
2	10100701	3/4-10 x 2-1/2" Hex Bolt (16 Required)	28	10106280	10" Discharge Elbow
3	10100704	3/4" Flat Washer (32 Required)	29	10104456	Blower Top Shaft Left Discharge
4	10100596	3/4" Lock Washer (16 Required)	30	10106284	8" Inlet Elbow Weldment
5	10100595	3/4-10 Hex Nut (16 Required)	31	10101941	1/2-10 Hex Nut
6	10104639	10" Raincap	32	10100674	1/2" Flat Washer
7	10106283	7/8-9 x 2-1/2" Grade 5 Zinc Bolt (24 Required)	33	10102005	Rubber Washer 1-1/4" O.D. x 3/8" I.D. x 1/8"
8	10104716	7/8" Flat Washer – Zinc (48 Required)	34	1010002304	Filter Cartridge 12.75" x 8.38" x 36" – Flange – .54" BH
9	10104717	7/8" Lock Washer – Zinc (24 Required)	35	10106379	Belt Guard
10	10104822	7/8-8 Grade 5 Zinc Nut (24 Required)	36	10106378	Belt Guard
11	10106309	10" Exhaust Silencer End	37	10103400	3/8-16 x 3/4" Bolt (Eight Required)
12	10106292	10" Discharge Silencer	38	10104673	0-50" Differential Pressure Gauge
13	10106291	8" Jet Port Silencer	39	10VH620B	6" I.D. x 20' Vacuum Hose
14	10106508	Intake Filter Housing Cap	40	10104640	6" Double Bolt Clamp (Two Required)
15	10104727	Air Filter Housing Gasket	—	1091159	Hazard Identification Decals – 100-200 HP Electric Vacuum
16	10106279	Intake Filter Housing	—	105M155	Features and Specifications Guide – Vacmaster® 8T Electric Abrasive Vacuum
17	20PFBA31095614	1/4" Tube x 1/4" NPT 90° (Two Required)	—	106M155	Part Numbers and Schematics Guide – Vacmaster® 8T Electric Abrasive Vacuum
18	10106226	Electric Vacuum Skid Frame	—	1091155	Operator's Manual – Vacmaster® 8T Electric Abrasive Vacuum
19	10104714	3/4-10 x 1-5/8" Grade 5 Zinc Bolt (20 Required)	—	109V521	Operator's Manual – Blower
20	10100596	3/4" Lock Washer (20 Required)			
21	10100704	3/4" Flat Washer (20 Required)			
22	10104715	7/8-9 x 2" Grade 5 Zinc Bolt (12 Required)			
23	10104716	7/8" Flat Washer – Zinc (12 Required)			
24	10104717	7/8" Lock Washer – Zinc (12 Required)			
25	10104710	1/2-13 x 2" Grade 8 Bolt (Four Required)			

PART NUMBERS AND SCHEMATICS GUIDE

Figure 1: Front Assembly



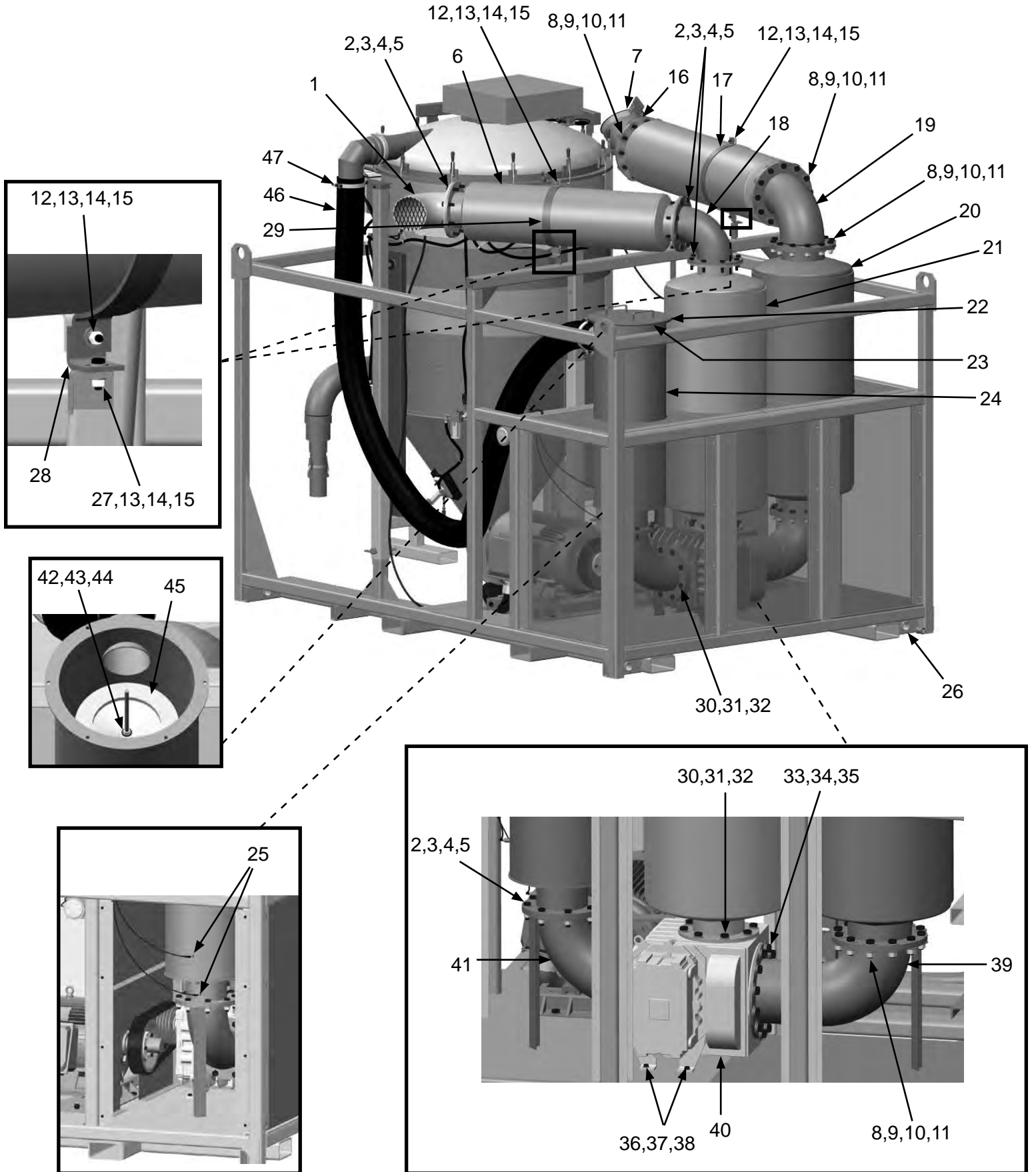
PART NUMBERS AND SCHEMATICS GUIDE

Front Assembly with Sound Reduction Package

Item #	Part #	Description	Item #	Part #	Description
Fig. 2			27	10104234	3/8-16 x 1-1/4 Hex Bolt Zinc (<i>Two Required</i>)
1	10106385	Jet Port Inlet Flange	28	10106313	Silencer Support Angle
2	10100701	3/4-10 x 2-1/2" Hex Bolt (<i>32 Required</i>)	29	10106311	8" Silencer Strap (<i>Two Required</i>)
3	10100704	3/4" Flat Washer (<i>64 Required</i>)	30	10104714	3/4-10 x 1-5/8" Grade 5 Zinc Bolt (<i>20 Required</i>)
4	10100596	3/4" Lock Washer (<i>32 Required</i>)	31	10100596	3/4" Lock Washer (<i>20 Required</i>)
5	10100595	3/4-10 Hex Nut (<i>32 Required</i>)	32	10100704	3/4" Flat Washer (<i>20 Required</i>)
6	10106293	8" Secondary Jet Port Silencer	33	10104715	7/8-9 x 2" Grade 5 Zinc Bolt (<i>12 Required</i>)
7	10104639	10" Raincap	34	10104716	7/8" Flat Washer – Zinc (<i>12 Required</i>)
8	10106283	7/8-9 x 2-1/2" Grade 5 Zinc Bolt (<i>44 Required</i>)	35	10104717	7/8" Lock Washer – Zinc (<i>12 Required</i>)
9	10104716	7/8" Flat Washer – Zinc (<i>88 Required</i>)	36	10104710	1/2-13 x 2" Grade 8 Bolt (<i>Four Required</i>)
10	10104717	7/8" Lock Washer – Zinc (<i>44 Required</i>)	37	10104711	1/2" Grade 8 Flat (<i>Eight Required</i>)
11	10104822	7/8-8 Grade 5 Zinc Nut (<i>44 Required</i>)	38	10104712	1/2" Grade 8 Lock Washer (<i>Four Required</i>)
12	1028617	3/8-16 x 1-3/4" Shoulder Bolt (<i>Four Required</i>)	39	10106280R	10" Discharge Elbow
13	10101942	3/8" Flat Washer Galvanized (<i>10 Required</i>)	40	10104456	Blower Top Shaft Left Discharge
14	10101936	3/8" Lock Washer – Zinc (<i>Six Required</i>)	41	10106284	8" Inlet Elbow Weldment
15	1012318	3/8-16 HD Hex Nut (<i>Six Required</i>)	42	10101941	1/2-10 Hex Nut
16	10106309	10" Exhaust Silencer End	43	10100674	1/2" Flat Washer
17	10106312	10" Silencer Support Strap (<i>Two Required</i>)	44	10102005	Rubber Washer 1-1/4" O.D. x 3/8" I.D. x 1/8"
18	10106273	8" Jet Port Inlet Elbow	45	1010002304	Filter Cartridge 12.75" x 8.38" x 36" – Flange – .54" BH
19	10106276	10" Exhaust Elbow	46	10VH620B	6" I.D. x 20' Vacuum Hose
20	10106292	10" Discharge Silencer	47	10104640	6" Double Bolt Clamp (<i>Two Required</i>)
21	10106291	8" Jet Port Silencer	—	1091159	Hazard Identification Decals – 100-200 HP Electric Vacuum
22	10106508	Intake Filter Housing Cap	—	109V521	Operator's Manual – Blower
23	10104727	Air Filter Housing Gasket			
24	10106279	Intake Filter Housing			
25	20PFBA31095614	1/4" Tube x 1/4" NPT 90° (<i>Two Required</i>)			
26	10106226	Electric Vacuum Skid Frame			

PART NUMBERS AND SCHEMATICS GUIDE

Figure 2: Front Assembly with Sound Reduction Package



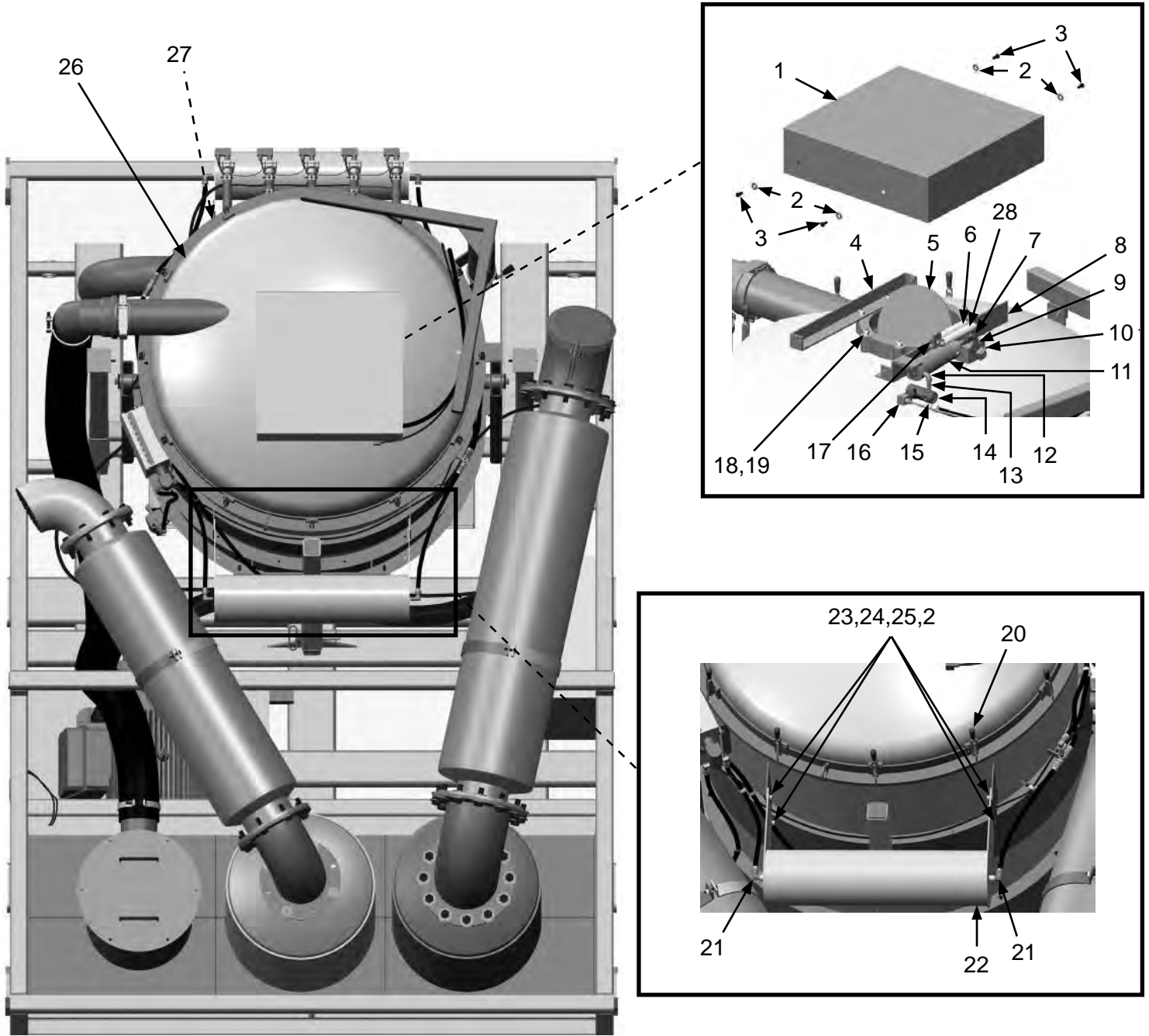
PART NUMBERS AND SCHEMATICS GUIDE

Top Assembly

Item #	Part #	Description
Fig. 3		
1	10104559	Vacuum Butterfly Cover
2	10101942	3/8" Flat Washer – Galvanized (<i>13 Required</i>)
3	10103400	3/8-16 x 3/4" Bolt (<i>Four Required</i>)
4	10104554	Butterfly Cover Mount Weldment
5	10104537	Betts 12" Butterfly
6	10107175	6.5" Extension Spring
7	10104668	Piston Rod Clevis
8	10104538	Vacuum Butterfly Cylinder Weldment
9	10104543	Butterfly Actuating Arm
10	20100125	1/4-20 x 3/4" Zinc Hex Bolt
11	10104667	2.5" Pneumatic Cylinder
12	1011824	1/4" Street Elbow
13	1011217	Galvanized 1/4" x 2" Nipple
14	10104669	Solenoid for Butterfly
15	20PFHA60UA0406	1/4" (M) x 3/8" (F) 90° Swivel
16	10105287	Humphrey Din Connector
17	10104706	3/8-16 x 2-1/2" Thread Stud
18	10100674	1/2" Flat Washer (<i>Eight Required</i>)
19	20100124	1/2-13 Hex Lock Nut (<i>Eight Required</i>)
20	10104486	Over Center Clamp (<i>12 Required</i>)
21	20PFHA60UA0606	3/8" (M) x 3/8" (F) 90° Swivel (<i>Two Required</i>)
22	10106288	Auxiliary Header
23	1011747	3/8-16 x 1" Bolt (<i>Four Required</i>)
24	10101936	3/8" Lock Washer – Zinc (<i>Four Required</i>)
25	10101938	3/8-16 Hex Nut (<i>Four Required</i>)
26	10104479	Vacuum Lid Weldment
27	10104426	Vacuum Hopper Section Gasket
28	10107176	6.5" Long Extension Spring – Zinc

PART NUMBERS AND SCHEMATICS GUIDE

Figure 3: Top Assembly



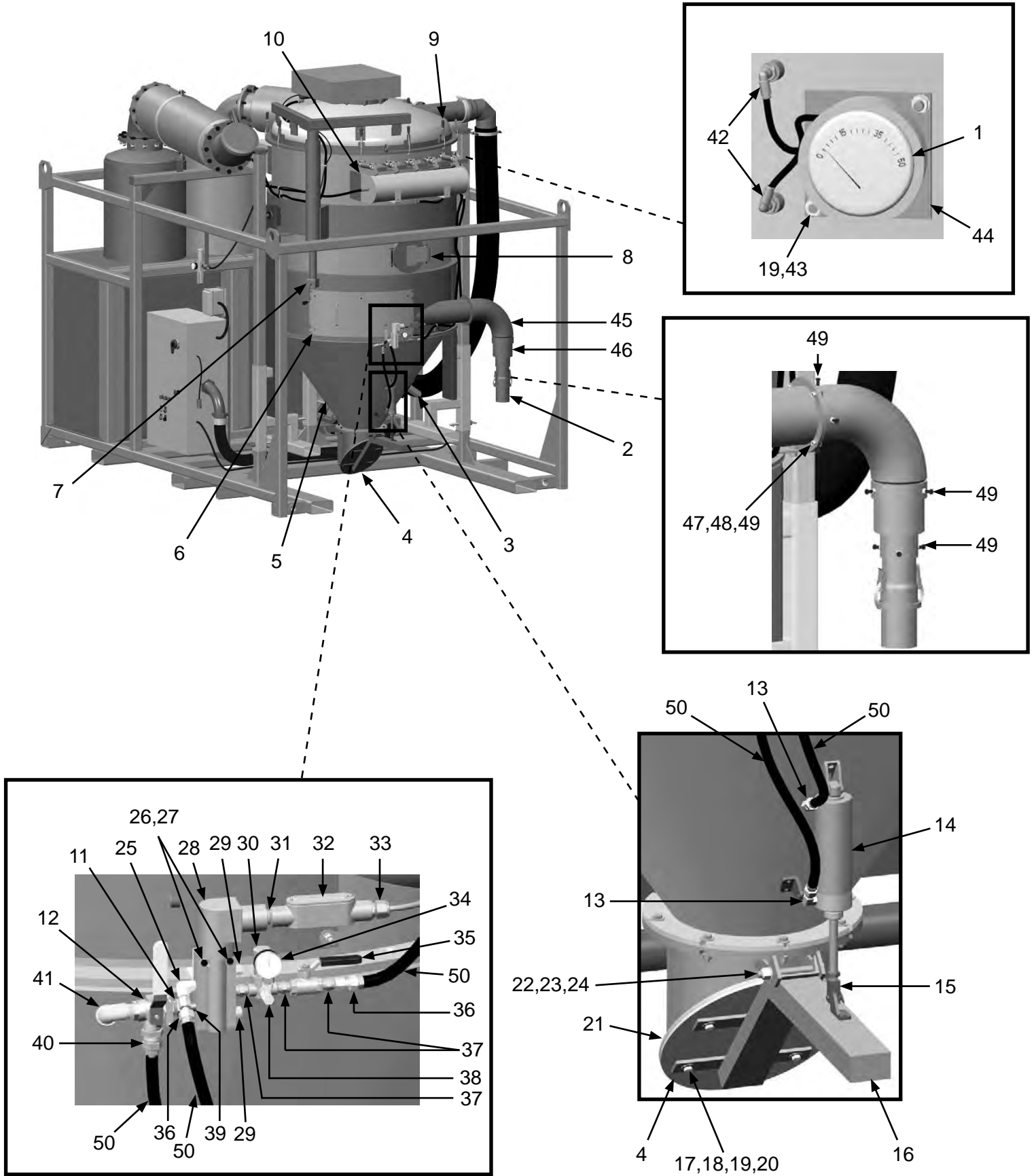
PART NUMBERS AND SCHEMATICS GUIDE

Rear Assembly

Item #	Part #	Description	Item #	Part #	Description
Fig. 4			27	1012323	1/4-20 Zinc Lock Nut with Nylon Insert <i>(Two Required)</i>
1	10104673	0-50" Differential Pressure Gauge	28	10104670	Solenoid
2	10105042	4" Quick Disconnect Coupling	29	1019024	Breather Vent
3	10104665	APV Series Piston Vibrator <i>(See Figure 6)</i>	30	10104676	Series MPR Mini Pressure Regulator
4	10104506	Dump Door	31	10L803035	1/2" Close Nipple
5	10104411	Vacuum Hopper Cone	32	1019025	1/2" Straight Conduit Body
6	10106511	Vacuum Wear Door Assembly <i>(See Figure 10)</i>	33	10104703	Cord Grip 1/2" Nylon .2-.47 Diameter
7	10104638	Bulldog Trailer Jack	34	10104678	Pressure Gauge 100 psi 1/8"
8	10104439	Knappco Hatch	35	1080050	1/4" Ball Valve
9	10104486	Vacuum Lid Overcenter Clamp <i>(12 Required)</i>	36	20PFHA60SG0406	1/4" (F) x 3/8" (F) Swivel Union <i>(Two Required)</i>
10	10104498	Vacuum Header <i>(See Figure 9)</i>	37	20PFHA24SA0404	1/4" Hex Nipple <i>(Three Required)</i>
11	1011818	1/2" x 1/4" Galvanized Bushing	38	1014239	1/8" x 1/8" 90° Fitting
12	20100571	1/2" NPT 3-Way Brass Ball Valve	39	1011210	1/4" NPT x 1 1/2" Nipple
13	20PFHA60UA0406	1/4" (M) x 3/8" (F) 90° Swivel <i>(Two Required)</i>	40	20PFHA60SA0806	1/2" (M) x 3/8" (F) Swivel Union
14	10104667	2.5" Pneumatic Cylinder	41	1011819	1/2" Street Elbow
15	10104668	Piston Rod Clevis	42	20PFBA31095614	1/4" Tube x 1/4" NPT 90°
16	10104507	Dump Arm	43	10101938	3/8-16 Hex Nut <i>(14 Required)</i>
17	10104234	3/8-16 x 1-1/4 Hex Bolt Zinc <i>(Four Required)</i>	44	10103608	Magnehelic Mount
18	10101942	3/8" Flat Washer <i>(22 Required)</i>	45	10104546	Inlet Elbow Weldment
19	10101936	3/8" Lock Washer – Zinc <i>(16 Required)</i>	46	10104550	Inlet Adapter Weldment
20	1012318	3/8-16 Hex Nut <i>(Four Required)</i>	47	10101942	3/8" Flat Washer – Galvanized <i>(Eight Required)</i>
21	10104512	Dump Door Gasket	48	10101938	3/8-16 Hex Nut Galvanized <i>(Four Required)</i>
—	10104511	Dump Door Internal Plate	49	1011747	3/8-16 x 1" Bolt – Zinc <i>(13 Required)</i>
22	20100160	1/2-13 x 4-1/2" Hex Bolt	50	10AH038	Air Hose 3/8" I.D. 300 psi
23	10100674	1/2" Flat Washer <i>(Two Required)</i>			
24	20100124	1/2-13 Hex Lock Nut			
25	20PFHA25UA0404	1/4" Male 90° Elbow			
26	1019044	1/4-20 x 1-3/4" Zinc Bolt <i>(Two Required)</i>			

PART NUMBERS AND SCHEMATICS GUIDE

Figure 4: Rear Assembly



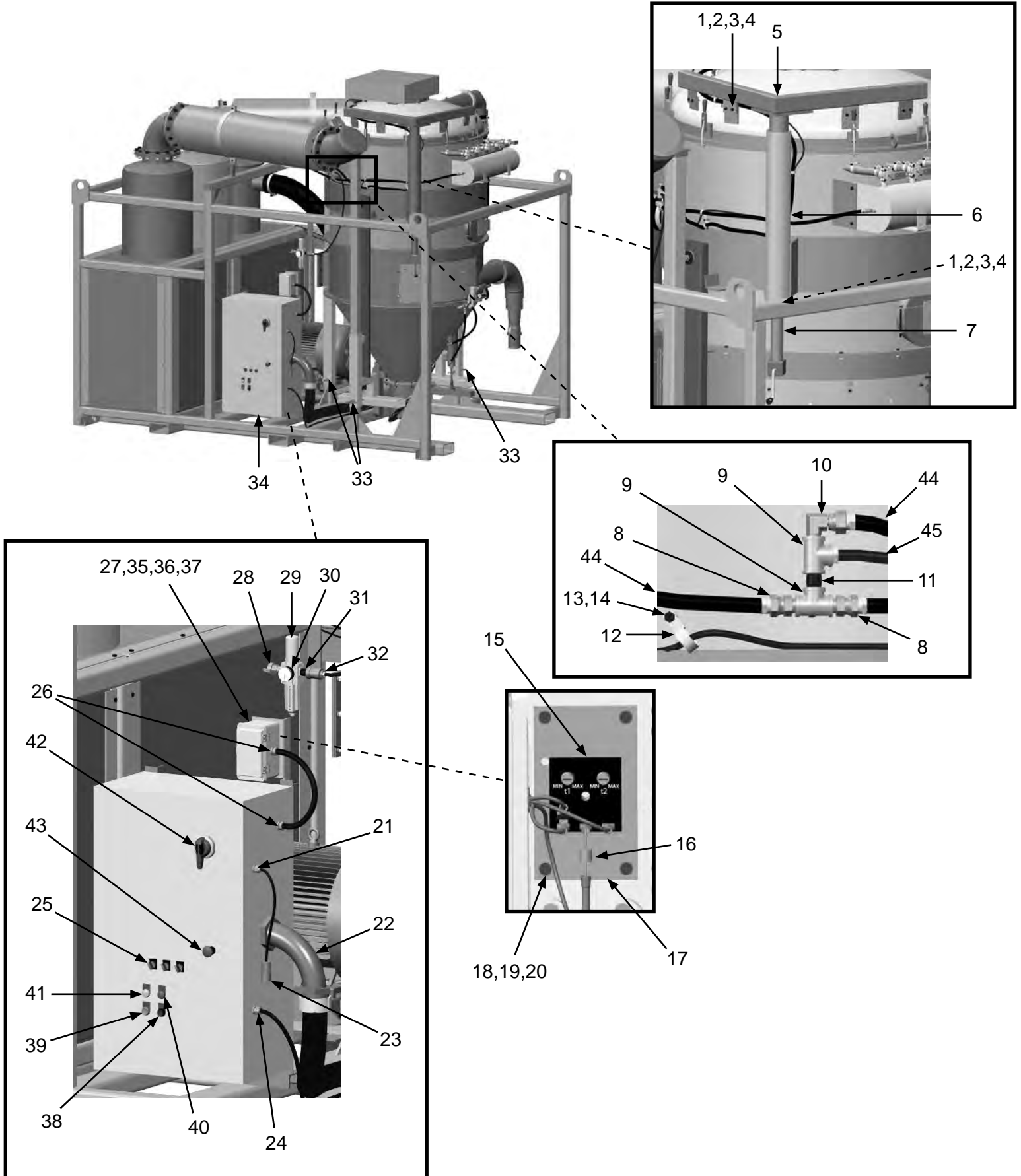
PART NUMBERS AND SCHEMATICS GUIDE

Right Side Assembly

Item #	Part #	Description	Item #	Part #	Description
Fig. 5			25	10103305	Selector Switch – 2-Way (Three Required)
1	10104234	3/8-16 x 1-1/4" Hex Bolt Zinc (Eight Required)	26	20RST50	Straight Liquid Tite Connector Fitting
2	10101942	3/8" Flat Washer – Galvanized (40 Required)	27	10104615	8" x 4" x 5" Fiberglass Qr Latch Enclosure
3	10101936	3/8" Lock Washer – Zinc (11 Required)	28	10ME1	Coupling 2-Lug Male 3/4"
4	1012318	3/8-16 Hex Nut (11 Required)	29	10103257	74 Series Filter/Regulator
5	10104472	Vacuum Lid Lift	30	1028606	Pressure Gauge 160 psi 1/4"
6	10104434	Vacuum Top Section	31	10103317	3/4" x 2" 153 Nipple
7	10104638	Bulldog Trailer Jack	32	20PFHA24SB1206	3/4" x 3/8" Reducing Bushing
8	20PFHA60SA0606	Union Swivel 3/8" (M) x 3/8" (F) (Two Required)	33	10103788	Hitch Pin – 3/4" x 6-1/2" Long
9	1011809	3/8" NPT Tee (Two Required)	34	10106295	Vacuum Control Panel
10	20PFHA60UA0606	3/8" (M) x 3/8" (F) 90° Swivel Union	35	1012154	1/4-20 x 1 Hex Bolt
11	1011209	3/8 NPT Close Nipple	36	10101940	1/4" Flat Washer
12	10103624	1" Rubber Cushioned Loop Clamp (Five Required)	37	10101939	1/4-20 Stainless Steel Lock Nut With Nylon Insert
13	10L805302	Jr & Sr Spindle Bolt (Three Required)	38	10105372	Red NC Momentary Switch
14	10102387	1/4-28 Coupling Nut (Three Required)	39	10105373	Black NO Momentary Switch
15	10106818	Vacuum Control Timer	40	10105374	Red Indicating Light 120 VAC
16	10104109	6 Amp 50-Volt Rectifier	41	10105375	Green Indicating Light 120 VAC
17	10105193	Enclosure Panel	42	10105360	Main Power Switch
18	20100125	1/4-20 x 3/4" Zinc Hex Bolt (Eight Required)	43	10105371	Twist Release E-Stop
19	10101940	1/4" Flat Washer – (Four Required)	44	10AH038	Air Hose 3/8" I.D. 300 psi
20	10101939	1/4-20 Stainless Steel Lock Nut with Nylon Insert (Four Required)	45	10103322	Urethane Tube – Black – 1/4"
21	10104703	Cord Grip Nylon 1/2" – NPT .2-.47 Diameter			
22	10106132	3" 90° Conduit Hub			
23	1015556	Female Twist Lock Plug – Three Prong			
24	20RCG5050	Cord Grip 1/2"-NPT .5-.625 Diameter			

PART NUMBERS AND SCHEMATICS GUIDE

Figure 5: Right Side Assembly



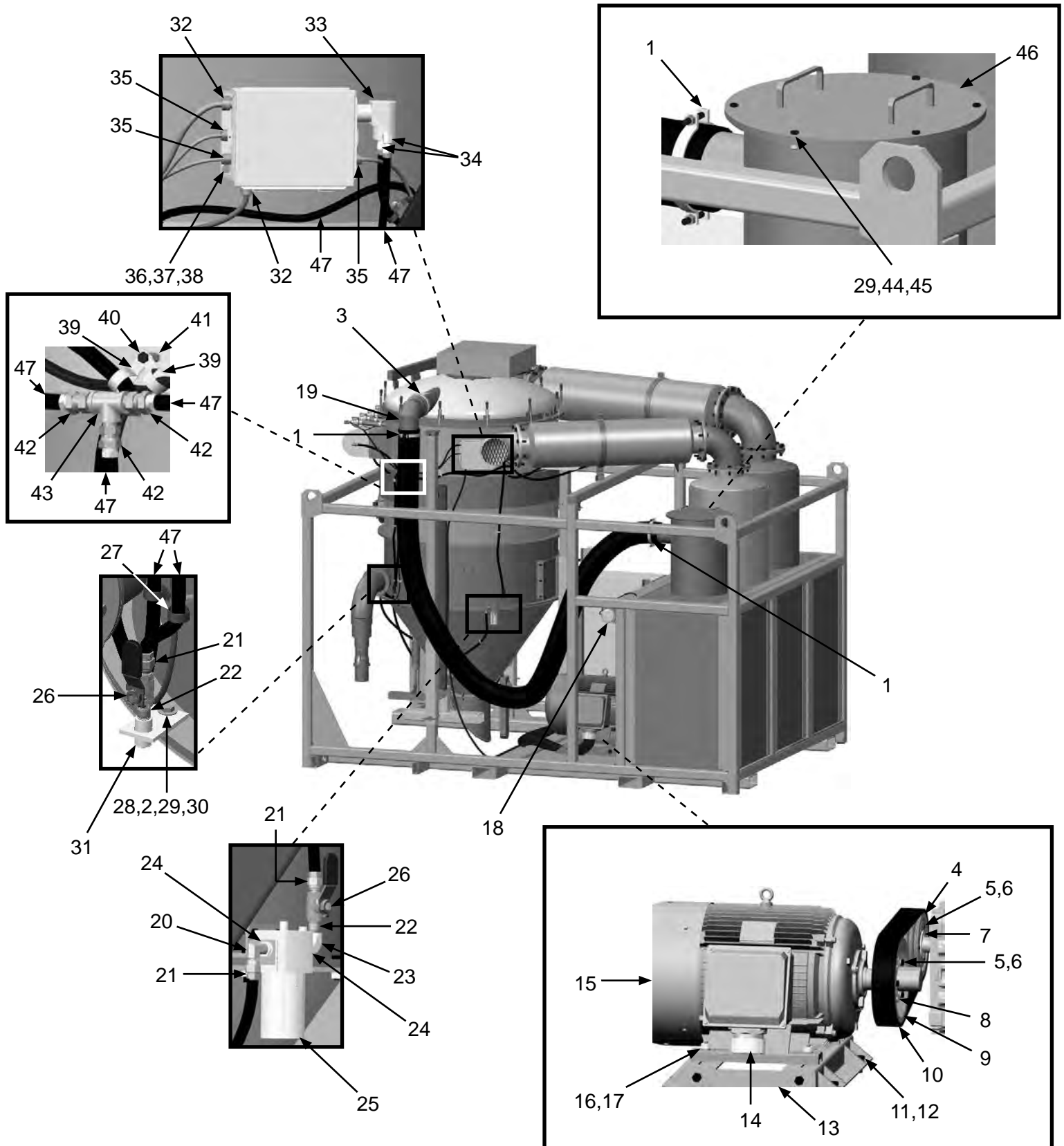
PART NUMBERS AND SCHEMATICS GUIDE

Left Side Assembly

Item #	Part #	Description	Item #	Part #	Description
Fig. 6			27	10103624	1" Rubber Cushioned Loop Clamp
1	10104640	6" Double Bolt Clamp <i>(Two Required)</i>	28	1028617	3/8-16 x 1-3/4" Shoulder Bolt
2	10101942	3/8" Flat Washer <i>(Five Required)</i>	29	10101936	3/8" Lock Washer – Zinc
3	10104637	6" Bandlock Clamp	30	1012318	3/8-16 Hex Nut
4	10106258	4/5v 8.50" E Sheave	31	10104597	Airline Drain
5	10102820	1/2-13 x 2-3/4" Bolt <i>(Six Required)</i>	32	20RCG5050	1/2" NPT x .5–.625 Diameter Cord Grip <i>(Two Required)</i>
6	10100675	1/2" Lock Washer <i>(Six Required)</i>	33	10104671	Vibrator Solenoid
7	10104643	E Bushing 2" Bore	34	20PFHA60UA0406	1/4" (M) x 3/8" (F) 90° Swivel <i>(Two Required)</i>
8	10106260	E Bushing 2-7/8" Bore	35	10104703	1/2" NPT x .2–.47 Diameter Nylon Cord Grip <i>(Three Required)</i>
9	10106257	4/5v 11.3" E Sheave	36	10101939	1/4-20 Stainless Steel Lock Nut with Nylon Insert <i>(Four Required)</i>
10	10106259	4 Strand 5V Belt – 63"	37	10101940	1/4" Flat Washer – Galvanized <i>(Four Required)</i>
11	10103417	3/4-10 UNC x 1-3/4" Bolt <i>(Four Required)</i>	38	20100125	1/4-20 x 3/4" Zinc Hex Bolt <i>(Four Required)</i>
12	10103418	Washer – 3/4" <i>(Four Required)</i>	39	10103624	1" Rubber Cushioned Loop Clamp <i>(10 Required)</i>
13	10106256	100 HP Motor Base	40	10L805302	Jr & Sr Spindle Bolt <i>(10 Required)</i>
14	10106129	3" Straight Conduit Hub	41	10102387	1/4-28 Coupling Nut <i>(10 Required)</i>
15	10106255	100 HP 3 Phase Electric Motor	42	20PFHA60SA0606	Union Swivel 3/8" (M) x 3/8" (F) <i>(Three Required)</i>
16	10103420	3/4-10 UNC Nut <i>(Four Required)</i>	43	1011809	3/8" NPT Tee
17	10103419	Lock Washer – 3/4" <i>(Four Required)</i>	44	10104234	3/8-16 x 1-1/4 Hex Bolt Zinc Grade 5
18	10104673	0-50" Differential Pressure Gauge	45	10101938	3/8-16 Hex Nut Galvanized
19	10104636	6" 90° Elbow Non-Plated	46	10106508	Intake Filter Housing Cap
20	20PFHA60UA0606	3/8" (M) x 3/8" (F) 90° Swivel Union	47	10AH038	Air Hose 3/8" I.D. 300 psi
21	20PFHA60SA0606	Union Swivel 3/8" (M) x 3/8" (F) <i>(Three Required)</i>	—	109V563	Operator's Manual – WEG Electric Motor
22	1011209	3/8 NPT Close Nipple			
23	20PFHA25UG0606	3/8" Street Elbow			
24	20PFHA24SB0806	1/2" x 3/8" Reducing Bushing <i>(Two Required)</i>			
25	10104674	Lubricator 1/2" NPT 156 CFM			
26	1080060	3/8" NPT Full Port Brass Ball Valve <i>(Two Required)</i>			

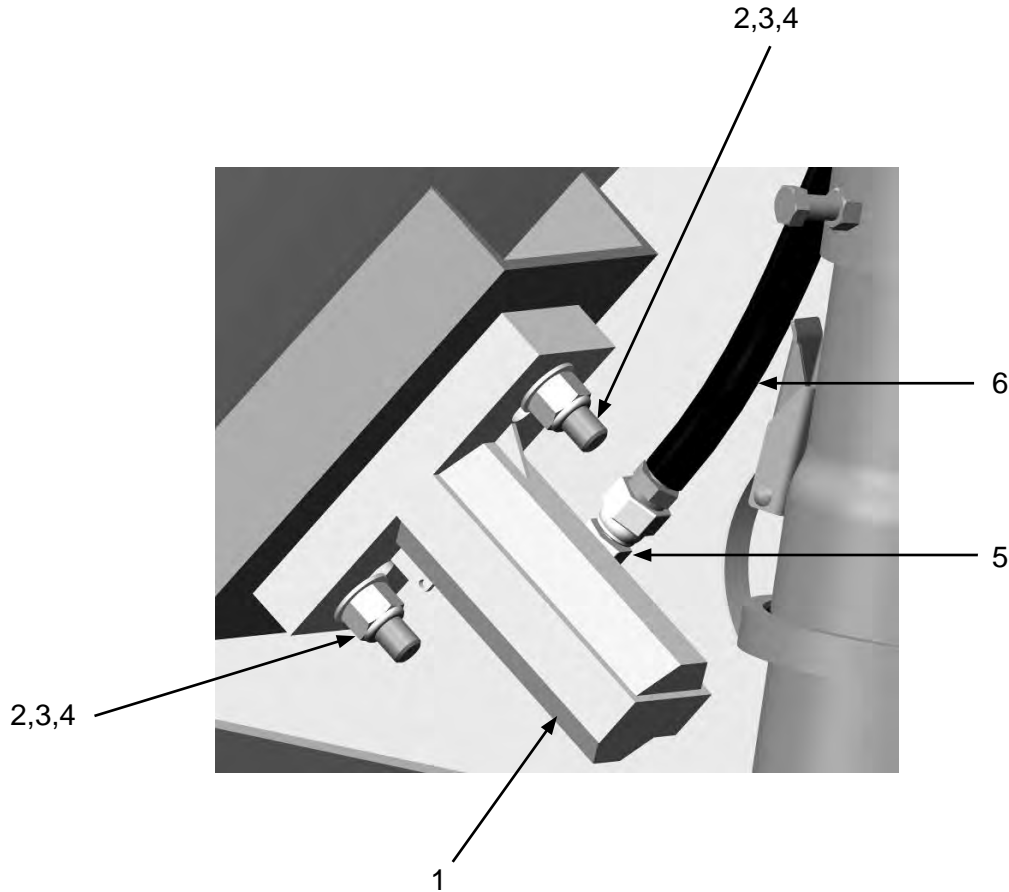
PART NUMBERS AND SCHEMATICS GUIDE

Figure 6: Left Side Assembly



PART NUMBERS AND SCHEMATICS GUIDE

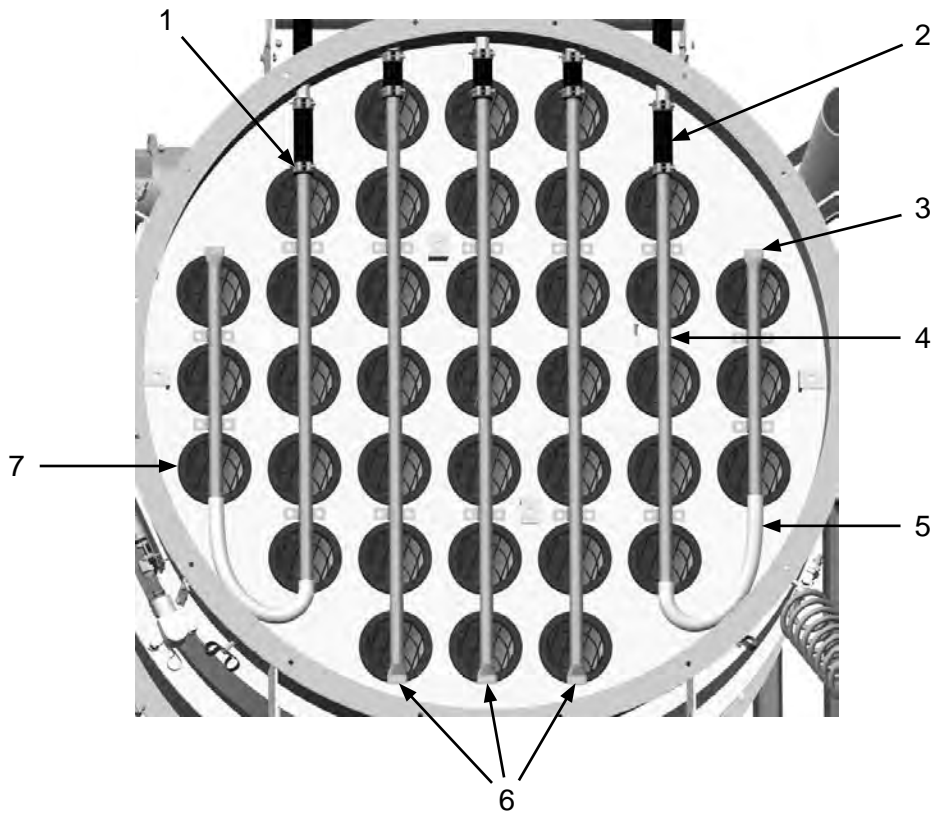
Figure 7: Pneumatic Piston Vibrators



Item #	Part #	Description
Fig. 7		
1	10104665	APV Series Piston Vibrator
2	20100124	1/2-13 Hex Lock Nut – Zinc (<i>Two Required</i>)
3	10100674	1/2" Flat Washer (<i>Two Required</i>)
4	10102652	1/2-13 x 2-1/4" Grade 5 Bolt (<i>Two Required</i>)
5	20PFHA60UA0406	1/4" (M) x 3/8" (F) 90° Swivel Union
6	10AH038	Air Hose 3/8" I.D. 300 psi

PART NUMBERS AND SCHEMATICS GUIDE

Figure 8: Filter Bag Pulsers



Item #	Part #	Description
--------	--------	-------------

Fig. 8

1	10103736	T-Bolt Hose Clamp For 1" I.D. (10 Required)
2	10AH100	1-1/4" 75W Marine Hose – 100 psi (Five Required)
3	10104562	Pulser System Short Blowpipe (Two Required)
4	10104565	Pulser System Medium Blowpipe (Two Required)
5	10104680	1" Flexible Tubing For Blowpipes (Two Required)
6	10104567	Pulser System Long Blowpipe (Three Required)
7	10104633	Vacuum Baghouse Filter (37 Required)
—	10104634	Vacuum Baghouse Filter Cage (37 Required)

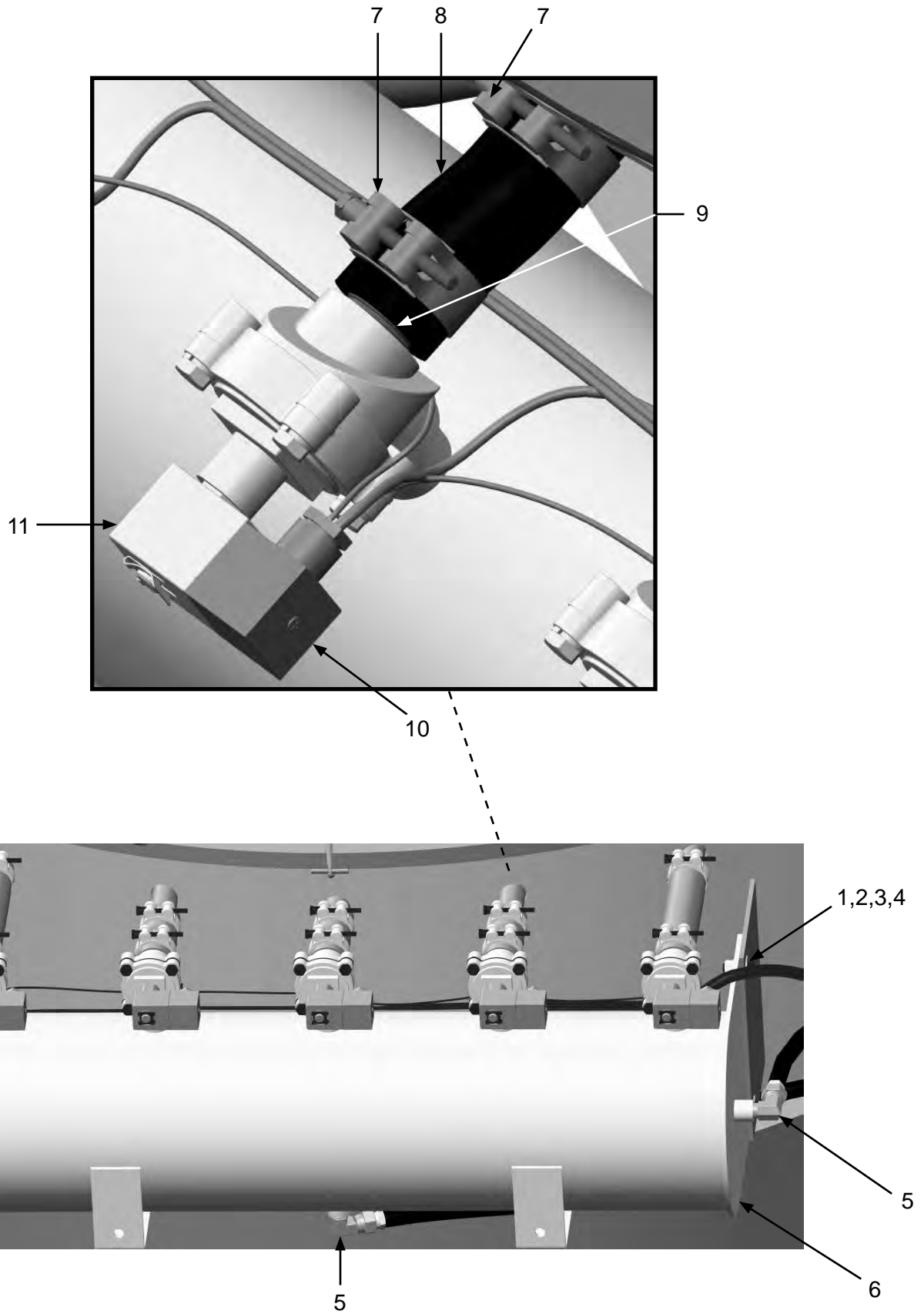
PART NUMBERS AND SCHEMATICS GUIDE

Pulser System Assembly

Item #	Part #	Description
Fig. 9		
1	10101942	3/8" Flat Washer – Galvanized (<i>Eight Required</i>)
2	10101936	3/8" Lock Washer – Zinc (<i>Four Required</i>)
3	1011747	3/8-16 x 1" Bolt (<i>Four Required</i>)
4	10101938	3/8-16 Hex Nut (<i>Four Required</i>)
5	20PFHA60UA0606	3/8" (M) x 3/8" (F) 90° Swivel Union
6	10104498	Vacuum Header
7	10103736	T-Bolt Hose Clamp for 1" I.D. (<i>10 Required</i>)
8	10106509	Air Hose 1" I.D. 200 psi – Red
9	10104500	3/4" NPT x 1-1/2" Toe Nipple (<i>Five Required</i>)
10	10105287	Humphrey Din Connector (<i>Included with Item #11</i>) (<i>Five Required</i>)
11	10104666	3/4" Diaphragm Valve with Solenoid (<i>Five Required</i>)
—	10107192	Pilot Valve Repair Kit
—	10107193	Diaphragm Repair Kit

PART NUMBERS AND SCHEMATICS GUIDE

Figure 9: Pulser System Assembly



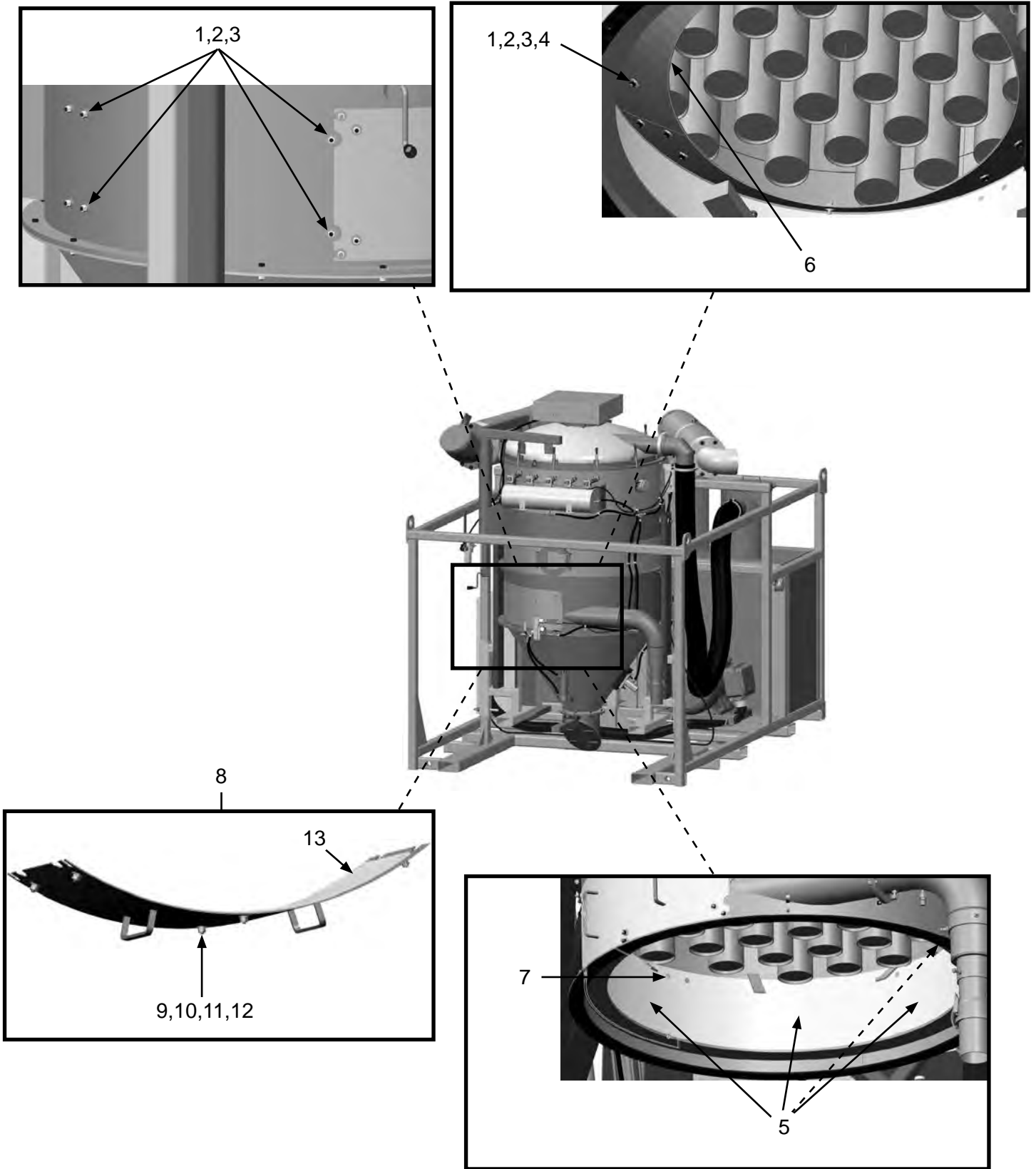
PART NUMBERS AND SCHEMATICS GUIDE

Wear Plates and Baffles

Item #	Part #	Description
Fig. 10		
1	10101942	3/8" Flat Washer – Galvanized (35 Required)
2	10101936	3/8" Lock Washer – Zinc (35 Required)
3	10101938	3/8-16 Hex Nut (35 Required)
4	1011747	3/8-16 x 1" Bolt (15 Required)
5	10104489	Vacuum Wear Plates (Four Required)
6	10104490	Vacuum Baffle (Three Required)
7	10104705	3/8-16 Flat Head Square Neck x 1" Bolt Zinc (16 Required)
8	10106511	Vacuum Wear Door Assembly (Includes Item #'s: 9, 10, 11, 12, and 13)
9	10101942	3/8" Flat Washer – Galvanized (20 Required)
10	10101936	3/8" Lock Washer – Zinc (16 Required)
11	10101938	3/8-16 Hex Nut – Galvanized (12 Required)
12	10104705	3/8-16 Flat Head Square Neck x 1" Bolt Zinc (12 Required)
13	10105189	Wear Door Liner

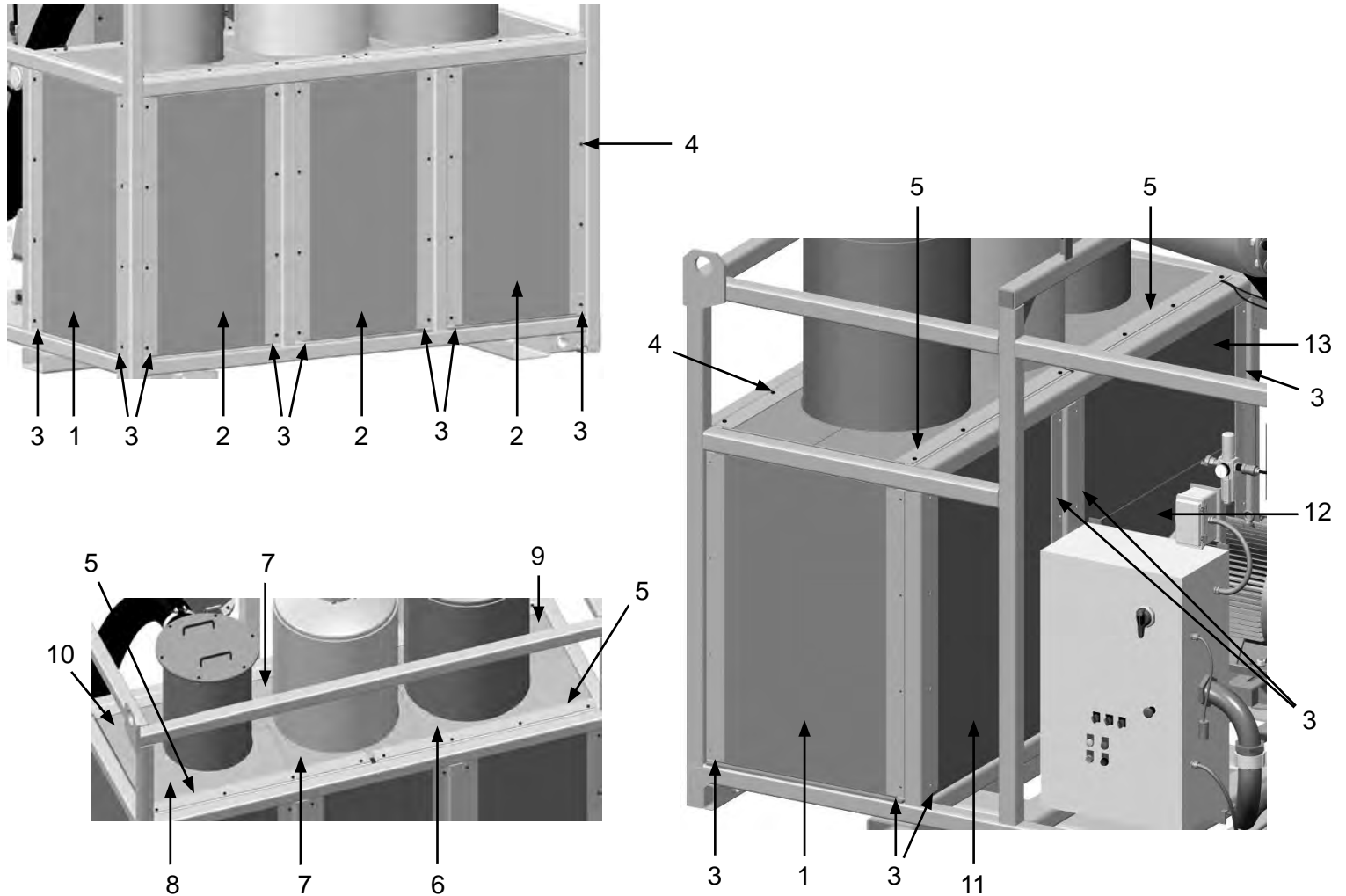
PART NUMBERS AND SCHEMATICS GUIDE

Figure 10: Wear Plates and Baffles



PART NUMBERS AND SCHEMATICS GUIDE

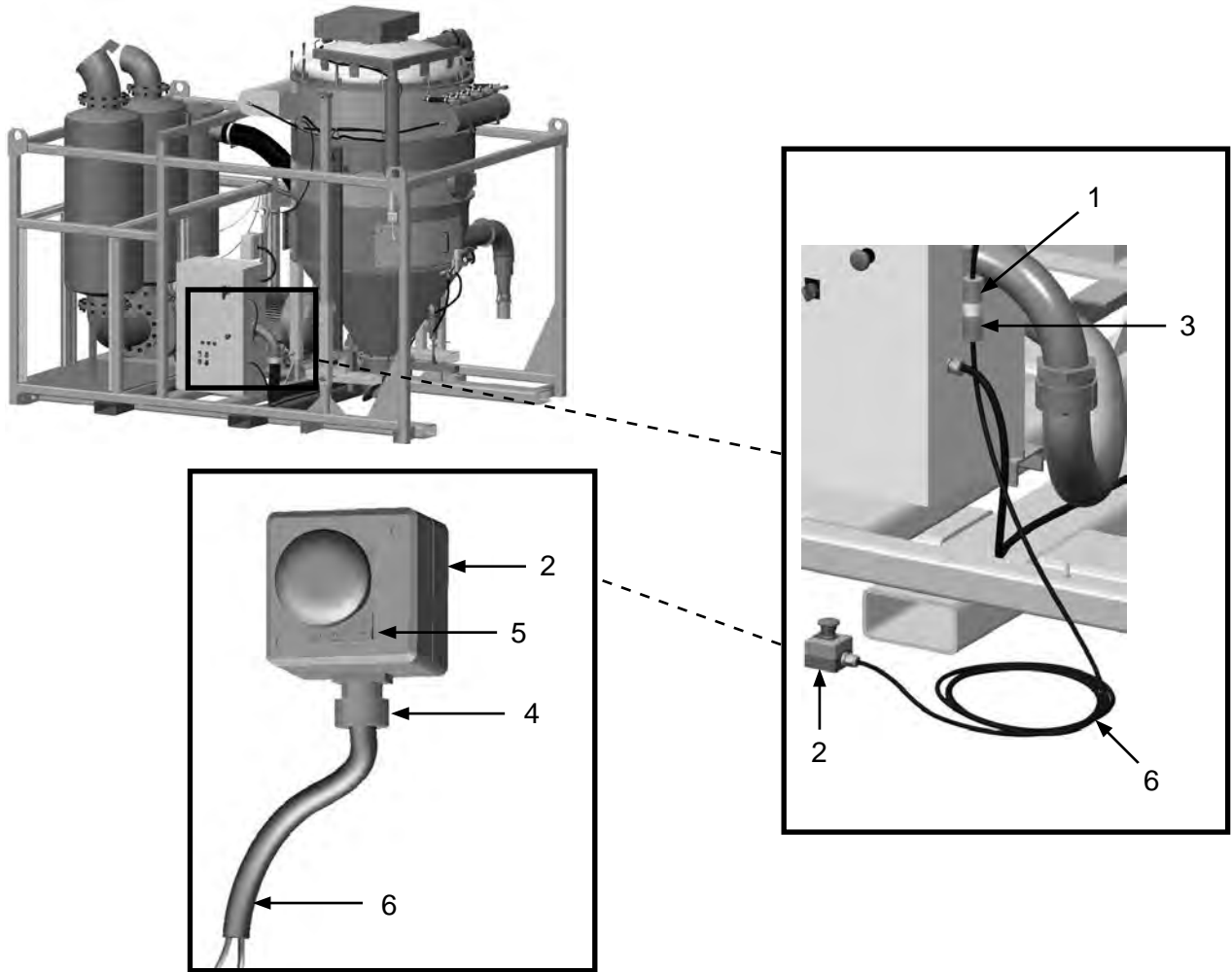
Figure 11: Sound Panels and Straps



Item #	Part #	Description
Fig. 11		
1	10106301	Sound Panel (Two Required)
2	10106300	Sound Panel (Three Required)
3	10106305	Panel Hold On's (Four Required)
4	10103400	3/8-16 x 3/4" Bolt (72 Required)
5	10106325	Top Panel Hold On's (16 Required)
6	10106319	Top Sound Panel – Discharge
7	10106321	Top Sound Panel – Jet Port (Two Required)
8	10106323	Top Sound Panel – Filter Housing
9	10106320	Top Sound Panel – Discharge
10	10106324	Top Sound Panel – Filter Housing
11	10106302	Sound Panel 3
12	10106303	Sound Panel 4
13	10106304	Sound Panel 5

PART NUMBERS AND SCHEMATICS GUIDE

Figure 12: Emergency-Stop Station



Item #	Part #	Description
--------	--------	-------------

Fig. 12

—	10107200	Remote Emergency-Stop Station <i>(Includes Item #'s: 2, 3, 4, 5, and 6 (100'))</i>
1	1015556	Female Twist Lock Plug – Three Prong
2	10104071	E-Stop Control Station
3	1015555	Male Twist Lock Plug – Three Prong
4	10104703	Cord Grip Nylon 1/2"-NPT .2-.47 Diameter
5	10104063	Legend Plate – Emergency Stop
6	1015540	16/2 Xtreme-Duty® Power Cord – Red <i>(Per Foot)</i>
—	1015009	8-32 x 1" Pan Head Phillips Screw <i>(Four Required)</i>
—	20000021	8-32 Zinc Nut <i>(Four Required)</i>
—	20000018	#8 Zinc Lock Washer <i>(Four Required)</i>
—	20000019	#8 Zinc Flat Washer <i>(Four Required)</i>

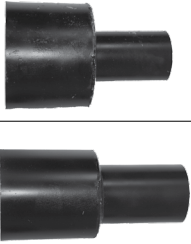
OPTIONAL ACCESSORIES





Part Numbers

VACUUM HOSE							
Part Numbers	Vacuum Hose I.D.	Length	Vacuum HG	Cover Material	Reinforcement Material	Liner	Hose Color
10VH11250	1-1/2"	50 Ft.	29"	Pliovic®	Pliovic® PVC Helix	Polyurethane	Black
10VH225	2"	25 Ft.	29"	Pliovic®	Pliovic® PVC Helix	Polyurethane	Blue
10VH250	2"	50 Ft.	29"	Pliovic®	Pliovic® PVC Helix	Polyurethane	Blue
10VH200	2"	100 Ft.	29"	Pliovic®	Pliovic® PVC Helix	Polyurethane	Blue
10VH2550	2-1/2"	50 Ft.	29"	Pliovic®	Pliovic® PVC Helix	Polyurethane	Blue
10VH325	3"	25 Ft.	29"	Pliovic®	Pliovic® PVC Helix	Polyurethane	Blue
10VH350	3"	50 Ft.	29"	Pliovic®	Pliovic® PVC Helix	Polyurethane	Blue
10VH300	3"	100 Ft.	29"	Pliovic®	Pliovic® PVC Helix	Polyurethane	Blue
10VH425	4"	25 Ft.	29"	Pliovic®	Pliovic® PVC Helix	Polyurethane	Blue
10VH450	4"	50 Ft.	29"	Pliovic®	Pliovic® PVC Helix	Polyurethane	Blue
10VH400	4"	100 Ft.	29"	Pliovic®	Pliovic® PVC Helix	Polyurethane	Blue
10VH525	5"	25 Ft.	29"	Pliovic®	Pliovic® PVC Helix	Polyurethane	Blue
10VH550	5"	50 Ft.	29"	Pliovic®	Pliovic® PVC Helix	Polyurethane	Blue
10VH500	5"	100 Ft.	29"	Pliovic®	Pliovic® PVC Helix	Polyurethane	Blue
10VH625	6"	25 Ft.	25"	Pliovic®	Pliovic® PVC Helix	Polyurethane	Blue
10VH650	6"	50 Ft.	25"	Pliovic®	Pliovic® PVC Helix	Polyurethane	Blue
10VH600	6"	100 Ft.	25"	Pliovic®	Pliovic® PVC Helix	Polyurethane	Blue
10VH825	8"	25 Ft.	25"	Pliovic®	Pliovic® PVC Helix	Polyurethane	Blue
10VH850	8"	50 Ft.	25"	Pliovic®	Pliovic® PVC Helix	Polyurethane	Blue

OPTIONAL ACCESSORIES

		VACUUM HOSE REDUCERS	
		Part Numbers	Size
	10106712	8" x 4"	
	10106716	6" x 4"	

		WYE ADAPTERS	
		Part Numbers	Size
	10106719	4" x 2" x 2"	
	10107485	6" x 2" x 2"	
	10106723	6" x 4" x 4"	
	10106727	8" x 4" x 4"	

		VACUUM HOSE MENDERS			
		Part Numbers	Vacuum Hose I.D.	Mender Length	Thickness
	10HM2	2"	8"	1/8"	Steel
	10HM3	3"	9"	1/8"	Steel
	10HM4	4"	10"	1/8"	Steel
	10HM5	5"	11"	1/8"	Steel
	10HM6	6"	12"	1/8"	Steel
	10HM8	8"	14"	1/8"	Steel

PART NUMBERS

VACMASTER® 15T TIER 4 DIESEL ABRASIVE VACUUMS			
	Engine Type	Filter Cartridge Style	
Part Numbers	Tier 4	Acrylic-Coated Filter Bags	Filter Cartridge Quantity
10106515	X	X	37



SPECIFICATIONS

Performance:	MAX 2367 CFM
Filter Cartridge Style:	Acrylic-Coated Filter Bags 37 Required
Filter Cleaning:	Pulse System, 25–30 second intervals. Pulse Duration: 200–350 millisecond
Vacuum	27" Hg
Ducting Connections:	6" I.D. Inlet with 4" adapter
Inspection Ports:	One 10" Viewable to Filters with access ports to hopper
Material Removal:	Automatic Direct Dump
Blower:	Rotary lobe, positive displacement with jet inlet
Engine:	Diesel, Tier 4 Final, 174 Horsepower
Fuel Capacity:	Capacity: 116 Gallons Type: Diesel
Air Compressor:	On Board 13 CFM
Electrical System:	12-Volt DC
Engine Protection:	Engine Monitoring System with automatic shutdown
Fluid Specifications:	Hydraulic Oil: H46 or equivalent, 2 gallon capacity Diesel Fuel: See Engine Operator's Manual for type Grease/Lubricator: Shell Alvania Grease EP or equivalent Alcohol Evaporator: Alcohol 99 Isopropyl, 32 oz. capacity Vibrator Lubricator: 4 oz. pneumatic air tool oil DEF: BlueDEF Diesel Exhaust Fluid Blower Oil: ROOTS™ synthetic lubricating oil
Unit Dimensions:	Weight: 11,250 pounds (empty) Length: 19' 7" Width: 7' 10" Height: 11' 6" Raised Height: 19' Dump Clearance: 8'

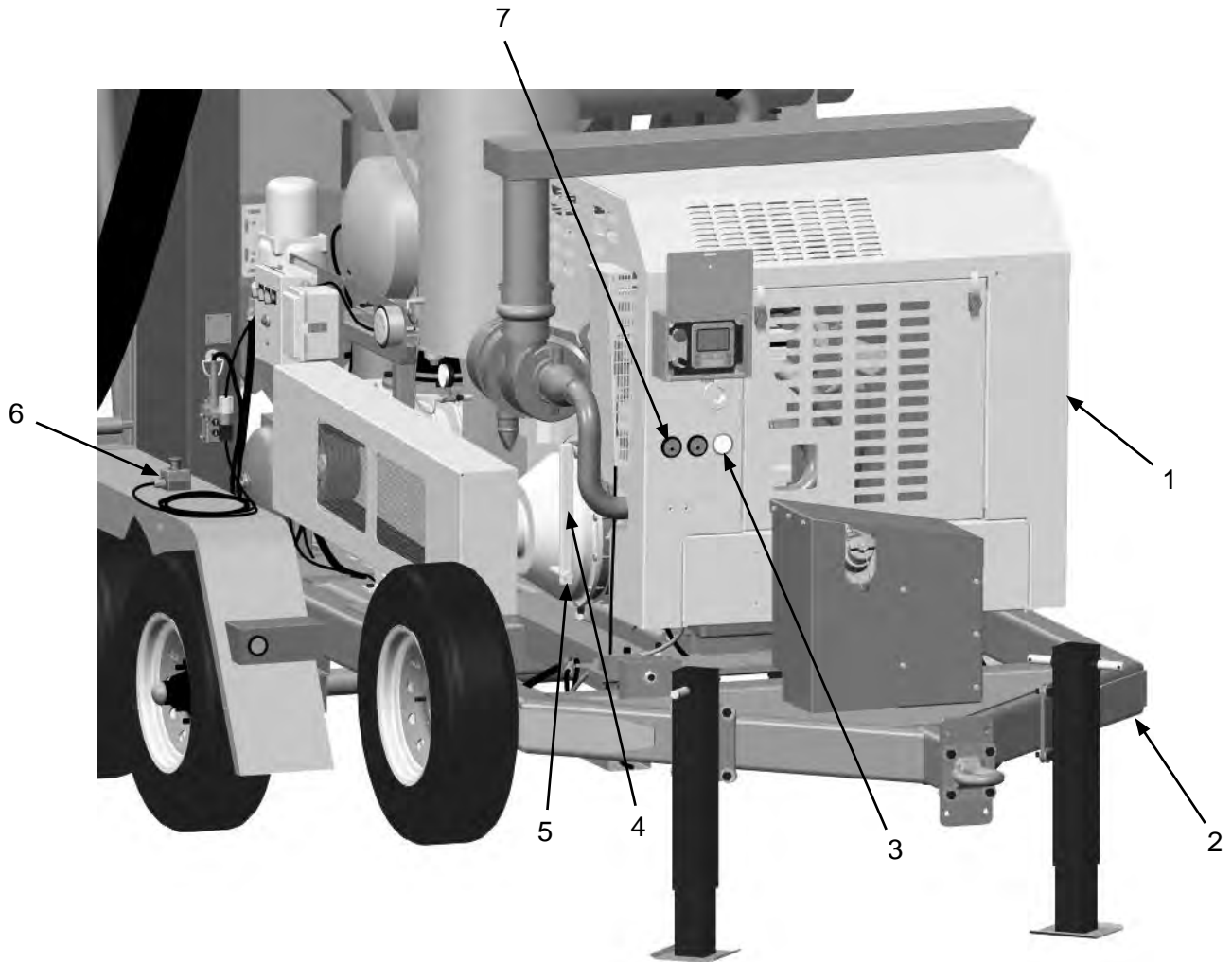
PART NUMBERS AND SCHEMATICS GUIDE

Front Assembly

Item #	Part #	Description
Fig. 1		
1	10106485	Perkins Engine 174 Hp Tier 4
2	10104455	Trailer (See Figure 20)
3	10104820	Panel Mount Pressure Gauge 0-160 psi
4	10106772	Clutch Arm Extension
5	10103986	Twin Disc Clutch
6	10104071	E-Stop Control Station (See Figure 16)
7	10104821	Wema Analog Fuel Level Gauge
—	10104126	Oil Filter
—	10103958	Primary Fuel Filter
—	10104117	Secondary Fuel Filter
—	10106547	Fuel Filter Water Bowl
—	10104130	Outer Air Filter
—	10104131	Inner Air Filter
—	1091147	Vacmaster® Abrasive Vacuum Label Set
—	105M148	Features and Specifications Guide – Vacmaster® 15T Tier 4 Diesel Abrasive Vacuums
—	106M148	Part Numbers and Schematics Guide – Vacmaster® 15T Tier 4 Diesel Abrasive Vacuums
—	1090148	Operator's Manual – Vacmaster® 15T Tier 4 Diesel Abrasive Vacuums

PART NUMBERS AND SCHEMATICS GUIDE

Figure 1: Front Assembly



PART NUMBERS AND SCHEMATICS GUIDE

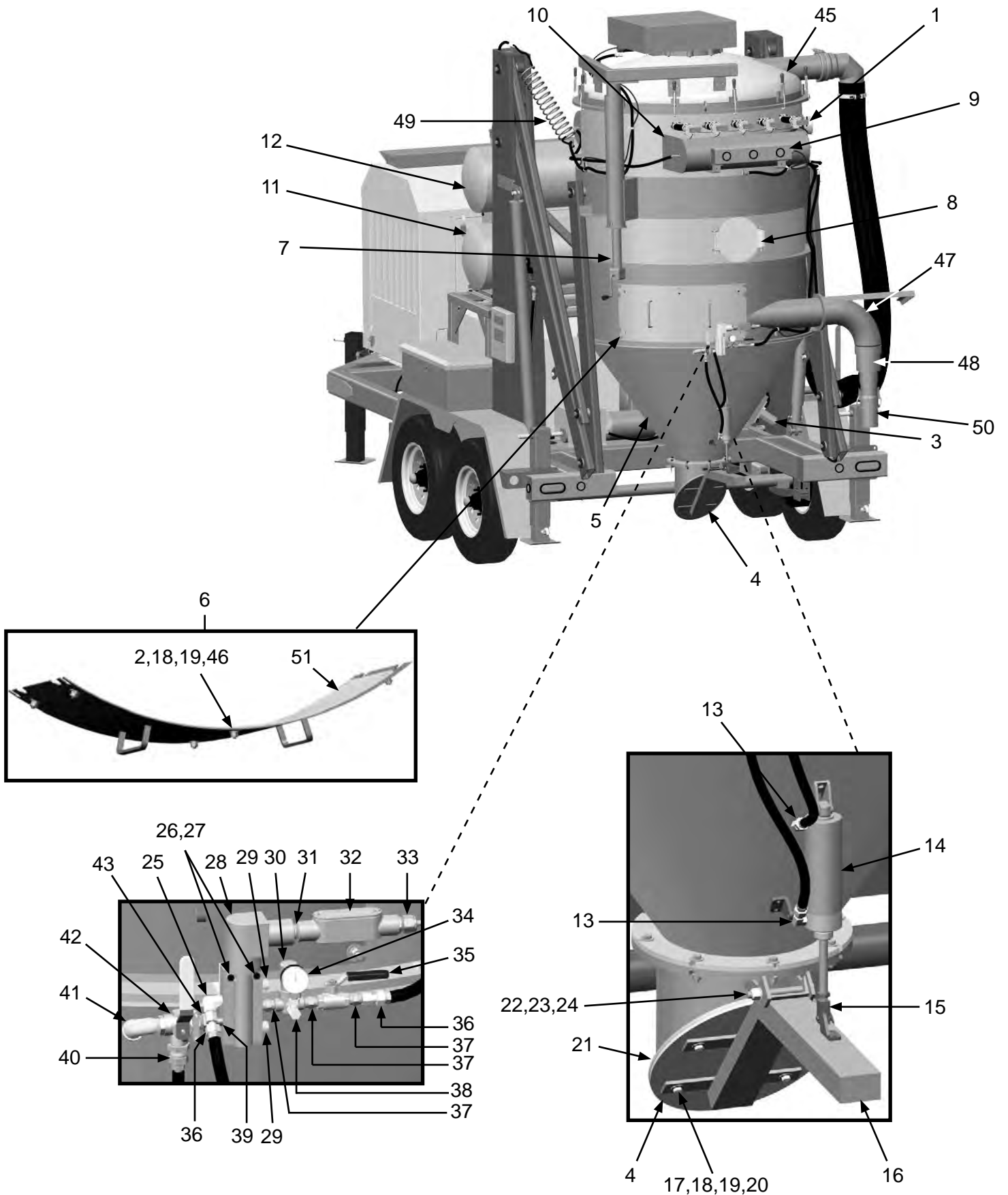
Rear Assembly

Item #	Part #	Description
Fig. 2		
1	10104673	0-50" Differential Pressure Gauge
2	10101938	3/8-16 Hex Nut Galvanized (12 Required)
3	10104665	APV Series Piston Vibrator
4	10104506	Dump Door
5	10104411	Vacuum Hopper Cone
6	10106511	Vacuum Wear Door Assembly (Includes Item #'s: 2, 18, 19, 46 and 51)
7	10104638	Bulldog Trailer Jack
8	10104439	Knappco Hatch
9	10105334	Vacuum Light Bar
10	10104498	Vacuum Header
11	10104459	Blower Exhaust Silencer
12	10104461	Blower Intake Silencer
13	20PFHA60UA0406	1/4" (M) x 3/8" (F) 90° Swivel (Two Required)
14	10104667	Pneumatic Cylinder – 2.5"
15	10104668	Piston Rod Clevis
16	10104507	Dump Arm
17	10104234	3/8-16 x 1-1/4" Hex Bolt Zinc (Four Required)
18	10101942	3/8" Flat Washer – Galvanized (20 Required)
19	10101936	3/8" Lock Washer – Zinc (16 Required)
20	1012318	3/8-16 Hex Nut (Four Required)
21	10104512	Dump Door Gasket
—	10104511	Dump Door Internal Plate
22	20100160	1/2-13 x 4-1/2" Zinc Hex Bolt
23	10100674	1/2" Flat Washer (Two Required)
24	20100124	1/2-13 Hex Lock Nut – Zinc
25	20PFHA25UA0404	1/4" Male 90° Elbow

Item #	Part #	Description
26	1019044	1/4-20 x 1-3/4" Zinc Bolt (Two Required)
27	1012323	1/4-20 Zinc Lock Nut with Nylon Insert (Two Required)
28	10104670	Solenoid
29	1019024	Breather Vent
30	10104676	Series MPR Mini Pressure Relief
31	10L803035	1/2" Close Nipple
32	1019025	1/2" Straight Conduit Body
33	10104703	Cord Grip 1/2" Nylon .2-.47 Diameter
34	10104678	Pressure Gauge 100 psi 1/8"
35	1080050	1/4" Ball Valve
36	20PFHA60SG0406	1/4" (F) x 3/8" (F) Swivel Union (Two Required)
37	20PFHA24SA0404	1/4" Hex Nipple (Three Required)
38	1014239	1/8" x 1/8" 90° Fitting
39	1011210	1/4" NPT x 1 1/2" Nipple
40	20PFHA60SA0806	1/2" (M) x 3/8" (F) Swivel Union
41	1011819	1/2" Street Elbow
42	20100571	1/2" NPT 3-Way Brass Ball Valve
43	1011818	1/2" x 1/4" Galvanized Bushing
44	10104486	Vacuum Lid Overcenter Clamp (12 Required)
45	10104479	Lid Weldment
46	10104705	3/8-16 FH SQ Neck x 1" Bolt Zinc (12 Required)
47	10104546	Inlet Elbow Weldment
48	10104550	Inlet Adapter Weldment
49	10104679	3/8" (M) Swivel Recoil AH 225 psi
50	10105042	4" Quick Disconnect Coupling
51	10105189	Wear Door Liner
—	109V521	Operator's Manual – Blower

PART NUMBERS AND SCHEMATICS GUIDE

Figure 2: Rear Assembly



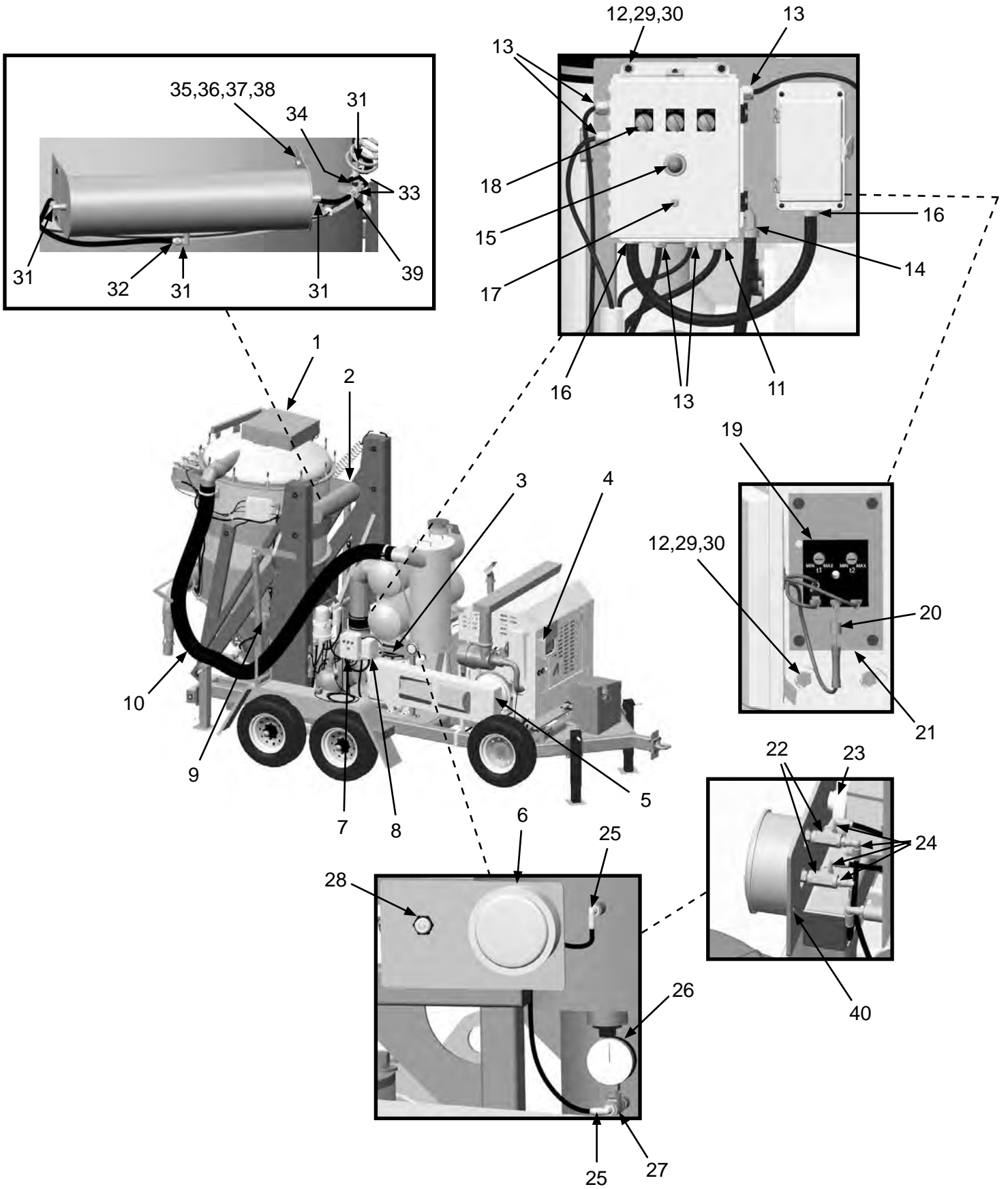
PART NUMBERS AND SCHEMATICS GUIDE

Right Side Front Assembly

Item #	Part #	Description
Fig. 3		
1	10104559	Vacuum Butterfly Cover
2	10104493	Vacuum Aux Header
3	10104456	Blower Top Shaft Left Discharge
4	10104071	E-Stop Control Station
5	10104579	Vacuum Belt Guard Cover
6	10104673	0–50" Differential Pressure
7	10104614	10" x 8" x 4" Nema 4 Enclosure
8	10104615	8" x 4" x 5" Fiberglass Latch Enclosure
9	10104674	Lubricator 1/2" NPT 156 CFM (<i>See Figure 5</i>)
10	10VH620B	6" I.D. Vacuum Hose 20' Section
11	20RCG5050	1/2" NPT x .5–.625 Diameter Cord Grip
12	20100125	1/4-20 x 3/4" Zinc Hex Bolt (<i>Eight Required</i>)
13	10104703	1/2" NPT x .2–.47 Diameter Nylon Cord Grip (<i>Three Required</i>)
14	20RST9050	90° Liquid Tite Connection Fitting
15	10104692	12-Volt Pilot Light – Red
16	20RST50	Straight Liquid Tite Connection Fitting (<i>Two Required</i>)
17	10104686	10 Amp Circuit Breaker
18	10103305	Selector Switch – 2-Way (<i>Three Required</i>)
19	10106818	Vacuum Control Timer
20	10104109	6 Amp 50-Volt Rectifier
21	10105193	Enclosure Panel for 10104614
22	20PFHA25VJ02	1/8" Female Tee (<i>Two Required</i>)
23	10104672	Differential Pressure Switch
24	20100579	1/4" O.D. Tube x 1/8" NPT PTC Swivel (<i>Four Required</i>)
25	20PFBA31095614	1/4" Tube x 1/4" NPT 90° Fitting (<i>Two Required</i>)
26	10104677	Liquid Filled Vacuum Gauge
27	1011844	1/4" Pipe Tee – Galvanized
28	10104073	Panel Lock Nut – 1/2"
29	10101940	1/4" Flat Washer – Galvanized (<i>Four Required</i>)
30	10101939	1/4-20 Stainless Steel Lock Nut with Nylon Insert (<i>Four Required</i>)
31	20PFHA60UA0606	3/8" (M) x 3/8" (F) 90° Swivel Union (<i>Four Required</i>)
32	10103631	3/8" Barb x 3/8" NPTF Brass (<i>Seven Required</i>)
33	1011809	3/8" NPT Tee (<i>Two Required</i>)
34	1011209	3/8 NPT Close Nipple
35	1011747	3/8-16 x 1" Bolt – Zinc (<i>Four Required</i>)
36	10101942	3/8" Flat Washer – Galvanized (<i>Four Required</i>)
37	10101936	3/8" Lock Washer – Zinc (<i>Four Required</i>)
38	10101938	3/8"-16 Hex Nut – Galvanized (<i>Four Required</i>)
39	20PFHA60SA0606	Union Swivel 3/8" (M) x 3/8" (F) (<i>Two Required</i>)
40	10104048	6-32 x 3/8" L Pan Head Machine Screw (<i>Three Required</i>)
10	Vacmaster® 15T Tier 4 Diesel Abrasive Vacuums	

PART NUMBERS AND SCHEMATICS GUIDE

Figure 3: Right Side Front Assembly



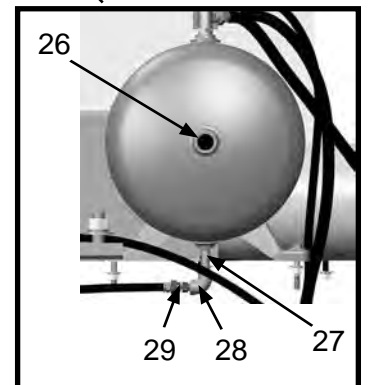
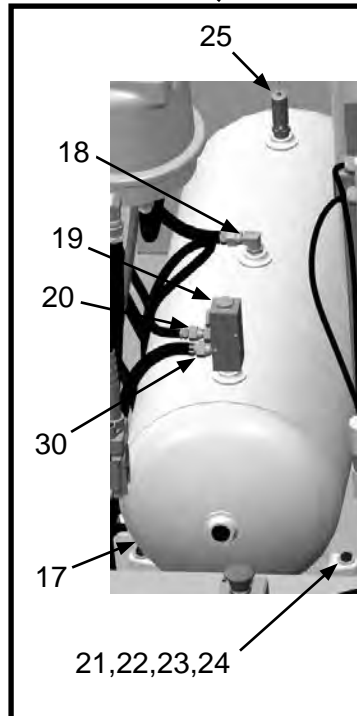
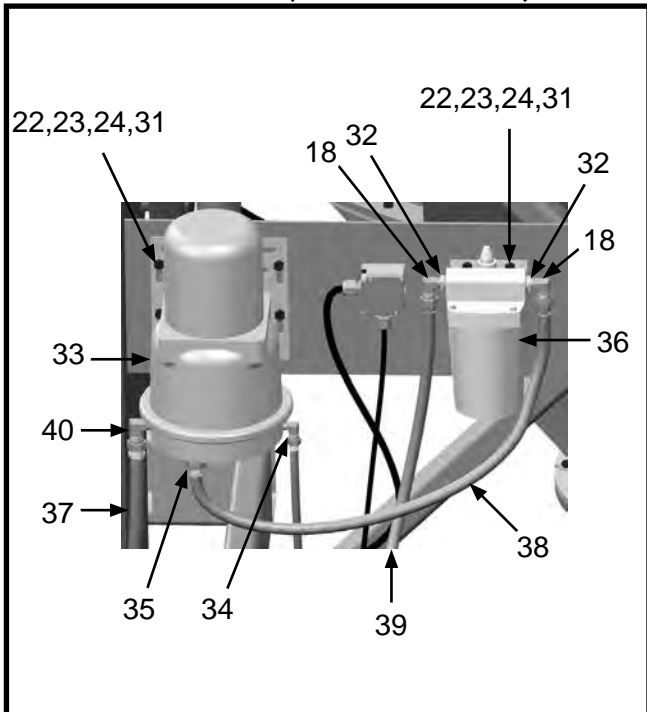
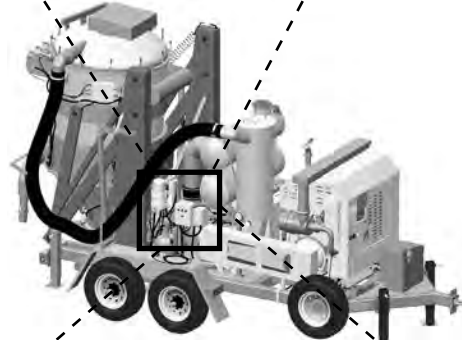
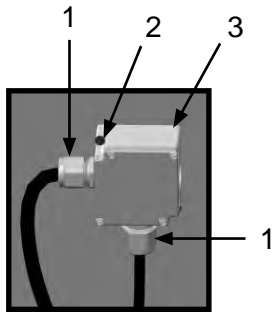
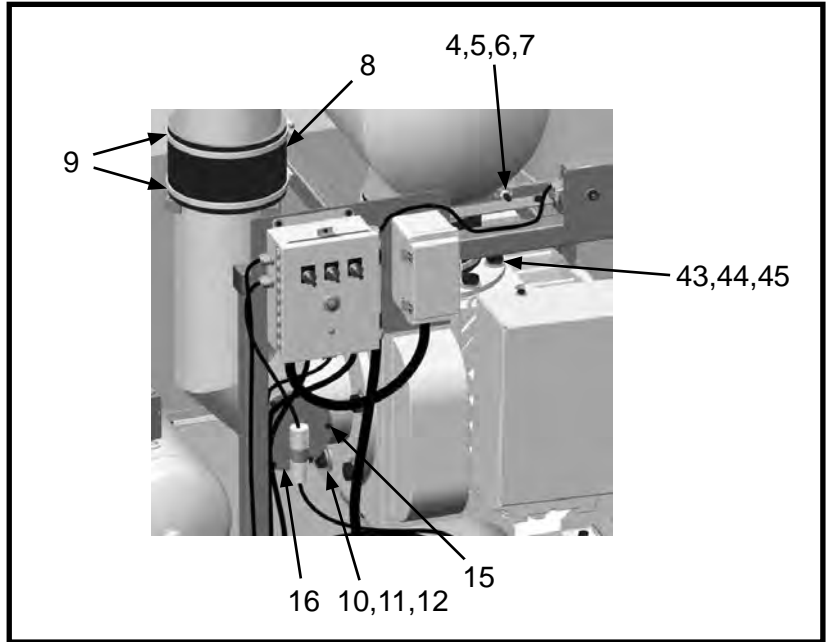
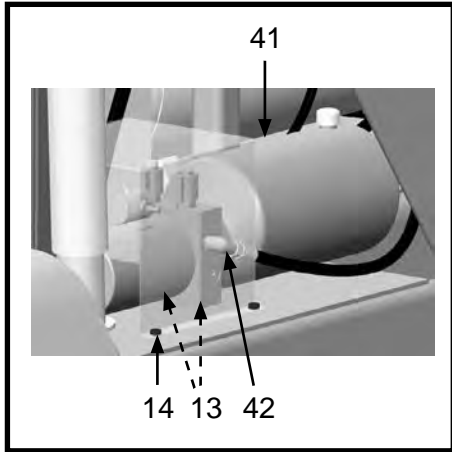
PART NUMBERS AND SCHEMATICS GUIDE

Right Side Center Assembly

Item #	Part #	Description	Item #	Part #	Description
Fig. 4			25	10104681	1/2" NPT Pressure Relief Valve
1	10104703	1/2" NPT x .2-.47 Diameter Nylon Cord Grip (Two Required)	26	10DSHP75	3/4" Square Head Pipe Plug (Two Required)
2	20000031	8-32 x 1-1/2" Machine Screw (Two Required)	27	1011217	Galvanized 1/4" x 2" Nipple
3	10105897	Terminal Box	28	1011832	Galvanized 1/4" 90° Elbow
4	10101943	1/2-13 x 1-3/4" Hex Bolt (Eight Required)	29	10SME025	1/4" NPT x 1/4" (F) Straight Swivel
5	10100674	1/2" Flat Washer (16 Required)	30	20PFHA60SA0606	3/8" (M) x 3/8" (F) Swivel Union
6	10100675	1/2" Lock Washer (Eight Required)	31	20100195	3/8-16 x 1" Bolt (12 Required)
7	10101941	1/2-13 Hex Nut (Eight Required)	32	20PFHA24SB0806	1/2" x 3/8" Reducing Bushing (Three Required)
8	10104774	10-3/4" I.D. Hose (Two Required)	33	10104611	Haldex Air Dryer
9	10103416	Banding Clamp (Four Required)	34	1012326	1/4" (M) x 1/4" (F) 90° Swivel Union
10	10104715	7/8-9 x 2" Grade 5 Bolt	35	20PFHA60SA0806	1/2" (M) x 3/8" (F) Swivel Union
11	10104716	7/8" Flat Washer – Zinc	36	10104612	Haldex Alcohol Evaporator
12	10104717	7/8" Lock Washer – Zinc	37	10105838	1/2" x 168" Stainless Steel Braided Hose Assembly with 1/2" (M) NPT Ends
13	20100195	3/8-16 x 1" Bolt (Two Required)	38	10104684	3/8" x 2' Braided Hose
14	10103400	3/8-16 x 3/4" Bolt (Four Required)	39	10104683	3/8" x 4-1/2' Braided Hose
15	1035045	5/16-18 x 1" Bolt (Six Required)	40	20PFHA60UA0808	1/2" (M) x 1/2" (F) 90° Swivel Union
16	10103235	Cover	41	10105779	Hydraulic Power Unit
17	10104610	Compressed Air Tank – 15 Gallons	42	10105782	SAE 6 x JIC 8 Elbow (Two Required)
18	20PFHA60UA0606	3/8"M x 3/8"F 90° Swivel Union (Three Required)	43	10104714	3/4-10 x 1-5/8" Bolt (Eight Required)
19	10104618	3 Outlet Pressure Manifold	44	10100596	3/4" Lock Washer (Eight Required)
20	20PFHA60SA0604	3/8" (M) x 1/4" (F) Swivel Union (Two Required)	45	10100704	3/4" Flat Washer (Eight Required)
21	1028617	3/8-16 x 1-3/4" Shoulder Bolt (Four Required)	—	10105292	Alcohol 99 Isopropyl – 16 oz.
22	10101942	3/8" Flat Washer (48 Required)			
23	10101936	3/8" Lock Washer - Zinc (15 Required)			
24	1012318	3/8-16 Hex Nut (15 Required)			

PART NUMBERS AND SCHEMATICS GUIDE

Figure 4: Right Side Center Assembly



PART NUMBERS AND SCHEMATICS GUIDE

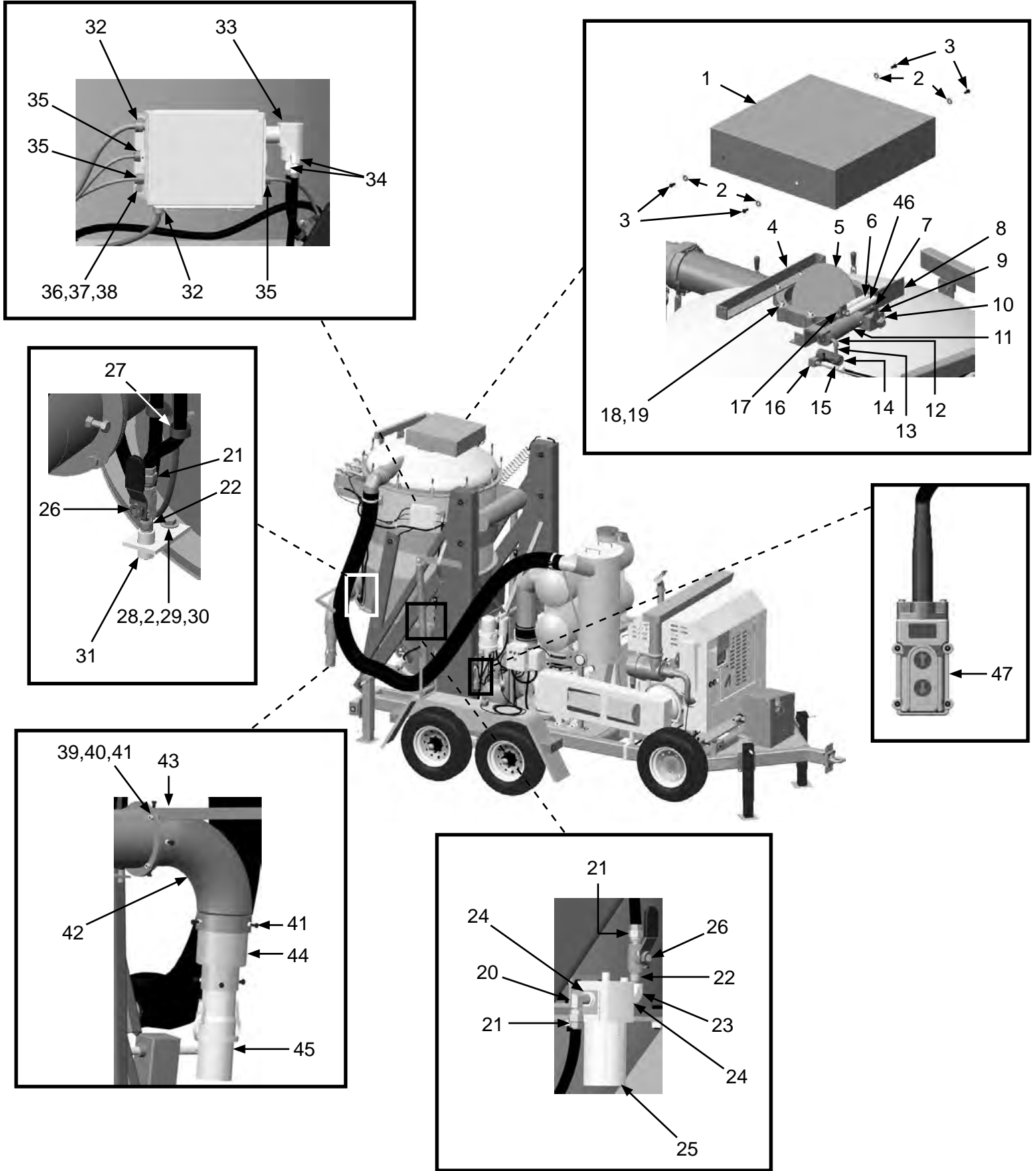
Right Side Rear Assembly

Item #	Part #	Description
Fig. 5		
1	10104559	Vacuum Butterfly Cover
2	10101942	3/8" Flat Washer – Galvanized (Five Required)
3	10103400	3/8-16 x 3/4" Bolt (Four Required)
4	10104554	Butterfly Cover Mount Weldment
5	10104537	Betts 12" Butterfly
6	10107175	6.5" Extension Spring
7	10104668	Piston Rod Clevis
8	10104538	Vacuum Butterfly Cylinder Weldment
9	10104543	Butterfly Actuating Arm
10	20100125	1/4-20 x 3/4" Zinc Hex Bolt
11	10104667	Pneumatic Cylinder – 2.5"
12	1011824	1/4" Street Elbow
13	1011217	Galvanized 1/4" x 2" Nipple
14	10104669	Solenoid for Butterfly
15	20PFHA60UA0406	1/4" (M) x 3/8" (F) 90° Swivel
16	10105287	Humphrey Din Connector
17	10104706	3/8-16 x 2-1/2" Thread Stud
18	10100674	1/2" Flat Washer (Eight Required)
19	20100124	1/2-13 Hex Lock Nut (Eight Required)
20	20PFHA60UA0606	3/8" (M) x 3/8" (F) 90° Swivel Union
21	20PFHA60SA0606	Union Swivel 3/8" (M) x 3/8" (F) (Three Required)
22	1011209	3/8 NPT Close Nipple
23	20PFHA25UG0606	3/8" Street Elbow
24	20PFHA24SB0806	1/2" x 3/8" Reducing Bushing (Two Required)
25	10104674	Lubricator 1/2" NPT 156 CFM
26	1080060	3/8" NPT Full Port Brass Ball Valve (Two Required)

Item #	Part #	Description
27	10103624	1" Rubber Cushioned Loop Clamp
28	1028617	3/8-16 x 1-3/4" Shoulder Bolt
29	10101936	3/8" Lock Washer – Zinc (Five Required)
30	1012318	3/8-16 Hex Nut
31	10104597	Airline Drain
32	20RCG5050	1/2" NPT x .5–.625 Diameter Cord Grip (Two Required)
33	10104671	Vibrator Solenoid
34	20PFHA60UA0406	1/4" (M) x 3/8" (F) 90° Swivel (Two Required)
35	10104703	1/2" NPT x .2–.47 Diameter Nylon Cord Grip (Three Required)
36	10101939	1/4-20 Stainless Steel Lock Nut with Nylon Insert (Four Required)
37	10101940	1/4" Flat Washer – Galvanized (Four Required)
38	20100125	1/4-20 x 3/4" Zinc Hex Bolt (Four Required)
39	10101942	3/8" Flat Washer – Galvanized (Eight Required)
40	10101938	3/8-16 Hex Nut Galvanized (Four Required)
41	1011747	3/8-16 x 1" Bolt – Zinc (13 Required)
42	10104546	Vacuum Inlet Elbow
43	10104496	Vacuum Inlet Insert
44	10104550	Vacuum Inlet Adapter
45	10105042	4" Quick Disconnect Coupling Assembly
46	10107176	6.5" Long Extension Spring – Zinc
47	10107204	Remote Control Pendant

PART NUMBERS AND SCHEMATICS GUIDE

Figure 5: Right Side Rear Assembly



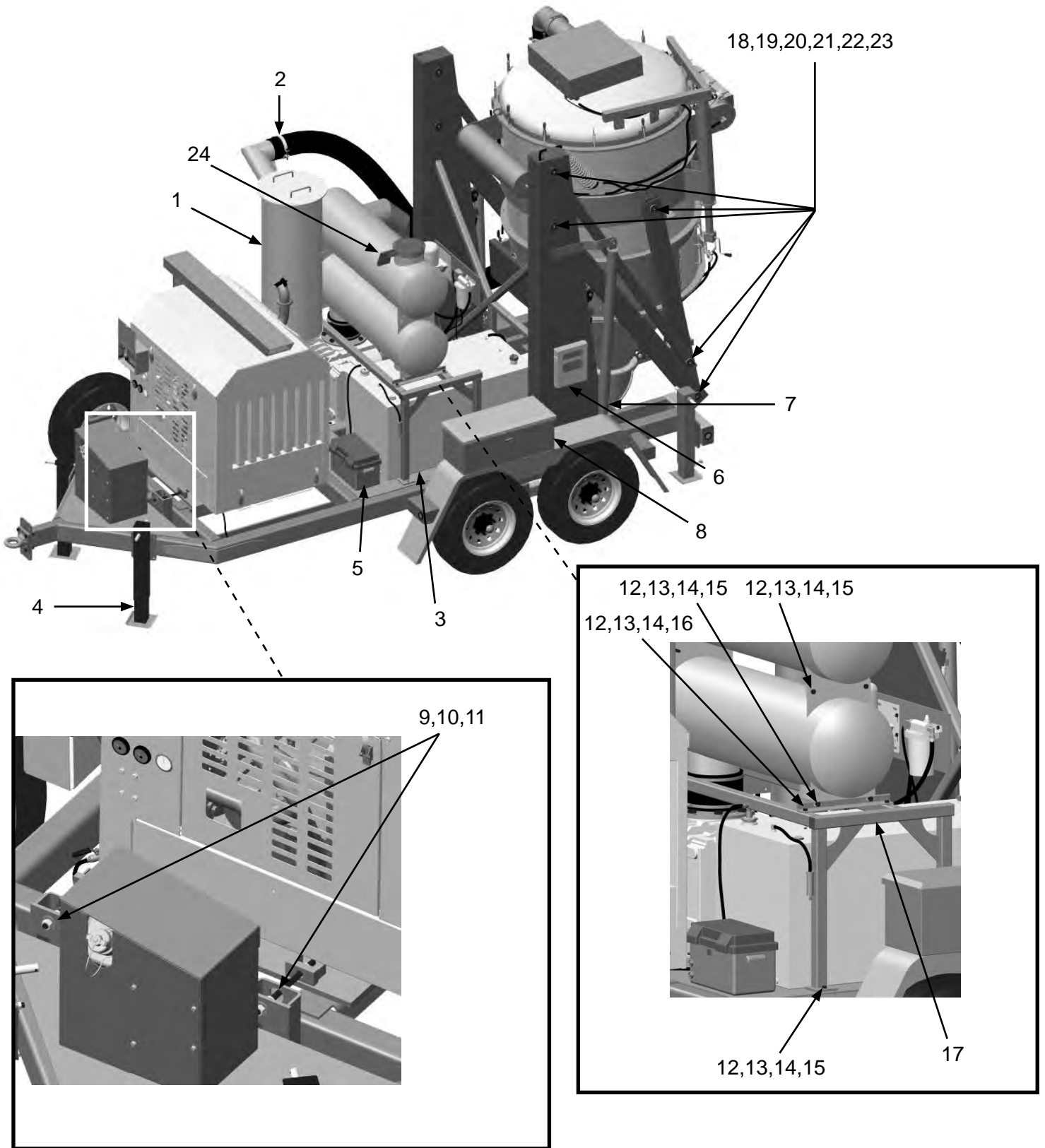
PART NUMBERS AND SCHEMATICS GUIDE

Left Side Front Assembly

Item #	Part #	Description
Fig. 6		
1	10104457	Intake Filter Housing (<i>See Figure 11</i>)
2	10104640	6" Double Bolt Clamp
3	10104704	116 Gallon Rectangle Fuel Tank (<i>See Figure 9</i>)
4	10104082	Jack Stand (<i>Four Required</i>)
5	10103342	Battery Box
6	10104273	Document Holder
7	10104608	Support Arm
8	10105896	Tool Box
9	10103440R	3/4-10 UNC Grade 8 Draw Bolt (<i>Two Required</i>)
10	10103418	Washer – 3/4" – Grade 8 (<i>Four Required</i>)
11	10103420	3/4-10 UNC Grade 8 Nut (<i>Four Required</i>)
12	10101943	1/2-13 x 1-3/4" Hex Bolt (<i>12 Required</i>)
13	10100674	1/2" Flat Washer (<i>24 Required</i>)
14	10100675	1/2" Lock Washer (<i>12 Required</i>)
15	10101941	1/2-13 Hex Nut (<i>12 Required</i>)
16	10101927	1/2-13 x 3" Galvanized Hex Bolt (<i>Four Required</i>)
17	10104584	Silencer Mount Weldment
18	10104708	Straight Grease Zerk – 1/4"-28
19	10106402	5/8-11 Grease Zerk Thru Bolt
20	10106403	3/16" x 5/8" Dowel Pin
21	10101061	5/8" Lock Washer
22	10104600	Vacuum Pin Cap
23	10104602	Vacuum Shoulder Pin
24	10104824	8" Raincap
—	10103343	Battery Cables, 156" Long
—	10103341	Battery – Group 31 (<i>Not Shown</i>)

PART NUMBERS AND SCHEMATICS GUIDE

Figure 6: Left Side Front Assembly



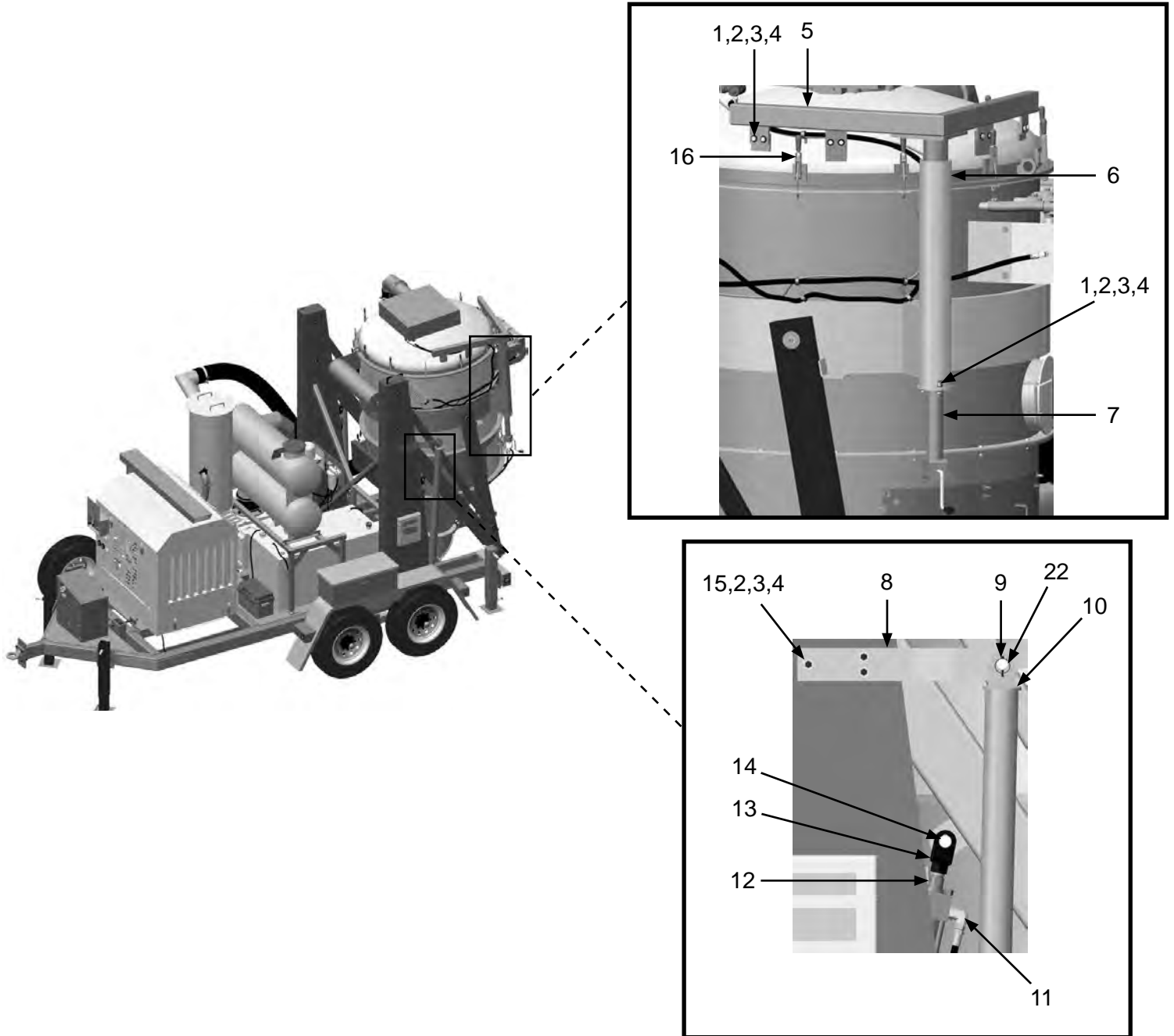
PART NUMBERS AND SCHEMATICS GUIDE

Left Side Rear Assembly

Item #	Part #	Description
Fig. 7		
1	10104234	3/8-16 x 1-1/4" Hex Bolt Zinc <i>(Eight Required)</i>
2	10101942	3/8" Flat Washer – Galvanized <i>(40 Required)</i>
3	10101936	3/8" Lock Washer – Zinc <i>(11 Required)</i>
4	1012318	3/8-16 Hex Nut <i>(11 Required)</i>
5	10104472	Vacuum Lid Lift
6	10104434	Vacuum Top Section
7	10104638	Bulldog Trailer Jack
8	10104728	Lift Arm Support Bracket <i>(Two Required)</i>
9	10104729	Lift Arm Support Bracket Pin <i>(Two Required)</i>
10	10104608	Support Arm Outer <i>(Two Required)</i>
—	10104605	Support Arm Inner <i>(Two Required) (Not Shown)</i>
11	10103308	Elbow – 90° – JIC 8 x SAE 10 <i>(Four Required)</i>
12	10104645	Hopper Lift Cylinders <i>(Two Required)</i>
13	10104646	Lift Cylinder Clevis <i>(Two Required)</i>
14	10104647	1" x 3-1/8" Pin <i>(Two Required)</i>
15	10105290	3/16" x 1-5/8" Pin
16	10104486	Over Center Clamp <i>(12 Required)</i>

PART NUMBERS AND SCHEMATICS GUIDE

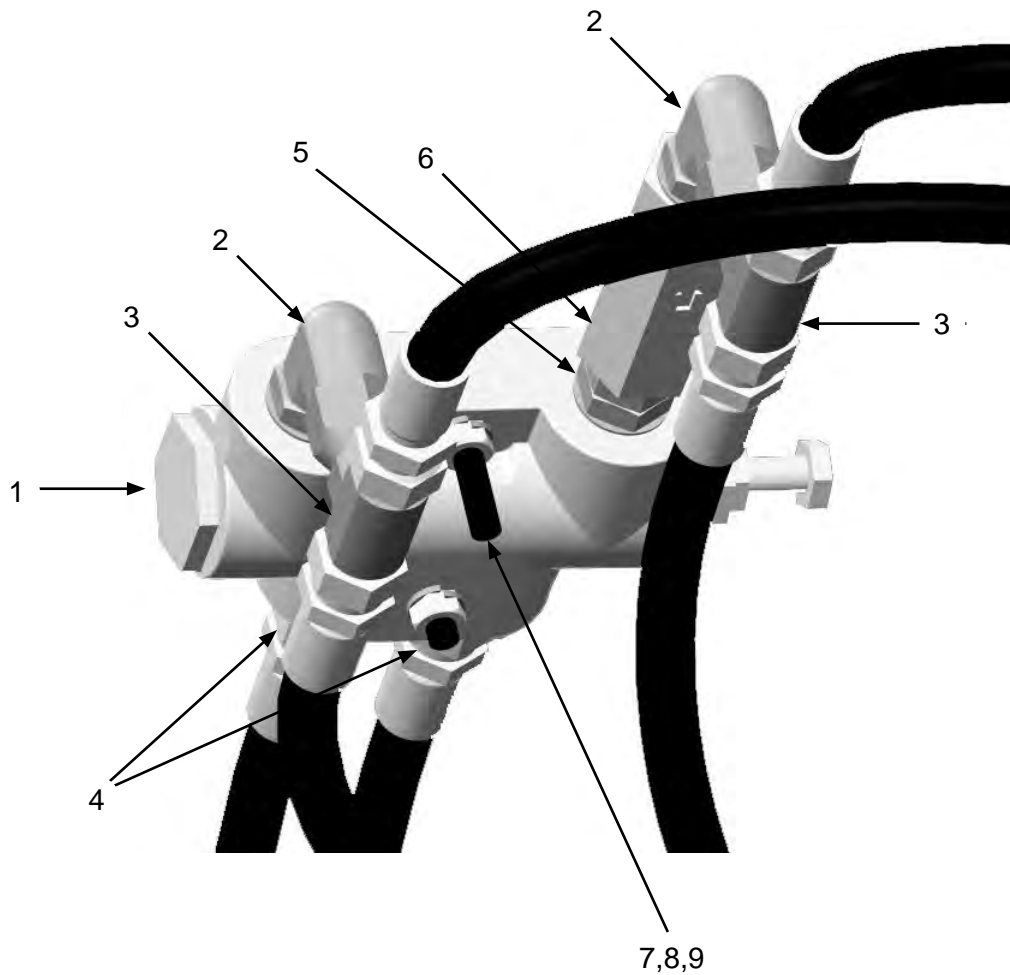
Figure 7: Left Side Rear Assembly



PART NUMBERS AND SCHEMATICS GUIDE

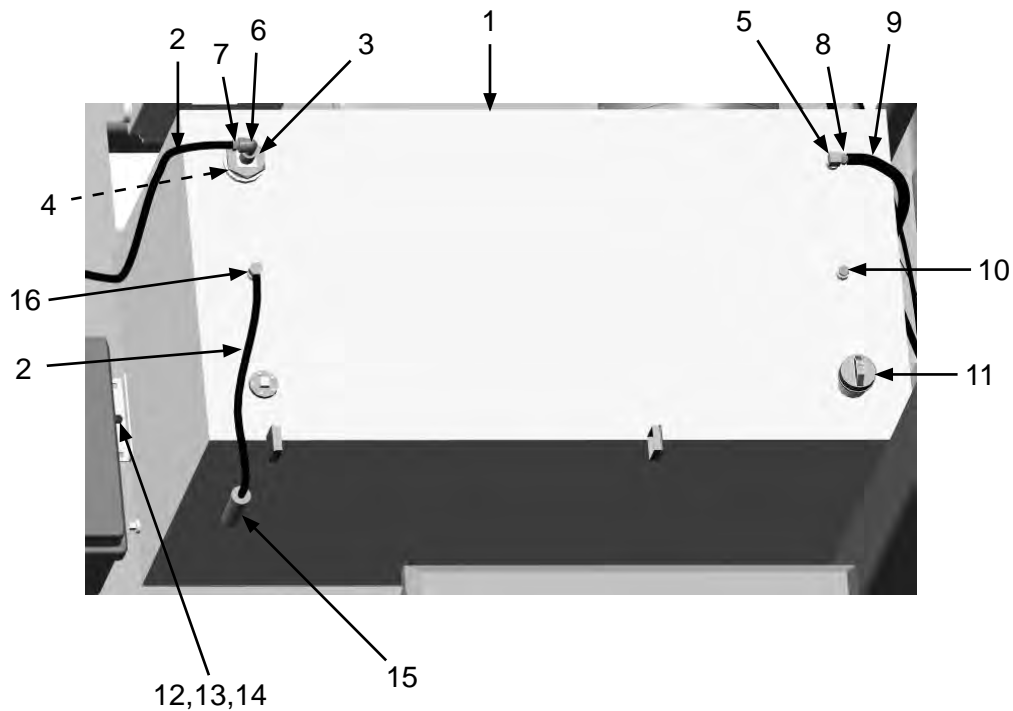
Figure 8: Double Lock Valve Assembly

Item #	Part #	Description
Fig. 8		
1	10104650	Double Lock Valve
2	10103309	Elbow – 90° – JIC 8 x SAE 8 <i>(Two Required)</i>
3	10105081	JIC 8 Tee <i>(Two Required)</i>
4	10104651	Union – Straight SAE 8 x JIC 8 <i>(Two Required)</i>
5	10103613	Union – Straight SAE 8 x SAE 8
6	10105288	Flow Restrictor SAE 8
7	10105286	5/16-18 x 2-1/2" Grade 5 Zinc Bolt <i>(Two Required)</i>
8	10L805014	5/16" Lock Washer <i>(Two Required)</i>
9	1035046	5/16-18 Nut <i>(Two Required)</i>



PART NUMBERS AND SCHEMATICS GUIDE

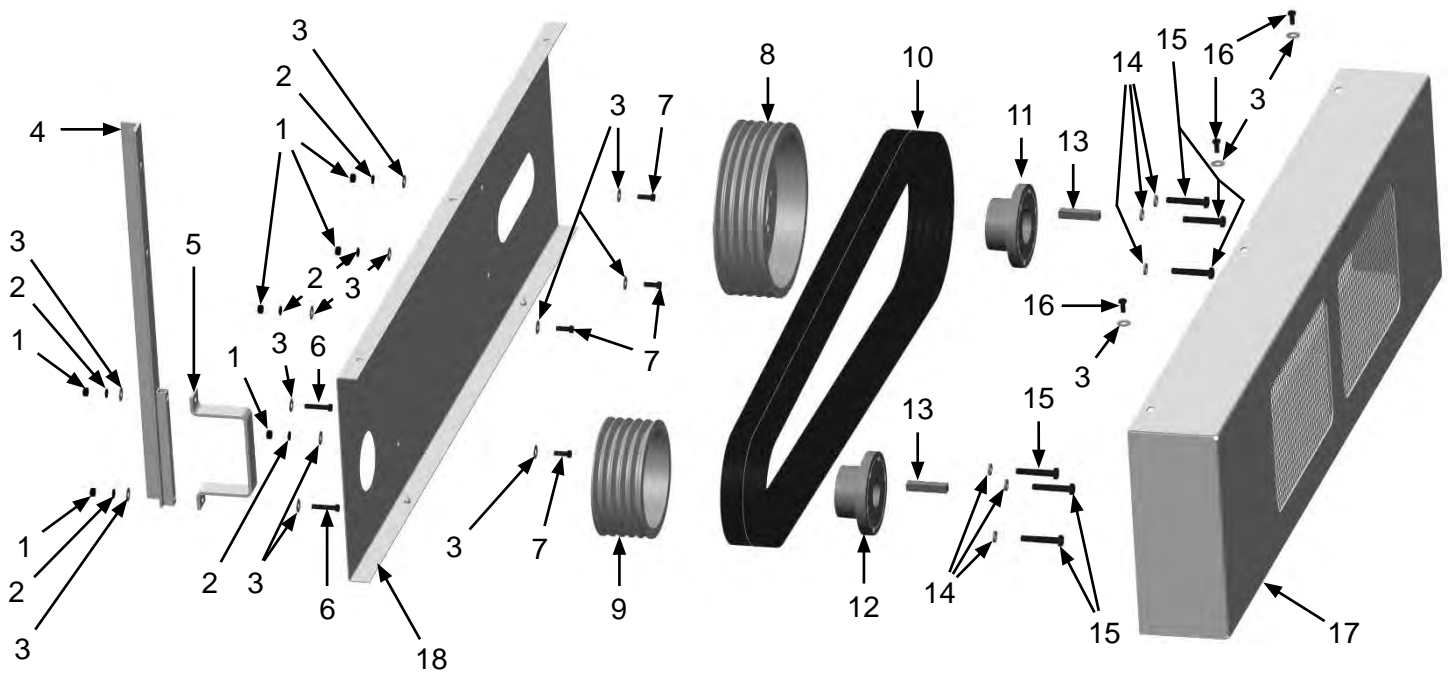
Figure 9: Fuel Tank



Item #	Part #	Description
Fig. 9		
1	10104704	116 Gallon Rectangle Fuel Tank
2	10103423	3/8" I.D. Fuel Hose (<i>Per Foot</i>)
3	10106484	Fuel Return Adapter
4	10106466	3/8" NPT x 18" Pipe Nipple
5	10103617	Withdraw Tube – 16"
6	10106470	3/8" NPT Street Elbow
7	10106469	3/8" Hose Barb x 3/8" NPT
8	10106503	3/8" NPT x 1/2" Hose Barb
9	10103619	1/2" Flexible Fuel Line (<i>Per Foot</i>)
10	10106502	3/8" NPT Plug
11	10103968	Locking Fuel Cap with Keys
12	10104234	3/8-16 x 1-1/4" Hex Bolt Zinc (<i>Two Required</i>)
13	10101942	3/8" Flat Washer – Galvanized (<i>Two Required</i>)
14	10101938	3/8"-16 Hex Nut – Galvanized
15	10103620	3/8" Inline Filter
16	20PFHA60UA0606	3/8" (M) x 3/8" (F) 90° Swivel Union
—	10104631	Fuel Tank Rubber Cushioning Pad (<i>Not Shown</i>)

PART NUMBERS AND SCHEMATICS GUIDE

Figure 10: Blower Belt Assembly



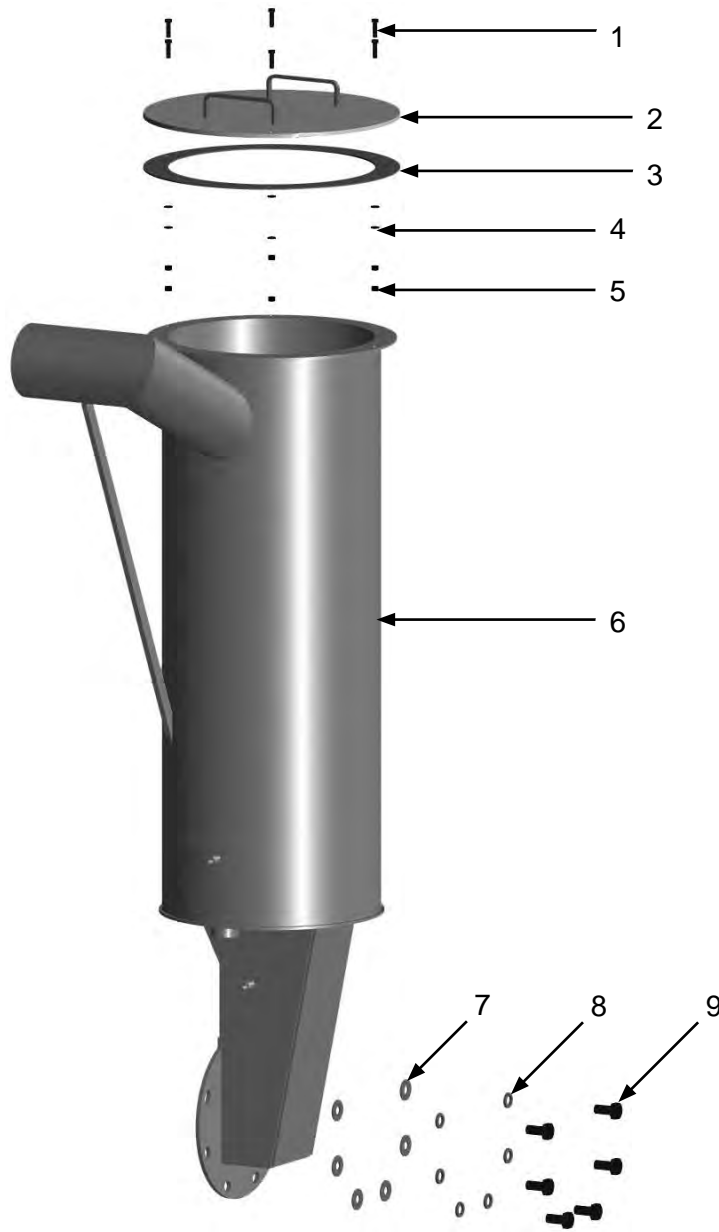
Item #	Part #	Description
--------	--------	-------------

Fig. 10

1	1012318	3/8" Galvanized Hex Nut <i>(Four Required)</i>
2	10101936	3/8" Zinc Lock Washer <i>(Four Required)</i>
3	10101942	3/8" Galvanized Flat Washer <i>(15 Required)</i>
4	10104573	Vacuum Belt Guard Mount
5	10104576	Belt Guard Clamp
6	1028617	3/8-16 x 1-3/4" Shoulder Bolt <i>(Two Required)</i>
7	1011747	3/8-16 x 1" Bolt <i>(Four Required)</i>
8	10104641	12.5" 5V 5 Groove Sheave
9	10104642	8.5" 5V 5 Groove Sheave
10	10104644	5VX 1180 Banded Belt
11	10103485	Bushing 2.5" Bore
12	10104643	Bushing 2" Bore
13	10103643	5/8" Key Cut <i>(Two Required)</i>
14	10100675	1/2" Lock Washer <i>(Six Required) (Included with Item #12)</i>
15	10102820	1/2-13 x 2-3/4" Gade 5 Bolt <i>(Six Required) (Included with Item #12)</i>
16	10103400	3/8-16 x 3/4" Bolt <i>(Three Required)</i>
17	10104579	Belt Guard Cover
18	10104577	Belt Guard Back

PART NUMBERS AND SCHEMATICS GUIDE

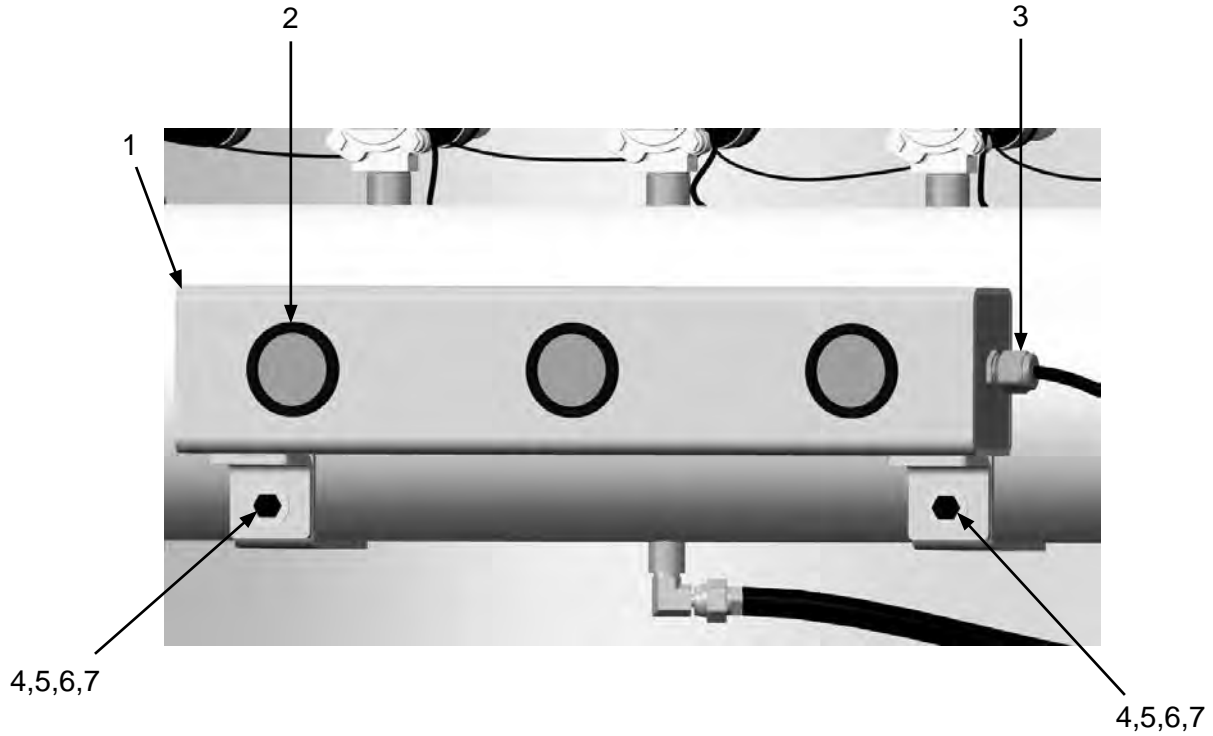
Figure 11: Intake Filter Housing



Item #	Part #	Description
Fig. 11		
1	10104234	3/8-16 x 1-1/4" Hex Bolt Zinc (<i>Six Required</i>)
2	10106508	Intake Filter Housing Cap
3	10104727	Air Filter Housing Gasket
4	10101936	3/8" Lock Washer – Zinc (<i>Four Required</i>)
5	10101938	3/8-16 Hex Nut – Galvanized (<i>Four Required</i>)
6	10104457	Intake Filter Housing
7	10100704	3/4" Flat Washer (<i>Six Required</i>)
8	10100596	3/4" Lock Washer (<i>Six Required</i>)
9	10104714	3/4-10 x 1-5/8" Zinc Bolt (<i>Six Required</i>)
—	1010002304	Filter Cartridge

PART NUMBERS AND SCHEMATICS GUIDE

Figure 12: Vacuum Light Bar



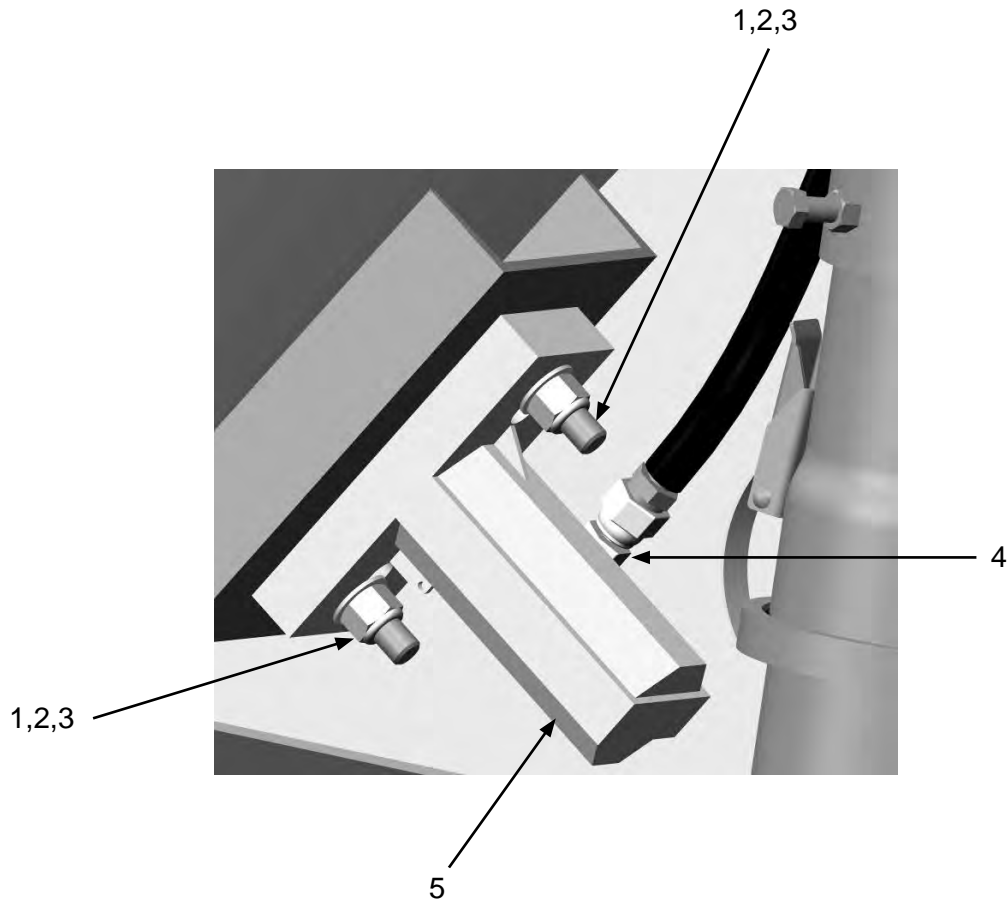
Item #	Part #	Description
--------	--------	-------------

Fig. 12

1	10105334	Vacuum Light Bar (Includes Item #2)
2	10104086	2" Round LED Red Clearance Light (Three Required)
3	10104703	Cord Grip Nylon 1/2" NPT .2-.47 Diameter
4	10101942	3/8" Flat Washer – Galvanized (Four Required)
5	10101936	3/8" Lock Washer – Zinc (Two Required)
6	1011747	3/8-16 x 1" Bolt (Two Required)
7	1012318	3/8-16 Hex Nut (Two Required)

PART NUMBERS AND SCHEMATICS GUIDE

Figure 13: Pneumatic Piston Vibrators



Item #	Part #	Description
Fig. 13		
1	20100124	1/2-13 Hex Lock Nut – Zinc <i>(Two Required)</i>
2	10100674	1/2" Flat Washer <i>(Two Required)</i>
3	10102652	1/2-13 x 2-1/4" Grade 5 Bolt <i>(Two Required)</i>
4	20PFHA60UA0406	1/4" (M) x 3/8" (F) 90° Swivel Union
5	10104665	APV Series Piston Vibrator

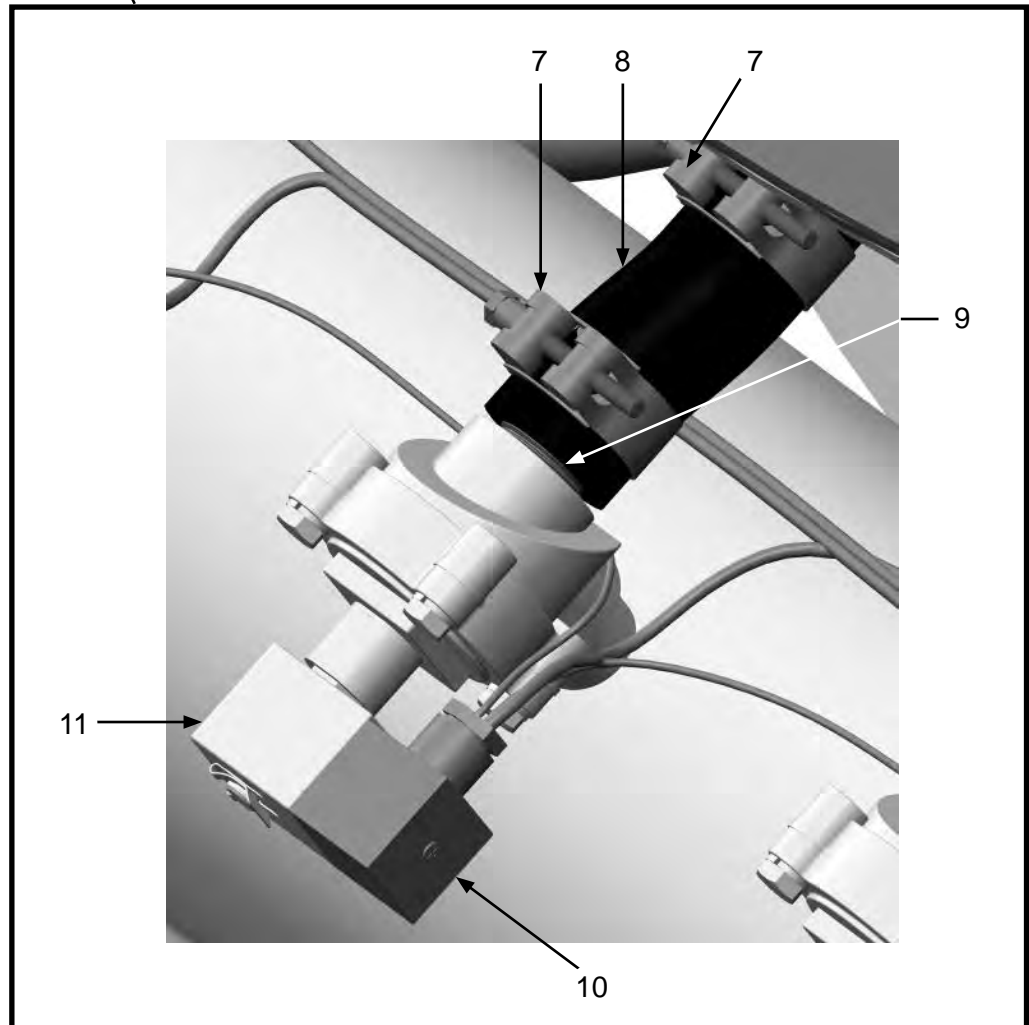
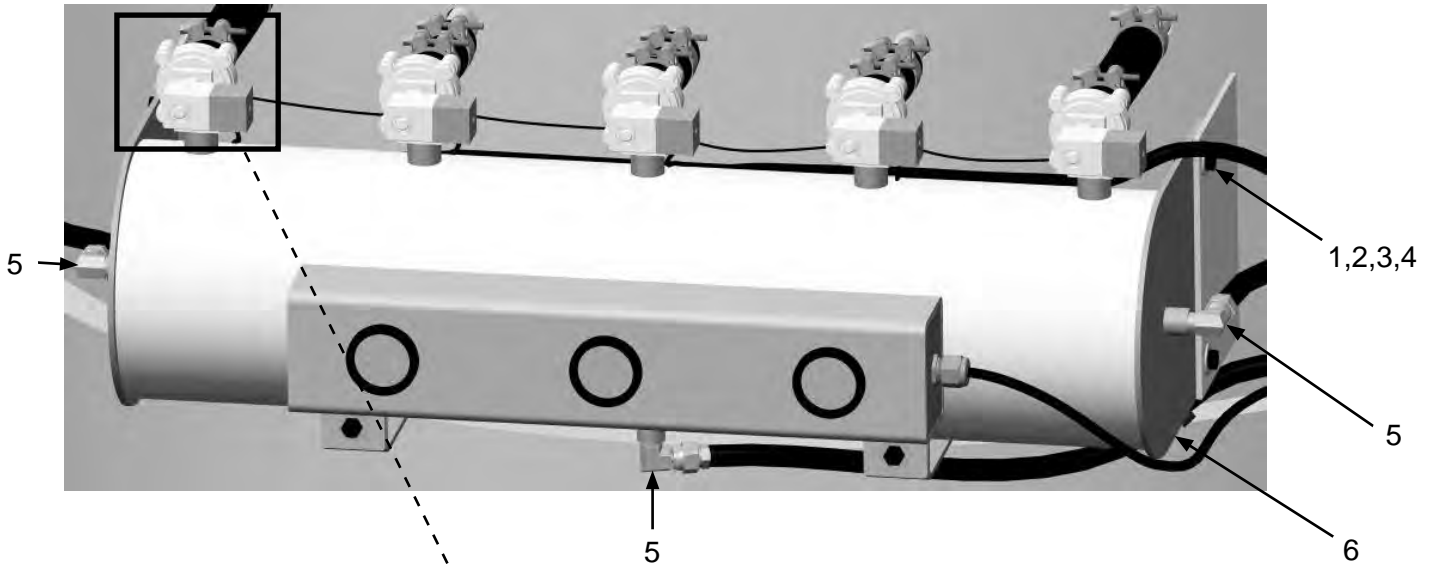
PART NUMBERS AND SCHEMATICS GUIDE

Pulser System Assembly

Item #	Part #	Description
Fig. 14		
1	10101942	3/8" Flat Washer – Galvanized (<i>Eight Required</i>)
2	10101936	3/8" Lock Washer – Zinc (<i>Four Required</i>)
3	1011747	3/8-16 x 1" Bolt (<i>Four Required</i>)
4	10101938	3/8-16 Hex Nut (<i>Four Required</i>)
5	20PFHA60UA0606	3/8" (M) x 3/8" (F) 90° Swivel Union
6	10104498	Vacuum Header
7	10103736	T-Bolt Hose Clamp For 1" I.D. (<i>10 Required</i>)
8	10106509	1" 75W Marine Hose – 100 psi
9	10104500	3/4" NPT x 1-1/2" Toe Nipple (<i>Five Required</i>)
10	10105287	Humphrey Din Connector (<i>Included with Item #16</i>) (<i>Five Required</i>)
11	10104666	3/4" Diaphragm Valve with Solenoid (<i>Five Required</i>)
—	10107192	Pilot Valve Repair Kit
—	10107193	Diaphragm Repair Kit

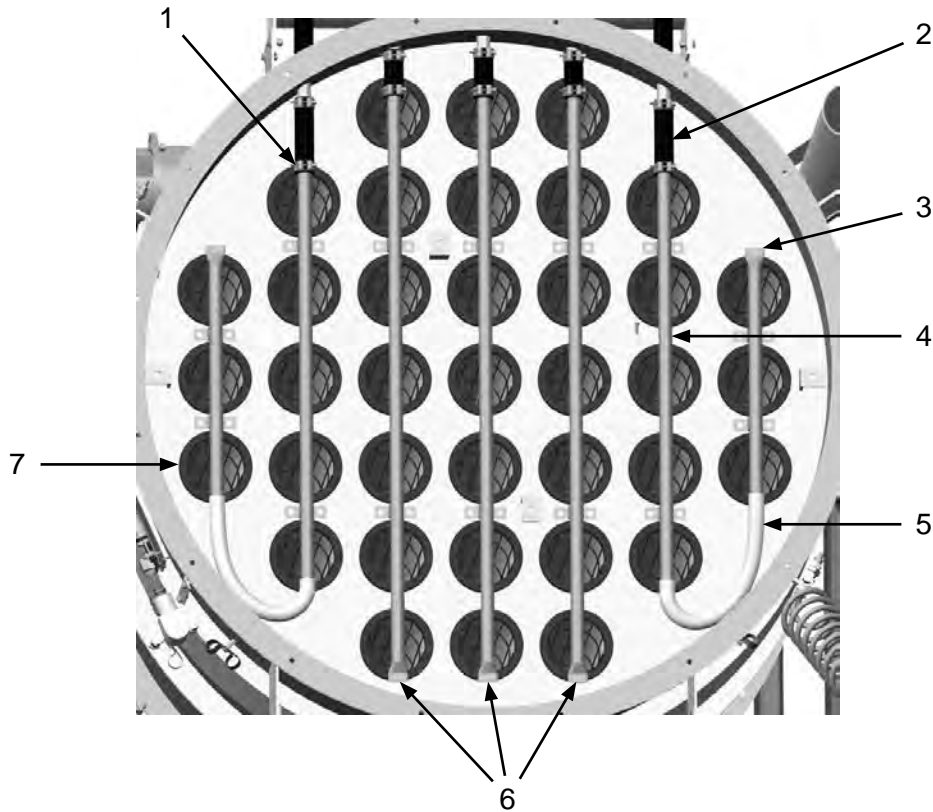
PART NUMBERS AND SCHEMATICS GUIDE

Figure 14: Pulser System Assembly



PART NUMBERS AND SCHEMATICS GUIDE

Figure 15: Filter Bag Blowpipes



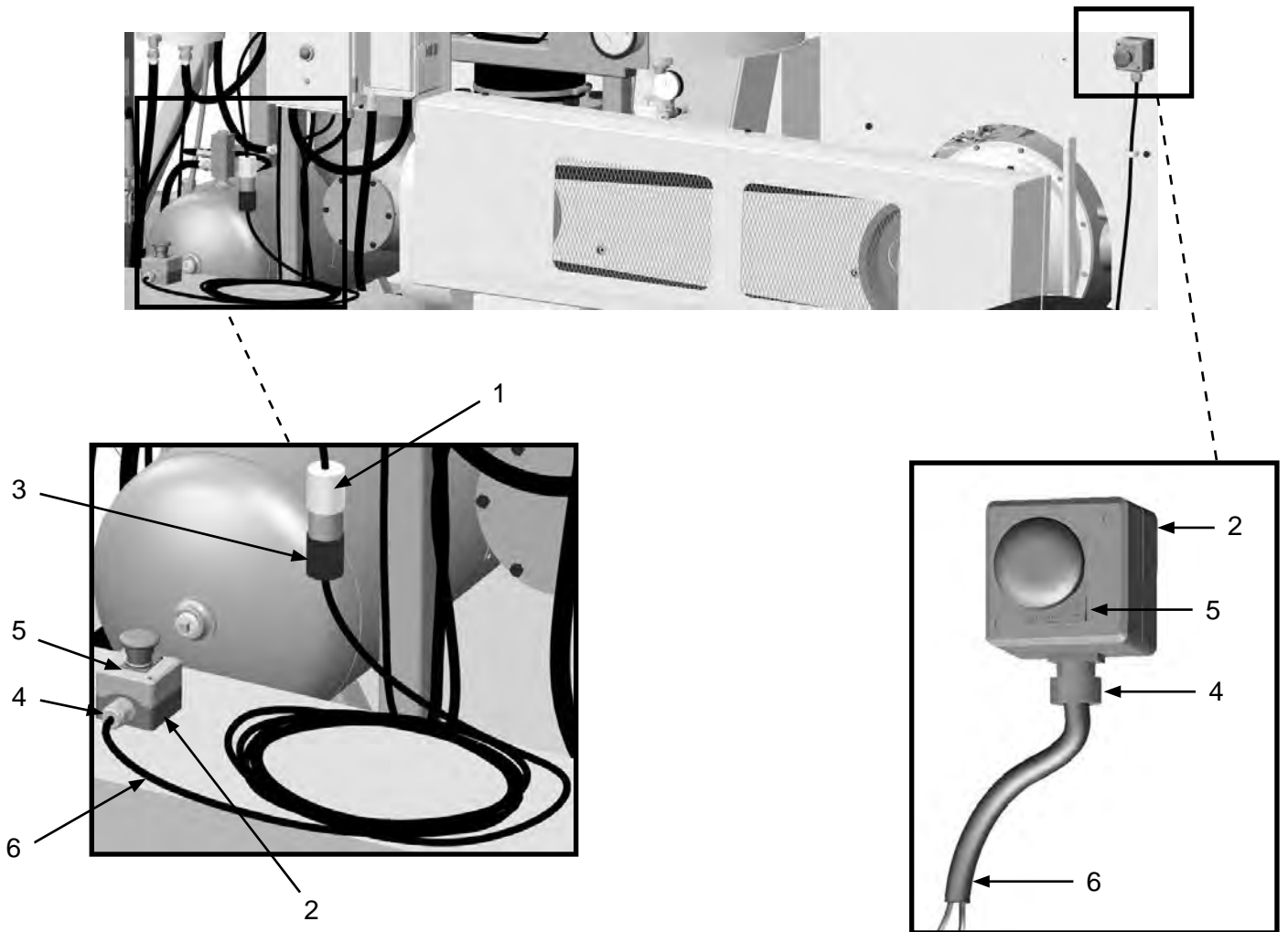
Item #	Part #	Description
--------	--------	-------------

Fig. 15

1	10103736	T-Bolt Hose Clamp For 1" I.D. (10 Required)
2	10106509	1" 75W Marine Hose – 100 psi
3	10104562	Pulser System Short Blowpipe (Two Required)
4	10104565	Pulser System Medium Blowpipe (Two Required)
5	10104680	1" Flexible Tubing for Blowpipes (Two Required)
6	10104567	Pulser System Long Blowpipe (Three Required)
7	10104633	Vacuum Baghouse Filter (37 Required)
—	10104634	Vacuum Baghouse Filter Cage (37 Required)

PART NUMBERS AND SCHEMATICS GUIDE

Figure 16: Emergency-Stop Stations



Item #	Part #	Description
--------	--------	-------------

Fig. 16

—	10107200	Remote Emergency-Stop Station <i>(Includes Item #'s: 2, 3, 4, 5, and 6 (100'))</i>
1	1015556	Female Twist Lock Plug – Three Prong
2	10104071	E-Stop Control Station
3	1015555	Male Twist Lock Plug – Three Prong
4	10104703	Cord Grip Nylon 1/2"-NPT .2-.47 Diameter
5	10104063	Legend Plate – Emergency Stop
6	1015540	16/2 Xtreme Duty Power Cord – Red <i>(Per Foot)</i>
—	1015009	8-32 x 1" Pan Head Phillips Screw <i>(Four Required)</i>
—	20000021	8-32 Zinc Nut <i>(Four Required)</i>
—	20000018	#8 Zinc Lock Washer <i>(Four Required)</i>
—	20000019	#8 Zinc Flat Washer <i>(Four Required)</i>

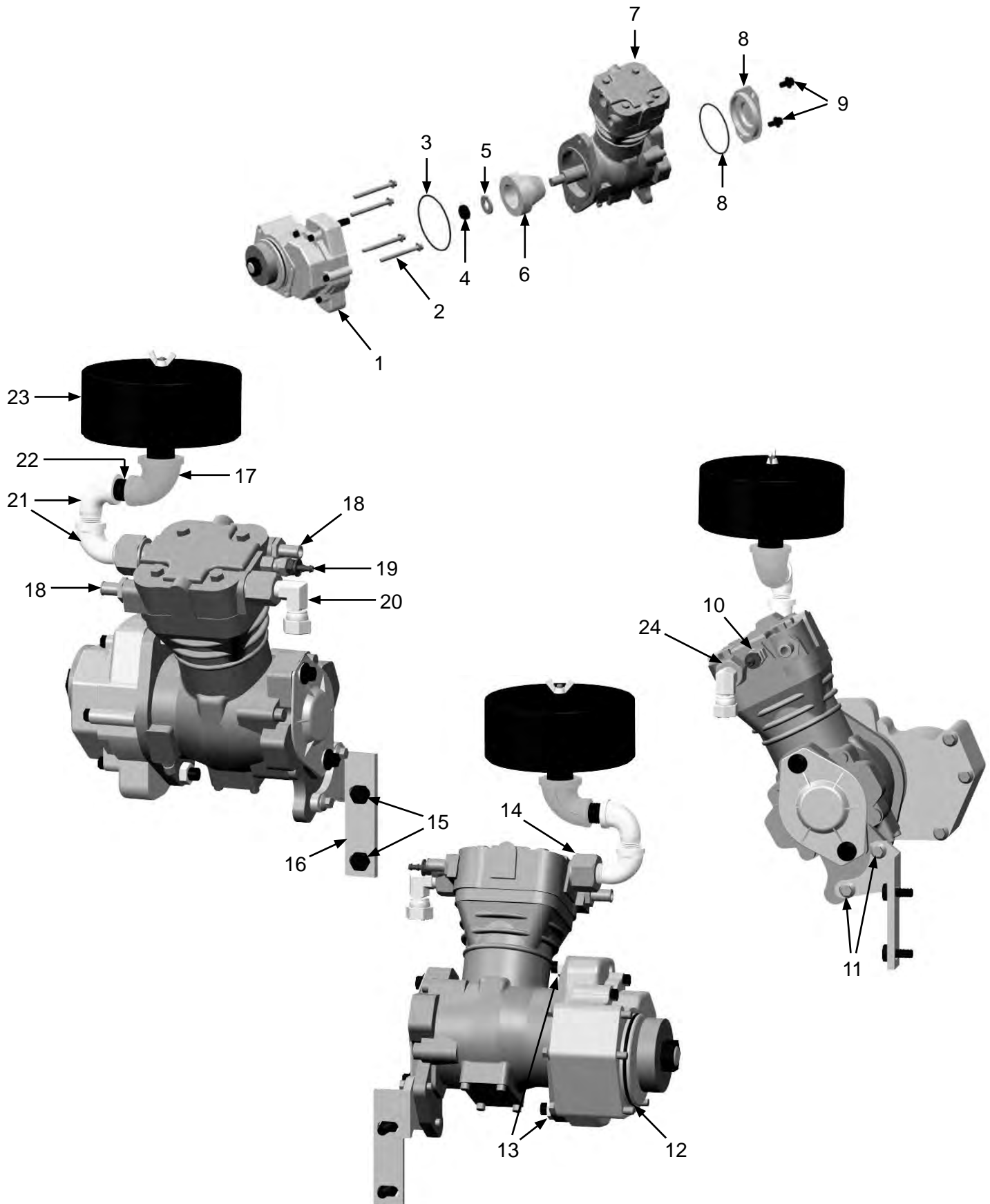
PART NUMBERS AND SCHEMATICS GUIDE

Compressor Assembly

Item #	Part #	Description
Fig. 17		
—	10106612	Compressor for Tier 4 Vacuum
1	10106030	Compressor to PTO Adapter
2	10106031	M8 x 80 Bolt <i>(Four Required)</i>
3	10106032	SAE A O-Ring
4	10101062	5/8-11 Hex Nut
5	10101061	5/8" Lock Washer
6	10106033	Compressor Gear
7	10106034	Compressor
8	10106035	SAE A 2-Bolt Cover With O-Ring
9	10106036	M8 x 16 Bolt <i>(Two Required)</i>
10	20PFHA60SA0204	1/8" (M) x 1/4" (F) Swivel Union
11	10106037	M8 x 25 Bolt <i>(Two Required)</i>
12	10106042	PTO O-Ring
13	10101941	1/2-13 Hex Nut <i>(Two Required)</i>
14	10106038	Metric Straight to NPT
15	10103615	M10 x 25MM Zinc Bolt <i>(Two Required)</i>
16	10106039	Compressor Bracket
17	10101002	1/2" x 1" 90° Elbow
18	10106040	Metric Straight to 1/2" Hose Barb <i>(Two Required)</i>
19	10PAF025	1/4" x 1/4" Push on Fitting
20	20PFHA60UA0808	1/2" (M) x 1/2" (F) 90° Swivel Union
21	10000057	1/2" x 1/2" Street Elbow <i>(Two Required)</i>
22	10L803035	Nipple
23	10105870	Filter Assembly <i>(Includes 10106362)</i>
24	10106041	Metric Straight to NPT
—	10106362	5 Micron Filter Element <i>(Replacement Filter for 10105870)</i>

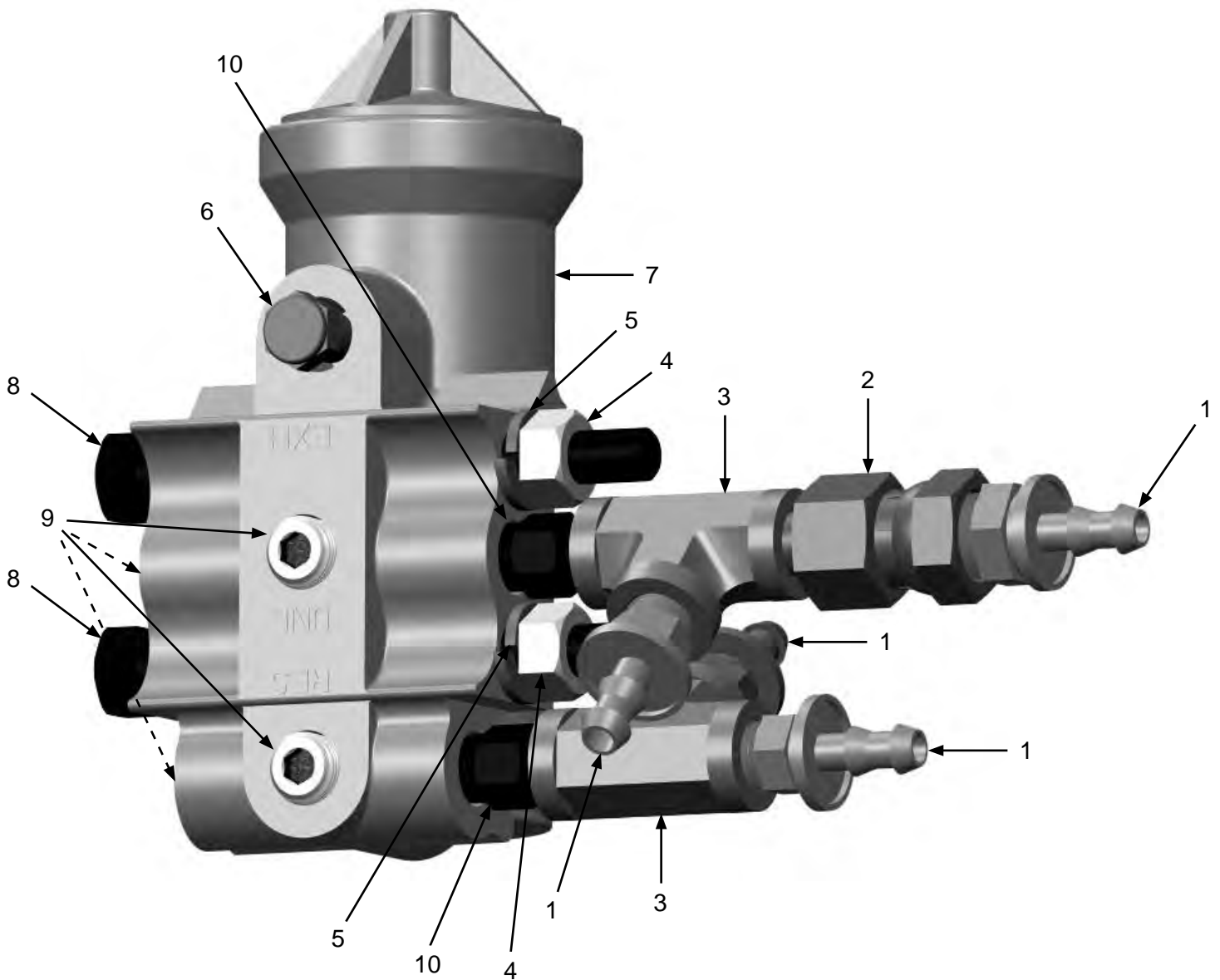
PART NUMBERS AND SCHEMATICS GUIDE

Figure 17: Compressor Assembly



PART NUMBERS AND SCHEMATICS GUIDE

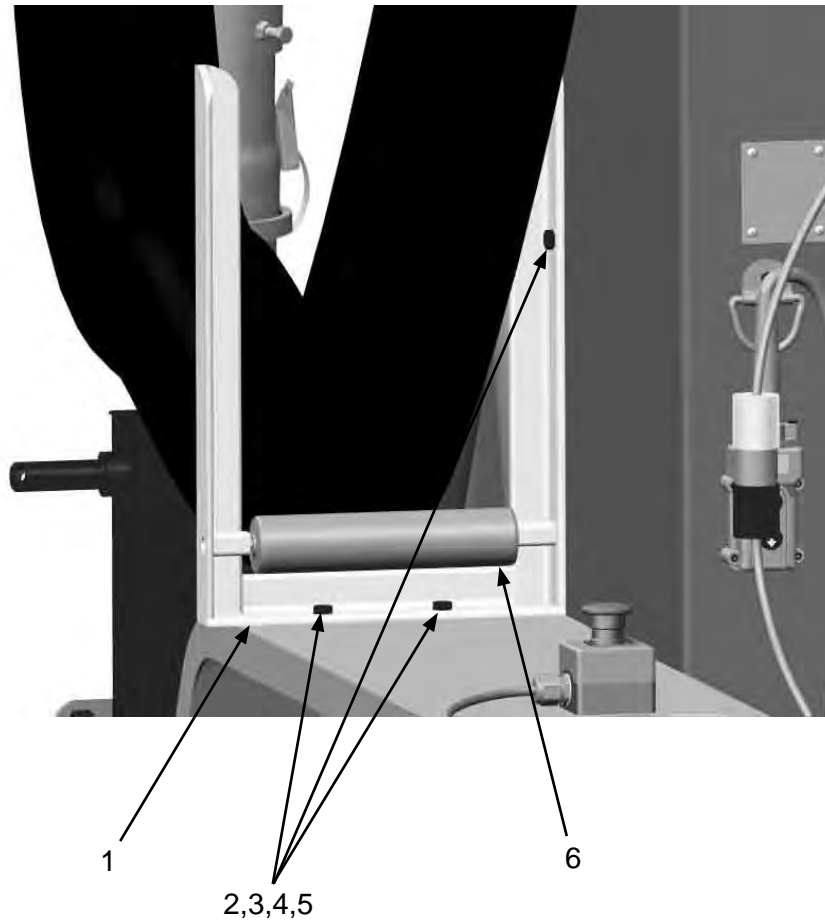
Figure 18: Compressor Governor



Item #	Part #	Description
Fig. 18		
1	10PAF025	1/4" x 1/4" Push-On Fitting (Four Required)
2	20PFHA60SA0204	1/8" (M) x 1/4" (F) Swivel Union
3	20PFHA25VJ02	1/8" Female Tee (Two Required)
4	1035046	5/16-18 Nut (Two Required)
5	10L805014	5/16" Lock Washer (Two Required)
6	1012905	1/8" Breather Muffler
7	10105816	Compressor Governor
8	1014112	5/16-18 x 3-1/4" Hex Bolt (Two Required)
9	10105717	1/8" Hollow Hex Pipe Plug Male (Four Required)
10	20PFHA24SA0202	1/8" Hex Nipple (Two Required)

PART NUMBERS AND SCHEMATICS GUIDE

Figure 19: Vacuum Hose Support Bracket



Item #	Part #	Description
--------	--------	-------------

Fig. 19

1	10105264	Vacuum Hose Bracket
2	1011747	3/8-16 x 1" Bolt – Zinc (<i>Three Required</i>)
3	10101942	3/8" Flat Washer – Galvanized (<i>Three Required</i>)
4	10101936	3/8" Lock Washer – Zinc (<i>Three Required</i>)
5	10101938	3/8-16 Hex Nut – Galvanized (<i>Three Required</i>)
6	10106374	1.9" Diameter Conveyor Roller – 9" Long

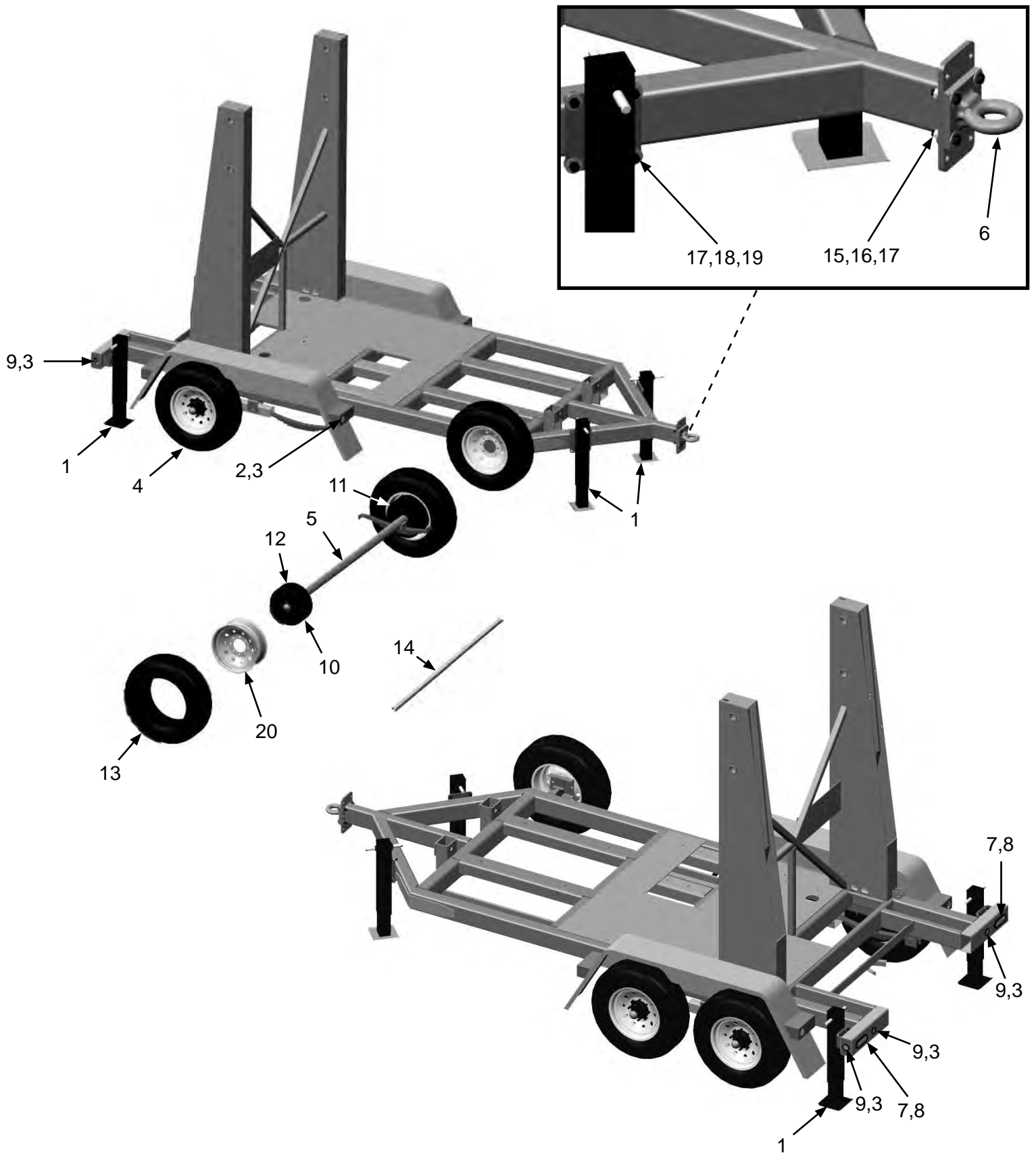
PART NUMBERS AND SCHEMATICS GUIDE

Trailer

Item #	Part #	Description
Fig. 20		
—	10104455	7 Ton Double Axle Trailer
1	10104082	10,000# Heavy Spring Loaded Jack <i>(Four Required)</i>
2	10104087	2" Round LED Amber Clearance Light <i>(Two Required)</i>
3	10104088	2" Round Rubber Grommet <i>(Six Required)</i>
4	10104089	16 - 8 Hole Pattern Rim with Tire <i>(Four Required)</i>
5	10106084	7,000# Axle With Electric Brakes, Complete with Hubs and Springs 89" HF x 71" SC
6	10104079	Pintle Hitch with Flat Plate
7	10104085	Oval Rubber Grommet <i>(Two Required)</i>
8	10104084	Oval LED Red Tail Light <i>(Two Required)</i>
9	10104086	2" Round LED Red Clearance Light <i>(Four Required)</i>
10	10106086	Axle Hub Only – No Bearings or Seal <i>(Two Required)</i>
11	10106088	Right-Hand Electric Brake Assembly <i>(Two Required)</i>
12	10106087	Left-Hand Electric Brake Assembly <i>(Two Required)</i>
13	10104096	Tire – ST235/85R/16 – 14-ply <i>(Four Required)</i>
14	10106085	Axle Beam/Tube Only
15	10105746	5/8 x 2-1/2" Grade 8 Bolt <i>(16 Required)</i>
16	10105747	5/8 Reverse Lock Nut <i>(16 Required)</i>
17	10103398	5/8" Flat Washer <i>(40 Required)</i>
18	10103397	5/8 x 2" Grade 8 Bolt <i>(Four Required)</i>
19	10103393	5/8 Reverse Lock Nut <i>(Four Required)</i>
20	10107126	16 x 6 8-Hole White Rim
—	10105826	Redline 12V - 5AH Battery Sealed
—	10104081	Breakaway Kit
—	10104142	Wire Harness – Complete <i>(Front, Middle & Rear)</i>
—	10105827	Breakaway Switch with Pin
—	10104769	3/8" x 41" Safety Chain with Hook
—	10103879	2" x 6" x 6" Red/White Conspicuity Tape
—	10105829	Cable with Plug
—	10107329	Sidewind Crank
—	109V582	Operator's Manual – Behnke Trailer

PART NUMBERS AND SCHEMATICS GUIDE

Figure 20: Trailer



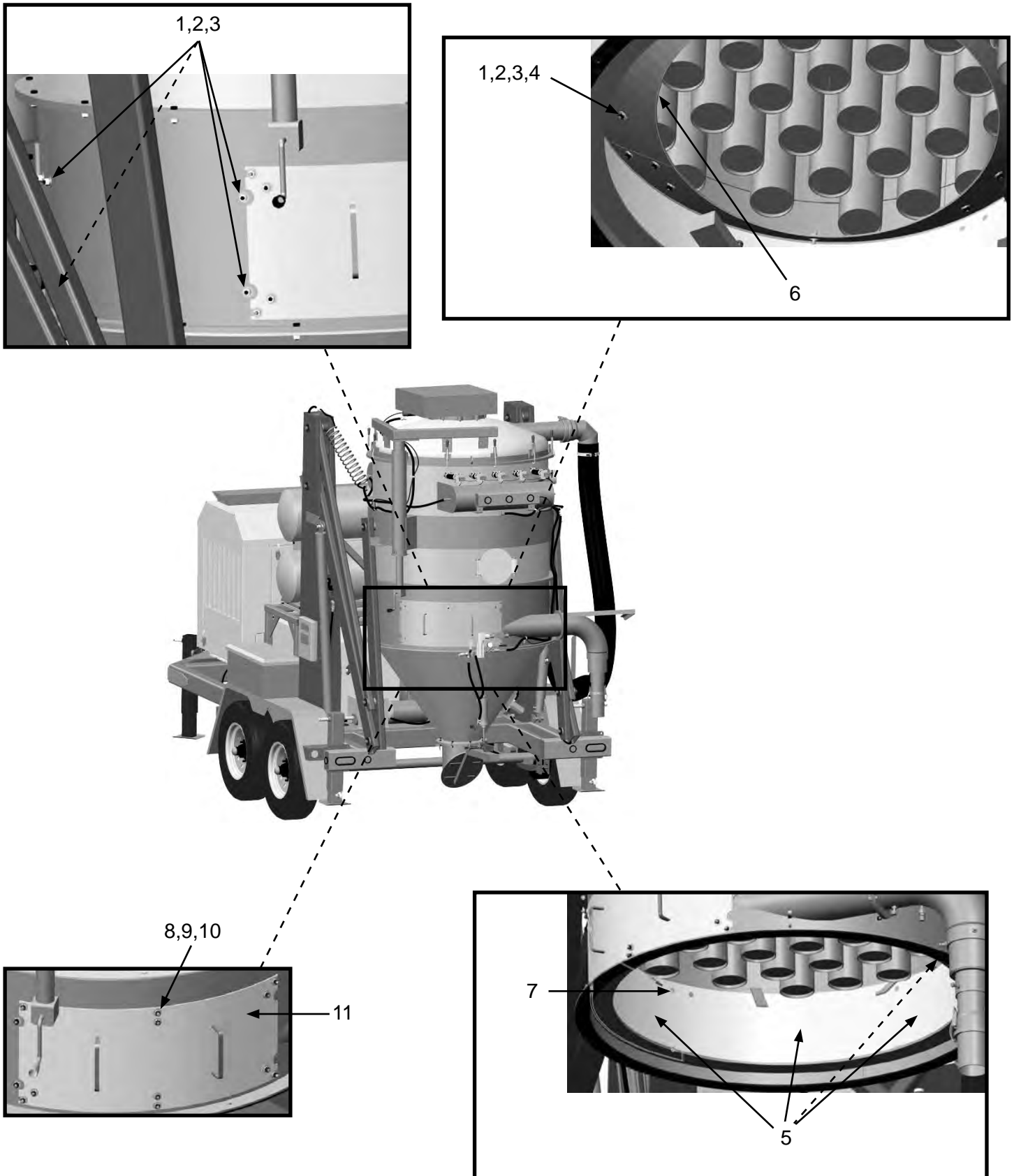
PART NUMBERS AND SCHEMATICS GUIDE

Wear Plates and Baffles

Item #	Part #	Description
Fig. 21		
1	10101942	3/8" Flat Washer – Galvanized (35 Required)
2	10101936	3/8" Lock Washer – Zinc (35 Required)
3	10101938	3/8-16 Hex Nut (35 Required)
4	1011747	3/8-16 x 1" Bolt (15 Required)
5	10104489	Vacuum Wear Plates (Four Required)
6	10104490	Vacuum Baffle (Three Required)
7	10104705	3/8-16 FH Square Neck x 1" Bolt Zinc (16 Required)
8	10101938	3/8-16 Hex Nut Galvanized (Six Required)
9	10101942	3/8" Flat Washer – Galvanized (20 Required)
10	10101936	3/8" Lock Washer – Zinc (16 Required)
11	10106511	Vacuum Wear Door Assembly (See Figure 2)

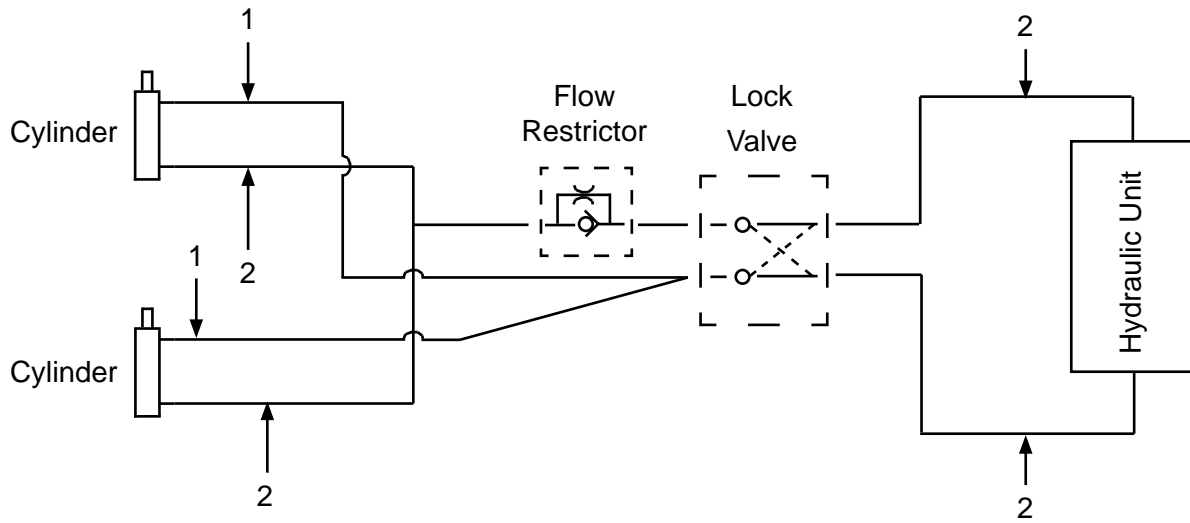
PART NUMBERS AND SCHEMATICS GUIDE

Figure 21: Wear Plates and Baffles



PART NUMBERS AND SCHEMATICS GUIDE

Figure 22: Hydraulic Hoses



Item #	Part #	Description
--------	--------	-------------

Fig. 22

1	10104664	Hydraulic Hose – 3/8" I.D. x 8' – 2600 psi
2	10104663	Hydraulic Hose – 3/8" I.D. x 5' – 2600 psi



OPTIONAL ACCESSORIES








Part Numbers

VACUUM HOSE							
Part Numbers	Vacuum Hose I.D.	Length	Vacuum HG	Cover Material	Reinforcement Material	Liner	Hose Color
10VH11250	1-1/2"	50 Ft.	29"	Pliovic®	Pliovic® PVC Helix	Polyurethane	Black
10VH225	2"	25 Ft.	29"	Pliovic®	Pliovic® PVC Helix	Polyurethane	Blue
10VH250	2"	50 Ft.	29"	Pliovic®	Pliovic® PVC Helix	Polyurethane	Blue
10VH200	2"	100 Ft.	29"	Pliovic®	Pliovic® PVC Helix	Polyurethane	Blue
10VH2550	2-1/2"	50 Ft.	29"	Pliovic®	Pliovic® PVC Helix	Polyurethane	Blue
10VH325	3"	25 Ft.	29"	Pliovic®	Pliovic® PVC Helix	Polyurethane	Blue
10VH350	3"	50 Ft.	29"	Pliovic®	Pliovic® PVC Helix	Polyurethane	Blue
10VH300	3"	100 Ft.	29"	Pliovic®	Pliovic® PVC Helix	Polyurethane	Blue
10VH425	4"	25 Ft.	29"	Pliovic®	Pliovic® PVC Helix	Polyurethane	Blue
10VH450	4"	50 Ft.	29"	Pliovic®	Pliovic® PVC Helix	Polyurethane	Blue
10VH400	4"	100 Ft.	29"	Pliovic®	Pliovic® PVC Helix	Polyurethane	Blue
10VH525	5"	25 Ft.	29"	Pliovic®	Pliovic® PVC Helix	Polyurethane	Blue
10VH550	5"	50 Ft.	29"	Pliovic®	Pliovic® PVC Helix	Polyurethane	Blue
10VH500	5"	100 Ft.	29"	Pliovic®	Pliovic® PVC Helix	Polyurethane	Blue
10VH625	6"	25 Ft.	25"	Pliovic®	Pliovic® PVC Helix	Polyurethane	Blue
10VH650	6"	50 Ft.	25"	Pliovic®	Pliovic® PVC Helix	Polyurethane	Blue
10VH600	6"	100 Ft.	25"	Pliovic®	Pliovic® PVC Helix	Polyurethane	Blue
10VH825	8"	25 Ft.	25"	Pliovic®	Pliovic® PVC Helix	Polyurethane	Blue
10VH850	8"	50 Ft.	25"	Pliovic®	Pliovic® PVC Helix	Polyurethane	Blue

OPTIONAL ACCESSORIES

		VACUUM HOSE REDUCERS	
Part Numbers		Size	
	10106712	8" x 4"	
	10106716	6" x 4"	

		WYE ADAPTERS	
Part Numbers		Size	
	10106719	4" x 2" x 2"	
	10107485	6" x 2" x 2"	
	10106723	6" x 4" x 4"	
	10106727	8" x 4" x 4"	

		VACUUM HOSE MENDERS			
Part Numbers		Vacuum Hose I.D.	Mender Length	Thickness	Material
	10HM2	2"	8"	1/8"	Steel
	10HM3	3"	9"	1/8"	Steel
	10HM4	4"	10"	1/8"	Steel
	10HM5	5"	11"	1/8"	Steel
	10HM6	6"	12"	1/8"	Steel
	10HM8	8"	14"	1/8"	Steel

PART NUMBERS

VACMASTER® 15T TIER III DIESEL ABRASIVE VACUUMS

	Engine Type	Filter Cartridge Style	
Part Numbers	Tier III	Acrylic-Coated Filter Bags	Filter Cartridge Quantity
10104718	X	X	37



SPECIFICATIONS

Performance:	MAX 2367 CFM
Filter Cartridge Style:	Acrylic-Coated Filter Bags 37 Required
Filter Cleaning:	Pulse System, 25–30 second intervals. Pulse Duration: 200–350 millisecond
Vacuum	27" Hg
Ducting Connections:	6" I.D. Inlet with 4" adapter
Inspection Ports:	One 10" Viewable to Filters with access ports to hopper
Material Removal:	Automatic Direct Dump
Blower:	Rotary lobe, positive displacement with jet inlet
Engine:	Diesel, Tier III, 174 Horsepower
Fuel Capacity:	Capacity: 116 Gallons Type: Diesel
Air Compressor:	On Board 13 CFM
Electrical System:	12-Volt DC
Engine Protection:	Engine Monitoring System with automatic shutdown
Fluid Specifications:	Hydraulic Oil: H46 or equivalent, 2 gallon capacity Diesel Fuel: See Engine Operator's Manual for type Grease/Lubricator: Shell Alvania Grease EP or equivalent Alcohol Evaporator: Alcohol 99 Isopropyl, 32 oz. capacity Vibrator Lubricator: 4 oz. pneumatic air tool oil Blower Oil: ROOTS™ synthetic lubricating oil
Unit Dimensions:	Weight: 11,250 pounds (empty) Length: 19' 7" Width: 7' 10" Height: 11' 6" Raised Height: 19' Dump Clearance: 8'

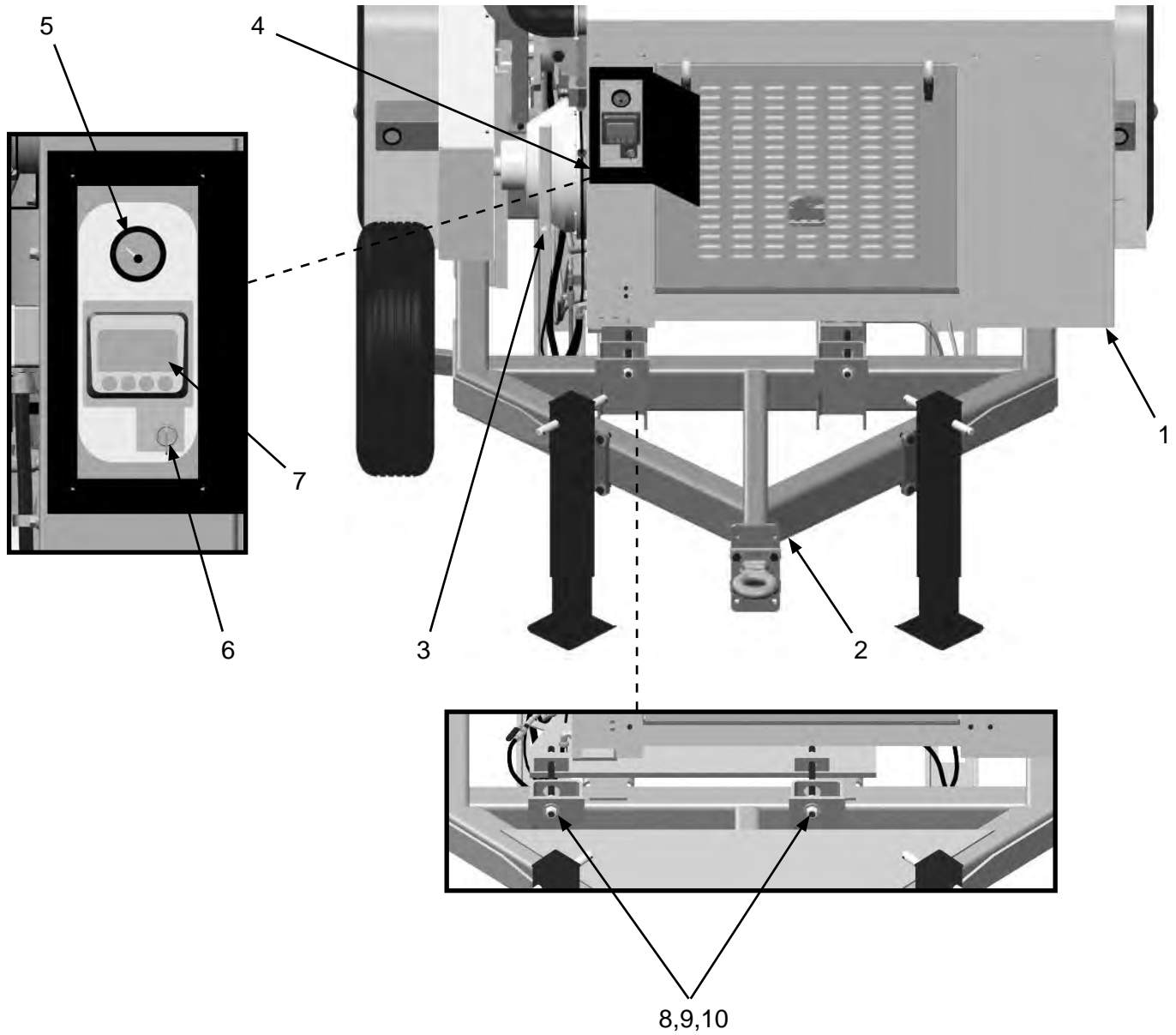
PART NUMBERS AND SCHEMATICS GUIDE

Front Assembly

Item #	Part #	Description
Fig. 1		
1	10103494	Perkins Engine 174 Hp Tier III
2	10104455	Trailer <i>(See Figure 21)</i>
3	10103986	Clutch
4	10103972	Engine Control Panel
5	10104821	Wema Analog Fuel Level Gauge
6	10103974	Key Switch
—	10103970	Perkins Key
7	10103969	Murphy PowerView
8	10103440R	3/4-10 UNC Grade 8 Draw Bolt <i>(Two Required)</i>
9	10103418	Washer – 3/4" – Grade 8 <i>(Four Required)</i>
10	10103420	3/4-10 UNC Grade 8 Nut <i>(Four Required)</i>
—	10104126	Oil Filter
—	10103958	Primary Fuel Filter
—	10104117	Secondary Fuel Filter
—	10106547	Fuel Filter Water Bowl
—	10104130	Outer Air Filter
—	10104131	Inner Air Filter
—	1091147	Vacmaster® Abrasive Vacuum Label Set
—	105M132	Features & Specifications Guide – Vacmaster® 15T Tier III Diesel Abrasive Vacuums
—	106M132	Part Numbers & Schematics Guide – Vacmaster® 15T Tier III Diesel Abrasive Vacuums
—	109V039	Operator's Manual – Murphy PowerView®
—	109V044	Operator's Manual – Perkins® Engine
—	1090132	Operator's Manual – Vacmaster® 15T Tier III Diesel Abrasive Vacuums

PART NUMBERS AND SCHEMATICS GUIDE

Figure 1: Front Assembly



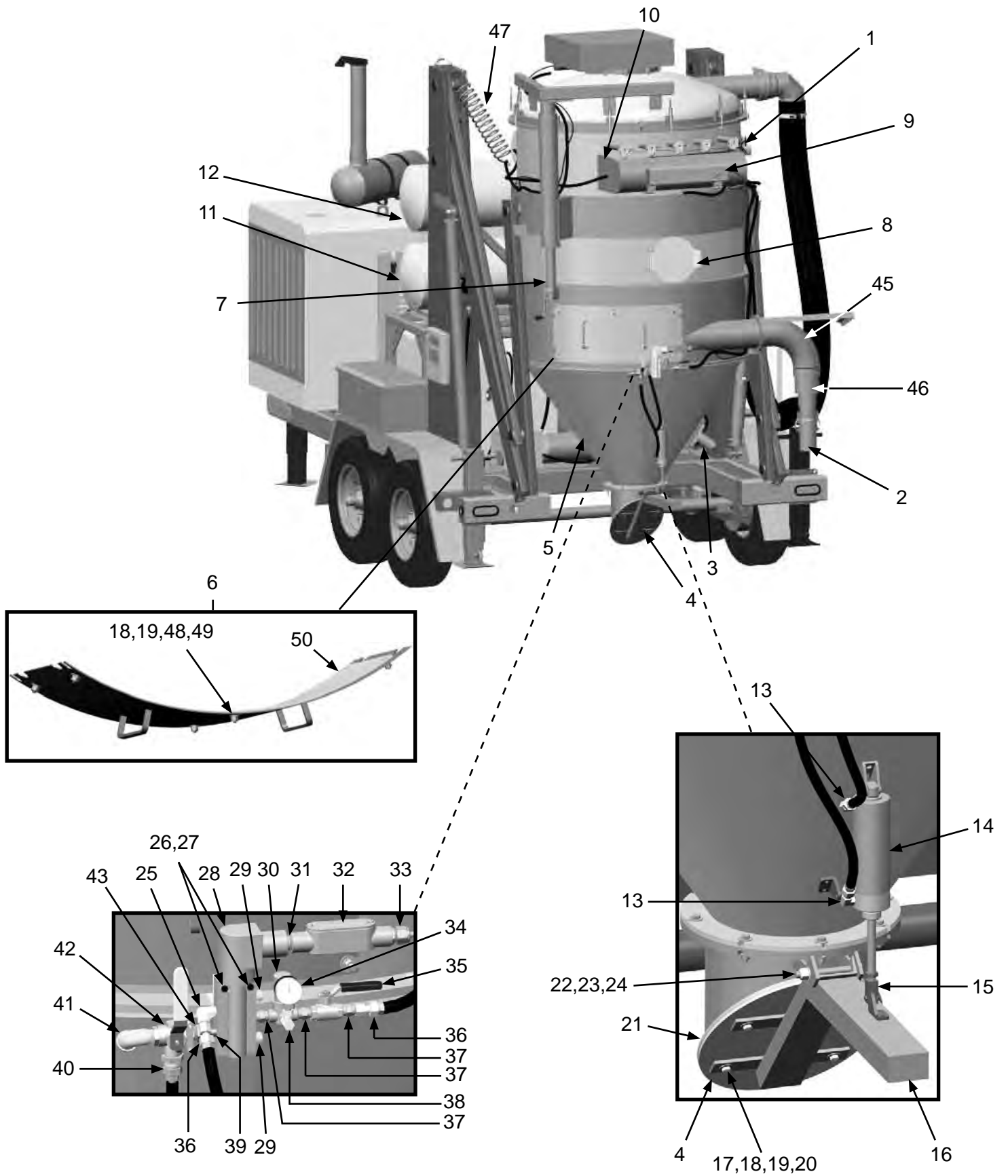
PART NUMBERS AND SCHEMATICS GUIDE

Rear Assembly

Item #	Part #	Description	Item #	Part #	Description
Fig. 2			26	1019044	1/4-20 x 1-3/4" Zinc Bolt <i>(Two Required)</i>
1	10104673	0-50" Differential Pressure Gauge	27	1012323	1/4-20 Zinc Lock Nut with Nylon Insert <i>(Two Required)</i>
2	10105042	4" Quick Disconnect Coupling	28	10104670	Solenoid
3	10104665	APV Series Piston Vibrator	29	1019024	Breather Vent
4	10104506	Dump Door	30	10104676	Series MPR Mini Pressure Relief
5	10104411	Vacuum Hopper Cone	31	10L803035	1/2" Close Nipple
6	10106511	Vacuum Wear Door Assembly <i>(Includes Item #'s: 18, 19, 48, 49, and 50)</i>	32	1019025	1/2" Straight Conduit Body
7	10104638	Bulldog Trailer Jack	33	10104703	Cord Grip 1/2" Nylon .2-.47 Diameter
8	10104439	Knappco Hatch	34	10104678	Pressure Gauge 100 psi 1/8"
9	10105334	Vacuum Light Bar	35	1080050	1/4" Ball Valve
10	10104498	Vacuum Header	36	20PFHA60SG0406	1/4" (F) x 3/8" (F) Swivel Union <i>(Two Required)</i>
11	10104459	Blower Exhaust Silencer	37	20PFHA24SA0404	1/4" Hex Nipple <i>(Three Required)</i>
12	10104461	Blower Intake Silencer	38	1014239	1/8" x 1/8" 90° Fitting
13	20PFHA60UA0406	1/4" (M) x 3/8" (F) 90° Swivel <i>(Two Required)</i>	39	1011210	1/4" NPT x 1 1/2" Nipple
14	10104667	Pneumatic Cylinder – 2.5"	40	20PFHA60SA0806	1/2" (M) x 3/8" (F) Swivel Union
15	10104668	Piston Rod Clevis	41	1011819	1/2" Street Elbow
16	10104507	Dump Arm	42	20100571	1/2" NPT 3-Way Brass Ball Valve
17	10104234	3/8-16 x 1-1/4 Hex Bolt Zinc <i>(Four Required)</i>	43	1011818	1/2" x 1/4" Galvanized Bushing
18	10101942	3/8" Flat Washer – Galvanized <i>(20 Required)</i>	44	10104486	Vacuum Lid Overcenter Clamp <i>(12 Required)</i>
19	10101936	3/8" Lock Washer – Zinc <i>(16 Required)</i>	45	10104546	Inlet Elbow Weldment
20	1012318	3/8-16 Hex Nut <i>(Four Required)</i>	46	10104550	Inlet Adapter Weldment
21	10104512	Dump Door Gasket	47	10104679	3/8" (M) Swivel Recoil AH 225 psi
—	10104511	Dump Door Internal Plate	48	10101938	3/8-16 Hex Nut – Galvanized <i>(12 Required)</i>
22	20100160	1/2-13 x 4-1/2" Zinc Hex Bolt	49	10104705	3/8-16 FH SQ Neck x 1" Bolt Zinc <i>(12 Required)</i>
23	10100674	1/2" Flat Washer <i>(Two Required)</i>	50	10105189	Wear Door Liner
24	20100124	1/2-13 Hex Lock Nut – Zinc	—	109V521	Operator's Manual – Blower
25	20PFHA25UA0404	1/4" Male 90° Elbow			

PART NUMBERS AND SCHEMATICS GUIDE

Figure 2: Rear Assembly



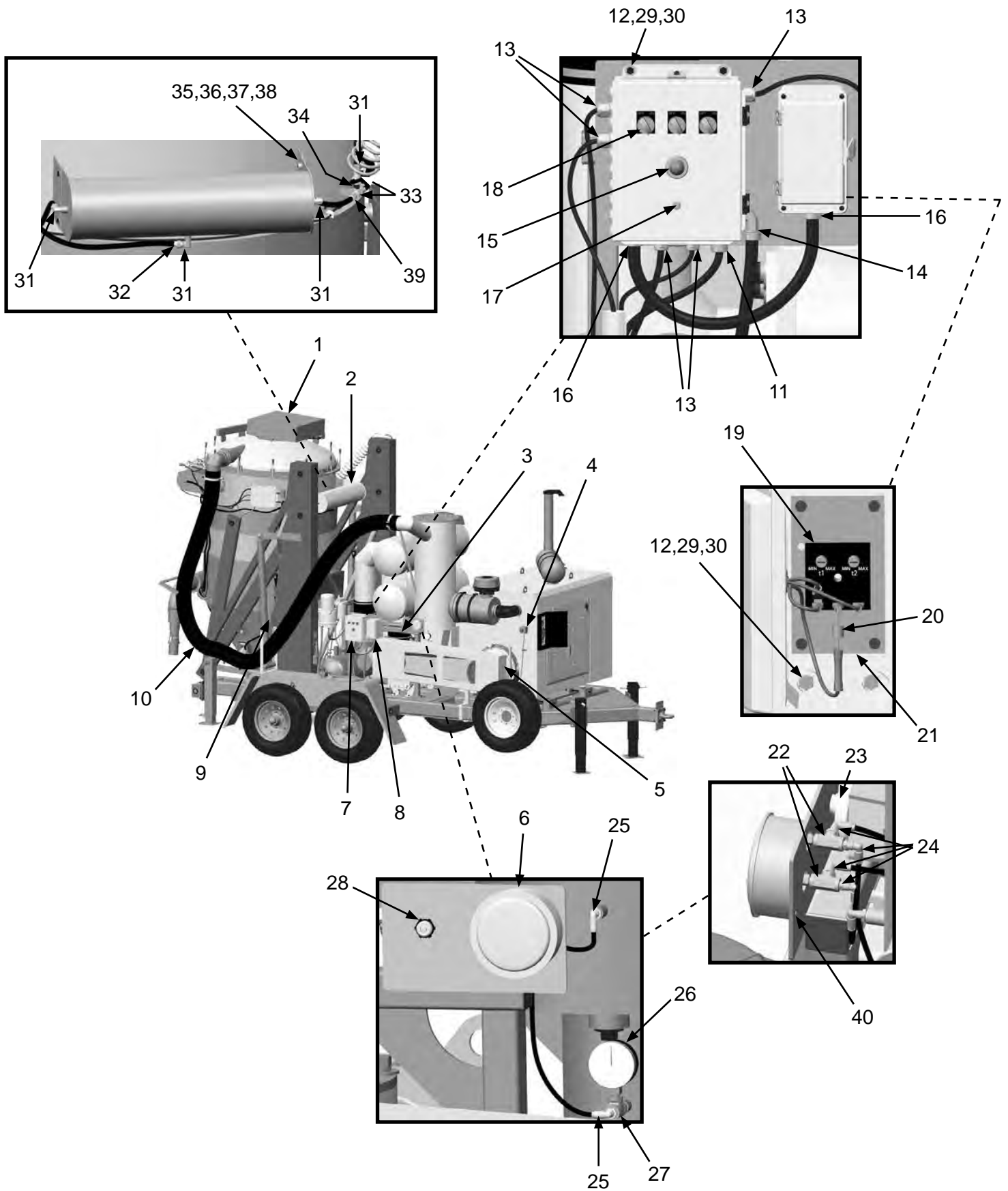
PART NUMBERS AND SCHEMATICS GUIDE

Right Side Front Assembly

Item #	Part #	Description
Fig. 3		
1	10104559	Vacuum Butterfly Cover
2	10104493	Vacuum Aux Header
3	10104456	Blower Top Shaft Left Discharge
4	10104071	E-Stop Control Station
5	10104579	Vacuum Belt Guard Cover
6	10104673	0–50" Differential Pressure
7	10104614	10" x 8" x 4" Nema 4 Enclosure
8	10104615	8" x 4" x 5" Fiberglass Latch Enclosure
9	10104674	Lubricator 1/2" NPT 156 CFM <i>(See Figure 5)</i>
10	10VH620B	6" I.D. Vacuum Hose 20' Section
11	20RCG5050	1/2" NPT x .5–.625 Diameter Cord Grip
12	20100125	1/4-20 x 3/4" Zinc Hex Bolt <i>(Eight Required)</i>
13	10104703	1/2" NPT x .2–.47 Diameter Nylon Cord Grip <i>(Three Required)</i>
14	20RST9050	90° Liquid Tite Connection Fitting
15	10104692	12-Volt Pilot Light – Red
16	20RST50	Straight Liquid Tite Connection Fitting <i>(Two Required)</i>
17	10104686	10 Amp Circuit Breaker
18	10103305	Selector Switch – 2-Way <i>(Three Required)</i>
19	10106818	Vacuum Control Timer
20	10104109	6 Amp 50-Volt Rectifier
21	10105193	Enclosure Panel for 10104614
22	20PFHA25VJ02	1/8" Female Tee <i>(Two Required)</i>
23	10104672	Differential Pressure Switch
24	20100579	1/4" O.D. Tube x 1/8" NPT PTC Swivel <i>(Four Required)</i>
25	20PFBA31095614	1/4" Tube x 1/4" NPT 90° Fitting <i>(Two Required)</i>
26	10104677	Liquid Filled Vacuum Gauge
27	1011844	1/4" Pipe Tee – Galvanized
28	10104073	Panel Lock Nut – 1/2"
29	10101940	1/4" Flat Washer – Galvanized <i>(Four Required)</i>
30	10101939	1/4-20 Stainless Steel Lock Nut with Nylon Insert <i>(Four Required)</i>
31	20PFHA60UA0606	3/8" (M) x 3/8" (F) 90° Swivel Union <i>(Four Required)</i>
32	10103631	3/8" Barb x 3/8" NPTF Brass <i>(Seven Required)</i>
33	1011809	3/8" NPT Tee <i>(Two Required)</i>
34	1011209	3/8 NPT Close Nipple
35	1011747	3/8-16 x 1" Bolt – Zinc <i>(Four Required)</i>
36	10101942	3/8" Flat Washer – Galvanized <i>(Four Required)</i>
37	10101936	3/8" Lock Washer – Zinc <i>(Four Required)</i>
38	10101938	3/8"-16 Hex Nut – Galvanized <i>(Four Required)</i>
39	20PFHA60SA0606	Union Swivel 3/8" (M) x 3/8" (F) <i>(Two Required)</i>
40	10104048	6-32 x 3/8" L Pan Head Machine Screw <i>(Three Required)</i>
10	Vacmaster® 15T Tier III Diesel Abrasive Vacuums	

PART NUMBERS AND SCHEMATICS GUIDE

Figure 3: Right Side Front Assembly



PART NUMBERS AND SCHEMATICS GUIDE

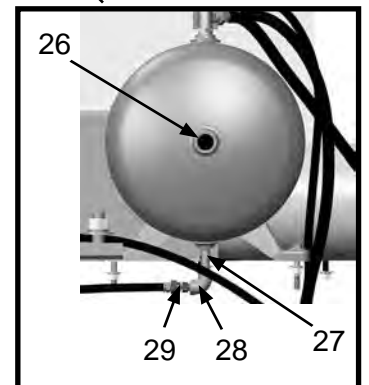
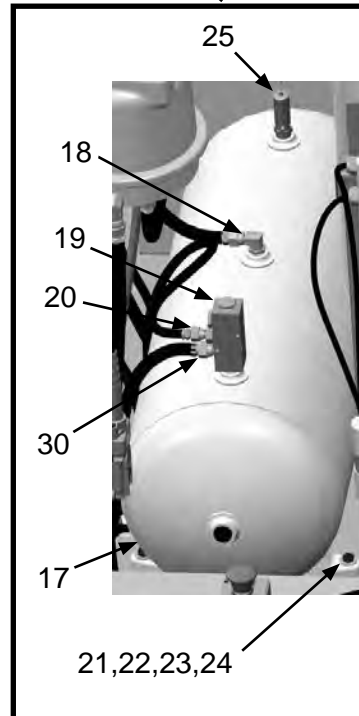
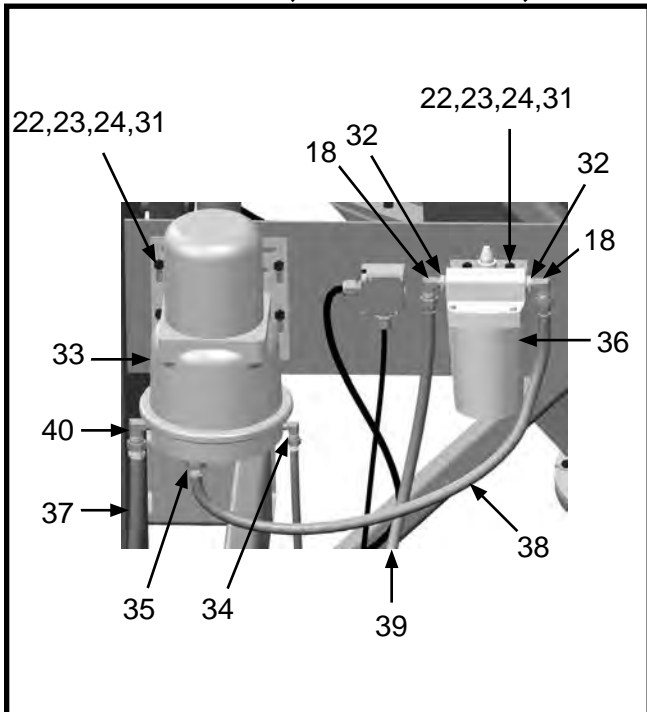
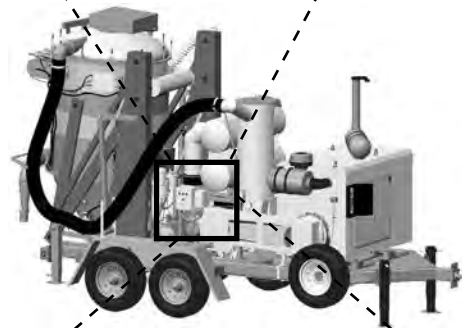
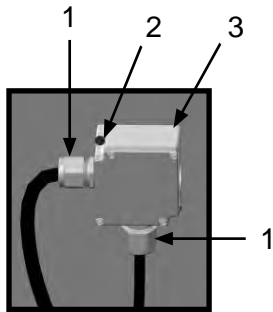
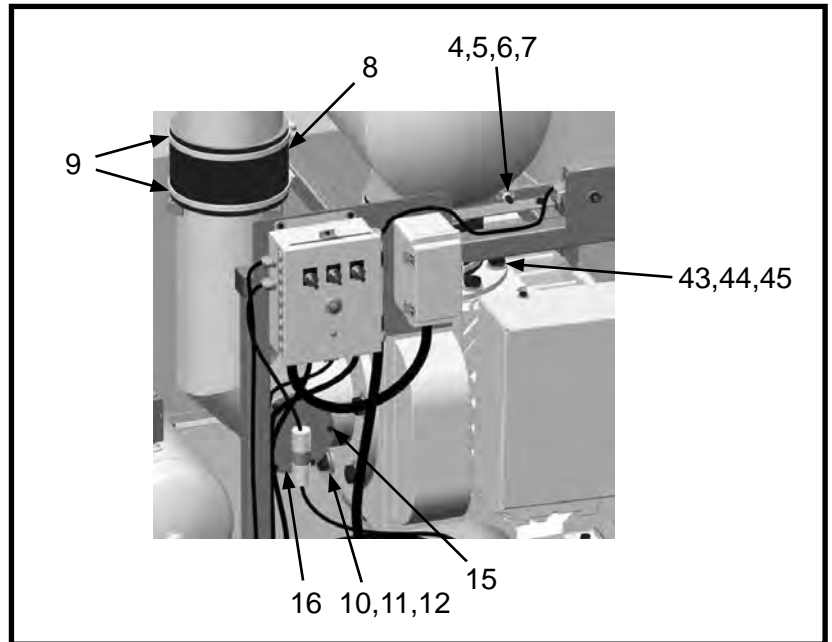
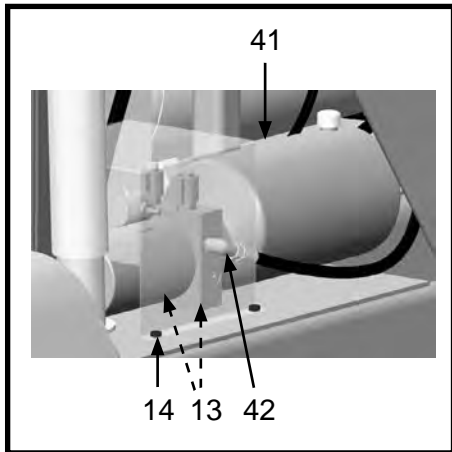
Right Side Center Assembly

Item #	Part #	Description
Fig. 4		
1	10104703	1/2" NPT x .2-.47 Diameter Nylon Cord Grip (Two Required)
2	20000031	8-32 x 1-1/2" Machine Screw (Two Required)
3	10105897	Terminal Box
4	10101943	1/2-13 x 1-3/4" Hex Bolt (Eight Required)
5	10100674	1/2" Flat Washer (16 Required)
6	10100675	1/2" Lock Washer (Eight Required)
7	10101941	1/2-13 Hex Nut (Eight Required)
8	10104774	10-3/4" I.D. Hose (Two Required)
9	10103416	Banding Clamp (Four Required)
10	10104715	7/8-9 x 2" Grade 5 Bolt
11	10104716	7/8" Flat Washer – Zinc
12	10104717	7/8" Lock Washer – Zinc
13	20100195	3/8-16 x 1" Bolt (Two Required)
14	10103400	3/8-16 x 3/4" Bolt (Four Required)
15	1035045	5/16-18 x 1" Bolt (Six Required)
16	10103235	Cover
17	10104610	Compressed Air Tank – 15 Gallon
18	20PFHA60UA0606	3/8" (M) x 3/8" (F) 90° Swivel Union (Three Required)
19	10104618	3 Outlet Pressure Manifold
20	20PFHA60SA0604	3/8" (M) x 1/4" (F) Swivel Union (Two Required)
21	1028617	3/8-16 x 1-3/4" Shoulder Bolt (Four Required)
22	10101942	3/8" Flat Washer (48 Required)
23	10101936	3/8" Lock Washer – Zinc (15 Required)

Item #	Part #	Description
24	1012318	3/8-16 Hex Nut (15 Required)
25	10104681	1/2" NPT Pressure Relief Valve
26	10DSHP75	3/4" Square Head Pipe Plug (Two Required)
27	1011217	Galvanized 1/4" x 2" Nipple
28	1011832	Galvanized 1/4" 90° Elbow
29	10SME025	1/4" NPT x 1/4" (F) Straight Swivel
30	20PFHA60SA0606	3/8" (M) x 3/8" (F) Swivel Union
31	20100195	3/8-16 x 1" Bolt (12 Required)
32	20PFHA24SB0806	1/2" x 3/8" Reducing Bushing (Three Required)
33	10104611	Haldex Air Dryer
34	1012326	1/4" (M) x 1/4" (F) 90° Swivel Union
35	20PFHA60SA0806	1/2" (M) x 3/8" (F) Swivel Union
36	10104612	Haldex Alcohol Evaporator
37	10105838	1/2" x 168" Stainless Steel Braided Hose Assembly with 1/2" (M) NPT Ends
38	10104684	3/8" x 2' Braided Hose
39	10104683	3/8" x 4-1/2' Braided Hose
40	20PFHA60UA0808	1/2" (M) x 1/2" (F) 90° Swivel Union
41	10105779	Hydraulic Power Unit
42	10105782	SAE 6 x JIC 8 Elbow (Two Required)
43	10104714	3/4-10 x 1-5/8" Bolt (Eight Required)
44	10100596	3/4" Lock Washer (Eight Required)
45	10100704	3/4" Flat Washer (Eight Required)
—	10105292	Alcohol 99 Isopropyl – 16 oz.

PART NUMBERS AND SCHEMATICS GUIDE

Figure 4: Right Side Center Assembly



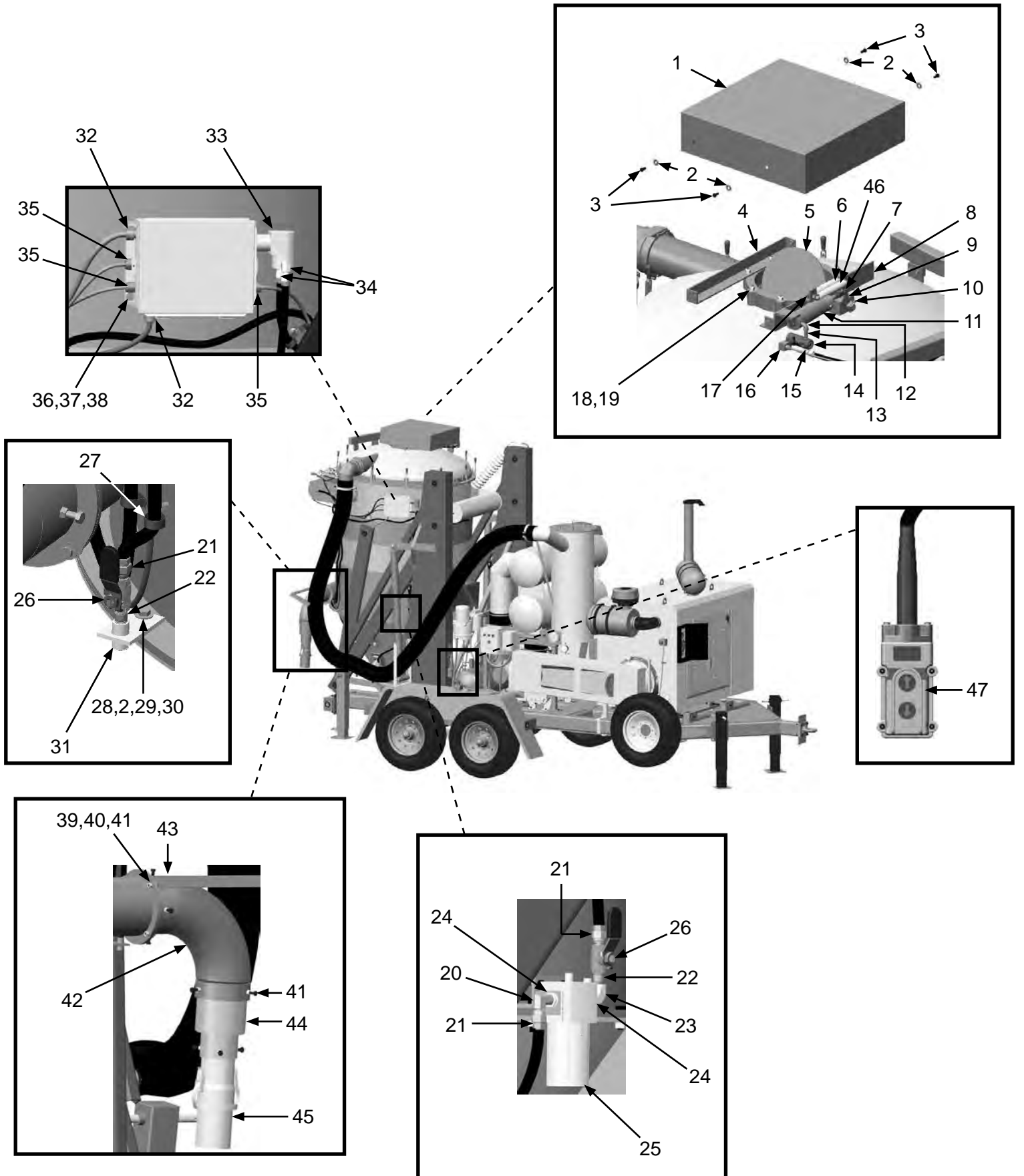
PART NUMBERS AND SCHEMATICS GUIDE

Right Side Rear Assembly

Item #	Part #	Description	Item #	Part #	Description
Fig. 5			27	10103624	1" Rubber Cushioned Loop Clamp
1	10104559	Vacuum Butterfly Cover	28	1028617	3/8-16 x 1-3/4" Shoulder Bolt
2	10101942	3/8" Flat Washer – Galvanized (Five Required)	29	10101936	3/8" Lock Washer – Zinc
3	10103400	3/8-16 x 3/4" Bolt (Four Required)	30	1012318	3/8-16 Hex Nut
4	10104554	Butterfly Cover Mount Weldment	31	10104597	Airline Drain
5	10104537	Betts 12" Butterfly	32	20RCG5050	1/2" NPT x .5–.625 Diameter Cord Grip (Two Required)
6	10107175	6.5" Extension Spring	33	10104671	Vibrator Solenoid
7	10104668	Piston Rod Clevis	34	20PFHA60UA0406	1/4" (M) x 3/8" (F) 90° Swivel (Two Required)
8	10104538	Vacuum Butterfly Cylinder Weldment	35	10104703	1/2" NPT x .2–.47 Diameter Nylon Cord Grip (Three Required)
9	10104543	Butterfly Actuating Arm	36	10101939	1/4-20 Stainless Steel Lock Nut with Nylon Insert (Four Required)
10	20100125	1/4-20 x 3/4" Zinc Hex Bolt	37	10101940	1/4" Flat Washer – Galvanized (Four Required)
11	10104667	2.5" Pneumatic Cylinder	38	20100125	1/4-20 x 3/4" Zinc Hex Bolt (Four Required)
12	1011824	1/4" Street Elbow	39	10101942	3/8" Flat Washer – Galvanized (Eight Required)
13	1011217	Galvanized 1/4" x 2" Nipple	40	10101938	3/8-16 Hex Nut Galvanized (Four Required)
14	10104669	Solenoid For Butterfly	41	1011747	3/8-16 x 1" Bolt – Zinc (13 Required)
15	20PFHA60UA0406	1/4" (M) x 3/8" (F) 90° Swivel	42	10104546	Vacuum Inlet Elbow
16	10105287	Humphrey Din Connector	43	10104496	Vacuum Inlet Insert
17	10104706	3/8-16 x 2-1/2" Thread Stud	44	10104550	Vac Inlet Adapter
18	10100674	1/2" Flat Washer (Eight Required)	45	10105042	4" Quick Disconnect Coupling Assembly
19	20100124	1/2 - 13 Hex Lock Nut (Eight Required)	46	10107176	6.5" Long Extension Spring – Zinc
20	20PFHA60UA0606	3/8" (M) x 3/8" (F) 90° Swivel Union	47	10107204	Remote Control Pendant
21	20PFHA60SA0606	Union Swivel 3/8" (M) x 3/8" (F) (Three Required)			
22	1011209	3/8 NPT Close Nipple			
23	20PFHA25UG0606	3/8" Street Elbow			
24	20PFHA24SB0806	1/2" x 3/8" Reducing Bushing (Two Required)			
25	10104674	Lubricator 1/2" NPT 156 CFM			
26	1080060	3/8" NPT Full Port Brass Ball Valve (Two Required)			

PART NUMBERS AND SCHEMATICS GUIDE

Figure 5: Right Side Rear Assembly



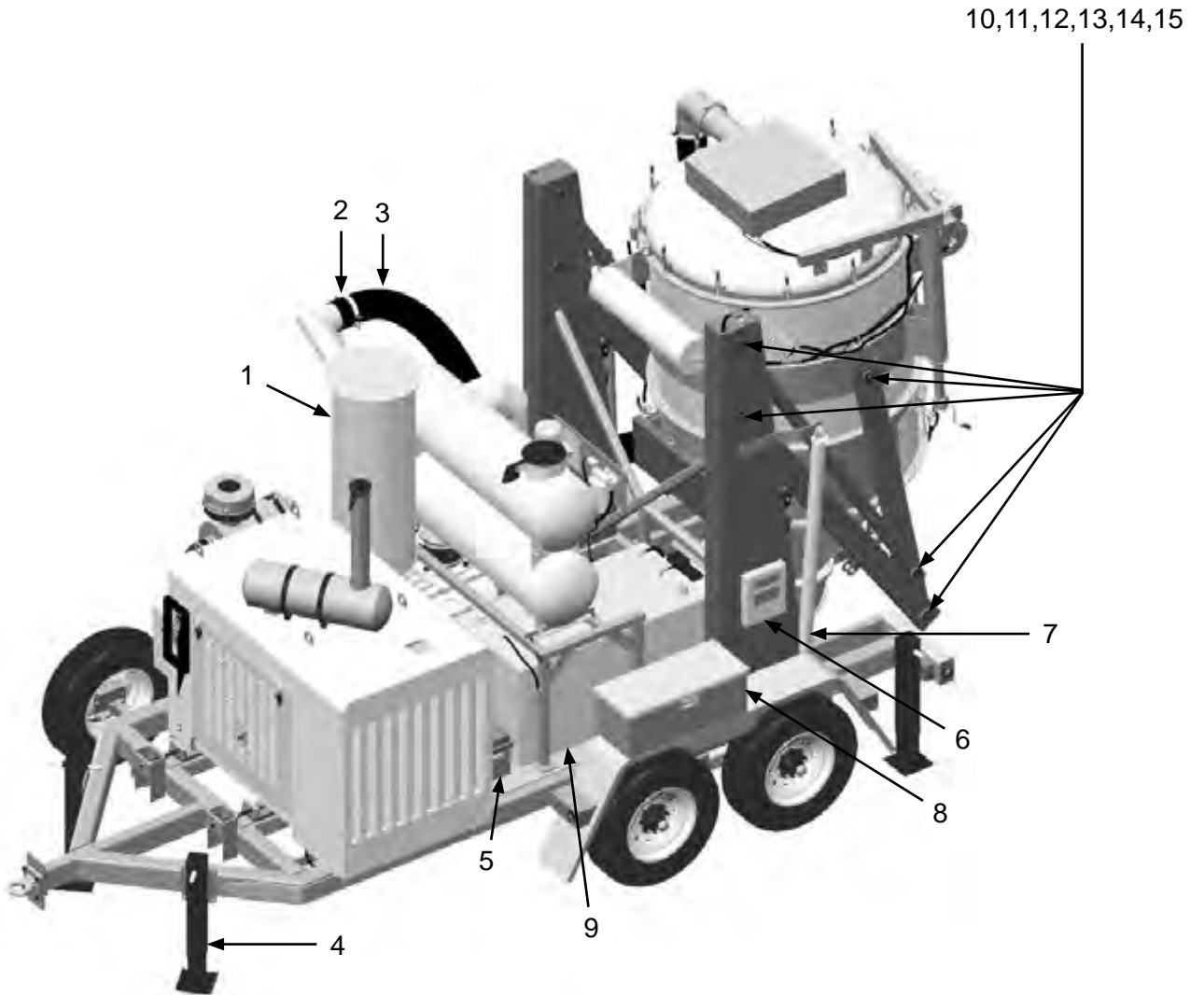
PART NUMBERS AND SCHEMATICS GUIDE

Left Side Front Assembly

Item #	Part #	Description
Fig. 6		
1	10104457	Intake Filter Housing (<i>See Figure 11</i>)
2	10104640	6" Double Bolt Clamp
3	10VH620B	6" I.D. x 20' Vacuum Hose
4	10104082	Jack Stand (<i>Four Required</i>)
5	10103342	Battery Box
6	10104273	Document Holder
7	10104608	Support Arm
8	10105896	Tool Box
9	10104704	116 Gallon Rectangle Fuel Tank (<i>See Figure 10</i>)
10	10104708	Straight Grease Zerk – 1/4"-28
11	10106402	5/8-11 Grease Zerk Thru Bolt
12	10106403	3/16" x 5/8" Dowel Pin
13	10101061	5/8" Lock Washer
14	10104600	Vacuum Pin Cap
15	10104602	Vacuum Shoulder Pin
—	10103343	Battery Cables, 156" Long
—	10103341	Battery (<i>Not Shown</i>)

PART NUMBERS AND SCHEMATICS GUIDE

Figure 6: Left Side Front Assembly



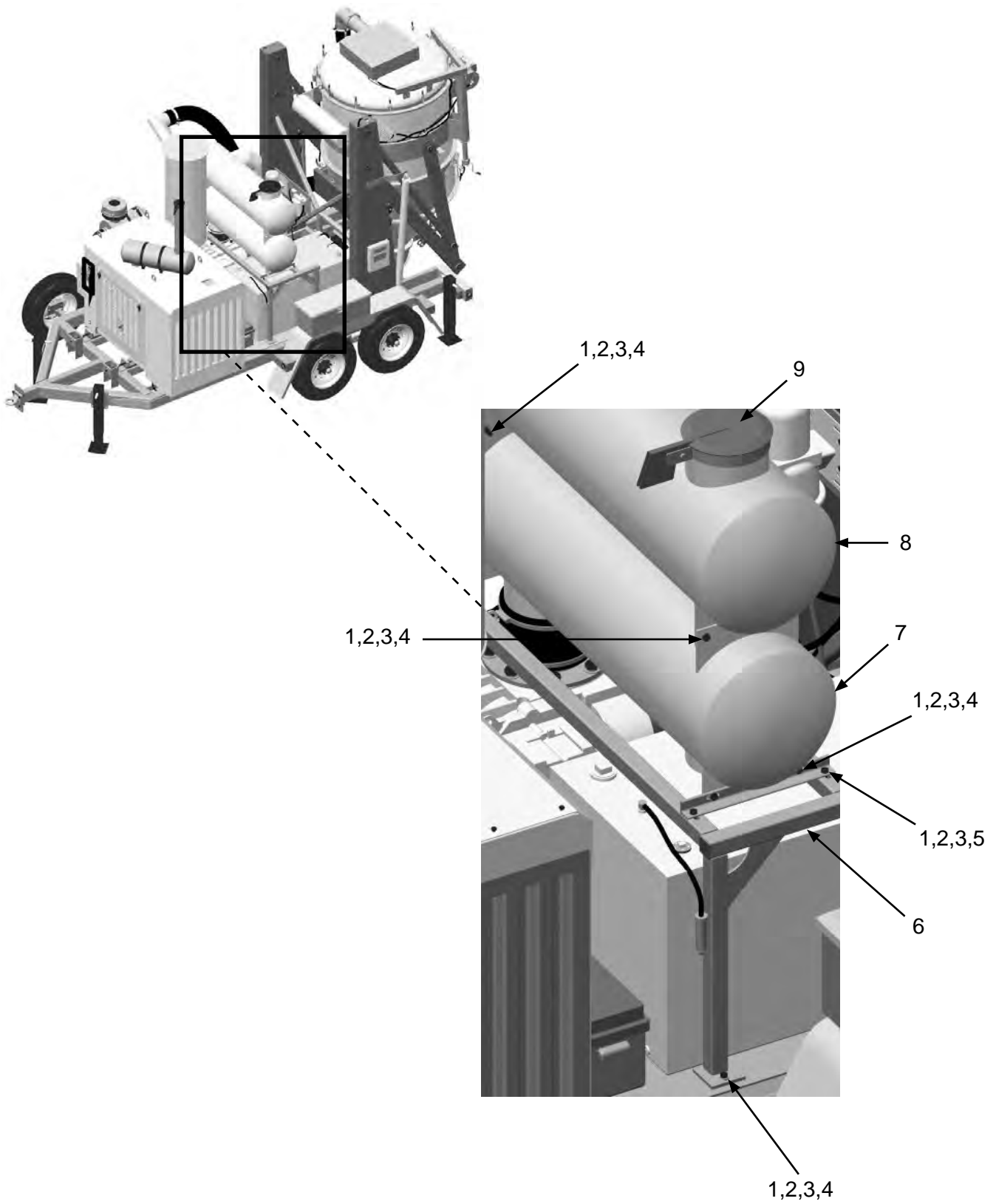
PART NUMBERS AND SCHEMATICS GUIDE

Left Side Center Assembly

Item #	Part #	Description
Fig. 7		
1	10101943	1/2-13 x 1-3/4" Hex Bolt <i>(12 Required)</i>
2	10100674	1/2" Flat Washer <i>(24 Required)</i>
3	10100675	1/2" Lock Washer <i>(12 Required)</i>
4	10101941	1/2-13 Hex Nut <i>(12 Required)</i>
5	10101927	1/2-13 x 3" Galvanized Hex Bolt <i>(Four Required)</i>
6	10104584	Silencer Mount Weldment
7	10104461	Blower Intake Silencer
8	10104459	Blower Exhaust Silencer
9	10104824	8" Raincap

PART NUMBERS AND SCHEMATICS GUIDE

Figure 7: Left Side Center Assembly



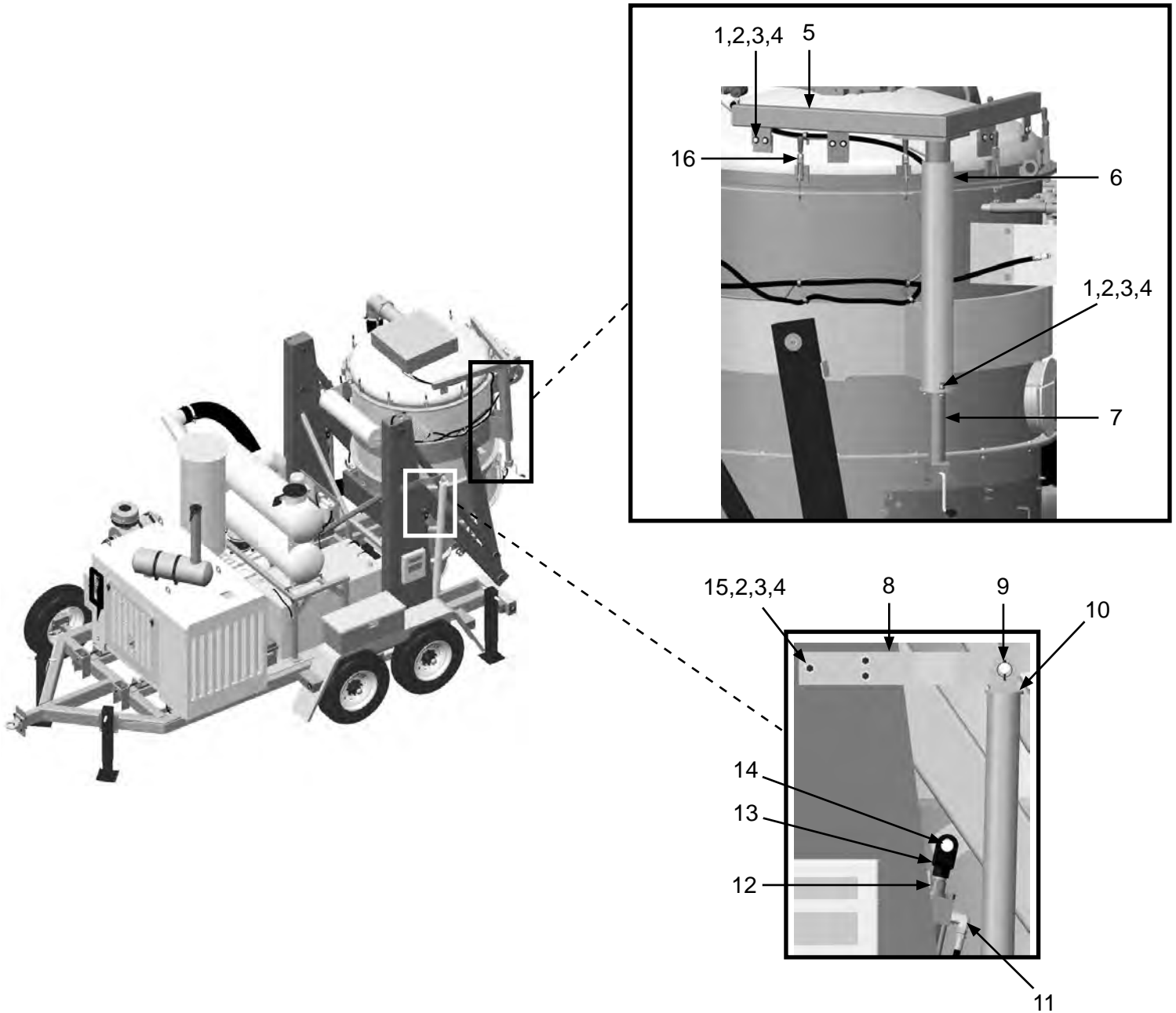
PART NUMBERS AND SCHEMATICS GUIDE

Left Side Rear Assembly

Item #	Part #	Description
Fig. 8		
1	10104234	3/8-16 x 1-1/4" Hex Bolt Zinc (<i>Eight Required</i>)
2	10101942	3/8" Flat Washer – Galvanized (<i>40 Required</i>)
3	10101936	3/8" Lock Washer – Zinc (<i>11 Required</i>)
4	1012318	3/8-16 Hex Nut (<i>11 Required</i>)
5	10104472	Vacuum Lid Lift
6	10104434	Vacuum Top Section
7	10104638	Bulldog Trailer Jack
8	10104728	Lift Arm Support Bracket (<i>Two Required</i>)
9	10104729	Lift Arm Support Bracket Pin (<i>Two Required</i>)
10	10104608	Support Arm Outer (<i>Two Required</i>)
—	10104605	Support Arm Inner (<i>Two Required</i>) (<i>Not Shown</i>)
11	10103308	Elbow – 90° – JIC 8 x SAE 10 10 (<i>Four Required</i>)
12	10104645	Hopper Lift Cylinders (<i>Two Required</i>)
13	10104646	Lift Cylinder Clevis (<i>Two Required</i>)
14	10104647	1" x 3-1/8" Pin (<i>Two Required</i>)
15	10105290	3/16" x 1-5/8" Pin
16	10104486	Over Center Clamp (<i>12 Required</i>)

PART NUMBERS AND SCHEMATICS GUIDE

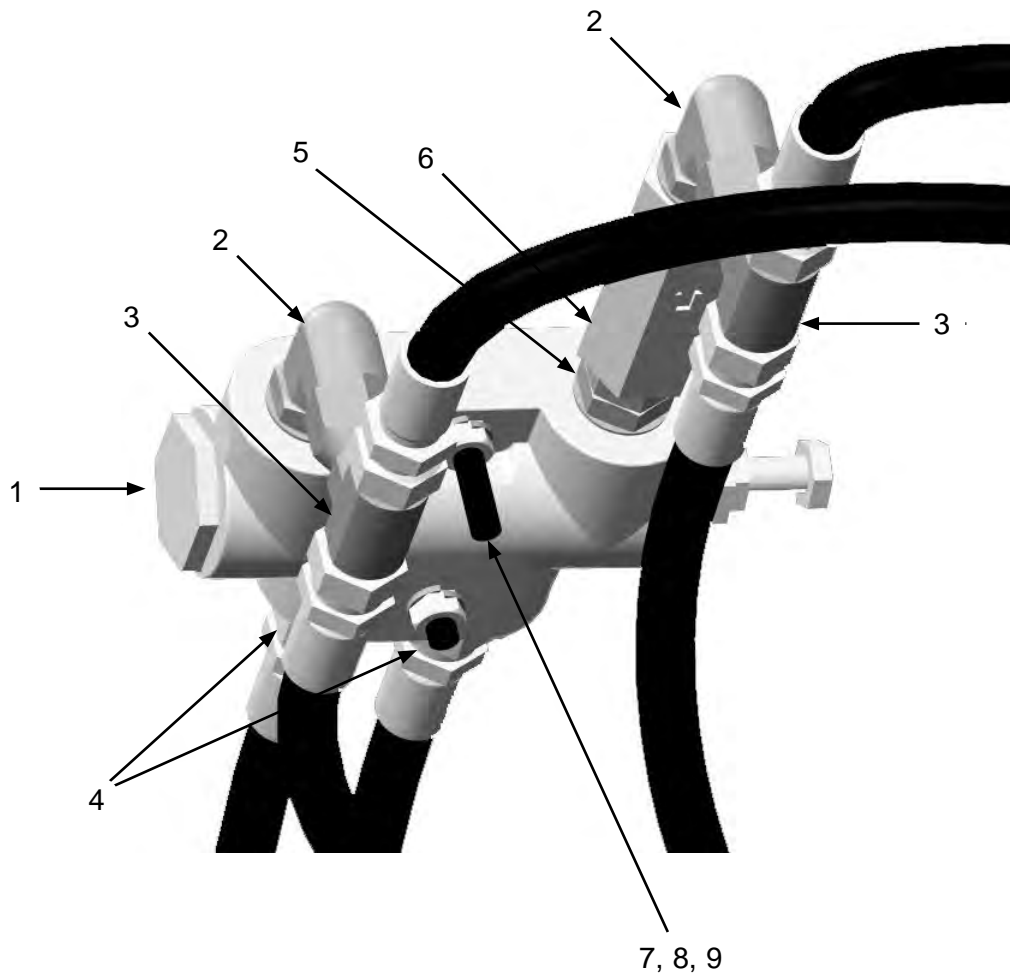
Figure 8: Left Side Rear Assembly



PART NUMBERS AND SCHEMATICS GUIDE

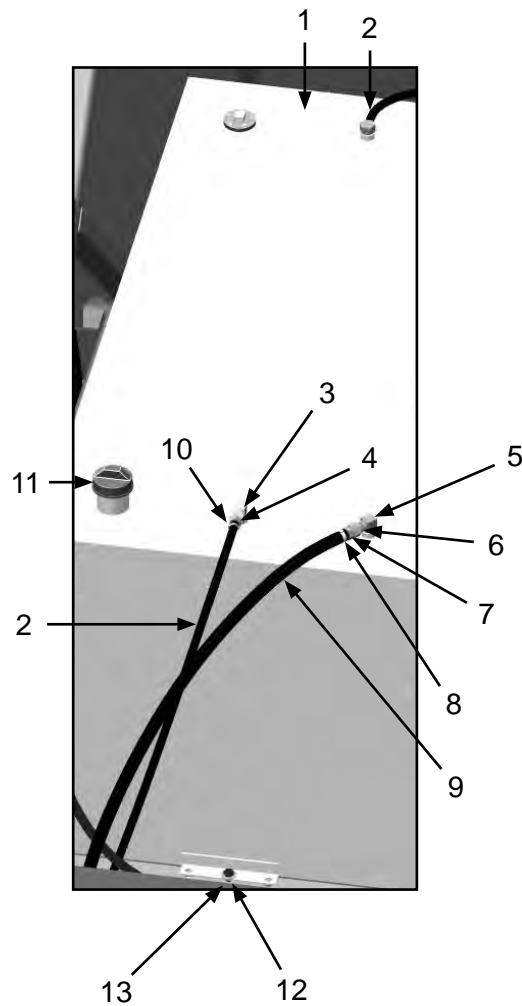
Figure 9: Double Lock Valve Assembly

Item #	Part #	Description
Fig. 9		
1	10104650	Double Lock Valve
2	10103309	Elbow – 90° – JIC 8 x SAE 8 (<i>Two Required</i>)
3	10105081	JIC 8 Tee (<i>Two Required</i>)
4	10104651	Union – Straight SAE 8 x JIC 8 (<i>Two Required</i>)
5	10103613	Union – Straight SAE 8 x SAE 8
6	10105288	Flow Restrictor SAE 8
7	10105286	5/16-18 x 2-1/2" Grade 5 Zinc Bolt (<i>Two Required</i>)
8	10L805014	5/16" Lock Washer (<i>Two Required</i>)
9	1035046	5/16-18 Nut (<i>Two Required</i>)



PART NUMBERS AND SCHEMATICS GUIDE

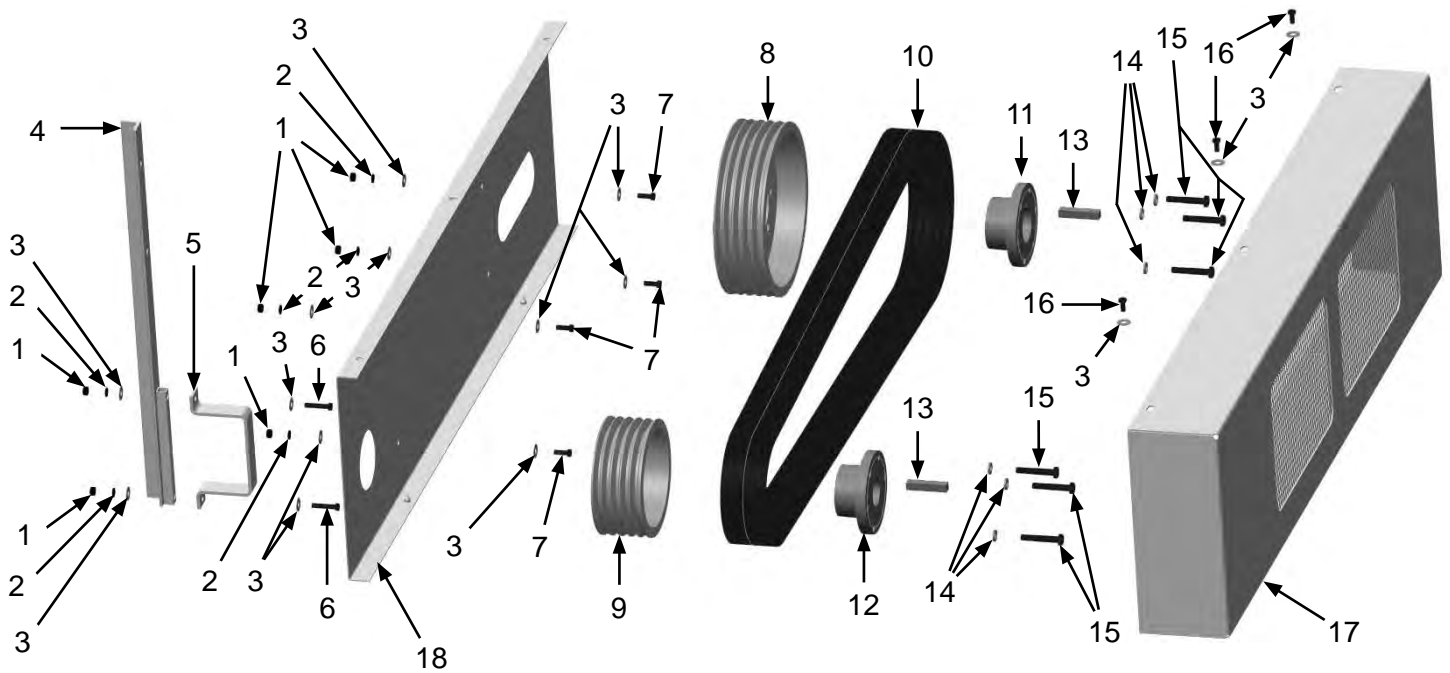
Figure 10: Fuel Tank



Item #	Part #	Description
Fig. 10		
1	10104704	116 Gallon Rectangle Fuel Tank
2	10103423	3/8" I.D. Fuel Hose (<i>Per Foot</i>)
3	20PFHA60UA0606	3/8" (M) x 3/8" (F) 90° Swivel Union
4	10103631	3/8" Barb x 3/8" NPT Brass Female Fitting
5	10103617	Withdraw Tube – 16"
6	20PFHA60SA0606	3/8" (M) x 3/8" (F) Swivel Union
7	10103618	Straight – 3/8" NPT x 1/2"
8	10104064	Oetiker Clamp For 1/2" Hose
9	10103619	1/2" Flexible Fuel Line (<i>Per Foot</i>)
10	10104065	Oetiker Clamp – 3/8" I.D. Hose
11	10103968	Locking Fuel Cap with Keys
12	10104234	3/8-16 x 1-1/4" Hex Bolt Zinc (<i>Two Required</i>)
13	10101942	3/8" Flat Washer – Galvanized (<i>Two Required</i>)
—	10104631	Fuel Tank Rubber Cushioning Pad (<i>Not Shown</i>)
—	10103620	3/8" Inline Filter (<i>Not Shown</i>)

PART NUMBERS AND SCHEMATICS GUIDE

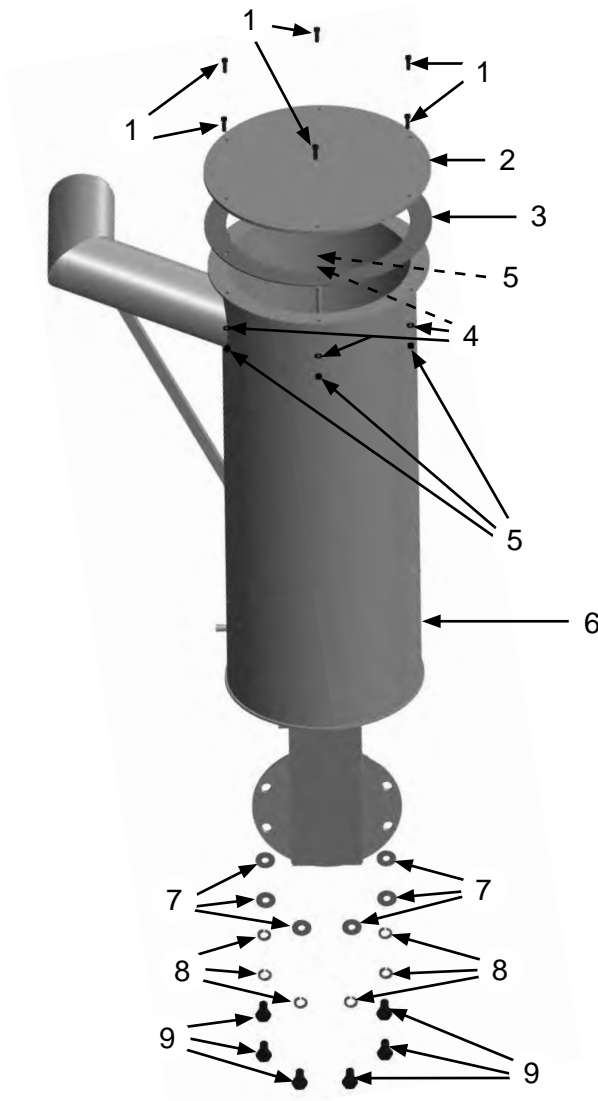
Figure 11: Blower Belt Assembly



Item #	Part #	Description
Fig. 11		
1	1012318	3/8" Galvanized Hex Nut <i>(Four Required)</i>
2	10101936	3/8" Zinc Lock Washer <i>(Four Required)</i>
3	10101942	3/8" Galvanized Flat Washer <i>(15 Required)</i>
4	10104573	Vacuum Belt Guard Mount
5	10104576	Belt Guard Clamp
6	1028617	3/8-16 x 1-3/4" Shoulder Bolt <i>(Two Required)</i>
7	1011747	3/8-16 x 1" Bolt <i>(Four Required)</i>
8	10104641	12.5" 5V 5 Groove Sheave
9	10104642	8.5" 5V 5 Groove Sheave
10	10104644	5VX 1180 Banded Belt
11	10103485	Bushing 2.5" Bore
12	10104643	Bushing 2" Bore
13	10103643	5/8" Key Cut <i>(Two Required)</i>
14	10100675	1/2" Lock Washer <i>(Six Required) (Included with Item #12)</i>
15	10102820	1/2-13 x 2-3/4" Grade 5 Bolt <i>(Six Required) (Included with Item #12)</i>
16	10103400	3/8-16 x 3/4" Bolt <i>(Three Required)</i>
17	10104579	Belt Guard Cover
18	10104577	Belt Guard Back

PART NUMBERS AND SCHEMATICS GUIDE

Figure 12: Intake Filter Housing



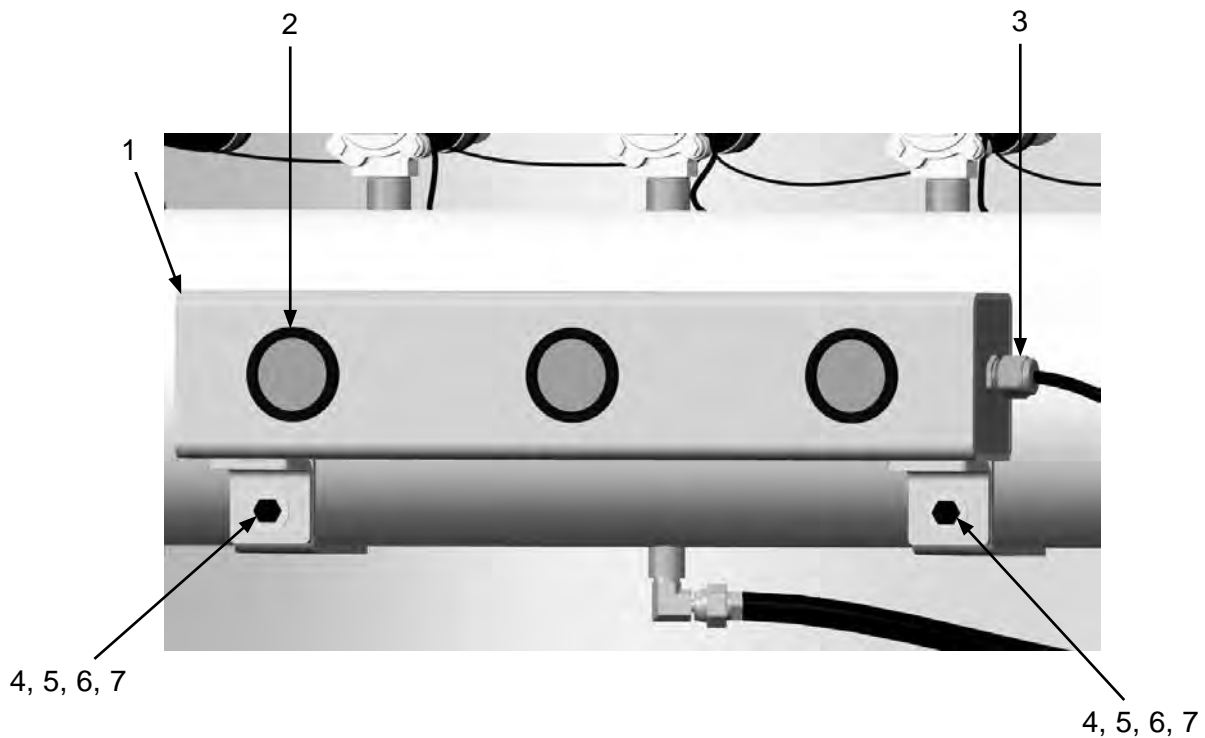
Item #	Part #	Description
--------	--------	-------------

Fig. 12

1	10104234	3/8-16 x 1-1/4" Hex Bolt Zinc <i>(Six Required)</i>
2	10104462	Intake Filter Housing Cap
3	10104727	Air Filter Housing Gasket
4	10101936	3/8" Lock Washer – Zinc <i>(Four Required)</i>
5	10101938	3/8-16 Hex Nut – Galvanized <i>(Four Required)</i>
6	10104457	Intake Filter Housing
7	10100704	3/4" Flat Washer <i>(Six Required)</i>
8	10100596	3/4" Lock Washer <i>(Six Required)</i>
9	10104714	3/4-10 x 1-5/8" Zinc Bolt <i>(Six Required)</i>
—	1010002304	Filter Cartridge

PART NUMBERS AND SCHEMATICS GUIDE

Figure 13: Vacuum Light Bar



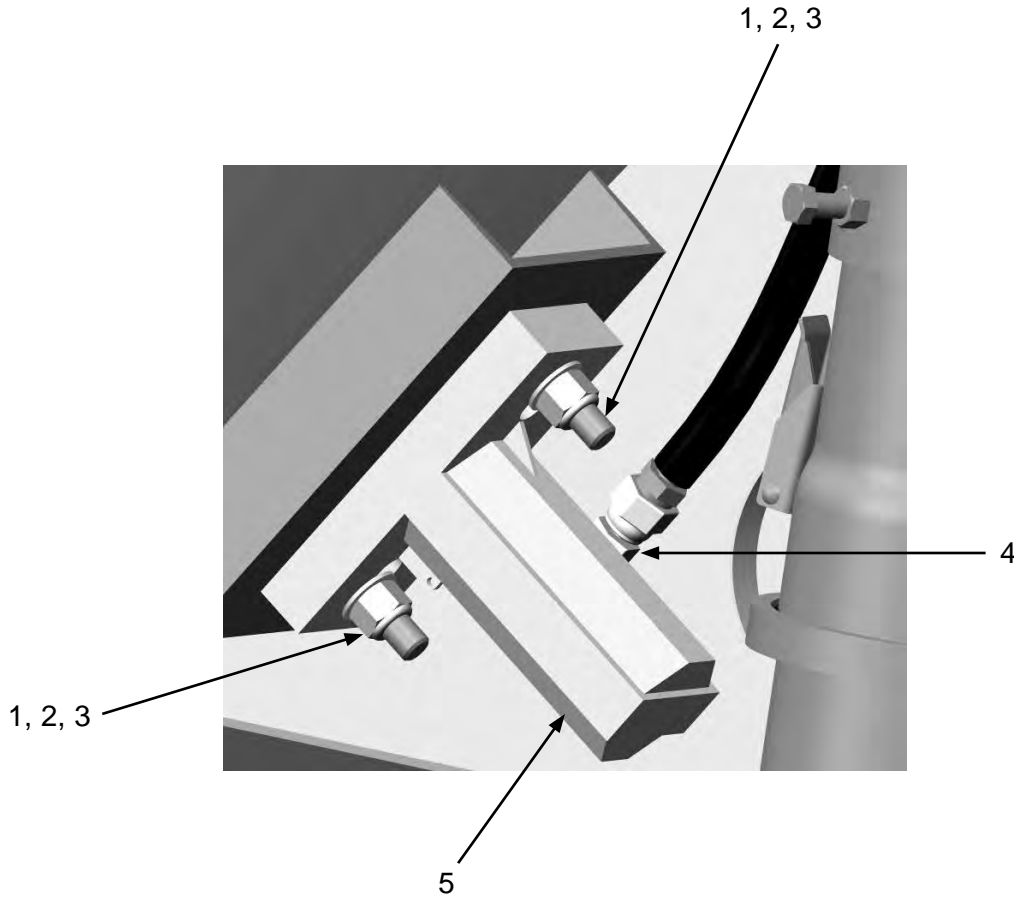
Item #	Part #	Description
--------	--------	-------------

Fig. 13

1	10105334	Vacuum Light Bar <i>(Includes Item #2)</i>
2	10104086	2" Round LED Red Clearance Light <i>(Three Required)</i>
3	10104703	Cord Grip Nylon 1/2" NPT .2" – .47" Diameter
4	10101942	3/8" Flat Washer – Galvanized <i>(Four Required)</i>
5	10101936	3/8" Lock Washer – Zinc <i>(Two Required)</i>
6	1011747	3/8-16 x 1" Bolt <i>(Two Required)</i>
7	1012318	3/8-16 Hex Nut <i>(Two Required)</i>

PART NUMBERS AND SCHEMATICS GUIDE

Figure 14: Pneumatic Piston Vibrators



Item #	Part #	Description
Fig. 14		
1	20100124	1/2-13 Hex Lock Nut – Zinc <i>(Two Required)</i>
2	10100674	1/2" Flat Washer <i>(Two Required)</i>
3	10102652	1/2-13 x 2-1/4" Grade 5 Bolt <i>(Two Required)</i>
4	20PFHA60UA0406	1/4" (M) x 3/8" (F) 90° Swivel Union
5	10104665	APV Series Piston Vibrator

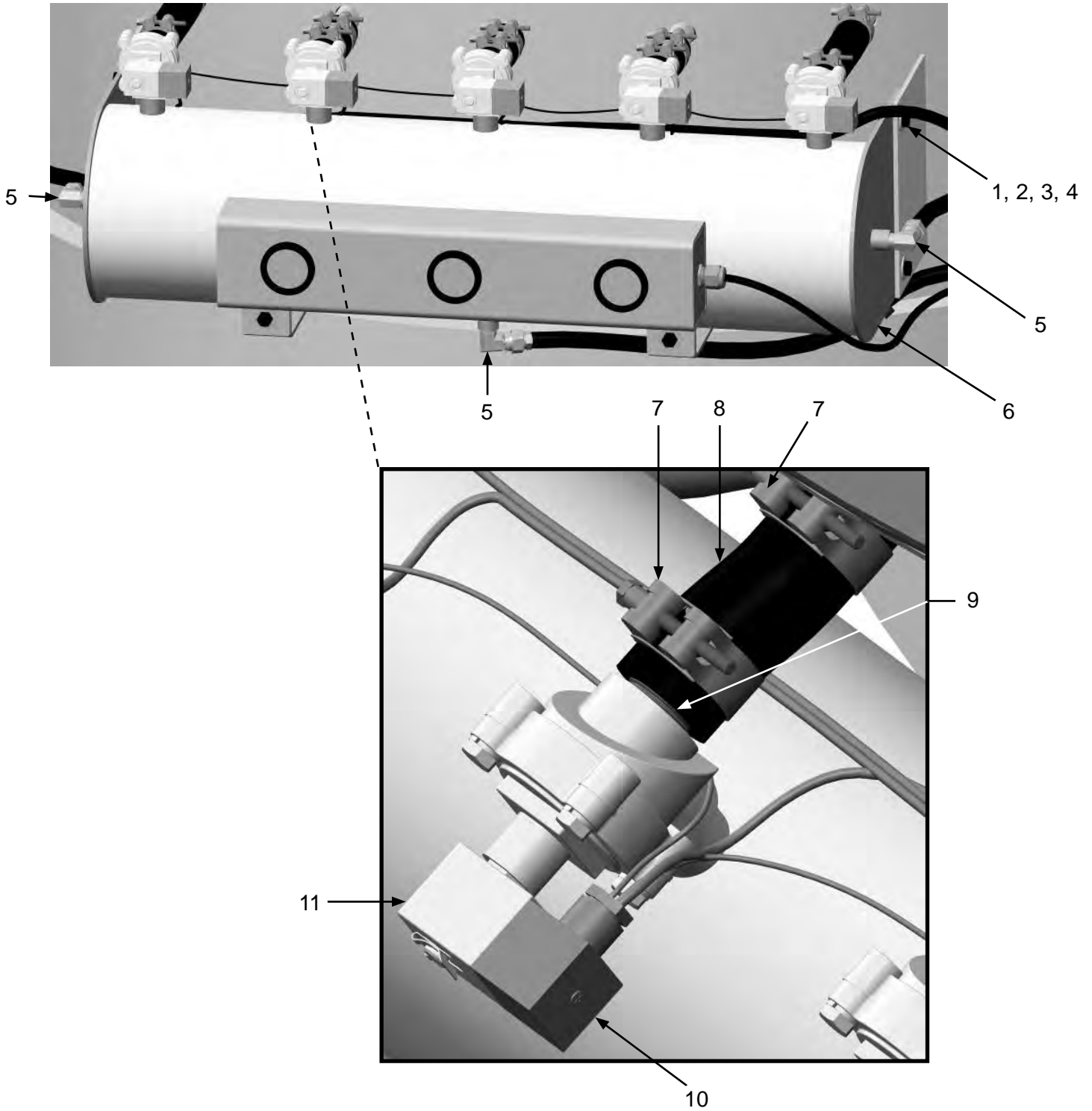
PART NUMBERS AND SCHEMATICS GUIDE

Pulser System Assembly

Item #	Part #	Description
Fig. 15		
1	10101942	3/8" Flat Washer – Galvanized (<i>Eight Required</i>)
2	10101936	3/8" Lock Washer – Zinc (<i>Four Required</i>)
3	1011747	3/8-16 x 1" Bolt (<i>Four Required</i>)
4	10101938	3/8-16 Hex Nut (<i>Four Required</i>)
5	20PFHA60UA0606	3/8" (M) x 3/8" (F) 90° Swivel Union
6	10104498	Vacuum Header
7	10103736	T-Bolt Hose Clamp For 1" I.D. (<i>10 Required</i>)
8	10106509	Air Hose 1" ID 200 psi – Red
9	10104500	3/4" NPT x 1-1/2" Toe Nipple (<i>Five Required</i>)
10	10105287	Humphrey Din Connector (<i>Included with Item #16</i>) (<i>Five Required</i>)
11	10104666	3/4" Diaphragm Valve with Solenoid (<i>Five Required</i>)
—	10107192	Pilot Valve Repair Kit
—	10107193	Diaphragm Repair Kit

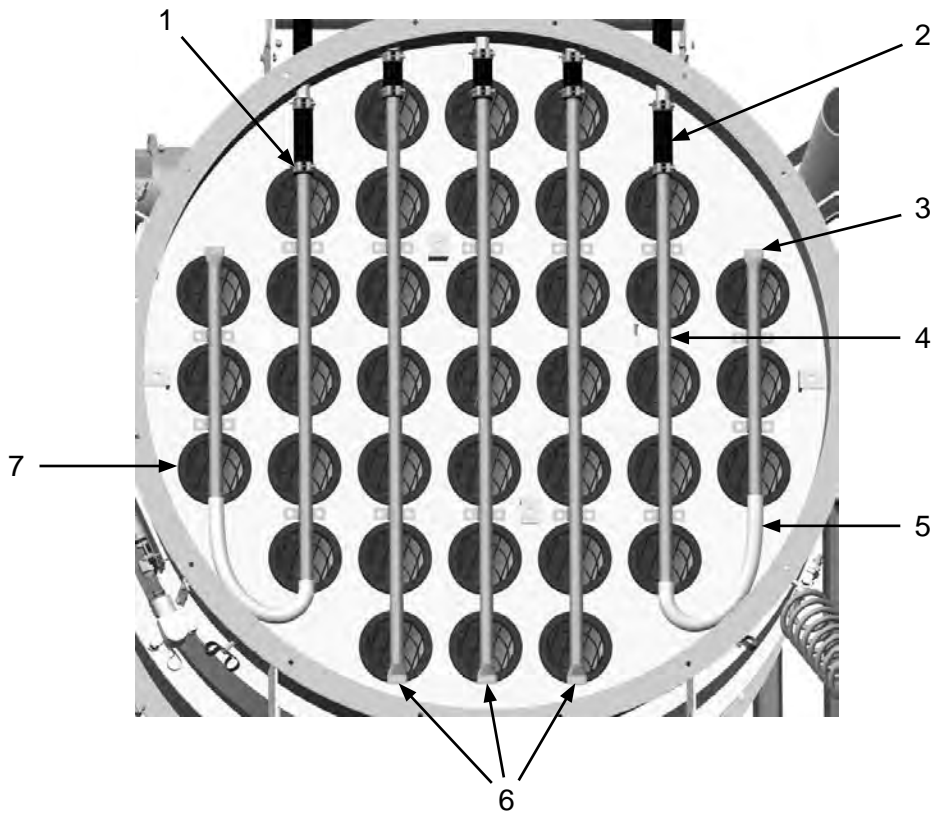
PART NUMBERS AND SCHEMATICS GUIDE

Figure 15: Pulser System Assembly



PART NUMBERS AND SCHEMATICS GUIDE

Figure 16: Filter Bag Blowpipes



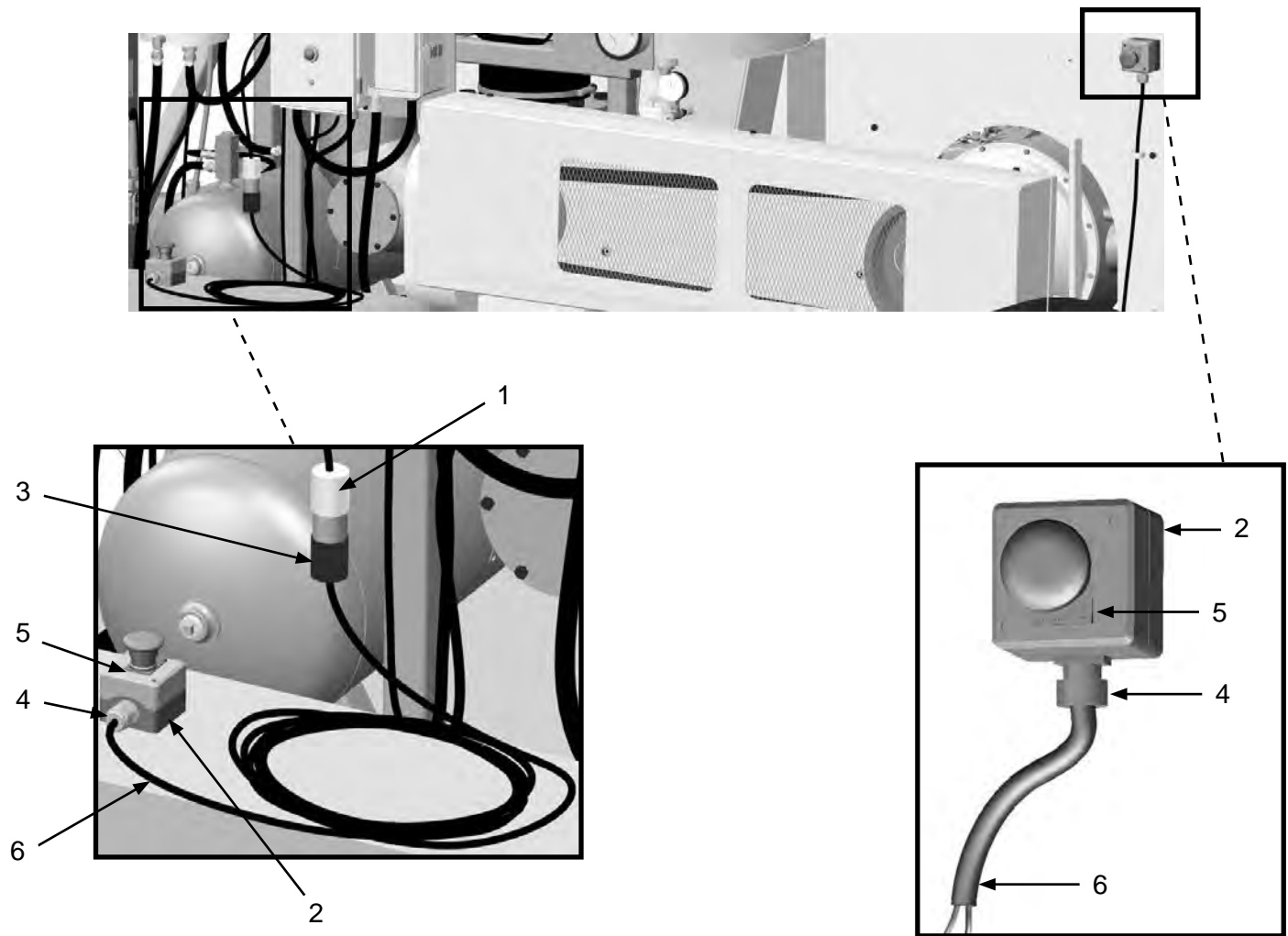
Item #	Part #	Description
--------	--------	-------------

Fig. 16

1	10103736	T-Bolt Hose Clamp For 1" I.D. (10 Required)
2	10AH100	1-1/4" 75W Marine Hose – 100 psi (Five Required)
3	10104562	Pulser System Short Blowpipe (Two Required)
4	10104565	Pulser System Medium Blowpipe (Two Required)
5	10104680	1" Flexible Tubing For Blowpipes (Two Required)
6	10104567	Pulser System Long Blowpipe (Three Required)
7	10104633	Vacuum Baghouse Filter (37 Required)
—	10104634	Vacuum Baghouse Filter Cage (37 Required)

PART NUMBERS AND SCHEMATICS GUIDE

Figure 17: Emergency-Stop Stations



Item #	Part #	Description
--------	--------	-------------

Fig. 17

—	10107200	Remote Emergency-Stop Station <i>(Includes Item #'s: 2, 4, 5, and 6 (100'))</i>
1	1015556	Female Twist Lock Plug – Three Prong
2	10104071	E-Stop Control Station
3	1015555	Male Twist Lock Plug – Three Prong
4	10104703	Cord Grip Nylon 1/2"-NPT .2-.47 Diameter
5	10104063	Legend Plate – Emergency Stop
6	1015540	16/2 Xtreme Duty Power Cord – Red <i>(Per Foot)</i>
—	1015009	8-32 x 1" Pan Head Phillips Screw <i>(Four Required)</i>
—	20000021	8-32 Zinc Nut <i>(Four Required)</i>
—	20000018	#8 Zinc Lock Washer <i>(Four Required)</i>
—	20000019	#8 Zinc Flat Washer <i>(Four Required)</i>

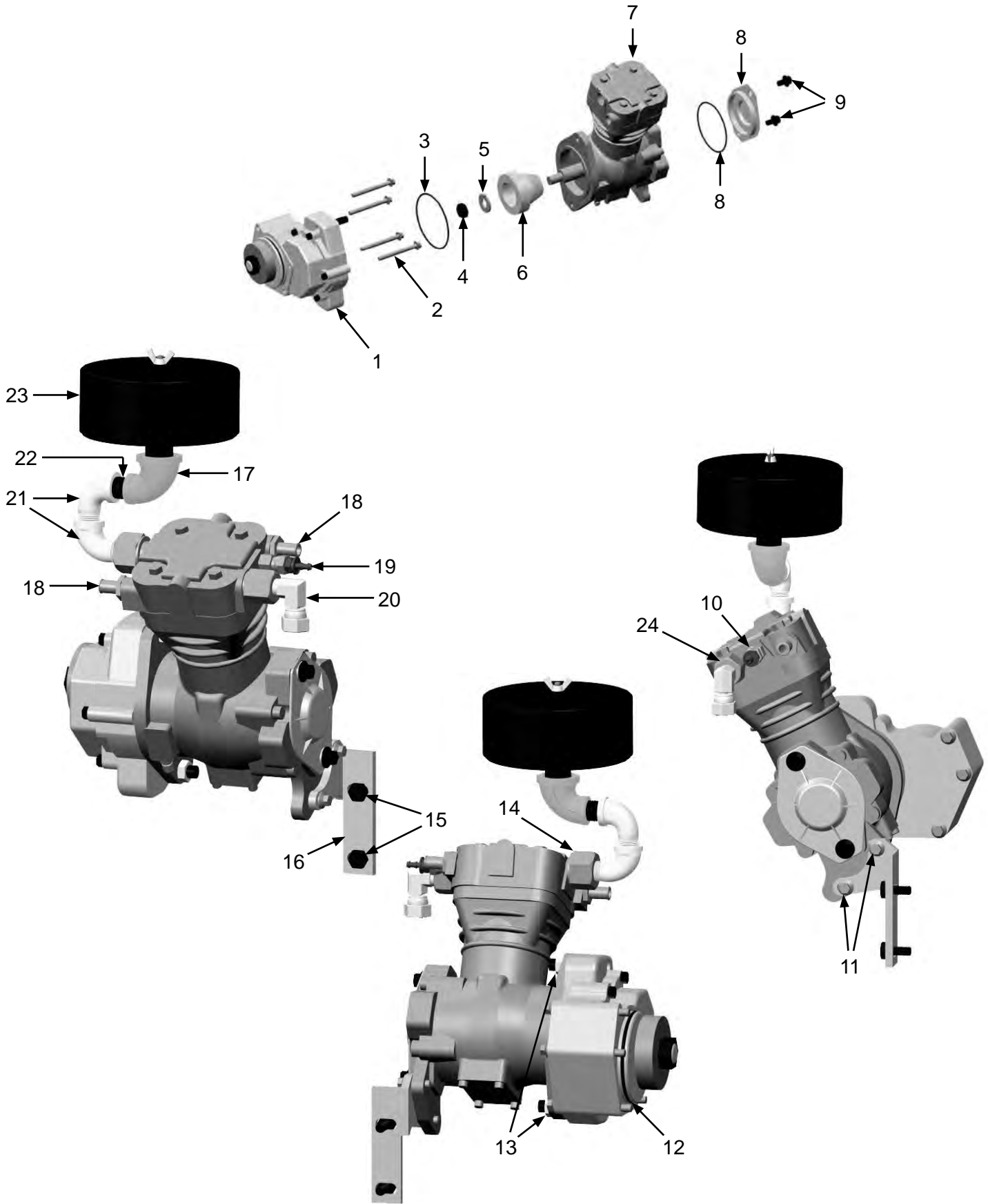
PART NUMBERS AND SCHEMATICS GUIDE

Compressor Assembly

Item #	Part #	Description
Fig. 18		
—	10105814	Compressor 3054 Kit
1	10106030	Compressor to PTO Adapter
2	10106031	M8 x 80 Bolt <i>(Four Required)</i>
3	10106032	SAE A O-Ring
4	10101062	5/8-11 Hex Nut
5	10101061	5/8" Lock Washer
6	10106033	Compressor Gear
7	10106034	Compressor
8	10106035	SAE A 2-Bolt Cover with O-Ring
9	10106036	M8 x 16 Bolt <i>(Two Required)</i>
10	20PFHA60SA0204	1/8" (M) x 1/4" (F) Swivel Union
11	10106037	M8 x 25 Bolt <i>(Two Required)</i>
12	10106042	PTO O-Ring
13	10101941	1/2-13 Hex Nut <i>(Two Required)</i>
14	10106038	Metric Straight to NPT
15	10103615	M10 x 25MM Zinc Bolt <i>(Two Required)</i>
16	10106039	Compressor Bracket
17	10101002	1/2" x 1" 90° Elbow
18	10106040	Metric Straight to 1/2" Hose Barb <i>(Two Required)</i>
19	10PAF025	1/4" x 1/4" Push-On Fitting
20	20PFHA60UA0808	1/2" (M) x 1/2" (F) 90° Swivel Union
21	10000057	1/2" x 1/2" Street Elbow <i>(Two Required)</i>
22	10L803035	1/2" Close Nipple
23	10105870	Filter Assembly <i>(Includes 10106362)</i>
24	10106041	Metric Straight to NPT
—	10106362	5 Micron Filter Element <i>(Replacement Filter for 10105870)</i>

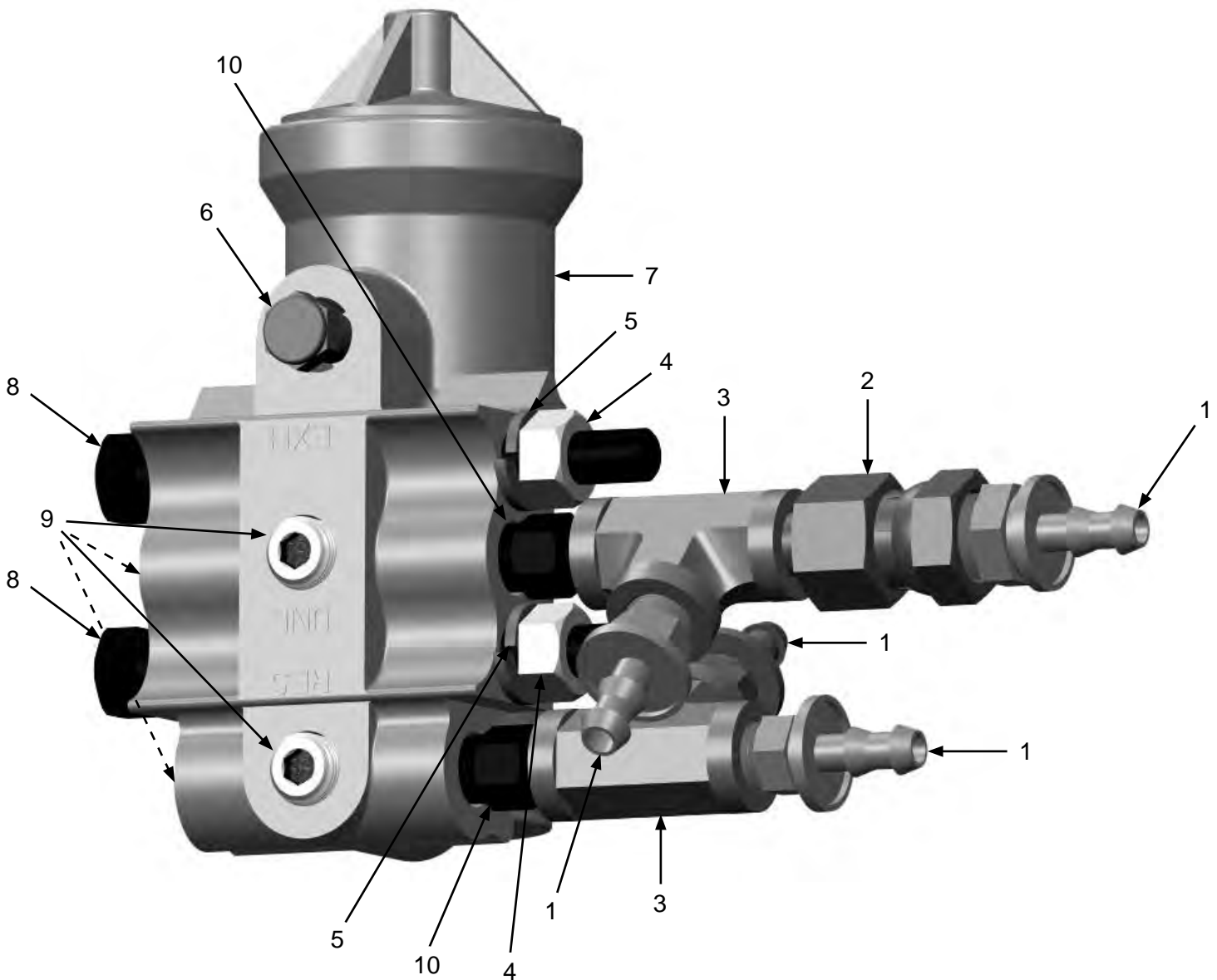
PART NUMBERS AND SCHEMATICS GUIDE

Figure 18: Compressor Assembly



PART NUMBERS AND SCHEMATICS GUIDE

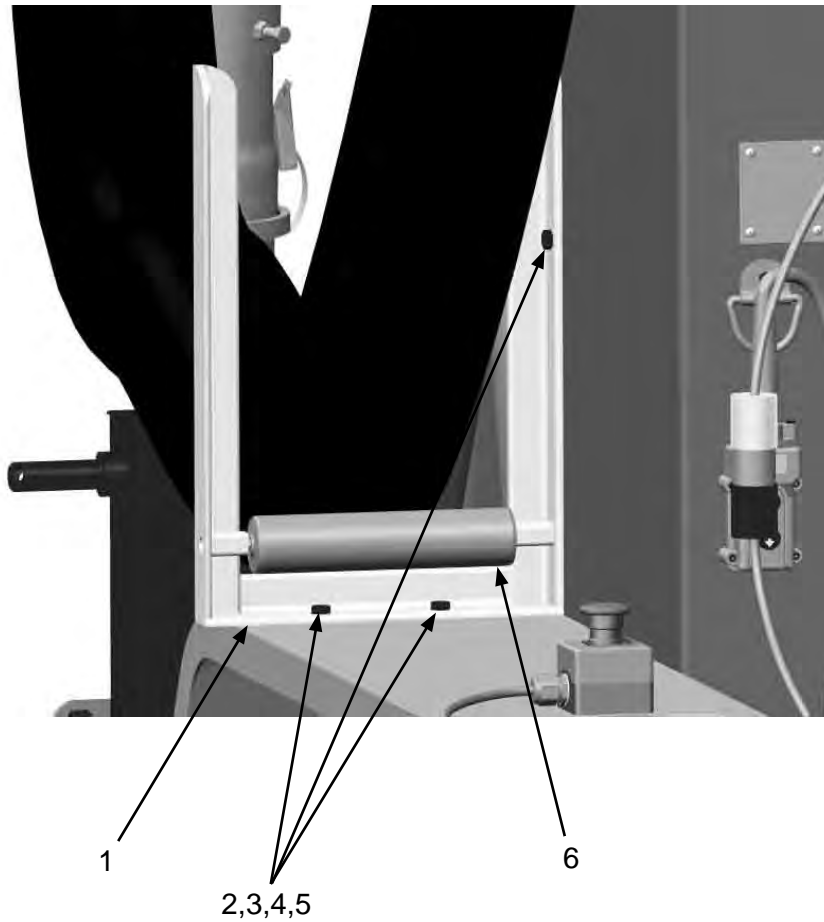
Figure 19: Compressor Governor



Item #	Part #	Description
1	10PAF025	1/4" x 1/4" Push on Fitting (<i>Four Required</i>)
2	20PFHA60SA0204	1/8" (M) x 1/4" (F) Swivel Union
3	20PFHA25VJ02	1/8" Female Tee (<i>Two Required</i>)
4	1035046	5/16-18 Nut (<i>Two Required</i>)
5	10L805014	5/16" Lock Washer (<i>Two Required</i>)
6	1012905	1/8" Breather Muffler
7	10105816	Compressor Governor
8	1014112	5/16-18 x 3-1/4" Hex Bolt (<i>Two Required</i>)
9	10105717	1/8" Hollow Hex Pipe Plug Male (<i>Four Required</i>)
10	20PFHA24SA0202	1/8" Hex Nipple (<i>Two Required</i>)

PART NUMBERS AND SCHEMATICS GUIDE

Figure 20: Vacuum Hose Support Bracket



Item #	Part #	Description
--------	--------	-------------

Fig. 20

1	10105264	Vacuum Hose Bracket
2	1011747	3/8-16 x 1" Bolt – Zinc (<i>Three Required</i>)
3	10101942	3/8" Flat Washer – Galvanized (<i>Three Required</i>)
4	10101936	3/8" Lock Washer – Zinc (<i>Three Required</i>)
5	10101938	3/8-16 Hex Nut – Galvanized (<i>Three Required</i>)
6	10106374	1.9" Diameter Conveyor Roller – 9" Long

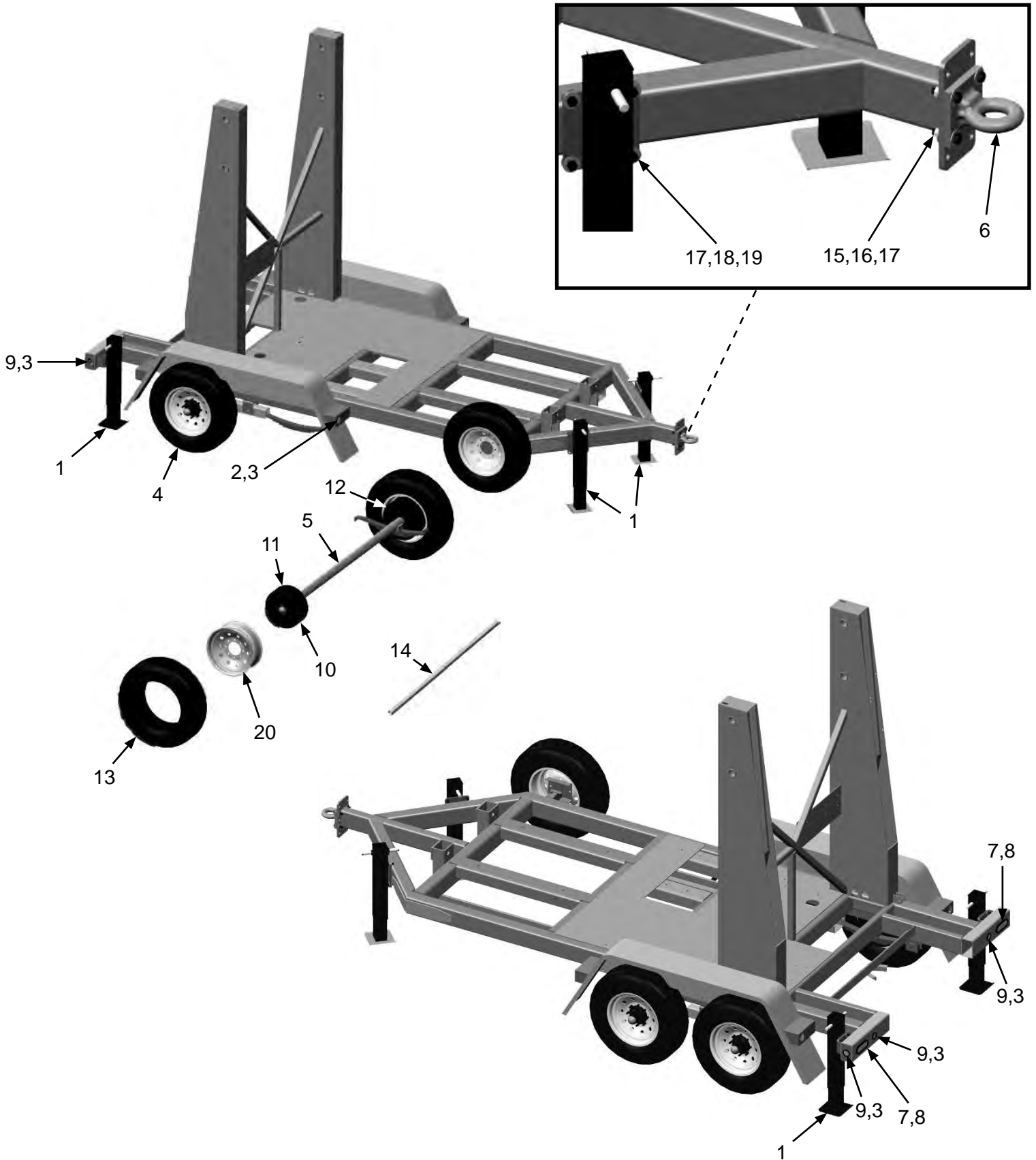
PART NUMBERS AND SCHEMATICS GUIDE

Trailer

Item #	Part #	Description
Fig. 21		
—	10104455	7 Ton Double Axle Trailer
1	10104082	10,000# Heavy Spring Loaded Jack <i>(Four Required)</i>
2	10104087	2" Round LED Amber Clearance Light <i>(Two Required)</i>
3	10104088	2" Round Rubber Grommet <i>(Six Required)</i>
4	10104089	16 - 8 Hole Pattern Rim with Tire <i>(Four Required)</i>
5	10106084	7,000# Axle With Electric Brakes, Complete with Hubs and Springs 89" HF x 71" SC
6	10104079	Pintle Hitch with Flat Plate
7	10104085	Oval Rubber Grommet <i>(Two Required)</i>
8	10104084	Oval LED Red Tail Light <i>(Two Required)</i>
9	10104086	2" Round LED Red Clearance Light <i>(Four Required)</i>
10	10106086	Axle Hub Only – No Bearings or Seal <i>(Two Required)</i>
11	10106088	Right-Hand Electric Brake Assembly <i>(Two Required)</i>
12	10106087	Left-Hand Electric Brake Assembly <i>(Two Required)</i>
13	10104096	Tire – ST235/85R/16 – 14-ply <i>(Four Required)</i>
14	10106085	Axle Beam/Tube Only
15	10105746	5/8 x 2-1/2" Grade 8 Bolt <i>(16 Required)</i>
16	10105747	5/8 Reverse Lock Nut <i>(16 Required)</i>
17	10103398	5/8" Flat Washer <i>(40 Required)</i>
18	10103397	5/8 x 2" Grade 8 Bolt <i>(Four Required)</i>
19	10103393	5/8 Reverse Lock Nut <i>(Four Required)</i>
20	10107126	16 x 6 8-Hole White Rim
—	10105826	Redline 12V - 5AH Battery Sealed
—	10104081	Breakaway Kit
—	10104142	Wire Harness – Complete <i>(Front, Middle & Rear)</i>
—	10105827	Breakaway Switch with Pin
—	10104769	3/8" x 41" Safety Chain with Hook
—	10103879	2" x 6" x 6" Red/White Conspicuity Tape
—	10105829	Cable with Plug
—	10107329	Sidewind Crank
—	109V582	Operator's Manual – Behnke Trailer

PART NUMBERS AND SCHEMATICS GUIDE

Figure 21: Trailer



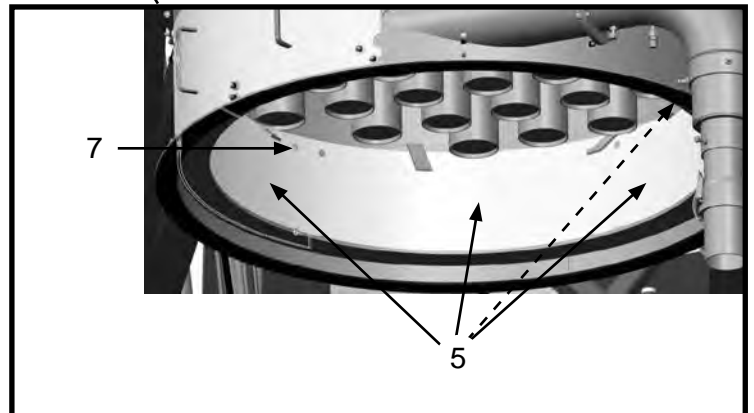
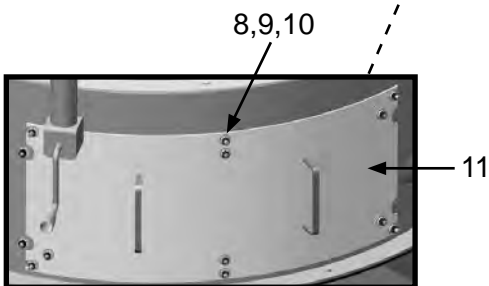
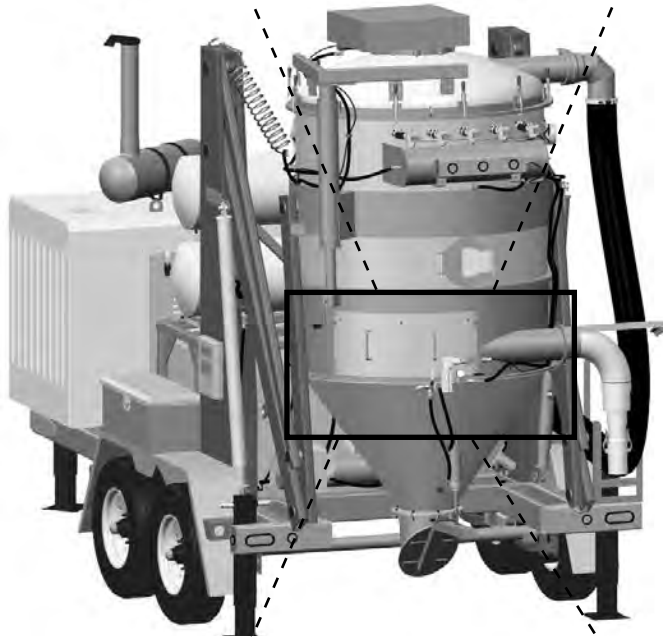
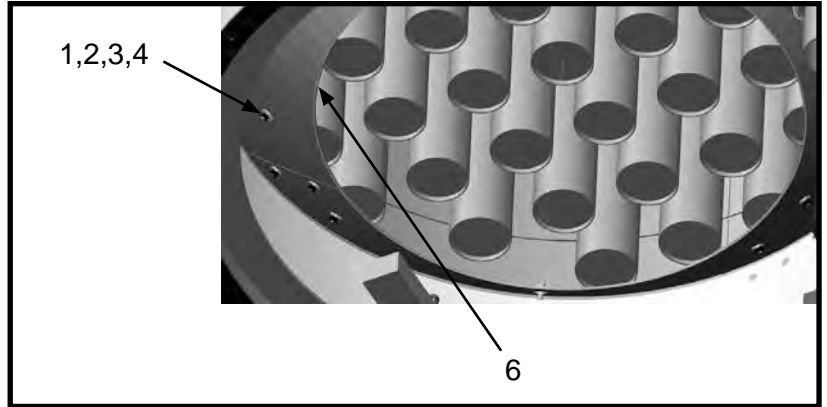
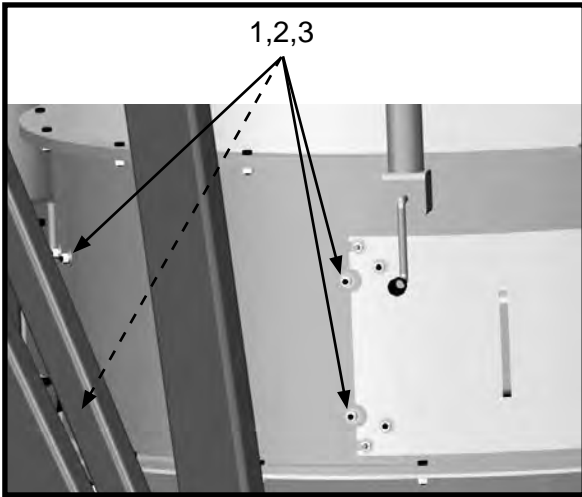
PART NUMBERS AND SCHEMATICS GUIDE

Wear Plates and Baffles

Item #	Part #	Description
Fig. 22		
1	10101942	3/8" Flat Washer – Galvanized (<i>35 Required</i>)
2	10101936	3/8" Lock Washer – Zinc (<i>35 Required</i>)
3	10101938	3/8-16 Hex Nut (<i>35 Required</i>)
4	1011747	3/8-16 x 1" Bolt (<i>15 Required</i>)
5	10104489	Vacuum Wear Plates (<i>Four Required</i>)
6	10104490	Vacuum Baffle (<i>Three Required</i>)
7	10104705	3/8-16 FH Square Neck x 1" Bolt Zinc (<i>16 Required</i>)
8	10101942	3/8" Flat Washer – Galvanized (<i>Six Required</i>)
9	10101936	3/8" Lock Washer – Zinc (<i>Six Required</i>)
10	10101938	3/8-16 Hex Nut – Galvanized (<i>Six Required</i>)
11	10106511	Vacuum Wear Door Assembly (<i>See Figure 2</i>)

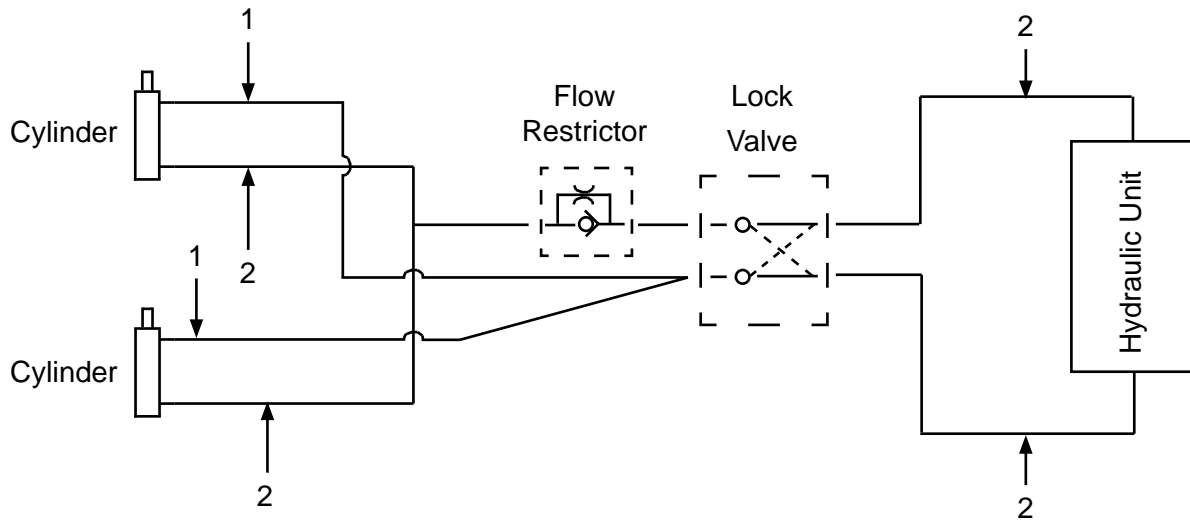
PART NUMBERS AND SCHEMATICS GUIDE

Figure 22: Wear Plates and Baffles



PART NUMBERS AND SCHEMATICS GUIDE

Figure 23: Hydraulic Hoses



Item #	Part #	Description
--------	--------	-------------

Fig. 23

1	10104664	Hydraulic Hose – 3/8" I.D. x 8' – 2600 psi
2	10104663	Hydraulic Hose – 3/8" I.D. x 5' – 2600 psi



OPTIONAL ACCESSORIES








Part Numbers

VACUUM HOSE							
Part Numbers	Vacuum Hose I.D.	Length	Vacuum HG	Cover Material	Reinforcement Material	Liner	Hose Color
10VH11250	1-1/2"	50 Ft.	29"	Pliovic®	Pliovic® PVC Helix	Polyurethane	Black
10VH225	2"	25 Ft.	29"	Pliovic®	Pliovic® PVC Helix	Polyurethane	Blue
10VH250	2"	50 Ft.	29"	Pliovic®	Pliovic® PVC Helix	Polyurethane	Blue
10VH200	2"	100 Ft.	29"	Pliovic®	Pliovic® PVC Helix	Polyurethane	Blue
10VH2550	2-1/2"	50 Ft.	29"	Pliovic®	Pliovic® PVC Helix	Polyurethane	Blue
10VH325	3"	25 Ft.	29"	Pliovic®	Pliovic® PVC Helix	Polyurethane	Blue
10VH350	3"	50 Ft.	29"	Pliovic®	Pliovic® PVC Helix	Polyurethane	Blue
10VH300	3"	100 Ft.	29"	Pliovic®	Pliovic® PVC Helix	Polyurethane	Blue
10VH425	4"	25 Ft.	29"	Pliovic®	Pliovic® PVC Helix	Polyurethane	Blue
10VH450	4"	50 Ft.	29"	Pliovic®	Pliovic® PVC Helix	Polyurethane	Blue
10VH400	4"	100 Ft.	29"	Pliovic®	Pliovic® PVC Helix	Polyurethane	Blue
10VH525	5"	25 Ft.	29"	Pliovic®	Pliovic® PVC Helix	Polyurethane	Blue
10VH550	5"	50 Ft.	29"	Pliovic®	Pliovic® PVC Helix	Polyurethane	Blue
10VH500	5"	100 Ft.	29"	Pliovic®	Pliovic® PVC Helix	Polyurethane	Blue
10VH625	6"	25 Ft.	25"	Pliovic®	Pliovic® PVC Helix	Polyurethane	Blue
10VH650	6"	50 Ft.	25"	Pliovic®	Pliovic® PVC Helix	Polyurethane	Blue
10VH600	6"	100 Ft.	25"	Pliovic®	Pliovic® PVC Helix	Polyurethane	Blue
10VH825	8"	25 Ft.	25"	Pliovic®	Pliovic® PVC Helix	Polyurethane	Blue
10VH850	8"	50 Ft.	25"	Pliovic®	Pliovic® PVC Helix	Polyurethane	Blue

OPTIONAL ACCESSORIES

		VACUUM HOSE REDUCERS	
Part Numbers		Size	
	10106712	8" x 4"	
	10106716	6" x 4"	

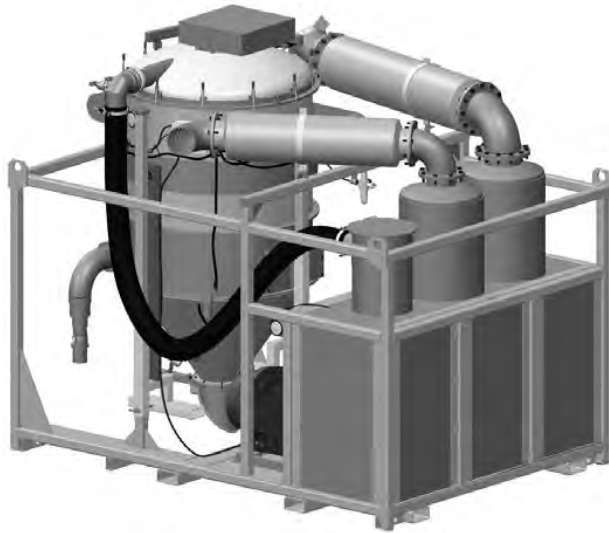
		WYE ADAPTERS	
Part Numbers		Size	
	10106719	4" x 2" x 2"	
	10107485	6" x 2" x 2"	
	10106723	6" x 4" x 4"	
	10106727	8" x 4" x 4"	

		VACUUM HOSE MENDERS			
Part Numbers		Vacuum Hose I.D.	Mender Length	Thickness	Material
	10HM2	2"	8"	1/8"	Steel
	10HM3	3"	9"	1/8"	Steel
	10HM4	4"	10"	1/8"	Steel
	10HM5	5"	11"	1/8"	Steel
	10HM6	6"	12"	1/8"	Steel
	10HM8	8"	14"	1/8"	Steel

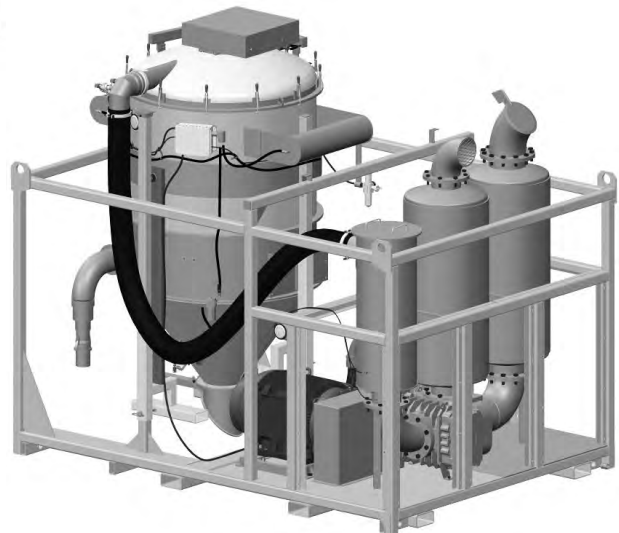
PART NUMBERS

VACMASTER® 15T ELECTRIC ABRASIVE VACUUMS

Part Numbers	Sound Reduction	150 Horsepower Electric Motor	Acrylic-Coated Filter Bags	Filter Cartridge Quantity
10106338	X	X	X	37
10106337		X	X	37



(10106338)



(10106337)

SPECIFICATIONS

Performance:	MAX 2367 CFM
Filter Cartridge Style:	Acrylic-Coated Filter Bags 37 Required
Filter Cleaning:	Pulse System, 25–30 second intervals. Pulse Duration: 200–350 millisecond
Vacuum	24" Hg
Ducting Connections:	6" I.D. Inlet with 4" adapter
Inspection Ports:	One 10" Viewable to Filters with access ports to hopper
Material Removal:	Automatic Direct Dump
Blower:	Rotary lobe, positive displacement with jet inlet
Motor:	150 Horsepower Electric 3-Phase
Electrical System:	460 V, 60 Hz 170 FLA
Air Requirements:	Clean, Dry, Compressed Air 24 CFM @ 90 PSI
Motor Protection:	Motors are fused in control box.
Fluid Specifications:	Grease/Lubricator: Mobil Polyrex EM or equivalent Vibrator Lubricator: 4 oz. pneumatic air tool oil Blower Oil: ROOTS™ synthetic lubricating oil
Unit Dimensions:	Weight: 10,000 pounds (empty) Length: 12' Width: 8' 6" Height: 10' 5" Raised Height: 15' 8" Dump Clearance: 7' 9"
Unit Dimensions with Sound Reduction Package:	Weight: 11,000 pounds (empty) Length: 12' Width: 8' 6" Height: 10' 5" Raised Height: 15' 8" Dump Clearance: 7' 9"

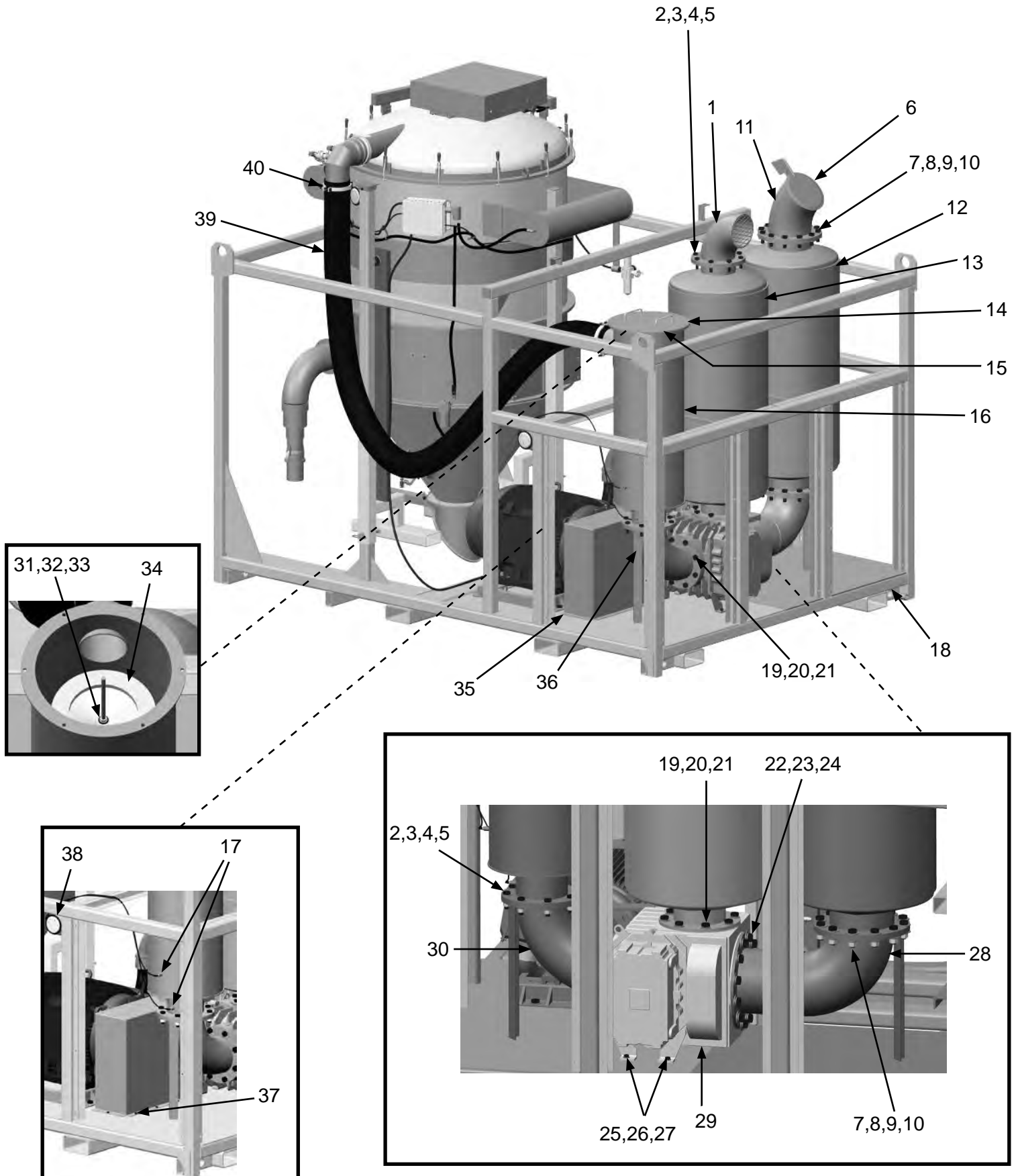
PART NUMBERS AND SCHEMATICS GUIDE

Front Assembly

Item #	Part #	Description	Item #	Part #	Description
Fig. 1			25	10104710	1/2-13 x 2" Grade 8 Bolt (Four Required)
1	10106385	Jet Port Inlet Flange	26	10104711	1/2" Grade 8 Flat (Eight Required)
2	10100701	3/4-10 x 2-1/2" Hex Bolt (16 Required)	27	10104712	1/2" Grade 8 Lock Washer (Four Required)
3	10100704	3/4" Flat Washer (32 Required)	28	10106280	10" Discharge Elbow
4	10100596	3/4" Lock Washer (16 Required)	29	10104456	Blower Top Shaft Left Discharge
5	10100595	3/4-10 Hex Nut (16 Required)	30	10106284	8" Inlet Elbow Weldment
6	10104639	10" Raincap	31	10101941	1/2-10 Hex Nut
7	10106283	7/8-9 x 2-1/2" Grade 5 Zinc Bolt (24 Required)	32	10100674	1/2" Flat Washer
8	10104716	7/8" Flat Washer – Zinc (48 Required)	33	10102005	Rubber Washer 1-1/4" O.D. x 3/8" I.D. x 1/8"
9	10104717	7/8" Lock Washer – Zinc (24 Required)	34	1010002304	Filter Cartridge 12.75" x 8.38" x 36" – Flange – .54" BH
10	10104822	7/8-8 Grade 5 Zinc Nut (24 Required)	35	10106379	Belt Guard
11	10106309	10" Exhaust Silencer End	36	10106378	Belt Guard
12	10106292	10" Discharge Silencer	37	10103400	3/8-16 x 3/4" Bolt (Eight Required)
13	10106291	8" Jet Port Silencer	38	10104673	0-50" Differential Pressure Gauge
14	10106508	Intake Filter Housing Cap	39	10VH620B	6" I.D. x 20' Vacuum Hose
15	10104727	Air Filter Housing Gasket	40	10104640	6" Double Bolt Clamp (Two Required)
16	10106279	Intake Filter Housing (See Figure 13)	—	1091159	Hazard Identification Decals – 100-200 HP Electric Vacuum
17	20PFBA31095614	1/4" Tube x 1/4" NPT 90° (Two Required)	—	105M156	Features and Specifications Guide – Vacmaster® 15T Electric Abrasive Vacuums
18	10106226	Electric Vacuum Skid Frame	—	106M156	Part Numbers and Schematics Guide – Vacmaster® 15T Electric Abrasive Vacuums
19	10104714	3/4-10 x 1-5/8" Grade 5 Zinc Bolt (20 Required)	—	1091156	Operator's Manual – Vacmaster® 15T Electric Abrasive Vacuums
20	10100596	3/4" Lock Washer (20 Required)	—	109V521	Operator's Manual – Blower
21	10100704	3/4" Flat Washer (20 Required)			
22	10104715	7/8-9 x 2" Grade 5 Zinc Bolt (12 Required)			
23	10104716	7/8" Flat Washer – Zinc (12 Required)			
24	10104717	7/8" Lock Washer – Zinc (12 Required)			

PART NUMBERS AND SCHEMATICS GUIDE

Figure 1: Front Assembly



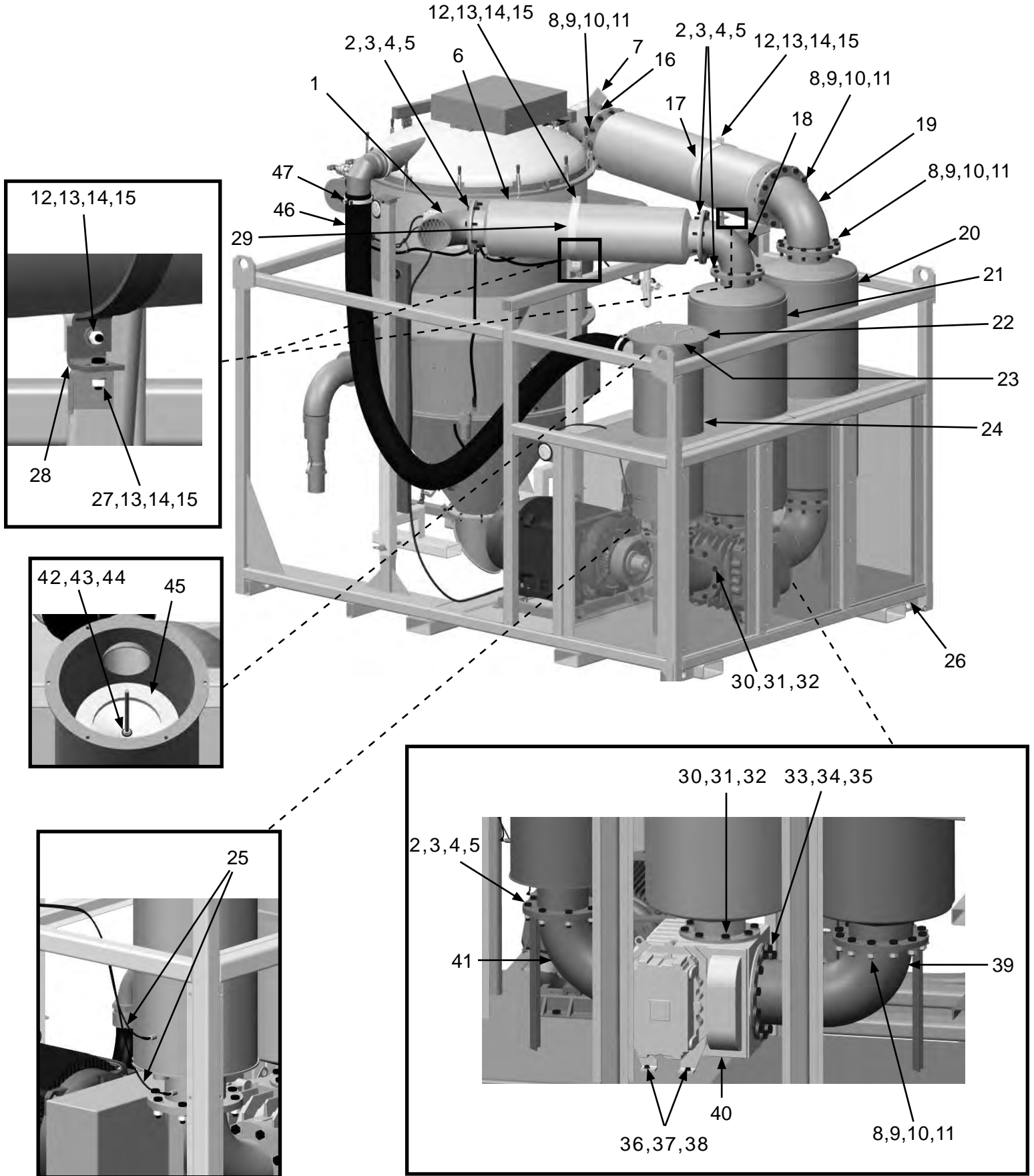
PART NUMBERS AND SCHEMATICS GUIDE

Front Assembly with Sound Reduction Package

Item #	Part #	Description	Item #	Part #	Description
Fig. 2			27	10104234	3/8-16 x 1-1/4 Hex Bolt Zinc (<i>Two Required</i>)
1	10106385	Jet Port Inlet Flange	28	10106313	Silencer Support Angle
2	10100701	3/4-10 x 2-1/2" Hex Bolt (<i>32 Required</i>)	29	10106311	8" Silencer Strap (<i>Two Required</i>)
3	10100704	3/4" Flat Washer (<i>64 Required</i>)	30	10104714	3/4-10 x 1-5/8" Grade 5 Zinc Bolt (<i>20 Required</i>)
4	10100596	3/4" Lock Washer (<i>32 Required</i>)	31	10100596	3/4" Lock Washer (<i>20 Required</i>)
5	10100595	3/4-10 Hex Nut (<i>32 Required</i>)	32	10100704	3/4" Flat Washer (<i>20 Required</i>)
6	10106293	8" Secondary Jet Port Silencer	33	10104715	7/8-9 x 2" Grade 5 Zinc Bolt (<i>12 Required</i>)
7	10104639	10" Raincap	34	10104716	7/8" Flat Washer – Zinc (<i>12 Required</i>)
8	10106283	7/8-9 x 2-1/2" Grade 5 Zinc Bolt (<i>44 Required</i>)	35	10104717	7/8" Lock Washer – Zinc (<i>12 Required</i>)
9	10104716	7/8" Flat Washer – Zinc (<i>88 Required</i>)	36	10104710	1/2-13 x 2" Grade 8 Bolt (<i>Four Required</i>)
10	10104717	7/8" Lock Washer – Zinc (<i>44 Required</i>)	37	10104711	1/2" Grade 8 Flat (<i>Eight Required</i>)
11	10104822	7/8-8 Grade 5 Zinc Nut (<i>44 Required</i>)	38	10104712	1/2" Grade 8 Lock Washer (<i>Four Required</i>)
12	1028617	3/8-16 x 1-3/4" Shoulder Bolt (<i>Four Required</i>)	39	10106280	10" Discharge Elbow
13	10101942	3/8" Flat Washer Galvanized (<i>10 Required</i>)	40	10104456	Blower Top Shaft Left Discharge
14	10101936	3/8" Lock Washer – Zinc (<i>Six Required</i>)	41	10106284	8" Inlet Elbow Weldment
15	1012318	3/8-16 HD Hex Nut (<i>Six Required</i>)	42	10101941	1/2-10 Hex Nut
16	10106309	10" Exhaust Silencer End	43	10100674	1/2" Flat Washer
17	10106312	10" Silencer Support Strap (<i>Two Required</i>)	44	10102005	Rubber Washer 1.25 O.D. x .375 I.D. x .13
18	10106273	8" Jet Port Inlet Elbow	45	1010002304	Filter Cartridge 12.75" x 8.38" x 36" – Flange – .54" BH
19	10106276	10" Exhaust Elbow	46	10VH620B	6" I.D. x 20' Vacuum Hose
20	10106292	10" Discharge Silencer	47	10104640	6" Double Bolt Clamp (<i>Two Required</i>)
21	10106291	8" Jet Port Silencer	—	1091159	Hazard Identification Decals – 100-200 HP Electric Vacuum
22	10106508	Intake Filter Housing Cap	—	109V521	Operator's Manual – Blower
23	10104727	Air Filter Housing Gasket			
24	10106279	Intake Filter Housing (<i>See Figure 13</i>)			
25	20PFBA31095614	1/4" Tube x 1/4" NPT 90° (<i>Two Required</i>)			
26	10106226	Electric Vacuum Skid Frame			

PART NUMBERS AND SCHEMATICS GUIDE

Figure 2: Front Assembly with Sound Reduction Package



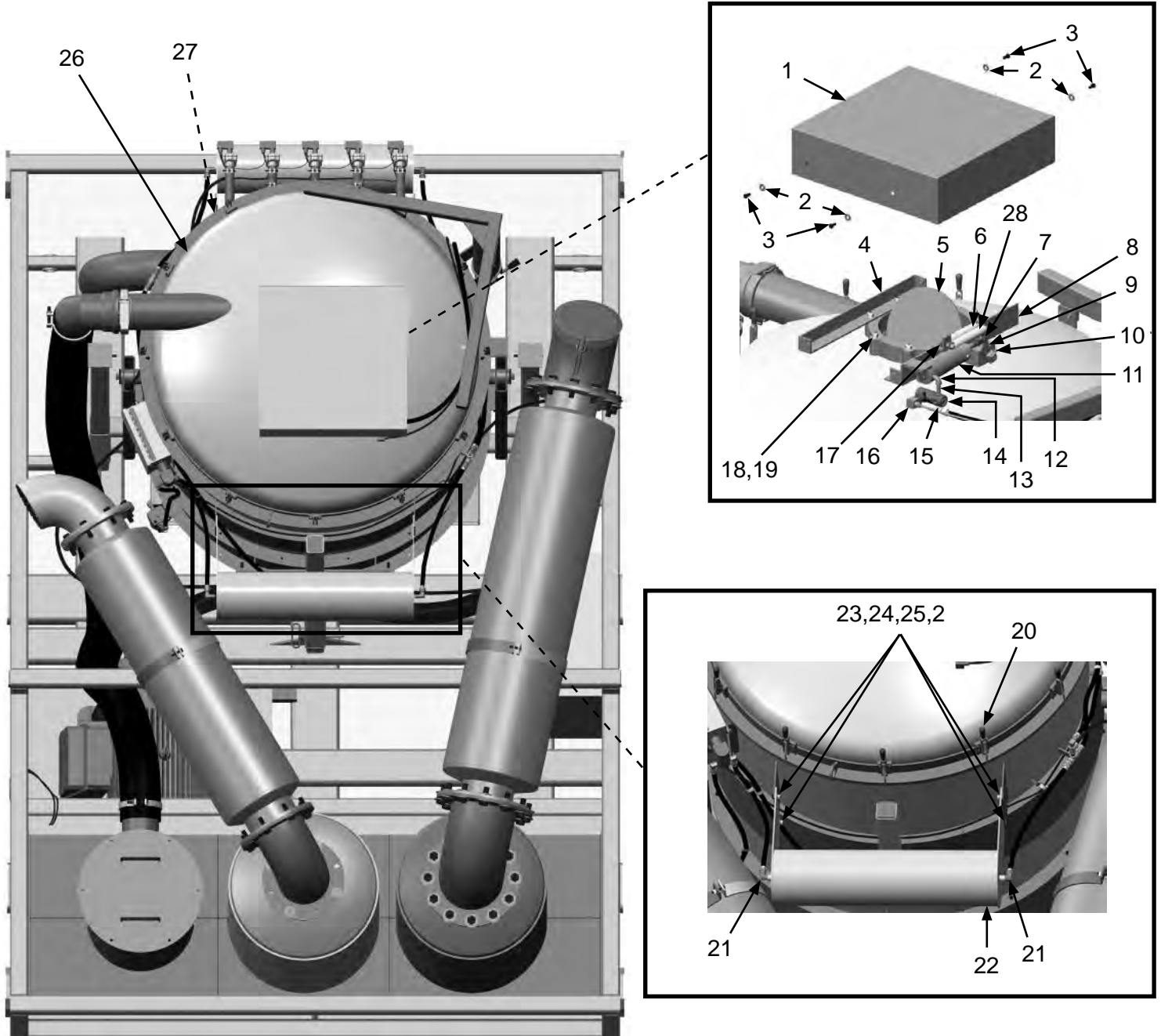
PART NUMBERS AND SCHEMATICS GUIDE

Top Assembly

Item #	Part #	Description
Fig. 3		
1	10104559	Vacuum Butterfly Cover
2	10101942	3/8" Flat Washer – Galvanized (<i>13 Required</i>)
3	10103400	3/8-16 x 3/4" Bolt (<i>Four Required</i>)
4	10104554	Butterfly Cover Mount Weldment
5	10104537	12" Butterfly
6	10107175	6.5" Extension Spring
7	10104668	Piston Rod Clevis
8	10104538	Vacuum Butterfly Cylinder Weldment
9	10104543	Butterfly Actuating Arm
10	20100125	1/4-20 x 3/4" Zinc Hex Bolt
11	10104667	2.5" Pneumatic Cylinder
12	1011824	1/4" Street Elbow
13	1011217	Galvanized 1/4" x 2" Nipple
14	10104669	Solenoid for Butterfly
15	20PFHA60UA0406	1/4" (M) x 3/8" (F) 90° Swivel
16	10105287	Humphrey Din Connector
17	10104706	3/8-16 x 2-1/2" Thread Stud
18	10100674	1/2" Flat Washer (<i>Eight Required</i>)
19	20100124	1/2-13 Hex Lock Nut (<i>Eight Required</i>)
20	10104486	Over Center Clamp (<i>12 Required</i>)
21	20PFHA60UA0606	3/8" (M) x 3/8" (F) 90° Swivel (<i>Two Required</i>)
22	10106288	Auxiliary Header
23	1011747	3/8-16 x 1" Bolt (<i>Four Required</i>)
24	10101936	3/8" Lock Washer – Zinc (<i>Four Required</i>)
25	10101938	3/8-16 Hex Nut (<i>Four Required</i>)
26	10104479	Vacuum Lid Weldment
27	10104426	Vacuum Hopper Section Gasket
28	10107176	6.5" Long Extension Spring – Zinc

PART NUMBERS AND SCHEMATICS GUIDE

Figure 3: Top Assembly



PART NUMBERS AND SCHEMATICS GUIDE

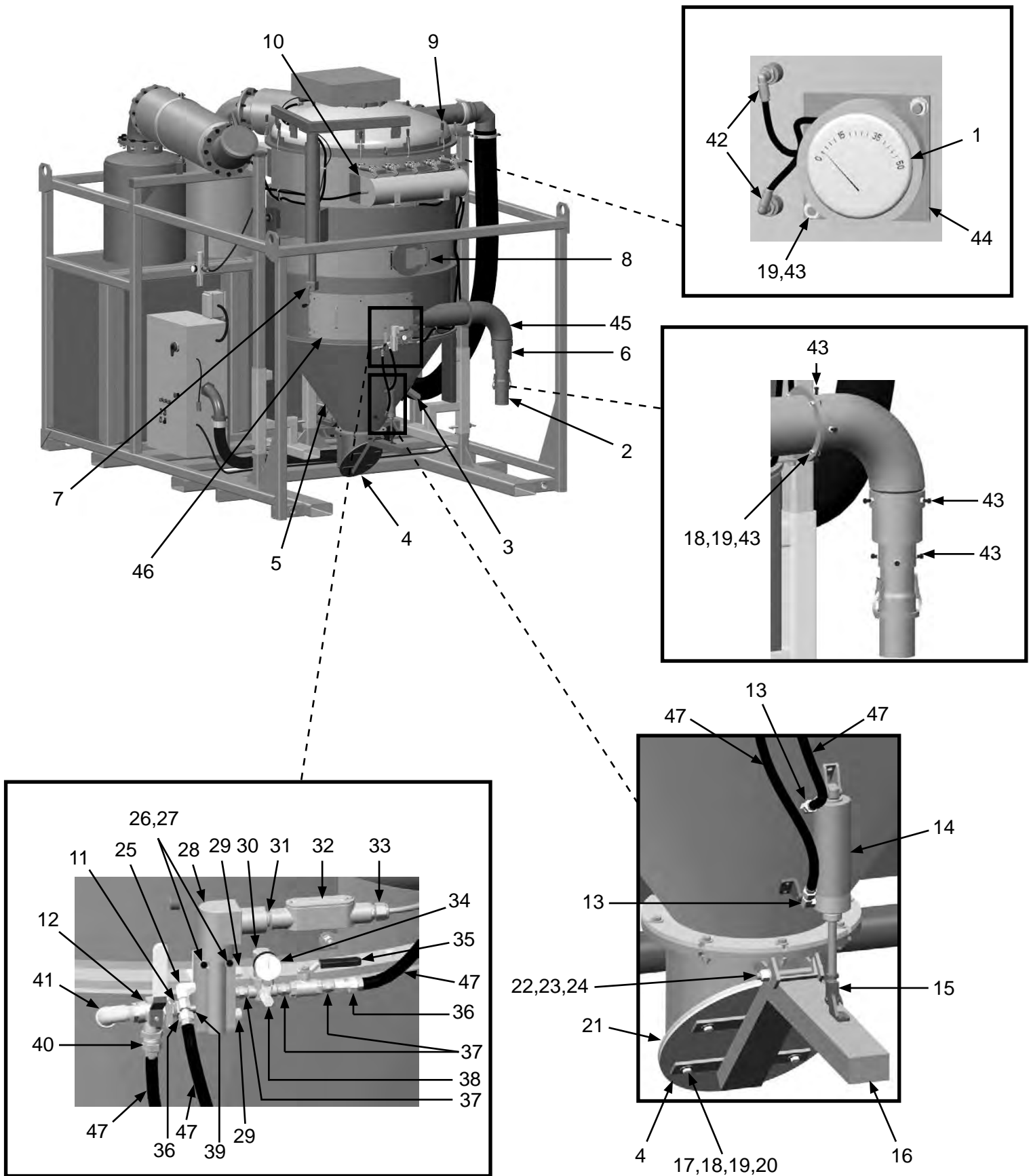
Rear Assembly

Item #	Part #	Description
Fig. 4		
1	10104673	0-50" Differential Pressure Gauge
2	10105042	4" Quick Disconnect Coupling
3	10104665	APV Series Piston Vibrator (See Figure 7)
4	10104506	Dump Door
5	10104411	Vacuum Hopper Cone
6	10104550	Inlet Adapter Weldment
7	10104638	Bulldog Trailer Jack
8	10104439	Knappco Hatch
9	10104486	Vacuum Lid Overcenter Clamp (12 Required)
10	10104498	Vacuum Header (See Figure 9)
11	1011818	1/2" x 1/4" Galvanized Bushing
12	20100571	1/2" NPT 3-Way Brass Ball Valve
13	20PFHA60UA0406	1/4" (M) x 3/8" (F) 90° Swivel (Two Required)
14	10104667	2.5" Pneumatic Cylinder
15	10104668	Piston Rod Clevis
16	10104507	Dump Arm
17	10104234	3/8-16 x 1-1/4 Hex Bolt Zinc (Four Required)
18	10101942	3/8" Flat Washer – Galvanized (Eight Required)
19	10101938	3/8-16 Hex Nut Galvanized (Four Required)
20	1012318	3/8-16 Hex Nut (Four Required)
21	10104512	Dump Door Gasket
—	10104511	Dump Door Internal Plate
22	20100160	1/2-13 x 4-1/2" Hex Bolt
23	10100674	1/2" Flat Washer (Two Required)
24	20100124	1/2-13 Hex Lock Nut
25	20PFHA25UA0404	1/4" Male 90° Elbow

Item #	Part #	Description
26	1019044	1/4-20 x 1-3/4" Zinc Bolt (Two Required)
27	1012323	1/4-20 Zinc Lock Nut with Nylon Insert (Two Required)
28	10104670	Solenoid
29	1019024	Breather Vent
30	10104676	Series MPR Mini Pressure Regulator
31	10L803035	1/2" Close Nipple
32	1019025	1/2" Straight Conduit Body
33	10104703	Cord Grip 1/2" Nylon .2-.47 Diameter
34	10104678	Pressure Gauge 100 psi 1/8"
35	1080050	1/4" Ball Valve
36	20PFHA60SG0406	1/4" (F) x 3/8" (F) Swivel Union (Two Required)
37	20PFHA24SA0404	1/4" Hex Nipple (Three Required)
38	1014239	1/8" x 1/8" 90° Fitting
39	1011210	1/4" NPT x 1 1/2" Nipple
40	20PFHA60SA0806	1/2" (M) x 3/8" (F) Swivel Union
41	1011819	1/2" Street Elbow
42	20PFBA31095614	1/4" Tube x 1/4" NPT 90°
43	1011747	3/8-16 x 1" Bolt – Zinc (13 Required)
44	10103608	Magnehelic Mount
45	10104546	Inlet Elbow Weldment
46	10106511	Vacuum Wear Door Assembly (See Figure 10)
47	10AH038	Air Hose 3/8" I.D. 300 psi

PART NUMBERS AND SCHEMATICS GUIDE

Figure 4: Rear Assembly



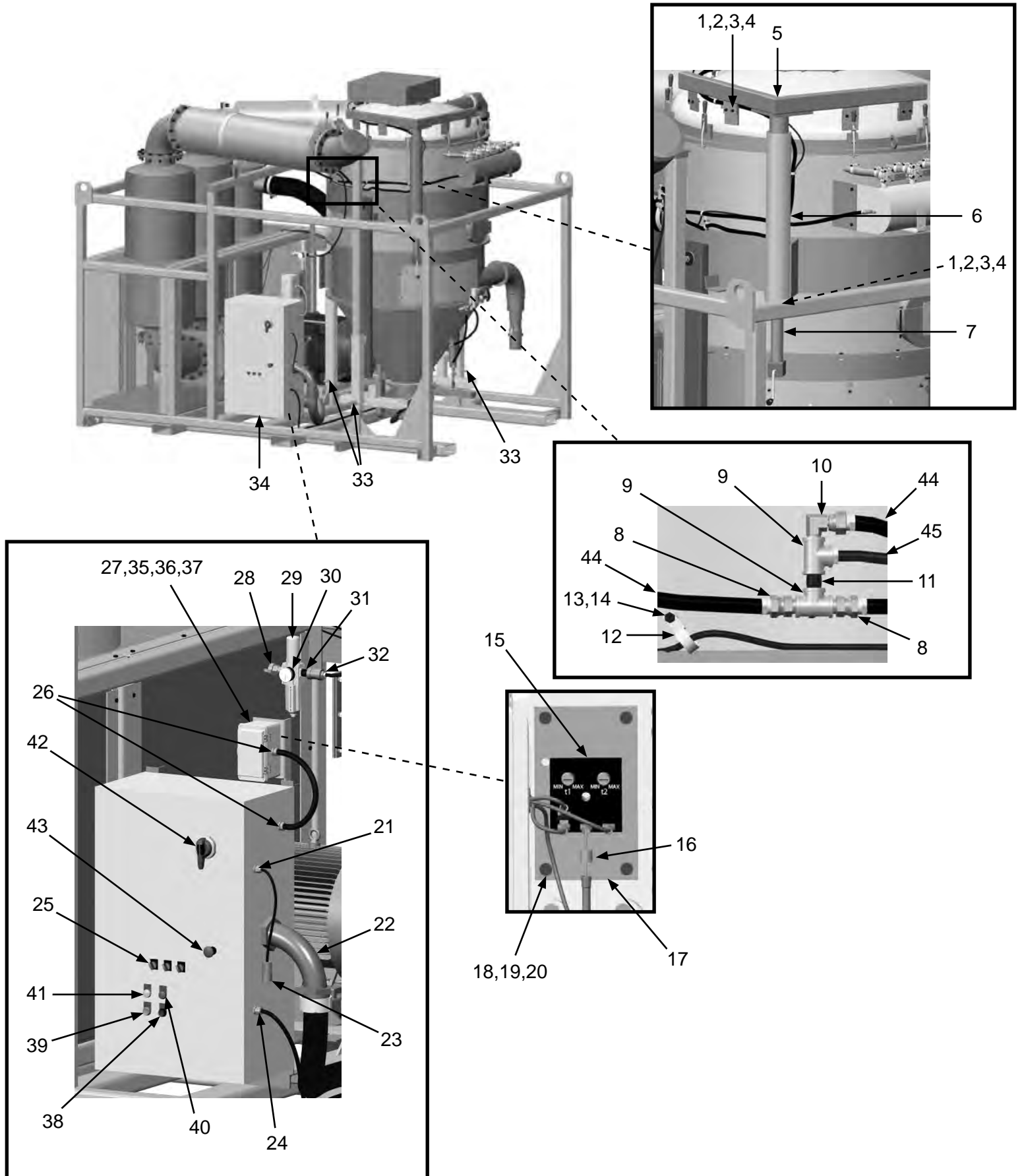
PART NUMBERS AND SCHEMATICS GUIDE

Left Side Assembly

Item #	Part #	Description	Item #	Part #	Description
Fig. 5			25	10103305	Selector Switch – 2-Way (Three Required)
1	10104234	3/8-16 x 1-1/4" Hex Bolt Zinc (Eight Required)	26	20RST50	Straight Liquid Tite Connector Fitting
2	10101942	3/8" Flat Washer – Galvanized (40 Required)	27	10104615	8" x 4" x 5" Fiberglass Qr Latch Enclosure
3	10101936	3/8" Lock Washer – Zinc (11 Required)	28	10ME1	Coupling 2-Lug Male 3/4"
4	1012318	3/8-16 Hex Nut (11 Required)	29	10103257	74 Series Filter/Regulator
5	10104472	Vacuum Lid Lift	30	1028606	Pressure Gauge 160 psi 1/4"
6	10104434	Vacuum Top Section	31	10103317	3/4" x 2" 153 Nipple
7	10104638	Bulldog Trailer Jack	32	20PFHA24SB1206	3/4" x 3/8" Reducing Bushing
8	20PFHA60SA0606	Union Swivel 3/8" (M) x 3/8" (F) (Two Required)	33	10103788	Hitch Pin – 3/4" x 6-1/2" Long
9	1011809	3/8" NPT Tee (Two Required)	34	10106295	Vacuum Control Panel
10	20PFHA60UA0606	3/8" (M) x 3/8" (F) 90° Swivel Union	35	1012154	1/4-20 x 1 Hex Bolt
11	1011209	3/8 NPT Close Nipple	36	10101940	1/4" Flat Washer
12	10103624	1" Rubber Cushioned Loop Clamp (Five Required)	37	10101939	1/4-20 Stainless Steel Lock Nut With Nylon Insert
13	10L805302	Jr & Sr Spindle Bolt (Three Required)	38	10105372	Red NC Momentary Switch
14	10102387	1/4-28 Coupling Nut (Three Required)	39	10105373	Black NO Momentary Switch
15	10106818	Vacuum Control Timer	40	10105374	Red Indicating Light 120 VAC
16	10104109	6 Amp 50-Volt Rectifier	41	10105375	Green Indicating Light 120 VAC
17	10105193	Enclosure Panel	42	10105360	Main Power Switch
18	20100125	1/4-20 x 3/4" Zinc Hex Bolt (Eight Required)	43	10105371	Twist Release E-Stop
19	10101940	1/4" Flat Washer – (Four Required)	44	10AH038	Air Hose 3/8" I.D. 300 psi
20	10101939	1/4-20 Stainless Steel Lock Nut with Nylon Insert (Four Required)	45	10103322	Urethane Tube – Black – 1/4"
21	10104703	Cord Grip Nylon 1/2" – NPT .2-.47 Diameter			
22	10106132	3" 90° Conduit Hub			
23	1015556	Female Twist Lock Plug – Three Prong			
24	20RCG5050	Cord Grip 1/2"-NPT .5-.625 Diameter			

PART NUMBERS AND SCHEMATICS GUIDE

Figure 5: Left Side Assembly



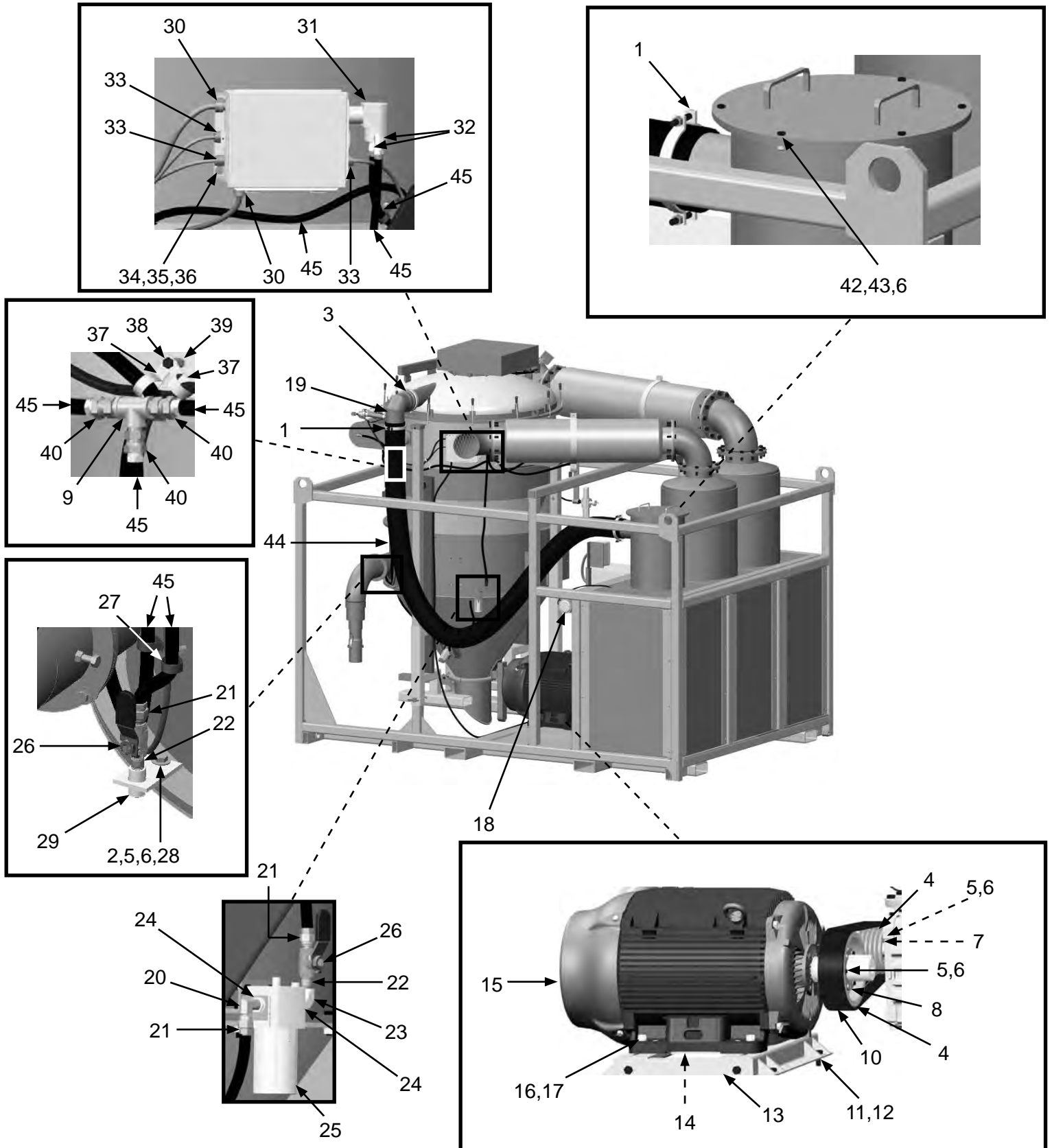
PART NUMBERS AND SCHEMATICS GUIDE

Right Side Assembly

Item #	Part #	Description	Item #	Part #	Description
Fig. 6			26	1080060	3/8" NPT Full Port Brass Ball Valve <i>(Two Required)</i>
1	10104640	6" Double Bolt Clamp <i>(Two Required)</i>	27	10103624	1" Rubber Cushioned Loop Clamp
2	10101942	3/8" Flat Washer <i>(Five Required)</i>	28	1012318	3/8-16 Hex Nut
3	10104637	6" Bandlock Clamp	29	10104597	Airline Drain
4	10106340	5/5V 7.10" Sheave <i>(Two Required)</i>	30	20RCG5050	1/2" NPT x .5-.625 Diameter Cord Grip <i>(Two Required)</i>
5	1028617	3/8-16 x 1-3/4" Shoulder Bolt <i>(Seven Required)</i>	31	10104671	Vibrator Solenoid
6	10101936	3/8" Lock Washer – Zinc <i>(Seven Required)</i>	32	20PFHA60UA0406	1/4" (M) x 3/8" (F) 90° Swivel <i>(Two Required)</i>
7	10106342	SF Bushing 2" Bore	33	10104703	1/2" NPT x .2-.47 Diameter Nylon Cord Grip <i>(Three Required)</i>
8	10106107	E Bushing 2-7/8" Bore	34	10101939	1/4-20 Stainless Steel Lock Nut with Nylon Insert <i>(Four Required)</i>
9	1011809	3/8" NPT Tee	35	10101940	1/4" Flat Washer – Galvanized <i>(Four Required)</i>
10	10106339	5 Strand 5VP600 Belt – 60"	36	20100125	1/4-20 x 3/4" Zinc Hex Bolt <i>(Four Required)</i>
11	10103417	3/4-10 UNC x 1-3/4" Bolt <i>(Four Required)</i>	37	10103624	1" Rubber Cushioned Loop Clamp <i>(10 Required)</i>
12	10103418	Washer – 3/4" <i>(Four Required)</i>	38	10L805302	Jr & Sr Spindle Bolt <i>(10 Required)</i>
13	10106330	150 HP Motor Base	39	10102387	1/4-28 Coupling Nut <i>(10 Required)</i>
14	10106129	3" Straight Conduit Hub	40	20PFHA60SA0606	Union Swivel 3/8" (M) x 3/8" (F) <i>(Three Required)</i>
15	10106015	150 HP 3 Phase Electric Motor	41	1011809	3/8" NPT Tee
16	10103420	3/4-10 UNC Nut <i>(Four Required)</i>	42	10104234	3/8-16 x 1-1/4 Hex Bolt Zinc Grade 5
17	10103419	Lock Washer – 3/4" <i>(Four Required)</i>	43	10101938	3/8-16 Hex Nut Galvanized
18	10104673	0-50" Differential Pressure Gauge	44	10VH620B	6" I.D. x 20' Vacuum Hose
19	10104636	6" 90° Elbow Non-Plated	45	10AH038	Air Hose 3/8" I.D. 300 psi
20	20PFHA60UA0606	3/8" (M) x 3/8" (F) 90° Swivel Union	—	109V563	Operator's Manual – WEG Electric Motor
21	20PFHA60SA0606	Union Swivel 3/8" (M) x 3/8" (F) <i>(Three Required)</i>			
22	1011209	3/8 NPT Close Nipple			
23	20PFHA25UG0606	3/8" Street Elbow			
24	20PFHA24SB0806	1/2" x 3/8" Reducing Bushing <i>(Two Required)</i>			
25	10104674	Lubricator 1/2" NPT 156 CFM			

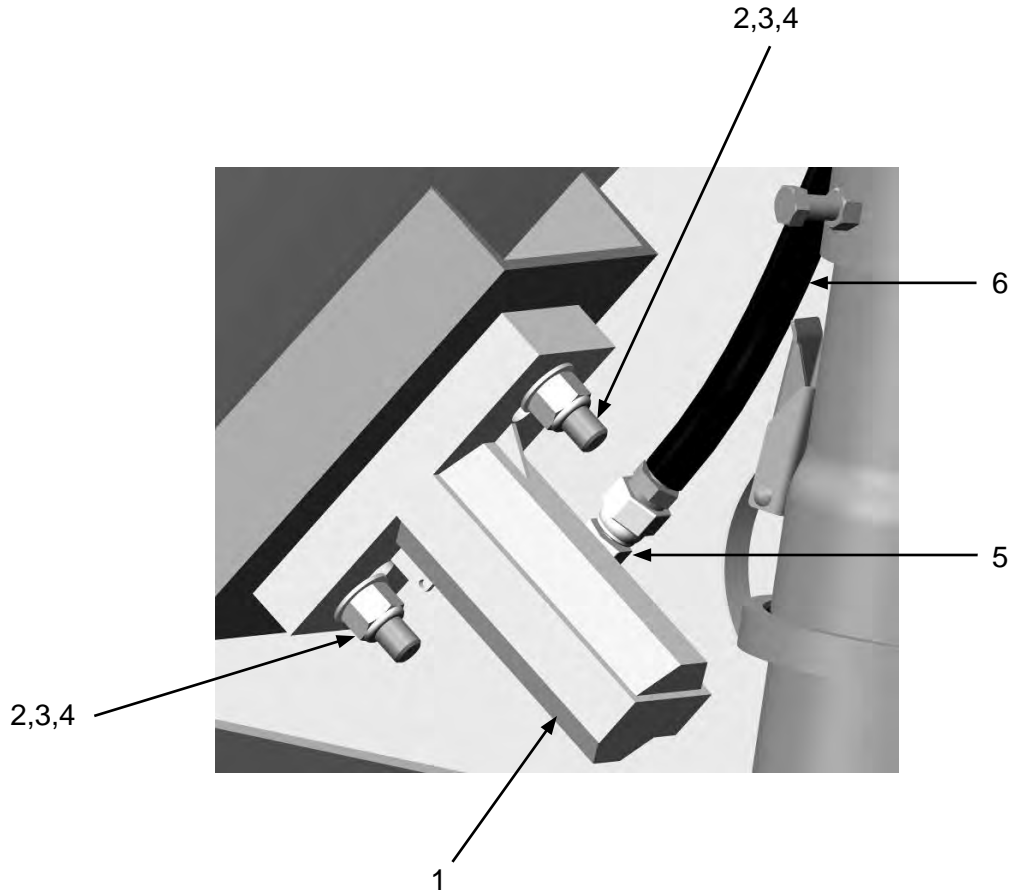
PART NUMBERS AND SCHEMATICS GUIDE

Figure 6: Right Side Assembly



PART NUMBERS AND SCHEMATICS GUIDE

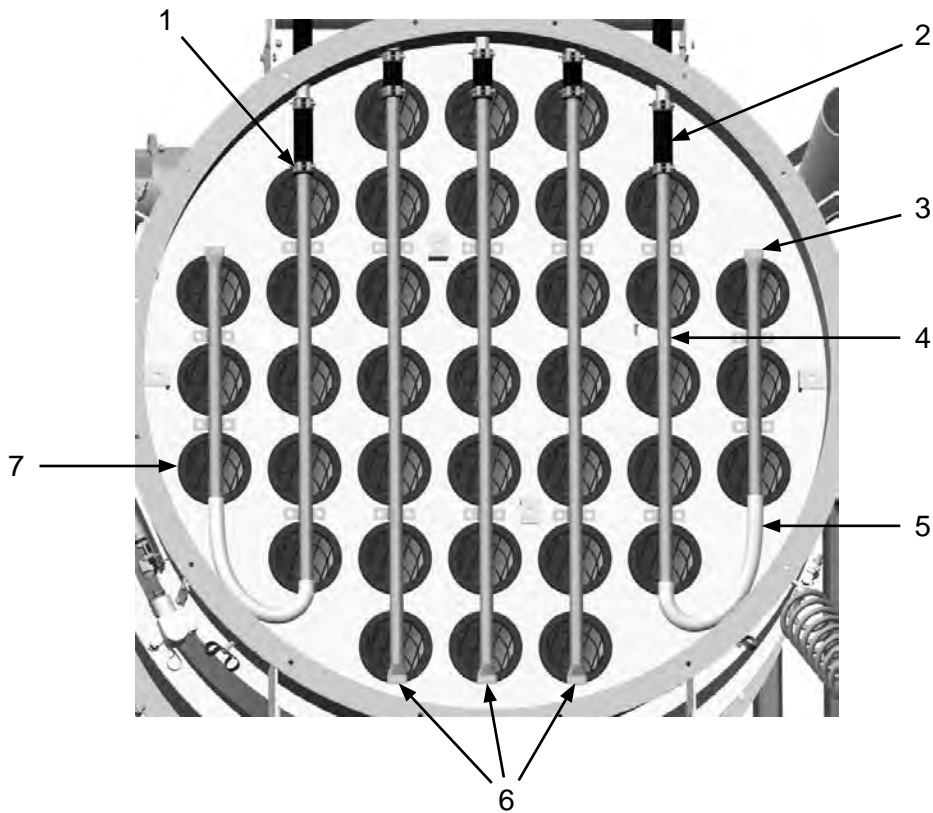
Figure 7: Pneumatic Piston Vibrators



Item #	Part #	Description
Fig. 7		
1	10104665	APV Series Piston Vibrator
2	20100124	1/2-13 Hex Lock Nut – Zinc (<i>Two Required</i>)
3	10100674	1/2" Flat Washer (<i>Two Required</i>)
4	10102652	1/2-13 x 2-1/4" Grade 5 Bolt (<i>Two Required</i>)
5	20PFHA60UA0406	1/4" (M) x 3/8" (F) 90° Swivel Union
6	10AH038	Air Hose 3/8" I.D. 300 psi

PART NUMBERS AND SCHEMATICS GUIDE

Figure 8: Filter Bag Pulsers



Item #	Part #	Description
Fig. 8		
1	10103736	T-Bolt Hose Clamp for 1" I.D. (10 Required)
2	10AH100	1-1/4" 75W Marine Hose – 100 psi (Five Required)
3	10104562	Pulser System Short Blowpipe (Two Required)
4	10104565	Pulser System Medium Blowpipe (Two Required)
5	10104680	1" Flexible Tubing for Blowpipes (Two Required)
6	10104567	Pulser System Long Blowpipe (Three Required)
7	10104633	Vacuum Baghouse Filter (37 Required)
—	10104634	Vacuum Baghouse Filter Cage (37 Required)

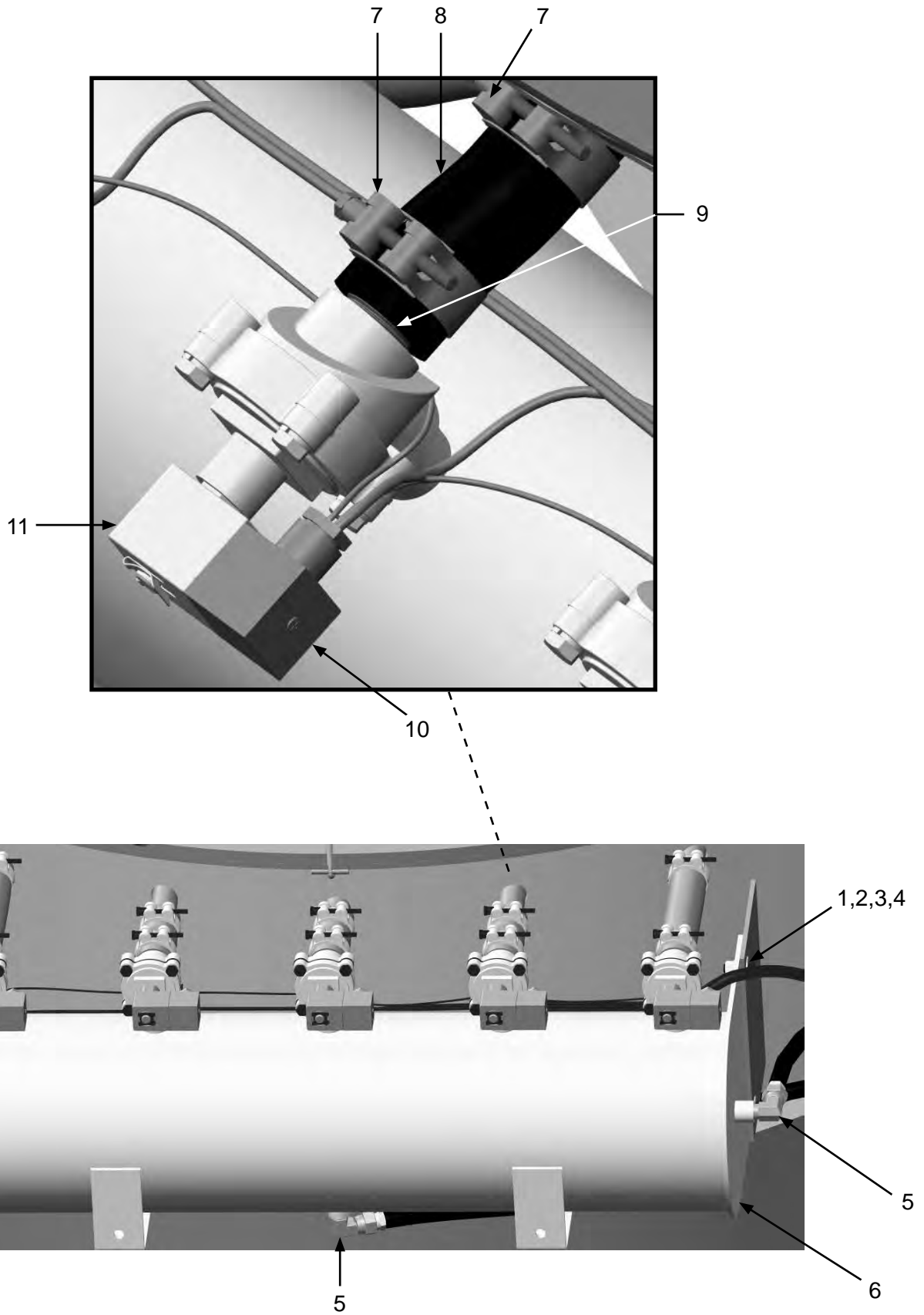
PART NUMBERS AND SCHEMATICS GUIDE

Pulser System Assembly

Item #	Part #	Description
Fig. 9		
1	10101942	3/8" Flat Washer – Galvanized (<i>Eight Required</i>)
2	10101936	3/8" Lock Washer – Zinc (<i>Four Required</i>)
3	1011747	3/8-16 x 1" Bolt (<i>Four Required</i>)
4	10101938	3/8-16 Hex Nut (<i>Four Required</i>)
5	20PFHA60UA0606	3/8" (M) x 3/8" (F) 90° Swivel Union
6	10104498	Vacuum Header
7	10103736	T-Bolt Hose Clamp for 1" I.D. (<i>10 Required</i>)
8	10106509	Air Hose 1" I.D. 200 psi – Red
9	10104500	3/4" NPT x 1-1/2" Toe Nipple (<i>Five Required</i>)
10	10105287	Humphrey Din Connector (<i>Included with Item #11</i>) (<i>Five Required</i>)
11	10104666	3/4" Diaphragm Valve with Solenoid (<i>Five Required</i>)
—	10107192	Pilot Valve Repair Kit
—	10107193	Diaphragm Repair Kit

PART NUMBERS AND SCHEMATICS GUIDE

Figure 9: Pulser System Assembly



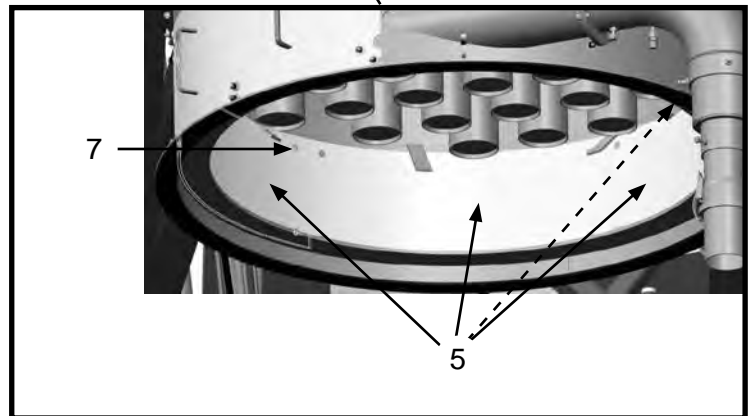
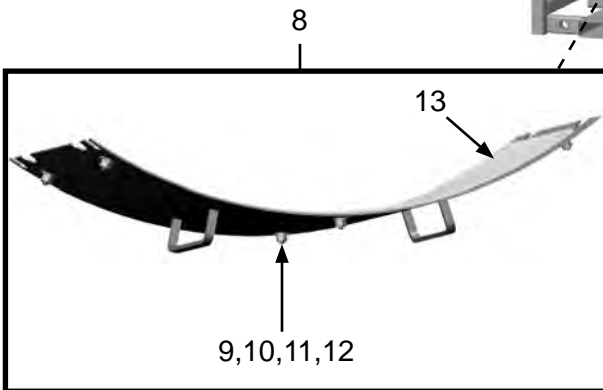
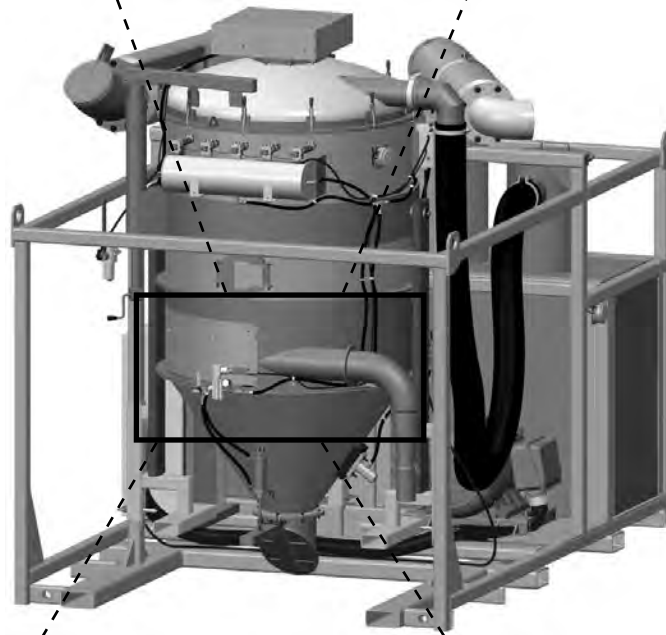
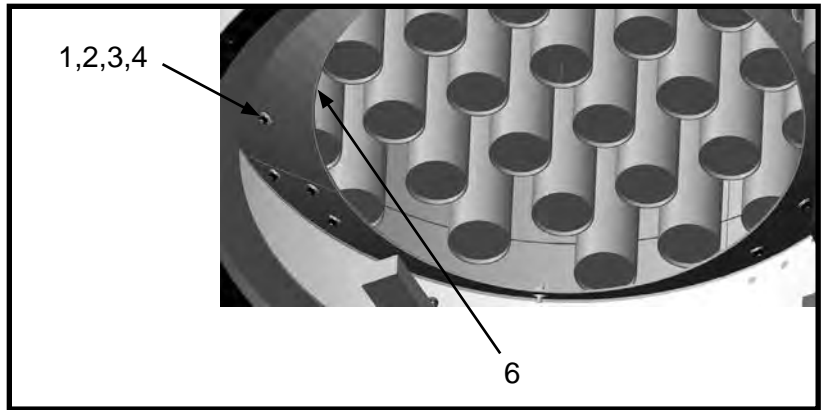
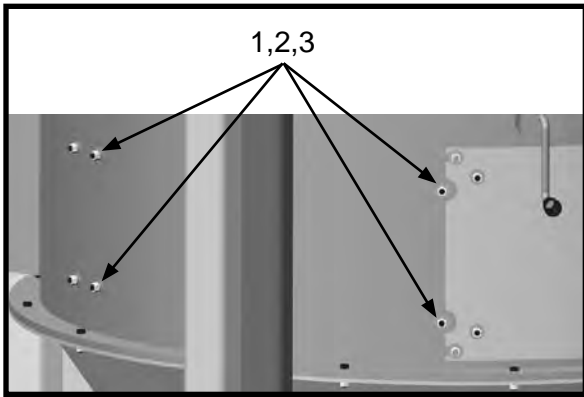
PART NUMBERS AND SCHEMATICS GUIDE

Wear Plates and Baffles

Item #	Part #	Description
Fig. 10		
1	10101942	3/8" Flat Washer – Galvanized (35 Required)
2	10101936	3/8" Lock Washer – Zinc (35 Required)
3	10101938	3/8-16 Hex Nut (35 Required)
4	1011747	3/8-16 x 1" Bolt (15 Required)
5	10104489	Vacuum Wear Plates (Four Required)
6	10104490	Vacuum Baffle (Three Required)
7	10104705	3/8-16 Flat Head Square Neck x 1" Bolt Zinc (16 Required)
8	10106511	Vacuum Wear Door Assembly (Includes Item #'s: 9, 10, 11, 12, and 13)
9	10101942	3/8" Flat Washer – Galvanized (20 Required)
10	10101936	3/8" Lock Washer – Zinc (16 Required)
11	10101938	3/8-16 Hex Nut – Galvanized (12 Required)
12	10104705	3/8-16 Flat Head Square Neck x 1" Bolt Zinc (12 Required)
13	10105189	Wear Door Liner

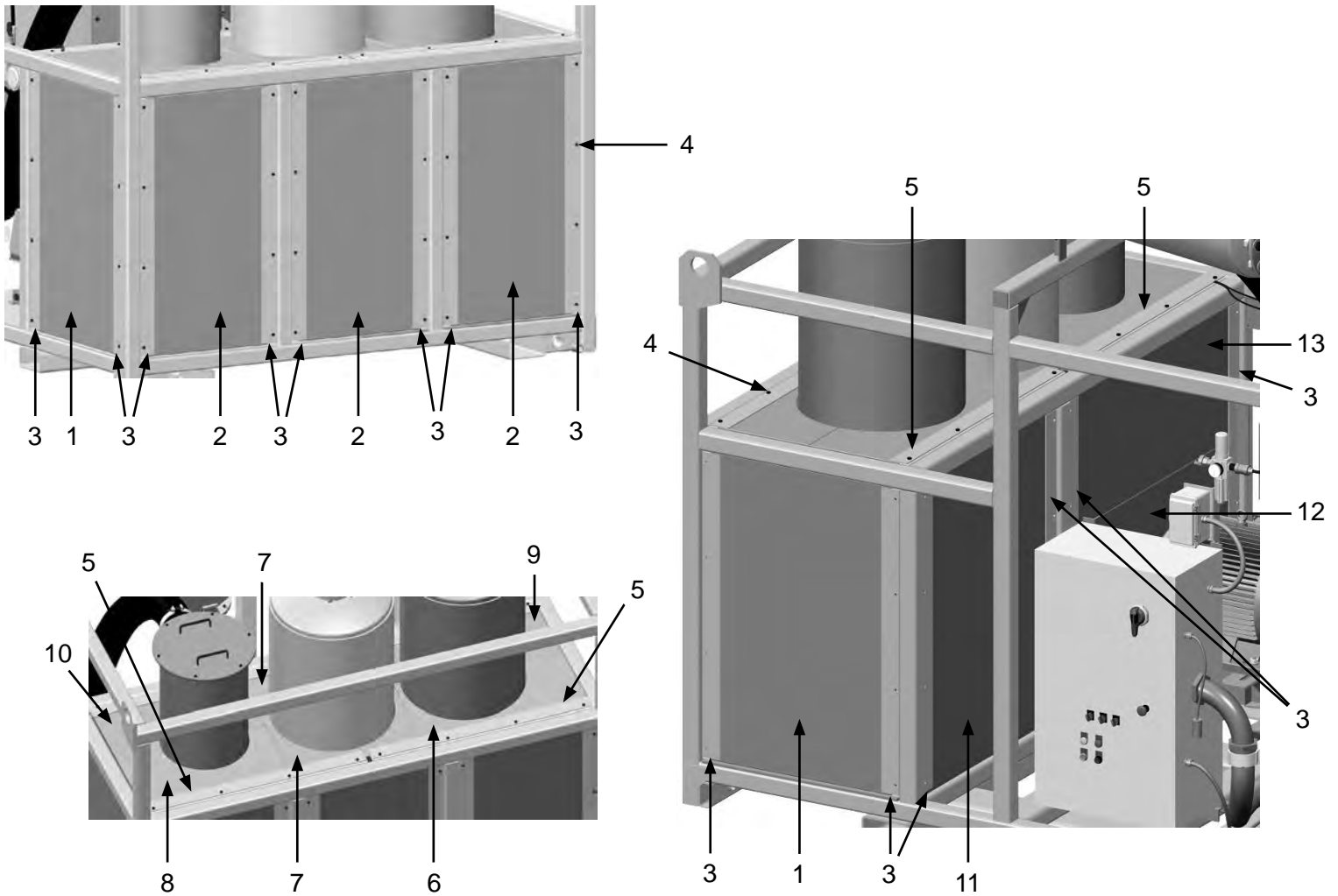
PART NUMBERS AND SCHEMATICS GUIDE

Figure 10: Wear Plates and Baffles



PART NUMBERS AND SCHEMATICS GUIDE

Figure 11: Sound Panels and Straps



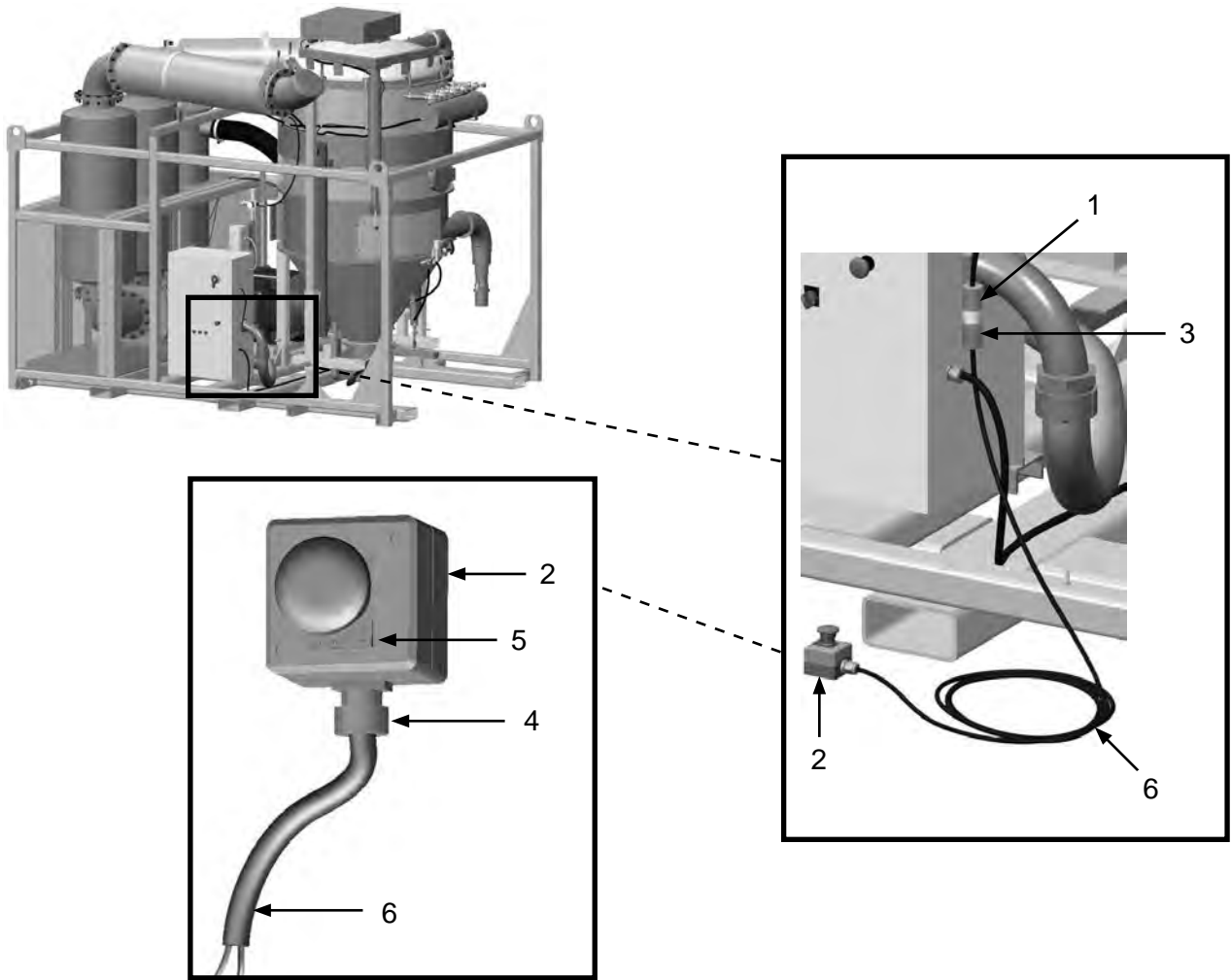
Item #	Part #	Description
--------	--------	-------------

Fig. 11

1	10106301	Sound Panel (Two Required)
2	10106300	Sound Panel (Three Required)
3	10106305	Panel Hold On's (16 Required)
4	10103400	3/8-16 x 3/4" Bolt (72 Required)
5	10106325	Top Panel Hold On's (Four Required)
6	10106319	Top Sound Panel – Discharge
7	10106321	Top Sound Panel – Jet Port (Two Required)
8	10106323	Top Sound Panel – Filter Housing
9	10106320	Top Sound Panel – Discharge
10	10106324	Top Sound Panel – Filter Housing
11	10106302	Sound Panel 3
12	10106303	Sound Panel 4
13	10106304	Sound Panel 5

PART NUMBERS AND SCHEMATICS GUIDE

Figure 12: Emergency-Stop Station



Item #	Part #	Description
--------	--------	-------------

Fig. 12

—	10107200	Remote Emergency-Stop Station <i>(Includes Item #'s: 2, 3, 4, 5, and 6 (100'))</i>
1	1015556	Female Twist Lock Plug – Three Prong
2	10104071	E-Stop Control Station
3	1015555	Male Twist Lock Plug – Three Prong
4	10104703	Cord Grip Nylon 1/2"-NPT .2-.47 Diameter
5	10104063	Legend Plate – Emergency Stop
6	1015540	16/2 Xtreme-Duty® Power Cord – Red <i>(Per Foot)</i>
—	1015009	8-32 x 1" Pan Head Phillips Screw <i>(Four Required)</i>
—	20000021	8-32 Zinc Nut <i>(Four Required)</i>
—	20000018	#8 Zinc Lock Washer <i>(Four Required)</i>
—	20000019	#8 Zinc Flat Washer <i>(Four Required)</i>

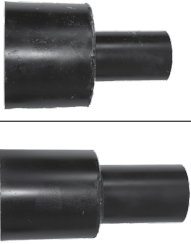
PART NUMBERS AND SCHEMATICS GUIDE





Part Numbers

VACUUM HOSE							
Part Numbers	Vacuum Hose I.D.	Length	Vacuum HG	Cover Material	Reinforcement Material	Liner	Hose Color
10VH11250	1-1/2"	50 Ft.	29"	Pliovic®	Pliovic® PVC Helix	Polyurethane	Black
10VH225	2"	25 Ft.	29"	Pliovic®	Pliovic® PVC Helix	Polyurethane	Blue
10VH250	2"	50 Ft.	29"	Pliovic®	Pliovic® PVC Helix	Polyurethane	Blue
10VH200	2"	100 Ft.	29"	Pliovic®	Pliovic® PVC Helix	Polyurethane	Blue
10VH2550	2-1/2"	50 Ft.	29"	Pliovic®	Pliovic® PVC Helix	Polyurethane	Blue
10VH325	3"	25 Ft.	29"	Pliovic®	Pliovic® PVC Helix	Polyurethane	Blue
10VH350	3"	50 Ft.	29"	Pliovic®	Pliovic® PVC Helix	Polyurethane	Blue
10VH300	3"	100 Ft.	29"	Pliovic®	Pliovic® PVC Helix	Polyurethane	Blue
10VH425	4"	25 Ft.	29"	Pliovic®	Pliovic® PVC Helix	Polyurethane	Blue
10VH450	4"	50 Ft.	29"	Pliovic®	Pliovic® PVC Helix	Polyurethane	Blue
10VH400	4"	100 Ft.	29"	Pliovic®	Pliovic® PVC Helix	Polyurethane	Blue
10VH525	5"	25 Ft.	29"	Pliovic®	Pliovic® PVC Helix	Polyurethane	Blue
10VH550	5"	50 Ft.	29"	Pliovic®	Pliovic® PVC Helix	Polyurethane	Blue
10VH500	5"	100 Ft.	29"	Pliovic®	Pliovic® PVC Helix	Polyurethane	Blue
10VH625	6"	25 Ft.	25"	Pliovic®	Pliovic® PVC Helix	Polyurethane	Blue
10VH650	6"	50 Ft.	25"	Pliovic®	Pliovic® PVC Helix	Polyurethane	Blue
10VH600	6"	100 Ft.	25"	Pliovic®	Pliovic® PVC Helix	Polyurethane	Blue
10VH825	8"	25 Ft.	25"	Pliovic®	Pliovic® PVC Helix	Polyurethane	Blue
10VH850	8"	50 Ft.	25"	Pliovic®	Pliovic® PVC Helix	Polyurethane	Blue

OPTIONAL ACCESSORIES

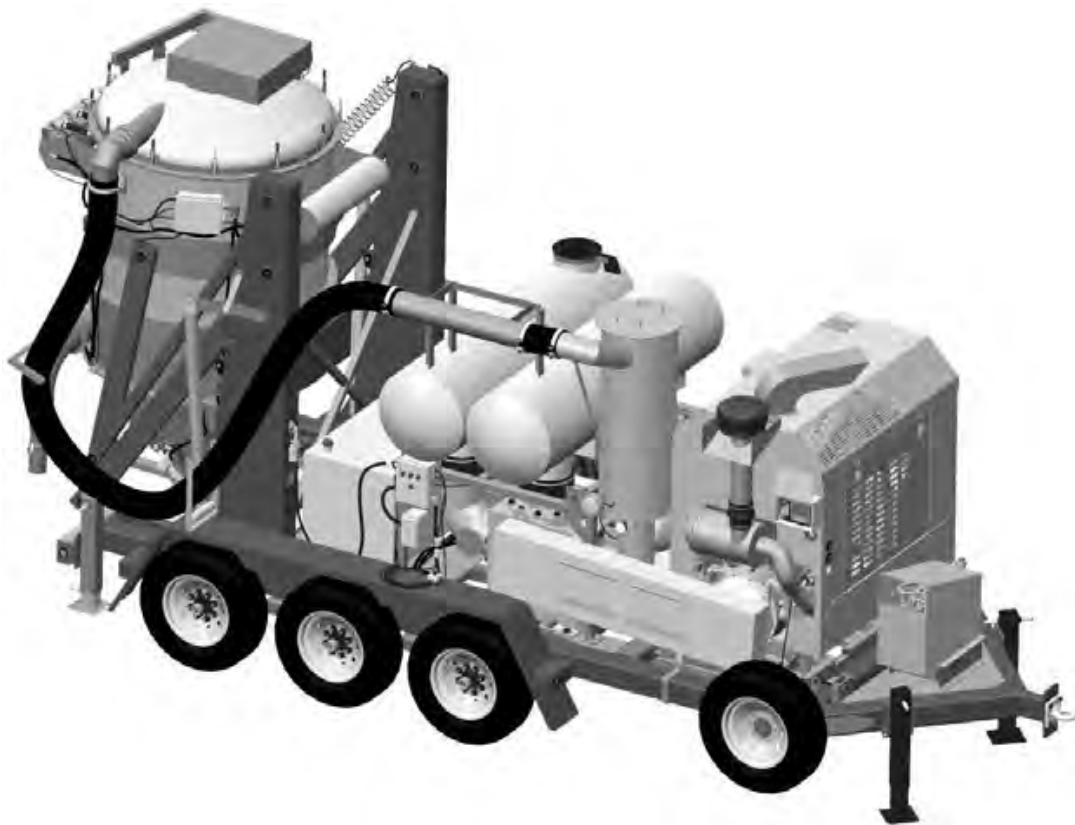
		VACUUM HOSE REDUCERS	
		Part Numbers	Size
	10106712	8" x 4"	
	10106716	6" x 4"	

		WYE ADAPTERS	
		Part Numbers	Size
	10106719	4" x 2" x 2"	
	10107485	6" x 2" x 2"	
	10106723	6" x 4" x 4"	
	10106727	8" x 4" x 4"	

		VACUUM HOSE MENDERS			
		Part Numbers	Vacuum Hose I.D.	Mender Length	Thickness
	10HM2	2"	8"	1/8"	Steel
	10HM3	3"	9"	1/8"	Steel
	10HM4	4"	10"	1/8"	Steel
	10HM5	5"	11"	1/8"	Steel
	10HM6	6"	12"	1/8"	Steel
	10HM8	8"	14"	1/8"	Steel

PART NUMBERS

VACMASTER® 23T TIER 4 DIESEL ABRASIVE VACUUMS			
	Engine Type	Filter Cartridge Style	
Part Numbers	Tier 4	Acrylic-Coated Filter Bags	Filter Cartridge Quantity
10106514	X	X	37



SPECIFICATIONS

Performance:	MAX 3658 CFM
Filter Cartridge Style:	Acrylic-Coated Filter Bags 37 Required
Filter Cleaning:	Pulse System, 25–30 second intervals. Pulse Duration: 200–350 millisecond
Vacuum	27" Hg
Ducting Connections:	6" I.D. Inlet with 4" adapter
Inspection Ports:	One 10" Viewable to Filters with access ports to hopper
Material Removal:	Automatic Direct Dump
Blower:	Rotary lobe, positive displacement with jet inlet
Engine:	Diesel, Tier 4, 225 Horsepower
Fuel Capacity:	Capacity: 116 Gallons Type: Diesel
Air Compressor:	On Board 13 CFM
Electrical System:	12-Volt DC
Engine Protection:	Engine Monitoring System with automatic shutdown
Fluid Specifications:	Hydraulic Oil: H46 or equivalent, 2 gallon capacity Diesel Fuel: See Engine Operator's Manual for type Grease/Lubricator: Shell Alvania Grease EP or equivalent Alcohol Evaporator: Alcohol 99 Isopropyl, 32 oz. capacity Vibrator Lubricator: 4 oz. pneumatic air tool oil Blower Oil: ROOTS™ synthetic lubricating oil
Unit Dimensions:	Weight: 13,950 pounds (empty) Length: 22' 4" Width: 8' 2" Height: 11' Raised Height: 18' 8" Dump Clearance: 8'

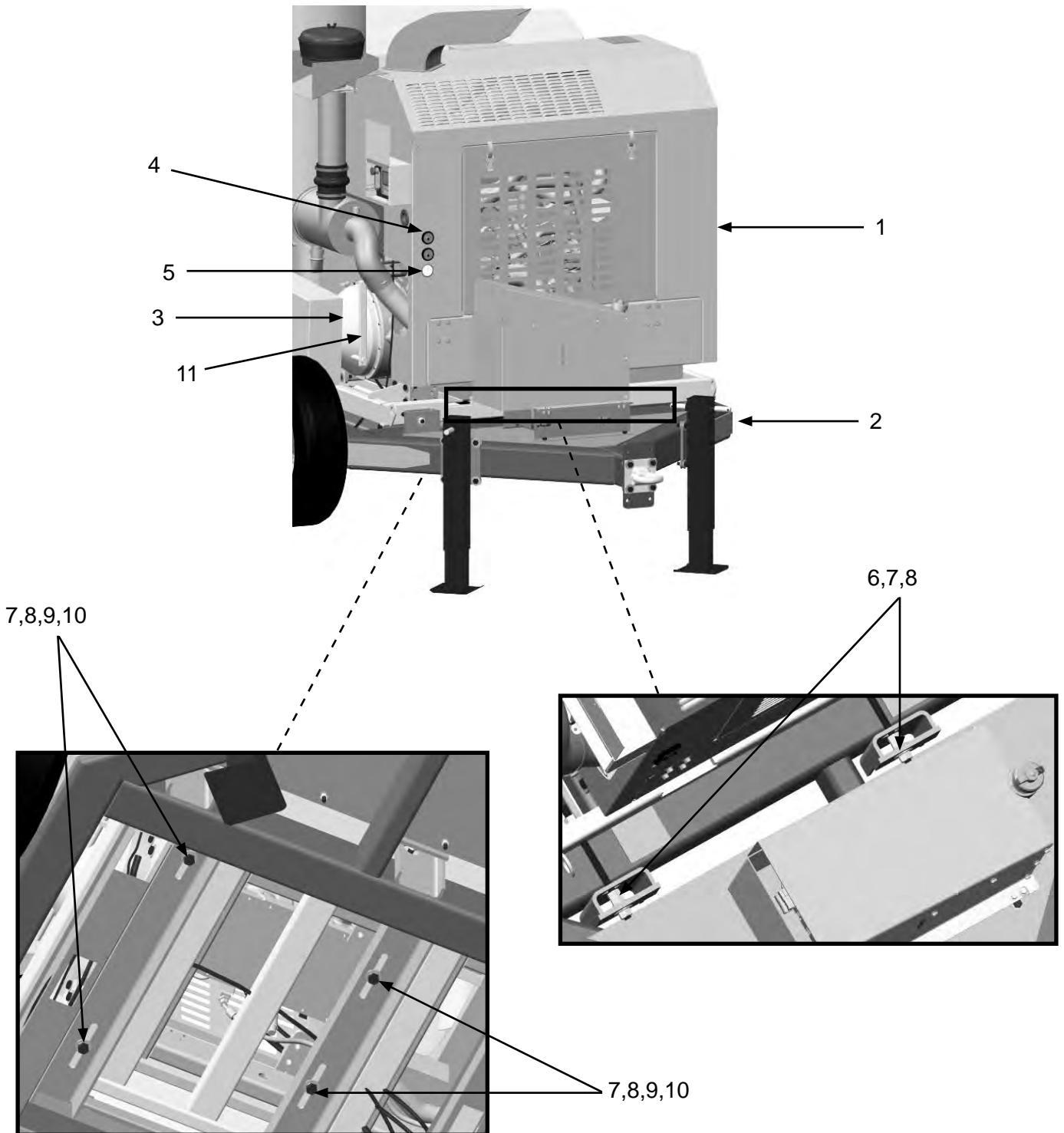
PART NUMBERS AND SCHEMATICS GUIDE

Front Assembly

Item #	Part #	Description
Fig. 1		
1	10106516	Perkins® Engine 225 HP Tier 4
2	10104776	Trailer (See Figure 20)
3	10103986	Twin Disc Clutch
4	10104821	Wema Analog Fuel Level Gauge
5	10104820	Panel Mount Pressure Gauge 0-160 psi
6	10103440R	3/4-10 UNC Grade 8 Draw Bolt (Two Required)
7	10103418	Washer – 3/4" – Grade 8 (Four Required)
8	10103420	3/4-10 UNC Grade 8 Nut (Four Required)
9	10103417	3/4-10 UNC x 1-3/4" Grade 8 Bolt (Four Required)
10	10103419	Lock Washer – 3/4" HD (Four Required)
11	10104001	Shifting Lever for 10103986
—	10104126	Oil Filter
—	10103970	Perkins Key
—	10106701	Primary Fuel Filter
—	10106709	Secondary Fuel Filter
—	10106707	Outer Air Filter
—	10106708	Inner Air Filter
—	1091138	Hazard Identification Decals – 23T Vacuums
—	1091162	Hazard Identification Decals – Tier 4 Engines
—	109V567	Operator's Manual – Perkins® Engine
—	105M163	Features and Specifications Guide – Vacmaster® 23T Tier 4 Diesel Abrasive Vacuums
—	106M163	Part Numbers and Schematics Guide – Vacmaster® 23T Tier 4 Diesel Abrasive Vacuums
—	1090163	Operator's Manual – Vacmaster® 23T Tier 4 Diesel Abrasive Vacuums

PART NUMBERS AND SCHEMATICS GUIDE

Figure 1: Front Assembly



PART NUMBERS AND SCHEMATICS GUIDE

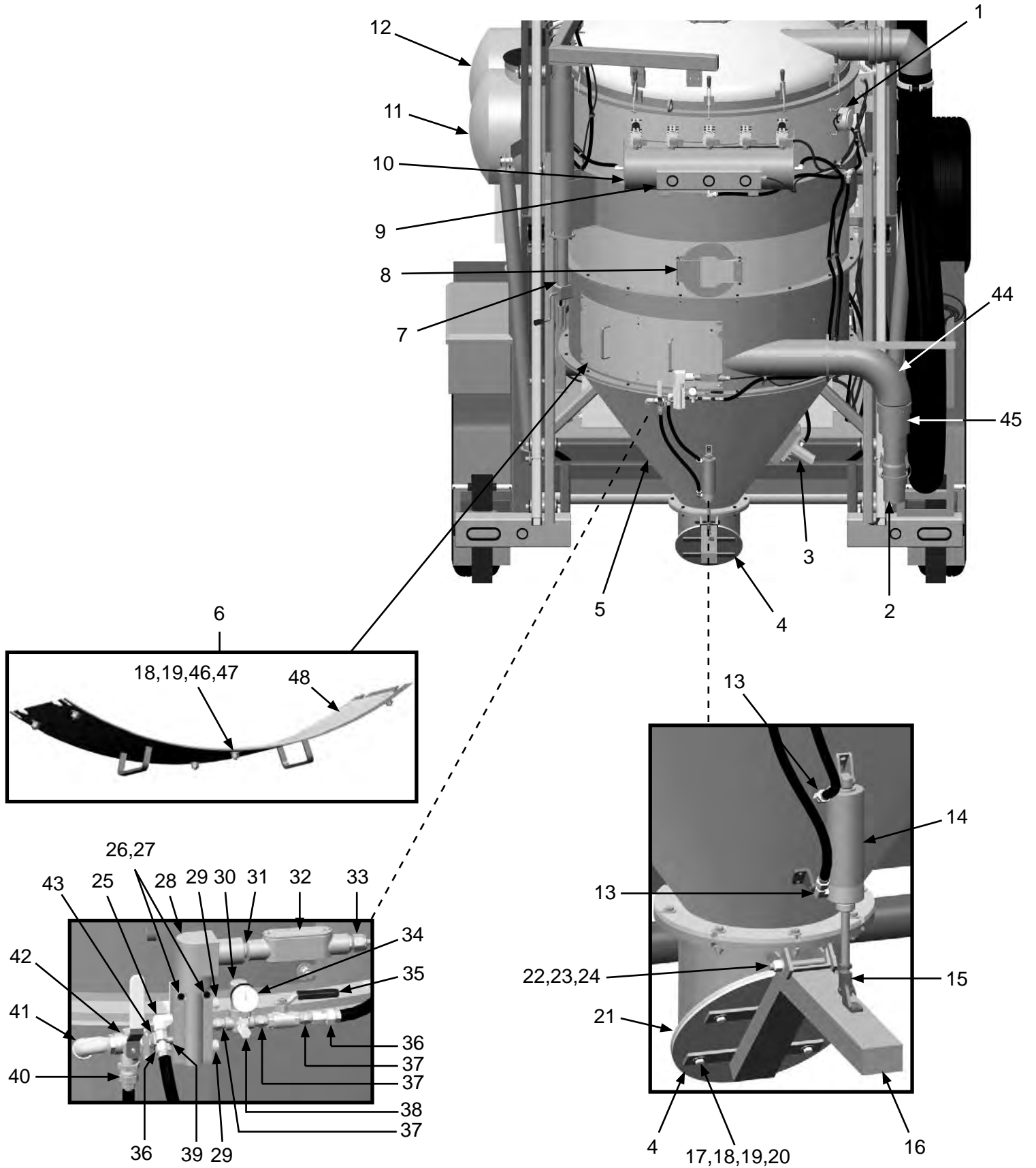
Rear Assembly

Item #	Part #	Description
Fig. 2		
1	10104673	0-50" Differential Pressure Gauge
2	10105042	4" Quick Disconnect Coupling
3	10104665	APV Series Piston Vibrator
4	10104506	Dump Door
5	10104411	Vacuum Hopper Cone
6	10106511	Vacuum Wear Door Assembly <i>(Includes Item #'s: 18, 19, 46, 47, and 48)</i>
7	10104638	Bulldog Trailer Jack
8	10104439	Knappco Hatch
9	10105334	Vacuum Light Bar <i>(See Figure 12)</i>
10	10104498	Vacuum Header
11	10104770	Blower Exhaust Silencer
12	10104771	Blower Intake Silencer
13	20PFHA60UA0406	1/4" (M) x 3/8" (F) 90° Swivel <i>(Two Required)</i>
14	10104667	Pneumatic Cylinder – 2.5"
15	10104668	Piston Rod Clevis
16	10104507	Dump Arm
17	10104234	3/8-16 x 1-1/4 Hex Bolt Zinc <i>(Four Required)</i>
18	10101942	3/8" Flat Washer – Galvanized <i>(20 Required)</i>
19	10101936	3/8" Lock Washer – Zinc <i>(16 Required)</i>
20	10101938	3/8-16 Hex Nut <i>(Four Required)</i>
21	10104512	Dump Door Gasket
—	10104511	Dump Door Internal Plate
22	20100160	1/2-13 x 4-1/2" Zinc Hex Bolt
23	10100674	1/2" Flat Washer <i>(Two Required)</i>
24	20100124	1/2-13 Hex Lock Nut – Zinc
25	20PFHA25UA0404	1/4" Male 90° Elbow

Item #	Part #	Description
26	1019044	1/4-20 x 1-3/4" Zinc Bolt <i>(Two Required)</i>
27	1012323	1/4-20 Zinc Lock Nut with Nylon Insert <i>(Two Required)</i>
28	10104670	Solenoid
29	1019024	Breather Vent
30	10104676	Series MPR Mini Pressure Relief
31	10L803035	1/2" Close Nipple
32	1019025	1/2" Straight Conduit Body
33	10104703	Cord Grip 1/2" Nylon .2-.47 Diameter
34	10104678	Pressure Gauge 100 psi 1/8"
35	1080050	1/4" Ball Valve
36	20PFHA60SG0406	1/4" (F) x 3/8" (F) Swivel Union <i>(Two Required)</i>
37	20PFHA24SA0404	1/4" Hex Nipple <i>(Three Required)</i>
38	1014239	1/8" x 1/8" 90° Fitting
39	1011210	1/4" NPT x 1-1/2" Nipple
40	20PFHA60SA0806	1/2" (M) x 3/8" (F) Swivel Union
41	1011819	1/2" Street Elbow
42	20100571	1/2" NPT 3-Way Brass Ball Valve
43	1011818	1/2" x 1/4" Galvanized Bushing
44	10104546	Inlet Elbow Weldment
45	10104550	Inlet Adapter Weldment
46	10101938	3/8-16 Hex Nut – Galvanized <i>(12 Required)</i>
47	10104705	3/8-16 FH SQ Neck x 1" Bolt Zinc <i>(12 Required)</i>
48	10105189	Wear Door Liner

PART NUMBERS AND SCHEMATICS GUIDE

Figure 2: Rear Assembly



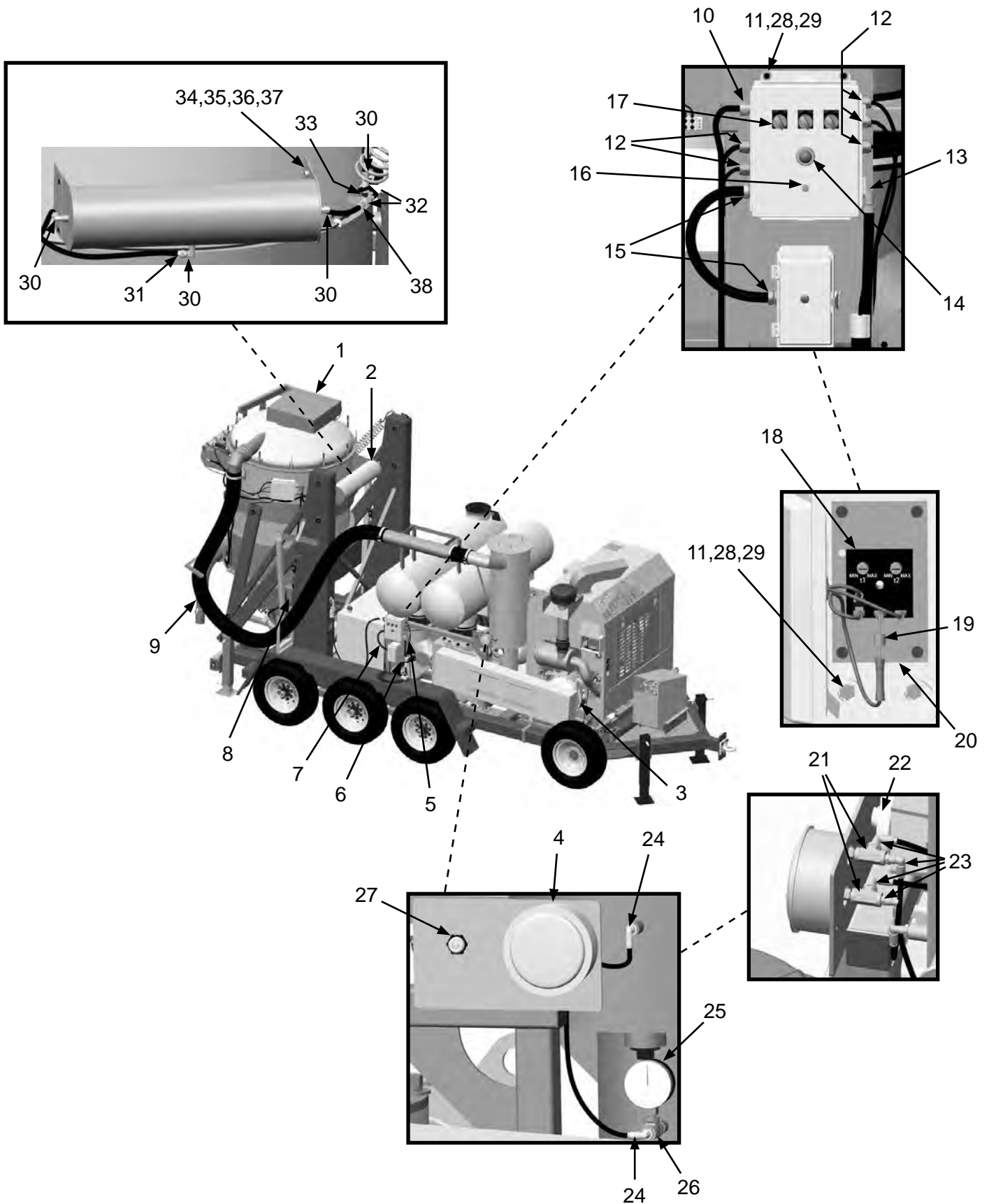
PART NUMBERS AND SCHEMATICS GUIDE

Right Side Front Assembly

Item #	Part #	Description
Fig. 3		
1	10104559	Vacuum Butterfly Cover
2	10104493	Vacuum Aux Header
3	10104788	Vacuum Belt Guard Cover
4	10104673	0–50" Differential Pressure
5	10104614	10" x 8" x 4" Nema 4 Enclosure
6	10104615	8" x 4" x 5" Fiberglass Latch Enclosure
7	10104704	116 Gallon Rectangle Fuel Tank <i>(See Figure 9)</i>
8	10104674	Lubricator 1/2" NPT 156 CFM
9	10VH620B	6" I.D. x 20' Vacuum Hose
10	20RCG5050	1/2" NPT x .5–.625 Diameter Cord Grip
11	20100125	1/4-20 x 3/4" Zinc Hex Bolt <i>(Eight Required)</i>
12	10104703	1/2" NPT x .2–.47 Diameter Nylon Cord Grip <i>(Three Required)</i>
13	20RST9050	90° Liquid Tite Connection Fitting
14	10104692	12-Volt Pilot Light – Red
15	20RST50	Straight Liquid Tite Connection Fitting <i>(Two Required)</i>
16	10104686	10 Amp Circuit Breaker
17	10103305	Selector Switch – 2-Way <i>(Three Required)</i>
18	10106818	Vacuum Control Timer
19	10104109	6 Amp 50-Volt Rectifier
20	10105193	Enclosure Panel for 10104614
21	20PFHA25VJ02	1/8" Female Tee <i>(Two Required)</i>
22	10104672	Differential Pressure Switch
23	20100579	1/4" O.D. Tube x 1/8" NPT PTC Swivel <i>(Four Required)</i>
24	20PFBA31095614	1/4" Tube x 1/4" NPT 90° Fitting <i>(Two Required)</i>
25	10104677	Liquid Filled Vacuum Gauge
26	1011844	1/4" Pipe Tee – Galvanized
27	10104073	Panel Lock Nut – 1/2"
28	10101940	1/4" Flat Washer – Galvanized <i>(Four Required)</i>
29	10101939	1/4-20 Stainless Steel Lock Nut with Nylon Insert <i>(Four Required)</i>
30	20PFHA60UA0606	3/8" (M) x 3/8" (F) 90° Swivel Union <i>(Four Required)</i>
31	10103631	3/8" Barb x 3/8" NPTF Brass <i>(Seven Required)</i>
32	1011809	3/8" NPT Tee <i>(Two Required)</i>
33	1011209	3/8 NPT Close Nipple
34	1011747	3/8-16 x 1" Bolt – Zinc <i>(Four Required)</i>
35	10101942	3/8" Flat Washer – Galvanized <i>(Four Required)</i>
36	10101936	3/8" Lock Washer – Zinc <i>(Four Required)</i>
37	10101938	3/8"-16 Hex Nut – Galvanized <i>(Four Required)</i>
38	20PFHA60SA0606	Union Swivel 3/8" (M) x 3/8" (F) <i>(Two Required)</i>
39	10104048	6-32 x 3/8" L Pan Head Machine Screw <i>(Three Required)</i>

PART NUMBERS AND SCHEMATICS GUIDE

Figure 3: Right Side Front Assembly



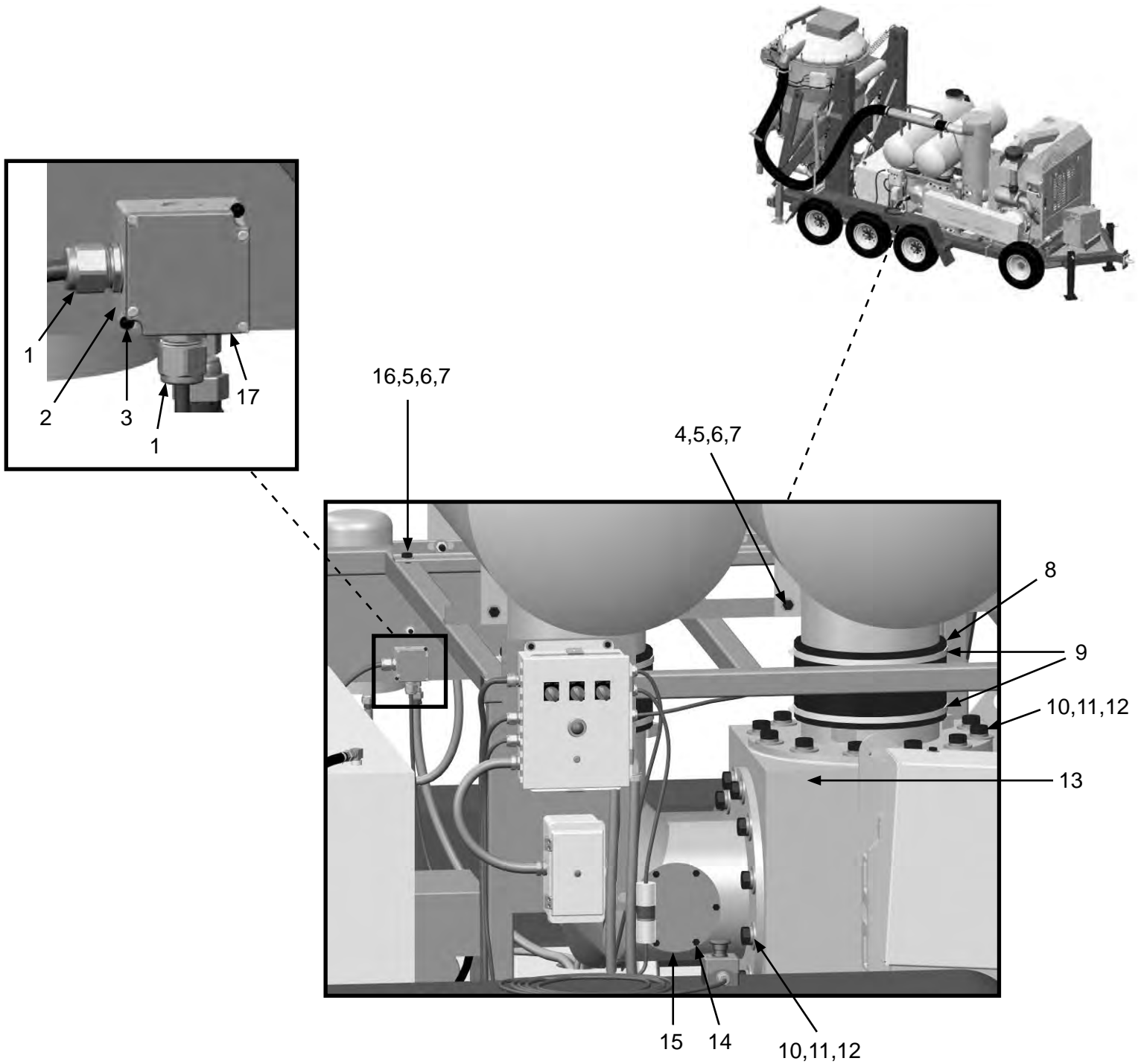
PART NUMBERS AND SCHEMATICS GUIDE

Center Assembly

Item #	Part #	Description
Fig. 4		
1	10104703	1/2" NPT x .2-.47 Diameter Nylon Cord Grip <i>(Two Required)</i>
2	20000031	8-32 x 1-1/2" Machine Screw <i>(Two Required)</i>
3	10105897	Terminal Box
4	10101943	1/2-13 x 1-3/4" Hex Bolt <i>(Eight Required)</i>
5	10100674	1/2" Flat Washer <i>(22 Required)</i>
6	10100675	1/2" Lock Washer <i>(14 Required)</i>
7	10101941	1/2-13 Hex Nut – Galvanized <i>(14 Required)</i>
8	10104813	10-3/4" I.D. Hose <i>(Two Required)</i>
9	10103416	Banding Clamp <i>(Four Required)</i>
10	10104715	7/8-9 x 2" Grade 5 Zinc Bolt <i>(24 Required)</i>
11	10104716	7/8" Flat Washer – Zinc <i>(24 Required)</i>
12	10104717	7/8" Lock Washer – Zinc <i>(24 Required)</i>
13	10104777	Blower Top Shaft Left Discharge
14	1035045	5/16-18 x 1" Bolt <i>(Six Required)</i>
15	10103235	Cover
16	10101927	1/2-13 x 3" Galvanized Bolt <i>(Six Required)</i>
17	10105897	Enclosed Terminal Block – 4 Circuit
—	109V521	Operator's Manual – Blower

PART NUMBERS AND SCHEMATICS GUIDE

Figure 4: Center Assembly



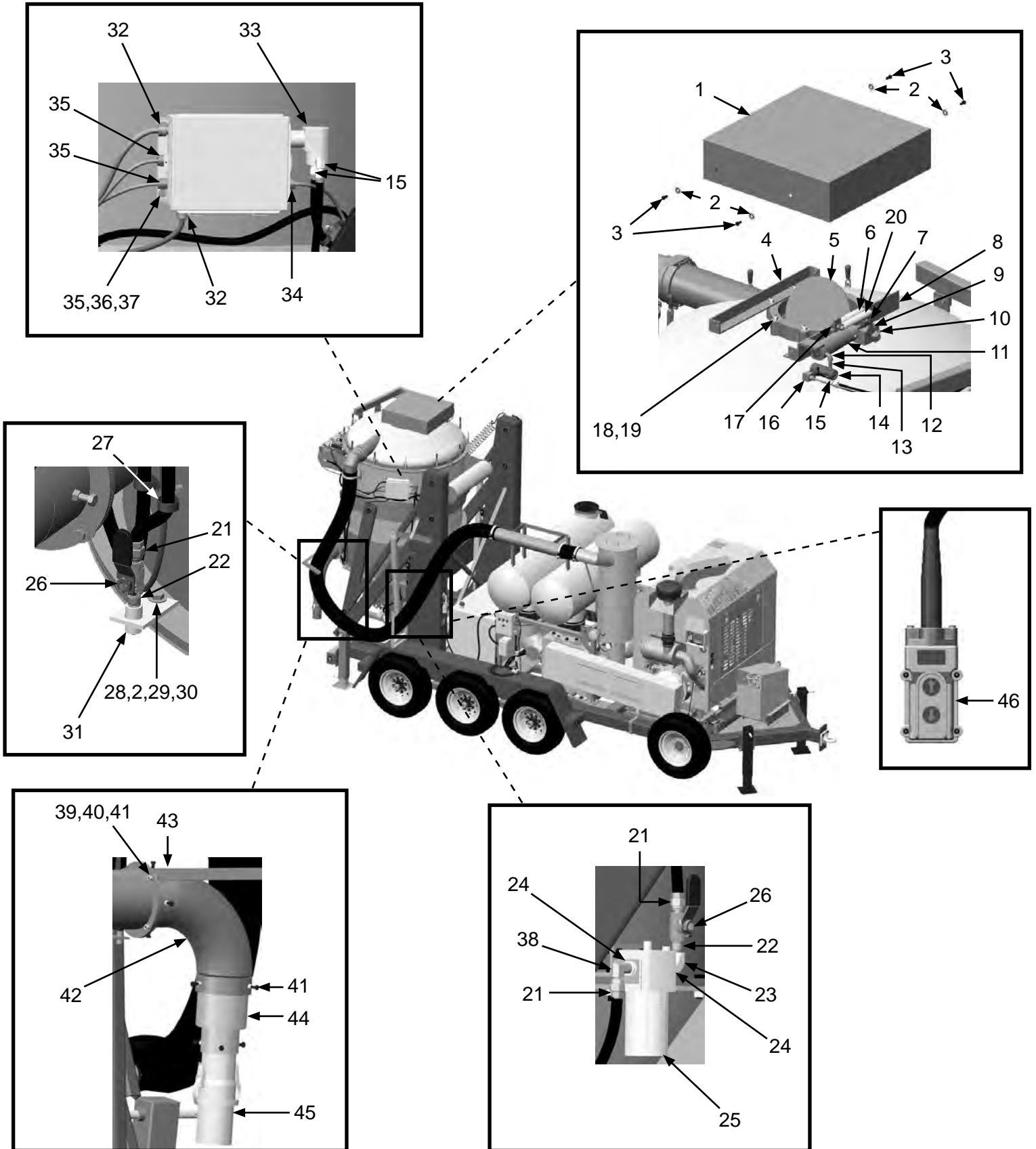
PART NUMBERS AND SCHEMATICS GUIDE

Right Side Rear Assembly

Item #	Part #	Description	Item #	Part #	Description
Fig. 5			26	1080060	3/8" NPT Full Port Brass Ball Valve <i>(Two Required)</i>
1	10104559	Vacuum Butterfly Cover	27	10103624	1" Rubber Cushioned Loop Clamp
2	10101942	3/8" Flat Washer – Galvanized <i>(Five Required)</i>	28	1028617	3/8-16 x 1-3/4" Shoulder Bolt
3	10103400	3/8-16 x 3/4" Bolt <i>(Four Required)</i>	29	10101936	3/8" Lock Washer – Zinc
4	10104554	Butterfly Cover Mount Weldment	30	10101938	3/8-16 Hex Nut
5	10104537	Betts 12" Butterfly	31	10104597	Airline Drain
6	10107175	6.5" Extension Spring	32	20RCG5050	1/2" NPT x .5–.625 Diameter Cord Grip <i>(Two Required)</i>
7	10104668	Piston Rod Clevis	33	10104671	Vibrator Solenoid
8	10104538	Vacuum Butterfly Cylinder Weldment	34	10104703	1/2" NPT x .2–.47 Diameter Nylon Cord Grip <i>(Three Required)</i>
9	10104543	Butterfly Actuating Arm	35	10101939	1/4-20 Stainless Steel Lock Nut with Nylon Insert <i>(Four Required)</i>
10	20100125	1/4-20 x 3/4" Zinc Hex Bolt	36	10101940	1/4" Flat Washer – Galvanized <i>(Four Required)</i>
11	10104667	Pneumatic Cylinder – 2.5"	37	20100125	1/4-20 x 3/4" Zinc Hex Bolt <i>(Four Required)</i>
12	1011824	1/4" Street Elbow	38	20PFHA60UA0606	3/8" (M) x 3/8" (F) 90° Swivel Union
13	1011217	Galvanized 1/4" x 2" Nipple	39	10101942	3/8" Flat Washer – Galvanized <i>(Eight Required)</i>
14	10104669	Solenoid for Butterfly	40	10101938	3/8-16 Hex Nut – Galvanized <i>(Four Required)</i>
15	20PFHA60UA0406	1/4" (M) x 3/8" (F) 90° Swivel <i>(Three Required)</i>	41	1011747	3/8-16 x 1" Bolt – Zinc <i>(13 Required)</i>
16	10105287	Humphrey Din Connector	42	10104546	Vacuum Inlet Elbow
17	10104706	3/8-16 x 2-1/2" Thread Stud	43	10104496	Vacuum Inlet Insert
18	10100674	1/2" Flat Washer <i>(Eight Required)</i>	44	10104550	Vacuum Inlet Adapter
19	20100124	1/2-13 Hex Lock Nut <i>(Eight Required)</i>	45	10105042	4" Quick Disconnect Coupling Assembly
20	10107176	6.5" Long Extension Spring – Zinc	46	10107204	Remote Control Pendant
21	20PFHA60SA0606	Union Swivel 3/8" (M) x 3/8" (F) <i>(Three Required)</i>			
22	1011209	3/8" NPT Close Nipple			
23	20PFHA25UG0606	3/8" Street Elbow			
24	20PFHA24SB0806	1/2" x 3/8" Reducing Bushing <i>(Two Required)</i>			
25	10104674	Lubricator 1/2" NPT 156 CFM			

PART NUMBERS AND SCHEMATICS GUIDE

Figure 5: Right Side Rear Assembly



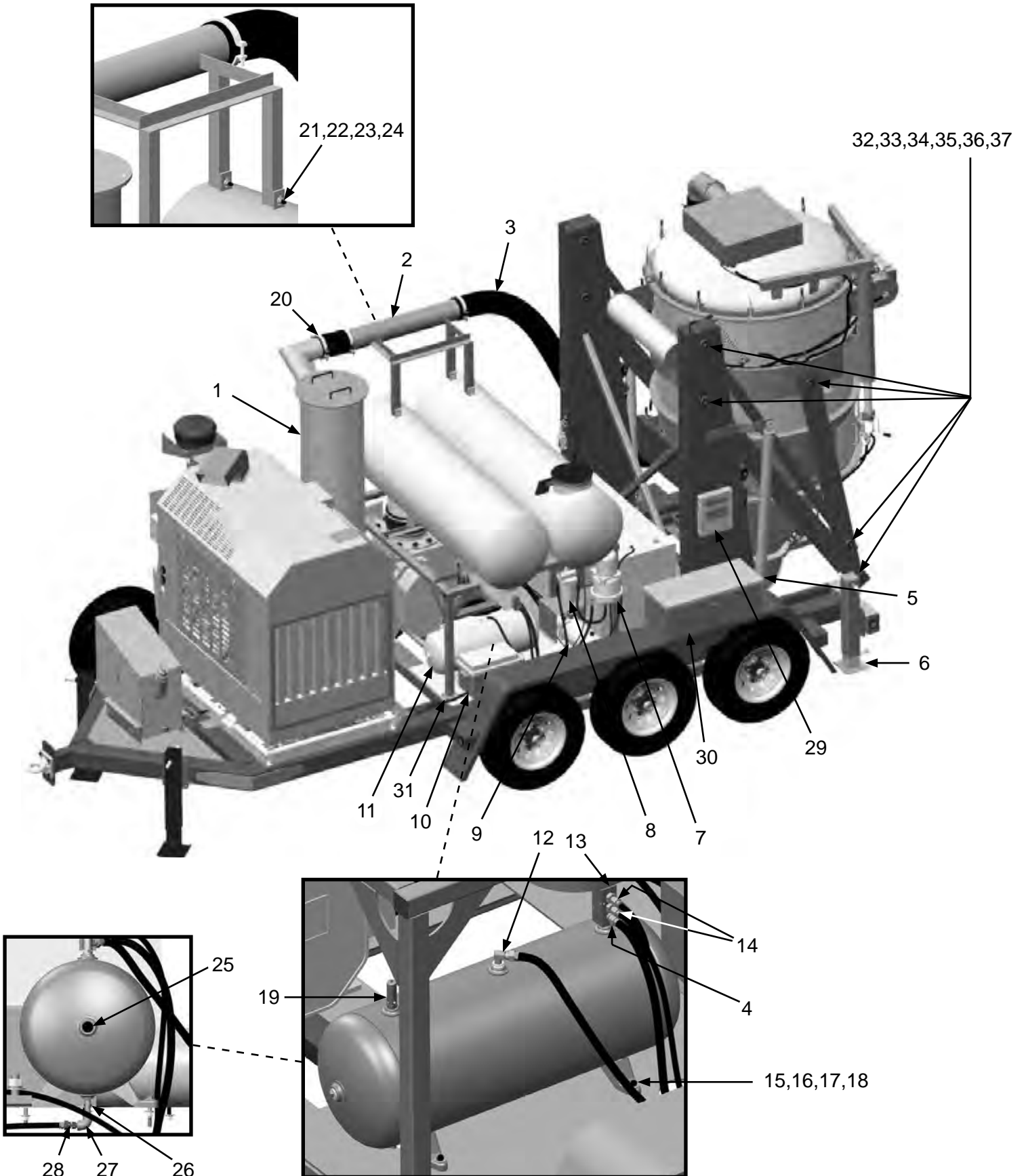
PART NUMBERS AND SCHEMATICS GUIDE

Left Side Front Assembly

Item #	Part #	Description
Fig. 6		
1	10104766	Intake Filter Housing (See Figure 11)
2	10104795	Tube Extension Assembly
3	10VH620B	6" I.D. x 20' Vacuum Hose
4	20PFHA60SA0606	3/8" (M) x 3/8" (F) Swivel Union
5	10104608	Support Arm
6	10104082	Jack Stand
7	10104611	Haldex Air Dryer
8	10104612	Haldex Alcohol Evaporator
9	10105779	12-Volt DC Hydraulic Power Unit
10	10103342	Battery Box
11	10104610	Horizontal Pressure Tank – 15 Gallon
12	20PFHA60UA0606	3/8" (M) x 3/8" (F) 90° Swivel Union
13	10104618	3 Outlet Pressure Manifold
14	20PFHA60SA0604	3/8" (M) x 1/4" (F) Swivel Union (Two Required)
15	1028617	3/8-16 x 1-3/4" Shoulder Bolt (Four Required)
16	10101942	3/8" Flat Washer – Galvanized (Eight Required)
17	10101936	3/8" Lock Washer – Zinc (Four Required)
18	10101938	3/8-16 Hex Nut (Four Required)
19	10104681	1/2" NPT Pressure Relief Valve
20	10104640	6" Double Bolt Clamp
21	10101943	1/2-13 x 1-3/4" Hex Bolt (Four Required)
22	10100674	1/2" Flat Washer (Eight Required)
23	10100675	1/2" Lock Washer (Four Required)
24	10101941	1/2-13 Hex Nut – Galvanized (Four Required)
25	10DSHP75	3/4" Square Head Pipe Plug (Two Required)
26	1011217	Galvanized 1/4" x 2" Nipple
27	1011832	Galvanized 1/4" 90° Elbow
28	10SME025	1/4" NPT x 1/4" (F) Straight Swivel
29	10104273	Document Holder
30	10105896	Tool Box
31	10105865	Battery Cables, 156" Long
32	10104708	Straight Grease Zerk – 1/4"-28
33	10106402	5/8-11 Grease Zerk Thru Bolt
34	10106403	3/16" x 5/8" Dowel Pin
35	10101061	5/8" Lock Washer
36	10104600	Vacuum Pin Cap
37	10104602	Vacuum Shoulder Pin
—	10103341	Battery – Group 31 (Not Shown)

PART NUMBERS AND SCHEMATICS GUIDE

Figure 6: Left Side Front Assembly



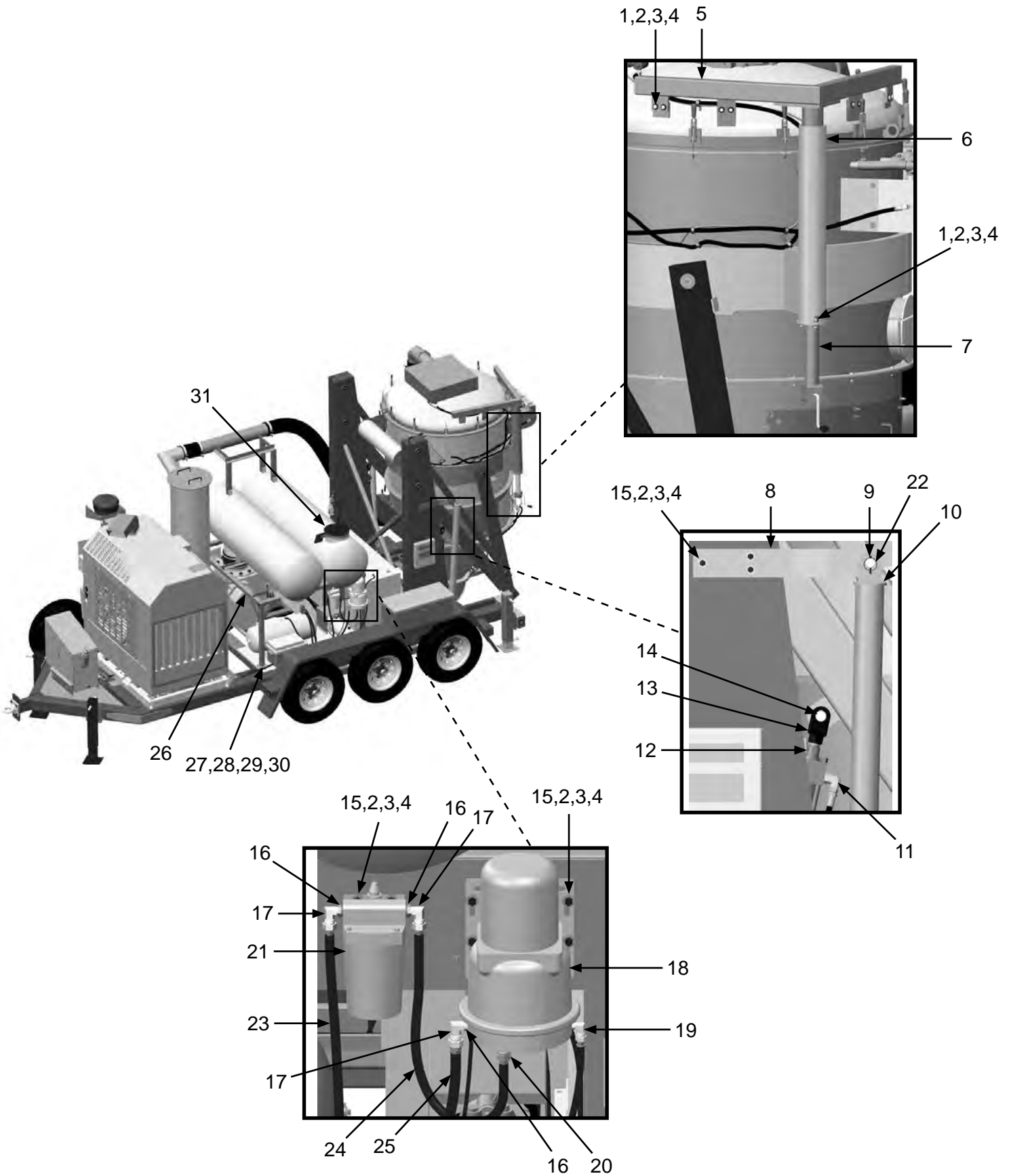
PART NUMBERS AND SCHEMATICS GUIDE

Left Side Rear Assembly

Item #	Part #	Description
Fig. 7		
1	10104234	3/8-16 x 1-1/4" Hex Bolt Zinc <i>(Eight Required)</i>
2	10101942	3/8" Flat Washer – Galvanized <i>(40 Required)</i>
3	10101936	3/8" Lock Washer – Zinc <i>(11 Required)</i>
4	10101938	3/8-16 Hex Nut <i>(11 Required)</i>
5	10104472	Vacuum Lid Lift
6	10104434	Vacuum Top Section
7	10104638	Bulldog Trailer Jack
8	10104728	Lift Arm Support Bracket <i>(Two Required)</i>
9	10104729	Lift Arm Support Bracket Pin <i>(Two Required)</i>
10	10104608	Support Arm Outer <i>(Two Required)</i>
—	10104605	Support Arm Inner <i>(Two Required) (not shown)</i>
11	10103308	Elbow – 90° – JIC 8 x SAE 10 <i>(Four Required)</i>
12	10104645	Vacuum Lift Cylinders <i>(Two Required)</i>
13	10104646	Lift Cylinder Clevis <i>(Two Required)</i>
14	10104647	1" x 3-1/8" Pin <i>(Two Required)</i>
15	1011747	3/8-16 x 1" Bolt <i>(12 Required)</i>
16	20PFHA24SB0806	1/2" x 3/8" Reducing Bushing <i>(Three Required)</i>
17	20PFHA60UA0606	3/8" (M) x 3/8" (F) 90° Swivel Union <i>(Three Required)</i>
18	10104611	Haldex Air Dryer
19	1012326	1/4" (M) x 1/4" (F) 90° Swivel Union
20	20PFHA60SA0806	1/2" (M) x 3/8" (F) Swivel Union
21	10104612	Haldex Alcohol Evaporator
22	10105290	3/16" x 1-5/8" Pin
23	10105838	1/2" x 168" Stainless Steel Braided Hose Assembly with 1/2" (M) NPT Ends
24	10104684	3/8" x 2' Braided Hose
25	10104683	3/8" x 4-1/2' Braided Hose
26	10104778	Silencer Mount
27	10101943	1/2-13 x 1-3/4" Hex Bolt <i>(Four Required)</i>
28	10100674	1/2" Flat Washer <i>(Eight Required)</i>
29	10100675	1/2" Lock Washer <i>(Four Required)</i>
30	10101941	1/2-13 Hex Nut – Galvanized <i>(Four Required)</i>
31	10104824	8" Raincap
—	10105292	Alcohol 99 Isopropyl – 16 oz.

PART NUMBERS AND SCHEMATICS GUIDE

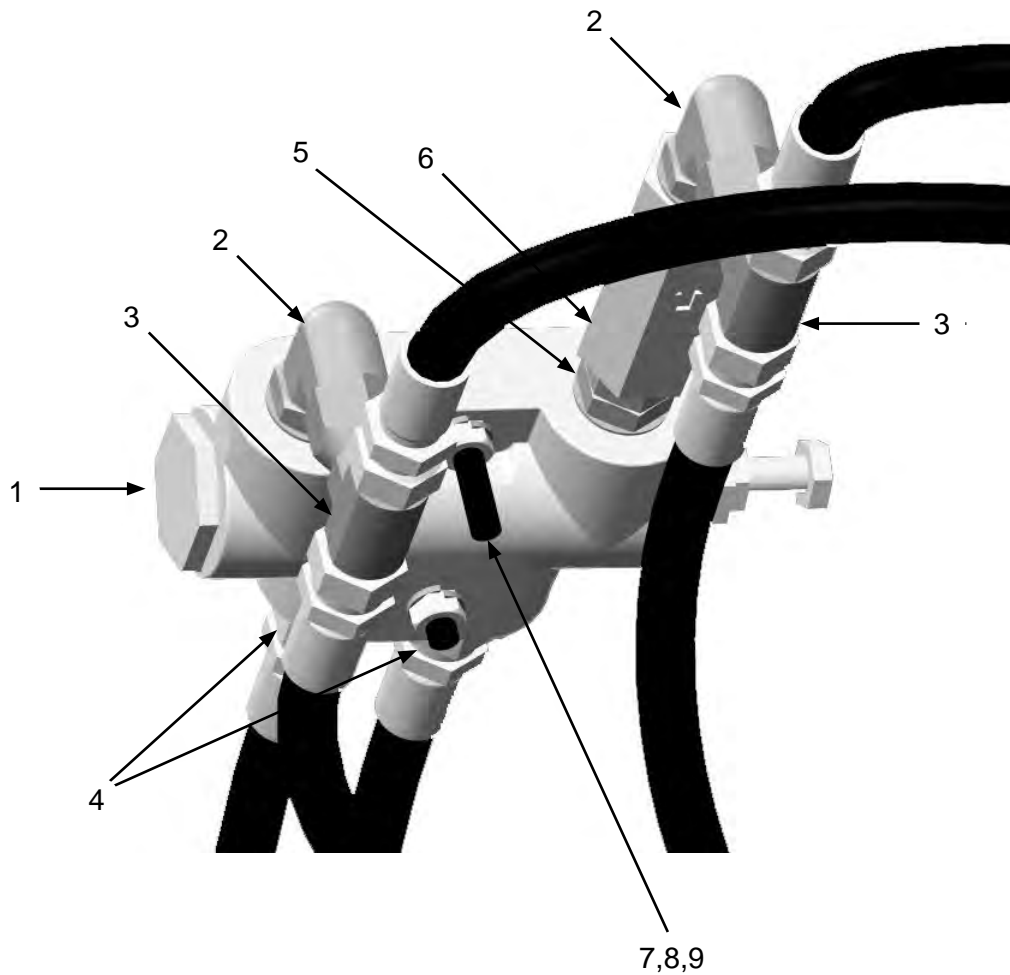
Figure 7: Left Side Rear Assembly



PART NUMBERS AND SCHEMATICS GUIDE

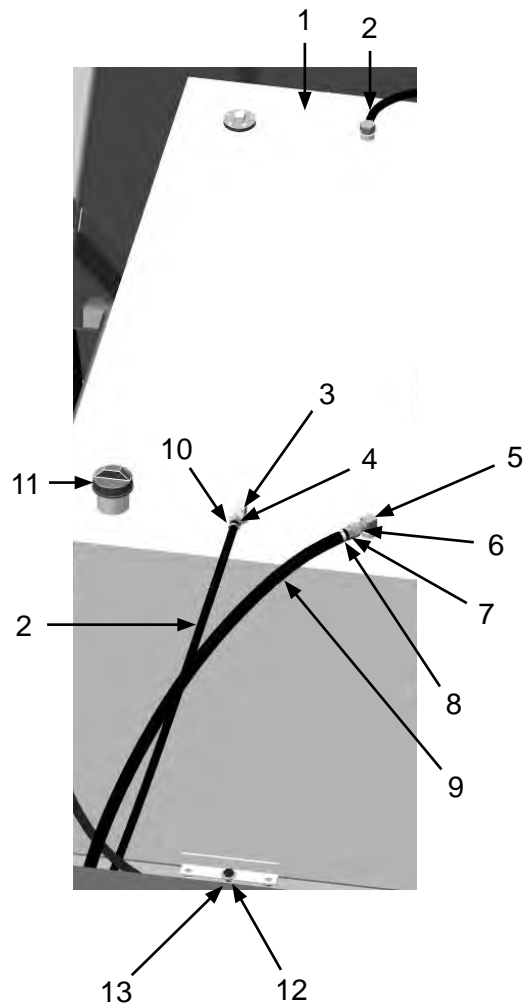
Figure 8: Double Lock Valve Assembly

Item #	Part #	Description
Fig. 8		
1	10104650	Double Lock Valve
2	10103309	Elbow – 90° – JIC 8 x SAE 8 <i>(Two Required)</i>
3	10105081	JIC 8 Tee <i>(Two Required)</i>
4	10104651	Union – Straight SAE 8 x JIC 8 <i>(Two Required)</i>
5	10103613	Union – Straight SAE 8 x SAE 8
6	10105288	Flow Restrictor SAE 8
7	10105286	5/16-18 x 2-1/2" Grade 5 Zinc Bolt <i>(Two Required)</i>
8	10L805014	5/16" Lock Washer <i>(Two Required)</i>
9	1035046	5/16-18 Nut <i>(Two Required)</i>



PART NUMBERS AND SCHEMATICS GUIDE

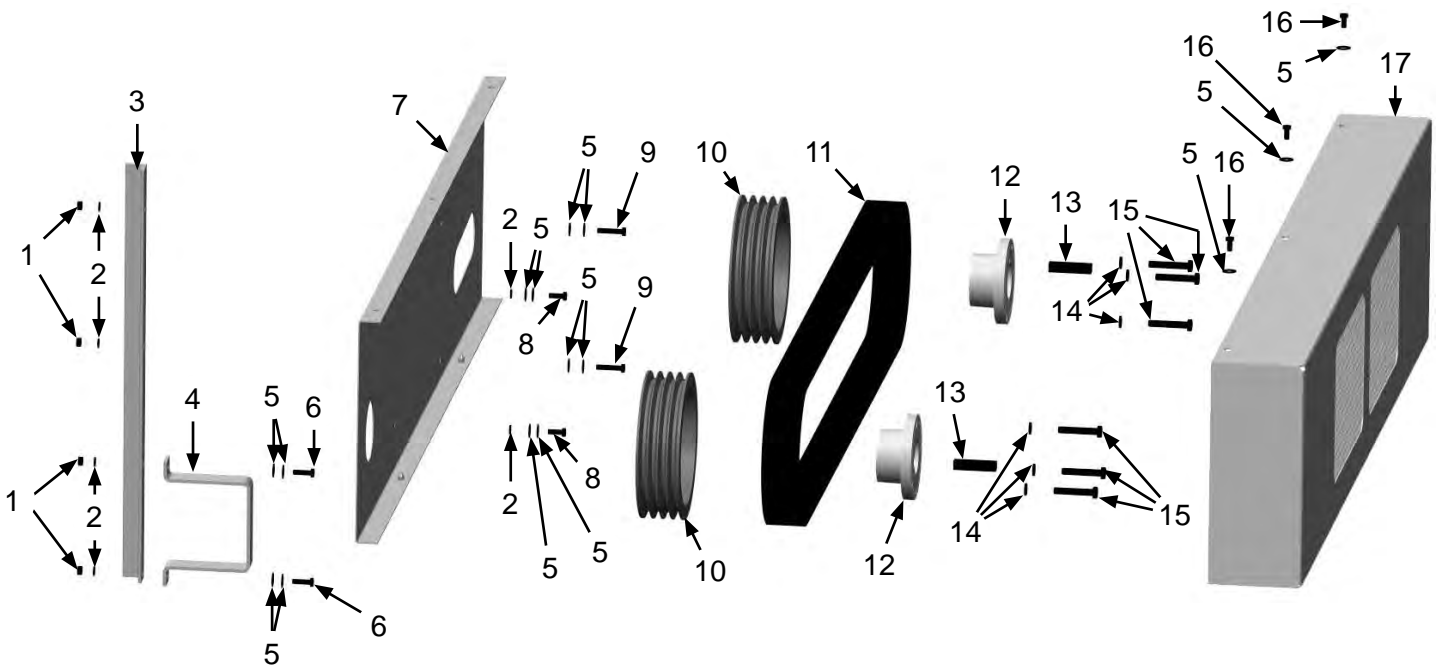
Figure 9: Fuel Tank



Item #	Part #	Description
Fig. 9		
1	10104704	116 Gallon Rectangle Fuel Tank
2	10103423	3/8" I.D. Fuel Hose (<i>Per Foot</i>)
3	20PFHA60UA0606	3/8" (M) x 3/8" (F) 90° Swivel Union
4	10103631	3/8" Barb x 3/8" NPT Brass Female Fitting
5	10103617	Withdraw Tube – 16"
6	20PFHA60SA0606	3/8" (M) x 3/8" (F) Swivel Union
7	10103618	Straight – 3/8" NPT x 1/2"
8	10104064	Oetiker Clamp For 1/2" Hose
9	10103619	1/2" Flexible Fuel Line (<i>Per Foot</i>)
10	10104065	Oetiker Clamp – 3/8" I.D. Hose
11	10103968	Locking Fuel Cap with Keys
12	10104234	3/8-16 x 1-1/4" Hex Bolt Zinc (<i>Two Required</i>)
13	10101942	3/8" Flat Washer – Galvanized (<i>Two Required</i>)
—	10104631	Fuel Tank Rubber Cushioning Pad (<i>Not Shown</i>)
—	10103620	3/8" Inline Filter (<i>Not Shown</i>)

PART NUMBERS AND SCHEMATICS GUIDE

Figure 10: Fan Belt Assembly



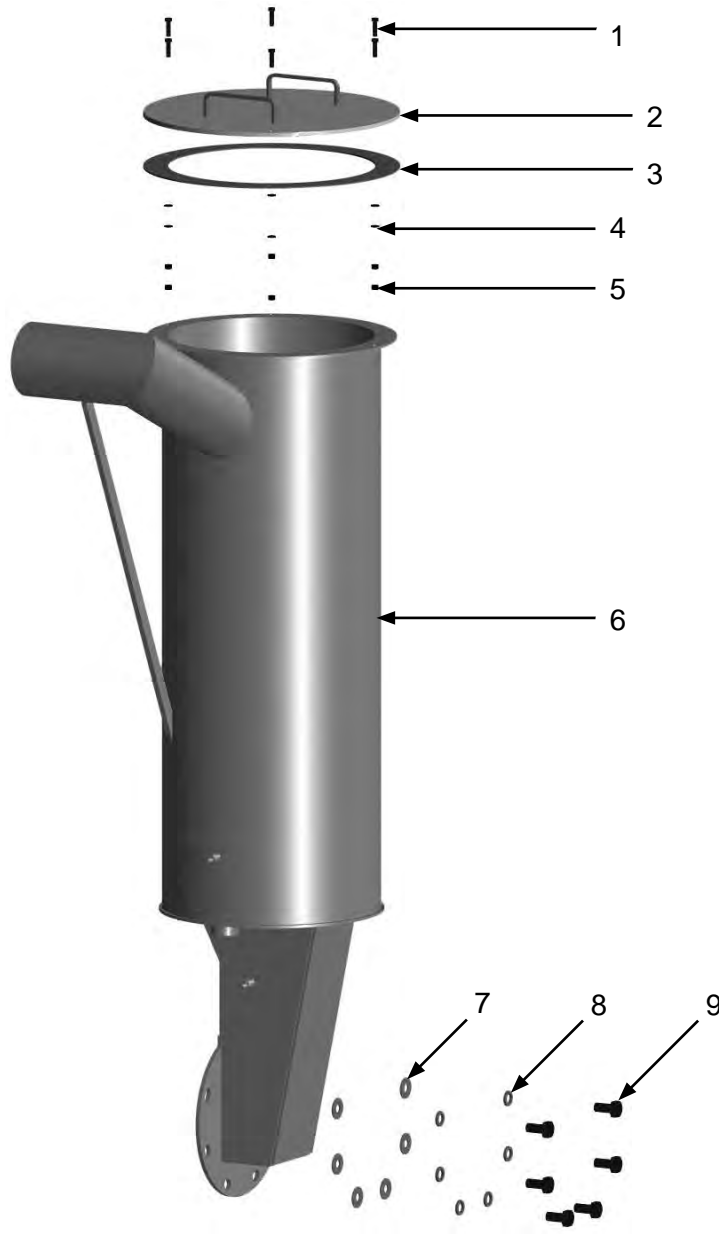
Item #	Part #	Description
--------	--------	-------------

Fig. 10

1	10101938	3/8" Galvanized Hex Nut <i>(Four Required)</i>
2	10101936	3/8" Zinc Lock Washer <i>(Four Required)</i>
3	10104790	Vacuum Belt Guard Mount
4	10104793	Belt Guard Clamp
5	10101942	3/8" Galvanized Flat Washer <i>(15 Required)</i>
6	10104234	3/8-16 x 1-1/4" Hex Bolt Zinc <i>(Two Required)</i>
7	10104786	Belt Guard Back
8	1011747	3/8-16 x 1" Bolt <i>(Two Required)</i>
9	1028617	3/8-16 x 1-3/4" Shoulder Bolt <i>(Two Required)</i>
10	10103486	Sheave 10.30" <i>(Two Required)</i>
11	10104815	4/5vp 1320 Banded Belt
12	10104814	Bushing 2.375" Bore <i>(Two Required)</i>
13	10103643	5/8" Key Cut <i>(Two Required)</i>
14	10100675	1/2" Lock Washer <i>(Six Required) (Included with Item 12)</i>
15	10102820	1/2-13 x 2-3/4" Gade 5 Bolt <i>(Six Required) (Included with Item 12)</i>
16	10103400	3/8-16 x 3/4" Bolt <i>(Three Required)</i>
17	10104788	Belt Guard Cover

PART NUMBERS AND SCHEMATICS GUIDE

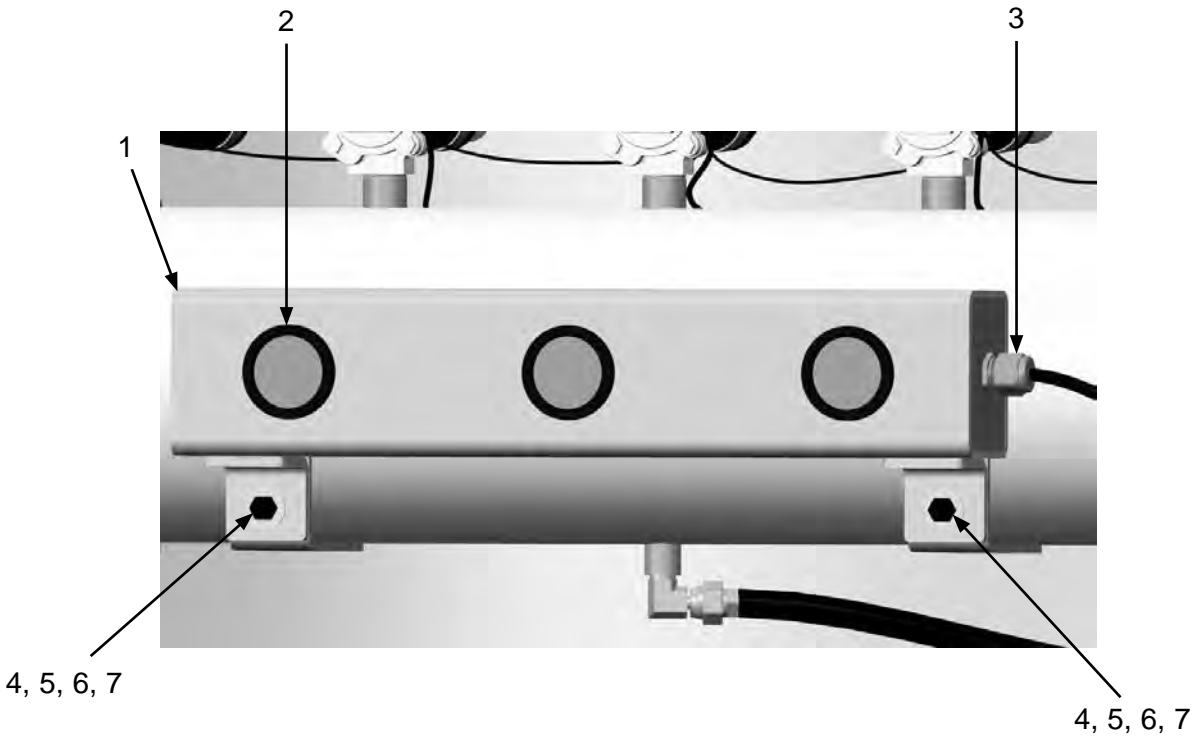
Figure 11: Intake Filter Housing



Item #	Part #	Description
Fig. 11		
1	10104234	3/8-16 x 1-1/4" Hex Bolt Zinc (Six Required)
2	10106508	Intake Filter Housing Cap
3	10104727	Air Filter Housing Gasket
4	10101936	3/8" Lock Washer – Zinc (Four Required)
5	10101938	3/8-16 Hex Nut – Galvanized (Four Required)
6	10104457	Intake Filter Housing
7	10100704	3/4" Flat Washer (Six Required)
8	10100596	3/4" Lock Washer (Six Required)
9	10104714	3/4-10 x 1-5/8" Zinc Bolt (Six Required)
—	1010002304	Filter Cartridge

PART NUMBERS AND SCHEMATICS GUIDE

Figure 12: Vacuum Light Bar



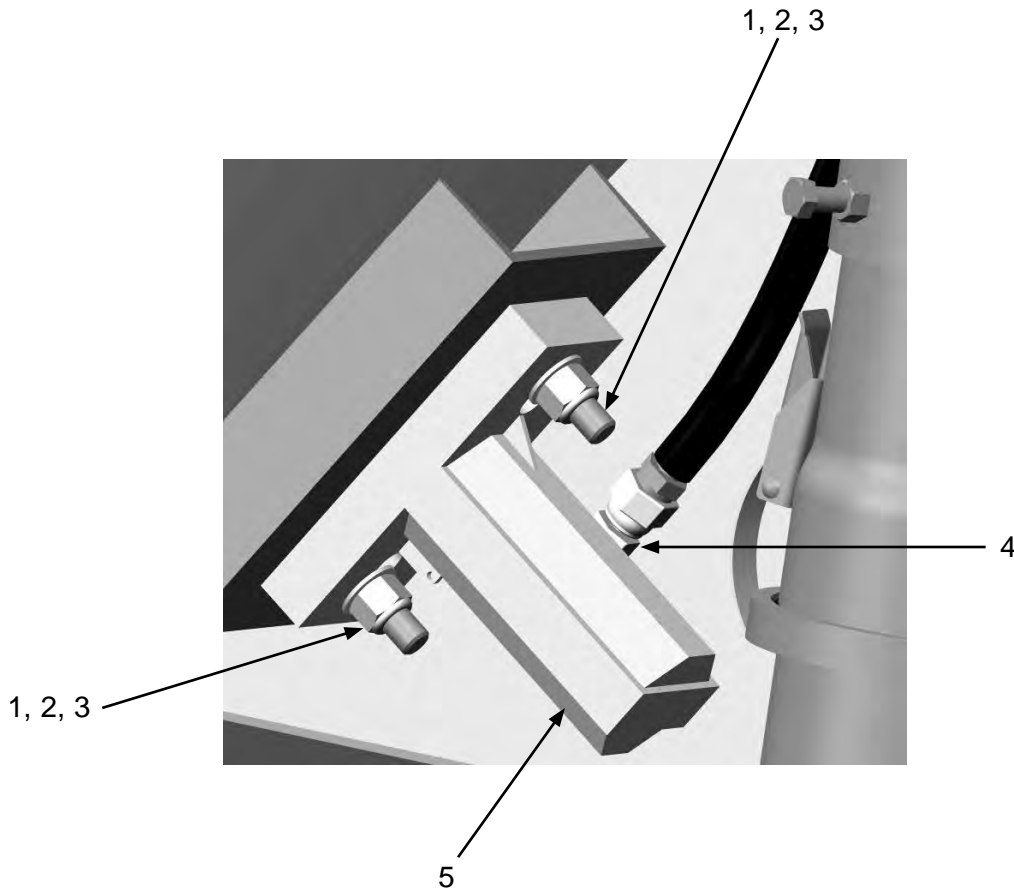
Item #	Part #	Description
--------	--------	-------------

Fig. 12

1	10105334	Vacuum Light Bar (Includes Item #2)
2	10104086	2" Round LED Red Clearance Light (Three Required)
3	10104703	Cord Grip Nylon 1/2" NPT .2-.47 Diameter
4	10101942	3/8" Flat Washer – Galvanized (Four Required)
5	10101936	3/8" Lock Washer – Zinc (Two Required)
6	1011747	3/8-16 x 1" Bolt (Two Required)
7	10101938	3/8-16 Hex Nut (Two Required)

PART NUMBERS AND SCHEMATICS GUIDE

Figure 13: Pneumatic Piston Vibrators



Item #	Part #	Description
Fig. 13		
1	20100124	1/2-13 Hex Lock Nut – Zinc (Two Required)
2	10100674	1/2" Flat Washer (Two Required)
3	10102652	1/2-13 x 2-1/4" Grade 5 Bolt (Two Required)
4	20PFHA60UA0406	1/4" (M) x 3/8" (F) 90° Swivel Union
5	10104665	APV Series Piston Vibrator

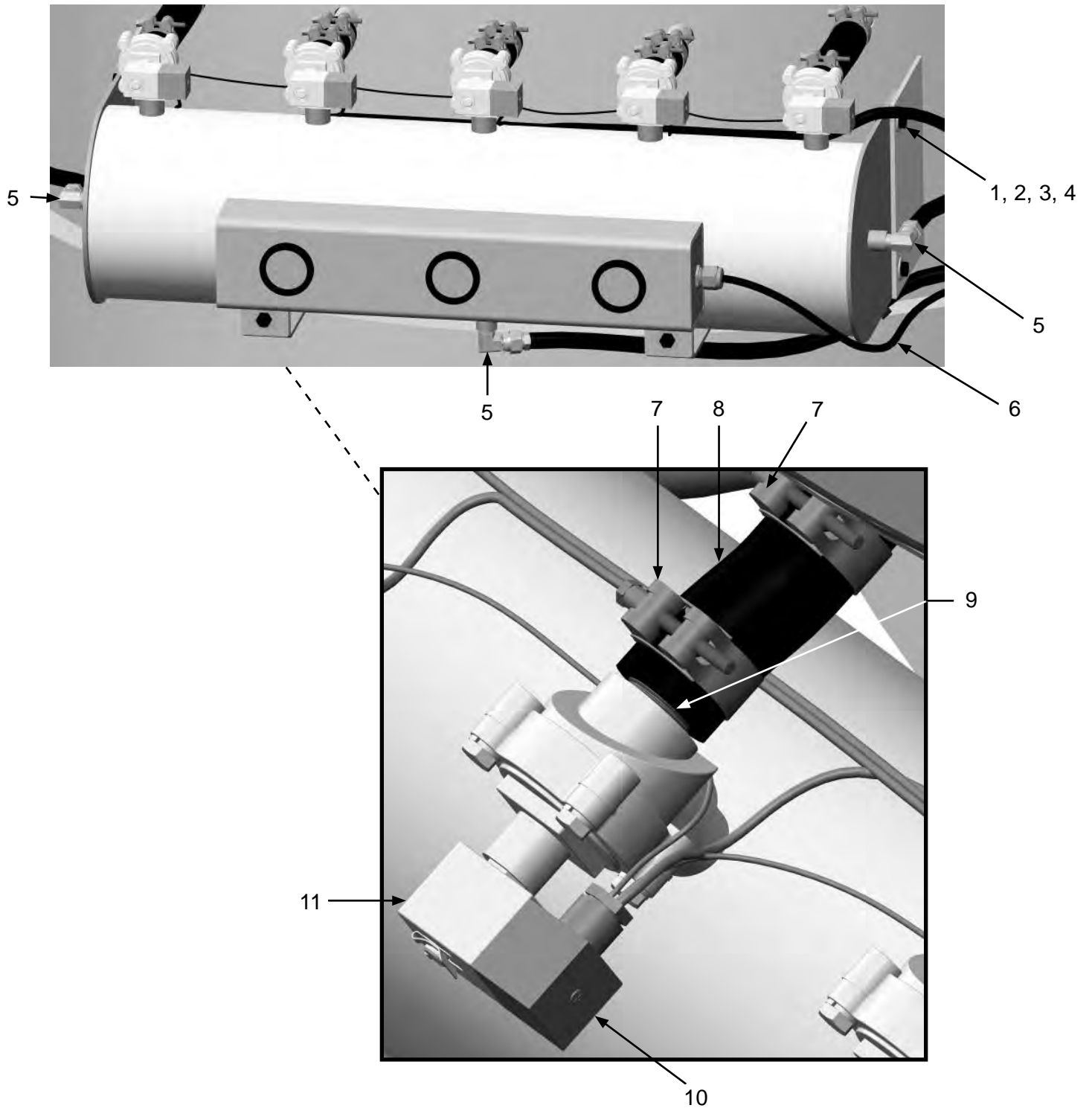
PART NUMBERS AND SCHEMATICS GUIDE

Pulser System Assembly

Item #	Part #	Description
Fig. 14		
1	10101942	3/8" Flat Washer – Galvanized (<i>Eight Required</i>)
2	10101936	3/8" Lock Washer – Zinc (<i>Four Required</i>)
3	1011747	3/8-16 x 1" Bolt (<i>Four Required</i>)
4	10101938	3/8-16 Hex Nut (<i>Four Required</i>)
5	20PFHA60UA0606	3/8" (M) x 3/8" (F) 90° Swivel Union
6	10104498	Vacuum Header
7	10103736	T-Bolt Hose Clamp For 1" I.D. (<i>10 Required</i>)
8	10106509	Air Hose 1" ID 200 psi – Red
9	10104500	3/4" NPT x 1-1/2" Toe Nipple (<i>Five Required</i>)
10	10105287	Humphrey Din Connector (<i>Included with Item #16</i>) (<i>Five Required</i>)
11	10104666	3/4" Diaphragm Valve with Solenoid (<i>Five Required</i>)
—	10107192	Pilot Valve Repair Kit
—	10107193	Diaphragm Repair Kit

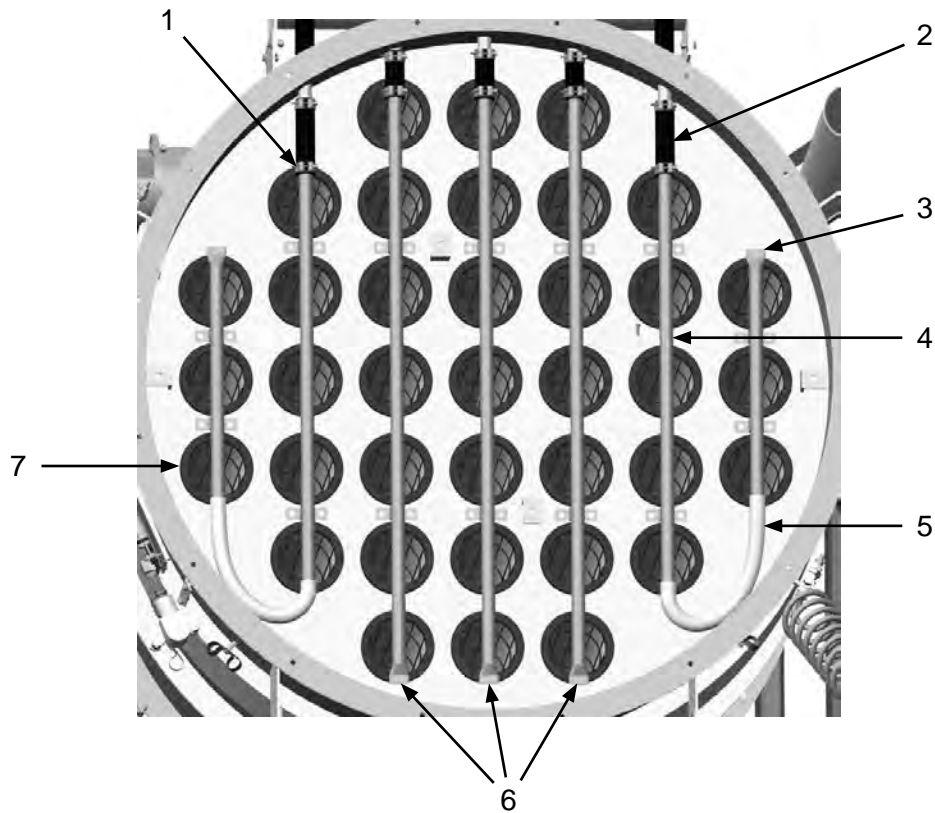
PART NUMBERS AND SCHEMATICS GUIDE

Figure 14: Pulser System Assembly



PART NUMBERS AND SCHEMATICS GUIDE

Figure 15: Filter Bag Blowpipes



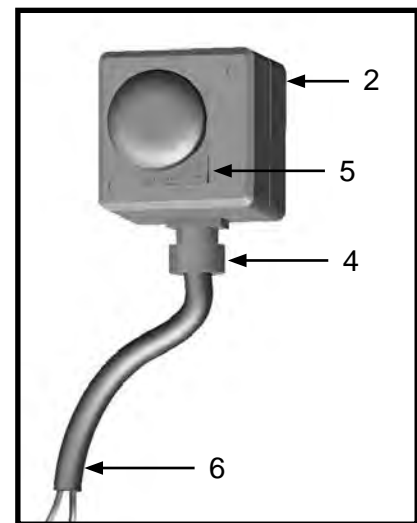
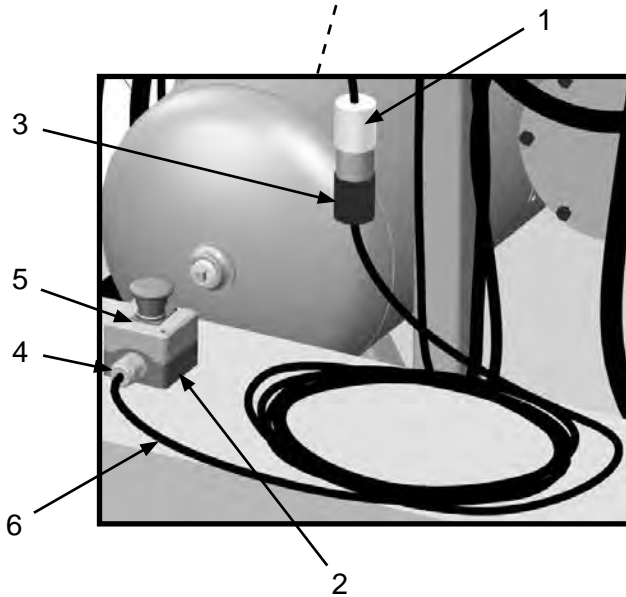
Item #	Part #	Description
--------	--------	-------------

Fig. 15

1	10103736	T-Bolt Hose Clamp For 1" I.D. (10 Required)
2	10103654	1-1/4" 75W Marine Hose – 100 psi (Five Required)
3	10104563	Pulser System Small Blowpipe (Two Required)
4	10104566	Pulser System Medium Blowpipe (Two Required)
5	10104680	1" Flexible Tubing For Blowpipes (Two Required)
6	10104568	Pulser System Large Blowpipe (Three Required)
7	10104633	Vacuum Baghouse Filter (37 Required)

PART NUMBERS AND SCHEMATICS GUIDE

Figure 16: Emergency-Stop Stations



Item #	Part #	Description
Fig. 16		
—	10107200	Remote Emergency-Stop Station <i>(Includes Item #'s: 2, 3, 4, 5, and 6 (100'))</i>
1	1015556	Female Twist Lock Plug – Three Prong
2	10104071	E-Stop Control Station
3	1015555	Male Twist Lock Plug – Three Prong
4	10104703	Cord Grip Nylon 1/2"-NPT .2–.47 Diameter
5	10104063	Legend Plate – Emergency Stop
6	1015540	16/2 Xtreme-Duty® Power Cord – Red <i>(Per Foot)</i>
—	1015009	8-32 x 1" Pan Head Phillips Screw <i>(Four Required)</i>
—	20000021	8-32 Zinc Nut <i>(Four Required)</i>
—	20000018	#8 Zinc Lock Washer <i>(Four Required)</i>
—	20000019	#8 Zinc Flat Washer <i>(Four Required)</i>

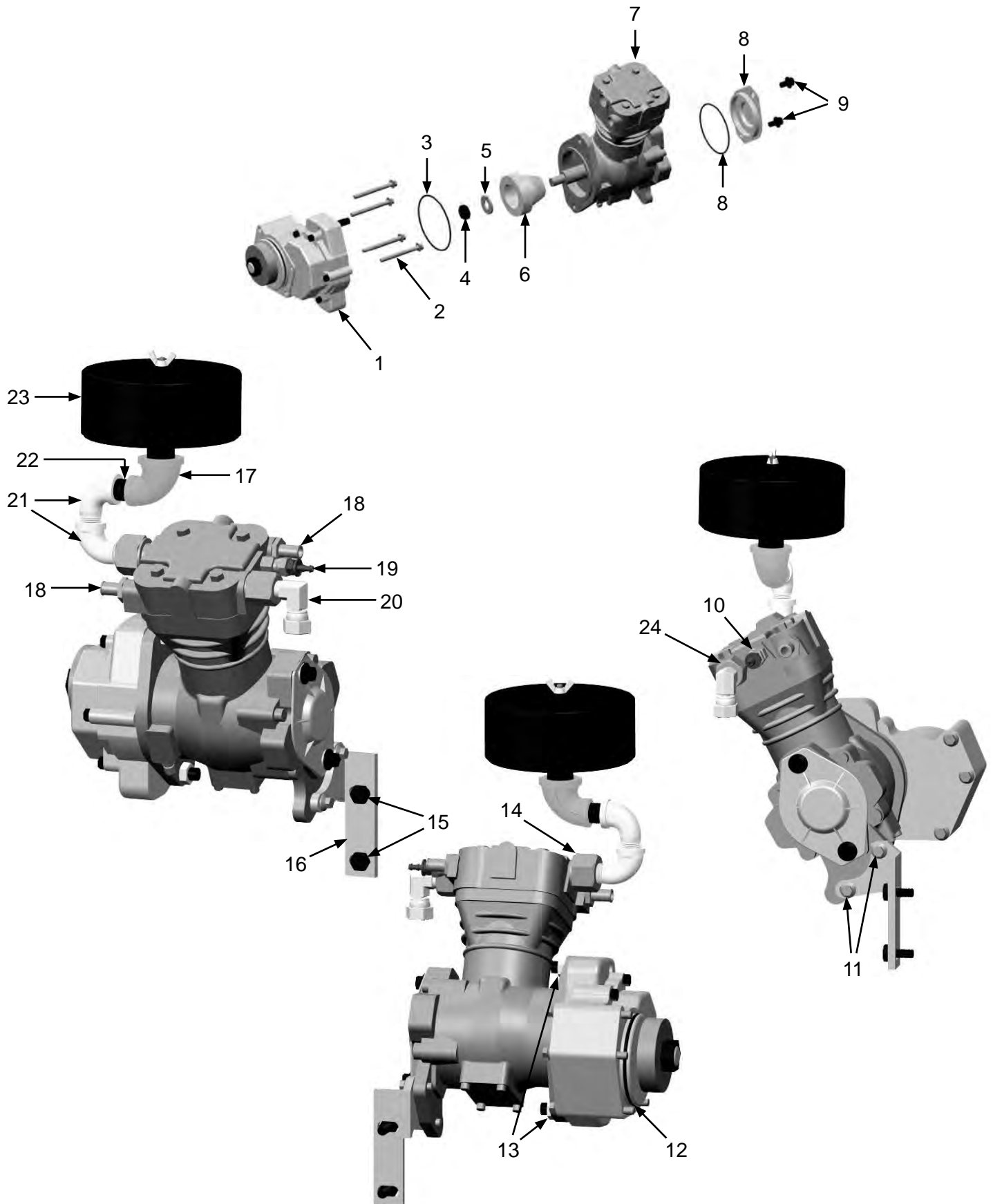
PART NUMBERS AND SCHEMATICS GUIDE

Compressor Assembly

Item #	Part #	Description
Fig. 17		
—	10106612	Compressor for Tier 4 Vacuum
1	10106030	Compressor to PTO Adapter
2	10106031	M8 x 80 Bolt <i>(Four Required)</i>
3	10106032	SAE A O-Ring
4	10101062	5/8-11 Hex Nut
5	10101061	5/8" Lock Washer
6	10106033	Compressor Gear
7	10106034	Compressor
8	10106035	SAE A 2-Bolt Cover with O-Ring
9	10106036	M8 x 16 Bolt <i>(Two Required)</i>
10	20PFHA60SA0204	1/8" (M) x 1/4" (F) Swivel Union
11	10106037	M8 x 25 Bolt <i>(Two Required)</i>
12	10106042	PTO O-Ring
13	10101941	1/2-13 Hex Nut <i>(Two Required)</i>
14	10106038	Metric Straight to NPT
15	10103615	M10 x 25MM Zinc Bolt <i>(Two Required)</i>
16	10106039	Compressor Bracket
17	10101002	1/2" x 1" 90° Elbow
18	10106040	Metric Straight to 1/2" Hose Barb <i>(Two Required)</i>
19	10PAF025	1/4" x 1/4" Push-On Fitting
20	20PFHA60UA0808	1/2" (M) x 1/2" (F) 90° Swivel Union
21	10000057	1/2" x 1/2" Street Elbow <i>(Two Required)</i>
22	10L803035	1/2" Close Nipple
23	10105870	Filter Assembly <i>(Includes 10106362)</i>
24	10106041	Metric Straight to NPT
—	10106362	5 Micron Filter Element <i>(Replacement Filter for 10105870)</i>

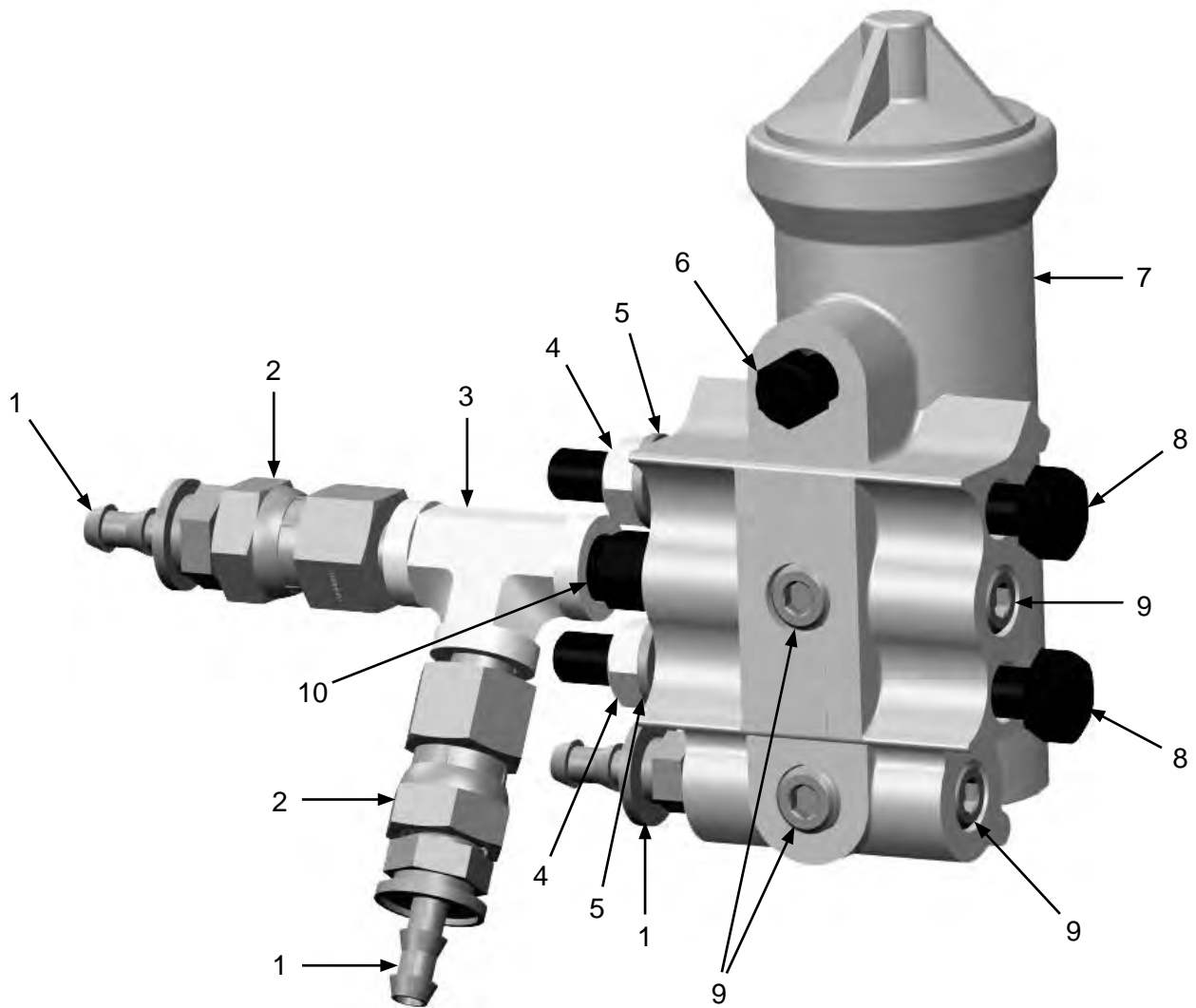
PART NUMBERS AND SCHEMATICS GUIDE

Figure 17: Compressor Assembly



PART NUMBERS AND SCHEMATICS GUIDE

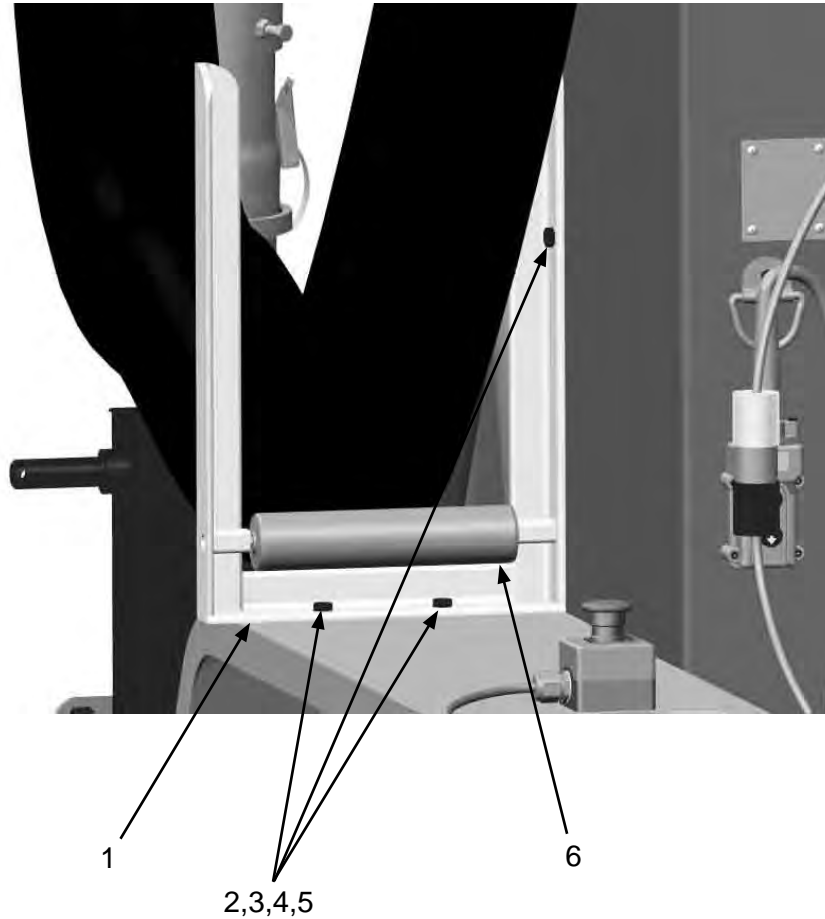
Figure 18: Compressor Governor



Item #	Part #	Description
Fig. 18		
1	10PAF025	1/4" x 1/4" Push on Fitting <i>(Three Required)</i>
2	20PFHA60SA0204	1/8" (M) x 1/4" (F) Swivel Union <i>(Two Required)</i>
3	20PFHA25VJ02	1/8" Female Tee
4	1035046	5/16-18 Nut <i>(Two Required)</i>
5	10L805014	5/16" Lock Washer <i>(Two Required)</i>
6	1012905	1/8" Breather Muffler
7	10105816	Compressor Governor
8	1014112	5/16-18 x 3-1/4" Hex Bolt <i>(Two Required)</i>
9	10105717	1/8" Hollow Hex Pipe Plug Male <i>(Three Required)</i>
10	20PFHA24SA0202	1/8" Hex Nipple

PART NUMBERS AND SCHEMATICS GUIDE

Figure 19: Vacuum Hose Support Bracket



Item #	Part #	Description
Fig. 19		
1	10105264	Vacuum Hose Bracket
2	1011747	3/8-16 x 1" Bolt – Zinc (<i>Three Required</i>)
3	10101942	3/8" Flat Washer – Galvanized (<i>Three Required</i>)
4	10101936	3/8" Lock Washer – Zinc (<i>Three Required</i>)
5	10101938	3/8-16 Hex Nut – Galvanized (<i>Three Required</i>)
6	10106374	1.9" Diameter Conveyor Roller – 9" Long

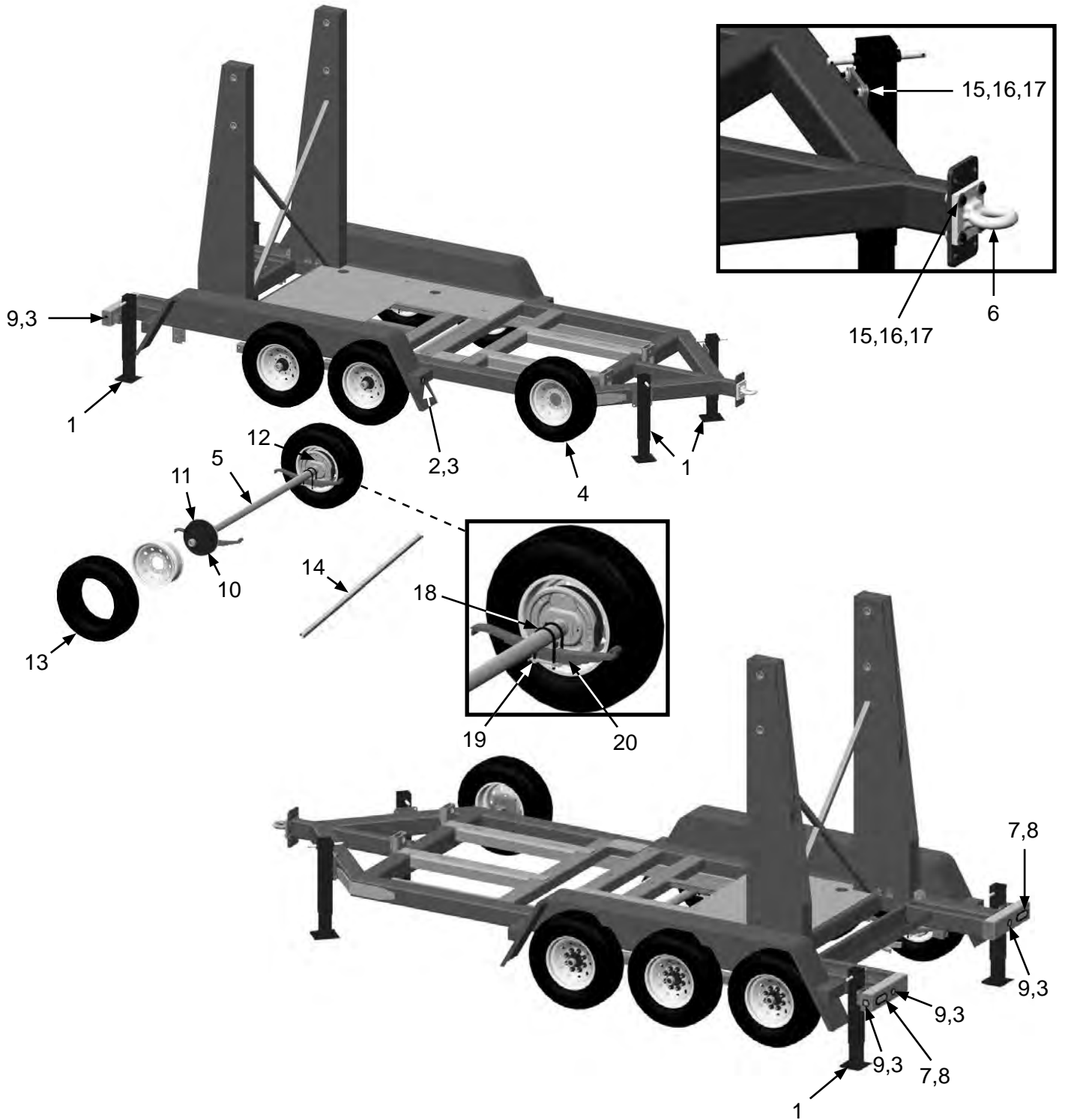
PART NUMBERS AND SCHEMATICS GUIDE

Trailer

Item #	Part #	Description
Fig. 20		
—	10104776	10 Ton Triple Axle Vacuum Trailer
1	10104141	10,000# Heavy Spring Loaded Jack <i>(Four Required)</i>
2	10104087	2" Round LED Amber Clearance Light <i>(Two Required)</i>
3	10104088	2" Round Rubber Grommet <i>(Six Required)</i>
4	10104089	16 - 8 Hole Pattern Rim with Tire <i>(Seven Required)</i>
5	10106084	7,000# Axle With Electric Brakes, Complete with Hubs and Springs 89" HF x 71" SC
6	10104079	Pintle Hitch with Flat Plate
7	10104085	Oval Rubber Grommet <i>(Two Required)</i>
8	10104084	Oval LED Red Tail Light <i>(Two Required)</i>
9	10104086	2" Round LED Red Clearance Light <i>(Four Required)</i>
10	10106086	Axle Hub Only – No Bearings or Seal <i>(Two Required)</i>
11	10106088	Right-Hand Electric Brake Assembly <i>(Two Required)</i>
12	10106087	Left-Hand Electric Brake Assembly <i>(Two Required)</i>
13	10104096	Tire – ST235/85R/16 – 14-ply <i>(Seven Required)</i>
14	10106085	Axle Beam/Tube Only
15	10105746	5/8 x 2-1/2" Grade 8 Bolt <i>(20 Required)</i>
16	10105747	5/8 Reverse Lock Nut <i>(20 Required)</i>
17	10103398	5/8" Flat Washer <i>(40 Required)</i>
18	10106089	Trailer Axle U-Bolt
19	10106090	Trailer Axle U-Bolt Nut
20	10106091	Trailer Axle Leaf Spring
—	10105826	Redline 12V – 5AH Battery Sealed
—	10104081	Breakaway Kit
—	10104142	Wire Harness – Complete <i>(Front, Middle, and Rear)</i>
—	10105827	Breakaway Switch with Pin
—	10104769	3/8" x 41" Safety Chain with Hook
—	10103879	2" x 6" x 6" Red/White Conspicuity Tape
—	10105829	Cable with Plug
—	10107329	Sidewind Crank for 10104141
—	109V582	Operator's Manual – Behnke Trailer

PART NUMBERS AND SCHEMATICS GUIDE

Figure 20: Trailer



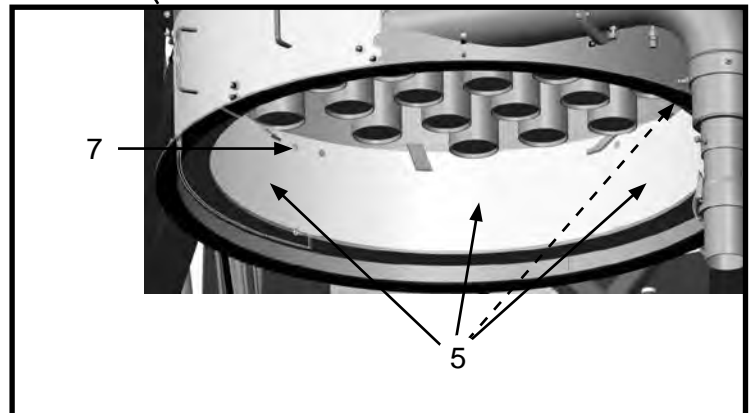
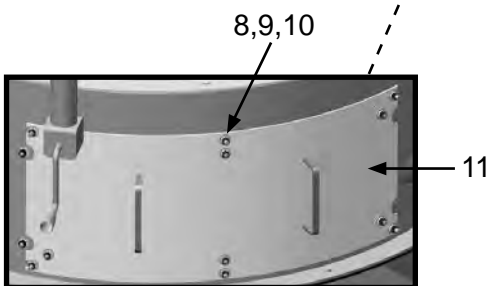
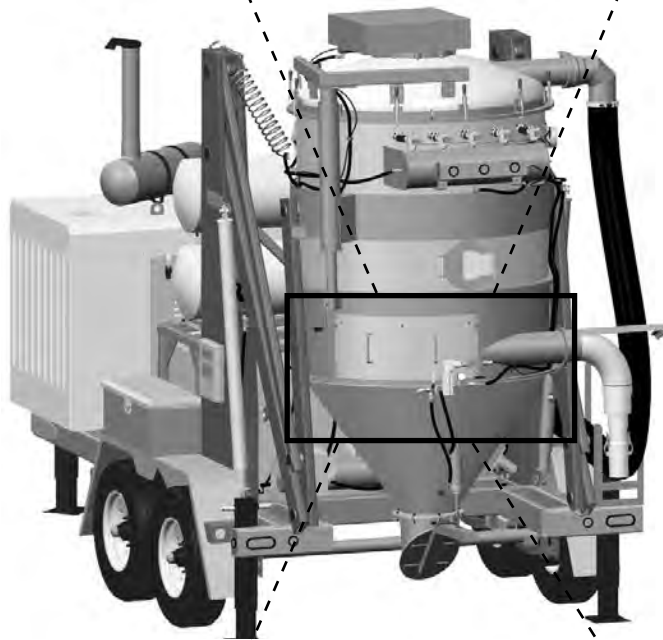
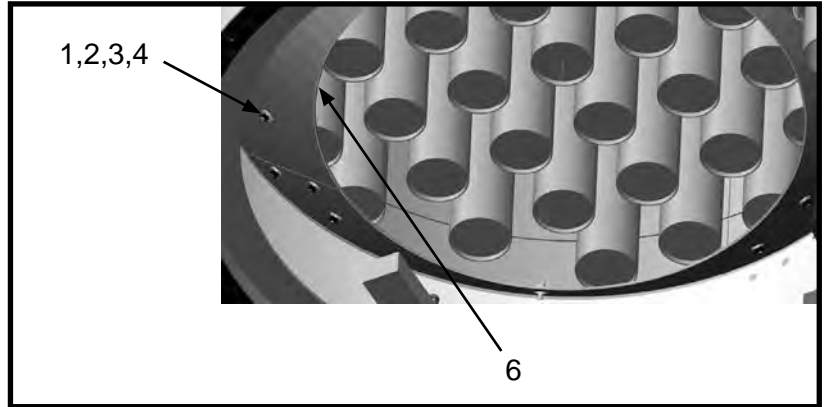
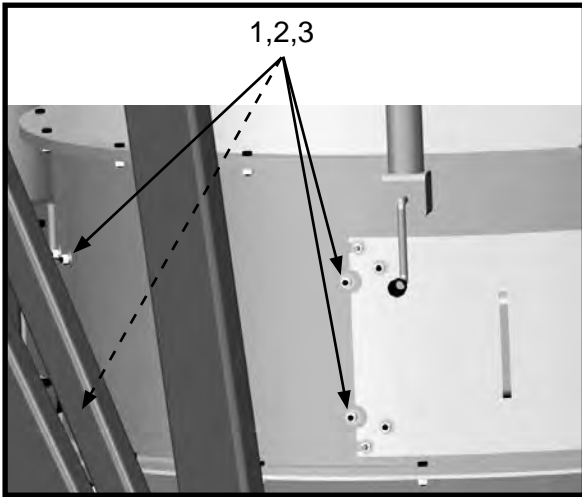
PART NUMBERS AND SCHEMATICS GUIDE

Wear Plates and Baffles

Item #	Part #	Description
Fig. 21		
1	10101942	3/8" Flat Washer – Galvanized (<i>35 Required</i>)
2	10101936	3/8" Lock Washer – Zinc (<i>35 Required</i>)
3	10101938	3/8-16 Hex Nut (<i>35 Required</i>)
4	1011747	3/8-16 x 1" Bolt (<i>15 Required</i>)
5	10104489	Vacuum Wear Plates (<i>Four Required</i>)
6	10104490	Vacuum Baffle (<i>Three Required</i>)
7	10104705	3/8-16 FH Square Neck x 1" Bolt Zinc (<i>16 Required</i>)
8	10101942	3/8" Flat Washer – Galvanized (<i>Six Required</i>)
9	10101936	3/8" Lock Washer – Zinc (<i>Six Required</i>)
10	10101938	3/8-16 Hex Nut – Galvanized (<i>Six Required</i>)
11	10106511	Vacuum Wear Door Assembly (<i>See Figure 2</i>)

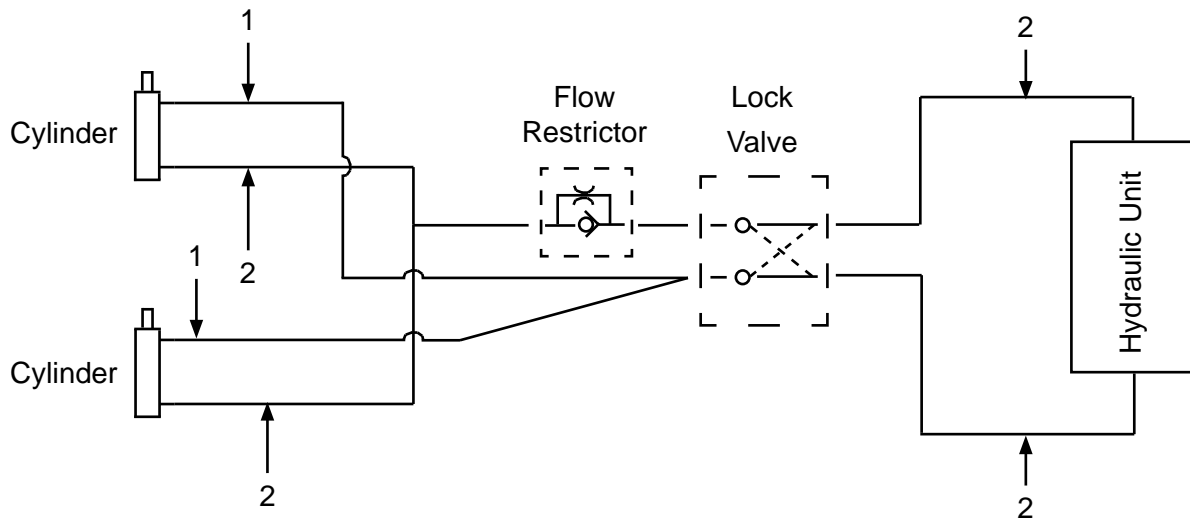
PART NUMBERS AND SCHEMATICS GUIDE

Figure 21: Wear Plates and Baffles



PART NUMBERS AND SCHEMATICS GUIDE

Figure 22: Hydraulic Hoses



Item #	Part #	Description
--------	--------	-------------

Fig. 22

1	10104664	Hydraulic Hose – 3/8" I.D. x 8' – 2600 psi
2	10104663	Hydraulic Hose – 3/8" I.D. x 5' – 2600 psi

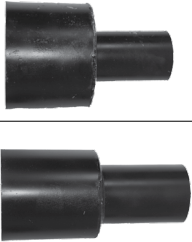
OPTIONAL ACCESSORIES





Part Numbers

VACUUM HOSE							
Part Numbers	Vacuum Hose I.D.	Length	Vacuum HG	Cover Material	Reinforcement Material	Liner	Hose Color
10VH11250	1-1/2"	50 Ft.	29"	Pliovic®	Pliovic® PVC Helix	Polyurethane	Black
10VH225	2"	25 Ft.	29"	Pliovic®	Pliovic® PVC Helix	Polyurethane	Blue
10VH250	2"	50 Ft.	29"	Pliovic®	Pliovic® PVC Helix	Polyurethane	Blue
10VH200	2"	100 Ft.	29"	Pliovic®	Pliovic® PVC Helix	Polyurethane	Blue
10VH2550	2-1/2"	50 Ft.	29"	Pliovic®	Pliovic® PVC Helix	Polyurethane	Blue
10VH325	3"	25 Ft.	29"	Pliovic®	Pliovic® PVC Helix	Polyurethane	Blue
10VH350	3"	50 Ft.	29"	Pliovic®	Pliovic® PVC Helix	Polyurethane	Blue
10VH300	3"	100 Ft.	29"	Pliovic®	Pliovic® PVC Helix	Polyurethane	Blue
10VH425	4"	25 Ft.	29"	Pliovic®	Pliovic® PVC Helix	Polyurethane	Blue
10VH450	4"	50 Ft.	29"	Pliovic®	Pliovic® PVC Helix	Polyurethane	Blue
10VH400	4"	100 Ft.	29"	Pliovic®	Pliovic® PVC Helix	Polyurethane	Blue
10VH525	5"	25 Ft.	29"	Pliovic®	Pliovic® PVC Helix	Polyurethane	Blue
10VH550	5"	50 Ft.	29"	Pliovic®	Pliovic® PVC Helix	Polyurethane	Blue
10VH500	5"	100 Ft.	29"	Pliovic®	Pliovic® PVC Helix	Polyurethane	Blue
10VH625	6"	25 Ft.	25"	Pliovic®	Pliovic® PVC Helix	Polyurethane	Blue
10VH650	6"	50 Ft.	25"	Pliovic®	Pliovic® PVC Helix	Polyurethane	Blue
10VH600	6"	100 Ft.	25"	Pliovic®	Pliovic® PVC Helix	Polyurethane	Blue
10VH825	8"	25 Ft.	25"	Pliovic®	Pliovic® PVC Helix	Polyurethane	Blue
10VH850	8"	50 Ft.	25"	Pliovic®	Pliovic® PVC Helix	Polyurethane	Blue

OPTIONAL ACCESSORIES

		VACUUM HOSE REDUCERS	
		Part Numbers	Size
	10106712	8" x 4"	
	10106716	6" x 4"	

		WYE ADAPTERS	
		Part Numbers	Size
	10106719	4" x 2" x 2"	
	10107485	6" x 2" x 2"	
	10106723	6" x 4" x 4"	
	10106727	8" x 4" x 4"	

		VACUUM HOSE MENDERS			
		Part Numbers	Vacuum Hose I.D.	Mender Length	Thickness
	10HM2	2"	8"	1/8"	Steel
	10HM3	3"	9"	1/8"	Steel
	10HM4	4"	10"	1/8"	Steel
	10HM5	5"	11"	1/8"	Steel
	10HM6	6"	12"	1/8"	Steel
	10HM8	8"	14"	1/8"	Steel

PART NUMBERS

VACMASTER® 23T TIER III DIESEL ABRASIVE VACUUMS			
	Engine Type	Filter Cartridge Style	
Part Number	Tier III	Acrylic-Coated Filter Bags	Filter Cartridge Quantity
10104794	X	X	37

Associated Literature

- 105M126 – Features and Specifications Guide – Vacmaster® 23T Tier III Diesel Abrasive Vacuums
- 106M126 – Part Numbers and Schematics Guide – Vacmaster® 23T Tier III Diesel Abrasive Vacuums
- 1090126 – Operator's Manual – Vacmaster® 23T Tier III Diesel Abrasive Vacuums



SPECIFICATIONS

Capacity:	MAX 3658 CFM
Filter Cartridge Style:	Acrylic-Coated Filter Bags 37 Required
Filter Cleaning:	Pulse System, 25–30 second intervals. Pulse Duration: 200–350 millisecond
Vacuum:	27" Hg
Ducting Connections:	6" I.D. Inlet with 4" adapter
Inspection Ports:	One 10" Viewable to Filters with access ports to hopper
Material Removal:	Automatic Direct Dump
Blower:	Rotary lobe, positive displacement with jet inlet
Engine:	Diesel, Tier III, 250 Horsepower
Fuel Capacity:	Capacity: 116 Gallons Type: Diesel
Air Compressor:	On Board 13 CFM
Electrical System:	12-Volt DC
Engine Protection:	Engine Monitoring System with automatic shutdown
Fluid Specifications:	Hydraulic Oil: H46 or equivalent, 2 gallon capacity Diesel Fuel: See Engine Operator's Manual for type, 116 gallon capacity Grease/Lubricator: Shell Alvania Grease EP or equivalent Alcohol Evaporator: Alcohol 99 Isopropyl, 32 oz. capacity Vibrator Lubricator: 4 oz. pneumatic air tool oil
Unit Dimensions:	Weight: 13,950 pounds (empty) Length: 22' 6" Width: 8' 2" Height: 11' 2" Raised Height: 18' 6" Dump Clearance: 8'

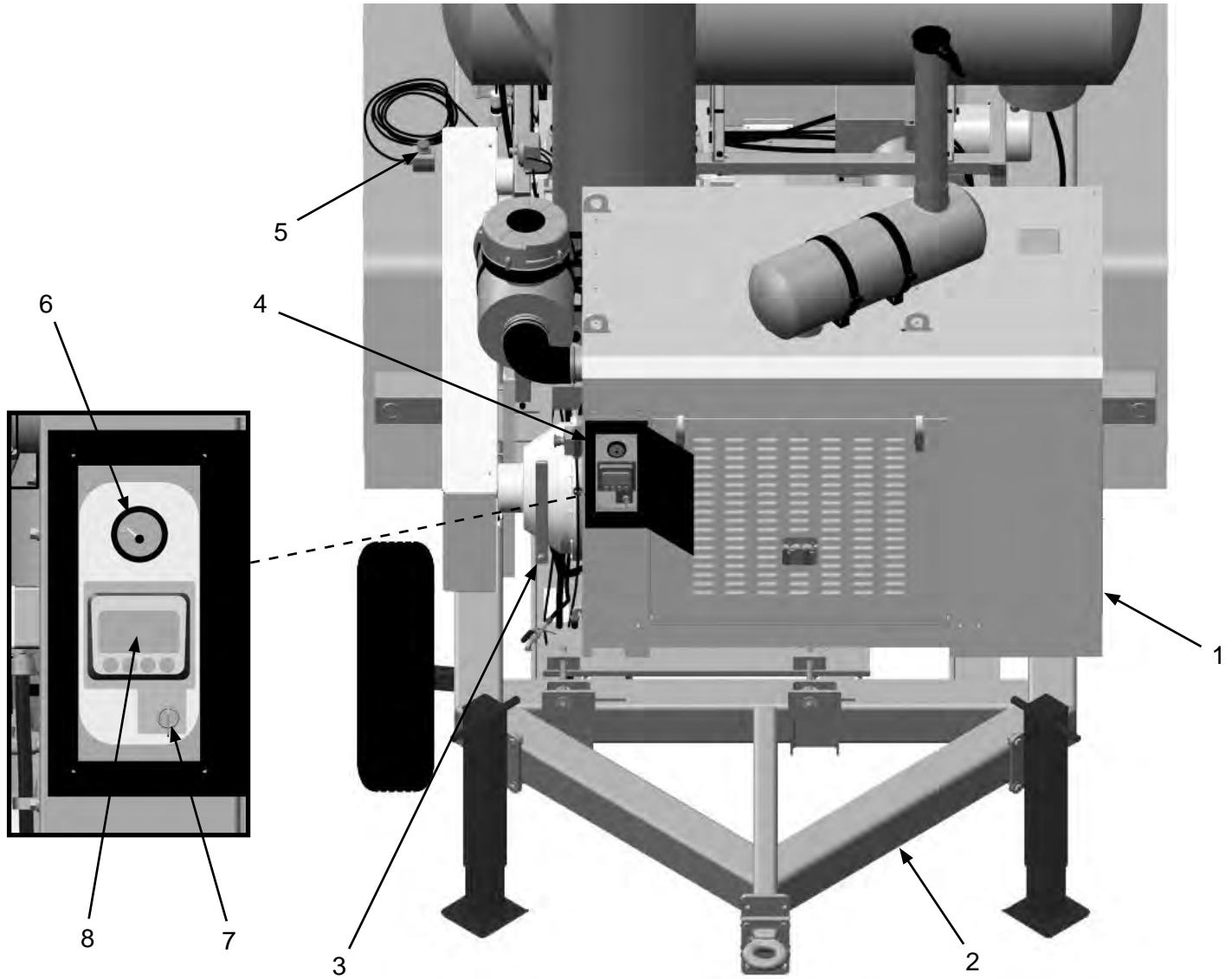
PART NUMBERS AND SCHEMATICS

Front Assembly

Item #	Part #	Description
Fig. 1		
1	10104812	Perkins® Engine 250 Hp Tier III
2	10104776	Trailer
3	10103986	Clutch
4	10103972	Engine Control Panel
5	10104071	Remote Emergency-Stop Station <i>(Includes 100 Ft. of Cord)</i>
6	10104821	Wema Analog Fuel Level Gauge
7	10103974	Key Switch
8	10103969	Murphy PowerView®
—	109V044	Operator's Manual – Perkins® Engine
—	109V039	Operator's Manual – Murphy PowerView®

PART NUMBERS AND SCHEMATICS

Figure 1: Front Assembly



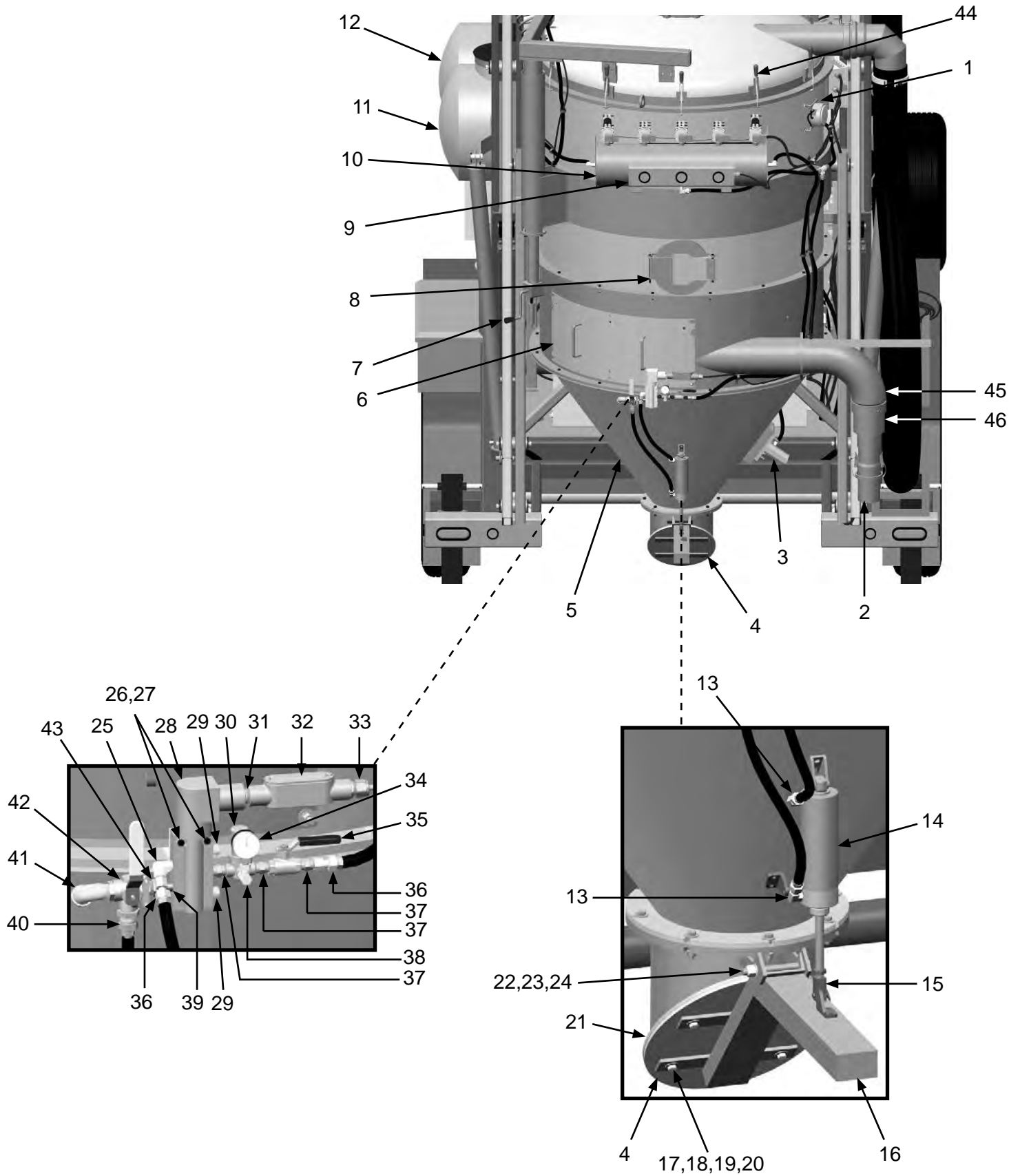
PART NUMBERS AND SCHEMATICS

Rear Assembly

Item #	Part #	Description	Item #	Part #	Description
Fig. 2			27	1012323	1/4-20 Zinc Lock Nut with Nylon Insert (<i>Two Required</i>)
1	10104673	0-50" Differential Pressure Gauge	28	10104670	Solenoid
2	10105042	4" Quick Disconnect Coupling	29	1019024	Breather Vent
3	10104665	APV Series Piston Vibrator	30	10104676	Series MPR Mini Pressure Relief
4	10104506	Dump Door	31	10L803035	1/2" Close Nipple
5	10104411	Vacuum Hopper Cone	32	1019025	1/2" Straight Conduit Body
6	10105190	Vacuum Wear Door	33	10104703	Cord Grip 1/2" Nylon .2-.47 Diameter
7	10104638	Bulldog Trailer Jack	34	10104678	Pressure Gauge 100 Psi 1/8"
8	10104439	Knappco Hatch	35	1080050	1/4" Ball Valve
9	10105334	Vacuum Light Bar	36	20PFHA60SG0406	1/4"F x 3/8"F Swivel Union (<i>Two Required</i>)
10	10104498	Vacuum Header	37	20PFHA24SA0404	1/4" Hex Nipple (<i>Three Required</i>)
11	10104770	Blower Exhaust Silencer	38	1014239	1/8" x 1/8" 90° Fitting
12	10104771	Blower Intake Silencer	39	1011210	1/4" NPT x 1 1/2" Nipple
13	20PFHA60UA0406	1/4" (M) x 3/8" (F) 90° Swivel (<i>Two Required</i>)	40	20PFHA60SA0806	1/2"M x 3/8"F Swivel Union
14	10104667	Pneumatic Cylinder – 2.5"	41	1011819	1/2" Street Elbow
15	10104668	Piston Rod Clevis	42	20100571	1/2" NPT 3-Way Brass Ball Valve
16	10104507	Dump Arm	43	1011818	1/2" x 1/4" Galvanized Bushing
17	10104234	3/8-16 x 1-1/4 Hex Bolt Zinc (<i>Four Required</i>)	44	10104486	Vacuum Lid Overcenter Clamp (<i>12 Required</i>)
18	10101942	3/8" Flat Washer – Galvanized (<i>Eight Required</i>)	45	10104546	Inlet Elbow Weldment
19	10101936	3/8" Lock Washer - Zinc (<i>Four Required</i>)	46	10104550	Inlet Adapter Weldment
20	10101938	3/8 -16 Hex Nut (<i>Four Required</i>)	—	109V520	Operator's Manual – Blower
21	10104512	Dump Door Gasket			
—	10104511	Dump Door Internal Plate			
22	20100160	1/2-13 x 4-1/2" Zinc Hex Bolt			
23	10100674	1/2" Flat Washer (<i>Two Required</i>)			
24	20100124	1/2-13 Hex Lock Nut – Zinc			
25	20PFHA25UA0404	1/4" Male 90° Elbow			
26	1019044	1/4-20 x 1-3/4" Zinc Bolt (<i>Two Required</i>)			

PART NUMBERS AND SCHEMATICS

Figure 2: Rear Assembly



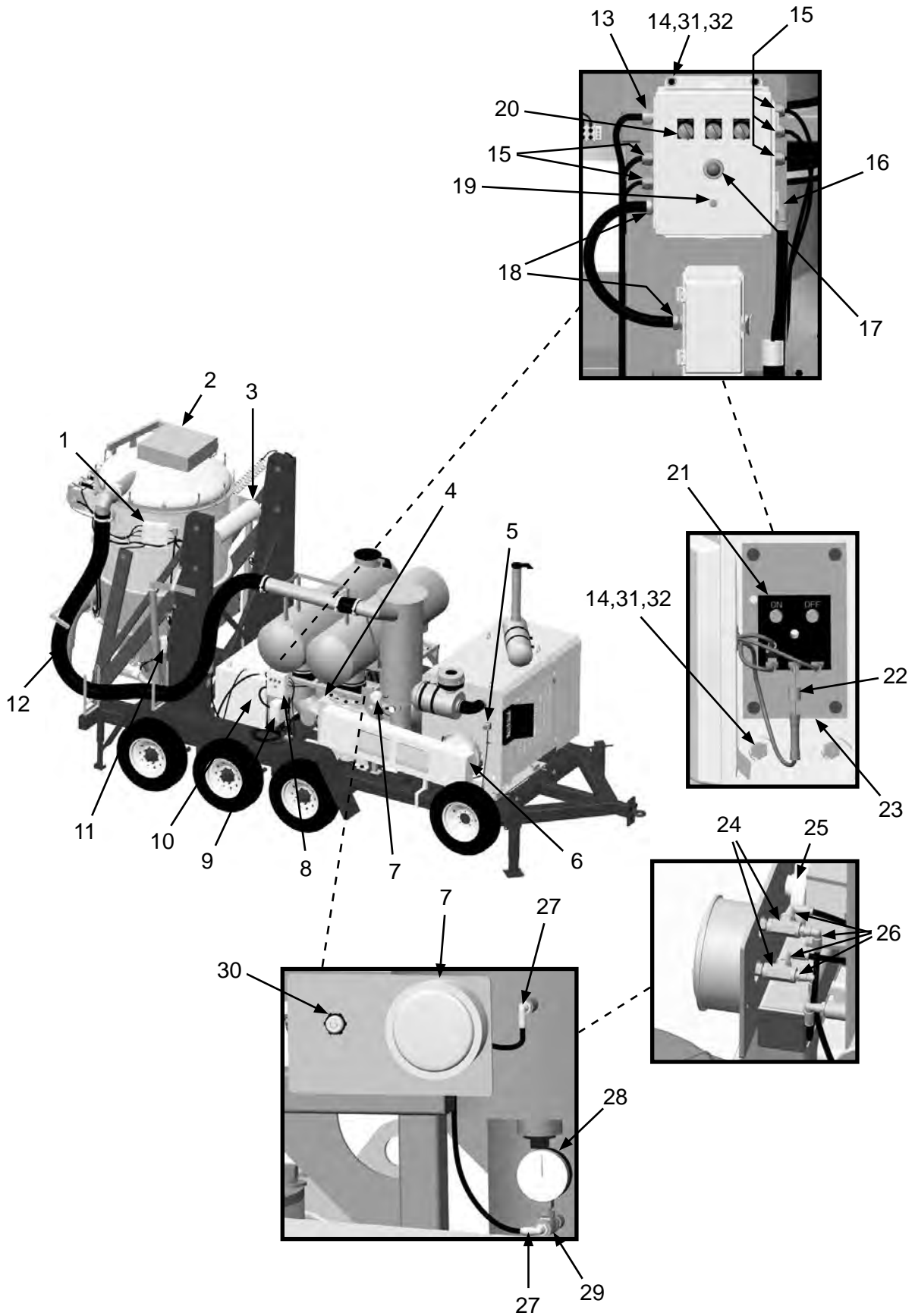
PART NUMBERS AND SCHEMATICS

Right Side Front Assembly

Item #	Part #	Description
Fig. 3		
1	—	Pulse Timer Control Box
2	10104559	Vacuum Butterfly Cover
3	10104493	Vacuum Aux Header
4	10104777	Blower Top Shaft Left Discharge
5	10104071	E-Stop Control Station
6	10104788	Vacuum Belt Guard Cover
7	10104673	0–50" Differential Pressure
8	10104614	10" x 8" x 4" Nema 4 Enclosure
9	10104615	8" x 4" x 5" Fiberglass Qr Latch Enclosure
10	10104704	116 Gal Rectangle Fuel Tank
11	10104674	Lubricator 1/2" NPT 156 CFM
12	10VH620B	6" I.D. Vacuum Hose 20' Section
13	20RCG5050	1/2" Npt x .5–.625 Diameter Chord Grip
14	20100125	1/4-20 x 3/4" Zinc Hex Bolt <i>(Eight Required)</i>
15	10104703	1/2" Npt x .2–.47 Diameter Nylon Chord Grip <i>(Three Required)</i>
16	20RST9050	90° Liquid Tite Connection Fitting
17	10104692	12-Volt Pilot Light - Red
18	20RST50	Straight Liquid Tite Connection Fitting <i>(Two Required)</i>
19	10104686	10 Amp Circuit Breaker
20	10103305	Selector Switch – 2-Way <i>(Three Required)</i>
21	10104685	Vacuum Control Timer
22	10104109	6 Amp 50-Volt Rectifier
23	10105193	Enclosure Panel For 7605k21
24	20PFHA25VJ02	1/8" Female Tee <i>(Two Required)</i>
25	10104672	Differential Pressure Switch
26	20100579	1/4" O.D. Tube x 1/8" NPT PTC Swivel <i>(Four Required)</i>
27	20PFBA31095614	1/4" Tube x 1/4" NPT 90° Fitting <i>(Two Required)</i>
28	10104677	Liquid Filled Vacuum Gauge
29	1011844	1/4" Pipe Tee – Galvanized
30	10104073	Panel Lock Nut – 1/2"
31	10101940	1/4" Flat Washer – Galvanized <i>(Four Required)</i>
32	10101939	1/4-20 Stainless Steel Lock Nut with Nylon Insert <i>(Four Required)</i>

PART NUMBERS AND SCHEMATICS

Figure 3: Right Side Front Assembly



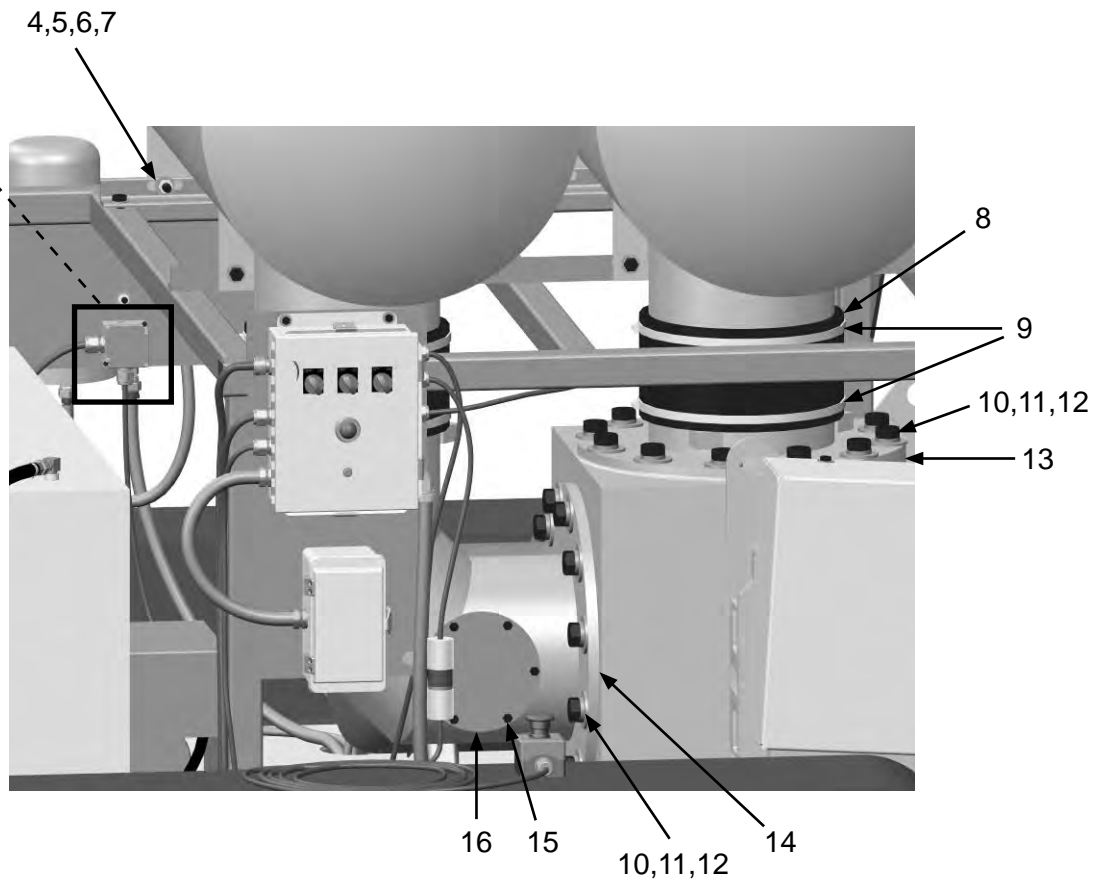
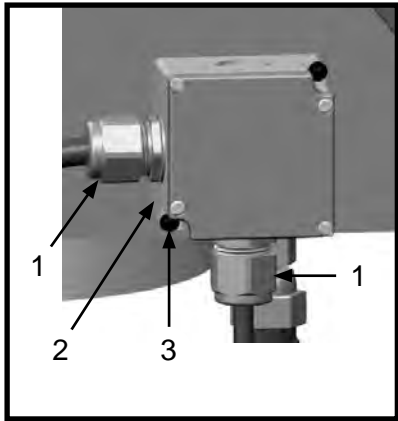
PART NUMBERS AND SCHEMATICS

Center Assembly

Item #	Part #	Description
Fig. 4		
1	10104703	1/2" Npt x .2-.47 Diameter Nylon Chord Grip <i>(Two Required)</i>
2	20000031	8-32 x 1-1/2" Machine Screw <i>(Two Required)</i>
3	10105897	Terminal Box
4	10101943	1/2-13 x 1-3/4" Hex Bolt <i>(Eight Required)</i>
5	10100674	1/2" Flat Washer <i>(16 Required)</i>
6	10100675	1/2" Lock Washer <i>(Eight Required)</i>
7	10101941	1/2-13 Hex Nut - Galvanized <i>(Eight Required)</i>
8	10104813	10-3/4" I.D. Hose <i>(Two Required)</i>
9	10103416	Banding Clamp <i>(Four Required)</i>
10	10104715	7/8-9 X 2" Grade 5 Zinc Bolt
11	10104716	7/8" Flat Washer – Zinc
12	10104717	7/8" Lock Washer – Zinc
13	10101943	1/2-13 x 1-3/4" Hex Bolt <i>(Four Required)</i>
14	10100674	1/2" Flat Washer <i>(Eight Required)</i>
15	10100675	1/2" Lock Washer <i>(Four Required)</i>
16	10101941	1/2-13 Hex Nut – Galvanized <i>(Four Required)</i>

PART NUMBERS AND SCHEMATICS

Figure 4: Center Assembly



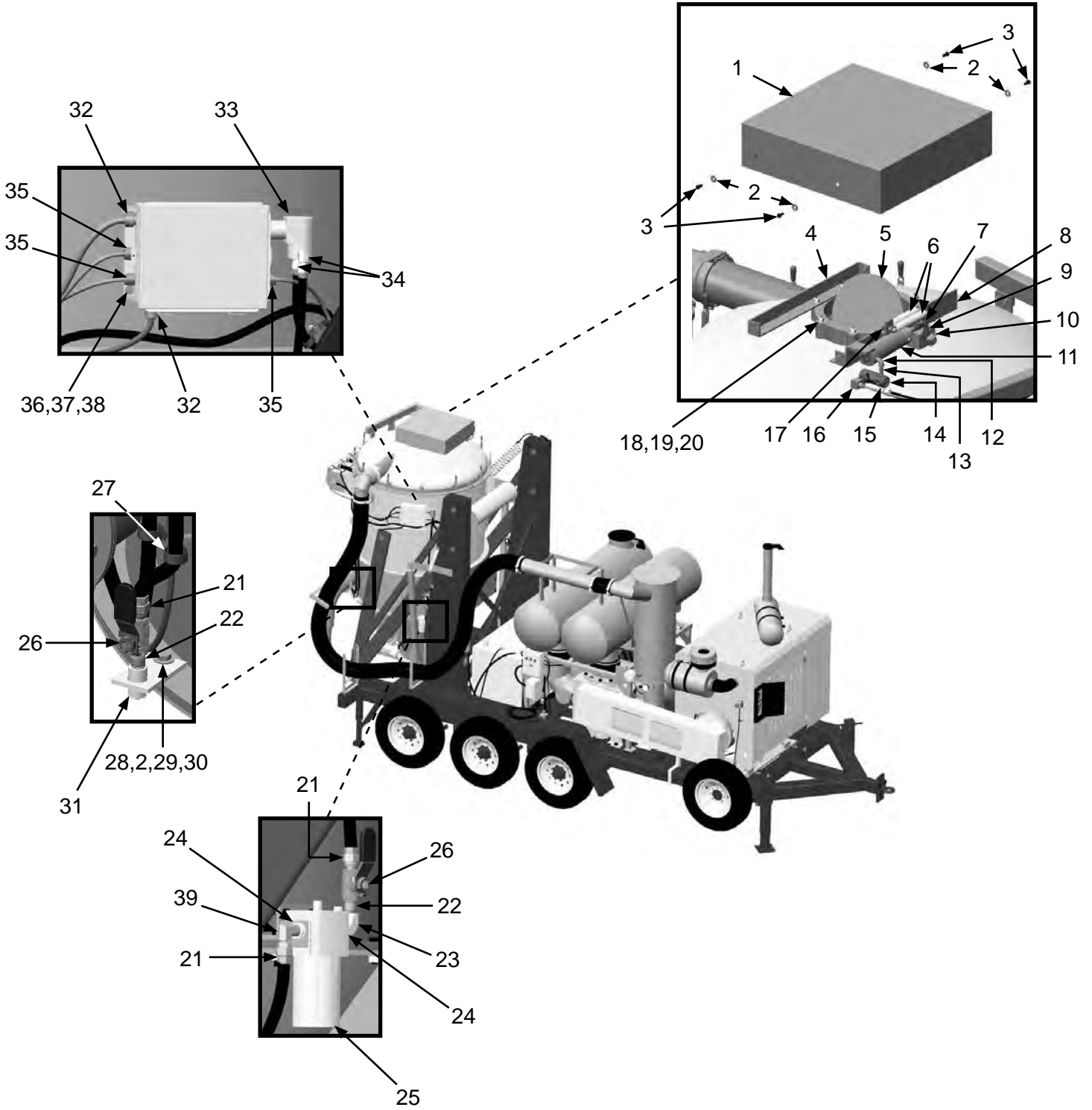
PART NUMBERS AND SCHEMATICS

Right Side Rear Assembly

Item #	Part #	Description	Item #	Part #	Description
Fig. 5			26	1080060	3/8" NPT Full Port Brass Ball Valve (<i>Two Required</i>)
1	10104559	Vacuum Butterfly Cover	27	10103624	1" Rubber Cushioned Loop Clamp
2	10101942	3/8" Flat Washer – Galvanized (<i>Five Required</i>)	28	1028617	3/8-16 x 1-3/4" Shoulder Bolt
3	10103400	3/8-16 x 3/4" Bolt (<i>Four Required</i>)	29	10101936	3/8" Lock Washer – Zinc
4	10104554	Butterfly Cover Mount Weldment	30	10101938	3/8-16 Hex Nut
5	10104537	Betts 12" Butterfly	31	10104597	Airline Drain
6	10104707	Steel Extension Spring – Zinc (<i>Two Required</i>)	32	20RCG5050	1/2" Npt x .5–.625 Diameter Chord Grip (<i>Two Required</i>)
7	10104668	Piston Rod Clevis	33	10104671	Vibrator Solenoid
8	10104538	Vacuum Butterfly Cylinder Weldment	34	20PFHA60UA0406	1/4" (M) x 3/8" (F) 90° Swivel (<i>Two Required</i>)
9	10104543	Butterfly Actuating Arm	35	10104703	1/2" Npt x .2–.47 Diameter Nylon Chord Grip (<i>Three Required</i>)
10	20100125	1/4-20 x 3/4" Zinc Hex Bolt	36	10101939	1/4-20 Stainless Steel Lock Nut with Nylon Insert (<i>Four Required</i>)
11	10104667	Pneumatic Cylinder – 2.5"	37	10101940	1/4" Flat Washer – Galvanized (<i>Four Required</i>)
12	1011824	1/4" Street Elbow	38	20100125	1/4-20 x 3/4" Zinc Hex Bolt (<i>Four Required</i>)
13	1011217	Galvanized 1/4" x 2" Nipple	39	20PFHA60UA0606	3/8"M x 3/8"F 90° Swivel Union
14	10104669	Solenoid For Butterfly			
15	20PFHA60UA0406	1/4" (M) x 3/8" (F) 90° Swivel			
16	10105287	Humphrey Din Connector			
17	10104706	3/8-16 x 2-1/2" Thread Stud			
18	10100674	1/2" Flat Washer (<i>Eight Required</i>)			
19	20100124	1/2 - 13 Hex Lock Nut (<i>Eight Required</i>)			
20	10102703	1/2-13 x 3-1/2" Grade 5 Bolt (<i>Eight Required</i>)			
21	20PFHA60SA0606	Union Swivel 3/8" (M) x 3/8" (F) (<i>Three Required</i>)			
22	1011209	3/8 NPT Close Nipple			
23	20PFHA25UG0606	3/8" Street Elbow			
24	20PFHA24SB0806	1/2" x 3/8" Reducing Bushing (<i>Two Required</i>)			
25	10104674	Lubricator 1/2" NPT 156 CFM			

PART NUMBERS AND SCHEMATICS

Figure 5: Right Side Rear Assembly



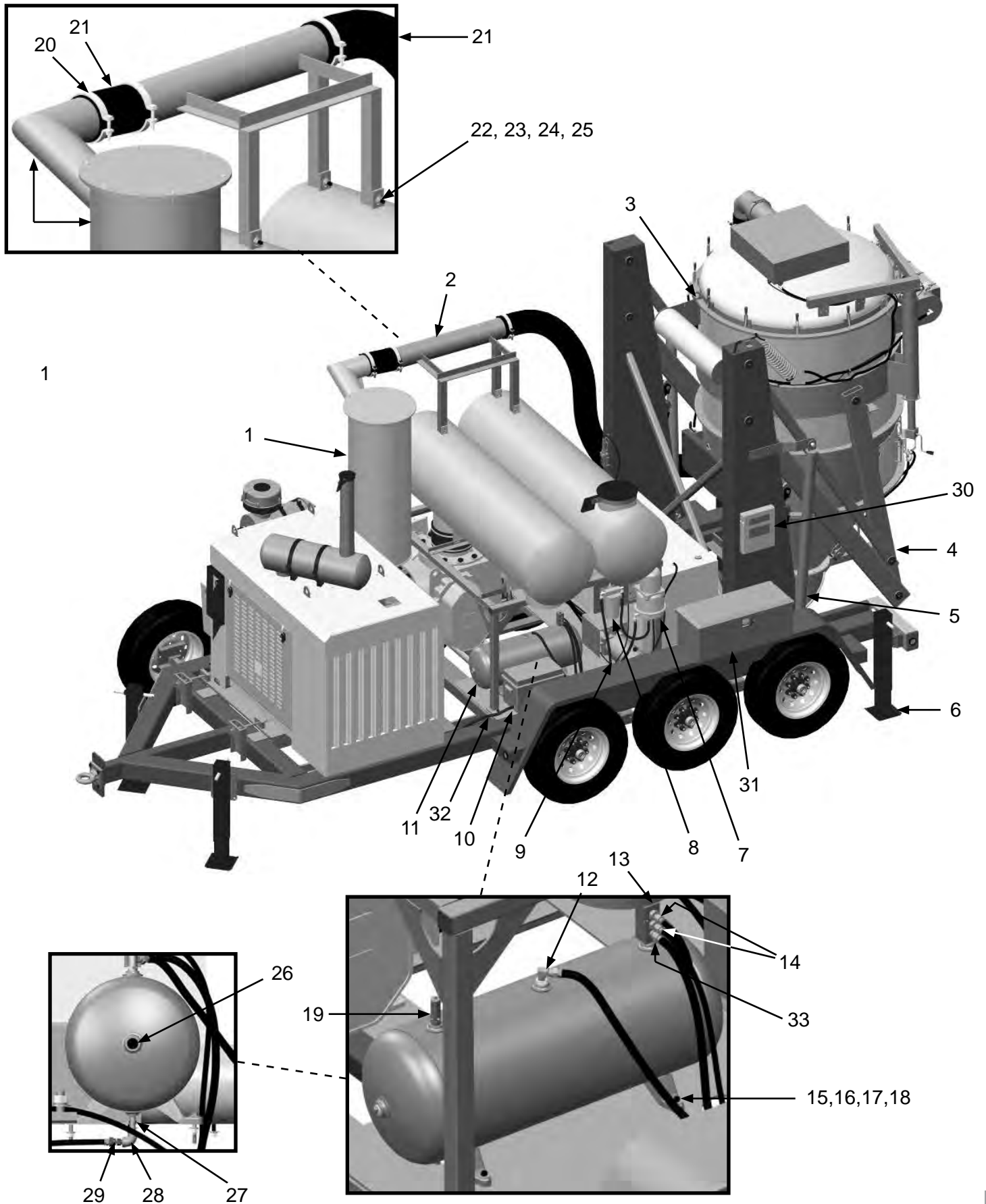
PART NUMBERS AND SCHEMATICS

Left Side Front Assembly

Item #	Part #	Description
Fig. 6		
1	10104766	Intake Filter Housing
2	10104795	Tube Extension Assembly
3	—	Hopper Assembly
4	—	Lift Arm Assembly <i>(Includes 10104463, 10104470, 10104468)</i>
5	10104608	Support Arm
6	10104082	Jack Stand
7	10104611	Haldex Air Dryer
8	10104612	Haldex Alcohol Evaporator
9	10105779	12-Volt DC Hydraulic Power Unit
10	10103342	Battery Box
11	10104610	Compressed Air Tank – 15 Gallon
12	20PFHA60UA0606	3/8" (M) x 3/8" (F) 90° Swivel Union
13	10104618	3 Outlet Pressure Manifold
14	20PFHA60SA0604	3/8" (M) x 1/4" (F) Swivel Union <i>(Two Required)</i>
15	1028617	3/8-16 x 1-3/4" Shoulder Bolt <i>(Four Required)</i>
16	10101942	3/8" Flat Washer - Galvanized <i>(Eight Required)</i>
17	10101936	3/8" Lock Washer - Zinc <i>(Four Required)</i>
18	10101938	3/8-16 Hex nut <i>(Four Required)</i>
19	10104681	1/2" NPT Pressure Relief Valve
20	10104640	6" Double Bolt Clamp
21	10VH620B	6" I.D. x 20' Vacuum Hose
22	10101943	1/2-13 x 1-3/4" Hex Bolt <i>(Four Required)</i>
23	10100674	1/2" Flat Washer <i>(Eight Required)</i>
24	10100675	1/2" Lock Washer <i>(Four Required)</i>
25	10101941	1/2-13 Hex Nut - Galvanized <i>(Four Required)</i>
26	10DSHP75	3/4" Square Head Pipe Plug <i>(Two Required)</i>
27	1011217	Galvanized 1/4" x 2" Nipple
28	1011832	Galvanized 1/4" 90° Elbow
29	10SME025	1/4" NPT x 1/4" (F) Straight Swivel
30	10104273	Document Holder
31	10105896	Tool Box
32	10105865	Battery Cables, 156" Long
33	20PFHA60SA0606	3/8"M x 3/8"F Swivel Union
—	10103341	Battery <i>(Not Shown)</i>
—	109V040	Operator's Manual – Hydraulic Motor

PART NUMBERS AND SCHEMATICS

Figure 6: Left Side Front Assembly



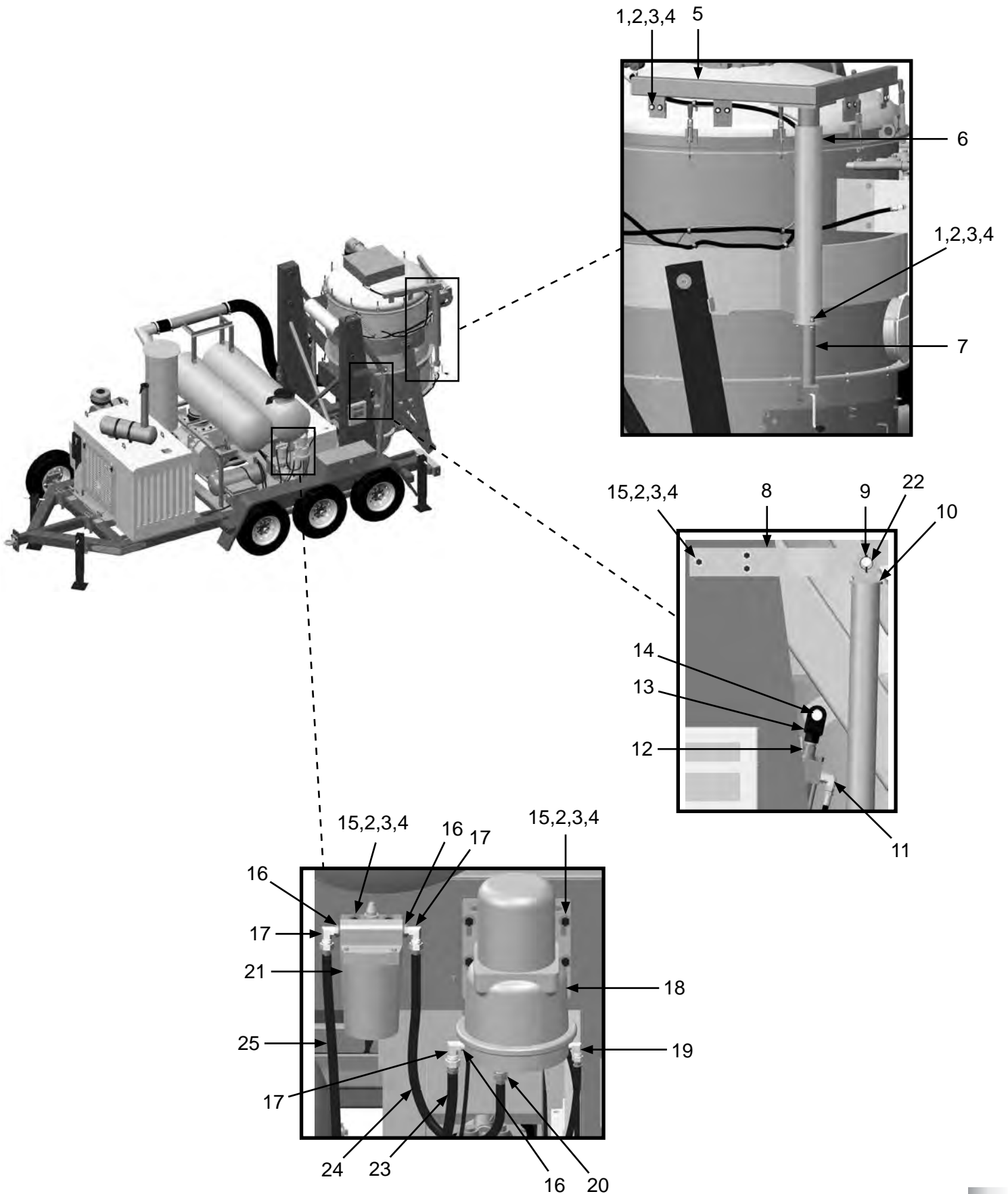
PART NUMBERS AND SCHEMATICS

Left Side Rear Assembly

Item #	Part #	Description
Fig. 7		
1	10104234	3/8-16 x 1-1/4" Hex Bolt Zinc <i>(Eight Required)</i>
2	10101942	3/8" Flat Washer – Galvanized <i>(40 Required)</i>
3	10101936	3/8" Lock Washer – Zinc <i>(11 Required)</i>
4	10101938	3/8-16 Hex Nut <i>(11 Required)</i>
5	10104472	Vacuum Lid Lift
6	10104434	Vacuum Top Section
7	10104638	Bulldog Trailer Jack
8	10104728	Lift Arm Support Bracket <i>(Two Required)</i>
9	10104729	Lift Arm Support Bracket Pin <i>(Two Required)</i>
10	10104608	Support Arm Outer <i>(Two Required)</i>
—	10104605	Support Arm Inner <i>(Two Required) (not shown)</i>
11	10103308	Elbow – 90° – JIC 8 x SAE 10 10 <i>(Four Required)</i>
12	10104645	Hopper Lift Cylinders <i>(Two Required)</i>
13	10104646	Lift Cylinder Clevis <i>(Two Required)</i>
14	10104647	1" x 3-1/8" Pin <i>(Two Required)</i>
15	1011747	3/8-16 x 1" Bolt <i>(12 Required)</i>
16	20PFHA24SB0806	1/2" x 3/8" Reducing Bushing <i>(Three Required)</i>
17	20PFHA60UA0606	3/8" (M) x 3/8" (F) 90° Swivel Union <i>(Three Required)</i>
18	10104611	Haldex Air Dryer
19	1012326	1/4" (M) x 1/4" (F) 90° Swivel Union
20	20PFHA60SA0806	1/2" (M) x 3/8" (F) Swivel Union
21	10104612	Haldex Alcohol Evaporator
22	10105290	3/16" x 1-5/8" Pin
23	10105838	1/2" x 168" Stainless Steel Braided Hose Assembly with 1/2" (M) NPT Ends
24	10104684	3/8" x 2' Braided Hose
25	10104683	3/8" x 4-1/2' Braided Hose

PART NUMBERS AND SCHEMATICS

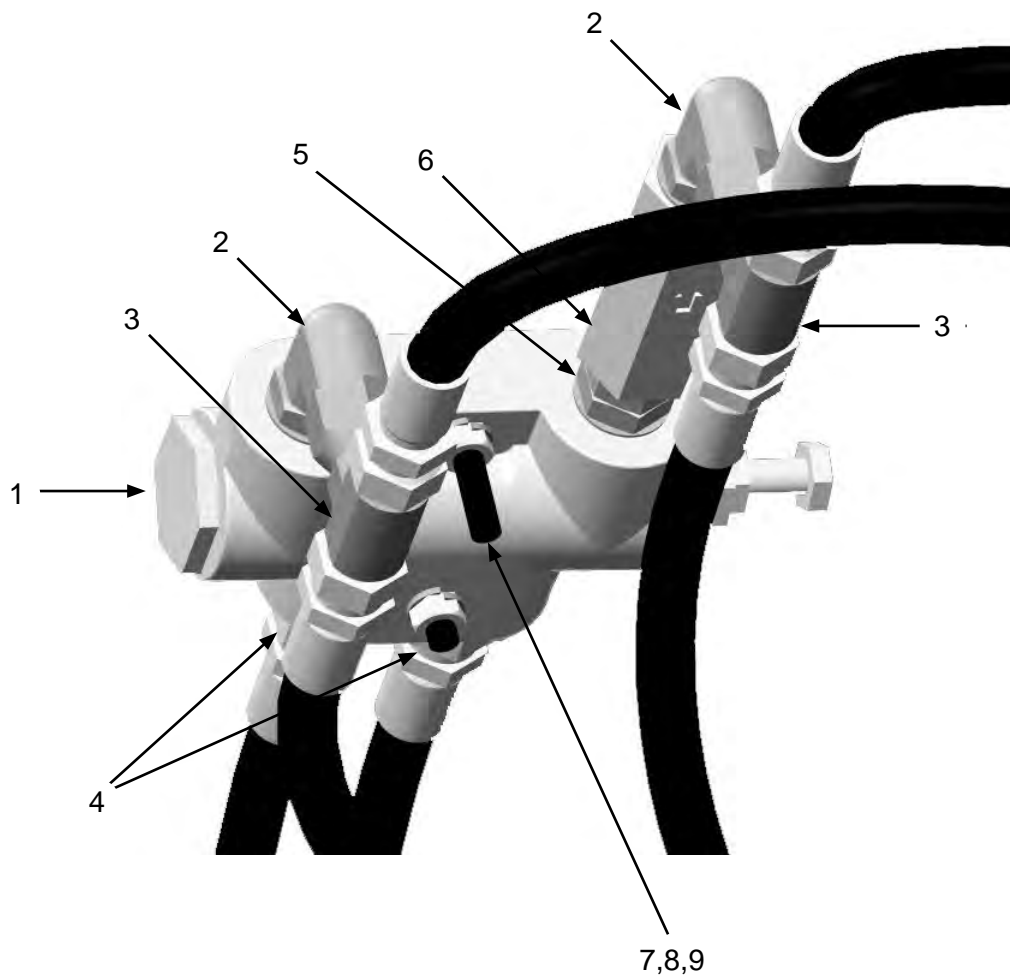
Figure 7: Left Side Rear Assembly



PART NUMBERS AND SCHEMATICS

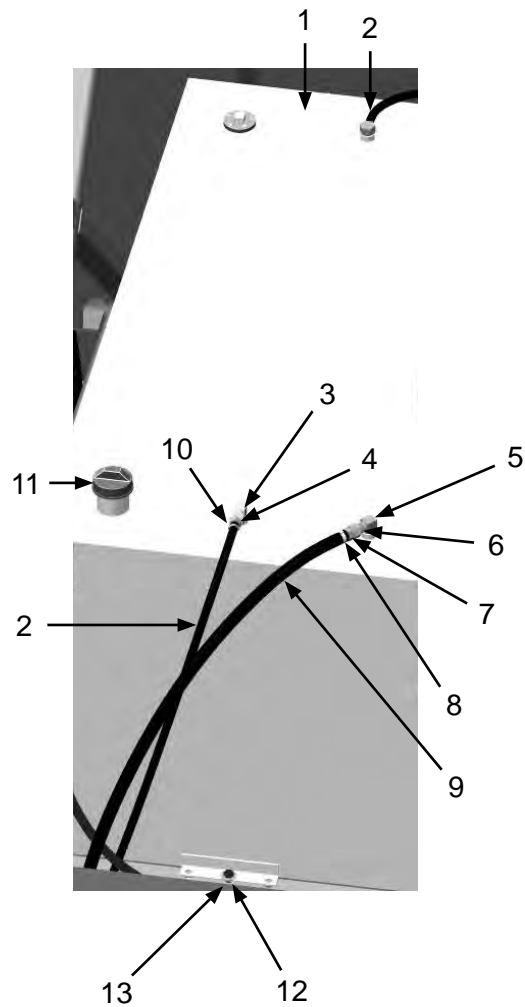
Figure 8: Double Lock Valve Assembly

Item #	Part #	Description
Fig. 8		
1	10104650	Double Lock Valve
2	10103309	Elbow – 90° – JIC 8 x SAE 8 (<i>Two Required</i>)
3	10105081	JIC 8 Tee (<i>Two Required</i>)
4	10104651	Union – Straight SAE 8 x JIC 8 (<i>Two Required</i>)
5	10103613	Union – Straight SAE 8 x SAE 8
6	10105288	Flow Restrictor SAE 8
7	10105286	5/16-18 x 2-1/2" Grade 5 Zinc Bolt (<i>Two Required</i>)
8	10L805014	5/16" Lock Washer (<i>Two Required</i>)
9	1035046	5/16-18 Nut (<i>Two Required</i>)



PART NUMBERS AND SCHEMATICS

Figure 9: Fuel Tank



Item #	Part #	Description
Fig. 9		
1	10104704	116 Gallon Rectangle Fuel Tank
2	10103423	3/8" I.D. Fuel Hose (<i>Per Foot</i>)
3	20PFHA60UA0606	3/8" (M) x 3/8" (F) 90° Swivel Union
4	10103631	3/8" Barb x 3/8" NPT Brass Female Fitting
5	10103617	Withdraw Tube – 16"
6	20PFHA60SA0606	3/8" (M) x 3/8" (F) Swivel Union
7	10103618	Straight – 3/8" NPT x 1/2"
8	10104064	Oetiker Clamp for 1/2" Hose
9	10103619	1/2" Flexible Fuel Line (<i>Per Foot</i>)
10	10104065	Oetiker Clamp – 3/8" I.D. Hose
11	10103968	Locking Fuel Cap with Keys
12	10104234	3/8-16 x 1-1/4" Hex Bolt Zinc (<i>Two Required</i>)
13	10101942	3/8" Flat Washer – Galvanized (<i>Two Required</i>)
—	10104631	Fuel Tank Rubber Cushioning Pad (<i>Not Shown</i>)
—	10103620	3/8" Inline Filter (<i>Not Shown</i>)

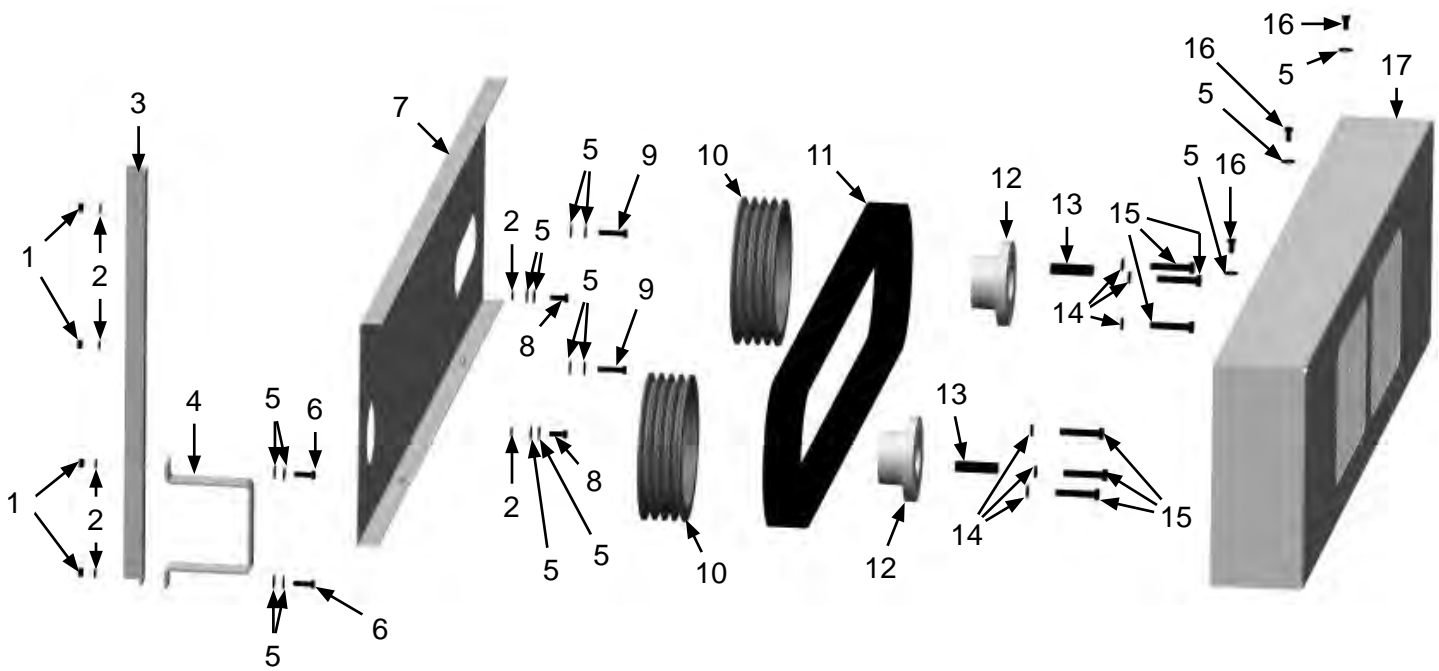
PART NUMBERS AND SCHEMATICS

Fan Belt Assembly

Item #	Part #	Description
Fig. 10		
1	10101938	3/8" Galvanized Hex Nut <i>(Four Required)</i>
2	10101936	3/8" Zinc Lock Washer <i>(Four Required)</i>
3	10104790	Vacuum Belt Guard Mount
4	10104793	Belt Guard Clamp
5	10101942	3/8" Galvanized Flat Washer <i>(15 Required)</i>
6	10104234	3/8-16 x 1-1/4" Hex Bolt Zinc <i>(Two Required)</i>
7	10104786	Belt Guard Back
8	1011747	3/8-16 x 1" Bolt <i>(Two Required)</i>
9	1028617	3/8-16 x 1-3/4" Shoulder Bolt <i>(Two Required)</i>
10	10103486	Sheave 10.30" <i>(Two Required)</i>
11	10104815	4/5vp 1320 Banded Belt
12	10104814	Bushing 2.375" Bore <i>(Two Required)</i>
13	10103643	5/8" Key Cut <i>(Two Required)</i>
14	10100675	1/2" Lock Washer <i>(Six Required) (Included with Item 12)</i>
15	10102820	1/2-13 x 2-3/4" Grade 5 Bolt <i>(Six Required) (Included with Item 12)</i>
16	10103400	3/8-16 x 3/4" Bolt <i>(Three Required)</i>
17	10104788	Belt Guard Cover

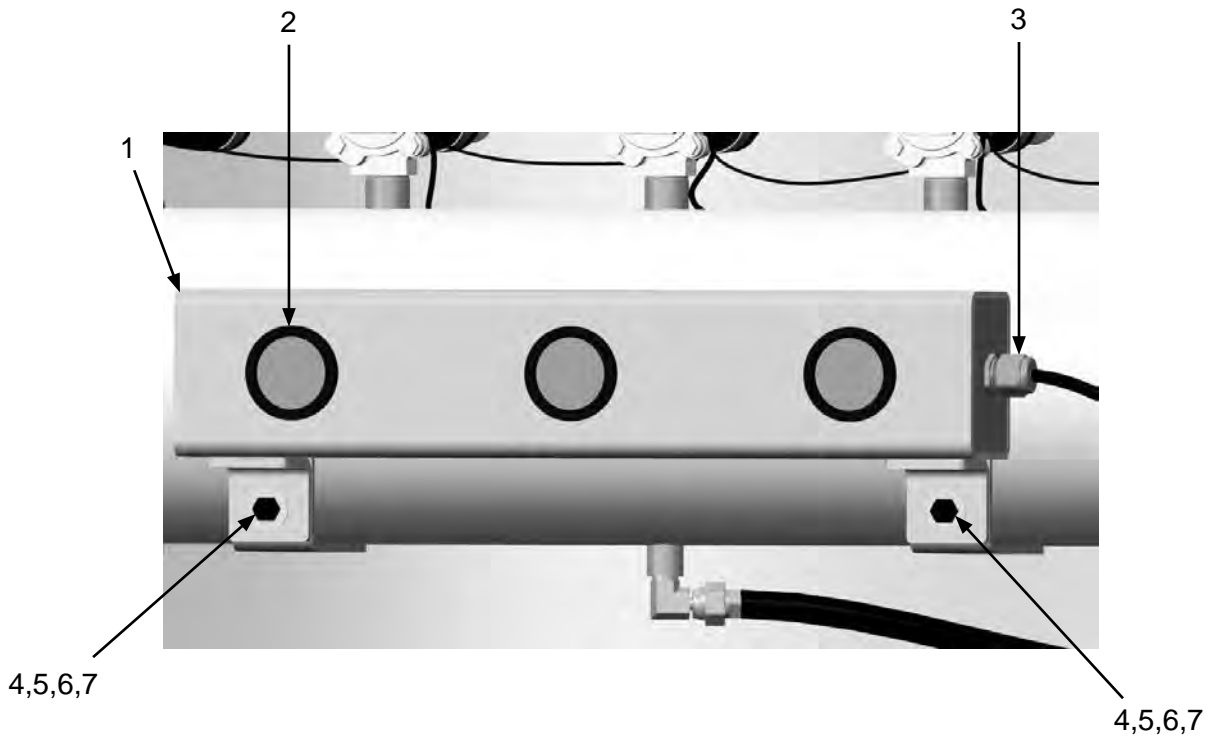
PART NUMBERS AND SCHEMATICS

Figure 10: Fan Belt Assembly



PART NUMBERS AND SCHEMATICS

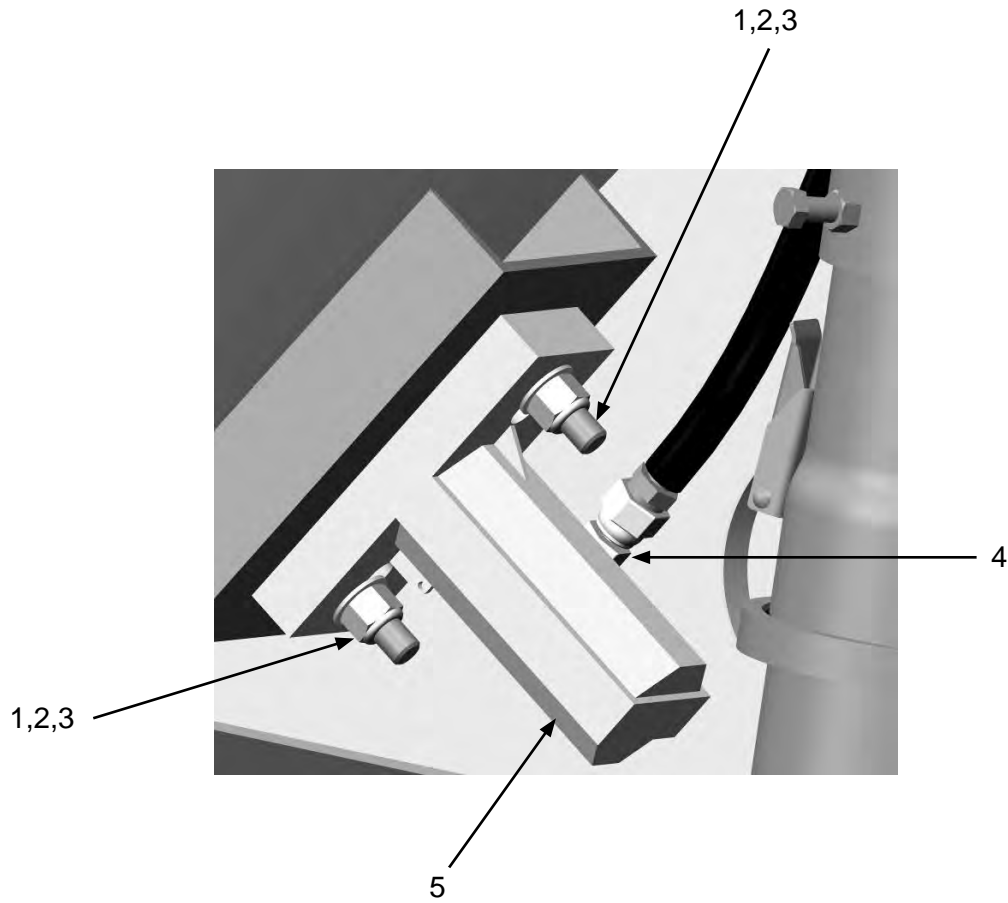
Figure 11: Vacuum Light Bar



Item #	Part #	Description
Fig. 11		
1	10105334	Vacuum Light Bar <i>(Includes Item #2)</i>
2	10104086	2" Round LED Red Clearance Light <i>(Three Required)</i>
3	10104703	Cord Grip Nylon 1/2" NPT .2-.47 Diameter
4	10101942	3/8" Flat Washer – Galvanized <i>(Four Required)</i>
5	10101936	3/8" Lock Washer – Zinc <i>(Two Required)</i>
6	1011747	3/8-16 x 1" Bolt <i>(Two Required)</i>
7	10101938	3/8-16 Hex Nut <i>(Two Required)</i>

PART NUMBERS AND SCHEMATICS

Figure 12: Pneumatic Piston Vibrators



Item #	Part #	Description
Fig. 12		
1	20100124	1/2-13 Hex Lock Nut – Zinc <i>(Two Required)</i>
2	10100674	1/2" Flat Washer <i>(Two Required)</i>
3	10102652	1/2-13 x 2-1/4" Grade 5 Bolt <i>(Two Required)</i>
4	20PFHA60UA0406	1/4" (M) x 3/8" (F) 90° Swivel Union
5	10104665	APV Series Piston Vibrator

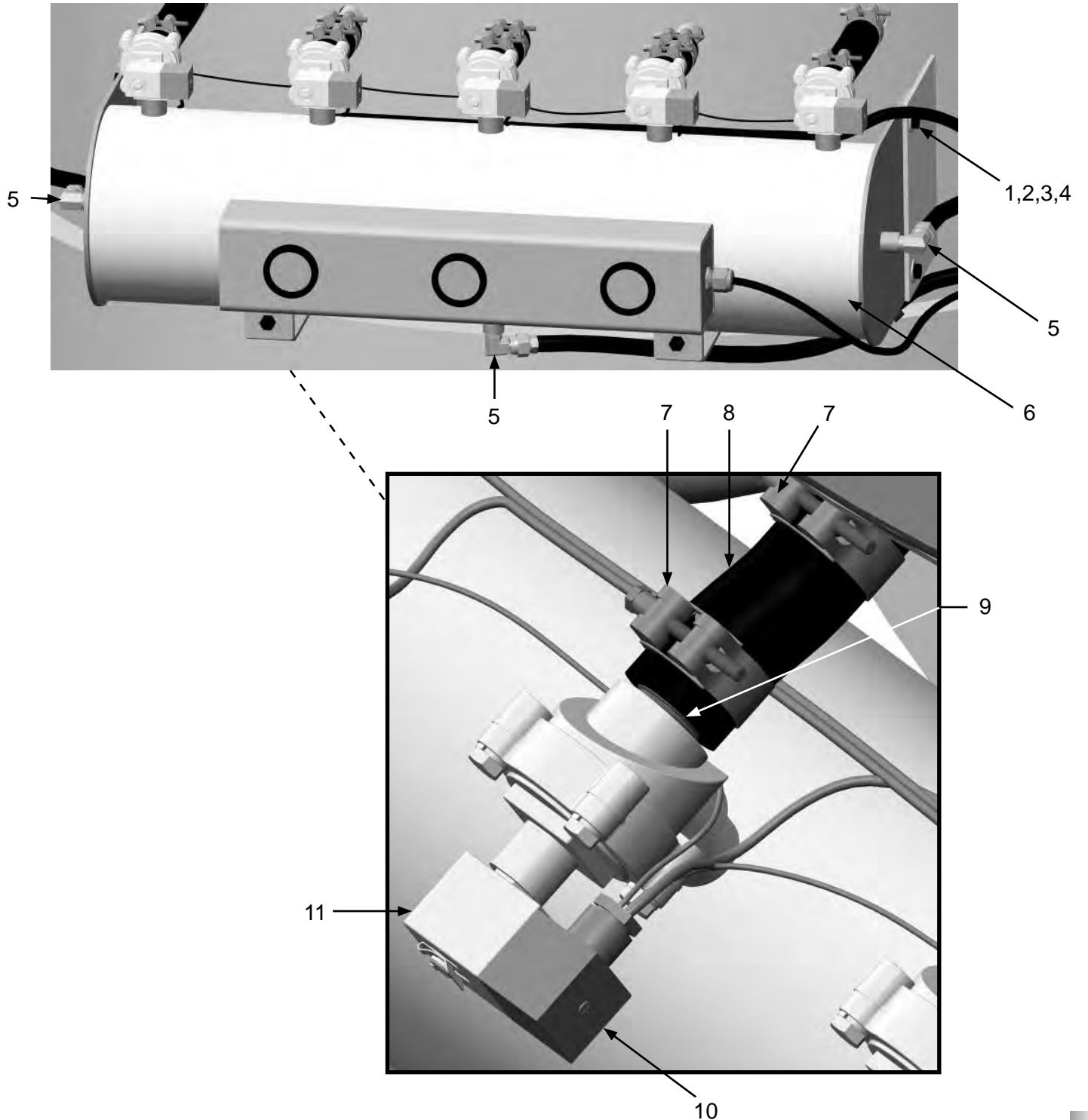
PART NUMBERS AND SCHEMATICS

Pulser System Assembly

Item #	Part #	Description
Fig. 13		
1	10101942	3/8" Flat Washer – Galvanized (<i>Eight Required</i>)
2	10101936	3/8" Lock Washer – Zinc (<i>Four Required</i>)
3	1011747	3/8-16 x 1" Bolt (<i>Four Required</i>)
4	10101938	3/8-16 Hex Nut (<i>Four Required</i>)
5	20PFHA60UA0606	3/8" (M) x 3/8" (F) 90° Swivel Union
6	10104498	Vacuum Header
7	10103736	T-Bolt Hose Clamp For 1" I.D. (<i>10 Required</i>)
8	10AH100	Air Hose 1" ID 200 PSI – Red
9	10104500	3/4" NPT x 1-1/2" Toe Nipple (<i>Five Required</i>)
10	10105287	Humphrey Din Connector (<i>Included with Item #16</i>) (<i>Five Required</i>)
11	10104666	3/4" Diaphragm Valve with Solenoid (<i>Five Required</i>)

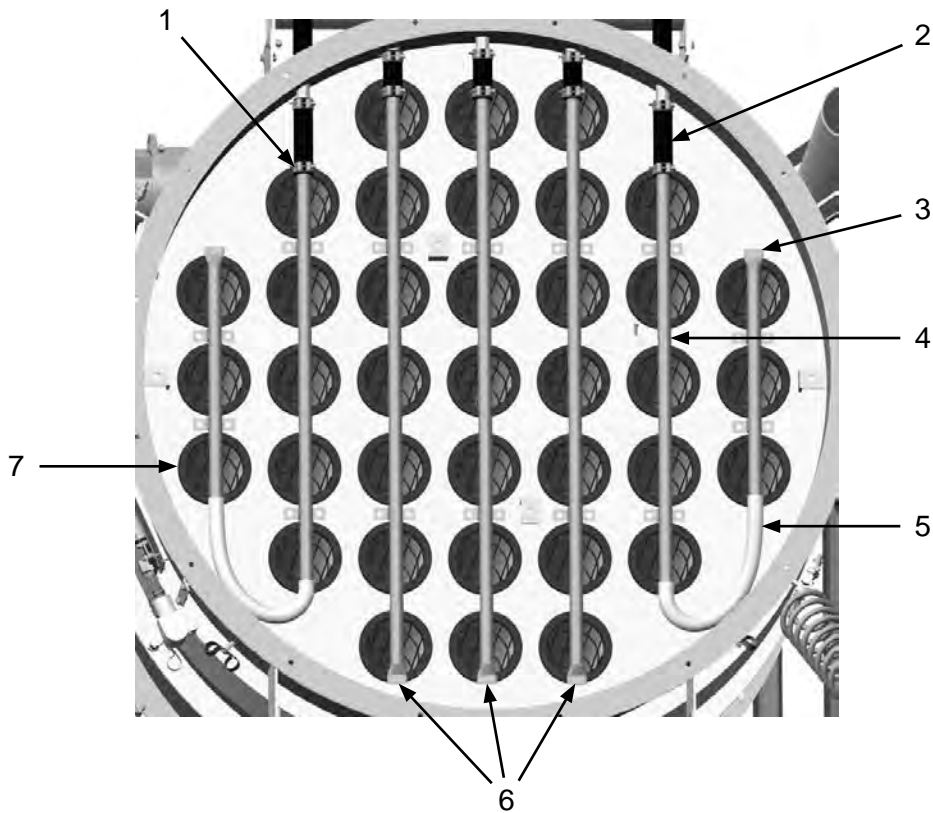
PART NUMBERS AND SCHEMATICS

Figure 13: Pulser System Assembly



PART NUMBERS AND SCHEMATICS

Figure 14: Filter Bag Pulsers



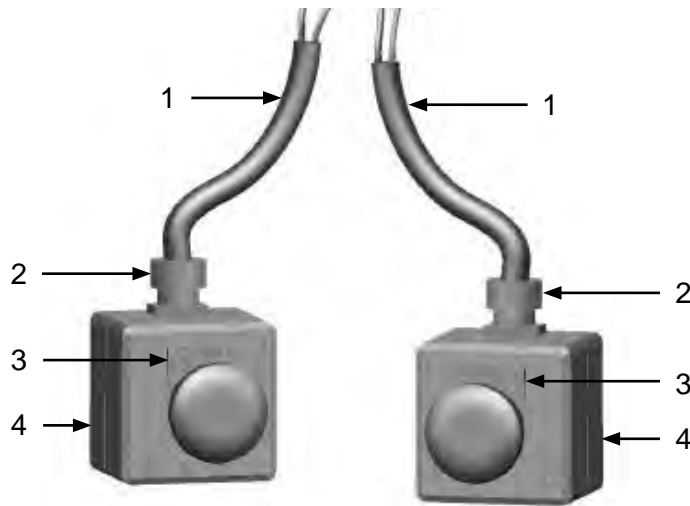
Item #	Part #	Description
--------	--------	-------------

Fig. 14

1	10103736	T-Bolt Hose Clamp For 1" I.D. (10 Required)
2	10103654	1-1/4" 75W Marine Hose – 100 PSI (Five Required)
3	10104563	Pulser System Short Blowpipe (Two Required)
4	10104566	Pulser System Medium Blowpipe (Two Required)
5	10104680	1" Flexible Tubing For Blowpipes (Two Required)
6	10104568	Pulser System Long Blowpipe (Three Required)
7	10104633	Vacuum Baghouse Filter (37 Required)
—	10104634	Vacuum Baghouse Filter Cage (37 Required)

PART NUMBERS AND SCHEMATICS

Figure 15: Emergency-Stop Stations



Item #	Part #	Description
Fig. 15		
—	10104071	Remote Emergency-Stop Station (Includes Item #'s: 1 (Quantity 100), 2, 3, and 4)
1	1015570	12/2 SO Electric Cord (Per Foot)
2	20RCG5050	Cord Grip 1/2" NPT .5-.625 Diameter
3	10104063	Legend Plate – Emergency-Stop Station
4	10104071	Emergency-Stop Control Station (Two Required)
—	1015009	8-32 x 1" Pan Head Phillips Screw (Four Required)
—	20000021	8-32 Zinc Nut (Four Required)
—	20000018	#8 Zinc Lock Washer (Four Required)
—	20000019	#8 Zinc Flat Washer (Four Required)

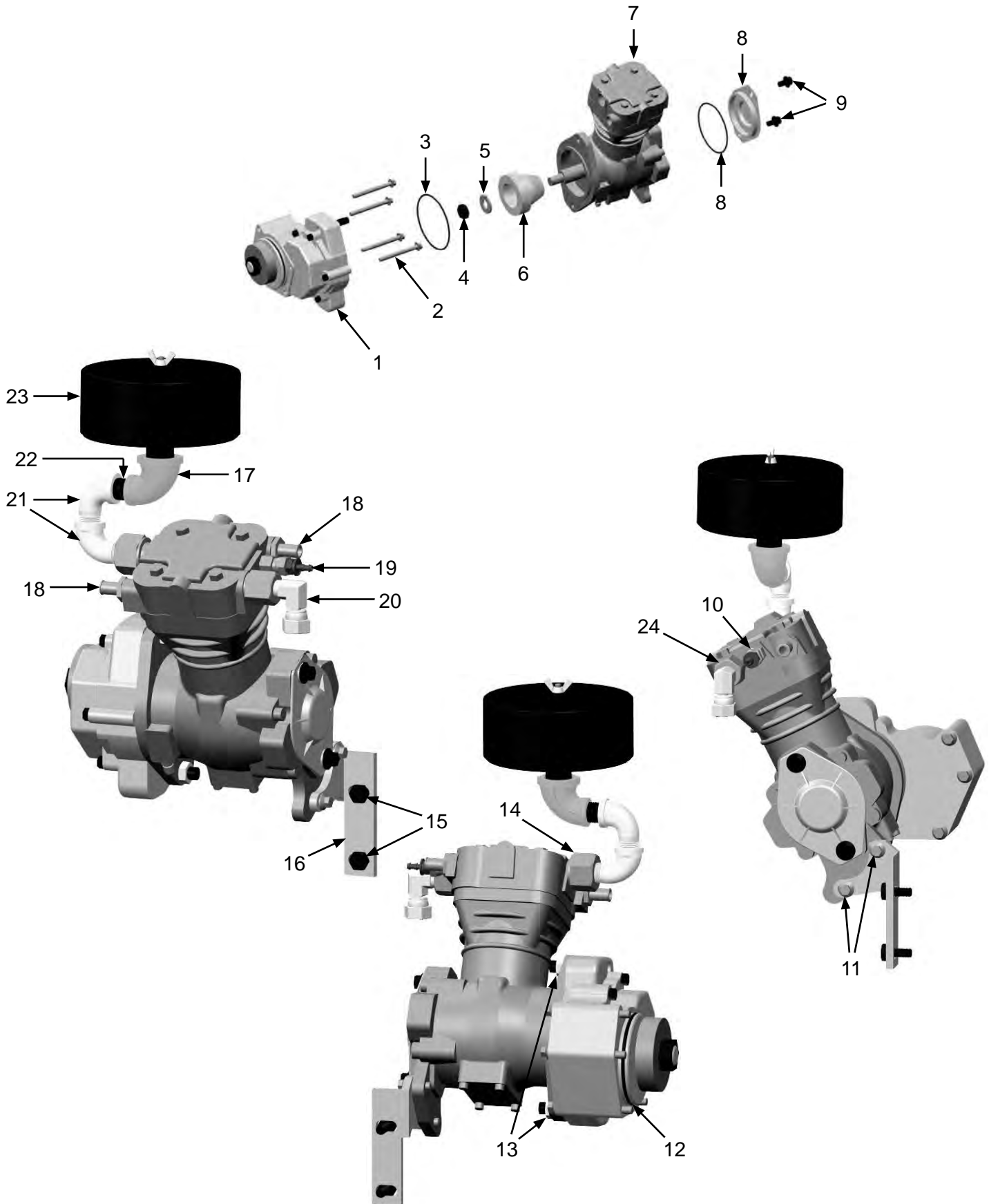
PART NUMBERS AND SCHEMATICS

Compressor Assembly

Item #	Part #	Description
Fig. 16		
1	10106030	Compressor to PTO Adapter
2	10106031	M8 x 80 Bolt (<i>Four Required</i>)
3	10106032	SAE A O-Ring
4	10101062	5/8-11 Hex Nut
5	10101061	5/8" Lock Washer
6	10106033	Compressor Gear
7	10106034	Compressor
8	10106035	SAE A 2-Bolt Cover With O-ring
9	10106036	M8 x 16 Bolt (<i>Two Required</i>)
10	20PFHA60SA0204	1/8" (M) x 1/4" (F) Swivel Union
11	10106037	M8 x 25 Bolt (<i>Two Required</i>)
12	10106042	PTO O-Ring
13	10101941	1/2-13 Hex Nut (<i>Two Required</i>)
14	10106038	Metric Straight to NPT
15	10103615	M10 x 25MM Zinc Bolt (<i>Two Required</i>)
16	10106039	Compressor Bracket
17	10101002	1/2" x 1" 90° Elbow
18	10106040	Metric Straight to 1/2" Hose Barb (<i>Two Required</i>)
19	10PAF025	1/4" x 1/4" Push on Fitting
20	20PFHA60UA0808	1/2" (M) x 1/2" (F) 90° Swivel Union
21	10000057	1/2" x 1/2" Street Elbow (<i>Two Required</i>)
22	10L803035	Nipple
23	10105870	Filter Assembly
24	10106041	Metric Straight to NPT

PART NUMBERS AND SCHEMATICS

Figure 16: Compressor Assembly



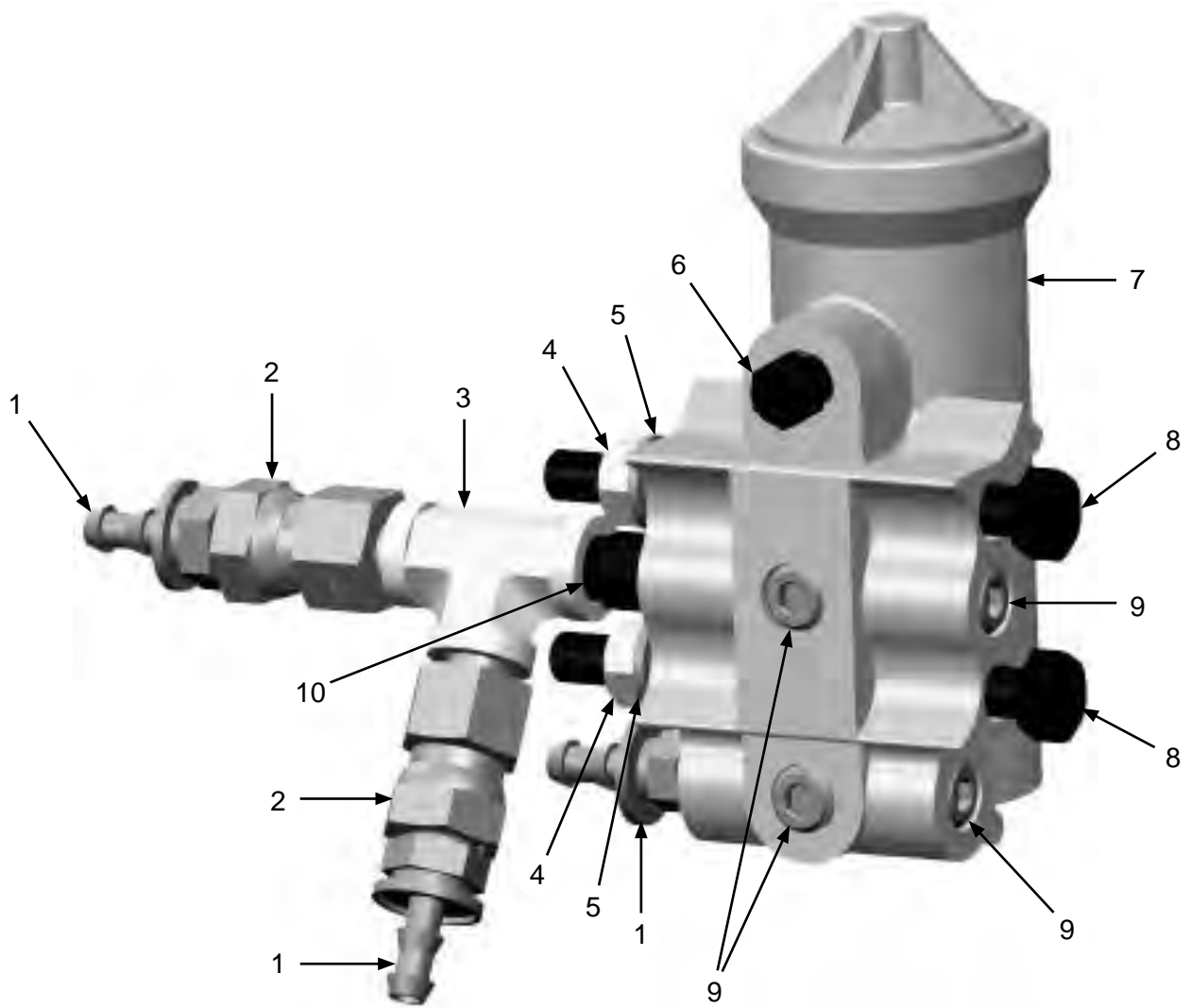
PART NUMBERS AND SCHEMATICS

Compressor Governor

Item #	Part #	Description
Fig. 17		
1	10PAF025	1/4" x 1/4" Push on Fitting (<i>Three Required</i>)
2	20PFHA60SA0204	1/8" (M) x 1/4" (F) Swivel Union (<i>Two Required</i>)
3	20PFHA25VJ02	1/8" Female Tee
4	1035046	5/16-18 Nut (<i>Two Required</i>)
5	10L805014	5/16" Lock Washer (<i>Two Required</i>)
6	1012905	1/8" Breather Muffler
7	10105816	Compressor Governor
8	1014112	5/16-18 x 3-1/4" Hex Bolt (<i>Two Required</i>)
9	10105717	1/8" Hollow Hex Pipe Plug Male (<i>Three Required</i>)
10	20PFHA24SA0202	1/8" Hex Nipple

PART NUMBERS AND SCHEMATICS

Figure 17: Compressor Governor



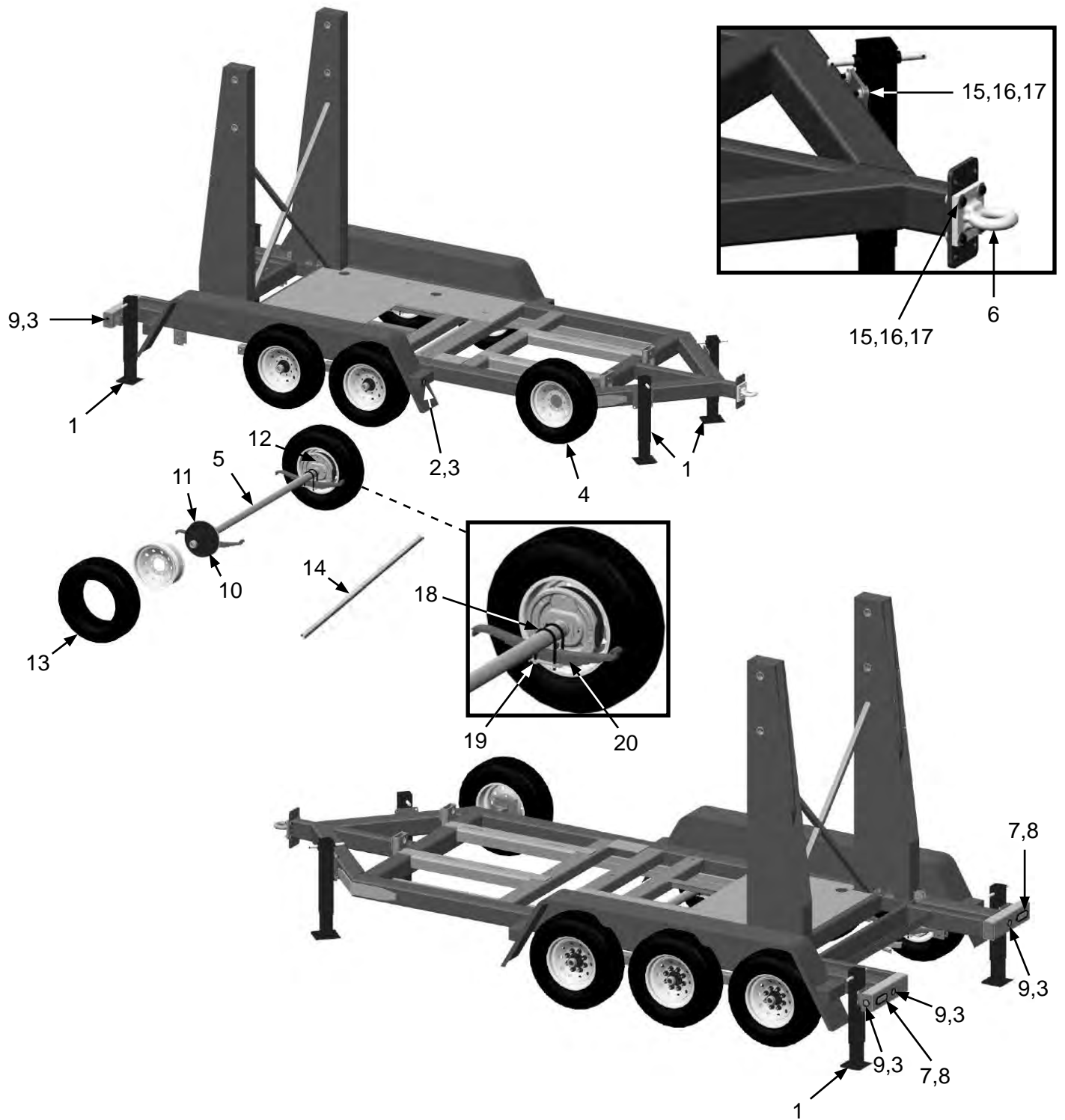
PART NUMBERS AND SCHEMATICS

Trailer

Item #	Part #	Description
Fig. 18		
—	10104333	Highway Trailer
1	10104141	10,000 # Heavy Spring Loaded Jack <i>(Four Required)</i>
2	10104087	2" Round LED Amber Clearance Light <i>(Two Required)</i>
3	10104088	2" Round Rubber Grommet <i>(Six Required)</i>
4	10104089	16 - 8 Hole Pattern Rim with Tire <i>(Seven Required)</i>
5	10106084	7,000 # Axle With Electric Brakes, Complete With Hubs And Springs 89" HF x 71" SC
6	10104079	Pintle Hitch with Flat Plate
7	10104085	Oval Rubber Grommet <i>(Two Required)</i>
8	10104084	Oval LED Red Tail Light <i>(Two Required)</i>
9	10104086	2" Round LED Red Clearance Light <i>(Four Required)</i>
10	10106086	Axle Hub Only - No Bearings or Seal <i>(Two Required)</i>
11	10106087	Left-Hand Electric Brake Assembly <i>(Two Required)</i>
12	10106088	Right-Hand Electric Brake Assembly <i>(Two Required)</i>
13	10104096	Tire – ST235/80R/16 – 10-ply <i>(Seven Required)</i>
14	10106085	Axle Beam/Tube Only
15	10105746	5/8 x 2-1/2" Gr 8 Bolt <i>(20 Required)</i>
16	10105747	5/8 Reverse Lock Nut <i>(20 Required)</i>
17	10103398	5/8" Flat Washer <i>(40 Required)</i>
18	10106089	Trailer Axle U-Bolt
19	10106090	Trailer Axle U-Bolt Nut
20	10106091	Trailer Axle Leaf Spring
—	10105826	Redline 12V – 5AH Battery Sealed
—	10104081	Breakaway Kit
—	10104142	Wire Harness - Complete <i>(Front, Middle & Rear)</i>
—	10105827	Breakaway Switch with Pin
—	10104769	3/8" x 41" Safety Chain with Hook
—	10103879	2" x 6" x 6" Red/White Conspicuity Tape
—	10105829	Cable with Plug
—	109V582	Operator's Manual - Behnke Trailer

PART NUMBERS AND SCHEMATICS

Figure 18: Trailer



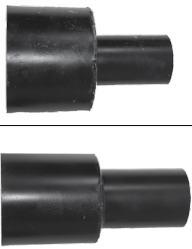
OPTIONAL ACCESSORIES





Part Numbers

VACUUM HOSE							
Part Numbers	Vacuum Hose I.D.	Length	Vacuum HG	Cover Material	Reinforcement Material	Liner	Hose Color
10VH11250	1-1/2"	50 Ft.	29"	Pliovic®	Pliovic® PVC Helix	Polyurethane	Black
10VH225	2"	25 Ft.	29"	Pliovic®	Pliovic® PVC Helix	Polyurethane	Blue
10VH250	2"	50 Ft.	29"	Pliovic®	Pliovic® PVC Helix	Polyurethane	Blue
10VH200	2"	100 Ft.	29"	Pliovic®	Pliovic® PVC Helix	Polyurethane	Blue
10VH2550	2-1/2"	50 Ft.	29"	Pliovic®	Pliovic® PVC Helix	Polyurethane	Blue
10VH325	3"	25 Ft.	29"	Pliovic®	Pliovic® PVC Helix	Polyurethane	Blue
10VH350	3"	50 Ft.	29"	Pliovic®	Pliovic® PVC Helix	Polyurethane	Blue
10VH300	3"	100 Ft.	29"	Pliovic®	Pliovic® PVC Helix	Polyurethane	Blue
10VH425	4"	25 Ft.	29"	Pliovic®	Pliovic® PVC Helix	Polyurethane	Blue
10VH450	4"	50 Ft.	29"	Pliovic®	Pliovic® PVC Helix	Polyurethane	Blue
10VH400	4"	100 Ft.	29"	Pliovic®	Pliovic® PVC Helix	Polyurethane	Blue
10VH525	5"	25 Ft.	29"	Pliovic®	Pliovic® PVC Helix	Polyurethane	Blue
10VH550	5"	50 Ft.	29"	Pliovic®	Pliovic® PVC Helix	Polyurethane	Blue
10VH500	5"	100 Ft.	29"	Pliovic®	Pliovic® PVC Helix	Polyurethane	Blue
10VH620B	6"	20 Ft.	25"	PVC	PVC Helix	Polyurethane	Black
10VH625	6"	25 Ft.	25"	Pliovic®	Pliovic® PVC Helix	Polyurethane	Blue
10VH650	6"	50 Ft.	25"	Pliovic®	Pliovic® PVC Helix	Polyurethane	Blue
10VH600	6"	100 Ft.	25"	Pliovic®	Pliovic® PVC Helix	Polyurethane	Blue
10VH825	8"	25 Ft.	25"	Pliovic®	Pliovic® PVC Helix	Polyurethane	Blue
10VH850	8"	50 Ft.	25"	Pliovic®	Pliovic® PVC Helix	Polyurethane	Blue

OPTIONAL ACCESSORIES

		VACUUM HOSE REDUCERS	
		Part Numbers	Size
	10106712	8" x 4"	
	10106716	6" x 4"	

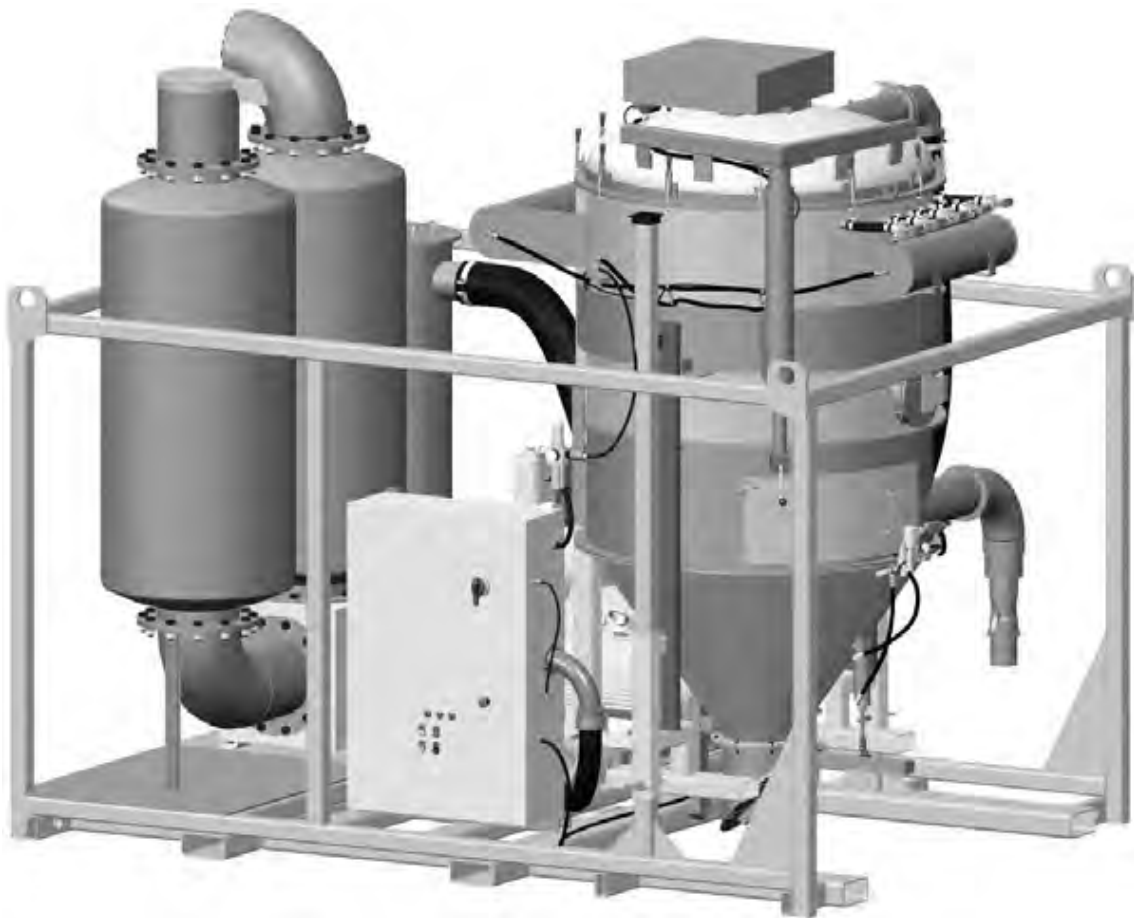
		WYE ADAPTERS	
		Part Numbers	Size
	10106719	4" x 2" x 2"	
	10107485	6" x 2" x 2"	
	10106723	6" x 4" x 4"	
	10106727	8" x 4" x 4"	

		VACUUM HOSE MENDERS			
		Part Numbers	Vacuum Hose I.D.	Mender Length	Thickness
	10HM2	2"	8"	1/8"	Steel
	10HM3	3"	9"	1/8"	Steel
	10HM4	4"	10"	1/8"	Steel
	10HM5	5"	11"	1/8"	Steel
	10HM6	6"	12"	1/8"	Steel
	10HM8	8"	14"	1/8"	Steel

PART NUMBERS

VACMASTER® 23T ELECTRIC ABRASIVE VACUUMS

Part Numbers	200 Horsepower Electric Motor	Acrylic-Coated Filter Bags	Filter Cartridge Quantity
10106413	X	X	37



SPECIFICATIONS

Performance:	MAX 3658 CFM
Filter Cartridge Style:	Acrylic-Coated Filter Bags 37 Required
Filter Cleaning:	Pulse System, 25–30 second intervals. Pulse Duration: 200–350 millisecond
Vacuum	27" Hg
Ducting Connections:	6" I.D. Inlet with 4" adapter
Inspection Ports:	One 10" Viewable to Filters with access ports to hopper
Material Removal:	Automatic Direct Dump
Blower:	Rotary lobe, positive displacement with jet inlet
Motor:	200 Horsepower Electric 3-Phase
Electrical System:	460 V, 60 Hz 219 FLA
Air Requirements:	Clean, Dry, Compressed Air 24 CFM @ 90 PSI
Motor Protection:	Motors are fused in control box.
Fluid Specifications:	Grease/Lubricator: Mobil Polyrex EM or equivalent Vibrator Lubricator: 4 oz. pneumatic air tool oil Blower Oil: ROOTS™ synthetic lubricating oil
Unit Dimensions:	Weight: 12,000 pounds (empty) Length: 12' Width: 8' 6" Height: 10' 5" Raised Height: 15' 8" Dump Clearance: 7' 9"

PART NUMBERS AND SCHEMATICS GUIDE

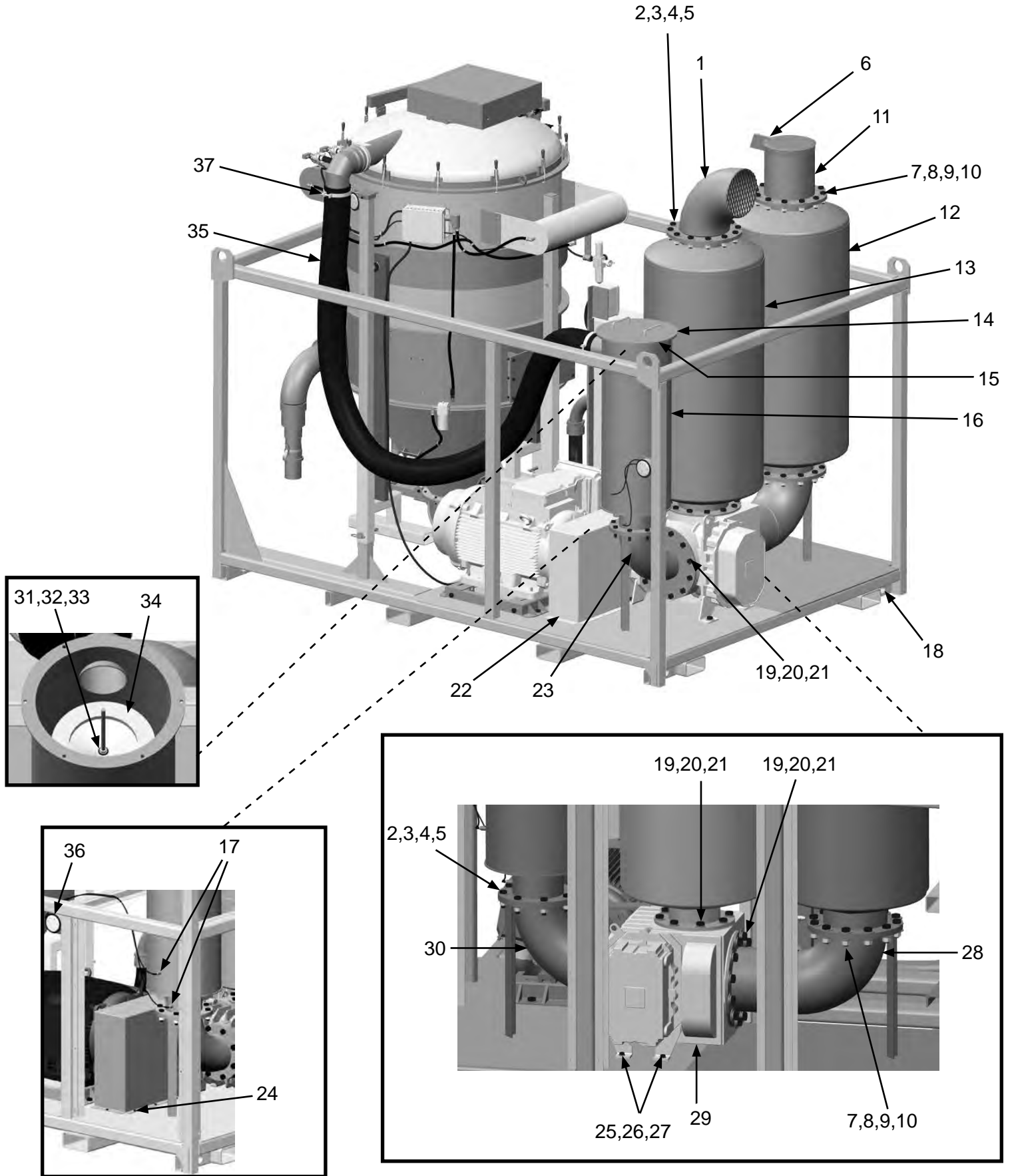
Front Assembly

Item #	Part #	Description
Fig. 1		
1	10106397	12" Bird Screen Elbow
2	10100701	3/4-10 x 2-1/2" Hex Bolt (16 Required)
3	10100704	3/4" Flat Washer (32 Required)
4	10100596	3/4" Lock Washer (16 Required)
5	10100595	3/4-10 Hex Nut (16 Required)
6	10106407	12" Raincap
7	10106283	7/8-9 x 2-1/2" Grade 5 Zinc Bolt (24 Required)
8	10104716	7/8" Flat Washer – Zinc (48 Required)
9	10104717	7/8" Lock Washer – Zinc (24 Required)
10	10104822	7/8-8 Grade 5 Zinc Nut (24 Required)
11	10106406	12" Exhaust Silencer End
12	10106411	Discharge Silencer
13	10106410	Jet Port Silencer
14	10106508	Intake Filter Housing Cap
15	10104727	Air Filter Housing Gasket
16	10106279	Intake Filter Housing
17	20PFBA31095614	1/4" Tube x 1/4" NPT 90° (Two Required)
18	10106350	Electric Vacuum Skid Frame
19	10104715	7/8-9 x 2" Grade 5 Zinc Bolt (32 Required)
20	10104717	7/8" Lock Washer (32 Required)
21	10104716	7/8" Flat Washer (32 Required)
22	10106400	Belt Guard
23	10106399	Belt Guard
24	10103400	3/8-16 x 3/4" Bolt (Eight Required)
25	10104710	1/2-13 x 2" Grade 8 Bolt (Four Required)
26	10104711	1/2" Grade 8 Flat Washer (Eight Required)

Item #	Part #	Description
27	10104712	1/2" Grade 8 Lock Washer (Four Required)
28	10106280	10" Discharge Elbow
29	10104777	Blower Top Shaft Left Discharge
30	10106284	8" Inlet Elbow Weldment
31	10101941	1/2-10 Hex Nut
32	10100674	1/2" Flat Washer
33	10102005	Rubber Washer 1-1/4" O.D. x 3/8" I.D. x 1/8"
34	1010002304	Filter Cartridge 12.75" x 8.38" x 36" – Flange – .54" BH
35	10VH620B	6" I.D. x 20' Vacuum Hose
36	10104673	0-50" Differential Pressure Gauge
37	10104640	6" Double Bolt Clamp (Two Required)
—	1091159	Hazard Identification Decals – 100-200 HP Electric Vacuum
—	105M158	Features and Specifications Guide – Vacmaster® 23T Electric Abrasive Vacuums
—	106M158	Part Numbers and Schematics Guide – Vacmaster® 23T Electric Abrasive Vacuums
—	1091158	Operator's Manual – Vacmaster® 23T Electric Abrasive Vacuums
—	109V521	Operator's Manual – Blower

PART NUMBERS AND SCHEMATICS GUIDE

Figure 1: Front Assembly



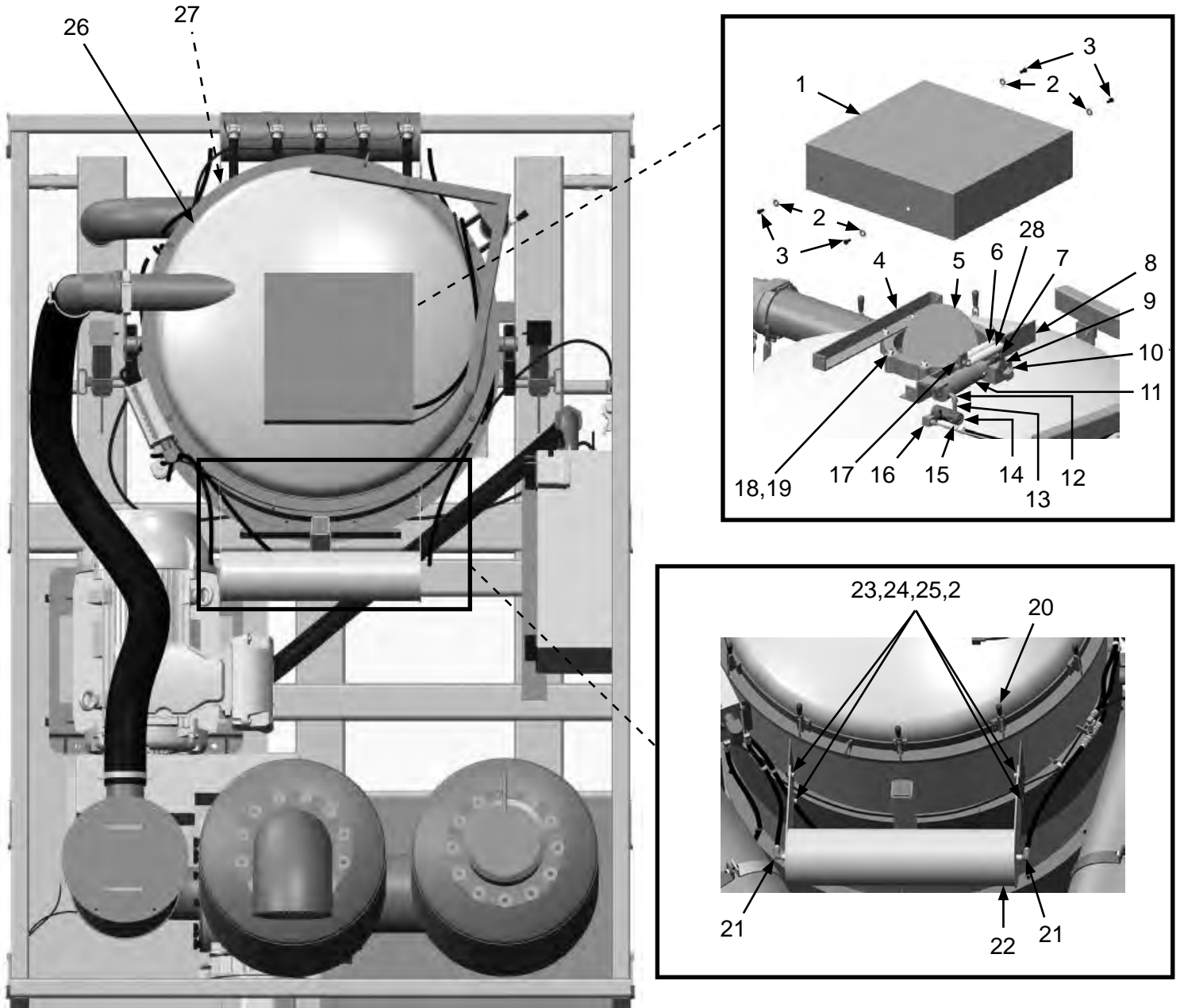
PART NUMBERS AND SCHEMATICS GUIDE

Top Assembly

Item #	Part #	Description
Fig. 2		
1	10104559	Vacuum Butterfly Cover
2	10101942	3/8" Flat Washer – Galvanized (<i>13 Required</i>)
3	10103400	3/8-16 x 3/4" Bolt (<i>Four Required</i>)
4	10104554	Butterfly Cover Mount Weldment
5	10104537	Betts 12" Butterfly
6	10107175	6.5" Extension Spring
7	10104668	Piston Rod Clevis
8	10104538	Vacuum Butterfly Cylinder Weldment
9	10104543	Butterfly Actuating Arm
10	20100125	1/4-20 x 3/4" Zinc Hex Bolt
11	10104667	2.5" Pneumatic Cylinder
12	1011824	1/4" Street Elbow
13	1011217	Galvanized 1/4" x 2" Nipple
14	10104669	Solenoid for Butterfly
15	20PFHA60UA0406	1/4" (M) x 3/8" (F) 90° Swivel
16	10105287	Humphrey Din Connector
17	10104706	3/8-16 x 2-1/2" Thread Stud
18	10100674	1/2" Flat Washer (<i>Eight Required</i>)
19	20100124	1/2-13 Hex Lock Nut (<i>Eight Required</i>)
20	10104486	Over Center Clamp (<i>12 Required</i>)
21	20PFHA60UA0606	3/8" (M) x 3/8" (F) 90° Swivel (<i>Two Required</i>)
22	10106288	Auxiliary Header
23	1011747	3/8-16 x 1" Bolt (<i>Four Required</i>)
24	10101936	3/8" Lock Washer – Zinc (<i>Four Required</i>)
25	10101938	3/8-16 Hex Nut (<i>Four Required</i>)
26	10104479	Vacuum Lid Weldment
27	10104426	Vacuum Hopper Section Gasket
28	10107176	6.5" Long Extension Spring – Zinc

PART NUMBERS AND SCHEMATICS GUIDE

Figure 2: Top Assembly



PART NUMBERS AND SCHEMATICS GUIDE

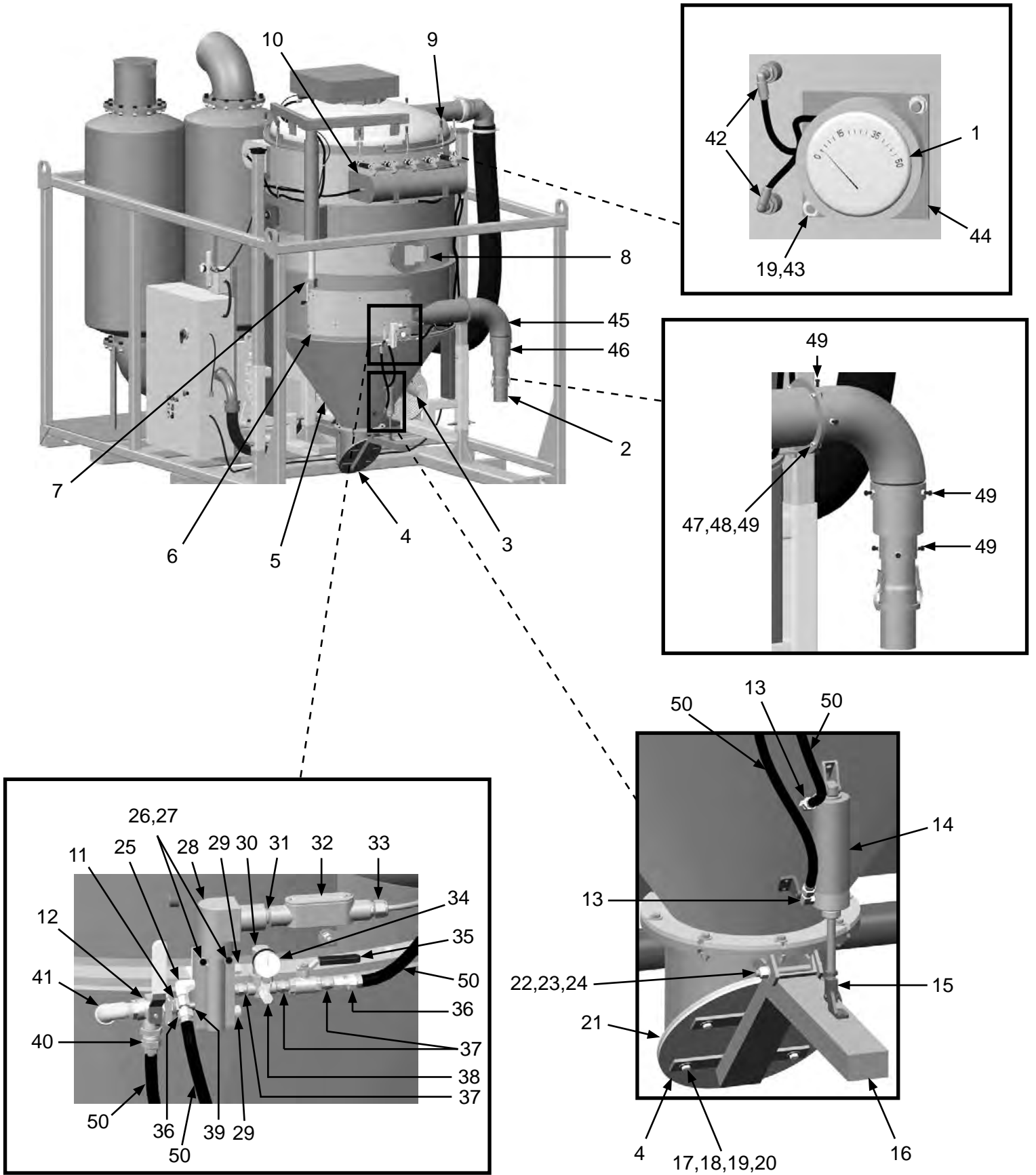
Rear Assembly

Item #	Part #	Description
Fig. 3		
1	10104673	0-50" Differential Pressure Gauge
2	10105042	4" Quick Disconnect Coupling
3	10104665	APV Series Piston Vibrator (See Figure 6)
4	10104506	Dump Door
5	10104411	Vacuum Hopper Cone
6	10106511	Vacuum Wear Door Assembly (See Figure 9)
7	10104638	Bulldog Trailer Jack
8	10104439	Knappco Hatch
9	10104486	Vacuum Lid Overcenter Clamp (12 Required)
10	10104498	Vacuum Header (See Figure 8)
11	1011818	1/2" x 1/4" Galvanized Bushing
12	20100571	1/2" NPT 3-Way Brass Ball Valve
13	20PFHA60UA0406	1/4" (M) x 3/8" (F) 90° Swivel (Two Required)
14	10104667	2.5" Pneumatic Cylinder
15	10104668	Piston Rod Clevis
16	10104507	Dump Arm
17	10104234	3/8-16 x 1-1/4 Hex Bolt Zinc (Four Required)
18	10101942	3/8" Flat Washer (22 Required)
19	10101936	3/8" Lock Washer – Zinc (16 Required)
20	1012318	3/8-16 Hex Nut (Four Required)
21	10104512	Dump Door Gasket
—	10104511	Dump Door Internal Plate
22	20100160	1/2-13 x 4-1/2" Hex Bolt
23	10100674	1/2" Flat Washer (Two Required)
24	20100124	1/2-13 Hex Lock Nut
25	20PFHA25UA0404	1/4" Male 90° Elbow

Item #	Part #	Description
26	1019044	1/4-20 x 1-3/4" Zinc Bolt (Two Required)
27	1012323	1/4-20 Zinc Lock Nut with Nylon Insert (Two Required)
28	10104670	Solenoid
29	1019024	Breather Vent
30	10104676	Series MPR Mini Pressure Regulator
31	10L803035	1/2" Close Nipple
32	1019025	1/2" Straight Conduit Body
33	10104703	Cord Grip 1/2" Nylon .2-.47 Diameter
34	10104678	Pressure Gauge 100 psi 1/8"
35	1080050	1/4" Ball Valve
36	20PFHA60SG0406	1/4" (F) x 3/8" (F) Swivel Union (Two Required)
37	20PFHA24SA0404	1/4" Hex Nipple (Three Required)
38	1014239	1/8" x 1/8" 90° Fitting
39	1011210	1/4" NPT x 1 1/2" Nipple
40	20PFHA60SA0806	1/2" (M) x 3/8" (F) Swivel Union
41	1011819	1/2" Street Elbow
42	20PFBA31095614	1/4" Tube x 1/4" NPT 90°
43	10101938	3/8-16 Hex Nut (14 Required)
44	10103608	Magnehelic Mount
45	10104546	Inlet Elbow Weldment
46	10104550	Inlet Adapter Weldment
47	10101942	3/8" Flat Washer – Galvanized (Eight Required)
48	10101938	3/8-16 Hex Nut Galvanized (Four Required)
49	1011747	3/8-16 x 1" Bolt – Zinc (13 Required)
50	10AH038	Air Hose 3/8" I.D. 300 psi

PART NUMBERS AND SCHEMATICS GUIDE

Figure 3: Rear Assembly



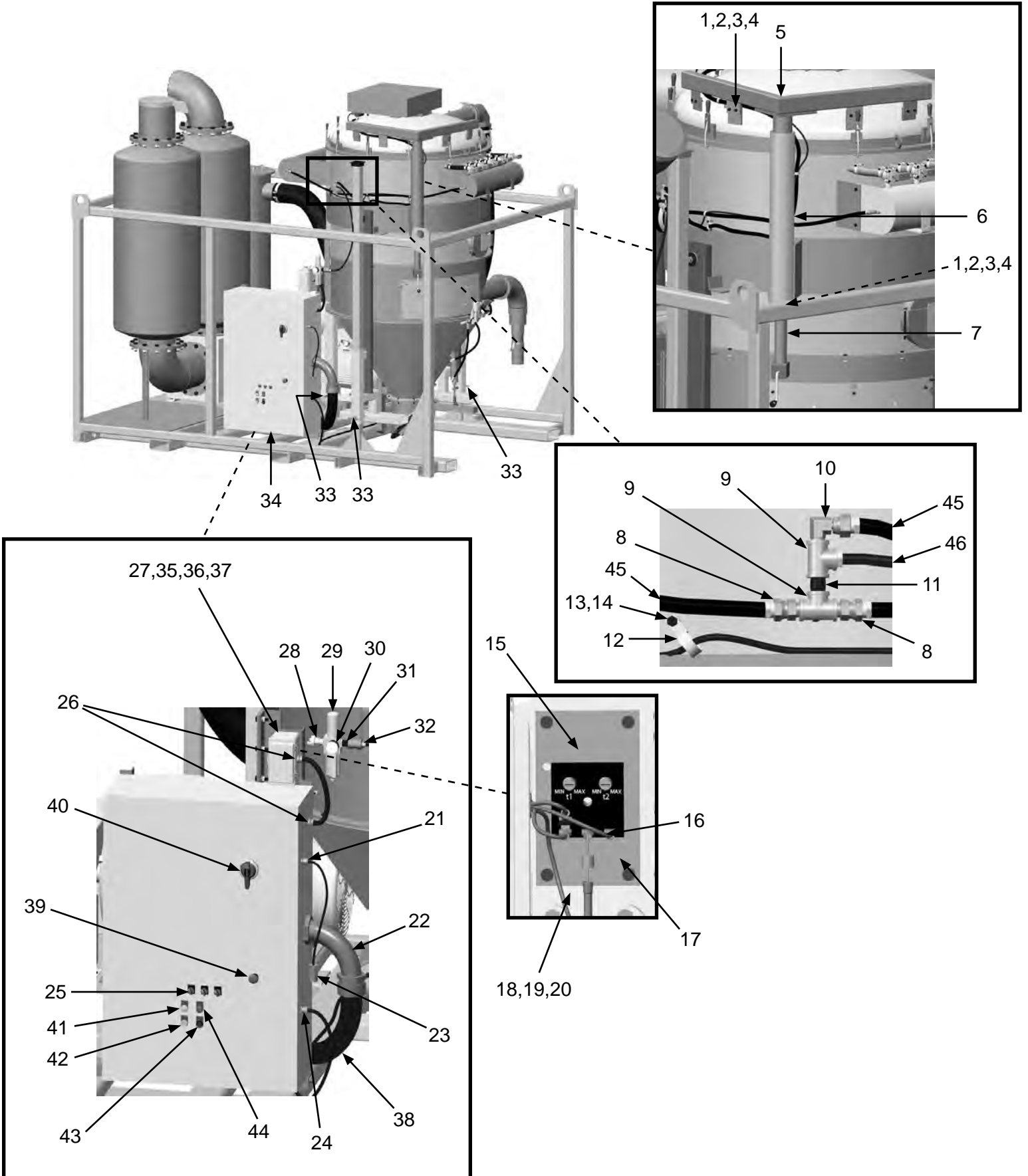
PART NUMBERS AND SCHEMATICS GUIDE

Left Side Assembly

Item #	Part #	Description	Item #	Part #	Description
Fig. 4			25	10103305	Selector Switch – 2-Way (Three Required)
1	10104234	3/8-16 x 1-1/4" Hex Bolt Zinc (Eight Required)	26	20RST50	Straight Liquid Tite Connector Fitting
2	10101942	3/8" Flat Washer – Galvanized (40 Required)	27	10104615	8" x 4" x 5" Fiberglass Qr Latch Enclosure
3	10101936	3/8" Lock Washer – Zinc (11 Required)	28	10ME1	X Coupling 2-Lug Male 3/4"
4	1012318	3/8-16 Hex Nut (11 Required)	29	10103257	74 Series Filter / Regulator
5	10104472	Vacuum Lid Lift	30	1028606	Pressure Gauge 160 psi 1/4"
6	10104434	Vacuum Top Section	31	10103317	3/4" x 2" 153 Nipple
7	10104638	Bulldog Trailer Jack	32	20PFHA24SB1206	3/4" x 3/8" Reducing Bushing
8	20PFHA60SA0606	Union Swivel 3/8" (M) x 3/8" (F) (Two Required)	33	10103788	Hitch Pin – 3/4" x 6-1/2" Long
9	1011809	3/8" NPT Tee (Two Required)	34	10106295	Vacuum Control Panel
10	20PFHA60UA0606	3/8" (M) x 3/8" (F) 90° Swivel Union	35	1012154	1/4 20 x 1 Hex Bolt
11	1011209	3/8 NPT Close Nipple	36	10101940	1/4" Flat Washer – Galvanized
12	10103624	1" Rubber Cushioned Loop Clamp (Five Required)	37	10101939	1/4-20 Stainless Steel Lock Nut with Nylon Insert
13	10L805302	Jr & Sr Spindle Bolt (Three Required)	38	10106128	3" Flexible Sealtite Conduit
14	10102387	1/4-28 Coupling Nut (Three Required)	39	10105371	Twist Release E-Stop
15	10106818	Vacuum Control Timer	40	10105360	Main Power Switch
16	10104109	6 Amp 50-Volt Rectifier	41	10105375	Green Indicating Light 120 VAC
17	10105193	Enclosure Panel	42	10105373	Black NO Momentary Switch
18	20100125	1/4-20 x 3/4" Zinc Hex Bolt (Eight Required)	43	10105372	Red NC Momentary Switch
19	10101940	1/4" Flat Washer – Galvanized (Four Required)	44	10105374	Red Indicating Light 120 VAC
20	10101939	1/4-20 Stainless Steel Lock Nut with Nylon Insert (Four Required)	45	10AH038	Air Hose 3/8" I.D. 300 psi
21	10104703	Cord Grip Nylon 1/2"-NPT .2-.47 Diameter	46	10103322	Urethane Tube – Black – 1/4"
22	10106132	3" 90° Conduit Hub			
23	1015556	Female Twist Lock Plug – Three Prong			
24	20RCG5050	Cord Grip 1/2"-NPT .5-.625 Diameter			

PART NUMBERS AND SCHEMATICS GUIDE

Figure 4: Left Side Assembly



PART NUMBERS AND SCHEMATICS GUIDE

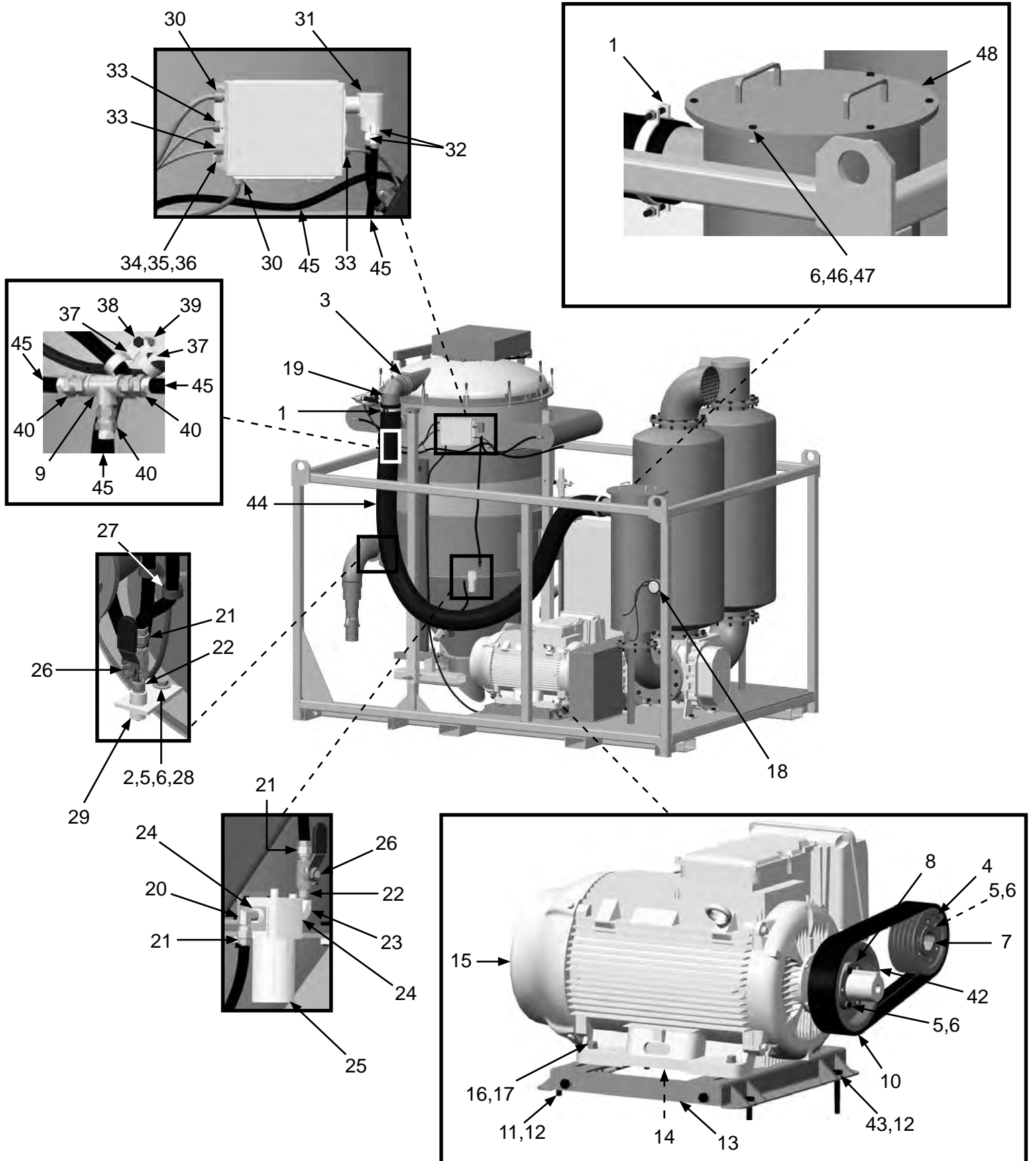
Right Side Assembly

Item #	Part #	Description
Fig. 5		
1	10104640	6" Double Bolt Clamp (Two Required)
2	10101942	3/8" Flat Washer (Five Required)
3	10104637	6" Bandlock Clamp
4	10106347	5/5V 8.50" Sheave
5	1028617	3/8-16 x 1-3/4" Shoulder Bolt (Seven Required)
6	10101936	3/8" Lock Washer – Zinc (Seven Required)
7	10104814	SF Bushing 2.375" Bore
8	10106107	E Bushing 2-7/8" Bore
9	1011809	3/8" NPT Tee
10	10106405	5 Strand 5VP670 Belt – 67"
11	10103417	3/4-10 UNC x 1-3/4" Bolt (Two Required)
12	10103418	Washer – 3/4" (Four Required)
13	10106346	200 HP Motor Base
14	10106129	3" Straight Conduit Hub
15	10106345	200 HP 3 Phase Electric Motor
16	10103420	3/4-10 UNC Nut (Four Required)
17	10103419	Lock Washer – 3/4" (Four Required)
18	10104673	0-50" Differential Pressure Gauge
19	10104636	6" 90° Elbow Non-Plated
20	20PFHA60UA0606	3/8" (M) x 3/8" (F) 90° Swivel Union
21	20PFHA60SA0606	Union Swivel 3/8" (M) x 3/8" (F) (Three Required)
22	1011209	3/8 NPT Close Nipple
23	20PFHA25UG0606	3/8" Street Elbow
24	20PFHA24SB0806	1/2" x 3/8" Reducing Bushing (Two Required)
25	10104674	Lubricator 1/2" NPT 156 CFM
26	1080060	3/8" NPT Full Port Brass Ball Valve (Two Required)

Item #	Part #	Description
27	10103624	1" Rubber Cushioned Loop Clamp
28	1012318	3/8-16 Hex Nut
29	10104597	Airline Drain
30	20RCG5050	1/2" NPT x .5–.625 Diameter Cord Grip (Two Required)
31	10104671	Vibrator Solenoid
32	20PFHA60UA0406	1/4" (M) x 3/8" (F) 90° Swivel (Two Required)
33	10104703	1/2" NPT x .2–.47 Diameter Nylon Cord Grip (Three Required)
34	10101939	1/4-20 Stainless Steel Lock Nut with Nylon Insert (Four Required)
35	10101940	1/4" Flat Washer – Galvanized (Four Required)
36	20100125	1/4-20 x 3/4" Zinc Hex Bolt (Four Required)
37	10103624	1" Rubber Cushioned Loop Clamp (10 Required)
38	10L805302	Jr & Sr Spindle Bolt (10 Required)
39	10102387	1/4-28 Coupling Nut (10 Required)
40	20PFHA60SA0606	Union Swivel 3/8" (M) x 3/8" (F) (Three Required)
41	1011809	3/8" NPT Tee
42	10106348	5/5V 11.3" Sheave
43	10106409	3/4-10 x 5" Bolt (Two Required)
44	10VH620B	6" I.D. x 20' Vacuum Hose
45	10AH038	Air Hose 3/8" I.D. 300 psi
46	10104234	3/8-16 x 1-1/4 Hex Bolt Zinc Grade 5
47	10101938	3/8-16 Hex Nut Galvanized
48	10106508	Intake Filter Housing Cap
—	109V563	Operator's Manual – WEG Electric Motor

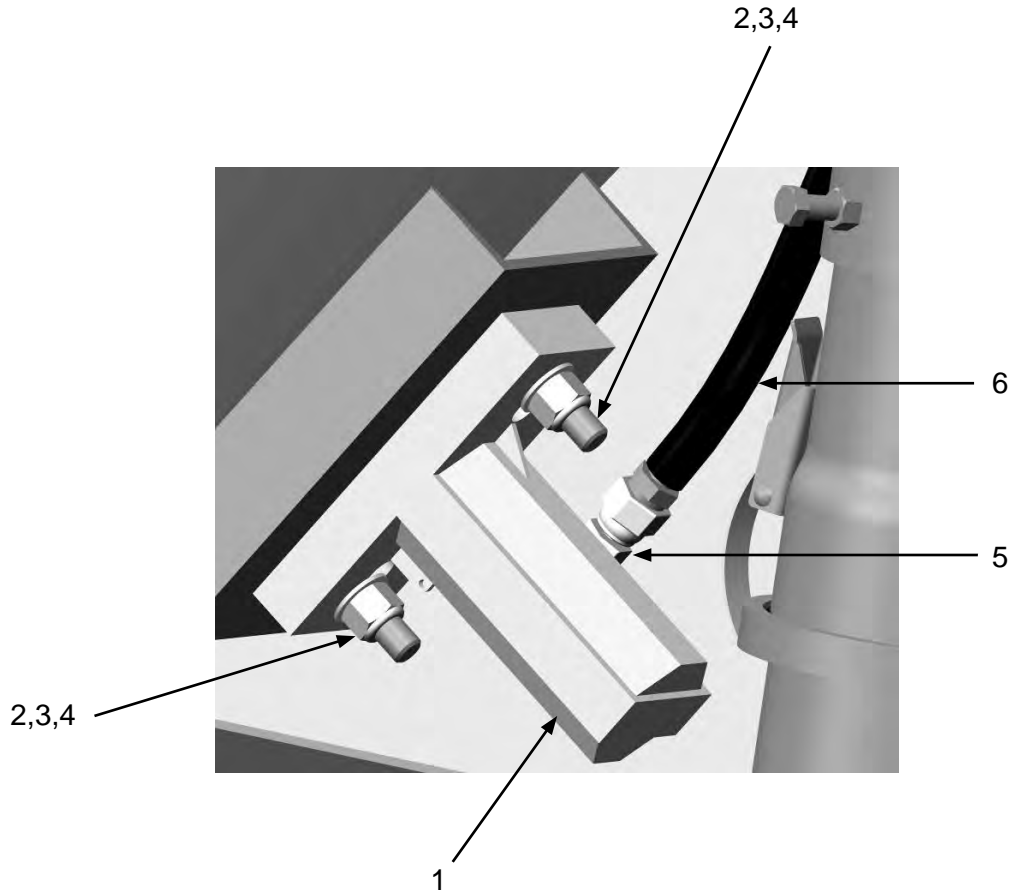
PART NUMBERS AND SCHEMATICS GUIDE

Figure 5: Right Side Assembly



PART NUMBERS AND SCHEMATICS GUIDE

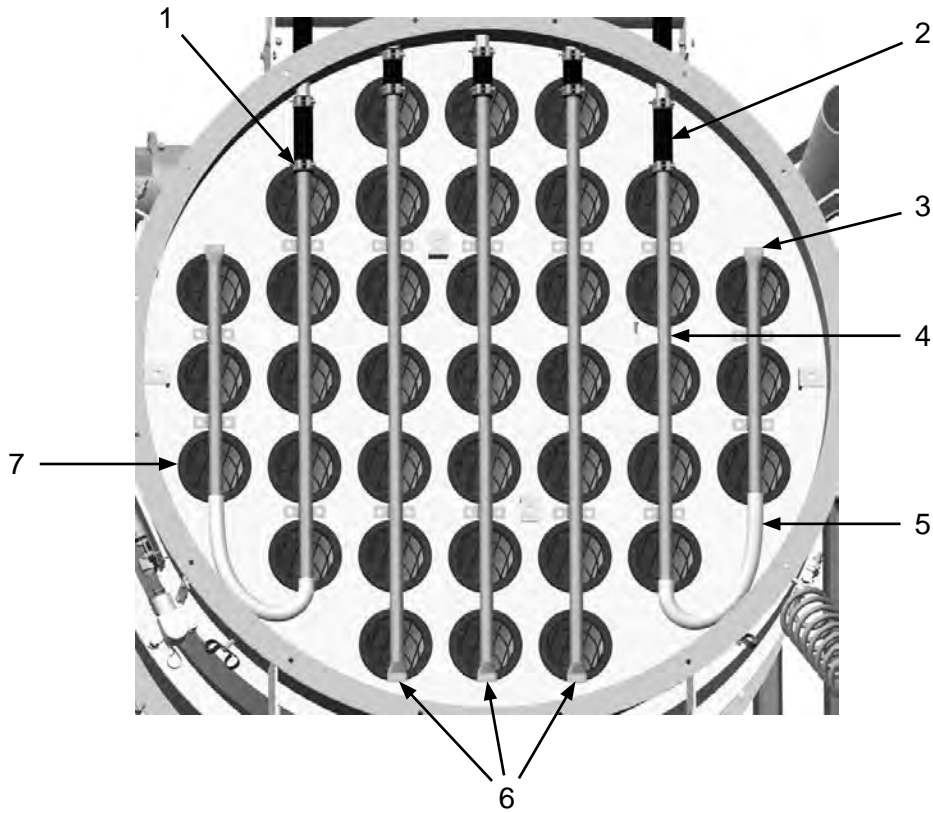
Figure 6: Pneumatic Piston Vibrators



Item #	Part #	Description
Fig. 6		
1	10104665	APV Series Piston Vibrator
2	20100124	1/2-13 Hex Lock Nut – Zinc (<i>Two Required</i>)
3	10100674	1/2" Flat Washer (<i>Two Required</i>)
4	10102652	1/2-13 x 2-1/4" Grade 5 Bolt (<i>Two Required</i>)
5	20PFHA60UA0406	1/4" (M) x 3/8" (F) 90° Swivel Union
6	10AH038	Air Hose 3/8" I.D. 300 psi

PART NUMBERS AND SCHEMATICS GUIDE

Figure 7: Filter Bag Pulsers



Item #	Part #	Description
Fig. 7		
1	10103736	T-Bolt Hose Clamp For 1" I.D. (10 Required)
2	10AH100	1-1/4" 75W Marine Hose – 100 psi (Five Required)
3	10104562	Pulser System Short Blowpipe (Two Required)
4	10104565	Pulser System Medium Blowpipe (Two Required)
5	10104680	1" Flexible Tubing For Blowpipes (Two Required)
6	10104567	Pulser System Long Blowpipe (Three Required)
7	10104633	Vacuum Baghouse Filter (37 Required)
—	10104634	Vacuum Baghouse Filter Cage (37 Required)

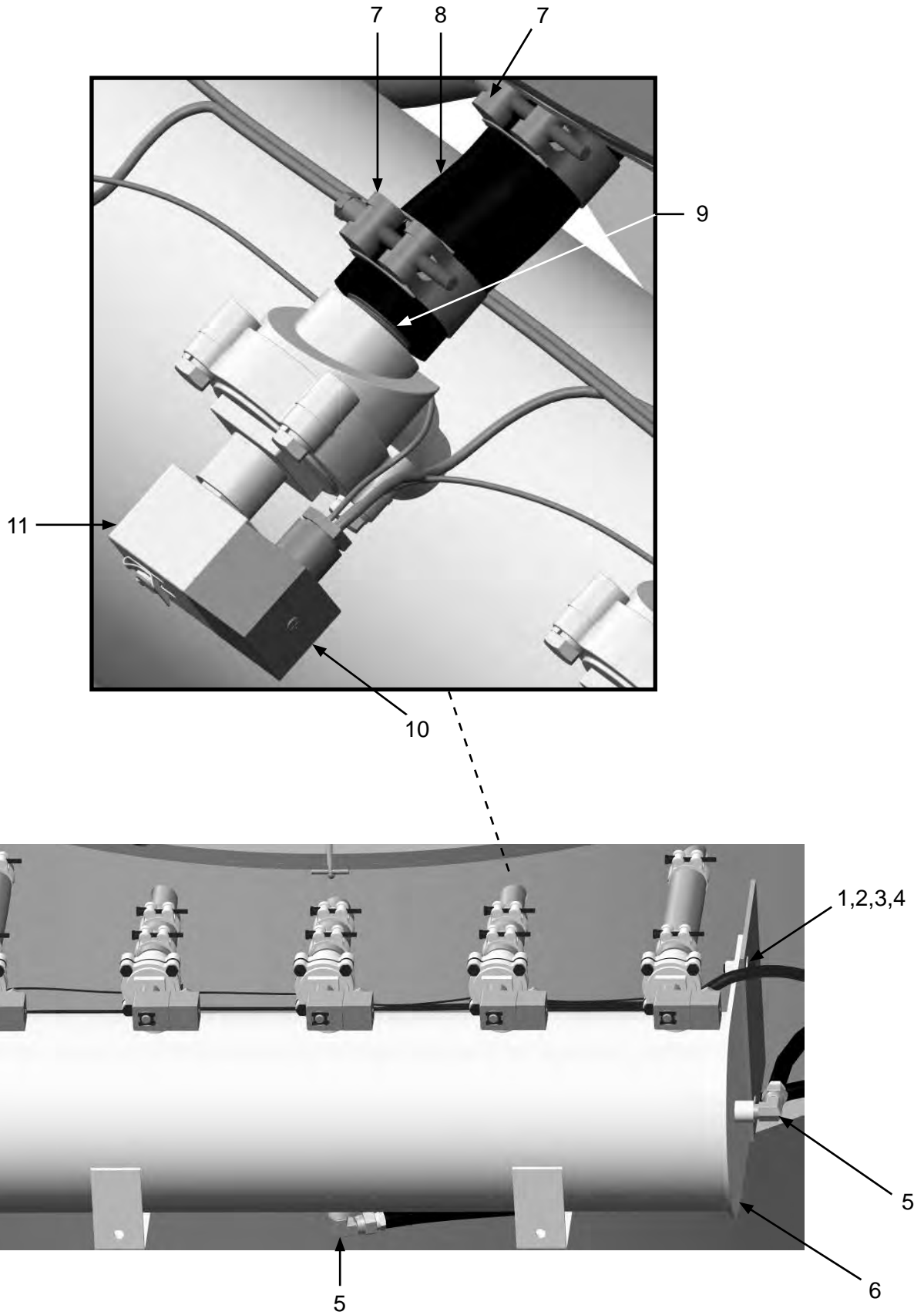
PART NUMBERS AND SCHEMATICS GUIDE

Pulser System Assembly

Item #	Part #	Description
Fig. 8		
1	10101942	3/8" Flat Washer – Galvanized (<i>Eight Required</i>)
2	10101936	3/8" Lock Washer – Zinc (<i>Four Required</i>)
3	1011747	3/8-16 x 1" Bolt (<i>Four Required</i>)
4	10101938	3/8-16 Hex Nut (<i>Four Required</i>)
5	20PFHA60UA0606	3/8" (M) x 3/8" (F) 90° Swivel Union
6	10104498	Vacuum Header
7	10103736	T-Bolt Hose Clamp For 1" I.D. (<i>10 Required</i>)
8	10106509	Air Hose 1" I.D. 200 psi – Red
9	10104500	3/4" NPT x 1-1/2" Toe Nipple (<i>Five Required</i>)
10	10105287	Humphrey Din Connector (<i>Included with Item #11</i>) (<i>Five Required</i>)
11	10104666	3/4" Diaphragm Valve with Solenoid (<i>Five Required</i>)
—	10107192	Pilot Valve Repair Kit
—	10107193	Diaphragm Repair Kit

PART NUMBERS AND SCHEMATICS GUIDE

Figure 8: Pulser System Assembly



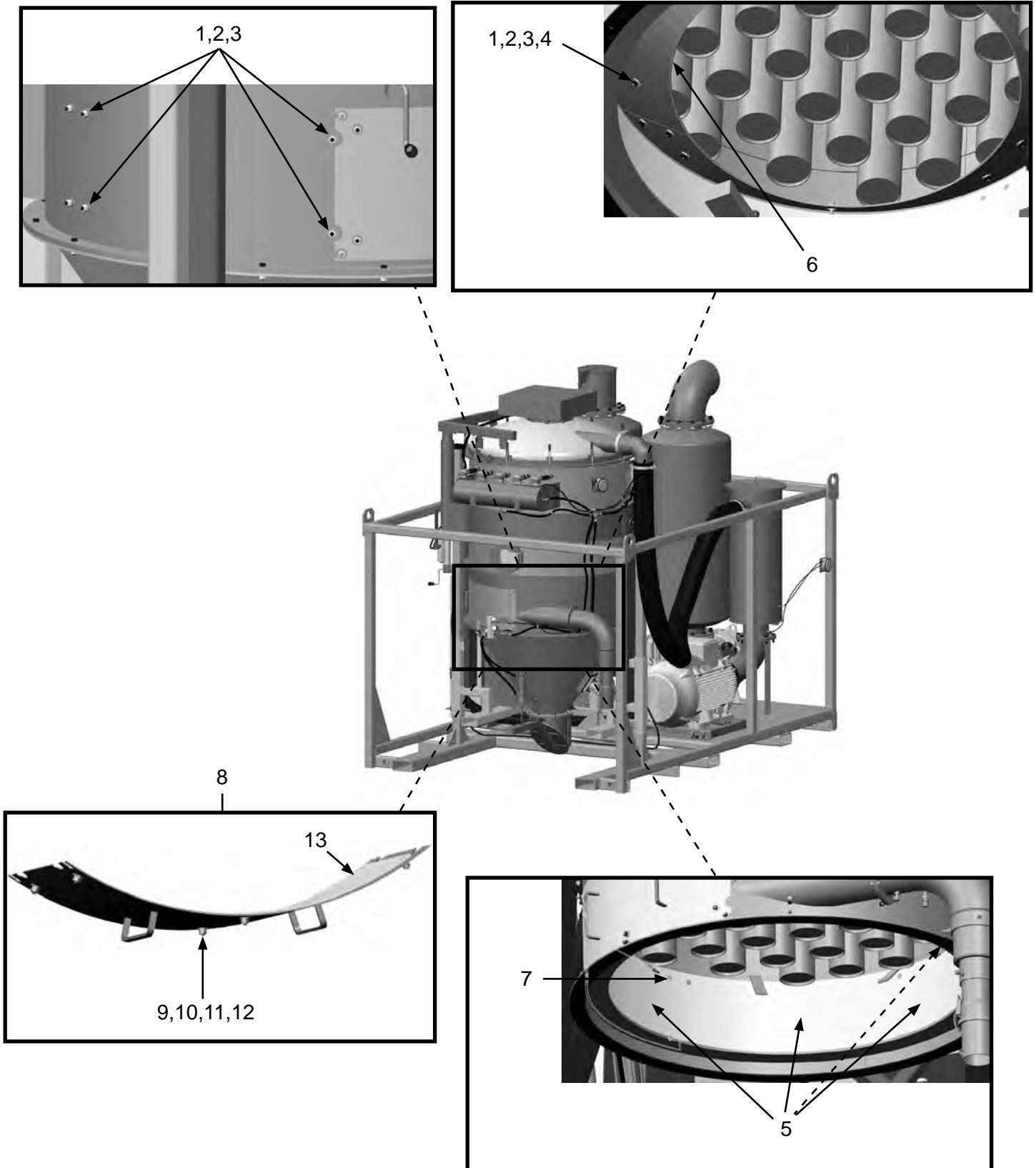
PART NUMBERS AND SCHEMATICS GUIDE

Wear Plates and Baffles

Item #	Part #	Description
Fig. 9		
1	10101942	3/8" Flat Washer – Galvanized (35 Required)
2	10101936	3/8" Lock Washer – Zinc (35 Required)
3	10101938	3/8-16 Hex Nut (35 Required)
4	1011747	3/8-16 x 1" Bolt (15 Required)
5	10104489	Vacuum Wear Plates (Four Required)
6	10104490	Vacuum Baffle (Three Required)
7	10104705	3/8-16 Flat Head Square Neck x 1" Bolt Zinc (16 Required)
8	10106511	Vacuum Wear Door Assembly (Includes Item #'s: 9, 10, 11, 12, and 13)
9	10101942	3/8" Flat Washer – Galvanized (20 Required)
10	10101936	3/8" Lock Washer – Zinc (16 Required)
11	10101938	3/8-16 Hex Nut – Galvanized (12 Required)
12	10104705	3/8-16 Flat Head Square Neck x 1" Bolt Zinc (12 Required)
13	10105189	Wear Door Liner

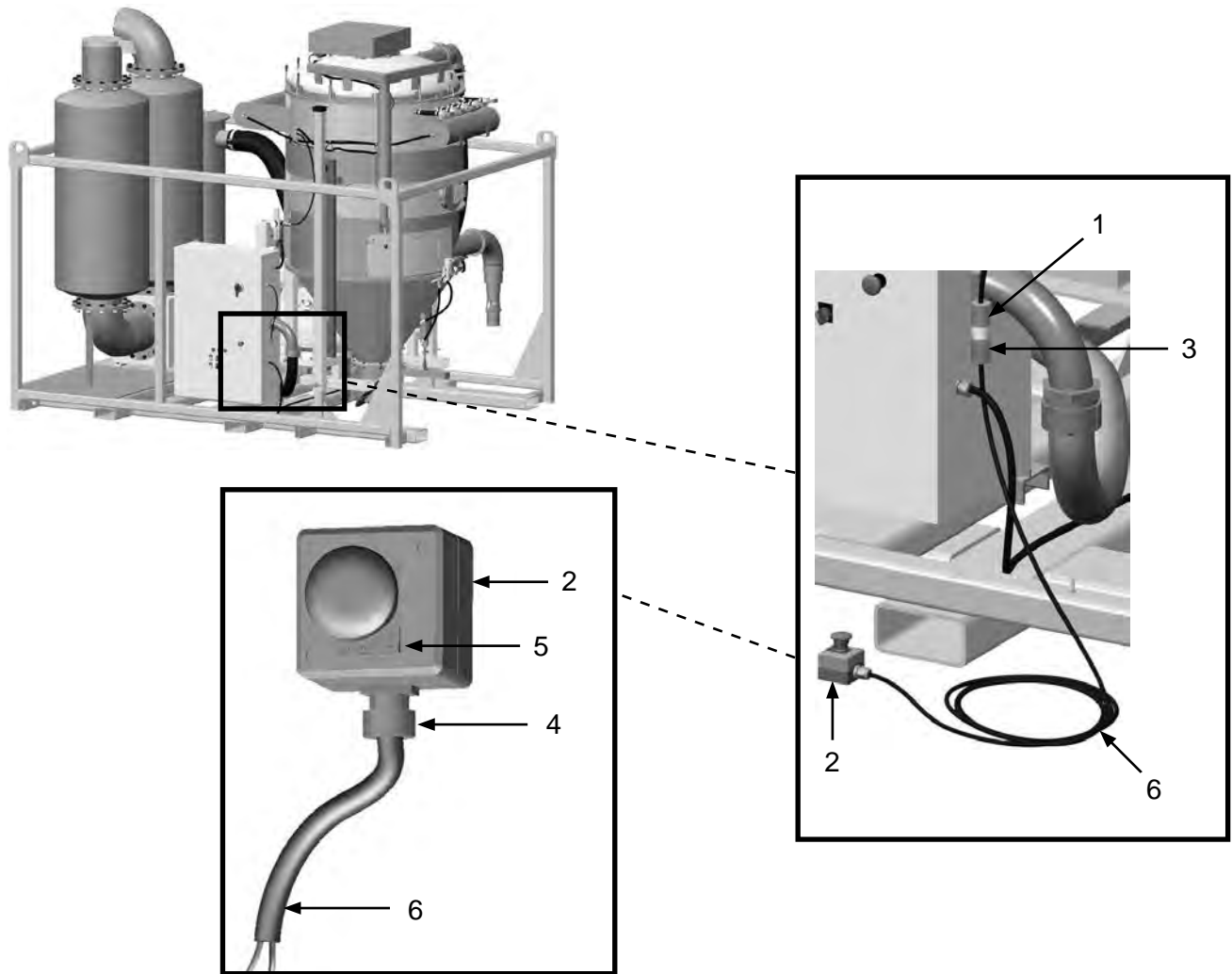
PART NUMBERS AND SCHEMATICS GUIDE

Figure 9: Wear Plates and Baffles



PART NUMBERS AND SCHEMATICS GUIDE

Figure 10: Emergency-Stop Station



Item #	Part #	Description
Fig. 10		
—	10107200	Remote Emergency-Stop Station <i>(Includes Item #'s: 2, 3, 4, 5, and 6 (100'))</i>
1	1015556	Female Twist Lock Plug – Three Prong
2	10104071	E-Stop Control Station
3	1015555	Male Twist Lock Plug – Three Prong
4	10104703	Cord Grip Nylon 1/2"-NPT .2-.47 Diameter
5	10104063	Legend Plate – Emergency Stop
6	1015540	16/2 Xtreme-Duty® Power Cord – Red <i>(Per Foot)</i>
—	1015009	8-32 x 1" Pan Head Phillips Screw <i>(Four Required)</i>
—	20000021	8-32 Zinc Nut <i>(Four Required)</i>
—	20000018	#8 Zinc Lock Washer <i>(Four Required)</i>
—	20000019	#8 Zinc Flat Washer <i>(Four Required)</i>

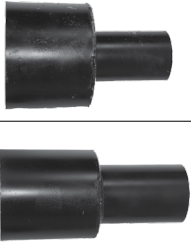
OPTIONAL ACCESSORIES





Part Numbers

VACUUM HOSE							
Part Numbers	Vacuum Hose I.D.	Length	Vacuum HG	Cover Material	Reinforcement Material	Liner	Hose Color
10VH11250	1-1/2"	50 Ft.	29"	Pliovic®	Pliovic® PVC Helix	Polyurethane	Black
10VH225	2"	25 Ft.	29"	Pliovic®	Pliovic® PVC Helix	Polyurethane	Blue
10VH250	2"	50 Ft.	29"	Pliovic®	Pliovic® PVC Helix	Polyurethane	Blue
10VH200	2"	100 Ft.	29"	Pliovic®	Pliovic® PVC Helix	Polyurethane	Blue
10VH2550	2-1/2"	50 Ft.	29"	Pliovic®	Pliovic® PVC Helix	Polyurethane	Blue
10VH325	3"	25 Ft.	29"	Pliovic®	Pliovic® PVC Helix	Polyurethane	Blue
10VH350	3"	50 Ft.	29"	Pliovic®	Pliovic® PVC Helix	Polyurethane	Blue
10VH300	3"	100 Ft.	29"	Pliovic®	Pliovic® PVC Helix	Polyurethane	Blue
10VH425	4"	25 Ft.	29"	Pliovic®	Pliovic® PVC Helix	Polyurethane	Blue
10VH450	4"	50 Ft.	29"	Pliovic®	Pliovic® PVC Helix	Polyurethane	Blue
10VH400	4"	100 Ft.	29"	Pliovic®	Pliovic® PVC Helix	Polyurethane	Blue
10VH525	5"	25 Ft.	29"	Pliovic®	Pliovic® PVC Helix	Polyurethane	Blue
10VH550	5"	50 Ft.	29"	Pliovic®	Pliovic® PVC Helix	Polyurethane	Blue
10VH500	5"	100 Ft.	29"	Pliovic®	Pliovic® PVC Helix	Polyurethane	Blue
10VH625	6"	25 Ft.	25"	Pliovic®	Pliovic® PVC Helix	Polyurethane	Blue
10VH650	6"	50 Ft.	25"	Pliovic®	Pliovic® PVC Helix	Polyurethane	Blue
10VH600	6"	100 Ft.	25"	Pliovic®	Pliovic® PVC Helix	Polyurethane	Blue
10VH825	8"	25 Ft.	25"	Pliovic®	Pliovic® PVC Helix	Polyurethane	Blue
10VH850	8"	50 Ft.	25"	Pliovic®	Pliovic® PVC Helix	Polyurethane	Blue

OPTIONAL ACCESSORIES

		VACUUM HOSE REDUCERS	
		Part Numbers	Size
	10106712	8" x 4"	
	10106716	6" x 4"	

		WYE ADAPTERS	
		Part Numbers	Size
	10106719	4" x 2" x 2"	
	10107485	6" x 2" x 2"	
	10106723	6" x 4" x 4"	
	10106727	8" x 4" x 4"	

		VACUUM HOSE MENDERS			
		Part Numbers	Vacuum Hose I.D.	Mender Length	Thickness
	10HM2	2"	8"	1/8"	Steel
	10HM3	3"	9"	1/8"	Steel
	10HM4	4"	10"	1/8"	Steel
	10HM5	5"	11"	1/8"	Steel
	10HM6	6"	12"	1/8"	Steel
	10HM8	8"	14"	1/8"	Steel

PART NUMBERS & SCHEMATICS GUIDE



Part Numbers

VACUUM HOSE							
Part Numbers	Vacuum Hose I.D.	Length	Vacuum HG	Cover Material	Reinforcement Material	Liner	Hose Color
10VH11250	1-1/2"	50 Ft.	29"	Pliovic®	Pliovic® PVC Helix	Polyurethane	Black
10VH225	2"	25 Ft.	29"	Pliovic®	Pliovic® PVC Helix	Polyurethane	Blue
10VH250	2"	50 Ft.	29"	Pliovic®	Pliovic® PVC Helix	Polyurethane	Blue
10VH200	2"	100 Ft.	29"	Pliovic®	Pliovic® PVC Helix	Polyurethane	Blue
10VH2550	2-1/2"	50 Ft.	29"	Pliovic®	Pliovic® PVC Helix	Polyurethane	Blue
10VH325	3"	25 Ft.	29"	Pliovic®	Pliovic® PVC Helix	Polyurethane	Blue
10VH350	3"	50 Ft.	29"	Pliovic®	Pliovic® PVC Helix	Polyurethane	Blue
10VH300	3"	100 Ft.	29"	Pliovic®	Pliovic® PVC Helix	Polyurethane	Blue
10VH425	4"	25 Ft.	29"	Pliovic®	Pliovic® PVC Helix	Polyurethane	Blue
10VH450	4"	50 Ft.	29"	Pliovic®	Pliovic® PVC Helix	Polyurethane	Blue
10VH400	4"	100 Ft.	29"	Pliovic®	Pliovic® PVC Helix	Polyurethane	Blue
10VH525	5"	25 Ft.	29"	Pliovic®	Pliovic® PVC Helix	Polyurethane	Blue
10VH550	5"	50 Ft.	29"	Pliovic®	Pliovic® PVC Helix	Polyurethane	Blue
10VH500	5"	100 Ft.	29"	Pliovic®	Pliovic® PVC Helix	Polyurethane	Blue
10VH620B	6"	20 Ft.	25"	PVC	PVC Helix	Polyurethane	Black
10VH625	6"	25 Ft.	25"	Pliovic®	Pliovic® PVC Helix	Polyurethane	Blue
10VH650	6"	50 Ft.	25"	Pliovic®	Pliovic® PVC Helix	Polyurethane	Blue
10VH600	6"	100 Ft.	25"	Pliovic®	Pliovic® PVC Helix	Polyurethane	Blue
10VH825	8"	25 Ft.	25"	Pliovic®	Pliovic® PVC Helix	Polyurethane	Blue
10VH850	8"	50 Ft.	25"	Pliovic®	Pliovic® PVC Helix	Polyurethane	Blue



Vacuum Hose, Fittings and Accessories - Features and Specifications Guide - 105M313





PART NUMBERS & SCHEMATICS GUIDE




VACUUM HOSE MENDERS				
Part Numbers	Vacuum Hose I.D.	Mender Length	Thickness	Material
10HM2	2"	8"	1/8"	Steel
10HM3	3"	9"	1/8"	Steel
10HM4	4"	10"	1/8"	Steel
10HM5	5"	11"	1/8"	Steel
10HM6	6"	12"	1/8"	Steel
10HM8	8"	14"	1/8"	Steel



PART NUMBERS & SCHEMATICS GUIDE

		VACUUM HOSE REDUCERS
Part Numbers		Size
	10106712	8" x 4"
	10106716	6" x 4"

		WYE ADAPTERS
Part Numbers		Size
	10106719	4" x 2" x 2"
	10107485	6" x 2" x 2"
	10106723	6" x 4" x 4"
	10106727	8" x 4" x 4"

		PICKUP TOOLS
Part Numbers		Description
	10C04275	Bulk Pickup Tool
	10C04271	Crevice Tool
	10C04273	Floor Tool