



MARCO® KWIKSTOP DEPRESSURIZATION SYSTEM



PART NUMBERS AND SCHEMATICS GUIDE

Company Profile

Allredi was formed in the early 2020, when two of the largest distributors in the blasting, coating, safety, and environmental industry, APE Companies and Marco Group International, joined forces. While the qualities both companies are known for have not changed, a lot about our business is new. New abilities. New agilities. New ways to help you win. This calls for a new name, Allredi.

This name exemplifies what we have become. It is completely oriented to the needs of our customers. To your needs. It says that when you call us for anything – products, service, expert advice, anything – you can consider it done. Or even better, Allredi done.

We are your right-now supplier. From skills to SKUs, we deliver the goods fast. So you can be more agile every minute, every day. This is who we are. This is what our new name means. Go ahead and expect excellence, because we're bringing it.

Our Mission and Vision

To be the industry's preferred partner in surface preparation solutions through unrivaled technical expertise, customer experience, product availability, and tailored service offerings.

The Allredi Difference

- **Industry Experience** – With Allredi on your team, you have access to expertise which can only come from decades of industry leadership. We have organized our engineering department, production specialists, customer operations, and safety support into a "Center of Competence." As an Allredi customer, you have access to hundreds of years of cumulative experience related to your operations.
- **Manufacturing Excellence** – Allredi is a U.S. based manufacturer of equipment for the Surface Preparation and Protective Coatings industries. Allredi's engineers benchmark the industry to ensure that we design and manufacture superior products that set the "Gold Standard" for performance, safety, and quality.
- **Legendary Customer Service** – Allredi's legendary customer service team is staffed by friendly, highly-trained individuals who are focused on providing the highest level of product support, order accuracy, and customer satisfaction.
- **Product Availability** – We stock over 10,000 SKU's and have over 45 shipping locations to serve North American and International markets for all major brands of blasting, coating, environmental, and safety equipment. Allredi is your right-now supplier, so you can keep your projects moving. From our foundation of strong relationships, we have built a nationwide network that puts vast inventory and ready service close to our customers. We provide advanced expertise, and we deliver the goods fast – so you can easily access the products and services you need to me more agile every minute, every day.
- **Technology Leadership** – Our website provides: Operator's Manuals, Part Numbers and Schematics Guides, SDS information, and key product features and specifications, providing access to information 24/7.

TABLE OF CONTENTS

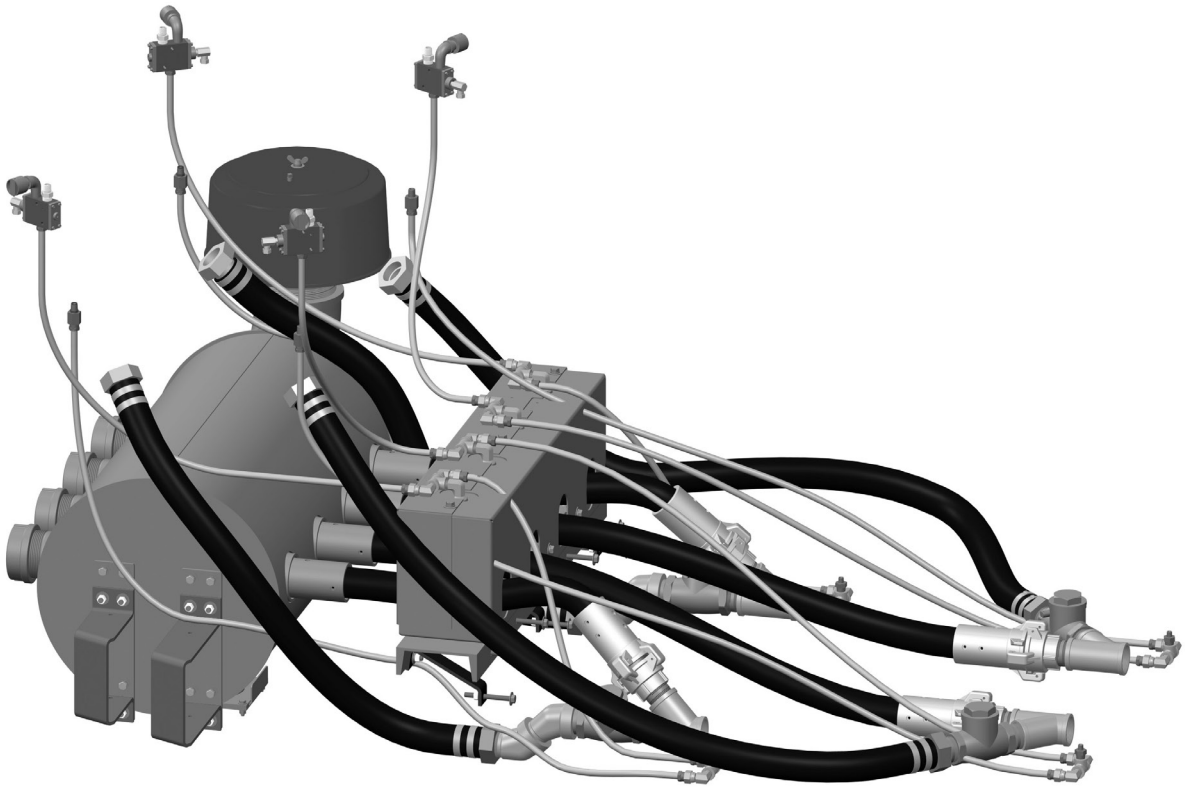
Company Profile	1
Part Numbers	3
Assembly Part Numbers & Schematics	5
KwikStop Depressurization System Assembly - 12-Volt DC 190 Electric Control Assembly – Trailer	5
KwikStop Depressurization System Assembly - 12-Volt AC 190 Electric Control Assembly – Trailer	7
KwikStop Depressurization System Assembly - 190 Pneumatic Control Valve – Trailer	9
KwikStop Depressurization System Assembly - 12-Volt DC 190 Electric Control Assembly – Skid	11
KwikStop Depressurization System Assembly - 12-Volt AC 190 Electric Control Assembly – Skid	13
KwikStop Depressurization System Assembly - 190 Pneumatic Control Valve – Skid	15
Chamber Assembly – Trailer	17
Chamber Assembly – Skid	19
12-Volt DC 190 Electric Control Assembly	21
12-Volt DC 190 Electric Control Valve	22
12-Volt AC 190 Electric Control Assembly	23
12-Volt AC 190 Electric Control Valve	24
120-Volt AC to 12-Volt AC Power Converter	25
190 Pneumatic Control Valve	26

PART NUMBERS

MARCO® KWIKSTOP DEPRESSURIZATION SYSTEM						
Part Numbers	Trailer Mounted	Skid Mounted	12-Volt DC 190 Electric Control Assembly	12-Volt AC 190 Electric Control Assembly	190 Pneumatic Control Valve	Number of Outlets
10106779	X		X			2
10106778	X		X			3
10105669	X		X			4
10106782	X			X		2
10106781	X			X		3
10106780	X			X		4
10106785	X				X	2
10106784	X				X	3
10106783	X				X	4
10106947		X	X			2
10106946		X	X			3
10106945		X	X			4
10106950		X		X		2
10106949		X		X		3
10106948		X		X		4
10106953		X			X	2
10106952		X			X	3
10106951		X			X	4

**based on varying competitor configurations, some additional parts or customization may be required*

PART NUMBERS



All Marco® KwikStop Depressurization Systems include:

- Marco® PV400 Remote Control Valves
- Chamber Assembly with Hoses
- Air Exhaust Filter

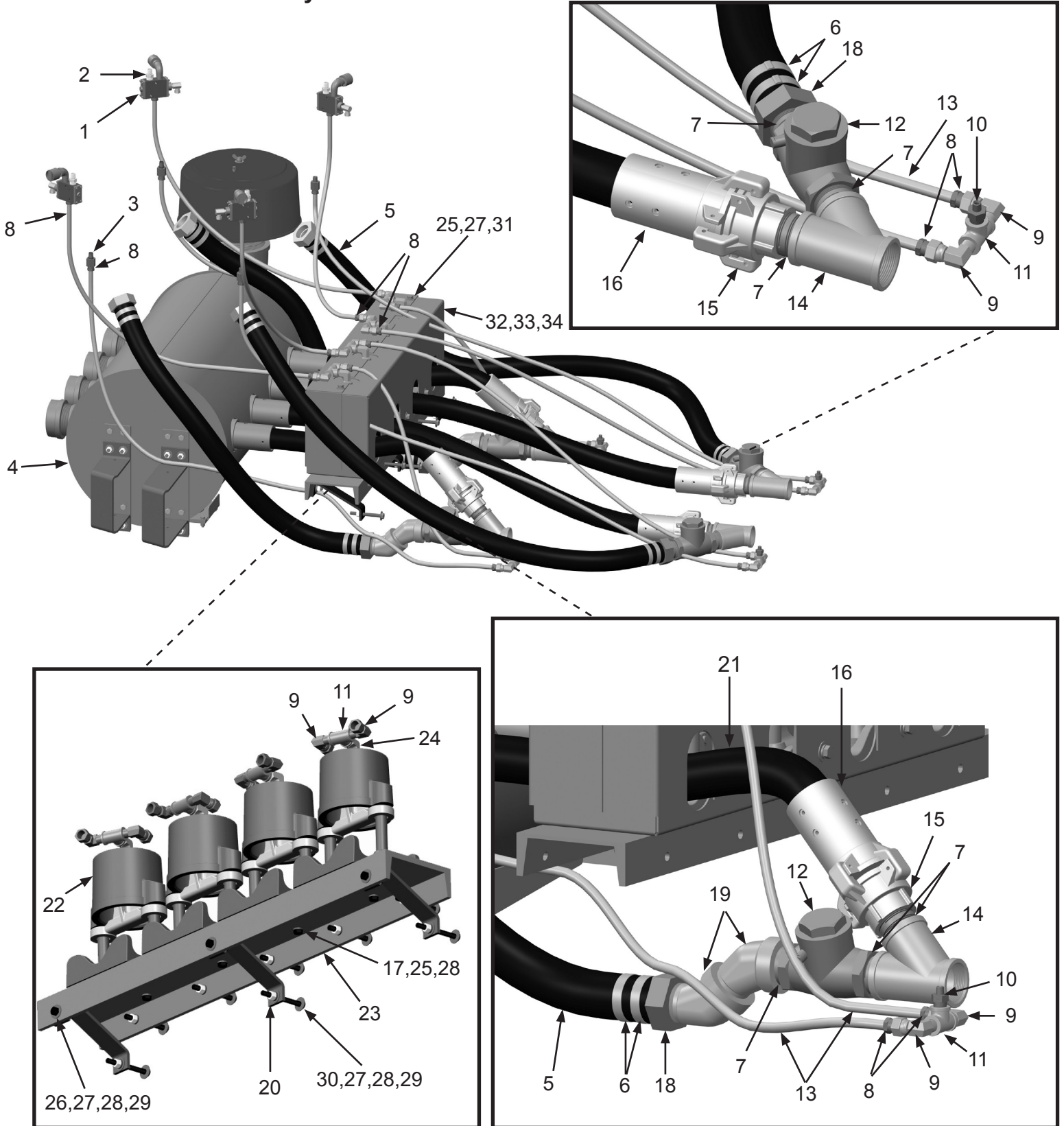
ASSEMBLY PART NUMBERS & SCHEMATICS

KwikStop Depressurization System Assembly - 12-Volt DC 190 Electric Control Assembly – Trailer

Item #	Part #	Description
Fig. 1		
—	10105669	Marco® KwikStop - 12-Volt DC 190 - 4-PORT— Complete
—	10106778	Marco® KwikStop - 12-Volt DC 190 - 3-PORT— Complete
—	10106779	Marco® KwikStop - 12-Volt DC 190 - 2-PORT— Complete
1	10106491	Marco 190 12-Volt DC Assembly <i>(One Required Per Outlet)</i>
2	20PFHA24SA0604	1/4" x 3/8" Hex Nipple <i>(One Required Per Outlet)</i>
3	20PFHA24SG0406	1/4" x 3/8" Hex Reducer <i>(One Required Per Outlet)</i>
4	—	Chamber Assembly <i>(See Figure 7)</i>
5	10AH112B	Air Hose 1-1/2" I.D. 200 PSI - Black <i>(Per Foot)</i>
6	10AHCL1	Band Clamp <i>(16 Required)</i>
7	1011849	1-1/2" Close Nipple Schedule 80 <i>(Three Required Per Outlet)</i>
8	10103631	3/8" Barb x 3/8" NPTF Brass <i>(Six Required Per Outlet)</i>
9	20PFHA60UA0606	3/8" (M) x 3/8" (F) 90° Swivel Union <i>(Four Required Per Outlet)</i>
10	20PFHA24SA0602	1/8" x 3/8" Hex Nipple <i>(One Required Per Outlet)</i>
11	1011809	3/8" Pipe Tee <i>(Two Required Per Outlet)</i>
12	10106486	1-1/2" Horizontal Swing Check Valve <i>(One Required Per Outlet)</i>
13	10AH038	Air Hose 3/8" I.D. 300 PSI - Black <i>(Per Foot)</i>
14	10105025	1-1/2" WYE Fitting <i>(One Required Per Outlet)</i>
15	10SA3X	1-1/2" Oversized Tank Coupling <i>(One Required Per Outlet)</i>
16	10QAL4X	1-1/2" Aluminum Oversized Coupling <i>(One Required Per Outlet)</i>
17	10104234	3/8-16 x 1-1/4" Bolt Galvanized <i>(Two Required Per Outlet)</i>
18	10SFE4	1-1/2" Swivel Female End <i>(Two Required Per Outlet)</i>
19	1011805	1-1/2" x 45° Elbow <i>(Four Required)</i>
20	10106787	Brace <i>(Three Required)</i>
21	10BH1122XR	Marco® 1-1/2" Xtreme-Duty Abrasive Blasting Hose <i>(per foot)</i>
22	10106832	Marco® 3/8" PV400 Remote Control Valve <i>(One Required Per Outlet)</i>
23	10105786	6" x 36" C-Channel
24	20PFHA25UA0606	3/8" Male 90° Elbow <i>(One Required Per Outlet)</i>
25	10101936	3/8" Lock Washer <i>(28 Required)</i>
26	20101171	3/8-16 x 1-1/2" L Zinc HHCS <i>(Three Required)</i>
27	1014241	3/8" SAE Flat Washer Zinc <i>(35 Required)</i>
28	10101936	3/8" Lock Washer - Zinc <i>(19 Required)</i>
29	1012318	3/8-16 HD Hex Nut <i>(11 Required)</i>
30	10106814	3/8-16 x 3-1/2" Grade 5 Hex Bolt-Zinc <i>(Eight Required)</i>
31	10103400	3/8-16 x 3/4" Bolt <i>(Nine Required)</i>
32	10106961	Rear PV400 cover
33	10106962	Base PV400 cover
34	10106958	Front PV400 cover
—	106M137	Part Numbers & Schematics Guide – Marco® KwikStop Depressurization System
—	1090137	Operator's Manual – Marco® KwikStop Depressurization System

SCHEMATIC

Figure 1: KwikStop Depressurization System Assembly - 12-Volt DC 190 Electric Control Assembly – Trailer



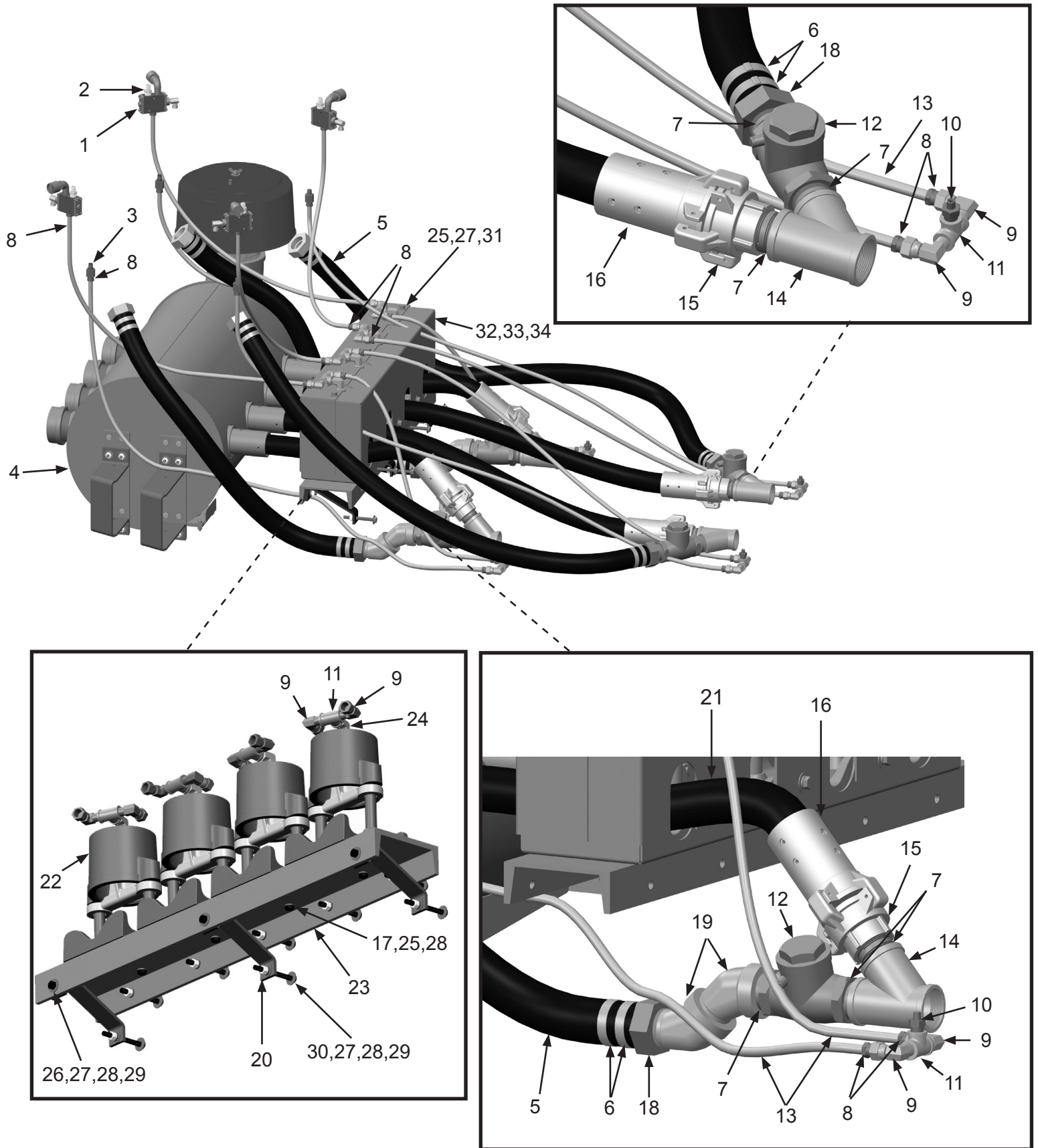
PART NUMBERS

KwikStop Depressurization System Assembly - 12-Volt AC 190 Electric Control Assembly – Trailer

Item #	Part #	Description
Fig. 2		
—	10106780	Marco® KwikStop - 12-Volt AC 190 - 4-PORT— Complete
—	10106781	Marco® KwikStop - 12-Volt AC 190 - 3-PORT— Complete
—	10106782	Marco® KwikStop - 12-Volt AC 190 - 2-PORT— Complete
1	10106901	Marco 190 12-Volt AC Assembly <i>(One Required Per Outlet)</i>
2	20PFHA24SA0604	1/4" x 3/8" Hex Nipple <i>(One Required Per Outlet)</i>
3	20PFHA24SG0406	1/4" x 3/8" Hex Reducer <i>(One Required Per Outlet)</i>
4	—	Chamber Assembly <i>(See Figure 7)</i>
5	10AH112B	Air Hose 1-1/2" I.D. 200 PSI - Black <i>(Per Foot)</i>
6	10AHCL1	Band Clamp <i>(16 Required)</i>
7	1011849	1-1/2" Close Nipple Schedule 80 <i>(Three Required Per Outlet)</i>
8	10103631	3/8" Barb x 3/8" NPTF Brass <i>(Six Required Per Outlet)</i>
9	20PFHA60UA0606	3/8" (M) x 3/8" (F) 90° Swivel Union <i>(Four Required Per Outlet)</i>
10	20PFHA24SA0602	1/8" x 3/8" Hex Nipple <i>(One Required Per Outlet)</i>
11	1011809	3/8" Pipe Tee <i>(Two Required Per Outlet)</i>
12	10106486	1-1/2" Horizontal Swing Check Valve <i>(One Required Per Outlet)</i>
13	10AH038	Air Hose 3/8" I.D. 300 PSI - Black <i>(Per Foot)</i>
14	10105025	1-1/2" WYE Fitting <i>(One Required Per Outlet)</i>
15	10SA3X	1-1/2" Oversized Tank Coupling <i>(One Required Per Outlet)</i>
16	10QAL4X	1-1/2" Aluminum Oversized Coupling <i>(One Required Per Outlet)</i>
17	10104234	3/8-16 x 1-1/4" Bolt Galvanized <i>(Two Required Per Outlet)</i>
18	10SFE4	1-1/2" Swivel Female End <i>(Two Required Per Outlet)</i>
19	1011805	1-1/2" x 45° Elbow <i>(Four Required)</i>
20	10106787	Brace <i>(Three Required)</i>
21	10BH1122XR	Marco® 1-1/2" I.D. Xtreme-Duty Abrasive Blasting Hose <i>(per foot)</i>
22	10106832	Marco® 3/8" PV400 Remote Control Valve <i>(One Required Per Outlet)</i>
23	10105786	6" x 36" C-Channel
24	20PFHA25UA0606	3/8" Male 90° Elbow <i>(One Required Per Outlet)</i>
25	10101936	3/8" Lock Washer <i>(28 Required)</i>
26	20101171	3/8-16 x 1-1/2" L Zinc HHCS <i>(Three Required)</i>
27	1014241	3/8" SAE Flat Washer Zinc <i>(35 Required)</i>
28	10101936	3/8" Lock Washer - Zinc <i>(19 Required)</i>
29	1012318	3/8-16 HD Hex Nut <i>(11 Required)</i>
30	10106814	3/8-16 x 3-1/2" Grade 5 Hex Bolt-Zinc <i>(Eight Required)</i>
31	10103400	3/8-16 x 3/4" Bolt <i>(Nine Required)</i>
32	10106961	Rear PV400 cover
33	10106962	Base PV400 cover
34	10106958	Front PV400 cover

SCHEMATIC

Figure 2: KwikStop Depressurization System Assembly - 12-Volt AC 190 Electric Control Assembly – Trailer



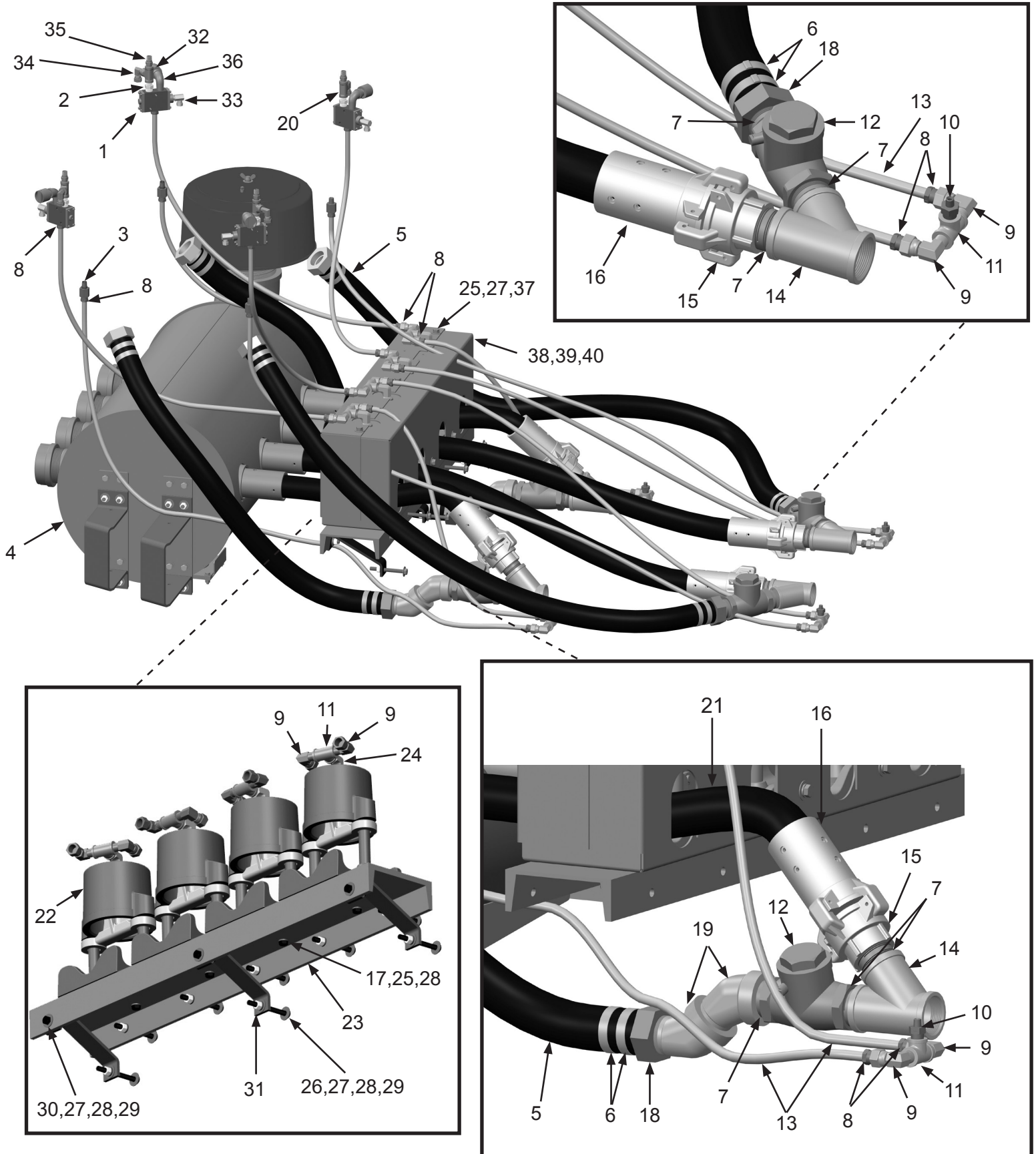
PART NUMBERS

KwikStop Depressurization System Assembly - 190 Pneumatic Control Valve – Trailer

Item #	Part #	Description
Fig. 3		
—	10106783	Marco® KwikStop - Pneumatic - 4-PORT— Complete
—	10106784	Marco® KwikStop - Pneumatic - 3-PORT— Complete
—	10106785	Marco® KwikStop - Pneumatic - 2-PORT— Complete
1	10106815	3/8" Ports Pneumatic Control Valve <i>(Four Required)</i>
2	20PFHA24SA0604	1/4" x 3/8" Hex Nipple <i>(Four Required Per Outlet)</i>
3	20PFHA24SG0406	1/4" x 3/8" Hex Reducer <i>(Four Required Per Outlet)</i>
4	—	Chamber Assembly <i>(See Figure 7)</i>
5	10AH112B	Air Hose 1-1/2" I.D. 200 PSI - Black <i>(Per Foot)</i>
6	10AHCL1	Band Clamp <i>(16 Required)</i>
7	1011849	1-1/2" Close Nipple Schedule 80 <i>(Five Required Per Outlet)</i>
8	10103631	3/8" Barb x 3/8" NPTF Brass <i>(Six Required Per Outlet)</i>
9	20PFHA60UA0606	3/8" (M) x 3/8" (F) 90° Swivel Union <i>(Four Required Per Outlet)</i>
10	20PFHA24SA0602	1/8" x 3/8" Hex Nipple <i>(One Required Per Outlet)</i>
11	1011809	3/8" Pipe Tee <i>(Two Required Per Outlet)</i>
12	10106486	1-1/2" Horizontal Swing Check Valve <i>(One Required Per Outlet)</i>
13	10AH038	Air Hose 3/8" I.D. 300 PSI - Black <i>(Per Foot)</i>
14	10105025	1-1/2" WYE Fitting <i>(One Required Per Outlet)</i>
15	10SA3X	1-1/2" Oversized Tank Coupling <i>(One Required Per Outlet)</i>
16	10QAL4X	1-1/2" Aluminum Oversized Coupling <i>(One Required Per Outlet)</i>
17	10104234	3/8-16 x 1-1/4" Hex Bolt Zinc <i>(Two Required Per Outlet)</i>
18	10SFE4	1-1/2" Swivel Female End <i>(Two Required Per Outlet)</i>
19	1011805	1-1/2" x 45° Elbow <i>(Four Required)</i>
20	1011844	1/4" Pipe Tee <i>(One Required Per Outlet)</i>
21	10BH1122XR	Marco® 1-1/2" I.D. Xtreme-Duty Abrasive Blasting Hose <i>(per foot)</i>
22	10106832	Marco® 3/8" PV400 Remote Control Valve <i>(One Required Per Outlet)</i>
23	10105786	6" x 36" C-Channel
24	20PFHA25UA0606	3/8" Male 90° Elbow <i>(One Required Per Outlet)</i>
25	10101936	3/8" Lock Washer <i>(19 Required)</i>
26	20101171	3/8-16 x 1-1/2" L Zinc HHCS <i>(Three Required)</i>
27	1014241	3/8" SAE Flat Washer Zinc <i>(26 Required)</i>
28	10101936	3/8" Lock Washer - Zinc <i>(19 Required)</i>
29	1012318	3/8-16 HD Hex Nut <i>(11 Required)</i>
30	10106814	3/8-16 x 3-1/2" Grade 5 Hex Bolt-Zinc <i>(Eight Required)</i>
31	10106787	Brace <i>(Three Required)</i>
32	10DE038	3/8" Dust Eliminator <i>(One Required Per Outlet)</i>
33	1014239	1/8" x 1/8" 90° Fitting <i>(One Required Per Outlet)</i>
34	1012326	90° Swivel 1/4" x 1/4" <i>(One Required Per Outlet)</i>
35	20PFHA24SA0404	1/4" Hex Nipple <i>(One Required Per Outlet)</i>
36	10000114	3/8" NPT Street Elbow <i>(One Required Per Outlet)</i>
37	10103400	3/8-16 x 3/4" Bolt <i>(Nine Required)</i>
38	10106961	Rear PV400 cover
39	10106962	Base PV400 cover
40	10106958	Front PV400 cover

SCHEMATIC

Figure 3: KwikStop Depressurization System Assembly - 190 Pneumatic Control Valve – Trailer



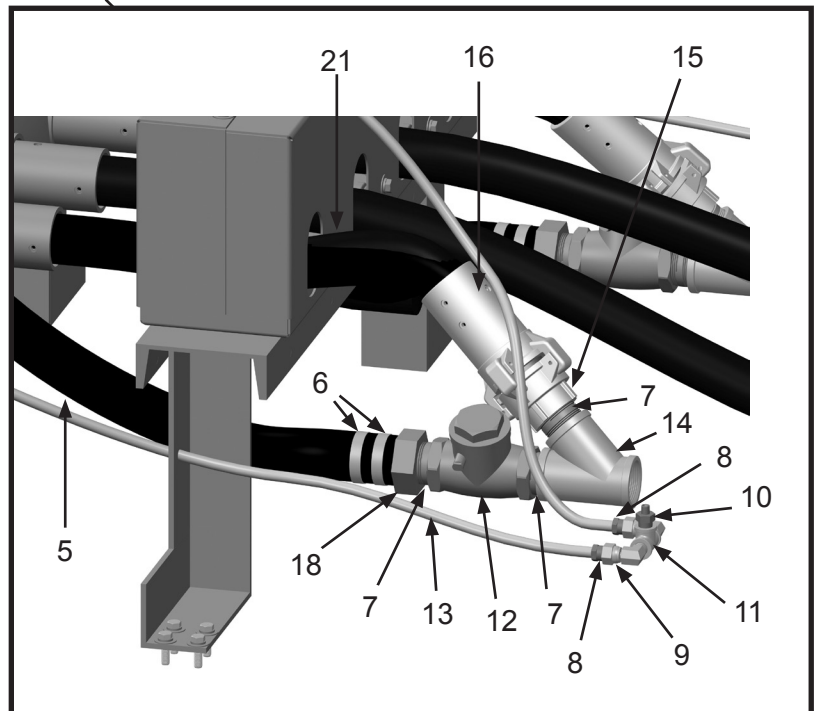
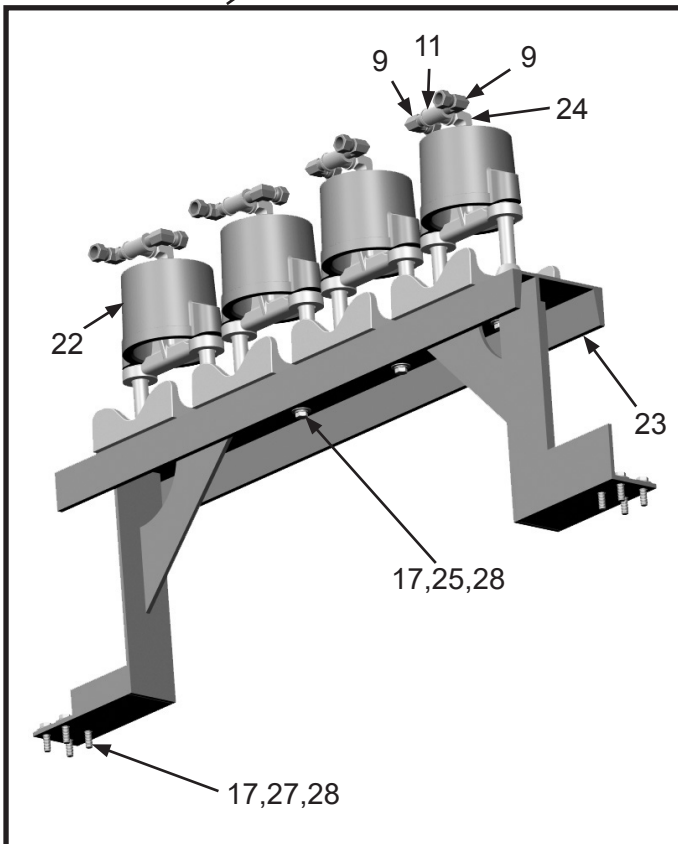
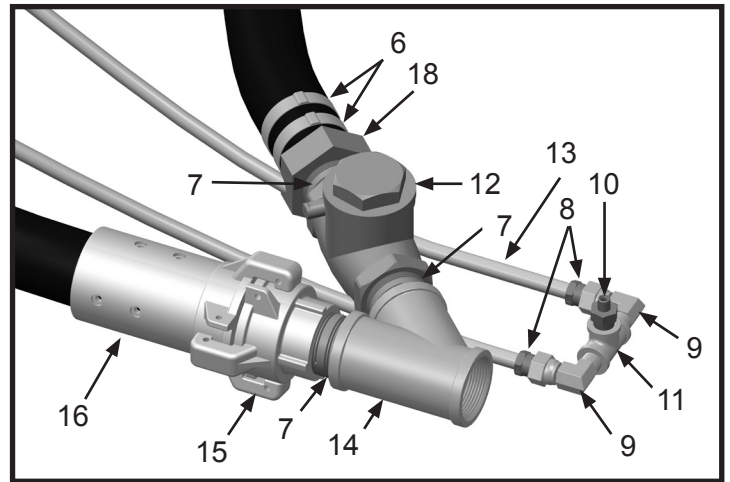
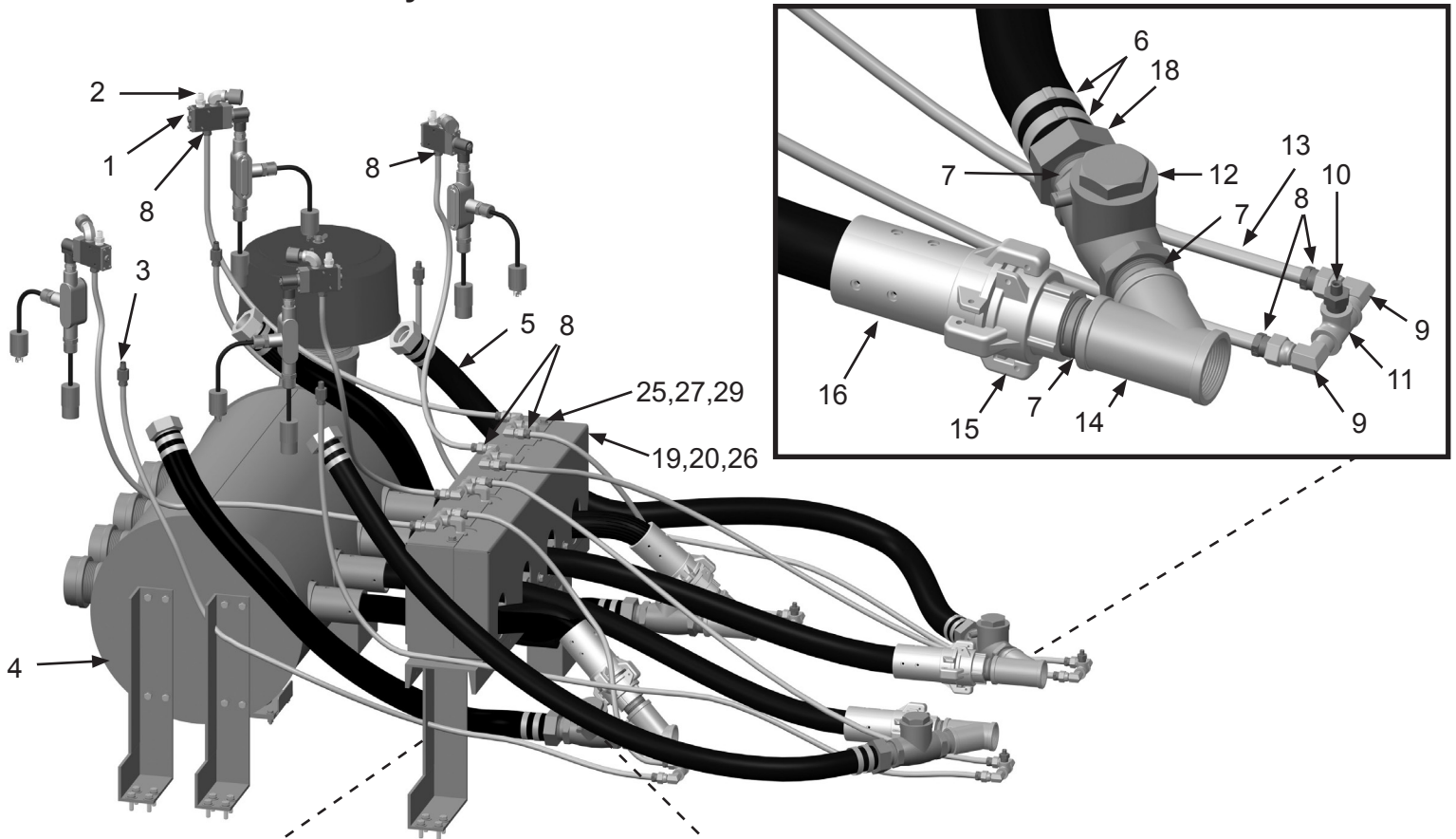
PART NUMBERS

KwikStop Depressurization System Assembly - 12-Volt DC 190 Electric Control Assembly – Skid

Item #	Part #	Description
Fig. 4		
—	10106945	Marco® KwikStop - 12-Volt DC 190 - 4-PORT— Complete
—	10106946	Marco® KwikStop - 12-Volt DC 190 - 3-PORT— Complete
—	10106947	Marco® KwikStop - 12-Volt DC 190 - 2-PORT— Complete
1	10106491	Marco 190 12-Volt DC Assembly <i>(One Required Per Outlet)</i>
2	20PFHA24SA0604	1/4" x 3/8" Hex Nipple <i>(One Required Per Outlet)</i>
3	20PFHA24SG0406	1/4" x 3/8" Hex Reducer <i>(One Required Per Outlet)</i>
4	—	Chamber Assembly <i>(See Figure 8)</i>
5	10AH112B	Air Hose 1-1/2" I.D. 200 PSI - Black <i>(Per Foot)</i>
6	10AHCL1	Band Clamp <i>(16 Required)</i>
7	1011849	1-1/2" Close Nipple Schedule 80 <i>(Three Required Per Outlet)</i>
8	10103631	3/8" Barb x 3/8" NPTF Brass <i>(Six Required Per Outlet)</i>
9	20PFHA60UA0606	3/8" (M) x 3/8" (F) 90° Swivel Union <i>(Four Required Per Outlet)</i>
10	20PFHA24SA0602	1/8" x 3/8" Hex Nipple <i>(One Required Per Outlet)</i>
11	1011809	3/8" Pipe Tee <i>(Two Required Per Outlet)</i>
12	10106486	1-1/2" Horizontal Swing Check Valve <i>(One Required Per Outlet)</i>
13	10AH038	Air Hose 3/8" I.D. 300 PSI - Black <i>(Per Foot)</i>
14	10105025	1-1/2" WYE Fitting <i>(One Required Per Outlet)</i>
15	10SA3X	1-1/2" Oversized Tank Coupling <i>(One Required Per Outlet)</i>
16	10QAL4X	1-1/2" Aluminum Oversized Coupling <i>(One Required Per Outlet)</i>
17	10104234	3/8-16 x 1-1/4" Bolt Galvanized <i>(Eight Required Plus Two Per Outlet)</i>
18	10SFE4	1-1/2" Swivel Female End <i>(Two Required Per Outlet)</i>
19	10106961	Rear PV400 cover
20	10106962	Base PV400 cover
21	10BH1122XR	Marco® 1-1/2" I.D. Abrasive Blasting Hose <i>(Per Foot)</i>
22	10106832	Marco® 3/8" PV400 Remote Control Valve <i>(One Required Per Outlet)</i>
23	10106906	Pinch Valve Skid Mount Weldment
24	20PFHA25UA0606	3/8" Male 90° Elbow <i>(One Required Per Outlet)</i>
25	10101936	3/8" Lock Washer <i>(17 Required)</i>
26	10106958	Front PV400 cover
27	1014241	3/8" SAE Flat Washer Zinc <i>(17 Required)</i>
28	10101936	3/8" Lock Washer - Zinc <i>(16 Required)</i>
29	10103400	3/8-16 x 3/4" Bolt <i>(Nine Required)</i>

SCHEMATIC

Figure 4: KwikStop Depressurization System Assembly - 12-Volt DC 190 Electric Control Assembly – Skid



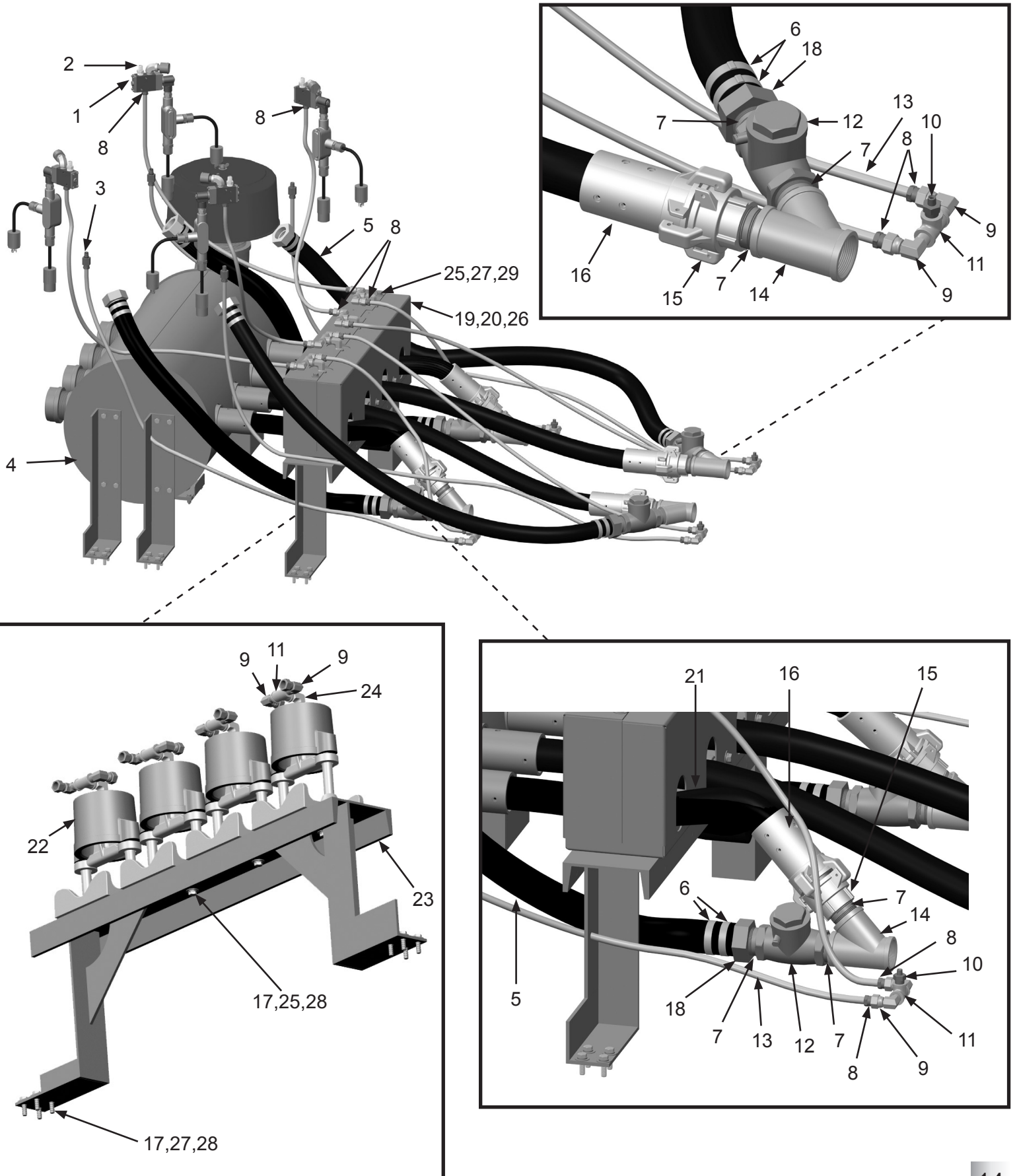
PART NUMBERS

KwikStop Depressurization System Assembly - 12-Volt AC 190 Electric Control Assembly – Skid

Item #	Part #	Description
Fig. 5		
—	10106948	Marco® KwikStop - 12-Volt AC 190 - 4-PORT— Complete
—	10106949	Marco® KwikStop - 12-Volt AC 190 - 3-PORT— Complete
—	10106950	Marco® KwikStop - 12-Volt AC 190 - 2-PORT— Complete
1	10106901	Marco 190 12-Volt AC Assembly <i>(One Required Per Outlet)</i>
2	20PFHA24SA0604	1/4" x 3/8" Hex Nipple <i>(One Required Per Outlet)</i>
3	20PFHA24SG0406	1/4" x 3/8" Hex Reducer <i>(One Required Per Outlet)</i>
4	—	Chamber Assembly <i>(See Figure 8)</i>
5	10AH112B	Air Hose 1-1/2" I.D. 200 PSI - Black <i>(Per Foot)</i>
6	10AHCL1	Band Clamp <i>(16 Required)</i>
7	1011849	1-1/2" Close Nipple Schedule 80 <i>(Three Required Per Outlet)</i>
8	10103631	3/8" Barb x 3/8" NPTF Brass <i>(Six Required Per Outlet)</i>
9	20PFHA60UA0606	3/8" (M) x 3/8" (F) 90° Swivel Union <i>(Four Required Per Outlet)</i>
10	20PFHA24SA0602	1/8" x 3/8" Hex Nipple <i>(One Required Per Outlet)</i>
11	1011809	3/8" Pipe Tee <i>(Two Required Per Outlet)</i>
12	10106486	1-1/2" Horizontal Swing Check Valve <i>(One Required Per Outlet)</i>
13	10AH038	Air Hose 3/8" I.D. 300 PSI - Black <i>(Per Foot)</i>
14	10105025	1-1/2" WYE Fitting <i>(One Required Per Outlet)</i>
15	10SA3X	1-1/2" Oversized Tank Coupling <i>(One Required Per Outlet)</i>
16	10QAL4X	1-1/2" Aluminum Oversized Coupling <i>(One Required Per Outlet)</i>
17	10104234	3/8-16 x 1-1/4" Bolt Galvanized <i>(Eight Required Plus Two Per Outlet)</i>
18	10SFE4	1-1/2" Swivel Female End <i>(Two Required Per Outlet)</i>
19	10106961	Rear PV400 cover
20	10106962	Base PV400 cover
21	10BH1122XR	Marco® 1-1/2" Abrasive Blasting Hose <i>(Per Foot)</i>
22	10106832	Marco® 3/8" PV400 Remote Control Valve <i>(One Required Per Outlet)</i>
23	10106906	Pinch Valve Skid Mount Weldment
24	20PFHA25UA0606	3/8" Male 90° Elbow <i>(One Required Per Outlet)</i>
25	10101936	3/8" Lock Washer <i>(17 Required)</i>
26	10106958	Front PV400 cover
27	1014241	3/8" SAE Flat Washer Zinc <i>(17 Required)</i>
28	10101936	3/8" Lock Washer - Zinc <i>(16 Required)</i>
29	10103400	3/8-16 x 3/4" Bolt <i>(Nine Required)</i>

SCHEMATIC

Figure 5: KwikStop Depressurization System Assembly - 12-Volt AC 190 Electric Control Assembly – Skid



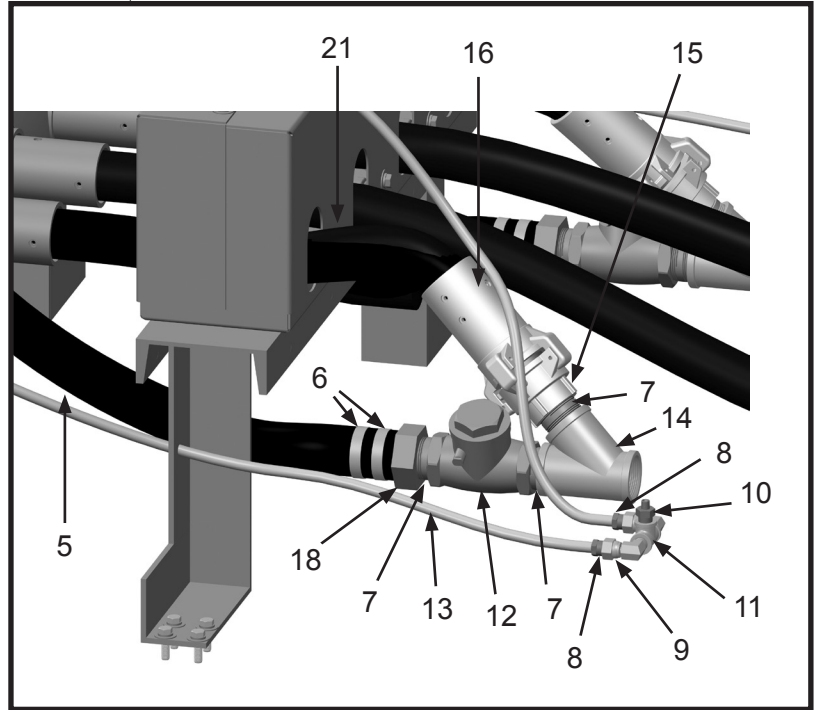
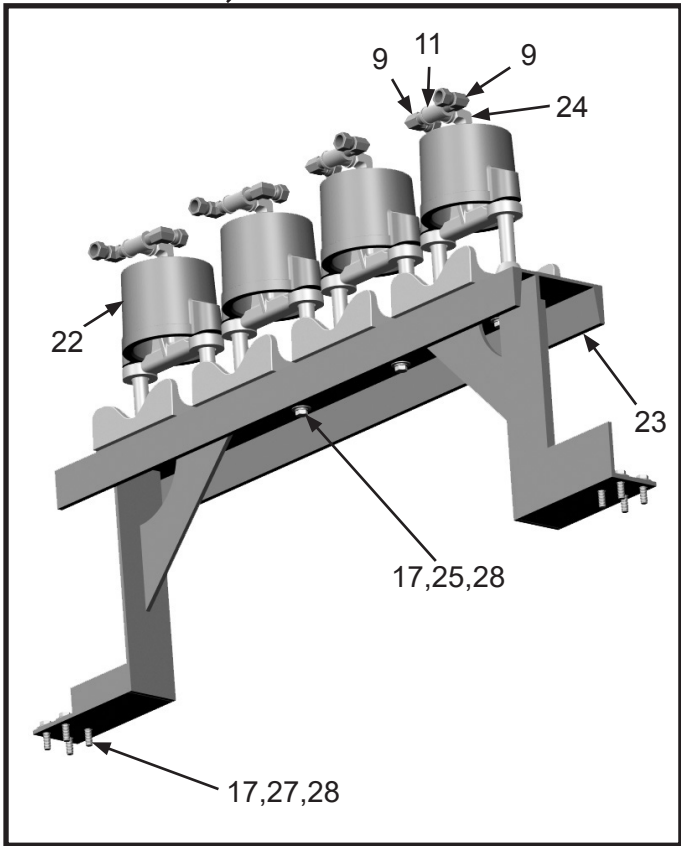
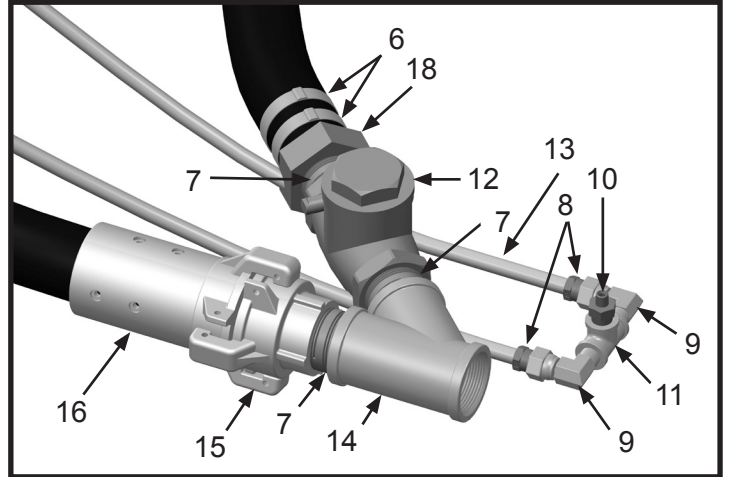
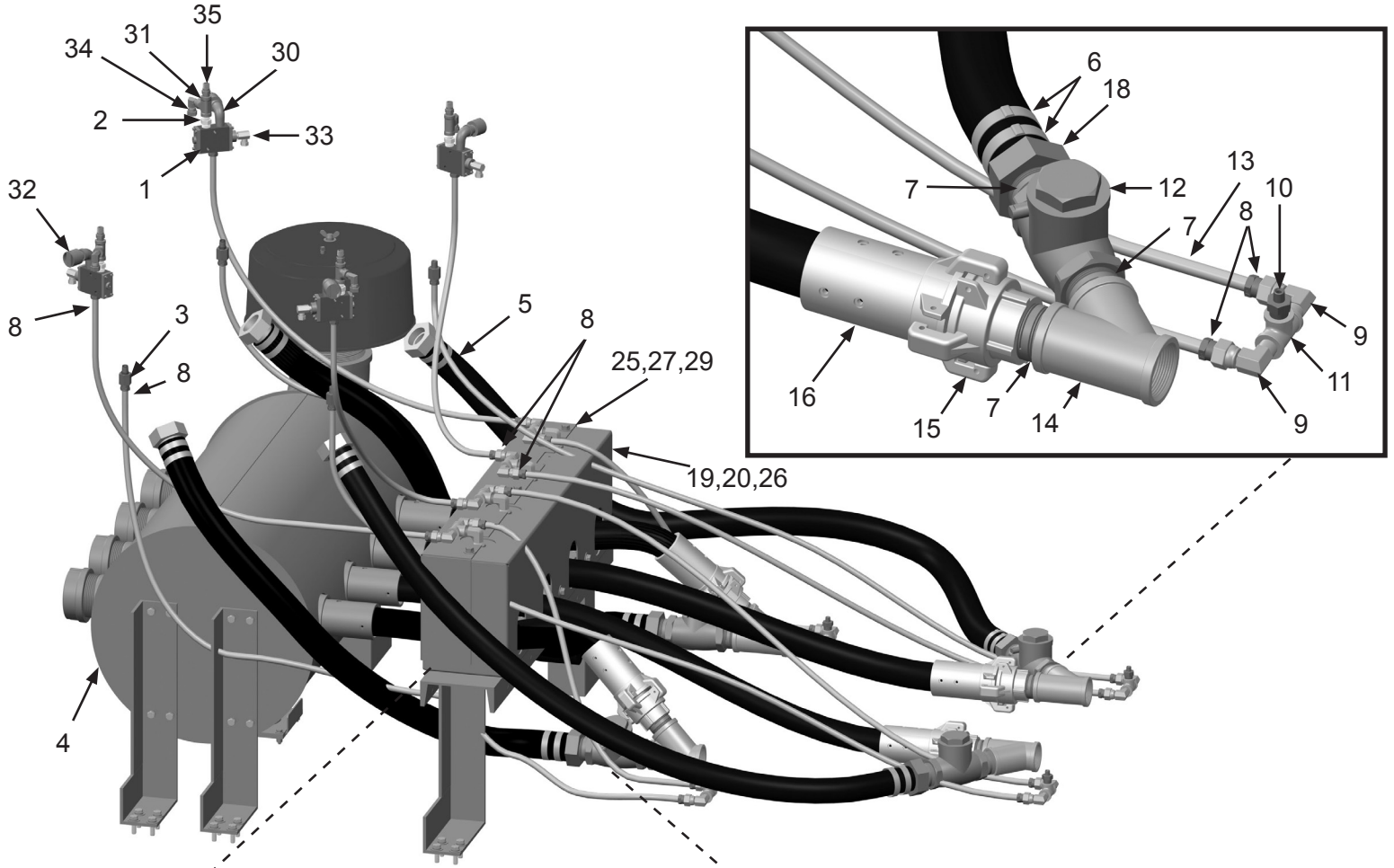
PART NUMBERS

KwikStop Depressurization System Assembly - 190 Pneumatic Control Valve – Skid

Item #	Part #	Description
Fig. 6		
—	10106951	Marco® KwikStop - Pneumatic - 4-PORT— Complete
—	10106952	Marco® KwikStop - Pneumatic - 3-PORT— Complete
—	10106953	Marco® KwikStop - Pneumatic - 2-PORT— Complete
1	10106815	3/8" Ports Pneumatic Control Valve <i>(Four Required)</i>
2	20PFHA24SA0604	1/4" x 3/8" Hex Nipple <i>(One Required Per Outlet)</i>
3	20PFHA24SG0406	1/4" x 3/8" Hex Reducer <i>(One Required Per Outlet)</i>
4	—	Chamber Assembly <i>(See Figure 8)</i>
5	10AH114B	Air Hose 1-1/4" I.D. 200 PSI - Black <i>(Per Foot)</i>
6	10AHCL1	Band Clamp <i>(16 Required)</i>
7	1011849	1-1/2" Close Nipple Schedule 80 <i>(Five Required Per Outlet)</i>
8	10103631	3/8" Barb x 3/8" NPTF Brass <i>(Six Required Per Outlet)</i>
9	20PFHA60UA0606	3/8" (M) x 3/8" (F) 90° Swivel Union <i>(Four Required Per Outlet)</i>
10	20PFHA24SA0602	1/8" x 3/8" Hex Nipple <i>(One Required Per Outlet)</i>
11	1011809	3/8" Pipe Tee <i>(Two Required Per Outlet)</i>
12	10106486	1-1/2" Horizontal Swing Check Valve <i>(One Required Per Outlet)</i>
13	10AH038	Air Hose 3/8" I.D. 300 PSI - Black <i>(Per Foot)</i>
14	10105025	1-1/2" WYE Fitting <i>(One Required Per Outlet)</i>
15	10SA3X	1-1/2" Oversized Tank Coupling <i>(One Required Per Outlet)</i>
16	10QAL4X	1-1/2" Aluminum Oversized Coupling <i>(One Required Per Outlet)</i>
17	10104234	3/8-16 x 1-1/4" Bolt Galvanized <i>(Eight Required Plus Two Per Outlet)</i>
18	10SFE4	1-1/2" Swivel Female End <i>(Two Required Per Outlet)</i>
19	10106961	Rear PV400 cover
20	10106962	Base PV400 cover
21	10NHA4	1-1/2" Aluminum Nozzle Holder NPS <i>(One Required Per Outlet)</i>
22	10106832	Marco® 3/8" PV400 Remote Control Valve <i>(One Required Per Outlet)</i>
23	10106906	Pinch Valve Skid Mount Weldment
24	20PFHA25UA0606	3/8" Male 90° Elbow <i>(One Required Per Outlet)</i>
25	10101936	3/8" Lock Washer <i>(17 Required)</i>
26	10106958	Front PV400 cover
27	1014241	3/8" SAE Flat Washer Zinc <i>(17 Required)</i>
28	10101936	3/8" Lock Washer - Zinc <i>(16 Required)</i>
29	10103400	3/8-16 x 3/4" Bolt <i>(Nine Required)</i>
30	10000114	3/8" NPT Street Elbow <i>(One Required Per Outlet)</i>
31	1011844	1/4" Pipe Tee <i>(One Required Per Outlet)</i>
32	10DE038	3/8" Dust Eliminator <i>(One Required Per Outlet)</i>
33	1014239	1/8" x 1/8" 90° Fitting <i>(One Required Per Outlet)</i>
34	1012326	90° Swivel 1/4" x 1/4" <i>(One Required Per Outlet)</i>
35	20PFHA24SA0404	1/4" Hex Nipple <i>(One Required Per Outlet)</i>
—	106M137	Part Numbers & Schematics Guide – Marco® KwikStop Depressurization System
—	1090137	Operator's Manual – Marco® KwikStop Depressurization System

SCHEMATIC

Figure 6: KwikStop Depressurization System Assembly - 190 Pneumatic Control Valve – Skid



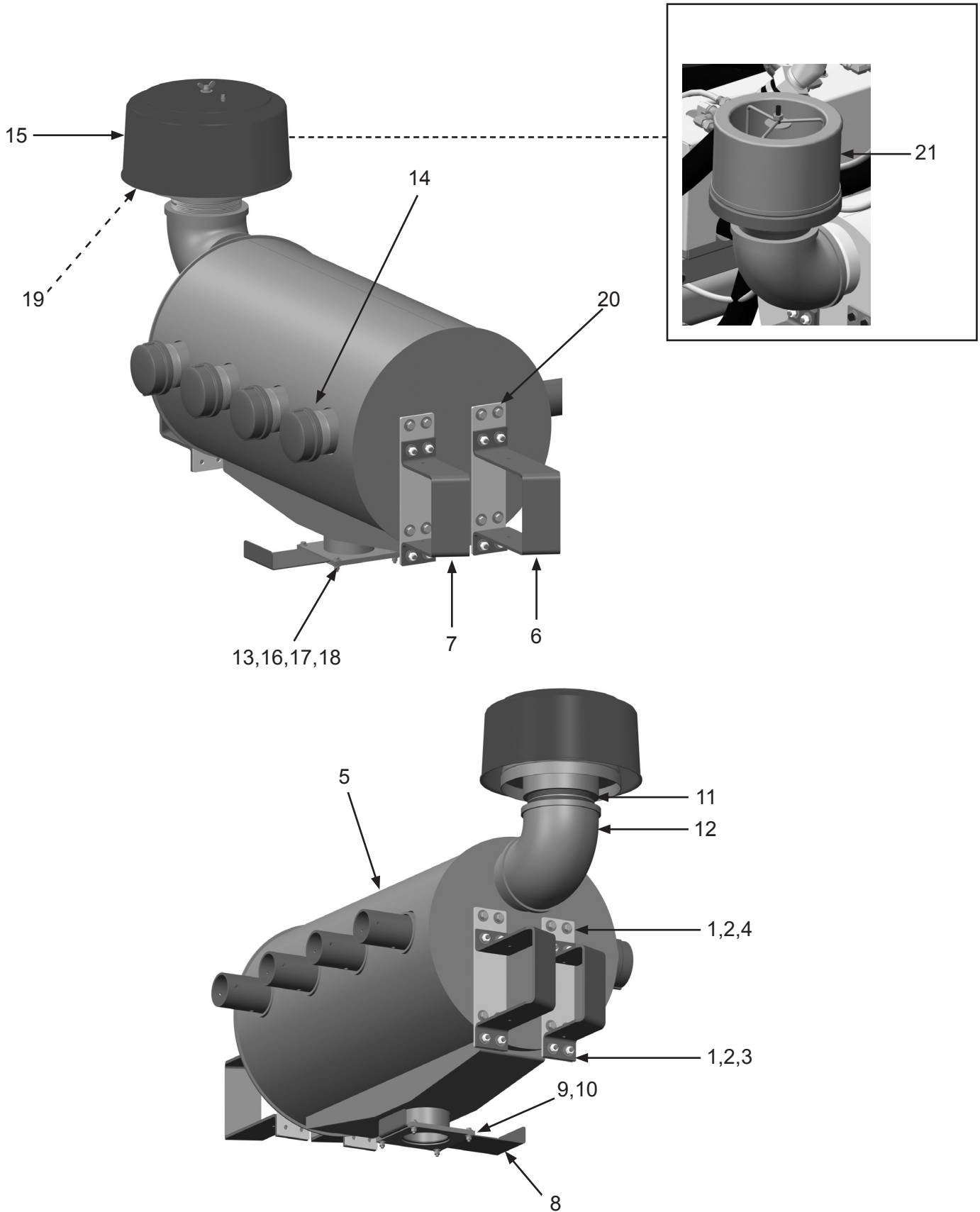
PART NUMBERS

Chamber Assembly – Trailer

Item #	Part #	Description
Fig. 7		
1	10101936	3/8" Lock Washer <i>(32 Required)</i>
2	1014241	3/8" Flat Washer <i>(32 Required)</i>
3	1012318	3/8-16 HD Hex Nut <i>(16 Required)</i>
4	10104234	3/8-16 x 1-1/4" Hex Bolt Zinc Grade 5 <i>(16 Required)</i>
5	10105665	Chamber Weldment
6	10105790	Right Back Angle U-Bracket <i>(Two Required)</i>
7	10105791	Right Front Angle U-Bracket <i>(Two Required)</i>
8	10104947	Slide Gate
9	10104945	Slide Gate Bolt Plate
10	10104946	Slide Gate Slide Bar <i>(Two Required)</i>
11	10106487	5" Close Nipple
12	10106462	5" 90° Pipe Elbow
13	1014017	1/4" Flat Washer <i>(Eight Required)</i>
14	10105666	3" NPT Pipe Cap <i>(One Required Per Outlet)</i>
15	10106463	5" MNPT Air Exhaust Filter
16	1012154	1/4-20 x 1" Bolt <i>(Four Required)</i>
17	1012153	1/4" Lock Washer <i>(Four Required)</i>
18	10101347	1/4-20 Hex Nut <i>(Four Required)</i>
19	10106464	Wire Mesh Element
20	10106893	Lift Plate
21	10106464	Filter Element

SCHEMATICS

Figure 7: Chamber Assembly – Trailer



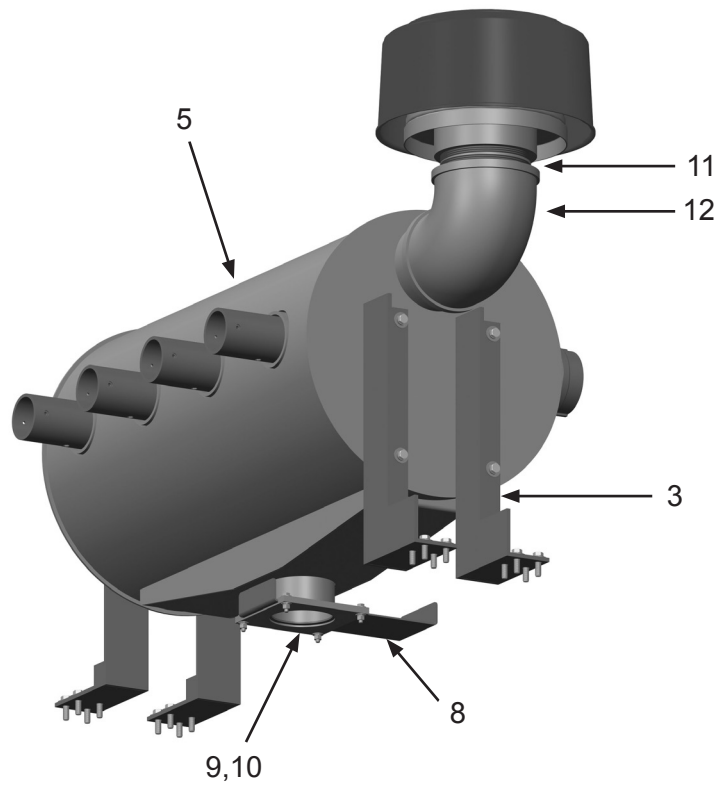
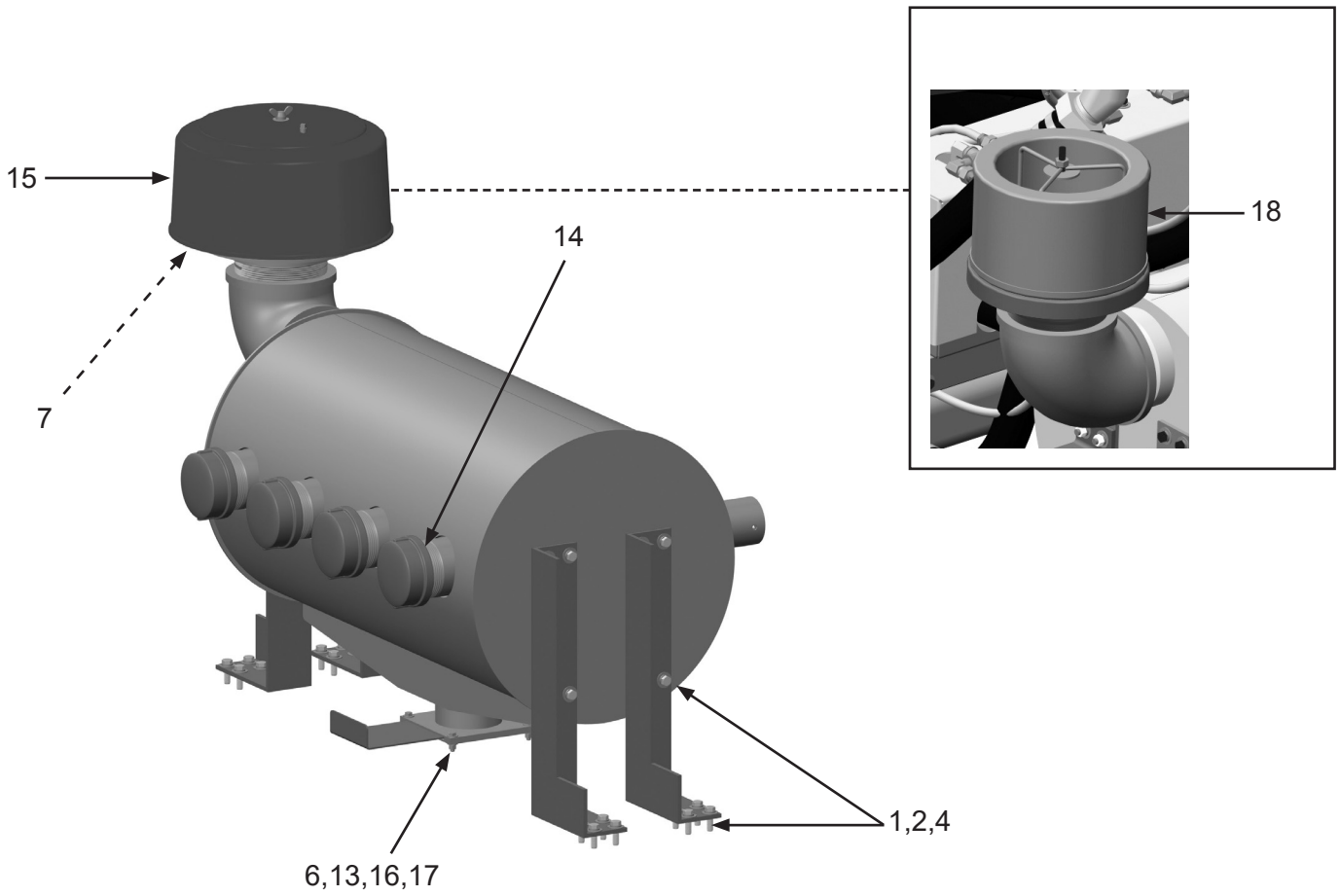
PART NUMBERS

Chamber Assembly – Skid

Item #	Part #	Description
Fig. 8		
1	10101936	3/8" Lock Washer <i>(24 Required)</i>
2	1014241	3/8" Flat Washer <i>(24 Required)</i>
3	10106903	Chamber Skid Mount Weldment <i>(Four Required)</i>
4	10104234	3/8-16 x 1-1/4" Hex Bolt Zinc Grade 5 <i>(24 Required)</i>
5	10105665	Chamber Weldment
6	10101347	1/4-20 Hex Nut <i>(Four Required)</i>
7	10106464	Wire Mesh Element
8	10104947	Slide Gate
9	10104945	Slide Gate Bolt Plate
10	10104946	Slide Gate Slide Bar <i>(Two Required)</i>
11	10106487	5" Close Nipple
12	10106462	5" 90° Pipe Elbow
13	1014017	1/4" Flat Washer <i>(Eight Required)</i>
14	10105666	3" NPT Pipe Cap <i>(One Required Per Outlet)</i>
15	10106463	5" MNPT Air Exhaust Filter
16	1012154	1/4-20 x 1" Bolt <i>(Four Required)</i>
17	1012153	1/4" Lock Washer <i>(Four Required)</i>
18	10106464	Filter Element

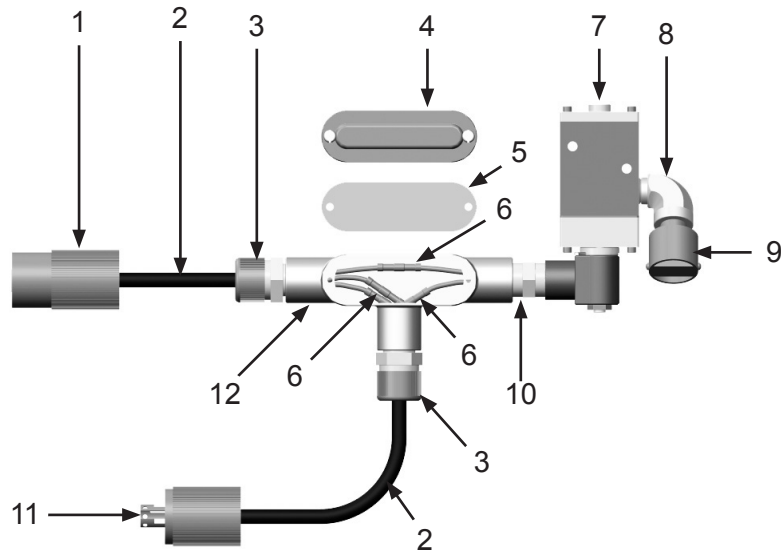
SCHEMATICS

Figure 8: Chamber Assembly – Skid



PART NUMBERS & SCHEMATIC

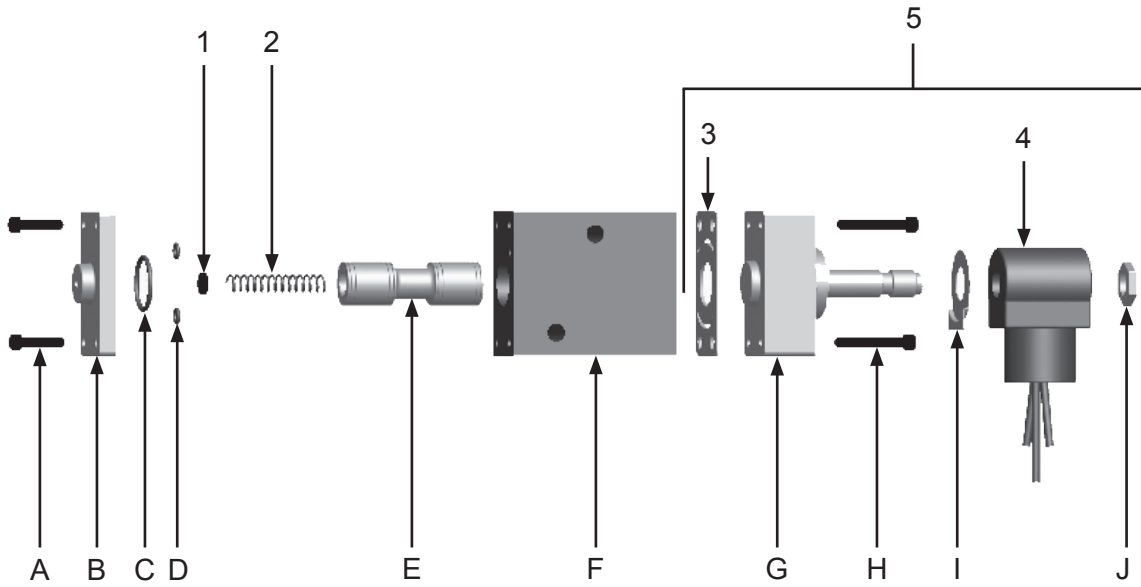
Figure 9: 12-Volt DC 190 Electric Control Assembly



Item #	Part #	Description
Fig. 9		
—	10106491	12-Volt DC 190 Electric Control Assembly – Complete
1	1015556	3-prong Twist-Lock Plug – Female
2	1015540	16/2 Electric Cord – per foot
3	1019021	Cord Grip (<i>Two Required</i>)
4	1019022	Conduit Box Cover
5	1019023	Conduit Box Cover Gasket
6	1030028	Butt Splicer (<i>Four Required</i>)
7	10106460	12-Volt DC Electric Control Valve – Complete
8	20PFHA25UG0606	3/8" Street Elbow
9	10DE038	Dust Eliminator
10	20100677	1/2" x 1/2" NPT Hex Nipple
11	1015555	3-prong Twist-Lock Plug – Male
12	1019020	1/2" Tee Conduit Box
—	1091045	Hazard Identification Tag

PART NUMBERS & SCHEMATIC

Figure 10: 12-Volt DC 190 Electric Control Valve

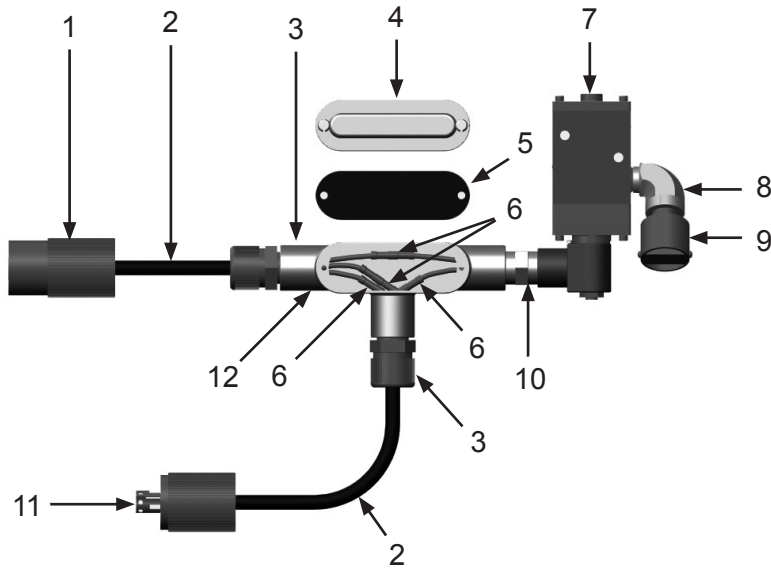


Item #	Part #	Description
Fig. 10		
—	10106460	12-Volt DC 190 Electric Control Valve – Complete
1	1019029	Felt Filter
2	1019032	Spring
3	1019033	Gasket
4	1019039	12-Volt DC Coil
5	1019034	12-Volt DC Operator Assembly (Includes Items: #3, #4, G, H, I, and J)
—	1019030	Electric Control Valve Repair Kit (Includes Items: #1, #2, #3, C, D, and E)

* Items A–J are not available individually

PART NUMBERS & SCHEMATIC

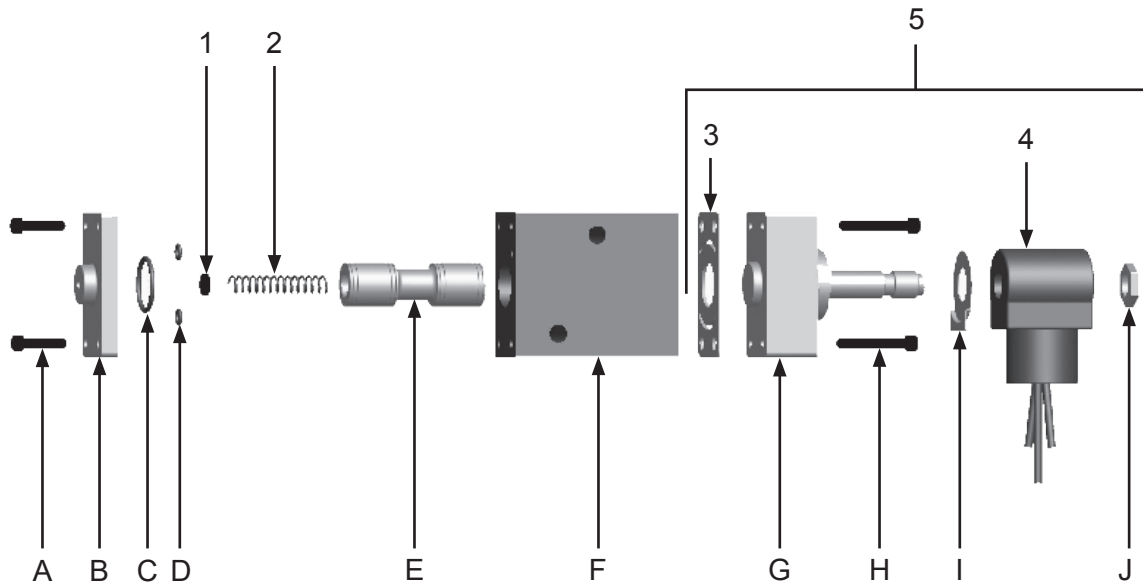
Figure 11: 12-Volt AC 190 Electric Control Assembly



Item #	Part #	Description
Fig. 11		
—	10106901	12-Volt AC 190 Electric Control Assembly – Complete
1	1015556	3-prong Twist-Lock Plug – Female
2	1015540	16/2 Electric Cord – per foot
3	1019021	Cord Grip (<i>Two Required</i>)
4	1019022	Conduit Box Cover
5	1019023	Conduit Box Cover Gasket
6	1030028	Butt Splicer (<i>Four Required</i>)
7	10106900	12-Volt AC Electric Control Valve – Complete
8	20PFHA25UG0606	3/8" Street Elbow
9	10DE038	Dust Eliminator
10	20100677	1/2" x 1/2" NPT Hex Nipple
11	1015555	3-prong Twist-Lock Plug – Male
12	1019020	1/2" Tee Conduit Box
—	1091045	Hazard Identification Tag

PART NUMBERS & SCHEMATIC

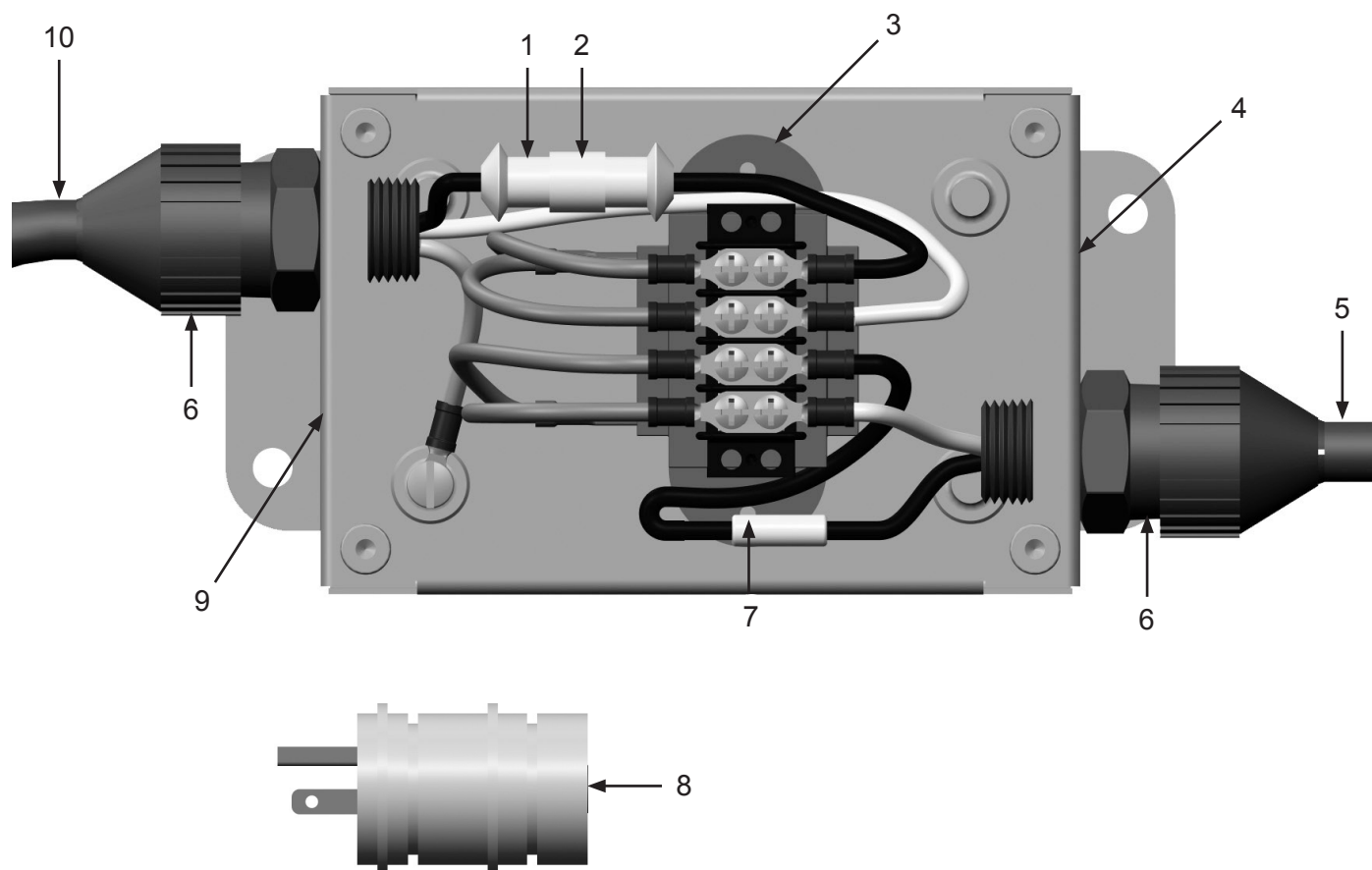
Figure 12: 12-Volt AC 190 Electric Control Valve



Item #	Part #	Description
Fig. 12		
—	1016900	3/8" 12-Volt AC 190 Electric Control Valve – Complete
1	1019029	Felt Filter
2	1019032	Spring
3	1019033	Gasket
4	1019040	12-Volt AC Coil
5	1019035	12-Volt AC Electric Operator Assembly (Includes Items: #3, #4, G, H, I, and J)
—	1019030	12-Volt AC Electric Control Valve Repair Kit (Includes Items: #1, #2, #3, C, D, and E)
* Items A–J are not available individually		

PART NUMBERS & SCHEMATIC

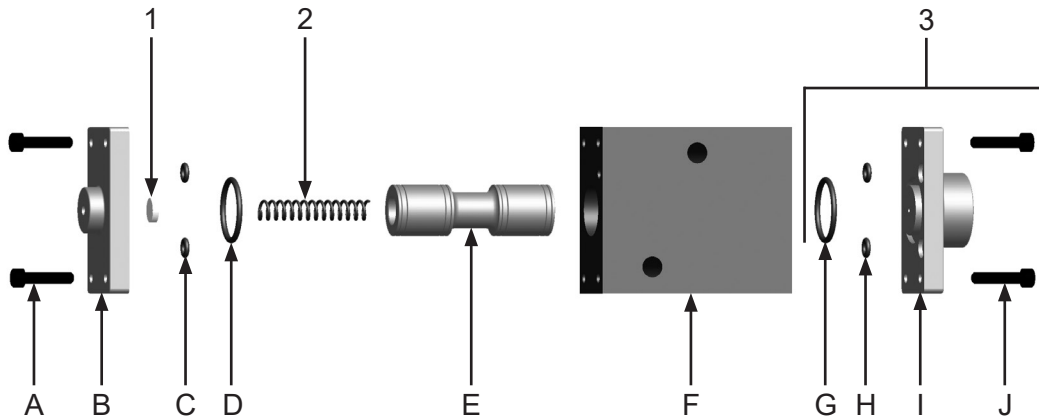
Figure 13: 120-Volt AC to 12-Volt AC Power Converter



Item #	Part #	Description
Fig. 13		
—	10100713	Marco® 120-Volt AC to 12-Volt AC Power Converter with 3 feet of 14/2 Electric Cord and Plug – Complete
1	1030123	3 Amp Fuse
2	1030023	In-Line Fuse Holder
3	1030022	Transformer – Marco 120-Volt AC to 12-Volt AC Power Converter
4	1091067	Power-Out Decal (Not Shown)
5	1030013	14/2 SEOW Electric Cord (Per Foot)
6	1030025	Strain Relief (Two Required)
7	1030021	Resistor
8	1030026	3-prong, 120-Volt AC Plug – Male
9	1092014	Power-In Decal (Not Shown)
10	1015550	14/3 SEOW Electric Cord (Per Foot)
—	1091063	Hazard Identification Decal

PART NUMBERS & SCHEMATIC

Figure 14: 190 Pneumatic Control Valve



Item #	Part #	Description
--------	--------	-------------

Fig. 14

—	10106815	3/8" Port 190 Pneumatic Control Valve – Normally-Closed – Complete
---	-----------------	---

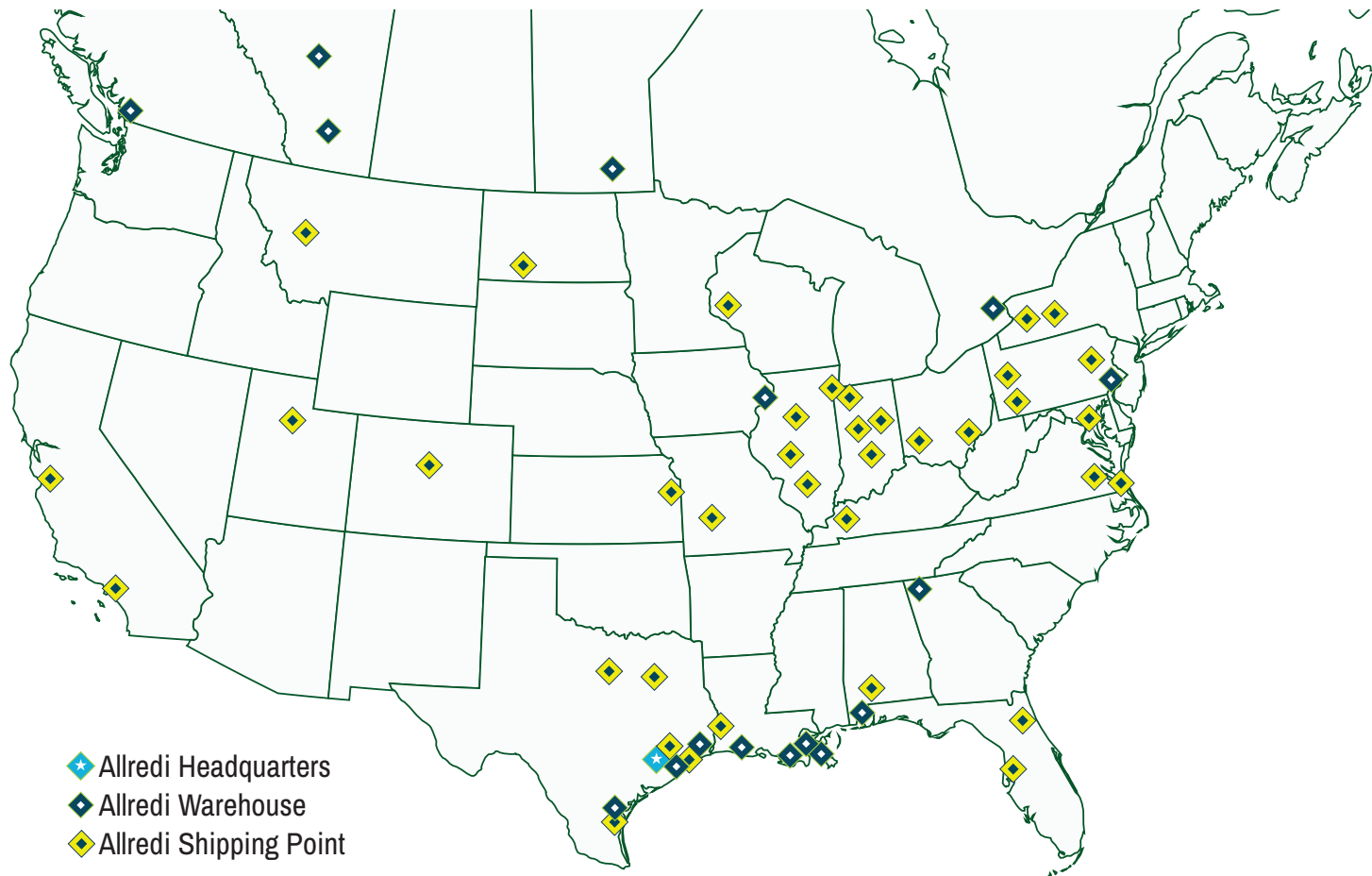
1	1019029	Felt Filter
---	---------	-------------

2	1019032	Spring
---	---------	--------

3	1019027	Pneumatic Control Valve Operator Assembly (Includes Items: G, H, I, and J)
---	---------	---

4	1019028	Pneumatic Control Valve Service Kit (Includes Items: #1, #2, C, D, E, G, and H)
---	---------	--

* Items A–J are not available individually



ALLREDI THERE

Serving these industries: Bridge, Pipeline, Tank & Tower, Concrete Services, Rail, Shipyard & Marine, Pools & Fountains, and Foundry

UNITED STATES

Pasadena, TX (Headquarters)
844.361.7038

Baumont, TX
409.722.1284

Bristol, PA
215.826.8080

Corpus Christi, TX
361.887.2038

Davenport, IA
563.324.2519

Deer Park, TX
(Service & Rental Location)
281.930.0905

Duluth, GA
800.535.4564

Gonzales, LA
225.647.7575

Harvey, LA
504.367.8090

Houma, LA
985.580.4273

Lafayette, LA
337.267.1440

Theodore, AL
251.338.7525

Calgary, Alberta
403.279.1924

Coquitlam, BC
604.464.6979

Edmonton, Alberta
780.468.2588 (Manus)
780.425.5510 (Mod-U-Blast)

Hamilton, Ontario
905.527.6000 / 888.794.5665

Mississauga, Ontario
905.890.5837

Winnipeg, Manitoba
204.256.3324

800.BLAST.IT / WWW.ALLREDI-US.COM

Allredi™ and Marco® are registered trademarks of Allredi, LLC.
All other brand names or marks are used for identification purposes and are trademarks of their respective owners.