



# MARCO® SERIES 301 HOSE-MOUNTED LIGHT



Powered by **ALLREDI**.

## PART NUMBERS AND SCHEMATICS GUIDE

## Company Profile

Allredi was formed in the early 2020, when two of the largest distributors in the blasting, coating, safety, and environmental industry, APE Companies and Marco Group International, joined forces. While the qualities both companies are known for have not changed, a lot about our business is new. New abilities. New agilities. New ways to help you win. This calls for a new name, Allredi.

This name exemplifies what we have become. It is completely oriented to the needs of our customers. To your needs. It says that when you call us for anything – products, service, expert advice, anything – you can consider it done. Or even better, Allredi done.

We are your right-now supplier. From skills to SKUs, we deliver the goods fast. So you can be more agile every minute, every day. This is who we are. This is what our new name means. Go ahead and expect excellence, because we're bringing it.

## Our Mission and Vision

To be the industry's preferred partner in surface preparation solutions through unrivaled technical expertise, customer experience, product availability, and tailored service offerings.

## The Allredi Difference

- **Industry Experience** – With Allredi on your team, you have access to expertise which can only come from decades of industry leadership. We have organized our engineering department, production specialists, customer operations, and safety support into a "Center of Competence." As an Allredi customer, you have access to hundreds of years of cumulative experience related to your operations.
- **Manufacturing Excellence** – Allredi is a U.S. based manufacturer of equipment for the Surface Preparation and Protective Coatings industries. Allredi's engineers benchmark the industry to ensure that we design and manufacture superior products that set the "Gold Standard" for performance, safety, and quality.
- **Legendary Customer Service** – Allredi's legendary customer service team is staffed by friendly, highly-trained individuals who are focused on providing the highest level of product support, order accuracy, and customer satisfaction.
- **Product Availability** – We stock over 10,000 SKU's and have over 45 shipping locations to serve North American and International markets for all major brands of blasting, coating, environmental, and safety equipment. Allredi is your right-now supplier, so you can keep your projects moving. From our foundation of strong relationships, we have built a nationwide network that puts vast inventory and ready service close to our customers. We provide advanced expertise, and we deliver the goods fast – so you can easily access the products and services you need to me more agile every minute, every day.
- **Technology Leadership** – Our website provides: Operator's Manuals, Part Numbers and Schematics Guides, SDS information, and key product features and specifications, providing access to information 24/7.

# TABLE OF CONTENTS

<b>Part Numbers</b> .....	<b>3</b>
<b>Part Numbers And Schematics Guide</b> .....	<b>5</b>
Marco® 301 Series Hose-Mounted Light with 120-Volt AC to 12-Volt AC Power Converter .....	<b>5</b>
Marco® 301 Series Hose-Mounted Light .....	<b>7</b>
Marco® 120-Volt AC to 12-Volt AC Power Converter .	<b>9</b>
<b>Optional Accessories</b> .....	<b>10</b>

## PART NUMBERS

<b>MARCO® 301 HOSE-MOUNTABLE ABRASIVE BLASTING LIGHT (AIR-COOLED)</b>						
<b>Part Numbers</b>	<b>Body Material</b>	<b>Power Source</b>	<b>120-Volt AC to 12-Volt AC Power Converter</b>	<b>Attached Electric Cord</b>	<b>Stanchion</b>	<b>Electric Cord Connectors</b>
1030160	Polyurethane	120-Volt AC	X	6 Ft.	X	1015560 <i>(Quantity of Two)</i>



## PART NUMBERS

<b>MARCO® 301 HOSE-MOUNTABLE ABRASIVE BLASTING LIGHT (AIR-COOLED)</b>							
<b>Part Numbers</b>	<b>Body Material</b>	<b>Power Source</b>	<b>120-Volt AC to 12-Volt AC Power Converter</b>	<b>Attached Electric Cord</b>	<b>Additional Electric Cord</b>	<b>Stanchion</b>	<b>Electric Cord Connectors</b>
1030161	Polyurethane	120-Volt AC	X	6 Ft.	100 Ft.	X	1015560 <i>(Quantity of Two)</i>



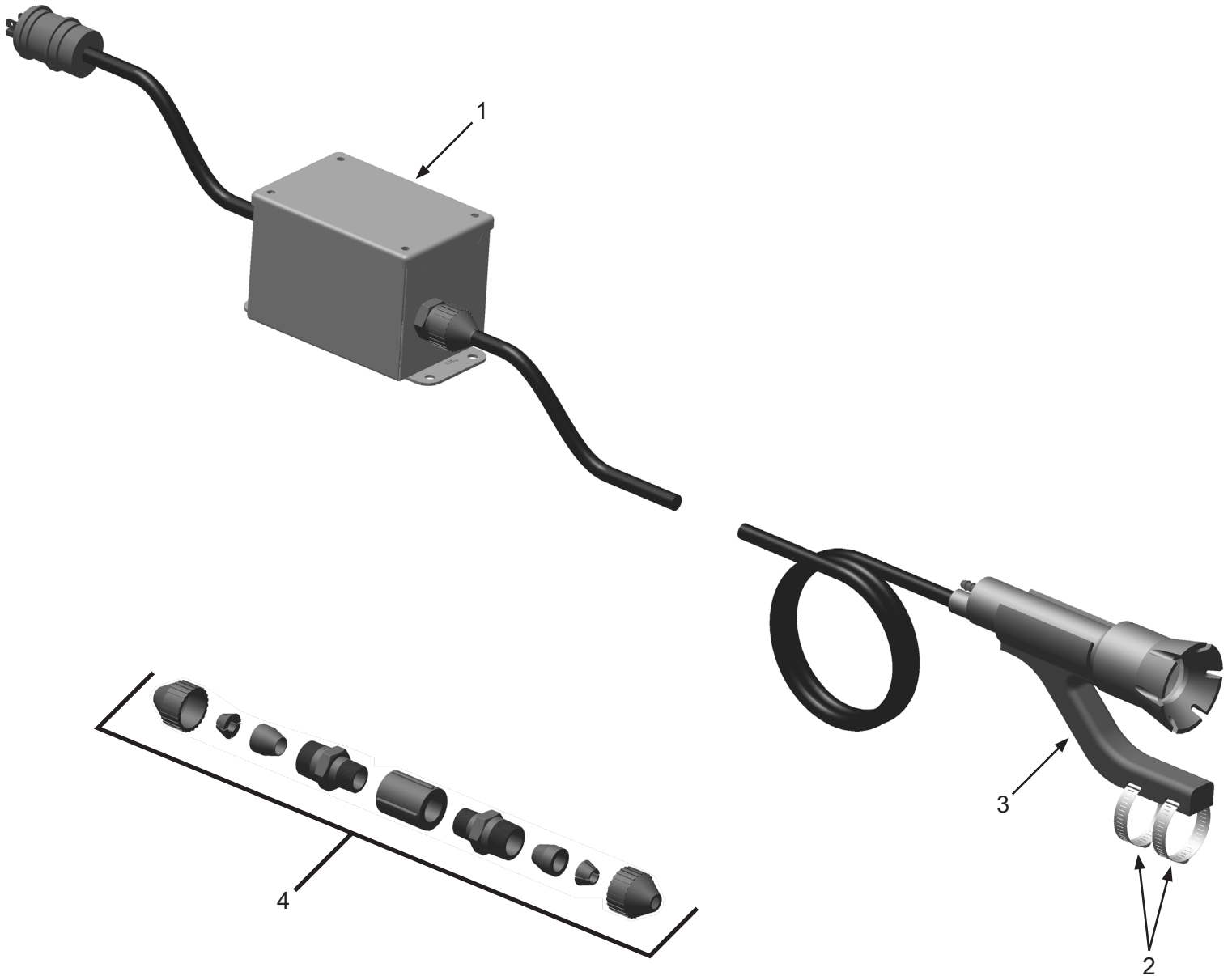
## PART NUMBERS AND SCHEMATICS GUIDE

### Marco® 301 Series Hose-Mounted Light with 120-Volt AC to 12-Volt AC Power Converter

Item #	Part #	Description
<b>Fig. 1</b>		
—	1030160	Marco® 301 Hose-Mounted Abrasive Blasting Light Assembly with 6 Feet of 14/2 SEOW Electric Cord and 120-Volt AC to 12-Volt AC Power Converter <i>(as shown)</i> <i>(Includes Item #'s: 1, 2 (Quantity of Two), 3, and 4)</i>
—	1030161	Marco® 301 Hose-Mounted Abrasive Blasting Light Assembly with 100 Feet of 14/2 SEOW Electric Cord and 120-Volt AC to 12-Volt AC Power Converter <i>(as shown)</i> <i>(Includes Item #'s: 1, 2 (Quantity of Two), 3, and 4)</i>
1	1030020	Marco® 120-Volt AC to 12-Volt AC Power Converter
2	1015503	Hose Clamps <i>(Two Required)</i>
3	1030011	Light Stanchion <i>(Includes Item #'s: 2 (Quantity of Two))</i>
4	1015560	Three-Part Cord Connector <i>(Quantity of Two)</i>

## PART NUMBERS AND SCHEMATICS GUIDE

Figure 1: Marco® 301 Series Hose-Mounted Light with 120-Volt AC to 12-Volt AC Power Converter



## PART NUMBERS AND SCHEMATICS GUIDE

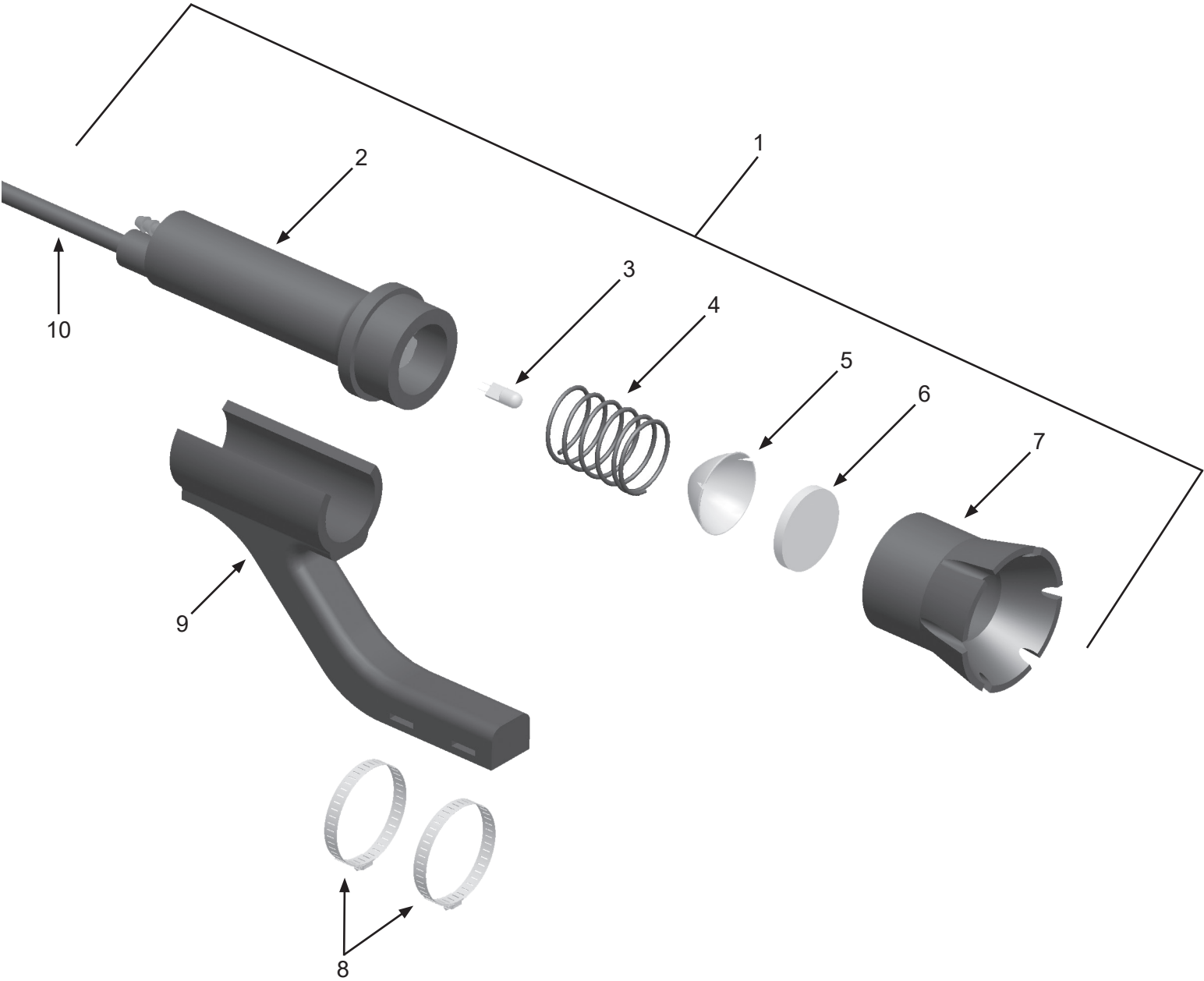
### Marco® 301 Series Hose-Mounted Light

Item #	Part #	Description
<b>Fig. 2</b>		
1	1030100	Marco® 301 Hose-Mounted Abrasive Blasting Light Assembly with 6 Feet of 14/2 SEOW Electric Cord <i>(Includes Item #'s: 2, 3, 4, 5, 6, 7, and 9)</i>
2	1030102	Marco® 301 Series Hose-Mounted Abrasive Blasting Light Body with 6 Feet of 14/2 SEOW Electric Cord <i>(Includes Item #'s: 2 and 9)</i>
3	1030001	Light Bulbs – 20-Watt <i>(Package of 10)</i>
4	1030016	Spring
5	1030012	Reflector
6	1030017	Lenses <i>(Package of 12)</i>
7	1030103	Collar
8	1015503	Hose Clamps <i>(Two Required)</i>
9	1030011	Light Stanchion <i>(Includes Item #8 (Quantity of Two))</i>
10	1030013	14/2 SEOW Electric Cord – Per Foot
—	10AH014	1/4" I.D. Air Hose, Black – Per Foot
—	1091048	Hazard Identification Tag
—	106M008	Part Numbers and Schematics Guide – Marco® 301 Series Hose-Mounted Light
—	1090008	Operator's Manual – Marco® 301 Series Hose-Mounted Light



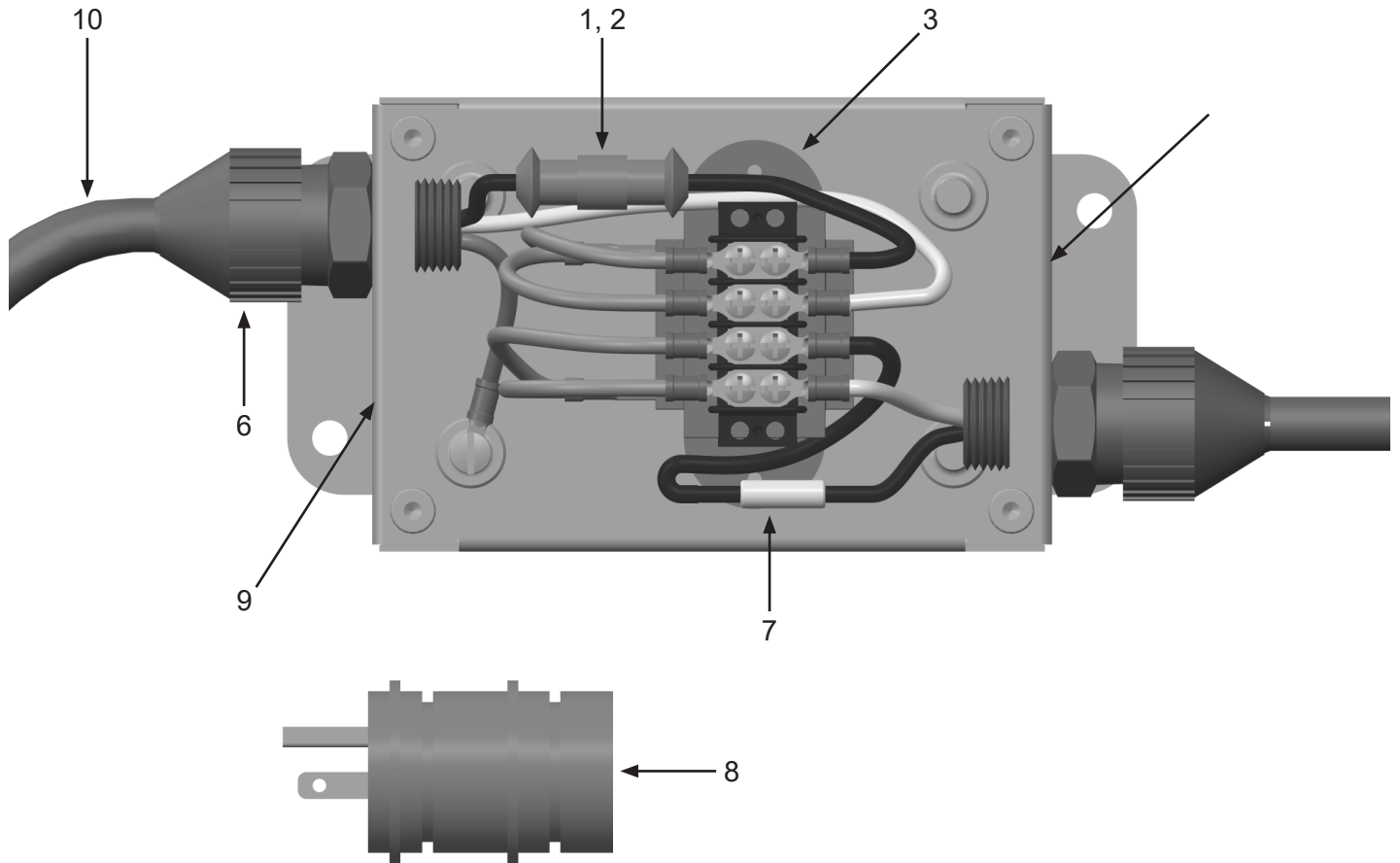
# PART NUMBERS AND SCHEMATICS GUIDE

Figure 2: Marco 301 Series Hose-Mounted Light




## PART NUMBERS AND SCHEMATICS GUIDE



Figure 3: Marco® 120-Volt AC to 12-Volt AC Power Converter



Item #	Part #	Description
<b>Fig. 3</b>		
—	<b>1030020</b>	<b>Marco® 120-Volt AC to 12-Volt AC Power Converter with 3 feet of 14/2 Electric Cord and Plug – Complete</b>
1	1030024	2 Amp Fuse
2	1030023	In-Line Fuse Holder
3	1030022	Transformer – Marco 120-Volt AC to 12-Volt AC Power Converter
4	1091067	Power-Out Decal ( <i>Not Shown</i> )
5	1030013	14/2 SEOW Electric Cord ( <i>Per Foot</i> )
6	1030025	Strain Relief ( <i>Two Required</i> )
7	1030021	Resistor
8	1030026	3-prong, 120-Volt AC Plug – Male
9	1092014	Power-In Decal ( <i>Not Shown</i> )
10	1015550	14/3 SEOW Electric Cord ( <i>Per Foot</i> )
—	1091063	Hazard Identification Decal

## OPTIONAL ACCESSORIES

		1/4" I.D. X 1/2" O.D. AIR HOSE				
	<b>Part Numbers</b>	Length	Hose I.D.	Hose O.D.	Working Pressure	Hose Cover Color
	10AH014	Per Ft.	1/4"	1/2"	250 PSI	Black

		COUPLING AND HEX NIPPLE FOR 1/4" I.D. AIR HOSE	
	<b>Part Numbers</b>	Thread Style	Working Pressure
	1080030	1/4" Female Air Hose Coupling	750 PSI
	20PFHA24SA0404	1/4" Male x 1/4" Male Air Hose Hex Nipple	5,000 PSI



## OPTIONAL ACCESSORIES



### Part Numbers

ELECTRIC CONTROL LINE				
	Gauge	# of Wires	Type	Length
1030013	14	2	SEOOW	Per Foot
1015550	14	3	SEOOW	Per Foot
1015554	14	4	SEOOW	Per Foot
1015570	12	2	SOOW	Per Foot
1015571	12	3	SJEOOW	Per Foot
1015581	10	3	SEOOW	Per Foot
1015580	10	4	SEOOW	Per Foot
1015591	8	3	SEOOW	Per Foot
1015590	8	4	SEOOW	Per Foot
1015595	6	3	SEOOW	Per Foot

### ELECTRIC CONTROL LINE PLUGS

	Part Numbers	Prong Style	Plug Style
	1030104	2-Prong Male	Twist-Lock
	1030713	2-Prong Female	Twist-Lock

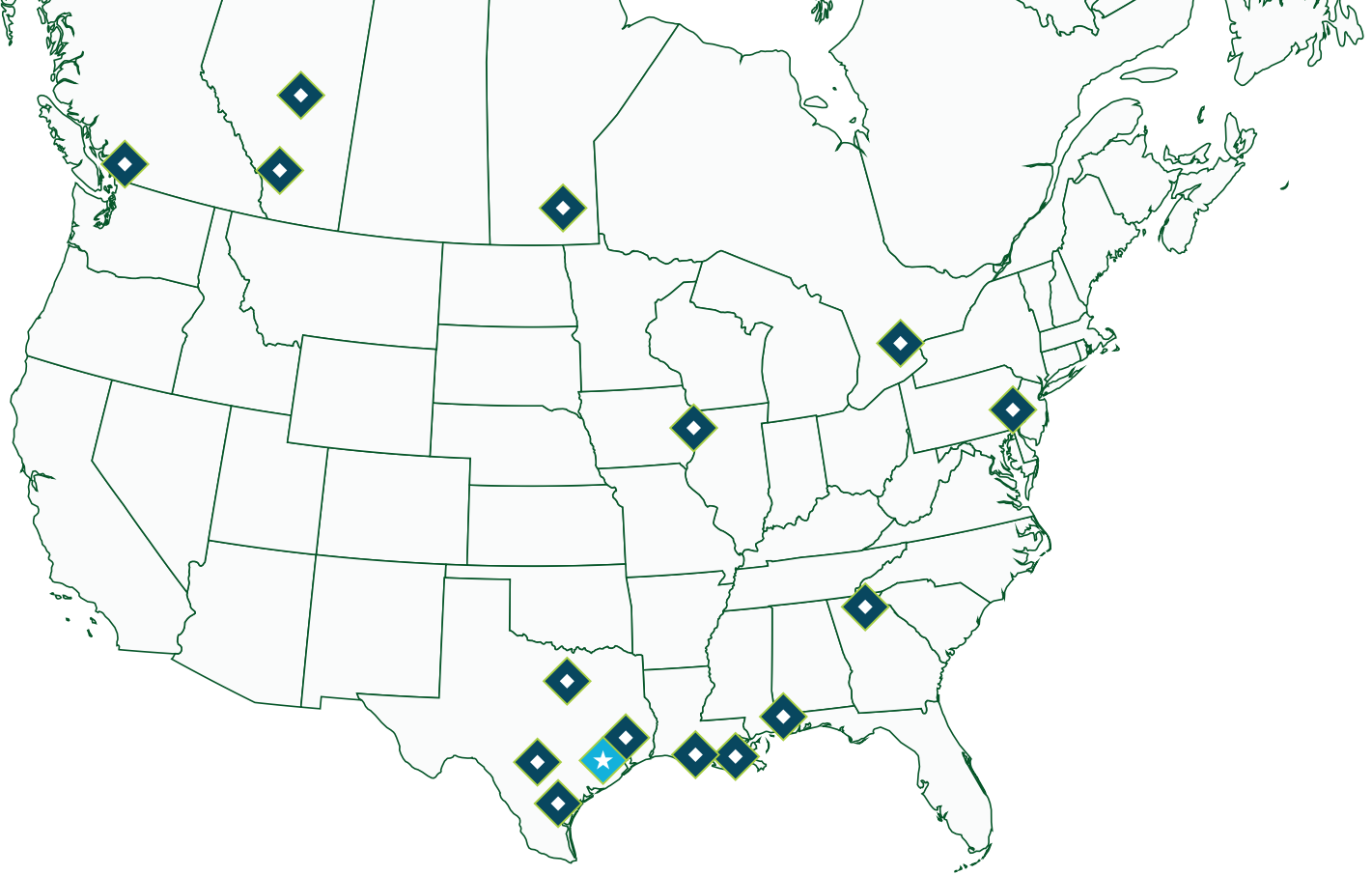
### STANCHIONS

Part Numbers	<i>Description</i>
1030019	Marco® Low Profile Stanchion
1030038	Marco® Low Profile Stanchion with Clamps









## ALLREDI THERE

Serving these industries: Bridge, Pipeline, Tank & Tower, Concrete Services, Rail, Shipyard & Marine, Pools & Fountains, and Foundry

### UNITED STATES

**Pasadena, TX** (*Headquarters*)  
844.361.7038

**Beaumont, TX**  
409.722.1284

**Bristol, PA**  
215.826.8080

**Corpus Christi, TX**  
361.887.2038

**Davenport, IA**  
563.324.2519

**Deer Park, TX**  
(*Service & Rental Location*)  
281.930.0905

**Duluth, GA**  
800.535.4564

**Gonzales, LA**  
225.647.7575

**Harvey, LA**  
504.367.8090

**Houma, LA**  
985.580.4273

**Lafayette, LA**  
337.267.1440

**Theodore, AL**  
251.338.7525

### CANADA

**Calgary, Alberta**  
403.279.1924

**Coquitlam, BC**  
604.464.6979

**Edmonton, Alberta**  
780.468.2588 (Manus)  
780.425.5510 (Mod-U-Blast)

**Hamilton, Ontario**  
905.527.6000 / 888.794.5665

**Mississauga, Ontario**  
905.890.5837

**Winnipeg, Manitoba**  
204.256.3324

**800.BLAST.IT / WWW.ALLREDI-US.COM**

Allredi™ and Marco® are registered trademarks of Allredi, LLC.  
All other brand names or marks are used for identification purposes and are trademarks of their respective owners.

**ALLREDI™**

Literature #106M008\_6/16/2023