



MARCO® 121P REMOTE CONTROL SYSTEM CONVERSION KITS



Powered by **ALLREDI**.

PART NUMBERS AND SCHEMATICS GUIDE

Company Profile

Allredi was formed in the early 2020, when two of the largest distributors in the blasting, coating, safety, and environmental industry, APE Companies and Marco Group International, joined forces. While the qualities both companies are known for have not changed, a lot about our business is new. New abilities. New agilities. New ways to help you win. This calls for a new name, Allredi.

This name exemplifies what we have become. It is completely oriented to the needs of our customers. To your needs. It says that when you call us for anything – products, service, expert advice, anything – you can consider it done. Or even better, Allredi done.

We are your right-now supplier. From skills to SKUs, we deliver the goods fast. So you can be more agile every minute, every day. This is who we are. This is what our new name means. Go ahead and expect excellence, because we're bringing it.

Our Mission and Vision

To be the industry's preferred partner in surface preparation solutions through unrivaled technical expertise, customer experience, product availability, and tailored service offerings.

The Allredi Difference

- **Industry Experience** – With Allredi on your team, you have access to expertise which can only come from decades of industry leadership. We have organized our engineering department, production specialists, customer operations, and safety support into a “Center of Competence.” As an Allredi customer, you have access to hundreds of years of cumulative experience related to your operations.
- **Manufacturing Excellence** – Allredi is a U.S. based manufacturer of equipment for the Surface Preparation and Protective Coatings industries. Allredi's engineers benchmark the industry to ensure that we design and manufacture superior products that set the “Gold Standard” for performance, safety, and quality.
- **Legendary Customer Service** – Allredi's legendary customer service team is staffed by friendly, highly-trained individuals who are focused on providing the highest level of product support, order accuracy, and customer satisfaction.
- **Product Availability** – We stock over 10,000 SKU's and have over 45 shipping locations to serve North American and International markets for all major brands of blasting, coating, environmental, and safety equipment. Allredi is your right-now supplier, so you can keep your projects moving. From our foundation of strong relationships, we have built a nationwide network that puts vast inventory and ready service close to our customers. We provide advanced expertise, and we deliver the goods fast – so you can easily access the products and services you need to me more agile every minute, every day.
- **Technology Leadership** – Our website provides: Operator's Manuals, Part Numbers and Schematics Guides, SDS information, and key product features and specifications, providing access to information 24/7.

TABLE OF CONTENTS

Company Profile	2
Table of Contents	3
121P Pneumatic Conversion Kits	4-11
3.5 Cu. Ft. Abrasive Blasting Pot.	4-5
Part Numbers and Schematics.	6-7
6.5 Cu. Ft. Abrasive Blasting Pot.	8-9
Part Numbers and Schematics.	10-11
Optional Accessories	12-13
Literature References	14
Maintenance Notes	15

PART NUMBERS AND SCHEMATICS GUIDE

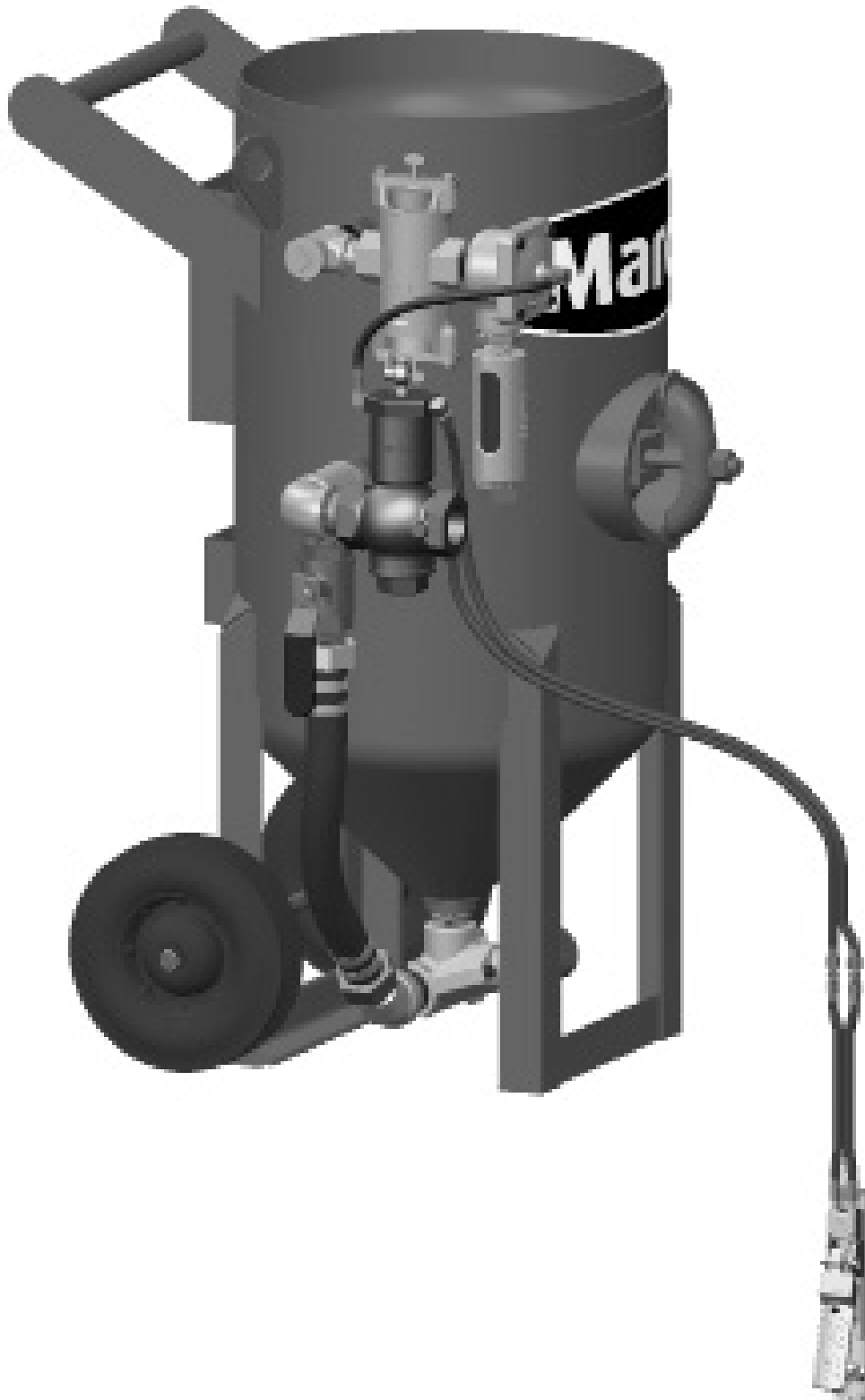
PNEUMATIC REMOTE CONTROL SYSTEM KITS – 3.5 CU. FT. M-SERIES BLAST POT

Part Numbers	Marco® 1-1/4" Bantam Abrasive Metering Valve	Marco® 1-1/2" Bantam Abrasive Metering Valve	Marco® 150P Remote Control Switch	1" Diaphragm Outlet Valve	1/2" Inlet Valve	Twinline	Pusher Line Assembly	Blast Pot Muffler
10107257	X		X	X	X	50 Ft.	X	X
10107258		X	X	X	X	50 Ft.	X	X

For converting a bare pot to pneumatic remote control system.

Includes: Marco® Bantam Abrasive Metering Valve, Marco® 150P Remote Control Switch, Twinline, Air Hose Pusher Line, Inlet Valve, Diaphragm Outlet Valve, Abrasive Blasting Pot Muffler, and various pipe fittings

PART NUMBERS AND SCHEMATICS GUIDE



PART NUMBERS AND SCHEMATICS GUIDE

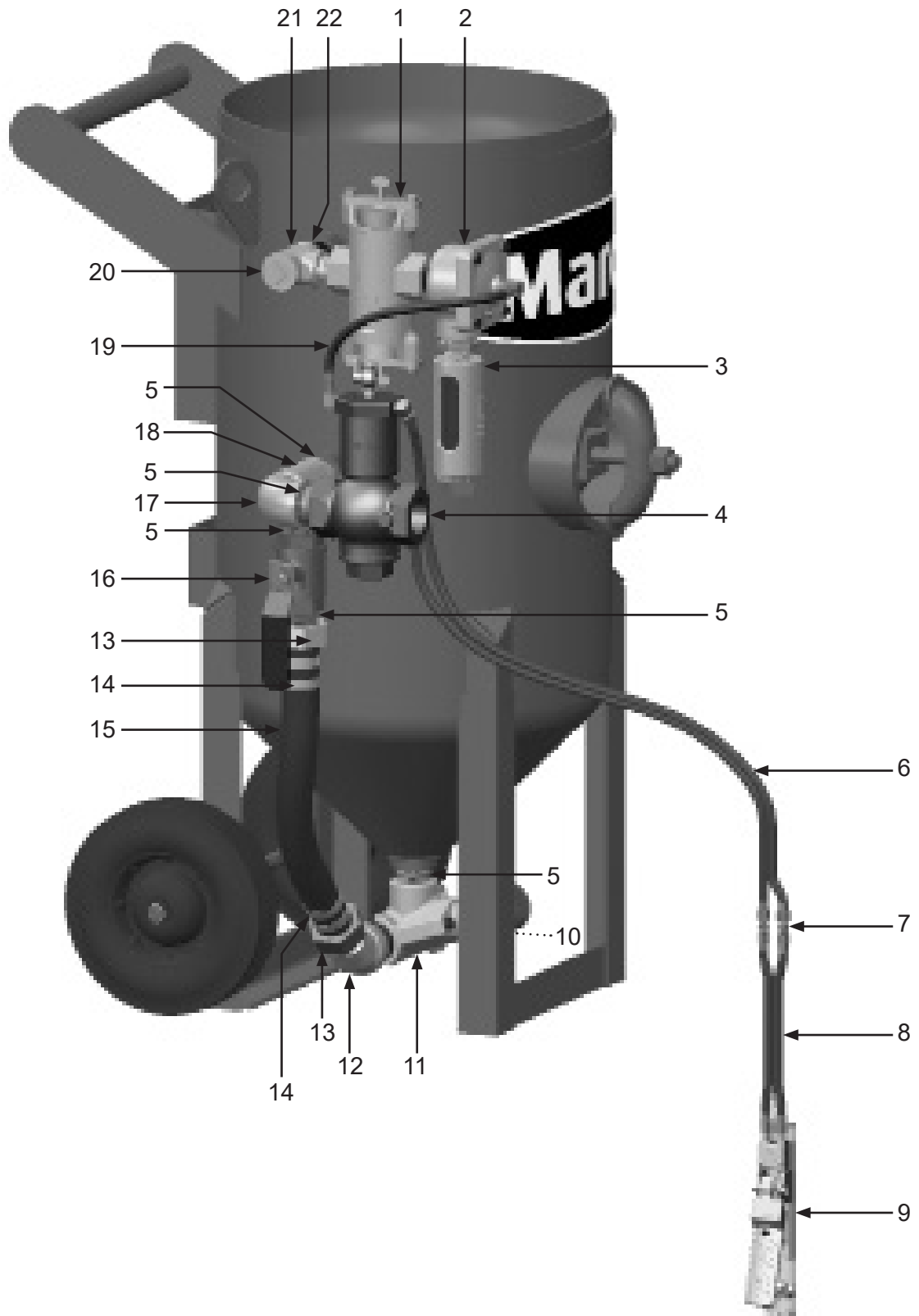
121P Pneumatic Conversion Kit – 3.5 Cu. Ft. M-Series Blast Pot

Item #	Part #	Description
Fig. 1		
—	10107257	121P Pneumatic Conversion Kit – 1-1/4" Bantam Abrasive Metering Valve – 3.5 Cu. Ft. Pot
—	10107258	121P Pneumatic Conversion Kit – 1-1/2" Bantam Abrasive Metering Valve – 3.5 Cu. Ft. Pot
1	1012000	Abrasive Trap
2	1012150	1" Diaphragm Outlet Valve
3	1011100	Abrasive Blasting Pot Muffler
4	1012200	1-1/2" Inlet Valve
5	1011201	1-1/4" Close Nipple (<i>Quantity of Four with 10107257, Quantity of Two with 10107258</i>)
	1014015	1-1/2" Close Nipple (<i>Quantity of One with 10107257, Quantity of Three with 10107258</i>)
6	10TL5	Coupled Pneumatic Control Line – 5 Feet
7	1017001	3/16" I.D. Hose Union (<i>Quantity of Two</i>)
8	10TL50	Coupled Pneumatic Control Line – 50 Feet
9	1015000	Marco® 150P Remote Control Switch
10	10SB2S	1-1/2" Straight Thread Pot Coupling
11	1014101	1-1/4" Bantam Abrasive Metering Valve (<i>For use with 10107257</i>)
	1014102	1-1/2" Bantam Abrasive Metering Valve (<i>For use with 10107258</i>)
12	1011830	1-1/4" 45° Street Elbow (<i>For use with 10107257</i>)
	1011805	1-1/2" 45° Street Elbow (<i>For use with 10107258</i>)
13	10SFE3	1-1/4" Female Swivel Air Hose End (<i>Quantity of Two</i>) (<i>For use with 10107257</i>)
	10SFE4	1-1/2" Female Swivel Air Hose End (<i>Quantity of Two</i>) (<i>For use with 10107258</i>)
14	10103737	1-1/4" I.D. T-Bolt Hose Clamp (<i>Quantity of Two</i>) (<i>For use with 10107257</i>)
	10103738	1-1/2" I.D. T-Bolt Hose Clamp (<i>Quantity of Two</i>) (<i>For use with 10107258</i>)
15	10AH114B	1-1/4" I.D. Air Hose – Per Foot (<i>Three Feet Required</i>) (<i>For use with 10107257</i>)
	10AH112B	1-1/2" I.D. Air Hose – Per Foot (<i>Three Feet Required</i>) (<i>For use with 10107258</i>)
16	1011602	1-1/4" Full Port Ball Valve (<i>For use with 10107257</i>)
	1011603	1-1/2" Full Port Ball Valve (<i>For use with 10107258</i>)
17	1011839	1-1/2" 90° Street Elbow
18	1011834	1-1/2" x 1-1/4" x 1-1/4" Pipe Tee (<i>For use with 10107257</i>)
	1011833	1-1/4" x 1-1/2" x 1-1/2" Pipe Tee (<i>For use with 10107258</i>)
19	10CL18	Coupled Pneumatic Control Line – 18 Inches
20	1011901	1" Square Head Pipe Plug
21	1011816	1" Pipe Tee
22	1011843	1" x 2-1/2" Close Nipple
—	1091045	Hazard Identification Tag (<i>Quantity of Four</i>) (<i>Not Shown</i>)

See page 14 for product literature

PART NUMBERS AND SCHEMATICS GUIDE

Figure 1: 121P Pneumatic Conversion Kit – 3.5 Cu. Ft. M-Series Blast Pot



PART NUMBERS AND SCHEMATICS GUIDE

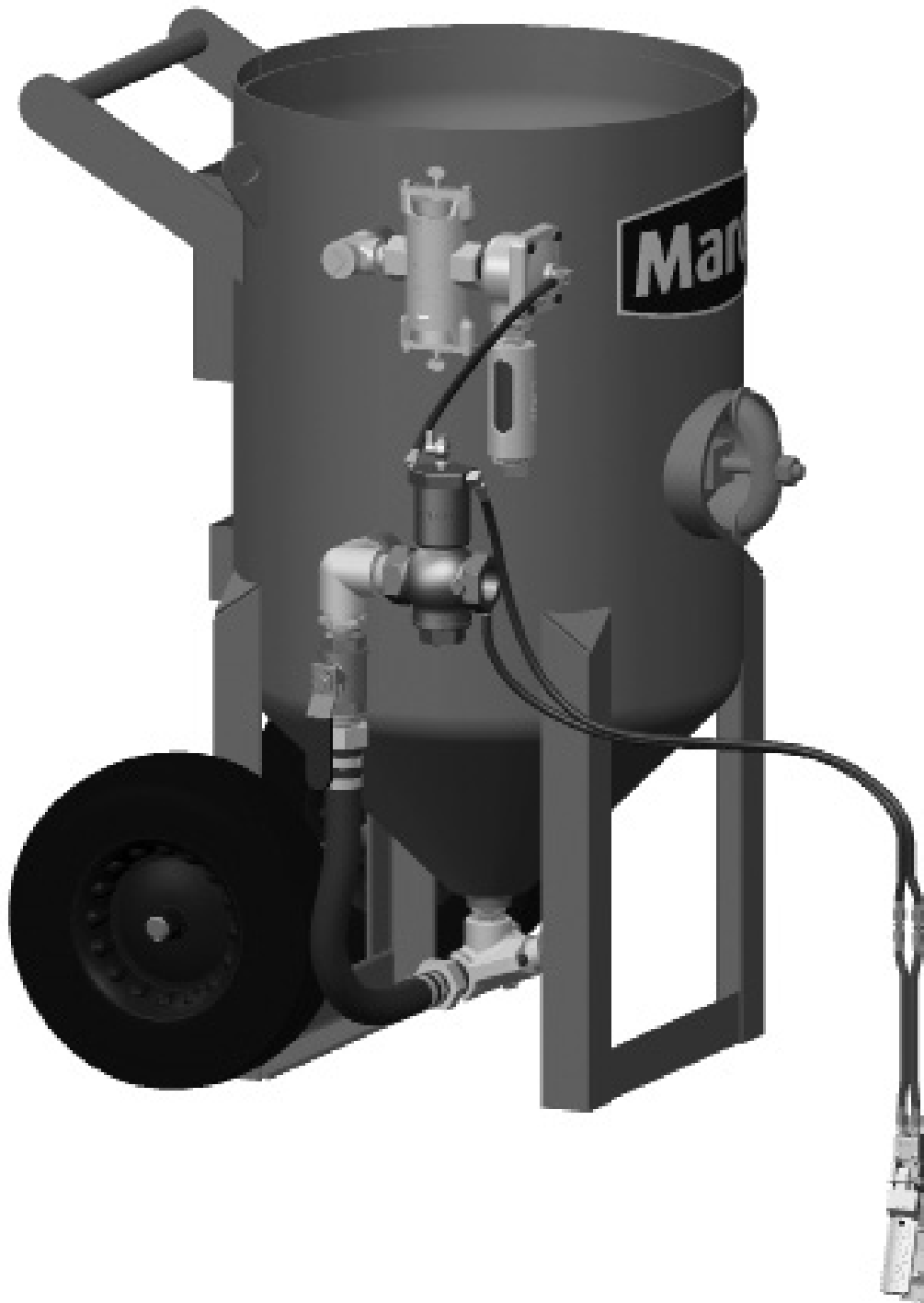
PNEUMATIC REMOTE CONTROL SYSTEM KITS – 6.5 CU. FT. M-SERIES BLAST POT

Part Numbers	Marco® 1-1/4" Bantam Abrasive Metering Valve	Marco® 1-1/2" Bantam Abrasive Metering Valve	Marco® 150P Remote Control Switch	1" Diaphragm Outlet Valve	1/2" Inlet Valve	Twinline	Pusher Line Assembly	Abrasive Blasting Pot Muffler
10107255	X		X	X	X	50 Ft.	X	X
10107256		X	X	X	X	50 Ft.	X	X

For converting bare pot to pneumatic remote control system.

Includes: Marco® Bantam Abrasive Metering Valve, Marco® 150P Remote Control Switch, Twinline, Air Hose Pusher Line, Inlet Valve, Diaphragm Outlet Valve, Abrasive Blasting Pot Muffler, and various pipe fittings

PART NUMBERS AND SCHEMATICS GUIDE



PART NUMBERS AND SCHEMATICS GUIDE

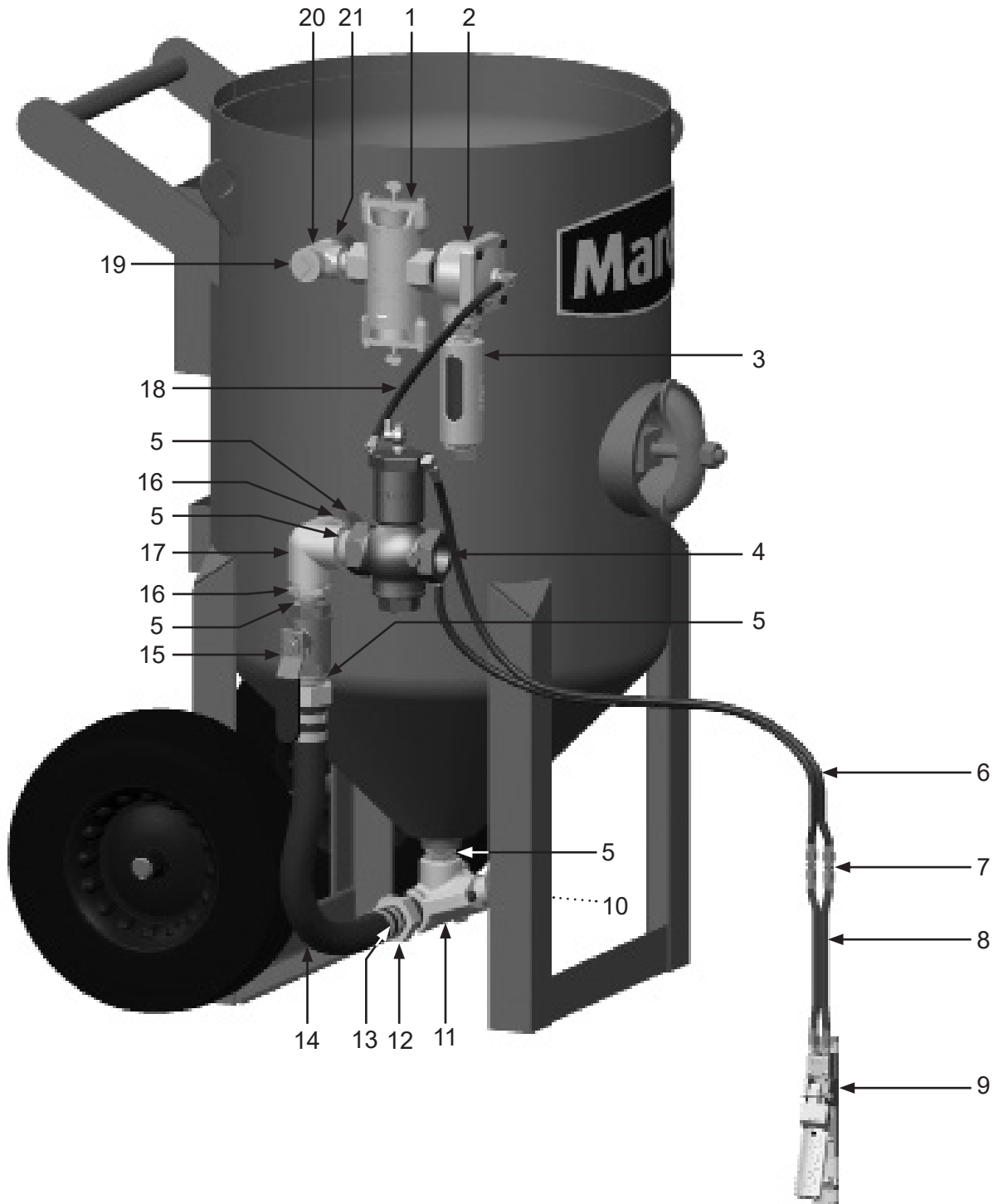
121P Pneumatic Conversion Kit – 6.5 Cu. Ft. M-Series Blast Pot

Item #	Part #	Description
Fig. 2		
—	10107255	121P Pneumatic Conversion Kit – 1-1/4" Bantam Abrasive Metering Valve – 6.5 Cu. Ft. Pot
—	10107256	121P Pneumatic Conversion Kit – 1-1/2" Bantam Abrasive Metering Valve – 6.5 Cu. Ft. Pot
1	1012000	Abrasive Trap
2	1012150	1" Diaphragm Outlet Valve
3	1011100	Abrasive Blasting Pot Muffler
4	1012200	1-1/2" Inlet Valve
5	1011201	1-1/4" Close Nipple (<i>Quantity of Four with 10107255, Quantity of Two with 10107256</i>)
	1014015	1-1/2" Close Nipple (<i>Quantity of One with 10107255, Quantity of Three with 10107256</i>)
6	10TL5	Coupled Pneumatic Control Line – 5 Feet
7	1017001	3/16" I.D. Hose Union (<i>Quantity of Two</i>)
8	10TL50	Coupled Pneumatic Control Line – 50 Feet
9	1015000	Marco® 150P Remote Control Switch
10	10SB2S	1-1/2" Straight Thread Pot Coupling
11	1014101	1-1/4" Bantam Abrasive Metering Valve (<i>For use with 10107255</i>)
	1014102	1-1/2" Bantam Abrasive Metering Valve (<i>For use with 10107256</i>)
12	10SFE3	1-1/4" Female Swivel Air Hose End (<i>Quantity of Two</i>) (<i>For use with 10107255</i>)
	10SFE4	1-1/2" Female Swivel Air Hose End (<i>Quantity of Two</i>) (<i>For use with 10107256</i>)
13	10103737	1-1/4" I.D. T-Bolt Hose Clamp (<i>Quantity of Two</i>) (<i>For use with 10107255</i>)
	10103738	1-1/2" I.D. T-Bolt Hose Clamp (<i>Quantity of Two</i>) (<i>For use with 10107256</i>)
14	10AH114B	1-1/4" I.D. Air Hose – Per Foot (<i>Three Feet Required</i>) (<i>For use with 10107255</i>)
	10AH112B	1-1/2" I.D. Air Hose – Per Foot (<i>Three Feet Required</i>) (<i>For use with 10107256</i>)
15	1011602	1-1/4" Full Port Ball Valve (<i>For use with 10107255</i>)
	1011603	1-1/2" Full Port Ball Valve (<i>For use with 10107256</i>)
16	1011501	1-1/2" (M) x 1-1/4" (F) Bushing (<i>Quantity of Two with 10107255, Quantity of One with 10107256</i>)
17	1011804	1-1/2" 90° Elbow with Side-Out
18	10CL18	Coupled Pneumatic Control Line – 18 Inches
19	1011901	1" Square Head Pipe Plug
20	1011816	1" Pipe Tee
21	1012151	1" Close Nipple
—	1091045	Hazard Identification Tag (<i>Quantity of Four</i>) (<i>Not Shown</i>)

See page 14 for product literature

PART NUMBERS AND SCHEMATICS GUIDE

Figure 2: 121P Pneumatic Conversion Kit – 6.5 Cu. Ft. M-Series Abrasive Blasting Pot



OPTIONAL ACCESSORIES

Part Numbers	PNEUMATIC CONTROL LINE	
	Length	Fittings
10TL3	3 Feet	1017016 <i>(Quantity of Four)</i>
10TL5	5 Feet	1017016 <i>(Quantity of Four)</i>
10TL25	25 Feet	1017016 <i>(Quantity of Four)</i>
10TL50	50 Feet	1017016 <i>(Quantity of Four)</i>
10TL100	100 Feet	1017016 <i>(Quantity of Four)</i>
10TLBK	Per Foot	None



10TL3
10TL5










10TL25
10TL50
10TL100



10TLBK

OPTIONAL ACCESSORIES

	Part Numbers	PNEUMATIC CONTROL LINE FITTINGS
	1017016	3/16" Female Nut & Barb
	10C01943	3/16" Female Reusable Hose End
	1017017	Pneumatic Control Line Hose Ferrule
	1017011	Pneumatic Control Line Oetiker® Clamp
	1017001	3/16" Male x Male Hose Union

	Part Numbers	PNEUMATIC CONTROL LINE FITTINGS ACCESSORIES
	10DX855A	Ferrule Crimping Tool
	10DX1098	Oetiker® Clamp Tool

LITERATURE REFERENCES

Remote Control System

105M142	Features and Specifications Guide – Marco® 121P Remote Control System
106M142	Part Numbers and Schematics Guide – Marco® 121P Remote Control System
1090142	Operator's Manual – Marco® 121P Remote Control System

Remote Control Switch

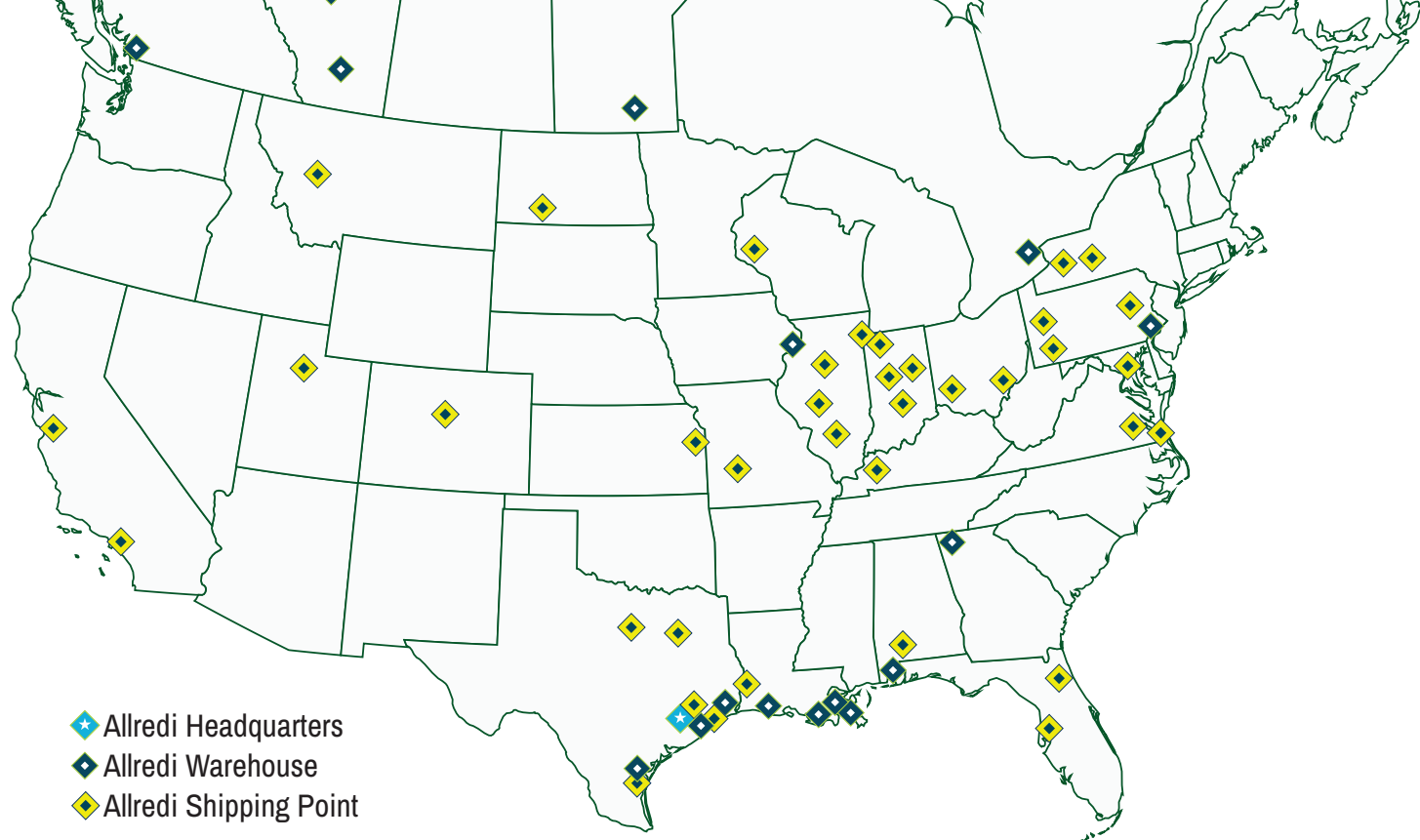
105M023	Features and Specifications Guide – Marco® 150P Remote Control Switch
106M023	Part Numbers and Schematics Guide – Marco® 150P Remote Control Switch
1090023	Operator's Manual – Marco® 150P Remote Control Switch

Abrasive Metering Valve

105M022	Features and Specifications Guide – Marco® Bantam Abrasive Metering Valve
106M022	Part Numbers and Schematics Guide – Marco® Bantam Abrasive Metering Valve
1090022	Operator's Manual – Marco® Bantam Abrasive Metering Valve

Abrasive Blasting Pot Muffler

105M347	Features and Specifications Guide – Abrasive Blasting Pot Muffler
106M347	Part Numbers and Schematics Guide – Abrasive Blasting Pot Muffler



ALLREDI THERE

Serving these industries: Bridge, Pipeline, Tank & Tower, Concrete Services, Rail, Shipyard & Marine, Pools & Fountains, and Foundry

UNITED STATES

Pasadena, TX (Headquarters)
844.361.7038

Beaumont, TX
409.722.1284

Bristol, PA
215.826.8080

Corpus Christi, TX
361.887.2038

Davenport, IA
563.324.2519

Deer Park, TX
(Service & Rental Location)
281.930.0905

Duluth, GA
800.535.4564

Gonzales, LA
225.647.7575

Harvey, LA
504.367.8090

Houma, LA
985.580.4273

Lafayette, LA
337.267.1440

Theodore, AL
251.338.7525

CANADA

Calgary, Alberta
403.279.1924

Coquitlam, BC
604.464.6979

Edmonton, Alberta
780.468.2588 (Manus)
780.425.5510 (Mod-U-Blast)

Hamilton, Ontario
905.527.6000 / 888.794.5665

Mississauga, Ontario
905.890.5837

Winnipeg, Manitoba
204.256.3324

WWW.ALLREDI-US.COM / 800.252.7848

WWW.ALLREDI-CA.COM / 800.661.3842

Allredi™ and Marco® are registered trademarks of Allredi, LLC.
Mod-U-Blast® is a registered trademark of Allredi Blast & Abrasives Canada, Inc.
All other brand names or marks are used for identification purposes and are trademarks of their respective owners.

ALLREDI™

Literature #106M639_3/12/2024