



MARCO® 0.35 CU. FT. L-SERIES ABRASIVE BLASTING POT



Powered by **ALLREDI**.

PART NUMBERS AND SCHEMATICS GUIDE

Company Profile

Allredi was formed in the early 2020, when two of the largest distributors in the blasting, coating, safety, and environmental industry, APE Companies and Marco Group International, joined forces. While the qualities both companies are known for have not changed, a lot about our business is new. New abilities. New agilities. New ways to help you win. This calls for a new name, Allredi.

This name exemplifies what we have become. It is completely oriented to the needs of our customers. To your needs. It says that when you call us for anything – products, service, expert advice, anything – you can consider it done. Or even better, Allredi done.

We are your right-now supplier. From skills to SKUs, we deliver the goods fast. So you can be more agile every minute, every day. This is who we are. This is what our new name means. Go ahead and expect excellence, because we're bringing it.

Our Mission and Vision

To be the industry's preferred partner in surface preparation solutions through unrivaled technical expertise, customer experience, product availability, and tailored service offerings.

The Allredi Difference

- **Industry Experience** – With Allredi on your team, you have access to expertise which can only come from decades of industry leadership. We have organized our engineering department, production specialists, customer operations, and safety support into a "Center of Competence." As an Allredi customer, you have access to hundreds of years of cumulative experience related to your operations.
- **Manufacturing Excellence** – Allredi is a U.S. based manufacturer of equipment for the Surface Preparation and Protective Coatings industries. Allredi's engineers benchmark the industry to ensure that we design and manufacture superior products that set the "Gold Standard" for performance, safety, and quality.
- **Legendary Customer Service** – Allredi's legendary customer service team is staffed by friendly, highly-trained individuals who are focused on providing the highest level of product support, order accuracy, and customer satisfaction.
- **Product Availability** – We stock over 10,000 SKU's and have over 45 shipping locations to serve North American and International markets for all major brands of blasting, coating, environmental, and safety equipment. Allredi is your right-now supplier, so you can keep your projects moving. From our foundation of strong relationships, we have built a nationwide network that puts vast inventory and ready service close to our customers. We provide advanced expertise, and we deliver the goods fast – so you can easily access the products and services you need to me more agile every minute, every day.
- **Technology Leadership** – Our website provides: Operator's Manuals, Part Numbers and Schematics Guides, SDS information, and key product features and specifications, providing access to information 24/7.

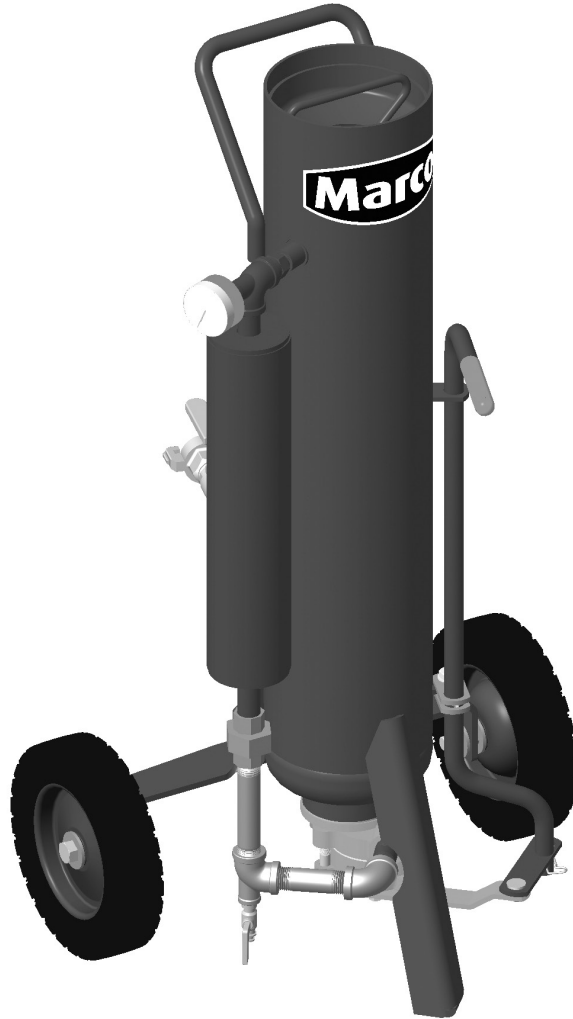
TABLE OF CONTENTS

Company Profile	1
Part Numbers	3
Part Numbers and Schematics	5
Marco® .35 Cu. Ft. L-Series Abrasive Blasting Pot Units manufactured after June 2024	5
Marco® .35 Cu. Ft. L-Series Abrasive Blasting Pot Units manufactured before June 2024	7
Marco® 2-Hole Junior Abrasive Mixing Valve – Complete	9
Optional Accessories	11
Funnel With Screen	11
Type I Ceramic Nozzles	11
Hose End Assemblies	12
Maintenance Notes	13-14

PART NUMBERS

MARCO® 0.35 CU. FT. L-SERIES ABRASIVE BLASTING POT

Part Numbers	Abrasive Metering Valve	Remote Control Switch	Ceramic Nozzles	1/2" I.D. Abrasive Blasting Hose	Moisture Separator
1003505	2-Hole Junior	—	(2) 10CN251	10 Ft.	10L100129
1003506	2-Hole Junior	10L66EVD	(2) 10CN251	10 Ft.	10L100129



PART NUMBERS

Marco® 0.35 Cu. Ft. L-Series Abrasive Blasting Pot – 1003505



Marco® 0.35 Cu. Ft. L-Series Abrasive Blasting Pot – 1003506



PART NUMBERS AND SCHEMATICS

Marco® 0.35 Cu. Ft. L-Series Abrasive Blasting Pot *(Units sold after June 2024)*

Item # Part

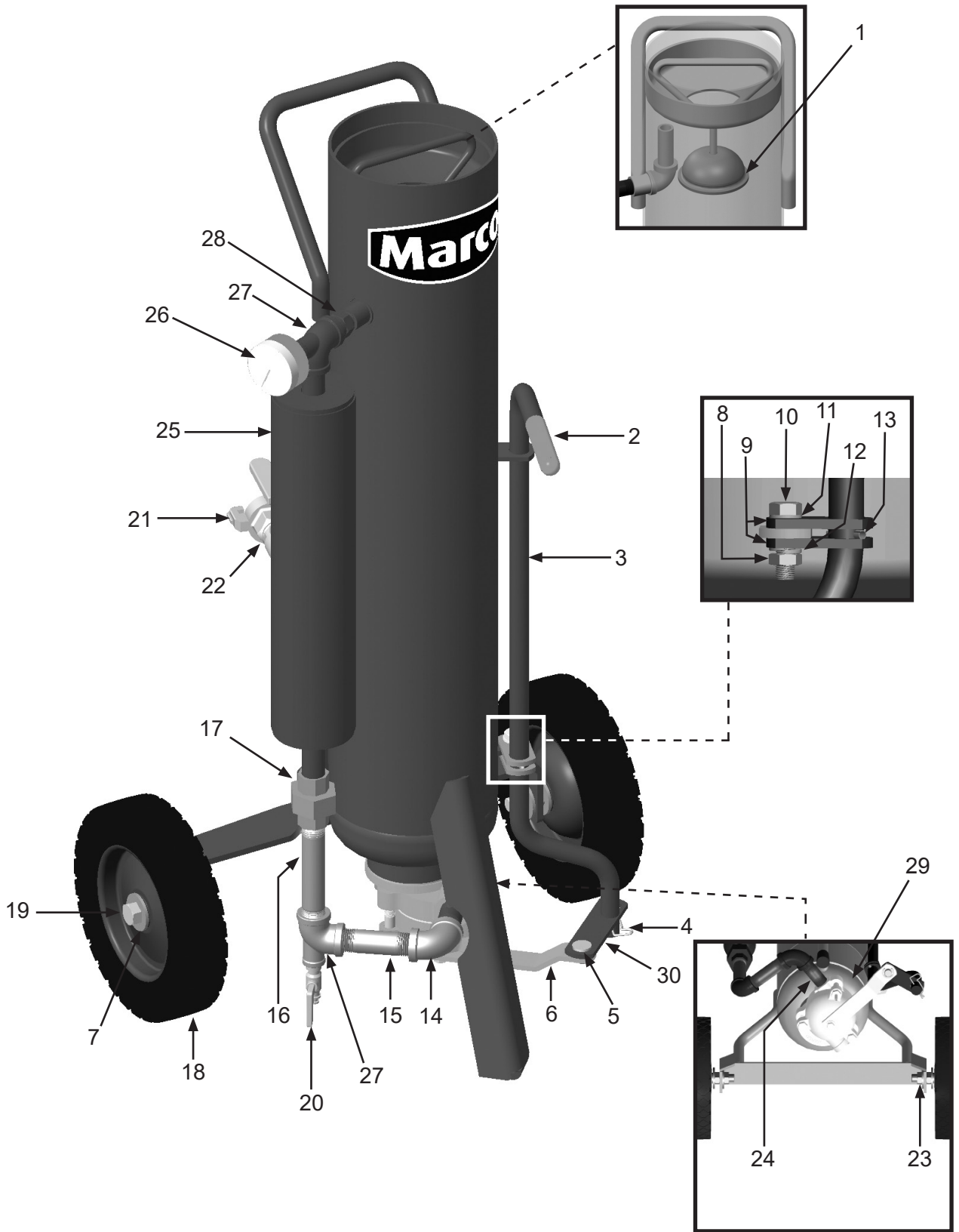
Fig. 1

1	10L650R	Filler Plug O-Ring
2	10L103LG	Control Lever Grip
3	10L100267	Media/Air Control Lever <i>(Includes item #'s: 2 and 13)</i>
4	10L103H	Hair Spring Clip
5	10L201192	Control Link Pivot Assembly
6	10LC4X	Arm Link
7	10L804304	1/2" Flat Washer
8	10L804303	3/8–24 Hex Nut
9	10L100058P	Control Lever Bracket <i>(Two Required)</i>
10	10L805318	3/8–24 x 1-1/4" Bolt
11	1014241	3/8" Flat Washer
12	10L805015	3/8" Lock Washer
13	10L800085	3/16" x 1" Roll Pin
14	10L806004	1/2" x NPT 90° Elbow
15	10L803041	1/2" NPT x 2-3/4" Nipple
16	10L803047	1/2" NPT x 4-1/2" Nipple
17	10L806176	1/2" NPT Union
18	1006065	Wheel and Tire Assembly <i>(Two Required)</i>
19	10L805329	1/2–20 x 3" Bolt <i>(Two Required)</i>
20	1012101	Petcock
21	10ME122	1/2" NPT Male 2-Lug Coupling
22	10L363	1/2" NPT Full Port Brass Ball Valve
23	10L804305	1/2–20 Hex Nut <i>(Four Required)</i>
24	10L803038	1/2" NPT x 2" Nipple
25	10L100129	Moisture Separator <i>(Includes Item #'s: 20 and 26)</i>
26	1028606	Pressure Gauge
27	10102337	1/2" x 1/2" 90 Deg Elbow with Side-Out
28	20PFHA24SA0806	3/8" M x 1/2" M Hex Nipple
29	10L100197	2 Hole Jr Metering Valve
30	10LD24XP	Control Link
—	10L66EVD	Marco® 153 Hose-End Shutoff
—	10L66B	1/2" NPT Nozzle Holder Base
—	106M040	Part Numbers and Schematics Guide – Marco® 0.35 Cu. Ft. L-Series Abrasive Blasting Pot
—	1090040	Operator's Manual – Marco® 0.35 Cu. Ft. L-Series Abrasive Blasting Pot

Unsure which configuration you have? See moisture separator pipe string.

PART NUMBERS & SCHEMATICS

Figure 1: Marco® 0.35 Cu. Ft. L-Series Abrasive Blasting Pot (Units sold after June 2024)



PART NUMBERS AND SCHEMATICS

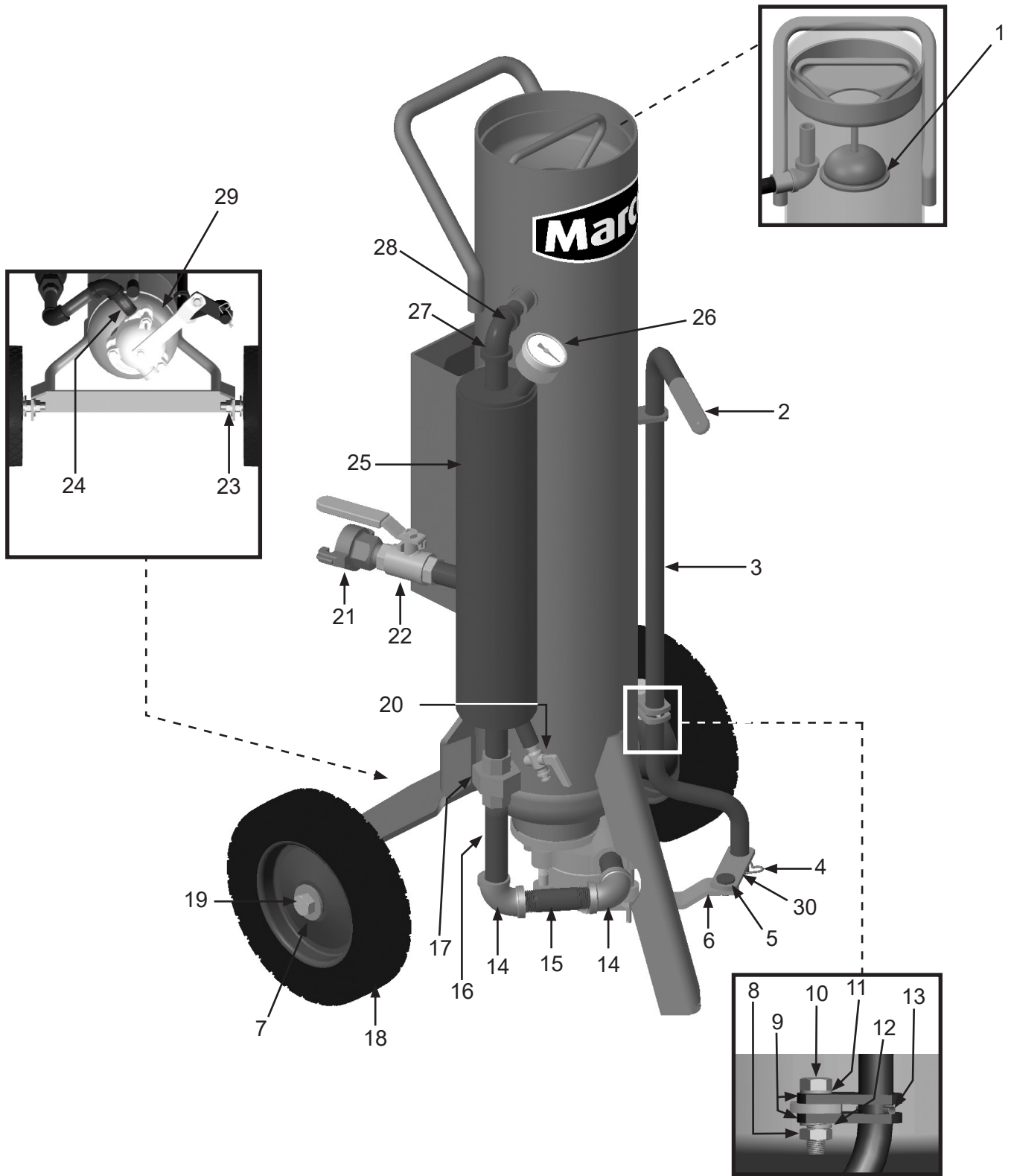
Marco® 0.35 Cu. Ft. L-Series Abrasive Blasting Pot (*Units sold before June 2024*)

Item #	Part #	
Fig. 2		
1	10L650R	Filler Plug O-Ring
2	10L103LG	Control Lever Grip
3	10L100267	Media/Air Control Lever (Includes item #'s: 2 and 13)
4	10L103H	Hair Spring Clip
5	10L201192	Control Link Pivot Assembly
6	10LC4X	Arm Link
7	10L804304	1/2" Flat Washer
8	10L804303	3/8–24 Hex Nut
9	10L100058P	Control Lever Bracket (<i>Two Required</i>)
10	10L805318	3/8–24 x 1-1/4" Bolt
11	1014241	3/8" Flat Washer
12	10L805015	3/8" Lock Washer
13	10L800085	3/16" x 1" Roll Pin
14	10L806004	1/2" x NPT 90° Elbow (<i>Two Required</i>)
15	10L803041	1/2" NPT x 2-3/4" Nipple
16	10L803047	1/2" NPT x 4-1/2" Nipple
17	10L806176	1/2" NPT Union
18	1006065	Wheel and Tire Assembly (<i>Two Required</i>)
19	10L805329	1/2–20 x 3" Bolt (<i>Two Required</i>)
20	10L348	Petcock
21	10ME122	1/2" NPT Male 2-Lug Coupling
22	10L363	1/2" NPT Full Port Brass Ball Valve
23	10L804305	1/2–20 Hex Nut (<i>Four Required</i>)
24	10L803038	1/2" NPT x 2" Nipple
25	10L100129	Moisture Separator (Includes Item #'s: 20 and 26)
26	10L800719	Pressure Gauge
27	10L806058	1/2" NPT x 3/8" NPT 90° Reducing Elbow
28	1011209	3/8" NPT Close Nipple
29	10L100197	2 Hole Jr Metering Valve
30	10LD24XP	Control Link
—	10L66EVD	Marco® 153 Hose-End Shutoff
—	10L66B	1/2" NPT Nozzle Holder Base
—	106M040	Part Numbers and Schematics Guide – Marco® 0.35 Cu. Ft. L-Series Abrasive Blasting Pot
—	1090040	Operator's Manual – Marco® 0.35 Cu. Ft. L-Series Abrasive Blasting Pot

Unsure which configuration you have? See moisture separator pipe string.

PART NUMBERS & SCHEMATICS

Figure 2: Marco® 0.35 Cu. Ft. L-Series Abrasive Blasting Pot (Units sold before June 2024)



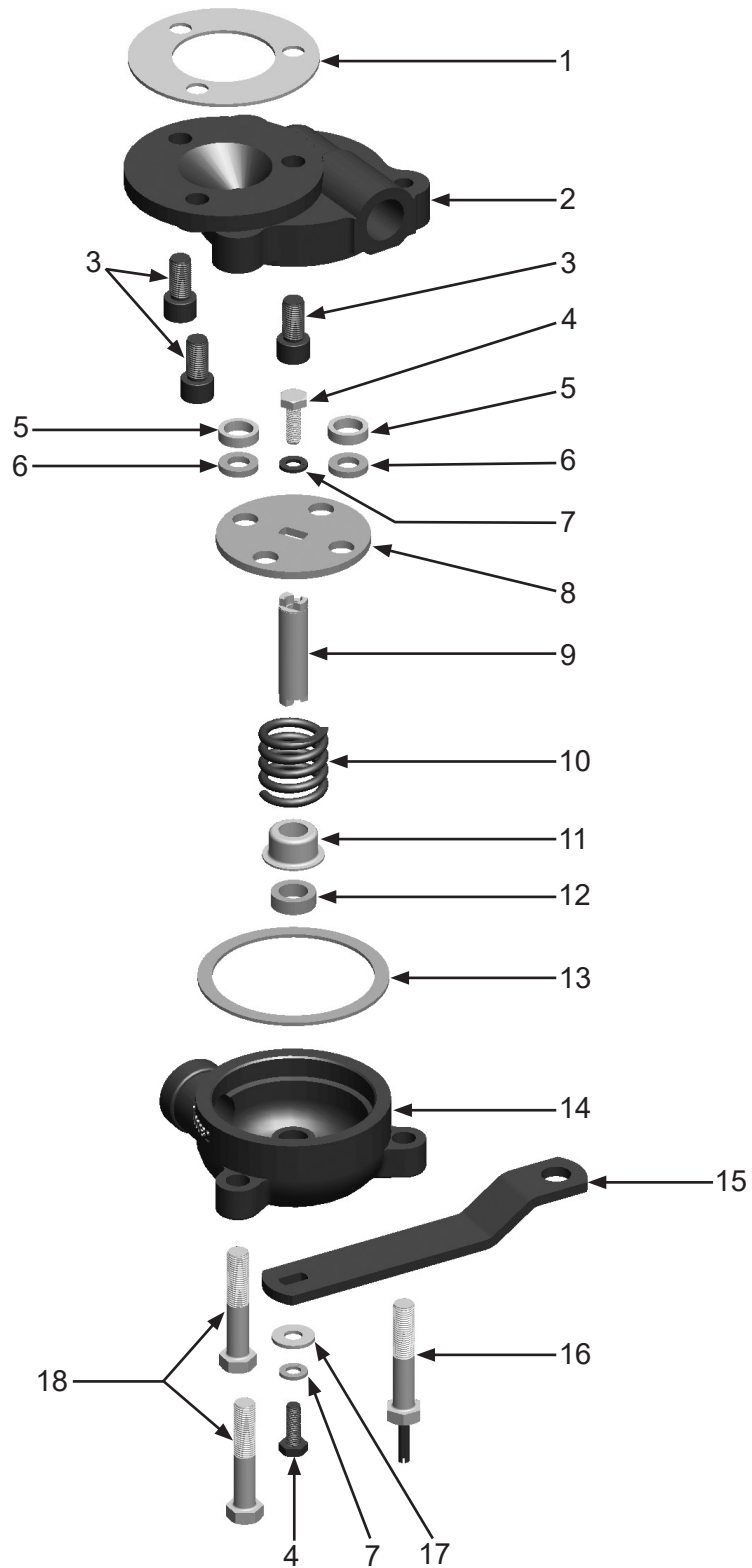
PART NUMBERS AND SCHEMATICS

Marco® 2-Hole Junior Abrasive Mixing Valve – Complete

Item #	Part #	Description
Fig. 3		
—	10L100197	Marco® 2-Hole Junior Abrasive Mixing Valve – Complete
1	10L301BG	Valve Body Gasket
2	10L100009	Valve Body <i>(Includes Item #3 (Quantity of Three))</i>
3	10L805531	Socket Head Cap Screw <i>(Three Required)</i>
4	10L805302	Spindle Bolt <i>(Two Required)</i>
5	10LC25	Valve Cushion <i>(Two Required)</i>
6	10L100019	Valve Washer <i>(Two Required)</i>
7	1012153	1/4" Lock Washer <i>(Two Required)</i>
8	10L100079	Valve Plate
9	10L100083	Spindle
10	10L344	Valve Spring
11	10LC31	Spindle Packing
12	10LC32	Packing
13	10LC16	Cover Gasket
14	10L100082	Valve Cover - 1/2" NPT
15	10LC4X	Valve Control Arm
16	10L303CS	Stop Pin Bolt
17	1014017	1/4" Flat Washer
18	10L805319	Cover Bolt
—	10L336A	Marco® 2-Hole Junior Abrasive Mixing Valve Service Kit <i>Includes Item #'s: 1, 4 (Quantity of Two), 5 (Quantity of Two), 6 (Quantity of Two), 7 (Quantity of Two), 8, 9, 10, 11, 12, 13, 17</i>
—	1091045	Hazard Identification Tag
—	106M431	Part Numbers and Schematics Guide – Marco® 2-Hole Junior Abrasive Mixing Valve
—	1090030	Operator's Manual – Marco® 2-Hole Junior Abrasive Mixing Valve

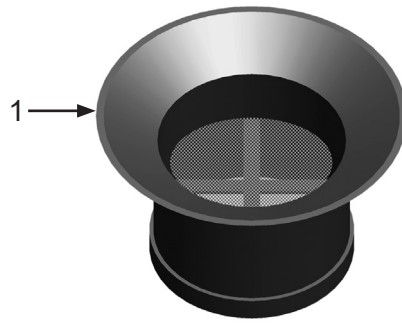
PART NUMBERS AND SCHEMATICS

Figure 3: Marco® 2-Hole Junior Abrasive Mixing Valve – Complete



OPTIONAL ACCESSORIES

Figure 4: Funnel With Screen



Item #	Part #	Description
Fig. 4		
1	1003510	6" Funnel with Screen
—	1003512	Replacement Screen for Funnel

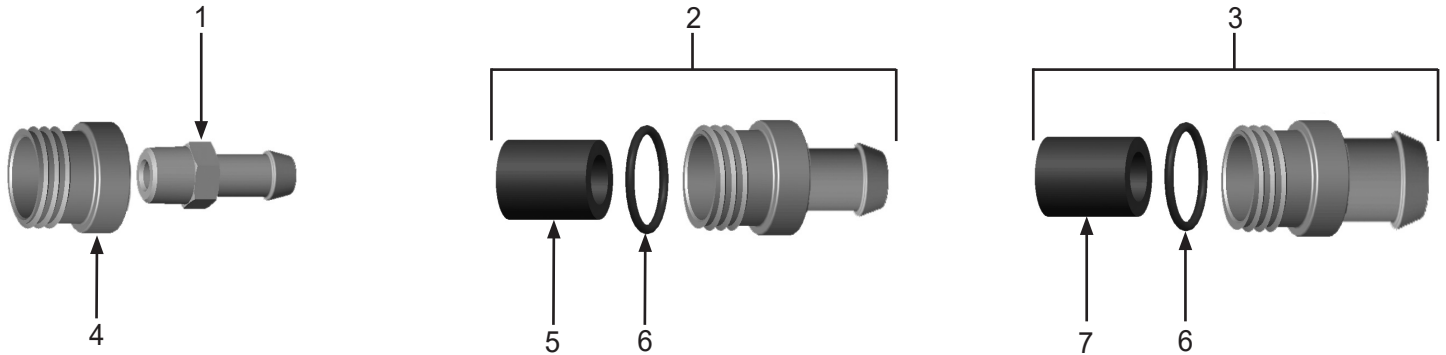
Figure 5: Type I Ceramic Nozzles



TYPE I CERAMIC NOZZLES					
Part Numbers	Size	Orifice Size	Nozzle Entry	Overall Length	Abrasive Mesh Size
10CN051	1	3/32"	5/8"	3-3/4"	100 Mesh or Finer
10CN251	2	1/8"	5/8"	3-3/4"	60 Mesh or Finer
10CN21251	2-1/2	5/32"	5/8"	3-3/4"	50 Mesh or Finer
10CN351	3	3/16"	5/8"	3-3/4"	50 Mesh or Finer
10CN451	4	1/4"	5/8"	3-3/4"	40 Mesh or Finer
10CN551	5	5/16"	5/8"	3-3/4"	20 Mesh or Finer
10CN651	6	3/8"	5/8"	3-3/4"	12 Mesh or Finer

OPTIONAL ACCESSORIES

Figure 6: Hose End Assemblies



Item #	Part #	Description
--------	--------	-------------

Fig. 6

1	10L174	Hose End for 1/2" I.D. Abrasive Blasting Hose
---	--------	---

2	10L366HE	Hose End for 3/4" I.D. Abrasive Blasting Hose (Includes Item #'s: 5 and 6)
---	----------	---

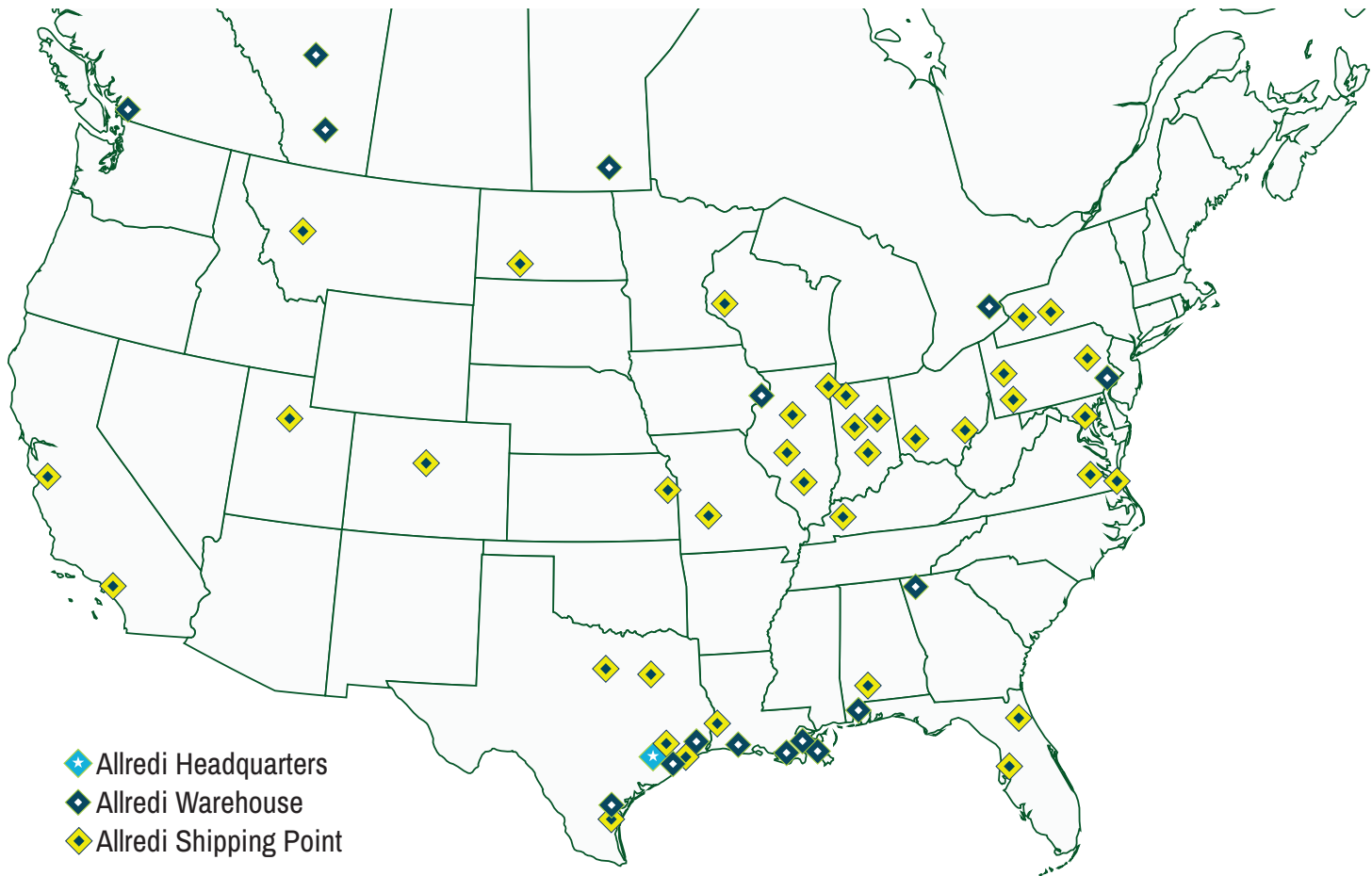
3	10L466HE	Hose End for 1" I.D. Abrasive Blasting Hose (Includes Item #'s: 6 and 7)
---	----------	---

4	10L66B	Nozzle Holder Base
---	--------	--------------------

5	10L800236	Rubber Liner for 3/4" I.D. Abrasive Blasting Hose
---	-----------	---

6	10L66RR	O-Ring
---	---------	--------

7	10L800237	Rubber Liner for 1" I.D. Abrasive Blasting Hose
---	-----------	---



ALLREDI THERE

Serving these industries: Bridge, Pipeline, Tank & Tower, Concrete Services, Rail, Shipyard & Marine, Pools & Fountains, and Foundry

UNITED STATES

Pasadena, TX (*Headquarters*)
844.361.7038

Beaumont, TX
409.722.1284

Bristol, PA
215.826.8080

Corpus Christi, TX
361.887.2038

Davenport, IA
563.324.2519

Deer Park, TX
(*Service & Rental Location*)
281.930.0905

Duluth, GA
800.535.4564

Gonzales, LA
225.647.7575

Harvey, LA
504.367.8090

Houma, LA
985.580.4273

Lafayette, LA
337.267.1440

Theodore, AL
251.338.7525

CANADA

Calgary, Alberta
403.279.1924

Coquitlam, BC
604.464.6979

Edmonton, Alberta
780.468.2588 (Manus)
780.425.5510 (Mod-U-Blast)

Hamilton, Ontario
905.527.6000 / 888.794.5665

Mississauga, Ontario
905.890.5837

Winnipeg, Manitoba
204.256.3324

WWW.ALLREDI-US.COM / 800.252.7848

WWW.ALLREDI-CA.COM / 800.661.3842

Allredi™ and Marco® are registered trademarks of Allredi, LLC.
Mod-U-Blast® is a registered trademark of Allredi Blast & Abrasives Canada, Inc.
All other brand names or marks are used for identification purposes and are trademarks of their respective owners.



Literature #106M040_6/26/2024