

INGERSOLL RAND POWER TOOLS



PART NUMBERS AND SCHEMATICS GUIDE

Company Profile

Allredi was formed in the early 2020, when two of the largest distributors in the blasting, coating, safety, and environmental industry, APE Companies and Marco Group International, joined forces. While the qualities both companies are known for have not changed, a lot about our business is new. New abilities. New agilities. New ways to help you win. This calls for a new name, Allredi.

This name exemplifies what we have become. It is completely oriented to the needs of our customers. To your needs. It says that when you call us for anything – products, service, expert advice, anything – you can consider it done. Or even better, Allredi done.

We are your right-now supplier. From skills to SKUs, we deliver the goods fast. So you can be more agile every minute, every day. This is who we are. This is what our new name means. Go ahead and expect excellence, because we're bringing it.

Our Mission and Vision

To be the industry's preferred partner in surface preparation solutions through unrivaled technical expertise, customer experience, product availability, and tailored service offerings.

The Allredi Difference

- **Industry Experience** – With Allredi on your team, you have access to expertise which can only come from decades of industry leadership. We have organized our engineering department, production specialists, customer operations, and safety support into a "Center of Competence." As an Allredi customer, you have access to hundreds of years of cumulative experience related to your operations.
- **Manufacturing Excellence** – Allredi is a U.S. based manufacturer of equipment for the Surface Preparation and Protective Coatings industries. Allredi's engineers benchmark the industry to ensure that we design and manufacture superior products that set the "Gold Standard" for performance, safety, and quality.
- **Legendary Customer Service** – Allredi's legendary customer service team is staffed by friendly, highly-trained individuals who are focused on providing the highest level of product support, order accuracy, and customer satisfaction.
- **Product Availability** – We stock over 10,000 SKU's and have over 45 shipping locations to serve North American and International markets for all major brands of blasting, coating, environmental, and safety equipment. Allredi is your right-now supplier, so you can keep your projects moving. From our foundation of strong relationships, we have built a nationwide network that puts vast inventory and ready service close to our customers. We provide advanced expertise, and we deliver the goods fast – so you can easily access the products and services you need to me more agile every minute, every day.
- **Technology Leadership** – Our website provides: Operator's Manuals, Part Numbers and Schematics Guides, SDS information, and key product features and specifications, providing access to information 24/7.

TABLE OF CONTENTS

Company Profile	2
Table of Contents	3
Ingersoll Rand Power Tools	4-17
Air Percussive Needle Scaler	
Part Numbers & Schematics	4-5
Heavy-Duty Air Die Grinders	
302B Series Air Angle Die Grinder	
Part Numbers & Schematics	6-7
308B Series Air Die Grinder	
Part Numbers & Schematics	8-9
Sanders	
311A Series Quiet Air Sander	
Part Numbers & Schematics	10-11
4151 Series Orbital Sander	
Part Numbers & Schematics	12-13
313A Series Heavy-Duty Air Angle Sander	
Part Numbers & Schematics	14-15
319A Series Heavy-Duty Air Vertical Sander	
Part Numbers & Schematics	16-17
Maintenance Notes	18-19

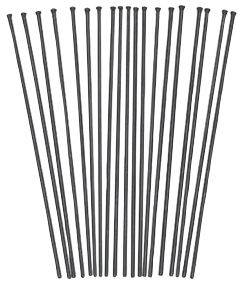
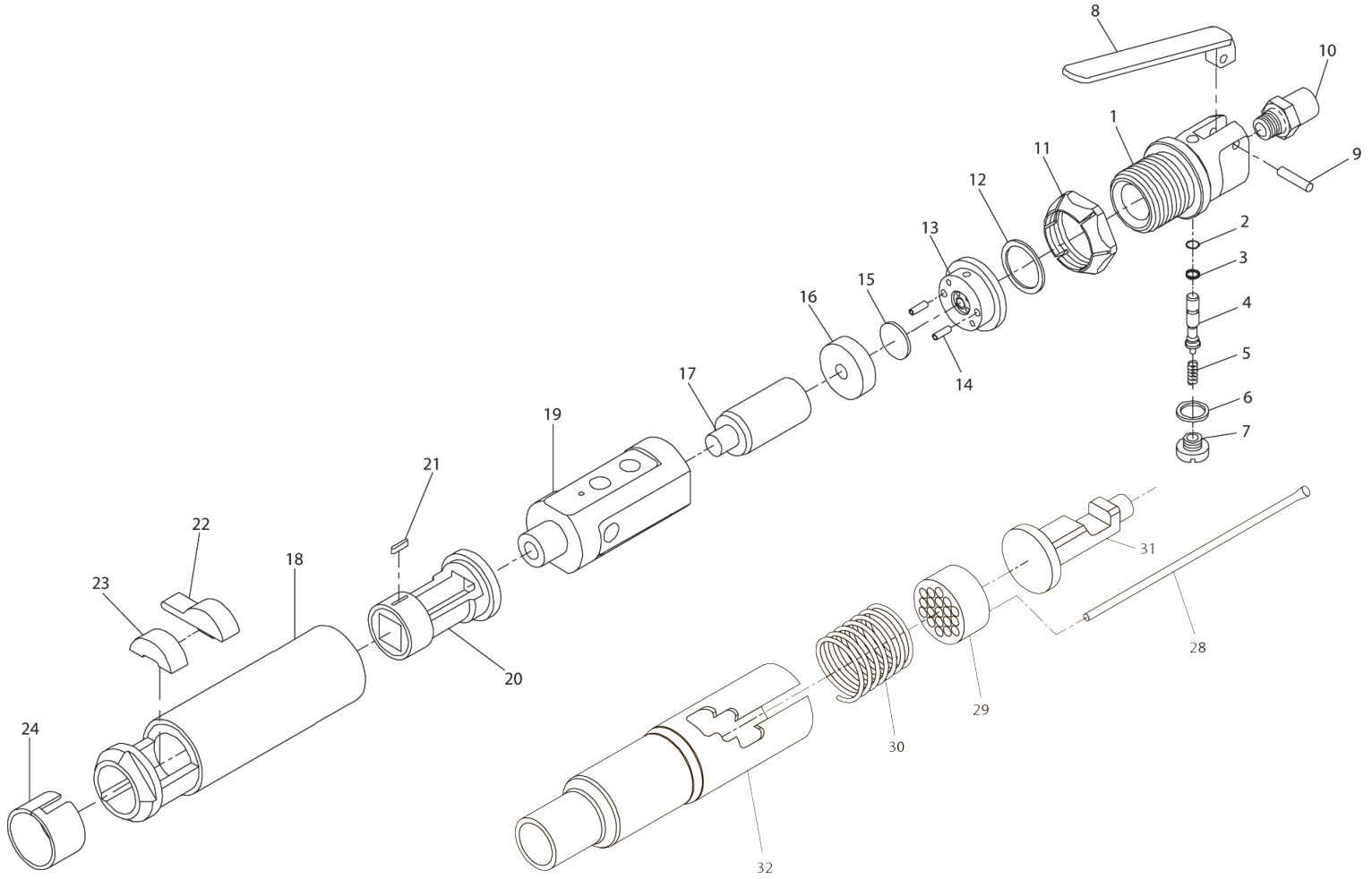
PART NUMBERS AND SCHEMATICS GUIDE

INGERSOLL RAND AIR PERCUSSIVE NEEDLE SCALER				
Part Number	Model	Needle Diameter (mm)	Needle Quantity	Length (Inches)
10IR125	125	3.2	19	18.3

Item#	Part#	Description
Fig. 1		
—	10IR125	Ingersoll Rand Air Percussive Needle Scaler – Complete
1	10IRPF2200160	Backhead
2	10IRPF220053	Throttle Valve Stem O-ring
3	10IRPF220050	Valve O-ring
4	10IRPF220049	Throttle Valve
5	10IRPF220051	Spring
6	10IRPF220052	Gasket
7	10IRPF2200109	Valve Cap
8	10IRPF2200273	Lever
9	10IRPF2200274	Lever Pin
10	10IRPF2200565	Inlet Bushing
11	10IRPF220027	Locking Ring
12	10IRPF2200207	Alignment Shim
13	10IRPF22004	Rear Valve Block
14	10IRPF220032	Pin (<i>Quantity of Two</i>)
15	10IRPF22002	Valve
16	10IRPF22003	Front Valve Block
17	10IRPF22005	Piston
—	10IRPF2200A10	Casing Assembly
18	10IRPF220010	Casing
19	10IRPF220030	Casing Sleeve
20	10IRPF22007	Nozzle
21	10IRPF22008	Key
22	10IRPF2200200	Bit Retainer
23	10IRPF2200203	Bit Retainer Buffer
24	10IRPF2200201	Retainer Clip
28	10IRPF22192219	Needle Package
29	10IRPF221921	Needle Holder
30	10IRPF221927	Spring
31	10IRPF221920	Anvil
32	10IRPF221924	Needle Housing
—	106M401	Part Numbers and Schematics Guide – Ingersoll Rand Power Tools
—	109V014	Operator's Manual – 125 Series Air Percussive Needle Scaler

PART NUMBERS AND SCHEMATICS GUIDE


Figure 1: Ingersoll Rand Air Percussive Needle Scaler



Part Numbers

NEEDLE SCALERS REPLACEMENT NEEDLES											
Part Numbers	7 Inch Length	Carbon Steel	Beryllium Copper	Flat Tip	Chisel Tip	Rivet Head	Non-Sparking	Needle Diameter	Needle Diameter	Needle Diameter	Package Quantity
10TX00057	X	X		X				2mm			One Each
10TX00058	X	X		X					3mm		One Each
10TX00059	X	X		X						4mm	One Each
10TX00058CP	X	X			X				3mm		One Each
10TX700190	X	X			X	X			3mm		One Each
10TC700191	X	X			X	X				4mm	One Each
10TX00120	X		X	X					3mm		One Each
1070787	X		X	X			X		3mm		One Each

PART NUMBERS AND SCHEMATICS GUIDE

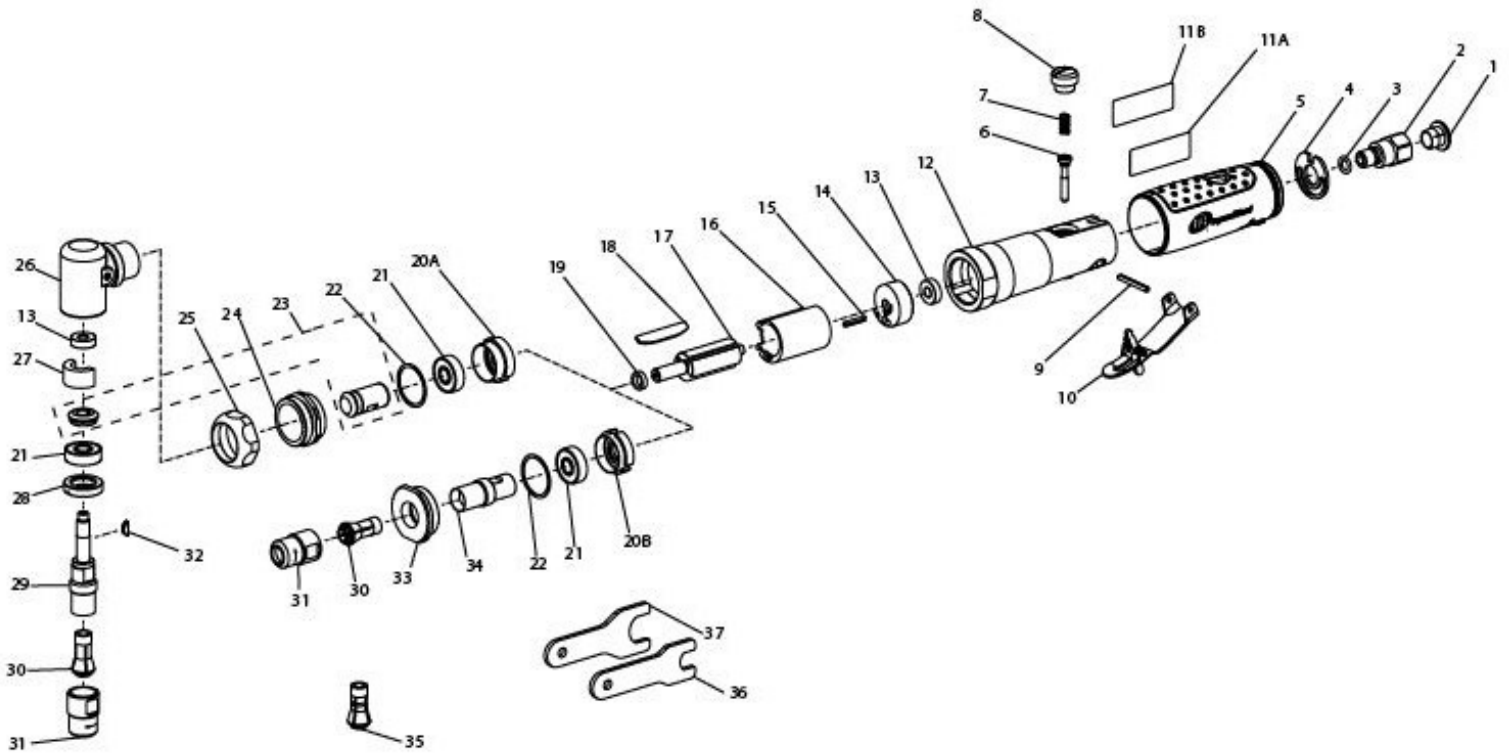
INGERSOLL RAND HEAVY-DUTY AIR DIE GRINDERS					
	Part Numbers	Model	Style	Max Free Speed	Length (Inches)
	10IR302B	302B	Right Angle	20,000 RPM	6.93"

Item#	Part#	Description
Fig. 2		
1	10IRPFPLUG	Plastic Plug
2	10IR308BA565	Inlet Bushing Assembly
3	10IR301251	O-Ring
4	10IR3102283	Gasket
5	10IR308B747	Sleeve
6	10IR3102302A	Throttle Valve Assembly
7	10IR310251	Spring
8	10IR3102A266	Valve Cap Assembly
9	10IR3101G504	Spring Pin
10	10IR308BA400	Lever Assembly
11A	10IR302B301	Tool Label (For 302B)
11B	10IR308B301	Tool Label (For 308B)
12	10IR308BA40	Housing Assembly
13	10IR30122	Bearing
14	10IR310212	Rear End Plate
15	10IR3101G504A	Spring Pin
16	10IR31023	Cylinder
17	10IR310253	Rotor
18	10IR3102424	Vane Pack (Quantity of Four)
19	10IR301448	Spacer
20A	10IR301A11	Front Endplate Assembly (For 302B)
20B	10IR307AA11	Front Endplate Assembly (For 308B)
21	10IR30124	Bearing
22	10IR3101G36	Gasket
23	10IR3102A552	Gear Pinion Set
24	10IR3102306	Clamp Nut
25	10IR310227	Nut
26	10IR302BA550	Angle Housing
27	10IR302A560	Wick
28	10IR301531	Cap
29	10IR301K591A	Arbor Kit
30	10IR301700	1/4" Collet



Item#	Part#	Description
31	10IR301699	Collet Nut
32	10IR301579	Pinion Key
35	10IR301700B	6mm Collet
36	10IR30169A	Collet Body Wrench
37	10IR30169B	Collet Nut Wrench
—	106M401	Part Numbers and Schematics Guide – Ingersoll Rand Power Tools
—	109V006	Operator's Manual – Air Die Grinders

PART NUMBERS AND SCHEMATICS GUIDE


Figure 2: Ingersoll Rand 302B Series Heavy-Duty Right Angle Air Die Grinder



FLAP DISCS FOR RIGHT ANGLE GRINDER

	Part Numbers	Grit	Diameter	Arbor Hole	Maximum RPM
	1070722	80	4-1/2"	5/8"-11	13,000
	1070723	40	4-1/2"	5/8"-11	13,000

PART NUMBERS AND SCHEMATICS GUIDE

INGERSOLL RAND HEAVY-DUTY AIR DIE GRINDERS					
	Part Numbers	Model	Style	Max Free Speed	Length (Inches)
	10IR308B	308B	Straight	25,000 RPM	6.85"

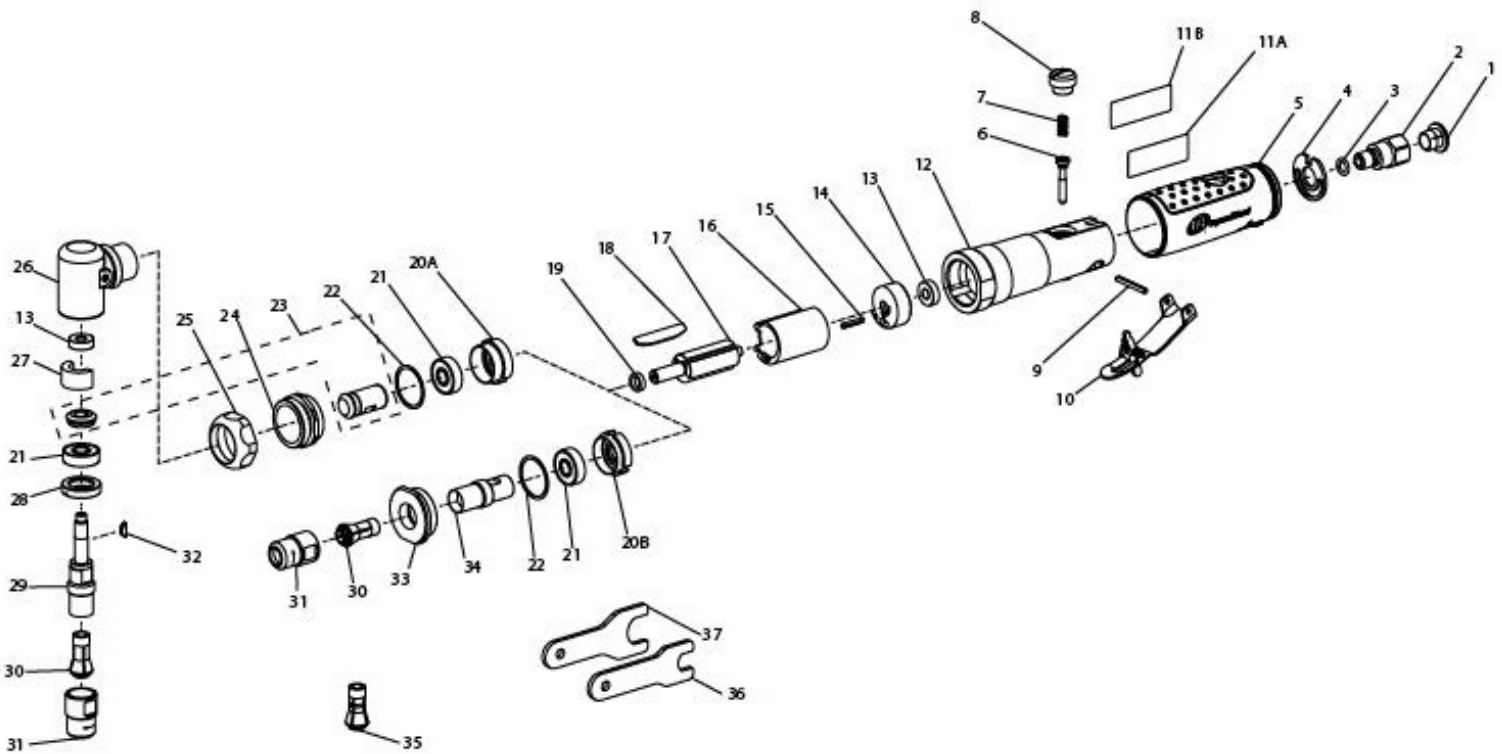
Item#	Part#	Description
-------	-------	-------------

Fig. 3

1	10IRPFPLUG	Plastic Plug
2	10IR308BA565	Inlet Bushing Assembly
3	10IR301251	O-Ring
4	10IR3102283	Gasket
5	10IR308B747	Sleeve
6	10IR3102302A	Throttle Valve Assembly
7	10IR310251	Spring
8	10IR3102A266	Valve Cap Assembly
9	10IR3101G504	Spring Pin
10	10IR308BA400	Lever Assembly
11A	10IR302B301	Tool Label (For 302B)
11B	10IR308B301	Tool Label (For 308B)
12	10IR308BA40	Housing Assembly
13	10IR30122	Bearing
14	10IR310212	Rear End Plate
15	10IR3101G504A	Spring Pin
16	10IR31023	Cylinder
17	10IR310253	Rotor
18	10IR3102424	Vane Pack (Quantity of Four)
19	10IR301448	Spacer
20A	10IR301A11	Front Endplate Assembly (For 302B)
20B	10IR307AA11	Front Endplate Assembly (For 308B)
21	10IR30124	Bearing
22	10IR3101G36	Gasket
30	10IR301700	1/4" Collet
31	10IR301699	Collet Body
35	10IR301700B	6mm Collet
36	10IR30169A	Collet Body Wrench
37	10IR30169B	Collet Nut Wrench
—	106M401	Part Numbers and Schematics Guide – Ingersoll Rand Power Tools
—	109V006	Operator's Manual – Air Die Grinders


PART NUMBERS AND SCHEMATICS GUIDE

Figure 3: Ingersoll Rand 308B Series Heavy-Duty Straight Air Die Grinder



PART NUMBERS AND SCHEMATICS GUIDE

INGERSOLL RAND 311A SERIES QUIET AIR SANDER

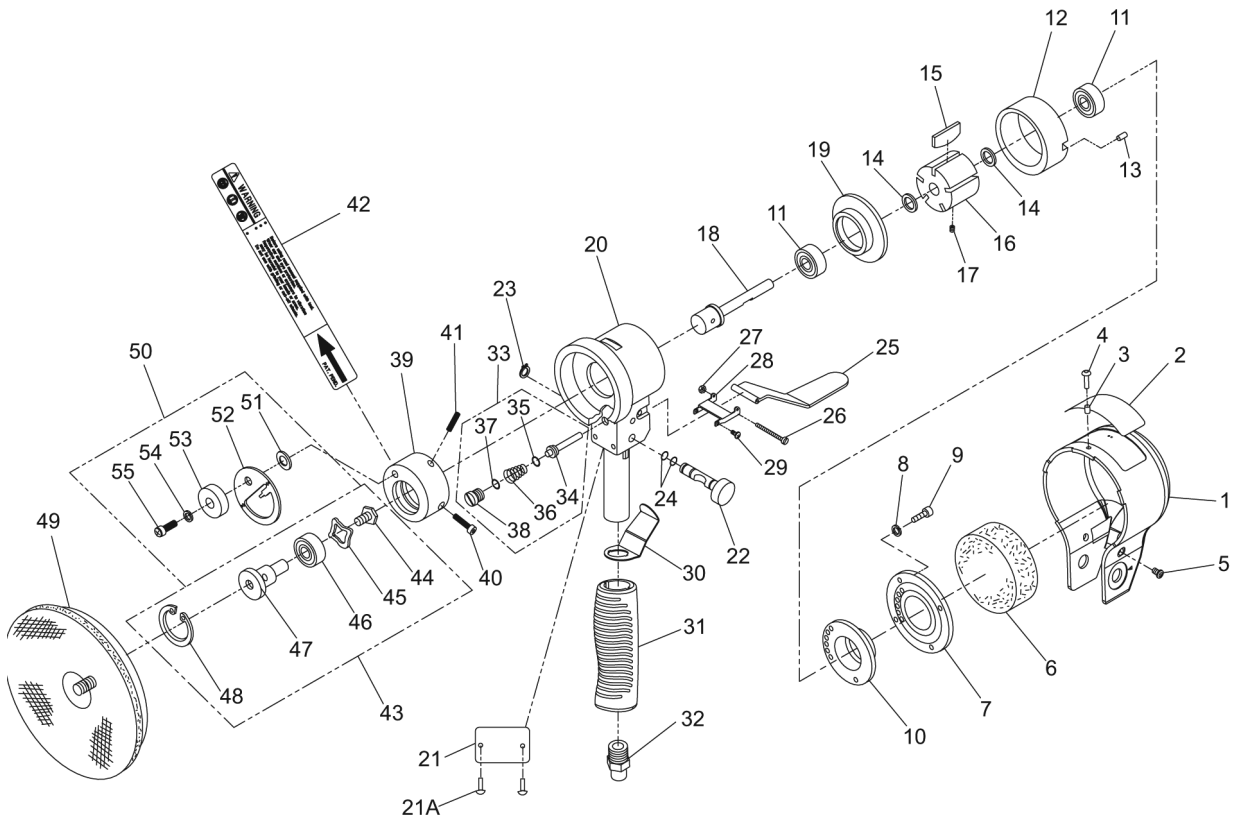
	Part Numbers	Sander Model	Pad Diameter (Inches)	Orbit Diameter (Inches)	Pad Face Material	Max Free Speed	Typical Applications
		10IR311A	311A Dual-Action Quiet Air	6	3/16	Vinyl	12,000 RPM

Item#	Part#	Description
Fig. 4		
1	10IR311AA109	Motor Cover Assembly
2	10IR311A300	Label
3	—	Sleeve
4	—	Rivet
5	10IR311A78	Screw (Quantity of Two)
6	10IR311A311	Muffler
7	10IR311AA118	Rotor Fixing Plate Assembly (Includes Item #'s: 8 and 9)
8	—	Washer (Quantity of Four)
9	—	Screw (Quantity of Four)
10	10IR311A12	Rear End Plate
11	10IR311AA24	Rotor Bearing
12	10IR311A3	Cylinder
13	10IR311A114	Pin
14	10IR311A25	Shim
15	10IR311A425	Vane Packet (Quantity of Five)
16	10IR311A53	Rotor
17	10IR311A55	Screw
18	10IR311A54	Spindle
19	10IR311A11	Front End Plate
20	10IR311AA159	Handle
21	10IR311A301	Name Plate
21A	10IRPF100256	Name Plate Rivet
22	10IR311AA165	Regulator Assembly (Includes Item #'s: 23 and 24)
23	—	Retaining Ring
24	—	O-ring (Quantity of Two)
25	10IR311AA273	Lever Assembly (Includes Item #'s: 26 and 27)
26	—	Lever Screw
27	—	Nut
28	10IR311AA274	Lever Bracket Assembly (Includes Item #29)


Item#	Part#	Description
29	—	Screw (Quantity of Two)
30	10IR311A275	Second Lever
31	10IR311A160	Hand Grip
32	10IR311A565	Air Inlet Bushing
33	10IR311AA161	Valve Assembly (Includes Item #'s: 34–38)
34	—	Valve Stem
35	—	O-ring
36	—	Spring
37	—	O-ring
38	—	Screw
39	10IR311AA236	Balance Body Assembly (Includes Item #'s: 40–42)
40	—	Screw
41	—	Set Screw
42	—	Warning Label
43	10IR311AA235	Pad Shaft Assembly (Includes Item #'s: 44–48)
44	—	Screw
45	—	Wave Washer
46	10IR311A97	Bearing
47	10IR311A235	Mounting Shaft
48	—	Retaining Ring
49	10IR311A8256	Sanding Pad
50	10IR311AA800	Drive Plate Assembly (Includes Item #'s: 44–48)
51	—	Washer
52	—	Drive Plate
53	—	Balance Nut
54	—	Washer
55	—	Screw
—	106M401	Part Numbers and Schematics Guide – Ingersoll Rand Power Tools
—	106V007	Operator's Manual – 311 Series Angle Sander

PART NUMBERS AND SCHEMATICS GUIDE

Figure 4: Ingersoll Rand 311A Series Quiet Air Sander



PART NUMBERS AND SCHEMATICS GUIDE

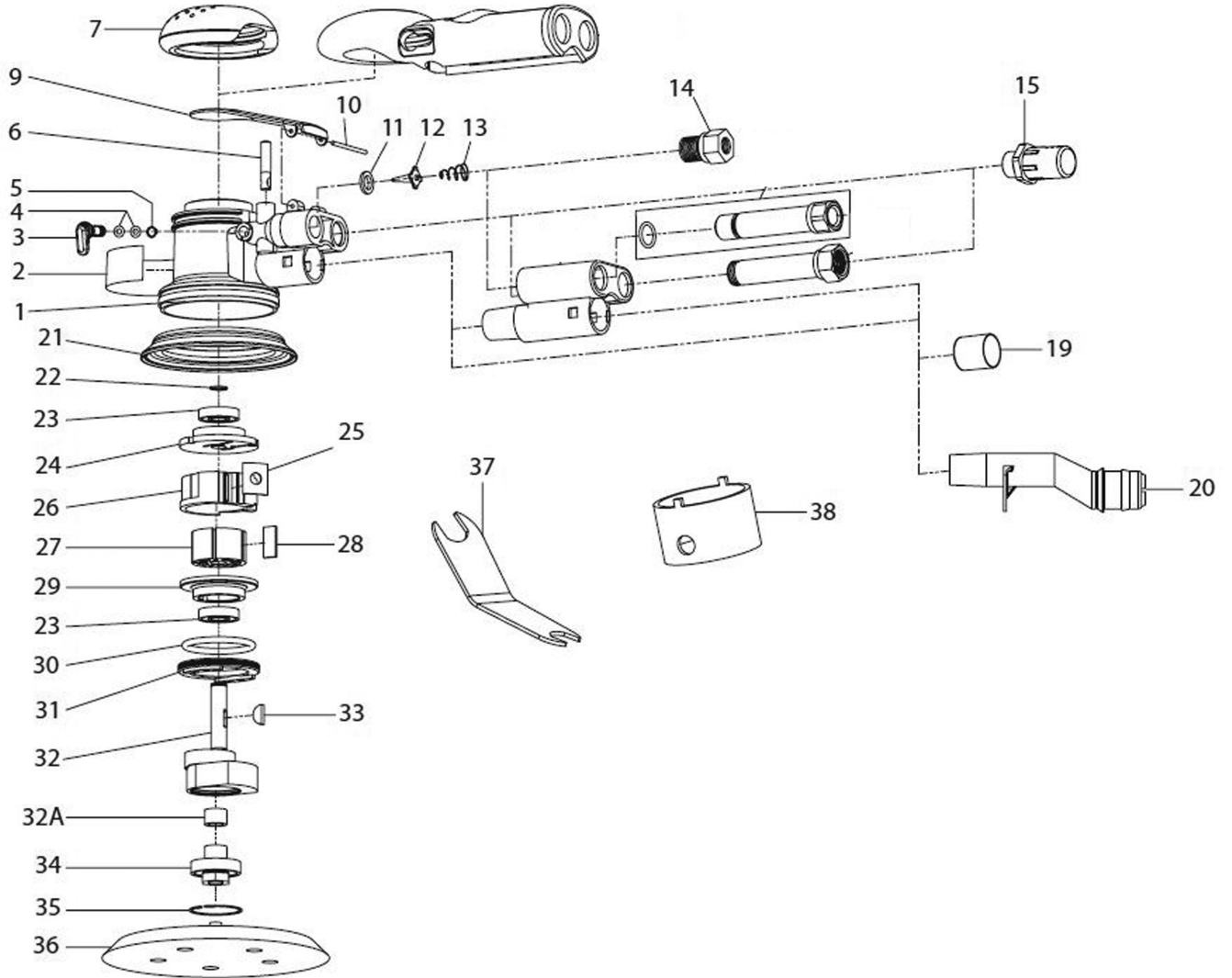
		INGERSOLL RAND 4151 SERIES ORBITAL SANDER					
		Sander Model	Pad Diameter (Inches)	Orbit Diameter (Inches)	Pad Face Material	Max Free Speed	Typical Applications
	Part Numbers 10IR4151	4151 Vacuum Ready Orbital	6	3/16	Vinyl	12,000 RPM	Ultra High Quality Finish

Item #	Part #	Description
Fig. 5		
1	10IR04700753	Housing Assembly
2	10IR04648663	Label
3	10IR4151A165	Regulator Assembly
4	10IR415165	O-ring
5	10IR4151797	Snap Ring
6	10IR04648770	Valve Stem
7	10IR4151747B	Grip Ring
9	10IR04655478	Lever
10	10IR04649117	Spring Pin
11	10IR04648804	Valve Seat
12	10IR04648796	Tip Valve
13	10IR04648747	Spring
14	10IR04649083	Inlet Adapter
15	10IR415A1810	Muffler Assembly
19	10IR04649059	Port Plug
20	10IR4151A809A25	Vacuum Adapter – 25mm Cuff
—	10IR4151A809A29	Vacuum Adapter – 28mm Cuff
—	10IR4151A809A32	Vacuum Adapter – 32mm Cuff
21	10IR0464887	Shroud – Black
—	10IR4151727	Shroud – Red
22	10IR04648762	Snap Ring
23	10IR04648812	Ball Bearing
24	10IR04648945	Rear End Plate
25	10IR04649042	Cylinder Seal
26	10IR04649976	Cylinder Assembly
27	10IR04648820	Rotor
28	10IR48254425	Vane Pack (<i>Quantity of Five</i>)
29	10IR04648929	Front End Plate

Item #	Part #	Description
30	10IR04649133	O-ring
31	10IR04648853	Lock Ring
32	10IR0465333	Counterbalance Assembly
32A	10IR04649000	Needle Bearing
33	10IR04648754	Key
34	10IR04649984	Spindle Assembly
35	10IR04649091	Retaining Ring
36	10IRVPAD6	Sanding Pad – 6 Inch, Vinyl
—	10IR490961	Sanding Pad – 5 Inch, Vinyl
—	10IRVPAD6HL	Sanding Pad – 6 Inch, H & L
37	10IR04648739	Pad Wrench
38	10IR48869	Motor Wrench
—	106M401	Part Numbers and Schematics Guide – Ingersoll Rand Power Tools
—	109V009	Operator's Manual – 4151 Series Orbital Sander


PART NUMBERS AND SCHEMATICS GUIDE

Figure 5: Ingersoll Rand 4151 Series Orbital Sander



PART NUMBERS AND SCHEMATICS GUIDE

INGERSOLL RAND 313A SERIES HEAVY-DUTY ANGLE AIR SANDER

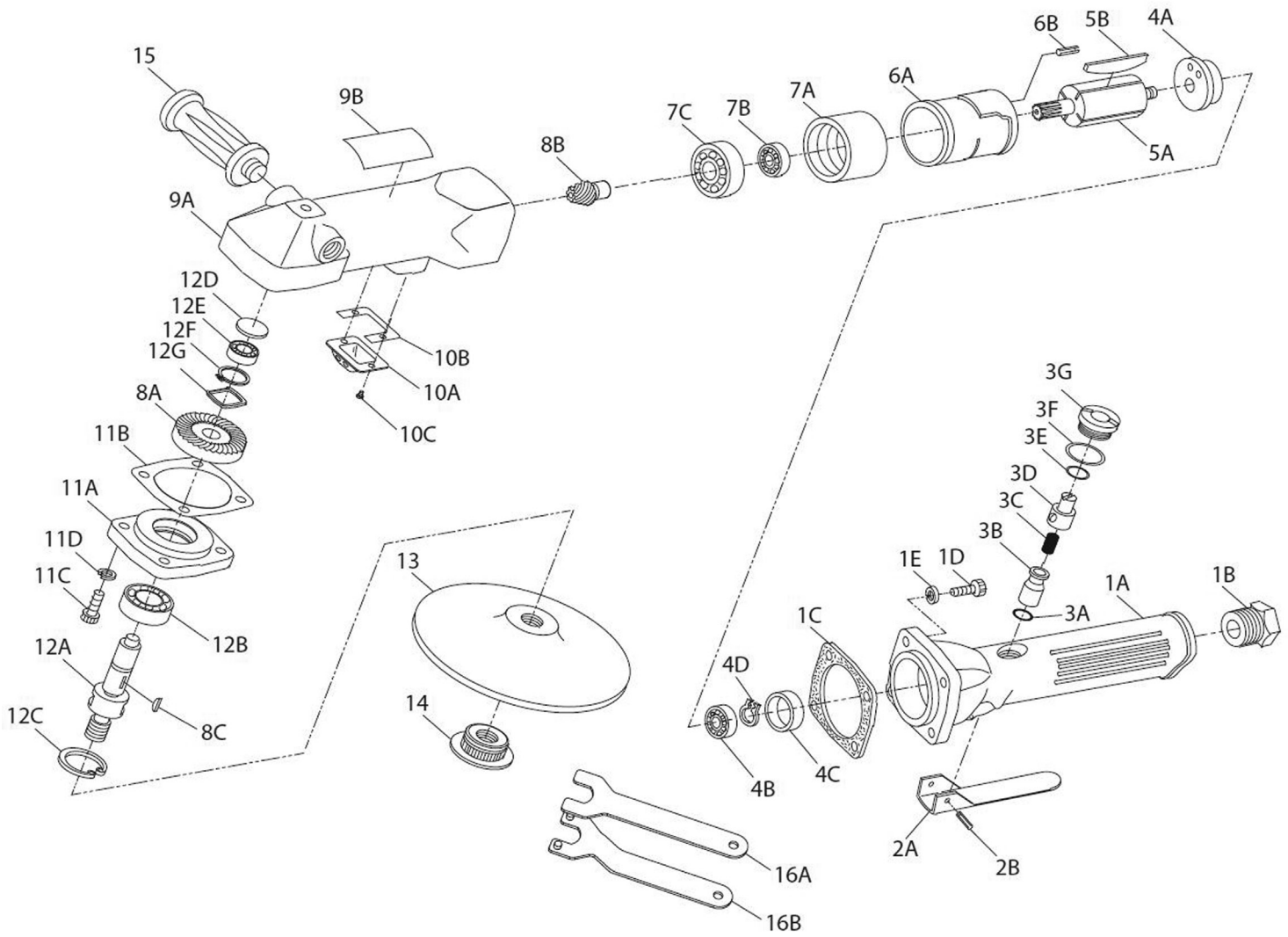
	Part Numbers	Sander Model	Pad Diameter (Inches)	Orbit Diameter (Inches)	Pad Face Material	Max Free Speed	Typical Applications
	10IR313A	313A Heavy-Duty Angle Air	7	N/A	Vinyl	5,000 RPM	Light to Heavy Sanding, Rust Removal, Weld Smoothing

Item #	Part #	Description
Fig. 6		
1	10IR313AA160	Throttle Handle Assembly
1A	—	Throttle Handle
1B	10IR313A565	Inlet Bushing
—	10IR313AA283	Gasket Kit
1C	—	Throttle Gasket
1D	—	Cap Screw
1E	—	Lock Washer
2	10IR313AA273	Lever Assembly
2A	—	Throttle Lever
2B	—	Throttle Lever Pin
3	10IR313AA302	Throttle Assembly
3A	—	Throttle Valve Seal
3B	—	Throttle Valve
3C	—	Throttle Valve Spring
3D	—	Speed Regulator
3E	—	Regulator Seal
3F	—	Valve Cap Seal
3G	—	Throttle Valve cap
4	10IR313AA12	Rear End Plate Assembly
4A	—	Rear End Plate
4B	—	Rotor Bearing
4C	—	Bearing Rubber Cap
4D	—	Rotor Bearing Retainer
5	10IR313AA53	Rotor Assembly
5A	—	Rotor
5B	10IR313A424	Vane (<i>Quantity of Four</i>)
6	10IR313AA3	Cylinder Assembly
6A	—	Cylinder
6B	—	Cylinder Alignment Pin
7	10IR313AA11	Front End Plate Assembly
7A	—	Front End Plate
7B	—	Rotor Bearing
7C	—	Pinion Bearing


Item #	Part #	Description
8	10IR313AA552	Gear Assembly
8A	—	Pinion Gear
8B	—	Pinion
8C	—	Arbor Key
9	10IR313AA550	Angle Housing Assembly
9A	—	Angle Housing
9B	10IR313A301	Nameplate/Warning Label
10	10IR313AA123	Exhaust Assembly
10A	—	Exhaust Deflector
10B	—	Exhaust Gasket
10C	—	Deflector Retaining Screw
11	10IR313AA555	Bearing Housing Assembly
11A	—	Bearing Housing
11B	—	Bearing Housing Gasket
11C	—	Cap Screw
11D	—	Lock Washer
12	10IR313AA591	Arbor
12A	—	Arbor Lower Bearing
12B	—	Bearing Retaining Ring
12C	—	Bearing Cover
12D	—	Rotor Bearing
12E	—	Gear Retaining Ring
12F	—	Gear Thrust Washer
13	10IR313A8257	Pad
14	10IR313A226	Pad Nut
15	10IR313A48	Dead Handle
16	10IR313A69	Wrench Kit
16A	—	Arbor Wrench
16B	—	Disc Wrench
—	106M401	Part Numbers and Schematics Guide – Ingersoll Rand Power Tools
—	109V010	Operator's Manual – 313A Series Angle Sander

PART NUMBERS AND SCHEMATICS GUIDE

Figure 6: Ingersoll Rand 313A Series Heavy-Duty Angle Air Sander



PART NUMBERS AND SCHEMATICS GUIDE

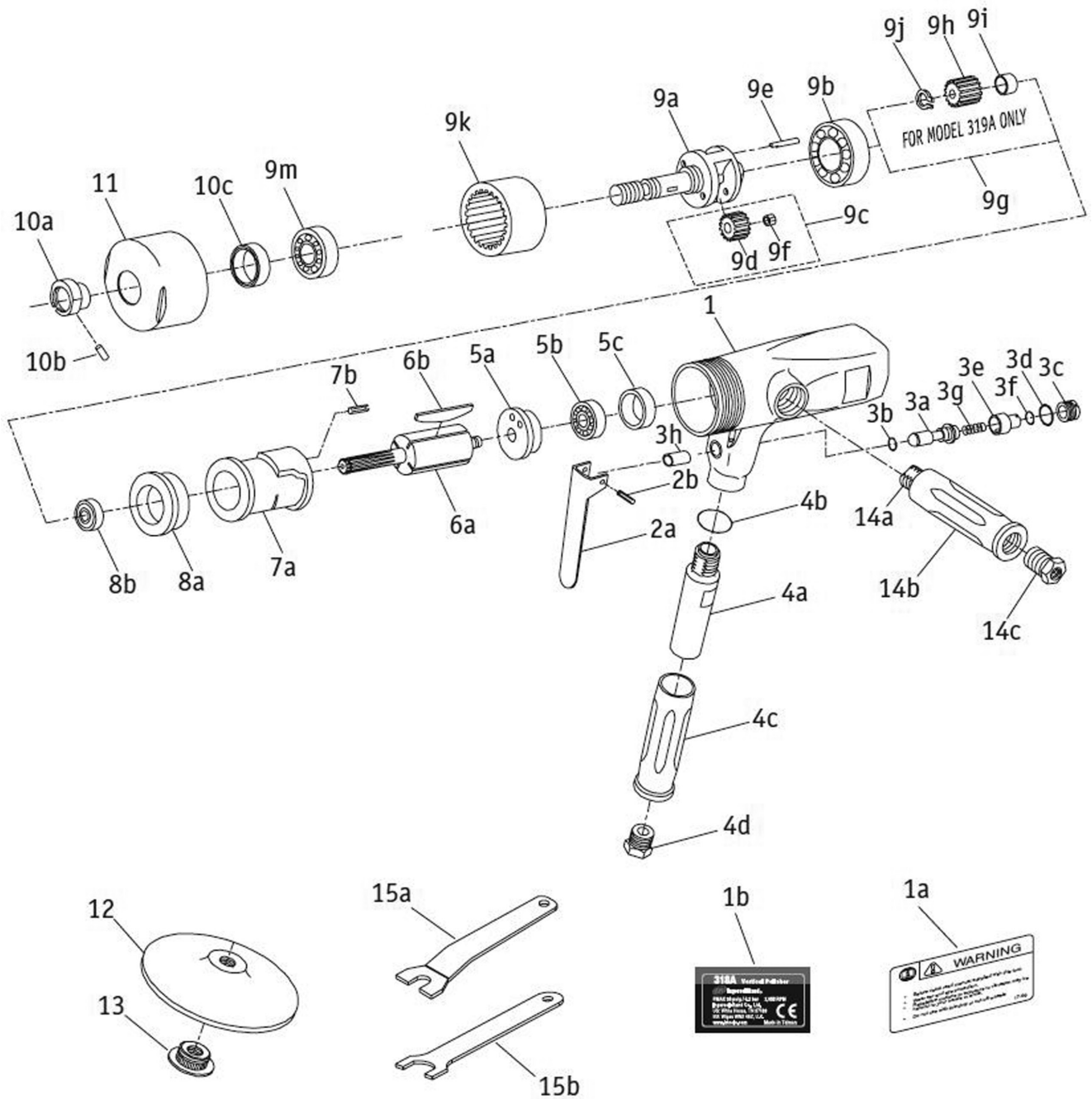
INGERSOLL RAND 319A SERIES HEAVY-DUTY AIR VERTICAL SANDER							
Part Numbers	Sander Model	Pad Diameter (Inches)	Orbit Diameter (Inches)	Pad Face Material	Max Free Speed	Typical Applications	
 10IR319A	319A Heavy-Duty Vertical Air	7	N/A	N/A	5,000 RPM	Light to Heavy Sanding, Rust Removal, Weld Smoothing	

Item #	Part #	Description
Fig. 7		
1	10IR319AA40	Motor Housing Assembly
1A	—	Warning Label
1B	10IR319A301	Nameplate
2	10IR318AA273	Lever Assembly
2A	—	Throttle Lever
2B	—	Throttle Lever Pin
3	10IR318AA302	Throttle Assembly
3A	—	Throttle Valve
3B	—	Throttle Valve Seal
3C	—	Throttle Valve Cap
3D	—	Valve Cap Seal
3E	—	Speed Regulator
3F	—	Regulator Seal
3G	—	Throttle Valve Spring
3H	—	Throttle Bushing
4	10IR318AA169	Inlet Handle Assembly
4A	—	Inlet Handle
4B	—	Inlet Handle Seal
4C	—	Handle Grip
4D	10IR318A465	Inlet Bushing
5	10IR318AA12	Rear End Plate Assembly
5A	—	Rear End Plate
5B	10IR318A97	Rear Rotor Bearing
5C	—	Rear Bearing Cap
6	10IR318AA53	Rotor Assembly
6A	—	Rotor
6B	10IR318A424	Vane Set (<i>Quantity of Four</i>)
7	10IR318AA3	Cylinder Assembly
7A	—	Cylinder
7B	—	Cylinder Pin
8	10IR318AA11	Front End Plate Assembly
8A	10IR318A11	Front End Plate
8B	10IR318A22	Front Rotor Bearing

Item #	Part #	Description
9	10IR319AA591	Spindle Assembly
9A	—	Spindle
9B	10IR318A593	Spindle Bearing
9C	10IR319AA10	Planet Gear Assembly
9D	10IR319A10	Planet Gear (<i>Quantity of Two</i>)
9E	—	Planet Gear Pin (<i>Quantity of Two</i>)
9F	—	Needle Bearing (<i>Quantity of 22</i>)
9G	10IR319AA551	Pinion Gear Assembly
9H	10IR319A551	Pinion Gear
9I	—	Pinion Spacer
9J	—	Pinion Retaining Ring
9K	10IR318A37	Ring Gear
9M	10IR318A509	Front Arbor Bearing
10	10IR318AA86	Clamp Nut Assembly
10A	—	Clamp Nut
10B	—	Spindle Retaining Pin
10C	—	Oil Seal
11	10IR318A200	Housing Nut
12	10IR318AA825	Pad
13	10IR318A226	Pad Nut
14	10IR318AA171	Exhaust Handle Assembly
14A	—	Exhaust Handle
14B	—	Handle Grip
14C	10IR318A312	Exhaust Deflector
15	10IR318AA69	Wrench Kit
15A	—	Disc Wrench
15B	—	Arbor Wrench
—	106M401	Part Numbers and Schematics Guide – Ingersoll Rand Power Tools
—	109V008	Operator's Manual – 319A Series Vertical Sander

PART NUMBERS AND SCHEMATICS GUIDE

Figure 7: Ingersoll Rand 319A Series Heavy-Duty Vertical Air Sander





ALLREDI THERE

Serving these industries: Bridge, Pipeline, Tank & Tower, Concrete Services, Rail, Shipyard & Marine, Pools & Fountains and Foundry

UNITED STATES

Pasadena, TX (Headquarters)

844.361.7038

Beaumont, TX

409.722.1284

Bristol, PA

215.826.8080

Corpus Christi, TX

361.887.2038

Davenport, IA

563.324.2519

Deer Park, TX

(Service & Rental Location)

281.930.0905

Duluth, GA

800.535.4564

Gonzales, LA

225.647.7575

Harvey, LA

504.367.8090

Houma, LA

985.580.4273

Jacksonville, FL

904.262.2120

Lafayette, LA

337.267.1440

Theodore, AL

251.338.7525

Youngstown, OH

330.448.6267

CANADA

Calgary, Alberta

403.279.1924

Coquitlam, BC

604.464.6979

Edmonton, Alberta

780.468.2588 (Manus)

780.425.5510 (Mod-U-Blast)

Hamilton, Ontario

905.527.6000 / 888.794.5665

Mississauga, Ontario

905.890.5837

Winnipeg, Manitoba

204.256.3324

800-252-7848 / WWW.ALLREDI-US.COM

Allredi™ and Marco® are registered trademarks of Allredi, LLC.
All other brand names or marks are used for identification purposes and are trademarks of their respective owners.

ALLREDI™

Literature #106M401_8/23/22