



**GRACO® XTREME® XL
PASSIVE FIRE PROTECTION
SINGLE COMPONENT SPRAYER**



PART NUMBERS AND SCHEMATICS GUIDE

Company Profile

Since 1944, Marco has developed a strong tradition of providing innovative and reliable products and services to the surface preparation and protective coatings industries. We are the world's premier provider of Abrasives, Blasting Equipment, Coating Equipment, Engineered Systems, Rental Equipment, Safety Equipment, Service, and Repair.

Through innovative designs and a total commitment to quality, Marco manufactures products that increase production rates, create a safer workplace, and reduce maintenance costs. Marco's industry experience, manufacturing capabilities, legendary customer service, product availability, logistics services, and technology leadership is your assurance that we deliver high quality products and services, providing the best value to you, our customer.

The Marco Difference

- **Industry Experience** – With Marco on your team, you have access to expertise which can only come from decades of industry leadership. We have organized our engineering department, production specialists, customer operations, and safety support into a “Center of Competence.” As a Marco customer, you have access to hundreds of years of cumulative experience related to your operations.
- **Manufacturing Excellence** – Marco is a U.S. based, ISO 9001:2008 certified manufacturer of equipment for the Surface Preparation and Protective Coatings industries. Marco's engineers benchmark the industry to ensure that we design and manufacture superior products that set the “Gold Standard” for performance, safety, and quality.
- **Legendary Customer Service** – Marco's legendary customer service team is staffed by friendly, highly-trained individuals who are focused on providing the highest level of product support, order accuracy, and customer satisfaction.
- **Product Availability** – We stock over 10,000 SKU's and have over 45 shipping locations to serve North American and International markets for all major brands of blasting and painting equipment. As the largest provider of surface preparation and protective coatings equipment in the world, our inventory levels and product availability are unmatched.
- **Logistics Services** – Marco's in-house logistics team is dedicated to moving your shipment anywhere in the world. We move over 14,000 truckloads every year, allowing you to save on freight costs by leveraging our buying power. Lower your process costs with a single invoice, which includes product and freight.
- **Technology Leadership** – Our website provides: Operator's Manuals, Part Numbers and Schematics Guides, MSDS information, and Features and Specifications Guides, providing access to information 24/7. Our Extranet application allows you to receive quotes and place orders online. Our Intranet maintains a complete record of your purchase history to assist with ongoing support of your existing equipment and future purchasing decisions.

Vision Statement

Marco is the world's premier provider of Abrasives, Blasting Equipment, Coating Equipment, Engineered Systems, Rental Equipment, Safety Equipment, Service, and Repair.

Mission Statement

Marco provides strong leadership and innovation to the surface preparation and protective coatings industries. We dedicate our efforts to the continuous improvement of our products, services, processes, people, and most importantly, the quality of our customer's experience.

Quality Policy

Marco is committed to providing superior quality in the design, manufacturing, distribution, rental, service, and repair of our products. Our ISO 9001:2008 certification extends throughout all operations in all locations. Continuous improvement of our processes and supply chain Integration comprise the core of our business strategy for delivering exceptional quality and value in all Marco products and services.

Management Philosophy

We are a company dedicated to the success of every customer and associate. We discuss, debate, challenge, measure, and test our ideas. We will be boundless and limitless in our passion to improve. Through sound leadership and dedicated associates, we will ensure a long term, profitable future for Marco, our associates, customers, and suppliers.

TABLE OF CONTENTS

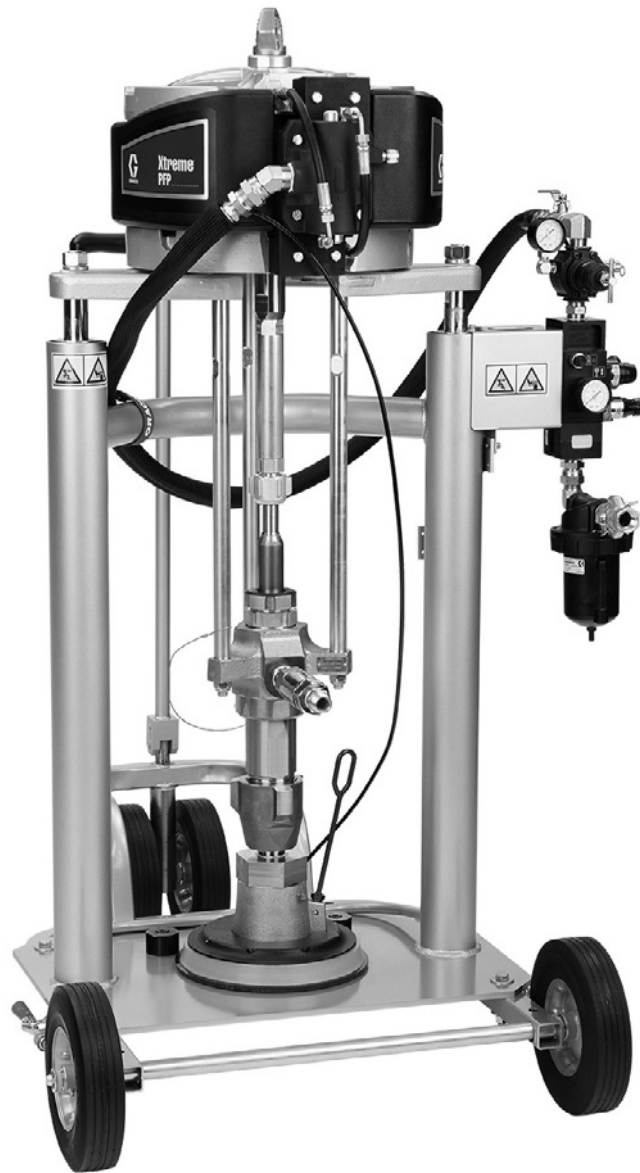
Company Profile	2
Table of Contents	3
Graco® Xtreme® XL Passive Fire Protection	
Single Component Sprayer	4-26
Graco® Xtreme® XL Passive Fire Protection Single Component Sprayer Part Numbers.....	4-5
Graco® Xtreme® XL Passive Fire Protection Single Component Sprayer Schematics.....	6-7
Xtreme® XL Air Motor	8-9
Xtreme® XL Air Valve	10-11
290cc Lower Displacement Pump Repair Parts.....	12-13
Xtreme® Seal Repair Kits.....	14-15
Tuff-Stack™ Repair Kits.....	16-17
X-Tuff® Repair Kits.....	18-19
Cart.....	20
Xtreme® XL Pumpline.....	21
Ram Frame.....	22-23
Platen.....	24
Check Valve.....	25
Static Mixer.....	26
Optional Accessories	27-28
Static Mixers.....	27
Static Mixer Replacement Parts.....	27
1/2" I.D. Airless Spray Hose.....	28
3/4" I.D. Airless Spray Hose.....	28
Maintenance Notes	29-31

PART NUMBERS AND SCHEMATICS GUIDE

GRACO® XTREME® XL PASSIVE FIRE PROTECTION SPRAYERS				
Part Numbers	Cart Included	Air Motor	1/2" I.D. Hose	Graco® XHF™ Spray Gun with XHD™ 429 Tip
20G24X069	X	Xtreme® XL	25 Ft.	X
20G24X068		Xtreme® XL	25 Ft.	X

GRACO® XTREME® XL PASSIVE FIRE PROTECTION SPRAYER – SPECIFICATIONS	
Maximum Fluid Working Pressure	7,250 psi
Pump Lower Output per Cycle	290cc
Motor	Xtreme® XL Air Motor
Maximum Air Working Pressure	100 psi
Maximum Air Inlet Pressure	100 psi

PART NUMBERS AND SCHEMATICS GUIDE



20G24X069

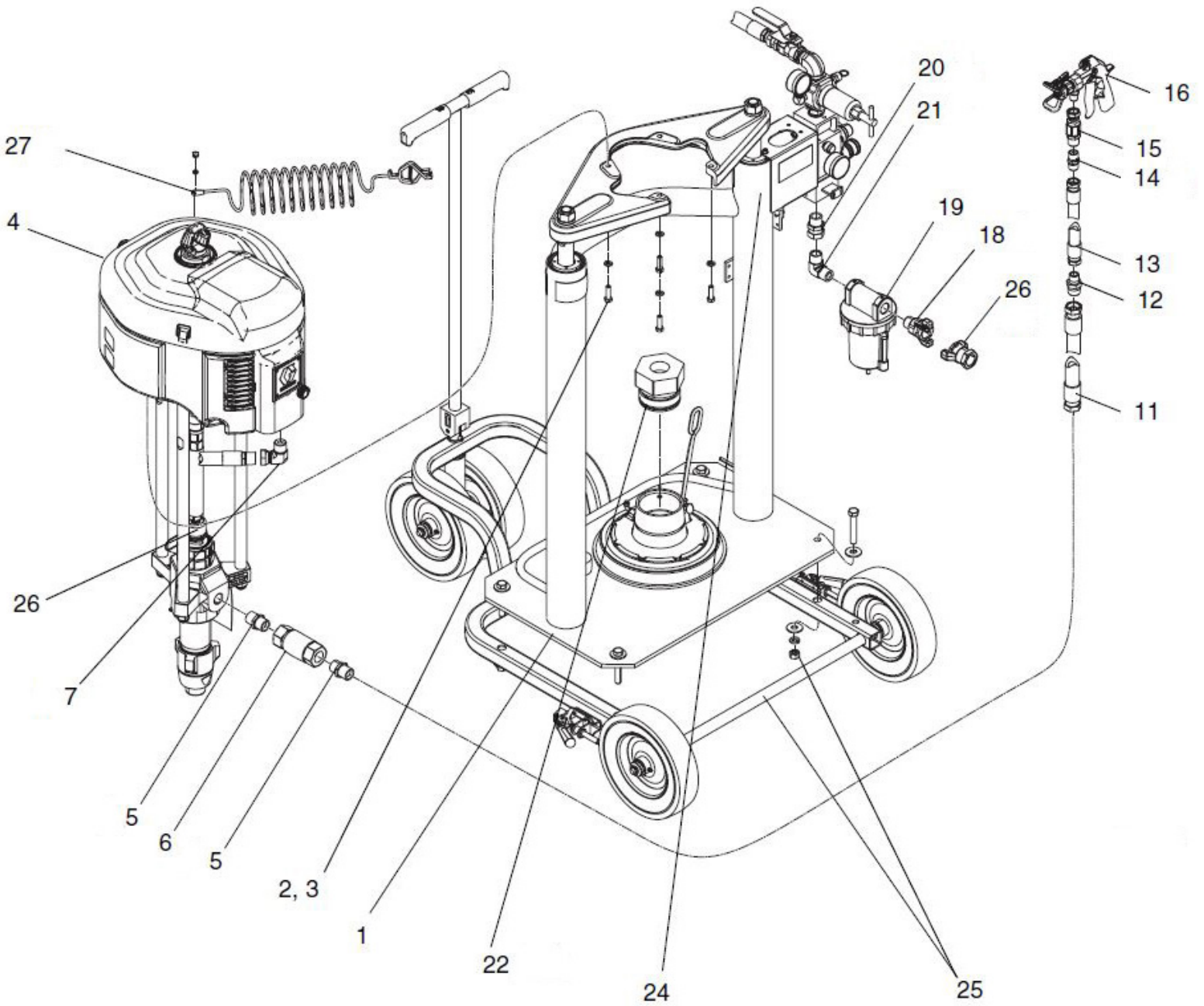
PART NUMBERS AND SCHEMATICS GUIDE

Graco® Xtreme® XL Passive Fire Protection Sprayer

Item#	Part#	Description
Fig. 1		
1	—	Dual Post Ram
2	20G100133	3/8" Lock Washer (<i>Quantity of Four</i>)
3	—	Hex Head Screw Cap (<i>Quantity of Four</i>)
4	—	Xtreme® Passive Fire Protection XL Pump
5	20G160032	Pipe Nipple (<i>Quantity of Two</i>)
6	20G16T481	3/4" Check Valve
7	20G160327	3/4" x 3/4" 90° Union Swivel
11	20GH67550	Coupled Hose, 3/4" I.D. – 6500 psi
12	20G16R883	3/4" x 1/2" Reducing Nipple Fitting
13	20GH75025	1/2" x 25' Airless Hose – 7250 psi
14	20G158491	1/2" x 1/2" Nipple
15	20G24P834	1/2" (F) x 3/8" Gun Swivel – 6500 psi
16	20G262854	XHF™ 4-Finger Gun with XHD™ 429 Tip
18	20G113429	Male Air Line Coupler – 3/4" NPT
19	20G117628	Filter Air 3/4" Auto Drain
20	20G157785	3/4" x 3/4" Union Swivel, Carbon Steel
21	20G295847	90° Elbow Fitting
22	—	Platen Adapter
24	—	Identification Label
25	20G16P434	Ram Cart (20G24X069 only)
26	20G113430	Female Airline Coupler – 3/4" NPT
27	20G238909	Ground Wire and Clamp
—	20G206994	Throat Seal Liquid – 8 oz.
—	20G24P832	Mix Line and Gun Kit (<i>Includes Item #'s: 5, 6, 11, 12, 13, 14, 15, and 16</i>)
—	206M566	Part Numbers and Schematics Guide – Graco® Xtreme® XL Passive Fire Protection Airless Spray Pumps
—	206M537	Part Numbers and Schematics Guide – Graco® XHF™ Spray Gun
—	209V508	Operator's Manual – Graco® Xtreme® Pump Packages

PART NUMBERS AND SCHEMATICS GUIDE

Figure 1: Graco® Xtreme® XL Passive Fire Protection Sprayer



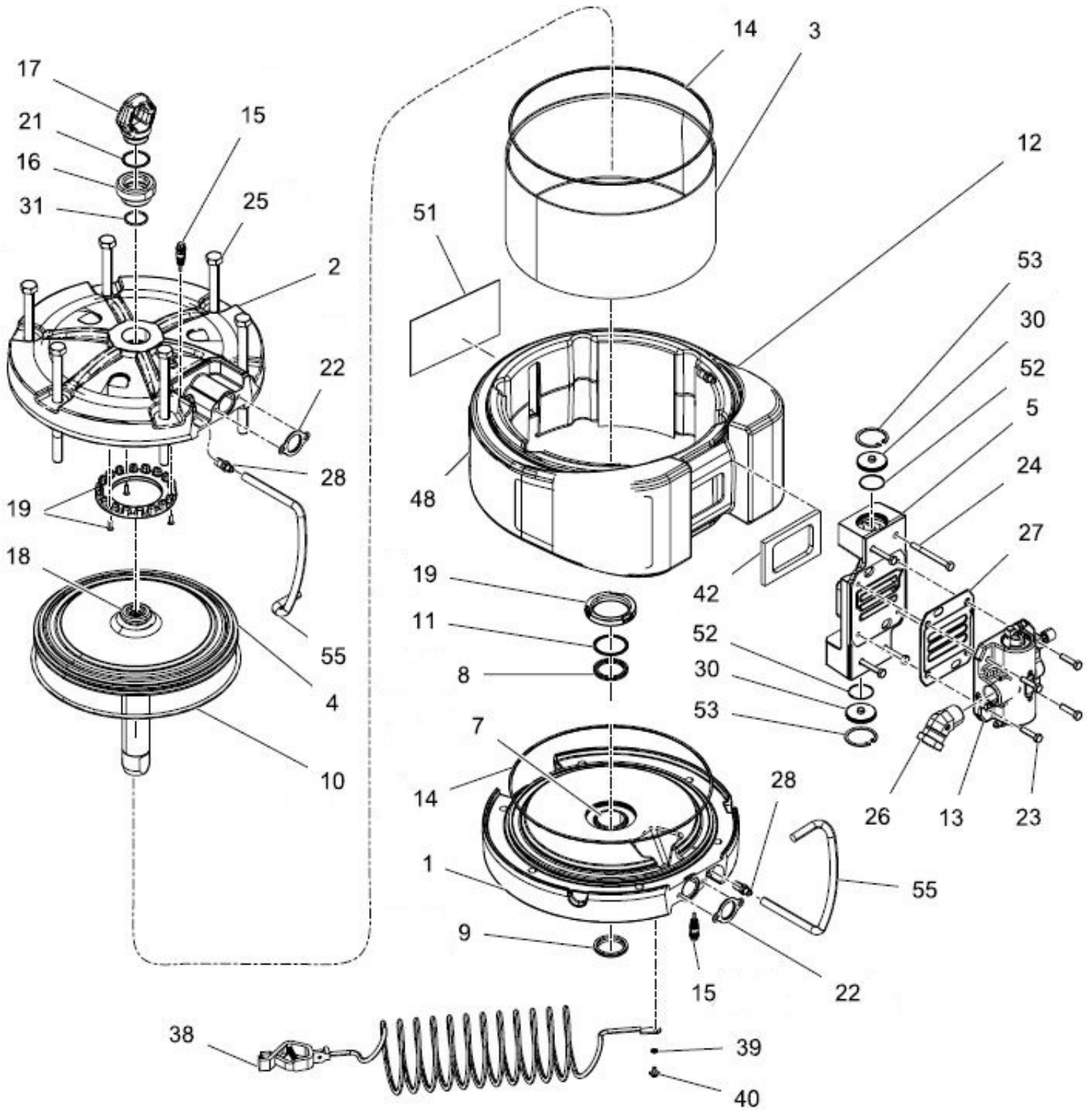
PART NUMBERS AND SCHEMATICS GUIDE

Graco® Xtreme® XL Air Motor

Item#	Part#	Description	Item#	Part#	Description
Fig. 2			31	20GC20987	Packing O-Ring
—	20G24X856	Xtreme® XL Air Motor	38	20G244524	Ground Wire with Clamp <i>(Includes Item #: 38a)</i>
1	20G24X559	Bottom Cover	38a	20G290079	Grounding Warning Tag
2	20G24W584	Top Cover	39	20G111307	External Washer Lock
3	20G24X561	Cylinder Kit	40	20G116343	Ground Screw
4	20G24X557	Piston Motor Kit	42	20G17C776	Muffler Gasket
5	20G16Y968	Manifold Exhaust	51	20G15F674	Motor Safety Label
7	—	Bearing Sleeve	52	20G205020	Packing O-Ring
8	—	Packing U-Cup	53	20G557832	Retainer Ring <i>(Quantity of Two)</i>
9	—	Seal Rod Wiper	55	20G128090	Coupled Hose <i>(Quantity of Two)</i>
10	—	Piston O-Ring	—	20G24X557	Piston/Rod Assembly Repair Kit <i>(Includes Item #s: 4 and 18)</i>
11	—	Retaining Ring	—	20G24X558	Air Motor Soft Parts Repair Kit <i>(Includes Item #s: 8, 9, 10, 11, 14, 15a-d, 22, and 42)</i>
12	20G24X560	Muffler Cover	—	20G24X559	Bottom End Cap Repair Kit <i>(Includes Item #s: 1, 7, 8, 9, 11, and 19)</i>
13	20G24X562	Air Valve	—	20G24X560	Muffler Repair Kit <i>(Includes Item #s: 12, 42, and 51)</i>
14	20G109486	Packing O-Ring <i>(Quantity of Two)</i>	—	20G24X561	Cylinder Repair Kit <i>(Includes Item #s: 3, 14, and 46)</i>
15	20G24A366	Pilot Valve <i>(Quantity of Two)</i>	—	20G24A915	Bumper Kit <i>(Includes Item #s: 19, 20, and 29)</i>
15a	20G155685	Packing O-Ring, Middle			
15b	—	Packing U-Cup, Shaft			
15c	20G154741	Packing O-Ring, Bottom			
15d	20G197650	Buna O-Ring, Top			
16	20G16D001	Lift Ring Adapter			
17	20G15F931	Lift Ring 1-9/16"			
18	20GNXT106	Bumper Piston, with Magnet			
19	20G24A916	Bumper Kit			
21	20G108014	Packing O-Ring			
22	—	End Cap Gasket <i>(Quantity of Two)</i>			
23	20G110036	Stud <i>(Quantity of Four)</i>			
24	20G17B389	Screw, M8 x 1.25 x 85mm <i>(Quantity of Four)</i>			
25	20G127582	Screw, 5/8-11 x 8.5" <i>(Quantity of Six)</i>			
26	—	Swivel Fitting			
27	20G24X565	Valve Gasket <i>(Quantity of Two)</i>			
28	20G555749	Adapter Fitting <i>(Quantity of Two)</i>			
30	20G17C974	Manifold XL Air Cap <i>(Quantity of Two)</i>			

PART NUMBERS AND SCHEMATICS GUIDE

Figure 2: Graco® Xtreme® XL Air Motor



PART NUMBERS AND SCHEMATICS GUIDE

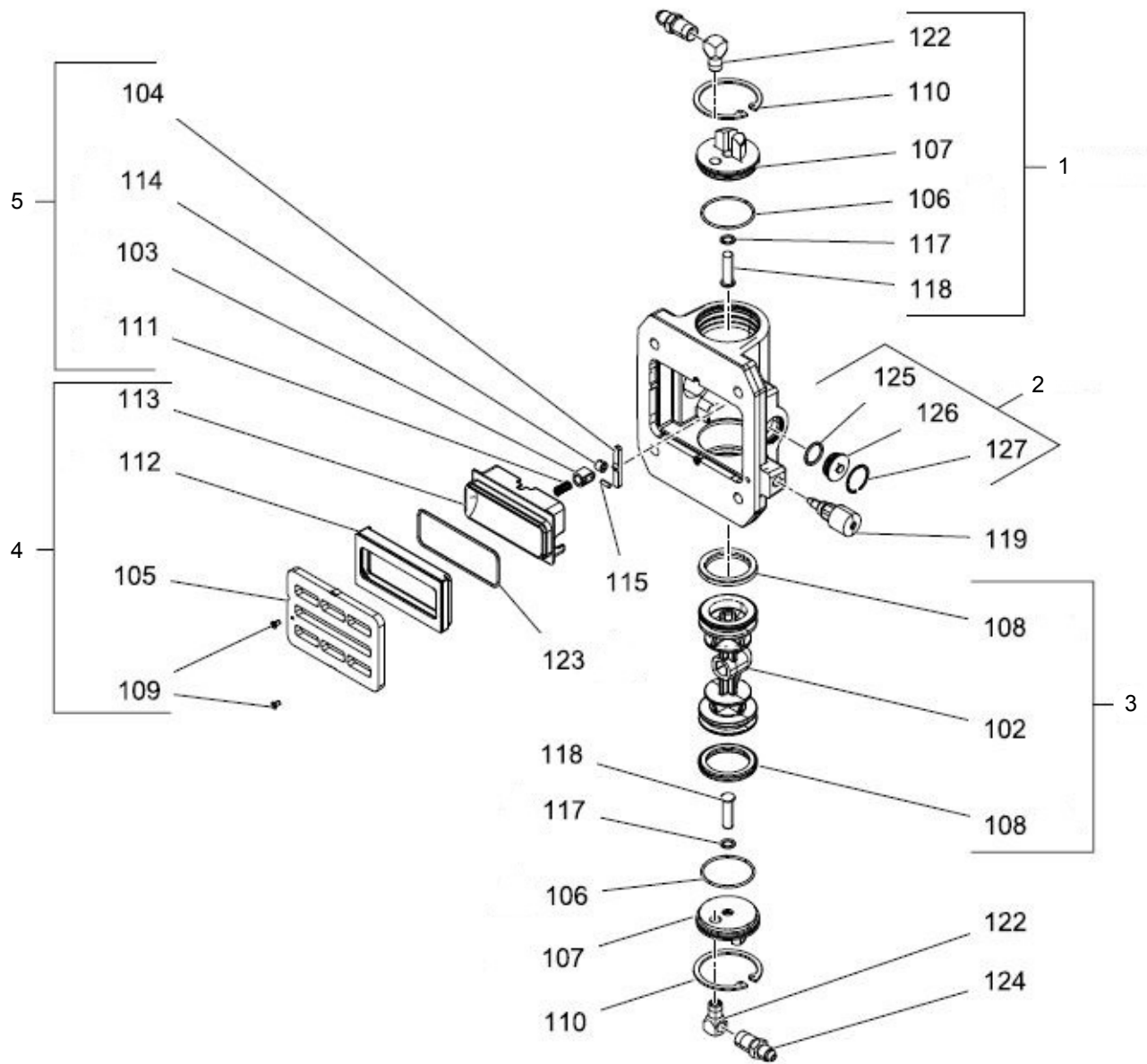
Graco® Xtreme® XL Air Valve

Item#	Part#	Description
Fig. 3		
—	20G24X562	Graco® Xtreme® XL Air Valve
1	20G24X566	Cap with Push Button Assembly <i>(Includes Item #'s: 106, 107, 110, 117, 118, 122, and 124)</i>
2	20G24X568	DataTrack™ Plug Assembly <i>(Includes Item #'s: 125, 126, and 127)</i>
3	20G24X569	Valve Piston with Seals Repair Kit <i>(Includes Item #'s: 102 and 108)</i>
4	20G24X564	Base/Cup Repair Assembly <i>(Includes Item #'s: 112, 113, 123, 105, and 109)</i>
5	20G24X567	Roller Assembly <i>(Includes Item #'s: 103, 104, 111, 114, and 115)</i>
—	—	Housing
102	—	Piston
103	—	Detent Piston
104	—	Detent Cam
105	—	Air Valve Plate
106	20G104010	Packing O-Ring <i>(Quantity of Two)</i>
107	—	Air Valve Cap <i>(Quantity of Two)</i>
108	—	U-Cup Packing <i>(Quantity of Two)</i>
109	—	Thread Forming Screw <i>(Quantity of Two)</i>
110	20G557832	Retainer Ring <i>(Quantity of Two)</i>
111	—	Detent Spring
112	—	Cup Base
113	—	Air Valve Cup
114	—	Detent Roller
115	—	Detent Pin
117	20G154741	Packing O-Ring <i>(Quantity of Two)</i>
118	—	Reset Button <i>(Quantity of Two)</i>
119	20G16Y668	Needle Valve
122	20G15K783	Street Elbow Fitting <i>(Quantity of Two)</i>
123	20G295640	O-Ring
124	20G555749	Connector <i>(Quantity of Two)</i>
125	20G104130	Packing O-Ring
126	—	Valve Plug
127	—	Retaining Ring

— Not Available for Individual Sale

PART NUMBERS AND SCHEMATICS GUIDE

Figure 3: Graco® Xtreme® XL Air Valve



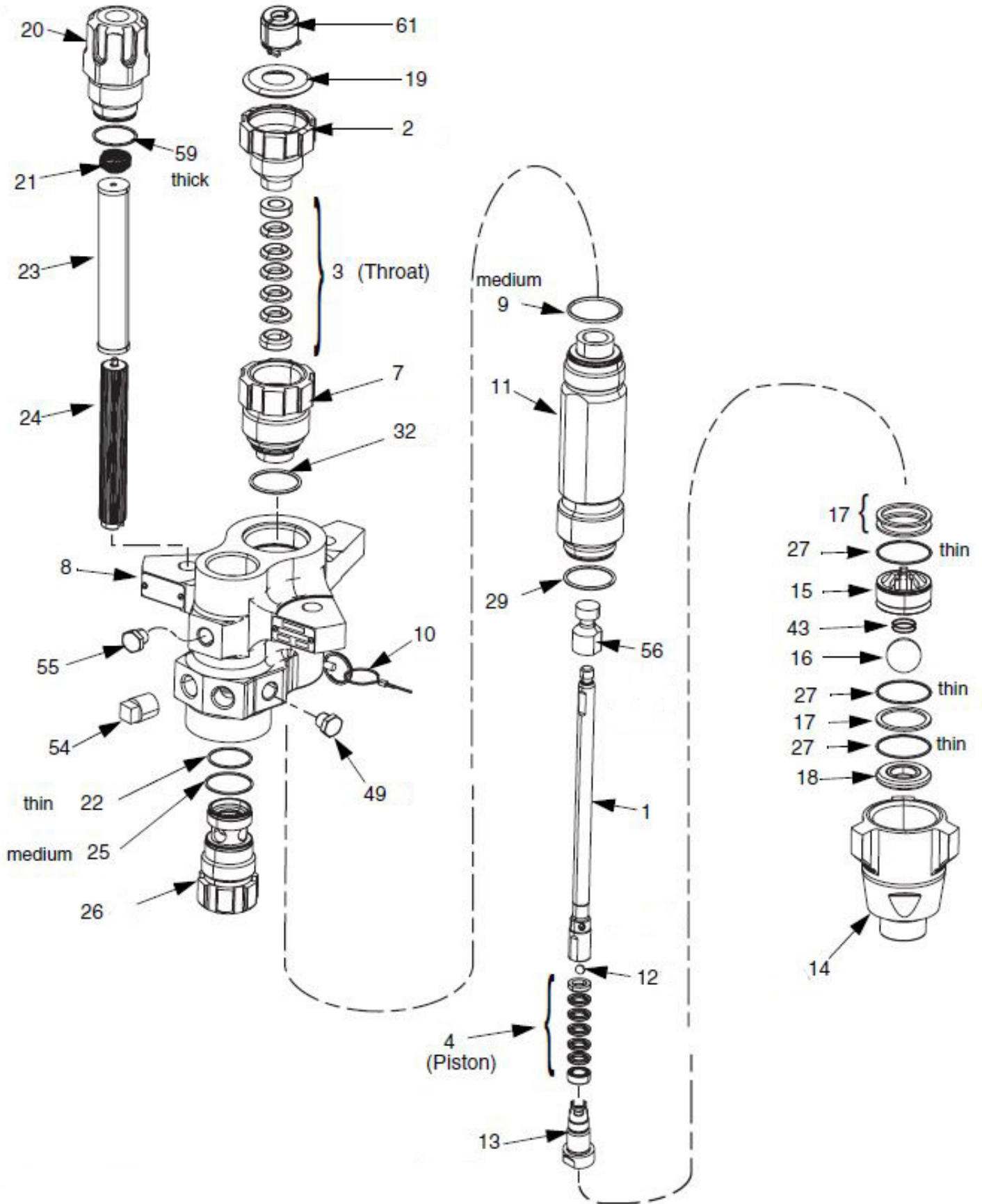
PART NUMBERS AND SCHEMATICS GUIDE

290cc Xtreme® Sprayer Lower Displacement Pump

Item#	20GL290C1	20GL290C2	Description
	20GL290C3 (No Built-In Filter)	(Built-In Filter)	
Fig. 4			
1	20G24B825	20G24B825	Displacement Rod
2	20G15K031	20G15K031	Packing Nut
3	—	—	Stack Packings, Throat (See Fig. 5, 6, and 7)
4	—	—	Stack Packings, Piston (See Fig. 5, 6, and 7)
7	20G197327	20G197327	Packing Cartridge, Throat
8	20G197335	20G197337	Housing Outlet
9	20G244893	20G244893	O-Ring, Top Cylinder, PTFE Medium (Quantity of 10)
10	20G244826	20G244826	Self-Locking Pin
11	20G197319	20G197319	Lower Cylinder
12	20G244899	20G244899	Ball Piston (Quantity of Three)
13	20G24B830	20G24B830	Piston Valve
14	20G197304	20G197304	Inlet Housing
15	20G198647	20G198647	Inlet Ball Guide
16	20G253030	20G253030	Inlet Ball (Quantity of Three)
17	20G244856	20G244856	Inlet Shim Ball Guide (Quantity of Nine)
18	20G197344	20G197344	Inlet Seat
19	20G247395	20G247395	Throat Seal Plug (Quantity of 10)
20	—	20G16M461	Top Filler Cap
21	—	20G171941	Compression Spring
22	—	20G244895	Thin Filter O-Ring, PTFE (Quantity of 10)
23	—	20G224459	Strainer, 60 mesh screen
24	—	20G186075	Filter Support
25	—	20G262484	Filter O-Ring, Medium, PTFE (Quantity of 10)
26	—	20G16M462	Lower Filter Cap
27	20G244894	20G244894	Foot Valve and Cylinder Bottom O-Ring, PTFE thin (Quantity of 10)
30	20G172479	20G172479	Warning Tag
32	20G244891	20G244891	Throat Cartridge O-Ring, PTFE thin (Quantity of 10)
38	—	20G158491	Nipple Fitting, Outlet, 1/2"
39	—	20G24N518	Packless Plug, 1/2"
40	—	20G245143	Pressure Dump Valve
41	—	20G116746	Barbed Fitting, Plated
42	—	20G116750	Nylon Tube
49	20G101754	20G198292	Pipe Plug
59	—	20G262483	Filter O-Ring, PTFE thick (Quantity of 10)

PART NUMBERS AND SCHEMATICS GUIDE

Figure 4: 290cc Xtreme® Sprayer Lower Displacement Pump



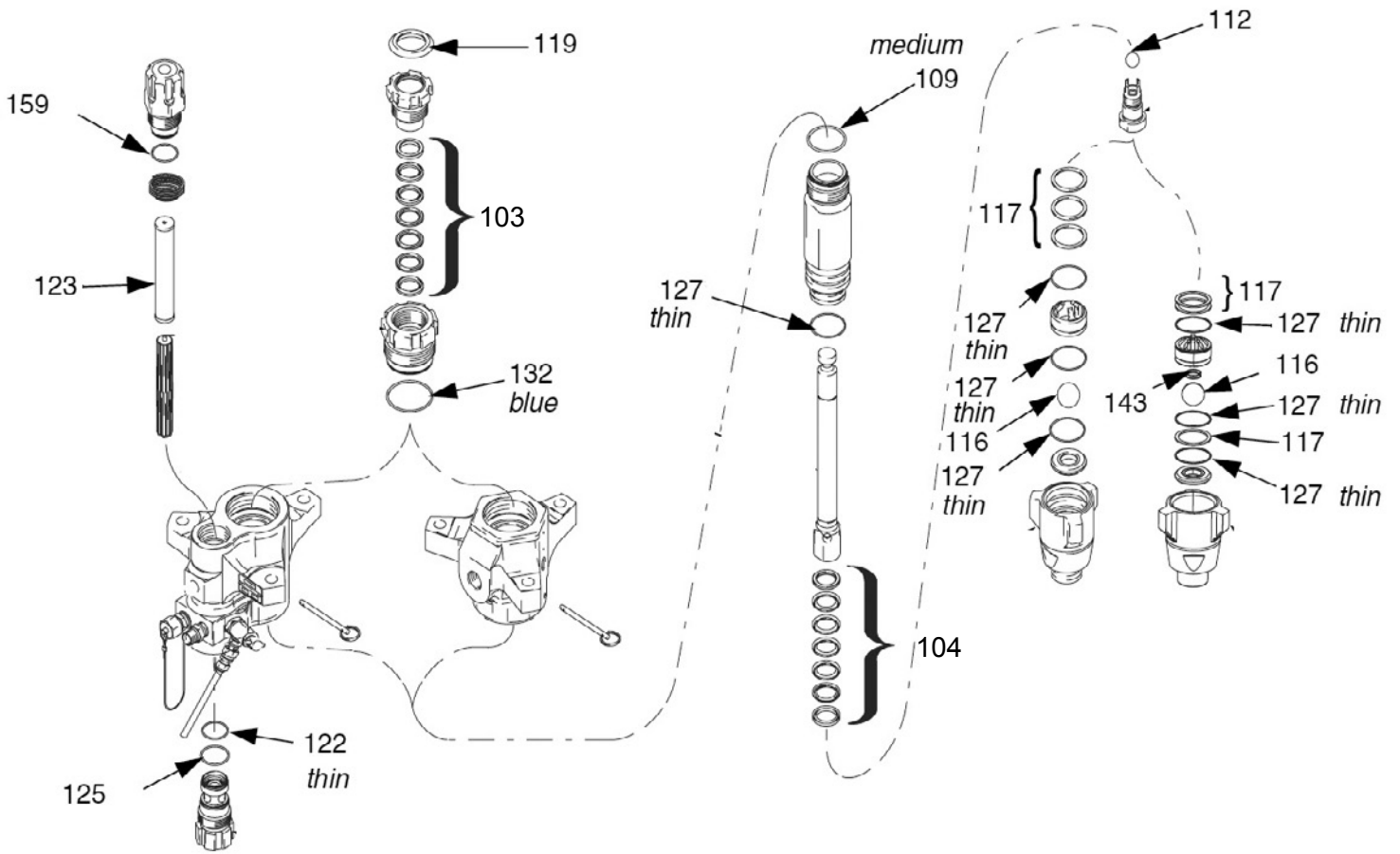
PART NUMBERS AND SCHEMATICS GUIDE

Xtreme® Seal Repair Kit for 290cc Lower Displacement Pump

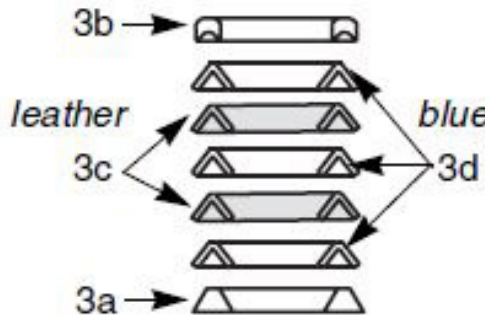
Item#	Part#	Description
Fig. 5		
—	20G24F963	Xtreme Seals™ Repair Kit <i>Includes Item #'s: 1 (Quantity of Two); 2 (Quantity of Two); 3 (Quantity of Four); 4 (Quantity of Six); 5 (Quantity of Four); 6 (Quantity of Two); 7, 8, 9, 10 (Quantity of Three); and 11</i>
103	—	Throat Packings
3a	20G244885	Male Gland <i>(Quantity of Four)</i>
3b	20G244879	Female Gland <i>(Quantity of Four)</i>
3c	20G244873	V-Packing, Leather <i>(Quantity of 10)</i>
3d	20G244867	V-Packing, UHMWPE <i>(Quantity of 10)</i>
104	—	Piston Packings
4a	20G244886	Male Gland <i>(Quantity of Four)</i>
4b	20G244880	Female Gland <i>(Quantity of Four)</i>
4c	20G244874	V-Packing, Leather <i>(Quantity of 10)</i>
4d	20G244868	V-Packing, UHMWPE <i>(Quantity of 10)</i>
109	20G244893	PTFE O-Ring, Top Cylinder Medium <i>(Quantity of 10)</i>
112	20G244899	Ball Piston, 1" (25 mm) <i>(Quantity of Three)</i>
116	20G253030	Ball Inlet, 1-1/2" (38 mm) <i>(Quantity of Three)</i>
117	20G244856	Shim Inlet, Ball Guide <i>(Quantity of Nine)</i>
119	20G244999	Throat Seal Plug, 1-3/4" <i>(Quantity of 10)</i>
—	20G247395	Throat Seal Plug, 2-1/2" <i>(Quantity of 10)</i>
122	20G244895	Filter O-Ring, Thin, PTFE <i>(Quantity of 10)</i>
123	20G238436	Strainer, 30 mesh screen, 5.65" <i>(Quantity of 25)</i>
—	20G224458	Strainer, 30 mesh, 5.65" <i>(Quantity of Two)</i>
—	20G238438	Strainer, 60 mesh, 5.65" <i>(Quantity of 25)</i>
—	20G224459	Strainer, 60 mesh, 5.65" <i>(Quantity of Two)</i>
125	20G262484	Filter O-Ring, Medium, PTFE <i>(Quantity of 10)</i>
—	20G244896	Filter O-Ring For Series A Pumps <i>(Quantity of 10)</i>
127	20G244894	O-Ring, PTFE, Thin <i>(Quantity of 10)</i>
143	20G116802	Foot Valve Spring (20G262795 only)
159	20G262483	Top Cap O-Ring, PTFE <i>(Quantity of 10)</i>
—	20G244895	Top Cap O-Ring For Series A Pumps <i>(Quantity of 10)</i>
—	209V021	Operator's Manual – Graco® Xtreme® Pump Lowers

PART NUMBERS AND SCHEMATICS GUIDE

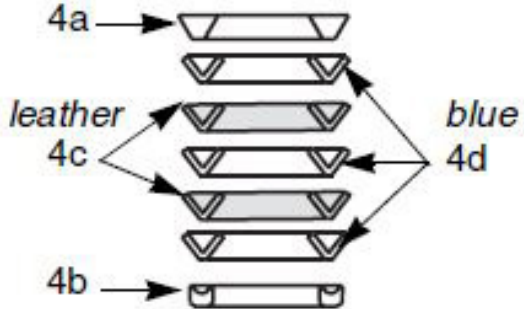
Figure 5: Xtreme® Seal Repair Kit for 290cc Lower Displacement Pump



Throat Packings: Lips Face Down



Piston Packings: Lips Face Up



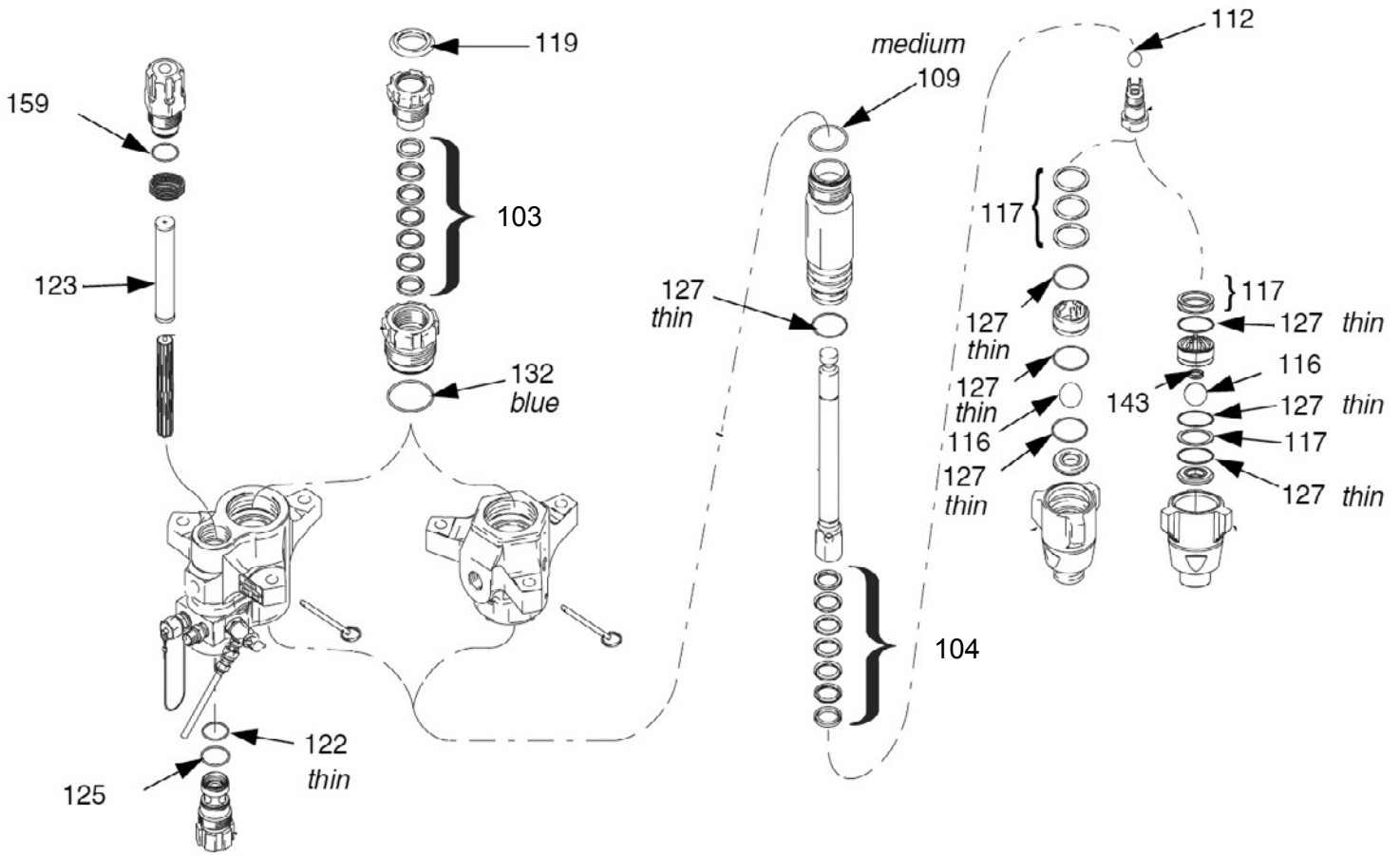
PART NUMBERS AND SCHEMATICS GUIDE

Tuff-Stack™ Repair Kit for 290cc Lower Displacement Pump

Item#	Part#	Description
Fig. 6		
—	20G24F964	Tuff-Stack™ Repair Kit <i>Includes Item #'s: 1 (Quantity of Two); 2 (Quantity of Two); 3 (Quantity of Four); 4 (Quantity of 10); 5 (Quantity of Two); 6 (Quantity of Four); 7, 8, 9 (Quantity of Three); and 10</i>
103	—	Throat Packings
103a	20G244885	Male Gland (<i>Quantity of Four</i>)
103b	20G244879	Female Gland (<i>Quantity of Four</i>)
103e	20G244861	V-Packing Carbon-Filled, PTFE/UHMWPE, Blue (<i>Quantity of 10</i>)
104	—	Piston Packings
104a	20G244886	Male Gland (<i>Quantity of Four</i>)
104b	20G244880	Female Gland (<i>Quantity of Four</i>)
104e	20G244862	V-Packing Carbon-Filled, PTFE/UHMWPE, Blue (<i>Quantity of 10</i>)
109	20G244893	PTFE O-Ring, Top Cylinder Medium (<i>Quantity of 10</i>)
112	20G244898	Ball Piston, 7/8" (22 mm) (<i>Quantity of Three</i>)
116	20G253030	Ball Inlet, 1.5" (38 mm) (<i>Quantity of Three</i>)
117	20G244856	Shim Inlet, Ball Guide (<i>Quantity of Nine</i>)
119	20G244999	Throat Seal Plug, 1-3/4" (<i>Quantity of 10</i>)
—	20G247395	Throat Seal Plug, 2-1/2" (<i>Quantity of 10</i>)
122	20G244895	Filter O-Ring, Thin, PTFE (<i>Quantity of 10</i>)
123	20G238436	Strainer, 30 mesh screen, 5.65" (<i>Quantity of 25</i>)
—	20G224458	Strainer, 30 mesh, 5.65" (<i>Quantity of Two</i>)
—	20G238438	Strainer, 60 mesh, 5.65" (<i>Quantity of 25</i>)
—	20G224459	Strainer, 60 mesh, 5.65" (<i>Quantity of Two</i>)
125	20G262484	Filter O-Ring, Medium, PTFE (<i>Quantity of 10</i>)
—	20G244896	Filter O-Ring For Series A Pumps (<i>Quantity of 10</i>)
127	20G244894	O-Ring, PTFE, Thin (<i>Quantity of 10</i>)
143	20G116802	Foot Valve Spring (20G262795 only)
159	20G262483	Top Cap O-Ring, PTFE (<i>Quantity of 10</i>)
—	20G244895	Filter O-Ring For Series A Pumps (<i>Quantity of 10</i>)
—	209V021	Operator's Manual – Graco® Xtreme® Pump Lowers

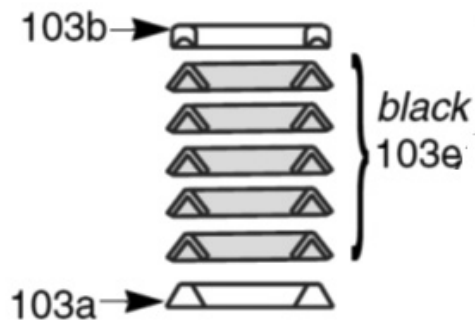
PART NUMBERS AND SCHEMATICS GUIDE

Figure 6: Tuff-Stack™ Repair Kit for 290cc Lower Displacement Pump

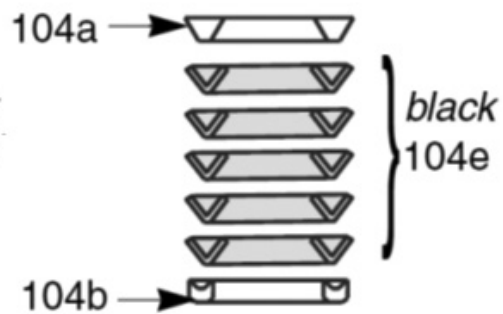


Tuff-Stack™ Seal Repair Kit 24F964

**Throat Packings:
Lips Face Down**



**Piston Packings:
Lips Face Up**



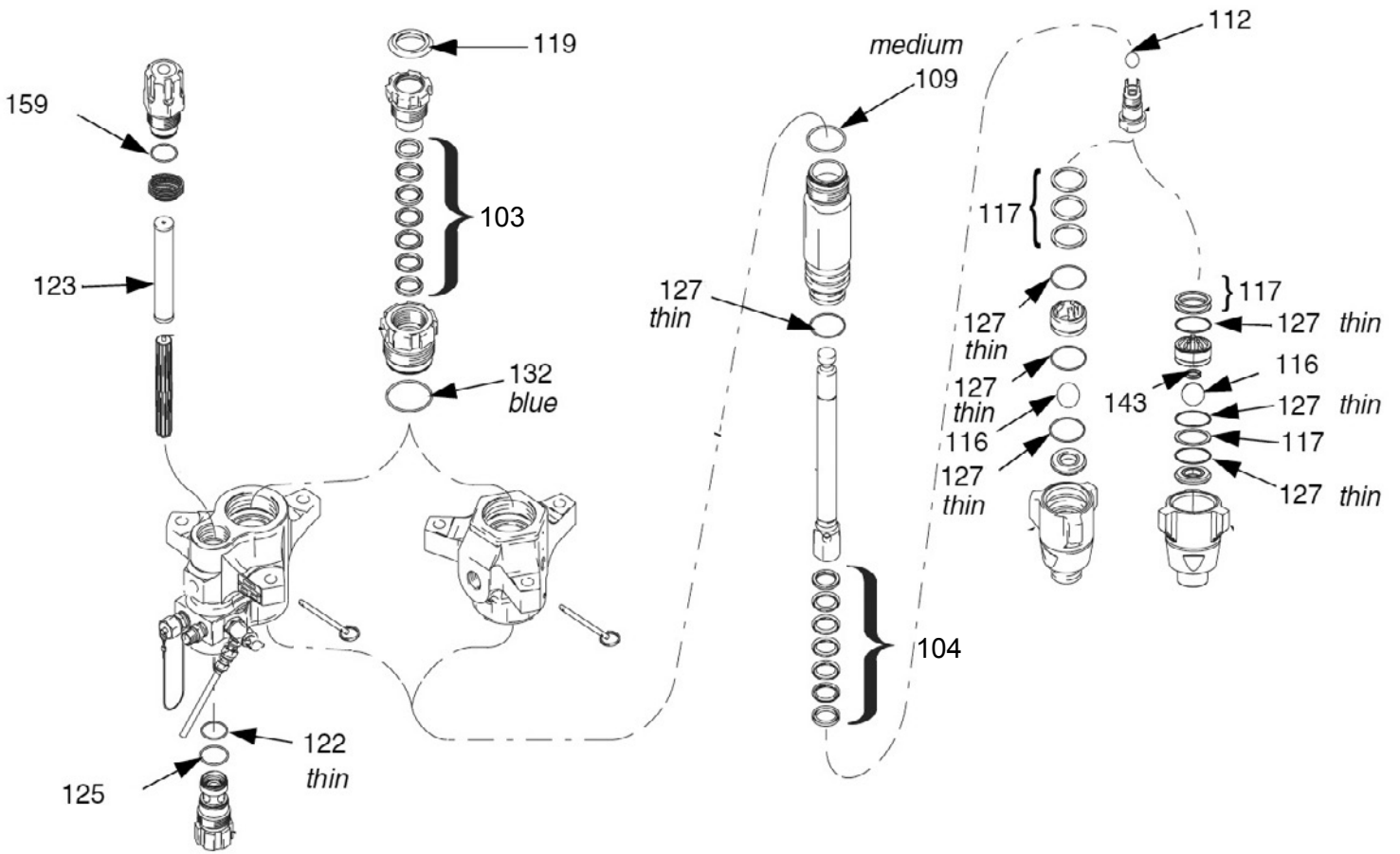
PART NUMBERS AND SCHEMATICS GUIDE

X-Tuff™ Repair Kit for 290cc Lower Displacement Pump

Item#	Part#	Description
Fig. 7		
—	20G262795	X-Tuff™ Repair Kit <i>Includes Item #'s: 1 (Quantity of Two); 2 (Quantity of Two); 3 (Quantity of Four); 4 (Quantity of Six); 5 (Quantity of Four); 6 (Quantity of Two); 7, 8, 9, 10 (Quantity of Three); and 11</i>
103	—	Throat Packings
103a	20G244885	Male Gland <i>(Quantity of Four)</i>
103b	20G244879	Female Gland <i>(Quantity of Four)</i>
103c	20G244861	V-Packing Carbon-Filled, PTFE/UHMWPE, Blue <i>(Quantity of 10)</i>
103d	20G244867	V-Packing, UHMWPE, Black <i>(Quantity of 10)</i>
104	—	Piston Packings
104a	20G244866	Male Gland <i>(Quantity of Four)</i>
104b	20G244880	Female Gland <i>(Quantity of Four)</i>
104c	20G244862	V-Packing Carbon-Filled, PTFE/UHMWPE, Blue <i>(Quantity of 10)</i>
104d	20G244868	V-Packing, UHMWPE, Black <i>(Quantity of 10)</i>
109	20G244893	PTFE O-Ring, Top Cylinder Medium <i>(Quantity of 10)</i>
112	20G244898	Ball Piston, 7/8" (22 mm) <i>(Quantity of Three)</i>
116	20G253030	Ball Inlet, 1.5" (38 mm) <i>(Quantity of Three)</i>
117	20G244856	Shim Inlet, Ball Guide <i>(Quantity of Nine)</i>
119	20G244999	Throat Seal Plug, 1-3/4" <i>(Quantity of 10)</i>
—	20G247395	Throat Seal Plug, 2-1/2" <i>(Quantity of 10)</i>
122	20G244895	Filter O-Ring, Thin, PTFE <i>(Quantity of 10)</i>
123	20G238436	Strainer, 30 mesh screen, 5.65" <i>(Quantity of 25)</i>
—	20G224458	Strainer, 30 mesh, 5.65" <i>(Quantity of Two)</i>
—	20G238438	Strainer, 60 mesh, 5.65" <i>(Quantity of 25)</i>
—	20G224459	Strainer, 60 mesh, 5.65" <i>(Quantity of Two)</i>
125	20G262484	Filter O-Ring, Medium, PTFE <i>(Quantity of 10)</i>
—	20G244896	Filter O-Ring For Series A Pumps <i>(Quantity of 10)</i>
127	20G244894	O-Ring, PTFE, Thin <i>(Quantity of 10)</i>
143	20G116802	Foot Valve Spring (20G262795 only)
159	20G262483	Top Cap O-Ring, PTFE <i>(Quantity of 10)</i>
—	20G244895	Filter O-Ring For Series A Pumps <i>(Quantity of 10)</i>
—	209V021	Operator's Manual – Graco® Xtreme® Pump Lowers

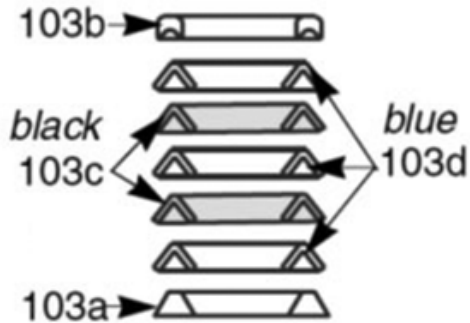
PART NUMBERS AND SCHEMATICS GUIDE

Figure 7: X-Tuff™ Repair Kit for 290cc Lower Displacement Pump

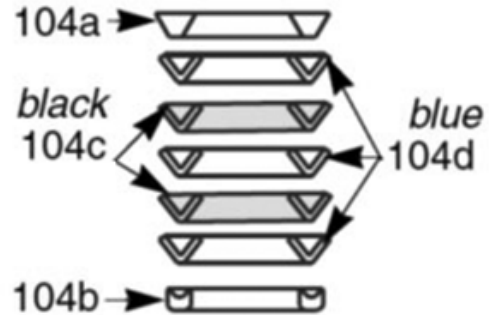


X-Tuff™ Seal Repair Kit 262795

**Throat Packings:
Lips Face Down**

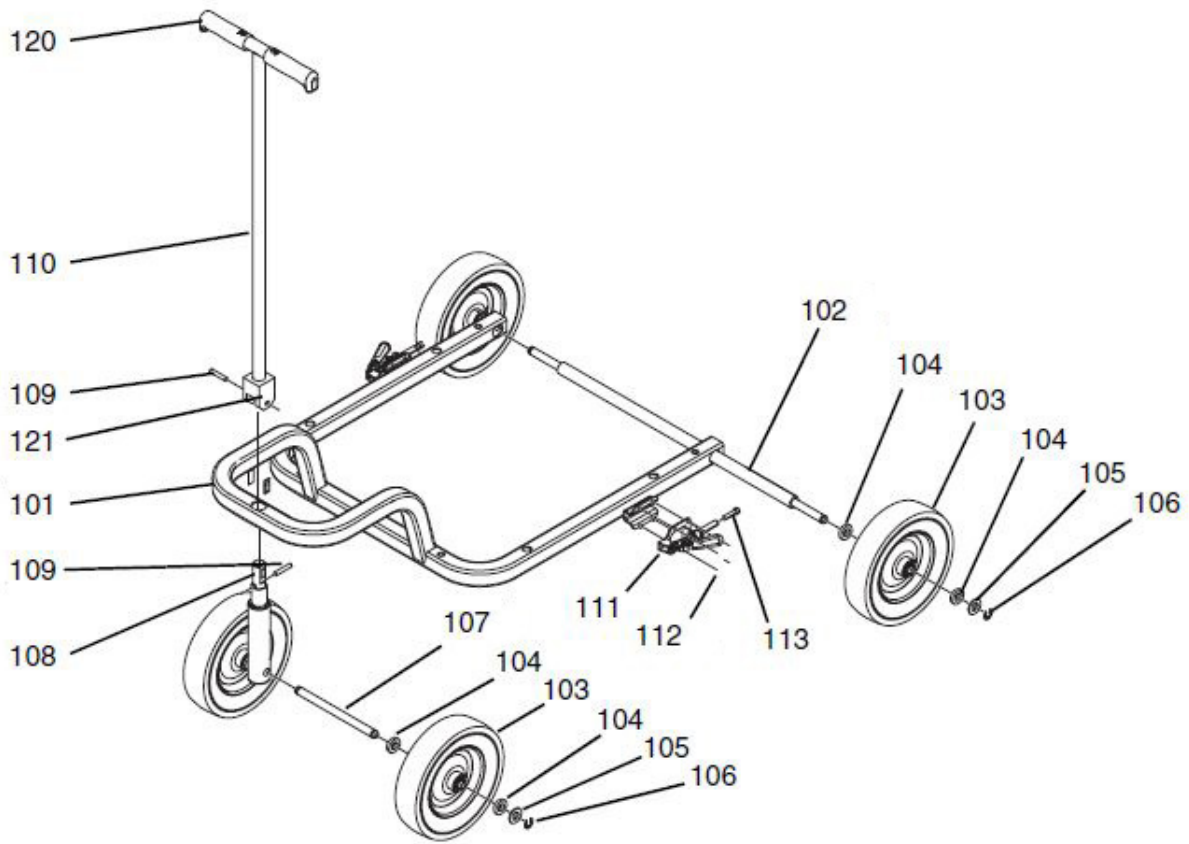


**Piston Packings:
Lips Face Up**



PART NUMBERS AND SCHEMATICS GUIDE

Figure 8: Cart

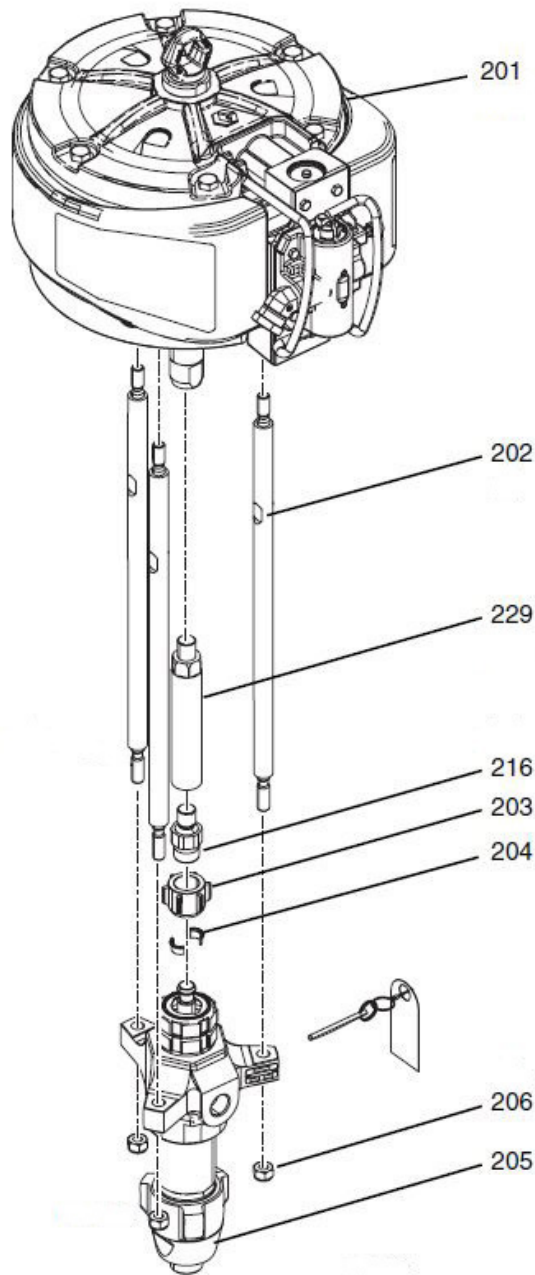


Item#	Part#	Description
Fig. 8		
101	20G16P434	Ram Cart
102	—	Axle
103	20G113807	Urethane Wheel, Flat Free
104	20G191824	Space Washer
105	20G111841	5/8" Plain Washer
106	20G101242	External Retaining Ring
107	20G15A913	Axle
108	—	Axle
109	20G124291	Spring Pin
110	20G258982	Cart Handle
111	—	Brake
112	20G112788	Socket Head Cap Screw
113	20G102962	Socket Head Cap Screw
120	20G116139	Handle Grip
121	—	Arrow Label

— Not Available for Individual Sale

PART NUMBERS AND SCHEMATICS GUIDE

Figure 9: Xtreme® XL Pumpline



Item#	Part#	Description
Fig. 9		
201	20G24X856	6500 Xtreme® XL Air Motor (See Fig. 2)
202	20G17D232	Tie Rod (Quantity of Three)
203	20G184129	Coupler Collar (Quantity of Two)
204	20G184098	Nut Coupling
205	20GL29HC7	Xtreme Lower (See Fig. 4)
206	20G15U606	Lock Nut (Quantity of Three)
216	20G184583	Adapter Rod
229	20G17D231	Adapter Rod

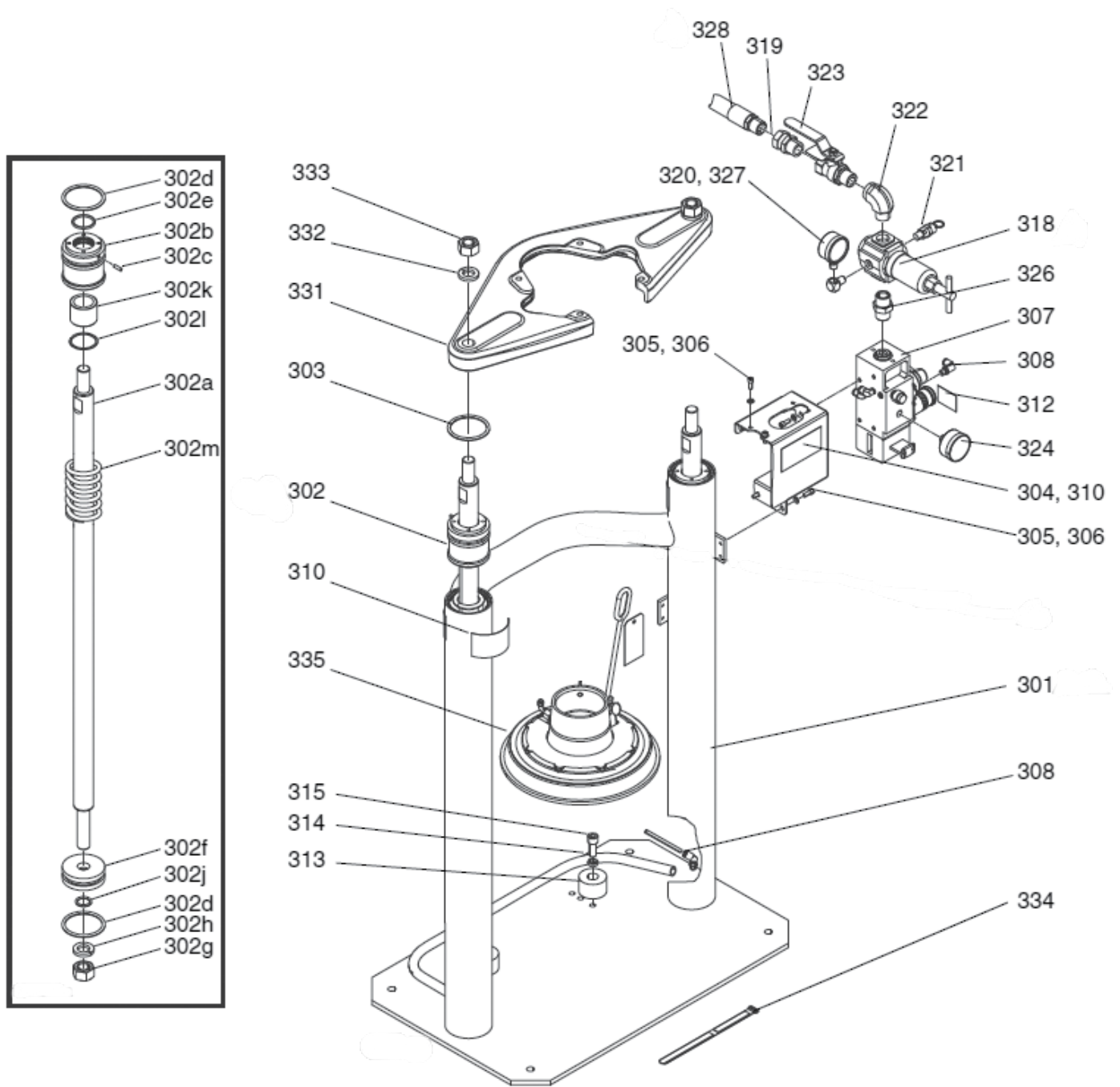
PART NUMBERS AND SCHEMATICS GUIDE

Ram Frame

Item#	Part#	Description
Fig. 10		
301	—	Ram Weldment
302	—	Ram Piston Subassembly <i>(Includes Item #'s: 302a – 302p)</i>
302a	—	Ram Piston Rod
302b	20G15M295	Ram End Cap Bearing
302c	20G15U979	Spring Straight Pin
302d	20G160258	O-Ring Packing, Buna-n
302e	20G156698	O-Ring Packing
302f	20G183943	Piston
302g	20G101535	Full Hex Nut
302h	20H101533	Spring Lock Washer
302j	20G156401	O-Ring Packing
302k	—	Ram End Cap Bearing
302l	20G15F453	Retaining Ring Retainer
302m	20G160138	Compression Spring
302n	—	Lubricant, grease
302p	—	Thread Sealant
303	—	Retaining Ring
304	20G255296	Mounted Bracket
305	20G100016	Lock Washer
306	20G101682	Cap Head Socket Screw
307	20G24C824	Ram Air Control, Hydraulic
308	20G297151	Elbow Fitting
310	—	Crush/Pinch Safety Label
312	—	Shutoff Valve Label
313	20GC32467	Drum Stop
314	20GC38185	Lock Washer
315	20GC19853	Socket Head Cap Screw
318	20G16F014	T-Handle Air Regulator
319	20G157785	Swivel Fitting
320	20G100960	Air Pressure Gauge
321	20G103347	Safety Valve, 100 psi
322	—	3/4-14 Street Elbow
323	20G113218	3/4" Vented Ball Valve
324	20G101689	Air Pressure Gauge
326	20GC20487	Hex Nipple
327	20G100840	Street Elbow
328	20GC12034	Coupled Hose, 72"
331	—	Shelf Bracket, D60, 3400/6500
332	20G101533	Spring Lock Washer
333	20G101535	Full Hex Nut
334	20G198442	Mix Manifold Retaining Strap
335	20G16U676	Inducter Plate – 20L Platen <i>(See Fig. 11)</i>
—	20G257622	Repair Kit <i>(Includes Item #'s: 302a – 302p, 303, and 310)</i>

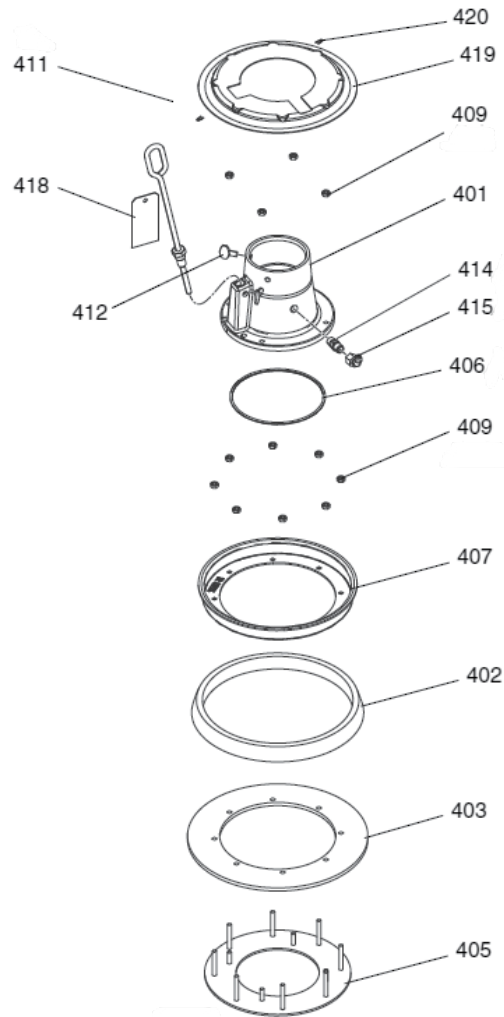
PART NUMBERS AND SCHEMATICS GUIDE

Figure 10: Ram Frame



PART NUMBERS AND SCHEMATICS GUIDE

Figure 11: Platen

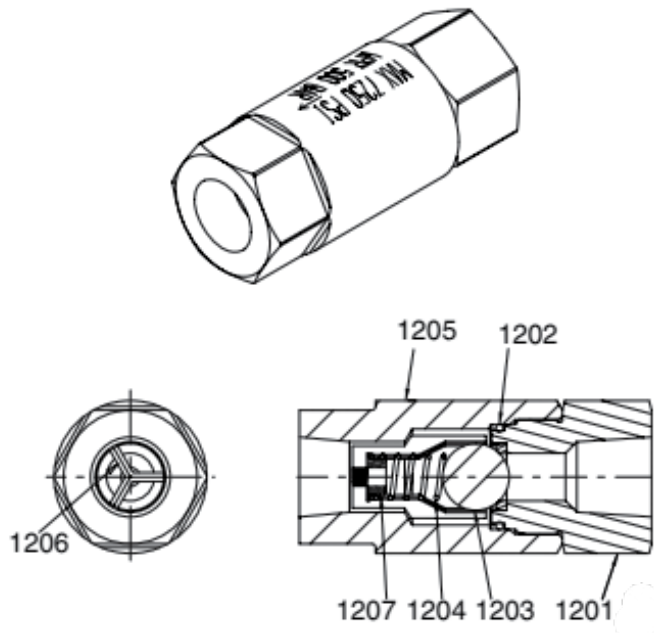


Item#	Part#	Description
Fig. 11		
—	20G16U676	20L Platen
401	—	Base
402	20G276049	Spacer
403	20G262936	Main Wiper
405	—	Platen Bottom Plate
406	20G121829	Packing O-Ring
407	—	Clamp Retainer
409	—	1/4-20 Hex Head Keps Nut
411	20G257697	Stainless Steel Bleed Handle
412	—	5/16-18 x 1/2" Carbon Steel Thumb Screw
413	20G112358	O-Ring Packing
414	20G122056	Check Valve
415	20GC20350	90° Elbow
418	—	Instruction Tag
419	20G15W184	20L Cover Shroud
420	20G16U740	Hairpin Cotter Pin (<i>Quantity of 10</i>)

— Not Available for Individual Sale

PART NUMBERS AND SCHEMATICS GUIDE

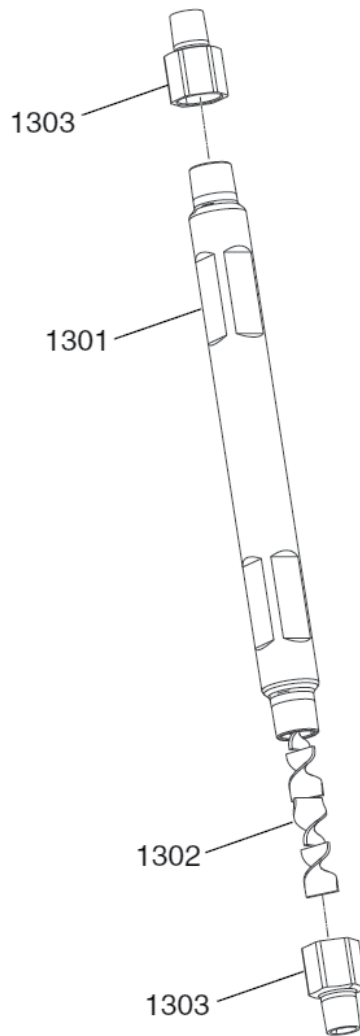
Figure 12: Check Valve



Item#	Part#	Description
Fig. 12		
—	20G16T481	Check Valve, 7250 psi
1201	—	Seat Nut
1202	20G102595	O-Ring Packing
1203	20G100279	Metallic Ball
1204	20G108361	Compression Spring
1205	—	Ball Check Housing
1206	20G181492	Ball Guide
1207	20G181535	Retainer Spring

PART NUMBERS AND SCHEMATICS GUIDE


Figure 13: Static Mixer




Item#	Part#	Description
Fig. 13		
—	20G16T316	Static Mixer, 12 Element, Stainless Steel
1301	—	Tube Mixer
1302	20G24P886	12 Element, Stainless Steel Mixer
1303	20G16T315	3/4" NPT (F) x 1/2" NPT Reducing Bushing
1304	—	Stainless Steel Pipe Sealant


— Not Available for Individual Sale


OPTIONAL ACCESSORIES

		STATIC MIXERS				
Part Numbers		Diameter	Length	Pressure Limit	Housing Material	Element Material
	20TAH100206	1/4"	3.75"	8,500 PSI	Stainless Steel	Stainless Steel
	20TAH100212	1/4"	7"	8,500 PSI	Stainless Steel	Stainless Steel
	20G511352	3/8"	9.5"	7,250 PSI	Stainless Steel	Stainless Steel
	20TAH100312	3/8"	9.5"	7,250 PSI	Stainless Steel	Stainless Steel
	20TAH7700195	3/8"	13.12"	7,250 PSI	Stainless Steel	Plastic
	2070039	1/2"	2"	5,000 PSI	Plastic	Plastic
	20TAH100412	1/2"	11"	7,250 PSI	Stainless Steel	Stainless Steel

		STATIC MIXER REPLACEMENT PARTS	
Part Numbers		Description	Quantity
	20G248925	1/4" x 12 Ft. Whip Hose Mixing Kit	20G15E592 Housings (<i>Quantity of Two</i>) and 20G248927 Mixing Elements (<i>Quantity of Six</i>)
	20TAH090312	3/8" x 12" Stainless Steel Mixing Element	12/Package
	20G248927	1/2" Plastic Mixing Element	25/Package
	20G15E592	1/2" x 5" Static Mix Housing	One Each
	20TAH100612	3/4" x 12" Stainless Steel Mixing Element	12/Package

OPTIONAL ACCESSORIES

		1/2" I.D. AIRLESS SPRAY HOSE – COUPLED					
	Part Numbers	Working Pressure	Length (Ft.)	Hose I.D.	Hose Cover Color	Braid Reinforcement Material	Couplings
	2000339	7,250 psi	25	1/2"	Black	Aramid/Steel	Female x Female
	2000328	7,250 psi	50	1/2"	Black	Aramid/Steel	Female x Female
	2000331	7,250 psi	100	1/2"	Black	Aramid/Steel	Female x Female

		3/4" I.D. AIRLESS SPRAY HOSE – COUPLED					
	Part Numbers	Working Pressure	Length (Ft.)	Hose I.D.	Hose Cover Color	Braid Reinforcement Material	Couplings
	2000101	6,500 psi	25	3/4"	Black	Aramid/Steel	Male x Female
	2000100	6,500 psi	50	3/4"	Black	Aramid/Steel	Male x Female

GLOBAL HEADQUARTERS

- 3425 East Locust Street
Davenport, IA 52803

ph: 800.BLAST.IT (800.252.7848)

ph: 563.324.2519

fax: 563.324.6258

GULF STATES HEADQUARTERS

- 701 East Boulevard
Deer Park, TX 77536

ph: 800.BLAST.IT (800.252.7848)

ph: 281.930.0905

fax: 281.542.0736

REGIONAL BRANCH OFFICES

- **Iowa**
Davenport
- **Louisiana**
Gonzales
Lafayette
- **Ohio**
Youngstown
- **Texas**
Beaumont
Corpus Christi
Deer Park



ABRASIVES

BLASTING

COATING

DUST COLLECTORS

ENGINEERED SYSTEMS

RENTAL

SAFETY

SERVICE & REPAIR

VACUUMS

40+ NATIONWIDE SHIPPING LOCATIONS



★ Marco Regional Branch Offices
and Shipping Locations

● Direct Shipping Locations

CONTACT MARCO

800.BLAST.IT

(800.252.7848)

563.324.2519

FAX: 563.324.6258

WWW.MARCO.US

SALES@MARCO.US