



GRACO® XTREME® XL 80:1 AIRLESS SPRAY PUMP



PART NUMBERS AND SCHEMATICS GUIDE

Company Profile

Since 1944, Marco has developed a strong tradition of providing innovative and reliable products and services to the surface preparation and protective coatings industries. We are the world's premier provider of Abrasives, Blasting Equipment, Coating Equipment, Engineered Systems, Rental Equipment, Safety Equipment, Service, and Repair.

Through innovative designs and a total commitment to quality, Marco manufactures products that increase production rates, create a safer workplace, and reduce maintenance costs. Marco's industry experience, manufacturing capabilities, legendary customer service, product availability, logistics services, and technology leadership is your assurance that we deliver high quality products and services, providing the best value to you, our customer.

The Marco Difference

- **Industry Experience** – With Marco on your team, you have access to expertise which can only come from decades of industry leadership. We have organized our engineering department, production specialists, customer operations, and safety support into a “Center of Competence.” As a Marco customer, you have access to hundreds of years of cumulative experience related to your operations.
- **Manufacturing Excellence** – Marco is a U.S. based, ISO 9001:2008 certified manufacturer of equipment for the Surface Preparation and Protective Coatings industries. Marco's engineers benchmark the industry to ensure that we design and manufacture superior products that set the “Gold Standard” for performance, safety, and quality.
- **Legendary Customer Service** – Marco's legendary customer service team is staffed by friendly, highly-trained individuals who are focused on providing the highest level of product support, order accuracy, and customer satisfaction.
- **Product Availability** – We stock over 10,000 SKU's and have over 45 shipping locations to serve North American and International markets for all major brands of blasting and painting equipment. As the largest provider of surface preparation and protective coatings equipment in the world, our inventory levels and product availability are unmatched.
- **Logistics Services** – Marco's in-house logistics team is dedicated to moving your shipment anywhere in the world. We move over 14,000 truckloads every year, allowing you to save on freight costs by leveraging our buying power. Lower your process costs with a single invoice, which includes product and freight.
- **Technology Leadership** – Our website provides: Operator's Manuals, Part Numbers and Schematics Guides, MSDS information, and Features and Specifications Guides, providing access to information 24/7. Our Extranet application allows you to receive quotes and place orders online. Our Intranet maintains a complete record of your purchase history to assist with ongoing support of your existing equipment and future purchasing decisions.

Vision Statement

Marco is the world's premier provider of Abrasives, Blasting Equipment, Coating Equipment, Engineered Systems, Rental Equipment, Safety Equipment, Service, and Repair.

Mission Statement

Marco provides strong leadership and innovation to the surface preparation and protective coatings industries. We dedicate our efforts to the continuous improvement of our products, services, processes, people, and most importantly, the quality of our customer's experience.

Quality Policy

Marco is committed to providing superior quality in the design, manufacturing, distribution, rental, service, and repair of our products. Our ISO 9001:2008 certification extends throughout all operations in all locations. Continuous improvement of our processes and supply chain Integration comprise the core of our business strategy for delivering exceptional quality and value in all Marco products and services.

Management Philosophy

We are a company dedicated to the success of every customer and associate. We discuss, debate, challenge, measure, and test our ideas. We will be boundless and limitless in our passion to improve. Through sound leadership and dedicated associates, we will ensure a long term, profitable future for Marco, our associates, customers, and suppliers.

TABLE OF CONTENTS

Company Profile	2
Table of Contents	3
Graco® Xtreme® XL 80:1 Airless Spray Pump	4-23
Graco® Xtreme® XL 80:1 Sprayer and Pump Packages.....	4-5
Graco® Xtreme® XL 80:1 Cart Mount.....	6-7
Graco® Xtreme® XL 80:1 Wall Mount.....	8-9
Graco® Xtreme® XL Air Motor.....	10-11
Graco® Xtreme® XL Air Valve.....	12-13
250cc Lower Displacement Pump Repair Parts.....	14-15
Xtreme® Seals Repair Kits.....	16-17
Tuff-Stack™ Repair Kits.....	18-19
X-Tuff® Repair Kits.....	20-21
Filter Cap Series Key.....	22-23
Optional Accessories	24-27
Stainless Steel Hopper Kit.....	24-25
Suction Tubes and Accessories.....	26
Replacement Screen Filter Elements.....	26
Filter Supports.....	26
High Pressure Ball Valves.....	27

PART NUMBERS AND SCHEMATICS GUIDE

GRACO® XTREME® XL 80:1 AIRLESS SPRAY PUMP						
Part Numbers	MOUNT		Built-In Filter	Hopper Included	Hose and Graco® XTR™ 7 Spray Gun Included	Carbon Steel Lower Construction
	Heavy-Duty Cart	Wall Mount				
20GXL80H1	X		X			
20GXL80H2	X		X		X	
20GXL80H3	X		X	X	X	
20GXL80H4	X					
20GXL80W1		X	X			
20GXL80W2		X	X		X	
20GXL80W3		X	X		X	
20GXL80W4		X				
20GPL80C1						X
20GPL80C2			X			X

GRACO® XTREME® XL 80:1 AIRLESS SPRAY PUMP – SPECIFICATIONS	
Output Per Cycle	7,250 psi
Pump Lower Output per Cycle	250cc
Motor	Xtreme® XL Air Motor
Maximum Air Input Pressure	88 psi
Output at 60 Cycles/min gpm	4

PART NUMBERS AND SCHEMATICS GUIDE



PART NUMBERS AND SCHEMATICS GUIDE

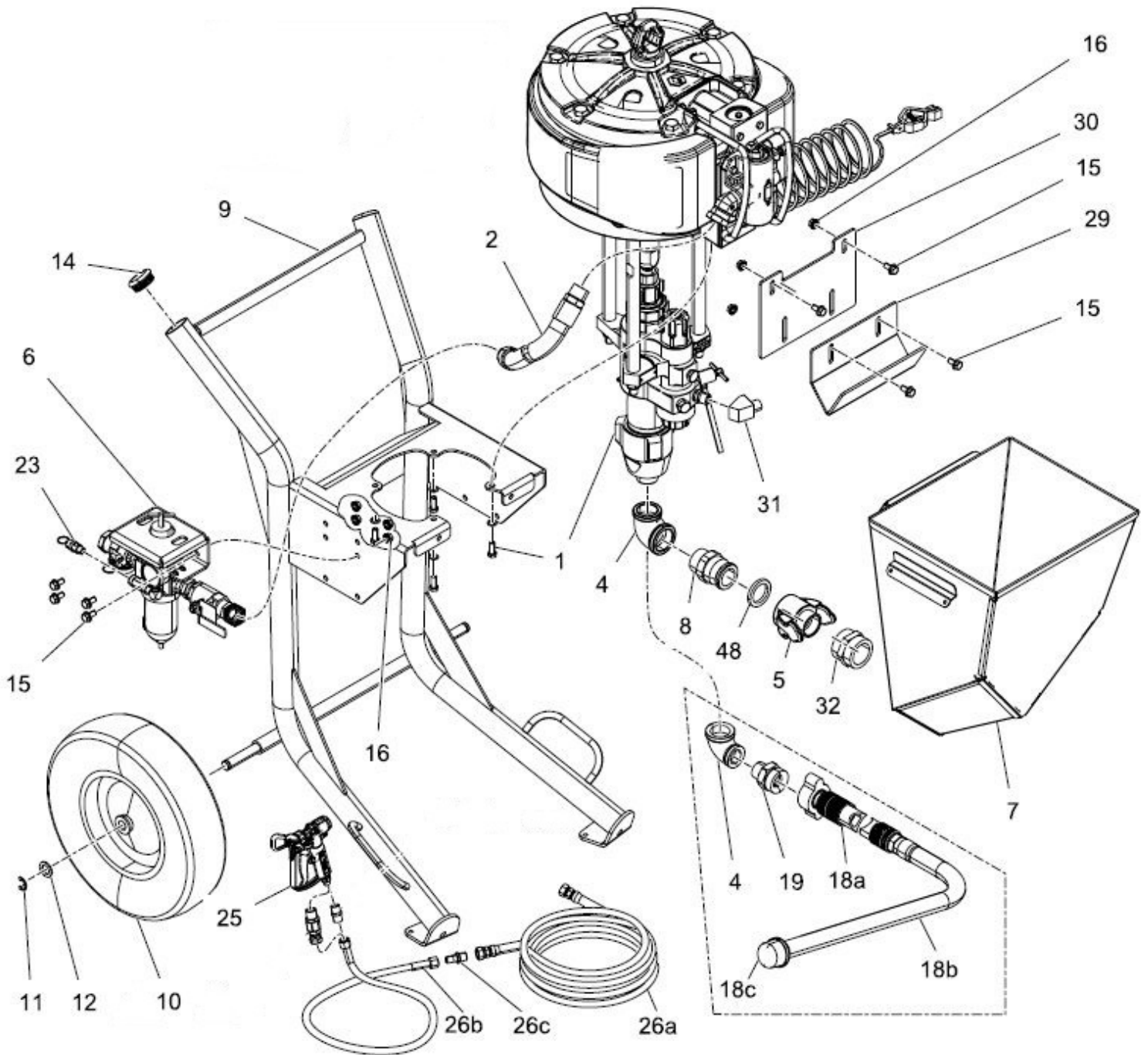
Graco® Xtreme® XL 80:1 Spray Pump – Cart Mount

Item#	Part#	Description
Fig. 1		
1	20GPL80C1	Xtreme® XL Pump
—	20GPL80C2	Xtreme® XL Pump <i>(Includes Built-In Filter)</i>
2	20G278770	Coupled Hose
4	20G126939	90° Elbow Fitting <i>(Female)</i>
5	20G128095	Cam/Groove Fitting 1-1/2" NPT
6	20G24W593	Air Controls Module
7	20G16U536	Stainless Steel Hopper <i>(Not included with all models, see page 4)</i>
8	20G17C692	Cam/Groove Fitting 1-1/2" NPT
9	20G24Y078	Heavy Duty Cart
10	20G113362	Wheel <i>(Two Required)</i>
11	20G113436	Retaining Ring <i>(Two Required)</i>
12	20G154628	Washer Flat .77 Size <i>(Two Required)</i>
14	20G113361	Cap <i>(Two Required)</i>
15	20G112395	Flanged Cap Screw – HD <i>(Eight Required)</i>
16	20G112958	Flanged Hex Nut <i>(Eight Required)</i>
18a	20G247301	Hose, 1" x 6'
18b	20G197682	Siphon Tube
18c	20G181072	Strainer
19	20G116402	Adapter
23	20G16M190	Air Relief Valve <i>(95 psi)</i>
25	20GXTR704	Graco® XTR™ 7 Spray Gun <i>(Not included with all models, see page 4)</i>
26a	20GH77550*	3/4" x 50' Coupled Hose
—	2000110*	3/8" x 50' Coupled Hose
26b	20GH75025*	1/2" x 25' Coupled Hose
—	2000094*	1/4" x 6' Coupled Hose
26c	20G16R883*	Reducing Nipple 3/4" x 1/2"
—	20G164856*	Nipple 3/8" x 1/4" NPT
29	20G17C474	Bracket Hopper <i>(Not included with all models, see page 4)</i>
30	20G17D554	Upper Bracket Hopper <i>(Not included with all models, see page 4)</i>
31	20G15M987	1/2" NPT (M) x 1/2" NPT (F) Elbow
32	—	1-1/2" Bushing Fitting
48	20G17C53	2" Gasket <i>(Pack of Six)</i>
—	206M563	Part Numbers and Schematics Guide – Graco® Xtreme® XL 80:1 Airless Spray Pumps
—	209V558	Operator's Manual – Graco® Xtreme® XL Airless Spray Pumps

*Not included with all models, see page 4

PART NUMBERS AND SCHEMATICS GUIDE

Figure 1: Graco® Xtreme® XL 80:1 Spray Pump – Cart Mount



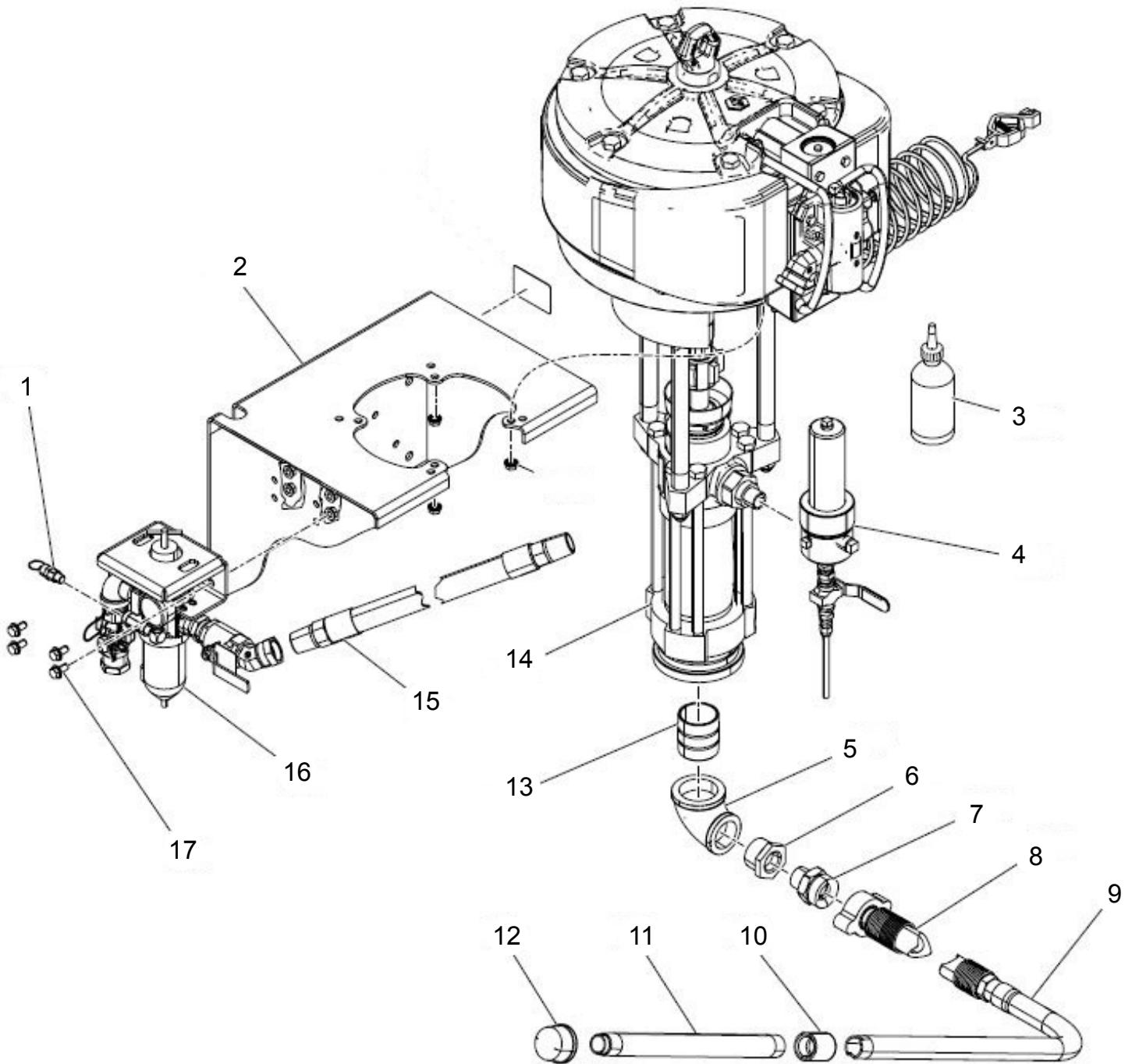
PART NUMBERS AND SCHEMATICS GUIDE

Graco® Xtreme® XL 80:1 Spray Pump – Wall Mount

Item#	Part#	Description
Fig. 2		
1	20G114055	Air Relief Valve (95 psi)
2	20G24X181	Wall Bracket
3	20G206994	Throat Seal Liquid – 8 oz.
4	20G238620	High Pressure Fluid Filter
5	20G116401	Elbow for Suction Hose
—	20G120291	Pipe Elbow (<i>Female</i>)
6	20G121239	Bushing
7	20G116402	Quick Connect Adapter
8	20G247302	10' Suction Hose with 1" NPT
9	20G197682	1" Pick Up Tube
10	20G114967	1" Coupling Pipe
11	20G195151	Intake Tube
12	20G187147	Inlet Strainer
13	20G24X547	2" NPT Nipple Kit
—	—	1.5" x 1" NPT Elbow
14	20GPL80C1	Xtreme® XL Pump
—	20GPL80C2	Xtreme® XL Pump (<i>Includes Built-In Filter</i>)
15	20G128093	Coupled Hose (45 psi)
—	20G278770	Coupled Hose (70, 80, 95 psi)
16	20G24W593	Air Controls Module
17	20G112395	Cap Screw
—	206M563	Part Numbers and Schematics Guide – Graco® Xtreme® XL 80:1 Airless Spray Pumps
—	209V558	Operator's Manual – Graco® Xtreme® XL Airless Spray Pumps

PART NUMBERS AND SCHEMATICS GUIDE

Figure 2: Graco® Xtreme® XL 80:1 Spray Pump – Wall Mount



PART NUMBERS AND SCHEMATICS GUIDE

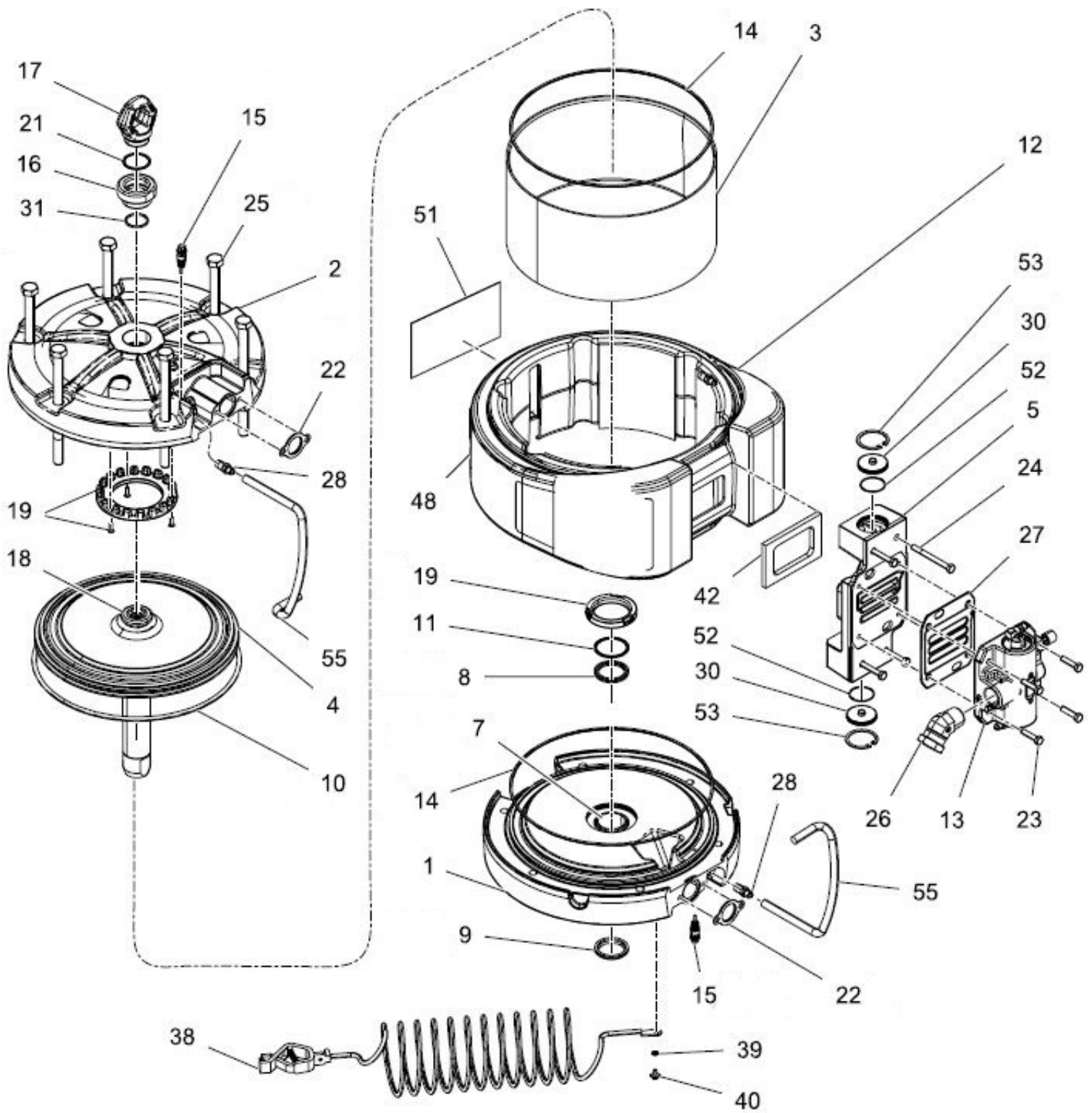
Graco® Xtreme® XL Air Motor

Item#	Part#	Description
Fig. 3		
—	20G24X856	Xtreme® XL Air Motor
1	20G24X559	Bottom Cover
2	20G24W584	Top Cover
3	20G24X561	Cylinder Kit
4	20G24X557	Piston Motor Kit
5	20G16Y968	Manifold Exhaust
7	—	Bearing Sleeve
8	—	Packing U-Cup
9	—	Seal Rod Wiper
10	—	Piston O-Ring
11	—	Retaining Ring
12	20G24X560	Muffler Cover
13	20G24X562	Air Valve
14	20G109486	Packing O-Ring (Quantity of Two)
15	20G24A366	Pilot Valve (Quantity of Two)
15a	20G155685	Packing O-Ring, Middle
15b	—	Packing U-Cup, Shaft
15c	20G154741	Packing O-Ring, Bottom
15d	20G197650	Buna O-Ring, Top
16	20G16D001	Lift Ring Adapter
17	20G15F931	Lift Ring 1-9/16"
18	20GNXT106	Bumper Piston, with Magnet
19	20G24A916	Bumper Kit
21	20G108014	Packing O-Ring
22	—	End Cap Gasket (Quantity of Two)
23	20G110036	Stud (Quantity of Four)
24	20G17B389	Screw, M8 x 1.25 x 85mm (Quantity of Four)
25	20G127582	Screw, 5/8-11 x 8.5" (Quantity of Six)
26	—	Swivel Fitting
27	20G24X565	Valve Gasket (Quantity of Two)
28	20G555749	Adapter Fitting (Quantity of Two)
30	20G17C974	Manifold XL Air Cap (Quantity of Two)

Item#	Part#	Description
31	20GC20987	Packing O-Ring
38	20G244524	Ground Wire with Clamp (Includes Part#: 38a)
38a	20G290079	Grounding Warning Tag
39	20G111307	External Washer Lock
40	20G116343	Ground Screw
42	20G17C776	Muffler Gasket
51	20G15F674	Motor Safety Label
52	20G205020	Packing O-Ring
53	20G557832	Retainer Ring (Quantity of Two)
55	20G128090	Coupled Hose (Quantity of Two)

PART NUMBERS AND SCHEMATICS GUIDE

Figure 3: Graco® Xtreme® XL Air Motor



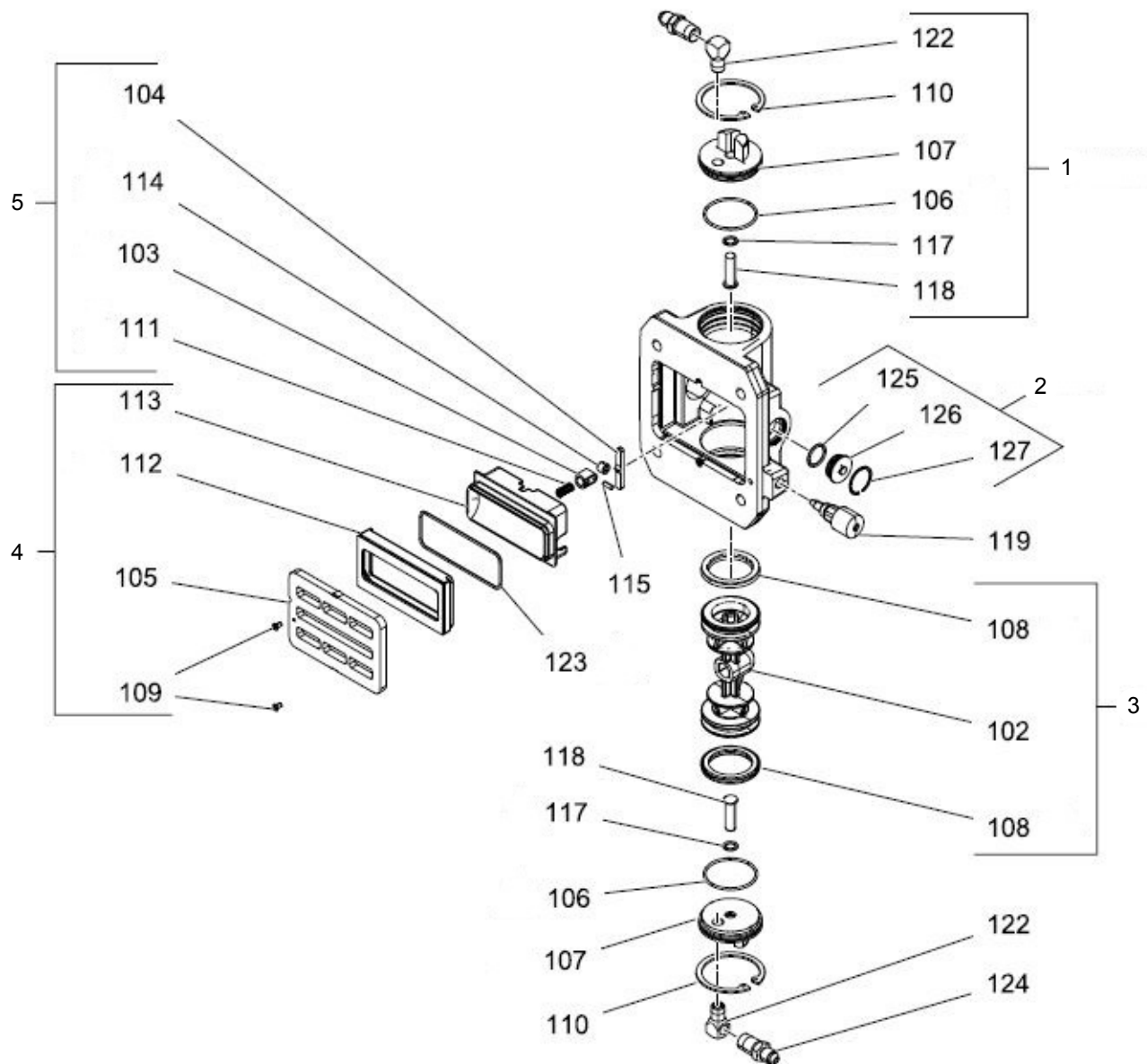
PART NUMBERS AND SCHEMATICS GUIDE

Graco® Xtreme® XL Air Valve

Item#	Part#	Description
Fig. 4		
—	20G24X562	Graco® Xtreme® XL Air Valve
1	20G24X566	Cap with Push Button Assembly <i>(Includes Part #'s: 106, 107, 110, 117, 118, 122, and 124)</i>
2	20G24X568	DataTrack™ Plug Assembly <i>(Includes Part #'s: 125, 126, and 127)</i>
3	20G24X569	Valve Piston with Seals Repair Kit <i>(Includes Part #'s: 102 and 108)</i>
4	20G24X564	Base/Cup Repair Assembly <i>(Includes Part #'s: 112, 113, 123, 105, and 109)</i>
5	20G24X567	Roller Assembly <i>(Includes Part #'s: 103, 104, 111, 114, and 115)</i>
101	—	Housing
102	—	Piston
103	—	Detent Piston
104	—	Detent Cam
105	—	Air Valve Plate
106	20G104010	Packing O-Ring <i>(Quantity of Two)</i>
107	—	Air Valve Cap <i>(Quantity of Two)</i>
108	—	U-Cup Packing <i>(Quantity of Two)</i>
109	—	Thread Forming Screw <i>(Quantity of Two)</i>
110	20G557832	Retainer Ring <i>(Quantity of Two)</i>
111	—	Detent Spring
112	—	Cup Base
113	—	Air Valve Cup
114	—	Detent Roller
115	—	Detent Pin
117	20G154741	Packing O-Ring <i>(Quantity of Two)</i>
118	—	Reset Button <i>(Quantity of Two)</i>
119	20G16Y668	Needle Valve
122	20G15K783	Street Elbow Fitting <i>(Quantity of Two)</i>
123	20G295640	O-Ring
124	20G555749	Connector <i>(Quantity of Two)</i>
125	20G104130	Packing O-Ring
126	—	Valve Plug
127	—	Retaining Ring

PART NUMBERS AND SCHEMATICS GUIDE

Figure 4: Graco® Xtreme® XL Air Valve



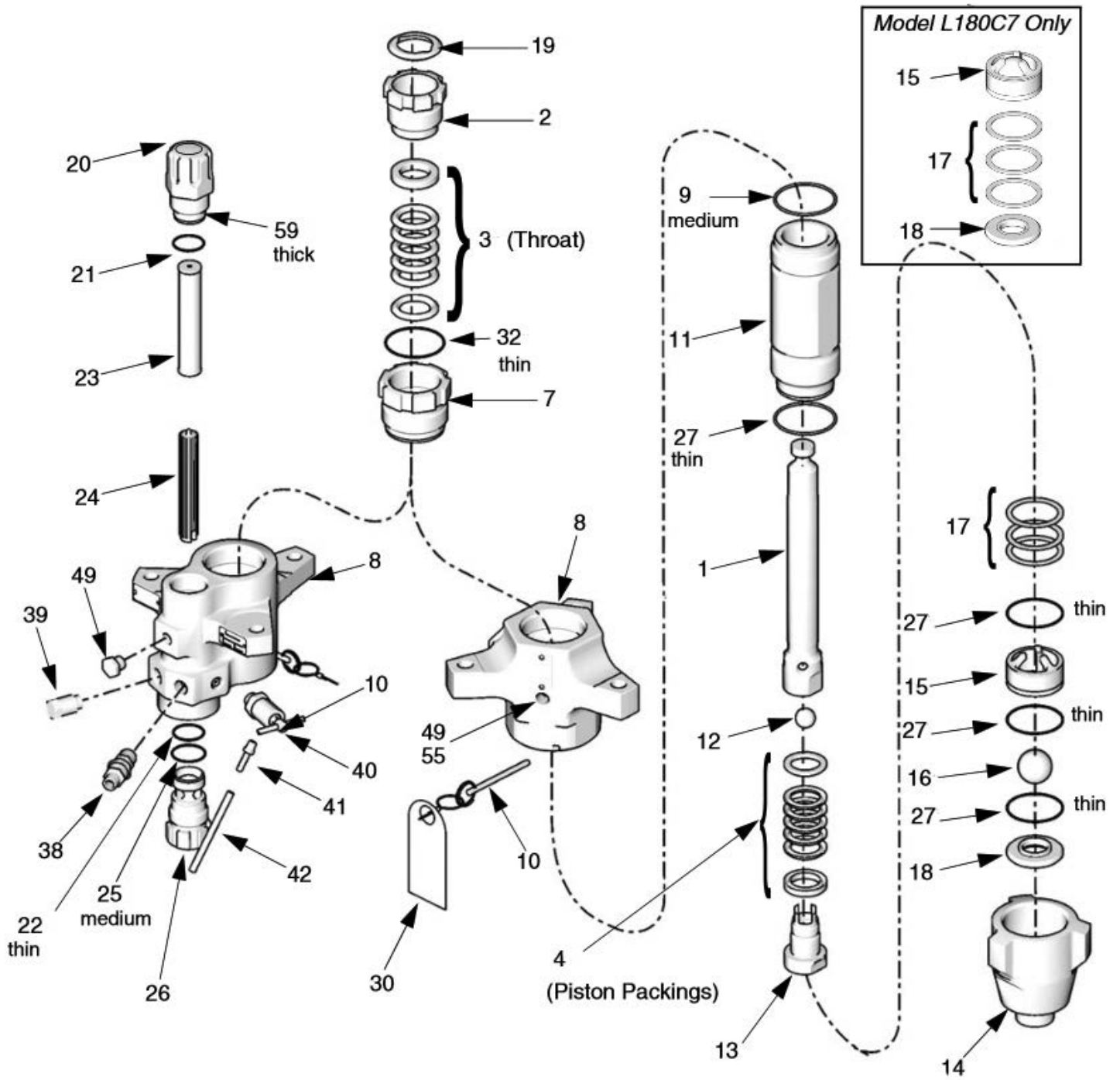
PART NUMBERS AND SCHEMATICS GUIDE

250cc Xtreme® Sprayer Lower Displacement Pump

Item#	20GL250C1	20GL250C2	20GL250C8	Description
	20GL250C3	20GL250C4		
Fig. 5				
1	20G24B824	20G24B824	20G24B824	Displacement Rod
2	20G15K031	20G15K031	20G15K031	Packing Nut
3	—	—	—	Stack Packings, Throat (See Fig. 7, 8, 9)
4	—	—	—	Stack Packings, Piston (See Fig. 7, 8, 9)
7	20G197328	20G197328	20G197328	Packing Cartridge, Throat
8	20G197335	20G197337	20G197335	Housing Outlet
9	20G244893	20G244893	20G244893	O-Ring, Top Cylinder, PTFE Medium (<i>Quantity of 10</i>)
10	20G244826	20G244826	20G244826	Self-Locking Pin
11	20G197318	20G197318	20G197318	Lower Cylinder
12	20G244898	20G244898	20G244898	Ball Piston (<i>Quantity of Three</i>)
13	20G24B829	20G24B829	20G24B829	Piston Valve
14	20G197304	20G197304	20G197304	Inlet Housing
15	20G198647	20G198647	20G198647	Inlet Ball Guide
16	20G253030	20G253030	20G253030	Inlet Ball (<i>Quantity of Three</i>)
17	20G244856	20G244856	20G244856	Inlet Shim Ball Guide (<i>Quantity of Nine</i>)
18	20G197344	20G197344	20G197344	Inlet Seat
19	20G247395	20G247395	20G247395	Throat Seal Plug (<i>Quantity of 10</i>)
20	—	20G16M461	—	Top Filler Cap
21	—	20G171941	—	Compression Spring
22	—	20G244895	—	Thin Filter O-Ring, PTFE (<i>Quantity of 10</i>)
23	—	20G224459	—	Strainer, 60 mesh screen
24	—	20G186075	—	Filter Support
25	—	20G262484	—	Filter O-Ring, Medium, PTFE (<i>Quantity of 10</i>)
26	—	20G16M462	—	Lower Filter Cap
27	20G244894	20G244894	20G244894	Foot Valve and Cylinder Bottom O-Ring, PTFE thin (<i>Quantity of 10</i>)
30	20G172479	20G172479	20G172479	Warning Tag
32	20G244891	20G244891	20G244891	Throat Cartridge O-Ring, PTFE thin (<i>Quantity of 10</i>)
38	—	20G158491	—	Nipple Fitting, Outlet, 1/2"
39	—	20G24N518	—	Packless Plug, 1/2"
40	—	20G245143	—	Pressure Dump Valve
41	—	20G116746	—	Barbed Fitting, Plated
42	—	20G116750	—	Nylon Tube
49	20G101754	20G198292	—	Pipe Plug
55	—	—	20G258962	Rupture Disc Housing
59	—	20G262483	—	Filter O-Ring, PTFE thick (<i>Quantity of 10</i>)
—	209V021	209V021	209V021	Operator's Manual – Graco® Xtreme® Pump Lowers

PART NUMBERS AND SCHEMATICS GUIDE

Figure 5: 250cc Xtreme® Sprayer Lower Displacement Pump



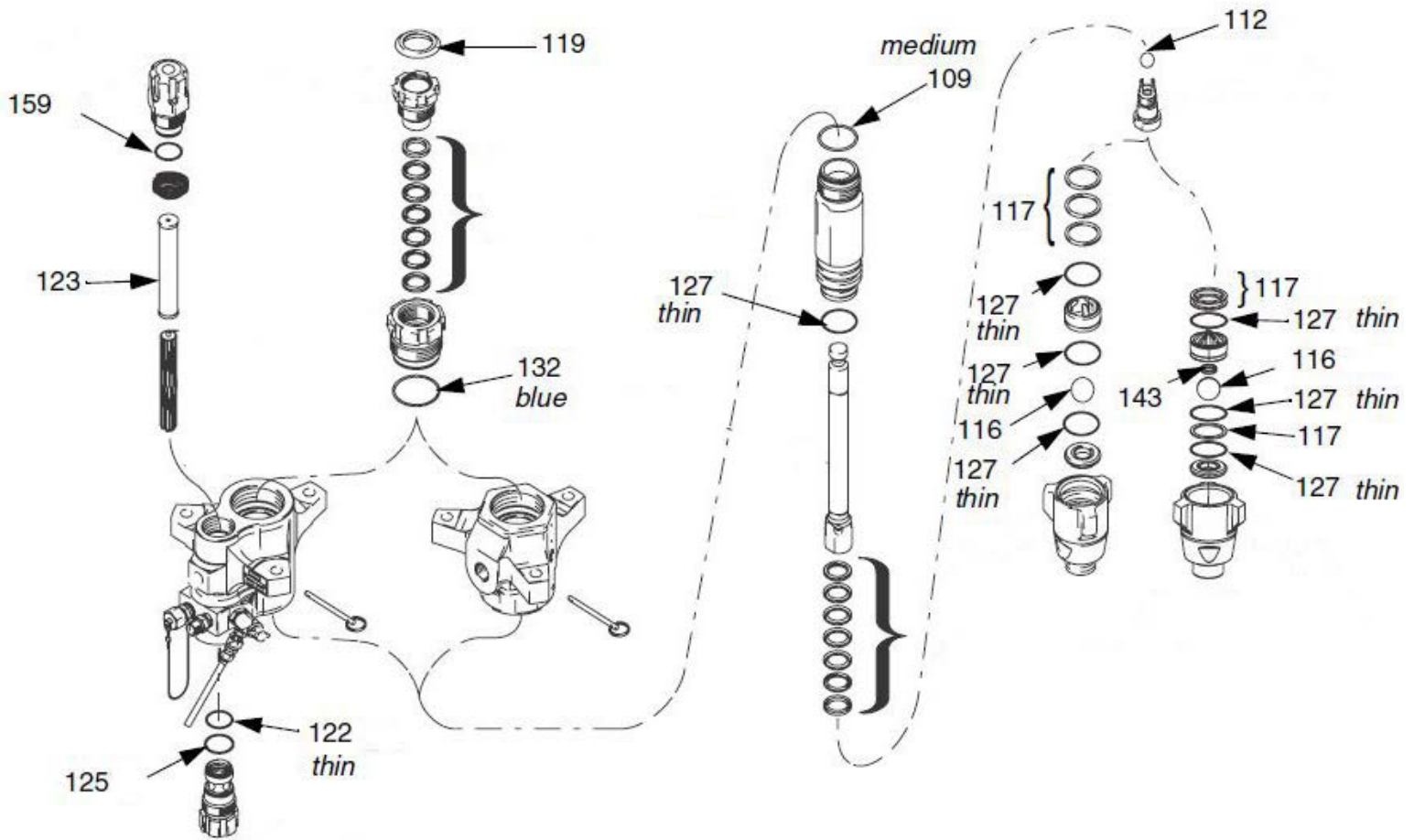
PART NUMBERS AND SCHEMATICS GUIDE

Xtreme® Seal Repair Kits for 250cc Lower Displacement Pump

Item#	Part#	Description
Fig. 6		
—	20G24F965	Xtreme® Seal Repair Kit <i>(Includes Item #'s: 1 (Quantity of Two); 2 (Quantity of Two); 3 (Quantity of Four); 4 (Quantity of Six); 5 (Quantity of Four); 6 (Quantity of Two); 7, 8, 9, 10 (Quantity of Three); and 11)</i>
103	—	Throat Packings
103a	20G245232	Male Gland <i>(Quantity of Four)</i>
103b	20G245233	Female Gland <i>(Quantity of Four)</i>
103c	20G245229	V-Packing, Leather <i>(Quantity of 10)</i>
103d	20G245231	V-Packing, UHMWPE, Black <i>(Quantity of 10)</i>
104	—	Piston Packings
104a	20G245232	Male Gland <i>(Quantity of Four)</i>
104b	20G245233	Female Gland <i>(Quantity of Four)</i>
104c	20G245229	V-Packing, Leather <i>(Quantity of 10)</i>
104d	20G245231	V-Packing, UHMWPE, Black <i>(Quantity of 10)</i>
109	20G244893	PTFE O-Ring, Top Cylinder Medium <i>(Quantity of 10)</i>
112	20G244898	Ball Piston, 7/8" (22 mm) <i>(Quantity of Three)</i>
116	20G253030	Ball Inlet, 1-1/2" (38 mm) <i>(Quantity of Three)</i>
117	20G244856	Shim Inlet, Ball Guide <i>(Quantity of Nine)</i>
119	20G244999	Throat Seal Plug, 1-3/4" <i>(Quantity of 10)</i>
—	20G247395	Throat Seal Plug, 2-1/2" <i>(Quantity of 10)</i>
122	20G244895	Filter O-Ring, Thin, PTFE <i>(Quantity of 10)</i>
123	20G238436	Strainer, 30 mesh screen, 5.65" <i>(Quantity of 25)</i>
—	20G224458	Strainer, 30 mesh, 5.65" <i>(Quantity of Two)</i>
—	20G238438	Strainer, 60 mesh, 5.65" <i>(Quantity of 25)</i>
—	20G224459	Strainer, 60 mesh, 5.65" <i>(Quantity of Two)</i>
125	20G262484	Filter O-Ring, Medium, PTFE <i>(Quantity of 10)</i>
—	20G244896	Filter O-Ring For Series A Pumps <i>(Quantity of 10)</i>
127	20G244894	O-Ring, PTFE, Thin <i>(Quantity of 10)</i>
132	20G244891	O-Ring, Blue, Thin <i>(Quantity of 10)</i>
143	20G116802	Foot Valve Spring (20G262793 only)
159	20G262483	Top Cap O-Ring, PTFE <i>(Quantity of 10)</i>
—	20G244895	Top Cap O-Ring For Series A Pumps <i>(Quantity of 10)</i>
—	209V021	Operator's Manual – Graco® Xtreme® Pump Lowers

PART NUMBERS AND SCHEMATICS GUIDE

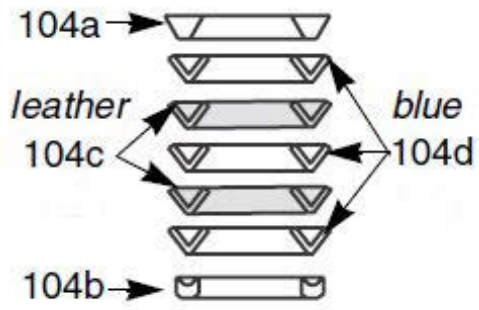
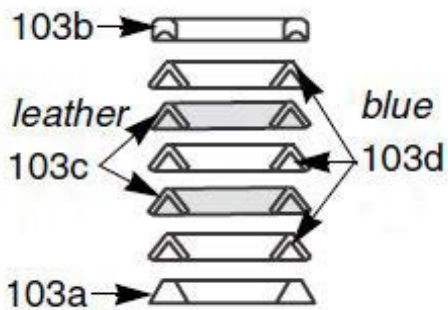
Figure 6: Xtreme® Seal Repair Kits for 250cc Lower Displacement Pump



Xtreme® Seal Repair Kit 24F965

Throat Packings:
Lips Face Down

Piston Packings:
Lips Face Up



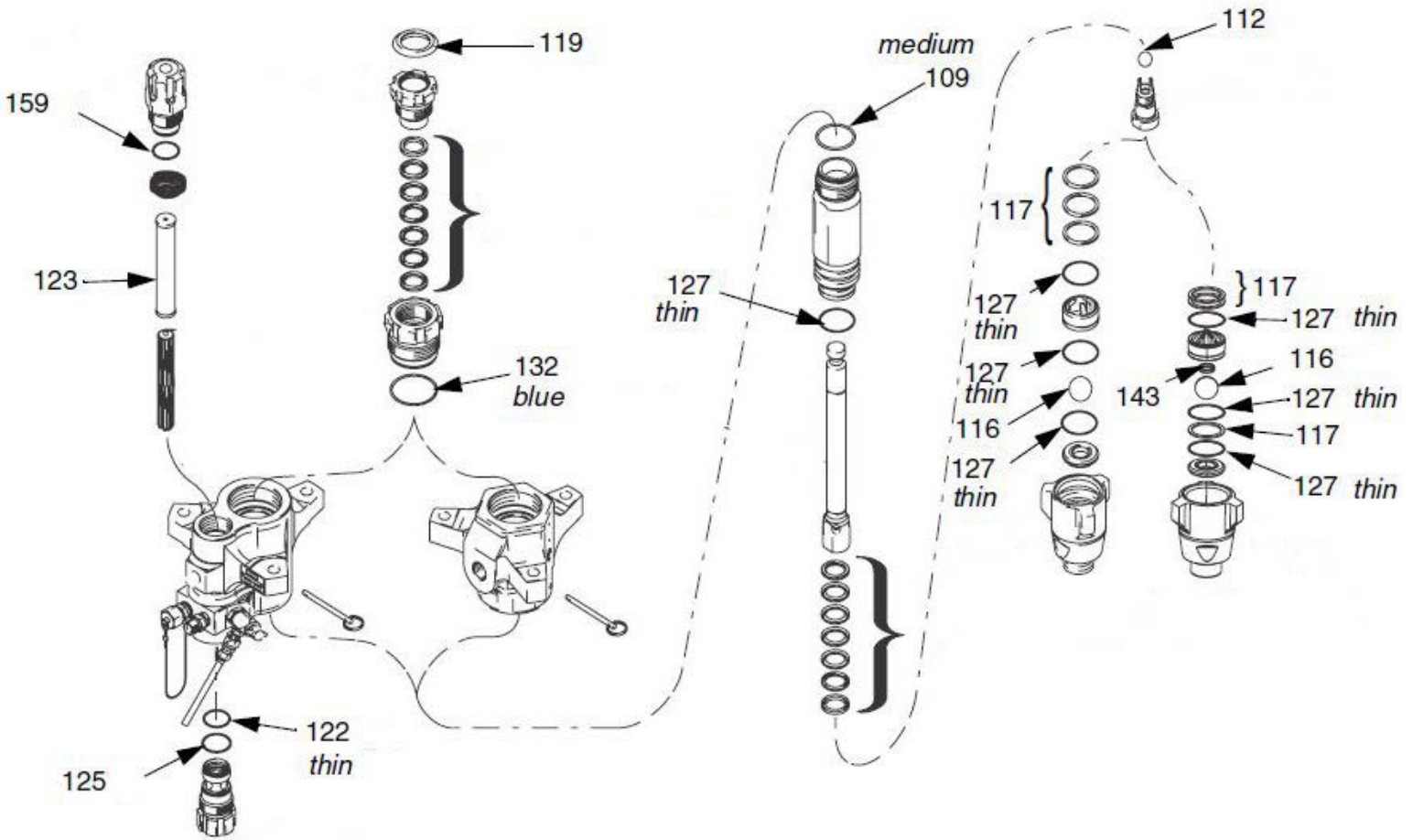
PART NUMBERS AND SCHEMATICS GUIDE

Tuff-Stack™ Repair Kit for 250cc Lower Displacement Pump

Item#	Part#	Description
Fig. 7		
—	20G24F966	Tuff-Stack™ Repair Kit <i>(Includes Item #'s: 1 (Quantity of Two); 2 (Quantity of Two); 3 (Quantity of Four); 4 (Quantity of 10); 5 (Quantity of Two); 6 (Quantity of Four); 7, 8, 9 (Quantity of Three); and 10)</i>
103	—	Throat Packings
103a	20G245232	Male Gland <i>(Quantity of Four)</i>
103b	20G246530	Female Gland <i>(Quantity of Four)</i>
103e	20G245229	V-Packing Carbon-Filled PTFE <i>(Quantity of 10)</i>
104	—	Piston Packings
104a	20G245232	Male Gland <i>(Quantity of Four)</i>
104b	20G246530	Female Gland <i>(Quantity of Four)</i>
104e	20G245229	V-Packing Carbon-Filled PTFE <i>(Quantity of 10)</i>
109	20G244893	PTFE O-Ring, Top Cylinder Medium <i>(Quantity of 10)</i>
112	20G244898	Ball Piston, 7/8" (22 mm) <i>(Quantity of Three)</i>
116	20G253030	Ball Inlet, 1-1/2" (38 mm) <i>(Quantity of Three)</i>
117	20G244856	Shim Inlet, Ball Guide <i>(Quantity of Nine)</i>
119	20G244999	Throat Seal Plug, 1-3/4" <i>(Quantity of 10)</i>
—	20G247395	Throat Seal Plug, 2-1/2" <i>(Quantity of 10)</i>
122	20G244895	Filter O-Ring, Thin, PTFE <i>(Quantity of 10)</i>
123	20G238436	Strainer, 30 mesh screen, 5.65" <i>(Quantity of 25)</i>
—	20G224458	Strainer, 30 mesh, 5.65" <i>(Quantity of Two)</i>
—	20G238438	Strainer, 60 mesh, 5.65" <i>(Quantity of 25)</i>
—	20G224459	Strainer, 60 mesh, 5.65" <i>(Quantity of Two)</i>
125	20G262484	Filter O-Ring, Medium, PTFE <i>(Quantity of 10)</i>
—	20G244896	Filter O-Ring For Series A Pumps <i>(Quantity of 10)</i>
127	20G244894	O-Ring, PTFE, Thin <i>(Quantity of 10)</i>
143	20G116802	Foot Valve Spring (20G262793 only)
159	20G262483	Top Cap O-Ring, PTFE <i>(Quantity of 10)</i>
—	20G244895	Top Cap O-Ring For Series A Pumps <i>(Quantity of 10)</i>
—	209V021	Operator's Manual – Graco® Xtreme® Pump Lowers

PART NUMBERS AND SCHEMATICS GUIDE

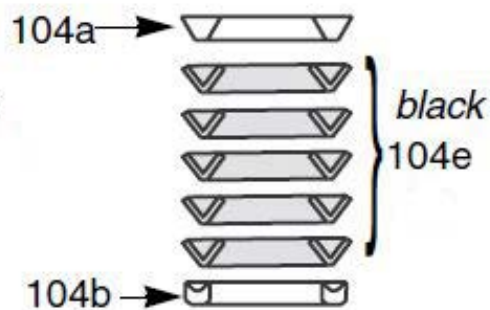
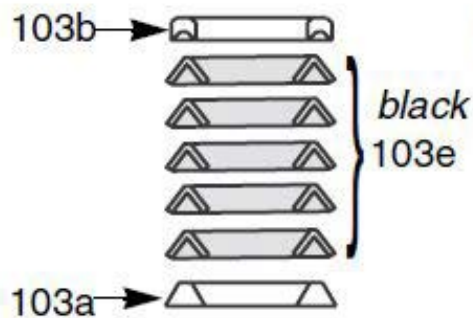
Figure 7: Tuff-Stack™ Repair Kit for 250cc Lower Displacement Pump



Tuff-Stack™ Seal Repair Kit 24F966

Throat Packings:
Lips Face Down

Piston Packings:
Lips Face Up



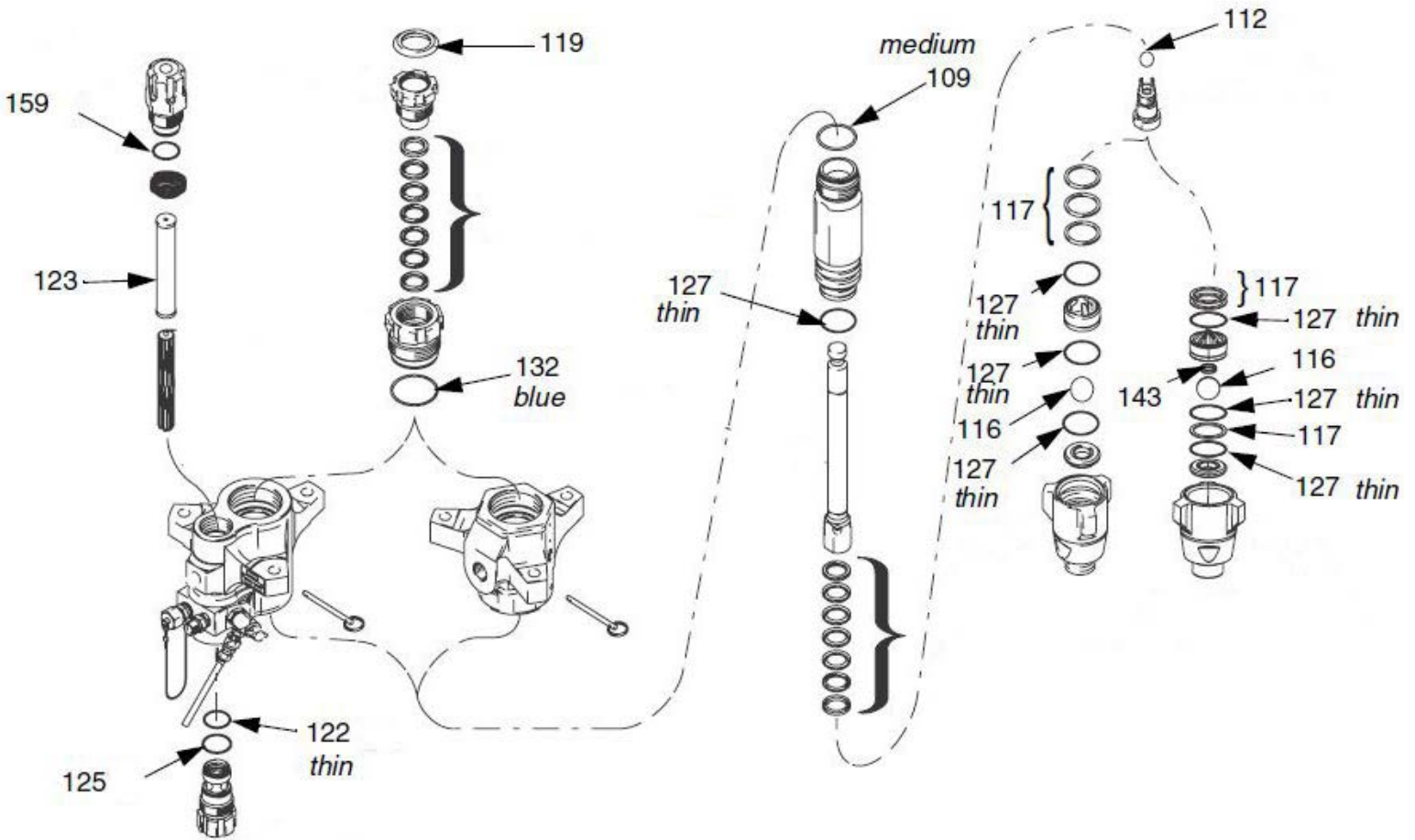
PART NUMBERS AND SCHEMATICS GUIDE

X-Tuff™ Repair Kit for 250cc Lower Displacement Pump

Item#	Part#	Description
Fig. 8		
—	20G262794	X-Tuff™ Repair Kit <i>(Includes Item #'s: 1 (Quantity of Two); 2 (Quantity of Two); 3 (Quantity of Four); 4 (Quantity of Six); 5 (Quantity of Four); 6 (Quantity of Two); 7, 8, 9, 10 (Quantity of Three); and 11)</i>
103	—	Throat Packings
103a	20G245232	Male Gland <i>(Quantity of Four)</i>
103b	20G245233	Female Gland <i>(Quantity of Four)</i>
103c	20G245229	V-Packing, Carbon-Filled PTFE <i>(Quantity of 10)</i>
103d	20G245231	V-Packing, UHMWPE <i>(Quantity of 10)</i>
104	—	Piston Packings
104a	20G245232	Male Gland <i>(Quantity of Four)</i>
104b	20G245233	Female Gland <i>(Quantity of Four)</i>
104c	20G245229	V-Packing Carbon-Filled, PTFE <i>(Quantity of 10)</i>
104d	20G245231	V-Packing, UHMWPE <i>(Quantity of 10)</i>
109	20G244893	PTFE O-Ring, Top Cylinder Medium <i>(Quantity of 10)</i>
112	20G244898	Ball Piston, 7/8" (22 mm) <i>(Quantity of Three)</i>
116	20G253030	Ball Inlet, 1-1/2" (38 mm) <i>(Quantity of Three)</i>
117	20G244856	Shim Inlet, Ball Guide <i>(Quantity of Nine)</i>
119	20G244999	Throat Seal Plug, 1-3/4" <i>(Quantity of 10)</i>
—	20G247395	Throat Seal Plug, 2-1/2" <i>(Quantity of 10)</i>
122	20G244895	Filter O-Ring, Thin, PTFE <i>(Quantity of 10)</i>
123	20G238436	Strainer, 30 mesh screen, 5.65" <i>(Quantity of 25)</i>
—	20G224458	Strainer, 30 mesh, 5.65" <i>(Quantity of Two)</i>
—	20G238438	Strainer, 60 mesh, 5.65" <i>(Quantity of 25)</i>
—	20G224459	Strainer, 60 mesh, 5.65" <i>(Quantity of Two)</i>
125	20G262484	Filter O-Ring, Medium, PTFE <i>(Quantity of 10)</i>
—	20G244896	Filter O-Ring For Series A Pumps <i>(Quantity of 10)</i>
127	20G244894	O-Ring, PTFE, Thin <i>(Quantity of 10)</i>
143	20G116802	Foot Valve Spring (20G262793 only)
159	20G262483	Top Cap O-Ring, PTFE <i>(Quantity of 10)</i>
—	20G244895	Top Cap O-Ring For Series A Pumps <i>(Quantity of 10)</i>
—	209V021	Operator's Manual – Graco® Xtreme® Pump Lowers

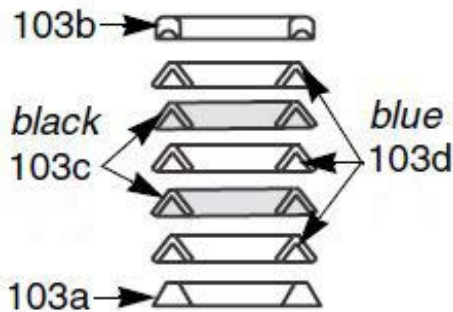
PART NUMBERS AND SCHEMATICS GUIDE

Figure 8: X-Tuff™ Repair Kit for 250cc Lower Displacement Pump

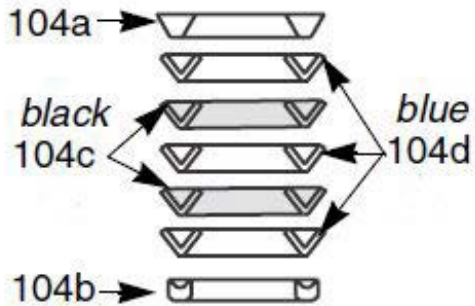


X-Tuff™ Seal Repair Kit 262794

Throat Packings:
Lips Face Down



Piston Packings:
Lips Face Up



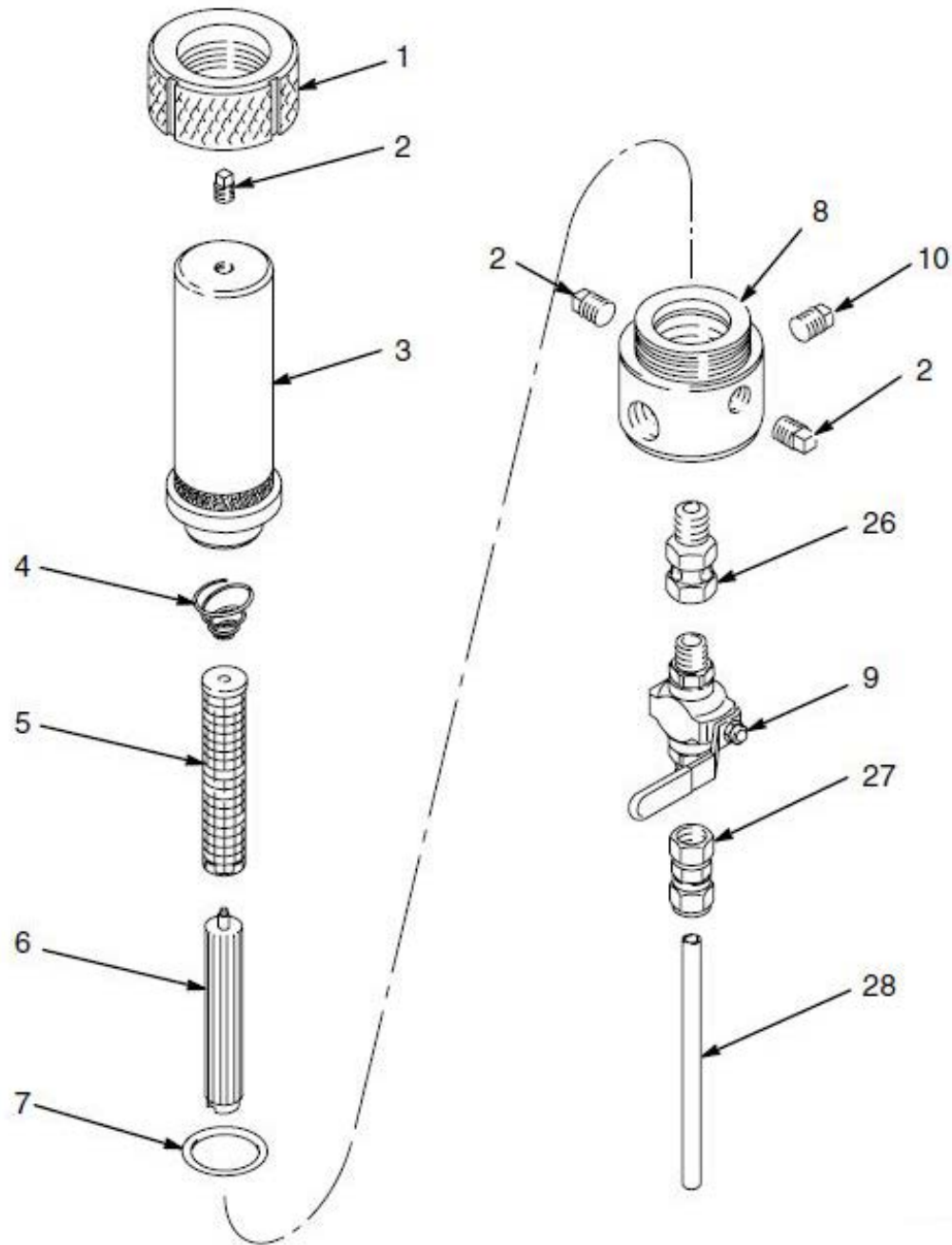
PART NUMBERS AND SCHEMATICS GUIDE

Filter Cap Series Key

Item#	Part#	Description
Fig. 9		
—	20G238620	High Pressure Fluid Filter
1	20G174058	Lock Ring
2	20G104813	Plug Pipe 3/8" NPT – 7250 psi (<i>Quantity of Three</i>)
3	20G174056	Bowl Filter – 7250 psi
4	20G171941	Spring Conical Compression – 7250 psi
5	20G167025	Strainer, 60 Mesh
6	20G186075	Filter Support Nylon – 7250 psi
7	20G104804	Packing O-Ring Teflon – 7250 psi
8	20G24C497	Paint Filter, Manifold
9	20G223960	3/8" x 3/8" Ball Valve
10	20G100737	1/2" NPT Pipe Plug
26	20G155665	Union Swivel 3/8" M x 3/8" F
27	20G205448	Coupling, Swivel, 3/8 npsm
28	20G186447	Nylon Drain Tube

PART NUMBERS AND SCHEMATICS GUIDE

Figure 9: Filter Cap Series Key



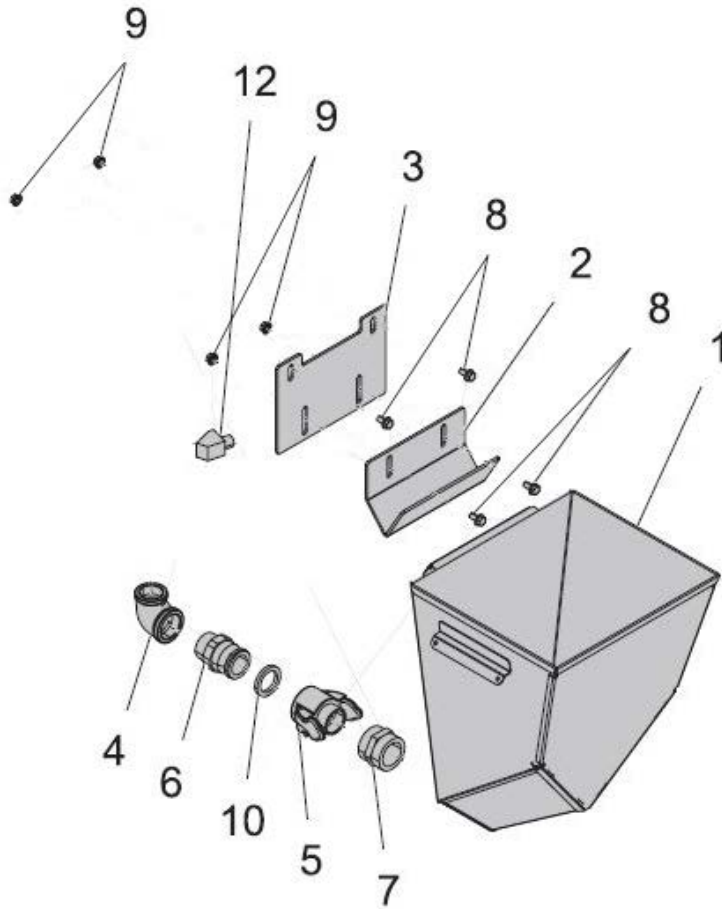
OPTIONAL ACCESSORIES

Graco® Xtreme® Airless Spray Pumps – Stainless Steel Hopper Kit






Item#	Part#	Description
Fig. 10		
—	20G24X570	Xtreme® Sprayer Stainless Steel Hopper Kit
1	20G17E114	Hopper
2	20G17C474	Bracket
3	20G17D554	Upper Bracket
4	20G126939	90° Elbow
5	20G128095	Cam/Groove
6	20G17C692	Cam/Groove Fitting, 1.5m, 1-1/2" NPT
7	20G128094	Bushing
8	20G112395	Flanges Cap Screw – HD (<i>Quantity of Four</i>)
9	20G112958	Nut (<i>Quantity of Four</i>)
10	20G17C453	Gasket
12	20G15M987	1/2" NPT (M) x 1/2" NPT (F) 60° Elbow
—	20G110110	6 ml Stainless Steel Pipe Sealant
—	20G16U537	Lid


OPTIONAL ACCESSORIES


Figure 10: Graco® Xtreme® Airless Spray Pumps – Stainless Steel Hopper Kit





OPTIONAL ACCESSORIES

		SUCTION TUBE AND ACCESSORIES	
Part Numbers		Description	
	20G197682	Suction Tube	
	20G247301	1" I.D. x 6' Suction Hose with Couplings	
	20G247302	1" I.D. x 10' Suction Hose with Couplings	
	20G245136	55 Gallon Suction Tube Extension Kit <i>Includes Suction Tube and Couplings</i>	
	20G181072	60 Mesh Strainer for 1" Suction Tube	

REPLACEMENT SCREEN FILTER ELEMENTS			
Part Numbers		Screen	Package
	20G167024B	30 Mesh	1 Pack
	20G167025B	60 Mesh	1 Pack
	20G224459	60 Mesh	2 Pack
	20G167026B	100 Mesh	1 Pack
	20G167027	200 Mesh	1 Pack
	20G224469	200 Mesh	2 Pack

FILTER SUPPORTS			
Part Numbers	Type	Body Material	Maximum Working Pressure
	Filter Support	Nylon	7,250 psi
	20G171939B	Filter Support	Aluminum

OPTIONAL ACCESSORIES

		HIGH PRESSURE BALL VALVES		
Part Numbers		Thread Size	Seal Material	Working Pressure
	20G210657B	1/4" Male x 1/4" Male	Viton	5,000 psi
	20G210658B	3/8" Male x 3/8" Male	Viton	5,000 psi
	20G210659B	1/4" Male x 3/8" Male	Viton	5,000 psi
	20G214037	1/4" Male x 1/4" Male	Teflon	5,000 psi
	20G223959B	3/8" Male x 1/4" Male	Teflon	5,000 psi
	20G210658B	3/8" Male x 3/8" Male	Teflon	5,000 psi
	20DQVAE2AO14	1/4" Female x Female	Nitrile	7,000 psi
	20DQVAE2AO38	3/8" Female x Female	Nitrile	7,000 psi
	20DQVAE2AO12	1/2" Female x Female	Nitrile	7,000 psi

GLOBAL HEADQUARTERS

- 3425 East Locust Street
Davenport, IA 52803

ph: 800.BLAST.IT (800.252.7848)

ph: 563.324.2519

fax: 563.324.6258

GULF STATES HEADQUARTERS

- 701 East Boulevard
Deer Park, TX 77536

ph: 800.BLAST.IT (800.252.7848)

ph: 281.930.0905

fax: 281.542.0736

REGIONAL BRANCH OFFICES

- **Iowa**
Davenport
- **Louisiana**
Gonzales
Harvey
Lafayette
- **Ohio**
Youngstown
- **Texas**
Beaumont
Corpus Christi
Deer Park



ABRASIVES

BLASTING

COATING

DUST COLLECTORS

ENGINEERED SYSTEMS

RENTAL

SAFETY

SERVICE & REPAIR

VACUUMS

40+ NATIONWIDE SHIPPING LOCATIONS



★ Marco Regional Branch Offices and Shipping Locations

● Direct Shipping Locations

CONTACT MARCO

800.BLAST.IT
(800.252.7848)

563.324.2519

FAX: 563.324.6258

WWW.MARCO.US
SALES@MARCO.US