



GRACO® XTREME® XL 70:1 AIRLESS SPRAY PUMP



PART NUMBERS AND SCHEMATICS GUIDE

Company Profile

Since 1944, Marco has developed a strong tradition of providing innovative and reliable products and services to the surface preparation and protective coatings industries. We are the world's premier provider of Abrasives, Blasting Equipment, Coating Equipment, Engineered Systems, Rental Equipment, Safety Equipment, Service, and Repair.

Through innovative designs and a total commitment to quality, Marco manufactures products that increase production rates, create a safer workplace, and reduce maintenance costs. Marco's industry experience, manufacturing capabilities, legendary customer service, product availability, logistics services, and technology leadership is your assurance that we deliver high quality products and services, providing the best value to you, our customer.

The Marco Difference

- **Industry Experience** – With Marco on your team, you have access to expertise which can only come from decades of industry leadership. We have organized our engineering department, production specialists, customer operations, and safety support into a “Center of Competence.” As a Marco customer, you have access to hundreds of years of cumulative experience related to your operations.
- **Manufacturing Excellence** – Marco is a U.S. based, ISO 9001:2008 certified manufacturer of equipment for the Surface Preparation and Protective Coatings industries. Marco's engineers benchmark the industry to ensure that we design and manufacture superior products that set the “Gold Standard” for performance, safety, and quality.
- **Legendary Customer Service** – Marco's legendary customer service team is staffed by friendly, highly-trained individuals who are focused on providing the highest level of product support, order accuracy, and customer satisfaction.
- **Product Availability** – We stock over 10,000 SKU's and have over 45 shipping locations to serve North American and International markets for all major brands of blasting and painting equipment. As the largest provider of surface preparation and protective coatings equipment in the world, our inventory levels and product availability are unmatched.
- **Logistics Services** – Marco's in-house logistics team is dedicated to moving your shipment anywhere in the world. We move over 14,000 truckloads every year, allowing you to save on freight costs by leveraging our buying power. Lower your process costs with a single invoice, which includes product and freight.
- **Technology Leadership** – Our website provides: Operator's Manuals, Part Numbers and Schematics Guides, MSDS information, and Features and Specifications Guides, providing access to information 24/7. Our Extranet application allows you to receive quotes and place orders online. Our Intranet maintains a complete record of your purchase history to assist with ongoing support of your existing equipment and future purchasing decisions.

Vision Statement

Marco is the world's premier provider of Abrasives, Blasting Equipment, Coating Equipment, Engineered Systems, Rental Equipment, Safety Equipment, Service, and Repair.

Mission Statement

Marco provides strong leadership and innovation to the surface preparation and protective coatings industries. We dedicate our efforts to the continuous improvement of our products, services, processes, people, and most importantly, the quality of our customer's experience.

Quality Policy

Marco is committed to providing superior quality in the design, manufacturing, distribution, rental, service, and repair of our products. Our ISO 9001:2008 certification extends throughout all operations in all locations. Continuous improvement of our processes and supply chain Integration comprise the core of our business strategy for delivering exceptional quality and value in all Marco products and services.

Management Philosophy

We are a company dedicated to the success of every customer and associate. We discuss, debate, challenge, measure, and test our ideas. We will be boundless and limitless in our passion to improve. Through sound leadership and dedicated associates, we will ensure a long term, profitable future for Marco, our associates, customers, and suppliers.

TABLE OF CONTENTS

| | |
|--|--------------|
| Company Profile | 2 |
| Table of Contents | 3 |
| Graco® Xtreme® XL 70:1 Airless Spray Pump | 4-23 |
| Graco® Xtreme® XL 70:1 Sprayer and Pump Packages..... | 4-5 |
| Graco® Xtreme® XL 70:1 Cart Mount..... | 6-7 |
| Graco® Xtreme® XL 70:1 Wall Mount..... | 8-9 |
| Graco® Xtreme® XL Air Motor..... | 10-11 |
| Graco® Xtreme® XL Air Valve..... | 12-13 |
| 290cc Lower Displacement Pump Repair Parts..... | 14-15 |
| Xtreme® Seals Repair Kits..... | 16-17 |
| Tuff-Stack™ Repair Kits..... | 18-19 |
| X-Tuff™ Repair Kits..... | 20-21 |
| Filter Cap Series Key..... | 22-23 |
| Optional Accessories | 24-27 |
| Stainless Steel Hopper Kit..... | 24-25 |
| Suction Tubes and Accessories..... | 26 |
| Replacement Screen Filter Elements..... | 26 |
| Filter Supports..... | 26 |
| High Pressure Ball Valves..... | 27 |

PART NUMBERS AND SCHEMATICS GUIDE

| GRACO® XTREME® XL 70:1 AIRLESS SPRAY PUMP | | | | | | |
|--|------------------------|-------------------|------------------------|------------------------|--|--|
| Part Numbers | MOUNT | | Built-In Filter | Hopper Included | Hose and Graco® XTR™ 7 Spray Gun Included | Carbon Steel Lower Construction |
| | Heavy-Duty Cart | Wall Mount | | | | |
| 20GXL70H1 | X | | X | | | |
| 20GXL70H2 | X | | X | | X | |
| 20GXL70H3 | X | | X | X | X | |
| 20GXL70H4 | X | | | | | |
| 20GXL70W1 | | X | X | | | |
| 20GXL70W2 | | X | X | | X | |
| 20GXL70W3 | | X | X | | X | |
| 20GXL70W4 | | X | | | | |
| 20GPL70C1 | | | | | | X |
| 20GPL70C2 | | | X | | | X |

| GRACO® XTREME® XL 70:1 AIRLESS SPRAY PUMP – SPECIFICATIONS | |
|---|----------------------|
| Output Per Cycle | 7,250 psi |
| Pump Lower Output per Cycle | 290cc |
| Motor | Xtreme® XL Air Motor |
| Maximum Air Input Pressure | 100 psi |
| Output at 60 Cycles/min gpm | 4.6 |

PART NUMBERS AND SCHEMATICS GUIDE



PART NUMBERS AND SCHEMATICS GUIDE

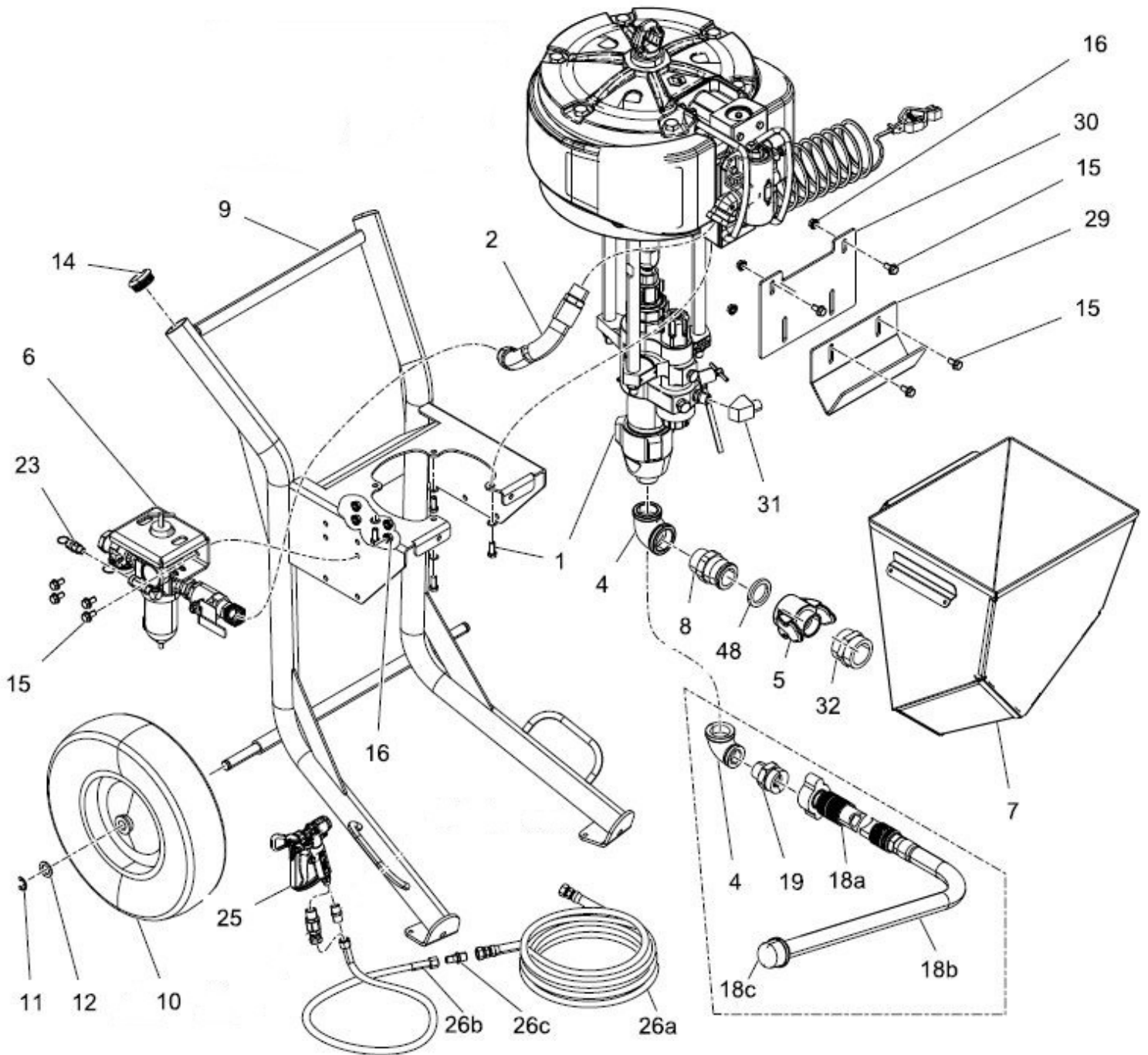
Graco® Xtreme® XL 70:1 Spray Pump – Cart Mount

| Item# | Part# | Description |
|---------------|------------|--|
| Fig. 1 | | |
| 1 | 20GPL70C1 | Xtreme® XL Pump |
| — | 20GPL70C2 | Xtreme® XL Pump <i>(Includes Built-In Filter)</i> |
| 2 | 20G278770 | Coupled Hose |
| 4 | 20G126939 | 90° Elbow Fitting <i>(Female)</i> |
| 5 | 20G128095 | Cam/Groove Fitting 1-1/2" NPT |
| 6 | 20G24W593 | Air Controls Module |
| 7 | 20G16U536 | Stainless Steel Hopper <i>(Not included with all models, see page 4)</i> |
| 8 | 20G17C692 | Cam/Groove Fitting 1-1/2" NPT |
| 9 | 20G24Y078 | Heavy Duty Cart |
| 10 | 20G113362 | Wheel <i>(Two Required)</i> |
| 11 | 20G113436 | Retaining Ring <i>(Two Required)</i> |
| 12 | 20G154628 | Washer Flat .77 Size <i>(Two Required)</i> |
| 14 | 20G113361 | Cap <i>(Two Required)</i> |
| 15 | 20G112395 | Flanged Cap Screw – HD <i>(Eight Required)</i> |
| 16 | 20G112958 | Flanged Hex Nut <i>(Eight Required)</i> |
| 18a | 20G247301 | Hose, 1" x 6' |
| 18b | 20G197682 | Siphon Tube |
| 18c | 20G181072 | Strainer |
| 19 | 20G116402 | Adapter |
| 23 | 20G113498 | Air Relief Valve <i>(100 psi)</i> |
| 25 | 20GXTR704 | Graco® XTR™ 7 Spray Gun <i>(Not included with all models, see page 4)</i> |
| 26a | 20GH77550* | 3/4" x 50' Coupled Hose |
| — | 2000110* | 3/8" x 50' Coupled Hose |
| 26b | 20GH75025* | 1/2" x 25' Coupled Hose |
| — | 2000094* | 1/4" x 6' Coupled Hose |
| 26c | 20G16R883* | Reducing Nipple 3/4" x 1/2" |
| — | 20G164856* | Nipple 3/8" x 1/4" NPT |
| 29 | 20G17C474 | Bracket Hopper <i>(Not included with all models, see page 4)</i> |
| 30 | 20G17D554 | Upper Bracket Hopper <i>(Not included with all models, see page 4)</i> |
| 31 | 20G15M987 | 1/2" NPT (M) x 1/2" NPT (F) Elbow |
| 32 | — | 1-1/2" Bushing Fitting |
| 48 | 20G17C53 | 2" Gasket <i>(Pack of Six)</i> |
| — | 206M562 | Part Numbers and Schematics Guide – Graco® Xtreme® XL 70:1 Airless Spray Pumps |
| — | 209V558 | Operator's Manual – Graco® Xtreme® XL Airless Spray Pumps |

*Not included with all models, see page 4

PART NUMBERS AND SCHEMATICS GUIDE

Figure 1: Graco® Xtreme® XL 70:1 Spray Pump – Cart Mount



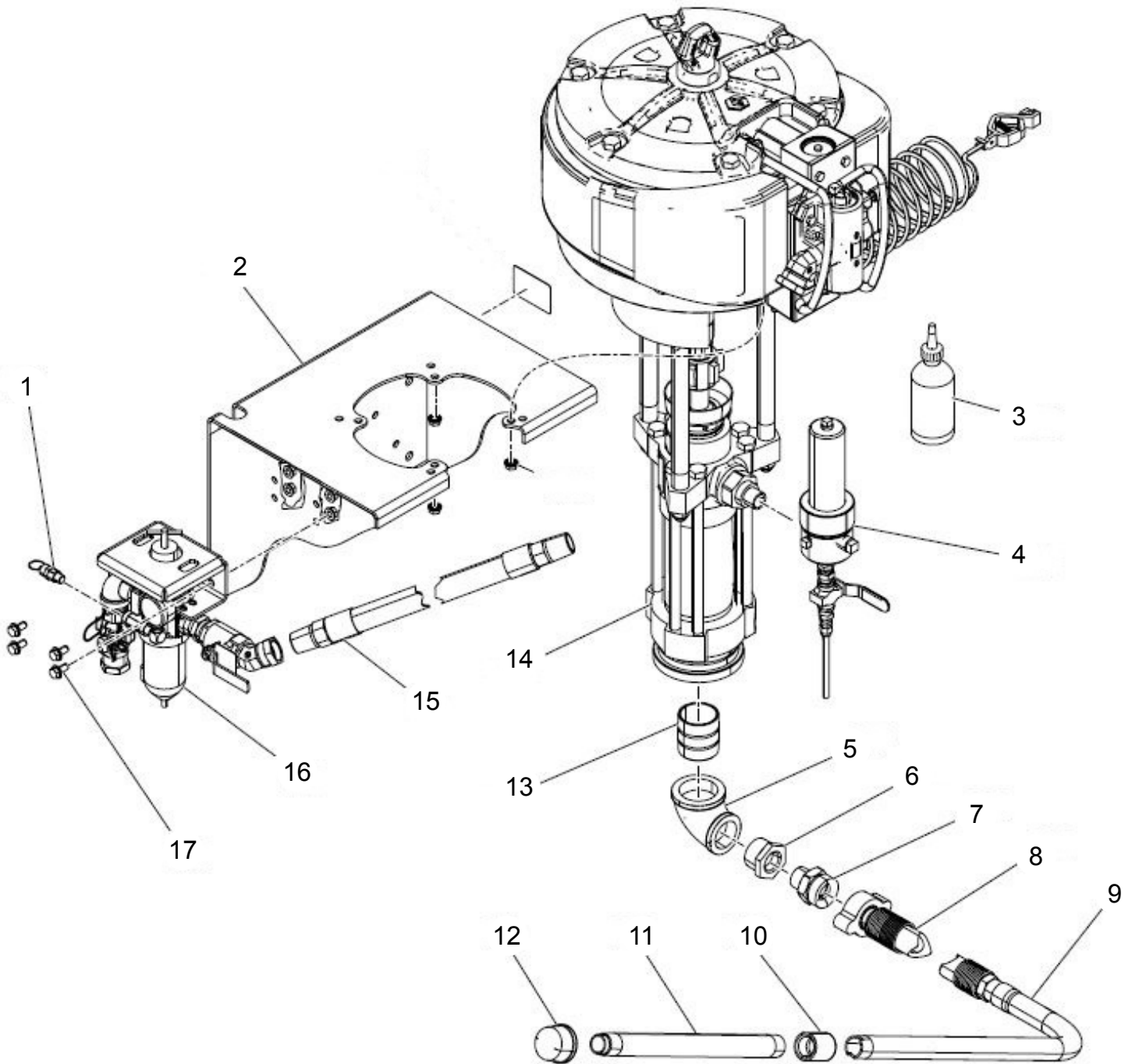
PART NUMBERS AND SCHEMATICS GUIDE

Graco® Xtreme® XL 70:1 Spray Pump – Wall Mount

| Item# | Part# | Description |
|---------------|-----------|--|
| Fig. 2 | | |
| 1 | 20G114055 | Air Relief Valve (105 psi) |
| 2 | 20G24X181 | Wall Bracket |
| 3 | 20G206994 | Throat Seal Liquid – 8 oz. |
| 4 | 20G238620 | High Pressure Fluid Filter |
| 5 | 20G116401 | Elbow for Suction Hose |
| — | 20G120291 | Pipe Elbow (<i>Female</i>) |
| 6 | 20G121239 | Bushing |
| 7 | 20G116402 | Quick Connect Adapter |
| 8 | 20G247302 | 10' Suction Hose with 1" NPT |
| 9 | 20G197682 | 1" Pick Up Tube |
| 10 | 20G114967 | 1" Coupling Pipe |
| 11 | 20G195151 | Intake Tube |
| 12 | 20G187147 | Inlet Strainer |
| 13 | 20G24X547 | 2" NPT Nipple Kit |
| — | — | 1.5" x 1" NPT Elbow |
| 14 | 20GPL70C1 | Xtreme® XL Pump |
| — | 20GPL70C2 | Xtreme® XL Pump (<i>Includes Built-In Filter</i>) |
| 15 | 20G128093 | Coupled Hose (45 psi) |
| — | 20G278770 | Coupled Hose (70, 80, 95 psi) |
| 16 | 20G24W593 | Air Controls Module |
| 17 | 20G112395 | Cap Screw |
| — | 206M562 | Part Numbers and Schematics Guide – Graco® Xtreme® XL 70:1 Airless Spray Pumps |
| — | 209V558 | Operator's Manual – Graco® Xtreme® XL Airless Spray Pumps |

PART NUMBERS AND SCHEMATICS GUIDE

Figure 2: Graco® Xtreme® XL 70:1 Spray Pump – Wall Mount



PART NUMBERS AND SCHEMATICS GUIDE

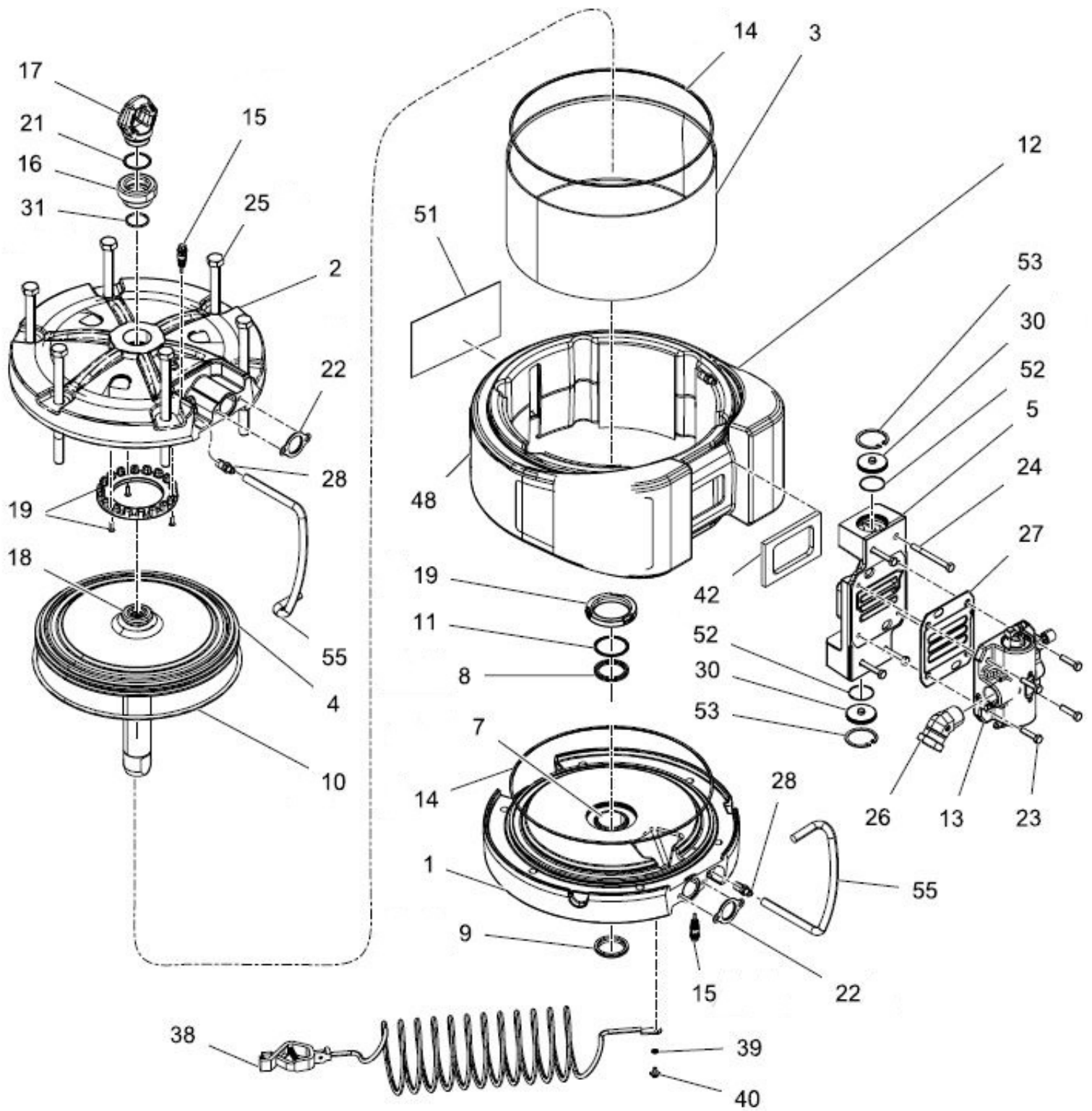
Graco® Xtreme® XL Air Motor

| Item# | Part# | Description |
|---------------|------------------|---|
| Fig. 3 | | |
| — | 20G24X856 | Xtreme® XL Air Motor |
| 1 | 20G24X559 | Bottom Cover |
| 2 | 20G24W584 | Top Cover |
| 3 | 20G24X561 | Cylinder Kit |
| 4 | 20G24X557 | Piston Motor Kit |
| 5 | 20G16Y968 | Manifold Exhaust |
| 7 | — | Bearing Sleeve |
| 8 | — | Packing U-Cup |
| 9 | — | Seal Rod Wiper |
| 10 | — | Piston O-Ring |
| 11 | — | Retaining Ring |
| 12 | 20G24X560 | Muffler Cover |
| 13 | 20G24X562 | Air Valve |
| 14 | 20G109486 | Packing O-Ring (Quantity of Two) |
| 15 | 20G24A366 | Pilot Valve (Quantity of Two) |
| 15a | 20G155685 | Packing O-Ring, Middle |
| 15b | — | Packing U-Cup, Shaft |
| 15c | 20G154741 | Packing O-Ring, Bottom |
| 15d | 20G197650 | Buna O-Ring, Top |
| 16 | 20G16D001 | Lift Ring Adapter |
| 17 | 20G15F931 | Lift Ring 1-9/16" |
| 18 | 20GNXT106 | Bumper Piston, with Magnet |
| 19 | 20G24A916 | Bumper Kit |
| 21 | 20G108014 | Packing O-Ring |
| 22 | — | End Cap Gasket (Quantity of Two) |
| 23 | 20G110036 | Stud (Quantity of Four) |
| 24 | 20G17B389 | Screw, M8 x 1.25 x 85mm (Quantity of Four) |
| 25 | 20G127582 | Screw, 5/8-11 x 8.5" (Quantity of Six) |
| 26 | — | Swivel Fitting |
| 27 | 20G24X565 | Valve Gasket (Quantity of Two) |
| 28 | 20G555749 | Adapter Fitting (Quantity of Two) |
| 30 | 20G17C974 | Manifold XL Air Cap (Quantity of Two) |

| Item# | Part# | Description |
|-------|-----------|---|
| 31 | 20GC20987 | Packing O-Ring |
| 38 | 20G244524 | Ground Wire with Clamp (Includes Part#: 38a) |
| 38a | 20G290079 | Grounding Warning Tag |
| 39 | 20G111307 | External Washer Lock |
| 40 | 20G116343 | Ground Screw |
| 42 | 20G17C776 | Muffler Gasket |
| 51 | 20G15F674 | Motor Safety Label |
| 52 | 20G205020 | Packing O-Ring |
| 53 | 20G557832 | Retainer Ring (Quantity of Two) |
| 55 | 20G128090 | Coupled Hose (Quantity of Two) |

PART NUMBERS AND SCHEMATICS GUIDE

Figure 3: Graco® Xtreme® XL Air Motor



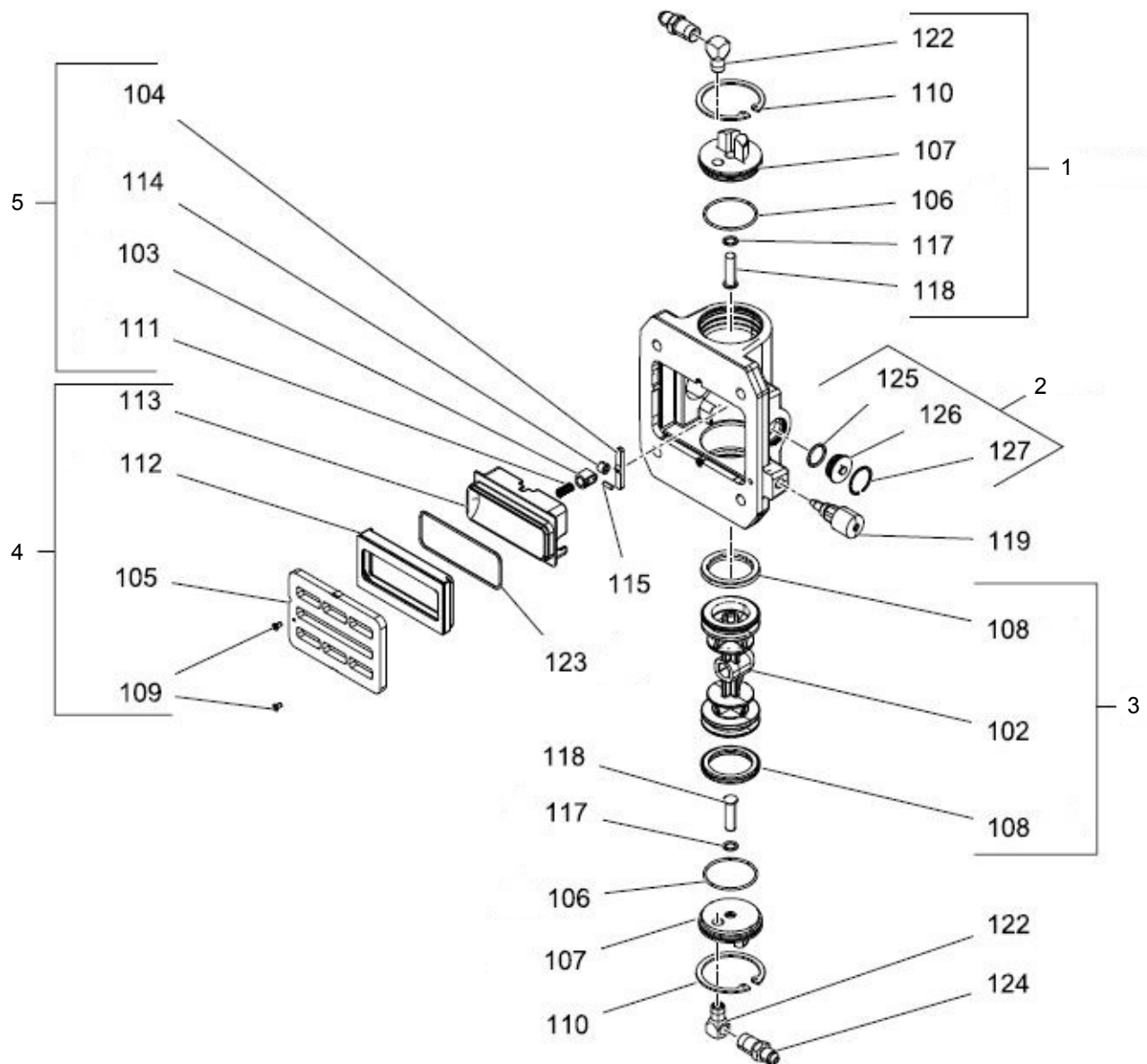
PART NUMBERS AND SCHEMATICS GUIDE

Graco® Xtreme® XL Air Valve

| Item# | Part# | Description |
|---------------|------------------|--|
| Fig. 4 | | |
| — | 20G24X562 | Graco® Xtreme® XL Air Valve |
| 1 | 20G24X566 | Cap with Push Button Assembly <i>(Includes Part #'s: 106, 107, 110, 117, 118, 122, and 124)</i> |
| 2 | 20G24X568 | DataTrack™ Plug Assembly <i>(Includes Part #'s: 125, 126, and 127)</i> |
| 3 | 20G24X569 | Valve Piston with Seals Repair Kit <i>(Includes Part #'s: 102 and 108)</i> |
| 4 | 20G24X564 | Base/Cup Repair Assembly <i>(Includes Part #'s: 112, 113, 123, 105, and 109)</i> |
| 5 | 20G24X567 | Roller Assembly <i>(Includes Part #'s: 103, 104, 111, 114, and 115)</i> |
| 101 | — | Housing |
| 102 | — | Piston |
| 103 | — | Detent Piston |
| 104 | — | Detent Cam |
| 105 | — | Air Valve Plate |
| 106 | 20G104010 | Packing O-Ring <i>(Quantity of Two)</i> |
| 107 | — | Air Valve Cap <i>(Quantity of Two)</i> |
| 108 | — | U-Cup Packing <i>(Quantity of Two)</i> |
| 109 | — | Thread Forming Screw <i>(Quantity of Two)</i> |
| 110 | 20G557832 | Retainer Ring <i>(Quantity of Two)</i> |
| 111 | — | Detent Spring |
| 112 | — | Cup Base |
| 113 | — | Air Valve Cup |
| 114 | — | Detent Roller |
| 115 | — | Detent Pin |
| 117 | 20G154741 | Packing O-Ring <i>(Quantity of Two)</i> |
| 118 | — | Reset Button <i>(Quantity of Two)</i> |
| 119 | 20G16Y668 | Needle Valve |
| 122 | 20G15K783 | Street Elbow Fitting <i>(Quantity of Two)</i> |
| 123 | 20G295640 | O-Ring |
| 124 | 20G555749 | Connector <i>(Quantity of Two)</i> |
| 125 | 20G104130 | Packing O-Ring |
| 126 | — | Valve Plug |
| 127 | — | Retaining Ring |

PART NUMBERS AND SCHEMATICS GUIDE

Figure 4: Graco® Xtreme® 70:1 Air Valve



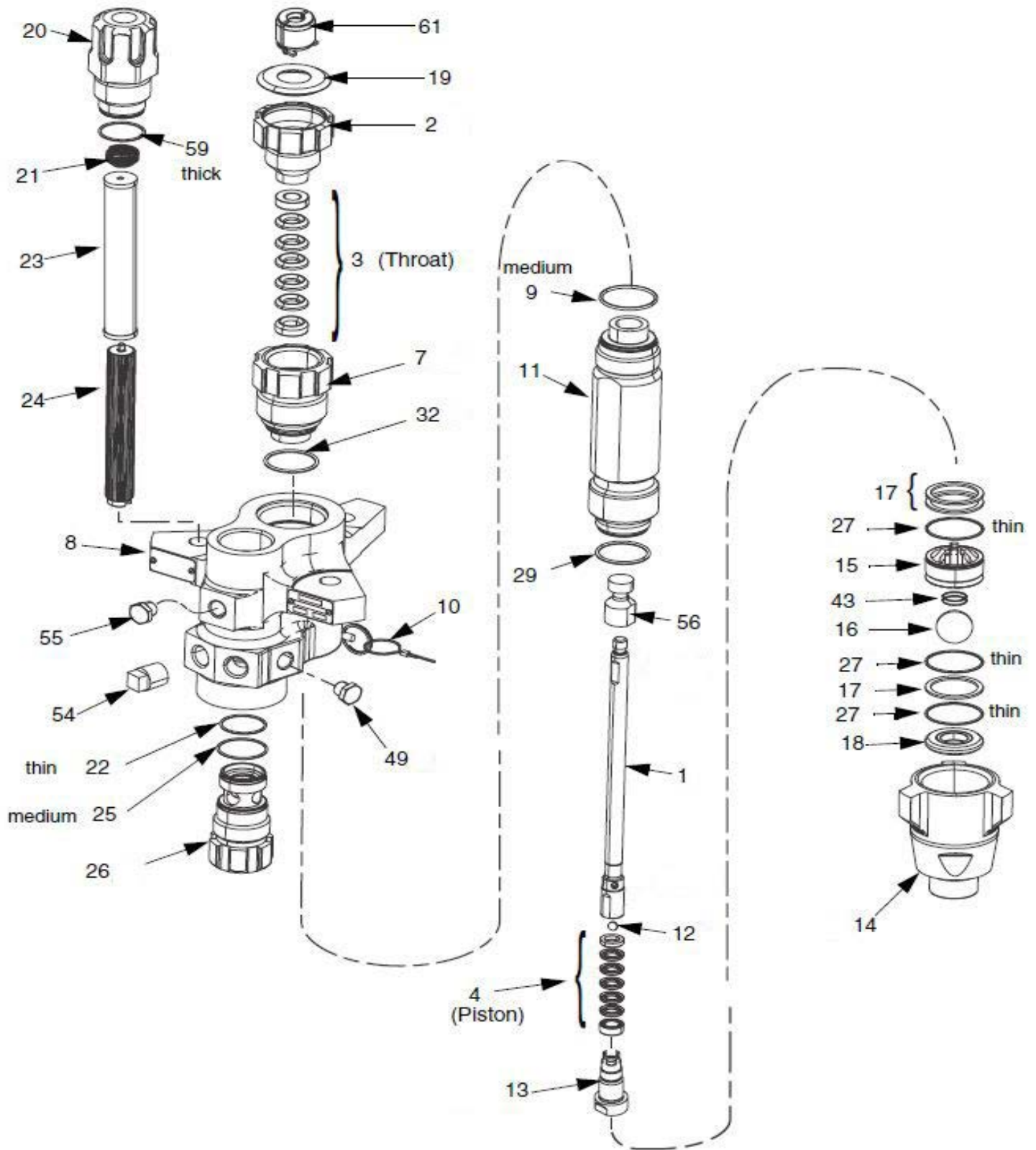
PART NUMBERS AND SCHEMATICS GUIDE

290cc Xtreme® Sprayer Lower Displacement Pump

| Item# | 20GL290C1 20GL290C3 (No Built-In Filter) | 20GL290C2 (Built-In Filter) | Description |
|---------------|--|--------------------------------|---|
| Fig. 5 | | | |
| 1 | 20G24B825 | 20G24B825 | Displacement Rod |
| 2 | 20G15K031 | 20G15K031 | Packing Nut |
| 3 | — | — | Stack Packings, Throat (See Fig. 7, 8, 9) |
| 4 | — | — | Stack Packings, Piston (See Fig. 7, 8, 9) |
| 7 | 20G197327 | 20G197327 | Packing Cartridge, Throat |
| 8 | 20G197335 | 20G197337 | Housing Outlet |
| 9 | 20G244893 | 20G244893 | O-Ring, Top Cylinder, PTFE Medium (Quantity of 10) |
| 10 | 20G244826 | 20G244826 | Self-Locking Pin |
| 11 | 20G197319 | 20G197319 | Lower Cylinder |
| 12 | 20G244899 | 20G244899 | Ball Piston (Quantity of Three) |
| 13 | 20G24B830 | 20G24B830 | Piston Valve |
| 14 | 20G197304 | 20G197304 | Inlet Housing |
| 15 | 20G198647 | 20G198647 | Inlet Ball Guide |
| 16 | 20G253030 | 20G253030 | Inlet Ball (Quantity of Three) |
| 17 | 20G244856 | 20G244856 | Inlet Shim Ball Guide (Quantity of Nine) |
| 18 | 20G197344 | 20G197344 | Inlet Seat |
| 19 | 20G247395 | 20G247395 | Throat Seal Plug (Quantity of 10) |
| 20 | — | 20G16M461 | Top Filler Cap |
| 21 | — | 20G171941 | Compression Spring |
| 22 | — | 20G244895 | Thin Filter O-Ring, PTFE (Quantity of 10) |
| 23 | — | 20G224459 | Strainer, 60 Mesh Screen |
| 24 | — | 20G186075 | Filter Support |
| 25 | — | 20G262484 | Filter O-Ring, Medium, PTFE (Quantity of 10) |
| 26 | — | 20G16M462 | Lower Filter Cap |
| 27 | 20G244894 | 20G244894 | Foot Valve and Cylinder Bottom O-Ring, PTFE thin (Quantity of 10) |
| 30 | 20G172479 | 20G172479 | Warning Tag |
| 32 | 20G244891 | 20G244891 | Throat Cartridge O-Ring, PTFE thin (Quantity of 10) |
| 38 | — | 20G158491 | Nipple Fitting, Outlet, 1/2" |
| 39 | — | 20G24N518 | Packless Plug, 1/2" |
| 40 | — | 20G245143 | Pressure Dump Valve |
| 41 | — | 20G116746 | Barbed Fitting, Plated |
| 42 | — | 20G116750 | Nylon Tube |
| 49 | 20G101754 | 20G198292 | Pipe Plug |
| 59 | — | 20G262483 | Filter O-Ring, PTFE thick (Quantity of 10) |
| — | 209V021 | 209V021 | Operator's Manual – Graco® Xtreme® Pump Lowers |

PART NUMBERS AND SCHEMATICS GUIDE

Figure 5: 290cc Xtreme® Sprayer Lower Displacement Pump



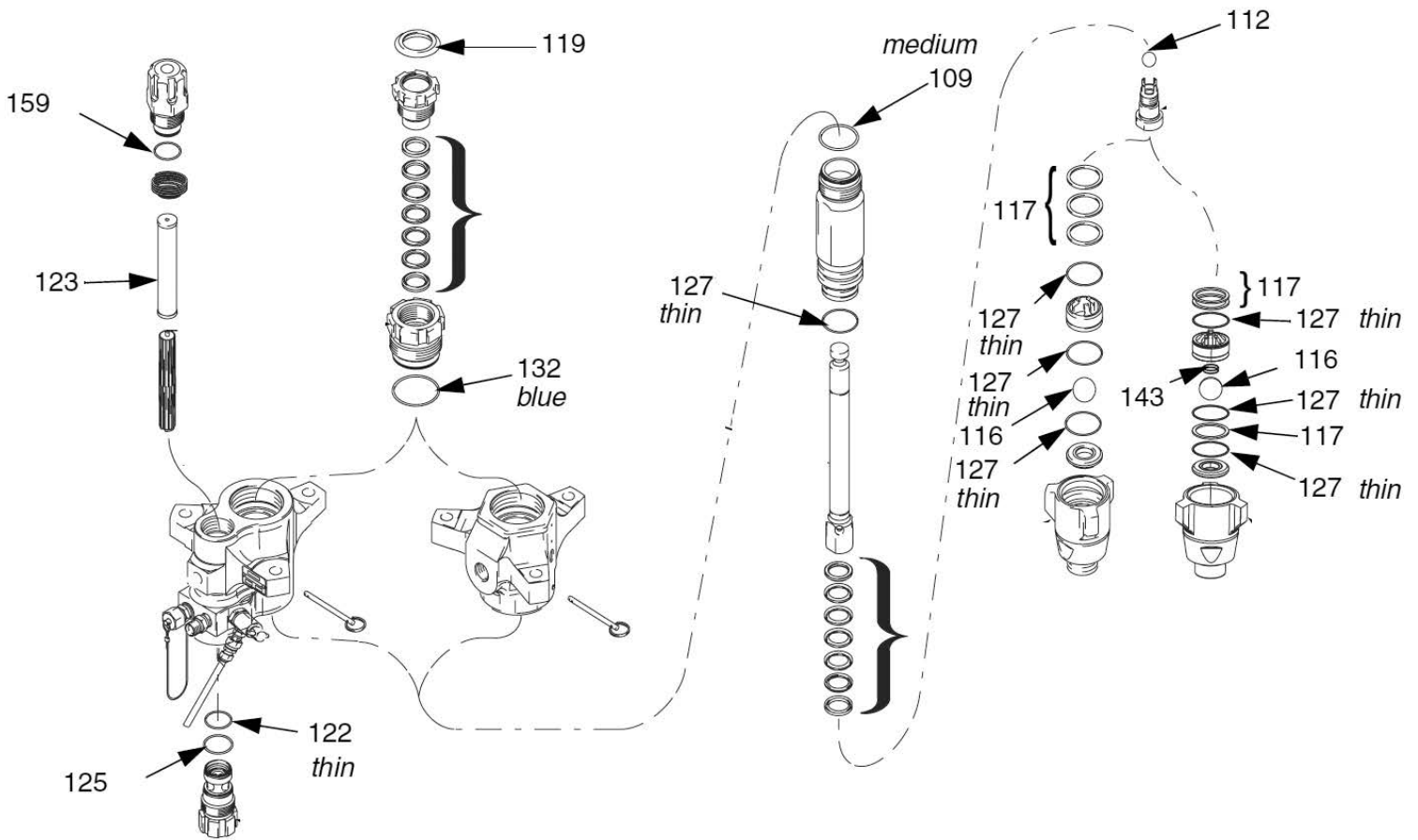
PART NUMBERS AND SCHEMATICS GUIDE

Xtreme® Seal Repair Kit for 290cc Lower Displacement Pump

| Item# | Part# | Description |
|---------------|------------------|---|
| Fig. 6 | | |
| — | 20G24F963 | Xtreme® Seal Repair Kit <i>(Includes Item #'s: 1 (Quantity of Two); 2 (Quantity of Two); 3 (Quantity of Four); 4 (Quantity of Six); 5 (Quantity of Four); 6 (Quantity of Two); 7, 8, 9, 10 (Quantity of Three); and 11)</i> |
| 103 | — | Throat Packings |
| 103a | 20G244885 | Male Gland <i>(Quantity of Four)</i> |
| 103b | 20G244879 | Female Gland <i>(Quantity of Four)</i> |
| 103c | 20G244873 | V-Packing, Leather <i>(Quantity of 10)</i> |
| 103d | 20G244867 | V-Packing, UHMWPE <i>(Quantity of 10)</i> |
| 104 | — | Piston Packings |
| 104a | 20G244886 | Male Gland <i>(Quantity of Four)</i> |
| 104b | 20G244880 | Female Gland <i>(Quantity of Four)</i> |
| 104c | 20G244874 | V-Packing, Leather <i>(Quantity of 10)</i> |
| 104d | 20G244868 | V-Packing, UHMWPE <i>(Quantity of 10)</i> |
| 109 | 20G244893 | PTFE O-Ring, Top Cylinder Medium <i>(Quantity of 10)</i> |
| 112 | 20G244899 | Ball Piston, 1" (25 mm) <i>(Quantity of Three)</i> |
| 116 | 20G253030 | Ball Inlet, 1-1/2" (38 mm) <i>(Quantity of Three)</i> |
| 117 | 20G244856 | Shim Inlet, Ball Guide <i>(Quantity of Nine)</i> |
| 119 | 20G244999 | Throat Seal Plug, 1-3/4" <i>(Quantity of 10)</i> |
| — | 20G247395 | Throat Seal Plug, 2-1/2" <i>(Quantity of 10)</i> |
| 122 | 20G244895 | Filter O-Ring, Thin, PTFE <i>(Quantity of 10)</i> |
| 123 | 20G238436 | Strainer, 30 mesh screen, 5.65" <i>(Quantity of 25)</i> |
| — | 20G224458 | Strainer, 30 mesh, 5.65" <i>(Quantity of Two)</i> |
| — | 20G238438 | Strainer, 60 mesh, 5.65" <i>(Quantity of 25)</i> |
| — | 20G224459 | Strainer, 60 mesh, 5.65" <i>(Quantity of Two)</i> |
| 125 | 20G262484 | Filter O-Ring, Medium, PTFE <i>(Quantity of 10)</i> |
| — | 20G244896 | Filter O-Ring For Series A Pumps <i>(Quantity of 10)</i> |
| 127 | 20G244894 | O-Ring, PTFE, Thin <i>(Quantity of 10)</i> |
| 143 | 20G116802 | Foot Valve Spring (20G262795 only) |
| 159 | 20G262483 | Top Cap O-Ring, PTFE <i>(Quantity of 10)</i> |
| — | 20G244895 | Top Cap O-Ring For Series A Pumps <i>(Quantity of 10)</i> |
| — | 209V021 | Operator's Manual – Graco® Xtreme® Pump Lowers |

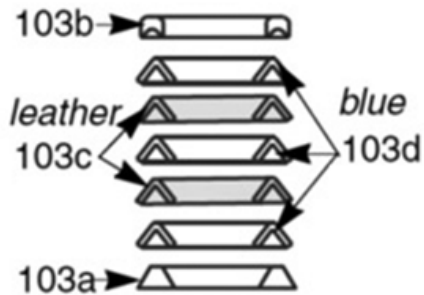
PART NUMBERS AND SCHEMATICS GUIDE

Figure 6: Xtreme® Seal Repair Kit for 290cc Lower Displacement Pump

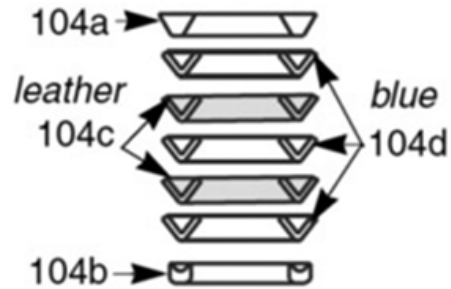


Xtreme® Seal Repair Kit 24F963

**Throat Packings:
Lips Face Down**



**Piston Packings:
Lips Face Up**



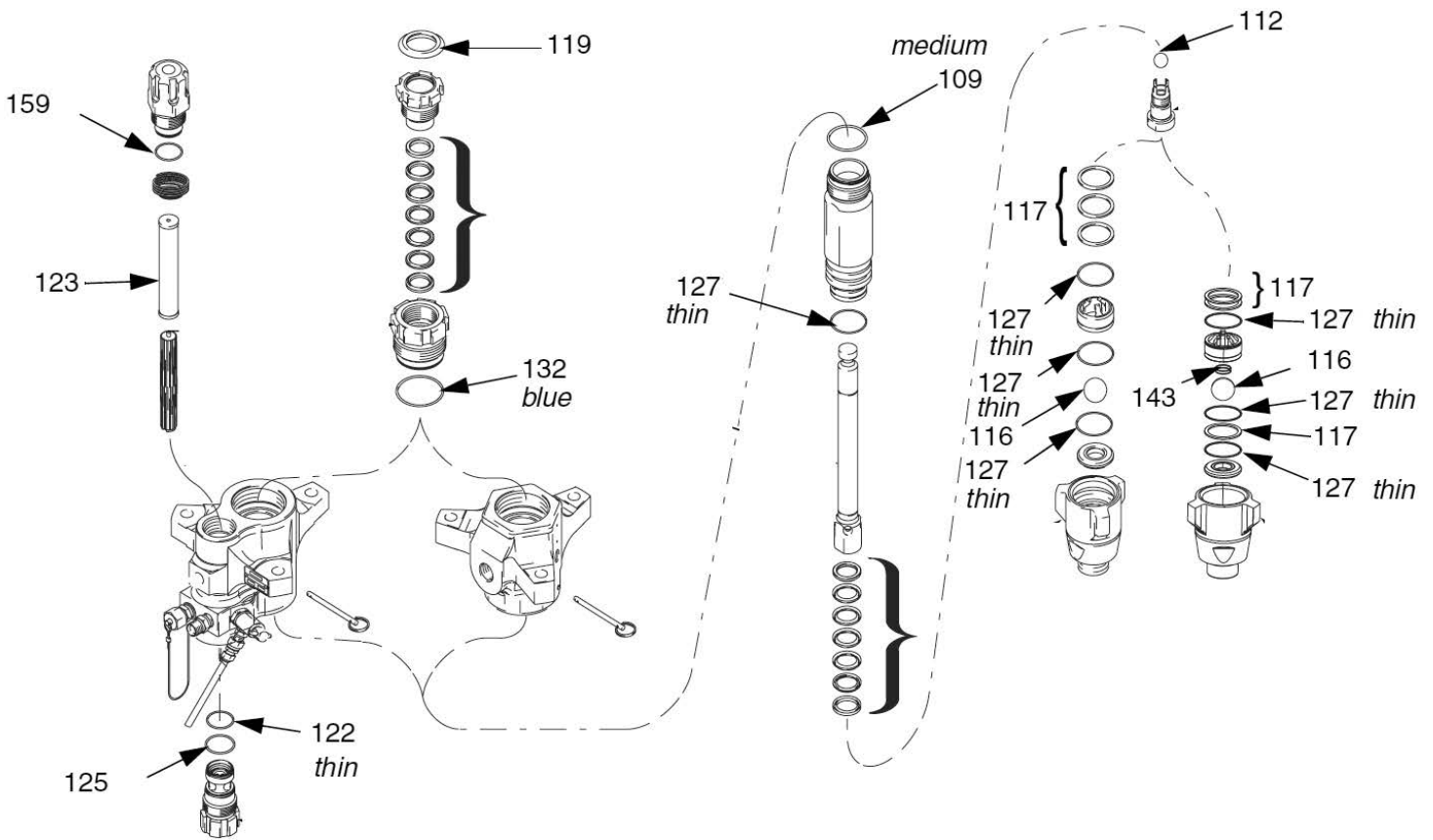
PART NUMBERS AND SCHEMATICS GUIDE

Tuff-Stack™ Repair Kit for 290cc Lower Displacement Pump

| Item# | Part# | Description |
|---------------|------------------|---|
| Fig. 7 | | |
| — | 20G24F964 | Tuff-Stack™ Repair Kit <i>(Includes Item #'s: 1 (Quantity of Two); 2 (Quantity of Two); 3 (Quantity of Four); 4 (Quantity of 10); 5 (Quantity of Two); 6 (Quantity of Four); 7, 8, 9 (Quantity of Three); and 10)</i> |
| 103 | — | Throat Packings |
| 103a | 20G244885 | Male Gland <i>(Quantity of Four)</i> |
| 103b | 20G244879 | Female Gland <i>(Quantity of Four)</i> |
| 103e | 20G244861 | V-Packing Carbon-Filled, PTFE/UHMWPE, Blue <i>(Quantity of 10)</i> |
| 104 | — | Piston Packings |
| 104a | 20G244886 | Male Gland <i>(Quantity of Four)</i> |
| 104b | 20G244880 | Female Gland <i>(Quantity of Four)</i> |
| 104e | 20G244862 | V-Packing Carbon-Filled, PTFE/UHMWPE, Blue <i>(Quantity of 10)</i> |
| 109 | 20G244893 | PTFE O-Ring, Top Cylinder Medium <i>(Quantity of 10)</i> |
| 112 | 20G244898 | Ball Piston, 7/8" (22 mm) <i>(Quantity of Three)</i> |
| 116 | 20G253030 | Ball Inlet, 1-1/2" (38 mm) <i>(Quantity of Three)</i> |
| 117 | 20G244856 | Shim Inlet, Ball Guide <i>(Quantity of Nine)</i> |
| 119 | 20G244999 | Throat Seal Plug, 1-3/4" <i>(Quantity of 10)</i> |
| — | 20G247395 | Throat Seal Plug, 2-1/2" <i>(Quantity of 10)</i> |
| 122 | 20G244895 | Filter O-Ring, Thin, PTFE <i>(Quantity of 10)</i> |
| 123 | 20G238436 | Strainer, 30 mesh screen, 5.65" <i>(Quantity of 25)</i> |
| — | 20G224458 | Strainer, 30 mesh, 5.65" <i>(Quantity of Two)</i> |
| — | 20G238438 | Strainer, 60 mesh, 5.65" <i>(Quantity of 25)</i> |
| — | 20G224459 | Strainer, 60 mesh, 5.65" <i>(Quantity of Two)</i> |
| 125 | 20G262484 | Filter O-Ring, Medium, PTFE <i>(Quantity of 10)</i> |
| — | 20G244896 | Filter O-Ring For Series A Pumps <i>(Quantity of 10)</i> |
| 127 | 20G244894 | O-Ring, PTFE, Thin <i>(Quantity of 10)</i> |
| 143 | 20G116802 | Foot Valve Spring (20G262795 only) |
| 159 | 20G262483 | Top Cap O-Ring, PTFE <i>(Quantity of 10)</i> |
| — | 20G244895 | Filter O-Ring For Series A Pumps <i>(Quantity of 10)</i> |
| — | 209V021 | Operator's Manual – Graco® Xtreme® Pump Lowers |

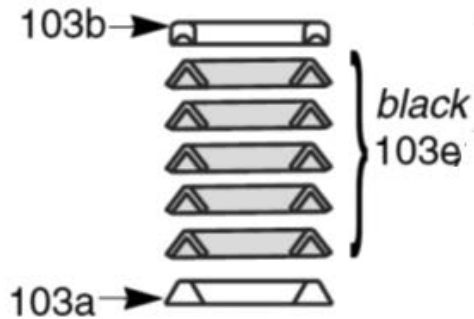
PART NUMBERS AND SCHEMATICS GUIDE

Figure 7: Tuff-Stack™ Repair Kit for 290cc Lower Displacement Pump

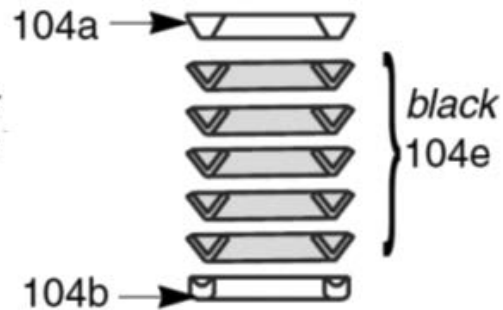


Tuff-Stack™ Seal Repair Kit 24F964

**Throat Packings:
Lips Face Down**



**Piston Packings:
Lips Face Up**



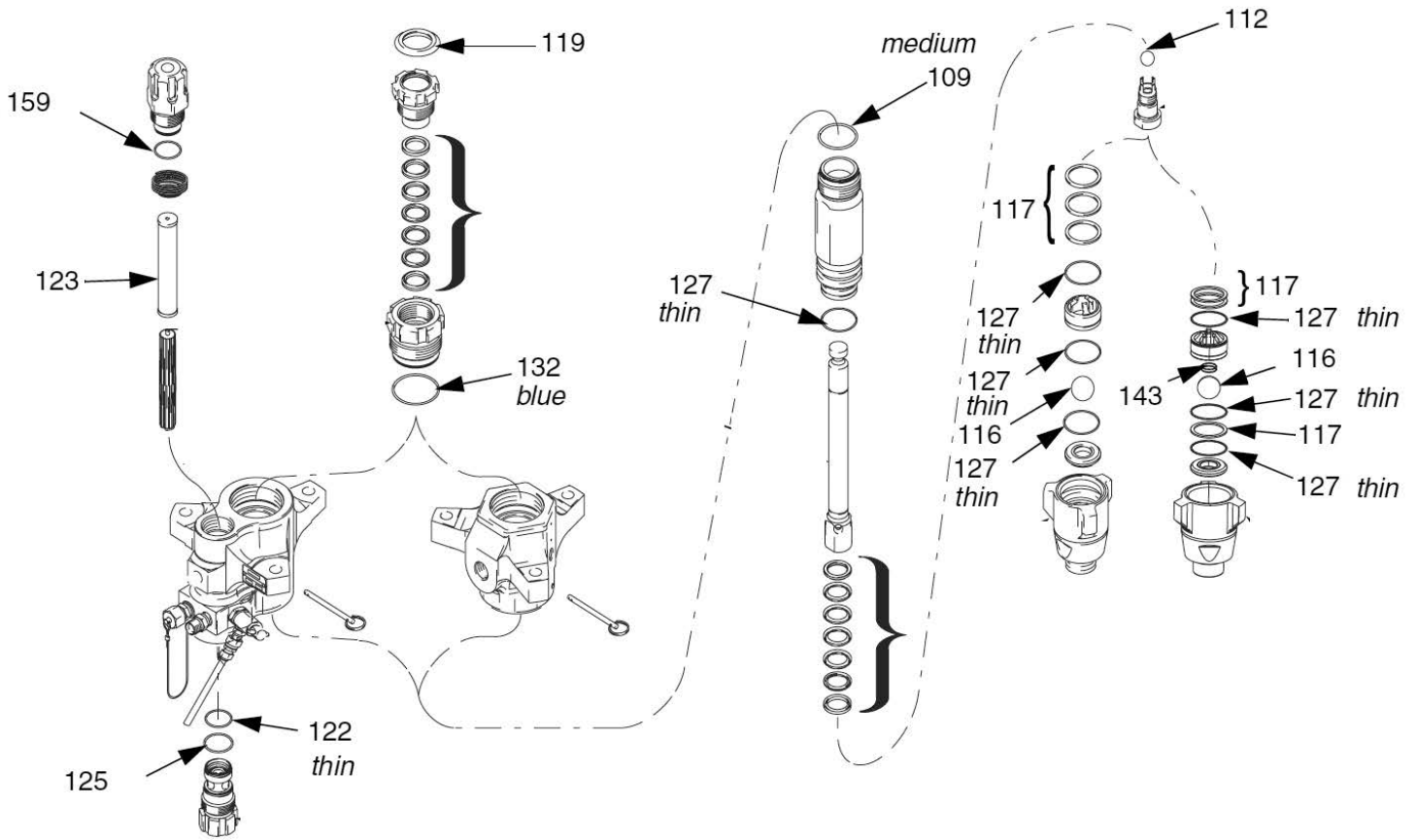
PART NUMBERS AND SCHEMATICS GUIDE

X-Tuff™ Repair Kit for 290cc Lower Displacement Pump

| Item# | Part# | Description |
|---------------|------------------|---|
| Fig. 8 | | |
| — | 20G262795 | X-Tuff™ Repair Kit <i>(Includes Item #'s: 1 (Quantity of Two); 2 (Quantity of Two); 3 (Quantity of Four); 4 (Quantity of Six); 5 (Quantity of Four); 6 (Quantity of Two); 7, 8, 9, 10 (Quantity of hree); and 11)</i> |
| 103 | — | Throat Packings |
| 103a | 20G244885 | Male Gland <i>(Quantity of Four)</i> |
| 103b | 20G244879 | Female Gland <i>(Quantity of Four)</i> |
| 103c | 20G244861 | V-Packing Carbon-Filled, PTFE/UHMWPE, Blue <i>(Quantity of 10)</i> |
| 103d | 20G244867 | V-Packing, UHMWPE, Black <i>(Quantity of 10)</i> |
| 104 | — | Piston Packings |
| 104a | 20G244866 | Male Gland <i>(Quantity of Four)</i> |
| 104b | 20G244880 | Female Gland <i>(Quantity of Four)</i> |
| 104c | 20G244862 | V-Packing Carbon-Filled, PTFE/UHMWPE, Blue <i>(Quantity of 10)</i> |
| 104d | 20G244868 | V-Packing, UHMWPE, Black <i>(Quantity of 10)</i> |
| 109 | 20G244893 | PTFE O-Ring, Top Cylinder Medium <i>(Quantity of 10)</i> |
| 112 | 20G244898 | Ball Piston, 7/8" (22 mm) <i>(Quantity of Three)</i> |
| 116 | 20G253030 | Ball Inlet, 1-1/2" (38 mm) <i>(Quantity of Three)</i> |
| 117 | 20G244856 | Shim Inlet, Ball Guide <i>(Quantity of Nine)</i> |
| 119 | 20G244999 | Throat Seal Plug, 1-3/4" <i>(Quantity of 10)</i> |
| — | 20G247395 | Throat Seal Plug, 2-1/2" <i>(Quantity of 10)</i> |
| 122 | 20G244895 | Filter O-Ring, Thin, PTFE <i>(Quantity of 10)</i> |
| 123 | 20G238436 | Strainer, 30 mesh screen, 5.65" <i>(Quantity of 25)</i> |
| — | 20G224458 | Strainer, 30 mesh, 5.65" <i>(Quantity of Two)</i> |
| — | 20G238438 | Strainer, 60 mesh, 5.65" <i>(Quantity of 25)</i> |
| — | 20G224459 | Strainer, 60 mesh, 5.65" <i>(Quantity of Two)</i> |
| 125 | 20G262484 | Filter O-Ring, Medium, PTFE <i>(Quantity of 10)</i> |
| — | 20G244896 | Filter O-Ring For Series A Pumps <i>(Quantity of 10)</i> |
| 127 | 20G244894 | O-Ring, PTFE, Thin <i>(Quantity of 10)</i> |
| 143 | 20G116802 | Foot Valve Spring (20G262795 only) |
| 159 | 20G262483 | Top Cap O-Ring, PTFE <i>(Quantity of 10)</i> |
| — | 20G244895 | Filter O-Ring For Series A Pumps <i>(Quantity of 10)</i> |
| — | 209V021 | Operator's Manual – Graco® Xtreme® Pump Lowers |

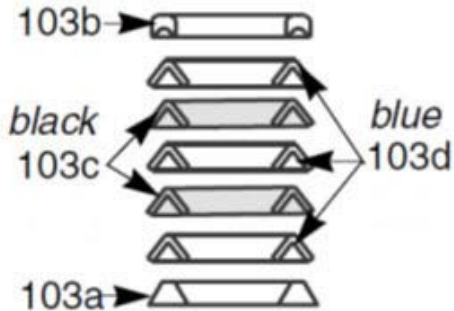
PART NUMBERS AND SCHEMATICS GUIDE

Figure 8: X-Tuff™ Repair Kit for 290cc Lower Displacement Pump

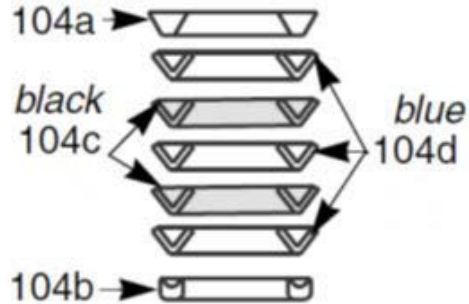


X-Tuff™ Seal Repair Kit 262795

**Throat Packings:
Lips Face Down**



**Piston Packings:
Lips Face Up**



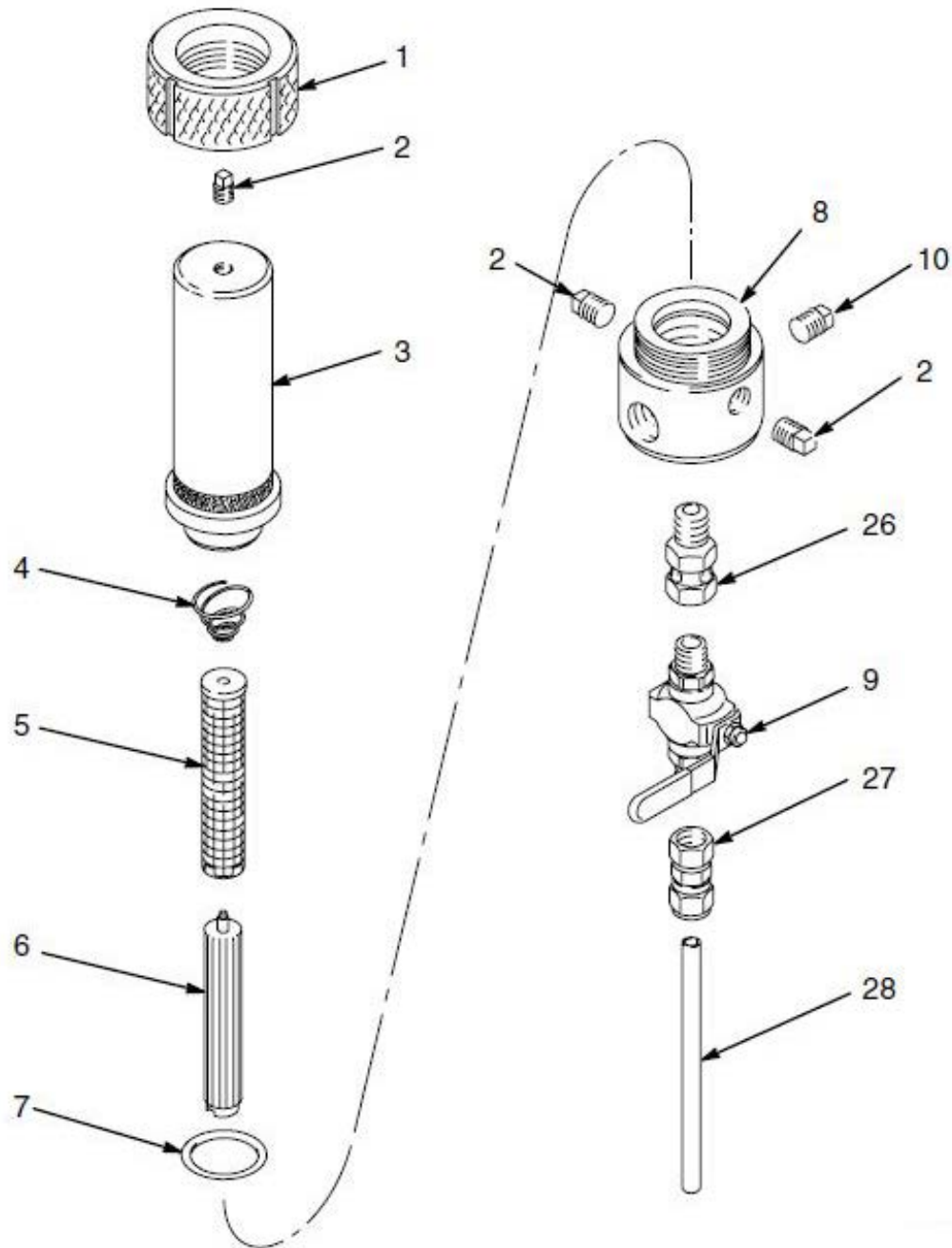
PART NUMBERS AND SCHEMATICS GUIDE

Filter Cap Series Key

| Item# | Part# | Description |
|---------------|------------------|--|
| Fig. 9 | | |
| — | 20G238620 | High Pressure Fluid Filter |
| 1 | 20G174058 | Lock Ring |
| 2 | 20G104813 | Plug Pipe 3/8" NPT – 7250 psi (<i>Quantity of Three</i>) |
| 3 | 20G174056 | Bowl Filter – 7250 psi |
| 4 | 20G171941 | Spring Conical Compression – 7250 psi |
| 5 | 20G167025 | Strainer, 60 Mesh |
| 6 | 20G186075 | Filter Support Nylon – 7250 psi |
| 7 | 20G104804 | Packing O-Ring Teflon – 7250 psi |
| 8 | 20G24C497 | Paint Filter, Manifold |
| 9 | 20G223960 | 3/8" x 3/8" Ball Valve |
| 10 | 20G100737 | 1/2" NPT Pipe Plug |
| 26 | 20G155665 | Union Swivel 3/8" M x 3/8" F |
| 27 | 20G205448 | Coupling, Swivel, 3/8 npsm |
| 28 | 20G186447 | Nylon Drain Tube |

PART NUMBERS AND SCHEMATICS GUIDE

Figure 9: Filter Cap Series Key



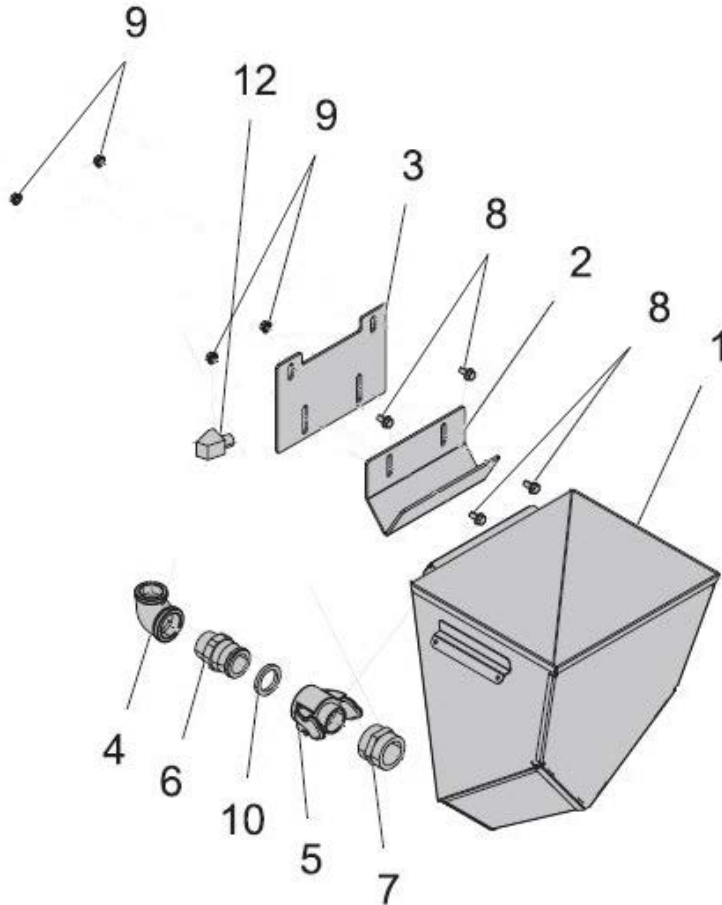
OPTIONAL ACCESSORIES

Graco® Xtreme® Airless Spray Pumps – Stainless Steel Hopper Kit






| Item# | Part# | Description |
|----------------|------------------|--|
| Fig. 10 | | |
| — | 20G24X570 | Xtreme® Sprayer Stainless Steel Hopper Kit |
| 1 | 20G17E114 | Hopper |
| 2 | 20G17C474 | Bracket |
| 3 | 20G17D554 | Upper Bracket |
| 4 | 20G126939 | 90° Elbow |
| 5 | 20G128095 | Cam/Groove |
| 6 | 20G17C692 | Cam/Groove Fitting, 1.5m, 1-1/2" NPT |
| 7 | 20G128094 | Bushing |
| 8 | 20G112395 | Flanges Cap Screw – HD (<i>Quantity of Four</i>) |
| 9 | 20G112958 | Nut (<i>Quantity of Four</i>) |
| 10 | 20G17C453 | Gasket |
| 12 | 20G15M987 | 1/2" NPT (M) x 1/2" NPT (F) 60° Elbow |
| — | 20G110110 | 6 ml Stainless Steel Pipe Sealant |
| — | 20G16U537 | Lid |


OPTIONAL ACCESSORIES


Figure 10: Graco® Xtreme® Airless Spray Pumps – Stainless Steel Hopper Kit





OPTIONAL ACCESSORIES

| | Part Numbers | SUCTION TUBE AND ACCESSORIES | |
|---|--------------|--|--|
| | | Description | |
|  | 20G197682 | Suction Tube | |
|  | 20G247301 | 1" I.D. x 6' Suction Hose with Couplings | |
|  | 20G247302 | 1" I.D. x 10' Suction Hose with Couplings | |
|  | 20G245136 | 55 Gallon Suction Tube Extension Kit <i>Includes Suction Tube and Couplings</i> | |
|  | 20G181072 | 60 Mesh Strainer for 1" Suction Tube | |

| | Part Numbers | REPLACEMENT SCREEN FILTER ELEMENTS | |
|--|--------------|------------------------------------|---------|
| | | Screen | Package |
|  | 20G167024B | 30 Mesh | 1 Pack |
| | 20G167025B | 60 Mesh | 1 Pack |
| | 20G224459 | 60 Mesh | 2 Pack |
| | 20G167026B | 100 Mesh | 1 Pack |
| | 20G167027 | 200 Mesh | 1 Pack |
| | 20G224469 | 200 Mesh | 2 Pack |

| | Part Numbers | FILTER SUPPORTS | | |
|--|--------------|-----------------|---------------|--------------------------|
| | | Type | Body Material | Maximum Working Pressure |
|  | 20G186075 | Filter Support | Nylon | 7,250 psi |
| | 20G171939B | Filter Support | Aluminum | 7,250 psi |

OPTIONAL ACCESSORIES

| | | HIGH PRESSURE BALL VALVES | | |
|---|---------------------|---------------------------|---------------|------------------|
| Part Numbers | | Thread Size | Seal Material | Working Pressure |
|  | 20G210657B | 1/4" Male x 1/4" Male | Viton | 5,000 psi |
| | 20G210658B | 3/8" Male x 3/8" Male | Viton | 5,000 psi |
| | 20G210659B | 1/4" Male x 3/8" Male | Viton | 5,000 psi |
| | 20G214037 | 1/4" Male x 1/4" Male | Teflon | 5,000 psi |
| | 20G223959B | 3/8" Male x 1/4" Male | Teflon | 5,000 psi |
| | 20G210658B | 3/8" Male x 3/8" Male | Teflon | 5,000 psi |
|  | 20DQVAE2AO14 | 1/4" Female x Female | Nitrile | 7,000 psi |
| | 20DQVAE2AO38 | 3/8" Female x Female | Nitrile | 7,000 psi |
| | 20DQVAE2AO12 | 1/2" Female x Female | Nitrile | 7,000 psi |

GLOBAL HEADQUARTERS

- 3425 East Locust Street
Davenport, IA 52803

ph: 800.BLAST.IT (800.252.7848)

ph: 563.324.2519

fax: 563.324.6258

GULF STATES HEADQUARTERS

- 701 East Boulevard
Deer Park, TX 77536

ph: 800.BLAST.IT (800.252.7848)

ph: 281.930.0905

fax: 281.542.0736

REGIONAL BRANCH OFFICES

- **Iowa**
Davenport
- **Louisiana**
Gonzales
Lafayette
- **Ohio**
Youngstown
- **Texas**
Beaumont
Corpus Christi
Deer Park



ABRASIVES

BLASTING

COATING

DUST COLLECTORS

ENGINEERED SYSTEMS

RENTAL

SAFETY

SERVICE & REPAIR

VACUUMS

40+ NATIONWIDE SHIPPING LOCATIONS



★ Marco Regional Branch Offices
and Shipping Locations

● Direct Shipping Locations

CONTACT MARCO

800.BLAST.IT

(800.252.7848)

563.324.2519

FAX: 563.324.6258

WWW.MARCO.US

SALES@MARCO.US