



GRACO® XP35™ PLURAL COMPONENT SPRAYER



PART NUMBERS AND SCHEMATICS GUIDE

Company Profile

Since 1944, Marco has developed a strong tradition of providing innovative and reliable products and services to the surface preparation and protective coatings industries. We are the world's premier provider of Abrasives, Blasting Equipment, Coating and Painting Equipment, Engineered Systems, Rental Equipment, Safety Equipment, Service, and Repair.

Through innovative designs and a total commitment to quality, Marco manufactures products that increase production rates, create a safer workplace, and reduce maintenance costs. Marco's industry experience, manufacturing capabilities, legendary customer service, product availability, logistics services, and technology leadership is your assurance that we deliver high quality products and services, providing the best value to you, our customer.

The Marco Difference

- **Industry Experience** – With Marco on your team, you have access to expertise which can only come from decades of industry leadership. We have organized our engineering department, production specialists, customer operations, and safety support into a “Center of Competence.” As a Marco customer, you have access to hundreds of years of cumulative experience related to your operations.
- **Manufacturing Excellence** – Marco is a U.S. based, ISO 9001:2008 certified manufacturer of equipment for the Surface Preparation and Protective Coatings industries. Marco's engineers benchmark the industry to ensure that we design and manufacture superior products that set the “Gold Standard” for performance, safety, and quality.
- **Legendary Customer Service** – Marco's legendary customer service team is staffed by friendly, highly-trained individuals who are focused on providing the highest level of product support, order accuracy, and customer satisfaction.
- **Product Availability** – We stock over 10,000 SKU's and have over 45 shipping locations to serve North American and International markets for all major brands of blasting and painting equipment. As the largest provider of surface preparation and protective coatings equipment in the world, our inventory levels and product availability are unmatched.
- **Logistics Services** – Marco's in-house logistics team is dedicated to moving your shipment anywhere in the world. We move over 14,000 truckloads every year, allowing you to save on freight costs by leveraging our buying power. Lower your process costs with a single invoice, which includes product and freight.
- **Technology Leadership** – Our website provides: Operator's Manuals, Part Numbers and Schematics Guides, MSDS information, and Features, Advantages, and Benefits Guides, providing access to information 24/7. Our Extranet application allows you to receive quotes and place orders online. Our Intranet maintains a complete record of your purchase history to assist with ongoing support of your existing equipment and future purchasing decisions.

Vision Statement

Marco is the world's premier provider of Abrasives, Blasting Equipment, Coating and Painting Equipment, Engineered Systems, Rental Equipment, Safety Equipment, Service, and Repair.

Mission Statement

Marco provides strong leadership and innovation to the surface preparation and protective coatings industries. We dedicate our efforts to the continuous improvement of our products, services, processes, people, and most importantly, the quality of our customer's experience.

Quality Statement

Marco is committed to providing superior quality in the design, manufacturing, distribution, rental, service, and repair of our products. Our ISO 9001:2008 certification extends throughout all operations in all locations. Continuous improvement of our processes and supply chain Integration comprise the core of our business strategy for delivering exceptional quality and value in all Marco products and services.

Management Philosophy

We are a company dedicated to the success of every customer and associate. We discuss, debate, challenge, measure, and test our ideas. We will be boundless and limitless in our passion to improve. Through sound leadership and dedicated associates, we will ensure a long term, profitable future for Marco, our associates, customers, and suppliers.

TABLE OF CONTENTS

Company Profile	2
Table of Contents	3
Graco® XP35™ Sprayer	4-27
Graco® XP35™ Sprayer Part Numbers	4-7
Graco® XP35™ Sprayer Schematics	8-13
Bare Bare Proportioning Pump Package . . .	14-15
NXT® Model 3400 Air Motor	16-17
Air Controls	18
Fluid Manifold	19
Mix Manifold	20-21
36cc, 48cc, and 58cc XP™ Sprayer Lower Displacement Pump	22-23
90cc and 115cc XP™ Sprayer Lower Displacement Pump	24-25
145cc XP™ Sprayer Lower Displacement Pump	26-27
Optional Accessories	28-31
1/4" I.D. Airless Spray Hose & Couplings	28
3/8" I.D. Airless Spray Hose & Couplings	29
Manifold Valves	30
Pressure Monitor Kit	30
Throat Seal Liquid	30
Static Mixers and Replacement Parts	31
Literature References	32
Maintenance Notes	33-35

PART NUMBERS AND SCHEMATICS GUIDE

GRACO® XP35™ PLURAL COMPONENT SPRAYER – CART MOUNT

Part Numbers	Mix Manifold	Mix Ratio	Fluid/Air Pressure Ratio	Maximum Fluid Working Pressure	7 Gallon Hopper	Airless Spray Gun Included	Hose Length
20G281000	Standard	—	—	—		XTR-5™	35'
20G281101	Standard	1:1	38:1	3500 psi		XTR-5™	35'
20G281102	Standard	1:1	38:1	3500 psi	X	XTR-5™	35'
20G281201	Standard	2:1	40:1	3500 psi		XTR-5™	35'
20G281202	Standard	2:1	40:1	3500 psi	X	XTR-5™	35'
20G262804	Standard	2.5:1	34:1	3500 psi		XTR-5™	35'
20G281252	Standard	2.5:1	34:1	3500 psi	X	XTR-5™	35'
20G281301	Standard	3:1	36:1	3500 psi		XTR-5™	35'
20G281302	Standard	3:1	36:1	3500 psi	X	XTR-5™	35'
20G281401	Standard	4:1	38:1	3500 psi		XTR-5™	35'
20G281402	Standard	4:1	38:1	3500 psi	X	XTR-5™	35'
20G281105	—	1:1	38:1	3500 psi		—	—
20G281106	—	1:1	38:1	3500 psi	X	—	—
20G281205	—	2:1	40:1	3500 psi		—	—
20G281206	—	2:1	40:1	3500 psi	X	—	—
20G281255	—	2.5:1	34:1	3500 psi		—	—
20G281256	—	2.5:1	34:1	3500 psi	X	—	—
20G281305	—	3:1	36:1	3500 psi		—	—
20G281306	—	3:1	36:1	3500 psi	X	—	—
20G281405	—	4:1	38:1	3500 psi		—	—
20G281406	—	4:1	38:1	3500 psi	X	—	—

PART NUMBERS AND SCHEMATICS GUIDE



(Cart Mount)

PART NUMBERS AND SCHEMATICS GUIDE

GRACO® XP35™ PLURAL COMPONENT SPRAYER – BARE BARE PACKAGES

Part Numbers	Mix Ratio	Fluid/Air Ratio	Maximum Fluid Working Pressure	Combined Fluid Output	Fluid Flow @ 40 cpm	A Side Pump	B Side Pump
20G281100	1:1	38:1	3500 psi	180cc	1.9 gpm	20GL090C0	20GL090C0
20G281200	2:1	40:1	3500 psi	173cc	1.8 gpm	20GL115C0	20GL058C0
20G262803	2.5:1	34:1	3500 psi	202cc	2.1 gpm	20GL14AC0	20GL058C0
20G281300	3:1	36:1	3400 psi	192cc	2.0 gpm	20GL14AC0	20GL048C0
20G281400	4:1	38:1	3500 psi	180cc	1.9 gpm	20GL14AC0	20GL036C0

PART NUMBERS AND SCHEMATICS GUIDE



(Bare Bare Package)

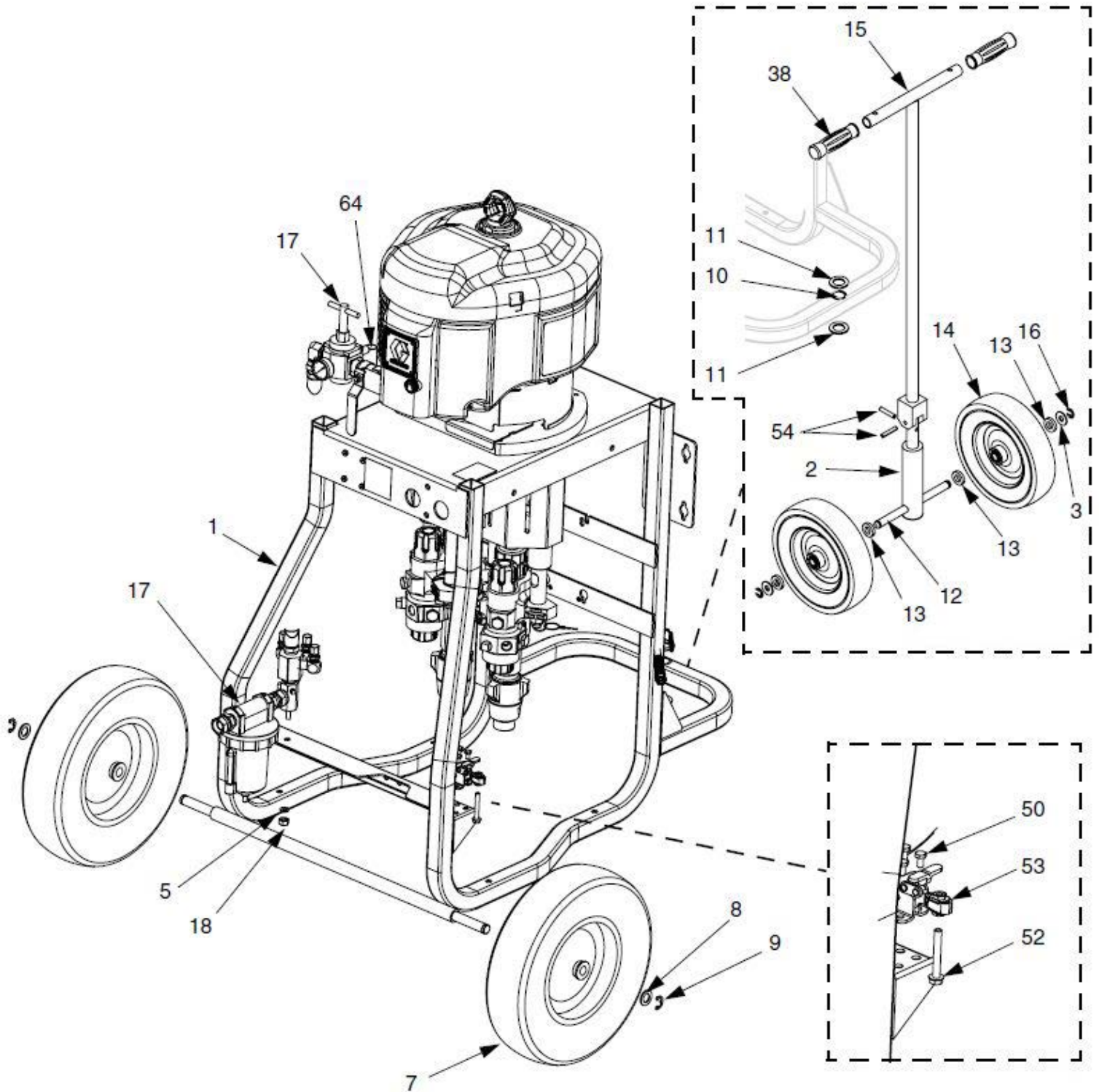
PART NUMBERS AND SCHEMATICS GUIDE

Graco® XP35™ Plural Component Sprayer – Cart Mount

Item#	Part#	Description
Fig. 1		
—	—	Graco® XP35™ Plural Component Sprayer – Cart Mount
1	20G258913	Cart
2	20G262476	Vertical Axle
3	20G111841	5/8" Flat Washer (<i>Quantity of Two</i>)
5	20G100133	3/8" Lock Washer (<i>Quantity of Seven</i>)
6	20G100101	3/8-16 x 1" Long Screw (<i>Quantity of Four</i>)
7	20G113362	Wheel (<i>Quantity of Two</i>)
8	20G154628	3/4" Washer (<i>Quantity of Two</i>)
9	20G113436	Retaining Ring (<i>Quantity of Two</i>)
10	20G124410	Sleeve Bearing 1 x 1-1/4 x 1-1/2
11	20G124664	Thrust Washer (<i>Quantity of Two</i>)
12	20G15A913	Horizontal Axle
13	20G191824	Space Washer (<i>Quantity of Four</i>)
14	20G113807	Free Flat Wheel – Urethane (<i>Quantity of Two</i>)
15	20G258982	Cart Handle
16	20G101242	Retaining Ring (<i>Quantity of Two</i>)
17	20G258983	Air Controls (<i>See Fig. 6</i>)
18	20G100131	Full Hex Nut 3/8-16 (<i>Quantity of Seven with Hopper, Quantity of Three without Hopper</i>)
38	20G116139	Grip Handle (<i>Quantity of Two</i>)
50	20G555357	Screw (<i>Quantity of Four</i>)
53	20G124259	Plunger Clamp Brake
54	20G124291	Spring Pin (<i>Quantity of Two</i>)
64	20G113498	Relief Valve, 110 psi
—	20G103347	Relief Valve, 100 psi (<i>For 1.5:1 Mix Ratio Models</i>)
—	20G114055	Relief Valve, 105 psi (<i>For 2.5:1 Mix Ratio Models</i>)

PART NUMBERS AND SCHEMATICS GUIDE

Figure 1: Graco® XP35™ Plural Component Sprayer – Cart Mount



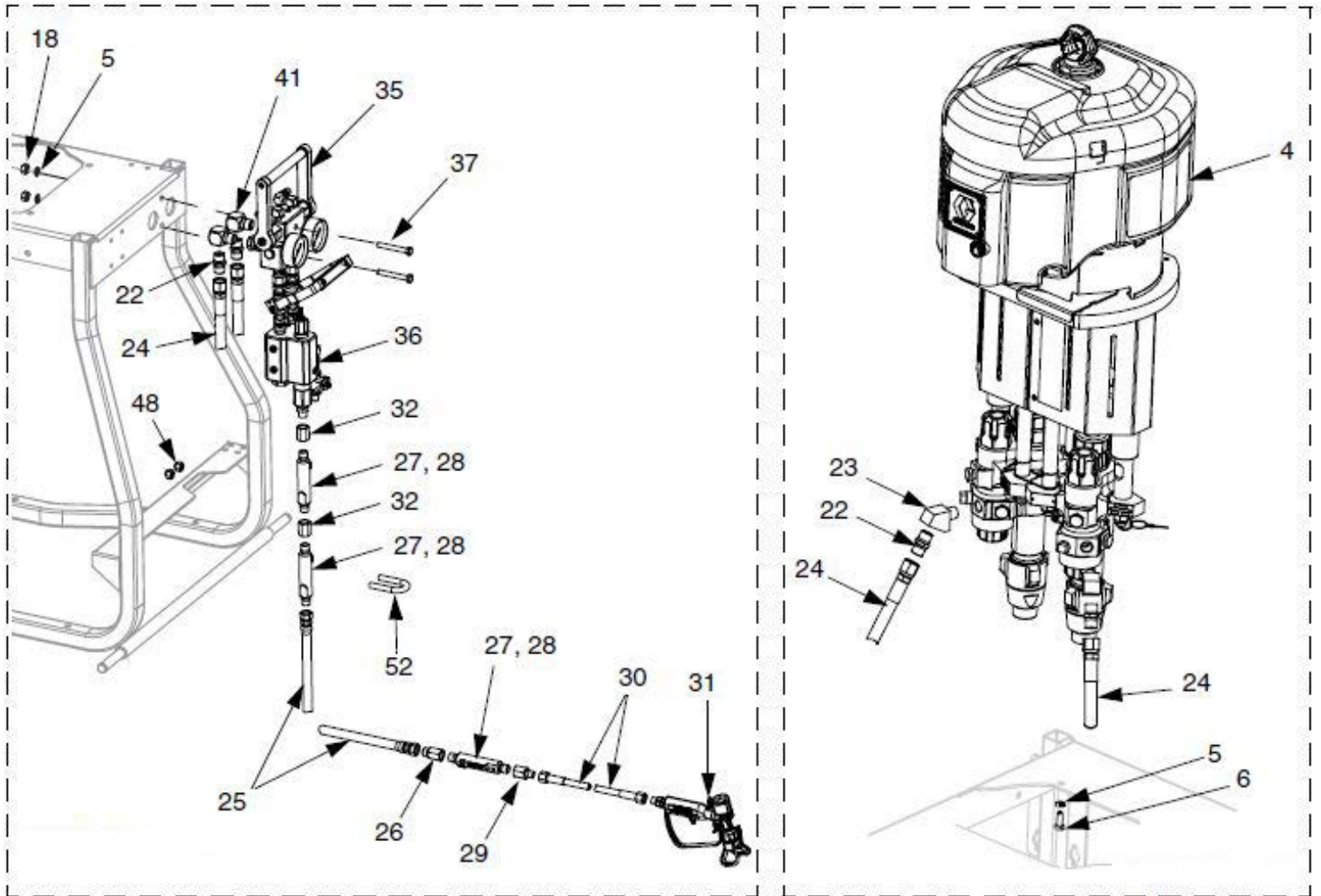
PART NUMBERS AND SCHEMATICS GUIDE

Graco® XP35™ Plural Component Sprayer – Cart Mount *(Continued)*

Item#	Part#	Description
Fig. 2		
—	—	Graco® XP35™ Plural Component Sprayer – Cart Mount
4	—	Pump <i>(See Fig. 4)</i>
5	20G100133	3/8" Lock Washer <i>(Quantity of Seven)</i>
6	20G100101	3/8-16 x 1" Long Screw <i>(Quantity of Four)</i>
—	20G111218	Cap <i>(Quantity of Four)</i>
18	20G100131	3/8-16 Full Hex Nut <i>(Quantity of Seven with Hopper, Quantity of Three without Hopper)</i>
22	20G158491	1/2" x 1/2" Nipple Fitting <i>(Quantity of Four)</i>
23	20G15M987	1/2" NPT (M) x 1/2" NPT (F) Elbow <i>(Quantity of Two)</i>
24	20GH75003	1/2" x 3' Coupled Hose, 7250 psi <i>(Quantity of Two)</i>
25	20GH53825	3/8" x 25' Coupled Hose, 5600 psi <i>(For Standard Mix Manifold Models)</i>
26	20G15B729	3/8" NPT (F) x 3/8" NPSM (M) Adapter <i>(For Standard Mix Manifold Models)</i>
27	20G262478	1/2" x 5" Static Housing Mixer Kit <i>(For Standard Models Only) (Quantity of Three)</i>
28	20G248927	Static Mixer Element, Pack of 25 <i>(For Standard Mix Manifold Models)</i>
29	20G150287	Reducing Coupling 3/8" to 1/4" Whip <i>(For Standard Mix Manifold Models)</i>
30	20GH72510	1/4" x 10' Coupled Hose, 7250 psi
31	20GXTR504	XTR-5™ Airless Spray Gun <i>(For Standard Models Only)</i>
32	20G162024	3/8" Coupling <i>(For Standard Models Only) (Quantity of Two)</i>
—	20G552069	Label, Metalized
35	20G258990	XP35™ Circulation Manifold <i>(See Fig. 7)</i>
36	20G262807	Mix Manifold – No Carriage <i>(For Standard Mix Manifold Models)</i>
37	20G106212	3/8-16 x 2-1/2 Screw Cap, Hex HD <i>(Quantity of Two)</i>
41	20G158683	90° 1/2" Elbow Fitting <i>(Quantity of Two)</i>
48	20G101566	Lock Nut – 3/8-16 <i>(For Standard Mix Manifold Models) (Quantity of Two)</i>
52	20G124293	U-Bolt – 3/8-16, 1" Diameter <i>(For Standard Models Only)</i>
—	20G206995	Throat Seal Liquid – 1 qt.

PART NUMBERS AND SCHEMATICS GUIDE

Figure 2: Graco® XP35™ Plural Component Sprayer – Cart Mount (Continued)



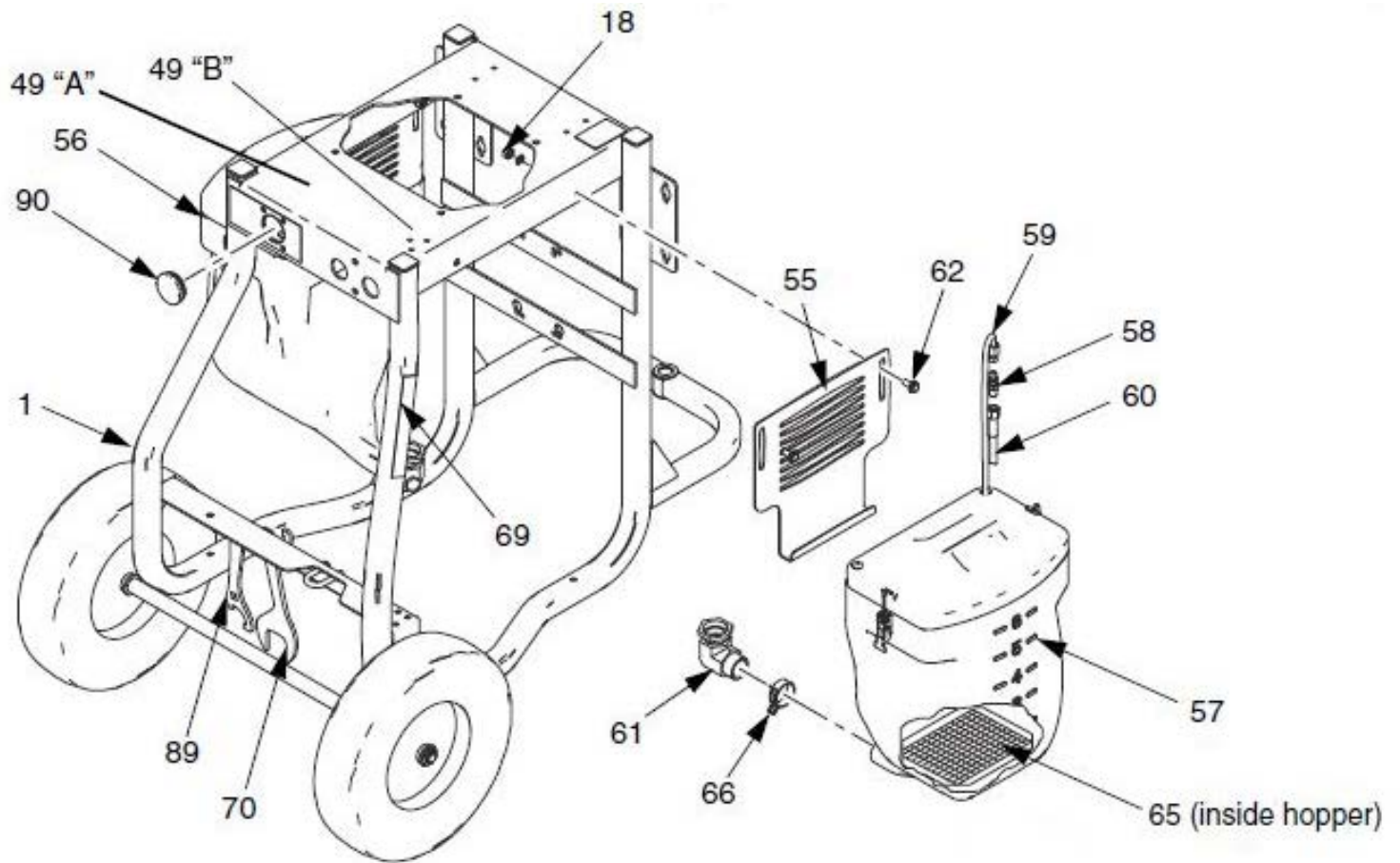
PART NUMBERS AND SCHEMATICS GUIDE

Graco® XP35™ Plural Component Sprayer – Cart Mount (Continued)

Item#	Part#	Description
Fig. 3		
—	—	Graco® XP35™ Plural Component Sprayer – Cart Mount
1	20G258913	Cart
—	20G111218	Cap (<i>Quantity of Four</i>)
18	20G100131	3/8-16 Full Hex Nut (<i>Quantity of Seven with Hopper, Quantity of Three without Hopper</i>)
49	20G15U654	Label, A and B, Set of Four
52	20G124293	U-Bolt – 3/8-16, 1" Diameter (<i>For Standard Models Only</i>)
55	20G24E872	Hopper Bracket (<i>Quantity of Two with Hopper</i>)
56	20G262479	Blue Hopper – 7 gal (<i>For Models with Hopper Included</i>)
57	20G262480	Green Hopper – 7 gal (<i>For Models with Hopper Included</i>)
58	20G116704	Adapter – 1/4" NPT x 9/16-18 JIC (<i>Quantity of Two</i>)
59	20G15V421	Recirculated Tube – 3/8" (<i>Quantity of Two</i>)
—	20G114958	Tie Strap (<i>Quantity of Ten</i>)
60	20GH52506	1/4" I.D. x 6' Coupled Hose, 5600 psi (<i>Quantity of Two with Hopper</i>)
—	20GH52510	1/4" I.D. x 10' Coupled Hose, 5600 psi
61	20G16D376	1-1/4" Swivel Fitting (<i>Quantity of Two with Hopper</i>)
62	20G111192	Cap Flange Head Screw (<i>Quantity of Four with Hopper</i>)
65	20G262482	Hopper Strainer – 7 gal (<i>Quantity of Two with Hopper</i>)
66	20G15T468	Label, Warning (<i>Quantity of Two with Hopper</i>)
69	20G16F359	Label, Fire and Explosion Hazard
70	20G16F615	Wrench Tool
89	20G16G819	Filter Wrench
90	20G16J688	Gauge Plug
—	20G126786	Restrictor Valve Wrench

PART NUMBERS AND SCHEMATICS GUIDE

Figure 3: Graco® XP35™ Plural Component Sprayer – Cart Mount (Continued)



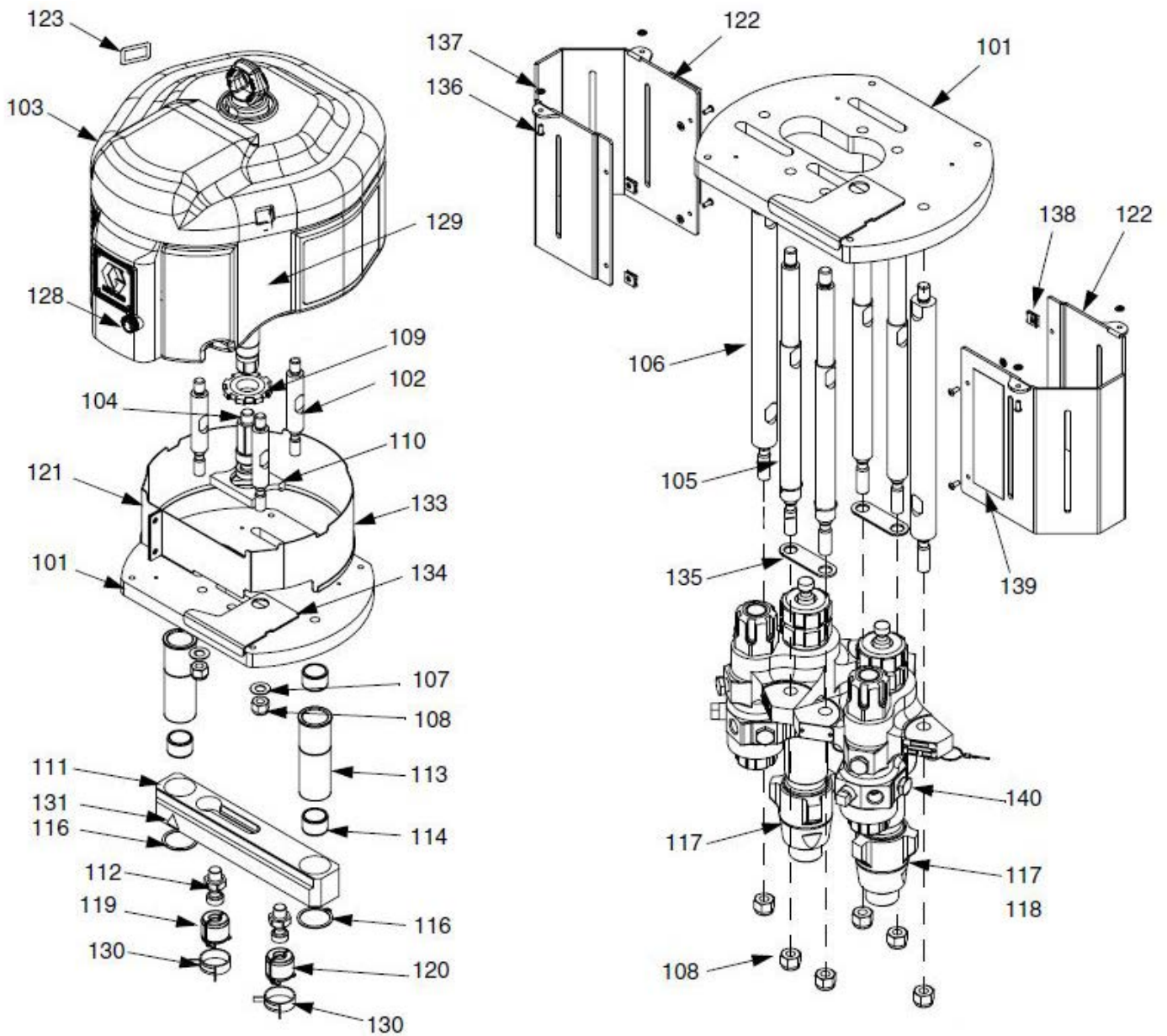
PART NUMBERS AND SCHEMATICS GUIDE

Graco® XP35™ Plural Component Sprayer – Bare Bare Proportioning Pump Package

Item#	Part#	Description
Fig. 4		
—	—	Bare Bare Proportioning Pump Package
101	20G262465	Motor Plate
102	20G262466	Rod Tie, 4" x 1" (<i>Quantity of Three</i>)
103	20GN65DN0	NXT® Air Motor 3400 (<i>See Fig. 5</i>)
104	20G262467	Rod Adapter
105	20G262468	Rod Tie, 14-1/4" with Shoulder (<i>Quantity of Four</i>)
106	20G262469	Rod Tie, 14-1/4" x 1-1/4" (<i>Quantity of Two</i>)
107	20G154636	Flat Washer 5/8" (<i>Quantity of Three</i>)
108	20G101712	Lock Nut with Nylon Inserts 5/8-11 (<i>Quantity of Nine</i>)
109	20G16D451	Yoke Nut
110	20G262470	Ratio Indicator Bracket
111	20G262471	Yoke Pump Assembly
112	20G15H392	Rod Adapter (<i>Quantity of Two</i>)
113	20G262472	Sleeve with Bearing (<i>Quantity of Two</i>)
116	20G123976	External Snap Ring (<i>Quantity of Two</i>)
117	20GL090C0	Pump Lower, 90cc (<i>For model 20G281100 only</i>) (<i>Quantity of Two</i>)
—	20GL115C0	Pump Lower, 115cc (<i>For model 20G281200 only</i>)
—	20GL14AC0	Pump Lower, 145cc (<i>For models 20G262803, 20G281300, and 20G281400 only</i>)
118	20GL036C0	Pump Lower, 36cc (<i>For model 20G281400 only</i>)
—	20GL048C0	Pump Lower, 48cc (<i>For model 20G281300 only</i>)
—	20GL058C0	Pump Lower, 58cc (<i>For models 20G262803 and 20G281200 only</i>)
119	20G244819	Graco® Xtreme® Rod Quick Coupling (<i>For models 20G262803, 20G281300, and 20G281400 only</i>)
—	20G247167	Coupling for Pump Lower (<i>Quantity of Two for models 20G281100 and 20G281200</i>)
121	20G262473	Motor Rod Cover
122	20G262474	Pump Cover (<i>Quantity of Two</i>)
123	—	Label, Identification
128	20GNXT102	De-Ice Knob, Pack of Five
129	20G16M178	Label, XP35™
130	20G124078	Constant Tension Clamp Spring (<i>Quantity of Two</i>)
131	20G15H108	Label, Pinch Point
133	20G114225	Edge Protection Trim (<i>Quantity of Two</i>)
134	20G262475	Ratio Indicator Bracket
135	20G16E882	Lowers Strap (<i>Quantity of Two</i>)
136	—	Screw, Cap, Button HD (<i>Quantity of Eight</i>)
137	—	Washer, Retaining, Nylon (<i>Quantity of Eight</i>)
138	20G124665	Captive Nut (<i>Quantity of Four</i>)
139	20G15T468	Label, Warning (<i>Quantity of Two</i>)
140	20G244524	Ground Wire Assembly with Clamp

PART NUMBERS AND SCHEMATICS GUIDE

Figure 4: Graco® XP35™ Plural Component Sprayer – Bare Bare Proportioning Pump Package



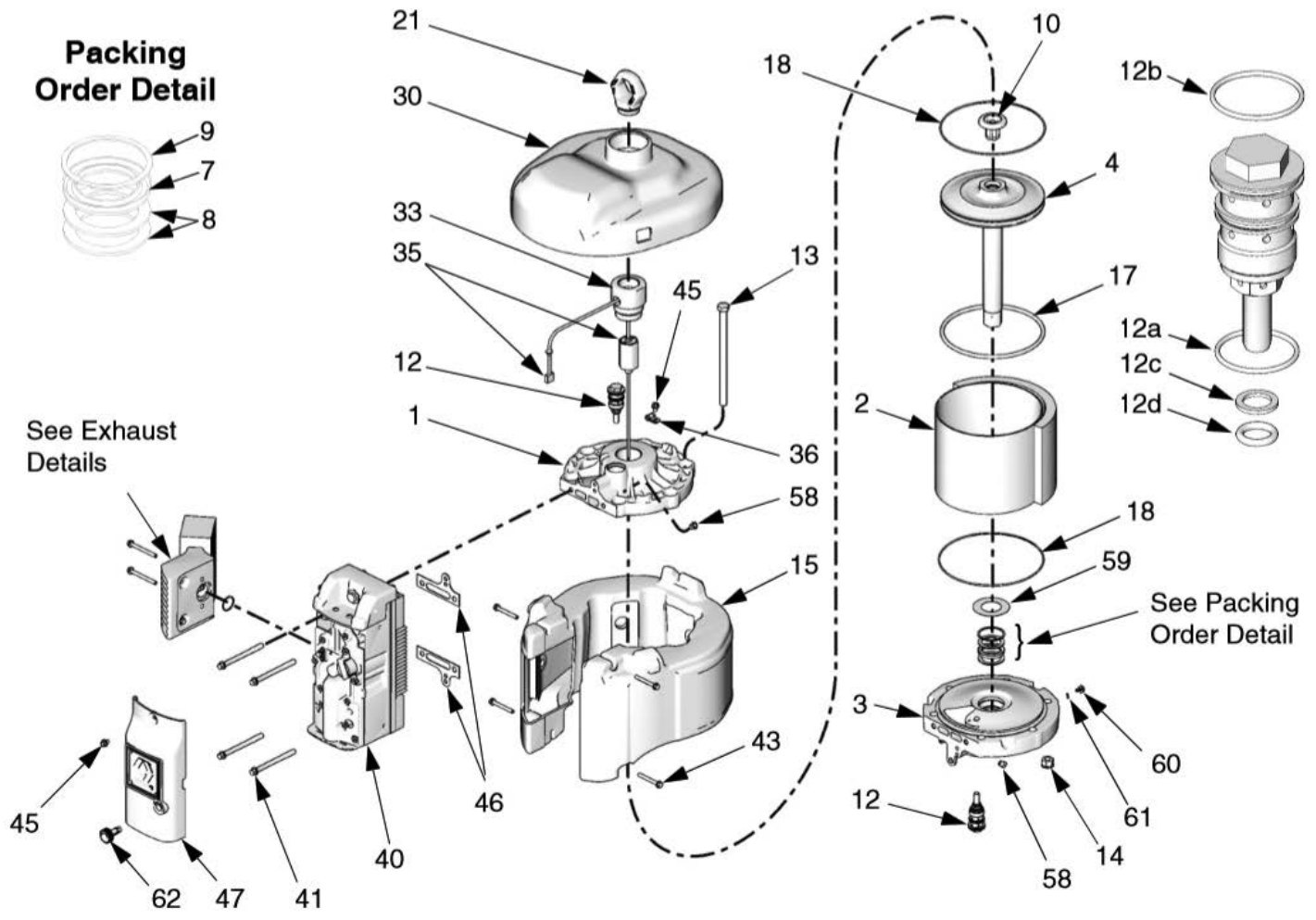
PART NUMBERS AND SCHEMATICS GUIDE

NXT® Model 3400 Air Motor and Exhaust

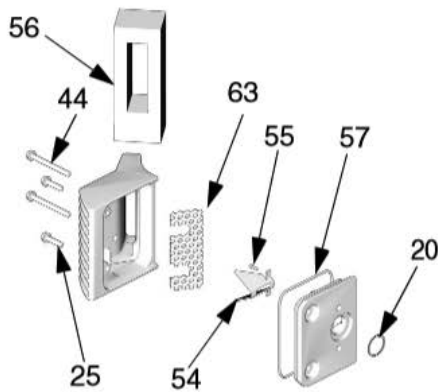
Item#	Part#	Description	Item#	Part#	Description
Fig. 5			41	20G120088	3/8-16 x 4" Screw (101 mm) <i>(Quantity of Four)</i>
—	20GN34DN0	NXT® Model 3400 De-Icing Air Motor	43	20G120091	1/4-20 x 2" Screw, Thread Forming, (51 mm) <i>(Quantity of Four)</i>
—	20GN34DH0	NXT® Model 3400 De-Icing Air Motor with Sensor	44	20G120092	1/4-20 x 2-1/2" Thread Forming Screw, (63 mm) <i>(Quantity of Two)</i>
—	20GN34LN0	NXT® Model 3400 Low Noise Motor	46	20G253476	Gasket
1	20G15F954	Top Cover	47	20G287844	Valve Cover, Outer
2	20GNXT304	Cylinder	51	20G15F674	Safety Label
3	20GNXT302	Bottom Cover	52	20G15F973	Safety Label
4	20GNXT301	Piston Assembly	54	20G15H179	Deflector
7	20G161562	Packing, V-block; Nitrile	55	20G107257	1/4-20 x 1/2" Thread Forming Screw, (13 mm) <i>(Quantity of Two)</i>
8	20G15H610	Packing, Backup; Leather <i>(Quantity of Two)</i>	56	20G15H190	Exhaust Seal
9	20G16A026	Retaining Ring	57	20G15K345	Gasket, buna-N
10	20GNXT106	Piston Bumper, includes Magnet	58	20G120206	Poppet Muffler <i>(Quantity of Two)</i>
12	20GNXT100	Poppet <i>(Quantity of Two)</i> <i>(Includes Item #'s: 12a-12d)</i>	59	20G277366	Bumper
12a	—	O-Ring, buna-N	60	20G116343	Ground Screw, M5 x 0.8
12b	20GNXT101	O-Ring, buna-N	61	20G111307	Lock Washer, 5 mm
12c	20GNXT101	O-Ring, Backup, buna-N	62	20GNXT112	De-Ice Knob
12d	—	O-Ring, buna-N	63	20G15G689	Exhaust Diffuser
13	20G119050	1/2-13 x 8" Hex Head Bolt, (203 mm) <i>(Quantity of Six)</i>	—	20GNXT300	Repair Kit NXT® 3400 Air Motor <i>(Includes Item #'s: 7, 8, 9, 17, 18, and 46)</i>
14	20G15F639	1/2-13 Nut with Lock Washer <i>(Quantity of Six)</i>	—	209V509	Operator's Manual – Graco® NXT® Air Motor
15	20GNXT303	Muffler			
17	20G122434	Piston O-Ring, Nitrile			
18	20G15F449	End Cap O-Ring, Nitrile <i>(Quantity of Two)</i>			
20	20G119990	O-Ring, buna-N			
21	20G15F931	Lift Ring			
22	20GNXT110	De-Ice Exhaust Kit <i>(Includes Item #'s: 20, 25, 44, 56, and 57)</i>			
23	20GNXT105	Remote Exhaust Kit <i>(Includes items 20, 44)</i>			
24	20GNXT104	Low Noise Exhaust Kit <i>(Includes item #'s: 20, 22, 25, 44, 54, 55, 56, and 57)</i>			
25	20G120730	1/4-20 x 1" Machine Screw, Hex Head, (25 mm) <i>(Quantity of Two)</i>			

PART NUMBERS AND SCHEMATICS GUIDE

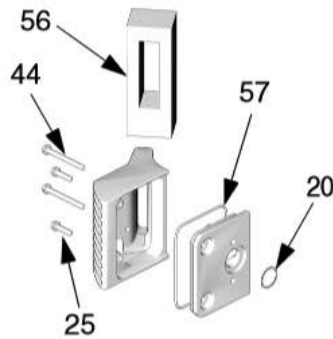
Figure 5: NXT® Model 3400 Air Motor and Exhaust



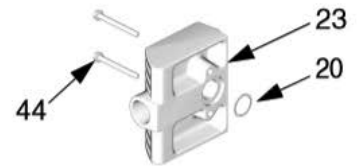
Low Noise Exhaust



De-Ice Exhaust

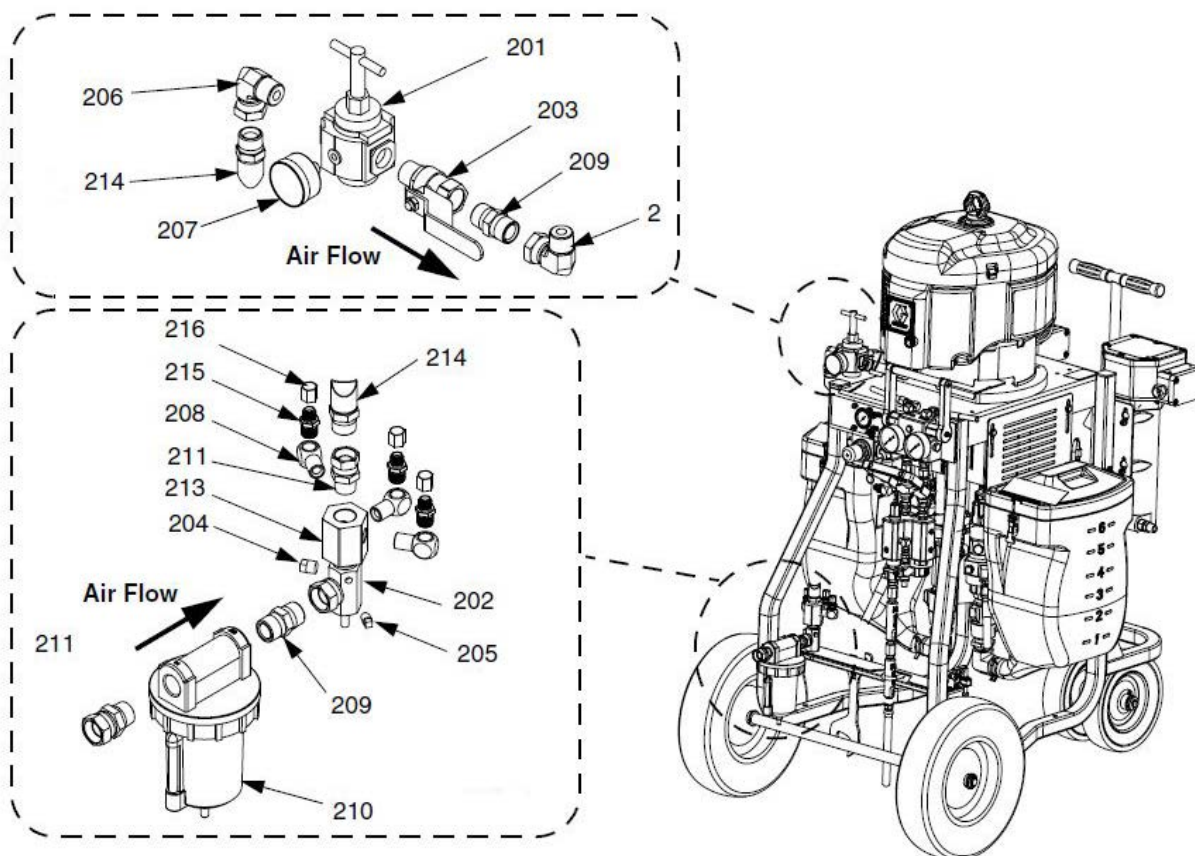


Remote Exhaust



PART NUMBERS AND SCHEMATICS GUIDE

Figure 6: Air Controls



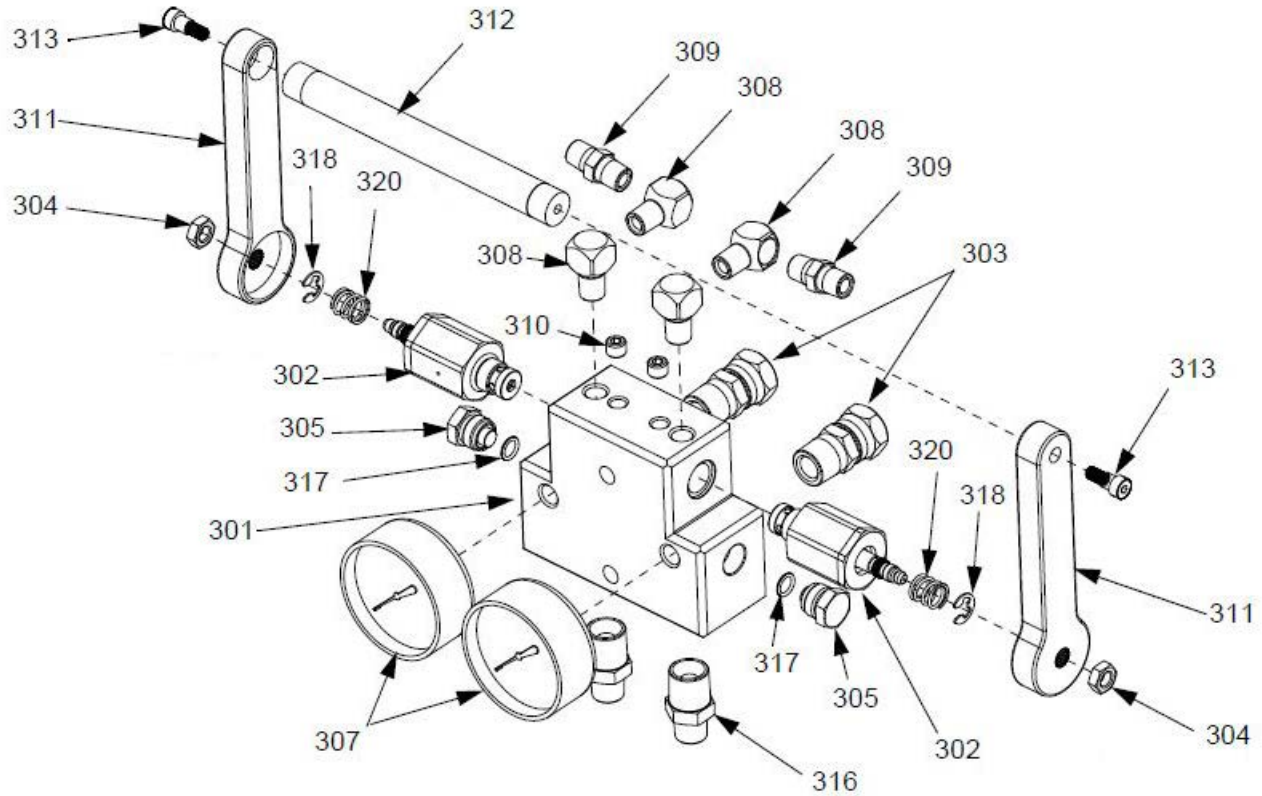
Item#	Part#	Description
-------	-------	-------------

Fig. 6

—	20G258983	Air Controls
201	20G16F014	T-Handle Air Regulator
202	20G207675	Air Manifold
203	20G113218	3/4" Ball Valve Vented M x F
204	20G100509	Pipe Plug – 1/4" Square Head
205	20G100403	Pipe Plug – 1/8" – NPTF
206	20G160327	90° Union Swivel, 3/4" x 3/4" (<i>Quantity of Two</i>)
207	20G101689	Air Gauge
208	20G155699	3/8" 90° Elbow (<i>Quantity of Three</i>)
209	20G119992	3/4" x 3/4" NPT Pipe Nipple Fitting (<i>Quantity of Two</i>)
210	20G117628	Filter Air 3/4" Auto Drain
—	20G106204	Filter Element
211	20G157785	Union Swivel, 3/4" x 3/4", Carbon Steel (<i>Quantity of Two</i>)
213	20G15E145	Air Distribution Manifold
214	20G16E004	Coupled Air Hose – 26" Section
215	20G157350	1/4" NPT x 3/8" NPT Nipple, 5000 psi (<i>Quantity of Three</i>)
216	20G115781	1/4" NPT Cap Plug (<i>Quantity of Three</i>)

PART NUMBERS AND SCHEMATICS GUIDE

Figure 7: Fluid Manifold



Item#	Part#	Description
-------	-------	-------------

Fig. 7

—	20G262784	Fluid Manifold
301	20G16D693	Recirculation Manifold Block
302	20G262808	Recirculation/Over Pressurization Valve (Quantity of Two)
303	20G156684	1/2" Union M x F (Quantity of Two)
304	20G112309	Jam Hex Nut (Quantity of Two)
305	20G198241	Pressure Port Plug, 11/16-24 (Quantity of Two)
306	20G156173	Union Swivel – 3/8" NPTF x 3/8" NPSF (Quantity of Two)
307	20G113654	1/4" Pressure Gauge, 5000 psi (Quantity of Two)
308	20G100840	1/4-18 NPT Elbow (Quantity of Four)
309	20G156971	1/4" x 1/4" Nipple (Quantity of Two)
310	20G557349	1/8" NPT Dry Seal Plug (Quantity of Two)
311	20G16E334	Manifold Handle (Quantity of Two)
312	20G16E332	Connecting Rod Handle
313	20G124859	1/4-20 x 5/16" Shoulder Bolt (Quantity of Two)
316	20G156684	1/2" x 1/2" Nipple (Quantity of Two)
317	20G121399	O-Ring Solvent Resistant (Quantity of Two)
318	20G124676	External Snap Ring (Quantity of Two)
320	20G150829	Spring for Swivel (Quantity of Two)
—	20G159239	3/8" x 1/2" Nipple (Quantity of Two)
—	20G156173	3/8" x 3/8" Swivel (Quantity of Two)

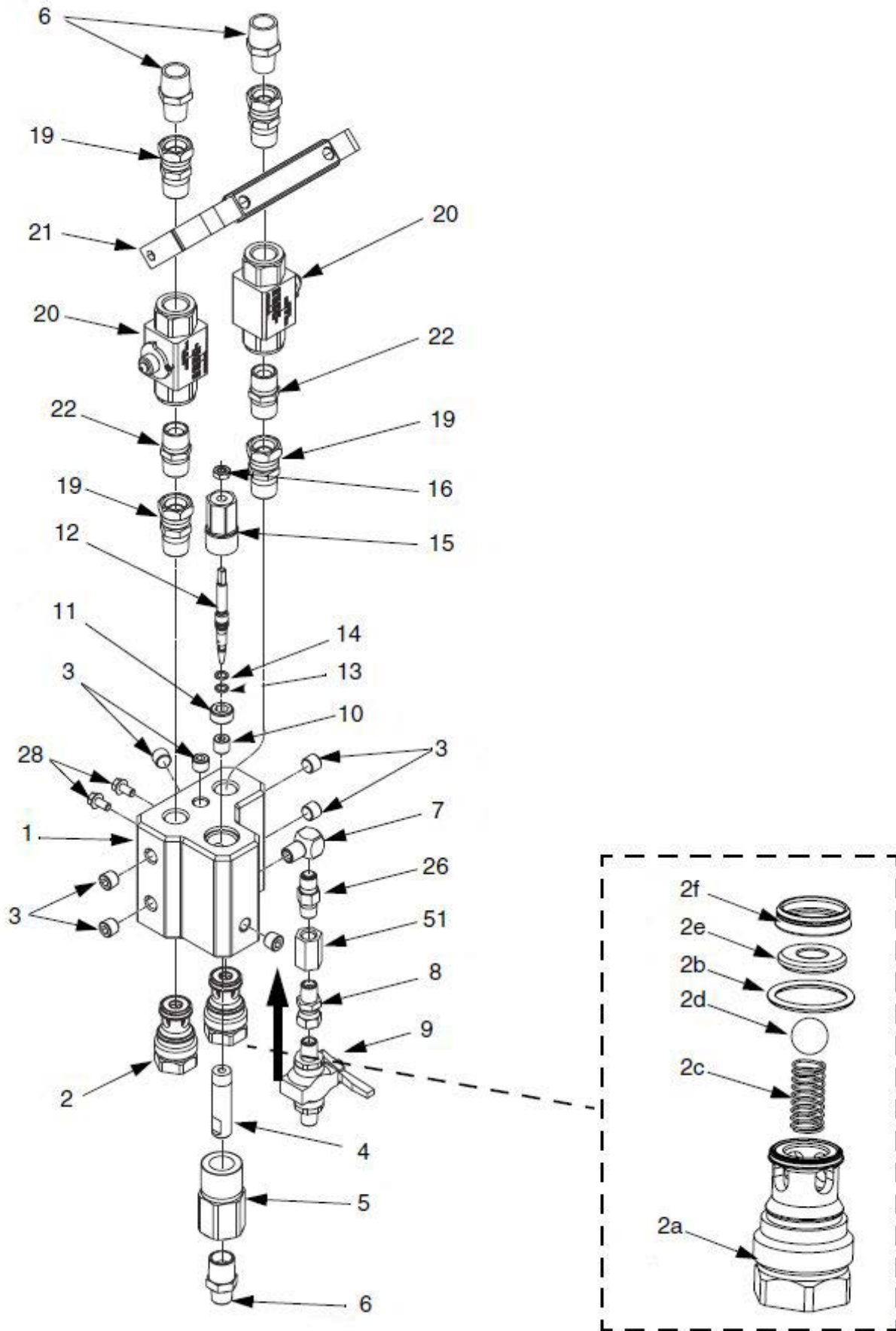
PART NUMBERS AND SCHEMATICS GUIDE

Mix Manifold

Item#	Part#	Description
Fig. 8		
—	20G262807	Mix Manifold
1	20G24P869	Mix Manifold Block
2	20G258986	Check Valve Cartridge <i>(Includes Item #'s: 2a, 2b, 2c, 2d, 2e, and 2f) (Quantity of Two)</i>
2a	20G16D614	Check Valve Housing
2b	20G121138	Packing O-Ring, PTFE, White
2c	20G15M530	Check Valve Spring
2d	20G116166	1/2" Carbide Ball
2e	20G15A968	Foot Valve Seat
2f	20G15K692	Retainer Seat
3	20G100721	1/4" NPT Pipe Plug <i>(Quantity of Seven)</i>
4	20G15R378	Hardener Injector Tube
5	20G15R067	Pipe Outlet
6	20G159239	3/8" x 1/2" Pipe Nipple <i>(Quantity of Three)</i>
7	20G100840	1/4-18 NPT Elbow
8	20G156823	1/4" NPT (M) x 1/4" NPSM (F) Adapter
9	20G214037	1/4" x 1/4" Ball Valve, 5000 psi
10	20G183951	Seat Valve for Restrictor
11	20G15R382	3/4-16 UNC x 0.375 Retainer Screw
12	20G235205	Restrictor Valve Stem
13	20G110004	Packing O-Ring, PTFE, White
14	20G113137	Packing O-Ring, Solvent Resistant, Black
15	20G15M969	Restrictor Housing
16	20G110005	Hex Nut Jam
19	20G156684	1/2" NPT Union Swivel <i>(Quantity of Four)</i>
20	20G262740	1/2" NPT (F) Ball Valve <i>(Quantity of Two)</i>
21	20G24M421	Valve Lever
22	20G158491	1/2" x 1/2" Nipple <i>(Quantity of Two)</i>
26	20G501867	1/4" Stainless Steel Check Valve
28	20G113161	1/4-20 x 1/2" Screw <i>(Quantity of Two)</i>
51	20G113093	1/2" x 1/2" Coupling, 7250 psi
—	20G126786	Restrictor Wrench
—	20G258992	Mix Manifold Repair Kit <i>(Includes Item #'s: 2b, 2c, 2d, 2e, 2f, 13, and 14)</i>
—	209V505	Operator's Manual – Graco® Mix Manifold

PART NUMBERS AND SCHEMATICS GUIDE

Figure 8: Mix Manifold



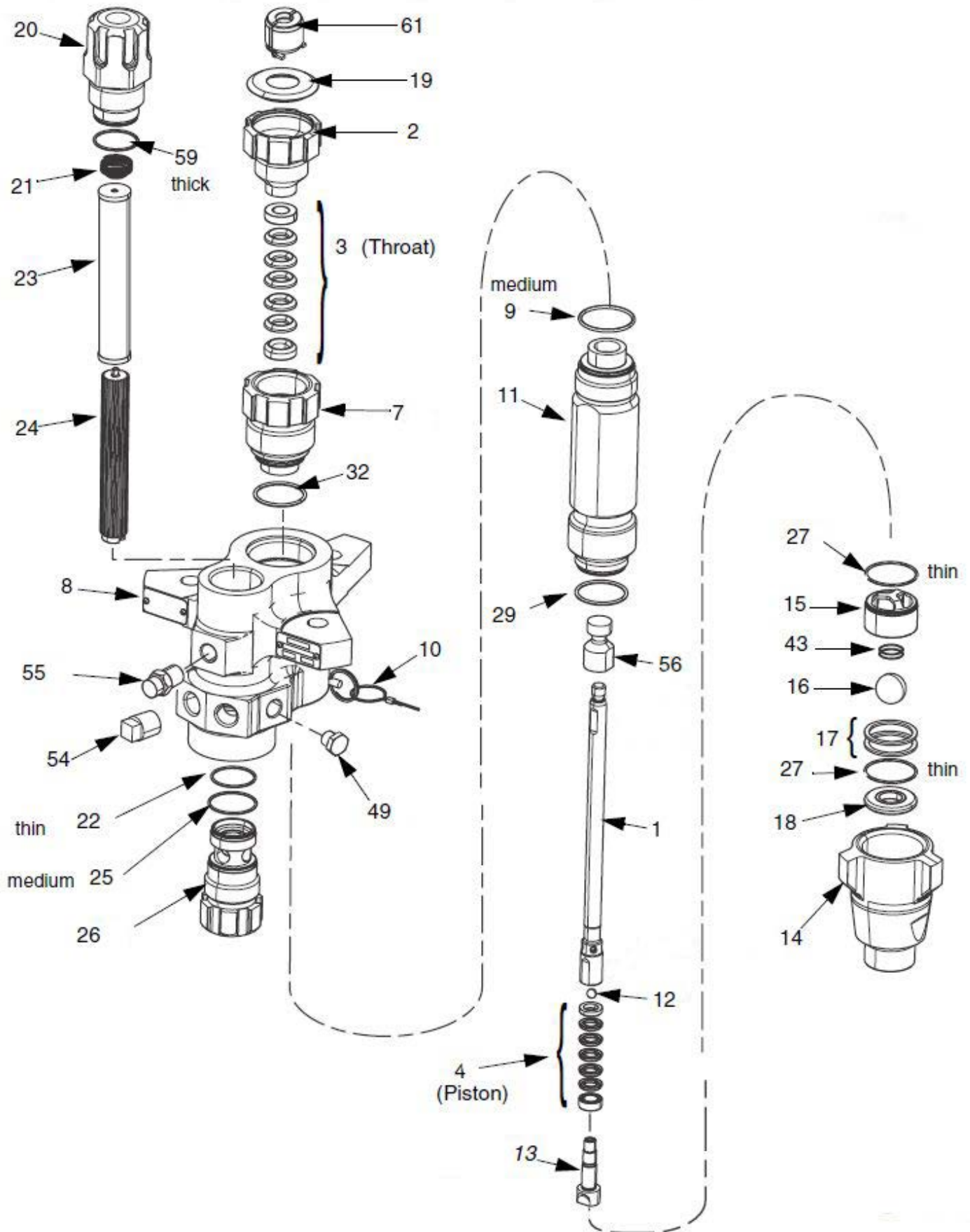
PART NUMBERS AND SCHEMATICS GUIDE

36cc, 48cc, and 58cc XP™ Sprayer Lower Displacement Pump

Item#	36cc	48cc	58cc	Description
	20GL036C0	20GL048C0	20GL058C0	
Fig. 9				
1	20G16D458	20G16D459	20G15D460	Displacement Rod
2	20G16D468	20G16D468	20G16D468	Packing Nut
3	—	—	—	Stack Packings, Throat
4	—	—	—	Stack Packings, Piston
7	20G16D467	20G16D467	20G16D467	Packing Cartridge, Throat
8	20G15F659	20G15F659	20G15F659	Housing Outlet
9	20G288067	20G288067	20G288067	O-Ring, Top Cylinder, PTFE Medium (<i>Quantity of 10</i>)
10	20G244826	20G244826	20G244826	Self-Locking Pin
11	20G16D469	20G16D470	20G16D471	Lower Cylinder
12	20G262485	20G262485	20G262485	Ball Plston (<i>Quantity of Three</i>)
13	20G16D464	20G16D464	20G16D464	Piston Valve
14	20G15F667	20G15F667	20G15F667	Inlet Housing
15	20G16D472	20G16D472	20G16D472	Inlet Ball Guide
16	20G244899	20G244899	20G244899	Inlet Ball (<i>Quantity of Three</i>)
17	20G288064	20G288064	20G288064	Inlet Shim Ball Guide (<i>Quantity of Nine</i>)
18	20G15F665	20G15F665	20G15F665	Inlet Seat
19	20G247393	20G247393	20G247393	Throat Seal Plug (<i>Quantity of 10</i>)
20	20G16M461	20G16M461	20G16M461	Top Filler Cap
21	20G171941	20G171941	20G171941	Compression Spring
22	20G244895	20G244895	20G244895	Thin Filter O-Ring, PTFE (<i>Quantity of 10</i>)
23	20G224458	20G224458	20G224458	Strainer, 60 mesh screen
24	20G186075	20G186075	20G186075	Filter Support
25	20G262484	20G262484	20G262484	Filter O-Ring, Medium, PTFE (<i>Quantity of 10</i>)
26	20G16M462	20G16M462	20G16M462	Lower Filter Cap
27	20G288068	20G288068	20G288068	Foot Valve and O-Ring, PTFE thin (<i>Quantity of 10</i>)
29	20G262512	20G262512	20G262512	Cylinder Bottom O-Ring, PTFE medium (<i>Quantity of 10</i>)
30	20G172479	20G172479	20G172479	Warning Tag
32	20G262512	20G262512	20G288068	Throat Cartridge O-Ring, PTFE thin (<i>Quantity of 10</i>)
43	20G124007	20G124007	20G124007	Foot Valve Spring
49	20G198292	20G198292	20G198292	3/8" Pipe Plug
54	20G100737	20G100737	20G100737	1/2" Pipe Plug
55	20G258962	20G258962	20G258962	Rupture Disc Assembly Housing
56	20G15Y399	20G15Y399	20G15Y399	Rod Adapter
59	20G262483	20G262483	20G262483	O-Ring Filter, PTFE thick (<i>Quantity of 10</i>)
61	20G247167	20G247167	20G247167	Assembly Coupler

PART NUMBERS AND SCHEMATICS GUIDE

Figure 9: 36cc, 48cc, and 58cc XP™ Sprayer Lower Displacement Pump



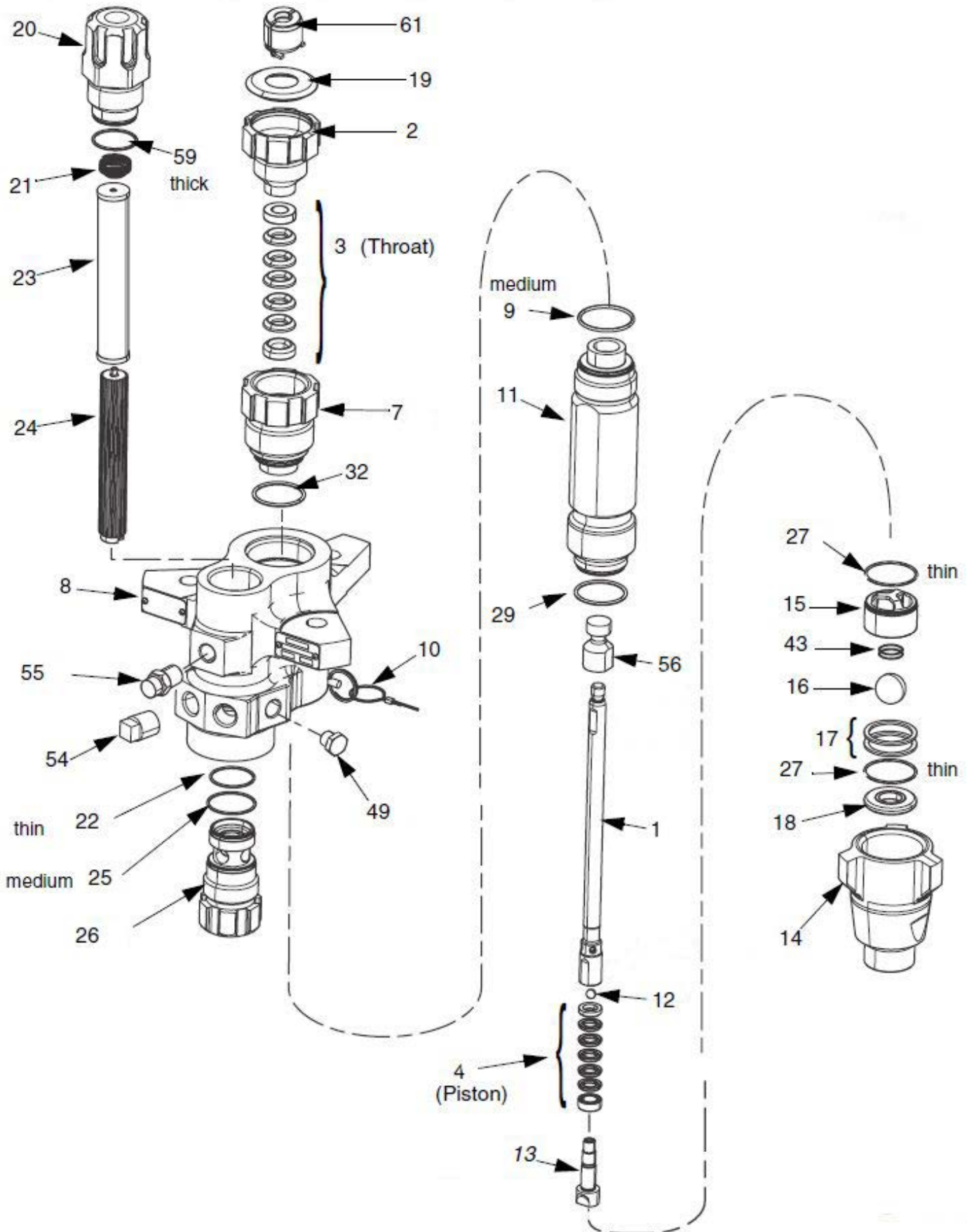
PART NUMBERS AND SCHEMATICS GUIDE

90cc and 115cc XP™ Sprayer Lower Displacement Pump

Item#	90cc	115cc	Description
	20GL090C0	20GL115C0	
Fig. 10			
1	20G16J902	20G24B820	Displacement Rod
2	20G15K029	20G15K029	Packing Nut
3	—	—	Stack Packings, Throat
4	—	—	Stack Packings, Piston
7	20G16K490	20G15F661	Packing Cartridge, Throat
8	20G15F659	20G15F659	Housing Outlet
9	20G288067	20G288067	O-Ring, Top Cylinder, PTFE Medium (<i>Quantity of 10</i>)
10	20G244826	20G244826	Self-Locking Pin
11	20G16J908	20G15F656	Lower Cylinder
12	20G288065	20G288065	Ball Plston (<i>Quantity of Three</i>)
13	20G24B818	20G24B817	Piston Valve
14	20G15F667	20G15F667	Inlet Housing
15	20G16D472	20G16D472	Inlet Ball Guide
16	20G244899	20G244899	Inlet Ball (<i>Quantity of Three</i>)
17	20G288064	20G288064	Inlet Shim Ball Guide (<i>Quantity of Nine</i>)
18	20G15F665	20G15F665	Inlet Seat
19	20G247393	20G247393	Throat Seal Plug (<i>Quantity of 10</i>)
20	20G16M461	20G16M461	Top Filler Cap
21	20G171941	20G171941	Compression Spring
22	20G244895	20G244895	Thin Filter O-Ring, PTFE (<i>Quantity of 10</i>)
23	20G224458	20G224458	Strainer, 60 mesh screen
24	20G186075	20G186075	Filter Support
25	20G262484	20G262484	Filter O-Ring, Medium, PTFE (<i>Quantity of 10</i>)
26	20G16M462	20G16M462	Lower Filter Cap
27	20G288068	20G288068	Foot Valve and O-Ring, PTFE thin (<i>Quantity of 10</i>)
29	20G262512	20G288068	Cylinder Bottom O-Ring, PTFE medium (<i>Quantity of 10</i>)
30	20G172479	20G172479	Warning Tag
32	20G262512	20G288068	Throat Cartridge O-Ring, PTFE thin (<i>Quantity of 10</i>)
43	20G124007	20G124007	Foot Valve Spring
49	20G198292	20G198292	3/8" Pipe Plug
54	20G100737	20G100737	1/2" Pipe Plug
55	20G198292	20G198292	3/8" Hex Head Pipe Plug
56	—	—	Rod Adapter
59	20G262483	20G262483	O-Ring Filter, PTFE thick (<i>Quantity of 10</i>)
61	20G247167	20G247167	Assembly Coupler

PART NUMBERS AND SCHEMATICS GUIDE

Figure 10: 90cc and 115cc XP™ Sprayer Lower Displacement Pump



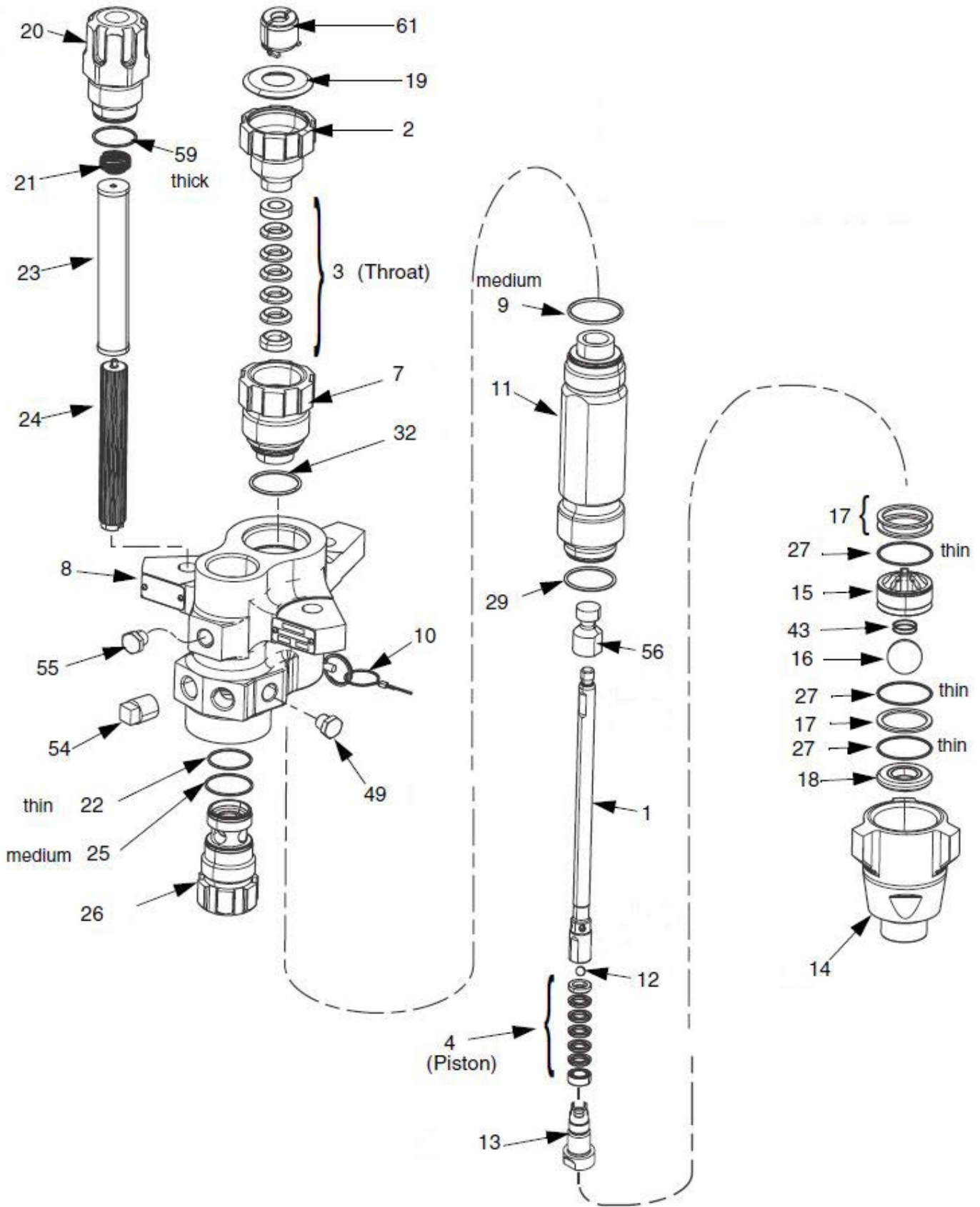
PART NUMBERS AND SCHEMATICS GUIDE

145cc XP™ Sprayer Lower Displacement Pump


Item#	145cc 20GL14AC0	Description
Fig. 11		
1	20G24B821	Displacement Rod
2	20G15K030	Packing Nut
3	—	Stack Packings, Throat
4	—	Stack Packings, Piston
7	20G197325	Packing Cartridge, Throat
8	20G16E151	Housing Outlet
9	20G244892	O-Ring, Top Cylinder, PTFE Medium (<i>Quantity of 10</i>)
10	20G244826	Self-Locking Pin
11	20G197315	Lower Cylinder
12	20G253029	Ball Piston (<i>Quantity of Three</i>)
13	20G24B826	Piston Valve
14	20G197303	Inlet Housing
15	20G198646	Inlet Ball Guide
16	20G245128	Inlet Ball (<i>Quantity of Three</i>)
17	20G244855	Inlet Shim Ball Guide (<i>Quantity of Nine</i>)
18	20G196358	Inlet Seat
19	20G247394	Throat Seal Plug (<i>Quantity of 10</i>)
20	20G16M461	Top Filler Cap
21	20G171941	Compression Spring
22	20G244895	Thin Filter O-Ring, PTFE (<i>Quantity of 10</i>)
23	20G224458	Strainer, 30 mesh screen
24	20G186075	Filter Support
25	20G262484	Filter O-Ring, Medium, PTFE (<i>Quantity of 10</i>)
26	20G16M462	Lower Filter Cap
27	20G244890	Foot Valve and O-Ring, PTFE thin (<i>Quantity of 10</i>)
29	20G244890	Cylinder Bottom O-Ring, PTFE medium (<i>Quantity of 10</i>)
30	20G172479	Warning Tag
32	20G244890	Throat Cartridge O-Ring, PTFE thin (<i>Quantity of 10</i>)
43	20G116801	Foot Valve Spring
49	20G198292	3/8" Pipe Plug
54	20G100737	1/2" Pipe Plug
55	20G198292	Rupture Disc Assembly Housing
59	20G262483	O-Ring Filter, PTFE thick (<i>Quantity of 10</i>)
61	20G244819	Assembly Coupler



PART NUMBERS AND SCHEMATICS GUIDE

Figure 11: 145cc XP™ Sprayer Lower Displacement Pump







OPTIONAL ACCESSORIES

1/4" I.D. AIRLESS SPRAY HOSE - COUPLED							
Part Numbers	Working Pressure	Length (feet)	Braid Reinforcement Material	Hose Cover Color	Couplings	U.O.M.	
	2000023	5,000 psi	3'	Steel	Black	Female x Female	One Each
	2000027	5,000 psi	6'	Steel	Black	Female x Female	One Each
	2000022	5,000 psi	10'	Steel	Black	Female x Female	One Each
	2000021	5,000 psi	25'	Steel	Black	Female x Female	One Each
	2000020	5,000 psi	50'	Steel	Black	Female x Female	One Each
	2000024	5,000 psi	100'	Steel	Black	Female x Female	One Each
	2000033	6,100 psi	3'	Steel/Polyester	Green	Female x Female	One Each
	2000034	6,100 psi	6'	Steel/Polyester	Green	Female x Female	One Each
	2000032	6,100 psi	10'	Steel/Polyester	Green	Female x Female	One Each
	2000031	6,100 psi	25'	Steel/Polyester	Green	Female x Female	One Each
	2000030	6,100 psi	50'	Steel/Polyester	Green	Female x Female	One Each
	2000035	6,100 psi	100'	Steel/Polyester	Green	Female x Female	One Each
	2000093	9,750 psi	3'	Aramid/Steel	Black	Female x Female	One Each
	2000094	9,750 psi	6'	Aramid/Steel	Black	Female x Female	One Each
	2000092	9,750 psi	10'	Aramid/Steel	Black	Female x Female	One Each
	2000091	9,750 psi	25'	Aramid/Steel	Black	Female x Female	One Each
	2000090	9,750 psi	50'	Aramid/Steel	Black	Female x Female	One Each
	2000095	9,750 psi	100'	Aramid/Steel	Black	Female x Female	One Each

1/4" I.D. AIRLESS SPRAY HOSE HEX NIPPLES				
Part Numbers	Thread Style	Working Pressure	U.O.M.	
	20PFHA24SA0404	1/4" Male x 1/4" Male	7,250 psi	One Each
	2073122	1/4" Male x 1/4" Male	15,000 psi	One Each
	20PFHA24SA0604	1/4" Male x 3/8" Male	6,000 psi	One Each
	2073123	1/4" Male x 3/8" Male	10,000 psi	One Each

OPTIONAL ACCESSORIES

3/8" I.D. AIRLESS SPRAY HOSE - COUPLED							
Part Numbers	Working Pressure	Length (feet)	Braid Reinforcement Material	Hose Cover Color	Couplings	U.O.M.	
	2000043	3,500 psi	3'	Steel	Red	Female x Female	One Each
	2000042	3,500 psi	10'	Steel	Red	Female x Female	One Each
	2000041	3,500 psi	25'	Steel	Red	Female x Female	One Each
	2000040	3,500 psi	50'	Steel	Red	Female x Female	One Each
	2000053	5,800 psi	3'	Steel	Navy	Female x Female	One Each
	2000054	5,800 psi	6'	Steel	Navy	Female x Female	One Each
	2000052	5,800 psi	10'	Steel	Navy	Female x Female	One Each
	2000051	5,800 psi	25'	Steel	Navy	Female x Female	One Each
	2000050	5,800 psi	50'	Steel	Navy	Female x Female	One Each
	2000049	5,800 psi	100'	Steel	Navy	Female x Female	One Each
	2000113	8,100 psi	3'	Aramid/Steel	Red	Female x Female	One Each
	2000114	8,100 psi	6'	Aramid/Steel	Red	Female x Female	One Each
	2000112	8,100 psi	10'	Aramid/Steel	Red	Female x Female	One Each
	2000111	8,100 psi	25'	Aramid/Steel	Red	Female x Female	One Each
	2000110	8,100 psi	50'	Aramid/Steel	Red	Female x Female	One Each
	2000115	8,100 psi	100'	Aramid/Steel	Red	Female x Female	One Each

3/8" I.D. AIRLESS SPRAY HOSE HEX NIPPLES				
Part Numbers	Thread Style	Working Pressure	U.O.M.	
	20PFHA24SA0606	3/8" Male x 3/8" Male	6,000 psi	One Each
	2073133	3/8" Male x 3/8" Male	15,000 psi	One Each
	20PFHA24SA0604	1/4" Male x 3/8" Male	6,000 psi	One Each
	2073123	1/4" Male x 3/8" Male	10,000 psi	One Each
	20PFHA24SA0806	3/8" Male x 1/2" Male	6,000 psi	One Each


OPTIONAL ACCESSORIES


		MANIFOLD VALVES			
	Part Numbers	Type	Maximum Working Pressure	Thread Size	Seals
	20G262740	Spare Valve (No Handle)	7250 psi	1/2" NPT	PTFE with PEEK seat
	20G262739	Spare Valve (Single Handle)	7250 psi	1/2" NPT	PTFE with PEEK seat
<i>No Image Available</i>	20G24M601	Ball Valve Repair Kit			
	20G262808	Recirculation/Over Pressurization Valve			

		PRESSURE MONITOR KIT	
	Part Numbers	Description	
	20G262940	Pressure Monitor Kit, Electric	
	20G262942	Pressure Monitor Kit, Pneumatic	

		THROAT SEAL LIQUID	
	Part Numbers	Description	
	20G206994	Throat Seal Liquid – 8 oz.	
	20G206995	Throat Seal Liquid – 1 qt.	
	20G206996	Throat Seal Liquid – 1 gal.	

OPTIONAL ACCESSORIES

		STATIC MIXERS				
Part Numbers		Diameter	Length	Pressure Limit	Housing Material	Element Material
	20TAH100206	1/4"	3.75"	8500 psi	Stainless Steel	Stainless Steel
	20TAH100212	1/4"	7"	8500 psi	Stainless Steel	Stainless Steel
	20G511352	3/8"	9.5"	7250 psi	Stainless Steel	Stainless Steel
	20TAH100312	3/8"	9.5"	7250 psi	Stainless Steel	Stainless Steel
	20TAH7700195	3/8"	13.12"	7250 psi	Stainless Steel	Plastic
	2070039	1/2"	2"	5000 psi	Plastic	Plastic
	20TAH100412	1/2"	11"	7250 psi	Stainless Steel	Stainless Steel

		STATIC MIXER REPLACEMENT PARTS	
Part Numbers		Description	Quantity
	20G248925	1/4" x 12 Ft. Whip Hose Mixing Kit	20G15E592 Housings (<i>Quantity of Two</i>) and 20G248927 Mixing Elements (<i>Quantity of Six</i>)
	20TAH090312	3/8" x 12" Stainless Steel Mixing Element	12/Package
	20G248927	1/2" Plastic Mixing Element	25/Package
	20G15E592	1/2" x 5" Static Mix Housing	One Each
	20TAH100612	3/4" x 12" Stainless Steel Mixing Element	12/Package

LITERATURE REFERENCES

Part#	Description
201V019	Brochure – Graco® XTR™ Airless Spray Guns
201V544	Brochure – Graco® Plural Component Sprayers
206M508	Part Numbers and Schematics Guide – Graco® XTR-5™ Airless Spray Gun
206M575	Part Numbers and Schematics Guide – Graco® XP35™ Plural Component Sprayer
109V508	Operator's Manual – Graco® XTR-5™ Airless Spray Gun
209V021	Operator's Manual – Graco® Xtreme® Pump Lowers
209V505	Operator's Manual – Graco® Mix Manifold
209V509	Operator's Manual – Graco® NXT® Air Motor
209V573	Operator's Manual – Graco® Plural Component Sprayer

MAINTENANCE NOTES

DATE	TYPE OF SERVICE	PART NUMBER

MAINTENANCE NOTES

DATE	TYPE OF SERVICE	PART NUMBER

GLOBAL HEADQUARTERS

- 3425 East Locust Street
Davenport, IA 52803

ph: 800.BLAST.IT (800.252.7848)

ph: 563.324.2519

fax: 563.324.6258

GULF STATES HEADQUARTERS

- 701 East Boulevard
Deer Park, TX 77536

ph: 800.BLAST.IT (800.252.7848)

ph: 281.930.0905

fax: 281.542.0736

REGIONAL BRANCH OFFICES

- **Iowa**
Davenport
- **Louisiana**
Gonzales
Lafayette
- **Ohio**
Youngstown
- **Texas**
Beaumont
Corpus Christi
Deer Park



ABRASIVES

BLASTING

COATING

DUST COLLECTORS

ENGINEERED SYSTEMS

RENTAL

SAFETY

SERVICE & REPAIR

VACUUMS

40+ NATIONWIDE SHIPPING LOCATIONS



★ Marco Regional Branch Offices
and Shipping Locations

● Direct Shipping Locations

CONTACT MARCO

800.BLAST.IT
(800.252.7848)

563.324.2519

FAX: 563.324.6258

WWW.MARCO.US

SALES@MARCO.US