



GRACO® XM70™ PLURAL COMPONENT SPRAYER



PART NUMBERS AND SCHEMATICS GUIDE

Company Profile

Since 1944, Marco has developed a strong tradition of providing innovative and reliable products and services to the surface preparation and protective coatings industries. We are the world's premier provider of Abrasives, Blasting Equipment, Coating and Painting Equipment, Engineered Systems, Rental Equipment, Safety Equipment, Service, and Repair.

Through innovative designs and a total commitment to quality, Marco manufactures products that increase production rates, create a safer workplace, and reduce maintenance costs. Marco's industry experience, manufacturing capabilities, legendary customer service, product availability, logistics services, and technology leadership is your assurance that we deliver high quality products and services, providing the best value to you, our customer.

The Marco Difference

- **Industry Experience** – With Marco on your team, you have access to expertise which can only come from decades of industry leadership. We have organized our engineering department, production specialists, customer operations, and safety support into a “Center of Competence.” As a Marco customer, you have access to hundreds of years of cumulative experience related to your operations.
- **Manufacturing Excellence** – Marco is a U.S. based, ISO 9001:2008 certified manufacturer of equipment for the Surface Preparation and Protective Coatings industries. Marco's engineers benchmark the industry to ensure that we design and manufacture superior products that set the “Gold Standard” for performance, safety, and quality.
- **Legendary Customer Service** – Marco's legendary customer service team is staffed by friendly, highly-trained individuals who are focused on providing the highest level of product support, order accuracy, and customer satisfaction.
- **Product Availability** – We stock over 10,000 SKU's and have over 45 shipping locations to serve North American and International markets for all major brands of blasting and painting equipment. As the largest provider of surface preparation and protective coatings equipment in the world, our inventory levels and product availability are unmatched.
- **Logistics Services** – Marco's in-house logistics team is dedicated to moving your shipment anywhere in the world. We move over 14,000 truckloads every year, allowing you to save on freight costs by leveraging our buying power. Lower your process costs with a single invoice, which includes product and freight.
- **Technology Leadership** – Our website provides: Operator's Manuals, Part Numbers and Schematics Guides, MSDS information, and Features, Advantages, and Benefits Guides, providing access to information 24/7. Our Extranet application allows you to receive quotes and place orders online. Our Intranet maintains a complete record of your purchase history to assist with ongoing support of your existing equipment and future purchasing decisions.

Vision Statement

Marco is the world's premier provider of Abrasives, Blasting Equipment, Coating and Painting Equipment, Engineered Systems, Rental Equipment, Safety Equipment, Service, and Repair.

Mission Statement

Marco provides strong leadership and innovation to the surface preparation and protective coatings industries. We dedicate our efforts to the continuous improvement of our products, services, processes, people, and most importantly, the quality of our customer's experience.

Quality Statement

Marco is committed to providing superior quality in the design, manufacturing, distribution, rental, service, and repair of our products. Our ISO 9001:2008 certification extends throughout all operations in all locations. Continuous improvement of our processes and supply chain Integration comprise the core of our business strategy for delivering exceptional quality and value in all Marco products and services.

Management Philosophy

We are a company dedicated to the success of every customer and associate. We discuss, debate, challenge, measure, and test our ideas. We will be boundless and limitless in our passion to improve. Through sound leadership and dedicated associates, we will ensure a long term, profitable future for Marco, our associates, customers, and suppliers.

TABLE OF CONTENTS

| | | | |
|--|-------------|---|--------------|
| Company Profile | 2 | Optional Accessories | 48-60 |
| Table of Contents | 3 | Heated Hopper and Hose Circulation Kit. | 48-51 |
| Graco® XM70™ Sprayer | 4-47 | Husky™ 716 Pump | 52-53 |
| Graco® XM70™ Sprayer Part Numbers. | 4-5 | Hose Bundles | 54 |
| Graco® XM70™ Sprayer Schematics | 6-11 | Hopper Fluid Outlet Kit | 55 |
| XM™ Control Box | 12-13 | Hopper Mounting Kit | 56 |
| Air Controls Module | 14-15 | Twistork Agitator Kit. | 57 |
| Junction Box | 16-17 | T2 Pump Feed. | 58 |
| Fluid Control Assembly | 18 | 5:1 Pump Feed | 59 |
| Air Inlet Manifold | 19 | 7 Gallon Hopper and Bracket Kit. | 60 |
| NXT Model 6500 Air Motor | 20-21 | Maintenance Notes | 61-63 |
| A Side Lower – 180cc Xtreme® | 22-23 | | |
| 180cc Xtreme® Seals Repair Kit | 24-25 | | |
| 180cc Tuff-Stack™ Repair Kit | 26-27 | | |
| 180cc X-Tuff™ Repair Kit | 28-29 | | |
| B Side Lower – 145cc Xtreme® | 30-31 | | |
| 145cc Xtreme® Seals Repair Kit | 32-33 | | |
| 145cc Tuff-Stack™ Repair Kit | 34-35 | | |
| 145cc X-Tuff™ Repair Kit | 36-37 | | |
| Fluid Heater. | 38-39 | | |
| 75cc XM™ Solvent Pump | 40-41 | | |
| 75cc XM™ – Motor | 42-43 | | |
| 75cc XM™ – Displacement Pump. | 44-45 | | |
| 20 Gallon Hopper | 46-47 | | |

PART NUMBERS AND SCHEMATICS GUIDE

| GRACO® XM70™ PLURAL COMPONENT SPRAYER | | | | | | | | | | | | |
|---------------------------------------|--------------------|--------------|------------------------|-------------------|------------------------|----------------------------|-----------------------|-------------------|--------------|--------------|--------------|---------------|
| Part Numbers | Type | Junction Box | Hopper Kit (20 gal) | Hopper Heater Kit | Hopper Fluid Inlet Kit | Hopper Universal Mount Kit | Twistork Agitator Kit | 5:1 Pump Feed Kit | A Lower Pump | B Lower Pump | Pump Filters | Fluid Heaters |
| 20GXM3B00 | Standard | X | | | | | | | 20GL180C4 | 20GL145C4 | X | X |
| 20GXM3B14 | Standard | X | 1 | 1 | 1 | 1 | 1 | | 20GL180C4 | 20GL145C4 | X | X |
| 20GXM3B16 | Standard | X | 1 | 1 | | 1 | 1 | 1 | 20GL180C4 | 20GL145C4 | X | X |
| 20GXM3B24 | Standard | X | 2 | 2 | 2 | 2 | 2 | | 20GL180C4 | 20GL145C4 | X | X |
| 20GXM3B26 | Standard | X | 2 | 2 | | 2 | 2 | 2 | 20GL180C4 | 20GL145C4 | X | X |
| 20GXM3C00 | Standard | | | | | | | | 20GL180C4 | 20GL145C4 | X | X |
| 20GXM3C14 | Standard | | 1 | 1 | 1 | 1 | 1 | | 20GL180C4 | 20GL145C4 | X | X |
| 20GXM3C16 | Standard | | 1 | 1 | | 1 | 1 | 1 | 20GL180C4 | 20GL145C4 | X | X |
| 20GXM3C24 | Standard | | 2 | 2 | 2 | 2 | 2 | | 20GL180C4 | 20GL145C4 | X | X |
| 20GXM3C26 | Standard | | 2 | 2 | | 2 | 2 | 2 | 20GL180C4 | 20GL145C4 | X | X |
| 20GXM3E00 | Hazardous Location | | | | | | | | 20GL180C4 | 20GL145C4 | X | X |
| 20GXM3E14 | Hazardous Location | | 1 | 1 | 1 | 1 | 1 | | 20GL180C4 | 20GL145C4 | X | X |
| 20GXM3E16 | Hazardous Location | | 1 | 1 | | 1 | 1 | 1 | 20GL180C4 | 20GL145C4 | X | X |
| 20GXM3E24 | Hazardous Location | | 2 | 2 | 2 | 2 | 2 | | 20GL180C4 | 20GL145C4 | X | X |
| 20GXM3E26 | Hazardous Location | | 2 | 2 | | 2 | 2 | 2 | 20GL180C4 | 20GL145C4 | X | X |

All sprayers include 3/8" x 25' airless spray hose, 1/4" x 10' whip hose, static mixers, and Graco® XTR7™ Airless Spray gun.

PART NUMBERS AND SCHEMATICS GUIDE

| GRACO® XM70™ PLURAL COMPONENT SPRAYER WITH REMOTE MANIFOLD | | | | | | | | | | | | | |
|--|--------------------|--------------|------------------------|-------------------|------------------------|----------------------------|-----------------------|-------------------|--------------|--------------|--------------|---------------|-----------------|
| Part Numbers | Type | Junction Box | Hopper Kit (20 gal) | Hopper Heater Kit | Hopper Fluid Inlet Kit | Hopper Universal Mount Kit | Twistork Agitator Kit | 5:1 Pump Feed Kit | A Lower Pump | B Lower Pump | Pump Filters | Fluid Heaters | Remote Manifold |
| 20GXM7B00 | Standard | X | | | | | | | 20GL180C4 | 20GL180C4 | X | X | X |
| 20GXM7B14 | Standard | X | 1 | 1 | 1 | 1 | 1 | | 20GL180C4 | 20GL180C4 | X | X | X |
| 20GXM7B16 | Standard | X | 1 | 1 | | 1 | 1 | 1 | 20GL180C4 | 20GL180C4 | X | X | X |
| 20GXM7B24 | Standard | X | 2 | 2 | 2 | 2 | 2 | | 20GL180C4 | 20GL180C4 | X | X | X |
| 20GXM7B26 | Standard | X | 2 | 2 | | 2 | 2 | 2 | 20GL180C4 | 20GL180C4 | X | X | X |
| 20GXM7C00 | Standard | | | | | | | | 20GL180C4 | 20GL180C4 | X | X | X |
| 20GXM7C14 | Standard | | 1 | 1 | 1 | 1 | 1 | | 20GL180C4 | 20GL180C4 | X | X | X |
| 20GXM7C16 | Standard | | 1 | 1 | | 1 | 1 | 1 | 20GL180C4 | 20GL180C4 | X | X | X |
| 20GXM7C24 | Standard | | 2 | 2 | 2 | 2 | 2 | | 20GL180C4 | 20GL180C4 | X | X | X |
| 20GXM7C26 | Standard | | 2 | 2 | | 2 | 2 | 2 | 20GL180C4 | 20GL180C4 | X | X | X |
| 20GXM7E00 | Hazardous Location | | | | | | | | 20GL180C4 | 20GL180C4 | X | X | X |
| 20GXM7E14 | Hazardous Location | | 1 | 1 | 1 | 1 | 1 | | 20GL180C4 | 20GL180C4 | X | X | X |
| 20GXM7E16 | Hazardous Location | | 1 | 1 | | 1 | 1 | 1 | 20GL180C4 | 20GL180C4 | X | X | X |
| 20GXM7E24 | Hazardous Location | | 2 | 2 | 2 | 2 | 2 | | 20GL180C4 | 20GL180C4 | X | X | X |
| 20GXM7E26 | Hazardous Location | | 2 | 2 | | 2 | 2 | 2 | 20GL180C4 | 20GL180C4 | X | X | X |

All sprayers include 3/8" x 25' airless spray hose, 1/4" x 10' whip hose, static mixers, and Graco® XTR7™ Airless Spray gun.

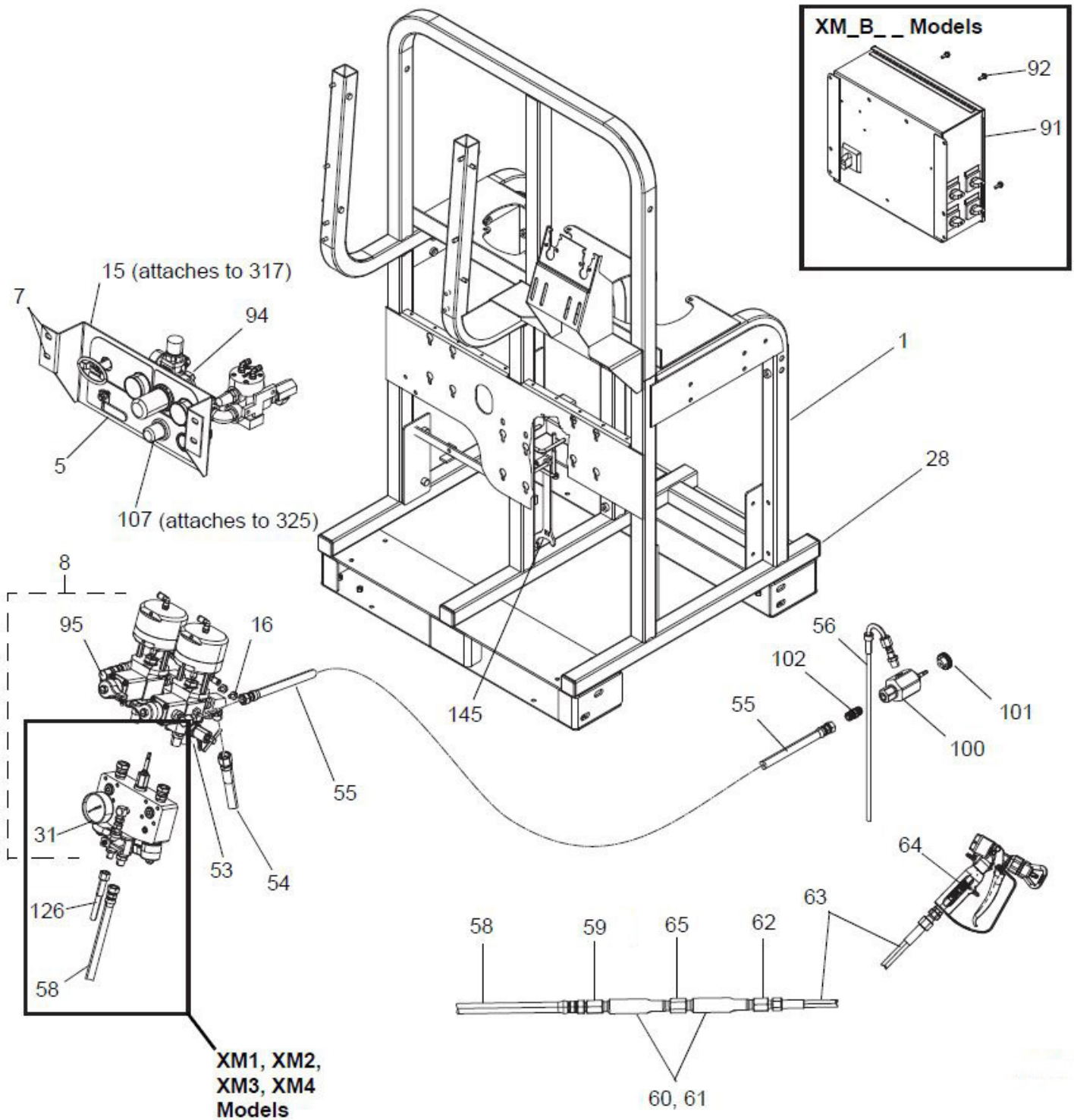
PART NUMBERS AND SCHEMATICS GUIDE

Graco® XM70™ Plural Component Sprayer

| Item# | Part# | Description |
|---------------|-----------|---|
| Fig. 1 | | |
| 1 | — | Frame |
| 5 | 20G255761 | Upper Air Controls Module (See Fig. 5) |
| 7 | 20G112958 | Flanged Hex Nut (Quantity of Nine) |
| 8 | — | Fluid Control Assembly (See Fig. 7) |
| 15 | 20G240900 | 3/4" x 30" Coupled Air Hose (Quantity of Three) |
| 16 | 20G111801 | Hex HD Screw Cap (Quantity of Ten) |
| 28 | 20G115313 | Tube Plug (Quantity of Eight) |
| 31 | 20G114434 | 10,000 psi Pressure Gauge |
| 53 | 20GH75003 | 1/2" x 3' Coupled Hose, 7250 psi (Quantity of Three) |
| 54 | 20GH75002 | 1/2" x 2' Coupled Hose, 7250 psi |
| 55 | 20GH53806 | 3/8" x 6' Coupled Hose, 5600 psi (Quantity of Two) |
| 56 | 20G15T396 | Recirculation Tube (Quantity of Two) |
| 58 | 20GH73825 | 3/8" x 25' Coupled Hose, 7250 psi |
| 59 | 20G15B729 | 3/8" NPT (F) x 3/8" NPSM (M) Adapter |
| 60 | 20G262478 | 1/2" x 5" Static Housing Mixer Kit (Quantity of Two) |
| 61 | 20G248927 | Static Mixer Element, Pack of 25 |
| 62 | 20G150287 | 3/8" to 1/4" Reducing Coupling |
| 63 | 20GH72510 | 1/4" x 10' Coupled Hose |
| 64 | 20GXTR704 | Graco® XTR-7™ Airless Spray Gun |
| 65 | 20G162024 | 3/8" Coupling |
| 91 | 20G256540 | Junction Box (See Fig. 6) |
| 92 | 20G111801 | Hex HD Screw Cap |
| 94 | 20G113498 | Air Relief Valve, 100 psi |
| 95 | 20G15U655 | Identification Label |
| 100 | 20G222200 | Restrictor Valve (Quantity of Two) |
| 101 | 20G114593 | Restrictor Valve Knob (Quantity of Two) |
| 102 | 20G156849 | 3/8" NPT x 3/8" Pipe Nipple (Quantity of Two) |
| 107 | 20G248208 | 5/16" x 4' Coupled Hose |
| 126 | 20GH42506 | 1/4" x 6' Coupled Hose, 4500 psi |
| 145 | 20G15T258 | Xtreme® Wrench |
| — | 201V557 | Brochure – Graco® XM™ Plural Component Sprayers |
| — | 206M511 | Part Numbers and Schematics Guide – Graco® XTR-7™ Airless Spray Gun |
| — | 206M607 | Part Numbers and Schematics Guide – Graco® XM70™ Plural Component Sprayer |
| — | 209V557 | Operator's Manual – Graco® XM™ Plural Component Sprayer |

PART NUMBERS AND SCHEMATICS GUIDE

Figure 1: Graco® XM70™ Plural Component Sprayer



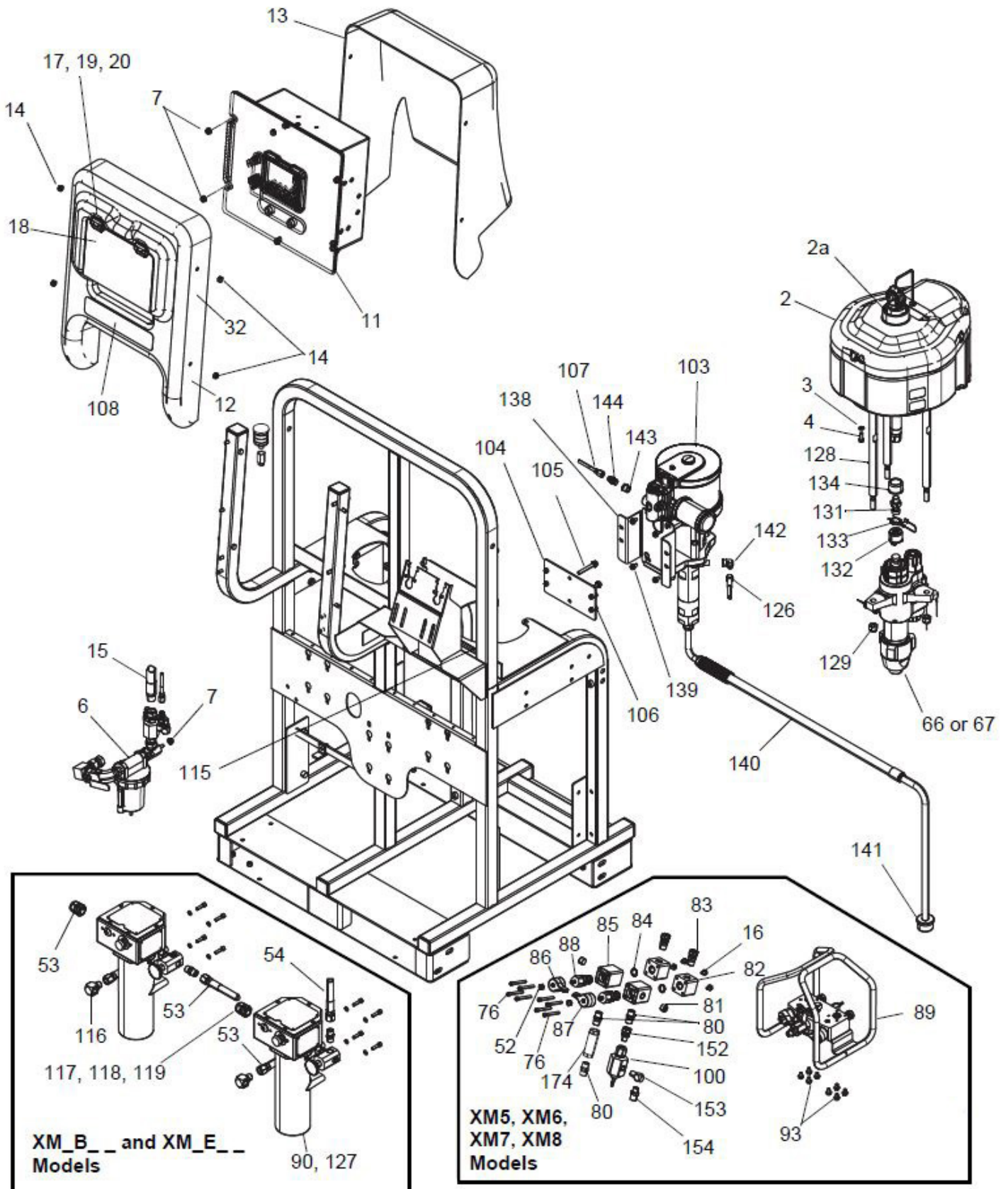
PART NUMBERS AND SCHEMATICS GUIDE

Graco® XM70™ Plural Component Sprayer

| Item# | Part# | Description | Item# | Part# | Description |
|---------------|-----------|---|-------|-----------|---|
| Fig. 2 | | | 87 | 20G15R380 | Green Handle |
| 2 | 20G257055 | XM™ Air Motor 6500 De-Icing (Quantity of Two) (See Fig. 9) | 88 | 20G255747 | Valve Cartridge (Quantity of Two) |
| 2a | 20G256893 | Linear Sensor (Quantity of Two) | 89 | 20G24A034 | Remote Mix Manifold Cartridge |
| 3 | 20G100133 | 3/8" Lock Washer Spring (Quantity of Eight) | 90 | 20G245869 | Fluid Heater (Quantity of Two) (See Fig. 18) |
| 4 | 20G100101 | 3/8-16 x 1" Long Screw (Quantity of Eight) | 93 | 20G111801 | Hex Head Screw Cap (Quantity of Eight) |
| 6 | 20G255762 | Air Inlet Manifold (See Fig. 8) | 100 | 20G222200 | Restrictor Valve (Quantity of Three) |
| 7 | 20G112958 | Flanged Hex Nut (Quantity of Nine) | 103 | 20G257463 | 75cc XM™ Solvent Pump – 6" (See Fig. 19) |
| 11 | 20G255771 | XM™ Control Box (See Fig. 4) | 104 | 20G256169 | Solvent Pump Plate |
| 12 | 20G256177 | Front Shroud Cover | 105 | — | Flanged Hex Head Screw (Quantity of Two) |
| 13 | 20G16P815 | Rear Shroud Cover | 106 | 20G112395 | Flanged Cap Screw (Quantity of Four) |
| 14 | 20G117623 | 3/8-16 Nut Cap (Quantity of Four) | 107 | 20G248208 | 5/16" x 4' Coupled Hose |
| 15 | 20G240900 | 3/4" x 30' Coupled Air Hose (Quantity of Three) | 108 | — | XM70™ Label |
| 16 | 20G111801 | Hex Head Screw Cap (Quantity of Ten) | 115 | 20G115901 | Edge Trim (Quantity of Two) |
| 17 | 20G121471 | Friction Positioning Hinge (Quantity of Two) | 116 | 20G158683 | 1/2" 90° Elbow (Quantity of Two) |
| 18 | 20G15T568 | Door Control Shroud | 117 | 20G15T967 | Heater Cable (Quantity of Two) |
| 19 | 20G15T567 | Backup Plate Hinge Nut (Quantity of Four) | 118 | 20G116171 | Relief Bushing (Quantity of Two) |
| 20 | 20G112380 | Pan Head Machine Screw (Quantity of Eight) | 119 | 20G122032 | Wire Nut (Quantity of Four) |
| 32 | 20G15T468 | Warning Label (Quantity of Two) | 126 | 20GH42506 | 1/4" x 6' Coupled Hose, 4500 psi |
| 52 | 20G117623 | 3/8-16 Nut Cap | 127 | 20G100527 | Washer (Quantity of Eight) |
| 53 | 20GH75003 | 1/2" x 3' Coupled Hose, 7250 psi (Quantity of Three) | 128 | 20G257150 | 1/4" Tie Rod (Quantity of Six) |
| 54 | 20GH75002 | 1/2" x 2' Coupled Hose, 7250 psi | 129 | 20G101712 | 5/8-11 Lock Nut (Quantity of Six) |
| 66 | — | A Side Lower (See Fig. 10) | 131 | 20G15H392 | Rod Adapter (Quantity of Two) |
| 67 | — | B Side Lower (See Fig. 14) | 132 | 20G244819 | Xtreme® Rod Quick Coupling (Quantity of Two) |
| 76 | 20G121295 | Socket Head Screw Cap (Quantity of Eight) | 133 | 20G244820 | Connector Clip (Quantity of Two) |
| 80 | 20G158491 | 1/2" x 1/2" Nipple (Quantity of Two) | 134 | 20G197340 | Coupler Cover (Quantity of Two) |
| 81 | 20G100361 | 1/2" Pipe Plug (Quantity of Two) | 138 | 20G256561 | Solvent Pump Mounting Plate |
| 82 | 20G15R529 | Fluid Distribution Block (Quantity of Two) | 139 | 20G111799 | Flanged Hex Head Screw (Quantity of Four) |
| 83 | 20G156684 | Union Adapter (Quantity of Two) | 140 | 20G256421 | Suction Hose – Conventional |
| 84 | 20G121139 | O-Ring, PTFE (Quantity of Two) | 141 | 20G181073 | Inlet Strainer Kit |
| 85 | 20G15J594 | Check Valve Housing (Quantity of Two) | 142 | 20G116935 | Screw Cap |
| 86 | 20G15J916 | Blue Handle | 143 | 20G100081 | 1/2" (M) x 3/8" (F) Steel Bushing |
| | | | 144 | 20G157350 | 1/4" NPT x 3/8" NPT Nipple |
| | | | 152 | 20G162505 | 3/8" (M) x 1/2" (F) Union Swivel |
| | | | 153 | 20G155699 | 3/8-18 NPT Street Elbow |
| | | | 154 | 20G159239 | 1/2" x 3/8" NPT Pipe Nipple |
| | | | 174 | 20G16N367 | 1/2" x 3-1/2" Coupling |

PART NUMBERS AND SCHEMATICS GUIDE

Figure 2: Graco® XM70™ Plural Component Sprayer



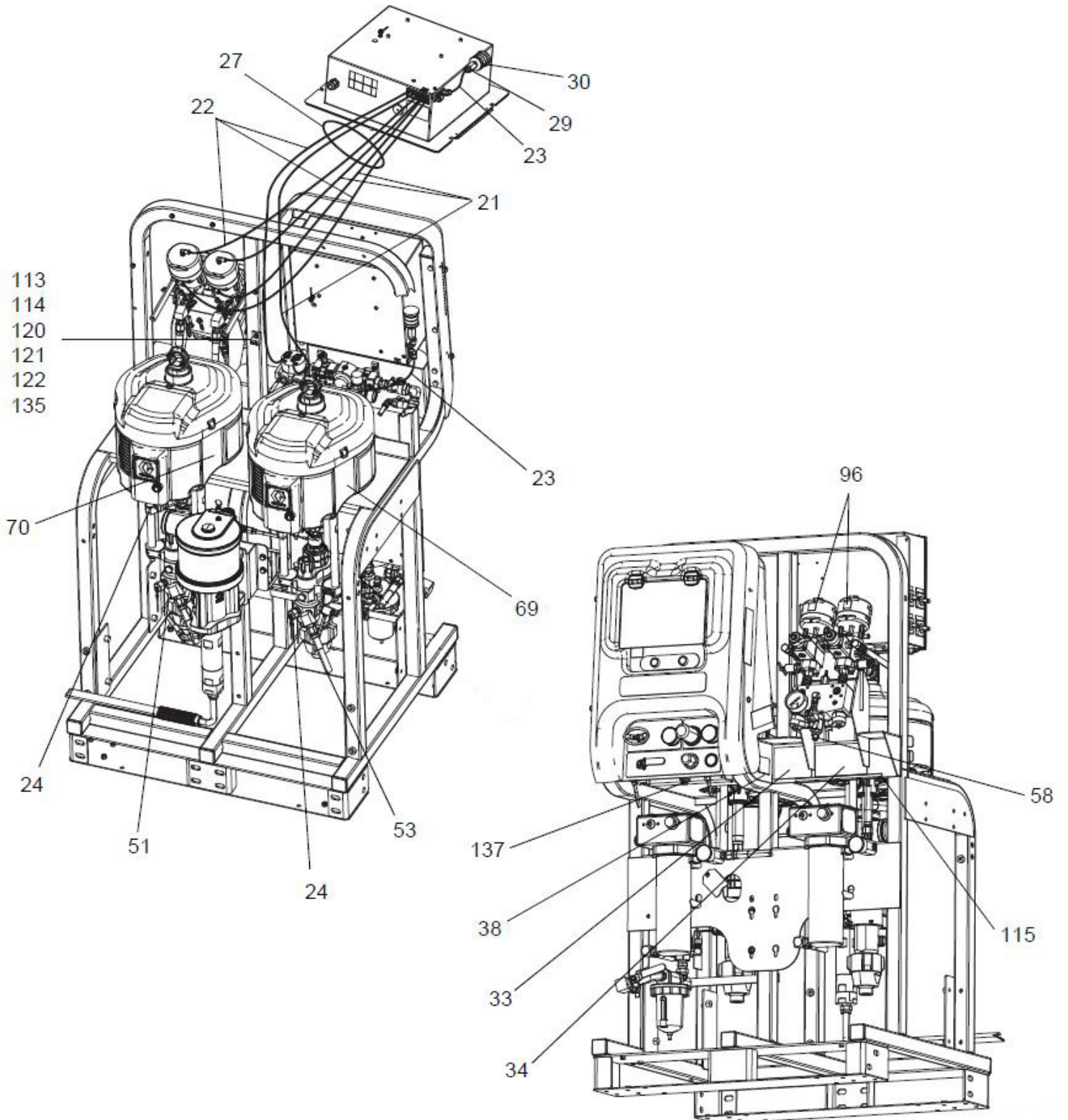
PART NUMBERS AND SCHEMATICS GUIDE

Graco® XM70™ Plural Component Sprayer

| Item# | Part# | Description |
|---------------|-----------|---|
| Fig. 3 | | |
| 21 | 20G054172 | 1/4" O.D. Nylon Tube – Black 10' |
| 22 | 20G054175 | 1/4" O.D. Nylon Tube – Natural 7' |
| 23 | 20GC12508 | 3/8" x 250' Black Nylon Tubing |
| 24 | 20G160327 | 3/4" x 3/4" 90° Union Swivel (<i>Quantity of Two</i>) |
| 27 | 20G114601 | 3' Non-Metallic, Flexible Conduit |
| 29 | 20G121688 | 3/8" NPT x 3/8" Connector Tube |
| 30 | 20G108636 | Muffler |
| 33 | 20G15U926 | Codes & Alerts Label |
| 34 | 20G15W598 | Warning Label |
| 38 | 20G293547 | Identification Label |
| 51 | 20G15M987 | 1/2" NPT (M) x 1/2" NPT (F) 60° Elbow |
| 53 | 20GH75003 | 1/2" x 3' Coupled Hose, 7250 psi (<i>Quantity of Three</i>) |
| 58 | 20GH73825 | 3/8" x 25' Coupled Hose, 7250 psi |
| 69 | 20G15H652 | A Side Motor Label |
| 70 | 20G15H654 | B Side Motor Label |
| 96 | 20G15U654 | Identification Label |
| 113 | 20G117666 | Ground Terminal |
| 114 | 20G100028 | Lock Washer |
| 115 | 20G115901 | Edge Trim (<i>Quantity of Two</i>) |
| 120 | — | Ground Assembly Wire |
| 121 | — | Electric Copper Wire |
| 122 | 20G109025 | Terminal Ring |
| 135 | 20G113796 | Flanged Hex Head Screw |
| 137 | 20G054760 | 3-1/2' Black Polyurethane Tube |

PART NUMBERS AND SCHEMATICS GUIDE

Figure 3: Graco® XM70™ Plural Component Sprayer



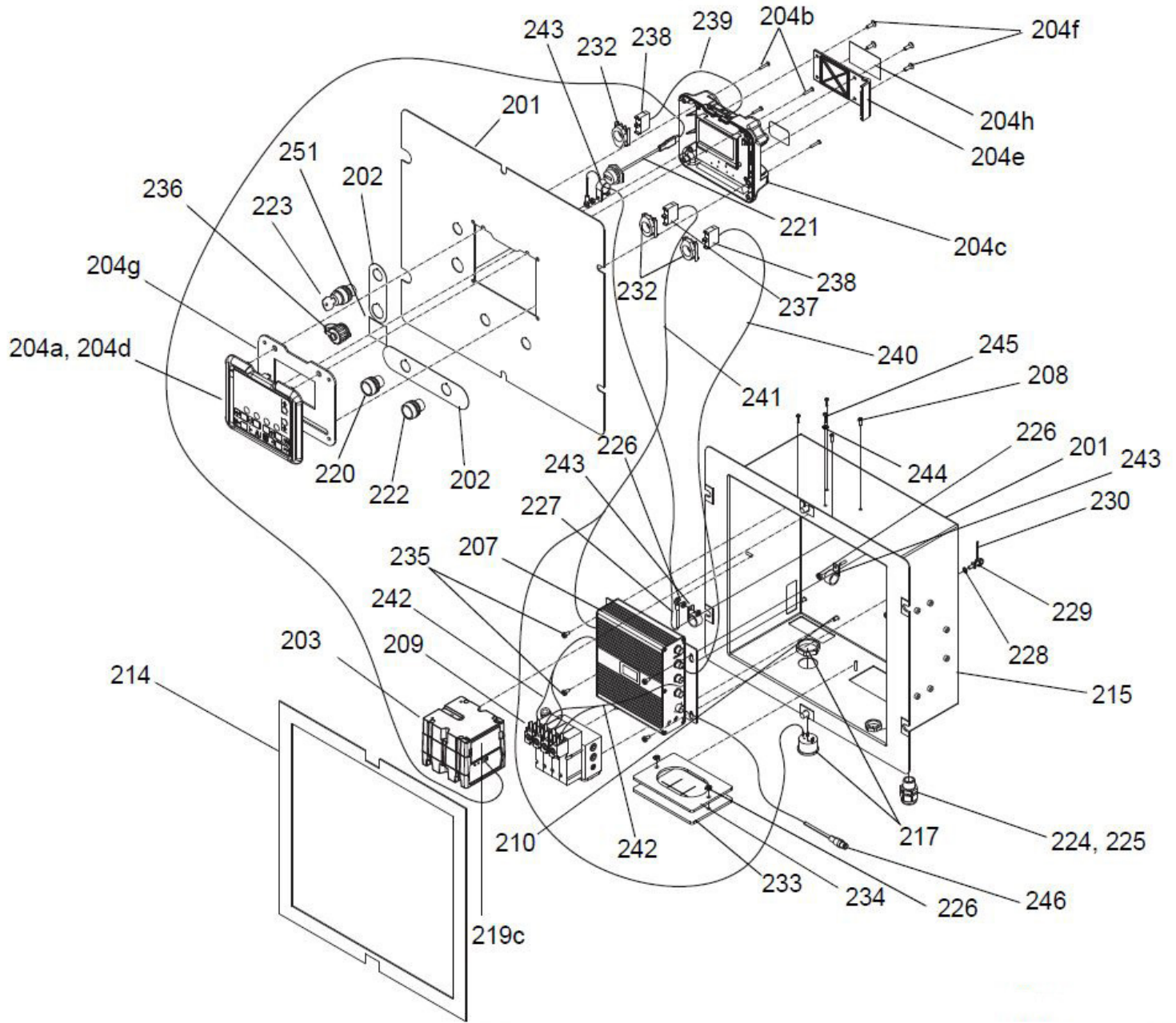
PART NUMBERS AND SCHEMATICS GUIDE

XM™ Control Box

| Item# | Part# | Description | Item# | Part# | Description |
|---------------|------------------|--|-------|-----------|---|
| Fig. 4 | | | | | |
| — | 20G255771 | XM™ Control Box | 225 | 20G117625 | Locking Nut |
| 201 | — | Control Box | 226 | 20G113505 | Hex Head Nut (<i>Quantity of Six</i>) |
| 202 | — | Control Display Label | 227 | 20G15B090 | Grounding Door Wire |
| 203 | 20G262641 | USB Replacement Kit (<i>Includes Item #'s: 206 and 219</i>) | 228 | 20G558685 | External Lock Washer |
| 204 | 20G257484 | Displace Module Repair Kit (<i>Includes Item #'s: 204a–204h</i>) | 229 | 20G15R343 | Electrical Ground Clamp |
| 204a | 20G15M483 | Membrane Shield (<i>Quantity of Ten</i>) | 230 | 20G065213 | Electrical Copper Wire (<i>Quantity of Three</i>) |
| 204b | — | Pan Head Screw (<i>Quantity of Four</i>) | 232 | 20G120493 | Mounting Latch (<i>Quantity of Three</i>) |
| 204c | 20G288997 | Rear Display Module Case | 233 | 20G15H189 | Wire Feed Through Boot |
| 204d | 20G255727 | Front Display Module Case | 234 | 20G15G816 | Plate Wire Cover |
| 204e | 20G277463 | Low Level Displace Access Cover | 235 | 20G110637 | Pan Head Screw (<i>Quantity of Four</i>) |
| 204f | 20G113768 | Flat Head Socket Screw (<i>Quantity of Four</i>) | 236 | 20G15R325 | Bulkhead Receptacle Dust Cover |
| 204g | 20G15R458 | Front Panel Control Gasket | 237 | 20G120494 | Switch Block, n.o. (<i>Quantity of Two</i>) |
| 204h | 20G15W958 | Battery Warning Label | 238 | 20G120495 | Switch Block, n.c. |
| 205 | 20G262642 | Display Replacement Kit (<i>Includes Item #'s: 204 and 206</i>) | 239 | 20G15M974 | Key Switch Harness |
| 206 | 20G17E110 | XM™ PDP GCA Upgrade Token | 240 | 20G15M975 | Start/Alarm Harness |
| 207 | 20G262643 | FCM Replacement Kit (<i>Includes Item #'s: 206 and 218</i>) | 241 | 20G15M976 | Stop Harness |
| 208 | — | Pan Head Screw (<i>Quantity of Four</i>) | 242 | 20G15M977 | Solenoid Harness (<i>Quantity of Two</i>) |
| 209 | 20G256555 | Solenoid Module – IS Version (<i>Includes Item #'s: 209a–209c</i>) | 243 | 20G121988 | Wire Harness Routing Retainer (<i>Quantity of Four</i>) |
| 209a | 20G121636 | Solenoid Connector Valve (<i>Quantity of Four</i>) | 244 | 20G195875 | Pan Head Screw |
| 209b | 20G15A789 | Solenoid Outlet Gasket | 245 | 20G102063 | Lock Washer |
| 209c | 20G15A799 | Solenoid Inlet/Exhaust Gasket | 246 | 20G15U542 | Cable Motor (<i>Quantity of Two</i>) |
| 210 | 20G106084 | Pan Head Screw (<i>Quantity of Two</i>) | 251 | 20G15X214 | USB Warning Label |
| 214 | 20G15R379 | Control Box Gasket | — | 20G122829 | 3/4" Conduit |
| 215 | — | Label | | | |
| 217 | 20G122000 | XM™ Alarm – Panel Mount | | | |
| 218 | 20G255920 | Advanced Fluid Control Module | | | |
| 219 | 20G257088 | USB Module Assembly (<i>Includes Item #'s: 219a–219c</i>) | | | |
| 219a | 20G289899 | Base | | | |
| 219b | 20G277674 | USB Module | | | |
| 219c | 20G277674 | Module Door | | | |
| 220 | 20G121618 | XM™ Push Button Start Switch | | | |
| 221 | 20G15R324 | USB Harness Plug/Bulkhead – 32" | | | |
| 222 | 20G121619 | Push Button Stop Switch – Red | | | |
| 223 | 20G121617 | Two Position Key Switch | | | |
| 224 | 20G117745 | Strain Relief Bushing | | | |

PART NUMBERS AND SCHEMATICS GUIDE

Figure 4: XM™ Control Box



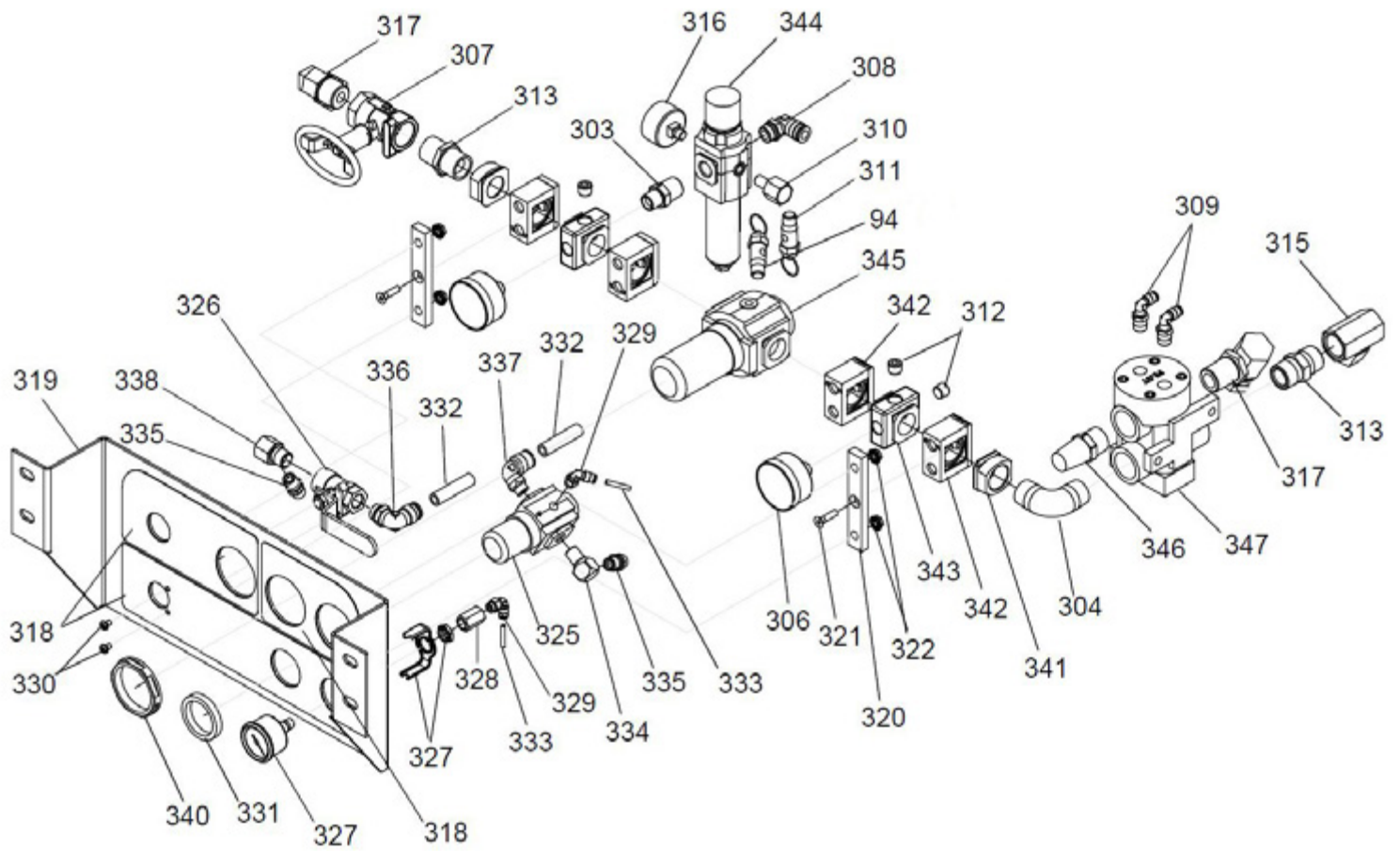
PART NUMBERS AND SCHEMATICS GUIDE

Air Controls Module

| Item# | Part# | Description | Item# | Part# | Description |
|---------------|------------------|---|-------|-----------|---|
| Fig. 5 | | | | | |
| — | 20G255761 | Air Controls Module | 340 | 20G122336 | Regulator Panel Nut |
| 94 | 20G116643 | Pressure Relief Valve – 90 psi | 341 | 20G113440 | 3/4" (F) Pipe Adapter <i>(Quantity of Two)</i> |
| 303 | 20G157350 | 1/4" NPT x 3/8" NPT Nipple | 342 | 20G113431 | Quick Connector <i>(Quantity of Four)</i> |
| 304 | 20G108307 | 3/4" NPT Elbow | 343 | 20G113442 | Porting Block <i>(Quantity of Two)</i> |
| 306 | 20G101689 | Air Gauge <i>(Quantity of Two)</i> | 344 | 20G15R488 | Air Regulator <i>(Includes Item #344a)</i> |
| 307 | 20G117346 | 3/4" Ball Valve – Vented | 344a | 20G123454 | 5 Micron Air Filter Element |
| 308 | 20G114316 | Swivel Elbow, Male | 345 | 20G15R487 | Air Regulator |
| 309 | 20G114109 | Fitting Elbow Male Swivel <i>(Quantity of Two)</i> | 346 | 20G15R486 | Muffler |
| 310 | 20G158962 | 1/4" (F) x 1/8" (M) Reducing Elbow | 347 | 20G15R485 | Dual Pilot Valve |
| 311 | 20G116643 | Pressure Relief Valve – 90 psi | — | 20G255772 | Air Controls Repair Kit <i>(Includes Item #'s: 340, 341, 342, 343, 344, 345, 346, and 347)</i> |
| 312 | 20G100721 | Pipe Plug <i>(Quantity of Three)</i> | | | |
| 313 | 20G119992 | 3/4" x 3/4" NPT Pipe Nipple Fitting <i>(Quantity of Two)</i> | | | |
| 315 | 20G156589 | 3/4" 90° Swivel Union | | | |
| 316 | 20G113911 | Air Pressure Gauge | | | |
| 317 | 20G160327 | 3/4" x 3/4" 90° Union Adapter <i>(Quantity of Two)</i> | | | |
| 318 | 20G15T119 | Control Label | | | |
| 319 | — | Air Controls Bracket | | | |
| 320 | 20G15R437 | Air Controls Adapter Bracket <i>(Quantity of Two)</i> | | | |
| 321 | 20G121432 | Hex Flat Head Screw <i>(Quantity of Four)</i> | | | |
| 322 | 20G115942 | Hex Head Nut <i>(Quantity of Four)</i> | | | |
| 325 | 20G116513 | Air Regulator | | | |
| 326 | 20G121457 | Air Ball Valve – Panel Mounted | | | |
| 327 | 20G121424 | 1-1/2" Pressure Gauge – Panel Mount | | | |
| 328 | 20G100451 | Coupling | | | |
| 329 | 20G114151 | Male Swivel Elbow Fitting <i>(Quantity of Two)</i> | | | |
| 330 | 20G100264 | Pan Head Screw <i>(Quantity of Two)</i> | | | |
| 331 | 20G116514 | Nut Regulator | | | |
| 332 | 20G054760 | 1-1/4" Polyurethane Tube – Black | | | |
| 333 | — | 0.6' Polyurethane Tube | | | |
| 334 | 20G100840 | 1/4-18 NPT Elbow | | | |
| 335 | 20G162453 | 1/4" x 1/4" Nipple <i>(Quantity of Two)</i> | | | |
| 336 | 20G114114 | Swivel Elbow – Male | | | |
| 337 | 20G114128 | 1/4" x 1/2" Swivel Elbow – Male | | | |
| 338 | 20G164259 | 3/8" (M) x 1/4" (F) Street Elbow | | | |

PART NUMBERS AND SCHEMATICS GUIDE

Figure 5: Air Controls Module



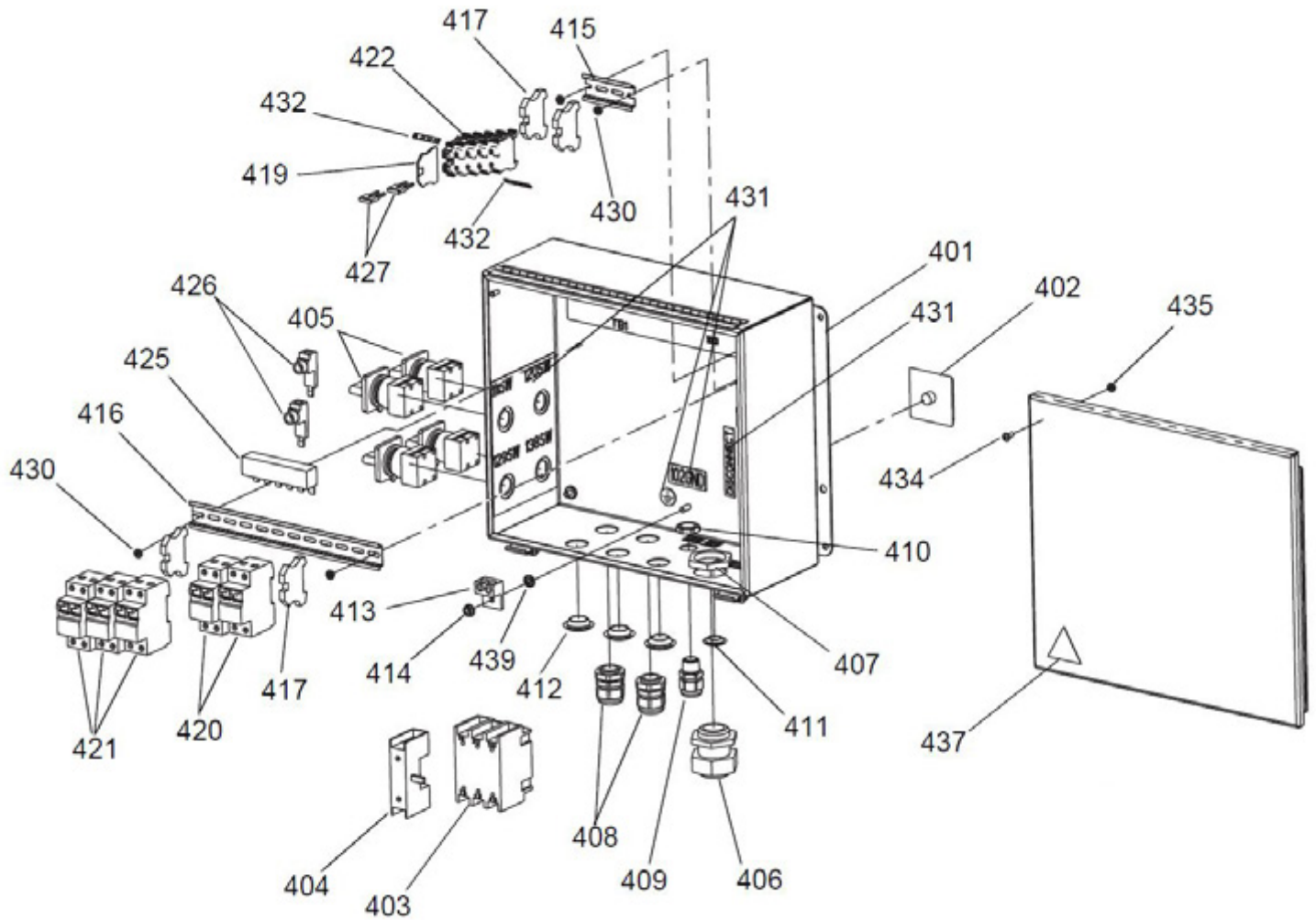
PART NUMBERS AND SCHEMATICS GUIDE

Junction Box

| Item# | Part# | Description |
|---------------|------------------|--|
| Fig. 6 | | |
| — | 20G256540 | Junction Box |
| 401 | — | Electrical Enclosure |
| 402 | 20G117545 | Operator Disconnect Knob |
| 403 | 20G117564 | 100A Disconnect Switch |
| 404 | 20G117553 | 100A Disconnect Phase Expander Switch |
| 405 | 20G15U423 | 25A Switch (<i>Quantity of Four</i>) |
| 406 | 20G255047 | Strain Relief Bushing |
| 407 | 20G255048 | Strain Relief Nut |
| 408 | 20G116171 | Strain Relief Bushing (<i>Quantity of Two</i>) |
| 409 | 20G117745 | Strain Relief Bushing |
| 410 | 20G117625 | Locking Nut |
| 411 | 20G15U543 | 7/8" Hole Plug |
| 412 | 20G15U544 | 1-1/8" Hole Plug (<i>Quantity of Three</i>) |
| 413 | 20G117666 | Ground Terminal |
| 414 | 20G115942 | Flanged Head Hex Nut |
| 415 | — | 3" Mounting Rail |
| 416 | — | Mounting Rail |
| 417 | 20G255045 | Clamp End Block (<i>Quantity of Four</i>) |
| 419 | — | End Cover |
| 420 | 20G255050 | 25A Circuit Breaker (<i>Quantity of Two</i>) |
| 421 | 20G121623 | 10A Circuit Breaker (<i>Quantity of Three</i>) |
| 422 | 20G120570 | Terminal Block (<i>Quantity of Five</i>) |
| 425 | — | 6-Pin Power Bus Bar |
| 426 | 20G117679 | Power Lug Connector (<i>Quantity of Two</i>) |
| 427 | 20G120573 | Plug-In Bridge (<i>Quantity of Two</i>) |
| 430 | 20G113505 | Hex Head Nut (<i>Quantity of Four</i>) |
| 431 | 20G15U662 | Identification Label |
| 432 | — | Terminal Blocker Marker (<i>Quantity of Two</i>) |
| 434 | 20G112948 | Machine Head Screw |
| 435 | 20G100166 | Full Hex Nut |
| 437 | 20G196548 | Caution Label |
| 439 | 20G558685 | 1/4" External Washer |
| — | 20G15U954 | Junction Box Harness |
| — | 20G15R344 | Wiring Identification Label |

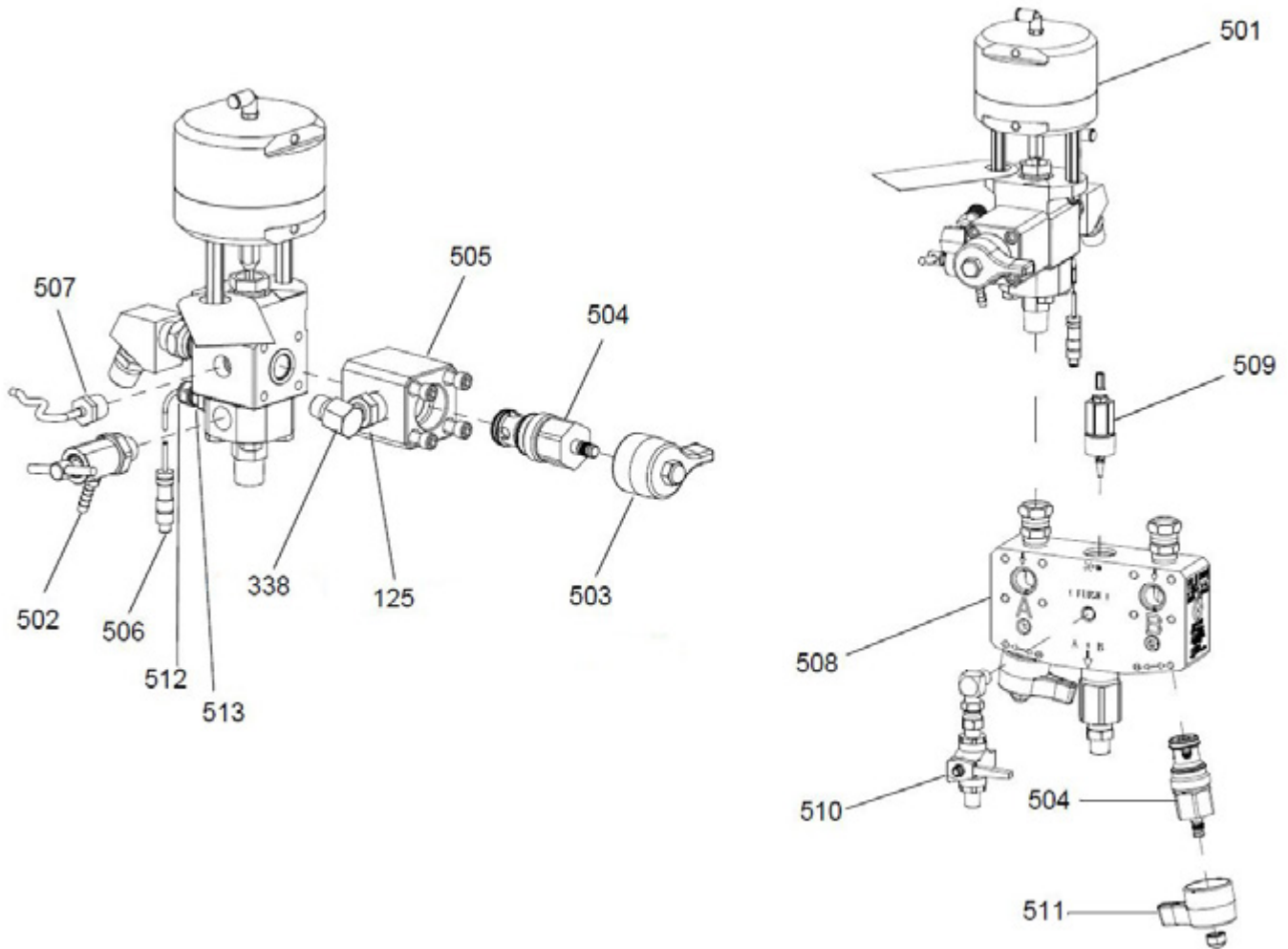
PART NUMBERS AND SCHEMATICS GUIDE

Figure 6: Junction Box



PART NUMBERS AND SCHEMATICS GUIDE

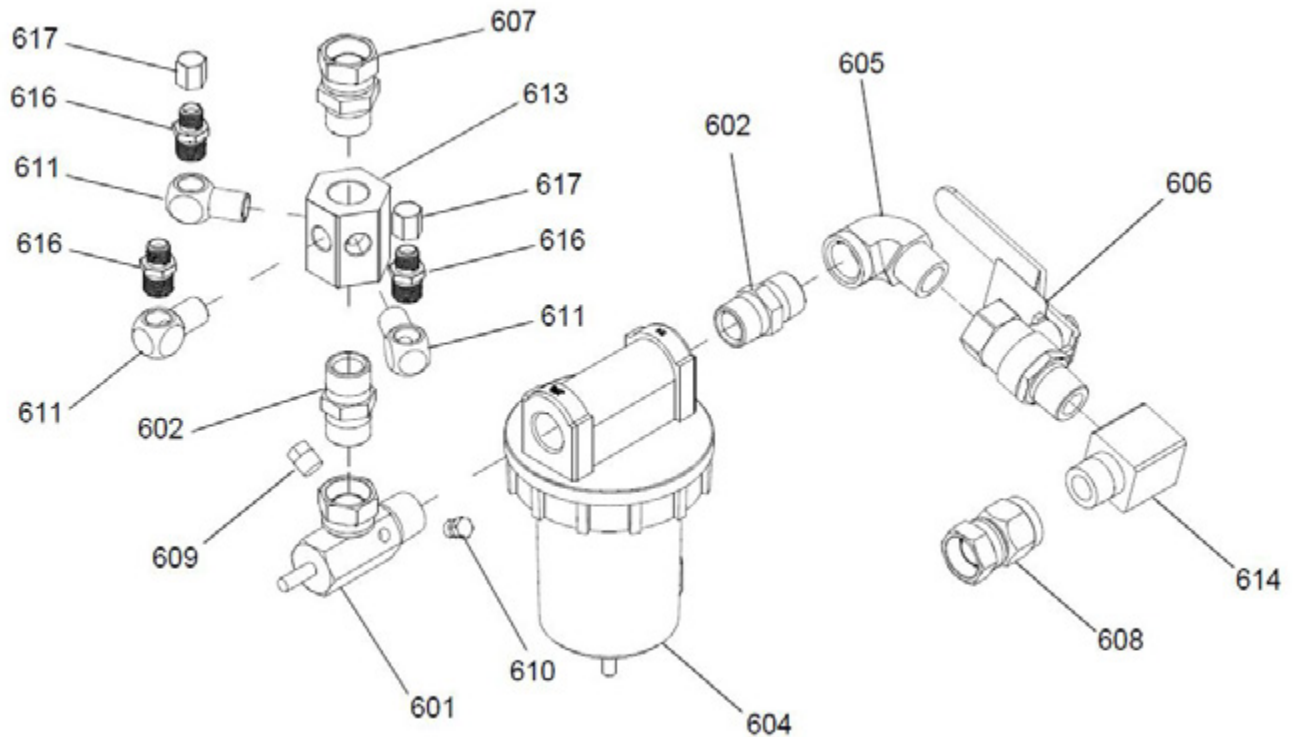
Figure 7: Fluid Control Assembly



| Item# | Part# | Description |
|---------------|-----------|---|
| Fig. 7 | | |
| 125 | 20G162449 | 1/4" x 1/2" Nipple |
| 338 | 20G164259 | 3/8" (M) x 1/4" (F) Street Elbow |
| 501 | 20G255478 | Ration Control Valve (Quantity of Two) |
| 502 | 20G245143 | Bleed Off Valve (Quantity of Two) |
| 503 | 20G15R381 | Recirculation Valve Handle – Black (Quantity of Two) |
| 504 | 20G255747 | Circulation Valve Cartridge (Quantity of Four) |
| 505 | 20G15J594 | Check Valve Housing (Quantity of Two) (does not include item #505a) |
| 505a | 20G121139 | O-Ring Packing (Quantity of Two) |
| 506 | 20G15R347 | Fluid Control Sensor (Quantity of Two) |
| 507 | 20G15M669 | Fluid Pressure Sensor (Quantity of Two) (Includes Item #507a) |
| 507a | 20G121399 | O-Ring, Solvent Resistant (Quantity of Two) |
| 508 | 20G255684 | Mix Manifold Assembly |
| 509 | — | Restrictor Valve Assembly |
| 510 | 20G214037 | 1/4" x 1/4" Ball Valve, 5000 psi |
| 511 | — | Mix Manifold Valve Handle – Blue and Green (Quantity of Two) |
| 512 | 20G15T072 | Cord Grip (Quantity of Two) |
| 513 | 20G15T071 | Thermo-Well Fitting (Quantity of Two) |

PART NUMBERS AND SCHEMATICS GUIDE

Figure 8: Air Inlet Manifold



| Item# | Part# | Description |
|-------|-------|-------------|
|-------|-------|-------------|

Fig. 8

| | | |
|------|------------------|---|
| — | 20G255762 | Air Inlet Manifold |
| 601 | 20G207675 | Air Manifold |
| 602 | 20G119992 | 3/4" x 3/4" NPT Pipe Nipple Fitting (<i>Quantity of Two</i>) |
| 603 | 20G15E145 | Air Distribution Manifold |
| 604 | 20G117628 | 3/4" Filter Air Auto Drain (<i>Includes Item #604a</i>) |
| 604a | 20G106204 | 3/4" NPT Filter Element |
| 605 | 20G122327 | Pipe Elbow, Male |
| 606 | 20G113218 | 3/4" Ball Valve – Vented M x F |
| 607 | 20G157785 | 3/4" x 3/4" Carbon Steel Union Swivel |
| 608 | 20G156172 | 3/4" NPT x 3/4" NPSM |
| 609 | 20G100509 | Pipe Plug – 1/4" Square Head |
| 610 | 20G114234 | Hex Head Plug |
| 611 | 20G155699 | 3/8" 90° Street Elbow (<i>Quantity of Three</i>) |
| 614 | 20G166590 | Street Elbow |
| 616 | 20G157350 | 1/4" NPT x 3/8" NPT Nipple, 5000 psi (<i>Quantity of Three</i>) |
| 617 | 20G115781 | Cap Plug (<i>Quantity of Two</i>) |

PART NUMBERS AND SCHEMATICS GUIDE

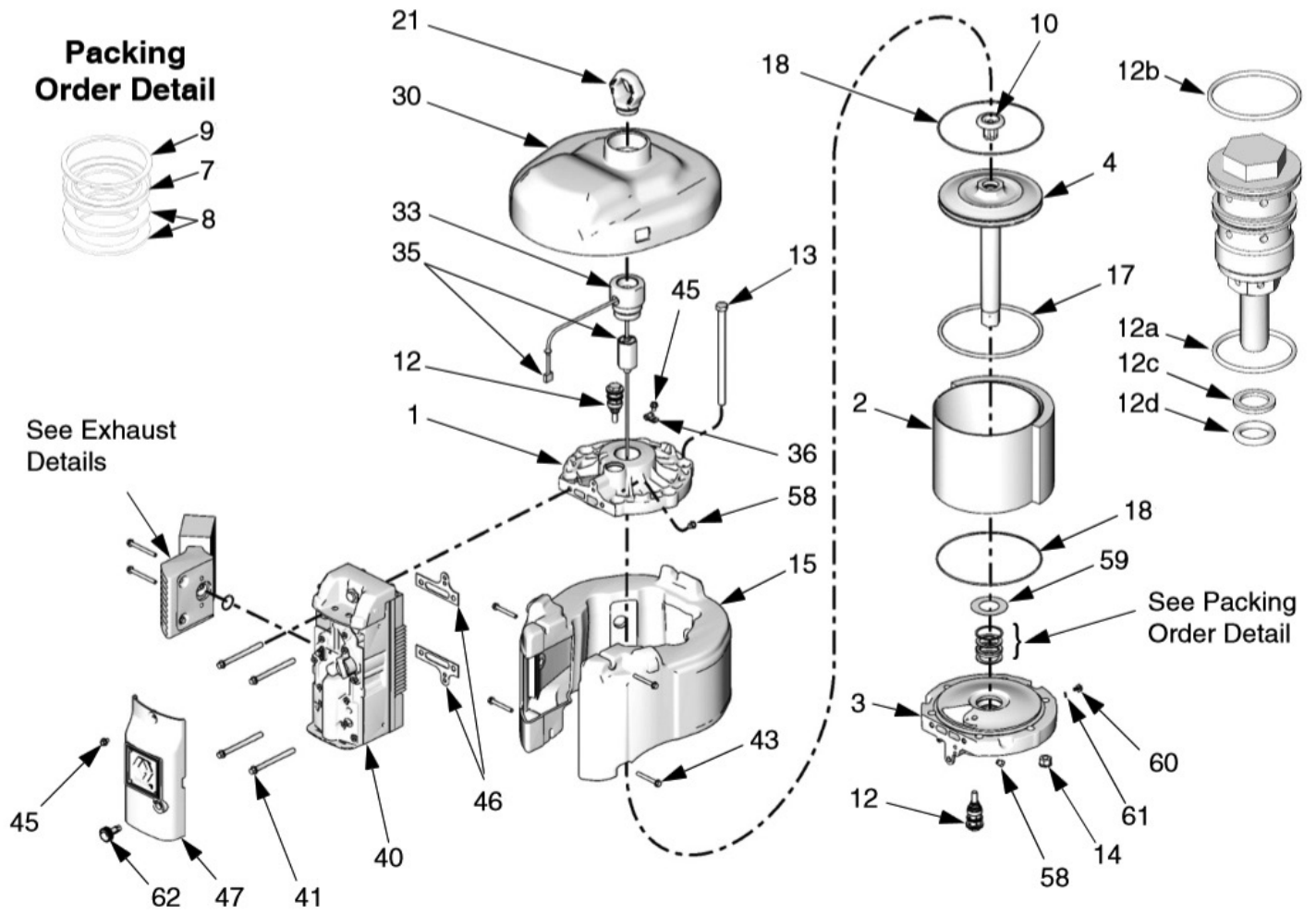
NXT® Model 6500 Air Motor

| Item# | Part# | Description |
|---------------|------------------|---|
| Fig. 9 | | |
| — | 20G257055 | NXT® Model 6500 De-Icing Air Motor |
| 1 | 20G15F953 | Top Cover |
| 2 | 20GNXT604 | Cylinder |
| 3 | 20GNXT602 | Bottom Cover |
| 4 | 20GNXT601 | Piston Assembly |
| 7 | 20G161562 | Packing, V-block; Nitrile |
| 8 | 20G15H610 | Packing, Backup; Leather |
| 9 | 20G16A026 | Retaining Ring |
| 10 | 20GNXT106 | Piston Bumper, includes Magnet |
| 12 | 20GNXT100 | Poppet (Includes Item #'s: 12a-12d) |
| 12a | — | O-Ring, buna-N |
| 12b | 20GNXT101 | O-Ring, buna-N |
| 12c | 20GNXT101 | O-Ring, Backup, buna-N |
| 12d | — | O-Ring, buna-N |
| 13 | 20G119050 | 1/2-13 x 8" Hex Head Bolt, (203 mm) |
| 14 | 20G15F639 | 1/2-13 Nut with Lock Washer |
| 15 | 20GNXT603 | Muffler |
| 17 | 20G122675 | Piston O-Ring, Nitrile |
| 18 | 20G15F448 | End Cap O-Ring, Nitrile |
| 20 | 20G119990 | O-Ring, buna-N |
| 21 | 20G15F931 | Lift Ring |
| 22 | 20GNXT110 | De-Ice Exhaust Kit (Includes Item #'s: 20, 25, 44, 56, and 57) |
| 25 | 20G120730 | 1/4-20 x 1" Machine Screw, Hex Head, (25 mm) (Quantity of Two) |
| 30 | 20G15F880 | Top Cover |
| 33 | 20G15F772 | Lift Ring Adapter |
| 35 | 20G256893 | Sensor Assembly |
| 36 | 20G120143 | Strain Relief Guide |
| 41 | 20G120088 | 3/8-16 x 4" Screw (101 mm) |
| 43 | 20G120091 | 1/4-20 x 2" Screw, Thread Forming, (51 mm) |
| 44 | 20G120092 | 1/4-20 x 2-1/2" Thread Forming Screw, (63 mm) |

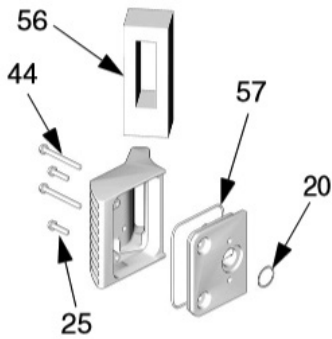
| Item# | Part# | Description |
|-------|-----------|---|
| 45 | 20G107257 | Thread-Forming Screw (Quantity of Four) |
| 46 | 20G253476 | Gasket |
| 47 | 20G287844 | Valve Cover, Outer |
| 51 | 20G15F674 | Safety Label |
| 52 | 20G15F973 | Safety Label |
| 56 | 20G15H190 | Exhaust Seal |
| 57 | 20G15K345 | Gasket, buna-N |
| 58 | 20G120206 | Poppet Muffler |
| 59 | 20G277366 | Bumper |
| 60 | 20G116343 | Ground Screw, M5 x 0.8 |
| 61 | 20G111307 | Lock Washer, 5 mm |
| 62 | 20GNXT112 | De-Ice Knob |
| — | 20GNXT600 | Repair Kit NXT 6500 Air Motor (Includes Item #'s: 7, 8, 9, 17, 18, and 46) |
| — | 209V509 | Operator's Manual – Graco® NXT® Air Motor |

PART NUMBERS AND SCHEMATICS GUIDE

Figure 9: NXT® Model 6500 Air Motor



De-Ice Exhaust



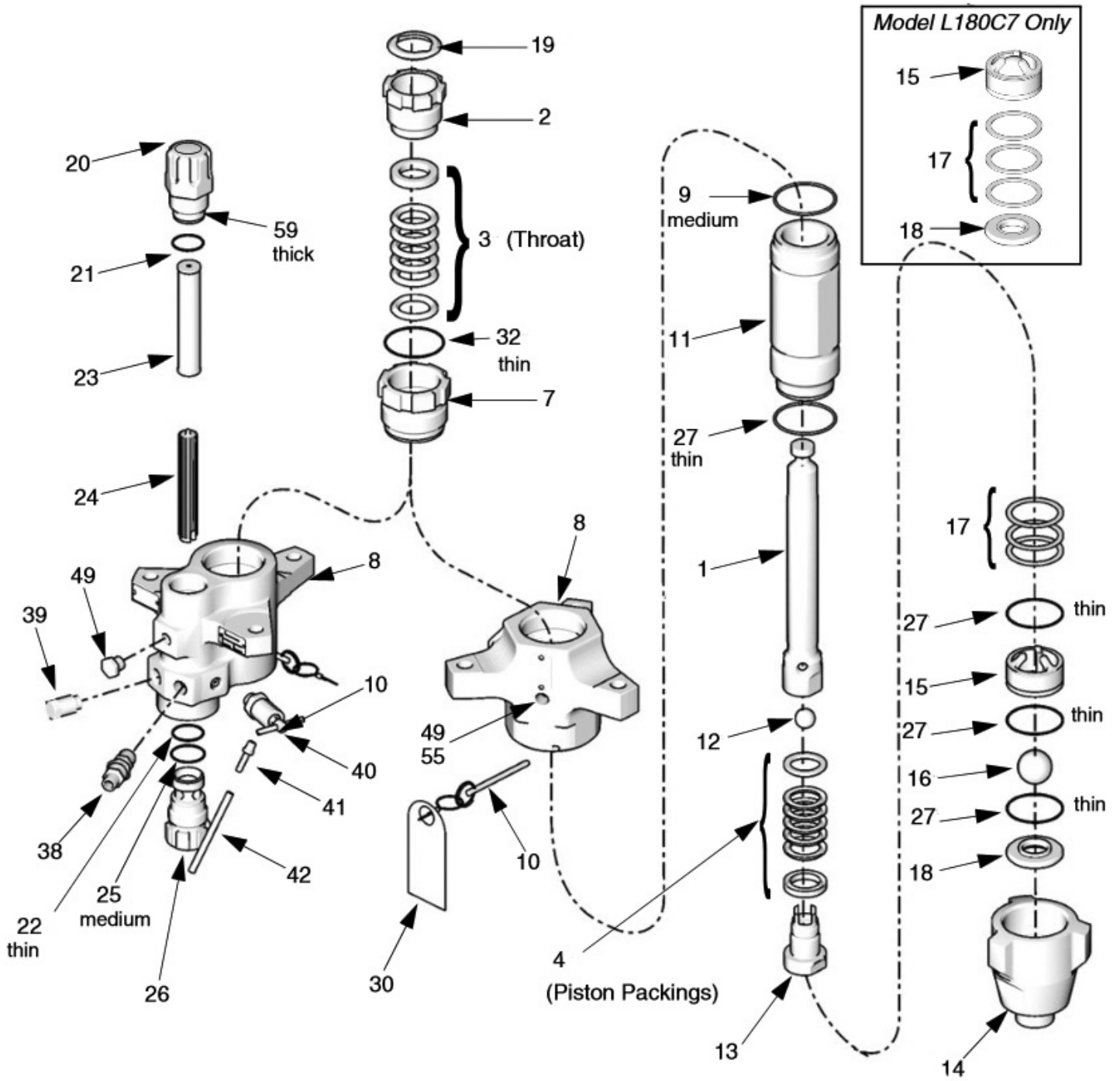
PART NUMBERS AND SCHEMATICS GUIDE

A Side Lower – 180cc Xtreme® Sprayer Lower Displacement Pump

| Item# | 20GL180C3 <i>(No Built-In Filter)</i> | 20GL180C4 <i>(Built-In Filter)</i> | Description |
|----------------|--|---------------------------------------|--|
| Fig. 10 | | | |
| 1 | 20G24B822 | 20G24B822 | Displacement Rod |
| 2 | 20G15K030 | 20G15K030 | Packing Nut |
| 3 | — | — | Stack Packings, Throat |
| 4 | — | — | Stack Packings, Piston |
| 7 | 20G197326 | 20G197326 | Packing Cartridge, Throat |
| 8 | 20G197334 | 20G197336 | Housing Outlet |
| 9 | 20G244892 | 20G244892 | O-Ring, Top Cylinder, PTFE Medium (<i>Quantity of 10</i>) |
| 10 | 20G244826 | 20G244826 | Self-Locking Pin |
| 11 | 20G197316 | 20G197316 | Lower Cylinder |
| 12 | 20G253029 | 20G253029 | Ball Piston (<i>Quantity of Three</i>) |
| 13 | 20G24B827 | 20G24B827 | Piston Valve |
| 14 | 20G197303 | 20G197303 | Inlet Housing |
| 15 | 20G197307 | 20G197307 | Inlet Ball Guide |
| 16 | 20G245128 | 20G245128 | Inlet Ball (<i>Quantity of Three</i>) |
| 17 | 20G244855 | 20G244855 | Inlet Shim Ball Guide (<i>Quantity of Nine</i>) |
| 18 | 20G196358 | 20G196358 | Inlet Seat |
| 19 | 20G247394 | 20G247394 | Throat Seal Plug (<i>Quantity of 10</i>) |
| 20 | — | 20G16M461 | Top Filler Cap |
| 21 | — | 20G171941 | Compression Spring |
| 22 | — | 20G244895 | Thin Filter O-Ring, PTFE (<i>Quantity of 10</i>) |
| 23 | — | 20G224459 | Strainer, 60 mesh screen |
| 24 | — | 20G186075 | Filter Support |
| 25 | — | 20G262484 | Filter O-Ring, Medium, PTFE (<i>Quantity of 10</i>) |
| 26 | — | 20G16M462 | Lower Filter Cap |
| 27 | 20G244890 | 20G244890 | Foot Valve and Cylinder Bottom O-Ring, PTFE thin (<i>Quantity of 10</i>) |
| 30 | 20G172479 | 20G172479 | Warning Tag |
| 32 | 20G244890 | 20G244890 | Throat Cartridge O-Ring, PTFE thin (<i>Quantity of 10</i>) |
| 38 | — | 20G158491 | Nipple Fitting, Outlet, 1/2 in |
| 39 | — | 20G24N518 | Packless Plug, 1/2 in |
| 40 | — | 20G245143 | Pressure Dump Valve |
| 41 | — | 20G116746 | Barbed Fitting, Plated |
| 42 | — | 20G116750 | Nylon Tube |
| 49 | 20G101754 | 20G198292 | Pipe Plug |
| 55 | — | — | Rupture Disc Housing |
| 59 | — | 20G262483 | Filter O-Ring, PTFE thick (<i>Quantity of 10</i>) |

PART NUMBERS AND SCHEMATICS GUIDE

Figure 10: A Side Lower – 180cc Xtreme® Sprayer Lower Displacement Pump



Note: Lower Displacement Pump with Built-In Filter Shown.

PART NUMBERS AND SCHEMATICS GUIDE

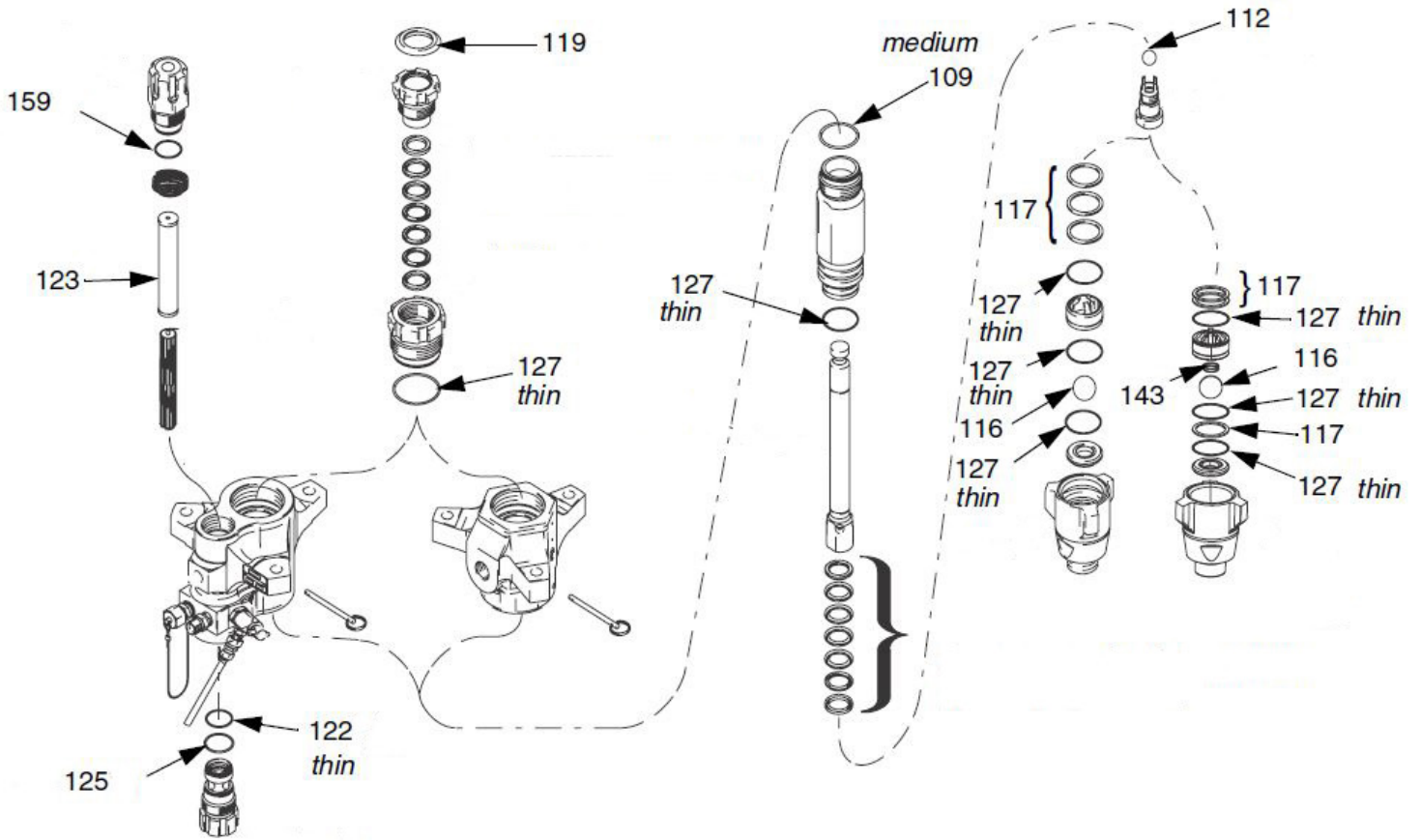
Xtreme® Seal Repair Kits for 180cc Lower Displacement Pump

| Item# | Part# | Description |
|----------------|------------------|---|
| Fig. 11 | | |
| — | 20G24F969 | Xtreme® Seal Repair Kit for 180cc Lower Displacement Pump <i>(Includes Item #'s: 103, 104, 109, 112, 116, 119, 122, 125, 127, 143, and 159)</i> |
| 103 | — | Throat Packings |
| 103a | 20G244882 | Male Gland <i>(Quantity of Four)</i> |
| 103b | 20G244876 | Female Gland <i>(Quantity of Four)</i> |
| 103c | 20G244870 | V-Packing, Leather <i>(Quantity of 10)</i> |
| 103d | 20G244864 | V-Packing, UHMWPE <i>(Quantity of 10)</i> |
| 104 | — | Piston Packings |
| 104a | 20G244882 | Male Gland <i>(Quantity of Four)</i> |
| 104b | 20G244876 | Female Gland <i>(Quantity of Four)</i> |
| 104c | 20G244870 | V-Packing, Leather <i>(Quantity of 10)</i> |
| 104d | 20G244864 | V-Packing, UHMWPE, Black <i>(Quantity of 10)</i> |
| 109 | 20G244892 | PTFE O-Ring, Top Cylinder Medium <i>(Quantity of 10)</i> |
| 112 | 20G253029 | Ball Piston, 3/4" (19 mm) <i>(Quantity of Three)</i> |
| 116 | 20G245128 | Ball Inlet, 1-1/4" (32 mm) <i>(Quantity of Three)</i> |
| 117 | 20G244855 | Shim Inlet, Ball Guide <i>(Quantity of Nine)</i> |
| 119 | 20G244996 | Throat Seal Plug, 1-3/4" <i>(Quantity of 10)</i> |
| — | 20G247394 | Throat Seal Plug, 2-1/2" <i>(Quantity of 10)</i> |
| 122 | 20G244895 | Filter O-Ring, Thin, PTFE <i>(Quantity of 10)</i> |
| 123 | 20G238436 | Strainer, 30 mesh screen, 5.65" <i>(Quantity of 25)</i> |
| — | 20G224458 | Strainer, 30 mesh, 5.65" <i>(Quantity of Two)</i> |
| — | 20G238438 | Strainer, 60 mesh, 5.65" <i>(Quantity of 25)</i> |
| — | 20G224459 | Strainer, 60 mesh, 5.65" <i>(Quantity of Two)</i> |
| 125 | 20G262484 | Filter O-Ring, Medium, PTFE <i>(Quantity of 10)</i> |
| — | 20G244896 | Filter O-Ring For Series A Pumps <i>(Quantity of 10)</i> |
| 127 | 20G244890 | O-Ring, PTFE, Thin <i>(Quantity of 10)</i> |
| 143 | 20G116801 | Foot Valve Spring |
| 159 | 20G262483 | Top Cap O-Ring, PTFE <i>(Quantity of 10)</i> |
| — | 20G244895 | Top Cap O-Ring For Series A Pumps <i>(Quantity of 10)</i> |
| — | 209V021 | Operator's Manual – Graco® Xtreme® Pump Lowers |

Quantities listed with repair kit are number of individual pieces.

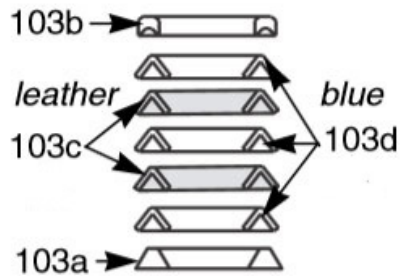
PART NUMBERS AND SCHEMATICS GUIDE

Figure 11: Xtreme® Seal Repair Kits for 180cc Lower Displacement Pump

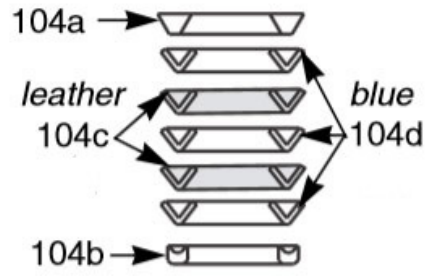


Xtreme® Seal Repair Kit

**Throat Packings:
Lips Face Down**



**Piston Packings:
Lips Face Up**



PART NUMBERS AND SCHEMATICS GUIDE

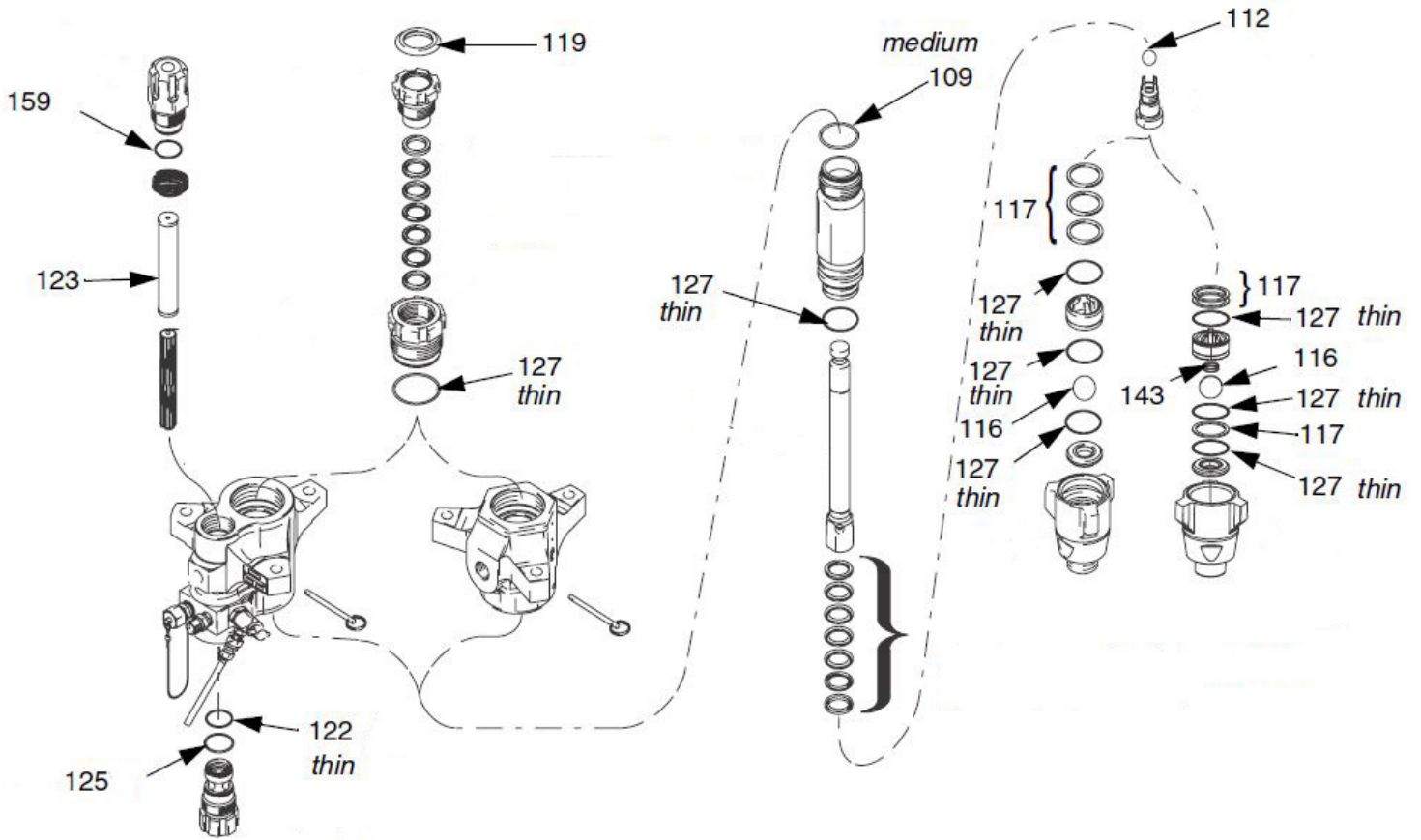
Tuff-Stack™ Repair Kit for 180cc Lower Displacement Pump

| Item# | Part# | Description |
|----------------|------------------|--|
| Fig. 12 | | |
| — | 20G24F970 | Tuff-Stack™ Repair Kit for 180cc Lower Displacement Pump <i>(Includes Item #'s: 103, 104, 109, 112, 116, 119, 122, 125, 127, 143, and 159)</i> |
| 103 | — | Throat Packings |
| 103a | 20G244882 | Male Gland <i>(Quantity of Four)</i> |
| 103b | 20G244876 | Female Gland <i>(Quantity of Four)</i> |
| 103e | 20G244858 | V-Packing Carbon-Filled, PTFE <i>(Quantity of 10)</i> |
| 104 | — | Piston Packings |
| 104a | 20G244882 | Male Gland <i>(Quantity of Four)</i> |
| 104b | 20G244876 | Female Gland <i>(Quantity of Four)</i> |
| 104e | 20G244858 | V-Packing Carbon-Filled, PTFE <i>(Quantity of 10)</i> |
| 109 | 20G244892 | PTFE O-Ring, Top Cylinder Medium <i>(Quantity of 10)</i> |
| 112 | 20G253029 | Ball Piston, 3/4" (19 mm) <i>(Quantity of Three)</i> |
| 116 | 20G245128 | Ball Inlet, 1-1/4" (32 mm) <i>(Quantity of Three)</i> |
| 117 | 20G244855 | Shim Inlet, Ball Guide <i>(Quantity of Nine)</i> |
| 119 | 20G244996 | Throat Seal Plug, 1-3/4" <i>(Quantity of 10)</i> |
| — | 20G247394 | Throat Seal Plug, 2-1/2" <i>(Quantity of 10)</i> |
| 122 | 20G244895 | Filter O-Ring, Thin, PTFE <i>(Quantity of 10)</i> |
| 123 | 20G238436 | Strainer, 30 mesh screen, 5.65" <i>(Quantity of 25)</i> |
| — | 20G224458 | Strainer, 30 mesh, 5.65" <i>(Quantity of Two)</i> |
| — | 20G238438 | Strainer, 60 mesh, 5.65" <i>(Quantity of 25)</i> |
| — | 20G224459 | Strainer, 60 mesh, 5.65" <i>(Quantity of Two)</i> |
| 125 | 20G262484 | Filter O-Ring, Medium, PTFE <i>(Quantity of 10)</i> |
| — | 20G244896 | Filter O-Ring For Series A Pumps <i>(Quantity of 10)</i> |
| 127 | 20G244890 | O-Ring, PTFE, Thin <i>(Quantity of 10)</i> |
| 143 | 20G116801 | Foot Valve Spring |
| 159 | 20G262483 | Top Cap O-Ring, PTFE <i>(Quantity of 10)</i> |
| — | 20G244895 | Top Cap O-Ring For Series A Pumps <i>(Quantity of 10)</i> |
| — | 209V021 | Operator's Manual – Graco® Xtreme® Pump Lowers |

Quantities listed with repair kit are number of individual pieces.

PART NUMBERS AND SCHEMATICS GUIDE

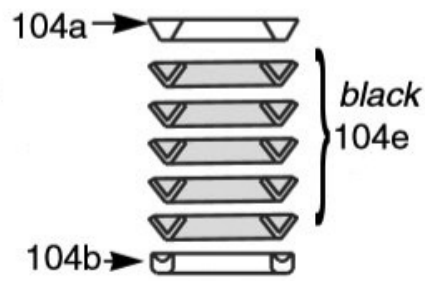
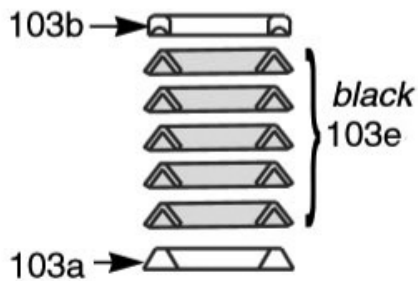
Figure 12: Tuff-Stack™ Repair Kit for 180cc Lower Displacement Pump



Tuff-Stack™ Seal Repair Kit

**Throat Packings:
Lips Face Down**

**Piston Packings:
Lips Face Up**



PART NUMBERS AND SCHEMATICS GUIDE

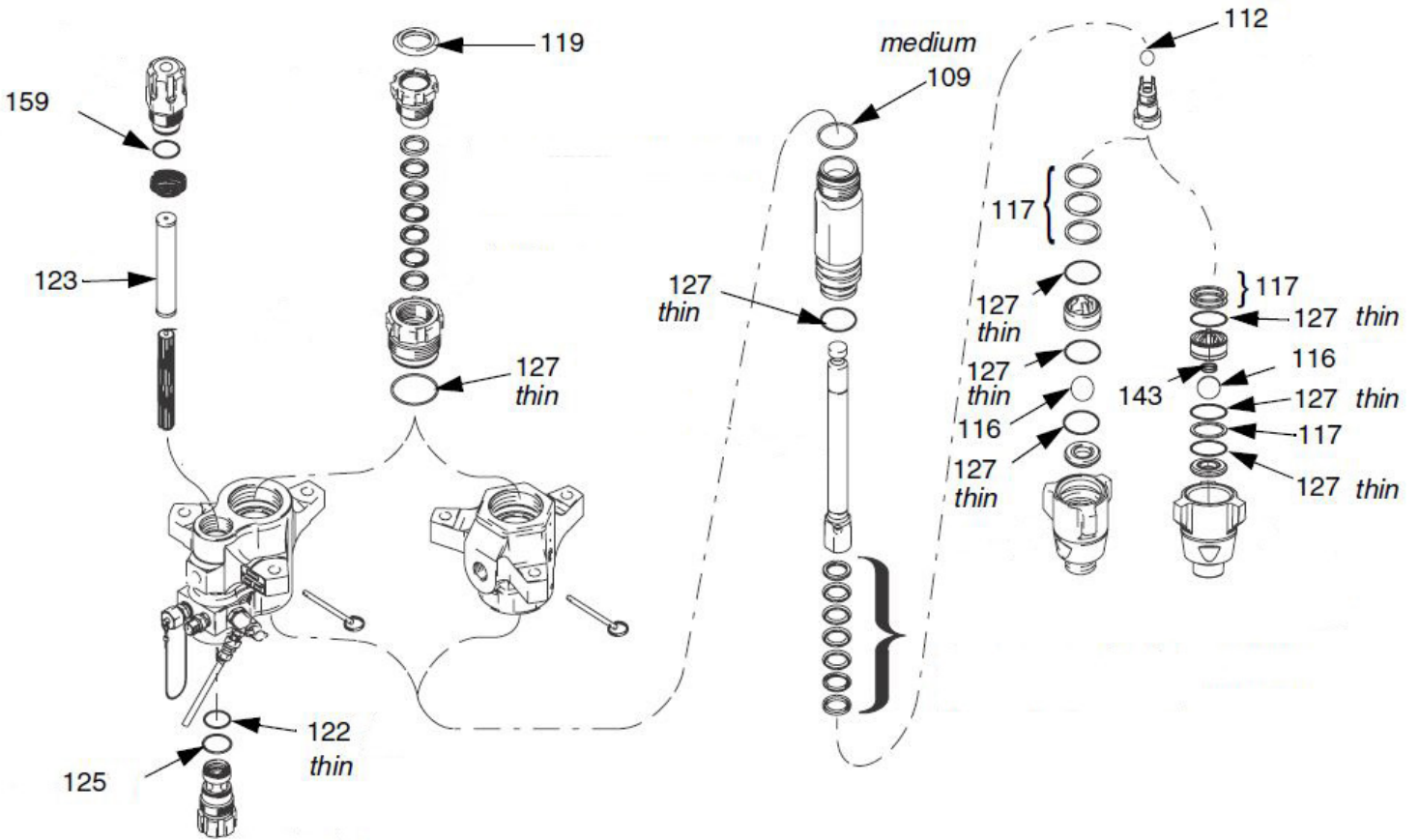
X-Tuff® Repair Kit for 180cc Lower Displacement Pump

| Item# | Part# | Description |
|----------------|------------------|--|
| Fig. 13 | | |
| — | 20G262792 | X-Tuff™ Repair Kit for 180cc Lower Displacement Pump <i>(Includes Item #'s: 103, 104, 109, 112, 116, 119, 122, 125, 127, 143, and 159)</i> |
| 103 | — | Throat Packings |
| 103a | 20G244882 | Male Gland <i>(Quantity of Four)</i> |
| 103b | 20G244876 | Female Gland <i>(Quantity of Four)</i> |
| 103d | 20G244858 | V-Packing Carbon-Filled, PTFE <i>(Quantity of 10)</i> |
| 103e | 20G244864 | V-Packing, UHMWPE <i>(Quantity of 10)</i> |
| 104 | — | Piston Packings |
| 104a | 20G244882 | Male Gland <i>(Quantity of Four)</i> |
| 104b | 20G244876 | Female Gland <i>(Quantity of Four)</i> |
| 104d | 20G244858 | V-Packing Carbon-Filled, PTFE <i>(Quantity of 10)</i> |
| 104e | 20G244864 | V-Packing, UHMWPE <i>(Quantity of 10)</i> |
| 109 | 20G244892 | PTFE O-Ring, Top Cylinder Medium <i>(Quantity of 10)</i> |
| 112 | 20G253029 | Ball Piston, 3/4" (19 mm) <i>(Quantity of Three)</i> |
| 116 | 20G245128 | Ball Inlet, 1-1/4" (32 mm) <i>(Quantity of Three)</i> |
| 117 | 20G244855 | Shim Inlet, Ball Guide <i>(Quantity of Nine)</i> |
| 119 | 20G244996 | Throat Seal Plug, 1-3/4" <i>(Quantity of 10)</i> |
| — | 20G247394 | Throat Seal Plug, 2-1/2" <i>(Quantity of 10)</i> |
| 122 | 20G244895 | Filter O-Ring, Thin, PTFE <i>(Quantity of 10)</i> |
| 123 | 20G238436 | Strainer, 30 mesh screen, 5.65" <i>(Quantity of 25)</i> |
| — | 20G224458 | Strainer, 30 mesh, 5.65" <i>(Quantity of Two)</i> |
| — | 20G238438 | Strainer, 60 mesh, 5.65" <i>(Quantity of 25)</i> |
| — | 20G224459 | Strainer, 60 mesh, 5.65" <i>(Quantity of Two)</i> |
| 125 | 20G262484 | Filter O-Ring, Medium, PTFE <i>(Quantity of 10)</i> |
| — | 20G244896 | Filter O-Ring For Series A Pumps <i>(Quantity of 10)</i> |
| 127 | 20G244890 | O-Ring, PTFE, Thin <i>(Quantity of 10)</i> |
| 143 | 20G116801 | Foot Valve Spring |
| 159 | 20G262483 | Top Cap O-Ring, PTFE <i>(Quantity of 10)</i> |
| — | 20G262483 | Top Cap O-Ring For Series A Pumps <i>(Quantity of 10)</i> |
| — | 209V021 | Operator's Manual – Graco® Xtreme® Pump Lowers |

Quantities listed with repair kit are number of individual pieces.

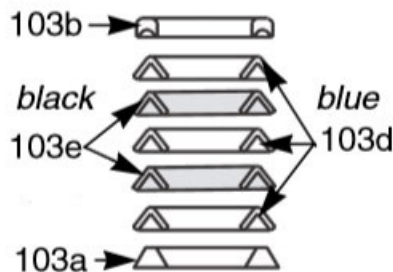
PART NUMBERS AND SCHEMATICS GUIDE

Figure 13: X-Tuff® Repair Kit for 180cc Lower Displacement Pump

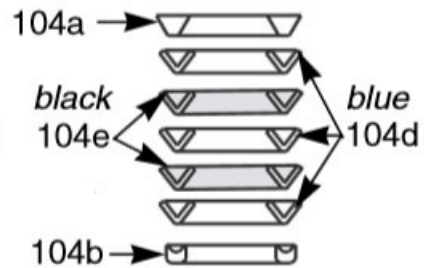


X-Tuff® Seal Repair Kit

**Throat Packings:
Lips Face Down**



**Piston Packings:
Lips Face Up**



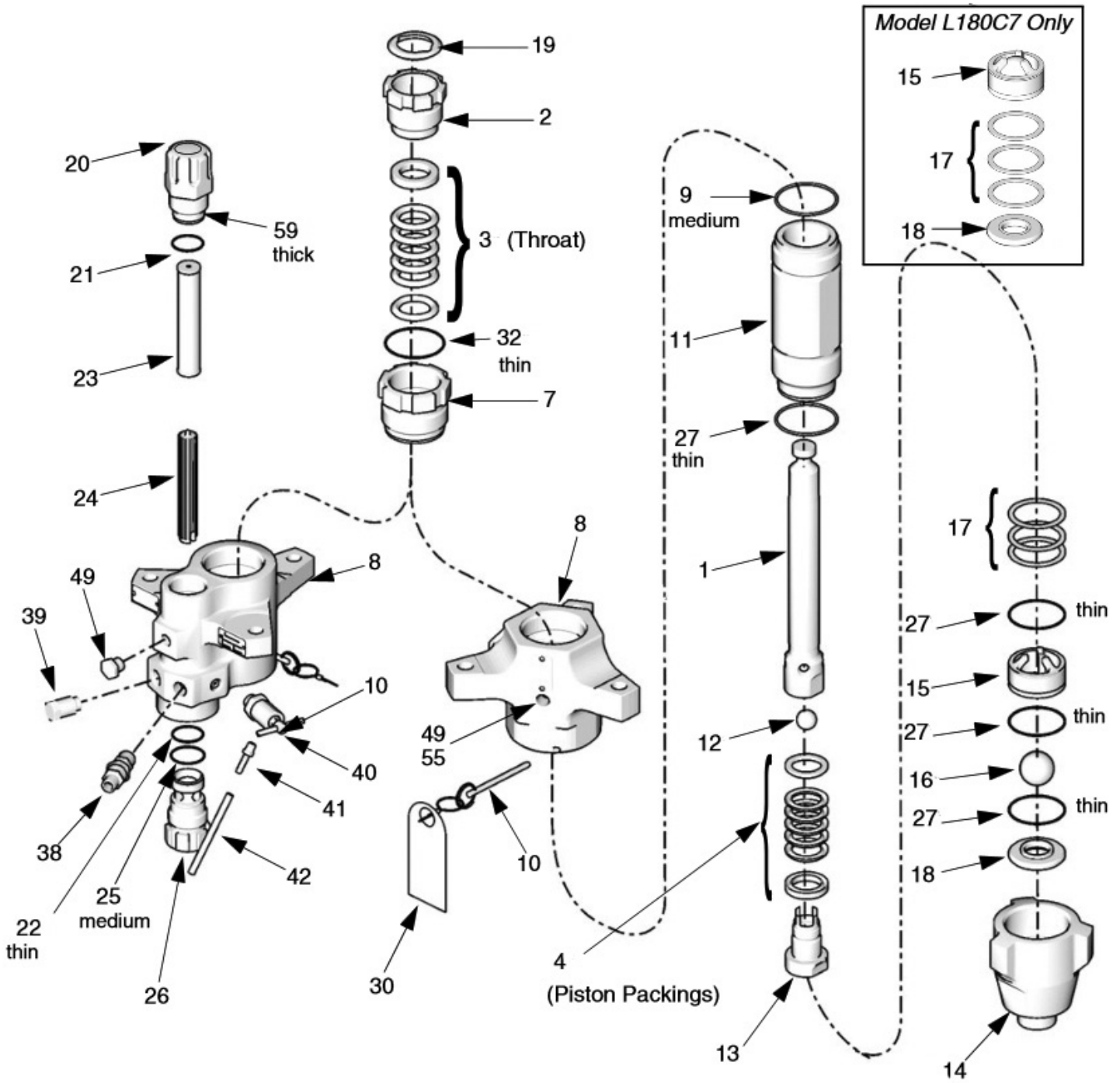
PART NUMBERS AND SCHEMATICS GUIDE

B Side Lower – 145cc Xtreme® Sprayer Lower Displacement Pump

| Item# | 20GL145C3 <i>(No Built-In Filter)</i> | 20GL145C4 <i>(Built-In Filter)</i> | Description |
|----------------|--|---------------------------------------|--|
| Fig. 14 | | | |
| 1 | 20G24B821 | 20G24B821 | Displacement Rod |
| 2 | 20G15K030 | 20G15K030 | Packing Nut |
| 3 | — | — | Stack Packings, Throat |
| 4 | — | — | Stack Packings, Piston |
| 7 | 20G197325 | 20G197325 | Packing Cartridge, Throat |
| 8 | 20G197334 | 20G197336 | Housing Outlet |
| 9 | 20G244892 | 20G244892 | O-Ring, Top Cylinder, PTFE Medium (<i>Quantity of 10</i>) |
| 10 | 20G244826 | 20G244826 | Self-Locking Pin |
| 11 | 20G197315 | 20G197315 | Lower Cylinder |
| 12 | 20G253029 | 20G253029 | Ball Piston (<i>Quantity of Three</i>) |
| 13 | 20G24B826 | 20G24B826 | Piston Valve |
| 14 | 20G197303 | 20G197303 | Inlet Housing |
| 15 | 20G197307 | 20G197307 | Inlet Ball Guide |
| 16 | 20G245128 | 20G245128 | Inlet Ball (<i>Quantity of Three</i>) |
| 17 | 20G244855 | 20G244855 | Inlet Shim Ball Guide (<i>Quantity of Nine</i>) |
| 18 | 20G196358 | 20G196358 | Inlet Seat |
| 19 | 20G247394 | 20G247394 | Throat Seal Plug (<i>Quantity of 10</i>) |
| 20 | — | 20G16M461 | Top Filler Cap |
| 21 | — | 20G171941 | Compression Spring |
| 22 | — | 20G244895 | Thin Filter O-Ring, PTFE (<i>Quantity of 10</i>) |
| 23 | — | 20G224459 | Strainer, 60 mesh screen |
| 24 | — | 20G186075 | Filter Support |
| 25 | — | 20G262484 | Filter O-Ring, Medium, PTFE (<i>Quantity of 10</i>) |
| 26 | — | 20G16M462 | Lower Filter Cap |
| 27 | 20G244890 | 20G244890 | Foot Valve and Cylinder Bottom O-Ring, PTFE thin (<i>Quantity of 10</i>) |
| 30 | 20G172479 | 20G172479 | Warning Tag |
| 32 | 20G244890 | 20G244890 | Throat Cartridge O-Ring, PTFE thin (<i>Quantity of 10</i>) |
| 38 | — | 20G158491 | Nipple Fitting, Outlet, 1/2" |
| 39 | — | 20G24N518 | Packless Plug, 1/2" |
| 40 | — | 20G245143 | Pressure Dump Valve |
| 41 | — | 20G116746 | Barbed Fitting, Plated |
| 42 | — | 20G116750 | Nylon Tube |
| 49 | 20G101754 | 20G198292 | Pipe Plug |
| 55 | — | — | Rupture Disc Housing |
| 59 | — | 20G262483 | Filter O-Ring, PTFE thick (<i>Quantity of 10</i>) |

PART NUMBERS AND SCHEMATICS GUIDE

Figure 14: B Side Lower – 145cc Xtreme® Sprayer Lower Displacement Pump



Note: Lower Displacement Pump with Built-In Filter Shown.

PART NUMBERS AND SCHEMATICS GUIDE

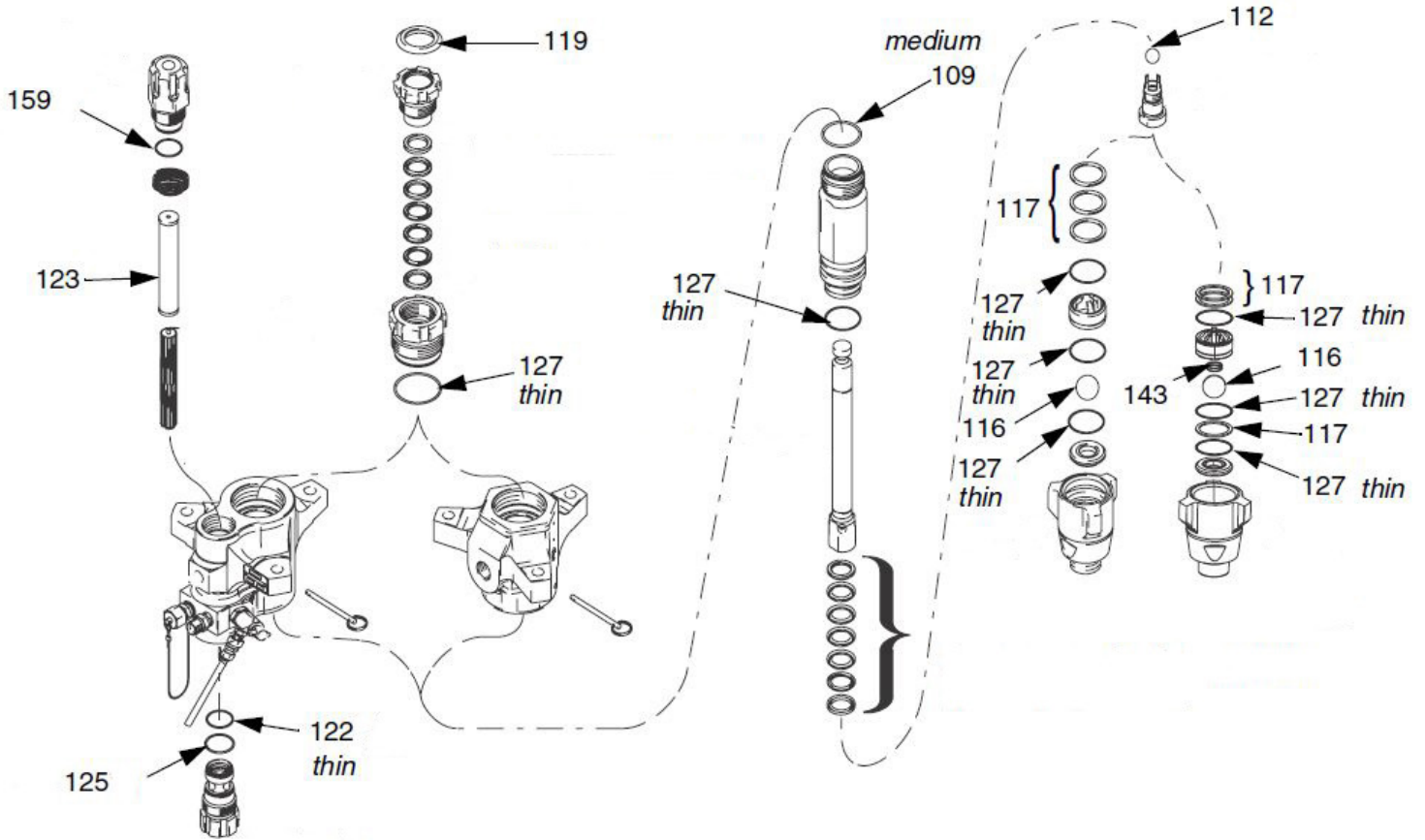
Xtreme® Seal Repair Kits for 145cc Lower Displacement Pump

| Item# | Part# | Description |
|----------------|------------------|---|
| Fig. 15 | | |
| — | 20G24F971 | Xtreme® Seal Repair Kit for 145cc Lower Displacement Pump <i>(Includes Item #'s: 103, 104, 109, 112, 116, 119, 122, 125, 127, 143, and 159)</i> |
| 103 | — | Throat Packings |
| 103a | 20G244881 | Male Gland <i>(Quantity of Four)</i> |
| 103b | 20G244875 | Female Gland <i>(Quantity of Four)</i> |
| 103c | 20G244869 | V-Packing, Leather <i>(Quantity of 10)</i> |
| 103d | 20G244863 | V-Packing, UHMWPE <i>(Quantity of 10)</i> |
| 104 | — | Piston Packings |
| 104a | 20G244881 | Male Gland <i>(Quantity of Four)</i> |
| 104b | 20G244875 | Female Gland <i>(Quantity of Four)</i> |
| 104c | 20G244869 | V-Packing, Leather <i>(Quantity of 10)</i> |
| 104d | 20G244863 | V-Packing, UHMWPE <i>(Quantity of 10)</i> |
| 109 | 20G244892 | PTFE O-Ring, Top Cylinder Medium <i>(Quantity of 10)</i> |
| 112 | 20G253029 | Ball Piston, 3/4" (19 mm) <i>(Quantity of Three)</i> |
| 116 | 20G245128 | Ball Inlet, 1-1/4" (32 mm) <i>(Quantity of Three)</i> |
| 117 | 20G244855 | Shim Inlet, Ball Guide <i>(Quantity of Nine)</i> |
| 119 | 20G244996 | Throat Seal Plug, 1-3/4" <i>(Quantity of 10)</i> |
| — | 20G247394 | Throat Seal Plug, 2-1/2" <i>(Quantity of 10)</i> |
| 122 | 20G244895 | Filter O-Ring, Thin, PTFE <i>(Quantity of 10)</i> |
| 123 | 20G238436 | Strainer, 30 mesh screen, 5.65" <i>(Quantity of 25)</i> |
| — | 20G224458 | Strainer, 30 mesh, 5.65" <i>(Quantity of Two)</i> |
| — | 20G238438 | Strainer, 60 mesh, 5.65" <i>(Quantity of 25)</i> |
| — | 20G224459 | Strainer, 60 mesh, 5.65" <i>(Quantity of Two)</i> |
| 125 | 20G262484 | Filter O-Ring, Medium, PTFE <i>(Quantity of 10)</i> |
| — | 20G244896 | Filter O-Ring For Series A Pumps <i>(Quantity of 10)</i> |
| 127 | 20G244890 | O-Ring, PTFE, Thin <i>(Quantity of 10)</i> |
| 143 | 20G116801 | Foot Valve Spring |
| 159 | 20G262483 | Top Cap O-Ring, PTFE <i>(Quantity of 10)</i> |
| — | 20G244895 | Top Cap O-Ring For Series A Pumps <i>(Quantity of 10)</i> |
| — | 209V021 | Operator's Manual – Graco® Xtreme® Pump Lowers |

Quantities listed with repair kit are number of individual pieces.

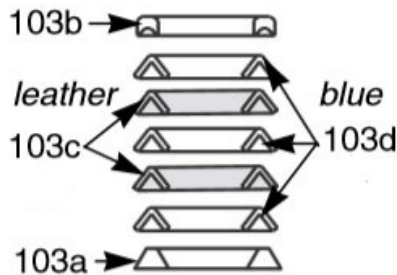
PART NUMBERS AND SCHEMATICS GUIDE

Figure 15: Xtreme® Seal Repair Kits for 145cc Lower Displacement Pump

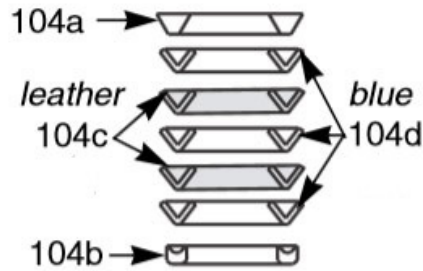


Xtreme® Seal Repair Kit

**Throat Packings:
Lips Face Down**



**Piston Packings:
Lips Face Up**



PART NUMBERS AND SCHEMATICS GUIDE

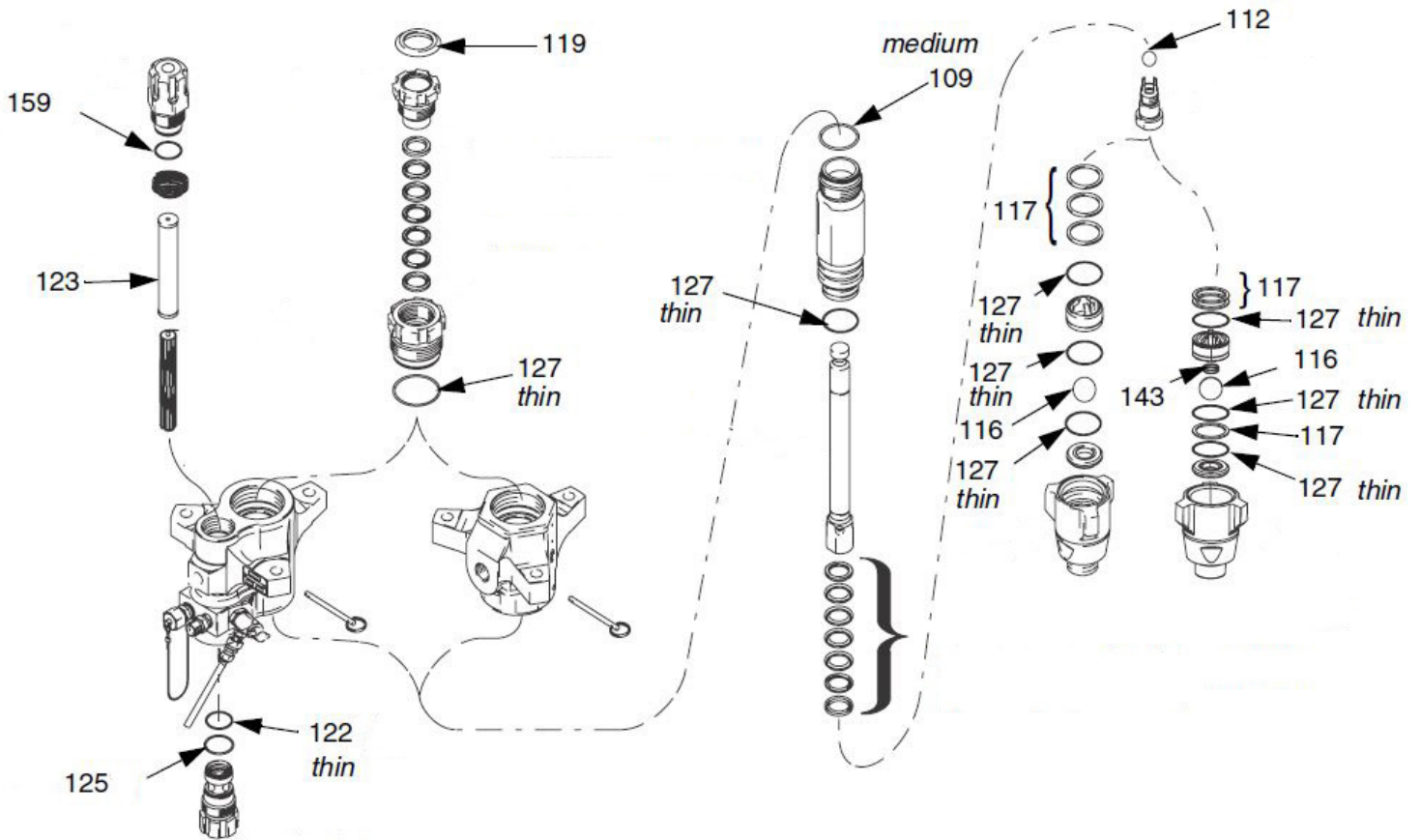
Tuff-Stack™ Repair Kit for 145cc Lower Displacement Pump

| Item# | Part# | Description |
|----------------|------------------|--|
| Fig. 16 | | |
| — | 20G262510 | Tuff-Stack™ Repair Kit for 145cc Lower Displacement Pump <i>(Includes Item #'s: 103, 104, 109, 112, 116, 119, 122, 125, 127, 143, and 159)</i> |
| 103 | — | Throat Packings |
| 103a | 20G244881 | Male Gland <i>(Quantity of Four)</i> |
| 103b | 20G244875 | Female Gland <i>(Quantity of Four)</i> |
| 103e | 20G244857 | V-Packing Carbon-Filled, PTFE <i>(Quantity of 10)</i> |
| 104 | — | Piston Packings |
| 104a | 20G244881 | Male Gland <i>(Quantity of Four)</i> |
| 104b | 20G244875 | Female Gland <i>(Quantity of Four)</i> |
| 104e | 20G244857 | V-Packing Carbon-Filled, PTFE <i>(Quantity of 10)</i> |
| 109 | 20G244892 | PTFE O-Ring, Top Cylinder Medium <i>(Quantity of 10)</i> |
| 112 | 20G253029 | Ball Piston, 3/4" (19 mm) <i>(Quantity of Three)</i> |
| 116 | 20G245128 | Ball Inlet, 1-1/4" (32 mm) <i>(Quantity of Three)</i> |
| 117 | 20G244855 | Shim Inlet, Ball Guide <i>(Quantity of Nine)</i> |
| 119 | 20G244996 | Throat Seal Plug, 1-3/4" <i>(Quantity of 10)</i> |
| — | 20G247394 | Throat Seal Plug, 2-1/2" <i>(Quantity of 10)</i> |
| 122 | 20G244895 | Filter O-Ring, Thin, PTFE <i>(Quantity of 10)</i> |
| 123 | 20G238436 | Strainer, 30 mesh screen, 5.65" <i>(Quantity of 25)</i> |
| — | 20G224458 | Strainer, 30 mesh, 5.65" <i>(Quantity of Two)</i> |
| — | 20G238438 | Strainer, 60 mesh, 5.65" <i>(Quantity of 25)</i> |
| — | 20G224459 | Strainer, 60 mesh, 5.65" <i>(Quantity of Two)</i> |
| 125 | 20G262484 | Filter O-Ring, Medium, PTFE <i>(Quantity of 10)</i> |
| — | 20G244896 | Filter O-Ring For Series A Pumps <i>(Quantity of 10)</i> |
| 127 | 20G244890 | O-Ring, PTFE, Thin <i>(Quantity of 10)</i> |
| 143 | 20G116801 | Foot Valve Spring |
| 159 | 20G262483 | Top Cap O-Ring, PTFE <i>(Quantity of 10)</i> |
| — | 20G244895 | Top Cap O-Ring For Series A Pumps <i>(Quantity of 10)</i> |
| — | 209V021 | Operator's Manual – Graco® Xtreme® Pump Lowers |

Quantities listed with repair kit are number of individual pieces.

PART NUMBERS AND SCHEMATICS GUIDE

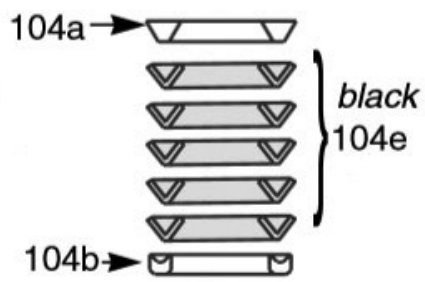
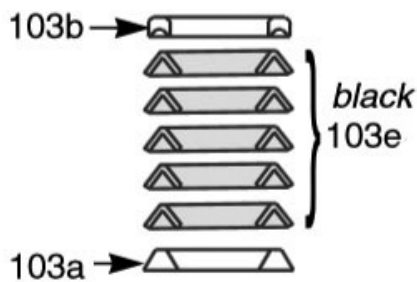
Figure 16: Tuff-Stack™ Repair Kit for 145cc Lower Displacement Pump



Tuff-Stack™ Seal Repair Kit

Throat Packings:
Lips Face Down

Piston Packings:
Lips Face Up



PART NUMBERS AND SCHEMATICS GUIDE

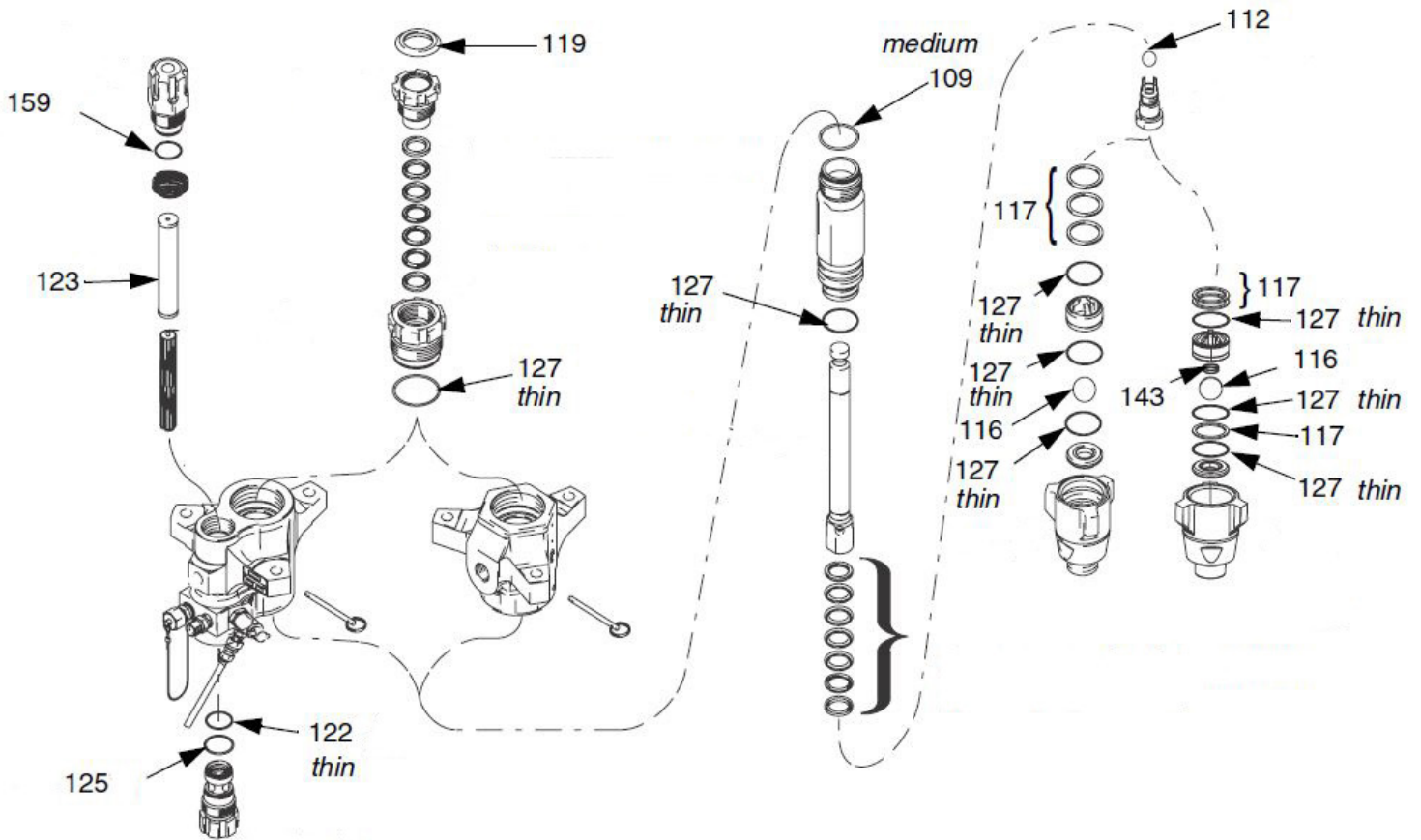
X-Tuff® Repair Kit for 145cc Lower Displacement Pump

| Item# | Part# | Description |
|----------------|------------------|--|
| Fig. 17 | | |
| — | 20G262791 | X-Tuff™ Repair Kit for 145cc Lower Displacement Pump <i>(Includes Item #'s: 103, 104, 109, 112, 116, 119, 122, 125, 127, 143, and 159)</i> |
| 103 | — | Throat Packings |
| 103a | 20G244881 | Male Gland <i>(Quantity of Four)</i> |
| 103b | 20G244875 | Female Gland <i>(Quantity of Four)</i> |
| 103c | 20G244857 | V-Packing Carbon-Filled, PTFE <i>(Quantity of 10)</i> |
| 103d | 20G244863 | V-Packing, UHMWPE <i>(Quantity of 10)</i> |
| 104 | — | Piston Packings |
| 104a | 20G244881 | Male Gland <i>(Quantity of Four)</i> |
| 104b | 20G244875 | Female Gland <i>(Quantity of Four)</i> |
| 104c | 20G244857 | V-Packing Carbon-Filled, PTFE <i>(Quantity of 10)</i> |
| 104d | 20G244863 | V-Packing, UHMWPE <i>(Quantity of 10)</i> |
| 109 | 20G244892 | PTFE O-Ring, Top Cylinder Medium <i>(Quantity of 10)</i> |
| 112 | 20G253029 | Ball Piston, 3/4" (19 mm) <i>(Quantity of Three)</i> |
| 116 | 20G245128 | Ball Inlet, 1-1/4" (32 mm) <i>(Quantity of Three)</i> |
| 117 | 20G244855 | Shim Inlet, Ball Guide <i>(Quantity of Nine)</i> |
| 119 | 20G244996 | Throat Seal Plug, 1-3/4" <i>(Quantity of 10)</i> |
| — | 20G247394 | Throat Seal Plug, 2-1/2" <i>(Quantity of 10)</i> |
| 122 | 20G244895 | Filter O-Ring, Thin, PTFE <i>(Quantity of 10)</i> |
| 123 | 20G238436 | Strainer, 30 mesh screen, 5.65" <i>(Quantity of 25)</i> |
| — | 20G224458 | Strainer, 30 mesh, 5.65" <i>(Quantity of Two)</i> |
| — | 20G238438 | Strainer, 60 mesh, 5.65" <i>(Quantity of 25)</i> |
| — | 20G224459 | Strainer, 60 mesh, 5.65" <i>(Quantity of Two)</i> |
| 125 | 20G262484 | Filter O-Ring, Medium, PTFE <i>(Quantity of 10)</i> |
| — | 20G244896 | Filter O-Ring For Series A Pumps <i>(Quantity of 10)</i> |
| 127 | 20G244890 | O-Ring, PTFE, Thin <i>(Quantity of 10)</i> |
| 143 | 20G116801 | Foot Valve Spring |
| 159 | 20G262483 | Top Cap O-Ring, PTFE <i>(Quantity of 10)</i> |
| — | 20G262483 | Top Cap O-Ring For Series A Pumps <i>(Quantity of 10)</i> |
| — | 209V021 | Operator's Manual – Graco® Xtreme® Pump Lowers |

Quantities listed with repair kit are number of individual pieces.

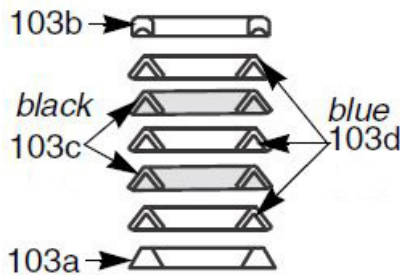
PART NUMBERS AND SCHEMATICS GUIDE

Figure 17: X-Tuff® Repair Kit for 145cc Lower Displacement Pump

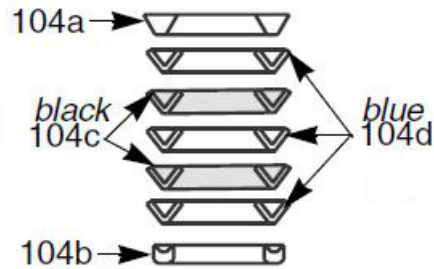


X-Tuff® Seal Kit

**Throat Packings:
Lips Face Down**



**Piston Packings:
Lips Face Up**



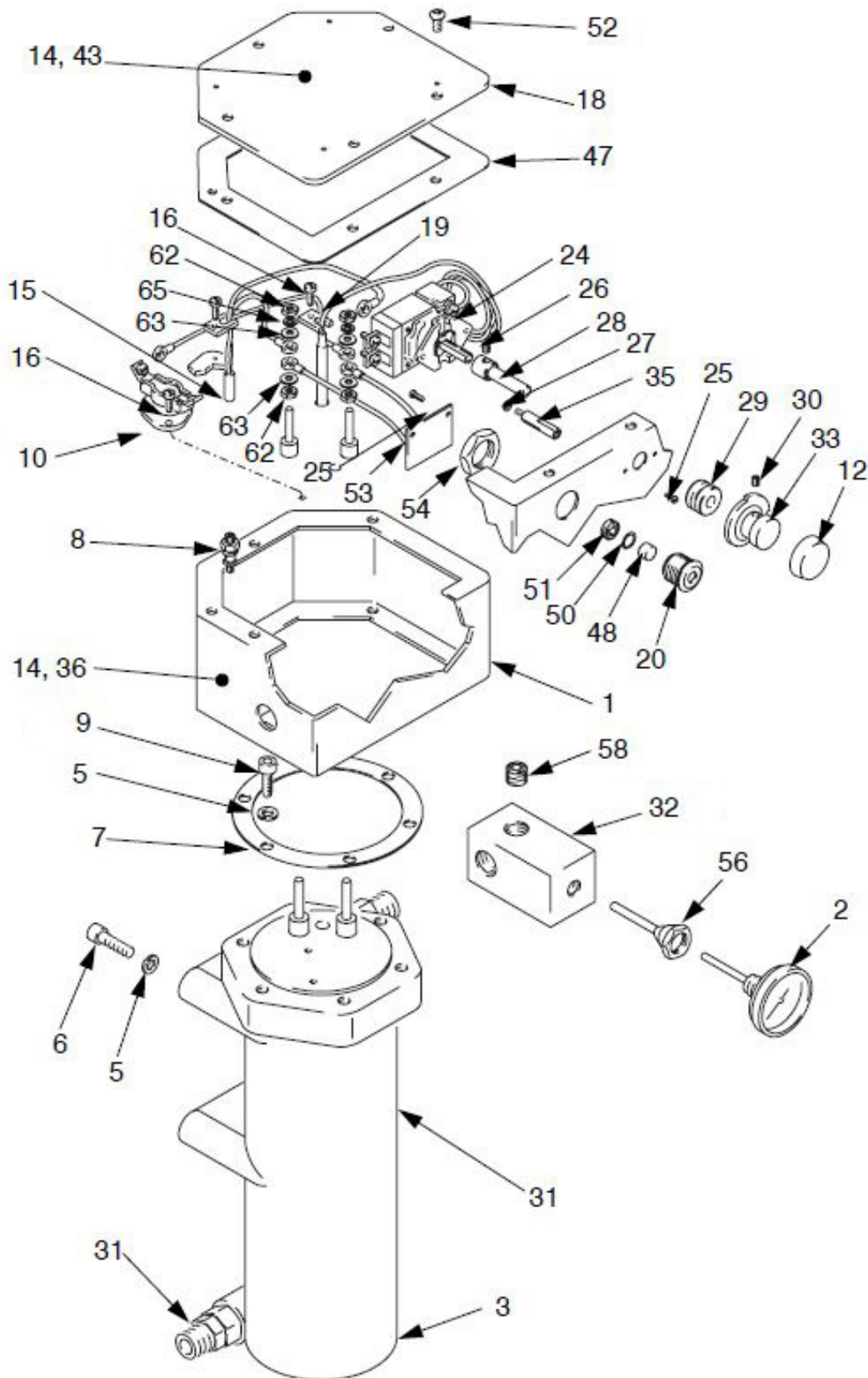
PART NUMBERS AND SCHEMATICS GUIDE

Fluid Heater

| Item# | Part# | Description | Item# | Part# | Description |
|----------------|------------------|--|-------|-----------|---|
| Fig. 18 | | | 52 | 20G111962 | 1/4-28 Screw (<i>Quantity of Five</i>) |
| — | 20G245869 | Fluid Heater | 53 | 20G246014 | Light Circuit Board |
| 1 | 20G262891 | Enclosure | 54 | 20G106216 | 3/4-14 Nut |
| 2 | 20G102124 | Thermometer Dial | 56 | 20G15D757 | Thermometer Housing |
| 3 | 20G246618 | Heater Block (<i>Includes Item #'s: 2, 31, 32, and 56</i>) | 58 | 20G100361 | 1/2" Pipe Plug |
| 5 | 20G107542 | Spring Lockwasher | 62 | 20G100166 | Full Hex Nut (<i>Quantity of Four</i>) |
| 6 | 20G109114 | Screw Cap (<i>Quantity of Six</i>) | 63 | 20G102360 | 3/16" Flat Washer (<i>Quantity of Four</i>) |
| 7 | 20G15A990 | Gasket (<i>Quantity of Two</i>) | 65 | 20G112906 | Spring Lockwasher (<i>Quantity of Two</i>) |
| 8 | 20G104029 | Ground Clamp (<i>Quantity of Two</i>) | — | 20G108664 | 6mm Allen Wrench |
| 9 | 20G117367 | Screw (<i>Quantity of Six</i>) | — | 20G105747 | 2mm Allen Wrench |
| 10 | 20G108674 | Thermostat | — | 20G101369 | 0.0927" Allen Wrench |
| 11 | 20G235524 | Wire Assembly | — | 20G100633 | 5/32" Allen Wrench |
| 12 | 20G177969 | Adjusting Knob | — | 209V506 | Operator's Manual – Viscon High Pressure Fluid Heater |
| 14 | 20G100055 | Screw (<i>Quantity of Ten</i>) | | | |
| 15 | 20G223126 | Thermal Sensor | | | |
| 16 | 20G105676 | Screw (<i>Quantity of Four</i>) | | | |
| 18 | 20G15A810 | Top Cover | | | |
| 19 | 20G183072 | Bracket (<i>Quantity of Two</i>) | | | |
| 20 | 20G15B828 | Light Housing | | | |
| 24 | 20G108676 | Inline Heater Thermostat | | | |
| 25 | 20G100032 | Screw (<i>Quantity of Four</i>) | | | |
| 26 | 20G105672 | Set Screw | | | |
| 27 | 20G114027 | Flat Washer (<i>Quantity of Two</i>) | | | |
| 28 | 20G183068 | Switch Shaft | | | |
| 29 | 20G112738 | Grommet (<i>Quantity of Two</i>) | | | |
| 30 | 20G101366 | Set Screw | | | |
| 31 | 20G117344 | Compression Tube Fitting (<i>Quantity of Two</i>) | | | |
| 32 | 20G15A808 | T-Fitting | | | |
| 33 | 20G177968 | Control Knob | | | |
| 35 | 20G117526 | Spacer (<i>Quantity of Two</i>) | | | |
| 36 | 20G15B623 | Warning Plate | | | |
| 37 | 20G246346 | Wire Assembly (<i>Quantity of Two</i>) | | | |
| 42 | 20G102478 | Tie Strap | | | |
| 43 | 20G15B625 | Warning Plate | | | |
| 47 | 20G15A991 | Gasket | | | |
| 48 | 20G15B827 | Light Lens | | | |
| 50 | 20G103338 | Packing O-Ring | | | |
| 51 | 20G117483 | 5/8-18 x 5/16" Socket Jam Screw | | | |

PART NUMBERS AND SCHEMATICS GUIDE

Figure 18: Fluid Heater



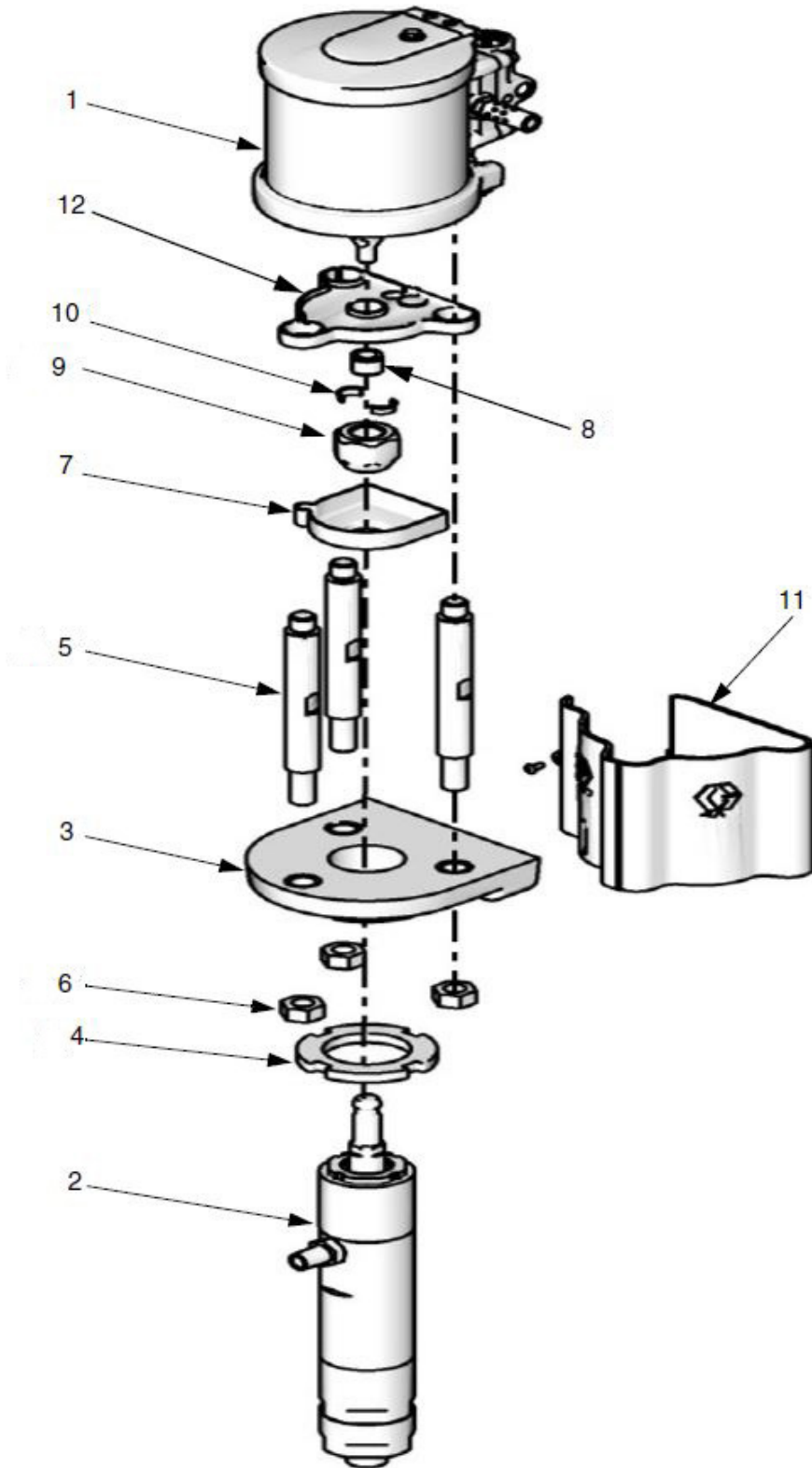
PART NUMBERS AND SCHEMATICS GUIDE

75cc XM™ Solvent Pump

| Item# | Part# | Description |
|----------------|------------------|---|
| Fig. 19 | | |
| — | 20G257463 | 75cc XM™ Solvent Pump – 6" |
| 1 | 20GM12LN0 | Motor (See Fig. 20) |
| 2 | 20GLW075A | Displacement Pump (See Fig. 21) |
| 3 | 20G16V435 | Pump Adapter |
| 4 | 20G24A636 | Jam Nut |
| 5 | 20G15M662 | Tie Rod (Quantity of Three) |
| 6 | 20G15U606 | Tie Rod Nut (Quantity of Three) |
| 7 | 20G24A625 | TSL Reservoir |
| 8 | — | Adapter |
| 9 | 20G15T311 | Coupling Nut |
| 10 | — | Coupling Collar (Quantity of Two) |
| 11 | 20G24A959 | Tie Rod Shield |
| 12 | 20G15V028 | Drip Shield |
| — | 20G244524 | Grounding Assembly Wire |
| — | 209V504 | Operator's Manual – Merkur® Pump Assembly |

PART NUMBERS AND SCHEMATICS GUIDE

Figure 19: 75cc XM™ Solvent Pump



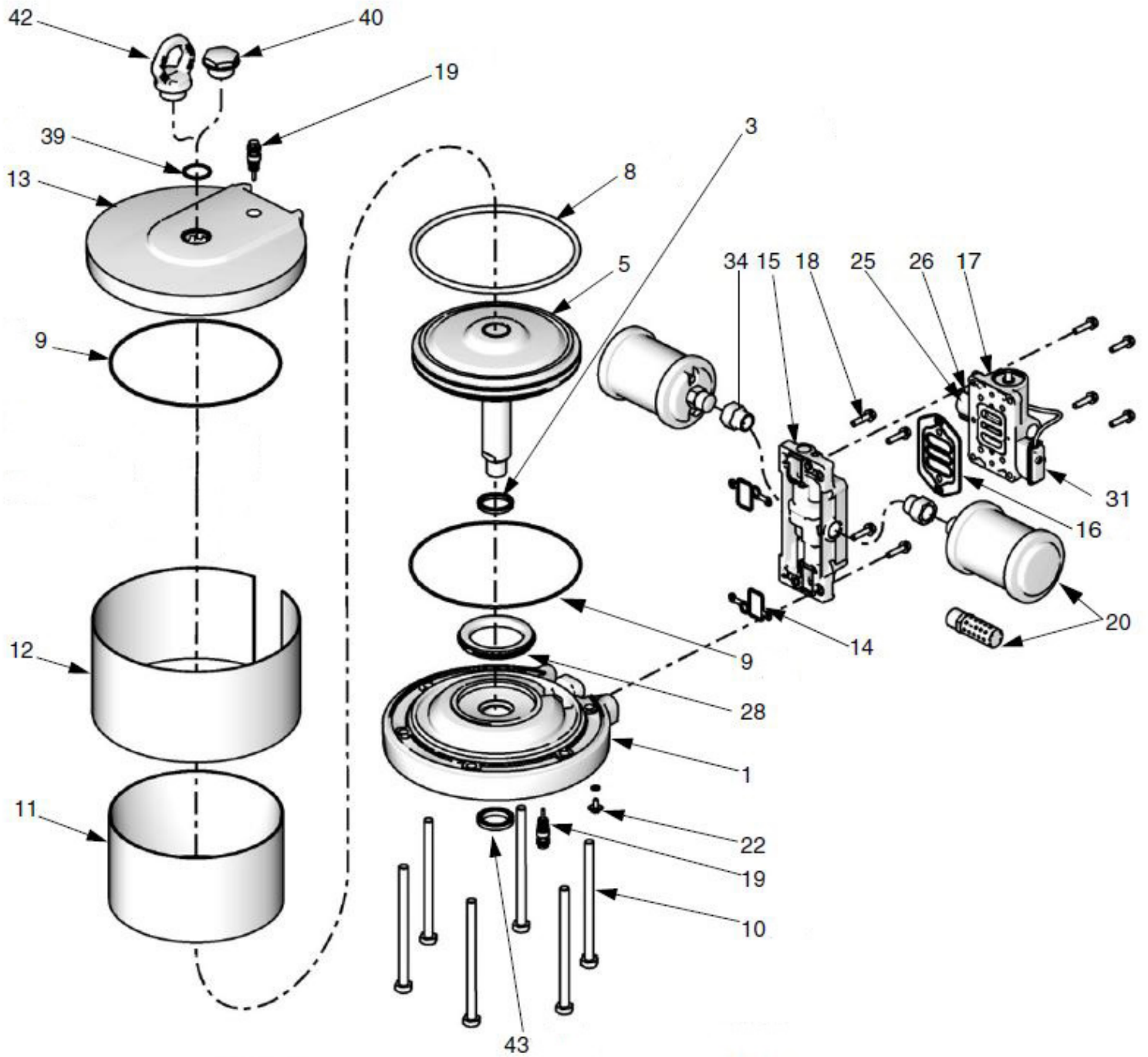
PART NUMBERS AND SCHEMATICS GUIDE

75cc XM™ Solvent Pump – Motor

| Item# | Part# | Description |
|----------------|------------------|---|
| Fig. 20 | | |
| — | 20GM12LN0 | 75cc XM™ Solvent Pump – Motor |
| 1 | 20G24A549 | Lower Assembly Cover <i>(Includes Item #'s: 3, 9, 19, 22, 28, and 43)</i> |
| 3 | — | U-Cup <i>(Quantity of Two)</i> |
| 5 | 20G24A550 | Motor Assembly Piston |
| 8 | — | Piston O-Ring |
| 9 | — | Cover O-Ring |
| 10 | 20G15M316 | Hex Head Tie Bolt <i>(Quantity of Four)</i> |
| 11 | 20G15M672 | Motor Cylinder |
| 12 | 20G15M676 | Cylinder Shield |
| 13 | 20G15X354 | Upper Assembly Cover <i>(Includes Item #'s: 9, 19, 39, 40, and 41)</i> |
| 14 | — | Manifold Gasket <i>(Quantity of Two)</i> |
| 15 | 20G24A580 | Manifold Assembly <i>(Includes Item #'s: 14, 16, and 18)</i> |
| 16 | — | Air Valve Gasket |
| 17 | 20G24A352 | Air Valve |
| 18 | — | M6 x 25 Screw <i>(Quantity of Four)</i> |
| 19 | 20G24A366 | Pilot Valve <i>(Quantity of Two)</i> |
| 20 | 20G117237 | Muffler |
| 22 | 20G116343 | Ground Screw |
| 25 | 20G24B566 | Solenoid/Reed Switch <i>(Includes Item #'s: 18, 26, 31, 32, and 33)</i> |
| 26 | — | Solenoid Bracket |
| 28 | 20G24A914 | Bumper Kit |
| 31 | — | Reed Switch |
| 34 | 20G15T560 | Muffler Adapter |
| 39 | — | Upper Cover Plug O-Ring |
| 40 | 20G24E990 | Upper Cover Plug |
| 42 | 20G24E991 | Hook Lift <i>(Not Included)</i> |
| 43 | — | U-Cup with Flange Seal |
| — | 20G15W719 | Label Warning |
| — | 209V106 | Operator's Manual – NXT® Air Motor |

PART NUMBERS AND SCHEMATICS GUIDE

Figure 20: 75cc XM™ Solvent Pump – Motor



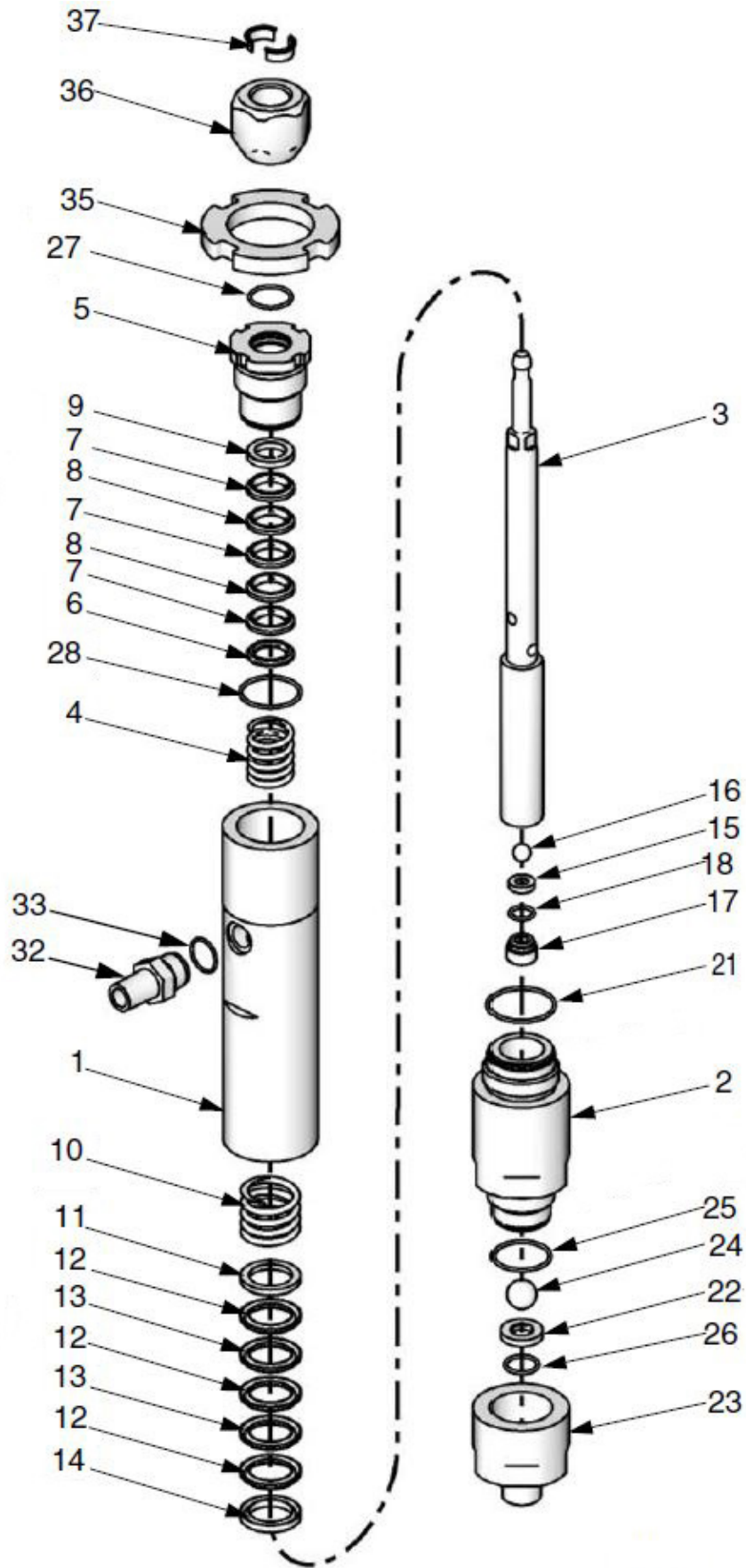
PART NUMBERS AND SCHEMATICS GUIDE

75cc XM™ Solvent Pump – Displacement Pump

| Item# | Part# | Description |
|----------------|------------------|---|
| Fig. 21 | | |
| — | 20GLW075A | 75cc XM™ Solvent Pump – Displacement Pump |
| 1 | 20G24A815 | Upper Cylinder Kit <i>(Includes Item #'s: 21, 28, 32, and 33)</i> |
| 2 | 20G24A824 | Lower Cylinder Kit <i>(Includes Item #'s: 21 and 25)</i> |
| 3 | 20G24A645 | Piston/Rod Assembly <i>(Includes Item #'s: 15, 16, 17, 18, 36 and 37)</i> |
| 4 | — | Throat Spring |
| 5 | 20G24A809 | Wet Cup <i>(Includes Item #'s: 27 and 28)</i> |
| 6 | — | Male Throat Gland |
| 7 | — | UHMWPE Throat Packing <i>(Quantity of Three)</i> |
| 8 | — | PTFE Throat Packing <i>(Quantity of Two)</i> |
| 9 | — | Female Throat Gland |
| 10 | — | Piston Spring |
| 11 | — | Male Piston Gland |
| 12 | — | UHMWPE Piston Packing <i>(Quantity of Three)</i> |
| 13 | — | PTFE Piston Packing <i>(Quantity of Two)</i> |
| 14 | — | Female Piston Gland |
| 15 | — | Tungsten Carbide Piston Valve Seat |
| 16 | — | 440 Stainless Steel Pison Valve Ball |
| 17 | — | Flow Through Nut |
| 18 | — | Piston O-Ring |
| 21 | — | Lower Cylinder O-Ring |
| 22 | — | Tungsten Carbide Intake Valve Seat |
| 23 | 20G24A836 | Intake Valve Kit <i>(Includes Item #: 26)</i> |
| 24 | — | 440 Stainless Steel Intake Valve Ball |
| 25 | — | Lower Cylinder O-Ring <i>(Quantity of Two)</i> |
| 26 | — | Intake Valve O-Ring |
| 27 | 20G24A631 | Wet Cup O-Ring <i>(Quantity of Ten)</i> |
| 28 | — | Wet Cup O-Ring |
| 32 | 20G24A840 | 3/8-18 NPT x 3/4-16 UNF Outlet Fitting <i>(Includes Item #: 33, Quantity of One)</i> |
| 33 | 20G24E457 | Outlet O-Ring <i>(Quantity of Ten)</i> |
| 35 | 20G24A636 | Jam Nut |
| 36 | 20G15T311 | Coupling Nut |
| 37 | 20G24A619 | Coupling Collar <i>(Quantity of Ten)</i> |
| — | 20G24A253 | Seal Repair Kit <i>(Includes Item #'s: 4, 6, 7, 8, 9, 10, 11, 12, 13, 14, 18, 21, 25, 26, 27, 28, and 33)</i> |
| — | 20G24R167 | V-Packing Repair Kit <i>(Includes Item #'s: 7, 8, 12, 13, 18, 21, 25, 26, 27, 28, and 33)</i> |
| — | 20G24A783 | Tungsten Carbide Seat Repair Kit <i>(Includes Item #'s: 15, 17, 18, 21, 22, 25, and 26)</i> |
| — | 20G24A263 | 440 Stainless Steel Check Ball Kit <i>(Includes Item #'s: 16 and 24)</i> |
| — | 209V510 | Operator's Manual – Graco® Merkur® Displacement Pump |

PART NUMBERS AND SCHEMATICS GUIDE

Figure 21: 75cc XM™ Solvent Pump – Displacement Pump



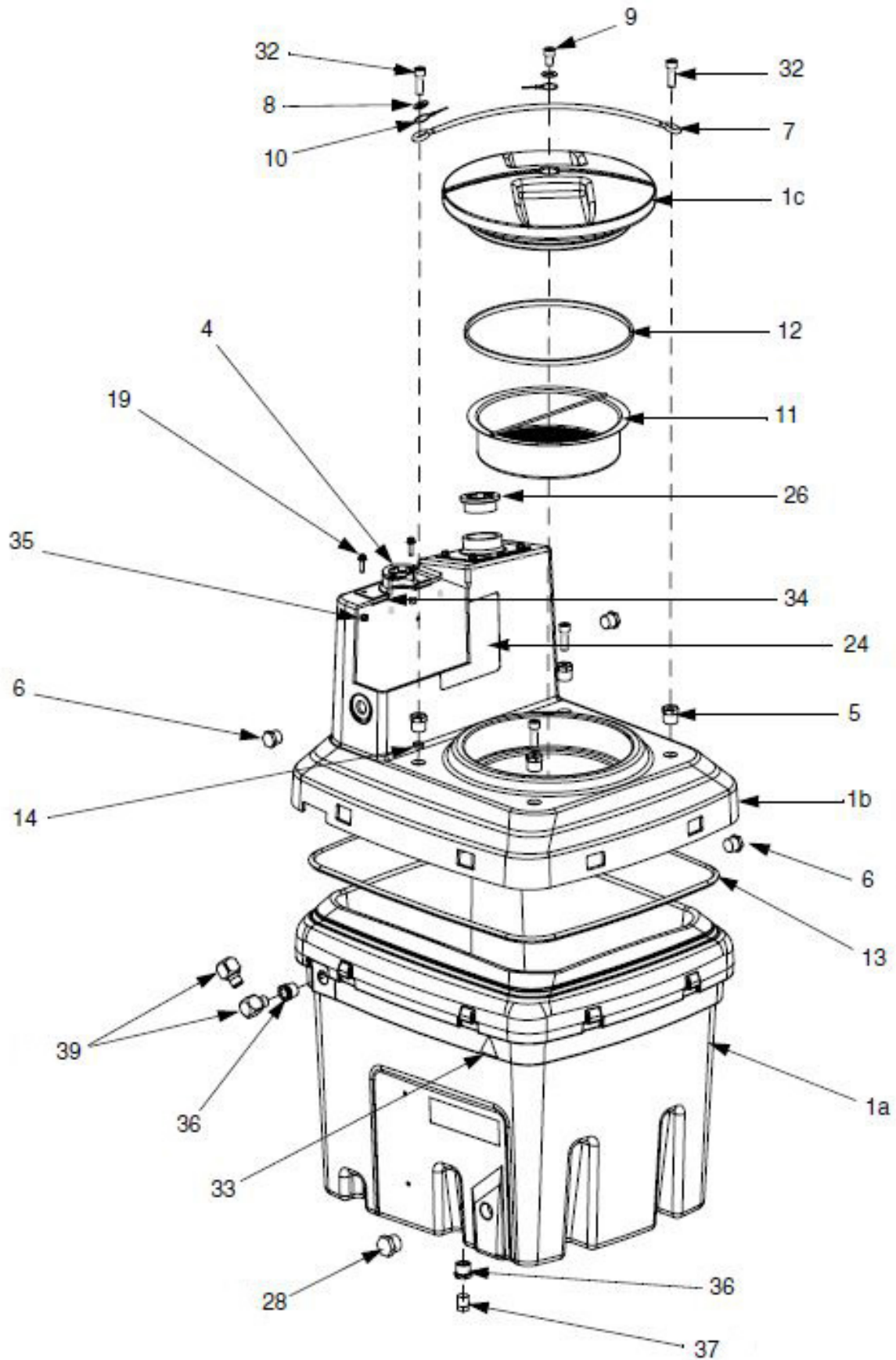
PART NUMBERS AND SCHEMATICS GUIDE

20 Gallon Hopper

| Item# | Part# | Description |
|----------------|------------------|---|
| Fig. 22 | | |
| — | 20G255963 | 20 Gallon Hopper |
| 1a | — | Hopper |
| 1b | — | Cover |
| 1c | — | Lid |
| 4 | 20G255965 | Weldment Plate (<i>Quantity of Two</i>) |
| 5 | 20G15T007 | Return Tube Adapter (<i>Quantity of Four</i>) |
| 6 | 20G121621 | 3/4" NPT Plug (<i>Quantity of Three</i>) |
| 7 | 20G255966 | Hopper Lid Spring Strap |
| 8 | 20G109570 | 1/2" Plain Washer |
| 9 | 20G513764 | 1/2-13 x 3/4" Socket Head Cap Screw |
| 10 | 20G122097 | 12" Stainless Steel Lanyard Cable |
| 11 | 20G256008 | Strainer |
| 12 | 20G15T010 | Hopper Lid Gasket |
| 13 | 20G15T011 | Hopper Gasket (<i>Quantity of Two</i>) |
| 14 | 20G15R403 | Return Tube Seal (<i>Quantity of Two</i>) |
| 19 | 20G112547 | 1/4-20 x 1" Hex Head Flange Screw (<i>Quantity of Eight</i>) |
| 26 | 20G121378 | 2" Plug with Gasket (<i>Quantity of Two</i>) |
| 28 | 20G121485 | 1" Plug (<i>Quantity of Two</i>) |
| 32 | 20G121797 | 1/20-13 x 1-1/2" Socket Head Cap Screw (<i>Quantity of Two</i>) |
| 33 | 20G189285 | Caution Label (<i>Quantity of Two</i>) |
| 34 | 20G15R331 | Hopper Accessory Plate (<i>Quantity of Two</i>) |
| 35 | 20G104105 | 1/4-20 Hex Lock Nut (<i>Quantity of Eight</i>) |
| 36 | 20G117326 | 3/4" (M) x 1/2" (F) Bushing Fitting (<i>Quantity of Two</i>) |
| 37 | 20G100737 | 1/2" Pipe Plug |
| 39 | 20G158683 | 1/2" 90° Elbow Fitting (<i>Quantity of Two</i>) |
| — | 20G15R424 | A-B Identification Label |
| — | 20G24K965 | 5:1 Pump Spacer Kit |
| — | 209V567 | Operator's Manual – Double Wall Hopper |

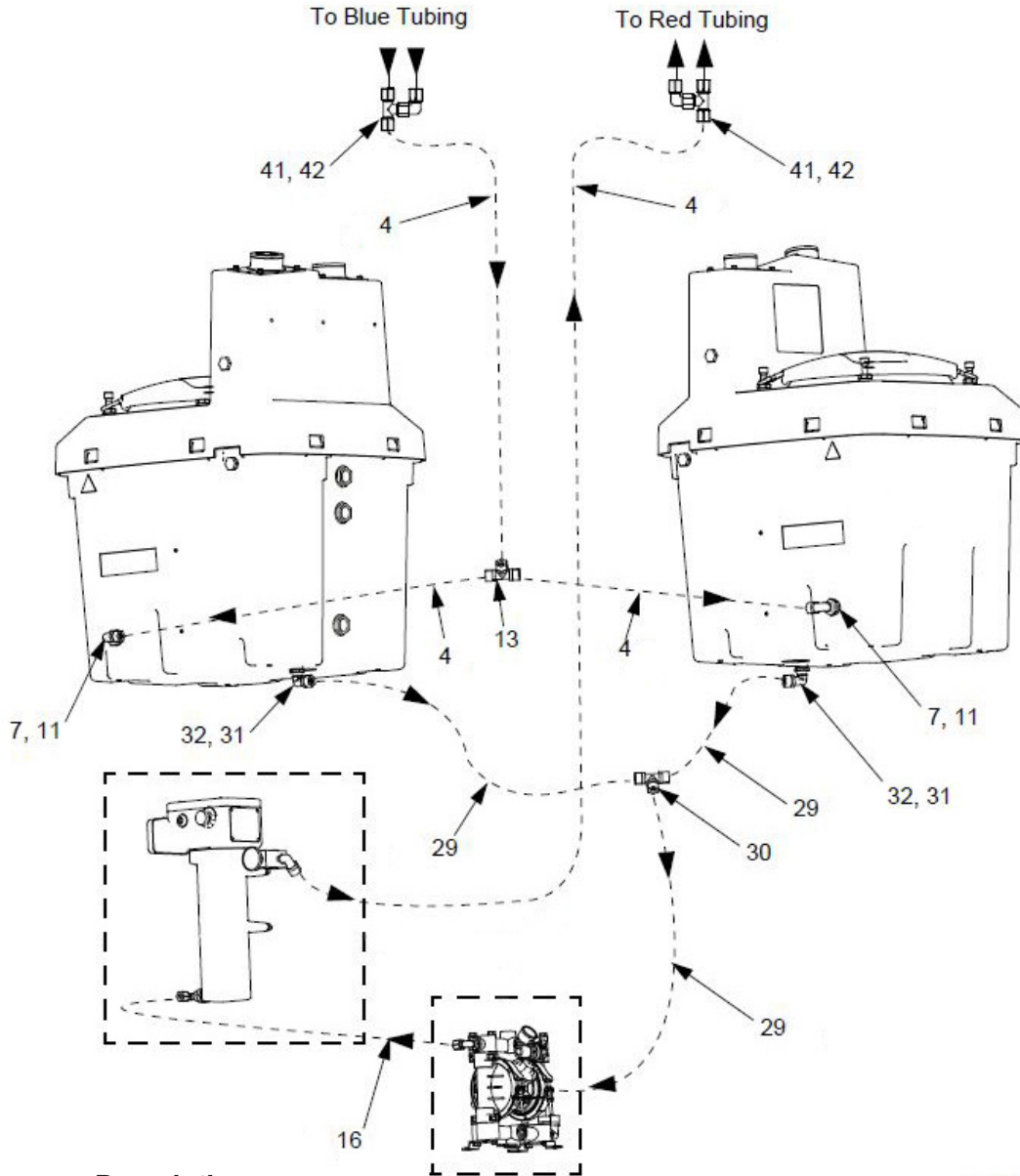
PART NUMBERS AND SCHEMATICS GUIDE

Figure 22: 20 Gallon Hopper



OPTIONAL ACCESSORIES

Figure 23: Heated Hopper and Hose Circulation Kit



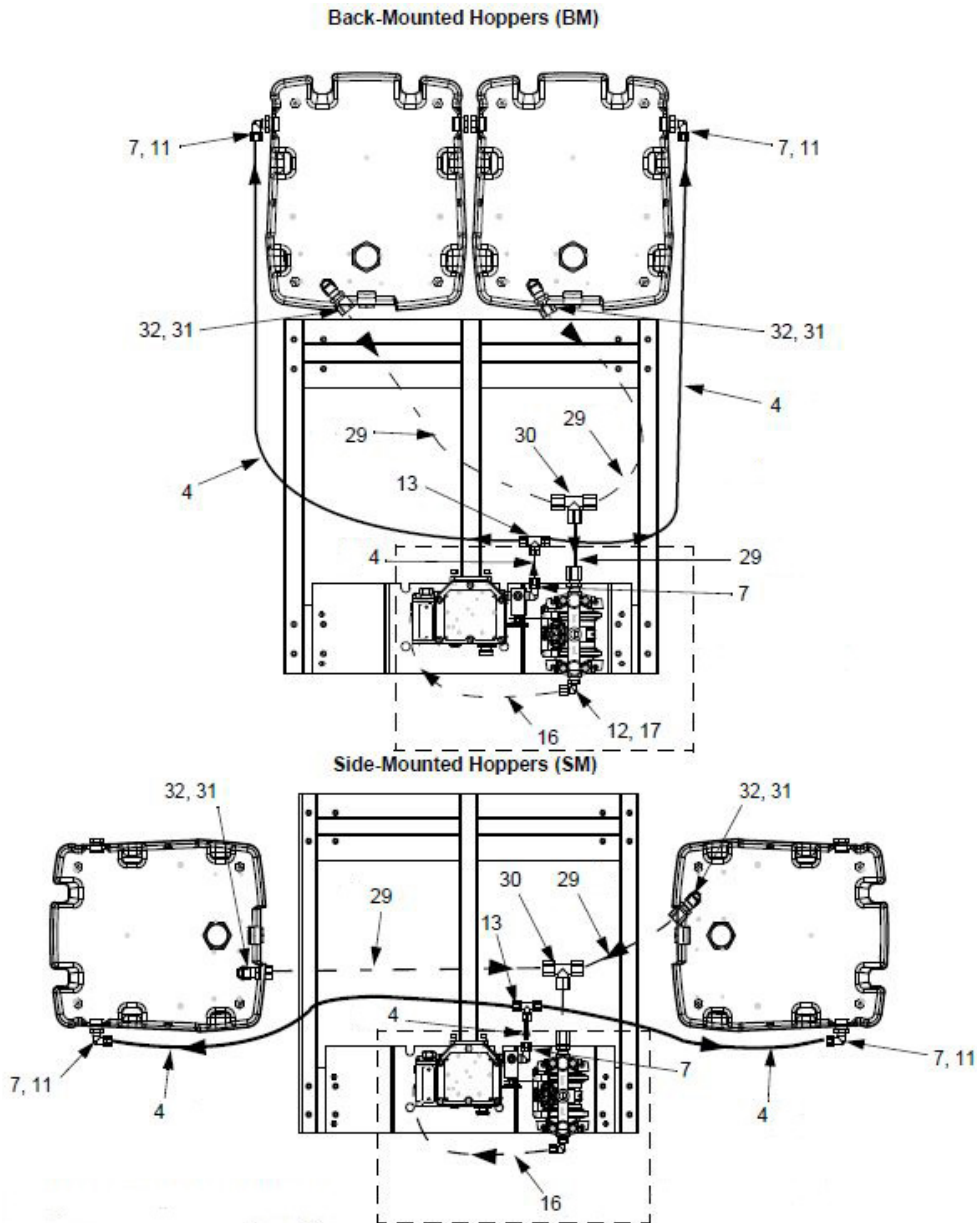
| Item# | Part# | Description |
|-------|-------|-------------|
|-------|-------|-------------|

Fig. 23

| | | |
|----|------------------|---|
| — | 20G256273 | Heated Hopper and Hose Circulation Kit |
| 4 | 20G054139 | 1/2" O.D. x 17' Flexible Nylon Tube |
| 7 | 20G126898 | 1/2" x 1/2" O.D. Elbow Fitting Tube (<i>Quantity of Five</i>) |
| 11 | 20G124070 | 1" (M) x 1/2" (F) Pipe Bushing (<i>Quantity of Two</i>) |
| 13 | 20G17E117 | 1/2" Tee Fitting |
| 16 | 20G054134 | 3/8" x 3' Nylon Tube |
| 29 | 20G054929 | 3/4" O.D. x 8' Flexible Nylon Tube |
| 30 | 20G17H050 | 3/4" Union Tee Fitting |
| 31 | 20G17H051 | 3/4" x 3/4" O.D. Male Connector Fitting (<i>Quantity of Three</i>) |
| 32 | 20G124042 | 3/4" (M) x 3/4" (F) Street Elbow Fitting (<i>Quantity of Three</i>) |
| 41 | 20G126896 | 1/2" Tube x 1/2" NPTF Elbow Fitting (<i>Quantity of Two</i>) |
| 42 | 20G126895 | 1/2" Tube x 1/2" Tube x 1/2" NPTF Elbow Fitting |

OPTIONAL ACCESSORIES

Figure 24: Heated Hopper and Hose Circulation Kit (Continued)



| Item# | Part# | Description |
|-------|-------|-------------|
|-------|-------|-------------|

Fig. 24

| | | |
|----|------------------|--|
| — | 20G256273 | Heated Hopper and Hose Circulation Kit |
| 4 | 20G054139 | 1/2" O.D. x 17' Flexible Nylon Tube |
| 7 | 20G126898 | 1/2" x 1/2" O.D. Elbow Fitting Tube (Quantity of Five) |
| 11 | 20G124070 | 1" (M) x 1/2" (F) Pipe Bushing (Quantity of Two) |
| 12 | 20GC19683 | 3/4" (M) x 3/8" (F) Reducing Bushing |
| 13 | 20G17E117 | 1/2" Tee Fitting |
| 16 | 20G054134 | 3/8" x 3' Nylon Tube |
| 17 | 20G17E118 | 3/8-18 x 3/8" O.D. Male Elbow Fitting (Quantity of Two) |
| 29 | 20G054929 | 3/4" O.D. x 8' Flexible Nylon Tube |
| 30 | 20G17H050 | 3/4" Union Tee Fitting |
| 31 | 20G17H051 | 3/4" x 3/4" O.D. Male Connector Fitting (Quantity of Three) |
| 32 | 20G124042 | 3/4" (M) x 3/4" (F) Street Elbow Fitting (Quantity of Three) |

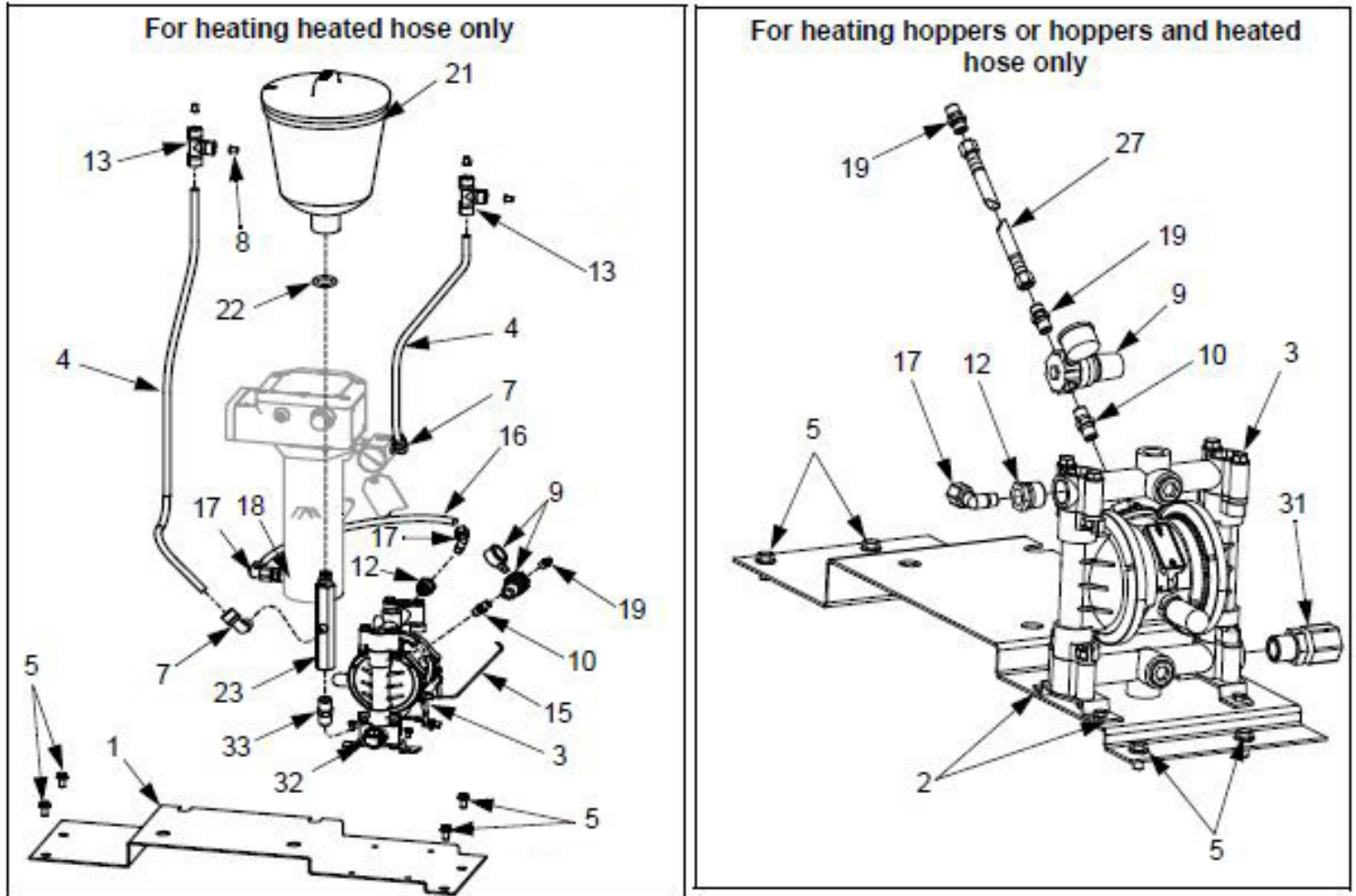
OPTIONAL ACCESSORIES

Heated Hopper and Hose Circulation Kit *(Continued)*

| Item# | Part# | Description |
|----------------|------------------|---|
| Fig. 25 | | |
| — | 20G256273 | Heated Hopper and Hose Circulation Kit |
| 1 | 20G256196 | Mounting Plate |
| 2 | 20G100333 | 1/4-20 x 1/2" Hex Cap Screw <i>(Quantity of Four)</i> |
| 3 | 20GD53288 | Husky™ 716 Pump <i>(See Fig. 26)</i> |
| 4 | 20G054139 | 1/2" O.D. x 17' Flexible Nylon Tube |
| 5 | 20G112395 | Flange Head Cap Screw <i>(Quantity of Four)</i> |
| 7 | 20G126898 | 1/2" x 1/2" O.D. Elbow Fitting Tube <i>(Quantity of Five)</i> |
| 9 | 20G110147 | 1/4" Air Regulator |
| 10 | 20G156971 | 1/4-18 NPT Short Nipple Fitting |
| 12 | 20GC19683 | 3/4" (M) x 3/8" (F) Reducing Bushing |
| 13 | 20G17E117 | 1/2" Tee Fitting |
| 15 | 20G119402 | Coiled Ground Cable |
| 16 | 20G054134 | 3/8" x 3' Nylon Tube |
| 17 | 20G17E118 | 3/8-18 x 3/8" O.D. Male Elbow Fitting <i>(Quantity of Two)</i> |
| 18 | 20G122275 | 3/8" x 1/2" Reducing Coupling Fitting |
| 19 | 20G162453 | 1/4" x 1/4" Nipple Fitting <i>(Quantity of Two)</i> |
| 21 | 20G188787 | 1-1/2 Gallon Hopper |
| 22 | 20G104938 | O-Ring |
| 23 | 20G15B338 | Mounting Reservoir Fitting |
| 27 | 20G212005 | 6' Coupled Hose |
| 31 | 20G17H051 | 3/4" x 3/4" O.D. Male Connector Fitting <i>(Quantity of Three)</i> |
| 32 | 20G124042 | 3/4" (M) x 3/4" (F) Street Elbow Fitting <i>(Quantity of Three)</i> |
| 33 | 20G175013 | 3/4" Nipple Fitting |
| — | 209V572 | Operator's Manual – Graco® Hopper or Hose Heat Circulation Kit |

OPTIONAL ACCESSORIES

Figure 25: Heated Hopper and Hose Circulation Kit (Continued)



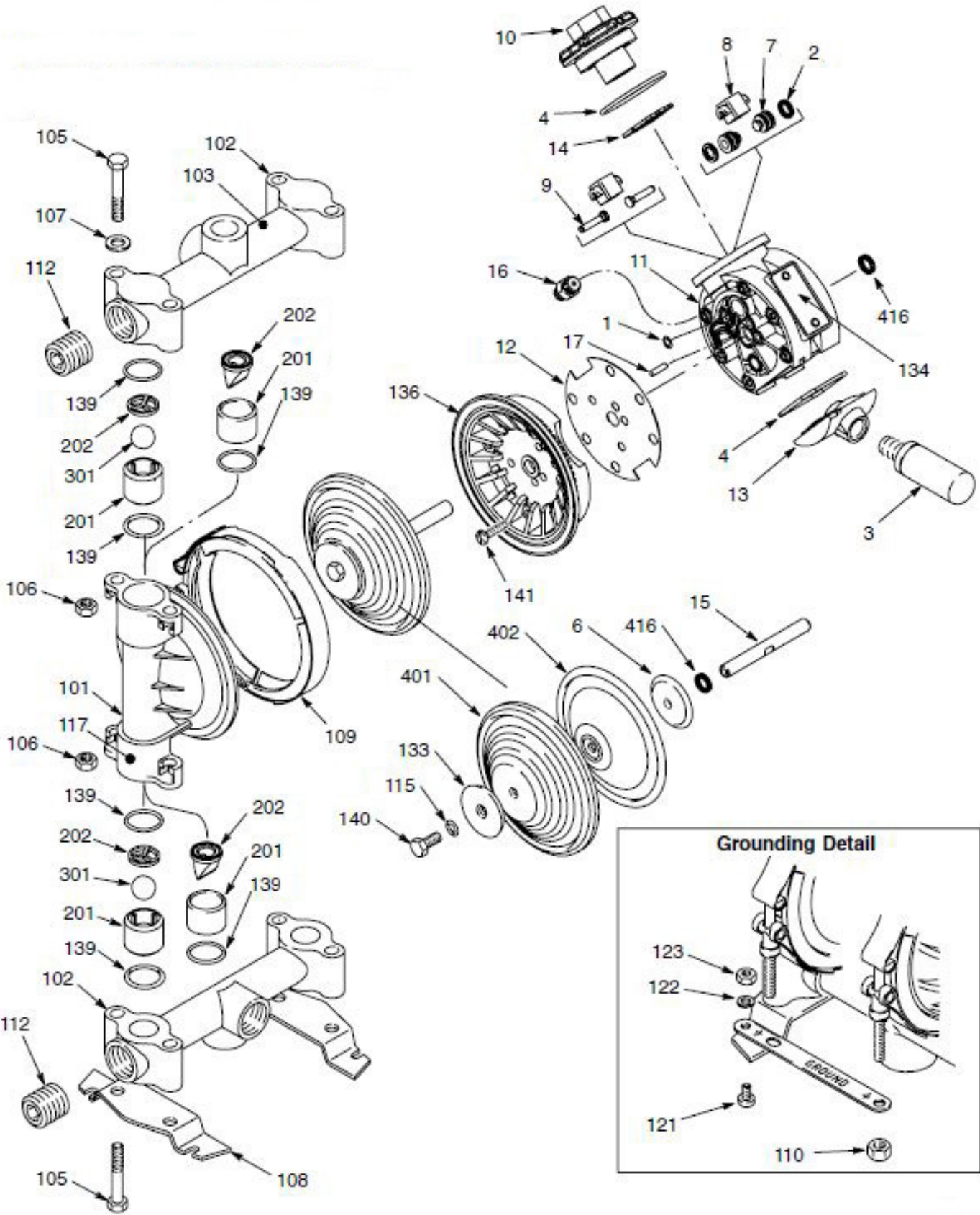
OPTIONAL ACCESSORIES

Husky™ 716 Pump

| Item# | Part# | Description | Item# | Part# | Description |
|----------------|---------------------------------------|--|-------|-----------|---|
| Fig. 26 | | | 121 | 20G102790 | 10-24 x 0.31" Screw |
| — | 20GD53288 | Husky™ 716 Pump | 122 | 20G100718 | Lockwasher |
| 1 | 20G114866 | O-Ring Packing (<i>Quantity of Two</i>) | 123 | 20G100179 | 10-24 Hex Nut |
| 2 | 20G108808 | U-Cup Packing (<i>Quantity of Two</i>) | 133 | 20G191837 | Fluid Side Diaphragm Plate (<i>Quantity of Two</i>) |
| 3 | 20G122933 | Muffler | 134 | 20G290045 | Designation Plate |
| 4 | 20G162942 | O-Ring Packing (<i>Quantity of Two</i>) | 136 | 20G194246 | Air Cover (<i>Quantity of Two</i>) |
| 6 | 20G195025 | Air Side Diaphragm Plate (<i>Quantity of Two</i>) | 139 | 20G110636 | O-Ring, PTFE (<i>Quantity of Eight</i>) |
| 7 | 20G15Y825 | Carriage Plunger (<i>Quantity of Two</i>) | 140 | 20G113747 | Flange Hex Head Screw (<i>Quantity of Two</i>) |
| 8 | 20G192595 | Carriage (<i>Quantity of Two</i>) | 141 | 20G114882 | Machine Torx Screw (<i>Quantity of 12</i>) |
| 9 | 20G192596 | Carriage Pin (<i>Quantity of Two</i>) | 142 | 20G111183 | Rivet (<i>Quantity of Two</i>) |
| 10 | 20G192597 | Valve Chamber Cover | 201 | 20G186691 | Acetal Guide (<i>Quantity of Four</i>) |
| 11 | 20G192602 | Center Housing | 202 | 20G186692 | Acetal Stop (<i>Quantity of Four</i>) |
| — | 20G194380 | Center Housing | 301 | 20G112959 | Fluoroelastomer Ball (<i>Quantity of Four</i>) |
| 12 | 20G192765 | Gasket (<i>Quantity of Two</i>) | 401 | 20G190149 | Fluoroelastomer Diaphragm (<i>Quantity of Two</i>) |
| 13 | 20G194247 | Exhaust Cover | 416 | 20G108808 | U-Cup Packing (<i>Quantity of Two</i>) |
| 14 | 20G194269 | Valve Plate | — | 20G241657 | Air Valve Repair Kit (<i>Includes Item #'s: 4, 7, 8, 9, and 14</i>) |
| 15 | 20G192601 | Diaphragm Shaft | — | 209V574 | Operator's Manual – Graco® Husky™ 716 Pump |
| 16 | 20G115671 | Male Connector (<i>Quantity of Two</i>) | | | |
| 101 | 20G185622 | Fluid Cover (<i>Quantity of Two</i>) | | | |
| 102 | 20G185624 | NPT Manifold (<i>Quantity of Two</i>) | | | |
| — | 20G192061 | BSPT Manifold (<i>Quantity of Two</i>) | | | |
| — | 20G190246 | NPT Manifold (<i>Quantity of Two</i>) | | | |
| 103 | 20G189220 | Warning Label | | | |
| 105 | 20G112912 | 3/8-16 x 2-1/4" Screw (<i>Quantity of Eight</i>) | | | |
| 106 | 20G112913 | 3/8-16 Hex Nut (<i>Quantity of Eight</i>) | | | |
| 107 | 20G112914 | 3/8" Flat Washer (<i>Quantity of Four</i>) | | | |
| 108 | 20G186207 | Feet Base (<i>Quantity of Two</i>) | | | |
| 109 | 20G189540 | Vee Clamp | | | |
| 110 | 20G112499 | 1/4-28 Clamp Nut (<i>Quantity of Two</i>) | | | |
| 111 | 20G191079 | Grounding Strip | | | |
| 112 | 20G102726 | NPT Steel Plug (<i>Quantity of Two</i>) | | | |
| — | 20G113989 | BSPT Steel Plug (<i>Quantity of Two</i>) | | | |
| — | 20G24H344 | BSPB Plug with Seal (<i>Quantity of Two</i>) | | | |
| 115 | 20G110004 | O-Ring, PTFE (<i>Quantity of Two</i>) | | | |
| 117 | 20G186205 | Warning Label | | | |
| 52 | Graco® XM70™ Plural Component Sprayer | | | | |

OPTIONAL ACCESSORIES

Figure 26: Husky™ 716 Pump



OPTIONAL ACCESSORIES

NON-RECIRCULATION GENERAL PURPOSE 7000 PSI WATER HEATED HOSE BUNDLES

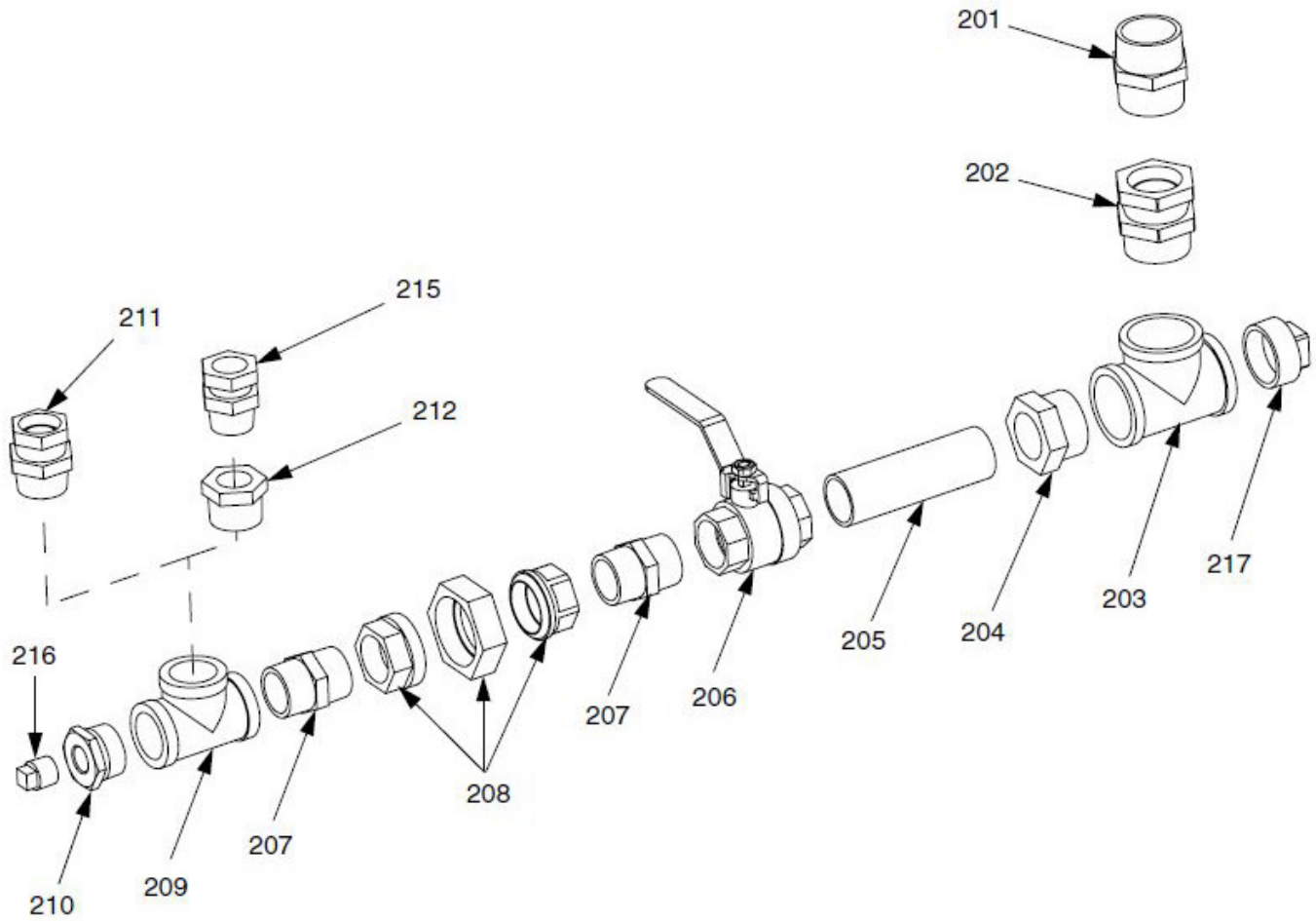
| Part Numbers | 1/2" Fluid Hose | 3/8" Fluid Hose | 1/4" Fluid Hose | 3/8" Fluid Recirculating Hoses | 1/4" Moisture-Lock Hose | 1/4" Flush Hose | Length | | | |
|--------------|-----------------|-----------------|-----------------|--------------------------------|-------------------------|-----------------|--------|---------|---------|---------|
| | | | | | | | 50 Ft. | 100 Ft. | 150 Ft. | 200 Ft. |
| 20100462 | 1 | 1 | 1 | 2 | | 1 | X | | | |
| 20100463 | 1 | 1 | 1 | 2 | | 1 | | X | | |
| 20100464 | 1 | 1 | 1 | 2 | | 1 | | | X | |
| 20100465 | 1 | 1 | 1 | 2 | | 1 | | | | X |

INSULATED INTEGRATOR 7000 PSI HOSE BUNDLES

| Part Numbers | 1/2" Fluid Hose | 3/8" Fluid Hose | 1/4" Fluid Hose | 3/8" Fluid Recirculating Hoses | 1/4" Moisture-Lock Hose | 1/4" Flush Hose | Length | |
|--------------|-----------------|-----------------|-----------------|--------------------------------|-------------------------|-----------------|--------|--------|
| | | | | | | | 25 Ft. | 50 Ft. |
| 20100254 | 1 | | | | | | X | |

OPTIONAL ACCESSORIES

Figure 27: Hopper Fluid Outlet Kit



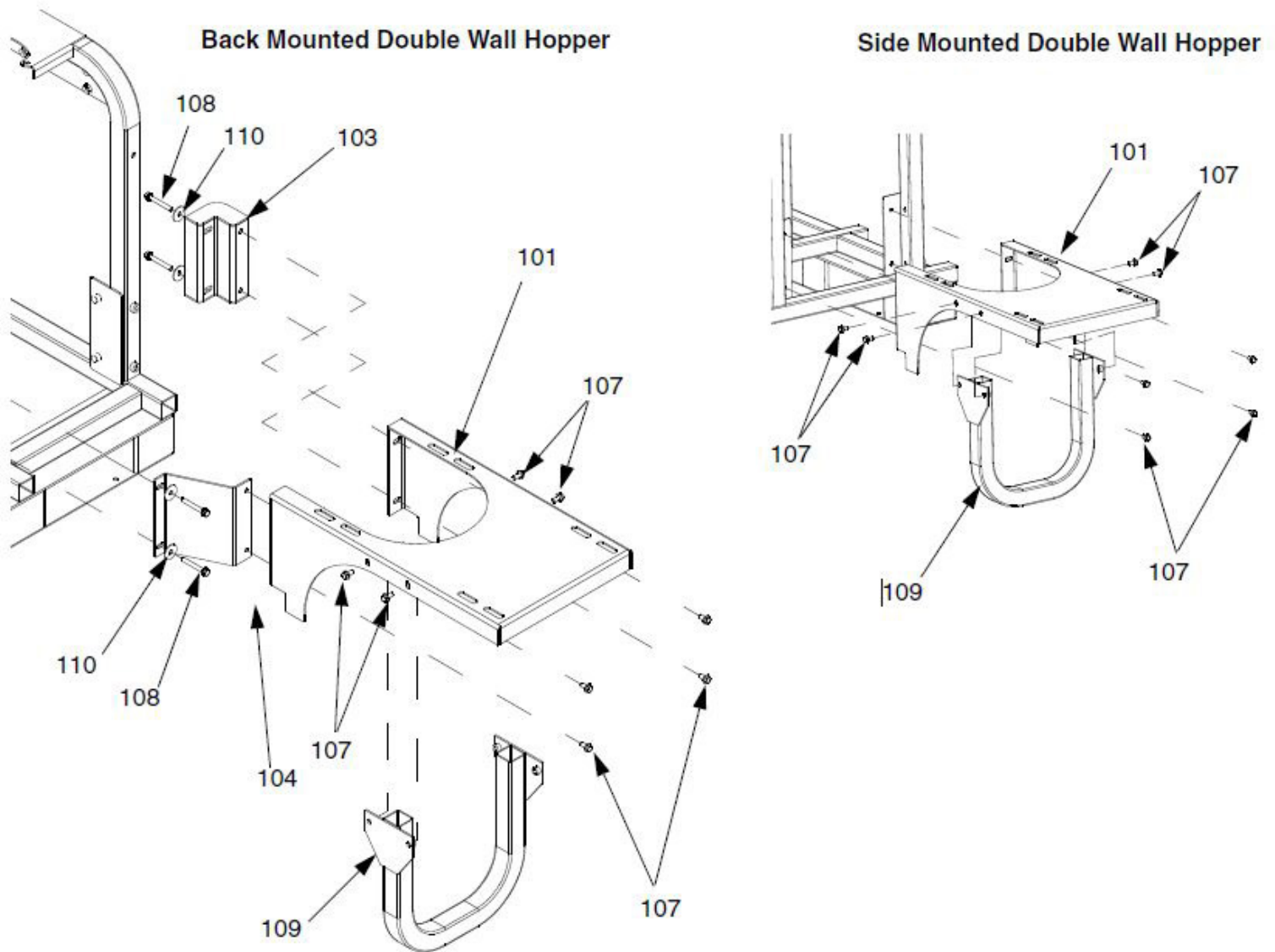
| Item# | Part# | Description |
|-------|-------|-------------|
|-------|-------|-------------|

Fig. 27

| | | |
|-----|------------------|--|
| — | 20G256179 | Hopper Fluid Outlet Kit |
| 201 | 20G121435 | 2" Hex Nipple |
| 202 | 20G121436 | 2" Male Swivel Fitting |
| 203 | 20G121437 | 2" Female Tee Fitting |
| 204 | 20G121438 | 2" x 1-1/2" Reducer Bushing |
| 205 | 20G121439 | 1-1/2" x 6" Pipe Nipple |
| 206 | 20G121440 | 1-1/2" Ball Valve |
| 207 | 20G121441 | 1-1/2" Hex Nipple (<i>Quantity of Two</i>) |
| 208 | 20G121442 | 1-1/2" Union Fitting |
| 209 | 20G121443 | 1-1/2" Tee Fitting |
| 210 | 20G101496 | 1-1/2" x 3/4" Pipe Bushing |
| 211 | 20G121445 | 1-1/2" x 1-1/4" Reducing Swivel |
| 212 | 20G121446 | 1-1/2" x 1-1/4" Reducer Bushing |
| 215 | 20G121447 | 1-1/4" Swivel Fitting |
| 216 | 20G104663 | 3/4" Pipe Plug |
| 217 | 20G123807 | 2" Pipe Plug |
| — | 209V567 | Operator's Manual – Double Wall Hopper |

OPTIONAL ACCESSORIES

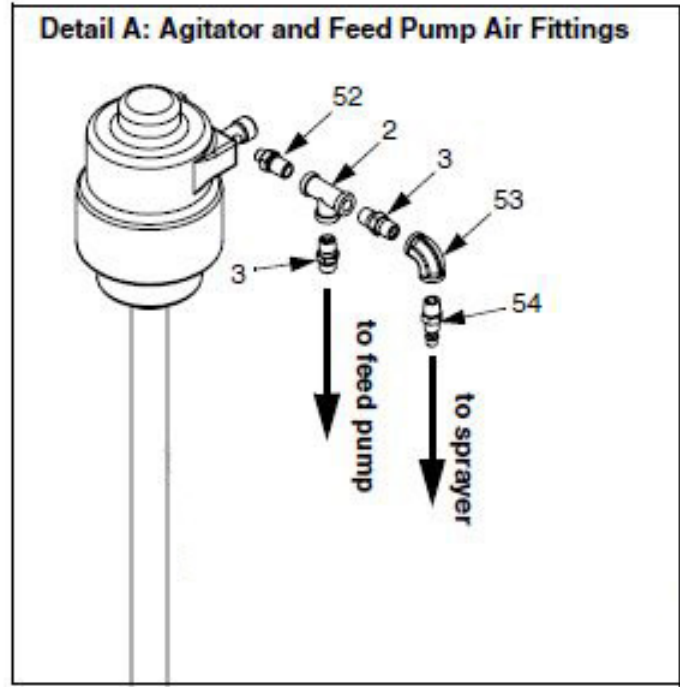
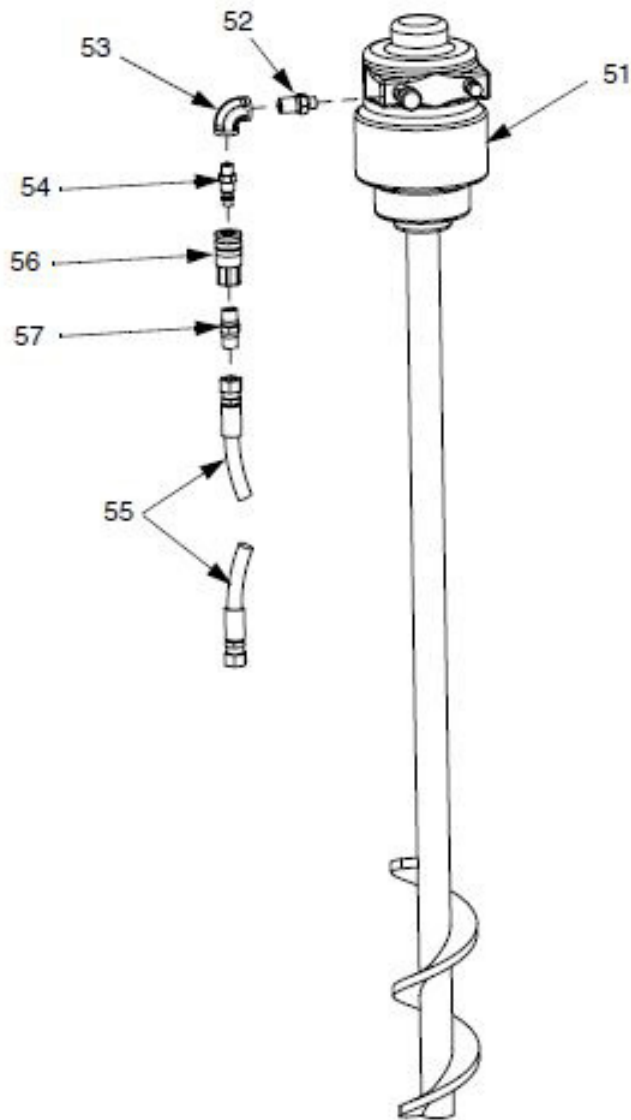
Figure 28: Hopper Mounting Kit



| Item# | Part# | Description |
|----------------|------------------|--|
| Fig. 28 | | |
| — | 20G256259 | Hopper Mounting Kit |
| 101 | 20G256224 | 20 Gallon Hopper Bracket |
| 103 | 20G256254 | Bottom Mount Hopper Bracket |
| 104 | 20G256256 | Lower Bottom Mount Hopper Bracket |
| 107 | 20G112395 | 3/8-16 x 3/4" Flange Head Cap Screw (<i>Quantity of 14</i>) |
| 108 | 20G121488 | 3/8-16 x 2-3/4" Flanged Hex Head Screw (<i>Quantity of Four</i>) |
| 109 | 20G256928 | Rear Hopper Bracket Support |
| 110 | 20G115625 | 3/8" Fender Washer |
| — | 209V567 | Operator's Manual – Double Wall Hopper |

OPTIONAL ACCESSORIES

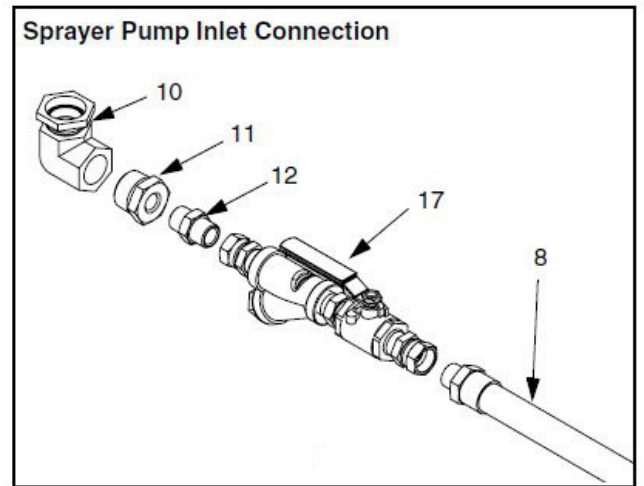
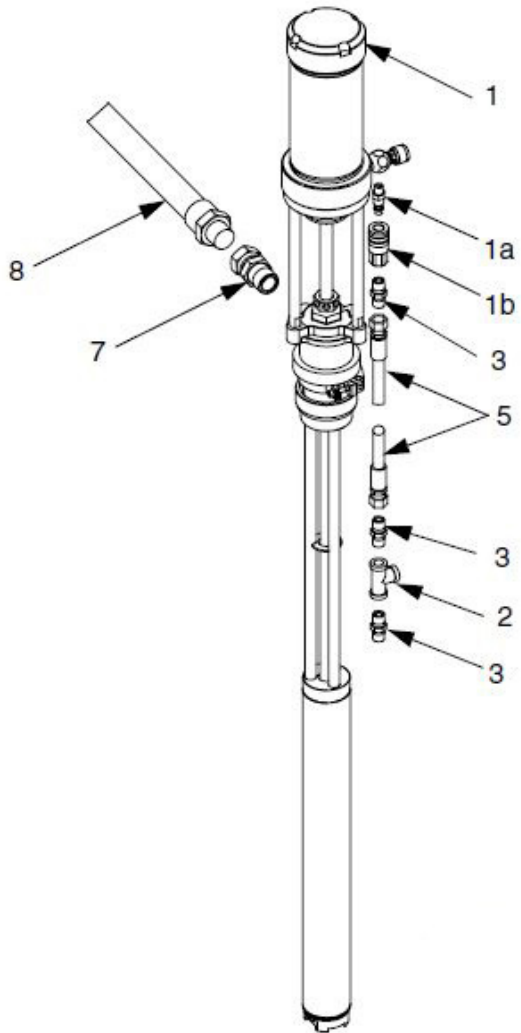
Figure 29: Twistork Agitator Kit



| Item# | Part# | Description |
|----------------|------------------|--|
| Fig. 29 | | |
| — | 20G256274 | Twistork Agitator Kit |
| 51 | 20G224854 | Helix Agitator |
| 52 | 20G151519 | 1/8" x 1/4" Reducing Nipple Fitting |
| 53 | 20GC19425 | 90° Female Elbow Fitting |
| 54 | 20G169970 | Air Line Fitting |
| 55 | 20G212005 | 6' Coupled Hose |
| 56 | 20G114558 | Air Line Coupler |
| 57 | 20G166846 | Adapter Fitting |
| — | 209V569 | Operator's Manual – Graco® Feed Pump and Agitator Kits |

OPTIONAL ACCESSORIES

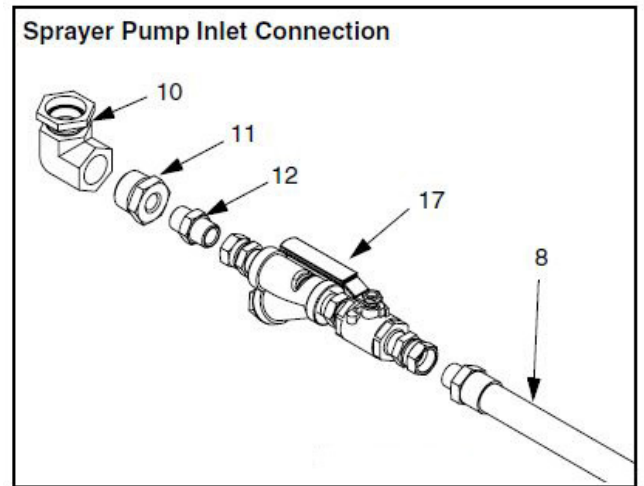
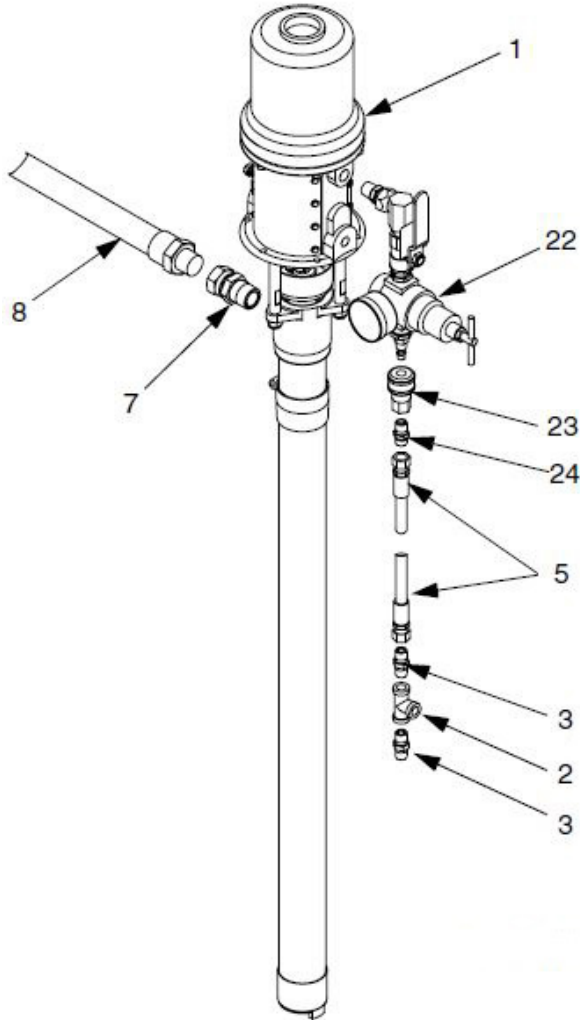
Figure 30: T2 Pump Feed



| Item# | Part# | Description |
|----------------|------------------|--|
| Fig. 30 | | |
| — | 20G256275 | T2 Pump Feed |
| 1 | 20G295616 | 2:1 Transfer Pump (Includes Item #'s: 1a and 1b) |
| 1a | — | Quick Disconnect Fitting |
| 1b | — | Coupler |
| 2 | 20G104984 | 1/4" Female Tee Fitting |
| 3 | 20G156971 | 1/4-18 Short Nipple (Quantity of Three) |
| 5 | 20G212005 | 6' Coupled Hose |
| 7 | 20G118459 | 3/4" Swivel Union |
| 8 | 20G217382 | 10' Coupled Hose |
| 10 | 20G121571 | Female Swivel Elbow |
| 11 | 20G121620 | 1-1/4" x 3/4" Reducer |
| 12 | 20GC20487 | Hex Nipple |
| 17 | 20G256653 | Lower Strainer and Valve Kit |
| — | 20G256275 | T2 2:1 Pump Kit (Includes Item #'s: 1, 1a, and 1b) |
| — | 209V569 | Operator's Manual – Graco® Feed Pump and Agitator Kits |

OPTIONAL ACCESSORIES

Figure 31: 5:1 Pump Feed



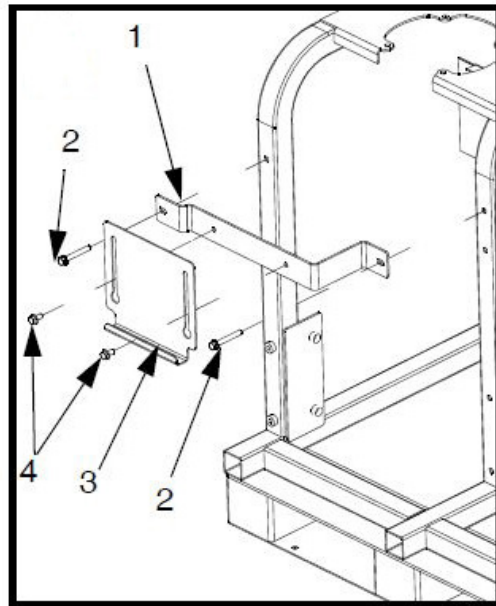
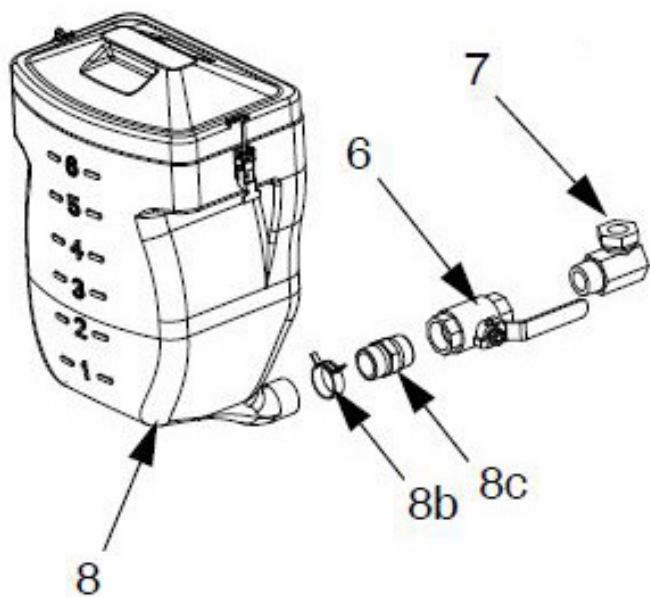
| Item# | Part# | Description |
|-------|-------|-------------|
|-------|-------|-------------|

Fig. 31

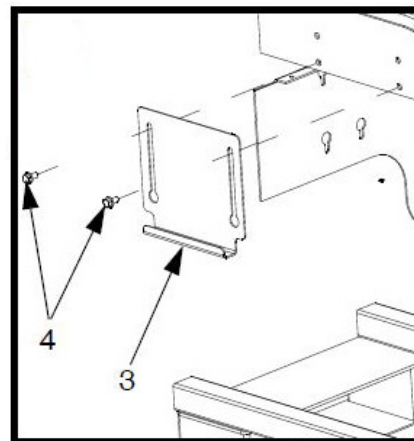
| | | |
|----|------------------|---|
| — | 20G256276 | 5:1 Pump Feed |
| 1 | 20G218956 | 5:1 Monark® Pump |
| 2 | 20G104984 | 1/4" Female Tee Fitting |
| 3 | 20G156971 | 1/4-18 Short Nipple (<i>Quantity of Three</i>) |
| 5 | 20G212005 | 6' Coupled Hose |
| 7 | 20G118459 | 3/4" Swivel Union |
| 8 | 20G217382 | 10' Coupled Hose |
| 10 | 20G121571 | Female Swivel Elbow |
| 11 | 20G121620 | 1-1/4" x 3/4" Reducer |
| 12 | 20GC20487 | Hex Nipple |
| 17 | 20G256653 | Lower Strainer and Valve Kit |
| 22 | 20G248829 | Feed Pump Air Regulator Kit |
| 23 | 20G208536 | Air Line Coupler |
| 24 | 20G162453 | 1/4" NPSM x 1/4" NPT Fitting |
| — | 20G256276 | Monark® 5:1 Pump Kit (<i>Includes Item #'s: 22, 23, and 24</i>) |
| — | 209V569 | Operator's Manual – Graco® Feed Pump and Agitator Kits |

OPTIONAL ACCESSORIES

Figure 32: 7 Gallon Green and Blue Hopper and Bracket Kit



(Parts for Back Mounted Hoppers)



(Parts for Side Mounted Hoppers)

| Item# | Part# | Description |
|----------------|------------------|---|
| Fig. 32 | | |
| — | 20G256260 | 7 Gallon Green Hopper |
| — | 20G24N011 | 7 Gallon Blue Hopper |
| 1 | 20G256252 | Upper Back Mounted Hopper Bracket |
| 2 | 20G121488 | Flanged Hex Head Screw (<i>Quantity of Two</i>) |
| 3 | 20G256251 | 7 Gallon Hopper Bracket |
| 4 | 20G112395 | Flange Head Cap Screw (<i>Quantity of Two</i>) |
| 6 | 20G122198 | Ball Valve |
| 7 | 20G112580 | 90° Swivel Union |
| 8 | 20G234097 | Green Fluid Hopper |
| — | 20G234017 | Blue Fluid Hopper |
| 8b | 20G124450 | Clamp |
| 8c | 20GC20490 | Fitting |
| — | 209V575 | Operator's Manual – Graco® XM™ Hopper Kit |

MAINTENANCE NOTES

| DATE | TYPE OF SERVICE | PART NUMBER |
|------|-----------------|-------------|
| | | |
| | | |
| | | |
| | | |
| | | |
| | | |
| | | |
| | | |
| | | |
| | | |
| | | |
| | | |
| | | |
| | | |
| | | |
| | | |
| | | |
| | | |
| | | |
| | | |
| | | |
| | | |
| | | |
| | | |
| | | |
| | | |
| | | |
| | | |
| | | |
| | | |
| | | |
| | | |
| | | |
| | | |
| | | |
| | | |
| | | |
| | | |
| | | |
| | | |
| | | |
| | | |
| | | |
| | | |

CONTACT CENTER

- 3425 East Locust Street
Davenport, IA 52803

ph: 800.BLAST.IT (800.252.7848)

ph: 563.324.2519

fax: 563.324.6258

REGIONAL BRANCH OFFICES

- **Iowa**
Davenport
- **Louisiana**
Gonzales
Lafayette
- **Ohio**
Youngstown
- **Texas**
Beaumont
Corpus Christi
Deer Park

40+ NATIONWIDE SHIPPING LOCATIONS



★ Marco Regional Branch Offices
and Shipping Locations

● Direct Shipping Locations



ABRASIVES

BLASTING

COATING

DUST COLLECTORS

ENGINEERED SYSTEMS

RENTAL

SAFETY

SERVICE, REPAIR, & MODERNIZATION

VACUUMS

CONTACT MARCO

800.BLAST.IT

(800.252.7848)

563.324.2519

FAX: 563.324.6258

WWW.MARCO.US

SALES@MARCO.US