



# GRACO® XM50™ PLURAL COMPONENT SPRAYER



**PART NUMBERS AND SCHEMATICS GUIDE**

## Company Profile

Since 1944, Marco has developed a strong tradition of providing innovative and reliable products and services to the surface preparation and protective coatings industries. We are the world's premier provider of Abrasives, Blasting Equipment, Coating and Painting Equipment, Engineered Systems, Rental Equipment, Safety Equipment, Service, and Repair.

Through innovative designs and a total commitment to quality, Marco manufactures products that increase production rates, create a safer workplace, and reduce maintenance costs. Marco's industry experience, manufacturing capabilities, legendary customer service, product availability, logistics services, and technology leadership is your assurance that we deliver high quality products and services, providing the best value to you, our customer.

## The Marco Difference

- **Industry Experience** – With Marco on your team, you have access to expertise which can only come from decades of industry leadership. We have organized our engineering department, production specialists, customer operations, and safety support into a “Center of Competence.” As a Marco customer, you have access to hundreds of years of cumulative experience related to your operations.
- **Manufacturing Excellence** – Marco is a U.S. based, ISO 9001:2008 certified manufacturer of equipment for the Surface Preparation and Protective Coatings industries. Marco's engineers benchmark the industry to ensure that we design and manufacture superior products that set the “Gold Standard” for performance, safety, and quality.
- **Legendary Customer Service** – Marco's legendary customer service team is staffed by friendly, highly-trained individuals who are focused on providing the highest level of product support, order accuracy, and customer satisfaction.
- **Product Availability** – We stock over 10,000 SKU's and have over 45 shipping locations to serve North American and International markets for all major brands of blasting and painting equipment. As the largest provider of surface preparation and protective coatings equipment in the world, our inventory levels and product availability are unmatched.
- **Logistics Services** – Marco's in-house logistics team is dedicated to moving your shipment anywhere in the world. We move over 14,000 truckloads every year, allowing you to save on freight costs by leveraging our buying power. Lower your process costs with a single invoice, which includes product and freight.
- **Technology Leadership** – Our website provides: Operator's Manuals, Part Numbers and Schematics Guides, MSDS information, and Features, Advantages, and Benefits Guides, providing access to information 24/7. Our Extranet application allows you to receive quotes and place orders online. Our Intranet maintains a complete record of your purchase history to assist with ongoing support of your existing equipment and future purchasing decisions.

## Vision Statement

Marco is the world's premier provider of Abrasives, Blasting Equipment, Coating and Painting Equipment, Engineered Systems, Rental Equipment, Safety Equipment, Service, and Repair.

## Mission Statement

Marco provides strong leadership and innovation to the surface preparation and protective coatings industries. We dedicate our efforts to the continuous improvement of our products, services, processes, people, and most importantly, the quality of our customer's experience.

## Quality Statement

Marco is committed to providing superior quality in the design, manufacturing, distribution, rental, service, and repair of our products. Our ISO 9001:2008 certification extends throughout all operations in all locations. Continuous improvement of our processes and supply chain Integration comprise the core of our business strategy for delivering exceptional quality and value in all Marco products and services.

## Management Philosophy

We are a company dedicated to the success of every customer and associate. We discuss, debate, challenge, measure, and test our ideas. We will be boundless and limitless in our passion to improve. Through sound leadership and dedicated associates, we will ensure a long term, profitable future for Marco, our associates, customers, and suppliers.

# TABLE OF CONTENTS

<b>Company Profile</b> . . . . .	<b>2</b>	<b>Optional Accessories</b> . . . . .	<b>48-60</b>
<b>Table of Contents</b> . . . . .	<b>3</b>	Heated Hopper and Hose Circulation Kit. . . . .	48-51
<b>Graco® XM50™ Sprayer</b> . . . . .	<b>4-47</b>	Husky™ 716 Pump . . . . .	52-53
Graco® XM50™ Sprayer Part Numbers. . . . .	4-5	Hose Bundles . . . . .	54
Graco® XM50™ Sprayer Schematics . . . . .	6-11	Hopper Fluid Outlet Kit . . . . .	55
XM™ Control Box . . . . .	12-13	Hopper Mounting Kit . . . . .	56
Air Controls Module . . . . .	14-15	Twistork Agitator Kit. . . . .	57
Junction Box . . . . .	16-17	T2 Pump Feed. . . . .	58
Fluid Control Assembly . . . . .	18	5:1 Pump Feed . . . . .	59
Air Inlet Manifold . . . . .	19	7 Gallon Hopper and Bracket Kit. . . . .	60
NXT Model 6500 Air Motor . . . . .	20-21	<b>Maintenance Notes</b> . . . . .	<b>61-63</b>
A Side Lower – 250cc Xtreme® . . . . .	22-23		
250cc Xtreme® Seals Repair Kit . . . . .	24-25		
250cc Tuff-Stack™ Repair Kit . . . . .	26-27		
250cc X-Tuff™ Repair Kit . . . . .	28-29		
B Side Lower – 220cc Xtreme® . . . . .	30-31		
220cc Xtreme® Seals Repair Kit . . . . .	32-33		
220cc Tuff-Stack™ Repair Kit . . . . .	34-35		
220cc X-Tuff™ Repair Kit . . . . .	36-37		
Fluid Heater. . . . .	38-39		
75cc XM™ Solvent Pump . . . . .	40-41		
75cc XM™ – Motor . . . . .	42-43		
75cc XM™ – Displacement Pump. . . . .	44-45		
20 Gallon Hopper . . . . .	46-47		

## PART NUMBERS AND SCHEMATICS GUIDE

GRACO® XM50™ PLURAL COMPONENT SPRAYER												
Part Numbers	Type	Junction Box	Hopper Kit (20 gal)	Hopper Heater Kit	Hopper Fluid Inlet Kit	Hopper Universal Mount Kit	Twistork Agitator Kit	5:1 Pump Feed Kit	A Lower Pump	B Lower Pump	Pump Filters	Fluid Heaters
20GXM1B00	Standard	X							20GL250C4	20GL220C4	X	X
20GXM1B14	Standard	X	1	1	1	1	1		20GL250C4	20GL220C4	X	X
20GXM1B16	Standard	X	1	1		1	1	1	20GL250C4	20GL220C4	X	X
20GXM1B24	Standard	X	2	2	2	2	2		20GL250C4	20GL220C4	X	X
20GXM1B26	Standard	X	2	2		2	2	2	20GL250C4	20GL220C4	X	X
20GXM1C00	Standard								20GL250C4	20GL220C4	X	X
20GXM1C14	Standard		1	1	1	1	1		20GL250C4	20GL220C4	X	X
20GXM1C16	Standard		1	1		1	1	1	20GL250C4	20GL220C4	X	X
20GXM1C24	Standard		2	2	2	2	2		20GL250C4	20GL220C4	X	X
20GXM1C26	Standard		2	2		2	2	2	20GL250C4	20GL220C4	X	X
20GXM1E00	Hazardous Location								20GL250C4	20GL220C4	X	X
20GXM1E14	Hazardous Location		1	1	1	1	1		20GL250C4	20GL220C4	X	X
20GXM1E16	Hazardous Location		1	1		1	1	1	20GL250C4	20GL220C4	X	X
20GXM1E24	Hazardous Location		2	2	2	2	2		20GL250C4	20GL220C4	X	X
20GXM1E26	Hazardous Location		2	2		2	2	2	20GL250C4	20GL220C4	X	X

All sprayers include 3/8" x 25' airless spray hose, 1/4" x 10' whip hose, static mixers, and Graco® XTR5™ Airless Spray gun.

## PART NUMBERS AND SCHEMATICS GUIDE

GRACO® XM50™ PLURAL COMPONENT SPRAYER WITH REMOTE MANIFOLD													
Part Numbers	Type	Junction Box	Hopper Kit (20 gal)	Hopper Heater Kit	Hopper Fluid Inlet Kit	Hopper Universal Mount Kit	Twistork Agitator Kit	5:1 Pump Feed Kit	A Lower Pump	B Lower Pump	Pump Filters	Fluid Heaters	Remote Manifold
20GXM5B00	Standard	X							20GL250C4	20GL220C4	X	X	X
20GXM5B14	Standard	X	1	1	1	1	1		20GL250C4	20GL220C4	X	X	X
20GXM5B16	Standard	X	1	1		1	1	1	20GL250C4	20GL220C4	X	X	X
20GXM5B24	Standard	X	2	2	2	2	2		20GL250C4	20GL220C4	X	X	X
20GXM5B26	Standard	X	2	2		2	2	2	20GL250C4	20GL220C4	X	X	X
20GXM5C00	Standard								20GL250C4	20GL220C4	X	X	X
20GXM5C14	Standard		1	1	1	1	1		20GL250C4	20GL220C4	X	X	X
20GXM5C16	Standard		1	1		1	1	1	20GL250C4	20GL220C4	X	X	X
20GXM5C24	Standard		2	2	2	2	2		20GL250C4	20GL220C4	X	X	X
20GXM5C26	Standard		2	2		2	2	2	20GL250C4	20GL220C4	X	X	X
20GXM5E00	Hazardous Location								20GL250C4	20GL220C4	X	X	X
20GXM5E14	Hazardous Location		1	1	1	1	1		20GL250C4	20GL220C4	X	X	X
20GXM5E16	Hazardous Location		1	1		1	1	1	20GL250C4	20GL220C4	X	X	X
20GXM5E24	Hazardous Location		2	2	2	2	2		20GL250C4	20GL220C4	X	X	X
20GXM5E26	Hazardous Location		2	2		2	2	2	20GL250C4	20GL220C4	X	X	X

All sprayers include 3/8" x 25' airless spray hose, 1/4" x 10' whip hose, static mixers, and Graco® XTR5™ Airless Spray gun.

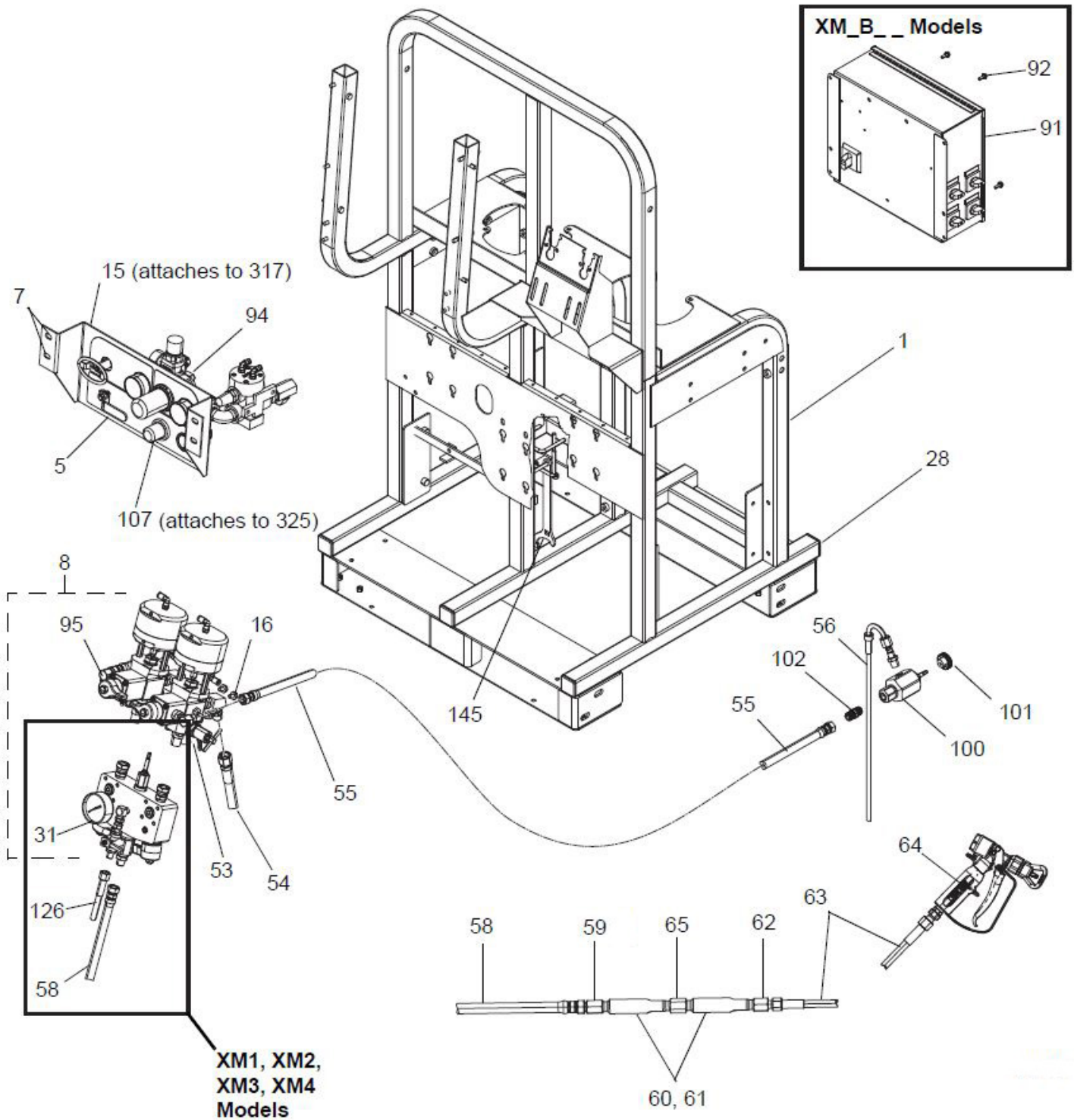
## PART NUMBERS AND SCHEMATICS GUIDE

### Graco® XM50™ Plural Component Sprayer

Item#	Part#	Description
<b>Fig. 1</b>		
1	—	Frame
5	20G255761	Upper Air Controls Module (See Fig. 5)
7	20G112958	Flanged Hex Nut (Quantity of Nine)
8	—	Fluid Control Assembly (See Fig. 7)
15	20G240900	3/4" x 30" Coupled Air Hose (Quantity of Three)
16	20G111801	Hex HD Screw Cap (Quantity of Ten)
28	20G115313	Tube Plug (Quantity of Eight)
31	20G114434	10,000 psi Pressure Gauge
53	20GH75003	1/2" x 3' Coupled Hose, 7250 psi (Quantity of Three)
54	20GH75002	1/2" x 2' Coupled Hose, 7250 psi
55	20GH53806	3/8" x 6' Coupled Hose, 5600 psi (Quantity of Two)
56	20G15T396	Recirculation Tube (Quantity of Two)
58	20GH73825	3/8" x 25' Coupled Hose, 7250 psi
59	20G15B729	3/8" NPT (F) x 3/8" NPSM (M) Adapter
60	20G262478	1/2" x 5" Static Housing Mixer Kit (Quantity of Two)
61	20G248927	Static Mixer Element, Pack of 25
62	20G150287	3/8" to 1/4" Reducing Coupling
63	20GH72510	1/4" x 10' Coupled Hose
64	20GXTR504	Graco® XTR-5™ Airless Spray Gun
65	20G162024	3/8" Coupling
91	20G256540	Junction Box (See Fig. 6)
92	20G111801	Hex HD Screw Cap
94	20G113498	Air Relief Valve, 100 psi
95	20G15U655	Identification Label
100	20G222200	Restrictor Valve (Quantity of Two)
101	20G114593	Restrictor Valve Knob (Quantity of Two)
102	20G156849	3/8" NPT x 3/8" Pipe Nipple (Quantity of Two)
107	20G248208	5/16" x 4' Coupled Hose
126	20GH42506	1/4" x 6' Coupled Hose, 4500 psi
145	20G15T258	Xtreme® Wrench
—	201V557	Brochure – Graco® XM™ Plural Component Sprayers
—	206M508	Part Numbers and Schematics Guide – Graco® XTR-5™ Airless Spray Gun
—	206M608	Part Numbers and Schematics Guide – Graco® XM50™ Plural Component Sprayer
—	209V557	Operator's Manual – Graco® XM™ Plural Component Sprayer

# PART NUMBERS AND SCHEMATICS GUIDE

Figure 1: Graco® XM50™ Plural Component Sprayer



## PART NUMBERS AND SCHEMATICS GUIDE

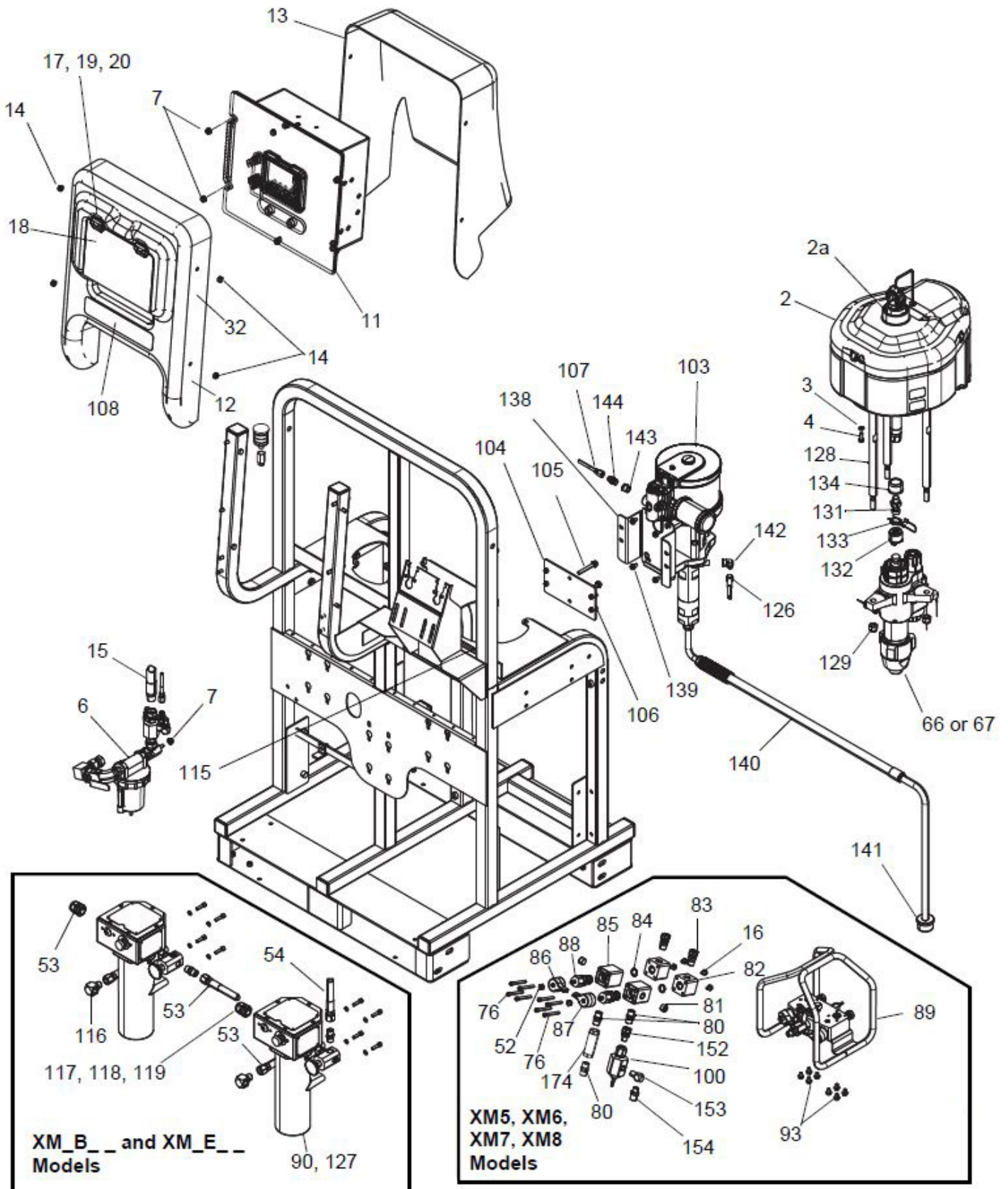
### Graco® XM50™ Plural Component Sprayer

Item#	Part#	Description	Item#	Part#	Description
<b>Fig. 2</b>			87	20G15R380	Green Handle
2	20G257055	XM™ Air Motor 6500 De-Icing (Quantity of Two) (See Fig. 9)	88	20G255747	Valve Cartridge (Quantity of Two)
2a	20G256893	Linear Sensor (Quantity of Two)	89	20G24A034	Remote Mix Manifold Cartridge
3	20G100133	3/8" Lock Washer Spring (Quantity of Eight)	90	20G245869	Fluid Heater (Quantity of Two) (See Fig. 18)
4	20G100101	3/8-16 x 1" Long Screw (Quantity of Eight)	93	20G111801	Hex Head Screw Cap (Quantity of Eight)
6	20G255762	Air Inlet Manifold (See Fig. 8)	100	20G222200	Restrictor Valve (Quantity of Three)
7	20G112958	Flanged Hex Nut (Quantity of Nine)	103	20G257463	75cc XM™ Solvent Pump – 6" (See Fig. 19)
11	20G255771	XM™ Control Box (See Fig. 4)	104	20G256169	Solvent Pump Plate
12	20G256177	Front Shroud Cover	105	—	Flanged Hex Head Screw (Quantity of Two)
13	20G16P815	Rear Shroud Cover	106	20G112395	Flanged Cap Screw (Quantity of Four)
14	20G117623	3/8-16 Nut Cap (Quantity of Four)	107	20G248208	5/16" x 4' Coupled Hose
15	20G240900	3/4" x 30' Coupled Air Hose (Quantity of Three)	108	—	XM50™ Label
16	20G111801	Hex Head Screw Cap (Quantity of Ten)	115	20G115901	Edge Trim (Quantity of Two)
17	20G121471	Friction Positioning Hinge (Quantity of Two)	116	20G158683	1/2" 90° Elbow (Quantity of Two)
18	20G15T568	Door Control Shroud	117	20G15T967	Heater Cable (Quantity of Two)
19	20G15T567	Backup Plate Hinge Nut (Quantity of Four)	118	20G116171	Relief Bushing (Quantity of Two)
20	20G112380	Pan Head Machine Screw (Quantity of Eight)	119	20G122032	Wire Nut (Quantity of Four)
32	20G15T468	Warning Label (Quantity of Two)	126	20GH42506	1/4" x 6' Coupled Hose, 4500 psi
52	20G117623	3/8-16 Nut Cap	127	20G100527	Washer (Quantity of Eight)
53	20GH75003	1/2" x 3' Coupled Hose, 7250 psi (Quantity of Three)	128	20G257150	1/4" Tie Rod (Quantity of Six)
54	20GH75002	1/2" x 2' Coupled Hose, 7250 psi	129	20G101712	5/8-11 Lock Nut (Quantity of Six)
66	—	A Side Lower (See Fig. 10)	131	20G15H392	Rod Adapter (Quantity of Two)
67	—	B Side Lower (See Fig. 14)	132	20G244819	Xtreme® Rod Quick Coupling (Quantity of Two)
76	20G121295	Socket Head Screw Cap (Quantity of Eight)	133	20G244820	Connector Clip (Quantity of Two)
80	20G158491	1/2" x 1/2" Nipple (Quantity of Two)	134	20G197340	Coupler Cover (Quantity of Two)
81	20G100361	1/2" Pipe Plug (Quantity of Two)	138	20G256561	Solvent Pump Mounting Plate
82	20G15R529	Fluid Distribution Block (Quantity of Two)	139	20G111799	Flanged Hex Head Screw (Quantity of Four)
83	20G156684	Union Adapter (Quantity of Two)	140	20G256421	Suction Hose – Conventional
84	20G121139	O-Ring, PTFE (Quantity of Two)	141	20G181073	Inlet Strainer Kit
85	20G15J594	Check Valve Housing (Quantity of Two)	142	20G116935	Screw Cap
86	20G15J916	Blue Handle	143	20G100081	1/2" (M) x 3/8" (F) Steel Bushing
			144	20G157350	1/4" NPT x 3/8" NPT Nipple
			152	20G162505	3/8" (M) x 1/2" (F) Union Swivel
			153	20G155699	3/8-18 NPT Street Elbow
			154	20G159239	1/2" x 3/8" NPT Pipe Nipple
			174	20G16N367	1/2" x 3-1/2" Coupling



# PART NUMBERS AND SCHEMATICS GUIDE

Figure 2: Graco® XM50™ Plural Component Sprayer



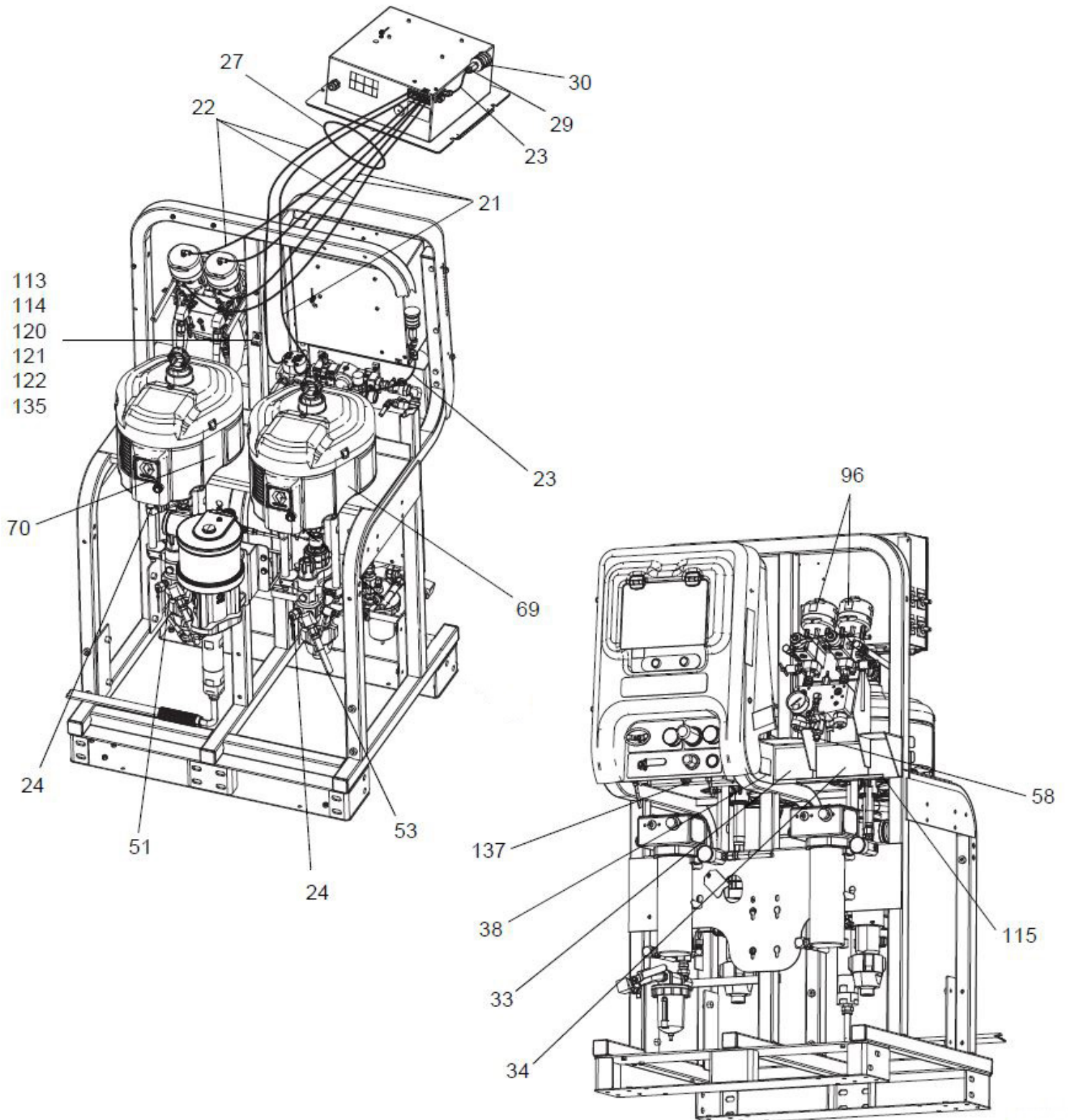
## PART NUMBERS AND SCHEMATICS GUIDE

### Graco® XM50™ Plural Component Sprayer

Item#	Part#	Description
<b>Fig. 3</b>		
21	20G054172	1/4" O.D. Nylon Tube – Black 10'
22	20G054175	1/4" O.D. Nylon Tube – Natural 7'
23	20GC12508	3/8" x 250' Black Nylon Tubing
24	20G160327	3/4" x 3/4" 90° Union Swivel ( <i>Quantity of Two</i> )
27	20G114601	3' Non-Metallic, Flexible Conduit
29	20G121688	3/8" NPT x 3/8" Connector Tube
30	20G108636	Muffler
33	20G15U926	Codes & Alerts Label
34	20G15W598	Warning Label
38	20G293547	Identification Label
51	20G15M987	1/2" NPT (M) x 1/2" NPT (F) 60° Elbow
53	20GH75003	1/2" x 3' Coupled Hose, 7250 psi ( <i>Quantity of Three</i> )
58	20GH73825	3/8" x 25' Coupled Hose, 7250 psi
69	20G15H652	A Side Motor Label
70	20G15H654	B Side Motor Label
96	20G15U654	Identification Label
113	20G117666	Ground Terminal
114	20G100028	Lock Washer
115	20G115901	Edge Trim ( <i>Quantity of Two</i> )
120	—	Ground Assembly Wire
121	—	Electric Copper Wire
122	20G109025	Terminal Ring
135	20G113796	Flanged Hex Head Screw
137	20G054760	3-1/2' Black Polyurethane Tube

# PART NUMBERS AND SCHEMATICS GUIDE

Figure 3: Graco® XM50™ Plural Component Sprayer



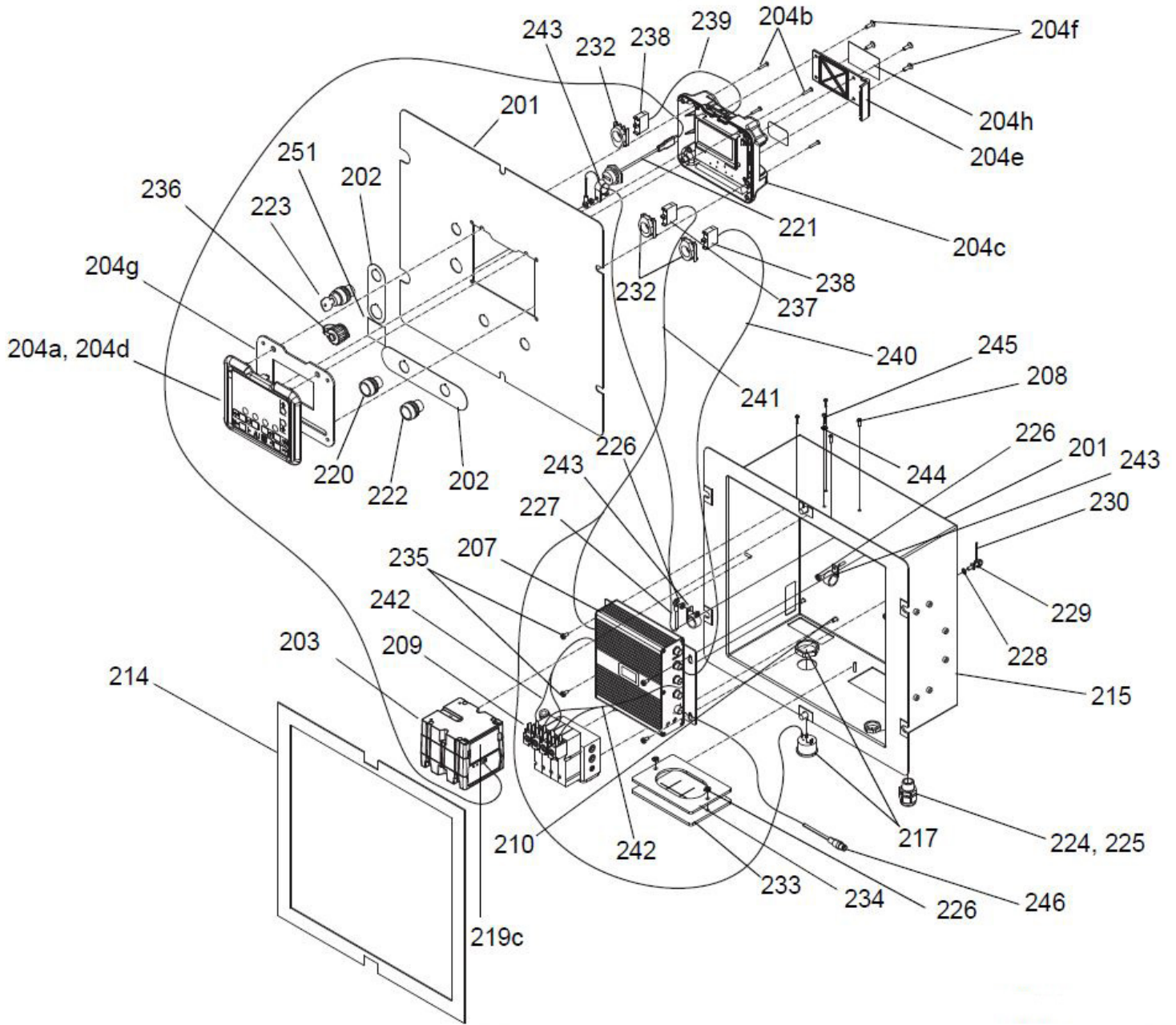
## PART NUMBERS AND SCHEMATICS GUIDE

### XM™ Control Box

Item#	Part#	Description	Item#	Part#	Description
<b>Fig. 4</b>					
—	<b>20G255771</b>	<b>XM™ Control Box</b>	225	20G117625	Locking Nut
201	—	Control Box	226	20G113505	Hex Head Nut ( <i>Quantity of Six</i> )
202	—	Control Display Label	227	20G15B090	Grounding Door Wire
203	20G262641	USB Replacement Kit ( <i>Includes Item #'s: 206 and 219</i> )	228	20G558685	External Lock Washer
204	20G257484	Displace Module Repair Kit ( <i>Includes Item #'s: 204a–204h</i> )	229	20G15R343	Electrical Ground Clamp
204a	20G15M483	Membrane Shield ( <i>Quantity of Ten</i> )	230	20G065213	Electrical Copper Wire ( <i>Quantity of Three</i> )
204b	—	Pan Head Screw ( <i>Quantity of Four</i> )	232	20G120493	Mounting Latch ( <i>Quantity of Three</i> )
204c	20G288997	Rear Display Module Case	233	20G15H189	Wire Feed Through Boot
204d	20G255727	Front Display Module Case	234	20G15G816	Plate Wire Cover
204e	20G277463	Low Level Displace Access Cover	235	20G110637	Pan Head Screw ( <i>Quantity of Four</i> )
204f	20G113768	Flat Head Socket Screw ( <i>Quantity of Four</i> )	236	20G15R325	Bulkhead Receptacle Dust Cover
204g	20G15R458	Front Panel Control Gasket	237	20G120494	Switch Block, n.o. ( <i>Quantity of Two</i> )
204h	20G15W958	Battery Warning Label	238	20G120495	Switch Block, n.c.
205	20G262642	Display Replacement Kit ( <i>Includes Item #'s: 204 and 206</i> )	239	20G15M974	Key Switch Harness
206	20G17E110	XM™ PDP GCA Upgrade Token	240	20G15M975	Start/Alarm Harness
207	20G262643	FCM Replacement Kit ( <i>Includes Item #'s: 206 and 218</i> )	241	20G15M976	Stop Harness
208	—	Pan Head Screw ( <i>Quantity of Four</i> )	242	20G15M977	Solenoid Harness ( <i>Quantity of Two</i> )
209	20G256555	Solenoid Module – IS Version ( <i>Includes Item #'s: 209a–209c</i> )	243	20G121988	Wire Harness Routing Retainer ( <i>Quantity of Four</i> )
209a	20G121636	Solenoid Connector Valve ( <i>Quantity of Four</i> )	244	20G195875	Pan Head Screw
209b	20G15A789	Solenoid Outlet Gasket	245	20G102063	Lock Washer
209c	20G15A799	Solenoid Inlet/Exhaust Gasket	246	20G15U542	Cable Motor ( <i>Quantity of Two</i> )
210	20G106084	Pan Head Screw ( <i>Quantity of Two</i> )	251	20G15X214	USB Warning Label
214	20G15R379	Control Box Gasket	—	20G122829	3/4" Conduit
215	—	Label			
217	20G122000	XM™ Alarm – Panel Mount			
218	20G255920	Advanced Fluid Control Module			
219	20G257088	USB Module Assembly ( <i>Includes Item #'s: 219a–219c</i> )			
219a	20G289899	Base			
219b	20G277674	USB Module			
219c	20G277674	Module Door			
220	20G121618	XM™ Push Button Start Switch			
221	20G15R324	USB Harness Plug/Bulkhead – 32"			
222	20G121619	Push Button Stop Switch – Red			
223	20G121617	Two Position Key Switch			
224	20G117745	Strain Relief Bushing			

# PART NUMBERS AND SCHEMATICS GUIDE

Figure 4: XM™ Control Box



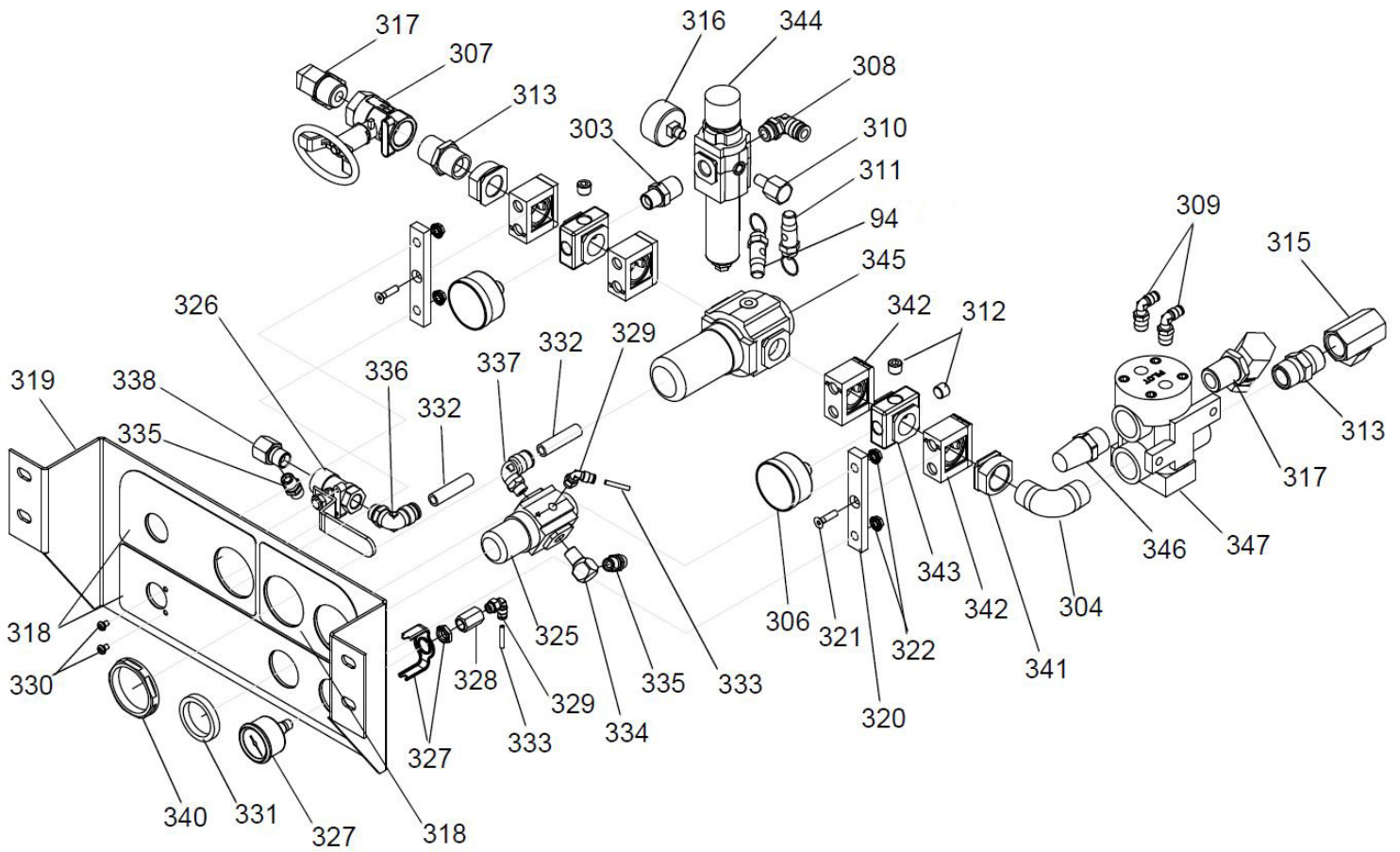
## PART NUMBERS AND SCHEMATICS GUIDE

### Air Controls Module

Item#	Part#	Description	Item#	Part#	Description
<b>Fig. 5</b>			337	20G114128	1/4" x 1/2" Swivel Elbow – Male
—	<b>20G255761</b>	<b>Air Controls Module</b>	338	20G164259	3/8" (M) x 1/4" (F) Street Elbow
94	20G116643	Pressure Relief Valve – 90 psi	340	20G122336	Regulator Panel Nut
303	20G157350	1/4" NPT x 3/8" NPT Nipple	341	20G113440	3/4" (F) Pipe Adapter <i>(Quantity of Two)</i>
304	20G108307	3/4" NPT Elbow	342	20G113431	Quick Connector <i>(Quantity of Four)</i>
306	20G101689	Air Gauge <i>(Quantity of Two)</i>	343	20G113442	Porting Block <i>(Quantity of Two)</i>
307	20G117346	3/4" Ball Valve – Vented	344	20G15R488	Air Regulator <i>(Includes Item #344a)</i>
308	20G114316	Swivel Elbow, Male	344a	20G123454	5 Micron Air Filter Element
309	20G114109	Fitting Elbow Male Swivel <i>(Quantity of Two)</i>	345	20G15R487	Air Regulator
310	20G158962	1/4" (F) x 1/8" (M) Reducing Elbow	346	20G15R486	Muffler
311	20G116643	Pressure Relief Valve – 90 psi	347	20G15R485	Dual Pilot Valve
312	20G100721	Pipe Plug <i>(Quantity of Three)</i>	—	20G255772	Air Controls Repair Kit <i>(Includes Item #'s: 340, 341, 342, 343, 344, 345, 346, and 347)</i>
313	20G119992	3/4" x 3/4" NPT Pipe Nipple Fitting <i>(Quantity of Two)</i>			
315	20G156589	3/4" 90° Swivel Union			
316	20G113911	Air Pressure Gauge			
317	20G160327	3/4" x 3/4" 90° Union Adapter <i>(Quantity of Two)</i>			
318	20G15T119	Control Label			
319	—	Air Controls Bracket			
320	20G15R437	Air Controls Adapter Bracket <i>(Quantity of Two)</i>			
321	20G121432	Hex Flat Head Screw <i>(Quantity of Four)</i>			
322	20G115942	Hex Head Nut <i>(Quantity of Four)</i>			
325	20G116513	Air Regulator			
326	20G121457	Air Ball Valve – Panel Mounted			
327	20G121424	1-1/2" Pressure Gauge – Panel Mount			
328	20G100451	Coupling			
329	20G114151	Male Swivel Elbow Fitting <i>(Quantity of Two)</i>			
330	20G100264	Pan Head Screw <i>(Quantity of Two)</i>			
331	20G116514	Nut Regulator			
332	20G054760	1-1/4" Polyurethane Tube – Black			
333	—	0.6' Polyurethane Tube			
334	20G100840	1/4-18 NPT Elbow			
335	20G162453	1/4" x 1/4" Nipple <i>(Quantity of Two)</i>			
336	20G114114	Swivel Elbow – Male			

# PART NUMBERS AND SCHEMATICS GUIDE

Figure 5: Air Controls Module



## PART NUMBERS AND SCHEMATICS GUIDE

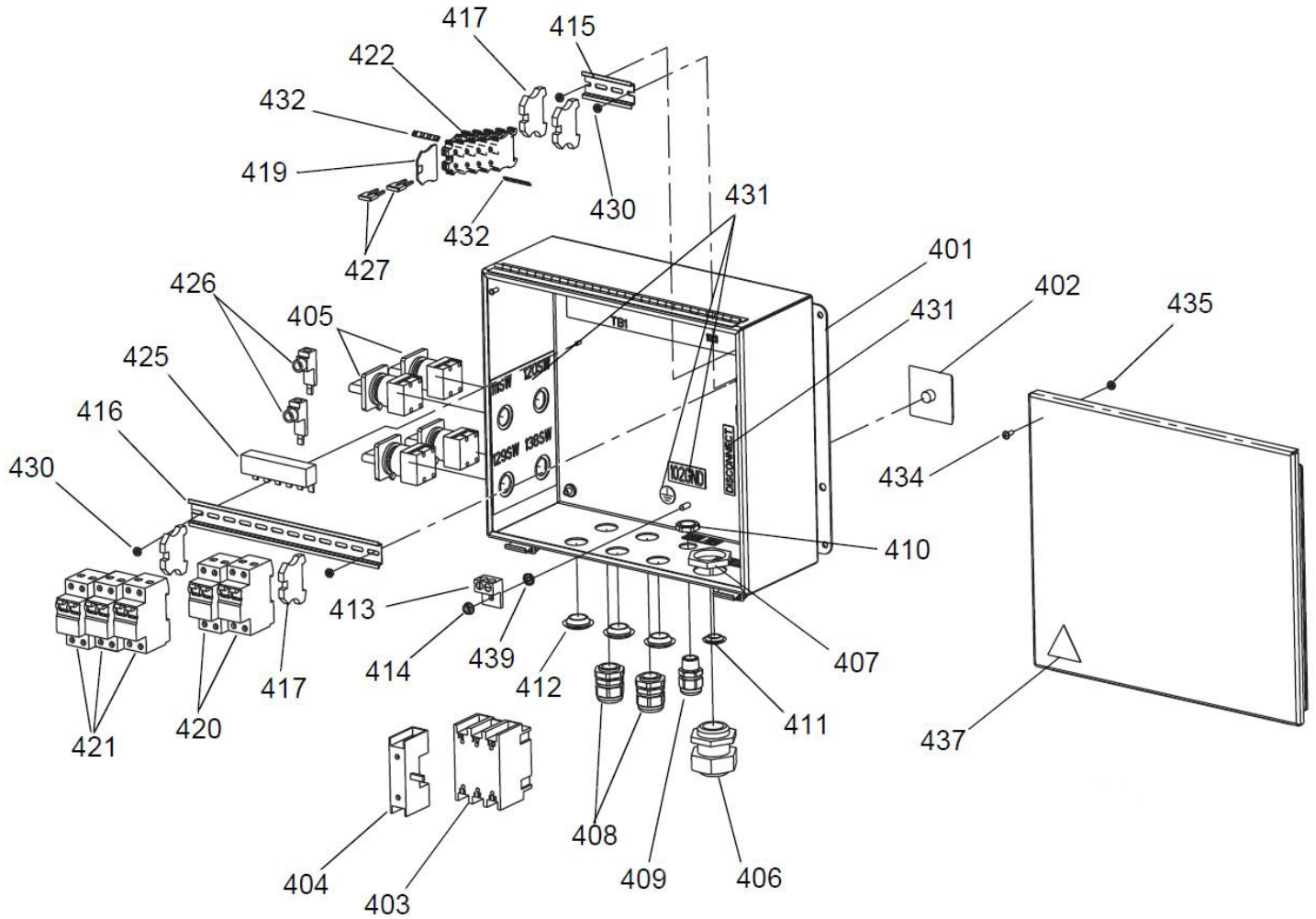
### Junction Box

Item#	Part#	Description
<b>Fig. 6</b>		
—	<b>20G256540</b>	<b>Junction Box</b>
401	—	Electrical Enclosure
402	20G117545	Operator Disconnect Knob
403	20G117564	100A Disconnect Switch
404	20G117553	100A Disconnect Phase Expander Switch
405	20G15U423	25A Switch ( <i>Quantity of Four</i> )
406	20G255047	Strain Relief Bushing
407	20G255048	Strain Relief Nut
408	20G116171	Strain Relief Bushing ( <i>Quantity of Two</i> )
409	20G117745	Strain Relief Bushing
410	20G117625	Locking Nut
411	20G15U543	7/8" Hole Plug
412	20G15U544	1-1/8" Hole Plug ( <i>Quantity of Three</i> )
413	20G117666	Ground Terminal
414	20G115942	Flanged Head Hex Nut
415	—	3" Mounting Rail
416	—	Mounting Rail
417	20G255045	Clamp End Block ( <i>Quantity of Four</i> )
419	—	End Cover
420	20G255050	25A Circuit Breaker ( <i>Quantity of Two</i> )
421	20G121623	10A Circuit Breaker ( <i>Quantity of Three</i> )
422	20G120570	Terminal Block ( <i>Quantity of Five</i> )
425	—	6-Pin Power Bus Bar
426	20G117679	Power Lug Connector ( <i>Quantity of Two</i> )
427	20G120573	Plug-In Bridge ( <i>Quantity of Two</i> )
430	20G113505	Hex Head Nut ( <i>Quantity of Four</i> )
431	20G15U662	Identification Label
432	—	Terminal Blocker Marker ( <i>Quantity of Two</i> )
434	20G112948	Machine Head Screw
435	20G100166	Full Hex Nut
437	20G196548	Caution Label
439	20G558685	1/4" External Washer
—	20G15U954	Junction Box Harness
—	20G15R344	Wiring Identification Label



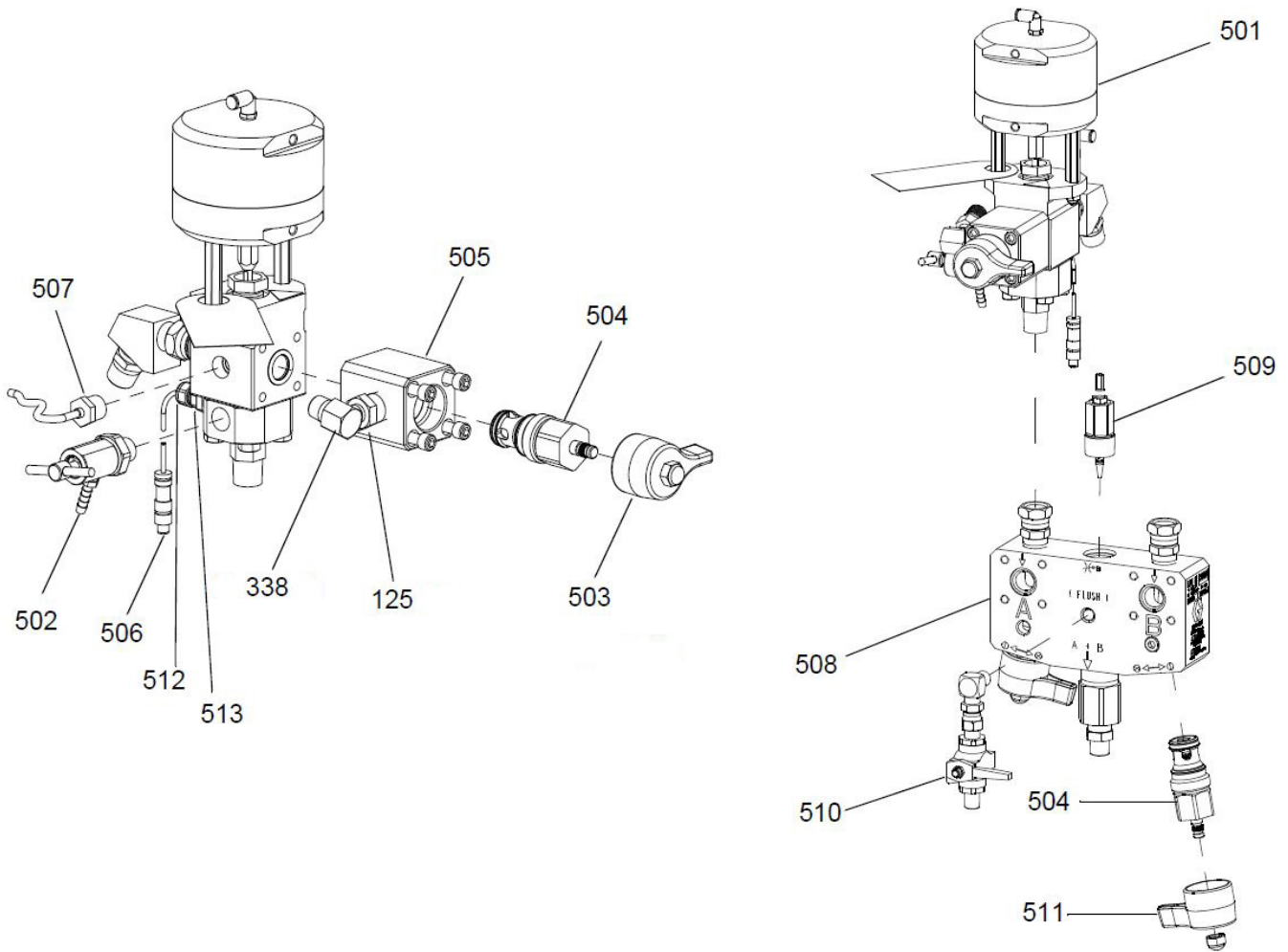
# PART NUMBERS AND SCHEMATICS GUIDE

Figure 6: Junction Box



# PART NUMBERS AND SCHEMATICS GUIDE

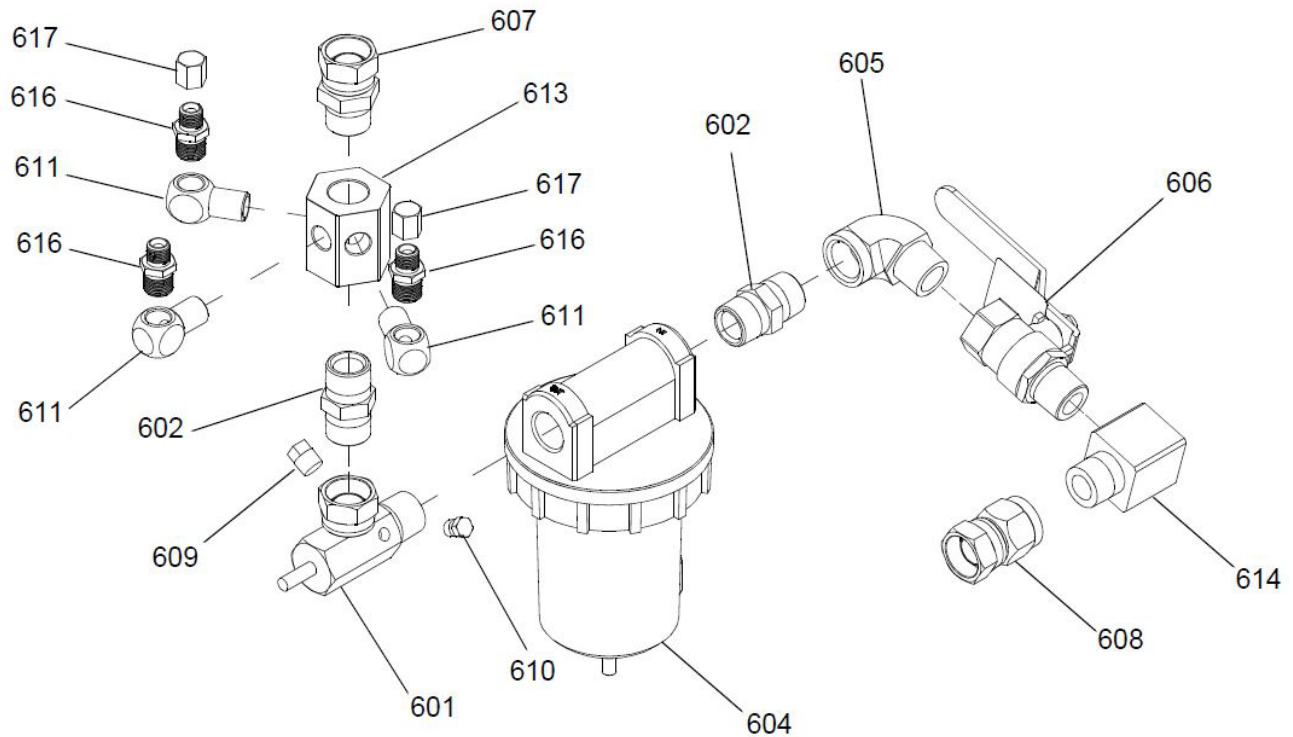
Figure 7: Fluid Control Assembly



Item#	Part#	Description
<b>Fig. 7</b>		
125	20G162449	1/4" x 1/2" Nipple
338	20G164259	3/8" (M) x 1/4" (F) Street Elbow
501	20G255478	Ration Control Valve (Quantity of Two)
502	20G245143	Bleed Off Valve (Quantity of Two)
503	20G15R381	Recirculation Valve Handle – Black (Quantity of Two)
504	20G255747	Circulation Valve Cartridge (Quantity of Four)
505	20G15J594	Check Valve Housing (Quantity of Two) (Includes Item #505a)
505a	20G121139	O-Ring Packing (Quantity of Two)
506	20G15R347	Fluid Control Sensor (Quantity of Two)
507	20G15M669	Fluid Pressure Sensor (Quantity of Two) (Includes Item #507a)
507a	20G121399	O-Ring, Solvent Resistant (Quantity of Two)
508	20G255684	Mix Manifold Assembly
509	—	Restrictor Valve Assembly
510	20G214037	1/4" x 1/4" Ball Valve, 5000 psi
511	—	Mix Manifold Valve Handle – Blue and Green (Quantity of Two)
512	20G15T072	Cord Grip (Quantity of Two)
513	20G15T071	Thermo-Well Fitting (Quantity of Two)

## PART NUMBERS AND SCHEMATICS GUIDE

Figure 8: Air Inlet Manifold



Item#	Part#	Description
-------	-------	-------------

Fig. 8

—	<b>20G255762</b>	<b>Air Inlet Manifold</b>
601	20G207675	Air Manifold
602	20G119992	3/4" x 3/4" NPT Pipe Nipple Fitting ( <i>Quantity of Two</i> )
603	20G15E145	Air Distribution Manifold
604	20G117628	3/4" Filter Air Auto Drain ( <i>Includes Item #604a</i> )
604a	20G106204	3/4" NPT Filter Element
605	20G122327	Pipe Elbow, Male
606	20G113218	3/4" Ball Valve – Vented M x F
607	20G157785	3/4" x 3/4" Carbon Steel Union Swivel
608	20G156172	3/4" NPT x 3/4" NPSM
609	20G100509	Pipe Plug – 1/4" Square Head
610	20G114234	Hex Head Plug
611	20G155699	3/8" 90° Street Elbow ( <i>Quantity of Three</i> )
614	20G166590	Street Elbow
616	20G157350	1/4" NPT x 3/8" NPT Nipple, 5000 psi ( <i>Quantity of Three</i> )
617	20G115781	Cap Plug ( <i>Quantity of Two</i> )

## PART NUMBERS AND SCHEMATICS GUIDE

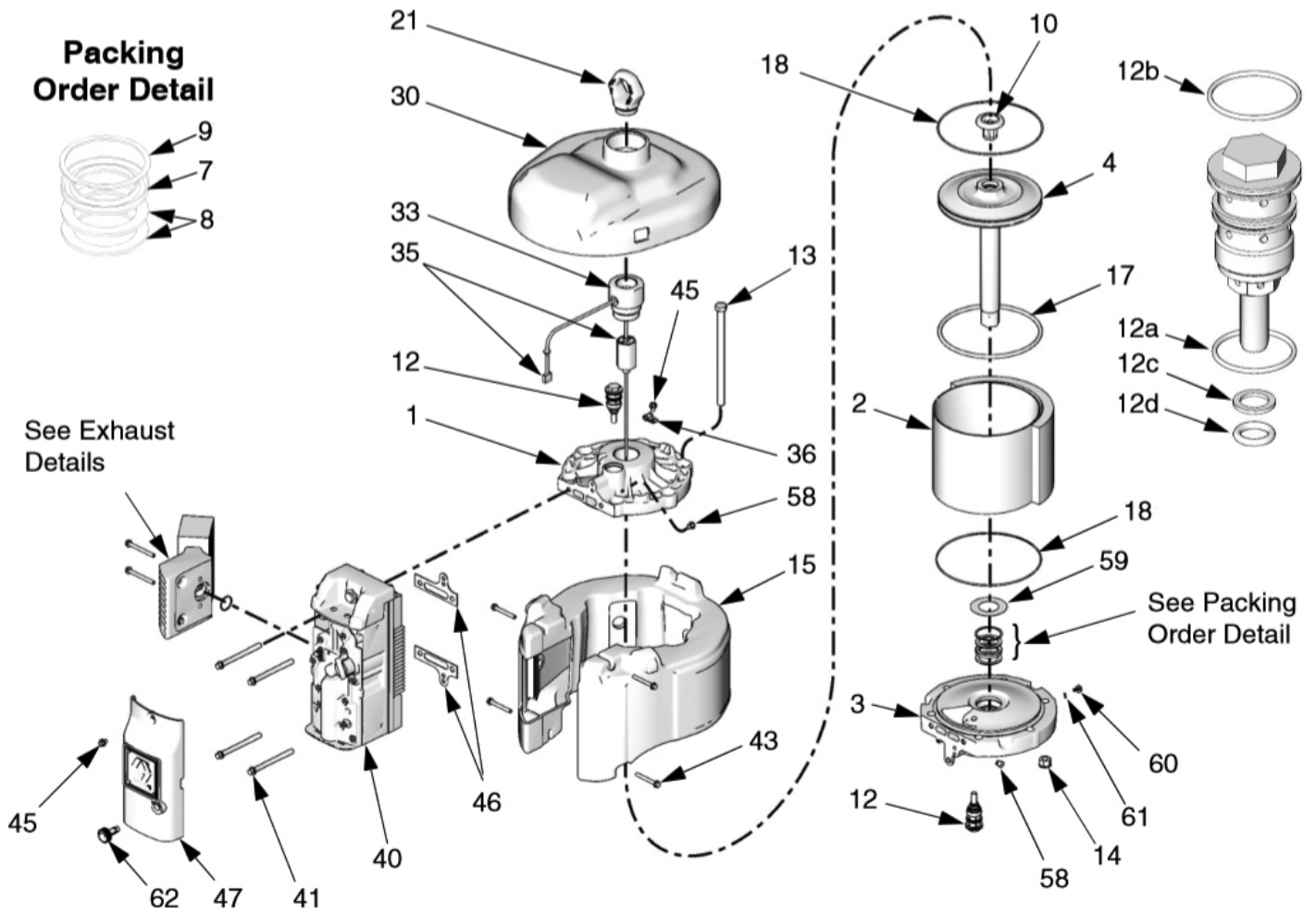
### NXT® Model 6500 Air Motor

Item#	Part#	Description
<b>Fig. 9</b>		
—	<b>20G257055</b>	<b>NXT® Model 6500 De-Icing Air Motor</b>
1	20G15F953	Top Cover
2	20GNXT604	Cylinder
3	20GNXT602	Bottom Cover
4	20GNXT601	Piston Assembly
7	20G161562	Packing, V-block; Nitrile
8	20G15H610	Packing, Backup; Leather
9	20G16A026	Retaining Ring
10	20GNXT106	Piston Bumper, includes Magnet
12	20GNXT100	Poppet (Includes Item #'s: 12a-12d)
12a	—	O-Ring, buna-N
12b	20GNXT101	O-Ring, buna-N
12c	20GNXT101	O-Ring, Backup, buna-N
12d	—	O-Ring, buna-N
13	20G119050	1/2-13 x 8" Hex Head Bolt, (203 mm)
14	20G15F639	1/2-13 Nut with Lock Washer
15	20GNXT603	Muffler
17	20G122675	Piston O-Ring, Nitrile
18	20G15F448	End Cap O-Ring, Nitrile
20	20G119990	O-Ring, buna-N
21	20G15F931	Lift Ring
22	20GNXT110	De-Ice Exhaust Kit (Includes Item #'s: 20, 25, 44, 56, and 57)
25	20G120730	1/4-20 x 1" Machine Screw, Hex Head, (25 mm) (Quantity of Two)
30	20G15F880	Top Cover
33	20G15F772	Lift Ring Adapter
35	20G256893	Sensor Assembly
36	20G120143	Strain Relief Guide
41	20G120088	3/8-16 x 4" Screw (101 mm)
43	20G120091	1/4-20 x 2" Screw, Thread Forming, (51 mm)
44	20G120092	1/4-20 x 2-1/2" Thread Forming Screw, (63 mm)

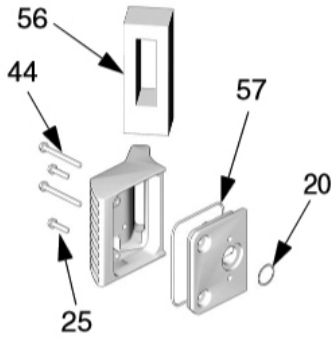
Item#	Part#	Description
45	20G107257	Thread-Forming Screw (Quantity of Four)
46	20G253476	Gasket
47	20G287844	Valve Cover, Outer
51	20G15F674	Safety Label
52	20G15F973	Safety Label
56	20G15H190	Exhaust Seal
57	20G15K345	Gasket, buna-N
58	20G120206	Poppet Muffler
59	20G277366	Bumper
60	20G116343	Ground Screw, M5 x 0.8
61	20G111307	Lock Washer, 5 mm
62	20GNXT112	De-Ice Knob
—	20GNXT600	Repair Kit NXT 6500 Air Motor (Includes Item #'s: 7, 8, 9, 17, 18, and 46)
—	209V509	Operator's Manual – Graco® NXT® Air Motor

# PART NUMBERS AND SCHEMATICS GUIDE

Figure 9: NXT® Model 6500 Air Motor



## De-Ice Exhaust



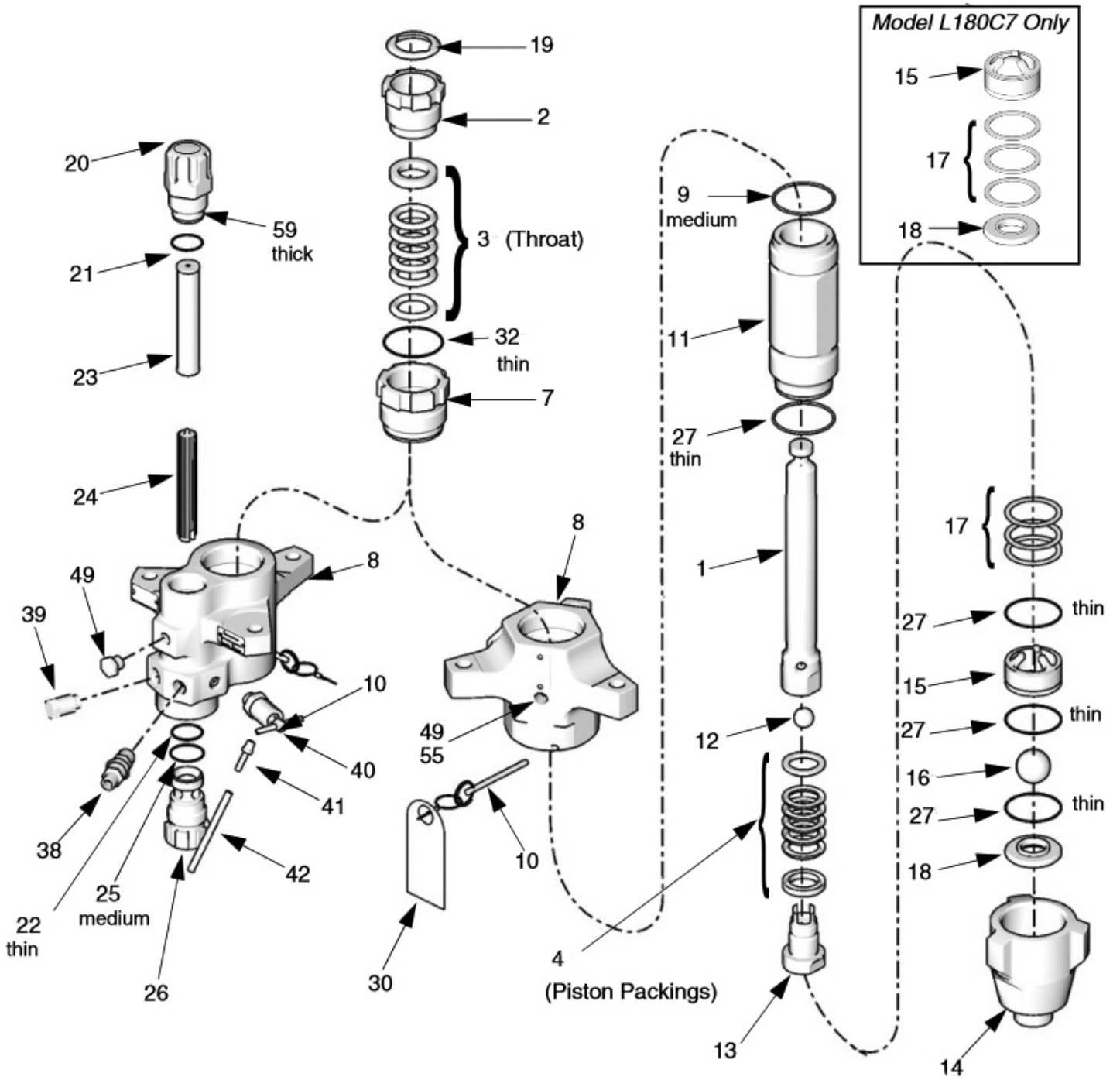
## PART NUMBERS AND SCHEMATICS GUIDE

### A Side Lower – 250cc Xtreme® Sprayer Lower Displacement Pump

Item#	20GL250C3 (No Built-In Filter)	20GL250C4 (Built-In Filter)	Description
<b>Fig. 10</b>			
1	20G24B824	20G24B824	Displacement Rod
2	20G15K031	20G15K031	Packing Nut
3	—	—	Stack Packings, Throat
4	—	—	Stack Packings, Piston
7	20G197328	20G197328	Packing Cartridge, Throat
8	20G197335	20G197337	Housing Outlet
9	20G244893	20G244893	O-Ring, Top Cylinder, PTFE Medium ( <i>Quantity of 10</i> )
10	20G244826	20G244826	Self-Locking Pin
11	20G197318	20G197318	Lower Cylinder
12	20G244898	20G244898	Ball Piston ( <i>Quantity of Three</i> )
13	20G24B829	20G24B829	Piston Valve
14	20G197304	20G197304	Inlet Housing
15	20G198647	20G198647	Inlet Ball Guide
16	20G253030	20G253030	Inlet Ball ( <i>Quantity of Three</i> )
17	20G244856	20G244856	Inlet Shim Ball Guide ( <i>Quantity of Nine</i> )
18	20G197344	20G197344	Inlet Seat
19	20G247395	20G247395	Throat Seal Plug ( <i>Quantity of 10</i> )
20	—	20G16M461	Top Filler Cap
21	—	20G171941	Compression Spring
22	—	20G244895	Thin Filter O-Ring, PTFE ( <i>Quantity of 10</i> )
23	—	20G224459	Strainer, 60 mesh screen
24	—	20G186075	Filter Support
25	—	20G262484	Filter O-Ring, Medium, PTFE ( <i>Quantity of 10</i> )
26	—	20G16M462	Lower Filter Cap
27	20G244894	20G244894	Foot Valve and Cylinder Bottom O-Ring, PTFE thin ( <i>Quantity of 10</i> )
30	20G172479	20G172479	Warning Tag
32	20G244891	20G244891	Throat Cartridge O-Ring, PTFE thin ( <i>Quantity of 10</i> )
38	—	20G158491	Nipple Fitting, Outlet, 1/2 in
39	—	20G24N518	Packless Plug, 1/2 in
40	—	20G245143	Pressure Dump Valve
41	—	20G116746	Barbed Fitting, Plated
42	—	20G116750	Nylon Tube
49	20G101754	20G198292	Pipe Plug
55	—	—	Rupture Disc Housing
59	—	20G262483	Filter O-Ring, PTFE thick ( <i>Quantity of 10</i> )

# PART NUMBERS AND SCHEMATICS GUIDE

Figure 10: A Side Lower – 250cc Xtreme® Sprayer Lower Displacement Pump



Note: Lower Displacement Pump with Built-In Filter Shown.

## PART NUMBERS AND SCHEMATICS GUIDE

### Xtreme® Seal Repair Kits for 250cc Lower Displacement Pump

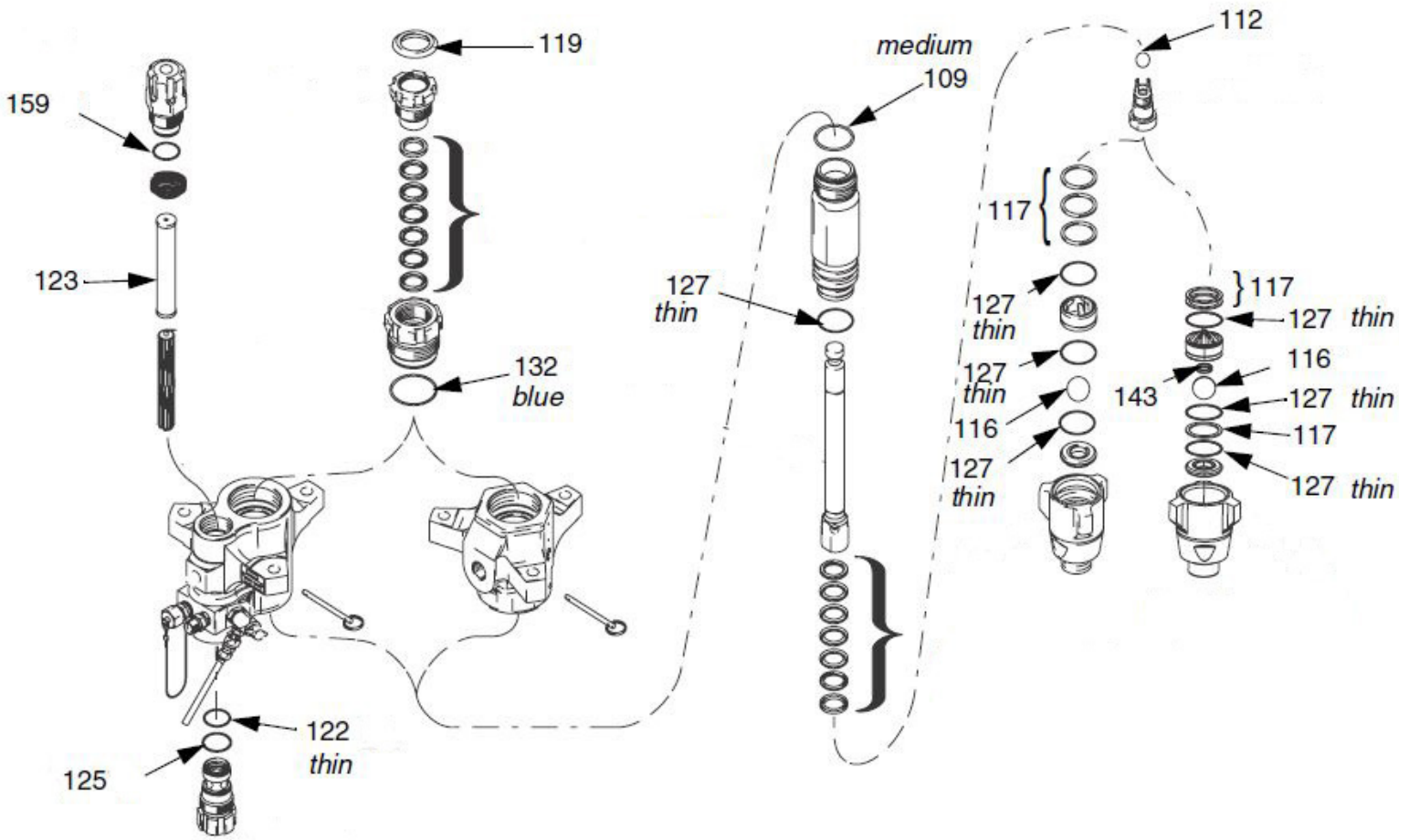
Item#	Part#	Description
<b>Fig. 11</b>		
—	<b>20G24F965</b>	<b>Xtreme® Seal Repair Kit for 250cc Lower Displacement Pump</b> <i>(Includes Item #'s: 103, 104, 109, 112, 116, 119, 122, 125, 127, 143, and 159)</i>
103	—	Throat Packings
103a	20G245232	Male Gland <i>(Quantity of Four)</i>
103b	20G245233	Female Gland <i>(Quantity of Four)</i>
103c	20G245229	V-Packing, Leather <i>(Quantity of 10)</i>
103d	20G245231	V-Packing, UHMWPE, Black <i>(Quantity of 10)</i>
104	—	Piston Packings
104a	20G245232	Male Gland <i>(Quantity of Four)</i>
104b	20G245233	Female Gland <i>(Quantity of Four)</i>
104c	20G245229	V-Packing, Leather <i>(Quantity of 10)</i>
104d	20G245231	V-Packing, UHMWPE, Black <i>(Quantity of 10)</i>
109	20G244893	PTFE O-Ring, Top Cylinder Medium <i>(Quantity of 10)</i>
112	20G244898	Ball Piston, 7/8" (22 mm) <i>(Quantity of Three)</i>
116	20G253030	Ball Inlet, 1-1/2" (38 mm) <i>(Quantity of Three)</i>
117	20G244856	Shim Inlet, Ball Guide <i>(Quantity of Nine)</i>
119	20G244999	Throat Seal Plug, 1-3/4" <i>(Quantity of 10)</i>
—	20G247395	Throat Seal Plug, 2-1/2" <i>(Quantity of 10)</i>
122	20G244895	Filter O-Ring, Thin, PTFE <i>(Quantity of 10)</i>
123	20G238436	Strainer, 30 mesh screen, 5.65" <i>(Quantity of 25)</i>
—	20G224458	Strainer, 30 mesh, 5.65" <i>(Quantity of Two)</i>
—	20G238438	Strainer, 60 mesh, 5.65" <i>(Quantity of 25)</i>
—	20G224459	Strainer, 60 mesh, 5.65" <i>(Quantity of Two)</i>
125	20G262484	Filter O-Ring, Medium, PTFE <i>(Quantity of 10)</i>
—	20G244896	Filter O-Ring For Series A Pumps <i>(Quantity of 10)</i>
127	20G244894	O-Ring, PTFE, Thin <i>(Quantity of 10)</i>
132	20G244891	O-Ring, Blue, Thin <i>(Quantity of 10)</i>
143	20G116802	Foot Valve Spring
159	20G262483	Top Cap O-Ring, PTFE <i>(Quantity of 10)</i>
—	20G244895	Top Cap O-Ring For Series A Pumps <i>(Quantity of 10)</i>
—	209V021	Operator's Manual – Graco® Xtreme® Pump Lowers

*Quantities listed with repair kit are number of individual pieces.*



# PART NUMBERS AND SCHEMATICS GUIDE

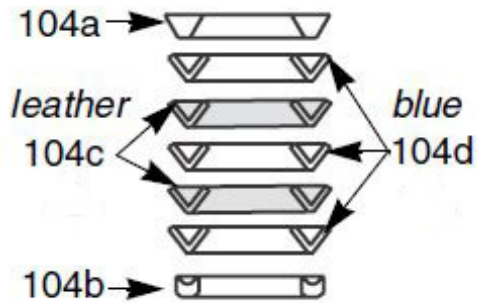
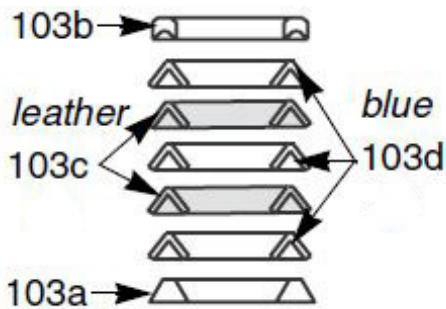
Figure 11: Xtreme® Seal Repair Kits for 250cc Lower Displacement Pump



## Xtreme® Seal Repair Kit 24F965

**Throat Packings:  
Lips Face Down**

**Piston Packings:  
Lips Face Up**



## PART NUMBERS AND SCHEMATICS GUIDE

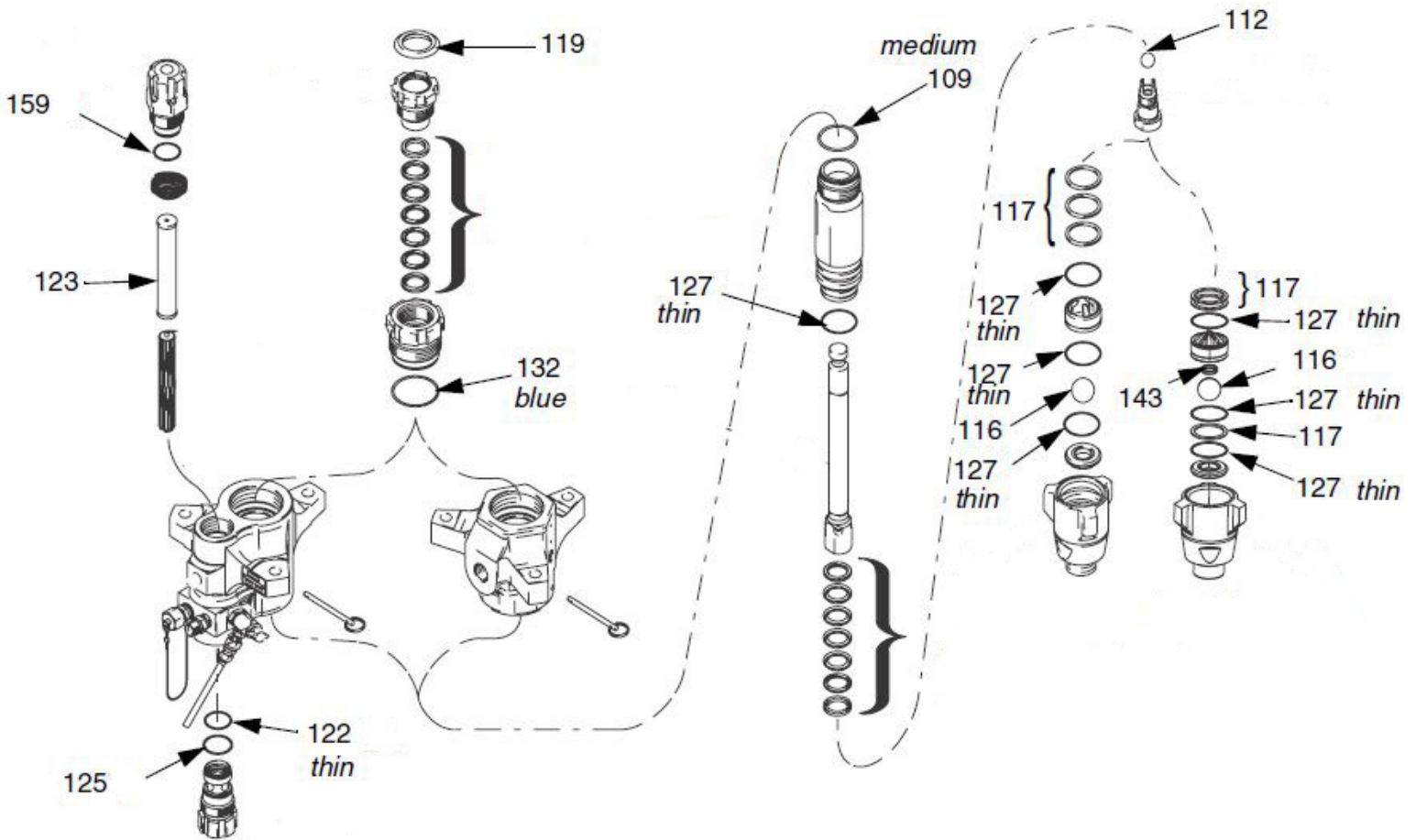
### Tuff-Stack™ Repair Kit for 250cc Lower Displacement Pump

Item#	Part#	Description
<b>Fig. 12</b>		
—	<b>20G24F966</b>	<b>Tuff-Stack™ Repair Kit for 250cc Lower Displacement Pump</b> <i>(Includes Item #'s: 103, 104, 109, 112, 116, 119, 122, 125, 127, 143, and 159)</i>
103	—	Throat Packings
103a	20G245232	Male Gland <i>(Quantity of Four)</i>
103b	20G246530	Female Gland <i>(Quantity of Four)</i>
103e	20G245229	V-Packing Carbon-Filled PTFE <i>(Quantity of 10)</i>
104	—	Piston Packings
104a	20G245232	Male Gland <i>(Quantity of Four)</i>
104b	20G246530	Female Gland <i>(Quantity of Four)</i>
104e	20G245229	V-Packing Carbon-Filled PTFE <i>(Quantity of 10)</i>
109	20G244893	PTFE O-Ring, Top Cylinder Medium <i>(Quantity of 10)</i>
112	20G244898	Ball Piston, 7/8" (22 mm) <i>(Quantity of Three)</i>
116	20G253030	Ball Inlet, 1-1/2" (38 mm) <i>(Quantity of Three)</i>
117	20G244856	Shim Inlet, Ball Guide <i>(Quantity of Nine)</i>
119	20G244999	Throat Seal Plug, 1-3/4" <i>(Quantity of 10)</i>
—	20G247395	Throat Seal Plug, 2-1/2" <i>(Quantity of 10)</i>
122	20G244895	Filter O-Ring, Thin, PTFE <i>(Quantity of 10)</i>
123	20G238436	Strainer, 30 mesh screen, 5.65" <i>(Quantity of 25)</i>
—	20G224458	Strainer, 30 mesh, 5.65" <i>(Quantity of Two)</i>
—	20G238438	Strainer, 60 mesh, 5.65" <i>(Quantity of 25)</i>
—	20G224459	Strainer, 60 mesh, 5.65" <i>(Quantity of Two)</i>
125	20G262484	Filter O-Ring, Medium, PTFE <i>(Quantity of 10)</i>
—	20G244896	Filter O-Ring For Series A Pumps <i>(Quantity of 10)</i>
127	20G244894	O-Ring, PTFE, Thin <i>(Quantity of 10)</i>
143	20G116802	Foot Valve Spring
159	20G262483	Top Cap O-Ring, PTFE <i>(Quantity of 10)</i>
—	20G244895	Top Cap O-Ring For Series A Pumps <i>(Quantity of 10)</i>
—	209V021	Operator's Manual – Graco® Xtreme® Pump Lowers

*Quantities listed with repair kit are number of individual pieces.*

# PART NUMBERS AND SCHEMATICS GUIDE

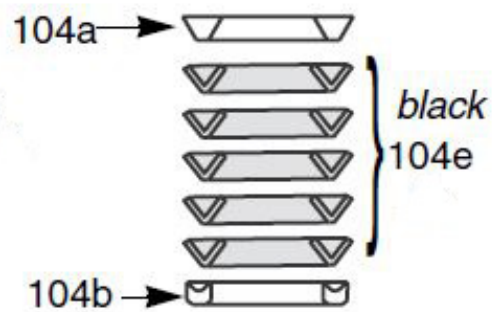
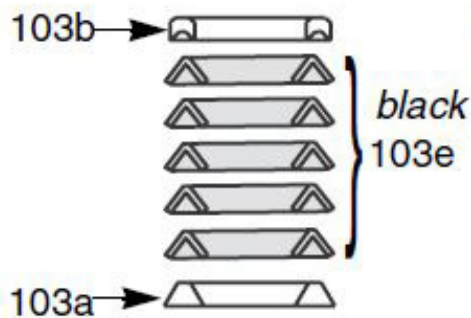
Figure 12: Tuff-Stack™ Repair Kit for 250cc Lower Displacement Pump



## Tuff-Stack™ Seal Repair Kit 24F966

Throat Packings:  
Lips Face Down

Piston Packings:  
Lips Face Up



## PART NUMBERS AND SCHEMATICS GUIDE

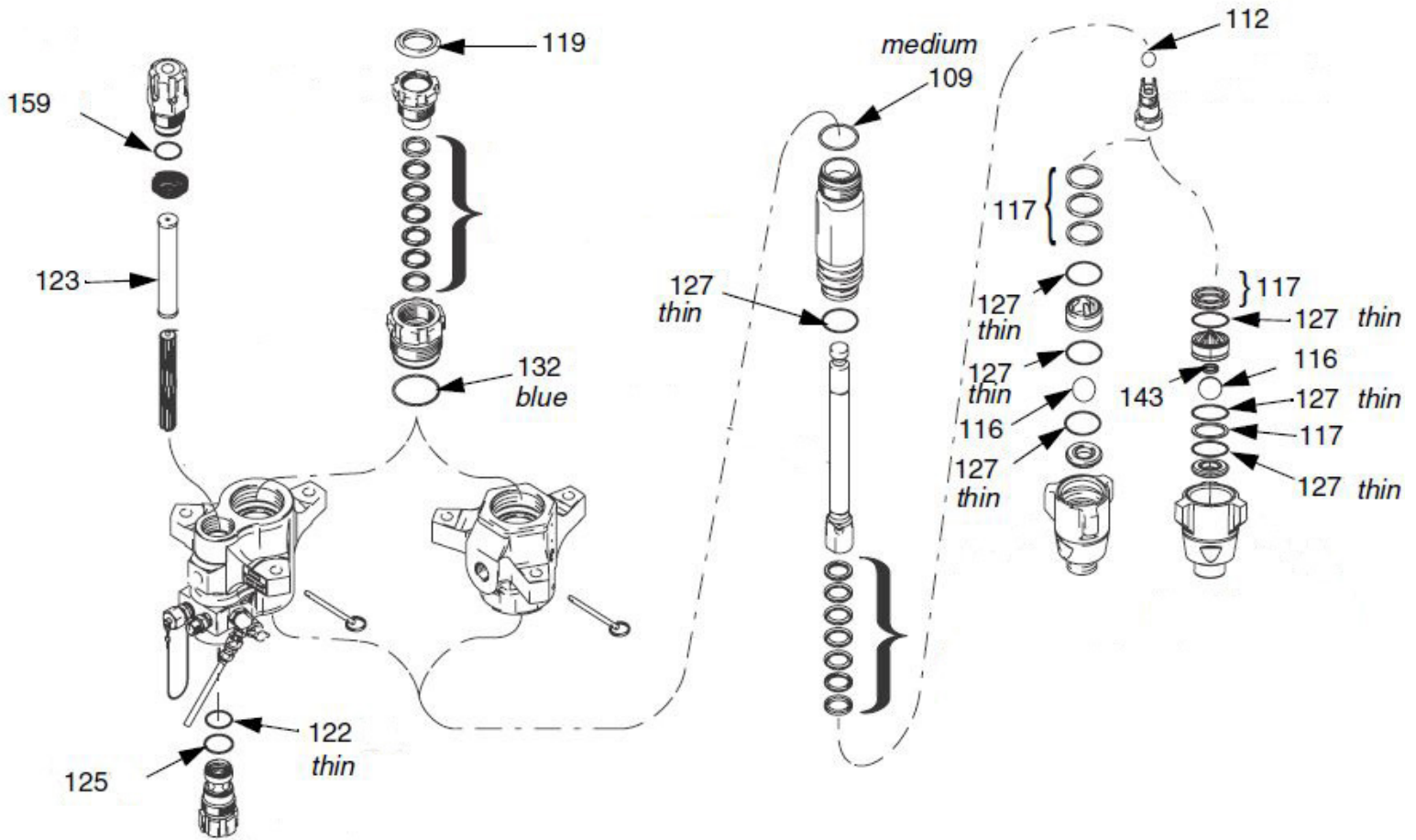
### X-Tuff™ Repair Kit for 250cc Lower Displacement Pump

Item#	Part#	Description
<b>Fig. 13</b>		
—	<b>20G262794</b>	<b>X-Tuff™ Repair Kit for 250cc Lower Displacement Pump</b> <i>(Includes Item #'s: 103, 104, 109, 112, 116, 119, 122, 125, 127, 143, and 159)</i>
103	—	Throat Packings
103a	20G245232	Male Gland <i>(Quantity of Four)</i>
103b	20G245233	Female Gland <i>(Quantity of Four)</i>
103c	20G245229	V-Packing, Carbon-Filled PTFE <i>(Quantity of 10)</i>
103d	20G245231	V-Packing, UHMWPE <i>(Quantity of 10)</i>
104	—	Piston Packings
104a	20G245232	Male Gland <i>(Quantity of Four)</i>
104b	20G245233	Female Gland <i>(Quantity of Four)</i>
104c	20G245229	V-Packing Carbon-Filled, PTFE <i>(Quantity of 10)</i>
104d	20G245231	V-Packing, UHMWPE <i>(Quantity of 10)</i>
109	20G244893	PTFE O-Ring, Top Cylinder Medium <i>(Quantity of 10)</i>
112	20G244898	Ball Piston, 7/8" (22 mm) <i>(Quantity of Three)</i>
116	20G253030	Ball Inlet, 1-1/2" (38 mm) <i>(Quantity of Three)</i>
117	20G244856	Shim Inlet, Ball Guide <i>(Quantity of Nine)</i>
119	20G244999	Throat Seal Plug, 1-3/4" <i>(Quantity of 10)</i>
—	20G247395	Throat Seal Plug, 2-1/2" <i>(Quantity of 10)</i>
122	20G244895	Filter O-Ring, Thin, PTFE <i>(Quantity of 10)</i>
123	20G238436	Strainer, 30 mesh screen, 5.65" <i>(Quantity of 25)</i>
—	20G224458	Strainer, 30 mesh, 5.65" <i>(Quantity of Two)</i>
—	20G238438	Strainer, 60 mesh, 5.65" <i>(Quantity of 25)</i>
—	20G224459	Strainer, 60 mesh, 5.65" <i>(Quantity of Two)</i>
125	20G262484	Filter O-Ring, Medium, PTFE <i>(Quantity of 10)</i>
—	20G244896	Filter O-Ring For Series A Pumps <i>(Quantity of 10)</i>
127	20G244894	O-Ring, PTFE, Thin <i>(Quantity of 10)</i>
143	20G116802	Foot Valve Spring
159	20G262483	Top Cap O-Ring, PTFE <i>(Quantity of 10)</i>
—	20G244895	Top Cap O-Ring For Series A Pumps <i>(Quantity of 10)</i>
—	209V021	Operator's Manual – Graco® Xtreme® Pump Lowers

*Quantities listed with repair kit are number of individual pieces.*

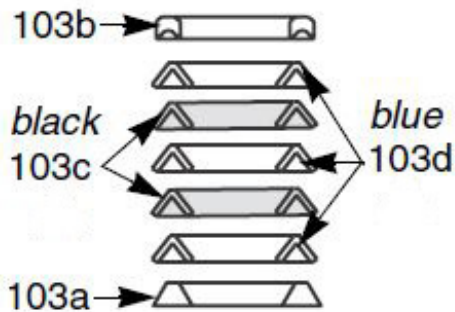
# PART NUMBERS AND SCHEMATICS GUIDE

Figure 13: X-Tuff™ Repair Kit for 250cc Lower Displacement Pump

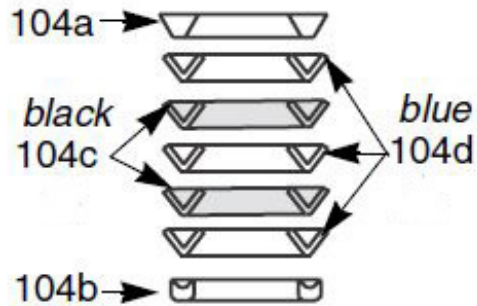


## X-Tuff™ Seal Repair Kit 262794

**Throat Packings:**  
Lips Face Down



**Piston Packings:**  
Lips Face Up



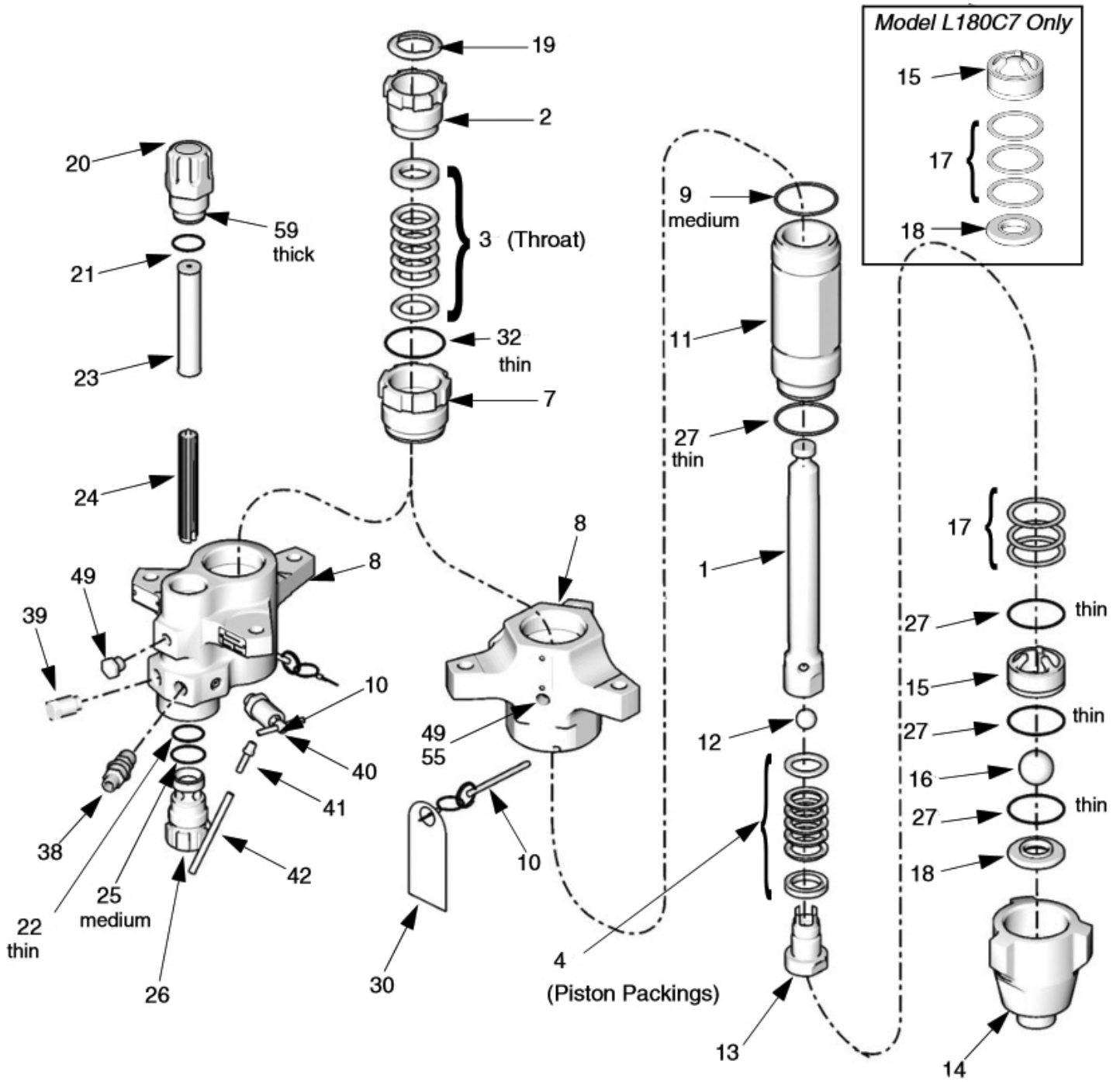
## PART NUMBERS AND SCHEMATICS GUIDE

### B Side Lower – 220cc Xtreme® Sprayer Lower Displacement Pump

Item#	20GL220C3 <i>(No Built-In Filter)</i>	20GL220C4 <i>(Built-In Filter)</i>	Description
<b>Fig. 14</b>			
1	20G24B823	20G24B823	Displacement Rod
2	20G15K031	20G15K031	Packing Nut
3	—	—	Stack Packings, Throat
4	—	—	Stack Packings, Piston
7	20G197327	20G197327	Packing Cartridge, Throat
8	20G197335	20G197337	Housing Outlet
9	20G244893	20G244893	O-Ring, Top Cylinder, PTFE Medium ( <i>Quantity of 10</i> )
10	20G244826	20G244826	Self-Locking Pin
11	20G197317	20G197317	Lower Cylinder
12	20G244898	20G244898	Ball Piston ( <i>Quantity of Three</i> )
13	20G24B828	20G24B828	Piston Valve
14	20G197304	20G197304	Inlet Housing
15	20G198647	20G198647	Inlet Ball Guide
16	20G253030	20G253030	Inlet Ball ( <i>Quantity of Three</i> )
17	20G244856	20G244856	Inlet Shim Ball Guide ( <i>Quantity of Nine</i> )
18	20G197344	20G197344	Inlet Seat
19	20G247395	20G247395	Throat Seal Plug ( <i>Quantity of 10</i> )
20	—	20G16M461	Top Filler Cap
21	—	20G171941	Compression Spring
22	—	20G244895	Thin Filter O-Ring, PTFE ( <i>Quantity of 10</i> )
23	—	20G224459	Strainer, 60 mesh screen
24	—	20G186075	Filter Support
25	—	20G262484	Filter O-Ring, Medium, PTFE ( <i>Quantity of 10</i> )
26	—	20G16M462	Lower Filter Cap
27	20G244894	20G244894	Foot Valve and Cylinder Bottom O-Ring, PTFE thin ( <i>Quantity of 10</i> )
30	20G172479	20G172479	Warning Tag
32	20G244891	20G244891	Throat Cartridge O-Ring, PTFE thin ( <i>Quantity of 10</i> )
38	—	20G158491	Nipple Fitting, Outlet, 1/2 in
39	—	20G24N518	Packless Plug, 1/2 in
40	—	20G245143	Pressure Dump Valve
41	—	20G116746	Barbed Fitting, Plated
42	—	20G116750	Nylon Tube
49	20G101754	20G198292	Pipe Plug
55	—	—	Rupture Disc Housing
59	—	20G262483	Filter O-Ring, PTFE thick ( <i>Quantity of 10</i> )

# PART NUMBERS AND SCHEMATICS GUIDE

Figure 14: B Side Lower – 220cc Xtreme® Sprayer Lower Displacement Pump



Note: Lower Displacement Pump with Built-In Filter Shown.

## PART NUMBERS AND SCHEMATICS GUIDE

### Xtreme® Seal Repair Kits for 220cc Lower Displacement Pump

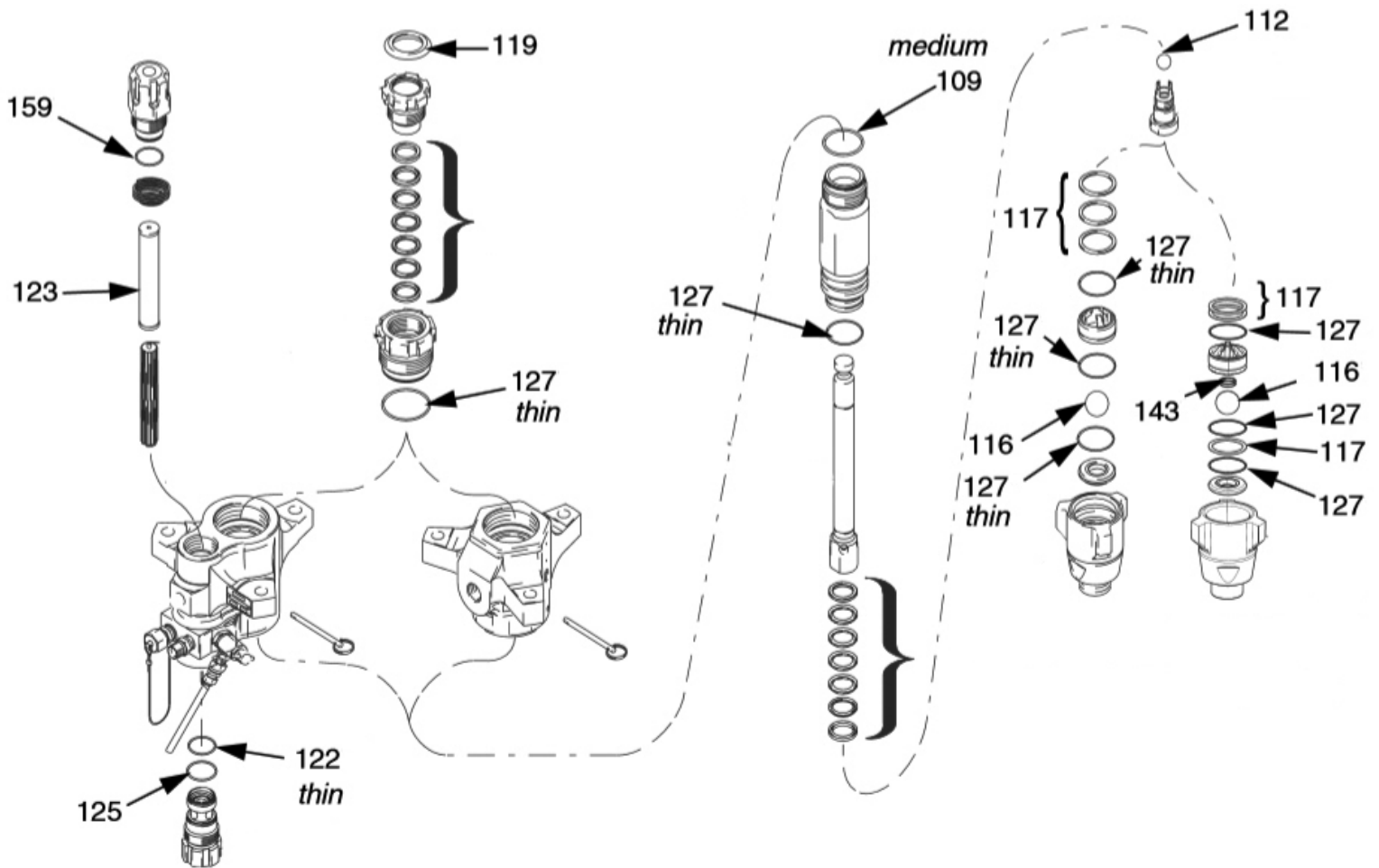
Item#	Part#	Description
<b>Fig. 15</b>		
—	<b>20G24F967</b>	<b>Xtreme® Seal Repair Kit for 220cc Lower Displacement Pump</b> <i>(Includes Item #'s: 103, 104, 109, 112, 116, 119, 122, 125, 127, 143, and 159)</i>
103	—	Throat Packings
103a	20G244883	Male Gland <i>(Quantity of Four)</i>
103b	20G244877	Female Gland <i>(Quantity of Four)</i>
103c	20G244871	V-Packing, Leather <i>(Quantity of 10)</i>
103d	20G244865	V-Packing, UHMWPE, Black <i>(Quantity of 10)</i>
104	—	Piston Packings
104a	20G244884	Male Gland <i>(Quantity of Four)</i>
104b	20G244878	Female Gland <i>(Quantity of Four)</i>
104c	20G244872	V-Packing, Leather <i>(Quantity of 10)</i>
104d	20G244866	V-Packing, UHMWPE, Black <i>(Quantity of 10)</i>
109	20G244893	PTFE O-Ring, Top Cylinder Medium <i>(Quantity of 10)</i>
112	20G244898	Ball Piston, 7/8" (22 mm) <i>(Quantity of Three)</i>
116	20G253030	Ball Inlet, 1-1/2" (38 mm) <i>(Quantity of Three)</i>
117	20G244856	Shim Inlet, Ball Guide <i>(Quantity of Nine)</i>
119	20G244999	Throat Seal Plug, 1-3/4" <i>(Quantity of 10)</i>
—	20G247395	Throat Seal Plug, 2-1/2" <i>(Quantity of 10)</i>
122	20G244895	Filter O-Ring, Thin, PTFE <i>(Quantity of 10)</i>
123	20G238436	Strainer, 30 mesh screen, 5.65" <i>(Quantity of 25)</i>
—	20G224458	Strainer, 30 mesh, 5.65" <i>(Quantity of Two)</i>
—	20G238438	Strainer, 60 mesh, 5.65" <i>(Quantity of 25)</i>
—	20G224459	Strainer, 60 mesh, 5.65" <i>(Quantity of Two)</i>
125	20G262484	Filter O-Ring, Medium, PTFE <i>(Quantity of 10)</i>
—	20G244896	Filter O-Ring For Series A Pumps <i>(Quantity of 10)</i>
127	20G244894	O-Ring, PTFE, Thin <i>(Quantity of 10)</i>
143	20G116802	Foot Valve Spring
159	20G262483	Top Cap O-Ring, PTFE <i>(Quantity of 10)</i>
—	20G244895	Top Cap O-Ring For Series A Pumps <i>(Quantity of 10)</i>
—	209V021	Operator's Manual – Graco® Xtreme® Pump Lowers

*Quantities listed with repair kit are number of individual pieces.*



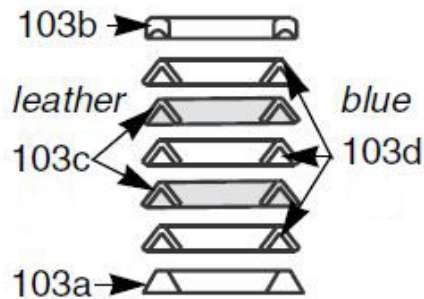
# PART NUMBERS AND SCHEMATICS GUIDE

Figure 15: Xtreme® Seal Repair Kits for 220cc Lower Displacement Pump

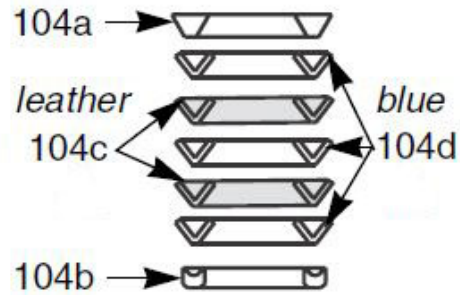


## Xtreme™ Seal Repair Kit 24F967

**Throat Packings:  
Lips Face Down**



**Piston Packings:  
Lips Face Up**



## PART NUMBERS AND SCHEMATICS GUIDE

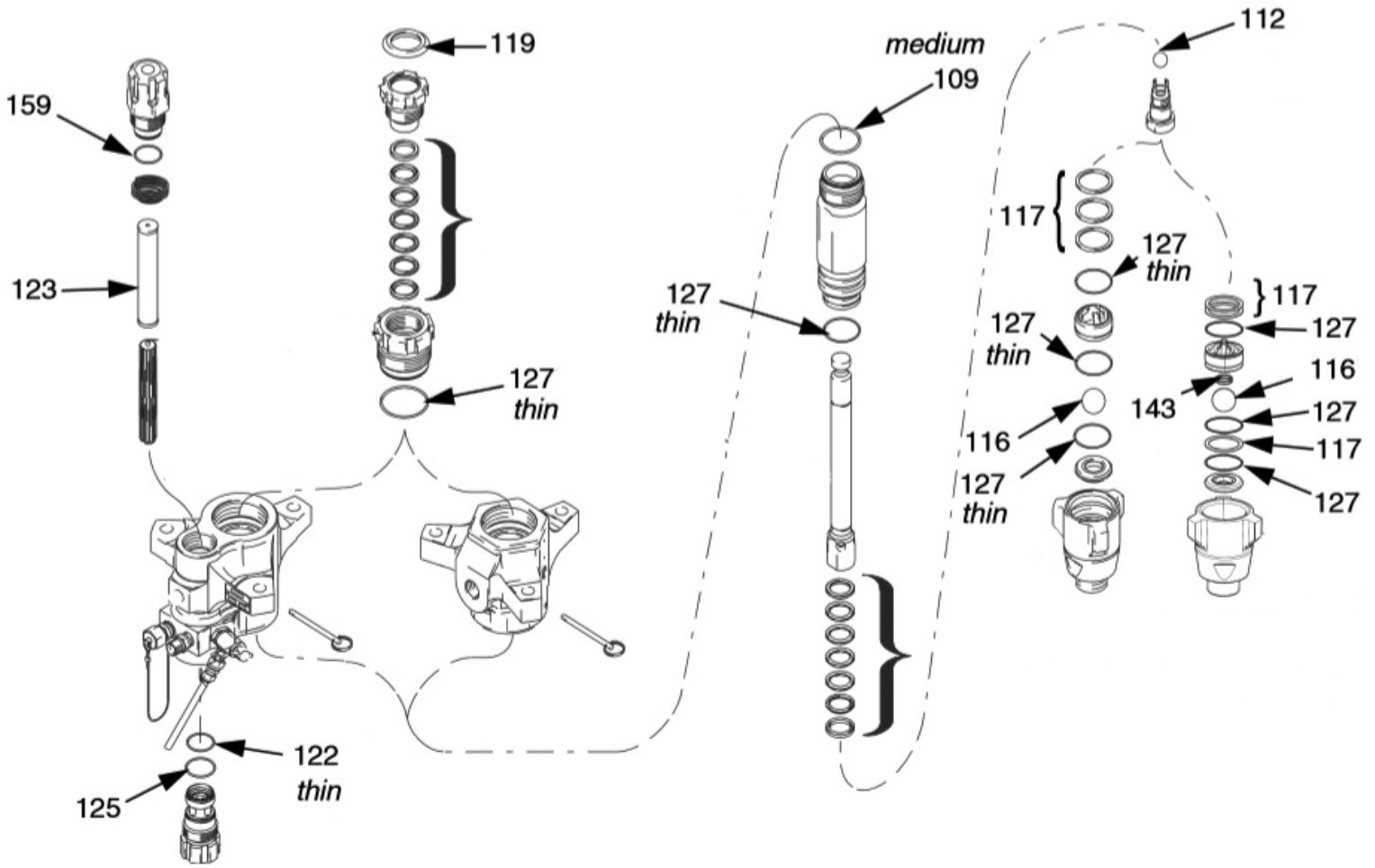
### Tuff-Stack™ Repair Kit for 220cc Lower Displacement Pump

Item#	Part#	Description
<b>Fig. 16</b>		
—	<b>20G24F968</b>	<b>Tuff-Stack™ Repair Kit for 220cc Lower Displacement Pump</b> <i>(Includes Item #'s: 103, 104, 109, 112, 116, 119, 122, 125, 127, 143, and 159)</i>
103	—	Throat Packings
103a	20G244883	Male Gland <i>(Quantity of Four)</i>
103b	20G244877	Female Gland <i>(Quantity of Four)</i>
103e	20G244859	V-Packing Carbon-Filled, PTFE/UHMWPE, Blue <i>(Quantity of 10)</i>
104	—	Piston Packings
104a	20G244884	Male Gland <i>(Quantity of Four)</i>
104b	20G244878	Female Gland <i>(Quantity of Four)</i>
104e	20G244860	V-Packing Carbon-Filled, PTFE/UHMWPE, Blue <i>(Quantity of 10)</i>
109	20G244893	PTFE O-Ring, Top Cylinder Medium <i>(Quantity of 10)</i>
112	20G244898	Ball Piston, 7/8" (22 mm) <i>(Quantity of Three)</i>
116	20G253030	Ball Inlet, 1-1/2" (38 mm) <i>(Quantity of Three)</i>
117	20G244856	Shim Inlet, Ball Guide <i>(Quantity of Nine)</i>
119	20G244999	Throat Seal Plug, 1-3/4" <i>(Quantity of 10)</i>
—	20G247395	Throat Seal Plug, 2-1/2" <i>(Quantity of 10)</i>
122	20G244895	Filter O-Ring, Thin, PTFE <i>(Quantity of 10)</i>
123	20G238436	Strainer, 30 mesh screen, 5.65" <i>(Quantity of 25)</i>
—	20G224458	Strainer, 30 mesh, 5.65" <i>(Quantity of Two)</i>
—	20G238438	Strainer, 60 mesh, 5.65" <i>(Quantity of 25)</i>
—	20G224459	Strainer, 60 mesh, 5.65" <i>(Quantity of Two)</i>
125	20G262484	Filter O-Ring, Medium, PTFE <i>(Quantity of 10)</i>
—	20G244896	Filter O-Ring For Series A Pumps <i>(Quantity of 10)</i>
127	20G244894	O-Ring, PTFE, Thin <i>(Quantity of 10)</i>
143	20G116802	Foot Valve Spring
159	20G262483	Top Cap O-Ring, PTFE <i>(Quantity of 10)</i>
—	20G244895	Top Cap O-Ring For Series A Pumps <i>(Quantity of 10)</i>
—	209V021	Operator's Manual – Graco® Xtreme® Pump Lowers

*Quantities listed with repair kit are number of individual pieces.*

# PART NUMBERS AND SCHEMATICS GUIDE

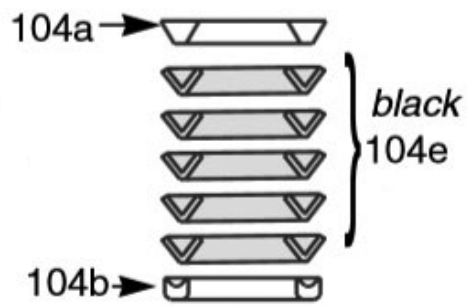
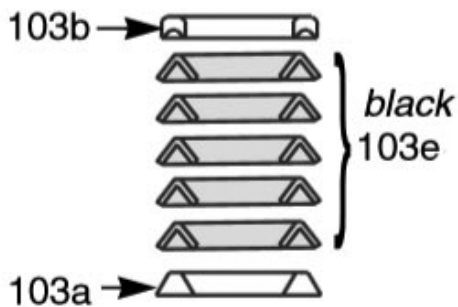
Figure 16: Tuff-Stack™ Repair Kit for 220cc Lower Displacement Pump



## Tuff-Stack™ Seal Repair Kit

**Throat Packings:  
Lips Face Down**

**Piston Packings:  
Lips Face Up**



## PART NUMBERS AND SCHEMATICS GUIDE

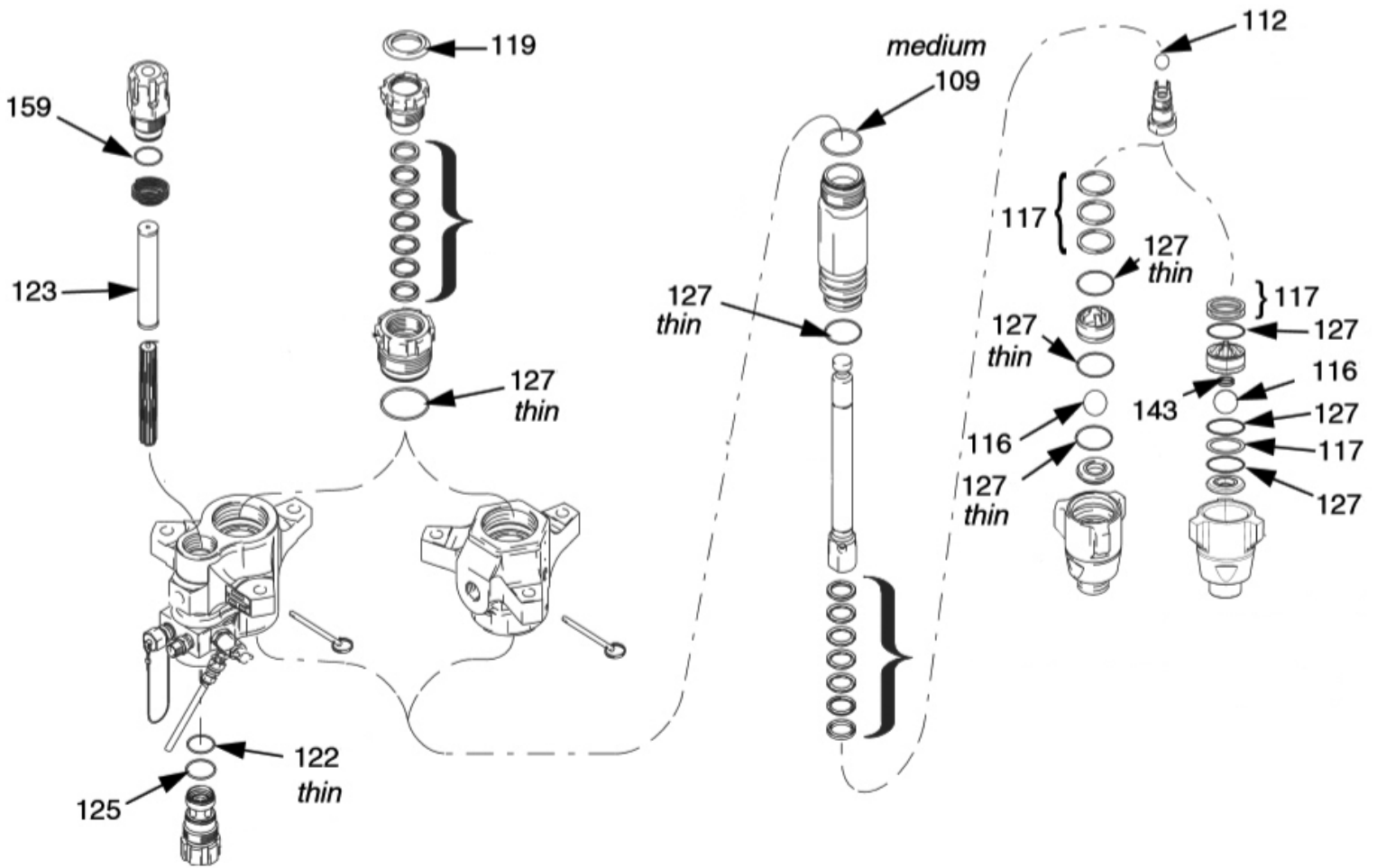
### X-Tuff™ Repair Kit for 220cc Lower Displacement Pump

Item#	Part#	Description
<b>Fig. 17</b>		
—	<b>20G262793</b>	<b>X-Tuff™ Repair Kit for 220cc Lower Displacement Pump</b> <i>(Includes Item #'s: 103, 104, 109, 112, 116, 119, 122, 125, 127, 143, and 159)</i>
103	—	Throat Packings
103a	20G244883	Male Gland <i>(Quantity of Four)</i>
103b	20G244877	Female Gland <i>(Quantity of Four)</i>
103c	20G244859	V-Packing Carbon-Filled, PTFE/UHMWPE, Blue <i>(Quantity of 10)</i>
103d	20G244865	V-Packing, UHMWPE, Black <i>(Quantity of 10)</i>
104	—	Piston Packings
104a	20G244884	Male Gland <i>(Quantity of Four)</i>
104b	20G244878	Female Gland <i>(Quantity of Four)</i>
104c	20G244860	V-Packing Carbon-Filled, PTFE/UHMWPE, Blue <i>(Quantity of 10)</i>
104d	20G244866	V-Packing, UHMWPE, Black <i>(Quantity of 10)</i>
109	20G244893	PTFE O-Ring, Top Cylinder Medium <i>(Quantity of 10)</i>
112	20G244898	Ball Piston, 7/8" (22 mm) <i>(Quantity of Three)</i>
116	20G253030	Ball Inlet, 1-1/2" (38 mm) <i>(Quantity of Three)</i>
117	20G244856	Shim Inlet, Ball Guide <i>(Quantity of Nine)</i>
119	20G244999	Throat Seal Plug, 1-3/4" <i>(Quantity of 10)</i>
—	20G247395	Throat Seal Plug, 2-1/2" <i>(Quantity of 10)</i>
122	20G244895	Filter O-Ring, Thin, PTFE <i>(Quantity of 10)</i>
123	20G238436	Strainer, 30 mesh screen, 5.65" <i>(Quantity of 25)</i>
—	20G224458	Strainer, 30 mesh, 5.65" <i>(Quantity of Two)</i>
—	20G238438	Strainer, 60 mesh, 5.65" <i>(Quantity of 25)</i>
—	20G224459	Strainer, 60 mesh, 5.65" <i>(Quantity of Two)</i>
125	20G262484	Filter O-Ring, Medium, PTFE <i>(Quantity of 10)</i>
—	20G244896	Filter O-Ring For Series A Pumps <i>(Quantity of 10)</i>
127	20G244894	O-Ring, PTFE, Thin <i>(Quantity of 10)</i>
143	20G116802	Foot Valve Spring
159	20G262483	Top Cap O-Ring, PTFE <i>(Quantity of 10)</i>
—	20G244895	Top Cap O-Ring For Series A Pumps <i>(Quantity of 10)</i>
—	209V021	Operator's Manual – Graco® Xtreme® Pump Lowers

*Quantities listed with repair kit are number of individual pieces.*

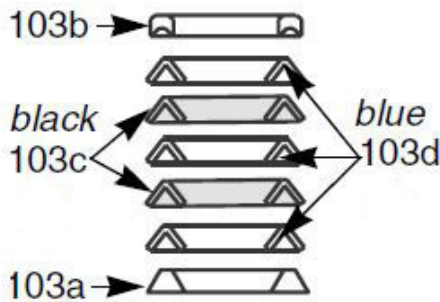
# PART NUMBERS AND SCHEMATICS GUIDE

Figure 17: X-Tuff™ Repair Kit for 220cc Lower Displacement Pump

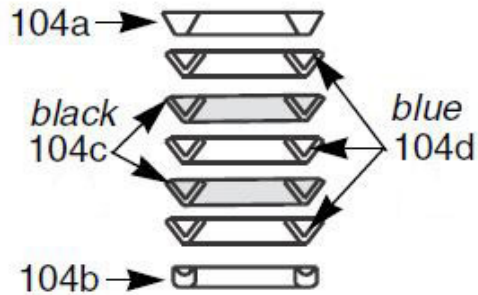


## X-Tuff™ Seal Repair Kit 262793

**Throat Packings:  
Lips Face Down**



**Piston Packings:  
Lips Face Up**



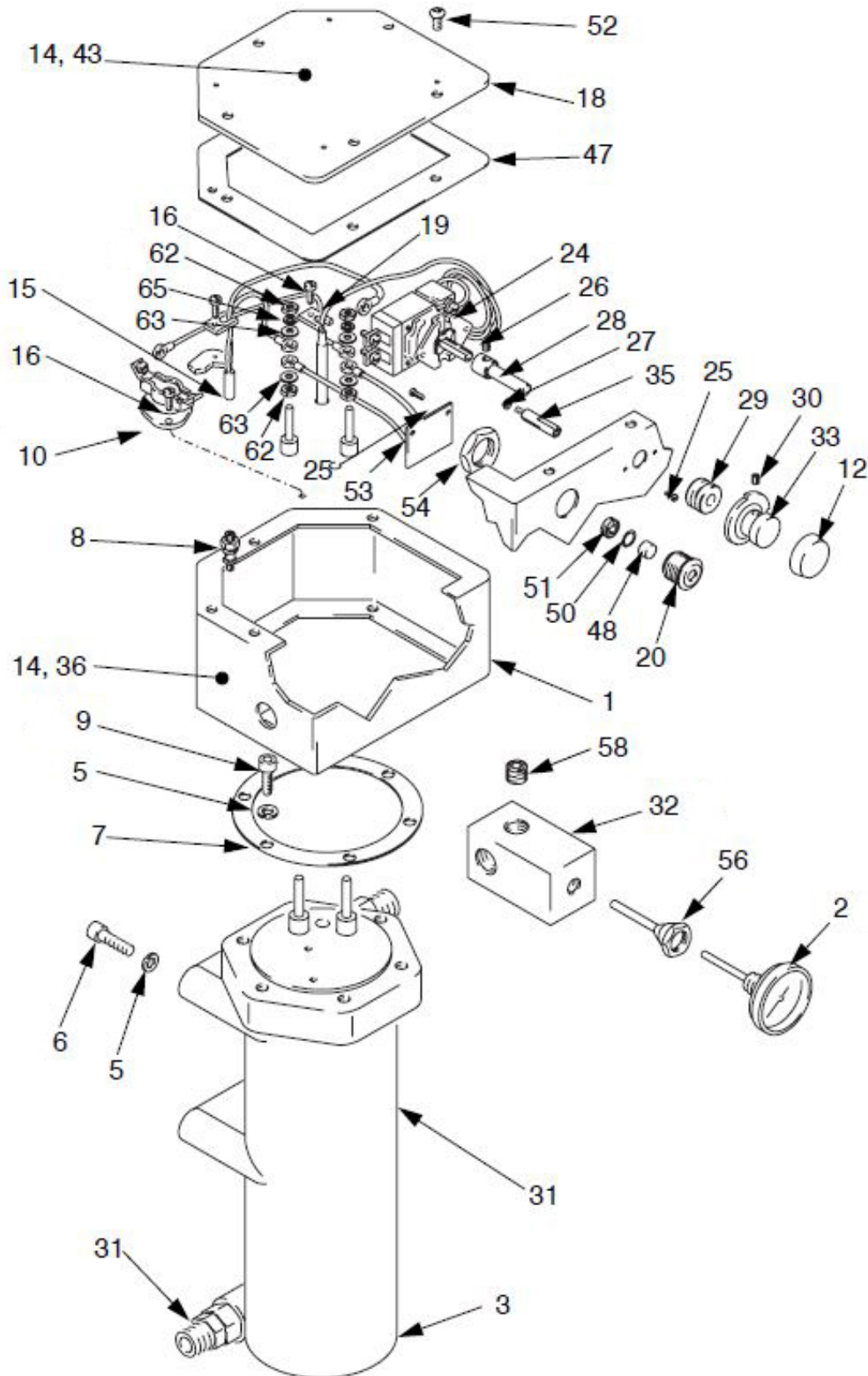
## PART NUMBERS AND SCHEMATICS GUIDE

### Fluid Heater

Item#	Part#	Description	Item#	Part#	Description
<b>Fig. 18</b>			52	20G111962	1/4-28 Screw ( <i>Quantity of Five</i> )
—	<b>20G245869</b>	<b>Fluid Heater</b>	53	20G246014	Light Circuit Board
1	20G262891	Enclosure	54	20G106216	3/4-14 Nut
2	20G102124	Thermometer Dial	56	20G15D757	Thermometer Housing
3	20G246618	Heater Block ( <i>Includes Item #'s: 2, 31, 32, and 56</i> )	58	20G100361	1/2" Pipe Plug
5	20G107542	Spring Lockwasher	62	20G100166	Full Hex Nut ( <i>Quantity of Four</i> )
6	20G109114	Screw Cap ( <i>Quantity of Six</i> )	63	20G102360	3/16" Flat Washer ( <i>Quantity of Four</i> )
7	20G15A990	Gasket ( <i>Quantity of Two</i> )	65	20G112906	Spring Lockwasher ( <i>Quantity of Two</i> )
8	20G104029	Ground Clamp ( <i>Quantity of Two</i> )	—	20G108664	6mm Allen Wrench
9	20G117367	Screw ( <i>Quantity of Six</i> )	—	20G105747	2mm Allen Wrench
10	20G108674	Thermostat	—	20G101369	0.0927" Allen Wrench
11	20G235524	Wire Assembly	—	20G100633	5/32" Allen Wrench
12	20G177969	Adjusting Knob	—	209V506	Operator's Manual – Viscon High Pressure Fluid Heater
14	20G100055	Screw ( <i>Quantity of Ten</i> )			
15	20G223126	Thermal Sensor			
16	20G105676	Screw ( <i>Quantity of Four</i> )			
18	20G15A810	Top Cover			
19	20G183072	Bracket ( <i>Quantity of Two</i> )			
20	20G15B828	Light Housing			
24	20G108676	Inline Heater Thermostat			
25	20G100032	Screw ( <i>Quantity of Four</i> )			
26	20G105672	Set Screw			
27	20G114027	Flat Washer ( <i>Quantity of Two</i> )			
28	20G183068	Switch Shaft			
29	20G112738	Grommet ( <i>Quantity of Two</i> )			
30	20G101366	Set Screw			
31	20G117344	Compression Tube Fitting ( <i>Quantity of Two</i> )			
32	20G15A808	T-Fitting			
33	20G177968	Control Knob			
35	20G117526	Spacer ( <i>Quantity of Two</i> )			
36	20G15B623	Warning Plate			
37	20G246346	Wire Assembly ( <i>Quantity of Two</i> )			
42	20G102478	Tie Strap			
43	20G15B625	Warning Plate			
47	20G15A991	Gasket			
48	20G15B827	Light Lens			
50	20G103338	Packing O-Ring			
51	20G117483	5/8-18 x 5/16" Socket Jam Screw			

# PART NUMBERS AND SCHEMATICS GUIDE

Figure 18: Fluid Heater



## PART NUMBERS AND SCHEMATICS GUIDE

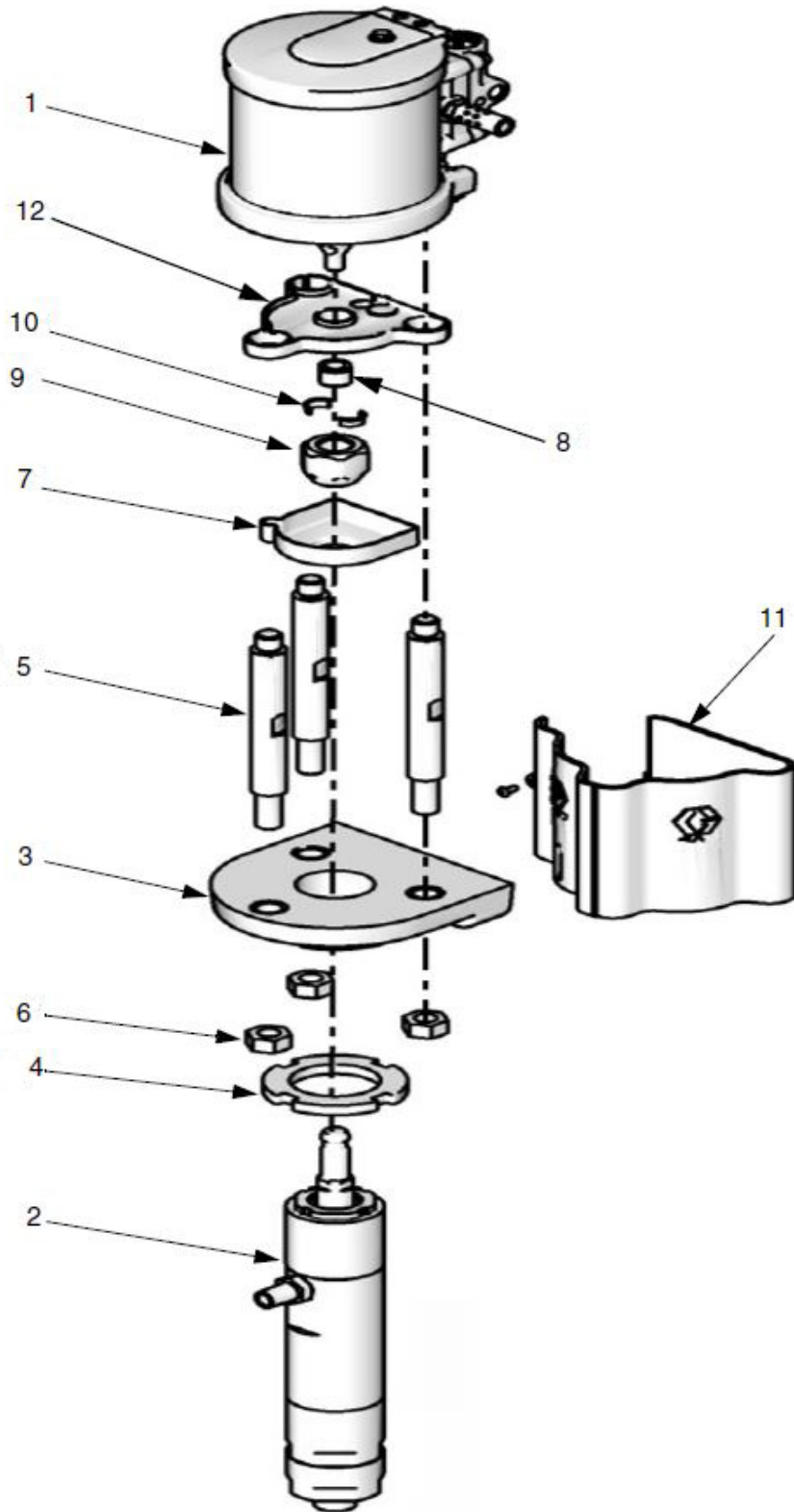
### 75cc XM™ Solvent Pump

Item#	Part#	Description
<b>Fig. 19</b>		
—	<b>20G257463</b>	<b>75cc XM™ Solvent Pump – 6"</b>
1	20GM12LN0	Motor ( <i>See Fig. 20</i> )
2	20GLW075A	Displacement Pump ( <i>See Fig. 21</i> )
3	20G16V435	Pump Adapter
4	20G24A636	Jam Nut
5	20G15M662	Tie Rod ( <i>Quantity of Three</i> )
6	20G15U606	Tie Rod Nut ( <i>Quantity of Three</i> )
7	20G24A625	TSL Reservoir
8	—	Adapter
9	20G15T311	Coupling Nut
10	—	Coupling Collar ( <i>Quantity of Two</i> )
11	20G24A959	Tie Rod Shield
12	20G15V028	Drip Shield
—	20G244524	Grounding Assembly Wire
—	209V504	Operator's Manual – Merkur® Pump Assembly



# PART NUMBERS AND SCHEMATICS GUIDE

Figure 19: 75cc XM™ Solvent Pump



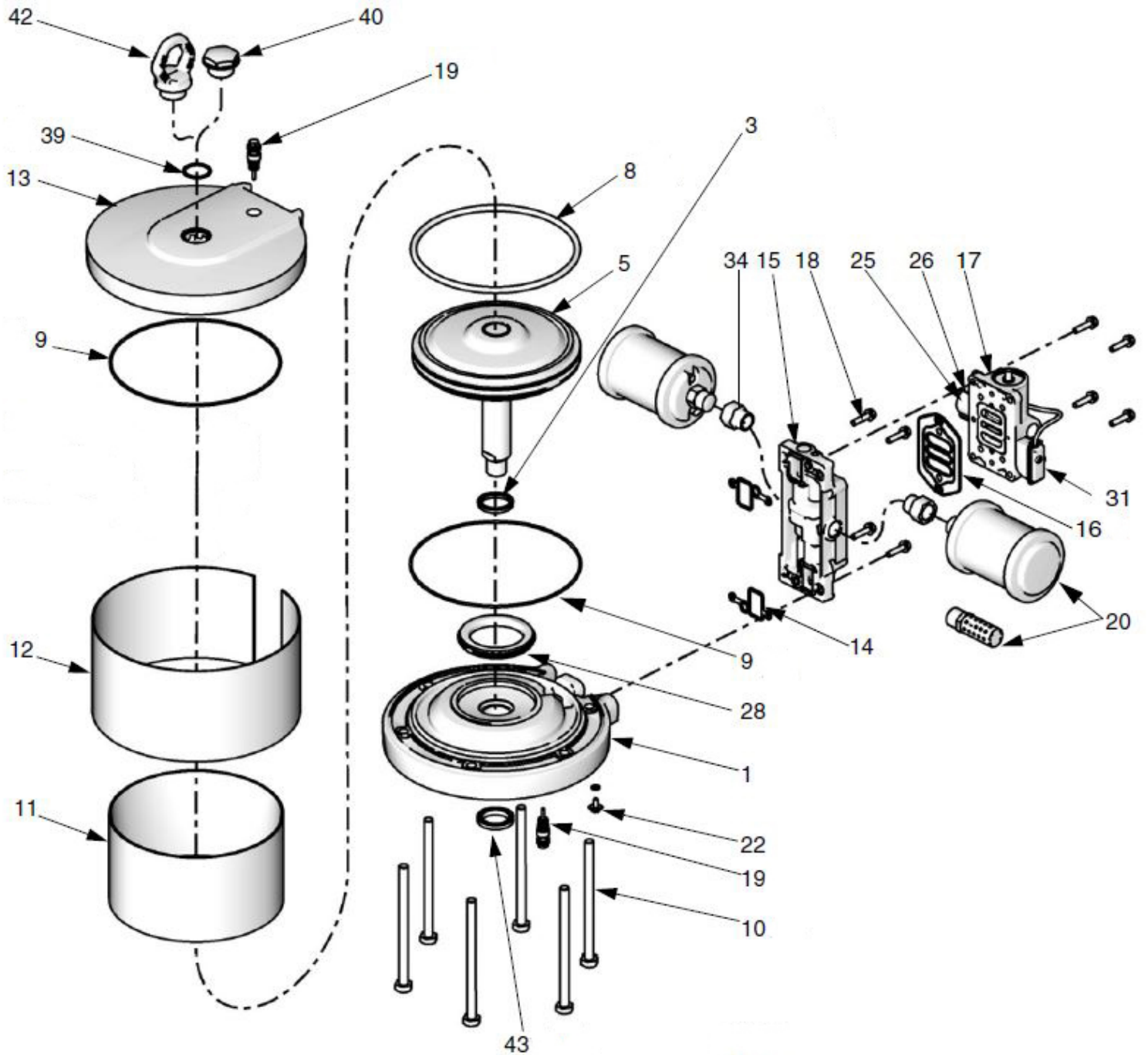
## PART NUMBERS AND SCHEMATICS GUIDE

### 75cc XM™ Solvent Pump – Motor

Item#	Part#	Description
<b>Fig. 20</b>		
—	<b>20GM12LN0</b>	<b>75cc XM™ Solvent Pump – Motor</b>
1	20G24A549	Lower Assembly Cover <i>(Includes Item #'s: 3, 9, 19, 22, 28, and 43)</i>
3	—	U-Cup <i>(Quantity of Two)</i>
5	20G24A550	Motor Assembly Piston
8	—	Piston O-Ring
9	—	Cover O-Ring
10	20G15M316	Hex Head Tie Bolt <i>(Quantity of Four)</i>
11	20G15M672	Motor Cylinder
12	20G15M676	Cylinder Shield
13	20G15X354	Upper Assembly Cover <i>(Includes Item #'s: 9, 19, 39, 40, and 41)</i>
14	—	Manifold Gasket <i>(Quantity of Two)</i>
15	20G24A580	Manifold Assembly <i>(Includes Item #'s: 14, 16, and 18)</i>
16	—	Air Valve Gasket
17	20G24A352	Air Valve
18	—	M6 x 25 Screw <i>(Quantity of Four)</i>
19	20G24A366	Pilot Valve <i>(Quantity of Two)</i>
20	20G117237	Muffler
22	20G116343	Ground Screw
25	20G24B566	Solenoid/Reed Switch <i>(Includes Item #'s: 18, 26, 31, 32, and 33)</i>
26	—	Solenoid Bracket
28	20G24A914	Bumper Kit
31	—	Reed Switch
34	20G15T560	Muffler Adapter
39	—	Upper Cover Plug O-Ring
40	20G24E990	Upper Cover Plug
42	20G24E991	Hook Lift <i>(Not Included)</i>
43	—	U-Cup with Flange Seal
—	20G15W719	Label Warning
—	209V106	Operator's Manual – NXT® Air Motor

# PART NUMBERS AND SCHEMATICS GUIDE

Figure 20: 75cc XM™ Solvent Pump – Motor



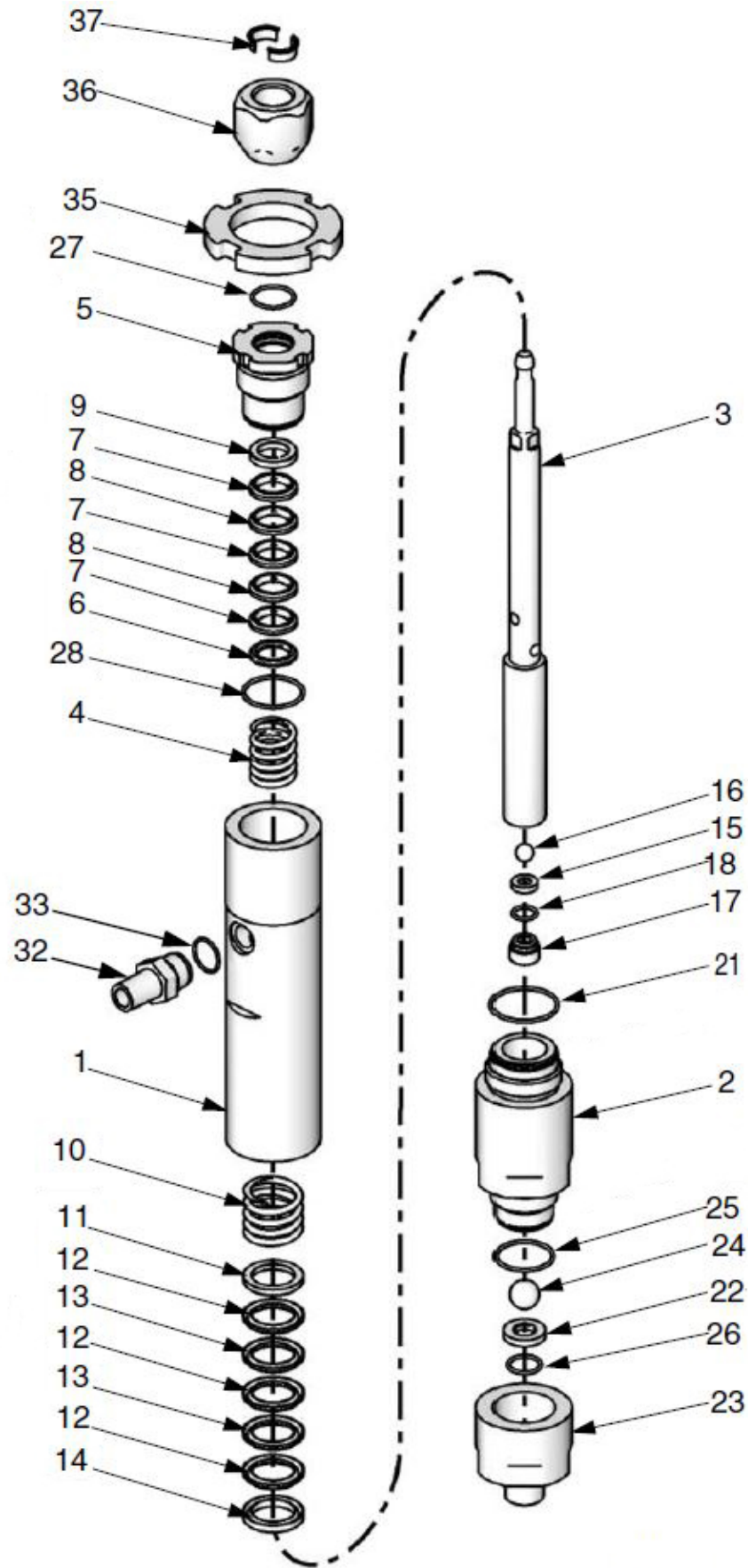
## PART NUMBERS AND SCHEMATICS GUIDE

### 75cc XM™ Solvent Pump – Displacement Pump

Item#	Part#	Description
<b>Fig. 21</b>		
—	<b>20GLW075A</b>	<b>75cc XM™ Solvent Pump – Displacement Pump</b>
1	20G24A815	Upper Cylinder Kit <i>(Includes Item #'s: 21, 28, 32, and 33)</i>
2	20G24A824	Lower Cylinder Kit <i>(Includes Item #'s: 21 and 25)</i>
3	20G24A645	Piston/Rod Assembly <i>(Includes Item #'s: 15, 16, 17, 18, 36 and 37)</i>
4	—	Throat Spring
5	20G24A809	Wet Cup <i>(Includes Item #'s: 27 and 28)</i>
6	—	Male Throat Gland
7	—	UHMWPE Throat Packing <i>(Quantity of Three)</i>
8	—	PTFE Throat Packing <i>(Quantity of Two)</i>
9	—	Female Throat Gland
10	—	Piston Spring
11	—	Male Piston Gland
12	—	UHMWPE Piston Packing <i>(Quantity of Three)</i>
13	—	PTFE Piston Packing <i>(Quantity of Two)</i>
14	—	Female Piston Gland
15	—	Tungsten Carbide Piston Valve Seat
16	—	440 Stainless Steel Pison Valve Ball
17	—	Flow Through Nut
18	—	Piston O-Ring
21	—	Lower Cylinder O-Ring
22	—	Tungsten Carbide Intake Valve Seat
23	20G24A836	Intake Valve Kit <i>(Includes Item #: 26)</i>
24	—	440 Stainless Steel Intake Valve Ball
25	—	Lower Cylinder O-Ring <i>(Quantity of Two)</i>
26	—	Intake Valve O-Ring
27	20G24A631	Wet Cup O-Ring <i>(Quantity of Ten)</i>
28	—	Wet Cup O-Ring
32	20G24A840	3/8-18 NPT x 3/4-16 UNF Outlet Fitting <i>(Includes Item #: 33, Quantity of One)</i>
33	20G24E457	Outlet O-Ring <i>(Quantity of Ten)</i>
35	20G24A636	Jam Nut
36	20G15T311	Coupling Nut
37	20G24A619	Coupling Collar <i>(Quantity of Ten)</i>
—	20G24A253	Seal Repair Kit <i>(Includes Item #'s: 4, 6, 7, 8, 9, 10, 11, 12, 13, 14, 18, 21, 25, 26, 27, 28, and 33)</i>
—	20G24R167	V-Packing Repair Kit <i>(Includes Item #'s: 7, 8, 12, 13, 18, 21, 25, 26, 27, 28, and 33)</i>
—	20G24A783	Tungsten Carbide Seat Repair Kit <i>(Includes Item #'s: 15, 17, 18, 21, 22, 25, and 26)</i>
—	20G24A263	440 Stainless Steel Check Ball Kit <i>(Includes Item #'s: 16 and 24)</i>
—	209V510	Operator's Manual – Graco® Merkur® Displacement Pump

# PART NUMBERS AND SCHEMATICS GUIDE

Figure 21: 75cc XM™ Solvent Pump – Displacement Pump



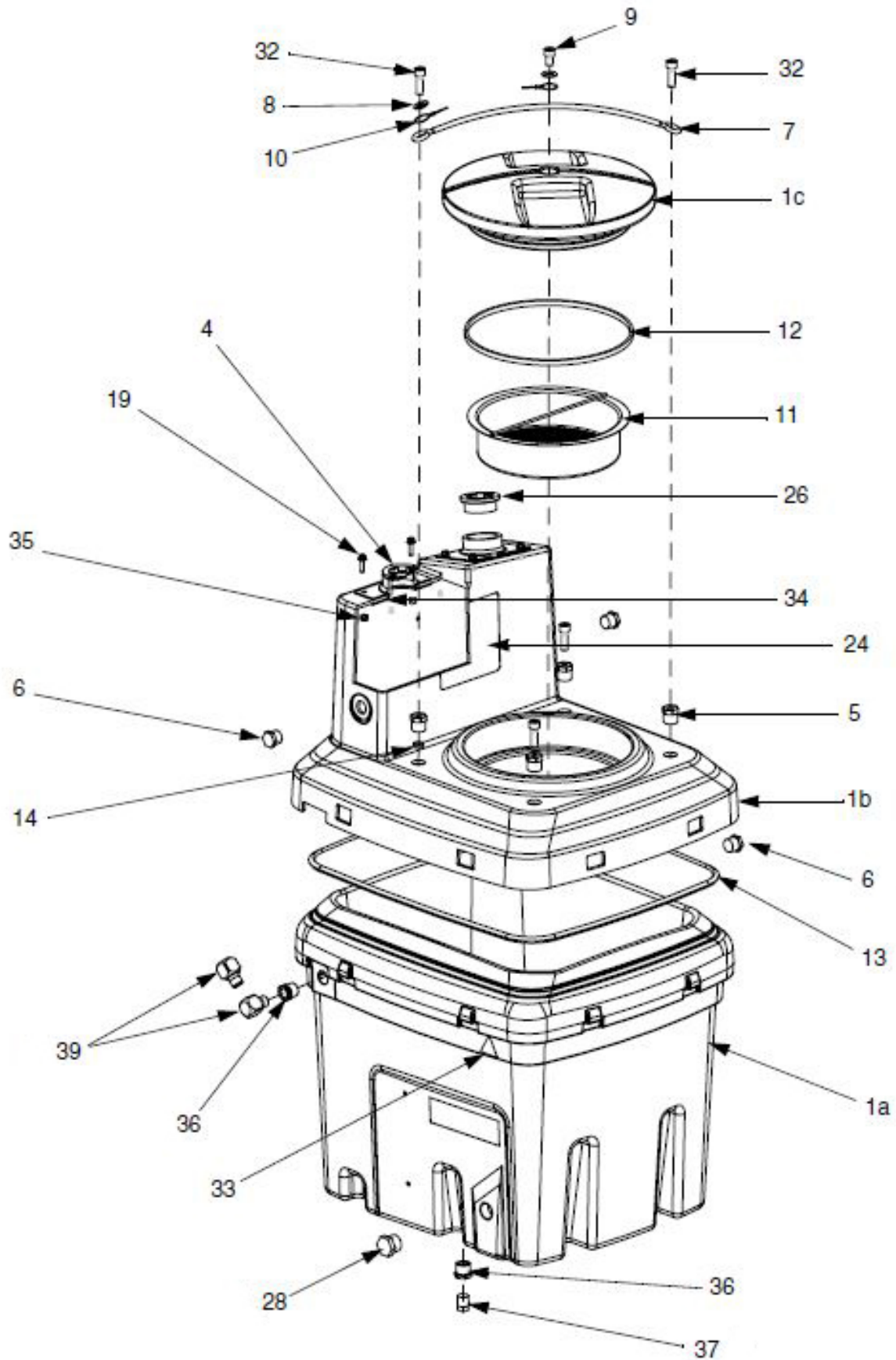
## PART NUMBERS AND SCHEMATICS GUIDE

### 20 Gallon Hopper

Item#	Part#	Description
<b>Fig. 22</b>		
—	<b>20G255963</b>	<b>20 Gallon Hopper</b>
1a	—	Hopper
1b	—	Cover
1c	—	Lid
4	20G255965	Weldment Plate ( <i>Quantity of Two</i> )
5	20G15T007	Return Tube Adapter ( <i>Quantity of Four</i> )
6	20G121621	3/4" NPT Plug ( <i>Quantity of Three</i> )
7	20G255966	Hopper Lid Spring Strap
8	20G109570	1/2" Plain Washer
9	20G513764	1/2-13 x 3/4" Socket Head Cap Screw
10	20G122097	12" Stainless Steel Lanyard Cable
11	20G256008	Strainer
12	20G15T010	Hopper Lid Gasket
13	20G15T011	Hopper Gasket ( <i>Quantity of Two</i> )
14	20G15R403	Return Tube Seal ( <i>Quantity of Two</i> )
19	20G112547	1/4-20 x 1" Hex Head Flange Screw ( <i>Quantity of Eight</i> )
26	20G121378	2" Plug with Gasket ( <i>Quantity of Two</i> )
28	20G121485	1" Plug ( <i>Quantity of Two</i> )
32	20G121797	1/20-13 x 1-1/2" Socket Head Cap Screw ( <i>Quantity of Two</i> )
33	20G189285	Caution Label ( <i>Quantity of Two</i> )
34	20G15R331	Hopper Accessory Plate ( <i>Quantity of Two</i> )
35	20G104105	1/4-20 Hex Lock Nut ( <i>Quantity of Eight</i> )
36	20G117326	3/4" (M) x 1/2" (F) Bushing Fitting ( <i>Quantity of Two</i> )
37	20G100737	1/2" Pipe Plug
39	20G158683	1/2" 90° Elbow Fitting ( <i>Quantity of Two</i> )
—	20G15R424	A-B Identification Label
—	20G24K965	5:1 Pump Spacer Kit
—	209V567	Operator's Manual – Double Wall Hopper

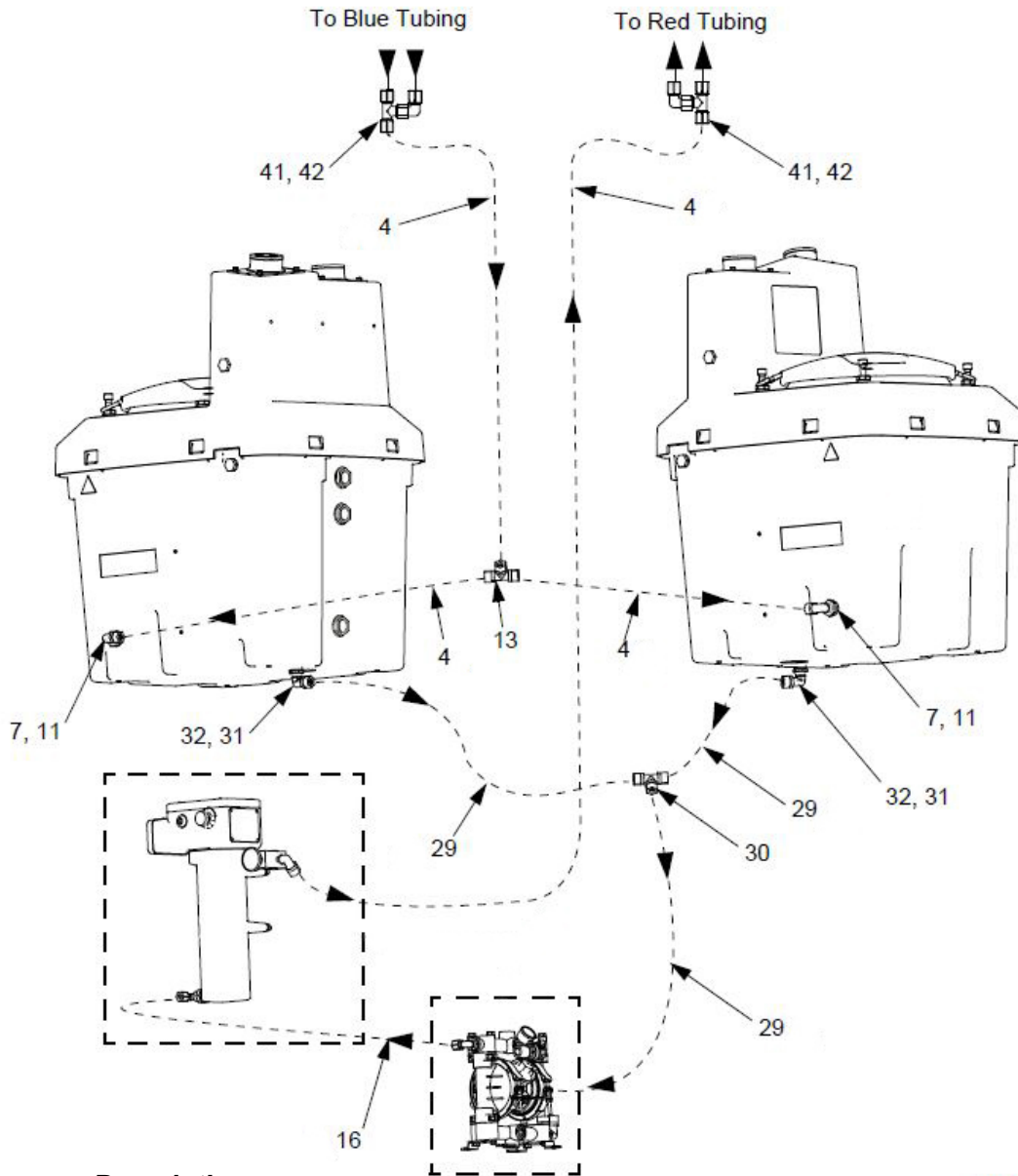
# PART NUMBERS AND SCHEMATICS GUIDE

Figure 22: 20 Gallon Hopper



## OPTIONAL ACCESSORIES

**Figure 23: Heated Hopper and Hose Circulation Kit**



Item#	Part#	Description
-------	-------	-------------

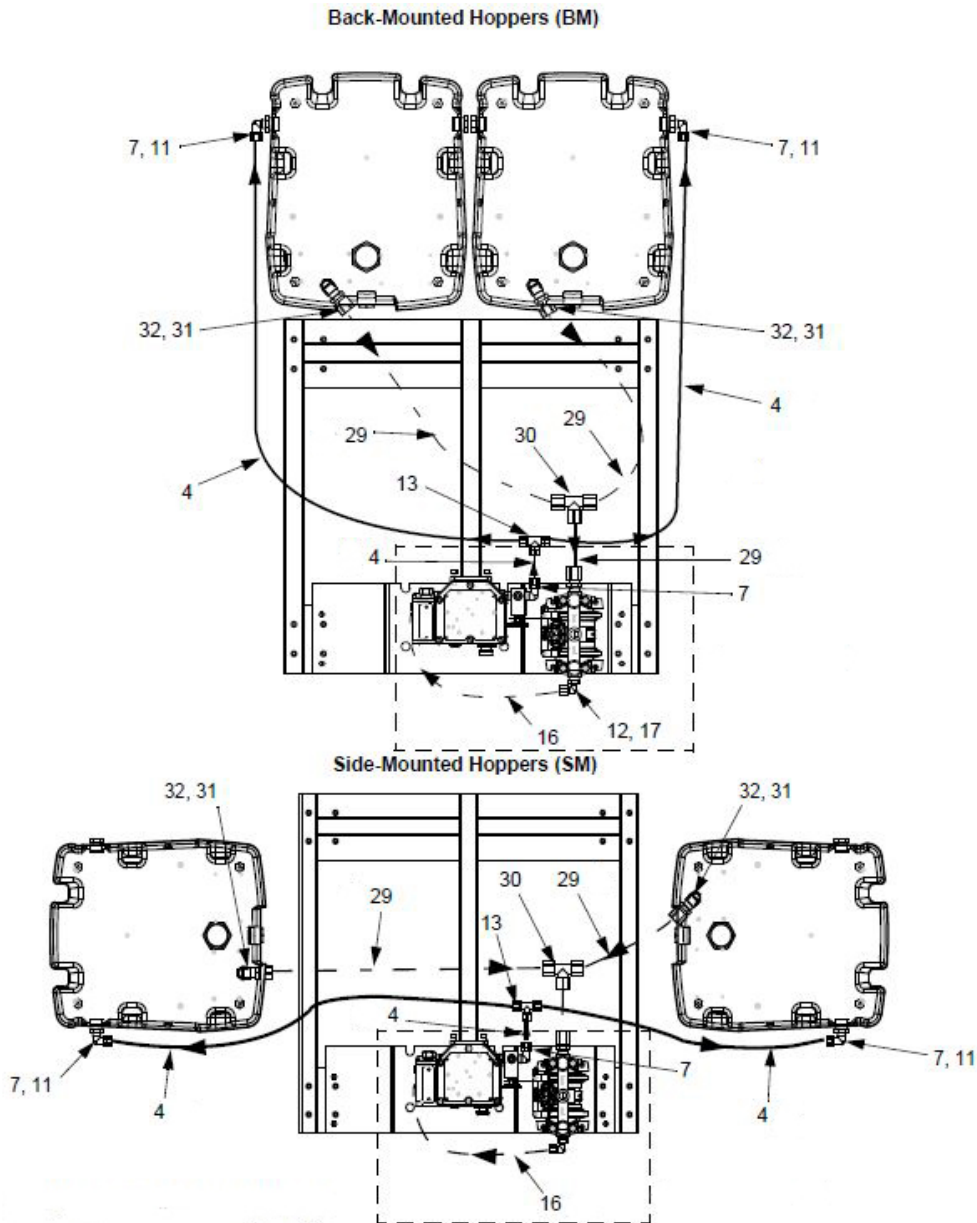
**Fig. 23**

—	<b>20G256273</b>	<b>Heated Hopper and Hose Circulation Kit</b>
4	20G054139	1/2" O.D. x 17' Flexible Nylon Tube
7	20G126898	1/2" x 1/2" O.D. Elbow Fitting Tube ( <i>Quantity of Five</i> )
11	20G124070	1" (M) x 1/2" (F) Pipe Bushing ( <i>Quantity of Two</i> )
13	20G17E117	1/2" Tee Fitting
16	20G054134	3/8" x 3' Nylon Tube
29	20G054929	3/4" O.D. x 8' Flexible Nylon Tube
30	20G17H050	3/4" Union Tee Fitting
31	20G17H051	3/4" x 3/4" O.D. Male Connector Fitting ( <i>Quantity of Three</i> )
32	20G124042	3/4" (M) x 3/4" (F) Street Elbow Fitting ( <i>Quantity of Three</i> )
41	20G126896	1/2" Tube x 1/2" NPTF Elbow Fitting ( <i>Quantity of Two</i> )
42	20G126895	1/2" Tube x 1/2" Tube x 1/2" NPTF Elbow Fitting



## OPTIONAL ACCESSORIES

**Figure 24: Heated Hopper and Hose Circulation Kit (Continued)**



Item#	Part#	Description
-------	-------	-------------

**Fig. 24**

—	<b>20G256273</b>	<b>Heated Hopper and Hose Circulation Kit</b>
4	20G054139	1/2" O.D. x 17' Flexible Nylon Tube
7	20G126898	1/2" x 1/2" O.D. Elbow Fitting Tube (Quantity of Five)
11	20G124070	1" (M) x 1/2" (F) Pipe Bushing (Quantity of Two)
12	20GC19683	3/4" (M) x 3/8" (F) Reducing Bushing
13	20G17E117	1/2" Tee Fitting
16	20G054134	3/8" x 3' Nylon Tube
17	20G17E118	3/8-18 x 3/8" O.D. Male Elbow Fitting (Quantity of Two)
29	20G054929	3/4" O.D. x 8' Flexible Nylon Tube
30	20G17H050	3/4" Union Tee Fitting
31	20G17H051	3/4" x 3/4" O.D. Male Connector Fitting (Quantity of Three)
32	20G124042	3/4" (M) x 3/4" (F) Street Elbow Fitting (Quantity of Three)

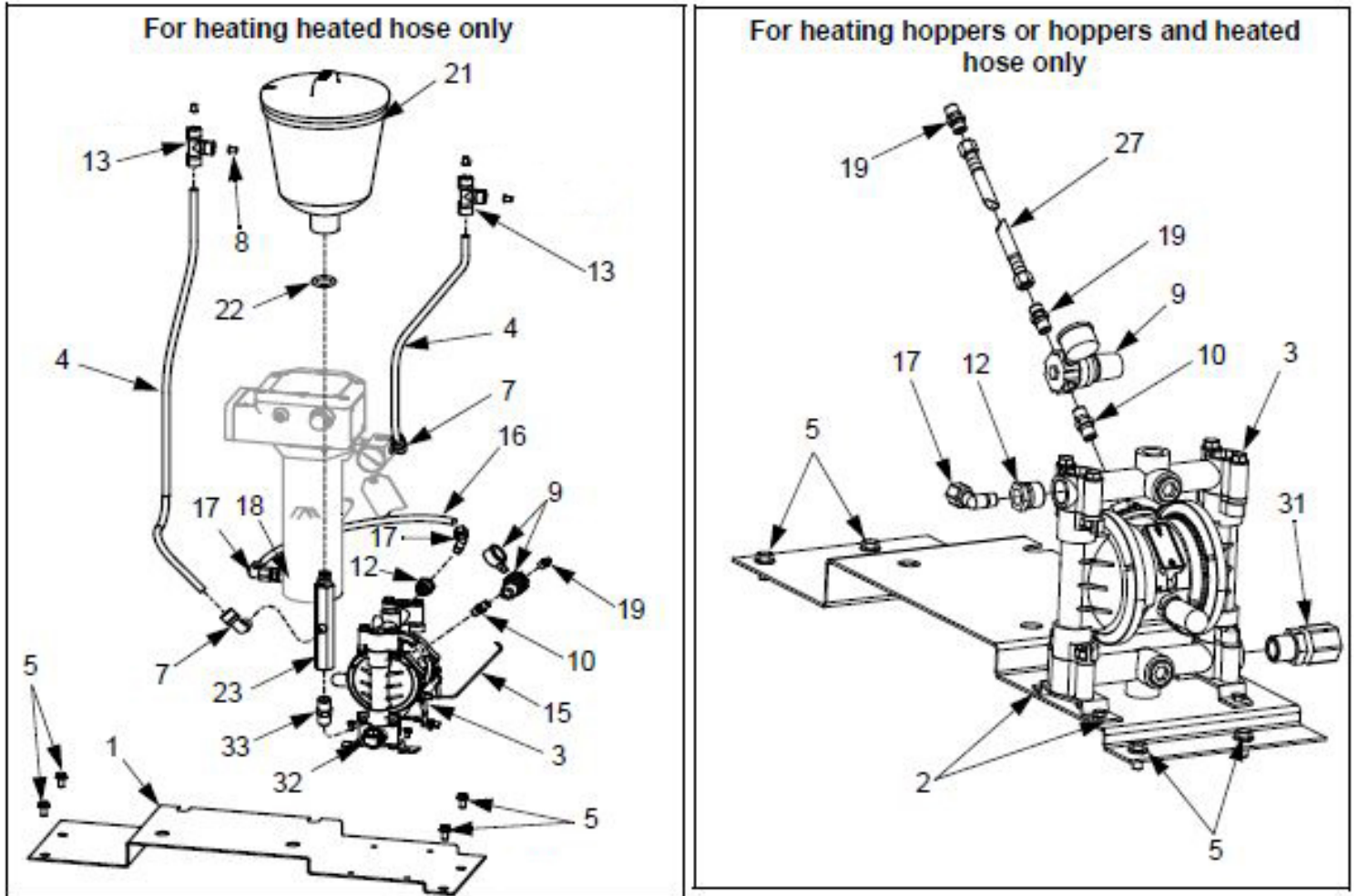
## OPTIONAL ACCESSORIES

### Heated Hopper and Hose Circulation Kit *(Continued)*

Item#	Part#	Description
<b>Fig. 25</b>		
—	<b>20G256273</b>	<b>Heated Hopper and Hose Circulation Kit</b>
1	20G256196	Mounting Plate
2	20G100333	1/4-20 x 1/2" Hex Cap Screw <i>(Quantity of Four)</i>
3	20GD53288	Husky™ 716 Pump <i>(See Fig. 26)</i>
4	20G054139	1/2" O.D. x 17' Flexible Nylon Tube
5	20G112395	Flange Head Cap Screw <i>(Quantity of Four)</i>
7	20G126898	1/2" x 1/2" O.D. Elbow Fitting Tube <i>(Quantity of Five)</i>
9	20G110147	1/4" Air Regulator
10	20G156971	1/4-18 NPT Short Nipple Fitting
12	20GC19683	3/4" (M) x 3/8" (F) Reducing Bushing
13	20G17E117	1/2" Tee Fitting
15	20G119402	Coiled Ground Cable
16	20G054134	3/8" x 3' Nylon Tube
17	20G17E118	3/8-18 x 3/8" O.D. Male Elbow Fitting <i>(Quantity of Two)</i>
18	20G122275	3/8" x 1/2" Reducing Coupling Fitting
19	20G162453	1/4" x 1/4" Nipple Fitting <i>(Quantity of Two)</i>
21	20G188787	1-1/2 Gallon Hopper
22	20G104938	O-Ring
23	20G15B338	Mounting Reservoir Fitting
27	20G212005	6' Coupled Hose
31	20G17H051	3/4" x 3/4" O.D. Male Connector Fitting <i>(Quantity of Three)</i>
32	20G124042	3/4" (M) x 3/4" (F) Street Elbow Fitting <i>(Quantity of Three)</i>
33	20G175013	3/4" Nipple Fitting
—	209V572	Operator's Manual – Graco® Hopper or Hose Heat Circulation Kit

## OPTIONAL ACCESSORIES

Figure 25: Heated Hopper and Hose Circulation Kit (Continued)



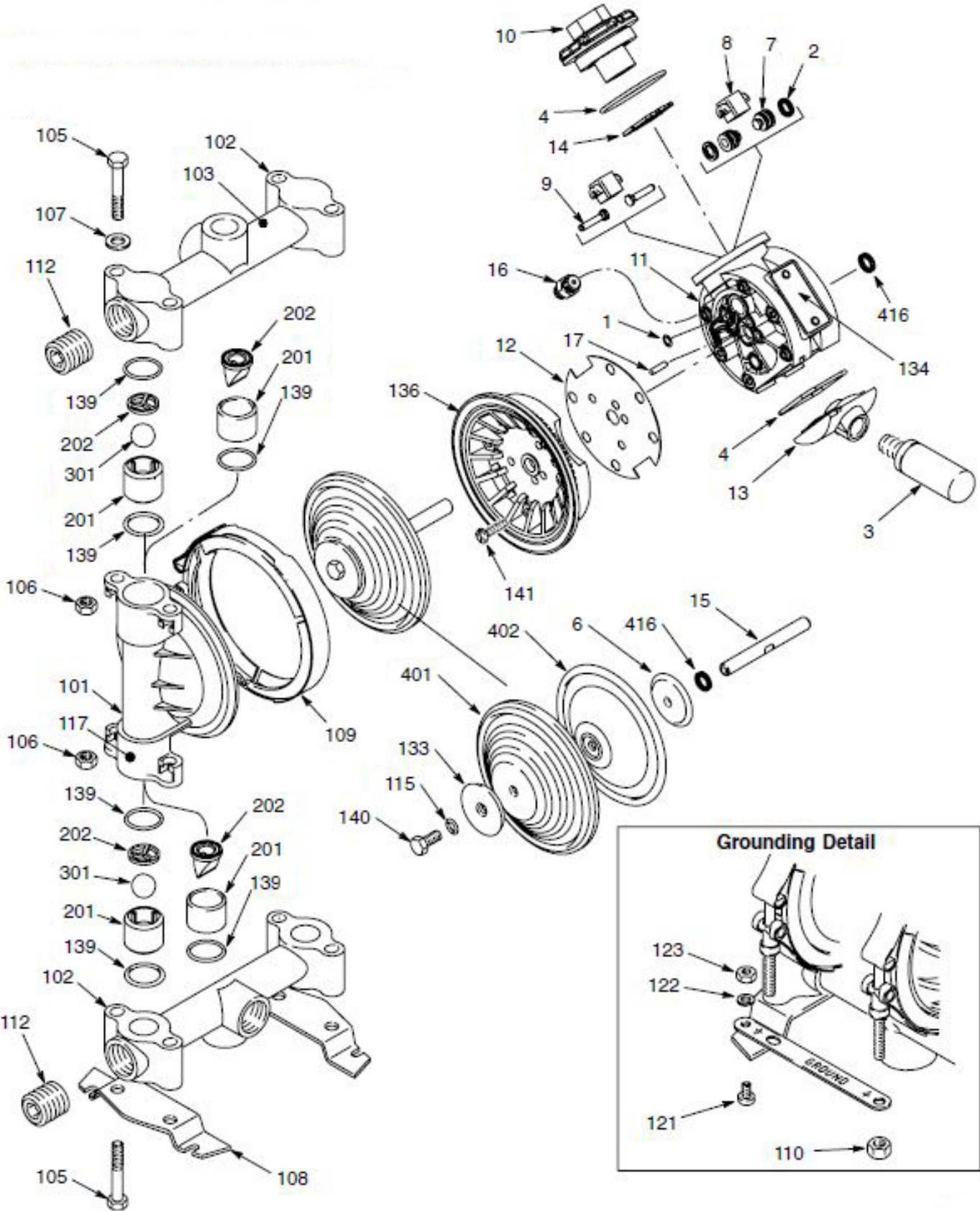
## OPTIONAL ACCESSORIES

### Husky™ 716 Pump

Item#	Part#	Description	Item#	Part#	Description
<b>Fig. 26</b>			121	20G102790	10-24 x 0.31" Screw
—	<b>20GD53288</b>	<b>Husky™ 716 Pump</b>	122	20G100718	Lockwasher
1	20G114866	O-Ring Packing ( <i>Quantity of Two</i> )	123	20G100179	10-24 Hex Nut
2	20G108808	U-Cup Packing ( <i>Quantity of Two</i> )	133	20G191837	Fluid Side Diaphragm Plate ( <i>Quantity of Two</i> )
3	20G122933	Muffler	134	20G290045	Designation Plate
4	20G162942	O-Ring Packing ( <i>Quantity of Two</i> )	136	20G194246	Air Cover ( <i>Quantity of Two</i> )
6	20G195025	Air Side Diaphragm Plate ( <i>Quantity of Two</i> )	139	20G110636	O-Ring, PTFE ( <i>Quantity of Eight</i> )
7	20G15Y825	Carriage Plunger ( <i>Quantity of Two</i> )	140	20G113747	Flange Hex Head Screw ( <i>Quantity of Two</i> )
8	20G192595	Carriage ( <i>Quantity of Two</i> )	141	20G114882	Machine Torx Screw ( <i>Quantity of 12</i> )
9	20G192596	Carriage Pin ( <i>Quantity of Two</i> )	142	20G111183	Rivet ( <i>Quantity of Two</i> )
10	20G192597	Valve Chamber Cover	201	20G186691	Acetal Guide ( <i>Quantity of Four</i> )
11	20G192602	Center Housing	202	20G186692	Acetal Stop ( <i>Quantity of Four</i> )
—	20G194380	Center Housing	301	20G112959	Fluoroelastomer Ball ( <i>Quantity of Four</i> )
12	20G192765	Gasket ( <i>Quantity of Two</i> )	401	20G190149	Fluoroelastomer Diaphragm ( <i>Quantity of Two</i> )
13	20G194247	Exhaust Cover	416	20G108808	U-Cup Packing ( <i>Quantity of Two</i> )
14	20G194269	Valve Plate	—	20G241657	Air Valve Repair Kit ( <i>Includes Item #'s: 4, 7, 8, 9, and 14</i> )
15	20G192601	Diaphragm Shaft	—	209V574	Operator's Manual – Graco® Husky™ 716 Pump
16	20G115671	Male Connector ( <i>Quantity of Two</i> )			
101	20G185622	Fluid Cover ( <i>Quantity of Two</i> )			
102	20G185624	NPT Manifold ( <i>Quantity of Two</i> )			
—	20G192061	BSPT Manifold ( <i>Quantity of Two</i> )			
—	20G190246	NPT Manifold ( <i>Quantity of Two</i> )			
103	20G189220	Warning Label			
105	20G112912	3/8-16 x 2-1/4" Screw ( <i>Quantity of Eight</i> )			
106	20G112913	3/8-16 Hex Nut ( <i>Quantity of Eight</i> )			
107	20G112914	3/8" Flat Washer ( <i>Quantity of Four</i> )			
108	20G186207	Feet Base ( <i>Quantity of Two</i> )			
109	20G189540	Vee Clamp			
110	20G112499	1/4-28 Clamp Nut ( <i>Quantity of Two</i> )			
111	20G191079	Grounding Strip			
112	20G102726	NPT Steel Plug ( <i>Quantity of Two</i> )			
—	20G113989	BSPT Steel Plug ( <i>Quantity of Two</i> )			
—	20G24H344	BSPP Plug with Seal ( <i>Quantity of Two</i> )			
115	20G110004	O-Ring, PTFE ( <i>Quantity of Two</i> )			
117	20G186205	Warning Label			
<b>52</b>	Graco® XM50™	Plural Component Sprayer			

# OPTIONAL ACCESSORIES

Figure 26: Husky™ 716 Pump




## OPTIONAL ACCESSORIES

### NON-RECIRCULATION GENERAL PURPOSE 5000 PSI WATER HEATED HOSE BUNDLES

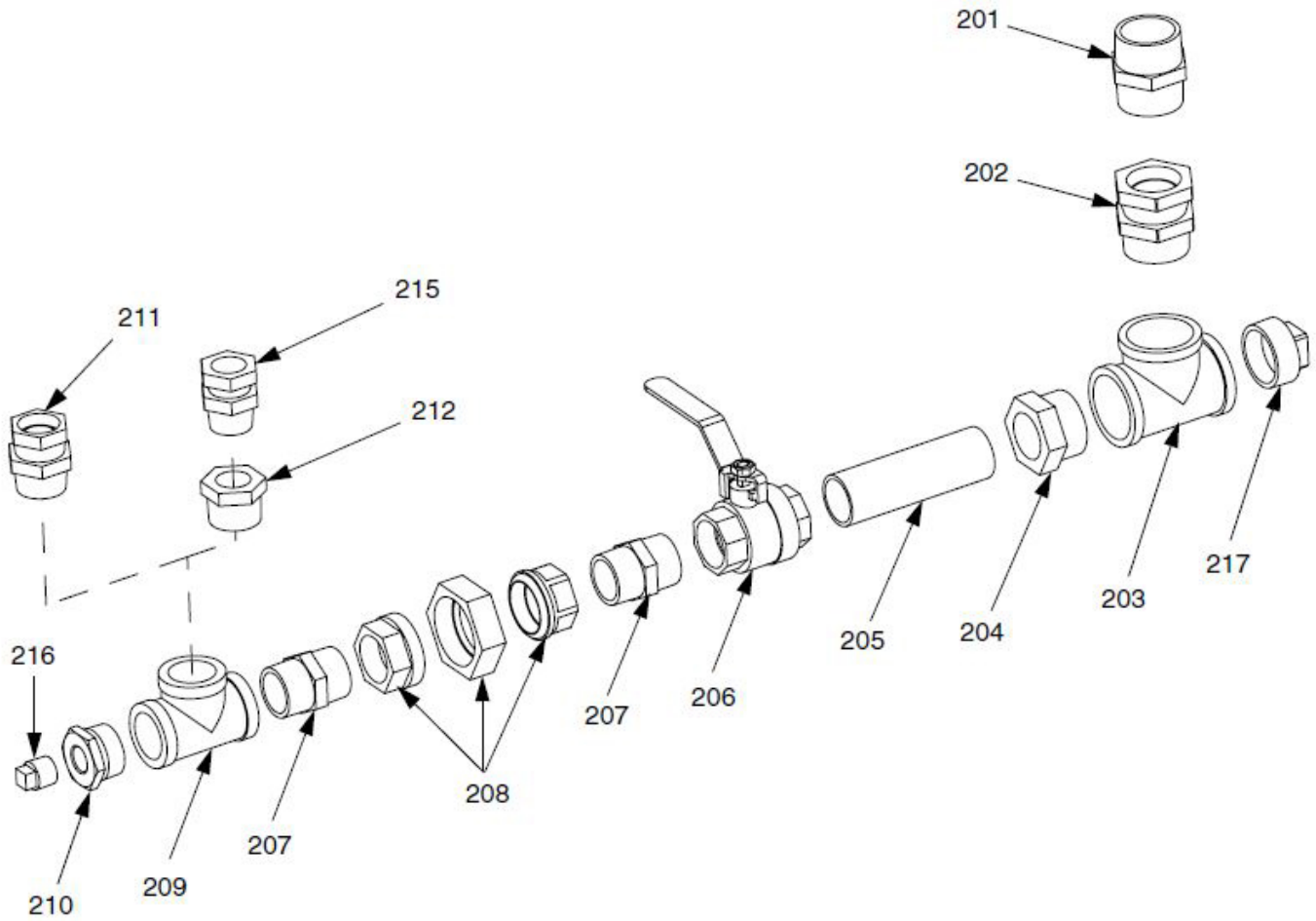
Part Numbers	Length				1/2" Fluid Hose	3/8" Fluid Hose	1/4" Fluid Hose	1/4" Moisture-Lock Hose	1/4" Flush Hose	3/8" Fluid Recirculating Hoses
	50 Ft.	100 Ft.	150 Ft.	200 Ft.						
20100444	X				1	1	1		1	2
20100445		X			4		1		1	2
20100446			X		1	1			1	2
20100253				X	4					2

### INSULATED INTEGRATOR 5000 PSI HOSE BUNDLES

Part Numbers	Length		1/2" Fluid Hose	3/8" Fluid Hose	1/4" Fluid Hose	3/8" Fluid Recirculating Hoses	1/4" Moisture-Lock Hose	1/4" Flush Hose
	25 Ft.	50 Ft.						
 20100254	X		1					
20100847		X	1					

## OPTIONAL ACCESSORIES

**Figure 27: Hopper Fluid Outlet Kit**



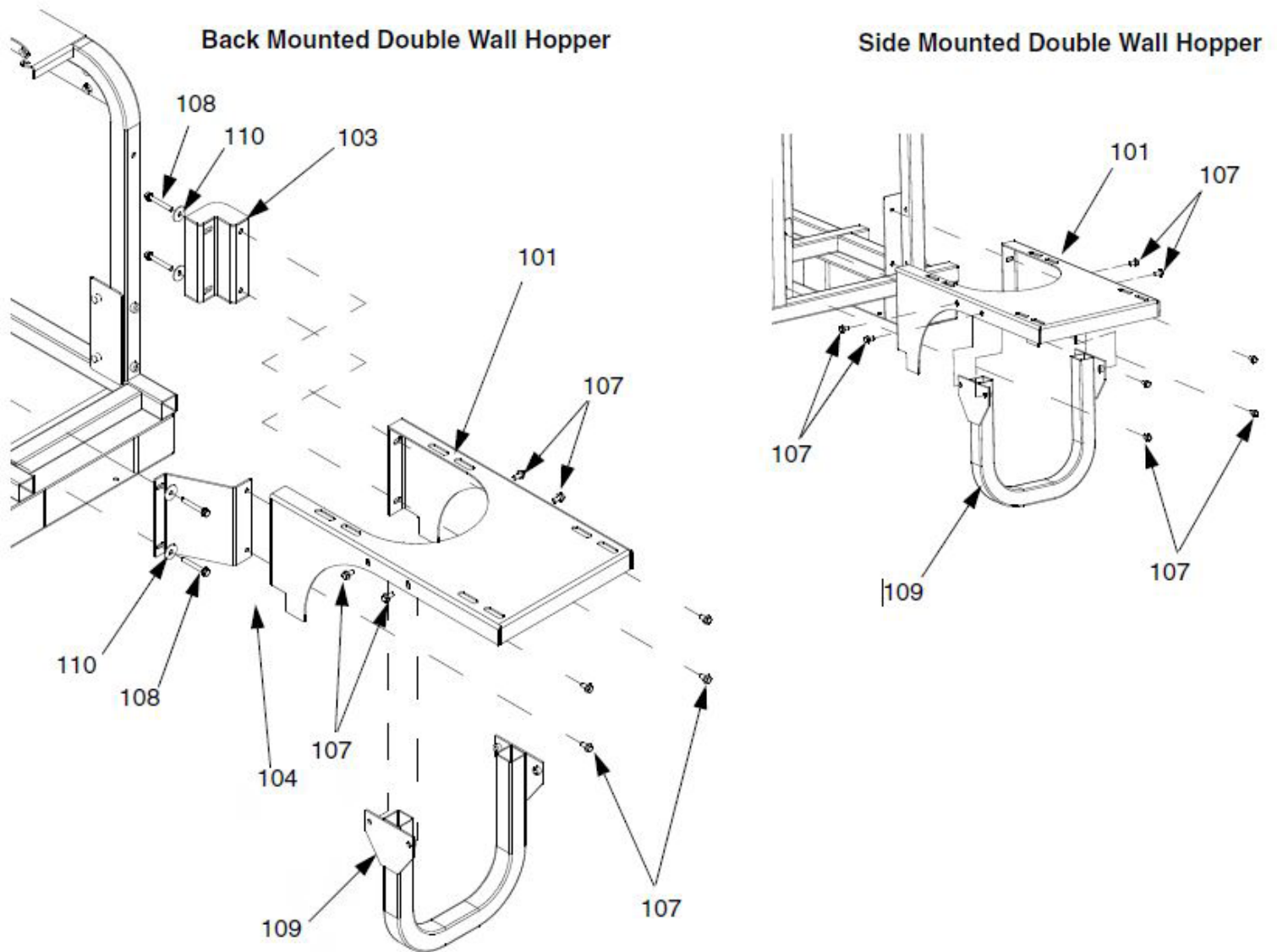
Item#	Part#	Description
-------	-------	-------------

**Fig. 27**

—	<b>20G256179</b>	<b>Hopper Fluid Outlet Kit</b>
201	20G121435	2" Hex Nipple
202	20G121436	2" Male Swivel Fitting
203	20G121437	2" Female Tee Fitting
204	20G121438	2" x 1-1/2" Reducer Bushing
205	20G121439	1-1/2" x 6" Pipe Nipple
206	20G121440	1-1/2" Ball Valve
207	20G121441	1-1/2" Hex Nipple ( <i>Quantity of Two</i> )
208	20G121442	1-1/2" Union Fitting
209	20G121443	1-1/2" Tee Fitting
210	20G101496	1-1/2" x 3/4" Pipe Bushing
211	20G121445	1-1/2" x 1-1/4" Reducing Swivel
212	20G121446	1-1/2" x 1-1/4" Reducer Bushing
215	20G121447	1-1/4" Swivel Fitting
216	20G104663	3/4" Pipe Plug
217	20G123807	2" Pipe Plug
—	209V567	Operator's Manual – Double Wall Hopper

## OPTIONAL ACCESSORIES

**Figure 28: Hopper Mounting Kit**

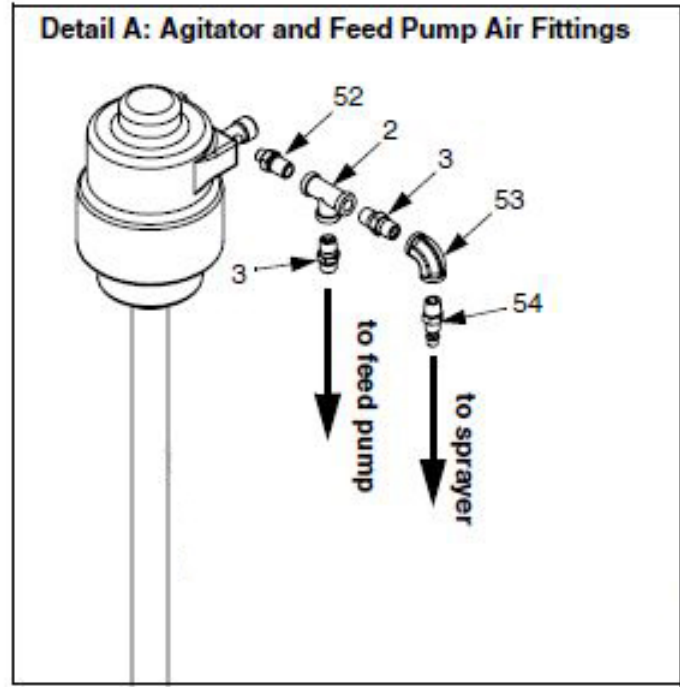
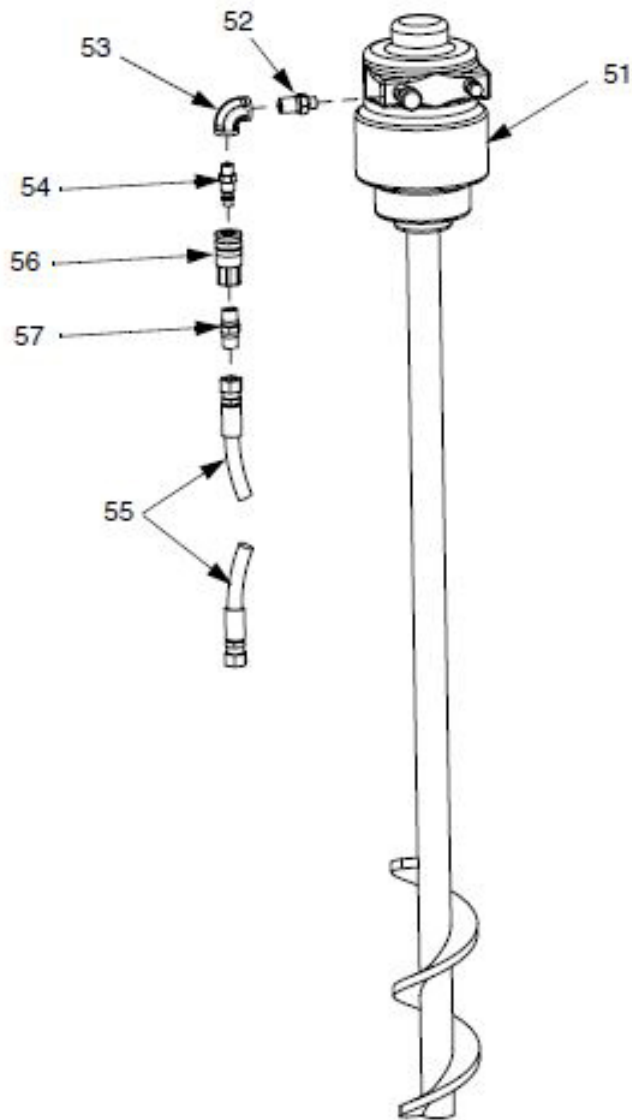


Item#	Part#	Description
<b>Fig. 28</b>		
—	<b>20G256259</b>	<b>Hopper Mounting Kit</b>
101	20G256224	20 Gallon Hopper Bracket
103	20G256254	Bottom Mount Hopper Bracket
104	20G256256	Lower Bottom Mount Hopper Bracket
107	20G112395	3/8-16 x 3/4" Flange Head Cap Screw ( <i>Quantity of 14</i> )
108	20G121488	3/8-16 x 2-3/4" Flanged Hex Head Screw ( <i>Quantity of Four</i> )
109	20G256928	Rear Hopper Bracket Support
110	20G115625	3/8" Fender Washer
—	209V567	Operator's Manual – Double Wall Hopper



## OPTIONAL ACCESSORIES

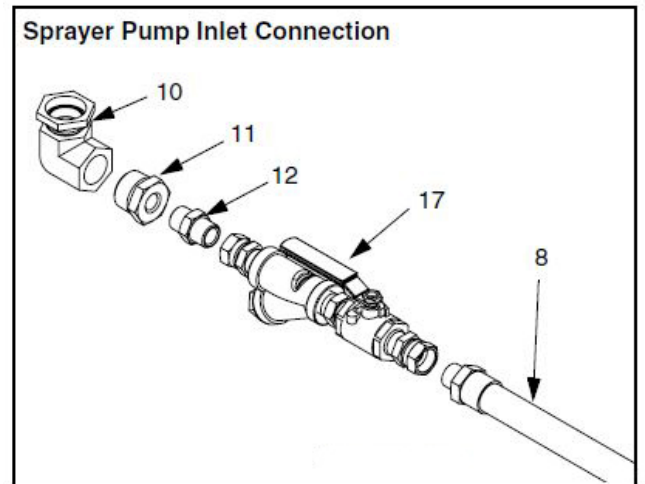
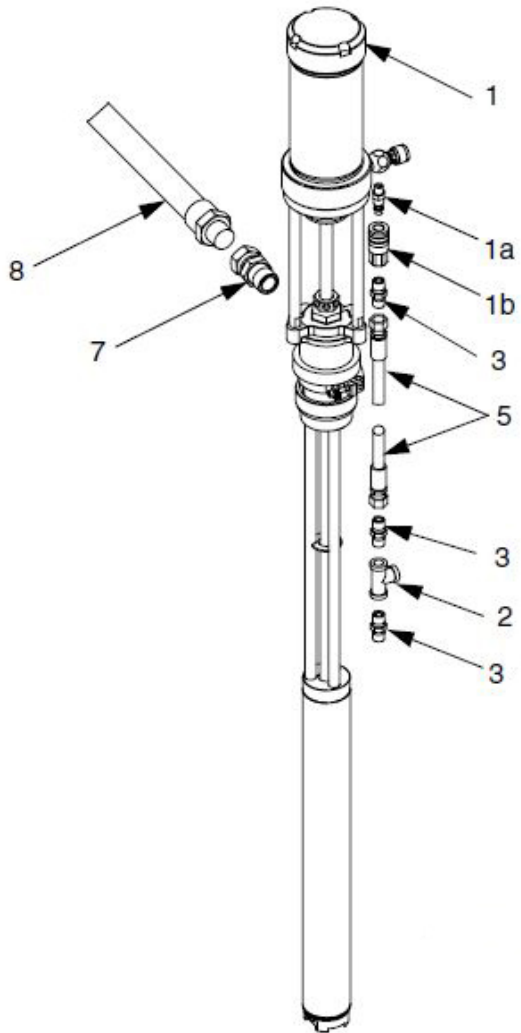
Figure 29: Twistork Agitator Kit



Item#	Part#	Description
<b>Fig. 29</b>		
—	<b>20G256274</b>	<b>Twistork Agitator Kit</b>
51	20G224854	Helix Agitator
52	20G151519	1/8" x 1/4" Reducing Nipple Fitting
53	20GC19425	90° Female Elbow Fitting
54	20G169970	Air Line Fitting
55	20G212005	6' Coupled Hose
56	20G114558	Air Line Coupler
57	20G166846	Adapter Fitting
—	209V569	Operator's Manual – Graco® Feed Pump and Agitator Kits

## OPTIONAL ACCESSORIES

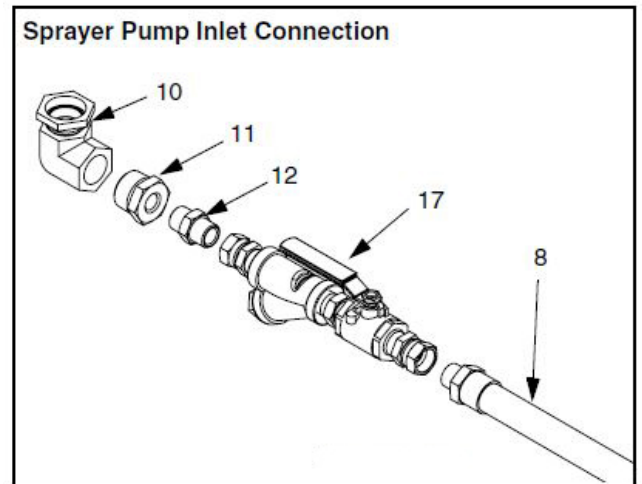
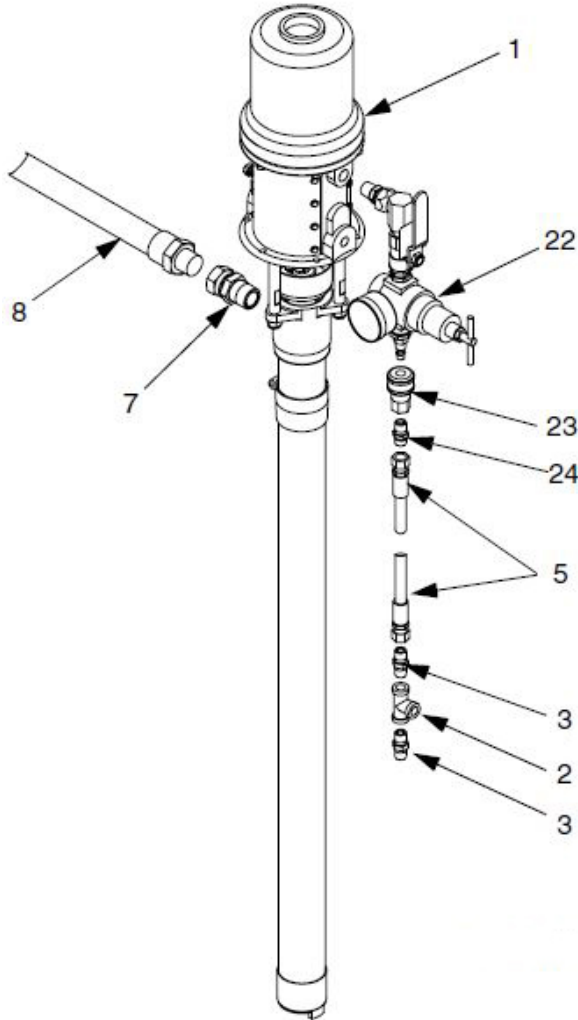
**Figure 30: T2 Pump Feed**



Item#	Part#	Description
<b>Fig. 30</b>		
—	<b>20G256275</b>	<b>T2 Pump Feed</b>
1	20G295616	2:1 Transfer Pump (Includes Item #'s: 1a and 1b)
1a	—	Quick Disconnect Fitting
1b	—	Coupler
2	20G104984	1/4" Female Tee Fitting
3	20G156971	1/4-18 Short Nipple (Quantity of Three)
5	20G212005	6' Coupled Hose
7	20G118459	3/4" Swivel Union
8	20G217382	10' Coupled Hose
10	20G121571	Female Swivel Elbow
11	20G121620	1-1/4" x 3/4" Reducer
12	20GC20487	Hex Nipple
17	20G256653	Lower Strainer and Valve Kit
—	20G256275	T2 2:1 Pump Kit (Includes Item #'s: 1, 1a, and 1b)
—	209V569	Operator's Manual – Graco® Feed Pump and Agitator Kits

## OPTIONAL ACCESSORIES

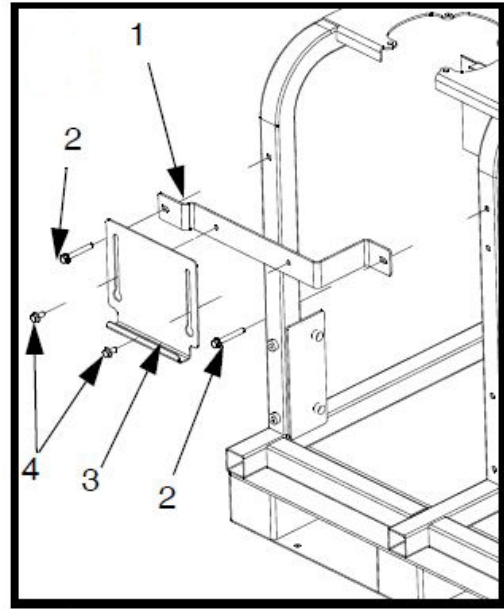
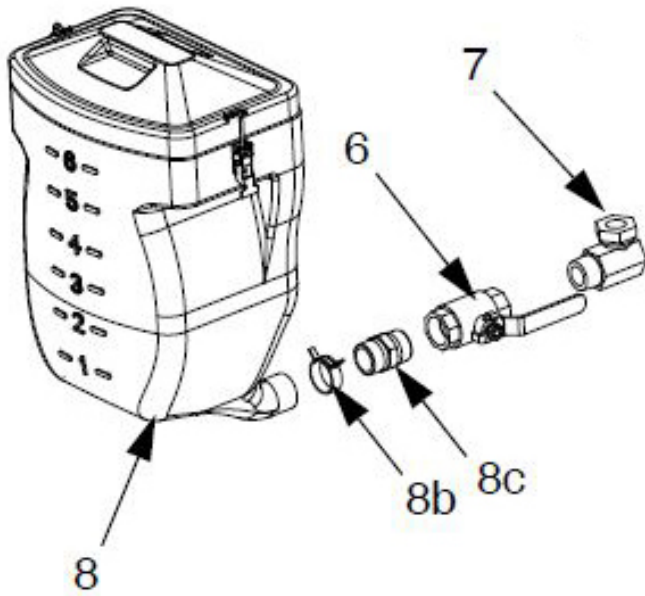
Figure 31: 5:1 Pump Feed



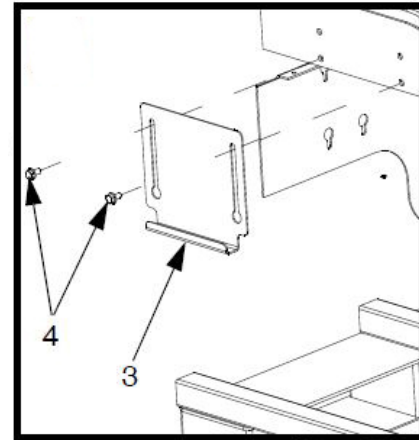
Item#	Part#	Description
<b>Fig. 31</b>		
—	<b>20G256276</b>	<b>5:1 Pump Feed</b>
1	20G218956	5:1 Monark® Pump
2	20G104984	1/4" Female Tee Fitting
3	20G156971	1/4-18 Short Nipple ( <i>Quantity of Three</i> )
5	20G212005	6' Coupled Hose
7	20G118459	3/4" Swivel Union
8	20G217382	10' Coupled Hose
10	20G121571	Female Swivel Elbow
11	20G121620	1-1/4" x 3/4" Reducer
12	20GC20487	Hex Nipple
17	20G256653	Lower Strainer and Valve Kit
22	20G248829	Feed Pump Air Regulator Kit
23	20G208536	Air Line Coupler
24	20G162453	1/4" NPSM x 1/4" NPT Fitting
—	20G256276	Monark® 5:1 Pump Kit ( <i>Includes Item #'s: 22, 23, and 24</i> )
—	209V569	Operator's Manual – Graco® Feed Pump and Agitator Kits

## OPTIONAL ACCESSORIES

**Figure 32: 7 Gallon Green and Blue Hopper and Bracket Kit**



*(Parts for Back Mounted Hoppers)*



*(Parts for Side Mounted Hoppers)*

Item#	Part#	Description
<b>Fig. 32</b>		
—	20G256260	7 Gallon Green Hopper
—	20G24N011	7 Gallon Blue Hopper
1	20G256252	Upper Back Mounted Hopper Bracket
2	20G121488	Flanged Hex Head Screw ( <i>Quantity of Two</i> )
3	20G256251	7 Gallon Hopper Bracket
4	20G112395	Flange Head Cap Screw ( <i>Quantity of Two</i> )
6	20G122198	Ball Valve
7	20G112580	90° Swivel Union
8	20G234097	Green Fluid Hopper
—	20G234017	Blue Fluid Hopper
8b	20G124450	Clamp
8c	20GC20490	Fitting
—	209V575	Operator's Manual – Graco® XM™ Hopper Kit







## GLOBAL HEADQUARTERS

- 3425 East Locust Street  
Davenport, IA 52803

ph: 800.BLAST.IT (800.252.7848)

ph: 563.324.2519

fax: 563.324.6258

## GULF STATES HEADQUARTERS

- 701 East Boulevard  
Deer Park, TX 77536

ph: 800.BLAST.IT (800.252.7848)

ph: 281.930.0905

fax: 281.542.0736

## REGIONAL BRANCH OFFICES

- **Iowa**  
Davenport
- **Louisiana**  
Gonzales  
Harvey  
Lafayette
- **Ohio**  
Youngstown
- **Texas**  
Beaumont  
Corpus Christi  
Deer Park



ABRASIVES

BLASTING

COATING

DUST COLLECTORS

ENGINEERED SYSTEMS

RENTAL

SAFETY

SERVICE & REPAIR

VACUUMS

## 40+ NATIONWIDE SHIPPING LOCATIONS



★ Marco Regional Branch Offices  
and Shipping Locations

● Direct Shipping Locations

## CONTACT MARCO

800.BLAST.IT

(800.252.7848)

563.324.2519

FAX: 563.324.6258

WWW.MARCO.US

SALES@MARCO.US