



GRACO® XM™ PASSIVE FIRE PROTECTION SPRAYERS



PART NUMBERS AND SCHEMATIC GUIDE

Company Profile

Allredi was formed in the early 2020, when two of the largest distributors in the blasting, coating, safety, and environmental industry, APE Companies and Marco Group International, joined forces. While the qualities both companies are known for have not changed, a lot about our business is new. New abilities. New agilities. New ways to help you win. This calls for a new name, Allredi.

This name exemplifies what we have become. It is completely oriented to the needs of our customers. To your needs. It says that when you call us for anything – products, service, expert advice, anything – you can consider it done. Or even better, Allredi done.

We are your right-now supplier. From skills to SKUs, we deliver the goods fast. So you can be more agile every minute, every day. This is who we are. This is what our new name means. Go ahead and expect excellence, because we're bringing it.

Our Mission and Vision

To be the industry's preferred partner in surface preparation solutions through unrivaled technical expertise, customer experience, product availability, and tailored service offerings.

The Allredi Difference

- **Industry Experience** – With Allredi on your team, you have access to expertise which can only come from decades of industry leadership. We have organized our engineering department, production specialists, customer operations, and safety support into a "Center of Competence." As an Allredi customer, you have access to hundreds of years of cumulative experience related to your operations.
- **Manufacturing Excellence** – Allredi is a U.S. based manufacturer of equipment for the Surface Preparation and Protective Coatings industries. Allredi's engineers benchmark the industry to ensure that we design and manufacture superior products that set the "Gold Standard" for performance, safety, and quality.
- **Legendary Customer Service** – Allredi's legendary customer service team is staffed by friendly, highly-trained individuals who are focused on providing the highest level of product support, order accuracy, and customer satisfaction.
- **Product Availability** – We stock over 10,000 SKU's and have over 45 shipping locations to serve North American and International markets for all major brands of blasting, coating, environmental, and safety equipment. Allredi is your right-now supplier, so you can keep your projects moving. From our foundation of strong relationships, we have built a nationwide network that puts vast inventory and ready service close to our customers. We provide advanced expertise, and we deliver the goods fast – so you can easily access the products and services you need to me more agile every minute, every day.
- **Technology Leadership** – Our website provides: Operator's Manuals, Part Numbers and Schematics Guides, SDS information, and key product features and specifications, providing access to information 24/7.

TABLE OF CONTENTS

Company Profile	2
Table of Contents	3
Graco® XM™ Passive Fire Protection	
Spray System	4-35
Part Numbers	4
Graco® XM™ Passive Fire Protection	
Spray Systems 1 of 5	5
Base System 2 of 5	6-7
Base System 3 of 5	8-9
Base System 4 of 5	10-11
Base System 5 of 5	12-13
Feed Module 1 of 2	14-15
Feed Module 2 of 2	16-17
Systems Air Controls Module	18-19
Junction Box	20-21
Control Box	22-23
Air Filter	24
Ratio Control Valve Assemblies	25
Air Powered Agitator	26-27
Feed Module Air Panel	28-29
Tank Air Manifold Assembly	30
Check Valve	31
Mix Manifold Sub Assembly	32
Flexible Fluid Connection Kit	33
Graco® XHF™ Spray Gun	34-35
Plural Component Spray System	
Accessories	36-38
Fluid Hose	36
Heated Hose Bundles	36-37
Supply Processing Equipment	38
Accessories	38
Maintenance Notes	39

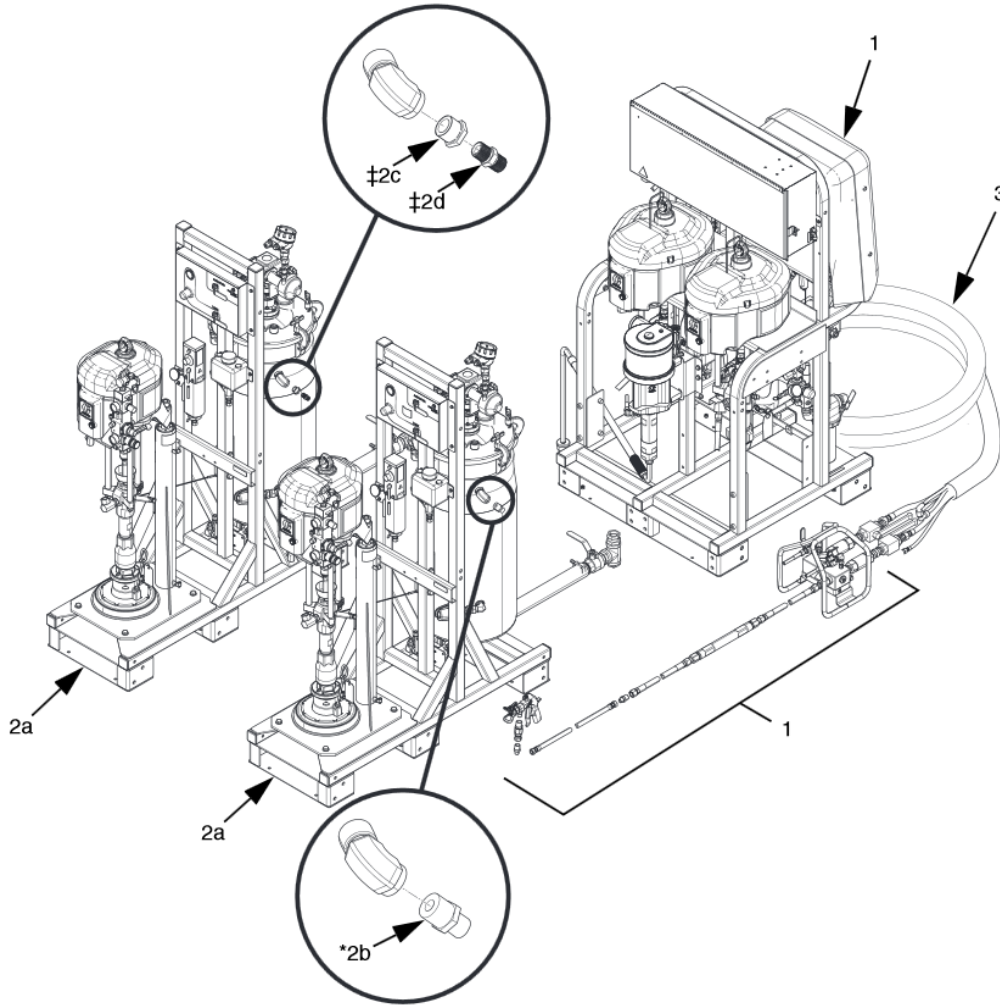
PART NUMBERS AND SCHEMATICS GUIDE

GRACO® XM™ PASSIVE FIRE PROTECTION SPRAY SYSTEM										
Part Numbers	Assembled	Hot Water Flush Pump	Heated Hose Bundle (20G16T122)	20 Gal. Feed Modules with Agitators and Level Sensors	XHF™ Gun with 429 Tip	30:1 Merkur® Solvent Flush Pump	Viscon® HF Primary Heaters	Mix Manifold	Pump	Skid Mount
20101060	X	X	50'	X	X	X	X	X	XM60	X
20101061	X	X	100'	X	X	X	X	X	XM60	X
20101062	X	X	150'	X	X	X	X	X	XM60	X
20101063	X	X	200'	X	X	X	X	X	XM60	X
20101056	X		50'	X	X	X	X	X	XM60	X
20101057	X		100'	X	X	X	X	X	XM60	X
20101058	X		150'	X	X	X	X	X	XM60	X
20101059	X		200'	X	X	X	X	X	XM60	X
20G262869			50'	X	X	X	X	X	XM60	X
20G262878						X	X	X	XM60	X

GRACO® XM™ PASSIVE FIRE PROTECTION SPRAY SYSTEM - SPECIFICATIONS	
Mix Ratio Range	1:1 – 10:1 (in 0.01 increments)
Rational Tolerance Range (before alarm)	+/- 5%
Max Flow Rate (with oil)	3 gallons per minute
Max Fluid Working Pressure (A & B Materials)	6,000 psi
Max Fluid Working Pressure (Flushing Fluid)	4,500 psi
Max Fluid Working Pressure (Heating Fluid)	100 psi
Max Pump Air Pressure	100 psi
Minimim Air Consumption	100 scfm
Max Air Consumption	250 scfm
Voltage	220 – 240-Volt AC, 3 Phase DELTA (3-wire + ground) – or – 380 – 400-Volt AC, 3 Phase WYE (4-wire w/ neutral & ground)

PART NUMBERS AND SCHEMATICS GUIDE

Figure 1: Graco® XM™ Passive Fire Protection Spray Systems 1 of 5



Item #	Part #	Description
Fig. 1		
1	20G262878	Mix Manifold Sub Assembly (See Fig. 17)
2	20G24P202	Feed Module Assembly (See Fig. 6 and Fig. 7)
2a	20G24P883	Feed Module <i>Includes 40:1 Check-Mate®, Heated Pressure Tank, Agitator, Level Sensor and Bottom Outlet Feed Hose and Connection</i>
2b	20GC20461	Reducing Nipple
2c	20G100505	Bushing
2d	20G156849	Nipple
2f	20G15U654	Label, A/B Identification
2g	20G061134	Nylon Hose
2h	—	Cable Tie
3	—	Heated Hose Bundle (See Page 36-37)

PART NUMBERS AND SCHEMATICS GUIDE

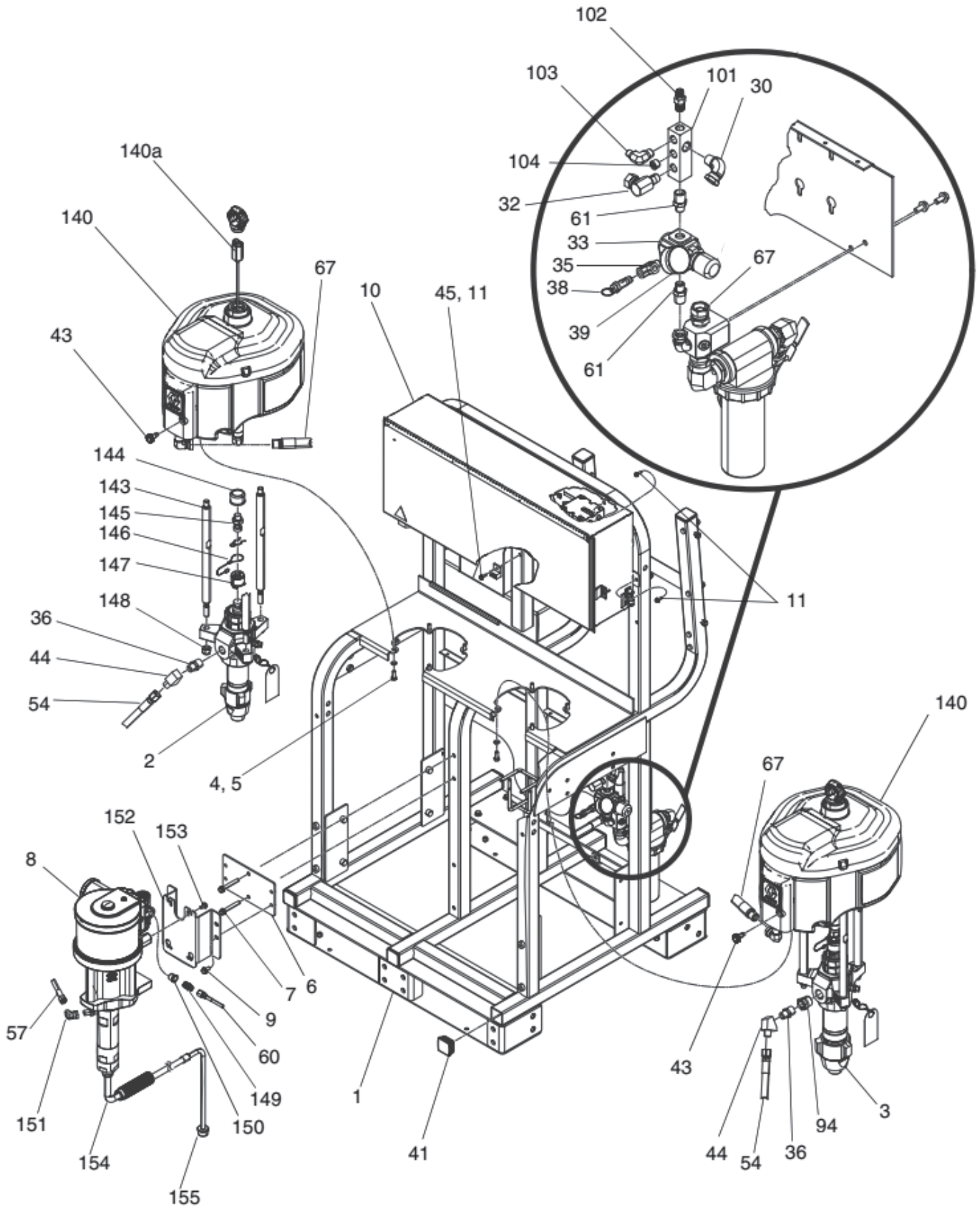
Base System 2 of 5

Item #	Part #	Description
Fig. 2		
1	—	Frame
2	20GL180C9	B Side Lower Pump
3	20GL220C9	A Side Lower Pump
4	20G100133	3/8" Lock Washer
5	20G100101	Hex Head Cap Screw
6	20G256169	Solvent Pump Plate
7	20G121488	Hex Head Screw, Flanged
8	20GW30CAS	6.0 in, 75 cc, Solvent Pump
9	20G112395	Flang Head Cap Screw
10	20G24N589	Junction Box (see Fig. 9)
11	20G113796	Flanged Head Screw
30	20GC19024	Swivel Elbow Fitting
32	20G217430	90° Union Swivel Fitting
33	20G15T536	3/8" NPT Air Regulator
35	20G116504	Tee Run Fitting
36	20GC20461	Hex Reducing Nipple
38	20G116643	Air Safety Relief Valve
39	20G101689	Air Pressure Gauge
41	20G115313	Tube Plug
43	20G15J277	De-Ice Control Assembly
44	20G15M987	60° Elbow Fitting
45	20G117666	Terminal Ground
54	20GH75003	1/2" I.D. x 3' Coupled Hose, 7250 psi
57	20GH42506	1/4" I.D. x 6' Coupled Hose, 4500 psi
60	20G248208	5/16" I.D. x 4' Coupled Air Hose
61	20G159239	Reducing Pipe Nipple
67	20G240900	3/4" I.D. x 30" Coupled Air Hose
94	20G158586	Bushing
101	20G158990	Air Manifold
102	20G165198	Reducing Nipple Fitting
103	20G121858	3/8" NPT x 1/4" NPT Elbow Fitting
104	20G101754	Plug
140	20G257055	Motor, 6500 with Sensor
140a	20G256893	Linear Sensor Assembly
143	20G257150	Tie Rod
144	20G197340	Coupler Cover
145	20G15H392	Adapter Rod

Item #	Part #	Description
146	20G244820	Hairpin Lanyard Clip
147	20G244819	Assembly Rod Coupling
148	20G101712	Nyloc Nut
149	20G157350	3/8" x 1/4" Adapter
150	20G100081	Bushing
151	20G116395	90° 1/4" M x 3/8" Swivel Union
152	20G256561	Pump Mount Plate
153	20G111799	M8 x 1.25 x 16 mm Screw
154	20G256421	Siphon Hose
155	20G181073	Inlet Strainer

PART NUMBERS AND SCHEMATICS GUIDE

Figure 2: Base System 2 of 5



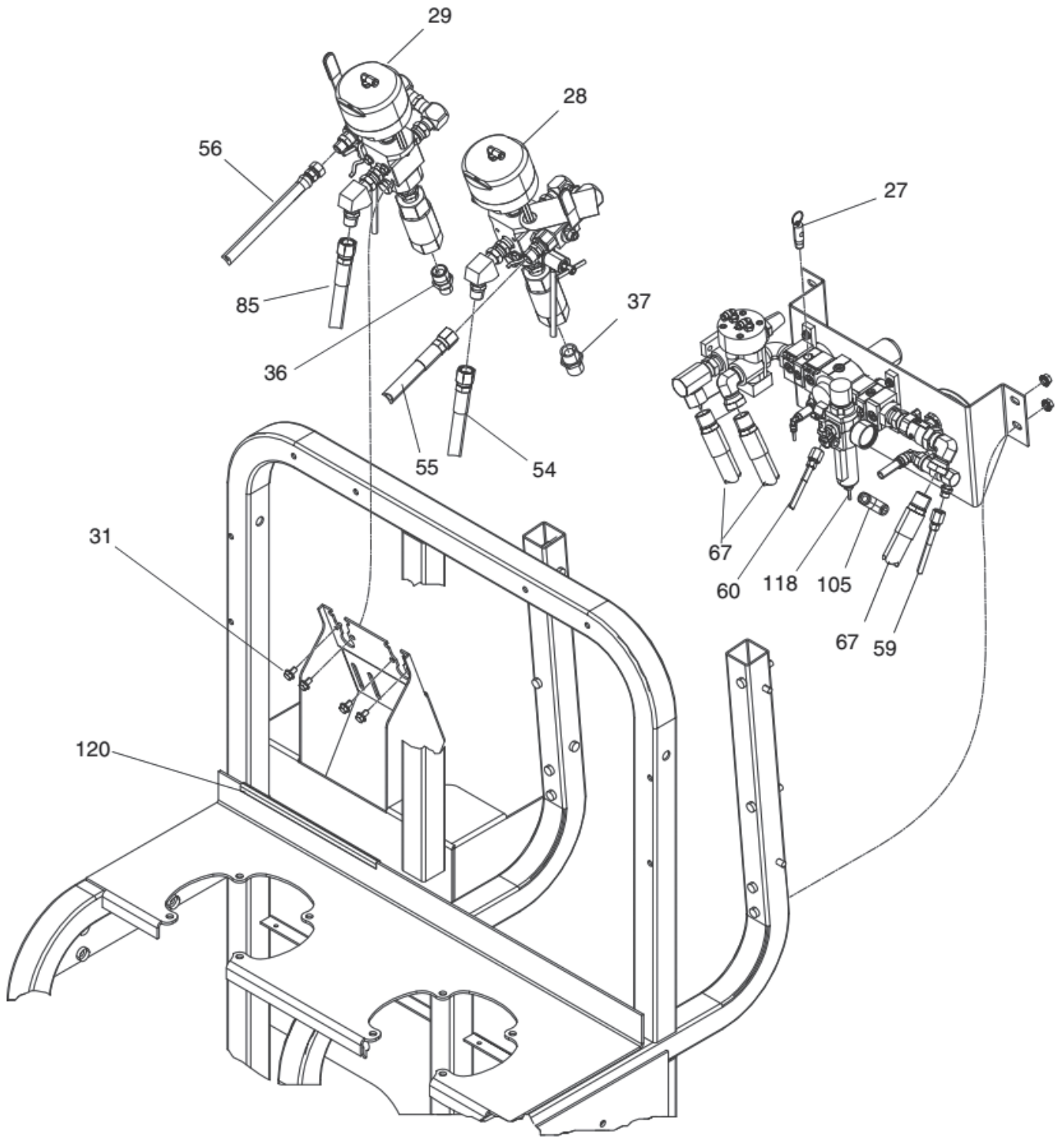
PART NUMBERS AND SCHEMATICS GUIDE

Base System 3 of 5

Item #	Part #	Description
Fig. 3		
27	20G113498	Safety Valve, 110 psi
28	—	Ratio Control Valve, Left (See Fig. 12)
29	—	Ratio Control Valve, Right (See Fig. 12)
31	20G111801	Hex Head Cap Screw
36	20GC20461	Hex Head Reducing Fitting
37	20G160032	Nipple
54	20GH75003	1/2" I.D. x 3' Coupled Hose, 7250 psi
55	20GH75004	1/2" I.D. x 4' Coupled Hose, 7250 psi
56	20GH73806	3/8" I.D. x 6' Coupled Hose, 7250 psi
59	20G16P244	5/16" I.D. x 3' Coupled Air Hose
60	20G248208	5/16" I.D. x 4' Coupled Air Hose
67	20G240900	3/4" I.D. x 30" Coupled Air Hose
85	20GH75002	1/2" I.D. x 2' Coupled Hose, 7250 psi
105	20G119798	Push-tube Connector Tee
118	20G054760	Polyurethane Tube, Black, Round
120	20G115901	Edge Trim

PART NUMBERS AND SCHEMATICS GUIDE

Figure 3: Base System 3 of 5



PART NUMBERS AND SCHEMATICS GUIDE

Base System 4 of 5

Item #	Part #	Description
Fig. 4		
9	20G112395	Flange Head Cap Screw
15	20G126899	Straight Compression Fitting
16	20G255771	Air/Electric Control Box
17	20G112958	Flanged Hex Nut
18	20G255761	Air Controls Module, Upper
19	—	Shroud Cover, Rear
20	20G256177	Shroud Cover, Front
21	20G117623	3/8-16 Cap Nut
22	—	XM PFP Label
23	20G15T567	Backup Plate Hinge Nut
24	20G15T568	Control Door Shroud
25	20G121471	Friction Positioning Hinge
26	20G112380	Pan Head Mach Screw
40	20G121688	3/8" NPT x 3/8" Tube Connector PTC
52	20G108636	Muffler
86	—	3/8" I.D. Blue Nylon Tube
108	20G16T745	Water Circulation Mount Bracket
109	20G16R871	1/2" NPT Overflow Bottle
110	20G113161	Hex Head Flange Screw
111	20G108126	Street Tee Fitting
112	20G126898	Elbow Fitting
113	20GD11021	Diaphragm Pump
114	20G126897	Elbow Fitting
115	20G206264	Needle Valve
116	20G151519	Reducing Nipple Fitting
117	20G15R472	1/4" x 1" Flanged Hex Head Fastener
132	20G126346	Tee Fitting, Tube x Tube x NPT (M)
133	20G126345	Elbow Fitting, Tube x NPT (F)

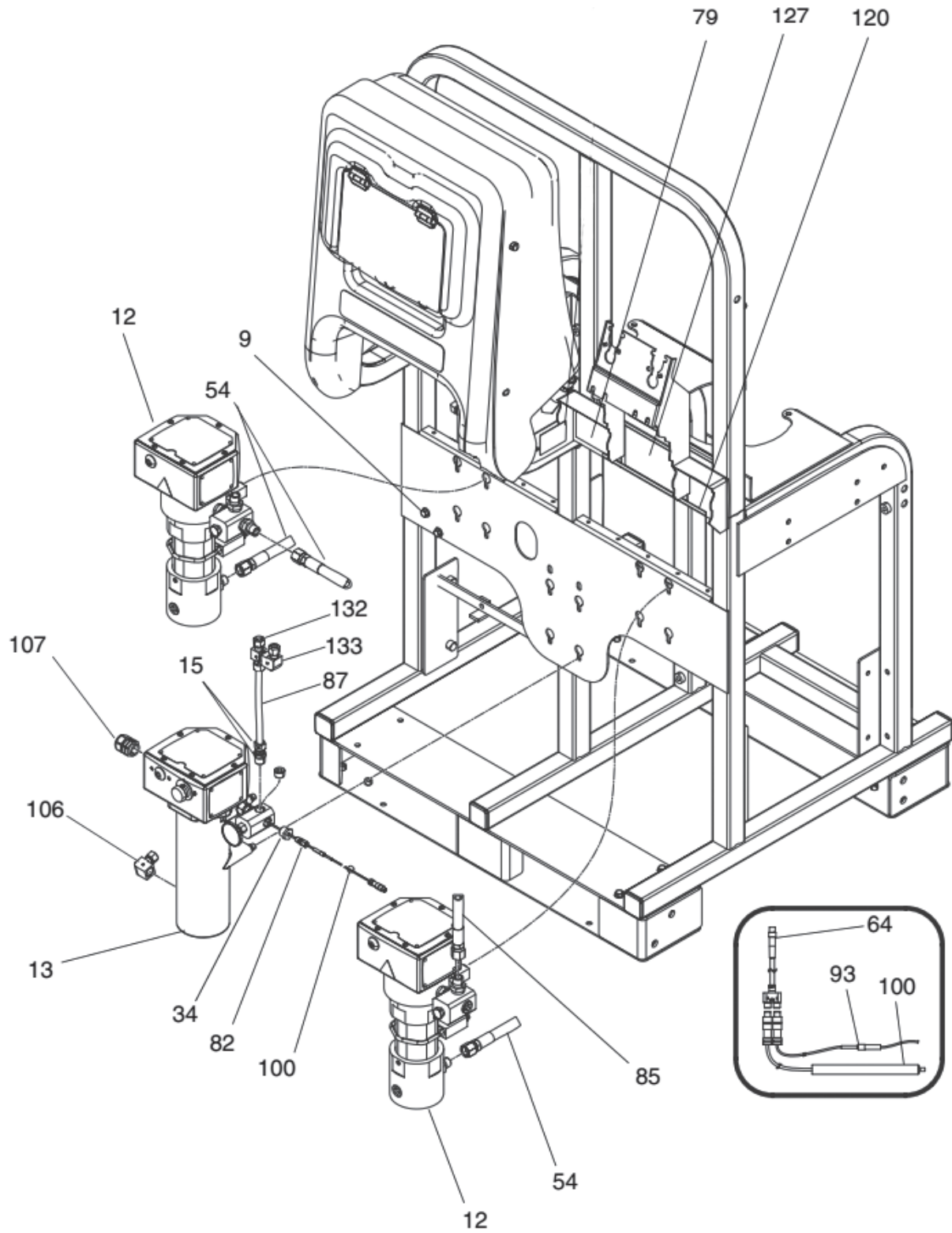
PART NUMBERS AND SCHEMATICS GUIDE

Base System 5 of 5

Item #	Part #	Description
Fig. 5		
9	20G112395	Flange Head Cap Screw
12	20G262853	Viscon® HF Heater
13	20G245869	Viscon® HP Heater
15	20G126899	Straight Compression Fitting
32	20G217430	90° Swivel Union Fitting
34	20G100329	Pipe Bushing
54	20GH75003	1/2" I.D. x 4' Coupled Hose, 7250 psi
64	20G125806	Cable Splitter, M8 4-Pin, Female x Female x Male, 1.5m
79	20G16P856	Codes Label, all languages
82	20G126351	Compression Fitting, Thermocouple
85	20GH75002	1/2" I.D. x 2' Coupled Hose, 7250 psi
93	20G24P242	Sensor, RTD, 1K ohm, Insulated
100	20G126427	Sensor, RTD, 1K ohm, 4 pin, 8"
106	20G126896	Elbow Fitting, Tube
107	20G121603	0.51-0.71, 3/4" Cord Grip
120	20G115901	Edge Trim
132	20G126346	Tee Fitting, Tube x Tube x NPT (M)
133	20G126346	Elbow Fitting, Tube x NPT (F)

PART NUMBERS AND SCHEMATICS GUIDE

Figure 5: Base System 5 of 5



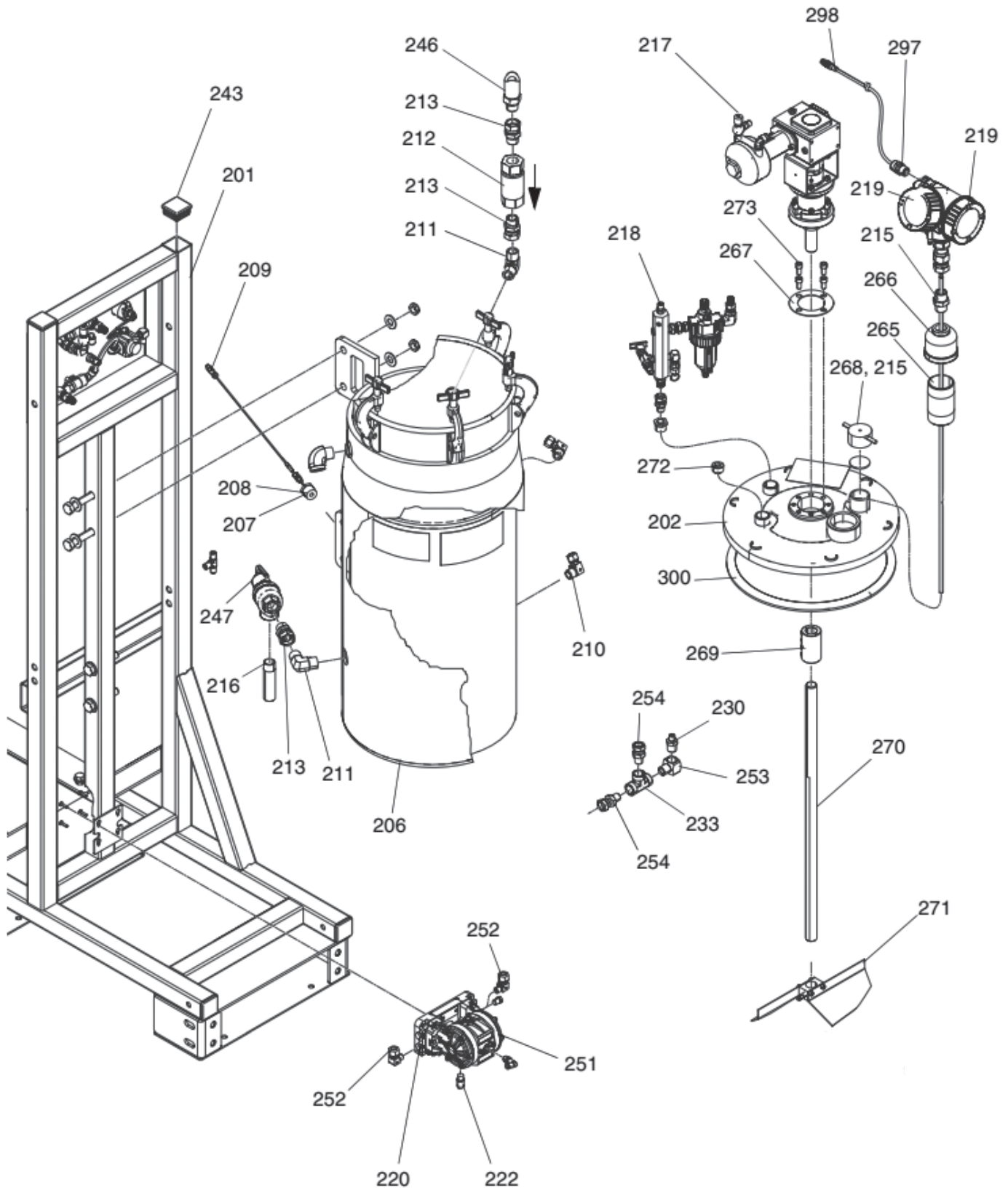
PART NUMBERS AND SCHEMATICS GUIDE

Feed Module 1 of 2

Item #	Part #	Description
Fig. 6		
201	—	Frame
202	20G24M683	Pressure Tank Assembly
206	20G16R869	Tank Wrap Cover
207	—	3/4" NPT x 1/8" NPT Steel Hex Head Bushing
208	20G126351	Compression Fitting, Thermocouple
209	20G126381	Sensor, RTD, 1k ohm, 4 pin, 3"
210	20G126898	Elbow Fitting
211	20G295847	90° 3/4" MPT Elbow Fitting
212	20G16T481	Check Valve (See Fig. 16)
213	20G157785	Swivel Fitting
215	20G171988	Inspection Cap Gasket
216	20G16T619	Nipple, thread on one end
217	20G24P885	Air Agitator Assembly
218	—	Air Manifold Assembly (See Fig. 17)
219	2G24T052	Level Sensor Assembly
220	20GD11021	Diaphragm Pump
222	20G102040	Hex Lock Nut
230	20G117426	Tube Insert
233	20G103475	Pipe Tee Fitting
243	20G115313	Tube Plug
246	20G215241	3/4" I.D. x 6' Hose, 6000 psi
247	20G16T244	3/4" NPT (F) Pressure Relief Valve
251	20G112782	90° Elbow Swivel Fitting
252	20G126897	Elbow Fitting
253	20G115764	90° Elbow Fitting
254	20G190451	Union Adapter
265	20G16R985	2" NPT Nipple
266	20G16R986	2" NPT to 3/4" NPT Adapter
267	20G24P837	Agitator Gasket
268	20G210575	Filler Cap
269	20G16T245	Coupling Shaft, one piece clamp
270	20G16T396	Lower Agitator Shaft
271	20G257604	Blade Assembly
297	20G260067	Strain Relief Fitting
298	20G127172	M12, 5 pin, 4 wire, Cable

PART NUMBERS AND SCHEMATICS GUIDE

Figure 6: Feed Module 1 of 2



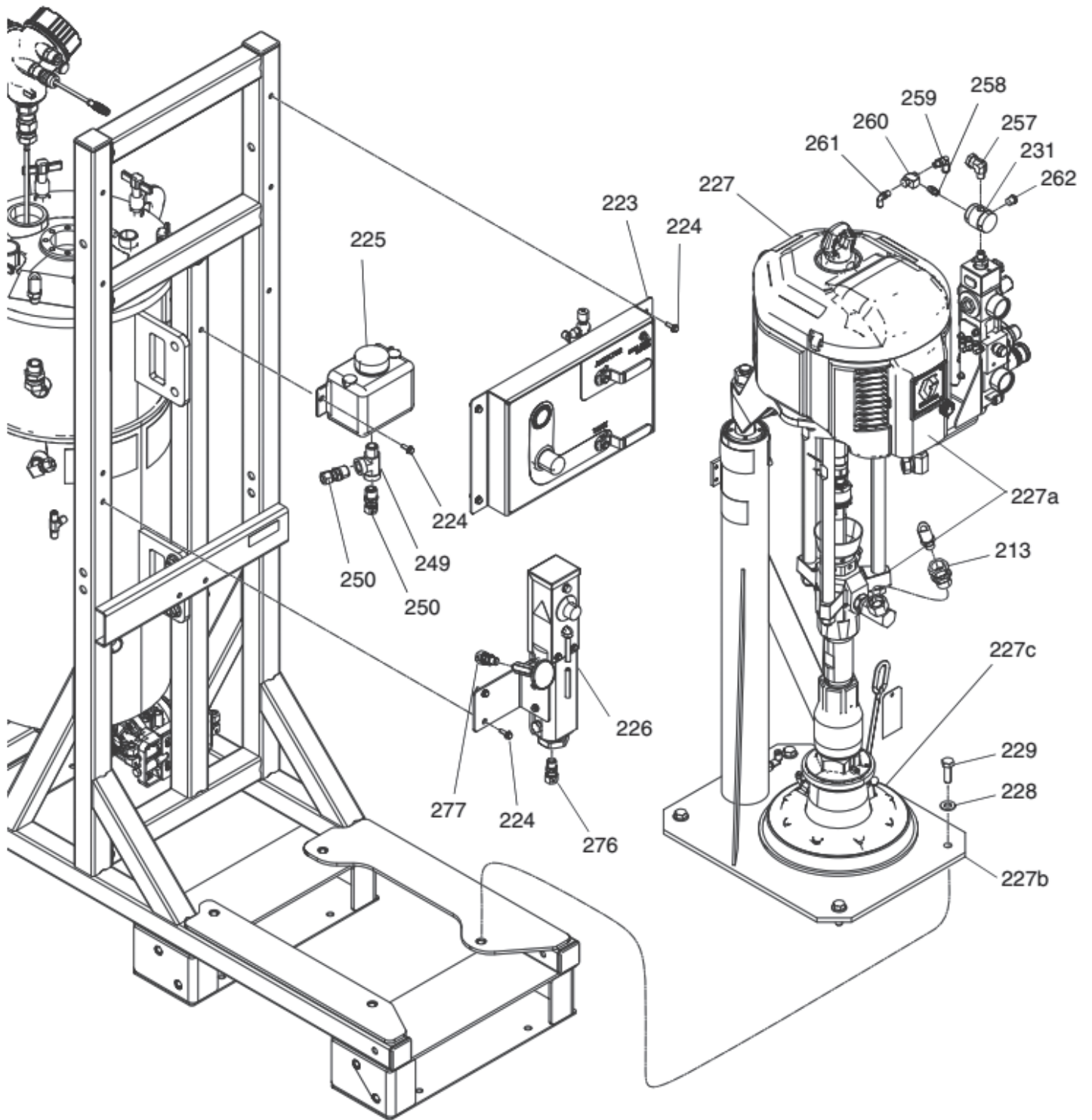
PART NUMBERS AND SCHEMATICS GUIDE

Feed Module 2 of 2

Item #	Part #	Description
Fig. 7		
213	20G157785	Swivel Fitting
223	20G262860	Air Panel Assembly
224	20G113796	Flanged Head Hex Screw
225	20G16R871	1/2" NPT Overflow Bottle
226	20G16T525	240V Viscon® LT Heater
227	20G262868	40:1, 0-Volt, S20, 20L, Supply Unit
227a	20GP40DCS	Pump and Motor (See Graco® Operator's Manual 312376)
227b	20G257620	S20 Ram (See Graco® Operator's Manual 313527)
227c	20G257727	Pail, Platen (See Graco® Operator's Manual 313527)
228	20GGC2041	1/2" Flat Washer
229	20G100017	Hex Head Cap Screw
231	20G104633	Pilot Valve
249	20G108126	Tee Street Fitting
250	20G126899	Straight Compression Fitting
257	20G116395	Swivel Elbow Fitting
258	20G103656	Hex Pipe Fitting
259	20G198171	Elbow Fitting
260	20G593538	1/8" NPT (F) Shuttle Valve
261	20G112781	90° Swivel Elbow
262	20G24K976	1/4" NPT Muffler
276	20G156172	Union Swivel Fitting
277	20G126692	Connector (M)

PART NUMBERS AND SCHEMATICS GUIDE

Figure 7: Feed Module 2 of 2



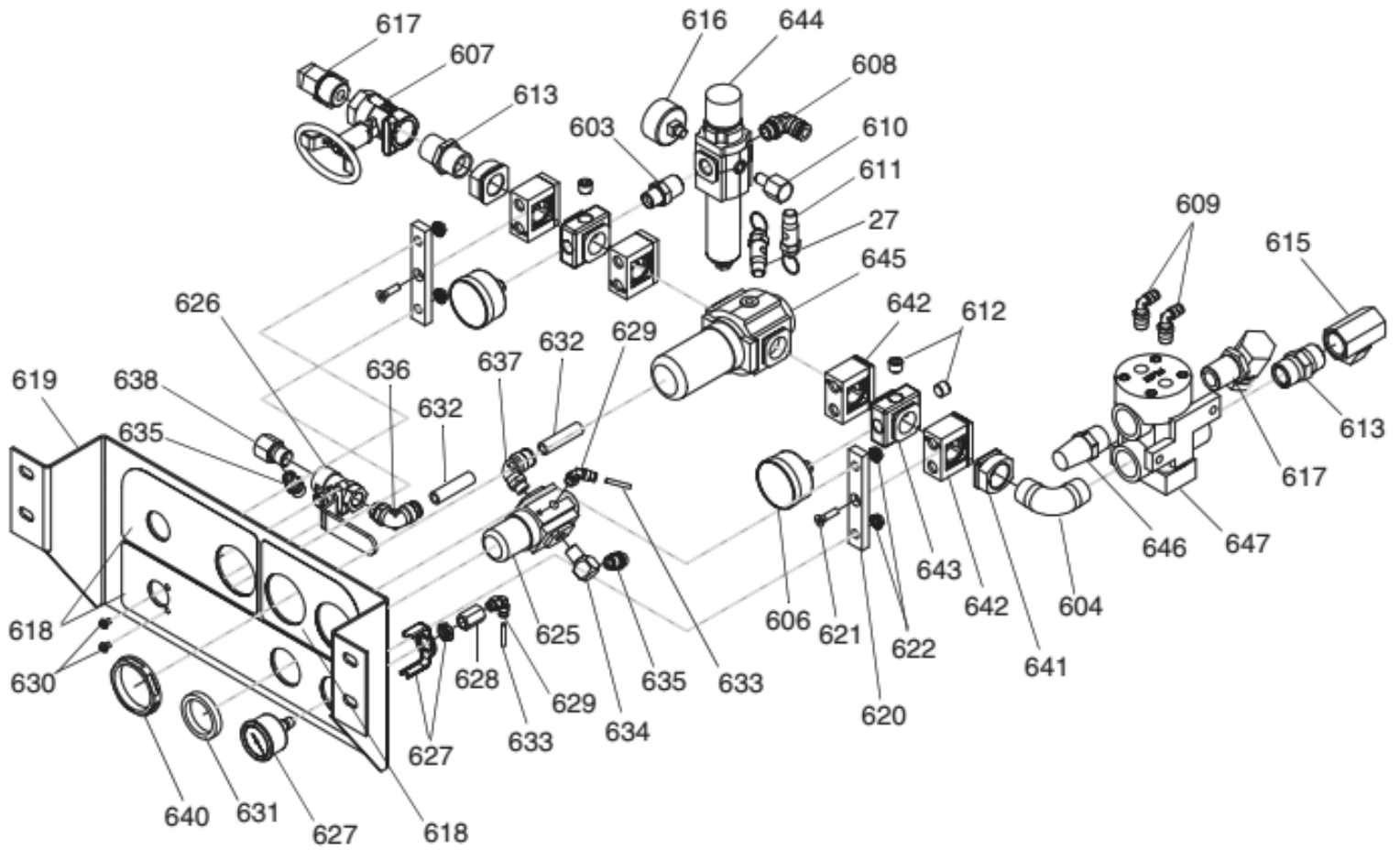
PART NUMBERS AND SCHEMATICS GUIDE

System Air Controls Module

Item #	Part #	Description
Fig. 8		
27	20G113498	Safety Relief Valve, 110 psi
603	20G157350	1/2" x 3/8" NPT Pipe Nipple
604	20G108307	Pipe Elbow (M)
607	20G117346	Vented Ball Valve
608	20G114316	Male Swivel Elbow
609	20G114109	Male Swivel Elbow, 1/4" O.D. Tube
610	20G158962	1/4" (F) x 1/8" (M) Street Elbow
611	20G116643	Safety Relief Valve
612	20G100721	Pipe Plug
613	20G119992	3/4" x 3/4" NPT Pipe Nipple
615	20G156589	90° Adapter Union
616	20G113911	Air Pressure Gauge
617	20G160327	90° Adapter Union
618	20G15T119	Control Label
619	—	Air Controls Bracket
620	20G15R437	Air Controls Bracket Adapter
621	20G121432	Hex Flat Head Machine Screw
622	20G115942	Flange Head Hex Nut
625	20G116513	Air Regulator
626	20G121457	Panel Mounted Air Ball Valve
627	20G121424	1-1/5" Panel Mount Pressure Gauge
628	20G100451	Coupling
629	20G114151	Male Elbow Swivel
630	20G100264	Pan Head Machine Screw
631	20G116514	Regulator Nut
632	20G054760	1-1/4" Round Black Polyurethane Tube
633	—	0.6 Ft Polyurethane Tube
634	20G100840	Street Elbow
635	20G162453	1/4" NPS (M) x 1/4" NPT Fitting
636	20G114114	Male Swivel Elbow
637	20G114128	Male Swivel Elbow
638	20G164259	Street Elbow
640	20G122336	Regulator Panel Nut
641	20G113440	Adapter
642	20G113431	Quick Clamp
643	20G113442	Porting Block
644	20G15R488	Regulator
645	20G15R487	Regulator
646	20G15R486	Muffler
647	20G15R485	Dual Pilot Valve
—	20G255772	Air Controls Kit <i>Includes Item #'s: 609, 640, 641, 642, 643, 644, 645, 646, and 647</i>

PART NUMBERS AND SCHEMATICS GUIDE

Figure 8: System Air Controls Module



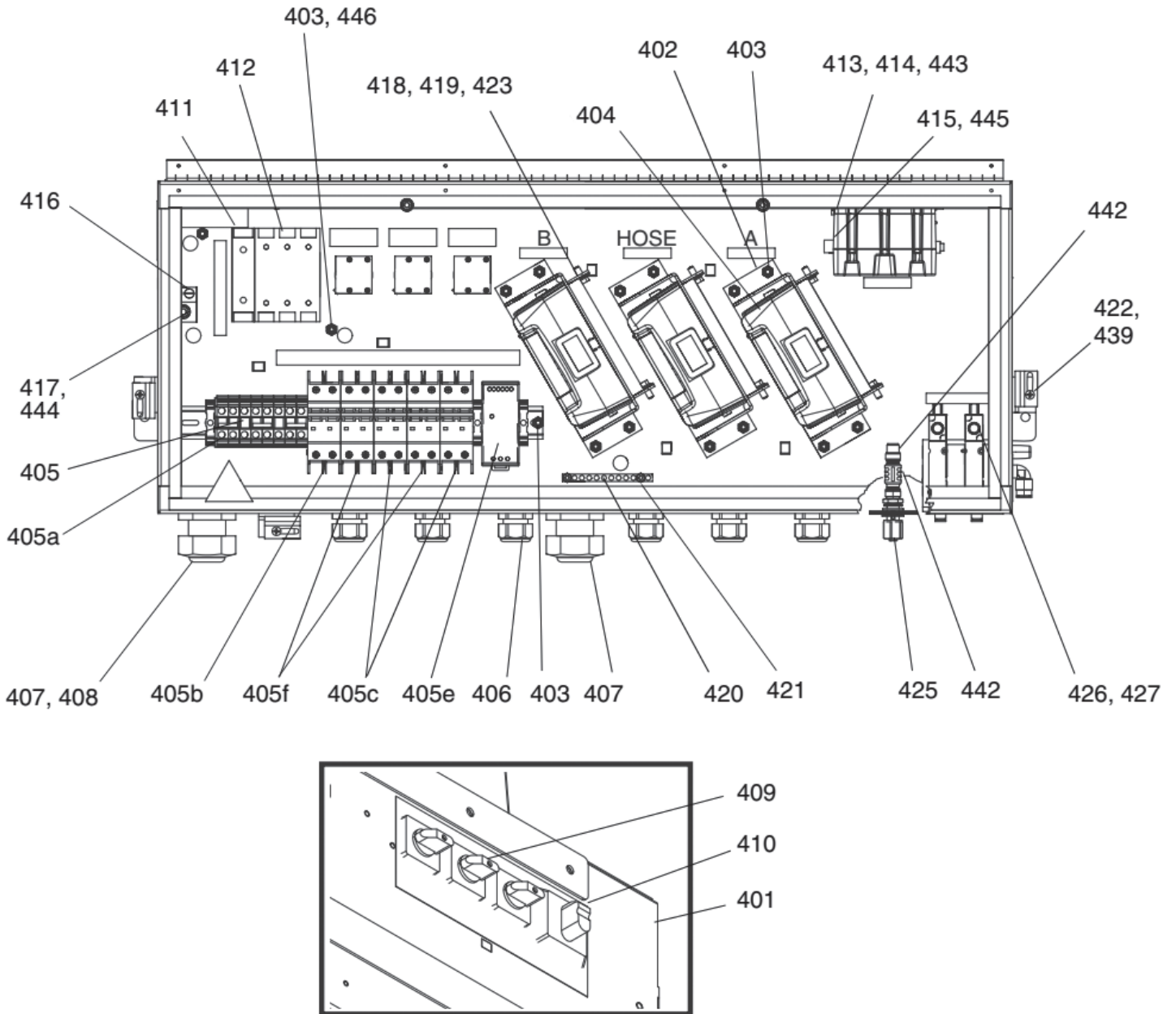
PART NUMBERS AND SCHEMATICS GUIDE

Junction Box

Item #	Part #	Description
Fig. 9		
401	—	Enclosure
402	—	Module Bracket
403	20G114231	Hex Lock Nut
404	20G255774	Module, GCA, HPTCM
405	—	Breaker Module
405a	20G126382	Terminal Block
405b	20G126129	Breaker, 25A
405c	20G126130	Breaker, 30A
405e	20G126453	24-Volt Power Supply
405f	20G126128	Breaker, 20A
406	20G121603	0.51-0.71, 3/4" Cord Grip
407	20G255047	M40 Thread Strain Relief Bushing
408	20G255048	M40 Thread Strain Relief Nut
409	20G15U423	Switch, 2p, 25a
410	20G123967	Operator Disconnect Knob
411	20G123968	Disconnect Switch, 100 amp
412	20G123969	Disconnect Switch, 100 amp
413	20G289696	Module, GCA, cube, base
414	20G104371	Screw, cap sch 10 x 0.375
415	20G289696	Module, GCA, cube, FCM
416	20G117666	Terminal Ground
417	20G115942	Flange Head Hex Nut
418	20G15U651	Bracket, High Power, GCA
419	20G117831	Pan Head Machine Screw
420	—	Bar, Ground
421	20G109466	Hex Lock Nut
422	20G104387	Pan Head Machine Screw
423	20G113161	Hex Head Flange Screw
425	20G126496	Connector, thru, M12, Male x Female, Reverse Key
426	—	Module Solenoid
427	20G106084	Pan Head Machine Screw
439	20G16P626	Latch Enclosure
442	20G16T072	Adapter, Cable, CAN
443	20G126687	Pan Head Machine Screw
444	20G558685	1/4" External-Type Lock Washer
445	20G277674	Cube Door Enclosure
446	20G555629	#10 External-Type Lock Washer

PART NUMBERS AND SCHEMATICS GUIDE

Figure 9: Junction Box



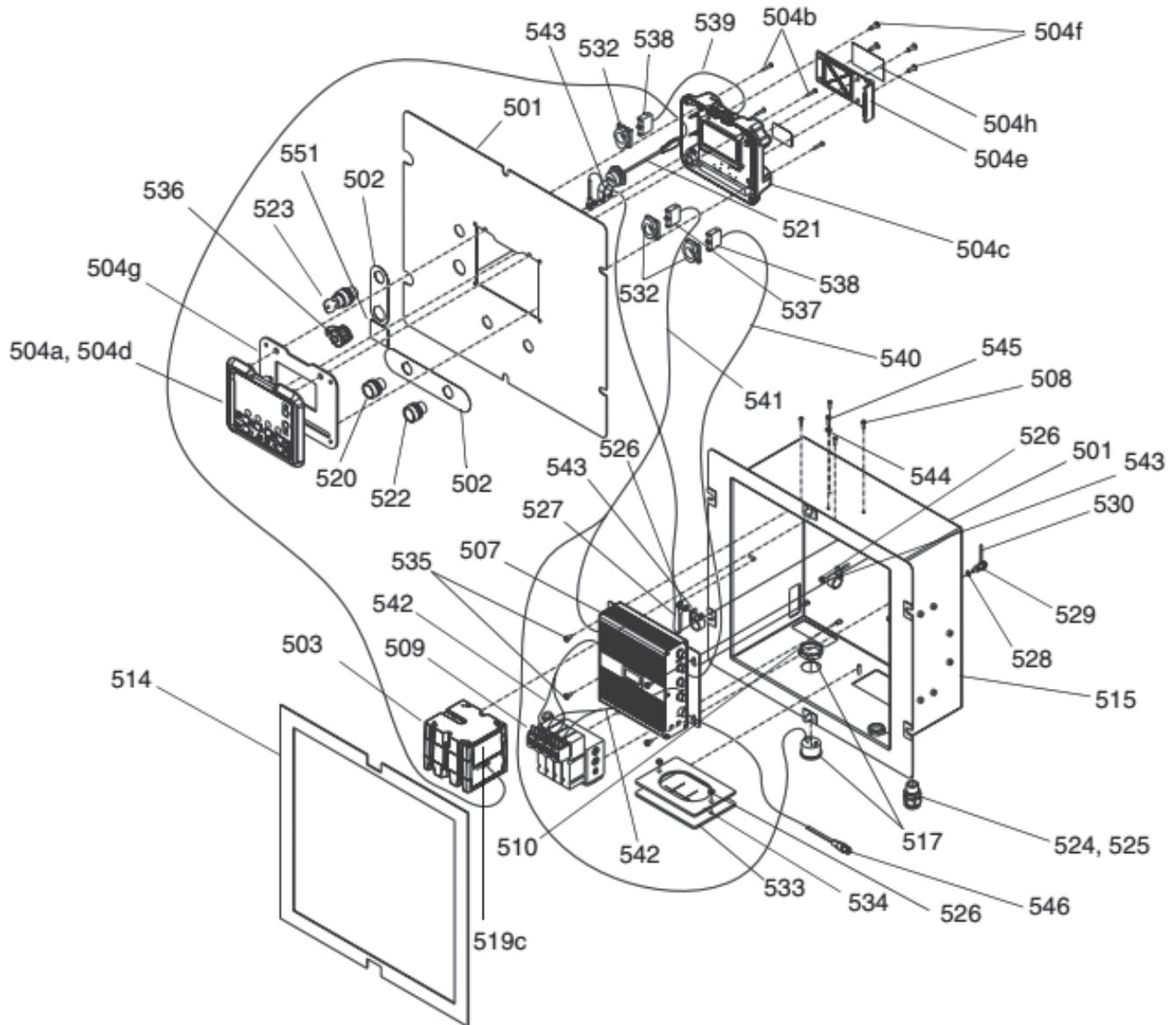
PART NUMBERS AND SCHEMATICS GUIDE

Control Box

Item #	Part #	Description	Item #	Part #	Description
Fig. 10			533	20G15H189	Wire Feed-Through Boot
501	—	Control Box	534	20G15G816	Wire Cover Plate
502	—	Control Display Label	535	20G110637	Pan Head Machine Screw
503	20G24R899	USB Replacement Kit <i>Includes Item #'s: 506 and 519</i>	536	20G15R325	Bulkhead Dust Cover Recepticle
504	20G257484	Display Kit Module	537	20G120494	Switch Block, Normally-Open
504a	20G15M483	Display Shield Membrane	538	20G120495	Switch Block, Normally-Closed
504b	—	#6 x 7/8" Pan Head Screw	539	20G15M974	Key Switch Harness
504c	20G288997	Rear Display Module Case IS Version	540	20G15M975	Start/Alarm Harness
504d	20G255727	Front Data Module Case	541	20G15M976	Stop Harness
504e	20G277463	Low Level Display Cover Access	542	20G15M977	Solenoid Harness
504f	20G113768	Flat Head Socket Screw	543	20G121988	Wire Harness Routing Retainer
504g	20G15R458	Front Panel Control Gasket	544	20G195875	Pan Head Machine Screw
504h	20G15W958	Battery Warning Label	545	20G102063	Lock Washer
506	—	Token Software	546	20G15U542	Motor Cable
507	20G24R898	FCM Replacement Kit <i>Includes Item #'s: 506 and 518</i>	551	20G15X214 20G15X393	Warning Label, USB, English Warning Label, USB, All Languages
508	—	Pan Head Screw	—	20G24R897	Replacement Kit <i>Includes Item #'s 504 and 506</i>
509	20G256555	Solenoid Module, IS Version			
509a	20G121636	Solenoid Valve, din Connector			
509b	20G15A798	Solenoid Gasket, Outlet			
509c	20G15A799	Solenoid Gasket, Inlet/Exhaust			
510	20G106087	Pan Head Machine Screw			
514	20G15R379	Control Box Gasket			
515	—	Label			
517	20G122000	Panel Mount Alarm			
518	20G255920	Fluid Control Module			
519	20G257088	USB Module Assembly			
519a	20G289899	Base			
519b	20G289900	USB Module			
519c	20G277674	Door Module			
520	20G121618	Start Switch, Green, Push Button			
521	20G15R324	USB Harness, Plug/Bulkhead, 32"			
522	20G121619	Stop Switch, Red			
523	20G121617	Key Controls Switch, 2 Position			
524	20G117745	Strain Relief Bushing			
525	20G117625	Locking Nut			
526	20G113505	Hex Head Nut, Keys			
527	20G15B090	Grounding Wire, Door			
528	—	1/2" External Lock Washer			
529	20G15R343	Electrical Ground Clamp			
530	—	Copper Wire			
532	20G120493	Mounting Latch			

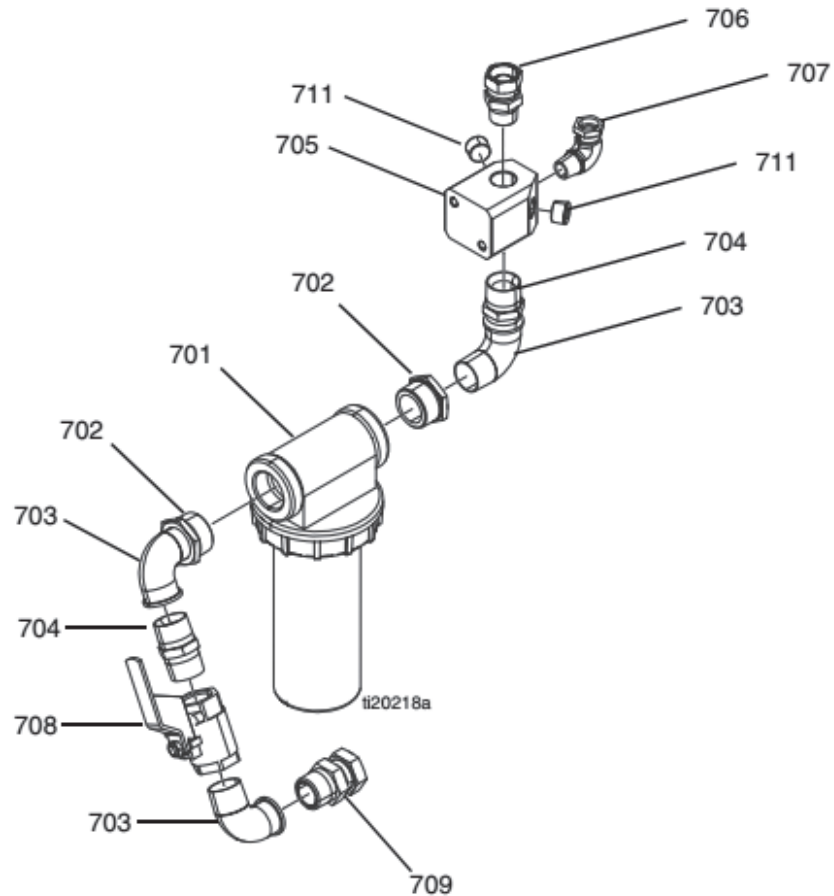
PART NUMBERS AND SCHEMATICS GUIDE

Figure 10: Control Box



PART NUMBERS AND SCHEMATICS GUIDE

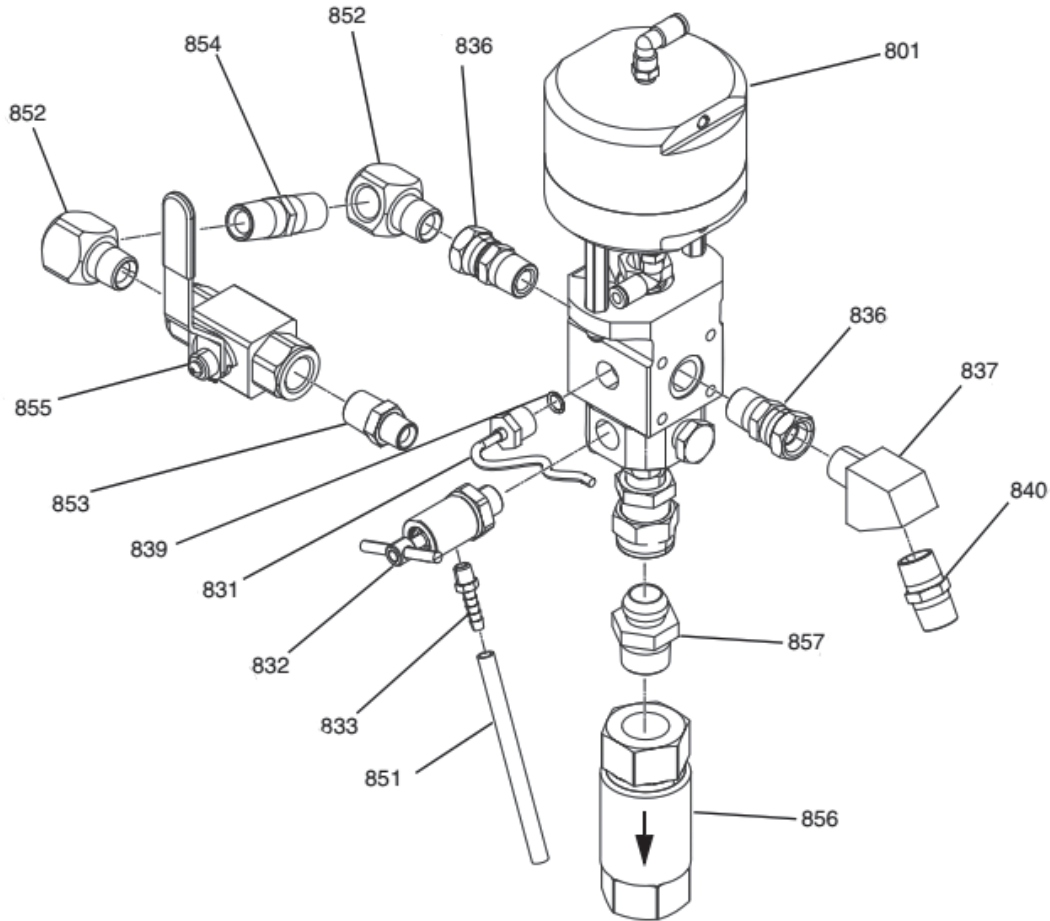
Figure 11: Air Filter



Item #	Part #	Description
Fig. 11		
701	20G16T236	1-1/4" Auto Drain Filter
701a	20G106204	Filter Element (<i>Not Shown</i>)
702	20GC19662	1-1/4" x 1" NPT Carbon Steel Bushing
703	20G110300	Steel Elbow Pipe Fitting
704	20G158585	Nipple
705	20G16R951	Air Distribution Manifold
706	20G157785	Swivel Fitting
707	20GC19024	Swivel Elbow Fitting
708	20G113163	1.00" Vented Ball Valve
709	20G160022	Union Adapter Fitting
711	20G100361	Pipe Plug

PART NUMBERS AND SCHEMATICS GUIDE

Figure 12: Ratio Control Valve Assemblies



Item #	Part #	Description
--------	--------	-------------

Fig. 12

801	20G255478	Dosing Valve
831	20G15M669	Fluid Outlet Pressure Sensor
832	20G161872	PFP Bleed Pressure Valve
833	20G116746	Plated Barbed Fitting
836	20G156684	Adapter Union Fitting
837	20G15M987	60° Elbow
839	20G121399	O-Ring Packing
840	20G158491	Nipple (<i>"A" Side, Two Required; "B" Side, One Required</i>)
851	20G116750	Nylon Tube
852	20G158683	90° Elbow
853	20G159239	Reducing Pipe Nipple (<i>"B" Side Only</i>)
854	20G156877	Long Nipple
855	20G262739	1/2" Ball Valve
856	20G16T481	Check Valve (See Fig. 16)
857	20G502033	Pipe Bushing

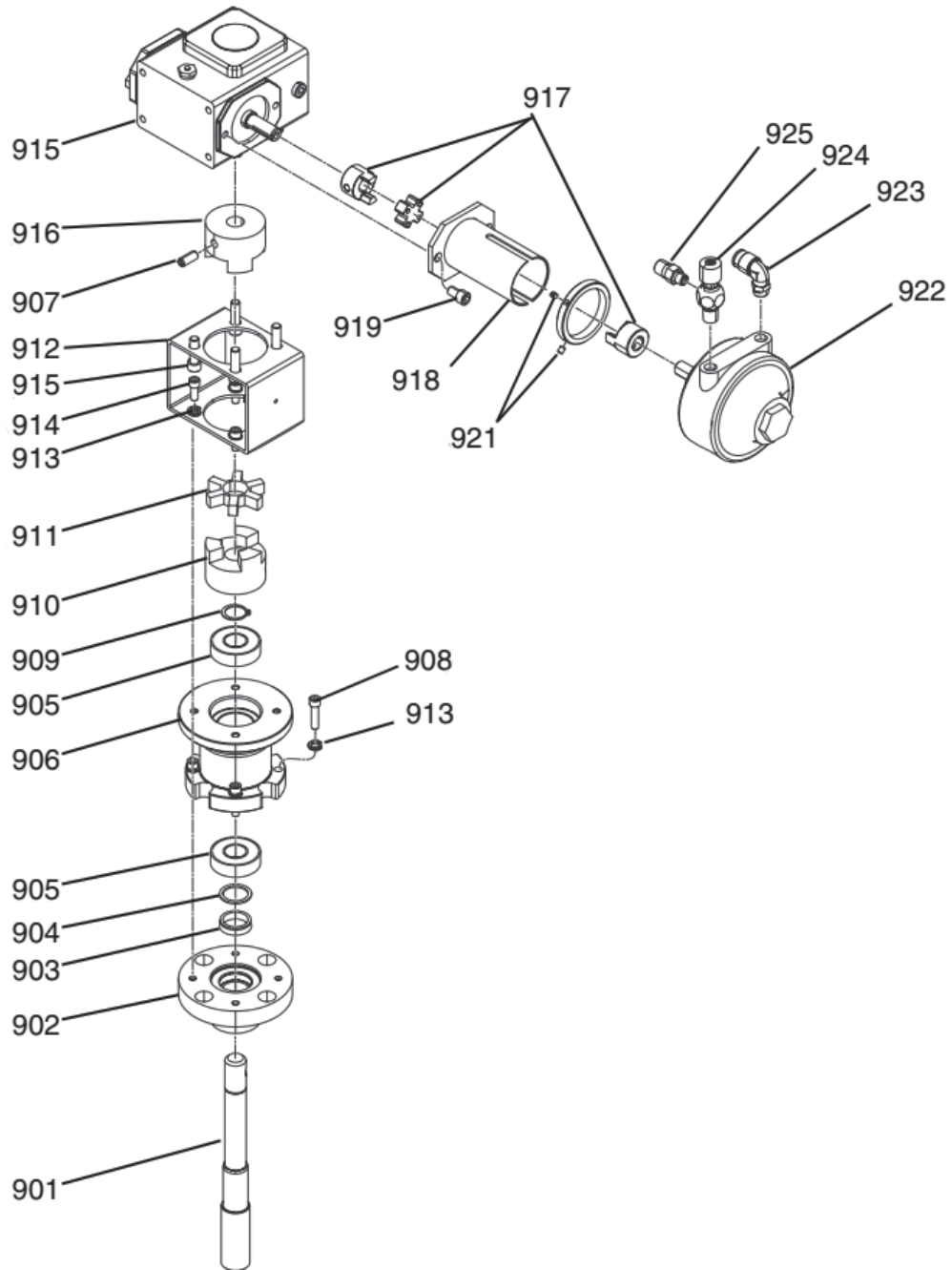
PART NUMBERS AND SCHEMATICS GUIDE

Air Powered Agitator

Item #	Part #	Description
Fig. 13		
901	20G16P919	Upper Agitator Shaft
902	20G16U219	Agitator Housing
903	—	0.875" I.D. x 1.125" O.D. PTFE Seal
904	—	ASME Agitator Shaft Spacer
905	20G122774	3/4 Bore x 1-3/4" diameter x 1/2" Ball Bearing
906	20G16P920	Agitator Bearing Housing
907	—	5/16-18 x 0.75 Socket Head Set Screw
908	20G112222	Cap Head Socket Screw
909	—	0.750" External Retaining Ring
910	20G122761	Hub Alignment Housing
911	20G122760	Disk Alignment Coupling, TPE
912	20G16P922	Agitator Adapter Bracket
913	20GC19209	Lock Washer
914	20G101682	Cap Head Socket Screw
915	20G181794	Reducer Gear
916	20G16P923	Adapter Coupler
917	20G100828	Flexible Coupling
918	20G16T063	Mounting Collar
919	20G116940	5/16-18 Socket Head Cap Screw
921	20G101118	Screw
922	20G111310	Rotary Air Motor
923	20G115841	Elbow Fitting
924	20G206264	Needle Valve
925	20G191842	Reducing Fitting

PART NUMBERS AND SCHEMATICS GUIDE

Figure 13: Air Powered Agitator



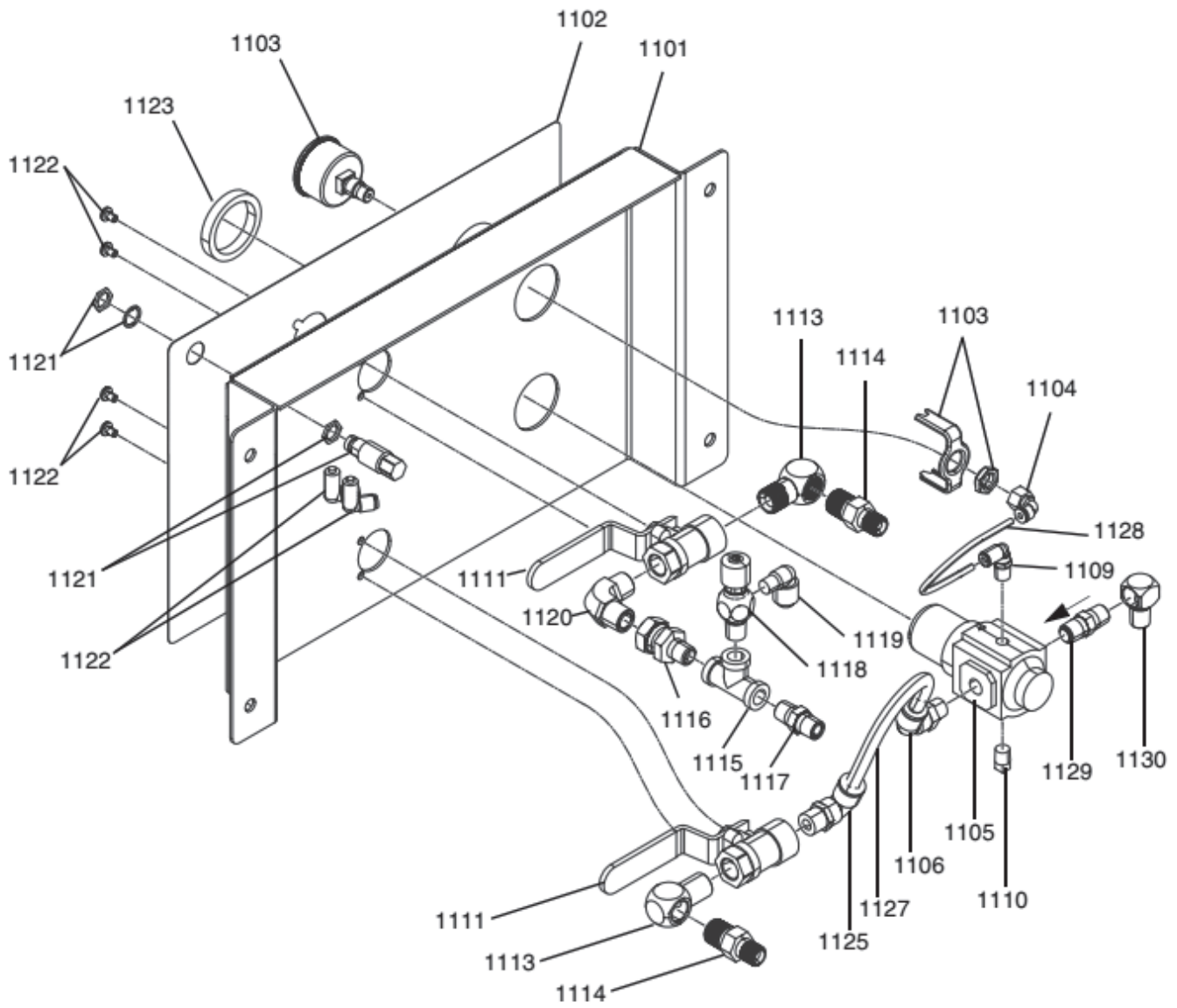
PART NUMBERS AND SCHEMATICS GUIDE

Feed Module Air Panel

Item #	Part #	Description
Fig. 14		
1101	—	Air Control Bracket
1102	—	Instruction Label
1103	20G121424	1-1/2" Panel Mount Pressure Gauge
1104	20F15T198	5/32" Tee x 1/8" NPT (F) 90° Swivel
1105	20G116513	Air Regulator
1106	20G121141	3/8" Tee x 1/4" NPT (M) Swivel Elbow
1109	20G198171	Elbow
1110	20G100403	Pipe Plug
1111	20G121457	Panel Mounted Air Ball Valve
1113	20G155699	Street Elbow
1114	20G165198	Reducing Nipple
1115	20G104984	Pipe Tee
1116	20G157705	Swivel Union
1117	20G156971	Short Nipple
1118	20G206264	Needle Valve
1119	20G114367	90° Elbow Tube, Quick-Disconnect
1120	20G109544	Pipe Elbow (M)
1121	20G110914	Push Button Valve
1122	20G100264	Panhead Machine Screw
1123	20G116514	Regulator Mount Nut
1125	20G109193	3/8" Tee x 3/8" NPT Swivel Elbow
1127	20G054134	3/8" O.D. Nylon Tube
1128	20G517305	5/32" O.D. Nylon Tube
1129	20G106495	1/4" MBE Brass Check Valve
1130	20G100840	Street Elbow

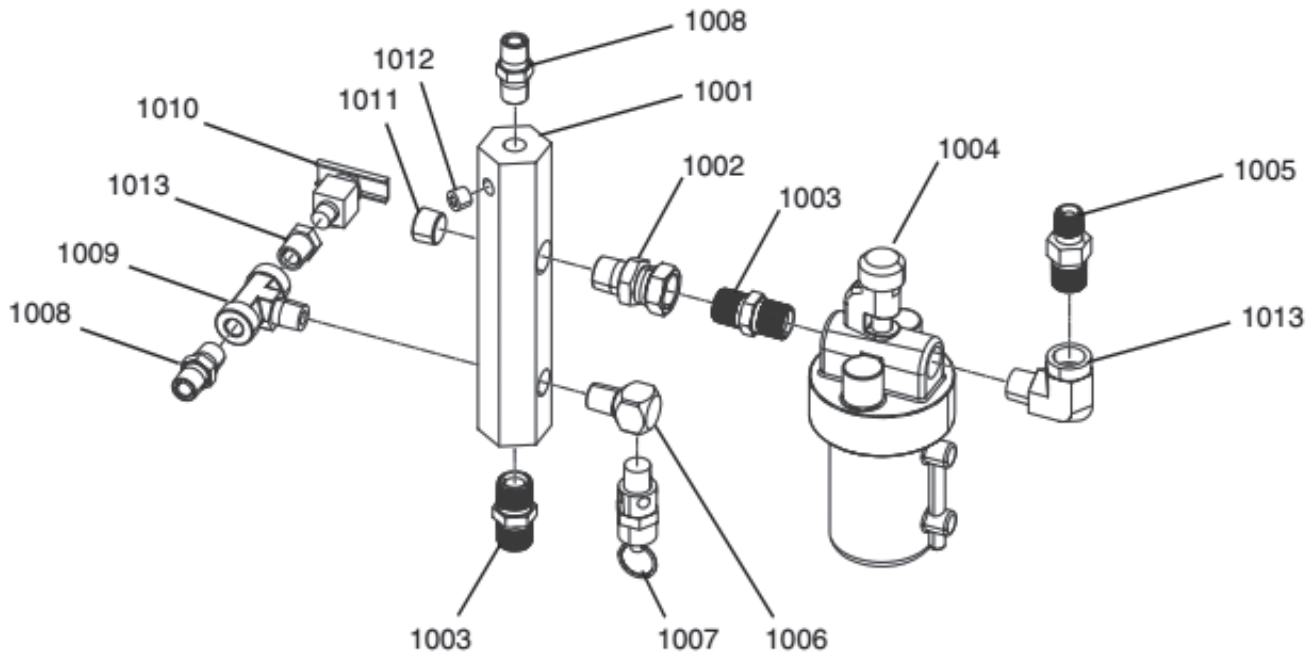
PART NUMBERS AND SCHEMATICS GUIDE

Figure 14: Feed Module Air Panel



PART NUMBERS AND SCHEMATICS GUIDE

Figure 15: Tank Air Manifold Assembly



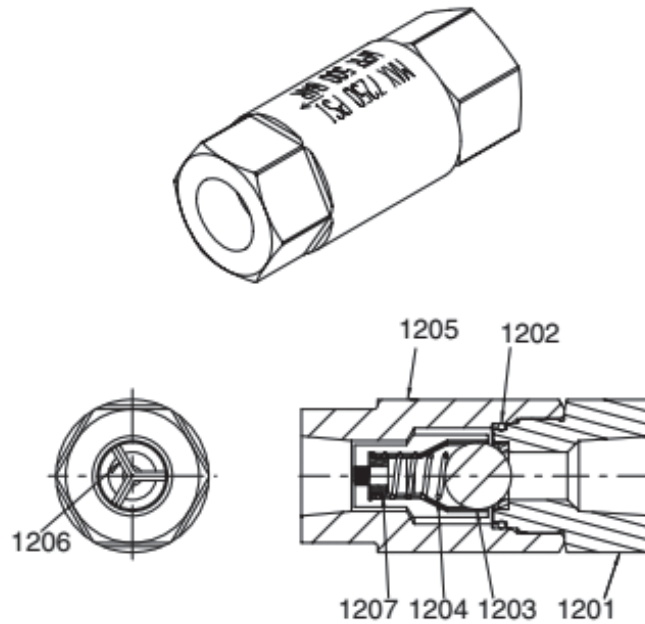
Item #	Part #	Description
--------	--------	-------------

Fig. 15

1001	20G189016	Air Inlet Manifold
1002	20G155665	Adapter Union
1003	20G156849	Pipe Nipple
1004	20G214847	Air Line Lubricator
1005	20G165198	Reducing Nipple
1006	20G100840	Street Elbow
1007	20G103347	Safety Valve, 100 psi
1008	20G156971	Short Nipple
1009	20G108638	Pipe Tee
1010	20G101759	Drain Cock Fitting
1011	20G101754	Pipe Plug
1012	20G100139	Pipe Plug
1013	20G100030	Bushing
1014	20G111856	Street Elbow

PART NUMBERS AND SCHEMATICS GUIDE

Figure 16: Check Valve



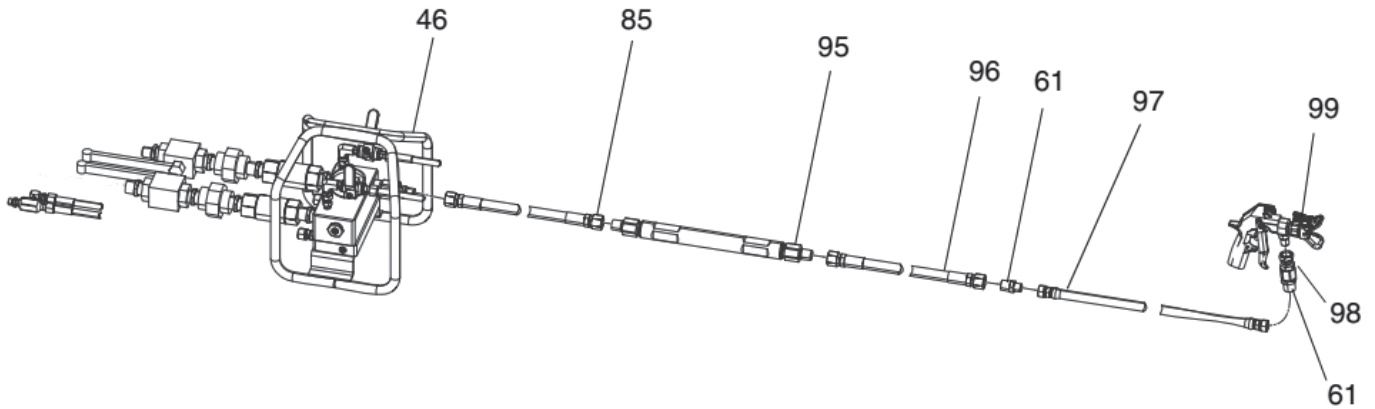
Item #	Part #	Description
--------	--------	-------------

Fig. 16

—	20G16T481	Check Valve
1201	—	Seat Nut
1202	20G102595	O-Ring Packing
1203	20G100279	Metallic Ball
1204	20G108361	Compression Spring
1205	—	Ball Check Housing
1206	20G181492	Ball Guide
1207	20G181535	Retainer Spring

PART NUMBERS AND SCHEMATICS GUIDE

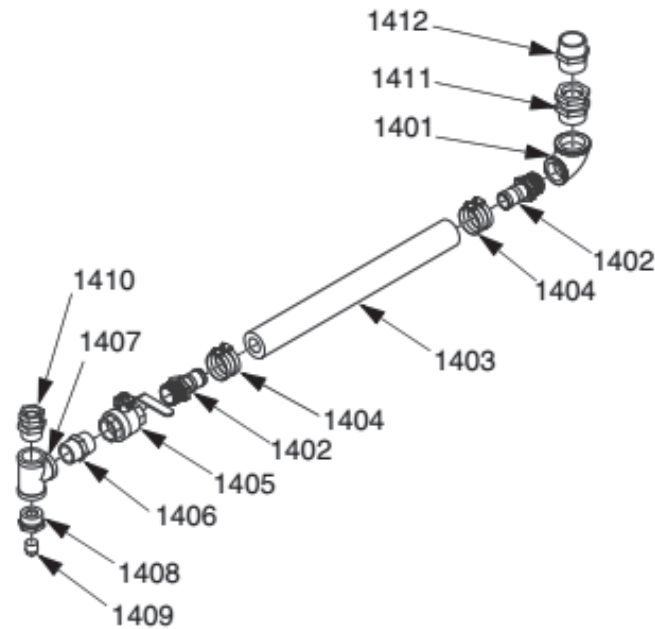
Figure 17: Mix Manifold Sub Assembly



Item #	Part #	Description
Fig. 17		
—	20G262878	Mix Manifold Sub Assembly
46	20G262893	Mix Manifold
61	20G159239	Reducing Pipe Nipple
85	20GH75002	1/2" I.D. x 2' Coupled Hose, 7250 psi
95	20G16T316	Static Mixer Assembly
96	20GH75010	1/2" I.D. x 10' Coupled Hose Assembly, 7250 psi
97	20GH73803	3/8" I.D. x 3' Coupled Hose Assembly, 7250 psi
98	20G24P834	Straight Swivel
99	20G262854	Graco® XHF™ 4-Finger Spray Gun with XHD 429 Tip

PART NUMBERS AND SCHEMATICS GUIDE

Figure 18: Flexible Fluid Connection Kit



Item #	Part #	Description
Fig. 18		
—	20G262820	Flexible Fluid Connection Kit
1401	20G120291	Female Pipe Elbow
1402	20G125995	1-1/2" NPT Barbed Hose Fitting
1403	20G126320	1-1/2" I.D. x 3' Hose, 200 psi
1404	20G126889	Hose Clamp
1405	20G121440	1-1/2" NPT Ball Valve
1406	20G121441	1-1/2" NPT Hex Nipple
1407	20G121443	1-1/2" NPT Tee
1408	20G101496	Pipe Bushing
1409	20G104663	Pipe Plug
1410	20G121445	1-1/2" x 1-1/4" Reducing Swivel
1411	20G121436	2" Male Swivel
1412	20G121435	2" Male Hex Nipple

PART NUMBERS AND SCHEMATICS GUIDE

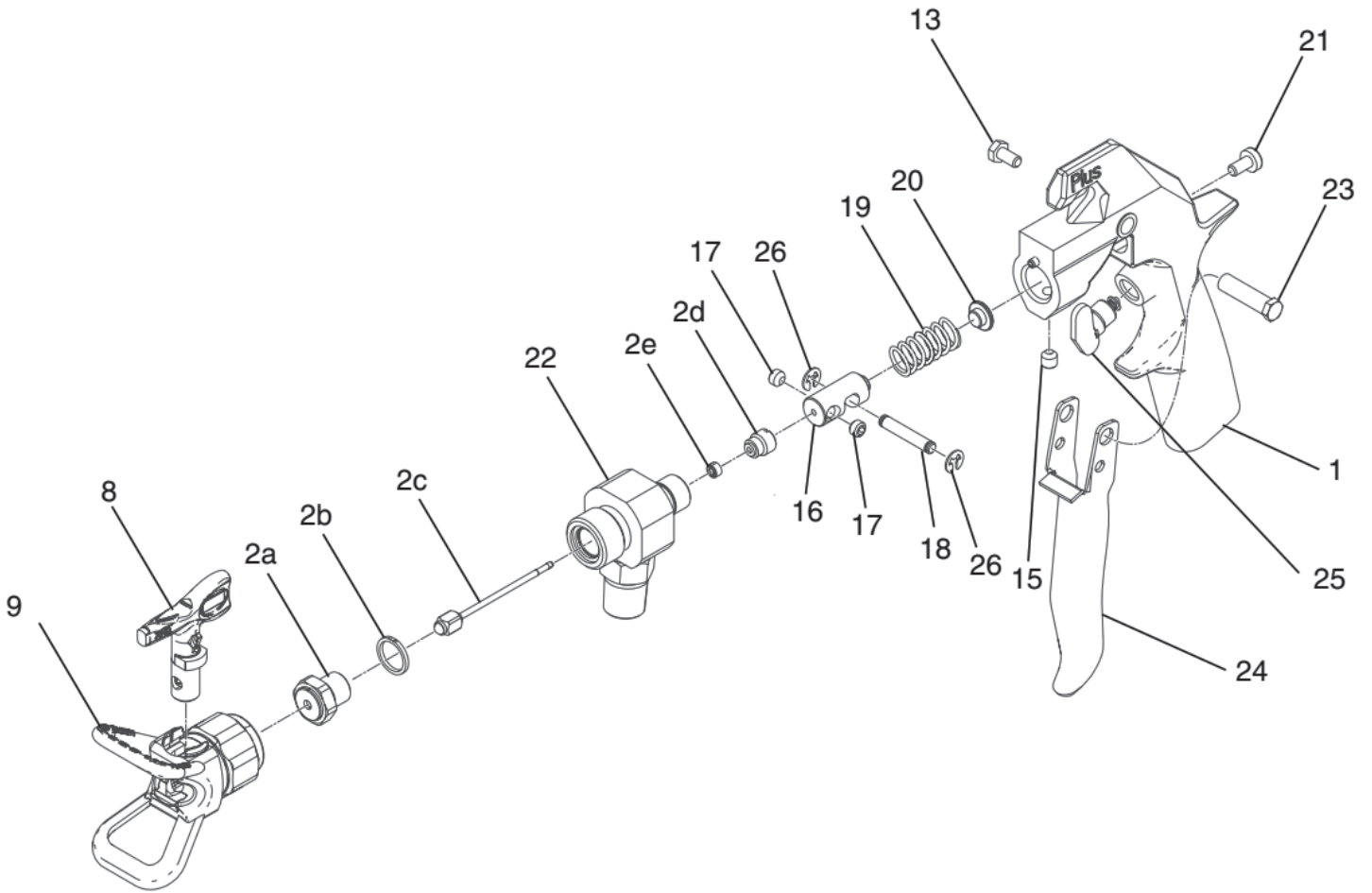
Graco® XHF™ Spray Gun Assembly

Item #	Part #	Description
Fig. 19		
—	20G262854	Graco® XHF™ 4-Finger Spray Gun with XHD 429 Tip
—	20G24P833	Graco® XHF™ 4-Finger Spray Gun with XHD 429 Tip and 17 Ft. Mix Line Kit, and Static Mixer
1	—	Gun Body*
2	20G237260	Kit <i>Includes: Needle and Seat</i>
2a	—	Valve Seat*
2b	—	Gasket*
2c	—	Needle*
2d	—	Seal Retainer*
2e	—	Seal*
8	20GXHD429	SwitchTip® – Size 429
9	20GXHD001	Kit – RAC™ Guard
13	20G203953	10-24 Hex Head Screw
15	20G102207	1/4-20 Set Screw
16	20G189960	Spring Guide
17	20G112729	Socket Head Set Screw <i>(Two Required)</i>
18	20G189958	Trigger Pin
19	20G112727	Spring
20	20G189990	Spring Adjuster
21	20G110637	Adjusting Screw
22	20G16P780	Fluid Housing
23	20G187965	Pivot Pin
24	20G189974	Gun Trigger
25	20G235468	Trigger Stop
26	20G112410	E-Clip <i>(Two Required)</i>
—	20G237260	Graco® XHF™ Gun Repair Kit
—	20G24P833	1/2" x 3/8" XHF™ Gun Swivel, 6500 psi, PTFE Packing
—	20G187987	Warning Tag
—	20G222385	Warning Card <i>(Not Shown)</i>
—	20G24P834	Graco® XHF Spray Gun Swivel, 1/2" x 3/8" NPSM, PTFE Packing
—	20G237260	Graco® XHF Spray Gun Repair Kit
—	209V500	Operator's Manual – Graco® XHF Spray Gun

*Item not for Individual Sale


PART NUMBERS AND SCHEMATICS GUIDE

Figure 19: Graco® XHF™ Spray Gun Assembly




PART NUMBERS AND SCHEMATICS GUIDE

HEATED HOSE BUNDLES

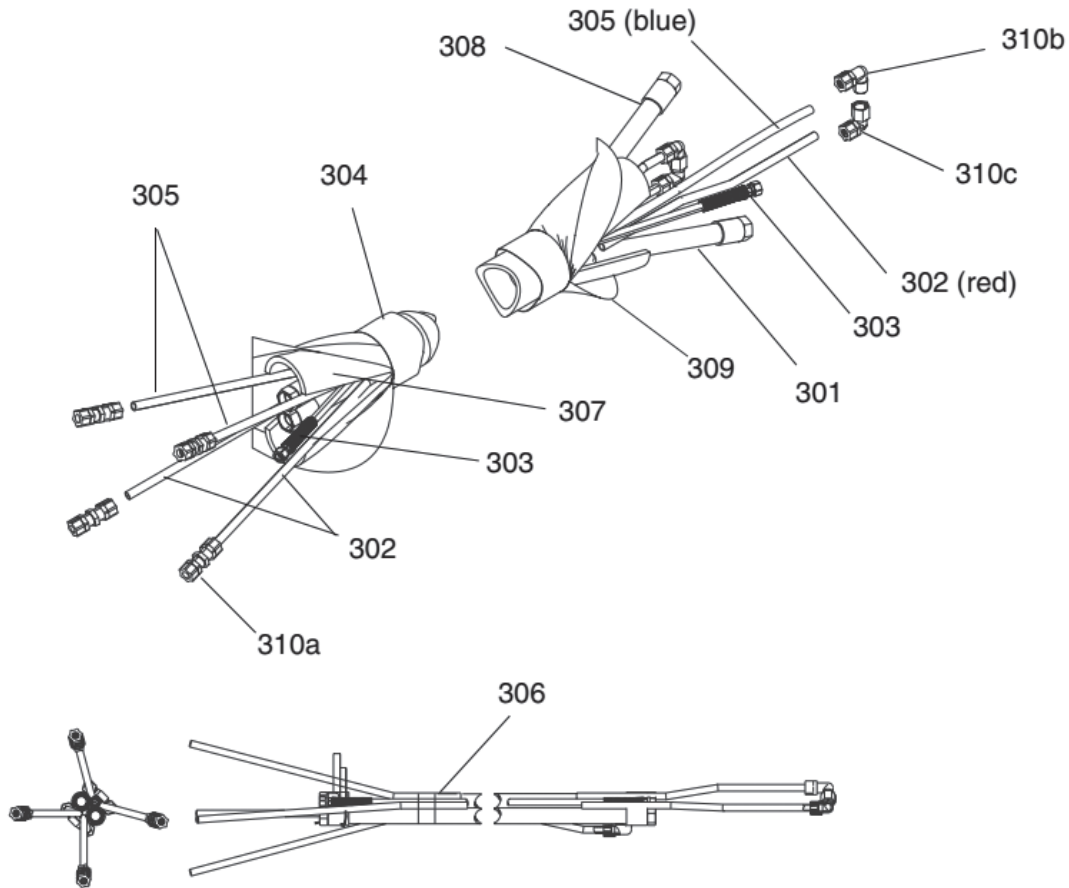
Part Numbers		Type	Quantity	Length (Feet)	Inner Diameter (Inches)	Working Pressure	Material	Scuff Guard
			20G16T122	Fluid Hose	1	50'	3/4" X 3/4"	6,500 PSI
	Flush Hose		1	50'	1/4"	4,500 PSI	---	Yes
	Heat Tubes		4	--	1/2"	--	---	--

FLUID HOSE

Part Numbers		Inner Diameter (Inches)	Length (Feet)	Working Pressure	Core Material	Scuff Guard
			20G16T484	3/4"	50'	6,500 PSI
20GH75050	1/2"		50'	7,250 PSI	Nylon	No
20GH75025	1/2"		25'	7,250 PSI	Nylon	No

PART NUMBERS AND SCHEMATICS GUIDE

Figure 20: Heated Hose Bundle



Item #	Part #	Description
Fig. 20		
—	20G16T122	3/4" x 3/4" Heated Hose Bundle, 50 Ft.
301	20GH67550	3/4" I.D x 50' Coupled Hose, 6500 psi
302	20G16X027	3/8" I.D. Red Nylon Tube Kit
303	20GG42550	1/4" I.D. x 50' Coupled Hose, 4500 psi
304	—	Identification Label
305	20G16X028	3/8" I.D. Blue Nylon Tube Kit
306	—	Electrical Tape
307	—	2-5/8" I.D x 50' Insulation Tube
308	20GH75050	1/2" I.D. x 50' Coupled Hose <i>(for 20G16T121 only)</i>
309	20G16T138	50' Scuff Jacket
310a	20G16U666	Tube Fittings Kit
310b	20G126894	1/2" x 1/2" Tube Union
310c	20G126898	1/2" Tube x 1/2" NPT (M) Elbow

PART NUMBERS AND SCHEMATICS GUIDE

Part Numbers	SUPPLY PROCESSING EQUIPMENT
	Description
20G24P883	Heated Supply Module (<i>Includes 40:1 Check-Mate[®], Heated Pressure Tank, Agitator, Level Sensor and Bottom Outlet Feed Hose and Connection</i>)
20G24P884	Level Sensor Kit for XM PFP
20G24P831	Level Sensor Probe Replacement
20G16T525	Viscon [®] LT Heater for Tank Heat Circulation, 1750W
20G24P885	XM PFP Feed Module Agitator
20G24P835	Husky [®] 205 Hot Water Circulation Pump for Tanks or Heated Hose
20G262896	Tank Dryer Kit
20G24P899	XM [™] PFP Main Line Air Filter Kit (1-1/4" NPT)
20G262853	Viscon [®] HF Heater Kit, Remote Controlled

Part Numbers	ACCESSORIES
	Description
20G16T859	Hot Water Flush Kit, 180°F with Auto Fill and Temp Control
20G255478	Dosing Valve, A or B Replacement Valve
20G262872	XM [™] PFP Sampling Valve
20G24P268	Ball Valve, 3/4" NPT, 6000 PSI
20GL220C9	XM [™] PFP Lower Replacement, 220 cc, X-Tuff [®]
20GL180C9	XM [™] PFP Lower Replacement, 180 cc, X-Tuff [®]
20G24P886	Mix Element Replacement, SST
20G262890	XM [™] PFP Mix Manifold with Ball Valves and Check Valves, 6000 PSI



ALLREDI THERE

Serving these industries: Bridge, Pipeline, Tank & Tower, Concrete Services, Rail, Shipyard & Marine, Pools & Fountains and Foundry

UNITED STATES

Pasadena, TX (Headquarters)

844.361.7038

Beaumont, TX

409.722.1284

Bristol, PA

215.826.8080

Corpus Christi, TX

361.887.2038

Davenport, IA

563.324.2519

Deer Park, TX

(Service & Rental Location)

281.930.0905

Duluth, GA

800.535.4564

Gonzales, LA

225.647.7575

Harvey, LA

504.367.8090

Houma, LA

985.580.4273

Jacksonville, FL

904.262.2120

Lafayette, LA

337.267.1440

Theodore, AL

251.338.7525

Youngstown, OH

330.448.6267

CANADA

Calgary, Alberta

403.279.1924

Coquitlam, BC

604.464.6979

Edmonton, Alberta

780.468.2588 (Manus)

780.425.5510 (Mod-U-Blast)

Hamilton, Ontario

905.527.6000 / 888.794.5665

Mississauga, Ontario

905.890.5837

Winnipeg, Manitoba

204.256.3324

800-252-7848 / WWW.ALLREDI-US.COM

Allredi™ and Marco® are registered trademarks of Allredi, LLC.

All other brand names or marks are used for identification purposes and are trademarks of their respective owners.

ALLREDI™

Literature #206M501_8/24/22