



GRACO® ULTRA® MAX II 1595 ELECTRIC AIRLESS SPRAY PUMP



PART NUMBERS AND SCHEMATICS GUIDE

Company Profile

Since 1944, Marco has developed a strong tradition of providing innovative and reliable products and services to the surface preparation and protective coatings industries. We are the world's premier provider of Abrasives, Blasting Equipment, Coating Equipment, Engineered Systems, Rental Equipment, Safety Equipment, Service, and Repair.

Through innovative designs and a total commitment to quality, Marco manufactures products that increase production rates, create a safer workplace, and reduce maintenance costs. Marco's industry experience, manufacturing capabilities, legendary customer service, product availability, logistics services, and technology leadership is your assurance that we deliver high quality products and services, providing the best value to you, our customer.

The Marco Difference

- **Industry Experience** – With Marco on your team, you have access to expertise which can only come from decades of industry leadership. We have organized our engineering department, production specialists, customer operations, and safety support into a “Center of Competence.” As a Marco customer, you have access to hundreds of years of cumulative experience related to your operations.
- **Manufacturing Excellence** – Marco is a U.S. based, ISO 9001:2008 certified manufacturer of equipment for the Surface Preparation and Protective Coatings industries. Marco's engineers benchmark the industry to ensure that we design and manufacture superior products that set the “Gold Standard” for performance, safety, and quality.
- **Legendary Customer Service** – Marco's legendary customer service team is staffed by friendly, highly-trained individuals who are focused on providing the highest level of product support, order accuracy, and customer satisfaction.
- **Product Availability** – We stock over 10,000 SKU's and have over 45 shipping locations to serve North American and International markets for all major brands of blasting and painting equipment. As the largest provider of surface preparation and protective coatings equipment in the world, our inventory levels and product availability are unmatched.
- **Logistics Services** – Marco's in-house logistics team is dedicated to moving your shipment anywhere in the world. We move over 14,000 truckloads every year, allowing you to save on freight costs by leveraging our buying power. Lower your process costs with a single invoice, which includes product and freight.
- **Technology Leadership** – Our website provides: Operator's Manuals, Part Numbers and Schematics Guides, MSDS information, and Features and Specifications Guides, providing access to information 24/7. Our Extranet application allows you to receive quotes and place orders online. Our Intranet maintains a complete record of your purchase history to assist with ongoing support of your existing equipment and future purchasing decisions.

Vision Statement

Marco is the world's premier provider of Abrasives, Blasting Equipment, Coating Equipment, Engineered Systems, Rental Equipment, Safety Equipment, Service, and Repair.

Mission Statement

Marco provides strong leadership and innovation to the surface preparation and protective coatings industries. We dedicate our efforts to the continuous improvement of our products, services, processes, people, and most importantly, the quality of our customer's experience.

Quality Policy

Marco is committed to providing superior quality in the design, manufacturing, distribution, rental, service, and repair of our products. Our ISO 9001:2008 certification extends throughout all operations in all locations. Continuous improvement of our processes and supply chain Integration comprise the core of our business strategy for delivering exceptional quality and value in all Marco products and services.

Management Philosophy

We are a company dedicated to the success of every customer and associate. We discuss, debate, challenge, measure, and test our ideas. We will be boundless and limitless in our passion to improve. Through sound leadership and dedicated associates, we will ensure a long term, profitable future for Marco, our associates, customers, and suppliers.

TABLE OF CONTENTS

Company Profile	2
Table of Contents	3
Graco® Ultra® Max II 1595	
Electric Airless Spray Pumps	4-21
Part Numbers	4-5
Standard Hi-Boy Series	6-7
ProContractor Series	8-9
IronMan Series	10-11
Hose Reel and Gun	12-13
Control Box	14-15
Filter	16-17
Standard Series Displacement Pump	18-19
ProContractor and IronMan Series Displacement Pump	20-21
Optional Accessories	22-23
LED Display	22
Replacement Filters	22
Inlet Screens	22
Throat Seal Liquid	23
Pump Armor Fluid	23
Literature Reference	24
Maintenance Notes	25-27

PART NUMBERS AND SCHEMATICS GUIDE

Part Numbers	GRACO® ULTRA® MAX II 1595 ELECTRIC AIRLESS SPRAY PUMPS							
	SERIES			Contractor Airless Spray Gun	Silver Plus™ Airless Spray Gun	RAC X™ 517 SwitchTip and Guard	1/4" x 50' BlueMax II Airless Hose	3/8" x 50' BlueMax II Airless Hose
	Standard Hi-Boy	ProContractor	IronMan					
20G16W902	X			X		X	X	
20G16W903		X		X		X	X <i>(Quantity of Two)</i>	
20G16W907			X		X	X	X	X

GRACO® ULTRA® MAX II 1595 ELECTRIC AIRLESS SPRAY PUMP – SPECIFICATIONS	
Max Tip Size (1 Gun)	0.039"
Max Tip Size (2 Guns)	0.029"
Max Tip Size (3 Guns)	0.023"
Max Gallons Per Minute	1.35 Gallons
Max PSI	3300 PSI
Motor HP	2.8
Power Requirement	120-Volt AC, 15 Amp

PART NUMBERS AND SCHEMATICS GUIDE



**Standard Hi-Boy Series
20G16W902**



**ProContractor Series
20G16W903**



**IronMan Series
20G16W907**

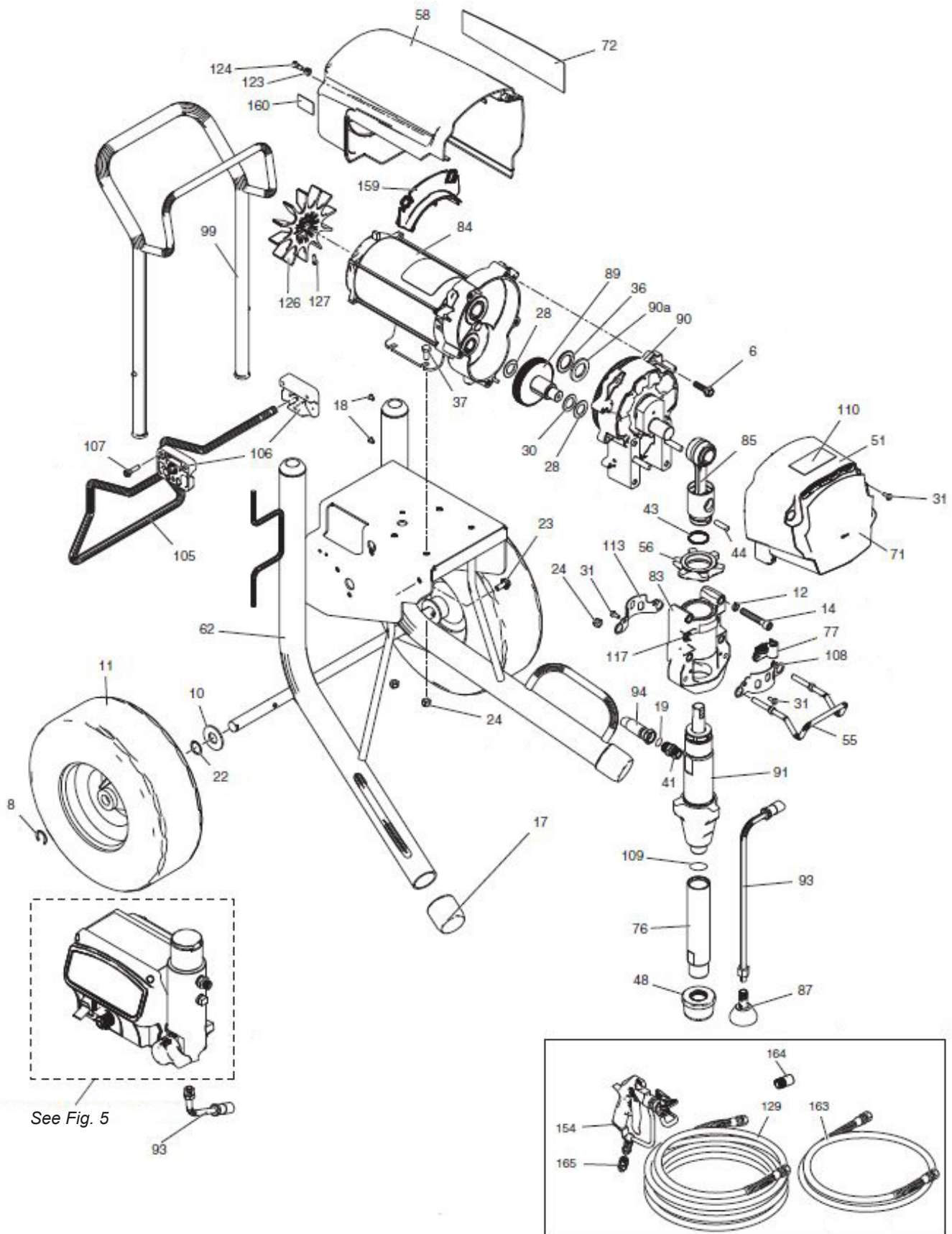
PART NUMBERS AND SCHEMATICS GUIDE

Graco® Ultra® Max II 1595 Electric Airless Spray Pump – Standard Hi-Boy Series

Item #	Part #	Description	Item #	Part #	Description
Fig. 1			85	20G24V021	Connecting Rod <i>(Includes Item #'s: 43 and 44)</i>
—	20G16W902	Graco® Ultra® Max II 1595 Airless Spray Pump – Standard Hi-Boy Series	87	20G241920	Threaded Deflector
6	20G15C753	Hex Screw <i>(Quantity of Five)</i>	89	20G287290	Combination Gear <i>(Includes Item #'s: 28 and 30)</i>
8	20G15E891	Retaining Clip <i>(Quantity of Two)</i>	90	20G287295	M1 Drive Housing <i>(Includes Item #'s: 6, 36, and 90a)</i>
10	20G156306	Flat Washer <i>(Quantity of Two)</i>	90a	20G194173	Thrust Race Washer
11	20G119509	Pneumatic Wheel <i>(Quantity of Two)</i>	91	20G16Y706	Displacement Pump <i>(See Fig. 7)</i> <i>(Includes Item #'s: 41, 76, and 109)</i>
12	20G106115	Spring Lock Washer <i>(Quantity of Four)</i>	93	20G244240	Drain Hose <i>(Includes Item #87)</i>
14	20G114666	Cap Screw <i>(Quantity of Four)</i>	94	20G16X904	Coupled Hose
17	20G276974	Leg Cap <i>(Quantity of Two)</i>	99	20G24A250	Cart Handle
18	20G108795	Mach Screw <i>(Quantity of Four)</i>	105	20G16X696	Cart Stand Hanger
19	20G102982	O-Ring Packing	106	20G15C982	Cart Cam <i>(Quantity of Two)</i>
22	20G116038	Wave Spring Washer <i>(Quantity of Two)</i>	107	20G114531	Hex Washer Mach Screw <i>(Quantity of Four)</i>
23	20G117791	Cap Screw <i>(Quantity of Two)</i>	108	20G16X770	Shield Rod Pump
24	20G111040	Hex Nut <i>(Quantity of Six)</i>	109	20G118494	O-Ring Packing
28	20G114672	Thrust Washer <i>(Quantity of Two)</i>	110	20G16X983	Standard Series Label
30	20G114699	Thrust Washer	113	20G15C762	Pump Rod Shield
31	20G118444	Machine Screw <i>(Quantity of Eight)</i>	117	20G187437	Torque Label
36	20G116192	Thrust Washer	123	20G276980	Cover Grommet <i>(Quantity of Two)</i>
37	20G100057	Cap Screw <i>(Quantity of Four)</i>	124	20G119250	Hex Washer Shoulder Screw <i>(Quantity of Three)</i>
41	20G196178	Quick Disconnect Pump Fitting	126	20G15D088	Motor Fan
43	20G119778	Retaining Spring	127	20G115477	Mach Screw
44	20G183210	Pump Pin	129	20G240794	1/4" x 50' Coupled Hose
48	20G189920	Strainer	154	20G288420	Contractor Airless Spray Gun
51	20G24V024	Drive Cover <i>(Includes Item #31)</i>	159	20G278075	Baffle
55	20G16C457	Pail Hanger	160	20G15Y118	Made in USA Label
56	20G193031	Retaining Nut	163	20G241735	1/4" x 3' Coupled Hose
58	20G287282	Painted Motor Shield <i>(Includes Item #'s: 123 and 124)</i>	164	20G159841	3/8" x 1/4" Bushing
62	20G24P667	Cart Frame	165	20G189018	Assembly Swivel
71	20G16X371	Front Brand Label	—	20G222385	Warning Tag
72	20G16X370	Side Brand Label	—	20G253131	Tube Repair Kit
76	20G248215	Intake Tube <i>(Includes Item #109)</i>			
77	20G278204	Drain Line Clip			
83	20G24V027	Bearing Housing <i>(Includes Item #'s: 12, 14, 24, 31, 55, 77, 108, 113, and 117)</i>			
84	20G257188	Electric Motor <i>(Includes Item #'s: 126 and 127)</i>			

PART NUMBERS AND SCHEMATICS GUIDE

Figure 1: Graco® Ultra® Max II 1595 Electric Airless Spray Pump – Standard Hi-Boy Series



See Fig. 5

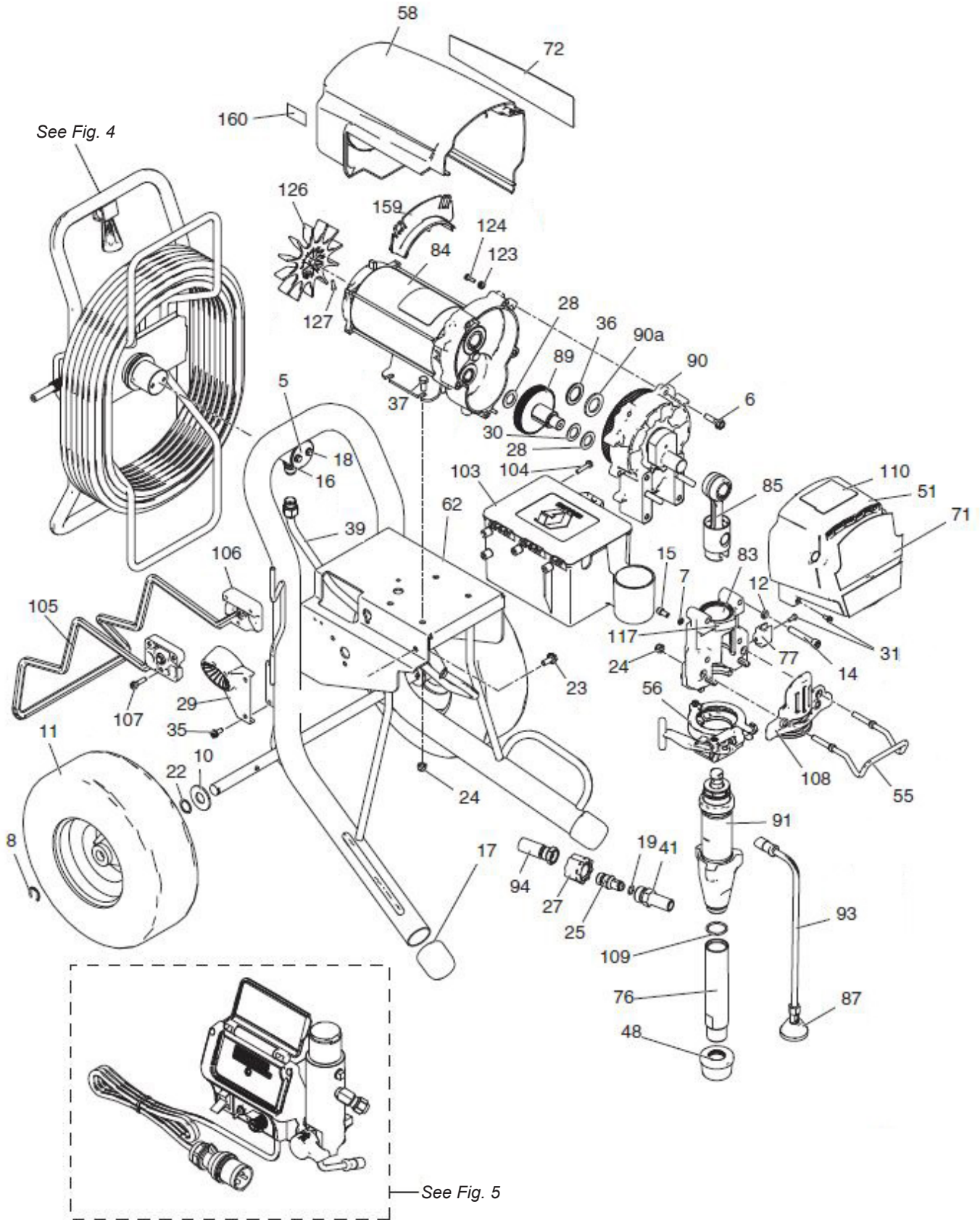
PART NUMBERS AND SCHEMATICS GUIDE

Graco® Ultra® Max II 1595 Electric Airless Spray Pump – ProContractor Series

Item #	Part #	Description	Item #	Part #	Description
Fig. 2			72	20G16X370	Side Brand Label
—	20G16W903	Graco® Ultra® Max II 1595 Airless Spray Pump – ProContractor Series	76	20G248215	Intake Tube <i>(Includes Item #109)</i>
5	20G16C975	Pivot Plate	77	20G16X203	Drain Line Clip
6	20G15C753	Hex Screw <i>(Quantity of Five)</i>	83	20G24V088	Bearing Housing <i>(Includes Item #'s: 7, 12, 14, 15, 24, 31, 55, 56, 77, 108, and 117)</i>
7	20G105510	Lock Washer <i>(Quantity of Two)</i>	84	20G257188	Electric Motor <i>(Includes Item #'s: 126 and 127)</i>
8	20G15E891	Retaining Clip <i>(Quantity of Two)</i>	85	20G24V085	Connecting Rod
10	20G156306	Flat Washer <i>(Quantity of Two)</i>	87	20G241920	Threaded Deflector
11	20G119509	Pneumatic Wheel <i>(Quantity of Two)</i>	89	20G287290	Combination Gear <i>(Includes Item #'s: 28 and 30)</i>
12	20G106115	Spring Lock Washer <i>(Quantity of Four)</i>	90	20G287295	M1 Drive Housing <i>(Includes Item #'s: 6, 36, and 90a)</i>
14	20G114666	Cap Screw <i>(Quantity of Four)</i>	90a	20G194173	Thrust Race Washer
15	20G101550	Cap Screw <i>(Quantity of Two)</i>	91	20G16X419	Displacement Pump <i>(See Fig. 8)</i> <i>(Includes Item #'s: 41, 76, and 109)</i>
16	20G121311	Connector Fitting	93	20G244240	Drain Hose <i>(Includes Item #87)</i>
17	20G276974	Leg Cap <i>(Quantity of Two)</i>	94	20G16X904	Coupled Hose
18	20G260212	Hex Washer Head Screw <i>(Quantity of Two)</i>	103	20G287253	Tool Box <i>(Includes Item #104)</i>
19	20G107505	O-Ring Packing	104	20G118852	Thread Forming Hex Washer Head Screw <i>(Quantity of Three)</i>
22	20G116038	Wave Spring Washer <i>(Quantity of Two)</i>	105	20G16X698	Cart Stand Hanger
23	20G117791	Cap Screw <i>(Quantity of Two)</i>	106	20G15C982	Cart Cam <i>(Quantity of Two)</i>
24	20G111040	Hex Nut <i>(Quantity of Six)</i>	107	20G114531	Hex Washer Mach Screw <i>(Quantity of Four)</i>
25	20G16X833	Quick Disconnect Fitting	108	20G16X385	5900 PCII Front Plate
27	20G120583	Hand Nut	109	20G118494	O-Ring Packing
28	20G114672	Thrust Washer <i>(Quantity of Two)</i>	110	20G16X981	ProContractor Series Label
29	20G278083	Ultra Platinum Hose Guide	117	20G187437	Torque Label
30	20G114699	Thrust Washer	123	20G276980	Cover Grommet <i>(Quantity of Two)</i>
31	20G118444	Machine Screw <i>(Quantity of Five)</i>	124	20G119250	Hex Washer Shoulder Screw <i>(Quantity of Three)</i>
35	20G117633	Slot Hex Washer Head Screw <i>(Quantity of Two)</i>	126	20G15D088	Motor Fan
36	20G116192	Thrust Washer	127	20G115477	Mach Screw
37	20G100057	Cap Screw <i>(Quantity of Four)</i>	159	20G278075	Wire Bracket
39	20G24J081	Ultra Platinum Formed Tube	160	20G15Y118	Made in USA Label
41	20G16Y579	Quick Disconnect Pump Fitting	—	20G222385	Warning Tag
48	20G189920	Strainer			
51	20G24V024	Drive Cover <i>(Includes Item #31)</i>			
55	20G16C457	Pail Hanger			
56	20G16X324	Large Pump Clamp			
58	20G287282	Painted Motor Shield <i>(Includes Item #'s: 123 and 124)</i>			
62	20G24P669	Platinum Frame			
71	20G16X371	Front Brand Label			

PART NUMBERS AND SCHEMATICS GUIDE

Figure 2: Graco® Ultra® Max II 1595 Electric Airless Spray Pump – ProContractor Series



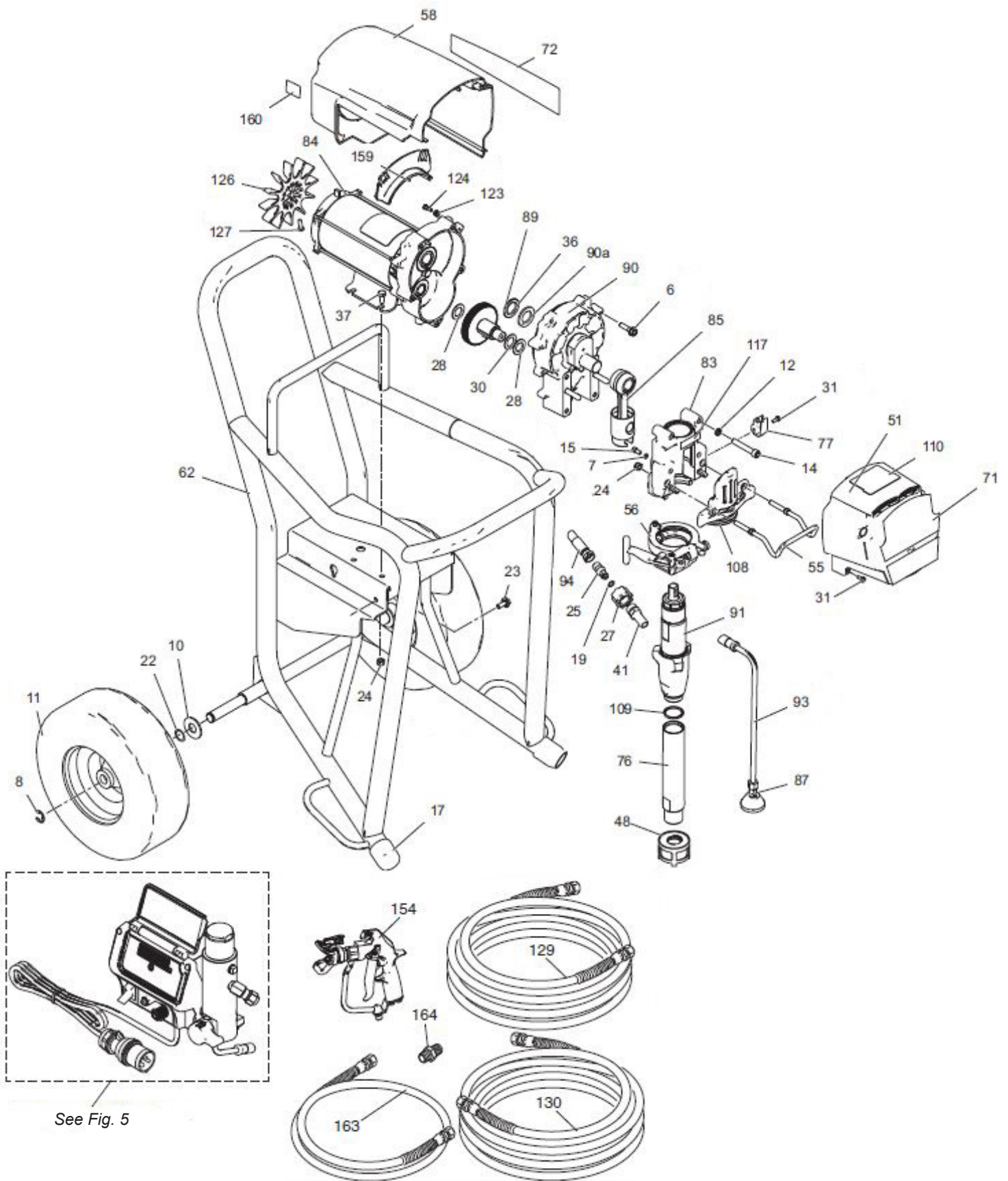
PART NUMBERS AND SCHEMATICS GUIDE

Graco® Ultra® Max II 1595 Electric Airless Spray Pump – IronMan Series

Item #	Part #	Description	Item #	Part #	Description
Fig. 3					
—	20G16W907	Graco® Ultra® Max II 1595 Airless Spray Pump – IronMan Series	85	20G24V085	Connecting Rod
6	20G15C753	Hex Screw (<i>Quantity of Five</i>)	87	20G241920	Threaded Deflector
7	20G105510	Lock Washer (<i>Quantity of Two</i>)	89	20G287290	Combination Gear (<i>Includes Item #'s: 28 and 30</i>)
8	20G120211	Retaining Clip (<i>Quantity of Two</i>)	90	20G287295	M1 Drive Housing
10	20G156306	Flat Washer (<i>Quantity of Two</i>)	90a		(<i>Includes Item #'s: 6, 36, and 90a</i>)
11	20G122267	Foam Wheel (<i>Quantity of Two</i>)		20G194173	Thrust Race Washer
12	20G106115	Spring Lock Washer (<i>Quantity of Four</i>)	91	20G16X420	Displacement Pump (<i>See Fig. 8</i>) (<i>Includes Item #'s: 41 and 109</i>)
14	20G114666	Cap Screw (<i>Quantity of Four</i>)	93	20G244240	Drain Hose (<i>Includes Item #87</i>)
15	20G101550	Cap Screw (<i>Quantity of Two</i>)	94	20G16X904	Coupled Hose
17	20G15C871	Leg Cap (<i>Quantity of Two</i>)	108	20G16X385	5900 PCII Front Plate
19	20G107505	O-Ring Packing	109	20G118494	O-Ring Packing
22	20G116038	Wave Spring Washer (<i>Quantity of Two</i>)	110	20G16X982	IronMan Series Label
23	20G117791	Cap Screw (<i>Quantity of Two</i>)	117	20G187437	Torque Label
24	20G111040	Hex Nut (<i>Quantity of Six</i>)	123	20G276980	Cover Grommet (<i>Quantity of Two</i>)
25	20G16X833	Quick Disconnect Fitting	124	20G119250	Hex Washer Shoulder Screw (<i>Quantity of Three</i>)
27	20G120583	Hand Nut (<i>Quantity of Six</i>)	126	20G15D088	Motor Fan
28	20G114672	Thrust Washer (<i>Quantity of Two</i>)	127	20G115477	Mach Screw
30	20G114699	Thrust Washer	129	20G240794	1/4" x 50' Coupled Hose
31	20G118444	Machine Screw (<i>Quantity of Five</i>)	130	20G240797	3/8" x 50' Coupled Hose
36	20G116192	Thrust Washer	154	20G246240	Silver Plus™ Airless Spray Gun
37	20G100057	Cap Screw (<i>Quantity of Four</i>)	159	20G278075	Wire Bracket
41	20G16Y579	Quick Disconnect Pump Fitting	160	20G15Y118	Made in USA Label
48	20G15V573	Strainer	163	20G277322	3/16" x 3' Coupled Hose
51	20G24V024	Drive Cover (<i>Includes Item #31</i>)	164	20G164672	Fitting
55	20G16C457	Pail Hanger	—	20G222385	Warning Tag
56	20G16X324	Large Pump Clamp			
58	20G287282	Painted Motor Shield (<i>Includes Item #'s: 123 and 124</i>)			
62	20G16X711	Cart Frame			
71	20G16X371	Front Brand Label			
72	20G16X370	Side Brand Label			
76	20G248215	Intake Tube (<i>Includes Item #109</i>)			
77	20G16X203	Drain Line Clip			
83	20G24V088	Bearing Housing (<i>Includes Item #'s: 7, 12, 14, 15, 24, 31, 55, 56, 77, 108, and 117</i>)			
84	20G257188	Electric Motor (<i>Includes Item #'s: 126 and 127</i>)			

PART NUMBERS AND SCHEMATICS GUIDE

Figure 3: Graco® Ultra® Max II 1595 Electric Airless Spray Pump – IronMan Series



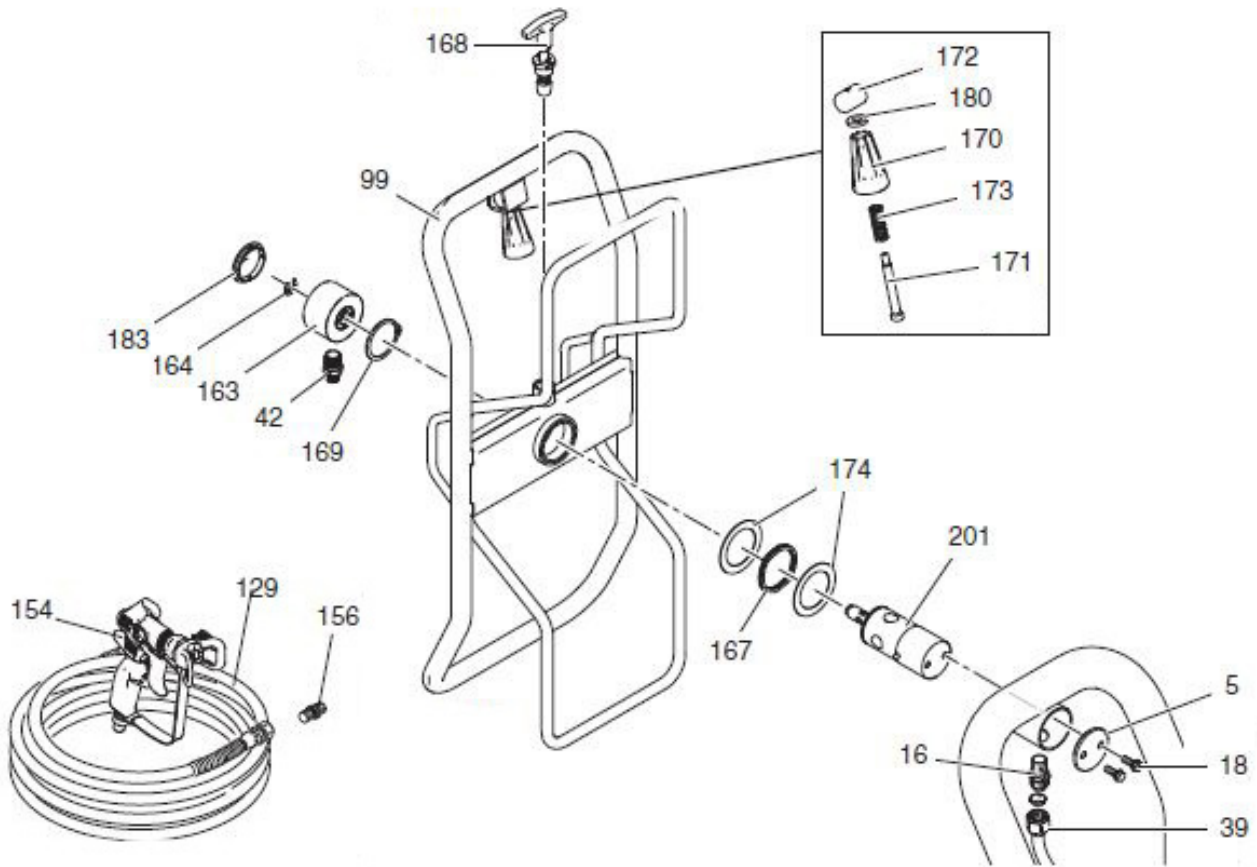
PART NUMBERS AND SCHEMATICS GUIDE

Hose Reel and Gun

Item #	Part #	Description
Fig. 4		
5	20G16C975	Pivot Mount Plate
16	20G121311	NPT x JIC Connector Fitting
18	20G260212	Hex Washer Head Screw (<i>Quantity of Two</i>)
39	20G24J081	Ultra Platinum Formed Tube
42	20G164672	3/8" NPT x 1/4" NPSM Hex Nipple
99	20G24B691	Ultra Hose Reel
129	20G240794	1/4" I.D. x 50' Coupled Hose (<i>Quantity of Two</i>)
154	20G288420	Contractor Airless Spray Gun with RAC X™ 517 Tip
156	20G162453	1/4" x 1/4" Nipple
163	20G24B248	Swivel Cap – Complete
164	20G122347	External Retaining Ring
167	20G122534	Wave Spring
168	20G24E400	Lock Out Pop Pin
169	20G122524	External Retaining Ring
170	20G278085	Swivel Handle
171	20G122518	Pin
172	20G15X618	Pin Nut
173	20G122542	Spring
174	20G122607	Flat Washer (<i>Quantity of Two</i>)
180	20G122669	Washer
183	20G122787	Cap
201	20G24E016	Hose Reel Pivot Tube

PART NUMBERS AND SCHEMATICS GUIDE

Figure 4: Hose Reel and Gun



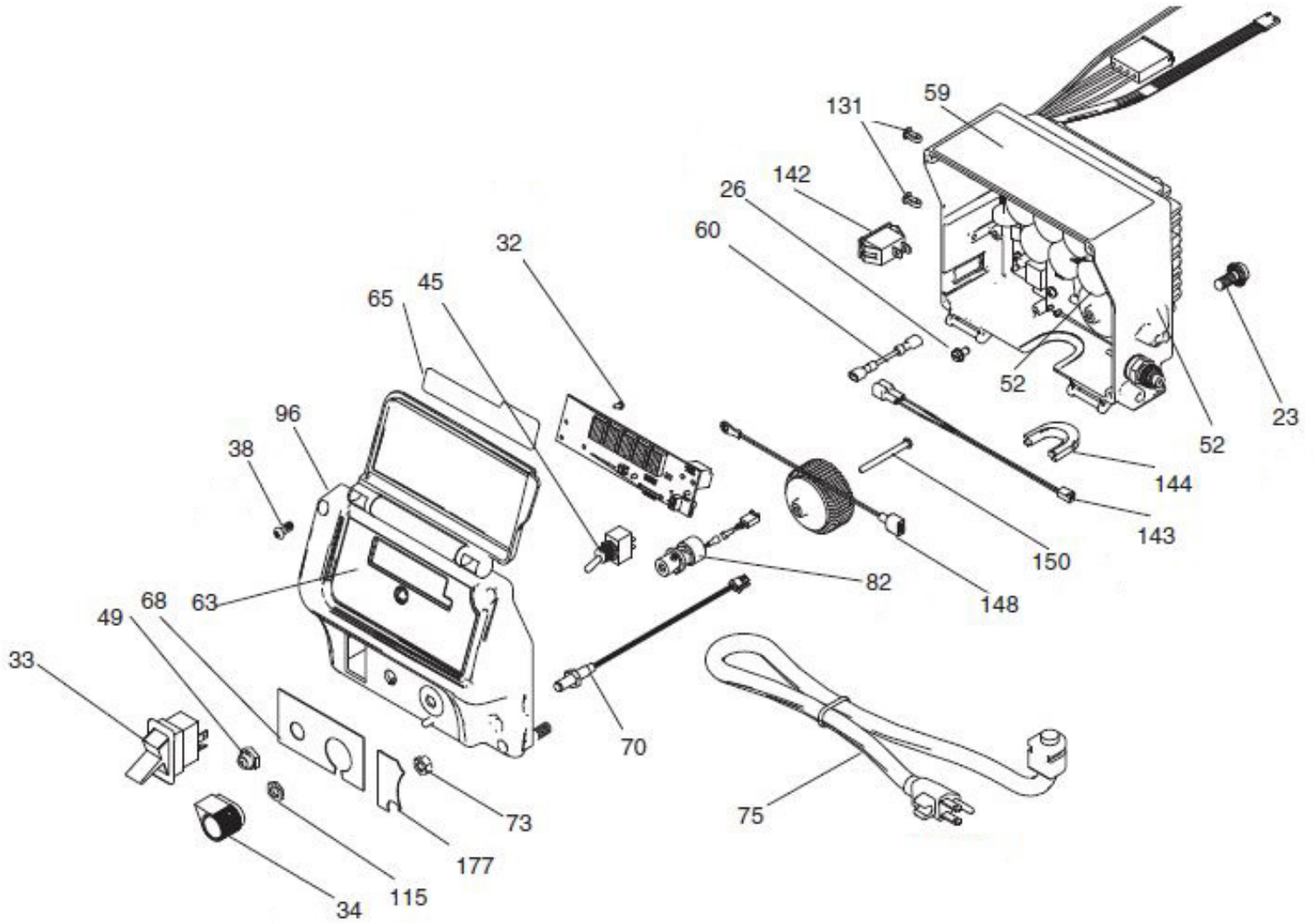
PART NUMBERS AND SCHEMATICS GUIDE

Control Box

Item #	Part #	Description
Fig. 5		
23	20G117791	Flange Head Cap Screw <i>(Quantity of Two)</i>
26	20G114391	Grounding Screw
32	20G115522	Machine Screw <i>(For use with ProContractor and IronMan Series) (Quantity of Three)</i>
33	20G15C979	Rocker Switch
34	20G116167	Potentiometer Knob
38	20G16V095	#10 Taptite Phil Screw <i>(Quantity of Four)</i>
45	20G119541	Toggle Switch <i>(For use with ProContractor and IronMan Series)</i>
49	20G195428	Toggle Boot <i>(For use with ProContractor and IronMan Series)</i>
52	20G24P847	Control Board <i>(Includes Item #'s: 23, 26, 60, 131, 142, and 144)</i>
59	20G16T784	Domestic Warning Label
60	20G16T541	Jumper Wire
63	20G16X796	LCD Label <i>(For use with ProContractor and IronMan Series)</i>
	20G16Y785	Control Box Cover Label <i>(For use with Standard Series)</i>
65	20G16X797	Control Box Cover Label <i>(For use with ProContractor and IronMan Series)</i>
68	20G16Y789	Control Label <i>(For use with ProContractor and IronMan Series)</i>
	20G16Y786	Control Label <i>(For use with Standard Series)</i>
70	20G122507	Reed Switch <i>(For use with ProContractor and IronMan Series)</i>
	20G16Z019	ProGuard Light <i>(For use with Standard Series)</i>
73	20G100187	Nut
75	20G15H065	Power Cord
82	20G256219	Assembly Potentiometer
96	20G24V061	Control Cover <i>(For use with ProContractor and IronMan Series)</i> <i>(Includes Item #'s: 32, 38, 63, 65, and 68)</i>
	20G24V062	Control Cover <i>(For use with Standard Series)</i> <i>(Includes Item #'s: 38, 63, and 68)</i>
115	20G15C973	Gasket
131	20G16T482	Snap Rivet <i>(Quantity of Two)</i>
142	20G120059	Switch/Plug
143	20G15G935	Electrical Connector
144	20G116171	Strain Relief
148	20G24V030	Coil Repair Kit <i>(Includes Item #150)</i>
150	20G16U215	Flat Head Machine Screw
177	20G16Y791	Electric Label <i>(For use with ProContractor and IronMan Series)</i>
	20G16Y790	Electric Label <i>(For use with Standard Series)</i>

PART NUMBERS AND SCHEMATICS GUIDE

Figure 5: Control Box



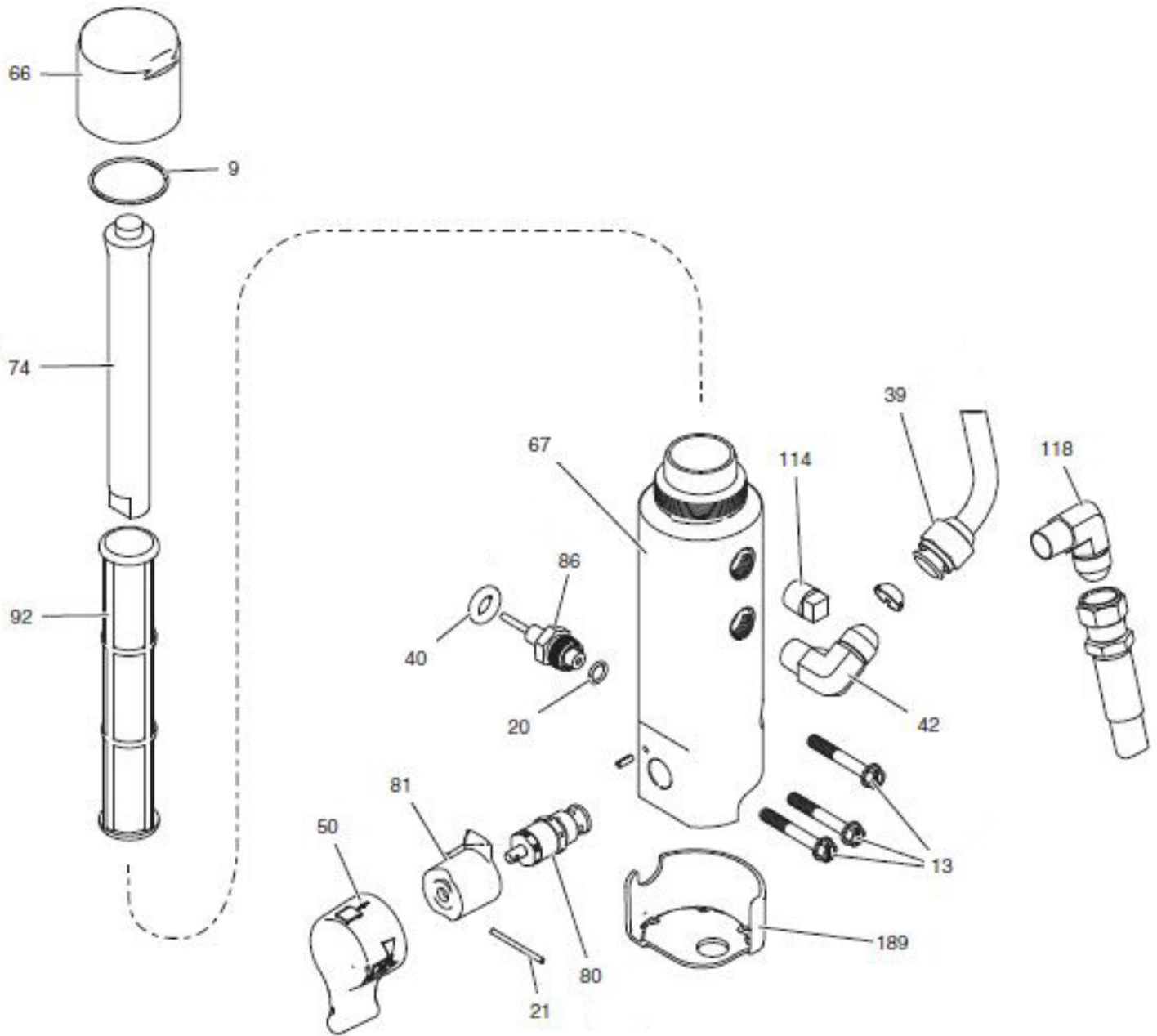
PART NUMBERS AND SCHEMATICS GUIDE

Filter

Item #	Part #	Description
Fig. 6		
9	20G117285	O-Ring Packing
13	20G16U013	Socket Head Cap Screw (<i>Quantity of Three</i>)
20	20G111457	O-Ring Packing
21	20G15C972	Grooved Pin
39	20G24J081	Formed Tube
40	20G121889	Transducer Grommet
42	20G122533	Fitting (<i>For use with ProContractor Series</i>)
	20G164672	Fitting (<i>For use with Standard Series</i>)
	20G196178	Fitting (<i>For use with IronMan Series</i>)
50	20G24E233	Handle Kit (<i>Includes Item #'s: 21 and 81</i>) (<i>For use with ProContractor and IronMan Series</i>)
	20G24E234	Handle Kit (<i>Includes Item #'s: 21 and 81</i>) (<i>For use with Standard Series</i>)
66	20G15C765	Filter Cap
67	20G16T543	Filter Base
74	20G15C766	Diffusion Tube
80	20G24B156	Prime Valve
81	20G24A382	Valve Base (<i>For use with Standard Series</i>)
	20G24D286	Valve Base (<i>For use with ProContractor and IronMan Series</i>)
86	20G243222	Pressure Control Transducer (<i>Includes Item #20</i>)
92	20G244071	Fluid Filter – 30 Mesh
	20G244067	Fluid Filter – 60 Mesh
	20G244068	Fluid Filter – 100 Mesh
	20G244069	Fluid Filter – 200 Mesh
114	20G104813	3/8" NPT Pipe Plug
118	20G125926	Elbow Fitting
189	20G17A197	Filter Base Guard

PART NUMBERS AND SCHEMATICS GUIDE

Figure 6: Filter



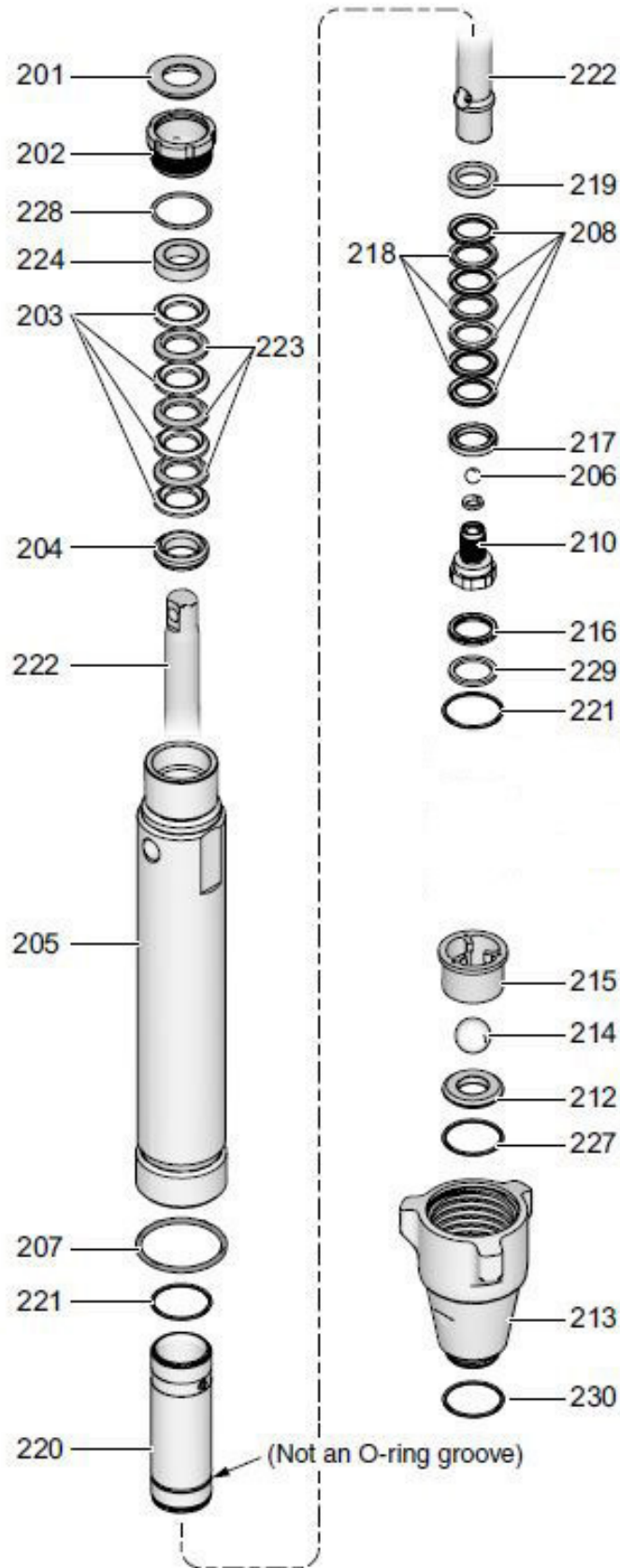
PART NUMBERS AND SCHEMATICS GUIDE

Standard Series Displacement Pump

Item #	Part #	Description
Fig. 7		
—	20G16Y706	Standard Series Displacement Pump
201	20G183174	Throat Seal
202	20G193032	Packing Nut
203	20G193124	Throat V-Packing, V-Max™ (<i>Quantity of Four</i>)
204	20G15C989	Male Throat Gland
205	20G243347	Pump Cylinder
206	20G101947	3/8" Stainless Steel Ball Bearing
207	20G156633	O-Ring Packing
208	20G193125	Piston V-Packing, V-Max™ (<i>Quantity of Four</i>)
210	20G24U993	Piston Valve
212	20G244199	Carbide Seat Kit (<i>Includes Item #'s: 214 and 227</i>)
213	20G15E654	Intake Housing Valve
214	20G102972	7/8" Stainless Steel Inlet Check Ball
215	20G193027	Ball Guide
216	20G118504	Piston Wiper
217	20G183185	Female Piston Gland
218	20G15E329	Piston V-Packing, Leather (<i>Quantity of Three</i>)
219	20G183178	Male Piston Gland
220	20G248210	Cylinder Sleeve
221	20G107098	O-Ring, PTFE (<i>Quantity of Two</i>)
222	20G248207	Piston Rod
223	20G183175	Throat V-Packing, Leather (<i>Quantity of Three</i>)
224	20G15C990	Female Throat Gland
227	20G108526	O-Ring, PTFE
228	20GC20987	Throat Adjustment O-Ring Spacer
229	20G15C998	Backup Washer
230	20G118494	O-Ring
—	20G248213	Pump Repair Kit (<i>Includes Item #'s: 201, 203, 204, 208, 216, 217, 218, 219, 221, 223, 224, 228, 229, and 230</i>)

PART NUMBERS AND SCHEMATICS GUIDE

Figure 7: Standard Series Displacement Pump



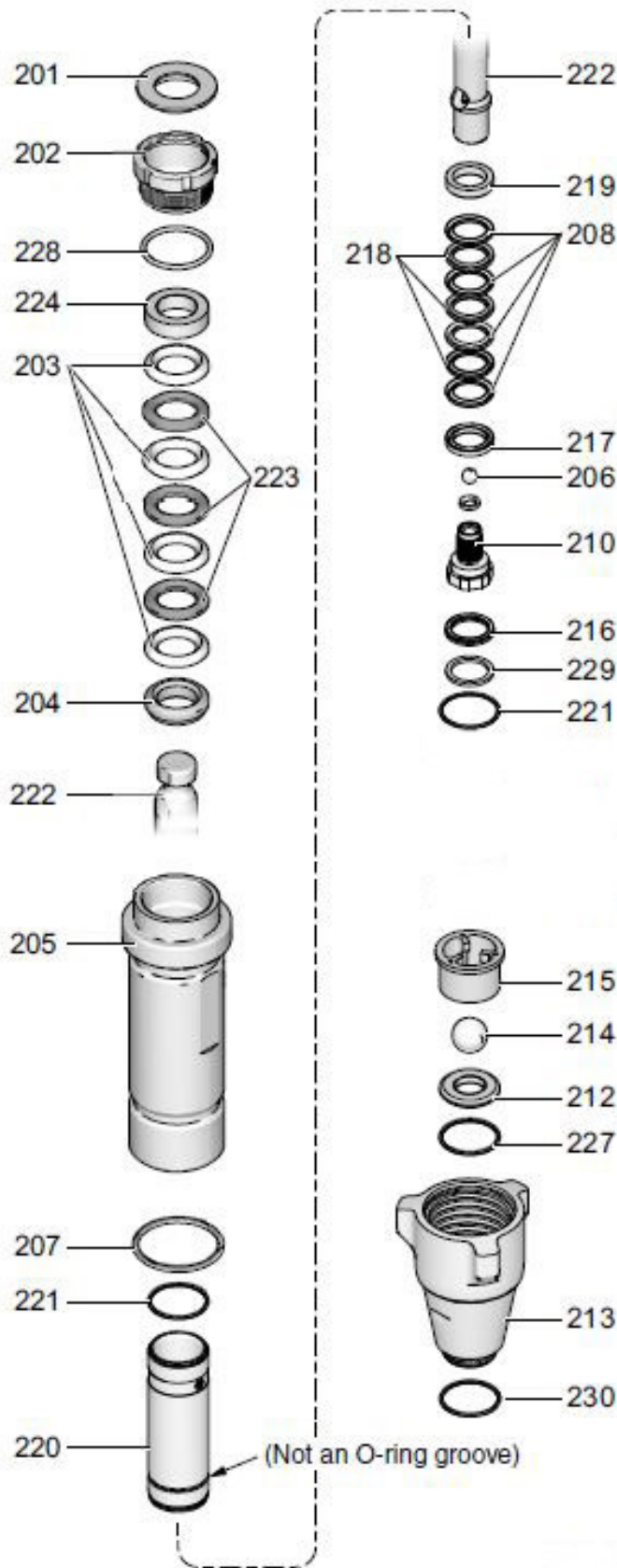
PART NUMBERS AND SCHEMATICS GUIDE

ProContractor and IronMan Series Displacement Pump


Item #	Part #	Description
Fig. 8		
—	20G16X419	ProContractor Series Displacement Pump
—	20G16X420	IronMan Series Displacement Pump
201	20G183171	Throat Seal
202	20G193032	Packing Nut
203	20G193124	Throat V-Packing, V-Max™ (Quantity of Four)
204	20G15C989	Male Throat Gland
205	20G16X451	Pump Cylinder (For use with ProContractor Series)
—	20G16X452	Pump Cylinder (For use with IronMan Series)
206	20G101947	3/8" Stainless Steel Ball Bearing
207	20G156633	O-Ring Packing
208	20G193125	Piston V-Packing, V-Max™ (Quantity of Four)
210	20G24U993	Piston Valve
212	20G244199	Carbide Seat Kit (Includes Item #'s: 214 and 227)
213	20G15E654	Intake Housing Valve
214	20G102972	7/8" Stainless Steel Inlet Check Ball
215	20G193027	Ball Guide
216	20G118504	Piston Wiper
217	20G183185	Female Piston Gland
218	20G15E329	Piston V-Packing, Leather (Quantity of Three)
219	20G183178	Male Piston Gland
220	20G248210	Cylinder Sleeve (For use with ProContractor Series)
—	20G257031	Cylinder Sleeve (For use with IronMan Series)
221	20G107098	O-Ring, PTFE (Quantity of Two)
222	20G16X435	Piston Rod (For use with ProContractor Series)
—	20G16X436	Piston Rod (For use with IronMan Series)
223	20G183175	Throat V-Packing, Leather (Quantity of Three)
224	20G15C990	Female Throat Gland
227	20G108526	O-Ring, PTFE
228	20GC20987	Throat Adjustment O-Ring Spacer
229	20G15C998	Backup Washer
230	20G118494	O-Ring
—	20G248213	Pump Repair Kit (Includes Item #'s: 201, 203, 204, 208, 216, 217, 218, 219, 221, 223, 224, 228, 229, and 230)


PART NUMBERS AND SCHEMATICS GUIDE


Figure 8: ProContractor and IronMan Series Displacement Pump






OPTIONAL ACCESSORIES



		LED DISPLAY
Part Numbers	Description	
	20G24V061	LED Display for SmartControl 3.0

		REPLACEMENT FILTERS		
Part Numbers	Screen	Color	U.O.M.	
	20G244071	30 Mesh	Grey	One Each
	20G244067	60 Mesh	Black	One Each
	20G244068	100 Mesh	Blue	One Each
	20G244069	200 Mesh	Red	One Each

		INLET SCREENS	
Part Numbers	Description		
	20G189920	Inlet Screen – Ultra Max II 1595	
	20G257033	Inlet Screen – IronMan 1595	

OPTIONAL ACCESSORIES

		THROAT SEAL LIQUID	
		Part Numbers	Description
	20G206994	Throat Seal Liquid – 8 oz.	
	20G206995	Throat Seal Liquid – 1 qt.	
	20G206996	Throat Seal Liquid – 1 gal.	

		PUMP ARMOR FLUID	
		Part Numbers	Description
	20G243103	Pump Armor Fluid – 1 qt.	
	20G245133	Pump Armor Fluid – 1 gal.	

LITERATURE REFERENCES

Graco® Ultra® Max II 1595 Electric Airless Spray Pump

201M632	Brochure – Graco® Electric Sprayers
206M632	Part Numbers and Schematics Guide – Graco® Ultra® Max II 1595 Electric Airless Spray Pump
209V600	Operator's Manual – Graco® Ultra® Max II 1595 Electric Airless Spray Pump

Graco® Contractor Airless Spray Guns

206M510	Part Numbers and Schematics Guide – Graco® Contractor Airless Spray Guns
109V510	Operator's Manual – Graco® Contractor Airless Spray Guns

Graco® Silver Plus™ Airless Spray Guns

206M362	Part Numbers and Schematics Guide – Graco® Silver Plus™ Airless Spray Guns
209V362	Operator's Manual – Graco® Silver and Flex Plus Airless Spray Guns

Graco® Ultra® Max II 1595 Displacement Pumps

209V608	Operator's Manual – Graco® Ultra® Max II 1595 Displacement Pump
209V609	Operator's Manual – Graco® Ultra® Max II 1595 ProContractor and IronMan Series Displacement Pump

GLOBAL HEADQUARTERS

- 3425 East Locust Street
Davenport, IA 52803

ph: 800.BLAST.IT (800.252.7848)

ph: 563.324.2519

fax: 563.324.6258

GULF STATES HEADQUARTERS

- 701 East Boulevard
Deer Park, TX 77536

ph: 800.BLAST.IT (800.252.7848)

ph: 281.930.0905

fax: 281.542.0736

REGIONAL BRANCH OFFICES

- **Iowa**
Davenport
- **Louisiana**
Gonzales
Harvey
Lafayette
- **Ohio**
Youngstown
- **Texas**
Beaumont
Corpus Christi
Deer Park



ABRASIVES

BLASTING

COATING

DUST COLLECTORS

ENGINEERED SYSTEMS

RENTAL

SAFETY

SERVICE & REPAIR

VACUUMS

40+ NATIONWIDE SHIPPING LOCATIONS



★ Marco Regional Branch Offices
and Shipping Locations

● Direct Shipping Locations

CONTACT MARCO

800.BLAST.IT
(800.252.7848)

563.324.2519

FAX: 563.324.6258

WWW.MARCO.US

SALES@MARCO.US