



# GRACO® ULTRA® 395 PC ELECTRIC AIRLESS SPRAY PUMP



**PART NUMBERS AND SCHEMATICS GUIDE**

## Company Profile

Since 1944, Marco has developed a strong tradition of providing innovative and reliable products and services to the surface preparation and protective coatings industries. We are the world's premier provider of Abrasives, Blasting Equipment, Coating Equipment, Engineered Systems, Rental Equipment, Safety Equipment, Service, and Repair.

Through innovative designs and a total commitment to quality, Marco manufactures products that increase production rates, create a safer workplace, and reduce maintenance costs. Marco's industry experience, manufacturing capabilities, legendary customer service, product availability, logistics services, and technology leadership is your assurance that we deliver high quality products and services, providing the best value to you, our customer.

## The Marco Difference

- **Industry Experience** – With Marco on your team, you have access to expertise which can only come from decades of industry leadership. We have organized our engineering department, production specialists, customer operations, and safety support into a “Center of Competence.” As a Marco customer, you have access to hundreds of years of cumulative experience related to your operations.
- **Manufacturing Excellence** – Marco is a U.S. based, ISO 9001:2008 certified manufacturer of equipment for the Surface Preparation and Protective Coatings industries. Marco's engineers benchmark the industry to ensure that we design and manufacture superior products that set the “Gold Standard” for performance, safety, and quality.
- **Legendary Customer Service** – Marco's legendary customer service team is staffed by friendly, highly-trained individuals who are focused on providing the highest level of product support, order accuracy, and customer satisfaction.
- **Product Availability** – We stock over 10,000 SKU's and have over 45 shipping locations to serve North American and International markets for all major brands of blasting and painting equipment. As the largest provider of surface preparation and protective coatings equipment in the world, our inventory levels and product availability are unmatched.
- **Logistics Services** – Marco's in-house logistics team is dedicated to moving your shipment anywhere in the world. We move over 14,000 truckloads every year, allowing you to save on freight costs by leveraging our buying power. Lower your process costs with a single invoice, which includes product and freight.
- **Technology Leadership** – Our website provides: Operator's Manuals, Part Numbers and Schematics Guides, MSDS information, and Features and Specifications Guides, providing access to information 24/7. Our Extranet application allows you to receive quotes and place orders online. Our Intranet maintains a complete record of your purchase history to assist with ongoing support of your existing equipment and future purchasing decisions.

## Vision Statement

Marco is the world's premier provider of Abrasives, Blasting Equipment, Coating Equipment, Engineered Systems, Rental Equipment, Safety Equipment, Service, and Repair.

## Mission Statement

Marco provides strong leadership and innovation to the surface preparation and protective coatings industries. We dedicate our efforts to the continuous improvement of our products, services, processes, people, and most importantly, the quality of our customer's experience.

## Quality Policy

Marco is committed to providing superior quality in the design, manufacturing, distribution, rental, service, and repair of our products. Our ISO 9001:2008 certification extends throughout all operations in all locations. Continuous improvement of our processes and supply chain Integration comprise the core of our business strategy for delivering exceptional quality and value in all Marco products and services.

## Management Philosophy

We are a company dedicated to the success of every customer and associate. We discuss, debate, challenge, measure, and test our ideas. We will be boundless and limitless in our passion to improve. Through sound leadership and dedicated associates, we will ensure a long term, profitable future for Marco, our associates, customers, and suppliers.

# TABLE OF CONTENTS

<b>Company Profile</b> .....	<b>2</b>
<b>Table of Contents</b> .....	<b>3</b>
<b>Graco® Ultra® 395 PC</b>	
<b>Electric Airless Spray Pumps</b> .....	<b>4-21</b>
Part Numbers .....	4-5
Stand Model .....	6-9
Lo-Boy Model .....	10-13
Hi-Boy Model .....	14-17
Control Box .....	18-19
Displacement Pump .....	20-21
<b>Optional Accessories</b> .....	<b>22-26</b>
Express Displacement Pump .....	22-23
Accessory Hopper Kit .....	24
Digital Display .....	25
Replacement Filters .....	25
Inlet Strainers .....	25
Replacement Pumps .....	25
Throat Seal Liquid .....	26
Pump Armor Fluid .....	26
<b>Maintenance Notes</b> .....	<b>27</b>

## PART NUMBERS AND SCHEMATICS GUIDE

<b>Part Numbers</b>	<b>GRACO® ULTRA® 395 PC ELECTRIC AIRLESS SPRAY PUMPS</b>						
	<b>MODEL</b>			<b>Contractor Airless Spray Gun</b>	<b>RAC X™ 517 SwitchTip and Guard</b>	<b>1/4" x 50' BlueMax™ II Airless Hose</b>	<b>Endurance™ Pump</b>
	<b>Stand</b>	<b>Lo-Boy</b>	<b>Hi-Boy</b>				
20G17C314	X			X	X	X	X
20G17C315		X		X	X	X	X
20G17C317			X	X	X	X	X

<b>GRACO® ULTRA® 395 PC ELECTRIC AIRLESS SPRAY PUMP – SPECIFICATIONS</b>	
<b>Max Tip Size</b>	0.023"
<b>Max Gallons Per Minute</b>	0.54 Gallons
<b>Max PSI</b>	3300 PSI
<b>Motor HP</b>	7/8 TEFC AC

## PART NUMBERS AND SCHEMATICS GUIDE



**Stand Model  
20G17C314**



**Lo-Boy Model  
20G17C315**



**Hi-Boy Model  
20G17C317**

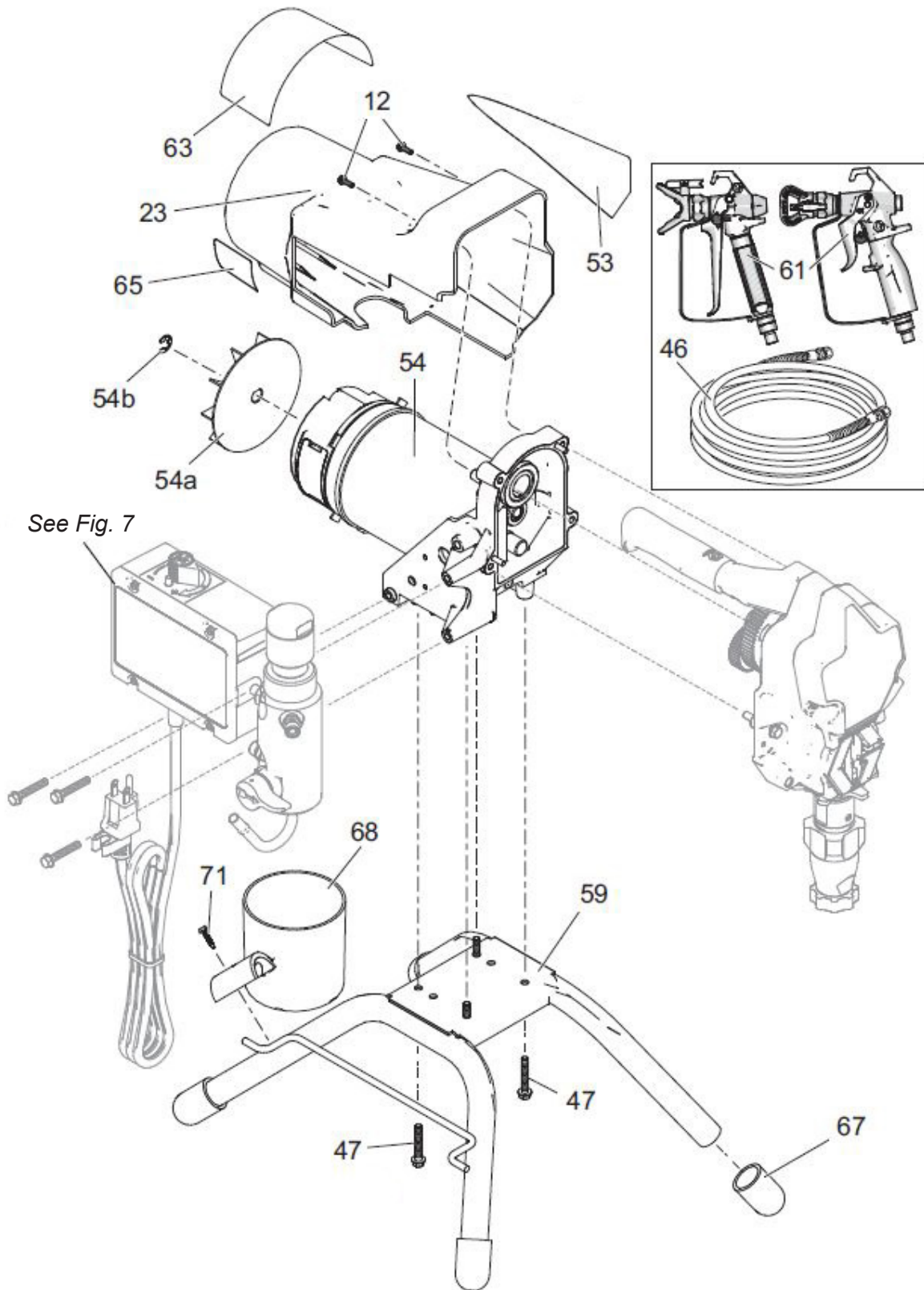
## PART NUMBERS AND SCHEMATICS GUIDE

### Graco® Ultra® 395 PC Electric Airless Spray Pump – Stand Model

Item #	Part #	Description
<b>Fig. 1</b>		
—	<b>20G17C314</b>	<b>Graco® Ultra® 395 PC Electric Airless Spray Pump – Stand Model</b>
12	20G117501	Hex Washer Head Machine Screw ( <i>Quantity of Four</i> )
23	20G15B465	Painted Motor Shield
46	20G240794	1/4" I.D. x 50' Coupled Hose
47	20G117493	Hex Washer Head Machine Screw ( <i>Quantity of Nine</i> )
53	20G17C824	Side Label
54	20G287015	Motor ( <i>Includes Item #'s: 54a and 54b</i> )
54a	20G118716	Retaining Ring
54b	20G248189	Motor Fan ( <i>Includes Item #54a</i> )
59	20G15E823	Stand Mount Frame ( <i>Includes Item #67</i> )
61	20G288420	Contractor Airless Spray Gun with RAC X™ 517 Tip
63	20G15B516	Danger Label
65	20G195793	Warning Label
67	20G15G857	Leg Cap ( <i>Quantity of Four</i> )
68	20G287903	Suction/Drain Cup
71	20G122667	Hex Washer Head Drill Screw
—	201M632	Brochure – Graco® Electric Sprayers
—	206M510	Part Numbers and Schematics Guide – Graco® Contractor Airless Spray Gun
—	206M633	Part Numbers and Schematics Guide – Graco® Ultra® 395 PC Electric Airless Spray Pump
—	209V605	Operator's Manual – Graco® Ultra® 395 PC Electric Airless Spray Pump

# PART NUMBERS AND SCHEMATICS GUIDE

Figure 1: Graco® Ultra® 395 PC Electric Airless Spray Pump – Stand Model



## PART NUMBERS AND SCHEMATICS GUIDE

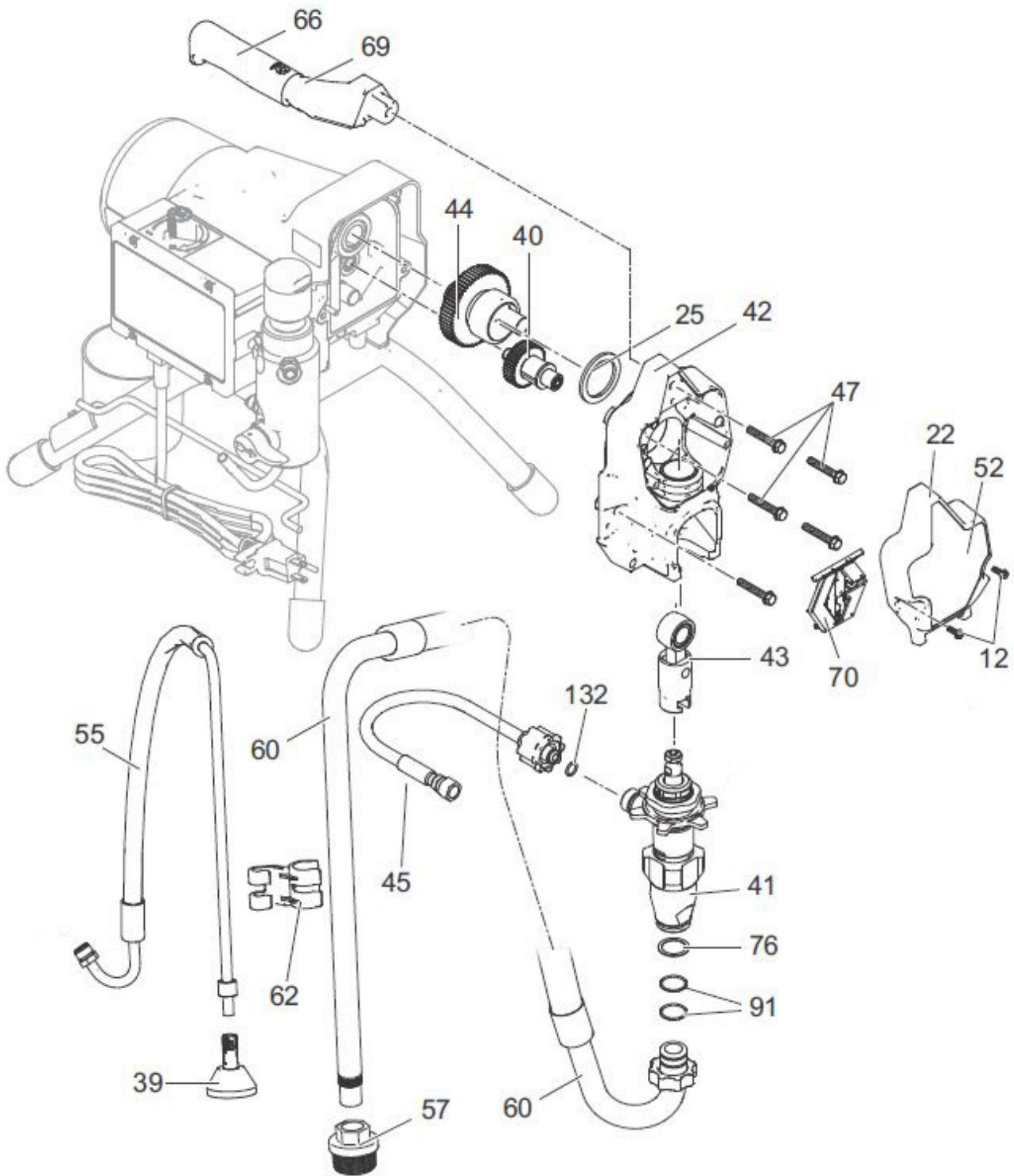
### Graco® Ultra® 395 PC Electric Airless Spray Pump – Stand Model Continued

Item #	Part #	Description
<b>Fig. 2</b>		
—	<b>20G17C314</b>	<b>Graco® Ultra® 395 PC Electric Airless Spray Pump – Stand Model</b>
12	20G117501	Hex Washer Head Machine Screw ( <i>Quantity of Four</i> )
22	20G17C539	Painted Front Cover
25	20G180131	Thrust Bearing
39	20G241920	Threaded Deflector
40	20G249194	Reducer Gear
41	20G17C487	ProConnect™ Endurance™ Displacement Pump ( <i>See Fig. 8</i> )
42	20G24W817	ProConnect™ Drive Housing ( <i>Includes Item #47</i> )
43	20G24W640	ProConnect™ Connecting Rod
44	20G24X020	Crankshaft Gear ( <i>Includes Item #25</i> )
45	20G24W830	ProConnect™ Coupled Hose Kit ( <i>Includes Item #132</i> )
47	20G117493	Hex Washer Head Machine Screw ( <i>Quantity of Nine</i> )
52	20G17C823	Front Label
55	20G246381	Drain Line Repair Kit ( <i>Includes Item #'s: 39 and 62</i> )
57	20G246385	7/8-14 Inlet Strainer
60	20G246386	Hose Suction Repair Kit ( <i>Includes Item #'s: 57, 62, 76, and 91</i> )
62	20G276888	Drain Line Clip
66	20G116139	Handle Grip
69	20G287072	Sprayer Handle ( <i>Includes Item #'s: 47 and 66</i> )
70	20G17C483	Pump Rod Cover
76	20G115099	Hose Washer
91	20G117559	O-Ring ( <i>Quantity of Two</i> )
132	20G16H137	Packing O-Ring
—	201M632	Brochure – Graco® Electric Sprayers
—	206M633	Part Numbers and Schematics Guide – Graco® Ultra® 395 PC Electric Airless Spray Pump
—	209V605	Operator's Manual – Graco® Ultra® 395 PC Electric Airless Spray Pump



## PART NUMBERS AND SCHEMATICS GUIDE

Figure 2: Graco® Ultra® 395 PC Electric Airless Spray Pump – Stand Model Continued



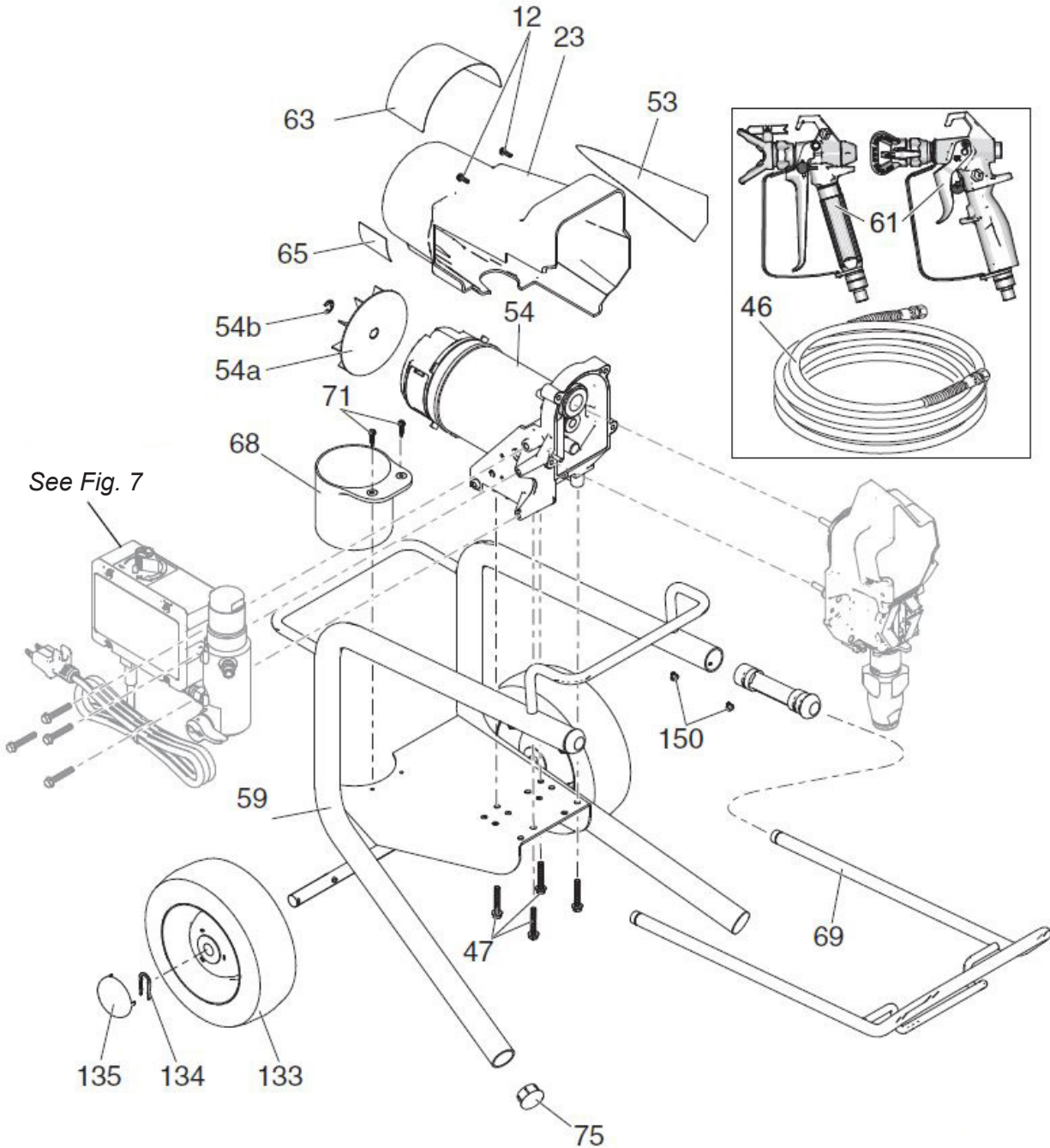
## PART NUMBERS AND SCHEMATICS GUIDE

### Graco® Ultra® 395 PC Electric Airless Spray Pump – Lo-Boy Model

Item #	Part #	Description
<b>Fig. 3</b>		
—	<b>20G17C315</b>	<b>Graco® Ultra® 395 PC Electric Airless Spray Pump – Lo-Boy Model</b>
12	20G117501	Hex Washer Head Machine Screw ( <i>Quantity of Four</i> )
23	20G15B465	Painted Motor Shield
46	20G240794	1/4" I.D. x 50' Coupled Hose
47	20G117493	Hex Washer Head Machine Screw ( <i>Quantity of Nine</i> )
53	20G17C824	Side Label
54	20G287015	Motor ( <i>Includes Item #'s: 54a and 54b</i> )
54a	20G118716	Retaining Ring
54b	20G248189	Motor Fan ( <i>Includes Item #54a</i> )
59	20G246250	Lo Cart Frame
61	20G288420	Contractor Airless Spray Gun with RAC X™ 517 Tip
63	20G15B516	Danger Label
65	20G195793	Warning Label
68	20G15B870	Suction/Drain Cup
69	20G287488	Lo Cart Assembly Handle
71	20G122667	Hex Washer Head Drill Screw ( <i>Quantity of Two</i> )
75	20G107310	Tubing Plug ( <i>Quantity of Two</i> )
133	20G195766	Semi-Pneumatic Wheel ( <i>Quantity of Two</i> )
134	20G15B999	Retaining Clip ( <i>Quantity of Two</i> )
135	20G104811	Hub Cap ( <i>Quantity of Two</i> )
150	20G109032	Pan-Head Screw ( <i>Quantity of Four</i> )
—	201M632	Brochure – Graco® Electric Sprayers
—	206M510	Part Numbers and Schematics Guide – Graco® Contractor Airless Spray Gun
—	206M633	Part Numbers and Schematics Guide – Graco® Ultra® 395 PC Electric Airless Spray Pump
—	209V605	Operator's Manual – Graco® Ultra® 395 PC Electric Airless Spray Pump

# PART NUMBERS AND SCHEMATICS GUIDE

Figure 3: Graco® Ultra® 395 PC Electric Airless Spray Pump – Lo-Boy Model



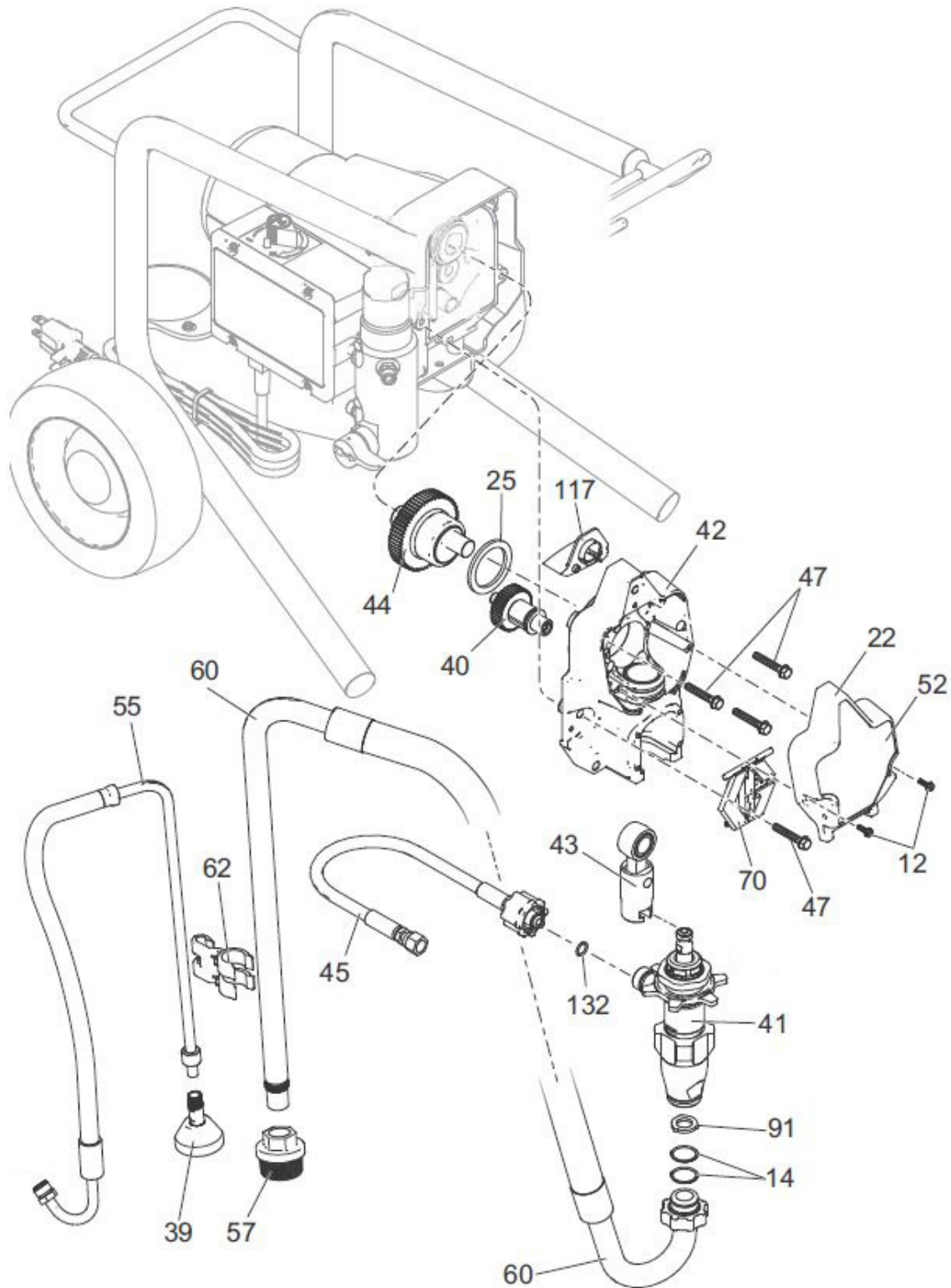
## PART NUMBERS AND SCHEMATICS GUIDE

### Graco® Ultra® 395 PC Electric Airless Spray Pump – Lo-Boy Model Continued

Item #	Part #	Description
<b>Fig. 4</b>		
—	<b>20G17C315</b>	<b>Graco® Ultra® 395 PC Electric Airless Spray Pump – Lo-Boy Model</b>
12	20G117501	Hex Washer Head Machine Screw ( <i>Quantity of Four</i> )
14	20G117559	O-Ring ( <i>Quantity of Two</i> )
22	20G17C539	Painted Front Cover
25	20G180131	Thrust Bearing
39	20G241920	Threaded Deflector
40	20G249194	Reducer Gear
41	20G17C487	ProConnect™ Endurance™ Displacement Pump ( <i>See Fig. 8</i> )
42	20G24W817	ProConnect™ Drive Housing ( <i>Includes Item #47</i> )
43	20G24W640	ProConnect™ Connecting Rod
44	20G24X020	Crankshaft Gear ( <i>Includes Item #25</i> )
45	20G24W830	ProConnect™ Coupled Hose Kit ( <i>Includes Item #132</i> )
47	20G117493	Hex Washer Head Machine Screw ( <i>Quantity of Eight</i> )
52	20G17C823	Front Label
55	20G246381	Drain Line Repair Kit ( <i>Includes Item #'s: 39 and 62</i> )
57	20G246385	7/8-14 Inlet Strainer
60	20G246386	Hose Suction Repair Kit ( <i>Includes Item #'s: 14, 57, 62, and 91</i> )
62	20G276888	Drain Line Clip
70	20G17C483	Pump Rod Cover
91	20G115099	Hose Washer
117	20G15G447	Painted Shield Plug
132	20G16H137	O-Ring Packing
—	201M632	Brochure – Graco® Electric Sprayers
—	206M633	Part Numbers and Schematics Guide – Graco® Ultra® 395 PC Electric Airless Spray Pump
—	209V605	Operator's Manual – Graco® Ultra® 395 PC Electric Airless Spray Pump

## PART NUMBERS AND SCHEMATICS GUIDE

Figure 4: Graco® Ultra® 395 PC Electric Airless Spray Pump – Lo-Boy Model Continued



## PART NUMBERS AND SCHEMATICS GUIDE

### Graco® Ultra® 395 PC Electric Airless Spray Pump – Hi-Boy Model

Item #	Part #	Description
<b>Fig. 5</b>		
—	<b>20G17C317</b>	<b>Graco® Ultra® 395 PC Electric Airless Spray Pump – Hi-Boy Model</b>
12	20G117501	Hex Washer Head Machine Screw ( <i>Quantity of Four</i> )
23	20G15B465	Painted Motor Shield
47	20G117493	Hex Washer Head Machine Screw ( <i>Quantity of Eight</i> )
53	20G17C824	Side Label
54	20G287015	Motor ( <i>Includes Item #'s: 54a and 54b</i> )
54a	20G118716	Retaining Ring
54b	20G248189	Motor Fan ( <i>Includes Item #54a</i> )
59	20G17C485	Hi Cart Frame
60	20G17C992	Stinger Tube Kit ( <i>Includes Item #'s: 15, 57, 84, 91, and 96</i> )
61	20G288420	Contractor Airless Spray Gun with RAC X™ 517 Tip
63	20G15B516	Danger Label
67	20G109032	Pan-Head Screw ( <i>Quantity of Four</i> )
69	20G287489	Handle
75	20G108691	Tubing Plug ( <i>Quantity of Two</i> )
133	20G106062	Semi-Pneumatic Wheel ( <i>Quantity of Two</i> )
134	20G15B999	Retaining Clip ( <i>Quantity of Two</i> )
135	20G104811	Hub Cap ( <i>Quantity of Two</i> )
177	20G15D281	Cart Stand Hanger
178	20G15C982	Cart Cam ( <i>Quantity of Two</i> )
179	20G114531	Hex Washer Head Machine Screw ( <i>Quantity of Four</i> )
—	201M632	Brochure – Graco® Electric Sprayers
—	206M510	Part Numbers and Schematics Guide – Graco® Contractor Airless Spray Gun
—	206M633	Part Numbers and Schematics Guide – Graco® Ultra® 395 PC Electric Airless Spray Pump
—	209V605	Operator's Manual – Graco® Ultra® 395 PC Electric Airless Spray Pump



## PART NUMBERS AND SCHEMATICS GUIDE

### Graco® Ultra® 395 PC Electric Airless Spray Pump – Hi-Boy Model Continued

Item #	Part #	Description
<b>Fig. 6</b>		
—	<b>20G17C317</b>	<b>Graco® Ultra® 395 PC Electric Airless Spray Pump – Hi-Boy Model</b>
12	20G117501	Hex Washer Head Machine Screw ( <i>Quantity of Four</i> )
14	20G103413	O-Ring
22	20G17C539	Painted Front Cover
25	20G180131	Thrust Bearing
39	20G241920	Threaded Deflector
40	20G249194	Reducer Gear
41	20G17C487	ProConnect™ Endurance™ Displacement Pump ( <i>See Fig. 8</i> )
42	20G24W817	ProConnect™ Drive Housing ( <i>Includes Item #47</i> )
43	20G24W640	ProConnect™ Connecting Rod
44	20G24X020	Crankshaft Gear ( <i>Includes Item #25</i> )
45	20G24W830	ProConnect™ Coupled Hose Kit ( <i>Includes Item #132</i> )
47	20G117493	Hex Washer Head Machine Screw ( <i>Quantity of Eight</i> )
52	20G17C823	Front Label
55	20G244240	Drain Hose ( <i>Includes Item #39</i> )
57	20G246385	7/8-14 Inlet Strainer
60	20G17C992	Hose Suction Repair Kit ( <i>Includes Item #'s: 14, 57, 84, 91 and 96</i> )
62	20G276888	Drain Line Clip
70	20G17C483	Pump Rod Cover
84	20G15B652	Suction Washer
91	20G115099	Hose Washer
96	20G15E813	Jam Nut
117	20G15G447	Painted Shield Plug
132	20G16H137	Packing O-Ring
136	20G17C990	Pail Hanger
137	20G111040	5/16" Locknut with Nylon Insert
—	201M632	Brochure – Graco® Electric Sprayers
—	206M633	Part Numbers and Schematics Guide – Graco® Ultra® 395 PC Electric Airless Spray Pump
—	209V605	Operator's Manual – Graco® Ultra® 395 PC Electric Airless Spray Pump





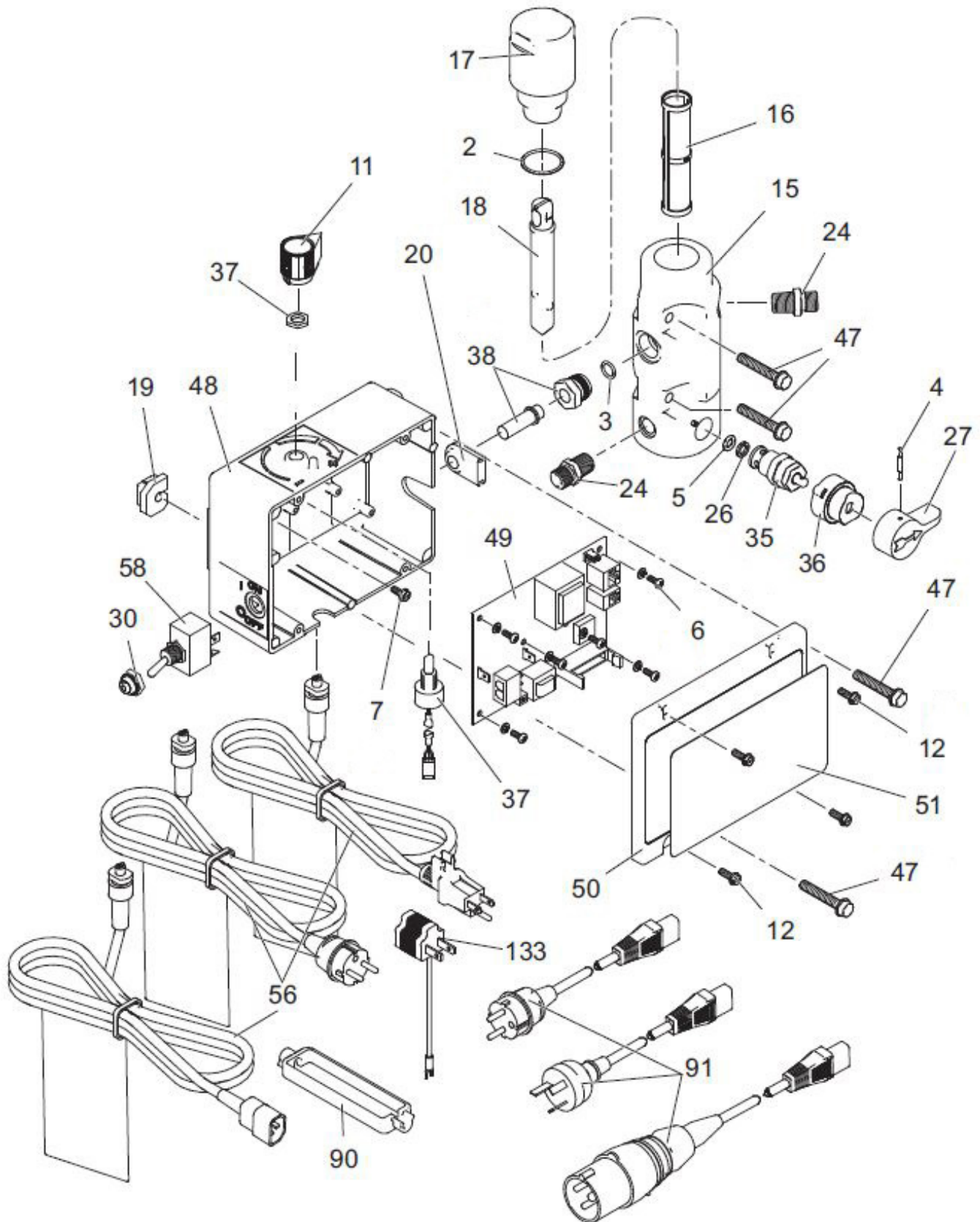
# PART NUMBERS AND SCHEMATICS GUIDE

## Control Box

Item #	Part #	Description
<b>Fig. 7</b>		
2	20G117828	Packing O-Ring – PTFE Coated
3	20G111457	Packing O-Ring
4	20G111600	Grooved Pin
5	20G277364	Seat Valve Gasket ( <i>Pack of Two</i> )
6	20G115494	Pan-Head Phillips Machine Screw ( <i>Quantity of Six</i> )
7	20G115498	Washer Head Slot/Hex Machine Screw
11	20G116167	Potentiometer Knob
12	20G117501	Hex Washer Head Machine Screw ( <i>Quantity of Four</i> )
15	20G15G455	Fluid Manifold ( <i>For use with models without a pressure gauge</i> )
	20G15T811	Fluid Manifold ( <i>For use with models with a pressure gauge</i> )
16	20G246425	Fluid Filter – 30 Mesh
	20G246384	Fluid Filter – 60 Mesh
	20G246382	Fluid Filter – 100 Mesh
	20G246383	Fluid Filter – 200 Mesh
17	20G287902	Filter Cap Repair Kit ( <i>Includes Item #18</i> )
18	20G15B071	Filter Insert
19	20G15B118	Motor Wire Bushing
20	20G15B120	Transducer Grommet
24	20G162453	1/4" x 1/4" Nipple ( <i>Quantity of Two</i> )
26	20G15E022	Valve Seat
27	20G187625	Drain Valve Handle
30	20G195428	Toggle Boot
35	20G239914	Drain Valve ( <i>Includes Item #'s: 5 and 26</i> )
36	20G224807	Valve Base
37	20G17D888	Potentiometer Assembly
38	20G243222	Pressure Control Transducer ( <i>Includes Item #3</i> )
47	20G117493	Hex Washer Head Machine Screw ( <i>Quantity of Four</i> )
48	20G276868	Control Box
49	20G246379	Control Board
50	20G276882	Control Cover
	20G287098	Digital Display ( <i>Includes Item #51</i> )
51	20G15K393	Control Label
56	20G15J743	Power Cord
58	20G195429	Toggle Switch
90	20G195551	Adapter Plug Retainer
91	20G242001	Cord Set Adapter (Europe)
	20G242005	Cord Set Adapter (Australia)
129	20G158674	Packing O-Ring – Nitrile Rubber
133	20G244285	Japan Adapter
—	20G115523	Fluid Pressure Gauge

# PART NUMBERS AND SCHEMATICS GUIDE

Figure 7: Control Box



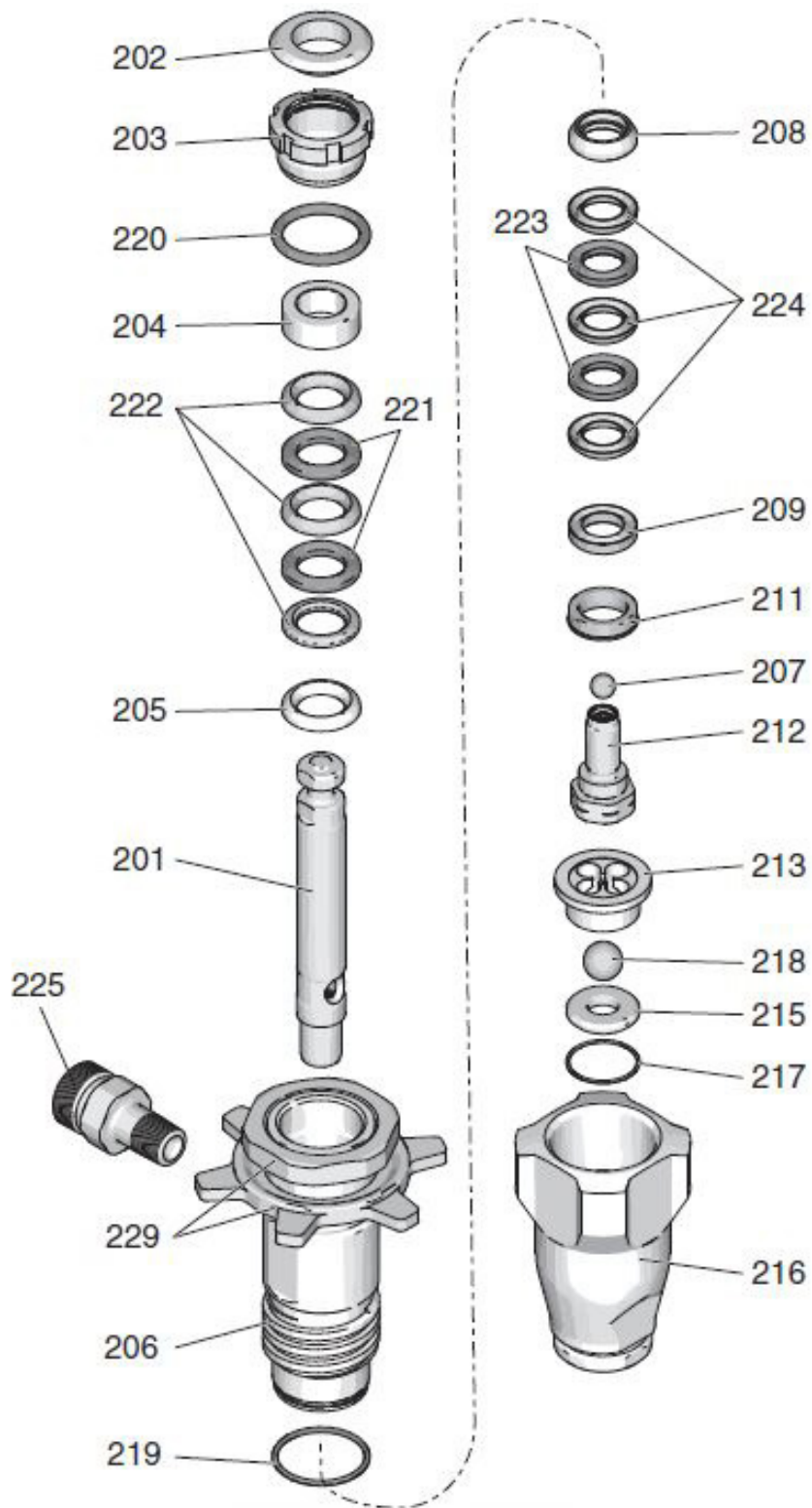
## PART NUMBERS AND SCHEMATICS GUIDE

### ProConnect™ Endurance™ Displacement Pump

Item #	Part #	Description
<b>Fig. 8</b>		
—	<b>20G17C487</b>	<b>ProConnect™ Endurance™ Displacement Pump</b>
201	20G24W617	Displacement Rod <i>(Includes Item #212)</i>
202	20G180656	Plug Button
203	20G193047	Packing Nut
204	20G176757	Female Throat Gland Packing
205	20G176754	Male Throat Gland Packing
206	20G24W619	Pump Cylinder <i>(Includes Item #229)</i>
207	20G105444	0.3125" Diameter Stainless Steel Ball
208	20G195129	Male Piston Gland
209	20G180073	Female Piston Gland
211	20G15G234	Piston Guide
212	20G239937	Piston Valve <i>(Includes Item #201)</i>
213	20G15C011	Ball Guide
215	20G246429	Inlet Check Valve Kit <i>(Includes Item #'s: 213, 217, and 218)</i>
216	20G15B611	Intake Housing Valve
217	20G15B112	Packing O-Ring
218	20G105445	0.5" Diameter Stainless Steel Intake Ball
219	20G108526	Packing O-Ring, PTFE
220	20G160516	O-Ring
221	20G176755	Throat V-Packing, Leather <i>(Quantity of Two)</i>
222	20G192710	Throat V-Packing, V-Max™ <i>(Quantity of Three)</i>
223	20G176749	Piston V-Packing, Leather <i>(Quantity of Two)</i>
224	20G192712	Piston V-Packing, V-Max™ <i>(Quantity of Three)</i>
225	20G17C231	1/4" Pump Fitting
229	—	Retaining Nuts <i>(Not Sold Separately)</i>
—	20G244194	Ultra® Pump Leather Repair Kit <i>(Includes Item #'s: 202, 204, 205, 207, 208, 209, 211, 217, 218, 219, 220, 221, 222, 223, and 224)</i>
—	20G246429	Inlet Check Valve Repair Kit <i>(Includes Item #'s: 213, 215, 217, and 218)</i>
—	209V604	Operator's Manual – ProConnect™ Endurance™ Displacement Pump

# PART NUMBERS AND SCHEMATICS GUIDE

Figure 8: ProConnect™ Endurance™ Displacement Pump



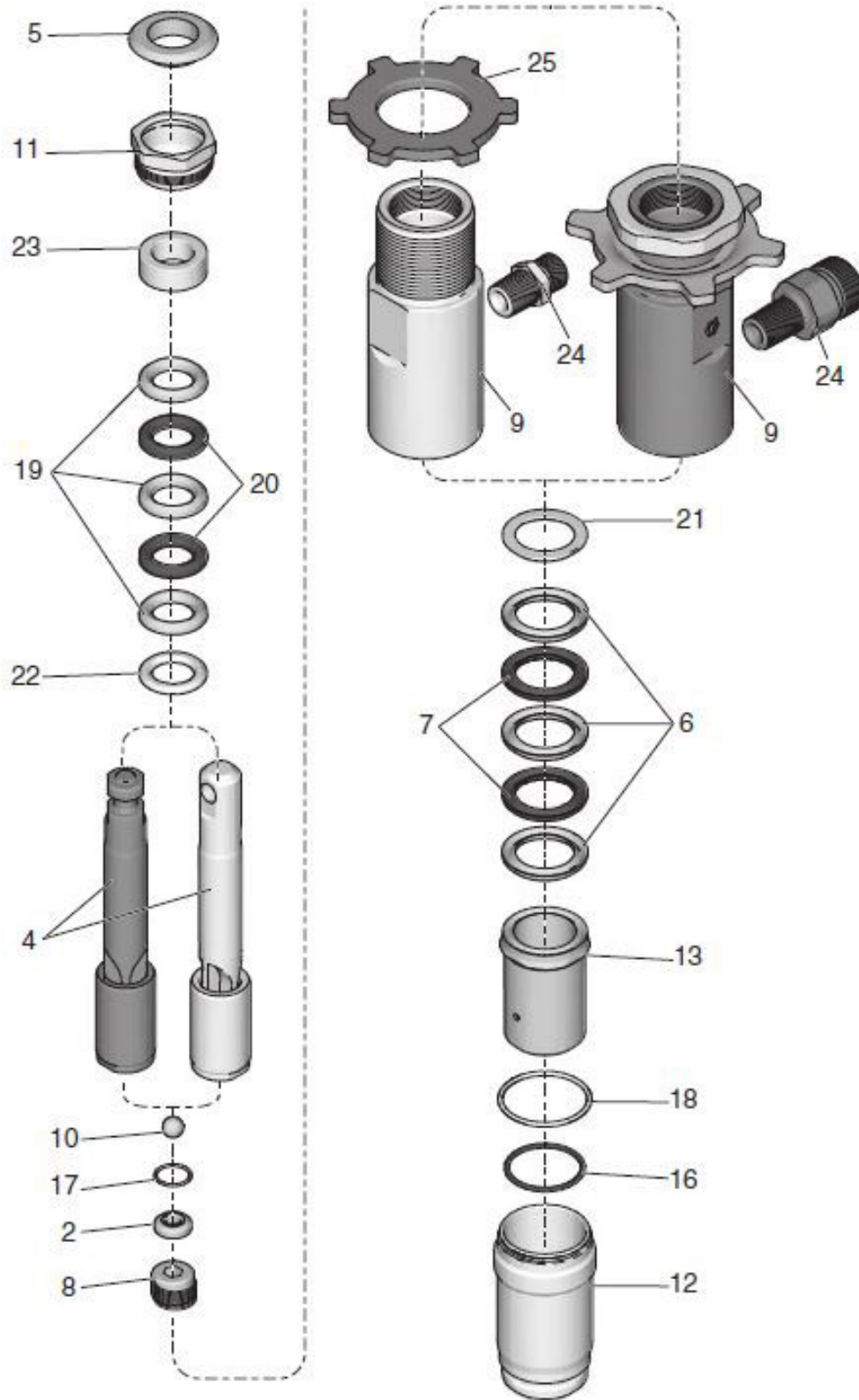
## OPTIONAL ACCESSORIES

### ProConnect™ Express Displacement Pump

Item #	Part #	Description
<b>Fig. 9</b>		
—	<b>20G17J552</b>	<b>ProConnect™ Express Displacement Pump</b>
2	20G17J183	Top Piston Seat
4	20G17K983	Piston Rod Kit
5	20G180656	Button Plug
6	20G17J184	Throat V-Packing, V-Max™ ( <i>Quantity of Three</i> )
7	20G17J185	Leather V-Packing ( <i>Quantity of Two</i> )
8	20G17J179	Piston Seat Retainer Plug
9	20G17K691	Pump Cylinder Kit ( <i>Includes Retaining Nuts</i> )
10	20G105444	0.3125" Diameter Stainless Steel Ball
11	20G17J181	Packing Nut
12	20G17J182	Housing Intake Valve
13	20G17K986	Ball Guide Kit ( <i>Includes Item #'s: 16 and 18</i> )
16	20G108730	Packing O-Ring
17	20G17J187	Piston Seat O-Ring
18	20G107313	PTFE O-Ring
19	20G125724	Piston V-Packing, V-Max™ ( <i>Quantity of Three</i> )
20	20G176755	Leather V-Packing ( <i>Quantity of Two</i> )
21	20G17J188	Male Lower Piston Gland
22	20G176754	Male Lower Throat Gland
23	20G176757	Female Throat Gland
24	20G17C231	1/4" Pump Fitting
25	20G195150	Pump Jam Nut
—	20G17K690	Pump Repair Kit ( <i>Includes Item #'s: 5, 6, 7, 10, 16, 17, 18, 19, 20, 21, 22, and 23</i> )
—	20G17K985	Seat Piston Kit ( <i>Includes Item #'s: 2, 8, 10, and 17</i> )
—	20G17K692	ProConnect™ Piston Rod Assembly Repair Kit ( <i>Includes Item #'s: 2, 4, 8, and 17</i> )
—	209V607	Operator's Manual – Graco® ProConnect™ Express Displacement Pump

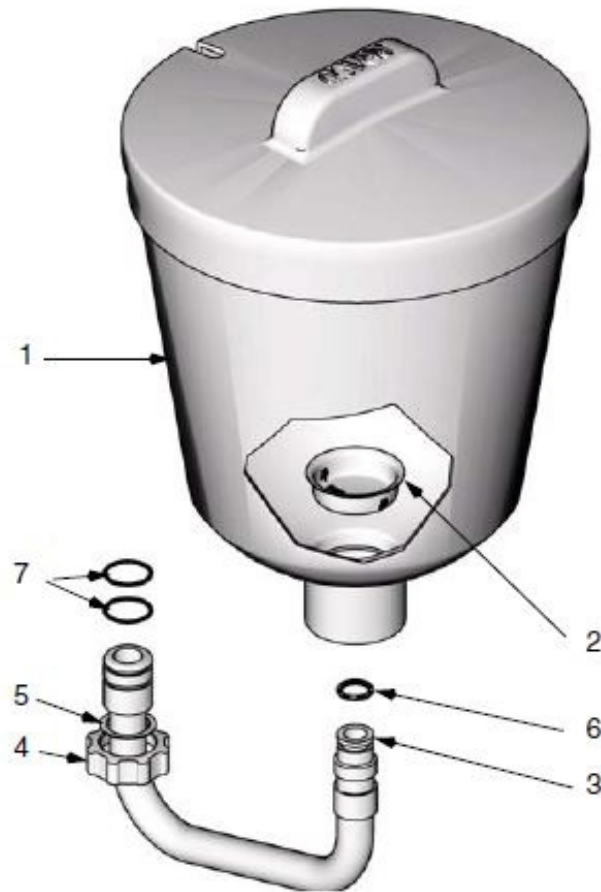
# OPTIONAL ACCESSORIES

Figure 9: ProConnect™ Express Displacement Pump



## OPTIONAL ACCESSORIES

Figure 10: Accessory Hopper Kit




Item #	Part #	Description
--------	--------	-------------


Fig. 10


—	<b>20G288526</b>	<b>Accessory Hopper Kit</b>
1	20G188787	1.5 Gallon Hopper
2	20G112133	Hopper Screen
3	20G287049	Hopper Inlet Tube
4	20G15E813	Jam Nut
5	20G15B652	Suction Washer
6	20G104938	O-Ring Cushion
7	20G117559	O-Ring
—	209V603	Operator's Manual – Graco® Accessory Hopper Kit




## OPTIONAL ACCESSORIES




		DIGITAL DISPLAY
<b>Part Numbers</b>		Description
	<b>20G287098</b>	Digital Display for Ultra® 395 PC



		REPLACEMENT FILTERS		
<b>Part Numbers</b>		Screen	Color	Package
	<b>20G246425</b>	30 Mesh	Grey	1 Pack
	<b>20G246384</b>	60 Mesh	Black	1 Pack
	<b>20G246382</b>	100 Mesh	Blue	1 Pack
	<b>20G246383</b>	200 Mesh	Red	1 Pack

		INLET STRAINER
<b>Part Numbers</b>		Description
	<b>20G246385</b>	Inlet Strainer for Ultra® 395 PC

		REPLACEMENT PUMPS
<b>Part Numbers</b>		Description
	<b>20G17C487</b>	ProConnect™ Endurance™ Displacement Pump (See Fig. 8)
	<b>20G17J552</b>	ProConnect™ Express Displacement Pump (See Fig. 9)

## OPTIONAL ACCESSORIES

		<b>THROAT SEAL LIQUID</b>	
		<b>Part Numbers</b>	<b>Description</b>
	<b>20G206994</b>	Throat Seal Liquid – 8 oz.	
	<b>20G206995</b>	Throat Seal Liquid – 1 qt.	
	<b>20G206996</b>	Throat Seal Liquid – 1 gal.	

		<b>PUMP ARMOR FLUID</b>	
		<b>Part Numbers</b>	<b>Description</b>
	<b>20G243103</b>	Pump Armor Fluid – 1 qt.	
	<b>20G245133</b>	Pump Armor Fluid – 1 gal.	



## CONTACT CENTER

- 3425 East Locust Street  
Davenport, IA 52803

ph: 800.BLAST.IT (800.252.7848)

ph: 563.324.2519

fax: 563.324.6258

## REGIONAL BRANCH OFFICES

- **Iowa**  
Davenport
- **Louisiana**  
Gonzales  
Lafayette
- **Ohio**  
Youngstown
- **Texas**  
Beaumont  
Corpus Christi  
Deer Park

## 40+ NATIONWIDE SHIPPING LOCATIONS



★ Marco Regional Branch Offices  
and Shipping Locations

● Direct Shipping Locations



ABRASIVES

BLASTING

COATING

DUST COLLECTORS

ENGINEERED SYSTEMS

RENTAL

SAFETY

SERVICE & REPAIR

VACUUMS

## CONTACT MARCO

**800.BLAST.IT**  
**(800.252.7848)**

**563.324.2519**

**FAX: 563.324.6258**

**WWW.MARCO.US**

**SALES@MARCO.US**