

Electric Airless Sprayers

334466E

EN

For professional use only.

Not approved for use in explosive atmospheres or hazardous locations.

For portable airless spraying of architectural paints and coatings.

**Ultra 395 PC, Ultimate NOVA 395 PC, Classic S 395 PC,
Classic S 495 PC, Ultra 395 PC Pro**

3300 psi (228 bar, 22.8 MPa) Maximum Working Pressure

Ultra 395 PC Classic, Ultra 495 PC Classic

3000 psi (207 bar, 20.7 MPa) Maximum Working Pressure

See page 3 for additional model information.

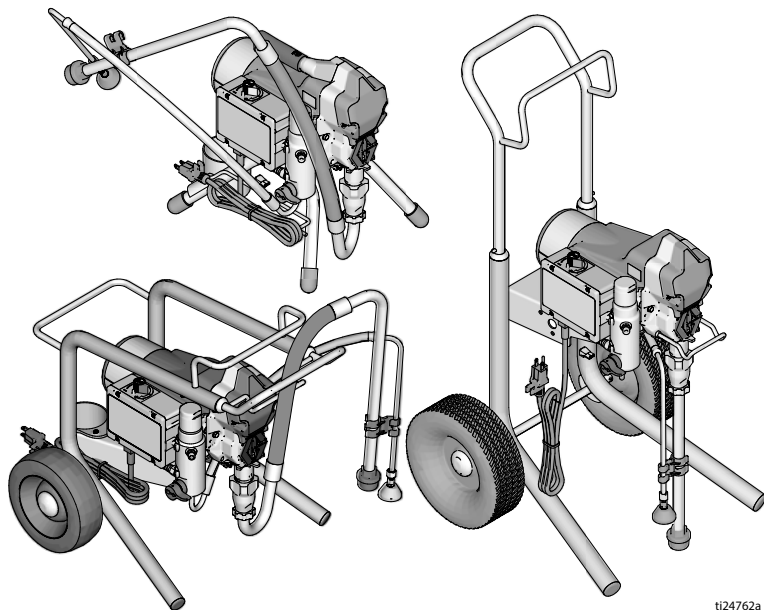


Important Safety Instructions

Read all warnings and instructions in this manual and related manuals. Be familiar with the controls and the proper usage of the equipment. Save these instructions.

Related Manuals

Gun– 311861 (Contractor/FTx) 312830 (SG3) Pump – 334599









ti24762a

*Use only genuine Graco replacement parts.
The use of non-Graco replacement parts may void warranty.*

Contents

Models	3
Warnings	4
Component Identification	8
Stand Models	8
Lo-Boy Models	9
Hi-Boy Models	10
Grounding	12
Power Requirements	12
Extension Cords	12
Pails	12
Pressure Relief Procedure	13
Setup	15
Startup	18
Operation	20
Spray Tip Installation	20
Spray	20
Clear Tip Clog	21
Digital Display	22
Cleanup	24
Maintenance	27
Troubleshooting	28
Mechanical/Fluid Flow	28
Electrical	31
Stand Sprayers	40
Stand Sprayers Parts List	42
395 Lo-Boy Sprayers	43
395 Lo-Boy Sprayers Parts List	45
Hi-Boy Sprayers	46
Hi-Boy Sprayers Parts List	48
Accessories and Labels	49
Control Box	50
Control Box Parts List	51
Wiring Diagrams	52
110/120V	52
230V	53
Technical Specifications	54
Graco Standard Warranty	56
Graco Information	57

Models

					Hi-Boy
	VAC	Model	Stand 	Lo-Boy 	
 Intertek 110474 Certified to CAN/CSA C22.2 No. 68 Conforms to UL 1450	120 USA	Ultra 395 PC	17C314	17C315	17C317
		Ultimate NOVA 395 PC	826196	826197	826198
	100 Japan/Taiwan	Ultra 395 PC	17C391		
	230 CEE 7/7	Classic S 395 PC	17C361		17C362
		Classic S 495 PC	17E023		17E025
	230 Europe Multi	Classic S 495 PC	17E024		17E026
	110 UK	Classic S 395 PC	17C359		
	230 Asia/ANZ	Ultra 395 PC	17C390		17C408
	230 ANZ	Ultra 395 PC Pro	17C392		
	230 China	Ultra 395 PC Classic	17C409		
		Ultra 495 PC Classic	17E027		

Warnings

The following warnings are for the setup, use, grounding, maintenance, and repair of this equipment. The exclamation point symbol alerts you to a general warning and the hazard symbols refer to procedure-specific risks. When these symbols appear in the body of this manual or on warning labels, refer back to these Warnings. Product-specific hazard symbols and warnings not covered in this section may appear throughout the body of this manual where applicable.

WARNING



GROUNDING

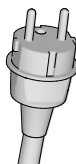
This product must be grounded. In the event of an electrical short circuit, grounding reduces the risk of electric shock by providing an escape wire for the electric current. This product is equipped with a cord having a grounding wire with an appropriate grounding plug. The plug must be plugged into an outlet that is properly installed and grounded in accordance with all local codes and ordinances.

- Improper installation of the grounding plug is able to result in a risk of electric shock.
- When repair or replacement of the cord or plug is required, do not connect the grounding wire to either flat blade terminal.
- The wire with insulation having an outer surface that is green with or without yellow stripes is the grounding wire.
- Check with a qualified electrician or serviceman when the grounding instructions are not completely understood, or when in doubt as to whether the product is properly grounded.
- Do not modify the plug provided; if it does not fit the outlet, have the proper outlet installed by a qualified electrician.
- This product is for use on a nominal 110V, 120V, or 230V circuit and has a grounding plug similar to the plugs illustrated below.

120V US



230V



230V ANZ



ti24583a

- Only connect the product to an outlet having the same configuration as the plug.
- Do not use an adapter with this product.

Extension Cords:

- Use only a 3-wire extension cord that has a grounding plug and a grounding receptacle that accepts the plug on the product.
- Make sure your extension cord is not damaged. If an extension cord is necessary use 12 AWG (2.5mm²) minimum to carry the current that the product draws.
- An undersized cord results in a drop in line voltage and loss of power and overheating.


WARNING
FIRE AND EXPLOSION HAZARD

Flammable fumes, such as solvent and paint fumes, in work area can ignite or explode. To help prevent fire and explosion:



- Do not spray flammable or combustible materials near an open flame or sources of ignition such as cigarettes, motors, and electrical equipment.



- Paint or solvent flowing through the equipment is able to result in static electricity. Static electricity creates a risk of fire or explosion in the presence of paint or solvent fumes. All parts of the spray system, including the pump, hose assembly, spray gun, and objects in and around the spray area shall be properly grounded to protect against static discharge and sparks. Use Graco conductive or grounded high-pressure airless paint sprayer hoses.



- Verify that all containers and collection systems are grounded to prevent static discharge. Do not use pail liners unless they are antistatic or conductive.

- Connect to a grounded outlet and use grounded extensions cords. Do not use a 3-to-2 adapter.

- Do not use a paint or a solvent containing halogenated hydrocarbons.

- Do not spray flammable or combustible liquids in a confined area.

- Keep spray area well-ventilated. Keep a good supply of fresh air moving through the area.

- Sprayer generates sparks. Keep pump assembly in a well ventilated area at least 20 feet (6.1 m) from the spray area when spraying, flushing, cleaning, or servicing. Do not spray pump assembly.

- Do not smoke in the spray area or spray where sparks or flame is present.

- Do not operate light switches, engines, or similar spark producing products in the spray area.

- Keep area clean and free of paint or solvent containers, rags, and other flammable materials.

- Know the contents of the paints and solvents being sprayed. Read all Material Safety Data Sheets (MSDS) and container labels provided with the paints and solvents. Follow the paint and solvents manufacturer's safety instructions.

- Fire extinguisher equipment shall be present and working.

WARNING



SKIN INJECTION HAZARD

High-pressure spray is able to inject toxins into the body and cause serious bodily injury. In the event that injection occurs, **get immediate surgical treatment.**



- Do not aim the gun at, or spray any person or animal.
- Keep hands and other body parts away from the discharge. For example, do not try to stop leaks with any part of the body.



- Always use the nozzle tip guard. Do not spray without nozzle tip guard in place.

- Use Graco nozzle tips.



- Use caution when cleaning and changing nozzle tips. In the case where the nozzle tip clogs while spraying, follow the **Pressure Relief Procedure** for turning off the unit and relieving the pressure before removing the nozzle tip to clean.



- Equipment maintains pressure after power is shut off. Do not leave the equipment energized or under pressure while unattended. Follow the **Pressure Relief Procedure** when the equipment is unattended or not in use, and before servicing, cleaning, or removing parts.

- Check hoses and parts for signs of damage. Replace any damaged hoses or parts.

- This system is capable of producing 3300 psi. Use Graco replacement parts or accessories that are rated a minimum of 3300 psi.

- Always engage the trigger lock when not spraying. Verify the trigger lock is functioning properly.

- Verify that all connections are secure before operating the unit.

- Know how to stop the unit and bleed pressure quickly. Be thoroughly familiar with the controls.



EQUIPMENT MISUSE HAZARD

Misuse can cause death or serious injury.



- Always wear appropriate gloves, eye protection, and a respirator or mask when painting.

- Do not operate or spray near children. Keep children away from equipment at all times.

- Do not overreach or stand on an unstable support. Keep effective footing and balance at all times.

- Stay alert and watch what you are doing.

- Do not operate the unit when fatigued or under the influence of drugs or alcohol.

- Do not kink or over-bend the hose.

- Do not expose the hose to temperatures or to pressures in excess of those specified by Graco.

- Do not use the hose as a strength member to pull or lift the equipment.

- Do not spray with a hose shorter than 25 feet.

- Do not alter or modify equipment. Alterations or modifications may void agency approvals and create safety hazards.

- Make sure all equipment is rated and approved for the environment in which you are using it.

⚠️ WARNING



ELECTRIC SHOCK HAZARD

This equipment must be grounded. Improper grounding, setup, or usage of the system can cause electric shock.



- Turn off and disconnect power cord before servicing equipment.
- Connect only to grounded electrical outlets.
- Use only 3-wire extension cords.
- Ensure ground prongs are intact on power and extension cords.
- Do not expose to rain. Store indoors.



PRESSURIZED ALUMINUM PARTS HAZARD

Use of fluids that are incompatible with aluminum in pressurized equipment can cause serious chemical reaction and equipment rupture. Failure to follow this warning can result in death, serious injury, or property damage.

- Do not use 1,1,1-trichloroethane, methylene chloride, other halogenated hydrocarbon solvents or fluids containing such solvents.
- Do not use chlorine bleach.
- Many other fluids may contain chemicals that can react with aluminum. Contact your material supplier for compatibility.



MOVING PARTS HAZARD

Moving parts can pinch, cut, or amputate fingers and other body parts.



- Keep clear of moving parts.
- Do not operate equipment with protective guards or covers removed.
- Pressurized equipment can start without warning. Before checking, moving, or servicing equipment, follow the **Pressure Relief Procedure** and disconnect all power sources.



TOXIC FLUID OR FUMES HAZARD

Toxic fluids or fumes can cause serious injury or death if splashed in the eyes or on skin, inhaled, or swallowed.

- Read MSDSs to know the specific hazards of the fluids you are using.
- Store hazardous fluid in approved containers, and dispose of it according to applicable guidelines.



PERSONAL PROTECTIVE EQUIPMENT

Wear appropriate protective equipment when in the work area to help prevent serious injury, including eye injury, hearing loss, inhalation of toxic fumes, and burns. This protective equipment includes but is not limited to:

- Protective eyewear, and hearing protection.
- Respirators, protective clothing, and gloves as recommended by the fluid and solvent manufacturer.

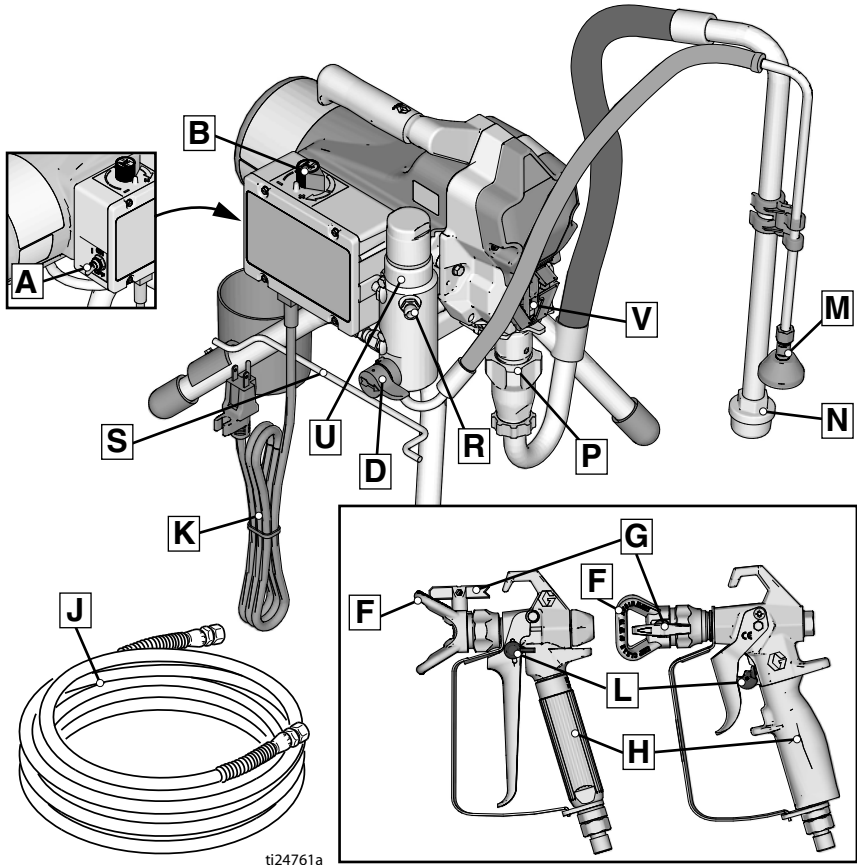
CALIFORNIA PROPOSITION 65

This product contains a chemical known to the State of California to cause cancer, birth defects or other reproductive harm. Wash hands after handling.

Component Identification

Component Identification

Stand Models



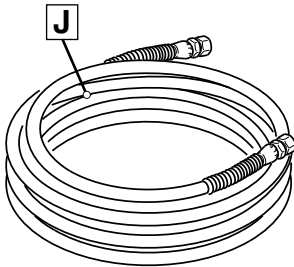
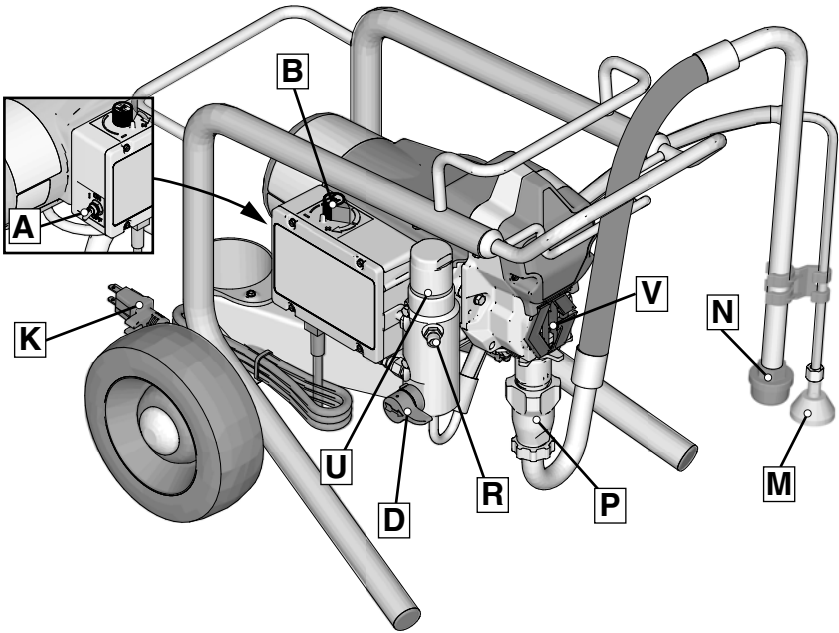
ti24761a

A	ON/OFF Switch
B	Pressure Control
D	Prime Valve
F	Tip Guard
G	Spray Tip
H	Gun
J	Airless Hose
K	Power Cord
L	Trigger Lock
M	Drain Tube

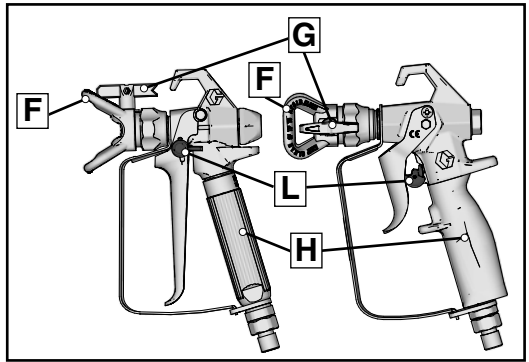
N	Fluid Intake
P	Pump
R	Fluid Outlet
S	Power Cord Wrap
U	Filter
V	Finger Guard / TSL Fill Point
	Model/Serial Tag (Not shown, located on bottom of unit.)

Component Identification

Lo-Boy Models



ti24835a



A	ON/OFF Switch
B	Pressure Control
D	Prime Valve
F	Tip Guard
G	Spray Tip
H	Gun
J	Airless Hose
K	Power Cord

L	Trigger Lock
M	Drain Tube
N	Fluid Intake
P	Pump
R	Fluid Outlet
U	Filter
V	Finger Guard / TSL Fill Point
	Model/Serial Tag (Not shown, located on bottom of unit.)

Component Identification

Hi-Boy Models

A	ON/OFF Switch
B	Pressure Control
D	Prime Valve
F	Tip Guard
G	Spray Tip
H	Gun
J	Airless Hose
K	Power Cord
L	Trigger Lock

M	Drain Tube
N	Fluid Intake
P	Pump
R	Fluid Outlet
S	Hanger
T	Filter
U	Finger Guard / TSL Fill Point
V	Pail Hook
	Model/Serial Tag (Not shown, located on bottom of unit.)

Grounding

Grounding



The equipment must be grounded to reduce the risk of static sparking and electric shock. An electric or static spark can cause fumes to ignite or explode. An improper ground can cause electric shock. A good ground provides an escape wire for the electric current.

This sprayer includes a ground wire with an appropriate ground contact.

The plug must be plugged into an outlet that is properly installed and grounded in accordance with all local codes and ordinances.

Do not modify the plug provided; if it does not fit the outlet, have the proper outlet installed by a qualified electrician.

Power Requirements

- 110-120V units require 100-120 VAC, 50/60 Hz, 13A, 1 phase.
- 230V units require 230 VAC, 50/60 HZ, 7A, 1 phase.

Extension Cords

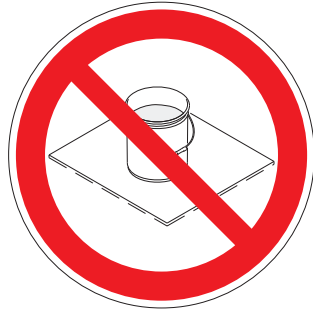
Use an extension cord with an undamaged ground contact. If an extension cord is necessary, use a 3-wire, 12 AWG (2.5 mm²) minimum.

NOTE: Smaller gauge or longer extension cords may reduce sprayer performance.

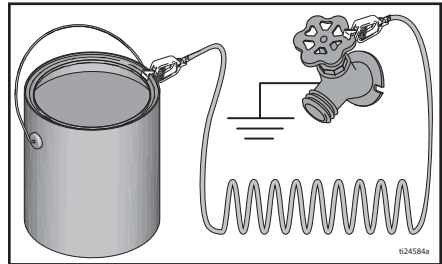
Pails

Solvent and oil-based fluids: follow local code. Use only conductive metal pails, placed on a grounded surface such as concrete.

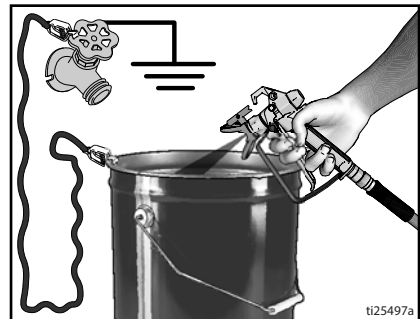
Do not place pail on a non-conductive surface such as paper or cardboard which interrupts grounding continuity.



Always ground a metal pail: connect a ground wire to the pail. Clamp one end to the pail and the other end to a true earth ground such as a water pipe.



To maintain ground continuity when sprayer is flushed or pressure is relieved: hold metal part of spray gun firmly to the side of a grounded metal pail then trigger the gun.



Pressure Relief Procedure

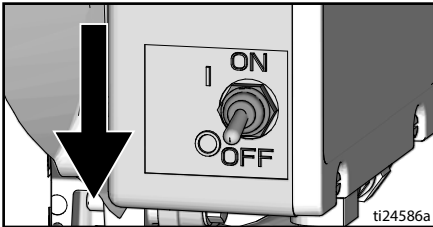


Follow the Pressure Relief Procedure whenever you see this symbol.

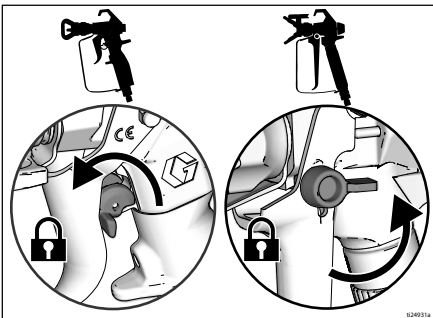


This equipment stays pressurized until pressure is manually relieved. To help prevent serious injury from pressurized fluid, such as skin injection, splashed fluid and moving parts, follow the Pressure Relief Procedure whenever sprayer is stopped and before sprayer is cleaned or checked, and before equipment is serviced.

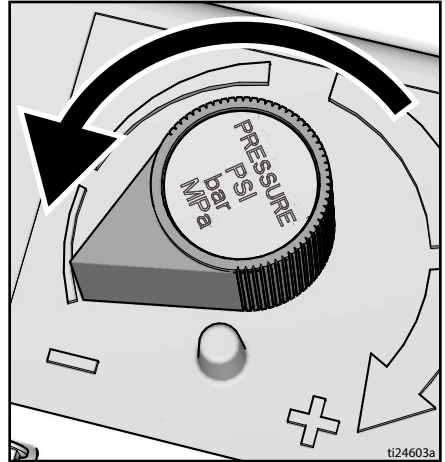
1. Turn the ON/OFF switch to **OFF** position. Wait 7 seconds for power to dissipate.



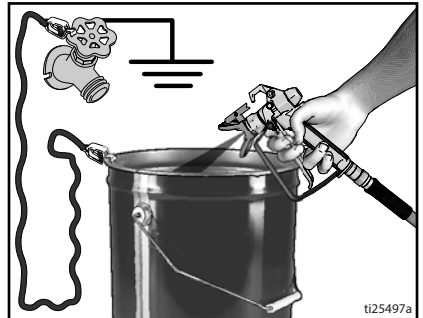
2. Engage the trigger lock.



3. Turn pressure control to lowest setting. Disengage the trigger lock.



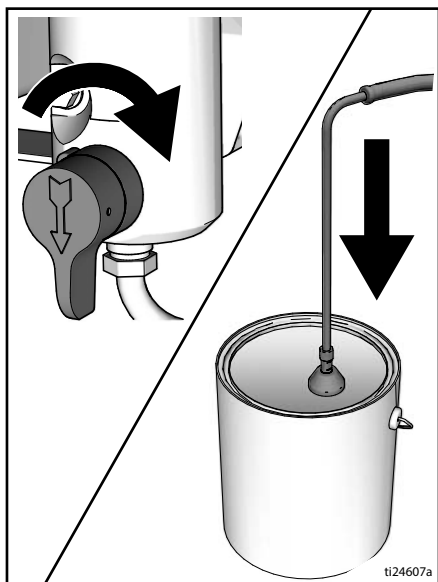
4. Hold a metal part of the gun firmly to a grounded metal pail. Trigger the gun to relieve pressure.



5. Engage the trigger lock.

Pressure Relief Procedure

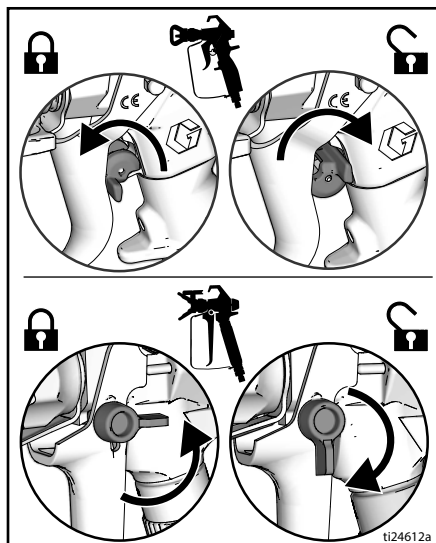
- Turn the prime valve down. Put drain tube in a pail. Leave prime valve in the down (drain) position until you are ready to spray again.



- If you suspect the spray tip or hose is clogged or that pressure has not been fully relieved:
 - VERY SLOWLY** loosen the tip guard retaining nut or the hose end coupling to relieve pressure gradually.
 - Loosen the nut or coupling completely.
 - Clear hose or tip obstruction.

Trigger Lock

Always engage the trigger lock when sprayer is stopped to prevent the gun from being triggered accidentally by hand or if dropped or bumped.

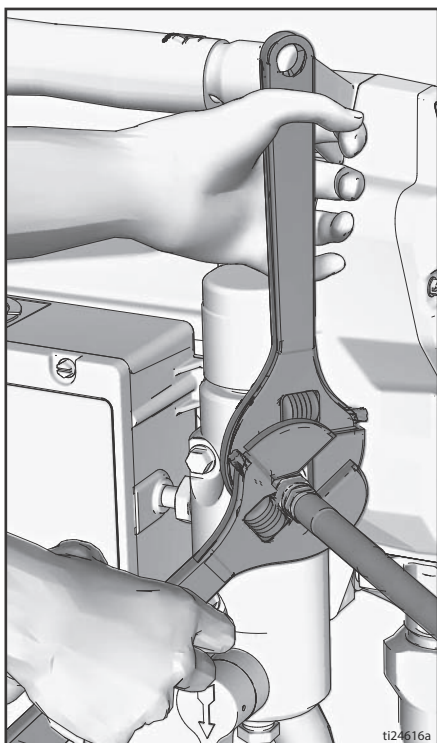


Setup

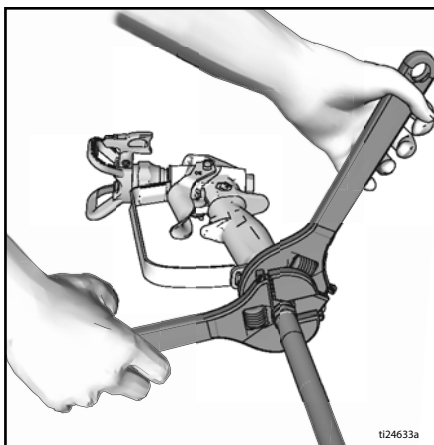


When unpacking sprayer for the first time or after long term storage perform setup procedure. When first setup is performed remove shipping plug from fluid outlet.

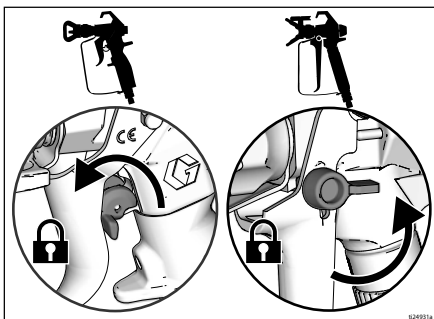
1. Connect Graco airless hose to fluid outlet. Use wrenches to tighten securely.



2. Connect other end of hose to gun.

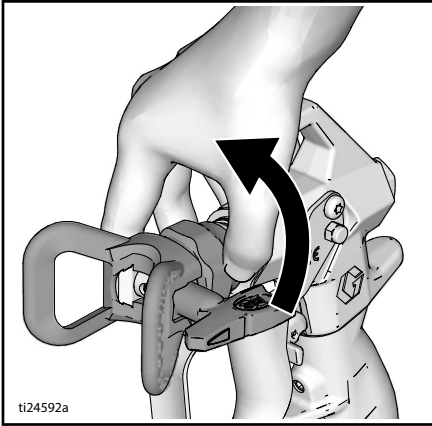


3. Use wrenches to tighten securely.
4. Engage trigger lock.

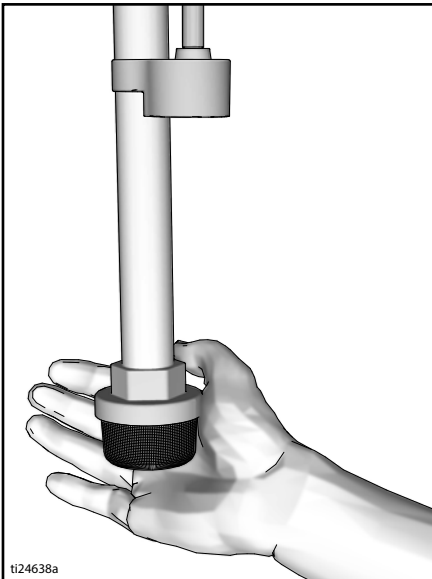


Setup

5. Remove tip guard.



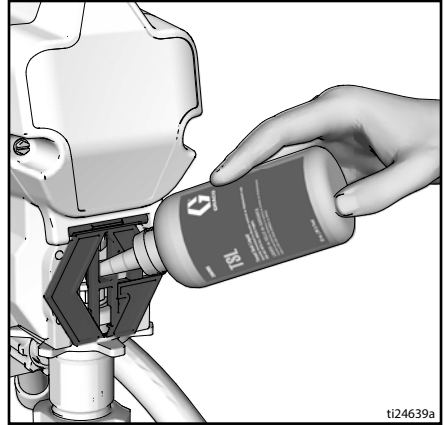
6. When unpacking sprayer for the first time remove packaging materials from inlet strainer. After long term storage check inlet strainer for clogs and debris.



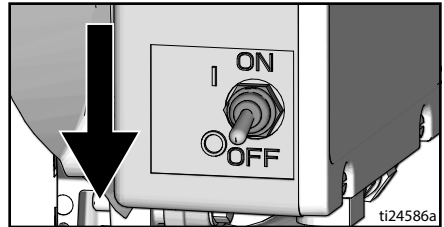
7. Fill throat packing nut with TSL to prevent premature packing wear. Do this daily or each time you spray.

- a. Place the TSL bottle nozzle into the top center opening in the finger guard at the front of the sprayer.

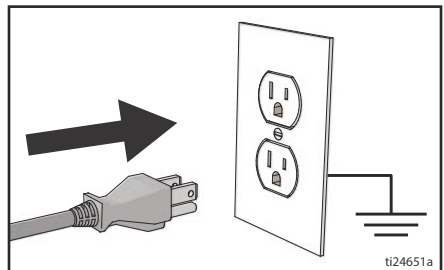
- b. Squeeze bottle to dispense enough TSL to fill the space between the pump rod and packing nut seal.



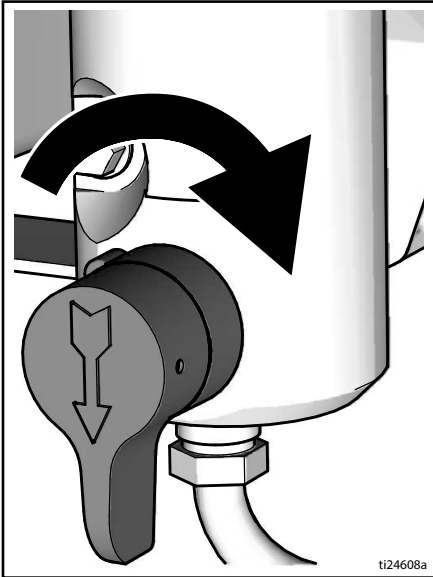
8. Make certain ON/OFF switch is OFF.



9. Plug power supply cord into a properly grounded electrical outlet.



10. Turn prime valve down.

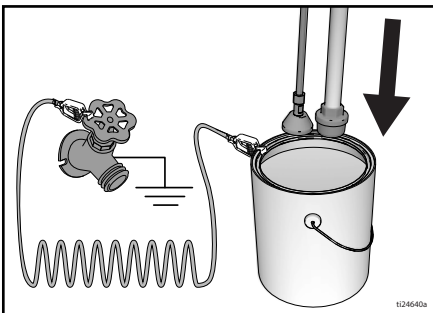


t124608a

- Place fluid intake with drain tube in grounded metal pail partially filled with flushing fluid. See **Grounding**, page 12.

NOTE: New sprayers are shipped with storage fluid that must be flushed out with mineral spirits prior to using the sprayer.

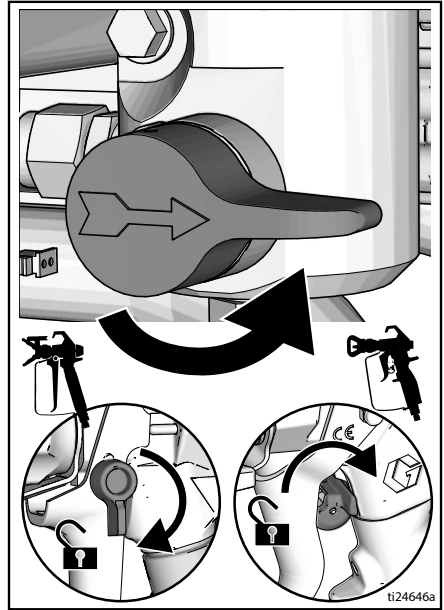
Check flushing fluid for compatibility with material that is to be sprayed. A secondary flush with a compatible fluid may be necessary. Water for latex paint or mineral spirits for oil-based paint.



t124640a

- Turn pressure control to lowest setting.
- Turn ON/OFF switch to **ON** position.
- Increase pressure 1/2 turn to start motor. Allow fluid to flush through sprayer for one minute.

- Turn prime valve horizontal. Disengage trigger lock.



t124646a

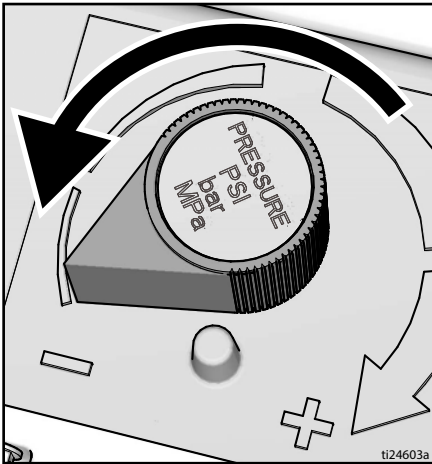
- Hold a metal part of the gun firmly to a grounded metal pail. Trigger gun and flush until clean.
- Turn ON/OFF switch to **OFF** position.
- Engage trigger lock.
- After flushing storage fluid out of the sprayer empty pail. Replace fluid intake with drain tube in grounded metal pail partially filled with flushing fluid. Use water to flush water-based paint or mineral spirits to flush oil-based paint.
- Turn ON/OFF switch to **ON** position.
- Turn prime valve horizontal. Disengage trigger lock.
- Hold a metal part of the gun firmly to a grounded metal pail. Trigger gun and flush for one minute.
- Turn ON/OFF switch to **OFF** position.
- Engage trigger lock.
- Sprayer is now ready to start up and spray.

Startup

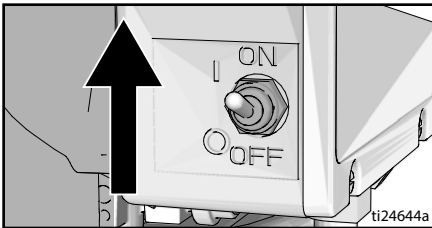
Startup



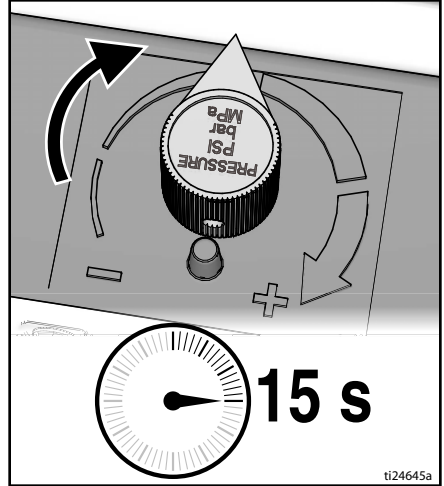
1. Perform **Pressure Relief Procedure**, page 13.
2. Turn pressure control to lowest pressure.



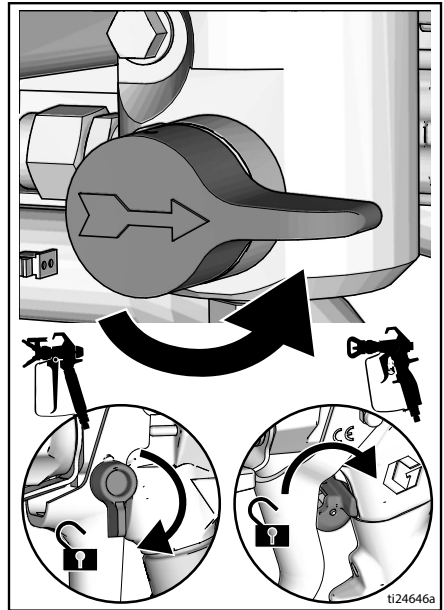
3. Turn ON/OFF switch to **ON** position.



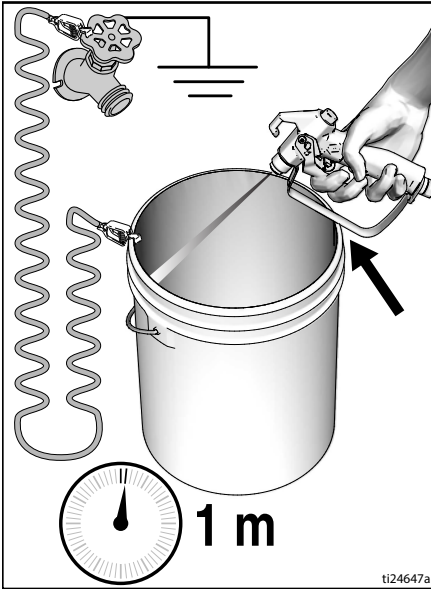
4. Place fluid intake in paint pail. Place drain tube in waste pail.
5. Increase pressure 1/2 turn to start motor. Allow paint to circulate through sprayer until paint flows out the drain tube.



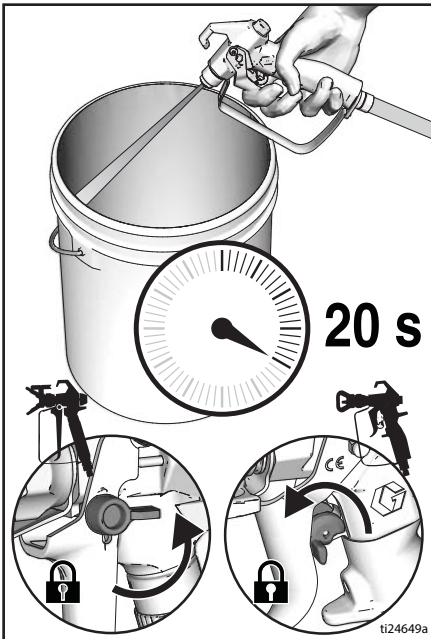
6. Turn prime valve horizontal. Disengage trigger lock.



7. Hold gun against grounded metal waste pail. Trigger gun until paint appears.



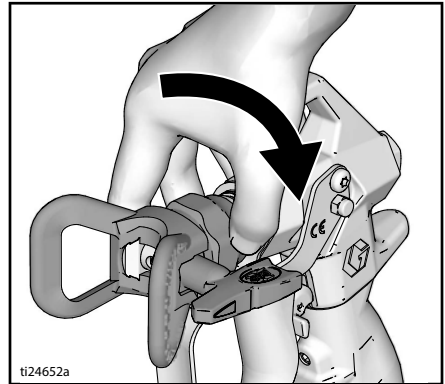
8. Move gun to paint pail and trigger for 20 seconds. Release trigger and allow sprayer to build pressure. Engage trigger lock.



--	--	--	--	--

High-pressure spray is able to inject toxins into the body and cause serious bodily injury. Do not stop leaks with hand or rag.

9. Inspect for leaks. If leaks occur, perform **Pressure Relief Procedure**, page 13, then tighten all fittings and repeat Startup procedure. If there are no leaks continue with the next step.
10. Screw tip assembly onto gun and tighten. See **Spray Tip Installation**, page 20. For gun assembly instructions, see separate gun manual.



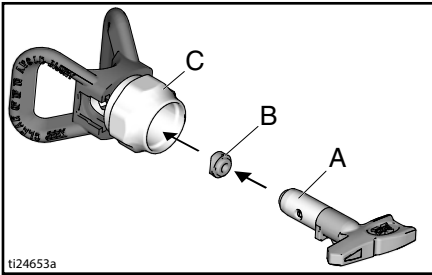
Operation

Operation

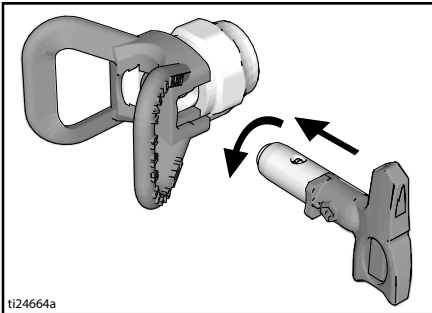
Spray Tip Installation



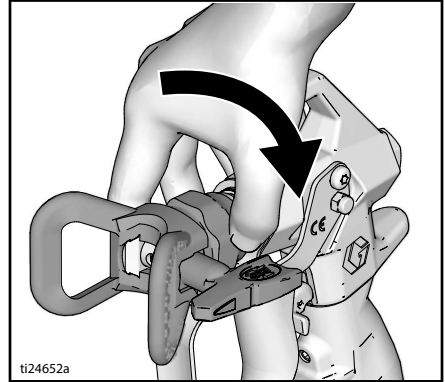
1. Perform **Pressure Relief Procedure**, page 13.
2. Use spray tip (A) to insert OneSeal™ (B) into tip guard (C).



2. Insert Spray Tip.

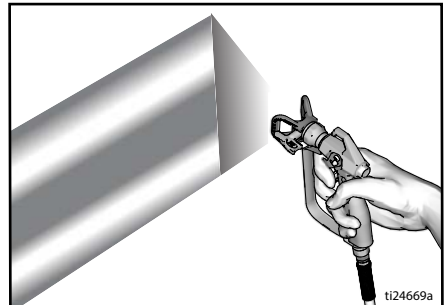


3. Screw assembly onto gun. Tighten.

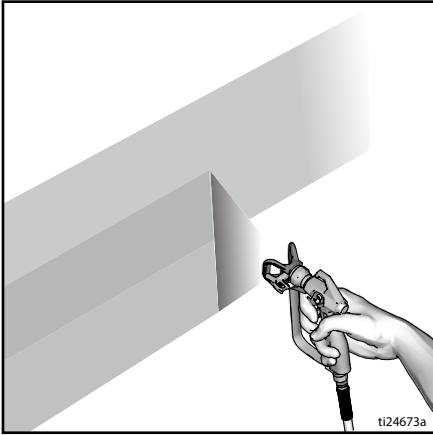


Spray

1. Spray test pattern. Adjust pressure to eliminate heavy edges.



2. Use smaller tip size if pressure adjustment cannot eliminate heavy edges.
3. Hold gun perpendicular, 10-12 in. (25-30 cm) from surface. Spray back and forth; overlap by 50%.

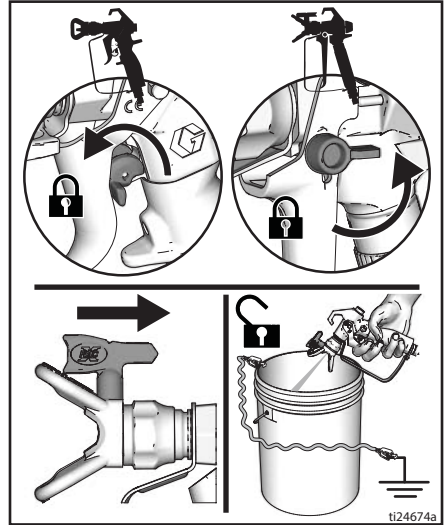


4. Trigger gun after moving. Release trigger before stopping. For additional spraying information, see separate gun manual.

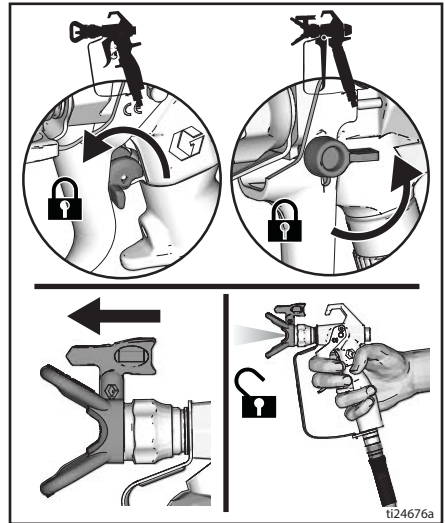
Clear Tip Clog



1. Release trigger. Engage trigger lock. Rotate Spray Tip. Disengage trigger lock. Trigger gun at waste area to clear clog.



2. Engage trigger lock. Return Spray Tip to original position. Disengage trigger lock and continue spraying.



Operation

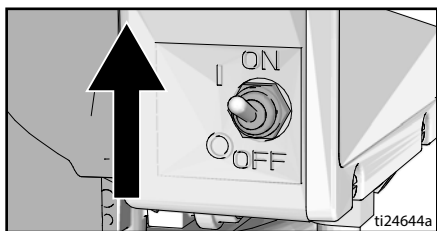
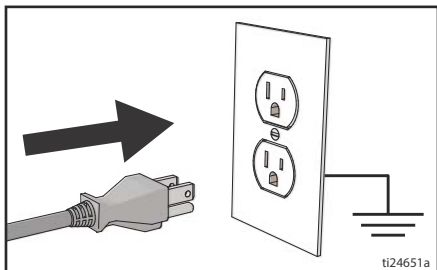
Digital Display

Some models are equipped with a digital display. This section explains how to use this feature.

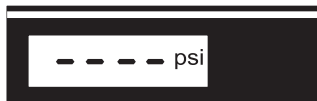


Pressure Display

1. Perform **Pressure Relief Procedure**, page 13.
2. Plug sprayer into grounded outlet. Turn ON/OFF switch to **ON** position.



3. The pressure is displayed. Dashes indicate pressure is less than 200 psi (14 bar, 1.4 MPa).



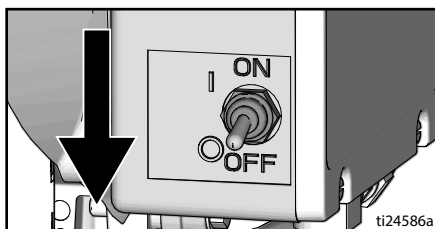
4. Press and hold display button to change pressure units (psi, bar, or MPa).



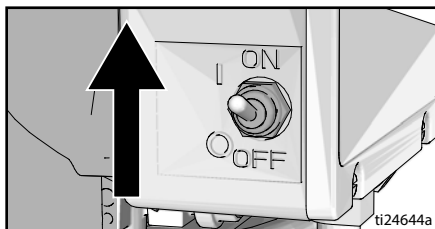
ti2888a

Stored Data Display

1. Turn ON/OFF switch to **OFF** position.



2. To enter Stored Data Mode, press and hold display button and turn ON/OFF switch to **ON** position.



3. Sprayer model number is displayed followed by Data Point 1 which is the unit power on time in hours.



4. Press display button again to display Data Point 2. Motor run time in hours is displayed.



5. Press display button again to display Data Point 3. This will be the last error code.



ti2824a

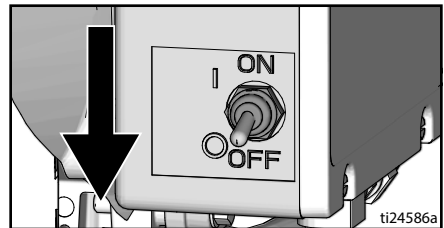
6. To erase last error code, press and hold display button.
7. Press display button again to display Data Point 4. The software revision is displayed.



8. Press display button again to return to Data Point 1.



9. Turn ON/OFF switch to **OFF** position to exit Stored Data.

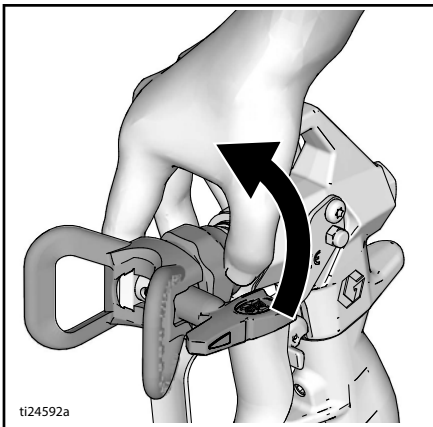


Operation

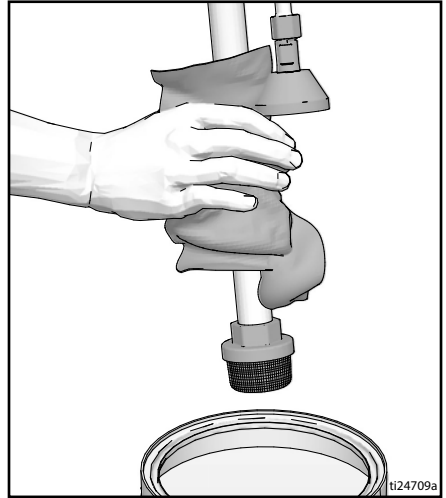
Cleanup



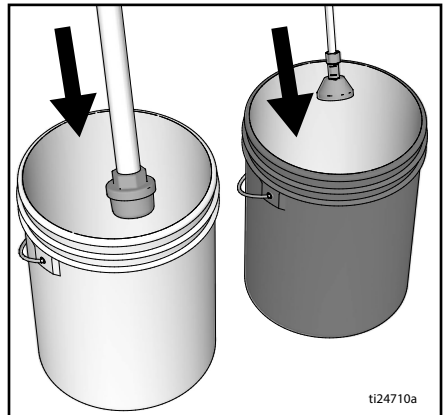
1. Perform **Pressure Relief Procedure**, page 13.
2. Remove tip guard and Spray Tip. For additional information, see separate gun manual.



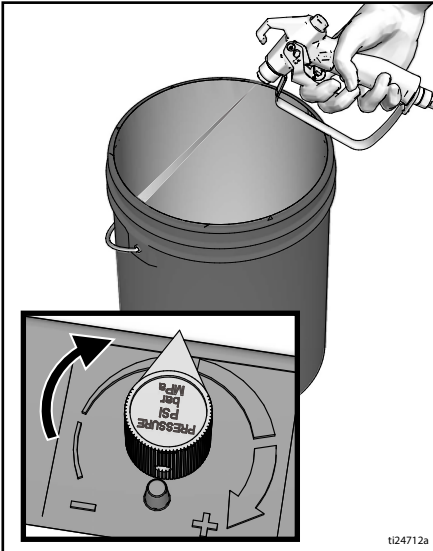
3. Remove fluid intake and drain tube from paint, wipe excess paint off outside.



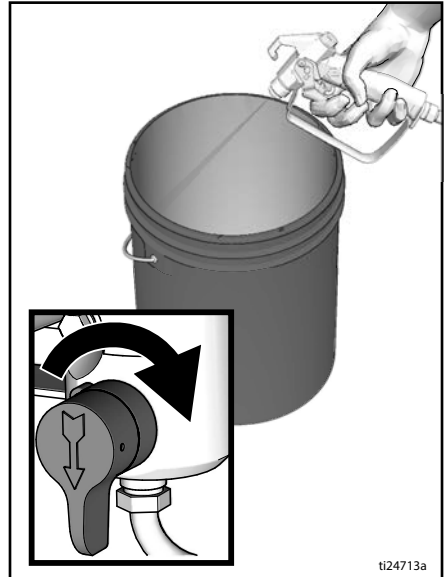
4. Place fluid intake in flushing fluid. Use water for water base paint and mineral spirits for oil-based paint. Place drain tube in waste pail.



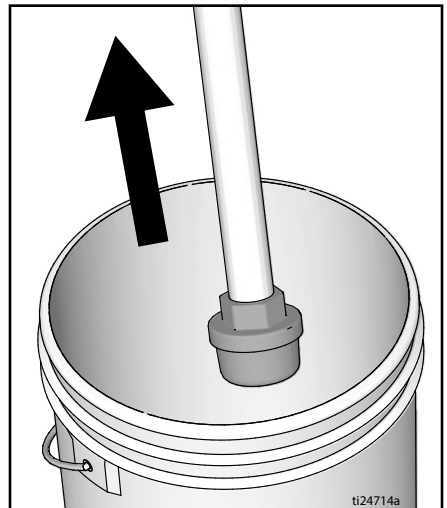
5. Turn prime valve horizontal.
6. Increase pressure 1/2 turn to start motor. Hold gun against paint pail. Disengage trigger lock. Trigger gun and increase pressure until the pump runs steady and flushing fluid appears.



7. Stop triggering gun. Move gun to waste pail, hold gun against pail, trigger gun to thoroughly flush system.
8. While continuing to trigger gun, turn prime valve down. Then, release gun trigger. Allow flushing fluid to circulate until fluid comes out of drain tube clear.

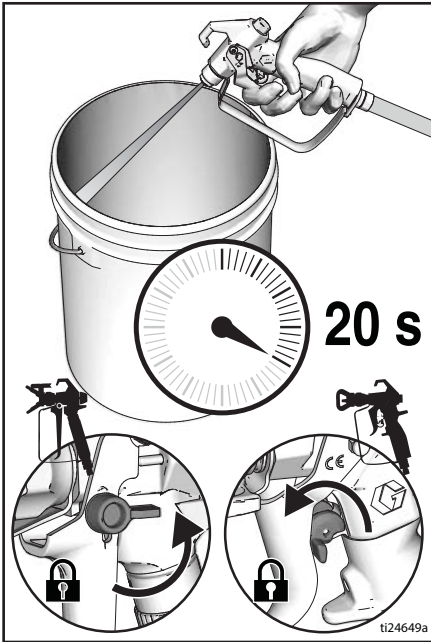


9. Raise fluid intake above flushing fluid.

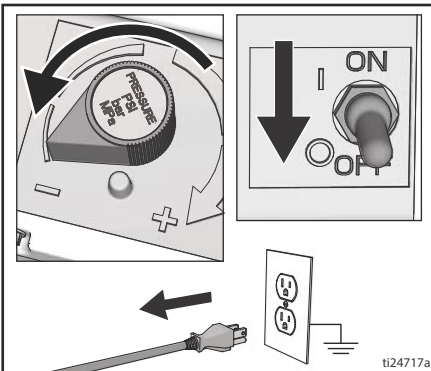


Operation

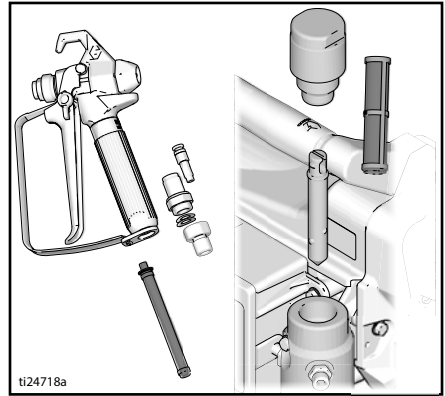
10. Turn prime valve horizontal. Trigger gun into flushing pail to purge fluid from hose.
11. Engage trigger lock.



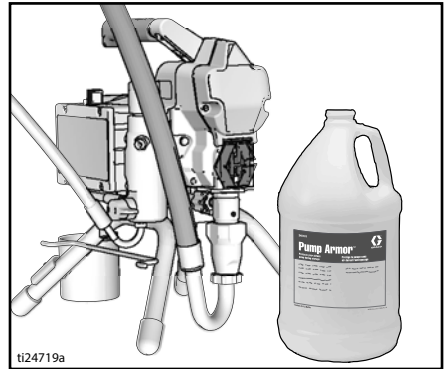
12. Turn pressure control knob to the lowest pressure setting and turn ON/OFF switch to OFF position. Disconnect power to sprayer.



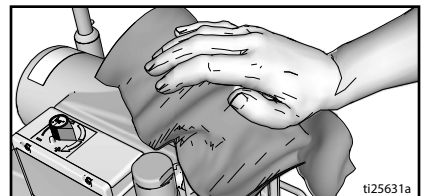
13. Remove filter from gun and sprayer if installed. Clean and inspect. Install filter. See separate gun manual.



14. If flushing with water, flush again with mineral spirits or Pump Armor to leave a protective coating to prevent freezing or corrosion.



15. Wipe sprayer, hose and gun with a rag soaked in water or mineral spirits.



Maintenance

Routine maintenance is important to ensure proper operation of your sprayer. Maintenance includes performing routine actions which keep your sprayer in operation and prevents trouble in the future.



Activity	Interval
Inspect/clean sprayer filter, fluid inlet strainer, and gun filter.	Daily or each time you spray
Inspect motor shield vents for blockage.	Daily or each time you spray
Fill TSL by adding through TSL fill point.	Daily or each time you spray
Inspect motor brushes for wear. Brushes must be 1/2 in. (13mm) minimum length. NOTE: Brushes do not wear at the same rate on both sides of motor. Check both brushes.	Every 1000 gallons (3785 liters)
<p>Check sprayer stall.</p> <p>With sprayer gun NOT triggered, sprayer motor should stall and not restart until gun is triggered again.</p> <p>If sprayer starts again with gun NOT triggered, inspect pump for internal/external leaks and check prime valve for leaks.</p>	Every 1000 gallons (3785 liters)
<p>Throat packing adjustment</p> <p>When pump packing begins to leak after extended use, tighten packing nut down until leakage stops or lessens. This allows approximately 100 gallons of additional operation before a repacking is required. Packing nut can be tightened without O-ring removal.</p>	As necessary based on usage

Troubleshooting

Mechanical/Fluid Flow



1. Follow **Pressure Relief Procedure**, page 13, before checking or repairing.
2. Check all possible problems and causes before disassembling the unit.

Problem	What to Check If check is OK, go to next check	What to Do When check is not OK, refer to this column
<p>For units with display: E=0X is displayed.</p> <p>For units with no display: Control board status light is blinking or the light is off and there is power to the sprayer.</p>	Fault condition exists.	Determine fault correction from Electrical , page 31.
Pump output is low	Spray tip worn.	Follow Pressure Relief Procedure , page 13, then replace tip. See separate gun or tip manual.
	Spray tip clogged.	Relieve pressure. Check and clean spray tip.
	Paint supply.	Refill and reprime pump.
	Intake strainer clogged.	Remove and clean, then reinstall.
	Intake valve ball and piston ball are not seating properly.	Remove intake valve and clean. Check balls and seats for nicks; replace if necessary. See pump manual. Strain paint before using to remove particles that could clog pump.
	Fluid filter or tip filter is clogged or dirty.	Clean filter.
	Prime valve leaking.	Follow Pressure Relief Procedure , page 13, then repair prime valve.
	Verify pump does not continue to stroke when gun trigger is released. (Prime valve not leaking.)	Service pump. See pump manual.
Leaking around throat packing nut which may indicate worn or damaged packings.	Replace packings. See pump manual. Also check piston valve seat for hardened paint or nicks and replace if necessary. Tighten packing nut/wet-cup.	

Problem	What to Check If check is OK, go to next check	What to Do When check is not OK, refer to this column
Pump output is low	Pump rod damage.	Repair pump. See pump manual.
	Low stall pressure.	Turn pressure knob fully clockwise. Make sure pressure control knob is properly installed to allow full clockwise position. If problem persists, replace pressure transducer.
	Piston packings are worn or damaged.	Replace packings. See pump manual.
	O-ring in pump is worn or damaged.	Replace o-ring. See pump manual.
	Intake valve ball is packed with material.	Clean intake valve. See pump manual.
	Large pressure drop in hose with heavy materials.	Reduce overall length of hose.
	Check extension cord for correct size.	See Extension Cords , page 12.
	Loose motor brushes and terminals.	Tighten terminal screws. Replace brushes if leads are damaged.
	Worn motor brushes. (Brushes must be 1/2 in. [13mm] minimum length).	Replace brushes.
	Broken and misaligned motor brush springs. Rolled portion of spring must rest squarely on top of brush.	Replace spring if broken. Realign spring with brush.
	Motor brushes are binding in brush holders.	Clean brush holders, remove carbon dust with a small cleaning brush. Align brush lead with slot in brush holder to assure free vertical brush movement.
Motor runs but pump does not stroke	Connecting rod assembly damaged. See pump manual.	Replace connecting rod assembly. See pump manual.
	Gears or drive housing damaged.	Inspect drive housing assembly and gears for damage and replace if necessary.
Excessive paint leakage into throat packing nut	Throat packing nut is loose.	Remove throat packing nut spacer. Tighten throat packing nut just enough to stop leakage.
	Throat packings are worn or damaged.	Replace packings. See pump manual.
	Displacement rod is worn or damaged.	Replace rod. See pump manual.

Troubleshooting

Problem	What to Check If check is OK, go to next check	What to Do When check is not OK, refer to this column
Fluid is spitting from gun	Air in pump or hose.	Check and tighten all fluid connections. Cycle pump as slowly as possible during priming.
	Spray tip is partially clogged.	Clear tip. See Clear Tip Clog , page 21.
	Fluid supply is low or empty.	Refill fluid supply. Prime pump. See pump manual. Check fluid supply often to prevent running pump dry.
Pump is difficult to prime	Air in pump or hose.	Check and tighten all fluid connections. Cycle pump as slowly as possible during priming.
	Intake valve is leaking.	Clean intake valve. Be sure ball seat is not nicked or worn and that ball seats well. Reassemble valve.
	Pump packings are worn.	Replace pump packings. See pump manual.
	Paint is too thick.	Thin the paint according to supplier recommendations.
Sprayer operates for 5 to 10 minutes then stops	Pump packing nut too tight. When pump packing nut is too tight the packings on the pump rod restrict pump action and overloads the motor.	Loosen pump packing nut. Check for leaks around throat. If necessary, replace pump packings. See Pump manual.

Electrical

Symptom: Sprayer does not run, stops running, or will not shut off.



Perform **Pressure Relief Procedure**, page 13.

1. Plug sprayer into correct voltage, grounded outlet.
2. Turn the ON/OFF switch **OFF** wait 30 seconds and then turn power back **ON** again (this ensures sprayer is in normal run mode).
3. Turn pressure control knob clockwise 1/2 turn.

4. View digital display or remove control box cover to view control board status light. To determine which code (or any other code besides voltage supply) refer to the control board status light. Turn the ON/OFF switch **OFF**, remove the control cover then turn power back **ON**. Observe the status light. Blinking LED total count equals the error code (for example: two blinks equals CODE 02).

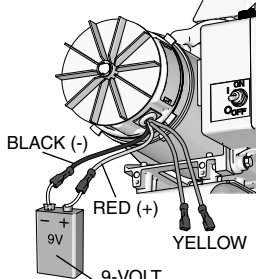


Keep clear of electrical and moving parts during troubleshooting procedures. To avoid electrical shock hazards when covers are removed for troubleshooting, wait 7 seconds after disconnecting power cord for stored electricity to dissipate.

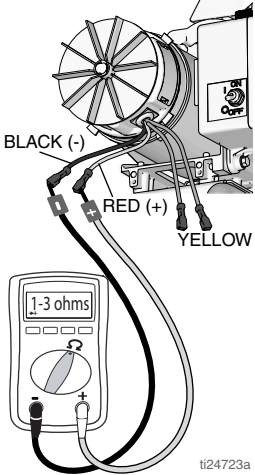
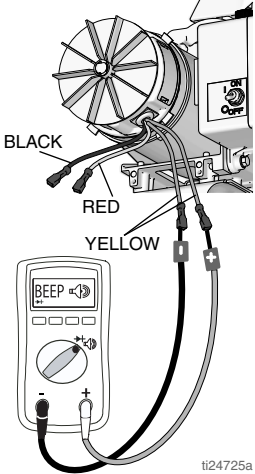
Problem	What to Check	How to check
Sprayer does not run at all AND Display is blank OR Control board status light never lights	See flow chart, page 37.	
Sprayer does not shut off AND Display shows E=02 OR Control board status light blinks 2 times repeatedly	Control board.	Replace control board.

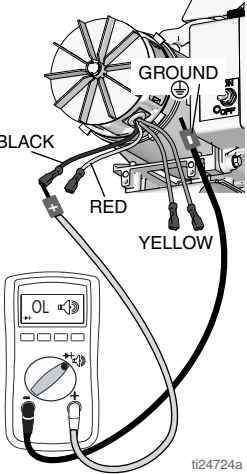
Troubleshooting

Problem	What to Check	How to check
<p>Sprayer does not run at all AND Display shows E=02 OR Control board status light blinks 2 times repeatedly</p>	<p>Check transducer or transducer connections</p>	<p>Make sure there is no pressure in the system (see Pressure Relief Procedure, page 13). Check fluid path for clogs, such as clogged filter.</p> <p>Use airless paint spray hose with no metal braid. A small hose or metal braid hose may result in high-pressure spikes.</p> <p>Turn ON/OFF switch OFF and disconnect power to sprayer.</p> <p>Check transducer and connections to control board.</p> <p>Disconnect transducer from control board socket. Check that transducer and control board contacts are clean and secure.</p> <p>Reconnect transducer to control board socket. Connect power, turn ON/OFF switch ON and control knob 1/2 turn clockwise. If sprayer does not run properly, turn ON/OFF switch OFF and go to next step.</p> <p>Install new transducer. Connect power, turn ON/OFF switch ON and control knob 1/2 turn clockwise. Replace control board if sprayer does not run properly.</p>
<p>Sprayer does not run at all AND Display shows E=03 OR Control board status light blinks 3 times repeatedly</p>	<p>Check transducer or transducer connections (control board is not detecting a pressure signal).</p>	<p>Turn ON/OFF switch OFF and disconnect power to sprayer.</p> <p>Check transducer and connections to control board.</p> <p>Disconnect transducer from control board socket. Check to see if transducer and control board contacts are clean and secure.</p> <p>Reconnect transducer to control board socket. Connect power, turn ON/OFF switch ON and control knob to 1/2 turn clockwise. If sprayer does not run, turn ON/OFF switch OFF and go to next step.</p> <p>Connect a confirmed working transducer to control board socket.</p> <p>Turn ON/OFF switch ON and control knob to 1/2 turn clockwise. If sprayer runs, install new transducer. Replace control board if sprayer does not run.</p>

Problem	What to Check	How to check
Sprayer does not run at all AND Display shows E=04 OR Control board status light blinks 4 times repeatedly	Check voltage supply to the sprayer (control board is detecting a multiple voltage surges).	Turn ON/OFF switch OFF and disconnect power to sprayer. Locate a good voltage supply to prevent damage to electronics.
Sprayer does not run at all AND Display shows E=05 OR Control board status light blinks 5 times repeatedly	Control is commanding motor to run but motor shaft does not rotate. Possibly locked rotor condition, an open connection exists between motor and control, there is a problem with motor or control board, or motor amp draw is excessive.	<ol style="list-style-type: none"> 1. Remove pump and try to run sprayer. If motor runs, check for locked or frozen pump or drive train. If sprayer does not run, continue to step 2. 2. Turn ON/OFF switch OFF and disconnect power to sprayer. 3. Disconnect motor connector(s) from control board socket(s). Check that motor connector and control board contacts are clean and secure. If contacts are clean and secure, continue to step 4. 4. Connect a DC voltmeter across the two motor wires – red & black spin the motor fan and check for a voltage to register on the meter. If voltage is not present, check brushes. If OK, replace motor. If voltage is present, go to step 5. 5. Perform a spin test by connecting a 9 –12 Volt battery to the motor leads. Motor leads may vary in style and size. Locate the two wires going to the carbon brushes normally Red and Black. Motor should spin when battery is connected to the motor leads. <div style="text-align: right; margin-top: 20px;">  <p>BLACK (-) RED (+) YELLOW 9-VOLT BATTERY</p> <p style="text-align: right;">ti24722a</p> </div>

Troubleshooting

Problem	What to Check	How to check
		<p data-bbox="689 196 1004 310">6. Connect the Red and Black leads from the motor to an Ohm meter. Rotate the motor while checking for opens. If an open is found replace the motor.</p>  <p data-bbox="919 802 972 818">ti24723a</p> <p data-bbox="689 826 990 987">7. Check motor thermal protection. Motor should be at ambient temperature for this test. Connect the yellow leads from the motor to an Ohm meter. Meter should indicate continuity or Ohms depending on the motor type.</p>  <p data-bbox="919 1479 972 1495">ti24725a</p>

Problem	What to Check	How to check
		<p>8. Use an Ohm meter to check motor for shorts. Connect (-) meter lead to motor case. Move the (+) meter lead to each motor wire. Meter should read open on all wires.</p>  <p>9. Reconnect motor connector(s) to control board socket(s). Connect power, turn ON/OFF switch ON and control knob to 1/2 turn clockwise. If motor does not run, replace control board.</p>
<p>Sprayer does not run at all AND Display shows E=06 OR Control board status light blinks 6 times repeatedly</p>	<p>Motor is hot or there is a fault in the motor thermal device.</p>	<p>Allow sprayer to cool. If sprayer runs when cool, correct cause of overheating. Keep sprayer in cooler location with good ventilation. Make sure motor air intake is not blocked. If sprayer still does not run, replace motor.</p>
<p>Sprayer does not run at all AND Display shows E=08 OR Control board status light blinks 8 times repeatedly</p>	<p>Check voltage supply to the sprayer (incoming voltage too low for sprayer operation).</p>	<p>Turn ON/OFF switch OFF and disconnect power to the sprayer.</p>

Troubleshooting

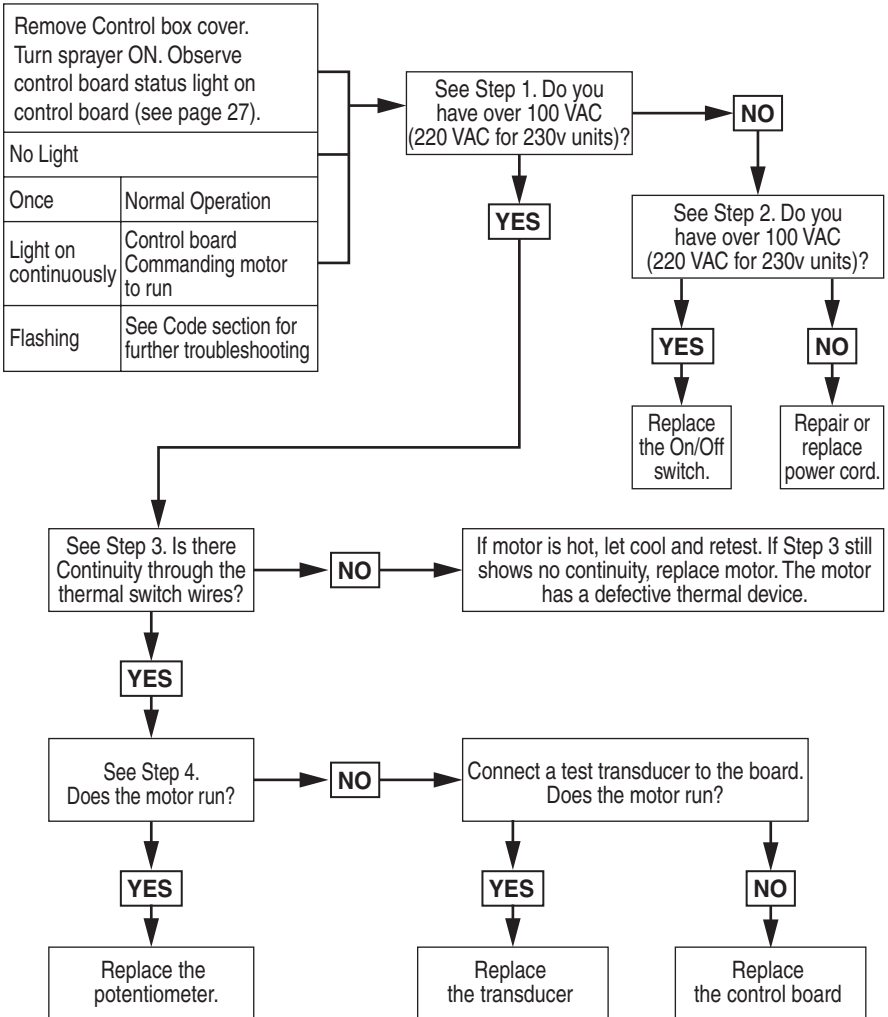
Problem	What to Check	How to check
Basic electrical problems	Motor leads are securely fastened and properly mated	Replace loose terminals; crimp to leads. Be sure terminal are firmly connected. Clean circuit board terminals. Securely reconnect leads.
	For loose motor brush lead connections and terminals.	Tighten terminal screws. Replace brushes if leads are damaged.
	Brushes must be 1/2 in. [13mm] minimum. NOTE: Brushes do not wear at the same rate on both sides of motor. Check both brushes.	Replace brushes.
	Broken or misaligned motor brush springs. Rolled portion of spring must rest squarely on top of brush.	Replace spring if broken. Realign spring with brush.
	Motor brushes may be binding in brush holders.	Clean brush holders. Remove carbon with small cleaning brush. Align brush leads with slot in brush holder to assure free vertical brush movement.
	Motor armature commutator for burn spots, gouges or extreme roughness.	Remove motor and have motor shop resurface commutator if possible.

Sprayer Will Not Run

(See following page for steps)

Sprayer Will Not Run

(see following pages for steps)

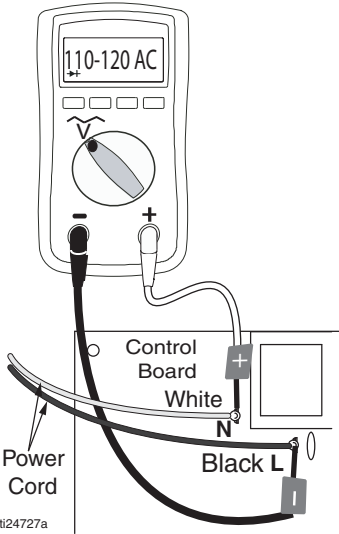


ti24726a

Troubleshooting

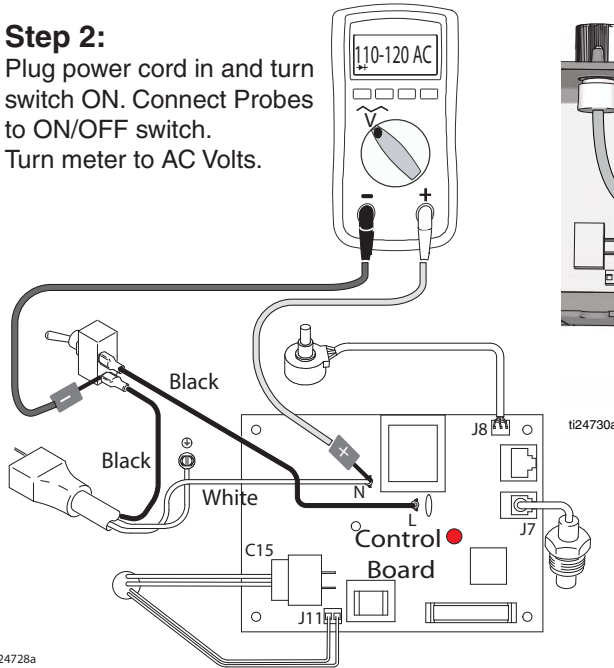
Step 1:

Plug Power cord in and turn switch ON. Connect probes to L and N on control board. Turn meter to AC Volts.



Step 2:

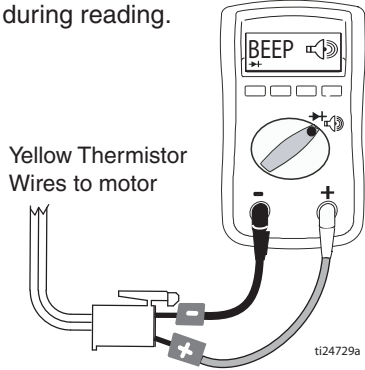
Plug power cord in and turn switch ON. Connect Probes to ON/OFF switch. Turn meter to AC Volts.



Step 3:

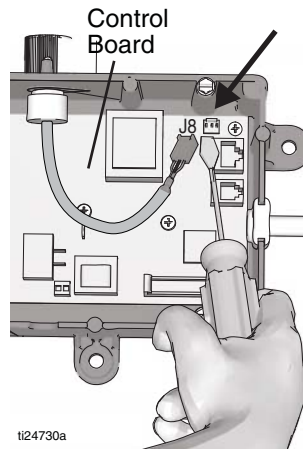
Check motor thermal switch. Unplug yellow wires. Meter should read continuity.

NOTE: Motor should be cool during reading.



Step 4:

Disconnect potentiometer. Plug power cord in and turn switch ON.

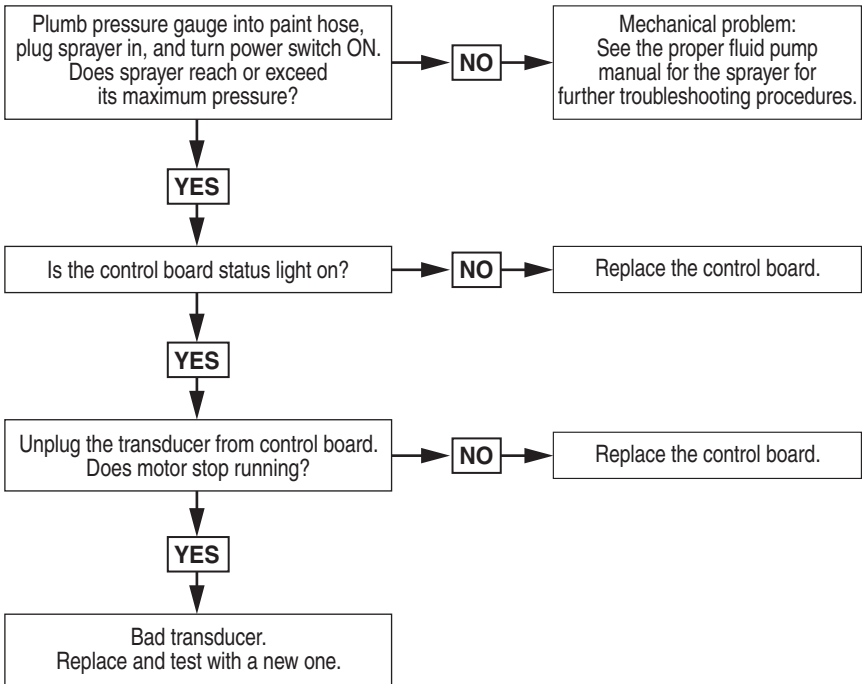


Sprayer Will Not Shut Off

1. Perform **Pressure Relief Procedure**, page 13. Leave prime valve open (down) and turn ON/OFF switch **OFF**.

2. Remove control box cover so the control board status light can be viewed if available.

Troubleshooting Procedure





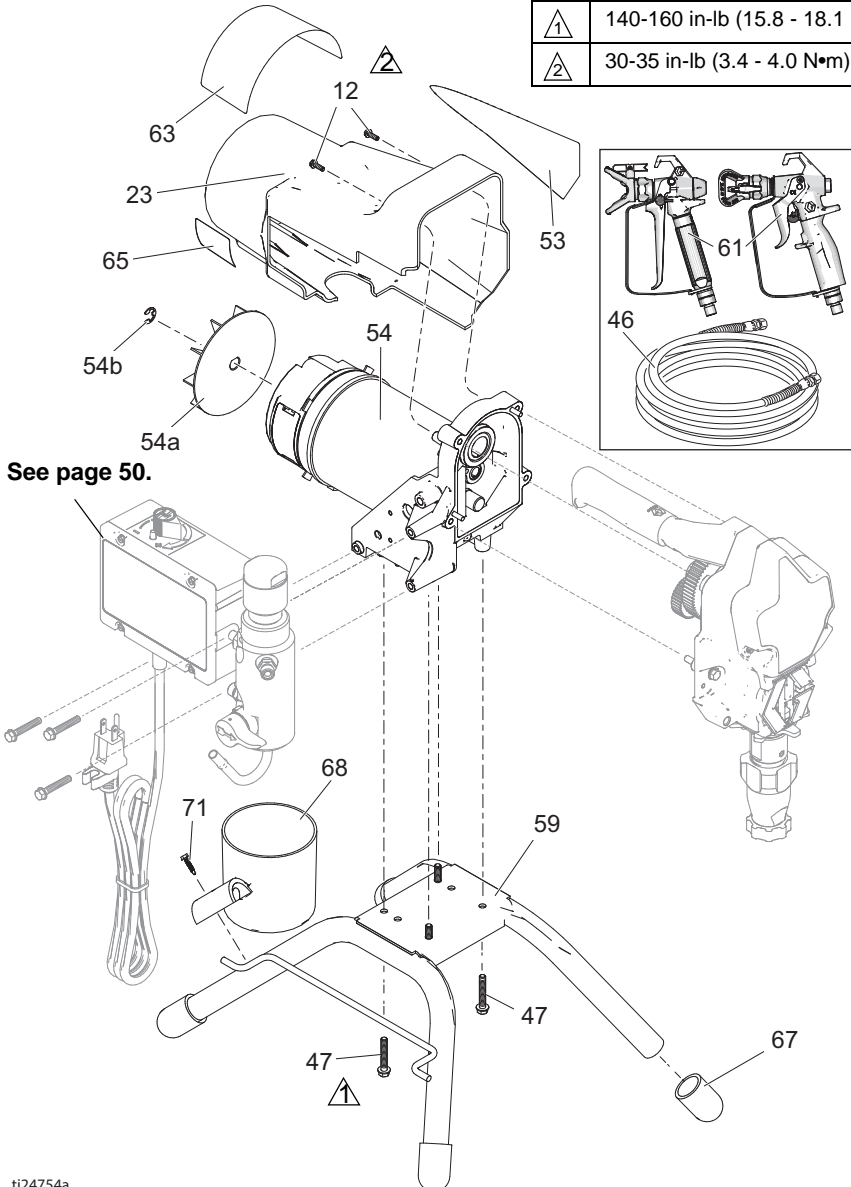
t124731a

Stand Sprayers

Stand Sprayers

Models 17C314, 17C359, 17C361, 17C390, 17C391, 17C392, 17C409, 17E023, 17E024, 17E027, 826196

Ref.	Torque
	140-160 in-lb (15.8 - 18.1 N·m)
	30-35 in-lb (3.4 - 4.0 N·m)

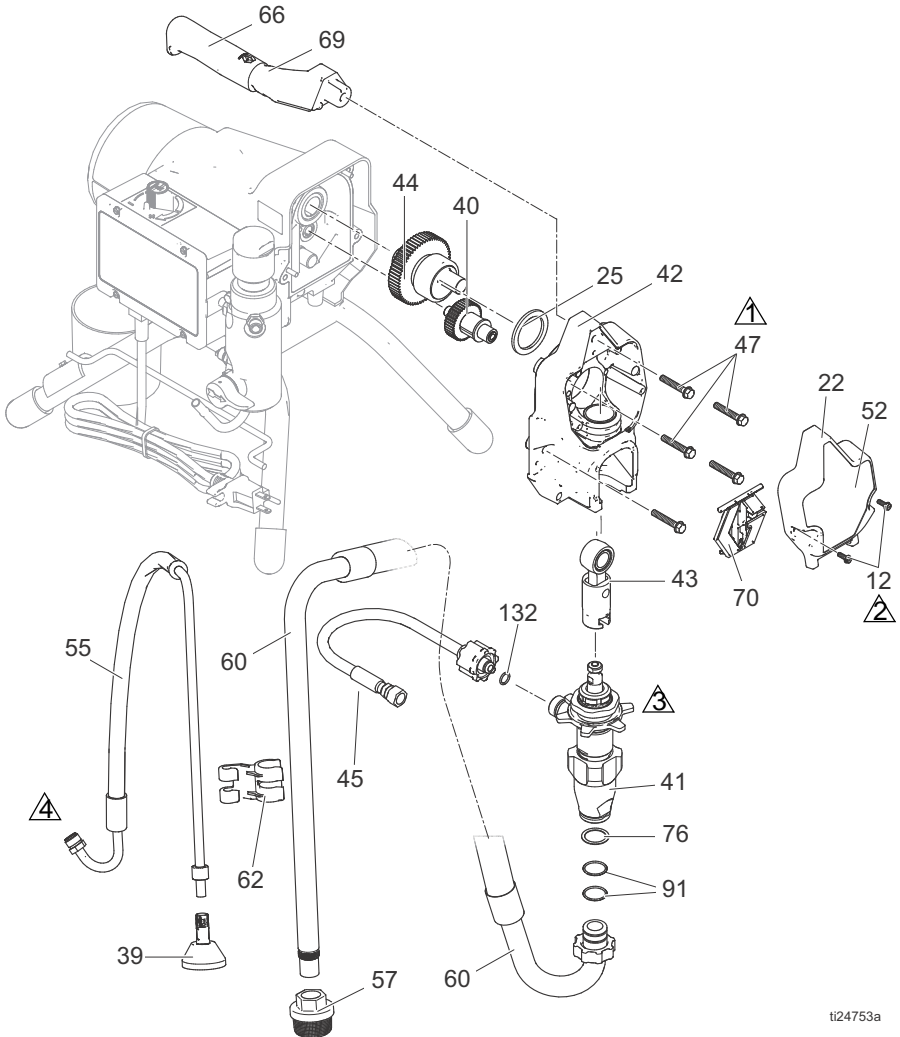


ti24754a

Stand Sprayers

Models 17C314, 17C359, 17C361, 17C390, 17C391, 17C392, 17C409, 17E023, 17E024, 17E027, 826196

Ref.	Torque
①	140-160 in-lb (15.8 - 18.1 N•m)
②	30-35 in-lb (3.4 - 4.0 N•m)
③	Hammer tight
④	25-30 ft-lb (33.9 - 40.7 N•m)



ti24753a

Stand Sprayers

Stand Sprayers Parts List

Models 17C314, 17C359, 17C361, 17C390, 17C391, 17C392, 17C409, 17E023, 17E024, 17E027, 826196



Ref. Part	Description	Qty.	Ref. Part	Description	Qty.
12	117501 SCREW, mach, hex washer hd	4	287060	230V	
22	17C539 COVER, front, painted	1	54a	118716 RING, retaining	1
23	15B465 SHIELD, motor, painted	1	54b	248189 FAN, motor, <i>includes 54a</i>	1
25	180131 BEARING, thrust	1	55	246381 HOSE, drain, stand, <i>includes 39,62</i>	1
33	206994 FLUID, TSL (not shown)	1	57	246385 STRAINER, 7/8-14 unf	1
34▲	See page 49 CROWN, medical alert (not shown)	1	59	15E823 FRAME, standmount, <i>includes 67</i>	1
39	241920 DEFLECTOR, threaded	1	60	246386 KIT, hose suction, <i>includes 57, 62, 76, 91</i>	1
40	249194 GEAR, reducer	1	61	See page 49 GUN, spray	1
41	PUMP, displacement, PC	1	62	276888 CLIP, drain line	1
	17C487 North America		63▲	See page 49 LABEL, danger	1
	17C488 Asia/ANZ/Japan		65▲	See page 49 LABEL, warning	1
	17C489 Europe		66	116139 GRIP, handle	1
42	24W817 HOUSING, drive, PC, <i>includes 47</i>	1	67	15G857 CAP, leg	4
43	24W640 ROD, connecting, PC	1	68	287903 CUP, suction/drain	1
44	GEAR, crankshaft, <i>includes 25</i>	1	69	287072 HANDLE, sprayer, <i>includes 47, 66</i>	1
	24X020 395 models		70	17C483 COVER, pump rod	1
	24X021 495 models		71	122667 SCREW, drill, hex washer head	1
45	24W830 KIT, hose, cpld, PC, <i>includes 132</i>	1	76	115099 WASHER, hose	1
46	See page 49 HOSE, cpld, 1/4 in. x 50 ft	1	91	117559 O-ring	2
47	117493 SCREW, mach, hex washer hd	9	132	16H137 PACKING, O-ring	1
52	See page 49 LABEL, front	1	206994	FLUID, TSL, 8 oz. (not shown)	1
53	See page 49 LABEL, side	1			
54*	MOTOR, <i>includes 54a, 54b</i>	1			
	287015 110V / 120V				

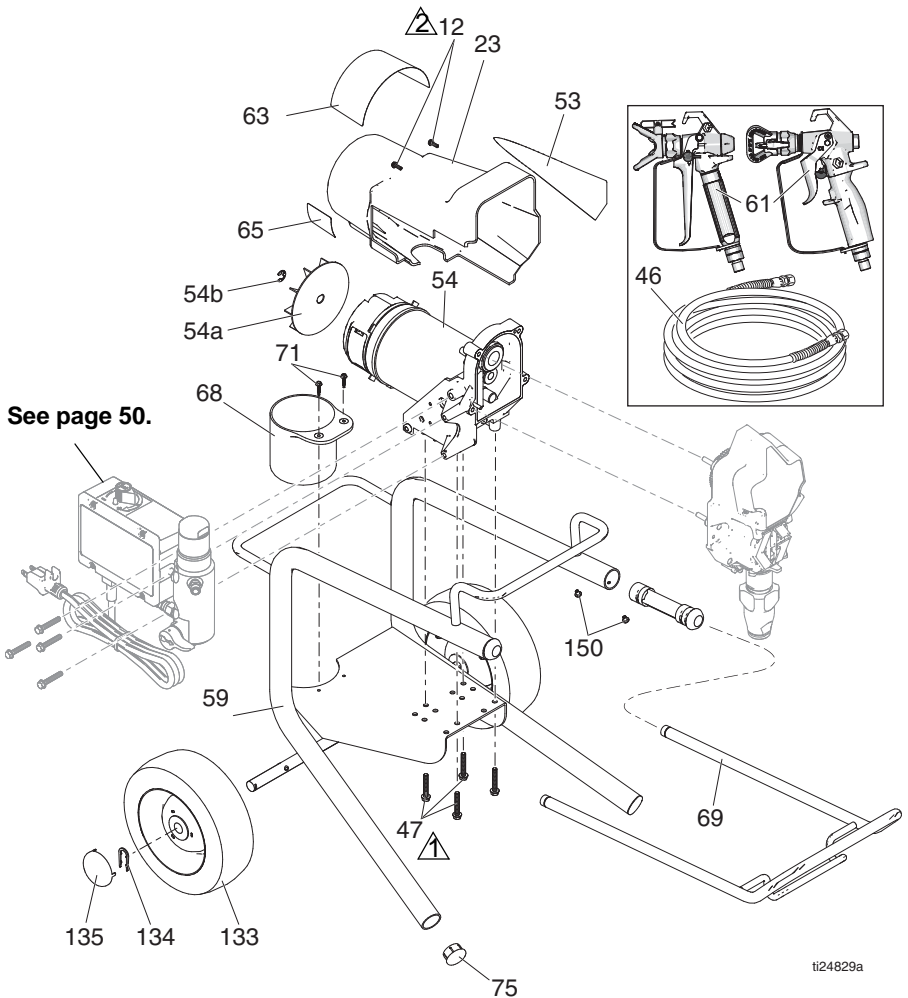
* For motor brush kit order 287735

▲ Replacement Danger and Warning labels, tags, and cards are available at no cost.

395 Lo-Boy Sprayers




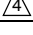
Models 17C315, 826197

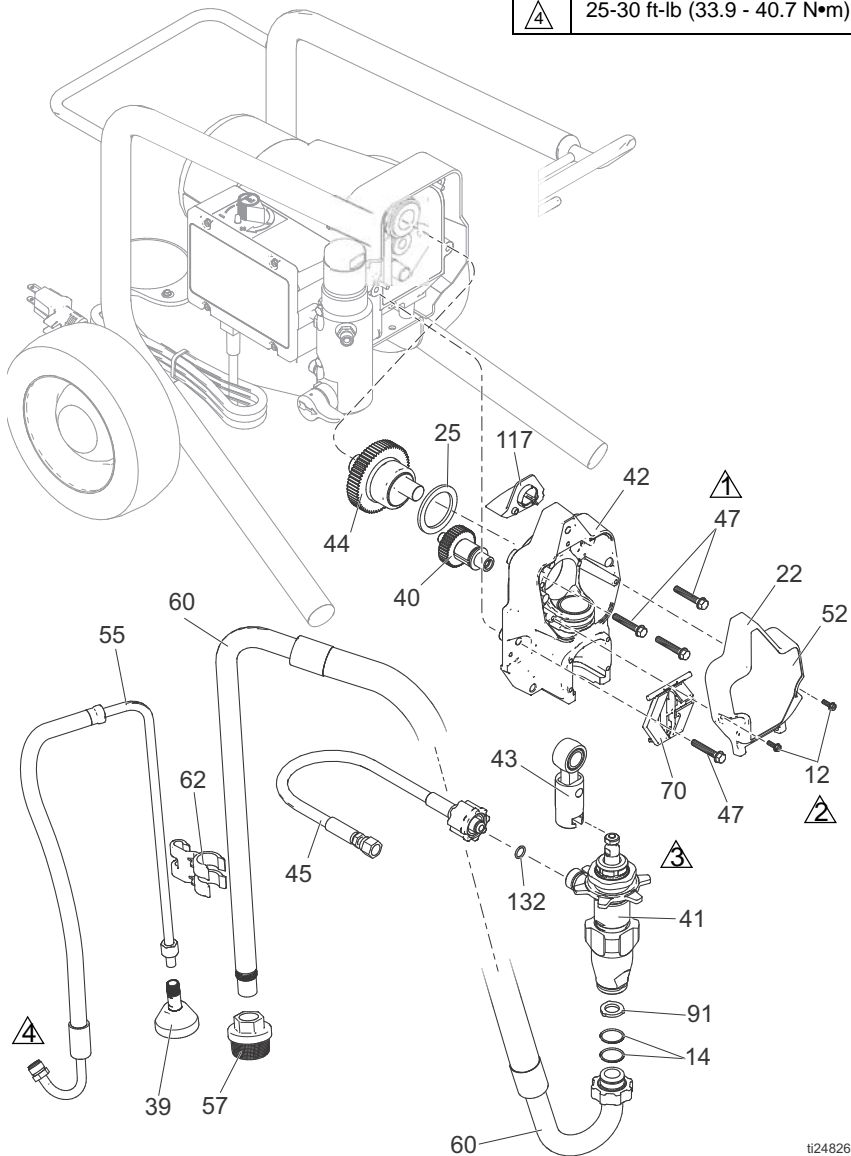
Ref.	Torque
	140-160 in-lb (15.8 - 18.1 N•m)
	30-35 in-lb (3.4 - 4.0 N•m)



395 Lo-Boy Sprayers

Models 17C315, 826197

Ref.	Torque
 1	140-160 in-lb (15.8 - 18.1 N•m)
 2	30-35 in-lb (3.4 - 4.0 N•m)
 3	Hammer tight
 4	25-30 ft-lb (33.9 - 40.7 N•m)



ti24826a

395 Lo-Boy Sprayers Parts List

Models 17C315, 826197

Ref. Part	Description	Qty.	Ref. Part	Description	Qty.
12 117501	SCREW, mach, hex washer hd	4	55 246381	HOSE, drain, stand, <i>includes 39,62</i>	1
14 117559	O-ring	2	57 246385	STRAINER, 7/8-14 unf	1
22 17C539	COVER, front, painted	1	59 246250	FRAME, cart, lo	1
23 15B465	KIT, shield, motor, painted	1	60 246386	KIT, hose suction, <i>includes 14, 57, 62, 91</i>	1
25 180131	BEARING, thrust	1	61 See page 49	GUN, spray (not shown)	1
33 206994	FLUID, TSL (not shown)	1	62 276888	CLIP, drain line	1
34▲ See page 49	CARD, medical alert (not shown)	1	63▲ See page 49	LABEL, danger	1
39 241920	DEFLECTOR, threaded	1	65▲ See page 49	LABEL, warning	1
40 249194	GEAR, reducer	1	68 15B870	CUP, suction/drain	1
41 17C487	PUMP, displacement, PC, North America	1	69 287488	HANDLE, assembly, lo cart	1
42 24W817	HOUSING, drive, PC, <i>includes 47</i>	1	70 17C483	COVER, pump rod	1
43 24W640	ROD, connecting, PC	1	71 122667	SCREW, drill, hex washer head	2
44 24X020	GEAR, crankshaft, <i>includes 25</i>	1	75 107310	PLUG, tubing	2
45 24W830	KIT, hose, cpld, PC, <i>includes 132</i>	1	91 115099	WASHER, hose	1
46 See page 49	HOSE, cpld, 1/4 in. x 50 ft	1	117 15G447	PLUG, shield, painted	1
47 117493	SCREW, mach, hex washer hd	8	132 16H137	PACKING, O-ring	1
52 See page 49	LABEL, front	1	133 195766	WHEEL, semi pneumatic	2
53 See page 49	LABEL, side	1	134 15B999	CLIP, retaining	2
54* 287015	MOTOR, <i>includes 54a, 54b</i>	1	135 104811	CAP, hub	2
54a 118716	RING, retaining	1	150 109032	SCREW, pan hd	4
54b 248189	FAN, motor, <i>includes 54a</i>	1	206994	FLUID, TSL, 8 oz. (not shown)	1

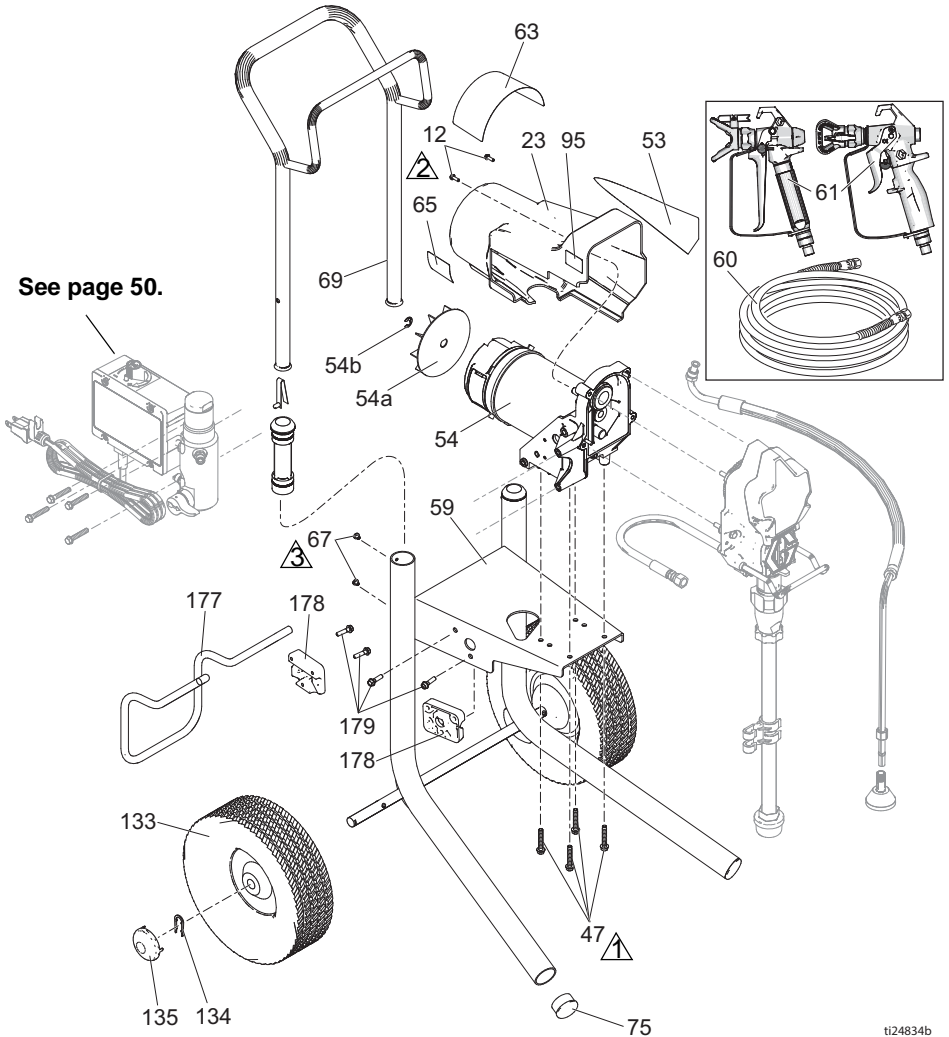
* For motor brush kit order 287735

▲ Replacement Danger and Warning labels, tags, and cards are available at no cost.

Hi-Boy Sprayers

Models 17C317, 17C362, 17C408, 17E025, 17E026, 826198

Ref.	Torque
①	140-160 in-lb (15.8 - 18.1 N•m)
②	30-35 in-lb (3.4 - 4.0 N•m)
③	23-27 in-lb (2.6 - 3.1 N•m)

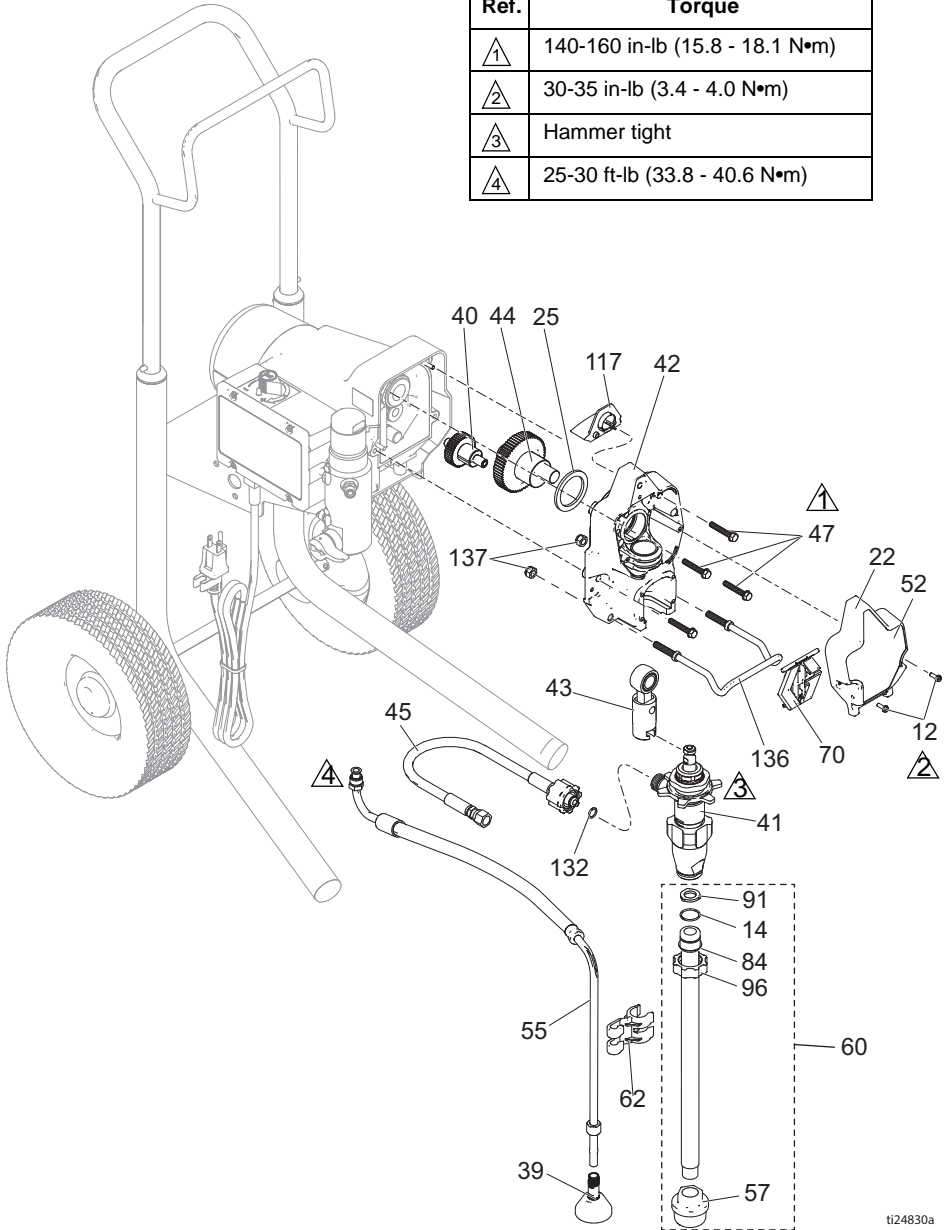


t124834b

Hi-Boy Sprayers

Models 17C317, 17C362, 17C408, 17E025, 17E026, 826198

Ref.	Torque
①	140-160 in-lb (15.8 - 18.1 N•m)
②	30-35 in-lb (3.4 - 4.0 N•m)
③	Hammer tight
④	25-30 ft-lb (33.8 - 40.6 N•m)



tj24830a

Hi-Boy Sprayers Parts List

Models 17C317, 17C362, 17C408, 17E025, 17E026, 826198

Ref. Part	Description	Qty.	Ref. Part	Description	Qty.
12	117501 SCREW, mach, hex washer hd	4	55	244240 HOSE, drain, <i>includes 39</i>	1
14	103413 O-ring	1	57	246385 STRAINER, 7/8-14 unf	1
22	17C539 COVER, front, painted	1	59	17C485 FRAME, cart, hi	1
23	15B465 SHIELD, motor, painted	1	60	17C992 KIT, stinger tube, <i>includes 14, 57, 84, 91, 96</i>	1
25	180131 BEARING, thrust	1	61	See page 49 GUN, spray	1
33	206994 FLUID, TSL (not shown)	1	62	276888 CLIP, drain line	1
34▲	See page 49 CARD, medical alert (not shown)	1	63▲	See page 49 LABEL, danger	1
39	241920 DEFLECTOR, threaded	1	65▲	See page 49 LABEL, warning	1
40	249194 GEAR, reducer	1	67	109032 SCREW, pan hd	4
41	PUMP, displacement, PC	1	69	287489 HANDLE	1
	17C487 North America		70	17C483 COVER, pump rod	1
	17C488 Asia/ANZ/Japan		75	108691 PLUG, tubing	2
	17C489 Europe		84	15B652 WASHER, suction	1
42	24W817 HOUSING, drive, PC, <i>includes 47</i>	1	91	115099 WASHER, hose	1
43	24W640 ROD, connecting, PC	1	96	15E813 NUT, jam	1
44	GEAR, crankshaft, <i>includes 25</i>	1	117	15G447 PLUG, shield, painted	1
	24X020 395 models		132	16H137 PACKING, O-ring	1
	24X021 495 models		133	106062 WHEEL	2
45	24W830 KIT, hose, cpld, PC, <i>includes 132</i>	1	134	15B999 CLIP, retaining	2
46	See page 49 HOSE, cpld, 1/4 in. x 50 ft	1	135	104811 CAP, hub	2
47	117493 SCREW, mach, hex washer hd	8	136	17C990 HANGER, pail	1
52	See page 49 LABEL, front	1	137	111040 NUT, lock, insert, nylon	2
53	See page 49 LABEL, side	1	177	15D281 HANGER, stand, cart (Models 17C408, 17E025, 17E026)	1
54*	MOTOR, <i>includes 54a, 54b</i>	1	178	15C982 CAM, cart (Models 17C408, 17E025, 17E026)	2
	287015 110V / 120V		179	114531 SCREW, mach, HWH (Models 17C408, 17E025, 17E026)	4
	287060 230V		206994	FLUID, TSL, 8 oz. (not shown)	1
54a	118716 RING, retaining	1			
54b	248189 FAN, motor, <i>includes 54a</i>	1			

* For motor brush kit order 287735

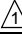
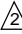



▲ Replacement Danger and Warning labels, tags, and cards are available at no cost.

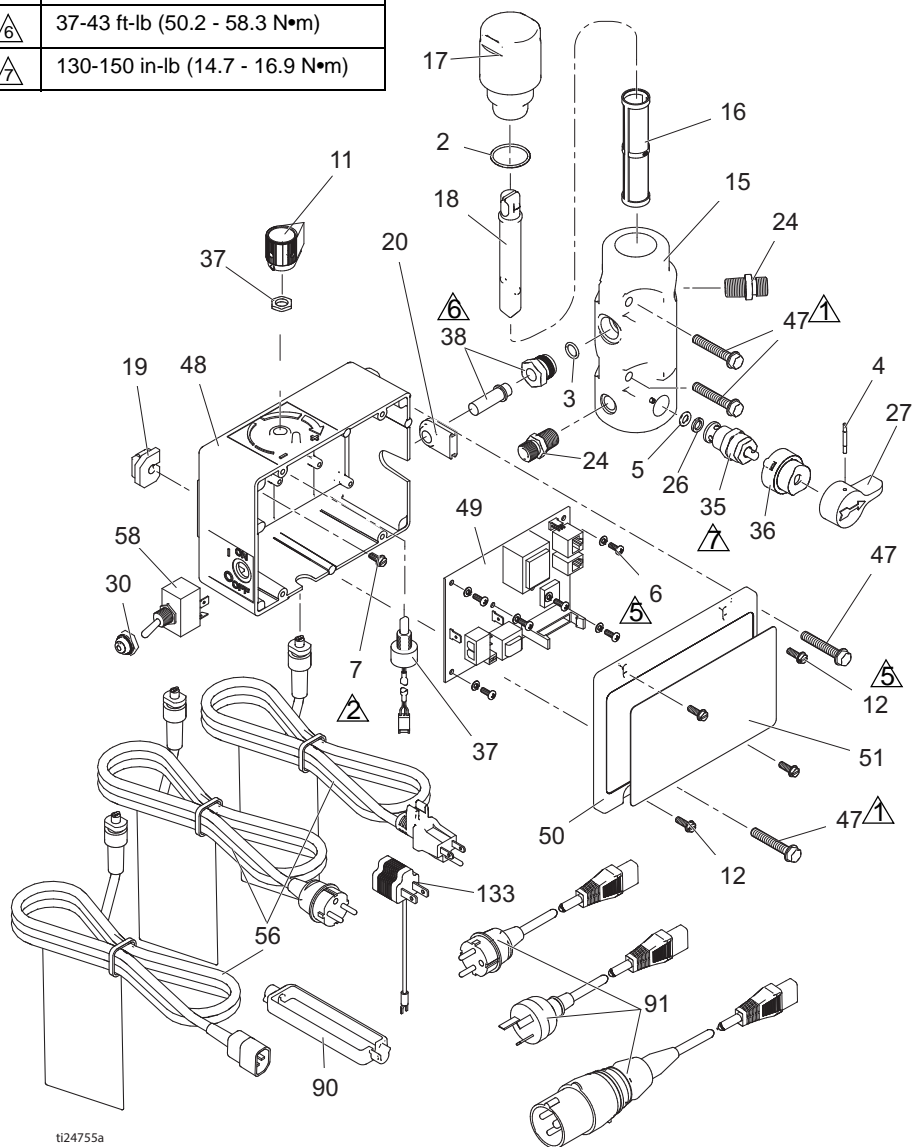
Accessories and Labels

Sprayer Model	Ref. 34 Card, Medical Alert ▲	Ref. 46 Hose, 1/4 in. x 50 ft	Ref. 52 Label, Front	Ref. 53 Label, Side	Ref. 61 Gun, Spray	Ref. 63 Label, Danger ▲	Ref. 65 Label, Warning ▲
17C314 17C315 17C317	222385 #	240794	17C823	17C824	288420	15B516 &	195793 &
17C359 17C361 17C362	222385 #	240794	17C865	17C874	288438	---	16G596 \$
17C390 17C408	17A134 %	240794	17C823	17C824	288427/ 288436	15H087 @	195792 @
17C391	17A134 %	240794	17C823	17C824	288427/ 288436	15H086 *	195792 @
17C392	17A134 %	240794	17C963	17C962	17C926	15H087 @	195792 @
17C409	17A134 %	247340	17C856	17C859	16X214	15H087 @	195792 @
17E023 17E024 17E025 17E026	222385 #	240794	17E046	17E047	288438	---	16G596 \$
17E027	17A134 %	247340	17E048	17E049	16X214	15H087 @	195792 @
826196 826197 826198	222385 #	826079	17C825	17C826	826085	15B516 &	195793 &
288526 – Kit, accessory, hopper							
# – English, Spanish, French							
% – English, Chinese, Korean							
& – North America							
@ – Asia/ANZ							
\$ – Europe							
* – Japan							
▲ Replacement Danger and Warning labels, tags, and cards are available at no cost.							

Control Box

Control Box

Ref.	Torque
 1	140-160 in-lb (15.8 - 18.1 N•m)
 2	30-35 in-lb (3.4 - 4.0 N•m)
 5	20-25 in-lb (2.3 - 2.8 N•m)
 6	37-43 ft-lb (50.2 - 58.3 N•m)
 7	130-150 in-lb (14.7 - 16.9 N•m)



ti24755a

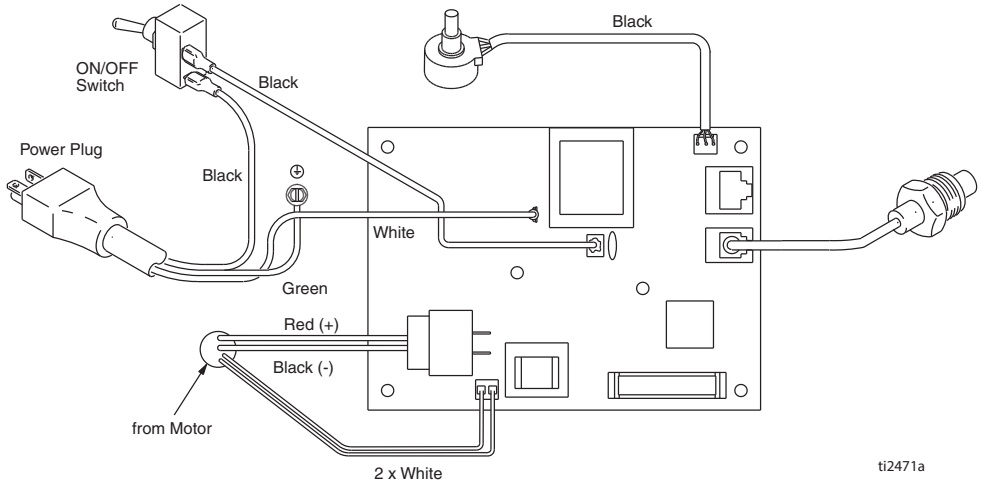
Control Box Parts List

Ref. Part	Description	Qty.	Ref. Part	Description	Qty.		
2	117828	PACKING, o-ring	1	47	117493	SCREW, mach, hex washer hd	4
3	111457	PACKING, o-ring	1	48	276868	BOX, control	1
4	111600	PIN, grooved	1	49		CONTROL, board	1
5	277364	GASKET, seat, valve	1	246378		110V, UK	
6	115494	SCREW, mach, Phillips, pan hd	6	246379		120V, US/Japan	
7	115498	SCREW, mch, slot/hex, wash hd	1	246380		230V, Europe/Asia/ANZ	
11	116167	KNOB, potentiometer	1	24X292		230V, China	
12	117501	SCREW, mach, hex washer hd	4	24X752		230V, 495 models, 3000 psi/207 bar	
15		MANIFOLD, fluid	1	24X751		230V, 495 models, 3300 psi/228 bar	
	15G455	Models without pressure gauge		50	276882	COVER, control	1
	15T811	Models with pressure gauge		287098		DIGITAL, display <i>includes 51</i>	
16		FILTER, fluid	1	51		LABEL, control	1
	246425	30 mesh		15K393		ULTRA/Classic S	
	246384	60 mesh, original		15B373		Ultimate NOVA	
	246382	100 mesh		15K400		Models with display	
	246383	200 mesh		56		CORD, power	1
17	287902	CAP, manifold, <i>includes 18</i>	1	15J743		US/Japan	
18	15B071	INSERT, filter	1	253368		UK	
19	15B118	BUSHING, motor wire	1	253369		Europe, CEE 7/7	
20	15B120	GROMMET, transducer	1	253373		Multicord, Asia/ANZ	
24	162453	NIPPLE, (1/4 npsm x 1/4 npt)	2	58		SWITCH, toggle	1
26	15E022	SEAT, valve	1	195429		120V, US/Japan	
27	187625	HANDLE, valve, drain	1	117492		110V / 230V, Europe/Asia/ANZ/UK	
30	195428	BOOT, toggle	1	90	195551	RETAINER, plug, adapter	
35	239914	VALVE, drain, <i>includes 5, 26</i>	1			Multicord models	2
36	224807	BASE, valve	1	91		CEE 7/7 models	1
37	17D888	POTENTIOMETER, assembly	1	242001		CORD SET, adapter	1
38	243222	TRANSDUCER, pressure control, <i>includes 3</i>	1	129	158674	Europe	
				133	244285	Australia	
					115523	O-ring, packing	1
						ADPTER, Japan	1
						GAUGE, pressure, fluid, not shown (on select models)	1

Wiring Diagrams

Wiring Diagrams

110/120V

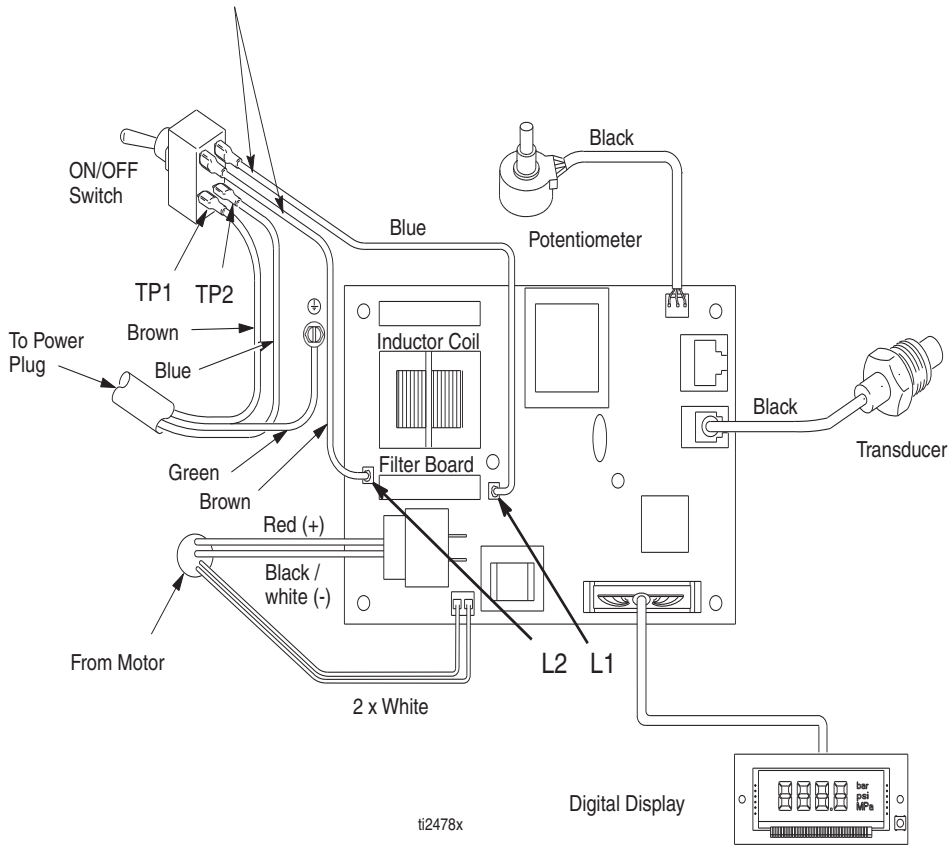


ti2471a

230V

NOTICE

Heat from inductor coil of filter board may destroy wire insulation that comes in contact with it. Exposed wires could cause shorts and component damage. Bundle and tie loose wires so none lay in contact with inductor coil on the filter board.



Technical Specifications

Technical Specifications

Ultra 395/495 PC Classic, Ultra 395 PC, Ultimate NOVA 395 PC, Classic S 395/495 PC, Ultra 395 PC Pro		
	US	Metric
Sprayer		
Maximum fluid working pressure		
Ultra 395/495 PC Classic	3000 psi	207 bar, 20.7 MPa
Ultra 395 PC, Ultimate NOVA 395 PC, Classic S 395/495 PC, Ultra 395 PC Pro	3300 psi	228 bar, 22.8 MPa
Maximum Delivery (395 models)	0.54 gpm	2.0 lpm
Maximum Tip Size (395 models)	0.023	0.023
Maximum Delivery (495 models)	0.60 gpm	2.3 lpm
Maximum Tip Size (495 models)	0.025	0.025
Fluid Outlet npsm	1/4 in.	1/4 in.
Cycles (395 models)	700 per gallon	185 per liter
Cycles (495 models)	581 per gallon	154 per liter
Generator Minimum	3000 W	3000 W
110–120V, A, Hz	1Ø, 13, 50/60	
220–240V, A, Hz	1Ø, 7, 50/60	
Dimensions		
Height		
Stand	18.5 in.	47 cm
Lo-Boy	22.5 in.	57.2 cm
Hi-Boy	28.25 in. (Handle down) 38.25 in. (Handle up)	71.8 cm (Handle down) 97.2 cm (Handle up)
Length		
Stand	16 in.	40.6 cm
Lo-Boy	26.5 in.	67.3 cm
Hi-Boy	23.25 in.	59.1 cm
Width		
Stand	14 in.	35.6 cm
Lo-Boy	20 in.	50.6 cm
Hi-Boy	20.5 in.	52.1 cm
Weight		
Stand	43 lb.	20 kg
Lo-Boy	63 lb.	29 kg
Hi-Boy	66 lb.	30 kg
Noise** (dBa) @ 70 psi (0.48 MPa, 4.8 bar)		
Sound pressure	90 dBa	

Technical Specifications

Ultra 395/495 PC Classic, Ultra 395 PC, Ultimate NOVA 395 PC, Classic S 395/495 PC, Ultra 395 PC Pro		
	US	Metric
Sound power	100 dBa	
Materials of Construction		
Wetted materials on all models	zinc- and nickel-plated carbon steel, nylon, stainless steel, PTFE, Acetal, leather, UHMWPE, aluminum, tungsten carbide, polyethylene, fluoroelastomer, urethane	
Notes		
* <i>Startup pressures and displacement per cycle may vary based on suction condition, discharge head, air pressure, and fluid type.</i>		
** <i>Sound pressure measured 3 feet (1 meter) from equipment.</i>		
<i>Sound power measured per ISO-3744.</i>		

Graco Standard Warranty

Graco Standard Warranty

Graco warrants all equipment referenced in this document which is manufactured by Graco and bearing its name to be free from defects in material and workmanship on the date of sale to the original purchaser for use. With the exception of any special, extended, or limited warranty published by Graco, Graco will, for a period of twelve months from the date of sale, repair or replace any part of the equipment determined by Graco to be defective. This warranty applies only when the equipment is installed, operated and maintained in accordance with Graco's written recommendations.

This warranty does not cover, and Graco shall not be liable for general wear and tear, or any malfunction, damage or wear caused by faulty installation, misapplication, abrasion, corrosion, inadequate or improper maintenance, negligence, accident, tampering, or substitution of non-Graco component parts. Nor shall Graco be liable for malfunction, damage or wear caused by the incompatibility of Graco equipment with structures, accessories, equipment or materials not supplied by Graco, or the improper design, manufacture, installation, operation or maintenance of structures, accessories, equipment or materials not supplied by Graco.

This warranty is conditioned upon the prepaid return of the equipment claimed to be defective to an authorized Graco distributor for verification of the claimed defect. If the claimed defect is verified, Graco will repair or replace free of charge any defective parts. The equipment will be returned to the original purchaser transportation prepaid. If inspection of the equipment does not disclose any defect in material or workmanship, repairs will be made at a reasonable charge, which charges may include the costs of parts, labor, and transportation.

THIS WARRANTY IS EXCLUSIVE, AND IS IN LIEU OF ANY OTHER WARRANTIES, EXPRESS OR IMPLIED, INCLUDING BUT NOT LIMITED TO WARRANTY OF MERCHANTABILITY OR WARRANTY OF FITNESS FOR A PARTICULAR PURPOSE.

Graco's sole obligation and buyer's sole remedy for any breach of warranty shall be as set forth above. The buyer agrees that no other remedy (including, but not limited to, incidental or consequential damages for lost profits, lost sales, injury to person or property, or any other incidental or consequential loss) shall be available. Any action for breach of warranty must be brought within two (2) years of the date of sale.

GRACO MAKES NO WARRANTY, AND DISCLAIMS ALL IMPLIED WARRANTIES OF MERCHANTABILITY AND FITNESS FOR A PARTICULAR PURPOSE, IN CONNECTION WITH ACCESSORIES, EQUIPMENT, MATERIALS OR COMPONENTS SOLD BUT NOT MANUFACTURED BY GRACO. These items sold, but not manufactured by Graco (such as electric motors, switches, hose, etc.), are subject to the warranty, if any, of their manufacturer. Graco will provide purchaser with reasonable assistance in making any claim for breach of these warranties.

In no event will Graco be liable for indirect, incidental, special or consequential damages resulting from Graco supplying equipment hereunder, or the furnishing, performance, or use of any products or other goods sold hereto, whether due to a breach of contract, breach of warranty, the negligence of Graco, or otherwise.

FOR GRACO CANADA CUSTOMERS

The Parties acknowledge that they have required that the present document, as well as all documents, notices and legal proceedings entered into, given or instituted pursuant hereto or relating directly or indirectly hereto, be drawn up in English. Les parties reconnaissent avoir convenu que la rédaction du présent document sera en Anglais, ainsi que tous documents, avis et procédures judiciaires exécutés, donnés ou intentés, à la suite de ou en rapport, directement ou indirectement, avec les procédures concernées.

Graco Information

For the latest information about Graco products, visit www.graco.com.

For patent information, see www.graco.com/patents.

TO PLACE AN ORDER, contact your Graco distributor or call 1-800-690-2894 to identify the nearest distributor.

All written and visual data contained in this document reflects the latest product information available at the time of publication.

Graco reserves the right to make changes at any time without notice.

Original instructions. This manual contains English. MM 334466

Graco Headquarters: Minneapolis

International Offices: Belgium, China, Japan, Korea

GRACO INC. AND SUBSIDIARIES • P.O. BOX 1441 • MINNEAPOLIS MN 55440-1441 • USA

Copyright 2014, Graco Inc. All Graco manufacturing locations are registered to ISO 9001.

www.graco.com
Revision E, April 2016