



GRACO® PRESIDENT® 10:1 AIRLESS SPRAY PUMP



PART NUMBERS AND SCHEMATICS GUIDE

Company Profile

Since 1944, Marco has developed a strong tradition of providing innovative and reliable products and services to the surface preparation and protective coatings industries. We are the world's premier provider of Abrasives, Blasting Equipment, Coating Equipment, Engineered Systems, Rental Equipment, Safety Equipment, Service, and Repair.

Through innovative designs and a total commitment to quality, Marco manufactures products that increase production rates, create a safer workplace, and reduce maintenance costs. Marco's industry experience, manufacturing capabilities, legendary customer service, product availability, logistics services, and technology leadership is your assurance that we deliver high quality products and services, providing the best value to you, our customer.

The Marco Difference

- **Industry Experience** – With Marco on your team, you have access to expertise which can only come from decades of industry leadership. We have organized our engineering department, production specialists, customer operations, and safety support into a “Center of Competence.” As a Marco customer, you have access to hundreds of years of cumulative experience related to your operations.
- **Manufacturing Excellence** – Marco is a U.S. based, ISO 9001:2008 certified manufacturer of equipment for the Surface Preparation and Protective Coatings industries. Marco's engineers benchmark the industry to ensure that we design and manufacture superior products that set the “Gold Standard” for performance, safety, and quality.
- **Legendary Customer Service** – Marco's legendary customer service team is staffed by friendly, highly-trained individuals who are focused on providing the highest level of product support, order accuracy, and customer satisfaction.
- **Product Availability** – We stock over 10,000 SKU's and have over 45 shipping locations to serve North American and International markets for all major brands of blasting and painting equipment. As the largest provider of surface preparation and protective coatings equipment in the world, our inventory levels and product availability are unmatched.
- **Logistics Services** – Marco's in-house logistics team is dedicated to moving your shipment anywhere in the world. We move over 14,000 truckloads every year, allowing you to save on freight costs by leveraging our buying power. Lower your process costs with a single invoice, which includes product and freight.
- **Technology Leadership** – Our website provides: Operator's Manuals, Part Numbers and Schematics Guides, MSDS information, and Features and Specifications Guides, providing access to information 24/7. Our Extranet application allows you to receive quotes and place orders online. Our Intranet maintains a complete record of your purchase history to assist with ongoing support of your existing equipment and future purchasing decisions.

Vision Statement

Marco is the world's premier provider of Abrasives, Blasting Equipment, Coating Equipment, Engineered Systems, Rental Equipment, Safety Equipment, Service, and Repair.

Mission Statement

Marco provides strong leadership and innovation to the surface preparation and protective coatings industries. We dedicate our efforts to the continuous improvement of our products, services, processes, people, and most importantly, the quality of our customer's experience.

Quality Policy

Marco is committed to providing superior quality in the design, manufacturing, distribution, rental, service, and repair of our products. Our ISO 9001:2008 certification extends throughout all operations in all locations. Continuous improvement of our processes and supply chain Integration comprise the core of our business strategy for delivering exceptional quality and value in all Marco products and services.

Management Philosophy

We are a company dedicated to the success of every customer and associate. We discuss, debate, challenge, measure, and test our ideas. We will be boundless and limitless in our passion to improve. Through sound leadership and dedicated associates, we will ensure a long term, profitable future for Marco, our associates, customers, and suppliers.

TABLE OF CONTENTS

Company Profile	2
Table of Contents	3
Graco® President® 10:1 Airless Spray Pump	4-17
Graco® President® 10:1 Airless Spray Pumps	4-5
Part Numbers and Schematics	6-7
Graco® President® Air Motor	8-9
Graco® Stainless Steel Displacement Pump	10-11
Graco® Carbon Steel Displacement Pump	12-13
Graco® UHMWPE/PTFE Displacement Pump	14-15
Graco® UHMWPE/Neoprene Displacement Pump	16-17
Optional Accessories	18-19
Controls and Valves	18
Plastic Buckets and Lids	18
Metal Buckets	19
Bucket Grids	19

PART NUMBERS AND SCHEMATICS GUIDE

GRACO® PRESIDENT® 10:1 AIRLESS SPRAY PUMPS			
Part Numbers	Type	Seals	Steel Type
20G239326	Drum	PTFE	Carbon
20G224348	Drum	UHMWPE/PTFE	Stainless
20G224346	Stubby	UHMWPE/Neoprene	Stainless
20G224342	Stubby	UHMWPE/PTFE	Stainless
20G224347	Stubby with Riser Tube	UHMWPE/Neoprene	Stainless

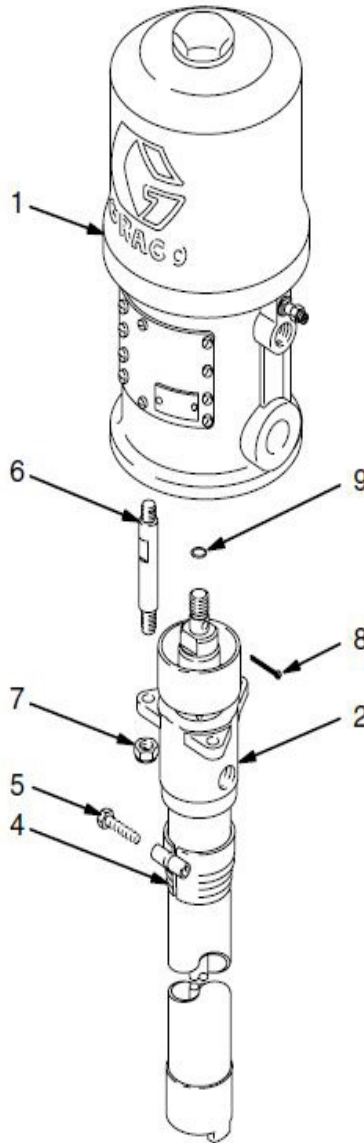
PART NUMBERS AND SCHEMATICS GUIDE



(Stubby Type Shown)

PART NUMBERS AND SCHEMATICS GUIDE

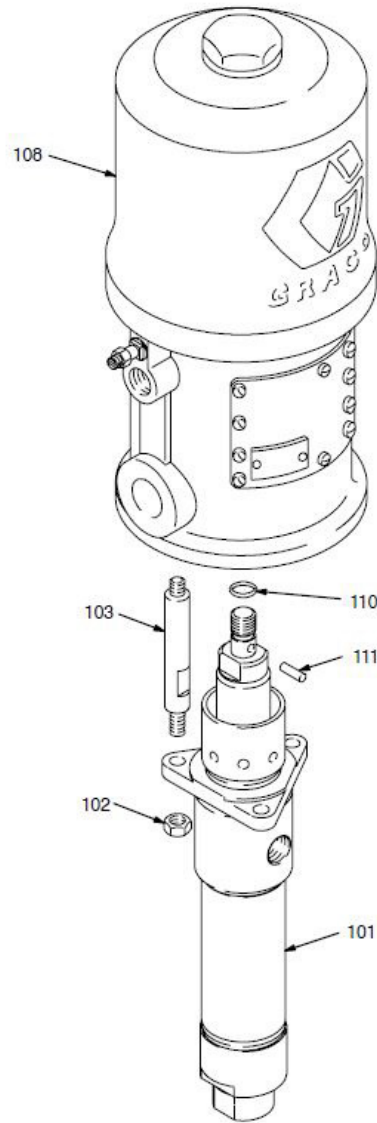
Figure 1: Graco® President® 10:1 Airless Spray Pump – Drum Type



Item#	Part#	Description
Fig. 1		
—	20G239326	Graco® President® 10:1 Airless Spray Pump – Drum Type – Carbon Steel
—	20G224348	Graco® President® 10:1 Airless Spray Pump – Drum Type – Stainless Steel
1	20G207352	Air Motor (See Fig. 3)
2	20G220465	Carbon Steel Displacement Pump – Drum Type (See Fig. 5)
—	20G224349	Stainless Steel Displacement Pump – Drum Type (See Fig. 4)
3	20G222308	Bung Adapter (Includes Item #'s: 4 and 5)
4	20G210834	Adapter
5	20G104542	Cap Screw
6	20G166237	Tie Rod for Paint Pump (Quantity of Three)
7	20G101566	Locknut – 3/8-16 (Quantity of Three)
8	20G100103	Cotter Pin 0.12 x 1-1/2"
9	20G156082	O-Ring, buna-N
—	206M557	Part Numbers and Schematics Guide – Graco® President® 10:1 Airless Spray Pump
—	209V557	Operator's Manual – Graco® President® 10:1 Airless Spray Pump

PART NUMBERS AND SCHEMATICS GUIDE

Figure 2: Graco® President® 10:1 Airless Spray Pump – Stubby Type



Item#	Part#	Description
-------	-------	-------------

Fig. 2

—	20G224346	Graco® President® 10:1 Airless Spray Pump – Stubby Type
—	20G224342	Graco® President® 10:1 Airless Spray Pump – Stubby Type
—	20G224347	Graco® President® 10:1 Airless Spray Pump – Stubby Type with Riser Tube
101	20G224341	Graco® UHMWPE/PTFE Stainless Steel Displacement Pump – Stubby Type (See Fig. 6)
—	20G224344	Graco® UHMWPE/Neoprene Stainless Steel Displacement Pump – Stubby Type (See Fig. 7)
102	20G102021	Nut, 3/8-16 (Quantity of Three)
103	20G166237	Tie Rod for Paint Pump (Quantity of Three)
108	20G207352	Air Motor (See Fig. 3)
110	20G156082	Packing O-Ring
111	20G101946	Pin, 0.12" x 1-1/2"
—	206M557	Part Numbers and Schematics Guide – Graco® President® 10:1 Airless Spray Pump
—	209V557	Operator's Manual – Graco® President® 10:1 Airless Spray Pump

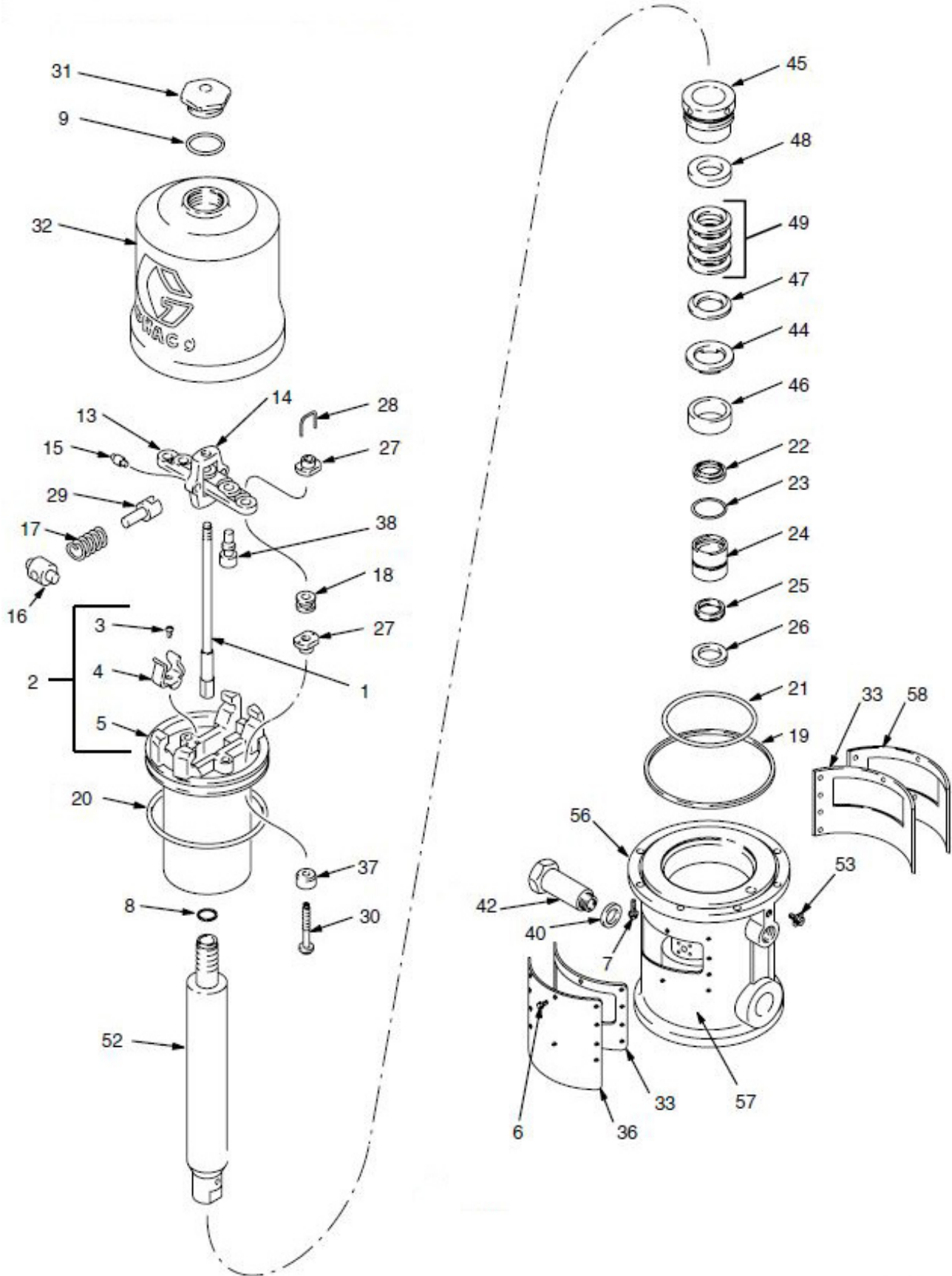
PART NUMBERS AND SCHEMATICS GUIDE

Graco® President® Air Motor

Item#	Part#	Description	Item#	Part#	Description
Fig. 3					
—	20G207352	Graco® President® Air Motor	37	20G170708	Poppet – Valve – Urethane (Quantity of Two)
1	20G207150	Trip Rod	38	20G170709	Poppet – Valve – Urethane (Quantity of Two)
2	20G207391	Piston (Includes Item #'s: 3, 4, and 5)	40	20G150461	Gasket – Copper
3	20G102975	Screw, RD HD (Quantity of Two)	42	20G158409	Outlet Adapter
4	20G158361	Spring Clip (Quantity of Two)	44	20G158697	Thrust Washer
5	—	Bare Piston	45	20G159047	Packing Nut
6	20G100078	Hex HD Screw (Quantity of 20)	46	20G159048	Brass Bearing
7	20G101578	Hex HD Nylock Screw (Quantity of Eight)	47	20G159306	Gland, Male
8	20G150647	Gasket – Copper	48	20G159307	Gland, Female
9	20G156698	Packing O-Ring, Buna-N	49	20G159308	V-Packing, Nitrile Rubber (Quantity of Four)
13	20G158359	Actuator, Valve	52	20G162553	Rod Piston
14	20G158360	Yoke, Rod, Trip	53	20G116343	Grounding Clamp
15	20G158362	Toggle Pin (Quantity of Two)	56	20G15F570	Air Motor Base
16	20G158364	Toggle Rocker (Quantity of Two)	57	20G180233	Label, Warning (Quantity of Two)
17	20G167585	Spring, Helical Compression (Quantity of Two)	58	20G177843	Plate, Warning
18	20G158367	Grommet – Rubber (Quantity of Two)	—	20G207385	Air Motor Repair Kit (Includes Item #'s: 18, 20, 21, 27, 28, 30, 37, and 38)
19	20G158377	Seal Flat Ring – Nitrile Rubber	—	209V529	Operator's Manual – Graco® President® Air Motors
20	20G158378	Seal O-Ring – Nitrile Rubber			
21	20G158379	Seal O-Ring – Nitrile Rubber			
22	20G113935	Wiper Rod			
23	20G113944	Packing O-Ring			
24	20G192172	Retainer Packing			
25	20G113936	Packing U-Cup			
26	20G192173	Washer Packing			
27	20G160261	Adjusting Nut (Quantity of Four)			
28	20G160618	Lockwire Transfer Valve (Quantity of Two)			
29	20G160623	Arm, Toggle (Quantity of Two)			
30	20G160896	Valve Stem (Quantity of Two)			
31	20G161435	Nut, Cylinder Cap			
32	20G162629	Air Motor Cylinder			
33	20G178270	Plate, Muffler (Quantity of Two)			
36	20G177844	Plate, Identification			

PART NUMBERS AND SCHEMATICS GUIDE

Figure 3: Graco® President® Air Motor



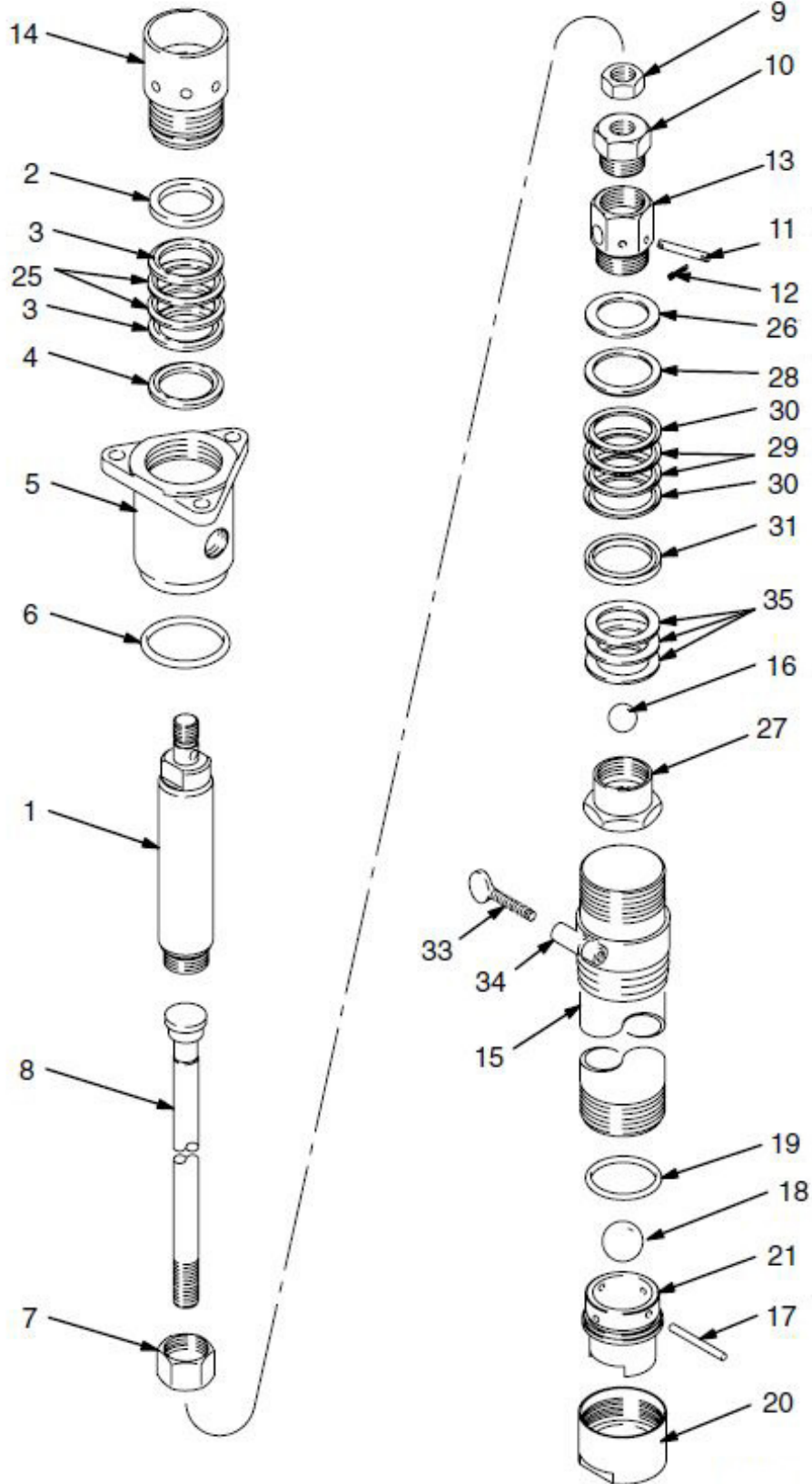
PART NUMBERS AND SCHEMATICS GUIDE

Graco® Stainless Steel Displacement Pump – Drum Type

Item#	Part#	Description
Fig. 4		
—	20G224349	Graco® Stainless Steel Displacement Pump
1	20G24C506	Displacement Rod Kit
2	20G186988	Stainless Steel Female Throat Gland
3	20G176639	V-Packing Throat, UHMWPE (<i>Quantity of Two</i>)
4	20G186987	Stainless Steel Male Throat Gland
5	20G192188	Outlet Housing Pump
6	20G164782	O-Ring, PTFE
7	20G166033	Coupling Nut
8	20G206449	Connecting Rod
9	20G166037	Jam Nut
10	20G166036	Connecting Rod Adapter
11	20G176637	Pin, Ball Stop, Piston
12	20G100063	Cotter Pin (<i>Quantity of Two</i>)
13	20G176644	Piston Mounting Stud
14	20G186995	Nut Packing
15	20G24C504	Pump Cylinder Stainless Steel
16	20G101917	Lower Ball Stainless Steel, 0.875" Diameter
17	20G162947	Intake Ball Stop Pin
18	20G101968	1-1/4" Intake Ball – Pres Washer
19	20G164846	O-Ring, PTFE
20	20G164630	Locking Ring Stainless Steel
21	20G186991	Housing Intake Valve
25	20G162866	V-Packing Throat, PTFE (<i>Quantity of Two</i>)
26	20G176634	Piston Washer, Stainless Steel
27	20G186993	Piston Stud
28	20G186990	Piston Gland, Male
29	20G176635	Piston V-Packing, PTFE (<i>Quantity of Two</i>)
30	20G176638	Piston V-Packing, UHMWPE (<i>Quantity of Two</i>)
31	20G186989	Gland Packing, Female
32	20G205573	Bung Adapter (<i>Includes Item #'s: 33 and 34</i>)
33	20G101961	Thumbscrew
34	20G205573	Adapter, Stainless Steel
35	20G190484	Shim (<i>Quantity of Three</i>)
—	20G224403	Graco® 10:1 Pump Repair Kit (<i>Includes Item #'s: 2, 3, 4, 11, 12, 16, 17, 18, 25, 26, 28, 29, 30, and 31</i>)
—	209V531	Operator's Manual – Graco® Stainless Steel Displacement Pump

PART NUMBERS AND SCHEMATICS GUIDE

Figure 4: Graco® Stainless Steel Displacement Pump – Drum Type



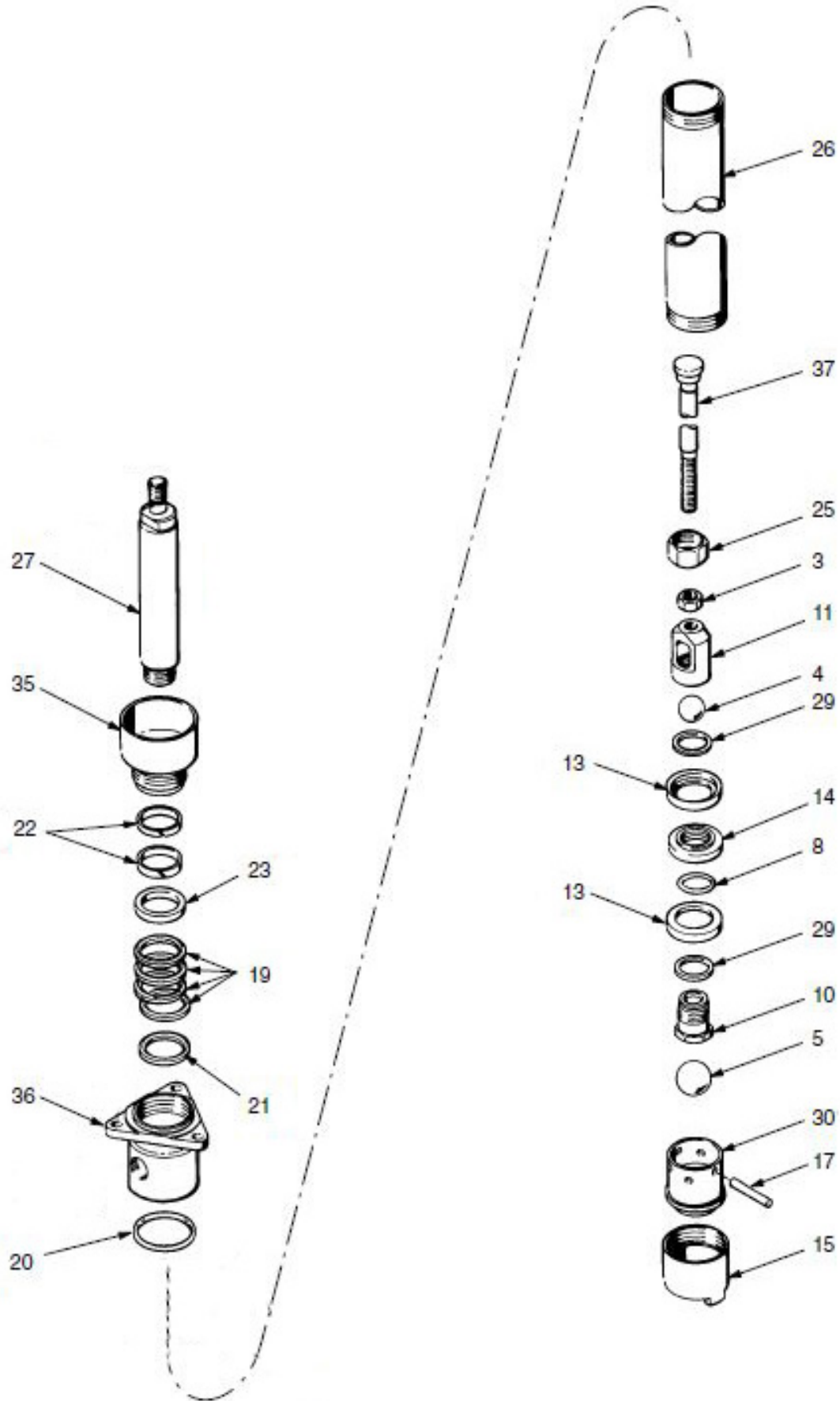
PART NUMBERS AND SCHEMATICS GUIDE

Graco® Carbon Steel Displacement Pump – Drum Type

Item#	Part#	Description
Fig. 5		
—	20G220465	Graco® Carbon Steel Displacement Pump
3	20G100111	Nut Jam
4	20G100279	Steel Piston Ball – 7/8" Diameter
5	20G101178	Intake Steel Ball – 1-1/4" Diameter
8	20G164623	O-Ring, PTFE
10	20G156989	Piston Seat
11	20G157184	Piston Housing
13	20G162871	Cup Packing, PTFE (<i>Quantity of Two</i>)
14	20G158857	Packing Spacer
15	20G159839	Intake Valve Housing
17	20G160726	Lower Stop Pin
19	20G162866	V-Packing, PTFE (<i>Quantity of Four</i>)
20	20G164782	O-Ring, PTFE
21	20G164837	Male Packing Gland
22	20G165287	Bearing Displacement Rod (<i>Quantity of Two</i>)
23	20G165288	Female Packing Gland
25	20G166033	Coupling Nut
26	20G24C504	Stainless Steel Cylinder
27	20G24C496	Kit Rod Displacement
29	20G171594	Piston Washer (<i>Quantity of Two</i>)
30	20G204762	Intake Valve Seat
35	20G208312	Nut Packing
36	20G192188	Outlet Housing Pump
37	20G208314	Piston Rod
—	20G208520	Displacement Pump Repair Kit (<i>Includes Item #'s: 8, 13, 19, 20, 21, 22, and 23</i>)
—	209V516	Operator's Manual – Graco® 5:1 Monark® Airless Spray Pump

PART NUMBERS AND SCHEMATICS GUIDE

Figure 5: Graco® Carbon Steel Displacement Pump – Drum Type



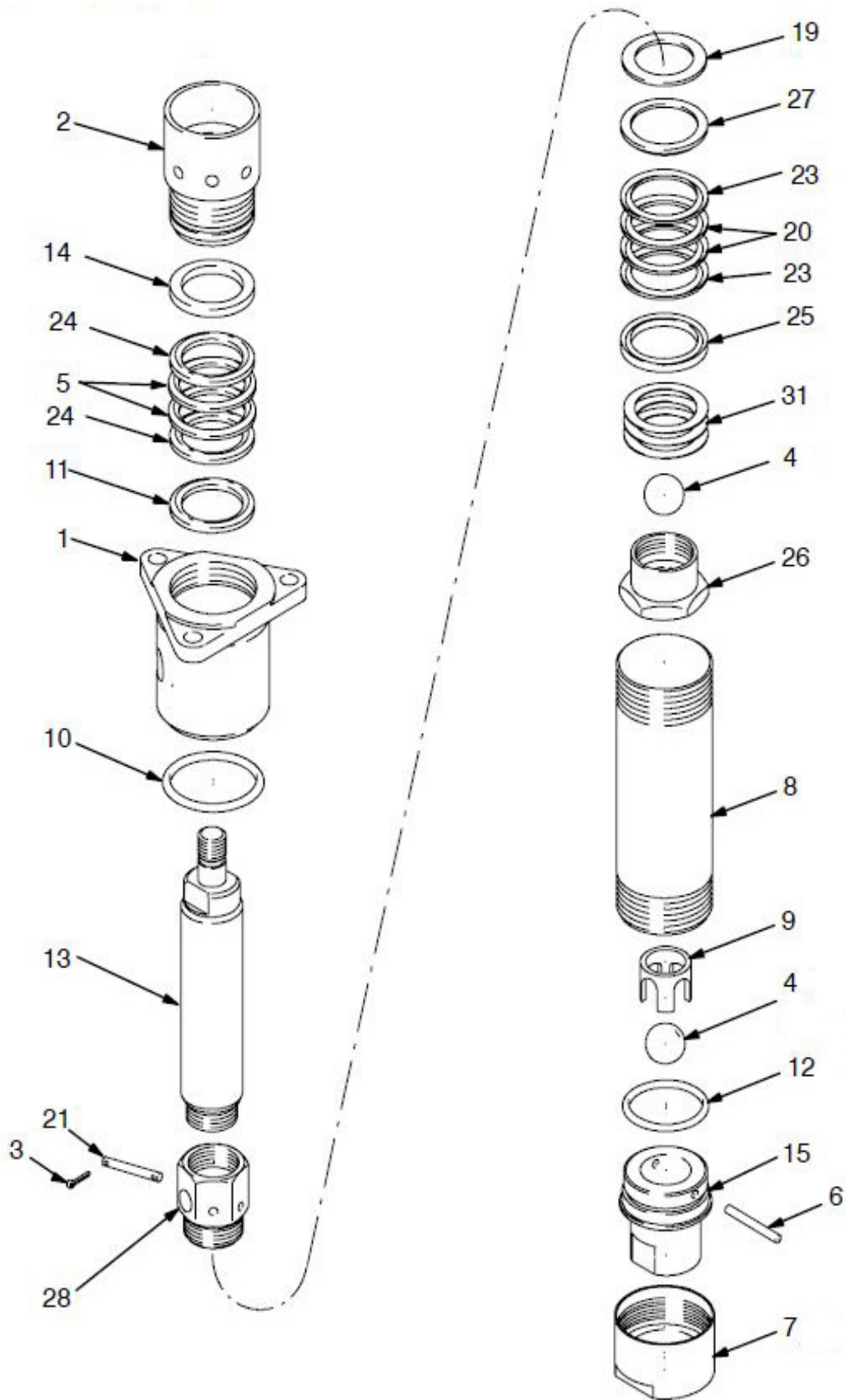
PART NUMBERS AND SCHEMATICS GUIDE

Graco® UHMWPE/PTFE Stainless Steel Displacement Pump – Stubby Type

Item#	Part#	Description
Fig. 6		
—	20G224341	Graco® UHMWPE/PTFE Stainless Steel Displacement Pump
1	20G205999	Housing Outlet
2	20G186995	Nut Packing
3	20G100063	1/16" x 1/2" Cotter Pin (<i>Quantity of Two</i>)
4	20G101917	Lower Ball Stainless Steel, 0.875" Diameter (<i>Quantity of Two</i>)
5	20G162866	V-Packing Throat, PTFE (<i>Quantity of Two</i>)
6	20G162947	Intake Ball Stop Pin
7	20G164630	Locking Ring Stainless Steel
8	20G24C505	Pump Cylinder Stainless Steel
9	20G164679	Intake Ball Guide
10	20G164782	O-Ring, PTFE
11	20G186987	Gland, Throat, Male
12	20G164846	O-Ring, PTFE
13	20G24C506	Displacement Rod
14	20G186988	Gland, Throat, Female
15	20G186992	Intake Valve Housing
19	20G176634	Washer, Piston
20	20G176635	V-Packing, PTFE (<i>Quantity of Two</i>)
21	20G176637	Pin, Ball Stop, Piston
23	20G176638	Piston V-Packing, UHMWPE (<i>Quantity of Two</i>)
24	20G176639	V-Packing, Throat, UHMWPE (<i>Quantity of Two</i>)
25	20G186989	Gland Packing Female
26	20G186993	Stud, Piston
27	20G186990	Piston Gland, Male
28	20G176644	Piston Mounting Stud
31	20G190484	Shim (<i>Quantity of Three</i>)
—	20G224401	Displacement Pump Repair Kit UHMWPE/PTFE Packings (<i>Includes Item #'s: 3, 4, 5, 6, 11, 14, 19, 20, 21, 23, 24, 25, 27, and 31</i>)
—	209V532	Operator's Manual – Graco® UHMWPE/PTFE or PTFE Packed Stainless Steel Pumps

PART NUMBERS AND SCHEMATICS GUIDE

Figure 6: Graco® UHMWPE/PTFE Stainless Steel Displacement Pump – Stubby Type



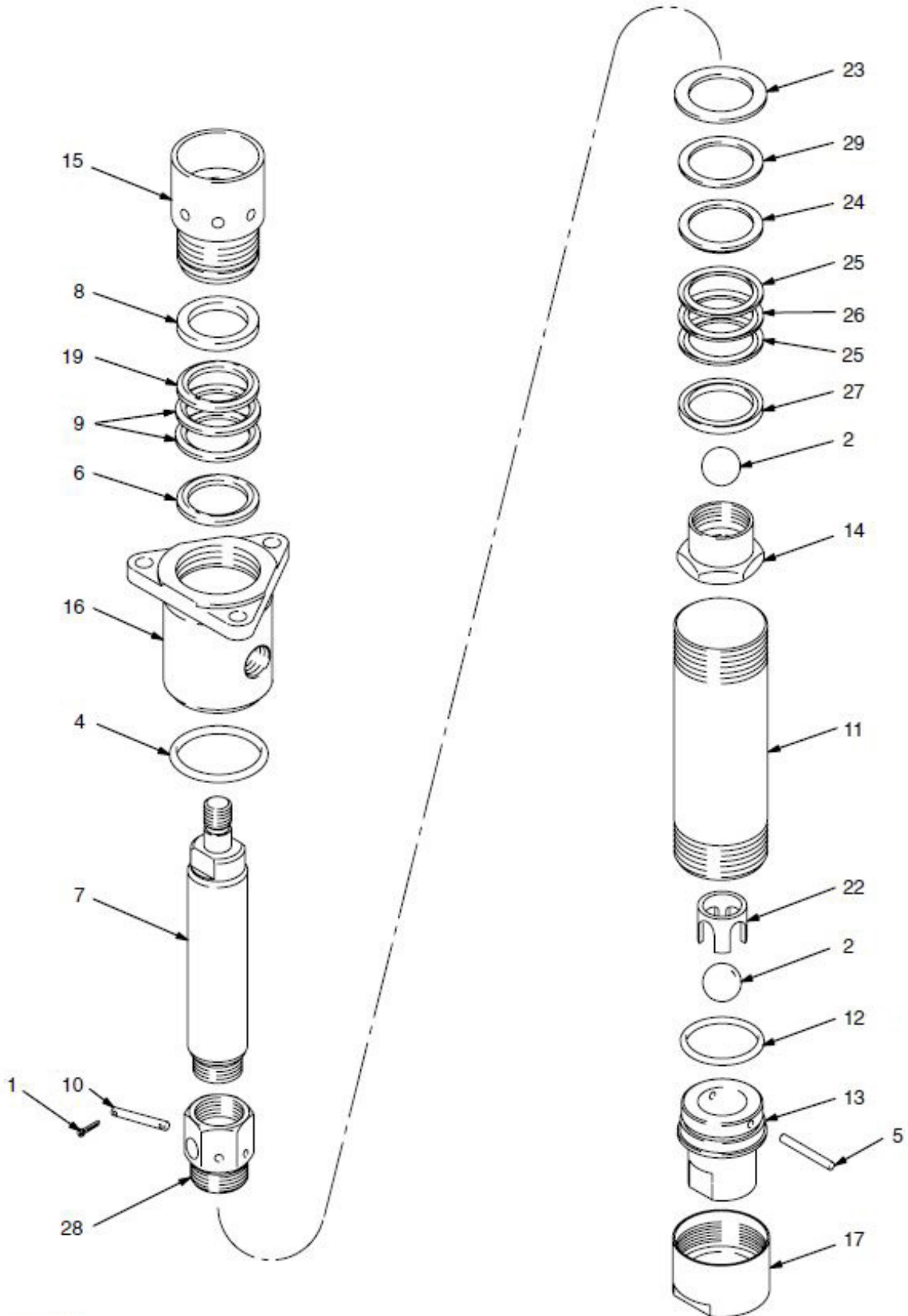
PART NUMBERS AND SCHEMATICS GUIDE

Graco® UHMWPE/Neoprene Stainless Steel Displacement Pump – Stubby Type




Item#	Part#	Description
Fig. 7		
—	20G224344	Graco® UHMWPE/Neoprene Stainless Steel Displacement Pump
1	20G100063	1/16" x 1/2" Cotter Pin (<i>Quantity of Two</i>)
2	20G101917	Lower Ball Stainless Steel, 0.875" Diameter (<i>Quantity of Two</i>)
4	20G164782	O-Ring, PTFE
5	20G162947	Intake Ball Stop Pin
6	20G186987	Gland, Throat, Male
7	20G24C506	Displacement Rod
8	20G186988	Gland, Throat, Female
9	20G166133	V-Packing, Throat, Neoprene (<i>Quantity of Two</i>)
10	20G176637	Pin, Ball Stop, Piston
11	20G24C505	Pump Cylinder Stainless Steel
12	20G164846	O-Ring, PTFE
13	20G186992	Intake Valve Housing
14	20G186993	Stud, Piston
15	20G186995	Nut Packing
16	20G205999	Housing Outlet
17	20G164630	Locking Ring Stainless Steel
19	20G170625	V-Packing, Throat, UHMWPE
22	20G164679	Intake Ball Guide
23	20G176634	Washer, Piston
24	20G186990	Piston Gland, Male
25	20G176638	V-Packing, Piston, UHMWPE (<i>Quantity of Two</i>)
26	20G111293	V-Packing, Piston, Neoprene
27	20G186989	Gland Packing Female
28	20G176644	Piston Mounting Stud
29	20G111790	Shim
—	20G224402	Displacement Pump Repair Kit UHMWPE/Neoprene Packings (<i>Includes Item #'s: 1, 2, 5, 6, 8, 9, 10, 19, 23, 24, 25, 26, 27, and 29</i>)
—	209V533	Operator's Manual – Graco® UHMWPE/Neoprene Packed Stainless Steel Pumps



PART NUMBERS AND SCHEMATICS GUIDE

Figure 7: Graco® UHMWPE/Neoprene Stainless Steel Displacement Pump – Stubby Type




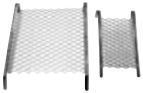
OPTIONAL ACCESSORIES

CONTROLS AND VALVES					
	Part Numbers	Type	Maximum Working Pressure	Inlet	Outlet
	20G210657	Fluid Drain Valve	5,000 psi	1/4 NPT	1/4 NPT
	20G210658	Fluid Drain Valve	5,000 psi	3/8 NPT	3/8 NPT
	20G210659	Fluid Drain Valve	5,000 psi	1/4 NPT	3/8 NPT

PLASTIC BUCKETS AND LIDS							
	Part Numbers	Size	Bucket	Handle	Lid	Color	U.O.M.
	2070090	1 Gallon	X	X		White	One Each
	2070092	2 Gallon	X	X		White	One Each
	2070094	5 Gallon	X	X		White	One Each
	2070091	1 Gallon			X	White	One Each
	2070093	2 Gallon			X	White	One Each
	2070095	5 Gallon			X	White	One Each

OPTIONAL ACCESSORIES

		METAL BUCKETS			
Part Numbers		Size	Lid	Handle	U.O.M.
	2070057	1 Gallon	X	X	One Each
	2070058	5 Gallon	X	X	One Each

		BUCKET GRIDS			
Part Numbers		Bucket Size	Grid Width	Material	U.O.M.
	2070165	1 Gallon	4"	Metal	One Each
	2070155	2 Gallon	6"	Metal	One Each
	2070138	5 Gallon	9"	Metal	One Each

GLOBAL HEADQUARTERS

- 3425 East Locust Street
Davenport, IA 52803

ph: 800.BLAST.IT (800.252.7848)
ph: 563.324.2519
fax: 563.324.6258

GULF STATES HEADQUARTERS

- 701 East Boulevard
Deer Park, TX 77536

ph: 800.BLAST.IT (800.252.7848)
ph: 281.930.0905
fax: 281.542.0736

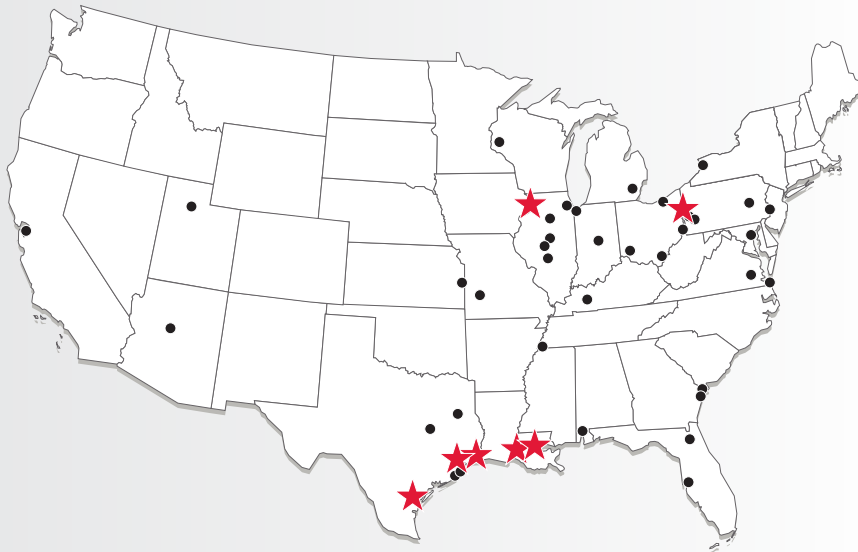
REGIONAL BRANCH OFFICES

- **Iowa**
Davenport
- **Louisiana**
Gonzales
Lafayette
- **Ohio**
Youngstown
- **Texas**
Beaumont
Corpus Christi
Deer Park



ABRASIVES
BLASTING
COATING
DUST COLLECTORS
ENGINEERED SYSTEMS
RENTAL
SAFETY
SERVICE & REPAIR
VACUUMS

40+ NATIONWIDE SHIPPING LOCATIONS



★ Marco Regional Branch Offices and Shipping Locations ● Direct Shipping Locations

CONTACT MARCO

800.BLAST.IT
(800.252.7848)
563.324.2519
FAX: 563.324.6258

WWW.MARCO.US
SALES@MARCO.US