



# GRACO® MERKUR® 23:1 AIRLESS SPRAY PUMP



**PART NUMBERS AND SCHEMATICS GUIDE**

## Company Profile

Since 1944, Marco has developed a strong tradition of providing innovative and reliable products and services to the surface preparation and protective coatings industries. We are the world's premier provider of Abrasives, Blasting Equipment, Coating Equipment, Engineered Systems, Rental Equipment, Safety Equipment, Service, and Repair.

Through innovative designs and a total commitment to quality, Marco manufactures products that increase production rates, create a safer workplace, and reduce maintenance costs. Marco's industry experience, manufacturing capabilities, legendary customer service, product availability, logistics services, and technology leadership is your assurance that we deliver high quality products and services, providing the best value to you, our customer.

## The Marco Difference

- **Industry Experience** – With Marco on your team, you have access to expertise which can only come from decades of industry leadership. We have organized our engineering department, production specialists, customer operations, and safety support into a “Center of Competence.” As a Marco customer, you have access to hundreds of years of cumulative experience related to your operations.
- **Manufacturing Excellence** – Marco is a U.S. based, ISO 9001:2008 certified manufacturer of equipment for the Surface Preparation and Protective Coatings industries. Marco's engineers benchmark the industry to ensure that we design and manufacture superior products that set the “Gold Standard” for performance, safety, and quality.
- **Legendary Customer Service** – Marco's legendary customer service team is staffed by friendly, highly-trained individuals who are focused on providing the highest level of product support, order accuracy, and customer satisfaction.
- **Product Availability** – We stock over 10,000 SKU's and have over 45 shipping locations to serve North American and International markets for all major brands of blasting and painting equipment. As the largest provider of surface preparation and protective coatings equipment in the world, our inventory levels and product availability are unmatched.
- **Logistics Services** – Marco's in-house logistics team is dedicated to moving your shipment anywhere in the world. We move over 14,000 truckloads every year, allowing you to save on freight costs by leveraging our buying power. Lower your process costs with a single invoice, which includes product and freight.
- **Technology Leadership** – Our website provides: Operator's Manuals, Part Numbers and Schematics Guides, MSDS information, and Features and Specifications Guides, providing access to information 24/7. Our Extranet application allows you to receive quotes and place orders online. Our Intranet maintains a complete record of your purchase history to assist with ongoing support of your existing equipment and future purchasing decisions.

## Vision Statement

Marco is the world's premier provider of Abrasives, Blasting Equipment, Coating Equipment, Engineered Systems, Rental Equipment, Safety Equipment, Service, and Repair.

## Mission Statement

Marco provides strong leadership and innovation to the surface preparation and protective coatings industries. We dedicate our efforts to the continuous improvement of our products, services, processes, people, and most importantly, the quality of our customer's experience.

## Quality Policy

Marco is committed to providing superior quality in the design, manufacturing, distribution, rental, service, and repair of our products. Our ISO 9001:2008 certification extends throughout all operations in all locations. Continuous improvement of our processes and supply chain Integration comprise the core of our business strategy for delivering exceptional quality and value in all Marco products and services.

## Management Philosophy

We are a company dedicated to the success of every customer and associate. We discuss, debate, challenge, measure, and test our ideas. We will be boundless and limitless in our passion to improve. Through sound leadership and dedicated associates, we will ensure a long term, profitable future for Marco, our associates, customers, and suppliers.

# TABLE OF CONTENTS

<b>Company Profile</b> .....	<b>2</b>
<b>Table of Contents</b> .....	<b>3</b>
<b>Graco® Merkur® 23:1 Airless Spray Pump</b> .....	<b>4-13</b>
Part Numbers and Schematics .....	4-5
Cart Mount Sprayer .....	6-7
Wall Mount Sprayer .....	8-9
Graco® NXT Air Motor .....	10-11
Merkur® Displacement Pump .....	12-13
<b>Optional Accessories</b> .....	<b>14-15</b>
Controls and Valves .....	14
Adapters and Fittings .....	14
Filters .....	15
Replacement Screen Filter Elements .....	15
Filter Supports .....	15
Suction Kits .....	15

## PART NUMBERS AND SCHEMATICS GUIDE

<b>GRACO® MERKUR® 23:1 AIRLESS SPRAY PUMP</b>						
<b>Part Numbers</b>	<b>Mount</b>	<b>DataTrak®</b>	<b>Fluid Filter</b>	<b>Suction Hose</b>	<b>XTR™ 5 Airless Spray Gun with 519 Flat Tip</b>	<b>Flow Rate (60 CPM)</b>
<b>20GG23C04</b>	Cart Mount	Yes	X	X	X	1.6
<b>20GG23C03</b>	Cart Mount	—	X	X	X	1.6
<b>20GG23W08</b>	Wall Mount	Yes	X	X	X	1.6
<b>20GG23W07</b>	Wall Mount	—	X	X	X	1.6

# PART NUMBERS AND SCHEMATICS GUIDE



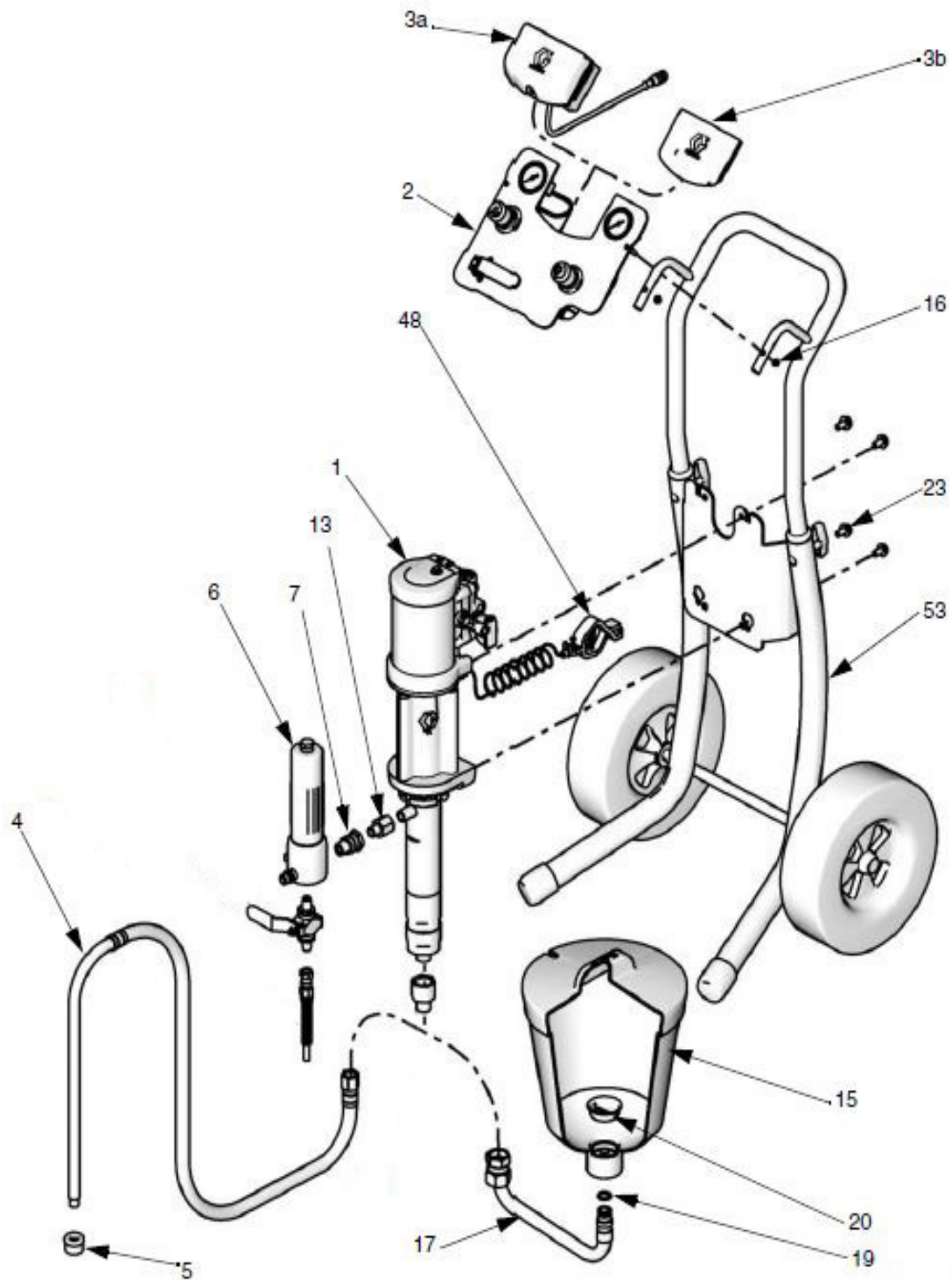
## PART NUMBERS AND SCHEMATICS GUIDE

### Graco® Merkur® 23:1 Airless Cart Mount Sprayer

Item#	Part#	Description
<b>Fig. 1</b>		
—	<b>20GG23C04</b>	<b>Graco® Merkur® 23:1 Airless Cart Mount Sprayer with DataTrak®</b>
—	<b>20GG23C03</b>	<b>Graco® Merkur® 23:1 Airless Cart Mount Sprayer</b>
1	20GW23DAS	Pump Assembly (M12N0 x LW100A)
—	20GW23DBS	Pump Assembly (M23LT0 x LW100A)
2	20G24A583	Air Controls Panel, Pump Only <i>(Includes Item #: 3b)</i>
—	20G24A581	Air Controls Panel, Pump and Gun <i>(Includes Item #: 3b)</i>
3a	20G24A576	DataTrak® Assembly
3b	—	Panel Insert
4	20G256421	Suction Hose for Cart Mount Package
5	20G187146	Stainless Steel Strainer
6	20G24A587	Fluid Filter
7	—	Union Fitting <i>(Includes Item #: 6)</i>
13	20G512351	Adapter (1/4 nptm x 3/8 nptf)
15	20G256410	Hopper Kit <i>(Includes Item #'s: 17, 19, and 20)</i>
16	20G105332	Lock Nut (M5 x 0.08)
17	—	Inlet Tube for Hopper
19	—	Hopper O-Ring
20	—	Hopper Screen
23	20G111799	Screw (M8 x 16, Four for Cart Mount)
48	20G238909	Wire Grounding Assembly
53	20G289694	Cart Mounting Kit
—	20GXTR501	Graco® XTR™ 5 Airless Spray Gun with 519 Flat Tip
—	20G187146	Strainer
—	20G239069	Whip Hose
—	20G166846	Whip Hose Adapter
—	20G189018	Fluid Hose Swivel
—	20G241812	Fluid Hose (Packages with Gun)
—	—	Hose Clip
—	206M556	Part Numbers and Schematics Guide – Graco® Merkur® 23:1 Airless Spray Pump
—	206M508	Part Numbers and Schematics Guide – Graco® XTR™ 5 Airless Spray Gun
—	209V556	Operator's Manual – Graco® Merkur® 23:1 Airless Spray Pump

# PART NUMBERS AND SCHEMATICS GUIDE

Figure 1: Graco® Merkur® 23:1 Airless Cart Mount Sprayer



## PART NUMBERS AND SCHEMATICS GUIDE

### Graco® Merkur® 23:1 Airless Wall Mount Sprayer

Item#	Part#	Description
<b>Fig. 2</b>		
—	<b>20GG23W08</b>	<b>Graco® Merkur® 23:1 Airless Wall Mount Sprayer with DataTrak®</b>
—	<b>20GG23W07</b>	<b>Graco® Merkur® 23:1 Airless Wall Mount Sprayer</b>
1	20GW23DAS	Pump Assembly (M12N0 x LW100A)
—	—	Pump Assembly (M23LT0 x LW100A)
2	20G24A583	Air Controls Panel, Pump Only <i>(Includes Item #: 3b)</i>
—	20G24A581	Air Controls Panel, Pump and Gun <i>(Includes Item #: 3b)</i>
3a	20G24A576	DataTrak® Assembly
3b	—	Panel Insert
4	20G256423	Suction Hose for Wall Mount Package
5	20G187146	Stainless Steel Strainer
6	20G24A587	Fluid Filter
7	—	Union Fitting <i>(Includes Item #: 6)</i>
13	20G512351	Adapter (1/4 nptm x 3/8 nptf)
14	20G256390	Air Hose for Gun
16	20G105332	Lock Nut (M5 x 0.08)
23	20G111799	Screw (M8 x 16, Six for Wall Mount)
48	20G238909	Wire Grounding Assembly
49	20G24E883	Air Control Bracket
54	20G24A578	Wall Mounting Kit
—	20GXTR501	Graco® XTR™ 5 Airless Spray Gun with 519 Flat Tip
—	20G189018	Fluid Hose Swivel
—	20G241812	Fluid Hose (Packages with Gun)
—	20G239069	Whip Hose
—	20G166846	Whip Hose Adapter
—	20G247312	Adapter Kit Plate <i>(Includes Lock Nut and Adapter Plate)</i>
—	206M556	Part Numbers and Schematics Guide – Graco® Merkur® 23:1 Airless Spray Pump
—	206M508	Part Numbers and Schematics Guide – Graco® XTR™ 5 Airless Spray Gun
—	209V556	Operator's Manual – Graco® Merkur® 23:1 Airless Spray Pump





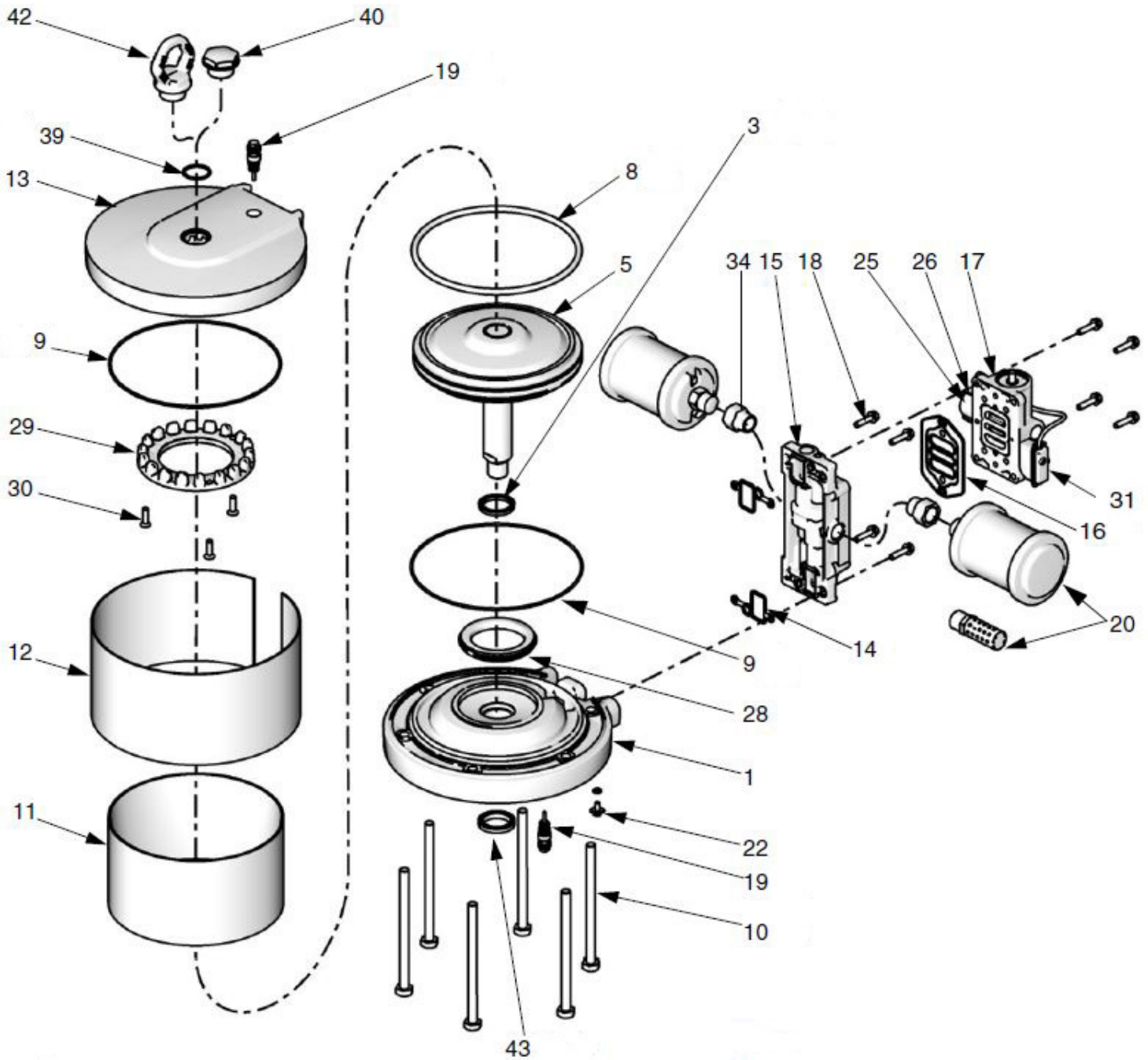
## PART NUMBERS AND SCHEMATICS GUIDE

### Graco® NXT® Air Motor

Item#	Part#	Description
<b>Fig. 3</b>		
1	20G24A549	Lower Cover Assembly (Includes Item #'s: 3, 9, 19, 22, 28, and 43)
3	—	U-Cup (Quantity of Two)
5	20G24A550	Piston Motor Assembly
8	—	Piston O-Ring
9	—	Cover O-Ring (Quantity of Two)
10	20G15M316	Bolt, Tie, Hex Head (Quantity of Four)
11	20G15M672	Cylinder Motor
12	20G15M676	Cylinder Shield
13	20G15X354	Upper Cover Assembly (Includes Item #'s: 3, 19, 39, 40, and 41)
14	—	Manifold Gasket (Quantity of Two)
15	20G24A580	Manifold Assembly (Includes Item #'s: 4, 14, and 18)
16	—	Air Valve Gasket
17	20G24A352	Standard Air Valve (For models with no DataTrak®)
—	20G24A354	Air Valve (Compatible with DataTrak® with Runaway Protection)
18	—	M6 x 25 Screw
19	20G24A366	Pilot Valve
20	20G117237	Muffler
22	20G116343	Ground Screw
25	20G24B566	Solenoid/Reed Switch Assembly (For DataTrak® models with Runaway Protection) (Includes Item #'s: 18, 26, 31, 32, and 33)
26	—	Solenoid Bracket (For DataTrak® models with Runaway Protection)
28	20G24A914	Bumper Kit (M18xxx only)
29	—	Bumper Upper (M18xxx only)
30	—	Screw, M5, Flat Head (M18xxx only)
31	—	Reed Switch (Includes Item #: 32)
32	—	Reed Switch Screw, 8-32 x 1.50 (For DataTrak® models)
—	20G24A548	Clamp Hose (For DataTrak® models)
34	20G15T560	Muffler Adapter
—	20G15W719	Warning Label
39	—	Upper Cover Plug O-Ring
40	20G24E990	Upper Cover Plug
42	20G24E991	Lift Hook (Not Included)
43	—	U-Cup with Flange Seal
—	20G24A547	Air Motor Seal Kit (Includes Item #'s: 3, 8, 9, 14, and 16)

# PART NUMBERS AND SCHEMATICS GUIDE

Figure 3: Graco® NXT® Air Motor



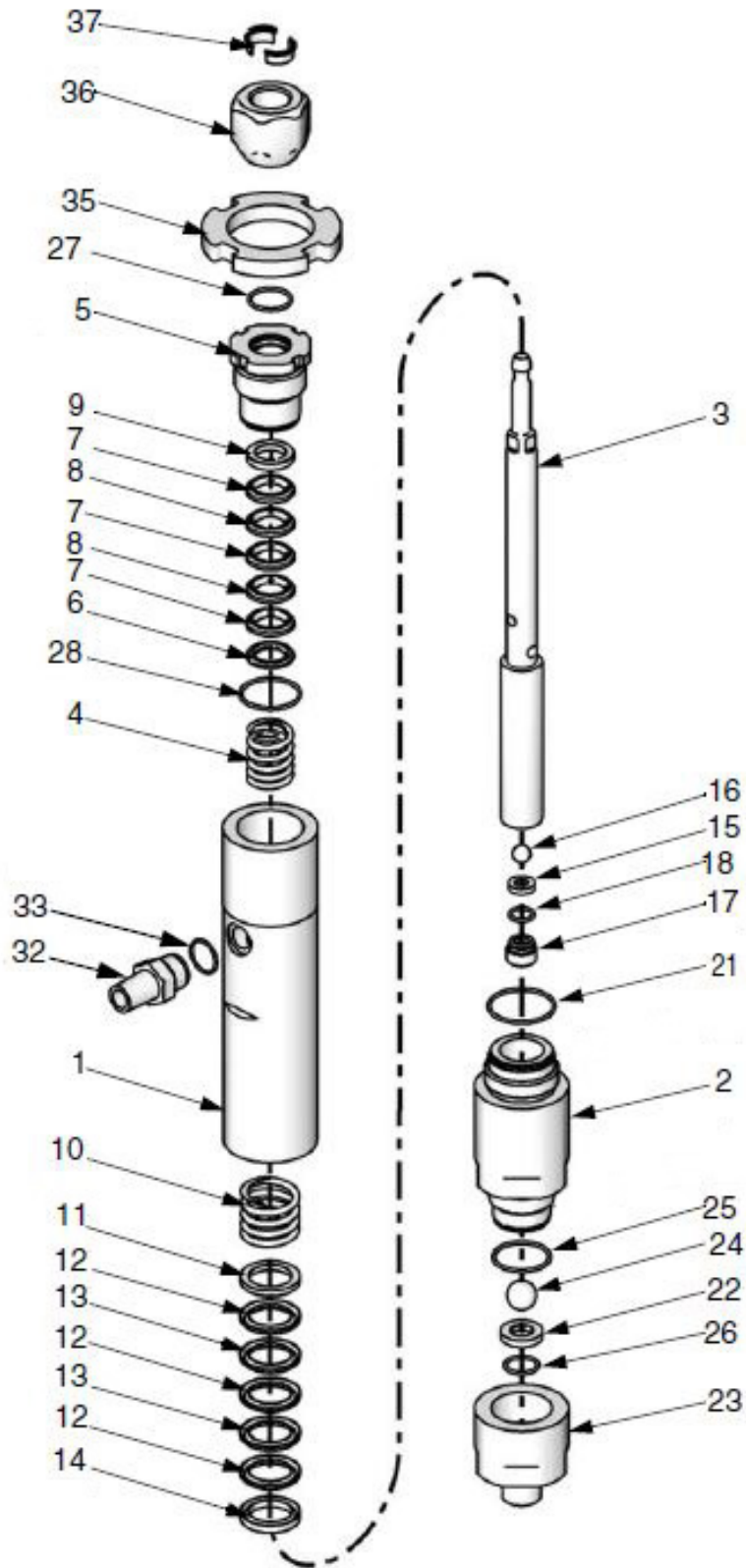
## PART NUMBERS AND SCHEMATICS GUIDE

### Graco® Merkur® Displacement Pump








Item#	Part#	Description
<b>Fig. 4</b>		
—	<b>20GLW100A</b>	<b>Graco® Merkur® Displacement Pump</b>
1	20G24A816	Upper Cylinder Kit <i>(Includes Item #'s: 21, 28, 32, and 33)</i>
2	20G24A825	Lower Cylinder Kit <i>(Includes Item #'s: 21 and 25)</i>
3	20G24A646	Piston Rod Assembly <i>(Includes Item #'s: 15-18, 36 and 37)</i>
4	—	Spring, Throat
5	20G24A810	Wet Cup <i>(Includes Item #'s: 27 and 28)</i>
6	—	Gland, Male, Throat
7	—	Packing, Throat, UHMWPE <i>(Quantity of Three)</i>
8	—	Packing, Throat, PTFE <i>(Quantity of Two)</i>
9	—	Gland, Female, Throat
10	—	Spring, Piston
11	—	Gland, Male, Piston
12	—	Packing, Throat, UHMWPE <i>(Quantity of Three)</i>
13	—	Packing, Throat, PTFE <i>(Quantity of Two)</i>
14	—	Gland, Female, Piston
15	—	Seat, Piston Valve, Tungsten Carbide
16	—	Ball, Piston Valve, 440 Stainless Steel
17	—	Nut, Flow Through
18	—	O-Ring, Piston
21	—	O-Ring, Lower Cylinder
22	—	Seat, Intake Valve, Tungsten Carbide
23	20G24A837	Intake Valve Kit <i>(Includes Item #'s: 26)</i>
24	—	Ball, Intake Valve, 440 Stainless Steel
25	—	O-Ring, Lower Cylinder <i>(Quantity of Two)</i>
26	—	O-Ring, Intake Valve
27	20G24A632	O-Ring, Wet Cup <i>(Pack of 10)</i>
28	—	O-Ring, Wet Cup
32	20G24A840	Fitting, Outlet, 3/8-18 NPT x 3/4-16 UNF <i>(Includes Item #'s: 33)</i>
33	20G24E457	O-Ring, Outlet <i>(Pack of 10)</i>
35	20G24A637	Jam Nut
36	20G15T311	Nut, Coupling
37	20G24A619	Collar, Coupling <i>(Pack of 10)</i>
—	20G24A254	Seal Repair Kit <i>(Includes Item #'s: 4, 6, 7, 8, 9, 10, 11, 12, 13, 14, 18, 21, 25, 26, 27, 28, and 33)</i>
—	20G24R168	V-Packing Repair Kit <i>(Includes Item #'s: 7, 8, 12, 13, 18, 21, 25, 26, 27, 28, and 33)</i>
—	20G24A784	Tungsten Carbide Seat Repair Kit <i>(Includes Item #'s: 15, 17, 18, 21, 22, 25, and 26)</i>
—	20G24A264	440 Stainless Steel Check Ball Kit <i>(Includes Item #'s: 16 and 24)</i>



# PART NUMBERS AND SCHEMATICS GUIDE

Figure 4: Graco® Merkur® Displacement Pump





## OPTIONAL ACCESSORIES


		CONTROLS AND VALVES				
		Type	Maximum Working Pressure	Inlet	Outlet	Regulated Pressure Range
	<b>20G214848</b>	Air Line Lubrictor	250 psi	1/2" NPT (F)	1/2" NPT (F)	—
	<b>20G202858</b>	Air Regulator	300 psi	3/8" NPT (F)	1/2" NPT (F)	0-250 psi
	<b>20G107142</b>	Bleed-Type Master Air Valve	300 psi	1/2" NPT (M)	1/2" NPT (F)	—
	<b>20G210657</b>	Fluid Drain Valve	5,000 psi	1/4" NPT	1/4" NPT	—
	<b>20G210659</b>	Fluid Drain Valve	5,000 psi	1/4" NPT	3/8" NPT	—
	<b>20G210658</b>	Fluid Drain Valve	5,000 psi	3/8" NPT	3/8" NPT	—
	<b>20G224040</b>	Pump Runaway Valve	120 psi	3/4" NPT (F)	3/4" NPT (F)	—


Part Numbers	ADAPTERS AND FITTINGS	
	Description	
	<b>20G243421</b>	Muffler Accessory Kit <i>(Includes Gaskets, Plates, Screws, and Muffler)</i>
	<b>20G243801</b>	Remote Exhaust Accessory Kit <i>(Includes Gaskets, Plates, and Screws)</i>

## OPTIONAL ACCESSORIES

		FILTERS				
	Part Numbers	Type	Maximum Working Pressure	Inlet	Outlet	Screen
	20G106149	Air Line Filter	250 psi	1/2" NPT (F)	1/2" NPT (F)	—

		REPLACEMENT SCREEN FILTER ELEMENTS	
	Part Numbers	Screen	Package
	20G167024B	30 Mesh	1 Pack
	20G167025B	60 Mesh	1 Pack
	20G224459	60 Mesh	2 Pack
	20G167026B	100 Mesh	1 Pack
	20G167027	200 Mesh	1 Pack
	20G224469	200 Mesh	2 Pack

		FILTER SUPPORTS		
	Part Numbers	Type	Body Material	Maximum Working Pressure
	20G186075	Filter Support	Nylon	7,250 psi
	20G171939B	Filter Support	Aluminum	7,250 psi

		SUCTION KITS				
	Part Numbers	For Use With	Material	Suction Hose I.D.	Suction Hose Length	Swivel Fitting
	20G218402	5 Gal	Aluminum	3/4"	36"	3/4" NPT (F)

## GLOBAL HEADQUARTERS

- 3425 East Locust Street  
Davenport, IA 52803

ph: 800.BLAST.IT (800.252.7848)  
ph: 563.324.2519  
fax: 563.324.6258

## GULF STATES HEADQUARTERS

- 701 East Boulevard  
Deer Park, TX 77536

ph: 800.BLAST.IT (800.252.7848)  
ph: 281.930.0905  
fax: 281.542.0736

## REGIONAL BRANCH OFFICES

- **Iowa**  
Davenport
- **Louisiana**  
Gonzales  
Lafayette
- **Ohio**  
Youngstown
- **Texas**  
Beaumont  
Corpus Christi  
Deer Park



ABRASIVES

BLASTING

COATING

DUST COLLECTORS

ENGINEERED SYSTEMS

RENTAL

SAFETY

SERVICE & REPAIR

VACUUMS

## 40+ NATIONWIDE SHIPPING LOCATIONS



★ Marco Regional Branch Offices  
and Shipping Locations

● Direct Shipping Locations

## CONTACT MARCO

**800.BLAST.IT**  
**(800.252.7848)**  
**563.324.2519**  
**FAX: 563.324.6258**

**WWW.MARCO.US**  
**SALES@MARCO.US**