



GRACO® KING® 45:1 AIRLESS SPRAY PUMP



PART NUMBERS AND SCHEMATICS GUIDE

Company Profile

Since 1944, Marco has developed a strong tradition of providing innovative and reliable products and services to the surface preparation and protective coatings industries. We are the world's premier provider of Abrasives, Blasting Equipment, Coating Equipment, Engineered Systems, Rental Equipment, Safety Equipment, Service, and Repair.

Through innovative designs and a total commitment to quality, Marco manufactures products that increase production rates, create a safer workplace, and reduce maintenance costs. Marco's industry experience, manufacturing capabilities, legendary customer service, product availability, logistics services, and technology leadership is your assurance that we deliver high quality products and services, providing the best value to you, our customer.

The Marco Difference

- **Industry Experience** – With Marco on your team, you have access to expertise which can only come from decades of industry leadership. We have organized our engineering department, production specialists, customer operations, and safety support into a “Center of Competence.” As a Marco customer, you have access to hundreds of years of cumulative experience related to your operations.
- **Manufacturing Excellence** – Marco is a U.S. based, ISO 9001:2008 certified manufacturer of equipment for the Surface Preparation and Protective Coatings industries. Marco's engineers benchmark the industry to ensure that we design and manufacture superior products that set the “Gold Standard” for performance, safety, and quality.
- **Legendary Customer Service** – Marco's legendary customer service team is staffed by friendly, highly-trained individuals who are focused on providing the highest level of product support, order accuracy, and customer satisfaction.
- **Product Availability** – We stock over 10,000 SKU's and have over 45 shipping locations to serve North American and International markets for all major brands of blasting and painting equipment. As the largest provider of surface preparation and protective coatings equipment in the world, our inventory levels and product availability are unmatched.
- **Logistics Services** – Marco's in-house logistics team is dedicated to moving your shipment anywhere in the world. We move over 14,000 truckloads every year, allowing you to save on freight costs by leveraging our buying power. Lower your process costs with a single invoice, which includes product and freight.
- **Technology Leadership** – Our website provides: Operator's Manuals, Part Numbers and Schematics Guides, MSDS information, and Features and Specifications Guides, providing access to information 24/7. Our Extranet application allows you to receive quotes and place orders online. Our Intranet maintains a complete record of your purchase history to assist with ongoing support of your existing equipment and future purchasing decisions.

Vision Statement

Marco is the world's premier provider of Abrasives, Blasting Equipment, Coating Equipment, Engineered Systems, Rental Equipment, Safety Equipment, Service, and Repair.

Mission Statement

Marco provides strong leadership and innovation to the surface preparation and protective coatings industries. We dedicate our efforts to the continuous improvement of our products, services, processes, people, and most importantly, the quality of our customer's experience.

Quality Policy

Marco is committed to providing superior quality in the design, manufacturing, distribution, rental, service, and repair of our products. Our ISO 9001:2008 certification extends throughout all operations in all locations. Continuous improvement of our processes and supply chain Integration comprise the core of our business strategy for delivering exceptional quality and value in all Marco products and services.

Management Philosophy

We are a company dedicated to the success of every customer and associate. We discuss, debate, challenge, measure, and test our ideas. We will be boundless and limitless in our passion to improve. Through sound leadership and dedicated associates, we will ensure a long term, profitable future for Marco, our associates, customers, and suppliers.

TABLE OF CONTENTS

Company Profile	2
Table of Contents	3
Graco® King® 45:1 Airless Spray Pump	4-21
Graco® King® 45:1 Airless Spray Pump	4-5
High Pressure Fluid Filter	6
Graco® King® 45:1 Pumps	7-9
Graco® King® 45:1 Displacement Pumps	10-13
Graco® King® 45:1 Air Motors	14-21
Optional Accessories	22
Suction Hose and Tubes	22
Fluid Drain Valves	22
Maintenance Notes	23

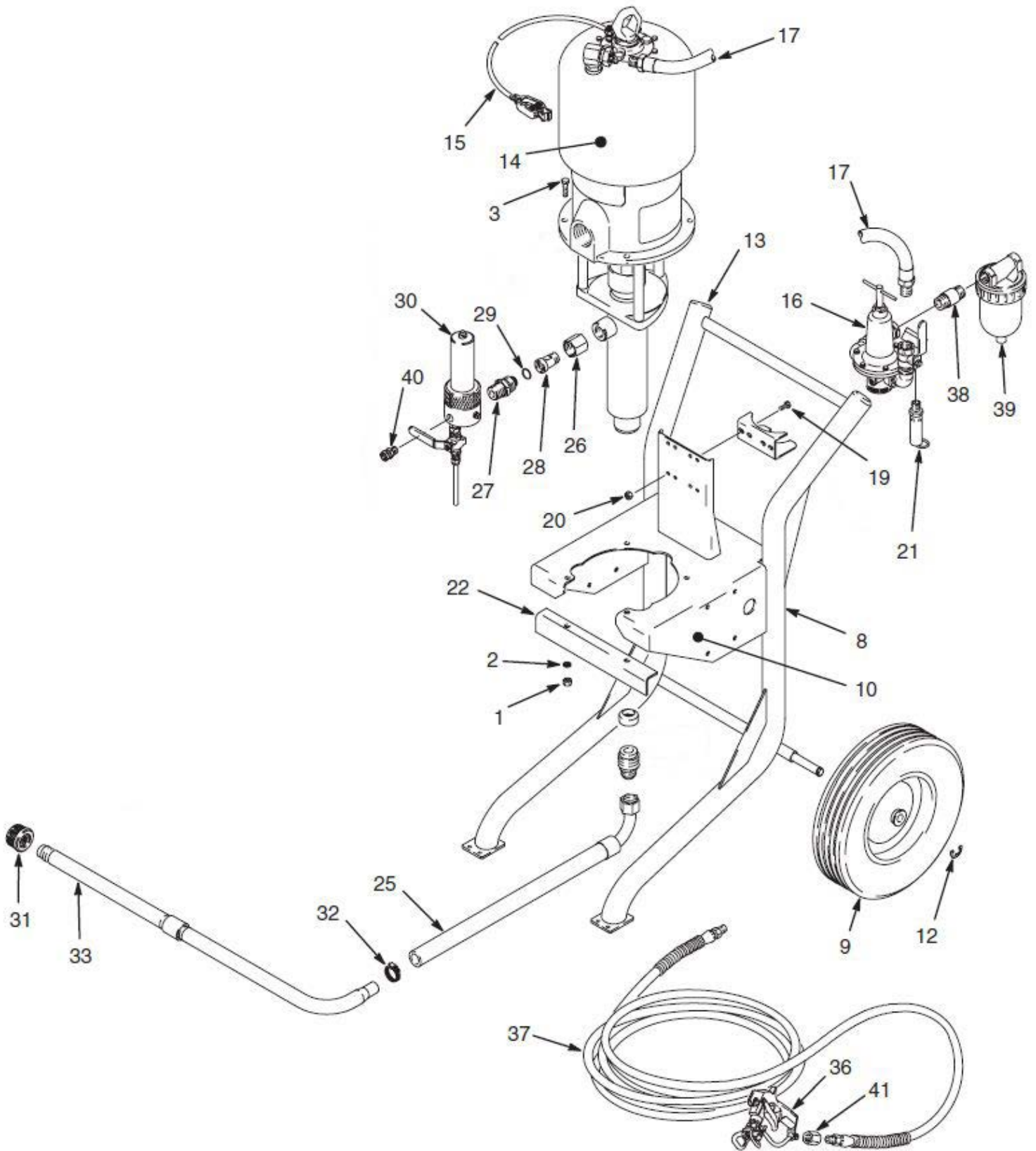
PART NUMBERS AND SCHEMATICS GUIDE

Graco® King® 45:1 Airless Spray Pump – Cart Mount

Item#	Part#	Description
Fig. 1		
1	20G100131	3/8-16 Full Hex Nut (<i>Quantity of Four</i>)
2	20G100133	3/8" Lock Washer (<i>Quantity of Four</i>)
3	20G100004	Cap Screw (<i>Quantity of Four</i>)
8	20G238162	Cart
9	20G113362	Semi-Pneumatic Wheel (<i>Quantity of Two</i>)
10	20G290361	Plate Designation
12	20G113436	Retaining Ring (<i>Quantity of Two</i>)
13	20G113361	Cap (<i>Quantity of Two</i>)
14	20G188953	Identification Label
15	20G238909	Ground Wire and Clamp
16	20G243200	Air Regulator Control System
17	20G238374	3/4" x 21" Coupled Hose
19	20G105328	Hex Head Cap Screw (<i>Quantity of Three</i>)
20	20G113761	Hex Nut (<i>Quantity of Three</i>)
21	20G103347	Air Relief Valve, 100 psi
22	20G191605	Stiffener Bracket
25	20G243201	Suction Hose
26	20G190411	3/4" Carbon Steel Swivel Adapter
27	20G190439	1" x 1-3/8 Carbon Steel Swivel Nipple
28	20G190412	1-3/8 Carbon Steel Swivel Nut
29	20G112973	O-Ring Packing
30	20G238620	High Pressure Fluid Filter (<i>See Fig. 2</i>)
31	20G189920	Fluid Intake Strainer
32	20G101818	Hose Clamp
33	20G241720	Suction Tube
36	20G235463	Silver Plus Gun
37	20G215245	3/8" x 50' Hose, 5000 psi
38	20G100627	3/4" x 3/4" Nipple
39	20G106150	Air Line Filter
40	20G155665	3/8" (M) x 3/8" (F) Union Swivel, 7500 psi
41	20G100083	1/4" x 3/8" Adapter
—	20G104088	Blind Rivet (<i>Quantity of Two</i>)
—	20G206994	Throat Seal Liquid – 8 oz.
—	206M628	Part Numbers and Schematics Guide – Graco® King® 45:1 Airless Spray Pump
—	209V587	Operator's Manual – Graco® King® 45:1 Cart-Mounted Airless Sprayers

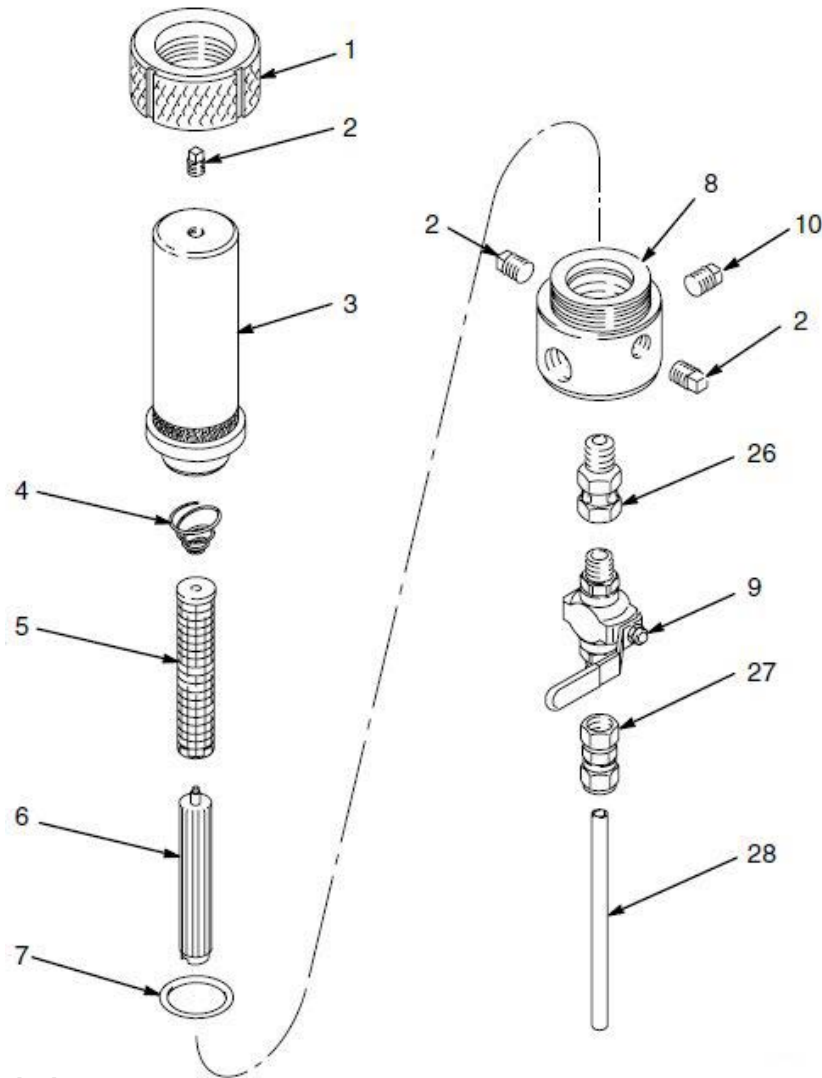
PART NUMBERS AND SCHEMATICS GUIDE

Figure 1: Graco® King® 45:1 Airless Spray Pump – Cart Mount



PART NUMBERS AND SCHEMATICS GUIDE

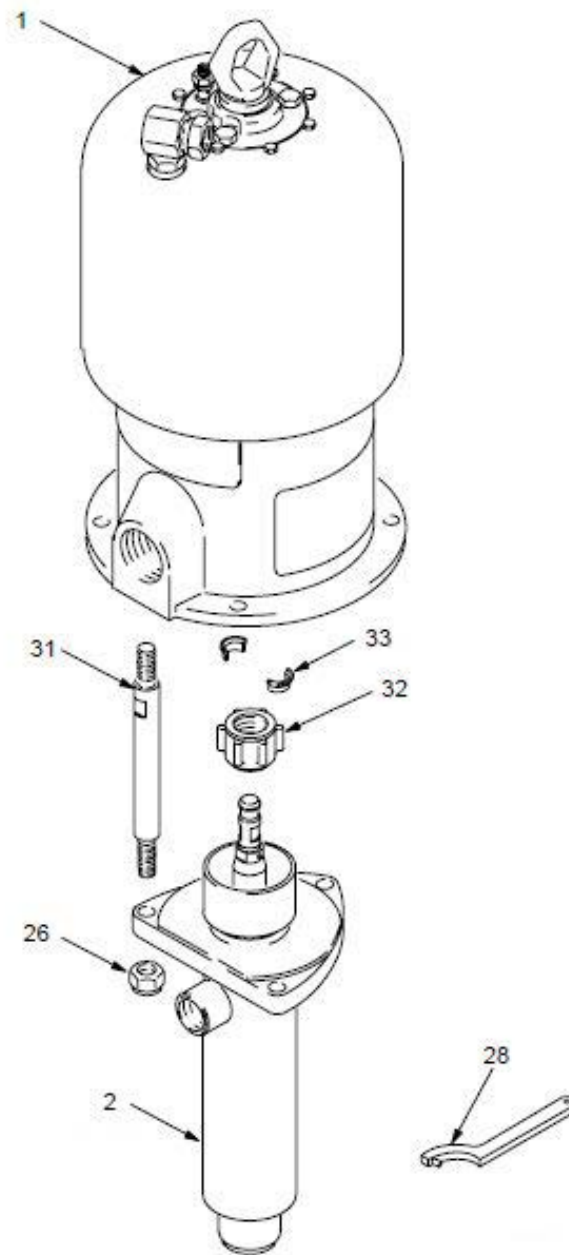
Figure 2: High Pressure Fluid Filter



Item#	Part#	Description
Fig. 2		
—	20G238620	High Pressure Fluid Filter – 60 Mesh
1	20G174058	Lock Ring
2	20G104816	3/8" NPT Pipe Plug (<i>Quantity of Three</i>)
3	20G174056	Filter Bowl, 7250 psi
4	20G171941	Conical Compression Spring, 7250 psi
5	20G167025	Strainer, 60 Mesh
6	20G186075	Filter Support
7	20G104804	Packing O-Ring, PTFE
8	20G24C497	Paint Filter Manifold
9	20G223960	3/8" x 3/8" Ball Valve
10	20G104839	1/2" NPT Pipe Plug
26	20G155665	3/8" (M) x 3/8" (F) Union Swivel
27	20G205448	3/8" (F) Swivel Coupling
28	20G186447	Nylon Drain Tube
—	209V583	Operator's Manual – Graco® High Pressure Surge Tanks and Fluid Filters

PART NUMBERS AND SCHEMATICS GUIDE

Figure 3: Graco® King® 45:1 Pump



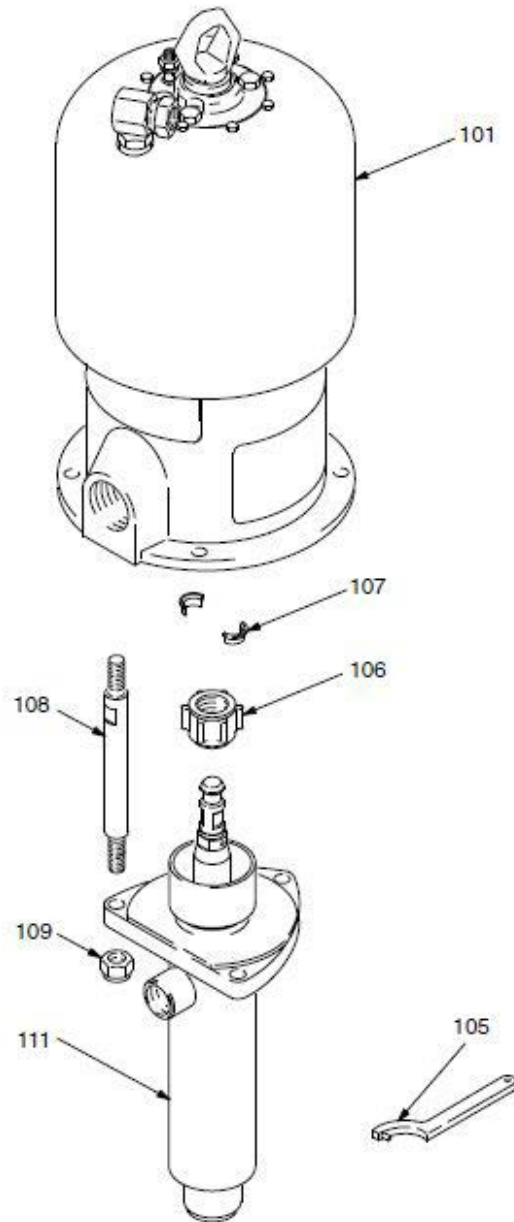
Item#	Part#	Description
-------	-------	-------------

Fig. 3

1	20G245111	Graco® King® Standard Air Motor (See Fig. 8)
2	—	Displacement Pump Assembly (See Fig. 6)
26	20G101712	5/8-11 Lock Nut with Nylon Inserts (Quantity of Three)
28	20G102176	Wrench – Spanner
31	20G167911	7" Rod Tie Shoulder-to-Shoulder (Quantity of Three)
32	20G186925	Coupling Nut
33	20G184129	Coupling
—	209V588	Operator's Manual – Graco® King® 45:1 Pump

PART NUMBERS AND SCHEMATICS GUIDE

Figure 4: Graco® King® 45:1 Stainless Steel Pump with Standard Motor



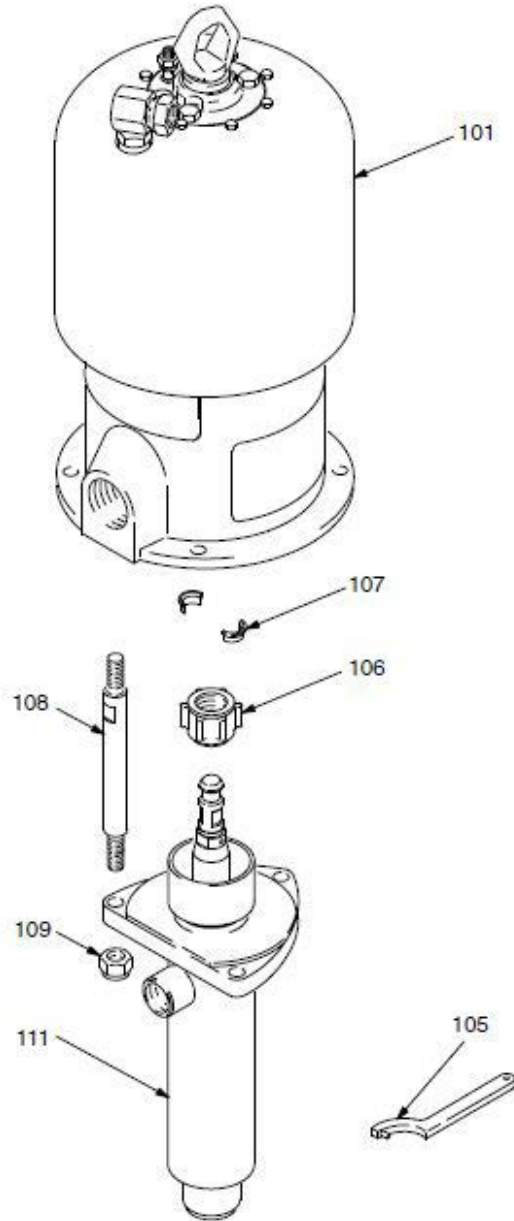
Item#	Part#	Description
-------	-------	-------------

Fig. 4

101	20G245111	Graco® King® Standard Air Motor (See Fig. 8)
105	20G102176	Wrench – Spanner
106	20G186925	Coupling Nut
107	20G184129	Coupling (Quantity of Two)
108	20G167911	7" Rod Tie Shoulder-to-Shoulder (Quantity of Three)
109	20G101712	5/8-11 Lock Nut with Nylon Inserts (Quantity of Three)
111	20G236470	Displacement Pump Assembly (See Fig. 7)
—	20G172447	Warning Label
—	209V590	Operator's Manual – Graco® King® 45:1 Stainless Steel Pumps

PART NUMBERS AND SCHEMATICS GUIDE

Figure 5: Graco® King® 45:1 Stainless Steel Pump with Quiet Motor



Item#	Part#	Description
-------	-------	-------------

Fig. 5

101	20G220106	Graco® King® Standard Quiet Air Motor (See Fig. 9)
105	20G102176	Wrench – Spanner
106	20G186925	Coupling Nut
107	20G184129	Coupling (Quantity of Two)
108	20G167911	7" Rod Tie Shoulder-to-Shoulder (Quantity of Three)
109	20G101712	5/8-11 Lock Nut with Nylon Inserts (Quantity of Three)
111	20G236470	Displacement Pump Assembly (See Fig. 7)
—	20G172447	Warning Label
—	209V590	Operator's Manual – Graco® King® 45:1 Stainless Steel Pumps

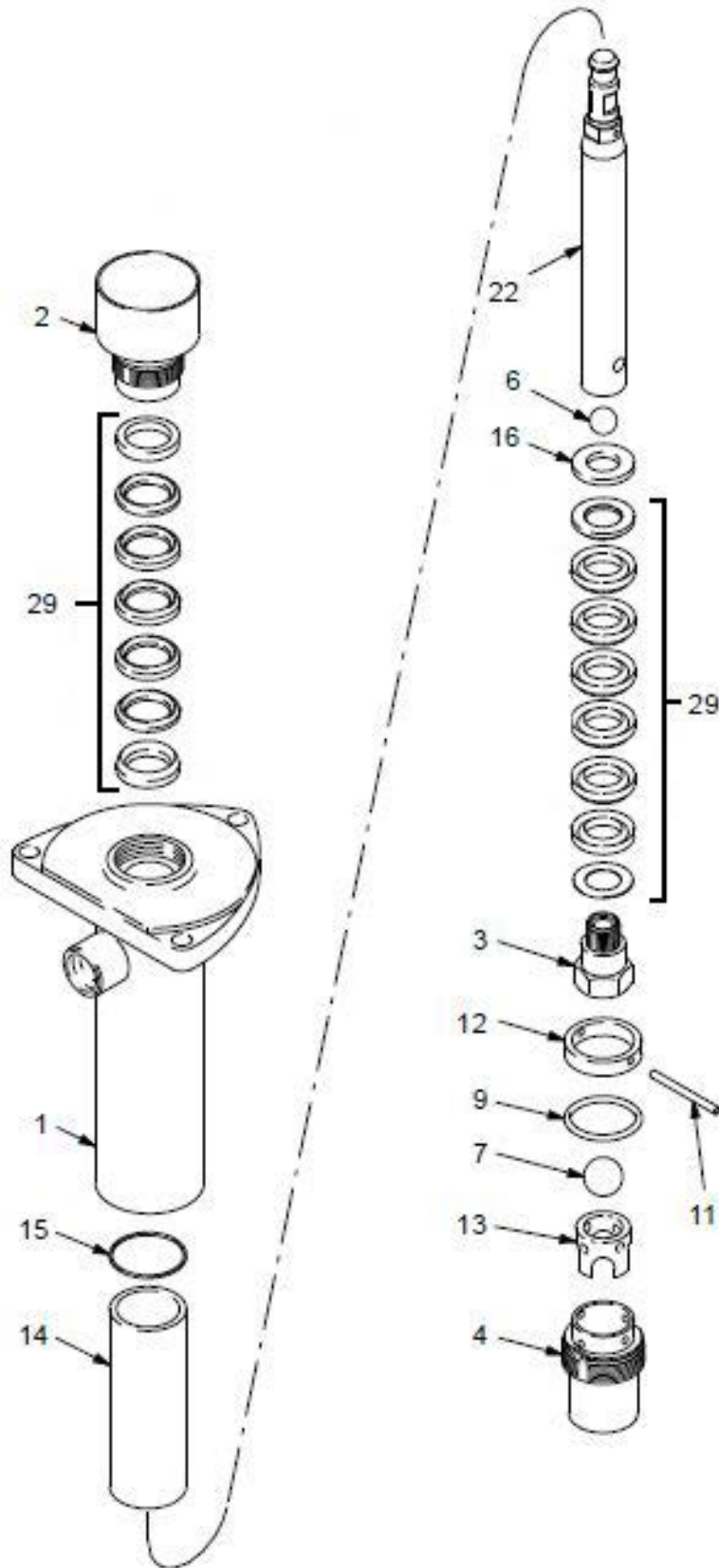
PART NUMBERS AND SCHEMATICS GUIDE

Graco® King® Displacement Pump

Item#	Part#	Description
Fig. 6		
1	20G207470	Pump Housing – Carbon Steel
2	20G207471	Packing Nut/Wet-Cup – Carbon Steel
3	20G207472	Piston – Carbon Steel with Tungsten Carbide Seat
4	20G207473	Intake Valve Housing – Carbon Steel with Tungsten Carbide Seat
6	20G102972	7/8" Stainless Steel Ball
7	20G102973	1-1/4" Intake Ball
9	20G106260	Packing O-Ring – Teflon
11	20G167890	Ball Stop Intake Valve Pin – Carbon Steel
12	20G167891	Retainer – Carbon Steel
13	20G167892	Ball Guide – Carbon Steel
14	20G178894	Sleeve – Stainless Steel
15	20G167894	Gasket – Teflon
16	20G167895	Flat Washer – Carbon Steel
22	20G236278	Displacement Rod – Stainless Steel
29	20G223480	Gland/Packing Stack – Leather with PTFE Backup (<i>Quantity of Two</i>)
—	20G172479	Warning Tag
—	20G224438	Graco® King® Displacement Pump Repair Kit (<i>Includes Item #'s: 6, 7, 9, 15, and 29</i>)
—	209V591	Operator's Manual – Graco® King® Displacement Pump

PART NUMBERS AND SCHEMATICS GUIDE

Figure 6: Graco® King® Displacement Pump



PART NUMBERS AND SCHEMATICS GUIDE

Graco® King® Stainless Steel Displacement Pump

Item#	Part#	Description
Fig. 7		
—	20G236470	Graco® King® Stainless Steel Displacement Pump
1	20G223582	Pump Housing – Stainless Steel
2	20G223583	Packing Nut/Wet-Cup – Stainless Steel
3	20G223560	Piston – Stainless Steel with Tungsten Carbide Seat
4	20G223561	Intake Valve Housing – Stainless Steel with Tungsten Carbide Seat
6	20G109217	7/8" Stainless Steel Ball
7	20G102973	1-1/4" Intake Ball
8	20G106260	Packing O-Ring – Teflon
10	20G186160	Ball Stop Intake Valve Pin – Stainless Steel
11	20G186165	Retainer – Stainless Steel
12	20G186161	Ball Guide – Stainless Steel
13	20G178894	Sleeve – Stainless Steel
14	20G186159	Flat Washer – Stainless Steel
15	20G236278	Displacement Rod – Stainless Steel
18	20G223642	Gland/Packing Stack – Leather with Teflon Backup (<i>Quantity of Two</i>)
19	20G167894	Gasket – Teflon
—	20G172479	Warning Tag
—	20G223643	Graco® King® Stainless Steel Displacement Pump Repair Kit (<i>Includes Item #'s: 6, 7, 8, 18, and 19</i>)
—	209V590	Operator's Manual – Graco® King® 45:1 Stainless Steel Pumps

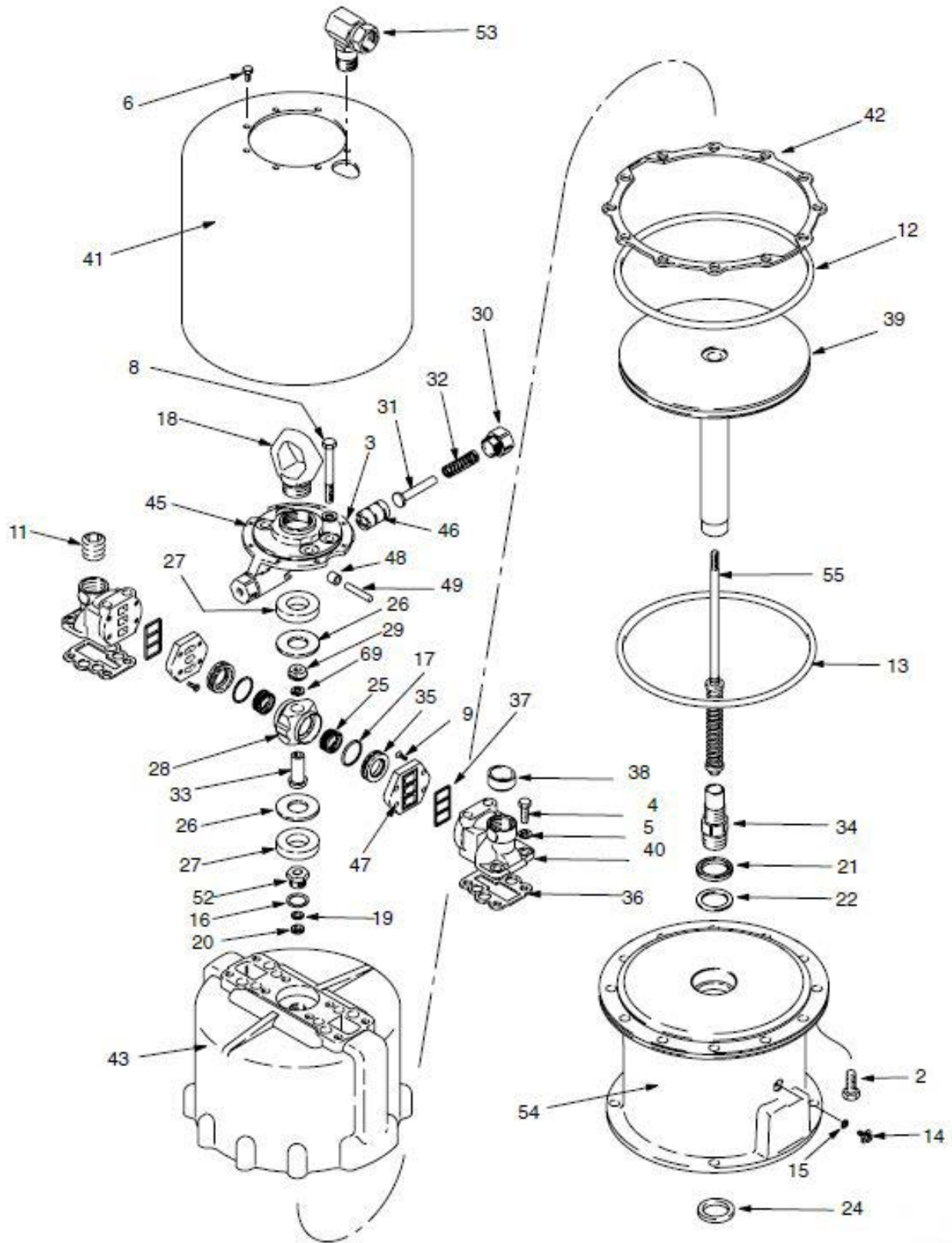
PART NUMBERS AND SCHEMATICS GUIDE

Graco® King® Standard Air Motor

Item#	Part#	Description	Item#	Part#	Description
Fig. 8					
—	20G245111	Graco® King® Standard Air Motor	38	20G168185	Air Inlet Grommet
2	20G100424	1-1/4" Screw (<i>Quantity of 12</i>)	39	20G245114	Air Piston
3	20G100052	7/16" Lock Washer (<i>Quantity of Four</i>)	40	20G168187	Air Manifold (<i>Quantity of Two</i>)
4	20G100101	1" Screw (<i>Quantity of Four</i>)	41	20G168188	Air Motor Shield
5	20G100133	3/8" Lock Washer (<i>Quantity of Four</i>)	42	20G168189	Motor Gasket
6	20G113161	Slot Screw (<i>Quantity of Eight</i>)	43	20G168191	Air Motor Cylinder
8	20G101713	Cap Screw (<i>Quantity of Four</i>)	45	20G177664	Detent Housing
9	20G101713	Screw (<i>Quantity of Eight</i>)	46	20G169583	Roller Plunger (<i>Quantity of Two</i>)
11	20G102726	1" Pipe Plug	47	20G169584	Air Valve Plate (<i>Quantity of Two</i>)
12	20G102727	Packing O-Ring – Nitrile Rubber	48	20G169585	Axle Roller (<i>Quantity of Two</i>)
13	20G102737	Packing O-Ring – Buna-N	49	20G169586	Detent Axle (<i>Quantity of Two</i>)
16	20G150647	Metallic Gasket – Copper	52	20G215933	Trip Rod Bearing
17	20G156698	Packing O-Ring – Buna-N (<i>Quantity of Two</i>)	53	20G207648	3/4" x 3/4" Adapter Union
18	20G180952	Lift Ring	54	20G245115	Base
19	20G161559	Backup Washer	55	20G218597	Trip Rod Assembly
20	20G161560	V-Packing – Polyurethane	69	20G105319	10 mm Lock Washer
21	20G161562	V-Packing – Nitrile Rubber	—	20G290331	Warning Label
22	20G161563	Backup Washer	—	20G189991	Warning Label
24	20G161569	Seal – Felt Wiper	—	20G207730	Graco® King® Standard Air Motor Repair Kit (<i>Includes Item #'s: 12, 17, 19, 20, 21, 22, 24, 36, 37, and 42</i>)
25	20G161575	Compression Spring (<i>Quantity of Two</i>)	—	209V592	Operator's Manual – Graco® King® Air Motor
26	20G161576	Flat Washer			
27	20G161577	Air Motor Bumper (<i>Quantity of Two</i>)			
28	20G161585	Air Valve Housing			
29	20G176569	Trip Rod Nut			
30	20G161587	Spring Retainer (<i>Quantity of Two</i>)			
31	20G161588	Spring Guide (<i>Quantity of Two</i>)			
32	20G161589	Compression Spring (<i>Quantity of Two</i>)			
33	20G176568	Trip Rod Bushing			
34	20G176564	Connecting Rod Stud			
35	20G168182	Air Director Valve (<i>Quantity of Two</i>)			
36	20G168183	Air Manifold Gasket (<i>Quantity of Two</i>)			
37	20G168184	Plate Seal (<i>Quantity of Two</i>)			

PART NUMBERS AND SCHEMATICS GUIDE

Figure 8: Graco® King® Standard Air Motor



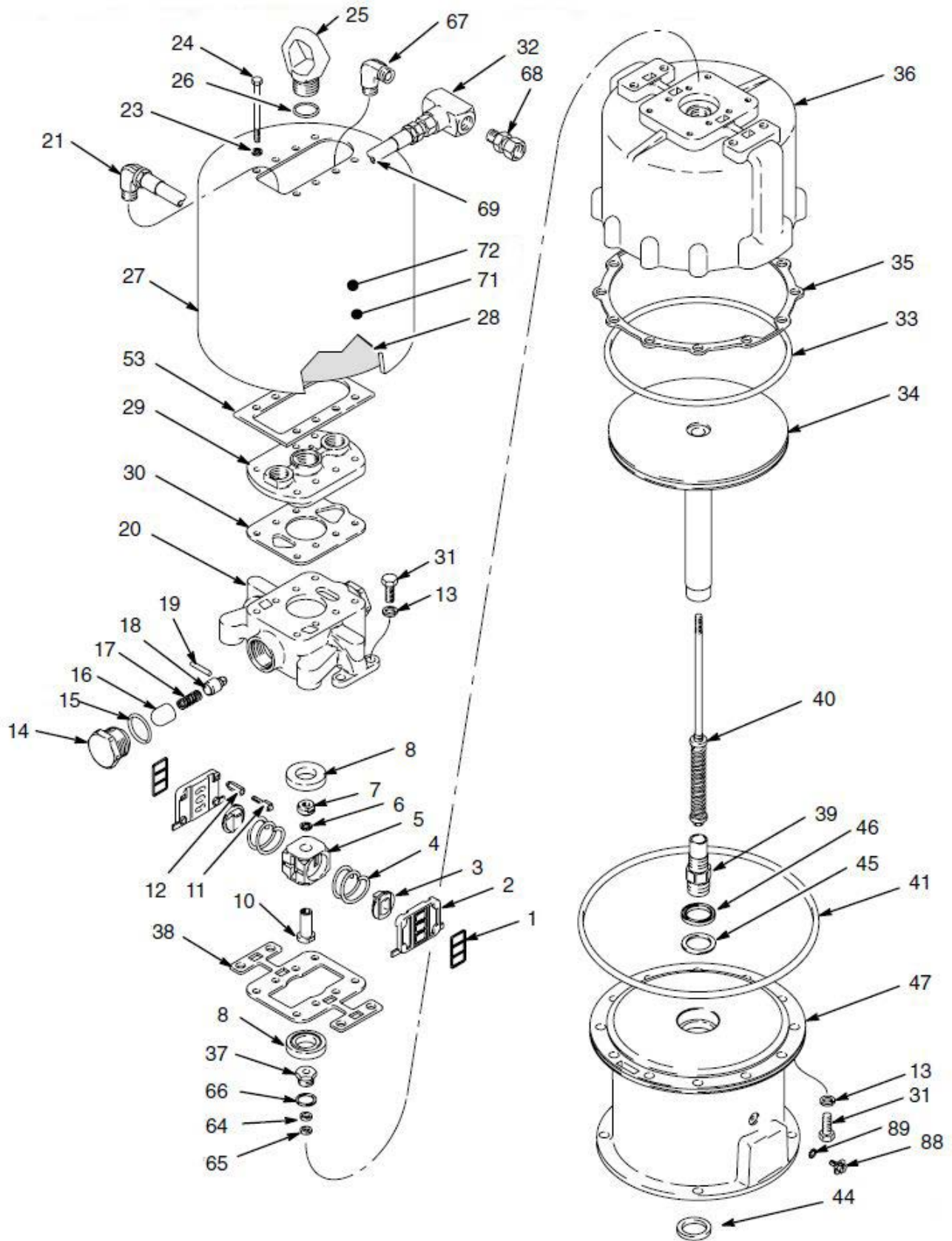
PART NUMBERS AND SCHEMATICS GUIDE

Graco® King® Standard Quiet Air Motor

Item#	Part#	Description	Item#	Part#	Description
Fig. 9					
—	20G220106	Graco® King® Standard Quiet Air Motor	36	20G181297	Cylinder
1	20G168184	Plate Seal (<i>Quantity of Two</i>)	37	20G215933	Trip Rod Bearing
2	20G176536	Valve Plate (<i>Quantity of Two</i>)	38	20G176575	Gasket – Cellulose Fiber
3	20G176518	Director Valve (<i>Quantity of Two</i>)	39	20G176564	Connecting Rod Stud
4	20G176543	Compression Spring (<i>Quantity of Two</i>)	40	20G218597	Trip Rod Assembly
5	20G176519	Air Valve Housing	41	20G102737	Packing O-Ring – Buna-N
6	20G105319	10 mm Lock Washer	44	20G161569	Seal – Felt Wiper
7	20G176569	Trip Rod Nut	45	20G161563	Backup Washer
8	20G176549	Rubber Pad (<i>Quantity of Two</i>)	46	20G161562	V-Packing – Nitrile Rubber
10	20G176568	Trip Rod Bushing	47	20G245115	Base
11	20G176550	Adjusting Screw (<i>Quantity of Four</i>)	53	20G177081	Gasket – Neoprene
12	20G176548	Adjusting Nut (<i>Quantity of Four</i>)	64	20G161559	Backup Washer
13	20G100018	Lock Washer (<i>Quantity of Two</i>)	65	20G161560	V-Packing – Polyurethane
14	20G178428	Toggle Retainer (<i>Quantity of Two</i>)	66	20G150647	Metallic Gasket – Copper
15	20G105318	O-Ring – Nitrile Rubber (<i>Quantity of Two</i>)	67	20G108307	3/4" Pipe Elbow
16	20G178427	Housing Guide (<i>Quantity of Two</i>)	68	20G157785	3/4" x 3/4" Union Swivel
17	20G178429	Compression Spring (<i>Quantity of Two</i>)	69	20G214953	3/4" I.D. Air Hose
18	20G178426	Spring Housing (<i>Quantity of Two</i>)	71	20G290331	Warning Label
19	20G105321	Dowel Pin (<i>Quantity of Two</i>)	72	20G189991	Warning Label
20	20G181322	Air Manifold	88	20G116343	Grounding Clamp
21	20G100549	3/4" Pipe Elbow	89	20G111307	Tab Washer
23	20G104572	8 mm Lock Washer (<i>Quantity of Eight</i>)	—	20G207730	Graco® King® Standard Quiet Air Motor Repair Kit (<i>Includes Item #'s: 1, 15, 30, 33, 35, 38, 44, 45, 46, 64, and 65</i>)
24	20G105322	Cap Screw (<i>Quantity of Eight</i>)	—	209V594	Operator's Manual – Graco® King® Quiet Air Motor
25	20G176537	Lift Ring			
26	20G166221	O-Ring – Nitrile Rubber			
27	20G181276	Shield			
28	20G181308	Insulation (<i>Quantity of Two</i>)			
29	20G181321	Manifold Cap			
30	20G181323	Gasket – Cellulose Fiber			
31	20G105324	Hex Head Cap Screw (<i>Quantity of 16</i>)			
32	20G166466	3/4" (F) Pipe Tee			
33	20G102727	Packing O-Ring – Nitrile Rubber			
34	20G245114	Air Piston			
35	20G168189	Motor Gasket			

PART NUMBERS AND SCHEMATICS GUIDE

Figure 9: Graco® King® Standard Quiet Air Motor



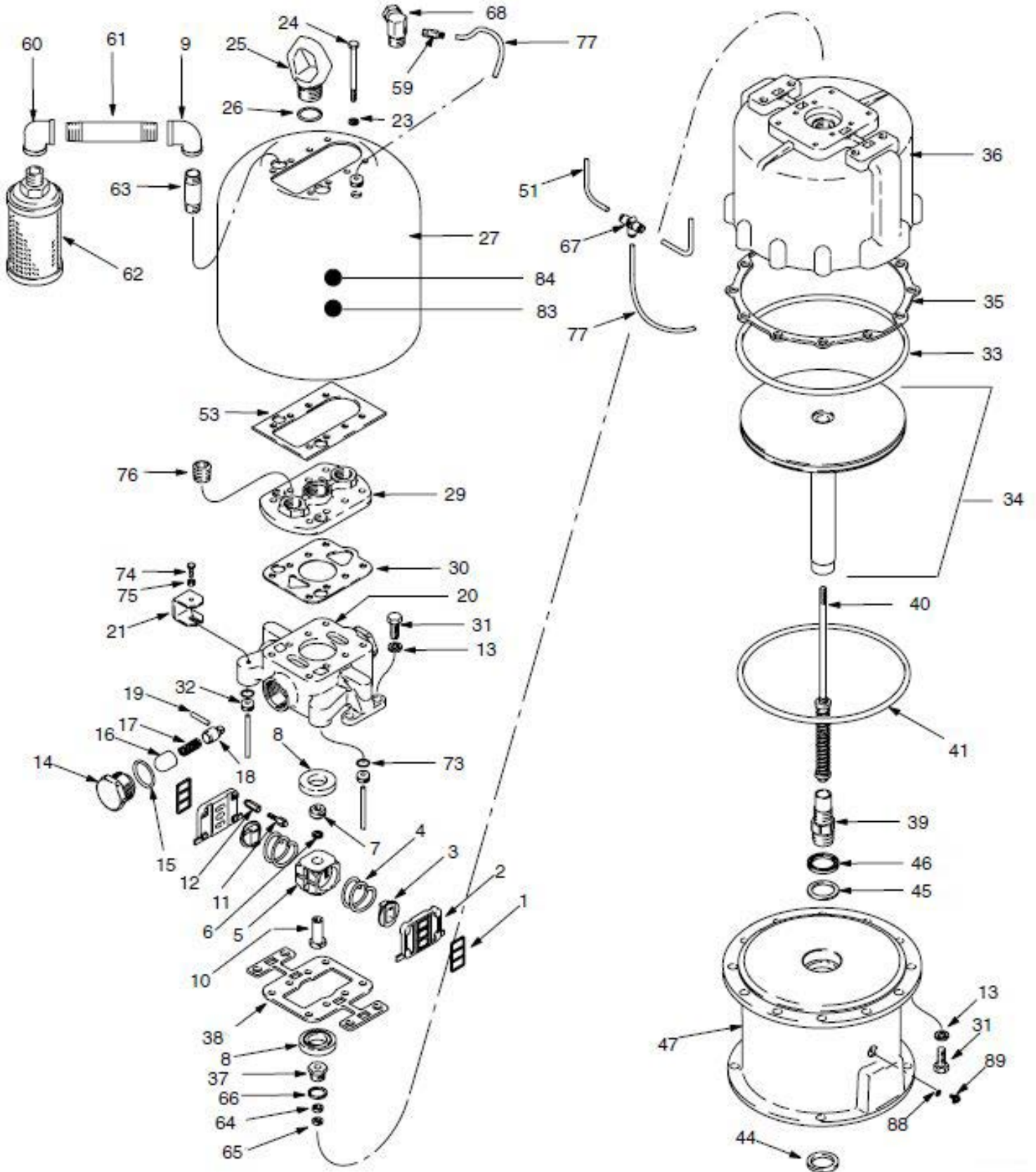
PART NUMBERS AND SCHEMATICS GUIDE

Graco® King® Reduced Icing Quiet Air Motor

Item#	Part#	Description	Item#	Part#	Description
Fig. 10			36	20G181297	Cylinder
—	20G245112	Graco® King® Reduced Icing Quiet Air Motor	37	20G215933	Trip Rod Bearing
1	20G168184	Plate Seal (<i>Quantity of Two</i>)	38	20G176575	Gasket – Cellulose Fiber
2	20G176536	Valve Plate (<i>Quantity of Two</i>)	39	20G176564	Connecting Rod Stud
3	20G176518	Director Valve (<i>Quantity of Two</i>)	40	20G218597	Trip Rod Assembly
4	20G176543	Compression Spring (<i>Quantity of Two</i>)	41	20G102737	Packing O-Ring – Buna-N
5	20G176519	Air Valve Housing	44	20G161569	Seal – Felt Wiper
6	20G105319	10 mm Lock Washer	45	20G161563	Backup Washer
7	20G176569	Trip Rod Nut	46	20G161562	V-Packing – Nitrile Rubber
8	20G176549	Rubber Pad (<i>Quantity of Two</i>)	47	20G245115	Base
9	20G112885	Reducing Elbow (<i>Quantity of Two</i>)	51	20G190009	1/4" x 8" Nylon Tube (<i>Quantity of Two</i>)
10	20G176568	Trip Rod Bushing	53	20G112740	Gasket – Neoprene
11	20G176550	Adjusting Screw (<i>Quantity of Four</i>)	59	20G116691	Connector Tube Fitting
12	20G176548	Adjusting Nut (<i>Quantity of Four</i>)	60	20G116642	90° Pipe Elbow Fitting (<i>Quantity of Two</i>)
13	20G100018	Lock Washer (<i>Quantity of Two</i>)	61	20G116647	1" Pipe Nipple Fitting (<i>Quantity of Two</i>)
14	20G178428	Toggle Retainer (<i>Quantity of Two</i>)	62	20G198311	Reduced Icing Muffler (<i>Quantity of Two</i>)
15	20G105318	O-Ring – Nitrile Rubber (<i>Quantity of Two</i>)	63	20G116662	1/2" Pipe Nipple Fitting (<i>Quantity of Two</i>)
16	20G178427	Housing Guide (<i>Quantity of Two</i>)	64	20G161559	Backup Washer
17	20G178429	Compression Spring (<i>Quantity of Two</i>)	65	20G161560	V-Packing – Polyurethane
18	20G178426	Spring Housing (<i>Quantity of Two</i>)	66	20G150647	Metallic Gasket – Copper
19	20G105321	Dowel Pin (<i>Quantity of Two</i>)	67	20G112739	Union Tee
20	20G181322	Air Manifold	68	20G189986	Air Inlet Fitting
21	20G112735	Bracket (<i>Quantity of Two</i>)	73	20G109018	O-Ring – Nitrile Rubber (<i>Quantity of Two</i>)
23	20G104572	8 mm Lock Washer (<i>Quantity of Eight</i>)	74	20G112117	Hex Head Screw (<i>Quantity of Two</i>)
24	20G105322	Cap Screw (<i>Quantity of Eight</i>)	75	20G105912	Hex Nut (<i>Quantity of Two</i>)
25	20G176537	Lift Ring	76	20G102726	1" Pipe Plug
26	20G166221	O-Ring – Nitrile Rubber	77	20G190010	1/4" x 21" Nylon Tube
27	20G112736	Air Motor Shield	83	20G290331	Warning Label
29	20G189985	Manifold Cap	84	20G189991	Warning Label
30	20G112741	Gasket – Cellulose Fiber	88	20G116343	Grounding Clamp
31	20G105324	Hex Head Cap Screw (<i>Quantity of 16</i>)	89	20G111307	Tab Washer
32	20G112738	Grommet (<i>Quantity of Three</i>)	—	20G207730	Graco® King® Reduced Icing Quiet Air Motor Repair Kit (<i>Includes Item #'s: 1, 15, 30, 33, 35, 38, 44, 45, 46, 64, and 65</i>)
33	20G102727	Packing O-Ring – Nitrile Rubber	—	209V594	Operator's Manual – Graco® King® Quiet Air Motor
34	20G245114	Air Piston			
35	20G168189	Motor Gasket			
18	Graco® King® 45:1 Airless Spray Pump				

PART NUMBERS AND SCHEMATICS GUIDE

Figure 10: Graco® King® Reduced Icing Quiet Air Motor



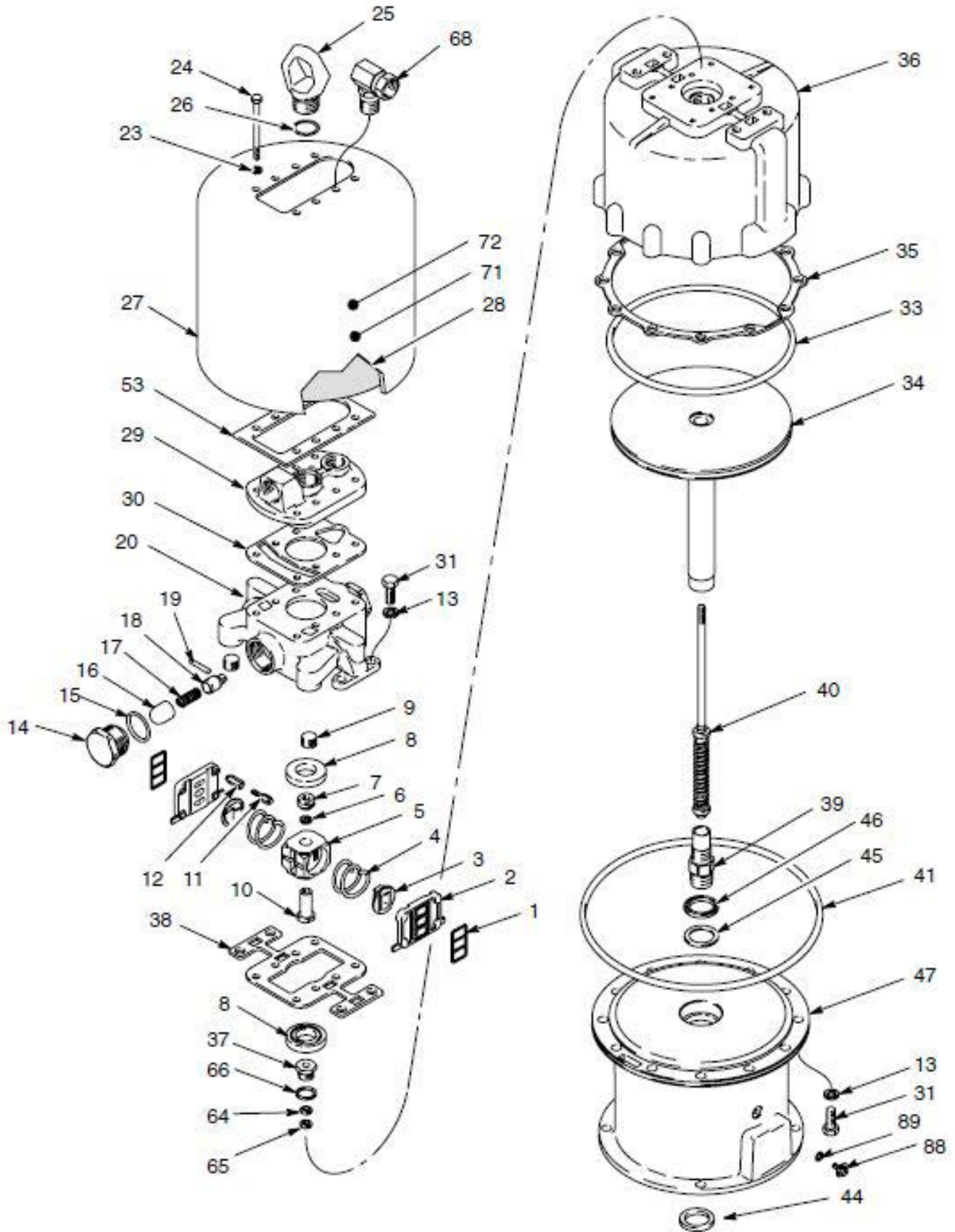
PART NUMBERS AND SCHEMATICS GUIDE

Graco® King® Remote Exhaust Quiet Air Motor





Item#	Part#	Description	Item#	Part#	Description
Fig. 11			37	20G215933	Trip Rod Bearing
—	20G235525	Graco® King® Remote Exhaust Quiet Air Motor	38	20G176575	Gasket – Cellulose Fiber
1	20G168184	Plate Seal (<i>Quantity of Two</i>)	39	20G176564	Connecting Rod Stud
2	20G176536	Valve Plate (<i>Quantity of Two</i>)	40	20G218597	Trip Rod Assembly
3	20G176518	Director Valve (<i>Quantity of Two</i>)	41	20G102737	Packing O-Ring – Buna-N
4	20G176543	Compression Spring (<i>Quantity of Two</i>)	43	20G102725	Pipe Plug
5	20G176519	Air Valve Housing	44	20G161569	Seal – Felt Wiper
6	20G105319	10 mm Lock Washer	45	20G161563	Backup Washer
7	20G176569	Trip Rod Nut	46	20G161562	V-Packing – Nitrile Rubber
8	20G176549	Rubber Pad (<i>Quantity of Two</i>)	47	20G245115	Base
9	20G100361	1/2" Pipe Plug (<i>Quantity of Two</i>)	53	20G177081	Gasket – Neoprene
10	20G176568	Trip Rod Bushing	64	20G161559	Backup Washer
11	20G176550	Adjusting Screw (<i>Quantity of Four</i>)	65	20G161560	V-Packing – Polyurethane
12	20G176548	Adjusting Nut (<i>Quantity of Four</i>)	66	20G150647	Metallic Gasket – Copper
13	20G100018	Lock Washer (<i>Quantity of Two</i>)	68	20G207648	3/4" x 3/4" Adapter Union
14	20G178428	Toggle Retainer (<i>Quantity of Two</i>)	71	20G290331	Warning Label
15	20G105318	O-Ring – Nitrile Rubber (<i>Quantity of Two</i>)	72	20G189991	Warning Label
16	20G178427	Housing Guide (<i>Quantity of Two</i>)	88	20G116343	Grounding Clamp
17	20G178429	Compression Spring (<i>Quantity of Two</i>)	89	20G111307	Tab Washer
18	20G178426	Spring Housing (<i>Quantity of Two</i>)	—	20G207730	Graco® King® Remote Exhaust Quiet Air Motor Repair Kit (<i>Includes Item #'s: 1, 15, 30, 33, 35, 38, 44, 45, 46, 64, and 65</i>)
19	20G105321	Dowel Pin (<i>Quantity of Two</i>)	—	209V594	Operator's Manual – Graco® King® Quiet Air Motor
20	20G176540	Air Manifold			
23	20G104572	8 mm Lock Washer (<i>Quantity of Eight</i>)			
24	20G105322	Cap Screw (<i>Quantity of Eight</i>)			
25	20G176537	Lift Ring			
26	20G166221	O-Ring – Nitrile Rubber			
27	20G181276	Shield			
28	20G181308	Insulation (<i>Quantity of Two</i>)			
29	20G176539	Manifold Cap			
30	20G176580	Gasket – Cellulose Fiber			
31	20G105324	Hex Head Cap Screw (<i>Quantity of 16</i>)			
33	20G102727	Packing O-Ring – Nitrile Rubber			
34	20G245114	Air Piston			
35	20G168189	Motor Gasket			
36	20G181297	Cylinder			
20	Graco® King® 45:1 Airless Spray Pump				




PART NUMBERS AND SCHEMATICS GUIDE

Figure 11: Graco® King® Remote Exhaust Quiet Air Motor



OPTIONAL ACCESSORIES

	Part Numbers	SUCTION HOSE AND TUBES	
		Description	
	20G197682	1" Suction Tube	
	20G245136	55 Gallon Suction Tube Extension Kit (Includes Suction Tube and Couplings)	
	20G237522	1" I.D. x 6' Suction Hose	
	20G247301	1" I.D. x 6' Suction Hose with Couplings	

	Part Numbers	FLUID DRAIN VALVES		
		Inlet	Outlet	Maximum Working Pressure
	20G210657	1/4" NPT	1/4" NPT	5,000 psi
	20G210659	1/4" NPT	3/8" NPT	5,000 psi
	20G210658	3/8" NPT	3/8" NPT	5,000 psi

GLOBAL HEADQUARTERS

- 3425 East Locust Street
Davenport, IA 52803

ph: 800.BLAST.IT (800.252.7848)

ph: 563.324.2519

fax: 563.324.6258

GULF STATES HEADQUARTERS

- 701 East Boulevard
Deer Park, TX 77536

ph: 800.BLAST.IT (800.252.7848)

ph: 281.930.0905

fax: 281.542.0736

REGIONAL BRANCH OFFICES

- **Iowa**
Davenport
- **Louisiana**
Gonzales
Lafayette
- **Ohio**
Youngstown
- **Texas**
Beaumont
Corpus Christi
Deer Park



ABRASIVES

BLASTING

COATING

DUST COLLECTORS

ENGINEERED SYSTEMS

RENTAL

SAFETY

SERVICE & REPAIR

VACUUMS

40+ NATIONWIDE SHIPPING LOCATIONS



★ Marco Regional Branch Offices
and Shipping Locations

● Direct Shipping Locations

CONTACT MARCO

800.BLAST.IT

(800.252.7848)

563.324.2519

FAX: 563.324.6258

WWW.MARCO.US

SALES@MARCO.US