



# GRACO® BULLDOG® 33:1 AIRLESS SPRAY PUMPS



**PART NUMBERS AND SCHEMATICS GUIDE**

## Company Profile

Since 1944, Marco has developed a strong tradition of providing innovative and reliable products and services to the surface preparation and protective coatings industries. We are the world's premier provider of Abrasives, Blasting Equipment, Coating Equipment, Engineered Systems, Rental Equipment, Safety Equipment, Service, and Repair.

Through innovative designs and a total commitment to quality, Marco manufactures products that increase production rates, create a safer workplace, and reduce maintenance costs. Marco's industry experience, manufacturing capabilities, legendary customer service, product availability, logistics services, and technology leadership is your assurance that we deliver high quality products and services, providing the best value to you, our customer.

## The Marco Difference

- **Industry Experience** – With Marco on your team, you have access to expertise which can only come from decades of industry leadership. We have organized our engineering department, production specialists, customer operations, and safety support into a “Center of Competence.” As a Marco customer, you have access to hundreds of years of cumulative experience related to your operations.
- **Manufacturing Excellence** – Marco is a U.S. based, ISO 9001:2008 certified manufacturer of equipment for the Surface Preparation and Protective Coatings industries. Marco's engineers benchmark the industry to ensure that we design and manufacture superior products that set the “Gold Standard” for performance, safety, and quality.
- **Legendary Customer Service** – Marco's legendary customer service team is staffed by friendly, highly-trained individuals who are focused on providing the highest level of product support, order accuracy, and customer satisfaction.
- **Product Availability** – We stock over 10,000 SKU's and have over 45 shipping locations to serve North American and International markets for all major brands of blasting and painting equipment. As the largest provider of surface preparation and protective coatings equipment in the world, our inventory levels and product availability are unmatched.
- **Logistics Services** – Marco's in-house logistics team is dedicated to moving your shipment anywhere in the world. We move over 14,000 truckloads every year, allowing you to save on freight costs by leveraging our buying power. Lower your process costs with a single invoice, which includes product and freight.
- **Technology Leadership** – Our website provides: Operator's Manuals, Part Numbers and Schematics Guides, MSDS information, and Features and Specifications Guides, providing access to information 24/7. Our Extranet application allows you to receive quotes and place orders online. Our Intranet maintains a complete record of your purchase history to assist with ongoing support of your existing equipment and future purchasing decisions.

## Vision Statement

Marco is the world's premier provider of Abrasives, Blasting Equipment, Coating Equipment, Engineered Systems, Rental Equipment, Safety Equipment, Service, and Repair.

## Mission Statement

Marco provides strong leadership and innovation to the surface preparation and protective coatings industries. We dedicate our efforts to the continuous improvement of our products, services, processes, people, and most importantly, the quality of our customer's experience.

## Quality Policy

Marco is committed to providing superior quality in the design, manufacturing, distribution, rental, service, and repair of our products. Our ISO 9001:2008 certification extends throughout all operations in all locations. Continuous improvement of our processes and supply chain Integration comprise the core of our business strategy for delivering exceptional quality and value in all Marco products and services.

## Management Philosophy

We are a company dedicated to the success of every customer and associate. We discuss, debate, challenge, measure, and test our ideas. We will be boundless and limitless in our passion to improve. Through sound leadership and dedicated associates, we will ensure a long term, profitable future for Marco, our associates, customers, and suppliers.

# TABLE OF CONTENTS

<b>Company Profile</b> .....	<b>2</b>
<b>Table of Contents</b> .....	<b>3</b>
<b>Graco® Bulldog® 33:1 Airless Spray Pumps</b> . . .	<b>4-20</b>
Graco® Bulldog® 33:1 Airless Spray Pumps .....	4-9
High Pressure Fluid Filter .....	10
Graco® Bulldog® 33:1 Pump .....	11
Graco® Bulldog® 33:1 Displacement Pump .....	12-13
Graco® Xtreme™ 180cc Pump .....	14-15
Graco® Bulldog® Air Motor .....	16-17
High Pressure Surge Tank .....	18-19
Fluid Filter .....	20
<b>Optional Accessories</b> .....	<b>21</b>
Suction Hose and Tubes .....	21
Fluid Drain Valves .....	21
<b>Maintenance Notes</b> .....	<b>22-23</b>

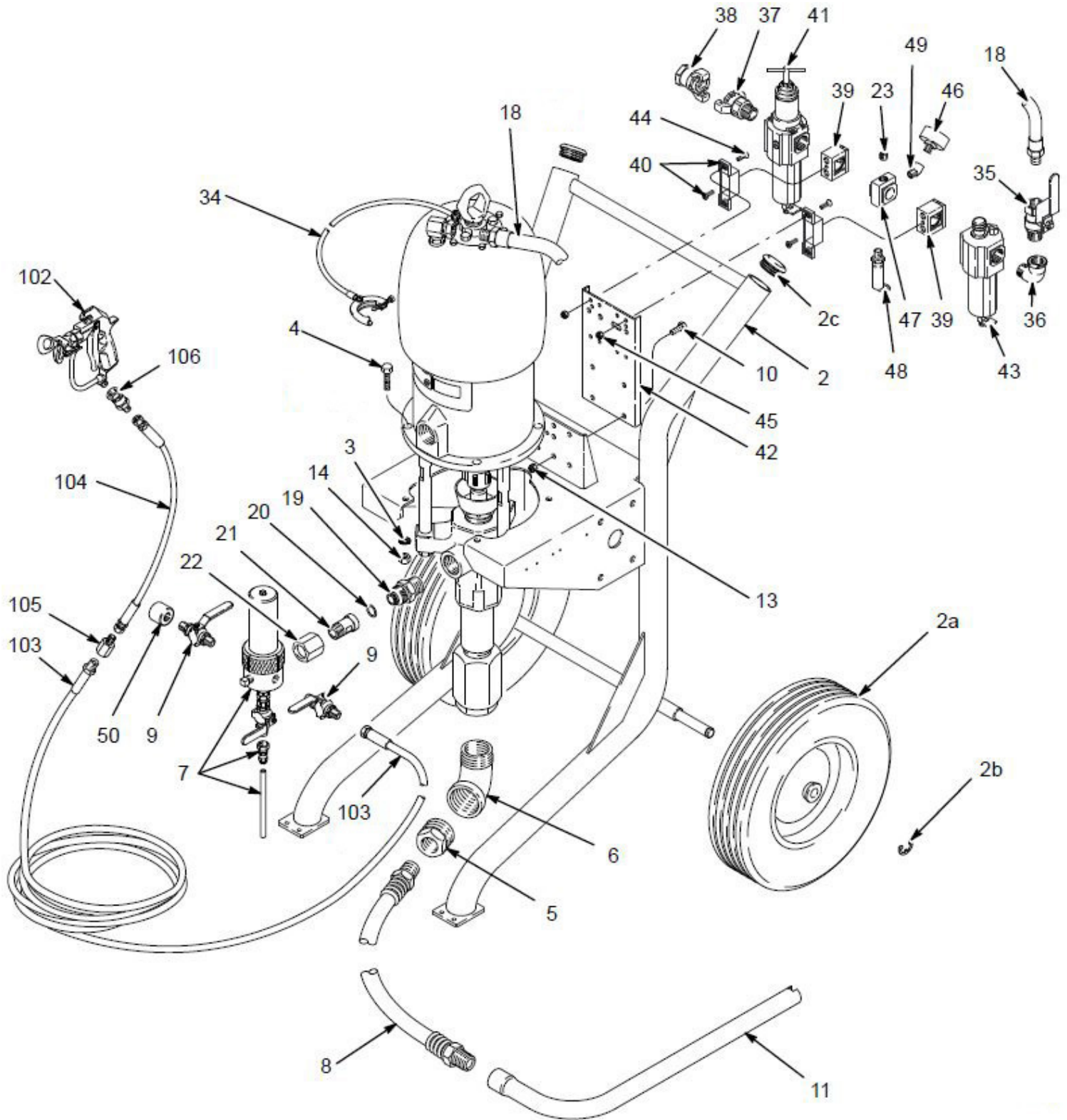
## PART NUMBERS AND SCHEMATICS GUIDE

### Graco® Bulldog® 33:1 Airless Spray Pump – Cart Mount

Item#	Part#	Description	Item#	Part#	Description
<b>Fig. 1</b>			44	20G113428	1/4-20 x 1" Hex Socket Crew (Quantity of Four)
2	20G238271	Portable Cart (Includes Item #'s: 2a, 2b, and 2c)	45	20G102040	1/4-20 Lock Hex Nut (Quantity of Four)
2a	20G113362	Wheel (Quantity of Two)	46	20G112123	Air Gauge
2b	20G113436	Retaining Ring (Quantity of Two)	47	20G113442	1/4" NPT (F) Air Manifold
2c	20G113361	Cap (Quantity of Two)	48	20G113498	Air Relief Valve, 100 psi
3	20G113427	3/8" External Tooth Lock Washer (Quantity of Four)	49	20G113444	1/4" NPT (M x F) 45° Elbow
4	20G100004	3/8-16 Cap Screw Hex Head (Quantity of Four)	50	20G113562	Valve Cap
5	20G102000	1-1/2" x 1" Bushing Reducer	101	20G238614	Hose and Gun Kit (Includes Item #'s: 102, 103, 104, 105, and 106)
6	20G101552	1-1/2" 90° Street Elbow	102	20G238591	Sliver Plus™ Airless Spray Gun
7	20G238620	High Pressure Fluid Filter (See Fig. 9)	103	20G238396	3/8" x 50' Fluid Hose
8	20G237522	1" x 6' Suction Hose, Nylon	104	2000034	1/4" x 6' Whip Hose
9	20G238612	3/8" Ball Valve (Quantity of Two)	105	20G150287	Reducing Coupling 3/8" to 1/4"
10	20G100057	5/16-18 x 3/4" Hex Head Cap Screw (Quantity of Four)	106	20G189018	1/4" x 1/4" Gun Swivel
11	20G197682	1" Pick Up Tube	—	20G238128	Designation Plate Kit
13	20G111040	5/16" Locknut with Nylon Insert (Quantity of Four)	—	20G206994	Throat Seal Liquid – 8 oz.
14	20G100131	3/8-16 Full Hex Nut (Quantity of Five)	—	20G238590	Air Regulation Kit (Includes Item #'s: 18, 23, 35, 36, 37, 38, 39, 40, 41, 43, 46, 47, and 49)
18	20G238374	3/4" I.D. x 21" Air Hose	—	206M362	Part Numbers and Schematics Guide – Graco® Silver Plus™ Airless Spray Gun
19	20G190413	3/4" x 1-3/8 Carbon Steel Nipple	—	206M612	Part Numbers and Schematics Guide – Graco® Bulldog® 33:1 Airless Spray Pump
20	20G112973	O-Ring – Teflon	—	209V362	Operator's Manual – Graco® Silver Plus™ Airless Spray Gun
21	20G190411	3/4" Carbon Steel Adapter	—	209V612	Operator's Manual – Graco® Bulldog® 33:1 Airless Spray Pump Cart-Mounted
22	20G190412	1-3/8 Carbon Steel Nut			
23	20G100721	1/4" Pipe Plug			
34	20G237569	Ground Wire and Clamp			
35	20G113218	3/4" Bleed Valve			
36	20G100549	3/4" 90° Street Elbow			
37	20G113429	3/4" Male Air Line Coupler			
38	20G113430	3/4" Female Air Line Coupler			
39	20G113431	Air Regulator Clamp (Quantity of Two)			
40	20G113432	Mounting Bracket (Quantity of Two)			
41	20G113494	Air Filter/Regulator			
42	20G191383	Mounting Bracket			
43	20G113435	Air Line Lubricator			

# PART NUMBERS AND SCHEMATICS GUIDE

Figure 1: Graco® Bulldog® 33:1 Airless Spray Pump – Cart Mount



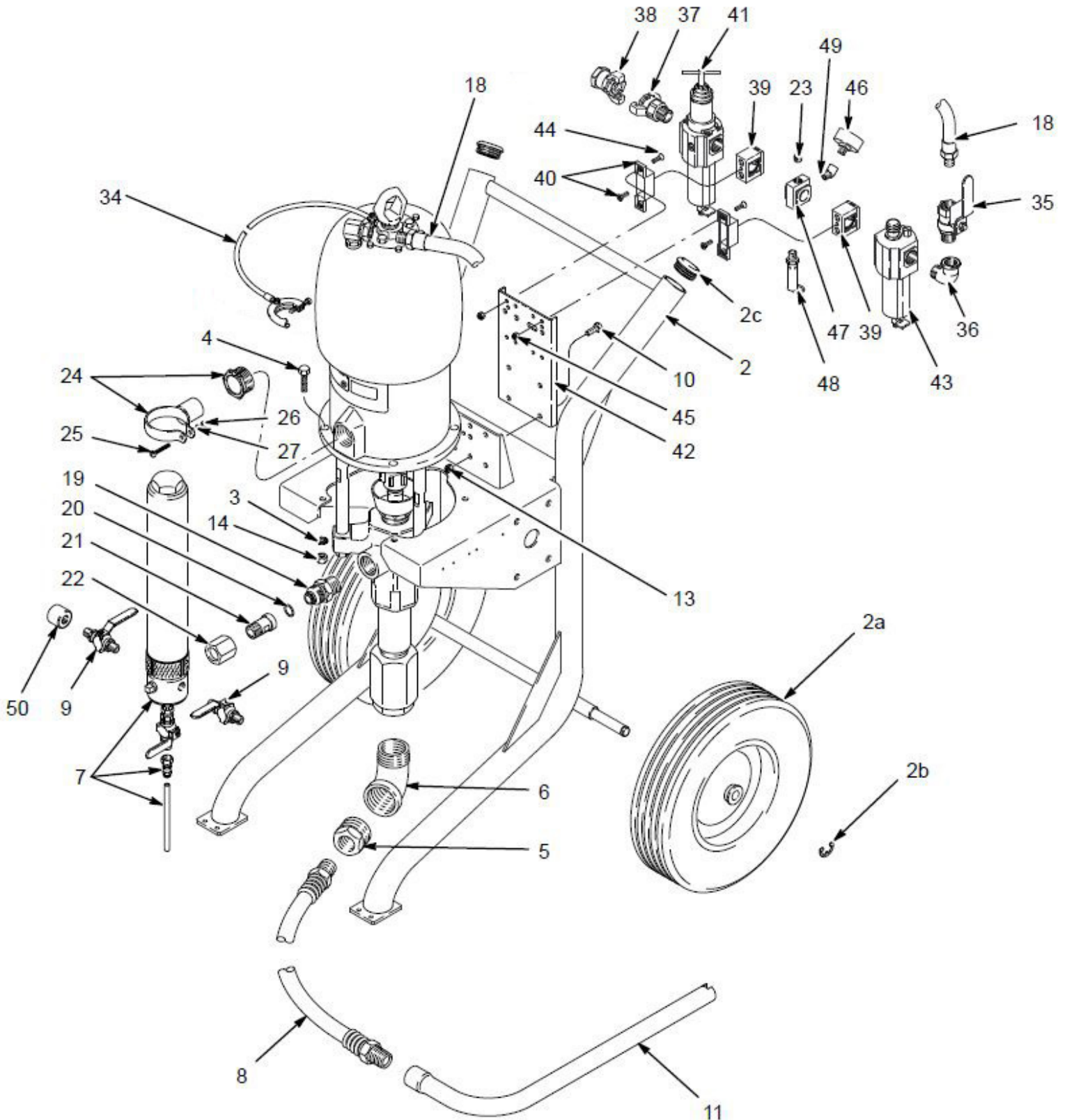
## PART NUMBERS AND SCHEMATICS GUIDE

### Graco® Bulldog® 33:1 Airless Spray Pump – Cart Mount with High Pressure Surge Tank

Item#	Part#	Description	Item#	Part#	Description
<b>Fig. 2</b>			42	20G191383	Mounting Bracket
2	20G238271	Portable Cart ( <i>Includes Item #'s: 2a, 2b, and 2c</i> )	43	20G113435	Air Line Lubricator
2a	20G113362	Wheel ( <i>Quantity of Two</i> )	44	20G113428	1/4-20 x 1" Hex Socket Crew ( <i>Quantity of Four</i> )
2b	20G113436	Retaining Ring ( <i>Quantity of Two</i> )	45	20G102040	1/4-20 Lock Hex Nut ( <i>Quantity of Four</i> )
2c	20G113361	Cap ( <i>Quantity of Two</i> )	46	20G112123	Air Gauge
3	20G113427	3/8" External Tooth Lock Washer ( <i>Quantity of Four</i> )	47	20G113442	1/4" NPT (F) Air Manifold
4	20G100004	3/8-16 Cap Screw Hex Head ( <i>Quantity of Four</i> )	48	20G113498	Air Relief Valve, 100 psi
5	20G102000	1-1/2" x 1" Bushing Reducer	49	20G113444	1/4" NPT (M x F) 45° Elbow
6	20G101552	1-1/2" 90° Street Elbow	50	20G113562	Valve Cap
7	20G238623	High Pressure Surge Tank ( <i>See Fig. 9</i> )	—	20G206994	Throat Seal Liquid – 8 oz.
8	20G237522	1" x 6' Suction Hose, Nylon	—	20G238590	Air Regulation Kit ( <i>Includes Item #'s: 18, 23, 35, 36, 37, 38, 39, 40, 41, 43, 46, 47, and 49</i> )
9	20G238612	3/8" Ball Valve ( <i>Quantity of Two</i> )	—	206M612	Part Numbers and Schematics Guide – Graco® Bulldog® 33:1 Airless Spray Pump
10	20G100057	5/16-18 x 3/4" Hex Head Cap Screw ( <i>Quantity of Four</i> )	—	209V612	Operator's Manual – Graco® Bulldog® 33:1 Airless Spray Pump Cart-Mounted
11	20G197682	1" Pick Up Tube			
13	20G111040	5/16" Locknut with Nylon Insert ( <i>Quantity of Four</i> )			
14	20G100131	3/8-16 Full Hex Nut ( <i>Quantity of Five</i> )			
18	20G238374	3/4" I.D. x 21" Air Hose			
19	20G190413	3/4" x 1-3/8 Carbon Steel Nipple			
20	20G112973	O-Ring – Teflon			
21	20G190411	3/4" Carbon Steel Adapter			
22	20G190412	1-3/8 Carbon Steel Nut			
23	20G100721	1/4" Pipe Plug			
24	20G238630	Surge Tank Clamp			
25	20G100902	1/4-20 Round Head Screw			
26	20G100015	1/4-20 Hex Nut			
27	20G100016	1/4" Spring Lockwasher			
34	20G237569	Ground Wire and Clamp			
35	20G113218	3/4" Bleed Valve			
36	20G100549	3/4" 90° Street Elbow			
37	20G113429	3/4" Male Air Line Coupler			
38	20G113430	3/4" Female Air Line Coupler			
39	20G113431	Air Regulator Clamp ( <i>Quantity of Two</i> )			
40	20G113432	Mounting Bracket ( <i>Quantity of Two</i> )			
41	20G113494	Air Filter/Regulator			
6	Graco® Bulldog® 33:1 Airless Spray Pumps				

# PART NUMBERS AND SCHEMATICS GUIDE

Figure 2: Graco® Bulldog® 33:1 Airless Spray Pump – Cart Mount with High Pressure Surge Tank



## PART NUMBERS AND SCHEMATICS GUIDE

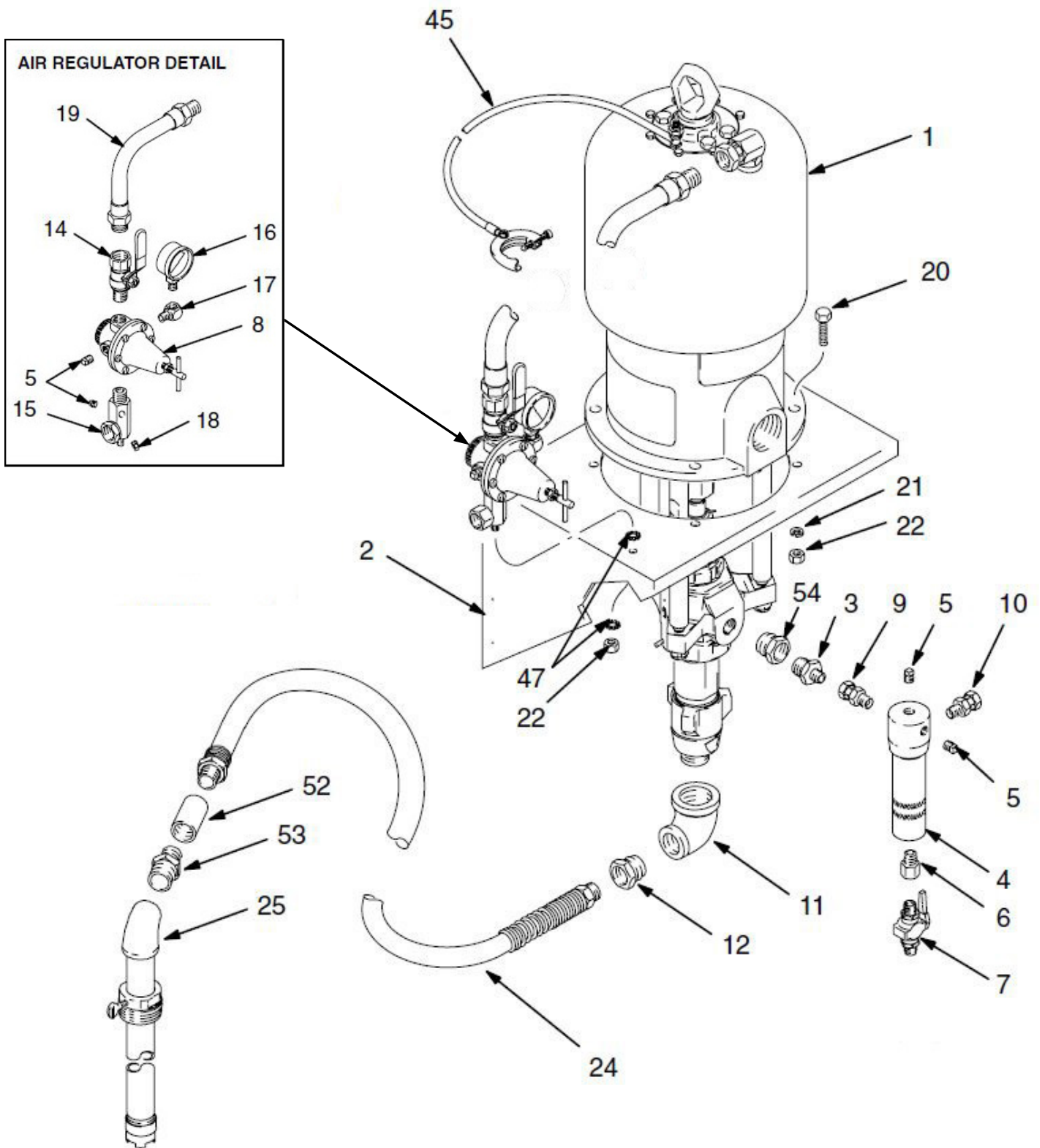
### Graco® Bulldog® 33:1 Airless Spray Pump – Wall Mount

Item#	Part#	Description
<b>Fig. 3</b>		
1	20G245117	Graco® Bulldog® 33:1 Pump
2	20G206294	Wall Pump Bracket
3	20G161800	3/4" NPT x 3/8" NPSM Reducing Nipple
4	20G218029	Fluid Filter ( <i>See Fig. 10</i> )
5	20G100509	1/4" Square Head – Pipe Plug ( <i>Quantity of Four</i> )
6	20G150286	3/8" NPT Pipe Adapter (M x F)
7	20G210658	3/8" x 3/8" Ball Valve
8	20G206197	Air Regulator, 1/2" Inlet & Outlet
9	20G155665	3/8" (M) x 3/8" (F) Union Swivel
10	20G157705	1/4" NPT (M) x 3/8" NPSM (F) Adapter
11	20G116401	90° Street Elbow for Suction Hose
12	20G116402	Quick Connect Adapter
14	20G113269	1/2" NPT (M x F) Vented Ball Valve
15	20G206205	3/4" NPSM (F) Air Manifold
16	20G100960	Air Pressure Gauge, 0-200 psi
17	20G100840	1/4-18 NPT 90° Street Elbow
18	20G100403	1/8" Pipe Plug
19	20G214952	3/4" I.D. x 16" Air Hose
20	20G100101	3/8-16 x 1" Hex Head Cap Screw ( <i>Quantity of Four</i> )
21	20G100133	3/8" Spring Lockwasher ( <i>Quantity of Four</i> )
22	20G100131	3/8-16 Full Hex Nut ( <i>Quantity of Five</i> )
24	20G247301	1" Suction Hose
25	20G206266	3/4" NPT (F) Suction Tube
45	20G237569	Ground Wire
47	20G100322	3/8" Lockwasher ( <i>Quantity of Two</i> )
52	20G100474	Pipe Coupling
53	20G158555	1" NPT x 3/4" NPT Hex Nipple
54	20G158586	1" x 3/4" NPT Bushing
—	20G206994	Throat Seal Liquid – 8 oz.
—	206M612	Part Numbers and Schematics Guide – Graco® Bulldog® 33:1 Airless Spray Pump
—	209V580	Operator's Manual – Graco® Bulldog® 33:1 Airless Spray Pump Wall Mount



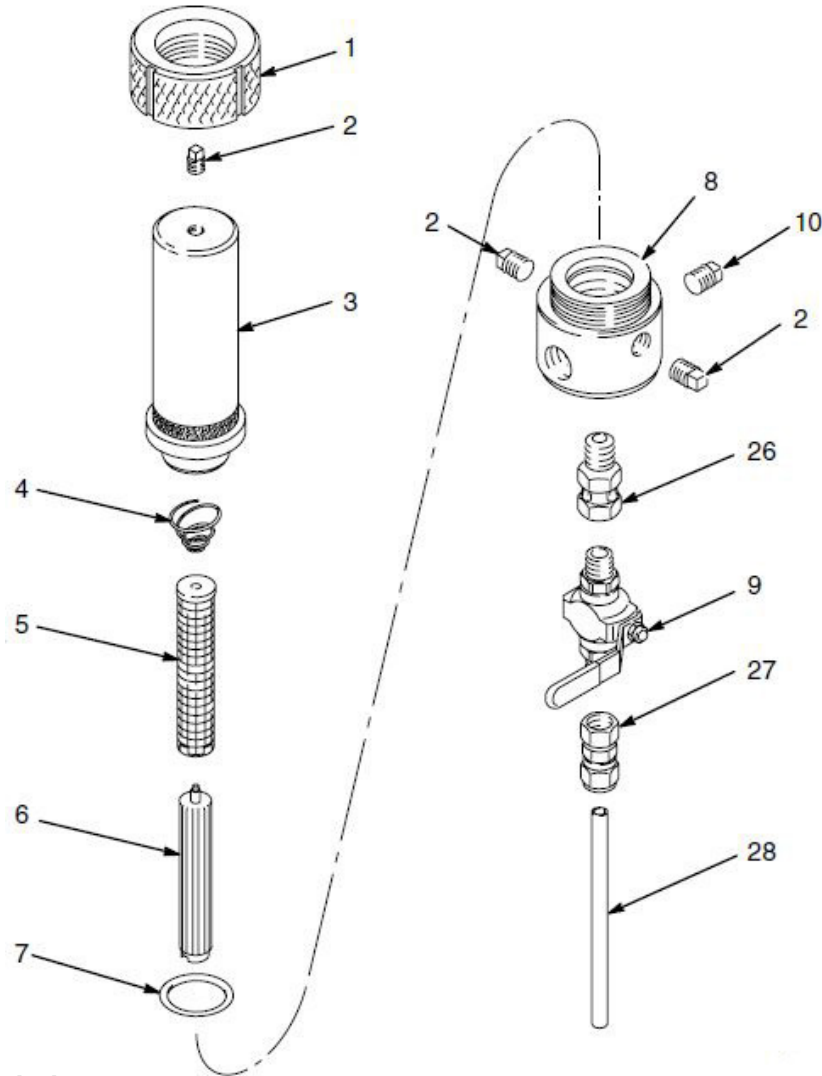
# PART NUMBERS AND SCHEMATICS GUIDE

Figure 3: Graco® Bulldog® 33:1 Airless Spray Pump – Wall Mount



# PART NUMBERS AND SCHEMATICS GUIDE

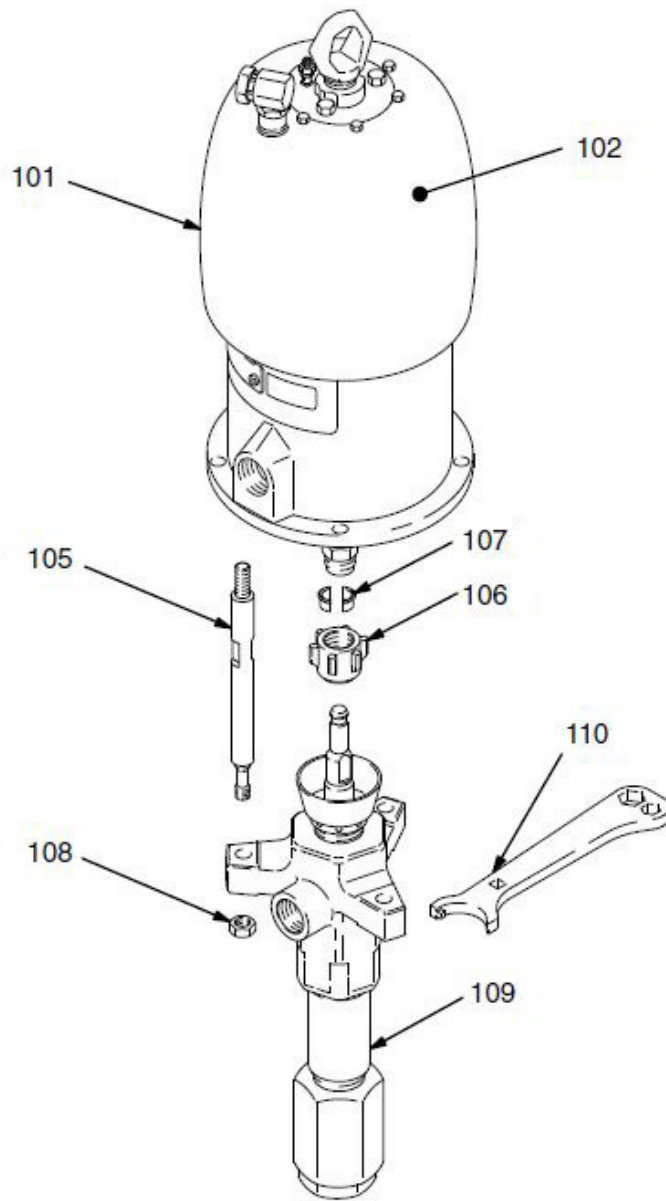
Figure 4: High Pressure Fluid Filter



Item#	Part#	Description
<b>Fig. 4</b>		
—	<b>20G238620</b>	<b>High Pressure Fluid Filter – 60 Mesh</b>
1	20G174058	Lock Ring
2	20G104816	3/8" NPT Pipe Plug ( <i>Quantity of Three</i> )
3	20G174056	Filter Bowl, 7,250 psi
4	20G171941	Conical Compression Spring, 7,250 psi
5	20G167025	Strainer, 60 Mesh
6	20G186075	Filter Support
7	20G104804	Packing O-Ring, PTFE
8	20G24C497	Paint Filter Manifold
9	20G223960	3/8" x 3/8" Ball Valve
10	20G104839	1/2" NPT Pipe Plug
26	20G155665	3/8" (M) x 3/8" (F) Union Swivel
27	20G205448	3/8" (F) Swivel Coupling
28	20G186447	Nylon Drain Tube
—	209V583	Operator's Manual – Graco® High Pressure Surge Tanks and Fluid Filters

## PART NUMBERS AND SCHEMATICS GUIDE

Figure 5: Graco® Bulldog® 33:1 Pump



Item#	Part#	Description
-------	-------	-------------

**Fig. 5**

101	20G208356	Bulldog® Air Motor (See Fig. 8)
102	20G176529	Warning Label
105	20G190000	Connecting Rod (Quantity of Three)
106	20G186825	Coupling Nut
107	20G184129	Coupling Collar (Quantity of Two)
108	20G106166	Hex Nut (Quantity of Three)
109	20GL180C1*	Displacement Pump (See Fig. 7)
110	20G112887	Spanner Wrench
—	209V582	Operator's Manual – Graco® Dura-Flo™ 750 Pumps

\*Recommended replacement from Graco. Original Displacement Pump no longer available.

## PART NUMBERS AND SCHEMATICS GUIDE

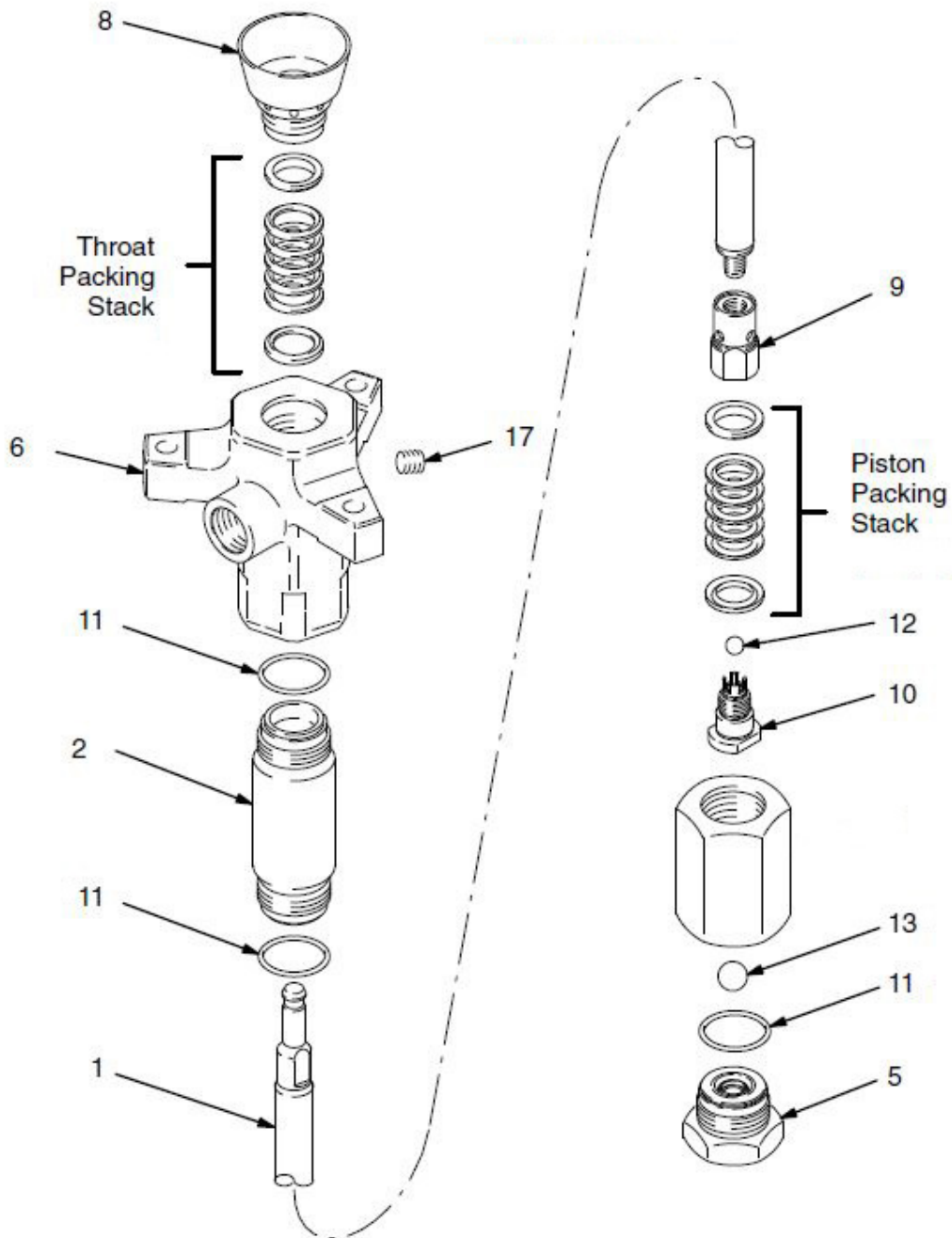
### Graco® Bulldog® 33:1 Displacement Pump\*

Item#	Part#	Description
<b>Fig. 6</b>		
—	—	<b>Graco® Bulldog® 33:1 Displacement Pump</b>
1	20G189853	Displacement Rod
2	20G189857	Cylinder
3	20G184248	Male Gland, Carbon Steel ( <i>Quantity of Two</i> )
4	20G184198	Female Gland, Carbon Steel ( <i>Quantity of Two</i> )
5	20G222930	Intake Valve with Tungsten Carbide Seat
6	20G237732	Housing Outlet
8	20G236887	Packing Nut
9	20G190496	Ball Piston Housing
10	20G237790	Housing Seat Piston Valve
11	20G166073	O-Ring, Teflon ( <i>Quantity of Three</i> )
12	20G100400	3/4" Piston Ball
13	20G102973	1-1/4" Intake Ball
17	20G101754	Socket Head Pipe Plug
18	20G109303	V-Packing, Teflon ( <i>Quantity of Two</i> )
19	20G244870	V-Packing, Leather ( <i>Quantity of Ten</i> )
—	20G172477	Warning Tag
—	20G172479	Instruction Tag
—	20G237239	Displacement Pump Repair Kit ( <i>Includes Item #'s: 3, 4, 11, 12, 13, 18, and 19</i> )
—	209V582	Operator's Manual – Graco® Dura-Flo™ 750 Pumps

\*Original Displacement Pump no longer available as a complete pump. Some repair parts still available. See Page 14 for complete Displacement Pump replacement.

# PART NUMBERS AND SCHEMATICS GUIDE

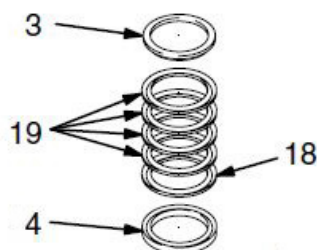
Figure 6: Graco® Bulldog® 33:1 Displacement Pump



**THROAT PACKINGS:  
LIPS FACE DOWN**



**PISTON PACKINGS:  
LIPS FACE UP**



**LUBRICATE PACKINGS**

## PART NUMBERS AND SCHEMATICS GUIDE

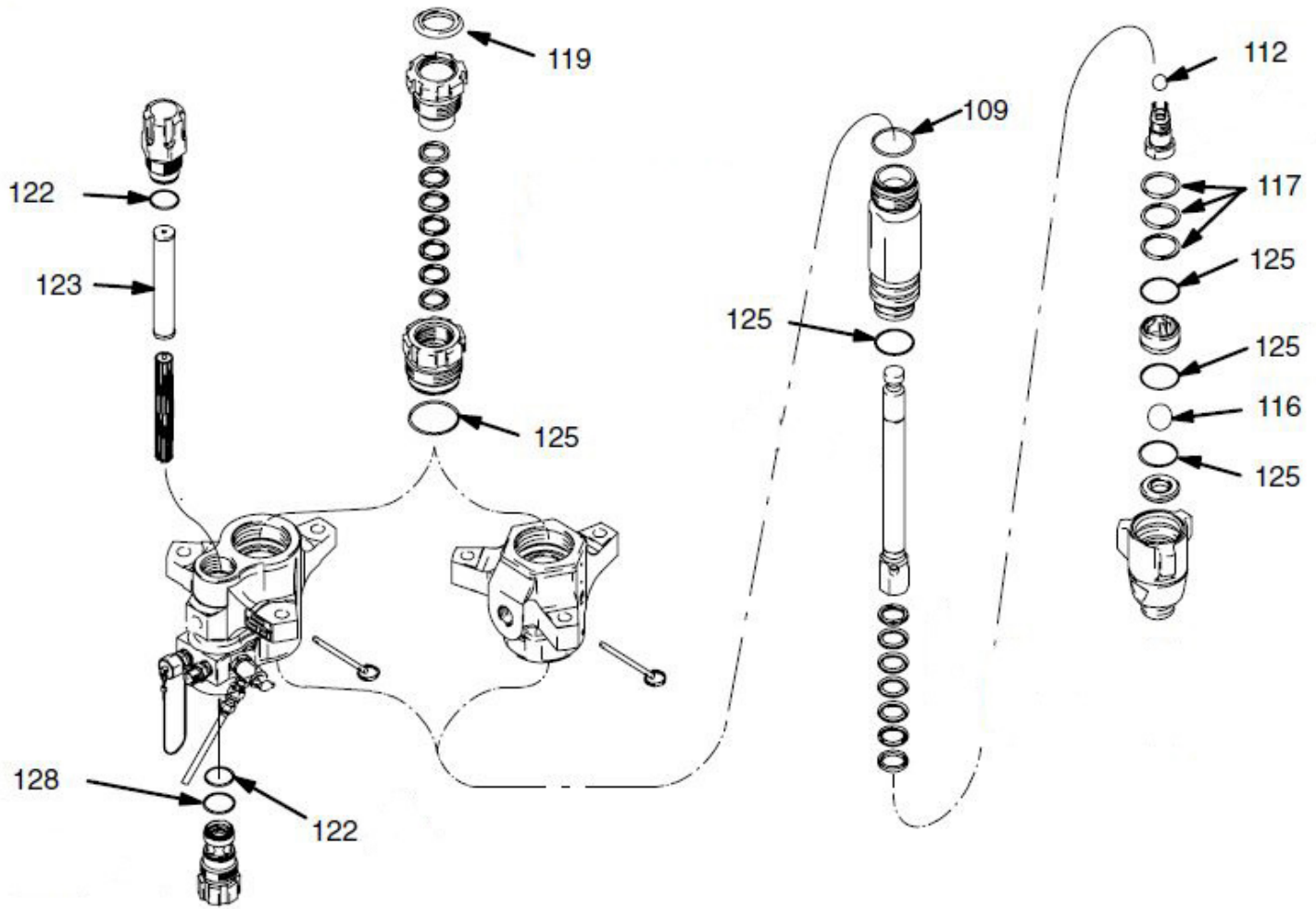
### Graco® Xtreme™ 180cc Pump\*

Item#	Part#	Description
<b>Fig. 7</b>		
—	<b>20GL180C1</b>	<b>Graco® Xtreme™ 180cc Pump</b>
103	20G244882	Packing Gland Male, Four Pack ( <i>Quantity of Two</i> )
104	20G244858	Tuff-Stack™ V-Packing, Ten Pack ( <i>Quantity of Ten</i> )
105	20G244870	Leather V-Packing ( <i>Quantity of Four</i> )
106	20G244876	Packing Gland Female, Four Pack ( <i>Quantity of Two</i> )
109	20G244892	Top Cylinder Packing O-Ring
112	20G253029	Piston Ball, Three Pack
116	20G245128	Inlet Ball, Three Pack
117	20G244855	Inlet Shim, Nine Pack ( <i>Quantity of Three</i> )
119	20G244996	1-3/4" Throat Seal Plug, Ten Pack
—	20G247394	2-1/2" Throat Seal Plug, Ten Pack
122	20G24B732	Solvent Resistant O-Ring, Ten Pack ( <i>Quantity of Two</i> )
123	20G224459	60 Mesh Screen Strainer, Two Pack
—	20G238438	60 Mesh Screen Strainer, 25 Pack
125	20G244890	O-Ring Packing, Ten Pack ( <i>Quantity of Five</i> )
128	20G24B733	O-Ring Packing, Ten Pack
135	20G244864	Xtreme Seal™ V-Packing, Ten Pack ( <i>Quantity of Six</i> )
—	20G244901	Tuff-Stack™ Repair Kit ( <i>Includes Item #'s: 103, 104, 106, 109, 112, 116, 122, 125, and 128</i> )
—	20G244851	Xtreme Seal™ and Leather Repair Kit ( <i>Includes Item #'s: 103, 105, 106, 109, 112, 116, 122, 125, 128, and 135</i> )
—	209V589	Operator's Manual – Graco® Xtreme™ 180cc Pump

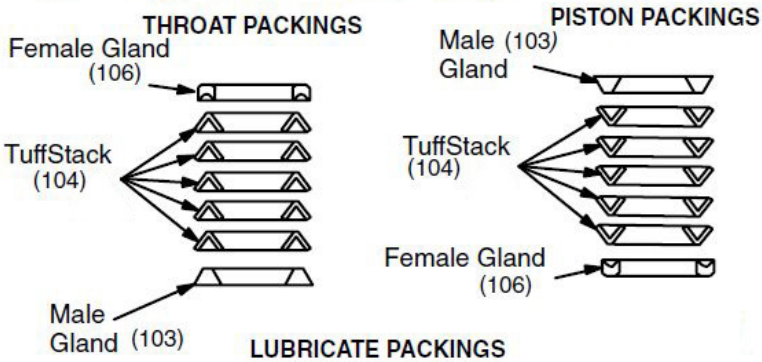
\*Recommended replacement from Graco. Original Displacement Pump no longer available.

# PART NUMBERS AND SCHEMATICS GUIDE

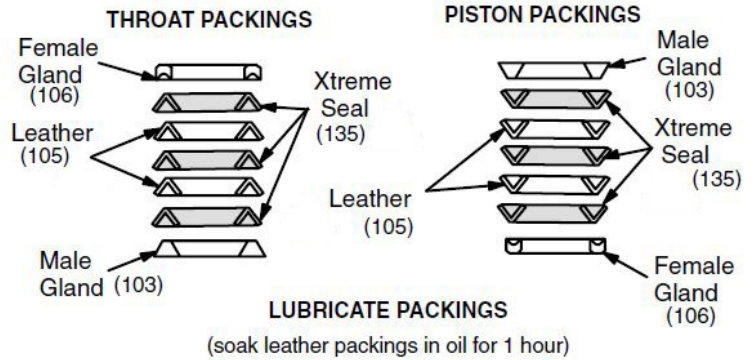
Figure 7: Graco® Xtreme™ 180cc Pump



## TuffStack™ Repair Kit 244901



## Xtreme Seal™ and Leather Repair Kit 244851



## PART NUMBERS AND SCHEMATICS GUIDE

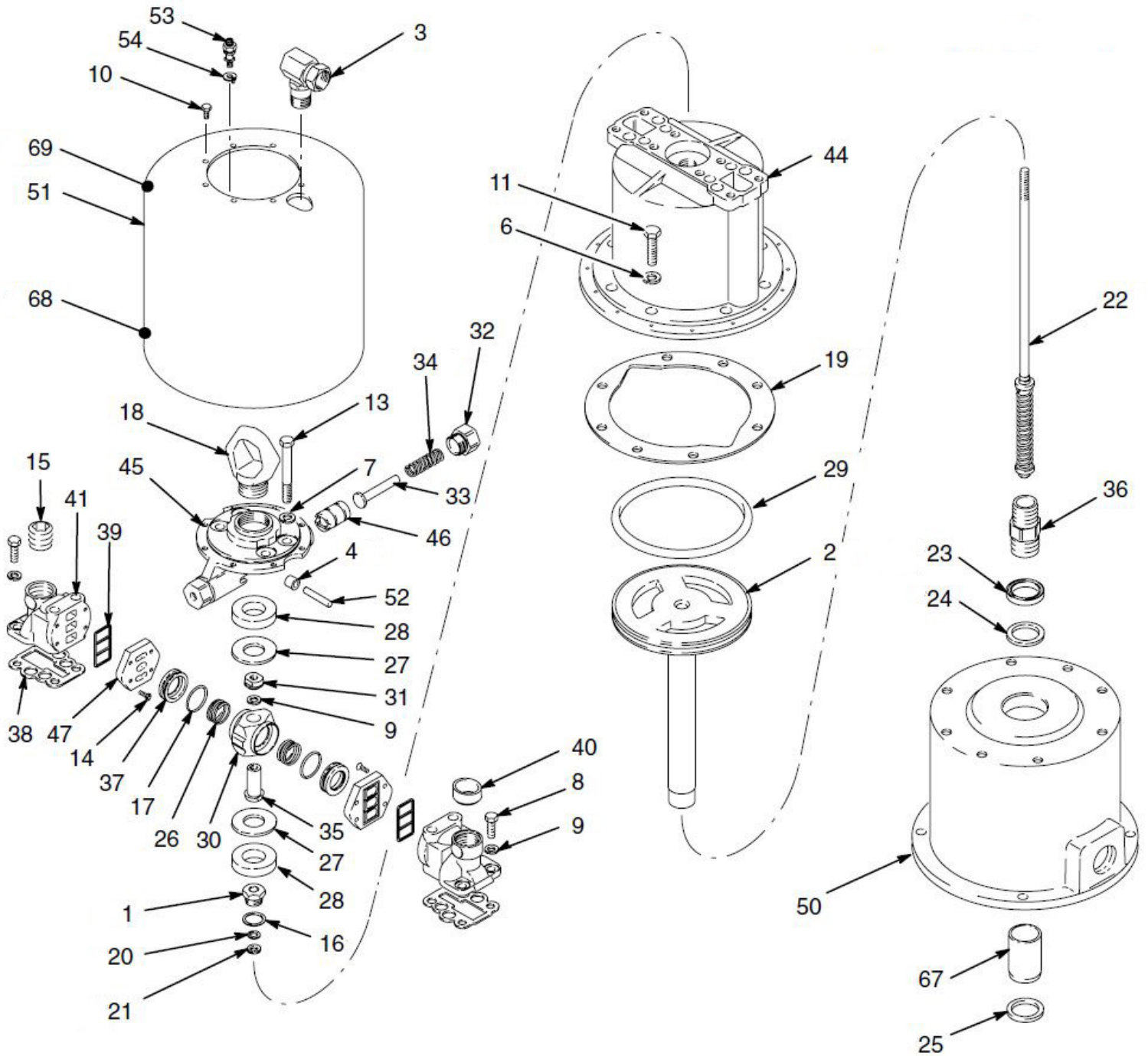
### Graco® Bulldog® Air Motor

Item#	Part#	Description	Item#	Part#	Description
<b>Fig. 8</b>			36	20G168180	Connecting Rod Stud
—	<b>20G208356</b>	<b>Graco® Bulldog® Air Motor</b>	37	20G168182	Air Director Valve ( <i>Quantity of Two</i> )
1	20G204649	Bearing, Trip Rod	38	20G168183	Air Manifold Gasket ( <i>Quantity of Two</i> )
2	20G206710	Piston Assembly	39	20G168184	Seal – Detent Valve Housing ( <i>Quantity of Two</i> )
3	20G207648	3/4" x 3/4" Union	40	20G168185	Grommet
4	20G169585	Axle Roller ( <i>Quantity of Two</i> )	41	20G168187	Air Manifold ( <i>Quantity of Two</i> )
6	20G100018	1/2" Lockwasher ( <i>Quantity of Eight</i> )	44	20G169372	Air Motor Cylinder
7	20G100052	7/16" Lockwasher ( <i>Quantity of Four</i> )	45	20G177664	Detent Housing
8	20G100101	3/8-16 x 1" Long Screw ( <i>Quantity of Four</i> )	46	20G169583	Detent Plunger ( <i>Quantity of Two</i> )
9	20G100133	3/8" Lockwasher ( <i>Quantity of Five</i> )	47	20G169584	Valve Plate ( <i>Quantity of Two</i> )
10	20G113161	1/4-20 x 1/2" Hex Head Flange Screw ( <i>Quantity of Eight</i> )	50	20G235995	Air Motor Base ( <i>Includes Item #67</i> )
11	20G100424	1/2-13 x 1-1/4" Hex Head Cap Screw ( <i>Quantity of Eight</i> )	51	20G169588	Air Motor Shield
13	20G101713	7/16-14 x 3-1/2" Hex Head Cap Screw ( <i>Quantity of Four</i> )	52	20G169586	Detent Axle ( <i>Quantity of Two</i> )
14	20G101716	10-24 x 1/2" Flat Head Screw ( <i>Quantity of Eight</i> )	53	20G104029	Grounding Lug
15	20G102726	1" Pipe Plug	54	20G104582	Tab Washer
16	20G150647	Gasket	67	20G189059	Bearing
17	20G156698	Packing O-Ring ( <i>Quantity of Two</i> )	68	20G290331	Warning Label
18	20G180952	Lift Ring	69	20G189991	Warning Label
19	20G161556	Gasket	—	20G206734	Bulldog® Air Motor Repair Kit ( <i>Includes Item #'s: 16, 17, 20, 21, 23, 24, 25, 29, and 38</i> )
20	20G161559	Backup Washer	—	209V584	Operator's Manual – Graco® Bulldog® Air Motor
21	20G161560	V-Packing, Polyurethane			
22	20G214852	Trip Rod Assembly			
23	20G161562	V-Packing, Nitrile Rubber			
24	20G161563	Backup Washer			
25	20G161569	Seal – Felt Wiper			
26	20G161575	Compression Spring ( <i>Quantity of Two</i> )			
27	20G161576	Flat Washer ( <i>Quantity of Two</i> )			
28	20G161577	Rubber Pad ( <i>Quantity of Two</i> )			
29	20G161578	O-Ring, Buna-N			
30	20G161585	Air Valve Housing			
31	20G161586	3/8-24 Trip Rod Nut			
32	20G161587	Detent Spring Retainer ( <i>Quantity of Two</i> )			
33	20G161588	Spring Guide ( <i>Quantity of Two</i> )			
34	20G161589	Compression Spring ( <i>Quantity of Two</i> )			
35	20G161590	Valve Housing Hub			



# PART NUMBERS AND SCHEMATICS GUIDE

Figure 8: Graco® Bulldog® Air Motor



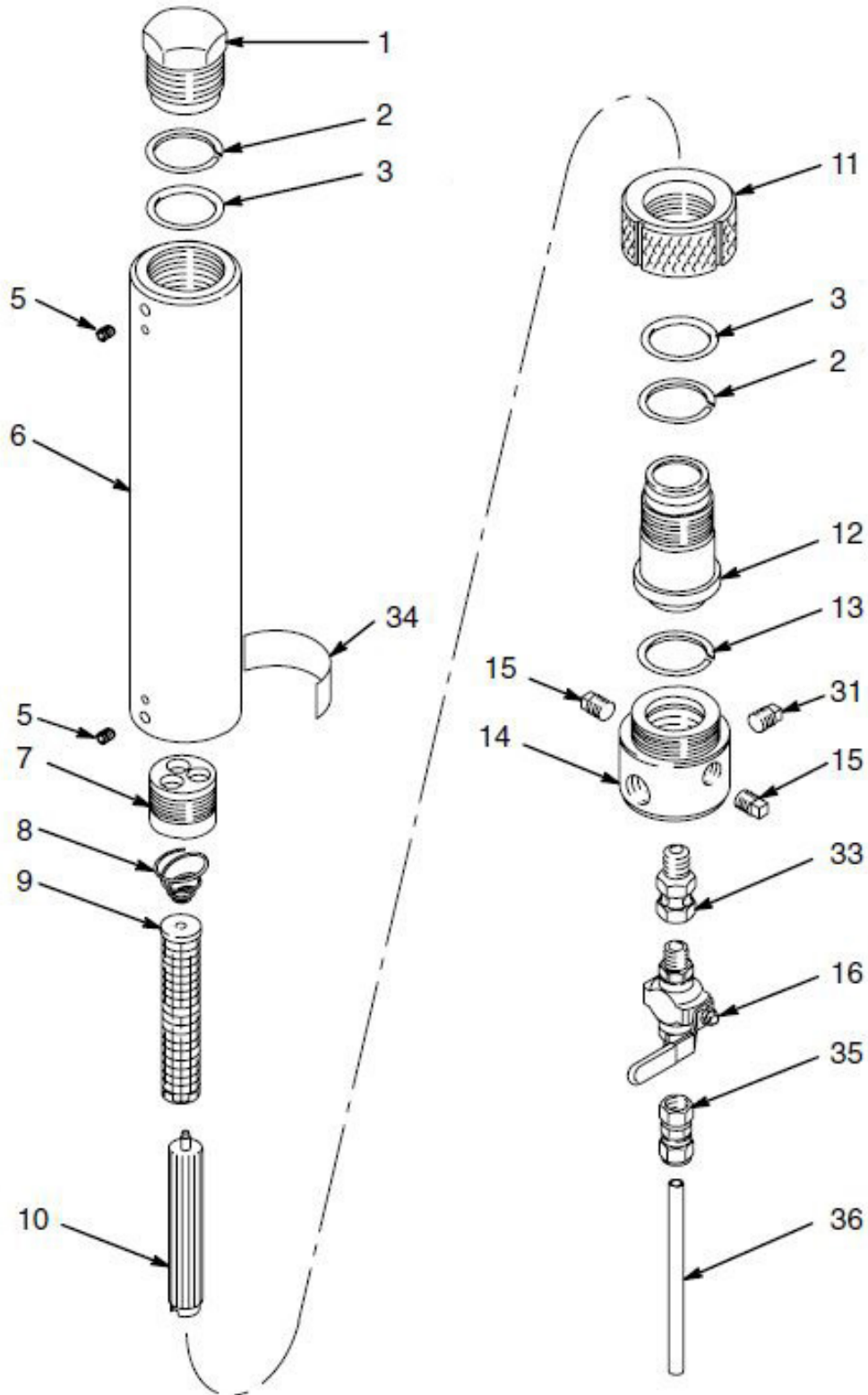
# PART NUMBERS AND SCHEMATICS GUIDE

## High Pressure Surge Tank

Item#	Part#	Description
<b>Fig. 9</b>		
—	<b>20G238623</b>	<b>High Pressure Surge Tank</b>
1	20G174064	End Plug
2	20G104805	Backup Ring, PTFE ( <i>Quantity of Two</i> )
3	20G166612	Packing O-Ring, PTFE ( <i>Quantity of Two</i> )
5	20G111463	1/4-20 x 3/8" Setscrew ( <i>Quantity of Two</i> )
6	—	Tank ( <i>Not Sold Separately</i> )
7	20G174059	Filter Adapter
8	20G171941	Conical Compression Spring (7,250 psi)
9	20G167025	Strainer, 60 Mesh
10	20G186075	Filter Support
11	20G174058	Lock Ring
12	20G174068	Adapter Accumulator
13	20G104804	Packing O-Ring, PTFE
14	20G24C497	Paint Filter Manifold
15	20G104813	3/8" NPT Pipe Plug ( <i>Quantity of Two</i> )
16	20G238612	3/8" NPT Ball Valve
31	20G104839	1/2" NPT Pipe Plug
33	20G155665	3/8" (M) x 3/8" (F) Union Swivel
34	20G159579	Warning Label
35	20G205448	3/8" (F) Swivel Coupling
36	20G186447	Nylon Drain Tube
—	209V583	Operator's Manual – Graco® High Pressure Surge Tanks and Fluid Filters

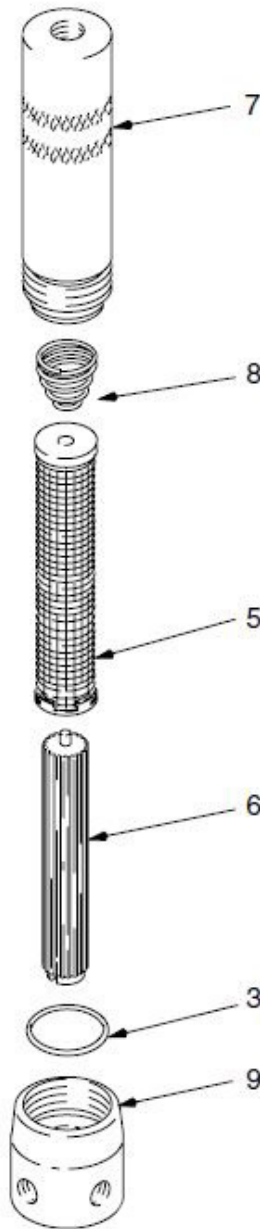
# PART NUMBERS AND SCHEMATICS GUIDE

Figure 9: High Pressure Surge Tank







## PART NUMBERS AND SCHEMATICS GUIDE




Figure 10: Carbon Steel Fluid Filter



Item#	Part#	Description
<b>Fig. 10</b>		
—	<b>20G218029</b>	<b>Carbon Steel Fluid Filter</b>
3	20G104361	O-Ring, PTFE
5	20G167025	Stainless Steel Screen, 60 Mesh
6	20G186075	Filter Support, 7,250 psi
7	20G24C501	Carbon Steel Filter Bowl
8	20G171941	Stainless Steel Compression Spring
9	20G171942	Carbon Steel Filter Housing
—	209V585	Operator's Manual – Graco® Fluid Outlet Filter

## OPTIONAL ACCESSORIES

	Part Numbers	SUCTION HOSE AND TUBES	
		Description	
	20G197682	1" Suction Tube	
	20G245136	55 Gallon Suction Tube Extension Kit (Includes Suction Tube and Couplings)	
	20G237522	1" I.D. x 6' Suction Hose	
	20G247301	1" I.D. x 6' Suction Hose with Couplings	

	Part Numbers	FLUID DRAIN VALVES		
		Inlet	Outlet	Maximum Working Pressure
	20G210657	1/4" NPT	1/4" NPT	5,000 psi
	20G210659	1/4" NPT	3/8" NPT	5,000 psi
	20G210658	3/8" NPT	3/8" NPT	5,000 psi





## GLOBAL HEADQUARTERS

- 3425 East Locust Street  
Davenport, IA 52803

ph: 800.BLAST.IT (800.252.7848)

ph: 563.324.2519

fax: 563.324.6258

## GULF STATES HEADQUARTERS

- 701 East Boulevard  
Deer Park, TX 77536

ph: 800.BLAST.IT (800.252.7848)

ph: 281.930.0905

fax: 281.542.0736

## REGIONAL BRANCH OFFICES

- **Iowa**  
Davenport
- **Louisiana**  
Gonzales  
Lafayette
- **Ohio**  
Youngstown
- **Texas**  
Beaumont  
Corpus Christi  
Deer Park



ABRASIVES

BLASTING

COATING

DUST COLLECTORS

ENGINEERED SYSTEMS

RENTAL

SAFETY

SERVICE & REPAIR

VACUUMS

## 40+ NATIONWIDE SHIPPING LOCATIONS



★ Marco Regional Branch Offices  
and Shipping Locations

● Direct Shipping Locations

## CONTACT MARCO

**800.BLAST.IT**

**(800.252.7848)**

**563.324.2519**

**FAX: 563.324.6258**

**WWW.MARCO.US**

**SALES@MARCO.US**