



# GRACO® AIRPRO® AIR SPRAY GUN



## PART NUMBERS AND SCHEMATICS GUIDE

## Company Profile

Since 1944, Marco has developed a strong tradition of providing innovative and reliable products and services to the surface preparation and protective coatings industries. We are the world's premier provider of Abrasives, Blasting Equipment, Coating Equipment, Engineered Systems, Rental Equipment, Safety Equipment, Service, and Repair.

Through innovative designs and a total commitment to quality, Marco manufactures products that increase production rates, create a safer workplace, and reduce maintenance costs. Marco's industry experience, manufacturing capabilities, legendary customer service, product availability, logistics services, and technology leadership is your assurance that we deliver high quality products and services, providing the best value to you, our customer.

## The Marco Difference

- **Industry Experience** – With Marco on your team, you have access to expertise which can only come from decades of industry leadership. We have organized our engineering department, production specialists, customer operations, and safety support into a “Center of Competence.” As a Marco customer, you have access to hundreds of years of cumulative experience related to your operations.
- **Manufacturing Excellence** – Marco is a U.S. based, ISO 9001:2008 certified manufacturer of equipment for the Surface Preparation and Protective Coatings industries. Marco's engineers benchmark the industry to ensure that we design and manufacture superior products that set the “Gold Standard” for performance, safety, and quality.
- **Legendary Customer Service** – Marco's legendary customer service team is staffed by friendly, highly-trained individuals who are focused on providing the highest level of product support, order accuracy, and customer satisfaction.
- **Product Availability** – We stock over 10,000 SKU's and have over 45 shipping locations to serve North American and International markets for all major brands of blasting and painting equipment. As the largest provider of surface preparation and protective coatings equipment in the world, our inventory levels and product availability are unmatched.
- **Logistics Services** – Marco's in-house logistics team is dedicated to moving your shipment anywhere in the world. We move over 14,000 truckloads every year, allowing you to save on freight costs by leveraging our buying power. Lower your process costs with a single invoice, which includes product and freight.
- **Technology Leadership** – Our website provides: Operator's Manuals, Part Numbers and Schematics Guides, MSDS information, and Features and Specifications Guides, providing access to information 24/7. Our Extranet application allows you to receive quotes and place orders online. Our Intranet maintains a complete record of your purchase history to assist with ongoing support of your existing equipment and future purchasing decisions.

## Vision Statement

Marco is the world's premier provider of Abrasives, Blasting Equipment, Coating Equipment, Engineered Systems, Rental Equipment, Safety Equipment, Service, and Repair.

## Mission Statement

Marco provides strong leadership and innovation to the surface preparation and protective coatings industries. We dedicate our efforts to the continuous improvement of our products, services, processes, people, and most importantly, the quality of our customer's experience.

## Quality Statement

Marco is committed to providing superior quality in the design, manufacturing, distribution, rental, service, and repair of our products. Our ISO 9001:2008 certification extends throughout all operations in all locations. Continuous improvement of our processes and supply chain Integration comprise the core of our business strategy for delivering exceptional quality and value in all Marco products and services.

## Management Philosophy

We are a company dedicated to the success of every customer and associate. We discuss, debate, challenge, measure, and test our ideas. We will be boundless and limitless in our passion to improve. Through sound leadership and dedicated associates, we will ensure a long term, profitable future for Marco, our associates, customers, and suppliers.

# TABLE OF CONTENTS

<b>Company Profile</b> .....	<b>2</b>
<b>Table of Contents</b> .....	<b>3</b>
<b>Graco® AirPro® Air Spray Guns</b> .....	<b>4-17</b>
Pressure Feed Air Spray Guns .....	4-6
Gravity Feed Air Spray Guns .....	7
Siphon Feed Air Spray Guns .....	8
Air Caps .....	9
Retaining Ring .....	9
Fluid Tips and Needles .....	10
Fluid Needle Tips .....	11
Graco® AirPro® Pressure Feed Air Spray Gun Part Numbers and Schematics .....	12-13
Graco® AirPro® Gravity Feed Air Spray Gun Part Numbers and Schematics .....	14-15
Graco® AirPro® Siphon Feed Air Spray Gun Part Numbers and Schematics .....	16-17
<b>Optional Accessories</b> .....	<b>18-25</b>
3/8" I.D. Fluid Hose .....	18
3/8" I.D. Fluid Hose Couplings .....	18
5/16" I.D. Air Hose .....	19
5/16" I.D. Air Hose Couplings .....	19
Gravity, Siphon, and Pressure Cups .....	20
3M™ PPS™ Cups .....	21
1 qt. Stainless Steel Pressure Cup with Single Air Regulator .....	22
1 qt. Stainless Steel Pressure Cup with Double Air Regulator .....	23
1 qt. Remote Stainless Steel Pressure Cup .....	24-25
<b>Maintenance Notes</b> .....	<b>26-27</b>

## PART NUMBERS AND SCHEMATICS GUIDE



### Part Numbers

### GRACO® AIRPRO® PRESSURE FEED AIR SPRAY GUN – GENERAL METAL SPRAY GUNS

Part Numbers	Type	Air Cap	Fluid Tip Size	Material Viscosity
20G288726	Conventional	289773	0.5 mm (0.020 in)	Light
20G288929	Conventional	289773	0.8 mm (0.030 in)	Light
20G288930	Conventional	289773	1.1 mm (0.042 in)	Light-Medium
20G288931	Conventional	289773	1.4 mm (0.055 in)	Medium
20G288932	Conventional	289784	1.8 mm (0.070 in)	Medium-Heavy
20G288933	Conventional	289068	2.2 mm (0.086 in)	Medium-Heavy
20G288934	Conventional	289069	2.8 mm (0.110 in)	Heavy
20G288935	HVLP	289041	0.5 mm (0.020 in)	Light
20G288936	HVLP	289041	0.8 mm (0.030 in)	Light
20G288937	HVLP	289041	1.1 mm (0.042 in)	Light-Medium
20G288938	HVLP	289041	1.4 mm (0.055 in)	Medium
20G288939	HVLP	289041	1.8 mm (0.070 in)	Medium-Heavy
20G288941	HVLP	289043	2.8 mm (0.110 in)	Heavy
20G288940	HVLP	289070	2.2 mm (0.086 in)	Medium-Heavy
20G288942	Compliant	289042	0.5 mm (0.020 in)	Light
20G288943	Compliant	289042	0.8 mm (0.030 in)	Light
20G288944	Compliant	289042	1.1 mm (0.042 in)	Light-Medium
20G288945	Compliant	289042	1.4 mm (0.055 in)	Medium
20G288946	Compliant	289042	1.8 mm (0.070 in)	Medium-Heavy
20G288947	Compliant	289044	2.2 mm (0.086 in)	Medium-Heavy
20G288948	Compliant	289045	2.8 mm (0.110 in)	Heavy

## PART NUMBERS AND SCHEMATICS GUIDE



### Part Numbers

<b>GRACO® AIRPRO® PRESSURE FEED AIR SPRAY GUN – GENERAL METAL WITH STAINLESS STEEL TIP</b>				
Part Numbers	Type	Air Cap	Fluid Tip Size	Material Viscosity
20G288949	Conventional	289773	1.1 mm (0.042 in)	Light-Medium
20G288950	Conventional	289773	1.4 mm (0.055 in)	Medium
20G288951	Conventional	289784	1.8 mm (0.070 in)	Medium-Heavy
20G288952	HVLP	289041	1.1 mm (0.042 in)	Light-Medium
20G288953	HVLP	289041	1.4 mm (0.055 in)	Medium
20G288954	HVLP	289041	1.8 mm (0.070 in)	Medium-Heavy
20G288955	Compliant	289042	1.1 mm (0.042 in)	Light-Medium
20G288956	Compliant	289042	1.4 mm (0.055 in)	Medium
20G288957	Compliant	289042	1.8 mm (0.070 in)	Medium-Heavy



### Part Numbers

<b>GRACO® AIRPRO® PRESSURE FEED AIR SPRAY GUN – AUTOMOTIVE APPLICATIONS</b>				
Part Numbers	Type	Air Cap	Fluid Tip Size	Material Viscosity
20G24D472	Conventional	289040	1.1 mm (0.042 in)	Light-Medium
20G288929	Conventional	289773	0.8 mm (0.030 in)	Light
20G288930	Conventional	289773	1.1 mm (0.042 in)	Light-Medium
20G288931	Conventional	289773	1.4 mm (0.055 in)	Medium
20G289034	HVLP	289771	1.0 mm (0.040 in)	Light
20G289035	HVLP	289771	1.2 mm (0.047 in)	Light-Medium
20G289541	HVLP	289771	1.4 mm (0.055 in)	Medium
20G289036	Compliant	289772	1.0 mm (0.040 in)	Light
20G289037	Compliant	289772	1.2 mm (0.047 in)	Light-Medium
20G289542	Compliant	289772	1.4 mm (0.055 in)	Medium

## PART NUMBERS AND SCHEMATICS GUIDE



### Part Numbers

<b>GRACO® AIRPRO® PRESSURE FEED AIR SPRAY GUN – HIGH WEAR APPLICATIONS</b>				
Part Numbers	Type	Air Cap	Fluid Tip Size	Material Viscosity
20G288973	Conventional	288861	1.5 mm (0.059 in)	Medium
20G288974	Conventional	289049	1.8 mm (0.070 in)	Medium-Heavy
20G288975	Conventional	289049	2.2 mm (0.086 in)	Medium-Heavy
20G288982	Conventional	289049	2.8 mm (0.110 in)	Heavy
20G288976	HVLP	289115	1.5 mm (0.059 in)	Medium
20G288977	HVLP	289325	1.8 mm (0.070 in)	Medium-Heavy
20G288978	HVLP	289325	2.2 mm (0.086 in)	Medium-Heavy
20G289983	HVLP	289325	2.8 mm (0.110 in)	Heavy
20G288979	Compliant	289050	1.5 mm (0.059 in)	Medium
20G288980	Compliant	289327	1.8 mm (0.070 in)	Medium-Heavy
20G288981	Compliant	289327	2.2 mm (0.086 in)	Medium-Heavy
20G289984	Compliant	289327	2.8 mm (0.110 in)	Heavy



### Part Numbers

<b>GRACO® AIRPRO® PRESSURE FEED AIR SPRAY GUN – WATERBORNE APPLICATIONS</b>				
Part Numbers	Type	Air Cap	Fluid Tip Size	Material Viscosity
20G288964	Conventional	289046	0.8 mm (0.030 in)	Light
20G288965	Conventional	289046	1.1 mm (0.042 in)	Light-Medium
20G288966	Conventional	289046	1.4 mm (0.055 in)	Medium
20G288967	HVLP	289047	0.8 mm (0.030 in)	Light
20G288968	HVLP	289047	1.1 mm (0.042 in)	Light-Medium
20G288969	HVLP	289047	1.4 mm (0.055 in)	Medium
20G288970	Compliant	289048	0.8 mm (0.030 in)	Light
20G288971	Compliant	289048	1.1 mm (0.042 in)	Light-Medium
20G288972	Compliant	289048	1.4 mm (0.055 in)	Medium

## PART NUMBERS AND SCHEMATICS GUIDE



### Part Numbers

<b>GRACO® AIRPRO® GRAVITY FEED AIR SPRAY GUN – WITHOUT CUP</b>				
Part Numbers	Type	Air Cap	Fluid Tip Size	Material Viscosity
20G289002	Conventional	289773	1.4 mm (0.055 in)	Light-Medium
20G289003	Conventional	289773	1.8 mm (0.070 in)	Light-Medium
20G289005	HVLP	289771	1.4 mm (0.055 in)	Light-Medium
20G289006	HVLP	289771	1.8 mm (0.070 in)	Light-Medium
20G289008	Compliant	289772	1.4 mm (0.055 in)	Light-Medium
20G289009	Compliant	289772	1.8 mm (0.070 in)	Light-Medium



### Part Numbers

<b>GRACO® AIRPRO® GRAVITY FEED AIR SPRAY GUN – WITH PLASTIC GRAVITY CUP</b>				
Part Numbers	Type	Air Cap	Fluid Tip Size	Material Viscosity
20G289011	Conventional	289773	1.4 mm (0.055 in)	Light-Medium
20G289012	Conventional	289773	1.8 mm (0.070 in)	Light-Medium
20G289014	HVLP	289771	1.4 mm (0.055 in)	Light-Medium
20G289015	HVLP	289771	1.8 mm (0.070 in)	Light-Medium
20G289017	Compliant	289772	1.4 mm (0.055 in)	Light-Medium
20G289018	Compliant	289772	1.8 mm (0.070 in)	Light-Medium



### Part Numbers

<b>GRACO® AIRPRO® GRAVITY FEED AIR SPRAY GUN – WITH 3M™ PPS™ CUP</b>				
Part Numbers	Type	Air Cap	Fluid Tip Size	Material Viscosity
20G289020	Conventional	289773	1.4 mm (0.055 in)	Light-Medium
20G289021	Conventional	289773	1.8 mm (0.070 in)	Light-Medium
20G289023	HVLP	289771	1.4 mm (0.055 in)	Light-Medium
20G289024	HVLP	289771	1.8 mm (0.070 in)	Light-Medium
20G289026	Compliant	289772	1.4 mm (0.055 in)	Light-Medium
20G289027	Compliant	289772	1.8 mm (0.070 in)	Light-Medium

## PART NUMBERS AND SCHEMATICS GUIDE



### Part Numbers

<b>GRACO® AIRPRO® SIPHON FEED AIR SPRAY GUN – WITHOUT SIPHON CUP</b>				
Part Numbers	Type	Air Cap	Fluid Tip Size	Material Viscosity
20G289991	Conventional	289769	1.4 mm (0.055 in)	Light-Medium
20G289992	Conventional	289769	1.8 mm (0.070 in)	Light-Medium
20G289993	HVLP	289435	1.4 mm (0.055 in)	Light-Medium
20G289994	HVLP	289435	1.8 mm (0.070 in)	Light-Medium
20G289995	Compliant	289768	1.4 mm (0.055 in)	Light-Medium
20G289996	Compliant	289768	1.8 mm (0.070 in)	Light-Medium



### Part Numbers

<b>GRACO® AIRPRO® SIPHON FEED AIR SPRAY GUN – WITH METAL SIPHON CUP</b>				
Part Numbers	Type	Air Cap	Fluid Tip Size	Material Viscosity
20G289028	Conventional	289769	1.4 mm (0.055 in)	Light-Medium
20G289029	Conventional	289769	1.8 mm (0.070 in)	Light-Medium
20G289030	HVLP	289435	1.4 mm (0.055 in)	Light-Medium
20G289031	HVLP	289435	1.8 mm (0.070 in)	Light-Medium
20G289032	Compliant	289768	1.4 mm (0.055 in)	Light-Medium
20G289033	Compliant	289768	1.8 mm (0.070 in)	Light-Medium



## PART NUMBERS AND SCHEMATICS GUIDE



### Part Numbers

AIR CAPS			
Part Numbers	Gun Type	Cap Number	Feed Type
20G288861	Conventional	288861	Pressure
20G289040	Conventional	289040	Pressure
20G289046	Conventional	289046	Pressure
20G289049	Conventional	289049	Pressure
20G289068	Conventional	289068	Pressure
20G289069	Conventional	289069	Pressure
20G289769	Conventional	289769	Siphon
20G289773	Conventional	289773	Pressure and Gravity
20G289784	Conventional	289784	Pressure
20G289041	HVLP	289041	Pressure
20G289043	HVLP	289043	Pressure
20G289047	HVLP	289047	Pressure
20G289070	HVLP	289070	Pressure
20G289115	HVLP	289115	Pressure
20G289325	HVLP	289325	Pressure
20G289435	HVLP	289435	Siphon
20G289771	HVLP	289771	Pressure and Gravity
20G289772	HVLP	289772	Pressure and Gravity
20G289042	Compliant	289042	Pressure
20G289044	Compliant	289044	Pressure
20G289045	Compliant	289045	Pressure
20G289048	Compliant	289048	Pressure
20G289050	Compliant	289050	Pressure
20G289327	Compliant	289327	Pressure
20G289768	Compliant	289768	Siphon

### Part Numbers

RETAINING RING AND BASE	
Part Numbers	Description
20G289079	Retaining Ring for Graco® AirPro®



## PART NUMBERS AND SCHEMATICS GUIDE

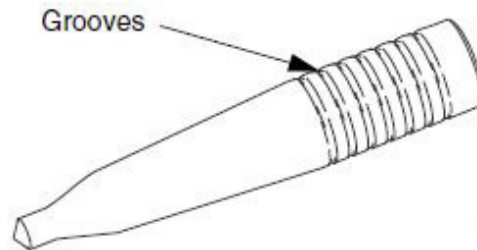


### FLUID TIPS AND NEEDLES

Part Numbers	Feed Type	Spray Type	Orifice Size	Fluid Needle Assembly (Included)
20G289493	Gravity	Conventional	1.4 mm (0.055 in)	20G289799
20G289494	Gravity	Conventional	1.8 mm (0.070 in)	20G289786
20G289495	Gravity	HVLP	1.4 mm (0.055 in)	20G289786
20G289496	Gravity	HVLP	1.8 mm (0.070 in)	20G289786
20G289497	Gravity	Compliant	1.4 mm (0.055 in)	20G289799
20G289498	Gravity	Compliant	1.8 mm (0.070 in)	20G289799
20G289458	Pressure	All	0.5 mm (0.020 in)	20G289270
20G289459	Pressure	All	0.8 mm (0.030 in)	20G289271
20G289475	Pressure	All	0.8 mm (0.030 in)	20G289785
20G289460	Pressure	All	1.1 mm (0.042 in)	20G289785
20G289476	Pressure	All	1.1 mm (0.042 in)	20G289785
20G289461	Pressure	All	1.1 mm (0.042 in)	20G289272
20G289462	Pressure	All	1.4 mm (0.055 in)	20G289799
20G289477	Pressure	All	1.4 mm (0.055 in)	20G289799
20G289463	Pressure	All	1.4 mm (0.055 in)	20G289273
20G289464	Pressure	All	1.8 mm (0.070 in)	20G289799
20G289465	Pressure	All	1.8 mm (0.070 in)	20G289273
20G289466	Pressure	All	2.2 mm (0.086 in)	20G289787
20G289467	Pressure	All	2.8 mm (0.110 in)	20G289800
20G289478	Pressure	Conventional	1.5 mm (0.059 in)	20G289352
20G289479	Pressure	Conventional	1.8 mm (0.070 in)	20G289352
20G289480	Pressure	Conventional	2.2 mm (0.086 in)	20G289351
20G289980	Pressure	Conventional	2.8 mm (0.110 in)	20G289979
20G289481	Pressure	HVLP and Compliant	1.5 mm (0.059 in)	20G289352
20G289482	Pressure	HVLP and Compliant	1.8 mm (0.070 in)	20G289352
20G289483	Pressure	HVLP and Compliant	2.2 mm (0.086 in)	20G289351
20G289981	Pressure	HVLP and Compliant	2.8 mm (0.110 in)	20G289979
20G289487	Siphon	Conventional	1.4 mm (0.055 in)	20G289788
20G289488	Siphon	Conventional	1.8 mm (0.070 in)	20G289788
20G289489	Siphon	HVLP	1.4 mm (0.055 in)	20G289789
20G289490	Siphon	HVLP	1.8 mm (0.070 in)	20G289789
20G289491	Siphon	Compliant	1.4 mm (0.055 in)	20G289788
20G289492	Siphon	Compliant	1.8 mm (0.070 in)	20G289788

## PART NUMBERS AND SCHEMATICS GUIDE

Part Numbers	FLUID NEEDLE TIPS			
	Needle Tip Grooves	Stainless Steel Tip	Fluid Needle Assembly (For Use With)	U.O.M.
20G289004	0		20G289787	5/PKG
20G289007	0		20G289007	5/PKG
20G289350	1		20G289270	5/PKG
20G288183	2		20G289271	5/PKG
20G288184	3		20G289785	5/PKG
20G288185	4		20G289799	5/PKG
20G288984	6		20G289788	5/PKG
20G289001	7		20G289786 & 20G289789	5/PKG
20G289010	N/A	X	20G289272	5/PKG
20G289013	N/A	X	20G289273	5/PKG



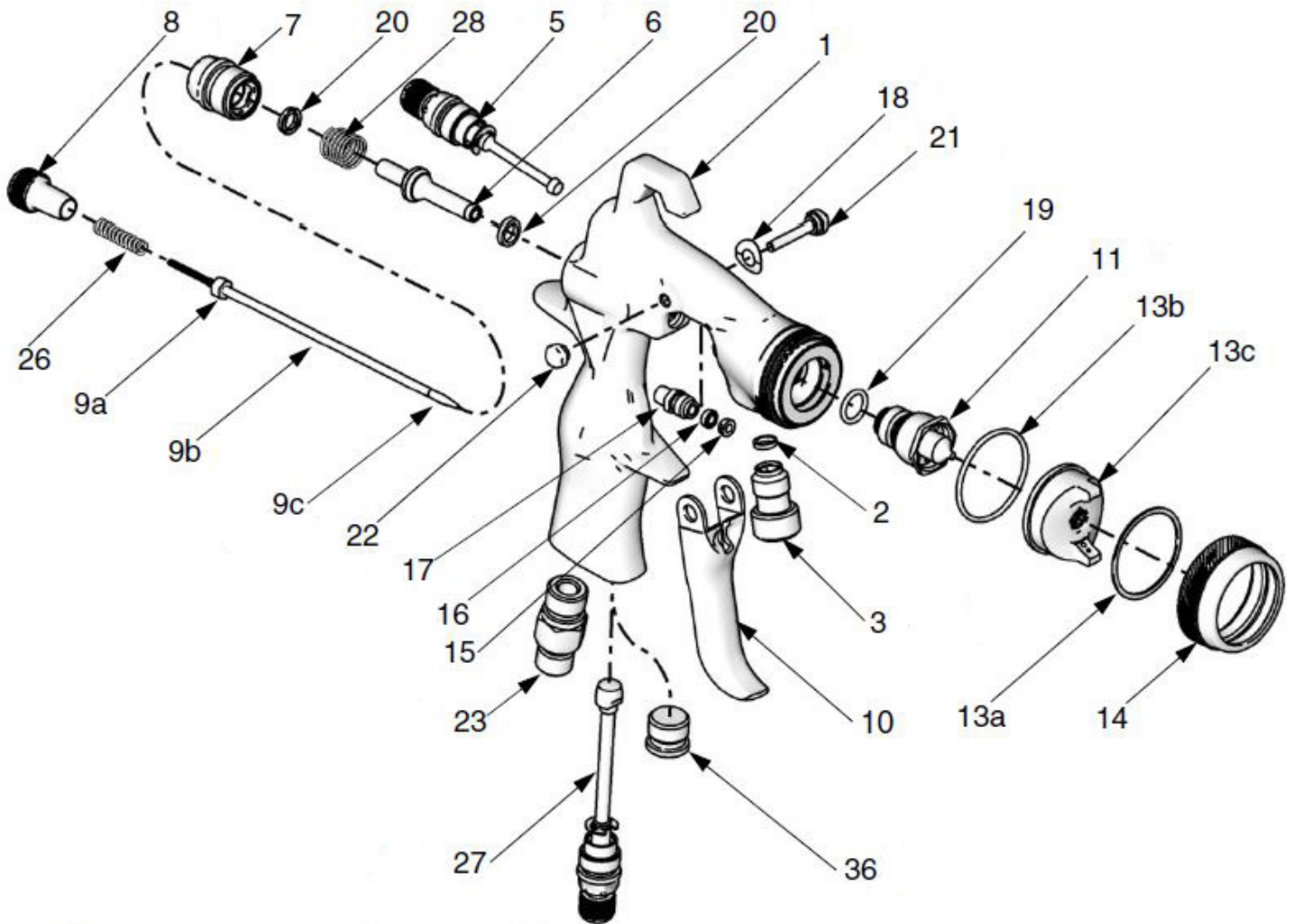
## PART NUMBERS AND SCHEMATICS GUIDE

### Graco® AirPro® Pressure Feed Air Spray Gun

Item#	Part#	Description	Item#	Part#	Description
<b>Fig. 1</b>			—	20G289455	Needle Packing Repair Kit <i>(Includes Item #'s: 15 and 16)</i> <i>(Quantity of Five)</i>
1	20G289016	Handle Kit Assembly	—	20G289407	Air Valve Repair Kit <i>(Includes Item #'s: 6, 7, 20, 26, 28, and 33)</i>
2	—	Fluid Inlet Gasket	—	20G289791	Air Cap Seal Repair Kit <i>(Includes Item #'s: 13a and 13b)</i> <i>(Quantity of Five)</i>
3	—	Fluid Inlet Fitting	—	20G289079	Retaining Ring Repair Kit <i>(Includes Item #'s: 13a, 13b, and 14)</i>
5	20G289796	Air Control Valve Assembly	—	20G289016	Gun Body Repair Kit <i>(Includes Item #'s: 1, 2, 3, 15, and 16)</i>
6	20G289038	Air Valve Assembly	—	20G24C269	Fluid Inlet Fitting Repair Kit <i>(Includes Item #'s: 2 and 3)</i>
7	20G289052	Air Valve U-Cup Nut Assembly	—	201V541	Brochure – Graco® AirPro® Air Spray Gun
8	20G289097	Fluid Control Valve	—	206M603	Part Numbers & Schematics Guide – Graco® AirPro® Air Spray Gun
9	—	Needle Assembly <i>(See Page 10)</i> <i>(Includes Item #'s: 9a, 9b, and 9c)</i>	—	209V541	Operator's Manual – Graco® AirPro® Pressure Feed Air Spray Gun
9a	—	Nut Needle			
9b	—	Needle			
9c	—	Tip Needle <i>(See Page 11)</i>			
10	20G289140	Gun Trigger			
11	—	Fluid Nozzle <i>(See Page 10)</i>			
13	—	Air Cap Assembly <i>(Includes Item #'s: 13a, 13b, and 13c)</i> <i>(See Page 9)</i>			
13a	—	Washer			
13b	—	O-Ring			
13c	—	Air Cap			
14	—	Retaining Ring <i>(See Page 9)</i>			
15	—	U-Cup Spreader			
16	—	U-Cup Packing			
17	20G289792	Nut			
18	—	Wave Washer			
19	20G111457	O-Ring			
20	—	U-Cup Gun Packing <i>(Quantity of Two)</i>			
21	—	Pivot Pin			
22	—	Pivot Pin Nut			
23	20G289451	Air Inlet Fitting			
26	—	Compression Spring			
27	20G289142	Air Inlet Valve Assembly			
28	—	Compression Spring			
29	20G289794	Gun Tool			
33	—	Seal Installation Tool			
36	20G289452	Air Plug Nut			
—	20G289399	Gun Repair Kit <i>(Includes Item #'s: 6, 13a, 13b, 15, 16, 19, 20, and 33)</i>			
—	20G89143	Trigger Repair Kit <i>(Includes Item #'s: 21 and 22)</i> <i>(Quantity of Five)</i>			

# PART NUMBERS AND SCHEMATICS GUIDE

Figure 1: Graco® AirPro® Pressure Feed Air Spray Gun



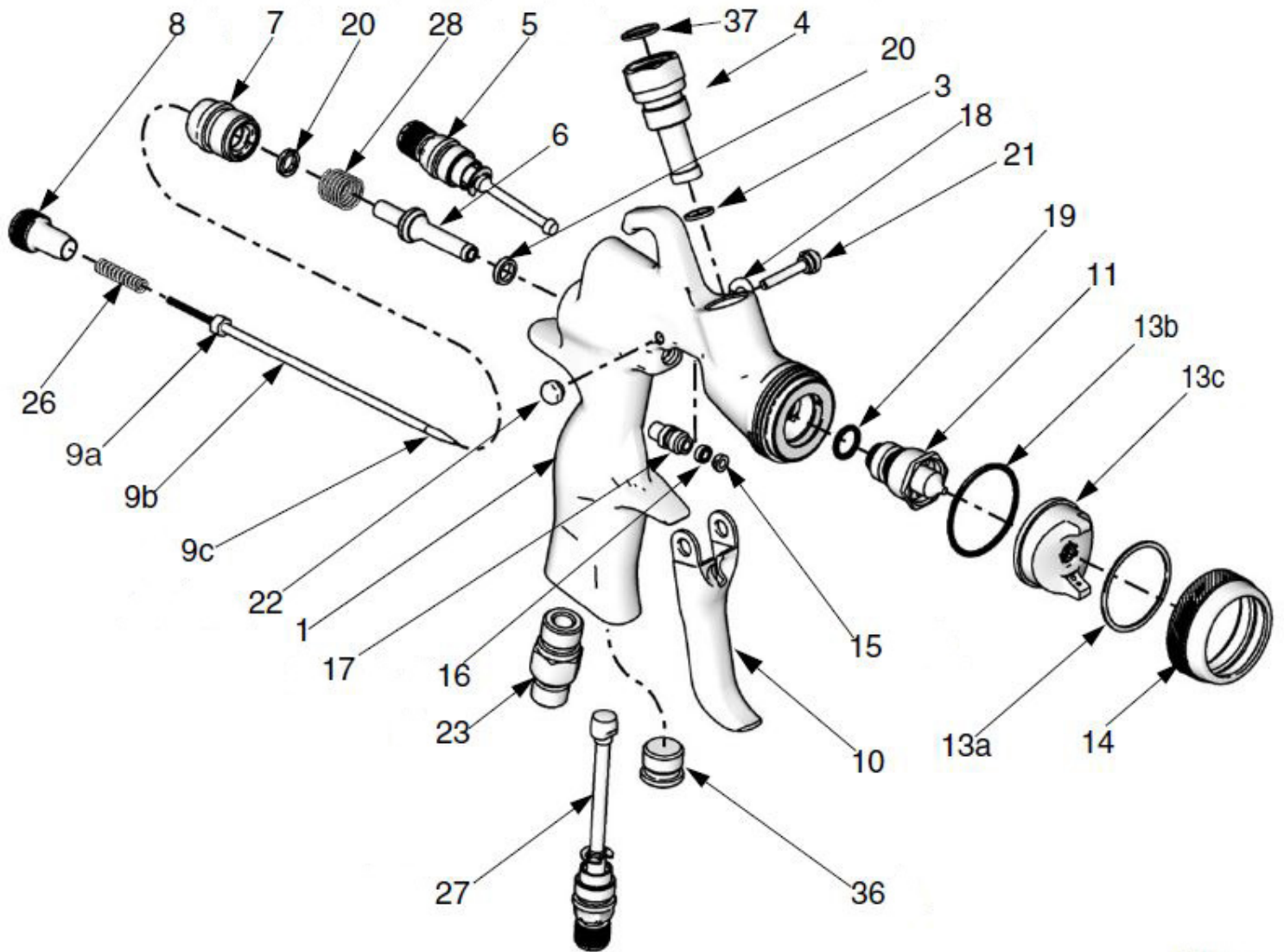
## PART NUMBERS AND SCHEMATICS GUIDE

### Graco® AirPro® Gravity Feed Air Spray Gun

Item#	Part#	Description	Item#	Part#	Description
<b>Fig. 2</b>			—	20G89143	Trigger Repair Kit <i>(Includes Item #'s: 21 and 22)</i> <i>(Quantity of Five)</i>
1	—	Gun Body	—	20G289455	Needle Packing Repair Kit <i>(Includes Item #'s: 15 and 16)</i> <i>(Quantity of Five)</i>
3	—	Fluid Inlet Gasket	—	20G289408	Air Valve Repair Kit <i>(Includes Item #'s: 6, 7, 20, 26, 28, and 33)</i>
4	20G289792	Fluid Inlet Fitting <i>(Includes Item #3)</i>	—	20G289791	Air Cap Seal Repair Kit <i>(Includes Item #'s: 13a and 13b)</i> <i>(Quantity of Five)</i>
5	20G289796	Air Control Valve Assembly	—	20G289079	Retaining Ring Repair Kit <i>(Includes Item #'s: 13a, 13b, and 14)</i>
6	20G289039	Air Valve Assembly	—	20G289213	Cup Gasket Repair Kit <i>(Includes Item #37)</i> <i>(Quantity of Ten)</i>
7	20G289052	Air Valve U-Cup Nut Assembly	—	20G289022	Gun Body Repair Kit <i>(Includes Item #'s: 1, 3, and 4)</i>
8	20G289097	Fluid Control Valve	—	20G24A560	Fluid Inlet Gasket Repair Kit <i>(Includes Item #3)</i> <i>(Quantity of Five)</i>
9	—	Needle Assembly <i>(See Page 10)</i> <i>(Includes Item #'s: 9a, 9b, and 9c)</i>	—	201V541	Brochure – Graco® AirPro® Air Spray Gun
9a	—	Nut Needle	—	206M603	Part Numbers & Schematics Guide – Graco® AirPro® Air Spray Gun
9b	—	Needle	—	209V542	Operator's Manual – Graco® AirPro® Gravity Feed Air Spray Gun
9c	—	Tip Needle <i>(See Page 11)</i>			
10	20G289140	Gun Trigger			
11	—	Fluid Nozzle <i>(See Page 10)</i>			
13	—	Air Cap Assembly <i>(Includes Item #'s: 13a, 13b, and 13c)</i> <i>(See Page 9)</i>			
13a	—	Washer			
13b	—	O-Ring			
13c	—	Air Cap			
14	—	Retaining Ring <i>(See Page 9)</i>			
15	—	U-Cup Spreader			
16	—	U-Cup Packing			
17	20G289792	Nut			
18	—	Wave Washer			
19	20G111457	O-Ring			
20	—	U-Cup Packing			
21	—	Pivot Pin			
22	—	Pivot Pin Nut			
23	20G289451	Air Inlet Fitting			
26	—	Compression Spring			
27	20G289142	Air Inlet Valve Assembly			
28	—	Compression Spring			
29	20G289794	Gun Tool			
33	—	Seal Installation Tool			
36	20G289452	Air Plug Nut			
37	—	Washer			
—	20G289770	23 oz. (650cc) Plastic Gravity Cup			
—	20G289195	Filter Cup			
—	20G289790	Gun Repair Kit <i>(Includes Item #'s: 6, 13a, 13b, 15, 16, 19, 33, and 37)</i>			

# PART NUMBERS AND SCHEMATICS GUIDE

Figure 2: Graco® AirPro® Gravity Feed Air Spray Gun



## PART NUMBERS AND SCHEMATICS GUIDE

### Graco® AirPro® Siphon Feed Air Spray Gun

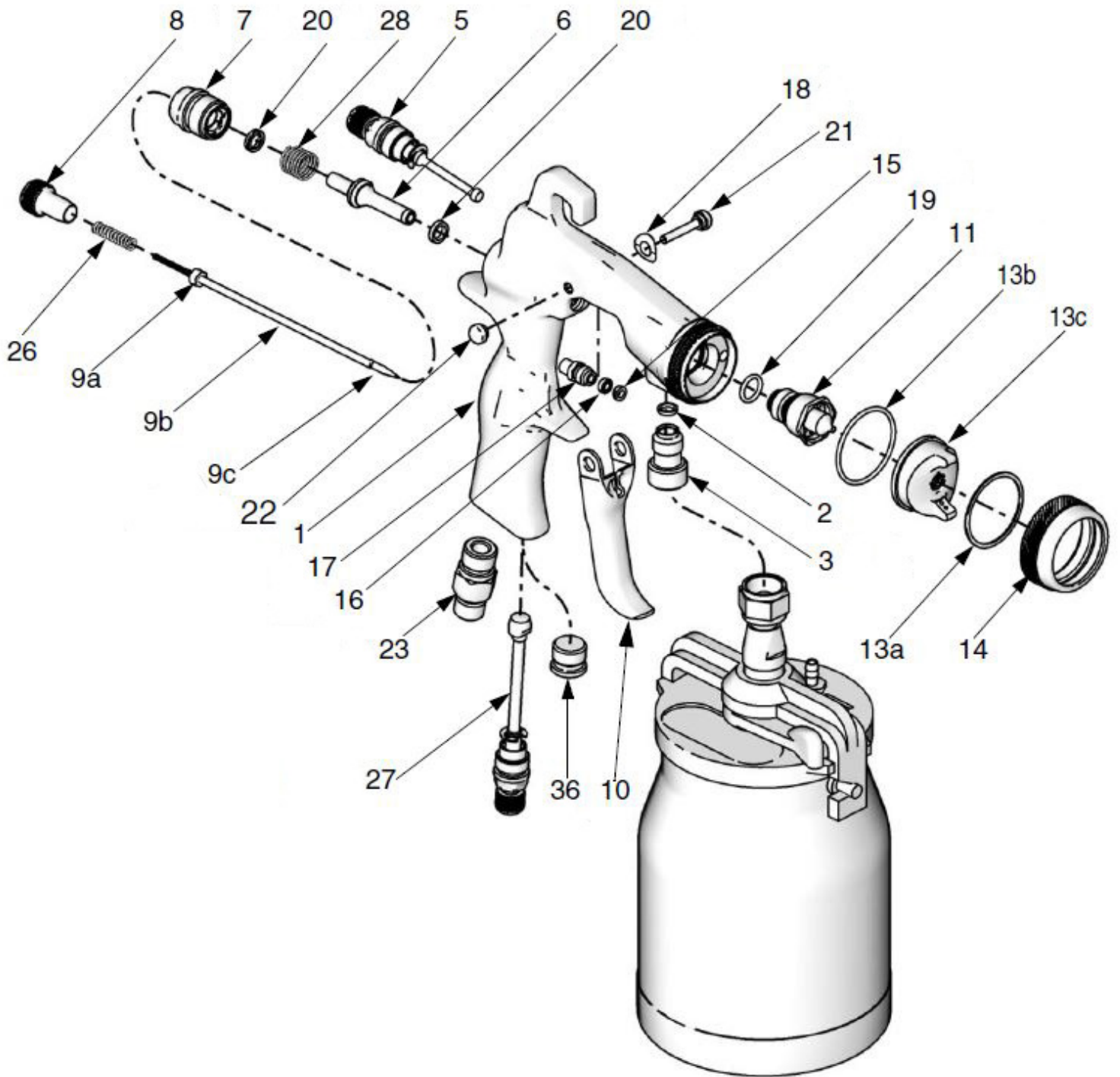
Item#	Part#	Description
<b>Fig. 3</b>		
1	—	Gun Body
2	—	Fluid Inlet Gasket
3	—	Fluid Inlet Fitting
5	20G289796	Air Control Valve Assembly
6	20G289039	Air Valve Assembly
7	20G289052	Air Valve U-Cup Nut Assembly
8	20G289097	Fluid Control Valve
9	—	Needle Assembly (See Page 10) (Includes Item #'s: 9a, 9b, and 9c)
9a	—	Nut Needle
9b	—	Needle
9c	—	Tip Needle (See Page 11)
10	20G289140	Gun Trigger
11	—	Fluid Nozzle (See Page 10)
13	—	Air Cap Assembly (Includes Item #'s: 13a, 13b, and 13c) (See Page 9)
13a	—	Washer
13b	—	O-Ring
13c	—	Air Cap
14	—	Retaining Ring (See Page 9)
15	—	U-Cup Spreader
16	—	U-Cup Packing
17	20G289793	Nut
18	—	Wave Washer
19	20G111457	O-Ring
20	—	U-Cup Gun Packing
21	—	Pivot Pin
22	—	Pivot Pin Nut
23	20G289451	Air Inlet Fitting
26	—	Compression Spring
27	20G289798	Air Inlet Valve Assembly
28	—	Compression Spring
29	20G289794	Gun Tool
33	—	Seal Installation Tool
36	20G289452	Air Plug Nut
37	20G244130	1 qt Cup
—	20G289790	Gun Repair Kit (Includes Item #'s: 6, 13a, 13b, 15, 16, 19, 20, and 33)
—	20G89143	Trigger Repair Kit (Includes Item #'s: 21 and 22) (Quantity of Five)

Item#	Part#	Description
—	20G289455	Needle Packing Repair Kit (Includes Item #'s: 15 and 16) (Quantity of Five)
—	20G289408	Air Valve Repair Kit (Includes Item #'s: 6, 20, 26, 28, and 33)
—	20G289791	Air Cap Seal Repair Kit (Includes Item #'s: 13a and 13b) (Quantity of Five)
—	20G289079	Retaining Ring Repair Kit (Includes Item #'s: 13a, 13b, and 14)
—	20G289019	Gun Body Repair Kit (Includes Item #'s: 1, 2, 3, 15, and 16)
—	20G24C269	Fluid Inlet Fitting Repair Kit (Includes Item #'s: 2 and 3)
—	201V541	Brochure – Graco® AirPro® Air Spray Gun
—	206M603	Part Numbers & Schematics Guide – Graco® AirPro® Air Spray Gun
—	209V543	Operator's Manual – Graco® AirPro® Siphon Feed Air Spray Gun





# PART NUMBERS AND SCHEMATICS GUIDE



Figure 3: Graco® AirPro® Siphon Feed Air Spray Gun




## OPTIONAL ACCESSORIES


		3/8" I.D. FLUID HOSE				
	Part Numbers	Length	Hose I.D.	Hose O.D.	Working Pressure	Hose Cover Color
	20FH038	Per Ft.	3/8"	11/16"	750 psi	Black



		3/8" I.D. FLUID HOSE WITH COUPLINGS INSTALLED					
	Part Numbers	Length	Hose I.D.	Hose O.D.	Working Pressure	Hose Cover Color	Couplings
	20FH03825AC	25 Ft.	3/8"	11/16"	750 psi	Black	2080020
	20FH03850AC	50 Ft.	3/8"	11/16"	750 psi	Black	2080020

		COUPLINGS AND HEX NIPPLE FOR 3/8" I.D. FLUID HOSE	
	Part Numbers	Thread Style	Working Pressure
	2080020	3/8" Compression Fitting x 3/8" Female NPS	250 psi
	1028610	3/8" Male x 3/8" Male Hex Nipple	1,000 psi








## OPTIONAL ACCESSORIES

		5/16" I.D. AIR HOSE				
	<b>Part Numbers</b>	<b>Length</b>	<b>Hose I.D.</b>	<b>Hose O.D.</b>	<b>Working Pressure</b>	<b>Hose Cover Color</b>
	<b>20AH0516</b>	Per Ft.	5/16"	5/8"	200 psi	Red




		5/16" I.D. AIR HOSE WITH COUPLINGS INSTALLED					
	<b>Part Numbers</b>	<b>Length</b>	<b>Hose I.D.</b>	<b>Hose O.D.</b>	<b>Working Pressure</b>	<b>Hose Cover Color</b>	<b>Couplings</b>
	<b>20AH051625AC</b>	25 Ft.	5/16"	5/8"	200 psi	Red	2080010
	<b>20AH051650AC</b>	50 Ft.	5/16"	5/8"	200 psi	Red	2080010



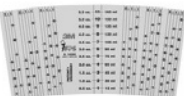
		COUPLING AND HEX NIPPLE FOR 5/16" I.D. AIR HOSE		
	<b>Part Numbers</b>	<b>Thread Style</b>	<b>Working Pressure</b>	
	<b>2080010</b>	5/16" Female x 1/4" Female NPT Air Hose Coupling	250 psi	
	<b>20PFHA24SA0404</b>	1/4" Male x 1/4" Male Air Hose Hex Nipple	6,000 psi	




## OPTIONAL ACCESSORIES

<b>GRAVITY, SIPHON, AND PRESSURE CUPS</b>		
<b>Part Numbers</b>	<b>Description</b>	
	<b>20G289770</b>	23 oz. (650 cc) Gravity Cup, Plastic
	<b>20G289797</b>	23 oz. (650 cc) Gravity Cup, Aluminum
	<b>20G289802</b>	34 oz. (1 liter) Gravity Cup, Aluminum
	<b>20G244130</b>	1 qt. Siphon Cup, Aluminum
	<b>20G239802</b>	1 qt. Stainless Steel Pressure Cup with Single Air Regulator
	<b>20G239803</b>	1 qt. Stainless Steel Pressure Cup with Double Air Regulator
	<b>20G239804</b>	1 qt. Remote Stainless Steel Pressure Cup

## OPTIONAL ACCESSORIES

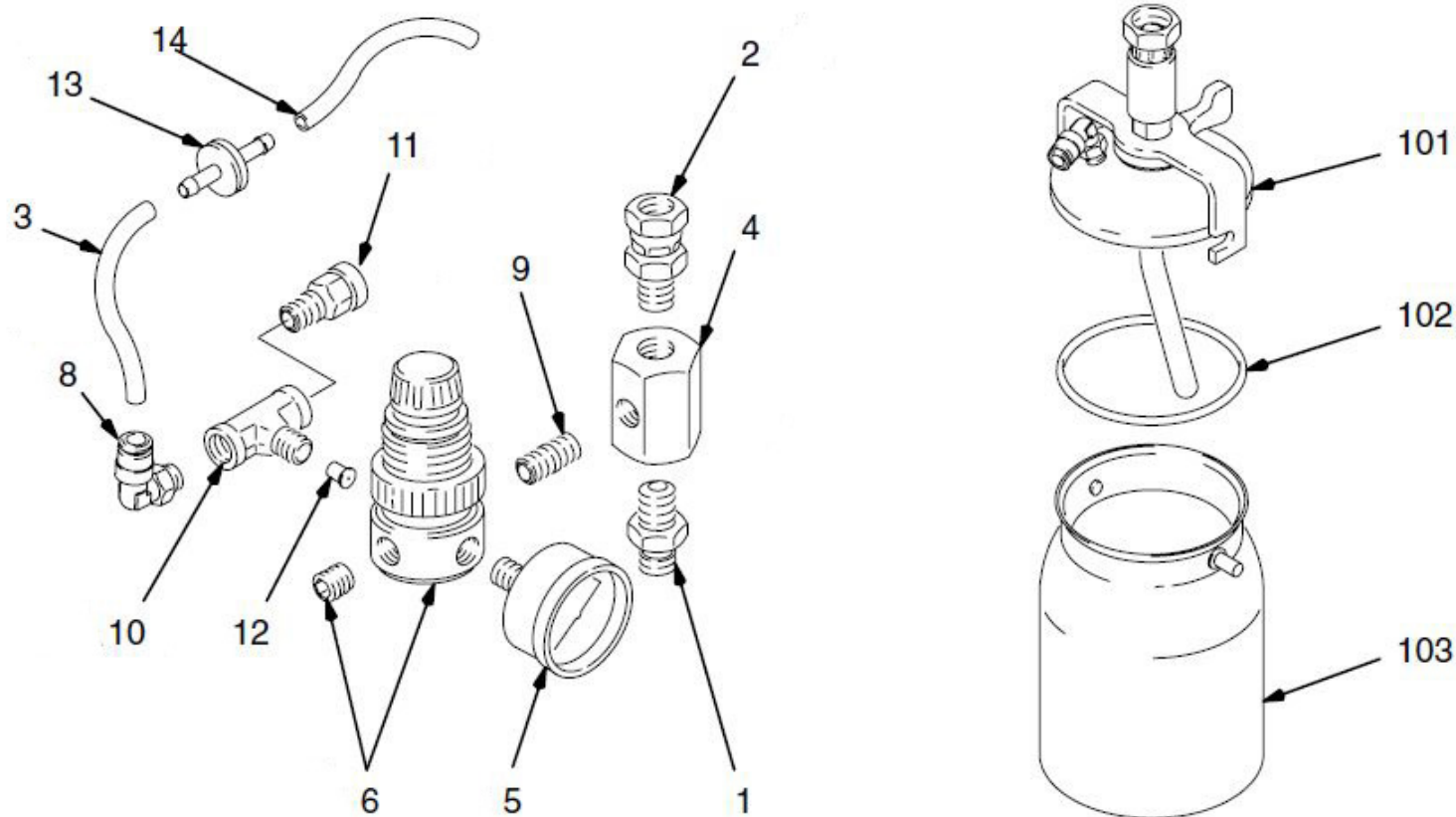
<b>6 oz. 3M™ PPS™ CUPS</b>		
	<b>Part Numbers</b>	<b>Description</b>
	<b>20G234941</b>	Cup and Collar ( <i>Box of Eight</i> )
	<b>20G234940</b>	Lid and Liner ( <i>Box of 50</i> )
	<b>20G234942</b>	Measurement Insert ( <i>Box of 50</i> )

<b>25 oz. 3M™ PPS™ CUPS</b>		
	<b>Part Numbers</b>	<b>Description</b>
	<b>20G234771</b>	Cup and Collar ( <i>Box of Eight</i> )
	<b>20G234772</b>	Lid and Liner ( <i>Box of 50</i> )
	<b>20G15F531</b>	Measurement Insert ( <i>Box of 100</i> )

<b>32 oz. 3M™ PPS™ CUPS</b>		
	<b>Part Numbers</b>	<b>Description</b>
	<b>20G234937</b>	Cup and Collar ( <i>Box of Four</i> )
	<b>20G234938</b>	Lid and Liner ( <i>Box of 25</i> )
	<b>20G234939</b>	Measurement Insert ( <i>Box of 100</i> )

## OPTIONAL ACCESSORIES

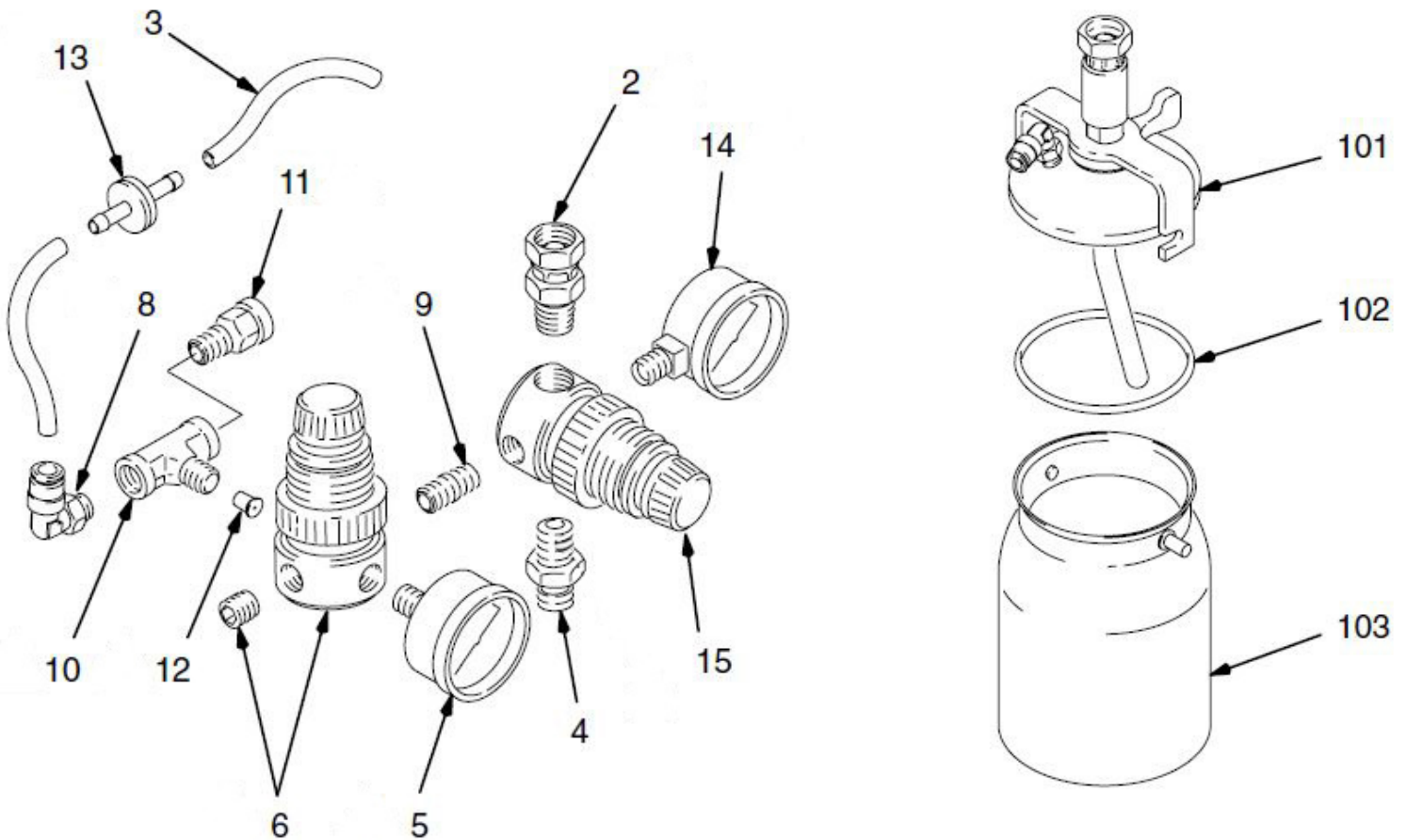
Figure 4: 1 qt. Stainless Steel Pressure Cup with Single Air Regulator



Item#	Part#	Description
<b>Fig. 4</b>		
—	<b>20G239802</b>	<b>1 qt. Stainless Steel Pressure Cup with Single Air Regulator</b>
1	20G162453	1/4" x 1/4" Nipple
2	20G156823	1/4" NPT (M) x 1/4" NPSM (F) Adapter
3	20G112699	1/4" O.D. x 2.38" Tube
4	20G187410	Air Fitting
5	20G111500	Gauge (0-15 psi Range)
6	20G111501	Regulator (0-12 psi Range)
8	20G112698	90° Swivel Elbow Fitting
9	20G100168	Nipple
10	20G110440	Tee Fitting
11	20G112059	Pressure Relief Valve
12	20G189557	Air Restrictor
13	20GM71256	Check Valve
14	20G112699	1/4" O.D. x 2.38" Tube
101	20G236908	Pressure Cup Lid (Includes Item #102)
102	20G189883	Gasket
103	20G239727	1 qt. Cup
—	209V580	Operator's Manual – Graco® Air Regulated Pressure Cups

## OPTIONAL ACCESSORIES

**Figure 5: 1 qt. Stainless Steel Pressure Cup with Double Air Regulator**



Item#	Part#	Description
<b>Fig. 5</b>		
—	<b>20G239803</b>	<b>1 qt. Stainless Steel Pressure Cup with Double Air Regulator</b>
2	20G156823	1/4" NPT (M) x 1/4" NPSM (F) Adapter
3	20G112699	1/4" O.D. x 2.38" Tube (Quantity of Two)
4	20G162453	1/4" x 1/4" Nipple
5	20G111500	Gauge (0-15 psi Range)
6	20G111501	Regulator (0-12 psi Range)
8	20G112698	90° Swivel Elbow Fitting
9	20G100168	Nipple
10	20G110440	Tee Fitting
11	20G112059	Pressure Relief Valve
12	20G189557	Air Restrictor
13	20GM71256	Check Valve
14	20G110436	Air Pressure Gauge (0-100 psi Range)
15	20G110438	Regulator (0-100 psi Range)
101	20G236908	Pressure Cup Lid (Includes Item #102)
102	20G189883	Gasket
103	20G239727	1 qt. Cup
—	20G195065	Air Inlet Fitting
—	209V580	Operator's Manual – Graco® Air Regulated Pressure Cups

## OPTIONAL ACCESSORIES

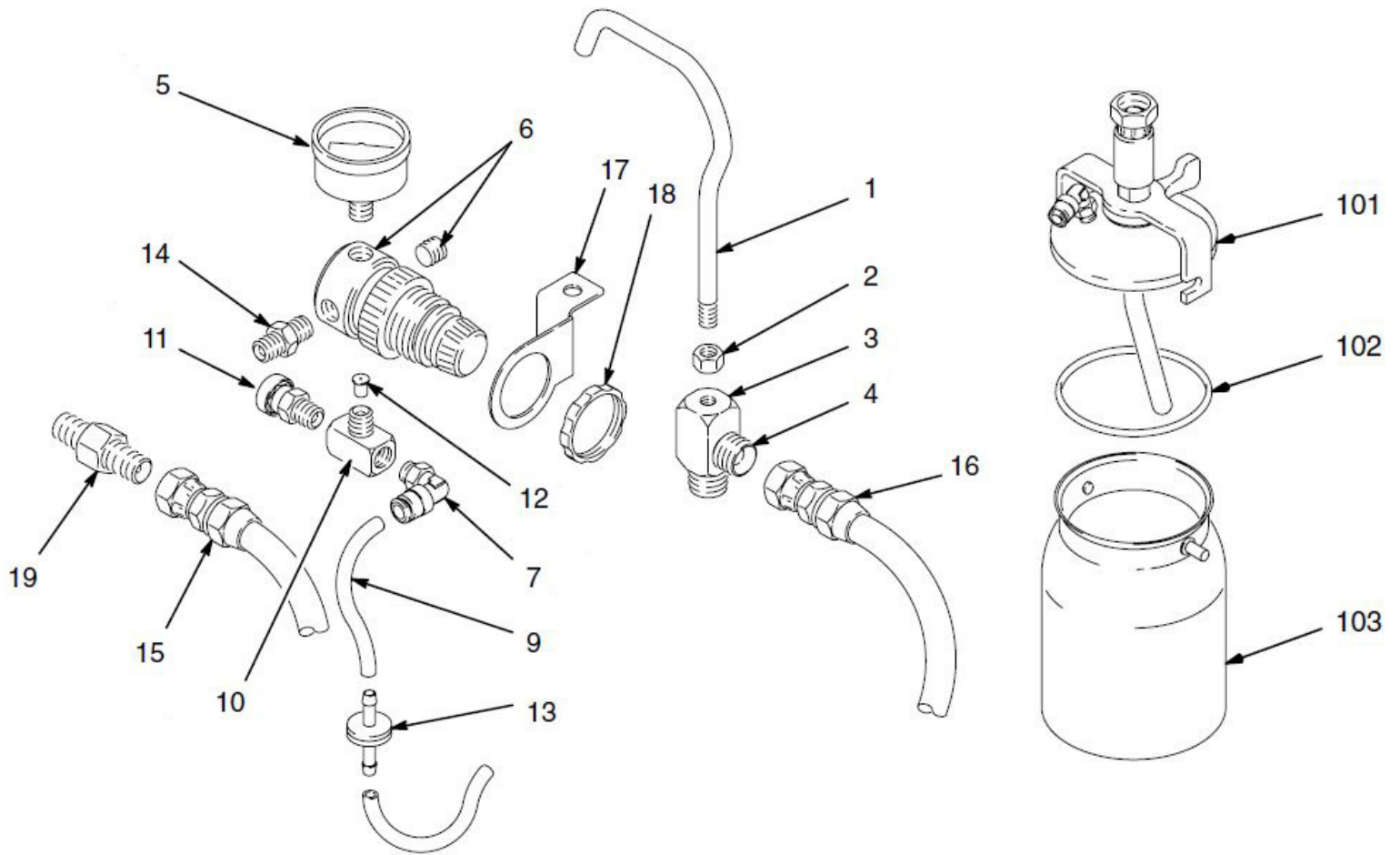
### 1 qt. Remote Stainless Steel Pressure Cup

Item#	Part#	Description
<b>Fig. 6</b>		
—	<b>20G239804</b>	<b>1 qt. Remote Stainless Steel Pressure Cup</b>
1	20G172620	Hook
2	20G100188	Hex Nut
3	20G172680	Elbow Fitting
4	20G172682	Hose Adapter
5	20G111500	Gauge (0-15 psi Range)
6	20G111501	Regulator (0-12 psi Range)
7	20G112698	1/4" O.D. Tube Connector
9	20G112699	1/4" O.D. x 2.38" Tube (Quantity of Two)
10	20G110440	Tee Fitting
11	20G112059	Pressure Relief Valve
12	20G189557	Air Restrictor
13	20GM71256	Check Valve
14	20G103656	Hex Nipple
15	20G212005	1/4" x 6' Coupled Air Hose
16	20G212006	3/8" x 6-1/2' Fluid Hose
17	20G188770	Mounting Bracket
18	20G112308	Panel Nut
19	20G183696	Tee Fitting
101	20G236908	Pressure Cup Lid (Includes Item #102)
102	20G189883	Gasket
103	20G239727	1 qt. Cup
—	209V580	Operator's Manual – Graco® Air Regulated Pressure Cups



# OPTIONAL ACCESSORIES

Figure 6: 1 qt. Remote Stainless Steel Pressure Cup







## GLOBAL HEADQUARTERS

- 3425 East Locust Street  
Davenport, IA 52803

ph: 800.BLAST.IT (800.252.7848)

ph: 563.324.2519

fax: 563.324.6258

## GULF STATES HEADQUARTERS

- 701 East Boulevard  
Deer Park, TX 77536

ph: 800.BLAST.IT (800.252.7848)

ph: 281.930.0905

fax: 281.542.0736

## REGIONAL BRANCH OFFICES

- **Iowa**  
Davenport
- **Louisiana**  
Gonzales  
Lafayette
- **Ohio**  
Youngstown
- **Texas**  
Beaumont  
Corpus Christi  
Deer Park



ABRASIVES

BLASTING

COATING

DUST COLLECTORS

ENGINEERED SYSTEMS

RENTAL

SAFETY

SERVICE & REPAIR

VACUUMS

## 40+ NATIONWIDE SHIPPING LOCATIONS



★ Marco Regional Branch Offices  
and Shipping Locations

● Direct Shipping Locations

## CONTACT MARCO

**800.BLAST.IT**

**(800.252.7848)**

**563.324.2519**

**FAX: 563.324.6258**

**WWW.MARCO.US**

**SALES@MARCO.US**