



GRACO® 395ST PRO™ ELECTRIC AIRLESS SPRAY PUMP



PART NUMBERS AND SCHEMATICS GUIDE

Company Profile

Since 1944, Marco has developed a strong tradition of providing innovative and reliable products and services to the surface preparation and protective coatings industries. We are the world's premier provider of Abrasives, Blasting Equipment, Coating and Painting Equipment, Engineered Systems, Rental Equipment, Safety Equipment, Service, and Repair.

Through innovative designs and a total commitment to quality, Marco manufactures products that increase production rates, create a safer workplace, and reduce maintenance costs. Marco's industry experience, manufacturing capabilities, legendary customer service, product availability, logistics services, and technology leadership is your assurance that we deliver high quality products and services, providing the best value to you, our customer.

The Marco Difference

- **Industry Experience** – With Marco on your team, you have access to expertise which can only come from decades of industry leadership. We have organized our engineering department, production specialists, customer operations, and safety support into a “Center of Competence.” As a Marco customer, you have access to hundreds of years of cumulative experience related to your operations.
- **Manufacturing Excellence** – Marco is a U.S. based, ISO 9001:2008 certified manufacturer of equipment for the Surface Preparation and Protective Coatings industries. Marco's engineers benchmark the industry to ensure that we design and manufacture superior products that set the “Gold Standard” for performance, safety, and quality.
- **Legendary Customer Service** – Marco's legendary customer service team is staffed by friendly, highly-trained individuals who are focused on providing the highest level of product support, order accuracy, and customer satisfaction.
- **Product Availability** – We stock over 10,000 SKU's and have over 45 shipping locations to serve North American and International markets for all major brands of blasting and painting equipment. As the largest provider of surface preparation and protective coatings equipment in the world, our inventory levels and product availability are unmatched.
- **Logistics Services** – Marco's in-house logistics team is dedicated to moving your shipment anywhere in the world. We move over 14,000 truckloads every year, allowing you to save on freight costs by leveraging our buying power. Lower your process costs with a single invoice, which includes product and freight.
- **Technology Leadership** – Our website provides: Operator's Manuals, Part Numbers and Schematics Guides, MSDS information, and Features, Advantages, and Benefits Guides, providing access to information 24/7. Our Extranet application allows you to receive quotes and place orders online. Our Intranet maintains a complete record of your purchase history to assist with ongoing support of your existing equipment and future purchasing decisions.

Vision Statement

Marco is the world's premier provider of Abrasives, Blasting, Coating, Dust Collectors, Engineered Systems, Rental, Safety, Service, Repair, & Modernization, and Vacuums.

Mission Statement

Marco provides strong leadership and innovation to the surface preparation and protective coatings industries. We dedicate our efforts to the continuous improvement of our products, services, processes, people, and most importantly, the quality of our customer's experience.

Quality Statement

Marco is committed to providing superior quality in the design, manufacturing, distribution, rental, service, and repair of our products. Our ISO 9001:2008 certification extends throughout all operations in all locations. Continuous improvement of our processes and supply chain Integration comprise the core of our business strategy for delivering exceptional quality and value in all Marco products and services.

Management Philosophy

We are a company dedicated to the success of every customer and associate. We discuss, debate, challenge, measure, and test our ideas. We will be boundless and limitless in our passion to improve. Through sound leadership and dedicated associates, we will ensure a long term, profitable future for Marco, our associates, customers, and suppliers.

TABLE OF CONTENTS

Company Profile	2
Table of Contents	3
Graco® 395ST Pro™	
Electric Airless Spray Pumps	4-13
Part Numbers	4-5
Stand Model	6-7
Hi-Boy Model	8-9
Control Box	10-11
Displacement Pump	12-13
Optional Accessories	14
Replacement Filters	14
Throat Seal Liquid	14
Pump Armor Fluid	14
Maintenance Notes	15

PART NUMBERS AND SCHEMATICS GUIDE

GRACO® 395ST PRO™ ELECTRIC AIRLESS SPRAY PUMPS						
Part Numbers	MODEL		Contractor FTx™ Airless Spray Gun	515 RAC® V SwitchTip and Guard	1/4" x 50' Airless Hose	Displacement Pump
	Stand	Hi-Boy				
20G232920	X		X	X	X	X
20G232922		X	X	X	X	X

GRACO® 395ST PRO™ ELECTRIC AIRLESS SPRAY PUMP – SPECIFICATIONS	
Max Working Pressure	3000 PSI
Power Source	120-Volt AC

PART NUMBERS AND SCHEMATICS GUIDE



(Stand Model)

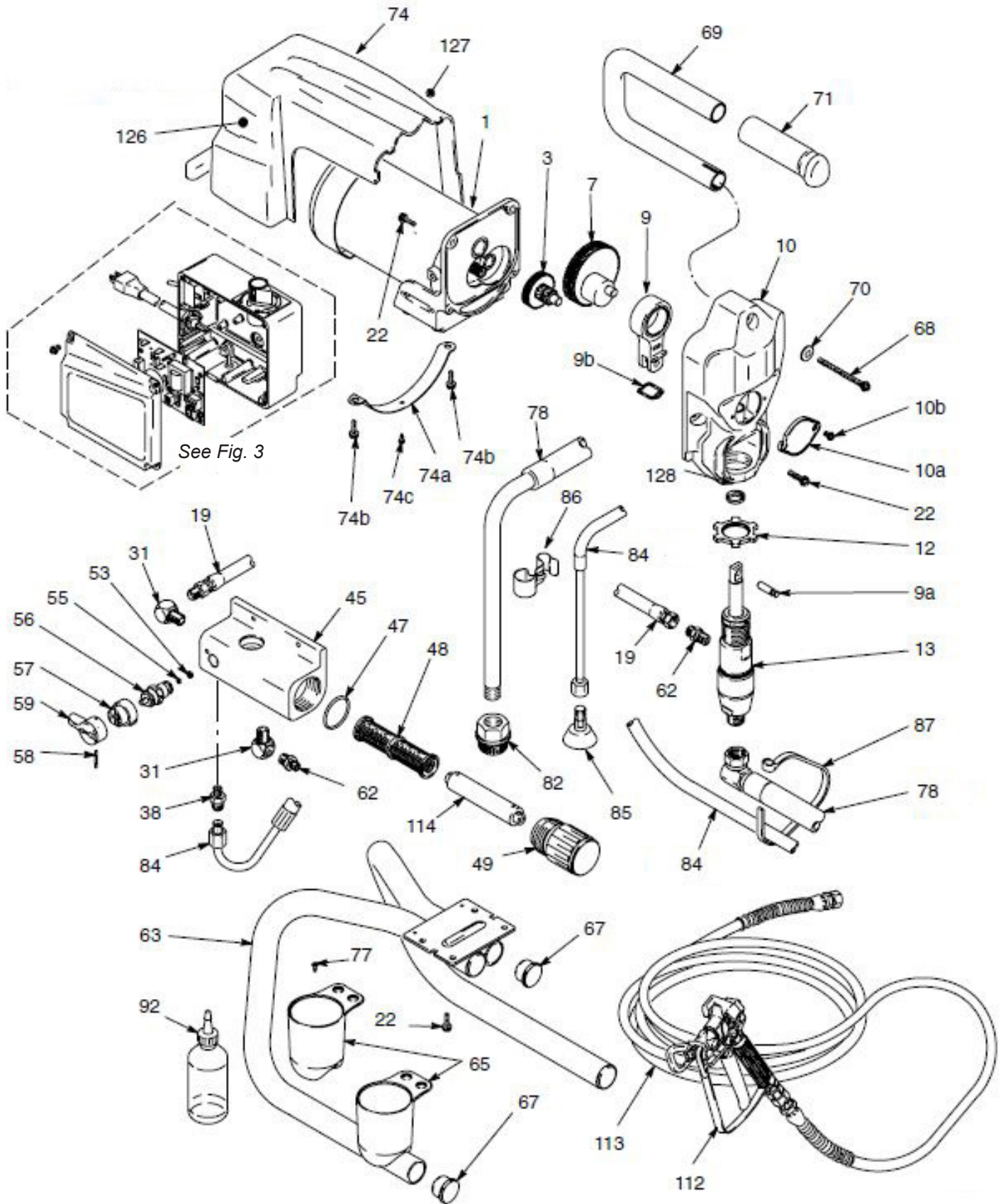
PART NUMBERS AND SCHEMATICS GUIDE

Graco® 395ST Pro™ Electric Airless Spray Pump – Stand Model

Item #	Part #	Description	Item #	Part #	Description
Fig. 1			74	20G243216	Motor Shroud <i>(Includes Item #'s: 74a, 74b, 74c, 126, and 127)</i>
—	20G232920	Graco® 395ST Pro™ Electric Airless Spray Pump – Stand Model	74a	20G195159	Shroud Bracket
1	20G242010	395ST Pro™ 120 VAC Motor	74b	20G114631	Screw <i>(Quantity of Two)</i>
3	20G243219	Combination Gear	74c	20G115509	Self-Drill Screw
7	20G243218	Crank Shaft	78	20G244353	Flexible Suction Hose
9	20G243221	Connecting Rod <i>(Includes Item #'s: 9a and 9b)</i>	82	20G235004	Strainer
9a	20G195175	Pump Pin	83	20G109032	Pan Head Machine Screw <i>(Quantity of Four)</i>
9b	20G195512	Pin Retainer	84	20G244040	Drain Hose <i>(Includes Item #'s: 85 and 86)</i>
10	20G243220	Drive Housing <i>(Includes Item #'s: 10a and 10b)</i>	85	20G241920	Threaded Deflector
10a	20G195099	Cover	86	20G195186	Spring Clip
10b	20G115492	Screw <i>(Quantity of Six)</i>	87	20G114958	Tie Strap
12	20G195150	Pump Jam Nut	92	20G206994	Throat Seal Liquid – 8 oz.
13	20G243183	Displacement Pump <i>(See Fig. 3)</i>	105	20G111483	Cable Clamp
19	20G241926	High Pressure Coupled Hose	106	20G103473	Tie Wire Strap
22	20G115495	Screw <i>(Quantity of Eight)</i>	112	20G288431	Contractor FTx™ Gun with 515 RAC® V Tip
31	20G195847	90° Elbow Street Fitting <i>(Quantity of Two)</i>	113	20G240794	1/4" x 50' Coupled Hose
38	20G116150	Adapter Fitting	114	20G196773	Filter Insert
45	20G195157	Filter Housing	126	20G195833	Warning Label
47	20G104361	Packing O-Ring – PTFE	127	20G195805	Danger Label
48	20G243080	Fluid Filter – 60 Mesh	128	20G115491	Rod Wiper
49	20G195139	Filter Cap	—	206M522	Part Numbers & Schematics Guide – Graco® FTx™ Airless Spray Guns
53	20G111699	Gasket	—	206M635	Part Numbers & Schematics Guide – Graco® 395ST Pro™ Electric Airless Spray Pump
55	20G187615	Seat Valve	—	209V601	Operator's Manual – Graco® 395ST Pro™ Electric Airless Spray Pump
56	20G235014	Drain Valve Assembly <i>(Includes Item #'s: 53 and 55)</i>			
57	20G224807	Valve Base			
58	20G111600	Grooved Pin			
59	20G187625	Drain Valve Handle			
62	20G162453	1/4" x 1/4" Nipple <i>(Quantity of Two)</i>			
63	20G241870	Stand Mount Frame			
65	20G195177	TSL and Suction Tube Holder <i>(Quantity of Two)</i>			
67	20G107310	Tubing Plug <i>(Quantity of Four)</i>			
68	20G115506	Screw			
69	20G195155	Sprayer Handle			
70	20G100016	Lock Washer			
71	20G116139	Handle Grip			

PART NUMBERS AND SCHEMATICS GUIDE

Figure 1: Graco® 395ST Pro™ Electric Airless Spray Pump – Stand Model



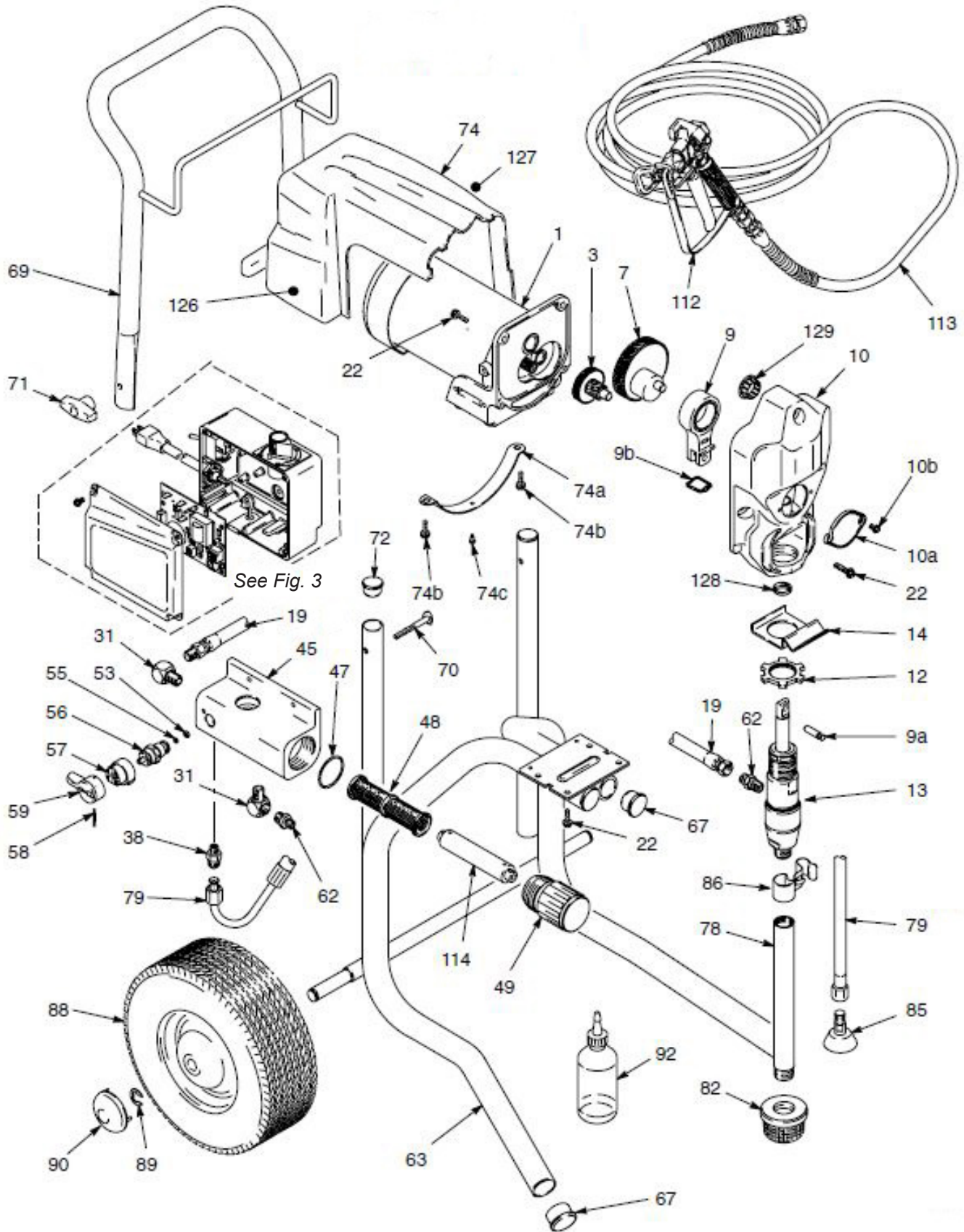
PART NUMBERS AND SCHEMATICS GUIDE

Graco® 395ST Pro™ Electric Airless Spray Pump – Hi-Boy Model

Item #	Part #	Description	Item #	Part #	Description
Fig. 2			71	20G115480	T-Handle Knob (<i>Quantity of Two</i>)
—	20G232922	Graco® 395ST Pro™ Electric Airless Spray Pump – Hi-Boy Model	72	20G105521	Tubing Plug (<i>Quantity of Four</i>)
1	20G242010	395ST Pro™ 120 VAC Motor	74	20G243216	Motor Shroud (<i>Includes Item #'s: 74a, 74b, 74c, 126, and 127</i>)
3	20G243219	Combination Gear	74a	20G195159	Shroud Bracket
7	20G243218	Crank Shaft	74b	20G114631	Screw (<i>Quantity of Two</i>)
9	20G243221	Connecting Rod (<i>Includes Item #'s: 9a and 9b</i>)	74c	20G115509	Self-Drill Screw
9a	20G195175	Pump Pin	78	20G195489	Suction Intake Tube
9b	20G195512	Pin Retainer	79	20G244042	Drain Hose (<i>Includes Item #'s: 85 and 86</i>)
10	20G243220	Drive Housing (<i>Includes Item #'s: 10a and 10b</i>)	82	20G183770	Strainer
10a	20G195099	Cover	85	20G241920	Threaded Deflector
10b	20G115492	Screw (<i>Quantity of Six</i>)	86	20G195696	Spring Clip
12	20G195150	Pump Jam Nut	88	20G106062	Semi-Pneumatic Wheel (<i>Quantity of Two</i>)
13	20G243183	Displacement Pump (<i>See Fig. 3</i>)	89	20G101242	Retaining Ring (<i>Quantity of Two</i>)
14	20G195497	Pail Hook	90	20G104811	Hub Cap (<i>Quantity of Two</i>)
19	20G241926	High Pressure Coupled Hose	92	20G206994	Throat Seal Liquid – 8 oz.
22	20G115495	Screw (<i>Quantity of 13</i>)	105	20G111483	Cable Clamp
31	20G195847	90° Elbow Street Fitting (<i>Quantity of Two</i>)	106	20G103473	Tie Wire Strap
38	20G116150	Adapter Fitting	112	20G288431	Contractor FTx™ Gun with 515 RAC® V Tip
45	20G195157	Filter Housing	113	20G240794	1/4" x 50' Coupled Hose
47	20G104361	Packing O-Ring – PTFE	114	20G196773	Filter Insert
48	20G243080	Fluid Filter – 60 Mesh	126	20G195833	Warning Label
49	20G195139	Filter Cap	127	20G195805	Danger Label
53	20G111699	Gasket	128	20G115491	Rod Wiper
55	20G187615	Seat Valve	129	20G115979	Plug
56	20G235014	Drain Valve Assembly (<i>Includes Item #'s: 53 and 55</i>)	—	206M522	Part Numbers & Schematics Guide – Graco® FTx™ Airless Spray Guns
57	20G224807	Valve Base	—	206M635	Part Numbers & Schematics Guide – Graco® 395ST Pro™ Electric Airless Spray Pump
58	20G111600	Grooved Pin	—	209V601	Operator's Manual – Graco® 395ST Pro™ Electric Airless Spray Pump
59	20G187625	Drain Valve Handle			
62	20G162453	1/4" x 1/4" Nipple (<i>Quantity of Two</i>)			
63	20G241934	Cart Frame			
65	20G195177	TSL and Suction Tube Holder (<i>Quantity of Two</i>)			
67	20G107310	Tubing Plug (<i>Quantity of Four</i>)			
69	20G241938	Cart Handle			
70	20G115097	Curved Head Screw (<i>Quantity of Two</i>)			

PART NUMBERS AND SCHEMATICS GUIDE

Figure 2: Graco® 395ST Pro™ Electric Airless Spray Pump – Hi-Boy Model



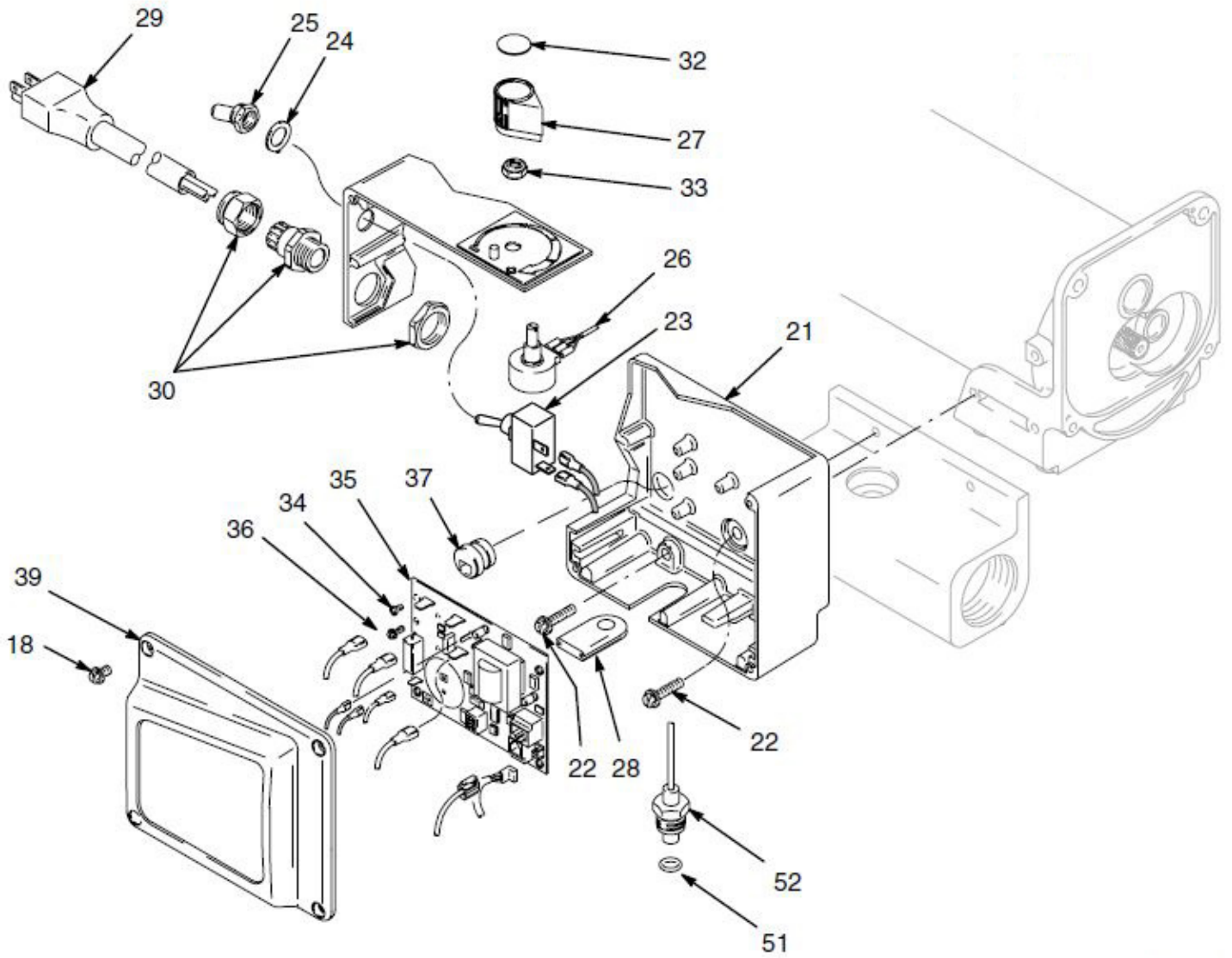
PART NUMBERS AND SCHEMATICS GUIDE

Graco® 395ST Pro™ Control Box

Item #	Part #	Description
Fig. 3		
18	20G115492	Hex-Washer Head Screws (<i>Quantity of Six</i>)
21	20G276539	Control Housing
22	20G115495	Hex-Washer Head Screws (<i>Quantity of Five</i>)
23	20G195429	Toggle Switch
24	20G105658	Locking Ring
25	20G195428	Toggle Boot
26	20G236352	Potentiometer
27	20G116167	Potentiometer Knob
28	20G195423	Transducer Grommet
29	20G241729	Power Cord Set (<i>Stand Model</i>)
	20G241874	Power Cord Set (<i>Hi-Boy Model</i>)
30	20G114421	Strain Relief Bushing
32	20G193072	Control Label
33	20G112382	Shaft Sealing Nut
34	20G115498	Hex-Washer Head Screws
35	20G241990	Control Board
36	20G115494	6-32 x 1/2" Taptite Screw (<i>Quantity of Five</i>)
37	20G114689	Strain Relief Bushing
39	20G195147	Control Cover
51	20G111457	O-Ring
52	20G243222	Pressure Control Transducer (<i>Includes Item #: 51</i>)
60	20G195866	Jumper Wire
—	209V601	Operator's Manual – Graco® 395ST Pro™ Electric Airless Spray Pump

PART NUMBERS AND SCHEMATICS GUIDE

Figure 3: Graco® 395ST Pro™ Control Box



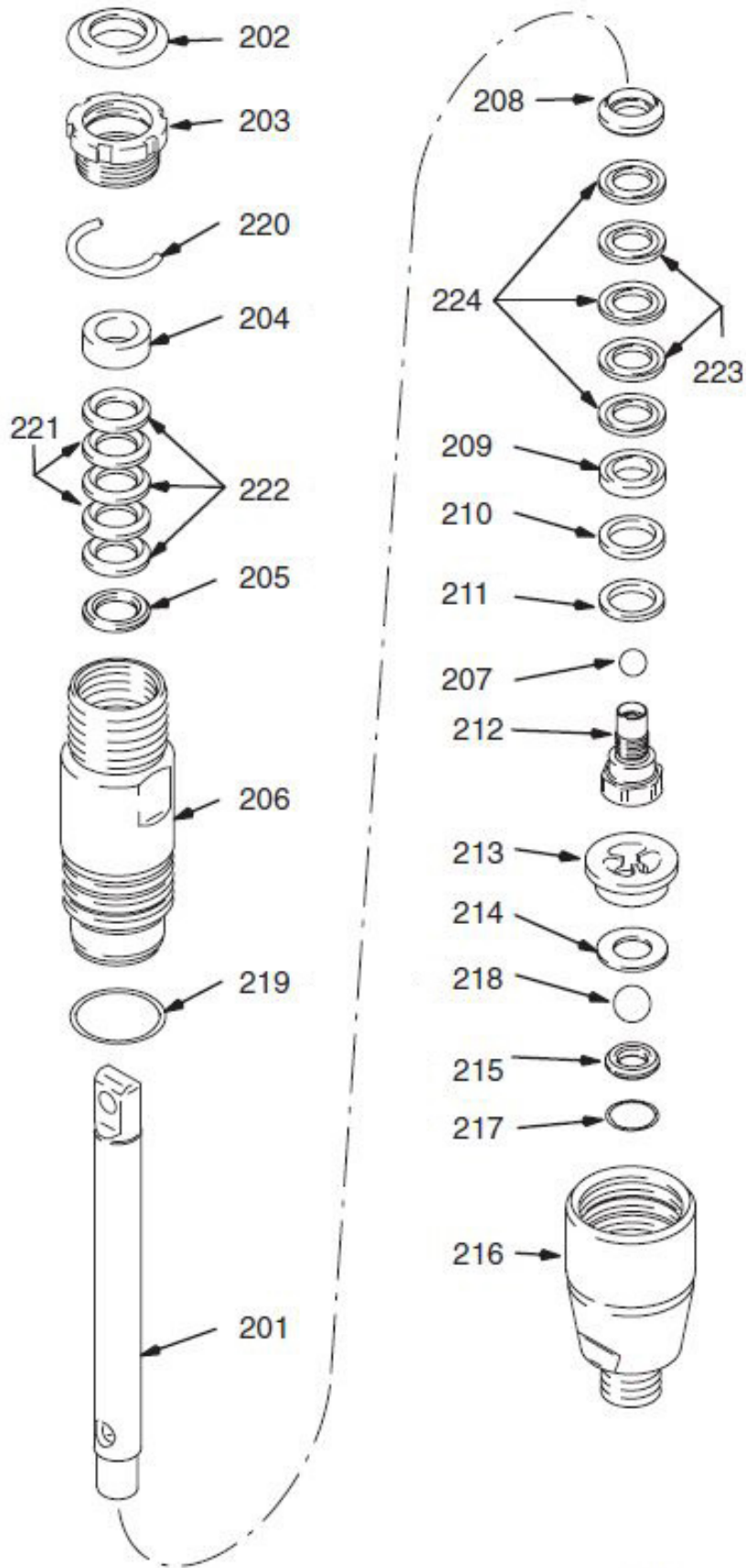
PART NUMBERS AND SCHEMATICS GUIDE

Graco® 395ST Pro™ Displacement Pump


Item #	Part #	Description
Fig. 4		
—	20G243183	Graco® 395ST Pro™ Displacement Pump
201	20G243174	Piston Rod
202	20G180656	Rubber Plug/Seal
203	20G193047	Packing Nut
204	20G176757	Female Gland Packing
205	20G176754	Male Gland Packing
206	20G243176	Pump Cylinder
207	20G105444	0.3125" Diameter Stainless Steel Ball
208	20G195129	Male Gland Piston
209	20G180073	Female Gland Piston
210	20G105552	U-Cup Seal
211	20G186652	Backup Washer
212	20G243181	Piston Valve
213	20G195135	Ball Guide
214	20G195134	Ball Guide Spacer
215	20G243190	Carbide Seat Kit <i>(Includes Item #'s: 214, 217, and 218)</i>
216	20G195133	Intake Valve
217	20G195136	O-Ring Packing
218	20G105445	1/2" Diameter Stainless Steel Ball
219	20G108526	Packing O-Ring – PTFE
220	20G195368	Troat Spacer Nut
221	20G176755	Throat V-Packing – Leather <i>(Quantity of Two)</i>
222	20G192710	Throat V-Packing – UHMWPE <i>(Quantity of Three)</i>
223	20G176744	Piston V-Packing – Leather <i>(Quantity of Two)</i>
224	20G192712	Piston V-Packing – UHMWPE <i>(Quantity of Three)</i>
—	20G244194	Graco® 395ST™ Pro Displacement Pump <i>(Includes Item #'s: 204, 205, 207, 208, 209, 210, 211, 217, 218, 219, 221, 222, 223, and 224)</i>
—	20G243190	Foot Valve Repair Kit <i>(Includes Item #'s: 214, 215, 217, and 218)</i>
—	209V602	Operator's Manual – Graco® 395ST Pro™ Displacement Pump




PART NUMBERS AND SCHEMATICS GUIDE



Figure 4: Graco® 395ST Pro™ Displacement Pump



OPTIONAL ACCESSORIES

		REPLACEMENT FILTERS		
Part Numbers		Screen	Color	U.O.M.
	20G243080	60 Mesh	Black	One Each
	20G243081	100 Mesh	Blue	One Each
	20G243226	200 Mesh	Red	One Each

		THROAT SEAL LIQUID	
Part Numbers		Description	
	20G206994	Throat Seal Liquid – 8 oz.	
	20G206995	Throat Seal Liquid – 1 qt.	
	20G206996	Throat Seal Liquid – 1 gal.	

		PUMP ARMOR FLUID	
Part Numbers		Description	
	20G243103	Pump Armor Fluid – 1 qt.	
	20G245133	Pump Armor Fluid – 1 gal.	

CONTACT CENTER

- 3425 East Locust Street
Davenport, IA 52803

ph: 800.BLAST.IT (800.252.7848)
ph: 563.324.2519
fax: 563.324.6258

REGIONAL BRANCH OFFICES

- **Iowa**
Davenport
- **Louisiana**
Gonzales
Lafayette
- **Ohio**
Youngstown
- **Texas**
Beaumont
Corpus Christi
Deer Park



ABRASIVES
BLASTING
COATING
DUST COLLECTORS
ENGINEERED SYSTEMS
RENTAL
SAFETY
SERVICE, REPAIR, & MODERNIZATION
VACUUMS

40+ NATIONWIDE SHIPPING LOCATIONS



★ Marco Regional Branch Offices and Shipping Locations ● Direct Shipping Locations

CONTACT MARCO

800.BLAST.IT
(800.252.7848)
563.324.2519
FAX: 563.324.6258

WWW.MARCO.US
SALES@MARCO.US