



FINISHING BRANDS PAINT TANKS – STAINLESS STEEL



PART NUMBERS AND SCHEMATIC GUIDE

Company Profile

Allredi was formed in the early 2020, when two of the largest distributors in the blasting, coating, safety, and environmental industry, APE Companies and Marco Group International, joined forces. While the qualities both companies are known for have not changed, a lot about our business is new. New abilities. New agilities. New ways to help you win. This calls for a new name, Allredi.

This name exemplifies what we have become. It is completely oriented to the needs of our customers. To your needs. It says that when you call us for anything – products, service, expert advice, anything – you can consider it done. Or even better, Allredi done.

We are your right-now supplier. From skills to SKUs, we deliver the goods fast. So you can be more agile every minute, every day. This is who we are. This is what our new name means. Go ahead and expect excellence, because we're bringing it.

Our Mission and Vision

To be the industry's preferred partner in surface preparation solutions through unrivaled technical expertise, customer experience, product availability, and tailored service offerings.

The Allredi Difference

- **Industry Experience** – With Allredi on your team, you have access to expertise which can only come from decades of industry leadership. We have organized our engineering department, production specialists, customer operations, and safety support into a "Center of Competence." As an Allredi customer, you have access to hundreds of years of cumulative experience related to your operations.
- **Manufacturing Excellence** – Allredi is a U.S. based manufacturer of equipment for the Surface Preparation and Protective Coatings industries. Allredi's engineers benchmark the industry to ensure that we design and manufacture superior products that set the "Gold Standard" for performance, safety, and quality.
- **Legendary Customer Service** – Allredi's legendary customer service team is staffed by friendly, highly-trained individuals who are focused on providing the highest level of product support, order accuracy, and customer satisfaction.
- **Product Availability** – We stock over 10,000 SKU's and have over 45 shipping locations to serve North American and International markets for all major brands of blasting, coating, environmental, and safety equipment. Allredi is your right-now supplier, so you can keep your projects moving. From our foundation of strong relationships, we have built a nationwide network that puts vast inventory and ready service close to our customers. We provide advanced expertise, and we deliver the goods fast – so you can easily access the products and services you need to me more agile every minute, every day.
- **Technology Leadership** – Our website provides: Operator's Manuals, Part Numbers and Schematics Guides, SDS information, and key product features and specifications, providing access to information 24/7.

TABLE OF CONTENTS

Company Profile	2
Table of Contents	3
Finishing Brands Paint Tanks – Stainless Steel	4-7
2 Gallon	4
5 Gallon	5
10 Gallon	6
15 Gallon	7
Finishing Brands Paint Tanks – Stainless Steel	
2 Gallon Tanks	8-9
2 Gallon Tank Agitators.....	10-11
Finishing Brands Paint Tanks – Stainless Steel	
5, 10, and 15 Gallon Tanks	12-13
Air Control Assemblies	14-15
Extra Sensitive Air Control Assemblies.....	16-17
Optional Accessories	18-20
Single to Dual Regulator Conversion Kit	18
No Regulator Kits	18
Bottom Leg and Outlet Kits.....	19
Disposable Tank Liners	20
Head Gaskets.....	20
Maintenance Notes	21-23

PART NUMBERS AND SCHEMATICS GUIDE



Part Numbers

2 GALLON FINISHING BRANDS PAINT TANKS – STAINLESS STEEL Suitable for waterborne coatings

	Single Regulated	Dual Regulated	Single Regulated with Extra Sensitive Regulator	Dual Regulated with Extra Sensitive Regulator	Direct Drive Agitator	15:1 Gear Reduced Agitator	Internal Volume (Gallon)
20BK183S200							2.8
20BK183S210	X						2.8
20BK183S211	X				X		2.8
20BK183S213	X					X	2.8
20BK183S220		X					2.8
20BK183S221		X			X		2.8
20BK183S223		X				X	2.8
20BK183S230			X				2.8
20BK183S231			X		X		2.8
20BK183S233			X			X	2.8
20BK183S240				X			2.8
20BK183S241				X	X		2.8
20BK183S243				X		X	2.8

2 GALLON FINISHING BRANDS PAINT TANKS – STAINLESS STEEL CAPACITY, DIMENSIONS, AND SHIPPING WEIGHTS

Inside Diameter	9-1/2"
Inside Height at Center	9-1/2"
Overall Height	23-5/8"
Overall Width	13-3/8"
Estimated Shipping Weight (Without Agitators)	38 lbs.
Estimated Shipping Weight (With Agitators)	52 lbs.

PART NUMBERS AND SCHEMATICS GUIDE



Part Numbers

5 GALLON FINISHING BRANDS PAINT TANKS – STAINLESS STEEL							
Suitable for waterborne coatings							
Part Numbers	Single Regulated	Dual Regulated	Single Regulated with Extra Sensitive Regulator	Dual Regulated with Extra Sensitive Regulator	Direct Drive Agitator	15:1 Gear Reduced Agitator	Internal Volume (Gallon)
20BK183S500							9.8
20BK183S510	X						9.8
20BK183S513	X					X	9.8
20BK183S520		X					9.8
20BK183S523		X				X	9.8
20BK183S530			X				9.8
20BK183S533			X			X	9.8
20BK183S540				X			9.8
20BK183S543				X		X	9.8

5 GALLON FINISHING BRANDS PAINT TANKS – STAINLESS STEEL CAPACITY, DIMENSIONS, AND SHIPPING WEIGHTS

Inside Diameter	14"
Inside Height at Center	16"
Overall Height	30-5/16"
Overall Width	18-1/2"
Estimated Shipping Weight (Without Agitators)	69 lbs.
Estimated Shipping Weight (With Agitators)	90 lbs.

PART NUMBERS AND SCHEMATICS GUIDE



Part Numbers

10 GALLON FINISHING BRANDS PAINT TANKS – STAINLESS STEEL Suitable for waterborne coatings

	Single Regulated	Dual Regulated	Single Regulated with Extra Sensitive Regulator	Dual Regulated with Extra Sensitive Regulator	Direct Drive Agitator	15:1 Gear Reduced Agitator	Internal Volume (Gallon)
20BK183S1000							11.8
20BK183S1010	X						11.8
20BK183S1013	X					X	11.8
20BK183S1020		X					11.8
20BK183S1023		X				X	11.8
20BK183S1030			X				11.8
20BK183S1033			X			X	11.8
20BK183S1040				X			11.8
20BK183S1043				X		X	11.8

10 GALLON FINISHING BRANDS PAINT TANKS – STAINLESS STEEL CAPACITY, DIMENSIONS, AND SHIPPING WEIGHTS

Inside Diameter	14"
Inside Height at Center	19-1/16"
Overall Height	33-3/8"
Overall Width	18-1/2"
Estimated Shipping Weight (Without Agitators)	71 lbs.
Estimated Shipping Weight (With Agitators)	90 lbs.

PART NUMBERS AND SCHEMATICS GUIDE



Part Numbers

15 GALLON FINISHING BRANDS PAINT TANKS – STAINLESS STEEL Suitable for waterborne coatings

	Single Regulated	Dual Regulated	Single Regulated with Extra Sensitive Regulator	Dual Regulated with Extra Sensitive Regulator	Direct Drive Agitator	15:1 Gear Reduced Agitator	Internal Volume (Gallon)
20BK183S1500							19.8
20BK183S1510	X						19.8
20BK183S1513	X					X	19.8
20BK183S1520		X					19.8
20BK183S1523		X				X	19.8
20BK183S1530			X				19.8
20BK183S1533			X			X	19.8
20BK183S1540				X			19.8
20BK183S1543				X		X	19.8

15 GALLON FINISHING BRANDS PAINT TANKS – STAINLESS STEEL CAPACITY, DIMENSIONS, AND SHIPPING WEIGHTS

Inside Diameter	14"
Inside Height at Center	26-1/16"
Overall Height	43-3/8"
Overall Width	18-1/2"
Estimated Shipping Weight (Without Agitators)	89 lbs.
Estimated Shipping Weight (With Agitators)	108 lbs.

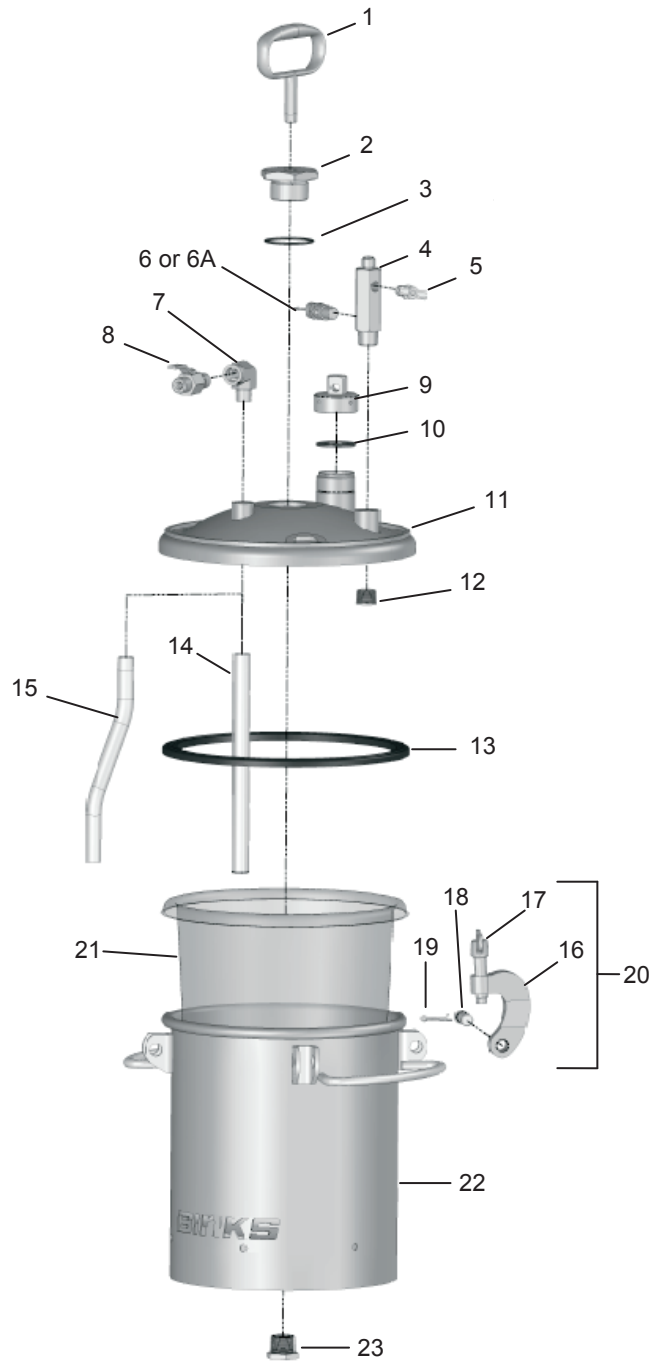
PART NUMBERS AND SCHEMATICS GUIDE

Finishing Brands Paint Tanks – Stainless Steel

Item #	Part #	Description
Fig. 1		
1	20BKQN97	Handle
2	20BKQMG17	Plug (<i>Non-Agitated Tanks Only</i>)
3	20BKSSG8184K2	O-ring (<i>Quantity of Two</i>)
4	20BKQMG21	Air Manifold
5	20BKSS2707	1/4" NPT (m) Air Relief Valve
6	20BKZIA5110	Safety Valve Assembly - 110 psi
6A	20BKZIA5040	Safety Valve Assembly - 40 psi (<i>For Extra Sensitive Tanks Only</i>)
7	20PFHA25UG0606	3/8-18 Brass Street Elbow
8	20BKVA540	3/8" NPS Outlet Ball Valve
9	20BK83524K	Fill Port Cap (<i>Includes Item #10</i>)
10	20BK831207K5	Fill Port Cap Gasket (<i>Quantity of Five</i>)
11	20BKQMG4001	Tank Lid
12	20BKSSP1439ZN	1/4-14 Plug
13	20BKQMS801	Tank Gasket
14	20BKPT31	Fluid Tube (<i>Direct Drive Agitator</i>)
15	20BKQMG35	Fluid Tube (<i>Gear Reduced Agitator</i>)
16	—	Clamp (<i>See Item #20</i>)
17	20BKQMG46	Thumb Screw (<i>Four Required</i>) (<i>See Item #20</i>)
18	—	Clevis Pin (<i>Four Required</i>) (<i>See Item #20</i>)
19	—	1/8" x 1" Cotter Pin (<i>Four Required</i>) (<i>See Item #20</i>)
20	20BKKK5013	Clamp, Pin, and Thumb Screw Kit (<i>Includes Item #'s: 16, 17, 18, and 19 (Quantity of One Each)</i>)
21	20BKPT78K10	Disposable Tank Liner (<i>Quantity of 10</i>)
22	20BKQMG5021	Tank and Lug Assembly
23	20PFHA24ST12	Bottom Plug
—	109V003	Operator's Manual – 2 Gallon Finishing Brands Paint Tanks
—	206M403	Part Numbers and Schematics Guide – Finishing Brands Paint Tanks

PART NUMBERS AND SCHEMATICS GUIDE

Figure 1: Finishing Brands Paint Tanks – Stainless Steel



PART NUMBERS AND SCHEMATICS GUIDE

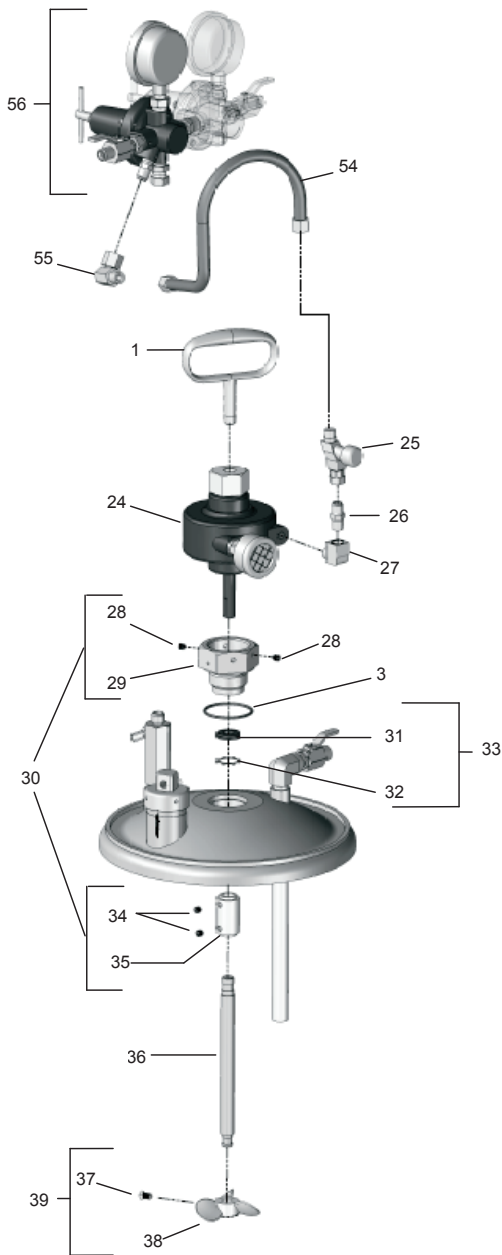
Finishing Brands Paint Tanks – Stainless Steel – Agitator

Item #	Part #	Description
Fig. 2		
1	20BKQN97	Handle
3	20BKSSG8184K2	O-ring (<i>Quantity of Two</i>)
24	20BKQMG429	Air Motor Assembly
25	20BKHAV500B	Air Adjusting Valve
26	20BKH2008	1/4" NPS x 1/4" NPT Nipple
27	20PFHA25UG0404	1/4-18 NPT Brass Street Elbow
28	20100150	1/4-20 x 1/4 Set Screw (<i>Quantity of Two</i>)
29	—	Adapter (<i>See Item #30</i>)
30	20BKKK4990	Seal Retainer Kit (<i>Includes Item #'s: 28, 29, 34, and 35</i>)
31	—	1/2" I.D. Shaft Seal (<i>For Direct Drive Agitator</i>)
32	—	Internal Retaining Ring (<i>For Direct Drive Agitator</i>)
33	20BKK5041	Shaft Seal Kit (<i>For Direct Drive Agitator</i>) (<i>Includes Item #'s: 31 and 32</i>)
34	20100150	1/4-20 x 1/4" Set Screw (<i>Quantity of Two</i>)
35	—	Shaft Coupling (<i>See Item #30</i>)
36	20BKQMG56	Agitator Shaft
37	—	1/4-20 x 3/8" Stainless Steel Square Head Set Screw
38	—	Propeller
39	20BKQMS448	Agitator Propeller Kit (<i>For Direct Drive Agitator</i>) (<i>Includes Item #'s: 37 and 38</i>)
40	20BKQMS46	Retaining Nut
41	20BKKK5049	Thrust Washer (<i>Quantity of Two</i>)
42	—	Thrust Collar
43	—	5/16-18 x 3/8" Set Screw
44	20BKQMS447	Thrust Collar Kit (<i>Includes Item #'s: 42 and 43</i>)
45	20BKQMG409	Bearing Assembly
46	—	5/8" I.D. Shaft Seal
47	—	Internal Retaining Ring (<i>Gear-Reduced Agitator</i>)
48	20BKKK5045	Shaft Seal Kit (<i>Gear-Reduced Agitator</i>) (<i>Includes Item #'s: 46 and 47</i>)
49	20BKQMG15	Agitator Shaft
50	—	Agitator Paddle
51	—	5/16-18 x 1-1/4" Stainless Steel Socket Head Cap Screw
52	20BKQMS449	Agitator Paddle Kit (<i>Includes Item #'s: 50 and 51</i>)
53	20BKQS5012	Air Motor/Gearbox Drive
54	20BKHA47011	Air Hose Assembly
55	20BKSSP30ZN	Swivel Elbow
56	—	Air Control (<i>See Figures 5 and 6</i>)
—	9V003	Operator's Manual – 2 Gallon Finishing Brands Paint Tanks
—	206M403	Part Numbers and Schematics Guide – Finishing Brands Paint Tanks

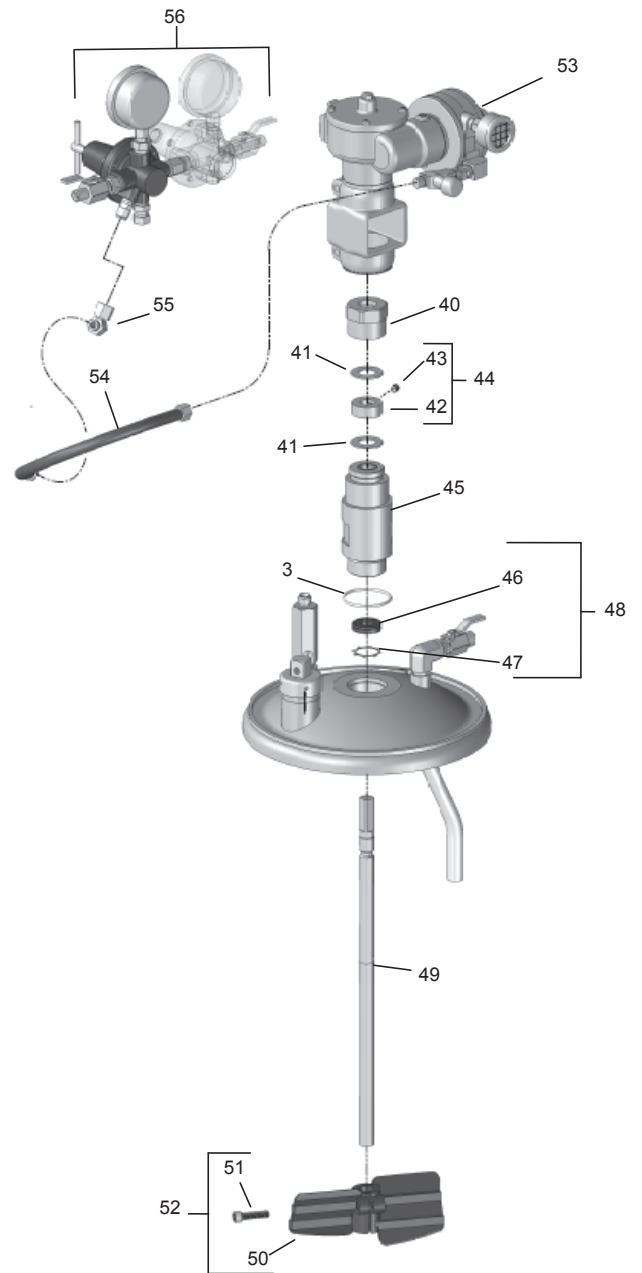
PART NUMBERS AND SCHEMATICS GUIDE

Figure 2: Finishing Brands Paint Tanks – Stainless Steel – Agitator

Direct Drive Agitator



Gear-Reduced Agitator



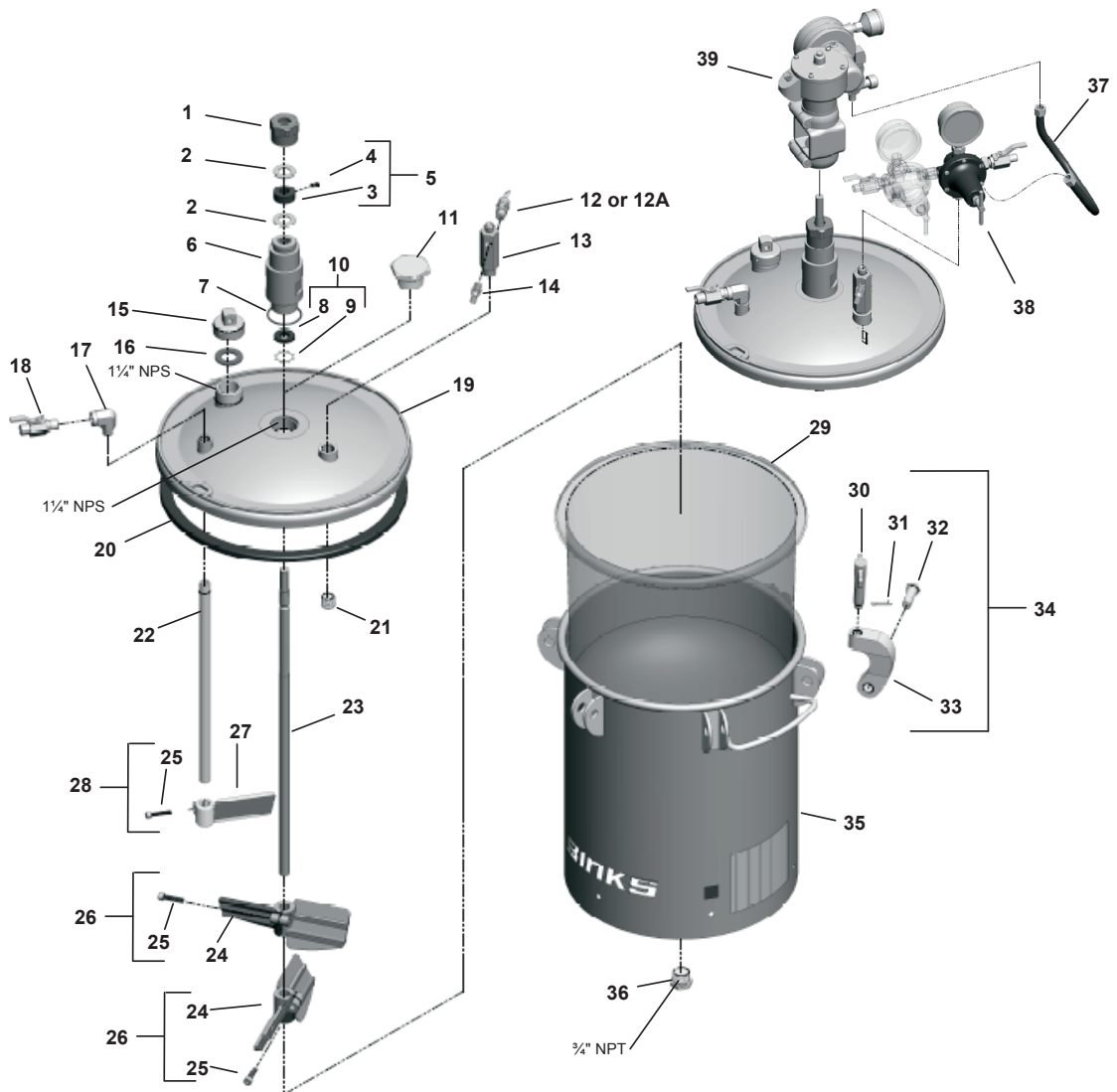
PART NUMBERS AND SCHEMATICS GUIDE

5, 10, and 15 Gallon Finishing Brands Paint Tanks – Stainless Steel

Item #	Part #	Description
Fig. 3		
1	20BKQMS46	Retaining Nut
2	20BKQMG85	Thrust Washer
3	—	Thrust Collar
4	—	5/16-18 x 3/8" Set Screw
5	20BKQMS447	Thrust Collar Kit <i>(Includes Item #'s: 3 and 4)</i>
6	20BKQMG409	Bearing Assembly - Plain Steel
7	20BKSSG8184K2	O-rings <i>(Quantity of Two)</i>
8	—	5/8" I.D. Shaft Seal
9	—	Internal Retaining Ring
10	20BKKK5042	Shaft Seal Kit <i>(Includes Item #'s: 8 and 9)</i>
11	20BKQMG19	Plug <i>(Non-Agitated Models Only)</i>
12	20BKTIA5110	Safety Valve Assembly, 110 psi
12A	20BKTIA5040	Safety Valve Assembly, 40 psi <i>(Extra Sensitive Models Only)</i>
13	20BKQMG21	Air Manifold
14	20BKSS2707	1/4" NPT (m) Air Relief Valve
15	20BK83524	Fill Port Cap
16	20BK831207	Fill Port Cap Gasket
17	—	3/8-18 NPT Brass Steel Elbow
18	20BKVA540	3/8" NPS Outlet Ball Valve
19	20BKQMG4021	Tank Lid
20	20BKQM14581	Tank Lid Gasket
21	—	1/2-14 NPT Plated Steel Plug
22	20BKQMG32	Fluid Tube
23	20BKQMG28	Agitator Shaft
24	—	Agitator Paddle <i>(Two Required)</i>
25	—	5/16-18 x 1-1/4" Stainless Steel Socket Head Cap Screw <i>(Quantity of Three)</i>
26	20BKQMS444	Agitator Paddle Kit <i>(Two Required)</i> <i>(Includes Item #'s: 24 and 25)</i>
27	—	Stationary Paddle
28	20BKQMS445	Stationary Paddle Kit <i>(Includes Item #'s: 25 and 27)</i>
29	20BKPTL408K20	Disposable Tank Liner - 5 Gallon
30	20BKQM1352	Thumb Screw <i>(Six Required)</i>
31	—	1/8" x 1" Cotter Pin <i>(Six Required)</i>
32	—	Clevis Pin <i>(Six Required)</i>
33	—	Clamp <i>(Six Required)</i>
34	20BKKK5014	Clamp, Pin, and Thumb Screw Kit <i>(Includes Item #'s: 30, 31, 32, and 33 (Quantity of One Each))</i>
35	20BKQMG5051	Tank and Lug Assembly <i>(5 Gallon Only)</i>
36	—	Bottom Plug
37	20BKHA57011	Air Hose Assembly
38	—	Air Controls <i>(See Figures 5, 6, 7, and 8)</i>
39	20BKQS5012	Air Motor/Gearbox Drive <i>(Includes Item #37)</i>
—	20BKQMG418	Agitator Assembly - 5 Gallon <i>(Includes Item #'s: 1, 2 (Quantity of Two), 3, 4, 6, 7, 8, 9, 23, 24, 25, and 27)</i>
—	9V004	Operator's Manual – 5, 10, and 15 Gallon Finishing Brands Paint Tanks
—	206M403	Part Numbers and Schematics Guide – Finishing Brands Paint Tanks

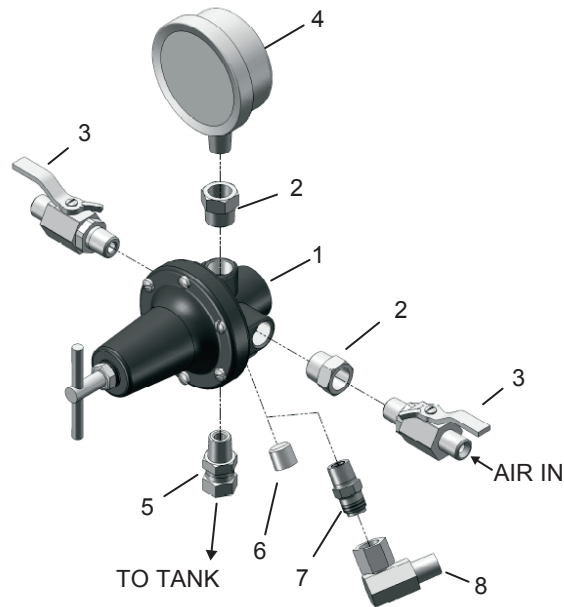
PART NUMBERS AND SCHEMATICS GUIDE

Figure 3: 5, 10, and 15 Gallon Finishing Brands Paint Tanks – Stainless Steel



PART NUMBERS AND SCHEMATICS GUIDE

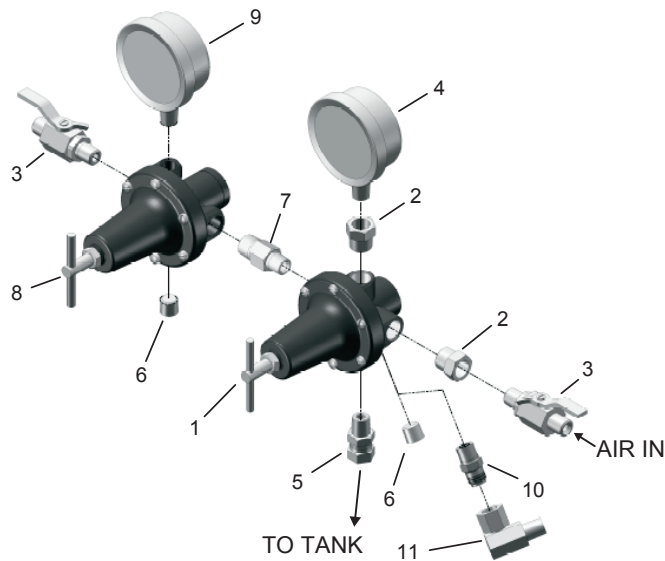
Figure 4: Single Regulator Air Controls



Item #	Part #	Description
Fig. 4		
—	20BK85470	Single Regulator Air Control – For Non-Agitated Tanks - Complete
—	20BK85471	Single Regulator Air Control – For Agitated Tanks - Complete
1	20BKHAR511	Air Regulator <i>(Includes Item #6)</i>
2	—	3/8"(M) x 1/4" (F) Steel Plated Bushing <i>(Two Required)</i>
3	10BKVA542	Ball Valve <i>(Two Required)</i>
4	20BK831290	Gauge – 150 psi
5	20BKSSP8217ZN	Swivel Adapter
6	—	1/4" NPT Plug <i>(Non-Agitated Tanks Only)</i>
7	20BKH2008	1/4" NPS x 1/4" NPT Nipple <i>(Agitated Tanks Only)</i>
8	20BKSSP30ZN	1/4" NPS (M) x 1/4" NPS Swivel Elbow <i>(Agitated Tanks Only)</i>

PART NUMBERS AND SCHEMATICS GUIDE

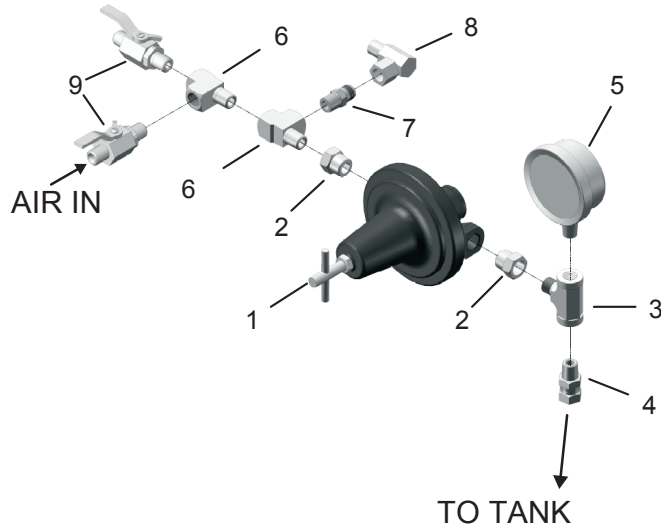
Figure 5: Dual Regulator Air Controls



Item #	Part #	Description
Fig. 5		
—	20BK85472	Dual Regulator Air Control for Non-Agitated Tanks - Complete
—	20BK85473	Dual Regulator Air Control for Agitated Tanks - Complete
1	20BKHAR511	Air Regulator <i>(Includes Item #6)</i>
2	—	3/8" (M) x 1/4" (F) Steel Plated Bushing <i>(Two Required)</i>
3	20BKVA542	Ball Valve <i>(Two Required)</i>
4	20BK831290	Gauge – 150 psi
5	20BKSSP8217ZN	Swivel Adapter
6	—	1/4" NPT Plug <i>(Two Required for Non-Agitated Tanks)</i>
7	20BK834233	1/4" x 3/8" DM Nipple
8	20BKHAR507	Air Regulator
9	20BK831355	Gauge - 100 psi
10	20BKH2008	1/4" NPS x 1/4" NPT Nipple <i>(Agitated Tanks Only)</i>
11	20BKSSP30ZN	1/4" NPS (M) x 1/4" NPS Swivel Elbow <i>(Agitated Tanks Only)</i>

PART NUMBERS AND SCHEMATICS GUIDE

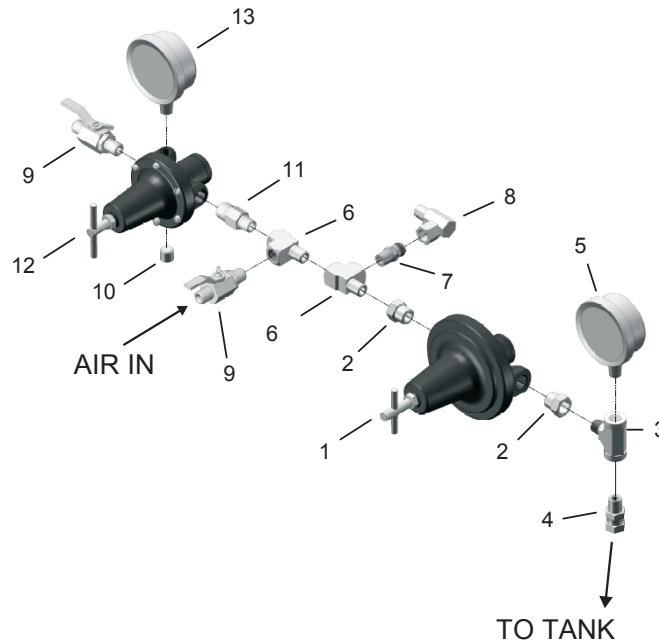
Figure 6: Extra Sensitive Single Regulator Air Controls



Item #	Part #	Description
Fig. 6		
—	20BK85490	Extra Sensitive Single Regulator Air Control for Non-Agitated Tanks – Complete
—	20BK85491	Extra Sensitive Single Regulator Air Control for Agitated Tanks – Complete
1	20BKHAR501	Extra Sensitive Regulator
2	—	3/8" (M) x 1/4" (F) Steel Plated Bushing (<i>Two Required</i>)
3	20BKSSP2629ZN	1/4" NPT Male Branch Tee
4	20BKSSP8217ZN	Swivel Adapter
5	20BK831414	Gauge - 30 psi
6	—	1/4" NPT Street Tee (<i>Two Required for Agitated Tanks</i>)
7	20BKH2008	1/4" NPS x 1/4" NPT Nipple
8	20BKSSPZN30	1/4" NPS (M) x 1/4" NPS Swivel Elbow
9	20BKVA542	Ball Valve (<i>Two Required</i>)
10	20BKZIA5040	Safety Valve - 40 psi (<i>Not Shown</i>)

PART NUMBERS AND SCHEMATICS GUIDE

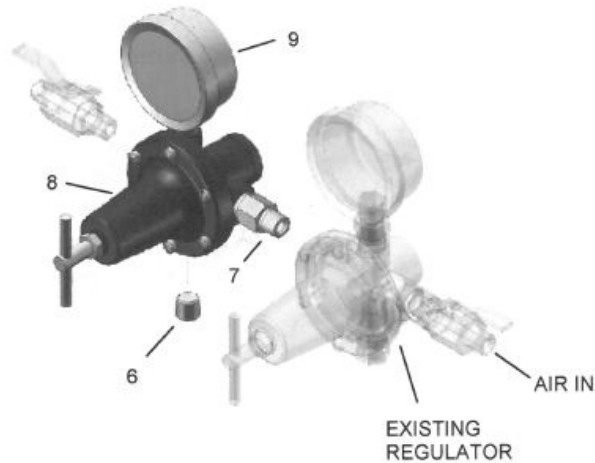
Figure 7: Extra Sensitive Dual Regulator Air Controls



Item #	Part #	Description
Fig. 7		
—	20BK85492	Extra Sensitive Dual Regulator Air Control for Non-Agitated Tanks
—	20BK85493	Extra Sensitive Dual Regulator Air Control for Agitated Tanks
1	20BKHAR501	Extra Sensitive Regulator <i>(Includes Item #10)</i>
2	—	3/8" (M) x 1/4" (F) Steel Plated Bushing <i>(Two Required)</i>
3	20BKSSP2629ZN	1/4" NPT Male Branch Tee
4	20BKSSP8217ZN	Swivel Adapter
5	20BK831414	Gauge - 30 psi
6	—	1/4" NPT Street Tee <i>(Two Required for Agitated Tanks)</i>
7	20BKH2008	1/4" NPS x 1/4" NPT Nipple
8	20BKSSPZN30	1/4" NPS (M) x 1/4" NPS Swivel Elbow
9	20BKVA542	Ball Valve <i>(Two Required)</i>
10	—	1/4" NPT Plug
11	20BK834233	1/4" x 3/8" DM Nipple
12	20BKHAR507	Air Regulator
13	20BK831355	Gauge - 100 psi
14	20BKTI A5040	Safety Valve - 40 psi <i>(Not Shown)</i>

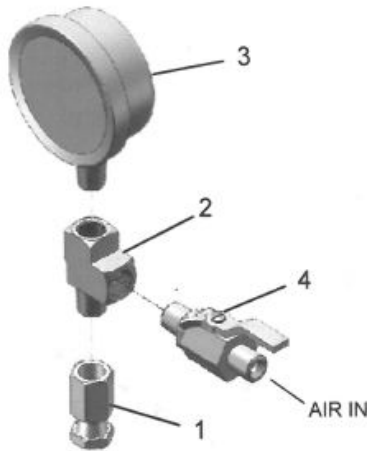
PART NUMBERS AND SCHEMATICS GUIDE

Figure 8: Single to Dual Regulator Conversion Kit



Item #	Part #	Description
Fig. 8		
—	20BK85469	Single to Dual Regulator Conversion Kit - Complete
6	—	1/4" NPT Plug
7	20BK834233	DM Nipple 1/4" X 3/8"
8	20BKHAR507	Air Regulator (Includes Item #6)
9	20BK831355	Gauge - 100 psi

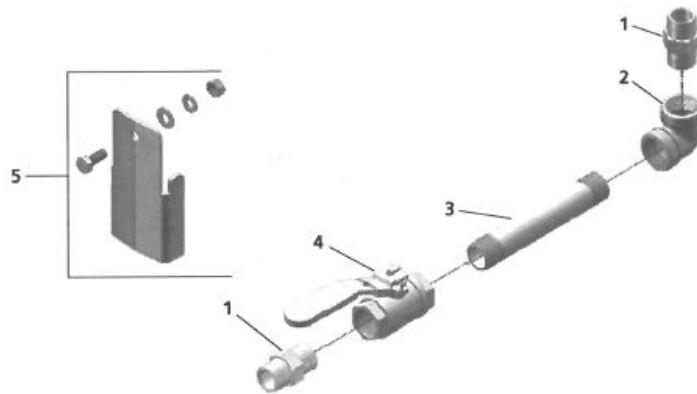
Figure 9: No Regulator Kit



Item #	Part #	Description
Fig. 9		
—	20BKQMS4003	No Regulator Kit - Complete
1	—	1/4" NPT (F) x 1/4" NPS Adapter
2	—	Street Tee
3	20BK831290	Gauge -150 psi
4	20BKVA542	Ball Valve


PART NUMBERS AND SCHEMATICS GUIDE

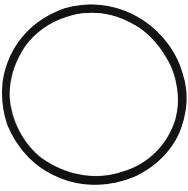
Figure 10: Leg and Bottom Outlet Kits



Item #	Part #	Description
Fig. 10		
—	20BK1833000	Leg Kits for 2 Gallon Tanks with 3/4" Bottom Outlets - Complete <i>(Includes Item #'s: 1, 2, 3, 4, and 5 (Quantity of Three))</i>
—	20BK1833001	Leg Kits for 5, 10, and 15 Gallon Tanks with 3/4" Bottom Outlets - Complete <i>(Includes Item #'s: 1, 2, 3, 4, and 5 (Quantity of Three))</i>
1	—	3/4" NPT - NPS Universal Adapter <i>(Two Required)</i>
2	—	3/4" NPT (F) Elbow
3	—	Pipe Nipple
4	—	3/4" NPT Full Port Ball Valve
5	20BK1833005	Leg Kit <i>(Three Required)</i>

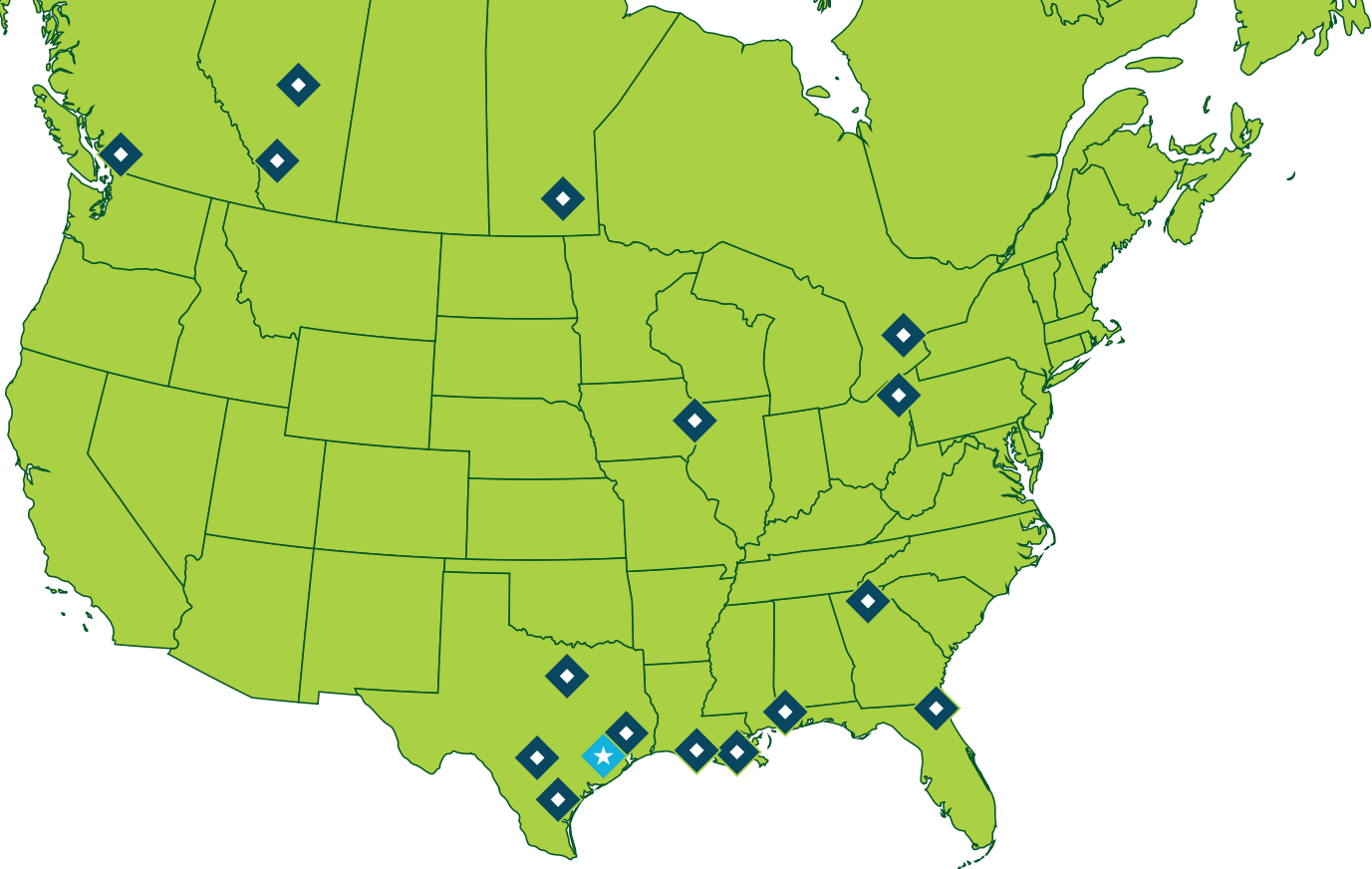
PART NUMBERS AND SCHEMATICS GUIDE

	Part Numbers	DISPOSABLE TANK LINERS		
		Tank Size	Liner Dimensions	Package Quantity
	20BK6228B	2 Gallon	9-1/8" x 9-3/16"	One Each
	20BKPT78K10B	2.8 Gallon	10-11/32" x 9-5/8"	One Each
	20BKPT78K60	2.8 Gallon	10-11/32" x 9-5/8"	60
	20BK6239B	5 Gallon	12" x 15-5/8"	One Each
	20DPTL405K20B	5 Gallon	13-7/8" x 13-11/16"	One Each
	20DPTL408K20	5 Gallon	13-7/8" x 16-1/8"	20
	20BK6239	5 Gallon	12" x 15-5/8"	24
	20BK6240B	10 Gallon	13-7/8" x 21-5/8"	One Each
	20DPTL410K8B	10 Gallon	13-7/8" x 19-7/16"	One Each
	20BK6240	10 Gallon	13-7/8" x 21-5/8"	12
	20BKPTL415K10	15 Gallon	13-7/8" x 29-1/16"	10

	Part Numbers	HEAD GASKETS	
		Tank Size	Package Quantity
	20BKQMS801	2 Gallon	One Each
	20BKQM14581	5, 10, and 15 Gallon	One Each

MAINTENANCE NOTES

DATE	TYPE OF SERVICE	PART NUMBER



ALLREDI THERE

Serving these industries: Bridge, Pipeline, Tank & Tower, Concrete Services, Rail, Shipyard & Marine, Pools & Fountains and Foundry

UNITED STATES

Pasadena, TX (Headquarters)

844.361.7038

Beaumont, TX

409.722.1284

Bristol, PA

215.826.8080

Corpus Christi, TX

361.887.2038

Davenport, IA

563.324.2519

Deer Park, TX

(Service & Rental Location)

281.930.0905

Duluth, GA

800.535.4564

Gonzales, LA

225.647.7575

Harvey, LA

504.367.8090

Houma, LA

985.580.4273

Jacksonville, FL

904.262.2120

Lafayette, LA

337.267.1440

Theodore, AL

251.338.7525

Youngstown, OH

330.448.6267

CANADA

Calgary, Alberta

403.279.1924

Coquitlam, BC

604.464.6979

Edmonton, Alberta

780.468.2588 (Manus)

780.425.5510 (Mod-U-Blast)

Hamilton, Ontario

905.527.6000 / 888.794.5665

Mississauga, Ontario

905.890.5837

Winnipeg, Manitoba

204.256.3324

800-252-7848 / WWW.ALLREDI-US.COM

Allredi™ and Marco® are registered trademarks of Allredi, LLC.

All other brand names or marks are used for identification purposes and are trademarks of their respective owners.



Literature #206M529_8/25/22