



EMPIRE™ SURE-FLO ABRASIVE METERING VALVES



PART NUMBERS AND SCHEMATIC GUIDE

Company Profile

Allredi was formed in the early 2020, when two of the largest distributors in the blasting, coating, safety, and environmental industry, APE Companies and Marco Group International, joined forces. While the qualities both companies are known for have not changed, a lot about our business is new. New abilities. New agilities. New ways to help you win. This calls for a new name, Allredi.

This name exemplifies what we have become. It is completely oriented to the needs of our customers. To your needs. It says that when you call us for anything – products, service, expert advice, anything – you can consider it done. Or even better, Allredi done.

We are your right-now supplier. From skills to SKUs, we deliver the goods fast. So you can be more agile every minute, every day. This is who we are. This is what our new name means. Go ahead and expect excellence, because we're bringing it.

Our Mission and Vision

To be the industry's preferred partner in surface preparation solutions through unrivaled technical expertise, customer experience, product availability, and tailored service offerings.

The Allredi Difference

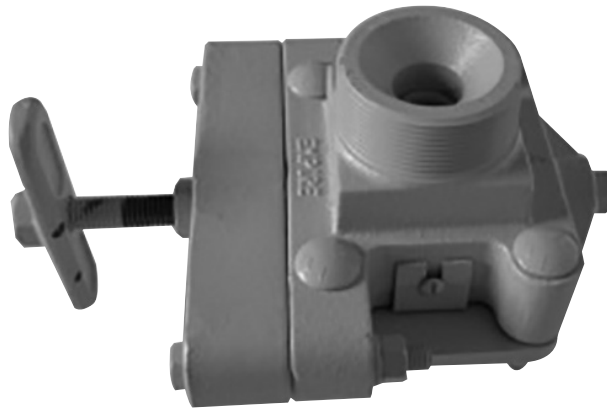
- **Industry Experience** – With Allredi on your team, you have access to expertise which can only come from decades of industry leadership. We have organized our engineering department, production specialists, customer operations, and safety support into a "Center of Competence." As an Allredi customer, you have access to hundreds of years of cumulative experience related to your operations.
- **Manufacturing Excellence** – Allredi is a U.S. based manufacturer of equipment for the Surface Preparation and Protective Coatings industries. Allredi's engineers benchmark the industry to ensure that we design and manufacture superior products that set the "Gold Standard" for performance, safety, and quality.
- **Legendary Customer Service** – Allredi's legendary customer service team is staffed by friendly, highly-trained individuals who are focused on providing the highest level of product support, order accuracy, and customer satisfaction.
- **Product Availability** – We stock over 10,000 SKU's and have over 45 shipping locations to serve North American and International markets for all major brands of blasting, coating, environmental, and safety equipment. Allredi is your right-now supplier, so you can keep your projects moving. From our foundation of strong relationships, we have built a nationwide network that puts vast inventory and ready service close to our customers. We provide advanced expertise, and we deliver the goods fast – so you can easily access the products and services you need to me more agile every minute, every day.
- **Technology Leadership** – Our website provides: Operator's Manuals, Part Numbers and Schematics Guides, SDS information, and key product features and specifications, providing access to information 24/7.

TABLE OF CONTENTS

Company Profile	1
Table of Contents	2
Blastmaster® Maxum Abrasive Metering Valve	3-8
Part Numbers	3-4
Part Numbers & Schematics	5-8
Empire™ Manual Sure-Flo Abrasive Metering Valve	5-6
Empire™ Automatic Sure-Flo Abrasive Metering Valve	7-8
Maintenance Notes	9-10

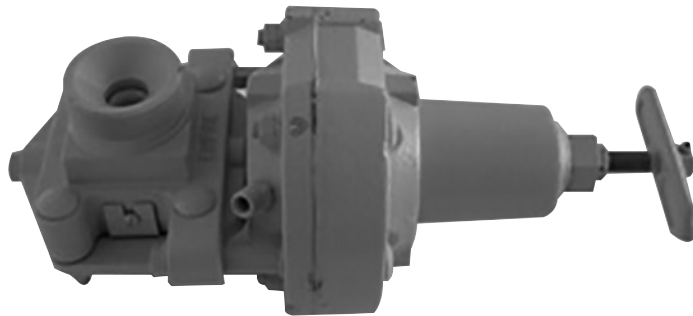
PART NUMBER

Part Numbers	EMPIRE™ MANUAL SURE-FLO ABRASIVE METERING VALVES
	Description
10EM290383	Empire™ Manual Sure-Flo Abrasive Metering Valve



PART NUMBER

Part Numbers	EMPIRE™ AUTOMATIC SURE-FLO ABRASIVE METERING VALVES
	Description
10EM290215	Empire™ Automatic Sure-Flo Abrasive Metering Valve



PART NUMBERS & SCHEMATICS

Empire™ Manual Sure-Flo Abrasive Metering Valve

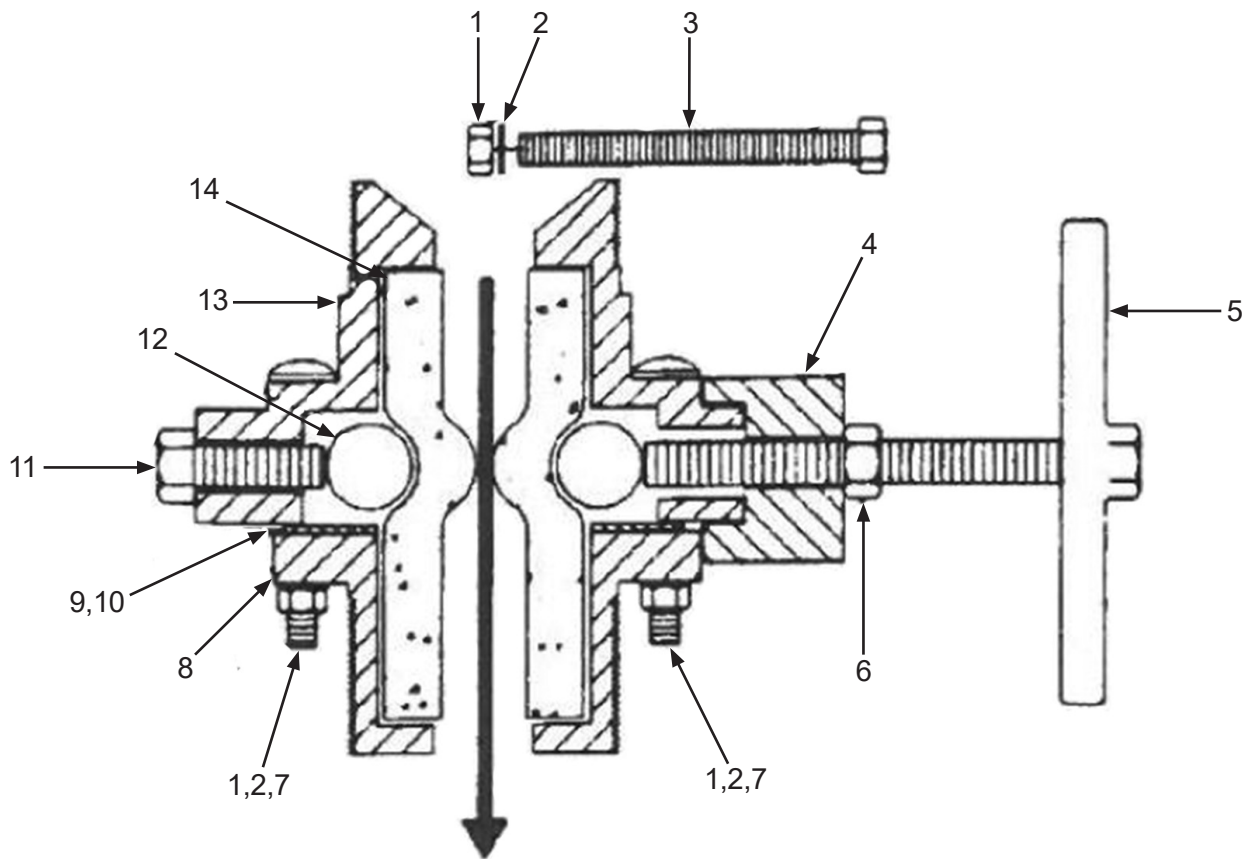
Item # Part #

Fig. 1

Item #	Part #	Description
—	10EM290383	Empire™ Manual Sure-Flo Abrasive Metering Valve – Complete
1	10EM552542	3/8-16 Hex Nut (<i>Six Required</i>)
2	10EM552762	3/8" I.D. Lock Washer (<i>Six Required</i>)
3	10EM551902	3/8-16 x 3" Bolt (<i>Two Required</i>)
4	10EM753372	Manual Body Adapter
5	10EM290384	1/2-13 x 4" Handle Assembly
6	10EM552672	1/2" Jam Nut
7	10EM552052	3/8-16 x 2-1/2" Carriage Bolt (<i>Four Required</i>)
8	10EM753292	2" MPT Flange
9	10EM753092	Roller Stop/Holder
10	10EM551352	8-32 x 1/2" Screw (<i>Two Required</i>)
11	10EM552222	7/16-14 x 1-1/4" Bolt
12	10EM753632	Pinch Roller (<i>Two Required</i>)
13	10EM753692	2" MPT Valve Body
14a	10EM525451	3/8" I.D. Metering Tube for Fine Grit Abrasives
14b	10EM523592	3/4" I.D. Metering Tube for Medium Grit Abrasives
14c	10EM523512	3/4" I.D. Metering Tube (red) for Medium Grit Abrasives, Conditions Below 32° F
14d	10EM525792	5/8" I.D. Metering Tube for Medium to Coarse Abrasives
14e	10EM525802	7/8" I.D. Metering Tube for Coarse Abrasives
—	106M011	Part Numbers and Schematics Guide – Empire™ Manual Sure-Flo Abrasive Metering Valve

PART NUMBERS & SCHEMATICS

Figure 1: Empire™ Manual Sure-Flo Abrasive Metering Valve



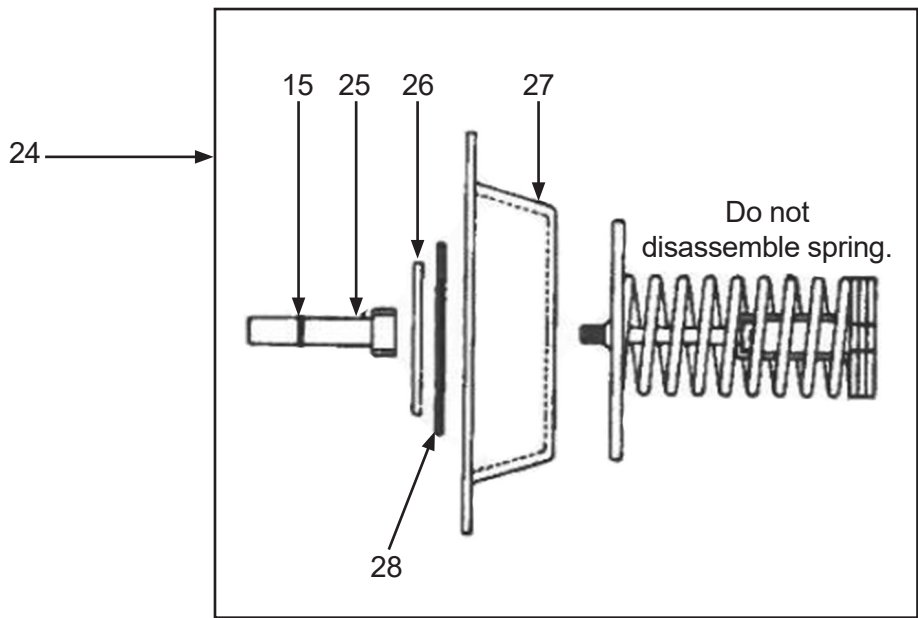
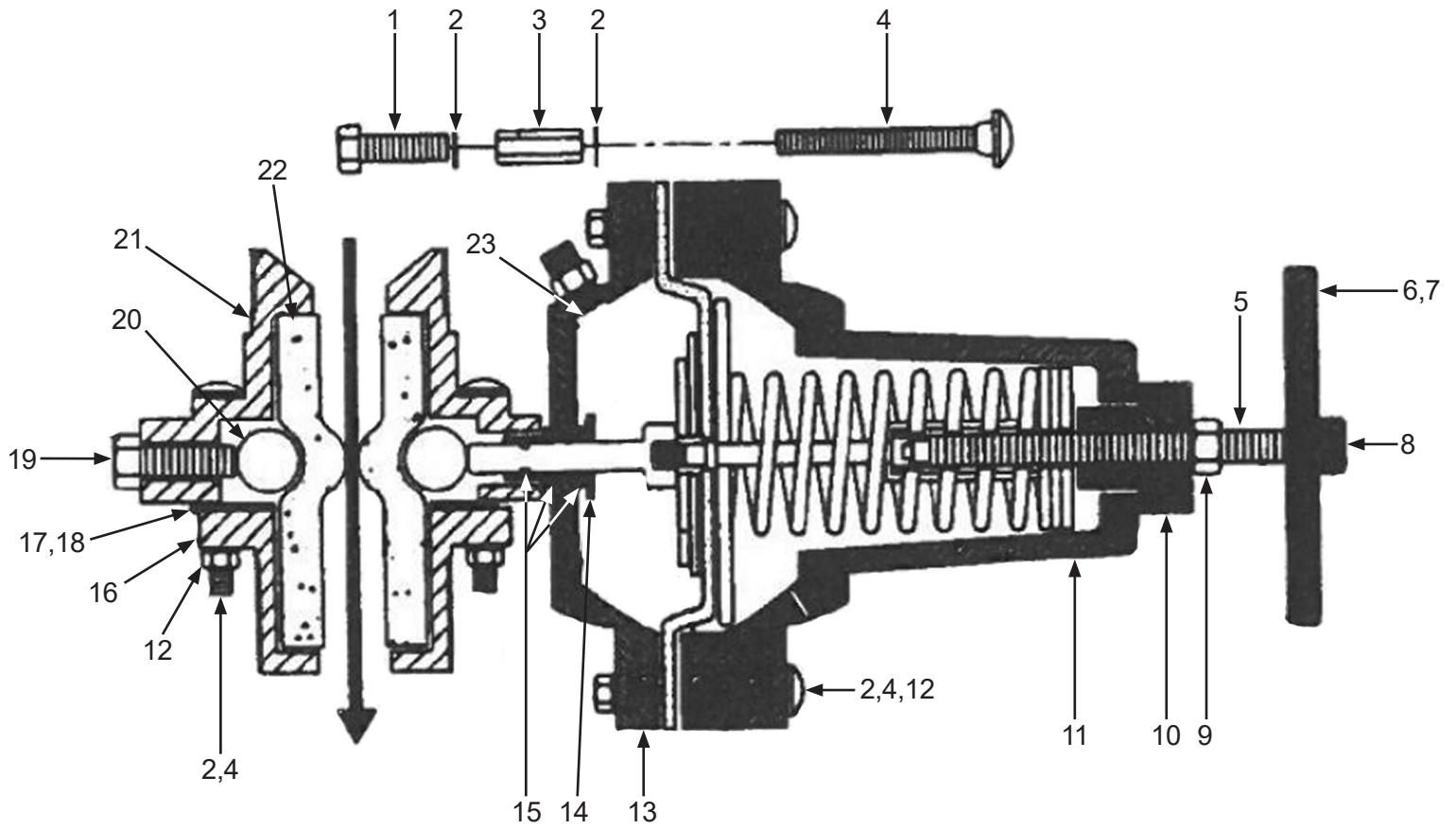
PART NUMBERS & SCHEMATICS

Empire™ Automatic Sure-Flo Abrasive Metering Valve

Item #	Part #	
Fig. 2		
—	10EM290215	Empire™ Automatic Sure-Flo Abrasive Metering Valve – Complete
1	10EM551852	3/8-16 x 1-1/4" Bolt (<i>Two Required</i>)
2	10EM552762	3/8" I.D. Lock Washer (<i>12 Required</i>)
3	10EM552662	3/8-16 Nut Extension (<i>Two Required</i>)
4	10EM552052	3/8-16 x 2-1/2" Carriage Bolt (<i>10 Required</i>)
5	10EM505802	Shaft Handle
6a	10EM290271	1/2-13 Handle Assembly
6b	10EM290211	7/16-14 x 4" Handle Assembly
7	10EM753622	1/2-13 Handle
8	10EM551732	1/2-13 x 1/2" Nyloc Set Screw
9	10EM552672	1/2-13 Jam Nut
10	10EM505822	Spring Tensioner
11	10EM753682	Spring Enclosure
12	10EM552542	3/8-16 Hex Nut (<i>Eight Required</i>)
13	10EM753112	Diaphragm Cover
14	10EM753462	Plunger Guide
15	10EM561422	O-ring Kit (<i>Three Required</i>)
16	10EM753292	2" MPT Flange
17	10EM753092	Roller Stop/Holder
18	10EM551352	8-32 x 1/2" Screw (<i>Two Required</i>)
19	10EM55222	7/16-14 x 1-1/4" Bolt
20	10EM753632	Pinch Roller (<i>Two Required</i>)
21	10EM753692	2" MPT Valve Body
22a	10EM525451	3/8" I.D. Metering Tube for Fine Grit Abrasives
22b	10EM523592	3/4" I.D. Metering Tube for Medium Grit Abrasives
22c	10EM523512	3/4" I.D. Metering Tube (red) for Medium Grit Abrasives, Conditions Below 32° F
22d	10EM525792	5/8" I.D. Metering Tube for Medium to Coarse Abrasives
22e	10EM525802	7/8" I.D. Metering Tube for Coarse Abrasives
23	10EM52108	1/4" NPT x 1/4" Ball End Hose Adapter
24	10EM290296	Spring Assembly (<i>Includes Item #'s: 25 – 28</i>)
25	10EM505872	Plunger with O-ring
26	10EM552842	1/2" I.D. Washer
27	10EM525012	Diaphragm
28	10EM525002	Diaphragm Gasket
—	106M453	Part Numbers and Schematics Guide – Empire™ Automatic Sure-Flo Abrasive Metering Valve

PART NUMBERS & SCHEMATICS

Figure 2: Empire™ Automatic Sure-Flo Abrasive Metering Valve





ALLREDI THERE

Serving these industries: Bridge, Pipeline, Tank & Tower, Concrete Services, Rail, Shipyard & Marine, Pools & Fountains and Foundry

UNITED STATES

Pasadena, TX (Headquarters)

844.361.7038

Beaumont, TX

409.722.1284

Bristol, PA

215.826.8080

Corpus Christi, TX

361.887.2038

Davenport, IA

563.324.2519

Deer Park, TX

(Service & Rental Location)

281.930.0905

Duluth, GA

800.535.4564

Gonzales, LA

225.647.7575

Harvey, LA

504.367.8090

Houma, LA

985.580.4273

Jacksonville, FL

904.262.2120

Lafayette, LA

337.267.1440

Theodore, AL

251.338.7525

Youngstown, OH

330.448.6267

CANADA

Calgary, Alberta

403.279.1924

Coquitlam, BC

604.464.6979

Edmonton, Alberta

780.468.2588 (Manus)

780.425.5510 (Mod-U-Blast)

Hamilton, Ontario

905.527.6000 / 888.794.5665

Mississauga, Ontario

905.890.5837

Winnipeg, Manitoba

204.256.3324

800-252-7848 / WWW.ALLREDI-US.COM

Allredi™ and Marco® are registered trademarks of Allredi, LLC.

All other brand names or marks are used for identification purposes and are trademarks of their respective owners.

ALLREDI™

Literature #106M453_8/23/22