



# DUSTMASTER® 8000 CFM TIER 4I DIESEL DUST COLLECTOR



**BUILT** MARCO  
TOUGH  
MARCO MANUFACTURED

**PART NUMBERS AND SCHEMATICS GUIDE**

## Company Profile

Since 1944, Marco has developed a strong tradition of providing innovative and reliable products and services to the surface preparation and protective coatings industries. We are the world's premier provider of Abrasives, Blasting, Coating, Dust Collectors, Engineered Systems, Rental, Safety, Service, Repair, & Modernization, and Vacuums.

Through innovative designs and a total commitment to quality, Marco manufactures products that increase production rates, create a safer workplace, and reduce maintenance costs. Marco's industry experience, manufacturing capabilities, legendary customer service, product availability, logistics services, and technology leadership is your assurance that we deliver high quality products and services, providing the best value to you, our customer.

## The Marco Difference

- **Industry Experience** – With Marco on your team, you have access to expertise which can only come from decades of industry leadership. We have organized our engineering department, production specialists, customer operations, and safety support into a “Center of Competence.” As a Marco customer, you have access to hundreds of years of cumulative experience related to your operations.
- **Manufacturing Excellence** – Marco is a U.S. based, ISO 9001:2008 certified manufacturer of equipment for the Surface Preparation and Protective Coatings industries. Marco's engineers benchmark the industry to ensure that we design and manufacture superior products that set the “Gold Standard” for performance, safety, and quality.
- **Legendary Customer Service** – Marco's legendary customer service team is staffed by friendly, highly-trained individuals who are focused on providing the highest level of product support, order accuracy, and customer satisfaction.
- **Product Availability** – We stock over 10,000 SKU's and have more than 45 shipping locations to serve North American and International markets for all major brands of blasting and coating equipment. As the largest provider of surface preparation and protective coatings equipment in the world, our inventory levels and product availability are unmatched.
- **Logistics Services** – Marco's in-house logistics team is dedicated to moving your shipment anywhere in the world. We move more than 14,000 truckloads every year, allowing you to save on freight costs by leveraging our buying power. Lower your process costs with a single invoice, which includes product and freight.
- **Technology Leadership** – Our website provides: Operator's Manuals, Part Numbers and Schematics Guides, SDS information, and Features & Specifications Guides, providing access to information 24/7. Our Extranet application allows you to receive quotes and place orders online. Our Intranet maintains a complete record of your purchase history to assist with ongoing support of your existing equipment and future purchasing decisions.

## Vision Statement

Marco is the world's premier provider of Abrasives, Blasting, Coating, Dust Collectors, Engineered Systems, Rental, Safety, Service, Repair, & Modernization, and Vacuums.

## Mission Statement

Marco provides strong leadership and innovation to the surface preparation and protective coatings industries. We dedicate our efforts to the continuous improvement of our products, services, processes, people, and most importantly, the quality of our customer's experience.

## Quality Statement

Marco is committed to providing superior quality in the design, manufacturing, distribution, rental, service, and repair of our products. Our ISO 9001:2008 certification extends throughout all operations in all locations. Continuous improvement of our processes and supply chain Integration comprise the core of our business strategy for delivering exceptional quality and value in all Marco products and services.

## Management Philosophy

We are a company dedicated to the success of every customer and associate. We discuss, debate, challenge, measure, and test our ideas. We will be boundless and limitless in our passion to improve. Through sound leadership and dedicated associates, we will ensure a long term, profitable future for Marco, our associates, customers, and suppliers.

# TABLE OF CONTENTS

<b>Company Profile</b> .....	<b>2</b>
<b>Part numbers</b> .....	<b>4</b>
<b>Specifications</b> .....	<b>5</b>
<b>Part Numbers and Schematics</b> .....	<b>6</b>
Front Assembly .....	6
Throttle Cable .....	8
Fuel Tank .....	9
Hydraulic Oil Tank With Filter .....	10
Hydraulic Hoses .....	12
Fan Belt Assembly .....	14
Fan Belt Guard Back Assembly .....	16
Fan Assembly and Battery Box .....	17
Access Panel Assembly .....	18
Pneumatic Ball Vibrators .....	19
Pulser System Assembly .....	20
Pulser Regulator and Timer Assembly .....	22
Pulser Solenoid Enclosure Assembly .....	23
Discharge Auger Assembly .....	24
Discharge Auger Drive Assembly .....	26
Discharge Auger Clean-out Assembly .....	28
Discharge Auger Assembly .....	29
Hydraulic Pump .....	30
Hydraulic Control Assembly .....	31
Inlet Door Assembly .....	32
Dust Collector Filter Cartridge Pulsers .....	33
Dust Collector Filter Cartridge Hatch Door .....	34
Emergency-Stop Stations .....	35
Trailer .....	36
<b>Literature References</b> .....	<b>37</b>



*Complete unit with tier 4i diesel engine no longer available. See Tier 4 options.*

## SPECIFICATIONS

<b>Capacity:</b>	8,000 CFM @ 12" W.C. Static Pressure
<b>Filter Cartridge Style:</b>	Open Top with Flange, Closed Bottom 9 Required
<b>Filter Cleaning:</b>	Pulse System, 5–15 second intervals Pulse Duration: 200–350 millisecond
<b>Efficiency:</b>	85/15 Blend Filters – 99.8% @ 0.5 micron HEPA Filters – 99.99% @ 0.3 micron Fire Retardant Filters – 96.8% @ 2.0 micron Spunbond Filters – 97% @ 3.0 micron
<b>Ducting Connections:</b>	16" I.D., Quantity of Two
<b>Clean-out Ports:</b>	One
<b>Dust Removal Conveyor:</b>	Single 6" Discharge Auger, Hydraulic Motor Drive
<b>Fan:</b>	Backward Inclined, non-overloading, spark resisting
<b>Engine:</b>	Diesel, 50 Horsepower Tier 4i
<b>Fuel Capacity:</b>	Type: Diesel Capacity: 32 Gallons
<b>Air Requirements:</b>	Clean, Dry, Compressed Air 24 CFM @ 80 PSI
<b>Electrical System:</b>	12-Volt DC
<b>Engine Protection:</b>	Engine Monitoring System with automatic shutdown measures: coolant temperature, intake air temperature, engine intake manifold pressure, engine oil pressure, pressure in fuel rail, engine speed and timing.
<b>Fluid Specifications:</b>	Hydraulic Oil: H46 or equivalent, 20 Gallons Diesel Fuel: See Engine Operator's Manual for type, 32 Gallons Grease/Lubricator: Shell Alvania Grease EP or equivalent
<b>Unit Dimensions:</b>	Weight: 6060 pounds (empty) Length: 19' 8" Width: 8' Height: 9' 11"

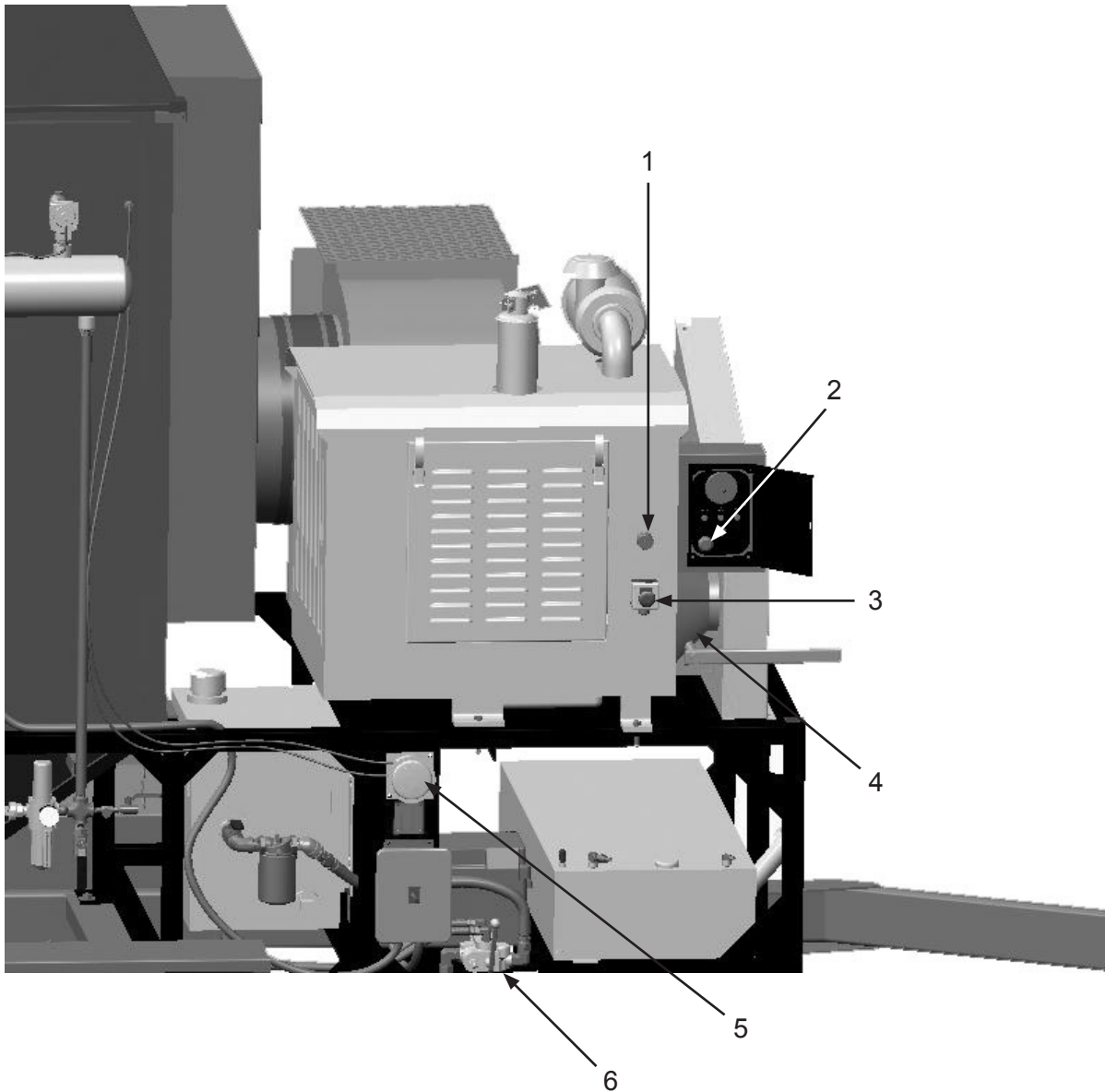
# PART NUMBERS AND SCHEMATICS

## Front Assembly

Item #	Part #	Description
<b>Fig. 1</b>		
1	10104095	Throttle Control
2	10105322	50HP Engine Keyswitch
3	10104071	Emergency-Stop Station
4	10105341	Clutch
5	10103259	Magnehelic Differential
6	10103267	Cross Hydraulic Control Valve
—	10105323	50HP Replacement Key

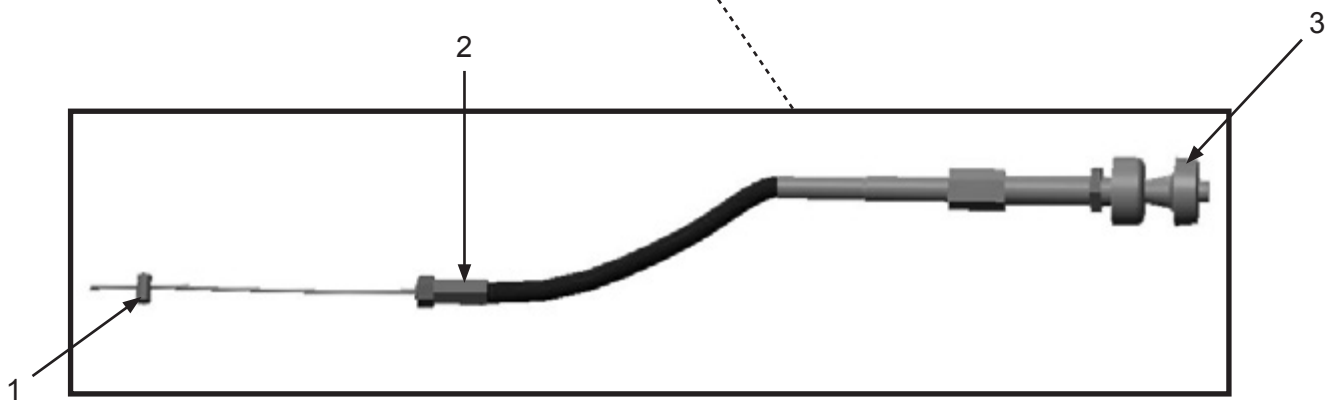
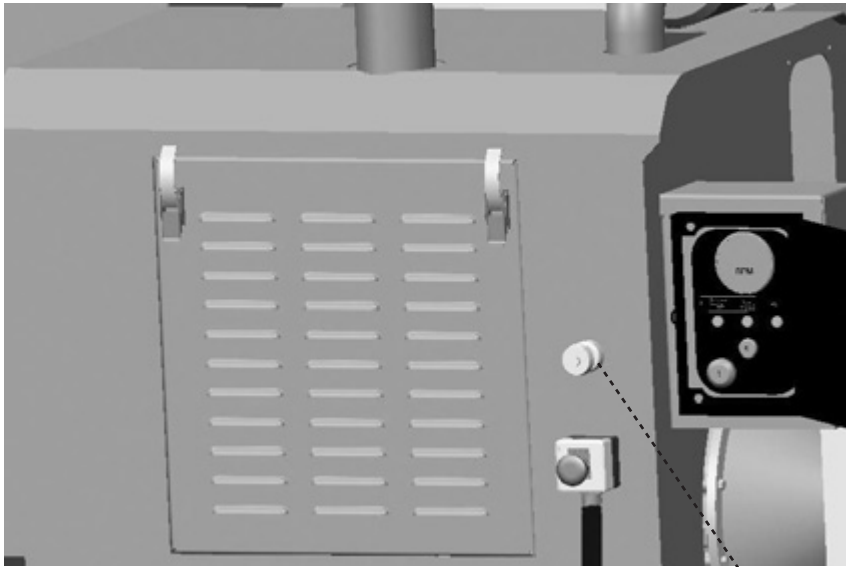
# PART NUMBERS AND SCHEMATICS

Figure 1: Front Assembly



## PART NUMBERS AND SCHEMATICS

Figure 2: Throttle Cable

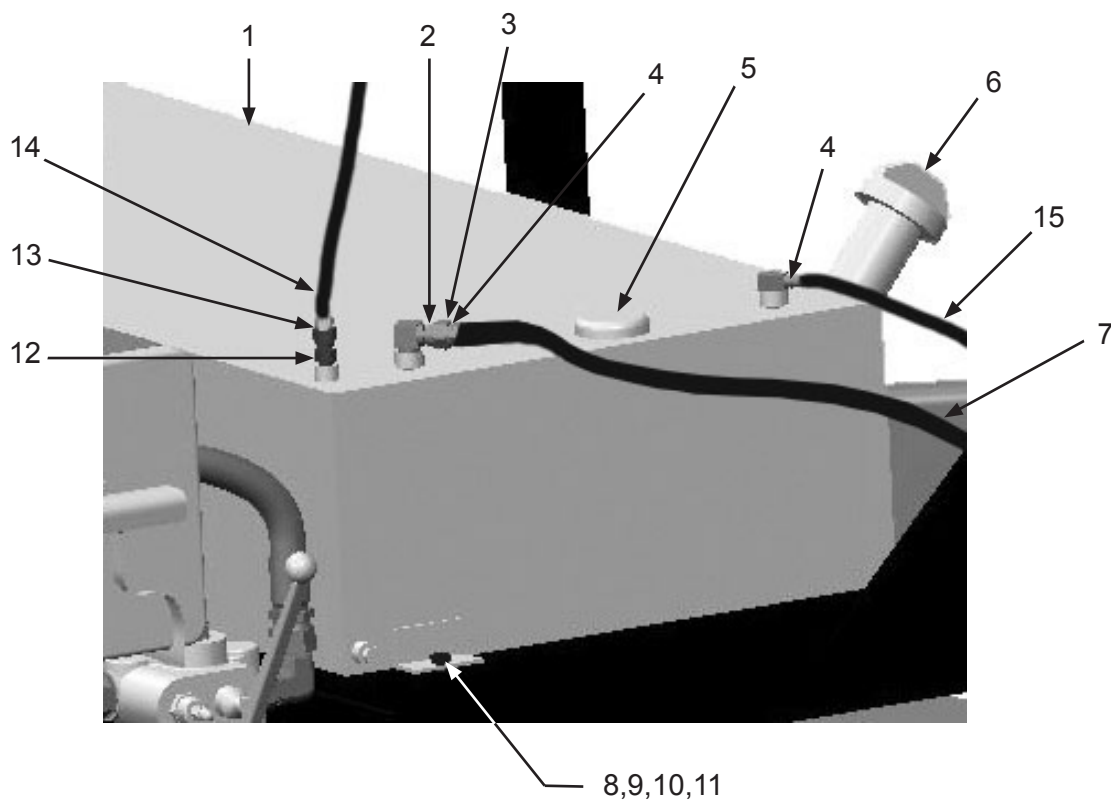


Item #	Part #	Description
<b>Fig. 2</b>		
1	10104208	Throttle Retainer
2	10104209	Nut and Ferrule
3	10104095	Throttle Cable <i>(Item #'s 1 and 2 Not Included)</i>



## PART NUMBERS AND SCHEMATICS

Figure 3: Fuel Tank



Item #	Part #	Description
<b>Fig. 3</b>		
1	10104924	32 Gal Fuel Tank W/ Sight Glass
2	20PFHA60SA0602	3/8" (M) x 1/4" (F) Swivel Union
3	10103631	5/16" Barb x 1/4" NPT Straight
4	10104101	Oetiker Clamp - 5/16" I.D. Hose
5	10105337	Sight Gauge
6	10103968	Locking Fuel Cap with Keys
7	10104099	5/16" I.D. Fuel Hose (Per Foot)
8	10104234	3/8-16 x 1-1/4" Bolt (Three Required)
9	10101942	3/8" Galvanized Flat Washer (Three Required)
10	1012318	3/8-16 Hex Nut (Three Required)
11	10101936	3/8" Zinc Lock Washer (Three Required)
12	10SME025	1/4" NPT (M) x 1/4" NPS (F) Straight Swivel
13	1017015	1/4" Threaded Barb
14	10105199	3/16" Fuel Hose (Per Foot)
15	10103423	3/8" I.D. Fuel Hose (Per Foot)
—	10105338	Withdraw Tube - 16"
—	10103620	3/8" Inline Filter (Not Shown)
—	10103961	Fuel Tank Rubber Cushioning Pad (Not Shown)

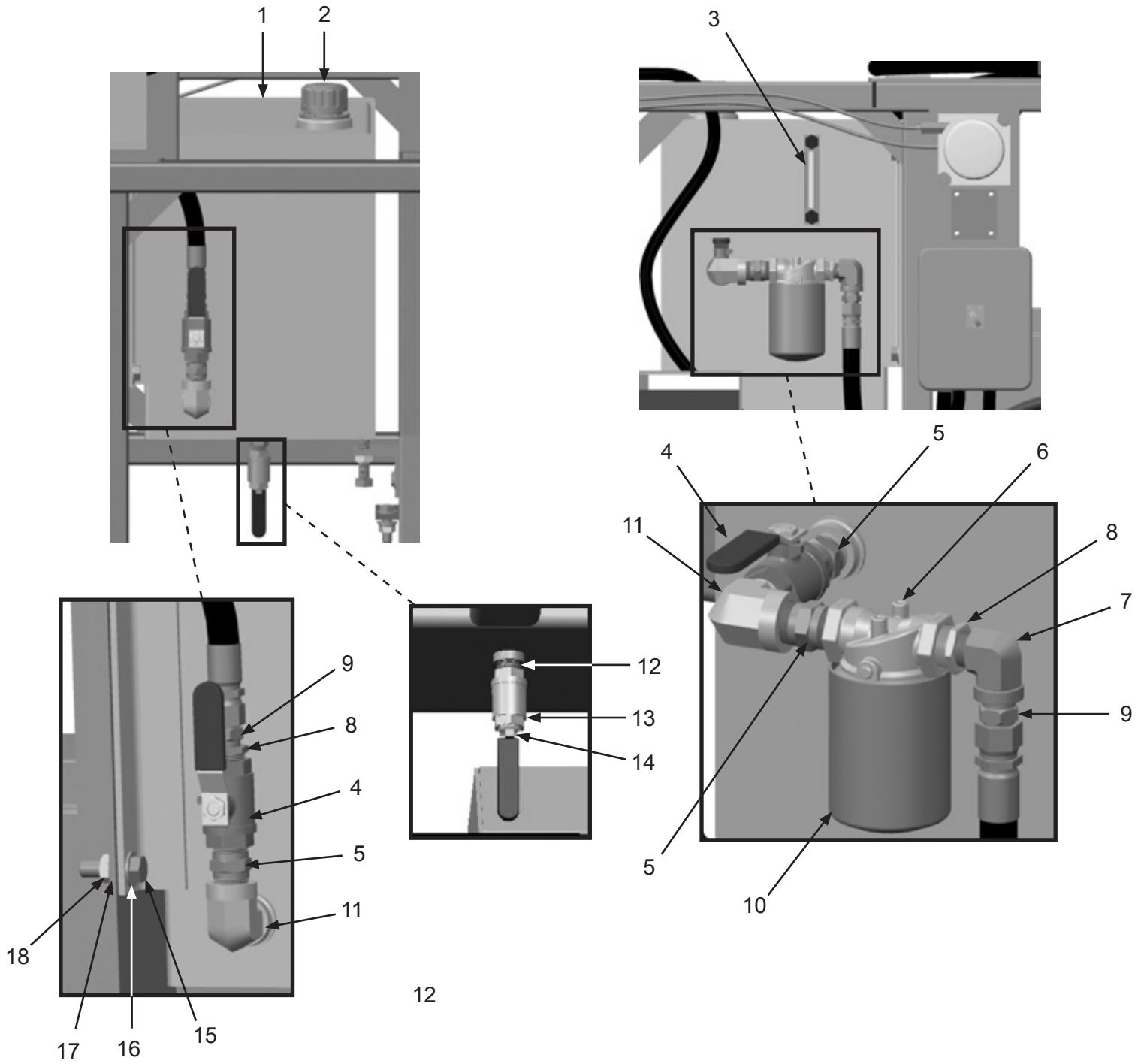
## PART NUMBERS AND SCHEMATICS

### Hydraulic Oil Tank With Filter

Item #	Part #	Description
<b>Fig. 4</b>		
1	10108821	25 Gallon Hydraulic Tank
2	10103971	Filler/Breather Cap
3	10103942	Sight Level Gauge
4	1011601	Full Port Ball Valve - 1" NPT <i>(Two Required)</i>
5	20PFHA24SA1616	1" Hex Nipple <i>(Three Required)</i>
6	10104057	Hydraulic Spin-On Filter Head
7	20PFHA25UG1212	3/4" Street Elbow
8	20PFHA24SB1612	Reducing Bushing - 1" x 3/4" <i>(Two Required)</i>
9	10103314	Straight Adapter - 3/4" NPT x 12 JIC <i>(Two Required)</i>
10	10104058	Hydraulic Spin-On Filter
11	20PFHA25UG1616	1" Street Elbow <i>(Two Required)</i>
12	20PFHA24SA1212	3/4" Hex Nipple
13	10L8074C	Full Port Ball Valve - 3/4" NPT
14	10DSHP75	Pipe Plug - Square Head - 3/4" NPT
15	10103397	5/8-11 x 2" GR8 Bolt Zinc <i>(Four Required)</i>
16	10103398	Washer - 5/8" GR8 <i>(Four Required)</i>
17	10103399	Lock Washer - 5/8" HD <i>(Four Required)</i>
18	10103393	Hex Nut - 5/8-11 GR8 Zinc <i>(Four Required)</i>

# PART NUMBERS AND SCHEMATICS

Figure 4: Hydraulic Oil Tank With Filter



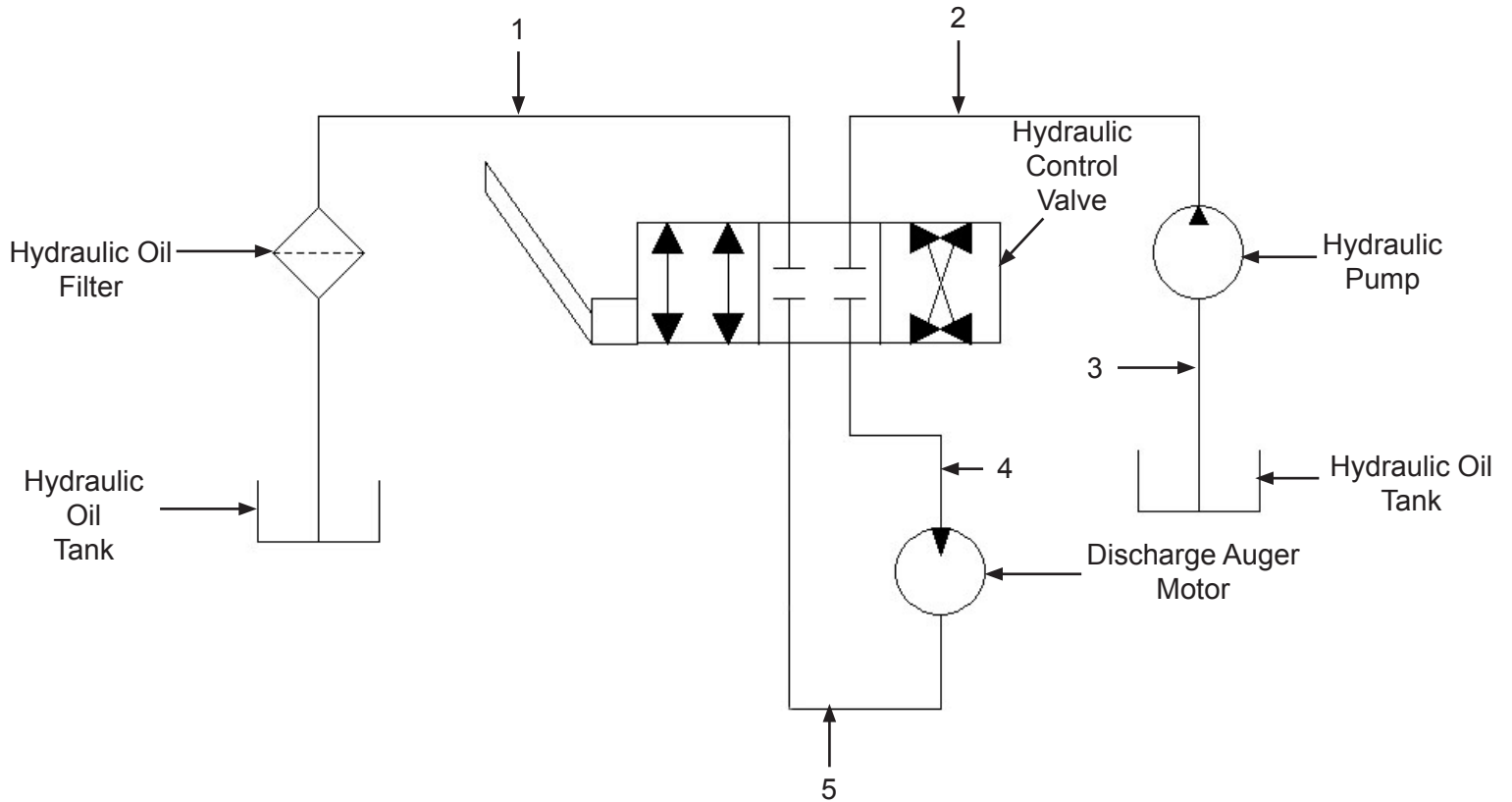
# PART NUMBERS AND SCHEMATICS

## Hydraulic Hoses

Item #	Part #	Description
<b>Fig. 5</b>		
1	10104927	Hydraulic Hose - 3/4" x 3' 3045 Psi
2	10104055	Hydraulic Hose - 3/4" x 7'8" 3045 Psi
3	10104926	Hydraulic Hose - 3/4" x 5' 3045 Psi
4	10103408	Hydraulic Hose - 1/2" x 12'6" 2000 Psi
5	10103408	Hydraulic Hose - 1/2" x 12'6" 2000 Psi

# PART NUMBERS AND SCHEMATICS

Figure 5: Hydraulic Hoses



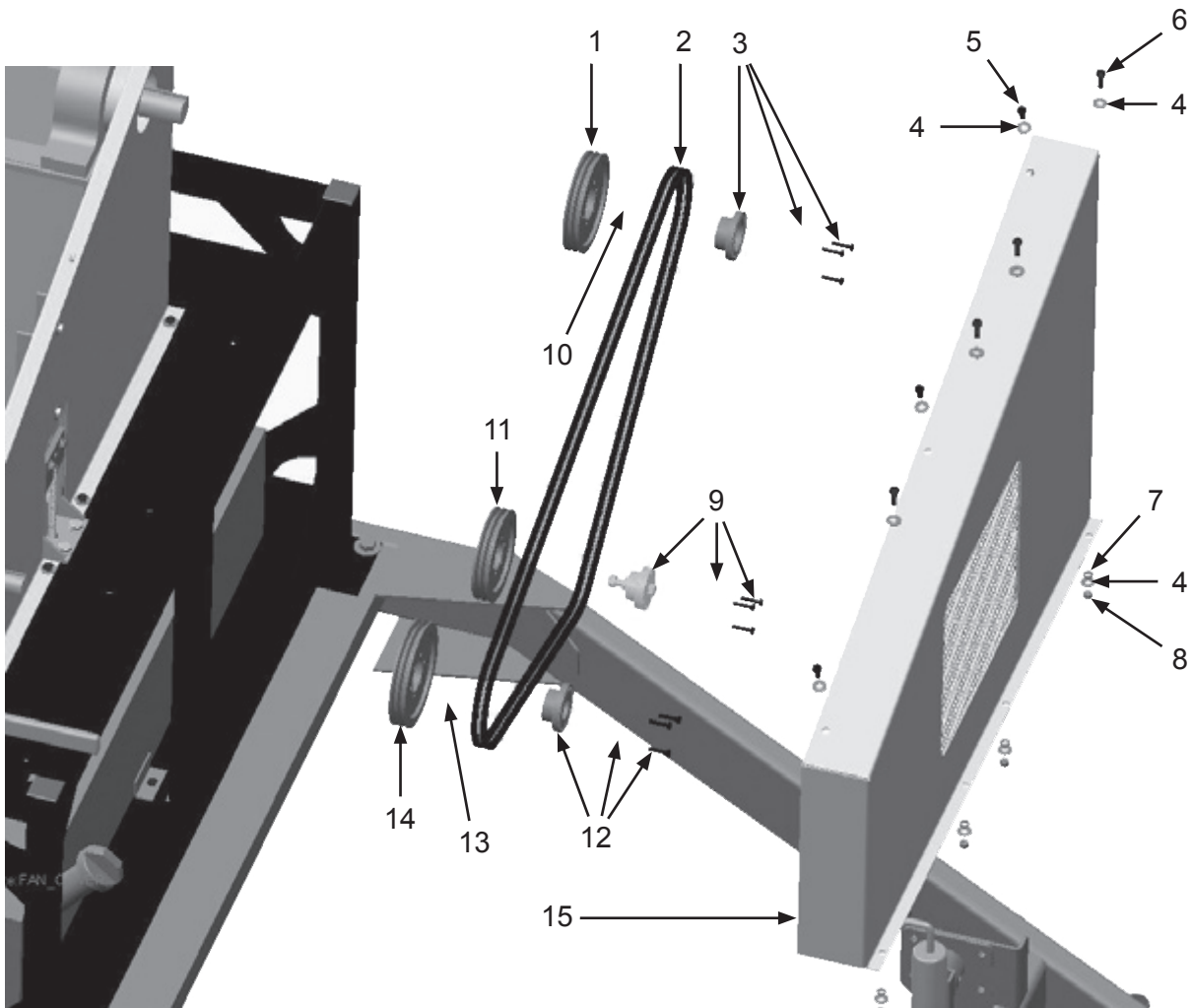
## PART NUMBERS AND SCHEMATICS

### Fan Belt Assembly

Item #	Part #	Description
<b>Fig. 6</b>		
1	10104913	2/3V Sheave 6.50"
2	10104912	3VX 974 Belt ( <i>Two Required</i> )
3	10104330	SDS Bushing 1-15/16" Bore With Hardware
4	10101942	3/8" Galvanized Flat Washer ( <i>11 Required</i> )
5	10103400	3/8-16 X 3/4" Bolt ( <i>Three Required</i> )
6	1011747	3/8-16 X 1" Bolt ( <i>Four Required</i> )
7	10101936	3/8" Zinc Lock Washer ( <i>Four Required</i> )
8	10101938	3/8" Galvanized Hex Nut ( <i>Four Required</i> )
9	10104915	QD SH Idler Bushing With Hardware
10	10104106	1/2" Square Key Cut
11	10104327	2/3V Sheave 6.00"
12	10104914	SDS Bushing - 1-7/16" Bore With Hardware
13	10103641	3/8" Square Key Cut
14	10104329	2/3V Sheave 6.9"
15	10104902	Belt Guard Cover

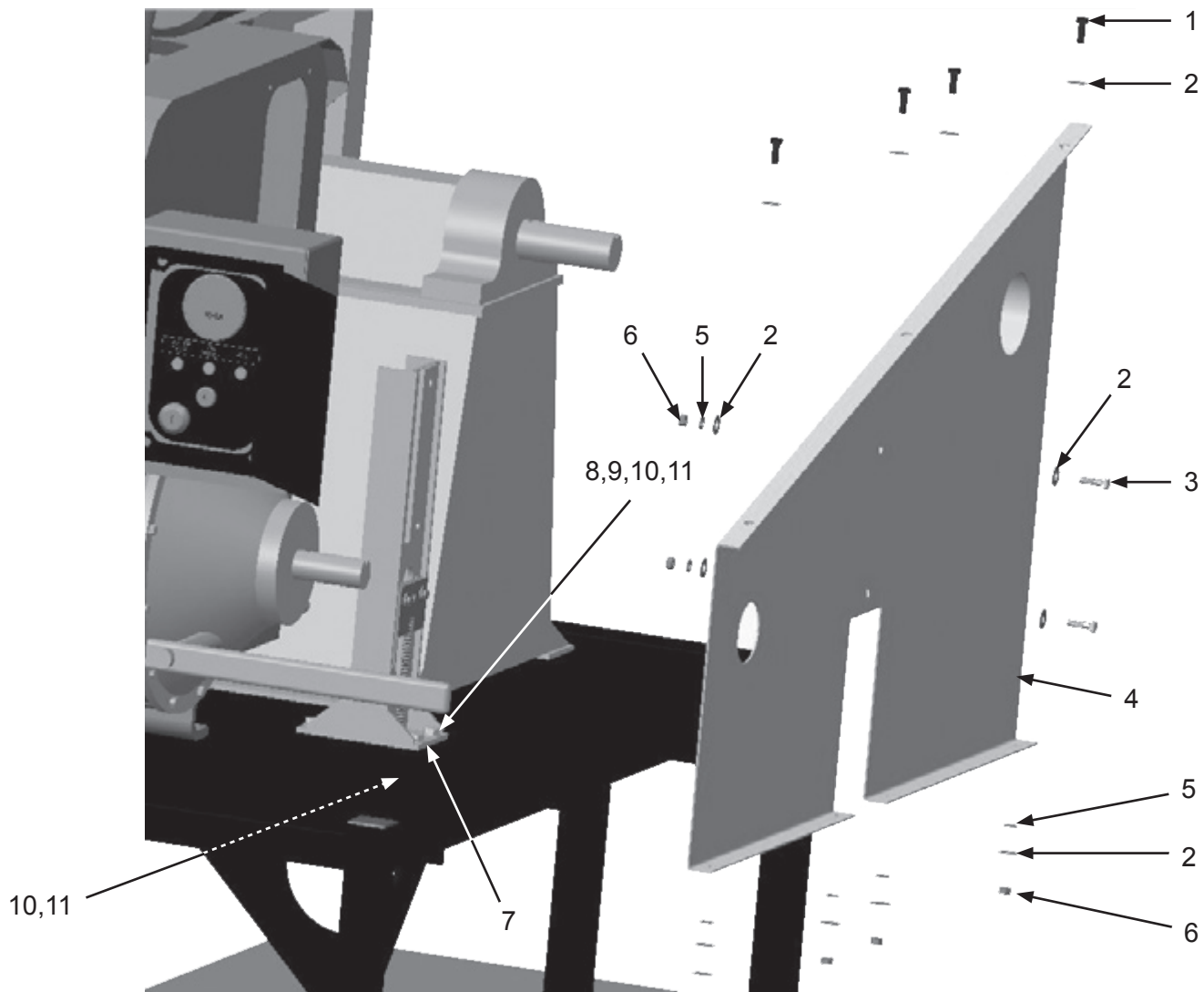
# PART NUMBERS AND SCHEMATICS

Figure 6: Fan Belt Assembly



## PART NUMBERS AND SCHEMATICS

Figure 7: Fan Belt Guard Back Assembly



Item #	Part #	Description
--------	--------	-------------

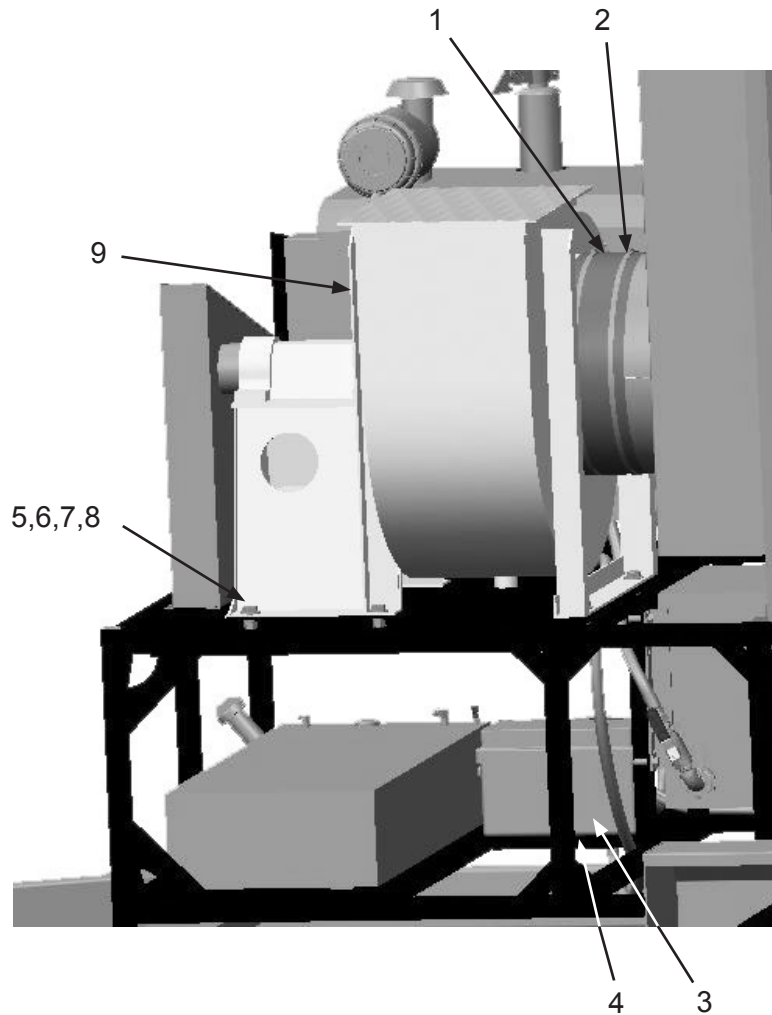
**Fig. 7**

1	1011747	3/8-16 X 1" Bolt ( <i>Four Required</i> )
2	10101942	3/8" Galvanized Flat Washer ( <i>13 Required</i> )
3	10104234	3/8-16 X 1-1/4 Hex Bolt Zinc Gr 5 ( <i>Two Required</i> )
4	10104899	Belt Guard Back
5	10101936	3/8" Zinc Lock Washer ( <i>Six Required</i> )
6	10101938	3/8-16 Galvanized Hex Nut ( <i>Six Required</i> )
7	10104891	Belt Guard Mount
8	1014021	1/2"-13 X 1-3/4" Hex Bolt ( <i>Four Required</i> )
9	10100674	1/2" Flat Washer ( <i>Five Required</i> )
10	10100675	1/2" Lock Washer ( <i>Four Required</i> )
11	1014022	1/2" 13 Hex Nut ( <i>Six Required</i> )



## PART NUMBERS AND SCHEMATICS

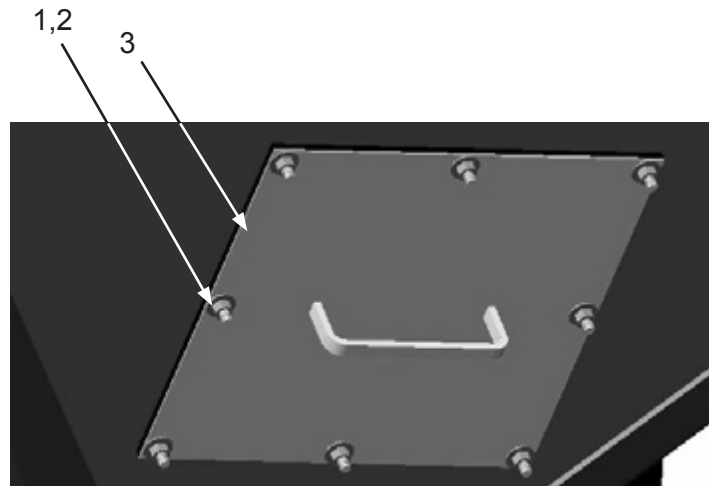
Figure 8: Fan Assembly and Battery Box



Item #	Part #	Description
<b>Fig. 8</b>		
1	10103962	Connection Rubber Gasket
2	10103416	Adjustable Clamp Fastener <i>(Two Required)</i>
3	10103342	Battery Box
4	10104890	Rubber Cushioning Pad
5	10103417	3/4-10 UNC X 1-3/4" GR8 Bolt <i>(Six Required)</i>
6	10103418	3/4" Washer <i>(12 Required)</i>
7	10103420	3/4-10 UNC GR8 Nut <i>(Six Required)</i>
8	10103419	3/4" Lock Washer <i>(Six Required)</i>
9	10104928	BI-200 Fan
—	10104920	Battery Cables <i>(Not Shown)</i>
—	10104918	Battery <i>(Not Shown)</i>

## PART NUMBERS AND SCHEMATICS

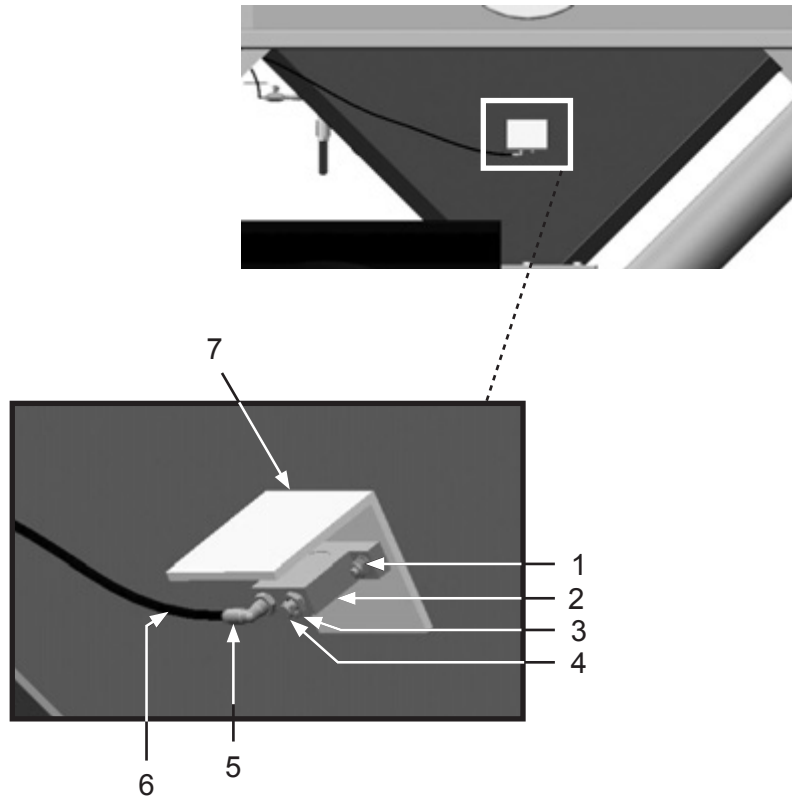
Figure 9: Access Panel Assembly



Item #	Part #	Description
<b>Fig. 9</b>		
1	10101938	3/8-16 Galvanized Hex Nut ( <i>Eight Required</i> )
2	10101942	3/8" Flat Washer ( <i>Eight Required</i> )
3	10103792	Access Panel Door

## PART NUMBERS AND SCHEMATICS

Figure 10: Pneumatic Ball Vibrators



Item #	Part #	Description
<b>Fig. 10</b>		
1	10101939	1/4-20 SS Lock Nut with Nylon Insert ( <i>Two Required</i> )
2	10103258	Pneumatic Ball Vibrator
3	20PFHA24SB0402	1/4" x 1/8" Reducing Bushing
4	1012905	1/8" Breather Muffler
5	20PFBA31095614	1/4" Tube x 1/4" NPT 90° Fitting
6	10103322	1/4" I.D. Black Urethane Tubing ( <i>Per Foot</i> )
7	10103609	Vibrator Shield

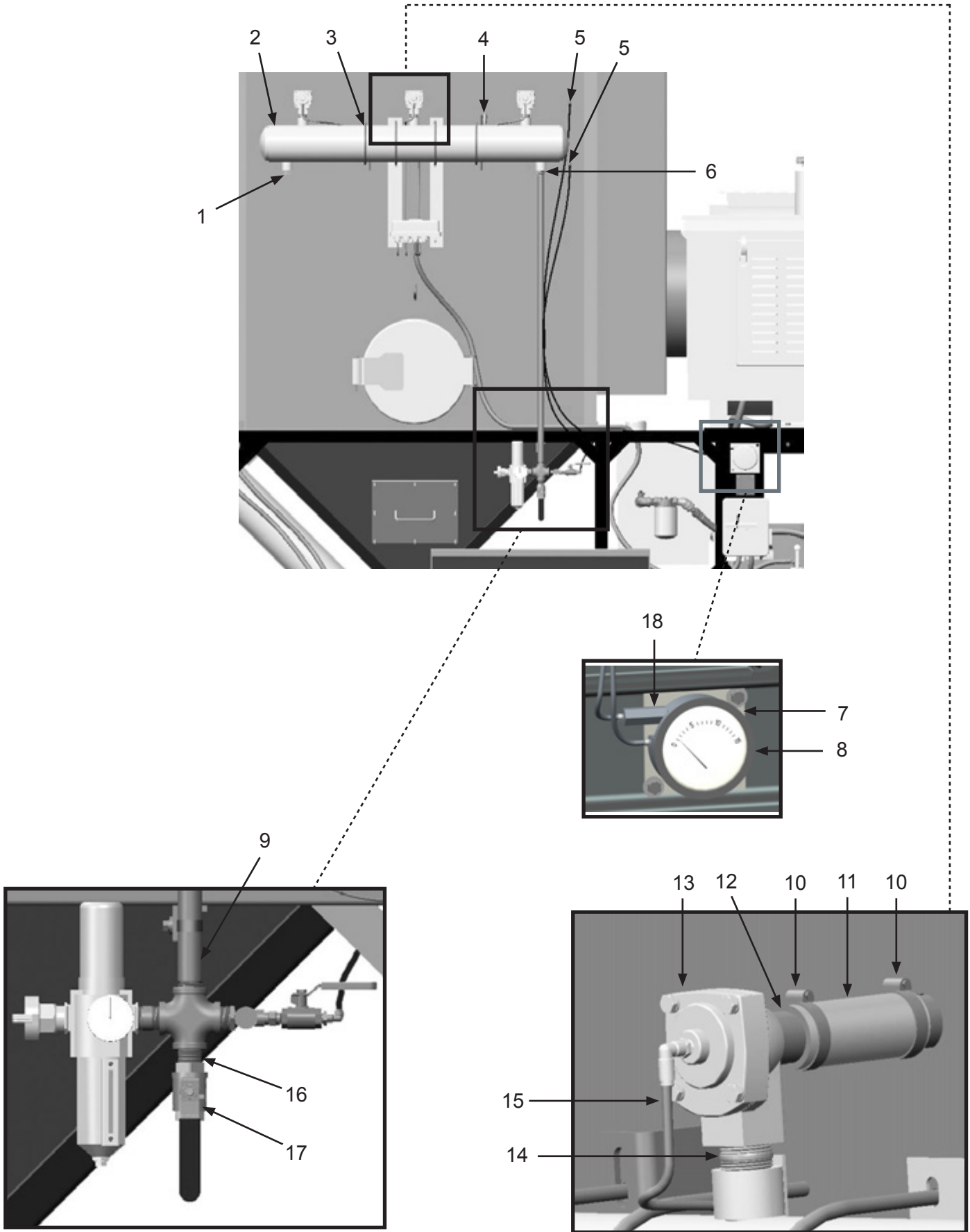
## PART NUMBERS AND SCHEMATICS

### Pulser System Assembly

Item #	Part #	Description
<b>Fig. 11</b>		
1	1011901	Galvanized 1" Square Head Plug
2	10103490	3 Pipe Header Tube
3	10103394	3/8-16 x 6" U-Bolt Assembly (Four Required)
4	1028607	1/4" NPT Pressure Relief Valve – 125 PSI
5	20PFBA31095614	1/4" Tube x 1/4" NPT 90° Fitting (Two Required)
6	20PFHA24SB1612	1" x 3/4" Reducing Bushing
7	10103608	Magnehelic Differential Pressure Gauge Mounting Bracket
8	10103259	Magnehelic Differential Pressure Gauge Assembly - Includes Mounting Hardware
9	10105197	3/4" x 48" Pipe Nipple
10	10104136	T-Bolt Clamp for 1-9/16" to 1-11/16" O.D. Hose (Six Required)
11	10103654	1-1/4" I.D. Marine Hose – 100 PSI (Per Foot)
12	10105207	1" x 3" Toe Nipple (Three Required)
13	10103255	1" Diaphragm Valve
14	10103318	1" x 2" Pipe Nipple (Three Required)
15	10103322	1/4" O.D. Black Urethane Tubing (Per Foot)
16	1011213	3/4" NPT Close Nipple - Galvanized
17	10L8074C	3/4" Full Port Ball Valve
18	10108373	1/8" NPT Inline Air Filter
—	10103654	Pulser Hose Assembly ( <i>Three Required</i> )
—	10103954	1" Diaphragm Valve Service Kit ( <i>Not Shown</i> )

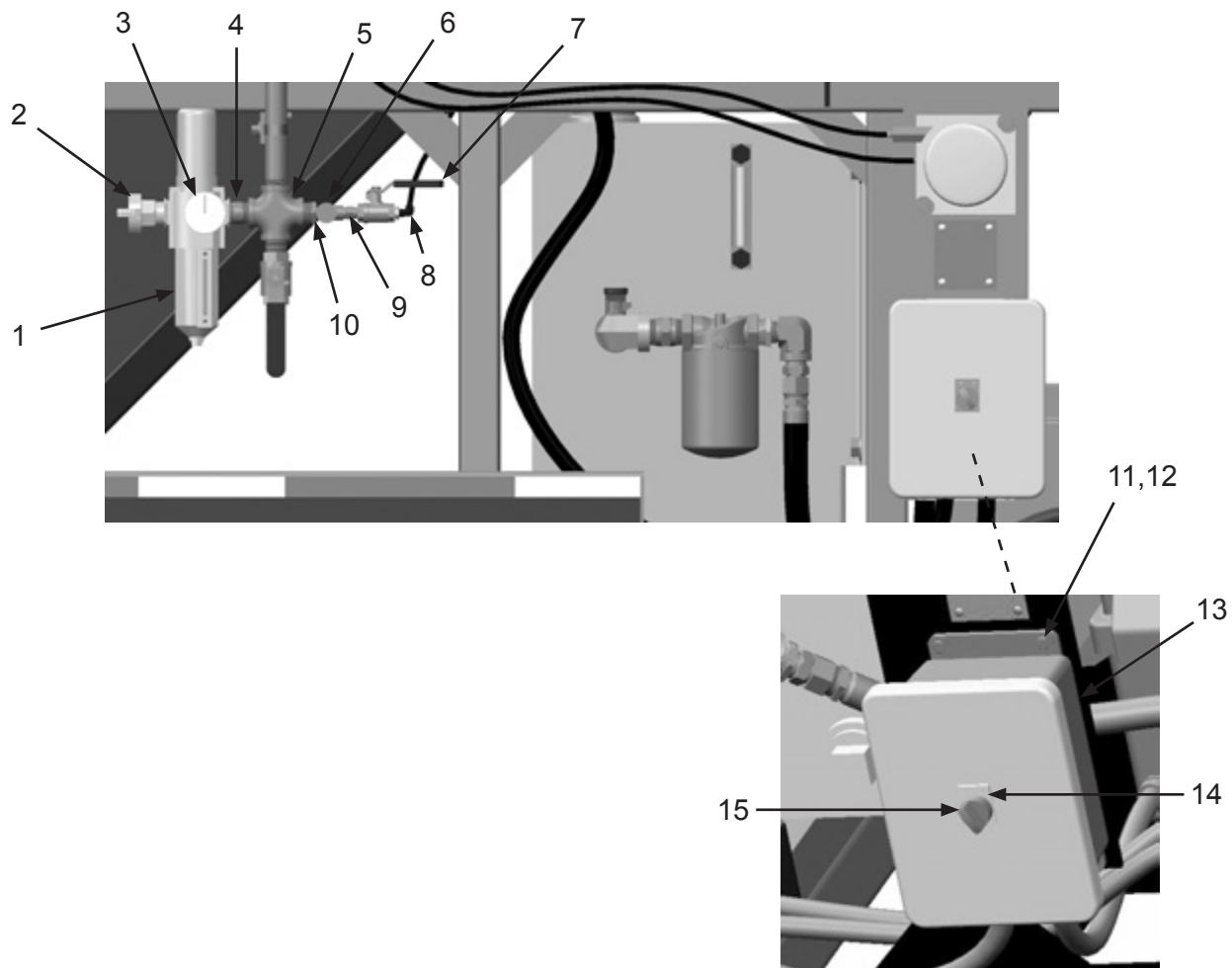
# PART NUMBERS AND SCHEMATICS

Figure 11: Pulsar System Assembly



## PART NUMBERS AND SCHEMATICS

Figure 12: Pulsar Regulator and Timer Assembly



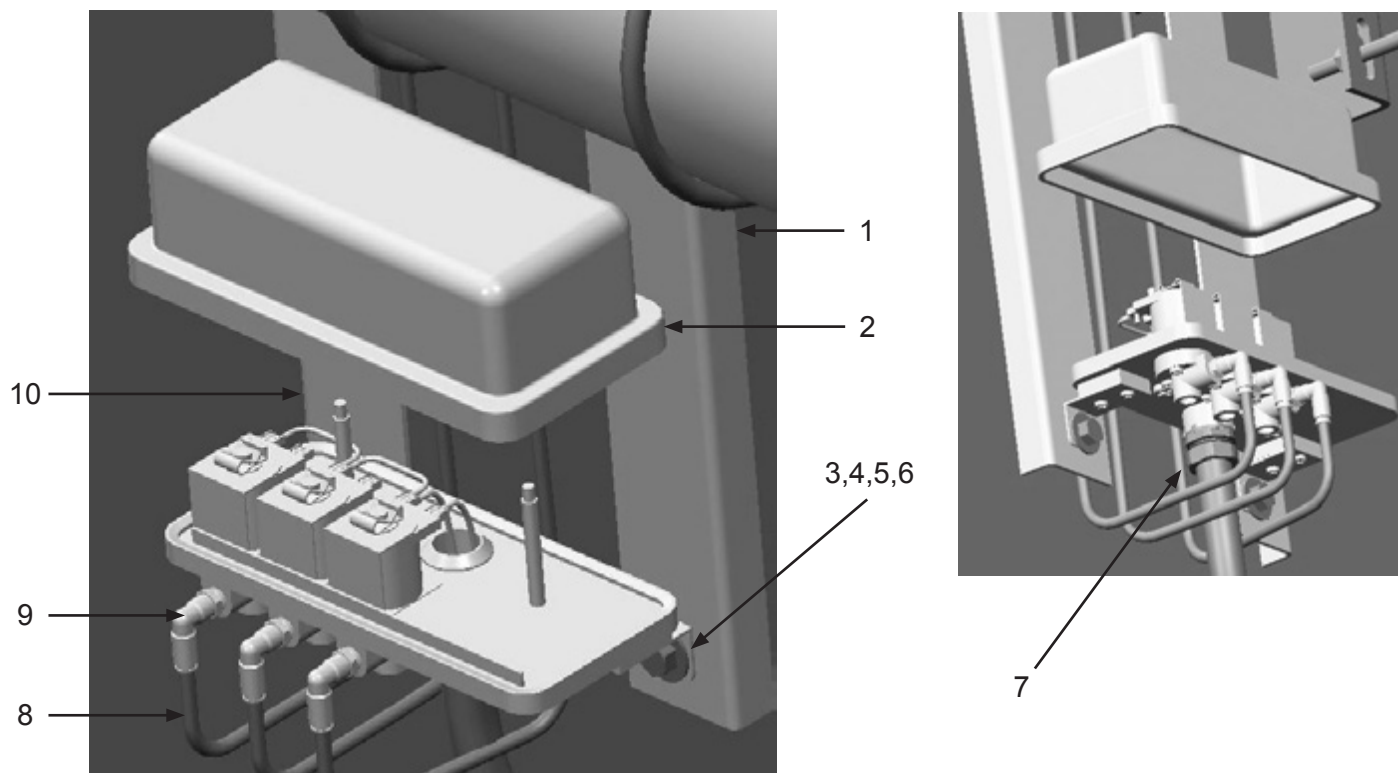
Item #	Part #	Description
--------	--------	-------------

**Fig. 12**

1	10103257	Excelon 74 Series Filter/Regulator
2	10ME1	3/4" Male 2-lug Coupling
3	1028606	Pressure Guage 160 PSI 1/4" Back
4	10103317	3/4" x 2" Pipe Nipple
5	10105198	3/4" NPT Galv. Cross
6	10103292	1/4" Needle Valve
7	1080050	1/4" Ball Valve
8	20PFBA31095614	1/4" Tube x 1/4" NPT 90° Fitting
9	1017019	1/4" x 1/4" Hex Nipple
10	20PFHA24SB1204	3/4" X 1/4" Reducing Bushing
11	10101937	1/4-20 x 1" Hex Bolt <i>(Four Required)</i>
12	10101940	1/4" Flat Washer <i>(Four Required)</i>
13	10103704	4 CH. 120V Timer Board
14	10103414	On/Off Name Plate
15	10103305	2-Way Selector Switch
—	10103950	Excelon 74 Series Filter/Regulator Service Kit
—	10103951	Filter Element <i>(Not Shown)</i>

## PART NUMBERS AND SCHEMATICS

Figure 13: Pulsar Solenoid Enclosure Assembly



Item #	Part #	Description
--------	--------	-------------

**Fig. 13**

1	10102970	Solenoid Enclosure Mount – Right
2	10103705	Solenoid Pilot Valve Enclosure
3	10101936	3/8" Zinc Lock Washer ( <i>Two Required</i> )
4	10101938	3/8-16 Galvanized Hex Nut ( <i>Two Required</i> )
5	10101942	3/8" Galvanized Flat Washer ( <i>Four Required</i> )
6	1011747	3/8-16 x 1" Bolt ( <i>Two Required</i> )
7	20RST50	Straight Liquid Tite Connection Fitting
8	10103322	1/4" O.D. Black Urethane Tubing ( <i>Per Foot</i> )
9	20100579	1/4" O.D. Tube x 1/8" NPT Swivel ( <i>Three Required</i> )
10	10102969	Solenoid Enclosure Mount – Left
—	10103955	Solenoid Valve ( <i>Three Required</i> )
—	10103956	Solenoid Coil ( <i>One Required per Solenoid</i> )
—	10103957	Solenoid Service Kit <i>Includes: O-ring, Plunger, Spring, Ferrule</i>

## PART NUMBERS AND SCHEMATICS

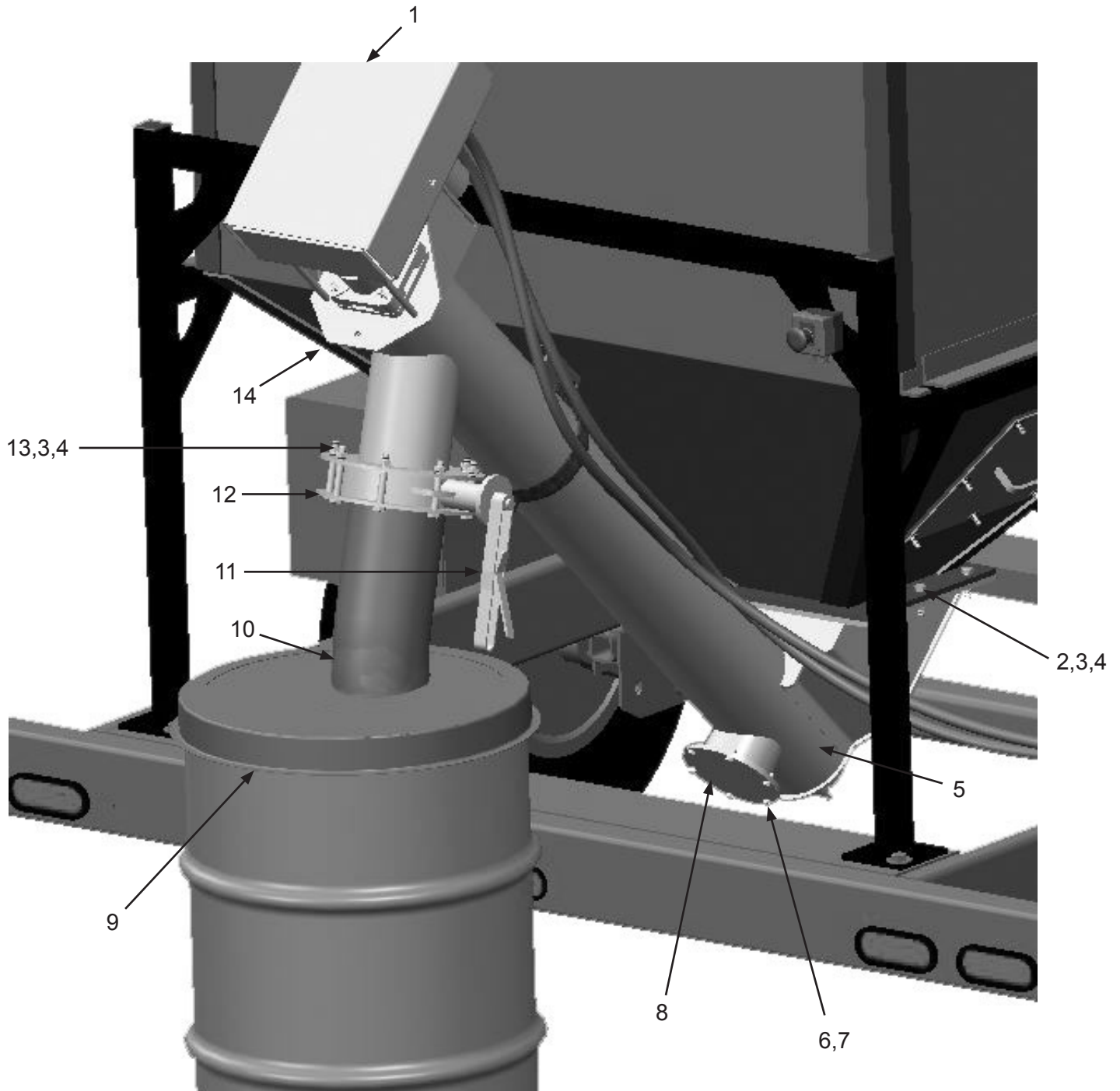
### Discharge Auger Assembly

Item #	Part #	Description
<b>Fig. 14</b>		
1	10103363	Discharge Chain Cover
2	10100674	1/2" Flat Washer (22 Required)
3	10100675	1/2" Lock Washer (14 Required)
4	1014022	1/2-13 Hex Nut (14 Required)
5	10103218	Discharge Auger Tube (See Fig. 23)
6	10101346	5/16-18 x 3/4" Grade 5 Bolt (Six Required)
7	1035046	5/16-18 Nut (Six Required)
8	10103235	Auger Clean-out Cover
9	10103650	Discharge Collection Drum Cover ( <i>Optional</i> )
10	10103777	6" Flexible Discharge Hose (Per Foot)
11	10103302	6" Series Wafer Butterfly Valve
12	10102971	Auger Discharge Drop Flange
13	10102703	1/2-13 x 3-1/2" Grade 5 Bolt (Eight Required)
14	10104195	Discharge Auger Motor Mounting Bracket
—	10103880	White Conspicuity Tape ( <i>Per Inch</i> )
—	10103881	Red Conspicuity Tape ( <i>Per Inch</i> )
—	1091131	Hazard Identification Decals – Dust Collector



## PART NUMBERS AND SCHEMATICS

Figure 14: Discharge Auger Assembly



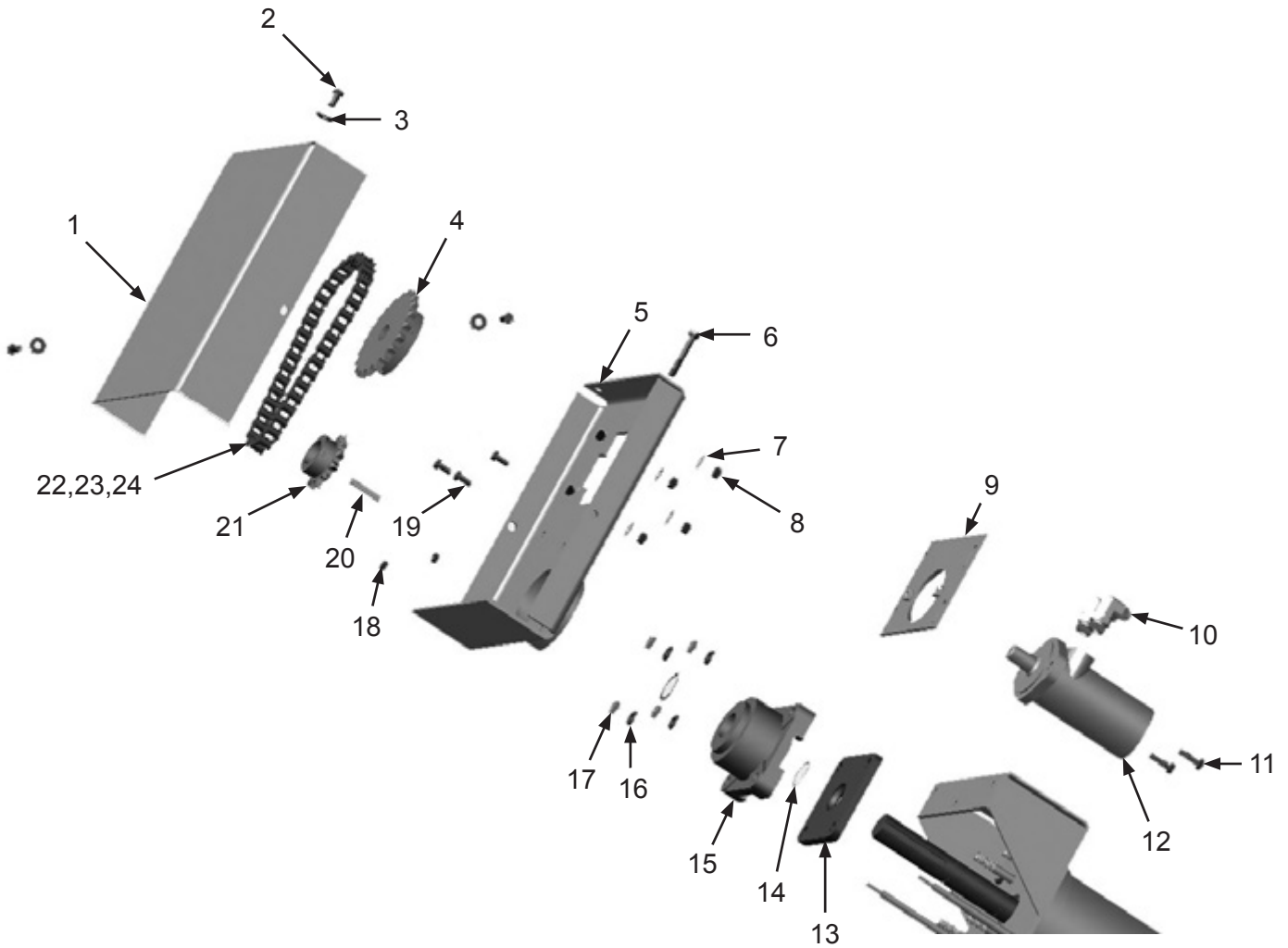
## PART NUMBERS AND SCHEMATICS

### Discharge Auger Drive Assembly

Item #	Part #	Description
<b>Fig. 15</b>		
1	10103363	Chain Cover
2	10103400	3/8-16 x 3/4" Bolt <i>(Three Required)</i>
3	10102331	3/8" Flat Washer <i>(Three Required)</i>
4	10104916	26-Tooth Sprocket
5	10104197	Chain Cover Base
6	10101933	3/8" - 16 X 2-1/2" Hex Bolt
7	10102331	3/8 SAE Flat Washer Zinc PL <i>(Four Required)</i>
8	10101938	3/8-16 Galvanized Hex Nut <i>(Four Required)</i>
9	10104199	Sliding Motor Mount
10	10103308	JIC 8 x SAE 10 90° Elbow <i>(Two Required)</i>
11	10104234	3/8-16 X 1-1/4" A307 Bolt Galv <i>(Two Required)</i>
12	10102887	Hydraulic Motor
13	10102902	Seal Plate
14	10103605	Snap Ring <i>(Two Required)</i>
15	10102903	Thrust Bearing
16	10100675	1/2" Lock Washer <i>(Four Required)</i>
17	1014022	1/2-13 Hex Nut <i>(Four Required)</i>
18	1035046	5/16"- 18 Nut <i>(Two Required)</i>
19	10101346	5/16-18 X 3/4" L GR 5 Bolt <i>(Three Required)</i>
20	10103641	3/8 Key Cut
21	10102886	13-Tooth Sprocket
22	10103392	60# Connecting Chain Link
23	10103391	60# Cottered Roller Chain <i>(Per Foot)</i>
24	10103614	60# Offset Chain Link
—	10104191	Discharge Auger Chain Kit <i>Includes Item #'s: 22, 23, and 24</i>
—	10103940	Seal Kit for Hydraulic Motor

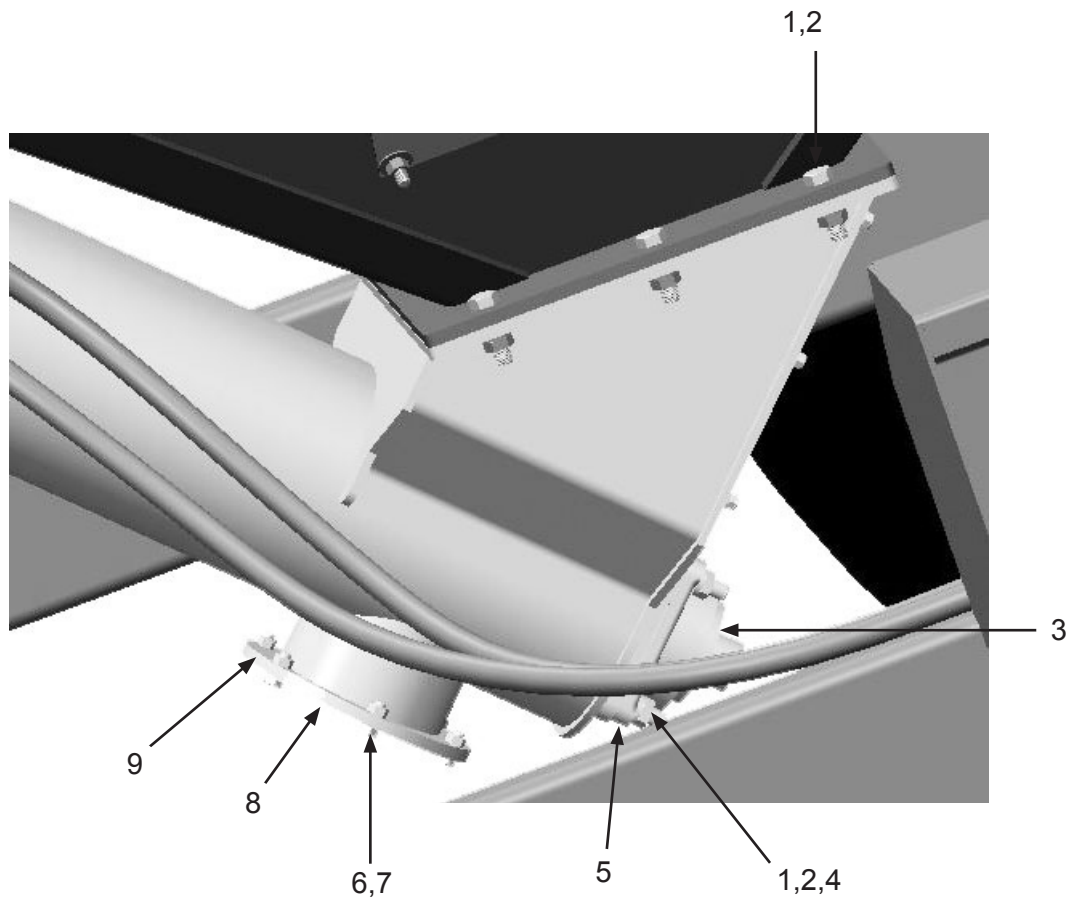
# PART NUMBERS AND SCHEMATICS

Figure 15: Discharge Auger Drive Assembly



## PART NUMBERS AND SCHEMATICS

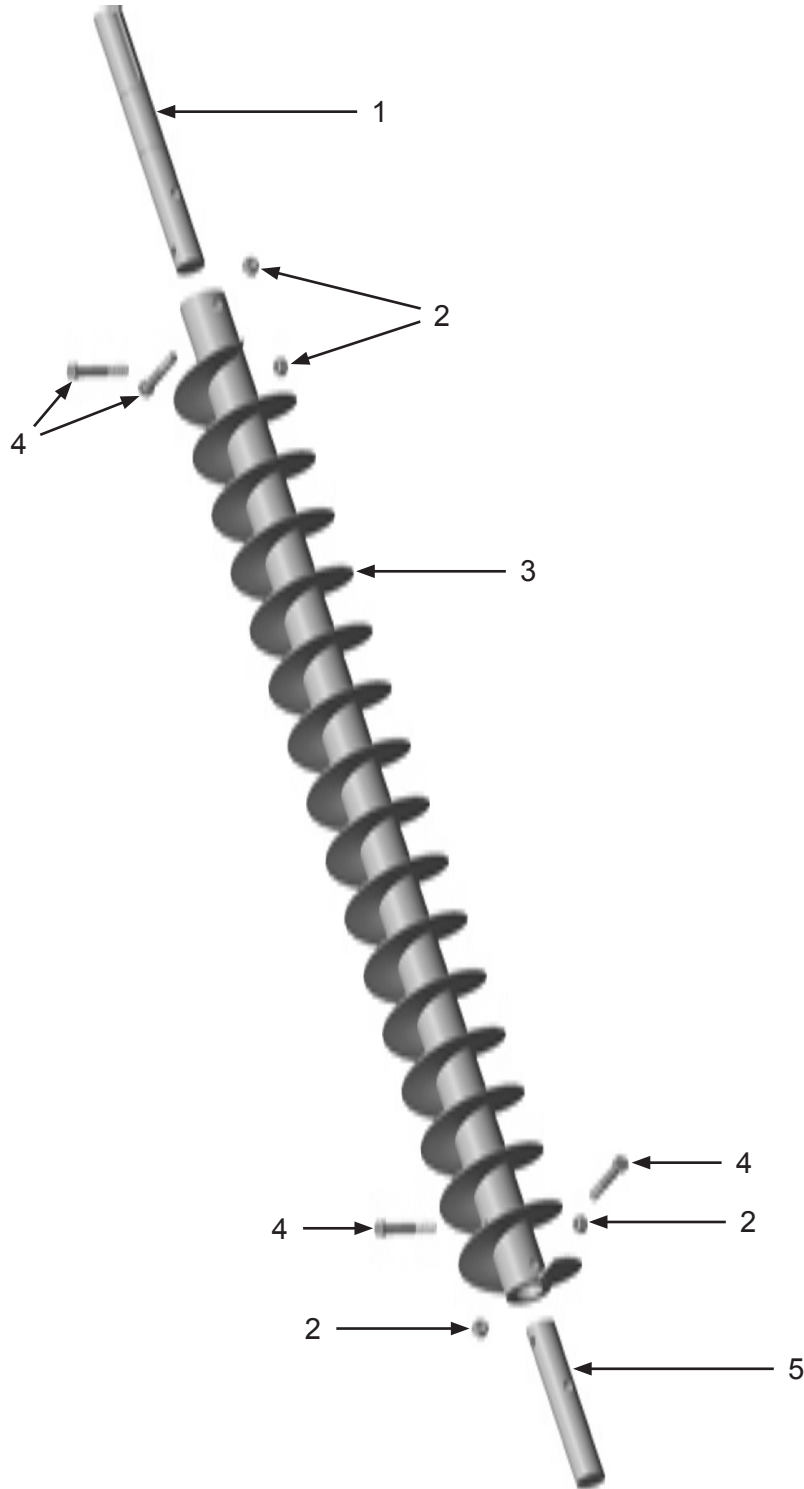
Figure 16: Discharge Auger Clean-out Assembly



Item #	Part #	Description
<b>Fig. 16</b>		
1	10100675	1/2" Lock Washer (10 Required)
2	1014022	1/2-13 Hex Nut (10 Required)
3	10102880	Discharge Auger Lower Bearing Assembly
4	10102652	1/2-13 X X2-1/4" GR5 Bolt (Four Required)
5	10102902	Seal Plate
6	10101346	5/16-18 x 3/4" Bolt (Six Required)
7	1035046	5/16-18 Nut (Six Required)
8	10103235	Auger Clean-out Cover
9	10103716	Neoprene Auger Clean-out Gasket

## PART NUMBERS AND SCHEMATICS

Figure 17: Discharge Auger Assembly



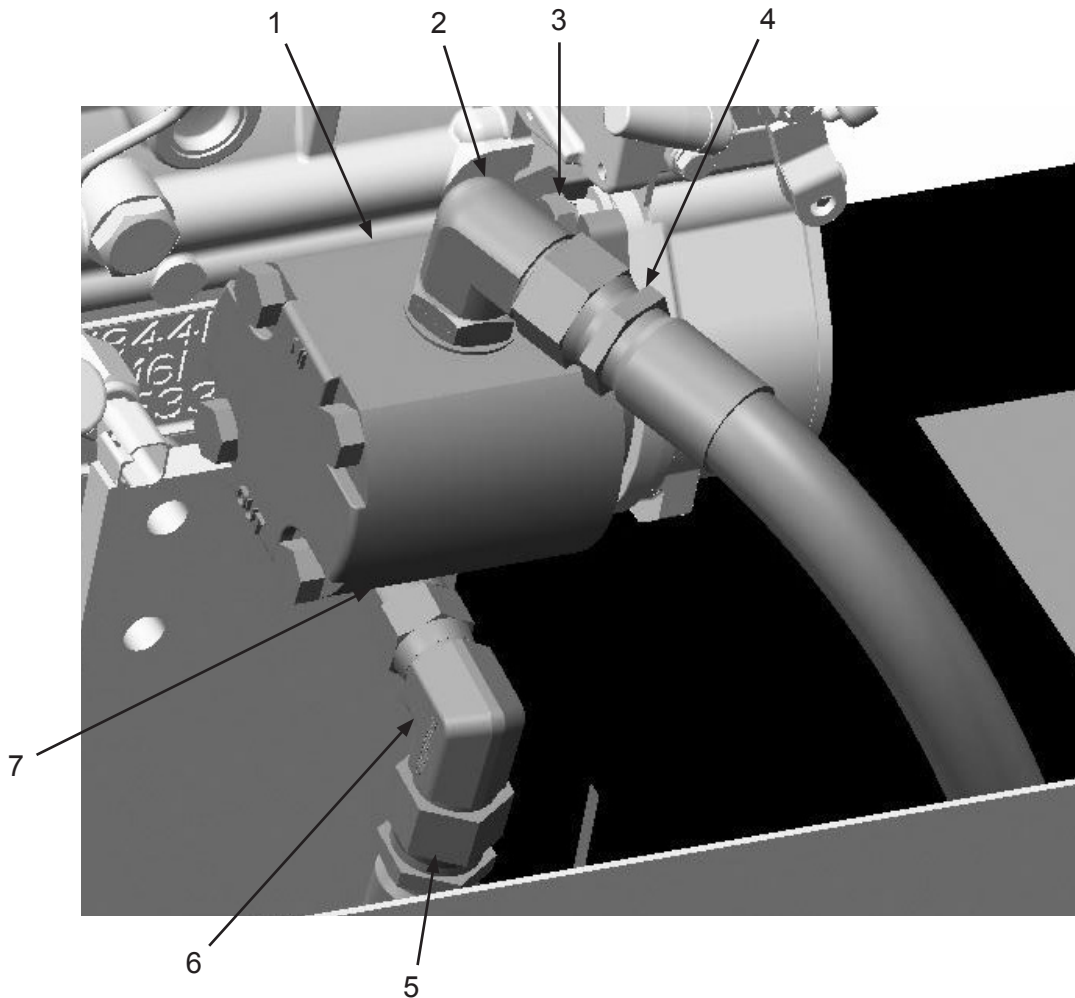
Item #	Part #	Description
--------	--------	-------------

Fig. 17

1	10103306	Drive Shaft
2	1014022	1/2-13 Hex Nut ( <i>Four Required</i> )
3	10102883	58" x 6" Half Pitch Auger
4	10103401	1/2-13 x 3" Galvanized Bolt ( <i>Four Required</i> )
5	10102910	Auger Shaft End

## PART NUMBERS AND SCHEMATICS

Figure 18: Hydraulic Pump



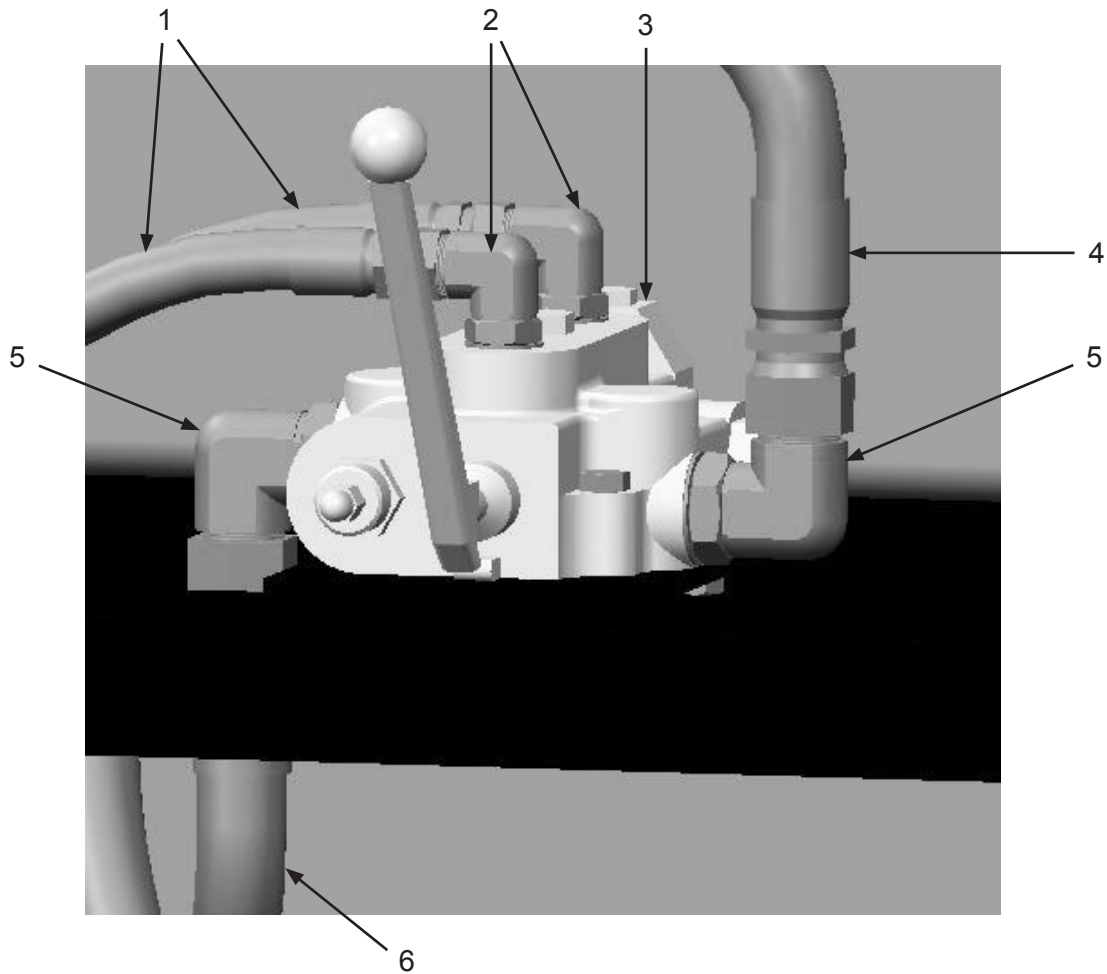
Item #	Part #	Description
--------	--------	-------------

**Fig. 18**

1	10104921	.87 Cubic IN/REV - RH Pump - 11T
2	10103310	Elbow - 90 DEG - JIC 12 X SAE 12
3	10105206	3/8-16 X 4-1/2 GR 5 Zinc Bolt ( <i>Two Required</i> )
4	10104926	3/4" X 5' Hyd Hose 3045 Psi
5	10104055	3/4" X 7' 8" Hydr Hose 3045 Psi
6	10104923	Elbow 90 DEG JIC 10 F X JIC 12 M
7	10104653	Elbow - 90 DEG - SAE 10 X JIC 10

## PART NUMBERS AND SCHEMATICS

Figure 19: Hydraulic Control Assembly



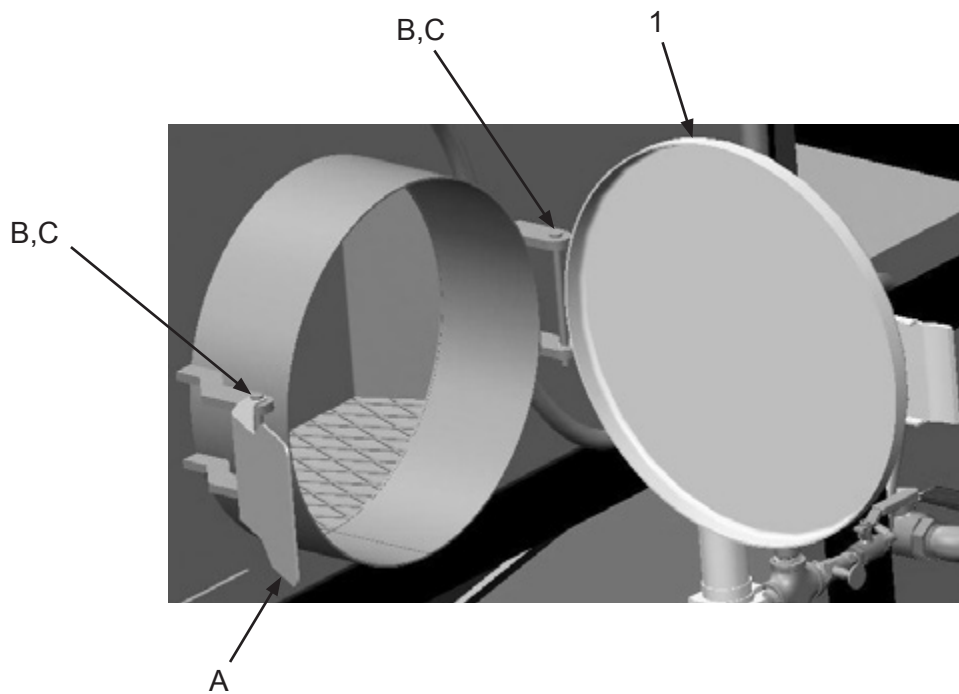
Item #	Part #	Description
--------	--------	-------------

Fig. 19

1	10103408	1/2" X 12' 6" Hydraulic Hose with Fittings
2	10103309	JIC 8 x SAE 8 90° Elbow ( <i>Two Required</i> )
3	10103267	Cross Hydraulic Control Valve with Handle
4	10104927	3/4' X 3' Hyd Hose 3045 Psi
5	10103310	JIC 12 x SAE 12 90° Elbow ( <i>Two Required</i> )
6	10104055	3/4" X 7'8" Hydr Hose 3045 Psi
—	10103331	Cross Hydraulic Control Valve Seal Kit
—	10103332	Cross Hydraulic Control Valve Handle Kit
—	10103333	Cross Hydraulic Control Valve Relief Assembly

## PART NUMBERS AND SCHEMATICS

Figure 20: Inlet Door Assembly

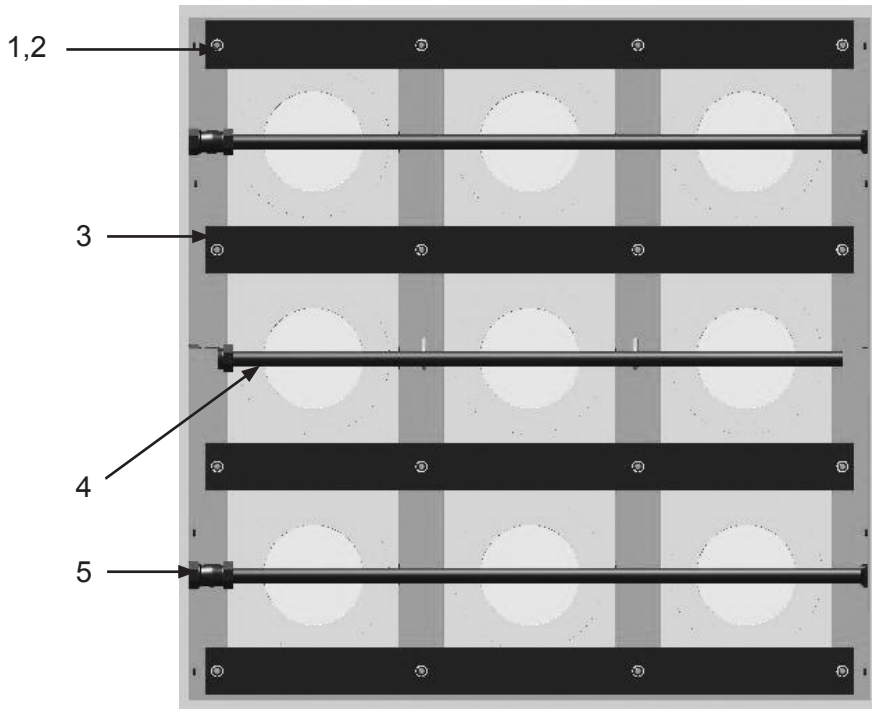


Item #	Part #	Description
<b>Fig. 20</b>		
1	10104179	16" Inlet Door Assembly – Complete <i>(Two Required)</i> <i>Includes Items: A,B,C</i>
—	10105340	Inlet Door Gasket <i>(Two Required)</i>
—	10104408	Pin



## PART NUMBERS AND SCHEMATICS

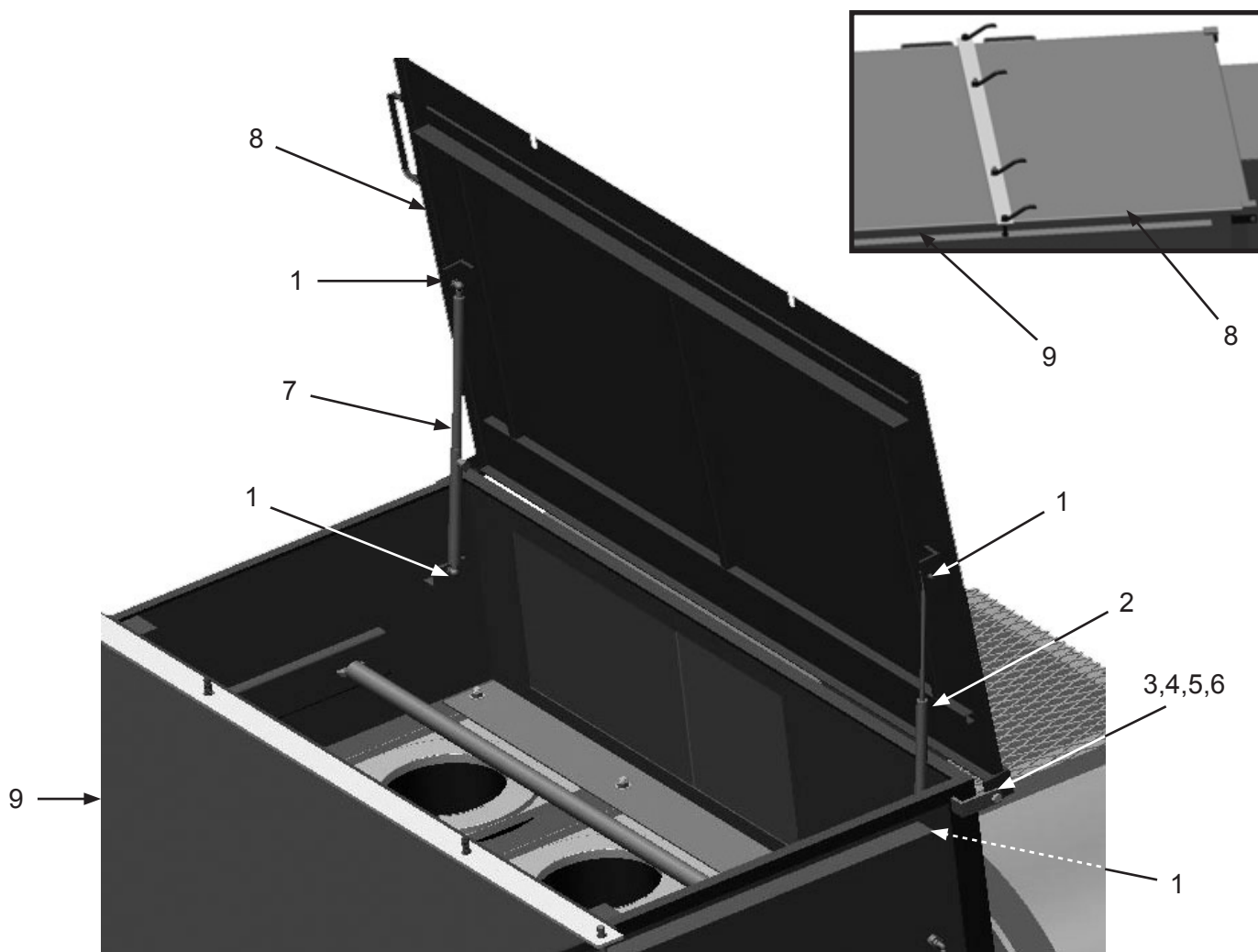
Figure 21: Dust Collector Filter Cartridge Pulsers



Item #	Part #	Description
<b>Fig. 21</b>		
1	10100674	1/2" Flat Washer (16 Required)
2	1014022	1/2" Hex Nut (16 Required)
3	10103823	Filter Bolt-Down (Four Required)
4	10103791	Pulser System Blowpipe (Three Required)
5	10102599	Compression Coupling Assembly (Three Required)

## PART NUMBERS AND SCHEMATICS

Figure 22: Dust Collector Filter Cartridge Hatch Door

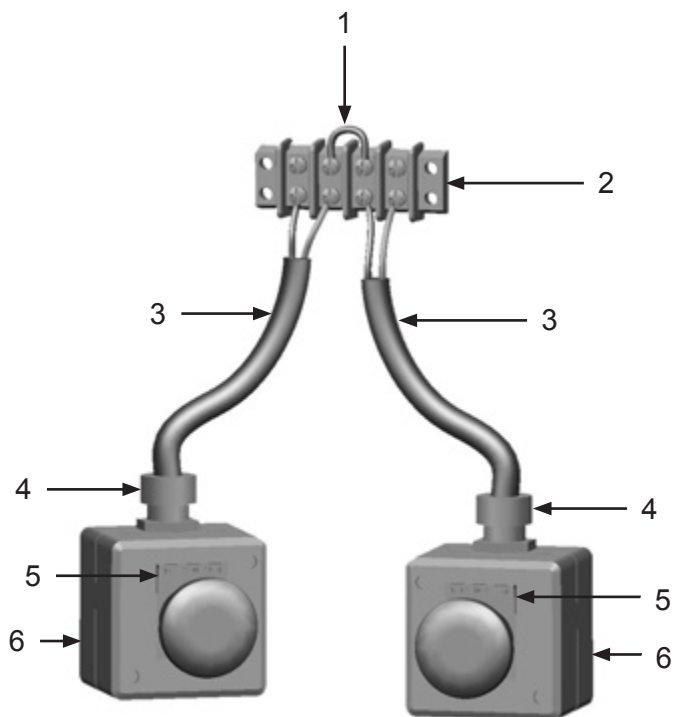


Item #	Part #	Description
<b>Fig. 22</b>		
1	1035046	5/16-18 Hex Nut (Four Required)
2	10103844	Non-Locking Gas Spring
3	10101059	3/8-16 X 1-1/4" A307 Bolt Galv.
4	10101942	3/8" Flat Washer (Four Required)
5	10101936	3/8" Lock Washer- Zinc
6	10101938	3/8"-16 Hex Nut (Two Required)
7	10103845	Locking Gas Spring
8	10103802	Front Hatch Door
9	10103978	Rear Hatch Door

Quantities specified are per hatch opening

## PART NUMBERS AND SCHEMATICS

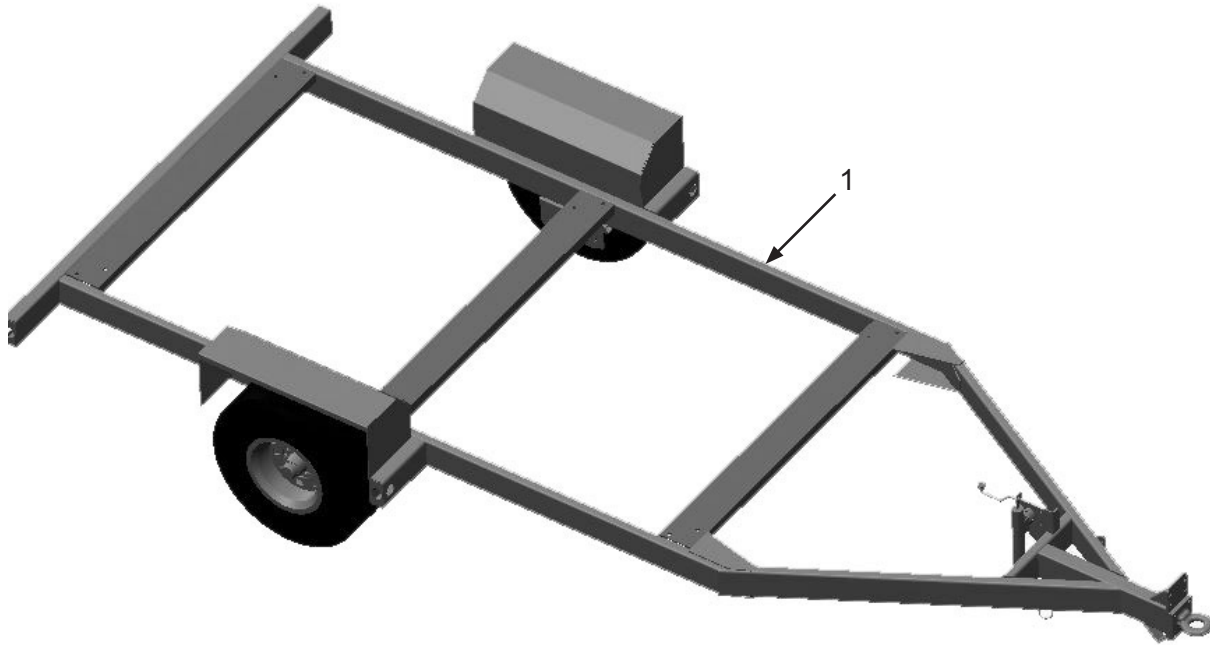
Figure 23: Emergency-Stop Stations



Item #	Part #	Description
<b>Fig. 23</b>		
1	20R12AWGBLACK	Stranded Wire - 12 AWG - Black
2	10104066	Terminal Strip - 4-Circuit - 30 amp
3	1015570	12/2 SO Electric Cord ( <i>Per Foot</i> )
4	20RCG5050	Cord Grip 1/2"-Npt .5-.625
5	10104063	Legend Plate - Emergency-Stop Station
6	10104071	Emergency-Stop Control Station ( <i>Two Required</i> )
—	1015009	8-32 x 1" Pan Head Phillips Screw ( <i>Four Required</i> )
—	20000021	8-32 Zinc Nut ( <i>Four Required</i> )
—	20000018	#8 Zinc Lock Washer ( <i>Four Required</i> )
—	20000019	#8 Zinc Flat Washer ( <i>Four Required</i> )

## PART NUMBERS AND SCHEMATICS

Figure 24: Trailer



Item #	Part #	Description
--------	--------	-------------

Fig. 24

1	10104333	4 Ton Trailer
—	10104081	Breakaway Kit
—	10104082	Wire Harness
—	10100493	3/8" x 35" Chain with Hook
—	10104084	Red LED Oval Tail Light ( <i>Four Required</i> )
—	10104085	Rubber Oval Grommet ( <i>Four Required</i> )
—	10104086	2" Round Red LED Clearance Light ( <i>Five Required</i> )
—	10104087	2" Round Amber LED Clearance Light ( <i>Four Required</i> )
—	10104088	2" Round Rubber Grommet ( <i>Nine Required</i> )

## LITERATURE REFERENCES

### **Dustmaster® 8,000 CFM Tier 4i Diesel Dust Collector**


105M112	Features & Specifications Guide – Dustmaster® 8,000 CFM Tier 4i Diesel Dust Collectors
106M112	Part Numbers & Schematics Guide – Dustmaster® 8,000 CFM Tier 4i Diesel Dust Collectors
1090112	Operator's Manual – Dustmaster® 8,000 CFM Tier 4i Diesel Dust Collectors
109V044	Operator's Manual - Perkins® Engine
109V045	Operator's Manual – Dynamic Fan Corporation
109V582	Operator's Manual - Behnke Trailer

## OPTIONAL ACCESSORIES



### REPLACEMENT DUST COLLECTOR FILTER CARTRIDGES

Part Numbers	Material	I.D.	O.D.	Length
10102033	85/15	8.38"	12.75"	30"
10105561	Reduced Pleat	8.38"	12.75"	30"
10105562	Fire Retardant	8.38"	12.75"	30"
1010005946	HEPA	8.38"	12.75"	30"
10105563	Spunbond	8.38"	12.75"	30"


### 16" I.D. DUCT HOSE

Part Numbers	Length	Pitch	Bend Radius	Body Material	Wear Strip Material	Wear Strip Color	
	10DH1625HD	25 Ft.	1-1/2"	14"	2-Ply Vinyl-Coated Polyester	PVC	Red
	10DH1650HD	50 Ft.	1-1/2"	14"	2-Ply Vinyl-Coated Polyester	PVC	Red
	15DH1625	25 Ft.	2"	16.8"	2-Ply Vinyl-Coated Polyester	PVC	Red

### 16" I.D. DUCT HOSE COUPLING AND SCREW CLAMP

Part Numbers	Style	Hose I.D.
	Stainless Steel Coupling	16"
	Stainless Steel Screw Clamp	16"

### DUCT HOSE ADAPTERS

Part Numbers	Dimensions	Material
	24" x 16"	Carbon Steel

## OPTIONAL ACCESSORIES



### Part Numbers

<b>3/4" I.D. X 1-1/4" O.D. AIR HOSE WITH COUPLINGS INSTALLED</b>						
Part Numbers	Length	Hose I.D.	Hose O.D.	Working Pressure	Hose Cover Color	Couplings
10AH034AC	50 Ft.	3/4"	1-1/4"	200 PSI	Red	2-Lug Crimped On



### Part Numbers

<b>3/4" I.D. X 1-1/4" O.D. AIR HOSE</b>					
Part Numbers	Length	Hose I.D.	Hose O.D.	Working Pressure	Hose Cover Color
10AH034	Per Ft.	3/4"	1-1/4"	200 PSI	Red



### Part Numbers

<b>MALE HOSE END COUPLING AND GASKET FOR 3/4" I.D. AIR HOSE</b>						
Part Numbers	Hose I.D.	Material	Coupling Style	GASKET		
				Rubber Gasket	Gasket I.D.	Gasket O.D.
10HE1	3/4"	Plated Iron	2-Lug	10UG2	3/4"	1-3/8"



### Part Numbers

<b>BOSS® CLAMP FOR 3/4" I.D. AIR HOSE</b>			
Part Numbers	Hose I.D.	Hose O.D. Range	Material
10A9	3/4"	1-8/64" – 1-20/64"	Plated Steel

## GLOBAL HEADQUARTERS

- 3425 East Locust Street  
Davenport, IA 52803

ph: 800.BLAST.IT (800.252.7848)

ph: 563.324.2519

fax: 563.324.6258

## REGIONAL BRANCH OFFICES

- **Iowa**  
Davenport
- **Louisiana**  
Gonzales  
Lafayette
- **Ohio**  
Youngstown
- **Texas**  
Beaumont  
Corpus Christi  
Deer Park



ABRASIVES

BLASTING

COATING

DUST COLLECTORS

ENGINEERED SYSTEMS

RENTAL

SAFETY

SERVICE & REPAIR

VACUUMS

## 40+ NATIONWIDE SHIPPING LOCATIONS



★ Marco Regional Branch Offices  
and Shipping Locations

● Direct Shipping Locations

## CONTACT MARCO

**800.BLAST.IT**

**(800.252.7848)**

**563.324.2519**

**FAX: 563.324.6258**

**WWW.MARCO.US**

**SALES@MARCO.US**