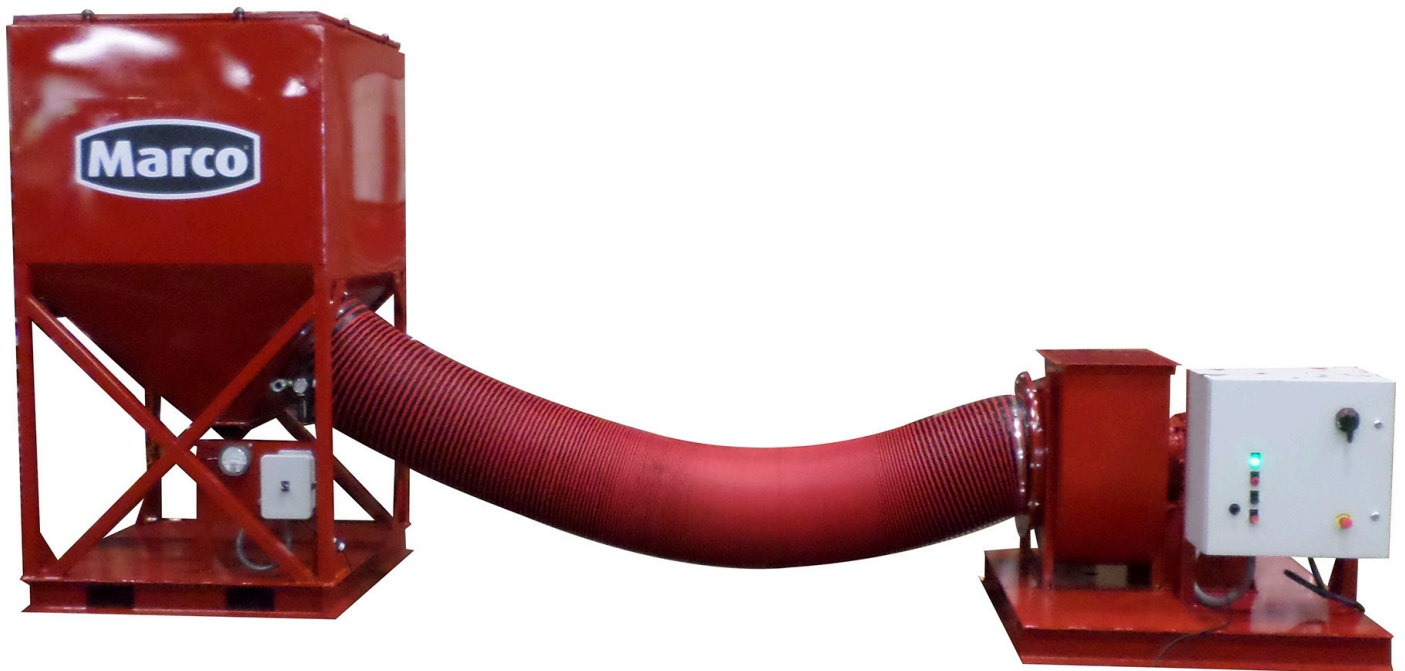




DUSTMASTER® 6,000 CFM ELECTRIC DUST COLLECTOR



BUILT MARCO TOUGH
MARCO MANUFACTURED

PART NUMBERS AND SCHEMATICS GUIDE

Company Profile

Since 1944, Marco has developed a strong tradition of providing innovative and reliable products and services to the surface preparation and protective coatings industries. We are the world's premier provider of Abrasives, Blasting, Coating, Dust Collectors, Engineered Systems, Rental, Safety, Service, Repair, & Modernization, and Vacuums.

Through innovative designs and a total commitment to quality, Marco manufactures products that increase production rates, create a safer workplace, and reduce maintenance costs. Marco's industry experience, manufacturing capabilities, legendary customer service, product availability, logistics services, and technology leadership is your assurance that we deliver high quality products and services, providing the best value to you, our customer.

The Marco Difference

- **Industry Experience** – With Marco on your team, you have access to expertise which can only come from decades of industry leadership. We have organized our engineering department, production specialists, customer operations, and safety support into a "Center of Competence." As a Marco customer, you have access to hundreds of years of cumulative experience related to your operations.
- **Manufacturing Excellence** – Marco is a manufacturer of equipment for the Surface Preparation and Protective Coatings industries. Marco's engineers benchmark the industry to ensure that we design and manufacture superior products that set the "Gold Standard" for performance, safety, and quality.
- **Legendary Customer Service** – Marco's legendary customer service team is staffed by friendly, highly-trained individuals who are focused on providing the highest level of product support, order accuracy, and customer satisfaction.
- **Product Availability** – We stock over 10,000 SKU's and have more than 45 shipping locations to serve North American and International markets for all major brands of blasting and coating equipment. As the largest provider of surface preparation and protective coatings equipment in the world, our inventory levels and product availability are unmatched.
- **Logistics Services** – Marco's in-house logistics team is dedicated to moving your shipment anywhere in the world. We move more than 14,000 truckloads every year, allowing you to save on freight costs by leveraging our buying power. Lower your process costs with a single invoice, which includes product and freight.
- **Technology Leadership** – Our website provides: Operator's Manuals, Part Numbers and Schematics Guides, SDS information, and Features & Specifications Guides, providing access to information 24/7. Our Extranet application allows you to receive quotes and place orders online. Our Intranet maintains a complete record of your purchase history to assist with ongoing support of your existing equipment and future purchasing decisions.

Vision Statement

Marco is the world's premier provider of Abrasives, Blasting, Coating, Dust Collectors, Engineered Systems, Rental, Safety, Service, Repair, & Modernization, and Vacuums.

Mission Statement

Marco provides strong leadership and innovation to the surface preparation and protective coatings industries. We dedicate our efforts to the continuous improvement of our products, services, processes, people, and most importantly, the quality of our customer's experience.

Quality Statement

Marco is committed to providing superior quality in the design, manufacturing, distribution, rental, service, and repair of our products. Continuous improvement of our processes and supply chain Integration comprise the core of our business strategy for delivering exceptional quality and value in all Marco products and services.

Management Philosophy

We are a company dedicated to the success of every customer and associate. We discuss, debate, challenge, measure, and test our ideas. We will be boundless and limitless in our passion to improve. Through sound leadership and dedicated associates, we will ensure a long term, profitable future for Marco, our associates, customers, and suppliers.

TABLE OF CONTENTS

| | |
|--|-----------|
| Company Profile | 1 |
| Part numbers | 3 |
| Specifications | 4 |
| Part Numbers and Schematics | 5 |
| Fan Skid Assembly | 5 |
| Hopper Skid Assembly | 7 |
| Dust Collector Filter Cartridge Lid Assembly . . . | 8 |
| Pulser System Assembly | 9 |
| Pulser Regulator and Timer Assembly | 11 |
| Pulser Solenoid Enclosure Assembly | 12 |
| Diaphragm Valve | 13 |
| Hazard Identification Decals | 14 |
| Literature References | 15 |
| Optional Accessories | 16 |

PART NUMBERS

| DUSTMASTER® 6,000 CFM ELECTRIC DUST COLLECTOR | | | | | | | |
|---|---------------------------|--|----------------|------|----------|---------------------------|------------------------------|
| Part Number | Filter Cartridge Material | | | | | Filter Cartridge Quantity | Duct Hose |
| | None | High Density 85% Cellulose/15% Poly Blend | Fire Retardant | HEPA | Spunbond | | |
| 10105975 | X | | | | | — | 25 Ft. of 18" I.D. Duct Hose |
| 10105426 | | X | | | | 6 | 25 Ft. of 18" I.D. Duct Hose |
| 10105976 | | | X | | | 6 | 25 Ft. of 18" I.D. Duct Hose |
| 10105977 | | | | X | | 6 | 25 Ft. of 18" I.D. Duct Hose |
| 10105978 | | | | | X | 6 | 25 Ft. of 18" I.D. Duct Hose |



SPECIFICATIONS

| Capacity: | CFM : 3270 — 6350 W.C. 0 – 10” | | | | | | | | | | | | | | |
|--------------------------------|--|---------------|----------------------------|---|------|---|------|---|------|---|------|---|------|---|------|
| Filter Cartridge Style: | Open Top with Flange, Closed Bottom 6 Required | | | | | | | | | | | | | | |
| Filter Cleaning: | Pulse System, 5–15 second intervals Pulse Duration: 200–350 millisecond | | | | | | | | | | | | | | |
| Air to Cloth Ratio: | 3.66:1 @ 6000 cfm | | | | | | | | | | | | | | |
| Filter Area: | 1365 square feet | | | | | | | | | | | | | | |
| Efficiency: | 85/15 Blend Filters – 99.8% @ 0.5 micron HEPA Filters – 99.99% @ 0.3 micron Fire Retardant Filters – 96.8% @ 2.0 micron Spunbond Filters – 97% @ 3.0 micron | | | | | | | | | | | | | | |
| Ducting Connections: | Inlet: 16" I.D., Quantity of One Outlet: 18" I.D., Quantity of One | | | | | | | | | | | | | | |
| Dust Removal Conveyor: | Direct Dump, Slide Gate | | | | | | | | | | | | | | |
| Fan: | Backward Inclined, non-overloading, spark resisting <table><thead><tr><th>Speed Setting</th><th>Approximate Air Flow (cfm)</th></tr></thead><tbody><tr><td>4</td><td>3270</td></tr><tr><td>5</td><td>4125</td></tr><tr><td>6</td><td>5241</td></tr><tr><td>7</td><td>5780</td></tr><tr><td>8</td><td>5869</td></tr><tr><td>9</td><td>6350</td></tr></tbody></table> | Speed Setting | Approximate Air Flow (cfm) | 4 | 3270 | 5 | 4125 | 6 | 5241 | 7 | 5780 | 8 | 5869 | 9 | 6350 |
| Speed Setting | Approximate Air Flow (cfm) | | | | | | | | | | | | | | |
| 4 | 3270 | | | | | | | | | | | | | | |
| 5 | 4125 | | | | | | | | | | | | | | |
| 6 | 5241 | | | | | | | | | | | | | | |
| 7 | 5780 | | | | | | | | | | | | | | |
| 8 | 5869 | | | | | | | | | | | | | | |
| 9 | 6350 | | | | | | | | | | | | | | |
| Motor: | 15 Horsepower Electric 3-Phase | | | | | | | | | | | | | | |
| Air Requirements: | Clean, Dry, Compressed Air 24 CFM @ 90 PSI | | | | | | | | | | | | | | |
| Electrical System: | 460 V, 60 Hz 17.5 FLA | | | | | | | | | | | | | | |
| Unit Dimensions: | Hopper: 4' x 4' x 7'5" Weight: 1233 Fan Skid: 4' x 4' x 3'5" Weight: 1054 | | | | | | | | | | | | | | |

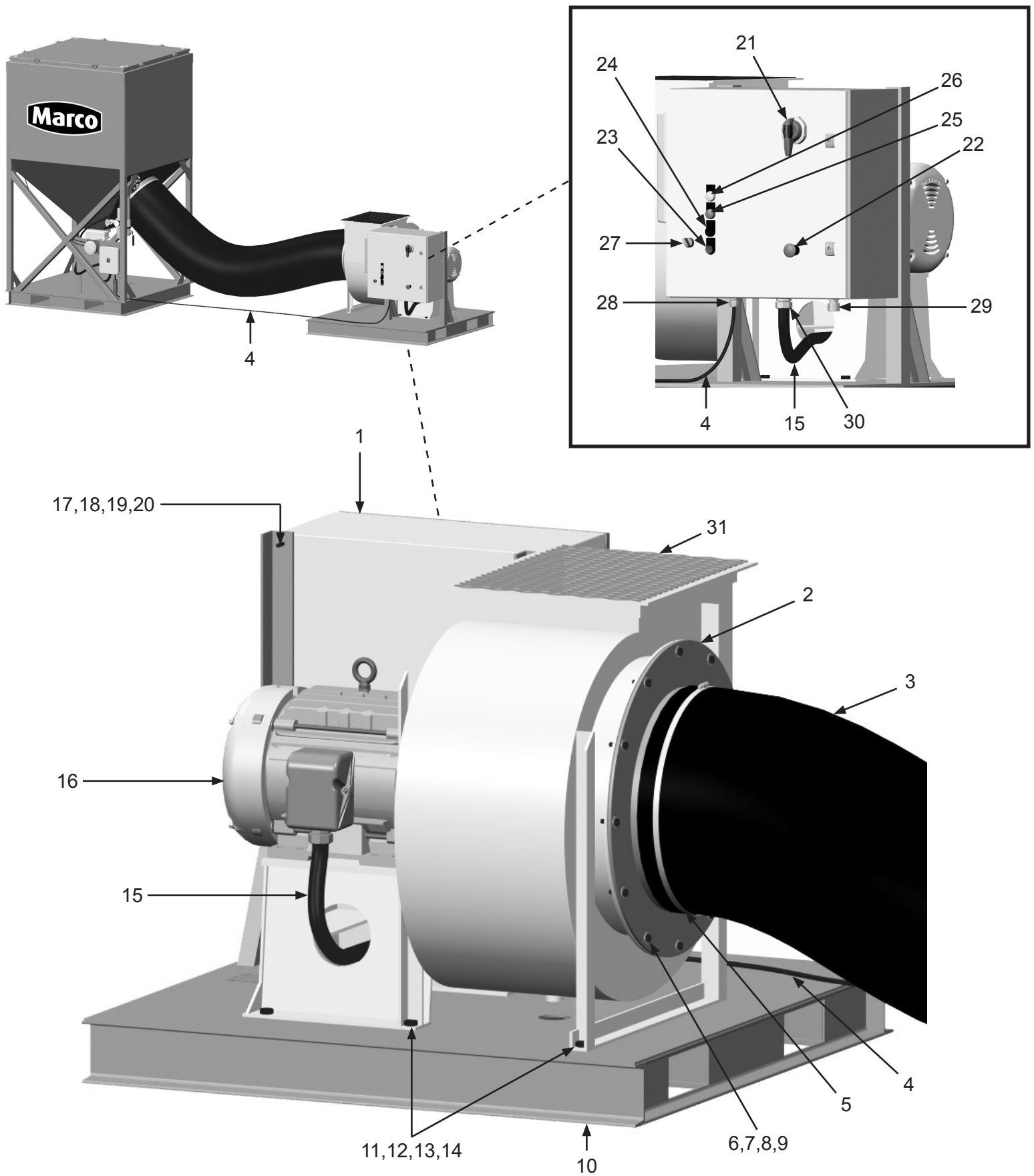
PART NUMBERS AND SCHEMATICS

Fan Skid Assembly

| Item # | Part # | Description |
|---------------|---------------|--|
| Fig. 1 | | |
| 1 | 10106974 | Main Control Box |
| 2 | 10105523 | Inlet Adapter |
| 3 | 10DH1825HD | Duct Hose 1-1/2" Pitch – 18" I.D. x 25' Long |
| 4 | 1015540 | 16/2 Xtreme-Duty® Electric Cord <i>(Per Foot)</i> |
| 5 | 10DH202201800 | 18" Screw Clamp |
| 6 | 10104234 | 3/8-16 x 1-1/4 Hex Bolt Zinc <i>(12 Required)</i> |
| 7 | 10101942 | 3/8" Flat Washer – Galvanized <i>(24 Required)</i> |
| 8 | 10101936 | 3/8" Lock Washer – Zinc <i>(12 Required)</i> |
| 9 | 1012318 | 3/8-16 HD Hex Nut <i>(12 Required)</i> |
| 10 | 10105449 | Fan/Motor Skid Weldment |
| 11 | 10103397 | 5/8-11 x 2" Grade 8 Bolt – Zinc <i>(Six Required)</i> |
| 12 | 10103398 | Washer – 5/8" Grade 8 <i>(Six Required)</i> |
| 13 | 10103399 | Lock Washer – 5/8" HD <i>(Six Required)</i> |
| 14 | 10103393 | Nut – 5/8-11 Grade 8 Zinc <i>(Six Required)</i> |
| 15 | 1015590 | 8/4 SO Electrical Cord <i>(Per Foot)</i> |
| 1 | 10105447 | Fan with 15 HP Motor |
| 17 | 1035046 | 5/16-18 Nut <i>(Four Required)</i> |
| 18 | 10L805014 | 5/16" Lock Washer <i>(Four Required)</i> |
| 19 | 10101935 | 5/16" Flat Washer – Galvanized <i>(Eight Required)</i> |
| 20 | 1014019 | 5/16-18 x 1-1/4" Hex Bolt <i>(Four Required)</i> |
| 21 | 10105360 | Main Power Switch |
| 22 | 10108259 | Twist Release E-Stop |
| 23 | 10105372 | Red Normally Closed Momentary Switch |
| 24 | 10105373 | Black Normally Open Momentary Switch |
| 25 | 10105374 | Red Indicating Light 120 VAC |
| 26 | 10105375 | Green Indicating Light 120 VAC |
| 27 | 10109182 | Potentiometer |
| 28 | 10103854 | 1" Straight Hub |
| 29 | 10104703 | Cord Grip Nylon 1/2"-NPT .2-.47 Diameter |
| 30 | 10103855 | Cord Grip 3/4"-NPT .750-.875 Diameter |
| 31 | 10105448 | Bird Screen |

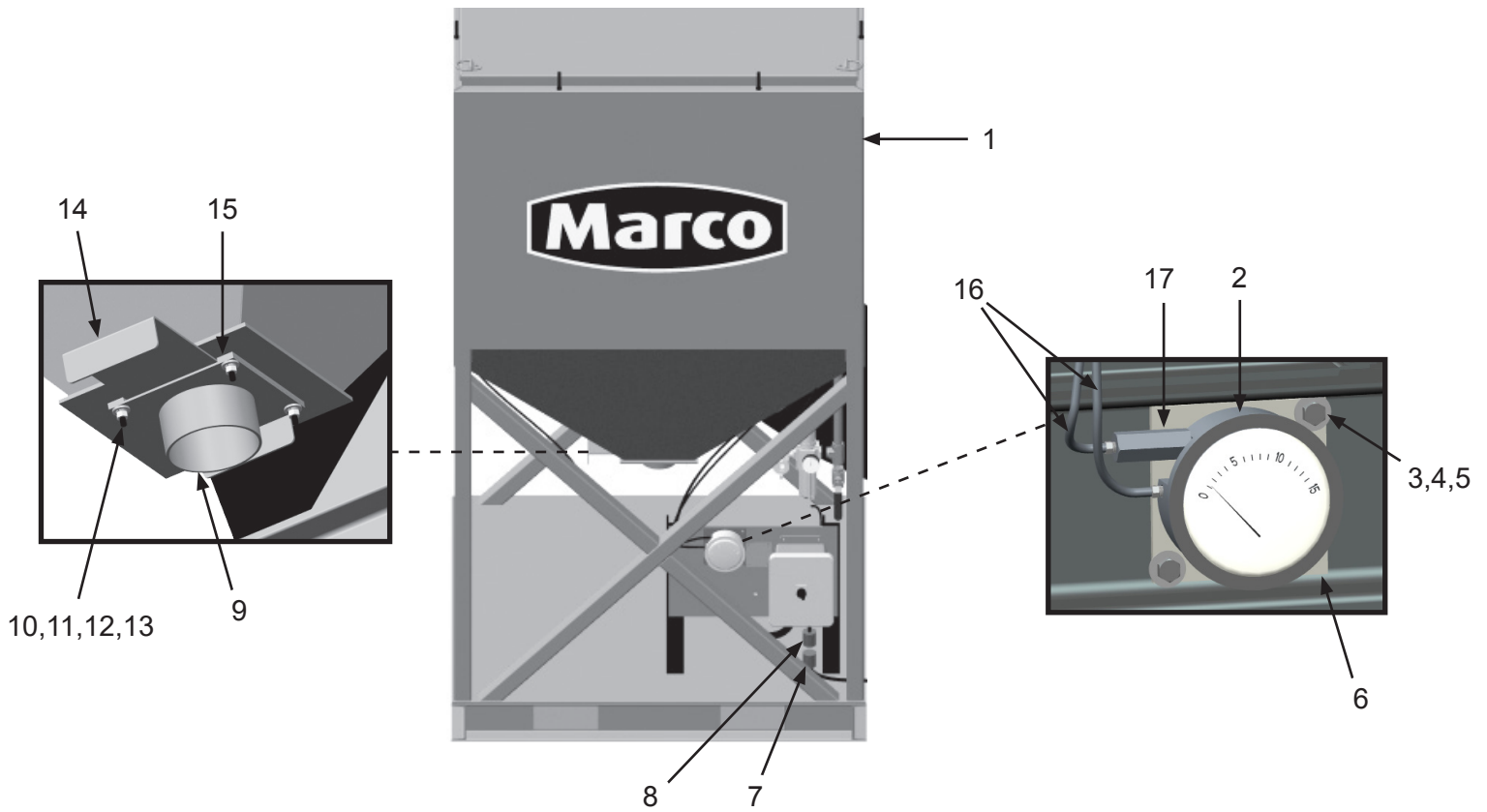
PART NUMBERS AND SCHEMATICS

Figure 1: Fan Skid Assembly



PART NUMBERS AND SCHEMATICS

Figure 2: Hopper Skid Assembly



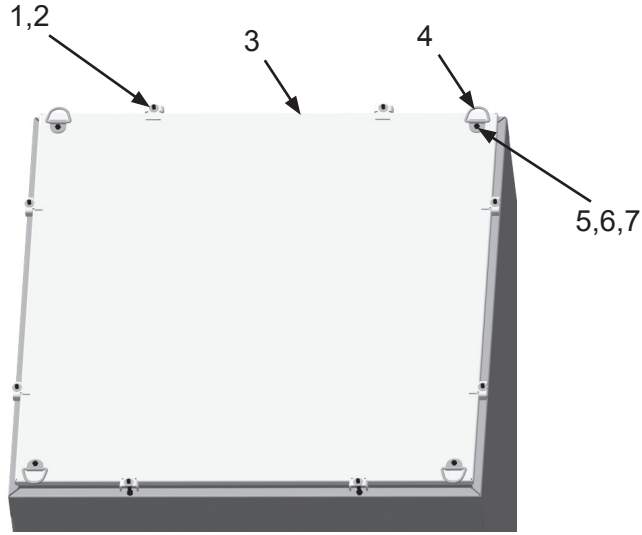
| Item # | Part # | Description |
|--------|--------|-------------|
|--------|--------|-------------|

Fig. 2

| | | |
|----|----------|--|
| 1 | 10105405 | Dustmaster® Hopper Weldment |
| 2 | 10103259 | Magnehelic Differential Pressure Gauge |
| 3 | 1011747 | 3/8-16 x 1" Bolt (<i>Two Required</i>) |
| 4 | 10101936 | 3/8" Lock Washer - Zinc (<i>Two Required</i>) |
| 5 | 1012318 | 3/8-16 HD Hex Nut (<i>Two Required</i>) |
| 6 | 10103608 | Magnahelic Mount |
| 7 | 1015552 | Female Twist Lock Plug Two Prong |
| 8 | 1015551 | Male Twist Lock Plug Two Prong |
| 9 | 10104949 | Slide Gate Bottom Weldment |
| 10 | 10102582 | 1/4-20 x 1-1/4" Grade 8 Bolt (<i>Four Required</i>) |
| 11 | 10101347 | 1/4-20 Hex Nut (<i>Four Required</i>) |
| 12 | 1012153 | 1/4" Lock Washer (<i>Four Required</i>) |
| 13 | 10101940 | 1/4" Flat Washer - Galvanized (<i>Four Required</i>) |
| 14 | 10104947 | Slide Plate |
| 15 | 10104946 | Slide Gate Side Bar |
| 16 | 10103322 | 1/4" Black Urethane Tubing (<i>Per Foot</i>) |
| 17 | 10108373 | 1/8" NPT Inline Air Filter |

PART NUMBERS AND SCHEMATICS

Figure 3: Dust Collector Filter Cartridge Lid Assembly



| Item # | Part # | Description |
|---------------|-----------|---|
| Fig. 3 | | |
| 1 | 1012318 | 3/8-16 HD Hex Nut <i>(Eight Required)</i> |
| 2 | 10101942 | 3/8" Flat Washer - Galvanized <i>(Eight Required)</i> |
| 3 | 10105437 | Lid |
| 4 | 10103625 | D-Ring <i>(Four Required)</i> |
| 5 | 10101346 | 5/16-18 x 3/4" L Grade 5 Bolt <i>(Four Required)</i> |
| 6 | 10L805014 | 5/16" Lock Washer <i>(Four Required)</i> |
| 7 | 1035046 | 5/16-18 Nut <i>(Four Required)</i> |

REPLACEMENT DUST COLLECTOR FILTER CARTRIDGES

| | Part Numbers | Material | I.D. | O.D. | Length |
|--|--------------|----------------|-------|--------|--------|
| | 10105828 | 85/15 | 8.38" | 12.75" | 26" |
| | 10105732 | Fire Retardant | 8.38" | 12.75" | 26" |
| | 1010007893 | HEPA | 8.38" | 12.75" | 26" |
| | 10105733 | Spunbond | 8.38" | 12.75" | 26" |

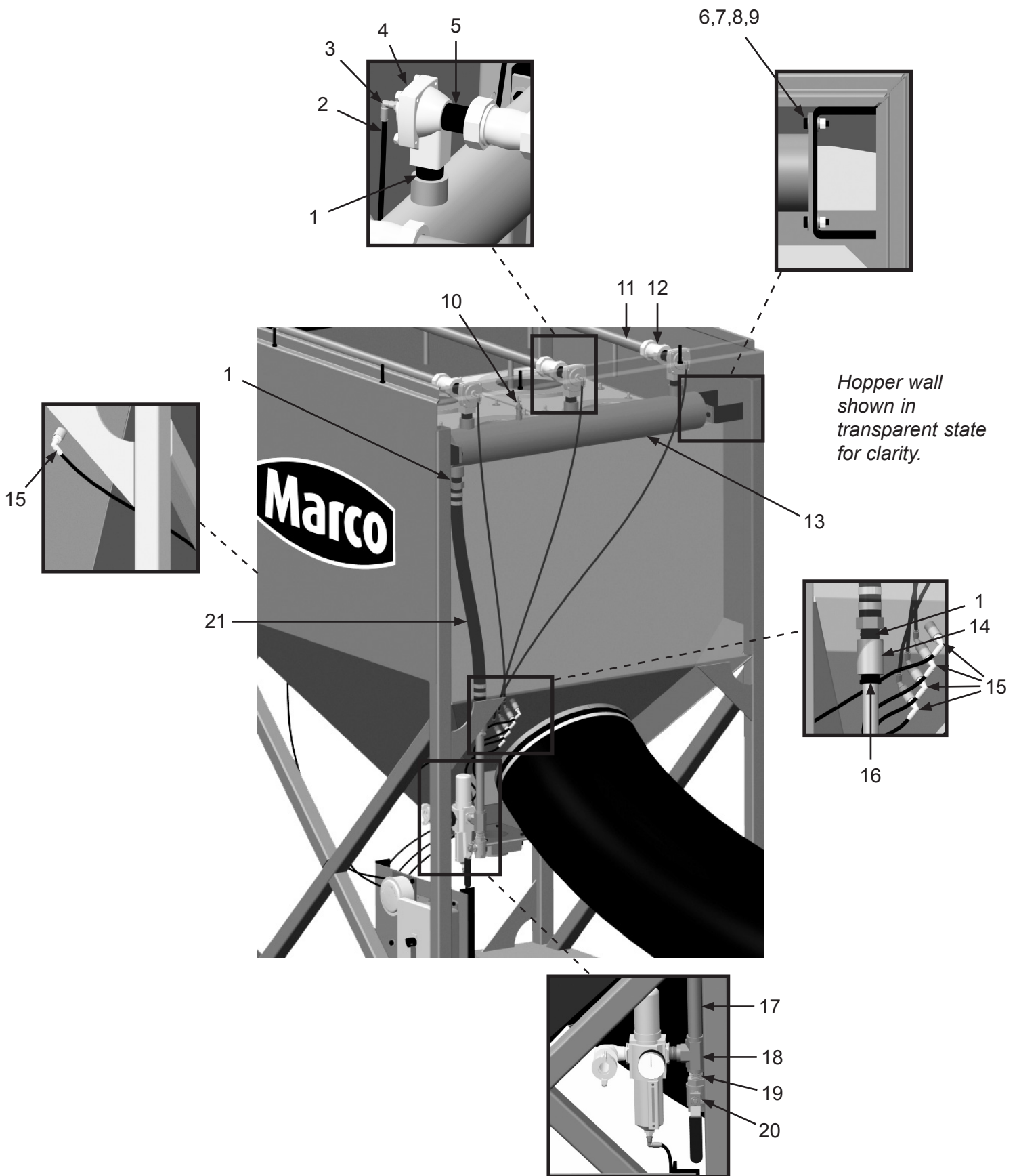
PART NUMBERS AND SCHEMATICS

Pulser System Assembly

| Item # | Part # | Description |
|---------------|----------------|---|
| Fig. 4 | | |
| 1 | 1012151 | 1" Galvanized Close Nipple <i>(Three Required)</i> |
| 2 | 10103322 | 1/4" Black Urethane Tubing <i>(Per Foot)</i> |
| 3 | 20100579 | 1/4" O.D. Tube x 1/8" NPT PTC Swivel |
| 4 | 10103255 | 1" Diaphragm Valve |
| 5 | 10000197 | 1" x 3" Toe Nipple |
| 6 | 10104234 | 3/8-16 x 1-1/4" Hex Bolt Zinc <i>(Four Required)</i> |
| 7 | 10101942 | 3/8" Flat Washer - Galvanized <i>(Eight Required)</i> |
| 8 | 10101936 | 3/8" Lock Washer - Zinc <i>(Four Required)</i> |
| 9 | 1012318 | 3/8 -16 HD Hex Nut <i>(Four Required)</i> |
| 10 | 1028607 | 1/4" NPT Pressure Relief Valve |
| 11 | 10105442 | Blowpipe <i>(Three Required)</i> |
| 12 | 10102599 | Compression Coupling <i>(Three Required)</i> |
| 13 | 10105427 | Header Weldment |
| 14 | 10101149 | 1" Full Coupling - 3000 PSI |
| 15 | 20PFBA31095614 | 1/4" Tube x 1/4" NPT 90° Fitting <i>(Five Required)</i> |
| 16 | 20PFHA24SB1612 | 1" x 3/4" Reducing Bushing |
| 17 | 20100283 | 3/4" x 10" Galvanized Pipe |
| 18 | 20PFHA25VJ12 | 3/4" Female Tee |
| 19 | 1011213 | 3/4" NPT Close Nipple |
| 20 | 10L8074C | 3/4" NPT Full Port Ball Valve |
| 21 | 10AH100B | Air Hose 1" I.D. 200 PSI - Black |
| — | 10103954 | 1" Diaphragm Valve Service Kit <i>(Not Shown)</i> |

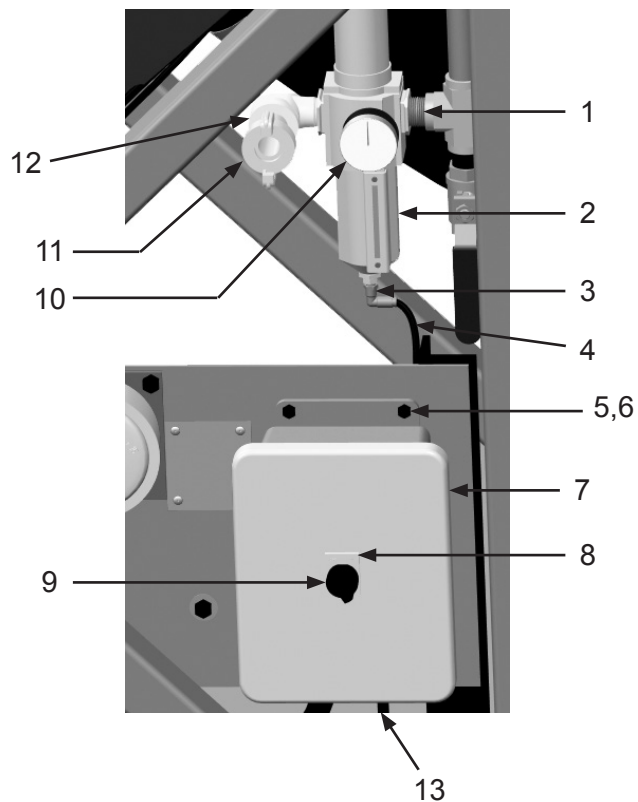
PART NUMBERS AND SCHEMATICS

Figure 4: Pulser System Assembly



PART NUMBERS AND SCHEMATICS

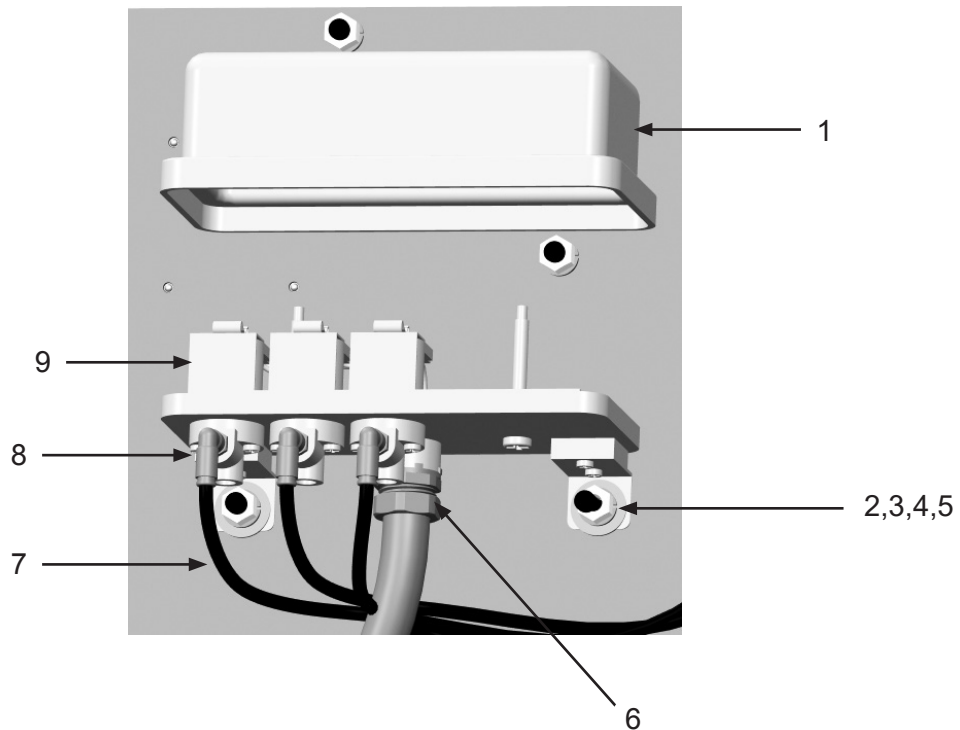
Figure 5: Pulsar Regulator and Timer Assembly



| Item # | Part # | Description |
|---------------|----------|--|
| Fig. 5 | | |
| 1 | 1011213 | 3/4" NPT Close Nipple |
| 2 | 10103257 | Filter/Regulator |
| 3 | 20100579 | 1/4" O.D. Tube x 1/8" NPT PTC |
| 4 | 10103322 | 1/4" Black Urethane Tubing (<i>Per Foot</i>) |
| 5 | 20100125 | 1/4-20 x 3/4" Zinc Hex Bolt |
| 6 | 10101939 | 1/4-20 Stainless Steel Lock Nut |
| 7 | 10103848 | 4 Ch. 120V Timer Board With Enclosure |
| — | 10105781 | 120-Volt AC Timer Controller – 4 Ch |
| 8 | 10103414 | On/Off Name Plate |
| 9 | 10103305 | 2-Way Selector Switch |
| 10 | 1028606 | Pressure Gauge 160 PSI 1/4" Back |
| 11 | 10ME1 | 3/4" Male 2-lug Coupling |
| 12 | 10102479 | 3/4" 90° Street Elbow |
| 13 | 1015540 | 16/2 SJ Electrical Cord (<i>Per Foot</i>) |
| — | 10103950 | Filter/Regulator Service Kit |
| — | 10103951 | Filter Element (<i>Not Shown</i>) |

PART NUMBERS AND SCHEMATICS

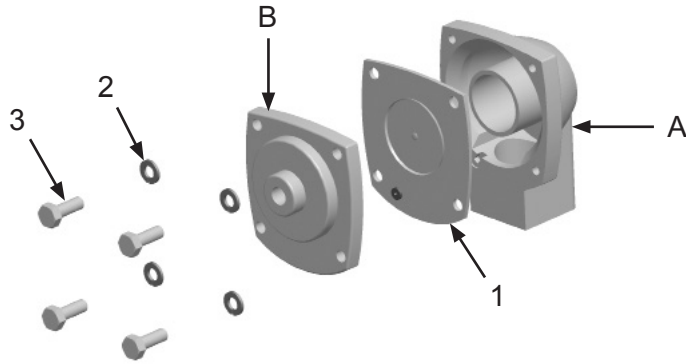
Figure 6: Pulsar Solenoid Enclosure Assembly



| Item # | Part # | Description |
|---------------|----------------|---|
| Fig. 6 | | |
| 1 | 10103849 | Solenoid Pilot Valve Enclosure |
| 2 | 10101936 | 3/8" Zinc Lock Washer (<i>Two Required</i>) |
| 3 | 1012318 | 3/8-16 HD Hex Nut (<i>Two Required</i>) |
| 4 | 10101942 | 3/8" Galvanized Flat Washer (<i>Four Required</i>) |
| 5 | 1011747 | 3/8-16 x 1" Bolt (<i>Two Required</i>) |
| 6 | 20RST50 | Straight Liquid Tite Connection Fitting |
| 7 | 10103322 | 1/4" Black Urethane Tubing (<i>Per Foot</i>) |
| 8 | 20PFBA31095614 | 1/4" Tube x 1/4" NPT 90° Fitting (<i>Three Required</i>) |
| 9 | 10103955 | Solenoid Valve (<i>Three Required</i>) |
| — | 10105676 | Solenoid Coil — 120-Volt AC (<i>One Required per Solenoid</i>) |
| — | 10103957 | Solenoid Service Kit <i>Includes: O-ring, Plunger, Spring, Ferrule</i> |

PART NUMBERS AND SCHEMATICS

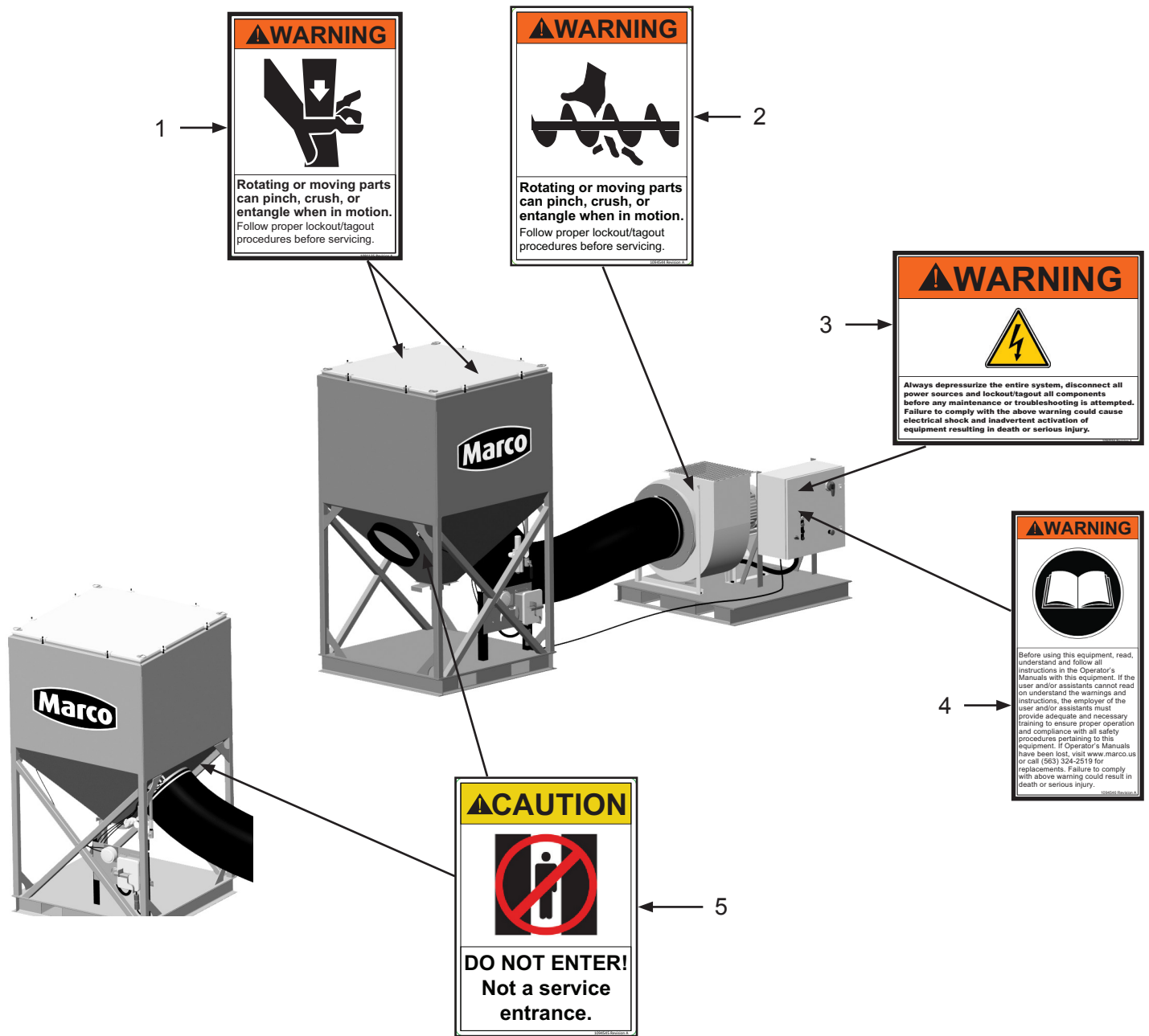
Figure 7: Diaphragm Valve



| Item # | Part # | Description |
|--------|----------|--|
| Fig. 7 | | |
| — | 10103255 | 1" Diaphragm Valve – Complete <i>Includes Items: A, B, 1, 2, and 3</i> |
| 1 | 10103954 | 1" Diaphragm Valve Service Kit |
| 2 | 1012153 | 1/4" Lock Washer (<i>Four Required</i>) |
| 3 | 20101232 | M6 x 1 x 14 HHCS (<i>Four Required</i>) |

PART NUMBERS AND SCHEMATICS

Figure 8: Hazard Identification Decals




| Item # | Part # | Description |
|---------------|---------|--|
| Fig. 8 | | |
| 1 | 1091135 | Rotating or Moving Parts Warning Decal |
| 2 | 1094544 | Rotating or Moving Parts Warning Decal |
| 3 | 1094556 | Lockout/Tagout Warning Decal |
| 4 | 1094546 | Read Manual Warning Decal |
| 5 | 1094545 | Do Not Enter Caution Decal |



LITERATURE REFERENCES


Dustmaster® 6,000 CFM Electric Dust Collector

| | |
|---------|--|
| 106M130 | Part Numbers & Schematics Guide – Dustmaster® 6,000 CFM Electric Dust Collectors |
| 1090130 | Operator's Manual – Dustmaster® 6,000 CFM Electric Dust Collectors |
| 109V561 | Operator's Manual – Marathon Motor Manual 5554E |
| 109V045 | Operator's Manual – Dynamic Fan Corporation |

OPTIONAL ACCESSORIES

| | | DUCT HOSE | | | | | | |
|--|------------|-----------|--------|--------|-------------|------------------------------|---------------------|------------------|
| Part Numbers | | Hose I.D. | Length | Pitch | Bend Radius | Body Material | Wear Strip Material | Wear Strip Color |
|  | 10DH1625HD | 16" | 25 Ft. | 1-1/2" | 14" | 2-Ply Vinyl-Coated Polyester | PVC | Red |
| | 10DH1650HD | 16" | 50 Ft. | 1-1/2" | 14" | 2-Ply Vinyl-Coated Polyester | PVC | Red |
| | 15DH1625 | 16" | 25 Ft. | 2" | 16.8" | 2-Ply Vinyl-Coated Polyester | PVC | Red |
| | 10DH1825HD | 18" | 25 Ft. | 1-1/2" | 16" | 2-Ply Vinyl-Coated Polyester | PVC | Red |
| | 10DH1850HD | 18" | 50 Ft. | 1-1/2" | 16" | 2-Ply Vinyl-Coated Polyester | PVC | Red |
| | 15DH1825 | 18" | 25 Ft. | 2" | 17.3" | 2-Ply Vinyl-Coated Polyester | PVC | Red |

| | | DUCT HOSE COUPLINGS AND SCREW CLAMPS | |
|--|---------------|--------------------------------------|-----------------------------|
| Part Numbers | | Hose I.D. | Style |
|  | 1017116 | 16" | Stainless Steel Coupling |
| | 1017118 | 18" | Stainless Steel Coupling |
|  | 10DH202201600 | 16" | Stainless Steel Screw Clamp |
| | 10DH202201800 | 18" | Stainless Steel Screw Clamp |

| | | DUCT HOSE ADAPTERS | |
|---|--------------|--------------------|--------------|
| Part Numbers | | Dimensions | Material |
|  | 15DH73795060 | 24" x 16" | Carbon Steel |

OPTIONAL ACCESSORIES



Part Numbers

| 3/4" I.D. X 1-1/4" O.D. AIR HOSE WITH COUPLINGS INSTALLED | | | | | | |
|--|--------|-----------|-----------|------------------|------------------|------------------|
| Part Numbers | Length | Hose I.D. | Hose O.D. | Working Pressure | Hose Cover Color | Couplings |
| 10AH034AC | 50 Ft. | 3/4" | 1-1/4" | 200 PSI | Red | 2-Lug Crimped On |



Part Numbers

| 3/4" I.D. X 1-1/4" O.D. AIR HOSE | | | | | |
|---|---------|-----------|-----------|------------------|------------------|
| Part Numbers | Length | Hose I.D. | Hose O.D. | Working Pressure | Hose Cover Color |
| 10AH034 | Per Ft. | 3/4" | 1-1/4" | 200 PSI | Red |



Part Numbers

| MALE HOSE END COUPLING AND GASKET FOR 3/4" I.D. AIR HOSE | | | | | | |
|---|-----------|-------------|----------------|---------------|-------------|-------------|
| Part Numbers | Hose I.D. | Material | Coupling Style | GASKET | | |
| | | | | Rubber Gasket | Gasket I.D. | Gasket O.D. |
| 10HE1 | 3/4" | Plated Iron | 2-Lug | 10UG2 | 3/4" | 1-3/8" |



Part Numbers

| BOSS® CLAMP FOR 3/4" I.D. AIR HOSE | | | |
|---|-----------|--------------------|--------------|
| Part Numbers | Hose I.D. | Hose O.D. Range | Material |
| 10A9 | 3/4" | 1-8/64" – 1-20/64" | Plated Steel |

MAINTENANCE NOTES

| DATE | TYPE OF SERVICE | PART NUMBER |
|------|-----------------|-------------|
| | | |
| | | |
| | | |
| | | |
| | | |
| | | |
| | | |
| | | |
| | | |
| | | |
| | | |
| | | |
| | | |
| | | |
| | | |
| | | |
| | | |
| | | |
| | | |
| | | |
| | | |
| | | |
| | | |
| | | |
| | | |
| | | |
| | | |
| | | |
| | | |
| | | |
| | | |
| | | |
| | | |
| | | |
| | | |
| | | |
| | | |
| | | |
| | | |
| | | |
| | | |
| | | |
| | | |
| | | |

CONTACT CENTER

- 3425 East Locust Street
Davenport, IA 52803

ph: 800.BLAST.IT (800.252.7848)
ph: 563.324.2519
fax: 563.324.6258

REGIONAL BRANCH OFFICES

- Iowa
Davenport
- Louisiana
Gonzales
Lafayette
- Ohio
Youngstown
- Texas
Beaumont
Corpus Christi
Deer Park



ABRASIVES
BLASTING
COATING
DUST COLLECTION
RENTAL & SERVICE
SAFETY
VACUUMS

40+ NATIONWIDE SHIPPING LOCATIONS



★ Marco Regional Branch Offices and Shipping Locations ● Direct Shipping Locations

CONTACT MARCO

800.BLAST.IT
(800.252.7848)
563.324.2519
FAX: 563.324.6258

WWW.MARCO.US
SALES@MARCO.US