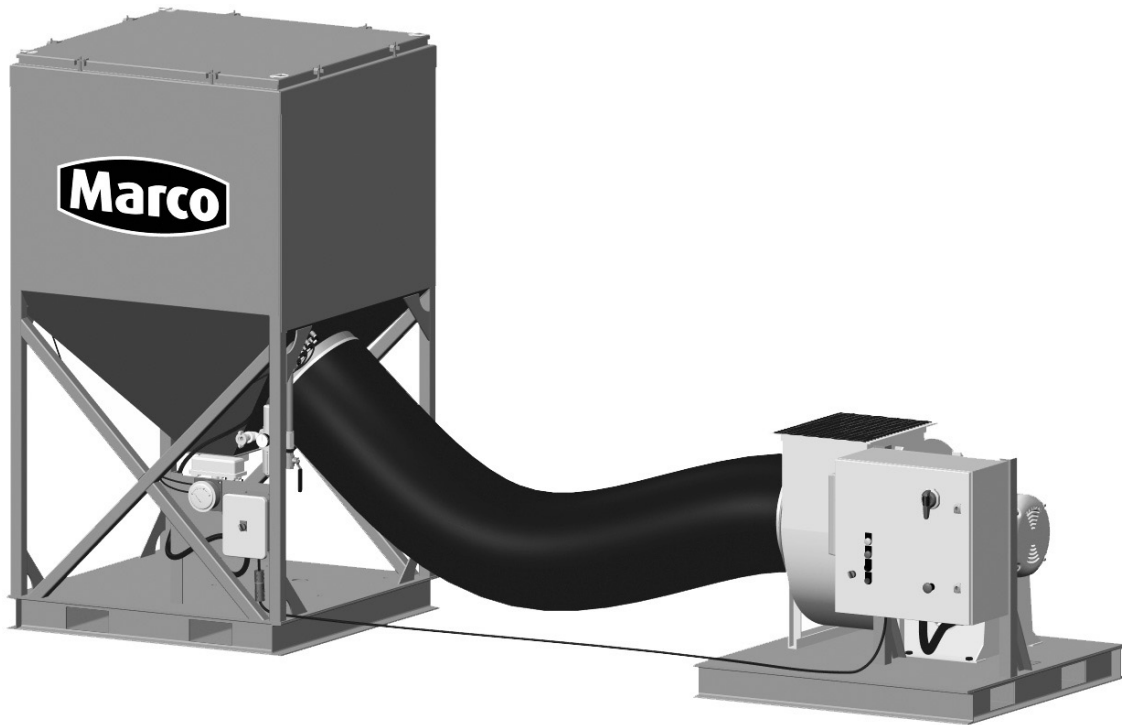




# DUSTMASTER® 6,000 CFM 575-VOLT ELECTRIC DUST COLLECTORS



**BUILT MARCO TOUGH**  
MARCO MANUFACTURED

## PART NUMBERS AND SCHEMATICS GUIDE

## Company Profile

Since 1944, Marco has developed a strong tradition of providing innovative and reliable products and services to the surface preparation and protective coatings industries. We are the world's premier provider of Abrasives, Blasting, Coating, Dust Collectors, Engineered Systems, Rental, Safety, Service, Repair, & Modernization, and Vacuums.

Through innovative designs and a total commitment to quality, Marco manufactures products that increase production rates, create a safer workplace, and reduce maintenance costs. Marco's industry experience, manufacturing capabilities, legendary customer service, product availability, logistics services, and technology leadership is your assurance that we deliver high quality products and services, providing the best value to you, our customer.

## The Marco Difference

- **Industry Experience** – With Marco on your team, you have access to expertise which can only come from decades of industry leadership. We have organized our engineering department, production specialists, customer operations, and safety support into a "Center of Competence." As a Marco customer, you have access to hundreds of years of cumulative experience related to your operations.
- **Manufacturing Excellence** – Marco is a manufacturer of equipment for the Surface Preparation and Protective Coatings industries. Marco's engineers benchmark the industry to ensure that we design and manufacture superior products that set the "Gold Standard" for performance, safety, and quality.
- **Legendary Customer Service** – Marco's legendary customer service team is staffed by friendly, highly-trained individuals who are focused on providing the highest level of product support, order accuracy, and customer satisfaction.
- **Product Availability** – We stock over 10,000 SKU's and have more than 45 shipping locations to serve North American and International markets for all major brands of blasting and coating equipment. As the largest provider of surface preparation and protective coatings equipment in the world, our inventory levels and product availability are unmatched.
- **Logistics Services** – Marco's in-house logistics team is dedicated to moving your shipment anywhere in the world. We move more than 14,000 truckloads every year, allowing you to save on freight costs by leveraging our buying power. Lower your process costs with a single invoice, which includes product and freight.
- **Technology Leadership** – Our website provides: Operator's Manuals, Part Numbers and Schematics Guides, SDS information, and Features & Specifications Guides, providing access to information 24/7. Our Extranet application allows you to receive quotes and place orders online. Our Intranet maintains a complete record of your purchase history to assist with ongoing support of your existing equipment and future purchasing decisions.

## Vision Statement

Marco is the world's premier provider of Abrasives, Blasting, Coating, Dust Collectors, Engineered Systems, Rental, Safety, Service, Repair, & Modernization, and Vacuums.

## Mission Statement

Marco provides strong leadership and innovation to the surface preparation and protective coatings industries. We dedicate our efforts to the continuous improvement of our products, services, processes, people, and most importantly, the quality of our customer's experience.

## Quality Statement

Marco is committed to providing superior quality in the design, manufacturing, distribution, rental, service, and repair of our products. Continuous improvement of our processes and supply chain Integration comprise the core of our business strategy for delivering exceptional quality and value in all Marco products and services.

## Management Philosophy

We are a company dedicated to the success of every customer and associate. We discuss, debate, challenge, measure, and test our ideas. We will be boundless and limitless in our passion to improve. Through sound leadership and dedicated associates, we will ensure a long term, profitable future for Marco, our associates, customers, and suppliers.

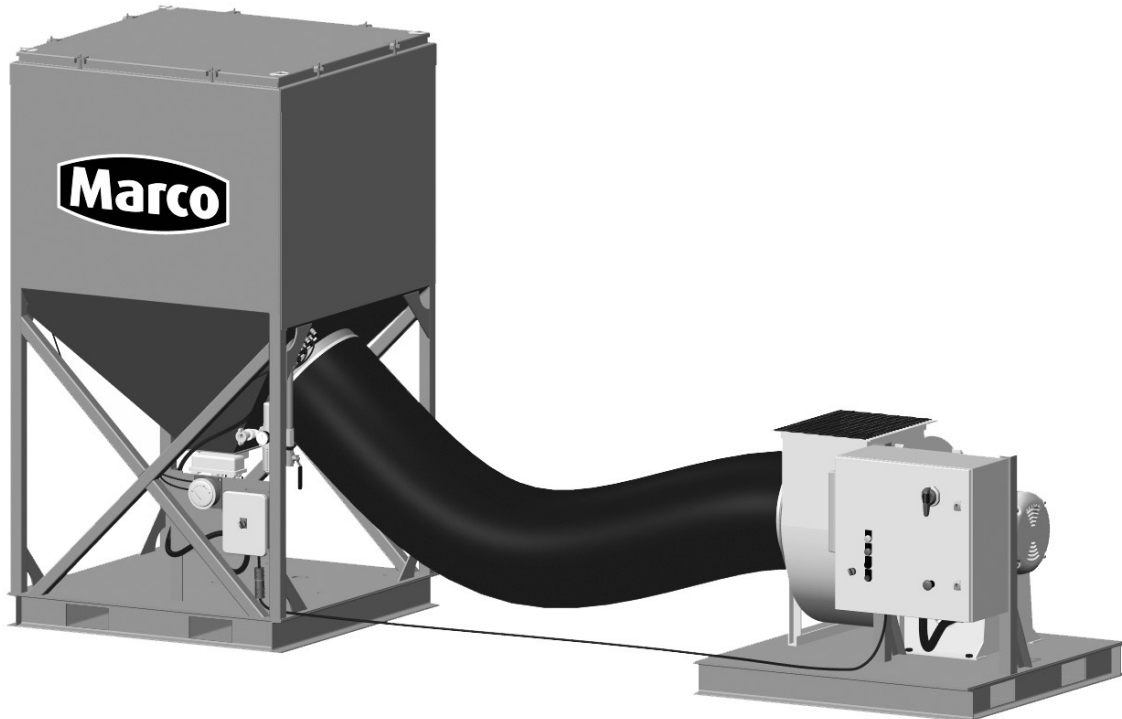
# TABLE OF CONTENTS

<b>Company Profile</b> .....	<b>1</b>
<b>Part Numbers</b> .....	<b>3</b>
<b>Specifications</b> .....	<b>4</b>
<b>Part Numbers And Schematics Guide</b> .....	<b>5</b>
Fan Skid Assembly .....	5
Hopper Skid Assembly .....	7
Dust Collector Filter Cartridge Lid Assembly .....	8
Pulser System Assembly .....	9
Pulser Regulator and Timer Assembly .....	11
Pulser Solenoid Enclosure Assembly .....	12
Diaphragm Valve .....	13
Hazard Identification Decals .....	14
<b>Literature References</b> .....	<b>15</b>
<b>Optional Accessories</b> .....	<b>16</b>

## PART NUMBERS

### DUSTMASTER® 6,000 CFM 575-VOLT ELECTRIC DUST COLLECTORS

<b>Part Numbers</b>	Filter Cartridge Material			<b>Filter Cartridge Quantity</b>	<b>Duct Hose</b>
	High Density 85% Cellulose/15% Poly Blend	Spunbond	Fire Retardant		
10106973	X			6	25 Ft. of 18" I.D. Duct Hose
10107348		X		6	25 Ft. of 18" I.D. Duct Hose
10109203			X	6	25 Ft. of 18" I.D. Duct Hose



## SPECIFICATIONS

<b>Capacity:</b>	CFM : 3270 — 6350 W.C. 0 – 10"														
<b>Filter Cartridge Style:</b>	Open Top with Flange, Closed Bottom 6 Required														
<b>Filter Cleaning:</b>	Pulse System, 5–15 second intervals Pulse Duration: 200–350 millisecond														
<b>Air to Cloth Ratio:</b>	3.66:1 @ 6,000 CFM														
<b>Filter Area:</b>	1,365 square feet														
<b>Efficiency:</b>	85/15 Blend High Density Pleat Filters – 99.8% @ 0.5 micron Spunbond Filters – 97% @ 3.0 micron Fire Retardant Filters - 96.8% @ 2.0 micron														
<b>Ducting Connections:</b>	Inlet: 16" I.D., Quantity of One Outlet: 18" I.D., Quantity of One														
<b>Dust Removal Conveyor:</b>	Direct Dump, Slide Gate														
<b>Fan:</b>	Backward Inclined, non-overloading, spark resisting														
	<table><thead><tr><th>Speed Setting</th><th>Approximate Air Flow (cfm)</th></tr></thead><tbody><tr><td>4</td><td>3270</td></tr><tr><td>5</td><td>4125</td></tr><tr><td>6</td><td>5241</td></tr><tr><td>7</td><td>5780</td></tr><tr><td>8</td><td>5869</td></tr><tr><td>9</td><td>6350</td></tr></tbody></table>	Speed Setting	Approximate Air Flow (cfm)	4	3270	5	4125	6	5241	7	5780	8	5869	9	6350
Speed Setting	Approximate Air Flow (cfm)														
4	3270														
5	4125														
6	5241														
7	5780														
8	5869														
9	6350														
<b>Motor:</b>	15 Horsepower Electric 3-Phase														
<b>Air Requirements:</b>	Clean, Dry, Compressed Air 24 CFM @ 90 PSI														
<b>Electrical System:</b>	575-V, 60 Hz 14.1 FLA														
<b>Unit Dimensions:</b>	Hopper: 4' L x 4' W x 7' 5" H    Dry Weight: 1233 pounds Fan Skid: 4' L x 4' W x 3' 5" H    Dry Weight: 1054 pounds														

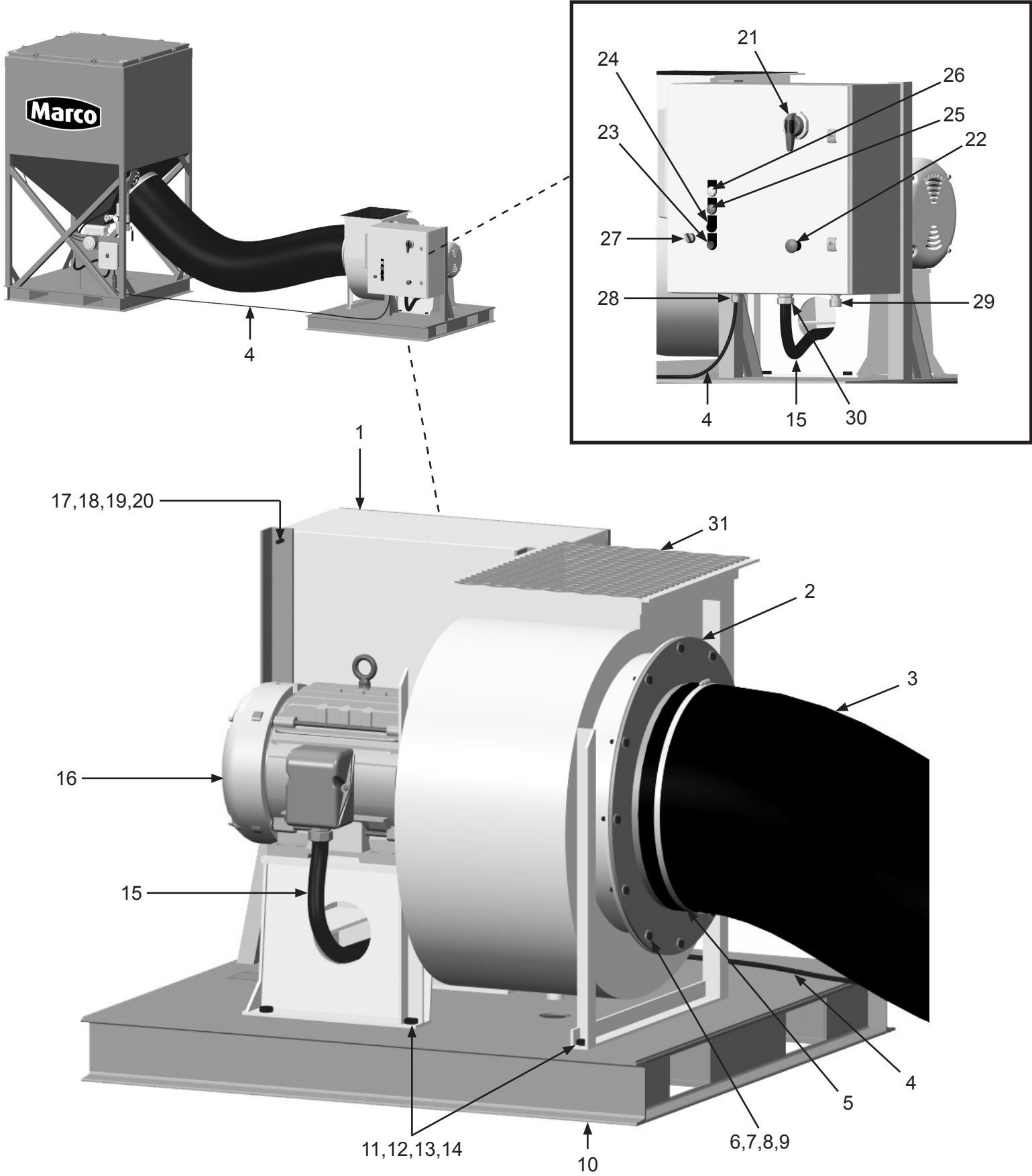
# PART NUMBERS AND SCHEMATICS GUIDE

## Fan Skid Assembly

Item #	Part #	Description
<b>Fig. 1</b>		
1	10106974	Main Control Box
2	10105523	Inlet Adapter
3	10DH1825HD	Duct Hose 1-1/2" Pitch – 18" I.D. x 25' Long
4	1015540	16/2 Xtreme-Duty® Electric Cord <i>(Per Foot)</i>
5	10DH202201800	18" Screw Clamp
6	10104234	3/8-16 x 1-1/4 Hex Bolt Zinc <i>(12 Required)</i>
7	10101942	3/8" Flat Washer – Galvanized <i>(24 Required)</i>
8	10101936	3/8" Lock Washer – Zinc <i>(12 Required)</i>
9	1012318	3/8-16 HD Hex Nut <i>(12 Required)</i>
10	10105449	Fan/Motor Skid Weldment
11	10103397	5/8-11 x 2" Grade 8 Bolt – Zinc <i>(Six Required)</i>
12	10103398	Washer – 5/8" Grade 8 <i>(Six Required)</i>
13	10103399	Lock Washer – 5/8" HD <i>(Six Required)</i>
14	10103393	Nut – 5/8-11 Grade 8 Zinc <i>(Six Required)</i>
15	1015590	8/4 SO Electrical Cord <i>(Per Foot)</i>
16	10106976	Fan with 15 HP Motor
17	1035046	5/16-18 Nut <i>(Four Required)</i>
18	10L805014	5/16" Lock Washer <i>(Four Required)</i>
19	10101935	5/16" Flat Washer – Galvanized <i>(Eight Required)</i>
20	1014019	5/16-18 x 1-1/4" Hex Bolt <i>(Four Required)</i>
21	10105360	Main Power Switch
22	10108259	Twist Release E-Stop
23	10105372	Red Normally Closed Momentary Switch
24	10105373	Black Normally Open Momentary Switch
25	10105374	Red Indicating Light 120 VAC
26	10105375	Green Indicating Light 120 VAC
27	10109182	Potentiometer
28	10103854	1" Straight Hub
29	10104703	Cord Grip Nylon 1/2"-NPT .2-.47 Diameter
30	10103855	Cord Grip 3/4"-NPT .750-.875 Diameter
31	10105448	Bird Screen

# PART NUMBERS AND SCHEMATICS GUIDE

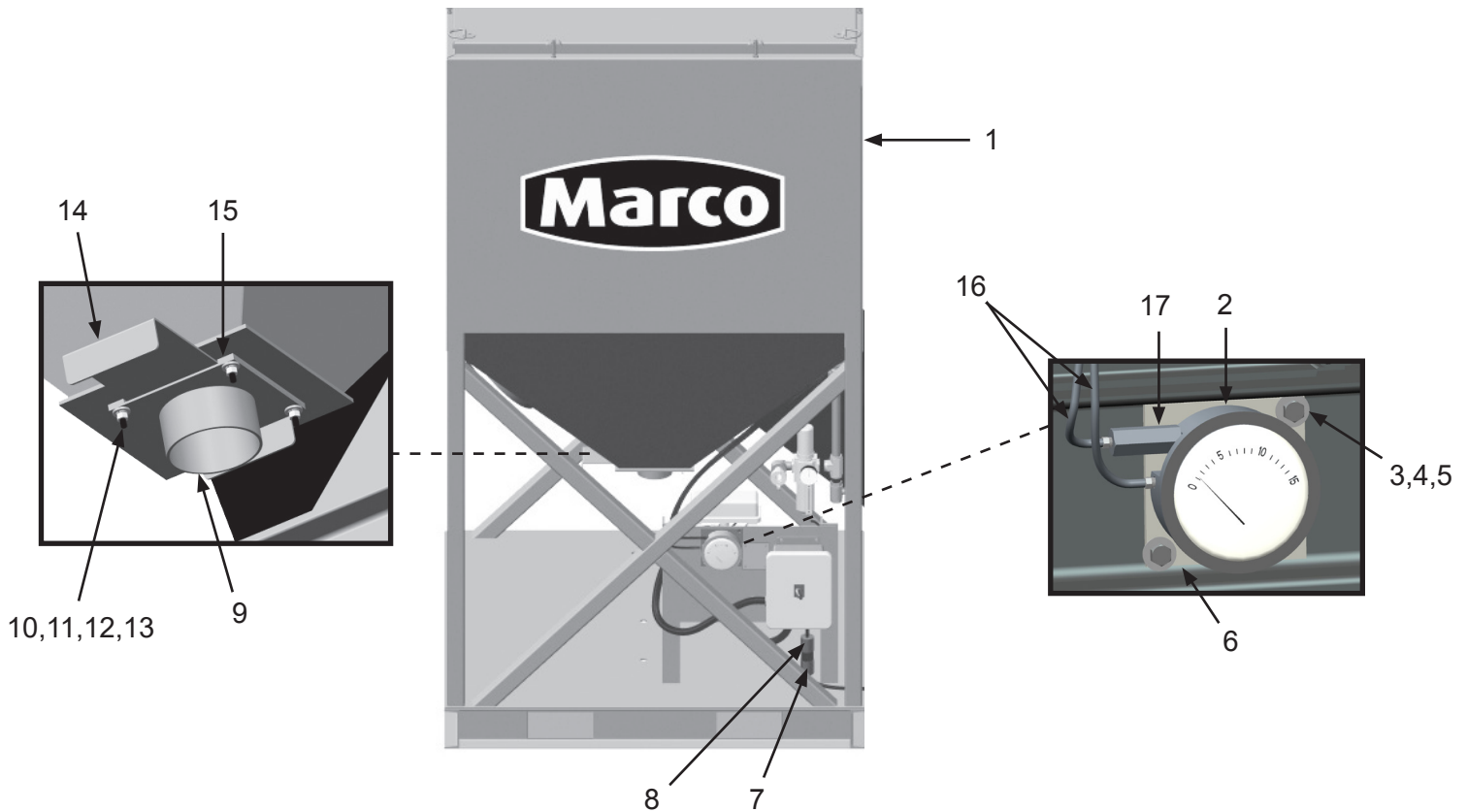
Figure 1: Fan Skid Assembly





# PART NUMBERS AND SCHEMATICS GUIDE

**Figure 2: Hopper Skid Assembly**

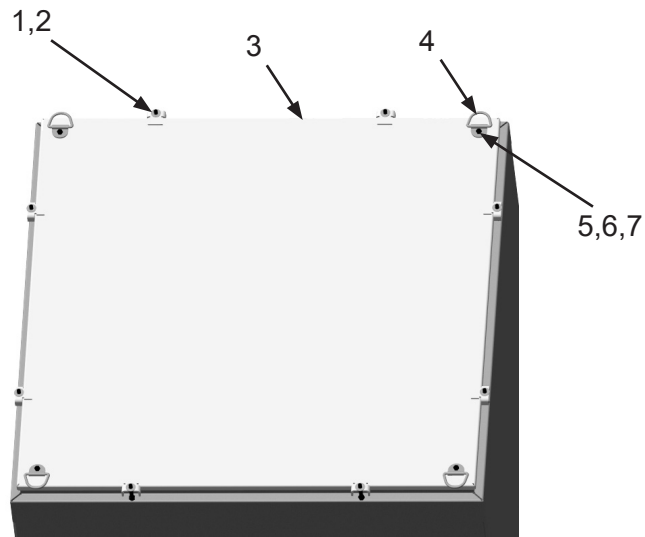


Item #	Part #	Description
<b>Fig. 2</b>		
1	10105405	Dustmaster® Hopper Weldment
2	10103259	Magnehelic Differential Pressure Gauge <i>Includes Mounting Hardware</i>
3	1011747	3/8-16 x 1" Bolt <i>(Two Required)</i>
4	10101936	3/8" Lock Washer – Zinc <i>(Two Required)</i>
5	1012318	3/8-16 HD Hex Nut <i>(Two Required)</i>
6	10103608	Magnahelic Mount
7	1015552	2-Prong Twist-Lock Plug – Female
8	1015551	2-Prong Twist-Lock Plug – Male
9	10104949	Slide Gate Bottom Weldment
10	10102582	1/4-20 x 1-1/4" Grade 8 Bolt <i>(Four Required)</i>
11	10101347	1/4-20 Hex Nut <i>(Four Required)</i>
12	1012153	1/4" Lock Washer <i>(Four Required)</i>
13	10101940	1/4" Flat Washer – Galvanized <i>(Four Required)</i>
14	10104947	Slide Plate
15	10104946	Slide Gate Side Bar
16	10103322	1/4" Black Urethane Tubing <i>(Per Foot)</i>
17	1018373	1/8" NPT Inline Air Filter



## PART NUMBERS AND SCHEMATICS GUIDE

**Figure 3: Dust Collector Filter Cartridge Lid Assembly**



Item #	Part #	Description
<b>Fig. 3</b>		
1	1012318	3/8-16 HD Hex Nut <i>(Eight Required)</i>
2	10101942	3/8" Flat Washer – Galvanized <i>(Eight Required)</i>
3	10105437	Lid
4	10103625	D-Ring <i>(Four Required)</i>
5	10101346	5/16-18 x 3/4" L Grade 5 Bolt <i>(Four Required)</i>
6	10L805014	5/16" Lock Washer <i>(Four Required)</i>
7	1035046	5/16-18 Nut <i>(Four Required)</i>
—	10105828	85/15 Blend High Density Pleat Filter – 99.8% @ 0.5 micron <i>(Six Required)</i>
	10105563	Spunbond Filter – 97% @ 3.0 micron <i>(Six Required)</i>

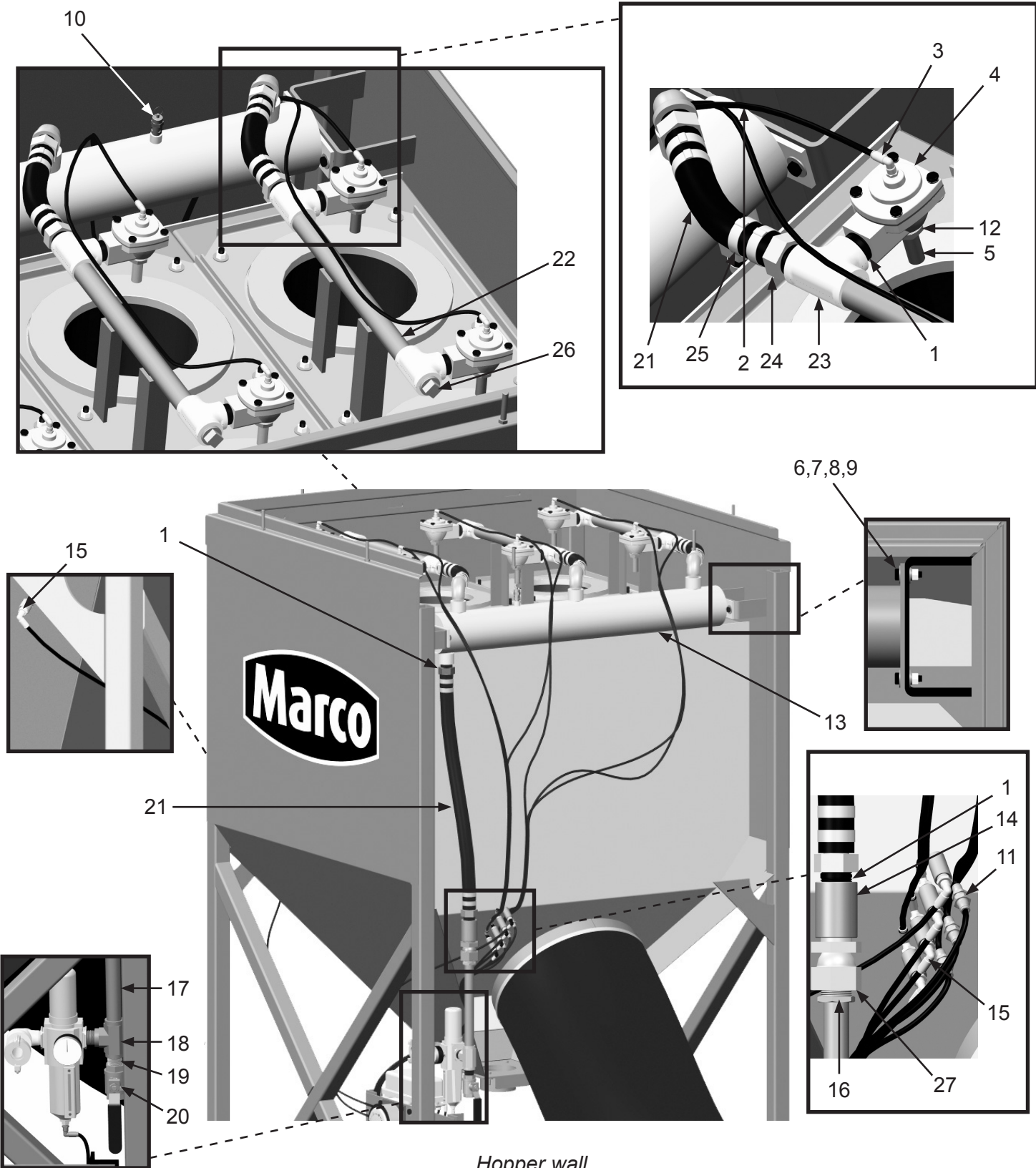
# PART NUMBERS AND SCHEMATICS GUIDE

## Pulser System Assembly

Item #	Part #	Description
<b>Fig. 4</b>		
1	1012151	1" Galvanized Close Nipple <i>(Eight Required)</i>
2	10103322	1/4" Black Urethane Tubing <i>(Per Foot)</i>
3	20100579	1/4" O.D. Tube x 1/8" NPT PTC Swivel <i>(Six Required)</i>
4	10103255	1" Diaphragm Valve <i>(Six Required)</i> <i>(See Figure 7)</i>
5	10000139	3/8" x 2" Toe Nipple <i>(Six Required)</i>
6	10104234	3/8-16 x 1-1/4" Hex Bolt Zinc <i>(Four Required)</i>
7	10101942	3/8" Flat Washer – Galvanized <i>(Eight Required)</i>
8	10101936	3/8" Lock Washer – Zinc <i>(Four Required)</i>
9	1012318	3/8-16 HD Hex Nut <i>(Four Required)</i>
10	1028607	1/4" NPT Pressure Relief Valve
11	10105700	1/4" Prestolok Bulkhead Union <i>(Three Required)</i>
12	10107328	1" x 3/8" Reducing Bushing <i>(Six Required)</i>
13	10105427	Header Weldment
14	10101149	1" Full Coupling – 3000 psi
15	20PFBA31095614	1/4" Tube x 1/4" NPT 90° Fitting <i>(Five Required)</i>
16	20PFHA24SB1612	1" x 3/4" Reducing Bushing
17	20100283	3/4" x 10" Galvanized Pipe
18	20PFHA25VJ12	3/4" Female Tee
19	1011213	3/4" NPT Close Nipple
20	10L8074C	3/4" NPT Full Port Ball Valve
21	10AH100B	Air Hose 1" I.D. 200 psi – Black
22	10107327	Pulse Valve Mount Weldment
23	1011816	1" Pipe Tee – Galvanized
24	10SFE2	1" Swivel Female End <i>(Eight Required)</i>
25	10AHCL1	Band Clamp up to 1.5" O.D. <i>(14 Required)</i>
26	1011901	Galvanized 1" Square Head Pipe Plug <i>(Three Required)</i>
27	20PFHA60SA1616	1" (M) x 1" (F) Swivel Union

# PART NUMBERS AND SCHEMATICS GUIDE

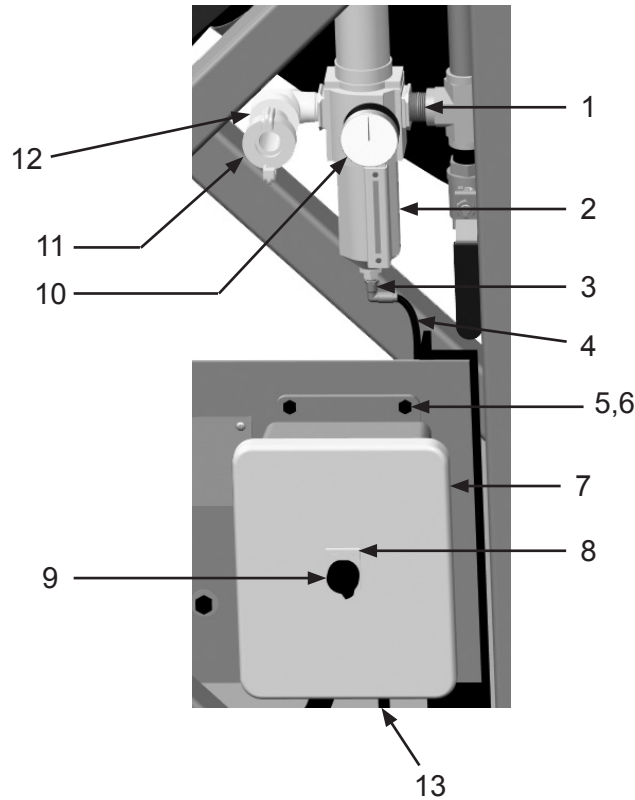
Figure 4: Pulser System Assembly



*Hopper wall  
shown in  
transparent state  
for clarity.*

## PART NUMBERS AND SCHEMATICS GUIDE

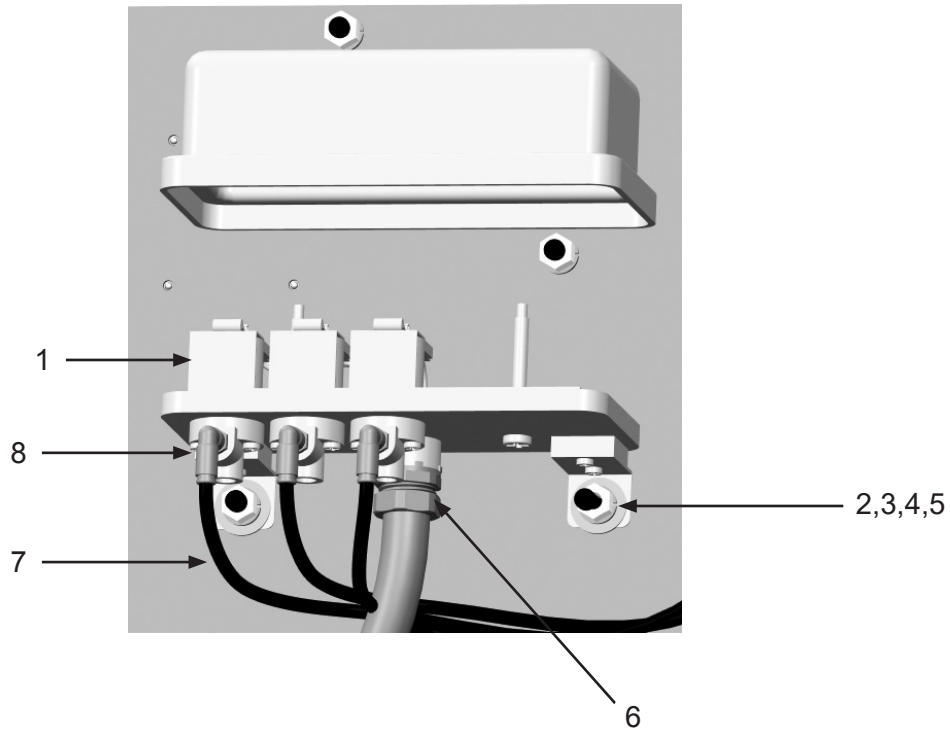
Figure 5: Pulsar Regulator and Timer Assembly



Item #	Part #	Description
<b>Fig. 5</b>		
1	1011213	3/4" NPT Close Nipple
2	10103257	Filter/Regulator
3	20100579	1/4" O.D. Tube x 1/8" NPT PTC
4	10103322	1/4" Black Urethane Tubing ( <i>Per Foot</i> )
5	20100125	1/4-20 x 3/4" Zinc Hex Bolt
6	10101939	1/4-20 Stainless Steel Lock Nut
7	10106080	6 Ch. 120V Timer Board with Enclosure
—	10103935	Timer Board Enclosure
—	10107331	6 Ch. Timer Board – 102-132 VAC
8	10103414	On/Off Name Plate
9	10103305	2-Way Selector Switch
10	1028606	Pressure Gauge 160 psi 1/4" Back
11	10ME1	3/4" Male 2-Lug Coupling
12	10102479	3/4" 90° Street Elbow
13	1015540	16/2 Xtreme-Duty® Electric Cord ( <i>Per Foot</i> )
—	10103950	Filter/Regulator Service Kit
—	10103951	Filter Element ( <i>Not Shown</i> )

## PART NUMBERS AND SCHEMATICS GUIDE

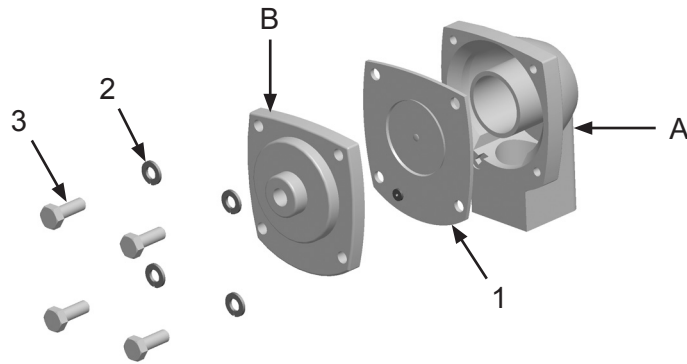
Figure 6: Pulsar Solenoid Enclosure Assembly



Item #	Part #	Description
<b>Fig. 6</b>		
—	<b>10103849</b>	<b>120V – 3 Solenoid Pilot Valve Assembly (Two Required)</b>
1	10103955	Solenoid Valve (Three Required Per Assembly)
2	10101936	3/8" Zinc Lock Washer (Two Required Per Assembly)
3	1012318	3/8-16 HD Hex Nut (Two Required Per Assembly)
4	10101942	3/8" Galvanized Flat Washer (Four Required Per Assembly)
5	1011747	3/8-16 x 1" Bolt (Two Required Per Assembly)
6	20RST50	Straight Liquid Tite Connection Fitting
7	10103322	1/4" Black Urethane Tubing (Per Foot)
8	20PFBA31095614	1/4" Tube x 1/4" NPT 90° Fitting (Three Required Per Assembly)
—	10105676	Solenoid Coil – 120V AC (One Required per Solenoid) Includes Mounting Hardware
—	10103957	Solenoid Service Kit Includes: O-Ring, Plunger, Spring, Ferrule

## PART NUMBERS AND SCHEMATICS

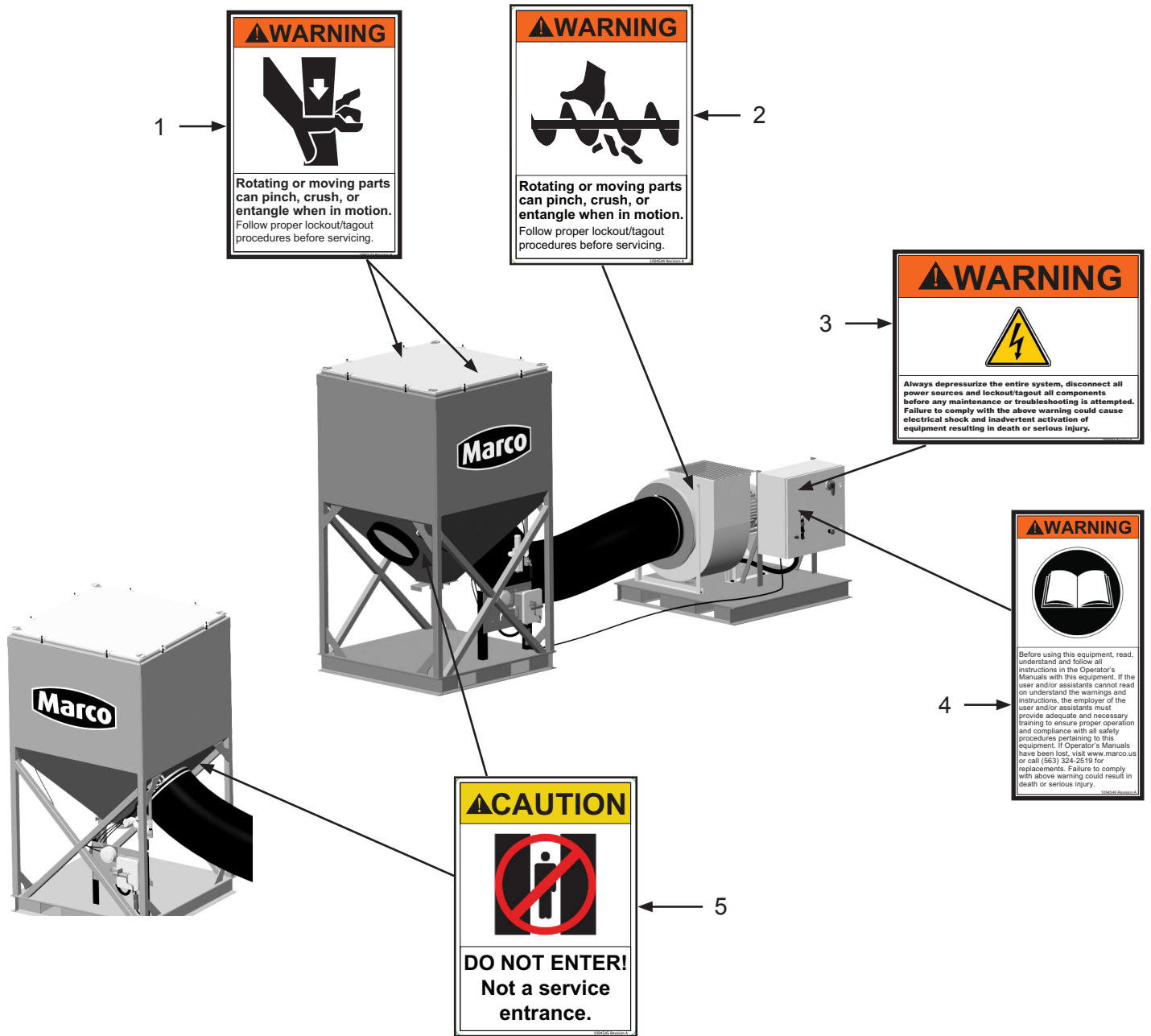
Figure 7: Diaphragm Valve



Item #	Part #	Description
Fig. 7		
—	10103255	<b>1" Diaphragm Valve – Complete</b> <i>Includes Items: A, B, 1, 2, and 3</i>
1	10103954	1" Diaphragm Valve Service Kit
2	1012153	1/4" Lock Washer ( <i>Four Required</i> )
3	20101232	M6 x 1 x 14 HHCS ( <i>Four Required</i> )

# PART NUMBERS AND SCHEMATICS

Figure 8: Hazard Identification Decals



Item #	Part #	Description
1	1091135	Rotating or Moving Parts Warning Decal
2	1094544	Rotating or Moving Parts Warning Decal
3	1094556	Lockout/Tagout Warning Decal
4	1094546	Read Manual Warning Decal
5	1094545	Do Not Enter Caution Decal




## LITERATURE REFERENCES

### **Dustmaster® 6,000 CFM 575- Volt Electric Dust Collector**


106M150	Part Numbers & Schematics Guide – Dustmaster® 6,000 575-Volt CFM Electric Dust Collectors
1090150	Operator's Manual – Dustmaster® 6,000 575-Volt CFM Electric Dust Collectors
109V561	Operator's Manual – Marathon Motor Manual 5554E
109V045	Operator's Manual – Dynamic Fan Corporation

## OPTIONAL ACCESSORIES



### REPLACEMENT DUST COLLECTOR FILTER CARTRIDGES

	<b>Part Numbers</b>	<b>Material</b>	<b>I.D.</b>	<b>O.D.</b>	<b>Length</b>
	10105828	85/15 High Density	8.38"	12.75"	26"
	10105733	Spunbond	8.38"	12.75"	26"
	10105732	Fire Retardant	8.38"	12.75"	26"


### DUCT HOSE

	<b>Part Numbers</b>	<b>Hose I.D.</b>	<b>Length</b>	<b>Pitch</b>	<b>Bend Radius</b>	<b>Body Material</b>	<b>Wear Strip Material</b>	<b>Wear Strip Color</b>
	10DH1625HD	16"	25 Ft.	1-1/2"	14"	2-Ply Vinyl-Coated Polyester	PVC	Red
	10DH1650HD	16"	50 Ft.	1-1/2"	14"	2-Ply Vinyl-Coated Polyester	PVC	Red
	15DH1625	16"	25 Ft.	2"	16.8"	2-Ply Vinyl-Coated Polyester	PVC	Red
	10DH1825HD	18"	25 Ft.	1-1/2"	16"	2-Ply Vinyl-Coated Polyester	PVC	Red
	10DH1850HD	18"	50 Ft.	1-1/2"	16"	2-Ply Vinyl-Coated Polyester	PVC	Red
	15DH1825	18"	25 Ft.	2"	17.3"	2-Ply Vinyl-Coated Polyester	PVC	Red

### DUCT HOSE COUPLINGS AND SCREW CLAMPS

	<b>Part Numbers</b>	<b>Hose I.D.</b>	<b>Style</b>
	1017116	16"	Stainless Steel Coupling
	1017118	18"	Stainless Steel Coupling
	10DH202201600	16"	Stainless Steel Screw Clamp
	10DH202201800	18"	Stainless Steel Screw Clamp

### DUCT HOSE ADAPTERS

	<b>Part Numbers</b>	<b>Dimensions</b>	<b>Material</b>
	15DH73795060	24" x 16"	Carbon Steel

## OPTIONAL ACCESSORIES



### Part Numbers

#### 3/4" I.D. X 1-1/4" O.D. AIR HOSE WITH COUPLINGS INSTALLED

	Length	Hose I.D.	Hose O.D.	Working Pressure	Hose Cover Color	Couplings
10AH034AC	50 Ft.	3/4"	1-1/4"	200 PSI	Red	2-Lug Crimped On



### Part Numbers

#### 3/4" I.D. X 1-1/4" O.D. AIR HOSE

	Length	Hose I.D.	Hose O.D.	Working Pressure	Hose Cover Color
10AH034	Per Ft.	3/4"	1-1/4"	200 PSI	Red



### Part Numbers

#### MALE HOSE END COUPLING AND GASKET FOR 3/4" I.D. AIR HOSE

	Hose I.D.	Material	Coupling Style	GASKET		
				Rubber Gasket	Gasket I.D.	Gasket O.D.
10HE1	3/4"	Plated Iron	2-Lug	10UG2	3/4"	1-3/8"



### Part Numbers

#### BOSS® CLAMP FOR 3/4" I.D. AIR HOSE

	Hose I.D.	Hose O.D. Range	Material
10A9	3/4"	1-8/64" – 1-20/64"	Plated Steel



## CONTACT CENTER

- 3425 East Locust Street  
Davenport, IA 52803

ph: 800.BLAST.IT (800.252.7848)  
ph: 563.324.2519  
fax: 563.324.6258

## REGIONAL BRANCH OFFICES

- Iowa  
Davenport
- Louisiana  
Gonzales  
Lafayette
- Ohio  
Youngstown
- Texas  
Beaumont  
Corpus Christi  
Deer Park



ABRASIVES  
BLASTING  
COATING  
DUST COLLECTION  
RENTAL & SERVICE  
SAFETY  
VACUUMS

## 40+ NATIONWIDE SHIPPING LOCATIONS



★ Marco Regional Branch Offices and Shipping Locations      ● Direct Shipping Locations

## CONTACT MARCO

800.BLAST.IT  
(800.252.7848)  
563.324.2519  
FAX: 563.324.6258

WWW.MARCO.US  
SALES@MARCO.US