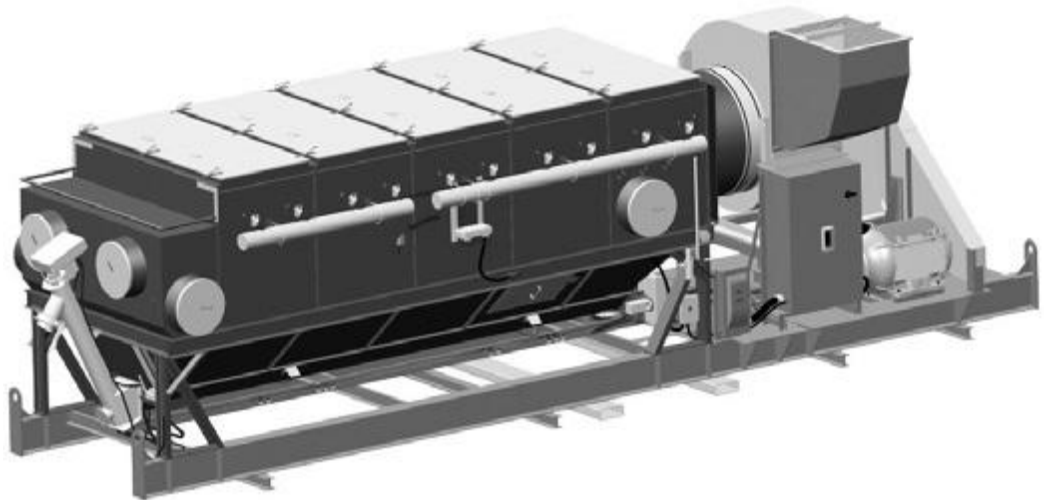
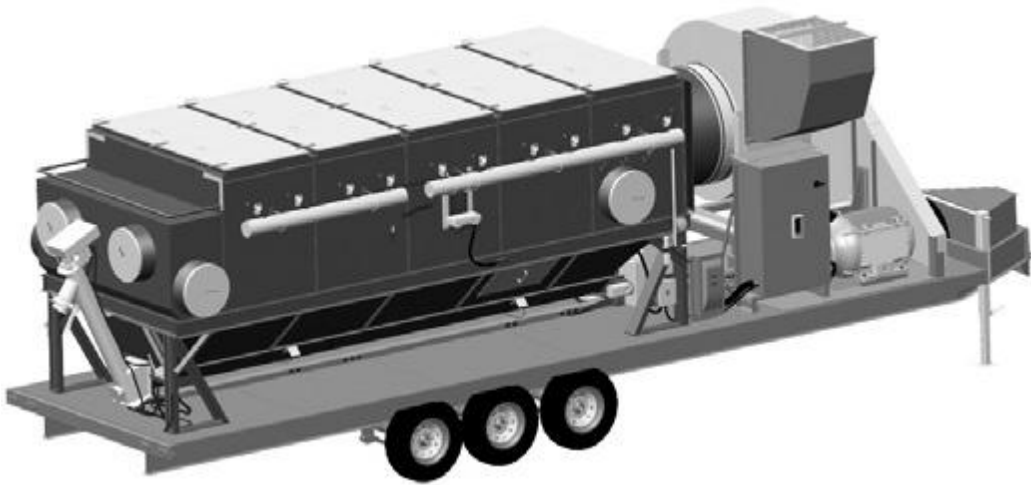


OPERATOR'S MANUAL

DUSTMASTER® 50,000 CFM ELECTRIC DUST COLLECTORS



**BUILT MARCO
TOUGH**
MARCO MANUFACTURED

⚠ WARNING

Before using this equipment, read, understand and follow all instructions in the Operator's Manuals provided with this equipment. If the user and/or assistants cannot read or understand the warnings and instructions, the employer of the user and/or assistants must provide adequate and necessary training to ensure proper operation and compliance with all safety procedures pertaining to this equipment. If Operator's Manuals have been lost, please visit www.marco.us, or contact Marco at 563.324.2519 for replacements. Failure to comply with the above warning could result in death or serious injury.



Company Profile

Since 1944, Marco has developed a strong tradition of providing innovative and reliable products and services to the surface preparation and protective coatings industries. We are the world's premier provider of Abrasives, Blasting, Coating, Dust Collectors, Engineered Systems, Rental, Safety, Service, Repair, & Modernization, and Vacuums.

Through innovative designs and a total commitment to quality, Marco manufactures products that increase production rates, create a safer workplace, and reduce maintenance costs. Marco's industry experience, manufacturing capabilities, legendary customer service, product availability, logistics services, and technology leadership is your assurance that we deliver high quality products and services, providing the best value to you, our customer.

The Marco Difference

- **Industry Experience** – With Marco on your team, you have access to expertise which can only come from decades of industry leadership. We have organized our engineering department, production specialists, customer operations, and safety support into a “Center of Competence.” As a Marco customer, you have access to hundreds of years of cumulative experience related to your operations.
- **Manufacturing Excellence** – Marco is a manufacturer of equipment for the Surface Preparation and Protective Coatings industries. Marco's engineers benchmark the industry to ensure that we design and manufacture superior products that set the “Gold Standard” for performance, safety, and quality.
- **Legendary Customer Service** – Marco's legendary customer service team is staffed by friendly, highly-trained individuals who are focused on providing the highest level of product support, order accuracy, and customer satisfaction.
- **Product Availability** – We stock over 10,000 SKU's and have more than 45 shipping locations to serve North American and International markets for all major brands of blasting and coating equipment. As the largest provider of surface preparation and protective coatings equipment in the world, our inventory levels and product availability are unmatched.
- **Logistics Services** – Marco's in-house logistics team is dedicated to moving your shipment anywhere in the world. We move more than 14,000 truckloads every year, allowing you to save on freight costs by leveraging our buying power. Lower your process costs with a single invoice, which includes product and freight.
- **Technology Leadership** – Our website provides: Operator's Manuals, Part Numbers and Schematics Guides, SDS information, and Features & Specifications Guides, providing access to information 24/7. Our Extranet application allows you to receive quotes and place orders online. Our Intranet maintains a complete record of your purchase history to assist with ongoing support of your existing equipment and future purchasing decisions.

Vision Statement

Marco is the world's premier provider of Abrasives, Blasting, Coating, Dust Collectors, Engineered Systems, Rental, Safety, Service, Repair, & Modernization, and Vacuums.

Mission Statement

Marco provides strong leadership and innovation to the surface preparation and protective coatings industries. We dedicate our efforts to the continuous improvement of our products, services, processes, people, and most importantly, the quality of our customer's experience.

Quality Statement

Marco is committed to providing superior quality in the design, manufacturing, distribution, rental, service, and repair of our products. Continuous improvement of our processes and supply chain Integration comprise the core of our business strategy for delivering exceptional quality and value in all Marco products and services.

Management Philosophy

We are a company dedicated to the success of every customer and associate. We discuss, debate, challenge, measure, and test our ideas. We will be boundless and limitless in our passion to improve. Through sound leadership and dedicated associates, we will ensure a long term, profitable future for Marco, our associates, customers, and suppliers.

TABLE OF CONTENTS

Company Profile	1	Maintenance	21
Definition of Terms	2	Remove & Install Fan Drive Belt.	21
Hazard Identifications	3	Adjust Tension of Fan Drive Belt	22
Air & Abrasive Consumption Chart	6	Adjust Main Auger Drive Chain.	23
Operating Instructions	9	Adjust Discharge Auger Drive Chain	24
Description	9	Adjust Pulse Separation	25
Operational Requirements	9	Remove & Install Hydraulic Oil Filter	26
Operating Instructions	9	Remove & Install Dust Collector Filter Cartridges .	27
Connect Duct Hose	12	Hazard Identification Decals.	28
Unit Startup & Shutdown	14	Troubleshooting	30
Pulser System Startup	15	Limited Warranty	34
Auger Clean-out Startup.	16	Disclaimer of Warranty	34
Activating & Deactivating Pneumatic Ball Vibrators	17	Exclusive Remedy for Warranty Claims	34
Reading Magnehelic Gauge.	18	Limitation of Remedies.	34
Lubricate Grease Points.	19		
Specifications	20		

DEFINITION OF TERMS

DANGER

This is an example of danger. This indicates an imminently hazardous situation which, if not avoided, will result in death or serious injury.

CAUTION

This is an example of a caution. This indicates a potentially hazardous situation which, if not avoided, may result in minor or moderate injury. It can also be used to alert against unsafe practices.

WARNING

This is an example of a warning. This indicates a potentially hazardous situation which, if not avoided, could result in death or serious injury.

NOTICE

This is an example of a notice. This indicates policy or practice directly related to safety of personnel or protection of property.

HAZARD IDENTIFICATIONS

WARNING

Failure to comply with ANY WARNING listed below could result in death or serious injury.

- ▶ OSHA sets exposure limits to protect workers from exposure to respirable crystalline silica, 29 CFR 1910.1053. Airborne dust could increase the exposure levels beyond permissible limits. Breathing dust containing silica could cause silicosis, a fatal lung disease. Breathing dust during abrasive blasting operations, post-blast cleaning operations, and/or servicing equipment within the abrasive blasting area may expose an individual to conditions that could cause asbestosis, lead poisoning and/or other serious or fatal diseases. Harmful dust containing toxic material from abrasives or surfaces being abrasive blasted can remain suspended in the air for long periods of time after abrasive blasting has ceased. A NIOSH-approved, well-maintained, respirator designed for the specific operation being performed must be used by anyone abrasive blasting, handling or using the abrasive, and anyone in the area of the dust.
- ▶ Contact NIOSH and OSHA offices to determine the proper respirator for your specific application. The air supplied to the respirator must be at least Grade D quality as described in Compressed Gas Association Commodity Specification G-7.1 and as specified by OSHA Regulation 1910.134. Ensure air filter and respirator system hoses are not connected to non-air sources or in-plant lines that may contain nitrogen, oxygen, acetylene or other non-breathable gases. Before removing respirator, use an air monitoring instrument to determine if the atmosphere is safe to breathe.
- ▶ You must comply with all OSHA, local, City, State, Province, Country and jurisdiction regulations, ordinances and standards, related to your particular work area and environment. Keep unprotected individuals out of the work area.
- ▶ Abrasive blasting operators must receive thorough training on the use of abrasive resistant attire which includes: supplied-air respirator, abrasive blasting suit, safety shoes, gloves, ear protection and eye protection. Protect the operator and bystanders by complying with NIOSH and OSHA Safety Standards.
- ▶ Inspect all equipment for wear or damage before and after each use. Failure to use Original Equipment Manufacturer repair parts and failure to immediately replace worn or damaged components could void warranties and cause malfunctions.
- ▶ OSHA requires abrasive blasting nozzles be equipped with an operating valve, which shall be designed to be held open only by continuous hand pressure and shall close immediately upon release of hand pressure (i.e., a “deadman” control). The valve shall not be modified in any manner that would allow it to remain open without the application of continuous hand pressure by the operator. Failure to comply with the above warning could result in release of high speed abrasive and compressed air resulting in death or serious injury. OSHA 29CFR 1910.244(b)
- ▶ Point the abrasive blasting nozzle only at the surface being abrasive blasted. Never point the abrasive blasting nozzle or abrasive stream at yourself or others.
- ▶ Unless otherwise specified, maximum working pressure of abrasive blasting pots and related components must not exceed 150 psi. Exceeding maximum working pressure of 150 psi could cause the abrasive blasting pot and components to burst. Failure to comply with the above warning could result in death or serious injury.
- ▶ Never weld, grind or drill on the abrasive blasting pot (or any pressure vessel). Doing so will void ASME certification and manufacturer’s warranty. Welding, grinding or drilling on the abrasive blasting pot (or any pressure vessel) could weaken the vessel causing it to burst. Failure to comply with the above warning could result in death or serious injury. (ASME Pressure Vessel Code, Section VIII, Division 1)
- ▶ This equipment is not intended for use in any area that might be considered a hazardous location, as described in the National Electric Code NFPA 70, Article 500. Use of this equipment in a hazardous location could cause an explosion or electrocution.
- ▶ Never attempt to move an abrasive blasting pot containing abrasive. Never attempt to manually move abrasive blasting pots greater than 6.5 cubic foot capacity. Always use at least two capable people to manually move an abrasive blasting pot on flat, smooth surfaces. A mechanical lifting device must be used if an abrasive blasting pot is moved in any other manner.

HAZARD IDENTIFICATIONS

WARNING

Failure to comply with ANY WARNING listed below could result in death or serious injury.

- ▶ This product is not for use in wet environments. Always use a Ground Fault Interrupter Circuit (GFI) for all electrical power source connections. Use of this product in wet environments could create a shock or electrocution hazard.
- ▶ Frozen moisture could cause restrictions and obstructions in pneumatic control lines. Any restriction or obstruction in the pneumatic control lines could prevent the proper activation and deactivation of the remote control system, resulting in the release of high speed abrasive and compressed air. In conditions where moisture may freeze in the control lines an antifreeze injection system approved for this application can be installed.
- ▶ Do not cut, obstruct, restrict or pinch pneumatic control lines. Doing so could prevent the proper activation and deactivation of the remote control system, resulting in the release of high speed abrasive and compressed air.
- ▶ Use of Marco remote control switches with other manufacturer's remote control systems could cause unintended activation of remote control systems resulting in the release of high speed abrasive and compressed air. Only Marco remote control switches should be used with Marco remote control systems.
- ▶ Always be certain to have secure footing when abrasive blasting. There is a recoil hazard when abrasive blasting starts that may cause user to fall and misdirect the abrasive stream at operator or bystander.
- ▶ Never use an abrasive blasting pot or attachments as a climbing device. The person could slip and fall. The abrasive blasting pot could become unstable and tip over.
- ▶ For equipment manufactured by entities other than Marco, you must consult the Original Equipment Manufacturer operator's manuals, information, training, instructions and warnings, for the proper and intended use of all equipment.
- ▶ Flammable fumes, such as solvent and paint fumes in the work area can present an ignition or explosion hazard if allowed to collect in adequate concentrations. To reduce conditions that could result in a fire or an explosion, provide adequate ventilation, eliminate all ignition or spark sources, keep the work area free of debris, store solvents and solvent contaminated rags in approved containers, follow proper grounding procedures, do not plug/unplug power cord or turn on/off power switches when flammable fumes are present, keep a working fire extinguisher or provide another fire suppression system in the work area. Cease all operations and correct condition if a spark or ignition source is identified during operation.
- ▶ Always depressurize the entire system, disconnect all power sources and lockout/tagout all components before any maintenance or troubleshooting is attempted. Failure to comply with the above warning could cause electrical shock and inadvertent activation of equipment resulting in death or serious injury.
- ▶ Moving parts can present an area where crushing, pinching, entanglement or amputation may occur. Do not place body parts or foreign objects in any area where there are moving parts.
- ▶ Surfaces of heated supply tanks, drums and/or lines as well as the adjoining plumbing may become hot during normal use. Do not touch these heated surfaces without proper protection. Deactivate and allow sufficient time for all surfaces to cool before attempting any maintenance.
- ▶ High-pressure fluid from gun, hose leaks, or ruptured components can pierce skin and can cause a serious injury that may result in amputation. Do not point gun or spray tip at anyone or at any part of the body. Keep clear of any leaks or ruptures. Depressurize the entire system before attempting cleaning, inspecting, or servicing equipment.
- ▶ Exposure to toxic fluids or fumes may occur during the normal operation of this system. Before attempting to fill, use, or service this system, read SDS's to know the specific hazards of the fluids you are using. Always use proper Personal Protective Equipment when attempting to fill, use, or service this system.
- ▶ The use of this product for any purpose other than originally intended or altered from its original design is prohibited.
- ▶ Never hang objects from the abrasive blasting pot handle. Doing so may cause the abrasive blasting pot to become unstable and tip over.

HAZARD IDENTIFICATIONS

CAUTION

Failure to comply with ANY CAUTION listed below may result in minor or moderate injury.

- ▶ Static electricity can be generated by abrasive moving through the abrasive blasting hose causing a shock hazard. Prior to use, ground the abrasive blasting pot and abrasive blasting nozzle to dissipate static electricity.
- ▶ High decibel noise levels are generated during the abrasive blasting process which may cause loss of hearing. Ensure appropriate Personal Protective Equipment and hearing protection is in use.

NOTICE

Failure to comply with ANY NOTICE listed below could pose a hazard to personnel or property.

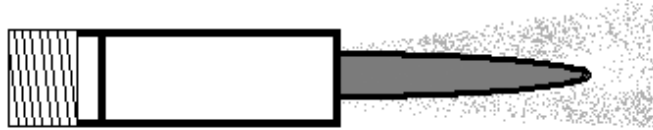
- ▶ See Air & Abrasive Consumption Chart for estimated abrasive consumption rates and required air flow (cubic feet per minute). Your system must meet these minimum requirements to ensure proper function and performance.
- ▶ Always use abrasive that is dry and properly screened. This will reduce the potential for obstructions to enter the remote control system, abrasive metering valve and abrasive blasting nozzle.
- ▶ Moisture build-up occurs when air is compressed. Any moisture within the abrasive blasting system will cause abrasive to clump, clogging metering valves, hoses and nozzles. Install an appropriately sized moisture separator at the inlet of the abrasive blasting system. Leave the moisture separator petcock slightly open to allow for constant release of water. If insufficient volume of air exists and petcock is unable to be left open (at all times) petcock should be opened frequently to release water.
- ▶ To reduce abrasive intrusion in the air supply hose, depressurize the abrasive blasting pot before shutting off air supply from compressor.
- ▶ Inspect abrasive blasting nozzle before placing into service. Damage to abrasive blasting nozzle liner or jacket may occur during shipping. If you receive a damaged abrasive blasting nozzle, contact your distributor immediately for replacement. Abrasive blasting nozzles placed into service may not be returned. Abrasive blasting nozzle liners are made of fragile materials and can be damaged by rough handling and striking against hard surfaces. Never use a damaged abrasive blasting nozzle.
- ▶ Abrasive blasting at optimal pressure for the abrasive used is critical to productivity. Example: For an abrasive with an optimal abrasive blasting pressure of 100 psi at the abrasive blasting nozzle, one pound per square inch of pressure loss will reduce abrasive blasting efficiency by 1.5%. A 10 psi reduction in air pressure will cause a 15% loss of efficiency. Use a Needle Pressure Gauge to identify pressure drops in your system. Consult with your abrasive supplier for the requirements of your abrasive.
- ▶ Replace abrasive blasting nozzle if liner or jacket is cracked or damaged. Replace abrasive blasting nozzle if original orifice size has worn 1/16" or more. Determine abrasive blasting nozzle wear by inserting a drill bit 1/16" larger than original size of abrasive blasting nozzle orifice. If the drill bit passes through abrasive blasting nozzle, replacement is needed.

AIR & ABRASIVE CONSUMPTION CHART

NOTICE

Failure to comply with ANY NOTICE listed below could pose a hazard to personnel or property.

- ▶ See Air & Abrasive Consumption Chart for estimated abrasive consumption rates and required air flow (cubic feet per minute). Your system must meet these minimum requirements to ensure proper function and performance.
- ▶ When it comes to air & abrasive mixtures, more is not necessarily better. Optimum abrasive blasting efficiency takes place when a lean air & abrasive mixture is used. To correctly set the abrasive metering valve, begin with the valve fully closed and slowly increase the amount of abrasive entering the airstream. As you increase the abrasive flow, watch for a “blue flame” at the exit of the abrasive blasting nozzle. Faster cutting, reduced abrasive consumption and lower clean up costs, are benefits of the “blue flame”.
- ▶ Abrasive blasting at optimal pressure for the abrasive used is critical to productivity. Example: For an abrasive with an optimal abrasive blasting pressure of 100 psi at the abrasive blasting nozzle, one pound per square inch of pressure loss will reduce abrasive blasting efficiency by 1.5%. A 10 psi reduction in air pressure will cause a 15% loss of efficiency. Use a Needle Pressure Gauge to identify pressure drops in your system. Consult with your abrasive supplier for the requirements of your abrasive.



“Blue Flame”

Air & Abrasive Consumption Chart*

Nozzle Orifice	Pressure at the Nozzle (PSI)								Air (in cfm), Abrasive & Compressor Requirements
	50	60	70	80	90	100	125	140	
No. 2 (1/8")	11	13	15	17	18	20	25	28	Air (cfm)
	67	77	88	101	112	123	152	170	Abrasive (lbs/hr)
	2.5	3	3.5	4	4.5	5	5.5	6.2	Compressor Horsepower
No. 3 (3/16")	26	30	33	38	41	45	55	62	Air (cfm)
	150	171	196	216	238	264	319	357	Abrasive (lbs/hr)
	6	7	8	9	10	10	12	13	Compressor Horsepower
No. 4 (1/4")	47	54	61	68	74	81	98	110	Air (cfm)
	268	312	354	408	448	494	608	681	Abrasive (lbs/hr)
	11	12	14	16	17	18	22	25	Compressor Horsepower
No. 5 (5/16")	77	89	101	113	126	137	168	188	Air (cfm)
	468	534	604	672	740	812	982	1100	Abrasive (lbs/hr)
	18	20	23	26	28	31	37	41	Compressor Horsepower
No. 6 (3/8")	108	126	143	161	173	196	237	265	Air (cfm)
	668	764	864	960	1052	1152	1393	1560	Abrasive (lbs/hr)
	24	28	32	36	39	44	52	58	Compressor Horsepower
No. 7 (7/16")	147	170	194	217	240	254	314	352	Air (cfm)
	896	1032	1176	1312	1448	1584	1931	2163	Abrasive (lbs/hr)
	33	38	44	49	54	57	69	77	Compressor Horsepower
No. 8 (1/2")	195	224	252	280	309	338	409	458	Air (cfm)
	1160	1336	1512	1680	1856	2024	2459	2754	Abrasive (lbs/hr)
	44	50	56	63	69	75	90	101	Compressor Horsepower
No. 10 (5/8")	308	356	404	452	504	548	663	742	Air (cfm)
	1875	2140	2422	2690	2973	3250	3932	4405	Abrasive (lbs/hr)
	68.5	79.5	90	100.5	112	122	146	165	Compressor Horsepower
No. 12 (3/4")	432	504	572	644	692	784	948	1062	Air (cfm)
	2672	3056	3456	3840	4208	4608	5570	6238	Abrasive (lbs/hr)
	96	112	127	143	154	174.5	209	236	Compressor Horsepower

*Abrasive consumption is based on abrasive with a bulk density of 100 lbs per Cubic Foot

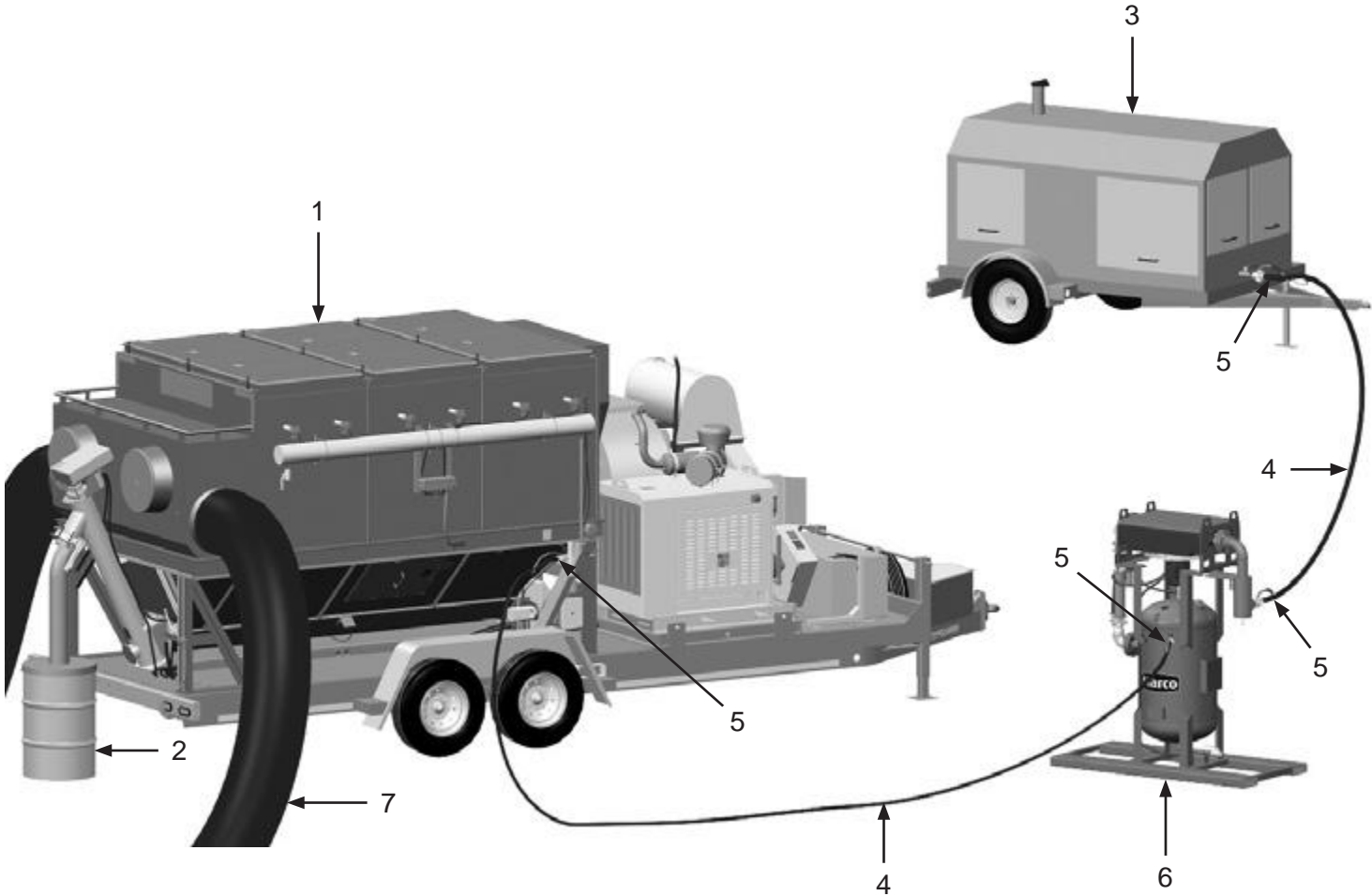
NOTICE

Inspect abrasive blasting nozzle before placing into service. Damage to abrasive blasting nozzle liner or jacket may occur during shipping. If you receive a damaged abrasive blasting nozzle, contact your distributor immediately for replacement. Abrasive blasting nozzles placed into service may not be returned. Abrasive blasting nozzle liners are made of fragile materials and can be damaged by rough handling and striking against hard surfaces. Never use a damaged abrasive blasting nozzle.

NOTICE

Replace abrasive blasting nozzle if liner or jacket is cracked or damaged. Replace abrasive blasting nozzle if original orifice size has worn 1/16" or more. Determine abrasive blasting nozzle wear by inserting a drill bit 1/16" larger than original size of abrasive blasting nozzle orifice. If the drill bit passes through abrasive blasting nozzle, replacement is needed.

“THE BIG PICTURE”



DAILY PRE-OPERATION CHECKLIST

Daily Pre-operation Checklist

- 1. Dust Collector
- 2. Discharge Collection Drum
- 3. Air Compressor
- 4. Air Hose
- 5. Safety Cable
- 6. Aftercooler*
- 7. Duct Hose

* *Optional or alternative device.
Ask your Marco Representative
for more details.*

Dust Collector – Position Dust Collector (1) as close to the containment area as possible. Use short lengths of duct hose, minimizing curves and bends for improved performance. Perform daily lubrication. (See Lubricate Grease Points.) Check all fluid levels. Connect a 3/4" I.D. air supply line to Filter Regulator of Pulser system. Open Air Inlet Door(s) and connect duct hose. (See Connect Duct Hose). Ensure all unused Air Inlet Doors are closed securely.

Discharge Collection Container – Empty Discharge Collection Container (2) before use. Position as shown. Install optional Drum Cover and six inch Duct Hose.

Air Compressor – Select an Air Compressor (3) of adequate size to support all equipment requirements. Before connecting Air Hose (4), sample the air being produced by the air compressor (3) to ensure it is free of petroleum contaminants.

Air Hose, and Air Hose Couplings & Gaskets – Select Air Hoses (4) of sufficient size to support all subsequent volumetric requirements and with a sufficient PSI (*pound per square inch*) rating. Inspect all Air Hoses (4), and Air Hose Couplings & Gaskets (7) for damage or wear. Repair or replace damaged or worn components.

Safety Cables – Install a Safety Cable (5) at each Air Hose (4) connection points.

Aftercooler and Moisture Separator – Ensure Aftercooler (6) is positioned on stable ground. Drain after each use.

Duct Hose – Ensure Duct Hose (7) is serviceable and secured to Dust Collector and containment area.

OPERATING INSTRUCTIONS

WARNING

W-503

You must comply with all OSHA, local, City, State, Province, Country and jurisdiction regulations, ordinances and standards, related to your particular work area and environment. Keep unprotected individuals out of the work area. Failure to comply with the above warning could result in death or serious injury.

WARNING

W-575

Ensure the surface is level, stable, and is sufficient to support the weight of the Device or System. Uneven or unstable surfaces, and/or surfaces that cannot support the gross weight of the Device or System could cause the Device or System to overturn. Failure to comply with the above warning could result in death or serious injury.

WARNING

W-511

For equipment manufactured by entities other than Marco, you must consult the Original Equipment Manufacturer operator's manuals, information, training, instructions and warnings, for the proper and intended use of all equipment. Failure to comply with the above warning could result in death or serious injury.

WARNING

W-556

All electrical connections are to be made by a qualified electrician in accordance with all applicable codes, ordinances and good practices. Failure to comply with the above warning could result in death or serious injury.

Description

A dust collector creates an engineered air flow in an enclosure, providing ventilation and collecting airborne dust and debris. Abrasive blasting performed in an enclosure requires a dust management system for compliance with OSHA regulations governing the work site. Removing airborne dust and debris from an enclosure improves work site safety and visibility, increasing production rates. The Dustmaster® 50,000 CFM Electric Dust Collectors have a reverse incline blade fan matched to a 150 horsepower Electric motor to generate up to 50,000 CFM of air flow. Typical applications include blast rooms, blast yards, bridges, oil refineries, offshore platforms, pipelines, shipyards, storage tanks, and water treatment plants.

Operational Requirements

- 24 CFM @ 90 PSI regulated filtered air.
- Electrical supply of 460 V, 60 Hz 195 FLA.

The following may cause safety hazards or reduced performance:

- Improper installation and/or maintenance of components.
- Failure to properly secure unit from movement when not in transport.
- Exceeding 55 mph speed limit when towing unit.
- Using unit in wet spray or coating containment areas.
- Failure to properly ground unit.
- Operating in an area with inadequate ventilation.

Operating Instructions

Before use:

- Position Dust Collector as near the containment area as possible. Using short lengths of duct hose and minimizing curves and bends improves performance.
- Ensure the surface is level, stable, and is sufficient to support the weight of the unit. Block wheels to prevent unintended movement.
- Level Dust Collector by adjusting height using Jack Stand (1).
- If using a Discharge Collection Drum (5), install optional Drum Cover (4).
NOTE: Follow all applicable guidelines for collection containers.
- Perform daily lubrication. (See Lubricate Grease Points.)
- Connect a 3/4" I.D. air supply line to Filter Regulator (2) of Pulser system.
- Have a qualified electrician connect 460 V, 60 Hz 195 FLA power source.
- Open Air Inlet Door(s) and connect duct hose. (See Connect Duct Hose.)
- Ensure all unused Air Inlet Doors are closed securely.
- Close Pulser System Ball Valve (3).
- Turn on compressed air supply.

During use:

- Monitor all fluid levels.
- Monitor air pressure.
- Monitor amount of material collected in catch container to prevent overflowing.

OPERATING INSTRUCTIONS

⚠ WARNING

W-520

The use of this product for any purpose other than originally intended or altered from its original design is prohibited. Failure to comply with the above warning could result in death or serious injury.

⚠ WARNING

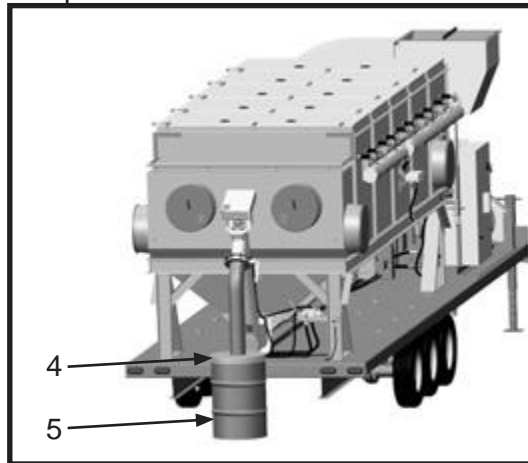
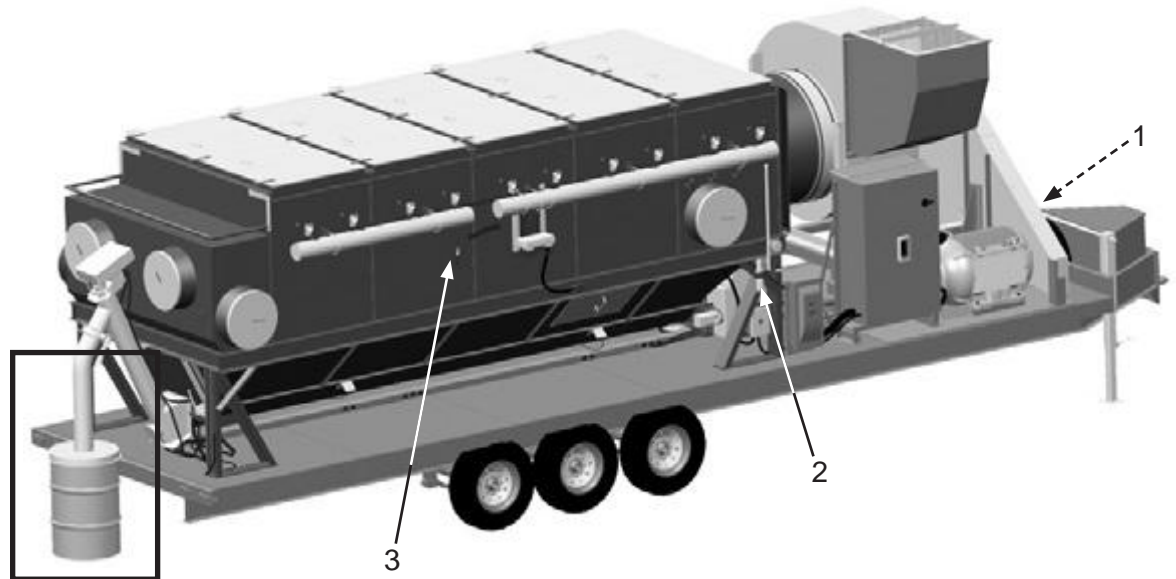
W-505

Inspect all equipment for wear or damage before and after each use. Failure to use Original Equipment Manufacturer repair parts and failure to immediately replace worn or damaged components could void warranties and cause malfunctions. Failure to comply with the above warning could result in death or serious injury.

NOTICE

N-536

When a dust collector is used to service a storage tank, ensure there is adequate ventilation to prevent tank collapse due to pressure imbalance between external and internal tank surfaces. Failure to properly ventilate storage tank may result in damage to property. If proper ventilation is in question, consult with tank manufacturer or engineer.



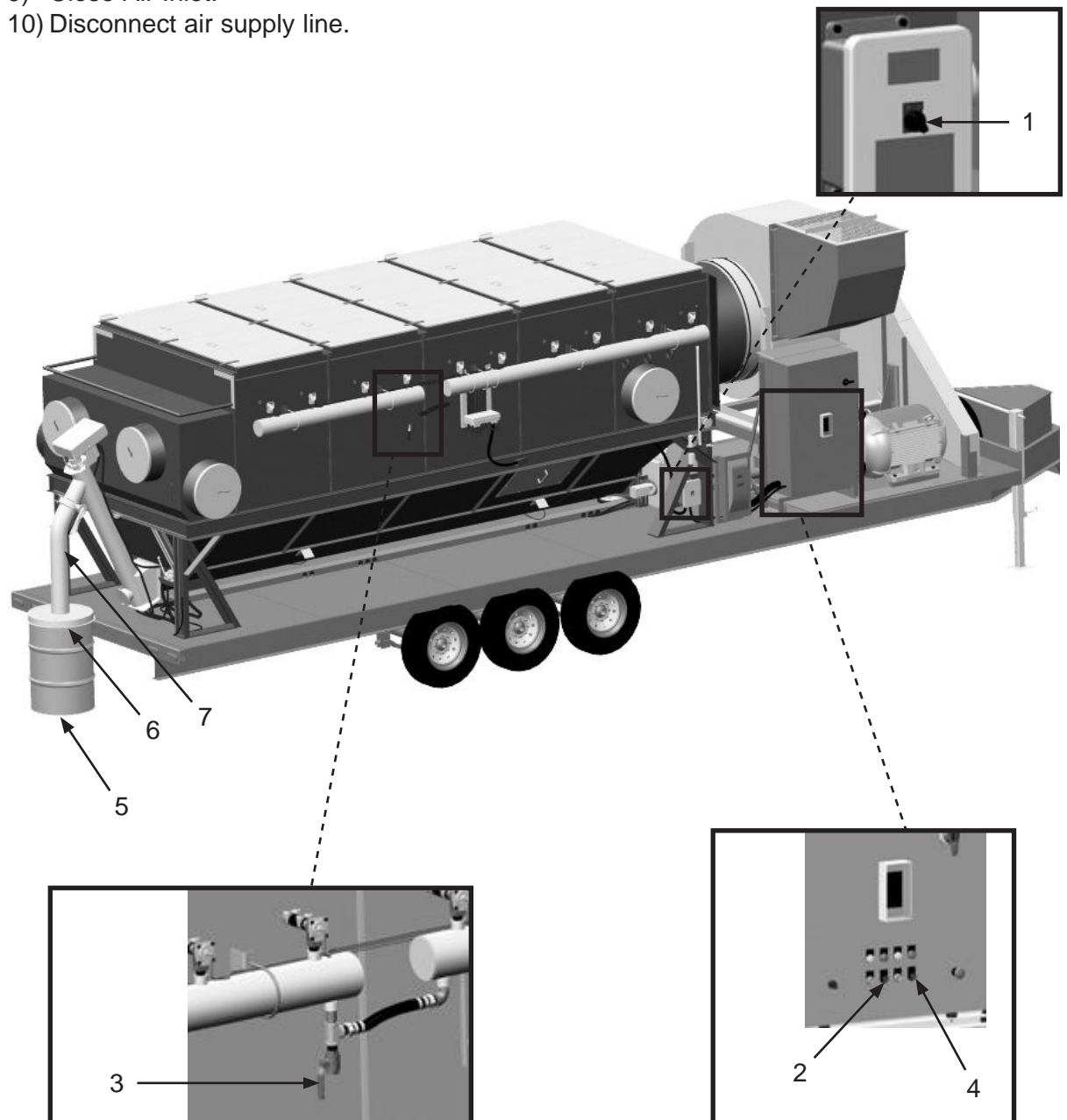
OPERATING INSTRUCTIONS

WARNING

W-505
Inspect all equipment for wear or damage before and after each use. Failure to use Original Equipment Manufacturer repair parts and failure to immediately replace worn or damaged components could void warranties and cause malfunctions. Failure to comply with the above warning could result in death or serious injury.

After use:

- 1) Allow the pulser system to continue cleaning filters, with auger running. Operate at least 60 minutes to allow filters to clean with the fan turned off.
- 2) Disconnect Discharge Hose (7) from optional Drum Cover (6), if equipped. Remove Drum (5), if equipped.
- 3) Turn off compressed air supply.
- 4) Turn pulsers off by turning the two-position Selector Switch (1) "OFF" after header has depressurized.
- 5) Turn hydraulic pump "OFF" by pressing "OFF" button (2).
- 6) Turn fan "OFF" by pressing "OFF" button (4).
- 7) Open Pulser System Ball Valve (3).
- 8) Disconnect duct hose from Air Inlet.
- 9) Close Air Inlet.
- 10) Disconnect air supply line.



OPERATING INSTRUCTIONS

Connect Duct Hose

WARNING

W-562

Always depressurize the entire system, disconnect all power sources and lockout/tagout all components before any maintenance or troubleshooting is attempted. Failure to comply with the above warning could cause electrical shock and inadvertent activation of equipment resulting in death or serious injury.

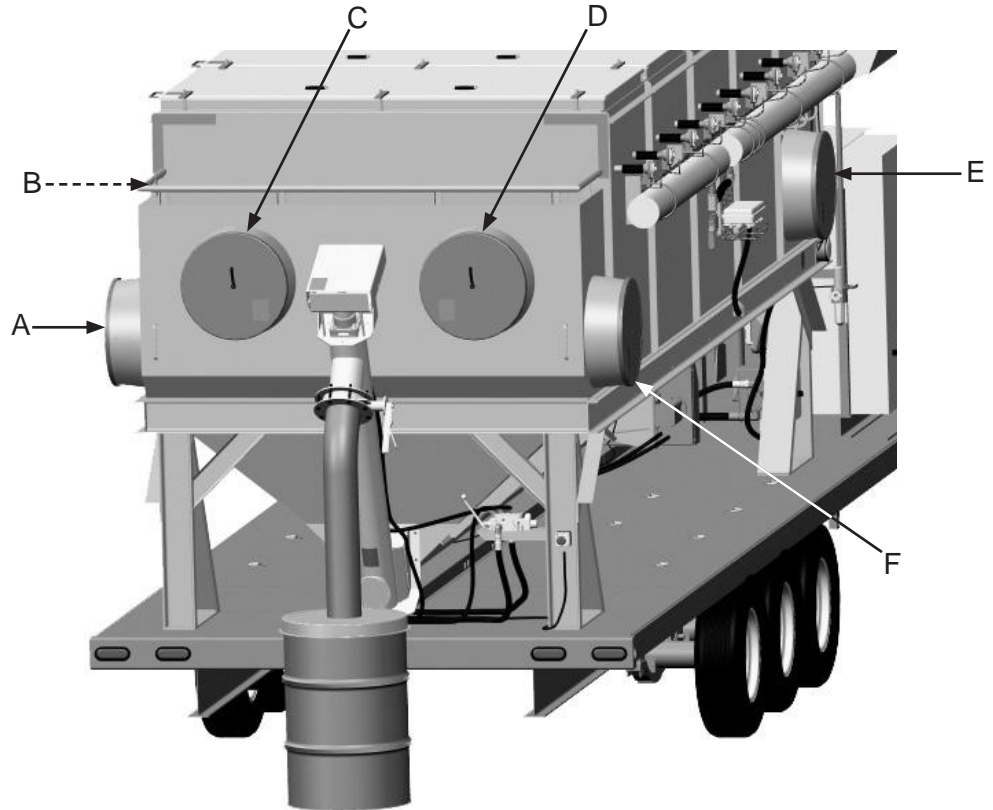
NOTICE

N-536

When a dust collector is used to service a storage tank, ensure there is adequate ventilation to prevent tank collapse due to pressure imbalance between external and internal tank surfaces. Failure to properly ventilate storage tank may result in damage to property. If proper ventilation is in question, consult with tank manufacturer or engineer.

- 1) Secure a Duct Hose (not shown) to Dust Collection Inlets. See Inlet Configuration Chart, below.
- 2) Use Support Loops in place above Dust Collection Inlets to assist in securing Duct Hose.
- 3) Connect opposite end of Duct Hose (not shown) to Containment Area. Containment Area should have sufficiently sized air inlet openings on opposite side for air exchange and cross-flow ventilation.

Note: Using only one Duct Hose will result in diminished performance.



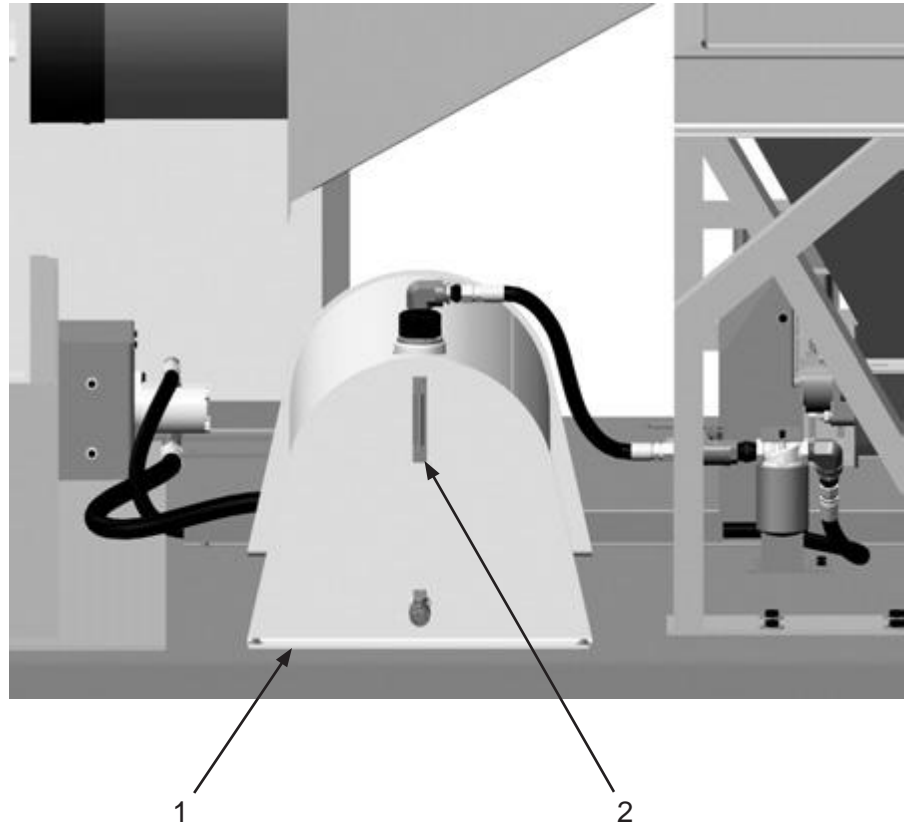
Inlet Configurations Chart		
Two	Three	Four
B,A	B,A,D	B,A,F,E
B,C	B,A,F	B,C,D,E
B,D	B,C,D	B,A,D,E
B,F	B,C,F	B,C,F,E
E,F	B,F,E	
E,D	E,F,C	
E,C	E,C,B	
E,A	E,A,B	
A,F	E,F,A	
A,D	A,D,E	
C,D	B,D,E	
C,F	D,E,C	

OPERATING INSTRUCTIONS

Pre-Startup

Pre-Startup Instructions:

- 1) Check hydraulic oil level using Sight Glass (2) on Hydraulic Oil Tank (1). Add hydraulic oil, as needed.



⚠ WARNING

W-587

Escaping fluid under pressure can penetrate skin and tissue causing injury. Stop pump and relieve pressure before attempting maintenance or repair. Ensure all fittings are properly tightened before restoring pressure. If injury should occur, immediately seek medical attention. Failure to comply with the above warning could result in death or serious injury.

⚠ WARNING

W-566

Exposure to toxic fluids or fumes may occur during the normal operation of this system. Before attempting to fill, use, or service this system, read SDS's to know the specific hazards of the fluids you are using. Always use proper Personal Protective Equipment when attempting to fill, use, or service this system. Failure to comply with the above warning could result in death or serious injury.

OPERATING INSTRUCTIONS

Unit Startup & Shutdown

WARNING

W-501

Breathing dust containing silica could cause silicosis, a fatal lung disease. Breathing dust during abrasive blasting operations, post-blast cleaning operations, and/or servicing equipment within the abrasive blasting area may expose an individual to conditions that could cause asbestosis, lead poisoning and/or other serious or fatal diseases. Harmful dust containing toxic material from abrasives or surfaces being abrasive blasted can remain suspended in the air for long periods of time after abrasive blasting has ceased. A NIOSH-approved, well-maintained, respirator designed for the specific operation being performed must be used by anyone abrasive blasting, handling or using the abrasive, and anyone in the area of the dust. Failure to comply with the above warning could result in death or serious injury.

WARNING

W-503

You must comply with all OSHA, local, City, State, Province, Country and jurisdiction regulations, ordinances and standards, related to your particular work area and environment. Keep unprotected individuals out of the work area. Failure to comply with the above warning could result in death or serious injury.

Unit Startup Instructions:

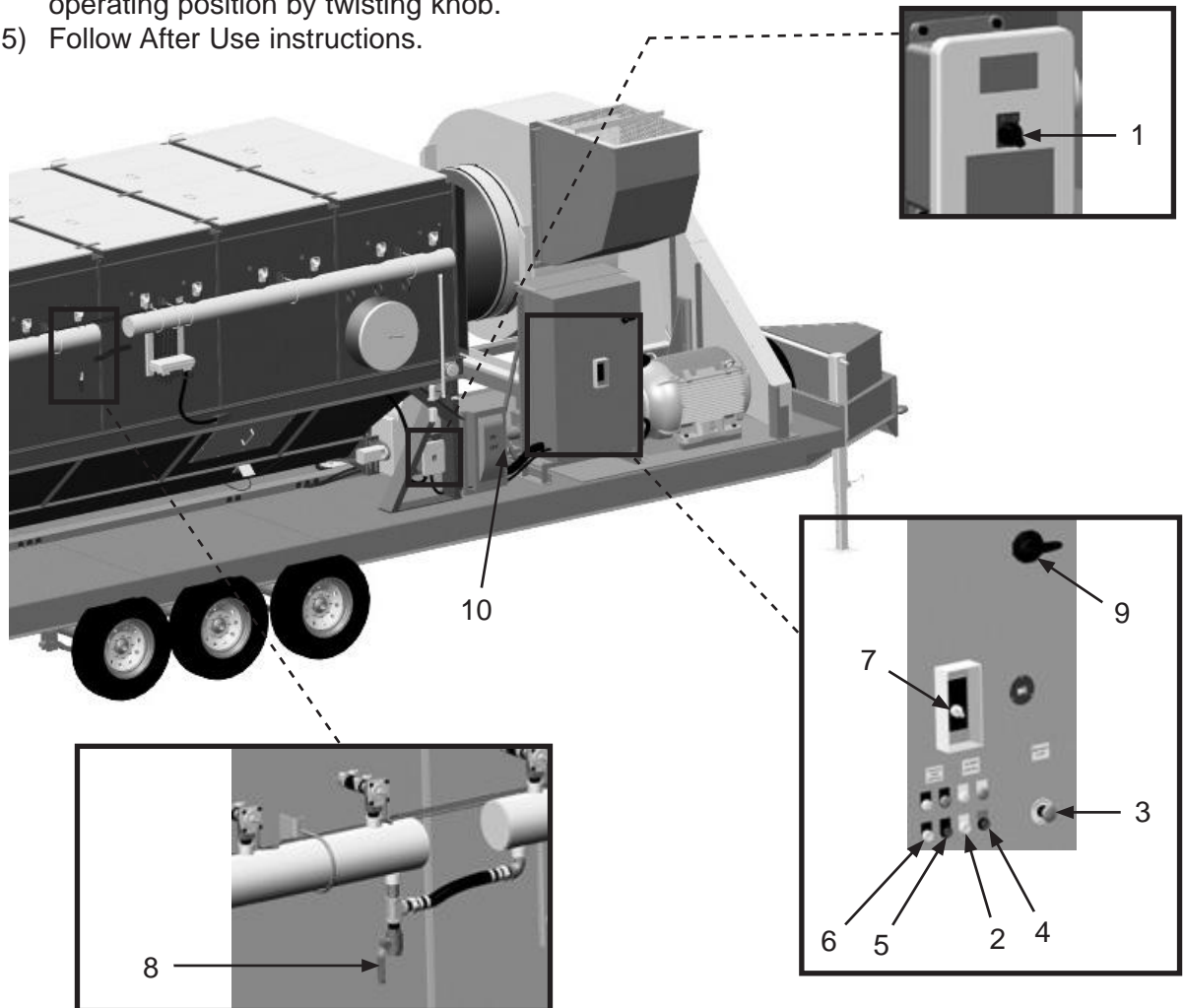
Note: Ensure that personnel are away from fan exhaust and inlet duct openings.

- 1) Close Pulser System Ball Valve (8).
- 2) Turn on 460 V, 60 Hz 170 FLA power source.
- 3) Turn Main Circuit Breaker (10) on.
- 4) Turn Circuit Breaker (9) on.
- 5) Turn on compressed air supply.
- 6) Turn pulsers on by turning the two-position Selector Switch (1) "ON".
- 7) Turn hydraulic pump "ON" by pressing "ON" button (6).
- 8) Turn fan "ON" by pressing "ON" button (2). Potentiometer Knob (7) controls fan speed.

Unit Shutdown Instructions:

Note: In the event of an emergency, press Emergency-Stop Station (3) to cease operation of the system.

- 1) Turn pulsers off by turning the two-position Selector Switch (1) "OFF" after header has depressurized.
- 2) Turn hydraulic pump "OFF" by pressing "OFF" button (5).
- 3) Turn fan "OFF" by pressing "OFF" button (4).
- 4) If an Emergency-Stop Station was engaged, return Emergency-Stop Station (3) to the operating position by twisting knob.
- 5) Follow After Use instructions.



OPERATING INSTRUCTIONS

Pulser System Startup

WARNING

W-562

Always depressurize the entire system, disconnect all power sources and lockout/tagout all components before any maintenance or troubleshooting is attempted. Failure to comply with the above warning could cause electrical shock and inadvertent activation of equipment resulting in death or serious injury.

WARNING

This equipment is not intended for use in any area that might be considered a hazardous location, as described in the National Electric Code NFPA 70, Article 500. Use of this equipment in a hazardous location could cause an explosion or electrocution. Failure to comply with the above warning could result in death or serious injury.

WARNING

W-590

When performing service or maintenance on systems or devices requiring access from an elevated position, you must comply with all OSHA, local, City, State, Province, Country and jurisdiction regulations, ordinances and standards, as related to working in elevated work areas. Failure to comply with the above warning could result in death or serious injury.

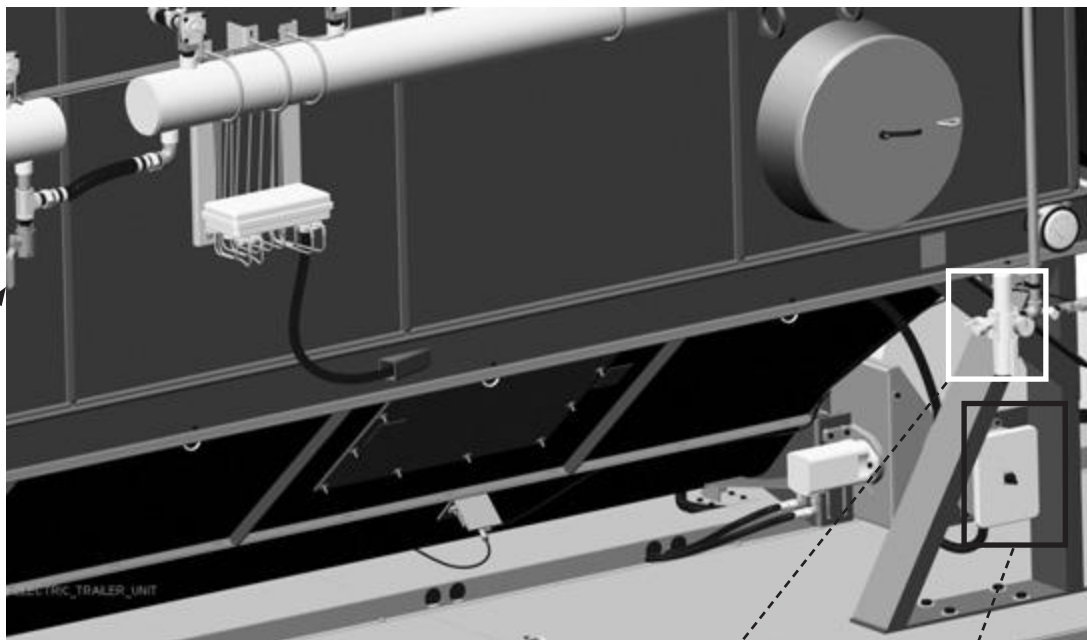
Pulser System Startup Instructions:

The Pulser System is a cleaning system for the filter cartridges. This system blows a burst of air into a set of filters to dislodge dust from the filters into the hopper. To change time duration of pulse, see Adjust Pulse Separation.

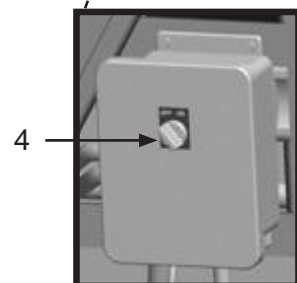
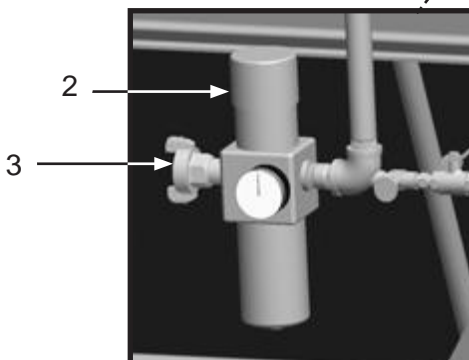
- 1) Close Ball Valve (1).
- 2) Turn Switch (4) clockwise to "ON".
- 3) Supply compressed air to Regulator (3). Adjust compressed air pressure to 90 PSI using Regulator Control Knob (2). Normal operating range is 90-95 PSI.

NOTE: The timer controller is pre-set to pulse one row of filters every 8 seconds (See Adjust Pulse Separation.).

- 4) After use, turn Switch (4) counterclockwise to "OFF".
- 5) Disconnect supply of compressed air to the Regulator (3).
- 6) Open Ball Valve (1) to relieve pressure in Pulser System.



1



OPERATING INSTRUCTIONS

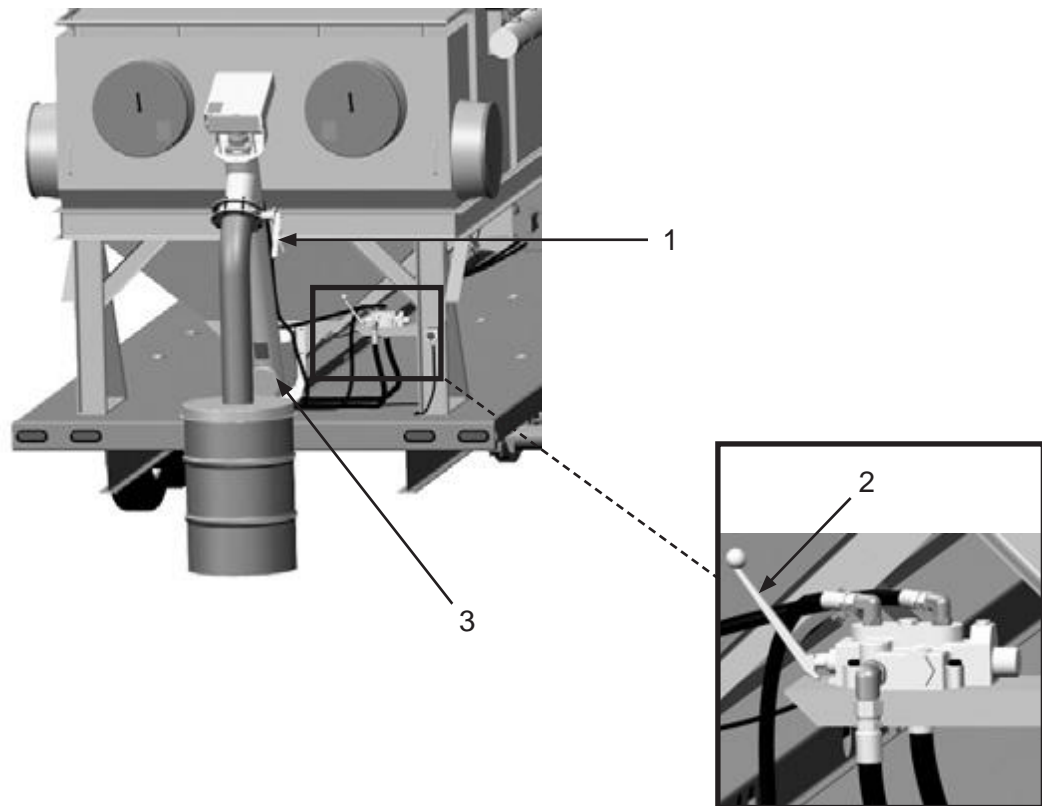
Auger Clean-out Startup

Auger Clean-out System Startup Instructions:

The Auger Clean-out System removes collected dust and debris from the bottom of the hopper to the Discharge Auger for discharging.

- 1) Ensure personnel are clear of auger conveyors.
- 2) Open Butterfly Valve (1) on Discharge Auger (3).
- 3) Activate screw conveyors by moving Hydraulic Control Valve Lever (2) clockwise to detent position.

Note: Moving Hydraulic Control Valve Lever (2) counter-clockwise will allow the conveyor system to run in reverse but will not lock in position. Only operate in reverse momentarily to attempt to dislodge an item.



WARNING

W-577

Before using this equipment, read, understand and follow all instructions in the Operator's Manuals with this equipment. If the user and/or assistants cannot read or understand the warnings and instructions, the employer of the user and/or assistants must provide adequate and necessary training to ensure proper operation and compliance with all safety procedures pertaining to this equipment. If Operator's Manuals have been lost, visit www.marco.us or call (563) 324-2519 for replacements. Failure to comply with the above warning could result in death or serious injury.

WARNING

W-586

Moving parts can present an area where crushing, pinching, entanglement or amputation may occur. Do not place body parts or foreign objects in any area where there are moving parts. Failure to comply with the above warning could result in death or serious injury.

WARNING

W-587

Escaping fluid under pressure can penetrate skin and tissue causing injury. Stop pump and relieve pressure before attempting maintenance or repair. Ensure all fittings are properly tightened before restoring pressure. If injury should occur, immediately seek medical attention. Failure to comply with the above warning could result in death or serious injury.

OPERATING INSTRUCTIONS

Activating & Deactivating Pneumatic Ball Vibrators

WARNING

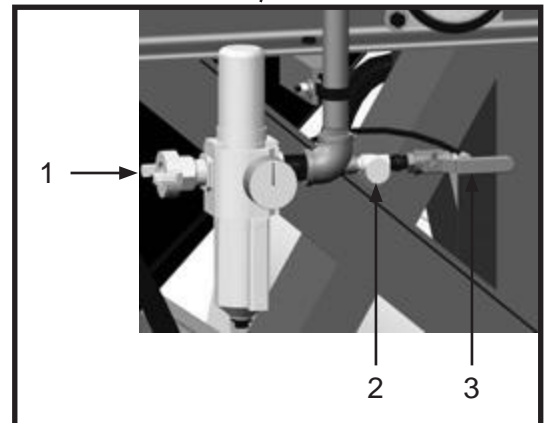
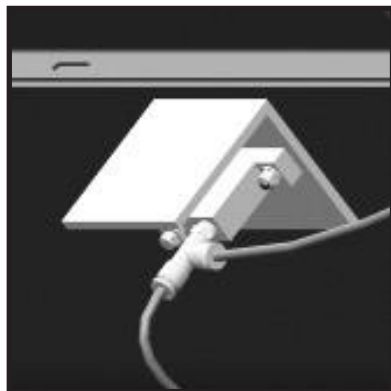
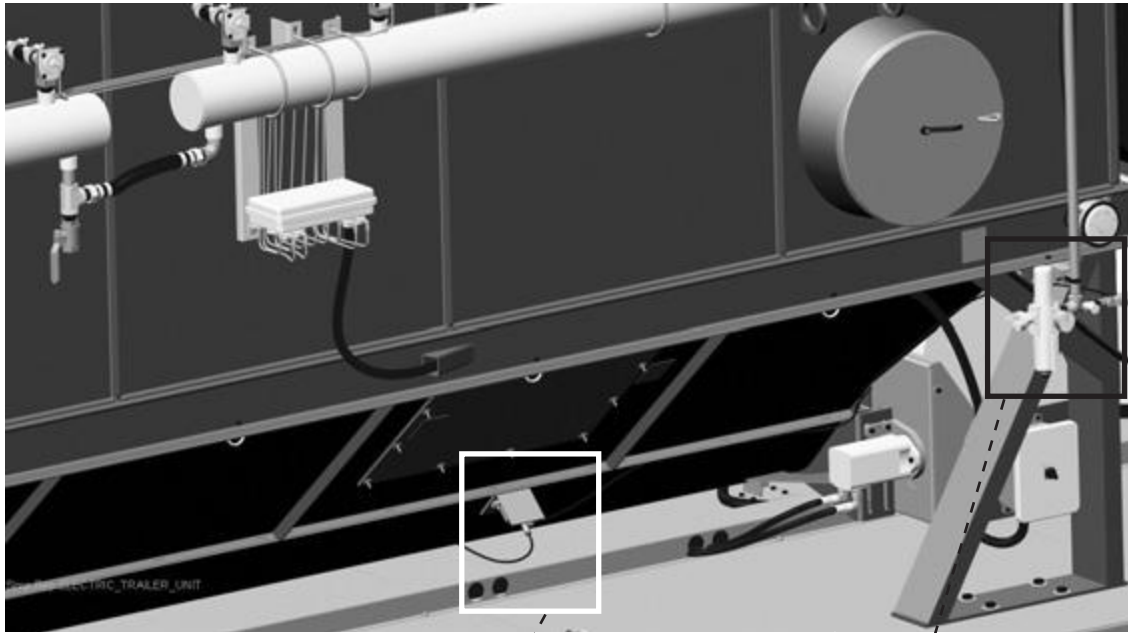
W-577

Before using this equipment, read, understand and follow all instructions in the Operator's Manuals with this equipment. If the user and/or assistants cannot read or understand the warnings and instructions, the employer of the user and/or assistants must provide adequate and necessary training to ensure proper operation and compliance with all safety procedures pertaining to this equipment. If Operator's Manuals have been lost, visit www.marco.us or call (563) 324-2519 for replacements. Failure to comply with the above warning could result in death or serious injury.

Pneumatic Ball Vibrator Instructions:

Vibrators will help keep dust from building up on the hopper walls and facilitate removal of material. Run vibrators when running auger system.

- 1) With airline attached to Inlet (1) to pressurize header, open Ball Valve (3) near pressure regulator to "activate" vibrators.
- 2) Adjust vibration intensity by rotating Knob (2). Clockwise reduces vibration intensity. Counter-clockwise increases vibration intensity.



OPERATING INSTRUCTIONS

Reading Magnehelic Gauge

WARNING

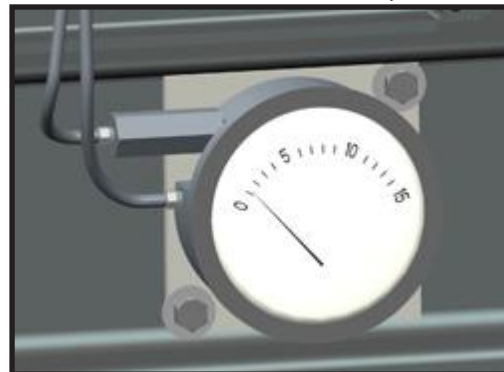
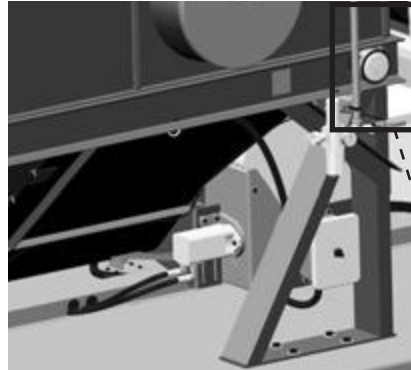
W-577

Before using this equipment, read, understand and follow all instructions in the Operator's Manuals with this equipment. If the user and/or assistants cannot read or understand the warnings and instructions, the employer of the user and/or assistants must provide adequate and necessary training to ensure proper operation and compliance with all safety procedures pertaining to this equipment. If Operator's Manuals have been lost, visit www.marco.us or call (563) 324-2519 for replacements. Failure to comply with the above warning could result in death or serious injury.

Reading Magnehelic Gauge (Dust Collector Differential Pressure) Instructions:

The Magnehelic Gauge provides a means to tell how clean the dust collector filter cartridges are. It measures the static pressure and the resistance of air flow across the filters.

- New Filters will register approximately 1" water column (w.c.) on the gauge. Normal operating range for conditioned filters will show 3" – 14" (w.c.) on gauge.
- If Magnehelic Gauge is reading above the normal operating range, see Troubleshooting Section.
- If reading above 14" (w.c.), stop operating the unit, perform shut-down procedure, and check pulser system and filter cartridges.
- If reading above 16" (w.c.), stop operating the unit, perform shut-down procedure, check pulser system, and if static pressure will not drop below 16", replace filter cartridges.



OPERATING INSTRUCTIONS

Lubricate Grease Points

WARNING

W-562

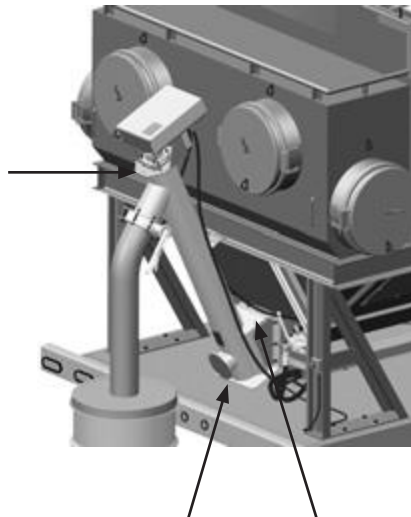
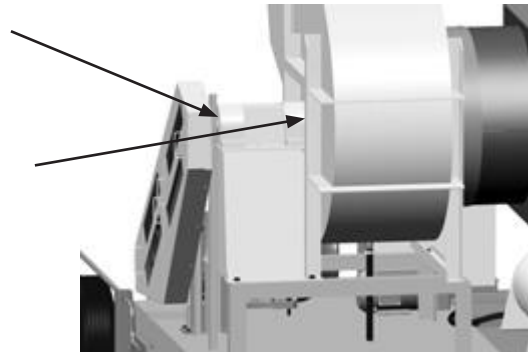
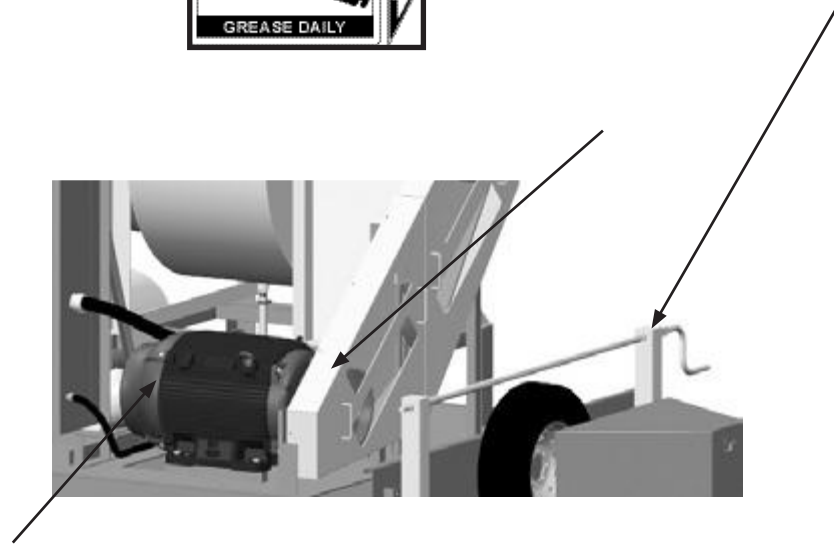
Always depressurize the entire system, disconnect all power sources and lockout/tagout all components before any maintenance or troubleshooting is attempted. Failure to comply with the above warning could cause electrical shock and inadvertent activation of equipment resulting in death or serious injury.

WARNING

W-587

Escaping fluid under pressure can penetrate skin and tissue causing injury. Stop pump and relieve pressure before attempting maintenance or repair. Ensure all fittings are properly tightened before restoring pressure. If injury should occur, immediately seek medical attention. Failure to comply with the above warning could result in death or serious injury.

Lubricate Dustmaster® 50,000 CFM Electric Dust Collectors at points indicated. Points are indicated by Lubrication Point Grease Daily label (1).



SPECIFICATIONS

Performance:	CFM = 36,880 – 50,490 W.C. = 6 – 16"
Filter Cartridge Style:	Open Top with Flange, Closed Bottom 56 Required
Filter Cleaning:	Pulse System, 5–15 second intervals Pulse Duration: 200–350 millisecond
Air to Cloth Ratio:	3.43:1 @ 40,000 CFM
Filter Area:	11,662 square feet
Efficiency:	85/15 Blend High Density Pleat Filters – 99.8% @ 0.5 micron 85/15 Blend Filters – 99.8% @ 0.5 micron HEPA Filters – 99.99% @ 0.3 micron Fire Retardant Filters – 96.8% @ 2.0 micron Spunbond Filters – 97% @ 3.0 micron
Ducting Connections:	20" I.D., Quantity of Six
Clean-out Ports:	One
Dust Removal Conveyor:	Main Auger, 6" Discharge Auger, Hydraulic Motor Drive
Fan:	Backward Inclined, non-overloading, spark resisting
Motor:	150 Horsepower Electric 3-Phase - Fan 10 Horsepower Electric 3-Phase - Hydraulic
Electrical System:	460 V, 60 Hz 195 FLA
Air Requirements:	Clean, Dry, Compressed Air 24 CFM @ 90 PSI
Motor Protection:	Motors are fused in control box to prevent over amperage.
Fluid Specifications:	Hydraulic Oil: H46 or equivalent, 40 Gallons Grease/Lubricator: Mobil Polyrex EM or equivalent
Unit Dimensions Trailer Model:	Weight: 19,900 pounds (empty) Tongue Weight: 3980 pounds Length: 36' 3" Width: 8' 6" Height: 11' 2"
Unit Dimensions Skid Model:	Weight: 15,500 pounds (empty) Length: 32' 6" Width: 8' 6" Height: 9' 7"

MAINTENANCE

Remove & Install Fan Drive Belt

WARNING

W-562

Always depressurize the entire system, disconnect all power sources and lockout/tagout all components before any maintenance or troubleshooting is attempted. Failure to comply with the above warning could cause electrical shock and inadvertent activation of equipment resulting in death or serious injury.

WARNING

W-586

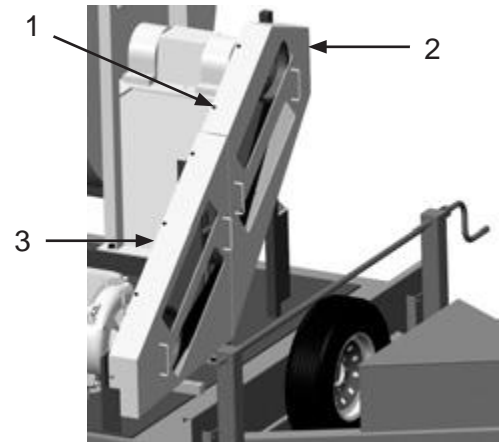
Moving parts can present an area where crushing, pinching, entanglement or amputation may occur. Do not place body parts or foreign objects in any area where there are moving parts. Failure to comply with the above warning could result in death or serious injury.

WARNING

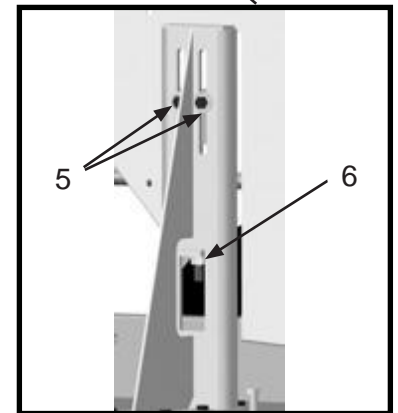
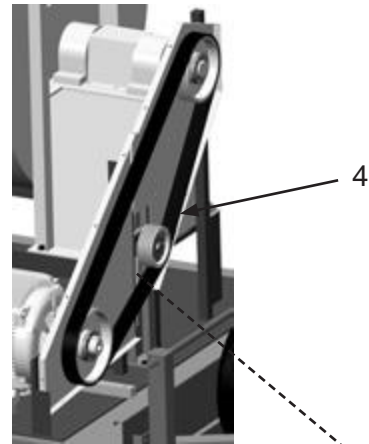
W-590

When performing service or maintenance on systems or devices requiring access from an elevated position, you must comply with all OSHA, local, City, State, Province, Country and jurisdiction regulations, ordinances and standards, as related to working in elevated work areas. Failure to comply with the above warning could result in death or serious injury.

- 1) Turn off main power disconnect on main control box.
- 2) Remove eight Bolts and Washers (1).
- 3) Remove Upper Belt Cover (2).
- 4) Remove Lower Belt Cover (3).



- 5) Loosen two Bolts (5) and turn Nut (6) until Belt (4) is loose and can be removed.
- 6) Remove Belt (4) and replace.
- 7) Adjust fan drive belt tension. (See Adjust Tension of Fan Drive Belt.)
- 8) Install parts in reverse order.



MAINTENANCE

Adjust Tension of Fan Drive Belt

WARNING

W-562

Always depressurize the entire system, disconnect all power sources and lockout/tagout all components before any maintenance or troubleshooting is attempted. Failure to comply with the above warning could cause electrical shock and inadvertent activation of equipment resulting in death or serious injury.

WARNING

W-566

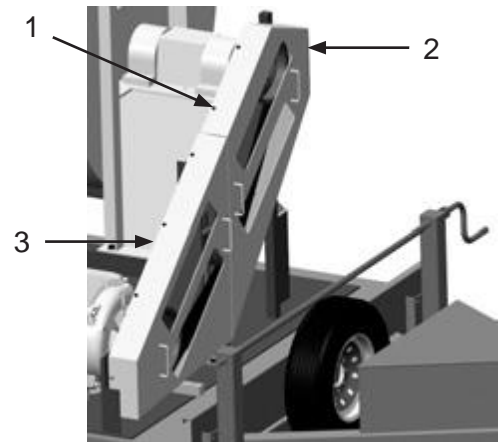
Moving parts can present an area where crushing, pinching, entanglement or amputation may occur. Do not place body parts or foreign objects in any area where there are moving parts. Failure to comply with the above warning could result in death or serious injury.

WARNING

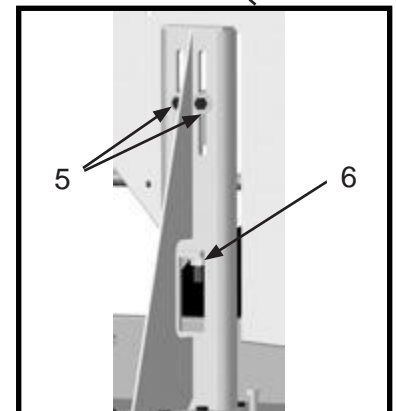
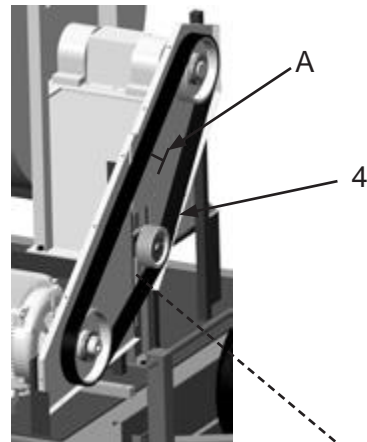
W-590

When performing service or maintenance on systems or devices requiring access from an elevated position, you must comply with all OSHA, local, City, State, Province, Country and jurisdiction regulations, ordinances and standards, as related to working in elevated work areas. Failure to comply with the above warning could result in death or serious injury.

- 1) Turn off main power disconnect on main control box.
- 2) Remove eight Bolts and Washers (1).
- 3) Remove Upper Belt Cover (2).
- 4) Remove Lower Belt Cover (3).



- 5) Inspect Belt (4) for wear, abrasion, and damage. Replace as needed.
- 6) Check tension of Belt (4) by pushing downward on Belt and measure Distance (A) of travel. Belt should have a deflection distance of approximately 1 inch; applied force of approximately 70 pounds.
- 7) To adjust tension of Belt, loosen two Bolts (5) and turn Nut (6) until deflection distance is approximately 1 inch; applied force of approximately 70 pounds. If distance cannot be attained, replace belt.
- 8) Tighten two Bolts (5).
- 9) Install parts in reverse order.



MAINTENANCE

Adjust Main Auger Drive Chain

WARNING

W-562

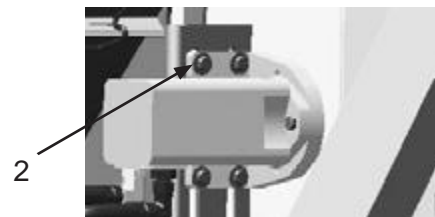
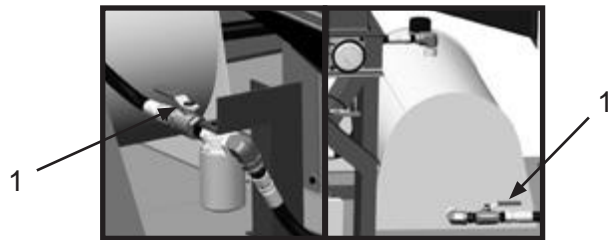
Always depressurize the entire system, disconnect all power sources and lockout/tagout all components before any maintenance or troubleshooting is attempted. Failure to comply with the above warning could cause electrical shock and inadvertent activation of equipment resulting in death or serious injury.

WARNING

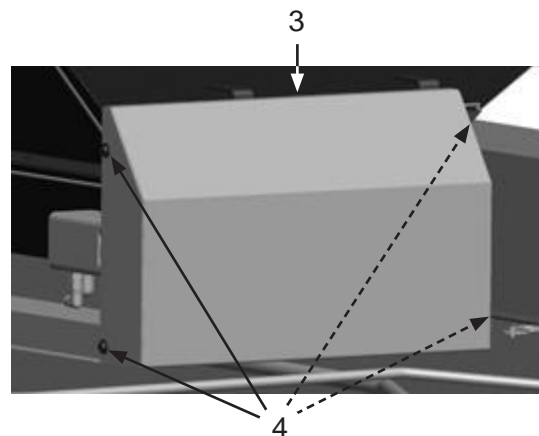
W-586

Moving parts can present an area where crushing, pinching, entanglement or amputation may occur. Do not place body parts or foreign objects in any area where there are moving parts. Failure to comply with the above warning could result in death or serious injury.

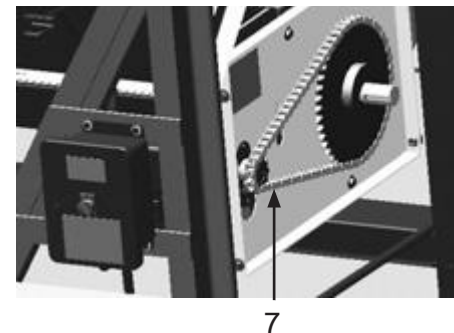
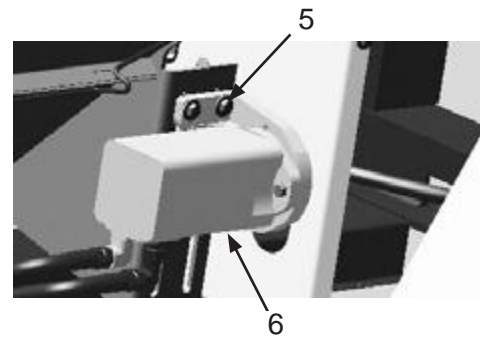
- 1) Close Ball Valves (1).
- 2) Loosen four Bolts (2).



- 3) Remove four Bolts and Washers (4) and remove Cover (3).



- 4) Move Hydraulic Motor (6) to set Chain (7) deflection to approximately 5/8 - 7/8 inch. Tighten four Bolts (5).



MAINTENANCE

Adjust Discharge Auger Drive Chain

WARNING

W-562

Always depressurize the entire system, disconnect all power sources and lockout/tagout all components before any maintenance or troubleshooting is attempted. Failure to comply with the above warning could cause electrical shock and inadvertent activation of equipment resulting in death or serious injury.

WARNING

W-587

Escaping fluid under pressure can penetrate skin and tissue causing injury. Stop pump and relieve pressure before attempting maintenance or repair. Ensure all fittings are properly tightened before restoring pressure. If injury should occur, immediately seek medical attention. Failure to comply with the above warning could result in death or serious injury.

WARNING

W-586

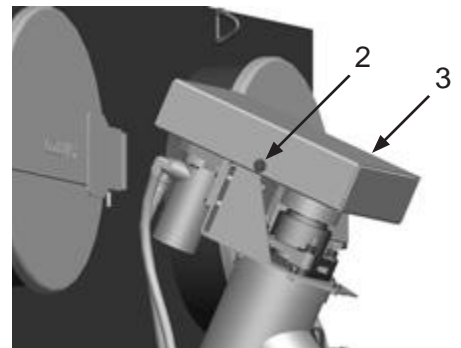
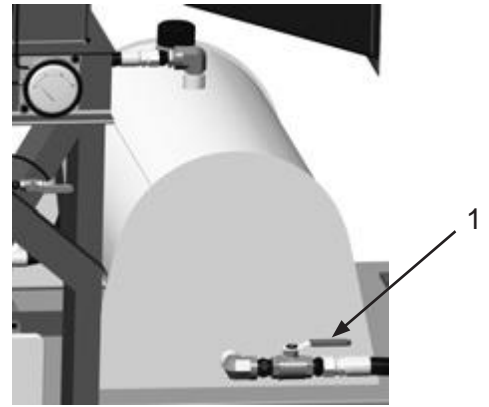
Moving parts can present an area where crushing, pinching, entanglement or amputation may occur. Do not place body parts or foreign objects in any area where there are moving parts. Failure to comply with the above warning could result in death or serious injury.

WARNING

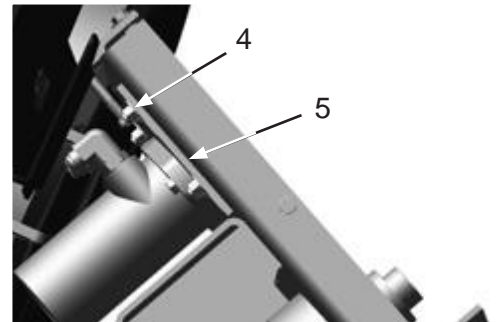
W-590

When performing service or maintenance on systems or devices requiring access from an elevated position, you must comply with all OSHA, local, City, State, Province, Country and jurisdiction regulations, ordinances and standards, as related to working in elevated work areas. Failure to comply with the above warning could result in death or serious injury.

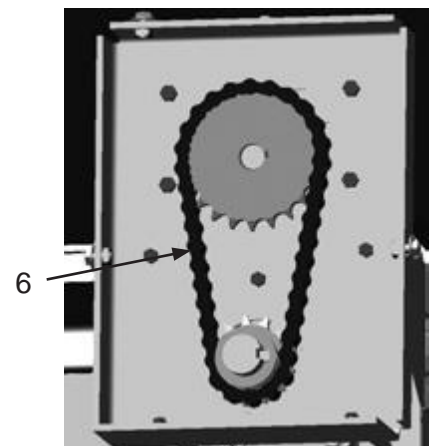
- 1) Turn off main power disconnect on main control box.
- 2) Close Ball Valve (1).
- 3) Remove three Bolts, and Washers (2) and Cover (3).



- 4) Loosen four Bolts (4) from Sliding Motor Mount (5).



- 5) Remove Chain (6). Inspect for wear or damage. Replace as needed.



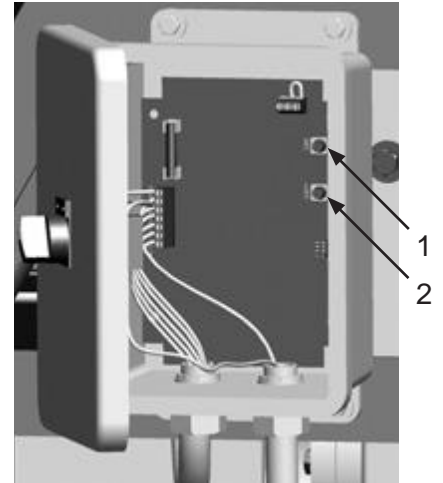
MAINTENANCE

Adjust Pulse Separation

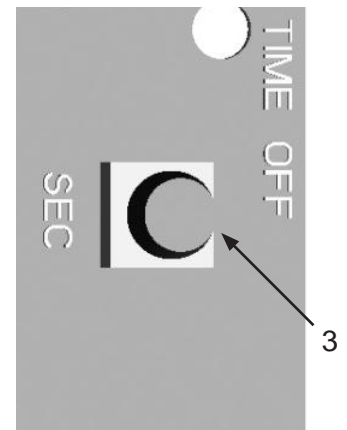
WARNING

Always depressurize the entire system, disconnect all power sources and lockout/tagout all components before any maintenance or troubleshooting is attempted. Failure to comply with the above warning could cause electrical shock and inadvertent activation of equipment resulting in death or serious injury.

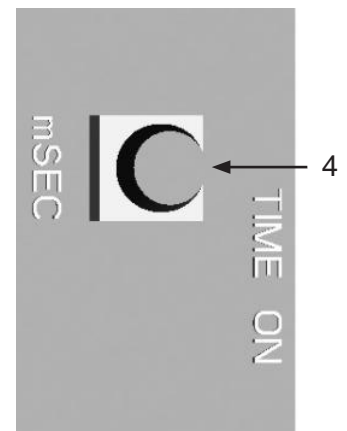
- 1) Open enclosure door of Timer Controller.
- 2) Locate Adjustment Knobs (1 and 2).



- 3) Set the Pulse Separation, the elapsed time between pulses, by moving Knob (3). The recommended elapsed time between pulses is the minimum time needed for pulse header to return to full pressure. Depending on conditions, the elapsed time may need to be changed. Elapsed time between pulses should be between 5–15 seconds.



- 4) Set Pulse Duration, the elapsed time of compressed air entering the filters, by moving Knob (4). The recommended elapsed time of compressed air entering the filters is 200 milliseconds (mSEC). Depending on conditions, the elapsed time of air entering the filters should be between 200–350 milliseconds.
- 5) Close enclosure door of Timer Controller.



MAINTENANCE

Remove & Install Hydraulic Oil Filter

⚠ WARNING

W-562

Always depressurize the entire system, disconnect all power sources and lockout/tagout all components before any maintenance or troubleshooting is attempted. Failure to comply with the above warning could cause electrical shock and inadvertent activation of equipment resulting in death or serious injury.

⚠ WARNING

W-587

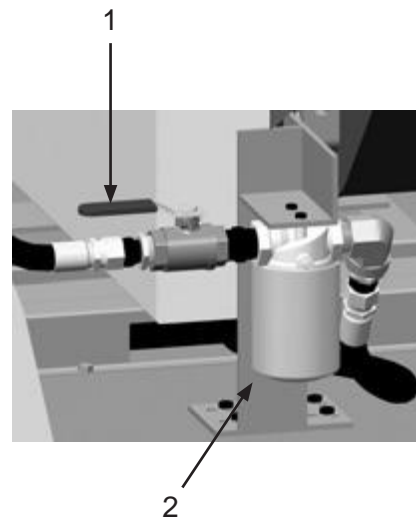
Escaping fluid under pressure can penetrate skin and tissue causing injury. Stop pump and relieve pressure before attempting maintenance or repair. Ensure all fittings are properly tightened before restoring pressure. If injury should occur, immediately seek medical attention. Failure to comply with the above warning could result in death or serious injury.

⚠ WARNING

W-589

Exposure to diesel fuel, lubricant grease and oil, hydraulic oil, or engine coolant can cause personal injury. Do not allow these products to remain in contact with the skin or eyes. Ingestion of these products or inhalation of fumes from these products can cause dizziness, nausea, vomiting, or poisoning. If exposure to any of these products occurs, or if any of these products are ingested or if fumes are inhaled, please consult the product's SDS for proper first aid or medical procedures. Failure to comply with the above warning could result in death or serious injury.

- 1) Close Ball Valve (1).
- 2) Remove and replace Filter Element (2).
- 3) Open Ball Valve (1).



MAINTENANCE

Remove & Install Dust Collector Filter Cartridges

⚠ WARNING

W-562

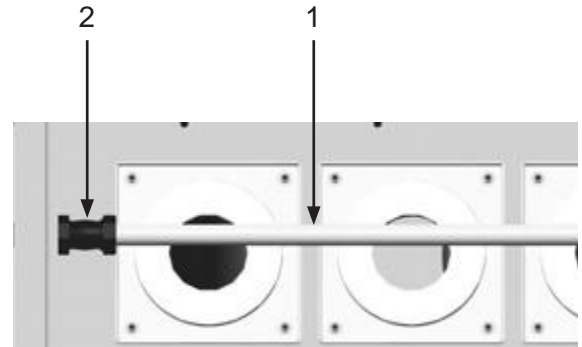
Always depressurize the entire system, disconnect all power sources and lockout/tagout all components before any maintenance or troubleshooting is attempted. Failure to comply with the above warning could cause electrical shock and inadvertent activation of equipment resulting in death or serious injury.

⚠ WARNING

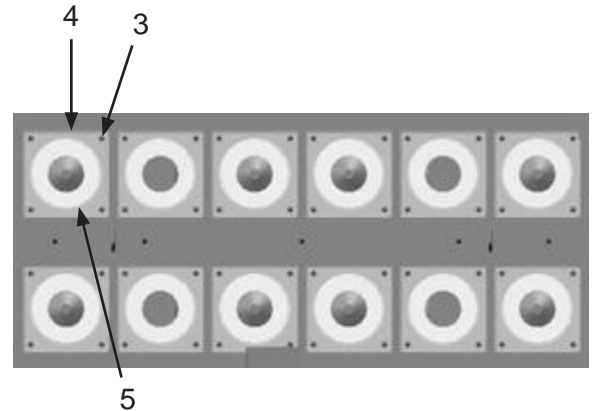
W-501

Breathing dust containing silica could cause silicosis, a fatal lung disease. Breathing dust during abrasive blasting operations, post-blast cleaning operations, and/or servicing equipment within the abrasive blasting area may expose an individual to conditions that could cause asbestosis, lead poisoning and/or other serious or fatal diseases. Harmful dust containing toxic material from abrasives or surfaces being abrasive blasted can remain suspended in the air for long periods of time after abrasive blasting has ceased. A NIOSH-approved, well-maintained, respirator designed for the specific operation being performed must be used by anyone abrasive blasting, handling or using the abrasive, and anyone in the area of the dust. Failure to comply with the above warning could result in death or serious injury.

- 1) Remove Compression Coupling (2) from Pulser System Blowpipe (1).
- 2) Remove Pulser System Blowpipe (1).

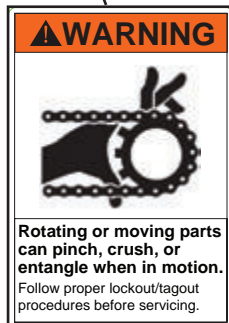
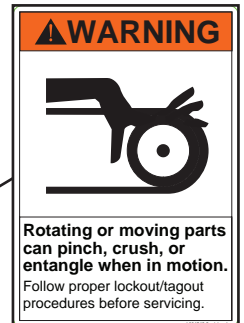
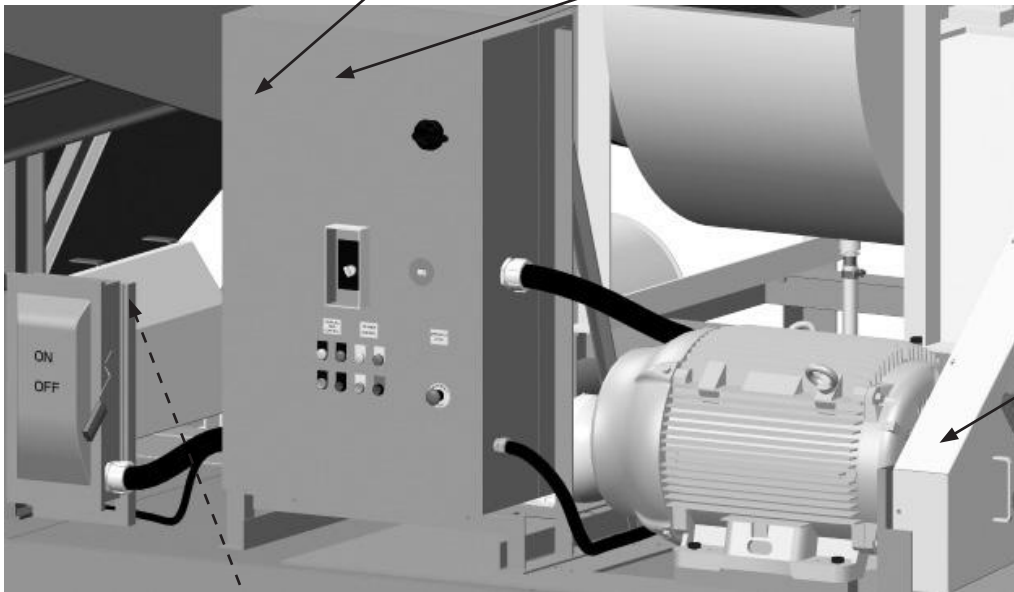
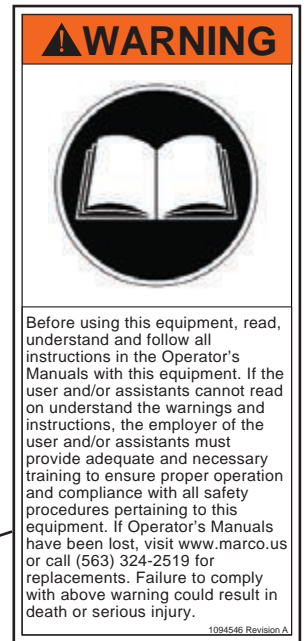
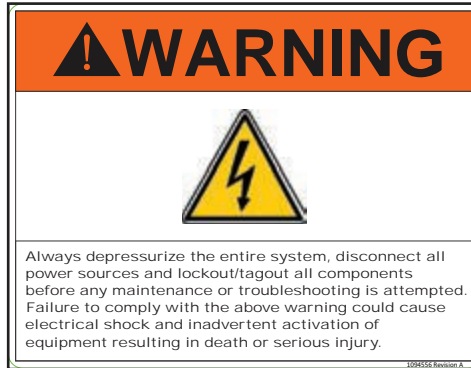


- 3) Remove four Washers and Nuts (3) and remove Filter Retainer (4). Repeat for remaining Filter Retainers.
- 4) Remove Filter Cartridge (5). Repeat for remaining Filter Cartridges.
- 5) Install parts in reverse order.



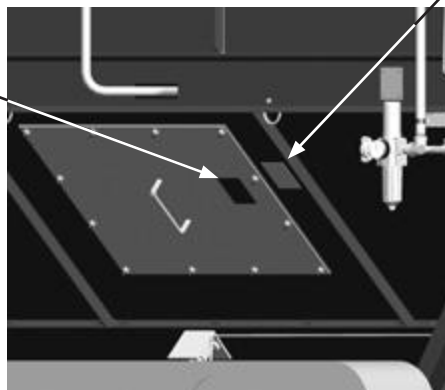
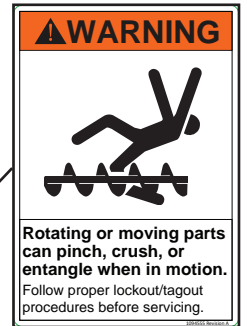
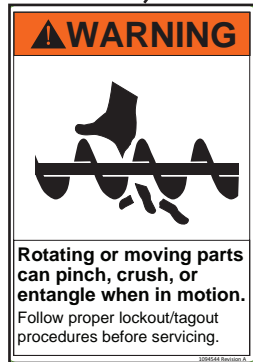
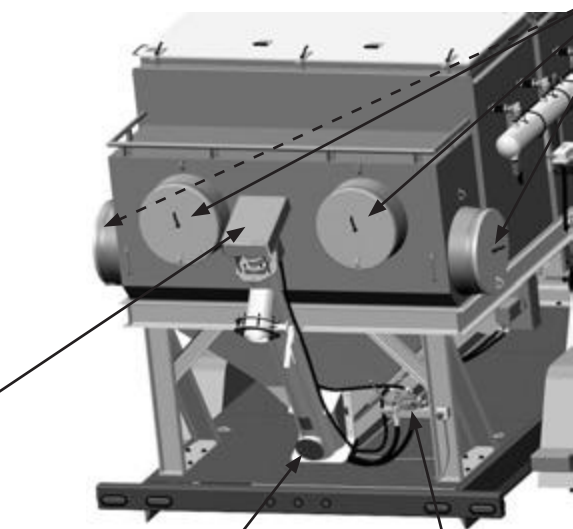
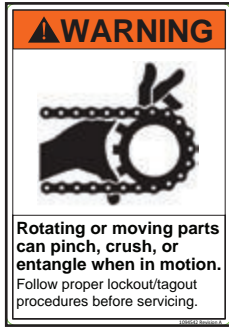
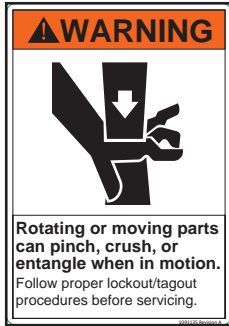
MAINTENANCE

Hazard Identification Decals



MAINTENANCE

Hazard Identification Decals (cont.)



TROUBLESHOOTING

If the Dustmaster® 50,000 CFM Electric Dust Collector does not function properly, check the following:

WARNING

W-562

Always depressurize the entire system, disconnect all power sources and lockout/tagout all components before any maintenance or troubleshooting is attempted. Failure to comply with the above warning could cause electrical shock and inadvertent activation of equipment resulting in death or serious injury.

WARNING

W-586

Moving parts can present an area where crushing, pinching, entanglement or amputation may occur. Do not place body parts or foreign objects in any area where there are moving parts. Failure to comply with the above warning could result in death or serious injury.

SYMPTOM (Cause)

ACTION

Fan Drive Belt slips or vibrates

(Loose connections, worn parts)

Inspect Fan Drive Belt for damage. Replace as needed.

Adjust Fan Drive Belt Tension. See Adjust Fan Drive Belt Tension.

See fan Operator's Manual for service.

Discharge Augers do not turn

(Object in auger, hydraulic fluid levels, hydraulic pressure relief valve, hydraulic pump, hydraulic motor, stripped gear, broken chain)

Run Discharge Auger in reverse to dislodge item. Dismantle Discharge Auger if object still lodged.

Fill hydraulic system with hydraulic fluid.

Check line pressure at by-pass gauge, reset or replace hydraulic valve.

Test hydraulic pump pressure. Replace hydraulic pump.

Bench test hydraulic motor. Repair or replace hydraulic motor.

Magnehelic Gauge reading greater than normal operating range

(Dust Collector Filter Cartridges)

A reading greater than 10" (w.c) on Magnehelic Gauge indicates clogged filters. Decrease engine RPM to idle speed and disengage clutch while allowing engine to run. Pulsers will clean down the filters. Once gauge reads back into the normal operation range of 3" – 10" (w.c), re-engage clutch and increase RPM to operating speed.

If Magnehelic Gauge is reading above 10" (w.c.), perform After Use procedure. Inspect Pulser System and Filters. Replace filter cartridges, if needed.

If Magnehelic Gauge is reading above 15" (w.c.), shut down unit immediately. Replace filter cartridges.

TROUBLESHOOTING

WARNING

W-562

Always depressurize the entire system, disconnect all power sources and lockout/tagout all components before any maintenance or troubleshooting is attempted. Failure to comply with the above warning could cause electrical shock and inadvertent activation of equipment resulting in death or serious injury.

WARNING

W-586

Moving parts can present an area where crushing, pinching, entanglement or amputation may occur. Do not place body parts or foreign objects in any area where there are moving parts. Failure to comply with the above warning could result in death or serious injury.

SYMPTOM (Cause)

Pulser System leaks

(Loose or missing hoses or connections, loose or missing urethane tubing, damaged diaphragm valves)

ACTION

Check hose and hose connections between diaphragm valves and hopper wall.

Check all tubing for secure connections and fittings. If fittings do not fit tightly in hose, cut a small section from the end of the hose and re-insert fitting in tube.

Inspect diaphragm valve for damage or debris. Repair or replace diaphragm valve.

Filter Pulser System pressurizes but does not pulse

(No power to control box, blown fuse in control box or timer board, disconnected wires, timer board, solenoid, diaphragm valve)

Inspect all power connections. Repair or replace faulty connections.

Turn main power switch "ON", and look for indicator light. If indicator light does not signal, turn switch "OFF". Replace fuse.

Turn main power switch "OFF". Replace fuse.

Turn main power switch "ON", and look for indicator light. If indicator light does not signal, turn switch "OFF". Inspect all electrical connections.

Inspect all solenoids and listen for audible sound as it engages to pulse. Replace solenoid.

Inspect diaphragm valve breather vent for obstruction.

MAINTENANCE NOTES

DATE	TYPE OF SERVICE	PART NUMBER

ADDITIONAL TECHNICAL DATA

The associations listed below offer information, materials and videos pertaining to abrasive blasting and safe operating practices.

- **American Society for Testing and Materials (ASTM)**
100 Barr Harbor Drive
West Conshohocken, PA 19428-2959
Phone: (610) 832-9585
FAX: (610) 832-9555
www.astm.org
- **Occupational Safety & Health Administration (OSHA)**
United States
Department of Labor
200 Constitution Avenue
Washington, DC 20210
Phone: (800) 321-OSHA
(800) 321-6742
www.osha.gov
- **The National Board of Boiler & Pressure Vessel Inspectors**
1055 Crupper Avenue
Columbus, Ohio 4322
Phone: (614) 888-8320
FAX: (614) 888-0750
www.nationalboard.org
- **National Association of Corrosion Engineers (NACE)**
1440 South Creek Drive
Houston, TX 77084-4906
Phone: (281) 228-6200
FAX: (281) 228-6300
www.nace.org
- **The Society for Protective Coatings (SSPC)**
40-24th Street, 6th Floor
Pittsburgh, PA 15222-4656
Phone: (412) 281-2331
FAX: (412) 281-9992
www.sspc.org
- **American National Standards Institute (ANSI)**
1899 L Street, NW, 11th Floor
Washington, DC 20036
Phone: (202) 293-8020
FAX: (202) 293-9287
www.ansi.org

LIMITED WARRANTY

Seller warrants to the original purchaser that the Product covered by this Limited Warranty will remain free from defects in workmanship or material under normal commercial use and service for a period of one year from the date of shipment to the original Purchaser. This Warranty shall not apply to defects arising, in whole or in part, from any accident, negligence, alteration, misuse or abuse of the Product, operation of the Product which is not in accordance with applicable instructions or manuals or under conditions more severe than, or otherwise exceeding, those set forth in the written specifications for the Product, nor shall this Warranty extend to repairs or alterations of the Product and/or any maintenance part by persons other than Seller or Seller's authorized representatives. This warranty does not apply to accessory items. Further, this Warranty does not apply to damage or wear to the surface finish or appearance of the Product or normal wear and tear to the Product. This Warranty is limited to a purchaser who purchases the Product either directly from the Seller or from one of Seller's "Authorized Distributors". An Authorized Distributor is a Seller approved distributor that purchases the Product directly from the Seller for the sole purpose of re-selling the Product at retail, without any use or modifications whatsoever, to an end-purchaser. This warranty is specifically non-assignable and non-transferable.

DISCLAIMER OF WARRANTY

The foregoing Limited Warranty is exclusive and is in lieu of all other warranties, whether oral or written and whether express, implied, or statutory. SELLER HEREBY DISCLAIMS ALL OTHER WARRANTIES, INCLUDING BUT NOT LIMITED TO THE WARRANTIES OF MERCHANTABILITY AND/OR FITNESS FOR A PARTICULAR PURPOSE AND ALL SUCH OTHER WARRANTIES ARE HEREBY EXCLUDED AND ARE INAPPLICABLE TO THE PRODUCT. Seller makes no warranties or representations of any kind concerning respirators, or equipment made by other manufacturers. Seller's agents and representatives are not authorized to offer any further warranties.

EXCLUSIVE REMEDY FOR WARRANTY CLAIMS

THE SOLE AND EXCLUSIVE REMEDY UNDER THE FOREGOING LIMITED WARRANTY, AND TO THE EXTENT PERMITTED BY LAW, ANY WARRANTY OR CONDITION IMPLIED BY LAW, COVERING THIS PRODUCT SHALL BE, AT THE SELLER'S OPTION, THE REPAIR OR REPLACEMENT, FREE OF CHARGE, F.O.B. POINT OF MANUFACTURE, OF ANY DEFECTIVE PART OR PARTS OF THE PRODUCT THAT WERE MANUFACTURED BY SELLER, AND WHICH ARE RETURNED TO SELLER AT SELLER'S PRINCIPAL PLACE OF BUSINESS, POSTAGE PREPAID BY THE PURCHASER. THIS SOLE AND EXCLUSIVE REMEDY IS CONDITIONED UPON PURCHASER'S PROMPT WRITTEN NOTICE TO SELLER AT SELLER'S PLACE OF BUSINESS THAT A DEFECT HAS BEEN DISCOVERED, TOGETHER WITH A REASONABLY DETAILED DESCRIPTION OF THE DEFECT IN THE PRODUCT, PROOF OF PURCHASE OF THE PRODUCT, AND THE MODEL AND IDENTIFICATION NUMBER OF THE PRODUCT WITHIN THIRTY (30) DAYS AFTER DISCOVERY OF THE DEFECT, OTHERWISE SUCH CLAIMS SHALL BE DEEMED WAIVED. NO ALLOWANCE WILL BE GRANTED FOR ANY REPAIRS OR ALTERATIONS MADE BY PURCHASER OR OTHERS WITHOUT SELLER'S PRIOR WRITTEN CONSENT. IF SUCH NOTICE IS TIMELY GIVEN, SELLER WILL HAVE THE OPTION TO EITHER MODIFY THE PRODUCT OR COMPONENT PART THEREOF TO CORRECT THE DEFECT, REPLACE THE PRODUCT OR PART WITH COMPLYING PRODUCTS OR PARTS, OR REFUND THE AMOUNT PAID FOR THE DEFECTIVE PRODUCT, ANY ONE OF WHICH WILL CONSTITUTE THE SOLE LIABILITY OF SELLER AND FULL SETTLEMENT OF ALL CLAIMS. IN NO EVENT SHALL SELLER BE LIABLE FOR ANY OBLIGATION GREATER THAN THE ORIGINAL PURCHASE PRICE OF THE PRODUCT UNDER THIS WARRANTY. PURCHASER SHALL AFFORD SELLER PROMPT AND REASONABLE OPPORTUNITY TO INSPECT THE PRODUCT FOR WHICH A CLAIM IS MADE. THE SOLE PURPOSE OF THE FOREGOING STIPULATED EXCLUSIVE REMEDY SHALL BE TO REPAIR OR REPLACE DEFECTIVE PRODUCTS OR COMPONENTS THEREOF, OR TO REFUND PURCHASER THE PURCHASE PRICE THEREOF. THIS STIPULATED EXCLUSIVE REMEDY SHALL NOT BE DEEMED TO HAVE FAILED OF ITS ESSENTIAL PURPOSE SO LONG AS SELLER IS WILLING AND ABLE TO REPAIR OR REPLACE THE DEFECTIVE PARTS OR REFUND THE PURCHASE PRICE IN ACCORDANCE WITH THE TERMS HEREOF. PRODUCTS THAT HAVE BEEN REPAIRED OR REPLACED UNDER THIS WARRANTY DO NOT RECEIVE A NEW WARRANTY AND ARE ONLY COVERED BY THE REMAINING PORTION OF THE ORIGINAL WARRANTY.

LIMITATION OF REMEDIES

The foregoing stipulated exclusive remedy is in lieu of all other remedies for breach of contract, warranty, and/or tort or otherwise. Seller shall not be liable, either directly or indirectly, for any consequential, incidental or special losses or damages of Purchaser, including but not limited to the Purchaser's expenses for downtime or for making up downtime, damages for which the Purchaser may be liable to other persons and/or entities, damages to property, and injury to or death of any persons and/or any claims for incidental or consequential damages, including but not limited to loss of profits, regardless of whether Seller has been informed of the possibility of such damages. Seller neither assumes, nor authorizes any person to assume for it, any other liability in connection with the sale or use of any Products covered by the foregoing Warranty and Disclaimers, and there are no oral agreements relating to remedies which are collateral to or which affect this limitation.

CONTACT CENTER

- 3425 East Locust Street
Davenport, IA 52803

ph: 800.BLAST.IT (800.252.7848)
ph: 563.324.2519
fax: 563.324.6258

REGIONAL BRANCH OFFICES

- **Iowa**
Davenport
- **Louisiana**
Gonzales
Lafayette
- **Ohio**
Youngstown
- **Texas**
Beaumont
Corpus Christi
Deer Park

40+ NATIONWIDE SHIPPING LOCATIONS



★ Marco Regional Branch Offices
and Shipping Locations

● Direct Shipping Locations



ABRASIVES
BLASTING
COATING
DUST COLLECTION
RENTAL & SERVICE
SAFETY
VACUUMS

CONTACT MARCO

800.BLAST.IT
(800.252.7848)
563.324.2519
FAX: 563.324.6258

WWW.MARCO.US
SALES@MARCO.US