



DUSTMASTER® 50,000 CFM DUST COLLECTOR



BUILT MARCO
TOUGH
MARCO MANUFACTURED

PART NUMBERS AND SCHEMATICS GUIDE

Company Profile

Since 1944, Marco has developed a strong tradition of providing innovative and reliable products and services to the surface preparation and protective coatings industries. We are the world's premier provider of Abrasives, Blasting Equipment, Coating and Painting Equipment, Engineered Systems, Rental Equipment, Safety Equipment, Service, and Repair.

Through innovative designs and a total commitment to quality, Marco manufactures products that increase production rates, create a safer workplace, and reduce maintenance costs. Marco's industry experience, manufacturing capabilities, legendary customer service, product availability, logistics services, and technology leadership is your assurance that we deliver high quality products and services, providing the best value to you, our customer.

The Marco Difference

- **Industry Experience** – With Marco on your team, you have access to expertise which can only come from decades of industry leadership. We have organized our engineering department, production specialists, customer operations, and safety support into a “Center of Competence.” As a Marco customer, you have access to hundreds of years of cumulative experience related to your operations.
- **Manufacturing Excellence** – Marco is a U.S. based, ISO 9001:2008 certified manufacturer of equipment for the Surface Preparation and Protective Coatings industries. Marco's engineers benchmark the industry to ensure that we design and manufacture superior products that set the “Gold Standard” for performance, safety, and quality.
- **Legendary Customer Service** – Marco's legendary customer service team is staffed by friendly, highly-trained individuals who are focused on providing the highest level of product support, order accuracy, and customer satisfaction.
- **Product Availability** – We stock over 10,000 SKU's and have over 45 shipping locations to serve North American and International markets for all major brands of blasting and painting equipment. As the largest provider of surface preparation and protective coatings equipment in the world, our inventory levels and product availability are unmatched.
- **Logistics Services** – Marco's in-house logistics team is dedicated to moving your shipment anywhere in the world. We move over 14,000 truckloads every year, allowing you to save on freight costs by leveraging our buying power. Lower your process costs with a single invoice, which includes product and freight.
- **Technology Leadership** – Our website provides: Operator's Manuals, Part Numbers and Schematics Guides, MSDS information, and Features, Advantages, and Benefits Guides, providing access to information 24/7. Our Extranet application allows you to receive quotes and place orders online. Our Intranet maintains a complete record of your purchase history to assist with ongoing support of your existing equipment and future purchasing decisions.

Vision Statement

Marco is the world's premier provider of Abrasives, Blasting Equipment, Coating and Painting Equipment, Engineered Systems, Rental Equipment, Safety Equipment, Service, and Repair.

Mission Statement

Marco provides strong leadership and innovation to the surface preparation and protective coatings industries. We dedicate our efforts to the continuous improvement of our products, services, processes, people, and most importantly, the quality of our customer's experience.

Quality Statement

Marco is committed to providing superior quality in the design, manufacturing, distribution, rental, service, and repair of our products. Our ISO 9001:2008 certification extends throughout all operations in all locations. Continuous improvement of our processes and supply chain Integration comprise the core of our business strategy for delivering exceptional quality and value in all Marco products and services.

Management Philosophy

We are a company dedicated to the success of every customer and associate. We discuss, debate, challenge, measure, and test our ideas. We will be boundless and limitless in our passion to improve. Through sound leadership and dedicated associates, we will ensure a long term, profitable future for Marco, our associates, customers, and suppliers.

TABLE OF CONTENTS

Company Profile	1
Table of Contents	2
Dustmaster® 50,000 CFM Dust Collector	3-39
Part Number	3
Specifications	4
Part Numbers & Schematics	5-39
Front Assembly	5
Fuel Tank	6
Fuel Tank Selector Assembly	7
Hydraulic Oil Tank	8
Hydraulic Oil Filter Assembly	9
Hydraulic Hoses	10
Fan Belt Assembly	11-12
Fan Belt Back Guard Mount Assembly	13
Fan Assembly and Battery Box	14
Main Auger Drive Assembly	15
Main Auger Bearing	16
Main Auger Motor	17
Main Auger	18
Access Panel Assembly	19
Main Auger Protective Grate	20
Left Side Pneumatic Ball Vibrators	21
Right Side Pneumatic Ball Vibrators	22
Pulser System Assembly	23-24
Pulser Regulator and Timer Assembly	25
Pulser Solenoid Enclosure Assembly	26
Discharge Auger Assembly	27-28
Discharge Auger Drive Assembly	29-30
Discharge Auger Clean-out Assembly	31
Discharge Auger Assembly	32
Hydraulic Pump	33
Hydraulic Control Assembly	34
Inlet Door Assembly	35
Dust Collector Filter Cartridge Pulsers	36
Dust Collector Filter Cartridge Hatch Door Assembly	37
Emergency-Stop Stations	38
Trailer	39
Optional Accessories	40-41
Maintenance Notes	42

PART NUMBER

DUSTMASTER® 50,000 CFM DUST COLLECTOR								
Part Number	Filter Cartridge Material						Tier 4 Diesel Engine	Filter Cartridge Quantity
	None	High Density 85% Cellulose/15% Poly Blend	85% Cellulose/15% Poly Blend	Fire Retardant	HEPA	Spunbond		
10106478	X						X	—
10106479		X					X	56
10106480			X				X	56
10106481				X			X	56
10106482					X		X	56
10106483						X	X	56

Complete unit with tier III diesel engine no longer available

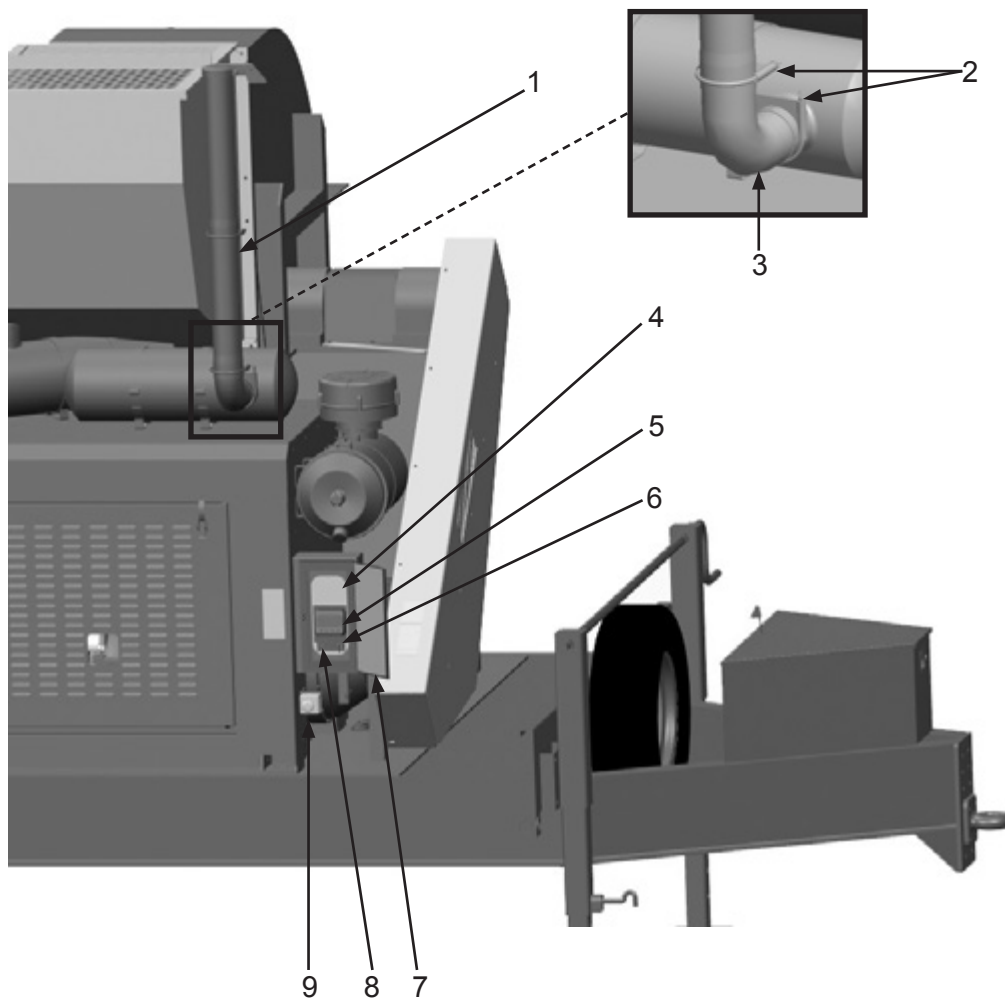


DUSTMASTER® 50,000 CFM DUST COLLECTOR SPECIFICATIONS

Capacity:	36,880 – 50,488 CFM 6 – 16" W.C. Static Pressure
Filter Cartridge Style:	Open Top with Flange, Closed Bottom 56 Required
Filter Cleaning:	Pulse System, 5–15 second intervals Pulse Duration: 200-350 millisecond
Filter Area:	11,662 square feet
Efficiency:	Standard 85/15 Blend Filters – 99.8% @ 0.5 micron High-Density 85/15 Blend Filters – 99.8% @ 0.5 micron HEPA Filters – 99.99% @ 0.3 micron Fire Retardant Filters – 96.8% @ 2.0 micron Spunbond Filters – 97% @ 3.0 micron
Ducting Connections:	20" I.D., Quantity of Six
Clean-out Ports:	One
Dust Removal Conveyor:	Main Auger, 6" Discharge Auger, Hydraulic Motor Drive
Fan:	Backward Inclined, non-overloading, spark resisting
Engine:	Diesel, Tier 4, 174 Horsepower
Fuel Capacity:	Type: Diesel Capacity: 160 Gallons (Two 80 Gallon Tanks)
Air Requirements:	Clean, Dry, Compressed Air 24 CFM @ 90 PSI
Electrical System:	12-Volt DC
Engine Protection:	Engine Monitoring System with automatic shutdown measures: coolant temperature, intake air temperature, engine intake manifold pressure, engine oil pressure, pressure in fuel rail, engine speed and timing.
Fluid Specifications:	Hydraulic Oil: H46 or equivalent, 40 Gallons Diesel Fuel: See Engine Operator's Manual for type, 160 Gallons Grease/Lubricator: Shell Alvania Grease EP or equivalent
Unit Dimensions:	Weight: 19,900 pounds empty Tongue Weight: 3,980 pounds Length: 35' 6" Width: 102" Height: 11'

PART NUMBERS AND SCHEMATICS

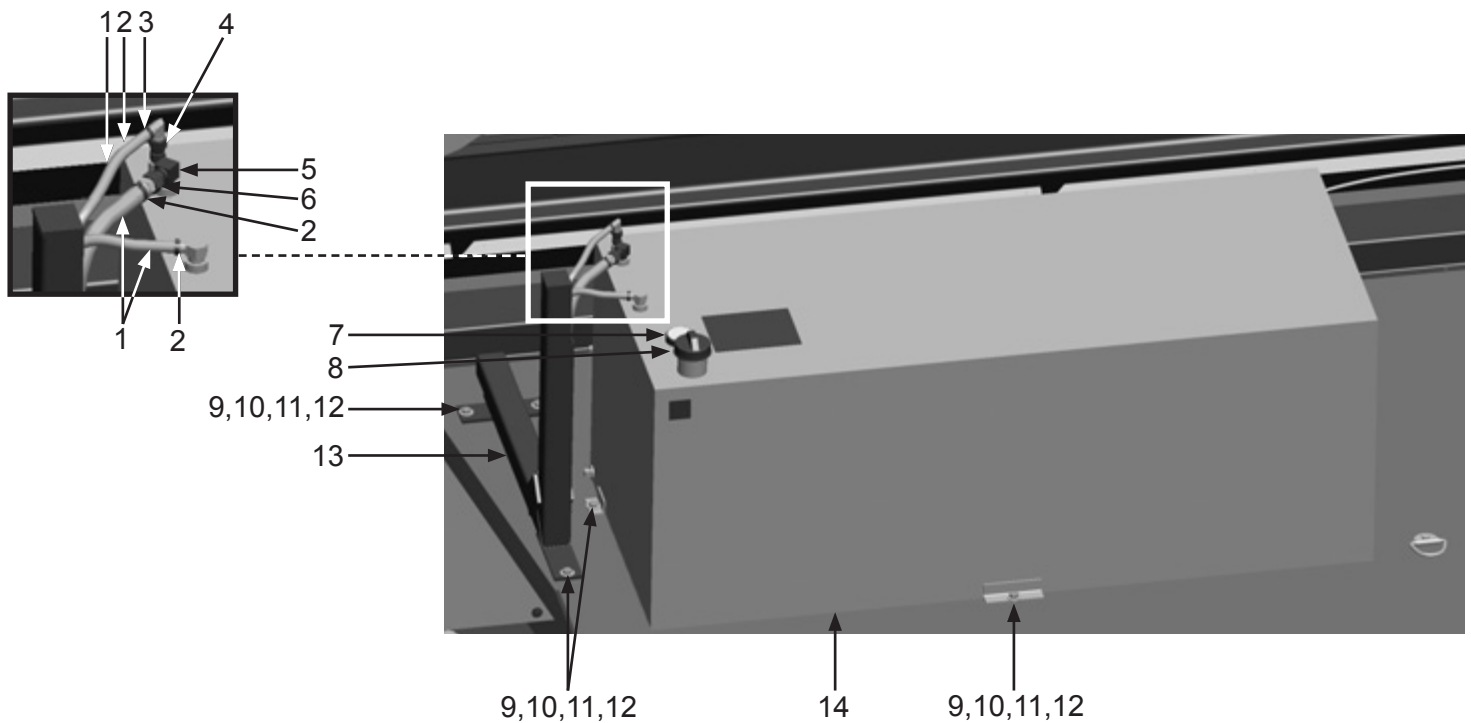
Figure 1: Front Assembly



Item#	Part#	Description
1	10103874	4" x 24" Straight Exhaust Pipe (<i>Two Required</i>)
2	10103875	4" Exhaust Clamp (<i>Two Required</i>)
3	10103873	4" Exhaust Pipe Elbow
4	10105358	Control Panel Back Plate
5	10103969	Murphy® PowerView™ Gauge
6	10103970	Key
7	10104072	Engine Control Panel Door
8	10103973	Engine Control Panel Toggle Switch
9	10104062	Emergency-Stop Station (<i>See Fig. 30</i>)
—	10103974	Key Switch
—	10103972	Engine Control Panel <i>Includes Item #'s: 5–8</i>
—	10104126	Engine Oil Filter
—	10103958	Diesel Fuel Filter
—	10104117	Secondary Diesel Fuel Filter
—	10104130	Outer Air Filter
—	10104131	Inner Air Filter

PART NUMBERS AND SCHEMATICS

Figure 2: Fuel Tank

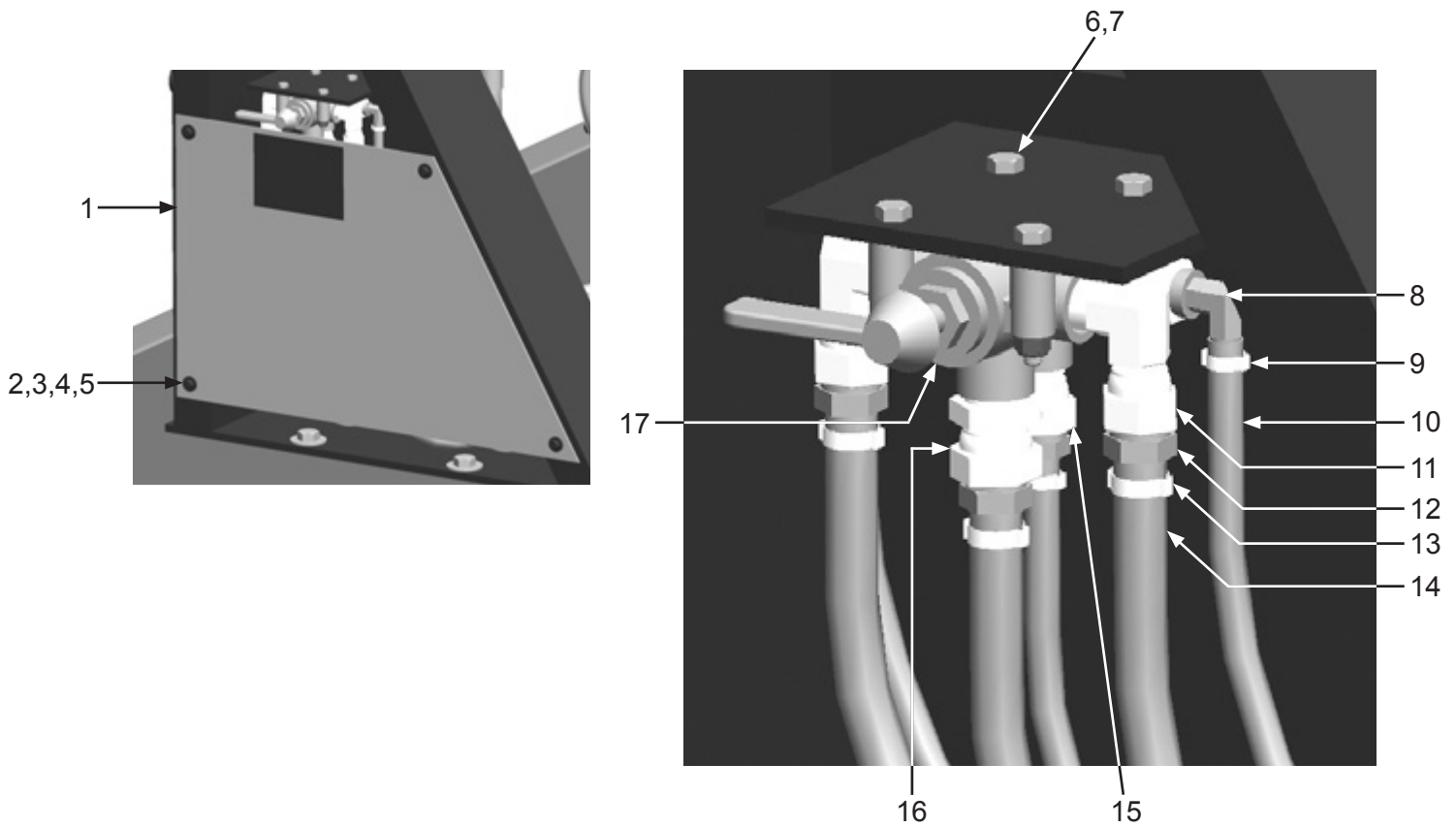


Item #	Part #	Description
Fig. 2		
1	10103619	1/2" Fuel Hose (Per Foot)
2	10104065	Hose Clamp - 3/8" I.D. Hose
3	10103421	3/8" Barb x 1/4" NPT Elbow Fitting
4	10SME025	1/4" NPT (M) x 1/4" NPS (F) Straight Swivel
5	20PFHA60SA0606	Swivel Union - 3/8" (M) x 3/8" (F)
6	10103618	3/8" NPT x 1/2" Barb Hose Fitting
7	10103424	Sight Gauge
8	10103968	Locking Fuel Cap with Key
9	10101059	3/8-16 x 1-1/4" Galvanized Bolt (12 Required)
10	10101942	3/8" Galvanized Flat Washer (24 Required)
11	10101938	3/8-16 Galvanized Hex Nut (12 Required)
12	10101936	3/8" Zinc Lock Washer (12 Required)
13	10103677	Fuel Line Guard
14	10103251	Fuel Tank - 80 gallon (Two Required)
—	10103617	Withdraw Tube - 16"
—	10103620	3/8" Inline Filter (Not Shown)
—	10103961	Fuel Tank Rubber Cushioning Pad (Not Shown)

*Right Side Fuel Tank Shown. Left Side Fuel Tank uses identical parts.

PART NUMBERS AND SCHEMATICS

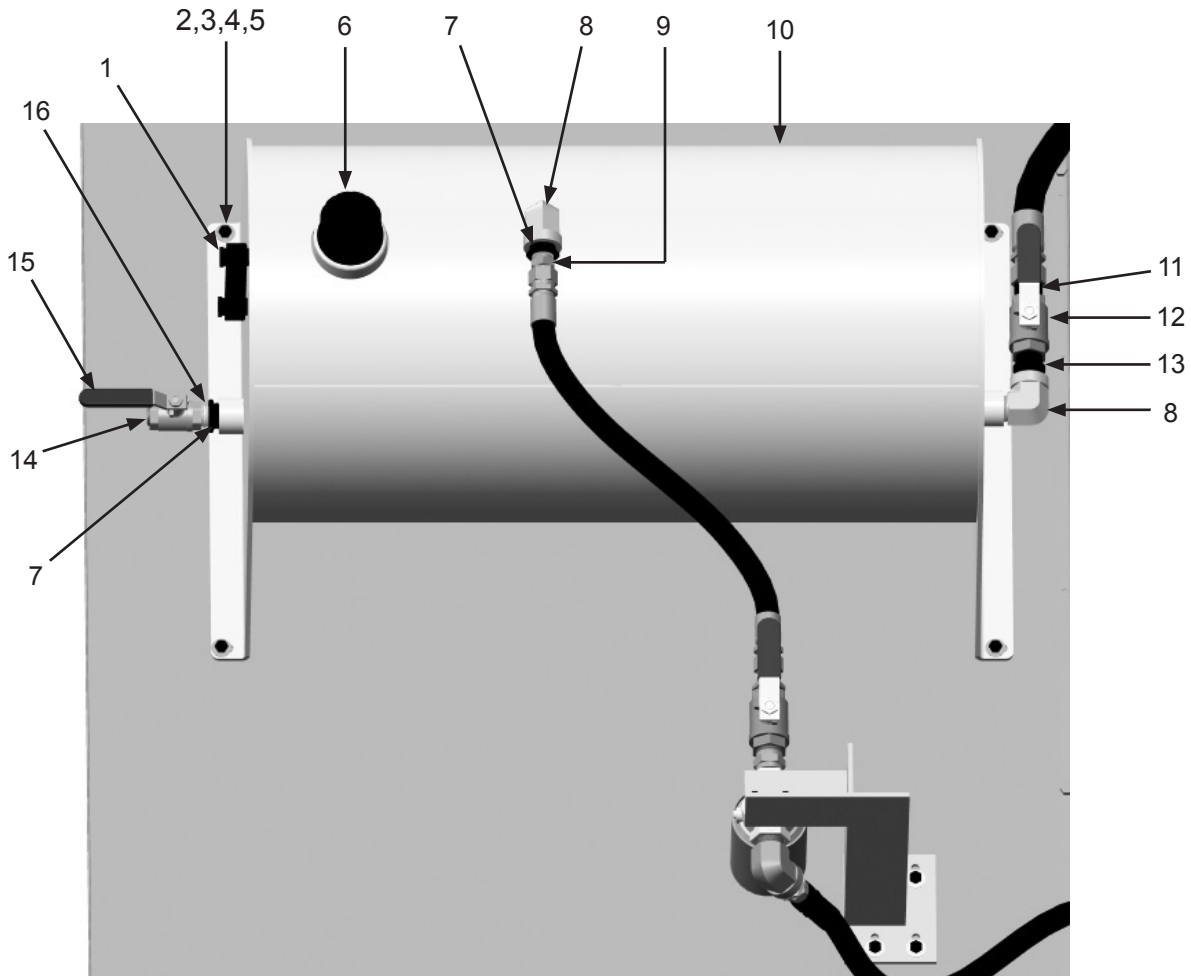
Figure 3: Fuel Tank Selector Valve Assembly



Item #	Part #	Description
Fig. 3		
1	10103861	Fuel Line Guard
2	10101937	1/4-20 X 1" Bolt Grade 5 - Galvanized
3	10101940	1/4" Galvanized Flat Washer
4	1012153	1/4" Lock Washer
5	10101347	1/4-20 Hex Bolt
6	1019044	1/4-20 x 1-3/4" Zinc Bolt
7	1012323	1/4-20 Lock Nut
8	10103422	3/8" NPT (F) - 3/8" Hose Barb Elbow
9	10104065	Hose Clamp - 3/8" I.D. Hose
10	10103423	Fuel Hose - SAE - Low Pressure - 3/8" I.D. (Per Foot)
11	20PFHA60UA0808	90° Swivel Union - 1/2" NPT (M) x 1/2" (F) JIC
12	10103507	1/2" NPT (F) X 1/2" Hose Barb
13	10104064	Hose Clamp - 1/2" O.D. Hose
14	10103619	Fuel Hose - Flexible - 1/2" I.D. (Per Foot)
15	20PFHA60SA0606	Straight Swivel Union - 3/8" NPT (M) x 3/8" (F) JIC
16	20PFHA60SA0808	Straight Swivel Union - 1/2" NPT (M) x 1/2" (F) JIC
17	10103508	Fuel Selector Valve - 6-port

PART NUMBERS AND SCHEMATICS

Figure 4: Hydraulic Oil Tank

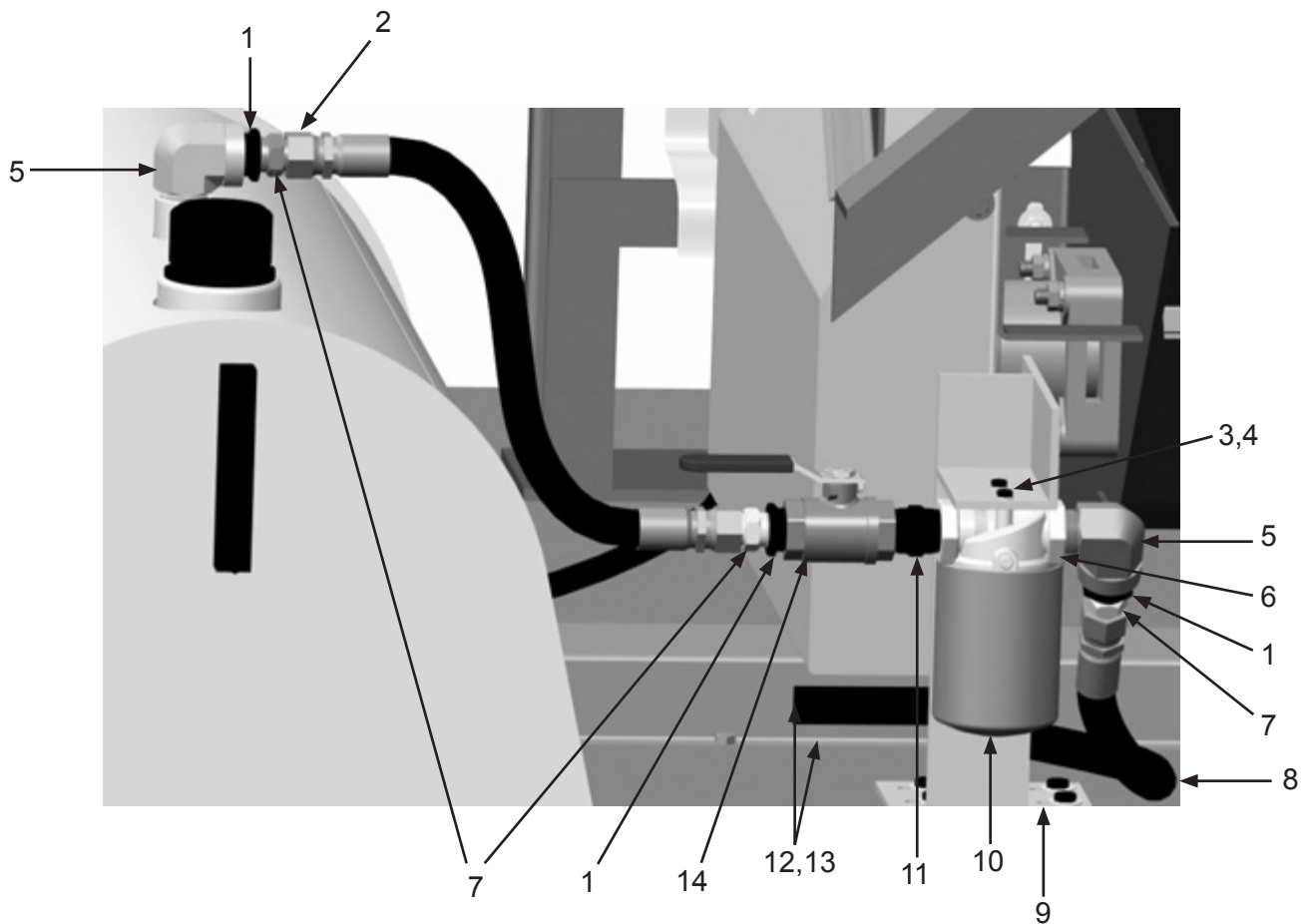


Hydraulic Oil Tank

Item #	Part #	Description
Fig. 4		
1	10103942	Sight Level Gauge
2	1011747	Bolt - 1/2-13 x 1-3/4" - Galvanized (Four Required)
3	10101942	Flat Washer - 1/2" (Eight Required)
4	10101936	Lock Washer - 1/2" (Four Required)
5	10101938	Hex Nut - 1/2-13 (Four Required)
6	10103971	Filler/Breather Cap
7	20PFHA24SB1612	Reducing Bushing - 1" NPT x 3/4" NPT
8	20PFHA25UG1616	Street Elbow - 90° - 1" NPT (Two Required)
9	10103314	Straight Adapter - 3/4" NPT x 12 JIC
10	10105031	Hydraulic Oil Reservoir - 40 Gallon
11	10103312	Straight Adapter - 1" NPT x 16 JIC
12	1011601	Full Port Ball Valve - 1" NPT
13	20PFHA24SA1616	Hex Nipple - 1" NPT
14	10DSHP75	Pipe Plug - Square Head - 3/4" NPT
15	10L8074C	Full Port Ball Valve - 3/4" NPT
16	1011213	Close Nipple - 3/4" NPT - Galvanized

PART NUMBERS & SCHEMATICS

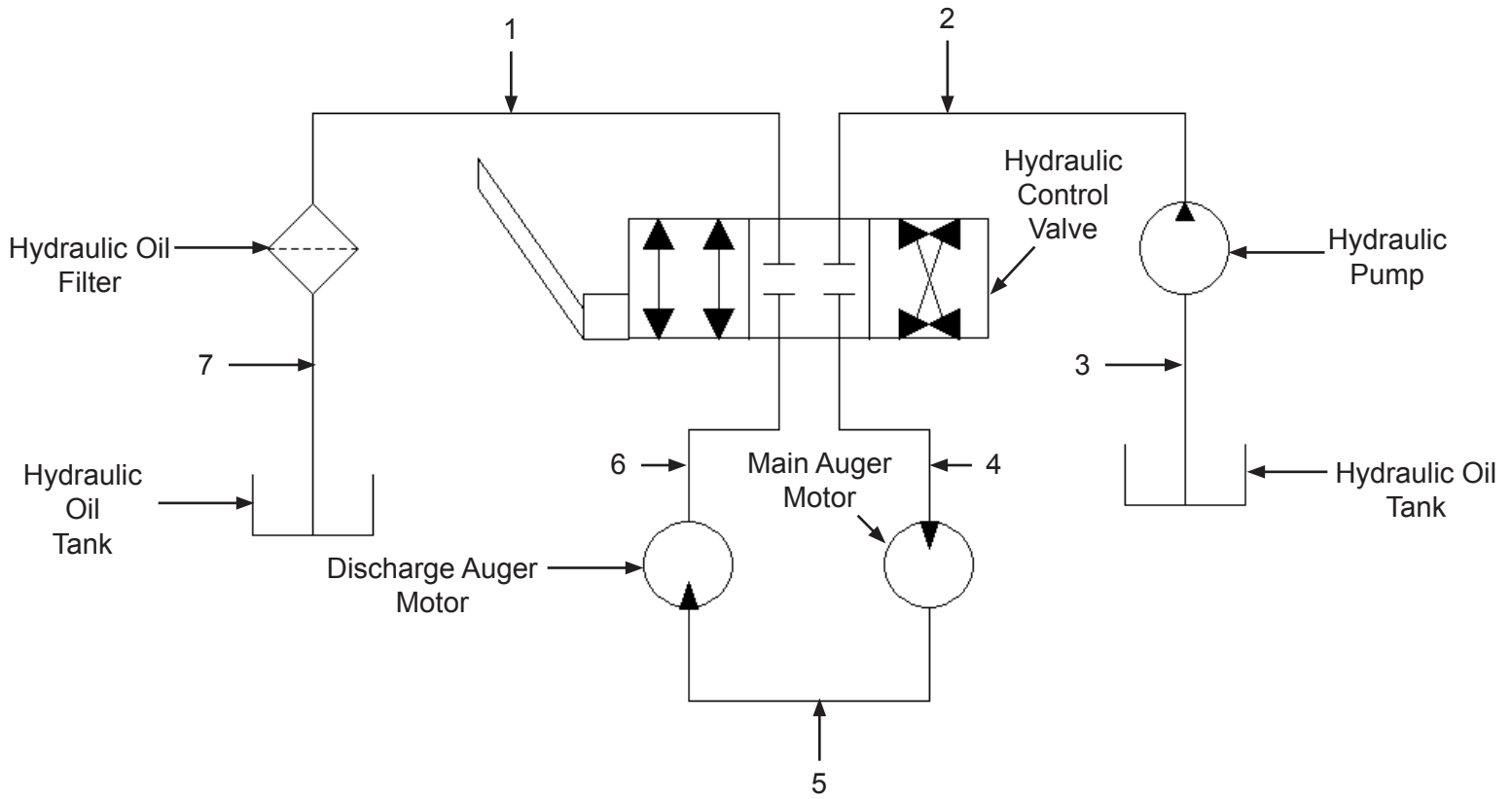
Figure 5: Hydraulic Oil Filter Assembly



Item #	Part #	Description
Fig. 5		
1	20PFHA24SB1612	1" x 3/4" Reducing Bushing (<i>Three Required</i>)
2	10104056	3/4" x 2' Hydraulic Hose
3	20100125	1/4-20 x 3/4" Zinc Bolt (<i>Two Required</i>)
4	1012153	1/4" Lock Washer (<i>Two Required</i>)
5	20PFHA25UG1616	1" Street Elbow (<i>Two Required</i>)
6	10104051	Bracket – Hydraulic Oil Filter Head
7	10103314	Straight Adapter - 3/4" NPT x 12 JIC (<i>Three Required</i>)
8	10103412	3/4" x 23' Hydraulic Hose
9	10104052	Hydraulic Oil Filter Head Mount
10	10104058	Hydraulic Oil Filter
11	20PFHA24SA1616	Hex Nipple - 1"
12	10101059	3/8-16 x 1-1/4" Galvanized Bolt (<i>Four Required</i>)
13	10101942	3/8" Flat Washer (<i>Four Required</i>)
14	1011601	3/4" Full Port Brass Ball Valve

PART NUMBERS & SCHEMATICS

Figure 6: Hydraulic Hoses



Item #	Part #	Description
--------	--------	-------------

Fig. 6

1	10103412	Hydraulic Hose - 3/4" I.D. x 23' feet - 3045 psi
2	10103505	3/4" I.D. x 33' Hydraulic Hose - 3045 psi
3	10103405	Hydraulic Hose - 1-1/4" I.D. x 9.5 feet - 2000 psi
4	10103502	Hydraulic Hose - 1/2" I.D. x 20' - 4500 psi
5	10104224	Hydraulic Hose - 1/2" X 24' - 2000 psi
6	10103409	Hydraulic Hose - 1/2" I.D. x 7.08 feet - 2000 psi
7	10104056	Hydraulic Hose - 3/4" I.D. x 2' - 3045 psi

PART NUMBERS AND SCHEMATICS

Fan Belt Assembly

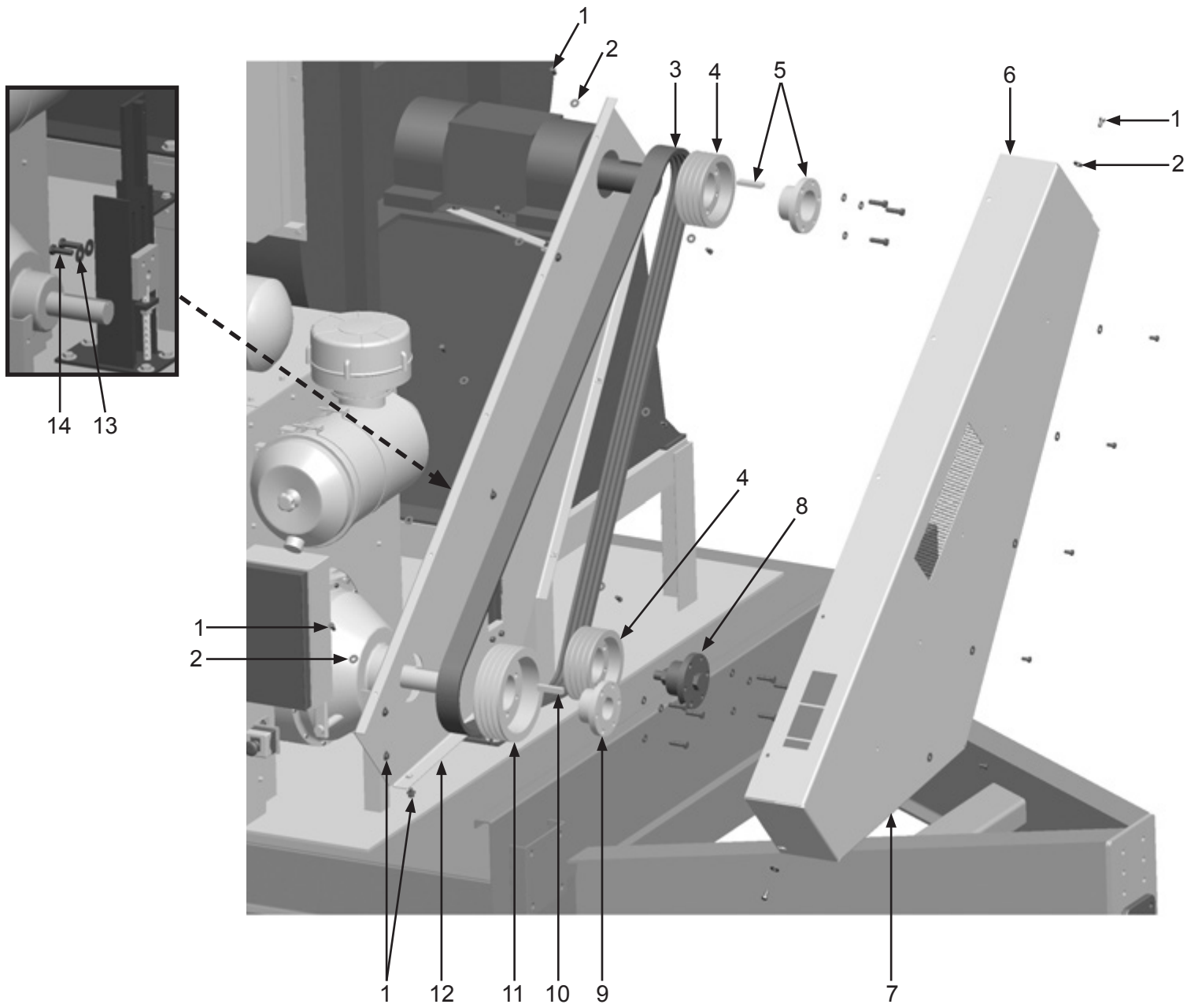
Item #	Part #	Description
--------	--------	-------------

Fig. 7

1	10103400	3/8-16 x 3/4" Bolt (<i>17 Required</i>)
2	10101942	3/8" Galvanized Flat Washer (<i>17 Required</i>)
3	10103487	160" 4-Stranded Drive Belt
4	10103483	8" Sheave (<i>Two Required</i>)
5	10103482	3.4375 Bushing
6	10103461	Top Belt Cover
7	10103459	Bottom Belt Cover
8	10103484	Idler Bushing
9	10103485	2.5 Bore Bushing
10	10103643	5/8" Key Cut
11	10103486	10.30" Sheave
12	10103457	Belt Guard Back
13	10103398	5/8" Washer (<i>Two Required</i>)
14	10103397	5/8-11 x 2" Zinc Bolt (<i>Two Required</i>)

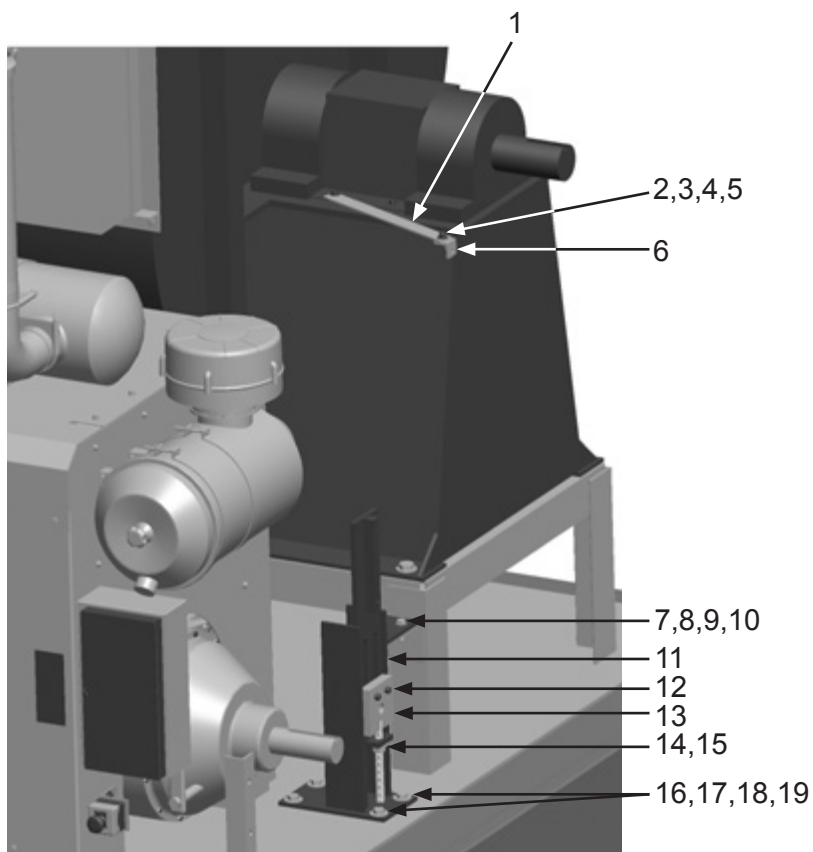
PART NUMBERS AND SCHEMATICS

Figure 7: Fan Belt Assembly



PART NUMBERS AND SCHEMATICS

Figure 8: Fan Belt Guard Back Assembly



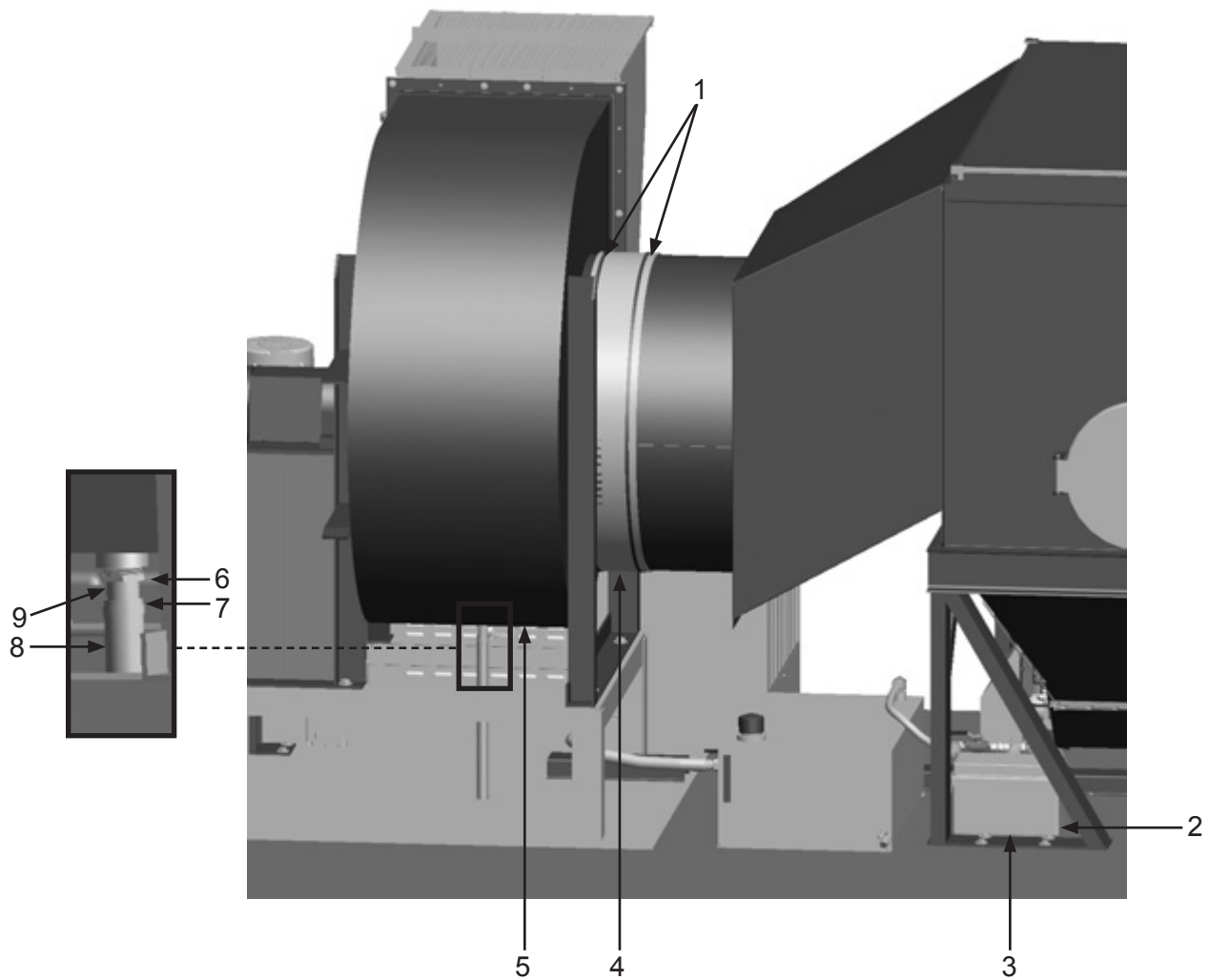
Item #	Part #	Description
--------	--------	-------------

Fig. 8

1	10103937	Belt Guard Brace
2	1011747	3/8-16 x 1" Bolt
3	10101936	3/8" Zinc Lock Washer
4	10101942	3/8" Galvanized Flat Washer
5	10101938	3/8-16 Galvanized Hex Nut
6	10103938	Belt Guard Angle
7	10101943	1/2-13 x 1-3/4" Galvanized Hex Bolt
8	10100674	1/2" Flat Washer
9	10100675	1/2" Lock Washer
10	1014022	1/2-13 Hex Nut
11	10103926	Belt Tightener Support
12	10103397	5/8-11 x 2" Zinc Bolt
13	10103637	Belt Tightener Mount
14	10103418	3/4" Washer
15	10103420	3/4-10 UNC Nut
16	10103398	5/8" Washer
17	10103397	5/8-11 x 2" Zinc Bolt
18	10103399	5/8" Lock Washer
19	10103393	5/8-11 Zinc Nut

PART NUMBERS AND SCHEMATICS

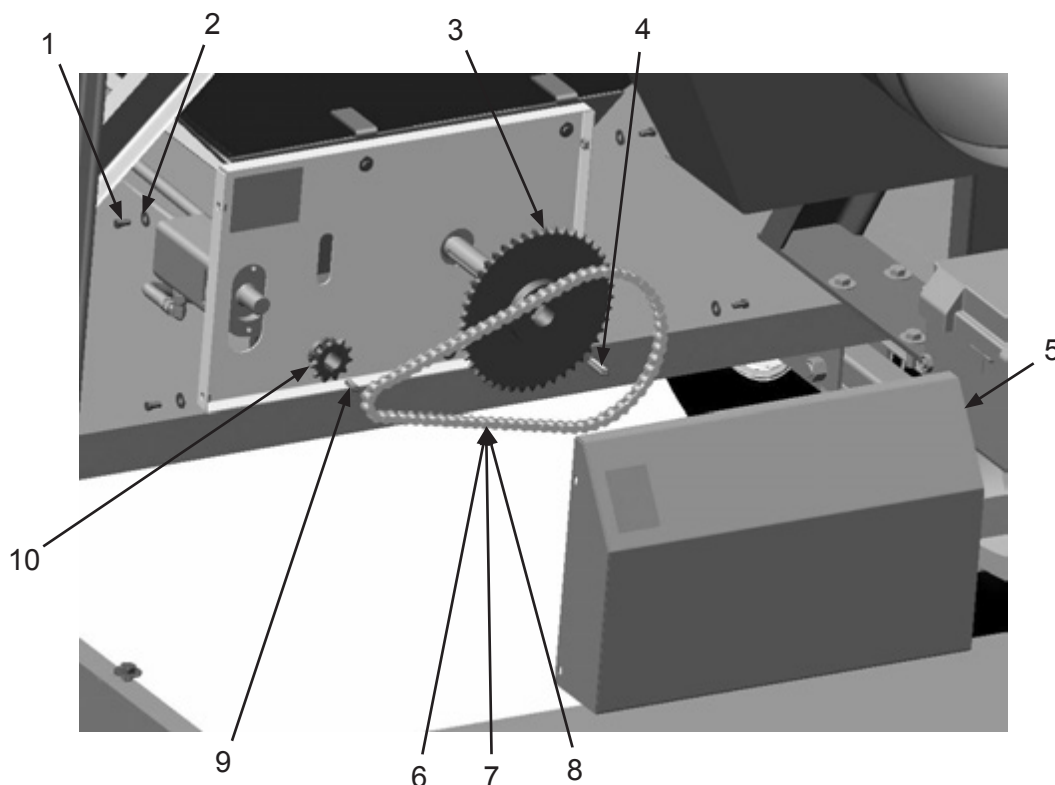
Figure 9: Fan Assembly and Battery Box



Item #	Part #	Description
Fig. 9		
1	10103623	Adjustable Clamp Fastener <i>(Two Required)</i>
2	10103963	Rubber Cushioning Pad
3	10103342	Battery Box
4	10103962	Connection Rubber Gasket
5	10103495	Fan
6	20PFHA24SB2016	1-1/4" x 1" Reducing Bushing
7	10103396	1-1/16" x 2" Hose Clamp
8	10103654	1-1/4" I.D. Hose <i>(Per Foot)</i>
9	10000197	1" x 3" Toe Nipple
—	10105866	Battery Cables <i>(Not Shown)</i>
—	10103341	Battery <i>(Not Shown)</i>

PART NUMBERS AND SCHEMATICS

Figure 10: Main Auger Drive Assembly



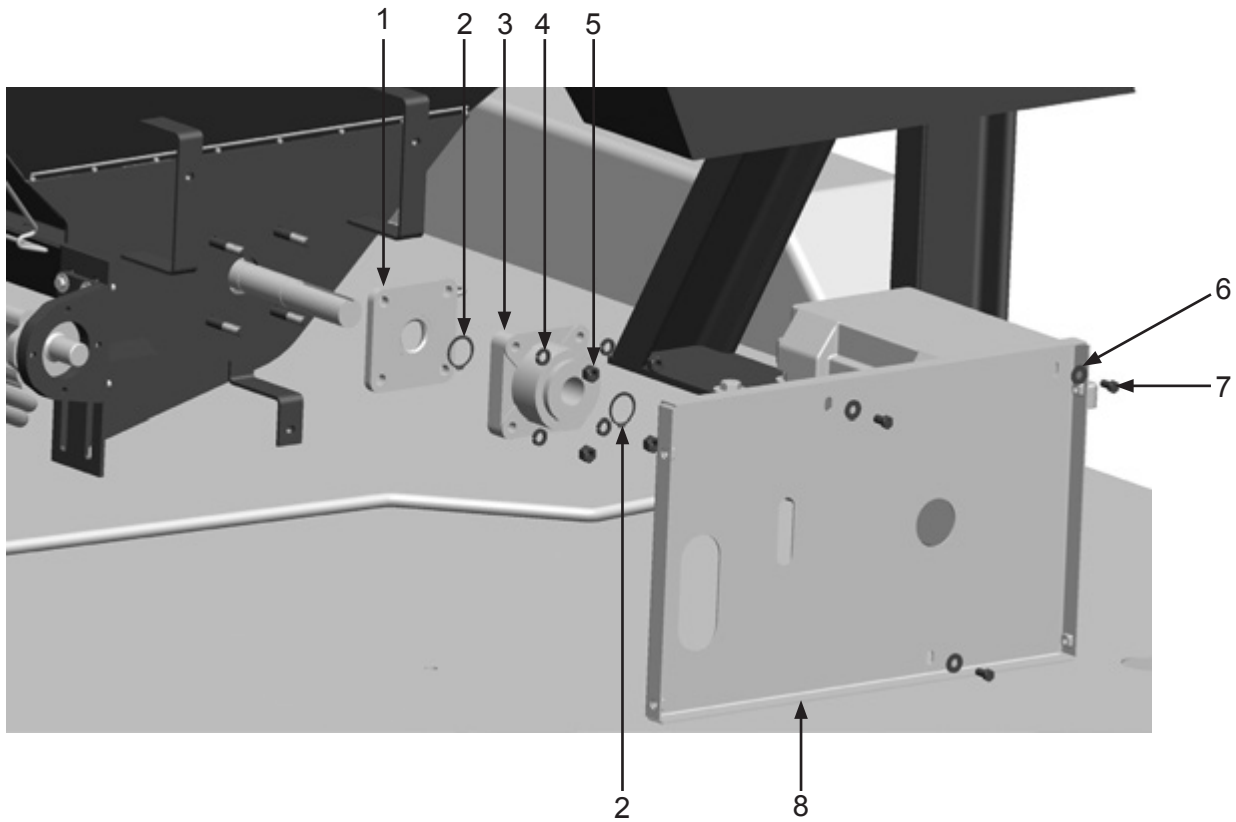
Item #	Part #	Description
--------	--------	-------------

Fig. 10

1	10103400	3/8-16 x 3/4" Bolt (<i>Four Required</i>)
2	10101942	3/8" Galvanized Flat Washer (<i>Four Required</i>)
3	10104218	45-Tooth Sprocket
4	10103641	3/8" Key Cut
5	10102952	Main Auger Motor Cover
6	10103391	60# Cotted Roller Chain (<i>Per Foot</i>)
7	10103392	60# Connecting Link
8	10103614	60# Offset Link
9	10103642	5/16" x 1/4" x 1/8" x 1/8" Key
10	10103265	11-Tooth Sprocket
—	10104192	Main Auger Chain Kit <i>Includes Item #'s: 7, 8, and 9</i>

PART NUMBERS AND SCHEMATICS

Figure 11: Main Auger Bearing



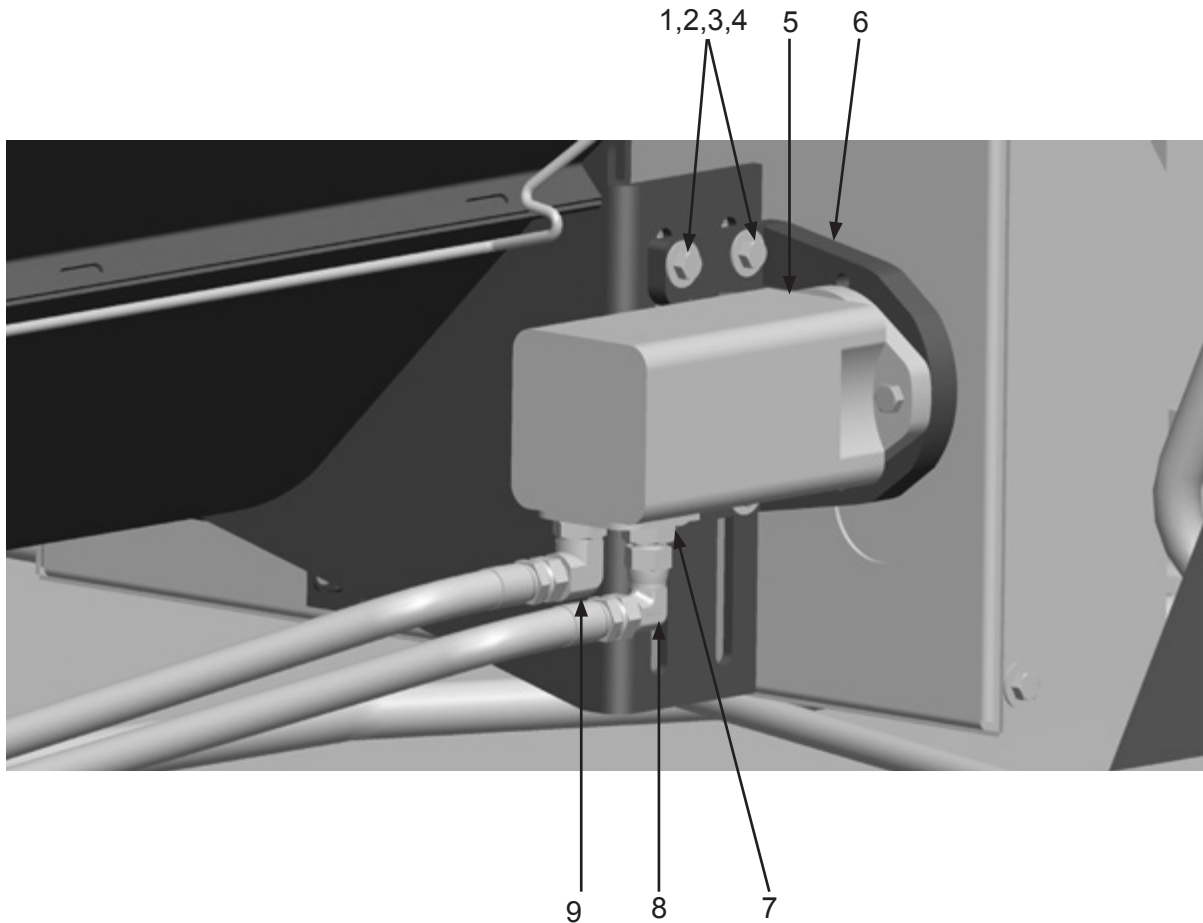
Item #	Part #	Description
--------	--------	-------------

Fig. 11

1	10102902	Seal Plate
2	10103605	Snap Ring <i>(Two Required)</i>
3	10102903	Thrust Bearing
4	10100675	1/2" Lock Washer <i>(Four Required)</i>
5	1014022	1/2-13 Hex Nut <i>(Four Required)</i>
6	10101942	3/8" Galvanized Flat Washer <i>(Three Required)</i>
7	10103400	3/8-16 x 3/4" Bolt <i>(Three Required)</i>
8	10102955	Main Auger Guard Back

PART NUMBERS AND SCHEMATICS

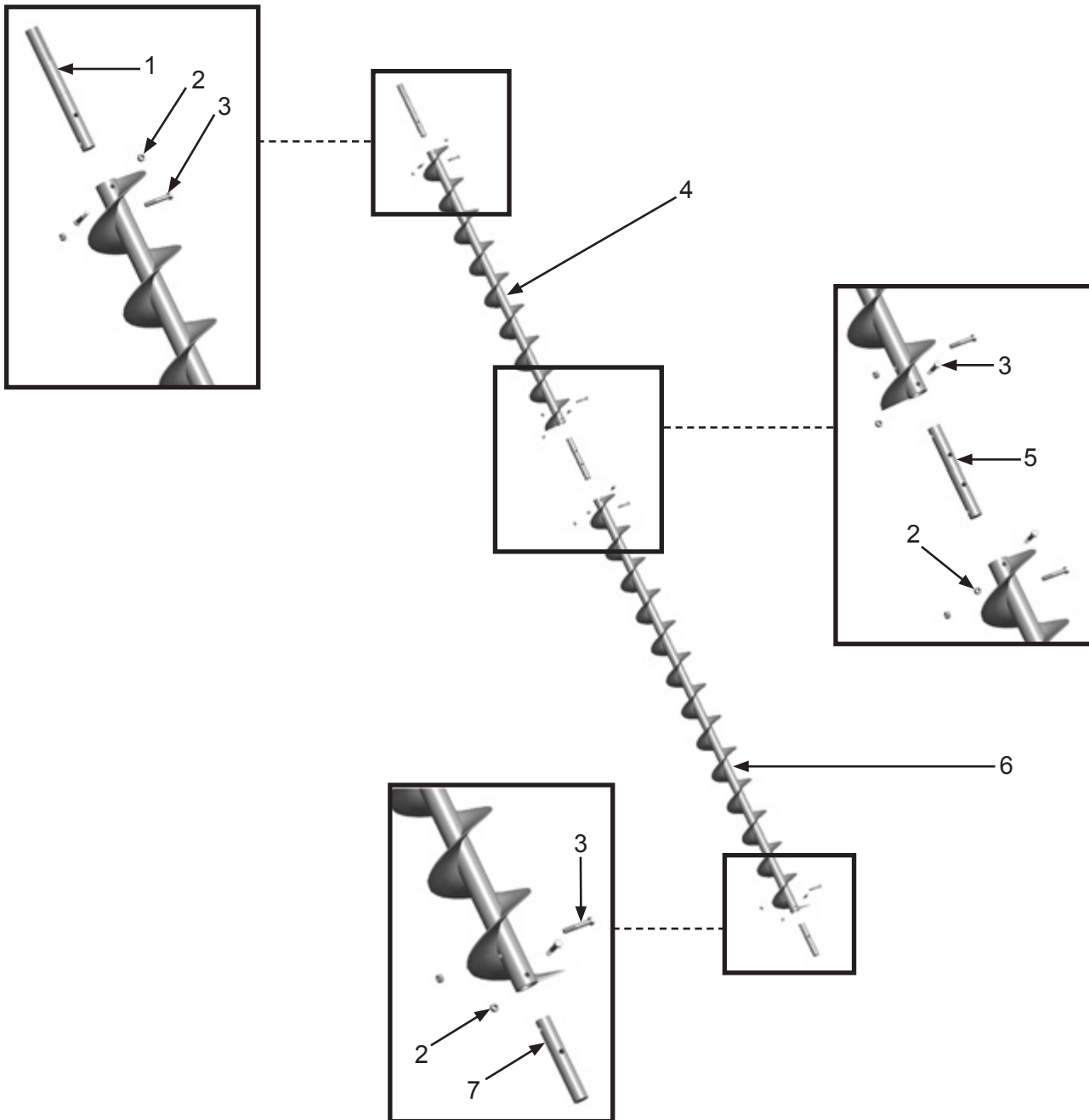
Figure 12: Main Auger Motor



Item #	Part #	Description
Fig. 12		
1	1028617	3/8-16 x 1-3/4" Shoulder Bolt (<i>Four Required</i>)
2	10101942	3/8" Galvanized Flat Washer (<i>Eight Required</i>)
3	10101936	3/8" Zinc Lock Washer (<i>Four Required</i>)
4	10101938	3/8-16 Galvanized Hex Nut (<i>Four Required</i>)
5	10103266	18.7 Displacement Hydraulic Motor
6	10102881	Hydraulic Motor Mount with Hardware
7	10103612	JIC 8 x SAE 10 Straight Adapter
8	10103611	JIC 8 x JIC 8 90° Elbow
9	10103308	JIC 8 x SAE 10 90° Elbow
—	10103941	Seal Kit for 18.7 Displacement Hydraulic Motor

PART NUMBERS AND SCHEMATICS

Figure 13: Main Auger



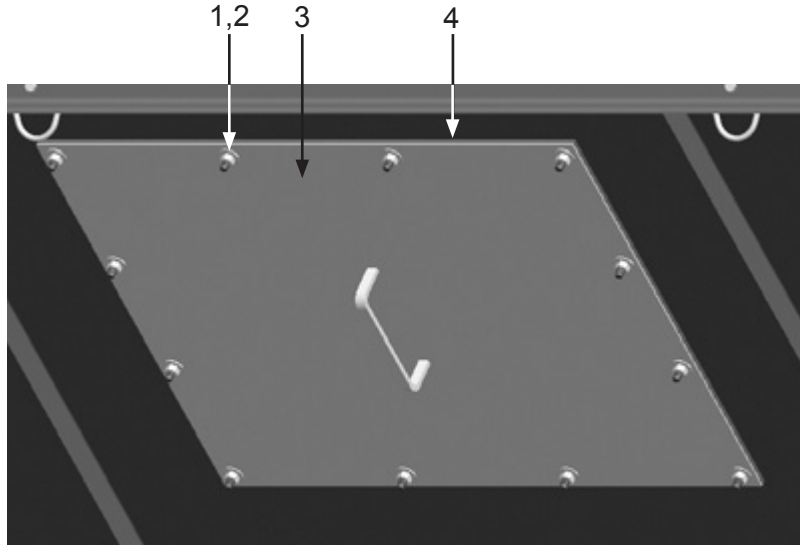
Item #	Part #	Description
--------	--------	-------------

Fig. 13

1	10103306	Drive Shaft
2	10101941	1/2-13 Galvanized Hex Nut (<i>Four Required</i>)
3	10103401	1/2-13 x 3" Galvanized Bolt (<i>Four Required</i>)
4	10103490	9" x 78" Standard Pitch Auger
5	10103491	Coupling Shaft for 1-1/2" Shaft
6	10103262	118" x 9" Standard Pitch Auger
7	10102910	Auger Shaft End

PART NUMBERS AND SCHEMATICS

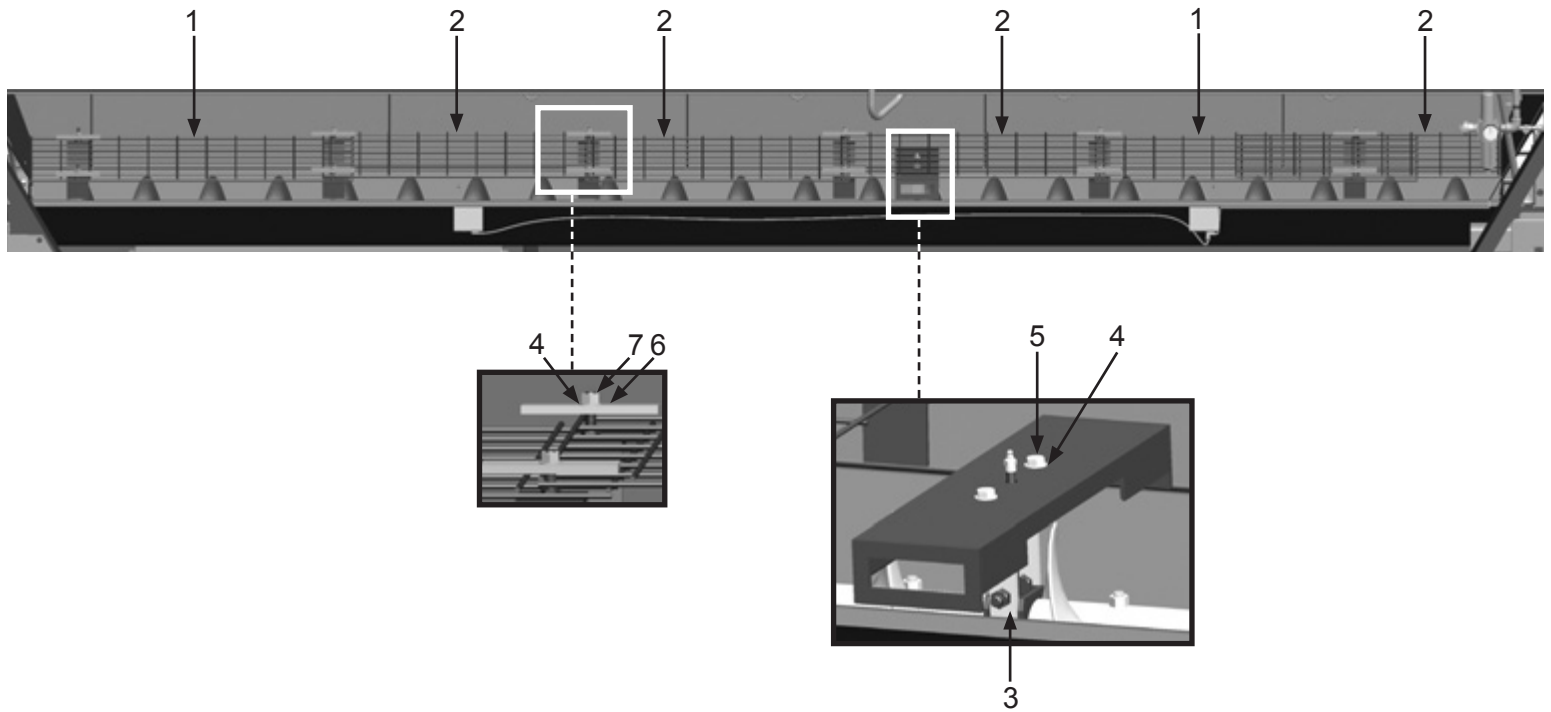
Figure 14: Access Panel Assembly



Item #	Part #	Description
Fig. 14		
1	10101938	3/8-16 Galvanized Hex Nut (12 Required)
2	10101942	3/8" Flat Washer (12 Required)
3	10102933	20" Access Panel Door
4	10103344	1/4" X 1-1/2" Adhesive-Backed Gasket (Per Foot)

PART NUMBERS AND SCHEMATICS

Figure 15: Main Auger Protective Grate



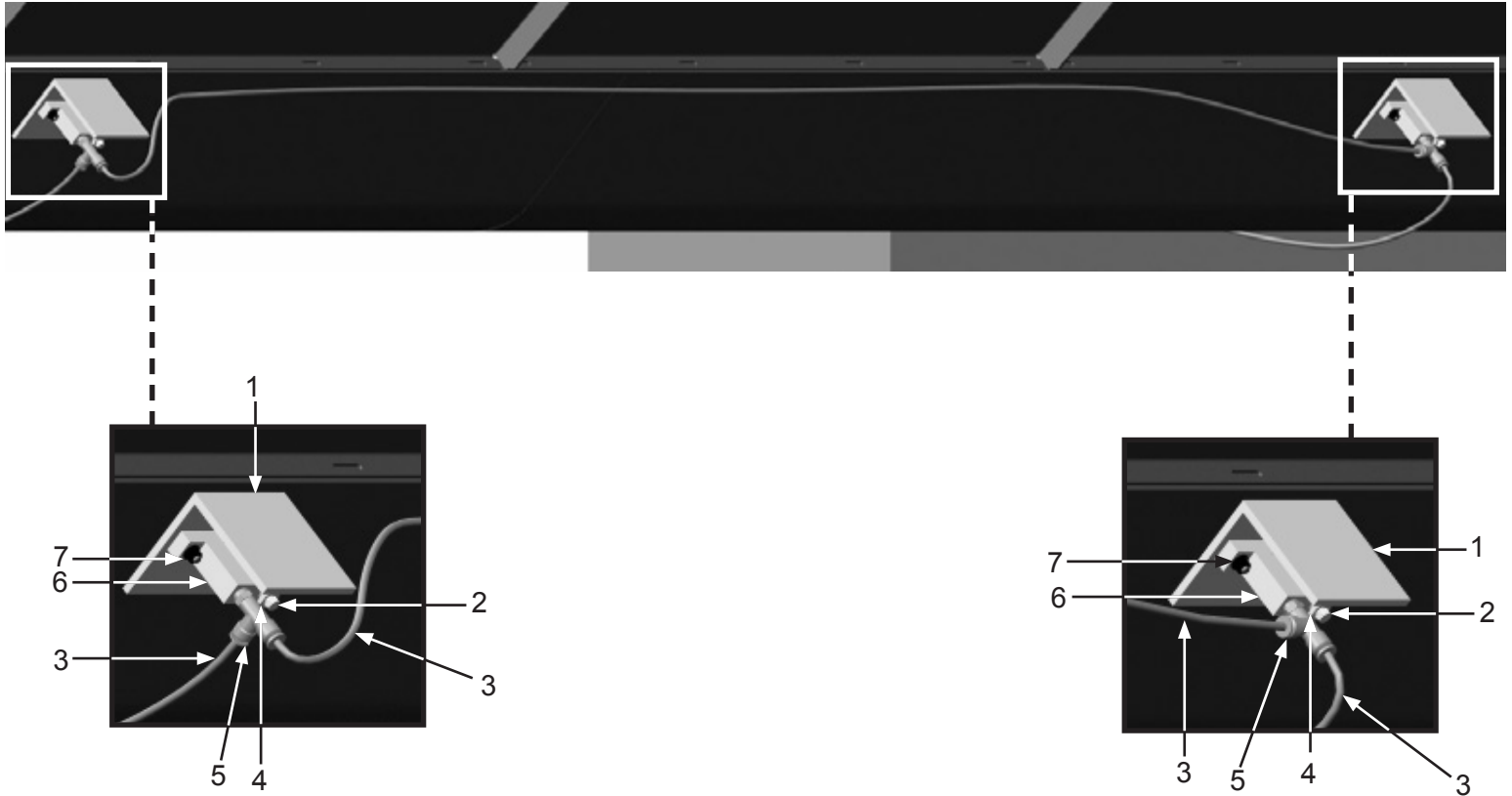
Item #	Part #	Description
--------	--------	-------------

Fig. 15

1	10103966	Protective Grate - 44 Inches <i>(Two Required)</i>
2	10103967	Protective Grate - 36 Inches <i>(Four Required)</i>
3	10102896	Main Auger Hanger Bearing Assembly
4	10100674	1/2" Flat Washer <i>(12 Required)</i>
5	10101943	1/2-13 x 1-3/4" Galvanized Hex Bolt <i>(Two Required)</i>
6	10102936	Protective Grate Bracket <i>(12 Required)</i>
7	1014022	1/2-13 Hex Nut <i>(12 Required)</i>

PART NUMBERS AND SCHEMATICS

Figure 16: Left Side Pneumatic Ball Vibrators



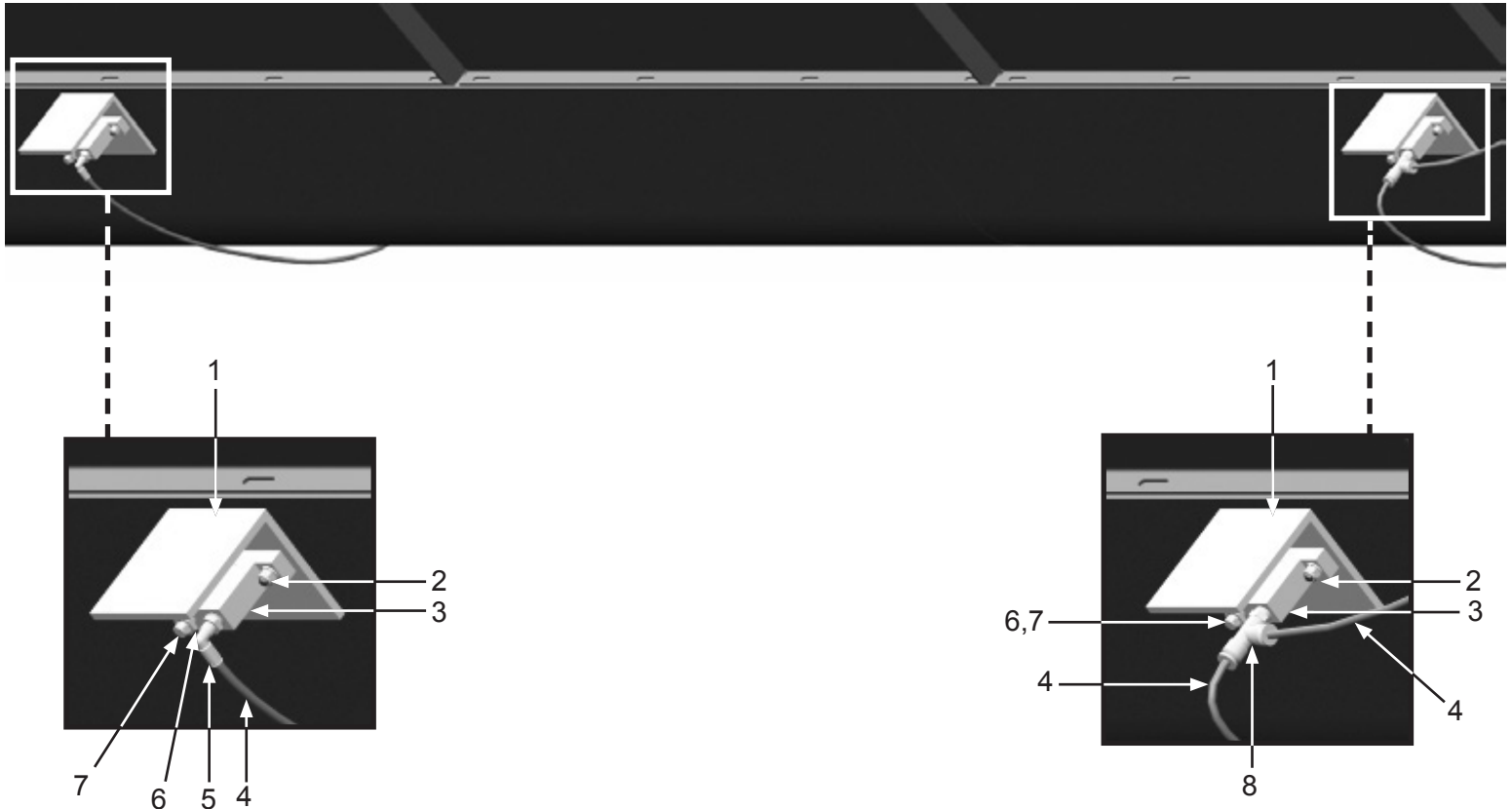
Item #	Part #	Description
--------	--------	-------------

Fig. 16

1	10103609	Vibrator Shield <i>(Two Required)</i>
2	1012905	1/8" Breather Muffler <i>(Two Required)</i>
3	10103322	1/4" I.D. Black Urethane Tubing <i>(Per Foot)</i>
4	20PFHA24SB0402	1/4" x 1/8" Reducing Bushing
5	10103261	1/4" Male Push-to-connect Tee
6	10103258	Pneumatic Ball Vibrator <i>(Two Required)</i>
7	1012323	1/4-20 Zinc Lock Nut with Nylon Insert <i>(Four Required)</i>

PART NUMBERS AND SCHEMATICS

Figure 17: Right Side Pneumatic Ball Vibrators



Item #	Part #	Description
--------	--------	-------------

Fig. 17

1	10103609	Vibrator Shield (<i>Two Required</i>)
2	1012323	1/4-20 Zinc Lock Nut with Nylon Insert (<i>Four Required</i>)
3	10103258	Pneumatic Ball Vibrator (<i>Two Required</i>)
4	10103322	1/4" I.D. Black Urethane Tubing (<i>Per Foot</i>)
5	20PFBA31095614	1/4" Tube x 1/4" NPT 90° Fitting
6	20PFHA24SB0402	1/4" x 1/8" Reducing Bushing
7	1012905	1/8" Breather Muffler (<i>Two Required</i>)
8	10103261	1/4" Male Push-to-connect Tee

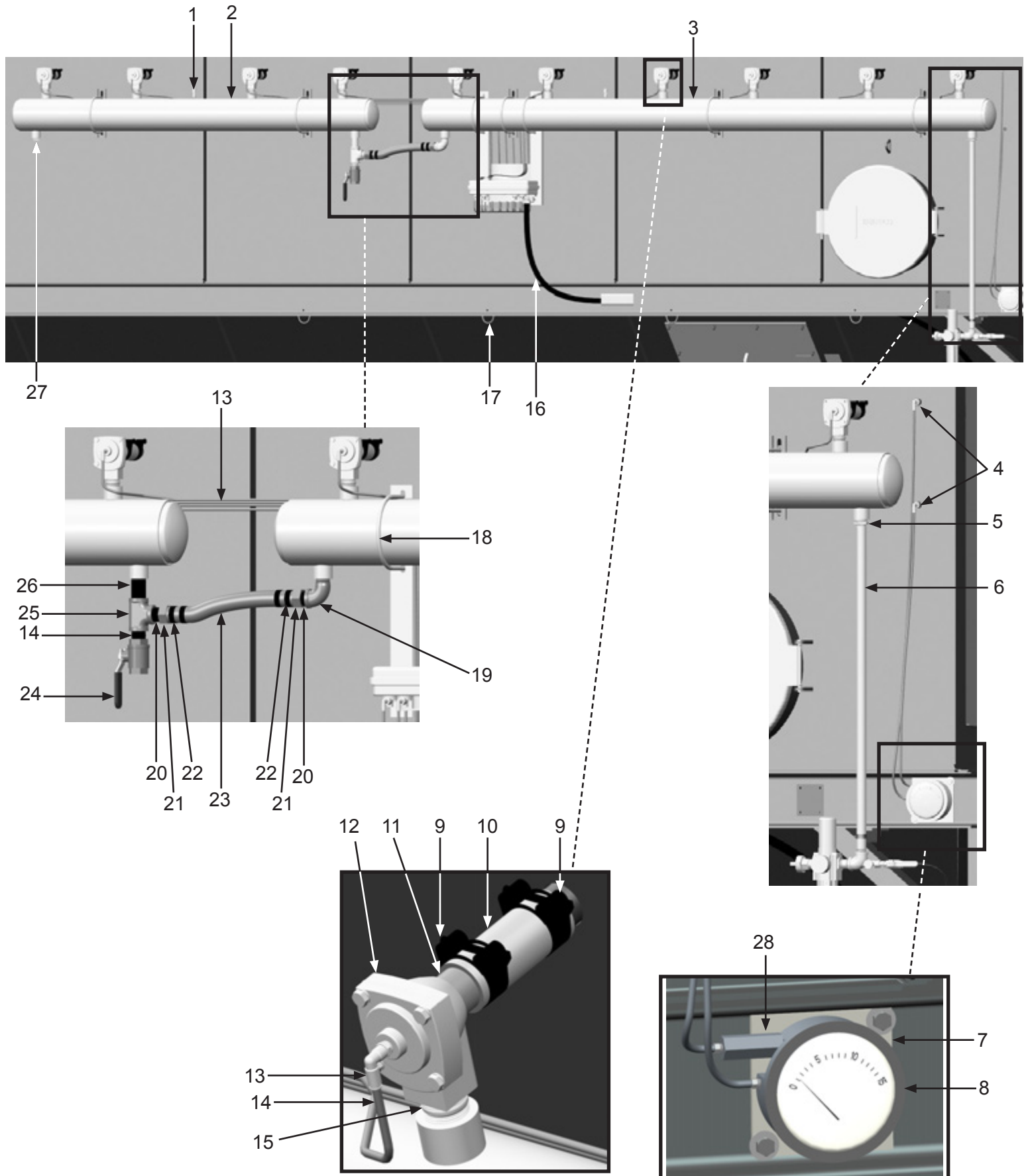
PART NUMBERS AND SCHEMATICS

Pulser System Assembly

Item #	Part #	Description
Fig. 18		
1	1028607	1/4" NPT Pressure Relief Valve – 125 PSI <i>(Two Required)</i>
2	10103452	4 Pipe Header
3	10102948	6 Pipe Header
4	20PFBA31095614	1/4" Tube x 1/4" NPT 90° Fitting <i>(Two Required)</i>
5	20PFHA24SB1612	1" x 3/4" Reducing Bushing
6	10103315	3/4" x 36" Pipe Nipple
7	10103608	Magnehelic Differential Pressure Gauge Mounting Bracket
8	10103259	Magnehelic Differential Pressure Gauge Assembly <i>Includes Mounting Hardware</i>
9	10104136	T-Bolt Clamp 1-9/16" X 1-11/16" OD <i>(20 Required)</i>
10	10103654	1-1/4" I.D. Marine Hose – 100 PSI <i>(Per Foot)</i>
11	10105207	1" x 3" Toe Nipple <i>(Six Required)</i>
12	10103255	1" Diaphragm Valve
13	20100579	1/4" O.D. Tube x 1/8" NPT Swivel <i>(20 Required)</i>
14	10103322	1/4" O.D. Black Urethane Tubing <i>(Per Foot)</i>
15	10103318	1" x 2" Pipe Nipple <i>(11 Required)</i>
16	10103304	3/4" I.D. Flexible Conduit
17	10103625	D-Ring with Nut <i>(16 Required)</i>
18	10103394	3/8-16 x 6" U-Bolt Assembly <i>(Seven Required)</i>
19	1011801	1" Street Elbow
20	1012151	1" Galvanized Close Nipple <i>(Two Required)</i>
21	10SFE2	1" Female Swivel End <i>(Two Required)</i>
22	10AHCL1	Band Clamp <i>(Two Required)</i>
23	10AH100	1" I.D. Air Hose
24	1011601	1" Full Port Ball Valve
25	1011816	1" Pipe Tee
26	1011843	1" x 2-1/2" NPT Pipe Nipple
27	1011901	1" Pipe Plug
28	10108373	1/8" NPT Inline Air Filter
—	10103954	1" Diaphragm Valve Service Kit <i>(Not Shown)</i>

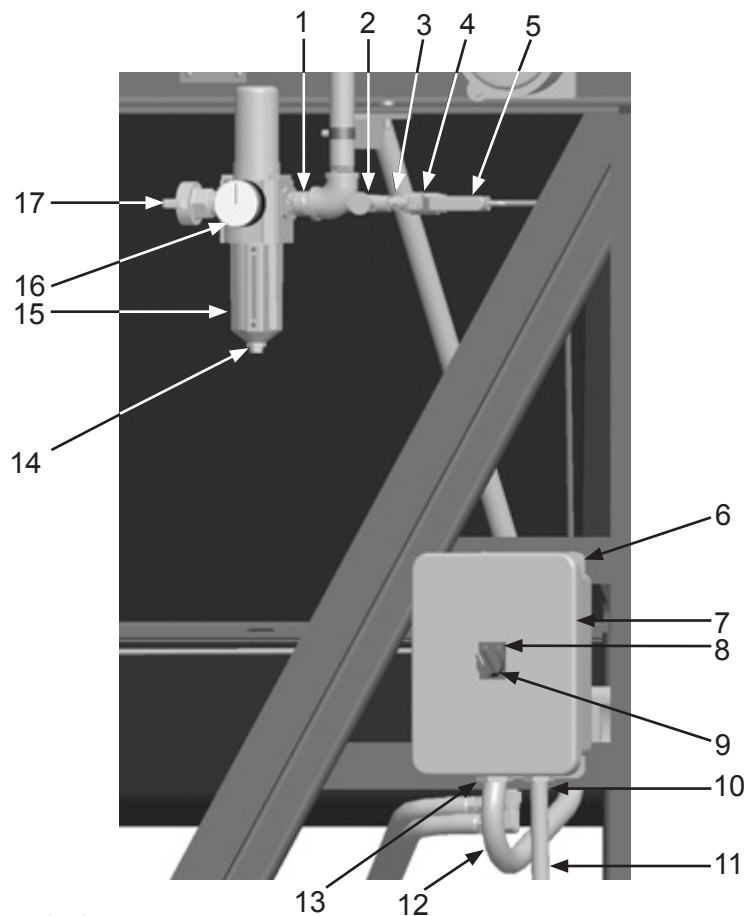
PART NUMBERS AND SCHEMATICS

Figure 18: Pulsar System Assembly



PART NUMBERS AND SCHEMATICS

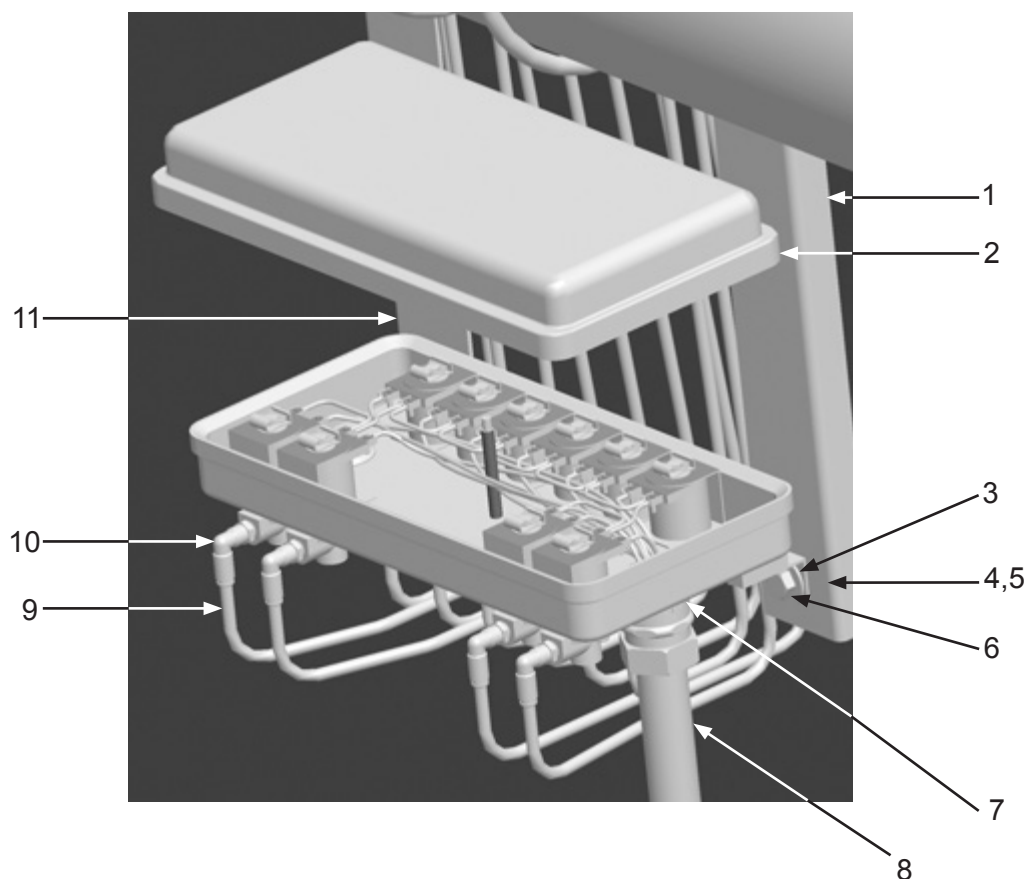
Figure 19: Pulsar Regulator and Timer Assembly



Item #	Part #	Description
Fig. 19		
1	10103317	3/4" x 2" Pipe Nipple
2	10103292	1/4" Needle Valve
3	1017019	1/4" x 1/4" Hex Nipple
4	1080050	1/4" Ball Valve
5	10103261	1/4" Prestolock Tee
6	20100125	1/4-20 x 3/4" Zinc Hex Bolt <i>(Four Required)</i>
7	10103254	Timer Box with Timer Board
—	10103935	Timer Box Only
—	10103949	Timer Board Only
8	10103414	On/Off Name Plate
9	10103305	2-Way Selector Switch
10	20RST50	Straight Liquid Tite Connection Fitting <i>(Two Required)</i>
11	20RSEL050UL	1/2" UL/UA Seal-Tite Conduit Pipe <i>(Per Foot)</i>
12	10103304	3/4" Flexible Conduit
13	10103303	3/4" Conduit Hub
14	10103952	Filter Auto Drain
15	10103257	Excelon 74 Series Filter/Regulator
16	10103953	Sight Glass Kit
17	10ME1	3/4" Male 2-lug Coupling
—	10103950	Excelon 74 Series Filter/Regulator Service Kit
—	10103951	Filter Element <i>(Not Shown)</i>

PART NUMBERS AND SCHEMATICS

Figure 20: Pulsar Solenoid Enclosure Assembly



Item #	Part #	Description
--------	--------	-------------

Fig. 20

1	10102970	Solenoid Enclosure Mount – Right
2	10103489	10 Solenoid Pilot Valve
3	10101942	3/8" Galvanized Flat Washer (<i>Four Required</i>)
4	10101936	3/8" Zinc Lock Washer (<i>Two Required</i>)
5	10101938	3/8-16 Galvanized Hex Nut (<i>Two Required</i>)
6	1011747	3/8-16 x 1" Bolt
7	10103303	3/4" Conduit Hub
8	10103304	3/4" Flexible Conduit
9	10103322	1/4" O.D. Black Urethane Tubing (<i>Per Foot</i>)
10	20100579	1/4" O.D. Tube x 1/8" NPT Swivel (<i>10 Required</i>)
11	10102969	Solenoid Enclosure Mount – Left
—	10103955	Solenoid Valve (<i>10 Required</i>)
—	10103956	Solenoid Coil (<i>One Required per Solenoid</i>)
—	10103957	Solenoid Service Kit <i>Includes: O-ring, Plunger, Spring, Ferrule</i>

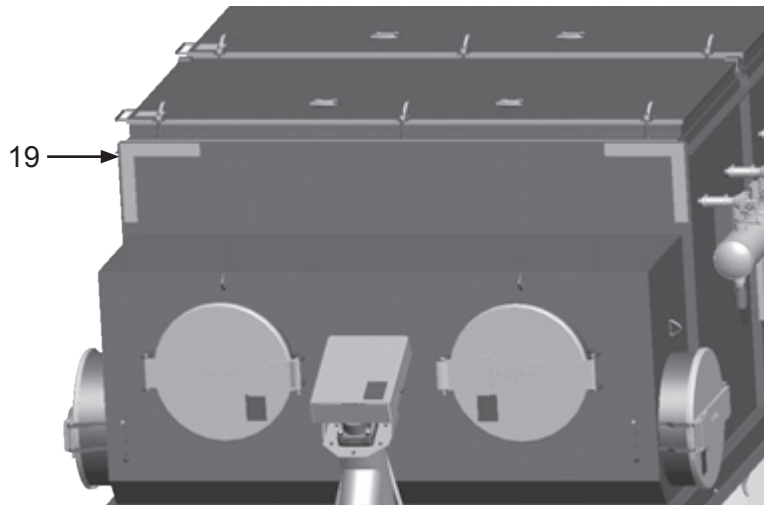
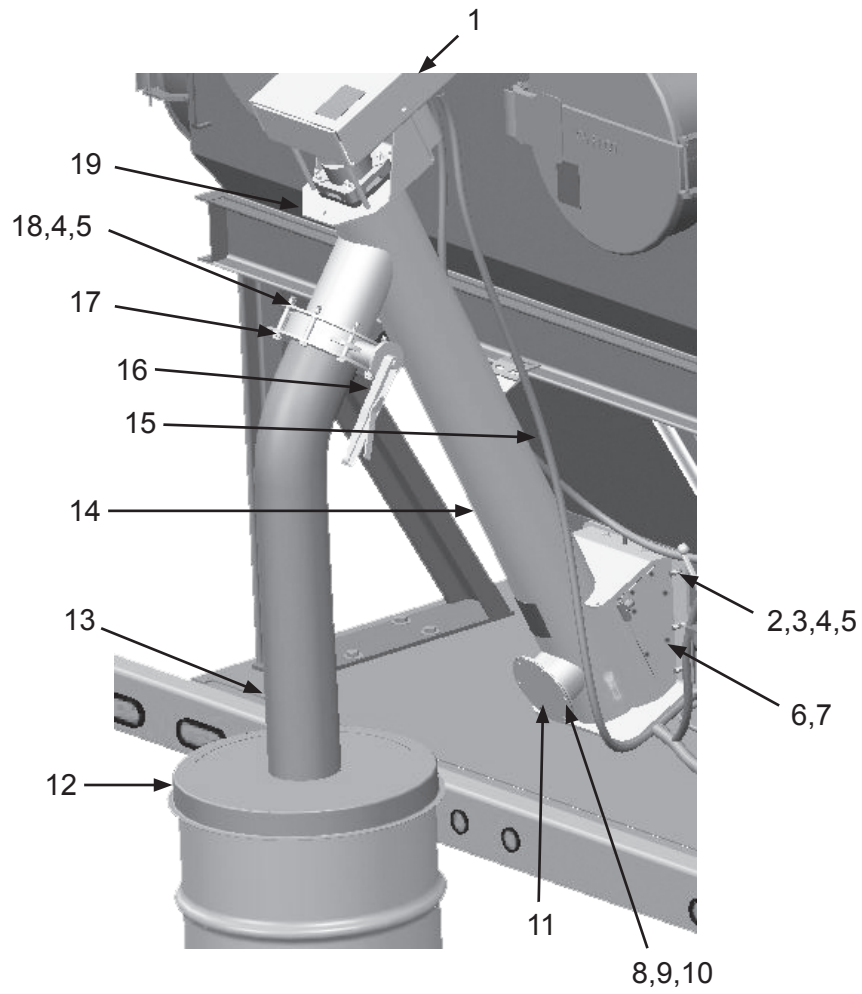
PART NUMBERS AND SCHEMATICS

Discharge Auger Assembly

Item #	Part #	Description
Fig. 21		
1	10103363	Discharge Chain Cover
2	10101943	1/2-13 X 1-3/4" Hex Bolt Galvanized
3	10100674	1/2" Flat Washer <i>(22 Required)</i>
4	10100675	1/2" Lock Washer <i>(14 Required)</i>
5	1014022	1/2-13 Hex Nut <i>(14 Required)</i>
6	20100125	1/4-20 X 3/4" Zinc Hex Bolt <i>(12 Required)</i>
7	10101940	1/4" Flat Washer <i>(12 Required)</i>
8	10101346	5/16-18 x 3/4" Grade 5 Bolt <i>(Six Required)</i>
9	1035046	5/16-18 Nut <i>(Six Required)</i>
10	10L805014	5/16" Lock Washer <i>(Six Required)</i>
11	10103235	Auger Clean-out Cover
12	10103650	Discharge Collection Drum Cover
13	10103777	6" Flexible Discharge Hose <i>(Per Foot)</i>
14	10103216	Discharge Auger Tube <i>(See Fig. 23)</i>
15	10104223	1/2" I.D. x 16' Hydraulic Hose with Fittings
16	10103302	6" Series Wafer Butterfly Valve
17	10102971	Discharge Hose Connector
18	10102703	1/2-13 x 3-1/2" Grade 5 Bolt <i>(Eight Required)</i>
18	10104195	Discharge Auger Motor Mounting Bracket
19	10103880	White Conspicuity Tape <i>(Per Inch)</i>
—	10103881	Red Conspicuity Tape <i>(Per Inch)</i>
—	1091121	Hazard Identification Decals – Dustmaster® 18,000 CFM Dust Collector <i>Includes all Dust Collector Hazard Identification Decals</i>

PART NUMBERS AND SCHEMATICS

Figure 21: Discharge Auger Assembly



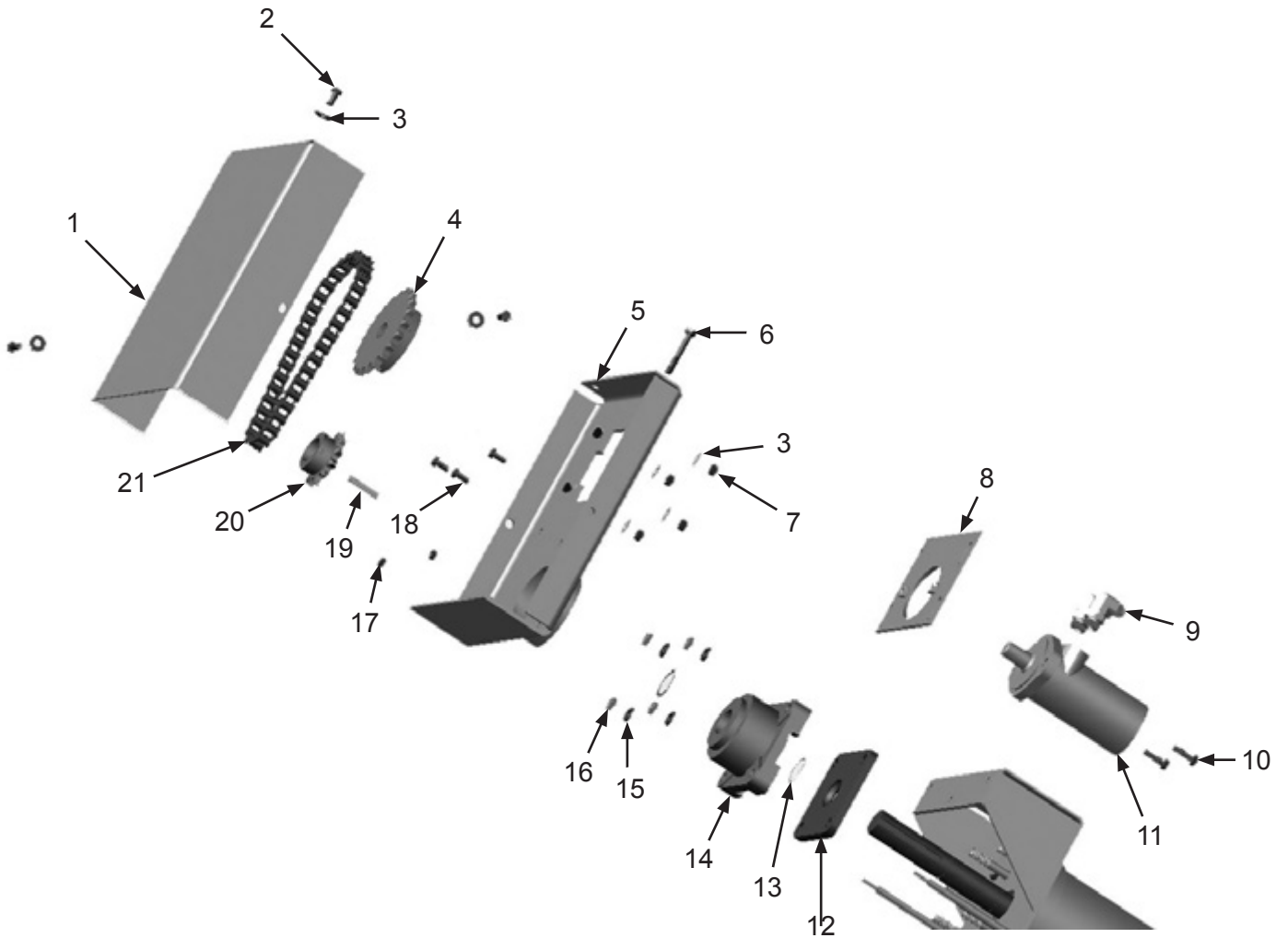
PART NUMBERS AND SCHEMATICS

Discharge Auger Drive Assembly

Item #	Part #	Description
Fig. 22		
1	10103363	Chain Cover
2	10103400	3/8-16 x 3/4" Bolt <i>(Seven Required)</i>
3	10101942	3/8" Galvanized Flat Washer <i>(Three Required)</i>
4	10104217	22-Tooth Sprocket
5	10104197	Chain Cover Base
6	10101933	3/8" - 16 X 2-1/2" Hex Bolt
7	10101938	3/8-16 Galvanized Hex Nut <i>(Four Required)</i>
8	10104199	Sliding Motor Mount
9	10103308	JIC 8 x SAE 10 90° Elbow <i>(Two Required)</i>
10	10101059	3/8-16 X 1-1/4" A307 Bolt Galv <i>(Two Required)</i>
11	10102887	Hydraulic Motor
12	10102902	Seal Plate
13	10103605	Snap Ring <i>(Two Required)</i>
14	10102903	Thrust Bearing
15	10100675	1/2" Lock Washer <i>(Four Required)</i>
16	1014022	1/2-13 Hex Nut <i>(Four Required)</i>
17	1035046	5/16"- 18 Nut <i>(Two Required)</i>
18	10101346	5/16-18 X 3/4" L GR 5 Bolt <i>(Three Required)</i>
19	10103641	3/8 Key Cut
20	10102886	13-Tooth Sprocket
21	10104191	Discharge Auger Chain Kit <i>Includes 60# Connecting Chain Link, 60# Cottered Roller Chain (Quantity of Three), and 60# Offset Chain Link.</i>
—	10103392	60# Connecting Chain Link
—	10103391	60# Cottered Roller Chain <i>(Per Foot)</i>
—	10103614	60# Offset Chain Link
—	10103940	Seal Kit for Hydraulic Motor

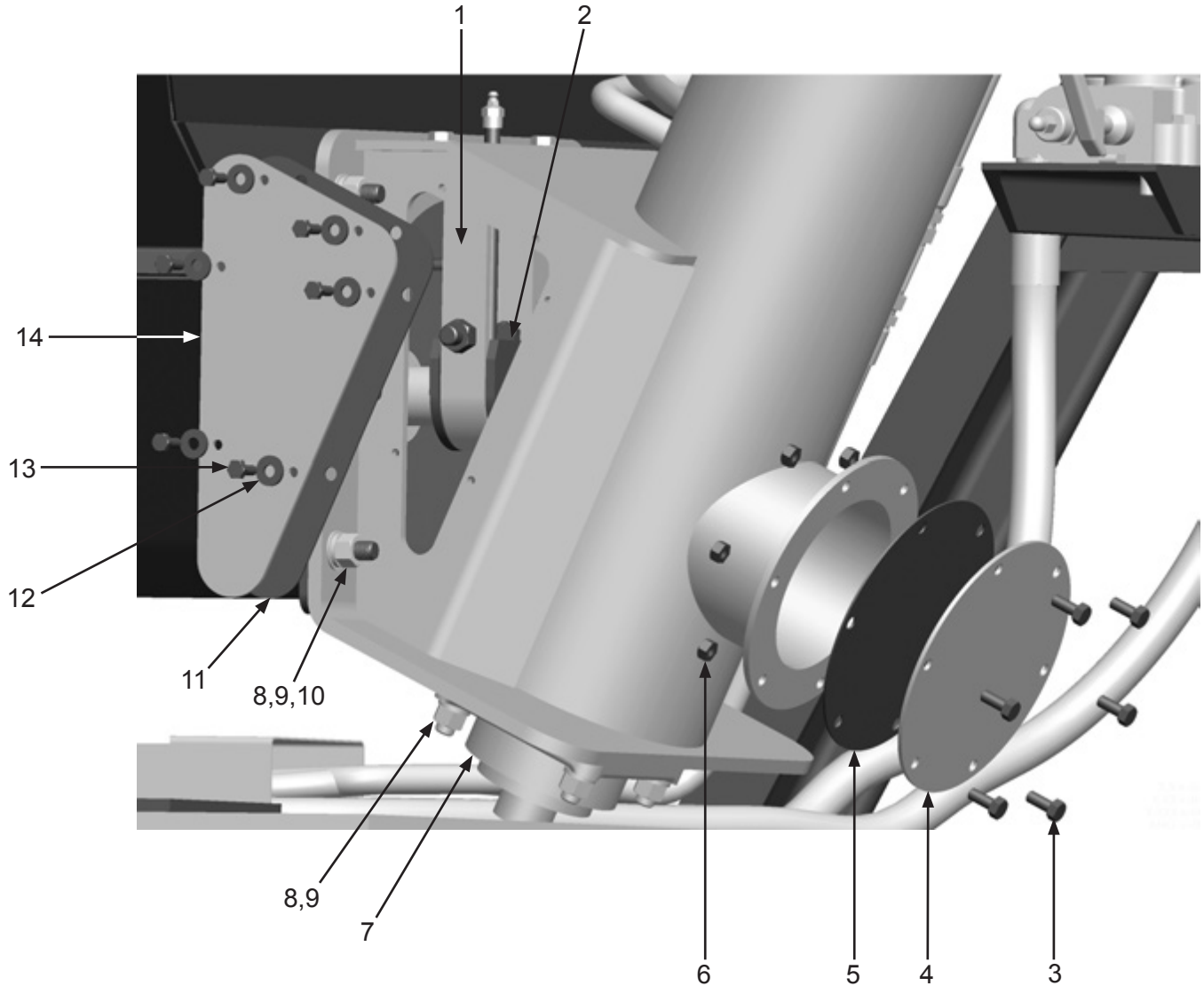
PART NUMBERS AND SCHEMATICS

Figure 22: Discharge Auger Drive Assembly



PART NUMBERS AND SCHEMATICS

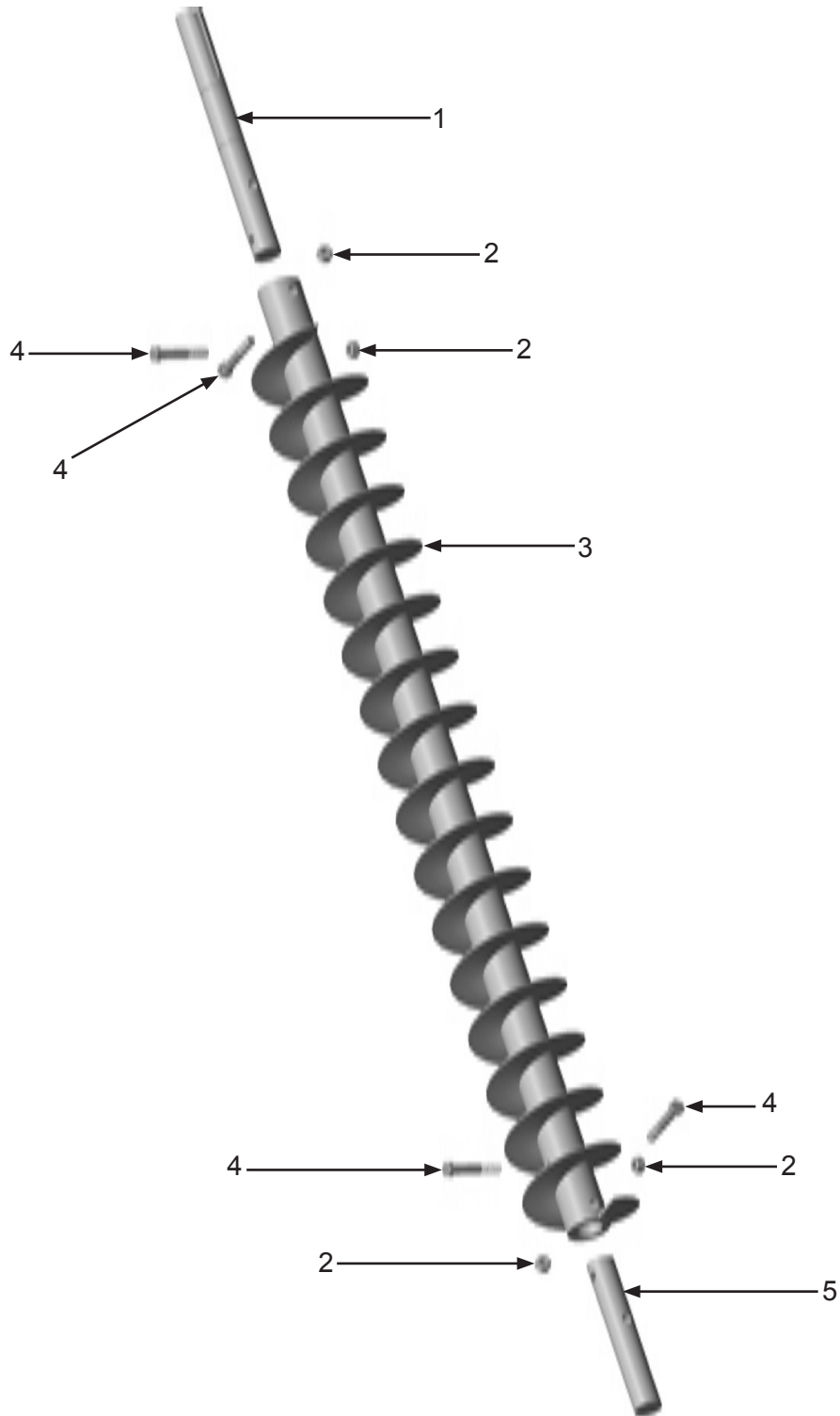
Figure 23: Discharge Auger Clean-out Assembly



Item #	Part #	Description
Fig. 23		
1	10102896	Bearing Hanger
2	10103413	Bearing
3	10101346	5/16-18 x 3/4" Bolt (Six Required)
4	10103235	Auger Clean-out Cover
5	10103716	Neoprene Auger Clean-out Gasket
6	1035046	5/16-18 Nut (Six Required)
7	10102880	Discharge Auger Lower Bearing Assembly
8	10101941	1/2-13 Galvanized Hext Nut (10 Required)
9	10100675	1/2" Lock Washer (10 Required)
10	10100674	1/2" Flat Washer (6 Required)
11	10103717	Discharge Auger Side Gasket (Two Required)
12	10101940	1/4" Galvanized Flat Washer (12 Required)
13	20100125	1/4-20 x 3/4" Zinc Hex Bolt (12 Required)
14	10103236	Discharge Auger Side Cover (Two Required)

PART NUMBERS AND SCHEMATICS

Figure 24: Discharge Auger



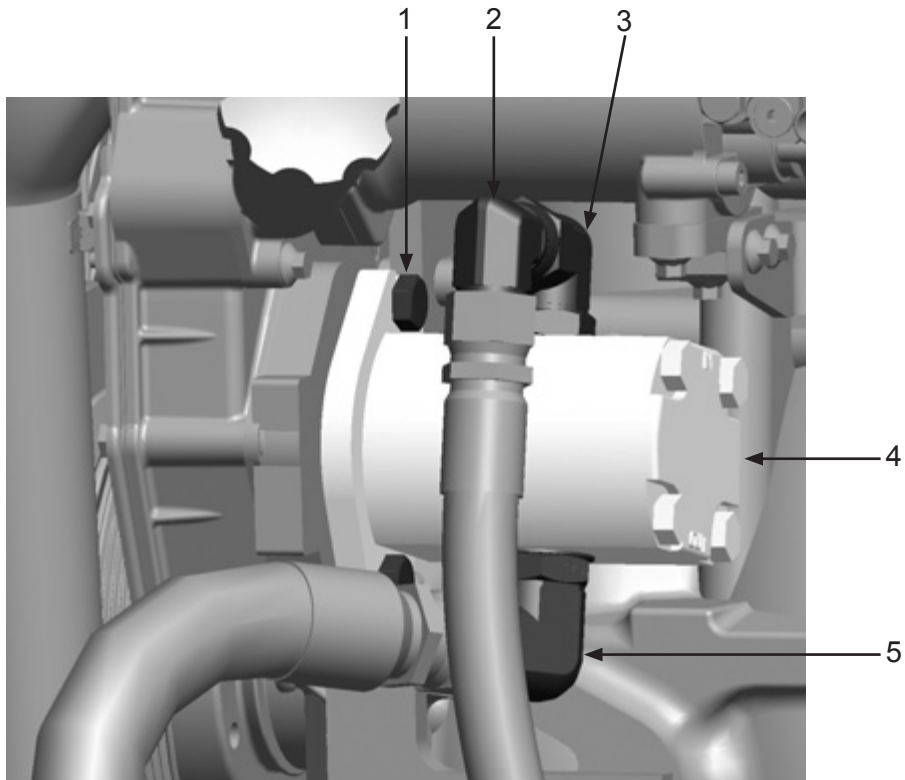
Item #	Part #	Description
--------	--------	-------------

Fig. 24

1	10103306	Drive Shaft
2	10101941	1/2-13 Galvanized Hex Nut (<i>Four Required</i>)
3	10102883	58" x 6" Half Pitch Auger
4	10103401	1/2-13 x 3" Galvanized Bolt (<i>Four Required</i>)
5	10102910	Auger Shaft End

PART NUMBERS AND SCHEMATICS

Figure 25: Hydraulic Pump



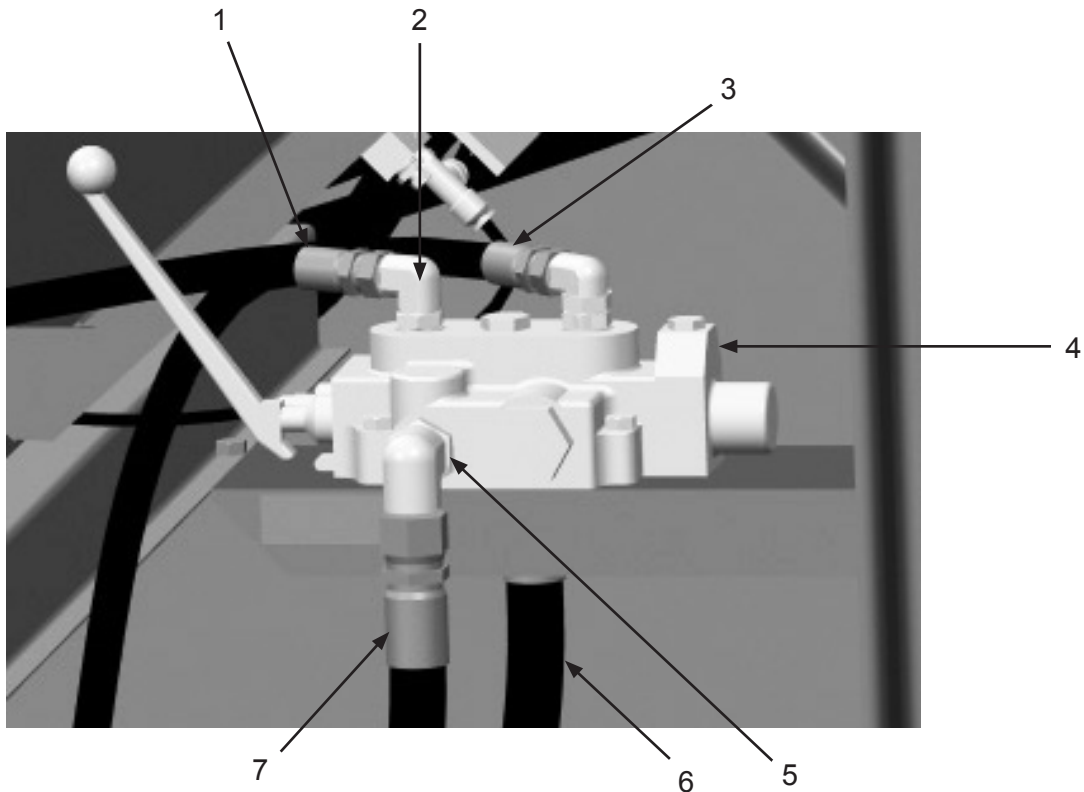
Item #	Part #	Description
--------	--------	-------------

Fig. 25

1	10101943	1/2-13 x 1-3/4" Galvanized Hex Bolt (<i>Two Required</i>)
2	10103610	JIC 12 x JIC 12 90° Elbow
3	10103310	JIC 12 x SAE 12 90° Elbow
4	10103269	2B Series 2.08 CI/REV Gear Pump
5	10103311	JIC 6 x SAE 16 90° Elbow

PART NUMBERS AND SCHEMATICS

Figure 26: Hydraulic Control Assembly



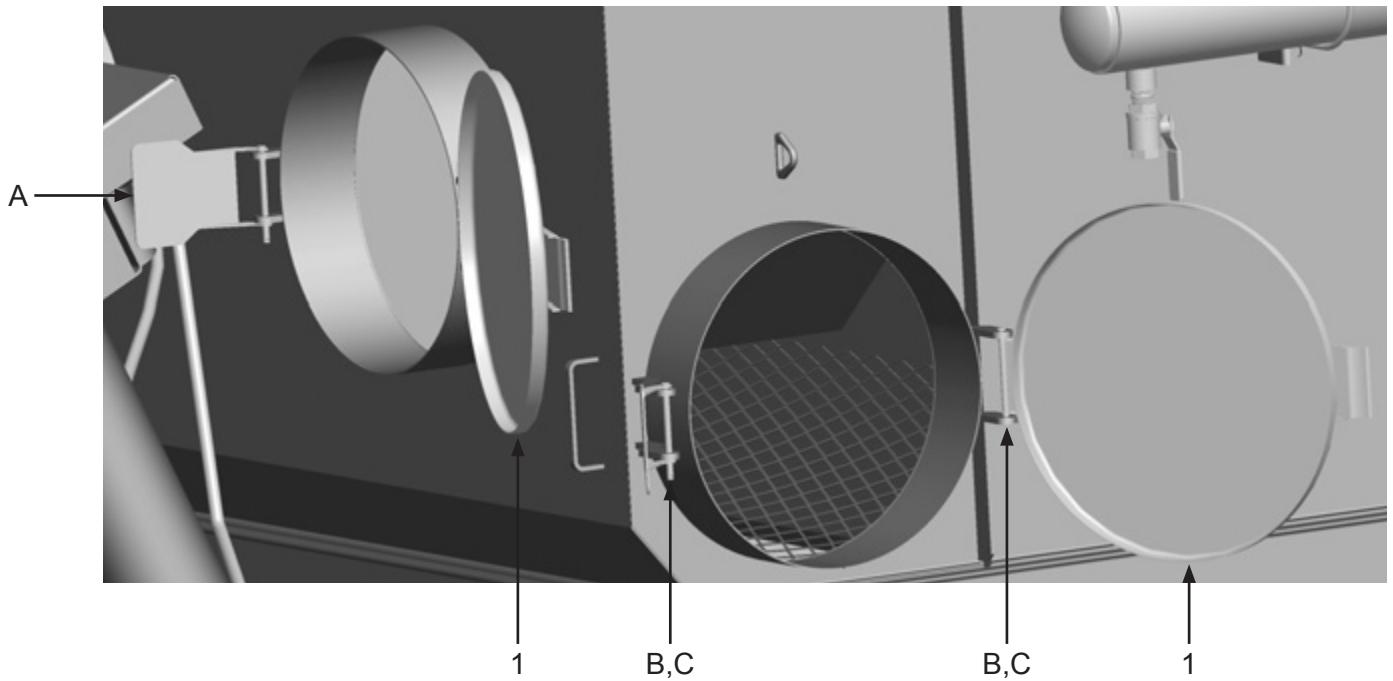
Item #	Part #	Description
--------	--------	-------------

Fig. 26

1	10103408	1/2" X 12'6" Hydraulic Hose with Fittings
2	10103309	JIC 8 x SAE 8 90° Elbow <i>(Two Required)</i>
3	10103409	1/2" X 7'1" Hydraulic Hose with Fittings
4	10103267	Cross Hydraulic Control Valve with Handle
5	10103310	JIC 12 x SAE 12 90° Elbow <i>(Two Required. One not shown)</i>
6	10103707	3/4" I.D. x 17.7' Hydraulic Hose with Fittings
7	10103710	3/4" I.D. x 13' Hydraulic Hose with Fittings
—	10108331	Cross Hydraulic Control Valve Seal Kit
—	10108332	Cross Hydraulic Control Valve Handle Kit
—	10108333	Cross Hydraulic Control Valve Relief Assembly

PART NUMBERS AND SCHEMATICS

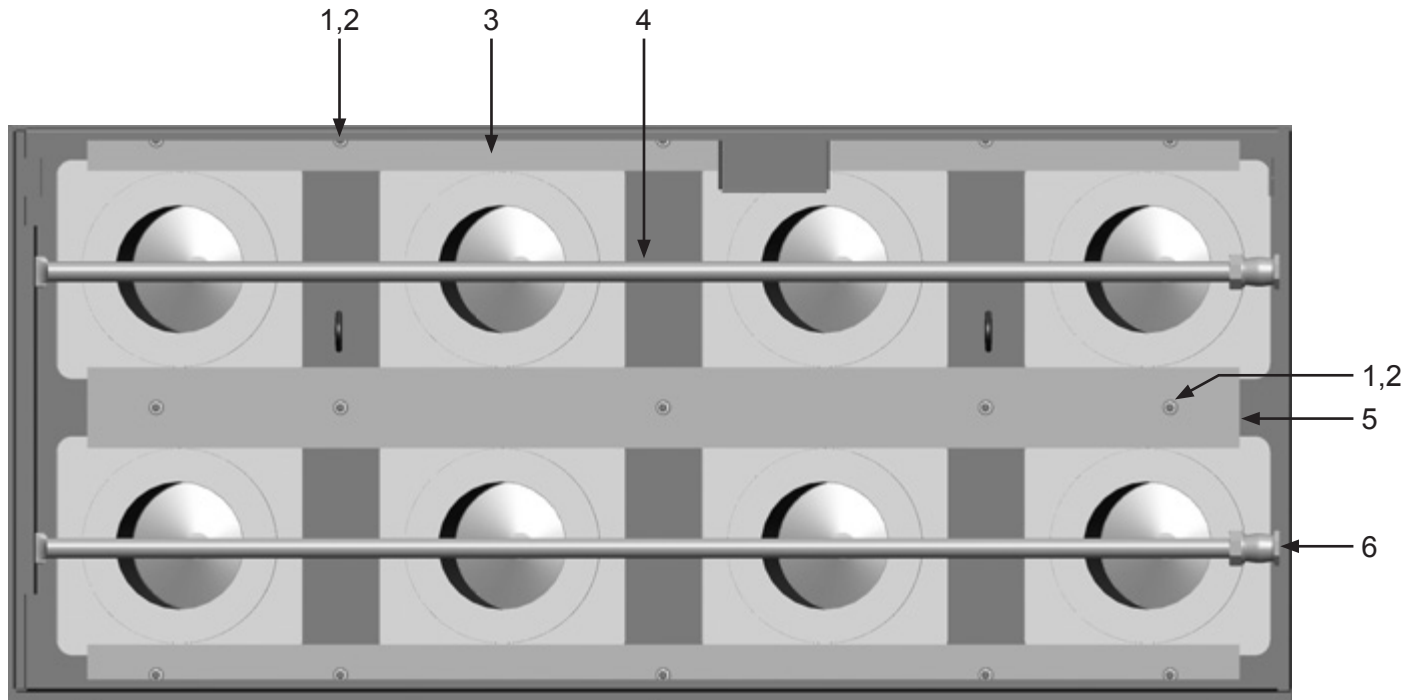
Figure 27: Inlet Door Assembly



Item #	Part #	Description
Fig. 27		
—	10102596	20" Inlet Door Assembly – Complete <i>Includes Items: A,B,C</i>
1	10102596	Inlet Door <i>(Four Required)</i>
—	10104408	Pin For Knappco Hatch <i>(Four Required)</i>
—	10104120	Inlet Door Gasket <i>(Four Required)</i>

PART NUMBERS AND SCHEMATICS

Figure 28: Dust Collector Filter Cartridge Pulsers

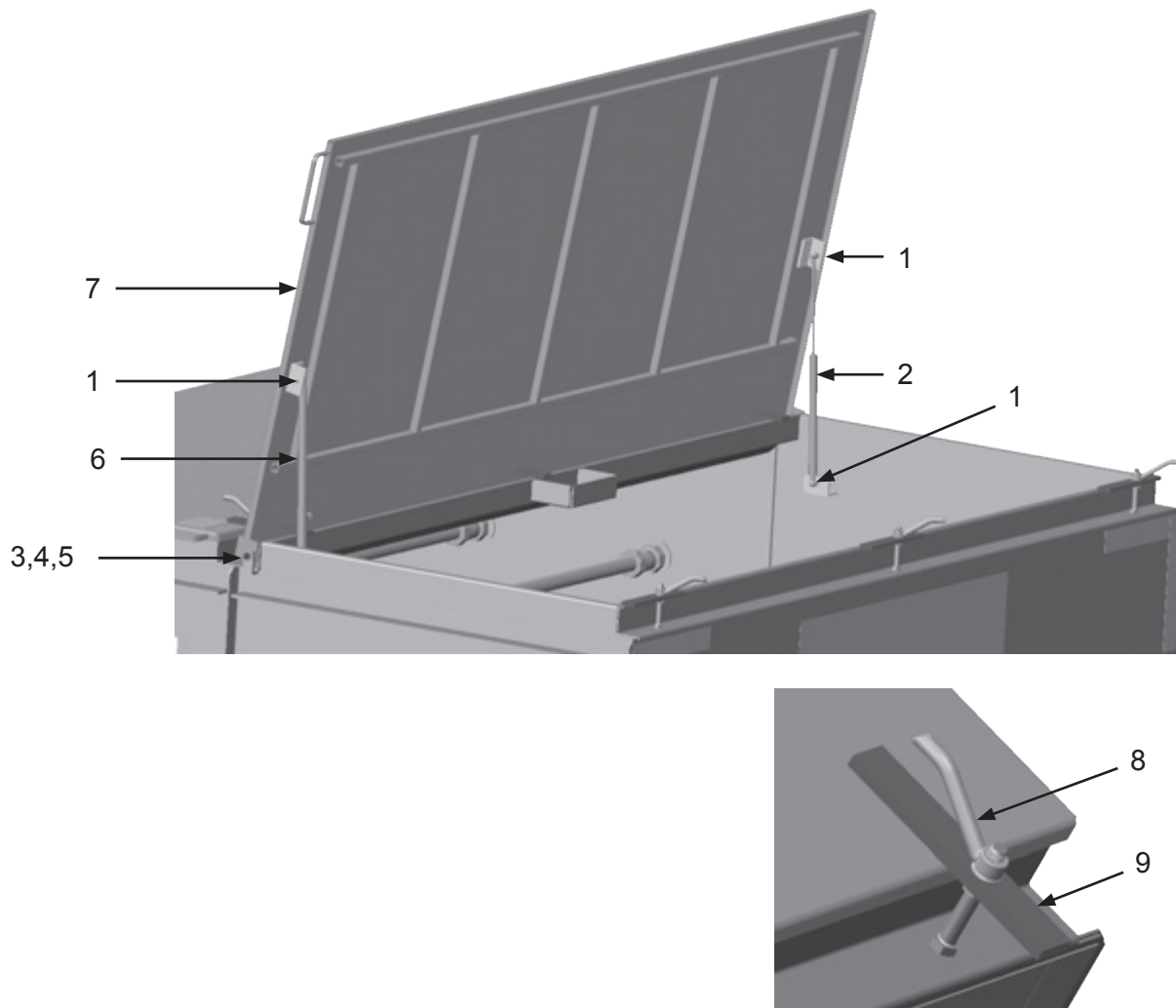


Item #	Part #	Description
Fig. 28		
1	10100674	1/2" Flat Washer (15 Required)
2	1014022	1/2" Hex Nut (15 Required)
3	10105027	Filter Bolt-Down (Two Required)
4	10105179	Standard DC Blowpipe - Smashed End (Two Required)
5	10102938	Filter Retainer
6	10102599	Compression Coupling Assembly (Two Required)

Quantities specified are per hatch opening

PART NUMBERS AND SCHEMATICS

Figure 29: Dust Collector Filter Cartridge Hatch Door

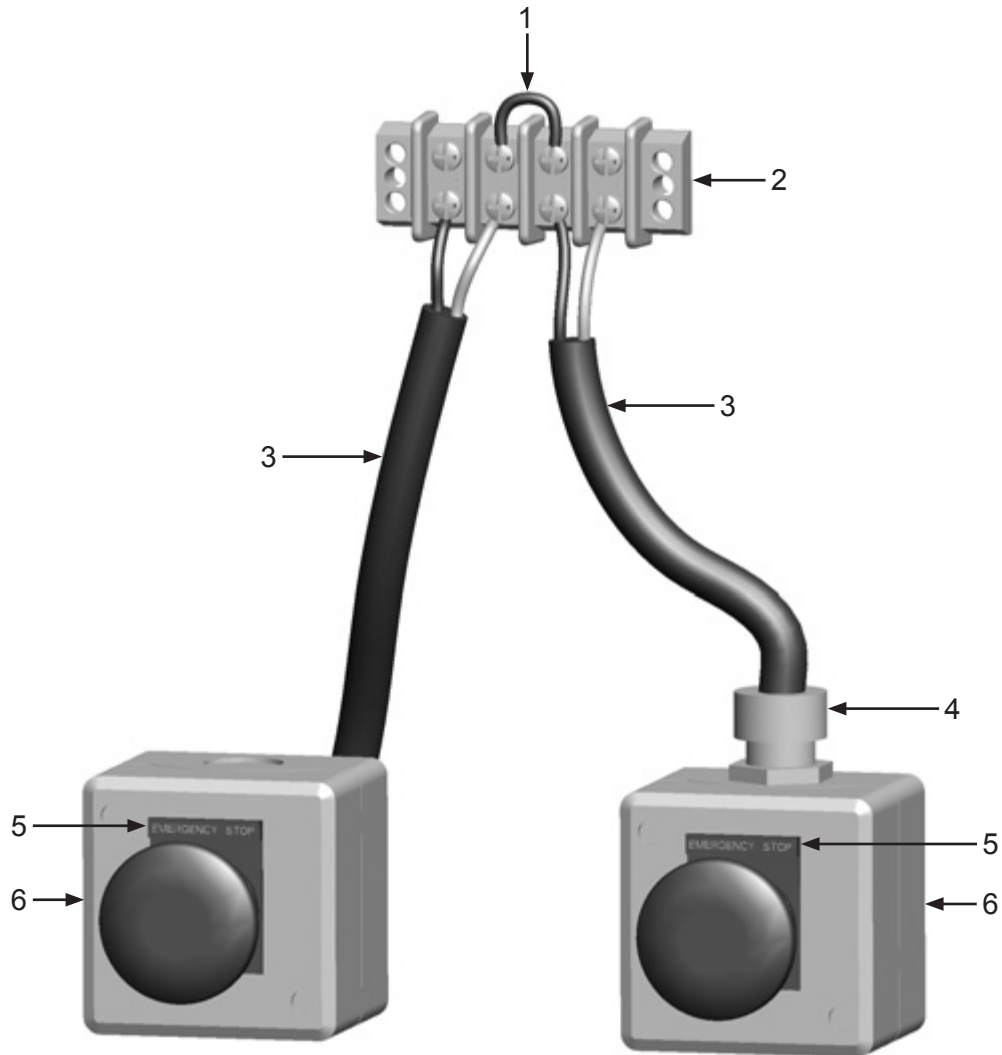


Item #	Part #	Description
Fig. 29		
1	1035046	5/16-18 Hex Nut (<i>Four Required</i>)
2	10103454	Non-Locking Gas Spring
3	1028617	3/8-16 X 1-3/4" Shoulder Bolt (<i>Two Required</i>)
4	10101942	3/8" Flat Washer (<i>Four Required</i>)
5	10101938	3/8"-16 Hex Nut (<i>Two Required</i>)
6	10103455	Locking Gas Spring
7	10102917	Hopper Lid
8	10103395	1/2-13 Zinc Plated Handle (<i>Three Required</i>)
9	10104377	Latch Bar (<i>Three Required</i>)

Quantities specified are per hatch opening

PART NUMBERS AND SCHEMATICS

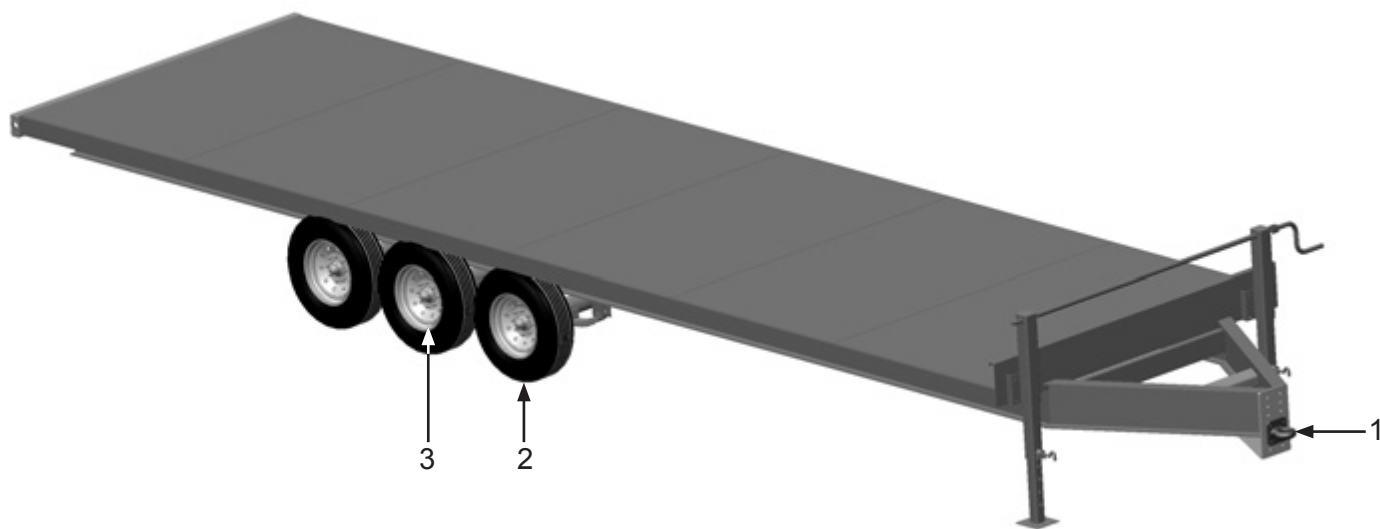
Figure 30: Emergency-Stop Stations



Item #	Part #	Description
Fig. 30		
1	20R12AWGBLACK	Stranded Wire - 12 AWG - Black
2	10104066	Terminal Strip - 4-Circuit - 30 amp
3	1015570	12/2 SO Electric Cord (<i>Per Foot</i>)
4	1019048	1/2" NPT Cord Grip
5	10104063	Legend Plate - Emergency-Stop Station
6	10104071	Emergency-Stop Control Station (<i>Two Required</i>)
—	1015009	8-32 x 1" Pan Head Phillips Screw (<i>Four Required</i>)
—	20000021	8-32 Zinc Nut (<i>Four Required</i>)
—	20000018	#8 Zinc Lock Washer (<i>Four Required</i>)
—	20000019	#8 Zinc Flat Washer (<i>Four Required</i>)

PART NUMBERS AND SCHEMATICS

Figure 31: Trailer



Item #	Part #	Description
Fig. 31		
1	10104079	Pintle Hitch with Flat Plate
2	10104089	16"- 8 Hole Pattern Rim with Tire <i>(Four Required)</i>
3	10104096	Tire - ST235/80R/16 - 10-ply
—	10104081	Breakaway Kit
—	10104135	Wire Harness
—	10104133	7000# Axle with Electric Brakes, Hubs, and Springs - 81" x 64" <i>(Three Required)</i>
—	10104134	Axle Beam/Tube
—	10104080	3/8" x 35" Chain with Hook
—	10104084	Red LED Oval Tail Light <i>(Four Required)</i>
—	10104085	Rubber Oval Grommet <i>(Four Required)</i>
—	10104086	2" Round Red LED Clearance Light <i>(Five Required)</i>
—	10104087	2" Round Amber LED Clearance Light <i>(Six Required)</i>
—	10104088	2" Round Rubber Grommet <i>(11 Required)</i>

OPTIONAL ACCESSORIES

REPLACEMENT DUST COLLECTOR FILTER CARTRIDGES

Part Numbers	Material	I.D.	O.D.	Length
10103499	85/15	8.38"	12.75"	35"
10103945	Fire Retardant	8.38"	12.75"	35"
1010008004	HEPA	8.38"	12.75"	35"
10103964	Spunbond	8.38"	12.75"	35"



DUCT HOSE

Part Numbers	I.D.	Length	Pitch
10DH2025HD	20"	25 Feet	1-1/2" Heavy-Duty
10DH2050HD	20"	50 Feet	1-1/2" Heavy-Duty



DUCT HOSE COUPLING AND CLAMPS

Part Numbers	Duct Hose I.D.	Style
1017120	20"	Coupling
10DH062602000	20"	Screw Clamp

OPTIONAL ACCESSORIES



Part Numbers

3/4" I.D. X 1-1/4" O.D. AIR HOSE WITH COUPLINGS INSTALLED						
	Length	Hose I.D.	Hose O.D.	Working Pressure	Hose Cover Color	Couplings
10AH034AC	50 Ft.	3/4"	1-1/4"	200 PSI	Red	2-Lug Crimped On



Part Numbers

3/4" I.D. X 1-1/4" O.D. AIR HOSE					
	Length	Hose I.D.	Hose O.D.	Working Pressure	Hose Cover Color
10AH034	Per Ft.	3/4"	1-1/4"	200 PSI	Red



Part Numbers

MALE HOSE END COUPLING AND GASKET FOR 3/4" I.D. AIR HOSE						
	Hose I.D.	Material	Coupling Style	GASKET		
				Rubber Gasket	Gasket I.D.	Gasket O.D.
10HE1	3/4"	Plated Iron	2-Lug	10UG2	3/4"	1-3/8"



Part Number

BOSS® CLAMP FOR 3/4" I.D. AIR HOSE			
	Hose I.D.	Hose O.D. Range	Material
10A9	3/4"	1-8/64" – 1-20/64"	Plated Steel

GLOBAL HEADQUARTERS

- 3425 East Locust Street
Davenport, IA 52803

ph: 800.BLAST.IT (800.252.7848)

ph: 563.324.2519

fax: 563.324.6258

REGIONAL BRANCH OFFICES

- **Iowa**
Davenport
- **Louisiana**
Gonzales
Lafayette
- **Ohio**
Youngstown
- **Texas**
Beaumont
Corpus Christi
Deer Park



ABRASIVES

BLASTING

COATING

DUST COLLECTORS

ENGINEERED SYSTEMS

RENTAL

SAFETY

SERVICE & REPAIR

VACUUMS

40+ NATIONWIDE SHIPPING LOCATIONS



★ Marco Regional Branch Offices
and Shipping Locations

● Direct Shipping Locations

CONTACT MARCO

800.BLAST.IT

(800.252.7848)

563.324.2519

FAX: 563.324.6258

WWW.MARCO.US

SALES@MARCO.US