



# DUSTMASTER® 28,000 CFM TIER 4 DIESEL DUST COLLECTORS



**BUILT MARCO TOUGH**  
MARCO MANUFACTURED

## PART NUMBERS AND SCHEMATICS GUIDE

## Company Profile

Since 1944, Marco has developed a strong tradition of providing innovative and reliable products and services to the surface preparation and protective coatings industries. We are the world's premier provider of Abrasives, Blasting, Coating, Dust Collectors, Engineered Systems, Rental, Safety, Service, Repair, & Modernization, and Vacuums.

Through innovative designs and a total commitment to quality, Marco manufactures products that increase production rates, create a safer workplace, and reduce maintenance costs. Marco's industry experience, manufacturing capabilities, legendary customer service, product availability, logistics services, and technology leadership is your assurance that we deliver high quality products and services, providing the best value to you, our customer.

## The Marco Difference

- **Industry Experience** – With Marco on your team, you have access to expertise which can only come from decades of industry leadership. We have organized our engineering department, production specialists, customer operations, and safety support into a “Center of Competence.” As a Marco customer, you have access to hundreds of years of cumulative experience related to your operations.
- **Manufacturing Excellence** – Marco is a manufacturer of equipment for the Surface Preparation and Protective Coatings industries. Marco's engineers benchmark the industry to ensure that we design and manufacture superior products that set the “Gold Standard” for performance, safety, and quality.
- **Legendary Customer Service** – Marco's legendary customer service team is staffed by friendly, highly-trained individuals who are focused on providing the highest level of product support, order accuracy, and customer satisfaction.
- **Product Availability** – We stock over 10,000 SKU's and have more than 45 shipping locations to serve North American and International markets for all major brands of blasting and coating equipment. As the largest provider of surface preparation and protective coatings equipment in the world, our inventory levels and product availability are unmatched.
- **Logistics Services** – Marco's in-house logistics team is dedicated to moving your shipment anywhere in the world. We move more than 14,000 truckloads every year, allowing you to save on freight costs by leveraging our buying power. Lower your process costs with a single invoice, which includes product and freight.
- **Technology Leadership** – Our website provides: Operator's Manuals, Part Numbers and Schematics Guides, SDS information, and Features & Specifications Guides, providing access to information 24/7. Our Extranet application allows you to receive quotes and place orders online. Our Intranet maintains a complete record of your purchase history to assist with ongoing support of your existing equipment and future purchasing decisions.

## Vision Statement

Marco is the world's premier provider of Abrasives, Blasting, Coating, Dust Collectors, Engineered Systems, Rental, Safety, Service, Repair, & Modernization, and Vacuums.

## Mission Statement

Marco provides strong leadership and innovation to the surface preparation and protective coatings industries. We dedicate our efforts to the continuous improvement of our products, services, processes, people, and most importantly, the quality of our customer's experience.

## Quality Statement

Marco is committed to providing superior quality in the design, manufacturing, distribution, rental, service, and repair of our products. Continuous improvement of our processes and supply chain Integration comprise the core of our business strategy for delivering exceptional quality and value in all Marco products and services.

## Management Philosophy

We are a company dedicated to the success of every customer and associate. We discuss, debate, challenge, measure, and test our ideas. We will be boundless and limitless in our passion to improve. Through sound leadership and dedicated associates, we will ensure a long term, profitable future for Marco, our associates, customers, and suppliers.

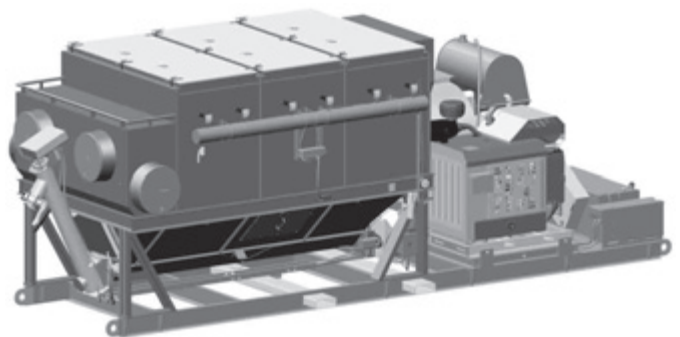
# TABLE OF CONTENTS

<b>Company Profile</b> .....	1	Hydraulic Control Assembly .....	32
<b>Part Numbers</b> .....	3	Inlet Door Assembly .....	33
<b>Specifications</b> .....	4	Dust Collector Filter Cartridge Pulsers .....	34
<b>Part Numbers and Schematics Guide</b> .....	5	Trailer .....	35
Front Assembly .....	5	Dust Collector Filter Cartridge Hatch Door .....	37
Fuel Tank .....	6	Diaphragm Valve .....	38
Hydraulic Oil Tank .....	7	Hazard Identification Decals .....	39
Hydraulic Oil Filter Assembly .....	9	<b>Optional Accessories</b> .....	43
Hydraulic Hoses .....	10	<b>Literature References</b> .....	45
Fan Belt Assembly .....	11		
Fan Belt Guard Back Assembly .....	13		
Fan Assembly and Battery Box .....	14		
Main Auger Drive Assembly .....	15		
Main Auger Bearing .....	16		
Main Auger Motor .....	17		
Main Auger .....	18		
Access Panel Assembly .....	19		
Main Auger Protective Grate .....	19		
Pneumatic Ball Vibrators .....	20		
Pulser System Assembly .....	21		
Pulser Regulator and Timer Assembly .....	23		
Pulser Solenoid Enclosure Assembly .....	24		
Discharge Auger Assembly .....	25		
Discharge Auger Drive Assembly .....	27		
Discharge Auger Clean-out Assembly .....	29		
Discharge Auger .....	30		
Hydraulic Pump .....	31		

# PART NUMBERS

## DUSTMASTER® 28,000 CFM TIER 4 DIESEL DUST COLLECTORS

Part Numbers	Filter Cartridge Material						Trailer	Skid	Filter Cartridge Quantity
	None	High Density Pleat 85% Cellulose/15% Poly Blend	Reduced Pleat 85% Cellulose/15% Poly Blend	Fire Retardant	HEPA	Spunbond			
10106439	X						X		–
10106440		X					X		36
10106441			X				X		36
10106442				X			X		36
10106443					X		X		36
10106444						X	X		36
10106661	X							X	–
10106667		X						X	36
10106668			X					X	36
10106669				X				X	36
10106670					X			X	36
10106671						X		X	36

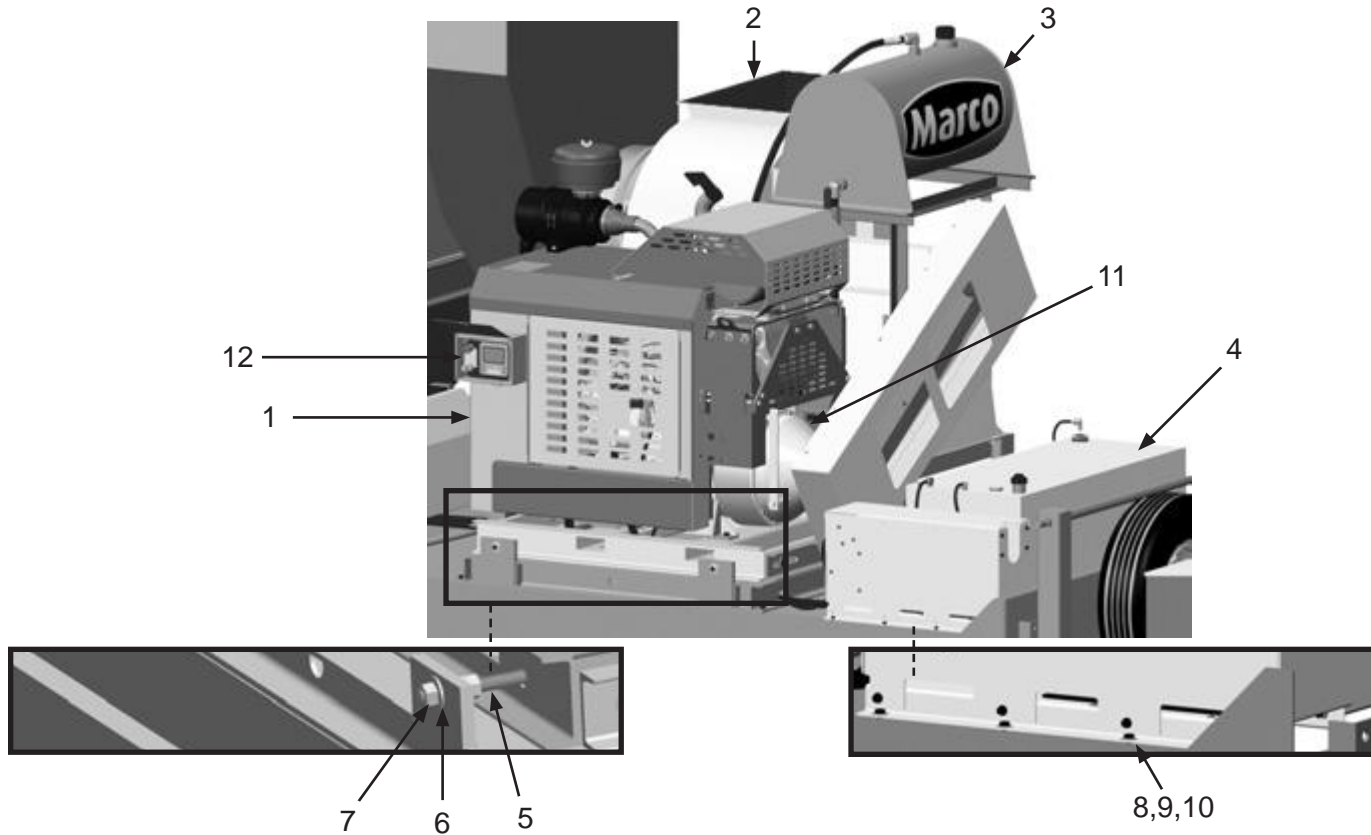


# SPECIFICATIONS

<b>Capacity:</b>	CFM = 16,990 - 28,140 W.C. = 6 – 16"
<b>Filter Cartridge Style:</b>	Open Top with Flange, Closed Bottom - 36 Required
<b>Filter Cleaning:</b>	Pulse System, 5–15 second intervals Pulse Duration: 200–350 millisecond
<b>Air to Cloth Ratio:</b>	2.72:1 @ 20,000 CFM
<b>Filter Area:</b>	7,361 square feet
<b>Efficiency:</b>	85/15 High Density Pleat Blend Filters – 99.8% @ 0.5 micron 85/15 Reduced Pleat Blend Filters – 99.8% @ 0.5 micron HEPA Filters – 99.99% @ 0.3 micron Fire Retardant Filters – 96.8% @ 2.0 micron Spunbond Filters – 97% @ 3.0 micron
<b>Ducting Connections:</b>	20" I.D., Quantity of Four
<b>Clean-out Ports:</b>	One
<b>Dust Removal Conveyor:</b>	Main Auger, 6" Discharge Auger, Hydraulic Motor Drive
<b>Fan:</b>	Backward Inclined, non-overloading, spark resisting
<b>Engine:</b>	Diesel, Tier 4 Final, 120 Horsepower
<b>Fuel Capacity:</b>	Type: Diesel Capacity: 80 Gallons
<b>Air Requirements:</b>	Clean, Dry, Compressed Air 24 CFM @ 90 PSI
<b>Electrical System:</b>	12-Volt DC
<b>Engine Protection:</b>	Engine Monitoring System with automatic shutdown measures: coolant temperature, intake air temperature, engine intake manifold pressure, engine oil pressure, pressure in fuel rail, engine speed and timing.
<b>Fluid Specifications:</b>	Hydraulic Oil: H46 or equivalent, 40 Gallons Diesel Fuel: See Engine Operator's Manual for type, 80 Gallons Grease/Lubricator: Shell Gadus S2 V100 2 or equivalent DEF: BlueDEF Diesel Exhaust Fluid
<b>Unit Dimensions Trailer:</b>	Weight: 12,500 pounds (empty) Tongue Weight: 2620 pounds Length: 27' 10" Width: 8' 6" Height: 10' 4"
<b>Unit Dimensions Skid:</b>	Weight: 11,680 pounds (empty) Length: 19' 10" Width: 8' 6" Height: 8' 9"

# PART NUMBERS AND SCHEMATICS GUIDE

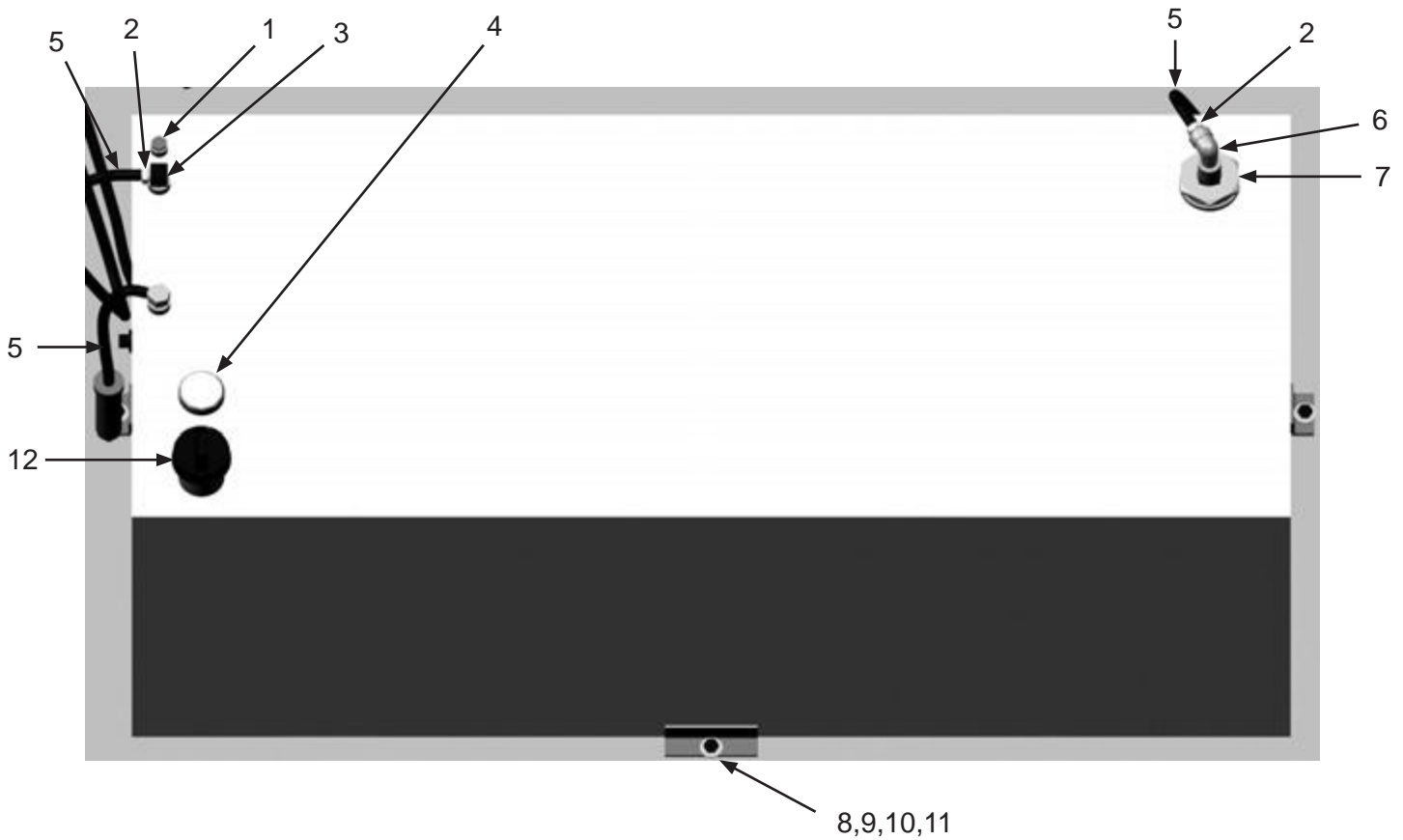
Figure 1: Front Assembly



Item#	Part#	Description
<b>Fig. 1</b>		
1	10105840	Perkins® Engine 120HP Tier 4 Final CPU with DEF Tank
2	10103626	BI 270 Fan (See Figure 8)
3	10105031	40 Gallon Hydraulic Tank (See Figure 3)
4	10103251	Fuel Tank - 80 Gallon (See Figure 2)
5	10103440	3/4-10 Draw Bolt (Two Required)
6	10103718	3/4" Washer (Four Required)
7	10103420	3/4-10 Nut (Four Required)
8	10104234	3/8-16 x 1-1/4" Bolt Zinc (Eight Required)
9	10101942	3/8" Galvanized Flat Washer (16 Required)
10	10102329	3/8-16 Hex Nut with Nylon Insert (Eight Required)
11	10104025	Twin Disc Clutch
12	10103969	Murphy Power View
—	10103970	Key
—	10106699	Oil Filter
—	10106701	Primary Fuel Filter
—	10106700	Secondary Fuel Filter
—	10106702	Breather Element
—	10106703	Outer Air Filter
—	10106704	Inner Air Filter
—	10106772	Clutch Arm Extension

## PART NUMBERS AND SCHEMATICS GUIDE

Figure 2: Fuel Tank



Item #	Part #	Description
<b>Fig. 2</b>		
—	10103251	Fuel Tank - 80 gallon
1	10106471	1/4" Pipe Plug
2	10106469	3/8" Barb x 3/8" NPT
3	10103617	Withdraw Tube - 16"
4	10103424	Sight Gauge
5	10103619	1/2" Fuel Hose ( <i>Per Foot</i> )
6	10106470	3/8" NPT Street Elbow
7	10106484	Adapter
8	10101059	3/8-16 x 1-1/4" Bolt Galvanized ( <i>Four Required</i> )
9	10101942	3/8" Galvanized Flat Washer ( <i>Eight Required</i> )
10	1012318	3/8-16 Hex Nut ( <i>Four Required</i> )
11	10101936	3/8" Zinc Lock Washer ( <i>Four Required</i> )
12	10103968	Locking Fuel Cap with Key
—	10103620	3/8" Inline Filter ( <i>Not Shown</i> )
—	10103961	Fuel Tank Rubber Cushioning Pad ( <i>Not Shown</i> )

# PART NUMBERS AND SCHEMATICS GUIDE

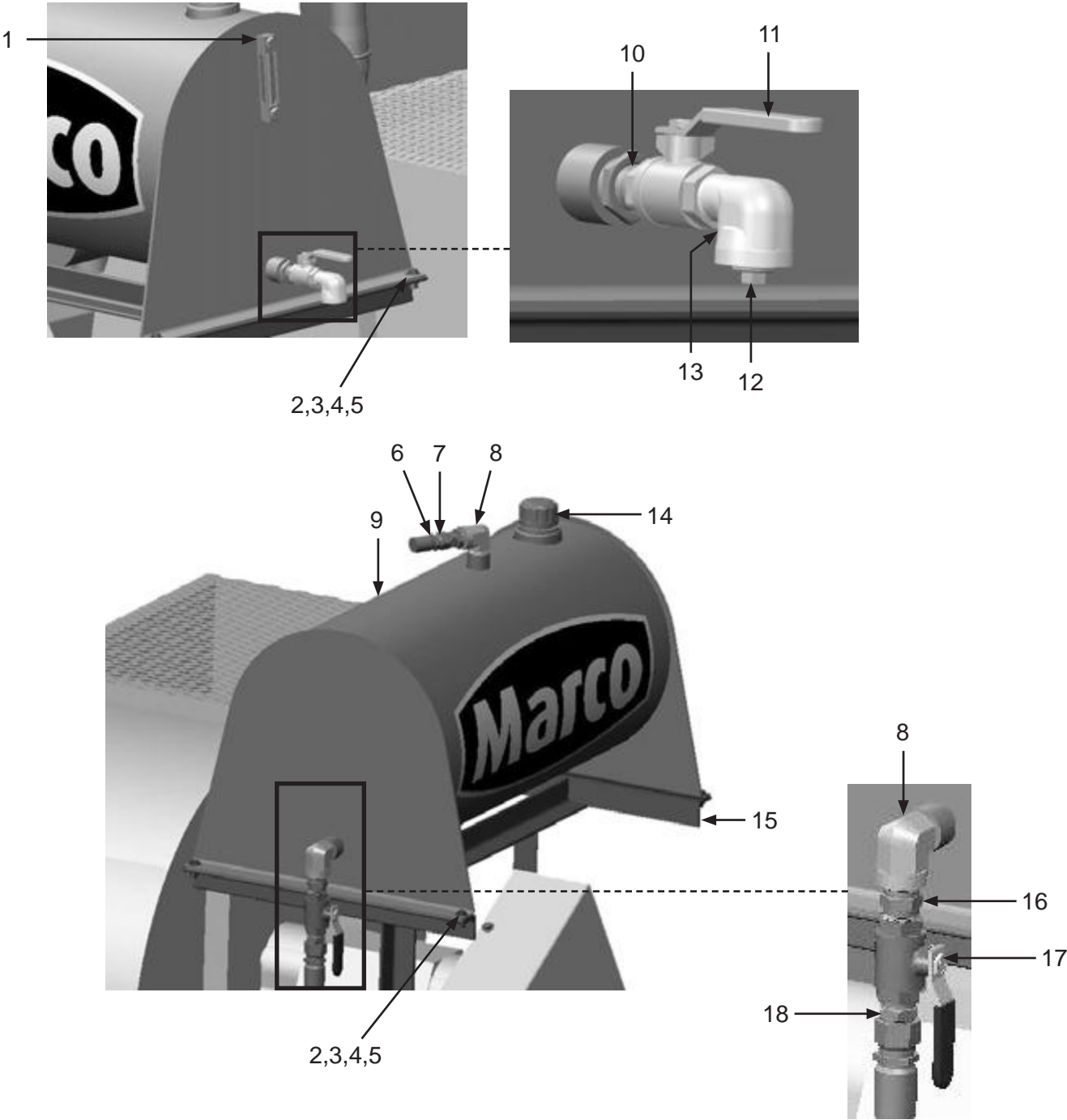
## Hydraulic Oil Tank

Item #	Part #	Description
<b>Fig. 3</b>		
1	10103942	Sight Level Gauge
2	1011747	3/8-16 x 1" Bolt ( <i>Four Required</i> )
3	10101942	Flat Washer – 3/8" ( <i>Eight Required</i> )
4	10101936	Lock Washer – 3/8" ( <i>Four Required</i> )
5	1012318	Hex Nut - 3/8-16 ( <i>Four Required</i> )
6	10103314	Straight Adapter – 3/4" NPT x 12 JIC
7	20PFHA24SB1612	Reducing Bushing – 1" NPT x 3/4" NPT
8	20PFHA25UG1616	Street Elbow - 90° – 1" NPT ( <i>Two Required</i> )
9	10105031	Hydraulic Oil Reservoir – 40 Gallon
10	1011213	Close Nipple – 3/4" NPT – Galvanized
11	10L8074C	Full Port Ball Valve – 3/4" NPT
12	10DSHP75	Pipe Plug – Square Head – 3/4" NPT
13	10102479	Street Elbow – 90° - 3/4" NPT – Galvanized
14	10103971	Filler/Breather Cap
15	10102958	Hydraulic Oil Tank Mount
16	20PFHA24SA1616	Hex Nipple – 1" NPT
17	1011601	Full Port Ball Valve – 1" NPT
18	10103312	Straight Adapter – 1" NPT x 16 JIC



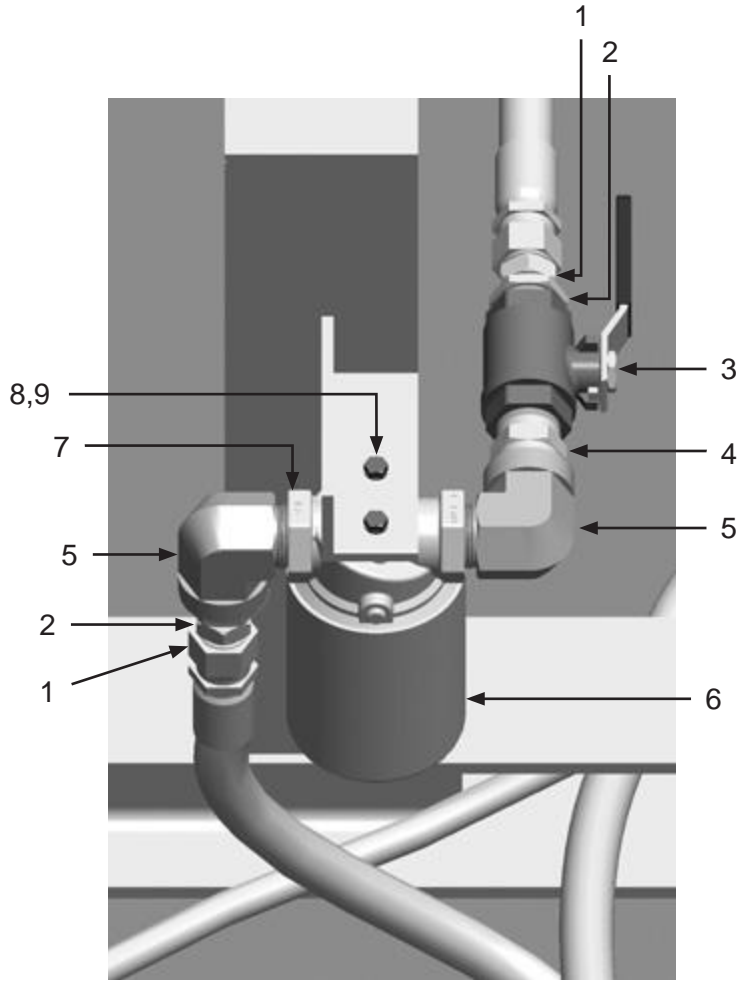
# PART NUMBERS AND SCHEMATICS GUIDE

Figure 3: Hydraulic Oil Tank



## PART NUMBERS AND SCHEMATICS GUIDE

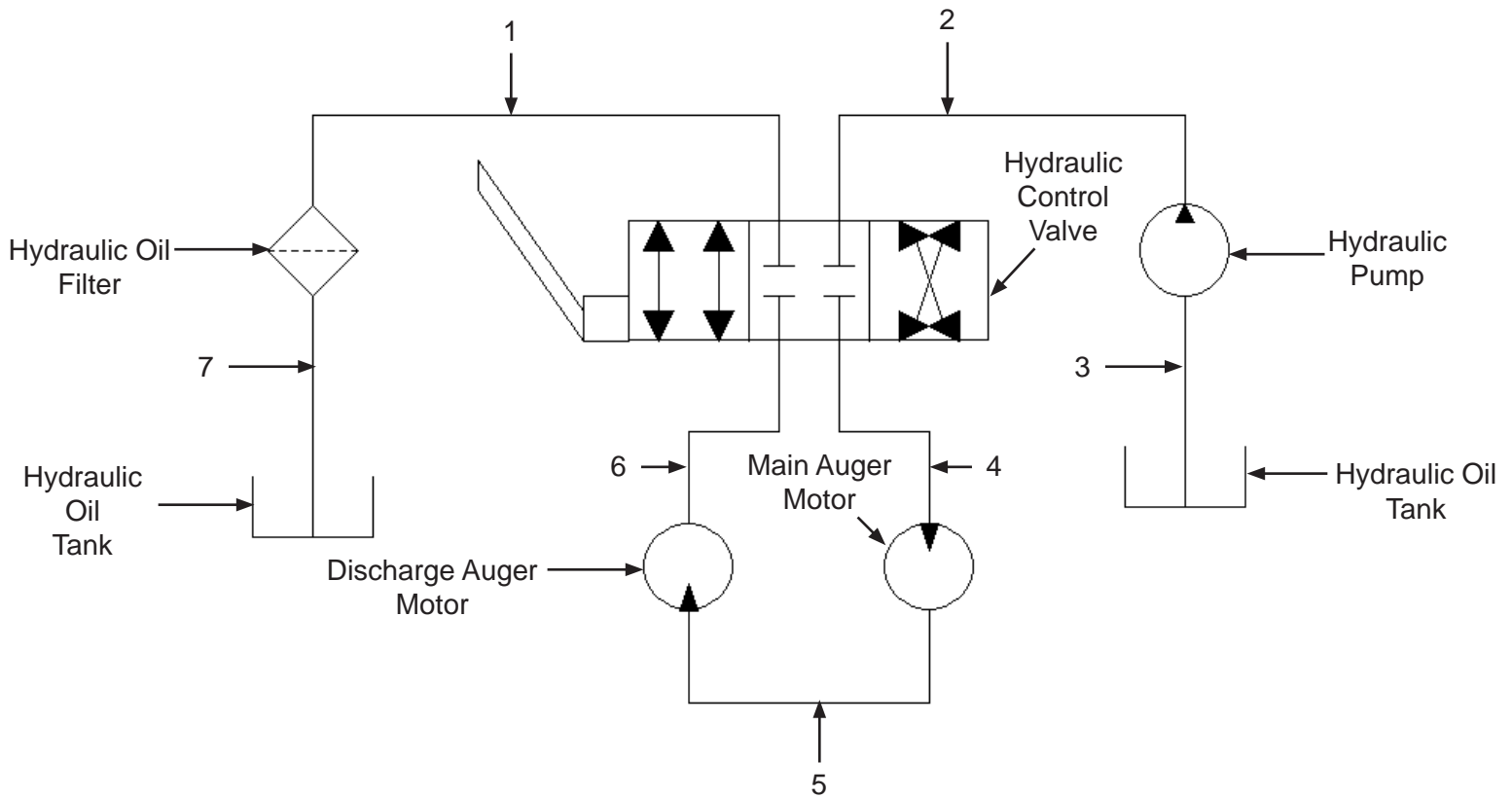
Figure 4: Hydraulic Oil Filter Assembly



Item #	Part #	Description
<b>Fig. 4</b>		
1	10103314	3/4" NPT x 12 JIC Straight Adapter
2	20PFHA24SB1612	1" x 3/4" Reducing Bushing
3	1011601	3/4" Full Port Brass Ball Valve
4	20PFHA24SA1616	1" Hex Nipple
5	20PFHA25UG1616	1" Street Elbow ( <i>Two Required</i> )
6	10104058	Hydraulic Oil Filter
7	10104057	Hydraulic Oil Filter Head
8	1012153	1/4" Lock Washer
9	20100125	1/4-20 x 3/4" Zinc Bolt

# PART NUMBERS AND SCHEMATICS GUIDE

Figure 5: Hydraulic Hoses



Item #	Part #	Description
--------	--------	-------------

Fig. 5

1	10104069	Hydraulic Hose - 3/4" I.D. x 17' - 3045 psi
2	10103406	Hydraulic Hose - 3/4" I.D. x 21' - 3045 psi
3	10103405	Hydraulic Hose - 1" I.D. x 9' 6" - 2000 psi
4	10103407	Hydraulic Hose - 1/2" I.D. X 14' - 2000 psi
5	10103501	Hydraulic Hose - 1/2" I.D. X 18' 8" - 2000 psi
6	10103409	Hydraulic Hose - 1/2" I.D. x 7' 1" - 2000 psi
7	10104055	Hydraulic Hose - 3/4" I.D. x 7' - 3045 psi

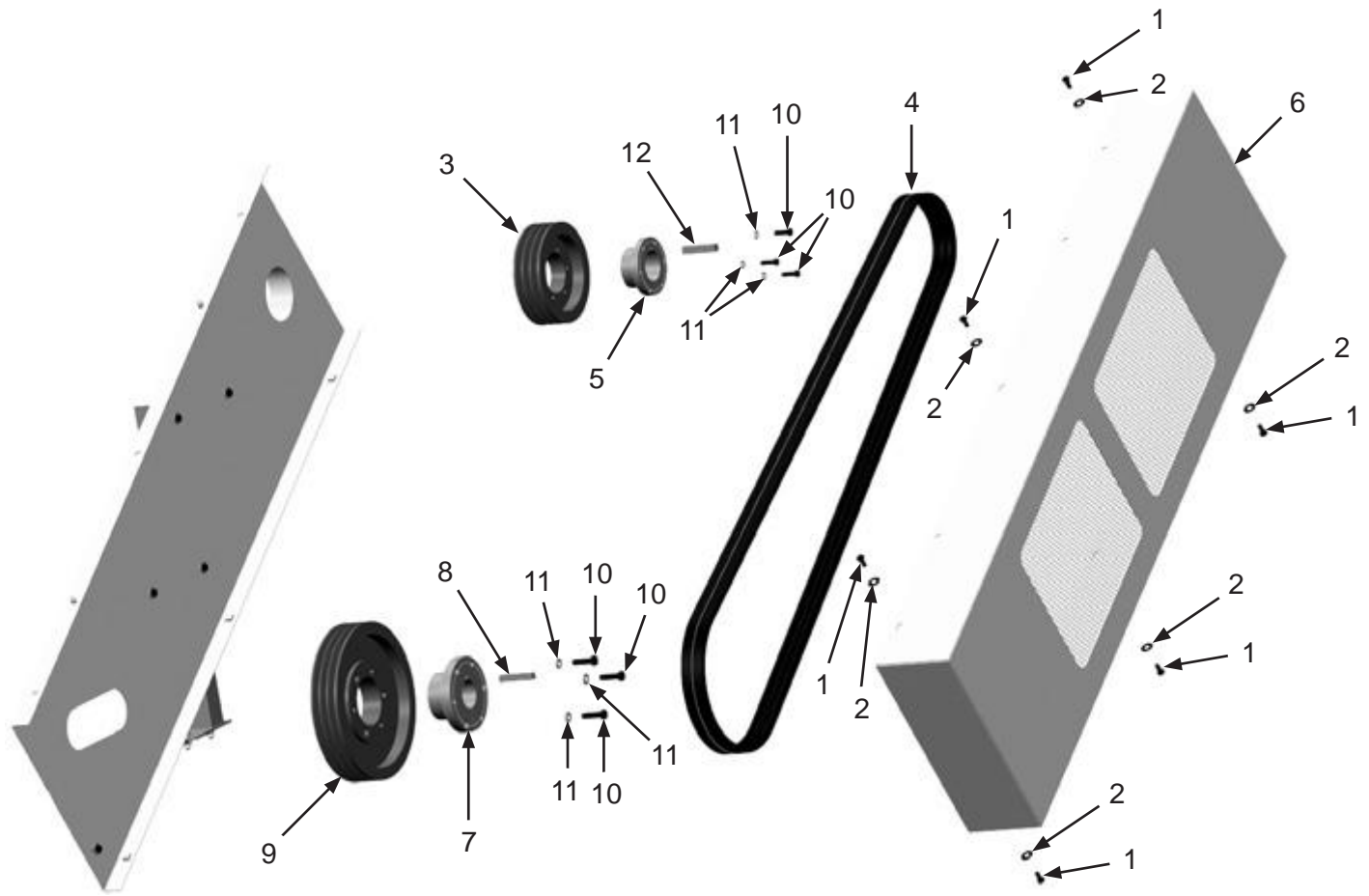
# PART NUMBERS AND SCHEMATICS GUIDE

## Fan Belt Assembly

Item #	Part #	Description
<b>Fig. 6</b>		
1	10103400	3/8-16 x 3/4" Bolt <i>(Six Required)</i>
2	10101942	3/8" Galvanized Flat Washer <i>(Six Required)</i>
3	10103324	8" Sheave
4	10103327	3-Band Fan Drive Belt – 125"
5	10103323	8" Sheave Bushing with Key <i>Includes Mounting Hardware</i>
6	10102965	Belt Guard Cover
7	10103325	12-1/2" Sheave Bushing <i>Includes Mounting Hardware</i>
8	10103644	1/2" x 1/4" x 5/8" x 5/16" Step Key
9	10103326	12-1/2" Sheave
10	10101943	1/2-13 x 1-3/4" Bolt <i>(Six Required)</i>
11	10100675	1/2" Lock Washer <i>(Six Required)</i>
12	10103643	5/8" Key Cut

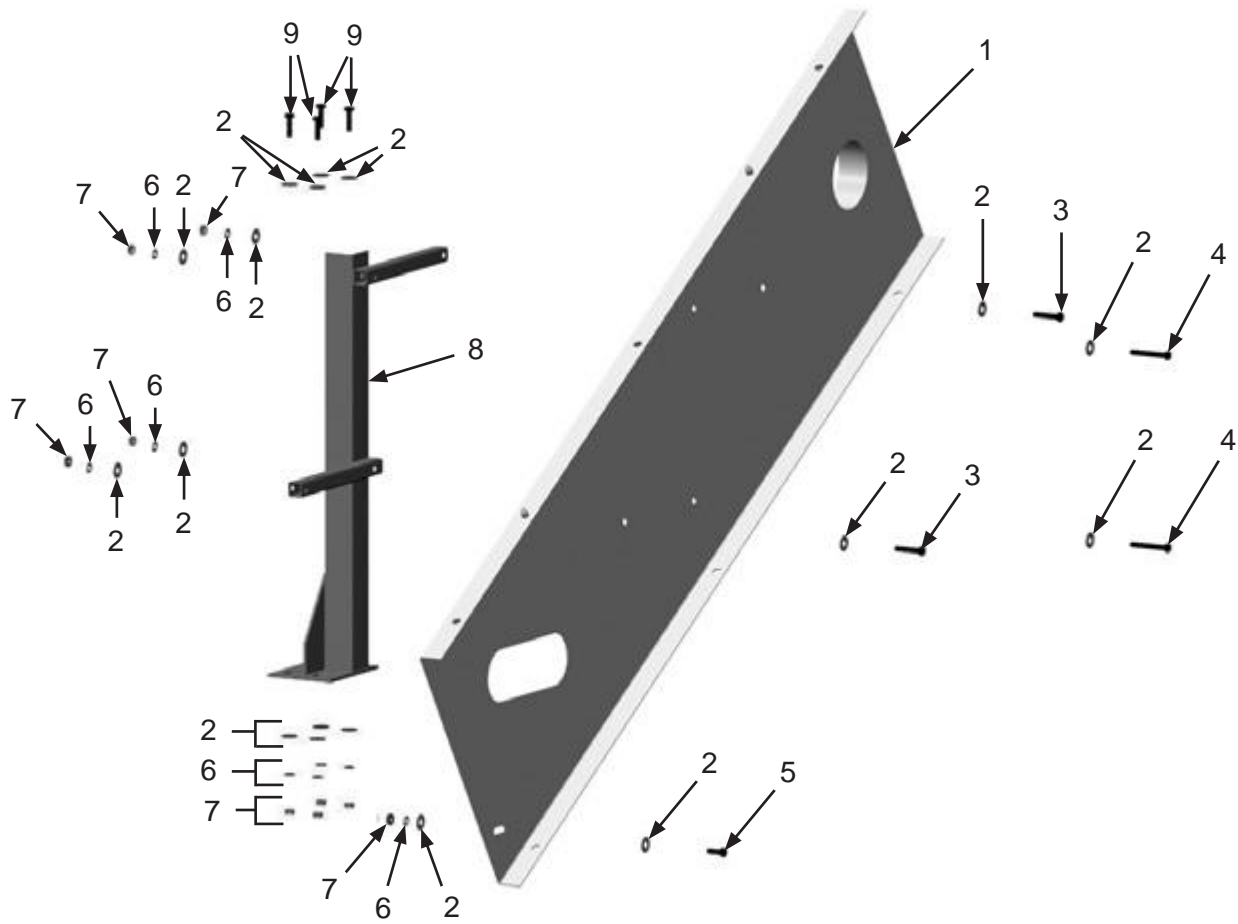
# PART NUMBERS AND SCHEMATICS GUIDE

Figure 6: Fan Belt Assembly



# PART NUMBERS AND SCHEMATICS GUIDE

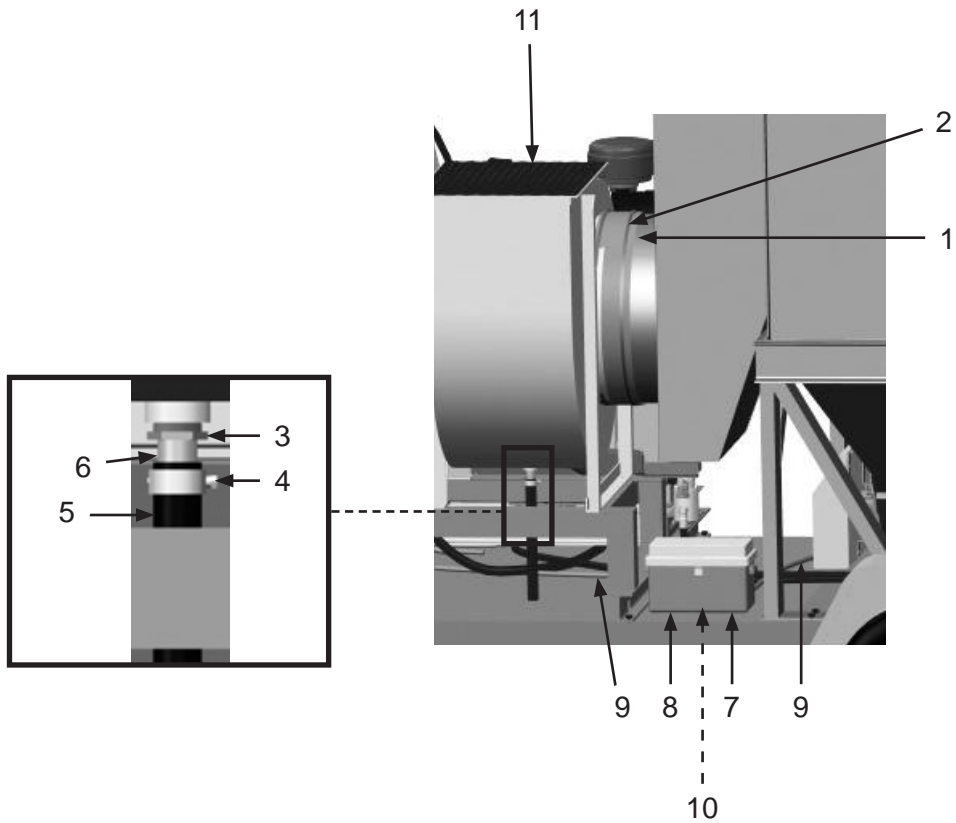
Figure 7: Fan Belt Guard Back Assembly



Item #	Part #	Description
<b>Fig. 7</b>		
1	10102968	Belt Guard Back
2	10101942	3/8" Galvanized Flat Washer (18 Required)
3	1028617	3/8-16 x 1-3/4" Shoulder Bolt (Two Required)
4	10101933	3/8-16 x 2-1/2" Bolt (Two Required)
5	1011747	3/8-16 x 1" Bolt
6	10101936	3/8" Zinc Lock Washer (Nine Required)
7	1012318	3/8-16 Hex Nut (Nine Required)
8	10103354	Belt Guard Mount
9	10101059	3/8-16 x 2-1/4" Bolt (Four Required)

# PART NUMBERS AND SCHEMATICS GUIDE

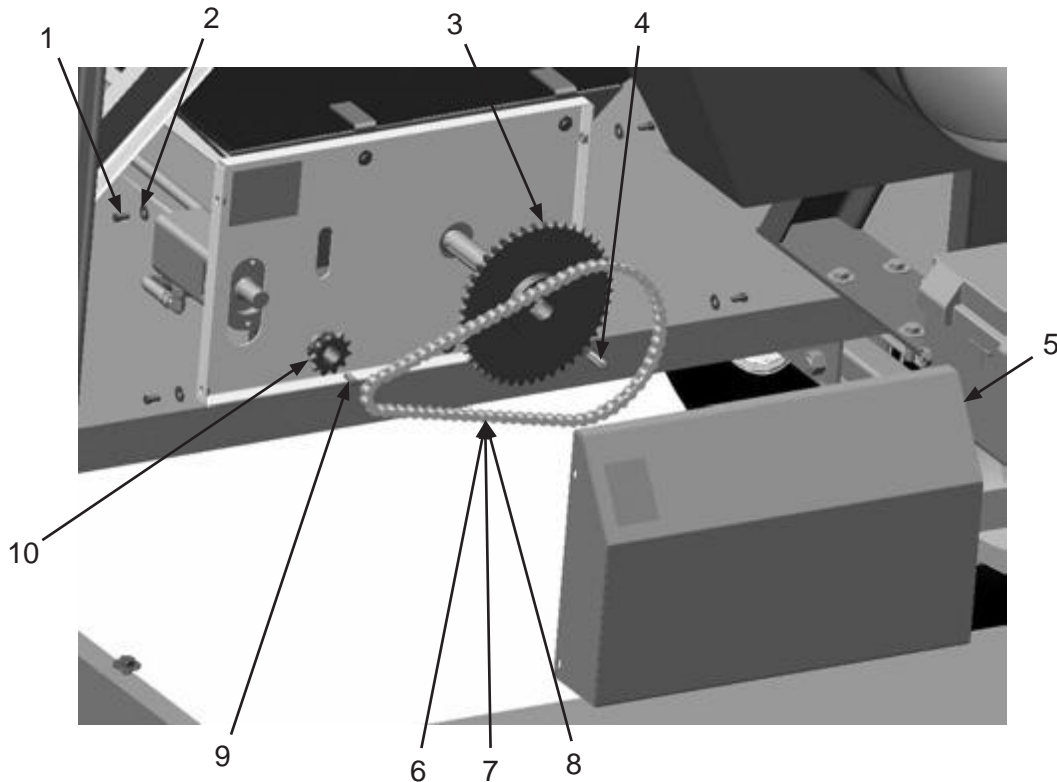
Figure 8: Fan Assembly and Battery Box



Item #	Part #	Description
<b>Fig. 8</b>		
—	10103626	BI 270 Fan
1	10103962	Connection Rubber Gasket
2	10103416	Adjustable Clamp Fastener <i>(Two Required)</i>
3	20PFHA24SB2016	1-1/4" x 1" Reducing Bushing
4	10104136	T-Bolt Clamp 1-9/16" X 1-11/16" OD
5	10103654	1-1/4" I.D. Hose <i>(Per Foot)</i>
6	10000197	1" x 3" Toe Nipple
7	10103342	Battery Box
8	10103963	Rubber Cushioning Pad
9	10105867	Battery Cables
10	10103341	Battery - Group 31
11	10103319	Bird Screen

## PART NUMBERS AND SCHEMATICS GUIDE

Figure 9: Main Auger Drive Assembly

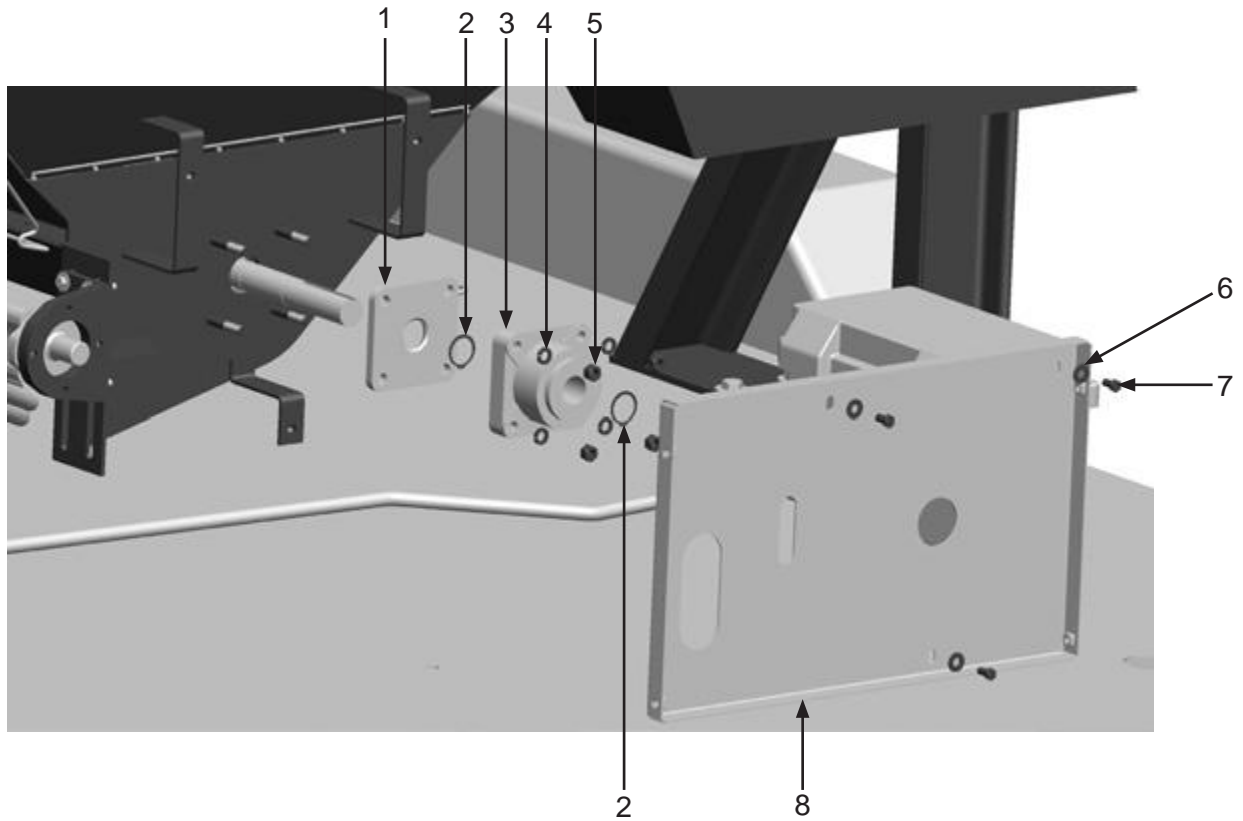


Item #	Part #	Description
<b>Fig. 9</b>		
1	10103400	3/8-16 x 3/4" Bolt ( <i>Four Required</i> )
2	10101942	3/8" Galvanized Flat Washer ( <i>Four Required</i> )
3	10104218	45-Tooth Sprocket
4	10103641	3/8" Key Cut
5	10102952	Main Auger Motor Cover
6	10103391	60# Coterred Roller Chain ( <i>Per Foot</i> )
7	10103392	60# Connecting Link
8	10103614	60# Offset Link
9	10103642	5/16" x 1/4" x 1/8" x 1/8" Key
10	10103265	11 – Tooth Sprocket
—	10104192	Main Auger Chain Kit <i>Includes Item #'s: 6 (quantity of 5'), 7, and 8</i>



## PART NUMBERS AND SCHEMATICS GUIDE

Figure 10: Main Auger Bearing



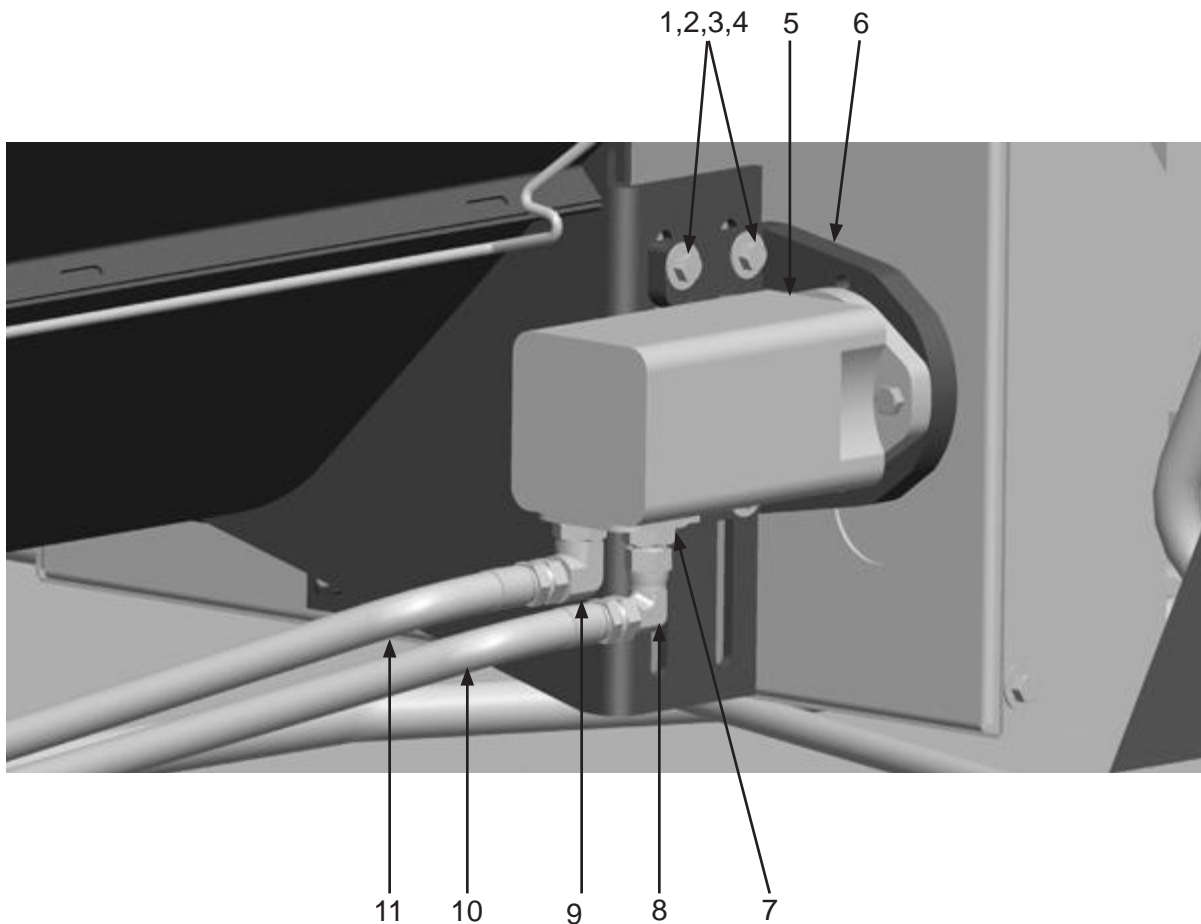
Item #	Part #	Description
--------	--------	-------------

**Fig. 10**

1	10102902	Seal Plate
2	10103605	Snap Ring ( <i>Two Required</i> )
3	10102903	Thrust Bearing
4	10100675	1/2" Lock Washer ( <i>Four Required</i> )
5	1014022	1/2-13 Hex Nut ( <i>Four Required</i> )
6	10101942	3/8" Galvanized Flat Washer ( <i>Three Required</i> )
7	10103400	3/8-16 x 3/4" Bolt ( <i>Three Required</i> )
8	10102955	Main Auger Guard Back

## PART NUMBERS AND SCHEMATICS GUIDE

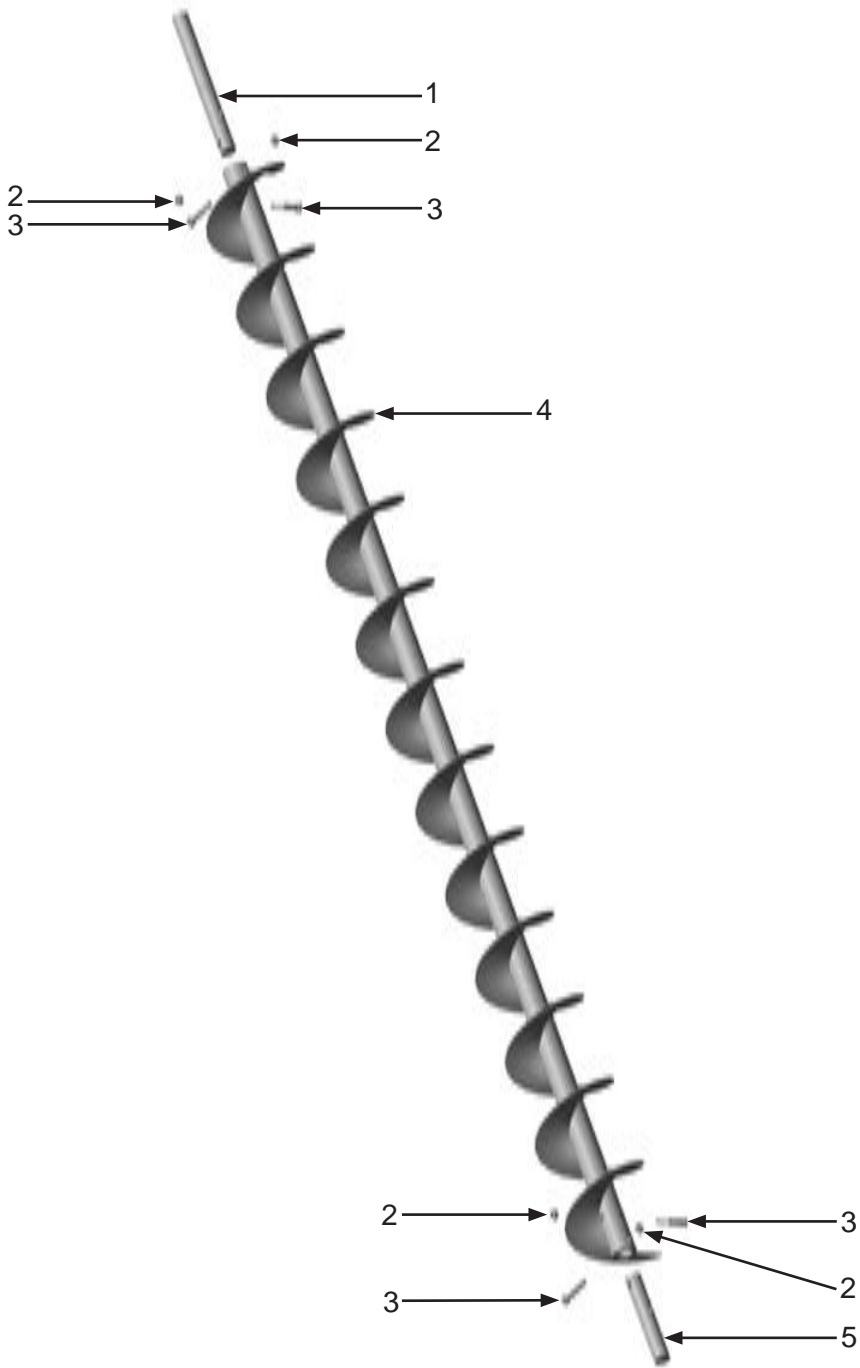
Figure 11: Main Auger Motor



Item #	Part #	Description
<b>Fig. 11</b>		
1	1028617	3/8-16 x 1-3/4" Shoulder Bolt ( <i>Four Required</i> )
2	10101942	3/8" Galvanized Flat Washer ( <i>Eight Required</i> )
3	10101936	3/8" Zinc Lock Washer ( <i>Four Required</i> )
4	1012318	3/8-16 Hex Nut ( <i>Four Required</i> )
5	10103266	18.7 Displacement Hydraulic Motor
6	10102881	Hydraulic Motor Mount with Hardware
7	10103612	JIC 8 x SAE 10 Straight Adapter
8	10103611	JIC 8 x JIC 8 90° Elbow
9	10103308	JIC 8 x SAE 10 90° Elbow
10	10103501	Hydraulic Hose - 1/2" I.D. X 18' 8" - 2000 psi
11	10103407	Hydraulic Hose - 1/2" I.D. X 14' - 2000 psi
—	10103941	Seal Kit for 18.7 Displacement Hydraulic Motor

# PART NUMBERS AND SCHEMATICS GUIDE

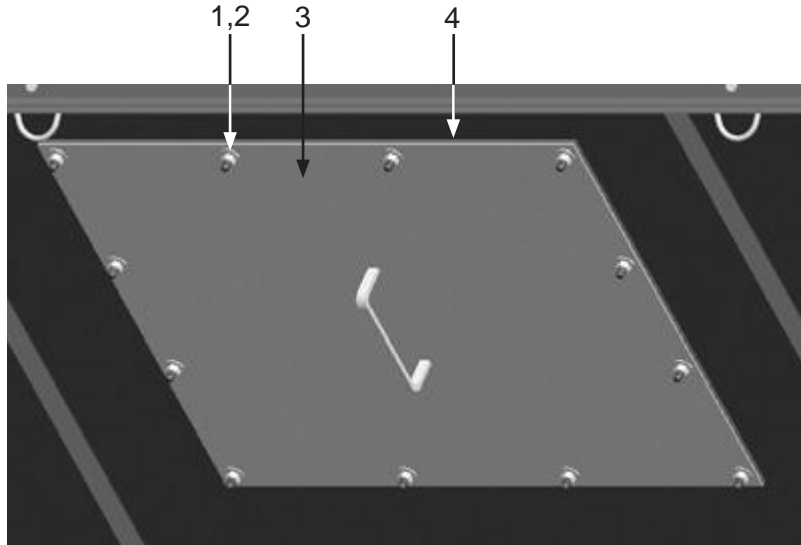
Figure 12: Main Auger



Item #	Part #	Description
1	10103306	Drive Shaft
2	10101941	1/2-13 Galvanized Hex Nut ( <i>Four Required</i> )
3	10103401	1/2-13 x 3" Galvanized Bolt ( <i>Four Required</i> )
4	10103262	118" x 9" Standard Pitch Auger
5	10102910	Auger Shaft End

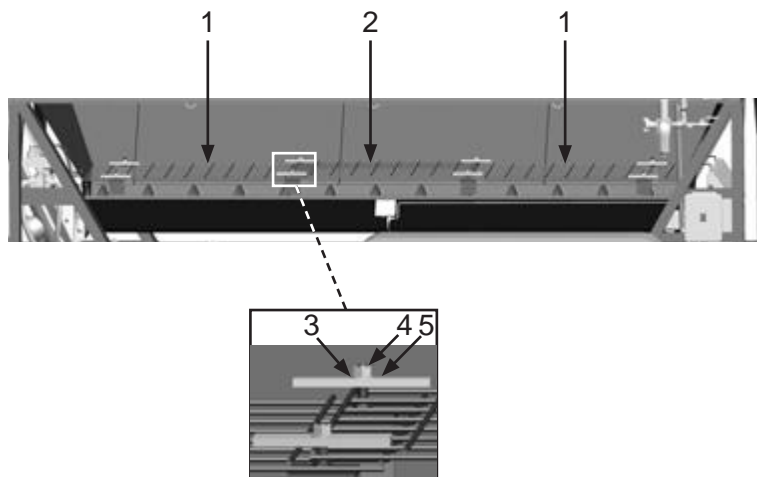
# PART NUMBERS AND SCHEMATICS GUIDE

**Figure 13: Access Panel Assembly**



Item #	Part #	Description
<b>Fig. 13</b>		
1	1012318	3/8-16 Hex Nut (12 Required)
2	10101942	3/8" Flat Washer (12 Required)
3	10102933	20" Access Panel Door
4	10103344	1/4" X 1-1/2" Adhesive-Backed Gasket (Per Foot)

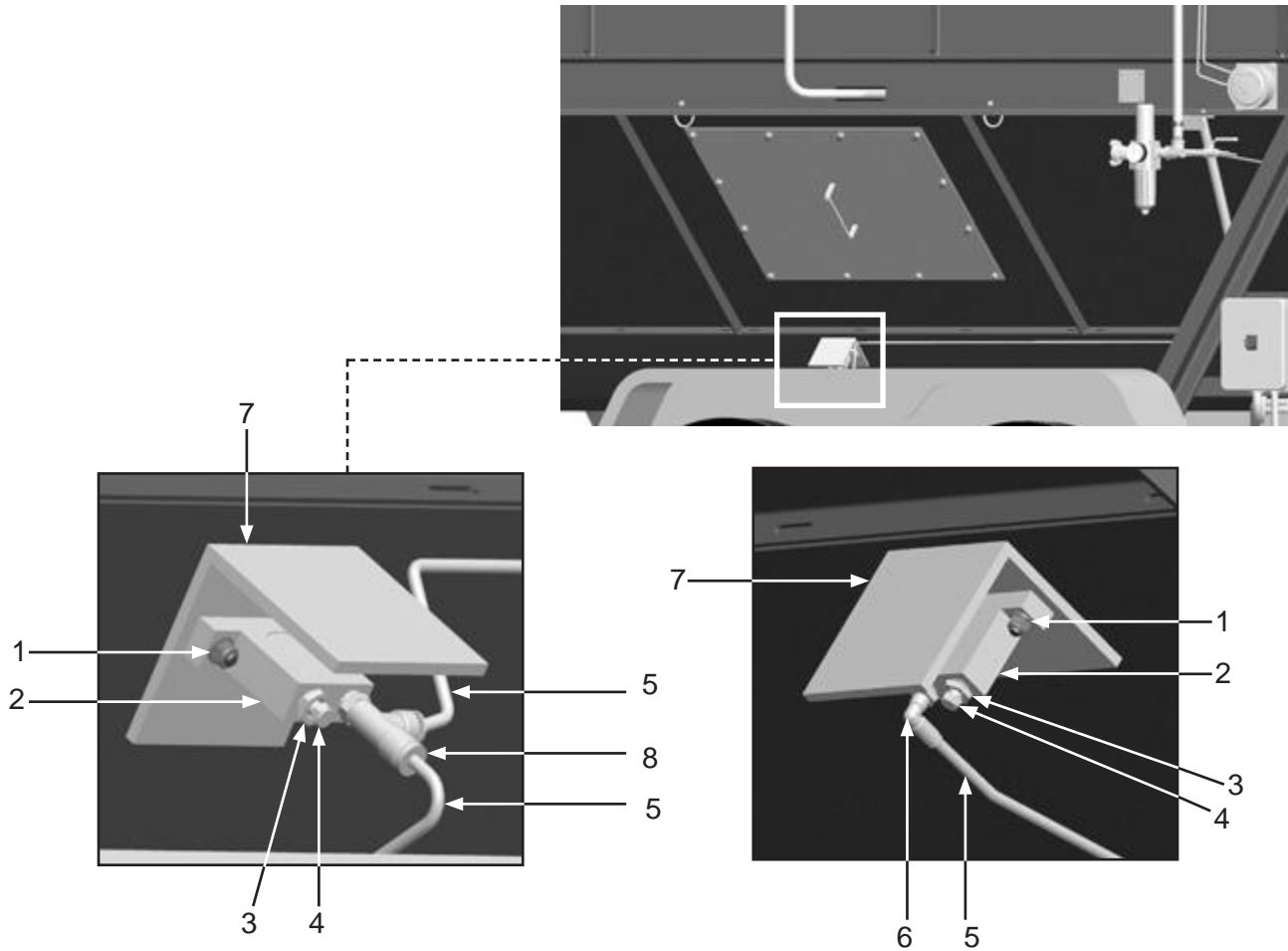
**Figure 14: Main Auger Protective Grate**



Item #	Part #	Description
<b>Fig. 14</b>		
1	10103966	Protective Grate - 44 Inches (Two Required)
2	10103967	Protective Grate - 36 Inches
3	10100674	Flat Washer - 1/2" (Eight Required)
4	1014022	1/2-13 Hex Nut (Eight Required)
5	10102936	Protective Grate Bracket (Eight Required)

## PART NUMBERS AND SCHEMATICS GUIDE

Figure 15: Pneumatic Ball Vibrators



Item #	Part #	Description
--------	--------	-------------

Fig. 15

1	1012323	1/4-20 Zinc Lock Nut with Nylon Insert ( <i>Four Required</i> )
2	10103258	Pneumatic Ball Vibrator ( <i>Two Required</i> )
3	20PFHA24SB0402	1/4" x 1/8" Reducing Bushing
4	1012905	1/8" Breather Muffler ( <i>Two Required</i> )
5	10103322	1/4" I.D. Black Urethane Tubing ( <i>Per Foot</i> )
6	20PFBA31095614	1/4" Tube x 1/4" NPT 90° Fitting
7	10103609	Vibrator Shield ( <i>Two Required</i> )
8	10103261	1/4" Male Push-to-connect Tee

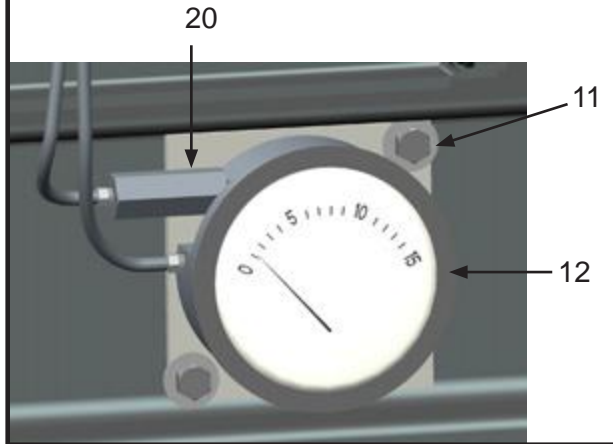
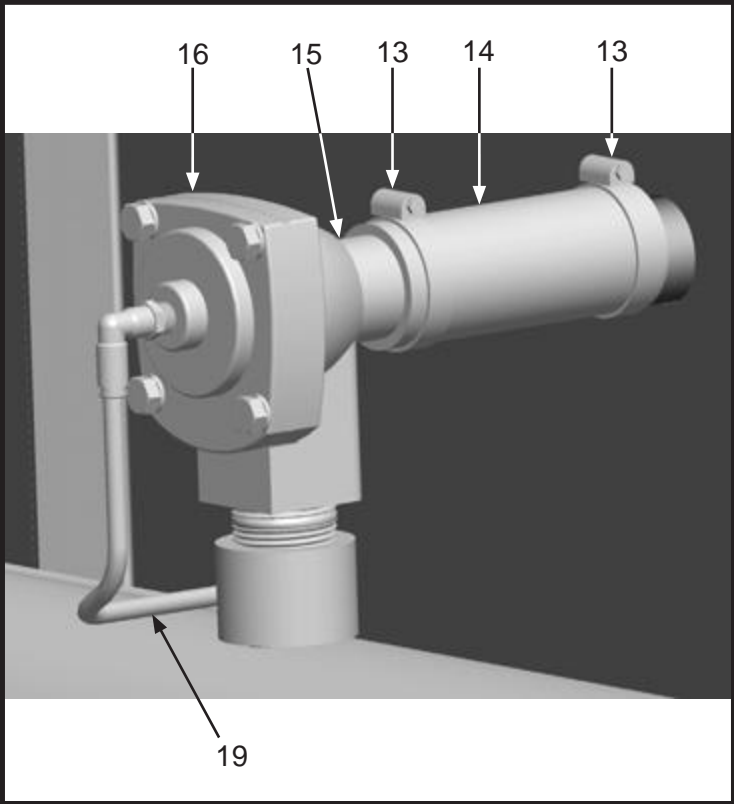
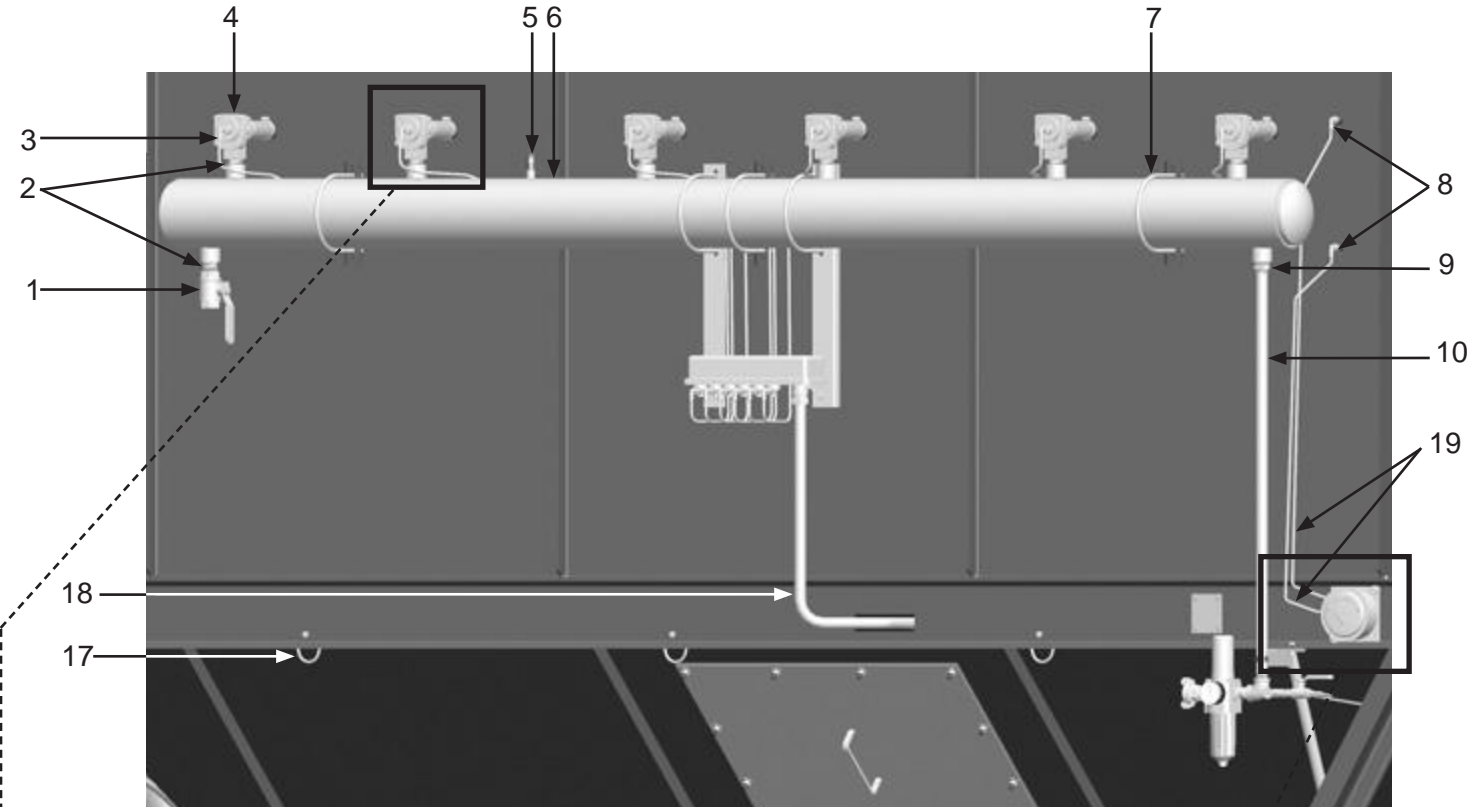
# PART NUMBERS AND SCHEMATICS GUIDE

## Pulser System Assembly

Item #	Part #	Description
<b>Fig. 16</b>		
1	1011601	1" Full Port Ball Valve
2	10103318	1" x 2" Pipe Nipple ( <i>Seven Required</i> )
3	10103322	1/4" O.D. Black Urethane Tubing ( <i>Per Foot</i> )
4	20100579	1/4" O.D. Tube x 1/8" NPT Swivel ( <i>Six Required</i> )
5	1028607	1/4" NPT Pressure Relief Valve – 125 PSI
6	10102948	6" Pipe Header
7	10103394	3/8-16 x 6" U-Bolt Assembly ( <i>Five Required</i> )
8	20PFBA31095614	1/4" Tube x 1/4" NPT 90° Fitting ( <i>Two Required</i> )
9	20PFHA24SB1612	1" x 3/4" Reducing Bushing
10	10103315	3/4" x 36" Pipe Nipple
11	10103608	Magnehelic Differential Pressure Gauge Mounting Bracket
12	10103259	Magnehelic Differential Pressure Gauge Assembly <i>Includes Mounting Hardware</i>
13	10104136	T-Bolt Clamp 1-9/16" X 1-11/16" O.D.
14	10103654	1-1/4" I.D. Marine Hose – 100 PSI ( <i>Per Foot</i> )
15	10105207	1" x 3" Toe Nipple ( <i>Six Required</i> )
16	10103255	1" Diaphragm Valve ( <i>See Figure 29</i> )
17	10103625	D-Ring ( <i>16 Required</i> )
18	10103304	3/4" I.D. Flexible Conduit
19	10103322	Urethane Tube - Black - 1/4"
20	10108373	1/8" NPT Inline Air Filter

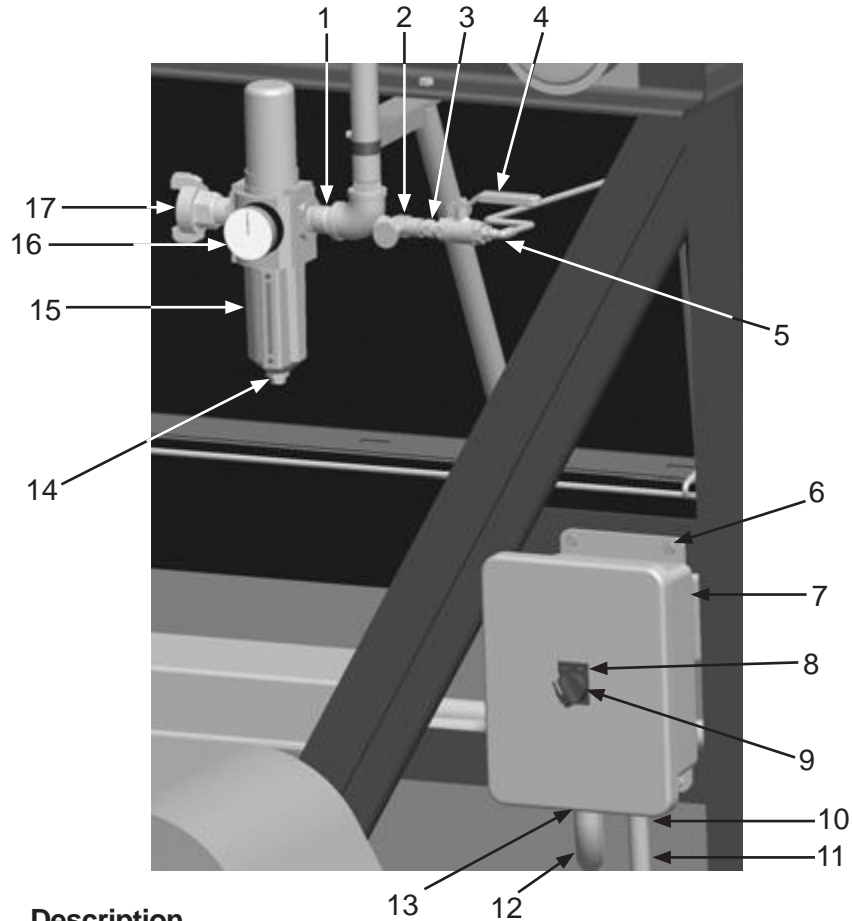
# PART NUMBERS AND SCHEMATICS GUIDE

Figure 16: Pulsar System Assembly



## PART NUMBERS AND SCHEMATICS GUIDE

Figure 17: Pulsar Regulator and Timer Assembly

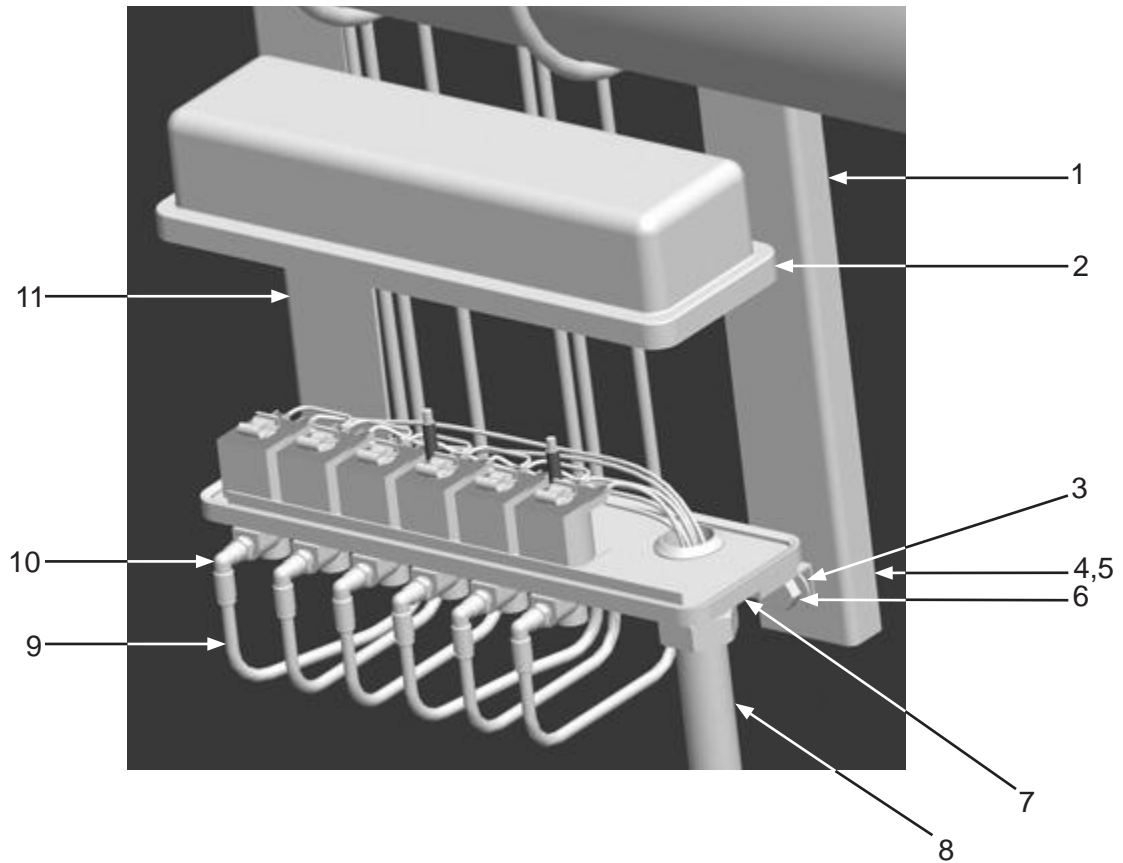


Item #	Part #	Description
<b>Fig. 17</b>		
1	10103317	3/4" x 2" Pipe Nipple
2	10103292	1/4" Needle Valve
3	1017019	1/4" x 1/4" Hex Nipple
4	1080050	1/4" Ball Valve
5	20PFBA31095614	1/4" Tube x 1/4" NPT 90° Fitting ( <i>Three Required</i> )
6	20100125	1/4-20 x 3/4" Zinc Hex Bolt ( <i>Four Required</i> )
7	10103254	Timer Box with Timer Board
—	10103935	Timer Box Only
—	10103948	Timer Board Only
8	10103414	On/Off Name Plate
9	10103305	2-Way Selector Switch
10	20RST50	Straight Liquid Tite Connection Fitting ( <i>Two Required</i> )
11	20RSEL050UL	1/2" UL/UA Seal-Tite Conduit Pipe ( <i>Per Foot</i> )
12	10103304	3/4" Flexible Conduit
13	10103303	3/4" Conduit Hub
14	10103952	Filter Auto Drain
15	10103257	Excelon 74 Series Filter/Regulator
16	10103953	Sight Glass Kit
17	10ME1	3/4" Male 2-lug Coupling
—	10103950	Excelon 74 Series Filter/Regulator Service Kit
—	10103951	Filter Element ( <i>Not Shown</i> )



## PART NUMBERS AND SCHEMATICS GUIDE

Figure 18: Pulsar Solenoid Enclosure Assembly



Item #	Part #	Description
--------	--------	-------------

**Fig. 18**

1	10102970	Solenoid Enclosure Mount – Right
2	10103256	Solenoid Pilot Valve Enclosure
3	10101942	3/8" Galvanized Flat Washer <i>(Four Required)</i>
4	10101936	3/8" Zinc Lock Washer <i>(Two Required)</i>
5	1012318	3/8-16 Hex Nut
6	1011747	3/8-16 x 1" Bolt
7	10103303	3/4" Conduit Hub
8	10103304	3/4" Flexible Conduit
9	10103322	1/4" O.D. Black Urethane Tubing <i>(Per Foot)</i>
10	20100579	1/4" O.D. Tube x 1/8" NPT Swivel <i>(Six Required)</i>
11	10102969	Solenoid Enclosure Mount – Left
—	10103955	Solenoid Valve <i>(Six Required)</i>
—	10103956	Solenoid Coil <i>(One Required per Solenoid)</i>
—	10103957	Solenoid Service Kit <i>Includes: O-ring, Plunger, Spring, Ferrule</i>

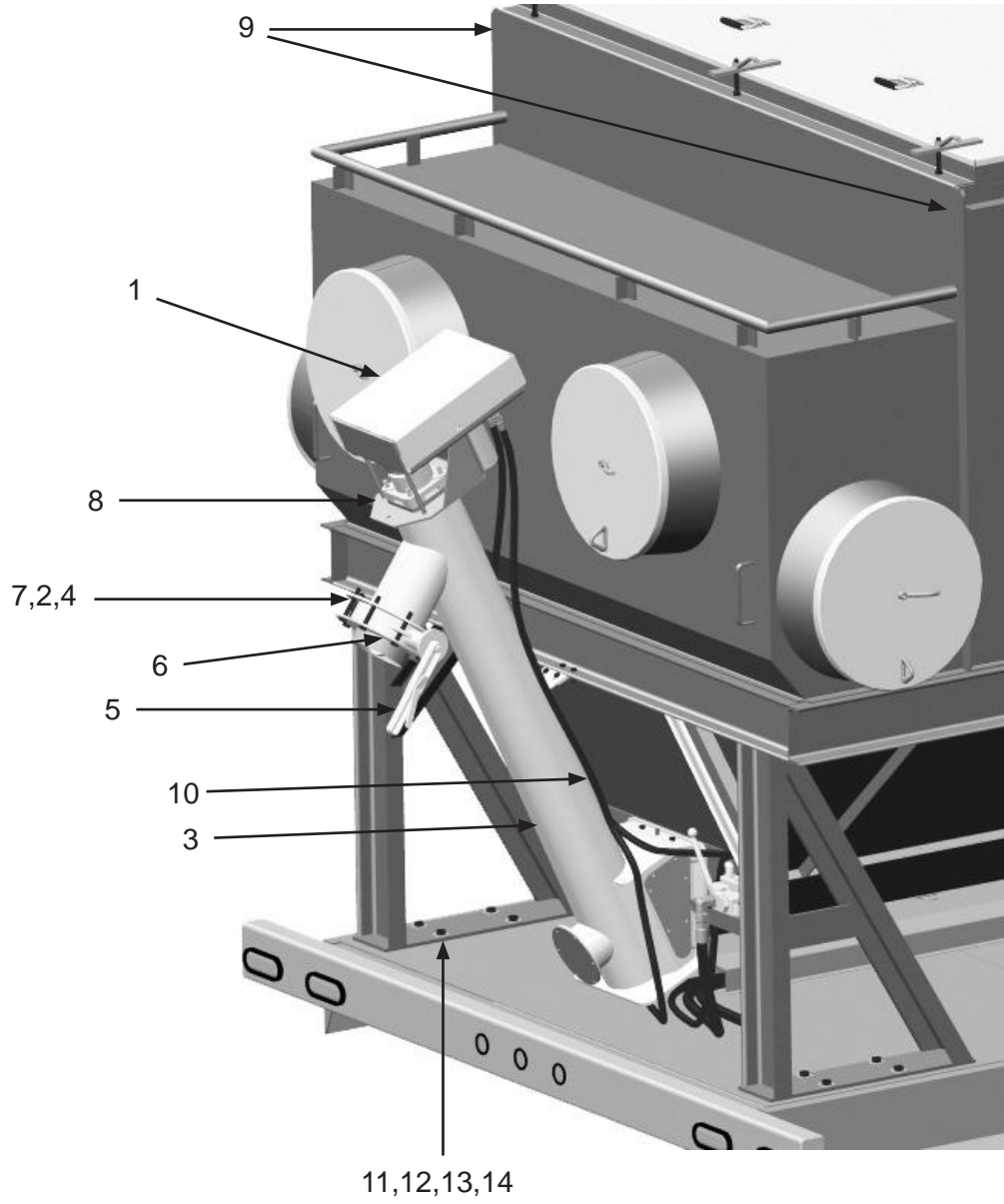
# PART NUMBERS AND SCHEMATICS GUIDE

## Discharge Auger Assembly

Item #	Part #	Description
<b>Fig. 19</b>		
1	10103363	Discharge Chain Cover
2	1014022	1/2-13 Hex Nut <i>(18 Required)</i>
3	—	Discharge Auger <i>(See Fig. 20)</i>
4	10100675	1/2" Lock Washer <i>(Eight Required)</i>
5	10103302	6" Series Wafer Butterfly Valve
6	10102971	Discharge Hose Connector
7	10102703	1/2-13 x 3-1/2" Grade 5 Bolt <i>(Eight Required)</i>
8	10104195	Discharge Auger Motor Mounting Bracket
9	10103880	White Conspicuity Tape (Per Inch)
10	10103409	Hydraulic Hose - 1/2" I.D. x 7' 1" - 2000 psi
11	10103397	5/8-11 x 2" Grade 8 Bolt- Zinc <i>(16 Required)</i>
12	10103398	Washer - 5/8" Grade 8 <i>(32 Required)</i>
13	10103399	Lock Washer - 5/8" Hd <i>(16 Required)</i>
14	10103393	Nut - 5/8-11 Grade 8 Zinc <i>(16 Required)</i>
—	10103881	Red Conspicuity Tape (Per Inch)

# PART NUMBERS AND SCHEMATICS GUIDE

Figure 19: Discharge Auger Assembly



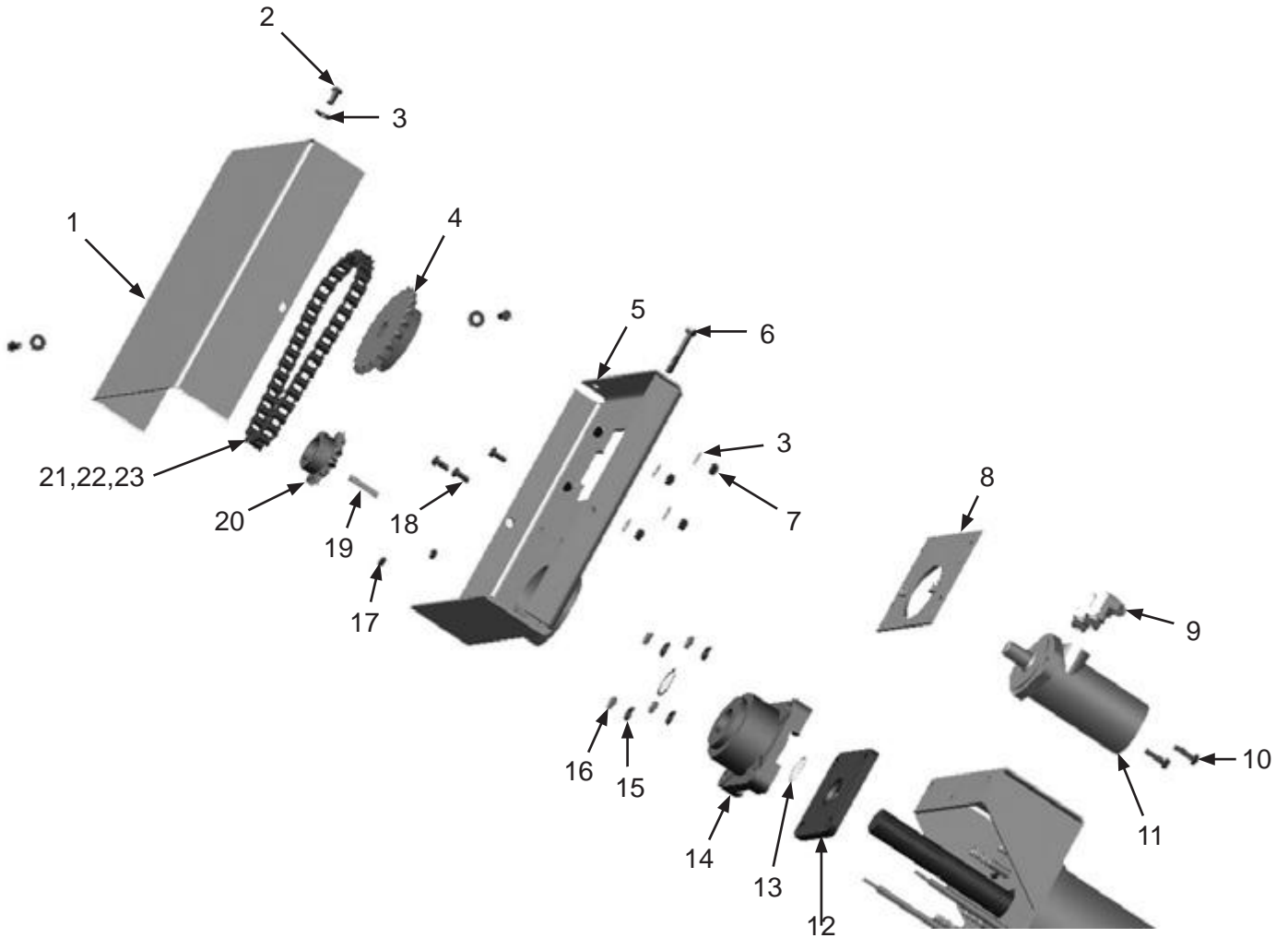
# PART NUMBERS AND SCHEMATICS GUIDE

## Discharge Auger Drive Assembly

Item #	Part #	Description
<b>Fig. 20</b>		
1	10103363	Chain Cover
2	10103400	3/8-16 x 3/4" Bolt <i>(Seven Required)</i>
3	10101942	3/8" Galvanized Flat Washer <i>(Three Required)</i>
4	10104217	22-Tooth Sprocket
5	10104197	Chain Cover Base
6	10101933	3/8-16 x 2-1/2" Hex Bolt
7	1012318	3/8-16 Hex Nut <i>(Four Required)</i>
8	10104199	Sliding Motor Mount
9	10103308	JIC 8 x SAE 10 90° Elbow <i>(Two Required)</i>
10	10104234	3/8-16 x 1-1/4" Bolt <i>(Two Required)</i>
11	10102887	Hydraulic Motor
12	10102902	Seal Plate
13	10103605	Snap Ring <i>(Two Required)</i>
14	10102903	Thrust Bearing
15	10100675	1/2" Lock Washer <i>(Four Required)</i>
16	1014022	1/2-13 Hex Nut <i>(Four Required)</i>
17	1035046	5/16-18 Nut <i>(Two Required)</i>
18	10101346	5/16-18 x 3/4" L GR 5 Bolt <i>(Three Required)</i>
19	10103641	3/8 Key Cut
20	10102886	13-Tooth Sprocket
21	10103392	Connecting Link #60
22	10103391	Cottered Roller Chain #60 <i>(Per Foot)</i>
23	10103614	Offset Link #60
—	10104191	Discharge Auger Chain Kit <i>Includes item # 21, 22 (quantity of 3'), and 23</i>
—	10103940	Seal Kit for Hydraulic Motor 10102887

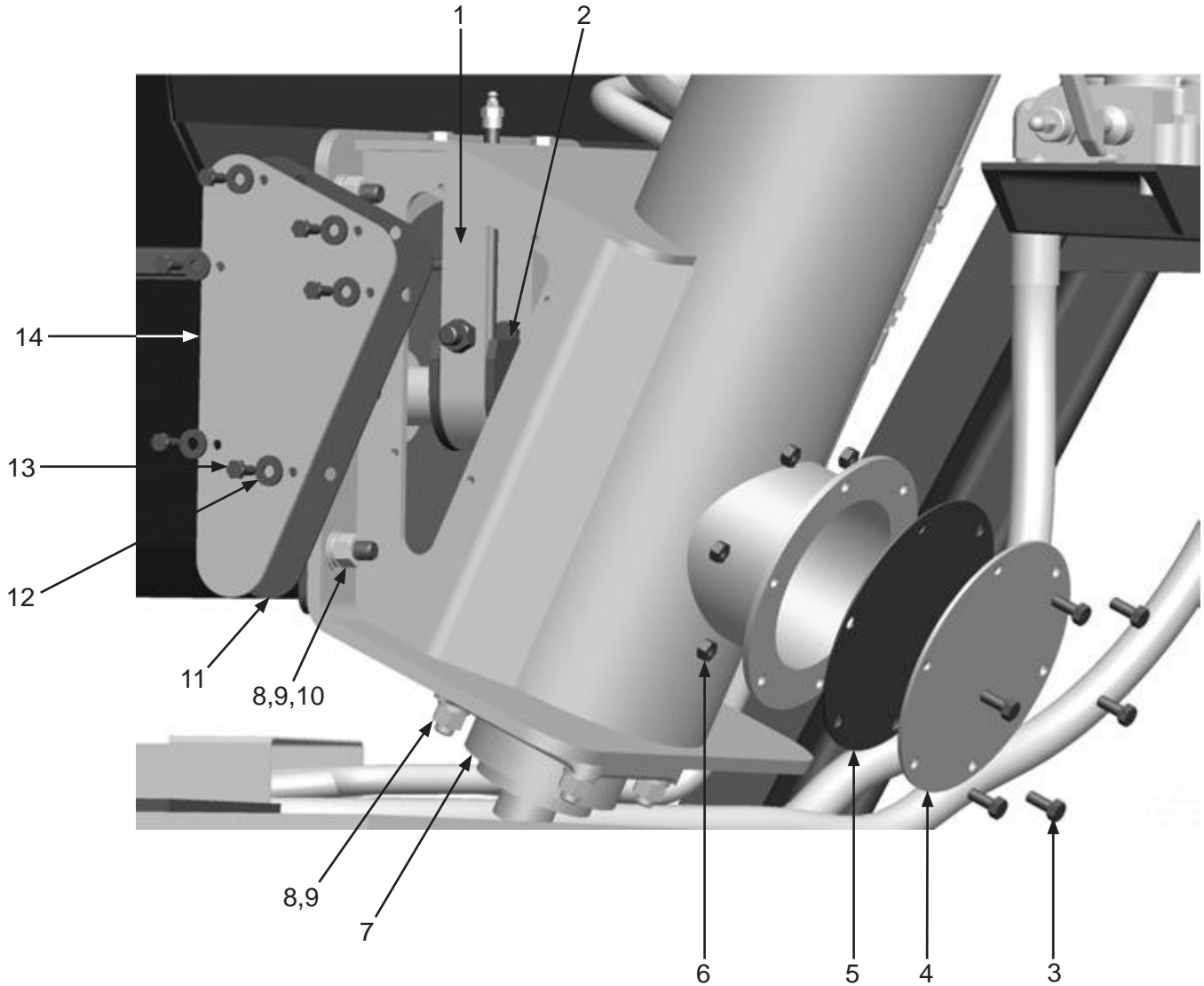
# PART NUMBERS AND SCHEMATICS GUIDE

Figure 20: Discharge Auger Drive Assembly



## PART NUMBERS AND SCHEMATICS GUIDE

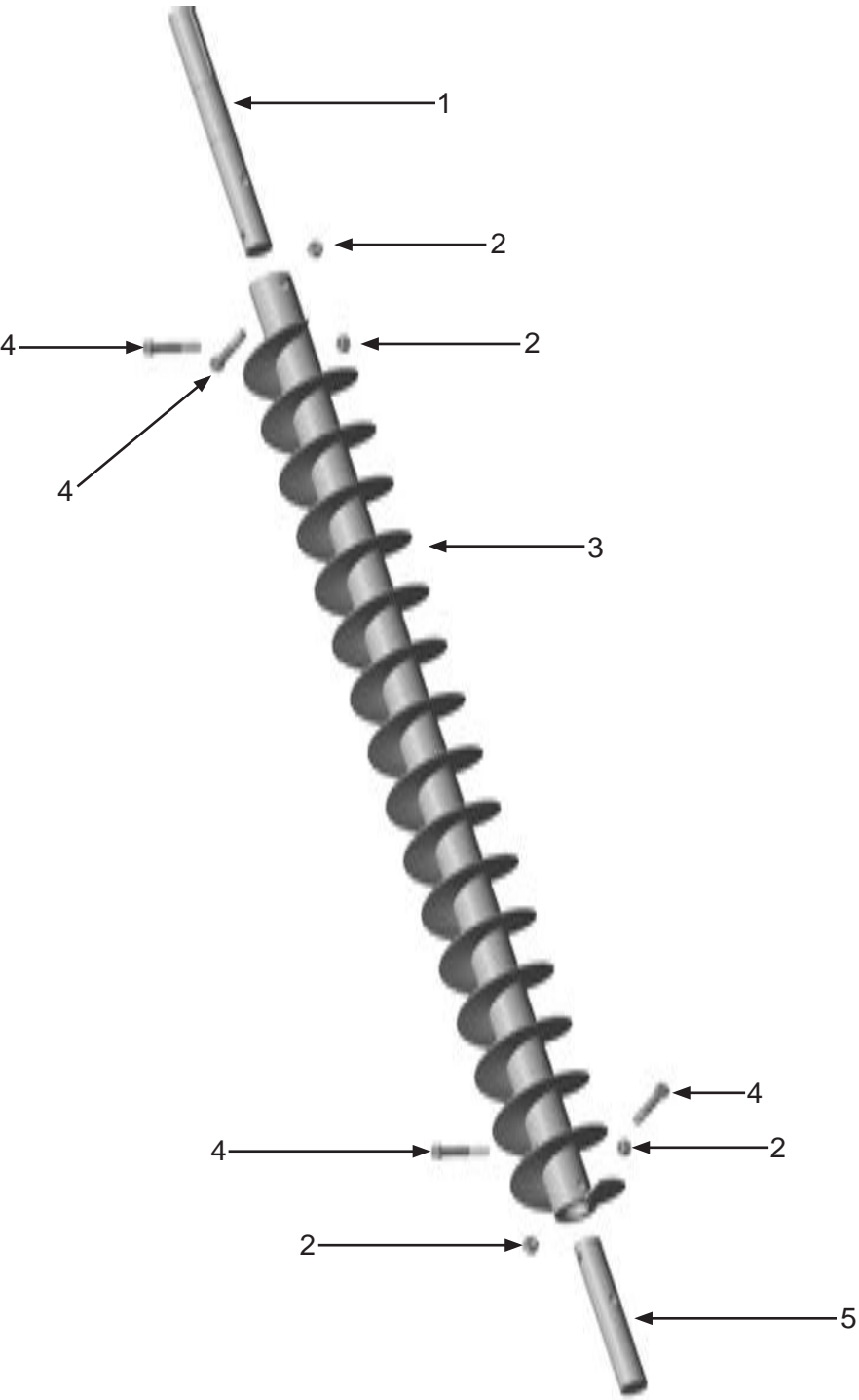
Figure 21: Discharge Auger Clean-out Assembly



Item #	Part #	Description
<b>Fig. 21</b>		
1	10102896	Bearing Hanger
2	10103413	Bearing
3	10101346	5/16-18 x 3/4" Bolt (Six Required)
4	10103235	Auger Clean-out Cover
5	10103716	Neoprene Auger Clean-out Gasket
6	1035046	5/16-18 Nut (Six Required)
7	10102880	Discharge Auger Lower Bearing Assembly
8	10101941	1/2-13 Galvanized Hex Nut (10 Required)
9	10100675	1/2" Lock Washer (10 Required)
10	10100674	1/2" Flat Washer (6 Required)
11	10103717	Discharge Auger Side Gasket (Two Required)
12	10101940	1/4" Galvanized Flat Washer (12 Required)
13	20100125	1/4-20 x 3/4" Zinc Hex Bolt (12 Required)
14	10103236	Discharge Auger Side Cover (Two Required)

# PART NUMBERS AND SCHEMATICS GUIDE

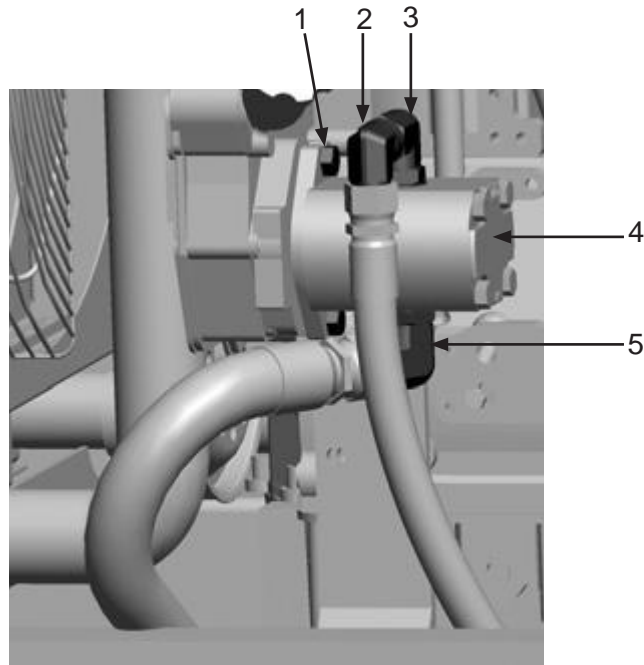
Figure 22: Discharge Auger



Item #	Part #	Description
<b>Fig. 22</b>		
1	10103306	Drive Shaft
2	10101941	1/2-13 Galvanized Hex Nut ( <i>Four Required</i> )
3	10102883	58" x 6" Half Pitch Auger
4	10103401	1/2-13 x 3" Galvanized Bolt ( <i>Four Required</i> )
5	10102910	Auger Shaft End

## PART NUMBERS AND SCHEMATICS GUIDE

Figure 23: Hydraulic Pump

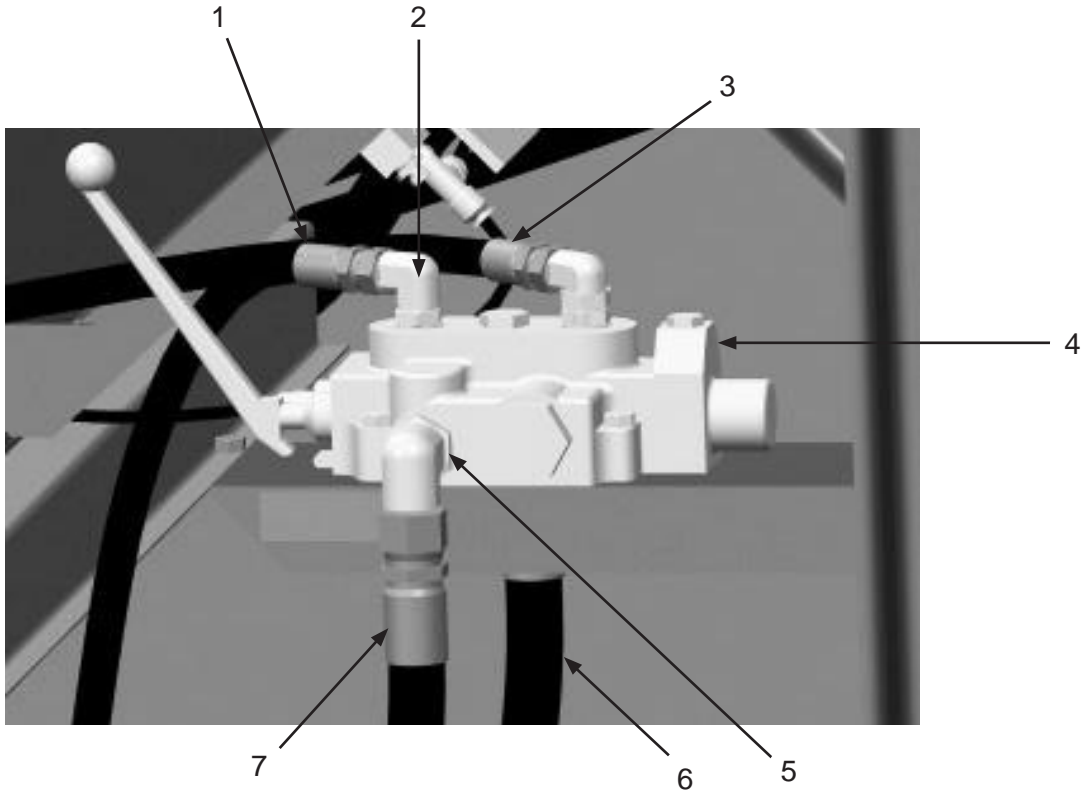


Item #	Part #	Description
<b>Fig. 23</b>		
1	10103615	M10 x 25 mm Zinc Bolt ( <i>Two Required</i> )
2	10103610	JIC 12 x JIC 12 90° Elbow
3	10103310	JIC 12 x SAE 12 90° Elbow
4	10103269	2B Series 2.08 CI/REV Gear Pump
5	10103311	JIC 6 x SAE 16 90° Elbow
—	10105869	Flange Gasket



## PART NUMBERS AND SCHEMATICS GUIDE

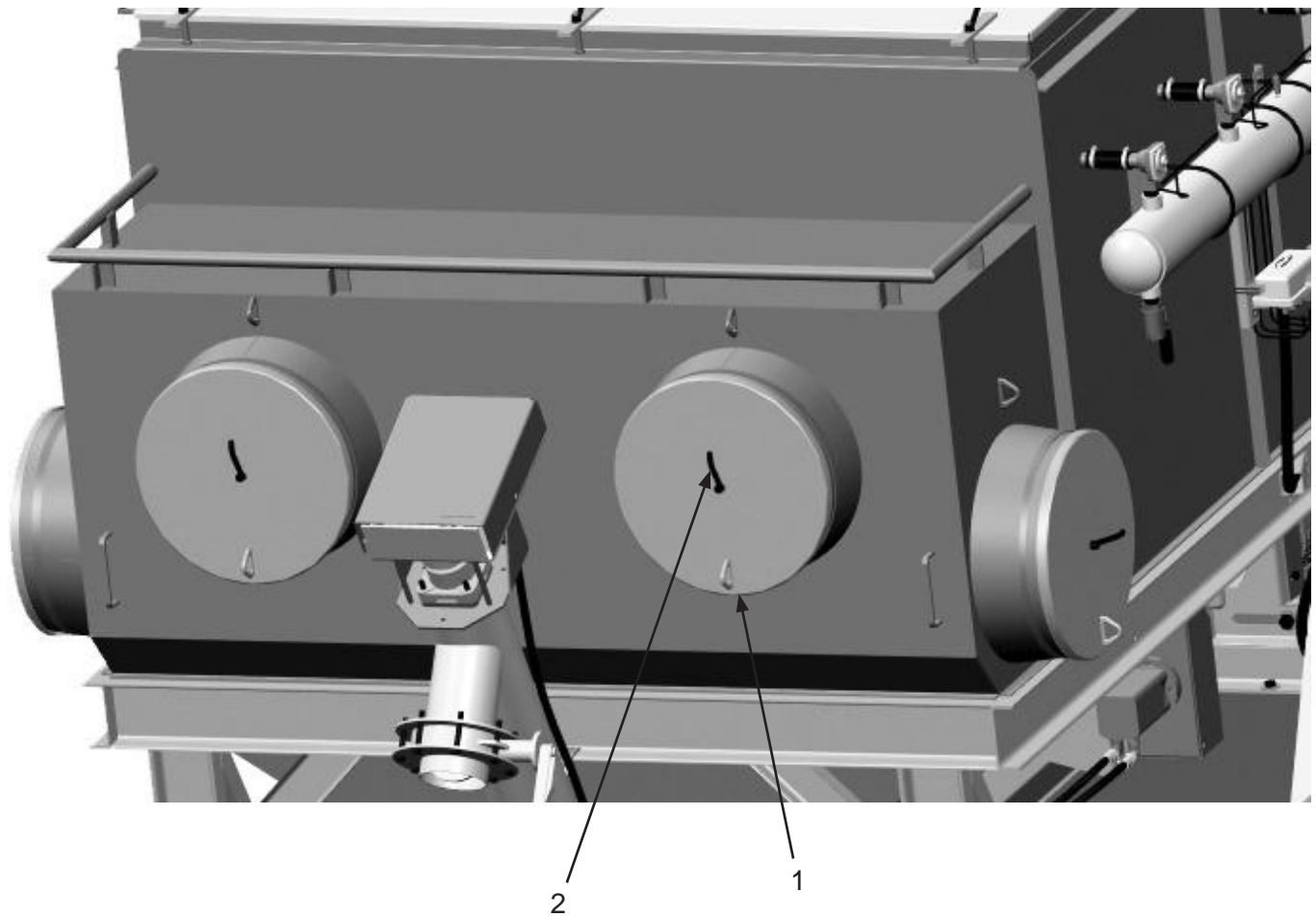
Figure 24: Hydraulic Control Assembly



Item #	Part #	Description
<b>Fig. 24</b>		
1	10103407	Hydraulic Hose - 1/2" X 14' - 2000 psi
2	10103309	JIC 8 x SAE 8 90° Elbow ( <i>Two Required</i> )
3	10103409	Hydraulic Hose - 1/2" I.D. x 7' 1" - 2000 psi
4	10103267	Cross Hydraulic Control Valve with Handle
5	10103310	JIC 12 x SAE 12 90° Elbow ( <i>Two Required. One not shown</i> )
6	10103406	Hydraulic Hose - 3/4" I.D. x 21' - 3045 psi
7	10104069	Hydraulic Hose - 3/4" I.D. x 17' - 3045 psi
—	10108331	Cross Hydraulic Control Valve Seal Kit
—	10108332	Cross Hydraulic Control Valve Handle Kit
—	10108333	Cross Hydraulic Control Valve Relief Assembly

## PART NUMBERS AND SCHEMATICS GUIDE

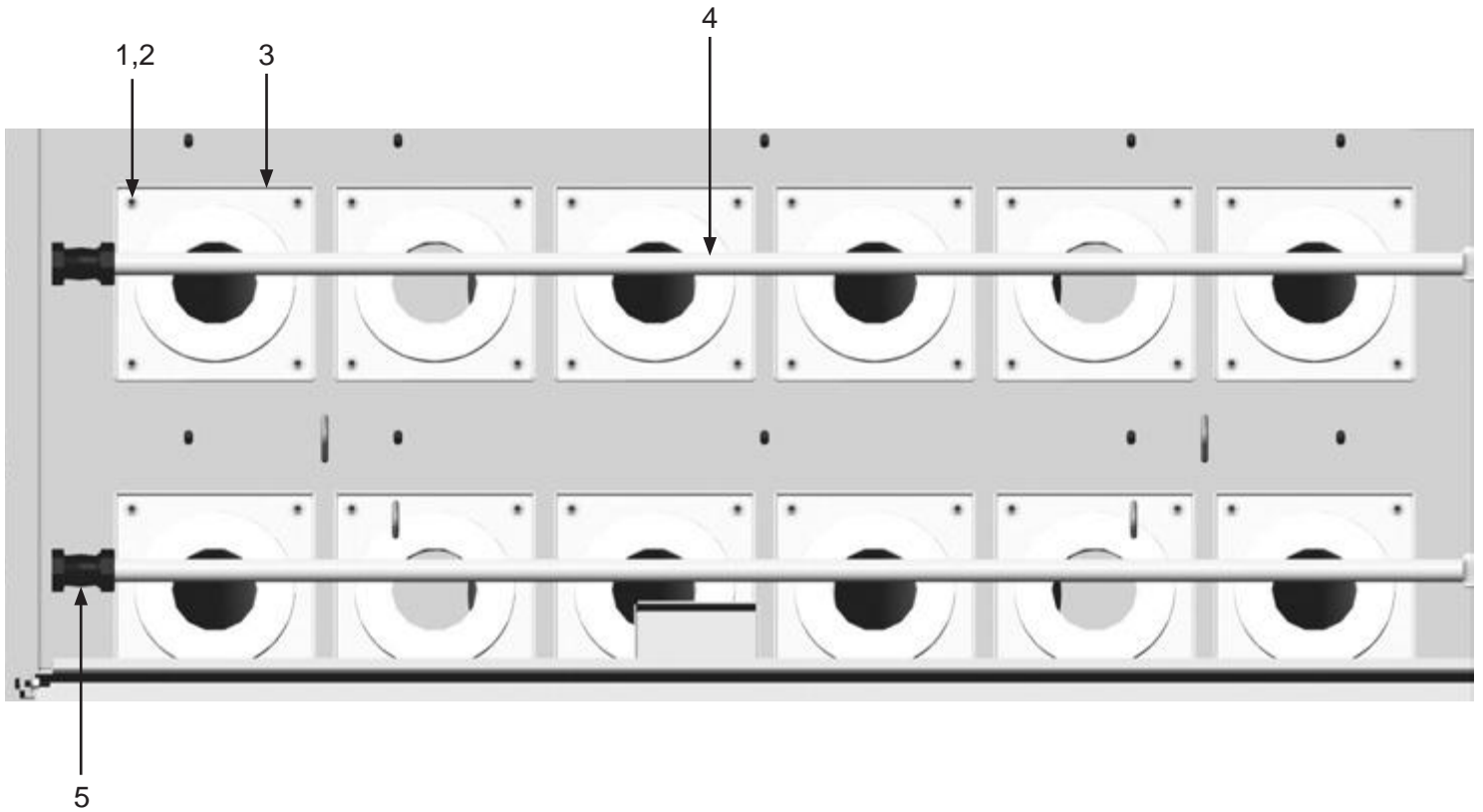
Figure 25: Inlet Door Assembly



Item #	Part #	Description
<b>Fig. 25</b>		
1	10105945	20" Inlet Cover <i>(Four Required)</i>
2	10105960	3/8-16 Handle Zinc <i>(Four Required)</i>
—	10102339	Camlock Closure - Chain <i>(3' per Inlet)(Not Shown)</i>
—	10102410	Spring Snap Hook - 1/4" <i>(Six Required)(Not Shown)</i>

## PART NUMBERS AND SCHEMATICS GUIDE

Figure 26: Dust Collector Filter Cartridge Pulsers



Item #	Part #	Description
--------	--------	-------------

Fig. 26

1	10101942	3/8" Flat Washer (48 Required)
2	1012318	3/8" Hex Nut (48 Required)
3	10105939	Filter Bolt-Down (12 Required)
4	10105942	Small Filter Blowpipe (Two Required)
5	10102599	Compression Coupling Assembly (Two Required)

Quantities specified are per hatch opening

See Optional Accessories for Dust Collector Filter Cartridge part numbers

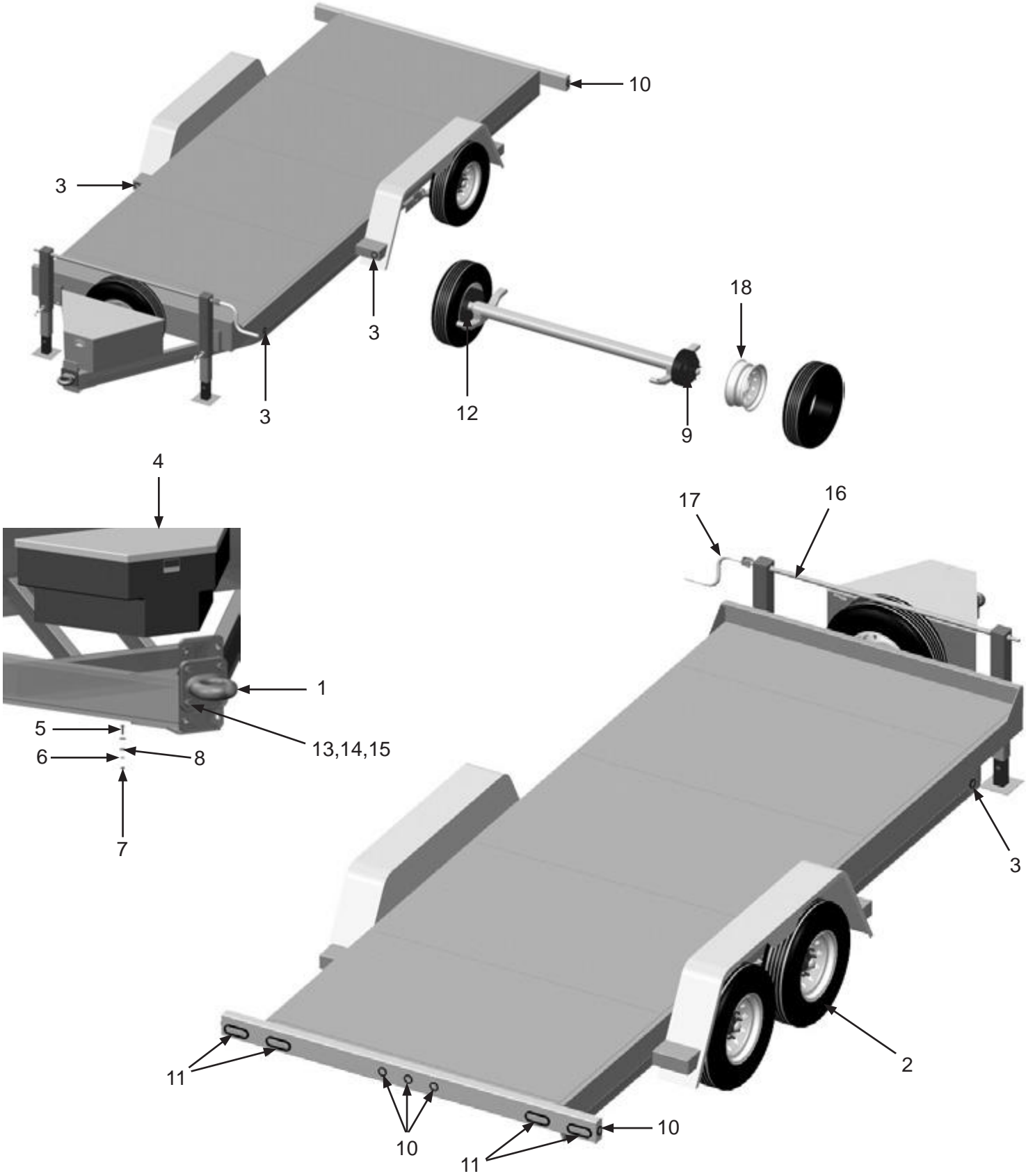
# PART NUMBERS AND SCHEMATICS GUIDE

## Trailer

Item #	Part #	Description
<b>Fig. 27</b>		
—	<b>10103696</b>	<b>Trailer 7 Ton 22' Long x 81" Wide</b>
1	10104079	Pintle Hitch with Flat Plate
2	10104089	ST235/80R 16" 10-PLY Tire with Rim <i>(Five Required)</i>
—	10104096	ST235/80R 16" 14-PLY Tire <i>(Five Required)(optional)</i>
3	10104087	2" Round Amber LED Clearance Light <i>(Four Required)</i>
4	10103797	Tool Box (optional)
5	1012154	1/4-20 x 1" Bolt <i>(Five Required) (optional)</i>
6	1012153	1/4" Lock Washer <i>(Five Required) (optional)</i>
7	10101347	1/4-20 Hex Nut <i>(Five Required) (optional)</i>
8	10101940	1/4" Washer <i>(Ten Required) (optional)</i>
9	10106087	Left-Hand Electric Brake Assembly <i>(Two Required)</i>
10	10104086	2" Round Red LED Clearance Light <i>(Five Required)</i>
11	10104084	Red LED Oval Tail Light <i>(Four Required)</i>
12	10106088	Right-Hand Electric Brake Assembly <i>(Two Required)</i>
13	10105746	5/8 x 2-1/2" Gr 8 Bolt <i>(Four Required)</i>
14	10105747	5/8 Reverse Lock Nut <i>(Four Required)</i>
15	10103398	5/8" Flat Washer <i>(Four Required)</i>
16	10107218	Jack Stand Assembly
17	10107329	Sidewind Crank with Hardware
18	10107126	16 x 6 8-Hole White Rim <i>(Four Required)</i>
—	10105826	Redline 12-Volt - 5AH Battery Sealed
—	10104081	Breakaway Kit
—	10104930	12V DC Breakaway Battery Kit
—	10104083	Wire Harness
—	10104080	3/8" x 35" Chain with Hook
—	10105829	Cable with Plug
—	109V582	Operator's Manual - Behnke Trailer

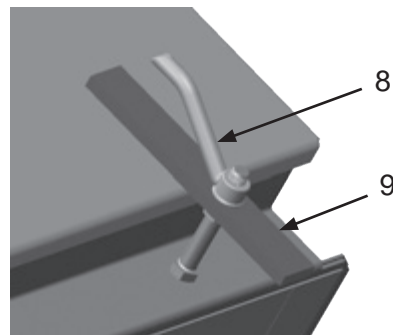
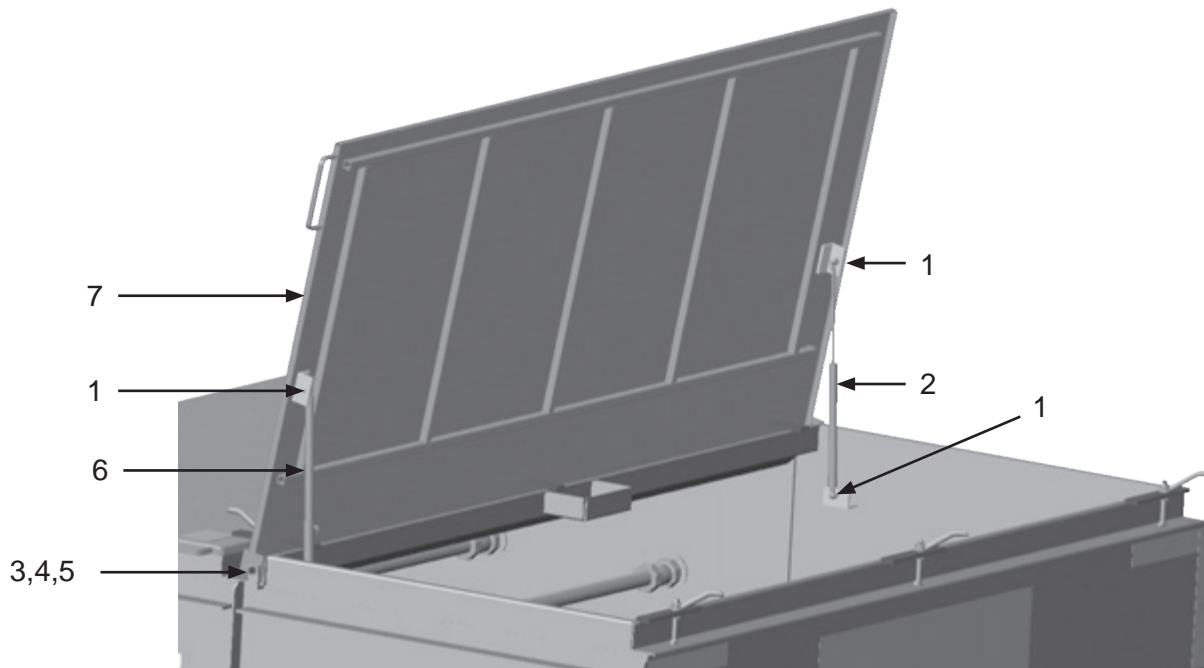
# PART NUMBERS AND SCHEMATICS GUIDE

Figure 27: Trailer



## PART NUMBERS AND SCHEMATICS GUIDE

Figure 28: Dust Collector Filter Cartridge Hatch Door



Item #	Part #	Description
--------	--------	-------------

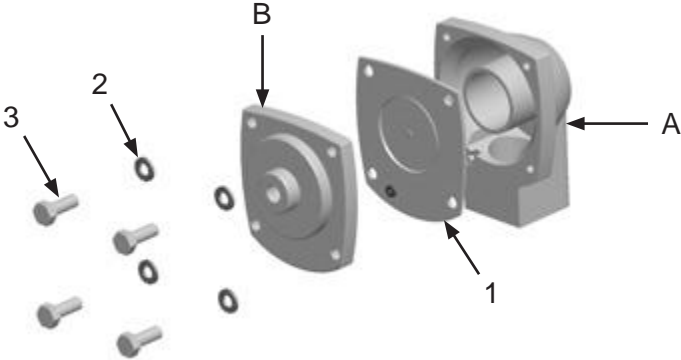
**Fig. 28**

1	1035046	5/16-18 Hex Nut <i>(Four Required)</i>
2	10103454	Non-Locking Gas Spring
3	1028617	3/8-16 X 1-3/4" Shoulder Bolt <i>(Two Required)</i>
4	10101942	3/8" Flat Washer <i>(Four Required)</i>
5	1012318	3/8"-16 Hex Nut <i>(Two Required)</i>
6	10103455	Locking Gas Spring
7	10102916	Hopper Lid
8	10103395	1/2-13 Zinc Plated Handle <i>(Three Required)</i>
9	10104377	Latch Bar <i>(Three Required)</i>

*Quantities specified are per hatch opening*

# PART NUMBERS AND SCHEMATICS GUIDE

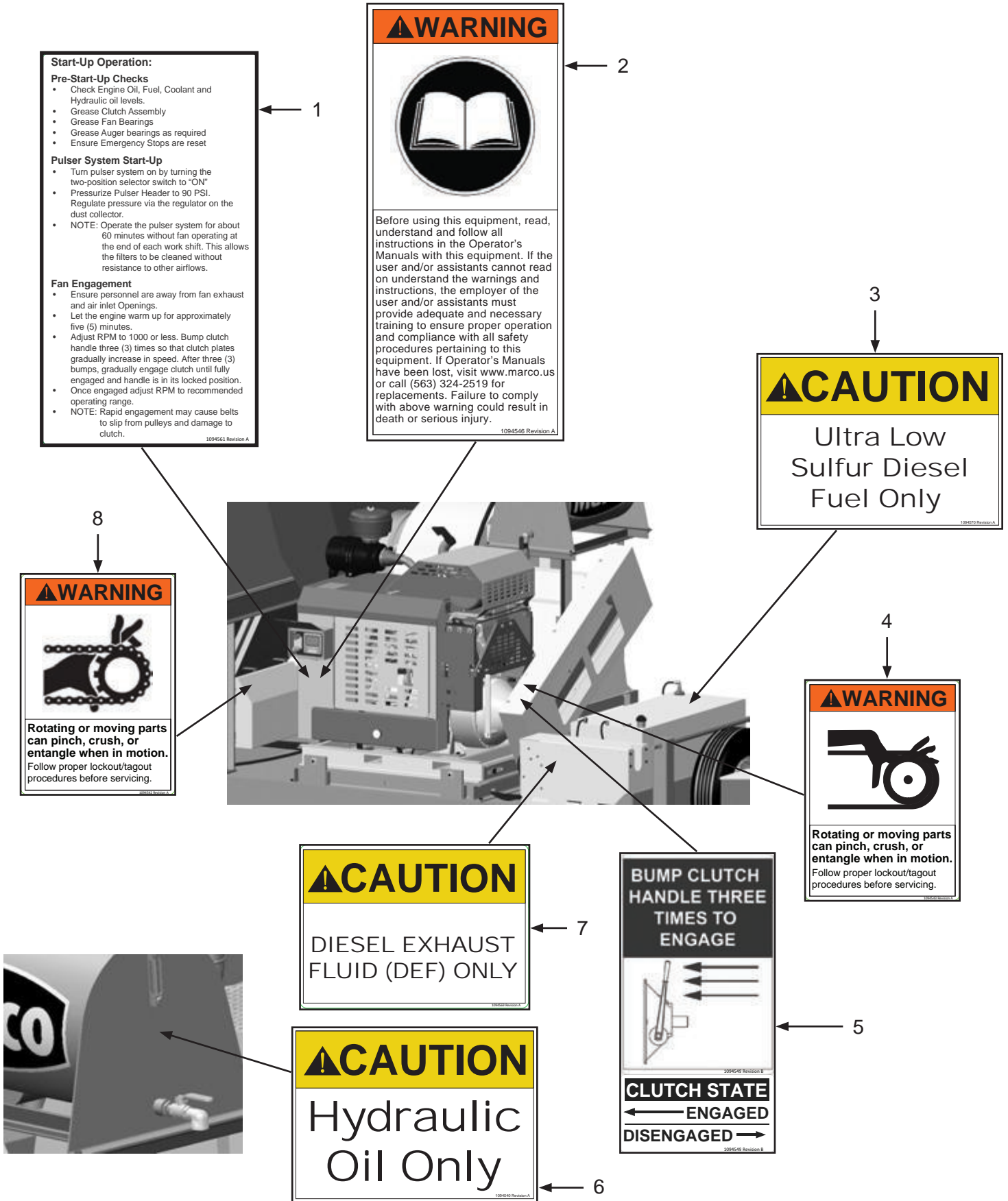
Figure 29: Diaphragm Valve



Item #	Part #	Description
<b>Fig. 29</b>		
—	10103255	1" Diaphragm Valve – Complete <i>(Three Required)</i> <i>Includes Items: A,B,1,2,3</i>
1	10103954	1" Diaphragm
2	1012153	1/4" Lock Washer <i>(Four Required)</i>
3	20101232	M6 x 1 x 14 HHCS <i>(Four Required)</i>
—	10103954	1" Diaphragm Valve Service Kit <i>(Not Shown)</i>

# PART NUMBERS AND SCHEMATICS

Figure 30: Hazard Identification Decals





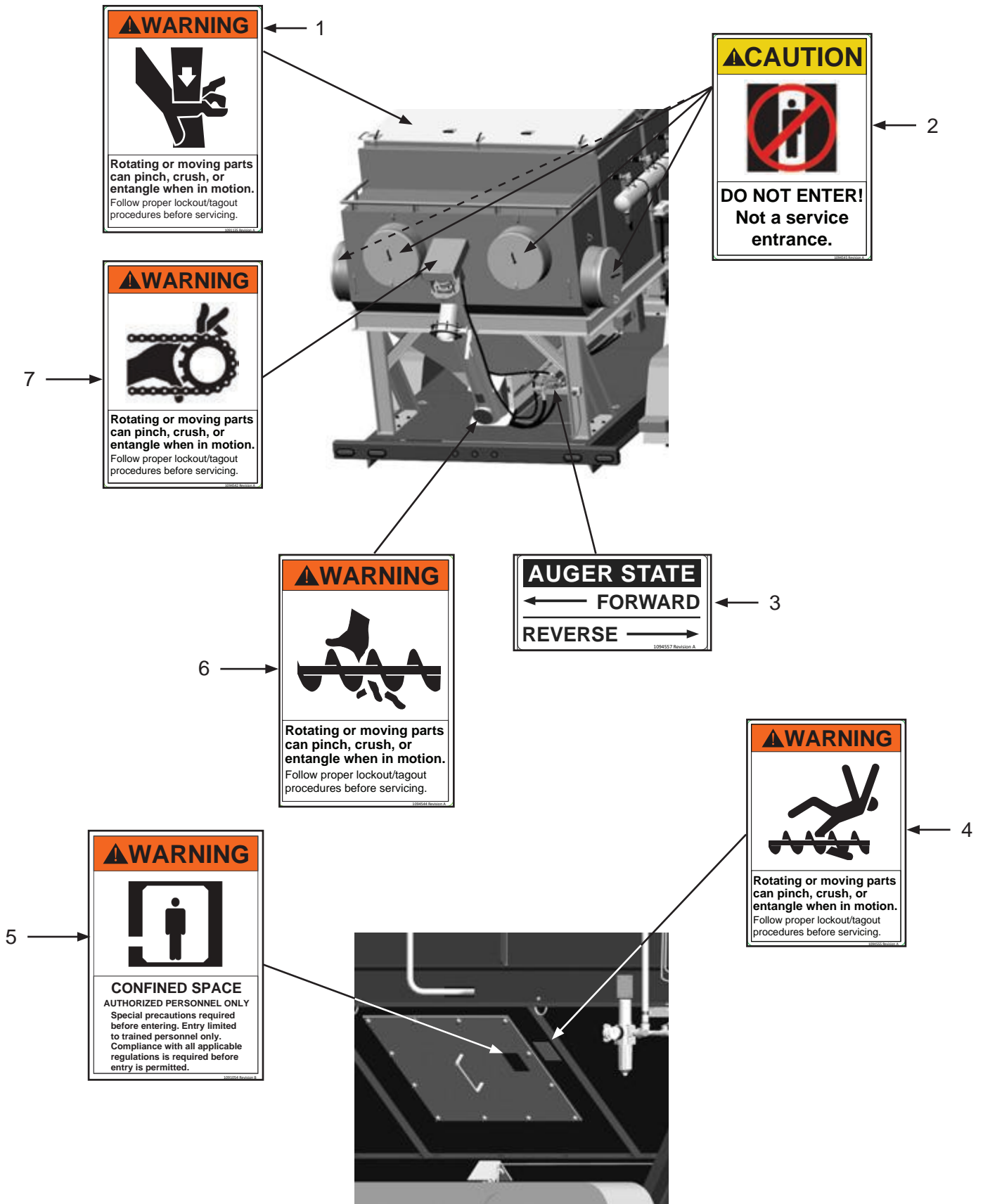
# PART NUMBERS AND SCHEMATICS

## Hazard Identification Decals

Item #	Part #	Description
<b>Fig. 30</b>		
1	1094561	Start-Up Operation Decal
2	1094546	Read Manual Warning Decal
3	1094570	Ultra Low Sulfer Diesel Fuel Only Caution Decal
4	1094543	Rotating or Moving Parts Warning Decal
5	1094549	Clutch State Decal
6	1094540	Hydraulic Oil Only Caution Decal
7	1094542	Rotating or Moving Parts Warning Decal
8	1094569	Diesel Exhaust Fluid (DEF) Only Caution Decal

# PART NUMBERS AND SCHEMATICS

Figure 31: Hazard Identification Decals



# PART NUMBERS AND SCHEMATICS

## Hazard Identification Decals

Item #	Part #	Description
--------	--------	-------------

<b>Fig. 31</b>		
1	1091135	Rotating or Moving Parts Warning Decal
2	1094545	Do Not Enter Caution Decal
3	1094557	Auger State Decal
4	1094555	Rotating or Moving Parts Warning Decal
5	1091054	Confined Space Warning Decal
6	1094544	Rotating or Moving Parts Warning Decal
7	1094542	Rotating or Moving Parts Warning Decal

## OPTIONAL ACCESSORIES



**Part Numbers**

<b>DUST COLLECTOR FILTER CARTRIDGES</b>					
	I.D.	O.D.	Material	Length	Serial Number
10103499	8.38"	12.75"	85/15 High Density	35"	001-0023
10105256	8.38"	12.75"	85/15 Reduced Pleat	35"	001-0023
10103945	8.38"	12.75"	Fire Retardant	35"	001-0023
1010008004	8.38"	12.75"	HEPA	35"	001-0023
10103964	8.38"	12.75"	Spunbond	35"	001-0023
10105973	4.87"	9.22"	85/15 High Density	35"	0024 –
10106218	4.87"	9.22"	85/15 Reduced Pleat	35"	0024 –
10105974	4.87"	9.22"	Fire Retardant	35"	0024 –
101569046	4.87"	9.22"	HEPA	35"	0024 –
10105980	4.87"	9.22"	Spunbond	35"	0024 –



**Part Numbers**

<b>DUCT HOSE</b>			
	I.D.	Length	Pitch
10DH2025HD	20"	25 Feet	1-1/2" Heavy-Duty
10DH2050HD	20"	50 Feet	1-1/2" Heavy-Duty



**Part Numbers**

<b>DUCT HOSE COUPLING AND CLAMPS</b>		
	I.D.	Length
1017120	20"	Coupling
10DH062602000	20"	Screw Clamp

## OPTIONAL ACCESSORIES



**Part Numbers**

3/4" I.D. X 1-1/4" O.D. AIR HOSE					
Part Numbers	Length	Hose I.D.	Hose O.D.	Working Pressure	Hose Cover Color
10AH034	Per Ft.	3/4"	1-1/4"	200 PSI	Red



**Part Numbers**

3/4" I.D. X 1-1/4" O.D. AIR HOSE WITH COUPLINGS INSTALLED							
Part Numbers	Length	Hose I.D.	Hose O.D.	Working Pressure	Hose Cover Color	Couplings	Band Clamps
10AH034AC	50 Ft.	3/4"	1-1/4"	200 PSI	Red	10HE1	10AHCL1



**Part Numbers**

MALE HOSE END COUPLING AND GASKET FOR 3/4" I.D. AIR HOSE						
Part Numbers	Hose I.D.	Material	Coupling Style	GASKET		
				Rubber Gasket	Gasket I.D.	Gasket O.D.
10HE1	3/4"	Plated Iron	2-Lug	10UG2	3/4"	1-3/8"

## LITERATURE REFERENCES

### Dustmaster® 28,000 CFM Tier 4 Dust Collectors

106M143	Part Numbers & Schematics Guide – Dustmaster® 28,000 CFM Tier 4 Diesel Dust Collectors
1090143	Operator's Manual – Dustmaster® 28,000 CFM Tier 4 Diesel Dust Collector
109V565	Operator's Manual - Perkins® Engine
109V037	Operator's Manual – Dynamic Fan Corporation
109V040	Operator's Manual - Hydraulic Motor
109V582	Operator's Manual - Behnke Trailer



## CONTACT CENTER

- 3425 East Locust Street  
Davenport, IA 52803

ph: 800.BLAST.IT (800.252.7848)

ph: 563.324.2519

fax: 563.324.6258

## REGIONAL BRANCH OFFICES

- **Iowa**  
Davenport
- **Louisiana**  
Gonzales  
Lafayette
- **Ohio**  
Youngstown
- **Texas**  
Beaumont  
Corpus Christi  
Deer Park



ABRASIVES

BLASTING

COATING

DUST COLLECTION

RENTAL & SERVICE

SAFETY

VACUUMS

## 40+ NATIONWIDE SHIPPING LOCATIONS



★ Marco Regional Branch Offices  
and Shipping Locations

● Direct Shipping Locations

## CONTACT MARCO

**800.BLAST.IT**

**(800.252.7848)**

**563.324.2519**

**FAX: 563.324.6258**

**WWW.MARCO.US**

**SALES@MARCO.US**