



DUSTMASTER® 28,000 CFM TIER III DIESEL DUST COLLECTOR



BUILT MARCO TOUGH
MARCO MANUFACTURED

PART NUMBERS AND SCHEMATICS GUIDE

Company Profile

Since 1944, Marco has developed a strong tradition of providing innovative and reliable products and services to the surface preparation and protective coatings industries. We are the world's premier provider of Abrasives, Blasting Equipment, Coating and Painting Equipment, Engineered Systems, Rental Equipment, Safety Equipment, Service, and Repair.

Through innovative designs and a total commitment to quality, Marco manufactures products that increase production rates, create a safer workplace, and reduce maintenance costs. Marco's industry experience, manufacturing capabilities, legendary customer service, product availability, logistics services, and technology leadership is your assurance that we deliver high quality products and services, providing the best value to you, our customer.

The Marco Difference

- **Industry Experience** – With Marco on your team, you have access to expertise which can only come from decades of industry leadership. We have organized our engineering department, production specialists, customer operations, and safety support into a “Center of Competence.” As a Marco customer, you have access to hundreds of years of cumulative experience related to your operations.
- **Manufacturing Excellence** – Marco is a U.S. based, ISO 9001:2008 certified manufacturer of equipment for the Surface Preparation and Protective Coatings industries. Marco's engineers benchmark the industry to ensure that we design and manufacture superior products that set the “Gold Standard” for performance, safety, and quality.
- **Legendary Customer Service** – Marco's legendary customer service team is staffed by friendly, highly-trained individuals who are focused on providing the highest level of product support, order accuracy, and customer satisfaction.
- **Product Availability** – We stock over 10,000 SKU's and have over 45 shipping locations to serve North American and International markets for all major brands of blasting and painting equipment. As the largest provider of surface preparation and protective coatings equipment in the world, our inventory levels and product availability are unmatched.
- **Logistics Services** – Marco's in-house logistics team is dedicated to moving your shipment anywhere in the world. We move over 14,000 truckloads every year, allowing you to save on freight costs by leveraging our buying power. Lower your process costs with a single invoice, which includes product and freight.
- **Technology Leadership** – Our website provides: Operator's Manuals, Part Numbers and Schematics Guides, MSDS information, and Features, Advantages, and Benefits Guides, providing access to information 24/7. Our Extranet application allows you to receive quotes and place orders online. Our Intranet maintains a complete record of your purchase history to assist with ongoing support of your existing equipment and future purchasing decisions.

Vision Statement

Marco is the world's premier provider of Abrasives, Blasting Equipment, Coating and Painting Equipment, Engineered Systems, Rental Equipment, Safety Equipment, Service, and Repair.

Mission Statement

Marco provides strong leadership and innovation to the surface preparation and protective coatings industries. We dedicate our efforts to the continuous improvement of our products, services, processes, people, and most importantly, the quality of our customer's experience.

Quality Statement

Marco is committed to providing superior quality in the design, manufacturing, distribution, rental, service, and repair of our products. Our ISO 9001:2008 certification extends throughout all operations in all locations. Continuous improvement of our processes and supply chain Integration comprise the core of our business strategy for delivering exceptional quality and value in all Marco products and services.

Management Philosophy

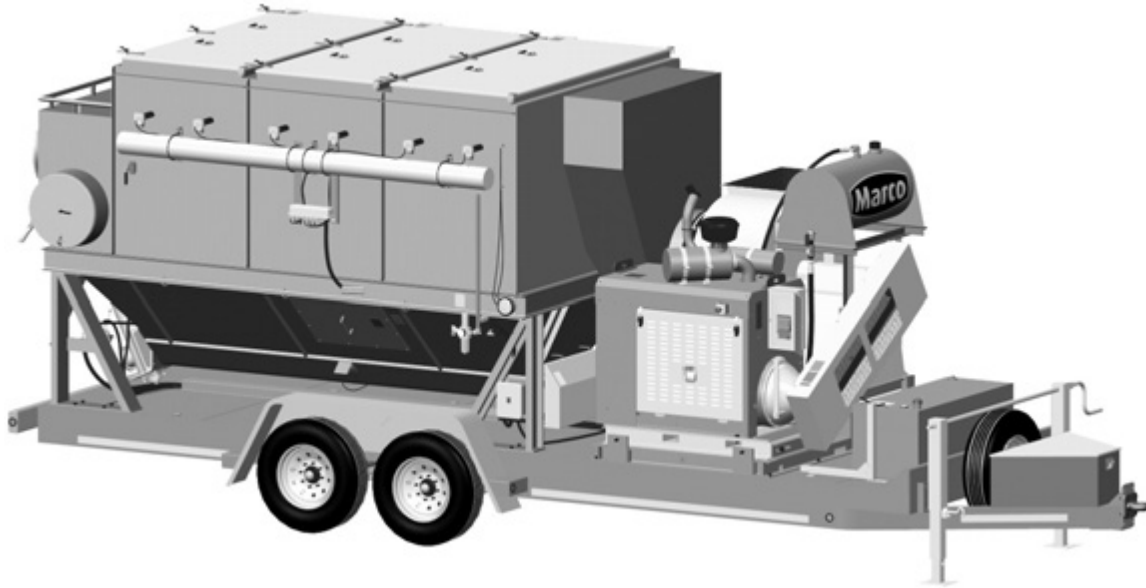
We are a company dedicated to the success of every customer and associate. We discuss, debate, challenge, measure, and test our ideas. We will be boundless and limitless in our passion to improve. Through sound leadership and dedicated associates, we will ensure a long term, profitable future for Marco, our associates, customers, and suppliers.

TABLE OF CONTENTS

CONTENTS

Part Numbers	3	Inlet Door Assembly	33
Specifications	4	Dust Collector Filter Cartridge Pulsers	34
Assembly Part Numbers and Schematics	5	Dust Collector Filter Cartridge Hatch Door	35
Front Assembly	5	Emergency-Stop Stations	36
Fuel Tank	6	Trailer	37
Hydraulic Oil Tank	7	Diaphragm Valve	38
Hydraulic Oil Filter Assembly	9	Optional Accessories	39
Hydraulic Hoses	10	Literature References	41
Fan Belt Assembly	11		
Fan Belt Guard Back Assembly	13		
Fan Assembly and Battery Box	14		
Main Auger Drive Assembly	15		
Main Auger Bearing	16		
Main Auger Motor	17		
Main Auger	18		
Access Panel Assembly	19		
Main Auger Protective Grate	19		
Pneumatic Ball Vibrators	20		
Pulser System Assembly	21		
Pulser Regulator and Timer Assembly	23		
Pulser Solenoid Enclosure Assembly	24		
Discharge Auger Assembly	25		
Discharge Auger Drive Assembly	27		
Discharge Auger Clean-out Assembly	29		
Discharge Auger Assembly	30		
Hydraulic Pump	31		
Hydraulic Control Assembly	32		

PART NUMBERS



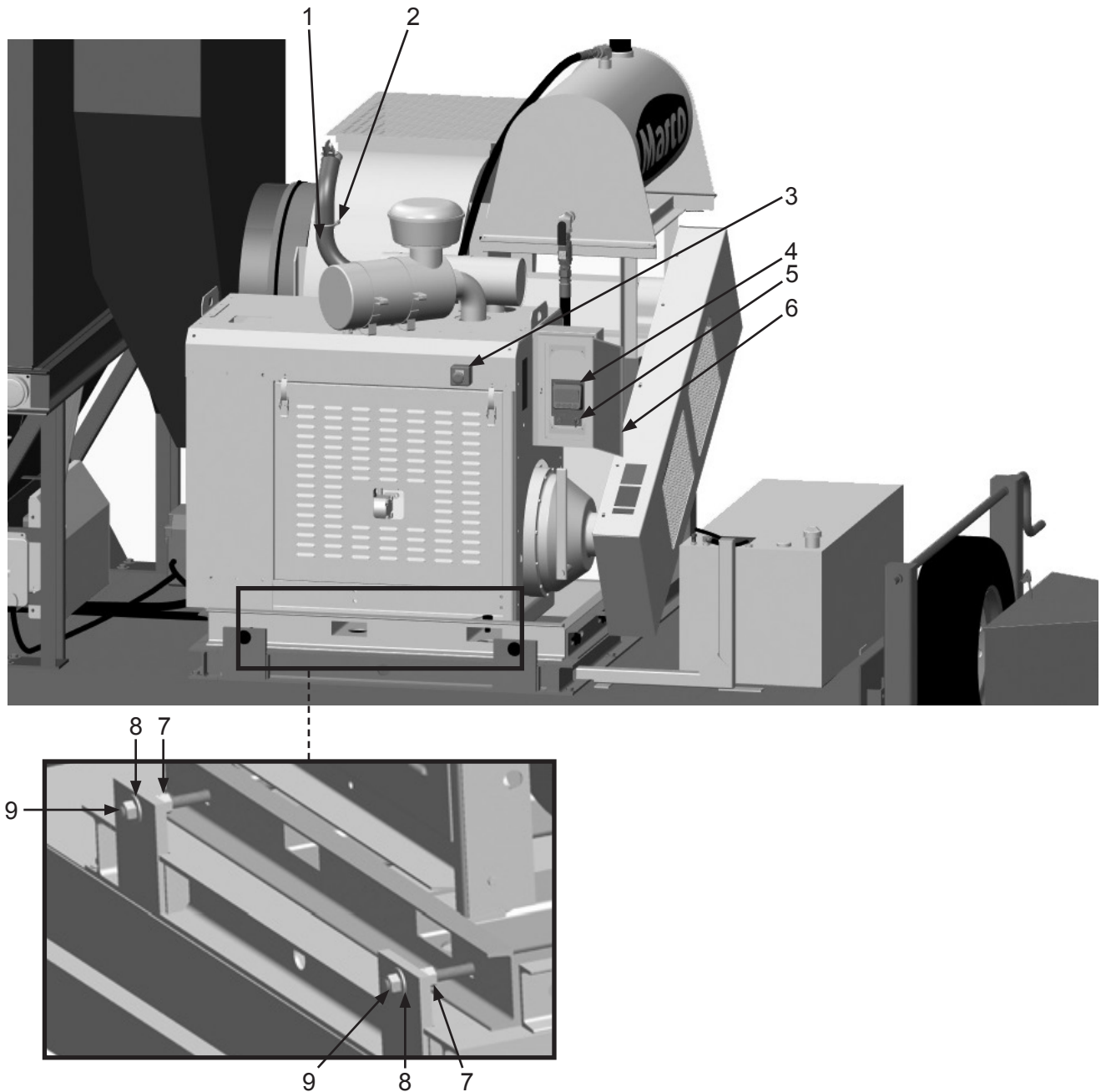
Complete unit with tier III diesel engine no longer available. See Tier 4 options.

SPECIFICATIONS

Capacity:	CFM = 16,990 - 28,140 W.C. = 0 – 16"
Filter Cartridge Style:	Open Top with Flange, Closed Bottom 36 Required
Filter Cleaning:	Pulse System, 5–15 second intervals Pulse Duration: 200–350 millisecond
Air to Cloth Ratio:	2.72:1 @ 20,000 CFM
Filter Area:	7,361 square feet
Efficiency:	85/15 Blend Filters – 99.8% @ 0.5 micron HEPA Filters – 99.99% @ 0.3 micron Fire Retardant Filters – 96.8% @ 2.0 micron Spunbond Filters – 97% @ 3.0 micron
Ducting Connections:	20" I.D., Quantity of Four
Clean-out Ports:	One
Dust Removal Conveyor:	Main Auger, 6" Discharge Auger, Hydraulic Motor Drive
Fan:	Backward Inclined, non-overloading, spark resisting
Engine:	Diesel, Tier III, 114 Horsepower (Tier 4 Optional)
Fuel Capacity:	Type: Diesel Capacity: 80 Gallons
Air Requirements:	Clean, Dry, Compressed Air 24 CFM @ 90 PSI
Electrical System:	12-Volt DC
Engine Protection:	Engine Monitoring System with automatic shutdown measures: coolant temperature, intake air temperature, engine intake manifold pressure, engine oil pressure, pressure in fuel rail, engine speed and timing.
Fluid Specifications:	Hydraulic Oil: H46 or equivalent, 40 Gallons Diesel Fuel: See Engine Operator's Manual for type, 80 Gallons Grease/Lubricator: Shell Alvania Grease EP or equivalent
Unit Dimensions:	Weight: 12,500 pounds (empty) Tongue Weight: 2620 pounds Length: 25' 7" Width: 8' Height: 9' 6"

ASSEMBLY PART NUMBERS AND SCHEMATICS

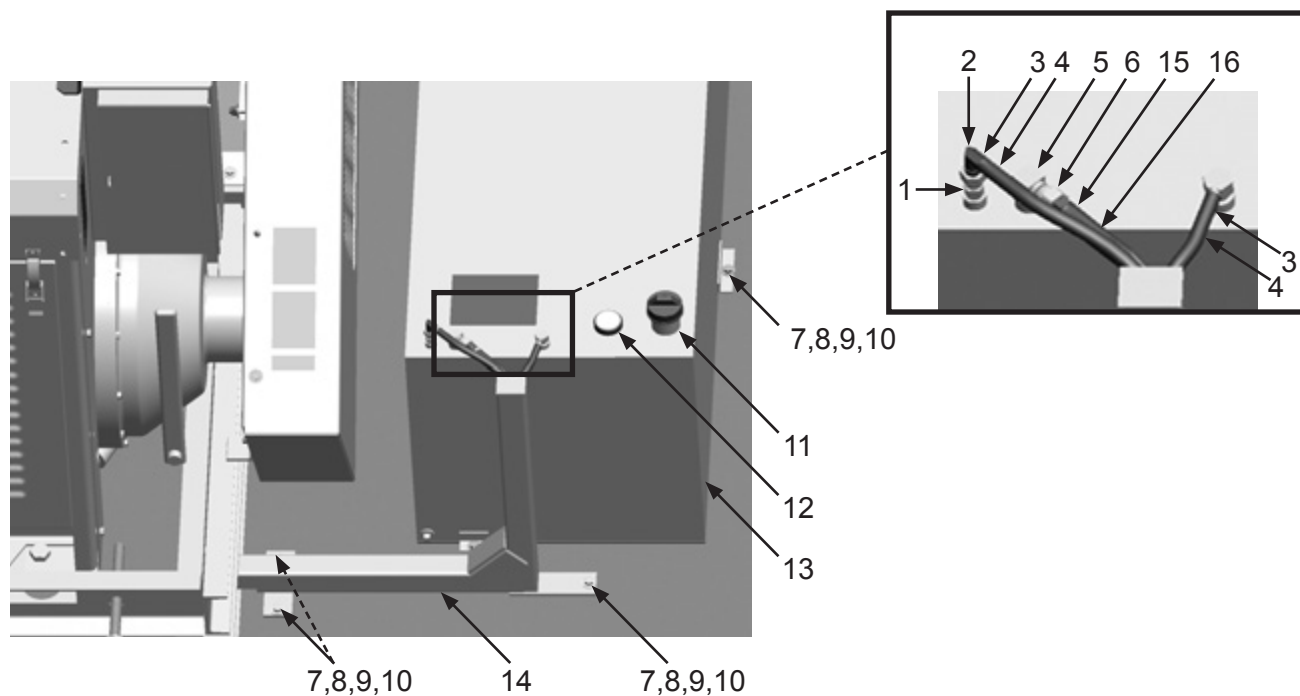
Figure 1: Front Assembly



Item#	Part#	Description
Fig. 1		
1	10103920	2-1/2" Exhaust Pipe Elbow
2	10103821	2-1/2" Exhaust Pipe Clamp
3	10104062	Emergency-Stop Station (See Fig. 28)
4	10103969	Murphy® PowerView™ Gauge
5	10103974	Engine Control Panel Key Switch
	10103970	Engine Start-up Key
6	10104072	Engine Control Door Panel
7	10103440	3/4-10 Draw Bolt (Two Required)
8	10103718	3/4" Washer (Four Required)
9	10103420	3/4-10 Nut (Four Required)
—	10106772	Clutch Arm Extension

PART NUMBERS AND SCHEMATICS

Figure 2: Fuel Tank



Item #	Part #	Description
--------	--------	-------------

Fig. 2

1	10SME025	1/4" NPT (M) x 1/4" NPS (F) Straight Swivel
2	10103421	3/8" Barb x 1/4" NPT Elbow Fitting
3	10104065	Hose Clamp - 3/8" i.d. Hose
4	10103423	3/8" Fuel Hose (Per Foot)
5	20PFHA60SA0606	Swivel Union - 3/8" (M) x 3/8" (F)
6	10103618	3/8" NPT x 1/2" Barb Hose Fitting
7	10101059	3/8-16 x 1-1/4" Galvanized Bolt (<i>Six Required</i>)
8	10101942	3/8" Galvanized Flat Washer (<i>12 Required</i>)
9	1012318	3/8-16 Hex Nut (<i>Six Required</i>)
10	10101936	3/8" Zinc Lock Washer (<i>Six Required</i>)
11	10103968	Locking Fuel Cap with Key
12	10103424	Sight Gauge
13	10103251	Fuel Tank - 80 gallon
14	10103677	Fuel Line Guard
15	10104064	Hose Clamp - 1/2" i.d. Hose
16	10103619	1/2" Fuel Hose (Per Foot)
—	10103617	Withdraw Tube - 16"
—	10103620	3/8" Inline Filter (<i>Not Shown</i>)
—	10103961	Fuel Tank Rubber Cushioning Pad (<i>Not Shown</i>)

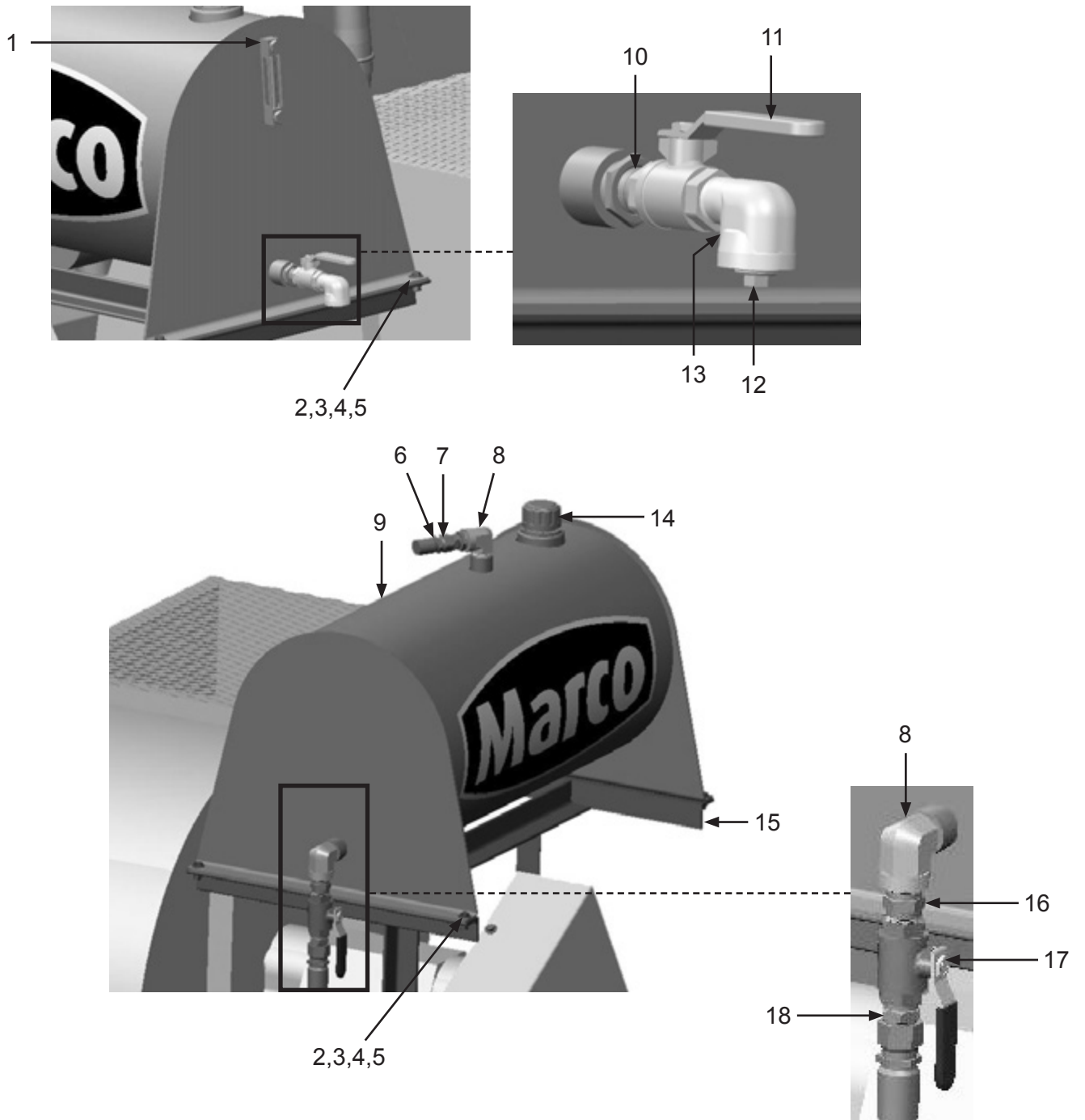
PART NUMBERS AND SCHEMATICS

Hydraulic Oil Tank

Item #	Part #	Description
Fig. 3		
1	10103942	Sight Level Gauge
2	1011747	Bolt - 3/8-16 x 1" - <i>(Four Required)</i>
3	10101942	3/8" Flat Washer <i>(Eight Required)</i>
4	10101936	3/8" Zinc Lock Washer <i>(Four Required)</i>
5	1012318	3/8-16 Hex Nut <i>(Four Required)</i>
6	10103314	Straight Adapter - 3/4" NPT x 12 JIC
7	20PFHA24SB1612	Reducing Bushing - 1" NPT x 3/4" NPT
8	20PFHA25UG1616	Street Elbow - 90° - 1" NPT <i>(Two Required)</i>
9	10105031	Hydraulic Oil Reservoir - 40 Gallon
10	1011213	Close Nipple - 3/4" NPT - Galvanized
11	10L8074C	Full Port Ball Valve - 3/4" NPT
12	10DSHP75	Pipe Plug - Square Head - 3/4" NPT
13	10102479	Street Elbow - 90° - 3/4" NPT - Galvanized
14	10103971	Filler/Breather Cap
15	10102958	Hydraulic Oil Tank Mount
16	20PFHA24SA1616	Hex Nipple - 1" NPT
17	1011601	Full Port Ball Valve - 1" NPT
18	10103312	Straight Adapter - 1" NPT x 16 JIC

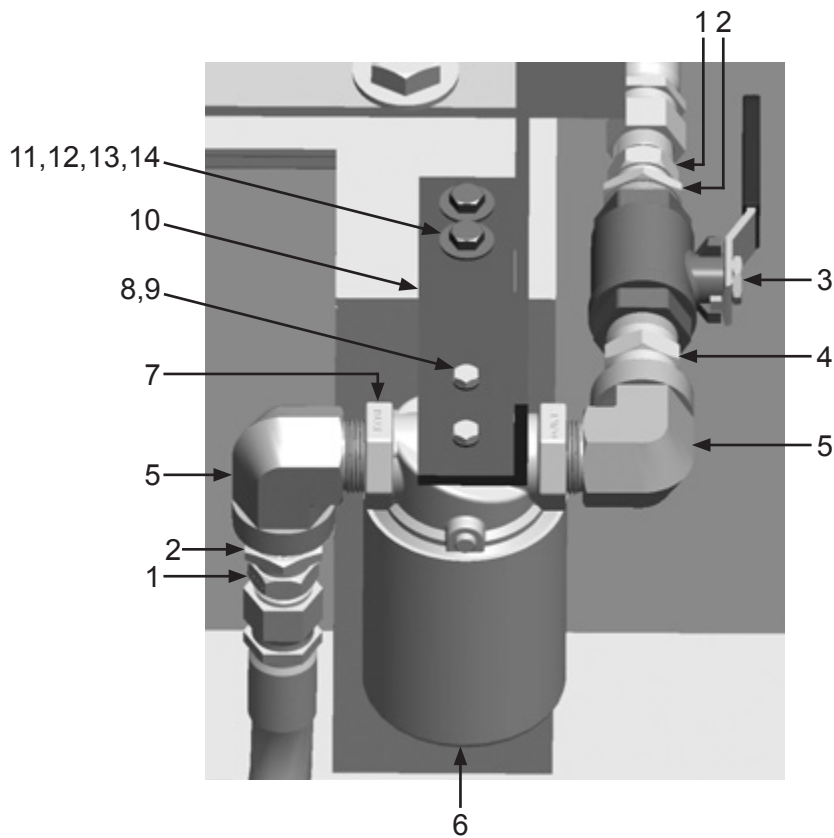
PART NUMBERS AND SCHEMATICS

Figure 3: Hydraulic Oil Tank



PART NUMBERS AND SCHEMATICS

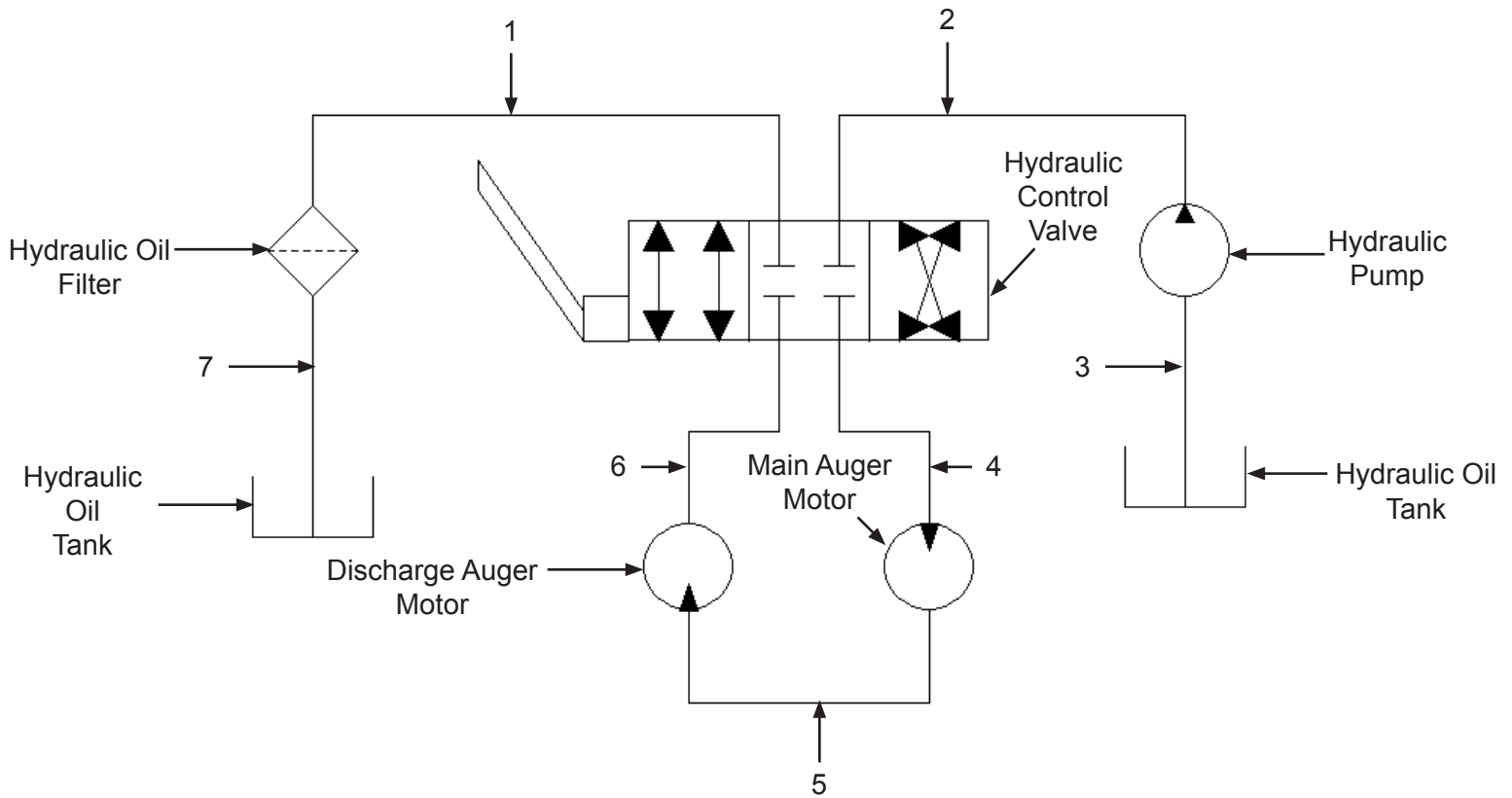
Figure 4: Hydraulic Oil Filter Assembly



Item #	Part #	Description
Fig. 4		
1	10103314	Straight Adapter - 3/4" NPT x 12 JIC (Two Required)
2	20PFHA24SB1612	Reducing Bushing - 1" x 3/4" (Two Required)
3	1011601	Full Port Brass Ball Valve - 3/4"
4	20PFHA24SA1616	Hex Nipple - 1"
5	20PFHA25UG1616	Street Elbow - 1" (Two Required)
6	10104058	Hydraulic Oil Filter
7	10104057	Hydraulic Oil Filter Head
8	1012153	Lock Washer - 1/4"
9	20100125	Bolt - 1/4-20 x 3/4" - Zinc
10	10104051	Bracket - Hydraulic Oil Filter Head
11	10101059	Bolt - 3/8-16 x 1-1/4" - Galvanized
12	10101942	Flat Washer - 3/8" - Galvanized
13	10101936	Lock Washer - 3/8" - Zinc
14	1012318	Hex Nut - 3/8-16 -

PART NUMBERS AND SCHEMATICS

Figure 5: Hydraulic Hoses



Item #	Part #	Description
--------	--------	-------------

Fig. 6

1	10104069	Hydraulic Hose - 3/4" I.D. x 17 feet - 3045 psi
2	10103406	Hydraulic Hose - 3/4" I.D. x 21 feet - 3045 psi
3	10103405	Hydraulic Hose - 1" I.D. x 9.5 feet - 2000 psi
4	10103407	Hydraulic Hose - 1/2" x 14' - 2000 psi
5	10103501	Hydraulic Hose - 1/2" x 18'8" - 2000 psi
6	10103409	Hydraulic Hose - 1/2" I.D. x 7.08 feet - 2000 psi
7	10104055	Hydraulic Hose - 3/4" I.D. x 7 feet - 3045 psi

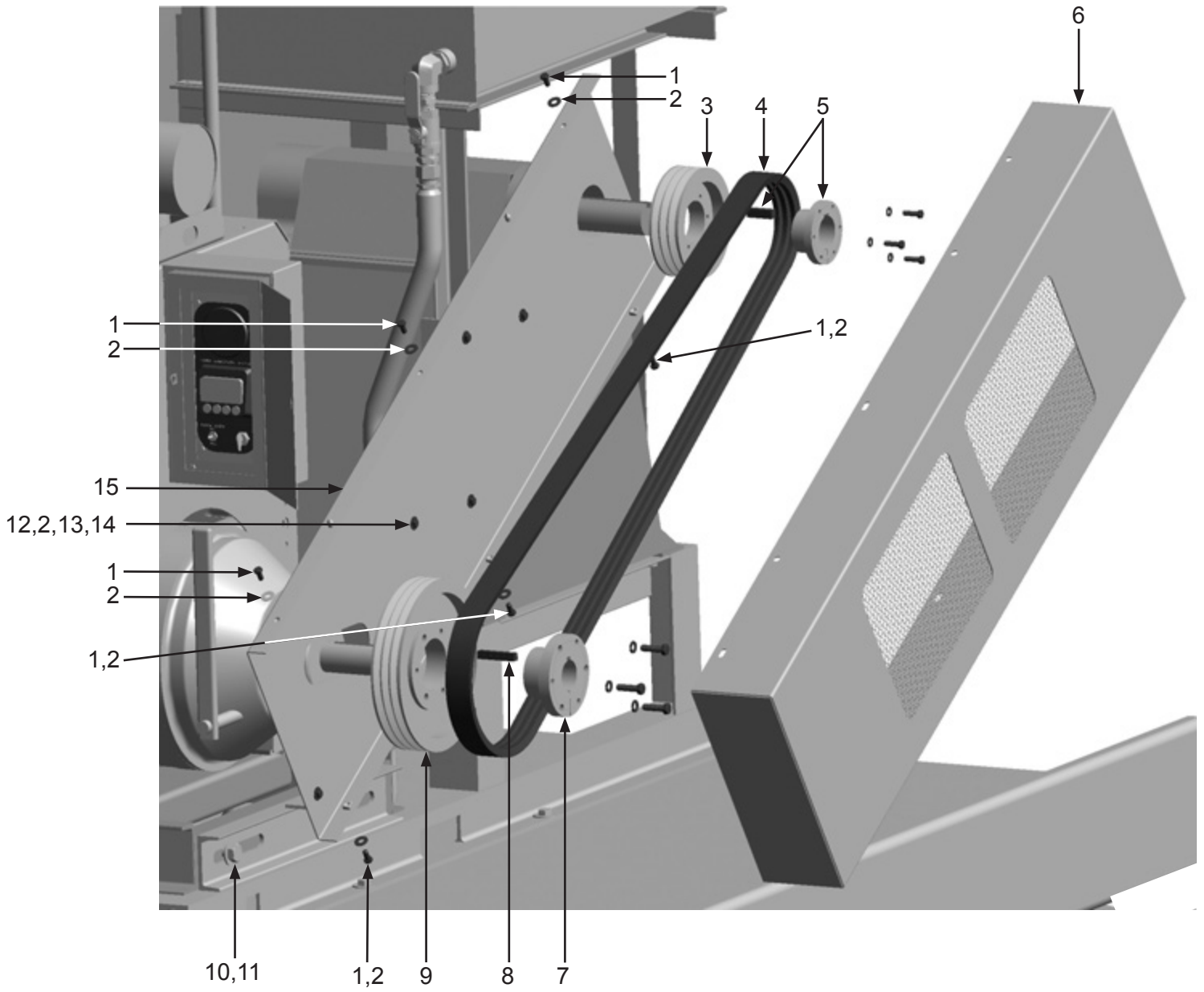
PART NUMBERS AND SCHEMATICS

Fan Belt Assembly

Item #	Part #	Description
Fig. 6		
1	10103400	3/8-16 x 3/4" Bolt <i>(Six Required)</i>
2	10101942	3/8" Galvanized Flat Washer <i>(16 Required)</i>
3	10103324	8" Sheave
4	10103327	3-Band Fan Drive Belt – 125"
5	10103323	8" Sheave Bushing with Key <i>Includes Mounting Hardware</i>
6	10102964	Belt Guard Cover
7	10103325	12-1/2" Sheave Bushing <i>Includes Mounting Hardware</i>
8	10103644	1/2" x 1/4" x 5/8" x 5/16" Step Key
9	10103326	12-1/2" Sheave
10	10103417	3/4-10 x 1-3/4" Bolt <i>(Four Required)</i>
11	10103418	3/4" Washer <i>(Four Required)</i>
12	1028617	3/8-16 x 1-3/4" Shoulder Bolt <i>(Five Required)</i>
13	10101936	3/8" Zinc Lock Washer <i>(Five Required)</i>
14	1012318	3/8" Hex Nut <i>(Five Required)</i>
15	10102967	Belt Guard Back

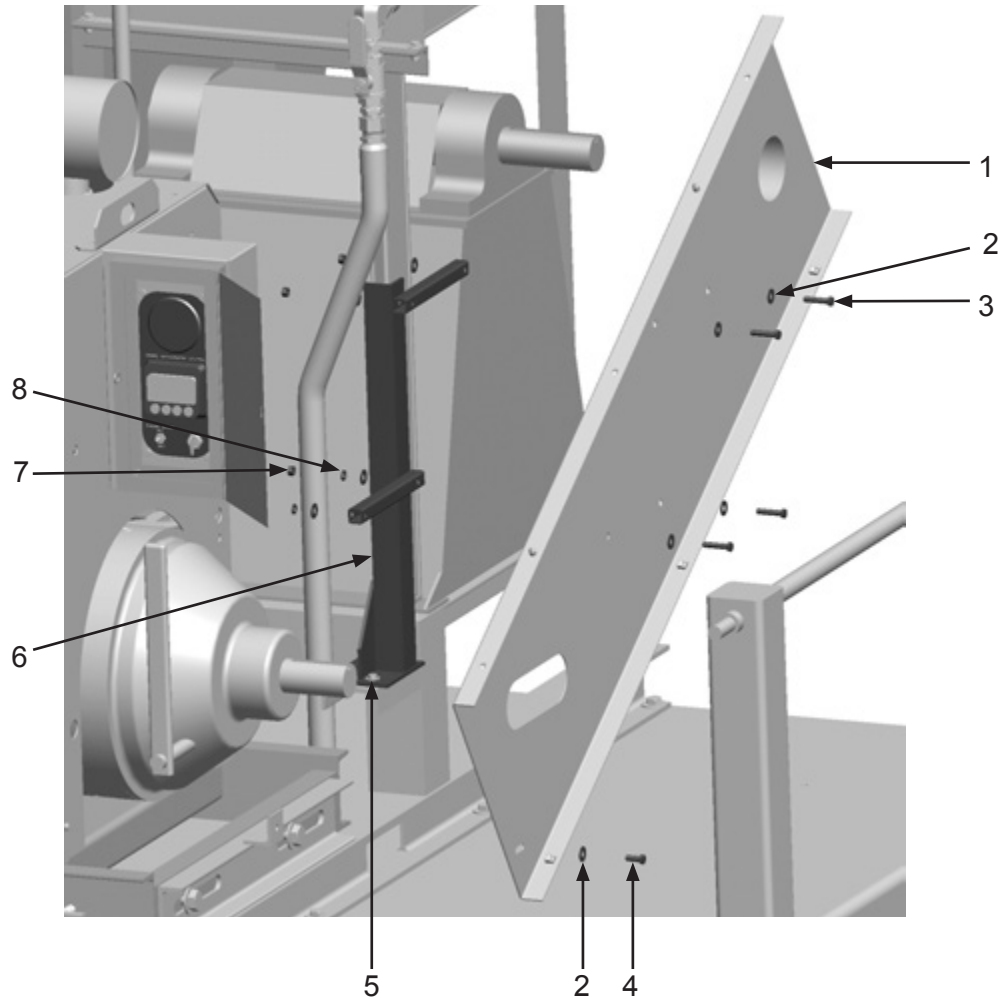
PART NUMBERS AND SCHEMATICS

Figure 6: Fan Belt Assembly



PART NUMBERS AND SCHEMATICS

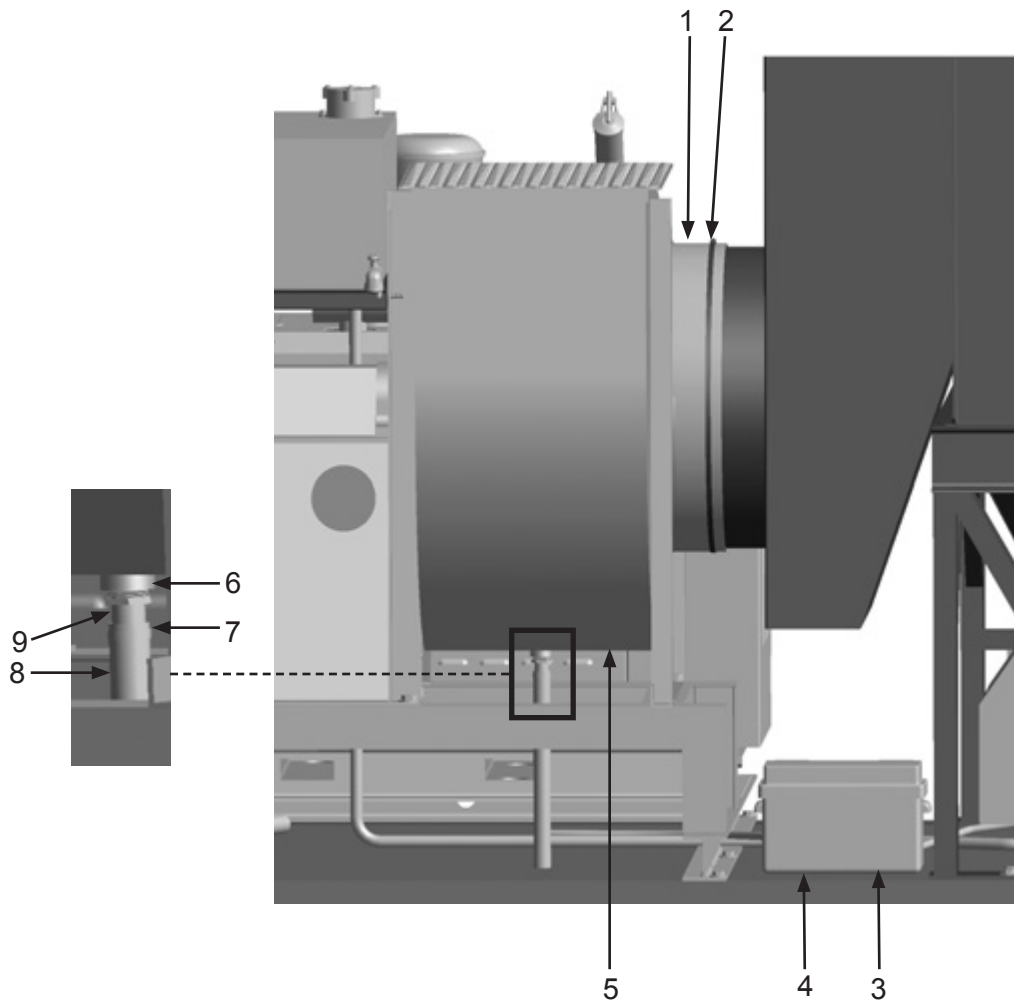
Figure 7: Fan Belt Guard Back Assembly



Item #	Part #	Description
Fig. 7		
1	10102967	Belt Guard Back
2	10101942	3/8" Galvanized Flat Washer (<i>18 Required</i>)
3	1028617	3/8-16 x 1-3/4" Shoulder Bolt (<i>Four Required</i>)
4	1011747	3/8-16 x 1" Bolt
5	10101059	3/8-16 x 1-1/4" Galvanized Bolt (<i>Four Required</i>)
6	10103354	Belt Guard Mount
7	1012318	3/8-16 Hex Nut (<i>Nine Required</i>)
8	10101936	3/8" Zinc Lock Washer (<i>Nine Required</i>)

PART NUMBERS AND SCHEMATICS

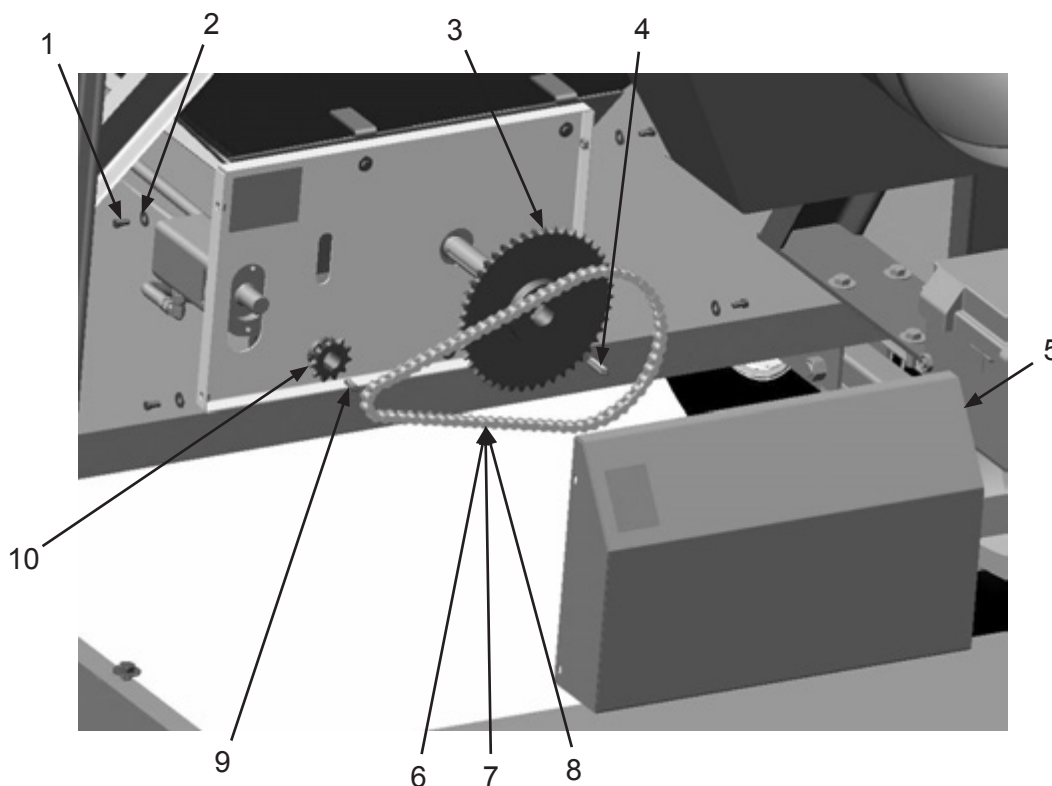
Figure 8: Fan Assembly and Battery Box



Item #	Part #	Description
Fig. 8		
1	10103962	Connection Rubber Gasket
2	10103623	Adjustable Clamp Fastener (<i>Two Required</i>)
3	10103342	Battery Box
4	10103963	Rubber Cushioning Pad
5	10103626	Fan
6	20PFHA24SB2016	1-1/4" x 1" Reducing Bushing
7	10104136	T-Bolt Clamp 1-9/16" x 1-11/16" OD
8	10103654	1-1/4" I.D. Hose (<i>Per Foot</i>)
9	10105207	1" NPT x 3" Toe Nipple
—	10105867	Battery Cables (<i>Not Shown</i>)
—	10103341	Battery (<i>Not Shown</i>)

PART NUMBERS AND SCHEMATICS

Figure 9: Main Auger Drive Assembly



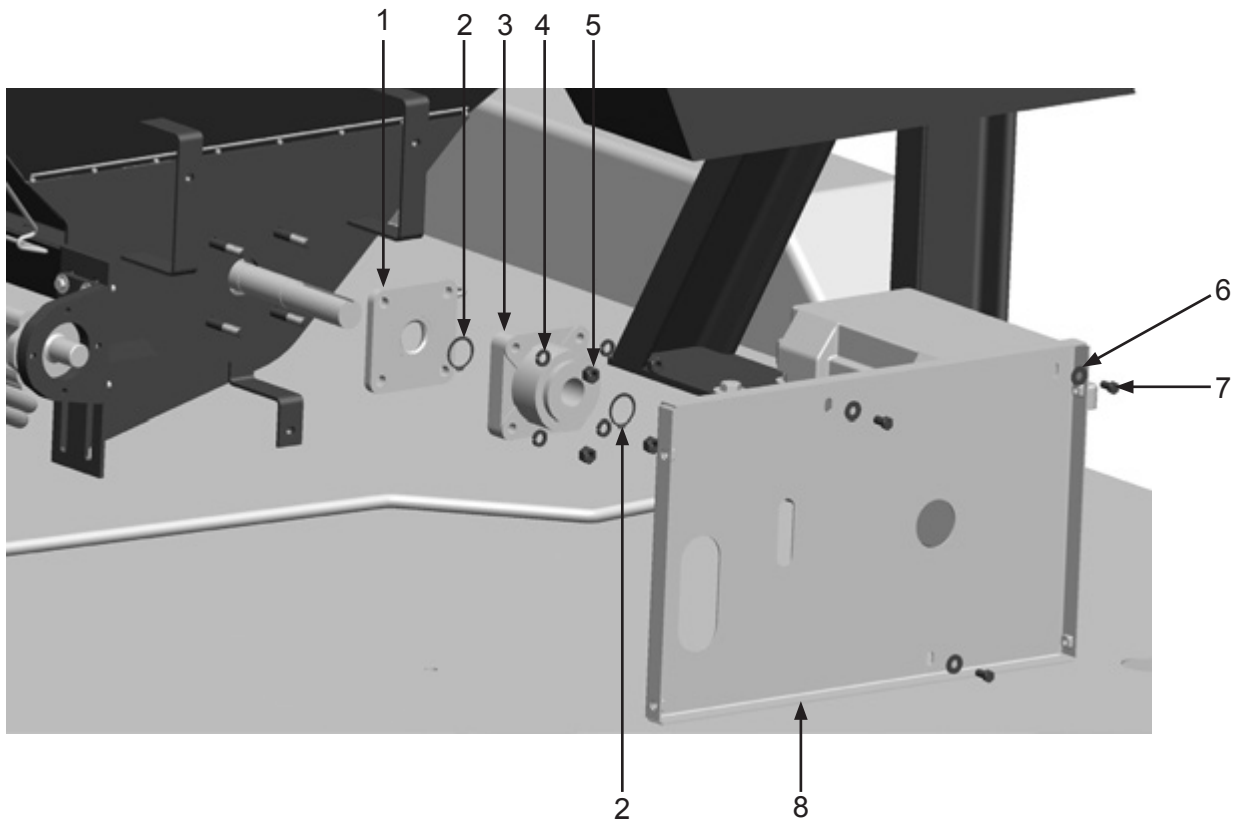
Item #	Part #	Description
--------	--------	-------------

Fig. 10

1	10103400	3/8-16 x 3/4" Bolt (<i>Four Required</i>)
2	10101942	3/8" Galvanized Flat Washer (<i>Four Required</i>)
3	10104218	45-Tooth Sprocket
4	10103641	3/8" Key Cut
5	10102952	Main Auger Motor Cover
6	10103391	60# Cottered Roller Chain (<i>Per Foot</i>)
7	10103392	60# Connecting Link
8	10103614	60# Offset Link
9	10103642	5/16" x 1/4" x 1/8" x 1/8" Key
10	10103265	11-Tooth Sprocket
—	10104192	Main Auger Chain Kit <i>Includes Item #'s: 7, 8, and 9</i>

PART NUMBERS AND SCHEMATICS

Figure 10: Main Auger Bearing



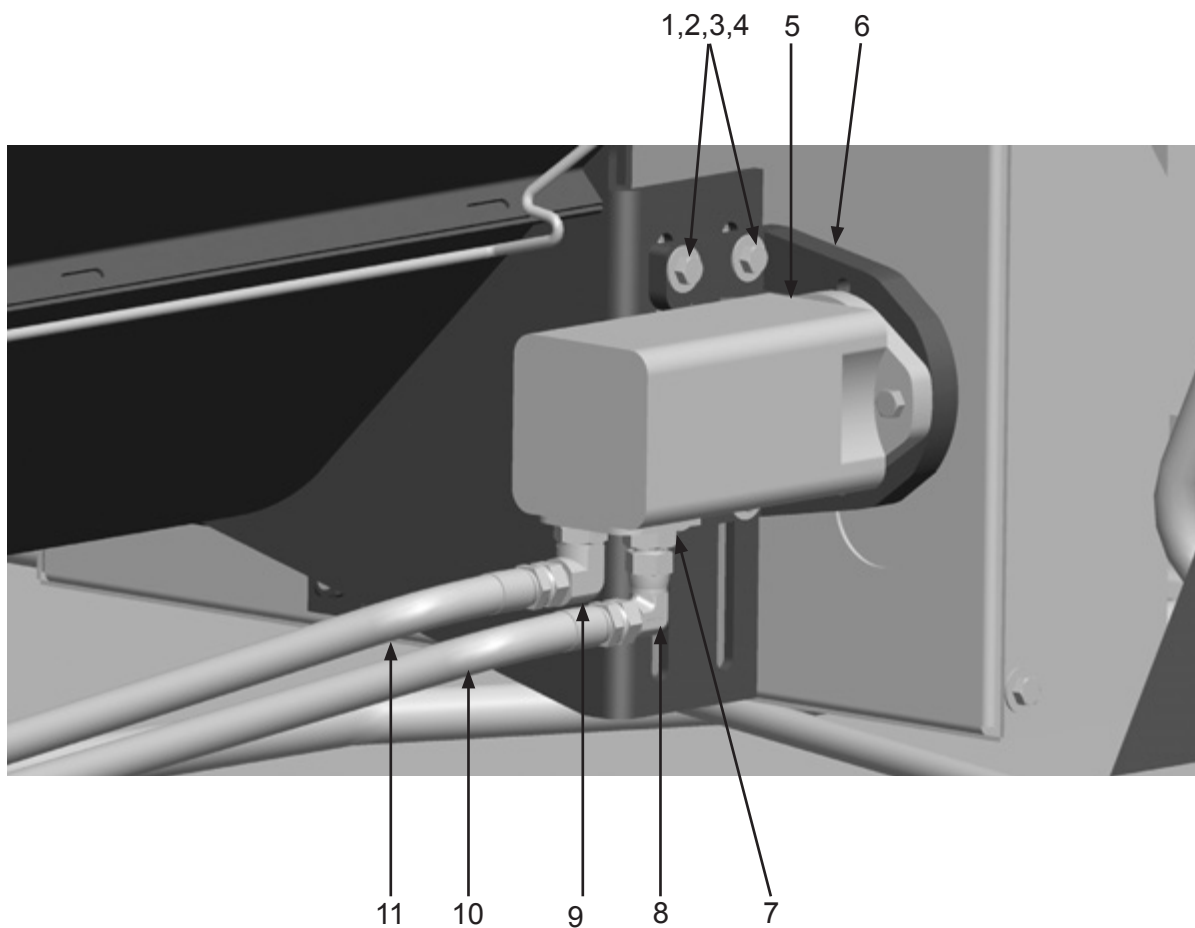
Item #	Part #	Description
--------	--------	-------------

Fig. 10

1	10102902	Seal Plate
2	10103605	Snap Ring (<i>Two Required</i>)
3	10102903	Thrust Bearing
4	10100675	1/2" Lock Washer (<i>Four Required</i>)
5	1014022	1/2-13 Hex Nut (<i>Four Required</i>)
6	10101942	3/8" Galvanized Flat Washer (<i>Three Required</i>)
7	10103400	3/8-16 x 3/4" Bolt (<i>Three Required</i>)
8	10102955	Main Auger Guard Back

PART NUMBERS AND SCHEMATICS

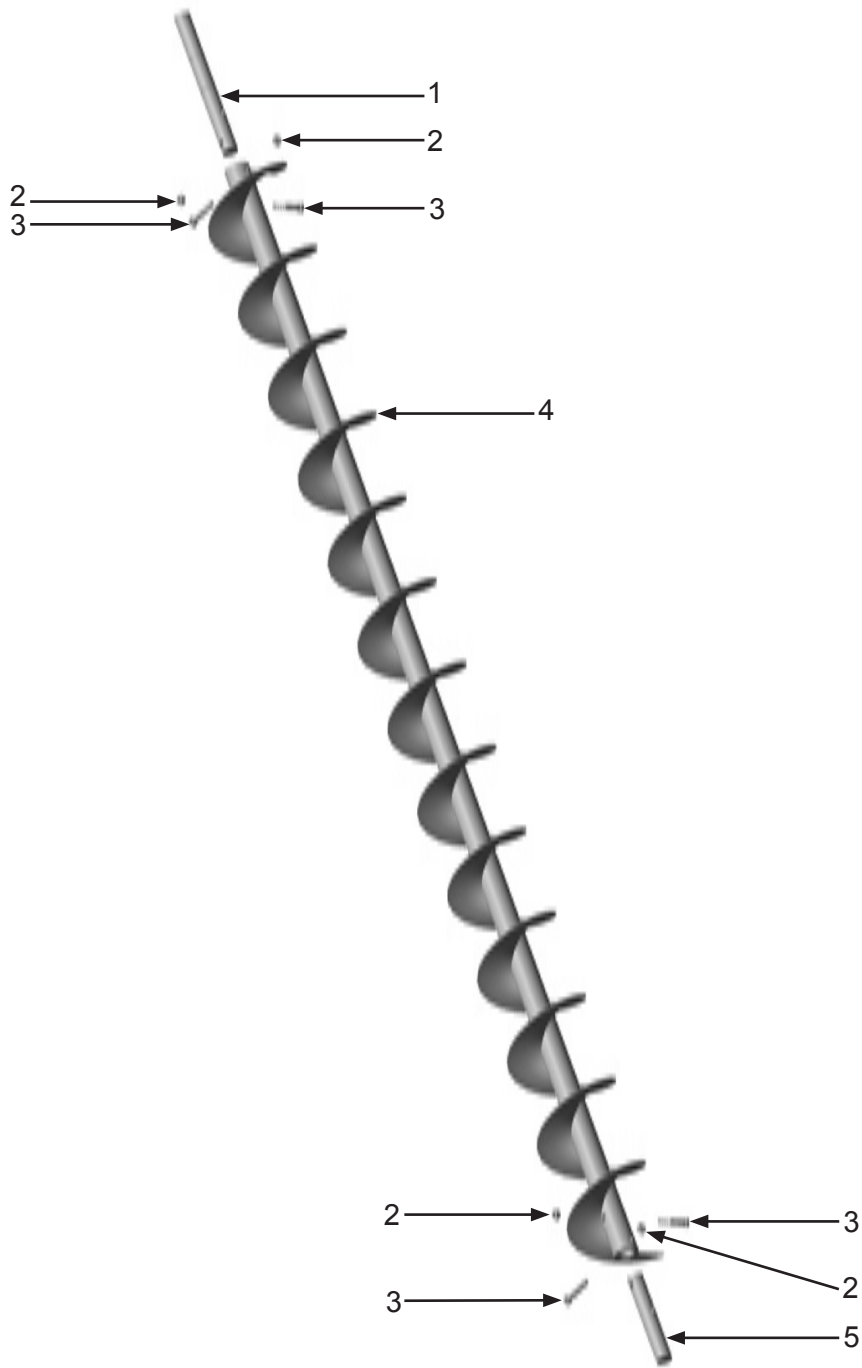
Figure 11: Main Auger Motor



Item #	Part #	Description
Fig. 11		
1	1028617	3/8-16 x 1-3/4" Shoulder Bolt (<i>Four Required</i>)
2	10101942	3/8" Galvanized Flat Washer (<i>Eight Required</i>)
3	10101936	3/8" Zinc Lock Washer (<i>Four Required</i>)
4	1012318	3/8-16 Hex Nut (<i>Four Required</i>)
5	10103266	18.7 Displacement Hydraulic Motor
6	10102881	Hydraulic Motor Mount with Hardware
7	10103612	JIC 8 x SAE 10 Straight Adapter
8	10103611	JIC 8 x JIC 8 90° Elbow
9	10103308	JIC 8 x SAE 10 90° Elbow
10	10104224	1/2" x 24' Hydraulic Hose
11	10103502	1/2" x 20' Hydraulic Hose - 4500 PSI
—	10103941	Seal Kit for 18.7 Displacement Hydraulic Motor

PART NUMBERS AND SCHEMATICS

Figure 12: Main Auger



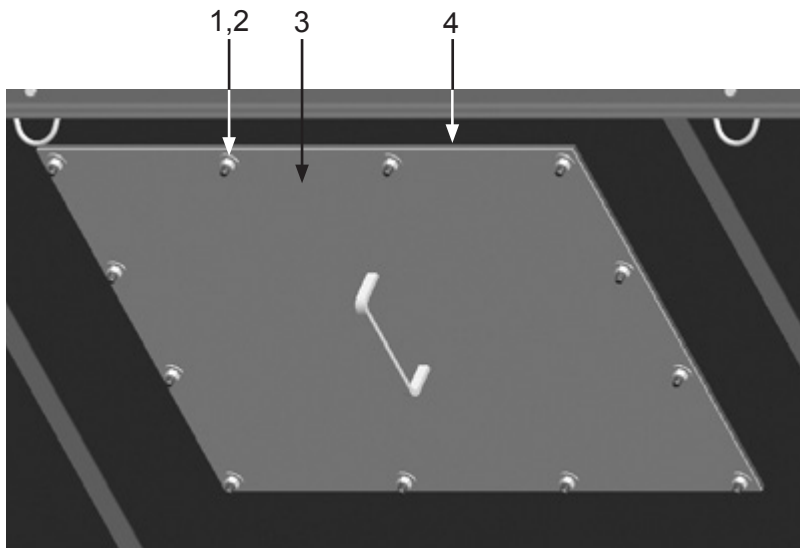
Item #	Part #	Description
--------	--------	-------------

Fig. 12

1	10103306	Drive Shaft
2	10101941	1/2-13 Galvanized Hex Nut (<i>Four Required</i>)
3	10103401	1/2-13 x 3" Galvanized Bolt (<i>Four Required</i>)
4	10103262	118" x 9" Standard Pitch Auger
5	10102910	Auger Shaft End

PART NUMBERS AND SCHEMATICS

Figure 13: Access Panel Assembly

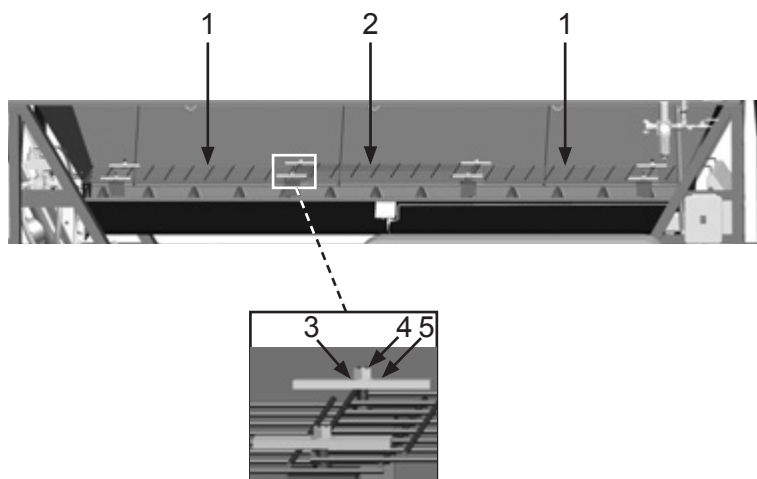


Item #	Part #	Description
--------	--------	-------------

Fig. 13

1	1012318	3/8-16 Hex Nut (12 Required)
2	10101942	3/8" Flat Washer (12 Required)
3	10102933	20" Access Panel Door
4	10103344	1/4" x 1-1/2" Adhesive-Backed Gasket (Per Foot)

Figure 14: Main Auger Protective Grate



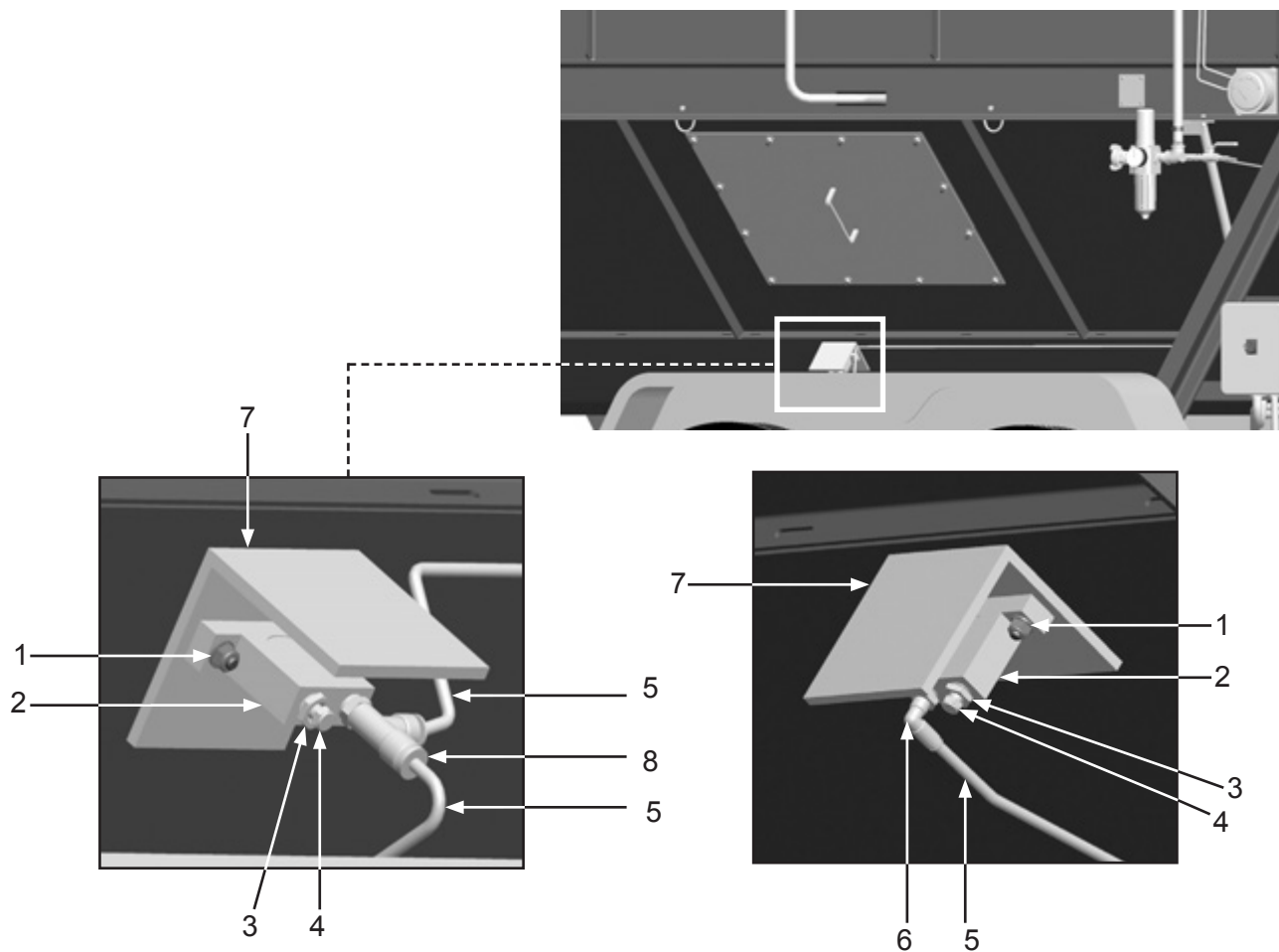
Item #	Part #	Description
--------	--------	-------------

Fig. 14

1	10103966	Protective Grate - 44 Inches (Two Required)
2	10103967	Protective Grate - 36 Inches
3	10100674	Flat Washer - 1/2" (Eight Required)
4	1014022	1/2-13 Hex Nut (Eight Required)
5	10102936	Protective Grate Bracket (Eight Required)

PART NUMBERS AND SCHEMATICS

Figure 15: Pneumatic Ball Vibrators



Item #	Part #	Description
--------	--------	-------------

Fig. 15

1	1012323	1/4-20 Zinc Lock Nut with Nylon Insert (<i>Four Required</i>)
2	10103258	Pneumatic Ball Vibrator (<i>Two Required</i>)
3	20PFHA24SB0402	1/4" x 1/8" Reducing Bushing
4	1012905	1/8" Breather Muffler (<i>Two Required</i>)
5	10103322	1/4" I.D. Black Urethane Tubing (<i>Per Foot</i>)
6	20PFBA31095614	1/4" Tube x 1/4" NPT 90° Fitting
7	10103609	Vibrator Shield (<i>Two Required</i>)
8	10103261	1/4" Male Push-to-connect Tee

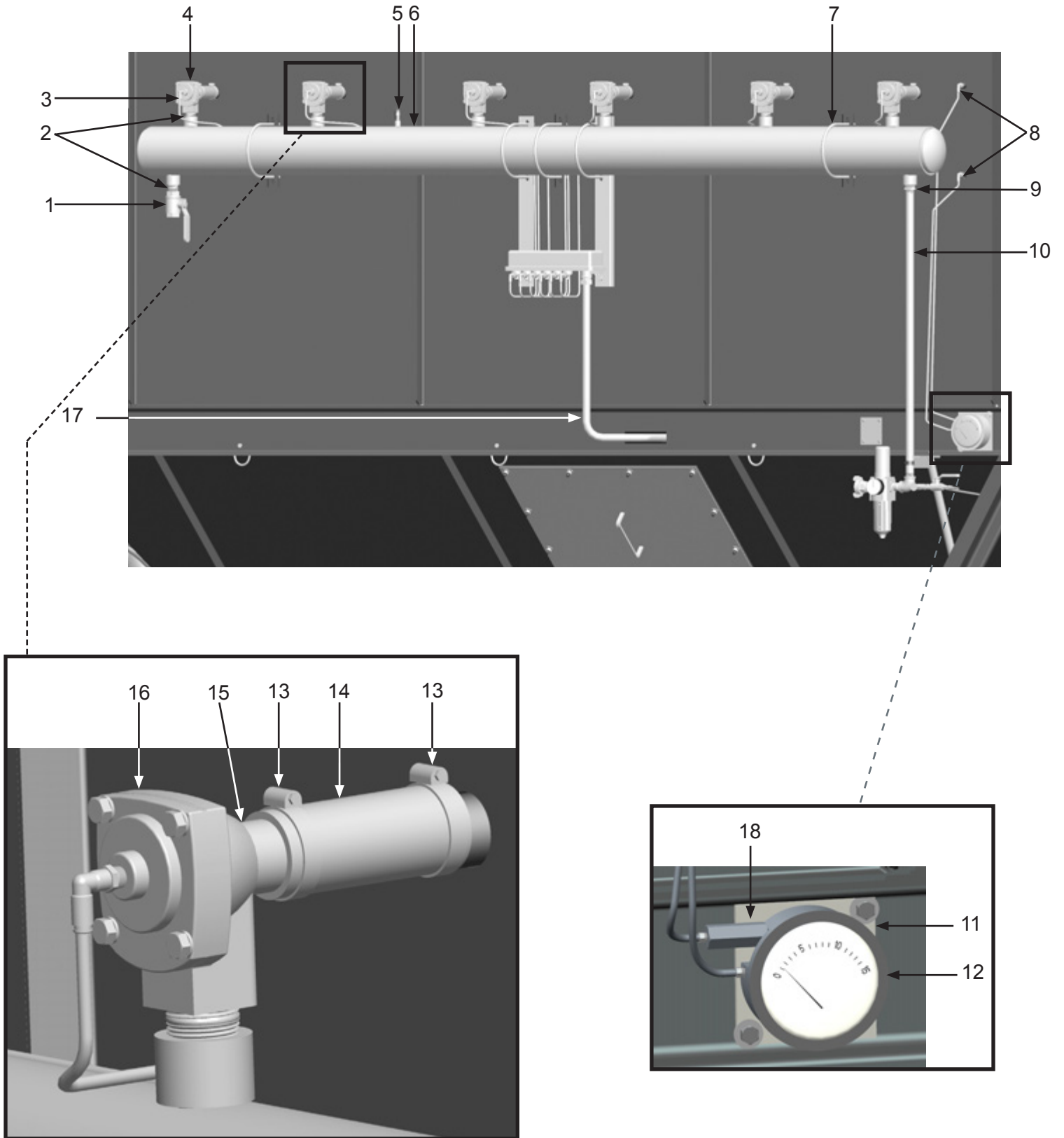
PART NUMBERS AND SCHEMATICS

Pulser System Assembly

Item #	Part #	Description
Fig. 16		
1	1011601	1" Full Port Ball Valve
2	10103318	1" x 2" Pipe Nipple (<i>Seven Required</i>)
3	10103322	1/4" O.D. Black Urethane Tubing (<i>Per Foot</i>)
4	20100579	1/4" O.D. Tube x 1/8" NPT Swivel (<i>Six Required</i>)
5	1028607	1/4" NPT Pressure Relief Valve – 125 PSI
6	10102948	6" Pipe Header
7	10103394	3/8-16 x 6" U-Bolt Assembly (<i>Five Required</i>)
8	20PFBA31095614	1/4" Tube x 1/4" NPT 90° Fitting (<i>Two Required</i>)
9	20PFHA24SB1612	1" x 3/4" Reducing Bushing
10	10103315	3/4" x 36" Pipe Nipple
11	10103608	Magnehelic Differential Pressure Gauge Mounting Bracket
12	10103259	Magnehelic Differential Pressure Gauge Assembly <i>Includes Mounting Hardware</i>
13	10104136	T-Bolt Clamp 1-9/16" x 1-11/16" OD
14	10103654	1-1/4" I.D. Marine Hose – 100 PSI (<i>Per Foot</i>)
15	10105207	1" x 3" Toe Nipple (<i>Six Required</i>)
16	10103255	1" Diaphragm Valve
17	10103304	3/4" I.D. Flexible Conduit
18	10108373	1/8" NPT Inline Air Filter
—	10103954	1" Diaphragm Valve Service Kit (<i>Not Shown</i>)

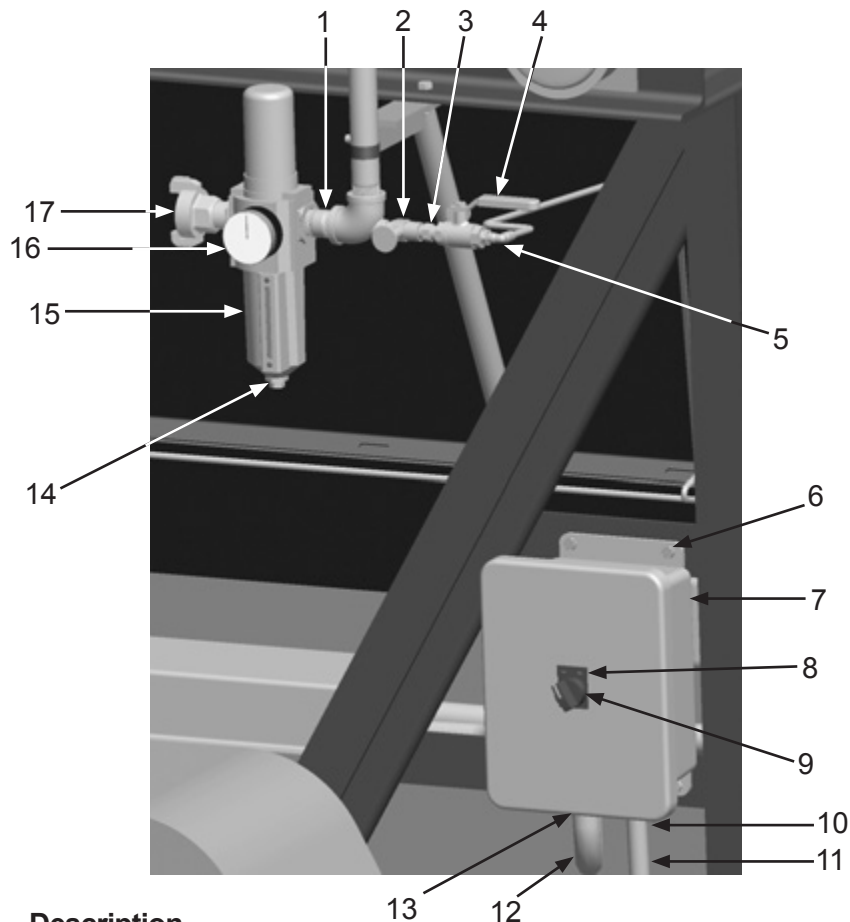
PART NUMBERS AND SCHEMATICS

Figure 16: Pulsar System Assembly



PART NUMBERS AND SCHEMATICS

Figure 17: Pulsar Regulator and Timer Assembly



Item # Part #

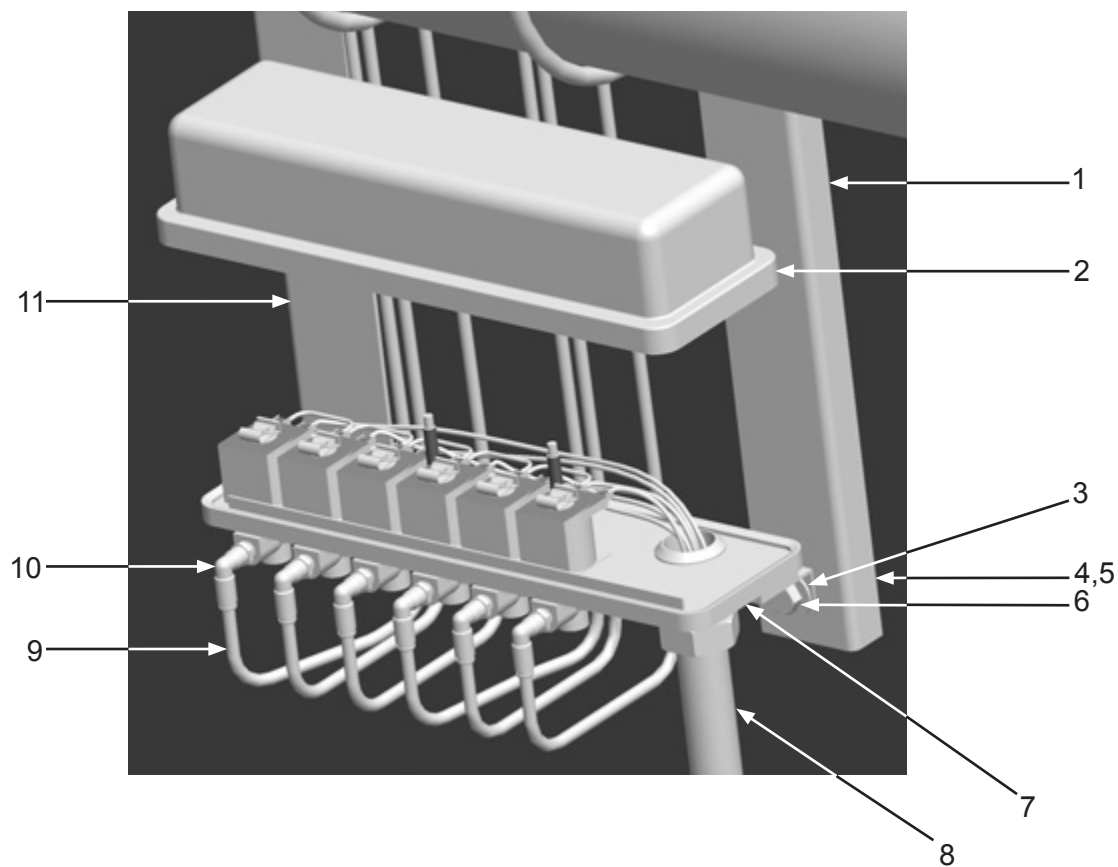
Description

Fig. 17

1	10103317	3/4" x 2" Pipe Nipple
2	10103292	1/4" Needle Valve
3	1017019	1/4" x 1/4" Hex Nipple
4	1080050	1/4" Ball Valve
5	20PFBA31095614	1/4" Tube x 1/4" NPT 90° Fitting (<i>Three Required</i>)
6	20100125	1/4-20 x 3/4" Zinc Hex Bolt (<i>Four Required</i>)
7	10103254	Timer Box with Timer Board
—	10103935	Timer Box Only
—	10103948	Timer Board Only
8	10103414	On/Off Name Plate
9	10103305	2-Way Selector Switch
10	20RST50	Straight Liquid Tite Connection Fitting (<i>Two Required</i>)
11	20RSEL050UL	1/2" UL/UA Seal-Tite Conduit Pipe (<i>Per Foot</i>)
12	10103304	3/4" Flexible Conduit
13	10103303	3/4" Conduit Hub
14	10103952	Filter Auto Drain
15	10103257	Excelon 74 Series Filter/Regulator
16	10103953	Sight Glass Kit
17	10ME1	3/4" Male 2-lug Coupling
—	10103950	Excelon 74 Series Filter/Regulator Service Kit
—	10103951	Filter Element (<i>Not Shown</i>)

PART NUMBERS AND SCHEMATICS

Figure 18: Pulsar Solenoid Enclosure Assembly



Item #	Part #	Description
--------	--------	-------------

Fig. 18

1	10102970	Solenoid Enclosure Mount – Right
2	10103256	Solenoid Pilot Valve Enclosure
3	10101942	3/8" Galvanized Flat Washer <i>(Four Required)</i>
4	10101936	3/8" Zinc Lock Washer <i>(Two Required)</i>
5	1012318	3/8-16 Hex Nut <i>(Two Required)</i>
6	1011747	3/8-16 x 1" Bolt
7	10103303	3/4" Conduit Hub
8	10103304	3/4" Flexible Conduit
9	10103322	1/4" O.D. Black Urethane Tubing <i>(Per Foot)</i>
10	20100579	1/4" O.D. Tube x 1/8" NPT Swivel <i>(Six Required)</i>
11	10102969	Solenoid Enclosure Mount – Left
—	10103955	Solenoid Valve <i>(Six Required)</i>
—	10103956	Solenoid Coil <i>(One Required per Solenoid)</i>
—	10103957	Solenoid Service Kit <i>Includes: O-ring, Plunger, Spring, Ferrule</i>

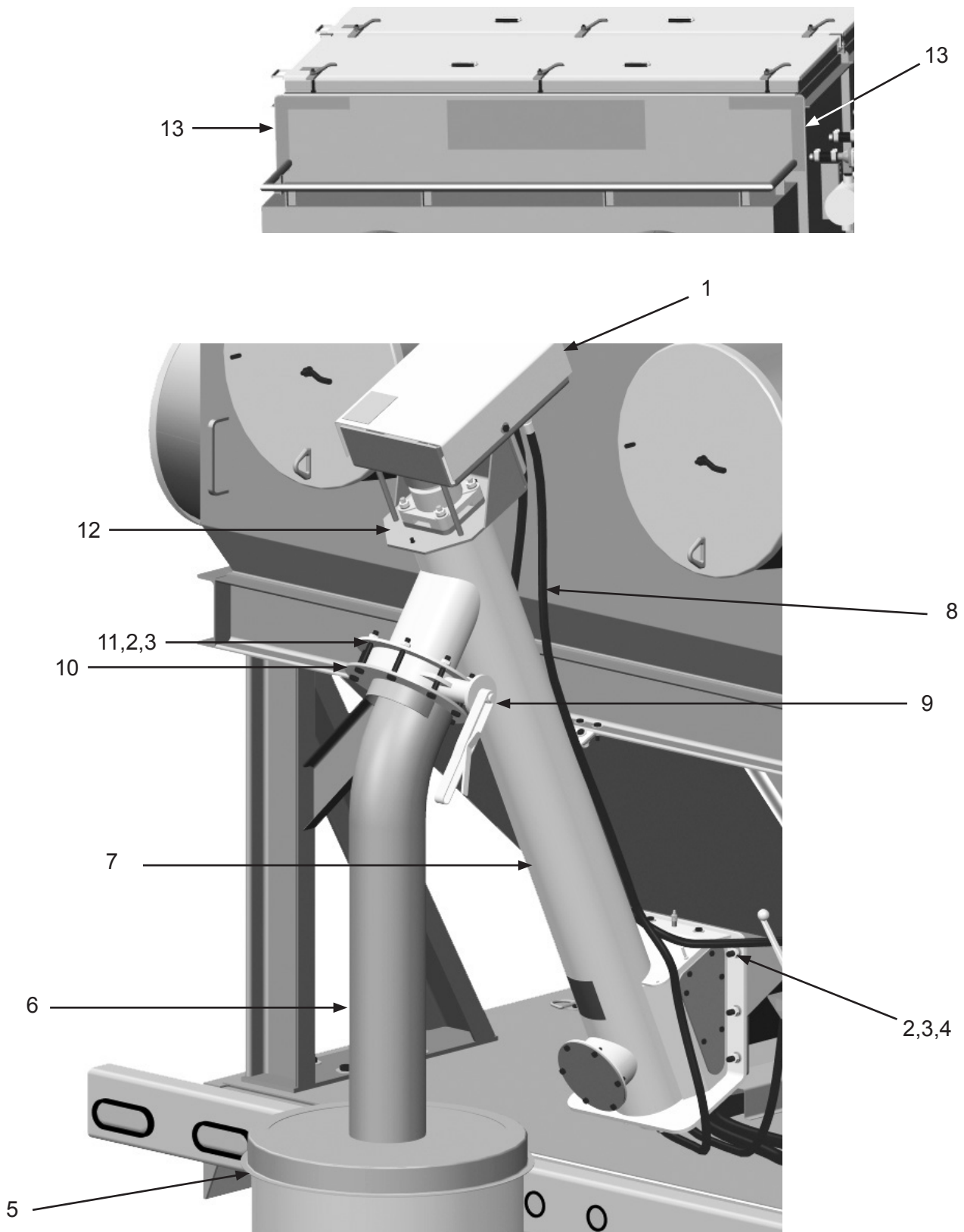
PART NUMBERS AND SCHEMATICS

Discharge Auger Assembly

Item #	Part #	Description
Fig. 19		
1	10103363	Discharge Chain Cover
2	10101941	1/2-13 Hex Nut (<i>14 Required</i>)
3	10100674	1/2" Flat Washer (<i>22 Required</i>)
4	10100675	1/2" Lock Washer (<i>14 Required</i>)
5	10103650	Discharge Collection Drum Cover (<i>Optional</i>)
6	10103777	6" Flexible Discharge Hose (<i>Per Foot</i>)
7	—	Discharge Auger (<i>See Fig. 20</i>)
8	10103411	1/2" I.D. x 4' Hydraulic Hose with Fittings
9	10103302	6" Series Wafer Butterfly Valve
10	10102471	Discharge Hose Connector
11	10102703	1/2-13 x 3-1/2" Grade 5 Bolt (<i>Eight Required</i>)
12	10104195	Discharge Auger Motor Mounting Bracket
13	10103880	White Conspicuity Tape (<i>Per Inch</i>)
—	10103881	Red Conspicuity Tape (<i>Per Inch</i>)

PART NUMBERS AND SCHEMATICS

Figure 19: Discharge Auger Assembly



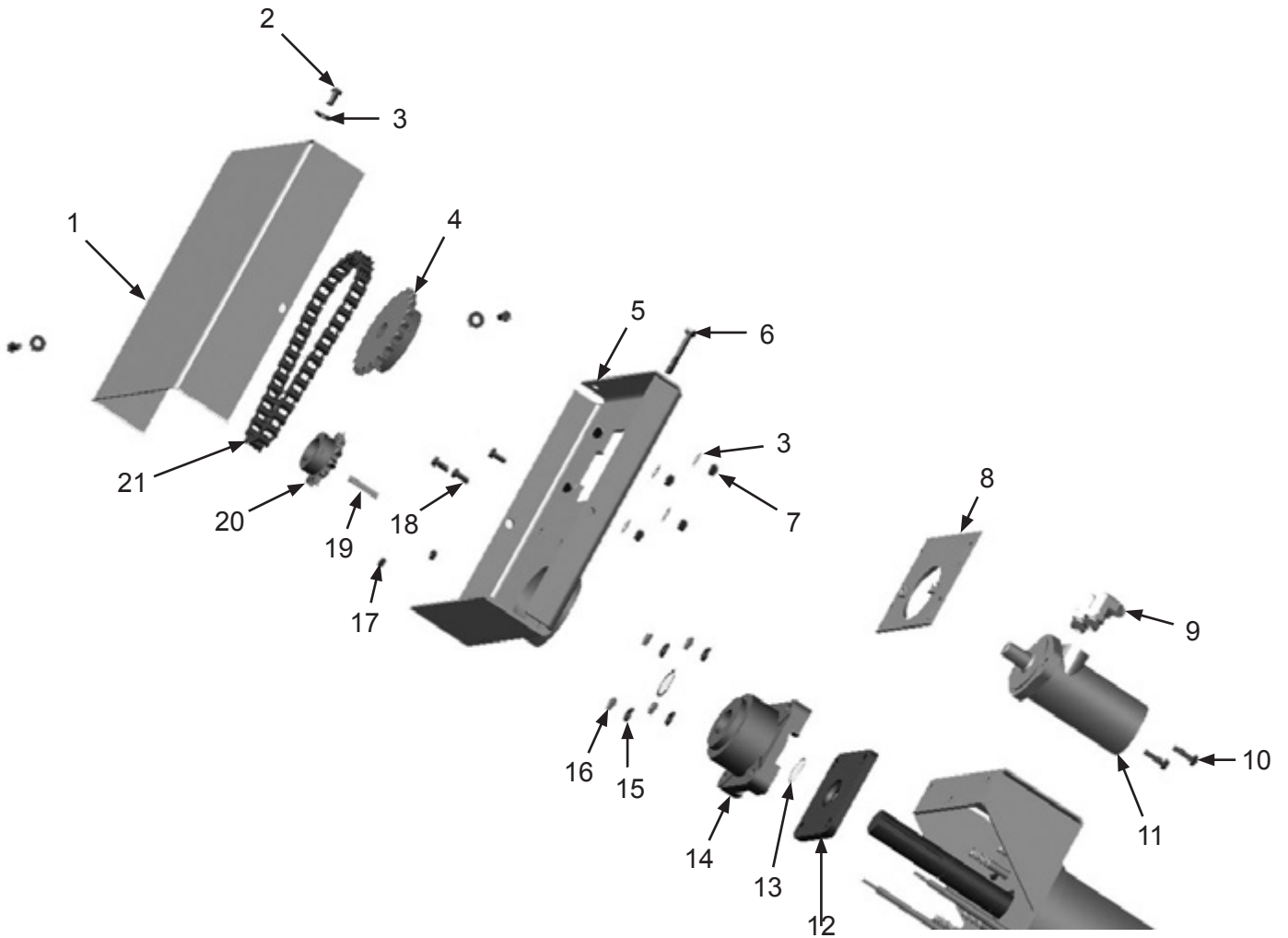
PART NUMBERS AND SCHEMATICS

Discharge Auger Drive Assembly

Item #	Part #	Description
Fig. 20		
1	10103363	Chain Cover
2	10103400	3/8-16 x 3/4" Bolt <i>(Seven Required)</i>
3	10101942	3/8" Galvanized Flat Washer <i>(Three Required)</i>
4	10104217	22-Tooth Sprocket
5	10104197	Chain Cover Base
6	10101933	3/8" - 16 x 2-1/2" Hex Bolt
7	1012318	3/8-16 Hex Nut <i>(Four Required)</i>
8	10104199	Sliding Motor Mount
9	10103308	JIC 8 x SAE 10 90° Elbow <i>(Two Required)</i>
10	10101059	3/8-16 x 1-1/4" A307 Bolt Galv <i>(Two Required)</i>
11	10102887	Hydraulic Motor
12	10102902	Seal Plate
13	10103605	Snap Ring <i>(Two Required)</i>
14	10102903	Thrust Bearing
15	10100675	1/2" Lock Washer <i>(Four Required)</i>
16	1014022	1/2-13 Hex Nut <i>(Four Required)</i>
17	1035046	5/16"- 18 Nut <i>(Two Required)</i>
18	10101346	5/16-18 x 3/4" L GR 5 Bolt <i>(Three Required)</i>
19	10103641	3/8 Key Cut
20	10102886	13-Tooth Sprocket
21	10104191	Discharge Auger Chain Kit <i>Includes 60# Connecting Chain Link, 60# Cottered Roller Chain (Quantity of Three), and 60# Offset Chain Link.</i>
—	10103392	60# Connecting Chain Link
—	10103391	60# Cottered Roller Chain <i>(Per Foot)</i>
—	10103614	60# Offset Chain Link
—	10103940	Seal Kit for Hydraulic Motor

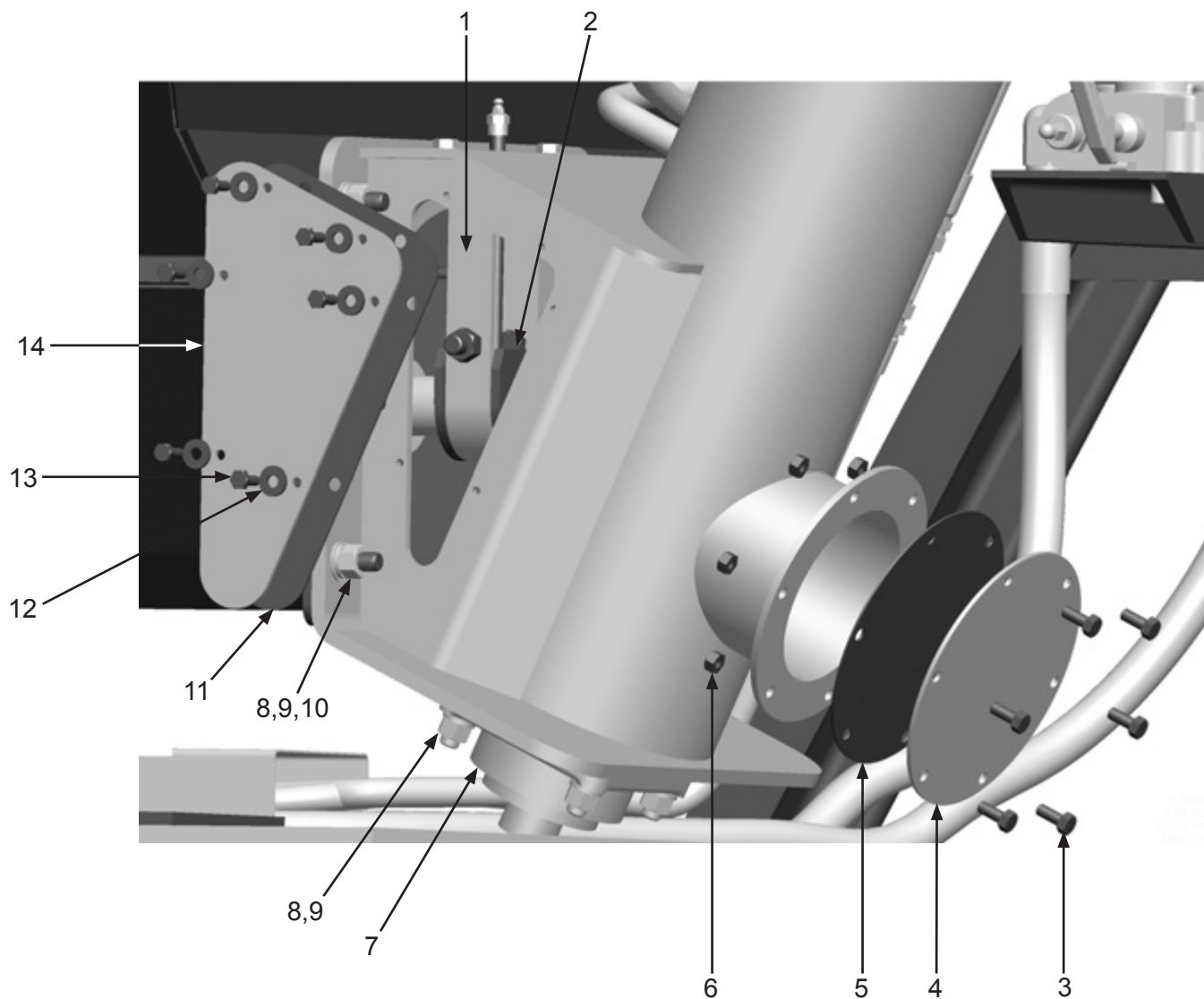
PART NUMBERS AND SCHEMATICS

Figure 20: Discharge Auger Drive Assembly



PART NUMBERS AND SCHEMATICS

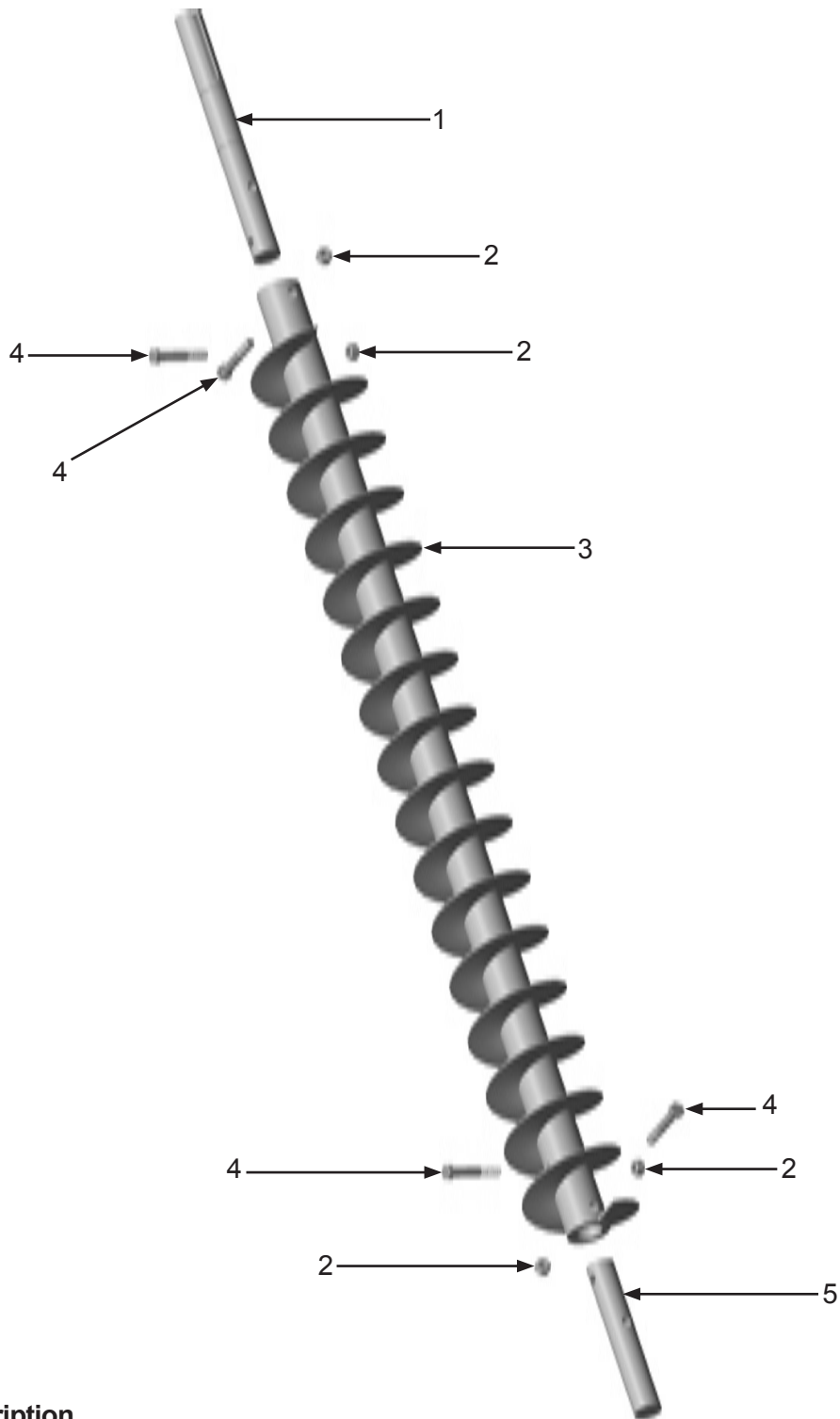
Figure 21: Discharge Auger Clean-out Assembly



Item #	Part #	Description
Fig. 21		
1	10102896	Bearing Hanger
2	10103413	Bearing
3	10101346	5/16-18 x 3/4" Bolt (Six Required)
4	10103235	Auger Clean-out Cover
5	10103716	Neoprene Auger Clean-out Gasket
6	1035046	5/16-18 Nut (Six Required)
7	10102880	Discharge Auger Lower Bearing Assembly
8	10101941	1/2-13 Galvanized Hext Nut (10 Required)
9	10100675	1/2" Lock Washer (10 Required)
10	10100674	1/2" Flat Washer (6 Required)
11	10103717	Discharge Auger Side Gasket (Two Required)
12	10101940	1/4" Galvanized Flat Washer (12 Required)
13	20100125	1/4-20 x 3/4" Zinc Hex Bolt (12 Required)
14	10103236	Discharge Auger Side Cover (Two Required)

PART NUMBERS AND SCHEMATICS

Figure 22: Discharge Auger Assembly



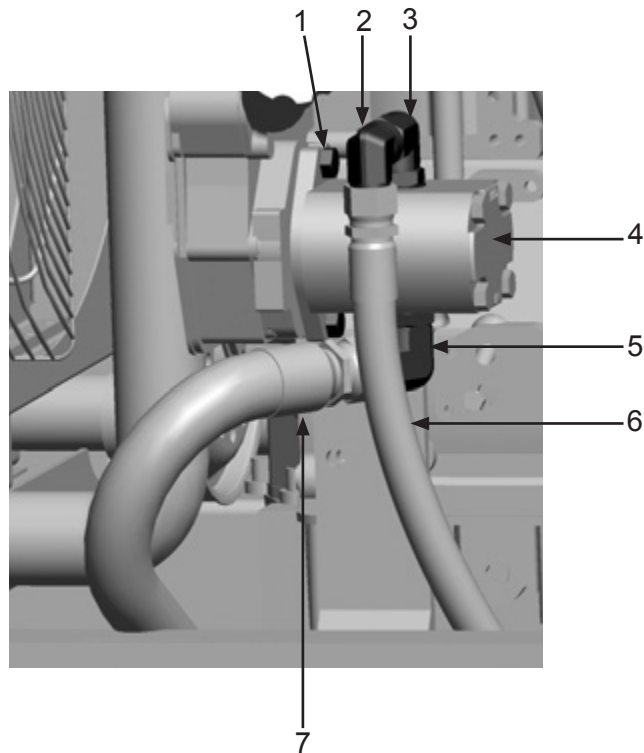
Item #	Part #	Description
--------	--------	-------------

Fig. 22

1	10103306	Drive Shaft
2	10101941	1/2-13 Galvanized Hex Nut (<i>Four Required</i>)
3	10102883	58" x 6" Half Pitch Auger
4	10103401	1/2-13 x 3" Galvanized Bolt (<i>Four Required</i>)
5	10102910	Auger Shaft End

PART NUMBERS AND SCHEMATICS

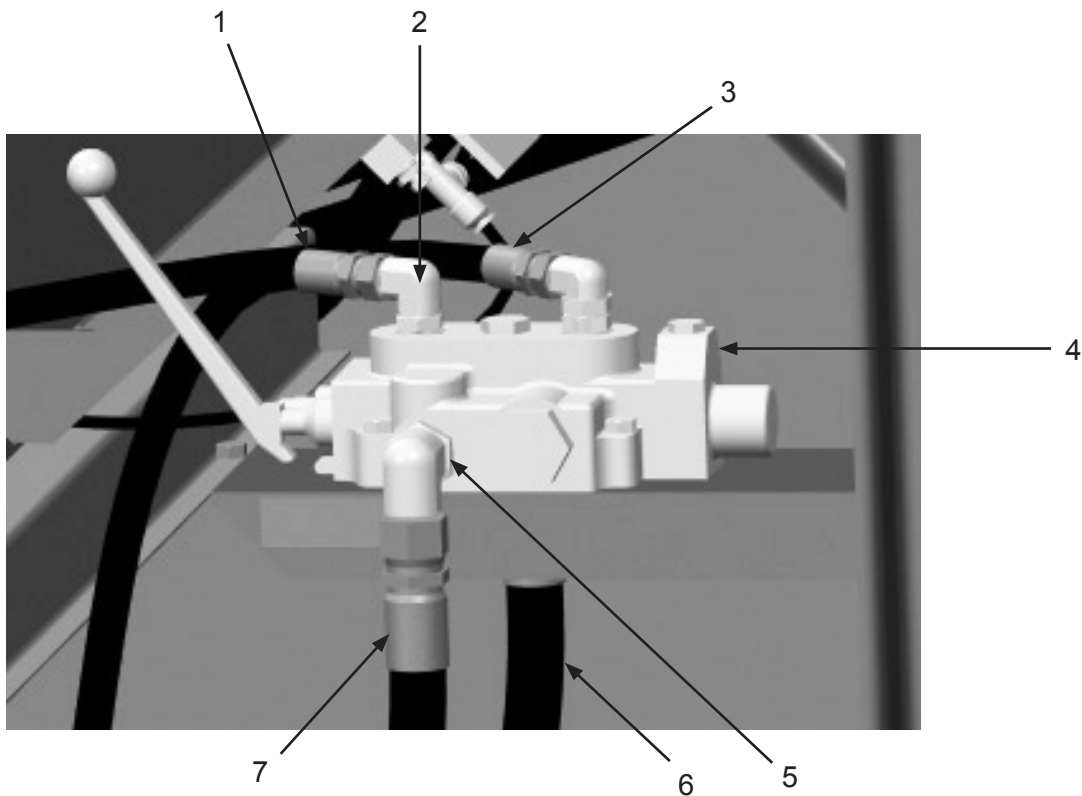
Figure 23: Hydraulic Pump



Item #	Part #	Description
Fig. 23		
1	10103615	M10 x 25 mm Zinc Bolt (<i>Two Required</i>)
2	10103610	JIC 12 x JIC 12 90° Elbow
3	10103310	JIC 12 x SAE 12 90° Elbow
4	10103269	2B Series 2.08 CI/REV Gear Pump
5	10103311	JIC 6 x SAE 16 90° Elbow
6	10103406	3/4" I.D. x 21' Hydraulic Hose with Fittings
7	10103405	1-1/4" I.D. x 9-1/2" Hydraulic Hose with Fittings
—	10105869	Flange Gasket

PART NUMBERS AND SCHEMATICS

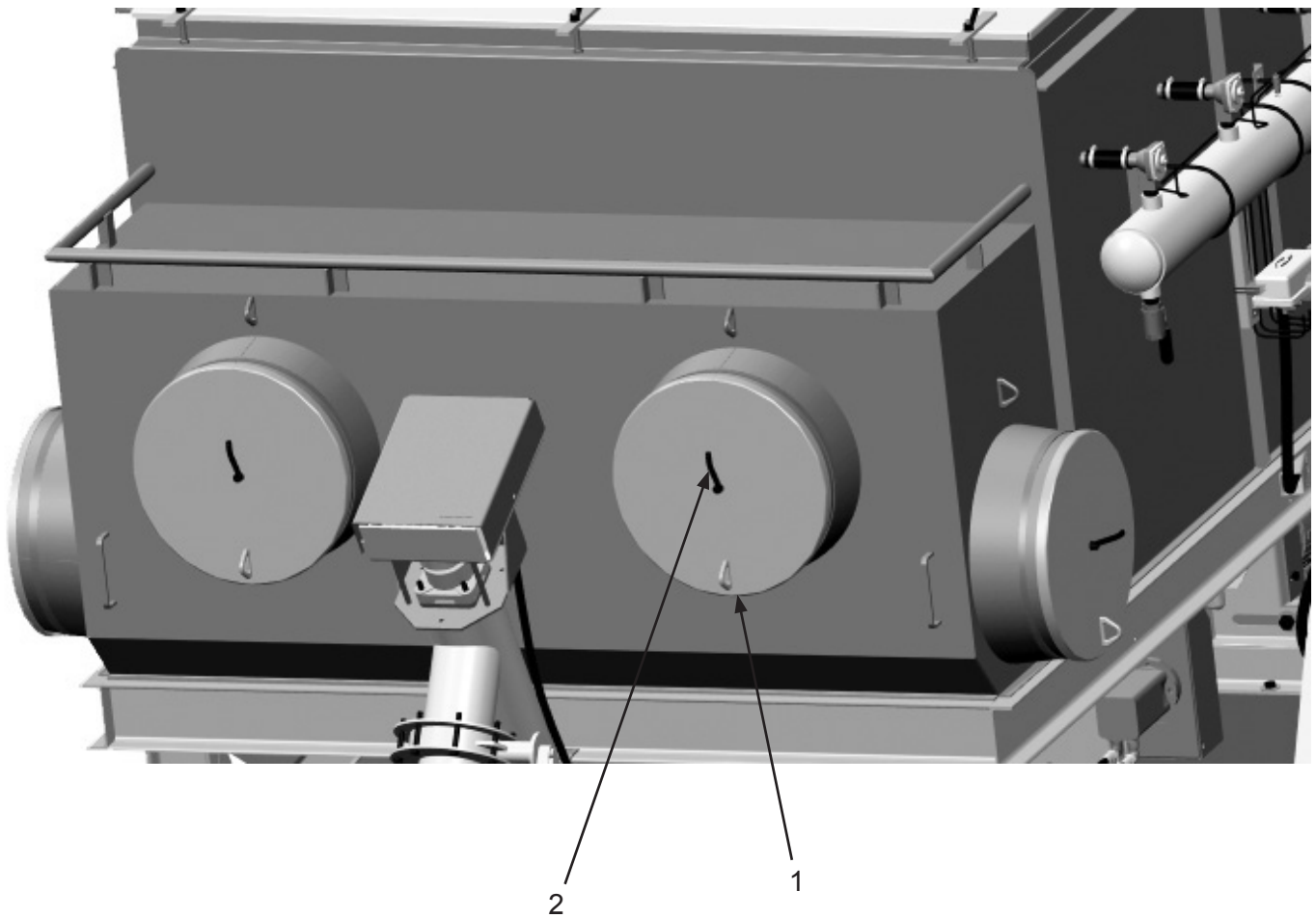
Figure 24: Hydraulic Control Assembly



Item #	Part #	Description
Fig. 24		
1	10103408	1/2" x 12'6" Hydraulic Hose with Fittings
2	10103309	JIC 8 x SAE 8 90° Elbow (<i>Two Required</i>)
3	10103409	1/2" x 7'1" Hydraulic Hose with Fittings
4	10103267	Cross Hydraulic Control Valve with Handle
5	10103310	JIC 12 x SAE 12 90° Elbow (<i>Two Required. One not shown</i>)
6	10103707	3/4" I.D. x 17.7' Hydraulic Hose with Fittings
7	10103710	3/4" I.D. x 13' Hydraulic Hose with Fittings
—	10108331	Cross Hydraulic Control Valve Seal Kit
—	10108332	Cross Hydraulic Control Valve HANdle Kit
—	10108333	Cross Hydraulic Control Valve Relief Assembly

PART NUMBERS AND SCHEMATICS

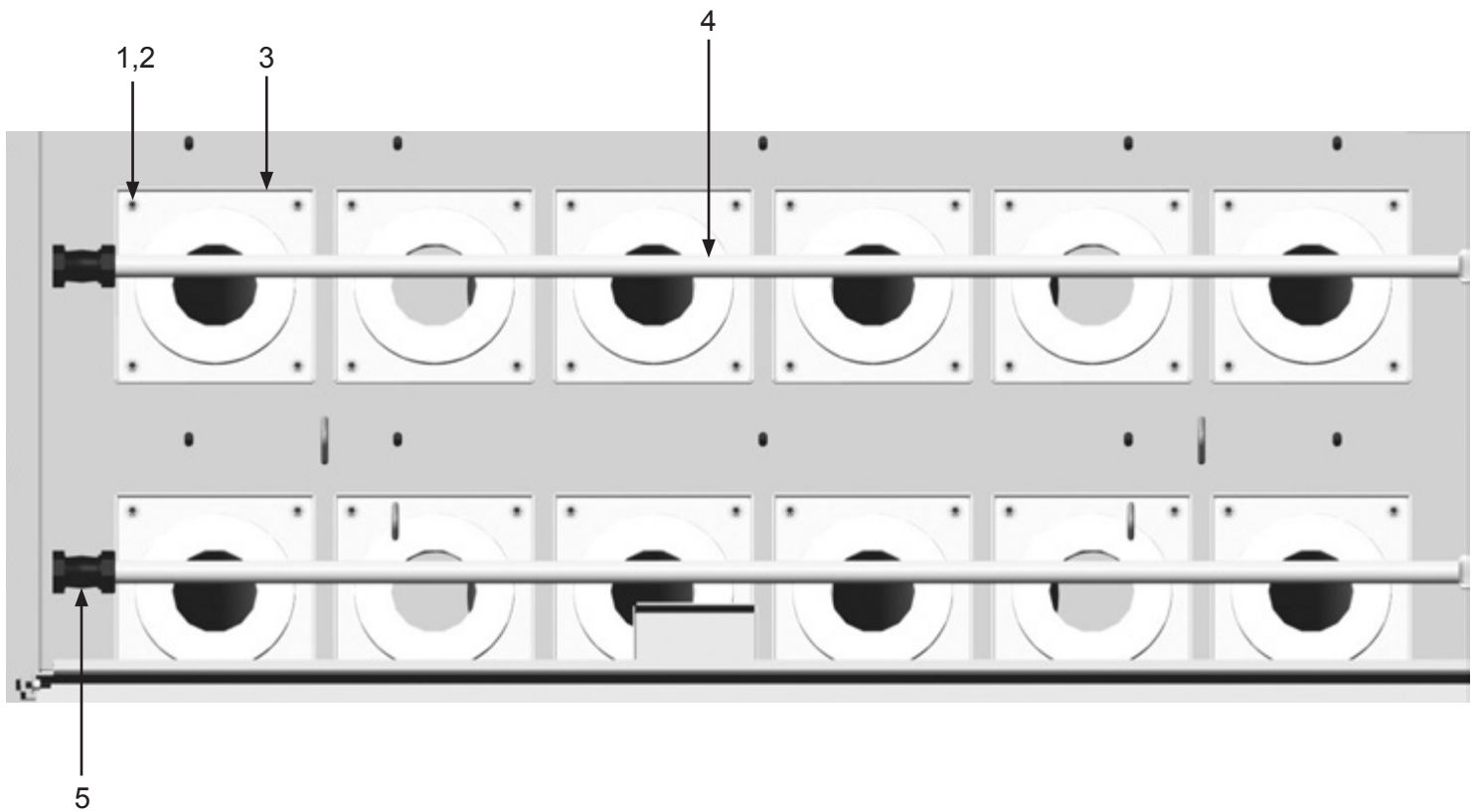
Figure 25: Inlet Door Assembly



Item #	Part #	Description
Fig. 25		
1	10105945	20" Inlet Cover (Four Required)
2	10105960	3/8-16 Handle Zinc (Four Required)

PART NUMBERS AND SCHEMATICS

Figure 26: Dust Collector Filter Cartridge Pulsers

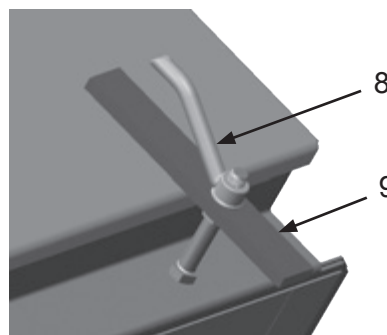
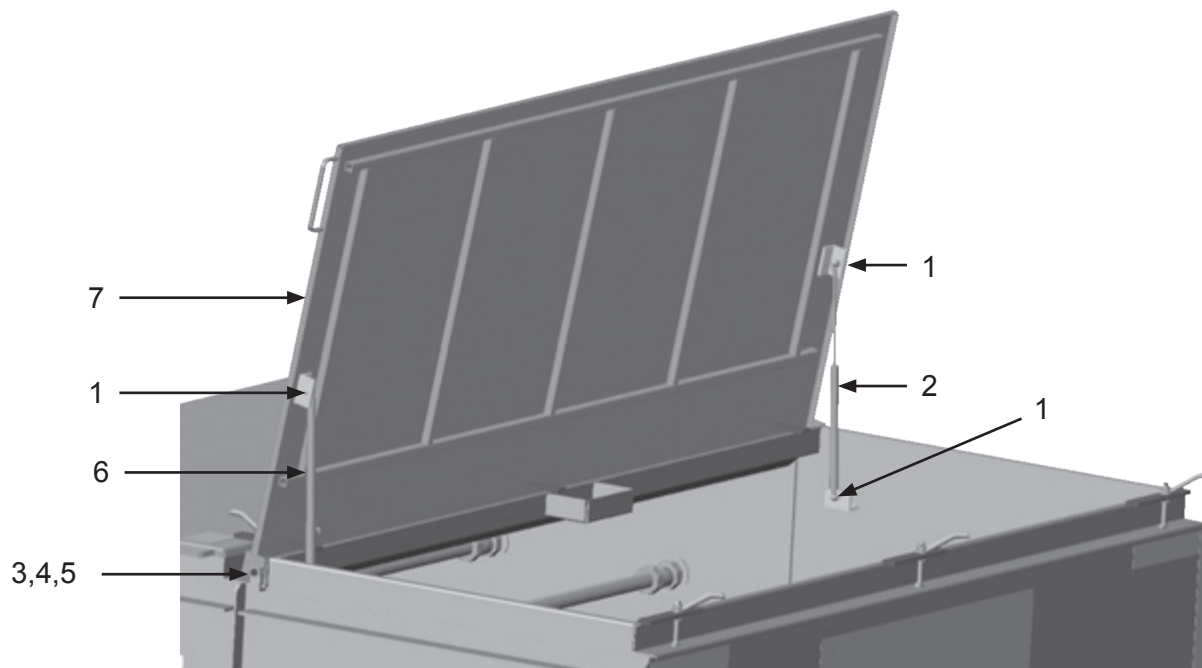


Item #	Part #	Description
Fig. 24		
1	10101942	3/8" Flat Washer (48 Required)
2	1012318	3/8" Hex Nut (48 Required)
3	10105939	Filter Bolt-Down (12 Required)
4	10105942	Small Filter Blowpipe (Two Required)
5	10102599	Compression Coupling Assembly (Two Required)

Quantities specified are per hatch opening

PART NUMBERS AND SCHEMATICS

Figure 27: Dust Collector Filter Cartridge Hatch Door



Item #	Part #	Description
--------	--------	-------------

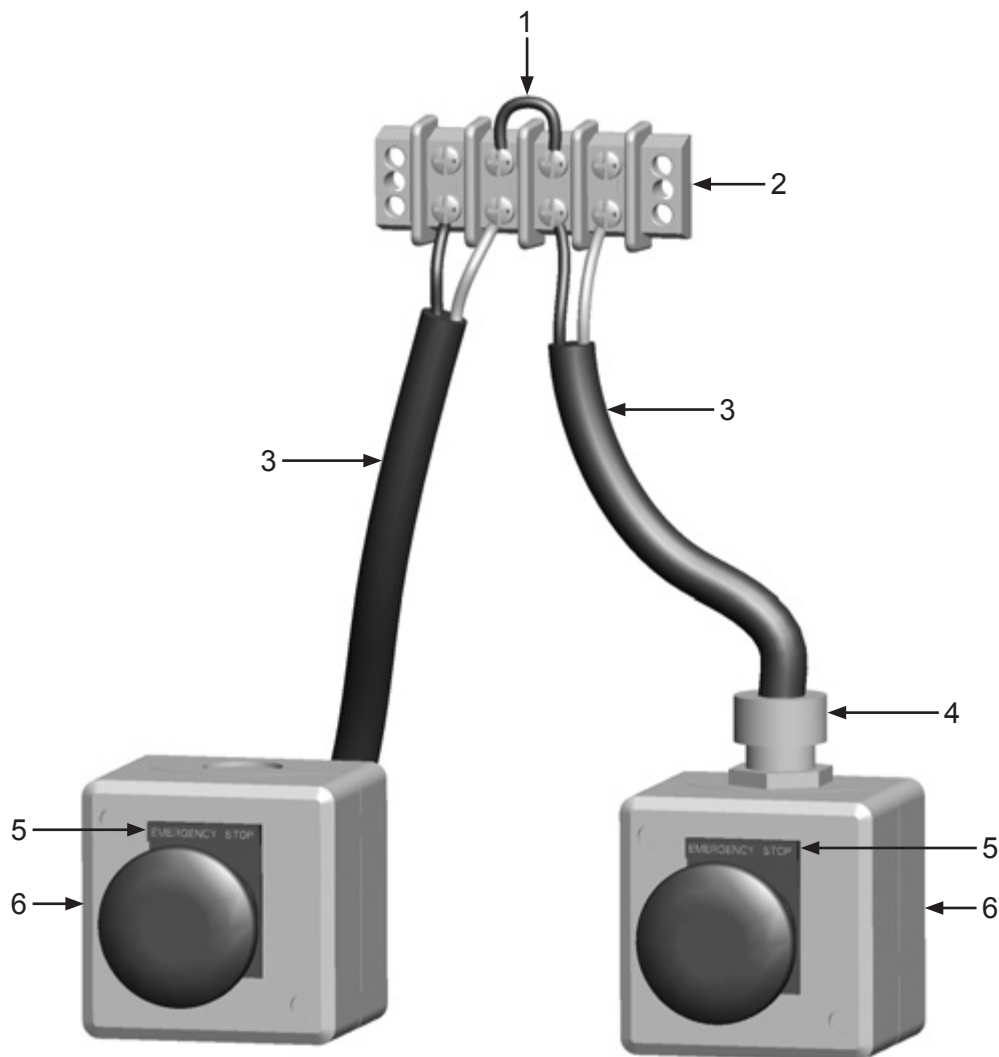
Fig. 27

1	1035046	5/16-18 Hex Nut <i>(Four Required)</i>
2	10103454	Non-Locking Gas Spring
3	1028617	3/8-16 x 1-3/4" Shoulder Bolt <i>(Two Required)</i>
4	10101942	3/8" Flat Washer <i>(Four Required)</i>
5	1012318	3/8"-16 Hex Nut <i>(Two Required)</i>
6	10103455	Locking Gas Spring
7	10102916	Hopper Lid
8	10103395	1/2-13 Zinc Plated Handle <i>(Three Required)</i>
9	10104377	Latch Bar <i>(Three Required)</i>

Quantities specified are per hatch opening

PART NUMBERS AND SCHEMATICS

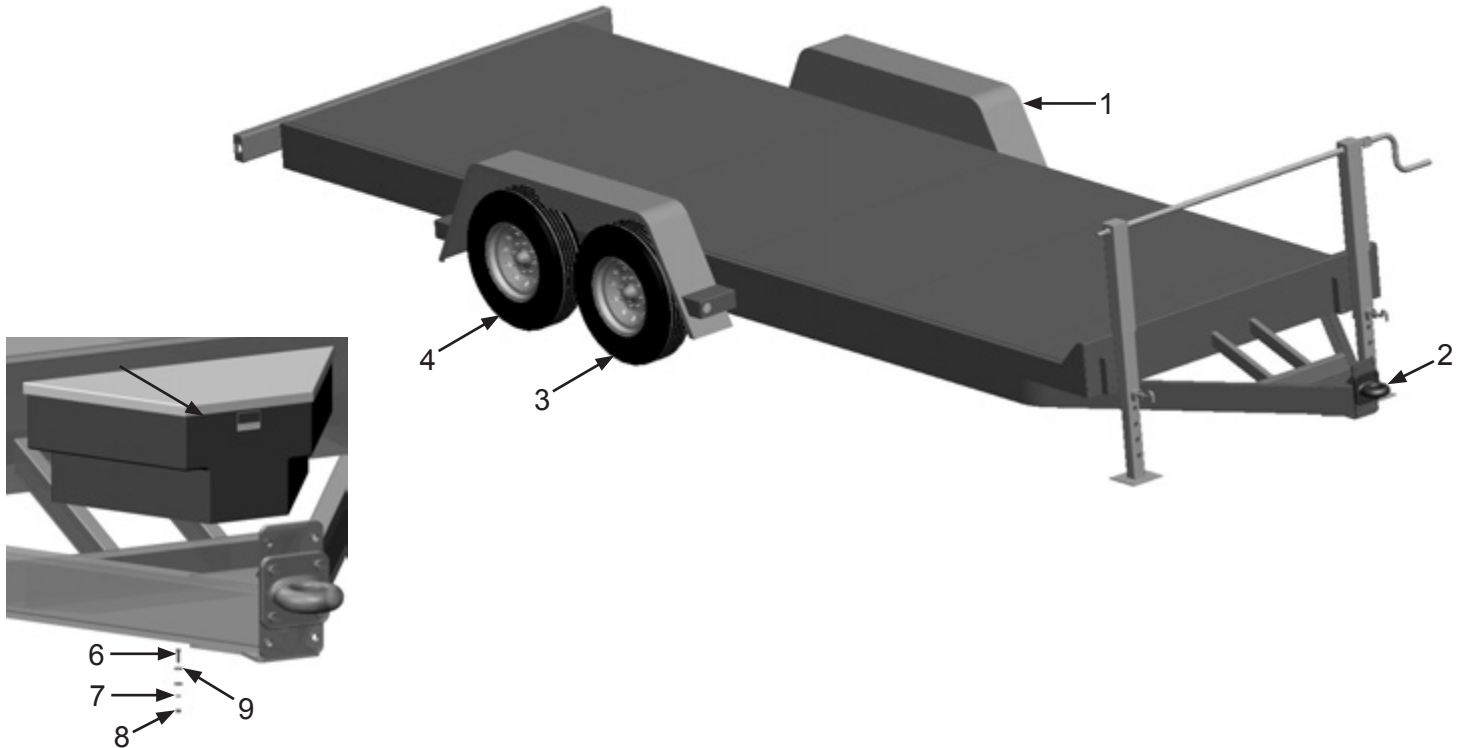
Figure 28: Emergency-Stop Stations



Item #	Part #	Description
Fig. 28		
1	20R12AWGBLACK	Stranded Wire - 12 AWG - Black
2	10104066	Terminal Strip - 4-Circuit - 30 amp
3	1015570	Electric Cord - 12/2 SO (<i>Per Foot</i>)
4	20RCG5050	Cord Grip - 1/2" NPT
5	10104063	Legend Plate - Emergency-Stop Station
6	10104071	<i>Emergency-Stop Control Station (2 Required)</i>
—	1015009	Screw - 8-32 x 1" - Pan Head Phillips (Four Required)
—	20000021	Nut - 8-32 - Zinc (Four Required)
—	20000018	Lock Washer - #8 - Zinc (Four Required)
—	20000019	Flat Washer - #8 - Zinc (Four Required)

PART NUMBERS AND SCHEMATICS

Figure 29: Trailer



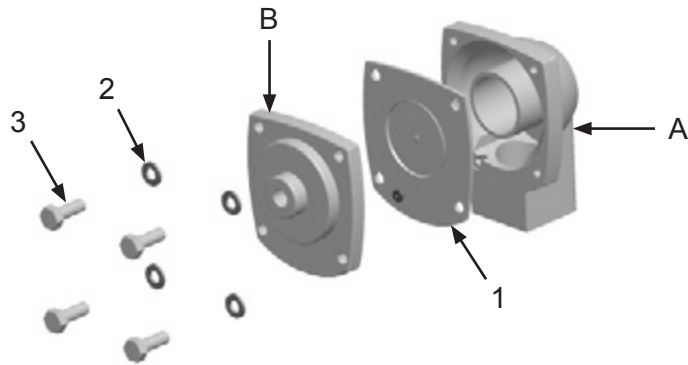
Item #	Part #	Description
--------	--------	-------------

Fig. 29

1	10104090	Left and Right Fenders (Pair)
2	10104079	Pintle Hitch with Flat Plate
3	10104089	16"- 8 Hole Pattern Rim with Tire (Four Required)
4	10104096	Tire - ST235/80R/16 - 10-ply
5	10103797	Tool Box (optional)
6	1012154	1/4-20 x 1" Bolt (Five Required) (optional)
7	1012153	1/4" Lock Washer (Five Required) (optional)
8	10101347	1/4-20 Hex Nut (Five Required) (optional)
9	10101940	1/4" Washer (Ten Required) (optional)
—	10104081	Breakaway Kit
—	10104083	Wire Harness
—	10104077	7000# Axle with Electric Brakes, Hubs, and Springs - 93" x 78" (Two Required)
—	10104078	Axle Beam/Tube
—	10104080	3/8" x 35" Chain with Hook
—	10104084	Red LED Oval Tail Light (Four Required)
—	10104085	Rubber Oval Grommet (Four Required)
—	10104086	2" Round Red LED Clearance Light (Five Required)
—	10104087	2" Round Amber LED Clearance Light (Four Required)
—	10104088	2" Round Rubber Grommet (Nine Required)
—	10105829	Cable with Plug

PART NUMBERS AND SCHEMATICS

Figure 30: Diaphragm Valve



Item #	Part #	Description
Fig. 30		
—	10103255	1" Diaphragm Valve – Complete <i>(Three Required)</i> <i>Includes Items: A,B,1,2,3</i>
1	10103954	1" Diaphragm
2	1012153	1/4" Lock Washer <i>(Four Required)</i>
3	20101232	M6 x 1 x 14 HHCS <i>(Four Required)</i>
—	10103954	1" Diaphragm Valve Service Kit <i>(Not Shown)</i>

OPTIONAL ACCESSORIES

REPLACEMENT DUST COLLECTOR FILTER CARTRIDGES

Part Numbers	Material	I.D.	O.D.	Length
10103499	85/15	8.38"	12.75"	35"
10103945	Fire Retardant	8.38"	12.75"	35"
1010008004	HEPA	8.38"	12.75"	35"
10103964	Spunbond	8.38"	12.75"	35"



DUCT HOSE

Part Numbers	I.D.	Length	Pitch
10DH2025HD	20"	25 Feet	1-1/2" Heavy-Duty
10DH2050HD	20"	50 Feet	1-1/2" Heavy-Duty



DUCT HOSE COUPLING AND CLAMPS

Part Numbers	Duct Hose I.D.	Style
1017120	20"	Coupling
10DH062602000	20"	Screw Clamp

OPTIONAL ACCESSORIES



Part Numbers

3/4" I.D. X 1-1/4" O.D. AIR HOSE WITH COUPLINGS INSTALLED						
	Length	Hose I.D.	Hose O.D.	Working Pressure	Hose Cover Color	Couplings
10AH034AC	50 Ft.	3/4"	1-1/4"	200 PSI	Red	2-Lug Crimped On



Part Numbers

3/4" I.D. X 1-1/4" O.D. AIR HOSE					
	Length	Hose I.D.	Hose O.D.	Working Pressure	Hose Cover Color
10AH034	Per Ft.	3/4"	1-1/4"	200 PSI	Red



Part Numbers

MALE HOSE END COUPLING AND GASKET FOR 3/4" I.D. AIR HOSE						
Part Numbers	Hose I.D.	Material	Coupling Style	GASKET		
				Rubber Gasket	Gasket I.D.	Gasket O.D.
10HE1	3/4"	Plated Iron	2-Lug	10UG2	3/4"	1-3/8"



Part Numbers

BOSS® CLAMP FOR 3/4" I.D. AIR HOSE			
Part Numbers	Hose I.D.	Hose O.D. Range	Material
10A9	3/4"	1-8/64" – 1-20/64"	Plated Steel

LITERATURE REFERENCES

Dustmaster® 28,000 CFM Tier III Diesel Dust Collector

105M110	Features & Specifications Guide – Dustmaster® 28,000 CFM Tier III Diesel Dust Collectors
106M110	Part Numbers & Schematics Guide – Dustmaster® 28,000 CFM Tier III Diesel Dust Collectors
1090110	Operator's Manual – Dustmaster® 28,000 CFM Tier III Diesel Dust Collectors
109V036	Operator's Manual - Perkins® Engine
109V037	Operator's Manual – Dynamic Fan Corporation
109V039	Operator's Manual - Murphy PowerView
109V040	Operator's Manual - Hydraulic Motor
109V582	Operator's Manual - Behnke Trailer

MAINTENANCE NOTES

DATE	TYPE OF SERVICE	PART NUMBER

GLOBAL HEADQUARTERS

- 3425 East Locust Street
Davenport, IA 52803

ph: 800.BLAST.IT (800.252.7848)
ph: 563.324.2519
fax: 563.324.6258

REGIONAL BRANCH OFFICES

- **Iowa**
Davenport
- **Louisiana**
Gonzales
Lafayette
- **Ohio**
Youngstown
- **Texas**
Beaumont
Corpus Christi
Deer Park



ABRASIVES

BLASTING

COATING

DUST COLLECTORS

ENGINEERED SYSTEMS

RENTAL

SAFETY

SERVICE & REPAIR

VACUUMS

40+ NATIONWIDE SHIPPING LOCATIONS



★ Marco Regional Branch Offices
and Shipping Locations

● Direct Shipping Locations

CONTACT MARCO

800.BLAST.IT
(800.252.7848)
563.324.2519
FAX: 563.324.6258

WWW.MARCO.US
SALES@MARCO.US