



DUSTMASTER® 18,000 CFM ELECTRIC DUST COLLECTORS



BUILT MARCO TOUGH
MARCO MANUFACTURED

PART NUMBERS AND SCHEMATICS GUIDE

Company Profile

Since 1944, Marco has developed a strong tradition of providing innovative and reliable products and services to the surface preparation and protective coatings industries. We are the world's premier provider of Abrasives, Blasting, Coating, Dust Collectors, Engineered Systems, Rental, Safety, Service, Repair, & Modernization, and Vacuums.

Through innovative designs and a total commitment to quality, Marco manufactures products that increase production rates, create a safer workplace, and reduce maintenance costs. Marco's industry experience, manufacturing capabilities, legendary customer service, product availability, logistics services, and technology leadership is your assurance that we deliver high quality products and services, providing the best value to you, our customer.

The Marco Difference

- **Industry Experience** – With Marco on your team, you have access to expertise which can only come from decades of industry leadership. We have organized our engineering department, production specialists, customer operations, and safety support into a “Center of Competence.” As a Marco customer, you have access to hundreds of years of cumulative experience related to your operations.
- **Manufacturing Excellence** – Marco is a manufacturer of equipment for the Surface Preparation and Protective Coatings industries. Marco's engineers benchmark the industry to ensure that we design and manufacture superior products that set the “Gold Standard” for performance, safety, and quality.
- **Legendary Customer Service** – Marco's legendary customer service team is staffed by friendly, highly-trained individuals who are focused on providing the highest level of product support, order accuracy, and customer satisfaction.
- **Product Availability** – We stock over 10,000 SKU's and have more than 45 shipping locations to serve North American and International markets for all major brands of blasting and coating equipment. As the largest provider of surface preparation and protective coatings equipment in the world, our inventory levels and product availability are unmatched.
- **Logistics Services** – Marco's in-house logistics team is dedicated to moving your shipment anywhere in the world. We move more than 14,000 truckloads every year, allowing you to save on freight costs by leveraging our buying power. Lower your process costs with a single invoice, which includes product and freight.
- **Technology Leadership** – Our website provides: Operator's Manuals, Part Numbers and Schematics Guides, SDS information, and Features & Specifications Guides, providing access to information 24/7. Our Extranet application allows you to receive quotes and place orders online. Our Intranet maintains a complete record of your purchase history to assist with ongoing support of your existing equipment and future purchasing decisions.

Vision Statement

Marco is the world's premier provider of Abrasives, Blasting, Coating, Dust Collectors, Engineered Systems, Rental, Safety, Service, Repair, & Modernization, and Vacuums.

Mission Statement

Marco provides strong leadership and innovation to the surface preparation and protective coatings industries. We dedicate our efforts to the continuous improvement of our products, services, processes, people, and most importantly, the quality of our customer's experience.

Quality Statement

Marco is committed to providing superior quality in the design, manufacturing, distribution, rental, service, and repair of our products. Continuous improvement of our processes and supply chain Integration comprise the core of our business strategy for delivering exceptional quality and value in all Marco products and services.

Management Philosophy

We are a company dedicated to the success of every customer and associate. We discuss, debate, challenge, measure, and test our ideas. We will be boundless and limitless in our passion to improve. Through sound leadership and dedicated associates, we will ensure a long term, profitable future for Marco, our associates, customers, and suppliers.

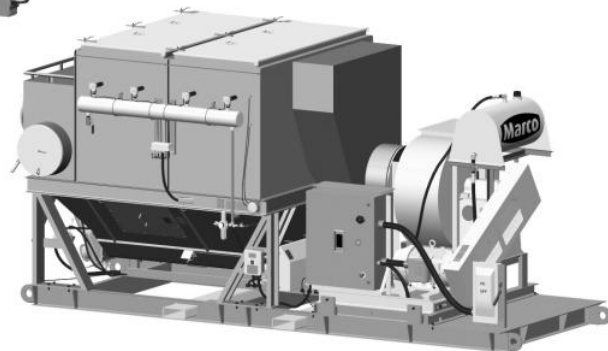
TABLE OF CONTENTS

Company Profile	1	Dust Collector Filter Cartridge Pulsers	34
Part numbers	3	Dust Collector Filter Cartridge Hatch Door	35
Specifications	4	Pulser Solenoid Enclosure Assembly	36
Assembly Part Numbers and Schematics	5	Trailer	37
Front Assembly	5	Emergency-Stop Station	39
Hydraulic Oil Tank	7	Hazard Identification Decals	40
Hydraulic Oil Filter Assembly	9	Optional Accessories	43
Hydraulic Hoses	10	Literature References	45
Fan Belt Assembly	11		
Fan Belt Guard Back Assembly	13		
Fan Assembly	14		
Main Auger Drive Assembly	15		
Main Auger Bearing	16		
Main Auger Motor	17		
Main Auger	18		
Access Panel Assembly	19		
Main Auger Protective Grate	19		
Pneumatic Ball Vibrators	20		
Pulser System Assembly	21		
Diaphragm Valve	23		
Pulser Regulator and Timer Assembly	24		
Discharge Auger Assembly	25		
Discharge Auger Drive Assembly	27		
Discharge Auger Clean-out Assembly	29		
Hydraulic Pump	31		
Hydraulic Control Assembly	32		
Inlet Door Assembly	33		

PART NUMBERS

DUSTMASTER® 18,000 CFM ELECTRIC DUST COLLECTORS

Part Numbers	Filter Cartridge Material					Trailer	Skid	Filter Cartridge Quantity
	None	85/15 Blend High Density Pleat Filters	85/15 Blend Reduced Pleat Filters	Fire Retardant	HEPA			
10106020	X					X		—
10106021		X				X		24
10106022			X			X		24
10106023				X		X		24
10106024					X	X		24
10106025					X	X		24
10106146	X						X	—
10106147		X					X	24
10106148			X				X	24
10106149				X			X	24
10106150					X		X	24
10106151					X		X	24



SPECIFICATIONS

Capacity:	CFM : 10,880-18,350 cfm W.C. 6"-16"
Filter Cartridge Style:	Open Top with Flange, Closed Bottom 24 Required
Filter Cleaning:	Pulse System, 5–15 second intervals Pulse Duration: 200–350 millisecond
Air to Cloth Ratio:	3.67:1 @ 18,000 CFM
Filter Area:	4,900 square feet
Efficiency:	85/15 Blend High Density Pleat Filters – 99.8% @ 0.5 micron 85/15 Blend Reduced Pleat Filters – 99.8% @ 0.5 micron HEPA Filters – 99.99% @ 0.3 micron Fire Retardant Filters – 96.8% @ 2.0 micron Spunbond Filters – 97% @ 3.0 micron
Ducting Connections:	20" I.D., Quantity of Four
Clean-Out Ports:	One
Dust Removal Conveyor:	Main Auger, 6" Discharge Auger, Hydraulic Motor Drive
Fan:	Backward Inclined, non-overloading, spark resisting
Motor:	50 Horsepower Electric 3-Phase – Fan 10 Horsepower Electric 3-Phase – Hydraulic
Electrical System:	460 V, 60 Hz 59 FLA
Air Requirements:	Clean, Dry, Compressed Air 24 CFM @ 90 PSI
Motor Protection:	Motor fused in control box
Fluid Specifications:	Hydraulic Oil: H46 or equivalent, 40 Gallons Grease/Lubricator: Mobil Polyrex EM or equivalent
Unit Dimensions Trailer:	Weight: 11,680 pounds (empty) Tongue Weight: 1,560 pounds Length: 21' 10" Width: 8' 6" Height: 10' 3"
Unit Dimensions Skid:	Weight: 10,500 pounds (empty) Length: 17' 6" Width: 8' 6" Height: 8' 9"

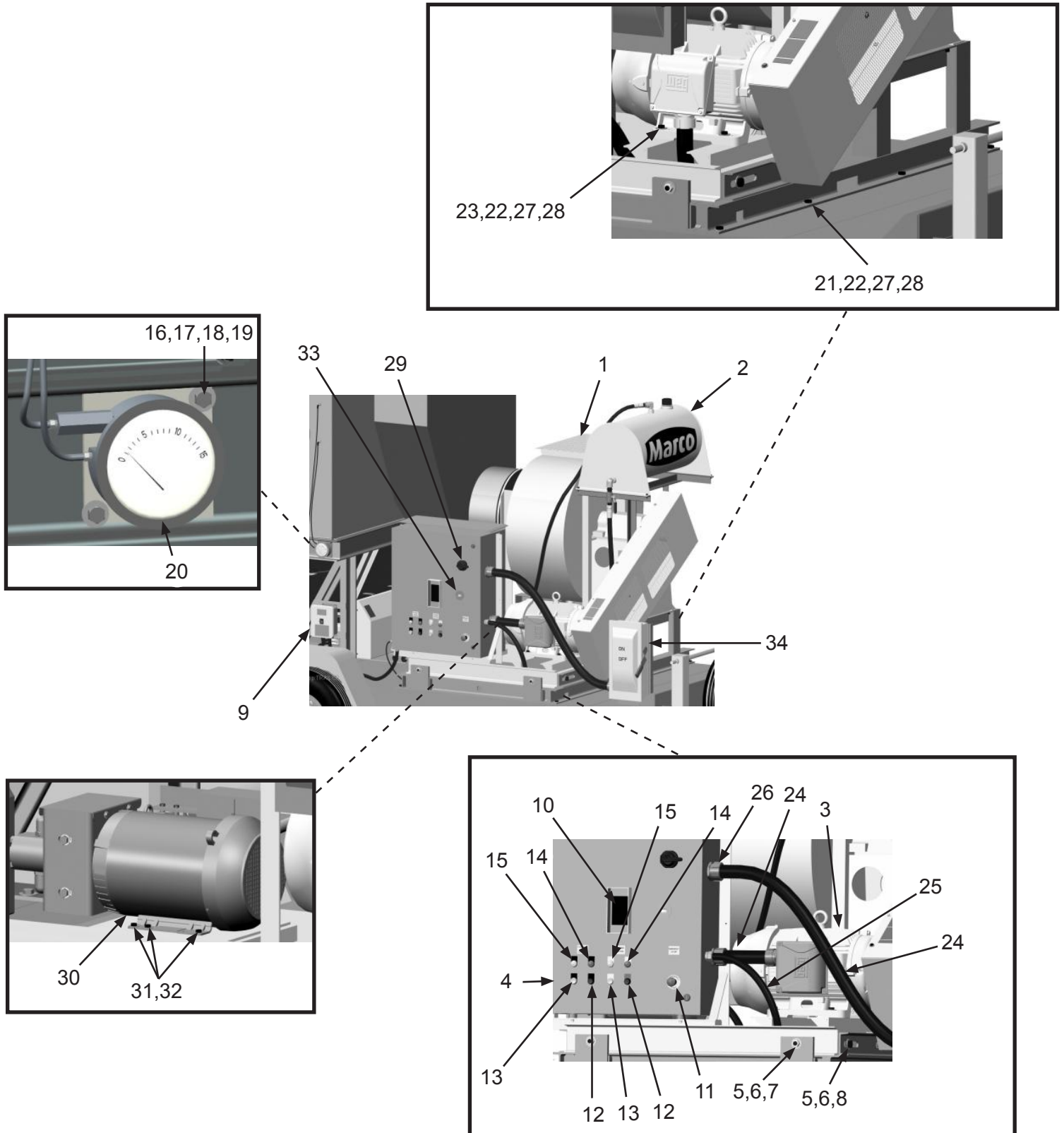
ASSEMBLY PART NUMBERS AND SCHEMATICS

Front Assembly

Item #	Part #	Description
Fig. 1		
1	10104253	Fan
2	10105031	Hydraulic Oil Tank <i>(See Figure 2)</i>
3	10106001	Electric Motor 50 HP, 3-Phase
4	10106110	Control Panel
5	10103420	3/4-10 Nut <i>(12 Required)</i>
6	10103718	3/4" Washer <i>(10 Required)</i>
7	10105495	3/4-10 Draw Bolt <i>(Two Required)</i>
8	10103417	3/4-10 UNC x 1-3/4" Grade 8 Bolt <i>(Four Required)</i>
9	10103848	4 Ch. 120-Volt Timer Board with Enclosure <i>(See Figure 17)</i>
10	10103305	Selector Switch – 2-Way
11	10105371	Twist Release E-Stop
12	10105372	Red Momentary Switch <i>(Two Required)</i>
13	10105373	Black Momentary Switch <i>(Two Required)</i>
14	10105374	Red Indicating Light 120-Volt AC <i>(Two Required)</i>
15	10105375	Green Indicating Light 120-Volt AC <i>(Two Required)</i>
16	1011747	3/8-16 x 1" Bolt <i>(Eight Required)</i>
17	10101936	3/8" Lock Washer – Zinc <i>(Eight Required)</i>
18	1012318	3/8-16 Hex Nut <i>(Eight Required)</i>
19	10101942	3/8" Flat Washer <i>(12 Required)</i>
20	10103259	Magnehelic Differential Pressure Gauge
21	10103397	5/8-11 x 2" Grade 8 Bolt – Zinc <i>(Eight Required)</i>
22	10103398	Washer – 5/8" Grade 8 <i>(24 Required)</i>
23	10101058	5/8-11 x 3" L Bolt Grade 8 <i>(Four Required)</i>
24	10106128	3" Flexible Sealtite Conduit
25	20RSEL050UL	1/2" UL/UA Seal-Tite Conduit x 10'
26	10106129	3" Straight Conduit Hub <i>(Four Required)</i>
27	10103399	Lock Washer – 5/8" HD <i>(12 Required)</i>
28	10103393	Nut – 5/8-11 Grade 8 Zinc <i>(12 Required)</i>
29	10105360	Main Power Switch
30	10106002	Electric Motor 10 HP, 3-Phase
31	10104234	3/8-16 x 1-1/4 Hex Bolt Zinc Grade 5 <i>(Four Required)</i>
32	10102331	3/8 SAE Flat Washer Zinc Plate <i>(Four Required)</i>
33	10107718	Hour Meter - 115-275 VAC/DC - Round
34	10100610	Breaker Box
—	106M133	Part Numbers and Schematics Guide – Dustmaster® 18,000 CFM Electric Dust Collectors
—	1090133	Operator's Manual – Dustmaster® 18,000 CFM Electric Dust Collectors
—	109V045	Operator's Manual – Dynamic Fan Corporation
—	109V563	Operator's Manual – WEG Electric Motor Manual

PART NUMBERS AND SCHEMATICS

Figure 1: Front Assembly



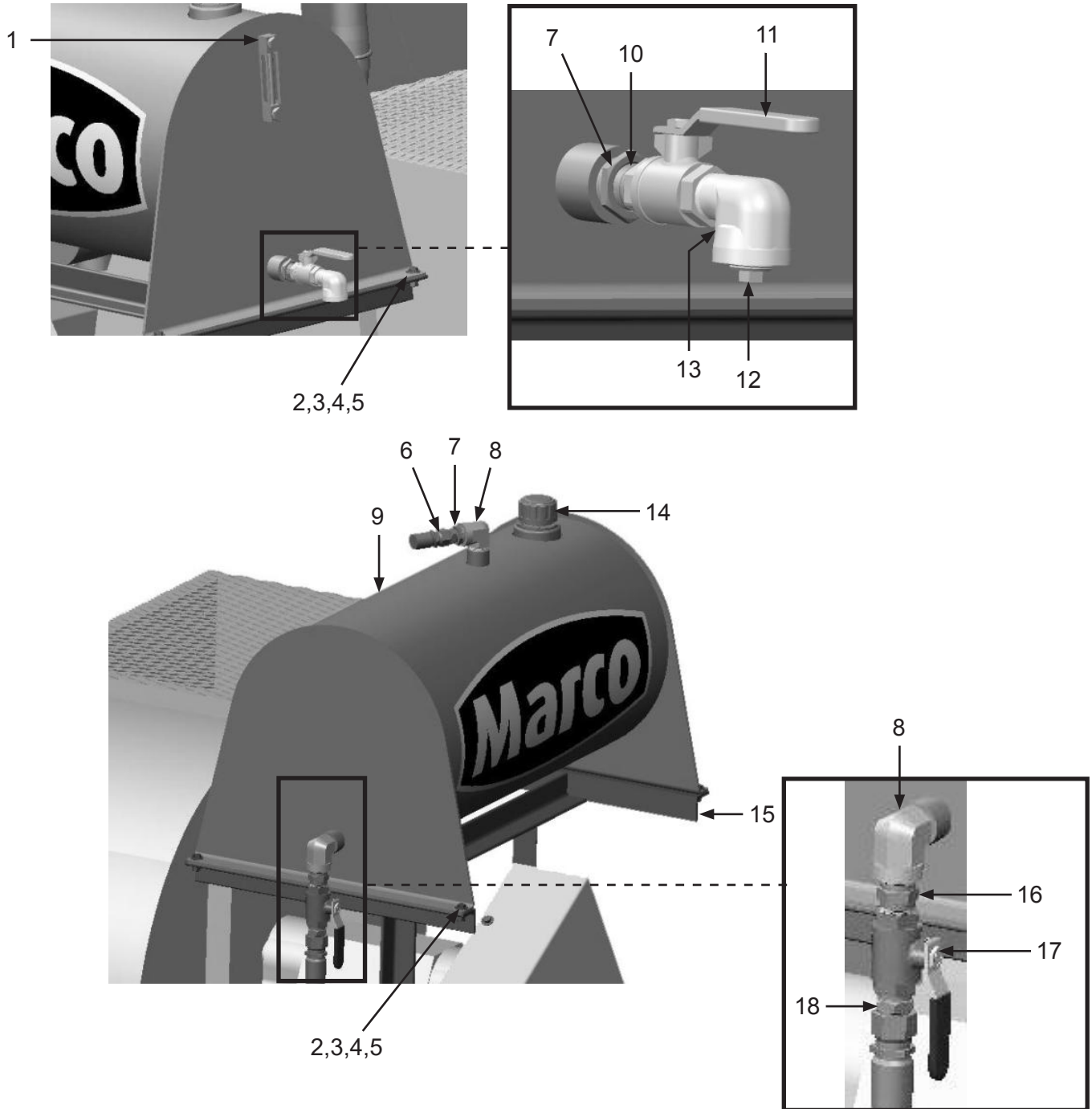
PART NUMBERS AND SCHEMATICS

Hydraulic Oil Tank

Item #	Part #	Description
Fig. 2		
1	10103942	Sight Level Gauge
2	1011747	Bolt - 1/2-13 x 1-3/4" - Galvanized (<i>Four Required</i>)
3	10101942	Flat Washer - 3/8" (<i>Eight Required</i>)
4	10101936	Lock Washer - 3/8" (<i>Four Required</i>)
5	1012318	3/8-16 Hex Nut (<i>Four Required</i>)
6	10103314	Straight Adapter - 3/4" NPT x 12 JIC
7	20PFHA24SB1612	Reducing Bushing - 1" NPT x 3/4" NPT
8	20PFHA25UG1616	Street Elbow - 90° - 1" NPT (<i>Two Required</i>)
9	10105031	Hydraulic Oil Reservoir - 40 Gallon
10	1011213	Close Nipple - 3/4" NPT - Galvanized
11	10L8074C	Full Port Ball Valve - 3/4" NPT
12	10DSHP75	Pipe Plug - Square Head - 3/4" NPT
13	10102479	Street Elbow - 90° - 3/4" NPT - Galvanized
14	10103971	Filler/Breather Cap
15	10104255	Hydraulic Oil Tank Mount
16	20PFHA24SA1616	Hex Nipple - 1" NPT
17	1011601	Full Port Ball Valve - 1" NPT
18	10103312	Straight Adapter - 1" NPT x 16 JIC

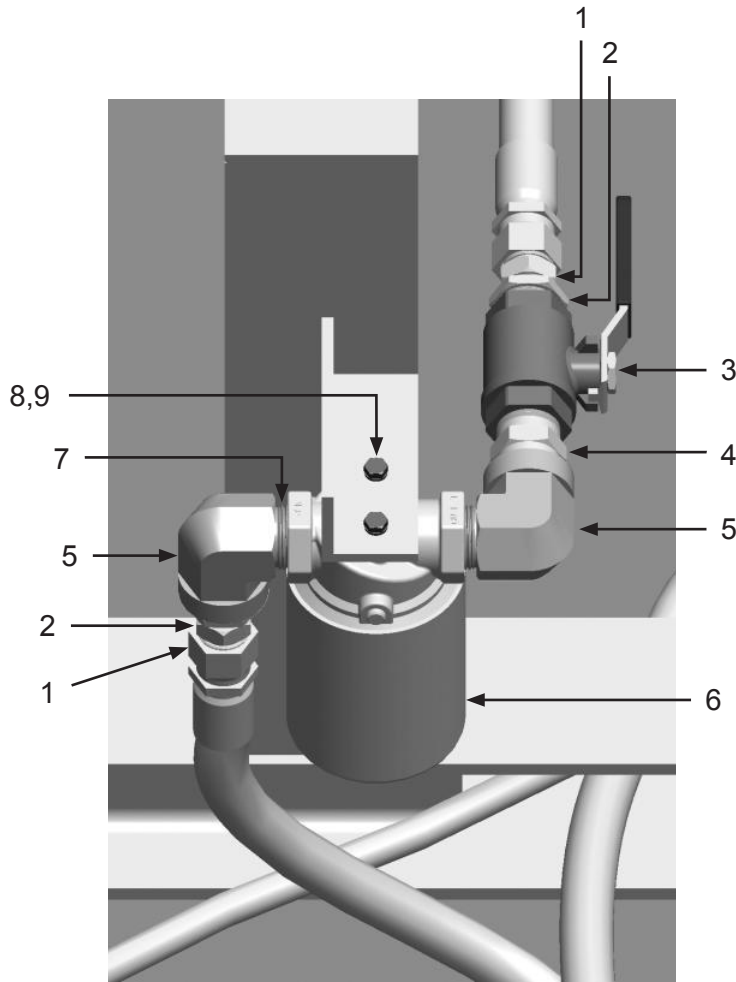
PART NUMBERS AND SCHEMATICS

Figure 2: Hydraulic Oil Tank



PART NUMBERS AND SCHEMATICS

Figure 3: Hydraulic Oil Filter Assembly



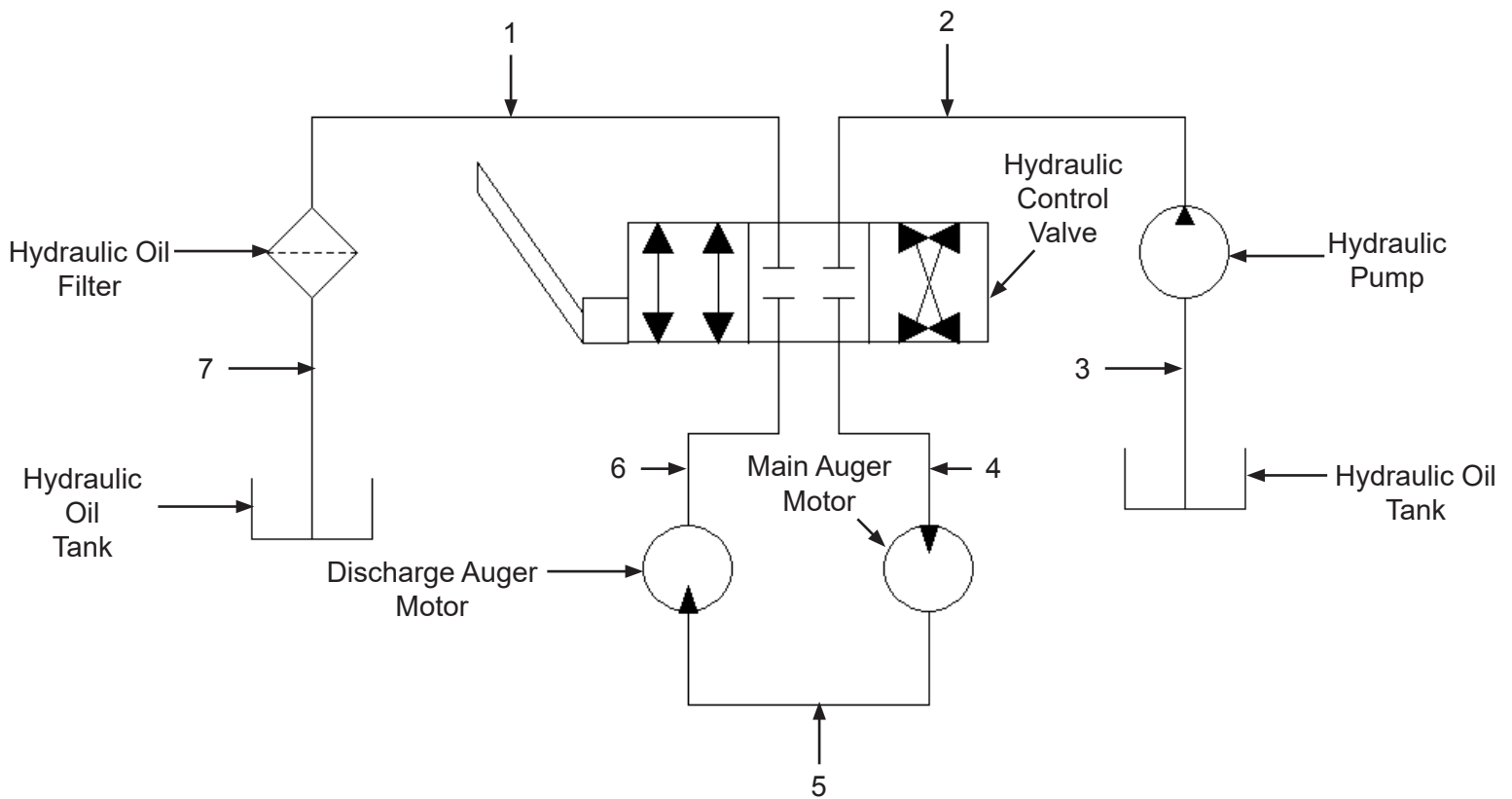
Item #	Part #	Description
--------	--------	-------------

Fig. 3

1	10103314	3/4" NPT x 12 JIC Straight Adapter
2	20PFHA24SB1612	1" x 3/4" Reducing Bushing
3	1011601	3/4" Full Port Brass Ball Valve
4	20PFHA24SA1616	1" Hex Nipple
5	20PFHA25UG1616	1" Street Elbow
6	10104058	Hydraulic Oil Filter
7	10104057	Hydraulic Oil Filter Head
8	1012153	1/4" Lock Washer
9	20100125	1/4-20 x 3/4" Zinc Bolt

PART NUMBERS AND SCHEMATICS

Figure 4: Hydraulic Hoses



Item #	Part #	Description
--------	--------	-------------

Fig. 4

1	10104069	Hydraulic Hose - 3/4" I.D. x 17' - 3045 psi
2	10103406	Hydraulic Hose - 3/4" I.D. x 21' - 3045 psi
3	10103405	Hydraulic Hose - 1-1/4" I.D. x 9.5' - 2000 psi
4	10103407	Hydraulic Hose - 1/2" x 14' - 2000 psi
5	10103501	Hydraulic Hose - 1/2" x 18' 8" - 2000 psi
6	10103409	Hydraulic Hose - 1/2" I.D. x 7' 1" - 2000 psi
7	10104055	Hydraulic Hose - 3/4" I.D. x 7' 8" - 3045 psi

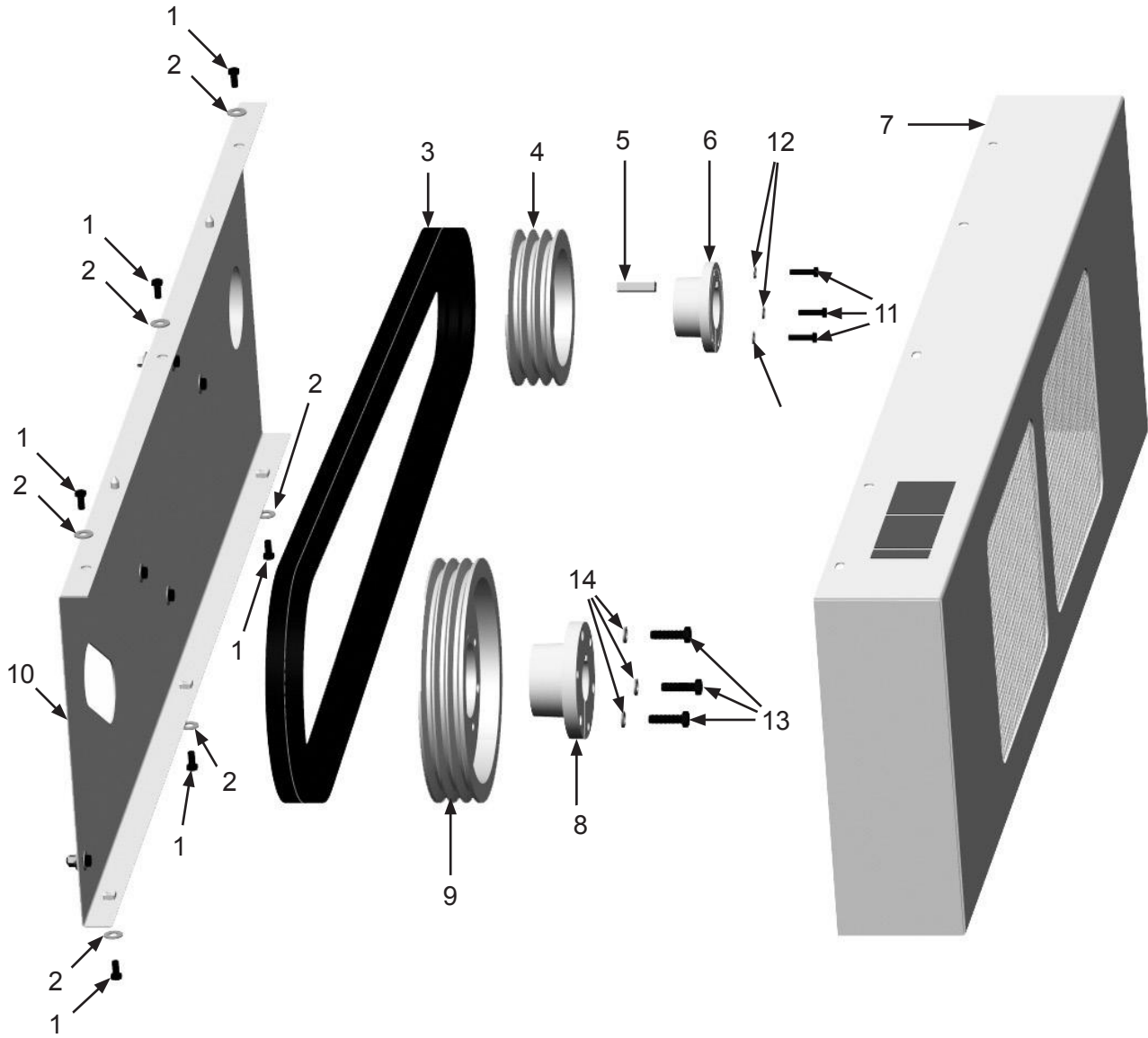
PART NUMBERS AND SCHEMATICS

Fan Belt Assembly

Item #	Part #	Description
Fig. 5		
1	10103400	3/8-16 x 3/4" Bolt <i>(Six Required)</i>
2	10101942	3/8" Galvanized Flat Washer <i>(Six Required)</i>
3	10103327	3-Band Fan Drive Belt – 125"
4	10103324	8" Sheave
5	10104106	1/2" Square Key Cut
6	10104250	2-3/16" Bore Sheave Bushing <i>Includes Mounting Hardware</i>
7	10102964	Belt Guard Cover
8	10106043	2-1/8" Bore Sheave Bushing <i>Includes Mounting Hardware</i>
9	10103326	12.5" Sheave
10	10102967	Belt Guard Back
11	1028617	5/16-16 x 1-1/4" Hex Bolt <i>(Three Required)</i>
12	10101936	3/8" Zinc Lock Washer <i>(Three Required)</i>
13	10101943	1/2-13 x 1-3/4" Hex Bolt <i>(Three Required)</i>
14	10100675	1/2" Zinc Lock Washer <i>(Three Required)</i>

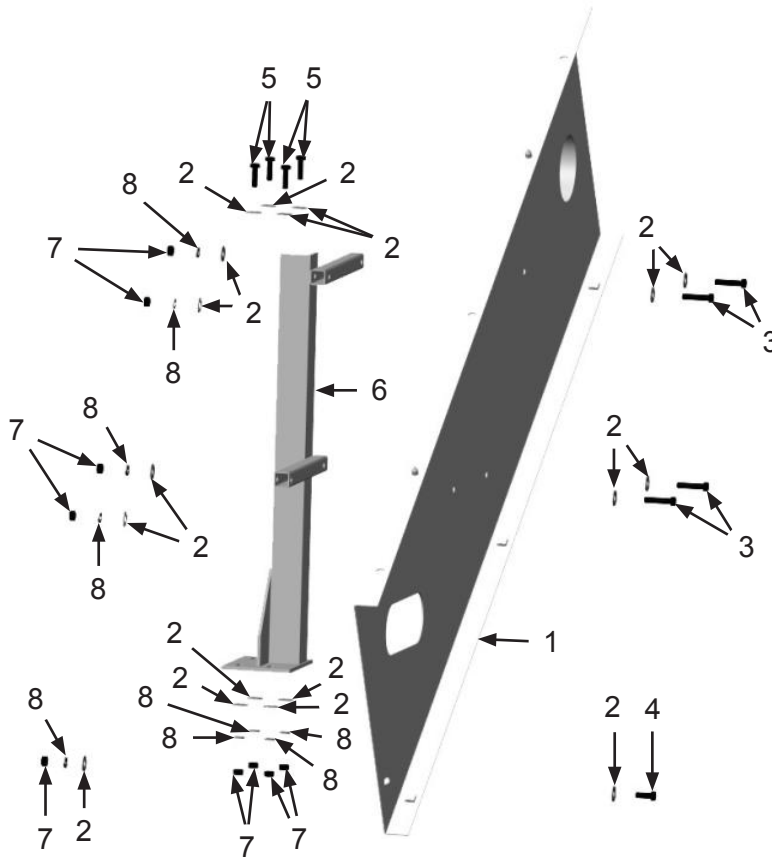
PART NUMBERS AND SCHEMATICS

Figure 5: Fan Belt Assembly



PART NUMBERS AND SCHEMATICS

Figure 6: Fan Belt Guard Back Assembly



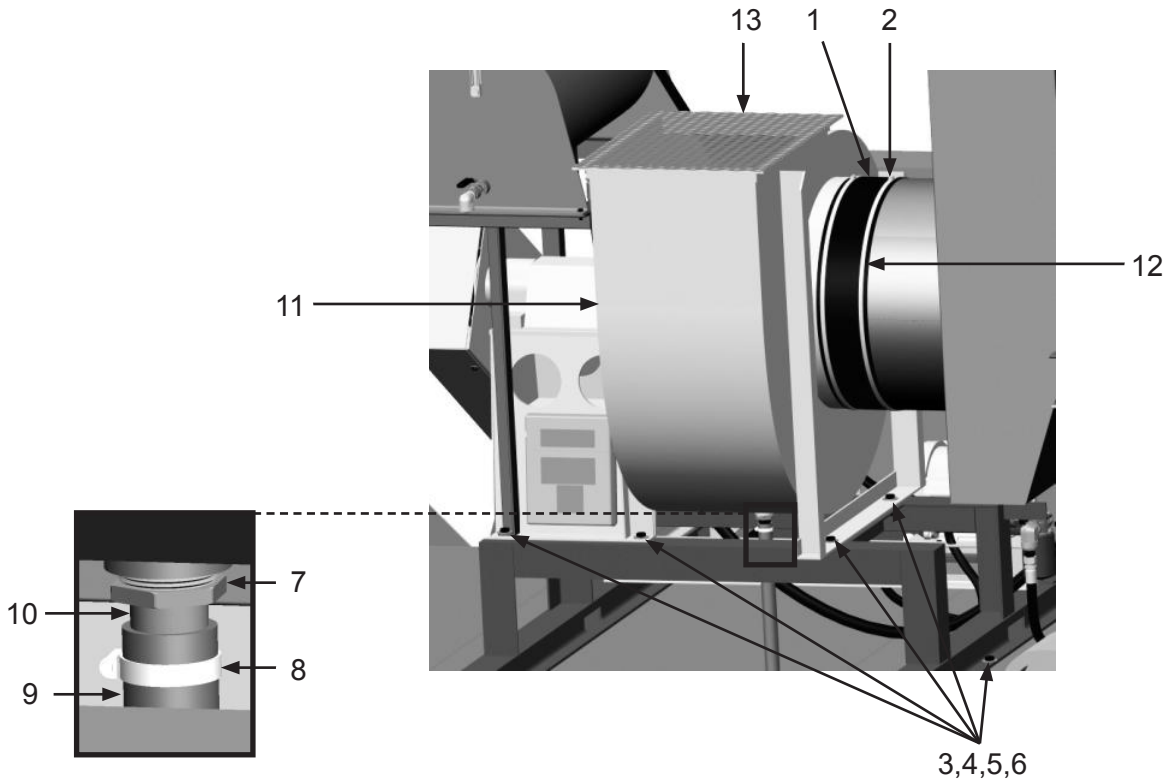
Item #	Part #	Description
--------	--------	-------------

Fig. 6

1	10102967	Belt Guard Back
2	10101942	3/8" Galvanized Flat Washer (18 Required)
3	1028617	3/8-16 x 1-3/4" Shoulder Bolt (Four Required)
4	1011747	3/8-16 x 1" Bolt
5	10104234	3/8-16 x 1-1/4" Bolt (Four Required)
6	10103354	Belt Guard Mount
7	1012318	3/8-16 Hex Nut (Nine Required)
8	10101936	3/8" Zinc Lock Washer (Nine Required)

PART NUMBERS AND SCHEMATICS

Figure 7: Fan Assembly



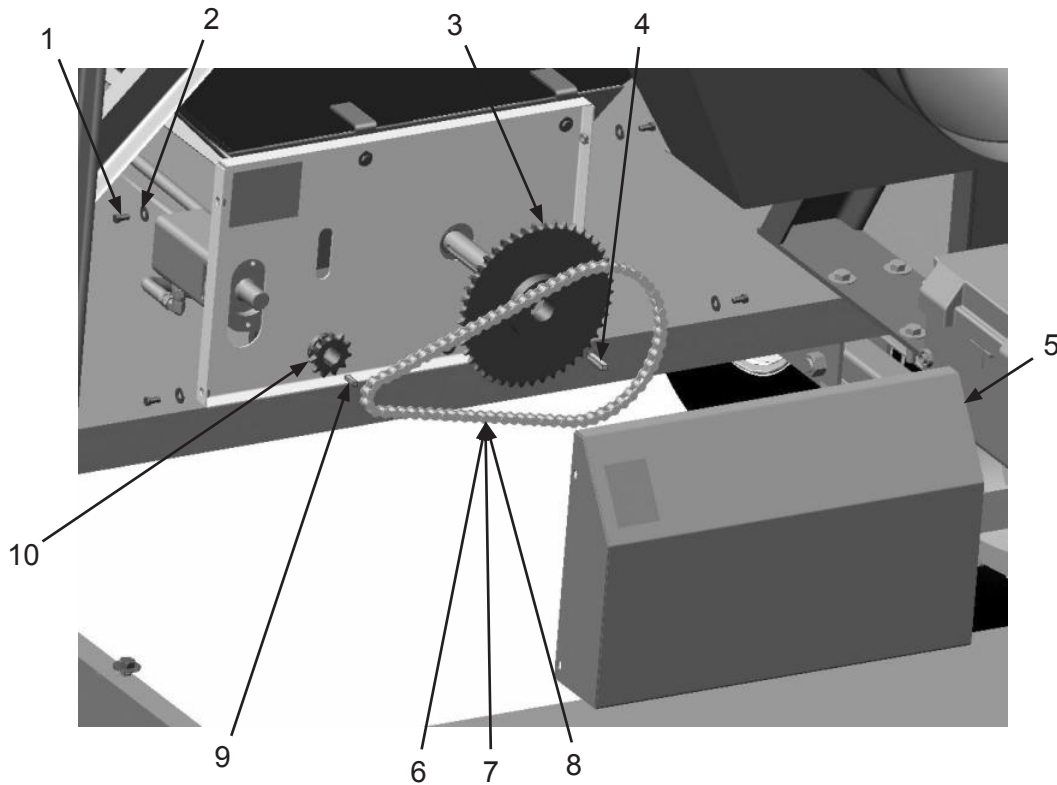
Item #	Part #	Description
--------	--------	-------------

Fig. 7

1	10103962	Connection Rubber Gasket
2	10103416	Adjustable Clamp Fastener <i>(Two Required)</i>
3	10103397	3/4-10 UNC x 1-3/4" Grade 8 Bolt <i>(14 Required)</i>
4	10103398	3/4" Washer <i>(28 Required)</i>
5	10103420	3/4-10 UNC GR8 Nut <i>(14 Required)</i>
6	10103419	3/4" Lock Washer <i>(Six Required)</i>
7	20PFHA24SB2016	1-1/4" x 1" Reducing Bushing
8	10104136	Hose Clamp 1-1/16" x 2" O.D.
9	10103654	1-1/4" I.D. Hose <i>(Per Foot)</i>
10	10000197	1" NPT x 3" Toe Nipple
11	10104253	BI-245 Backward Incline Fan
12	10103416	Banding - Make a Clamp <i>(Per Foot)</i>
13	10104254	Bird Screen

PART NUMBERS AND SCHEMATICS

Figure 8: Main Auger Drive Assembly



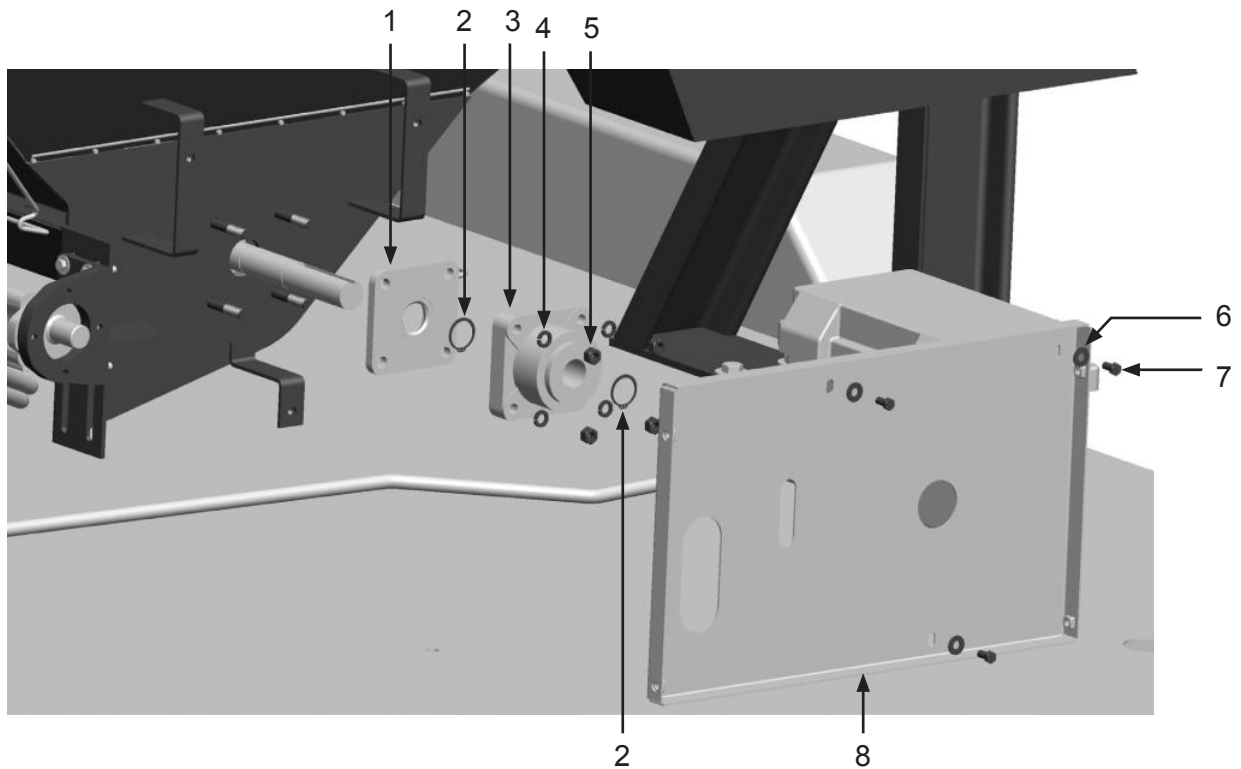
Item #	Part #	Description
--------	--------	-------------

Fig. 8

1	10103400	3/8-16 x 3/4" Bolt (<i>Four Required</i>)
2	10101942	3/8" Galvanized Flat Washer (<i>Four Required</i>)
3	10104218	45-Tooth Sprocket
4	10103641	3/8" Key Cut
5	10102952	Main Auger Motor Cover
6	10103391	60# Cottered Roller Chain (<i>Per Foot</i>)
7	10103392	60# Connecting Link
8	10103614	60# Offset Link
9	10103642	5/16" x 1/4" x 1/8" x 1/8" Key
10	10103265	11-Tooth Sprocket
—	10104192	Main Auger Chain Kit <i>Includes Item #'s: 7, 8, and 9</i>

PART NUMBERS AND SCHEMATICS

Figure 9: Main Auger Bearing



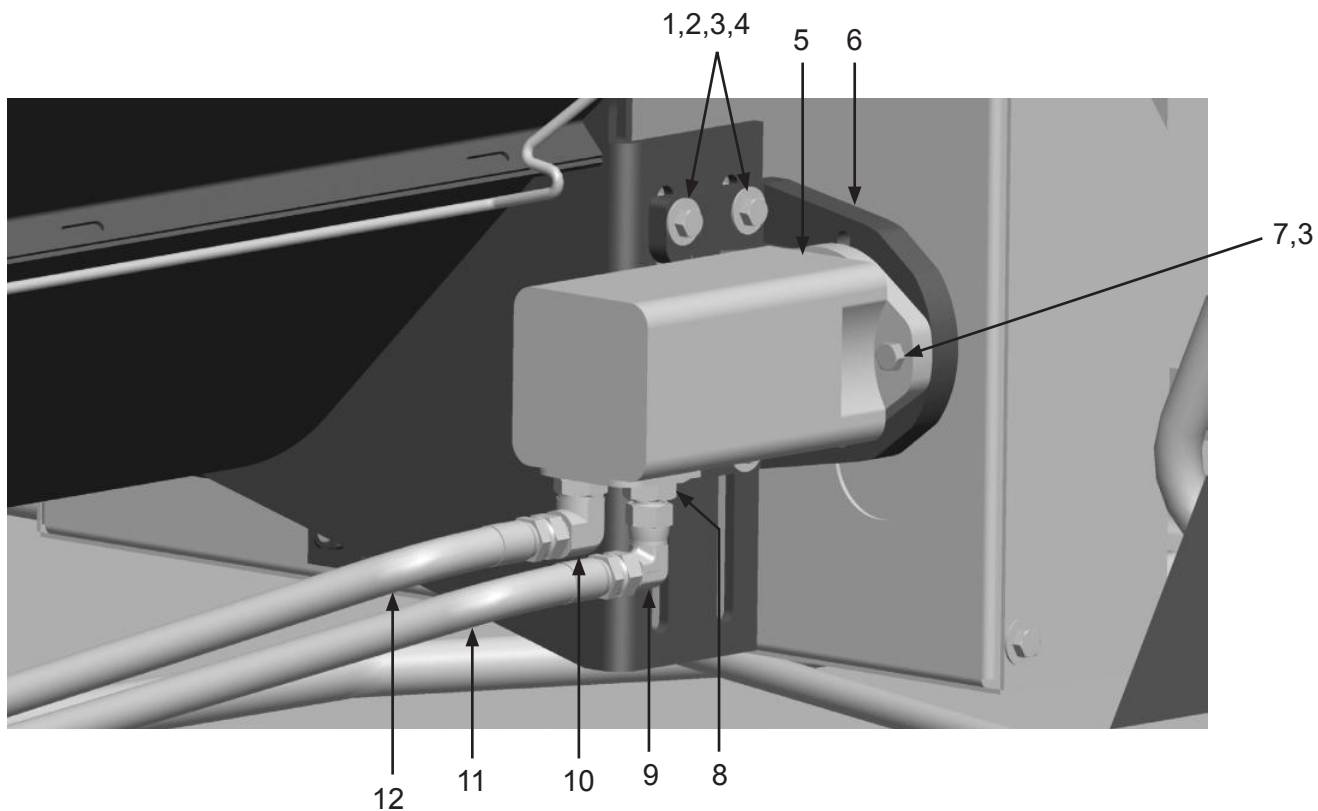
Item #	Part #	Description
--------	--------	-------------

Fig. 9

1	10102902	Seal Plate
2	10103605	Snap Ring (<i>Two Required</i>)
3	10102903	Thrust Bearing
4	10100675	1/2" Lock Washer (<i>Four Required</i>)
5	1014022	1/2-13 Hex Nut (<i>Four Required</i>)
6	10101942	3/8" Galvanized Flat Washer (<i>Three Required</i>)
7	10103400	3/8-16 x 3/4" Bolt (<i>Three Required</i>)
8	10102955	Main Auger Guard Back

PART NUMBERS AND SCHEMATICS

Figure 10: Main Auger Motor



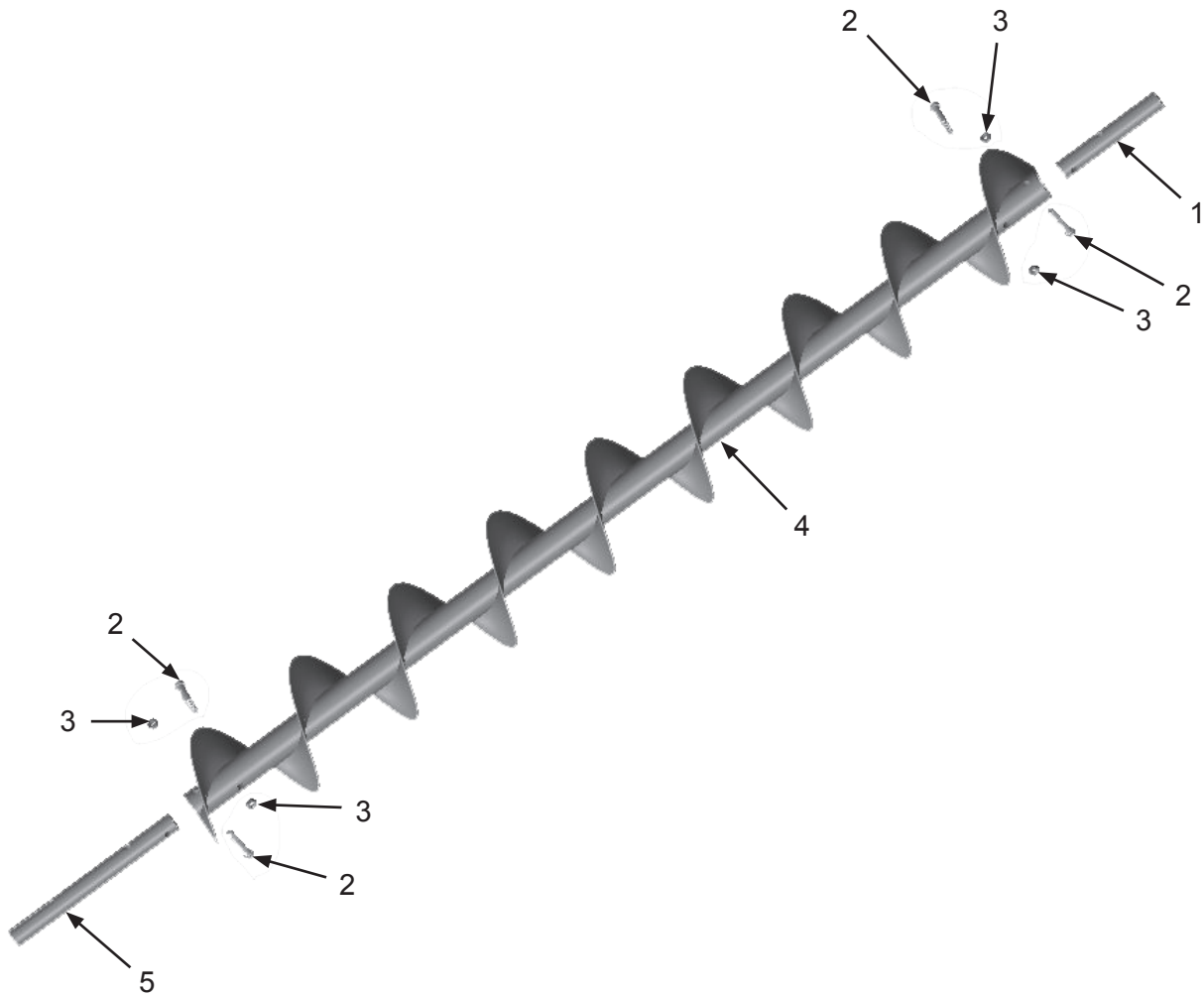
Item #	Part #	Description
--------	--------	-------------

Fig. 10

1	1028617	3/8-16 x 1-3/4" Shoulder Bolt (<i>Four Required</i>)
2	10101942	3/8" Galvanized Flat Washer (<i>Eight Required</i>)
3	10101936	3/8" Zinc Lock Washer (<i>Four Required</i>)
4	1012318	3/8-16 Hex Nut (<i>Four Required</i>)
5	10103266	18.7 Displacement Hydraulic Motor
6	10102881	Hydraulic Motor Mount with Hardware
7	10104234	3/8-16 x 1-1/4 Hex Bolt Zinc GR 5
8	10103612	JIC 8 x SAE 10 Straight Adapter
9	10103611	JIC 8 x JIC 8 90° Elbow
10	10103308	JIC 8 x SAE 10 90° Elbow
11	10103408	1/2" x 12-1/2' Hydraulic Hose with Fittings
12	10103407	1/2" x 14' Hydraulic Hose with Fittings
—	10103941	Seal Kit for 18.7 Displacement Hydraulic Motor

PART NUMBERS AND SCHEMATICS

Figure 11: Main Auger



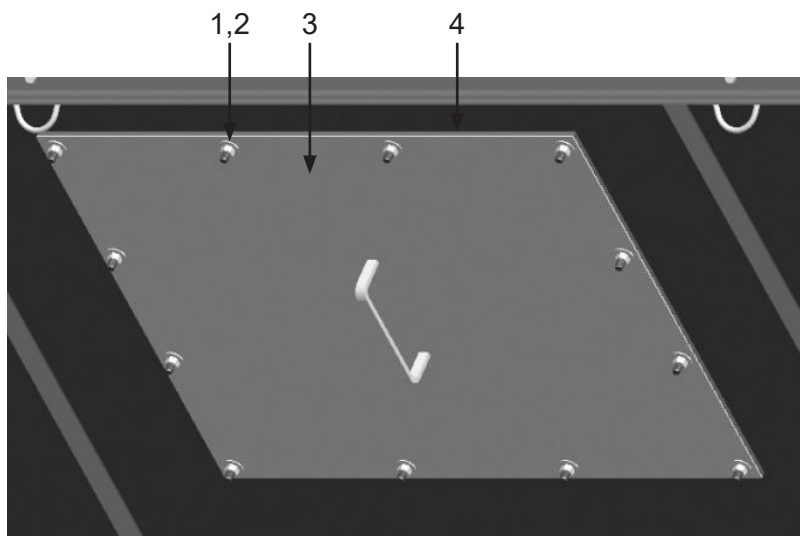
Item #	Part #	Description
--------	--------	-------------

Fig. 11

1	10103306	Drive Shaft
2	10101927	1/2-13 x 3" Galvanized Bolt (<i>Four Required</i>)
3	1014022	1/2-13 Galvanized Hex Nut (<i>Four Required</i>)
4	10103490	78" x 9" Standard Pitch Auger
5	10102910	Auger Shaft End

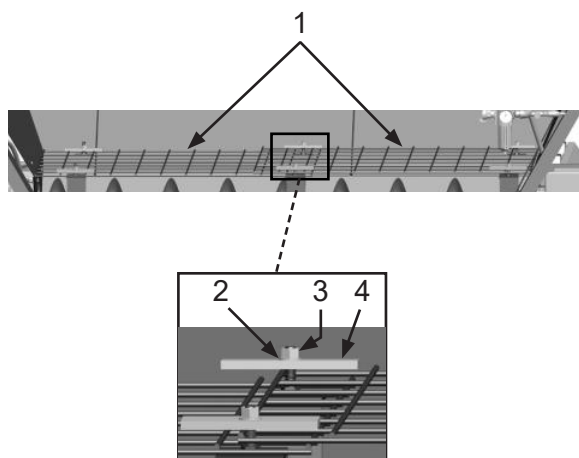
PART NUMBERS AND SCHEMATICS

Figure 12: Access Panel Assembly



Item #	Part #	Description
Fig. 12		
1	1012318	3/8-16 Hex Nut (12 Required)
2	10101942	3/8" Flat Washer (12 Required)
3	10102933	20" Access Panel Door
4	10103344	1/4" x 1-1/2" Adhesive-Backed Gasket (Per Foot)

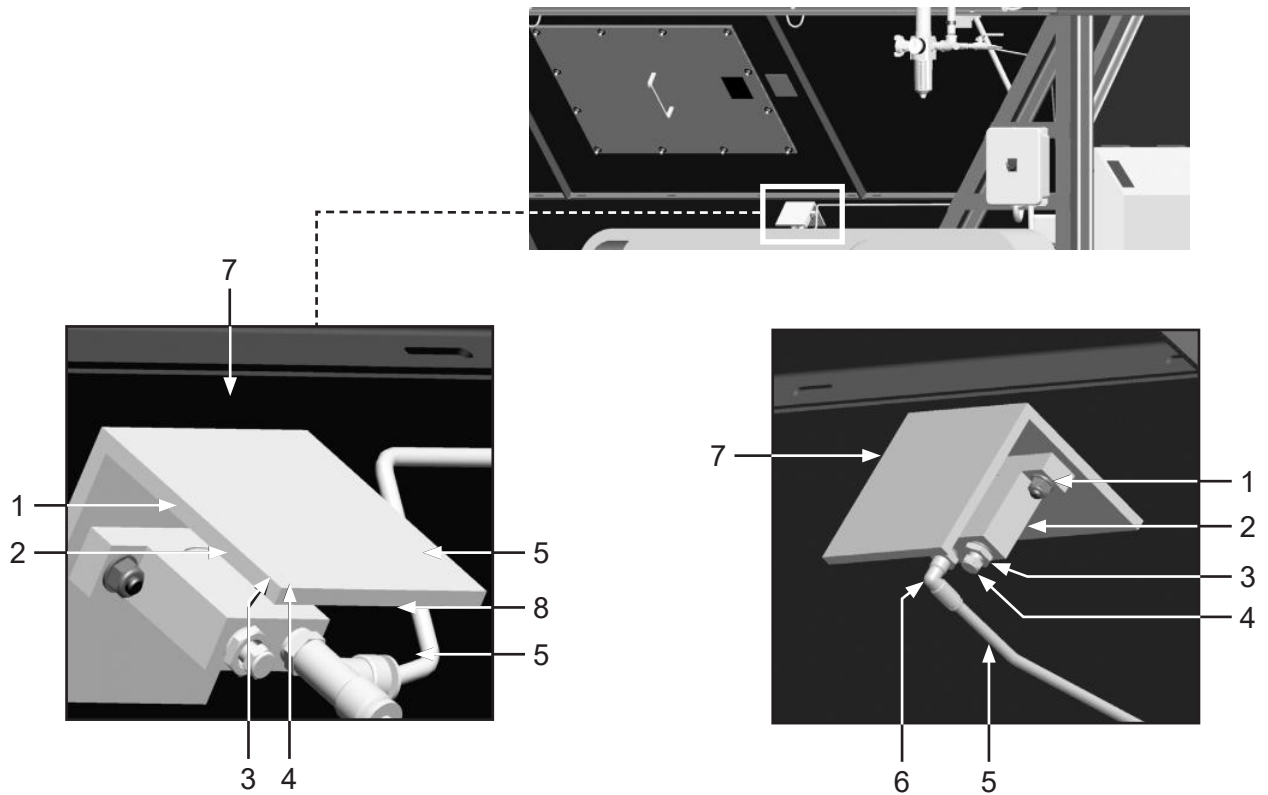
Figure 13: Main Auger Protective Grate



Item #	Part #	Description
Fig. 13		
1	10103966	Protective Grate - 44 Inches (Two Required)
2	10100674	Flat Washer - 1/2" (Six Required)
3	1014022	1/2-13 Hex Nut (Six Required)
4	10102936	Protective Grate Bracket (Six Required)

PART NUMBERS AND SCHEMATICS

Figure 14: Pneumatic Ball Vibrators



Item #	Part #	Description
--------	--------	-------------

Fig. 14

1	1012323	1/4-20 Zinc Lock Nut with Nylon Insert (<i>Four Required</i>)
2	10103258	Pneumatic Ball Vibrator (<i>Two Required</i>)
3	20PFHA24SB0402	1/4" x 1/8" Reducing Bushing
4	1012905	1/8" Breather Muffler (<i>Two Required</i>)
5	10103322	1/4" I.D. Black Urethane Tubing (<i>Per Foot</i>)
6	20PFBA31095614	1/4" Tube x 1/4" NPT 90° Fitting
7	10103609	Vibrator Shield (<i>Two Required</i>)
8	10103261	1/4" Male Push-to-connect Tee

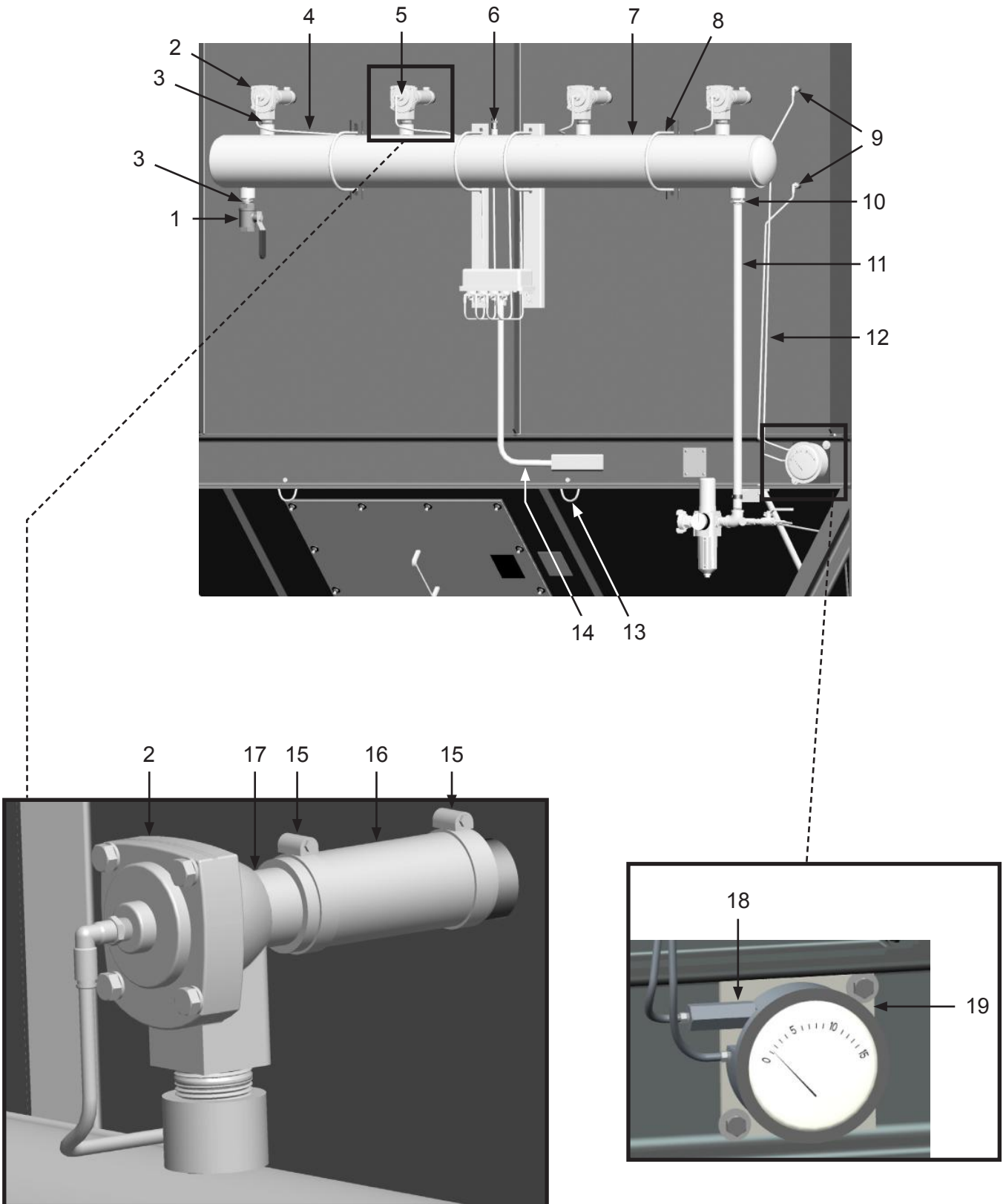
PART NUMBERS AND SCHEMATICS

Pulser System Assembly

Item #	Part #	Description
Fig. 15		
1	1011601	1" Full Port Ball Valve
2	10103255	1" Diaphragm Valve (<i>See Figure 16</i>)
3	10103318	1" x 2" Pipe Nipple (<i>Five Required</i>)
4	10103322	1/4" O.D. Black Urethane Tubing (<i>Per Foot</i>)
5	20100579	1/4" O.D. Tube x 1/8" NPT Swivel (<i>Four Required</i>)
6	1028607	1/4" NPT Pressure Relief Valve – 125 psi
7	10103453	4 Pipe Header Tube
8	10103394	3/8-16 x 6" U-Bolt Assembly (<i>Four Required</i>)
9	20PFBA31095614	1/4" Tube x 1/4" NPT 90° Fitting (<i>Two Required</i>)
10	20PFHA24SB1612	1" x 3/4" Reducing Bushing
11	10103315	3/4" x 36" Pipe Nipple
12	10103322	1/4" Urethane Tube – Black (<i>Quantity of Two</i>)
13	10103625	D-Ring with Nut (<i>10 Required</i>)
14	20RSEL050UL	1/2" I.D. UL/UA Seal-Tite Conduit
15	10104136	T-Bolt Clamp 1-9/16" x 1-11/16" O.D.
16	10103654	1-1/4" I.D. Marine Hose – 100 psi (<i>Per Foot</i>)
17	10105207	1" x 3" Toe Nipple (<i>Four Required</i>)
18	10108373	1/8" NPT Inline Air Filter
19	10103608	Magnehelic Differential Pressure Gauge Mounting Bracket

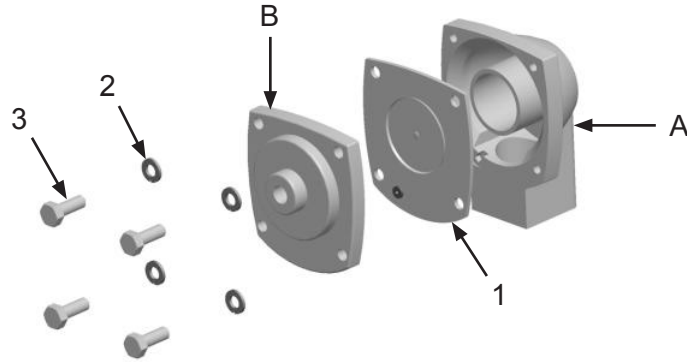
PART NUMBERS AND SCHEMATICS

Figure 15: Pulsar System Assembly



PART NUMBERS AND SCHEMATICS

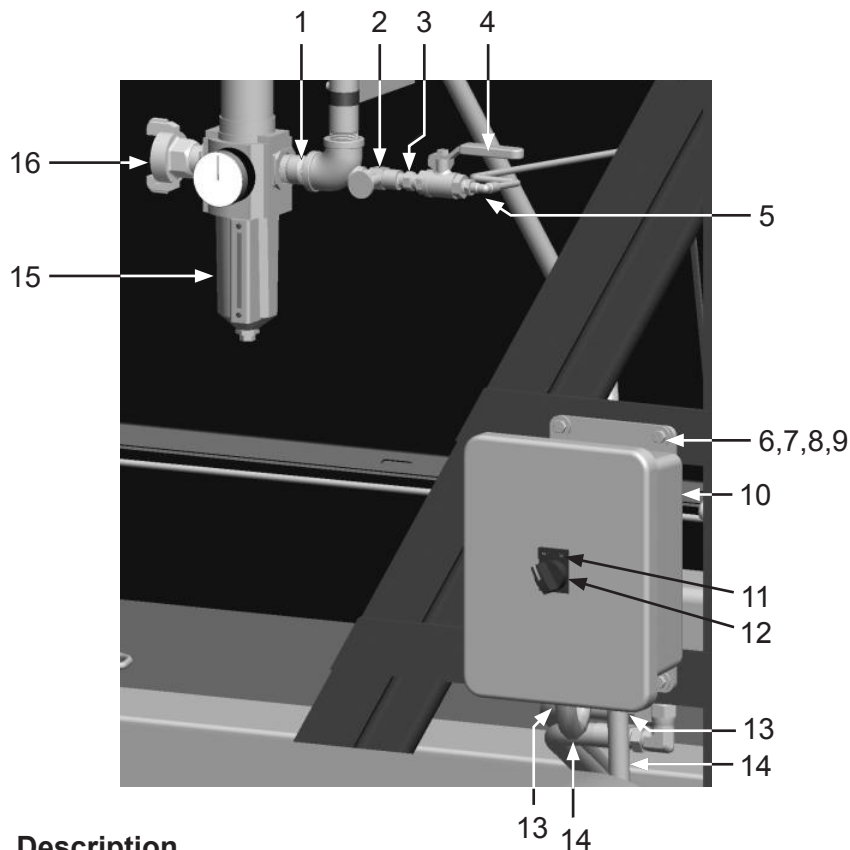
Figure 16: Diaphragm Valve



Item #	Part #	Description
Fig. 16		
—	10103255	1" Diaphragm Valve – Complete <i>(Three Required)</i> <i>Includes Items: A,B,1,2,3</i>
1	10103954	1" Diaphragm Valve Service Kit
2	1012153	1/4" Lock Washer <i>(Four Required)</i>
3	20101232	M6 x 1 x 14 HHCS <i>(Four Required)</i>

PART NUMBERS AND SCHEMATICS

Figure 17: Pulsar Regulator and Timer Assembly



Item #	Part #	Description
Fig. 17		
1	10103317	3/4" x 2" Pipe Nipple
2	10103292	1/4" Needle Valve
3	1017019	1/4" x 1/4" Hex Nipple
4	1080050	1/4" Ball Valve
5	20PFBA31095614	1/4" Tube x 1/4" NPT 90° Fitting (<i>Three Required</i>)
6	10101937	1/4-20 x 1" L Gr 5 Bolt – Galvanized
7	10101940	1/4" Flat Washer – Galvanized
8	1012153	1/4" Lock Washer
9	10101347	1/4-20 Hex Nut
10	10103848	Timer Box with Timer Board
—	10103935	Timer Box Only
—	10105781	Timer Board Only
11	10103414	On/Off Name Plate
12	10103305	2-Way Selector Switch
13	20RST50	Straight Liquid Tite Connection Fitting (<i>Four Required</i>)
14	20RSEL050UL	1/2" UL/UA Seal-Tite Conduit Pipe (<i>Per Foot</i>)
15	10103257	Excelon 74 Series Filter/Regulator
16	10ME1	3/4" Male 2-lug Coupling
—	10103950	Excelon 74 Series Filter/Regulator Service Kit
—	10103951	Filter Element (<i>Not Shown</i>)
—	10103952	Filter Auto Drain
—	10103953	Sight Glass Kit

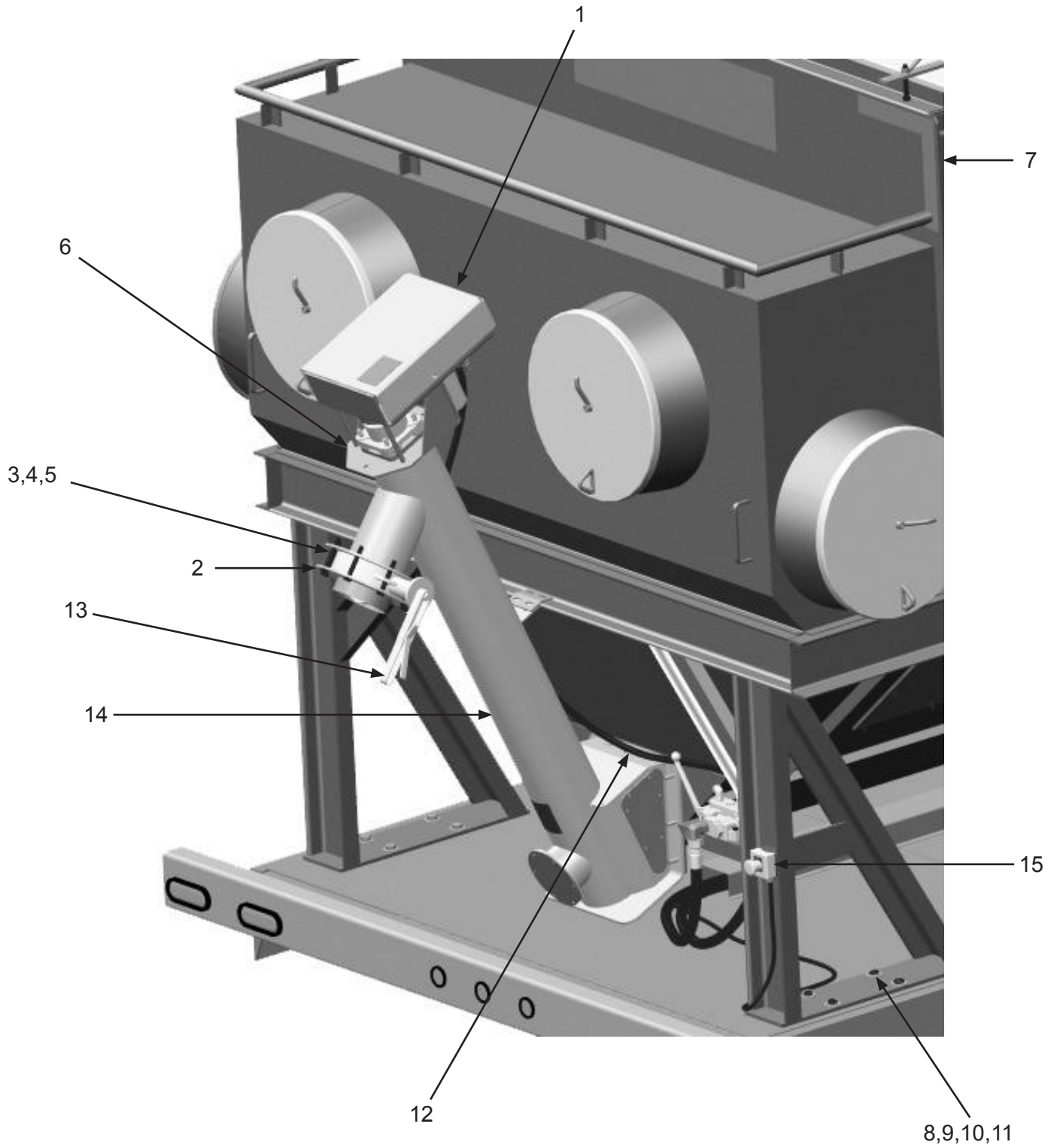
PART NUMBERS AND SCHEMATICS

Discharge Auger Assembly

Item #	Part #	Description
Fig. 18		
1	10103363	Discharge Chain Cover
2	10102971	Discharge Hose Connector
3	10102703	1/2-13 x 3-1/2" Grade 5 Bolt (<i>Eight Required</i>)
4	10100675	1/2" Lock Washer (<i>14 Required</i>)
5	1014022	1/2-13 Hex Nut (<i>14 Required</i>)
6	10104195	Discharge Auger Motor Mounting Bracket
7	10103880	White Conspicuity Tape (<i>Per Inch</i>)
8	10103397	5/8-11 x 2" Grade 8 Bolt- Zinc (<i>16 Required</i>)
9	10103398	Washer - 5/8" Grade 8 (<i>32 Required</i>)
10	10103399	Lock Washer - 5/8" Hd (<i>16 Required</i>)
11	10103393	Nut - 5/8-11 Grade 8 Zinc (<i>16 Required</i>)
12	10103409	Hydraulic Hose - 1/2" I.D. x 7' 1" - 2000 psi
13	10103302	6" Series Wafer Butterfly Valve
14	10103216	Discharge Auger Tube (<i>See Fig. 23</i>)
15	10104071	E-Stop Control Station (<i>See Figure 29</i>)
—	10103881	Red Conspicuity Tape (<i>Per Inch</i>)

PART NUMBERS AND SCHEMATICS

Figure 18: Discharge Auger Assembly



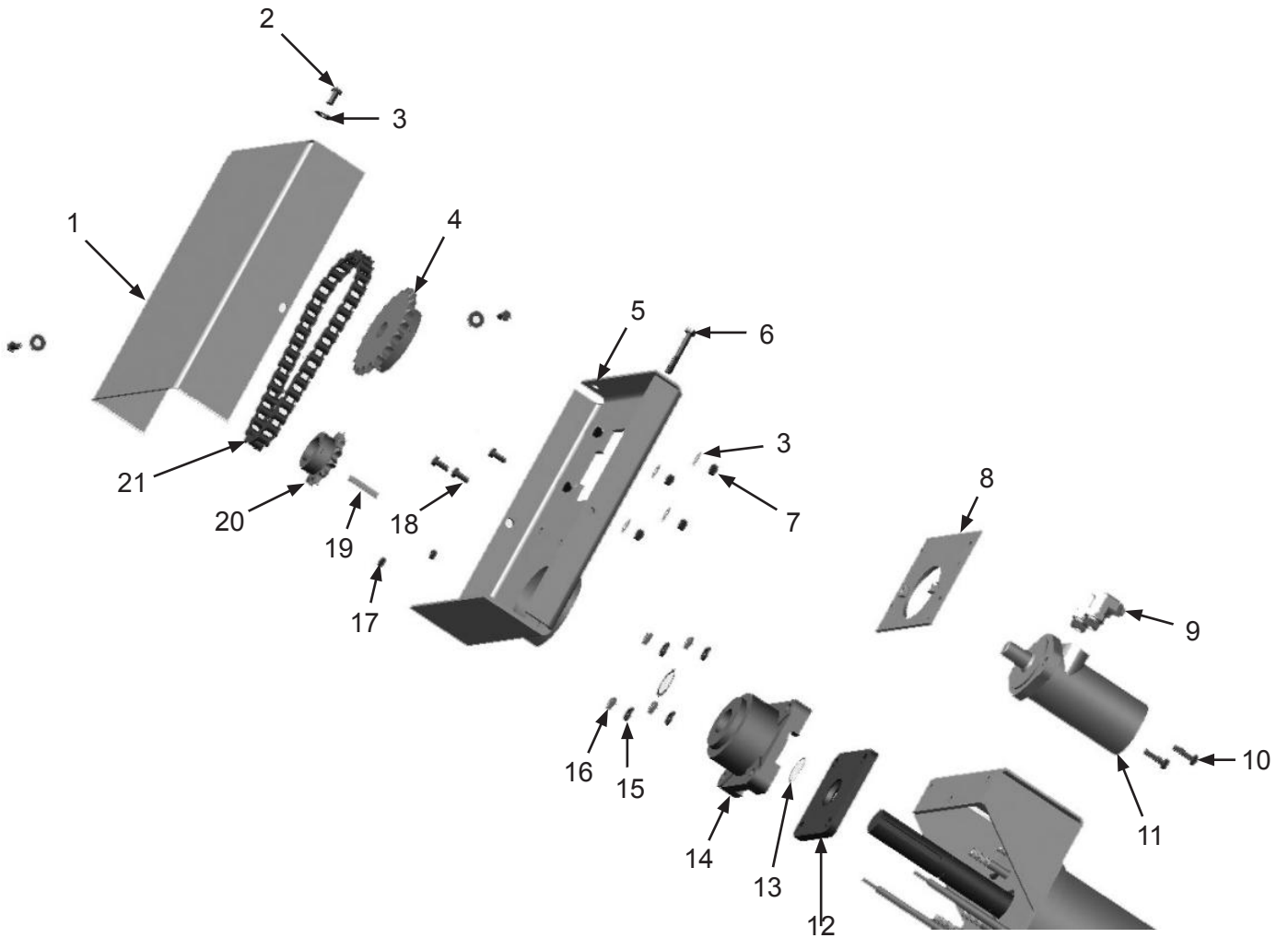
PART NUMBERS AND SCHEMATICS

Discharge Auger Drive Assembly

Item #	Part #	Description
Fig. 19		
1	10103363	Chain Cover
2	10103400	3/8-16 x 3/4" Bolt <i>(Seven Required)</i>
3	10101942	3/8" Galvanized Flat Washer <i>(Three Required)</i>
4	10104217	22-Tooth Sprocket
5	10104197	Chain Cover Base
6	10101933	3/8-16 x 2-1/2" Hex Bolt
7	1012318	3/8-16 Hex Nut <i>(Four Required)</i>
8	10104199	Sliding Motor Mount
9	10103308	JIC 8 x SAE 10 90° Elbow <i>(Two Required)</i>
10	10104234	3/8-16 x 1-1/4" A307 Bolt Zinc <i>(Two Required)</i>
11	10102887	Hydraulic Motor
12	10102902	Seal Plate
13	10103605	Snap Ring <i>(Two Required)</i>
14	10102903	Thrust Bearing
15	10100675	1/2" Lock Washer <i>(Four Required)</i>
16	1014022	1/2-13 Hex Nut <i>(Four Required)</i>
17	1035046	5/16- 18 Nut <i>(Two Required)</i>
18	10101346	5/16-18 x 3/4" L GR 5 Bolt <i>(Three Required)</i>
19	10103641	3/8 Key Cut
20	10102886	13-Tooth Sprocket
21	10104191	Discharge Auger Chain Kit <i>Includes 60# Connecting Chain Link, 60# Cottered Roller Chain (Quantity of Three), and 60# Offset Chain Link.</i>
—	10103392	60# Connecting Chain Link
—	10103391	60# Cottered Roller Chain <i>(Per Foot)</i>
—	10103614	60# Offset Chain Link
—	10103940	Seal Kit for Hydraulic Motor

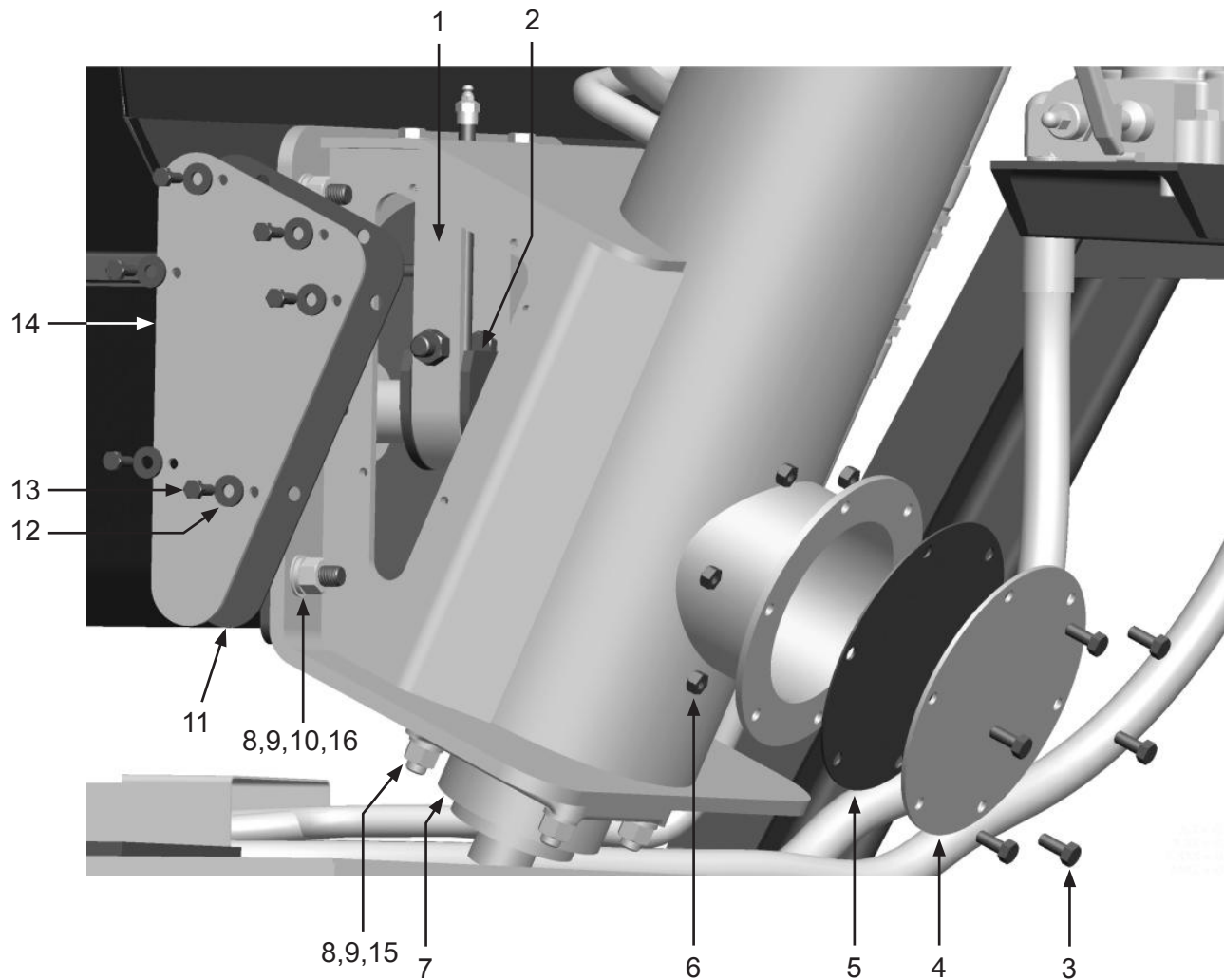
PART NUMBERS AND SCHEMATICS

Figure 19: Discharge Auger Drive Assembly



PART NUMBERS AND SCHEMATICS

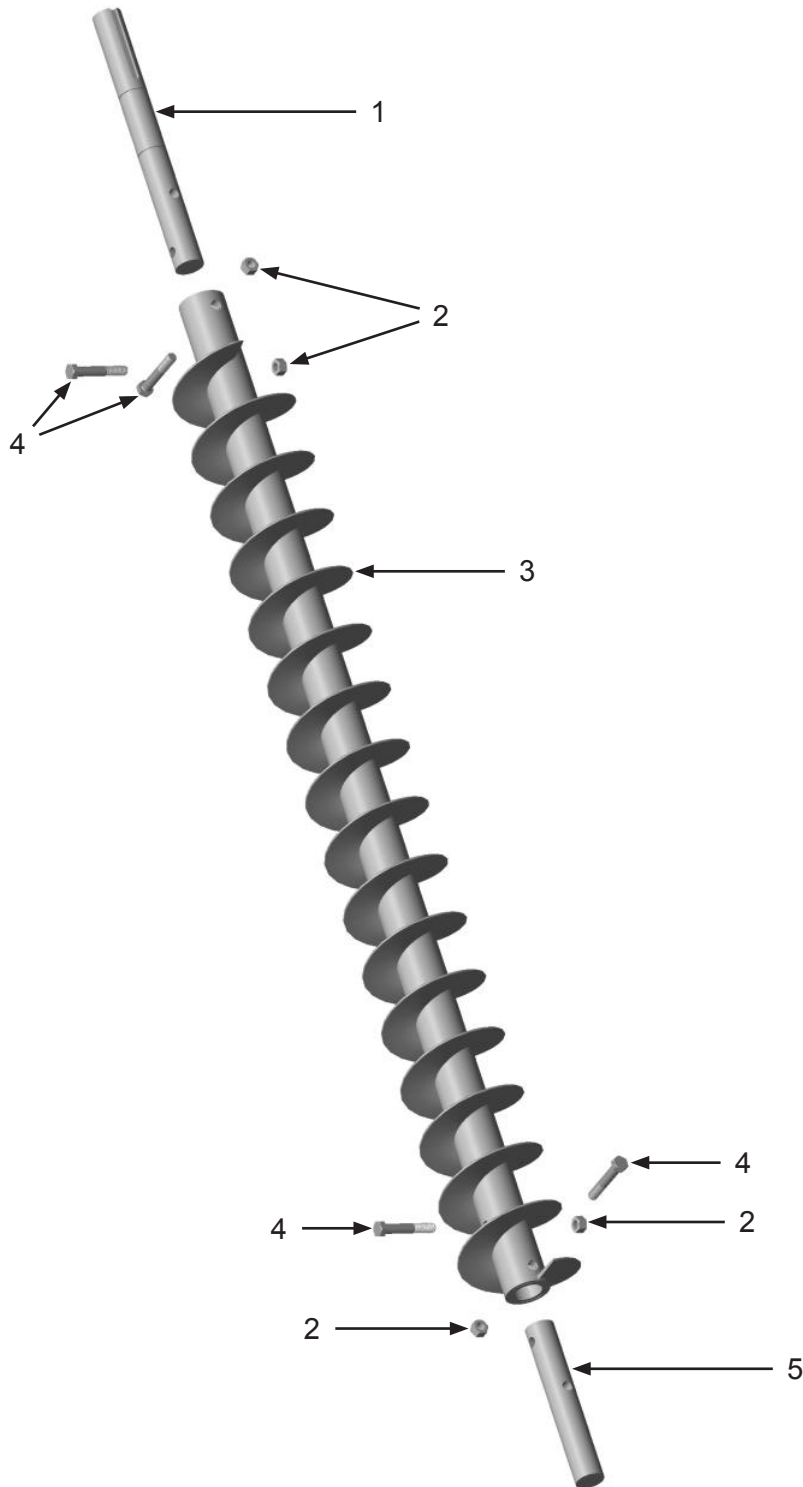
Figure 20: Discharge Auger Clean-out Assembly



Item #	Part #	Description
Fig. 20		
1	10102896	Bearing Hanger
2	10103413	Bearing
3	10101346	5/16-18 x 3/4" Bolt (<i>Six Required</i>)
4	10103235	Auger Clean-out Cover
5	10103716	Neoprene Auger Clean-out Gasket
6	1035046	5/16-18 Nut (<i>Six Required</i>)
7	10102880	Discharge Auger Lower Bearing Assembly
8	10101941	1/2-13 Galvanized Hex Nut (<i>10 Required</i>)
9	10100675	1/2" Lock Washer (<i>10 Required</i>)
10	10100674	1/2" Flat Washer (<i>Six Required</i>)
11	10103717	Discharge Auger Side Gasket (<i>Two Required</i>)
12	10101940	1/4" Galvanized Flat Washer (<i>12 Required</i>)
13	20100125	1/4-20 x 3/4" Zinc Hex Bolt (<i>12 Required</i>)
14	10103236	Discharge Auger Side Cover (<i>Two Required</i>)
15	10102652	1/2-13 x 2-1/4" GR5 Bolt
16	10101943	1/2-13 x 1-3/4" Hex Bolt

PART NUMBERS AND SCHEMATICS

Figure 21: Discharge Auger Clean-out Assembly



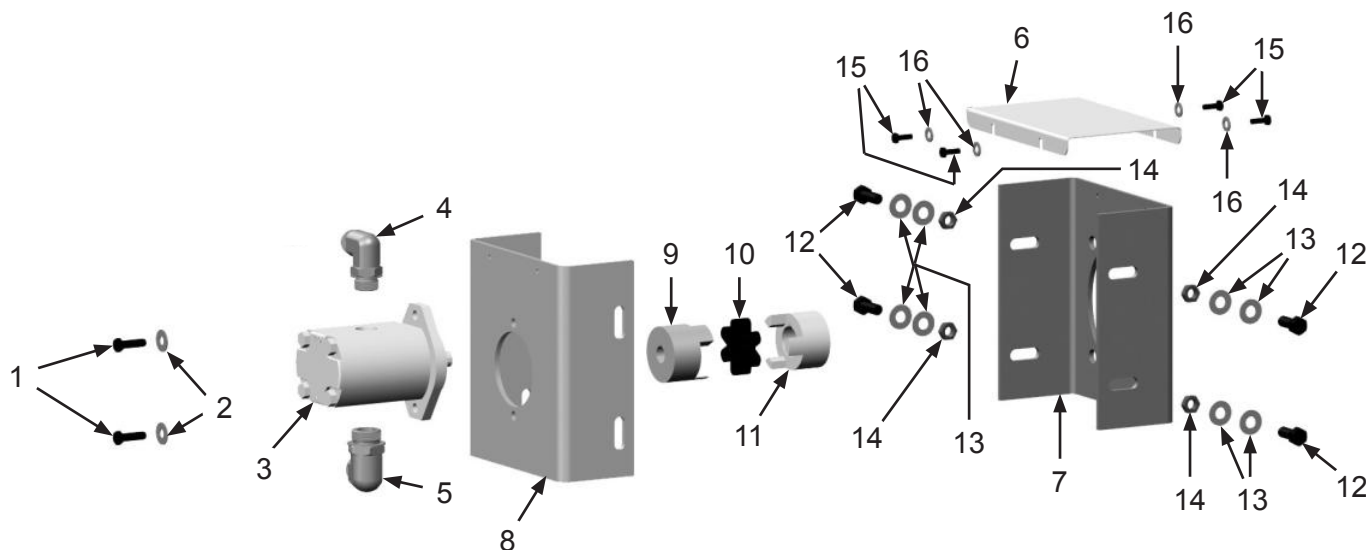
Item #	Part #	Description
--------	--------	-------------

Fig. 21

1	10103306	Drive Shaft
2	1014022	1/2-13 Hex Nut (<i>Four Required</i>)
3	10102883	58" x 6" Half Pitch Auger
4	10103401	1/2-13 x 3" Galvanized Bolt (<i>Four Required</i>)
5	10102910	Auger Shaft End

PART NUMBERS AND SCHEMATICS

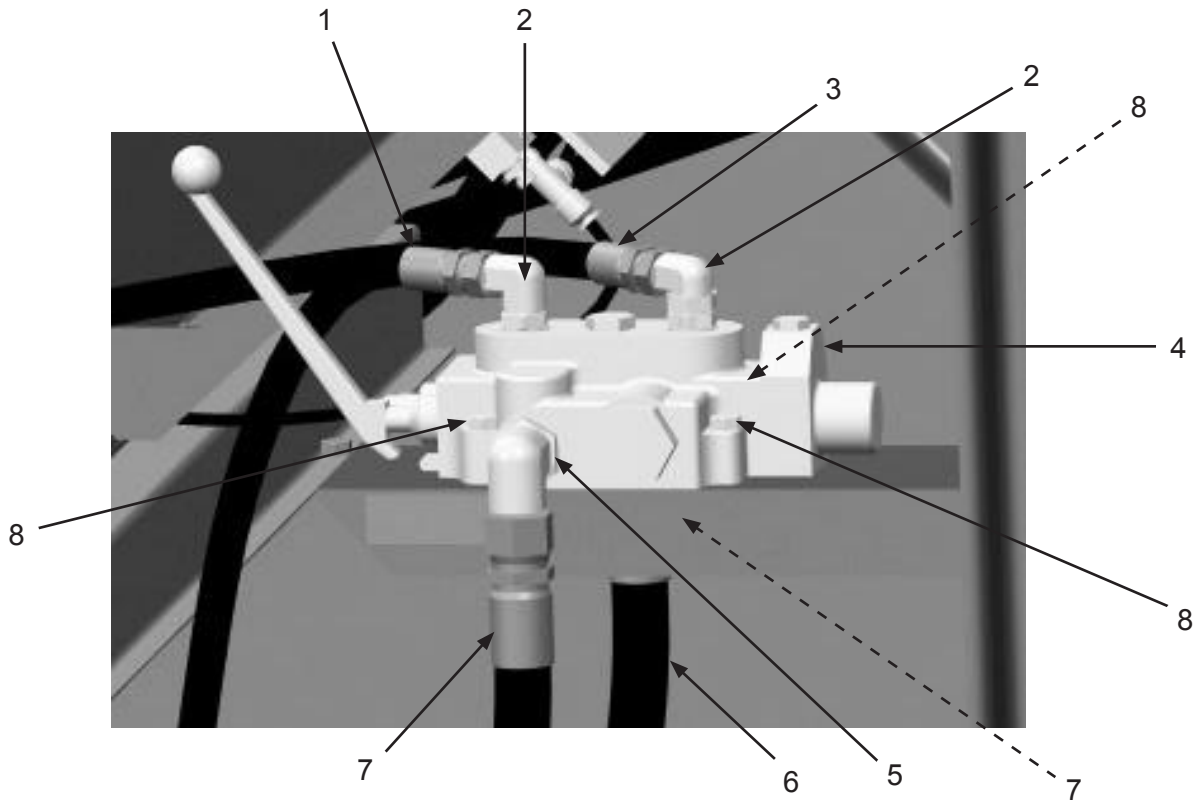
Figure 22: Hydraulic Pump



Item #	Part #	Description
Fig. 22		
1	10104234	3/8-16 x 1-1/4" Bolt (<i>Two Required</i>)
2	10102331	3/8" Flat Washer (<i>Two Required</i>)
3	10106003	2.08 CI/REV Keyed Gear Pump
4	10103310	JIC 12 x JIC 12 90° Elbow
5	10103311	JIC 16 x SAE 16 90° Elbow
6	10106006	Coupling Cover
7	10106004	Bracket 10HP Motor Mount
8	10106005	Bracket Pump Mount
9	10106009	Jaw Coupling 3/4 Bore
10	10106010	Coupling Buna-N Spider
11	10106008	Jaw Coupling 1-3/8 Bore
12	10104603	1/2-13 x 1-1/4" Bolt – Grade 5 – Zinc
13	10100674	1/2" Flat Washer
14	1014022	1/2-13 Hex Nut
15	20100125	1/4-20 x 3/4" Zinc Hex Bolt
16	1014017	1/4" Flat Washer

PART NUMBERS AND SCHEMATICS

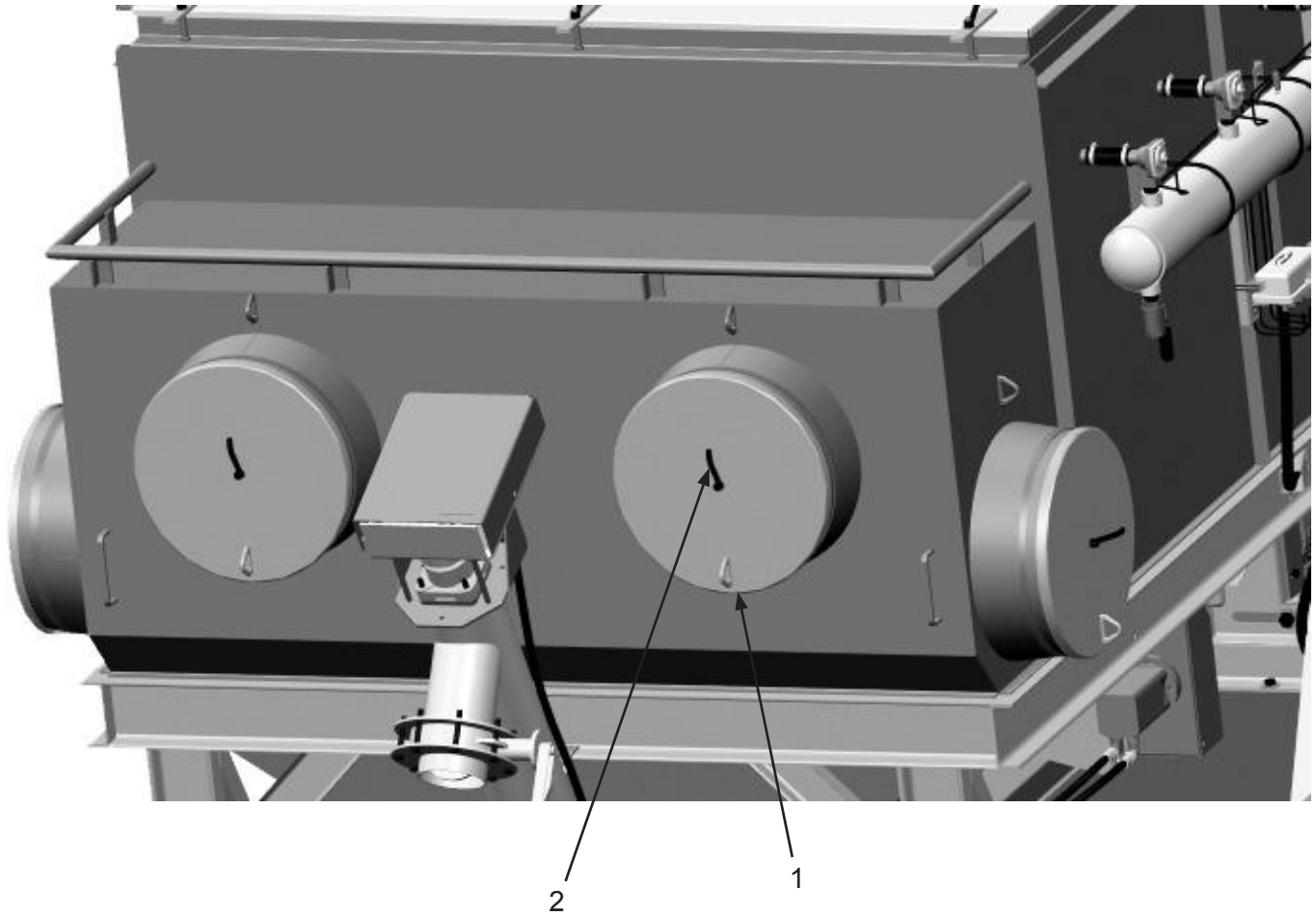
Figure 23: Hydraulic Control Assembly



Item #	Part #	Description
Fig. 23		
1	10103408	1/2" x 12'6" Hydraulic Hose with Fittings
2	10103309	JIC 8 x SAE 8 90° Elbow (<i>Two Required</i>)
3	10103409	1/2" x 7'1" Hydraulic Hose with Fittings
4	10103267	Cross Hydraulic Control Valve with Handle
5	10103310	JIC 12 x SAE 12 90° Elbow (<i>Two Required. One not shown</i>)
6	10103707	3/4" I.D. x 17.7' Hydraulic Hose with Fittings
7	10103710	3/4" I.D. x 13' Hydraulic Hose with Fittings (<i>Two Required</i>)
8	1028617	3/8-16 x 1-3/4" Shoulder Bolt (<i>Three Required</i>)
—	10108331	Cross Hydraulic Control Valve Seal Kit
—	10108332	Cross Hydraulic Control Valve Handle Kit
—	10108333	Cross Hydraulic Control Valve Relief Assembly

PART NUMBERS AND SCHEMATICS

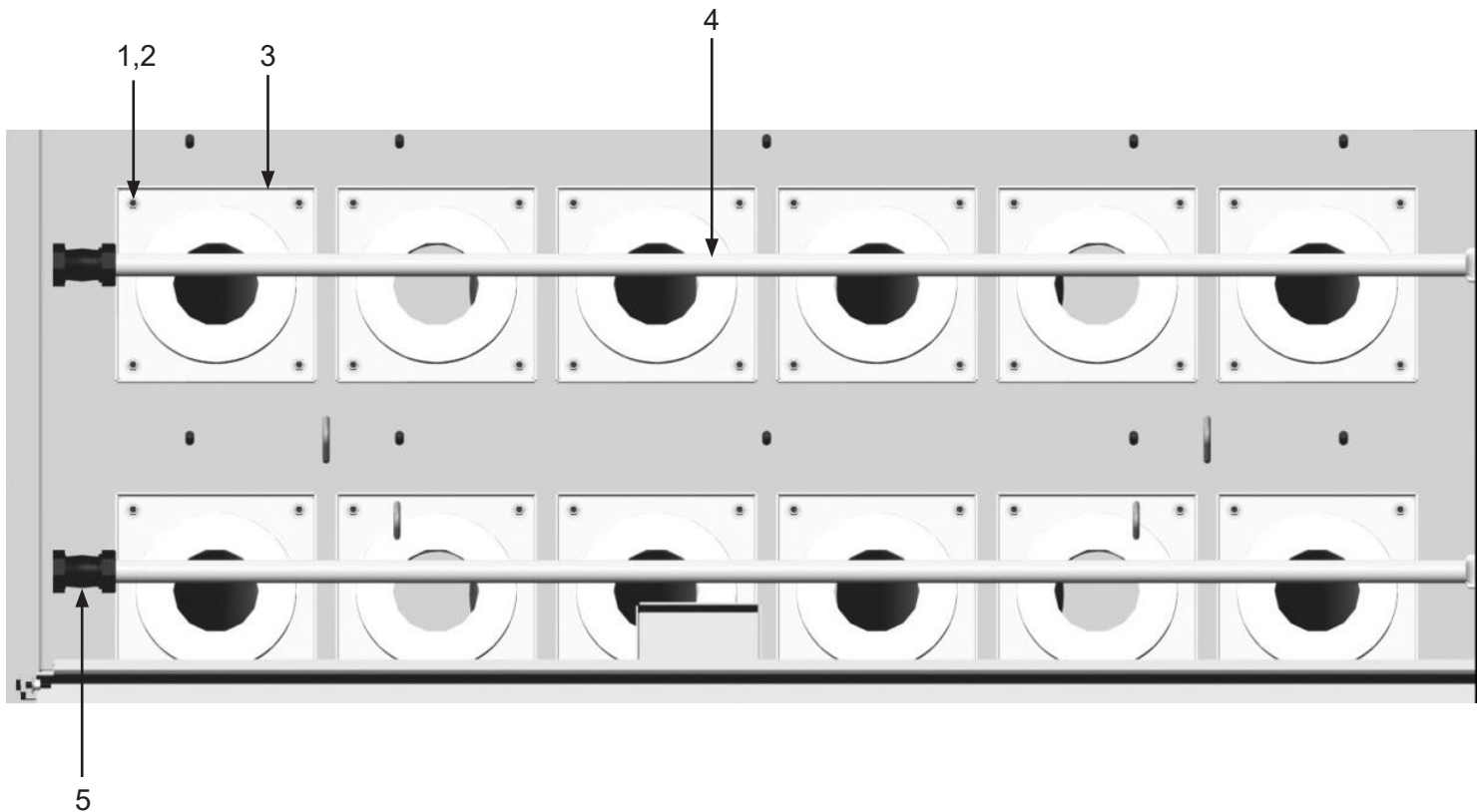
Figure 24: Inlet Door Assembly



Item #	Part #	Description
Fig. 24		
1	10105945	20" Inlet Cover (Four Required)
2	10105960	3/8-16 Handle – Zinc (Four Required)
—	10102339	Camlock Closure – Chain – 1/8" (Per Foot)
—	10102410	Spring Snap Hook – 1/4" (Eight Required)

PART NUMBERS AND SCHEMATICS

Figure 25: Dust Collector Filter Cartridge Pulsers

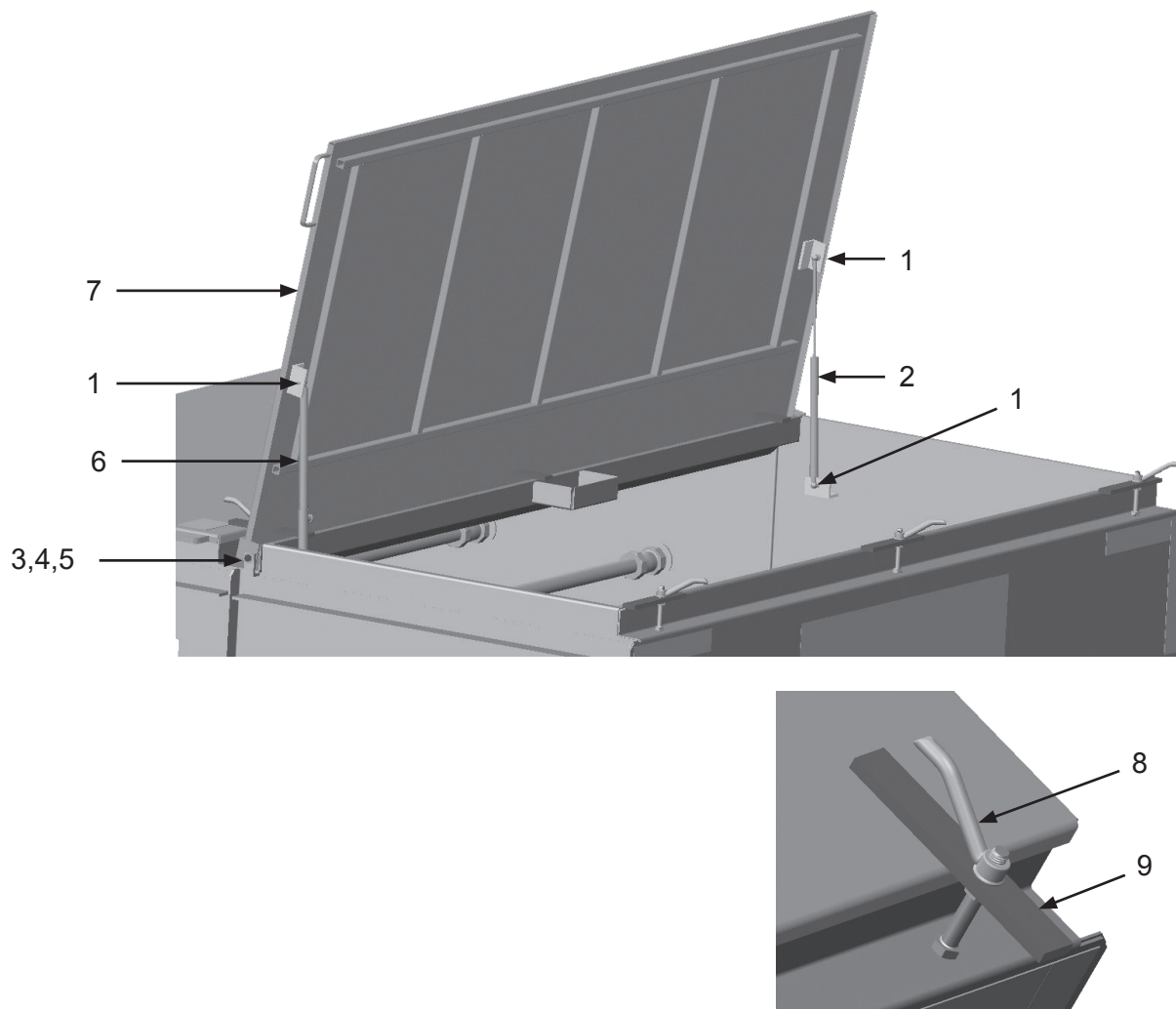


Item #	Part #	Description
Fig. 25		
1	10101942	3/8" Flat Washer (48 Required)
2	1012318	3/8" Hex Nut (48 Required)
3	10105939	Filter Bolt-Down (12 Required)
4	10105942	Small Filter Blowpipe (Two Required)
5	10102599	Compression Coupling Assembly (Two Required)

Quantities specified are per hatch opening

PART NUMBERS AND SCHEMATICS

Figure 26: Dust Collector Filter Cartridge Hatch Door



Item #	Part #	Description
--------	--------	-------------

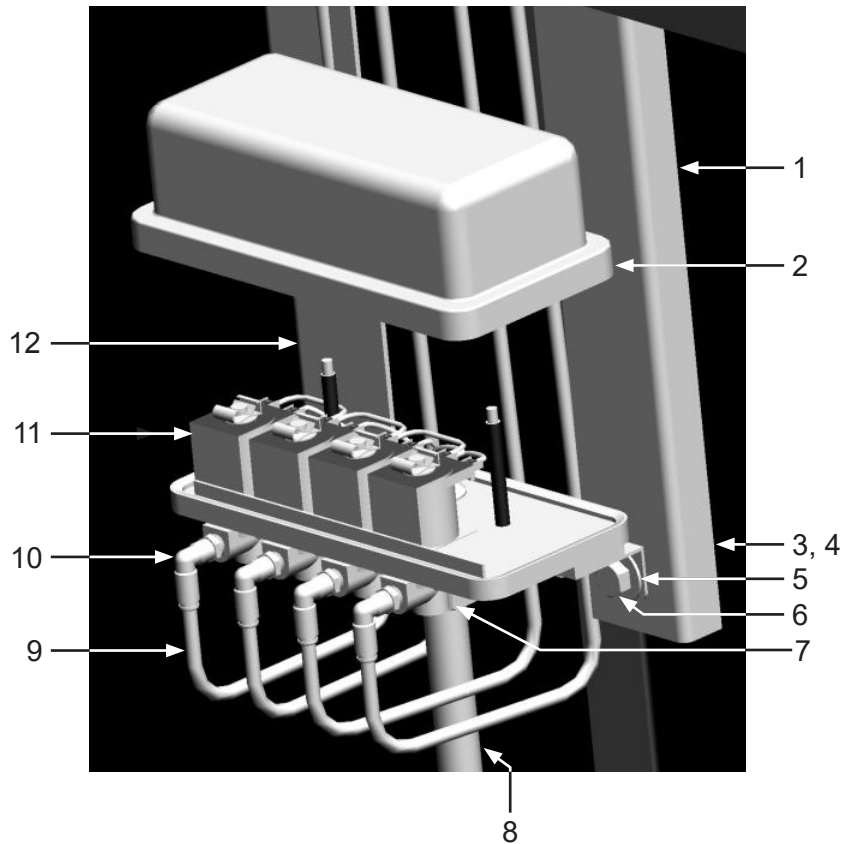
Fig. 26

1	1035046	5/16-18 Hex Nut (<i>Four Required</i>)
2	10103454	Non-Locking Gas Spring
3	1028617	3/8-16 x 1-3/4" Shoulder Bolt (<i>Two Required</i>)
4	10101942	3/8" Flat Washer (<i>Four Required</i>)
5	1012318	3/8"-16 Hex Nut (<i>Two Required</i>)
6	10103455	Locking Gas Spring
7	10102917	Hopper Lid
8	10103395	1/2-13 Zinc Plated Handle (<i>Three Required</i>)
9	10104377	Latch Bar (<i>Three Required</i>)

Quantities specified are per hatch opening

PART NUMBERS AND SCHEMATICS

Figure 27: Pulsar Solenoid Enclosure Assembly



Item #	Part #	Description
--------	--------	-------------

Fig. 27

1	10102970	Solenoid Enclosure Mount – Right
2	10106064	Solenoid Pilot Valve Enclosure
3	10101936	3/8" Zinc Lock Washer (<i>Two Required</i>)
4	1012318	3/8-16 Hex Nut (<i>Two Required</i>)
5	10101942	3/8" Galvanized Flat Washer (<i>Four Required</i>)
6	1011747	3/8-16 x 1" Bolt
7	20RST50	Straight Liquid Tite Connection Fitting
8	20RSEL050UL	1/2" I.D. UL/UA Seal-Tite Conduit
9	10103322	1/4" O.D. Black Urethane Tubing (<i>Per Foot</i>)
10	20100579	1/4" O.D. Tube x 1/8" NPT Swivel (<i>Four Required</i>)
11	10107493	120VAC Solenoid Valve Assembly (<i>Six Required</i>)
12	10102969	Solenoid Enclosure Mount – Left
—	10107494	120VAC Solenoid Coil (<i>One Required per Solenoid</i>)
—	10103957	Solenoid Service Kit <i>Includes: O-Ring, Plunger, Spring, Ferrule</i>

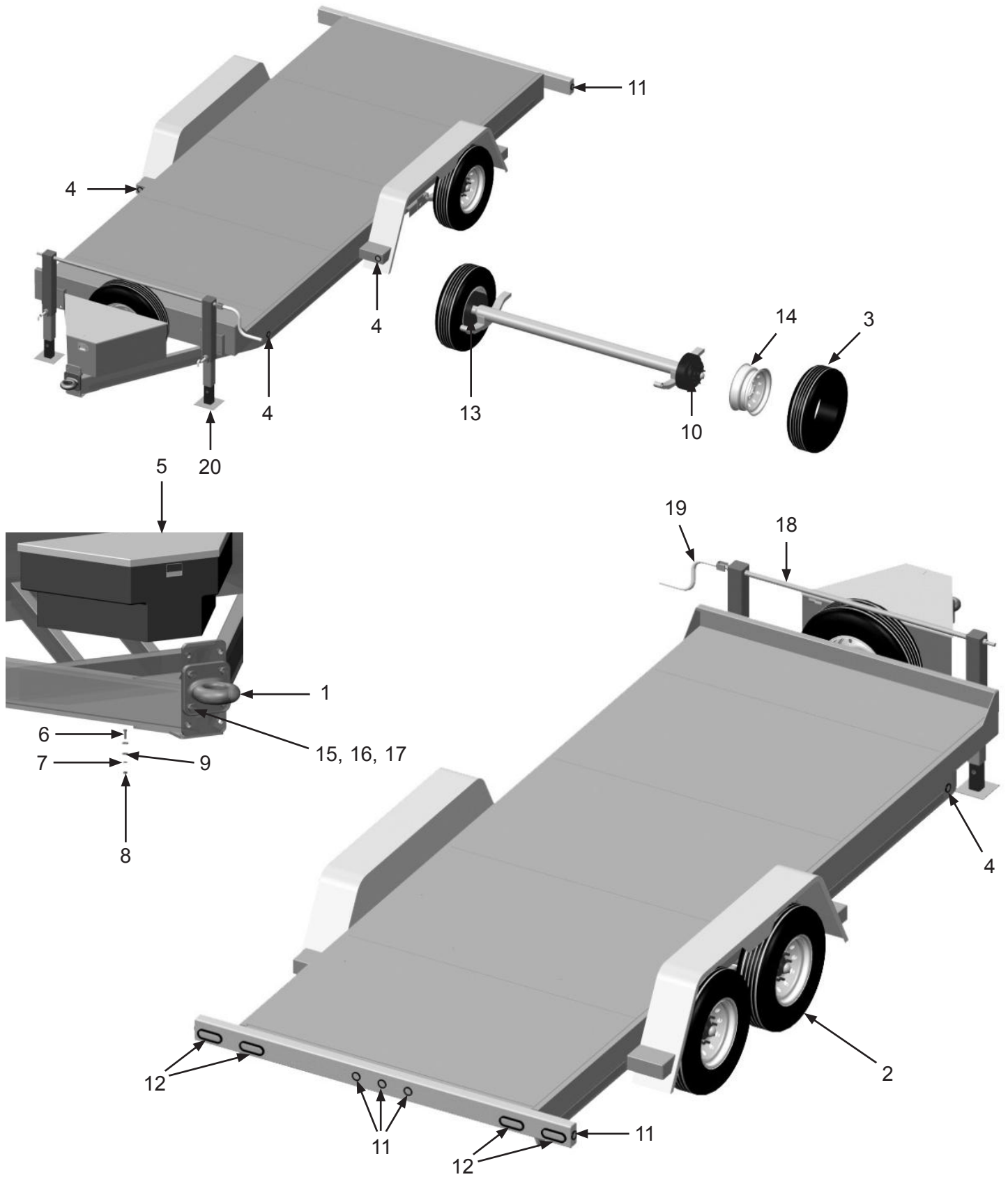
PART NUMBERS AND SCHEMATICS

Trailer

Item #	Part #	Description
Fig. 28		
—	10103696	Trailer – 7 Ton – 18' Long x 6.75' Wide
1	10104079	Pintle Hitch with Flat Plate
2	10104089	ST235/85R 16" 14-Ply Tire with Rim <i>(Four Required)</i>
3	10104096	ST235/85R 16" 14-Ply Tire <i>(Four Required)</i>
4	10104087	2" Round Amber LED Clearance Light <i>(Four Required)</i>
5	10103797	Tool Box <i>(Optional)</i>
6	1012154	1/4-20 x 1" Bolt <i>(Five Required)</i>
7	1012153	1/4" Lock Washer <i>(Five Required)</i>
8	10101347	1/4-20 Hex Nut <i>(Five Required)</i>
9	10101940	1/4" Washer <i>(Ten Required)</i>
10	10106087	Left-Hand Electric Brake Assembly <i>(Two Required)</i>
11	10104086	2" Round Red LED Clearance Light <i>(Five Required)</i>
12	10104084	Red LED Oval Tail Light <i>(Four Required)</i>
13	10106088	Right-Hand Electric Brake Assembly <i>(Two Required)</i>
14	10105736	17.5" 8-Hole Rim – No Tire
15	10105746	5/8 x 2-1/2" Grade 8 Bolt <i>(Four Required)</i>
16	10105747	5/8 Reverse Lock Nut <i>(Four Required)</i>
17	10103398	5/8" Flat Washer <i>(Four Required)</i>
18	10107498	Jack Assembly Crossbar
19	10107329	Sidewind Crank with Hardware
20	10104082	10,000# Heavy Spring Loaded Jack
—	10106830	Jack Stand Assembly <i>Includes Item #'s: 18, 19, and 20 (Quantity of Two)</i>
—	10104081	Breakaway Kit
—	10104083	Wiring Harness
—	10100493	3/8" x 35" Safety Chain with Hook
—	10105829	Cable with Plug
—	109V582	Operator's Manual – Behnke Trailer

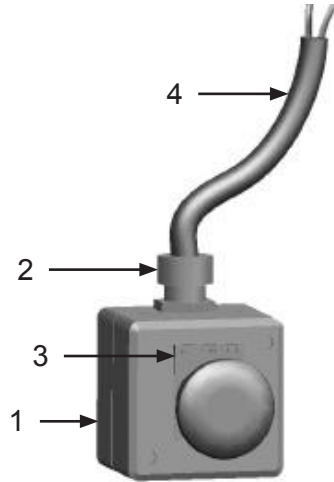
PART NUMBERS AND SCHEMATICS

Figure 28: Trailer



PART NUMBERS AND SCHEMATICS

Figure 29: Emergency-Stop Station



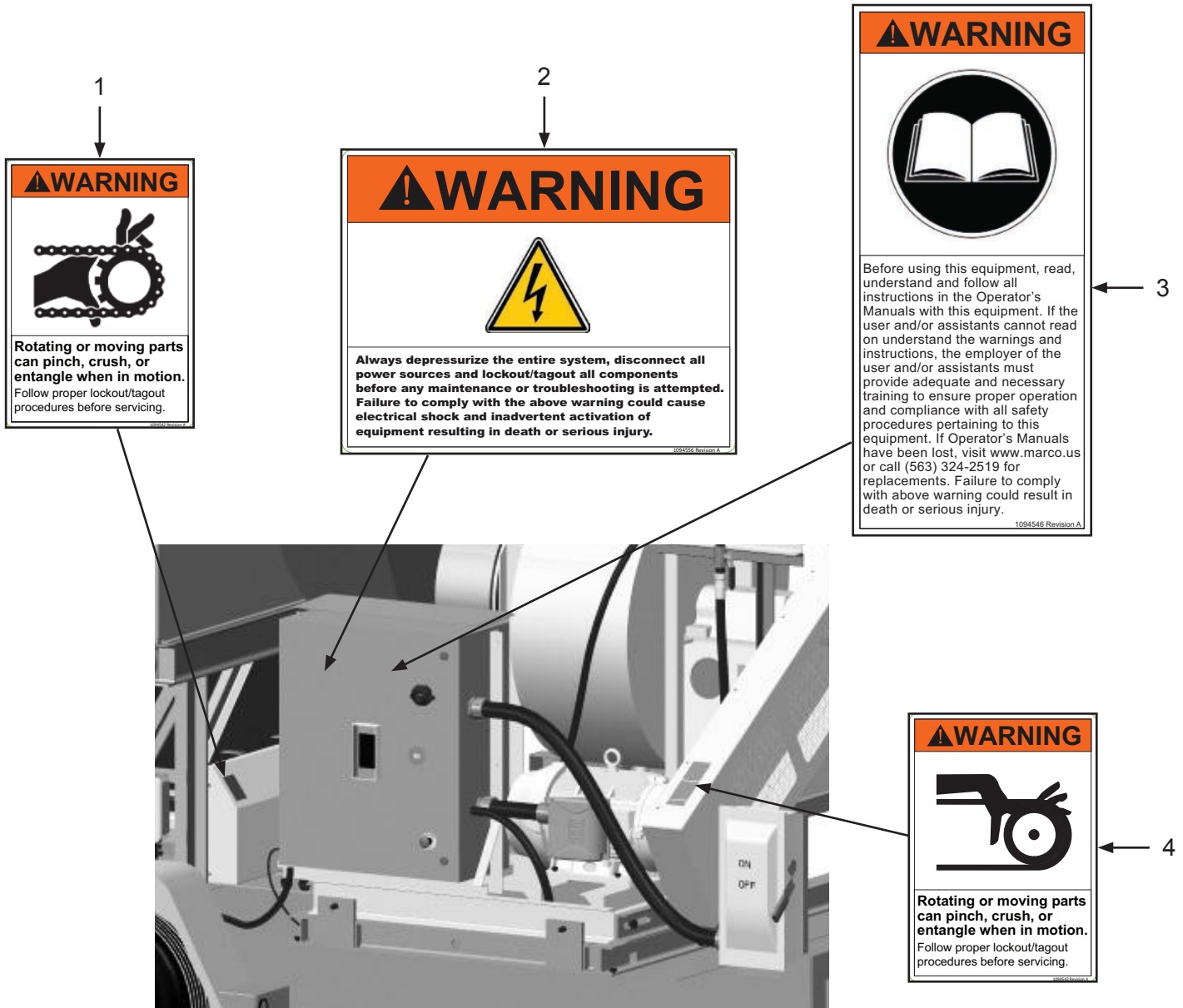
Item #	Part #	Description
--------	--------	-------------

Fig. 29

1	10104071	E-Stop Control Station
2	10104703	Cord Grip Nylon 1/2"-NPT .2-.47 Diameter
3	10104063	Legend Plate - Emergency Stop
4	1015540	16/2 Xtreme Duty Power Cord - Red
—	1015009	8-32 x 1" Pan Head Phillips Screw <i>(Four Required)</i>
—	20000021	8-32 Zinc Nut <i>(Four Required)</i>
—	20000018	#8 Zinc Lock Washer <i>(Four Required)</i>
—	20000019	#8 Zinc Flat Washer <i>(Four Required)</i>

PART NUMBERS AND SCHEMATICS

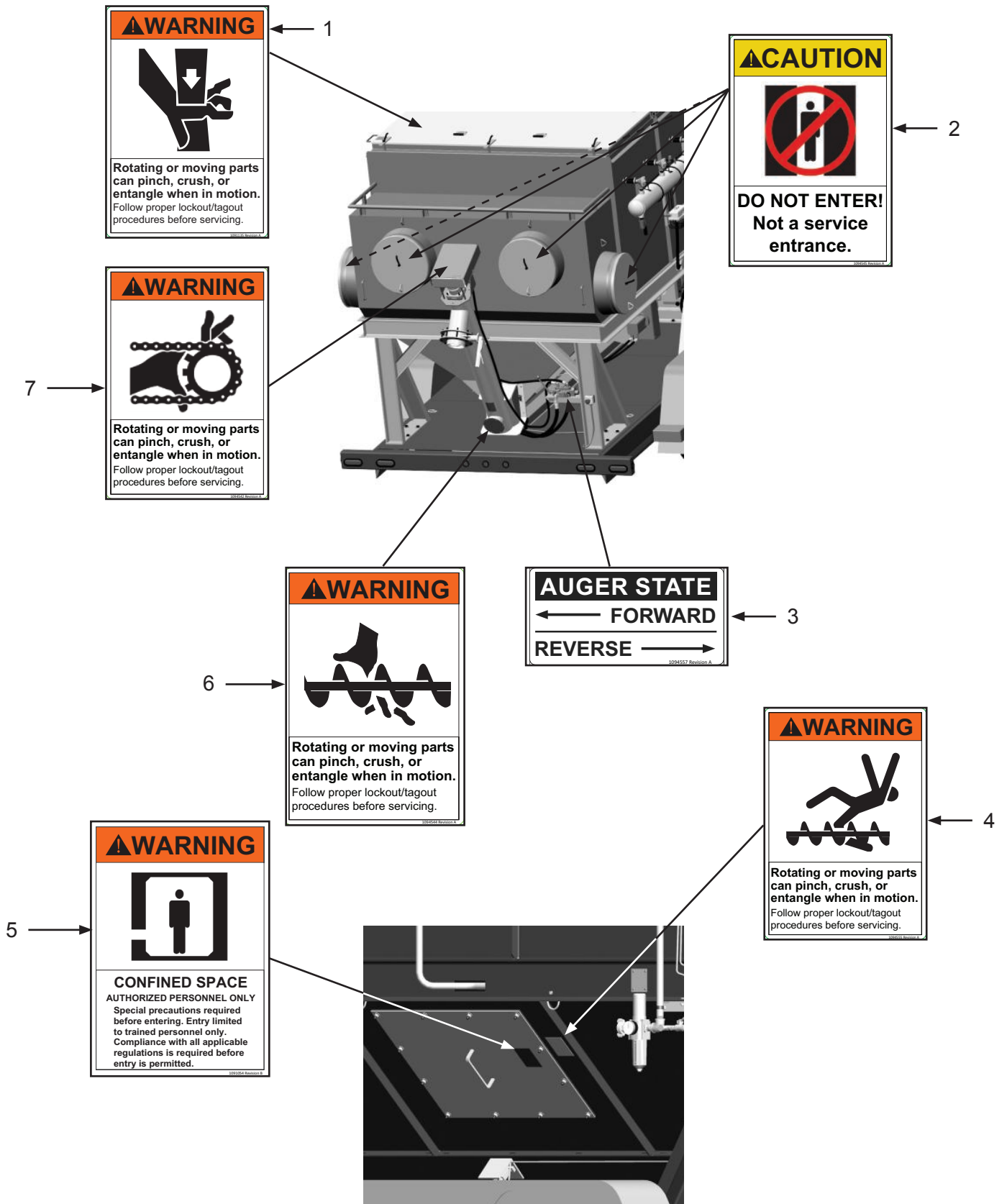
Figure 30: Hazard Identification Decals



Item #	Part #	Description
1	1094542	Rotating or Moving Parts Warning Decal
2	1094556	Lockout/Tagout Warning Decal
3	1094546	Read Manual Warning Decal
4	1094543	Rotating or Moving Parts Warning Decal

PART NUMBERS AND SCHEMATICS

Figure 31: Hazard Identification Decals (cont.)



PART NUMBERS AND SCHEMATICS

Figure 31: Hazard Identification Decals *(cont.)*

Item #	Part #	Description
Fig. 31		
1	1091135	Rotating or Moving Parts Warning Decal
2	1094545	Do Not Enter Caution Decal
3	1094557	Auger State Decal
4	1094555	Rotating or Moving Parts Warning Decal
5	1091054	Confined Space Warning Decal
6	1094544	Rotating or Moving Parts Warning Decal
7	1094542	Rotating or Moving Parts Warning Decal

OPTIONAL ACCESSORIES



Part Numbers

REPLACEMENT DUST COLLECTOR FILTER CARTRIDGES

	Material	I.D.	O.D.	Length
10105973	85/15 Blend High Density Pleat	4.87"	9.22"	35"
10106218	85/15 Blend Reduced Pleat	4.87"	9.22"	35"
10105974	Fire Retardant	4.87"	9.22"	35"
101569046	HEPA	4.87"	9.22"	35"
10105980	Spunbond	4.87"	9.22"	35"



Part Numbers

20" I.D. DUCT HOSE

	Duct Hose I.D.	Length	Pitch	Bend Radius	Body Material	Wear Strip Material	Wear Strip Color	Temperature Range (°F)
10DH2025HD	20"	25 Ft.	1-1/2"	17"	2-Ply Vinyl-Coated Polyester	PVC	Red	-20° – 180°
10DH2050HD	20"	50 Ft.	1-1/2"	17"	2-Ply Vinyl-Coated Polyester	PVC	Red	-20° – 180°
15DH2025	20"	25 Ft.	2"	17.9"	2-Ply Vinyl-Coated Polyester	PVC	Red	-20° – 180°



Part Numbers

20" I.D. DUCT HOSE COUPLINGS

	Duct Hose I.D.	Material
1017120	20"	Stainless Steel



Part Numbers

20" I.D. DUCT HOSE SCREW CLAMPS

	Duct Hose I.D.	Material
10DH062602000	20"	Stainless Steel

OPTIONAL ACCESSORIES



Part Numbers

3/4" I.D. X 1-1/4" O.D. AIR HOSE WITH COUPLINGS INSTALLED

	Length	Hose I.D.	Hose O.D.	Working Pressure	Hose Cover Color	Couplings
10AH034AC	50 Ft.	3/4"	1-1/4"	200 PSI	Red	2-Lug Crimped On



Part Numbers

3/4" I.D. X 1-1/4" O.D. AIR HOSE

	Length	Hose I.D.	Hose O.D.	Working Pressure	Hose Cover Color
10AH034	Per Ft.	3/4"	1-1/4"	200 PSI	Red



Part Numbers

MALE HOSE END COUPLING AND GASKET FOR 3/4" I.D. AIR HOSE

	Hose I.D.	Material	Coupling Style	GASKET		
				Rubber Gasket	Gasket I.D.	Gasket O.D.
10HE1	3/4"	Plated Iron	2-Lug	10UG2	3/4"	1-3/8"



Part Numbers

BOSS® CLAMP FOR 3/4" I.D. AIR HOSE

	Hose I.D.	Hose O.D. Range	Material
10A9	3/4"	1-1/8" – 1-5/16"	Plated Steel

LITERATURE REFERENCES

Dustmaster® 18,000 CFM Electric Dust Collector

106M133	Part Numbers & Schematics Guide – Dustmaster® 18,000 CFM Electric Dust Collectors
1090133	Operator's Manual – Dustmaster® 18,000 CFM Electric Dust Collectors
109V561	Operator's Manual – Marathon Motor Manual 5554E
109V045	Operator's Manual – Dynamic Fan Corporation
109V582	Operator's Manual - Behnke Trailer

MAINTENANCE NOTES

DATE	TYPE OF SERVICE	PART NUMBER

CONTACT CENTER

- 3425 East Locust Street
Davenport, IA 52803

ph: 800.BLAST.IT (800.252.7848)

ph: 563.324.2519

fax: 563.324.6258

REGIONAL BRANCH OFFICES

- **Iowa**
Davenport
- **Louisiana**
Gonzales
Lafayette
- **Ohio**
Youngstown
- **Texas**
Beaumont
Corpus Christi
Deer Park



ABRASIVES

BLASTING

COATING

DUST COLLECTION

RENTAL & SERVICE

SAFETY

VACUUMS

40+ NATIONWIDE SHIPPING LOCATIONS



★ Marco Regional Branch Offices
and Shipping Locations

● Direct Shipping Locations

CONTACT MARCO

800.BLAST.IT

(800.252.7848)

563.324.2519

FAX: 563.324.6258

WWW.MARCO.US

SALES@MARCO.US