



DUSTMASTER® 18,000 CFM TIER III DIESEL DUST COLLECTOR



**BUILT MARCO
TOUGH**
MARCO MANUFACTURED

PART NUMBERS AND SCHEMATICS GUIDE

Company Profile

Since 1944, Marco has developed a strong tradition of providing innovative and reliable products and services to the surface preparation and protective coatings industries. We are the world's premier provider of Abrasives, Blasting Equipment, Coating and Painting Equipment, Engineered Systems, Rental Equipment, Safety Equipment, Service, and Repair.

Through innovative designs and a total commitment to quality, Marco manufactures products that increase production rates, create a safer workplace, and reduce maintenance costs. Marco's industry experience, manufacturing capabilities, legendary customer service, product availability, logistics services, and technology leadership is your assurance that we deliver high quality products and services, providing the best value to you, our customer.

The Marco Difference

- **Industry Experience** – With Marco on your team, you have access to expertise which can only come from decades of industry leadership. We have organized our engineering department, production specialists, customer operations, and safety support into a “Center of Competence.” As a Marco customer, you have access to hundreds of years of cumulative experience related to your operations.
- **Manufacturing Excellence** – Marco is a U.S. based, ISO 9001:2008 certified manufacturer of equipment for the Surface Preparation and Protective Coatings industries. Marco's engineers benchmark the industry to ensure that we design and manufacture superior products that set the “Gold Standard” for performance, safety, and quality.
- **Legendary Customer Service** – Marco's legendary customer service team is staffed by friendly, highly-trained individuals who are focused on providing the highest level of product support, order accuracy, and customer satisfaction.
- **Product Availability** – We stock over 10,000 SKU's and have over 45 shipping locations to serve North American and International markets for all major brands of blasting and painting equipment. As the largest provider of surface preparation and protective coatings equipment in the world, our inventory levels and product availability are unmatched.
- **Logistics Services** – Marco's in-house logistics team is dedicated to moving your shipment anywhere in the world. We move over 14,000 truckloads every year, allowing you to save on freight costs by leveraging our buying power. Lower your process costs with a single invoice, which includes product and freight.
- **Technology Leadership** – Our website provides: Operator's Manuals, Part Numbers and Schematics Guides, MSDS information, and Features, Advantages, and Benefits Guides, providing access to information 24/7. Our Extranet application allows you to receive quotes and place orders online. Our Intranet maintains a complete record of your purchase history to assist with ongoing support of your existing equipment and future purchasing decisions.

Vision Statement

Marco is the world's premier provider of Abrasives, Blasting Equipment, Coating and Painting Equipment, Engineered Systems, Rental Equipment, Safety Equipment, Service, and Repair.

Mission Statement

Marco provides strong leadership and innovation to the surface preparation and protective coatings industries. We dedicate our efforts to the continuous improvement of our products, services, processes, people, and most importantly, the quality of our customer's experience.

Quality Policy

Marco is committed to providing superior quality in the design, manufacturing, distribution, rental, service, and repair of our products. Our ISO 9001:2008 certification extends throughout all operations in all locations. Continuous improvement of our processes and supply chain Integration comprise the core of our business strategy for delivering exceptional quality and value in all Marco products and services.

Management Philosophy

We are a company dedicated to the success of every customer and associate. We discuss, debate, challenge, measure, and test our ideas. We will be boundless and limitless in our passion to improve. Through sound leadership and dedicated associates, we will ensure a long term, profitable future for Marco, our associates, customers, and suppliers.

TABLE OF CONTENTS

Company Profile	1	Hydraulic Pump	33
Part Numbers	3	Hydraulic Control Assembly	34
Specifications	4	Inlet Door Assembly	35
Part Numbers and Schematics	5	Dust Collector Filter Cartridge Pulsers	36
Front Assembly	5	Dust Collector Filter Cartridge Hatch Door	37
Throttle Cable	7	Emergency-Stop Stations	38
Fuel Tank	8	Trailer	39
Hydraulic Oil Tank	9	Diaphragm Valve	40
Hydraulic Oil Filter Assembly	11	Optional Accessories	41
Hydraulic Hoses	12	Literature References	43
Fan Belt Assembly	13		
Fan Belt Guard Back Assembly	15		
Fan Assembly and Battery Box	16		
Main Auger Drive Assembly	17		
Main Auger Bearing	18		
Main Auger Motor	19		
Main Auger	20		
Access Panel Assembly	21		
Main Auger Protective Grate	21		
Pneumatic Ball Vibrators	22		
Pulser System Assembly	23		
Pulser Regulator and Timer Assembly	25		
Pulser Solenoid Enclosure Assembly	26		
Discharge Auger Assembly	27		
Discharge Auger Drive Assembly	29		
Discharge Auger Clean-out Assembly	31		
Discharge Auger Assembly	32		

PART NUMBERS



Complete unit with tier III diesel engine no longer available. See Tier 4 options.

SPECIFICATIONS

Performance:	CFM : 10,880-18,350 cfm W.C. 6"-16"
Filter Cartridge Style:	Open Top with Flange, Closed Bottom 24 Required
Filter Cleaning:	Pulse System, 5–15 second intervals Pulse Duration: 200–350 millisecond
Air to Cloth Ratio:	3.67:1 @ 18,000 CFM
Filter Area:	4,901 square feet
Efficiency:	85/15 Blend Filters – 99.8% @ 0.5 micron HEPA Filters – 99.99% @ 0.3 micron Fire Retardant Filters – 96.8% @ 2.0 micron Spunbond Filters – 97% @ 3.0 micron
Ducting Connections:	20" I.D., Quantity of Four
Clean-out Ports:	One
Dust Removal Conveyor:	Main Auger, 6" Discharge Auger, Hydraulic Motor Drive
Fan:	Backward Inclined, non-overloading, spark resisting
Engine:	Diesel, Tier III, 97 Horsepower
Fuel Capacity:	Type: Diesel Capacity: 55 Gallons
Air Requirements:	Clean, Dry, Compressed Air 24 CFM @ 90 PSI
Electrical System:	12-Volt DC
Engine Protection:	Engine Monitoring System with automatic shutdown measures: coolant temperature, intake air temperature, engine intake manifold pressure, engine oil pressure, pressure in fuel rail, engine speed and timing.
Fluid Specifications:	Hydraulic Oil: H46 or equivalent, 40 Gallons Diesel Fuel: See Engine Operator's Manual for type, 55 Gallons Grease/Lubricator: Shell Alvania Grease EP or equivalent
Unit Dimensions:	Weight: 11,680 pounds (empty) Tongue Weight: 1560 pounds Length: 23' 9" Width: 8' 6" Height: 10' 4"
Unit Dimensions Skid:	Weight: 11,000 pounds (approximate) Length: 19' 10" Width: 8' 6" Height: 8' 9"

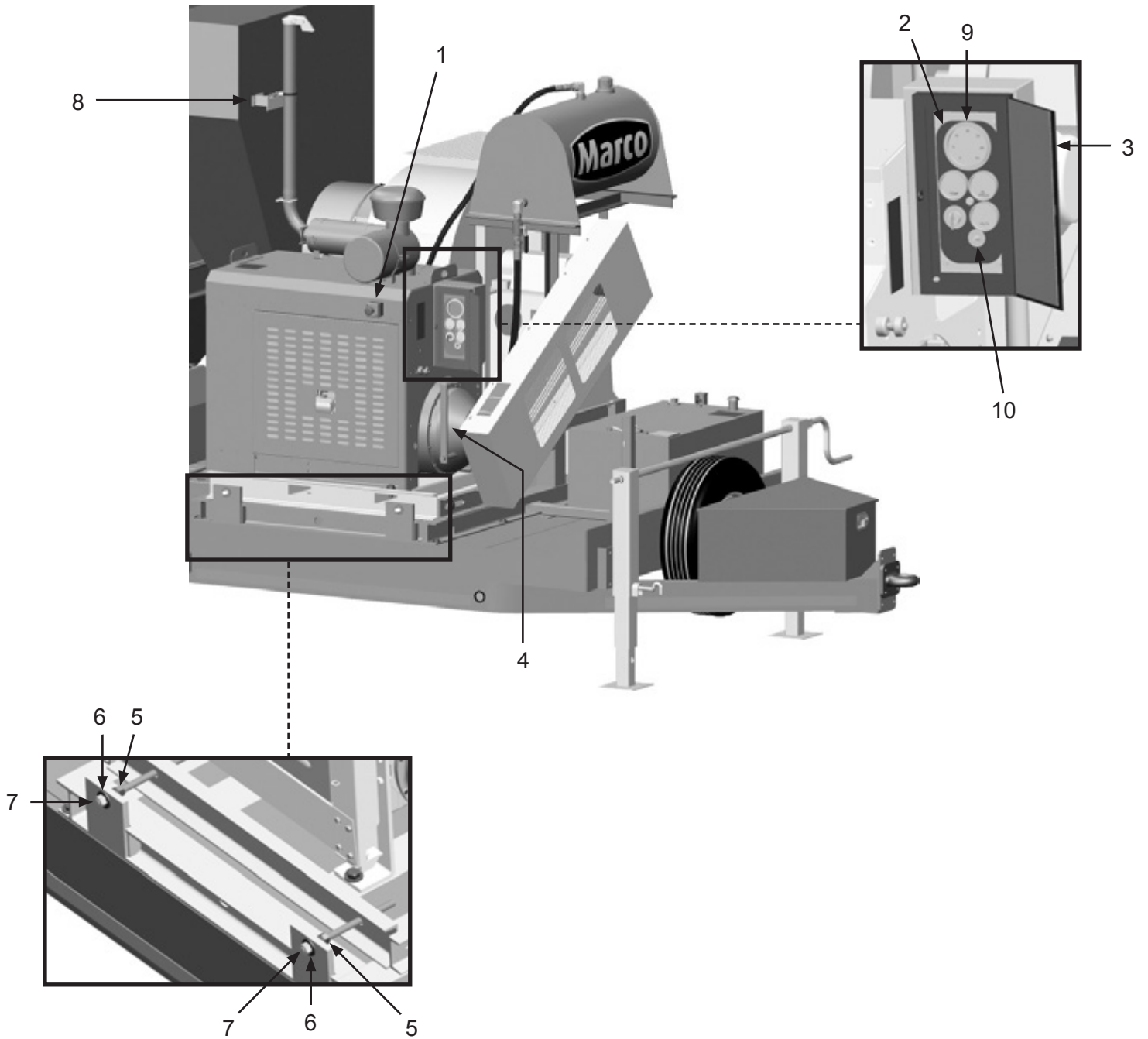
PART NUMBERS AND SCHEMATICS

Front Assembly

Item #	Part #	Description
Fig. 1		
1	10104071	Emergency-Stop Station (<i>See Fig. 29</i>)
2	10105030	97HP Engine Control Panel - Complete
3	10104072	Engine Control Panel Door
4	10104025	Clutch Assembly
5	10103420	3/4-10 Nut (<i>Four Required</i>)
6	10103718	3/4" Washer (<i>Four Required</i>)
7	10103440	3/4-10 Draw Bolt (<i>Two Required</i>)
8	10106615	Exhaust Bracket
9	10104060	Tachometer
10	10104158	Tattletale Push Button Switch
—	10106772	Clutch Arm Extension

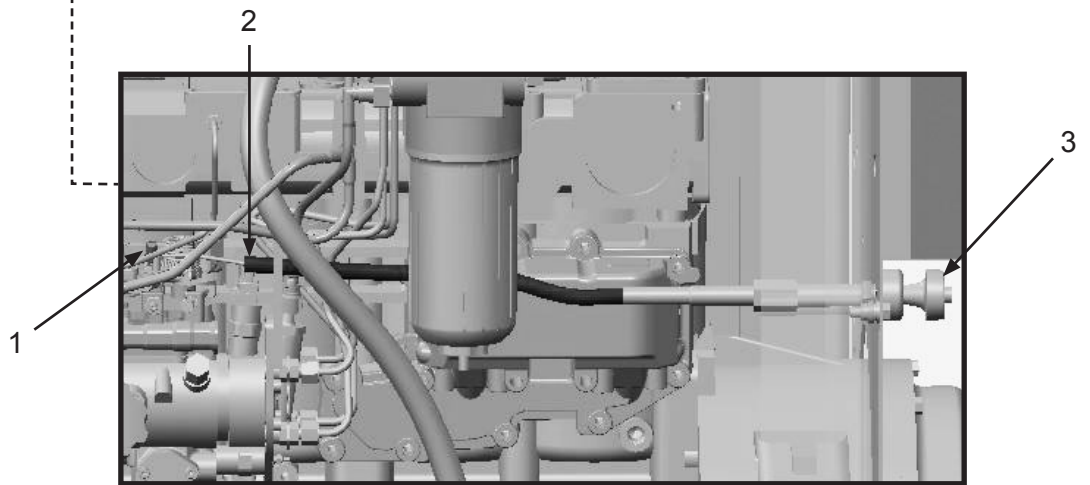
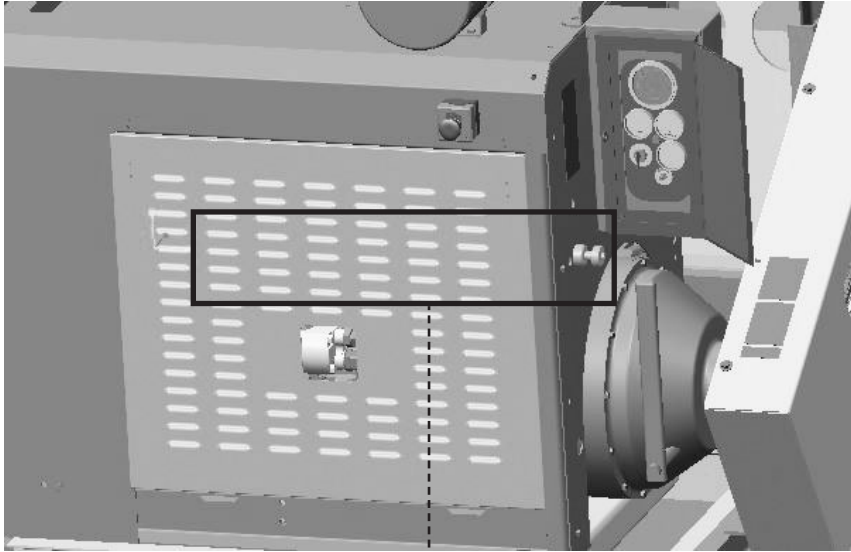
PART NUMBERS AND SCHEMATICS

Figure 1: Front Assembly



PART NUMBERS AND SCHEMATICS

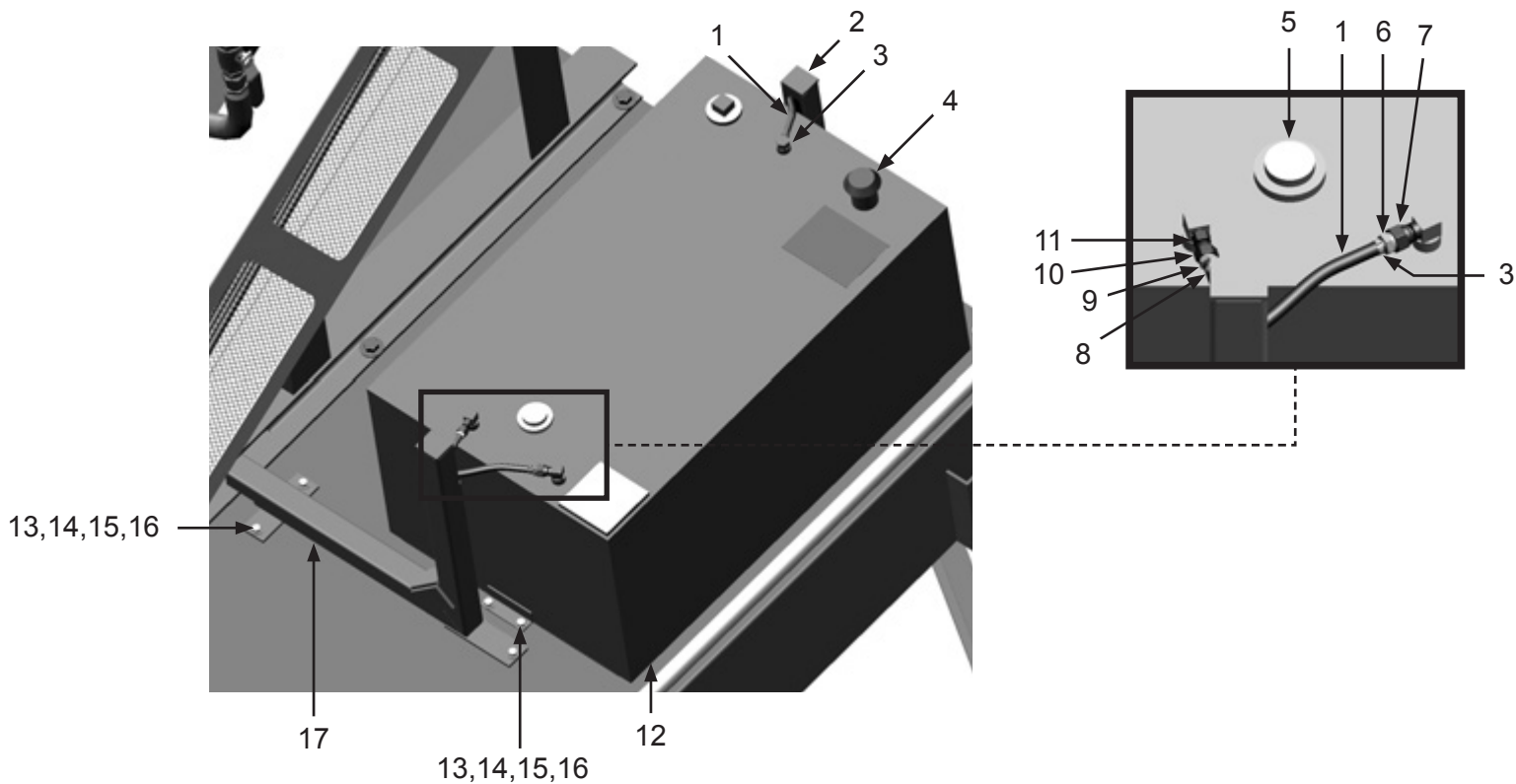
Figure 2: Throttle Cable



Item #	Part #	Description
Fig. 2		
1	10104208	Throttle Retainer
2	10104209	Nut and Ferrule
3	10104095	Throttle Cable <i>(Item #'s 1 and 2 Not Included)</i>

PART NUMBERS AND SCHEMATICS

Figure 3: Fuel Tank



Item #	Part #	Description
Fig. 3		
1	10103423	3/8" I.D. Fuel Hose (<i>Per Foot</i>)
2	10104153	Fuel Line Guard
3	10104065	Oetiker Clamp - 3/8" I.D. Hose
4	10103968	Locking Fuel Cap with Keys
5	10103810	Sight Gauge
6	10103631	3/8" Barb x 3/8" NPT Brass Female Fitting
7	20PFHA60SA0606	3/8" (M) x 3/8" (F) Swivel Union
8	10104099	5/16" I.D. Fuel Hose (<i>Per Foot</i>)
9	10104101	Oetiker Clamp - 5/16" I.D. Hose
10	10104100	5/16" Barb x 1/4" NPT Fitting
11	10SME025	1/4" NPT (M) x 1/4" NPS (F) Straight Swivel
12	10103711	Fuel Tank - 55 gallon
13	10101059	3/8-16 x 1-1/4" Galvanized Bolt (<i>Eight Required</i>)
14	10101942	3/8" Galvanized Flat Washer (<i>16 Required</i>)
15	10101938	3/8-16 Galvanized Hex Nut (<i>Eight Required</i>)
16	10101936	3/8" Zinc Lock Washer (<i>Eight Required</i>)
17	10103677	Fuel Line Guard
—	10103617	Withdraw Tube - 16"
—	10103620	3/8" Inline Filter (<i>Not Shown</i>)
—	10103961	Fuel Tank Rubber Cushioning Pad (<i>Not Shown</i>)

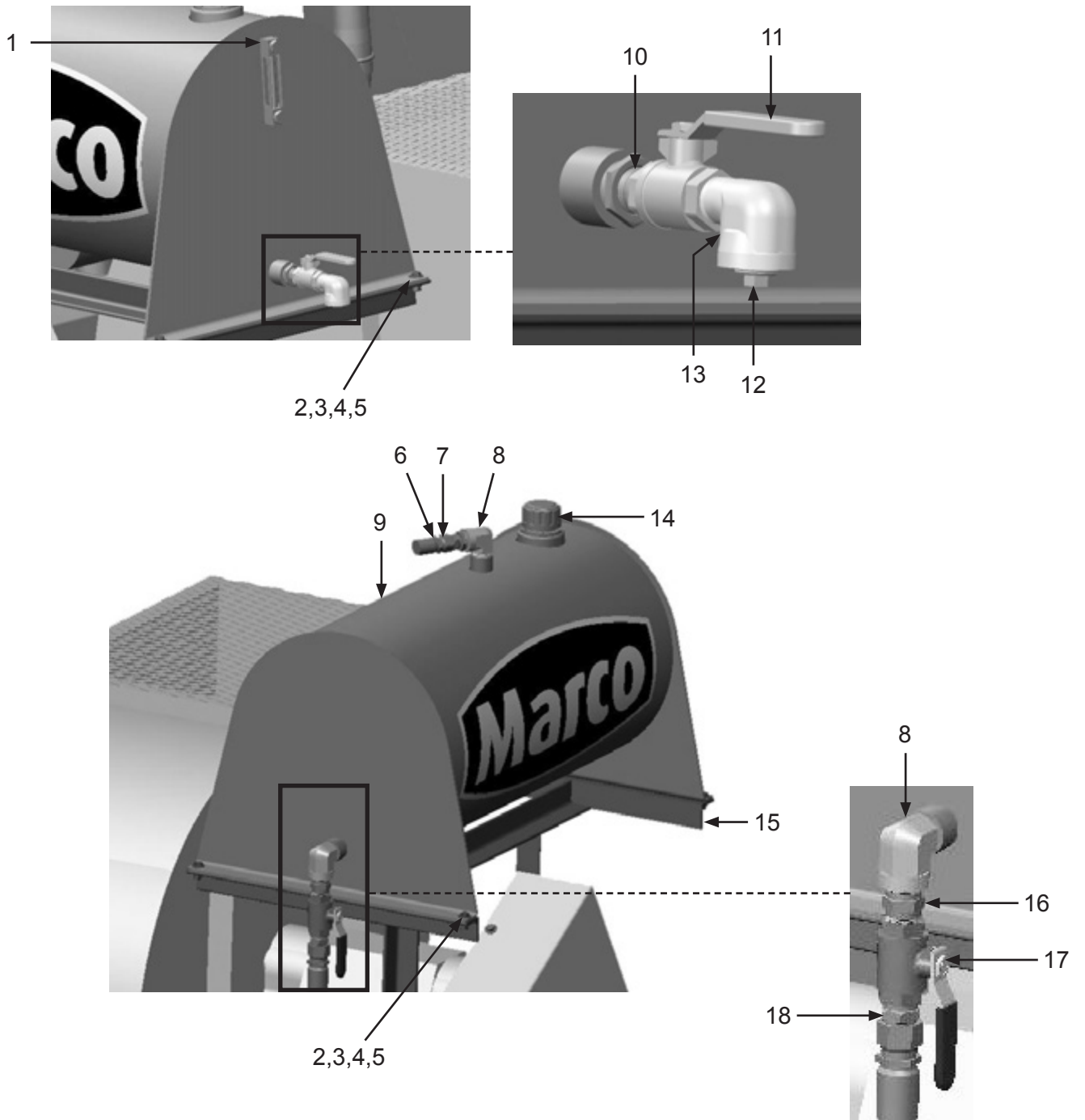
PART NUMBERS AND SCHEMATICS

Hydraulic Oil Tank

Item #	Part #	Description
Fig. 4		
1	10103942	Sight Level Gauge
2	1011747	Bolt - 1/2-13 x 1-3/4" - Galvanized (<i>Four Required</i>)
3	10101942	Flat Washer - 1/2" (<i>Eight Required</i>)
4	10101936	Lock Washer - 1/2" (<i>Four Required</i>)
5	10101938	Hex Nut - 1/2-13 (<i>Four Required</i>)
6	10103314	Straight Adapter - 3/4" NPT x 12 JIC
7	20PFHA24SB1612	Reducing Bushing - 1" NPT x 3/4" NPT
8	20PFHA25UG1616	Street Elbow - 90° - 1" NPT (<i>Two Required</i>)
9	10105031	Hydraulic Oil Reservoir - 40 Gallon
10	1011213	Close Nipple - 3/4" NPT - Galvanized
11	10L8074C	Full Port Ball Valve - 3/4" NPT
12	10DSHP75	Pipe Plug - Square Head - 3/4" NPT
13	10102479	Street Elbow - 90° - 3/4" NPT - Galvanized
14	10103971	Filler/Breather Cap
15	10104255	Hydraulic Oil Tank Mount
16	20PFHA24SA1616	Hex Nipple - 1" NPT
17	1011601	Full Port Ball Valve - 1" NPT
18	10103312	Straight Adapter - 1" NPT x 16 JIC

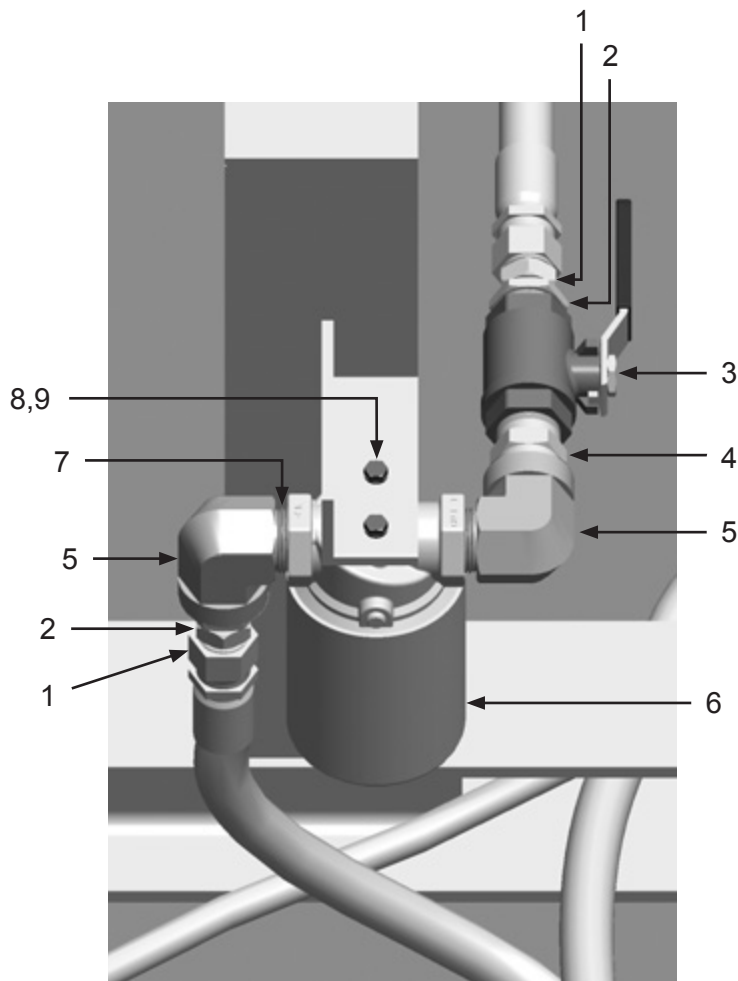
PART NUMBERS AND SCHEMATICS

Figure 4: Hydraulic Oil Tank



PART NUMBERS AND SCHEMATICS

Figure 5: Hydraulic Oil Filter Assembly



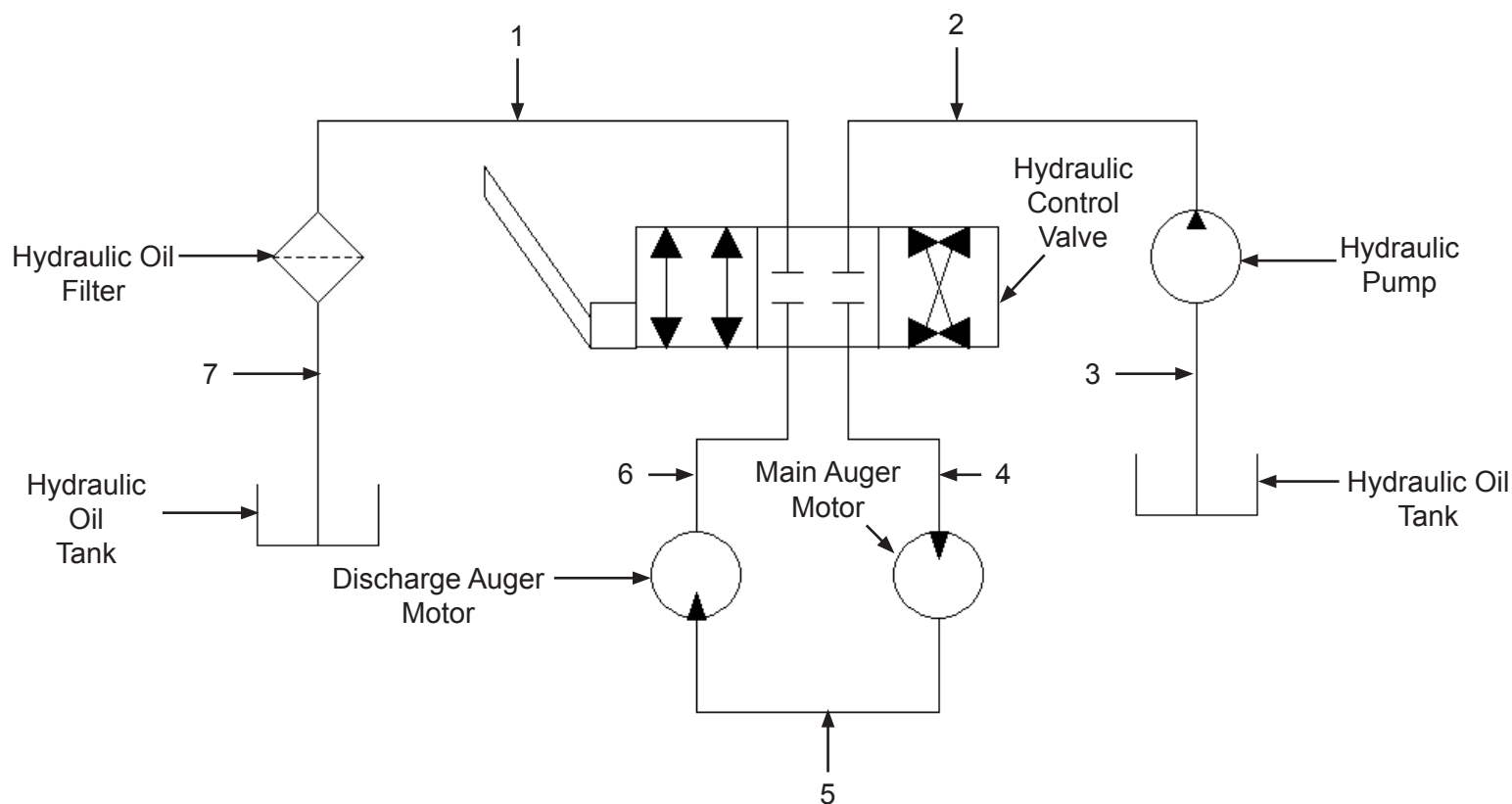
Item #	Part #	Description
--------	--------	-------------

Fig. 5

1	10103314	3/4" NPT x 12 JIC Straight Adapter
2	20PFHA24SB1612	1" x 3/4" Reducing Bushing
3	1011601	3/4" Full Port Brass Ball Valve
4	20PFHA24SA1616	1" Hex Nipple
5	20PFHA25UG1616	1" Street Elbow
6	10104058	Hydraulic Oil Filter
7	10104057	Hydraulic Oil Filter Head
8	1012153	1/4" Lock Washer
9	20100125	1/4-20 x 3/4" Zinc Bolt

PART NUMBERS AND SCHEMATICS

Figure 6: Hydraulic Hoses



Item #	Part #	Description
--------	--------	-------------

Fig. 6

1	10103710	Hydraulic Hose - 3/4" I.D. x 13 feet - 3045 psi
2	10103707	Hydraulic Hose - 3/4" I.D. x 17.58 feet - 3045 psi
3	10103405	Hydraulic Hose - 1-1/4" I.D. x 9.5 feet - 2000 psi
4	10103408	Hydraulic Hose - 1/2" X 12'6" - 2000 psi
5	10104223	Hydraulic Hose - 1/2" X 16' - 2000 psi
6	10103409	Hydraulic Hose - 1/2" I.D. x 7.08 feet - 2000 psi
7	10104055	Hydraulic Hose - 3/4" I.D. x 7 feet - 3045 psi

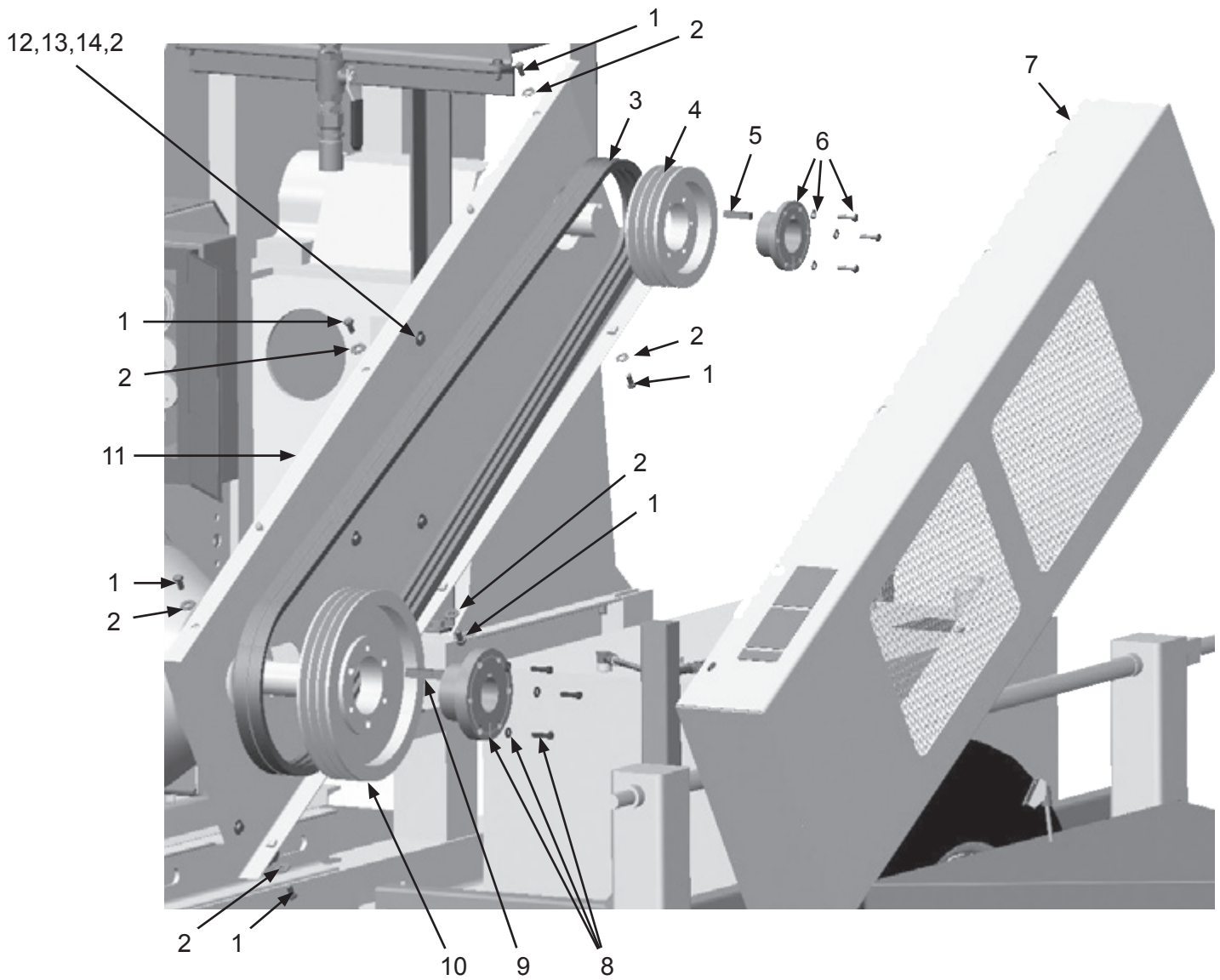
PART NUMBERS AND SCHEMATICS

Fan Belt Assembly

Item #	Part #	Description
Fig. 7		
1	10103400	3/8-16 x 3/4" Bolt <i>(Six Required)</i>
2	10101942	3/8" Galvanized Flat Washer <i>(16 Required)</i>
3	10103703	3-Band Fan Drive Belt – 112"
4	10103700	6" Sheave
5	10104106	1/2" Square Key Cut
6	10103699	1.9375" Bore Sheave Bushing <i>Includes Mounting Hardware</i>
7	10102964	Belt Guard Cover
8	10103701	2.25" Bore Sheave Bushing <i>Includes Mounting Hardware</i>
9	10103644	1/2" x 3/16" x 5/8" x 5/16" Key Cut
10	10103702	10.6" Sheave
11	10102967	Belt Guard Back
12	1028617	3/8-16 x 1-3/4" Shoulder Bolt <i>(Five Required)</i>
13	10101936	3/8" Zinc Lock Washer <i>(Five Required)</i>
14	10101938	3/8" Galvanized Hex Nut <i>(Five Required)</i>

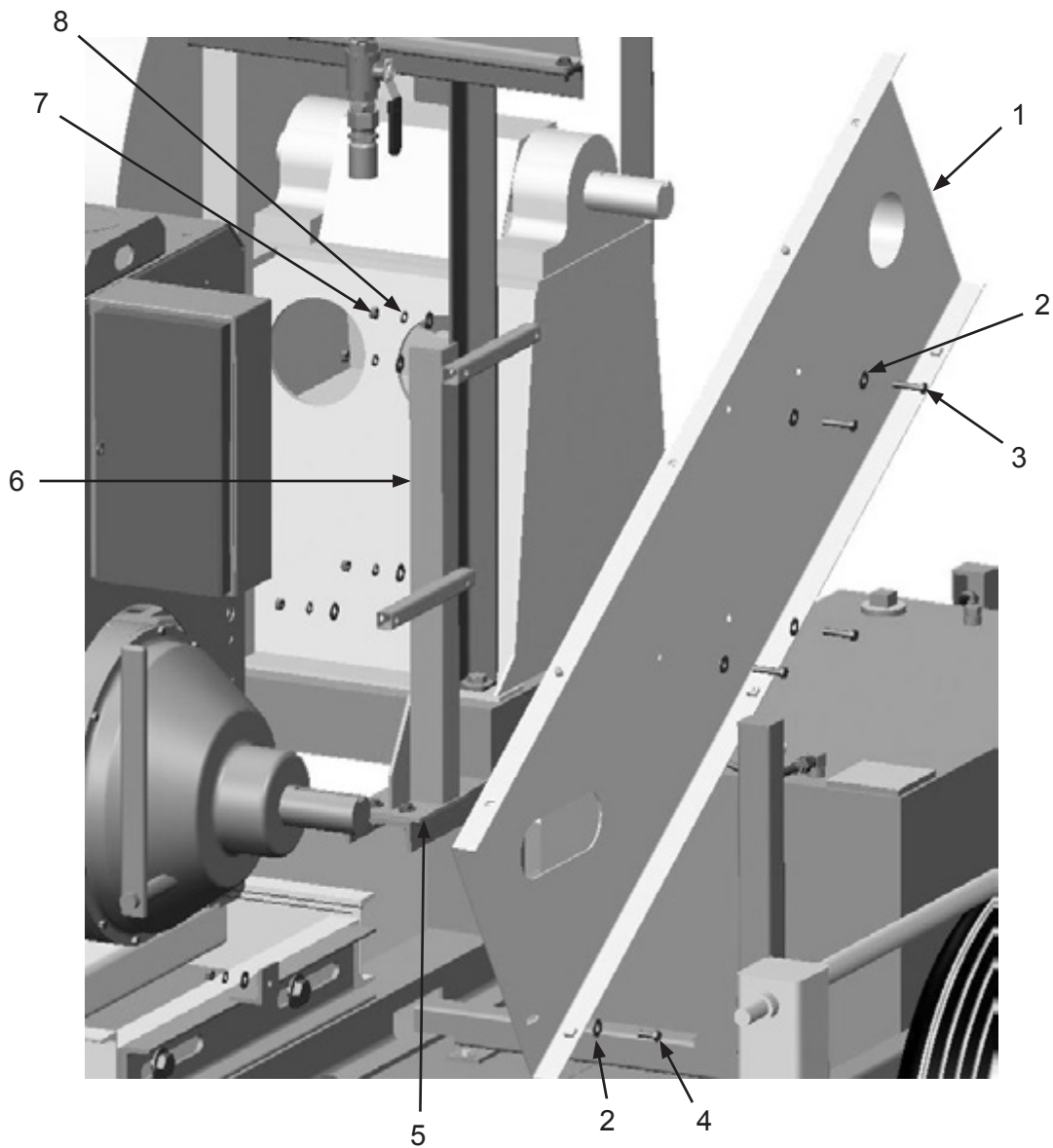
PART NUMBERS AND SCHEMATICS

Figure 7: Fan Belt Assembly



PART NUMBERS AND SCHEMATICS

Figure 8: Fan Belt Guard Back Assembly



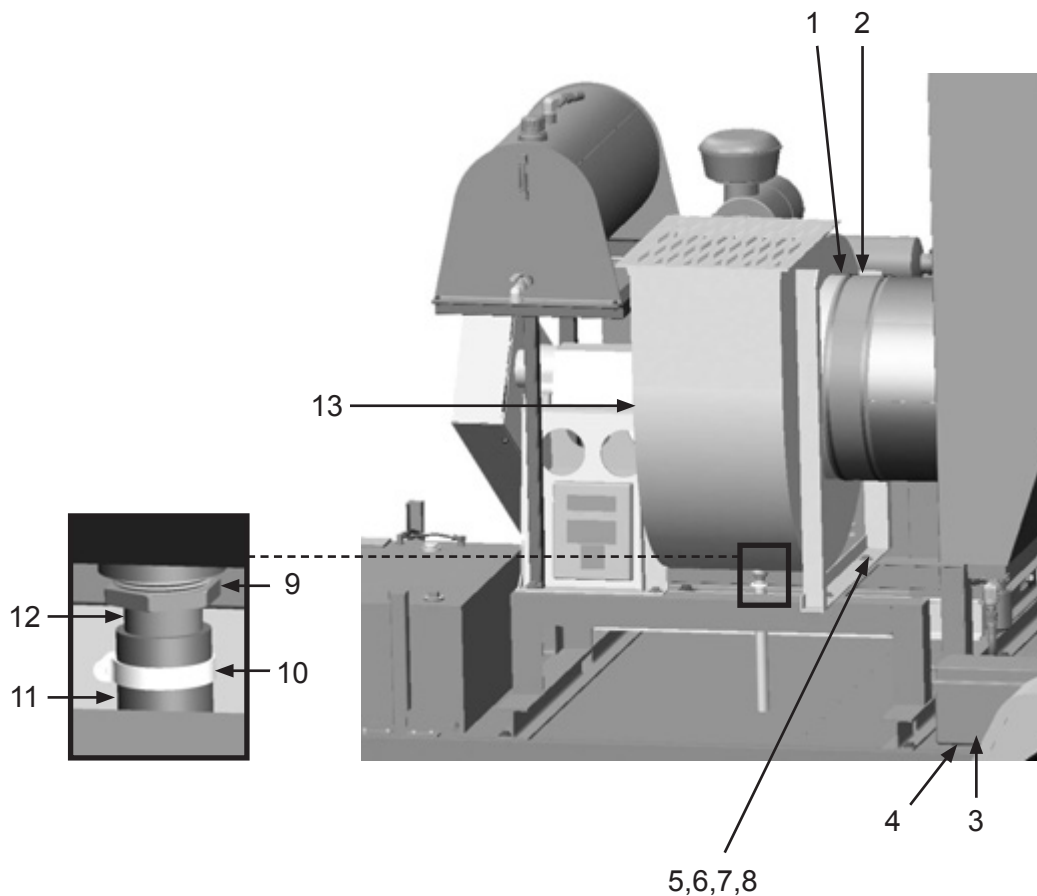
Item #	Part #	Description
--------	--------	-------------

Fig. 8

1	10102967	Belt Guard Back
2	10101942	3/8" Galvanized Flat Washer (<i>18 Required</i>)
3	1028617	3/8-16 x 1-3/4" Shoulder Bolt (<i>Four Required</i>)
4	1011747	3/8-16 x 1" Bolt
5	10101059	3/8-16 x 1-1/4" Galvanized Bolt (<i>Four Required</i>)
6	10103354	Belt Guard Mount
7	10101938	3/8-16 Galvanized Hex Nut (<i>Nine Required</i>)
8	10101936	3/8" Zinc Lock Washer (<i>Nine Required</i>)

PART NUMBERS AND SCHEMATICS

Figure 9: Fan Assembly and Battery Box



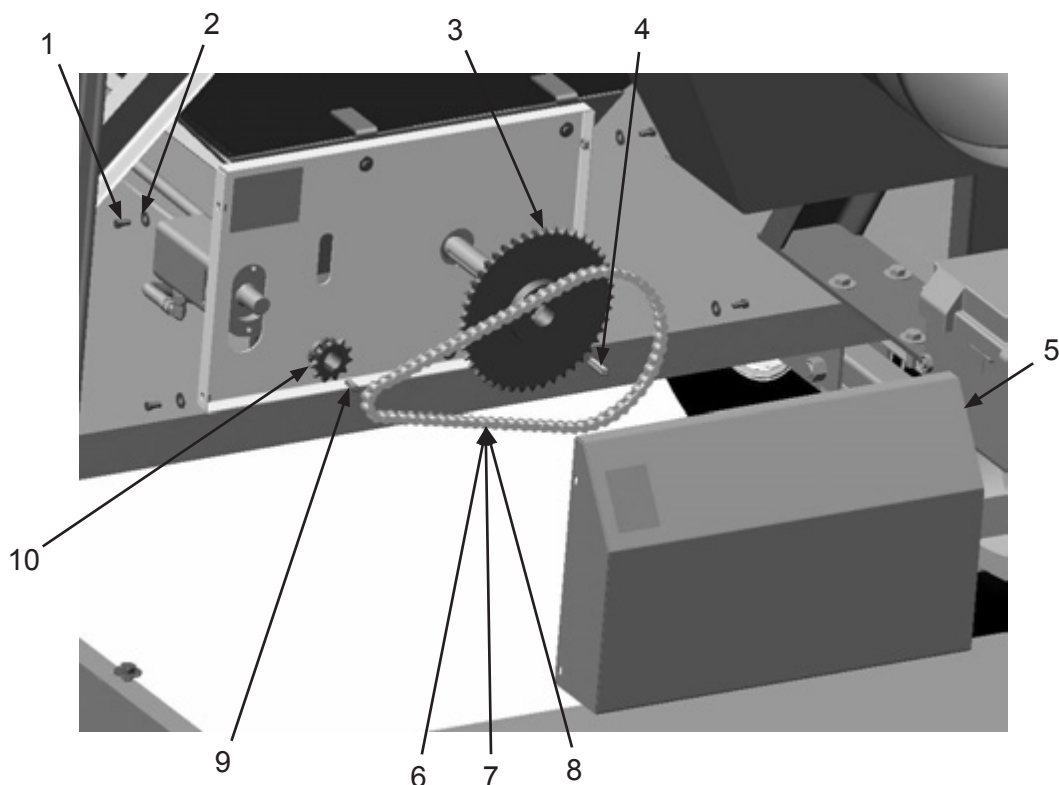
Item #	Part #	Description
--------	--------	-------------

Fig. 9

1	10103962	Connection Rubber Gasket
2	10103623	Adjustable Clamp Fastener <i>(Two Required)</i>
3	10103342	Battery Box
4	10103963	Rubber Cushioning Pad
5	10103417	3/4-10 UNC X 1-3/4" GR8 BOLT <i>(Six Required)</i>
6	10103418	3/4" Washer <i>(12 Required)</i>
7	10103420	3/4-10 UNC GR8 Nut <i>(Six Required)</i>
8	10103419	3/4" Lock Washer <i>(Six Required)</i>
9	20PFHA24SB2016	1-1/4" x 1" Reducing Bushing
10	10104136	T-Bolt Clamp 1-9/16" X 1-11/16" OD
11	10103654	1-1/4" I.D. Hose <i>(Per Foot)</i>
12	10105207	1" NPT X 3" Toe Nipple
13	10104253	BI-245 Backward Incline Fan
—	10105867	Battery Cables, 156" Long <i>(Not Shown)</i>
—	10103341	Battery, Group 31 <i>(Not Shown)</i>

PART NUMBERS AND SCHEMATICS

Figure 10: Main Auger Drive Assembly



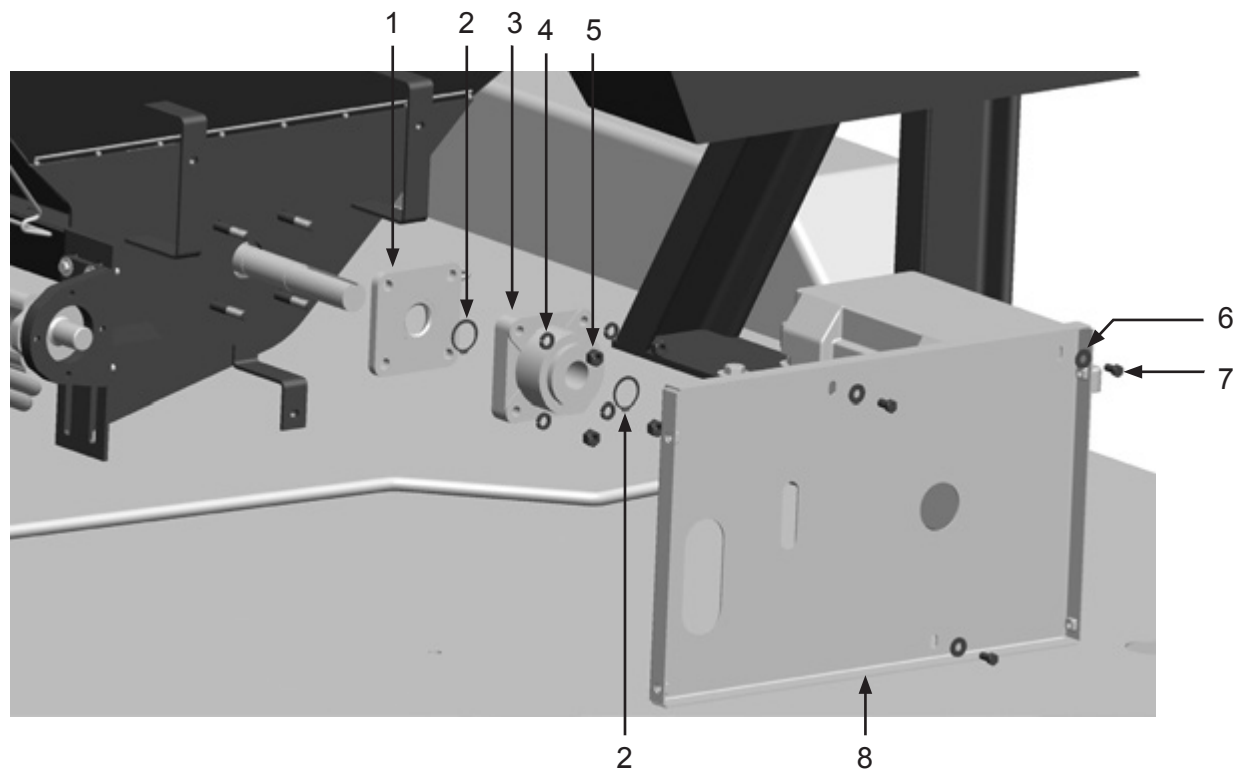
Item #	Part #	Description
--------	--------	-------------

Fig. 10

1	10103400	3/8-16 x 3/4" Bolt (<i>Four Required</i>)
2	10101942	3/8" Galvanized Flat Washer (<i>Four Required</i>)
3	10104218	45-Tooth Sprocket
4	10103641	3/8" Key Cut
5	10102952	Main Auger Motor Cover
6	10103391	60# Cottered Roller Chain (<i>Per Foot</i>)
7	10103392	60# Connecting Link
8	10103614	60# Offset Link
9	10103642	5/16" x 1/4" x 1/8" x 1/8" Key
10	10103265	11-Tooth Sprocket
—	10104192	Main Auger Chain Kit <i>Includes Item #'s: 7, 8, and 9</i>

PART NUMBERS AND SCHEMATICS

Figure 11: Main Auger Bearing



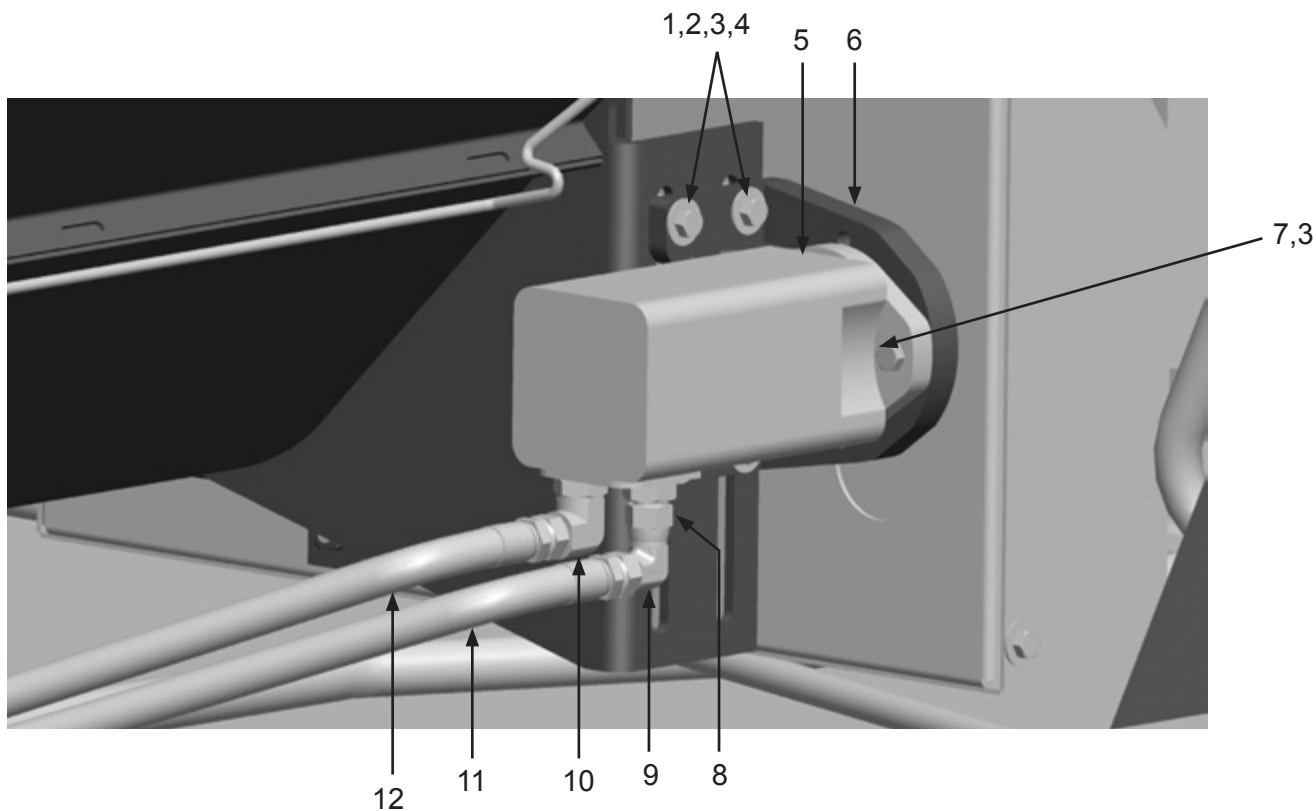
Item #	Part #	Description
--------	--------	-------------

Fig. 11

1	10102902	Seal Plate
2	10103605	Snap Ring (<i>Two Required</i>)
3	10102903	Thrust Bearing
4	10100675	1/2" Lock Washer (<i>Four Required</i>)
5	1014022	1/2-13 Hex Nut (<i>Four Required</i>)
6	10101942	3/8" Galvanized Flat Washer (<i>Three Required</i>)
7	10103400	3/8-16 x 3/4" Bolt (<i>Three Required</i>)
8	10102955	Main Auger Guard Back

PART NUMBERS AND SCHEMATICS

Figure 12: Main Auger Motor



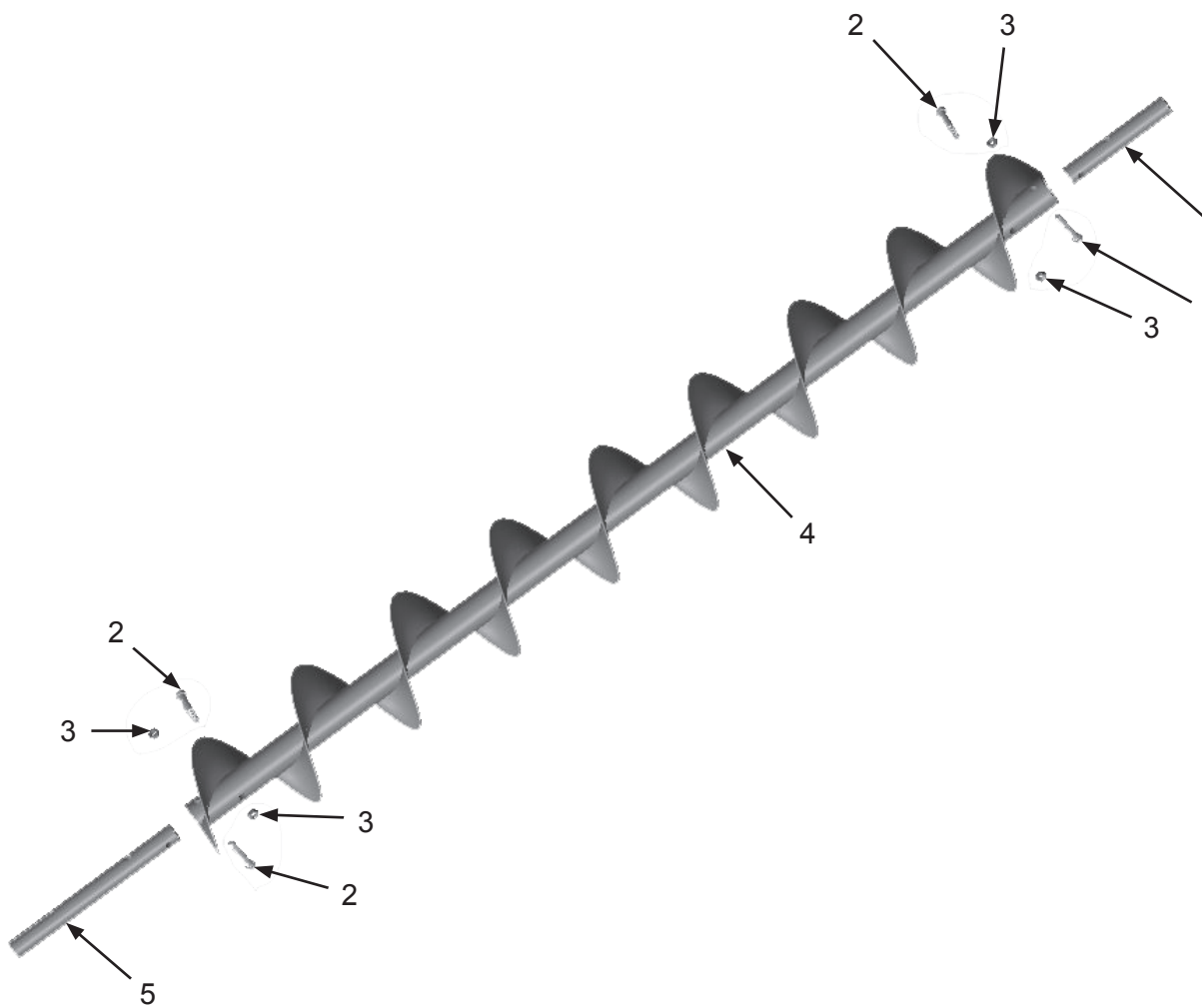
Item #	Part #	Description
--------	--------	-------------

Fig. 12

1	1028617	3/8-16 x 1-3/4" Shoulder Bolt (<i>Four Required</i>)
2	10101942	3/8" Galvanized Flat Washer (<i>Eight Required</i>)
3	10101936	3/8" Zinc Lock Washer (<i>Four Required</i>)
4	10101938	3/8-16 Galvanized Hex Nut (<i>Four Required</i>)
5	10103266	18.7 Displacement Hydraulic Motor
6	10102881	Hydraulic Motor Mount with Hardware
7	10104234	3/8-16 X 1-1/4 Hex Bolt Zinc GR 5
8	10103612	JIC 8 x SAE 10 Straight Adapter
9	10103611	JIC 8 x JIC 8 90° Elbow
10	10103308	JIC 8 x SAE 10 90° Elbow
11	10103408	1/2" x 12-1/2' Hydraulic Hose with Fittings
12	10103407	1/2" x 14' Hydraulic Hose with Fittings
—	10103941	Seal Kit for 18.7 Displacement Hydraulic Motor

PART NUMBERS AND SCHEMATICS

Figure 13: Main Auger



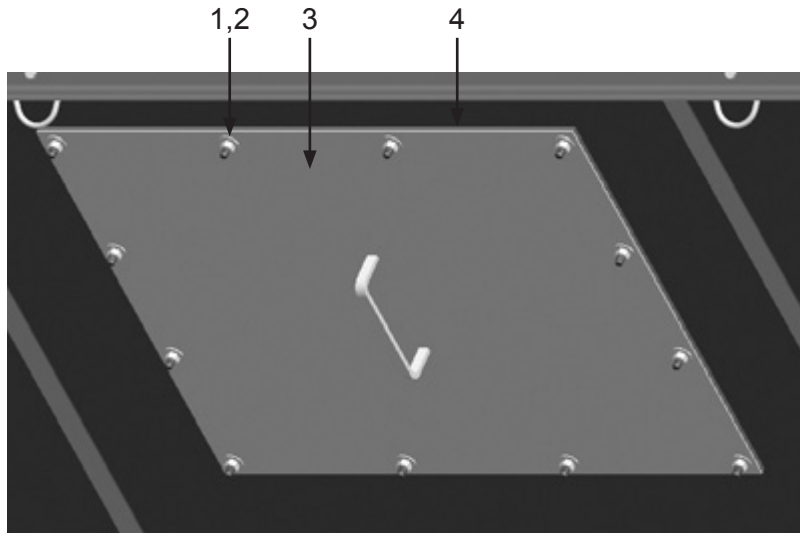
Item #	Part #	Description
--------	--------	-------------

Fig. 13

1	10103306	Drive Shaft
2	10101927	1/2-13 x 3" Galvanized Bolt (Four Required)
3	1014022	1/2-13 Galvanized Hex Nut (Four Required)
4	10103490	78" x 9" Standard Pitch Auger
5	10102910	Auger Shaft End

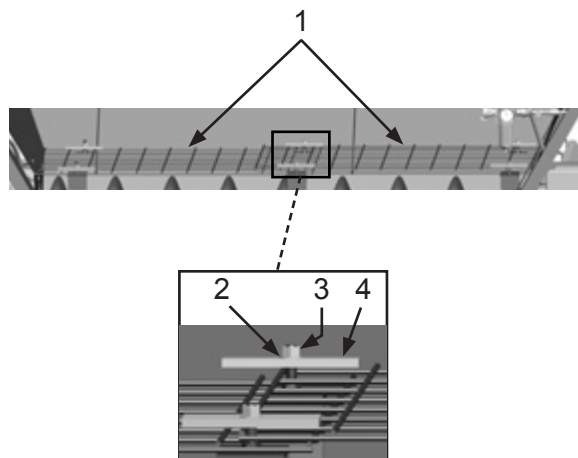
PART NUMBERS AND SCHEMATICS

Figure 14: Access Panel Assembly



Item #	Part #	Description
Fig. 14		
1	10101938	3/8-16 Galvanized Hex Nut (12 Required)
2	10101942	3/8" Flat Washer (12 Required)
3	10102933	20" Access Panel Door
4	10103344	1/4" X 1-1/2" Adhesive-Backed Gasket (Per Foot)

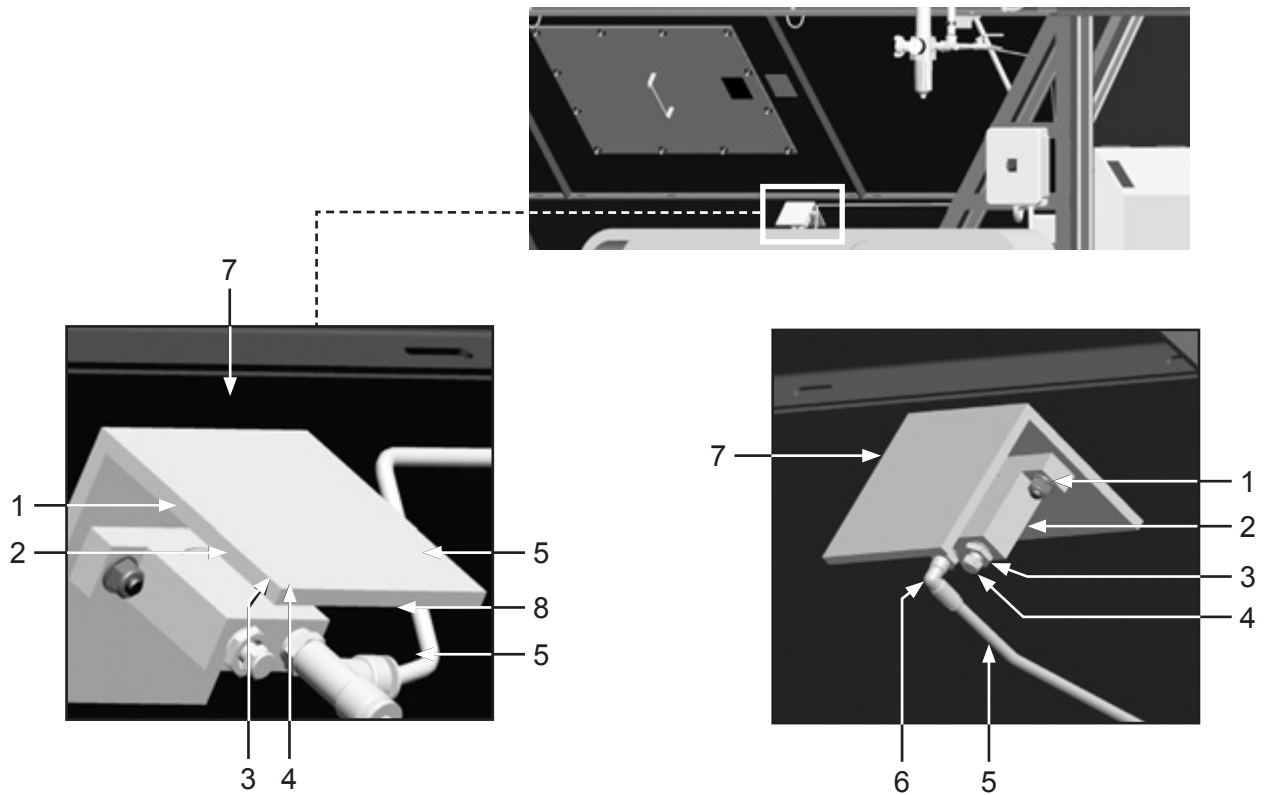
Figure 15: Main Auger Protective Grate



Item #	Part #	Description
Fig. 15		
1	10103966	Protective Grate - 44 Inches (Two Required)
2	10100674	Flat Washer - 1/2" (Six Required)
3	1014022	1/2-13 Hex Nut (Six Required)
4	10102936	Protective Grate Bracket (Six Required)

PART NUMBERS AND SCHEMATICS

Figure 16: Pneumatic Ball Vibrators



Item #	Part #	Description
--------	--------	-------------

Fig. 16

1	1012323	1/4-20 Zinc Lock Nut with Nylon Insert (<i>Four Required</i>)
2	10103258	Pneumatic Ball Vibrator (<i>Two Required</i>)
3	20PFHA24SB0402	1/4" x 1/8" Reducing Bushing
4	1012905	1/8" Breather Muffler (<i>Two Required</i>)
5	10103322	1/4" I.D. Black Urethane Tubing (<i>Per Foot</i>)
6	20PFBA31095614	1/4" Tube x 1/4" NPT 90° Fitting
7	10103609	Vibrator Shield (<i>Two Required</i>)
8	10103261	1/4" Male Push-to-connect Tee

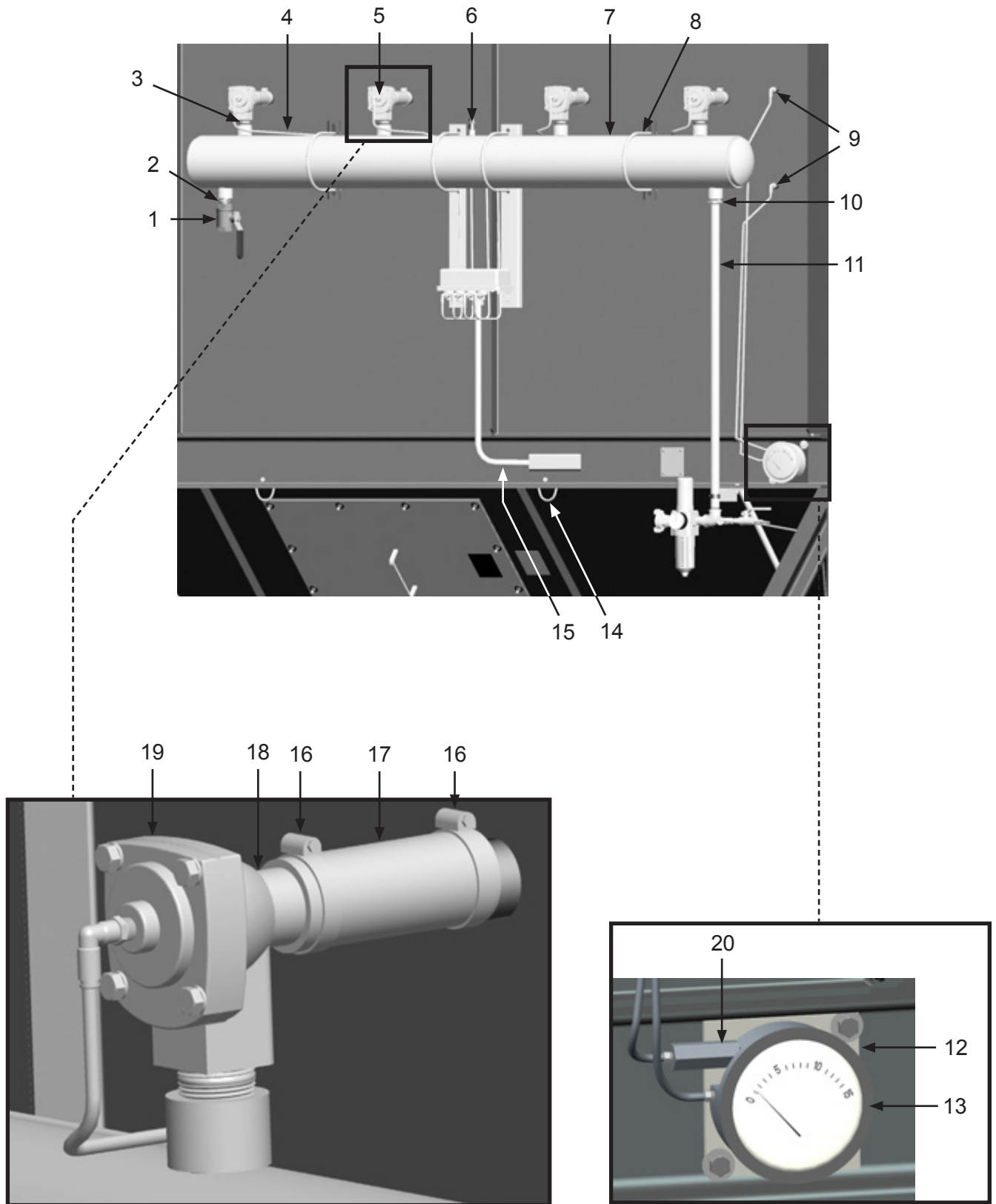
PART NUMBERS AND SCHEMATICS

Pulser System Assembly

Item #	Part #	Description
Fig. 17		
1	1011601	1" Full Port Ball Valve
2	1012151	1" GALV. Close Nipple
3	10103318	1" x 2" Pipe Nipple <i>(Four Required)</i>
4	10103322	1/4" O.D. Black Urethane Tubing <i>(Per Foot)</i>
5	20100579	1/4" O.D. Tube x 1/8" NPT Swivel <i>(Four Required)</i>
6	1028607	1/4" NPT Pressure Relief Valve – 125 PSI
7	10103452	4 Pipe Header
8	10103394	3/8-16 x 6" U-Bolt Assembly <i>(Four Required)</i>
9	20PFBA31095614	1/4" Tube x 1/4" NPT 90° Fitting <i>(Two Required)</i>
10	20PFHA24SB1612	1" x 3/4" Reducing Bushing
11	10103315	3/4" x 36" Pipe Nipple
12	10103608	Magnehelic Differential Pressure Gauge Mounting Bracket
13	10103259	Magnehelic Differential Pressure Gauge Assembly <i>Includes Mounting Hardware</i>
14	10103625	D-Ring with Nut <i>(10 Required)</i>
15	20RSEL050UL	1/2" I.D. UL/UA Seal-Tite Conduit
16	10104136	Hose Clamp - 1-1/16" - 2"
17	10103654	1-1/4" I.D. Marine Hose – 100 PSI <i>(Per Foot)</i>
18	10105207	1" x 3" Toe Nipple <i>(Four Required)</i>
19	10103255	1" Diaphragm Valve
20	10108373	1/8" NPT Inline Air Filter
—	10103954	1" Diaphragm Valve Service Kit <i>(Not Shown)</i>

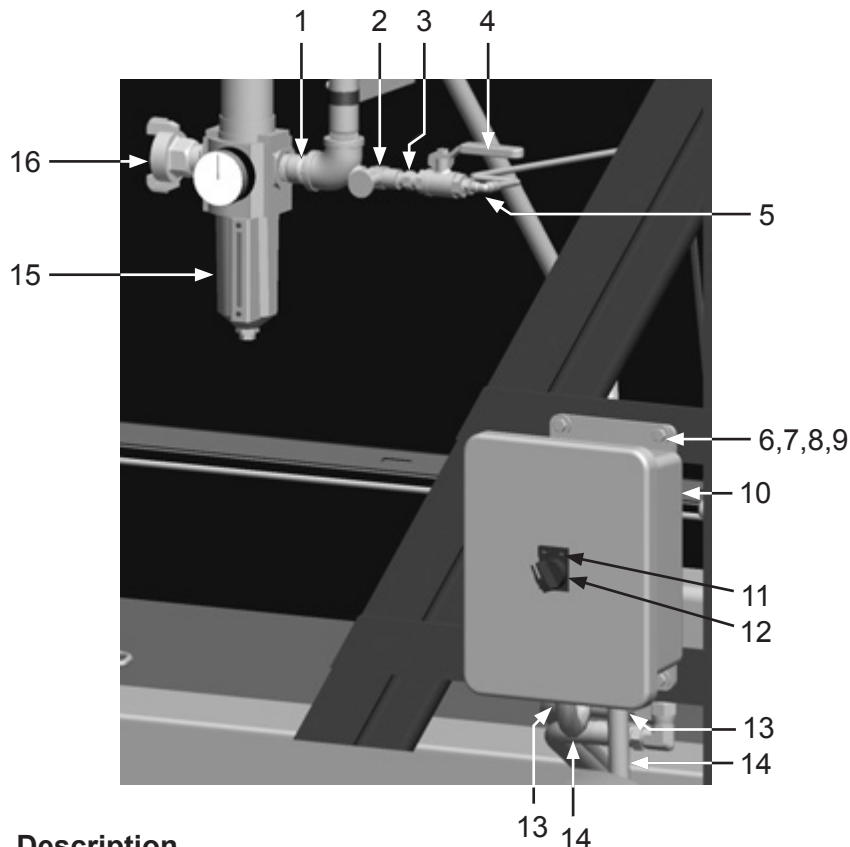
PART NUMBERS AND SCHEMATICS

Figure 17: Pulsar System Assembly



PART NUMBERS AND SCHEMATICS

Figure 18: Pulsar Regulator and Timer Assembly



Item # Part #

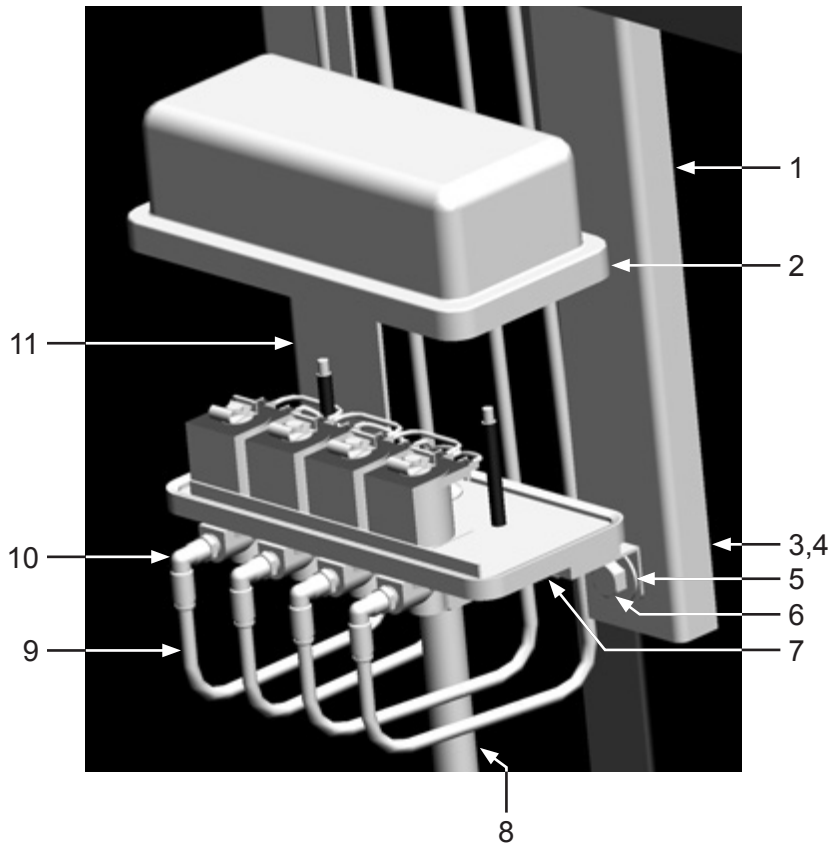
Description

Fig. 18

1	10103317	3/4" x 2" Pipe Nipple
2	10103292	1/4" Needle Valve
3	1017019	1/4" x 1/4" Hex Nipple
4	1080050	1/4" Ball Valve
5	20PFBA31095614	1/4" Tube x 1/4" NPT 90° Fitting (<i>Three Required</i>)
6	10101937	1/4-20 X 1" L Gr 5 Bolt – Galv.
7	10101940	1/4" Flat Washer – Galv.
8	1012153	1/4 Lock Washer
9	10101347	1/4-20 Hex Nut
10	10103704	Timer Box with Timer Board
—	10103935	Timer Box Only
—	10103947	Timer Board Only
11	10103414	On/Off Name Plate
12	10103305	2-Way Selector Switch
13	20RST50	Straight Liquid Tite Connection Fitting (<i>Four Required</i>)
14	20RSEL050UL	1/2" UL/UA Seal-Tite Conduit Pipe (<i>Per Foot</i>)
15	10103257	Excelon 74 Series Filter/Regulator
16	10ME1	3/4" Male 2-lug Coupling
—	10103950	Excelon 74 Series Filter/Regulator Service Kit
—	10103951	Filter Element (<i>Not Shown</i>)
—	10103952	Filter Auto Drain
—	10103953	Sight Glass Kit

PART NUMBERS AND SCHEMATICS

Figure 19: Pulsar Solenoid Enclosure Assembly



Item #	Part #	Description
--------	--------	-------------

Fig. 19

1	10102970	Solenoid Enclosure Mount – Right
2	10103705	Solenoid Pilot Valve Enclosure
3	10101936	3/8" Zinc Lock Washer (<i>Two Required</i>)
4	10101938	3/8-16 Galvanized Hex Nut (<i>Two Required</i>)
5	10101942	3/8" Galvanized Flat Washer (<i>Four Required</i>)
6	1011747	3/8-16 x 1" Bolt
7	20RST50	Straight Liquid Tite Connection Fitting
8	20RSEL050UL	1/2" I.D. UL/UA Seal-Tite Conduit
9	10103322	1/4" O.D. Black Urethane Tubing (<i>Per Foot</i>)
10	20100579	1/4" O.D. Tube x 1/8" NPT Swivel (<i>Four Required</i>)
11	10102969	Solenoid Enclosure Mount – Left
—	10103955	Solenoid Valve (<i>Four Required</i>)
—	10103956	Solenoid Coil (<i>One Required per Solenoid</i>)
—	10103957	Solenoid Service Kit <i>Includes: O-ring, Plunger, Spring, Ferrule</i>

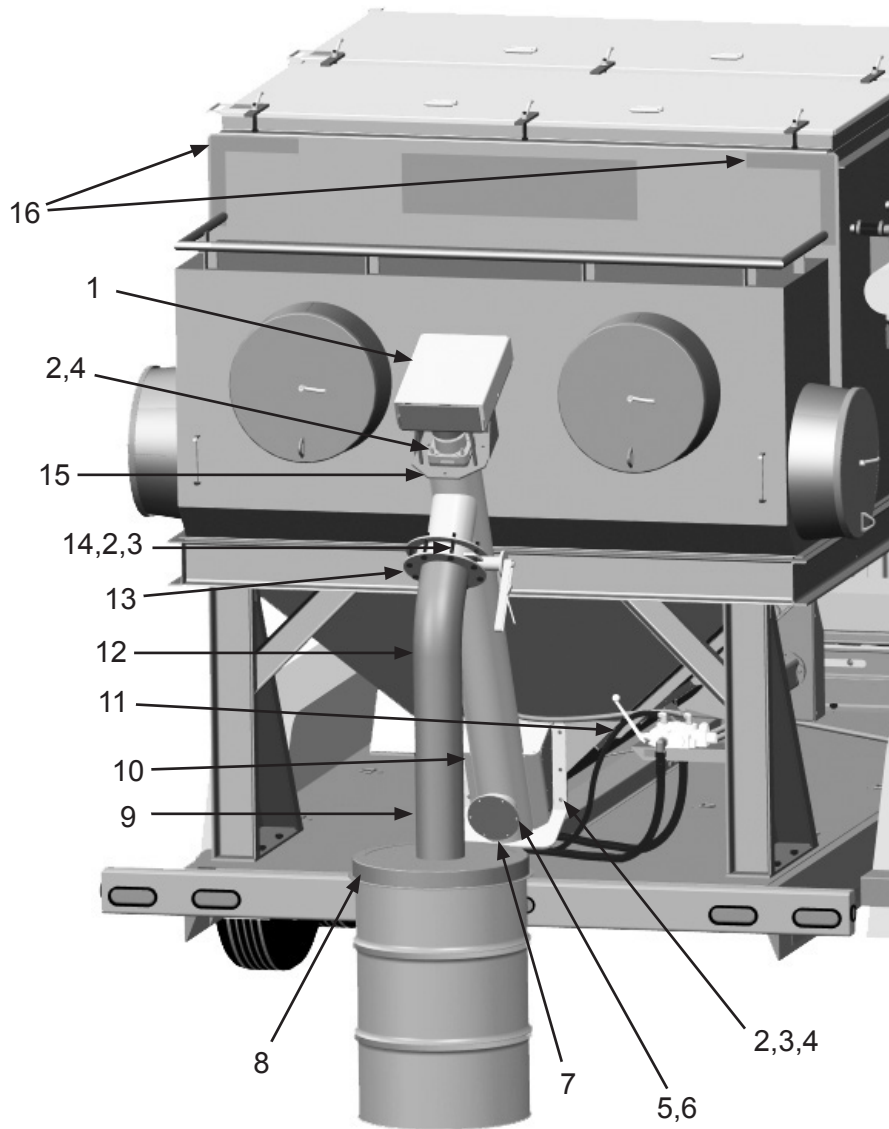
PART NUMBERS AND SCHEMATICS

Discharge Auger Assembly

Item #	Part #	Description
Fig. 20		
1	10103363	Discharge Chain Cover
2	1014022	1/2-13 Hex Nut (<i>18 Required</i>)
3	10100674	1/2" Flat Washer (<i>Six Required</i>)
4	10100675	1/2" Lock Washer (<i>Eight Required</i>)
5	10101346	5/16-18 x 3/4" Grade 5 Bolt (<i>Six Required</i>)
6	1035046	5/16-18 Nut (<i>Six Required</i>)
7	10103235	Auger Clean-out Cover
8	10103650	Discharge Collection Drum Cover (<i>Optional</i>)
9	10103777	6" Flexible Discharge Hose (<i>Per Foot</i>)
10	—	Discharge Auger (<i>See Fig. 23</i>)
11	10103411	1/2" I.D. x 4' Hydraulic Hose with Fittings
12	10103302	6" Series Wafer Butterfly Valve
13	10102971	Discharge Hose Connector
14	10102703	1/2-13 x 3-1/2" Grade 5 Bolt (<i>Eight Required</i>)
15	10104195	Discharge Auger Motor Mounting Bracket
16	10103880	White Conspicuity Tape (Per Inch)
—	10103881	Red Conspicuity Tape (Per Inch)

PART NUMBERS AND SCHEMATICS

Figure 20: Discharge Auger Assembly



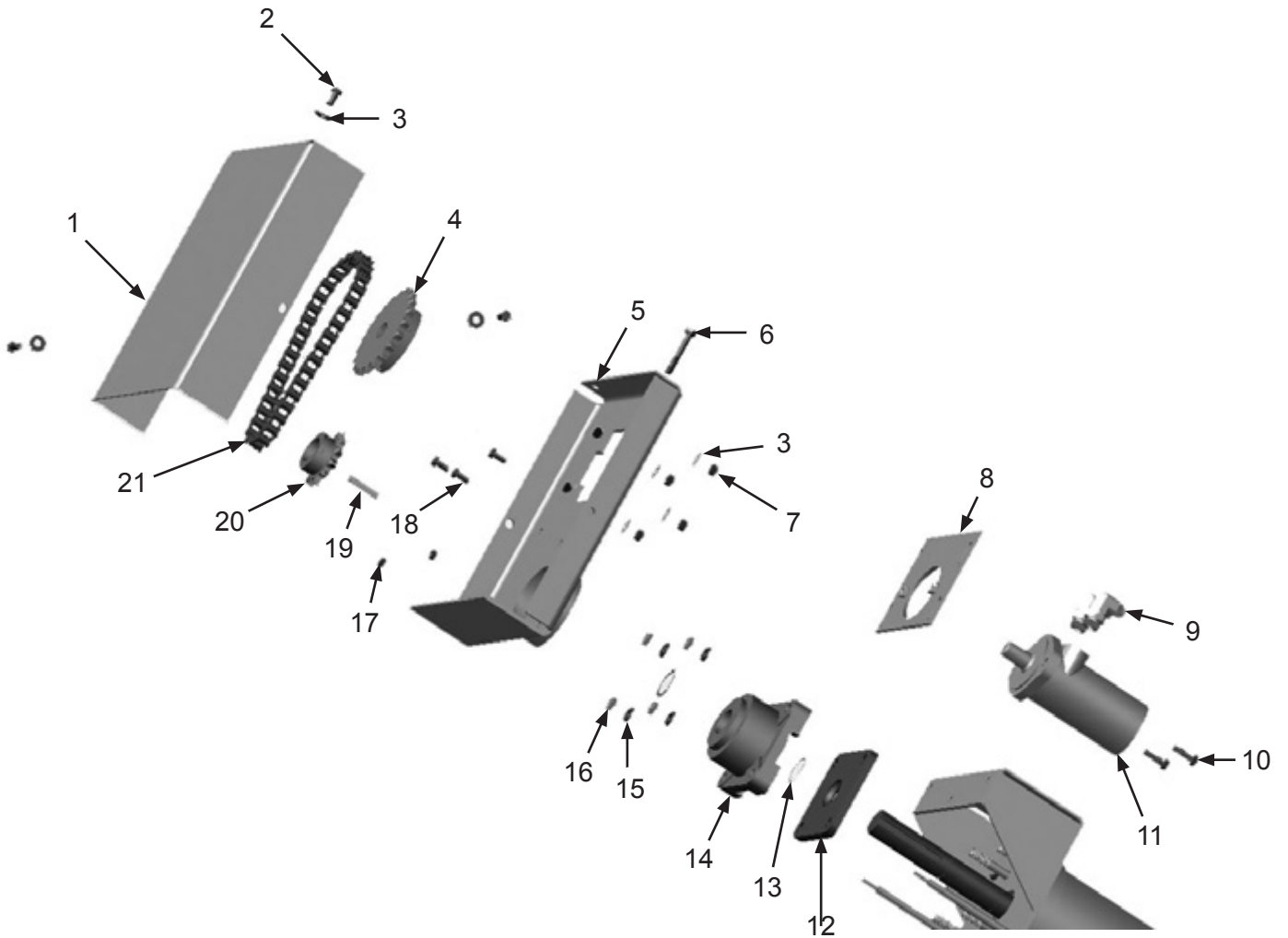
PART NUMBERS AND SCHEMATICS

Discharge Auger Drive Assembly

Item #	Part #	Description
Fig. 21		
1	10103363	Chain Cover
2	10103400	3/8-16 x 3/4" Bolt <i>(Seven Required)</i>
3	10101942	3/8" Galvanized Flat Washer <i>(Three Required)</i>
4	10104217	22-Tooth Sprocket
5	10104197	Chain Cover Base
6	10101933	3/8" - 16 X 2-1/2" Hex Bolt
7	10101938	3/8-16 Galvanized Hex Nut <i>(Four Required)</i>
8	10104199	Sliding Motor Mount
9	10103308	JIC 8 x SAE 10 90° Elbow <i>(Two Required)</i>
10	10101059	3/8-16 X 1-1/4" A307 Bolt Galv <i>(Two Required)</i>
11	10102887	Hydraulic Motor
12	10102902	Seal Plate
13	10103605	Snap Ring <i>(Two Required)</i>
14	10102903	Thrust Bearing
15	10100675	1/2" Lock Washer <i>(Four Required)</i>
16	1014022	1/2-13 Hex Nut <i>(Four Required)</i>
17	1035046	5/16"- 18 Nut <i>(Two Required)</i>
18	10101346	5/16-18 X 3/4" L GR 5 Bolt <i>(Three Required)</i>
19	10103641	3/8 Key Cut
20	10102886	13-Tooth Sprocket
21	10104191	Discharge Auger Chain Kit <i>Includes 60# Connecting Chain Link, 60# Cottered Roller Chain (Quantity of Three), and 60# Offset Chain Link.</i>
—	10103392	60# Connecting Chain Link
—	10103391	60# Cottered Roller Chain <i>(Per Foot)</i>
—	10103614	60# Offset Chain Link
—	10103940	Seal Kit for Hydraulic Motor

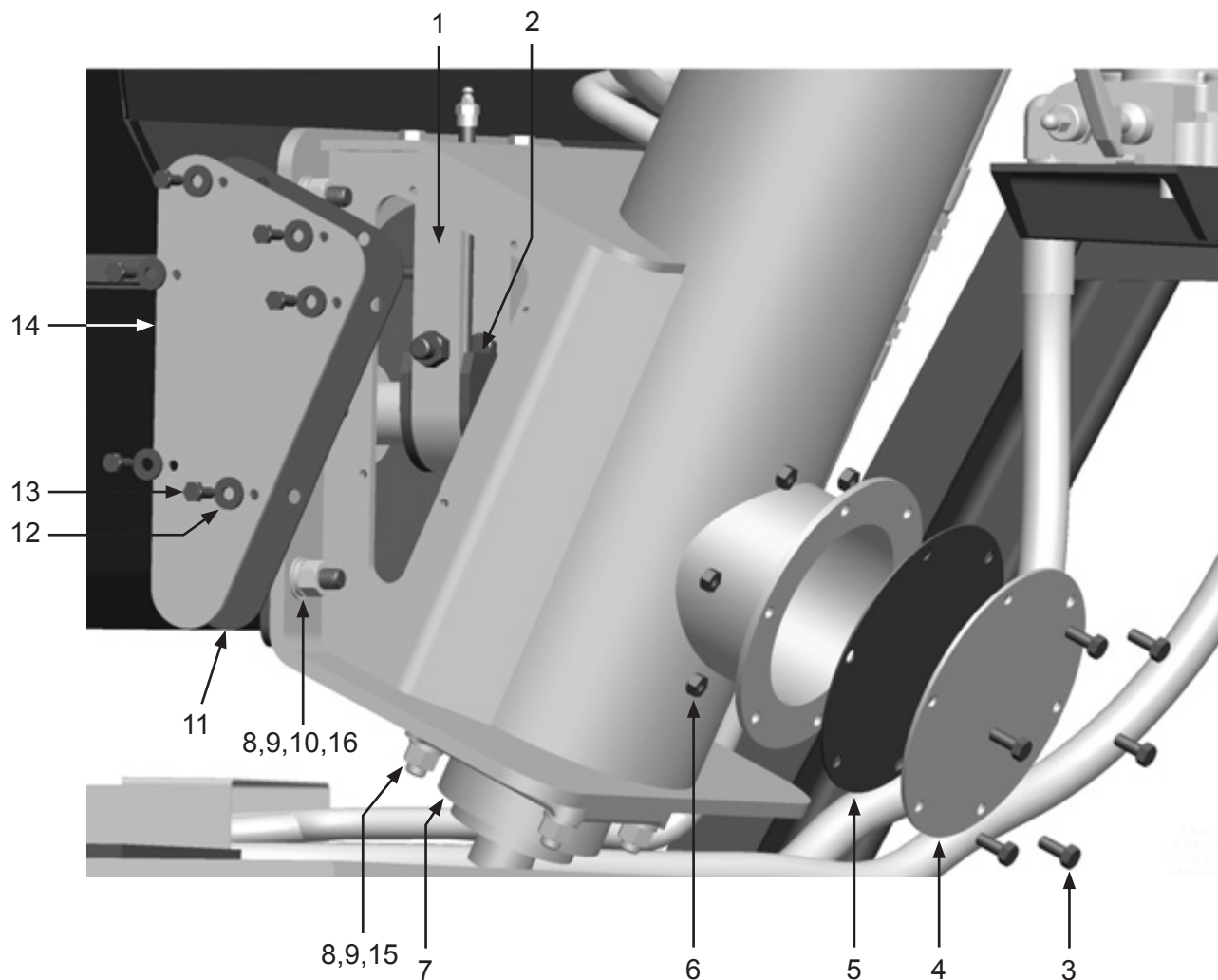
PART NUMBERS AND SCHEMATICS

Figure 21: Discharge Auger Drive Assembly



PART NUMBERS AND SCHEMATICS

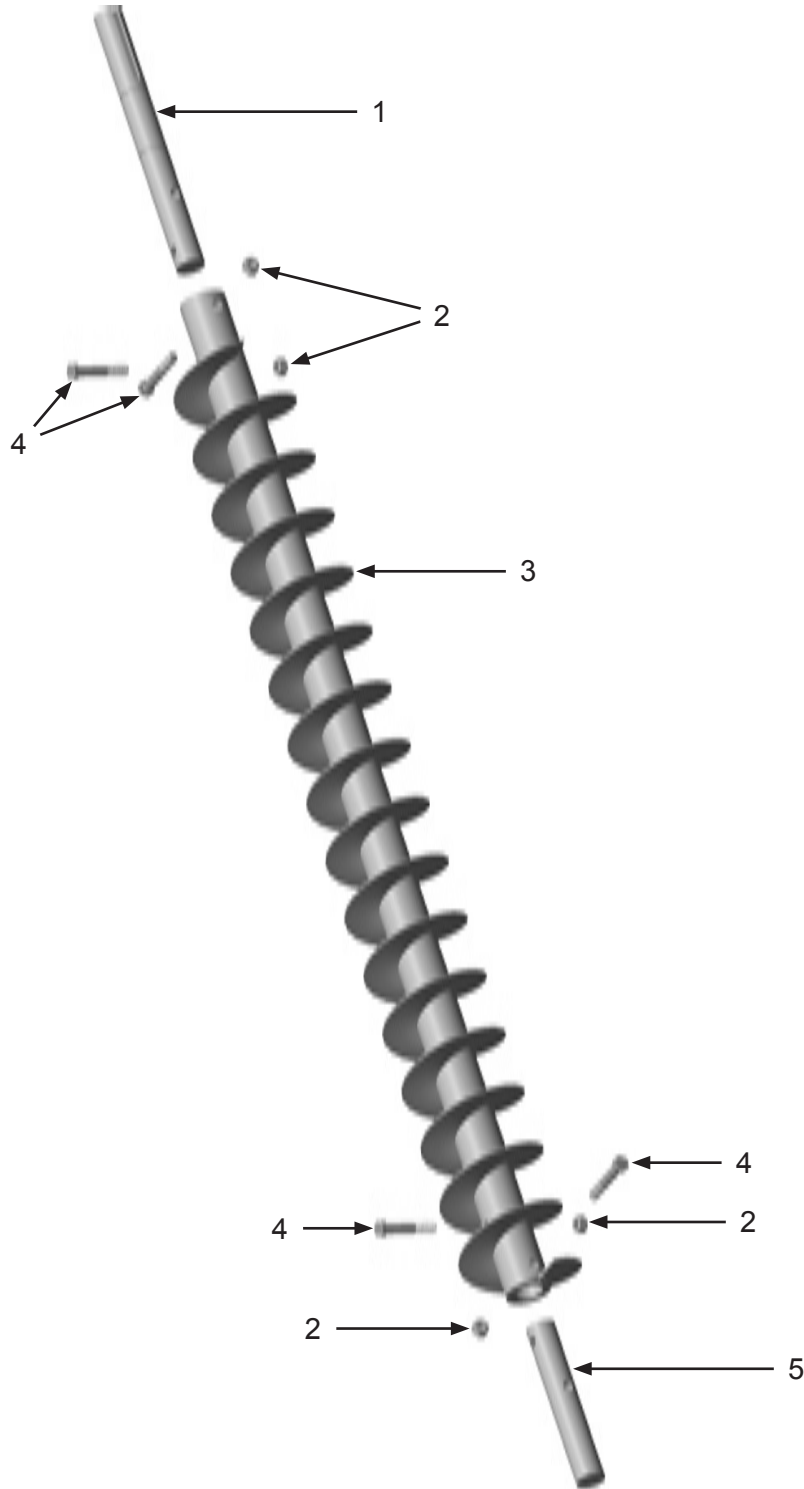
Figure 22: Discharge Auger Clean-out Assembly



Item #	Part #	Description
1	10102896	Bearing Hanger
2	10103413	Bearing
3	10101346	5/16-18 x 3/4" Bolt (Six Required)
4	10103235	Auger Clean-out Cover
5	10103716	Neoprene Auger Clean-out Gasket
6	1035046	5/16-18 Nut (Six Required)
7	10102880	Discharge Auger Lower Bearing Assembly
8	10101941	1/2-13 Galvanized Hex Nut (10 Required)
9	10100675	1/2" Lock Washer (10 Required)
10	10100674	1/2" Flat Washer (Six Required)
11	10103717	Discharge Auger Side Gasket (Two Required)
12	10101940	1/4" Galvanized Flat Washer (12 Required)
13	20100125	1/4-20 x 3/4" Zinc Hex Bolt (12 Required)
14	10103236	Discharge Auger Side Cover (Two Required)
15	10102652	1/2-13 X 2-1/4" GR5 Bolt
16	10101943	1/2-13 X 1-3/4" Hex Bolt

PART NUMBERS AND SCHEMATICS

Figure 23: Discharge Auger Assembly



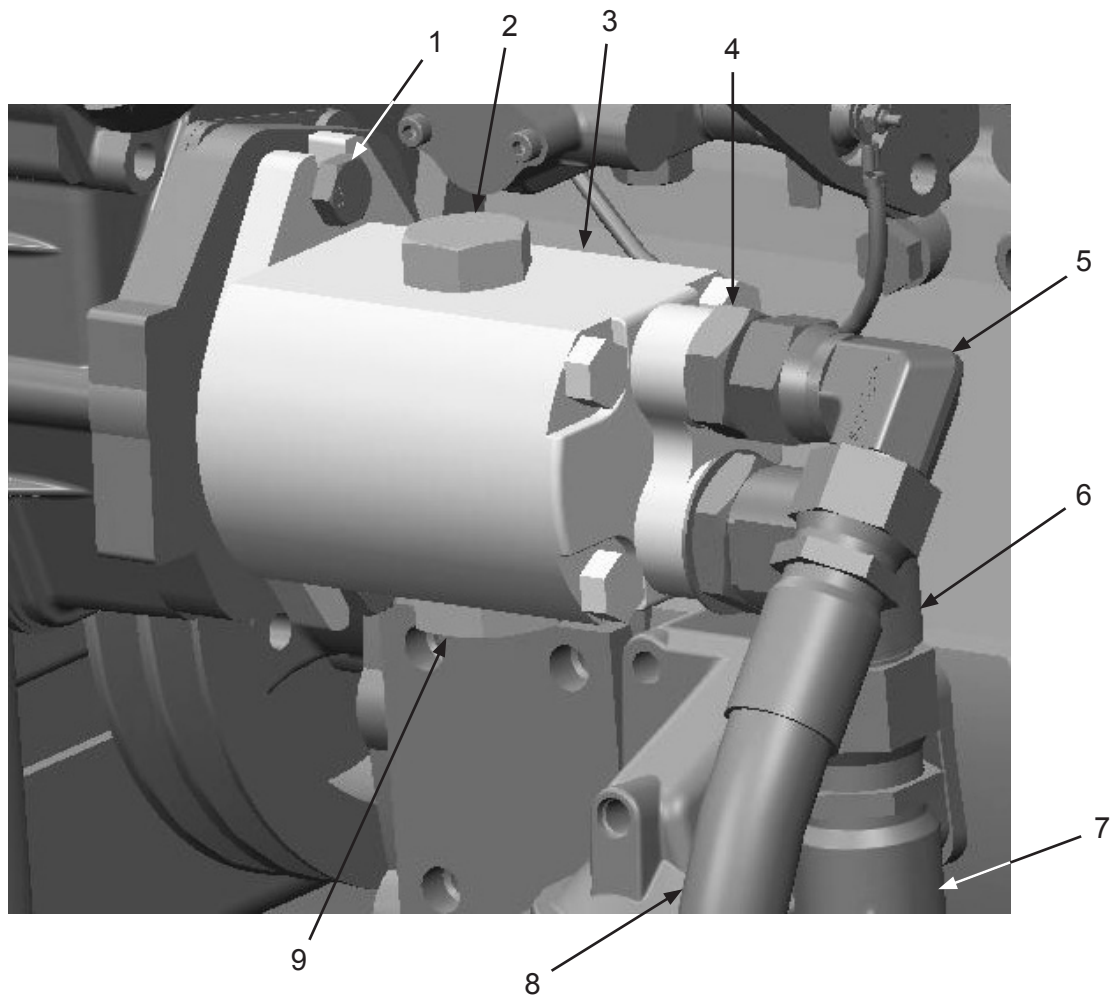
Item #	Part #	Description
--------	--------	-------------

Fig. 23

1	10103306	Drive Shaft
2	1014022	1/2-13 Hex Nut (<i>Four Required</i>)
3	10102883	58" x 6" Half Pitch Auger
4	10103401	1/2-13 x 3" Galvanized Bolt (<i>Four Required</i>)
5	10102910	Auger Shaft End

PART NUMBERS AND SCHEMATICS

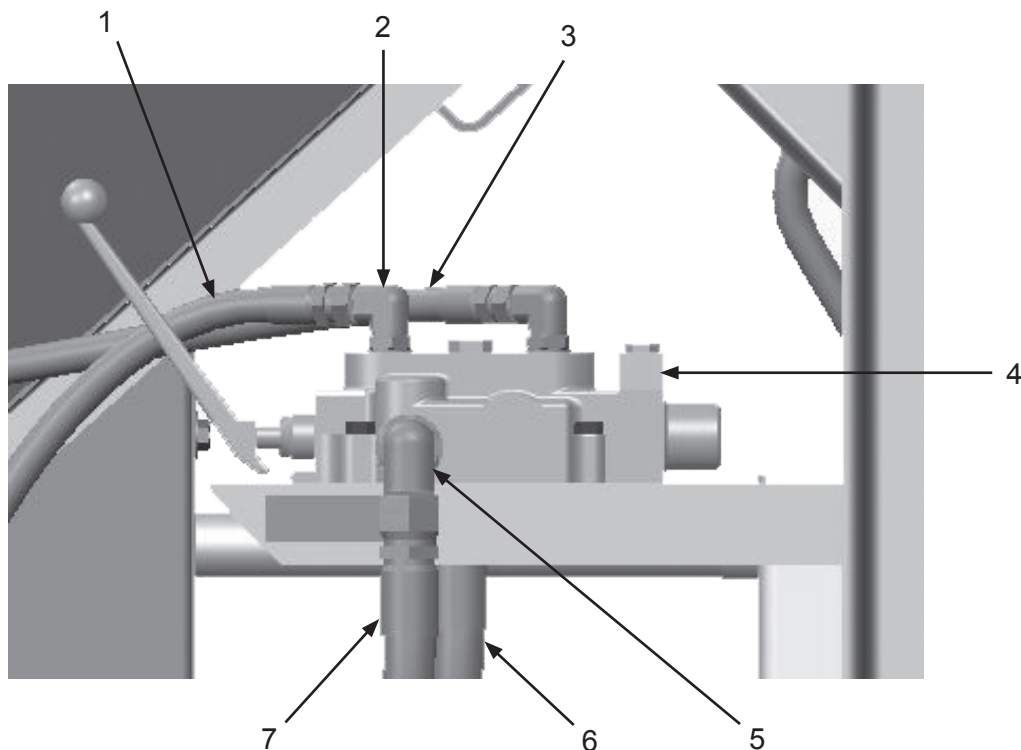
Figure 24: Hydraulic Pump



Item #	Part #	Description
Fig. 24		
1	10103615	M10 x 25 mm Zinc Bolt (<i>Two Required</i>)
2	10104558	SAE 12 Hex Plug
3	10104501	2G Series 2.08 CI/REV Gear Pump
4	10104556	Straight Adapter JIC 12 X SAE 1
5	10103610	JIC 12 x JIC 12 90° Elbow
6	10103311	JIC 16 x SAE 16 90° Elbow
7	10103405	1-1/4" I.D. x 9-1/2" Hydraulic Hose with Fittings
8	10103707	3/4" I.D. x 17.7' Hydraulic Hose with Fittings
9	10104557	SAE 16 Hex Plug

PART NUMBERS AND SCHEMATICS

Figure 25: Hydraulic Control Assembly



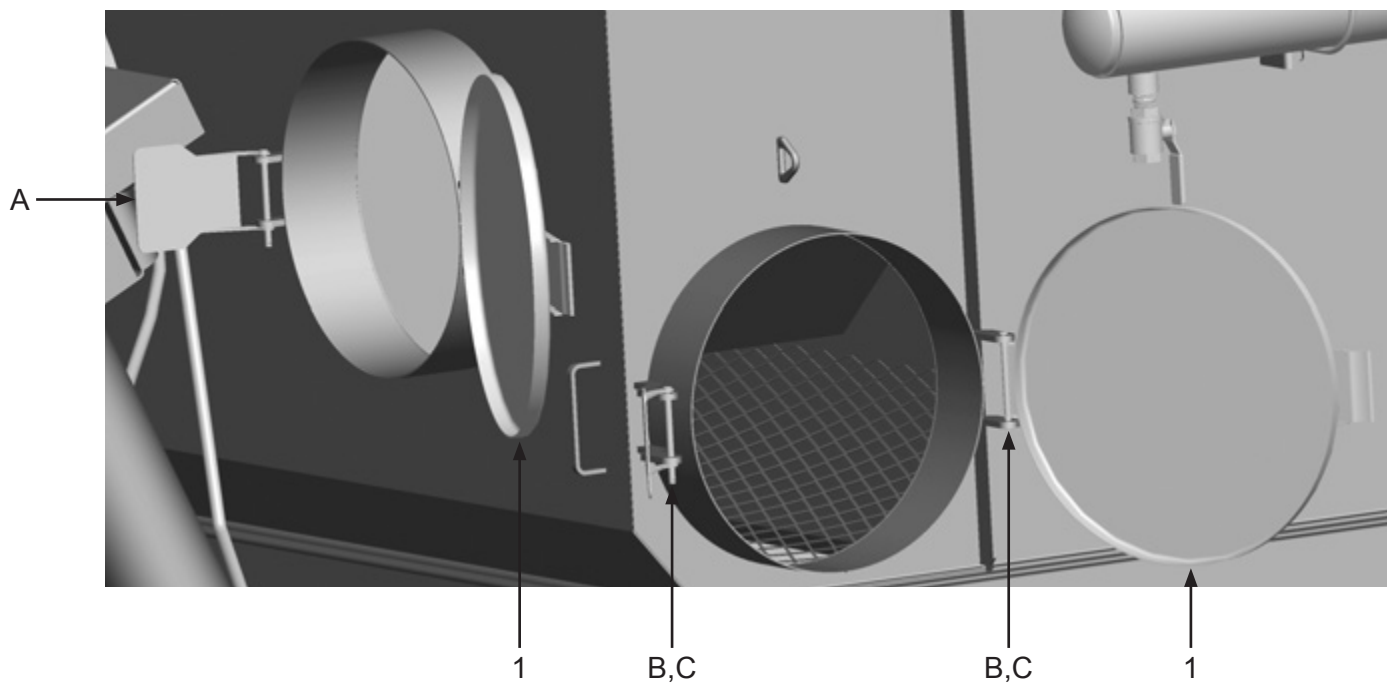
Item #	Part #	Description
--------	--------	-------------

Fig. 25

1	10103408	1/2" X 12'6" Hydraulic Hose with Fittings
2	10103309	JIC 8 x SAE 8 90° Elbow (<i>Two Required</i>)
3	10103409	1/2" X 7'1" Hydraulic Hose with Fittings
4	10103267	Cross Hydraulic Control Valve with Handle
5	10103310	JIC 12 x SAE 12 90° Elbow (<i>Two Required. One not shown</i>)
6	10103707	3/4" I.D. x 17.7' Hydraulic Hose with Fittings
7	10103710	3/4" I.D. x 13' Hydraulic Hose with Fittings
—	10108331	Cross Hydraulic Control Valve Seal Kit
—	10108332	Cross Hydraulic Control Valve Handle Kit
—	10108333	Cross Hydraulic Control Valve Relief Assembly

PART NUMBERS AND SCHEMATICS

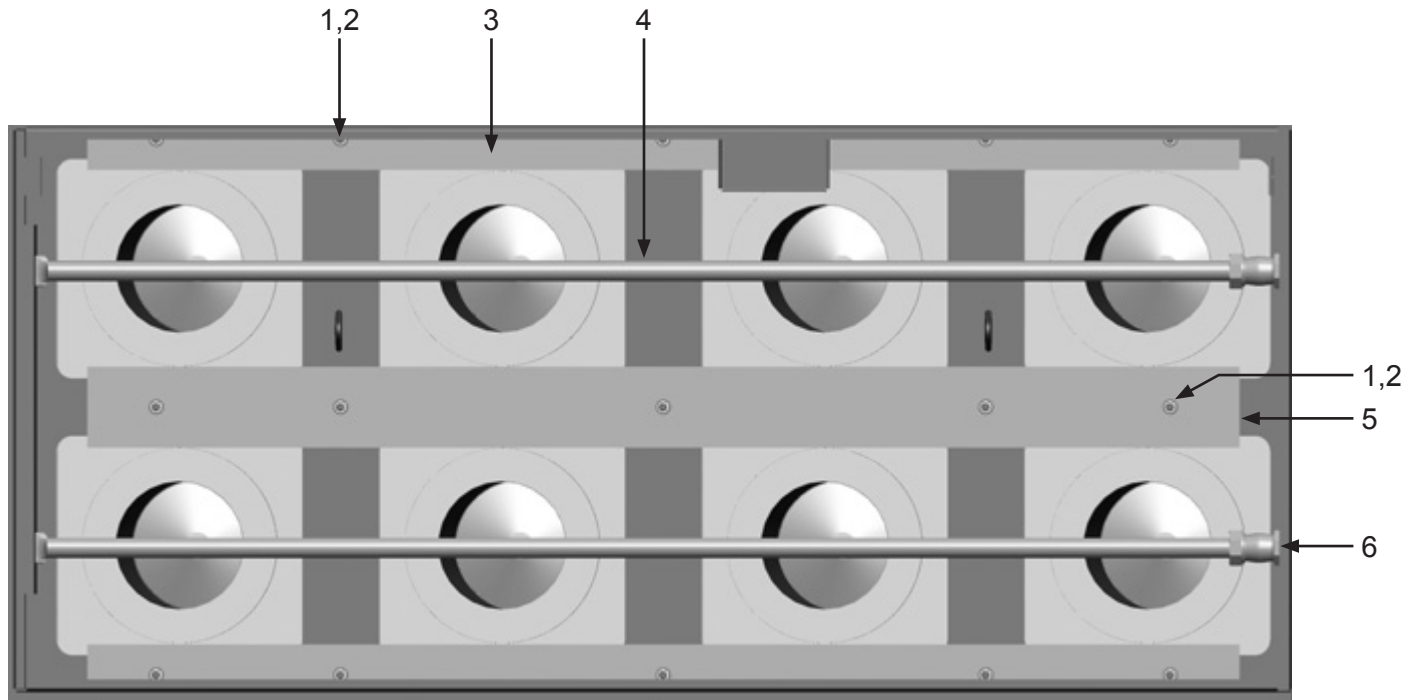
Figure 26: Inlet Door Assembly



Item #	Part #	Description
Fig. 26		
—	10102596	20" Inlet Door Assembly – Complete <i>Includes Items: A,B,C</i>
1	10102596	Inlet Door <i>(Four Required)</i>
—	10104408	Pin For Knappco Hatch <i>(Four Required)</i>
—	10104120	Inlet Door Gasket <i>(Four Required)</i>

PART NUMBERS AND SCHEMATICS

Figure 27: Dust Collector Filter Cartridge Pulsers

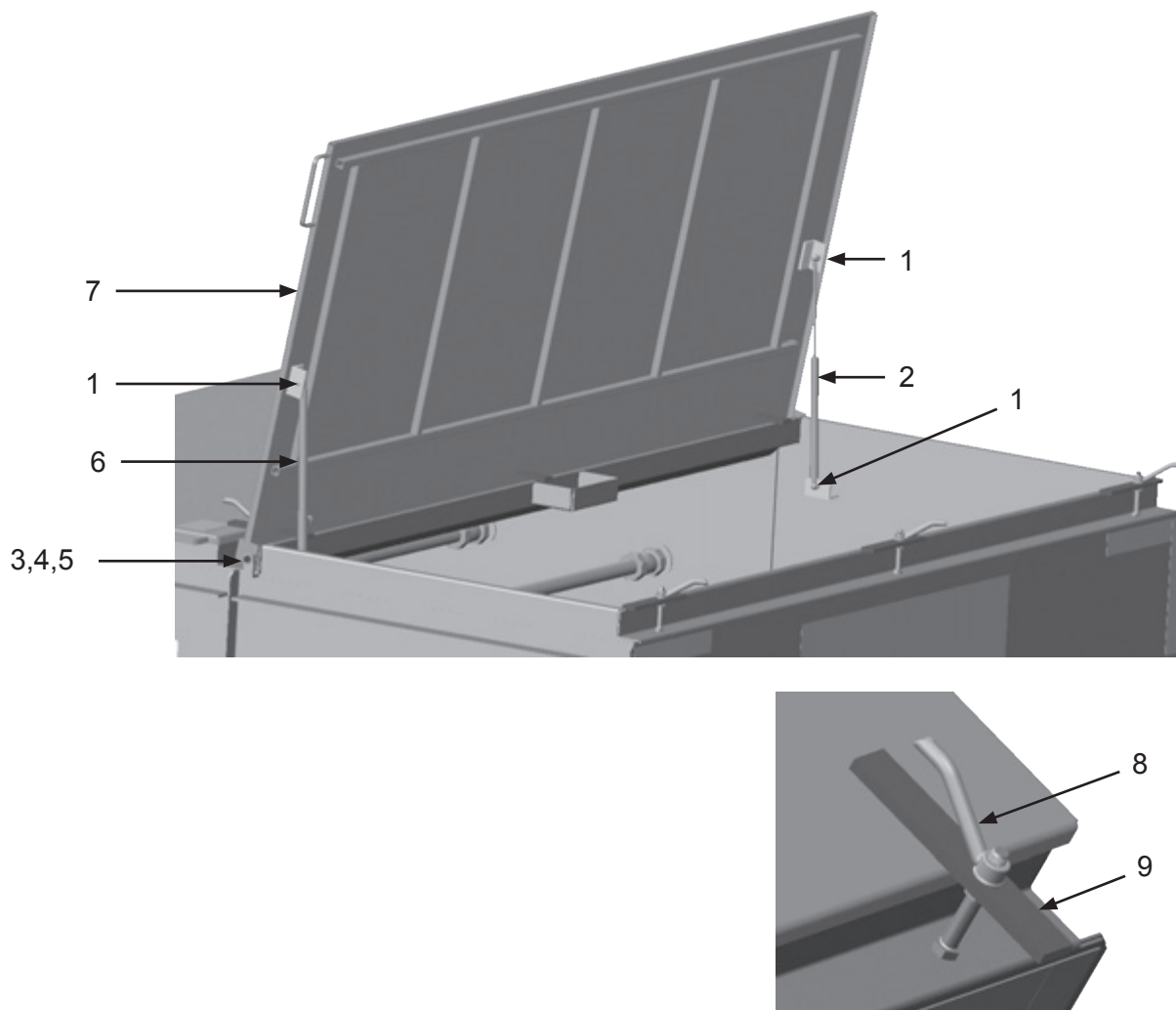


Item #	Part #	Description
Fig. 27		
1	10100674	1/2" Flat Washer (15 Required)
2	1014022	1/2" Hex Nut (15 Required)
3	10105027	Filter Bolt-Down (Two Required)
4	10105179	Pulser System Blowpipe (Two Required)
5	10102938	Filter Retainer
6	10102599	Compression Coupling Assembly (Two Required)

Quantities specified are per hatch opening

PART NUMBERS AND SCHEMATICS

Figure 28: Dust Collector Filter Cartridge Hatch Door



Item #	Part #	Description
--------	--------	-------------

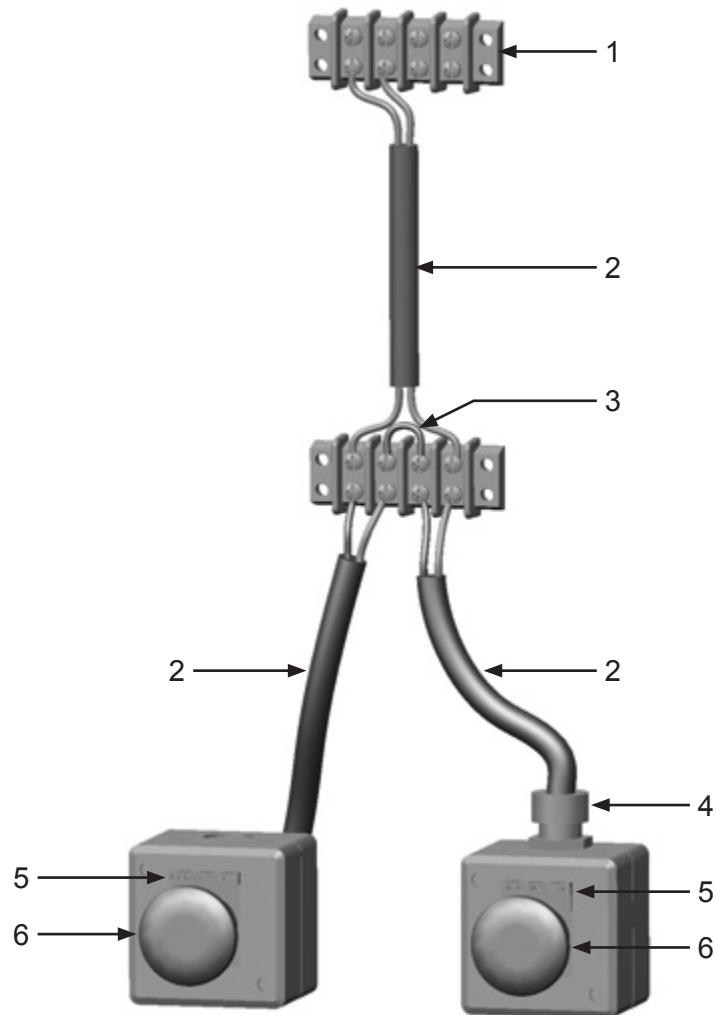
Fig. 28

1	1035046	5/16-18 Hex Nut <i>(Four Required)</i>
2	10103454	Non-Locking Gas Spring
3	1028617	3/8-16 X 1-3/4" Shoulder Bolt <i>(Two Required)</i>
4	10101942	3/8" Flat Washer <i>(Four Required)</i>
5	10101938	3/8"-16 Hex Nut <i>(Two Required)</i>
6	10103455	Locking Gas Spring
7	10102917	Hopper Lid
8	10103395	1/2-13 Zinc Plated Handle <i>(Three Required)</i>
9	10104377	Latch Bar <i>(Three Required)</i>

Quantities specified are per hatch opening

PART NUMBERS AND SCHEMATICS

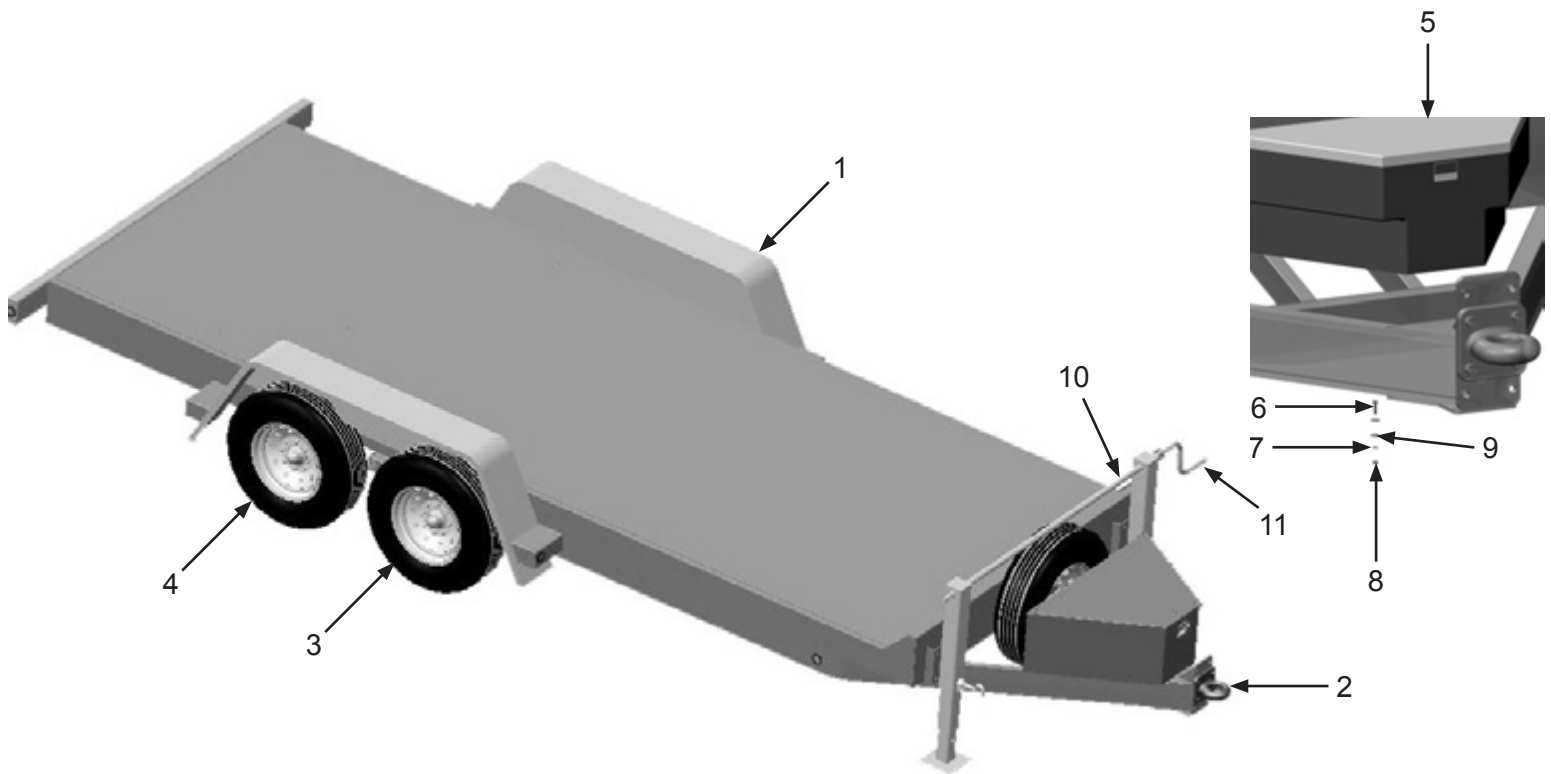
Figure 29: Emergency-Stop Stations



Item #	Part #	Description
Fig. 29		
1	10104066	Terminal Strip - 4-Circuit - 30 amp
2	1015570	12/2 SO Electric Cord (Per Foot)
3	20R12AWGBLACK	Stranded Wire - 12 AWG - Black
4	20RCG5050	Cord Grip 1/2"-Npt .5-.625
5	10104063	Legend Plate - Emergency-Stop Station
6	10104071	Emergency-Stop Control Station (Two Required)
—	1015009	8-32 x 1" Pan Head Phillips Screw (Four Required)
—	20000021	8-32 Zinc Nut (Four Required)
—	20000018	#8 Zinc Lock Washer (Four Required)
—	20000019	#8 Zinc Flat Washer (Four Required)

PART NUMBERS AND SCHEMATICS

Figure 30: Trailer



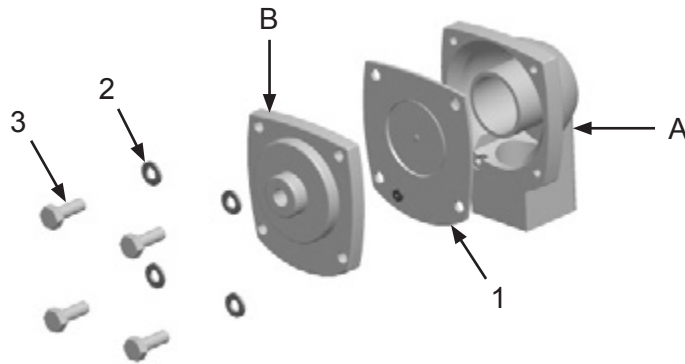
Item #	Part #	Description
--------	--------	-------------

Fig. 30

1	10104090	Left and Right Fenders (Pair)
2	10104079	Pintle Hitch with Flat Plate
3	10104089	16- 8 Hole Pattern Rim with Tire (Four Required)
4	10104096	Tire - ST235/80R/16 - 10-ply
5	10103797	Tool Box (optional)
6	1012154	1/4-20 X 1" Bolt (Five Required) (optional)
7	1012153	1/4" Lock Washer (Five Required) (optional)
8	10101347	1/4-20 Hex Nut (Five Required) (optional)
9	10101940	1/4" Washer (Ten Required) (optional)
10	10107218	Jack Stand Assembly
11	10107329	Sidewind Crank with Hardware
—	10104081	Breakaway Kit
—	10104083	Wire Harness
—	10104077	7000# Axle with Electric Brakes, Hubs, and Springs - 93" x 78" (Two Required)
—	10104078	Axle Beam/Tube
—	10100493	3/8" x 35" Chain with Hook
—	10104084	Red LED Oval Tail Light (Four Required)
—	10104085	Rubber Oval Grommet (Four Required)
—	10104086	2" Round Red LED Clearance Light (Five Required)
—	10104087	2" Round Amber LED Clearance Light (Four Required)
—	10104088	2" Round Rubber Grommet (Nine Required)
—	10105829	Cable with Plug

PART NUMBERS AND SCHEMATICS

Figure 31: Diaphragm Valve



Item #	Part #	Description
--------	--------	-------------

Fig. 31

—	10103255	1" Diaphragm Valve – Complete <i>(Three Required)</i> <i>Includes Items: A,B,1,2,3</i>
1	10103954	1" Diaphragm
2	1012153	1/4" Lock Washer <i>(Four Required)</i>
3	20101232	M6 x 1 x 14 HHCS <i>(Four Required)</i>
—	10103954	1" Diaphragm Valve Service Kit <i>(Not Shown)</i>

OPTIONAL ACCESSORIES

REPLACEMENT DUST COLLECTOR FILTER CARTRIDGES

Part Numbers	Material	I.D.	O.D.	Length
10103499	85/15	8.38"	12.75"	35"
10103945	Fire Retardant	8.38"	12.75"	35"
1010008004	HEPA	8.38"	12.75"	35"
10103964	Spunbond	8.38"	12.75"	35"



DUCT HOSE

Part Numbers	I.D.	Length	Pitch
10DH2025HD	20"	25 Feet	1-1/2" Heavy-Duty
10DH2050HD	20"	50 Feet	1-1/2" Heavy-Duty



DUCT HOSE COUPLING AND CLAMPS

Part Numbers	Duct Hose I.D.	Style
1017120	20"	Coupling
10DH062602000	20"	Screw Clamp

OPTIONAL ACCESSORIES



Part Numbers

3/4" I.D. X 1-1/4" O.D. AIR HOSE WITH COUPLINGS INSTALLED						
Part Numbers	Length	Hose I.D.	Hose O.D.	Working Pressure	Hose Cover Color	Couplings
10AH034AC	50 Ft.	3/4"	1-1/4"	200 PSI	Red	2-Lug Crimped On



Part Numbers

3/4" I.D. X 1-1/4" O.D. AIR HOSE					
Part Numbers	Length	Hose I.D.	Hose O.D.	Working Pressure	Hose Cover Color
10AH034	Per Ft.	3/4"	1-1/4"	200 PSI	Red



Part Numbers

Part Numbers	Hose I.D.	Material	Coupling Style	GASKET		
				Rubber Gasket	Gasket I.D.	Gasket O.D.
				10HE1	3/4"	Plated Iron



Part Numbers

BOSS® CLAMP FOR 3/4" I.D. AIR HOSE			
Part Numbers	Hose I.D.	Hose O.D. Range	Material
10A9	3/4"	1-8/64" – 1-20/64"	Plated Steel

LITERATURE REFERENCES

Dustmaster® 18,000 CFM Tier III Diesel Dust Collector

106M110	Part Numbers & Schematics Guide – Dustmaster® 18,000 CFM Tier III Diesel Dust Collectors
1090110	Operator's Manual – Dustmaster® 18,000 CFM Tier III Diesel Dust Collectors
109V044	Operator's Manual – Perkins® Engine
109V045	Operator's Manual – Dynamic Fan Corporation
109V582	Operator's Manual – Behnke Trailer

GLOBAL HEADQUARTERS

- 3425 East Locust Street
Davenport, IA 52803

ph: 800.BLAST.IT (800.252.7848)
ph: 563.324.2519
fax: 563.324.6258

REGIONAL BRANCH OFFICES

- **Iowa**
Davenport
- **Louisiana**
Gonzales
Lafayette
- **Ohio**
Youngstown
- **Texas**
Beaumont
Corpus Christi
Deer Park



ABRASIVES

BLASTING

COATING

DUST COLLECTORS

ENGINEERED SYSTEMS

RENTAL

SAFETY

SERVICE & REPAIR

VACUUMS

40+ NATIONWIDE SHIPPING LOCATIONS



★ Marco Regional Branch Offices
and Shipping Locations

● Direct Shipping Locations

CONTACT MARCO

800.BLAST.IT
(800.252.7848)
563.324.2519
FAX: 563.324.6258

WWW.MARCO.US
SALES@MARCO.US