



**DEVILBISS® JGHV-531 HVLP
AIR SPRAY GUN**



PART NUMBERS AND SCHEMATICS GUIDE

Company Profile

Since 1944, Marco has developed a strong tradition of providing innovative and reliable products and services to the surface preparation and protective coatings industries. We are the world's premier provider of Abrasives, Blasting Equipment, Coating Equipment, Engineered Systems, Rental Equipment, Safety Equipment, Service, and Repair.

Through innovative designs and a total commitment to quality, Marco manufactures products that increase production rates, create a safer workplace, and reduce maintenance costs. Marco's industry experience, manufacturing capabilities, legendary customer service, product availability, logistics services, and technology leadership is your assurance that we deliver high quality products and services, providing the best value to you, our customer.

The Marco Difference

- **Industry Experience** – With Marco on your team, you have access to expertise which can only come from decades of industry leadership. We have organized our engineering department, production specialists, customer operations, and safety support into a “Center of Competence.” As a Marco customer, you have access to hundreds of years of cumulative experience related to your operations.
- **Manufacturing Excellence** – Marco is a U.S. based, ISO 9001:2008 certified manufacturer of equipment for the Surface Preparation and Protective Coatings industries. Marco's engineers benchmark the industry to ensure that we design and manufacture superior products that set the “Gold Standard” for performance, safety, and quality.
- **Legendary Customer Service** – Marco's legendary customer service team is staffed by friendly, highly-trained individuals who are focused on providing the highest level of product support, order accuracy, and customer satisfaction.
- **Product Availability** – We stock over 10,000 SKU's and have over 45 shipping locations to serve North American and International markets for all major brands of blasting and painting equipment. As the largest provider of surface preparation and protective coatings equipment in the world, our inventory levels and product availability are unmatched.
- **Logistics Services** – Marco's in-house logistics team is dedicated to moving your shipment anywhere in the world. We move over 14,000 truckloads every year, allowing you to save on freight costs by leveraging our buying power. Lower your process costs with a single invoice, which includes product and freight.
- **Technology Leadership** – Our website provides: Operator's Manuals, Part Numbers and Schematics Guides, MSDS information, and Features and Specifications Guides, providing access to information 24/7. Our Extranet application allows you to receive quotes and place orders online. Our Intranet maintains a complete record of your purchase history to assist with ongoing support of your existing equipment and future purchasing decisions.

Vision Statement

Marco is the world's premier provider of Abrasives, Blasting Equipment, Coating Equipment, Engineered Systems, Rental Equipment, Safety Equipment, Service, and Repair.

Mission Statement

Marco provides strong leadership and innovation to the surface preparation and protective coatings industries. We dedicate our efforts to the continuous improvement of our products, services, processes, people, and most importantly, the quality of our customer's experience.

Quality Statement

Marco is committed to providing superior quality in the design, manufacturing, distribution, rental, service, and repair of our products. Our ISO 9001:2008 certification extends throughout all operations in all locations. Continuous improvement of our processes and supply chain Integration comprise the core of our business strategy for delivering exceptional quality and value in all Marco products and services.

Management Philosophy

We are a company dedicated to the success of every customer and associate. We discuss, debate, challenge, measure, and test our ideas. We will be boundless and limitless in our passion to improve. Through sound leadership and dedicated associates, we will ensure a long term, profitable future for Marco, our associates, customers, and suppliers.

TABLE OF CONTENTS

Company Profile	2
Table of Contents	3
DeVilbiss® JGHV-531 HVLP Air Spray Gun	4-7
JGHV-531 HVLP Air Spray Gun Part Numbers	4
Lapped Fluid Tips and Needles	5
Fluid Tips and Needles	5
Air Caps	5
Retaining Ring	5
DeVilbiss® JGHV-531 HVLP Air Spray Gun Part Numbers and Schematics	6-7

PART NUMBERS AND SCHEMATICS GUIDE

DEVILBISS® JGHV-531 HVLP AIR SPRAY GUN					
Part Numbers	Type	Air Cap	Fluid Tip	Fluid Tip Size	Material Handling (Viscosity)
20DJGHV53133FF	Pressure	33A	FF	1.4 mm (0.055 in)	Most Common Finishing Materials
20DJGHV53133FX	Pressure	33A	FX	1.1 mm (0.042 in)	Most Common Finishing Materials
20DJGHV53146FF	Pressure	46MP	FF	1.4 mm (0.055 in)	Low
20DJGHV53146FX	Pressure	46MP	FX	1.1 mm (0.042 in)	Low
20DJGHV53183E	Pressure	83MP	E	1.8 mm (0.070 in)	Low
20DJGHV53183D	Pressure	83MP	D	2.2 mm (0.086 in)	Low



PART NUMBERS AND SCHEMATICS GUIDE



Part Numbers

LAPPED FLUID TIPS AND NEEDLES				
Part Numbers	Orifice Size	Tip Material	Fluid Needle <i>(Included)</i>	Needle Material
20DJGA4045FX	1.1 mm (0.042 in)	400 GR. S.S.	20DJGA402FX	Stainless Steel
20DJGA4045FF	1.4 mm (0.055 in)	400 GR. S.S.	20DJGA402FF	Stainless Steel
20DJGA4045E	1.8 mm (0.070 in)	400 GR. S.S.	20DJGA402E	Stainless Steel
20DJGA4045D	2.2 mm (0.086 in)	400 GR. S.S.	20DJGA402DEX	Stainless Steel



Part Numbers


FLUID TIPS AND NEEDLES				
Part Numbers	Orifice Size	Tip Material	Fluid Needle	Needle Material
20DJGA4040FX	1.1 mm (0.042 in)	400 GR. S.S.	20DJGA402FX	Stainless Steel
20DJGA4040FF	1.4 mm (0.055 in)	400 GR. S.S.	20DJGA402FF	Stainless Steel
20DJGA4040E	1.8 mm (0.070 in)	400 GR. S.S.	20DJGA402E	Stainless Steel
20DJGA4040D	2.2 mm (0.086 in)	400 GR. S.S.	20DJGA402DEX	Stainless Steel



Part Numbers

AIR CAPS		
Part Numbers	Cap Number	Retaining Ring <i>(Included)</i>
20DJGHV10133A	33A	X
20DJGHV10146MP	46MP	X
20DJGHV10183MP	83MP	X

Part Numbers

RETAINING RING AND BASE	
Part Numbers	Description
 20DMBC368	DeVilbiss® Air Cap Retaining Ring

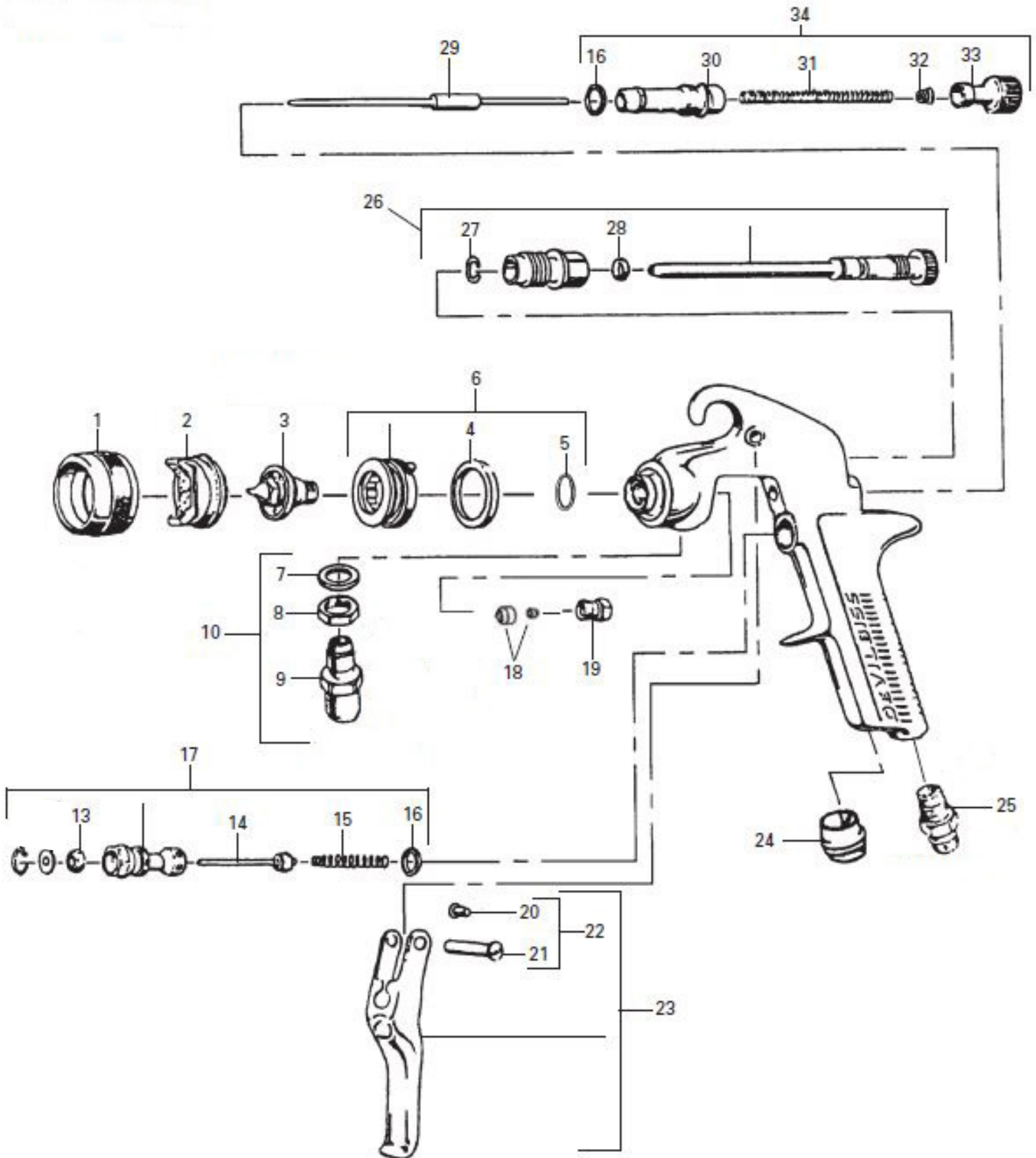
PART NUMBERS AND SCHEMATICS GUIDE

DeVilbiss® JGHV-531 HVLP Air Spray Gun

Item#	Part#	Description
Fig. 1		
1	20DMBC368	Retaining Ring
2	—	Air Cap (See Page 5)
3	—	Fluid Tip (See Page 5)
4	20DJGD14K10	Gasket Kit (Quantity of Ten)
5	20DSSG8182K5	O-Ring Kit (Quantity of Five)
6	—	Baffle Head Assembly (Includes Item #'s: 4 and 5)
7	20DMSV3K10	Fluid Inlet Gasket Kit (Quantity of Ten)
8	—	Locknut
9	—	3/8" NPS Fluid Inlet Adapter
10	20DJGA4044	Fluid Inlet and Nut Kit (Includes Item #'s: 7, 8, and 9)
13	20DJGS26K25	U-Cup (Quantity of 25)
14	20DJGS431K25	Air Valve (Quantity of 25)
15	20DMBD12K25	Spring (Quantity of 25)
16	20DJGS72K10	Gasket Kit, Package of Ten (Quantity of Two)
17	20DJGS4491	Air Valve Assembly (Includes Item #'s: 11, 12, 13, 14, 15, and 16)
18	20DJGV463K3	Needle Packing Kit (Quantity of Three)
19	20D34411122K10	Packing Gland Kit (Quantity of Ten)
20	—	Screw (Quantity of Five)
21	—	Trigger Bearing Stud (Quantity of Three)
22	20DJGS478	Stud and Screw Kit (Includes Item #'s: 20 and 21)
23	20DJGS4771	Trigger Stud and Screw Kit (Includes Item #'s: 20 and 21, One of Each)
24	20DJGA132	Plug
25	20DPMB51	1/4" NPS Air Inlet Adapter
26	20DJGA4971	Fan Adjustment Assembly (Includes Item #'s: 27 and 28)
27	—	Retaining Ring
28	20DSSG8069K25	O-Ring Kit (Quantity of 25)
29	—	Fluid Needle (See Page 5)
30	—	Gun Body Bushing
31	20DMBD19K10	Spring Kit (Quantity of Ten) (Includes Item #32)
32	—	Spring Pad
33	20DJGS16	Adjusting Screw
34	20DJGA4041	Bushing, Spring, and Knob Kit (Includes Item #'s: 16, 30, 31, 32, and 33)
—	20DKK49872	DeVilbiss® JGHV-531 HVLP Air Spray Gun Repair Kit (Includes Item #'s: 4, 5, 11, 12, 13, 14, 15, 16, 18, 20, 27, 28, 31, and 32)
—	201V540	Brochure – DeVilbiss® JGHV-531 HVLP Air Spray Gun
—	206M602	Part Numbers & Schematics Guide – DeVilbiss® JGHV-531 HVLP Air Spray Gun
—	209V540	Operator's Manual – DeVilbiss® JGHV-531 HVLP Air Spray Gun

PART NUMBERS AND SCHEMATICS GUIDE

Figure 1: DeVilbiss® JGHV-531 HVLP Air Spray Gun



GLOBAL HEADQUARTERS

- 3425 East Locust Street
Davenport, IA 52803

ph: 800.BLAST.IT (800.252.7848)

ph: 563.324.2519

fax: 563.324.6258

GULF STATES HEADQUARTERS

- 701 East Boulevard
Deer Park, TX 77536

ph: 800.BLAST.IT (800.252.7848)

ph: 281.930.0905

fax: 281.542.0736

REGIONAL BRANCH OFFICES

- **Iowa**
Davenport
- **Louisiana**
Gonzales
Lafayette
- **Ohio**
Youngstown
- **Texas**
Beaumont
Corpus Christi
Deer Park



ABRASIVES

BLASTING

COATING

DUST COLLECTORS

ENGINEERED SYSTEMS

RENTAL

SAFETY

SERVICE & REPAIR

VACUUMS

40+ NATIONWIDE SHIPPING LOCATIONS



★ Marco Regional Branch Offices
and Shipping Locations

● Direct Shipping Locations

CONTACT MARCO

800.BLAST.IT

(800.252.7848)

563.324.2519

FAX: 563.324.6258

WWW.MARCO.US

SALES@MARCO.US