



DEVILBISS® EXL-520 HVLP AIR SPRAY GUN



PART NUMBERS AND SCHEMATICS GUIDE

Company Profile

Since 1944, Marco has developed a strong tradition of providing innovative and reliable products and services to the surface preparation and protective coatings industries. We are the world's premier provider of Abrasives, Blasting Equipment, Coating Equipment, Engineered Systems, Rental Equipment, Safety Equipment, Service, and Repair.

Through innovative designs and a total commitment to quality, Marco manufactures products that increase production rates, create a safer workplace, and reduce maintenance costs. Marco's industry experience, manufacturing capabilities, legendary customer service, product availability, logistics services, and technology leadership is your assurance that we deliver high quality products and services, providing the best value to you, our customer.

The Marco Difference

- **Industry Experience** – With Marco on your team, you have access to expertise which can only come from decades of industry leadership. We have organized our engineering department, production specialists, customer operations, and safety support into a “Center of Competence.” As a Marco customer, you have access to hundreds of years of cumulative experience related to your operations.
- **Manufacturing Excellence** – Marco is a U.S. based, ISO 9001:2008 certified manufacturer of equipment for the Surface Preparation and Protective Coatings industries. Marco's engineers benchmark the industry to ensure that we design and manufacture superior products that set the “Gold Standard” for performance, safety, and quality.
- **Legendary Customer Service** – Marco's legendary customer service team is staffed by friendly, highly-trained individuals who are focused on providing the highest level of product support, order accuracy, and customer satisfaction.
- **Product Availability** – We stock over 10,000 SKU's and have over 45 shipping locations to serve North American and International markets for all major brands of blasting and painting equipment. As the largest provider of surface preparation and protective coatings equipment in the world, our inventory levels and product availability are unmatched.
- **Logistics Services** – Marco's in-house logistics team is dedicated to moving your shipment anywhere in the world. We move over 14,000 truckloads every year, allowing you to save on freight costs by leveraging our buying power. Lower your process costs with a single invoice, which includes product and freight.
- **Technology Leadership** – Our website provides: Operator's Manuals, Part Numbers and Schematics Guides, MSDS information, and Features and Specifications Guides, providing access to information 24/7. Our Extranet application allows you to receive quotes and place orders online. Our Intranet maintains a complete record of your purchase history to assist with ongoing support of your existing equipment and future purchasing decisions.

Vision Statement

Marco is the world's premier provider of Abrasives, Blasting Equipment, Coating Equipment, Engineered Systems, Rental Equipment, Safety Equipment, Service, and Repair.

Mission Statement

Marco provides strong leadership and innovation to the surface preparation and protective coatings industries. We dedicate our efforts to the continuous improvement of our products, services, processes, people, and most importantly, the quality of our customer's experience.

Quality Statement

Marco is committed to providing superior quality in the design, manufacturing, distribution, rental, service, and repair of our products. Our ISO 9001:2008 certification extends throughout all operations in all locations. Continuous improvement of our processes and supply chain Integration comprise the core of our business strategy for delivering exceptional quality and value in all Marco products and services.

Management Philosophy

We are a company dedicated to the success of every customer and associate. We discuss, debate, challenge, measure, and test our ideas. We will be boundless and limitless in our passion to improve. Through sound leadership and dedicated associates, we will ensure a long term, profitable future for Marco, our associates, customers, and suppliers.

TABLE OF CONTENTS

| | |
|--|------------|
| Company Profile | 2 |
| Table of Contents | 3 |
| DeVilbiss® EXL-520 HVLP Air Spray Gun | 4-7 |
| EXL-520 HVLP Air Spray Gun Part Numbers | 4 |
| Lapped Fluid Tips and Needles | 5 |
| Fluid Tips and Needles | 5 |
| Air Cap | 5 |
| Retaining Ring | 5 |
| DeVilbiss® EXL-520 HVLP Air Spray Gun Part Numbers and Schematics | 6-7 |

PART NUMBERS AND SCHEMATICS GUIDE

| DEVILBISS® EXL-520 HVLP AIR SPRAY GUN | | | | | |
|--|-------------|---------------------------------------|----------------|------------------|--|
| Part Numbers | Type | 1 qt Siphon Cup (Included) | Air Cap | Fluid Tip | Material Handling (Viscosity) |
| 20DEXL520P22 | Pressure | | 2000 | D | High |
| 20DEXL520P18 | Pressure | | 2000 | E | High |
| 20DEXL520P14 | Pressure | | 2000 | FF | High |
| 20DEXL520P11 | Pressure | | 2000 | FX | Low to Medium |
| 20DEXL520S18 | Siphon | X | 2000 | E | Medium |



(Pressure Feed)



(Suction Feed)

PART NUMBERS AND SCHEMATICS GUIDE



Part Numbers

| LAPPED FLUID TIPS AND NEEDLES | | | | |
|-------------------------------|-------------------|--------------|-------------------------|-----------------|
| Part Numbers | Orifice Size | Tip Material | Fluid Needle (Included) | Needle Material |
| 20DJGA4045FX | 1.1 mm (0.042 in) | 400 GR. S.S. | 20DJGA402FX | Stainless Steel |
| 20DJGA4045FF | 1.4 mm (0.055 in) | 400 GR. S.S. | 20DJGA402FF | Stainless Steel |
| 20DJGA4045E | 1.8 mm (0.070 in) | 400 GR. S.S. | 20DJGA402E | Stainless Steel |
| 20DJGA4045D | 2.2 mm (0.086 in) | 400 GR. S.S. | 20DJGA402DEX | Stainless Steel |



Part Numbers

| FLUID TIPS AND NEEDLES | | | | |
|------------------------|-------------------|--------------|--------------|-----------------|
| Part Numbers | Orifice Size | Tip Material | Fluid Needle | Needle Material |
| 20DJGA4040FX | 1.1 mm (0.042 in) | 400 GR. S.S. | 20DJGA402FX | Stainless Steel |
| 20DJGA4040FF | 1.4 mm (0.055 in) | 400 GR. S.S. | 20DJGA402FF | Stainless Steel |
| 20DGTI21318 | 1.8 mm (0.070 in) | 400 GR. S.S. | 20DGTI413 | Stainless Steel |
| 20DJGA4040E | 1.8 mm (0.070 in) | 400 GR. S.S. | 20DJGA402E | Stainless Steel |
| 20DGTI21322 | 2.2 mm (0.086 in) | 400 GR. S.S. | 20DGTI413 | Stainless Steel |
| 20DJGA4040D | 2.2 mm (0.086 in) | 400 GR. S.S. | 20DJGA402DEX | Stainless Steel |



Part Numbers

| AIR CAP | | |
|---------------|------------|---------------------------|
| Part Numbers | Cap Number | Retaining Ring (Included) |
| 20DGTI4072000 | 2000 | X |



Part Numbers

| RETAINING RING AND BASE | |
|-------------------------|---|
| Part Numbers | Description |
| 20DMBC368 | DeVilbiss® Air Cap Retaining Ring (Pressure Feed) |
| 20DGTI3 | DeVilbiss® Air Cap Retaining Ring (Suction Feed) |

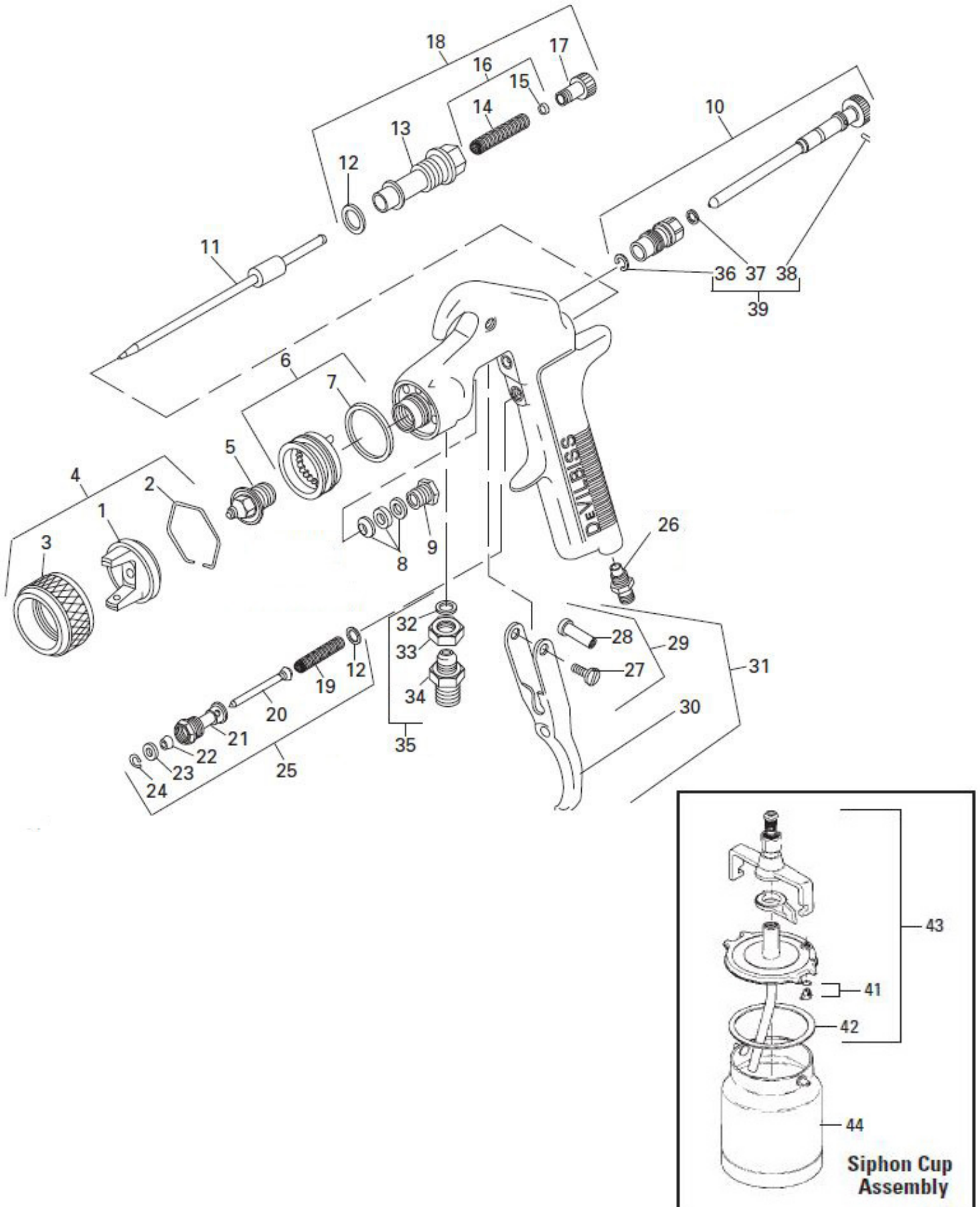
PART NUMBERS AND SCHEMATICS GUIDE

DeVilbiss® EXL-520 HVLP Air Spray Gun

| Item# | Part# | Description | Item# | Part# | Description |
|---------------|----------------|--|-------|--------------|---|
| Fig. 1 | | | 31 | 20DJGS4771 | Trigger Stud and Screw Kit (Includes Item #'s: 29 and 30) |
| 1 | 20DGTI4072000 | Air Cap (See Page 5) | 32 | — | Fluid Inlet Gasket |
| 2 | 20DJGA156K10 | Spring Clip (Quantity of Ten) | 33 | — | Lock Nut |
| 3 | 20DMBC368 | Air Cap Retaining Ring (Pressure Feed) | 34 | — | Fluid Inlet Adapter |
| — | 20DGTI3 | Air Cap Retaining Ring (Suction Feed) | 35 | 20DJGA4042 | Fluid Inlet, Gasket, Nut Kit (Includes Item #'s: 32, 33, and 34) |
| 4 | — | Air Cap & Retaining Ring (Includes Item #'s: 1, 2, and 3) (See Page 5) | 36 | — | Retaining Clip |
| 5 | — | Fluid Tip (See Page 5) | 37 | — | Seal |
| 6 | 20DGTI425 | Baffle Assembly (Includes Item #7) | 38 | — | Pin |
| 7 | 20DGTI33K5 | Baffle Seal (Quantity of Five) | 39 | 20DGTI428K5 | Clip, Seal, and Pin Clip (Quantity of Five) (Includes Item #'s: 36, 37, and 38) |
| 8 | 20DJGA4035K5 | Packing Kit (Quantity of Five) | 41 | 20DTGC4071K3 | Drip Free Valve and Gasket (Quantity of Three) (Suction Feed) |
| 9 | 20D34411122K10 | Packing Nut | 42 | 20DTGC9K5 | Tri Seal® Lid Gasket (Quantity of Five) (Suction Feed) |
| 10 | 20DGTI405 | Side Port Control Valve | 43 | 20DTGC404 | Lid Assembly (Suction Feed) |
| 11 | — | Fluid Needle (See Page 5) | 44 | 20DKR4282 | Siphon Cup Assembly (Suction Feed) |
| 12 | 20DGTI413 | Fluid Needle (Suction Feed) | — | 20DTLC40 | Non-Stick Siphon Cup Assembly (Suction Feed) |
| 13 | 20DJGS72K10 | Gasket Kit, Package of Ten (Quantity of Two) | — | 20DKK50582 | DeVilbiss® EXL-520 HVLP Air Spray Gun Repair Kit (Includes Item #'s: 7, 8, 12, 14, 15, 19, 20, 22, 23, 24, 32, 36, 37, and 38) |
| 14 | — | Body Bushing | — | 201V539 | Brochure – DeVilbiss® EXL-520 HVLP Pressure Feed Air Spray Gun |
| 15 | — | Fluid Needle Spring | — | 201V545 | Brochure – DeVilbiss® EXL-520 HVLP Suction Feed Air Spray Gun |
| 16 | — | Spring Pad | — | 206M601 | Part Numbers & Schematics Guide – DeVilbiss® EXL-520 HVLP Air Spray Gun |
| 17 | 20DMBD19K10 | Spring and Pad (Quantity of Ten) (Includes Item #'s: 14 and 15) | — | 209V539 | Operator's Manual – DeVilbiss® EXL-520 HVLP Pressure Feed Air Spray Gun |
| 18 | 20DGTI414 | Needle Adjusting Screw | — | 209V545 | Operator's Manual – DeVilbiss® EXL-520 HVLP Suction Feed Air Spray Gun |
| 19 | 20DKK5059 | Fluid Knob Adjustment Kit (Includes Item #'s: 12, 13, 16, and 17) | | | |
| 20 | — | Air Valve Spring | | | |
| 21 | — | Air Valve | | | |
| 22 | — | Air Valve Body | | | |
| 23 | — | U Cup Seal | | | |
| 24 | — | Washer | | | |
| 25 | — | Snap Ring | | | |
| 26 | 20DJGS4491 | Air Valve Assembly (Includes Item #'s: 12, 19, 20, 21, 22, 23 and 24) | | | |
| 27 | 20DPMB51 | 1/4" NPS (M) Air Inlet Adapter | | | |
| 28 | — | Trigger Stud Screw (Quantity of Five) | | | |
| 29 | — | Trigger Stud (Quantity of Three) | | | |
| 30 | 20DJGS478 | Stud and Screw Kit (Includes Item #'s: 27 and 28) | | | |
| 31 | — | Trigger | | | |

PART NUMBERS AND SCHEMATICS GUIDE

Figure 1: DeVilbiss® EXL-520 HVLP Air Spray Gun



GLOBAL HEADQUARTERS

- 3425 East Locust Street
Davenport, IA 52803

ph: 800.BLAST.IT (800.252.7848)

ph: 563.324.2519

fax: 563.324.6258

GULF STATES HEADQUARTERS

- 701 East Boulevard
Deer Park, TX 77536

ph: 800.BLAST.IT (800.252.7848)

ph: 281.930.0905

fax: 281.542.0736

REGIONAL BRANCH OFFICES

- **Iowa**
Davenport
- **Louisiana**
Gonzales
Lafayette
- **Ohio**
Youngstown
- **Texas**
Beaumont
Corpus Christi
Deer Park



ABRASIVES

BLASTING

COATING

DUST COLLECTORS

ENGINEERED SYSTEMS

RENTAL

SAFETY

SERVICE & REPAIR

VACUUMS

40+ NATIONWIDE SHIPPING LOCATIONS



★ Marco Regional Branch Offices
and Shipping Locations

● Direct Shipping Locations

CONTACT MARCO

800.BLAST.IT

(800.252.7848)

563.324.2519

FAX: 563.324.6258

WWW.MARCO.US

SALES@MARCO.US