



CLEMCO SPIN-BLAST INTERNAL PIPE BLAST TOOL



PART NUMBERS AND SCHEMATICS GUIDE

Company Profile

Allredi was formed in the early 2020, when two of the largest distributors in the blasting, coating, safety, and environmental industry, APE Companies and Marco Group International, joined forces. While the qualities both companies are known for have not changed, a lot about our business is new. New abilities. New agilities. New ways to help you win. This calls for a new name, Allredi.

This name exemplifies what we have become. It is completely oriented to the needs of our customers. To your needs. It says that when you call us for anything – products, service, expert advice, anything – you can consider it done. Or even better, Allredi done.

We are your right-now supplier. From skills to SKUs, we deliver the goods fast. So you can be more agile every minute, every day. This is who we are. This is what our new name means. Go ahead and expect excellence, because we're bringing it.

Our Mission and Vision

To be the industry's preferred partner in surface preparation solutions through unrivaled technical expertise, customer experience, product availability, and tailored service offerings.



The Allredi Difference

- **Industry Experience** – With Allredi on your team, you have access to expertise which can only come from decades of industry leadership. We have organized our engineering department, production specialists, customer operations, and safety support into a "Center of Competence." As an Allredi customer, you have access to hundreds of years of cumulative experience related to your operations.
- **Manufacturing Excellence** – Allredi is a U.S. based manufacturer of equipment for the Surface Preparation and Protective Coatings industries. Allredi's engineers benchmark the industry to ensure that we design and manufacture superior products that set the "Gold Standard" for performance, safety, and quality.
- **Legendary Customer Service** – Allredi's legendary customer service team is staffed by friendly, highly-trained individuals who are focused on providing the highest level of product support, order accuracy, and customer satisfaction.
- **Product Availability** – We stock over 10,000 SKU's and have over 45 shipping locations to serve North American and International markets for all major brands of blasting, coating, environmental, and safety equipment. Allredi is your right-now supplier, so you can keep your projects moving. From our foundation of strong relationships, we have built a nationwide network that puts vast inventory and ready service close to our customers. We provide advanced expertise, and we deliver the goods fast – so you can easily access the products and services you need to me more agile every minute, every day.
- **Technology Leadership** – Our website provides: Operator's Manuals, Part Numbers and Schematics Guides, SDS information, and key product features and specifications, providing access to information 24/7.

TABLE OF CONTENTS




Company Profile	2
Table of Contents	3
Clemco Spin-Blast Internal Pipe Blast Tool	4-9
Clemco Spin-Blast Internal Pipe Blast Tools Part Numbers	4
Centering Carriages Part Numbers	5
Part Numbers & Schematics	6-9
Clemco Spin-Blast Internal Pipe Blast Tools	6-7
Recommended Operating Usage Chart	7
Small Centering Carriage	8
Large Centering Carriage	9
Maintenance Notes	10-11

PART NUMBERS

CLEMCO SPIN-BLAST INTERNAL PIPE BLAST TOOLS*			
	Part Numbers	For use in Pipe I.D.	Nozzles
	10C02601	8"–36"	10AT4 <i>(Quantity of Two)</i>
	10C10547	36"–60"	Nozzles Sold Separately, See Chart Below For Recommended Nozzle

*Centering Carriages not included

PART NUMBERS

CLEMCO SPIN-BLAST INTERNAL PIPE BLAST TOOL CENTERING CARRIAGES			
	Part Numbers	For use in Pipe I.D.	Style
	10C03641	8"–17"	Adjustable
	10C04971	12"–36"	Legs
	10C10560	36"–60"	Legs

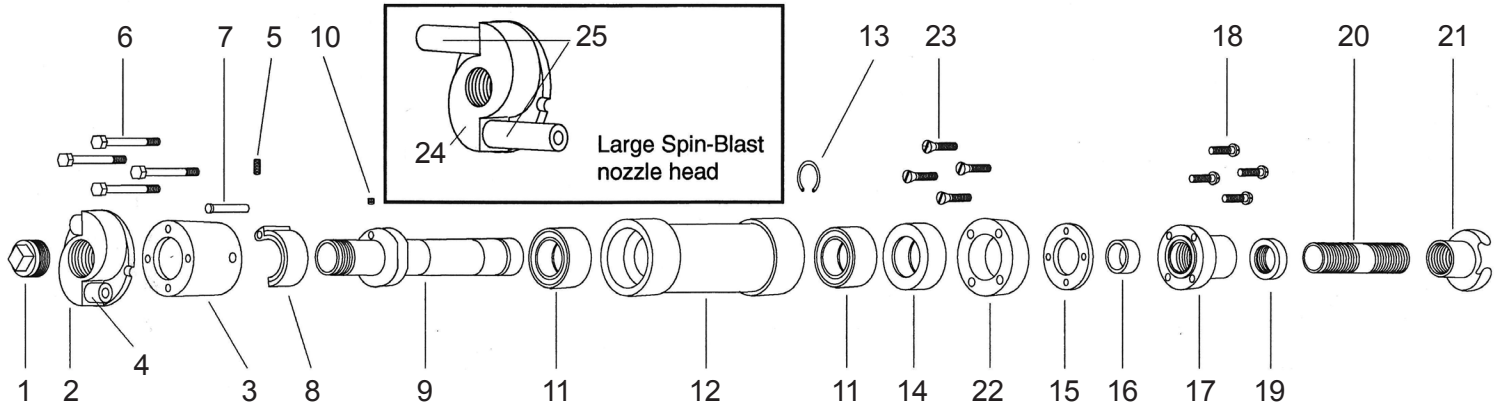
PART NUMBERS & SCHEMATICS

Clemco Spin-Blast Internal Pipe Blast Tools

Item #	Part #	Description
Fig. 1		
—	10C02601	Clemco Spin-Blast Internal Pipe Blast Tool <i>Includes Item #4a (Quantity of Two)</i>
—	10C10547	Large Diameter Clemco Spin-Blast Internal Pipe Blast Tool <i>Nozzles Not Included</i>
1	1011901	1" Pipe Plug
2	10C02604	Small Rotating Nozzle Head
3	10C02606	Brake Housing
4a	10AT4	1/4" Orifice x 1-3/4" Straight Bore Nozzle
4b	10AT5	5/16" Orifice x 1-3/4" Straight Bore Nozzle
4c	10AT6	3/8" Orifice x 1-3/4" Straight Bore Nozzle
4d	10C01410	5/16" Orifice x 3" Straight Bore Nozzle
4e	10C01412	3/8" Orifice x 4" Straight Bore Nozzle
5	10C03071	1/4" NC Set Screw
6	10C03892	10-24 x 2-1/4" Round Head Screw
7	10C02628	Brass Lock Pin
8	10C02608	Brake With Lining
9	10C02609	Tube
10	10C03270	10-24 x 3/16" Set Screw
11	10C02611	Double Seal Bearing
12	10C10899	Main Body
13	10C02610	Tube Lock Ring
14	10C02613	Bearing Seal
15	10C02614	Leather Dust Seal
16	10C02616	Tungsten Washer
17	10C02615	Rear End Plate
18	10C03891	10-24 x 1" Round Head Screw
19	10C02618	Rear Plate Hex Nut
20	10C02617	Rubber-Lined Nipple
21	10SB1S	Coupling
22	10C10898	Retainer Ring
23	10C10897	10-24 x 1" Flat Head Screw
24	10C10546	Large Rotating Nozzle Head
25a	10SN4UN	1/4" Orifice Blaze Nozzle
25b	10SN5UN	5/16" Orifice Blaze Nozzle
25c	10SN6UN	3/8" Orifice Blaze Nozzle
—	10C02603	Service Kit – Small Clemco Spin-Blast Internal Pipe Blast Tool (10C02601) <i>Includes Item #'s: 2, 8, 9, 11, 14, 16; Two Each of 13; Four Each of 1; and Thirty Each of 15</i>
—	10C10894	Service Kit – Large Clemco Spin-Blast Internal Pipe Blast Tool (10C10547) <i>Includes Item #'s: 8, 9, 11, 14, 16, 24; Two Each of 13; Four Each of 1; and Thirty Each of 15</i>
—	93030	Operator's Manual – Clemco Spin-Blast Internal Pipe Blast Tool
—	106M356	Part Numbers & Schematics Guide – Clemco Spin-Blast Internal Pipe Blast Tool

PART NUMBERS & SCHEMATICS

Figure 1: Clemco Spin-Blast Internal Pipe Blast Tools



4a
4b
4c



4e
4f



10SN4UN
10SN5UN
10SN6UN

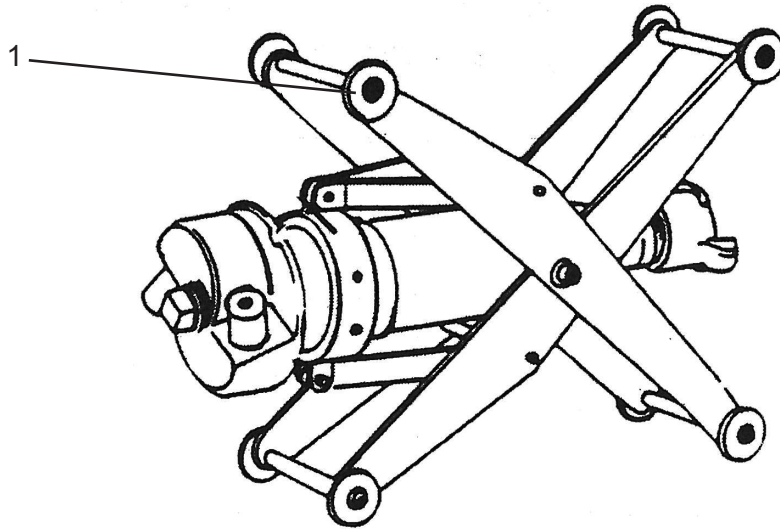
Recommended Operating Usage Chart

Tool	Pipe I.D.	Nozzle Recommended	Centering Carriage Required	CFM Required @ 100 psi
10C02601	8"-12"	10AT4, 10AT5, 10AT6	10C03641	300
	12"-20"	10C01410	10C04971	365
	24"-36"	10C01412	10C04971	600

10C10547	36"-60"	10SN4UN	10C10560	300
	36"-60"	10SN5UN	10C10560	365
	36"-60"	10SN6UN	10C10560	600

PART NUMBERS & SCHEMATICS

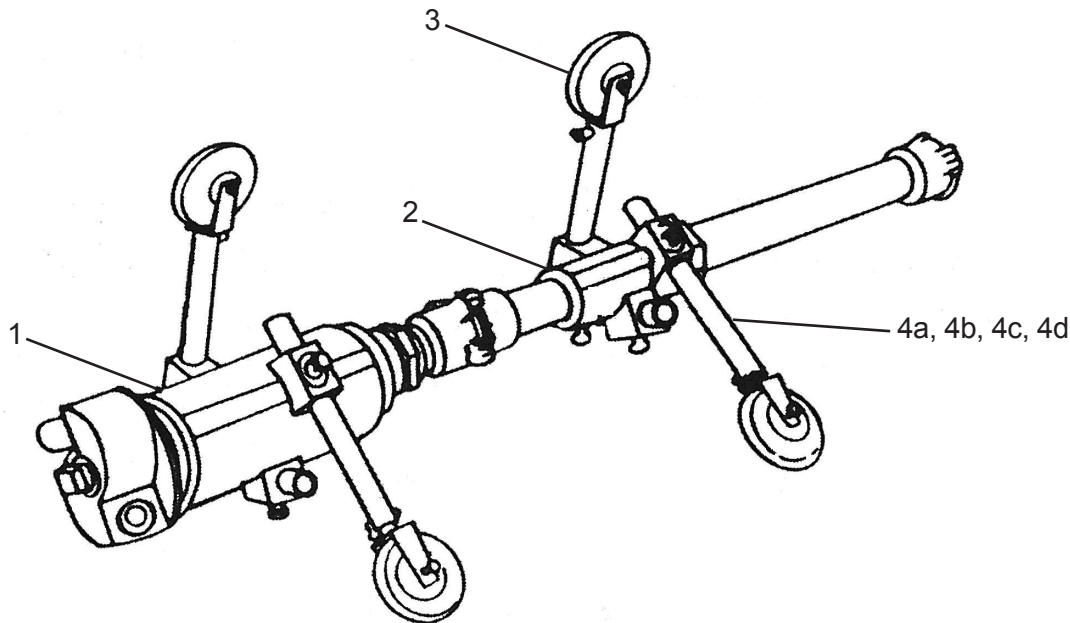
Figure 2: Small Adjustable Centering Carriage



Item#	Part#	Description
Fig. 2		
—	10C03641	8"–17" I.D. Small Adjustable Centering Carriage
1	10C03636	Wheel (<i>Eight Required</i>)
—	10C3706	Bushing Kit
—	93030	Operator's Manual – Clemco Spin-Blast Internal Pipe Blast Tool
—	106M356	Part Numbers & Schematics Guide – Clemco Spin-Blast Internal Pipe Blast Tool

PART NUMBERS & SCHEMATICS

Figure 3: Large Centering Carriages



Item#	Part#	Description
Fig. 3		
—	10C04971	12"–36" I.D. Large Centering Carriage <i>Includes Item #'s: 1, 2, 3, 4a, 4b, and 4c</i>
—	10C10560	36"–60" I.D. Large Diameter Centering Carriage <i>Includes Item #'s: 1, 2, 3, and 4d</i>
1	10C04937	Front Body Collar
2	10C04938	Rear Lance Collar
3	10C04899	3" Wheel Set with Clevis Pins <i>Includes: Quantity of Six Wheels and Six Clevis Pins</i>
4a	10C04896	Short Leg Set for 12"–14" I.D. Pipe <i>Includes: Quantity of Six – 4" Long Legs</i>
4b	10C04895	Medium Leg Set for 14"–20" I.D. Pipe <i>Includes: Quantity of Six – 8" Long Legs</i>
4c	10C04894	Long Leg Set for 24"–36" I.D. Pipe <i>Includes: Quantity of Six – 17" Long Legs</i>
4d	10C10559	Long Leg Set for 40"–60" I.D. Pipe <i>Includes: Quantity of Six – 36" Long Legs</i>
—	10C04897	Clevis Pin and Cotter Pin (<i>Not Pictured</i>)
—	10C04898	3" Wheel With Clevis Pin <i>Includes: Quantity of One Wheel and One Clevis Pin</i>
—	93030	Operator's Manual – Spin Blast Internal Pipe Cleaning Tool
—	106M356	Part Numbers & Schematics Guide – Clemco Spin-Blast Internal Pipe Blast Tool



ALLREDI THERE

Serving these industries: Bridge, Pipeline, Tank & Tower, Concrete Services, Rail, Shipyard & Marine, Pools & Fountains and Foundry

UNITED STATES

Pasadena, TX (Headquarters)

844.361.7038

Beaumont, TX

409.722.1284

Bristol, PA

215.826.8080

Corpus Christi, TX

361.887.2038

Davenport, IA

563.324.2519

Deer Park, TX

(Service & Rental Location)

281.930.0905

Duluth, GA

800.535.4564

Gonzales, LA

225.647.7575

Harvey, LA

504.367.8090

Houma, LA

985.580.4273

Jacksonville, FL

904.262.2120

Lafayette, LA

337.267.1440

Theodore, AL

251.338.7525

Youngstown, OH

330.448.6267

CANADA

Calgary, Alberta

403.279.1924

Coquitlam, BC

604.464.6979

Edmonton, Alberta

780.468.2588 (Manus)

780.425.5510 (Mod-U-Blast)

Hamilton, Ontario

905.527.6000 / 888.794.5665

Mississauga, Ontario

905.890.5837

Winnipeg, Manitoba

204.256.3324

800-252-7848 / WWW.ALLREDI-US.COM

Allredi™ and Marco® are registered trademarks of Allredi, LLC.

All other brand names or marks are used for identification purposes and are trademarks of their respective owners.

ALLREDI™

Literature #106M356_8/26/22