



CLEMCO SPIN-BLAST HD INTERNAL PIPE BLAST TOOL



PART NUMBERS AND SCHEMATIC GUIDE

Company Profile

Allredi was formed in the early 2020, when two of the largest distributors in the blasting, coating, safety, and environmental industry, APE Companies and Marco Group International, joined forces. While the qualities both companies are known for have not changed, a lot about our business is new. New abilities. New agilities. New ways to help you win. This calls for a new name, Allredi.

This name exemplifies what we have become. It is completely oriented to the needs of our customers. To your needs. It says that when you call us for anything – products, service, expert advice, anything – you can consider it done. Or even better, Allredi done.

We are your right-now supplier. From skills to SKUs, we deliver the goods fast. So you can be more agile every minute, every day. This is who we are. This is what our new name means. Go ahead and expect excellence, because we're bringing it.

Our Mission and Vision

To be the industry's preferred partner in surface preparation solutions through unrivaled technical expertise, customer experience, product availability, and tailored service offerings.

The Allredi Difference

- **Industry Experience** – With Allredi on your team, you have access to expertise which can only come from decades of industry leadership. We have organized our engineering department, production specialists, customer operations, and safety support into a "Center of Competence." As an Allredi customer, you have access to hundreds of years of cumulative experience related to your operations.
- **Manufacturing Excellence** – Allredi is a U.S. based manufacturer of equipment for the Surface Preparation and Protective Coatings industries. Allredi's engineers benchmark the industry to ensure that we design and manufacture superior products that set the "Gold Standard" for performance, safety, and quality.
- **Legendary Customer Service** – Allredi's legendary customer service team is staffed by friendly, highly-trained individuals who are focused on providing the highest level of product support, order accuracy, and customer satisfaction.
- **Product Availability** – We stock over 10,000 SKU's and have over 45 shipping locations to serve North American and International markets for all major brands of blasting, coating, environmental, and safety equipment. Allredi is your right-now supplier, so you can keep your projects moving. From our foundation of strong relationships, we have built a nationwide network that puts vast inventory and ready service close to our customers. We provide advanced expertise, and we deliver the goods fast – so you can easily access the products and services you need to me more agile every minute, every day.
- **Technology Leadership** – Our website provides: Operator's Manuals, Part Numbers and Schematics Guides, SDS information, and key product features and specifications, providing access to information 24/7.

TABLE OF CONTENTS

Company Profile	2
Table of Contents	3
Clemco Spin-Blast HD Internal Pipe Blast Tool	4-7
Part Numbers	4-5
Part Numbers & Schematics	6-7

PART NUMBERS

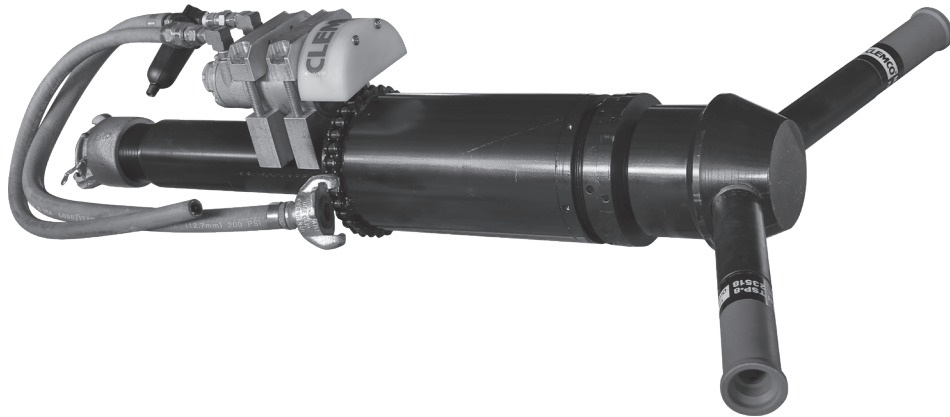
CLEMCO SPIN-BLAST HD INTERNAL PIPE BLAST TOOLS*		
Part Numbers	For use in Pipe I.D.	Centering Carriage
10C27792	16"-31"	X
10C28046	18"-48"	

**Nozzles not included*

PART NUMBERS



10C27792



10C28046

PART NUMBERS & SCHEMATICS

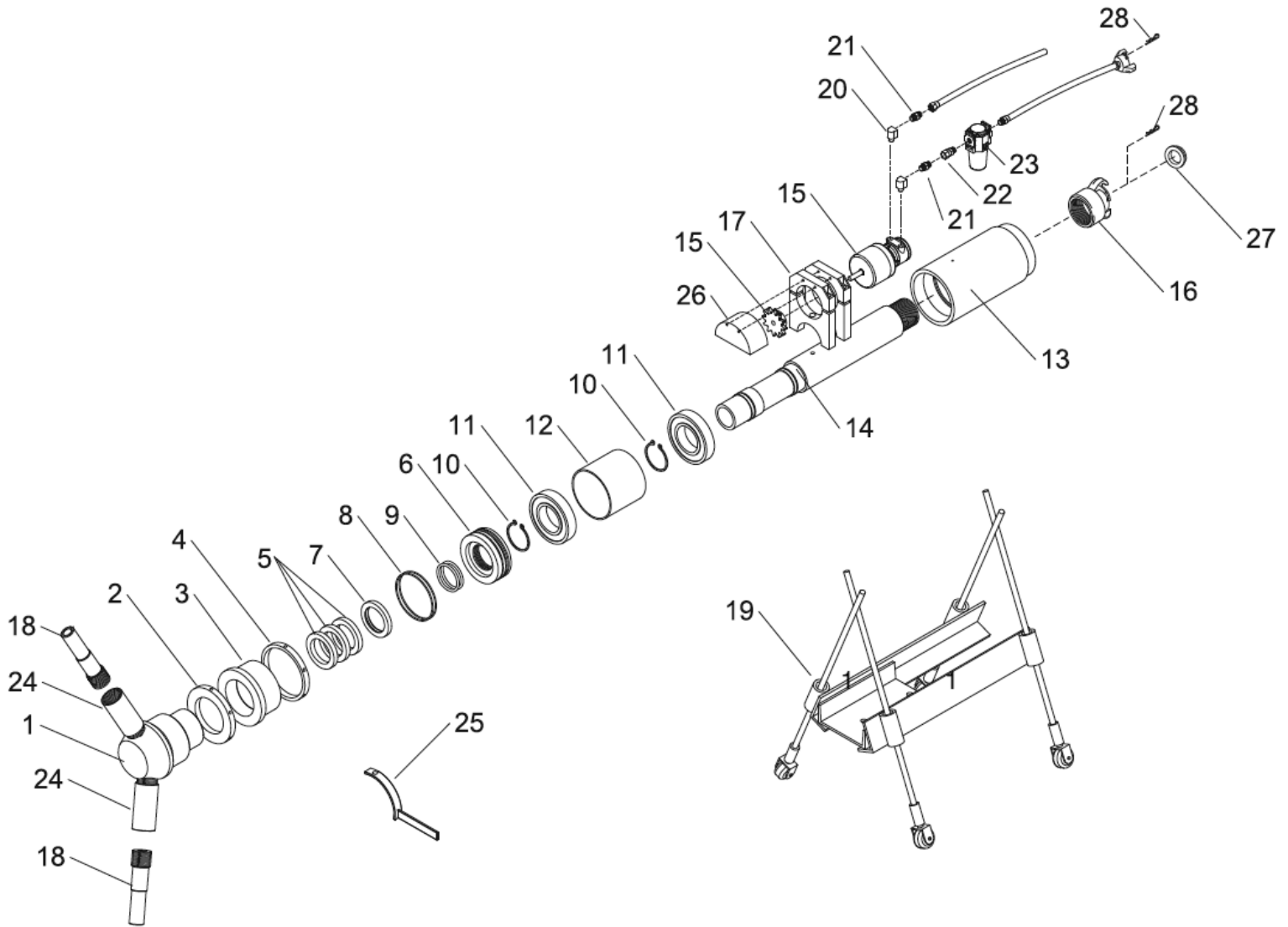
Clemco Spin-Blast HD Internal Pipe Blast Tools

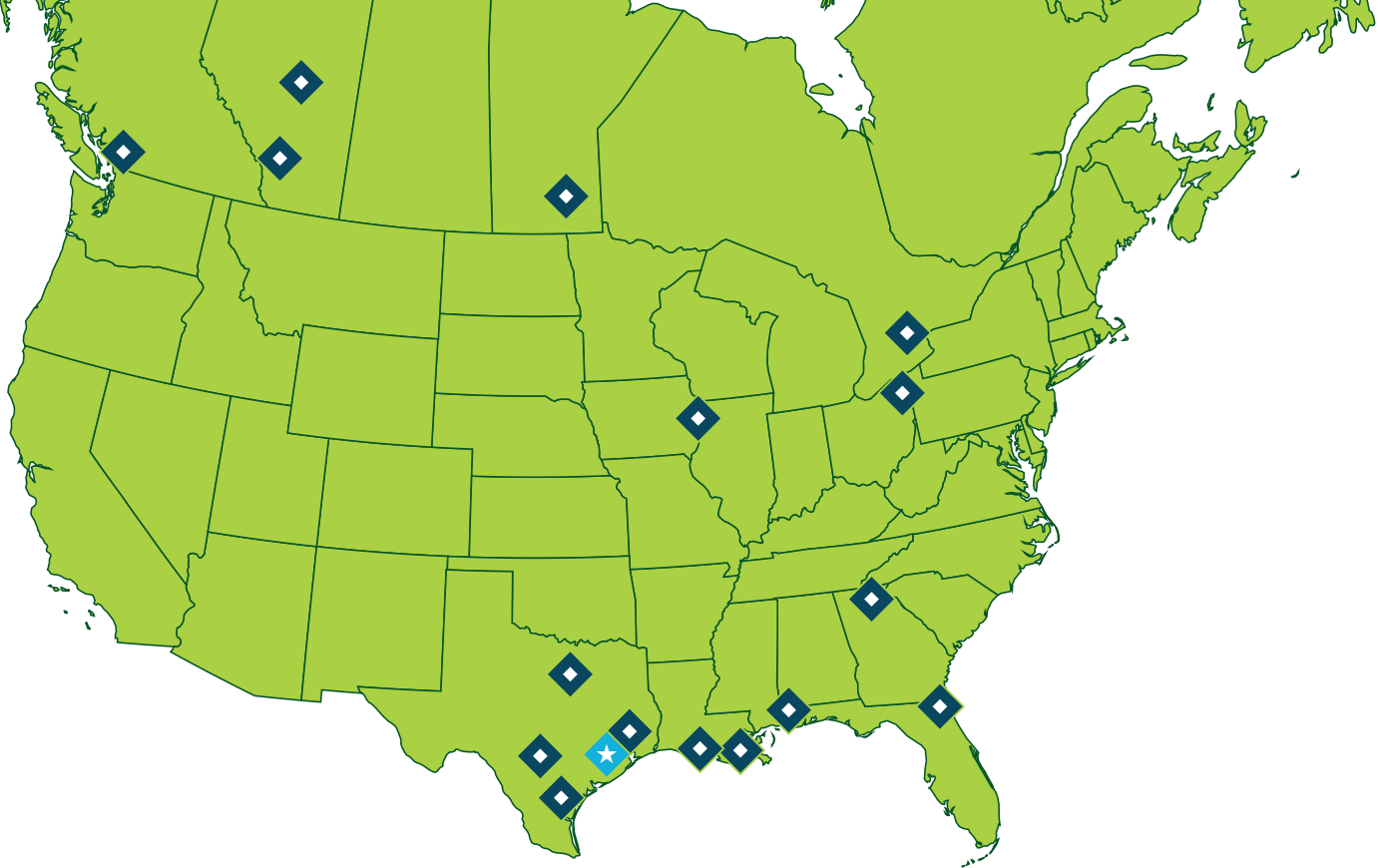
Item #	Part #	Description
Fig. 1		
—	10C28046	Clemco Spin-Blast HD Internal Pipe Blast Tool <i>Nozzles Not Included</i>
—	10C27792	Clemco Spin-Blast HD Internal Pipe Blast Tool with Carriage <i>Nozzles Not Included. Includes Item #19.</i>
1	10C25100	Blast Head
2	10C25101	Blast Head Lock Ring
3	10C25102	Main Body Bushing
4a	10C25103	Bushing Lock Ring
5	10C25104	Packging Gasket Gland (<i>Quantity of Three</i>)
6	10C25105	Seal Gland
7	10C25106	Seal
8	10C25107	Outer O-ring Gland (<i>Quantity of Two</i>)
9	10C25108	Inner O-ring Gland (<i>Quantity of Two</i>)
10	10C25109	Lock Ring (<i>Two Required</i>)
11	10C25110	Bearing (<i>Quantity of Two</i>)
12	10C25111	Spacer Sleeve
13	10C25112	Body
14	10C25113	Tube
15	10C25114	Air Motor and Gear Assembly
16	10C00555	2" NPT (F) Coupling
17	10C25116	Air Motor Mounts (<i>Quantity of Four</i>)
18a	10TC4UN	#4 All Poly Tungsten Carbide NPS Nozzle – 1/4" Orifice (<i>Two Required</i>)
18b	10TC5UN	#5 All Poly Tungsten Carbide NPS Nozzle – 5/16" Orifice (<i>Two Required</i>)
18c	10TC6UN	#6 All Poly Tungsten Carbide NPS Nozzle – 3/8" Orifice (<i>Two Required</i>)
18d	10TC7UN	#7 All Poly Tungsten Carbide NPS Nozzle – 5/16" Orifice (<i>Two Required</i>)
18e	10TC8UN	#8 All Poly Tungsten Carbide NPS Nozzle – 3/8" Orifice (<i>Two Required</i>)
19	10C25117	Carriage Assembly
20	10C02027	1/4" NPT Brass Street Elbow
21	—	1/4" NPT x 3/8" SAE (M) Adapter*
22	—	1/4" NPT x 3/8" SAE (F) Adapter*
23	—	1/4" NPT Filter*
24	10C25118	Nozzle Extension (<i>Pair</i>)
25	10C24646	Spanner
26	10C24645	Nylon Gear Guard
27	10C00850	CQG Gasket (<i>Pack of 10</i>)
27	10C11203	Lock Pins (<i>Pack of 25</i>)
—	10C25130	Air Motor and Gear Service Kit (<i>Not Shown</i>)
—	25119	Operator's Manual – Clemco Spin-Blast HD Internal Pipe Blast Tool
—	106M466	Part Numbers & Schematics Guide – Clemco Spin-Blast Internal Pipe Blast Tool

*Contact Marco for Part Numbers

PART NUMBERS & SCHEMATICS

Figure 1: Clemco Spin-Blast HD Internal Pipe Blast Tools





ALLREDI THERE

Serving these industries: Bridge, Pipeline, Tank & Tower, Concrete Services, Rail, Shipyard & Marine, Pools & Fountains and Foundry

UNITED STATES

Pasadena, TX (Headquarters)

844.361.7038

Beaumont, TX

409.722.1284

Bristol, PA

215.826.8080

Corpus Christi, TX

361.887.2038

Davenport, IA

563.324.2519

Deer Park, TX

(Service & Rental Location)

281.930.0905

Duluth, GA

800.535.4564

Gonzales, LA

225.647.7575

Harvey, LA

504.367.8090

Houma, LA

985.580.4273

Jacksonville, FL

904.262.2120

Lafayette, LA

337.267.1440

Theodore, AL

251.338.7525

Youngstown, OH

330.448.6267

CANADA

Calgary, Alberta

403.279.1924

Coquitlam, BC

604.464.6979

Edmonton, Alberta

780.468.2588 (Manus)

780.425.5510 (Mod-U-Blast)

Hamilton, Ontario

905.527.6000 / 888.794.5665

Mississauga, Ontario

905.890.5837

Winnipeg, Manitoba

204.256.3324

800-252-7848 / WWW.ALLREDI-US.COM

Allredi™ and Marco® are registered trademarks of Allredi, LLC.

All other brand names or marks are used for identification purposes and are trademarks of their respective owners.

ALLREDI™

Literature #106M466_8/23/22