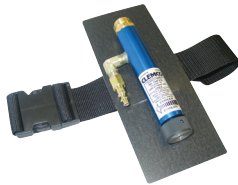




CLEMCO APOLLO 60 BLASTING HELMET



PART NUMBERS AND SCHEMATICS GUIDE

Company Profile

Allredi was formed in the early 2020, when two of the largest distributors in the blasting, coating, safety, and environmental industry, APE Companies and Marco Group International, joined forces. While the qualities both companies are known for have not changed, a lot about our business is new. New abilities. New agilities. New ways to help you win. This calls for a new name, Allredi.

This name exemplifies what we have become. It is completely oriented to the needs of our customers. To your needs. It says that when you call us for anything – products, service, expert advice, anything – you can consider it done. Or even better, Allredi done.

We are your right-now supplier. From skills to SKUs, we deliver the goods fast. So you can be more agile every minute, every day. This is who we are. This is what our new name means. Go ahead and expect excellence, because we're bringing it.

The Allredi Difference

- **Industry Experience** – With Allredi on your team, you have access to expertise which can only come from decades of industry leadership. We have organized our engineering department, production specialists, customer operations, and safety support into a "Center of Competence." As an Allredi customer, you have access to hundreds of years of cumulative experience related to your operations.
- **Manufacturing Excellence** – Allredi is a U.S. based manufacturer of equipment for the Surface Preparation and Protective Coatings industries. Allredi's engineers benchmark the industry to ensure that we design and manufacture superior products that set the "Gold Standard" for performance, safety, and quality.
- **Legendary Customer Service** – Allredi's legendary customer service team is staffed by friendly, highly-trained individuals who are focused on providing the highest level of product support, order accuracy, and customer satisfaction.
- **Product Availability** – We stock over 10,000 SKU's and have over 45 shipping locations to serve North American and International markets for all major brands of blasting, coating, environmental, and safety equipment. Allredi is your right-now supplier, so you can keep your projects moving. From our foundation of strong relationships, we have built a nationwide network that puts vast inventory and ready service close to our customers. We provide advanced expertise, and we deliver the goods fast – so you can easily access the products and services you need to me more agile every minute, every day.
- **Technology Leadership** – Our website provides: Operator's Manuals, Part Numbers and Schematics Guides, SDS information, and key product features and specifications, providing access to information 24/7.

TABLE OF CONTENTS

Table of Contents	3
Clemco Apollo 60 Blasting Helmet ...	4-14
Climate Control Devices	4
Lenses	5
Inner Lenses	5
Outer Lenses	5
Tear-off Lenses	5
High Pressure Abrasive Blasting Respirator Part Numbers & Schematics	6-7
Low Pressure Abrasive Blasting Respirator Part Numbers & Schematics	8-9
Body Temperature Management	10-13
Clem-Cool Air Conditioner Tube Part Numbers & Schematics	10
Cool-Air Tube Assembly Part Numbers & Schematics	11
Climate Control Hot/Cold Tube Part Numbers & Schematics	12-13
Breathing Line and Couplings	14
Breathing Line	14
Couplings and Quick-Disconnects	14
Maintenance Notes	15

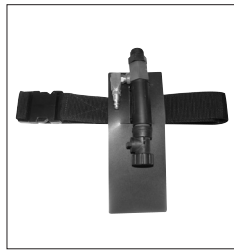
PART NUMBERS

Clemco Apollo 60 Blasting Helmet is no longer available as a full assembly.
See Clemco Apollo 600 Blasting Helmet for a complete unit.

Part Numbers	CLEMCO CLIMATE CONTROL DEVICES
10C04411	Climate Control Hot/Cold Tube and Belt 10C04430
10C23825	Clem-Cool Air Conditioner and Belt 10C04430
10C04410	Cool-Air Tube and Belt 10C04430



10C04411



10C23825



10C04410

LENSES

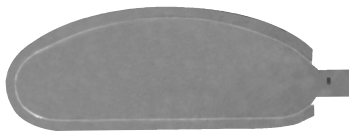
Part Numbers	CLEMCO APOLLO 60 BLASTING HELMET INNER LENSES					
	Style	Lens Style	Dimensions	Thickness	Material	U.O.M.
106004I	Alternative	Inner	14-3/8" x 5-7/16"	.040"	PETG	25/Pk
10C04367	Clemco	Inner	14-3/8" x 5-7/16"	.040"	Acetate	5/Pk



Part Numbers	CLEMCO APOLLO 60 BLASTING HELMET OUTER LENSES					
	Style	Lens Style	Dimensions	Thickness	Material	U.O.M.
106002	Alternative	Two-Sided Outer	17" x 5-5/8"	.020"	PETG	25/Pk
10C23067	Clemco	Two-Sided Outer	17" x 5-5/8"	.020"	Acetate	25/Pk



Part Numbers	CLEMCO APOLLO 60 BLASTING HELMET TEAR-OFF LENSES					
	Style	Lens Style	Dimensions	Thickness	Material	U.O.M.
1060004	Alternative	Perforated Tear-Off	16-7/8" x 5-3/4"	.004"	PETG	25/Pk
1060007	Alternative	Perforated Tear-Off	16-7/8" x 5-3/4"	.007"	PETG	25/Pk
10C25021	Clemco	Perforated Tear-Off	16-7/8" x 5-3/4"	.0075"	Acetate	25/Pk



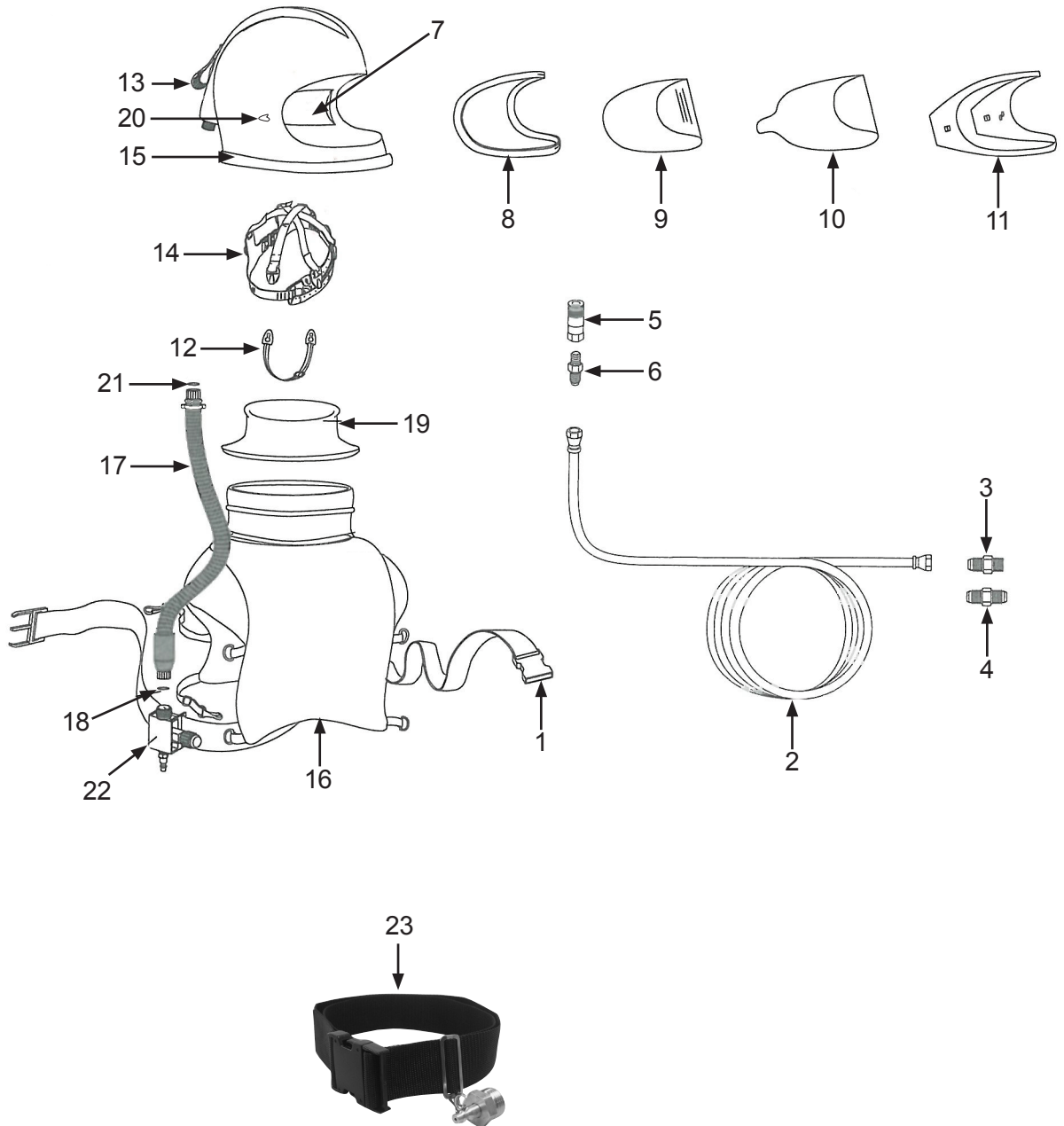
PART NUMBERS & SCHEMATICS

Clemco Apollo 60 High Pressure Blasting Helmet

Item #	Part #	Description
Fig. 1		
1	10C04430	Belt
2a	10C04397	3/8" x 25 Feet of Breathing Line <i>(Includes Item #'s: 3 and 4)</i>
2b	10C04415	3/8" x 50 Feet of Breathing Line <i>(Includes Item #'s: 3 and 4)</i>
2c	10C04398	3/8" x 100 Feet of Breathing Line <i>(Includes Item #'s: 3 and 4)</i>
3	10BV13	3/8" Male NPT Pipe Thread to 3/8" Male Hose Adapter Hex Nipple
4	10BV11	3/8" Male x 3/8" Male Hose to Hose Connector Hex Nipple
5	10BV14	1/4" Female Quick-Disconnect Coupling, Shut-Off with 1/4" Female Pipe Thread
6	10BV12	3/8" Male NPT Pipe Thread to 1/4" Male Hose Adapter Hex Nipple
7	10C04369	Acoustical Foam Kit Sides
8	10C04452	Window Gasket
9a	1060041	Alternate Inner Lens, .040" Thickness <i>(See Page 5)</i>
9b	10C23065	Inner Lens, .040" Thickness <i>(See Page 5)</i>
10a	106002	Alternate Outer Lens, .020" Thickness <i>(See Page 5)</i>
10b	10C23067	Outer Lens, .020" Thickness <i>(See Page 5)</i>
10c	1060004	Alternate Tear-Off Lens, .004" Thickness <i>(See Page 5)</i>
10d	1060007	Alternate Tear-Off Lens, .007" Thickness <i>(See Page 5)</i>
10e	10C25021	Tear-Off Lens, .0075" Thickness <i>(See Page 5)</i>
11	10C08741	Window Frame with Screws
12	10C04460	Adjustable Chin Strap
13	10C03623	Handle Strap
14	10C10532	Headband Suspension
15	10C10534	Cape Attachment Strap
16	10C04435B	Cape, Red, with Inner Collar <i>(Alternative)</i>
—	10C04435	Cape, Red, with Inner Collar
17	10C22811	Breathing Tube
18	10C04370	Breathing Tube Washers <i>(Quantity of Six)</i>
19	10C08740B	Inner Collar <i>(Alternative)</i>
—	10C08740	Inner Collar
20	10C04368	Window Latch Kit <i>(Includes: Latch and Bail)</i>
21	10C21561	O-Ring
22	10C100024	Adjustable-Flow Control Valve with Belt
23	10C04515	1/4" Constant Flow Industrial Interchange Quick-Disconnect Fitting x Threaded Hose Connector and 10C04430 Belt
—	106M343	Part Numbers and Schematics Guide
—	109V598	Operator's Manual – Apollo 60 High Pressure Supplied Air Respirator

PART NUMBERS & SCHEMATICS

Figure 1: Clemco Apollo 60 High Pressure Blasting Helmet



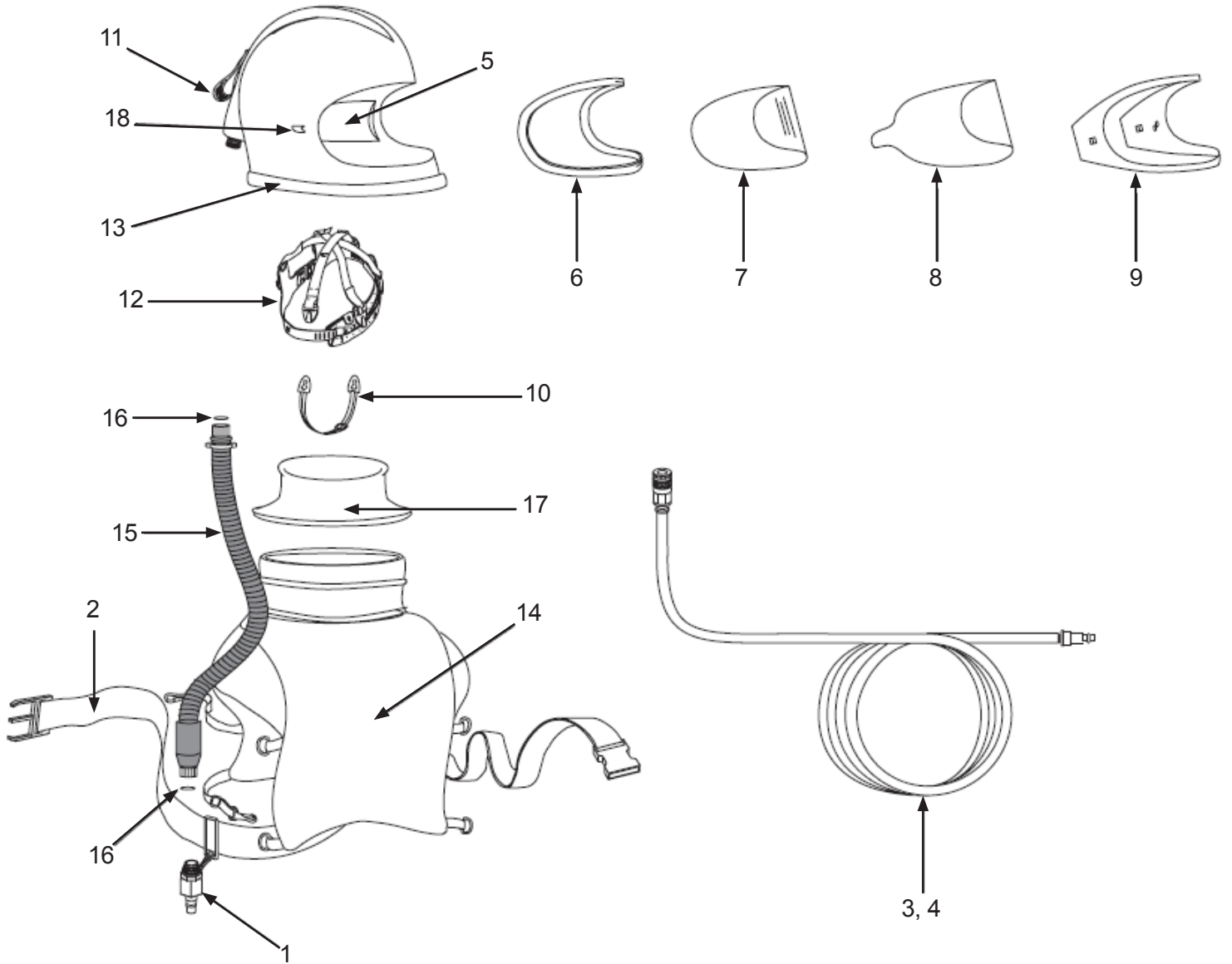
PART NUMBERS & SCHEMATICS

Clemco Apollo 60 Low Pressure Blasting Helmet

Item #	Part #	Description
Fig. 2		
1	10C21429	Constant-Flow Connector, LP, without Belt
2	10C04430	Belt
3	10C21413	Respirator Hose, 1/2" x 100'
4	10C22510	Respirator Hose, 1/2" x 50'
5	10C04369	Acoustical Foam Kit, Sides
6	10C04452	Window Gasket
7	1060041	Alternate Inner Lens, .040" Thickness (<i>See Page 5</i>)
—	10C23065	Inner Lens, .040" Thickness (<i>See Page 5</i>)
8	106002	Alternate Outer Lens, .020" Thickness (<i>See Page 5</i>)
—	10C23067	Outer Lens, .020" Thickness (<i>See Page 5</i>)
—	1060004	Alternate Tear-Off Lens, .004" Thickness (<i>See Page 5</i>)
—	1060007	Alternate Tear-Off Lens, .007" Thickness (<i>See Page 5</i>)
—	10C25021	Tear-Off Lens, .0075" Thickness (<i>See Page 5</i>)
9	10C08741	Window with Screws
10	10C04460	Adjustable Chin Strap
11	10C03623	Handle Strap
12	10C10532	Headband Suspension
13	10C10534	Cape Attachment Strap
14	10C04435B	Cape, Red, with Inner Collar (<i>Alternative</i>)
—	10C04435	Cape, Red, with Inner Collar
15	10C22811	Breathing Tube
16	10C22815	O-Ring, 11/16" I.D. x 7/8" O.D. (<i>Two Required</i>)
17	10C08740B	Inner Collar (<i>Alternative</i>)
—	10C08740	Inner Collar
18	10C04368	Window Latch Kit (<i>Includes: Latch and Bail</i>)
—	106M343	Part Numbers and Schematics Guide
—	109V599	Operator's Manual – Apollo 60 Low Pressure Supplied Air Respirator

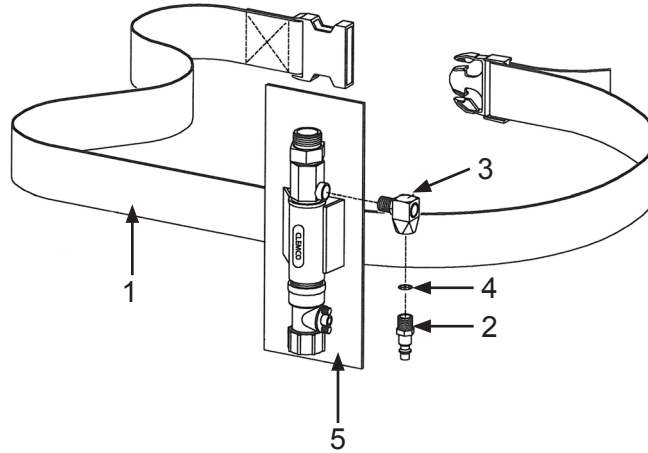
PART NUMBERS & SCHEMATICS

Figure 2: Clemco Apollo 60 Low Pressure Blasting Helmet



PART NUMBERS & SCHEMATICS

Figure 3: Apollo Clem-Cool Air Conditioner with Belt



Item #	Part #	Description
--------	--------	-------------

Fig. 3

—	10C23825	Clem-Cool Air Conditioner with Belt 10C04430
---	-----------------	---

1	10C04430	Belt
---	----------	------

2	10C00015	Quick-Disconnect x 1/4" Male NPT
---	----------	----------------------------------

3	10C23829	Elbow, 1/4" NPT Swivel
---	----------	------------------------

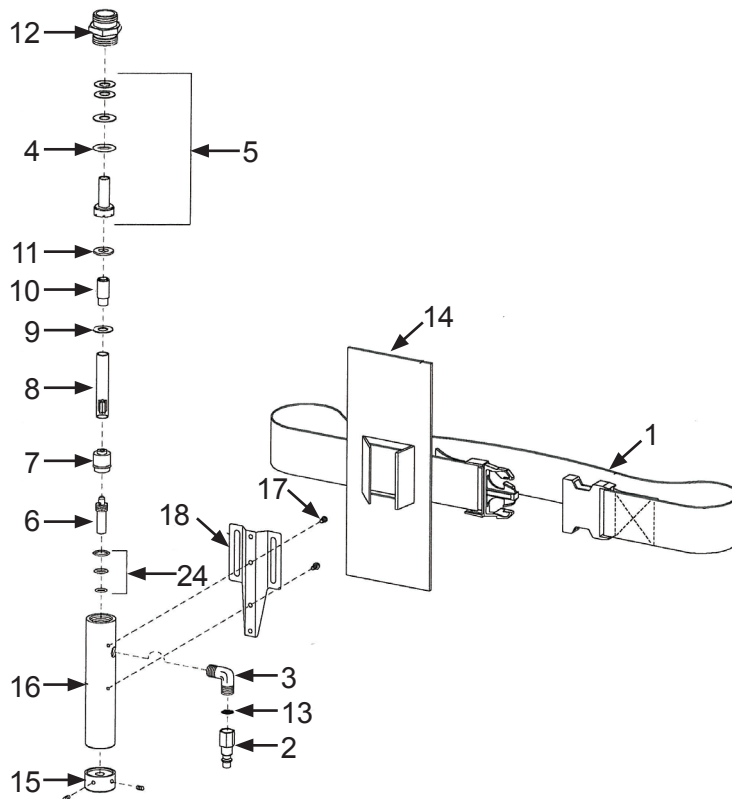
4	10C08973	Screen
---	----------	--------

5	10C08981	Heat Shield
---	----------	-------------

—	109V700	Operator's Manual – Clem-Cool Air Conditioner
---	---------	---

PART NUMBERS & SCHEMATICS

Figure 4: Apollo Cool-Air Tube with Belt



Item #	Part #	Description
Fig. 4		
—	10C04410	Cool-Air Tube with Belt 10C04430
1	10C04430	Belt
2	10C08449	Quick-Disconnect x 1/4" Female NPT
3	10C08869	Elbow, 1/4" Male
4	10C08870	Seal Kit (Includes: O-Rings (Quantity of Four); and Item #6)
5	10C08871	Cool-End Venturi Kit (Includes: Cool-End Venturi O-Ring (Not Shown))
6	10C08962	Valve Stem
7	10C08963	Valve Insert
8	10C23030	Vortex Tube Assembly
9	10C08966	Narrow Spacer
10	10C08967	Venturi Tube
11	10C08968	Wide Spacer
12	10C08971	Helmet Tube Connection
13	10C08973	Screen
14	10C08981	Heat Shield
15	10C08985	Knob with Set Screws
16	10C08961	Body
17	10C08980	Machine Screw, Round Head 10-24 x 1/4"
18	10C08974	Belt Clip
—	109V701	Operator's Manual – Cool-Air Tube with Belt

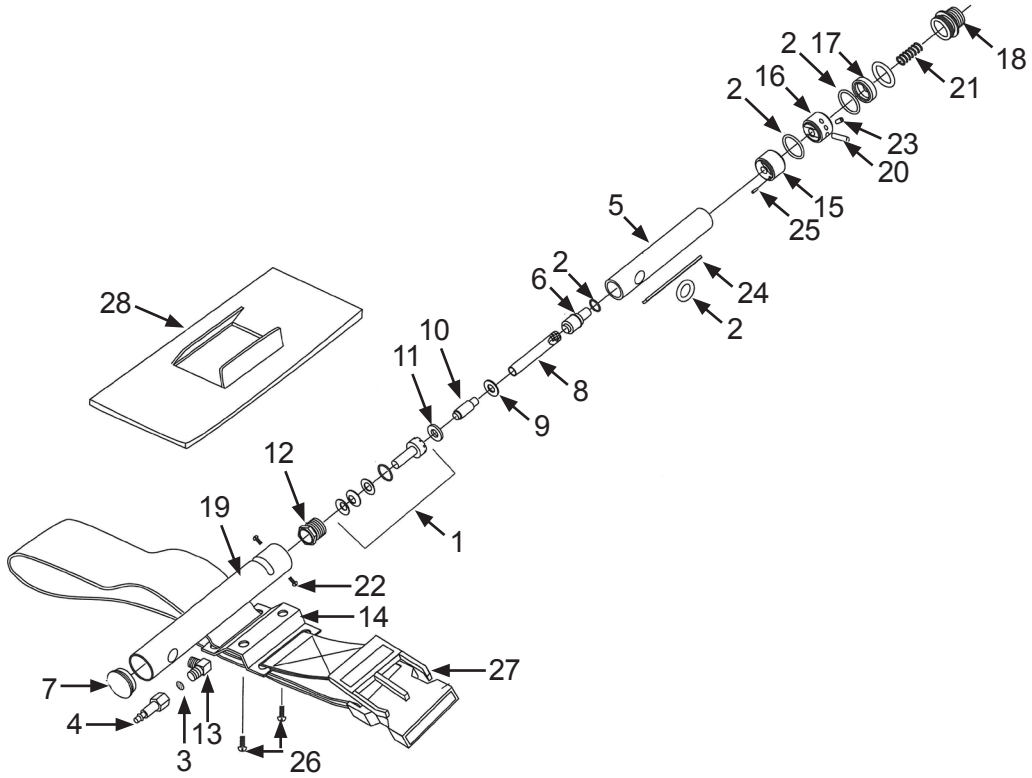
PART NUMBERS & SCHEMATICS

Apollo Climate Control Hot/Cold Tube with Belt

Item #	Part #	Description
Fig. 5		
—	10C04411	Climate Control Hot/Cold Tube with Belt 10C04430
1	10C08846	Cool-End Venturi <i>(Includes Cool-End Venturi O-Ring (Not Shown))</i>
2	10C08845	Seal Kit <i>(Includes O-Rings (Quantity of Six) and Seals (Not Shown))</i>
3	10C08983	Screen
4	10C08449	Quick-Disconnect x 1/4" Female NPT
5	10C08825	Body
6	10C08826	Hot-End Orifice
7	10C08827	Plug
8	10C23030	Vortex Tube Assembly
9	10C08968	Narrow Spacer
10	10C08967	Venturi
11	10C08968	Wide Spacer
12	10C08829	Threaded Retainer
13	10C08869	1/4" Male Elbow
14	10C08974	Belt Clip
15	10C08830	Lower Valve Plate
16	10C08831	Upper Valve Plate
17	10C08832	Support Washer
18	10C08833	Outlet Fitting
19	10C08834	Body Housing
20	10C08835	Control Lever
21	10C08844	Spring
22	10C03870	Machine Screw, 6-32 x 1/4"
23	10C03072	Set Screw, 1/4-NC x 1/2"
24	10C08836	Spacer
25	10C08838	Valve Plate Pin
26	10C03886	Machine Screw, 10-24 x 1/2"
27	10C04430	Belt
28	10C08981	Heat Shield
—	109V702	Operator's Manual – Climate Control Hot/Cold Tube

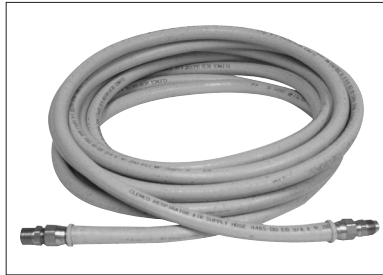
PART NUMBERS & SCHEMATICS

Figure 5: Apollo Climate Control Hot/Cold Tube with Belt



BREATHING LINE

Part Numbers	CLEMCO BREATHING LINE					
	Compressed Air	Use with Ambient Air Pump	Breathing Line I.D.	Length	Included Couplings	
					10BV11 Male x Male	10BV13 Male x Male
10C04397	X		3/8"	25 Feet	X	X
10C04415	X		3/8"	50 Feet	X	X
10C04398	X		3/8"	100 Feet	X	X
10C22510		X	1/2"	50 Feet		
10C21413		X	1/2"	100 Feet		




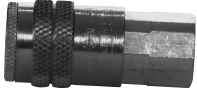


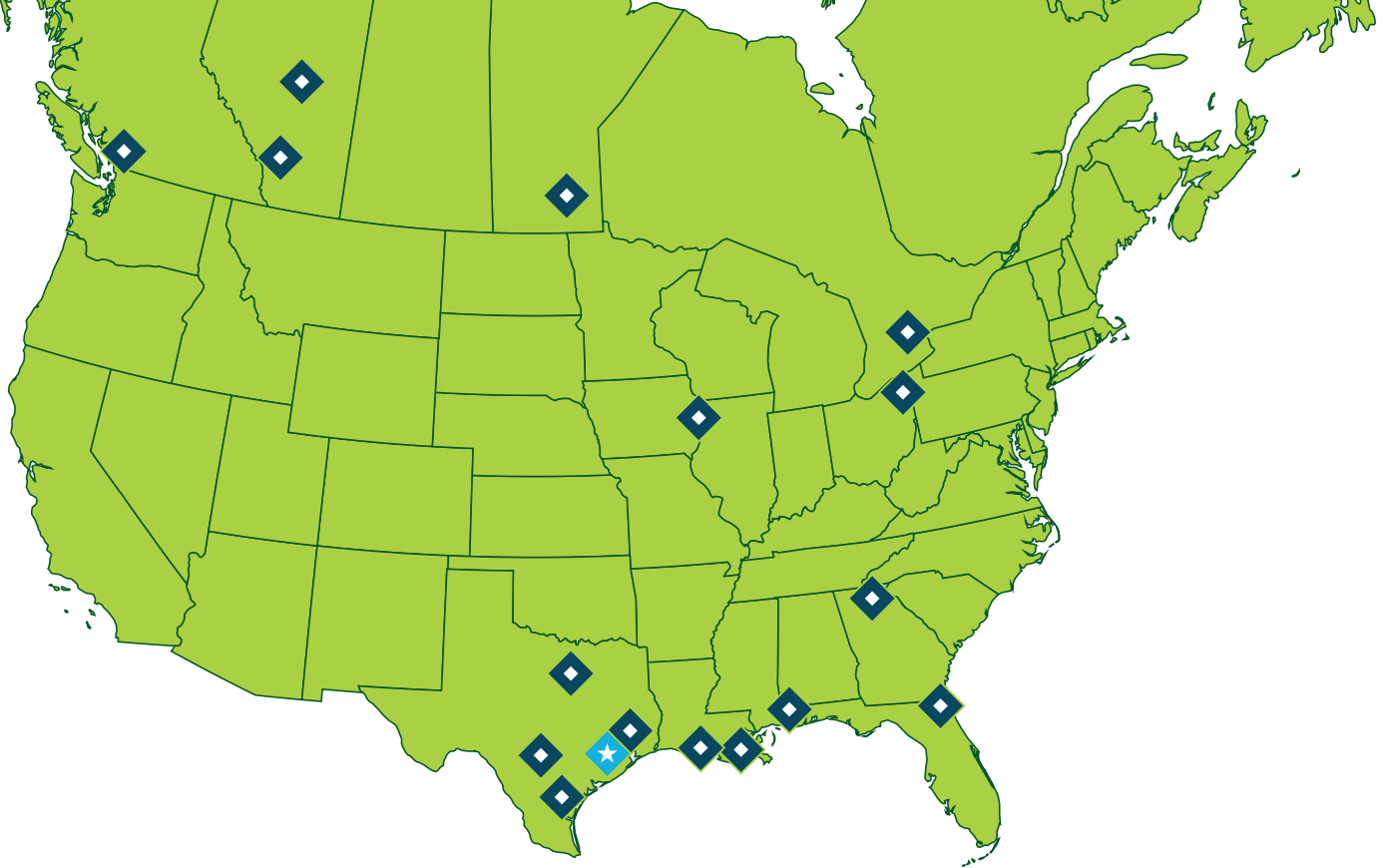
10C04397
10C04415
10C04398



10C22510
10C21413

Part Numbers BREATHING LINE HEX NIPPLES AND QUICK-DISCONNECT COUPLINGS

	10BV12	3/8" Male NPT Pipe Thread to 1/4" Male Hose Adapter Hex Nipple
	10BV13	3/8" Male NPT Pipe Thread to 3/8" Male Hose Adapter Hex Nipple
	10BV11	3/8" Male x 3/8" Male Hose to Hose Connector Hex Nipple
	10BV14	1/4" Female Quick-Disconnect Coupling, Shut-Off with 1/4" Female Pipe Thread



ALLREDI THERE

Serving these industries: Bridge, Pipeline, Tank & Tower, Concrete Services, Rail, Shipyard & Marine, Pools & Fountains and Foundry

UNITED STATES

Pasadena, TX (Headquarters)
844.361.7038

Beaumont, TX
409.722.1284

Bristol, PA
215.826.8080

Corpus Christi, TX
361.887.2038

Davenport, IA
563.324.2519

Deer Park, TX
(Service & Rental Location)
281.930.0905

Duluth, GA
800.535.4564

Gonzales, LA
225.647.7575

Harvey, LA
504.367.8090

Houma, LA
985.580.4273

Jacksonville, FL
800.535.4564

Lafayette, LA
337.267.1440

Theodore, AL
251.338.7525

Youngstown, OH
330.448.6267

CANADA

Calgary, Alberta
403.279.1924

Coquitlam, BC
604.464.6979

Edmonton, Alberta
780.468.2588 (Manus)
780.425.5510 (Mod-U-Blast)

Hamilton, Ontario
905.527.6000 / 888.794.5665

Mississauga, Ontario
905.890.5837

Winnipeg, Manitoba
204.256.3324

800-252-7848 / WWW.ALLREDI-US.COM

Allredi™ and Blastmaster® are registered trademarks of Allredi, LLC.
All other brand names or marks are used for identification purposes and are trademarks of their respective owners.

ALLREDI™

Literature #106M343_2/25/22