



CLEMCO® APOLLO 20 BLASTING HELMET



PART NUMBERS AND SCHEMATICS GUIDE

Company Profile

Allredi was formed in the early 2020, when two of the largest distributors in the blasting, coating, safety, and environmental industry, APE Companies and Marco Group International, joined forces. While the qualities both companies are known for have not changed, a lot about our business is new. New abilities. New agilities. New ways to help you win. This calls for a new name, Allredi.

This name exemplifies what we have become. It is completely oriented to the needs of our customers. To your needs. It says that when you call us for anything – products, service, expert advice, anything – you can consider it done. Or even better, Allredi done.

We are your right-now supplier. From skills to SKUs, we deliver the goods fast. So you can be more agile every minute, every day. This is who we are. This is what our new name means. Go ahead and expect excellence, because we're bringing it.

Our Mission and Vision

To be the industry's preferred partner in surface preparation solutions through unrivaled technical expertise, customer experience, product availability, and tailored service offerings.

The Allredi Difference

- **Industry Experience** – With Allredi on your team, you have access to expertise which can only come from decades of industry leadership. We have organized our engineering department, production specialists, customer operations, and safety support into a “Center of Competence.” As an Allredi customer, you have access to hundreds of years of cumulative experience related to your operations.
- **Manufacturing Excellence** – Allredi is a U.S. based manufacturer of equipment for the Surface Preparation and Protective Coatings industries. Allredi's engineers benchmark the industry to ensure that we design and manufacture superior products that set the “Gold Standard” for performance, safety, and quality.
- **Legendary Customer Service** – Allredi's legendary customer service team is staffed by friendly, highly-trained individuals who are focused on providing the highest level of product support, order accuracy, and customer satisfaction.
- **Product Availability** – We stock over 10,000 SKU's and have over 45 shipping locations to serve North American and International markets for all major brands of blasting, coating, environmental, and safety equipment. Allredi is your right-now supplier, so you can keep your projects moving. From our foundation of strong relationships, we have built a nationwide network that puts vast inventory and ready service close to our customers. We provide advanced expertise, and we deliver the goods fast – so you can easily access the products and services you need to me more agile every minute, every day.
- **Technology Leadership** – Our website provides: Operator's Manuals, Part Numbers and Schematics Guides, SDS information, and key product features and specifications, providing access to information 24/7.

TABLE OF CONTENTS

Table of Contents	3
Apollo 20 Abrasive Blasting	
Respirator	4-13
Part Numbers	4
Lenses	5
Inner Lenses	5
Outer Lenses	5
Tear-off Lenses	5
Climate Control Devices	5
High Pressure Abrasive Blasting Respirator	
Part Numbers & Schematics	6-7
Low Pressure Abrasive Blasting Respirator	
Part Numbers & Schematics	8-9
Climate Control Devices	10-13
Clem-Cool Air Conditioner Tube	
Part Numbers & Schematics	10
Cool-Air Tube Assembly	
Part Numbers & Schematics	11
Climate Control Hot/Cold Tube	
Part Numbers & Schematics	12-13
Breathing Line and Couplings	14
Breathing Line	14
Couplings and Quick-Disconnects	14
Maintenance Notes	15

PART NUMBERS

APOLLO 20 ABRASIVE BLASTING RESPIRATOR								
Part Numbers	For use with Compressed Air	For use with Ambient Air Pump	Climate Control Device	Air Flow Fitting	Headband Suspension	Breathing Tube	Cape	Belt
10C21420	X		10C23825 Clem-Cool Air Conditioner		10C25189 (DLX Suspension)	10C22811	10C21301 28" Black	10C04430
10C21421	X		10C04410 Cool-Air Tube		10C25189 (DLX Suspension)	10C22811	10C21301 28" Black	10C04430
10C21419	X			10C100024 (Adjustable Flow)	10C25189 (DLX Suspension)	10C22811	10C21301 28" Black	10C04430
10C21299		X		10C21777 (Constant Flow)	10C25189 (DLX Suspension)	10C22811	10C21301 28" Black	10C04430
10C20975		X		10C21415 (Constant Flow)	10C25189 (DLX Suspension)	10C22811	10C21301 28" Black	10C04430



10C20975
10C21419
10C21299



10C21420



10C21421

LENSES AND CLIMATE CONTROL DEVICES



Part Numbers

APOLLO 20 ABRASIVE BLASTING RESPIRATOR INNER LENSES						
Part Numbers	Style	Protective Peel-Off Film	Dimensions	Thickness	Material	U.O.M.
10C21409	Clemco	One-Sided	4-5/8" x 6-5/8"	.040"	Acetate	5/Package



Part Numbers

APOLLO 20 ABRASIVE BLASTING RESPIRATOR OUTER LENSES						
Part Numbers	Style	Protective Peel-Off Film	Dimensions	Thickness	Material	U.O.M.
10C21410	Clemco	Two-Sided	5" x 7"	.094"	Acetate	5/Package



Part Numbers

APOLLO 20 ABRASIVE BLASTING RESPIRATOR TEAR-OFF LENSES						
Part Numbers	Style	Tear-Off	Dimensions	Thickness	Material	U.O.M.
10C21411	Clemco	Perforated	5-1/2" x 8"	.0075"	Acetate	25/Package

Part Numbers

CLEMCO CLIMATE CONTROL DEVICES	
10C04411	Climate Control Hot/Cold Tube and Belt 10C04430
10C23825	Clem-Cool Air Conditioner and Belt 10C04430
10C04410	Cool-Air Tube and Belt 10C04430



10C04411



10C23825



10C04410

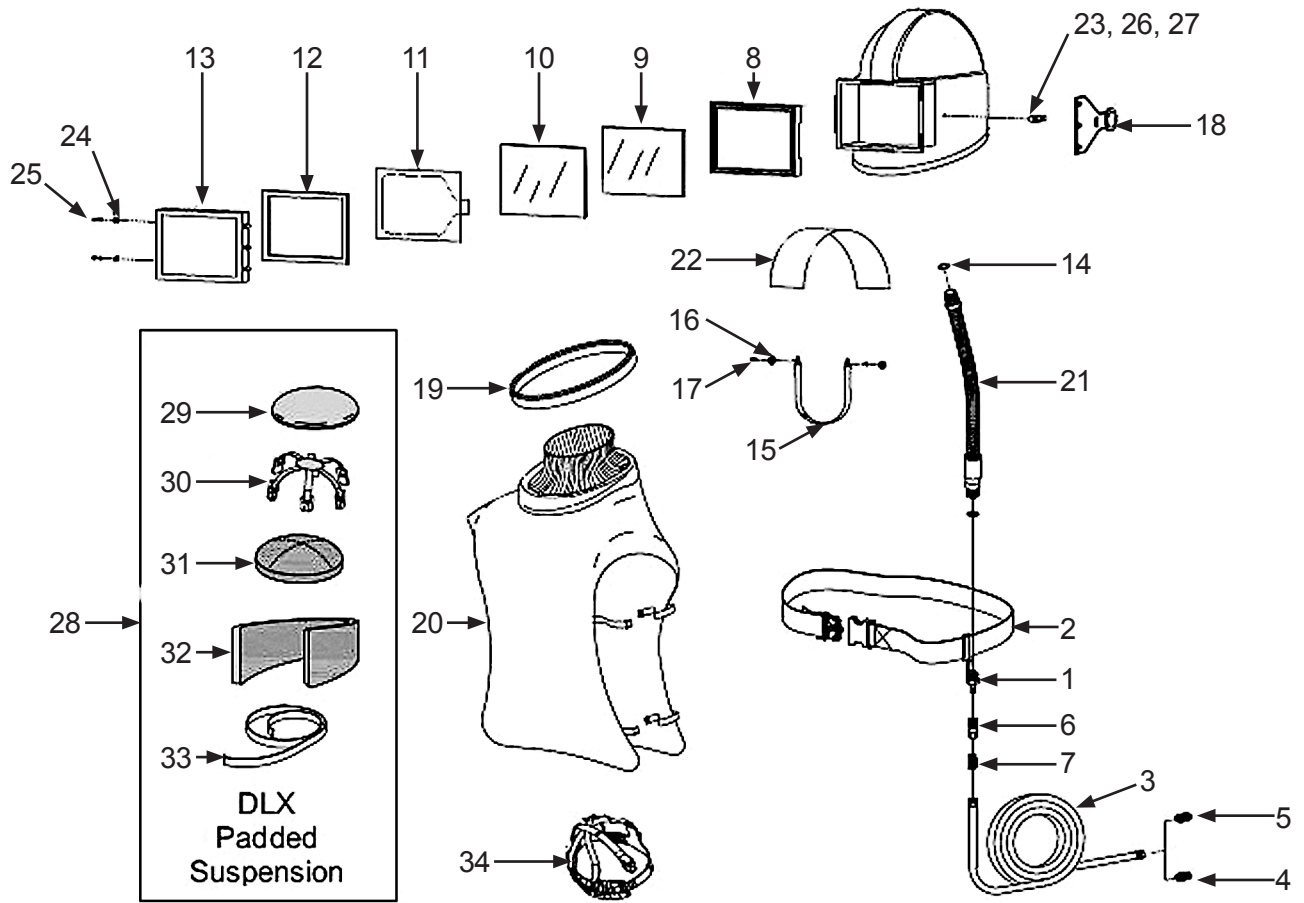
PART NUMBERS & SCHEMATICS

Apollo 20 High Pressure Abrasive Blasting Respirator

Item #	Part #	Description
Fig. 1		
1	10C21415	Constant-Flow Connector, without Belt
2a	10C04430B	Belt (<i>Alternative</i>)
2b	10C04430	Belt
3a	10C04397	3/8" x 25 Feet of Breathing Line (Includes Item #'s: 6 and 7)
3b	10C04415	3/8" x 50 Feet of Breathing Line (Includes Item #'s: 6 and 7)
3c	10C04398	3/8" x 100 Feet of Breathing Line (Includes Item #'s: 6 and 7)
4	10BV13	3/8" Male NPT Pipe Thread to 3/8" Male Hose Adapter Hex Nipple
5	10BV11	3/8" Male x 3/8" Male Hose to Hose Connector Hex Nipple
6	10BV14	1/4" Female Quick-Disconnect Coupling, Shut-Off with 1/4" Female Pipe Thread
7	10BV12	3/8" Male NPT Pipe Thread to 1/4" Male Hose Adapter Hex Nipple
8	10C99996	Molded Window Gasket
9	10C21409	Inner Lens, .040" Thickness (<i>See Page 5</i>)
10	10C21410	Outer Lens, .094" Thickness (<i>See Page 5</i>)
11	10C21411	Tear-Off Lens, .0075" Thickness (<i>See Page 5</i>)
12	10C21041	Lens Frame Gasket
13	10C20976	Lens Frame
14	10C22815	O-Ring
15	10C04460	Adjustable Chin Strap
16	10C21696	Chin Strap Fasteners (<i>Two Required</i>)
17	10C21119	Screw, 8-32 x 1/2", Pan Head (<i>Two Required</i>)
18	10C21298	Latch Assembly (Includes: Latch and Lens Frame)
19	10C10534	Cape Attachment Strap
20	10C21301	Cape, Black, with Inner Collar
21	10C22811	Breathing Tube
22	10C21118	Partition, Air Baffle
23	10C21040	Button Rubber Latch
24	10C90041	Nut, Lens Frame
25	10C90295	Screw, Lens Frame
26	10C21402	Screw, 8-32 x 1/2"
27	10C21403	Screw, 8-32 x 1"
28	10C25215	DLX Padded Suspension Kit (<i>Optional</i>) (Includes Item #'s: 29, 30, 31, 32, and 33)
29	10C25216	Top Pad
30	10C25219	Suspension Web
31	10C25182	Middle Pad
32	10C25218	Side Pad
33	10C24655	Hook and Loop Fastener Tape, 1" Wide with Adhesive Back, 2 Feet
34	10C10532	Web Suspension with Sweatband (<i>Optional</i>)
—	106M345	Part Numbers and Schematics Guide - Apollo 20 High Pressure Abrasive Blasting Respirator
—	109V705	Operator's Manual - Apollo 20 High Pressure Abrasive Blasting Respirator

PART NUMBERS & SCHEMATICS

Figure 1: Apollo 20 High Pressure Abrasive Blasting Respirator



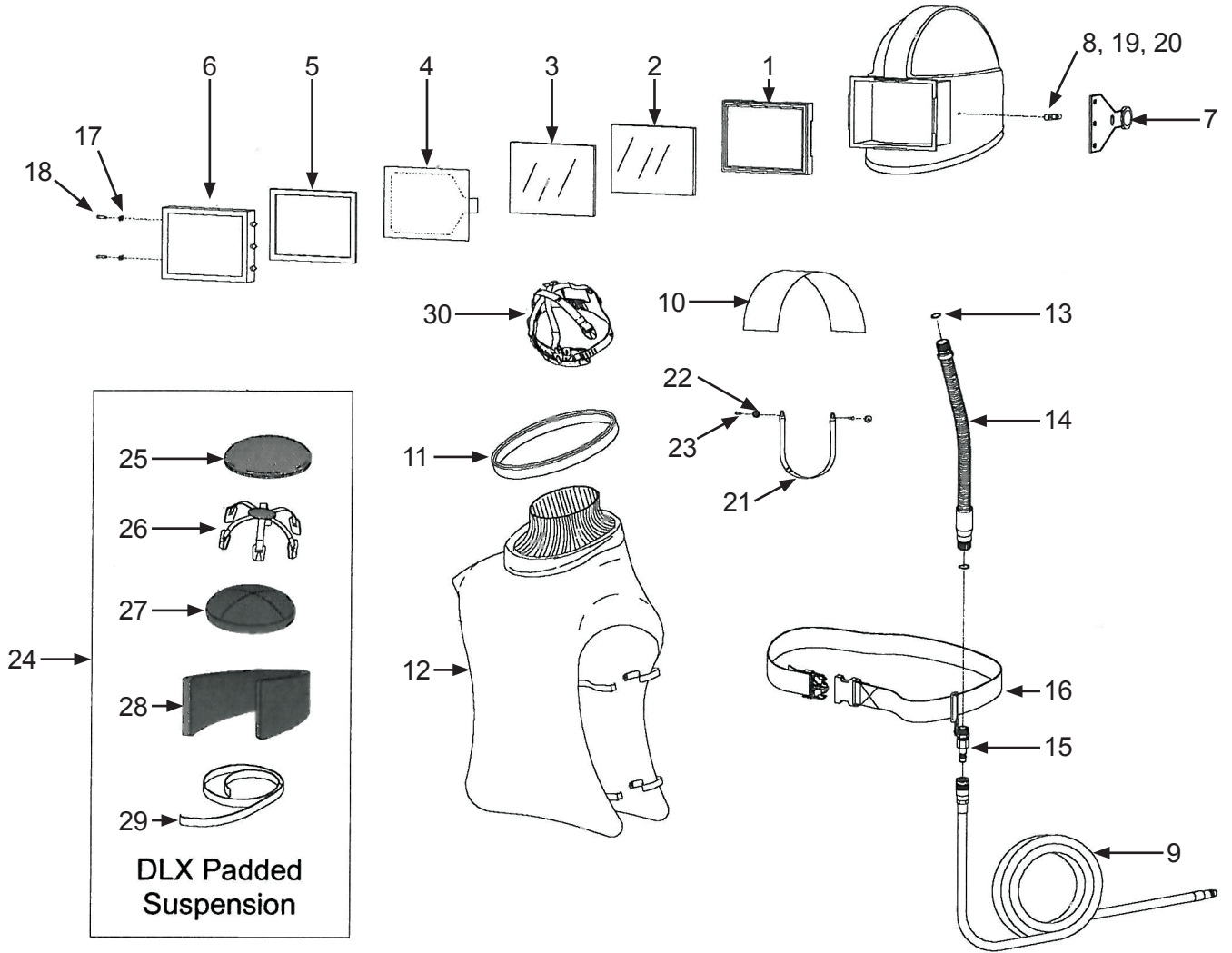
PART NUMBERS & SCHEMATICS

Apollo 20 Low Pressure Abrasive Blasting Respirator

Item #	Part #	Description
Fig. 2		
1	10C99996	Molded Window Gasket
2	10C21409	Inner Lens, .040" Thickness (<i>See Page 5</i>)
3	10C21410	Outer Lens, .094" Thickness (<i>See Page 5</i>)
4	10C21411	Tear-Off Lens, .0075" Thickness (<i>See Page 5</i>)
5	10C21041	Lens Frame Gasket
6	10C20976	Lens Frame
7	10C21298	Lens Frame Latch
8	10C21040	Button Rubber Latch
9a	10C22510	1/2" x 50 Feet of Breathing Line
9b	10C21413	1/2" x 100 Feet of Breathing Line
10	10C21118	Air Channel Partition Kit
11	10C10534	Cape Attachment Strap
12	10C21301	Cape, Black, with Inner Collar
13	10C22815	O-Ring
14	10C22811	Breathing Tube with Swivel Ends
15	10C21429	Constant-Flow Connector without Belt
16a	10C04430B	Belt (<i>Alternative</i>)
16b	10C04430	Belt
17	10C90041	Lens Frame Nut (<i>Two Required</i>)
18	10C90295	Lens Frame Screw (<i>Two Required</i>)
19	10C21402	Screw, 8-32 x 1/2"
20	10C21403	Screw, 8-32 x 1"
21	10C04460	Adjustable Chin Strap
22	10C21696	Chin Strap Fasteners (<i>Two Required</i>)
23	10C21119	Pan Head Screw 8-32 x 1/2"
24	10C25215	DLX Padded Suspension Kit (<i>Optional</i>) (<i>Includes Item #'s: 25, 26, 27, 28, and 29</i>)
25	10C25216	Top Pad
26	10C25219	Web Suspension
27	10C25182	Middle Pad
28	10C25218	Side Pad
29	10C24655	Hook and Loop Fastener Tape, 1" Wide with Adhesive Back, 2 Feet
30	10C10532	Web Suspension with Sweatband (<i>Optional</i>)
—	106M345	Part Numbers and Schematics Guide - Apollo 20 High Pressure Abrasive Blasting Respirator
—	109V706	Operator's Manual - Apollo 20 Low Pressure Abrasive Blasting Respirator

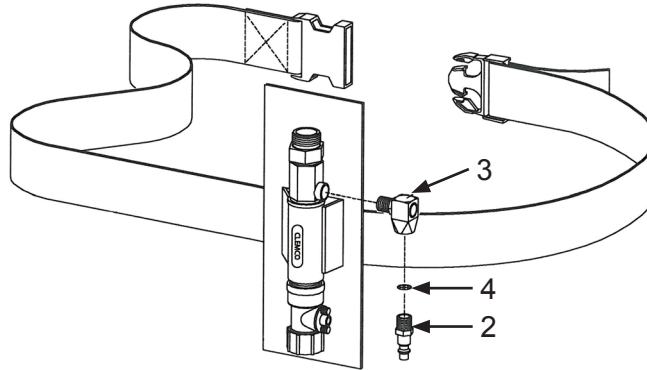
PART NUMBERS & SCHEMATICS

Figure 2: Apollo 20 Low Pressure Abrasive Blasting Respirator



PART NUMBERS & SCHEMATICS

Figure 3: Apollo Clem-Cool Air Conditioner with Belt



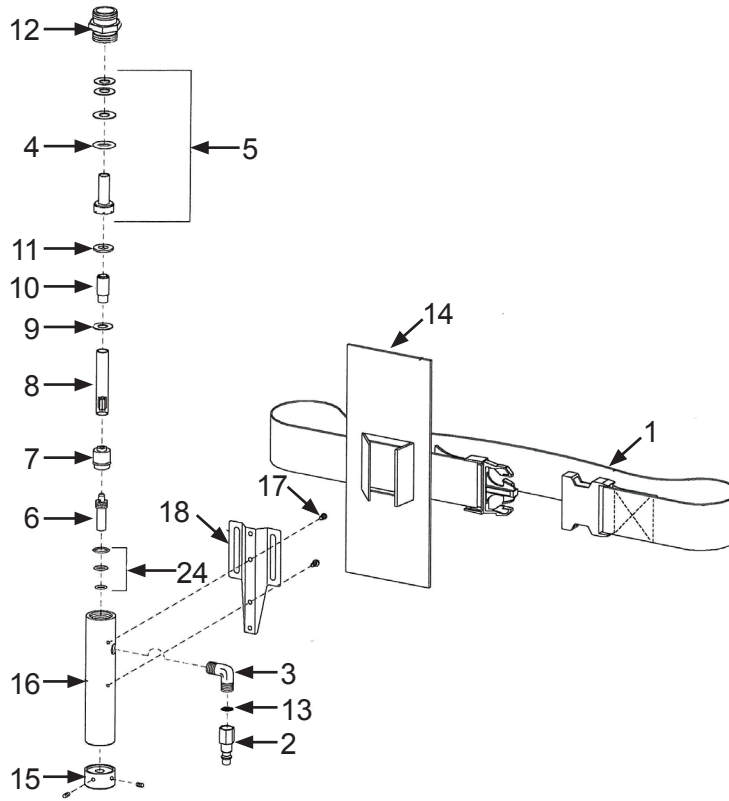
Item #	Part #	Description
--------	--------	-------------

Fig. 3

—	10C23825	Clem-Cool Air Conditioner with Belt 10C04430
1	10C04430	Belt
2	10C00015	Quick-Disconnect x 1/4" Male NPT
3	10C23829	Elbow, 1/4" NPT Swivel
4	10C08973	Screen
5	10C08981	Heat Shield
—	109V700	Operator's Manual – Clem-Cool Air Conditioner

PART NUMBERS & SCHEMATICS

Figure 4: Apollo Cool-Air Tube with Belt



Item #	Part #	Description
Fig. 4		
—	10C04410	Cool-Air Tube with Belt 10C04430
1	10C04430	Belt
2	10C08449	Quick-Disconnect x 1/4" Female NPT
3	10C08869	Elbow, 1/4" Male
4	10C08870	Seal Kit <i>(Includes: O-Rings (Quantity of Four); and Item #6)</i>
5	10C08871	Cool-End Venturi Kit <i>(Includes: Cool-End Venturi O-Ring (Not Shown))</i>
6	10C08962	Valve Stem
7	10C08963	Valve Insert
8	10C23030	Vortex Tube Assembly
9	10C08966	Narrow Spacer
10	10C08967	Venturi Tube
11	10C08968	Wide Spacer
12	10C08971	Helmet Tube Connection
13	10C08973	Screen
14	10C08981	Heat Shield
15	10C08985	Knob With Set Screws
16	10C08961	Body
17	10C08980	Machine Screw, Round Head 10-24 x 1/4"
18	10C08974	Belt Clip
—	109V701	Operator's Manual – Cool-Air Tube with Belt

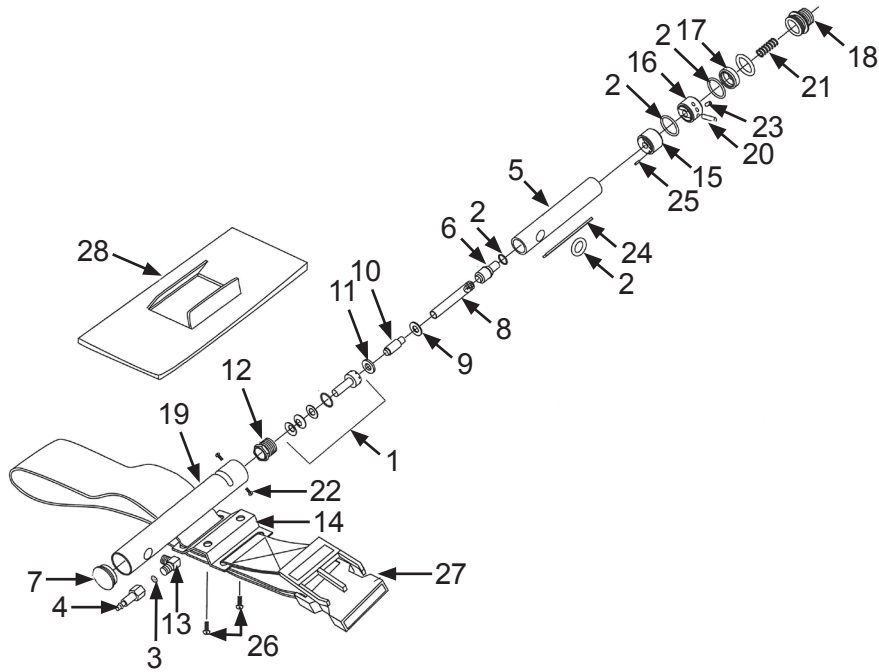
PART NUMBERS & SCHEMATICS

Apollo Climate Control Hot/Cold Tube with Belt

Item #	Part #	Description
Fig. 5		
—	10C04411	Climate Control Hot/Cold Tube with Belt 10C04430
1	10C08846	Cool-End Venturi <i>(Includes Cool-End Venturi O-Ring (Not Shown))</i>
2	10C08845	Seal Kit <i>(Includes O-Rings (Quantity of Six) and Seals (Not Shown))</i>
3	10C08983	Screen
4	10C08449	Quick-Disconnect x 1/4" Female NPT
5	10C08825	Body
6	10C08826	Hot-End Orifice
7	10C08827	Plug
8	10C23030	Vortex Tube Assembly
9	10C08968	Narrow Spacer
10	10C08967	Venturi
11	10C08968	Wide Spacer
12	10C08829	Threaded Retainer
13	10C08869	1/4" Male Elbow
14	10C08974	Belt Clip
15	10C08830	Lower Valve Plate
16	10C08831	Upper Valve Plate
17	10C08832	Support Washer
18	10C08833	Outlet Fitting
19	10C08834	Body Housing
20	10C08835	Control Lever
21	10C08844	Spring
22	10C03870	Machine Screw, 6-32 x 1/4"
23	10C03072	Set Screw, 1/4-NC x 1/2"
24	10C08836	Spacer
25	10C08838	Valve Plate Pin
26	10C03886	Machine Screw, 10-24 x 1/2"
27	10C04430	Belt
28	10C08981	Heat Shield
—	109V702	Operator's Manual – Climate Control Hot/Cold Tube

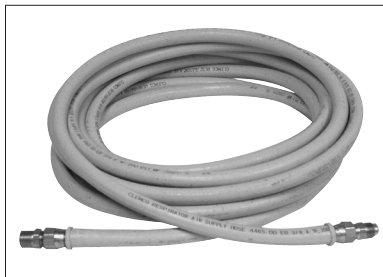
PART NUMBERS & SCHEMATICS

Figure 5: Apollo Climate Control Hot/Cold Tube with Belt



BREATHING LINE

Part Numbers	CLEMCO BREATHING LINE					
	Compressed Air	Use with Ambient Air Pump	Breathing Line I.D.	Length	Installed Couplings	
					10BV11 Male x Male	10BV13 Male x Male
10C04397	X		3/8"	25 Feet	X	X
10C04415	X		3/8"	50 Feet	X	X
10C04398	X		3/8"	100 Feet	X	X
10C22510		X	1/2"	50 Feet		
10C21413		X	1/2"	100 Feet		







10C04397
10C04415
10C04398



10C22510
10C21413

Part Numbers **BREATHING LINE HEX NIPPLES AND QUICK-DISCONNECT COUPLINGS**

	10BV12	3/8" Male NPT Pipe Thread to 1/4" Male Hose Adapter Hex Nipple
	10BV13	3/8" Male NPT Pipe Thread to 3/8" Male Hose Adapter Hex Nipple
	10BV11	3/8" Male x 3/8" Male Hose to Hose Connector Hex Nipple
	10BV14	1/4" Female Quick-Disconnect Coupling, Shut-Off with 1/4" Female Pipe Thread



ALLREDI THERE

Serving these industries: Bridge, Pipeline, Tank & Tower, Concrete Services, Rail, Shipyard & Marine, Pools & Fountains and Foundry

UNITED STATES

Pasadena, TX (Headquarters)

844.361.7038

Beaumont, TX

409.722.1284

Bristol, PA

215.826.8080

Corpus Christi, TX

361.887.2038

Davenport, IA

563.324.2519

Deer Park, TX

(Service & Rental Location)

281.930.0905

Duluth, GA

800.535.4564

Gonzales, LA

225.647.7575

Harvey, LA

504.367.8090

Houma, LA

985.580.4273

Jacksonville, FL

904.262.2120

Lafayette, LA

337.267.1440

Theodore, AL

251.338.7525

Youngstown, OH

330.448.6267

CANADA

Calgary, Alberta

403.279.1924

Coquitlam, BC

604.464.6979

Edmonton, Alberta

780.468.2588 (Manus)

780.425.5510 (Mod-U-Blast)

Hamilton, Ontario

905.527.6000 / 888.794.5665

Mississauga, Ontario

905.890.5837

Winnipeg, Manitoba

204.256.3324

800-252-7848 / WWW.ALLREDI-US.COM

Allredi™ and Marco® are registered trademarks of Allredi, LLC.

All other brand names or marks are used for identification purposes and are trademarks of their respective owners.

ALLREDI™

Literature #106M345_8/26/22