



BLASTMASTER® MAXUM III ABRASIVE METERING VALVE



BUILT MARCO TOUGH
MARCO MANUFACTURED

PART NUMBERS AND SCHEMATICS GUIDE

Company Profile

Since 1944, Marco has developed a strong tradition of providing innovative and reliable products and services to the surface preparation and protective coatings industries. We are the world's premier provider of Abrasives, Blasting, Coating, Dust Collectors, Engineered Systems, Rental, Safety, Service, Repair, & Modernization, and Vacuums.

Through innovative designs and a total commitment to quality, Marco manufactures products that increase production rates, create a safer workplace, and reduce maintenance costs. Marco's industry experience, manufacturing capabilities, legendary customer service, product availability, logistics services, and technology leadership is your assurance that we deliver high quality products and services, providing the best value to you, our customer.

The Marco Difference

- **Industry Experience** – With Marco on your team, you have access to expertise which can only come from decades of industry leadership. We have organized our engineering department, production specialists, customer operations, and safety support into a “Center of Competence.” As a Marco customer, you have access to hundreds of years of cumulative experience related to your operations.
- **Manufacturing Excellence** – Marco is a U.S. based, ISO 9001:2008 certified manufacturer of equipment for the Surface Preparation and Protective Coatings industries. Marco's engineers benchmark the industry to ensure that we design and manufacture superior products that set the “Gold Standard” for performance, safety, and quality.
- **Legendary Customer Service** – Marco's legendary customer service team is staffed by friendly, highly-trained individuals who are focused on providing the highest level of product support, order accuracy, and customer satisfaction.
- **Product Availability** – We stock over 10,000 SKU's and have more than 45 shipping locations to serve North American and International markets for all major brands of blasting and coating equipment. As the largest provider of surface preparation and protective coatings equipment in the world, our inventory levels and product availability are unmatched.
- **Logistics Services** – Marco's in-house logistics team is dedicated to moving your shipment anywhere in the world. We move more than 14,000 truckloads every year, allowing you to save on freight costs by leveraging our buying power. Lower your process costs with a single invoice, which includes product and freight.
- **Technology Leadership** – Our website provides: Operator's Manuals, Part Numbers and Schematics Guides, SDS information, and Features & Specifications Guides, providing access to information 24/7. Our Extranet application allows you to receive quotes and place orders online. Our Intranet maintains a complete record of your purchase history to assist with ongoing support of your existing equipment and future purchasing decisions.

Vision Statement

Marco is the world's premier provider of Abrasives, Blasting, Coating, Dust Collectors, Engineered Systems, Rental, Safety, Service, Repair, & Modernization, and Vacuums.

Mission Statement

Marco provides strong leadership and innovation to the surface preparation and protective coatings industries. We dedicate our efforts to the continuous improvement of our products, services, processes, people, and most importantly, the quality of our customer's experience.

Quality Statement

Marco is committed to providing superior quality in the design, manufacturing, distribution, rental, service, and repair of our products. Our ISO 9001:2008 certification extends throughout all operations in all locations. Continuous improvement of our processes and supply chain Integration comprise the core of our business strategy for delivering exceptional quality and value in all Marco products and services.

Management Philosophy

We are a company dedicated to the success of every customer and associate. We discuss, debate, challenge, measure, and test our ideas. We will be boundless and limitless in our passion to improve. Through sound leadership and dedicated associates, we will ensure a long term, profitable future for Marco, our associates, customers, and suppliers.

TABLE OF CONTENTS

Company Profile	2
Table of Contents	3
Blastmaster® Maxum III Abrasive Metering Valve	4-13
Part Numbers	4-5
Blastmaster® Maxum III Abrasive Metering Valve Tungsten Carbide and Multi-Port Sleeve	6-7
Blastmaster® Maxum III Abrasive Metering Valve Urethane Sleeve	8-9
Blastmaster® Maxum III Abrasive Metering Valve Tungsten Carbide Sleeve – 2"	10-11
Blastmaster® Maxum III Abrasive Metering Valve Urethane Sleeve – 2"	12-13
Optional Accessories	14
Maintenance Notes	15

PART NUMBERS AND SCHEMATICS GUIDE

BLASTMASTER® MAXUM III ABRASIVE METERING VALVES				
Part Numbers	Base Thread Size	Tungsten Carbide Sleeve	Urethane Sleeve	Multi-Port Sleeve
10101949	1-1/4" (M) x 1-1/4" (M)	X		
10101945	1-1/4" (M) x 1-1/4" (M)		X	
10105907	1-1/4" (M) x 1-1/4" (M)			X
10101950	1-1/2" (M) x 1-1/2" (M)	X		
10101946	1-1/2" (M) x 1-1/2" (M)		X	
10105908	1-1/2" (M) x 1-1/2" (M)			X
10105872	2" (M) x 2" (M)	X		
10105573	2" (M) x 2" (M)		X	

PART NUMBERS AND SCHEMATICS GUIDE



10101949
10101945
10105907



10101950
10101946
10105908



10105872
10105573

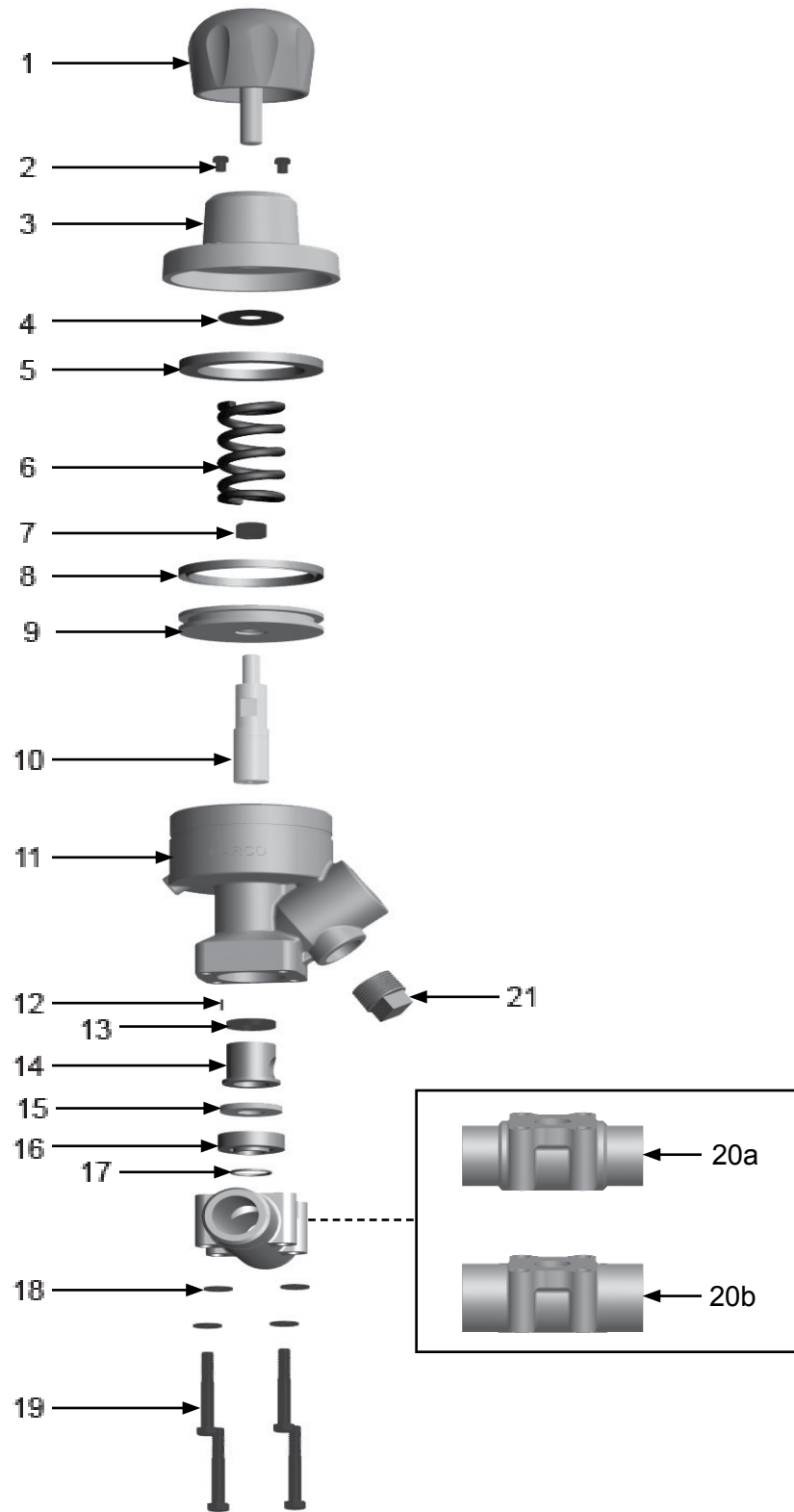
PART NUMBERS AND SCHEMATICS GUIDE

Blastmaster® Maxum III Abrasive Metering Valve – Tungsten Carbide and Multi-Port Sleeve

Item #	Part #	Description
Fig. 1		
—	10101949	1-1/4" Blastmaster® Maxum III Abrasive Metering Valve – Tungsten Carbide Sleeve – Complete
—	10105907	1-1/4" Blastmaster® Maxum III Abrasive Metering Valve – Multi-port Sleeve – Complete
—	10101950	1-1/2" Blastmaster® Maxum III Abrasive Metering Valve – Tungsten Carbide Sleeve – Complete
—	10105908	1-1/2" Blastmaster® Maxum III Abrasive Metering Valve – Multi-port Sleeve – Complete
1	10101969	Knob
2	1012905	1/8" Breather Muffler <i>(Two Required)</i>
3	1014211	Cap
4	10106831	Vibration Disc
5	1014212	Bump Ring
6	1014213	Spring
7	1014022	1/2-13 Nut
8	1014215	Piston Seal
9	1014216	Piston
10	1014217	Tungsten Carbide Plunger
11	10101772	Body
12	1014240	3/32" x 3/8" Groove Pin
13	10103977	Heavy-Duty Plunger Seal
14	1014238	Tungsten Carbide Sleeve
—	10102123	Carbon Steel Sleeve – Multi-Port – <i>Optional (Orifice sizes: 0.178", 0.218", 0.278" and 0.343")</i>
15	1014237	Seat for Tungsten Carbide Sleeve
16	1014236	Insert for Tungsten Carbide Sleeve
17	1014235	O-Ring for Tungsten Carbide Sleeve
18	1014241	3/8" Washer <i>(Four Required)</i>
19	10101933	3/8-16 x 2-1/2" Bolt <i>(Four Required)</i>
20a	10000229	1-1/4" Base, Through Hardened <i>(For use with 10101949 and 10105907)</i>
20b	10000230	1-1/2" Base, Through Hardened <i>(For use with 10101950 and 10105908)</i>
21	1011901	1" Square Pipe Plug
—	1014243	Repair Kit with Tungsten Carbide Sleeve <i>(Includes Item #'s: 8, 10, 13, 14, 15, 16, and 17)</i>
—	10105909	Repair Kit with Carbon Steel Multi-port Sleeve <i>(Includes Item #'s: 8, 10, 13, 14, 15, 16, and 17)</i>
—	1014221	Soft Seal Kit <i>(Includes Item #'s: 8, 13, 15 and 17)</i>
—	1091045	Hazard Identification Tag
—	105M069	Features and Specifications Guide – Blastmaster® Maxum III Abrasive Metering Valve
—	106M069	Part Numbers and Schematics Guide – Blastmaster® Maxum III Abrasive Metering Valve
—	1090069	Operator's Manual – Blastmaster® Maxum III Abrasive Metering Valve

PART NUMBERS AND SCHEMATICS GUIDE

Figure 1: Blastmaster® Maxum III Abrasive Metering Valve – Tungsten Carbide and Multi-Port Sleeve



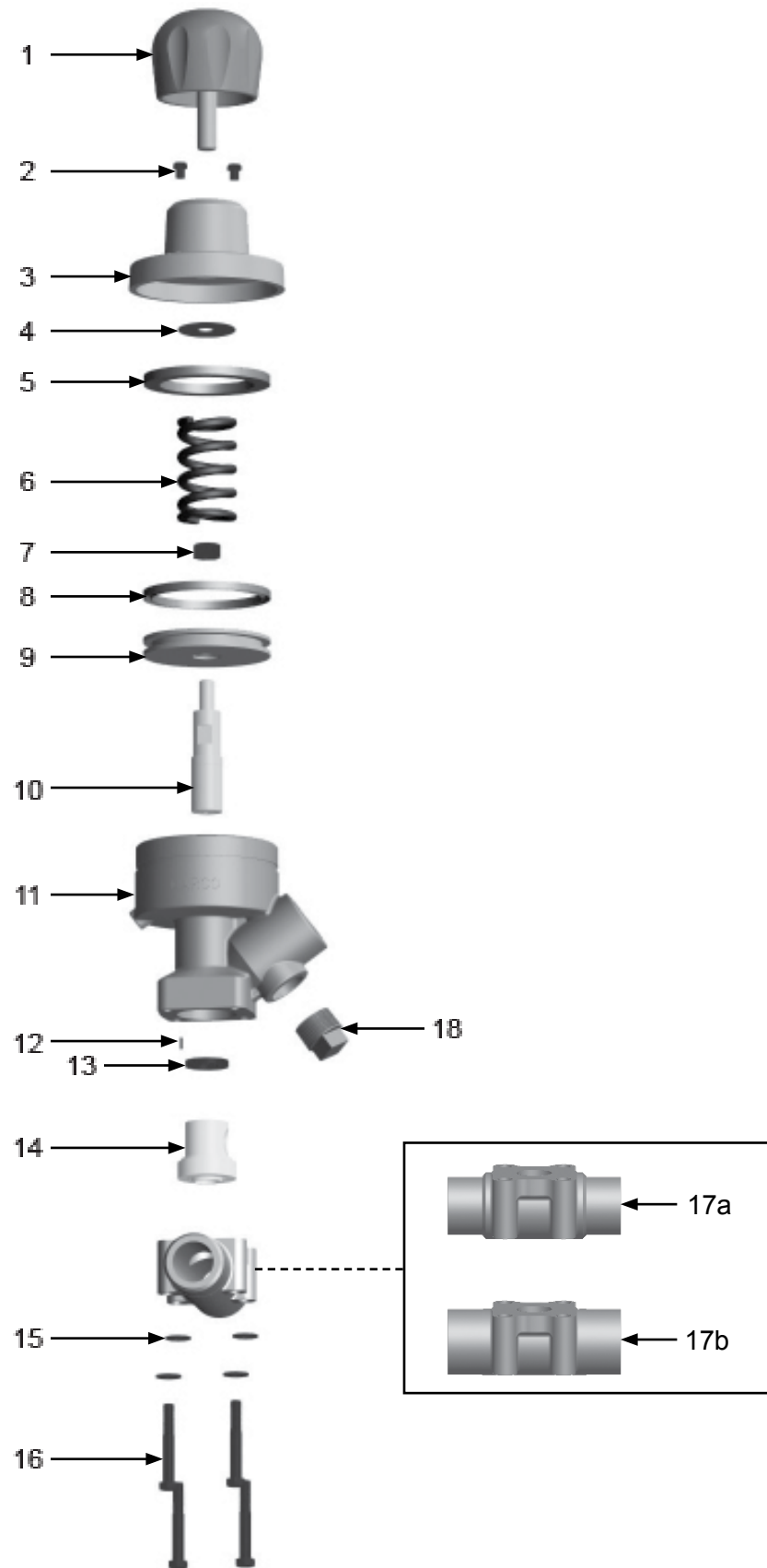
PART NUMBERS AND SCHEMATICS GUIDE

Blastmaster® Maxum III Abrasive Metering Valve – Urethane Sleeve

Item #	Part #	Description
Fig. 2		
—	10101945	1-1/4" Blastmaster® Maxum III Abrasive Metering Valve – Urethane Sleeve – Complete
—	10101946	1-1/2" Blastmaster® Maxum III Abrasive Metering Valve – Urethane Sleeve – Complete
1	10101969	Knob
2	1012905	1/8" Breather Muffler <i>(Two Required)</i>
3	1014211	Cap
4	10106831	Vibration Disc
5	1014212	Bump Ring
6	1014213	Spring
7	1014022	1/2-13 Nut
8	1014215	Piston Seal
9	1014216	Piston
10	1014217	Tungsten Carbide Plunger
11	10101772	Body
12	1014240	3/32" x 3/8" Groove Pin
13	10103977	Heavy-Duty Plunger Seal
14	1014229	Urethane Sleeve
15	1014241	3/8" Washer <i>(Four Required)</i>
16	10101933	3/8-16 x 2-1/2" Bolt <i>(Four Required)</i>
17a	10000229	1-1/4" Base, Through Hardened <i>(For use with 10101945)</i>
17b	10000230	1-1/2" Base, Through Hardened <i>(For use with 10101946)</i>
18	1011901	1" Square Pipe Plug
—	1014244	Repair Kit with Urethane Sleeve <i>(Includes Item #'s: 8, 10, 13 and 14)</i>
—	1014222	Soft Seal Kit <i>(Includes Item #'s: 8, 13, and 14)</i>
—	1091045	Hazard Identification Tag
—	105M069	Features and Specifications Guide – Blastmaster® Maxum III Abrasive Metering Valve
—	106M069	Part Numbers and Schematics Guide – Blastmaster® Maxum III Abrasive Metering Valve
—	1090069	Operator's Manual – Blastmaster® Maxum III Abrasive Metering Valve

PART NUMBERS AND SCHEMATICS GUIDE

Figure 2: Blastmaster® Maxum III Abrasive Metering Valve – Urethane Sleeve



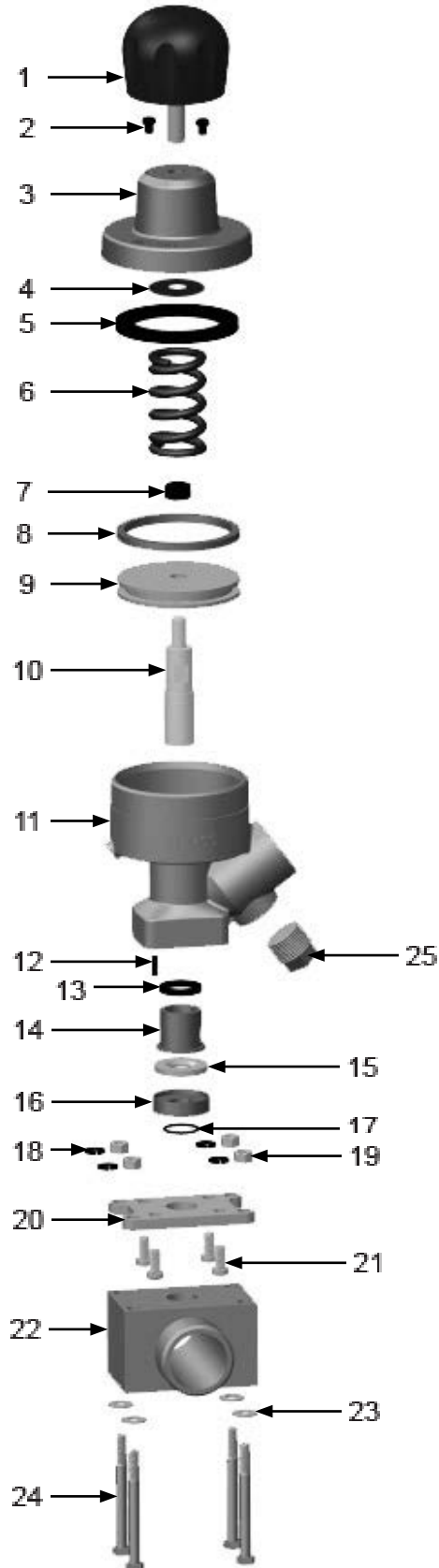
PART NUMBERS AND SCHEMATICS GUIDE

Blastmaster® Maxum III Abrasive Metering Valve – Tungsten Carbide Sleeve – 2"

Item #	Part #	Description
Fig. 3		
—	10105872	2" Blastmaster® Maxum III Abrasive Metering Valve – Tungsten Carbide Sleeve – Complete
1	10101969	Knob
2	1012905	1/8" Breather Muffler <i>(Two Required)</i>
3	1014211	Cap
4	10106831	Vibration Disc
5	1014212	Bump Ring
6	1014213	Spring
7	1014022	1/2-13 Nut
8	1014215	Piston Seal
9	1014216	Piston
10	1014217	Tungsten Carbide Plunger
11	10101772	Body
12	1014240	3/32" x 3/8" Groove Pin
13	10103977	Heavy-Duty Plunger Seal
14	1014238	Tungsten Carbide Sleeve
15	1014237	Seat for Tungsten Carbide Sleeve
16	1014236	Insert for Tungsten Carbide Sleeve
17	1014235	O-Ring for Tungsten Carbide Sleeve
18	10101936	3/8" Washer <i>(Four Required)</i>
19	10101938	3/8-16 Hex Nut <i>(Four Required)</i>
20	10105568	Adapter Plate
21	10105570	3/8-16 x 3/4" Socket Head Cap Screw <i>(Four Required)</i>
22	10105567	2" Base, Through Hardened <i>(For use with 10105573)</i>
23	1014241	3/8" Washer <i>(Four Required)</i>
24	10105569	3/8-16 x 3-3/4" Bolt <i>(Four Required)</i>
25	1011901	1" Square Pipe Plug
—	1014243	Repair Kit with Tungsten Carbide Sleeve <i>(Includes Item #'s: 8, 10, 13, 14, 15, 16, and 17)</i>
—	1014221	Soft Seal Kit <i>(Includes Item #'s: 8, 13, 15 and 17)</i>
—	1091045	Hazard Identification Tag
—	105M069	Features and Specifications Guide – Blastmaster® Maxum III Abrasive Metering Valve
—	106M069	Part Numbers and Schematics Guide – Blastmaster® Maxum III Abrasive Metering Valve
—	1090069	Operator's Manual – Blastmaster® Maxum III Abrasive Metering Valve

PART NUMBERS AND SCHEMATICS GUIDE

Figure 3: Blastmaster® Maxum III Abrasive Metering Valve – Tungsten Carbide Sleeve – 2"



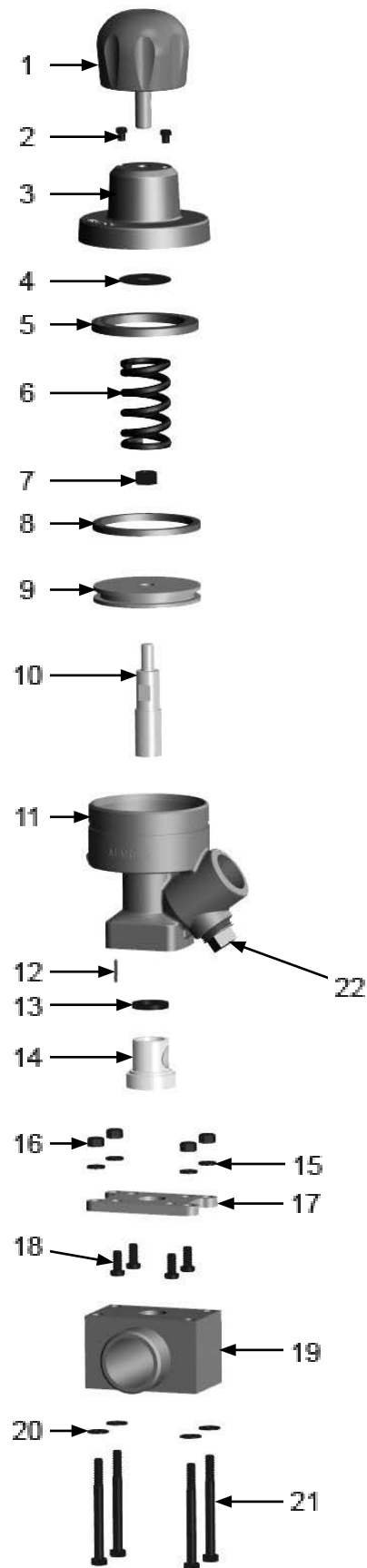
PART NUMBERS AND SCHEMATICS GUIDE

Blastmaster® Maxum III Abrasive Metering Valve – Urethane Sleeve – 2"











Item #	Part #	Description
Fig. 4		
—	10105573	2" Blastmaster® Maxum III Abrasive Metering Valve – Urethane Sleeve – Complete
1	10101969	Knob
2	1012905	1/8" Breather Muffler <i>(Two Required)</i>
3	1014211	Cap
4	10106831	Vibration Disc
5	1014212	Bump Ring
6	1014213	Spring
7	1014022	1/2-13 Nut
8	1014215	Piston Seal
9	1014216	Piston
10	1014217	Tungsten Carbide Plunger
11	10101772	Body
12	1014240	3/32" x 3/8" Groove Pin
13	10103977	Heavy-Duty Plunger Seal
14	1014229	Urethane Sleeve
15	10101936	3/8" Washer <i>(Four Required)</i>
16	10101938	3/8-16 Hex Nut <i>(Four Required)</i>
17	10105568	Adapter Plate
18	10105570	3/8-16 x 3/4" Socket Head Cap Screw <i>(Four Required)</i>
19	10105567	2" Base, Through Hardened <i>(For use with 10105573)</i>
20	1014241	3/8" Washer <i>(Four Required)</i>
21	10105569	3/8-16 x 3-3/4" Bolt <i>(Four Required)</i>
22	1011901	1" Square Pipe Plug
—	1014244	Repair Kit with Urethane Sleeve <i>(Includes Item #'s: 8, 10, 13 and 14)</i>
—	1014222	Soft Seal Kit <i>(Includes Item #'s: 8, 13, and 14)</i>
—	1091045	Hazard Identification Tag
—	105M069	Features and Specifications Guide – Blastmaster® Maxum III Abrasive Metering Valve
—	106M069	Part Numbers and Schematics Guide – Blastmaster® Maxum III Abrasive Metering Valve
—	1090069	Operator's Manual – Blastmaster® Maxum III Abrasive Metering Valve

PART NUMBERS AND SCHEMATICS GUIDE

Figure 4: Blastmaster® Maxum III Abrasive Metering Valve – Urethane Sleeve – 2"



OPTIONAL ACCESSORIES

		TANK COUPLINGS		
Part Numbers		Threads	Material	Coupling Style
	10SB1S	1-1/4" NPS	Brass	Standard
	10SB1	1-1/4" NPT	Brass	Standard
	10IRSB1	1-1/4" NPT	Iron	Standard
	10SB2S	1-1/2" NPS	Brass	Standard
	10SB2	1-1/2" NPT	Brass	Standard
	10IRSB2	1-1/2" NPT	Iron	Standard
	10SA3X	1-1/2" NPT	Aluminum	Oversized
	10SB3X	1-1/2" NPT	Brass	Oversized
	10SA4X	2" NPT	Aluminum	Oversized
	10SB4X	2" NPT	Brass	Oversized

GLOBAL HEADQUARTERS

- 3425 East Locust Street
Davenport, IA 52803

ph: 800.BLAST.IT (800.252.7848)
ph: 563.324.2519
fax: 563.324.6258

REGIONAL BRANCH OFFICES

- **Iowa**
Davenport
- **Louisiana**
Gonzales
Harvey
Lafayette
- **Ohio**
Youngstown
- **Texas**
Beaumont
Corpus Christi
Deer Park



ABRASIVES

BLASTING

COATING

DUST COLLECTORS

ENGINEERED SYSTEMS

RENTAL

SAFETY

SERVICE, REPAIR, & MODERNIZATION

VACUUMS

40+ NATIONWIDE SHIPPING LOCATIONS



★ Marco Regional Branch Offices and Shipping Locations ● Direct Shipping Locations

CONTACT MARCO

800.BLAST.IT
(800.252.7848)
563.324.2519
FAX: 563.324.6258

WWW.MARCO.US
SALES@MARCO.US